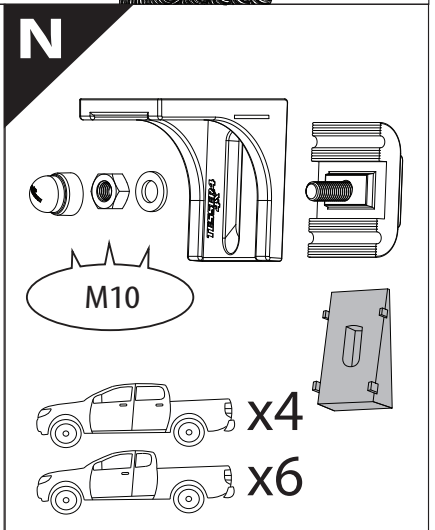
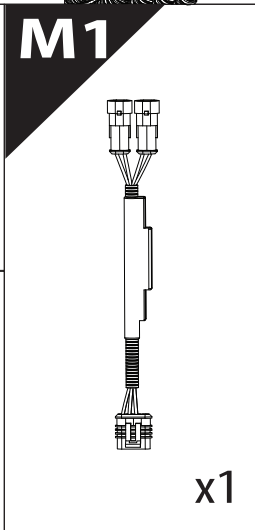
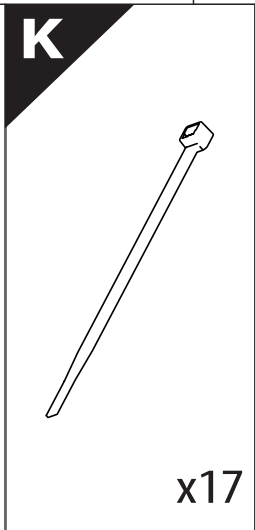
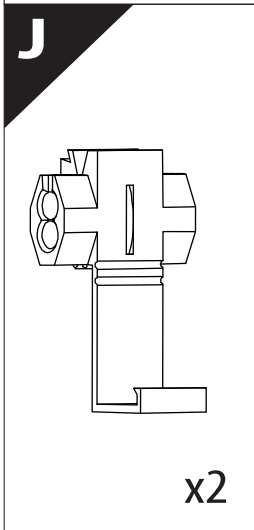
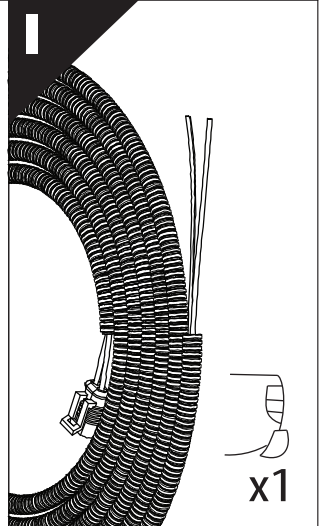
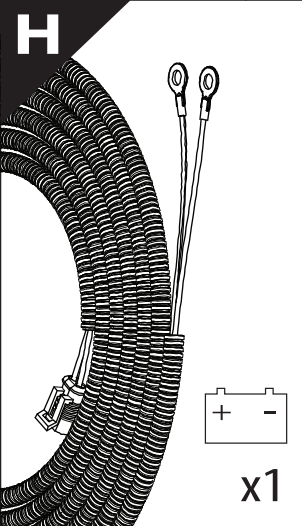
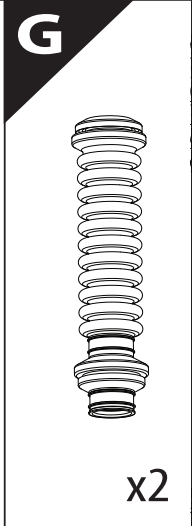
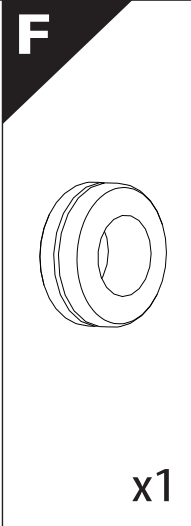
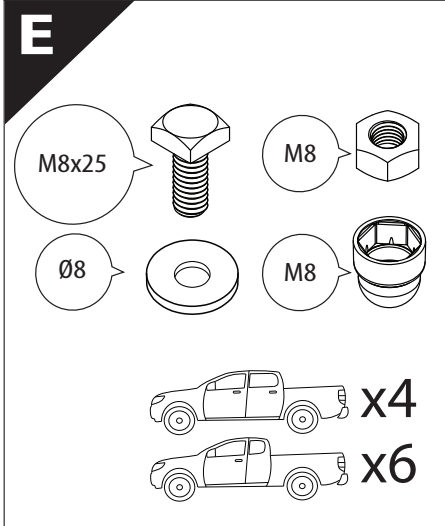
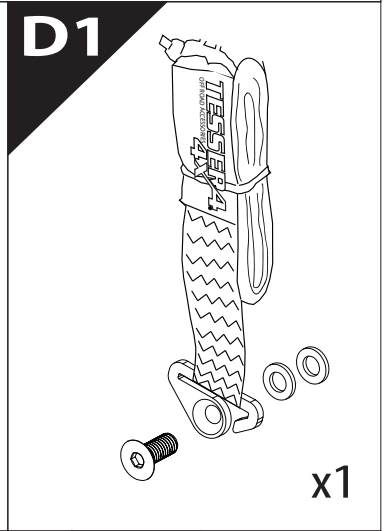
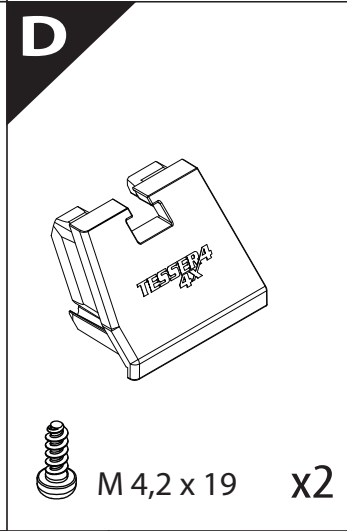
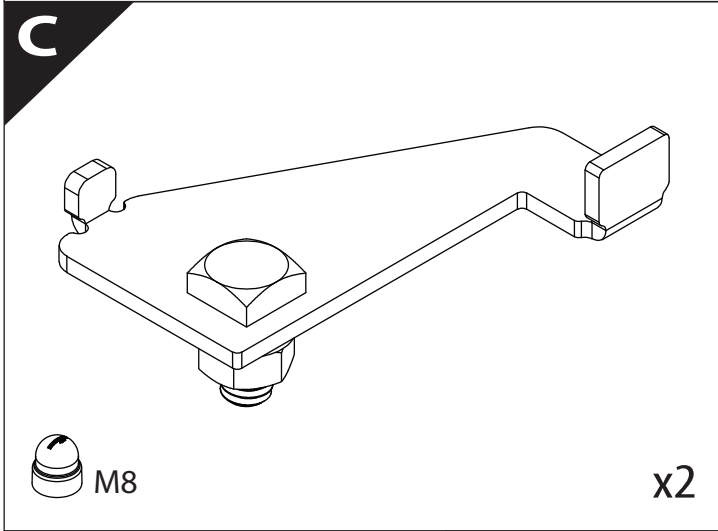
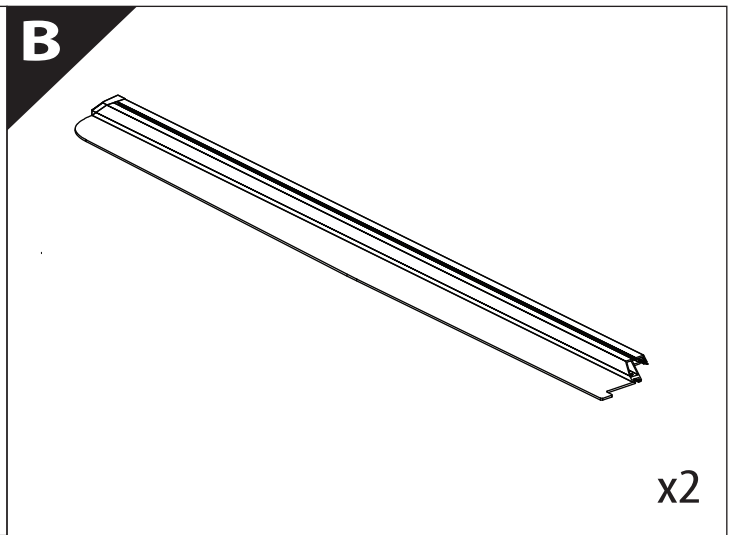
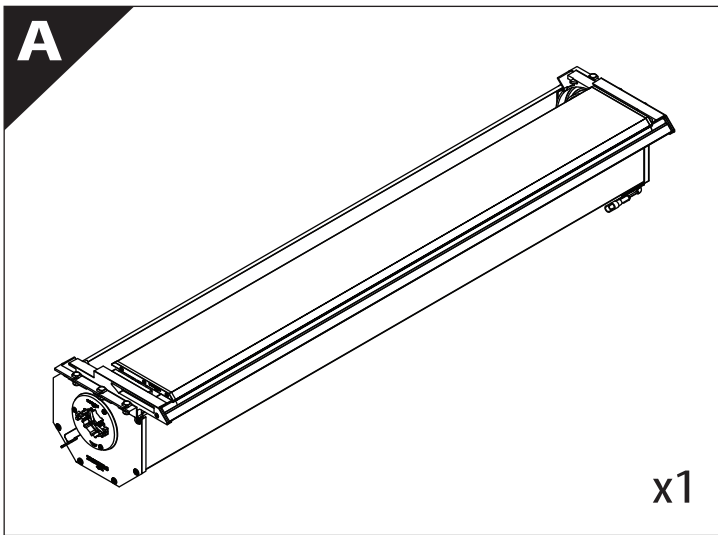
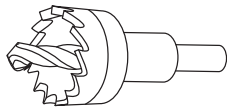


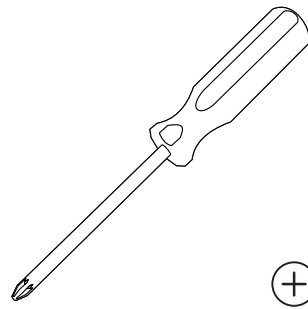
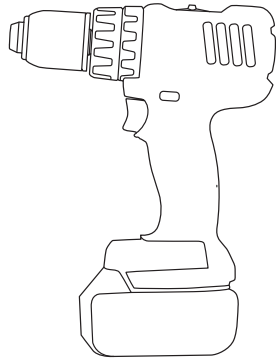
Installation Manual

PART NUMBER(S)	Model Year
TESS-1416 ROLL	Toyota Hilux (Revo) 2016+
TESS-1417 ROLL	
Cab(s)	Installation Time / Weight
Double Cab & Space cab	40-60 minutes / 53-57 kg

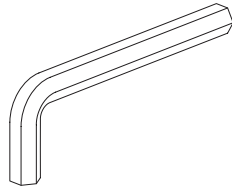
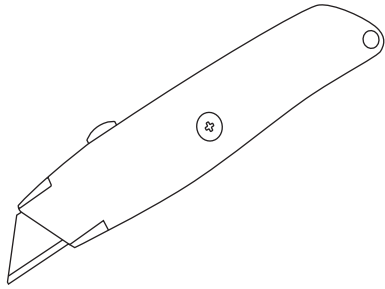
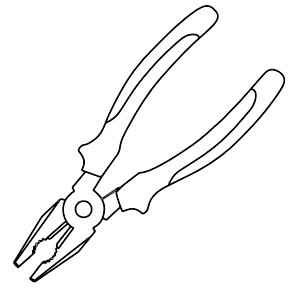




Ø 25 mm / Ø 40 mm

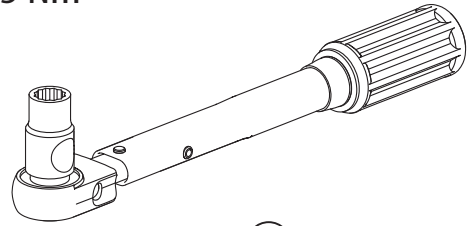


+



4 mm

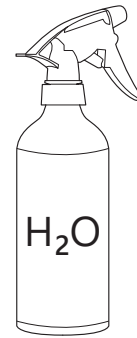
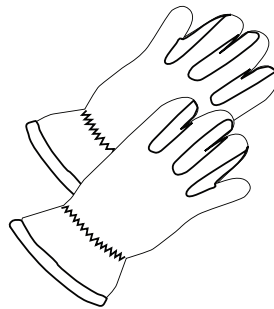
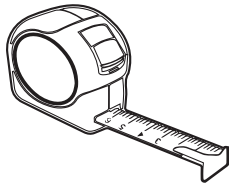
1 - 25 Nm



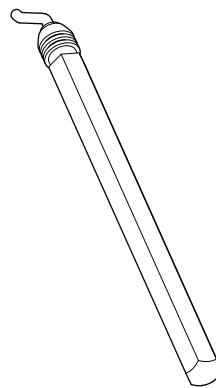
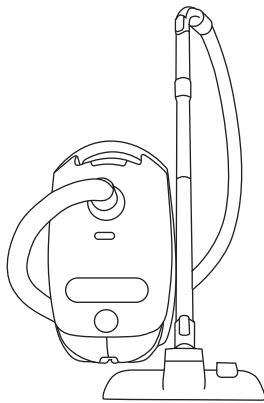
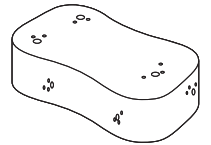
10, 12, 13, 17 mm



ACETONE



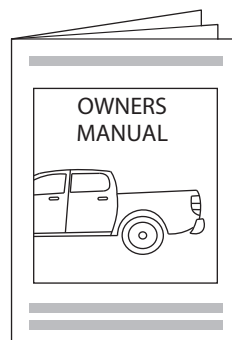
H₂O



ANTI-RUST

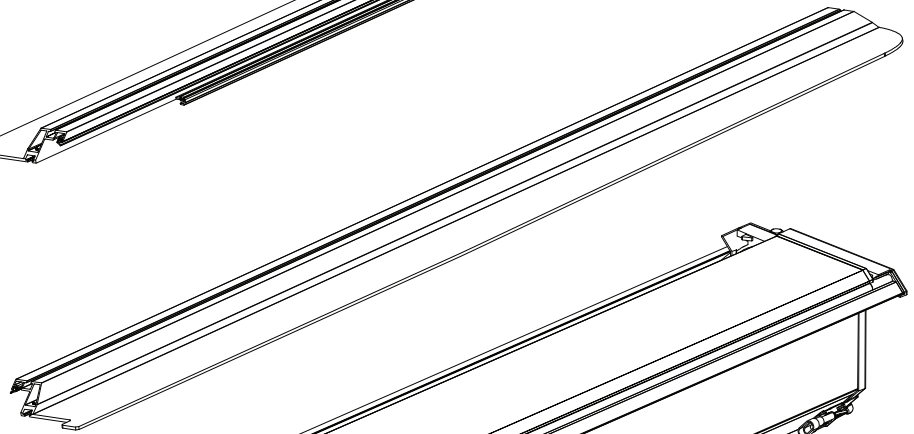
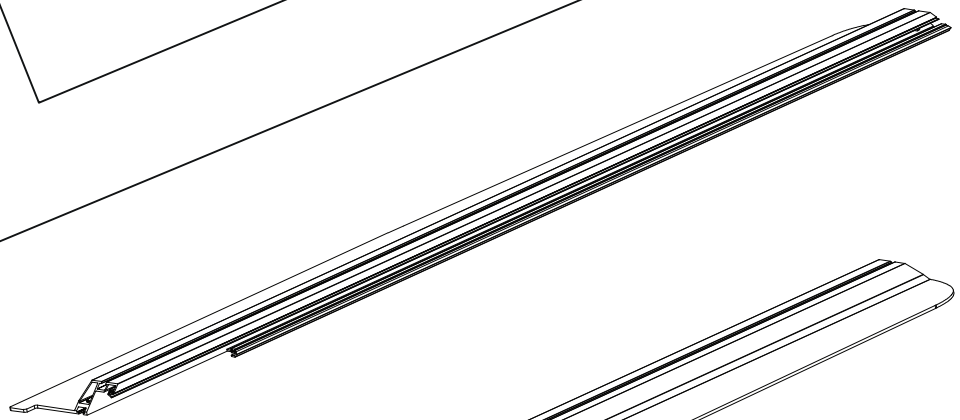
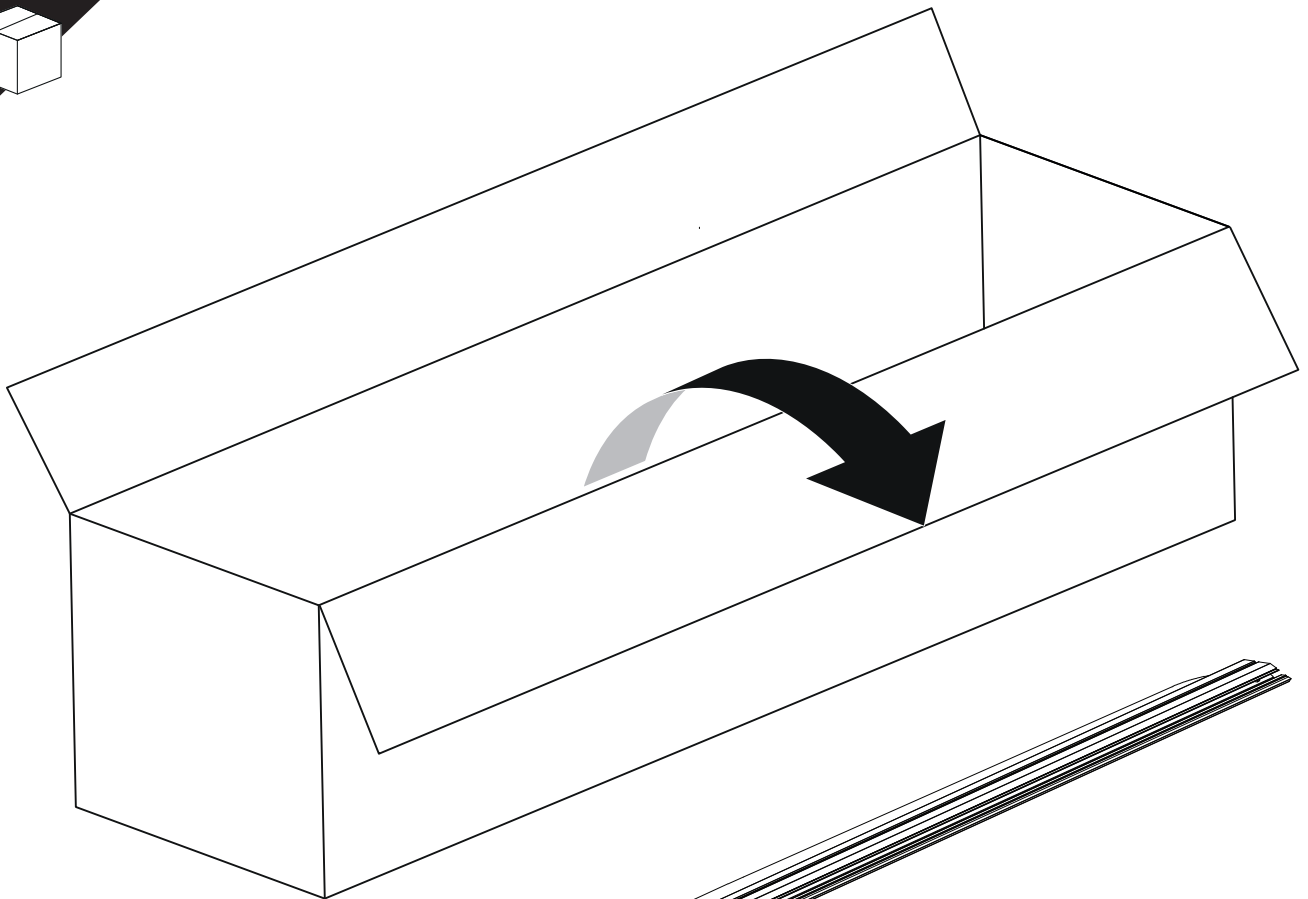


INSTALLATION
MANUAL

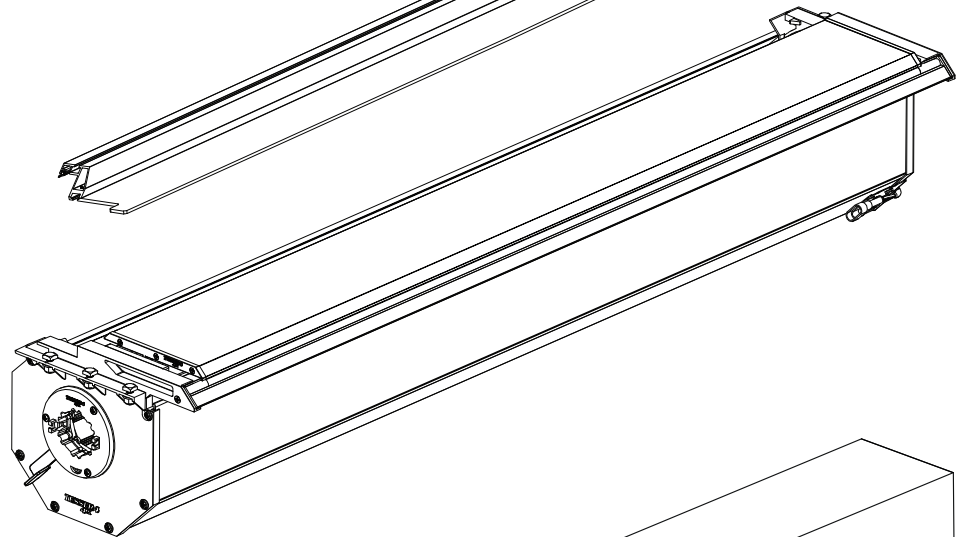


OWNERS
MANUAL

x1

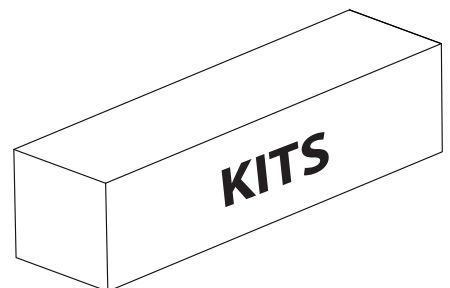


B

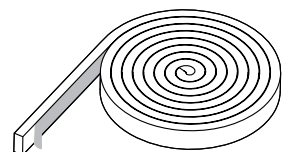


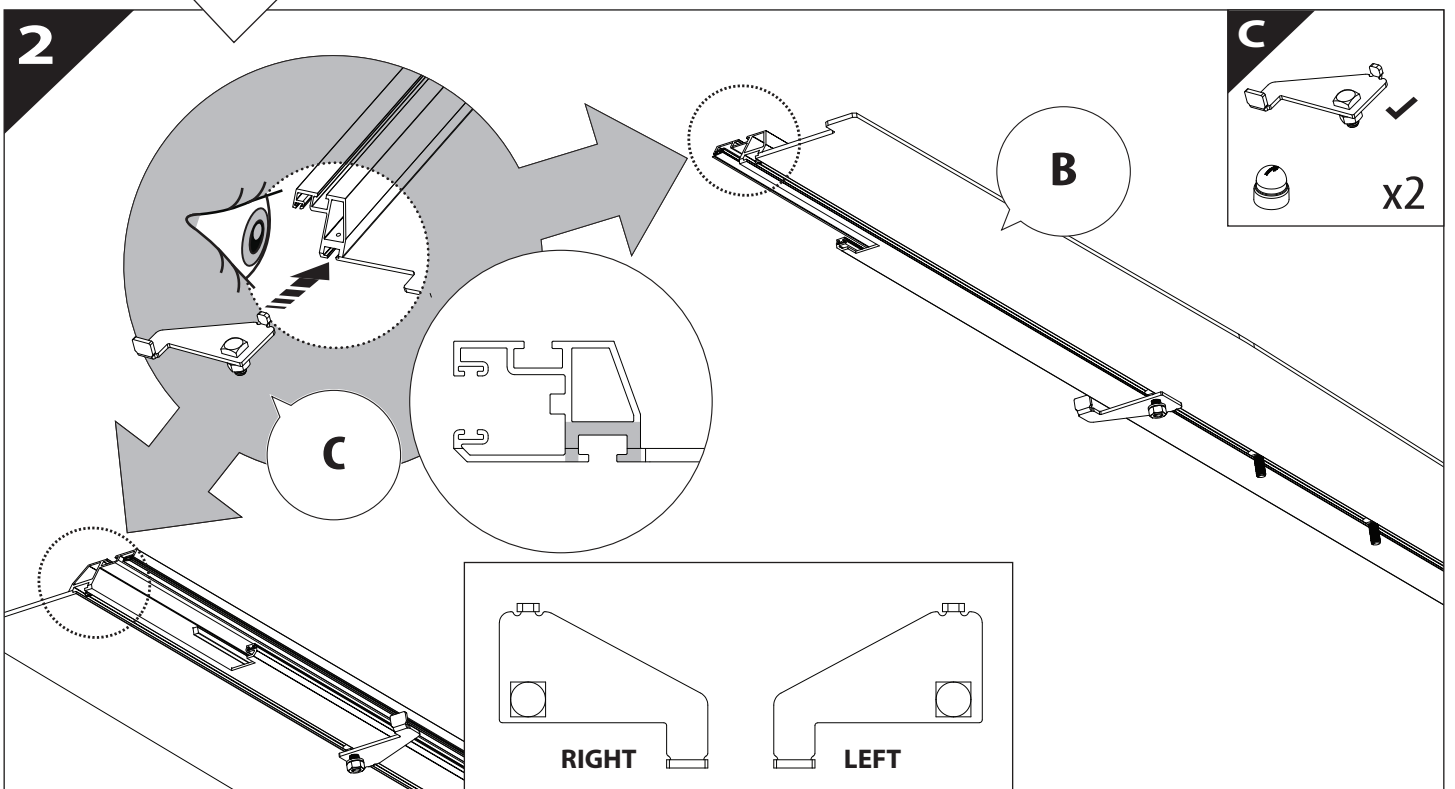
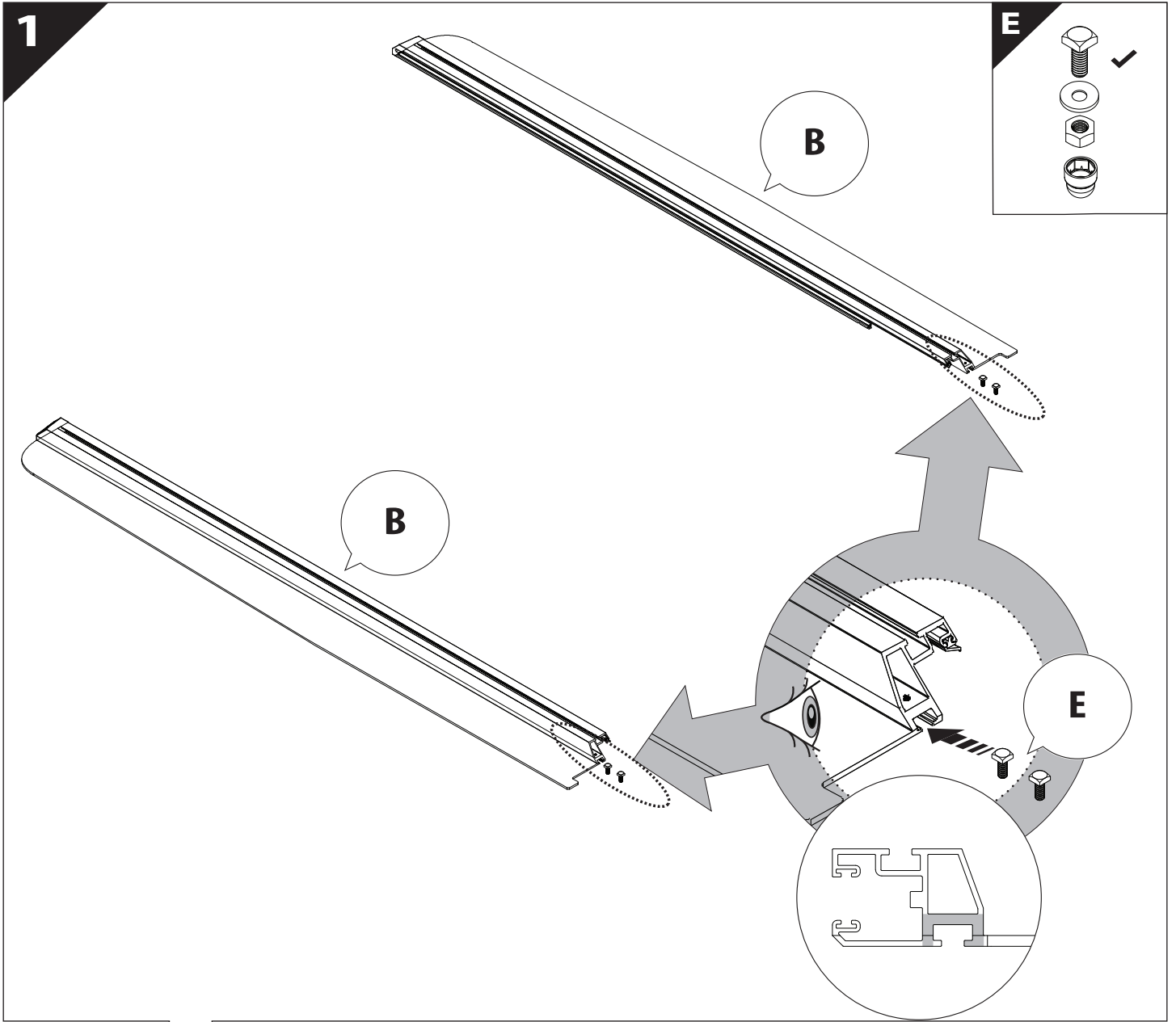
A

KITS

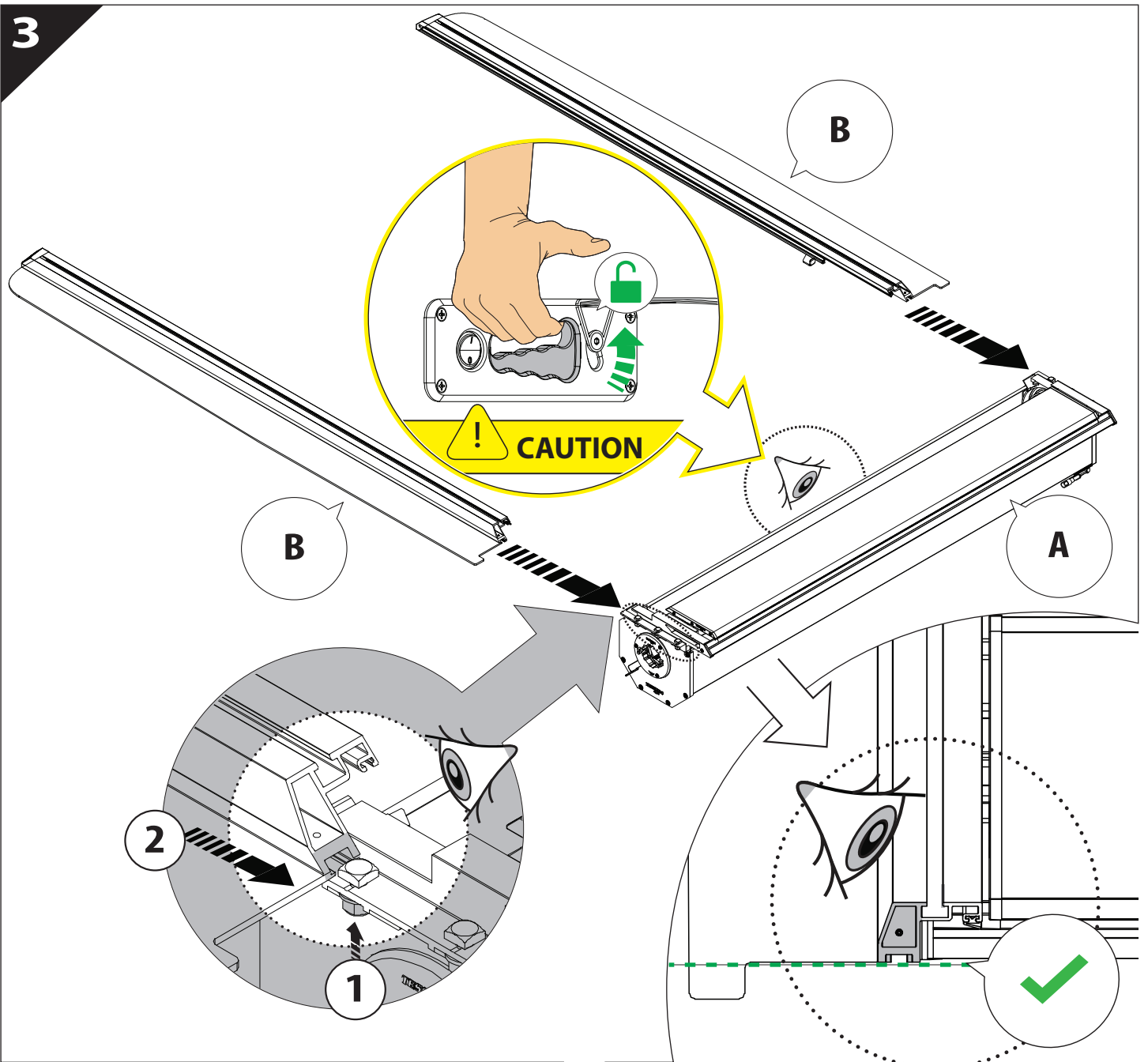


L

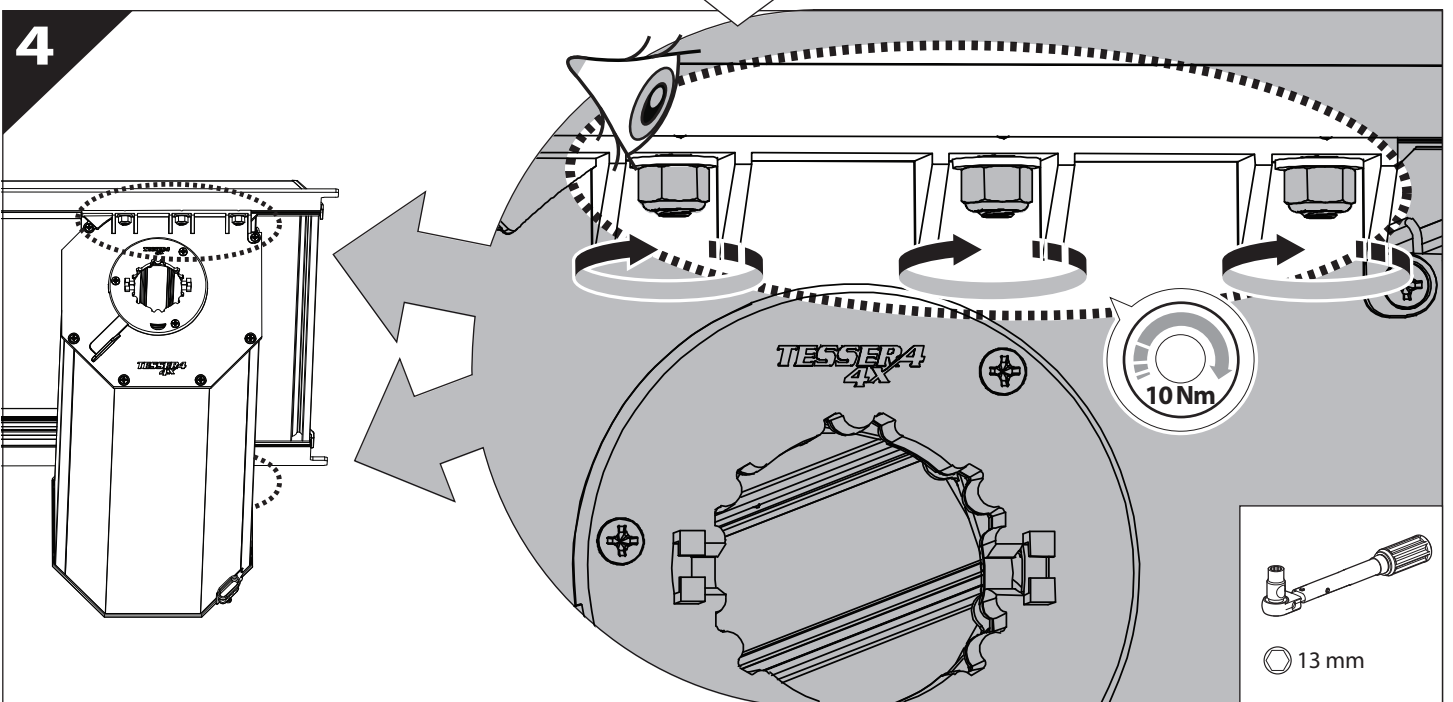


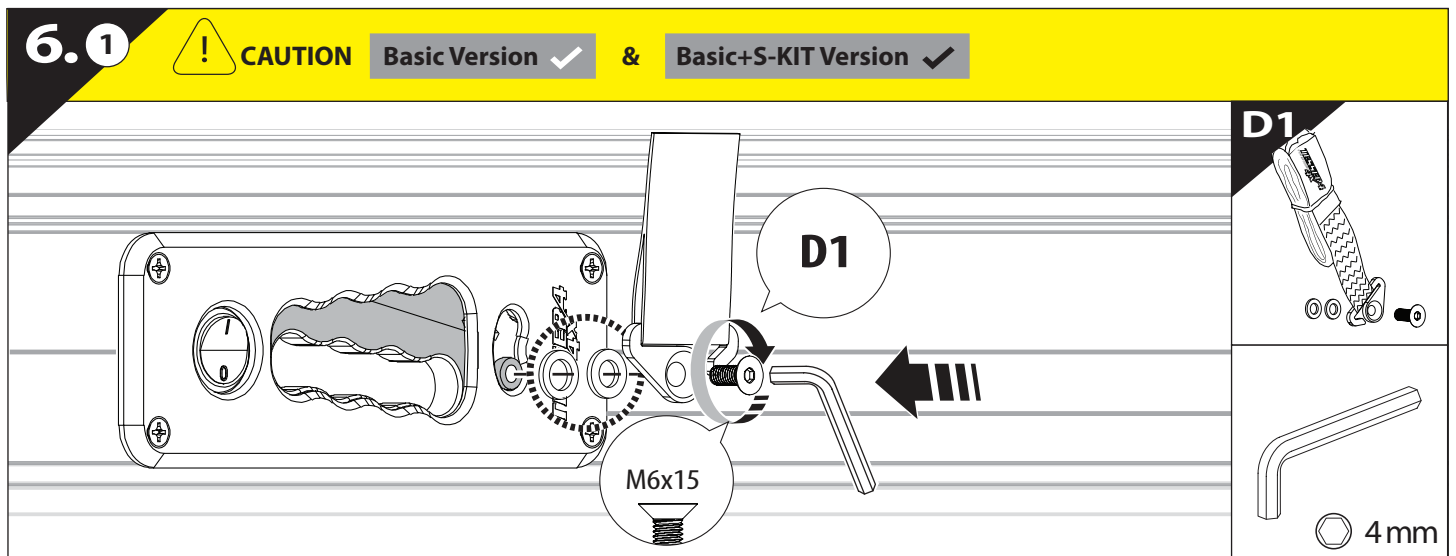
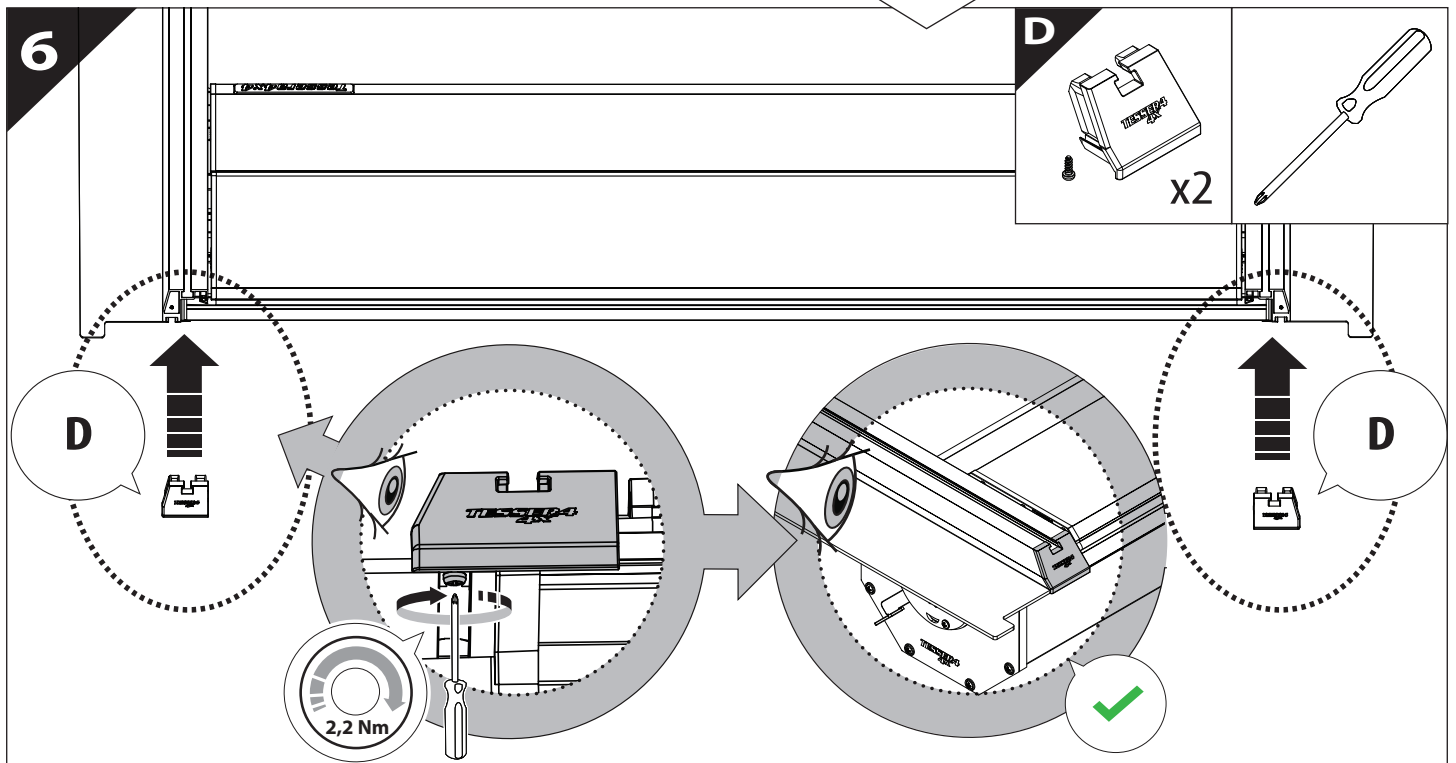
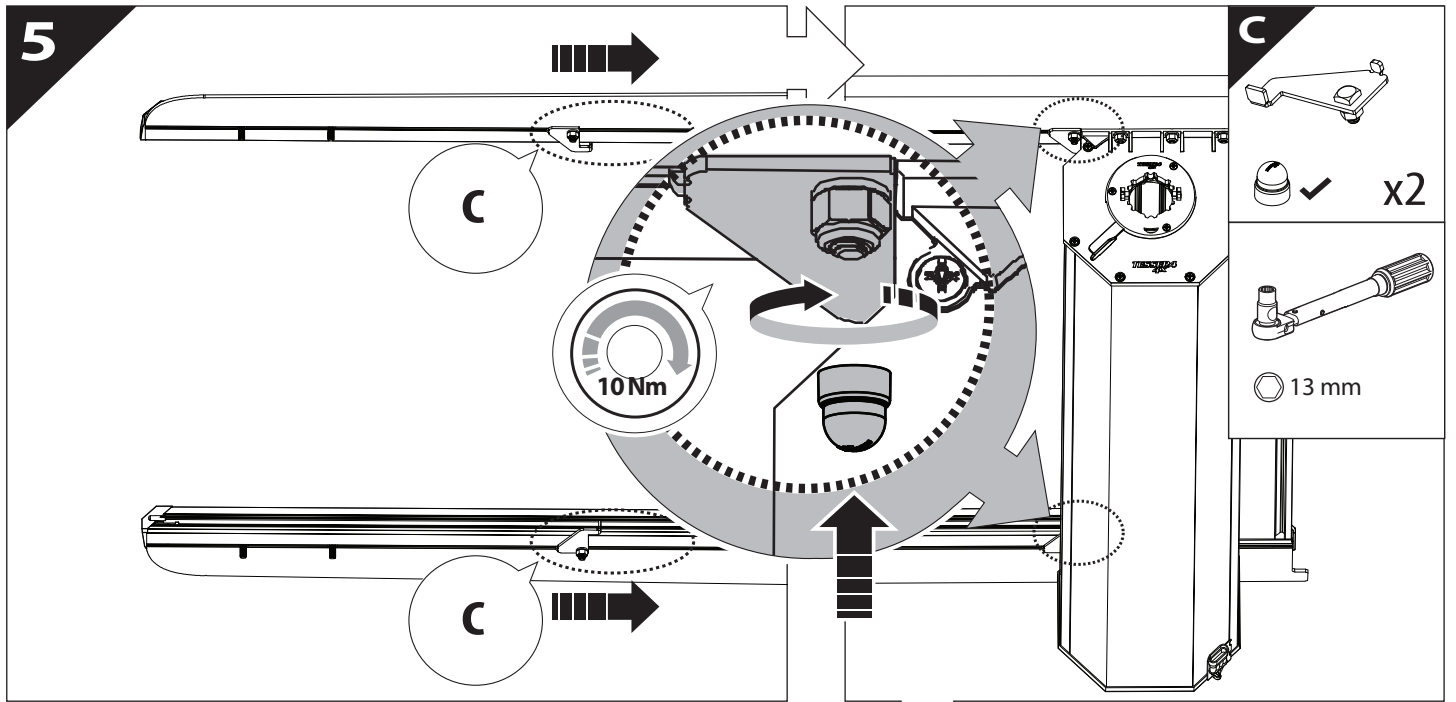


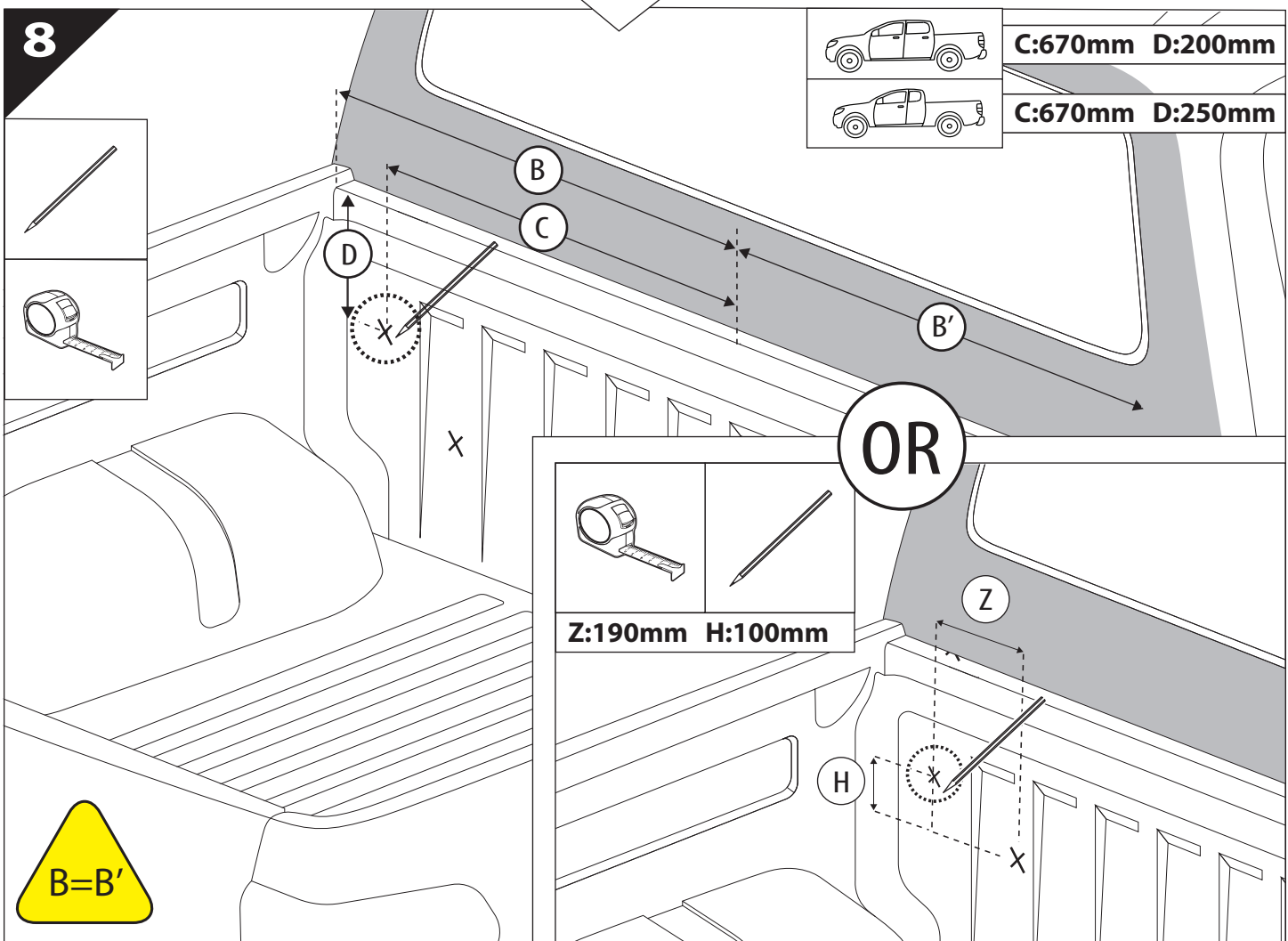
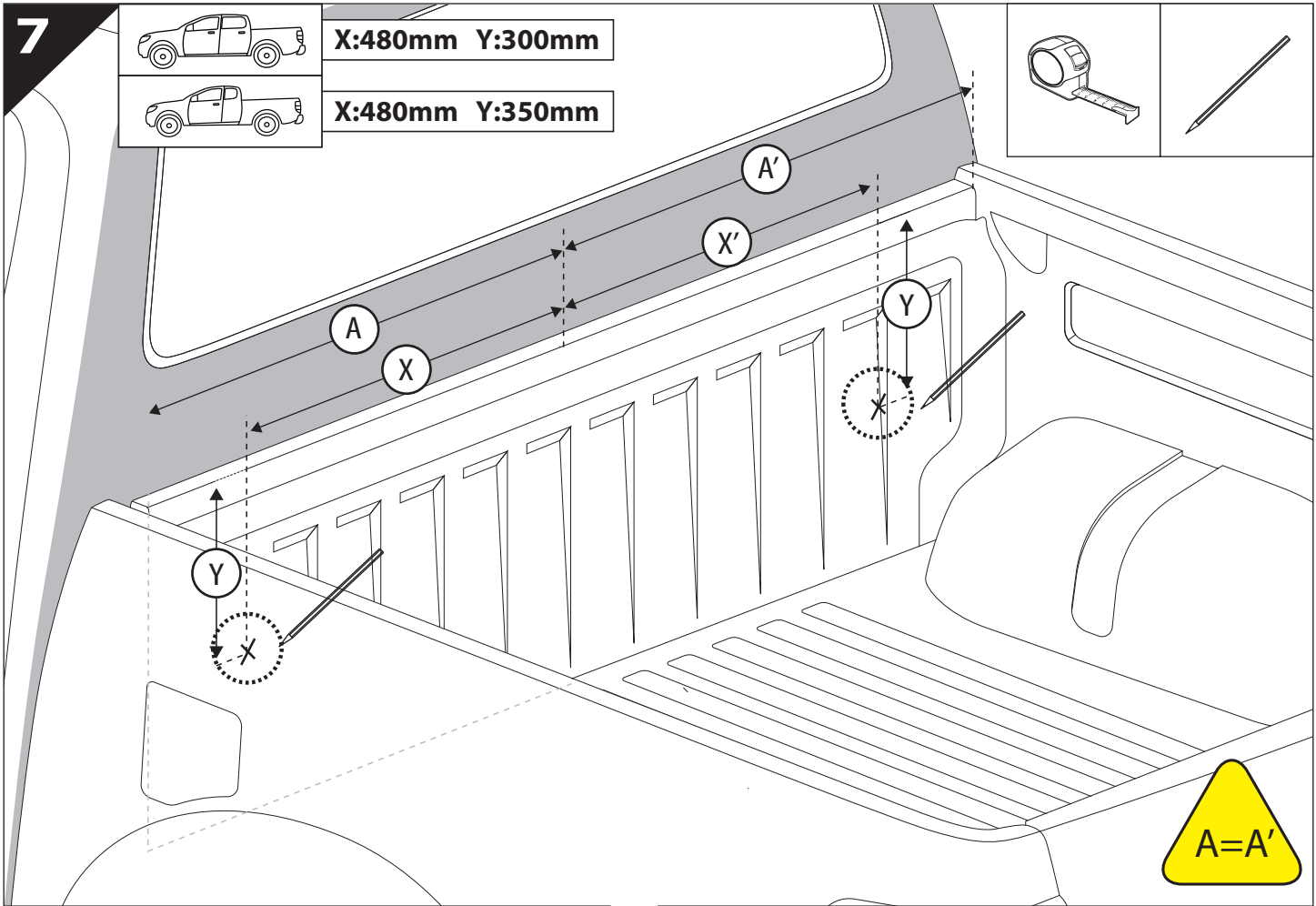
3

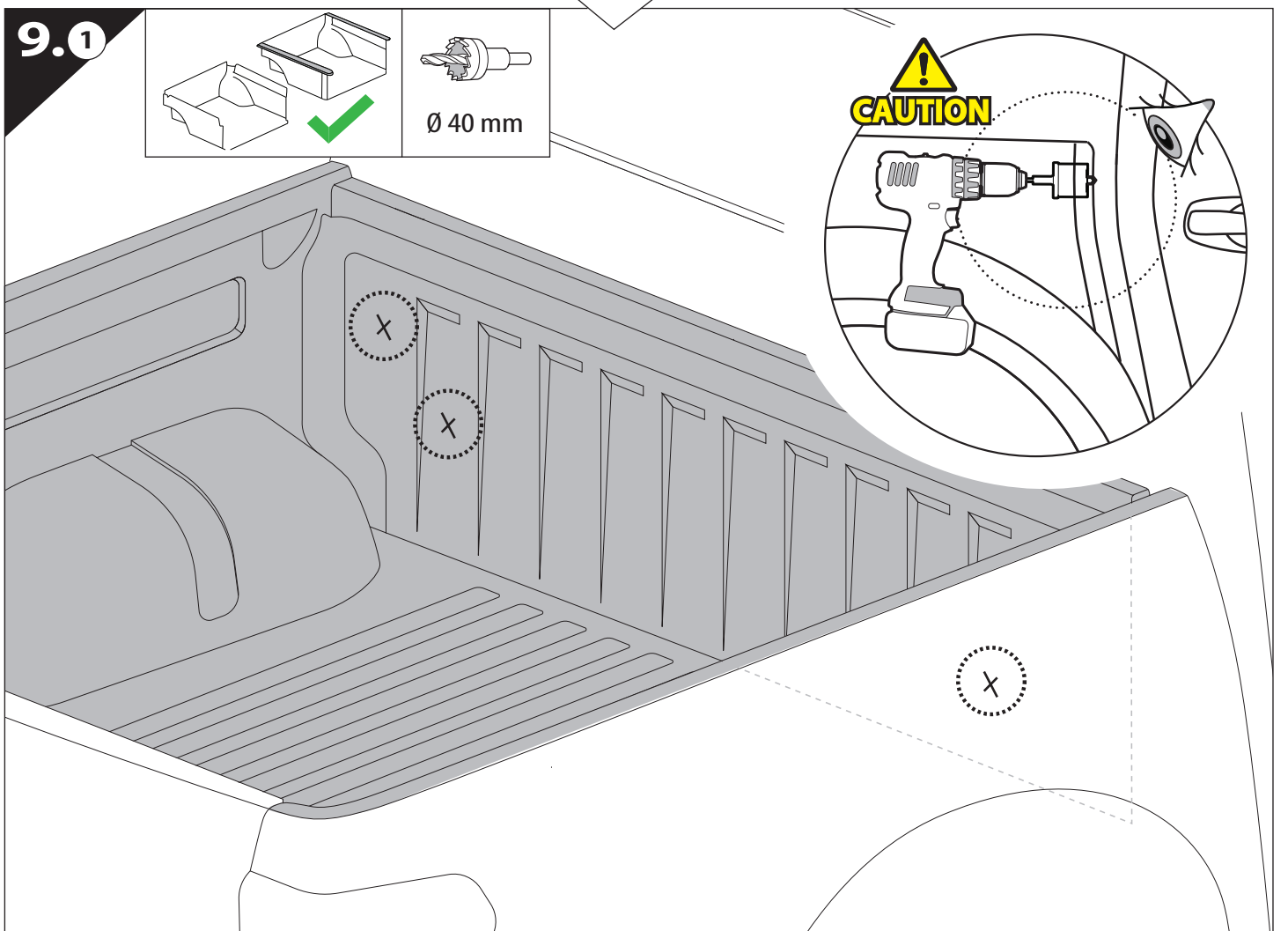
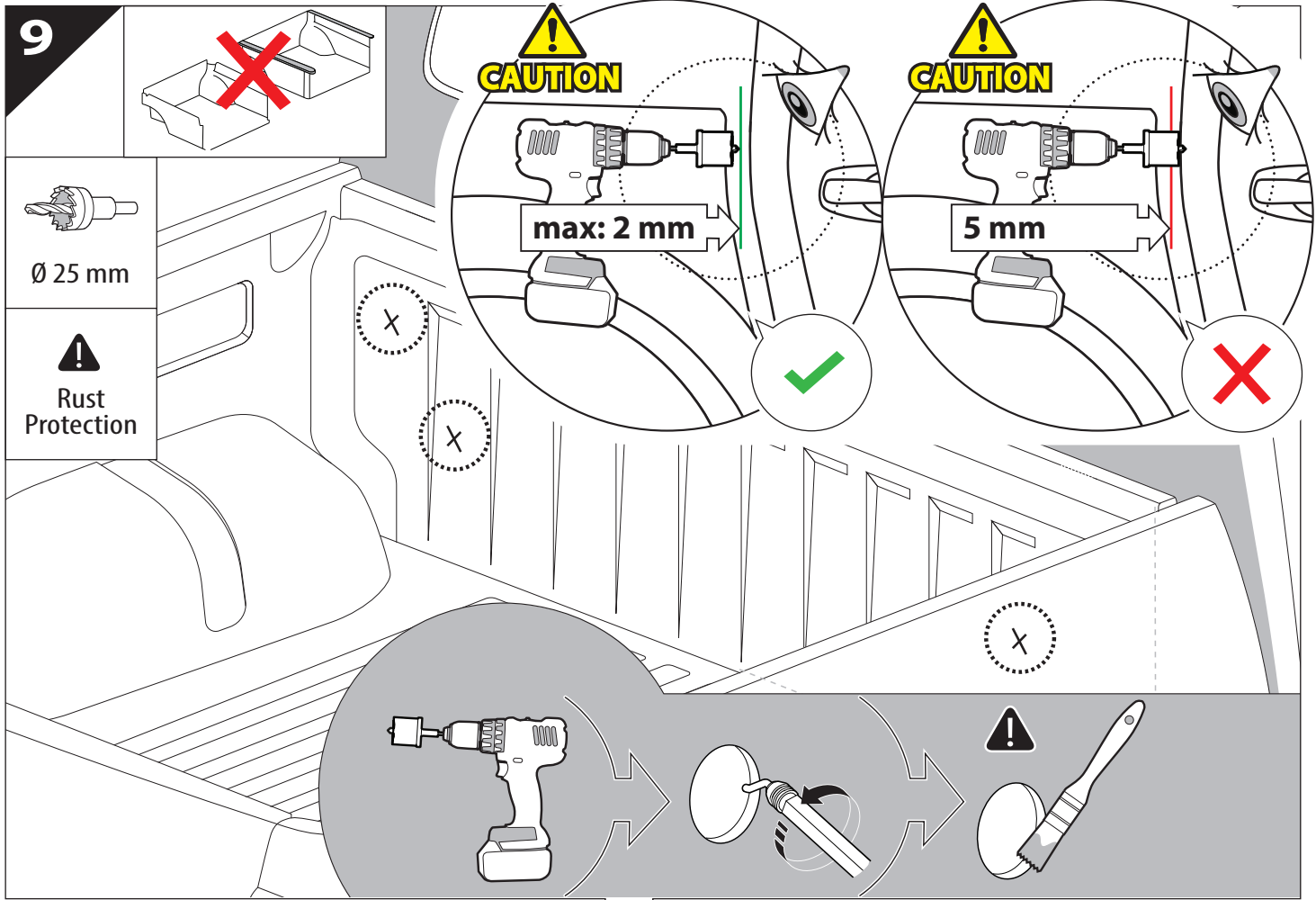


4

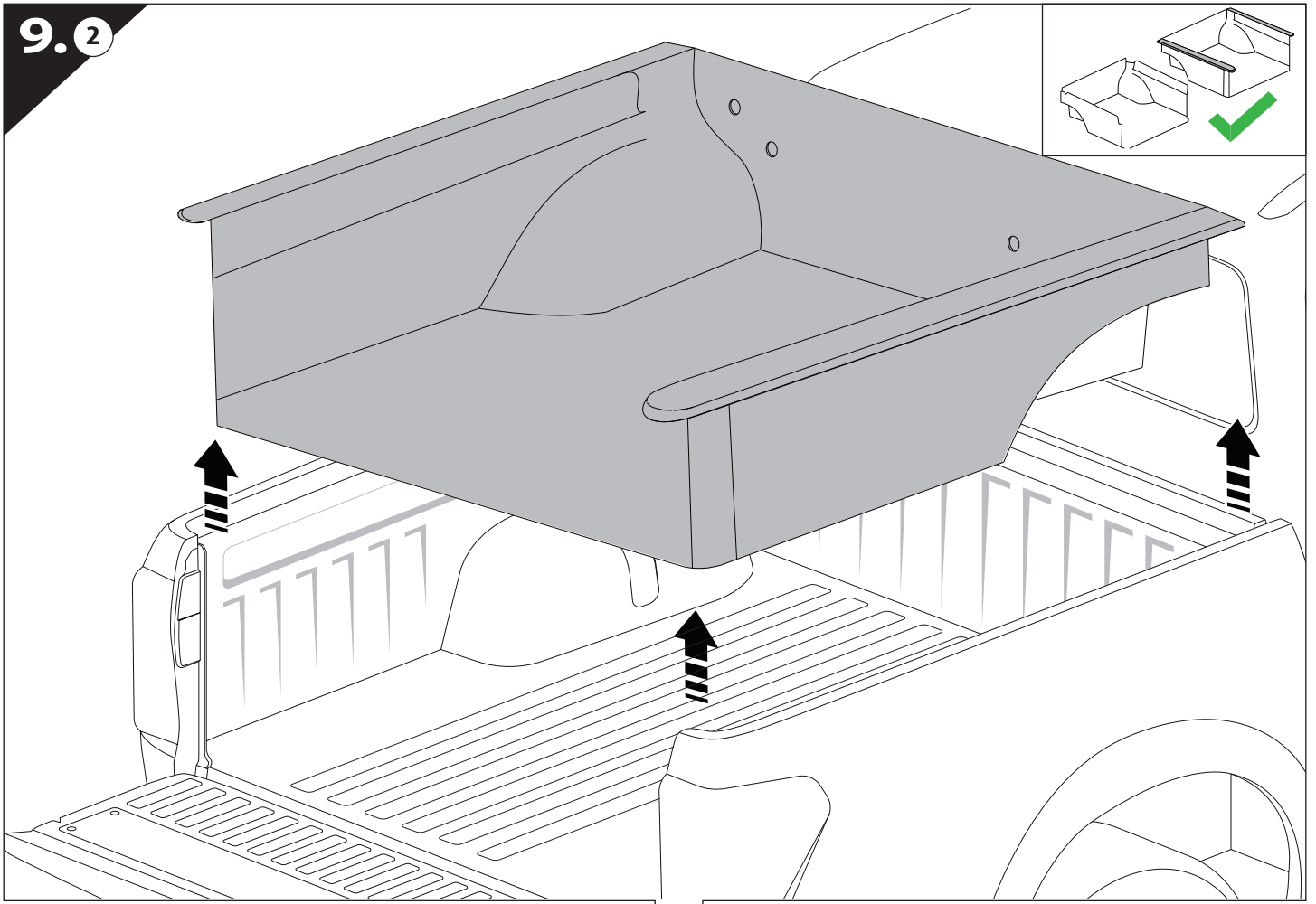




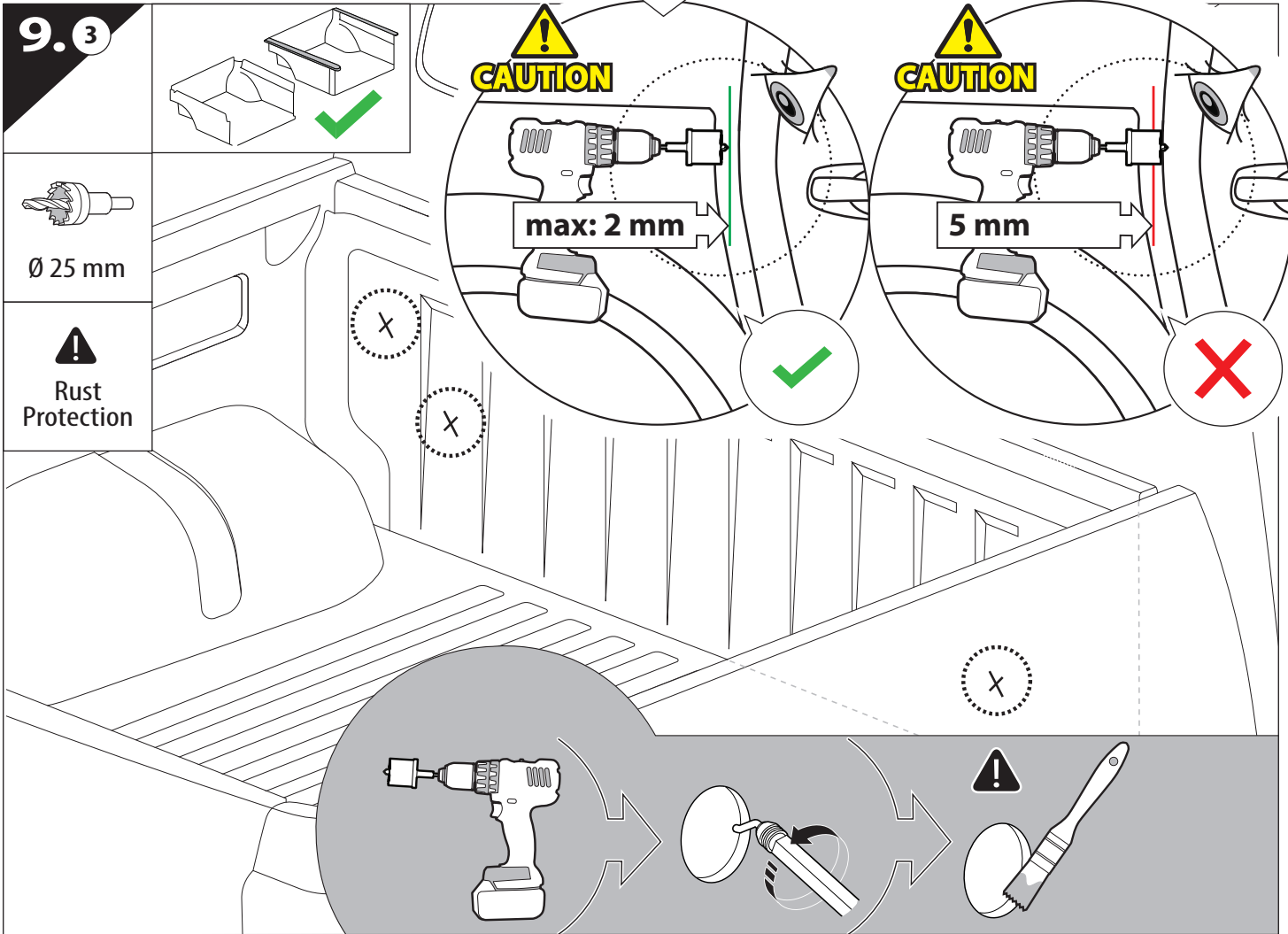


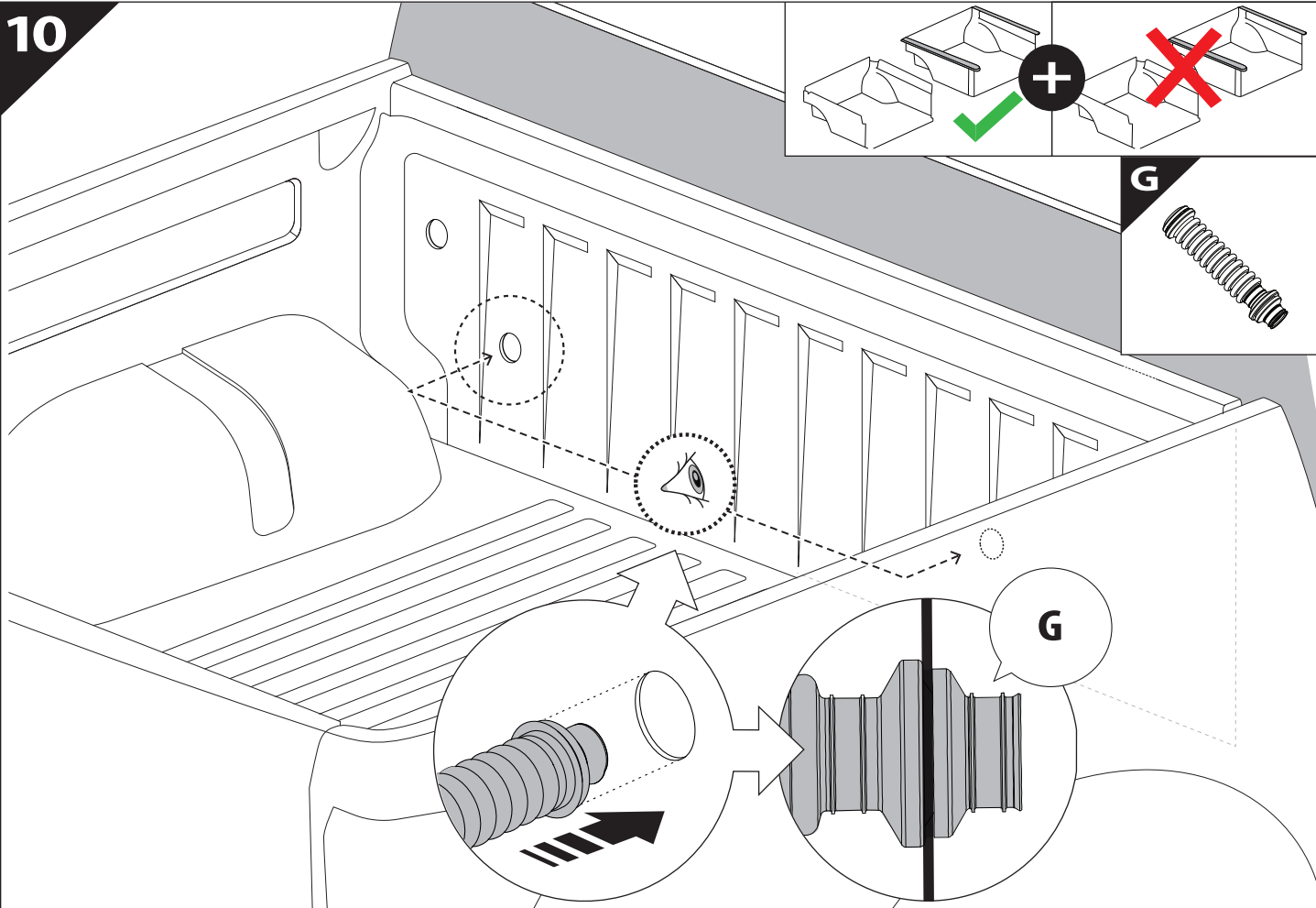


9.2



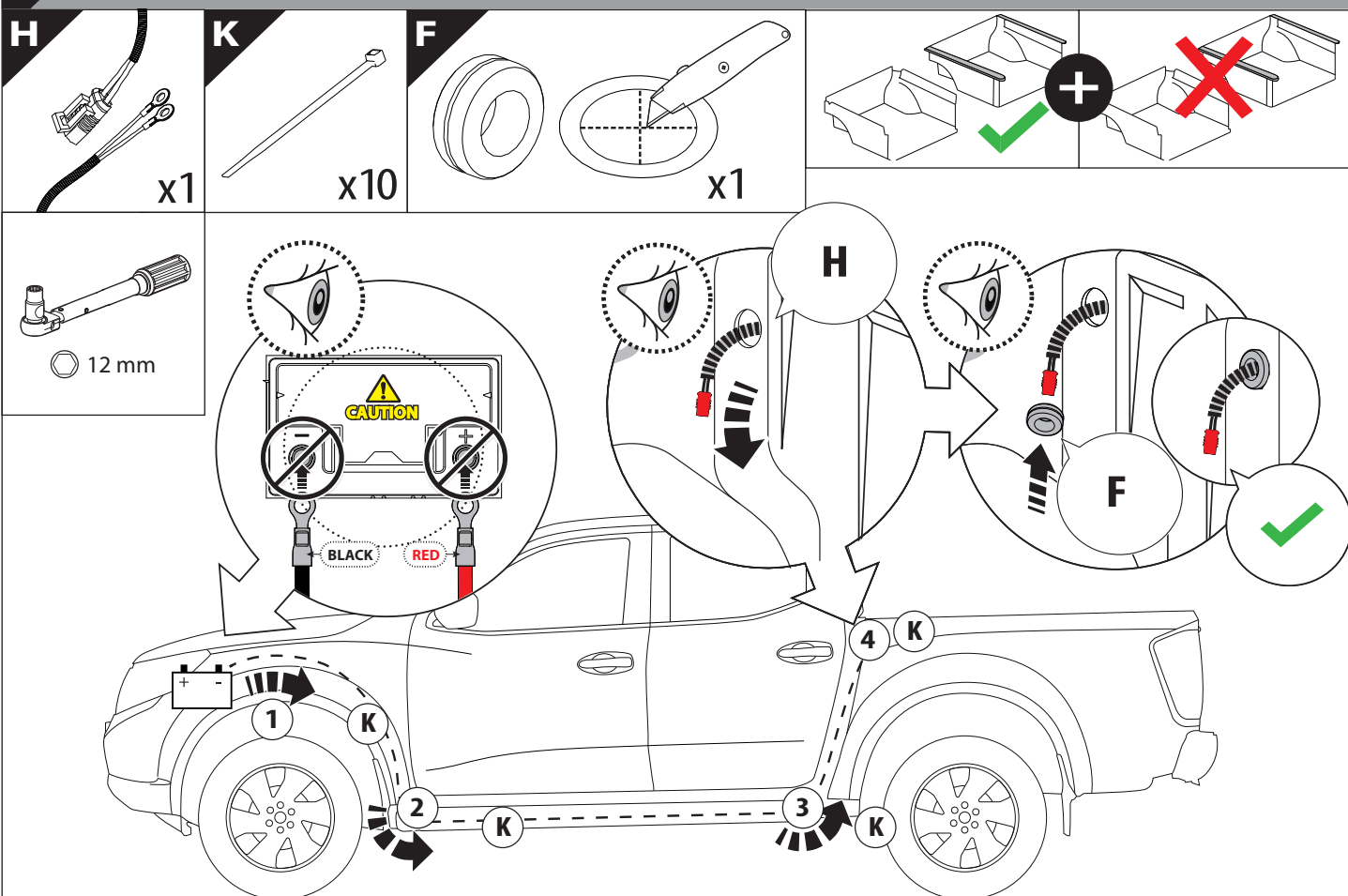
9.3



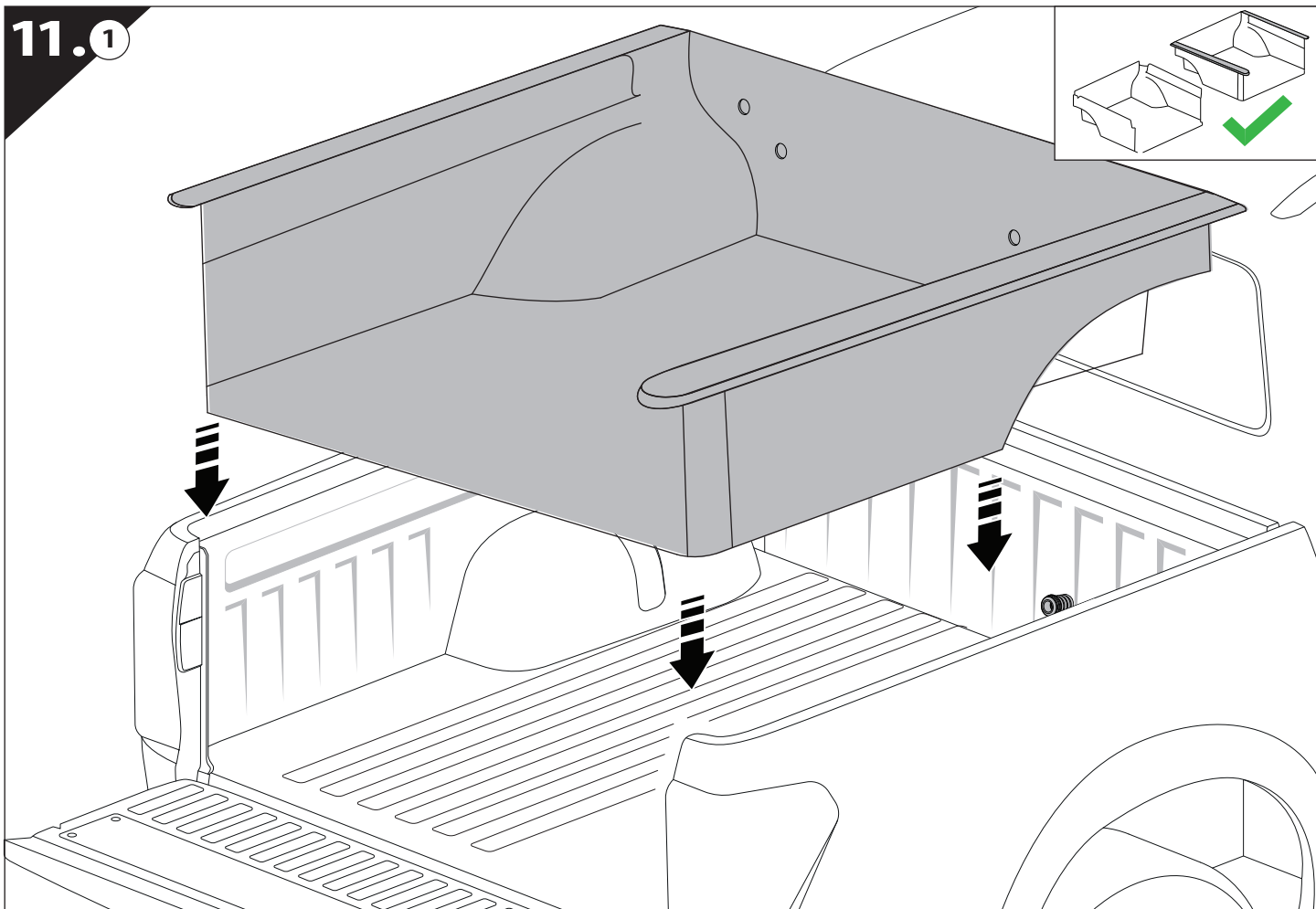


11

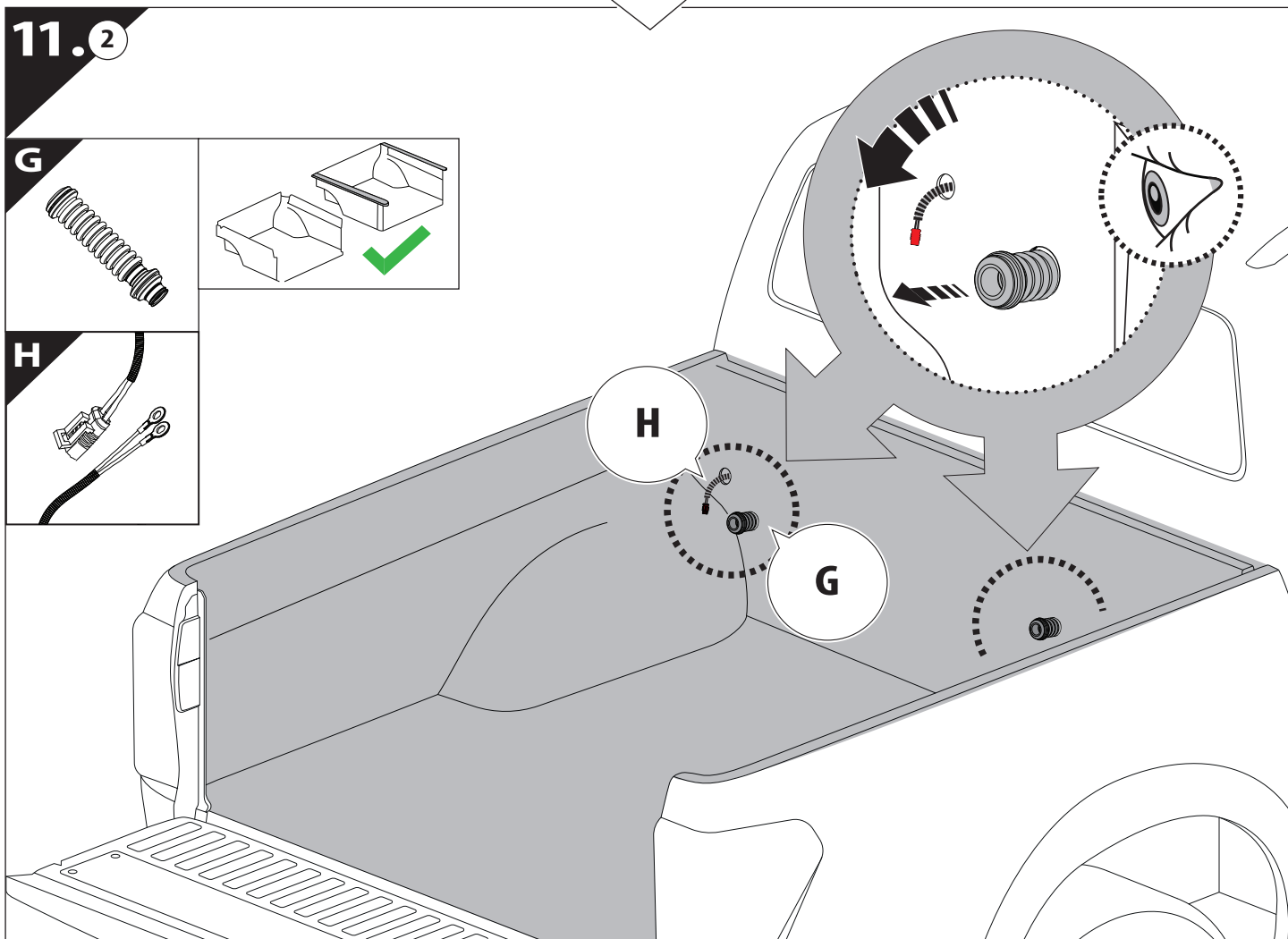
Only to be installed by authorized personnel



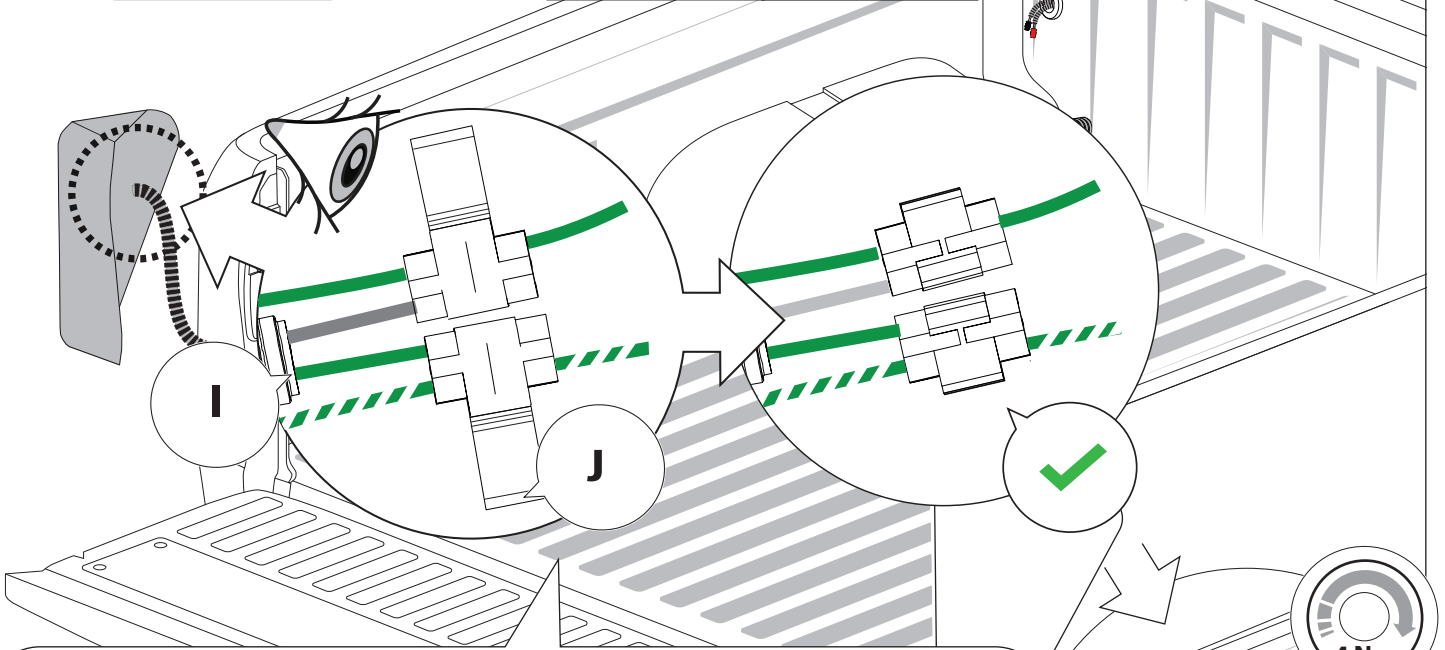
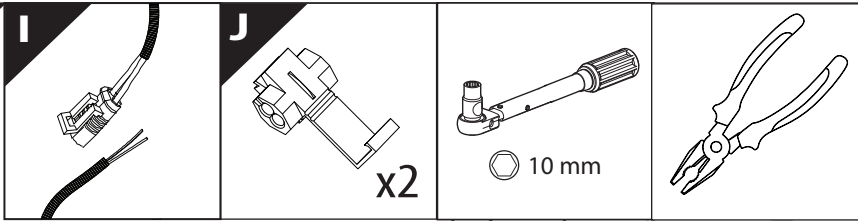
11.1



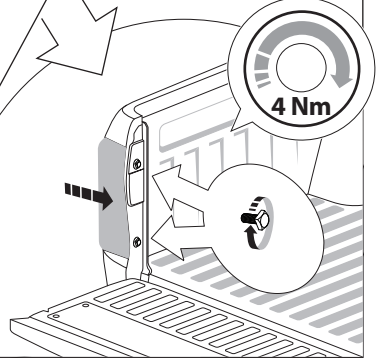
11.2



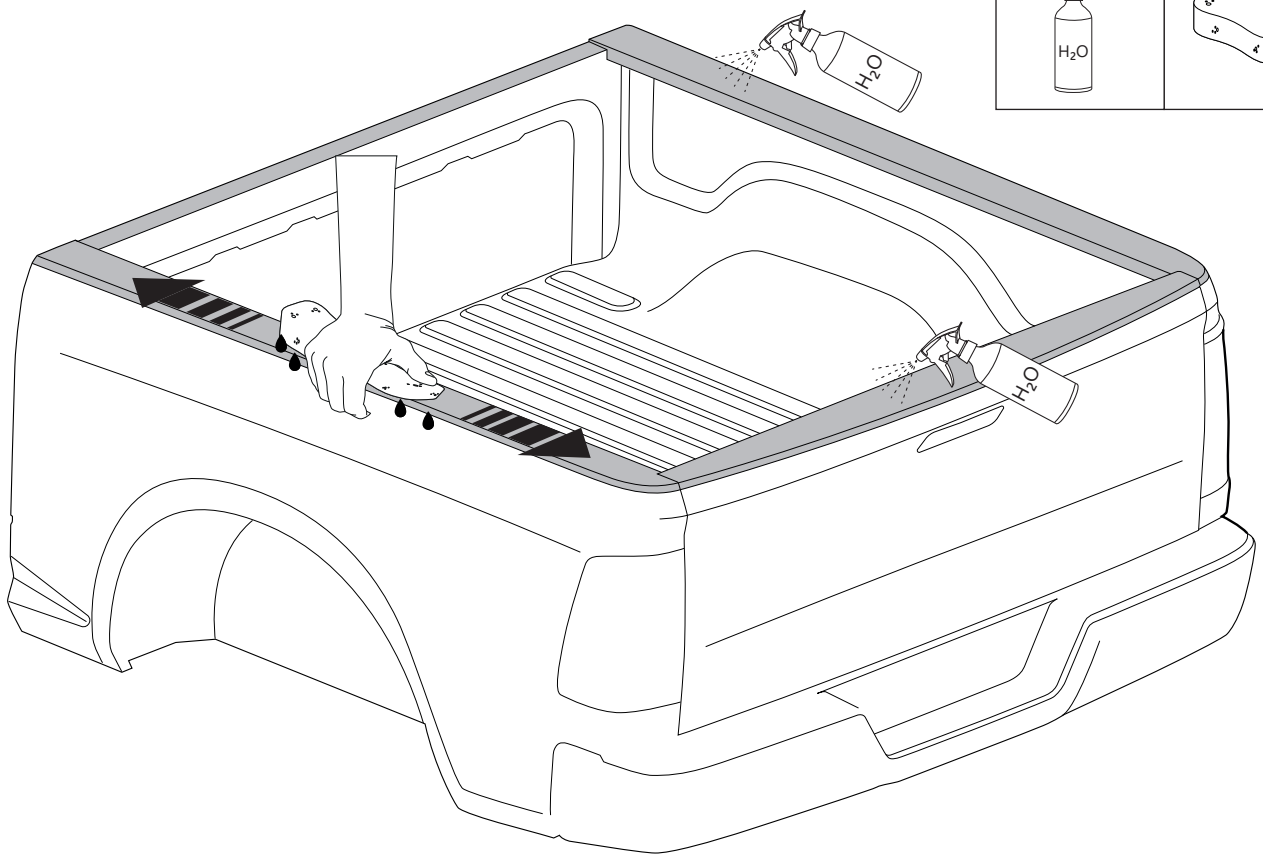
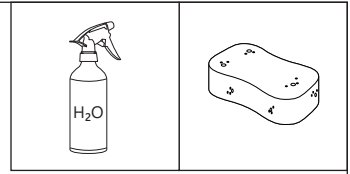
14

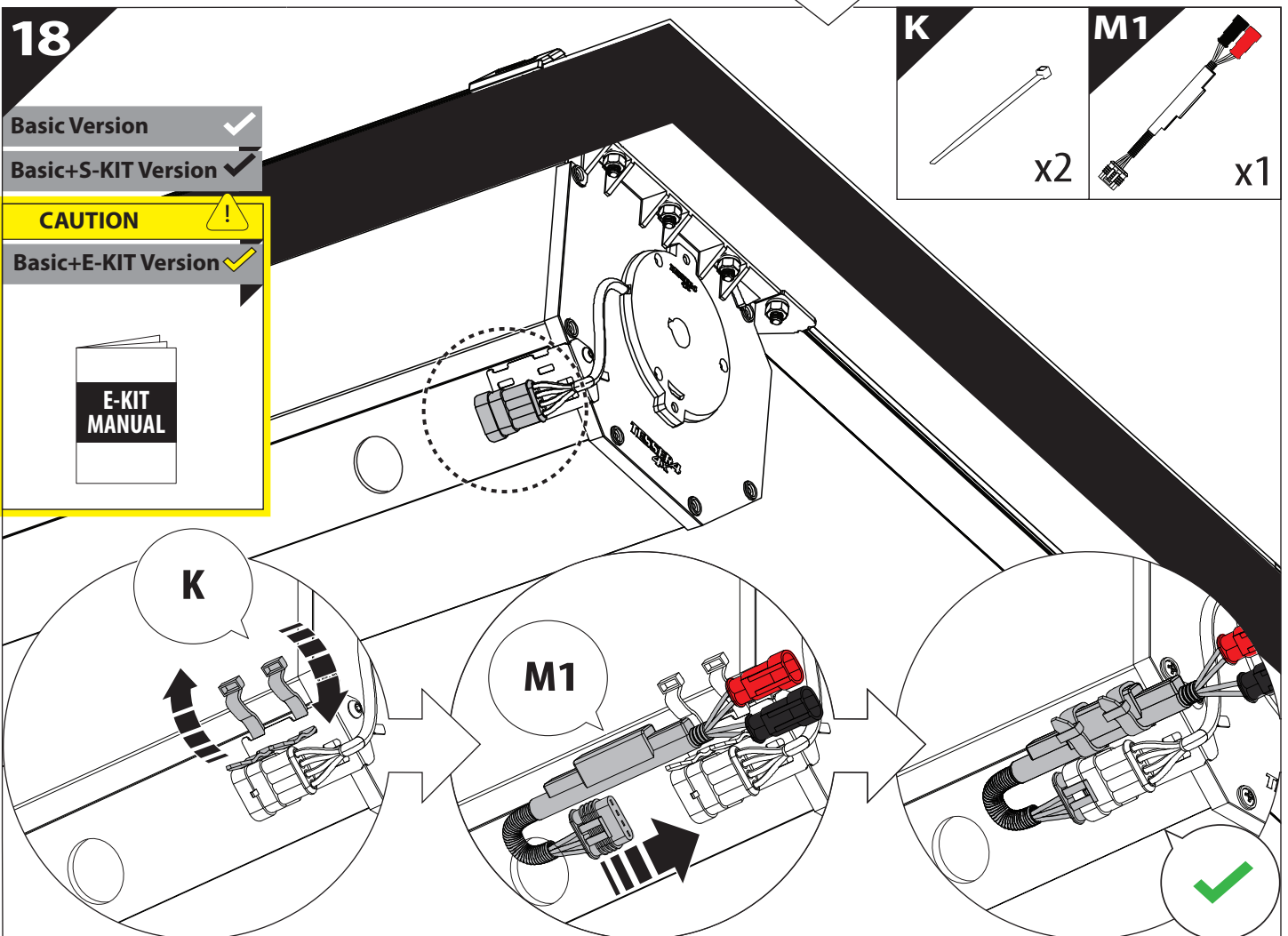
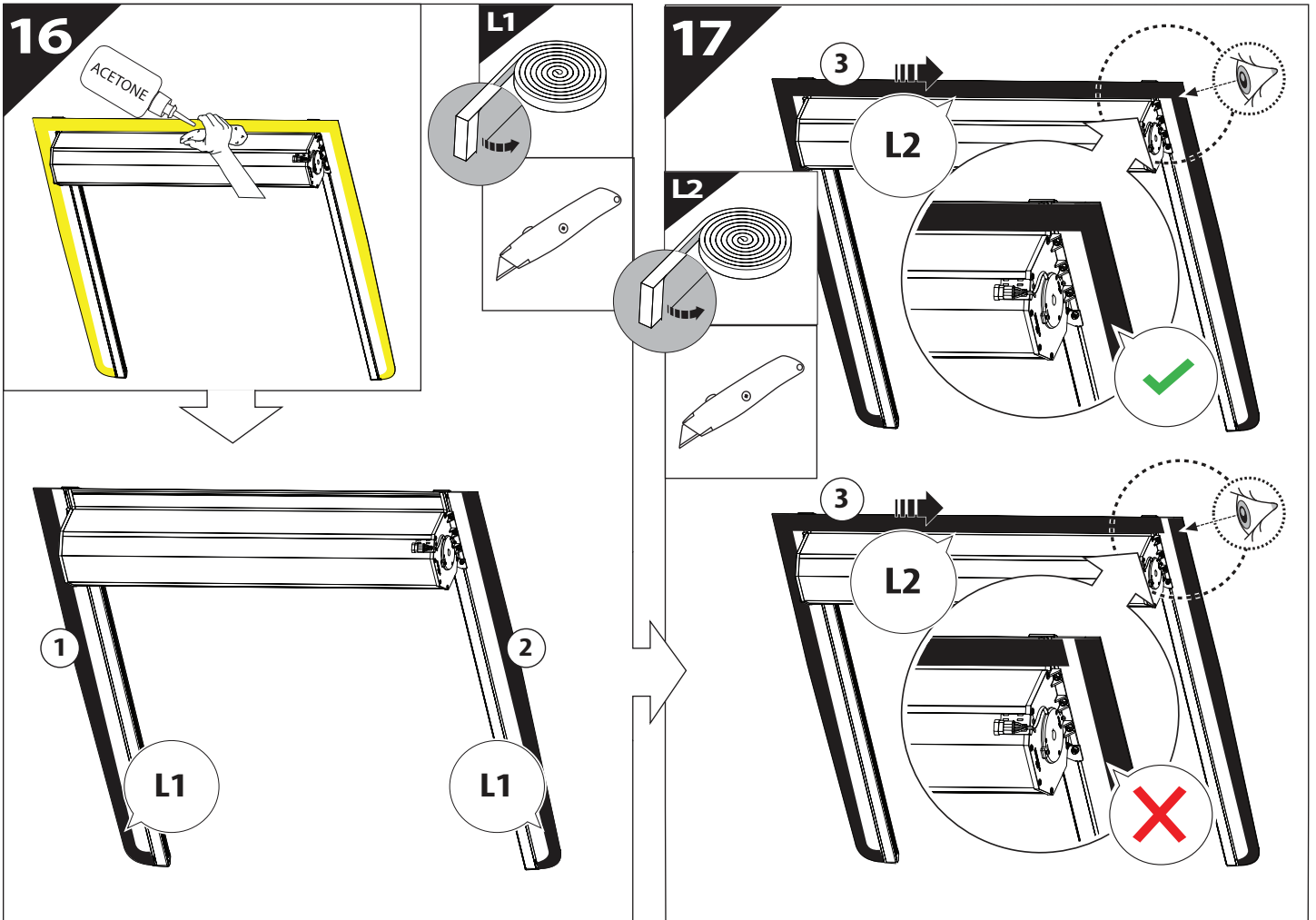


MODEL YEAR	LIGHTS	CAR	TESSERA ROLL+
HILUX 2016+/2021+	BEAM		
HILUX 2016+	STOP		
HILUX 2021+	STOP	NEAR	



15



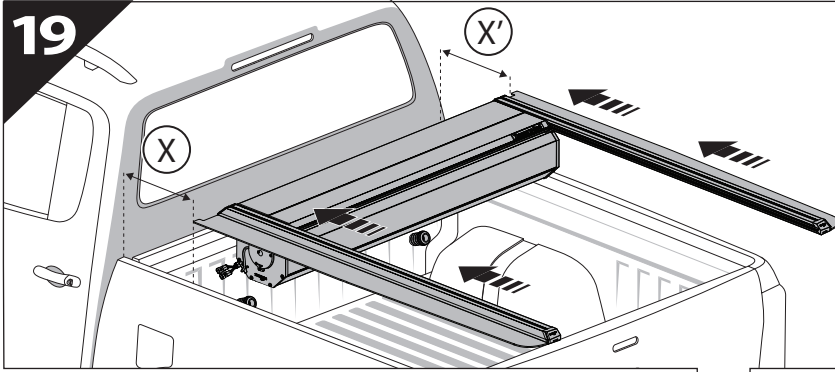


18. 1

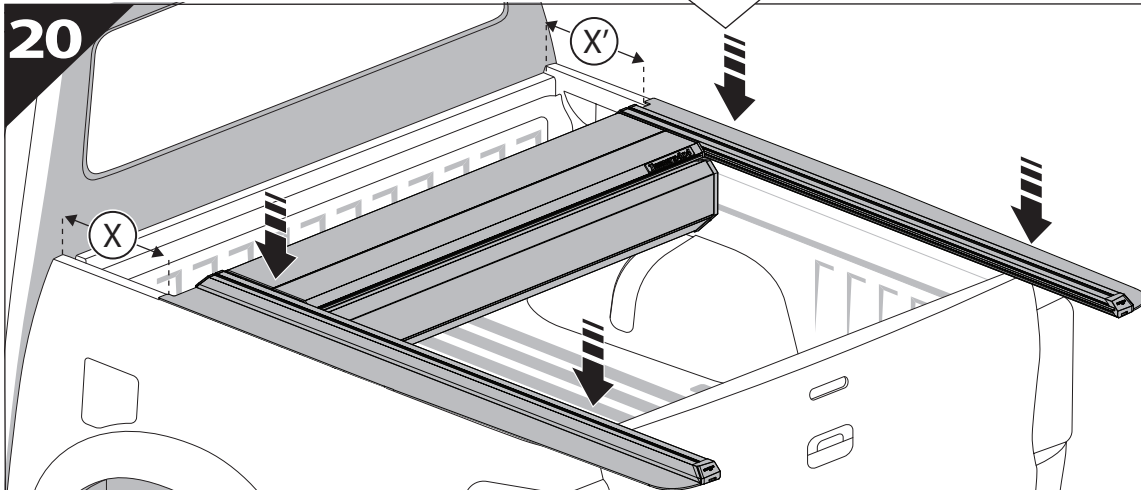
Basic+S-KIT Version

S-KIT
MANUAL

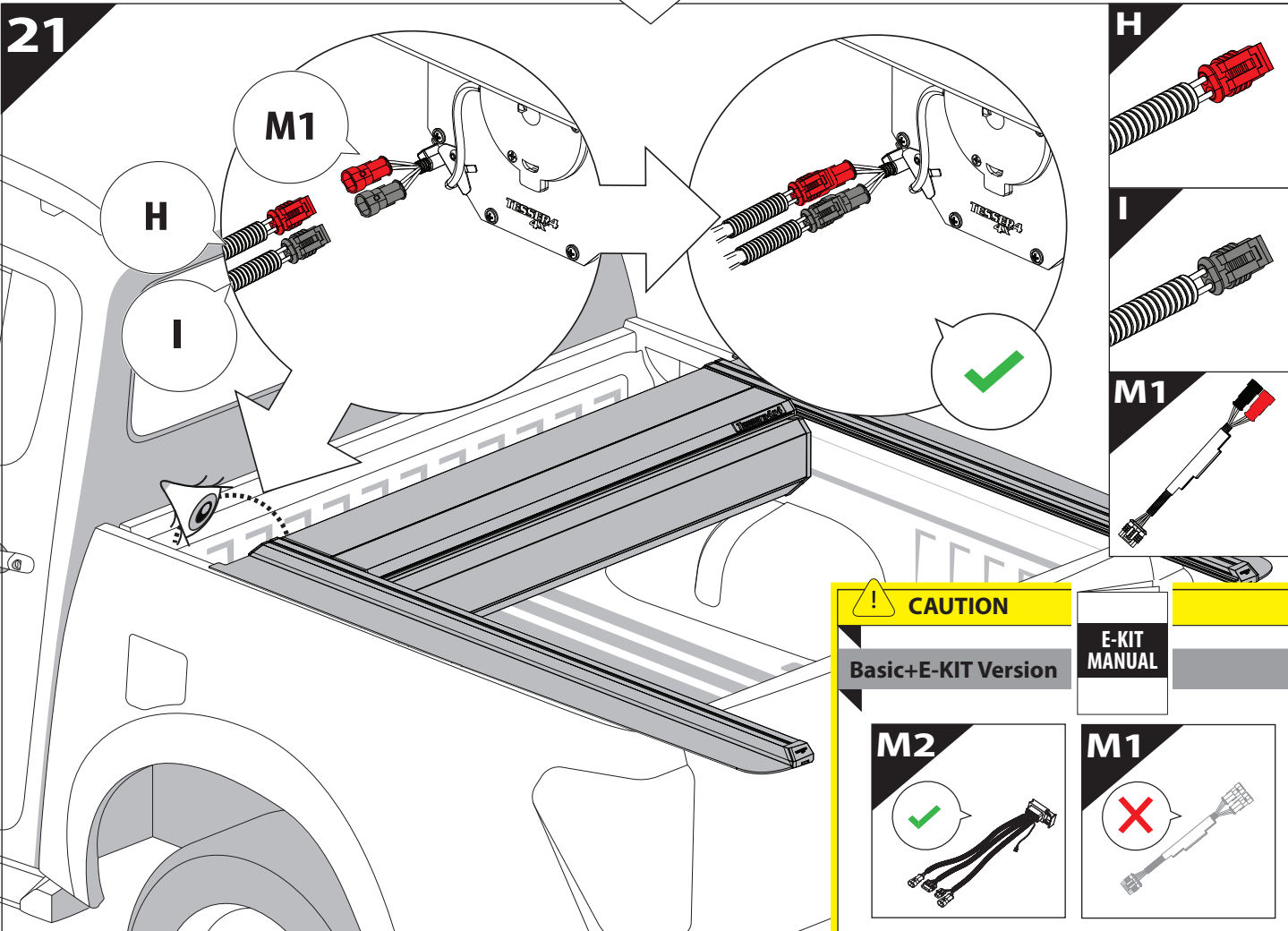
19



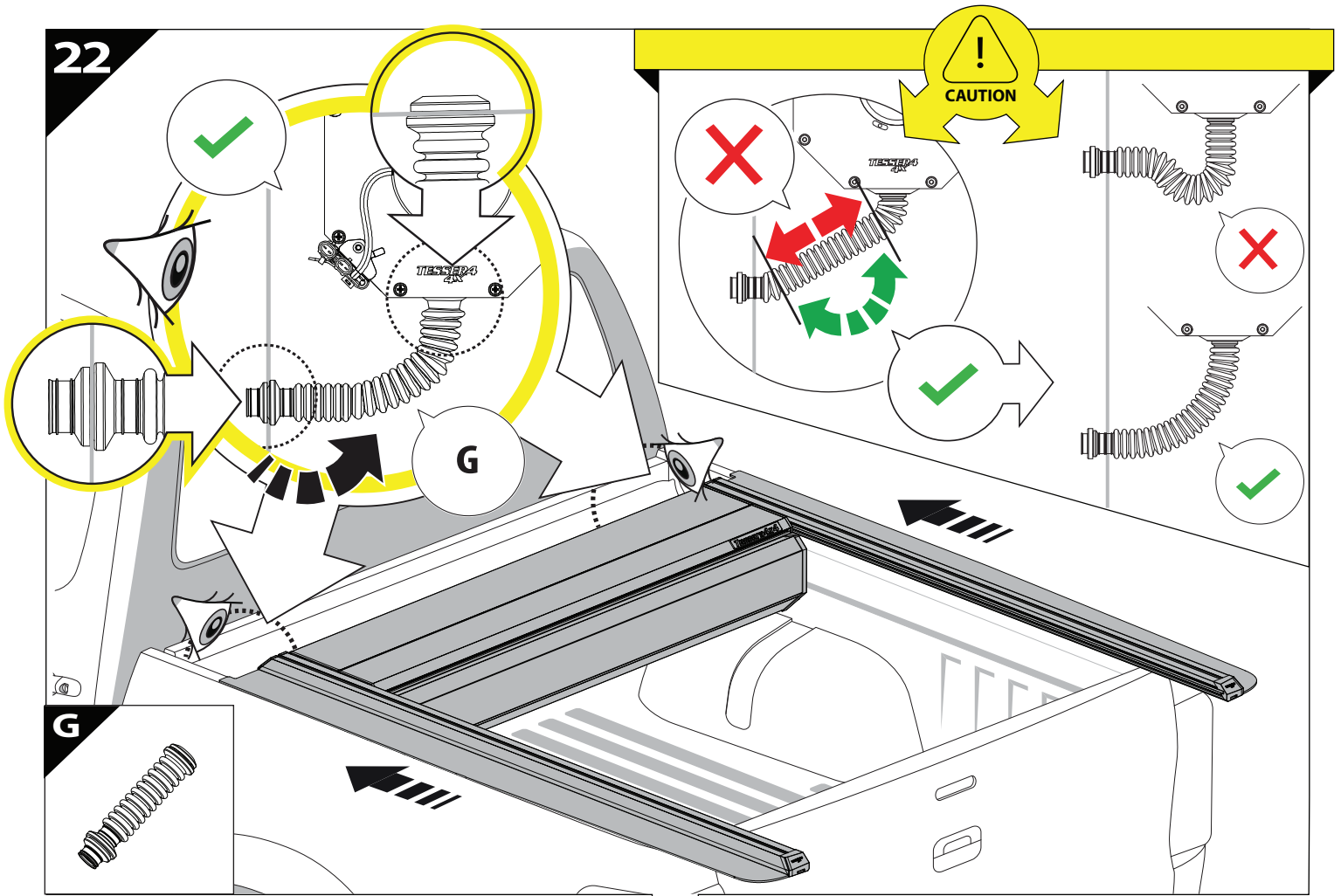
20



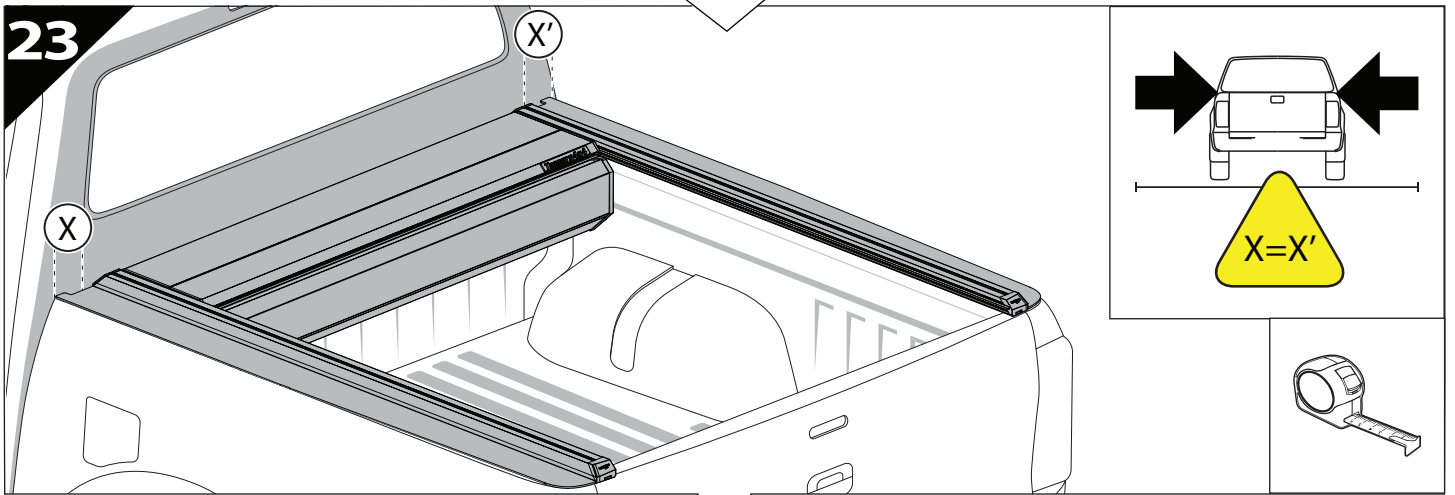
21



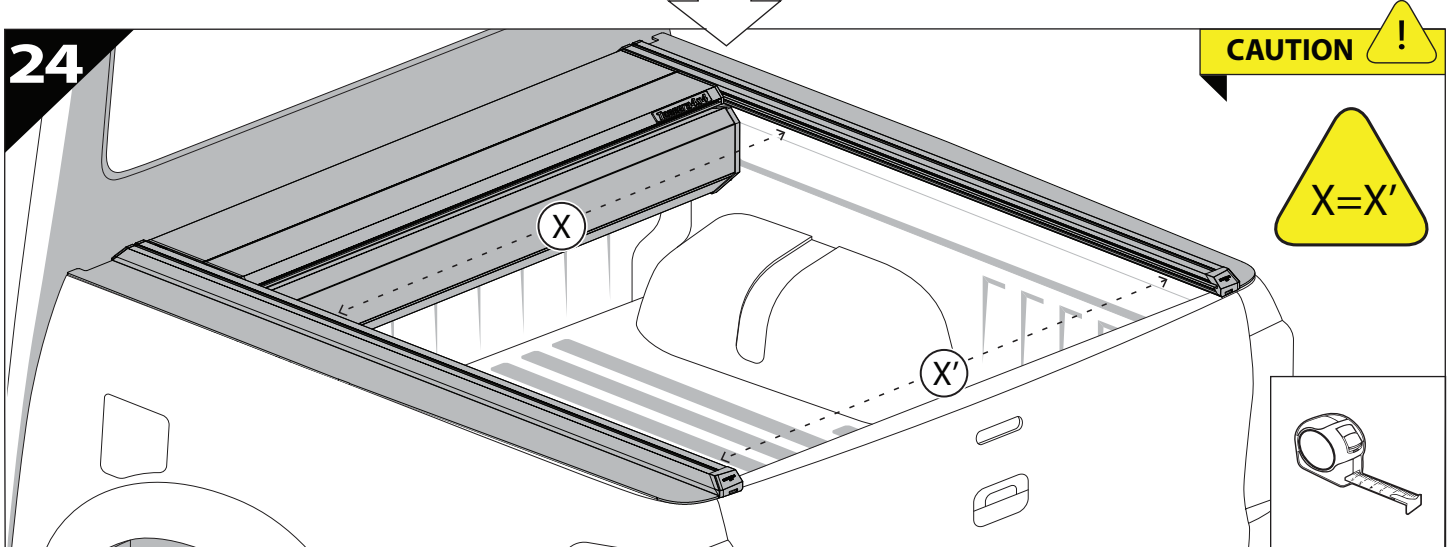
22



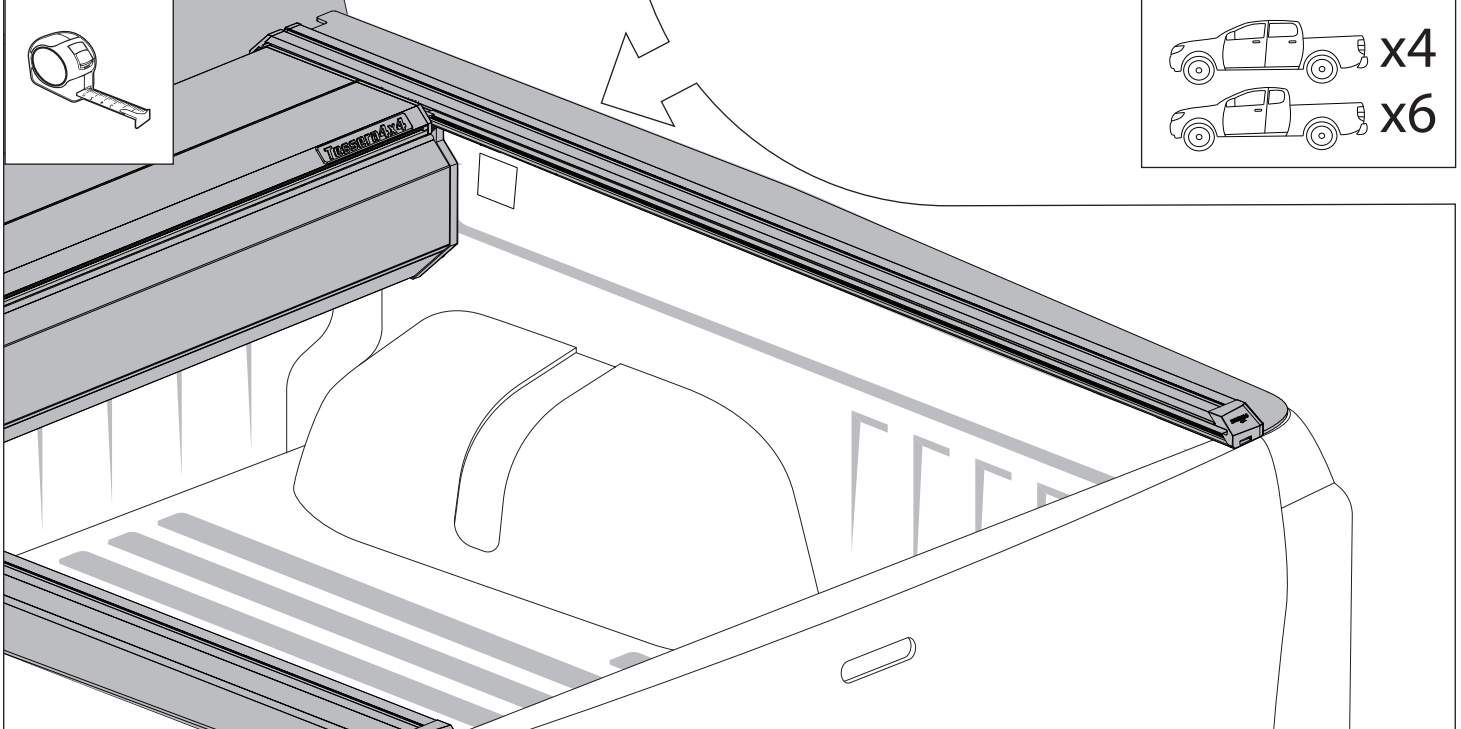
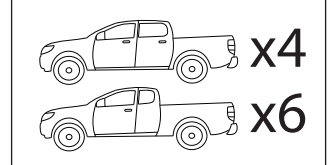
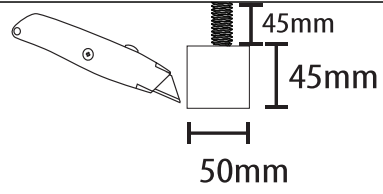
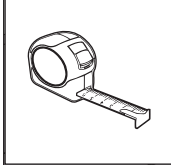
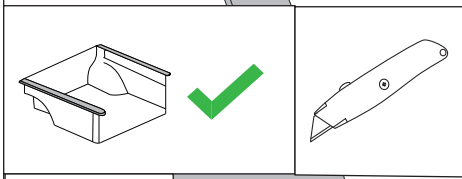
23



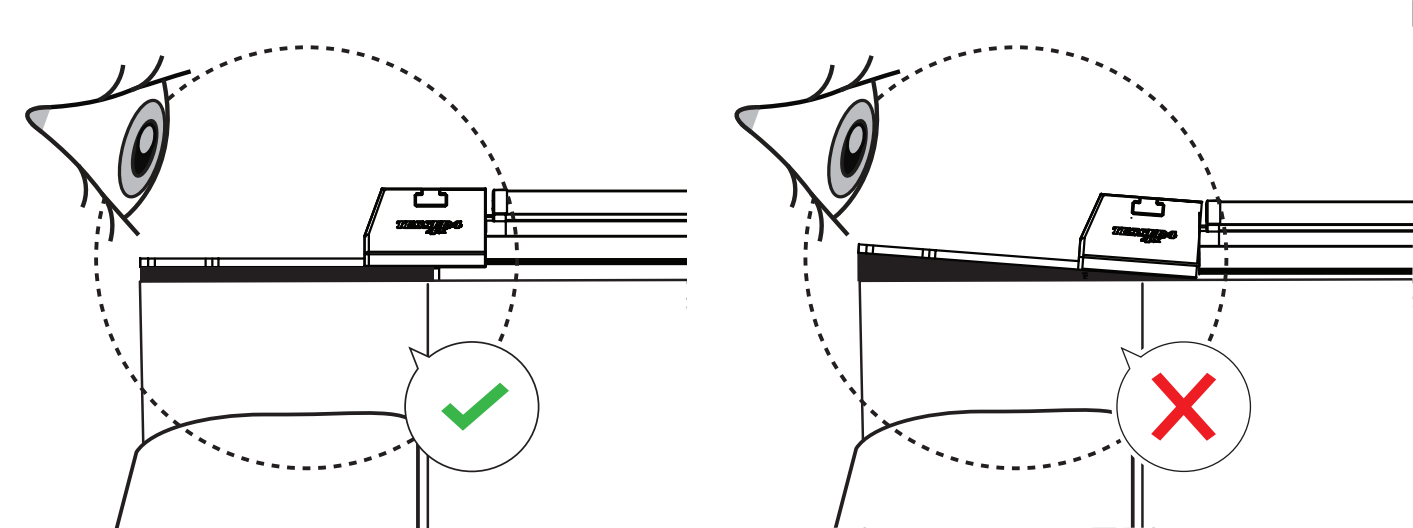
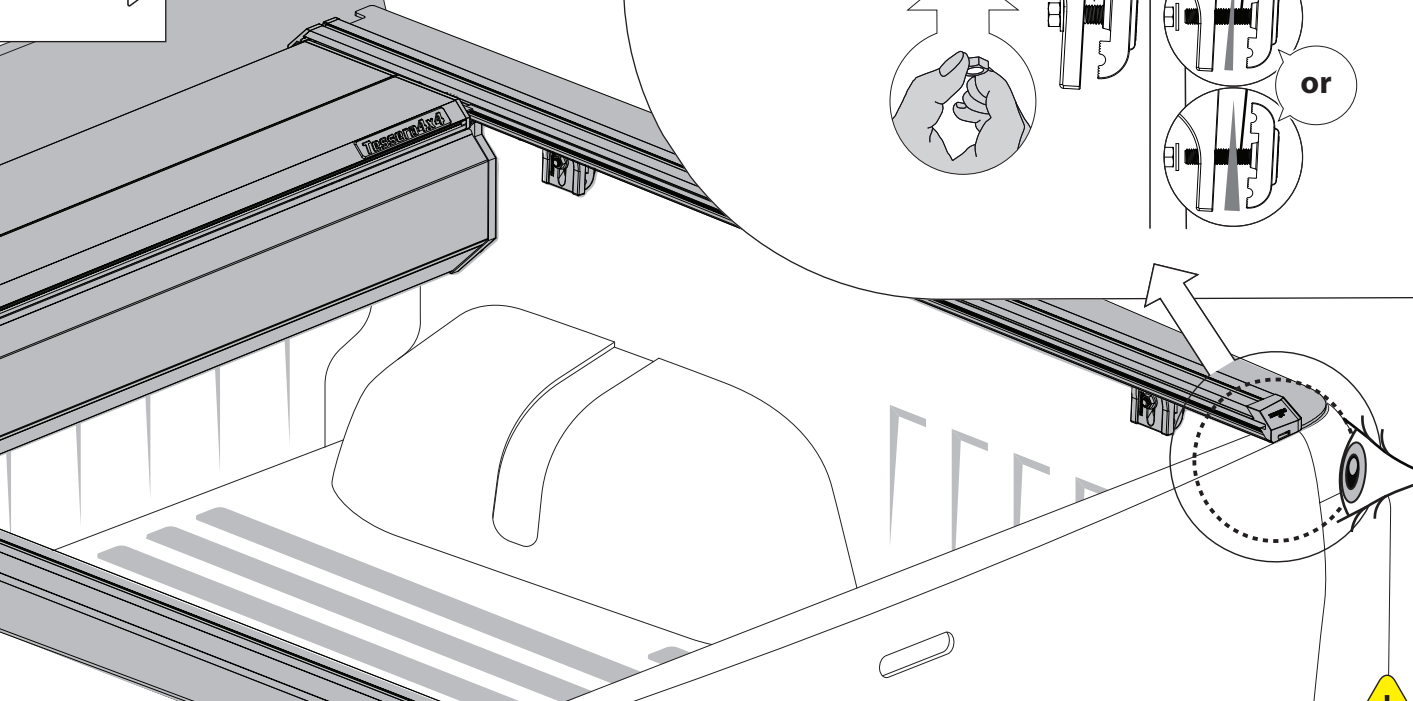
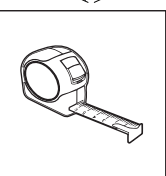
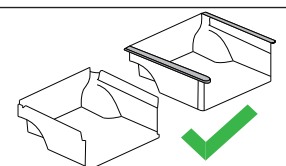
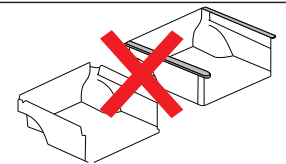
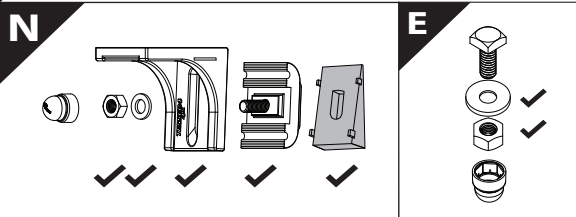
24

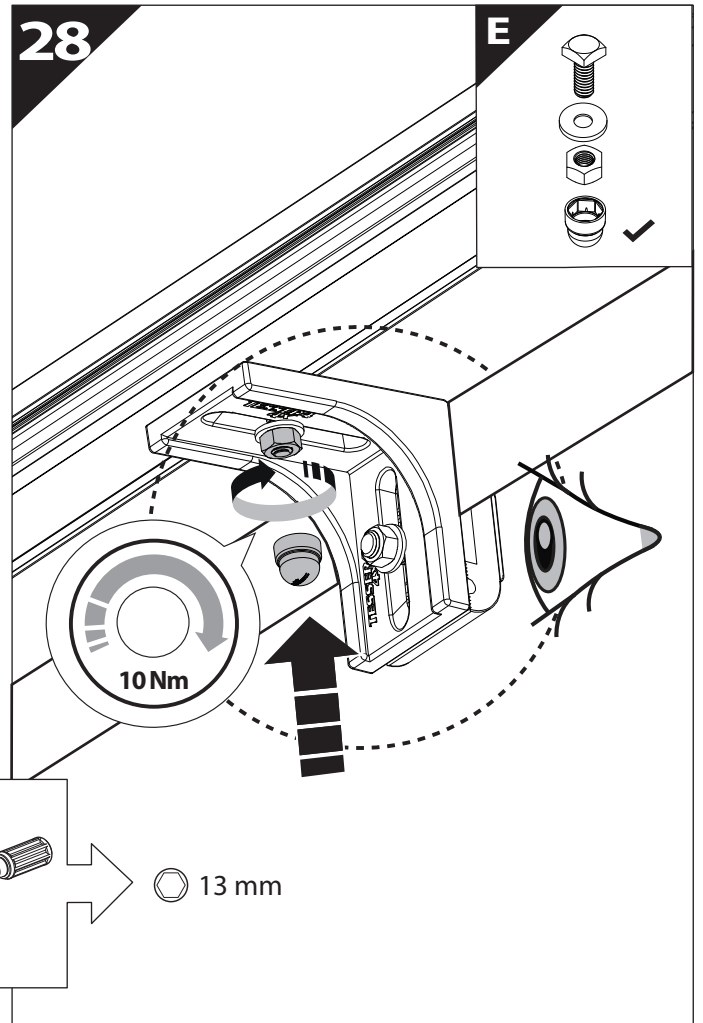
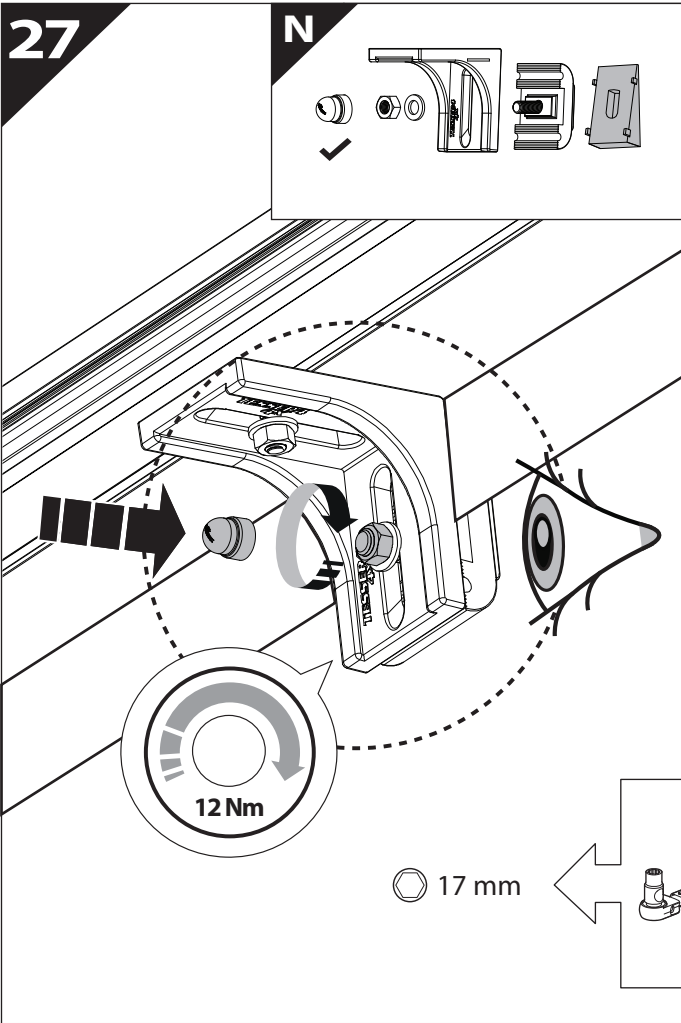


25

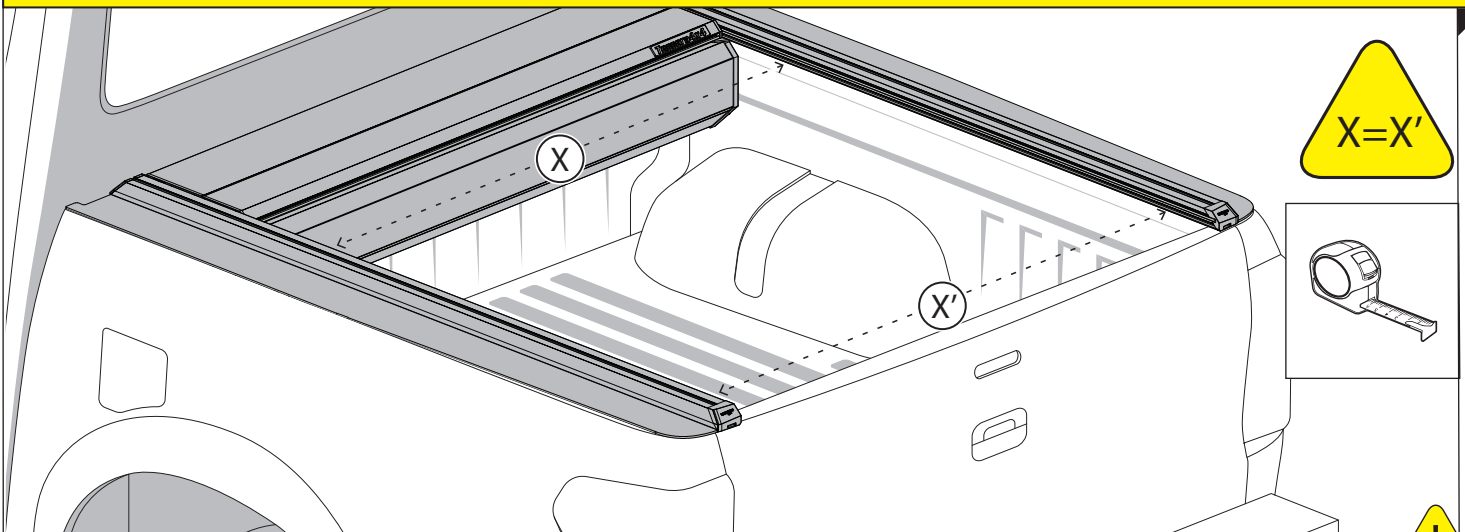


26

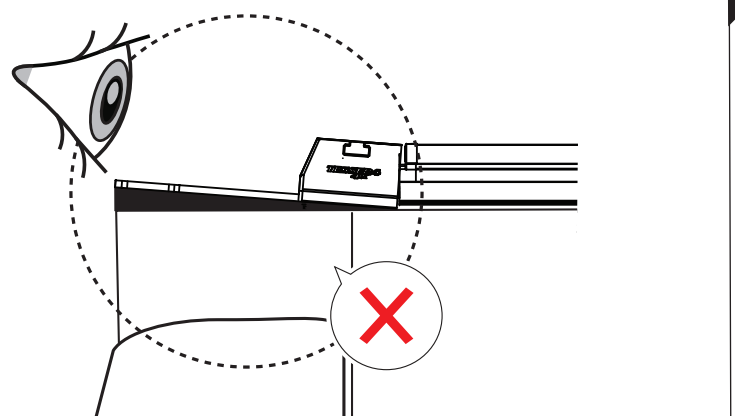
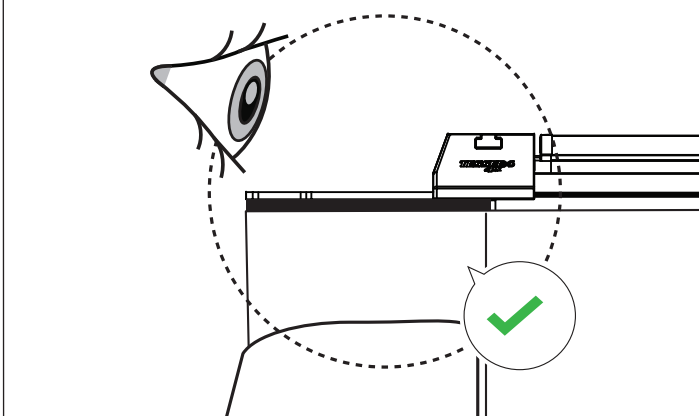




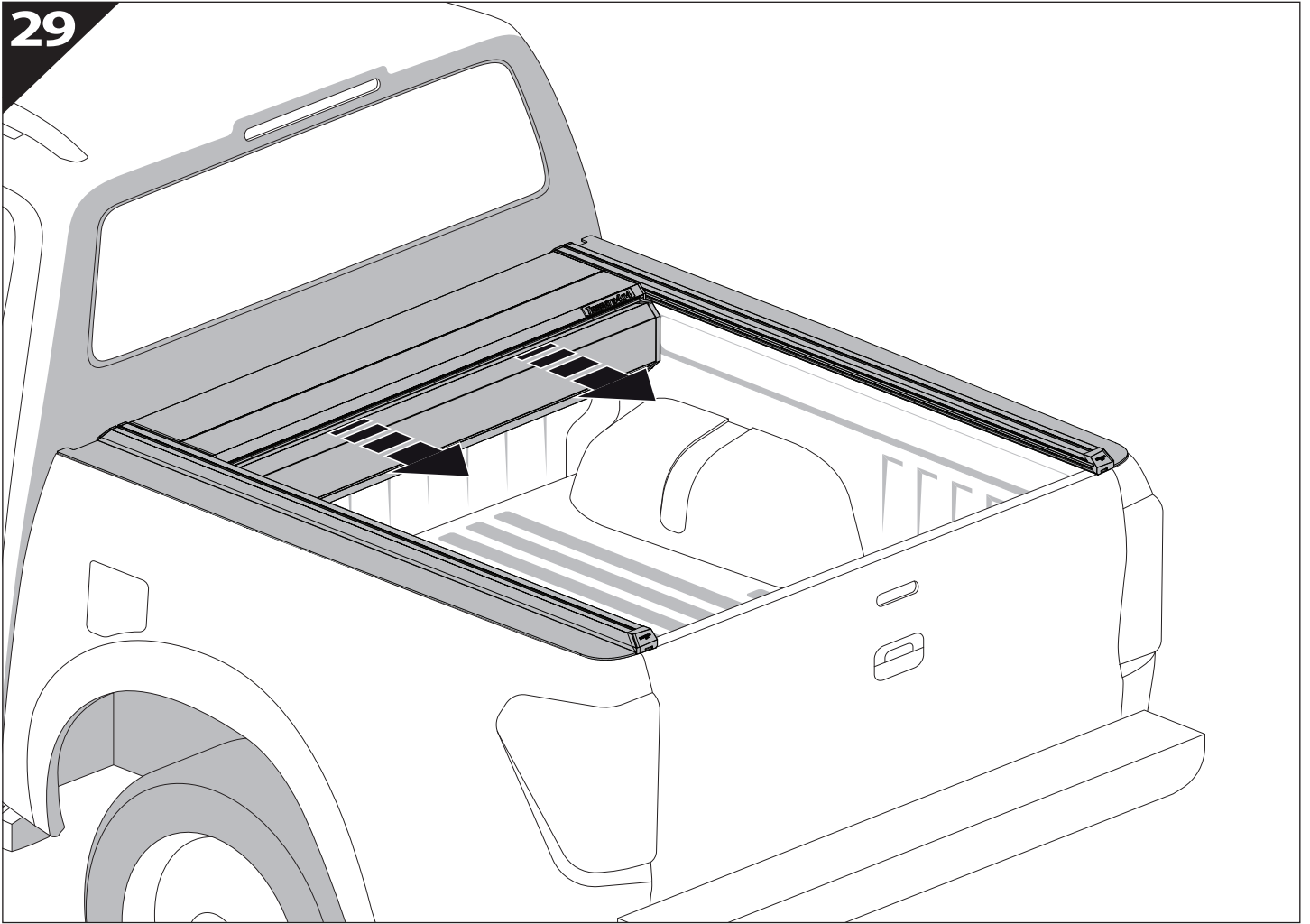
CAUTION !



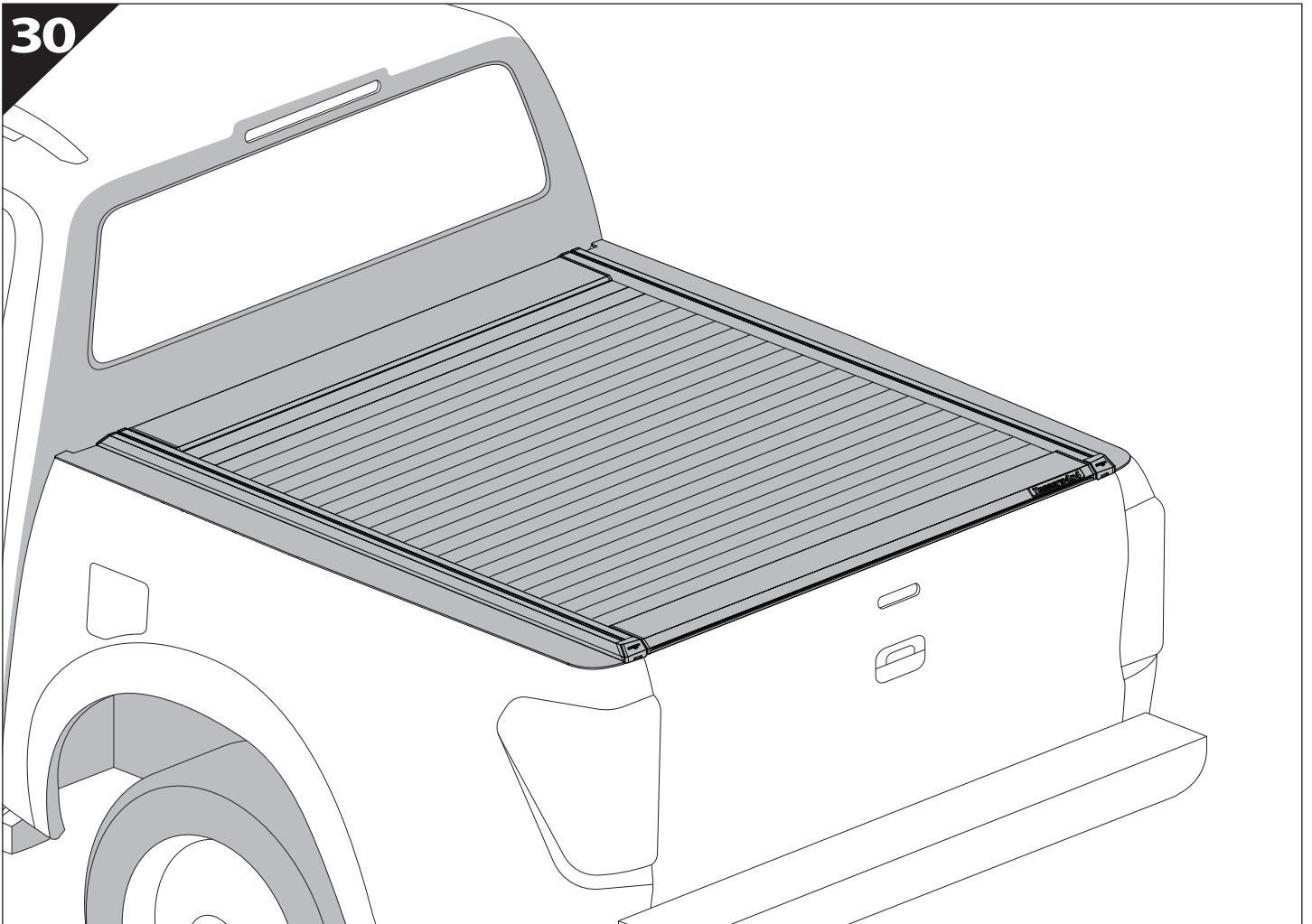
CAUTION !



29



30





GR: Οδηγίες Εγκατάστασης
GB: Installation manual
SF: Asennusohje
F: Notice de montage
PL: Instrukcja montażu
NL: Installatie-instructies
TR: Montaj Talimatı
S: Monteringsanvisning
E: Instrucciones de montaje

H: Szerelési utasítás
P: Instruções de instalação
RUS: Инструкция по установке
N: Monteringsveiledning
D: Einbauanleitung
CZ: Návod k instalaci
I: Istruzioni de montaggio
DK: Monteringsvejledning
RO: Instructiuni de instalare

Customer Service:

+30 (210) 5541161, +30 (210) 5541154 (08:00 - 16:00 EET)

Support department:

info@gianso.gr

Website:

www.tessera4x4.com

Address:

19.5 km of National road Athens-Korinthos (Elefsina) Greece, P.C: 19200