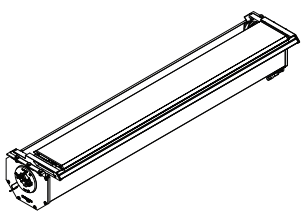
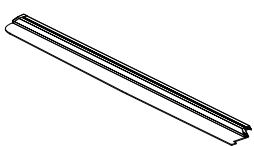
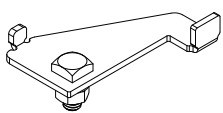
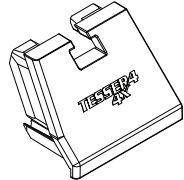
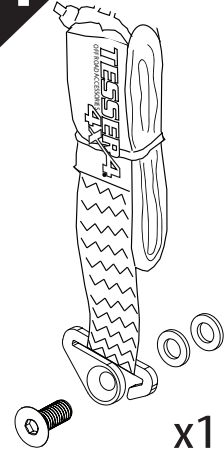


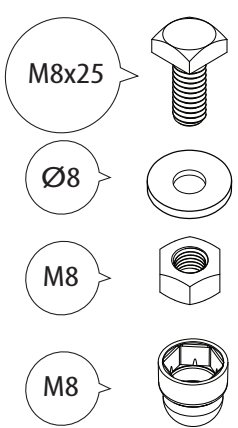
Installation Manual

PART NUMBER(S)	Model Year
TESS 14161 ROLL	Toyota Hilux (Revo) 2016+ WITH OEM ROLL BAR
Cab(s)	Installation Time / Weight
Double Cab	40-60 minutes / 53-57 kg

<p>A</p>  <p>x1</p>	<p>B</p>  <p>x2</p>	<p>C</p>  <p>M8 x2</p>	<p>D</p>  <p>M 4,2 x 19</p> <p>x2</p>	<p>D1</p>  <p>x1</p>
--	---	--	--	--

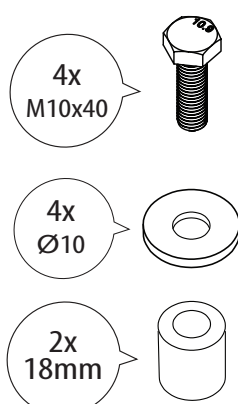
E
x4

- M8x25
- Ø8
- M8
- M8



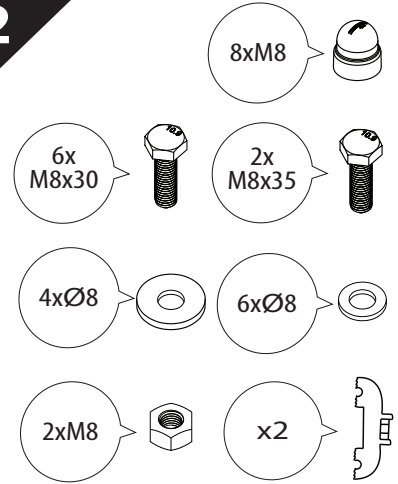
E1

- 4x M10x40
- 4x Ø10
- 2x 18mm



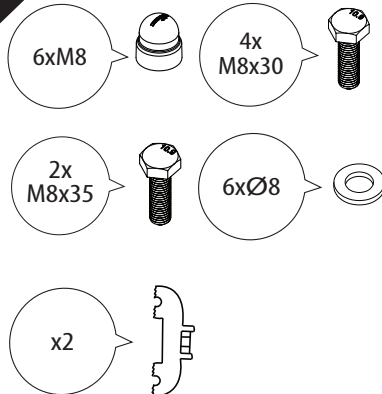
E2

- 8xM8
- 6x M8x30
- 4xØ8
- 2xM8
- 2x M8x35
- 6xØ8
- x2

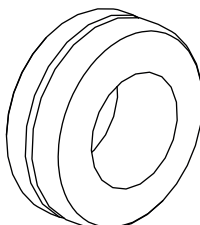


E3

- 6xM8
- 2x M8x35
- x2
- 4x M8x30
- 6xØ8

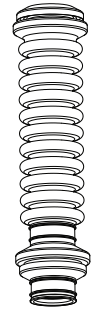


F



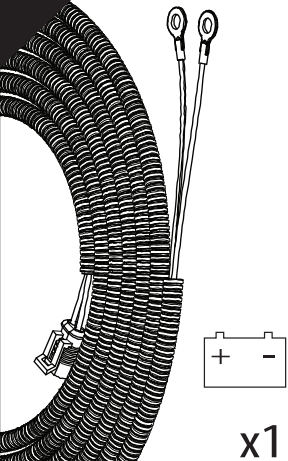
x1

G



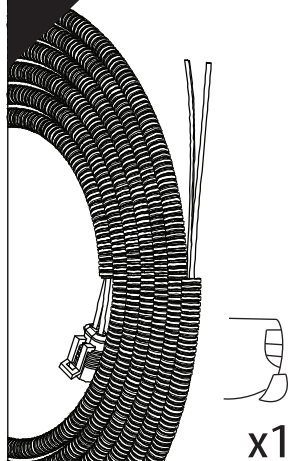
x2

H



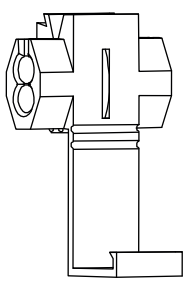
x1

I




x1

J



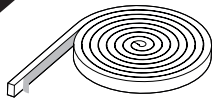
x2

K



x17

L1 x1




1.5 x 0.8 x 400cm

L2 x1



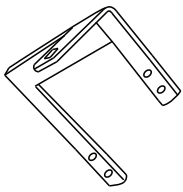
5 x 0.8 x 167cm

M1



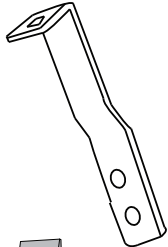
x1

N

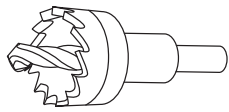


x2

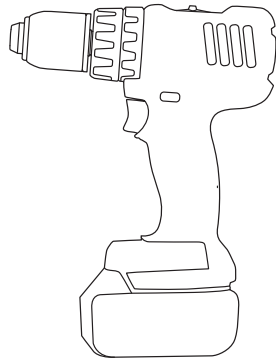
O



x2



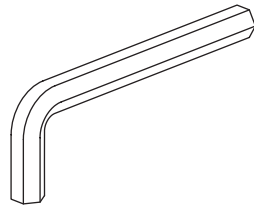
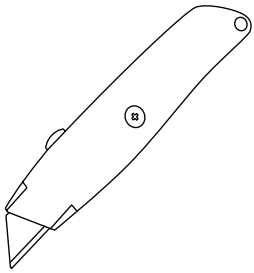
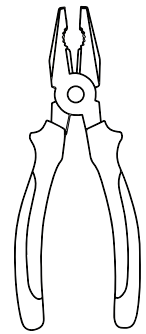
Ø 25 mm / Ø 40 mm



+

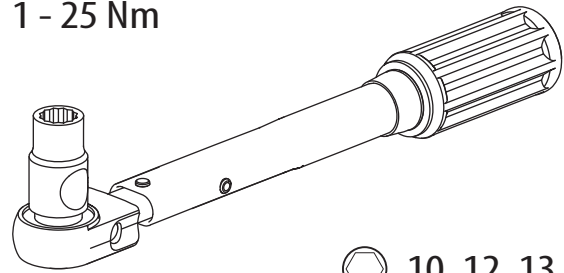


-



○ 4 mm, 5mm

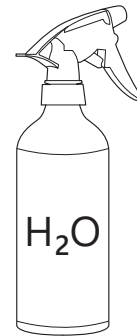
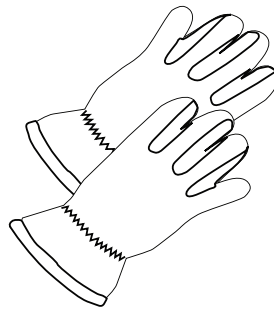
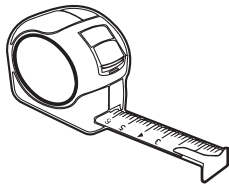
1 - 25 Nm



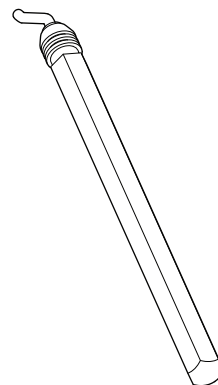
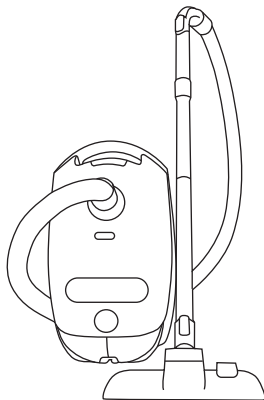
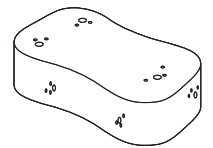
○ 10, 12, 13, 17 mm



ACETONE



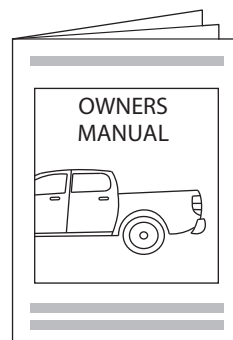
H₂O



ANTI-RUST

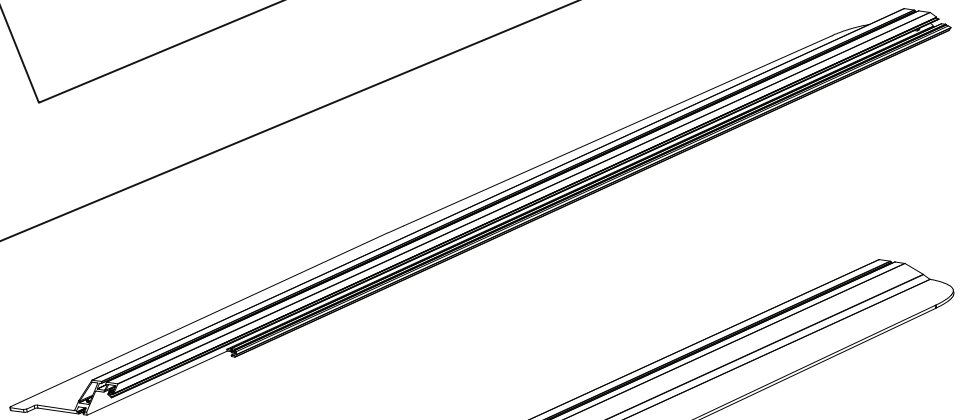
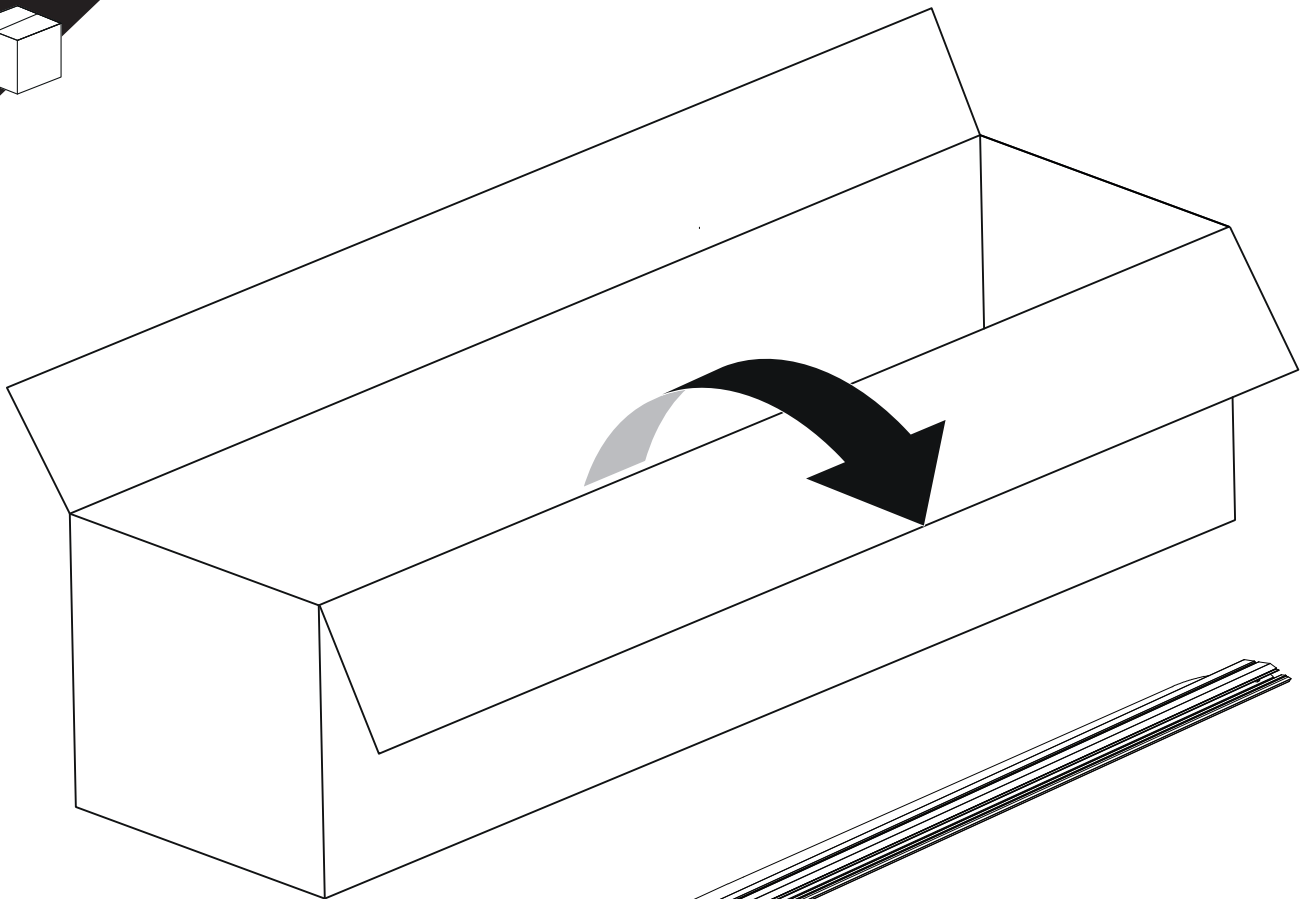


INSTALLATION
MANUAL

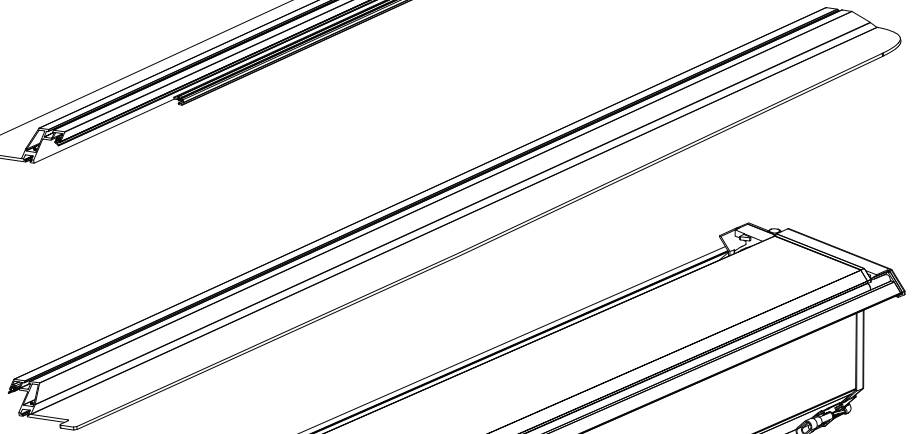


OWNERS
MANUAL

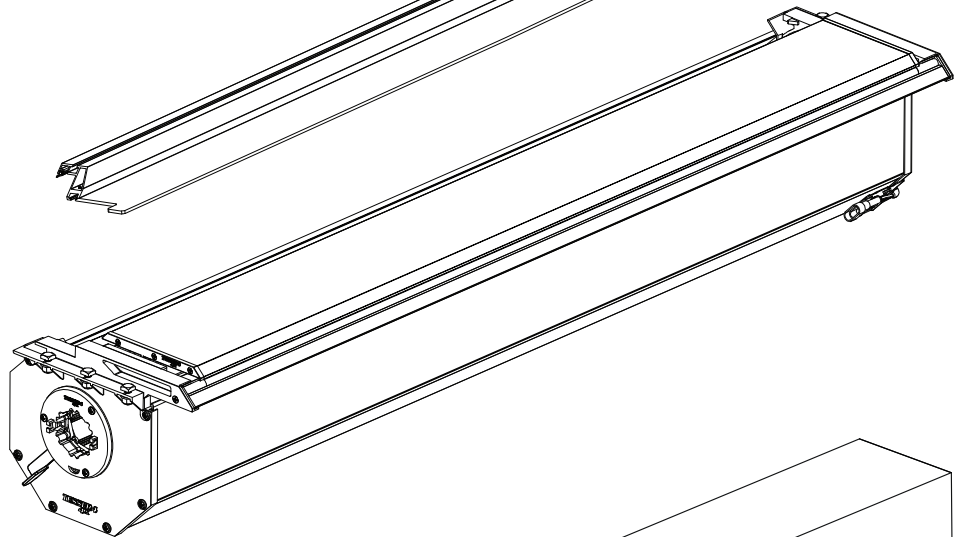
x1



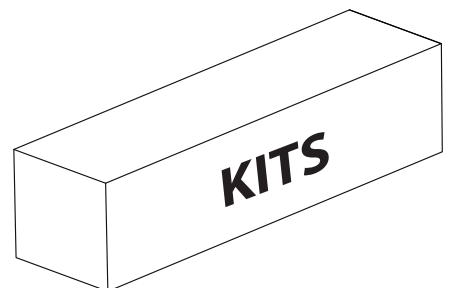
B



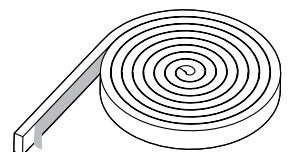
A

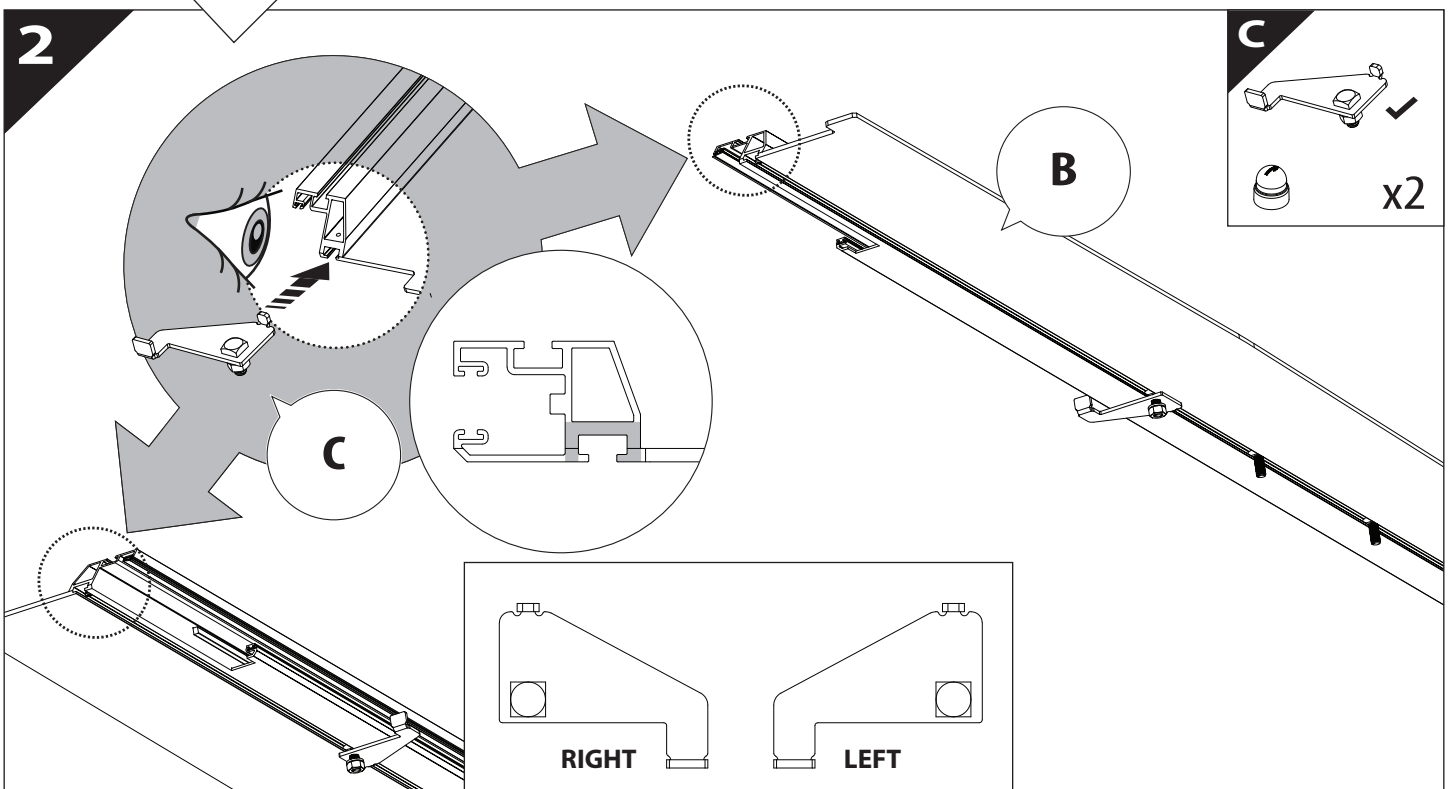
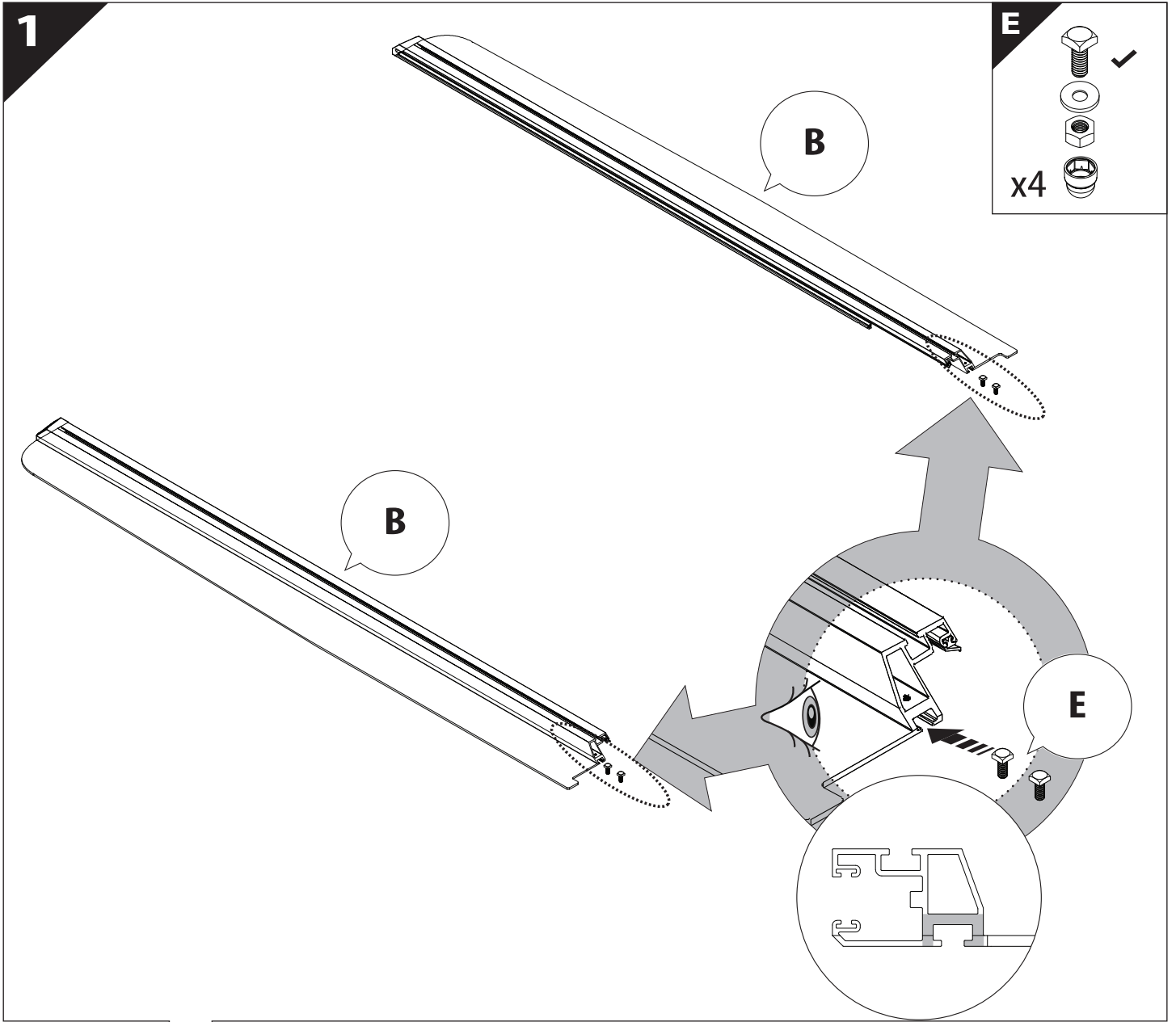


KITS

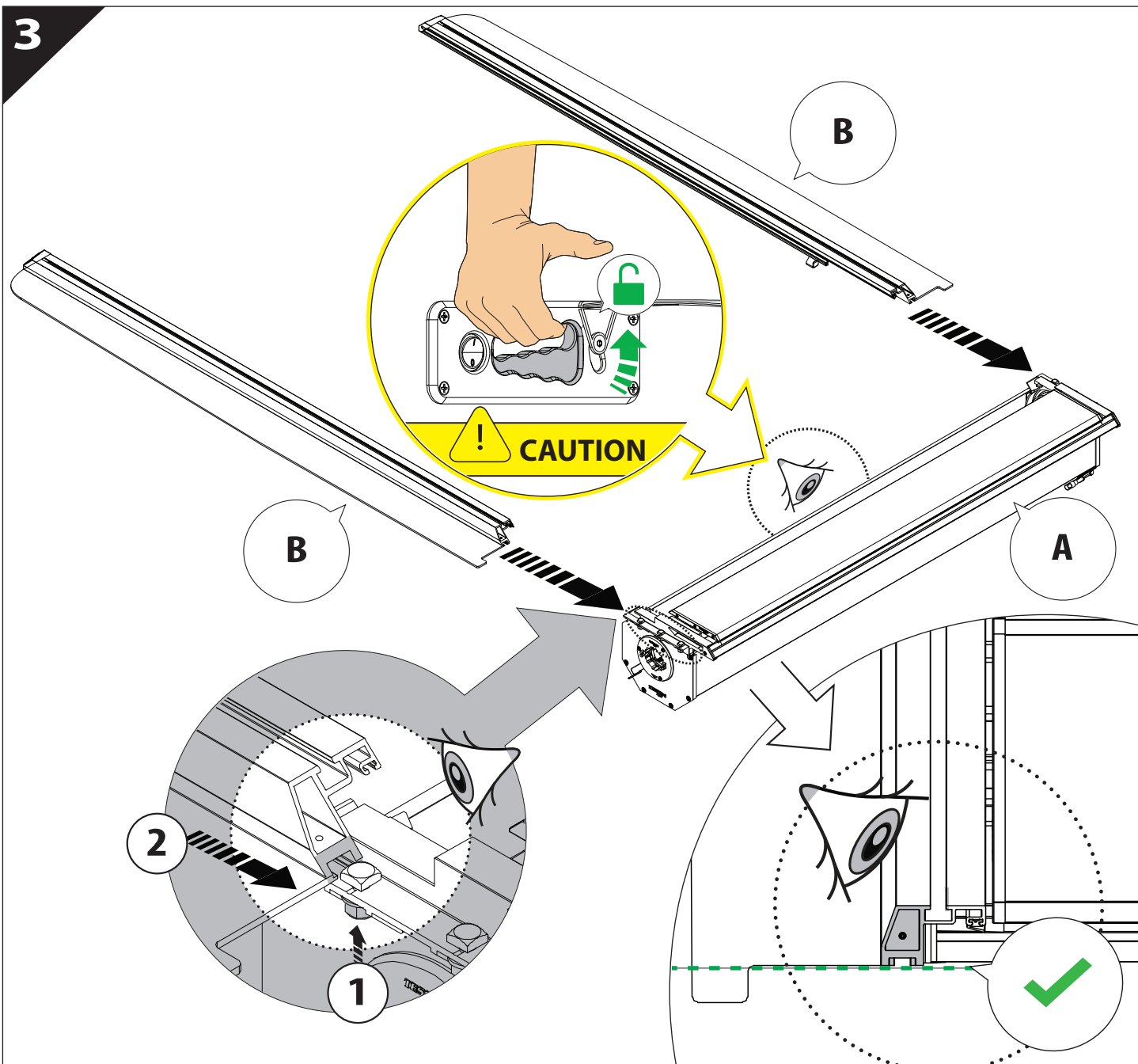


L

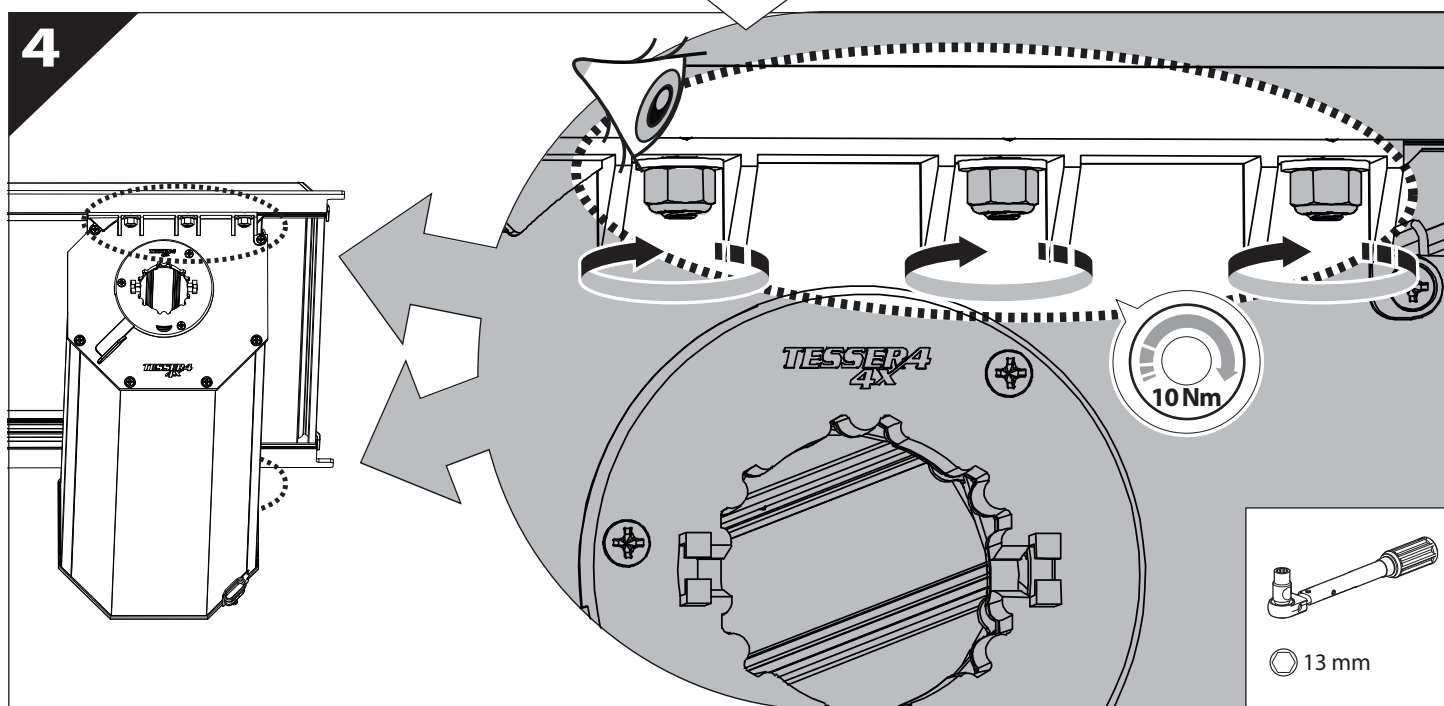


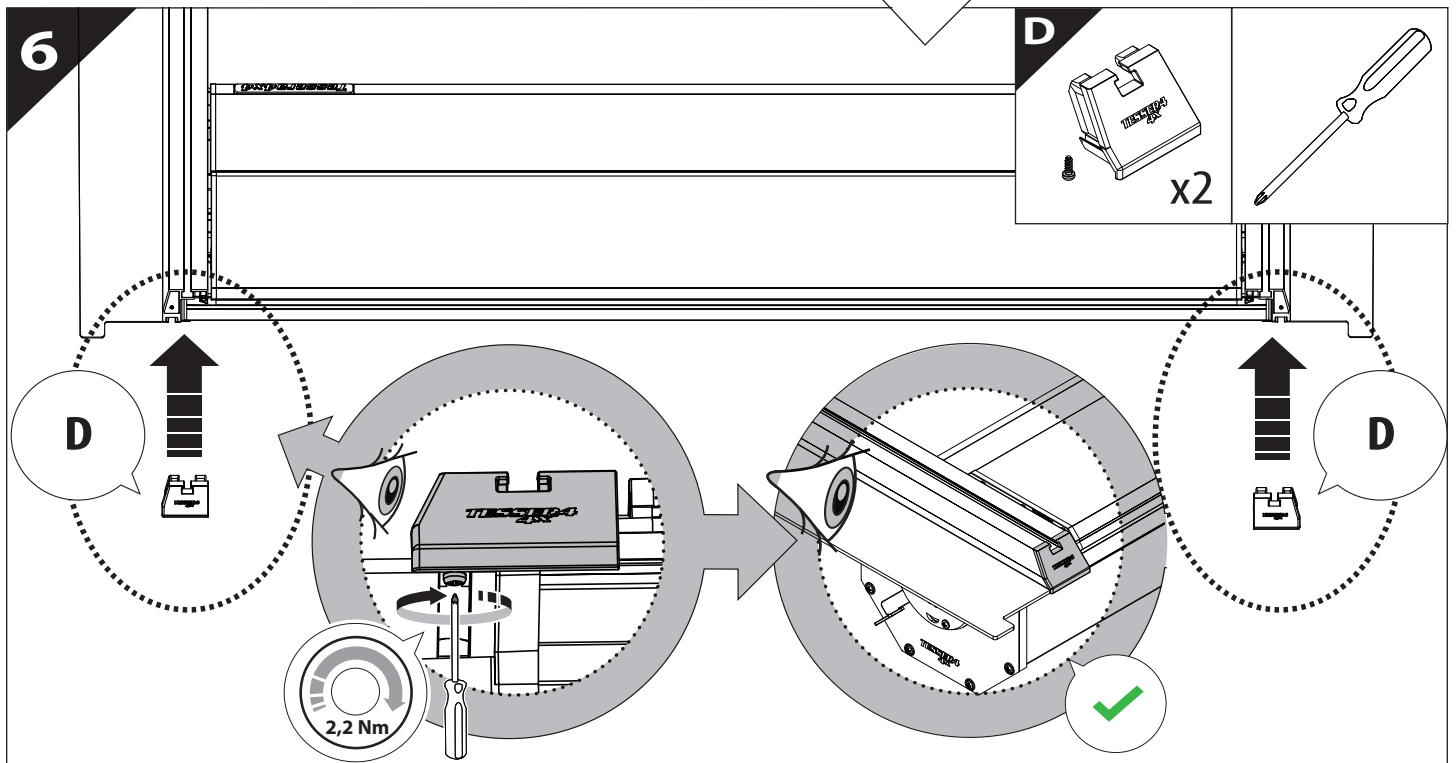
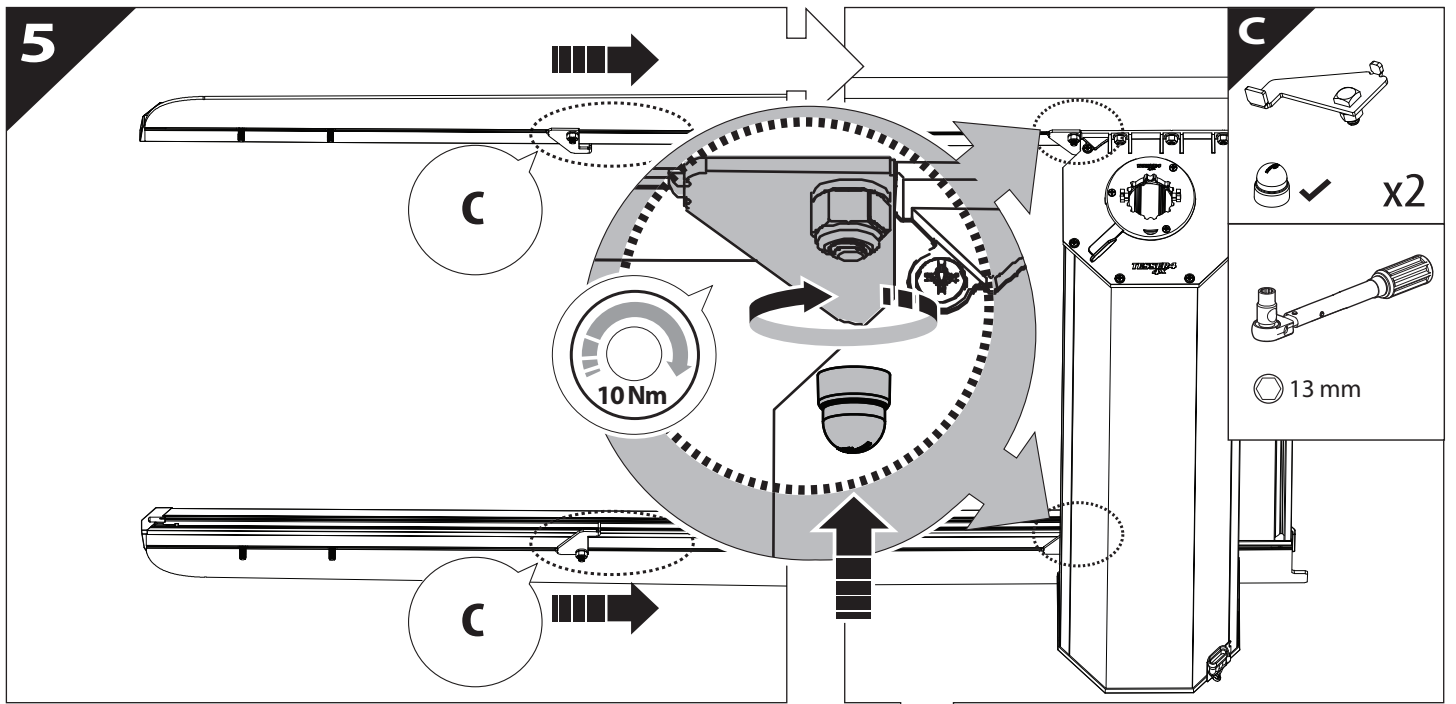


3

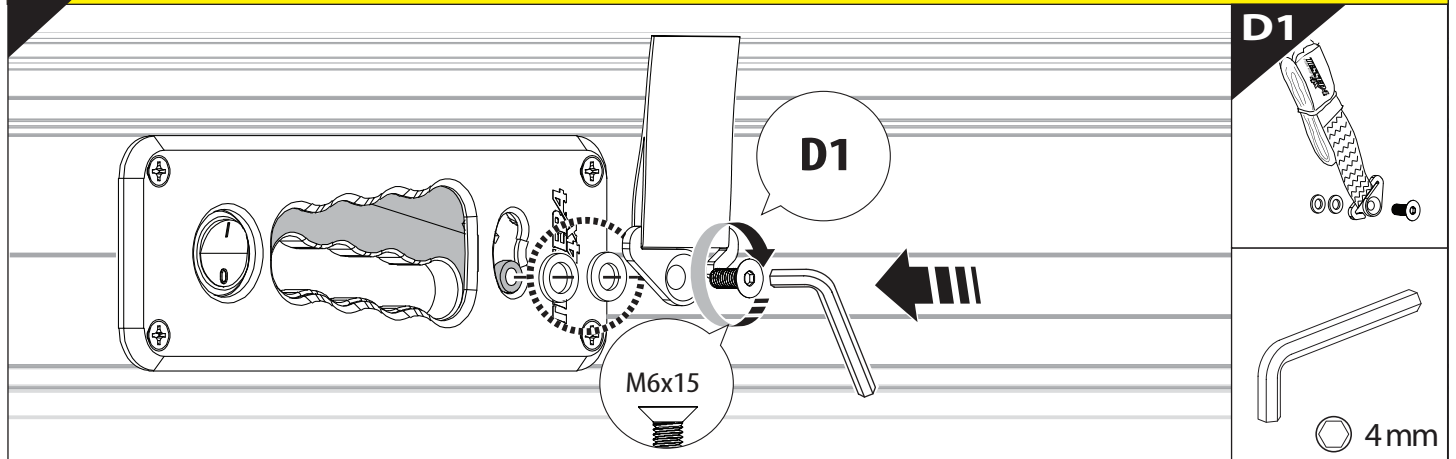


4

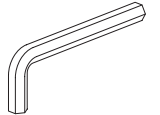




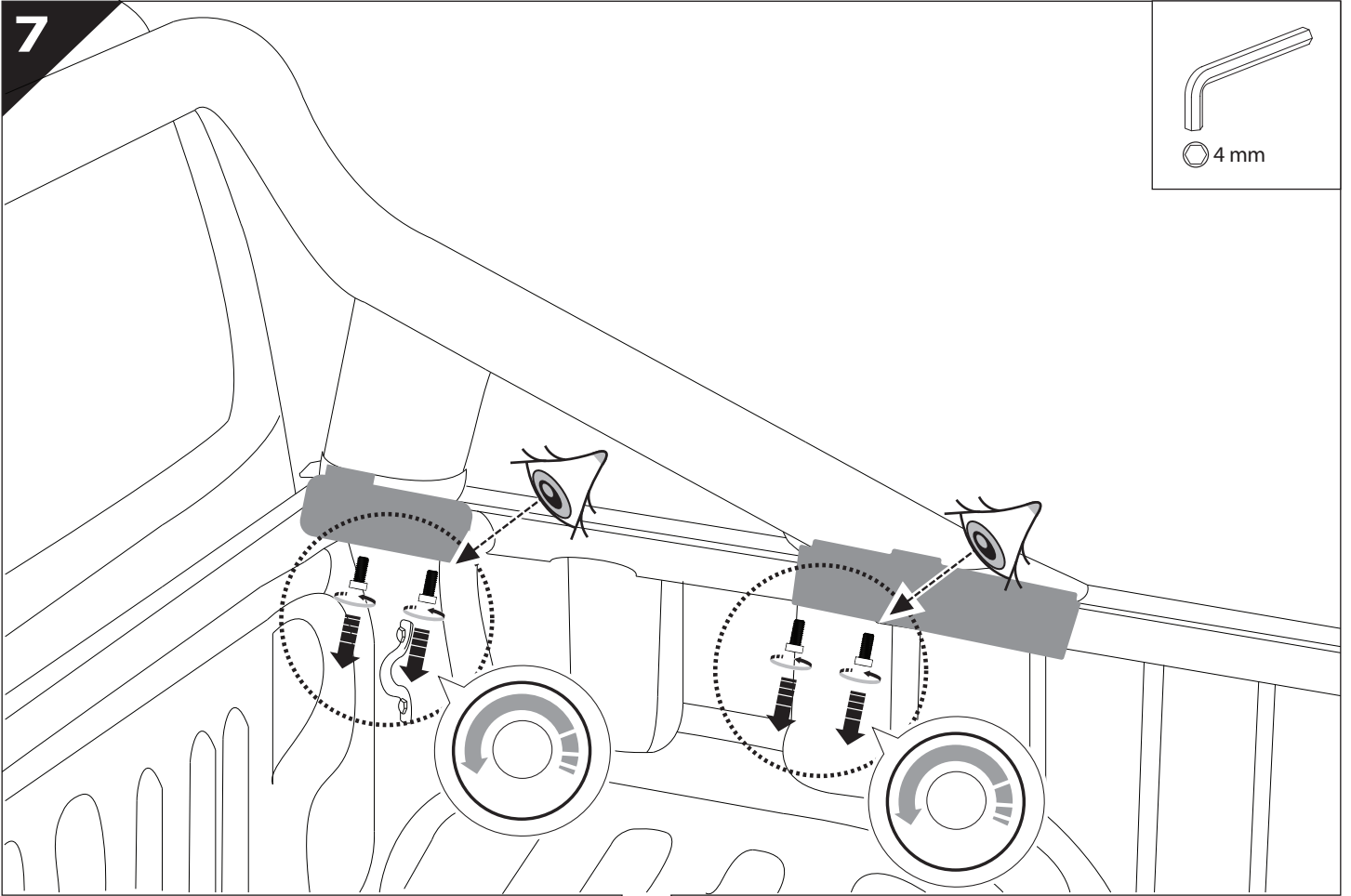
6.1 **CAUTION** Basic Version ✓ & Basic+S-KIT Version ✓



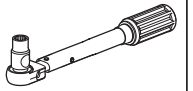
7



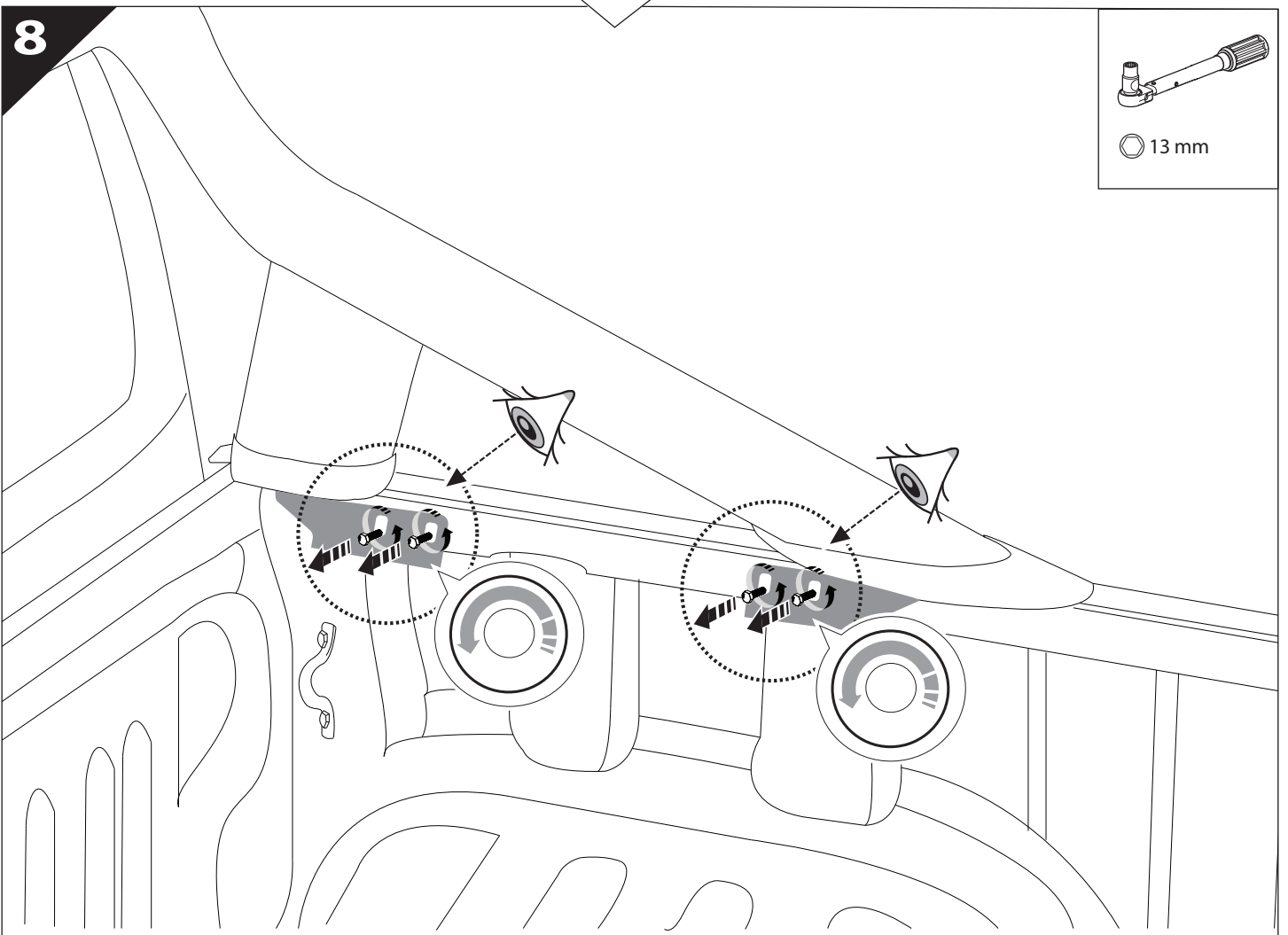
4 mm



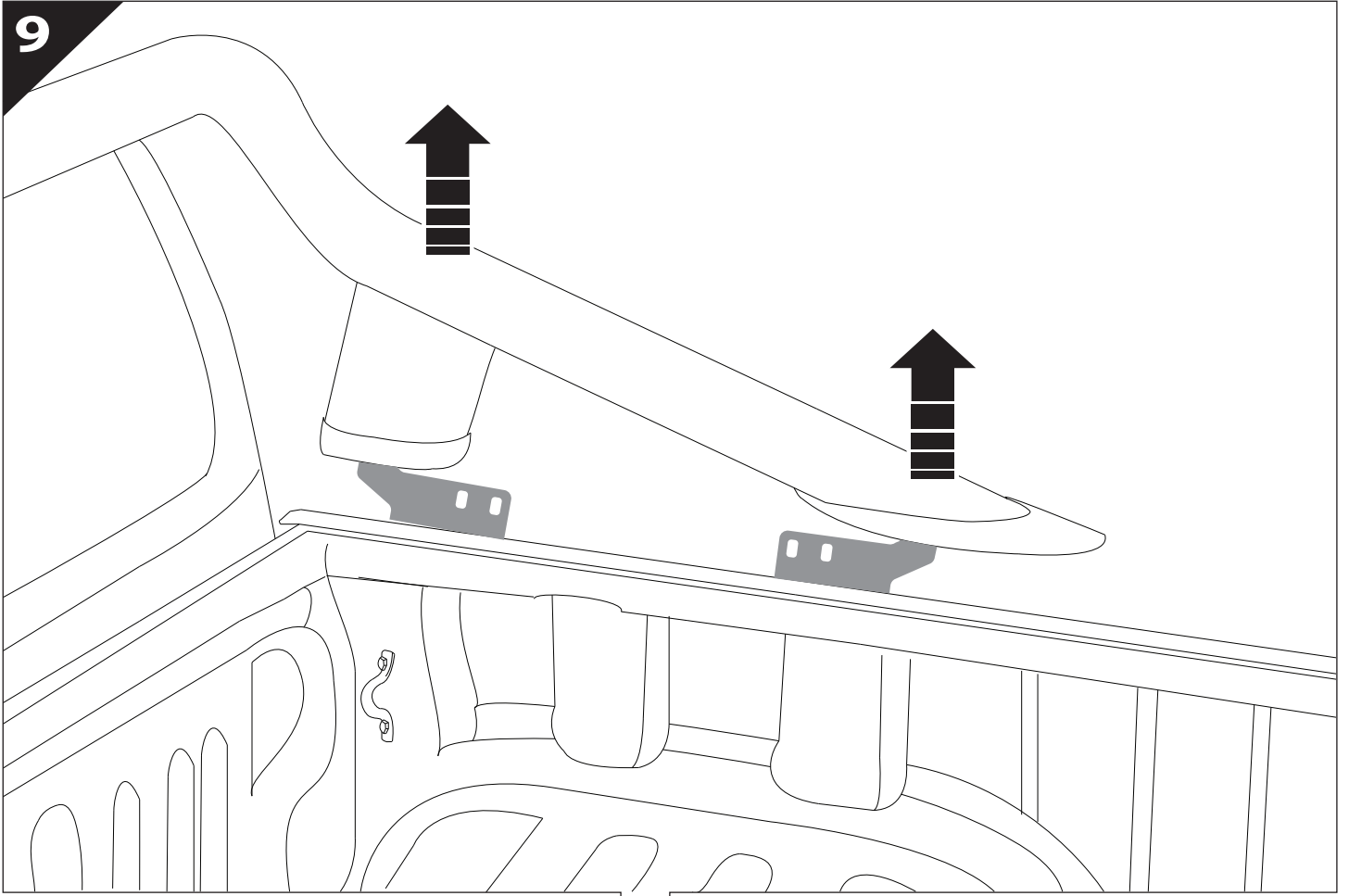
8



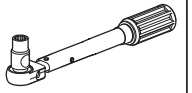
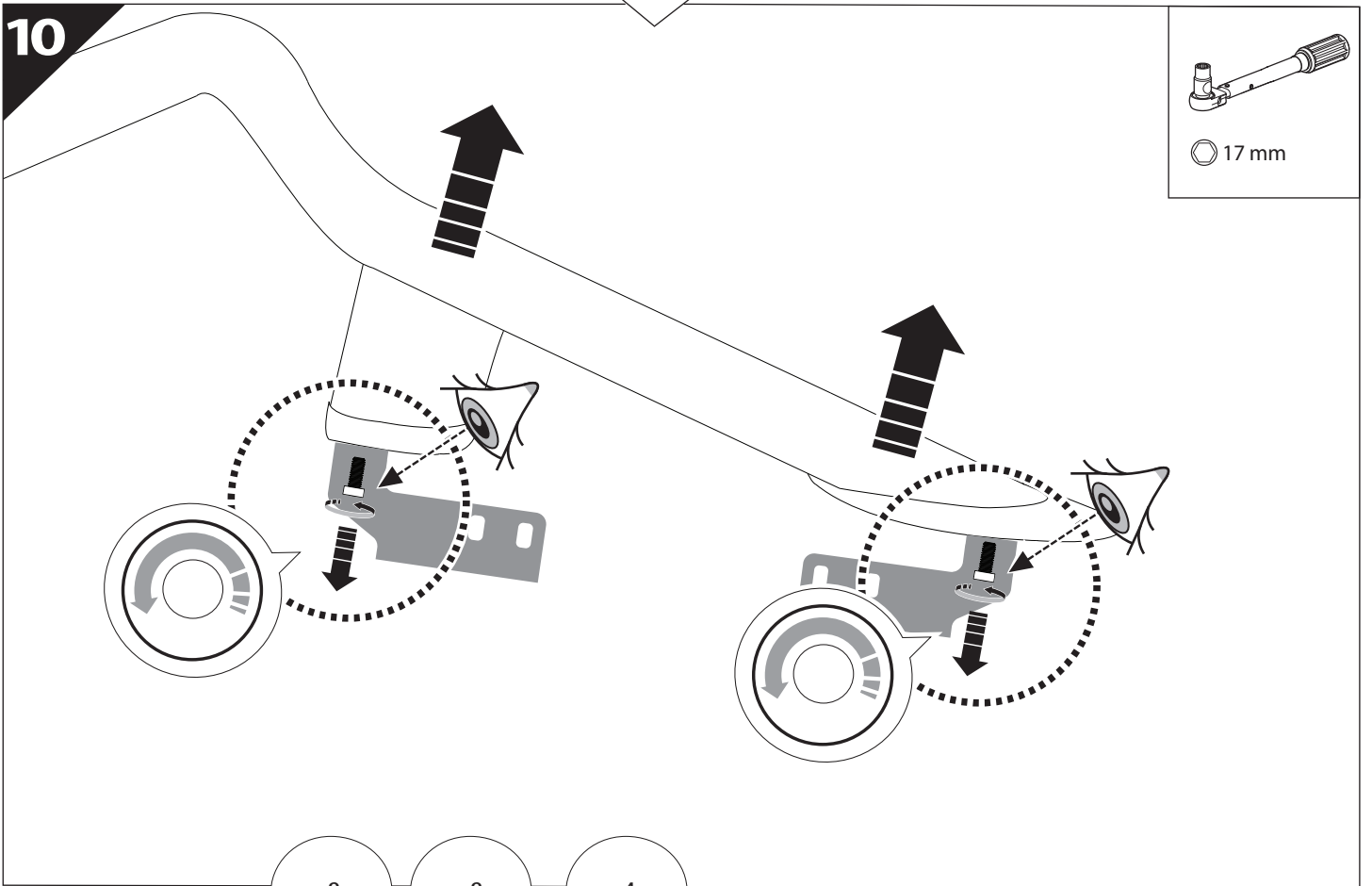
13 mm



9



10



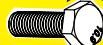
17 mm

x8

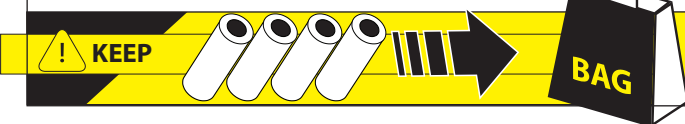
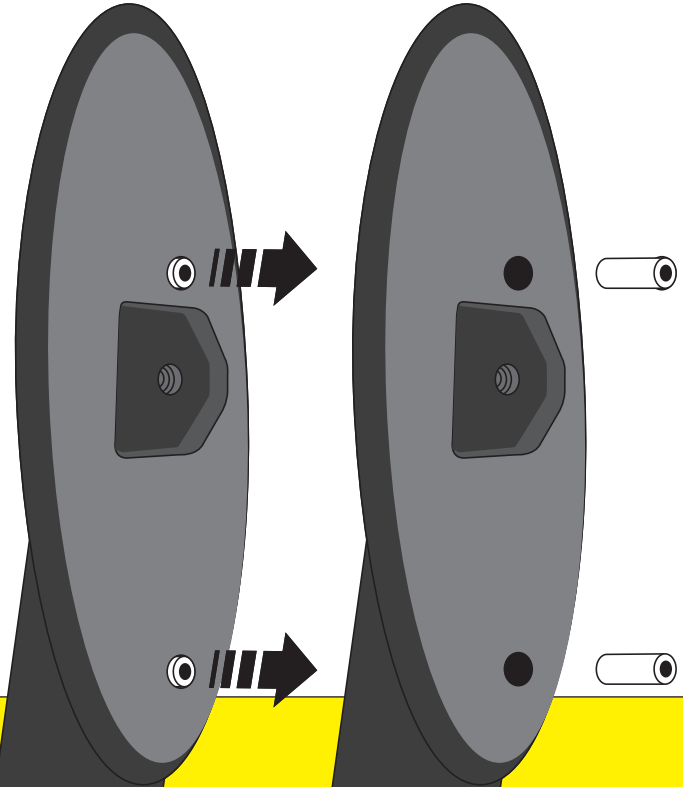
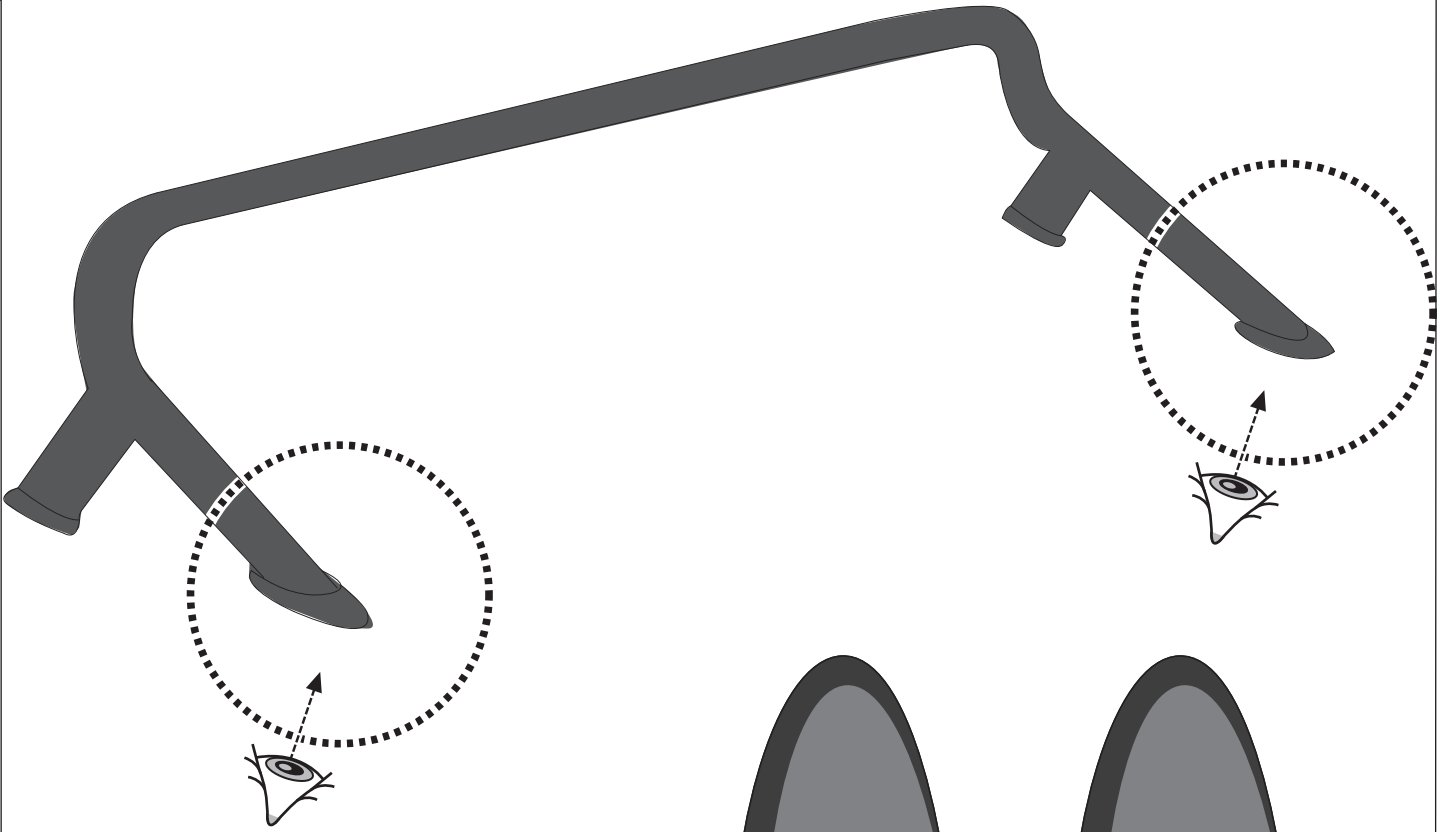
x8

x4

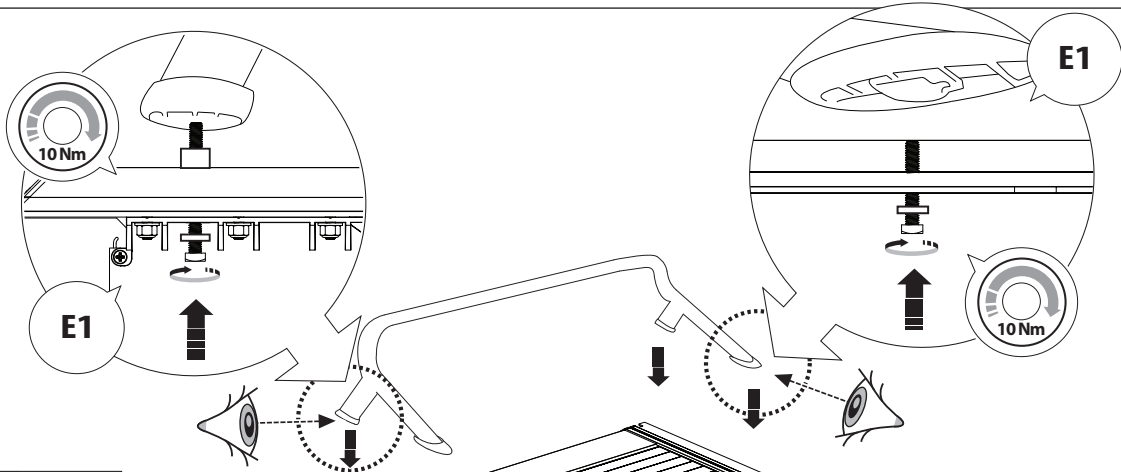
! KEEP



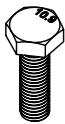
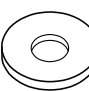
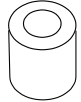
10.0

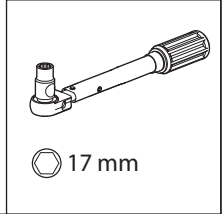


11

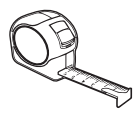
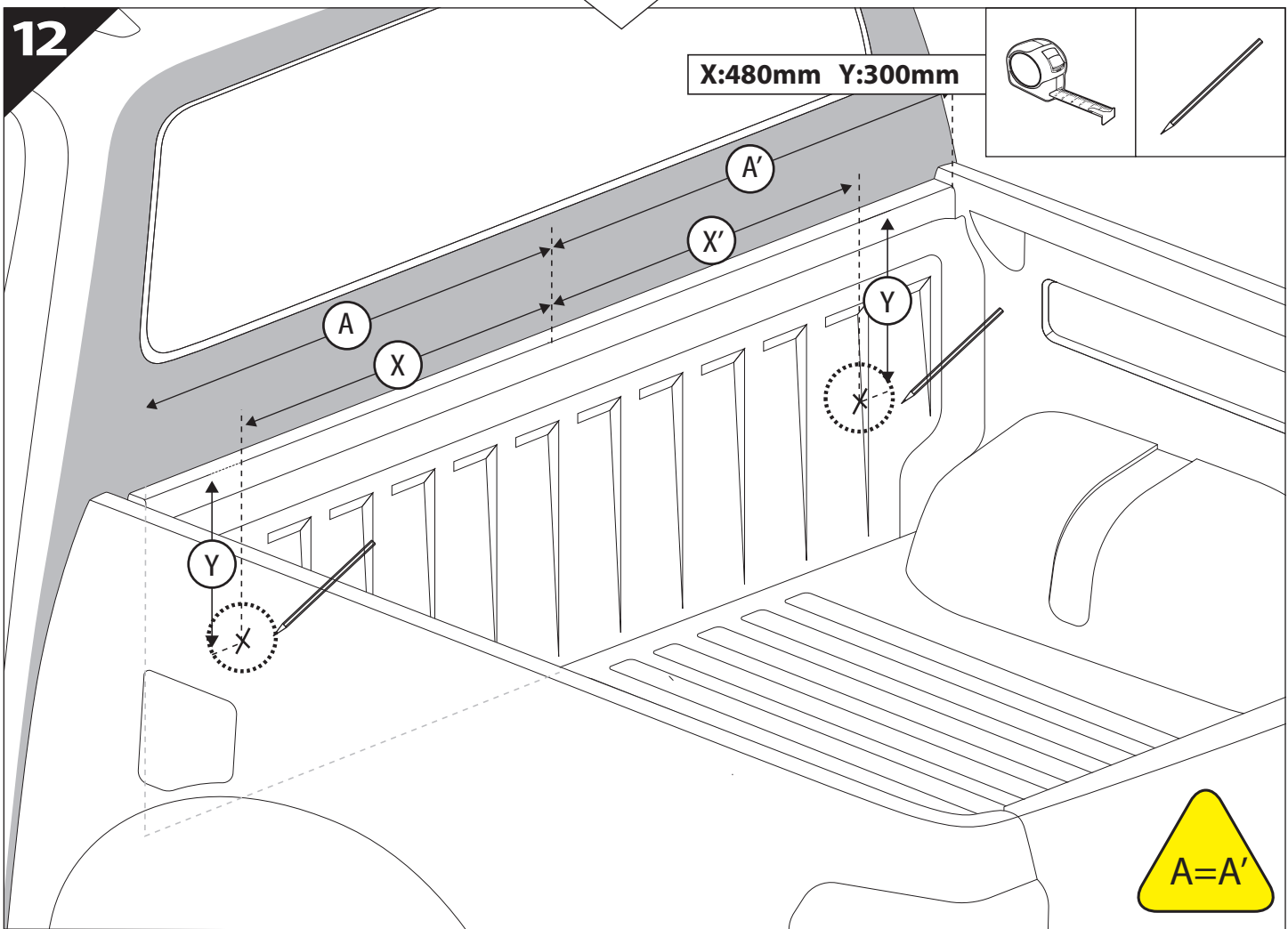


E1

- 4x M10x40 
- 4x Ø10 
- 2x 18mm 

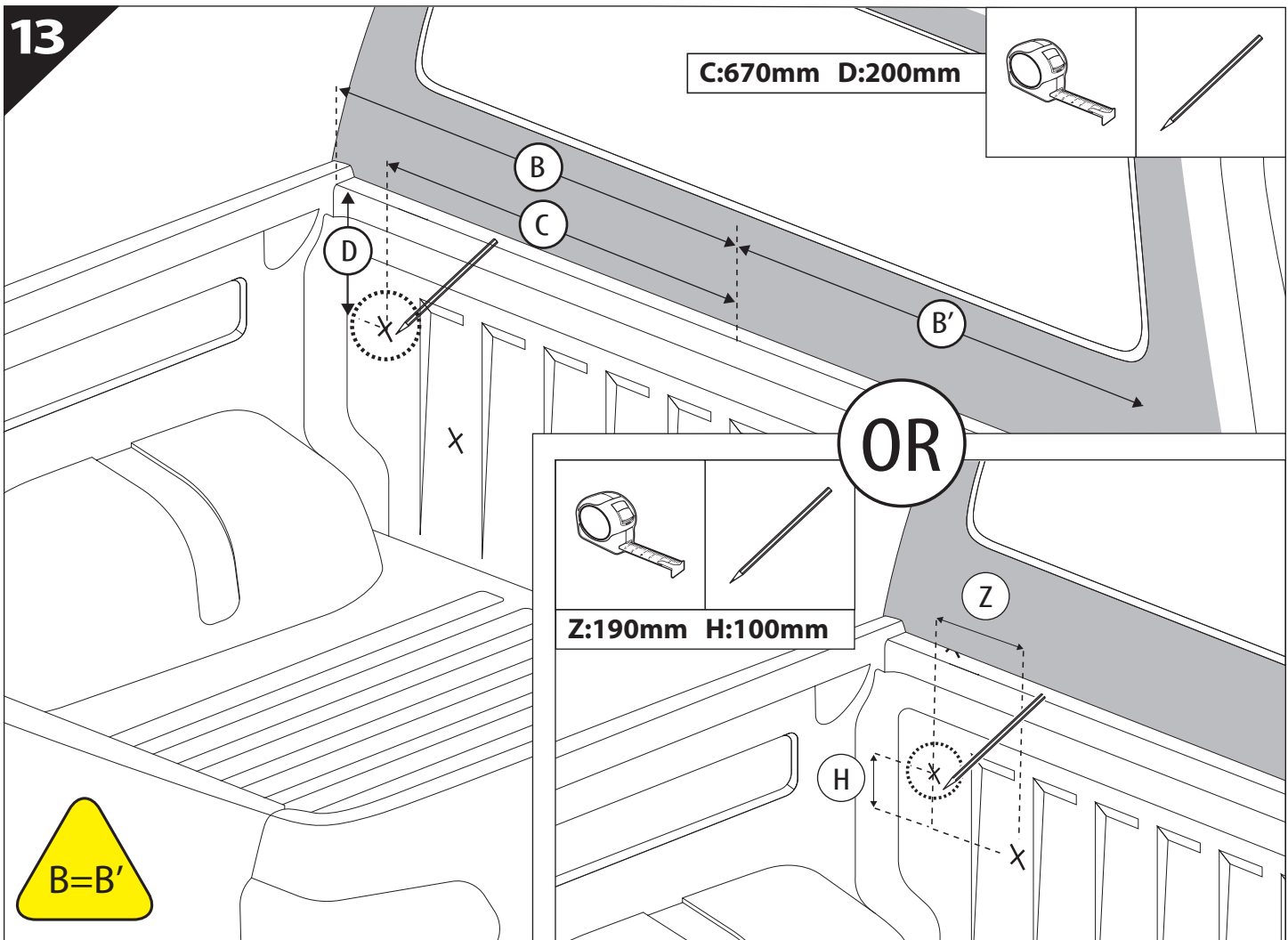
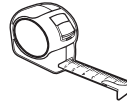


12

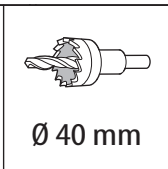
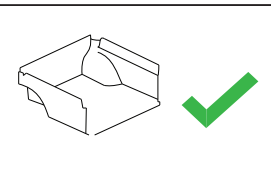


13

C:670mm D:200mm

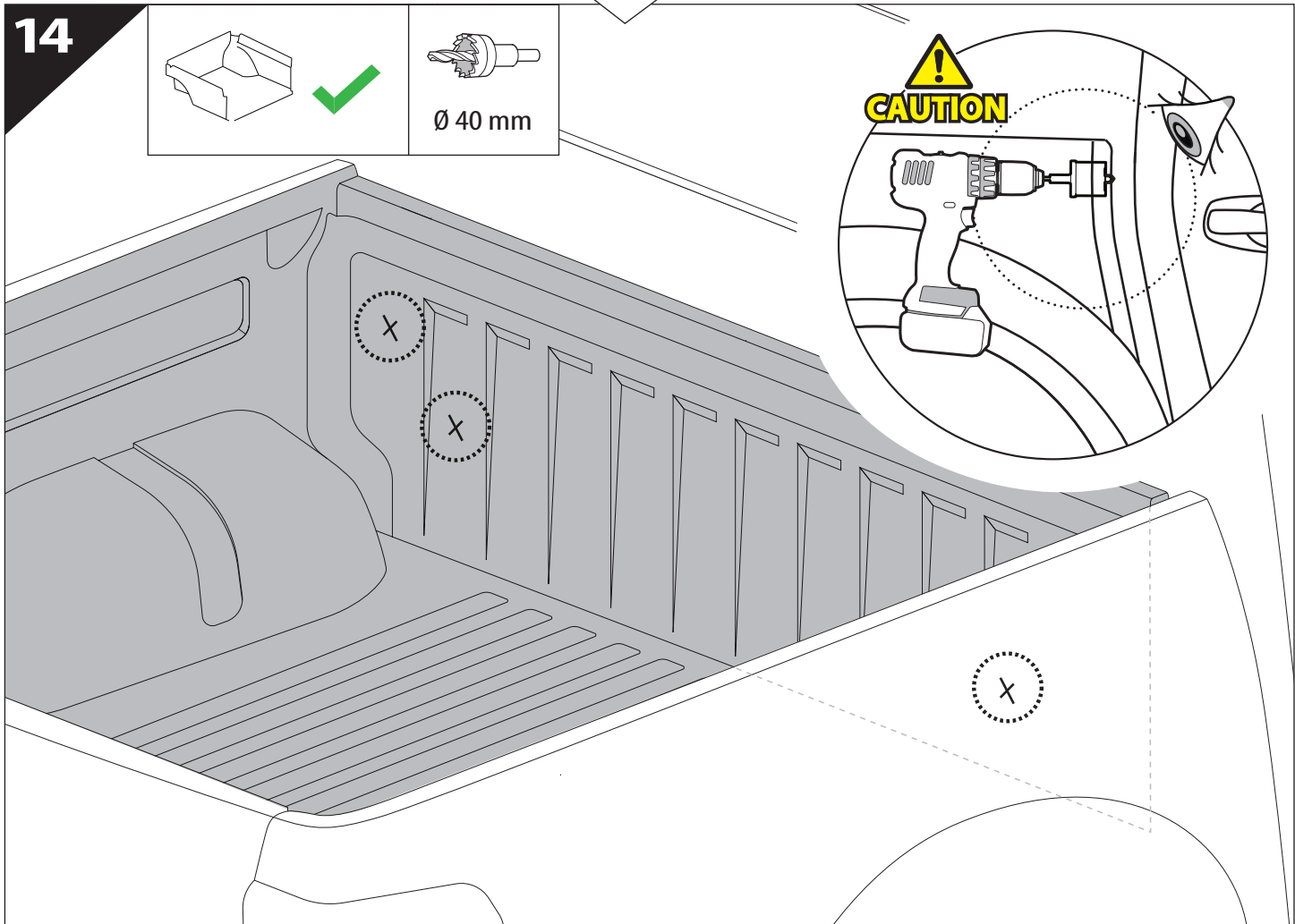
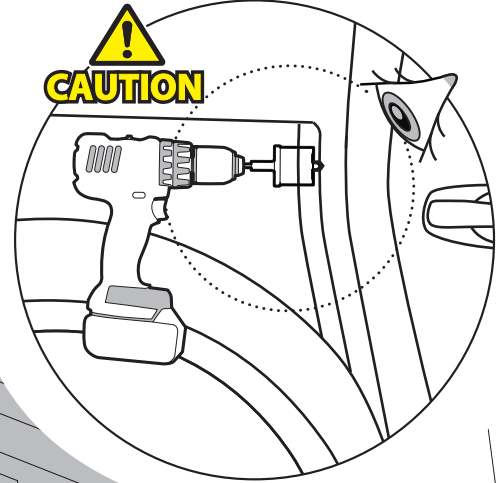


14

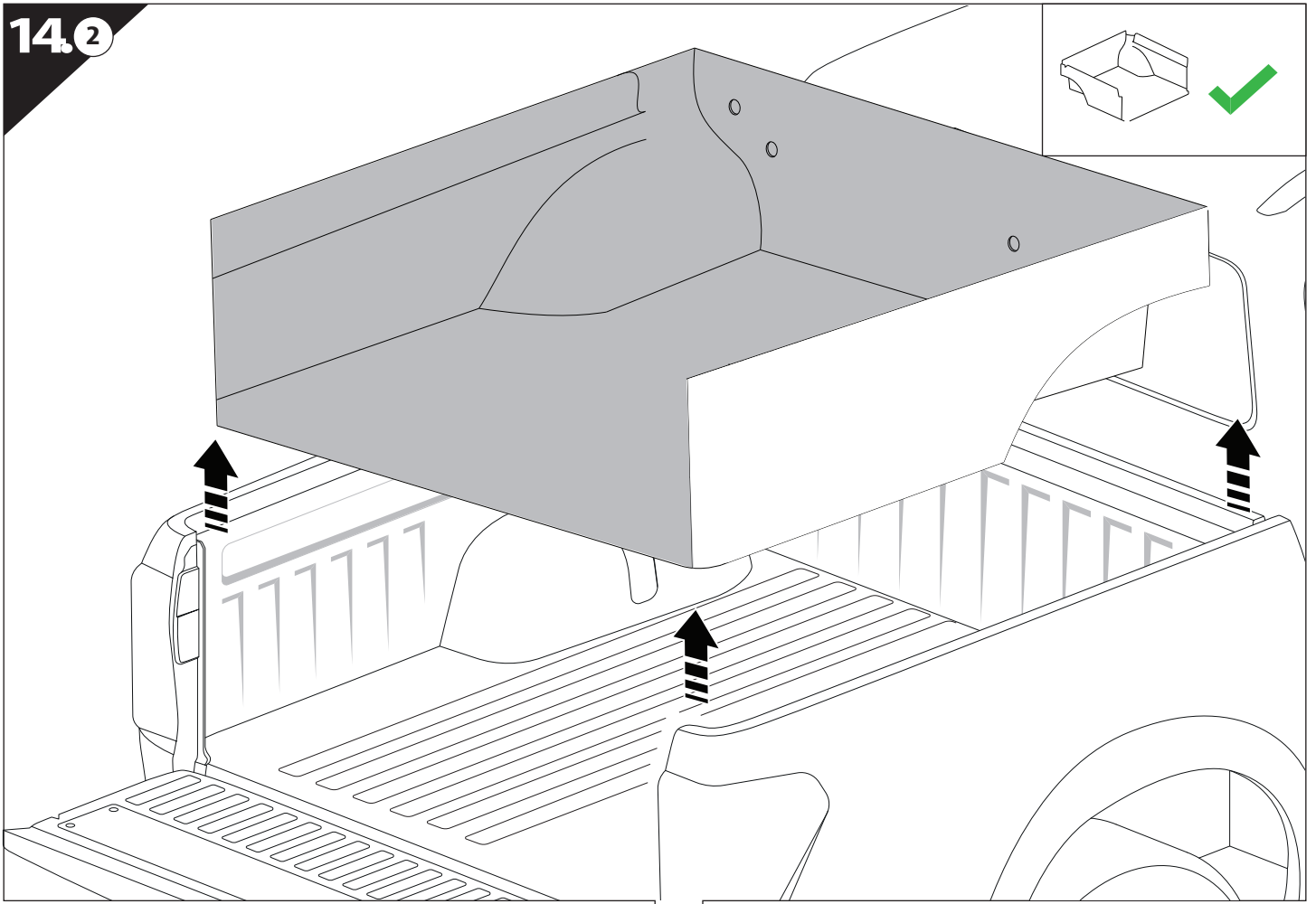


Ø 40 mm

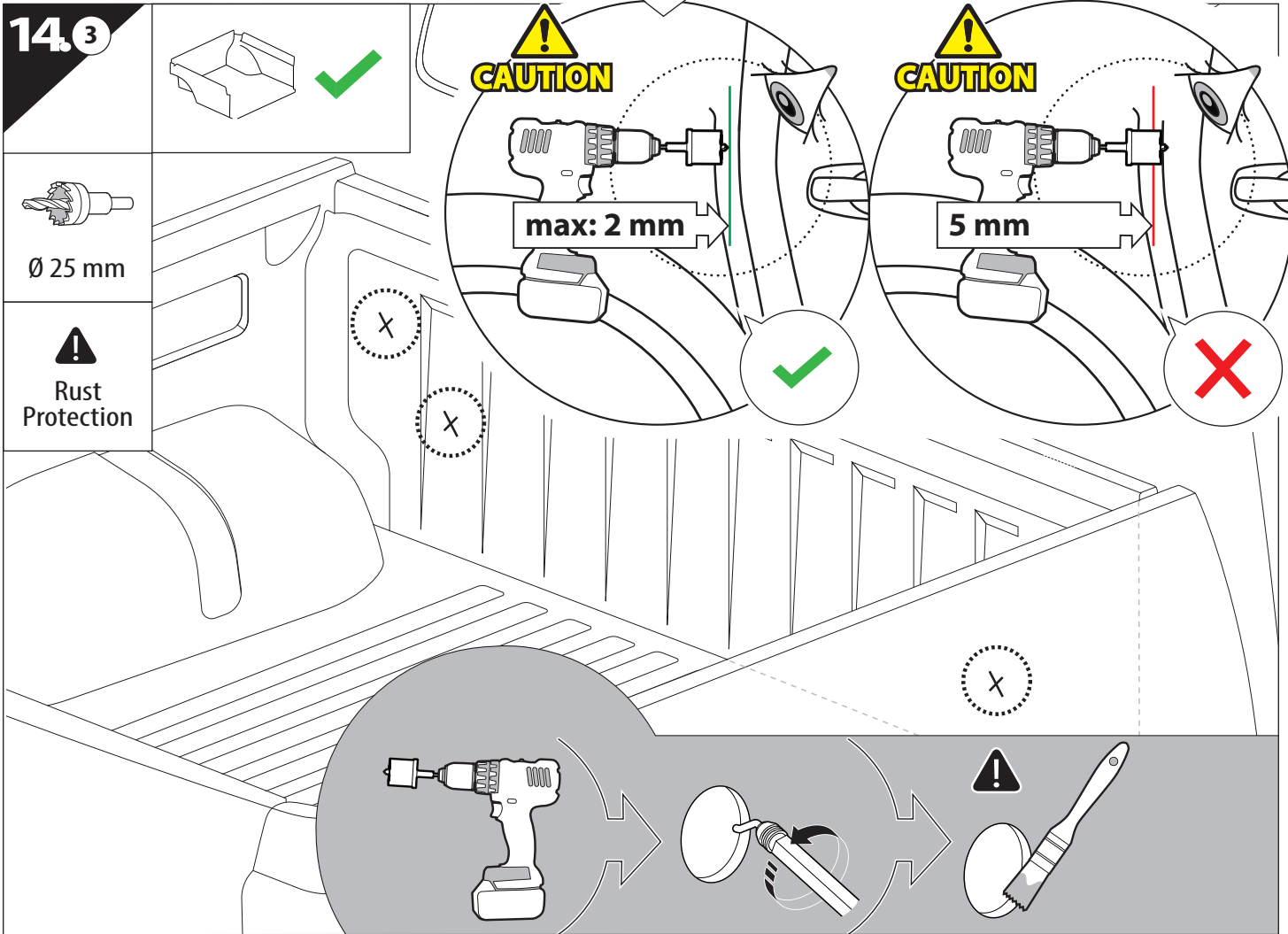
CAUTION



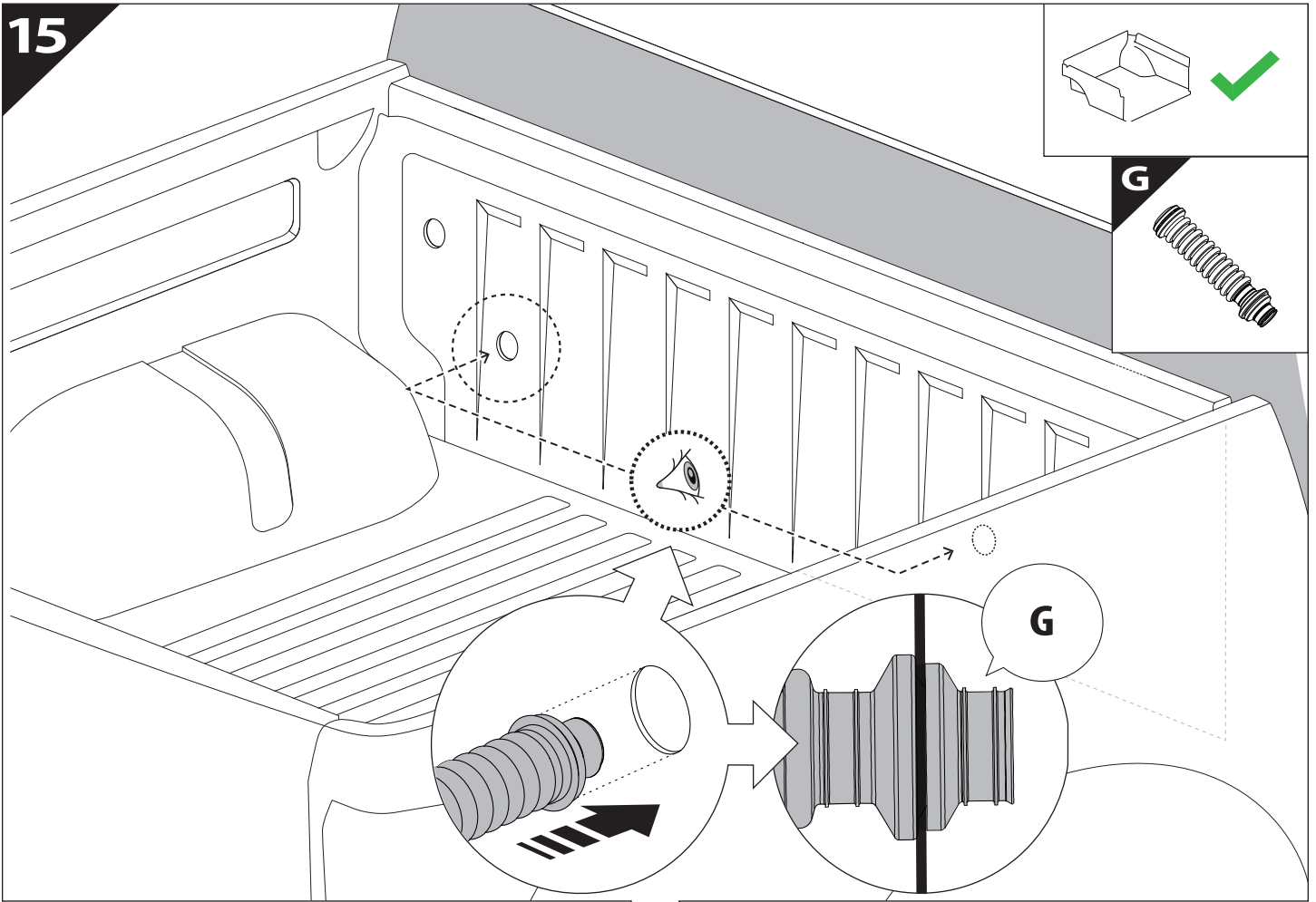
14.2



14.3

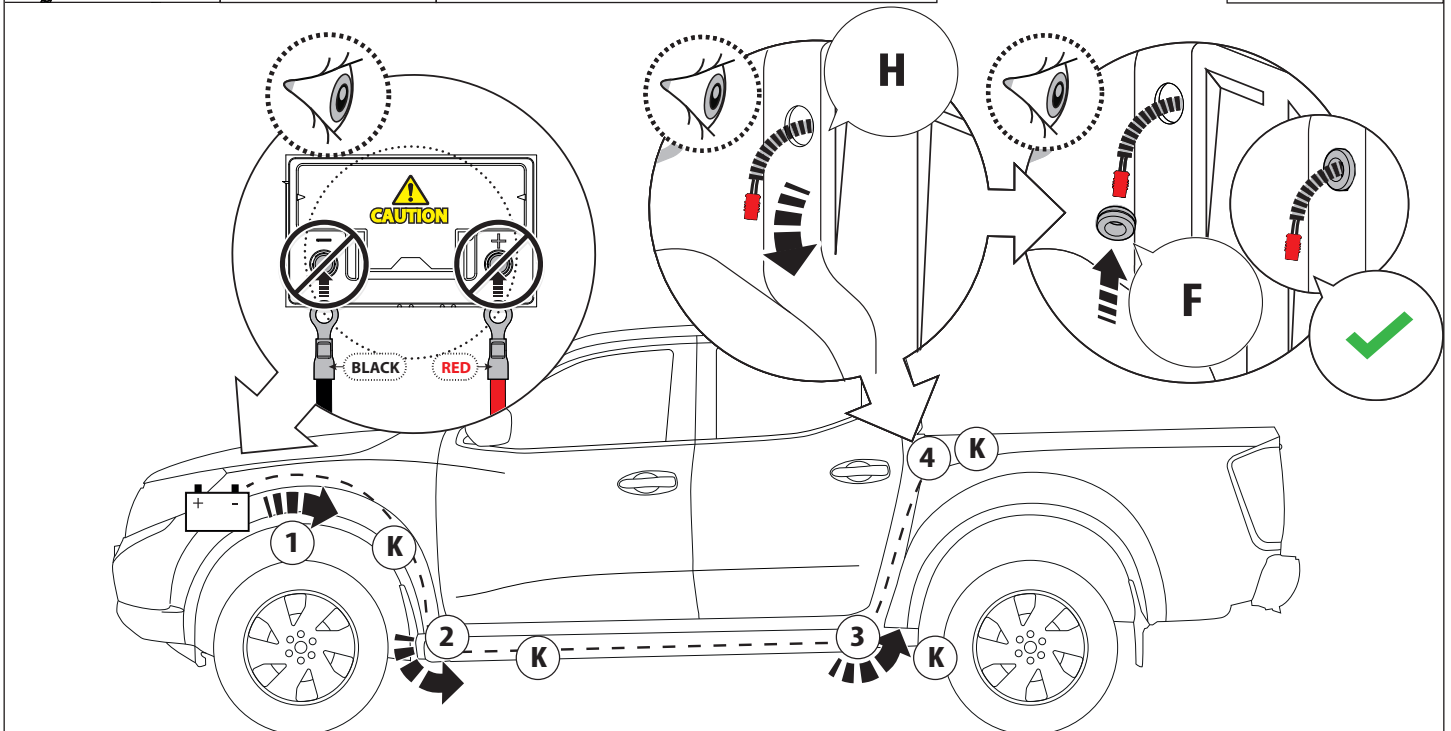
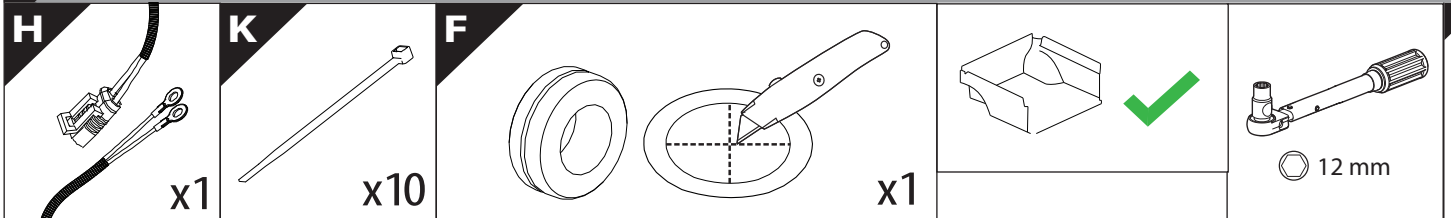


15

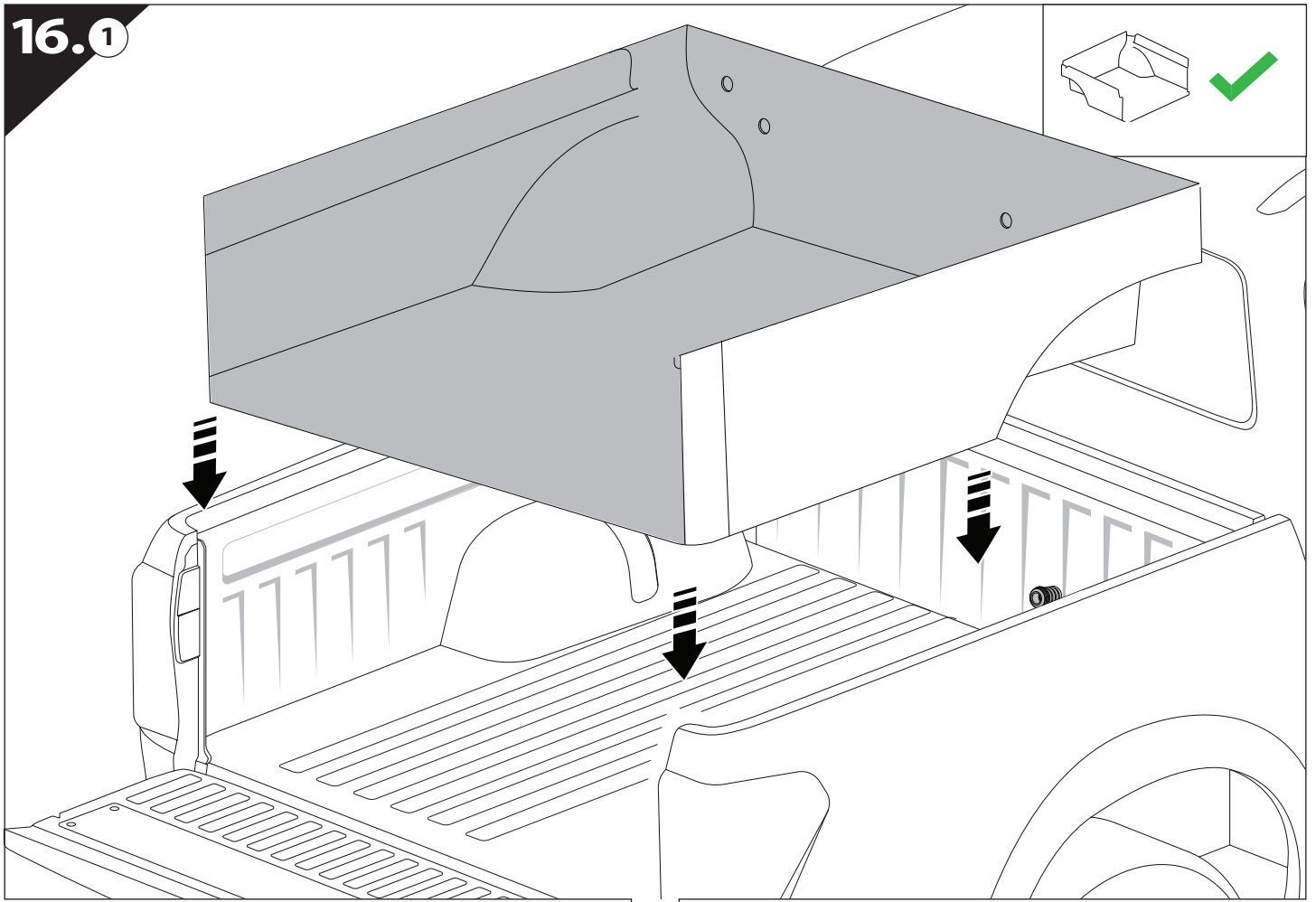


16

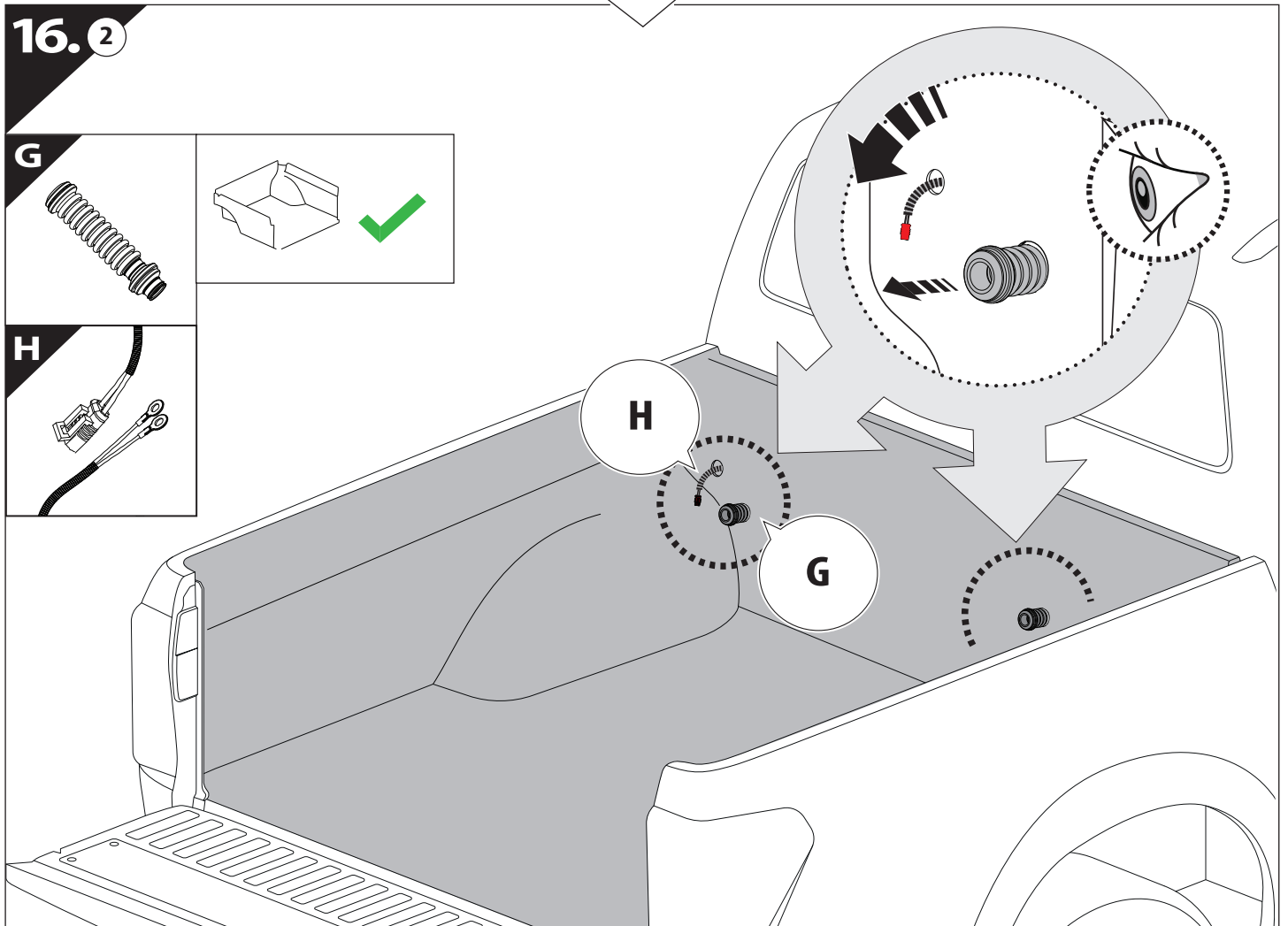
Only to be installed by authorized personnel

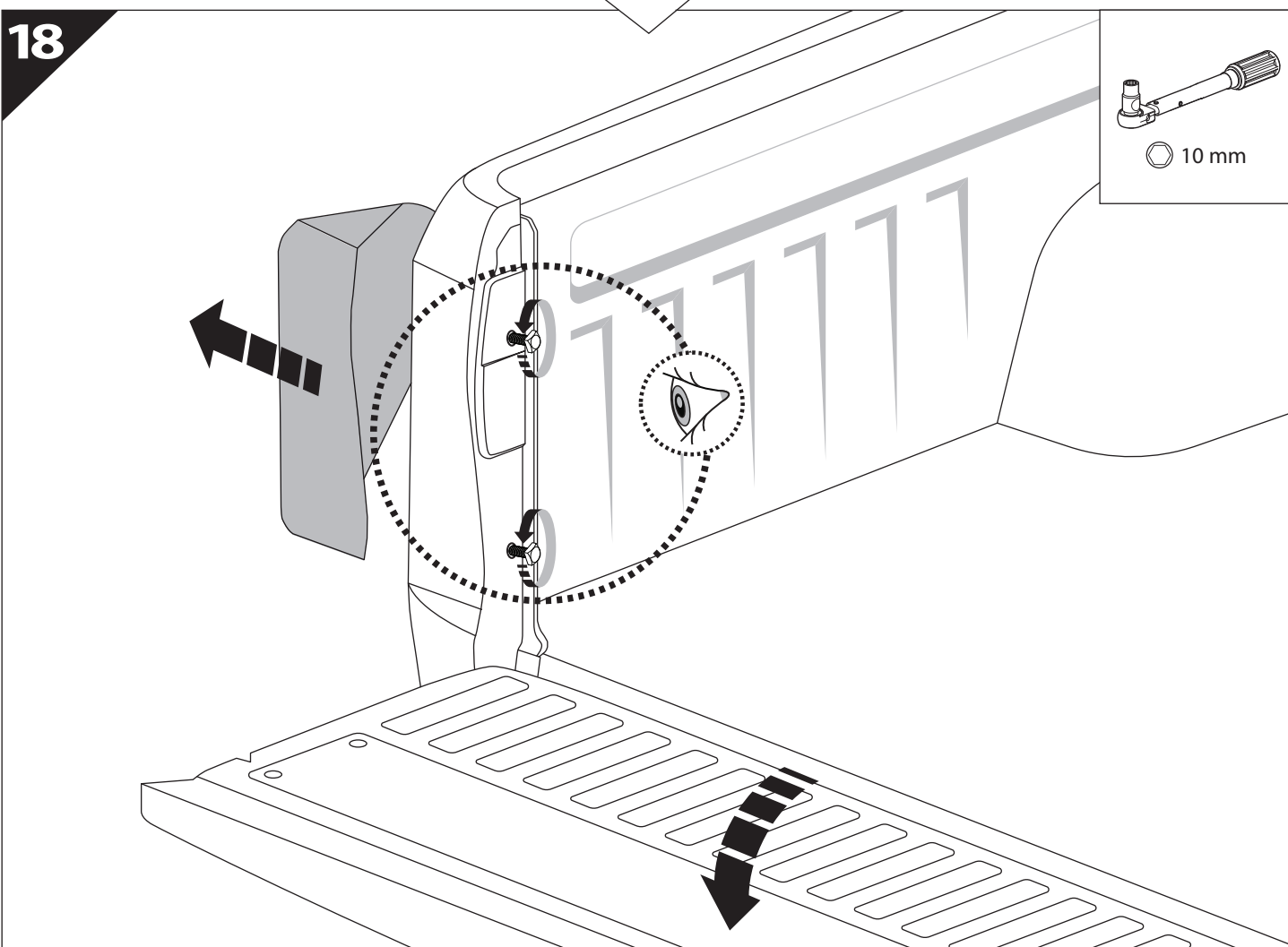
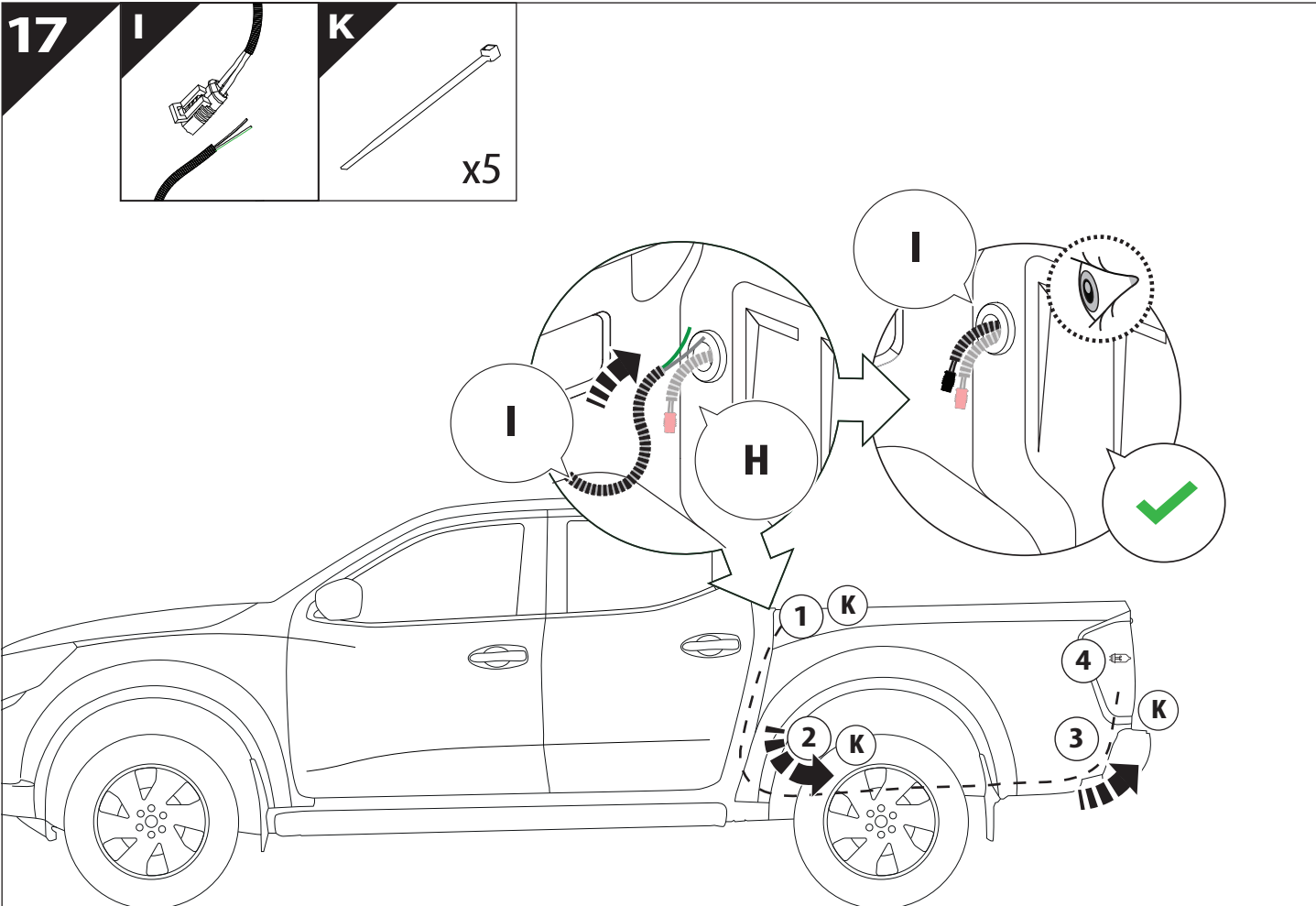


16.1

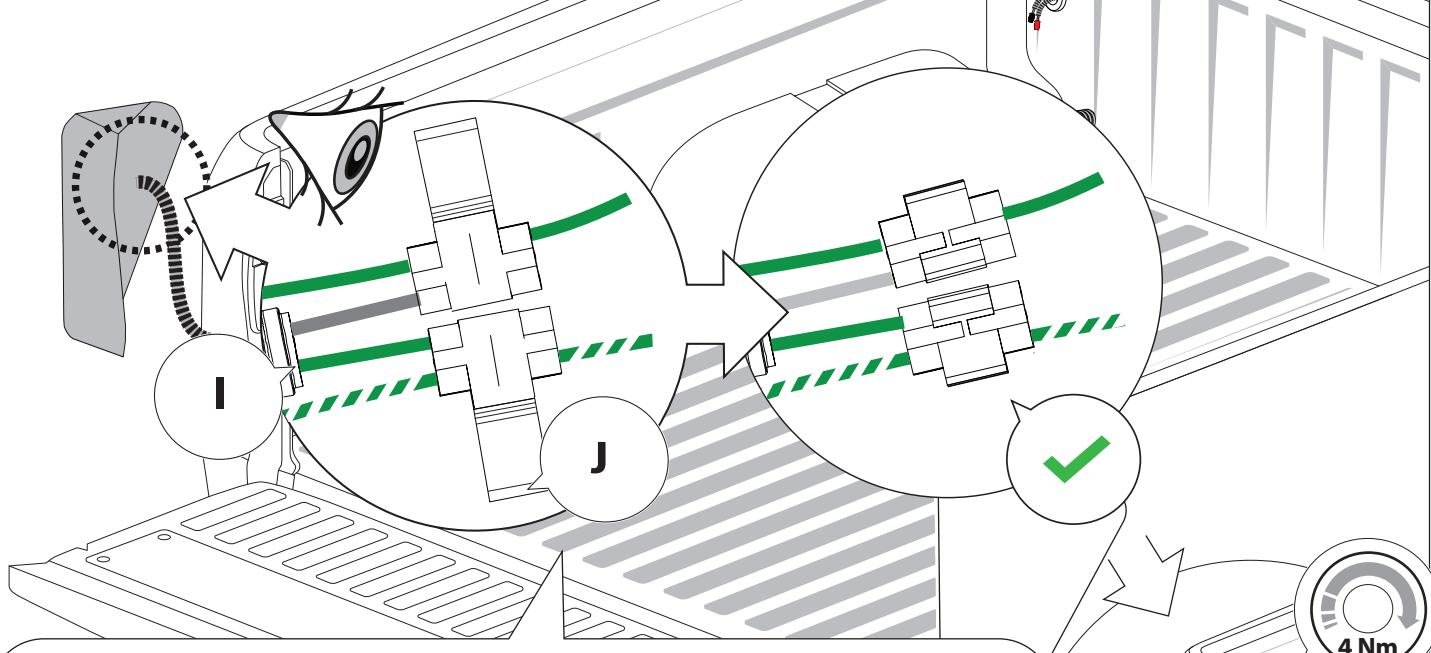
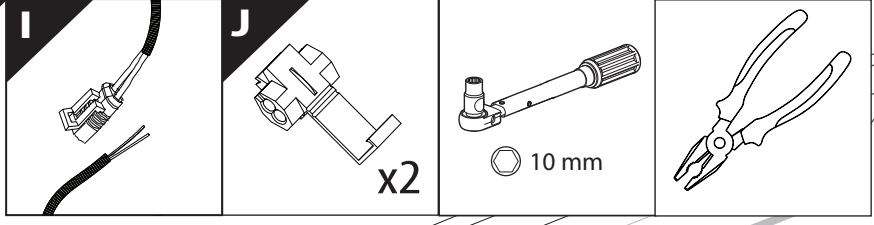


16.2



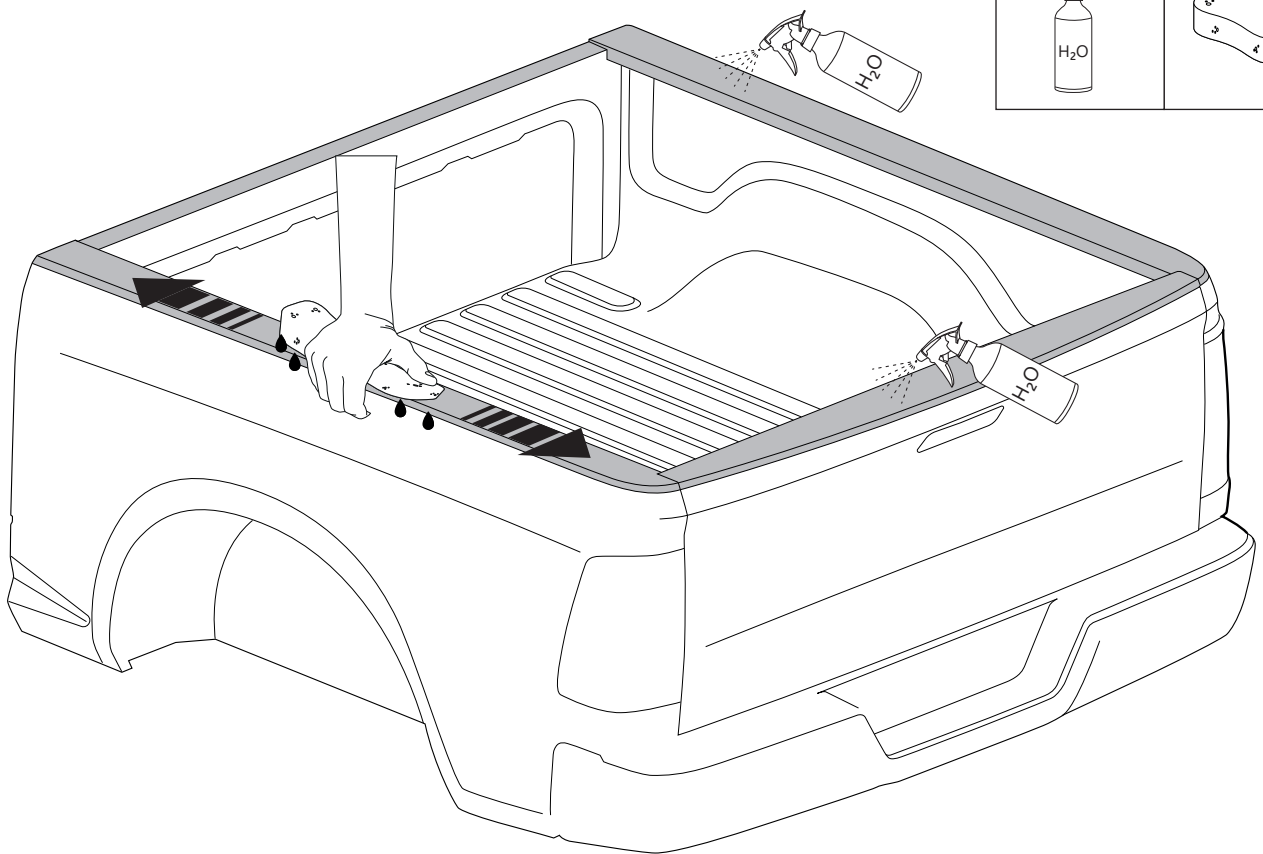
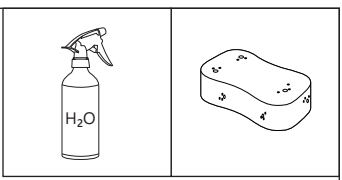


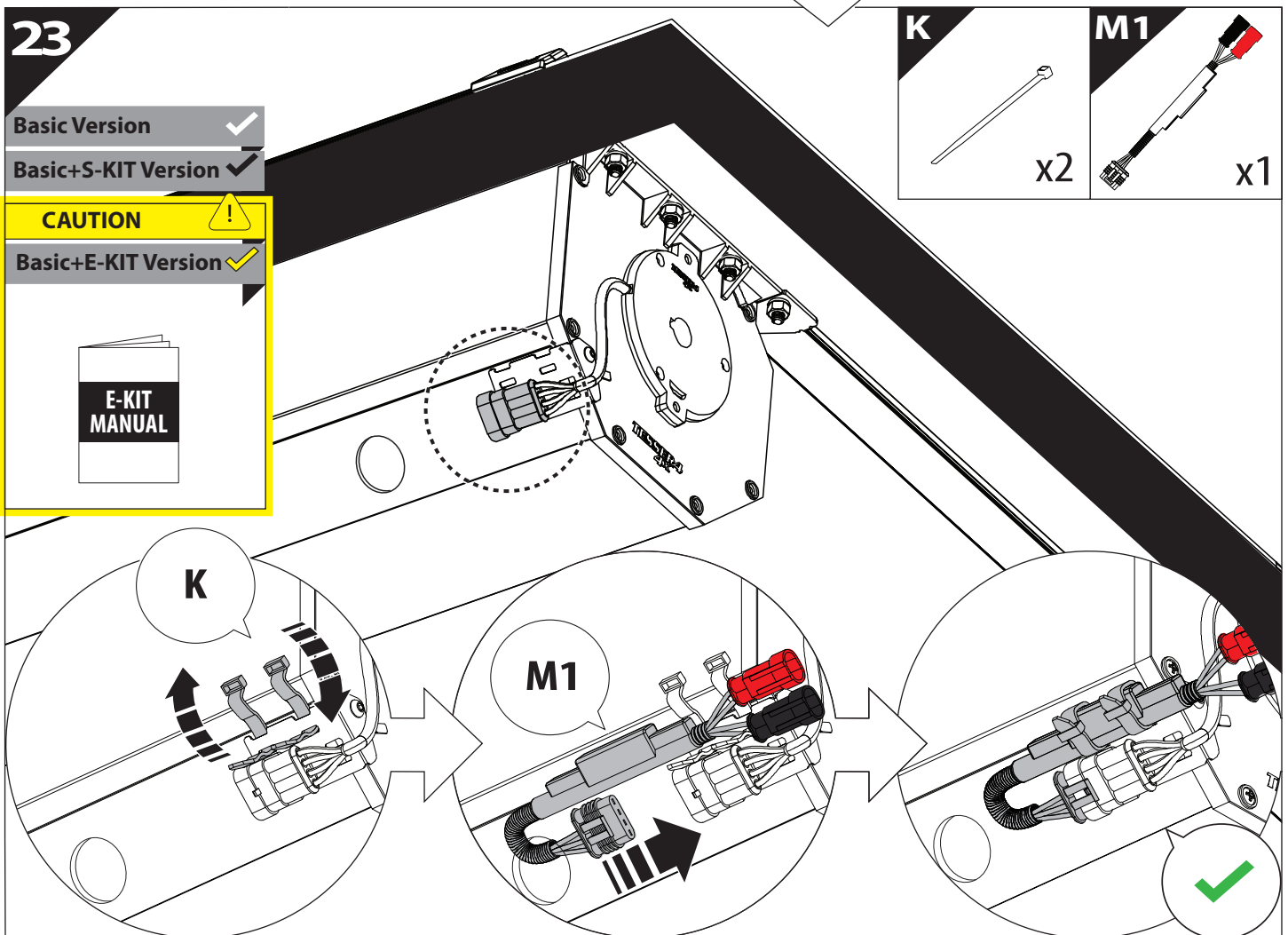
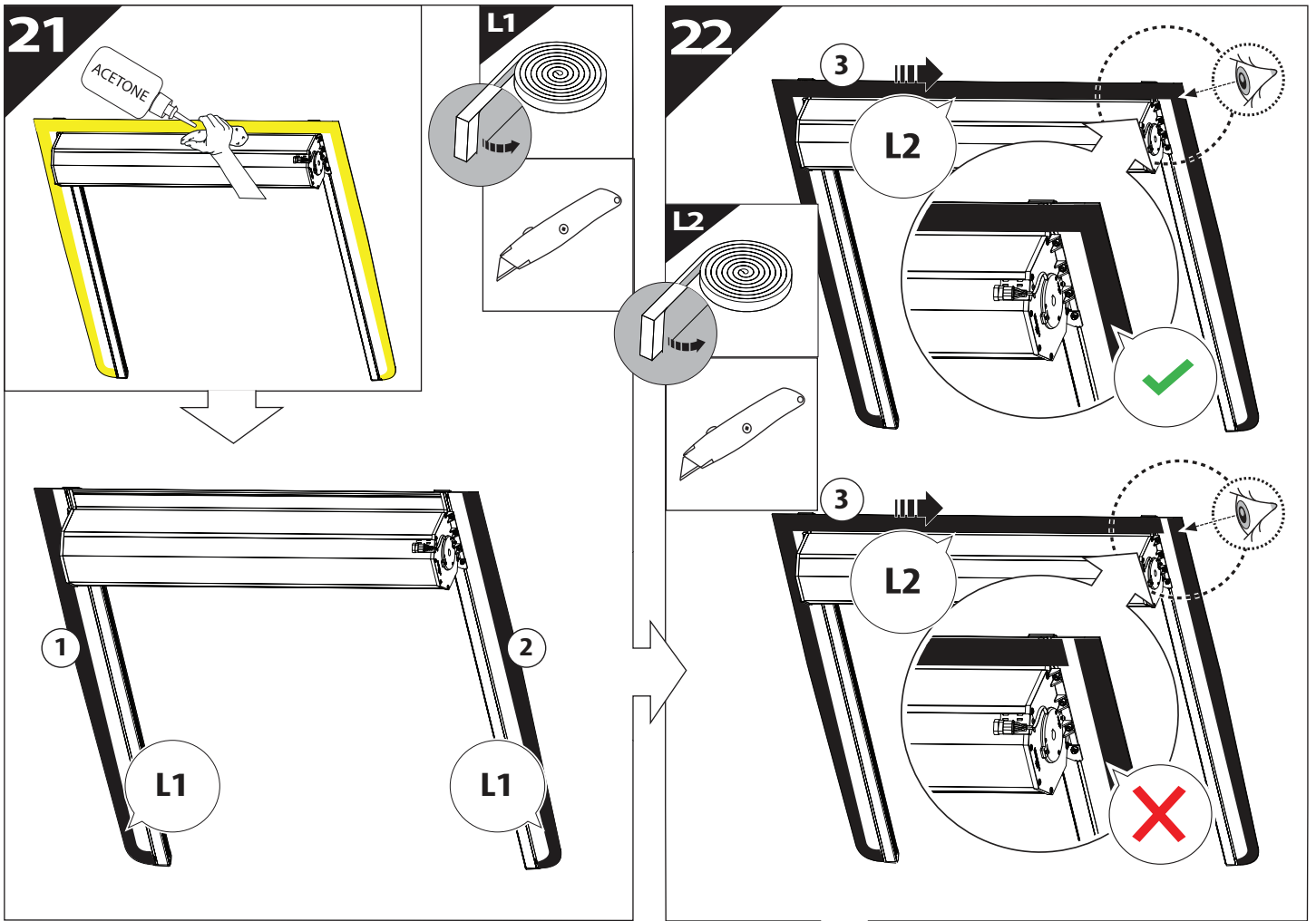
19



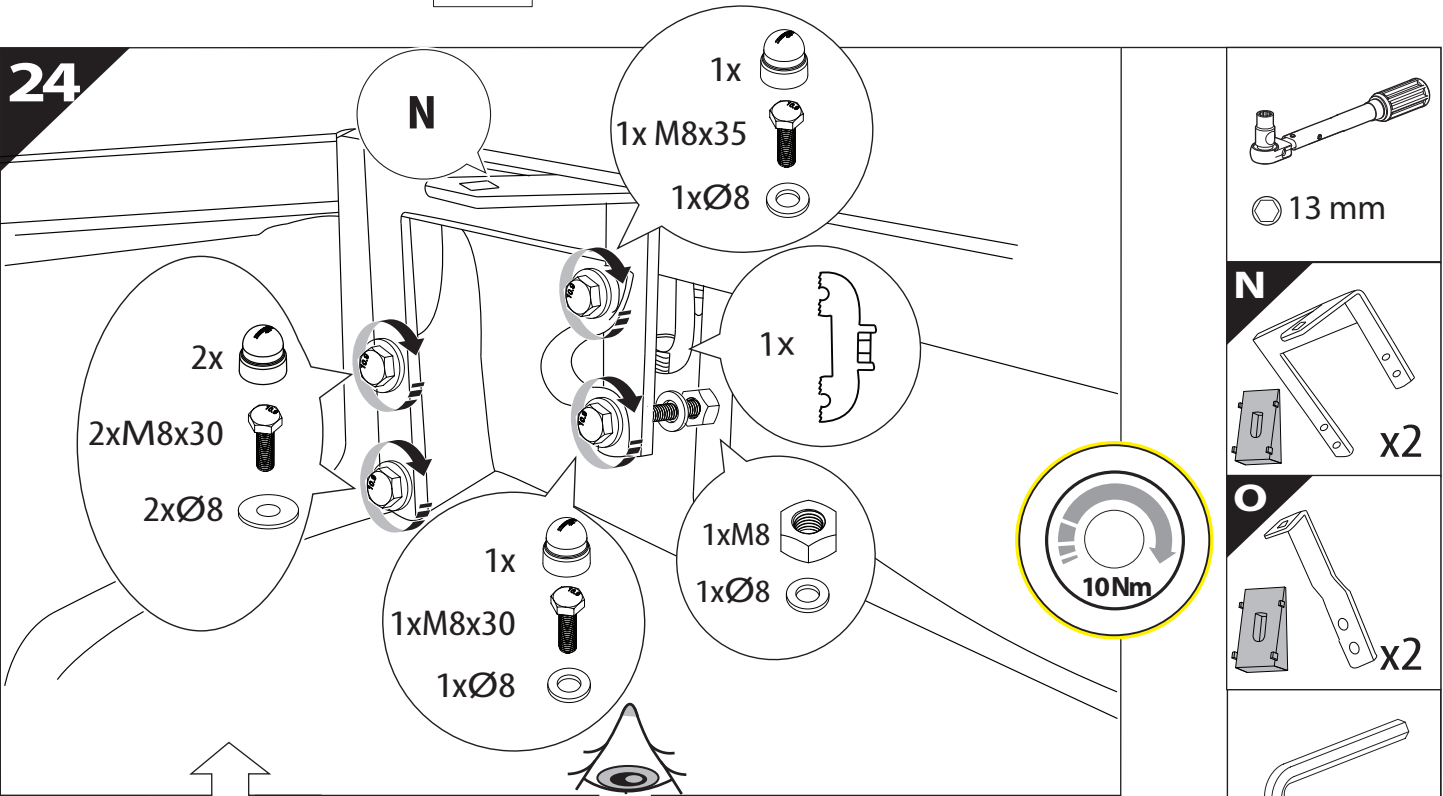
MODEL YEAR	LIGHTS	CAR	TESSERA ROLL+
HILUX 2016+/2021+	BEAM		
HILUX 2016+	STOP		
HILUX 2021+	STOP		

20

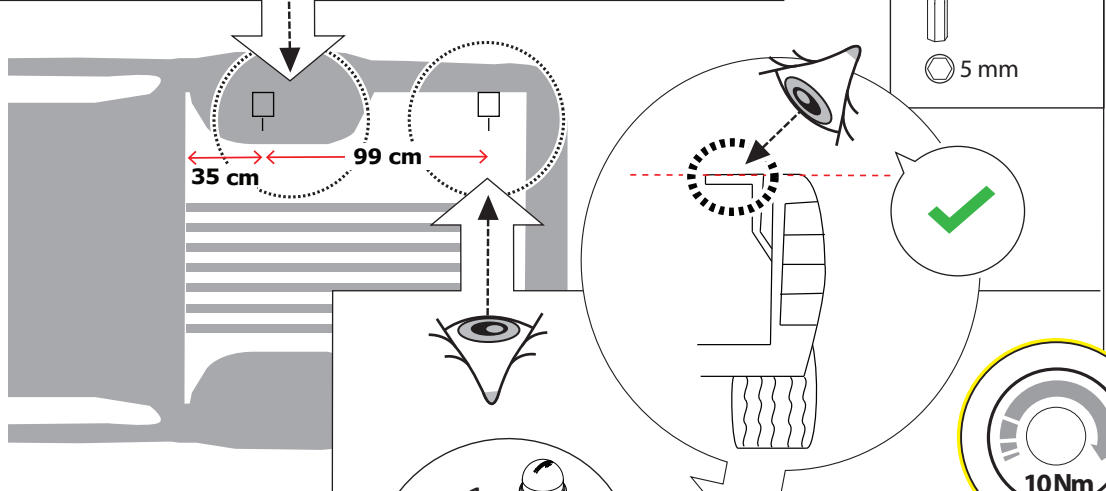
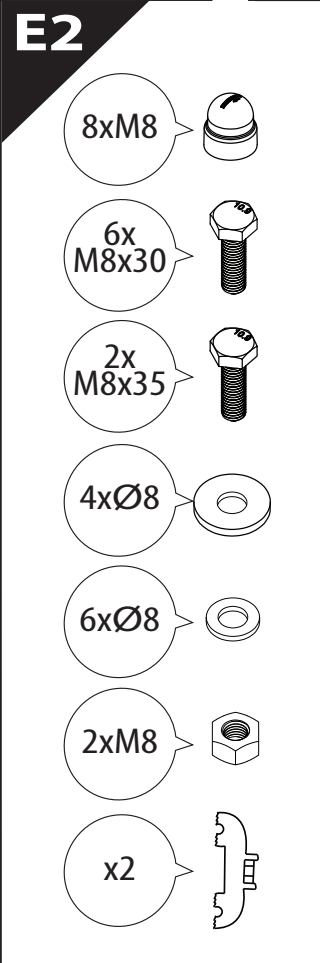




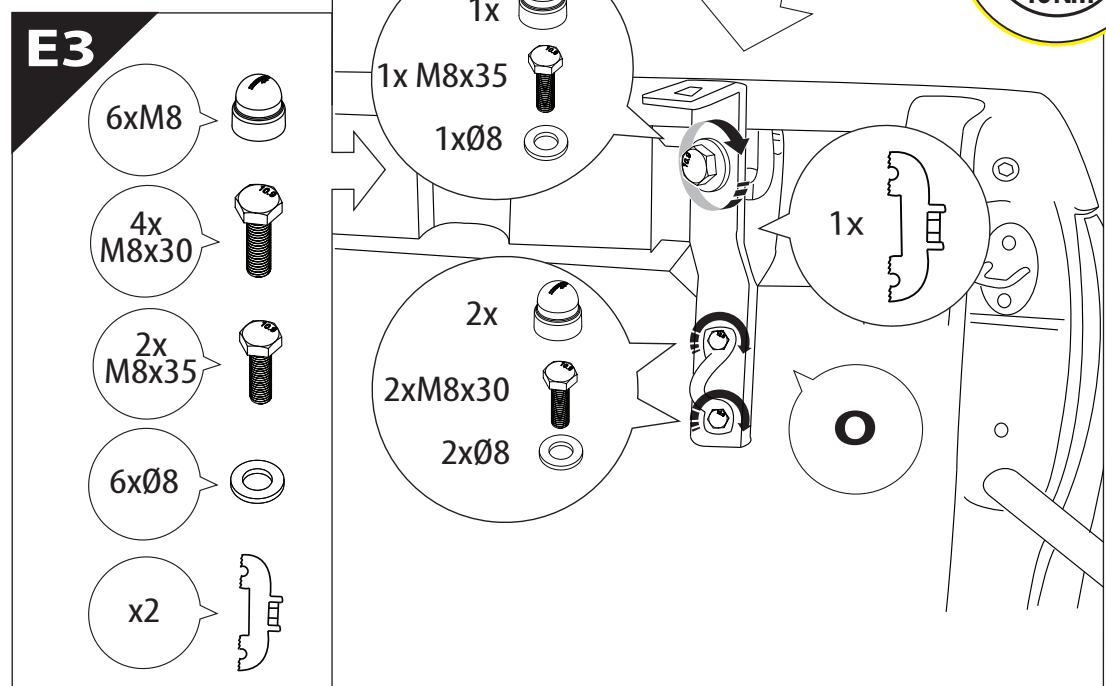
24

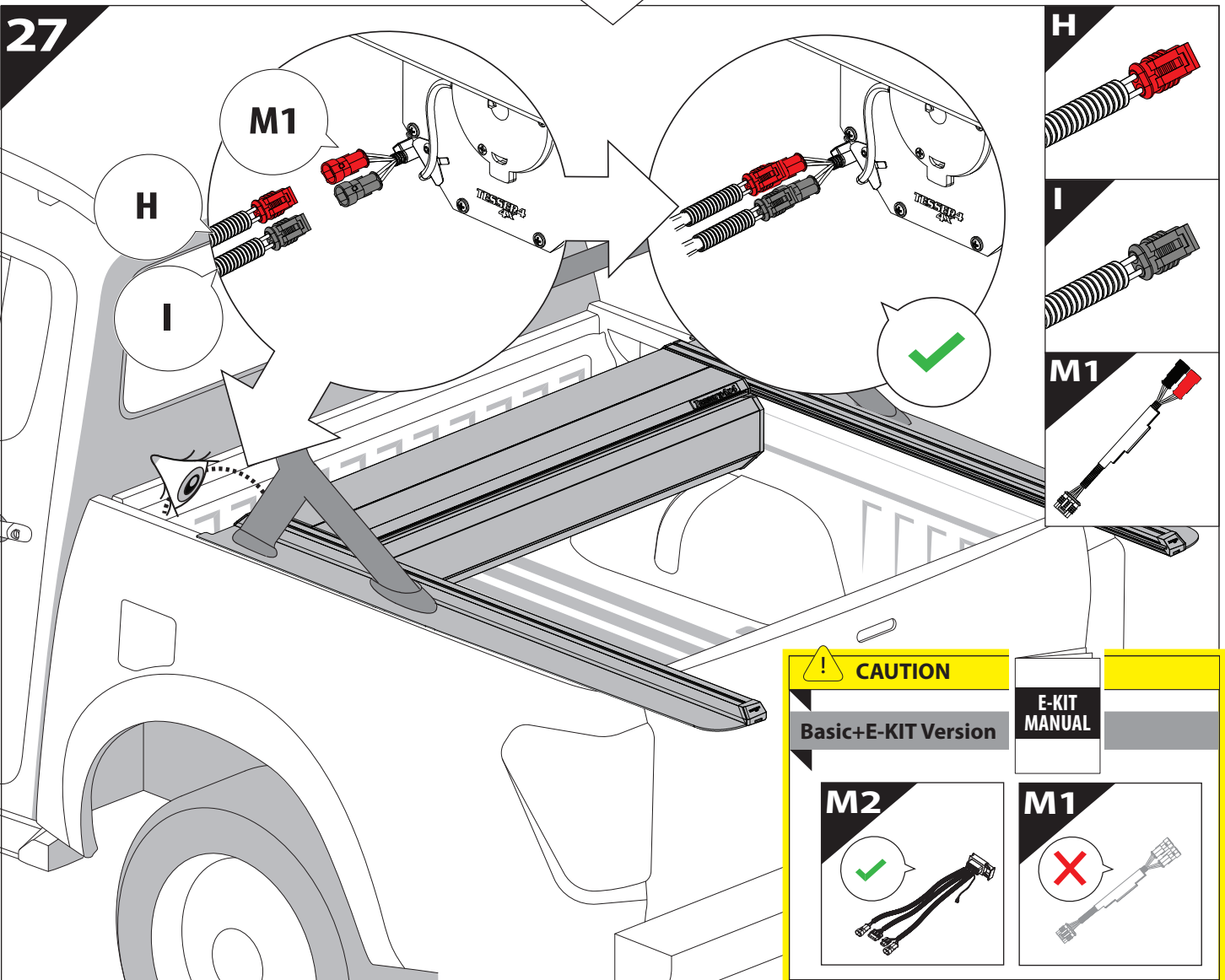
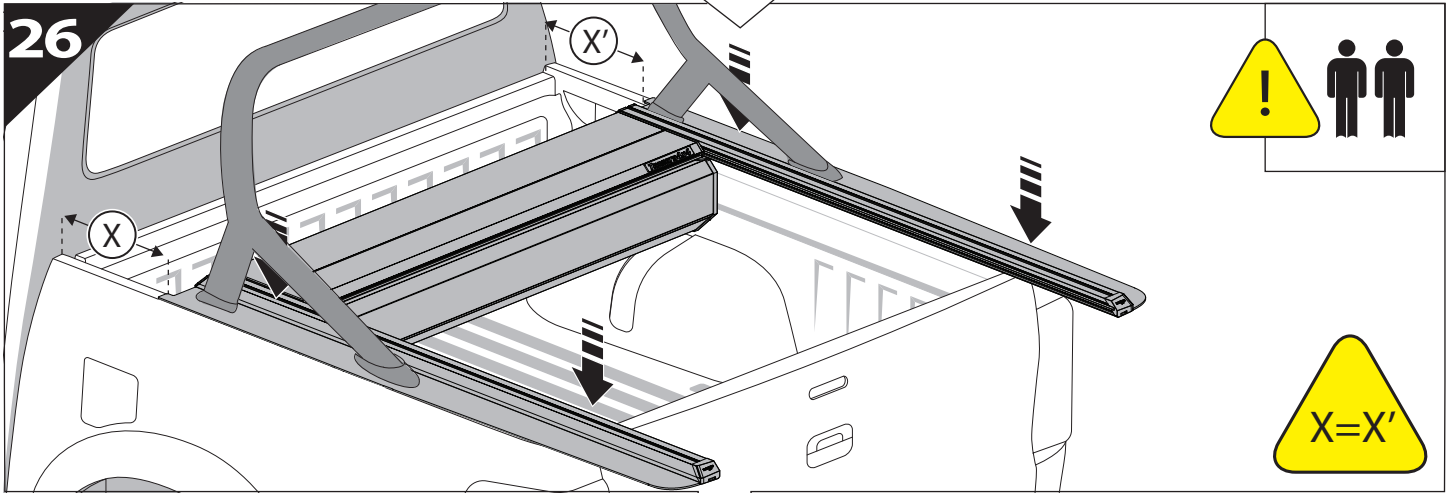
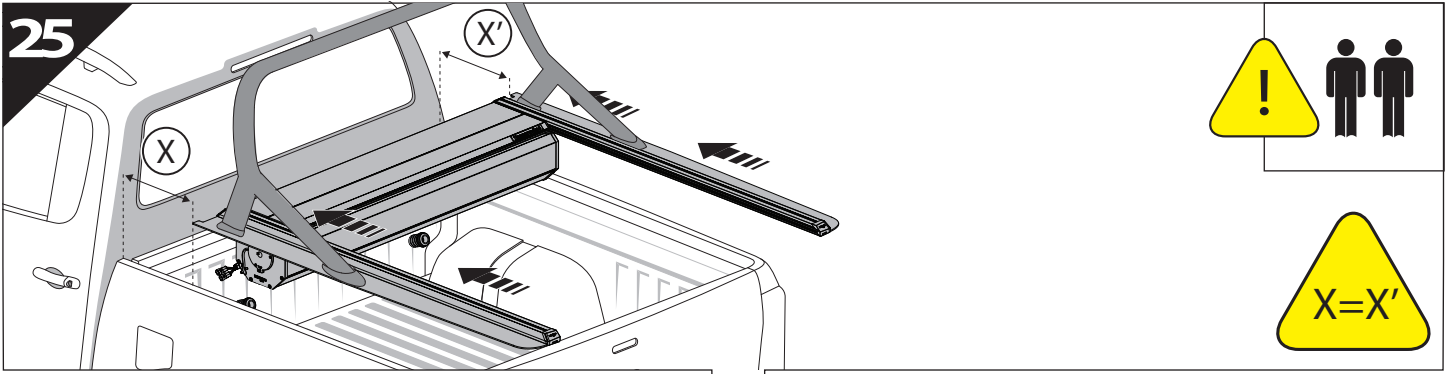


E2

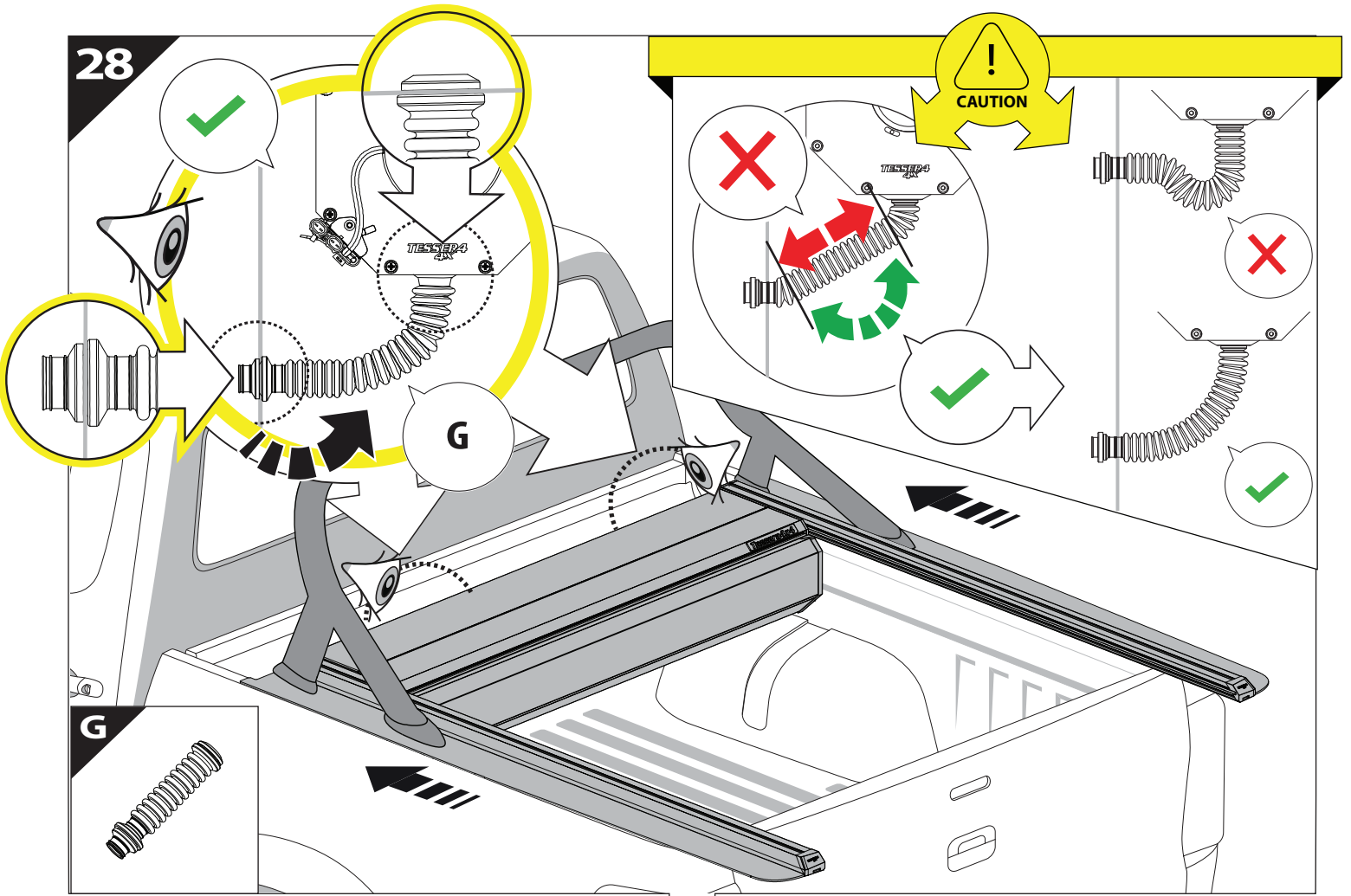


E3

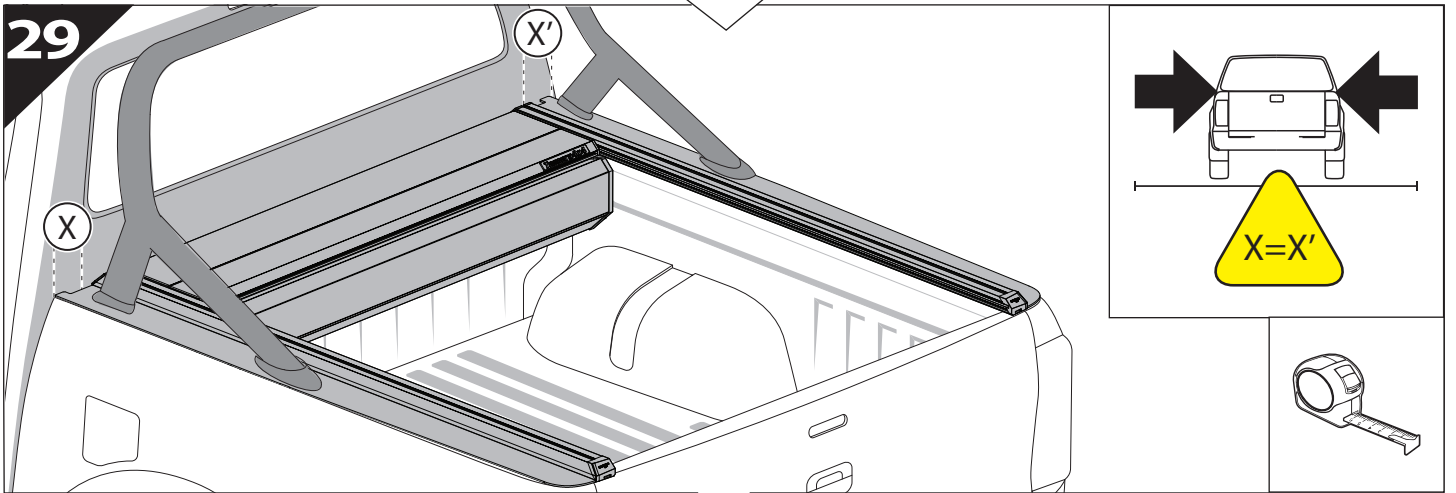




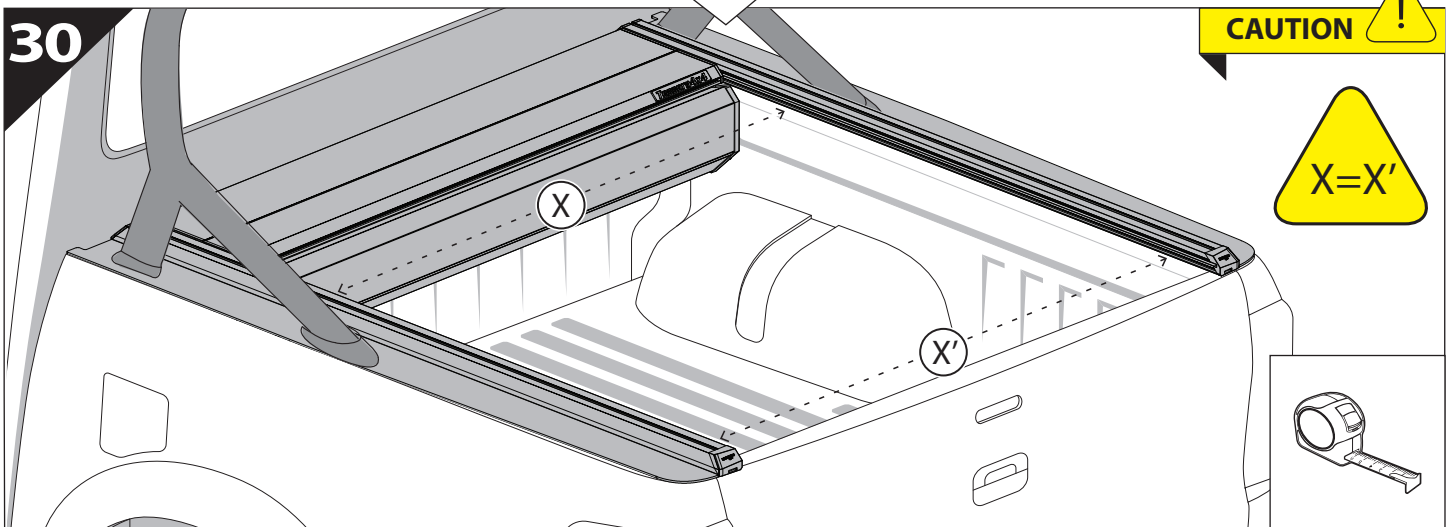
28

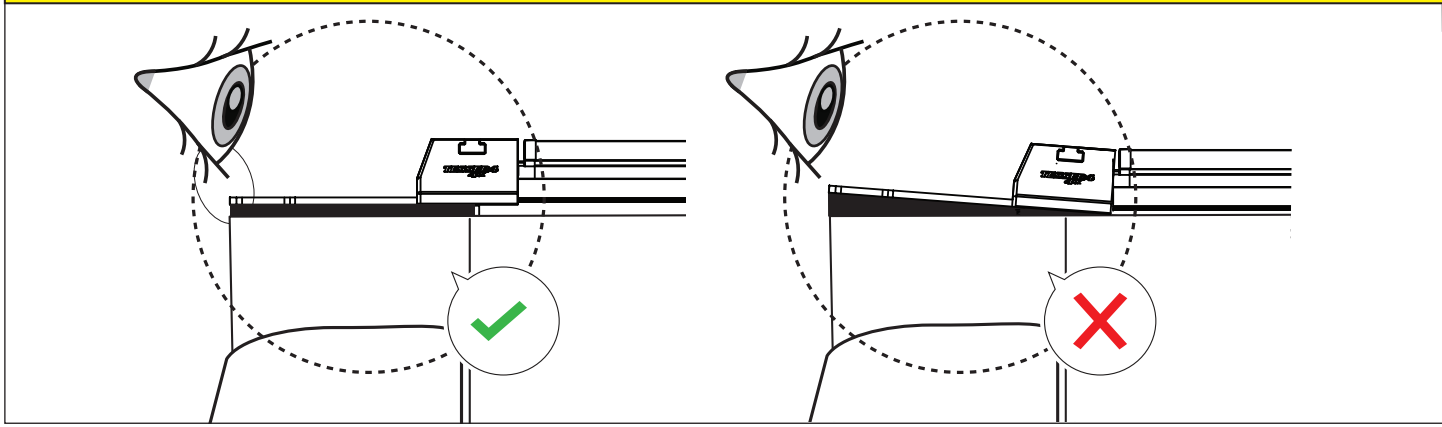


29



30





31

The main diagram shows a person's eye looking at a mechanical assembly. A torque wrench is used to tighten a bolt, with a callout indicating a torque of **10 Nm**. A callout **N** points to a specific part of the assembly. A dashed arrow points from the eye to the assembly area.

E

- Hardware list: bolt, washer, nut, and sleeve.
- Quantity: **x2**

N

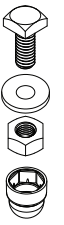
- Hardware list: L-shaped bracket and a small rectangular component.
- Quantity: **x2**

13 mm

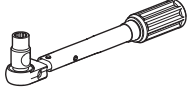
10 Nm

N

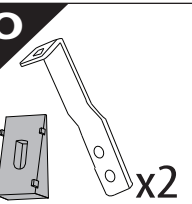
An inset diagram shows a close-up of a square hole in a metal plate, with a dashed circle and an arrow pointing to it from the main assembly area.



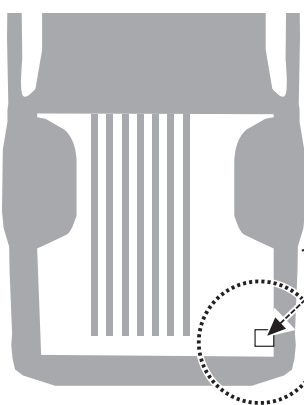
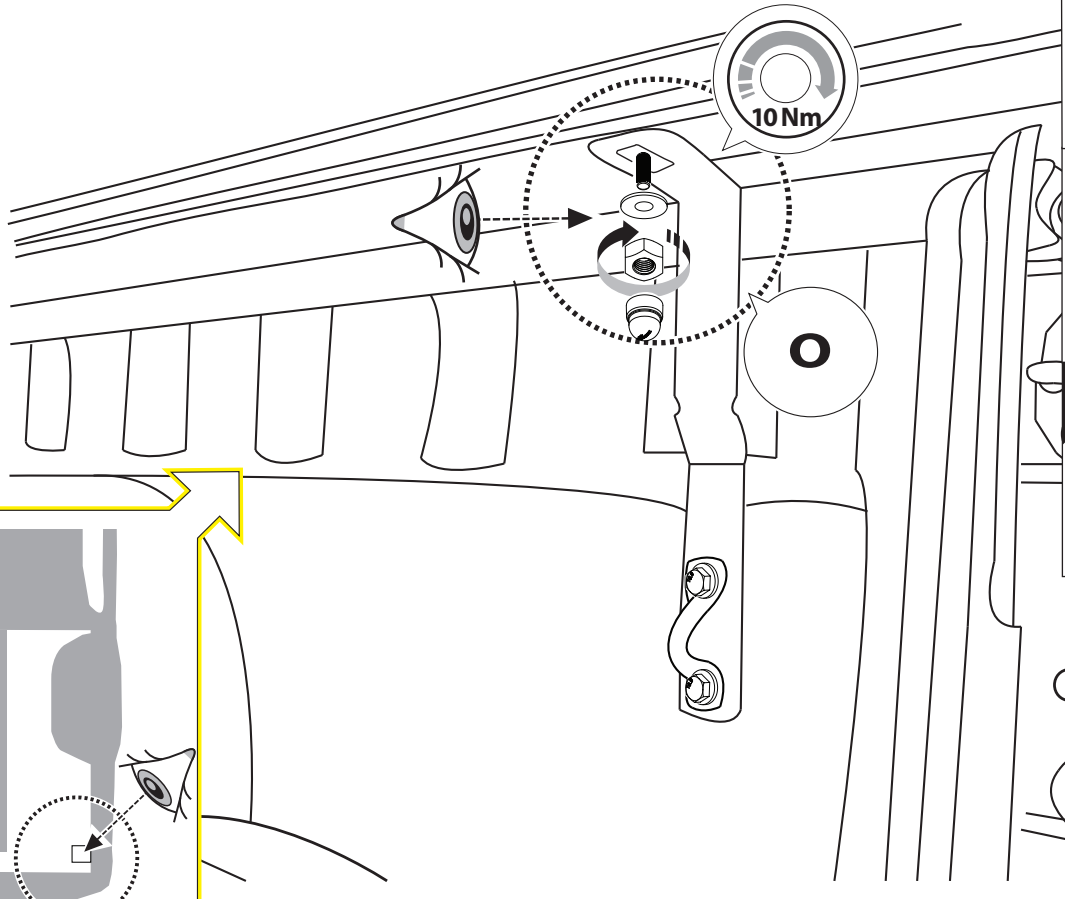
x2



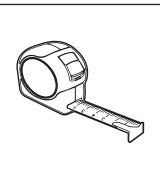
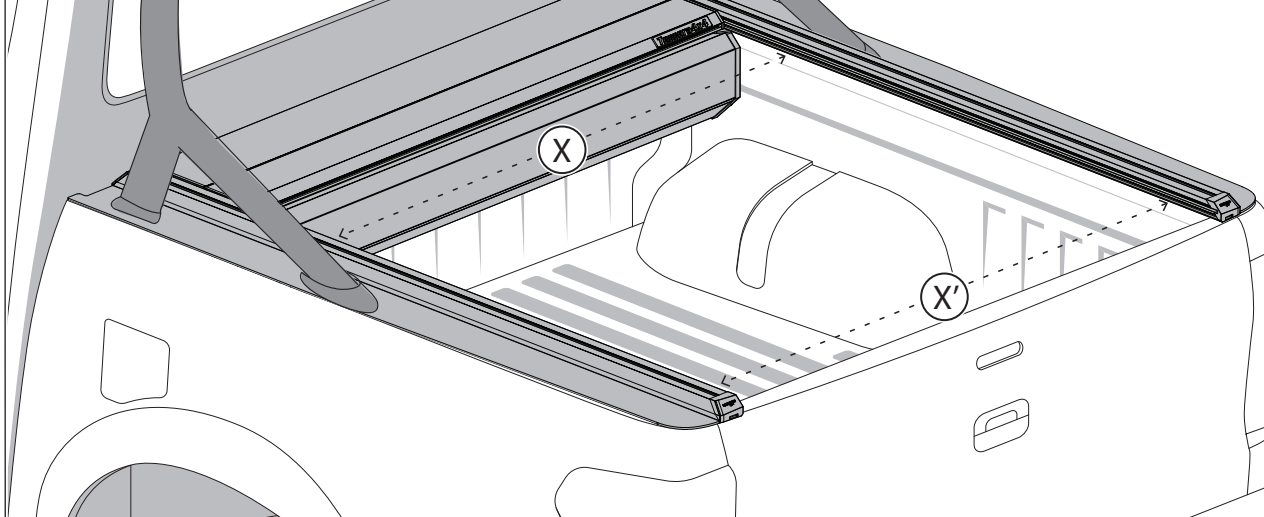
13 mm



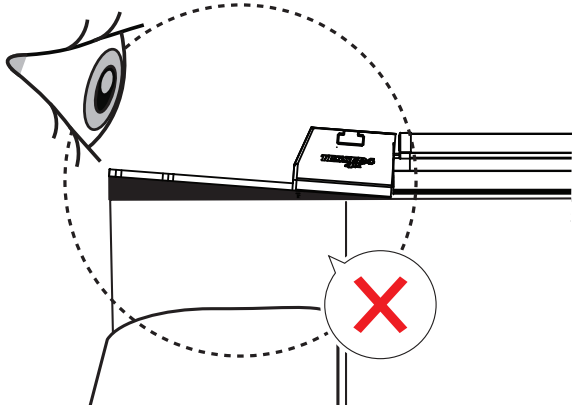
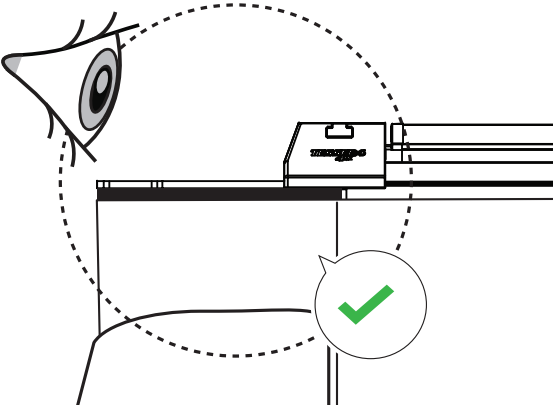
x2

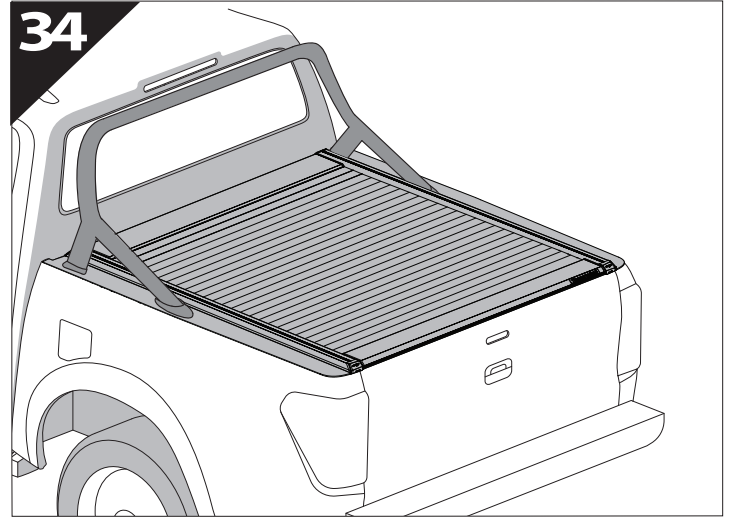
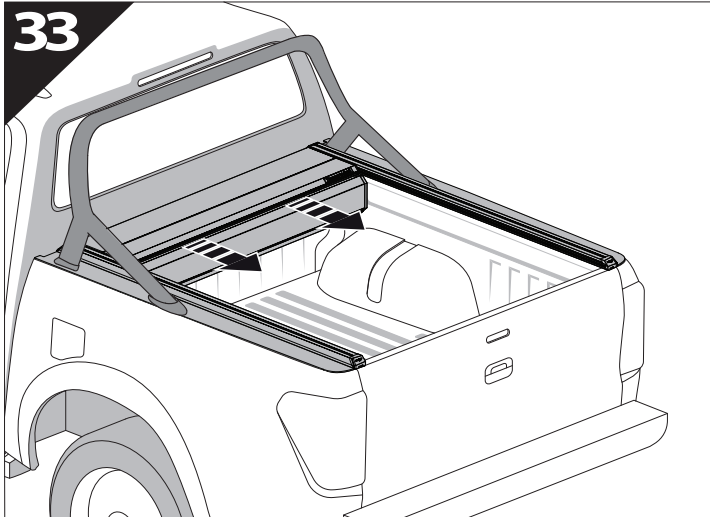


CAUTION !



CAUTION !





GR: Οδηγίες Εγκατάστασης
GB: Installation manual
SF: Asennusohje
F: Notice de montage
PL: Instrukcja montażu
NL: Installatie-instructies
TR: Montaj Talimatı
S: Monteringsanvisning
E: Instrucciones de montaje

H: Szerelési utasítás
P: Instruções de instalação
RUS: Инструкция по установке
N: Monteringsveiledning
D: Einbauanleitung
CZ: Návod k instalaci
I: Istruzioni de montaggio
DK: Monteringsvejledning
RO: Instructiuni de instalare

Customer Service:

+30 (210) 5541161, +30 (210) 5541154 (08:00 - 16:00 EET)

Support department:

info@gianso.gr

Website:

www.tessera4x4.com

Address:

19.5 km of National road Athens-Korinthos (Elefsina) Greece, P.C: 19200