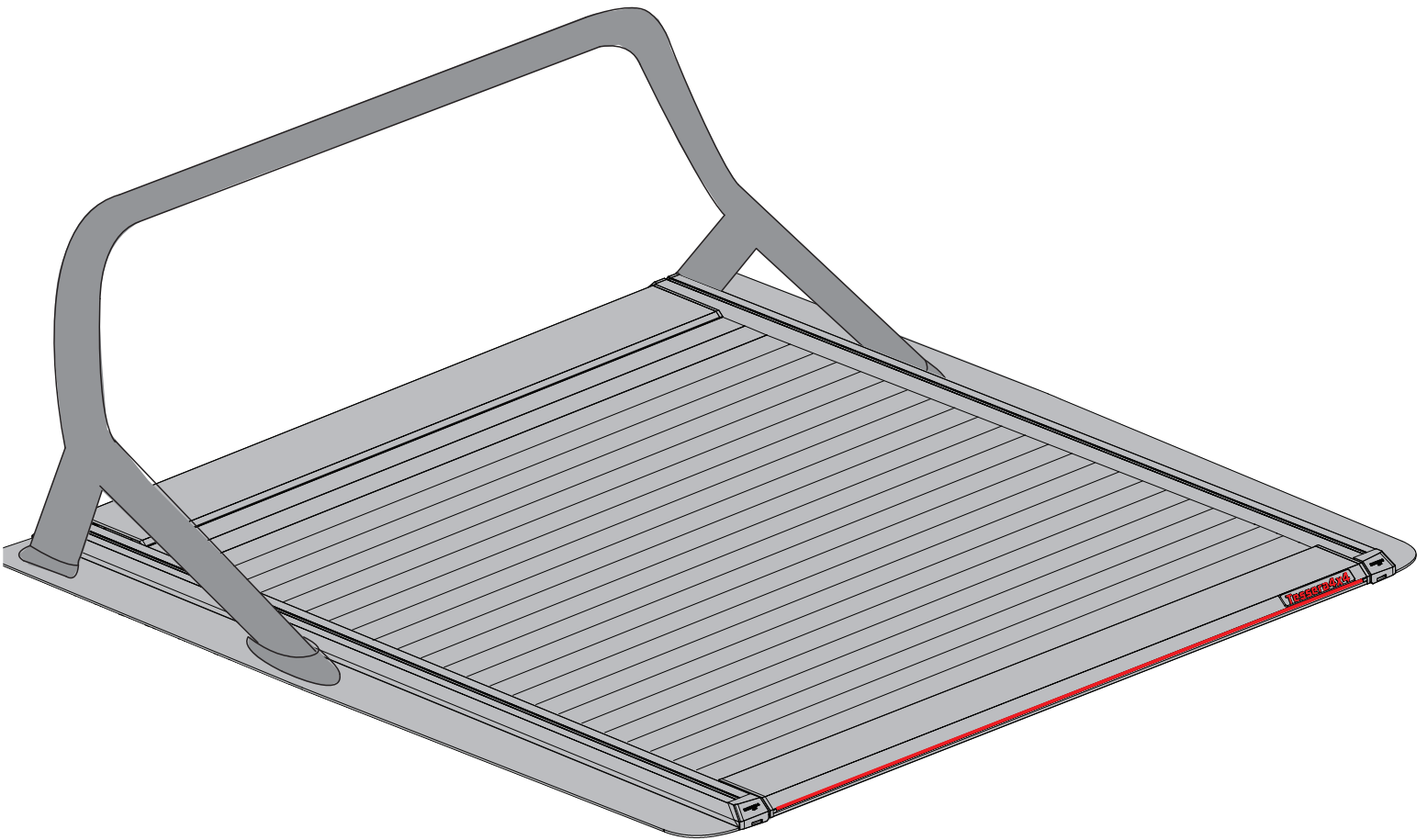


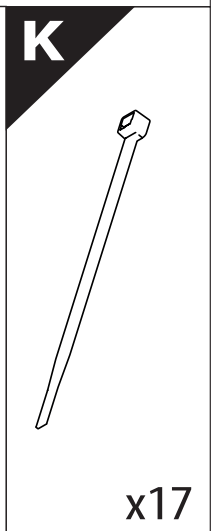
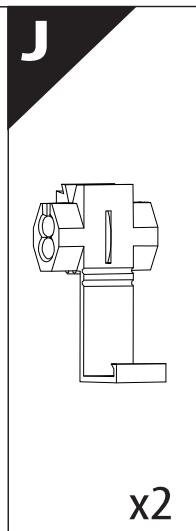
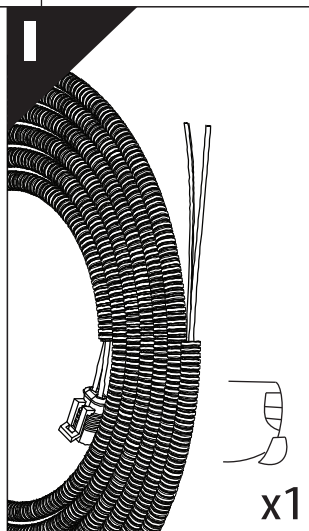
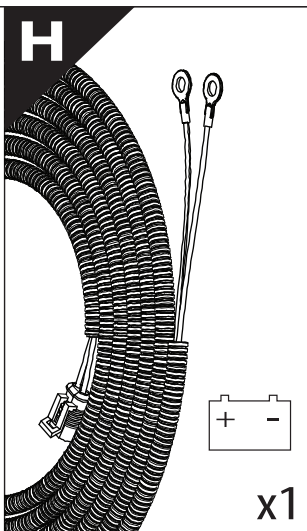
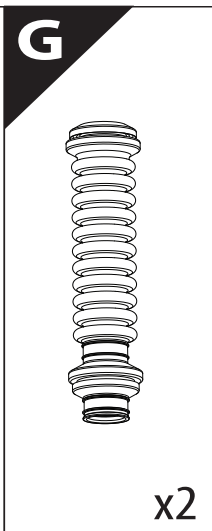
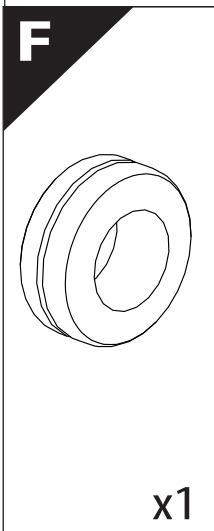
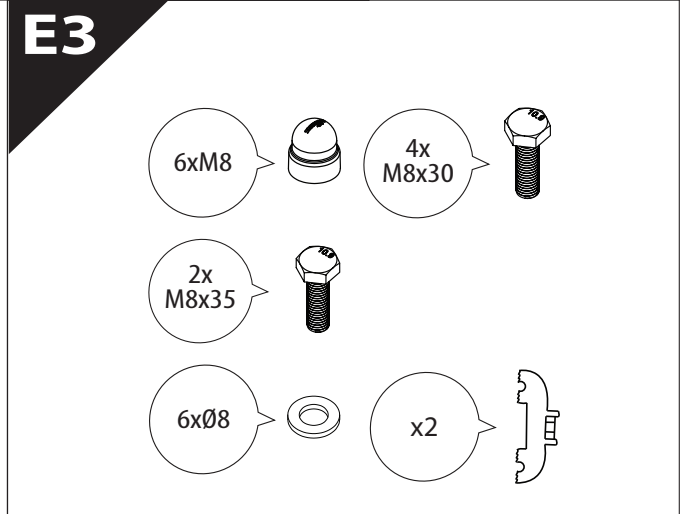
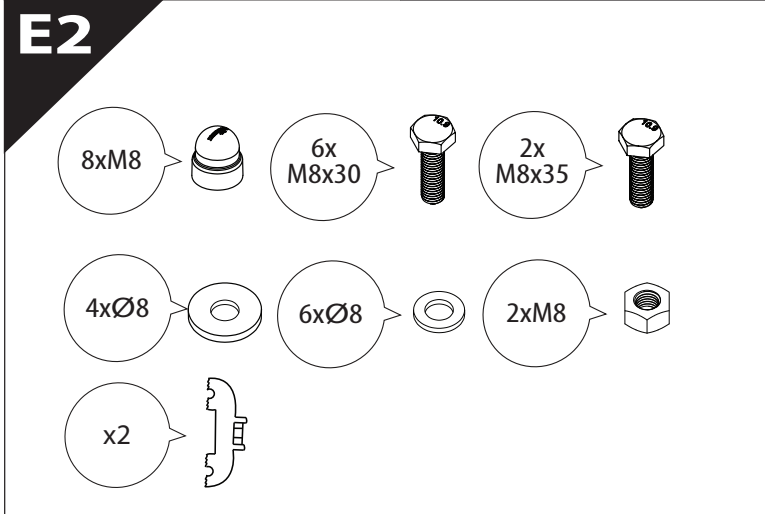
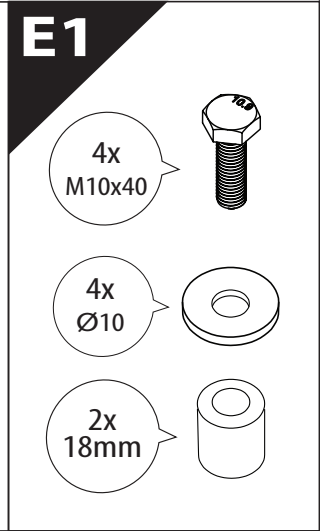
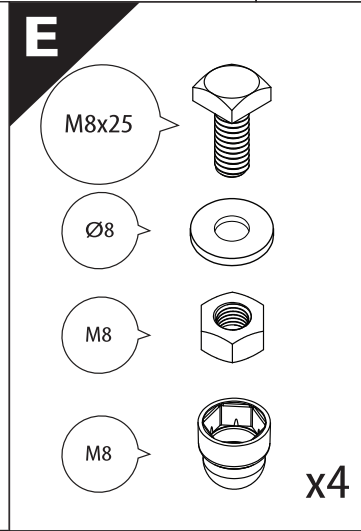
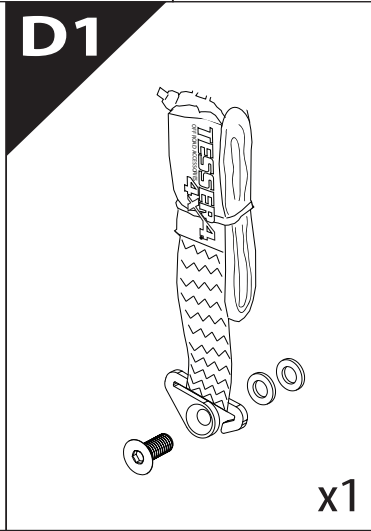
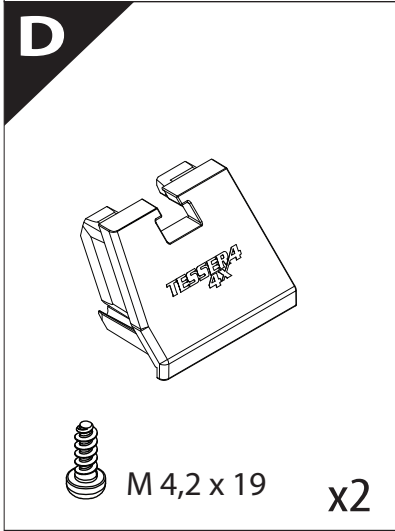
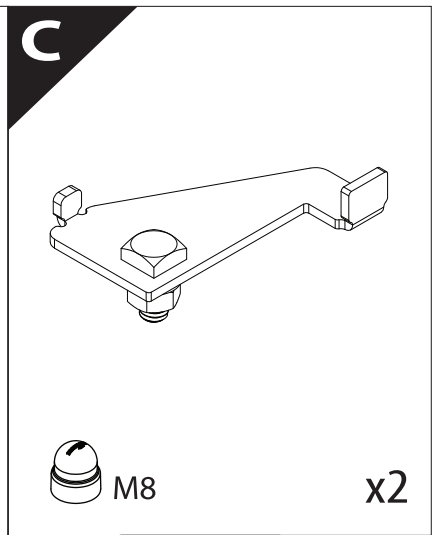
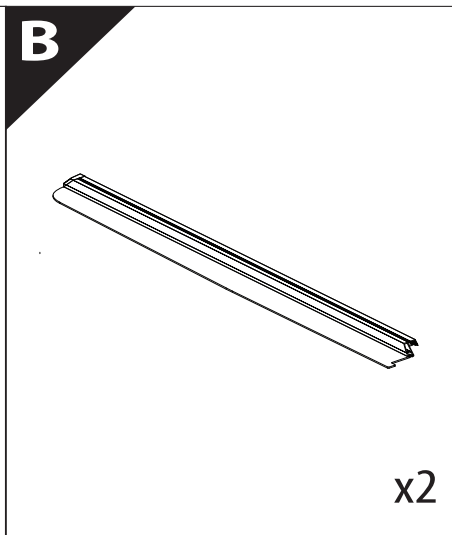
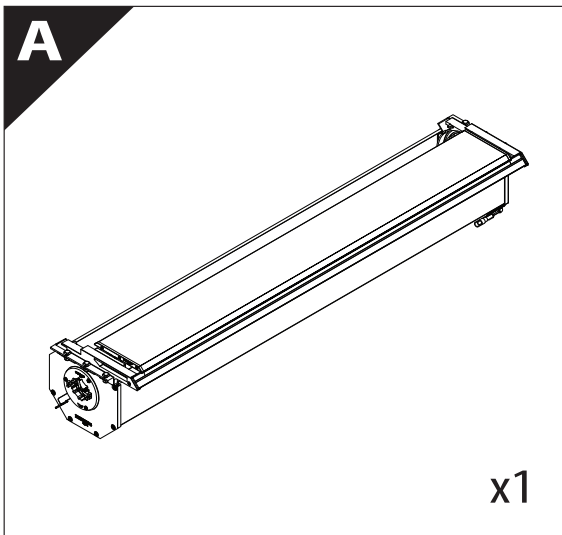
Tessera Roll+

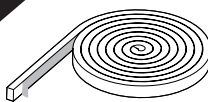
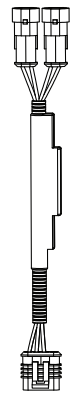
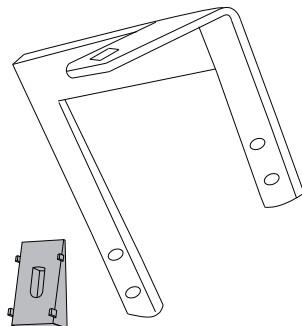
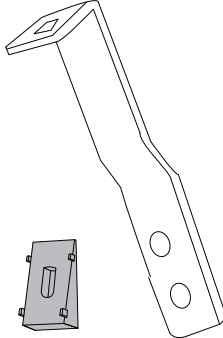
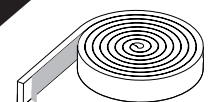
Basic Version + ⚙️ S-KIT

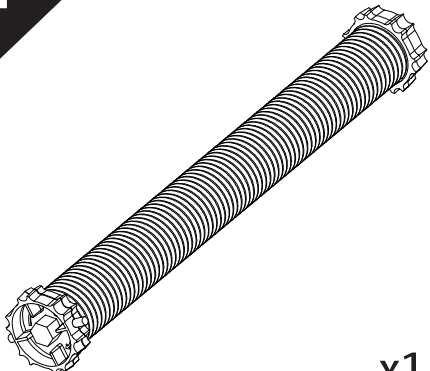

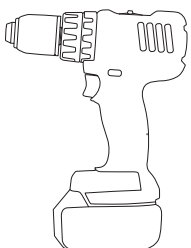

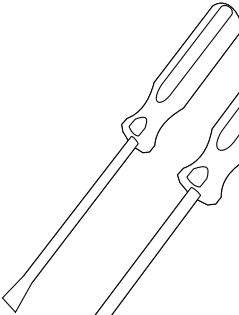
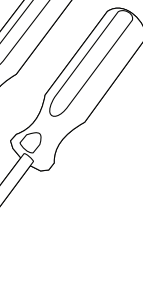
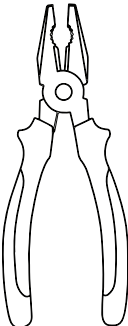


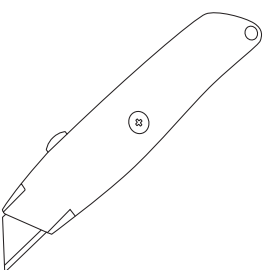
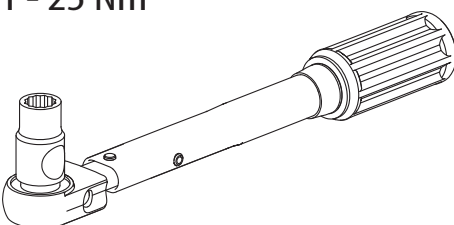
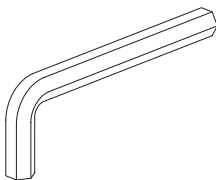
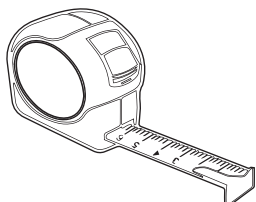
Installation Manual



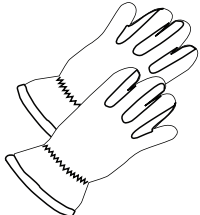


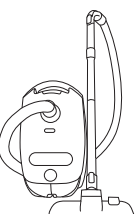
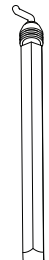

PART NUMBER(S)	Model Year
TESS 14161 ROLL+S-KIT	Toyota Hilux (Revo) 2016+ WITH OEM ROLL BAR
Cab(s)	Installation Time / Weight
Double Cab	40-60 minutes / 53-57 kg


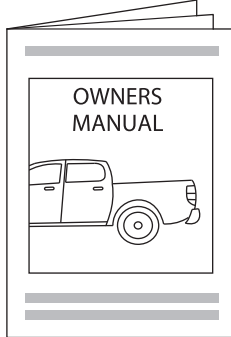


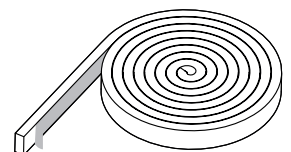
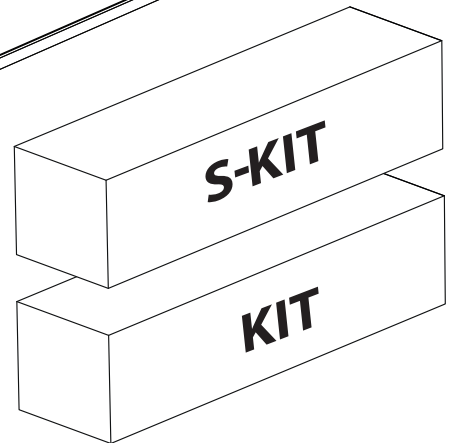
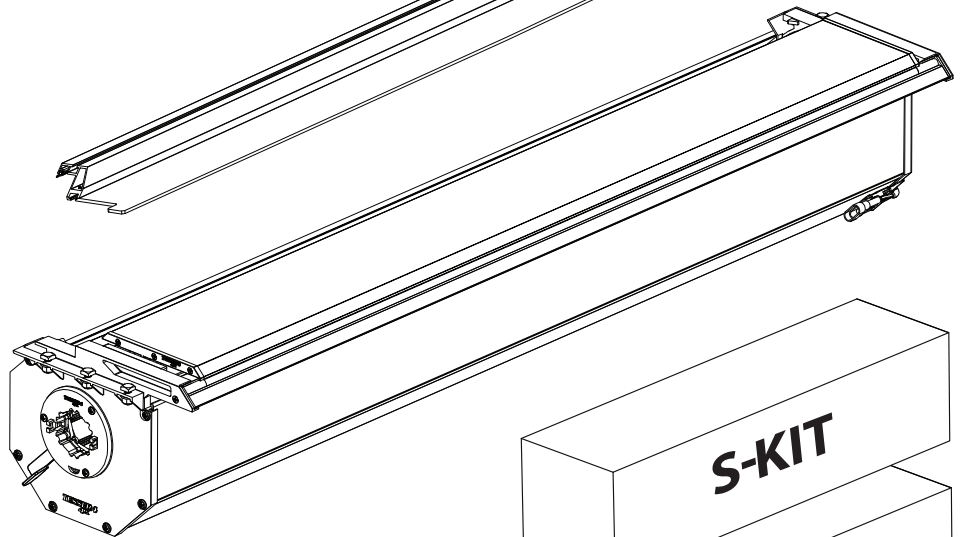
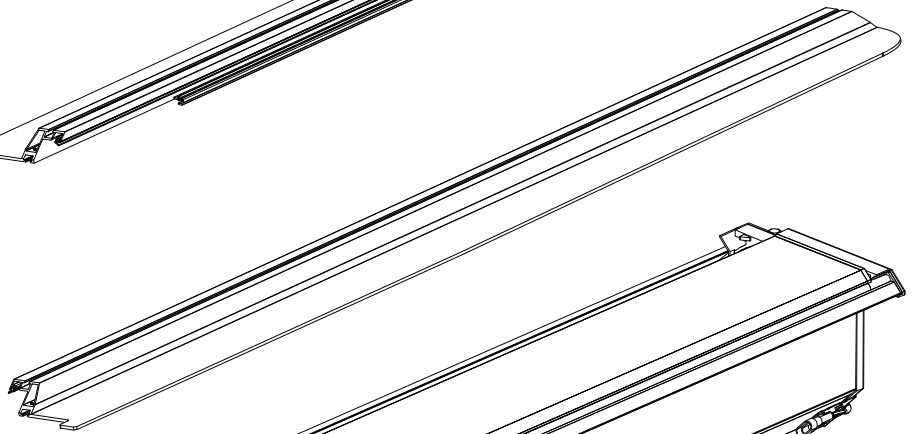
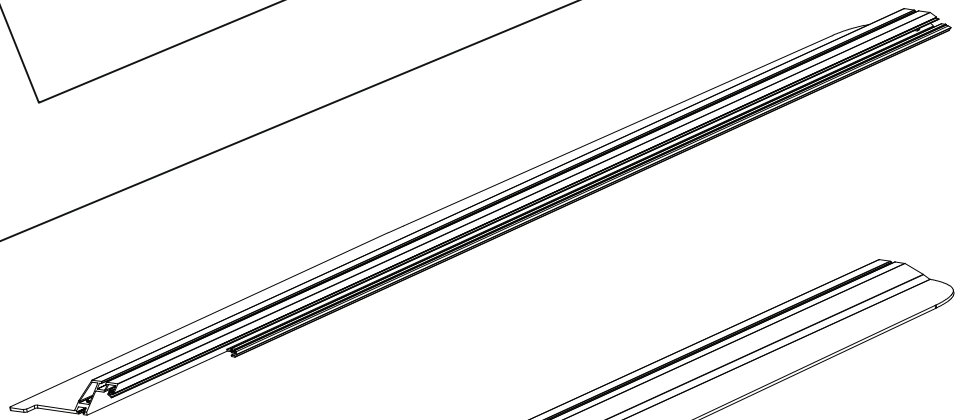
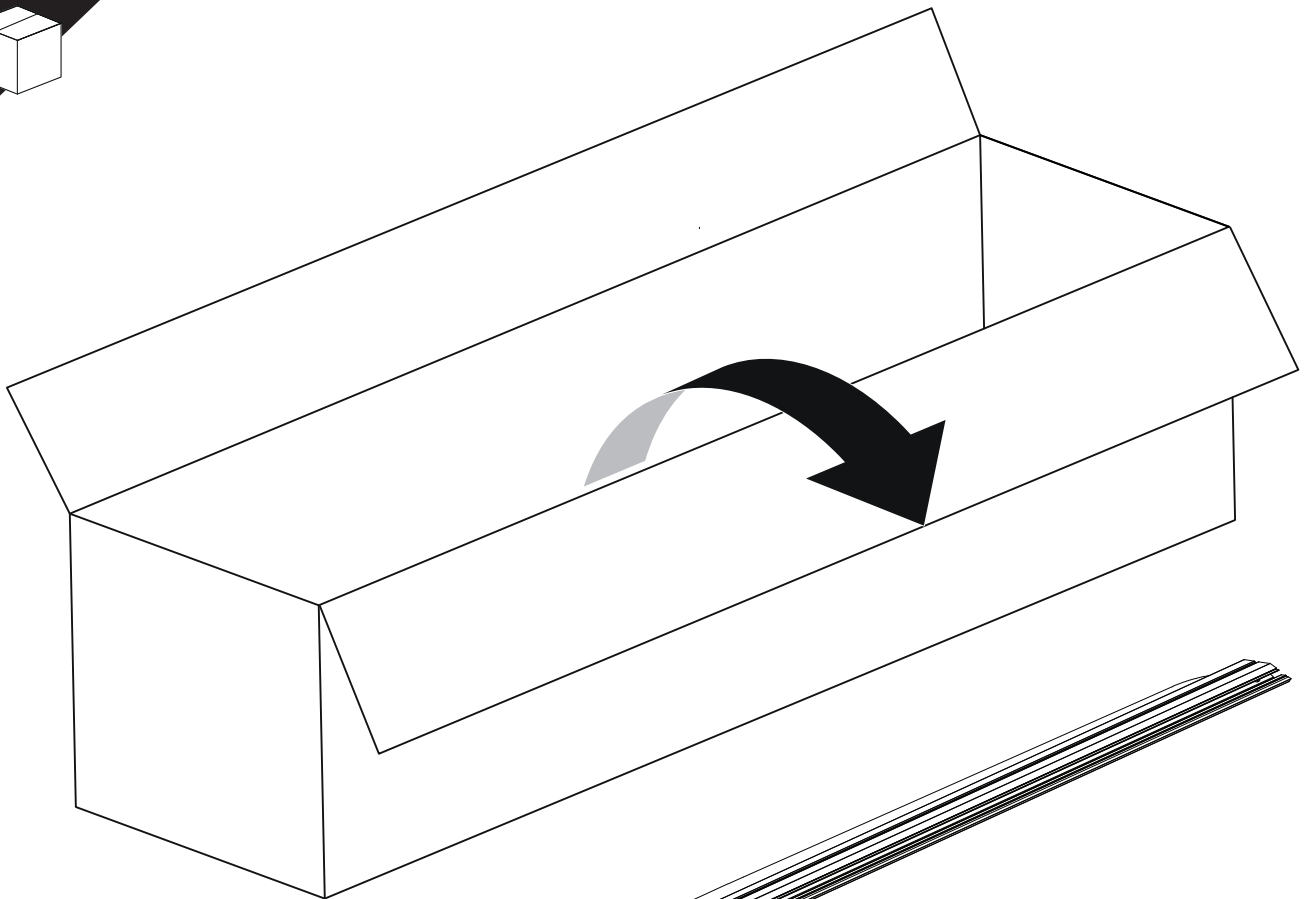
<p>L1 x1</p>  <p>1.5 x 0.8 x 400cm</p>	<p>M1</p>  <p>x1</p>	<p>N</p>  <p>x2</p>	<p>O</p>  <p>x2</p>
<p>L2 x1</p>  <p>5 x 0.8 x 167cm</p>			

<p>P</p>  <p>x1</p>	   <p>Ø 25 mm / Ø 40 mm</p>	  <p>− +</p>	
---	--	---	--

	<p>1 - 25 Nm</p>  <p>⊙ 10, 12, 13, 17 mm</p>	 <p>⊙ 4 mm, 5mm</p>	
---	---	---	---

 <p>ACETONE</p>			 <p>H₂O</p>				 <p>ANTI-RUST</p>
--	---	---	---	---	--	---	--

 <p>INSTALATION MANUAL +S-KIT</p>	 <p>OWNERS MANUAL</p> <p>x1</p>
--	---

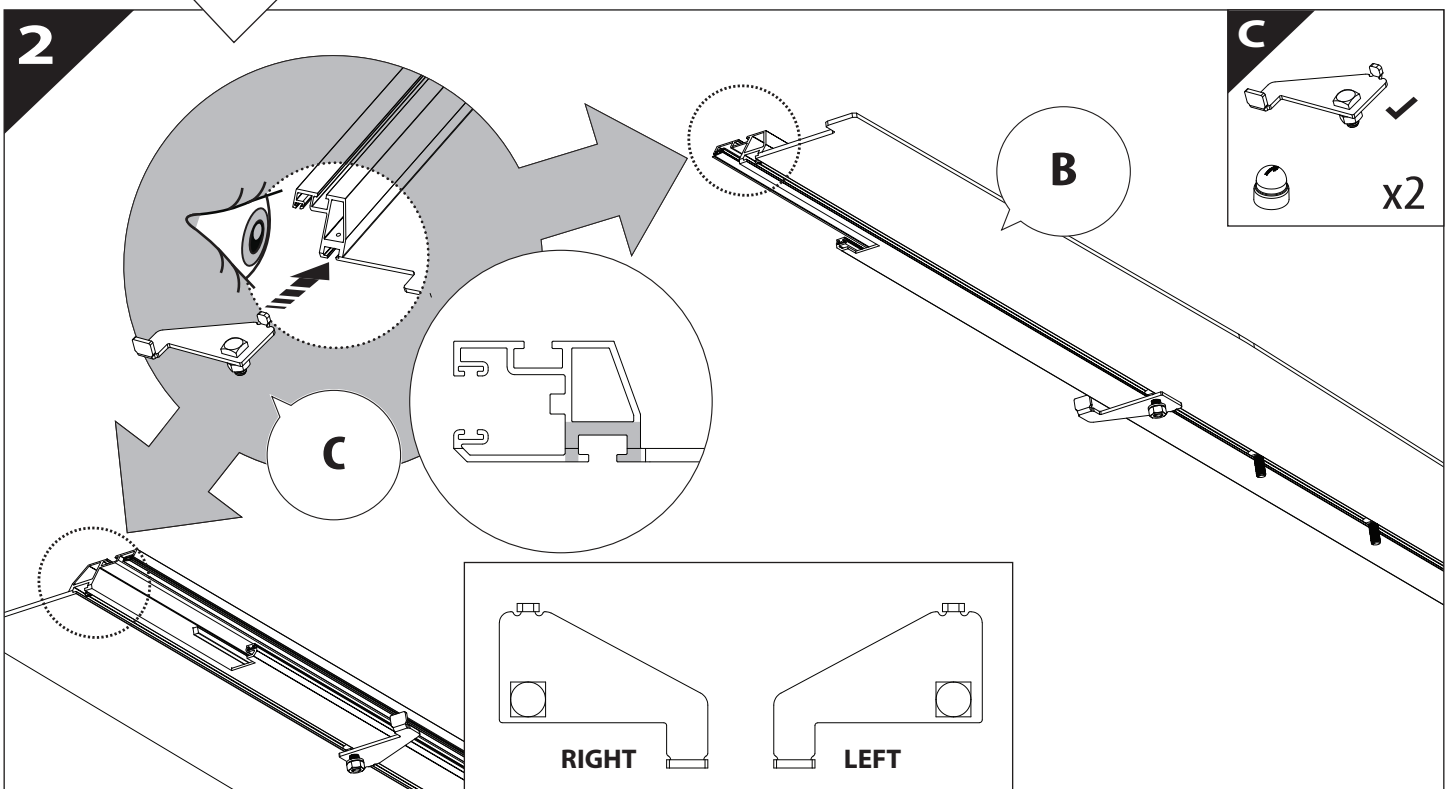
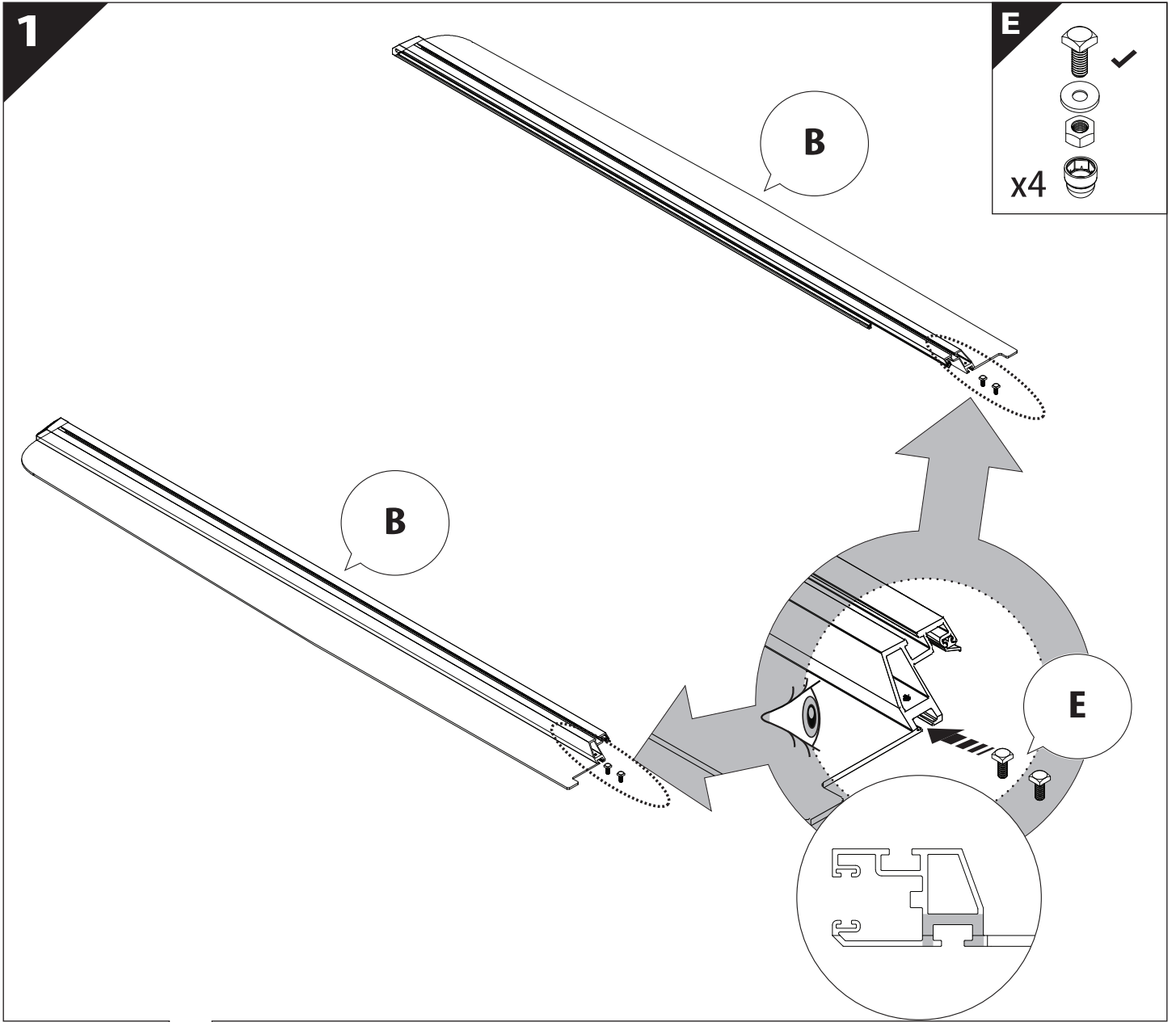


B

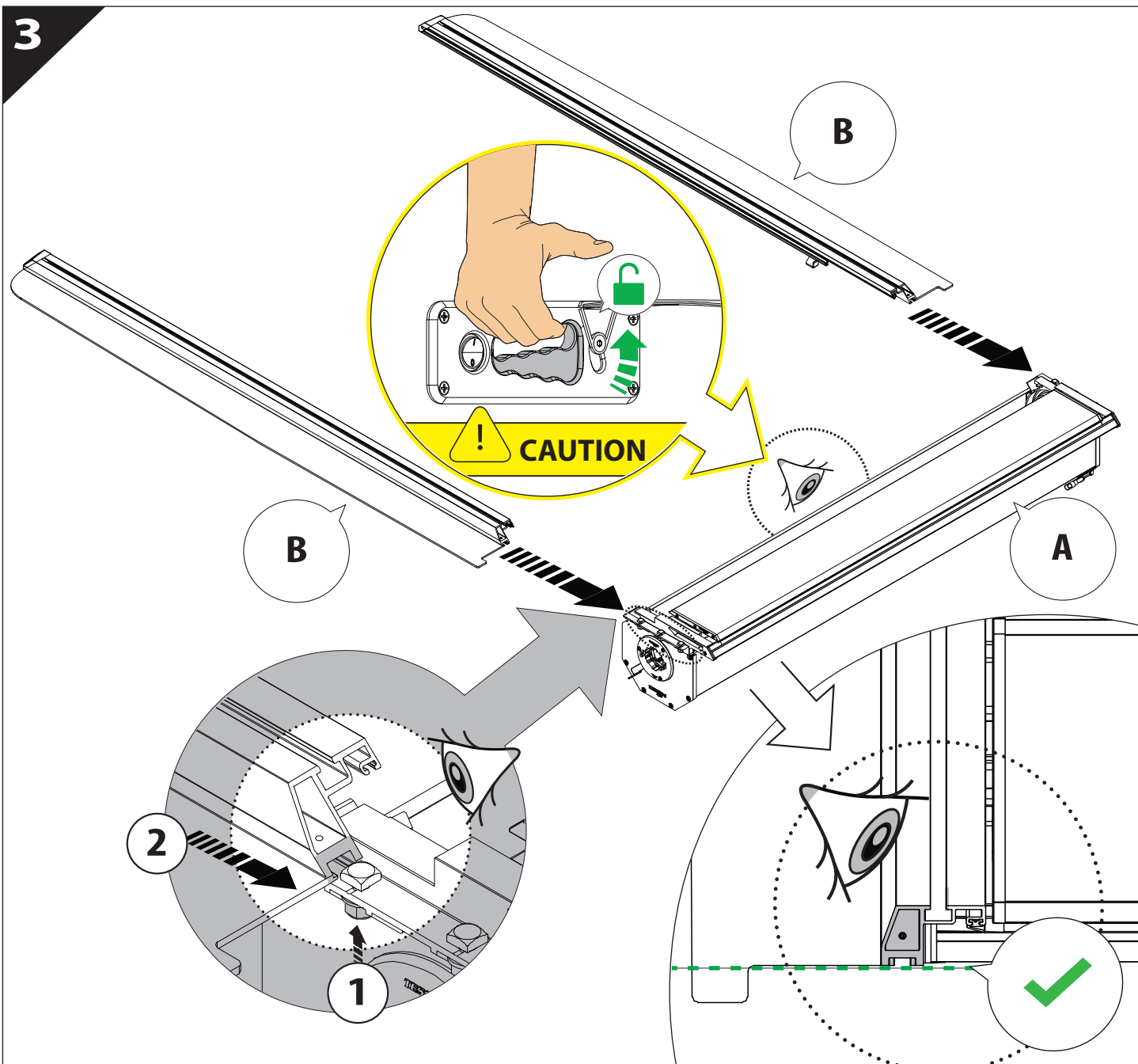
A

KITS

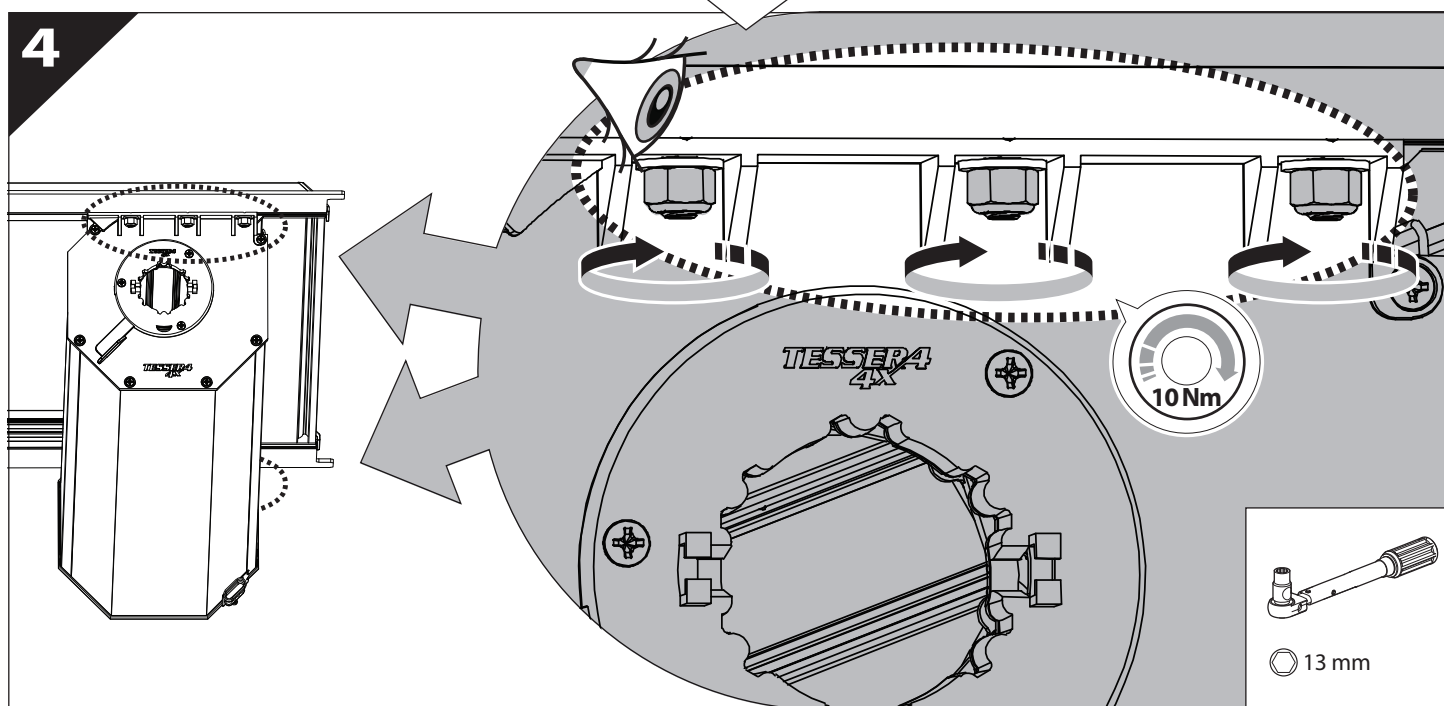
L

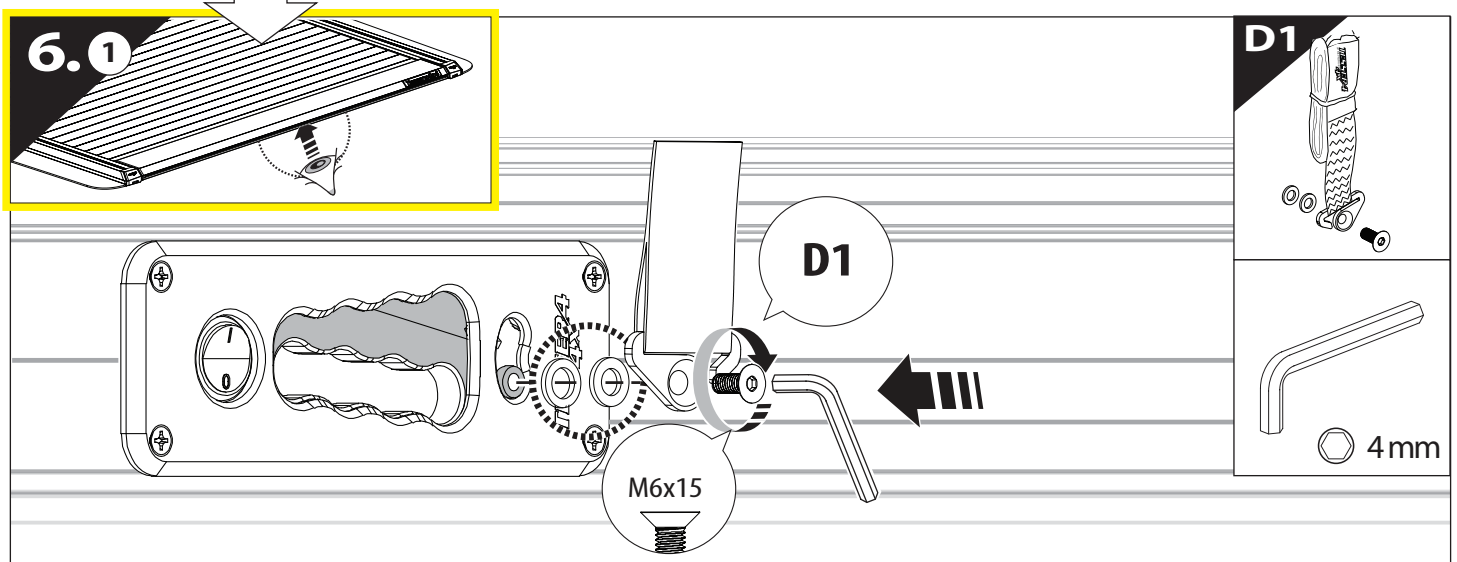
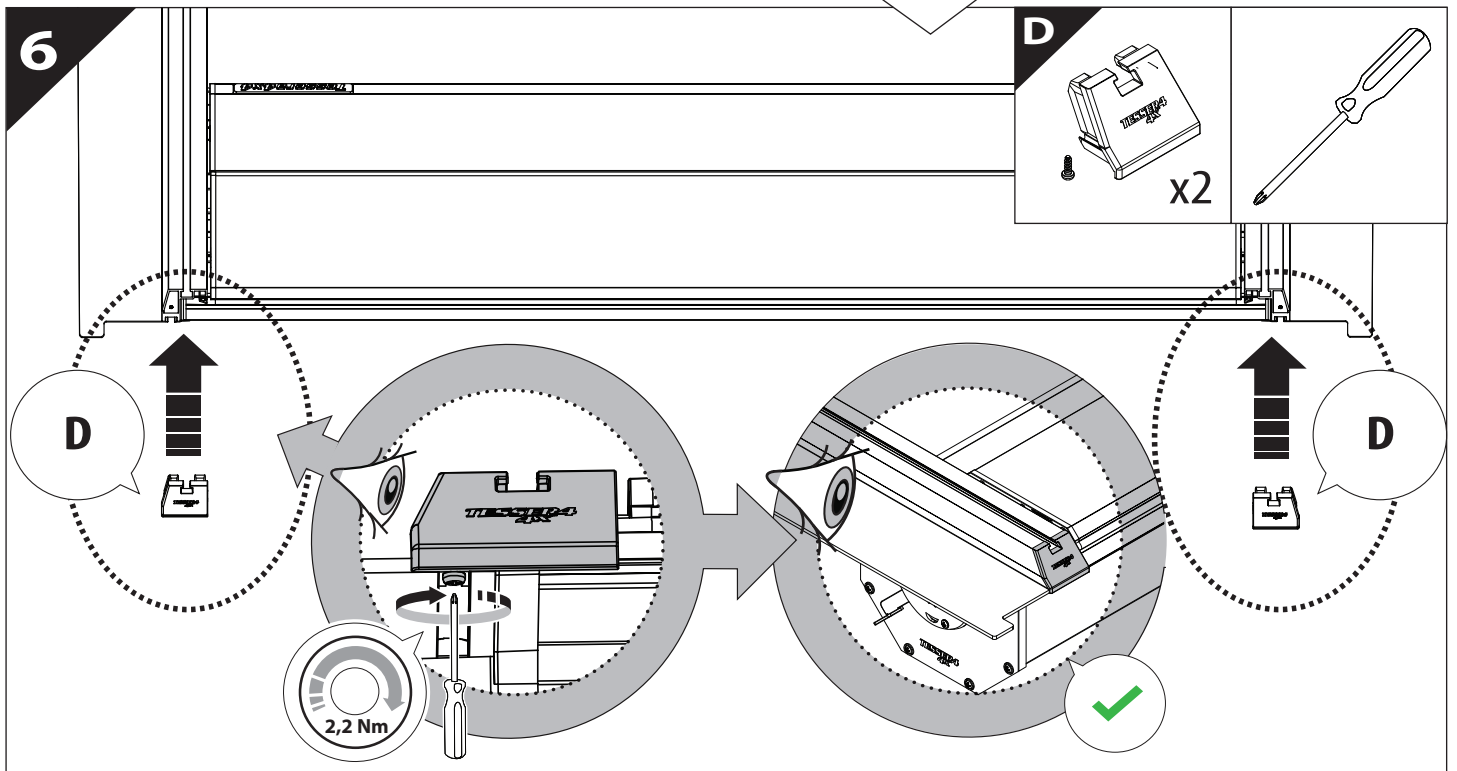
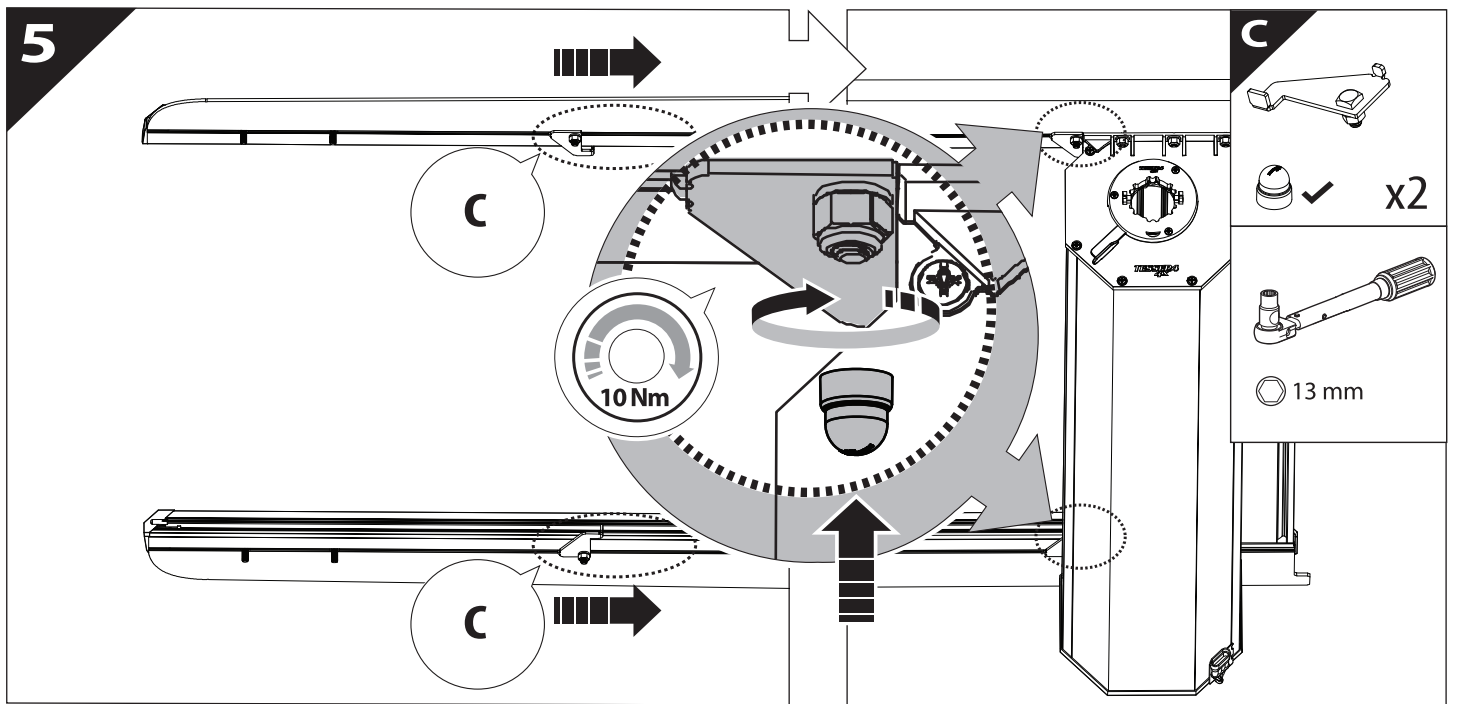


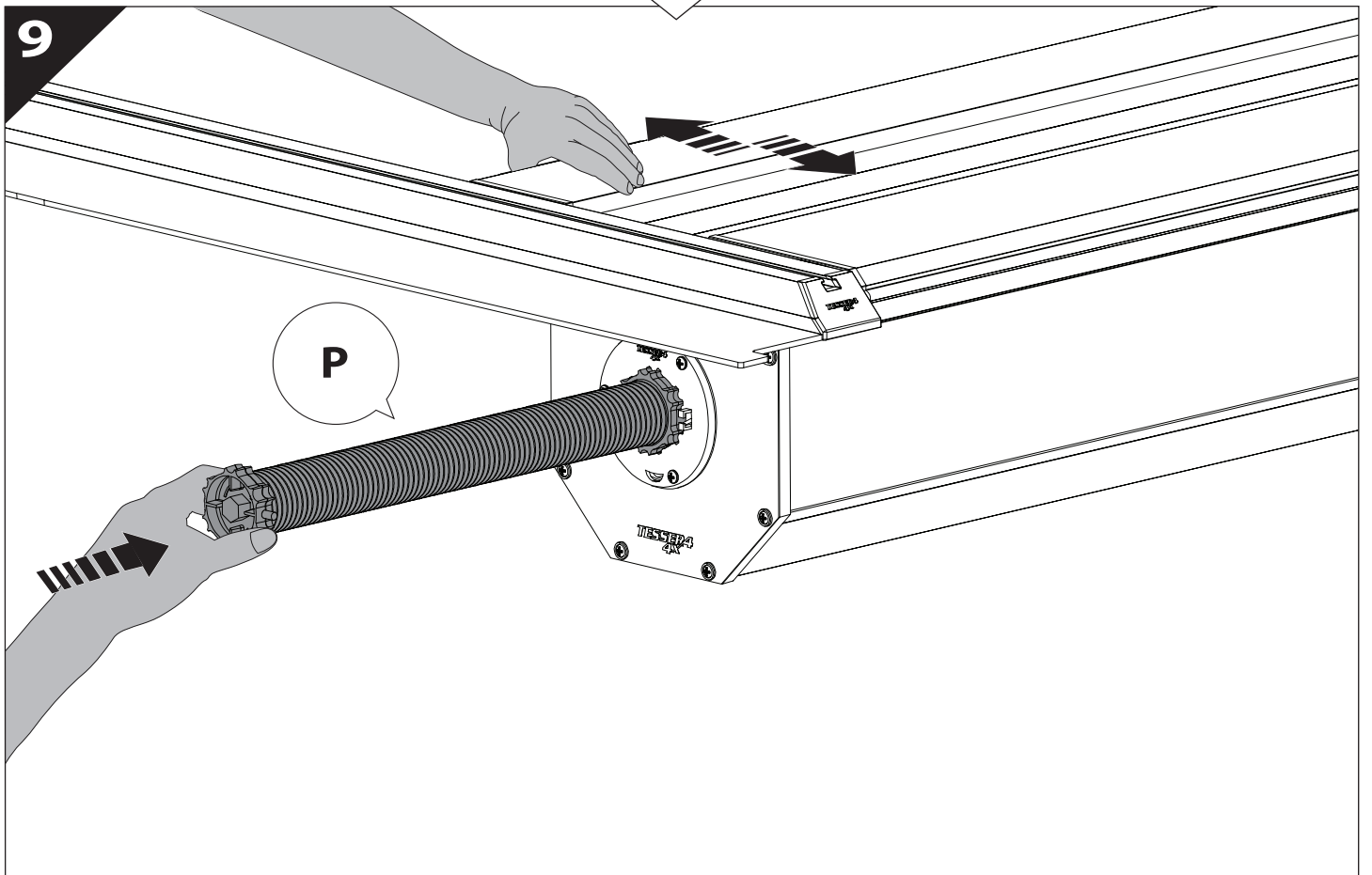
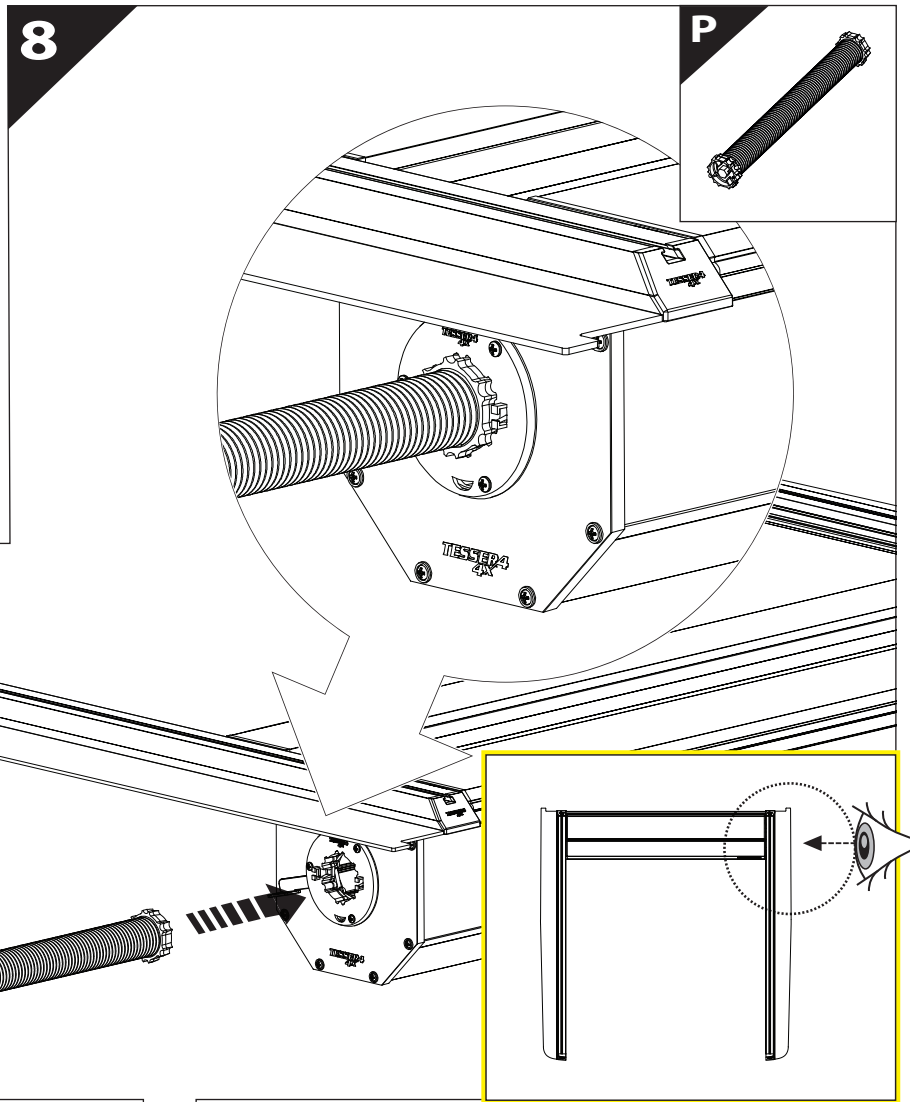
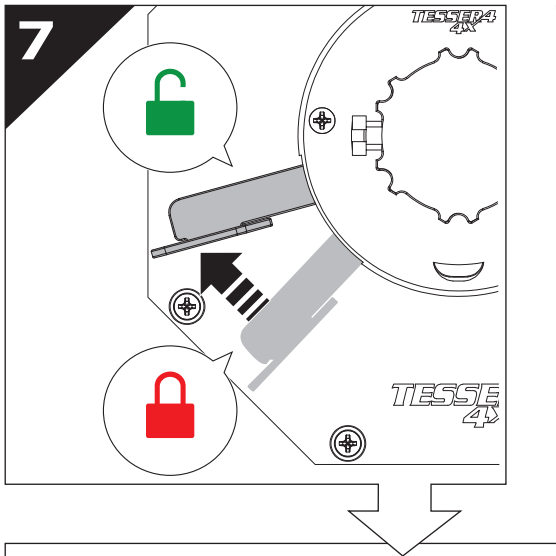
3



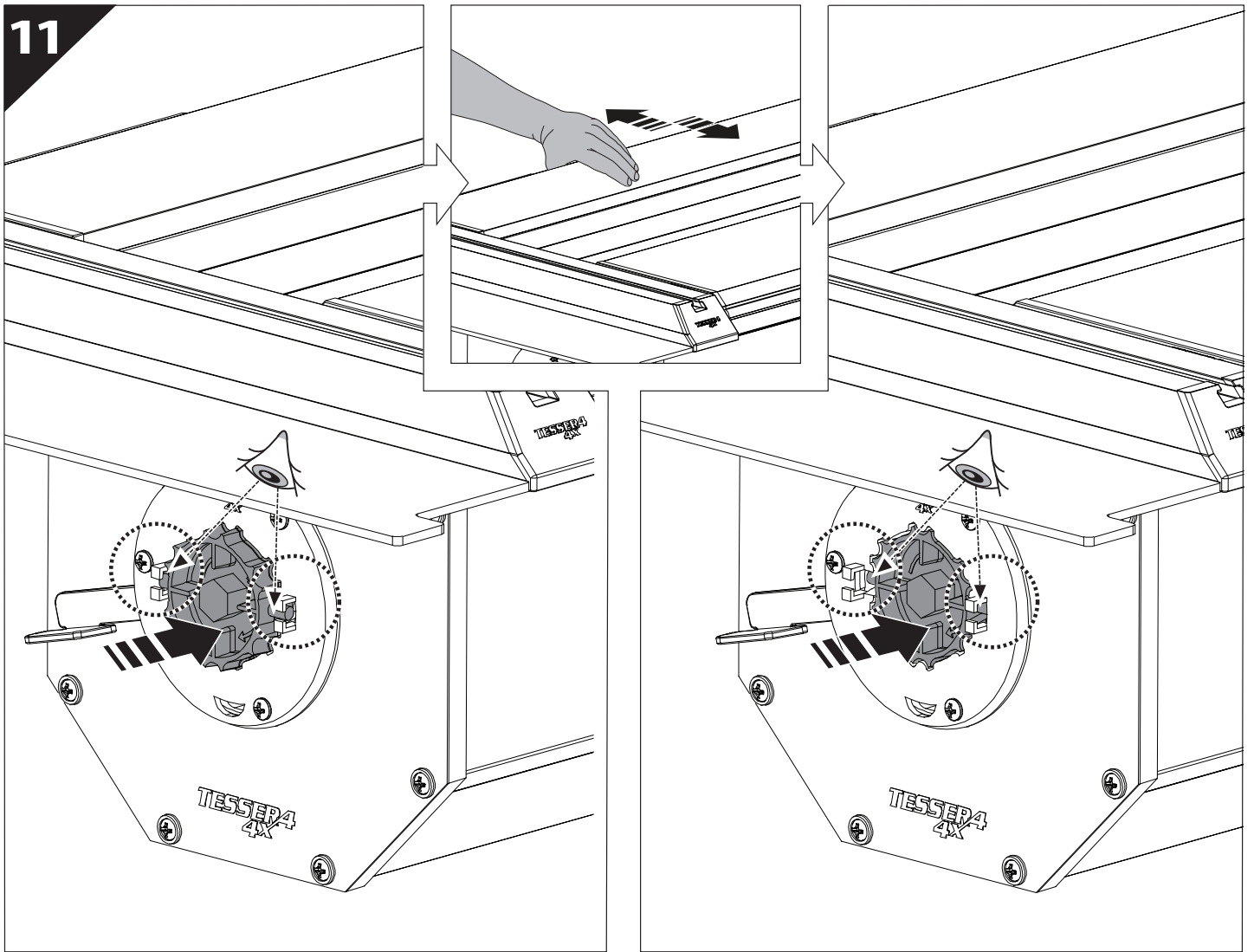
4



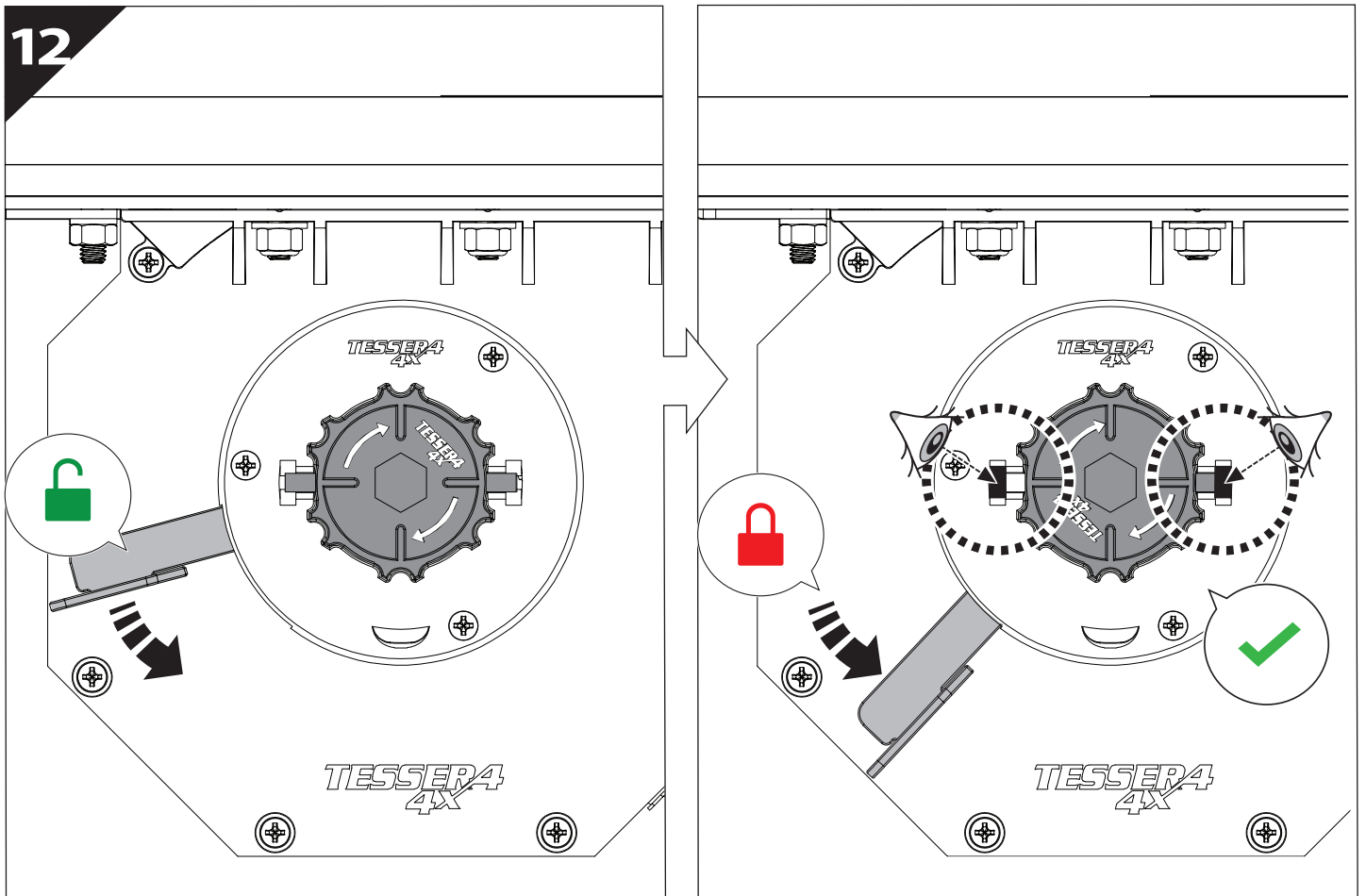




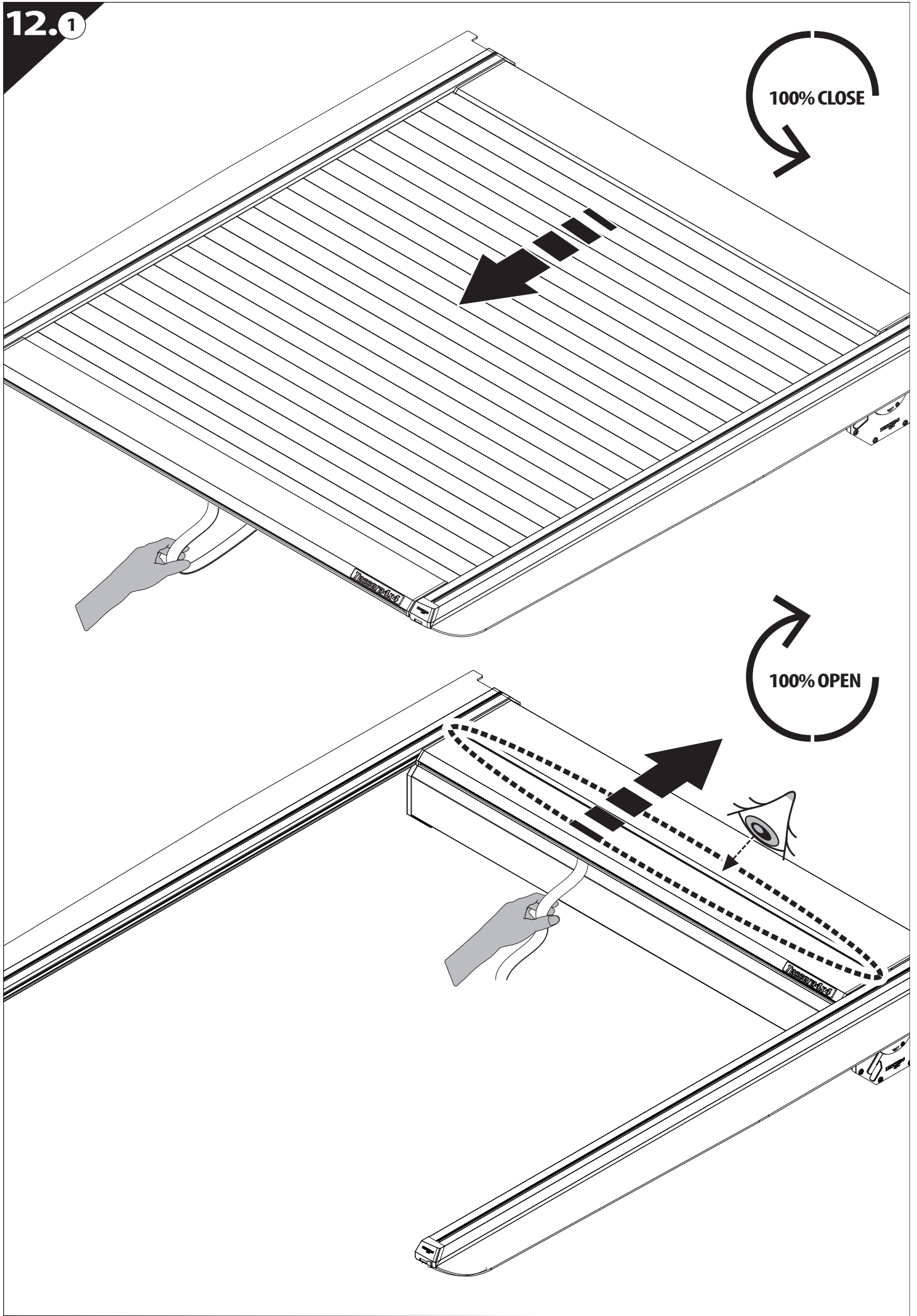
11



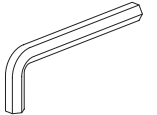
12



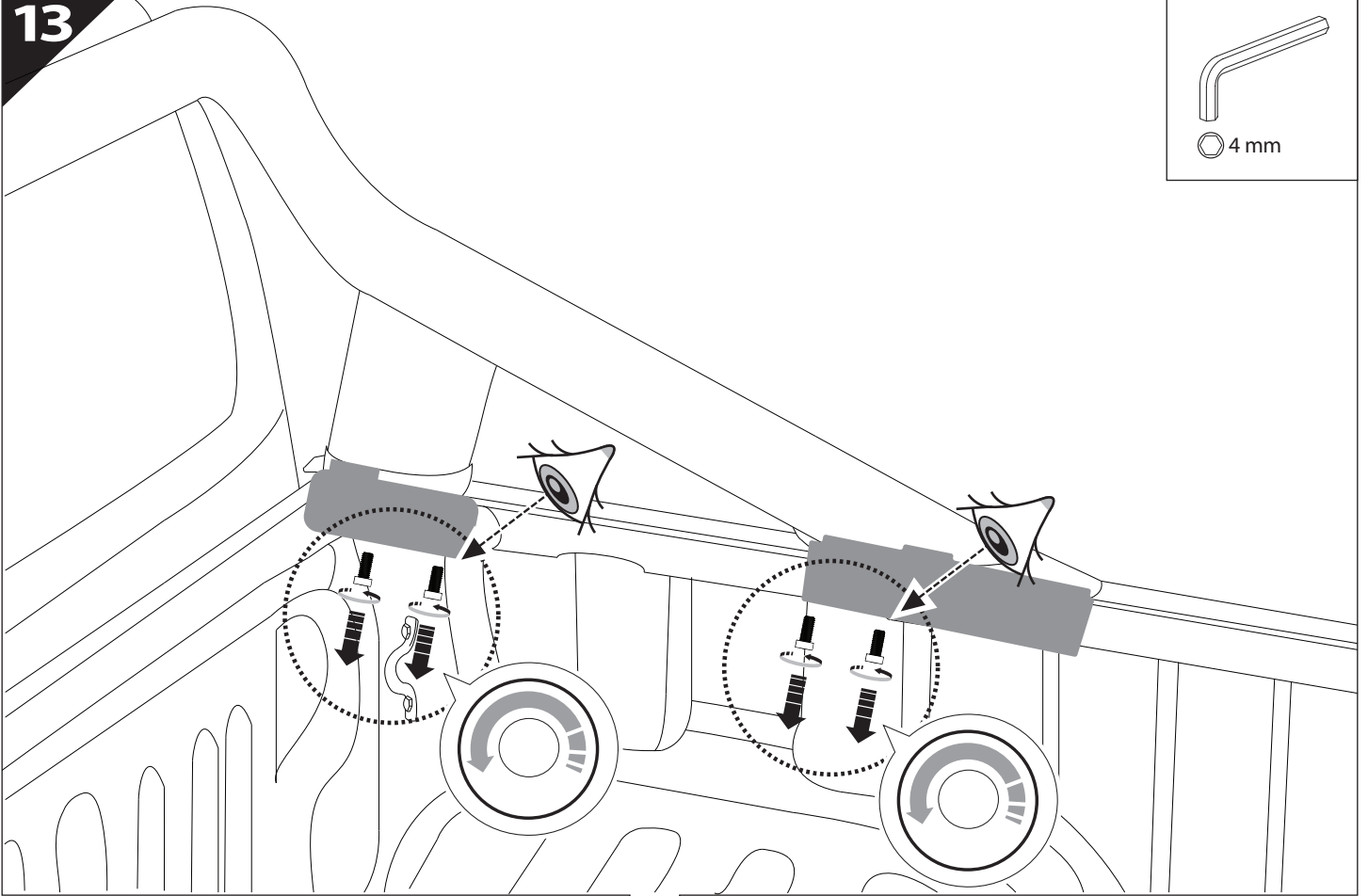
12.0



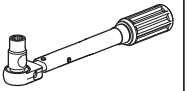
13



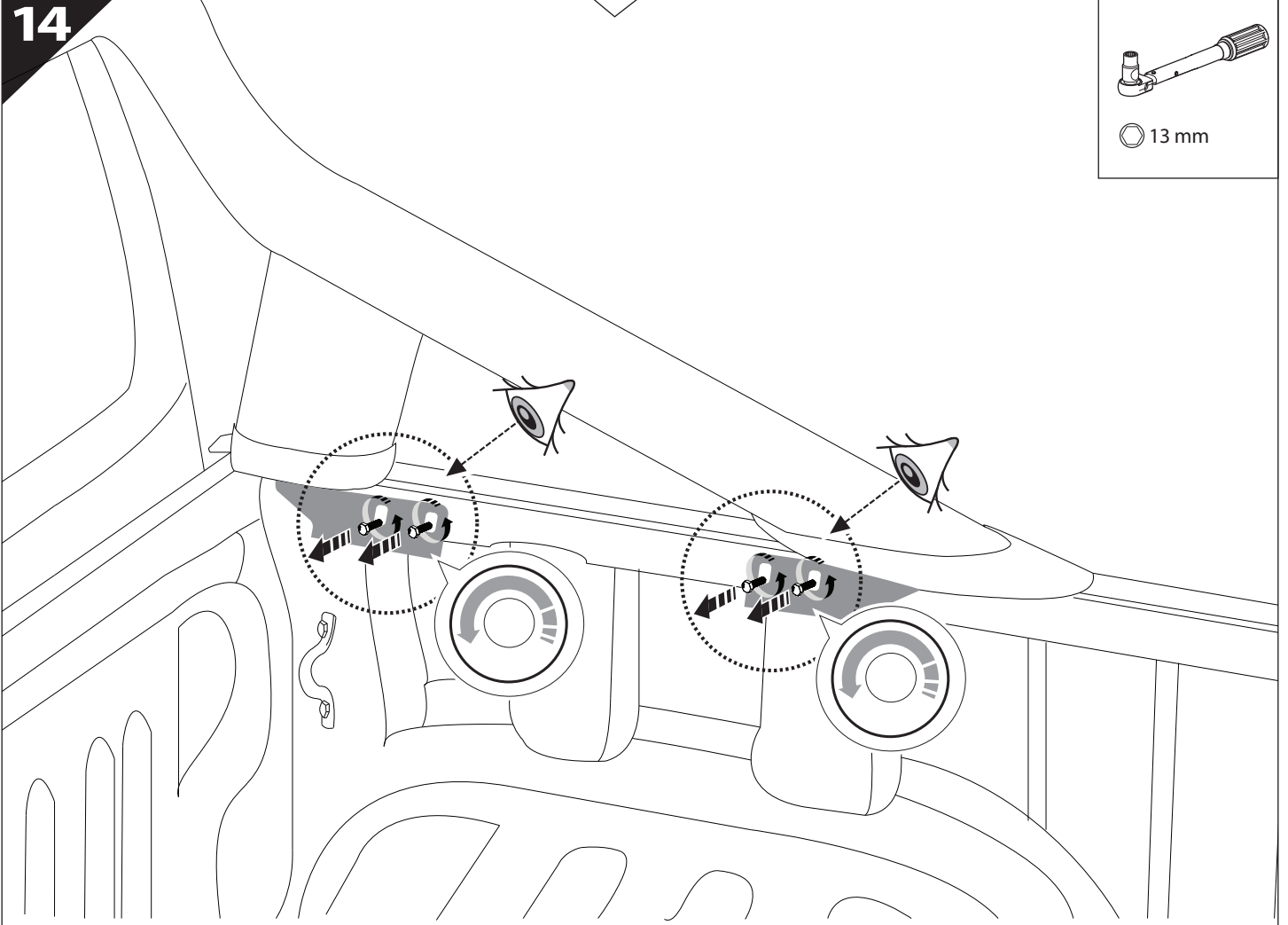
4 mm



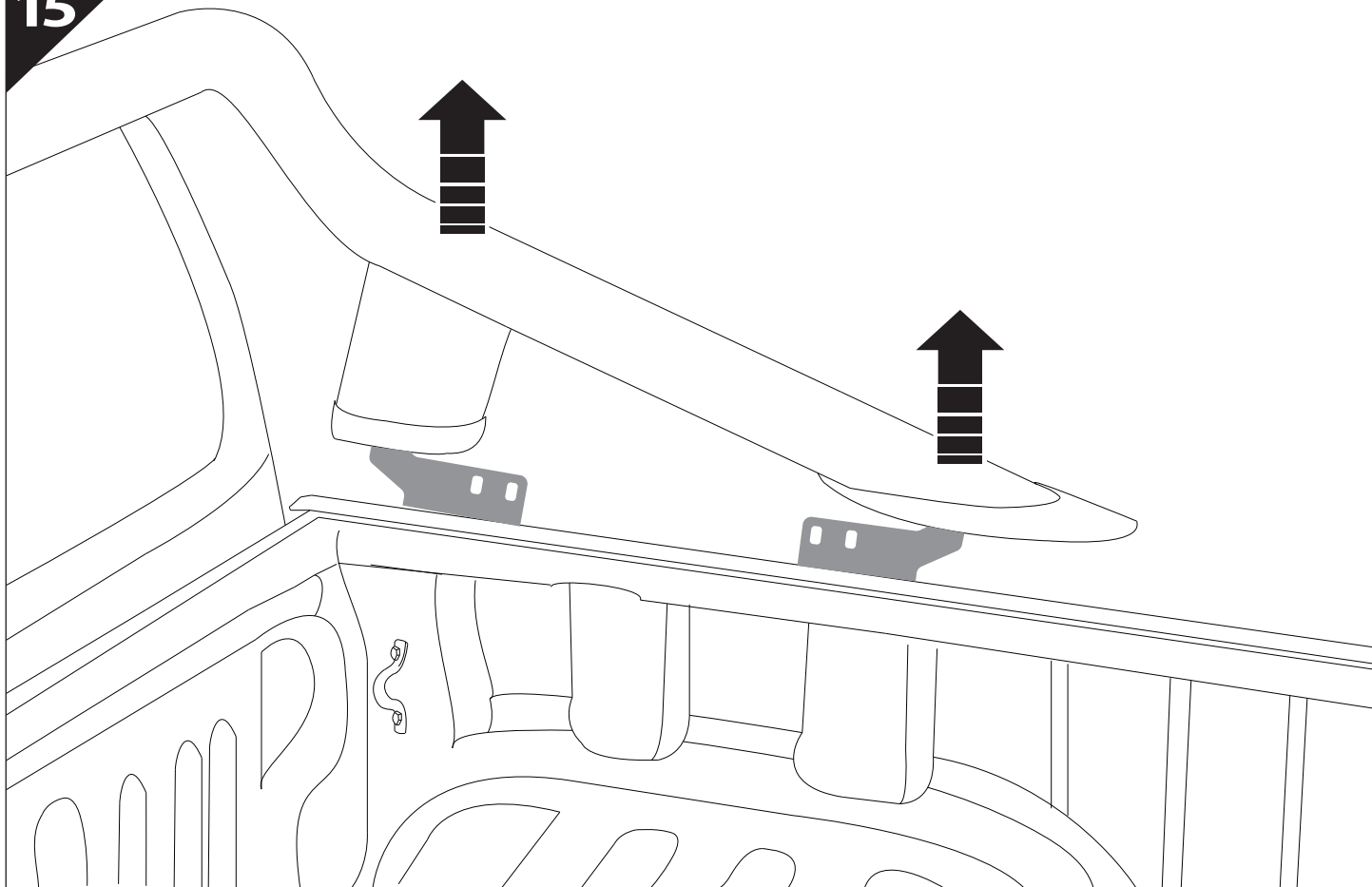
14



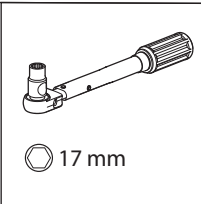
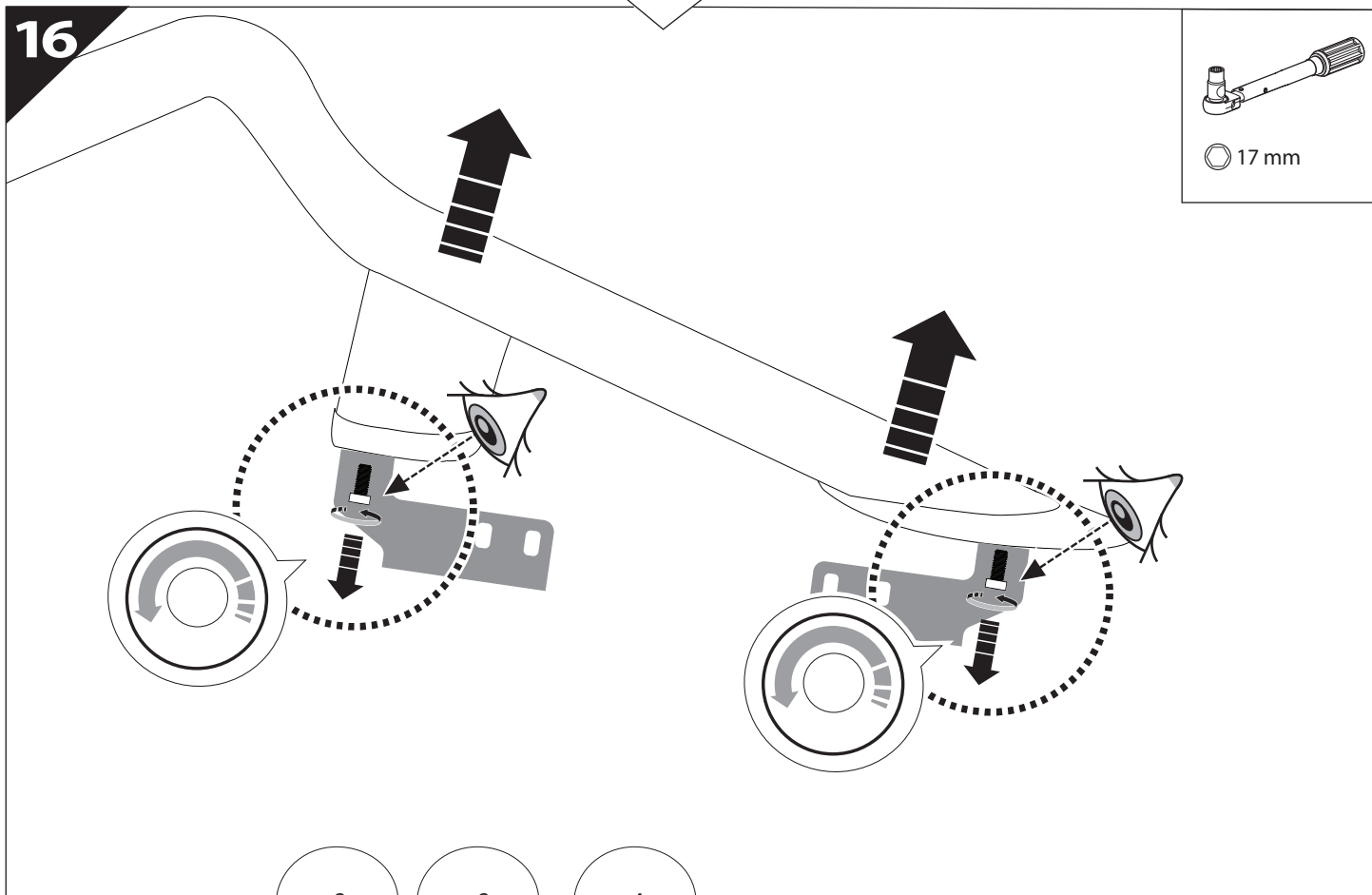
13 mm



15



16



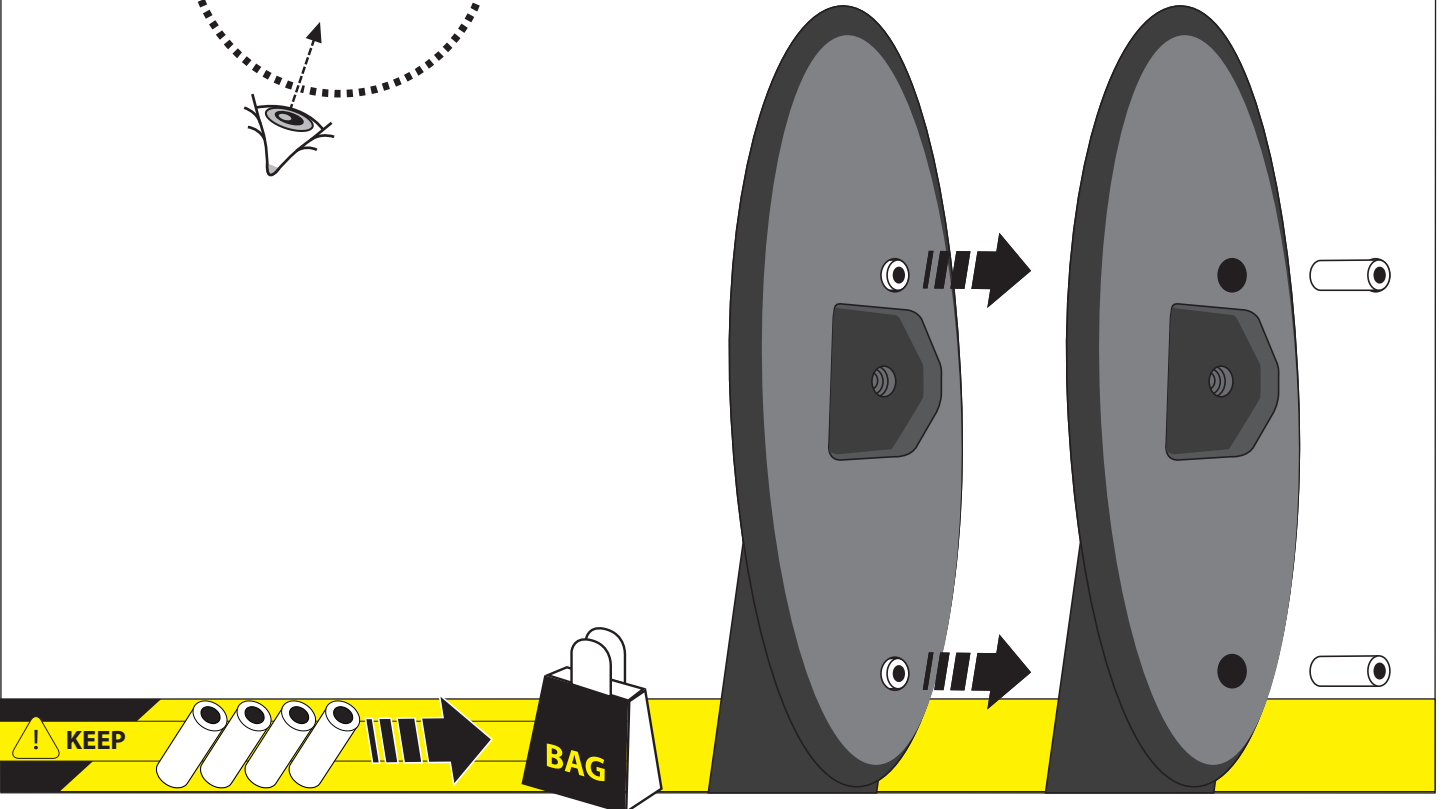
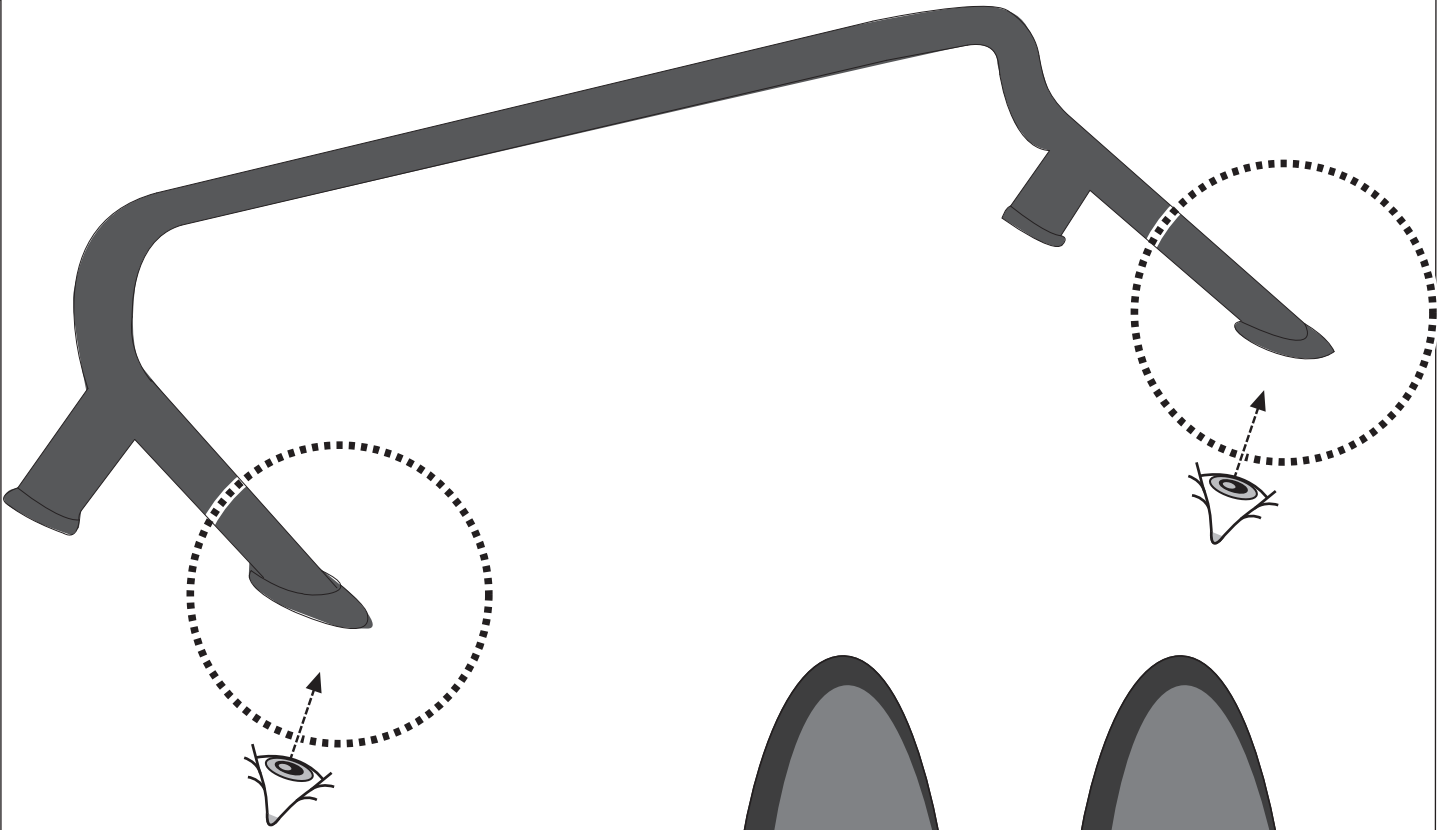
x8

x8

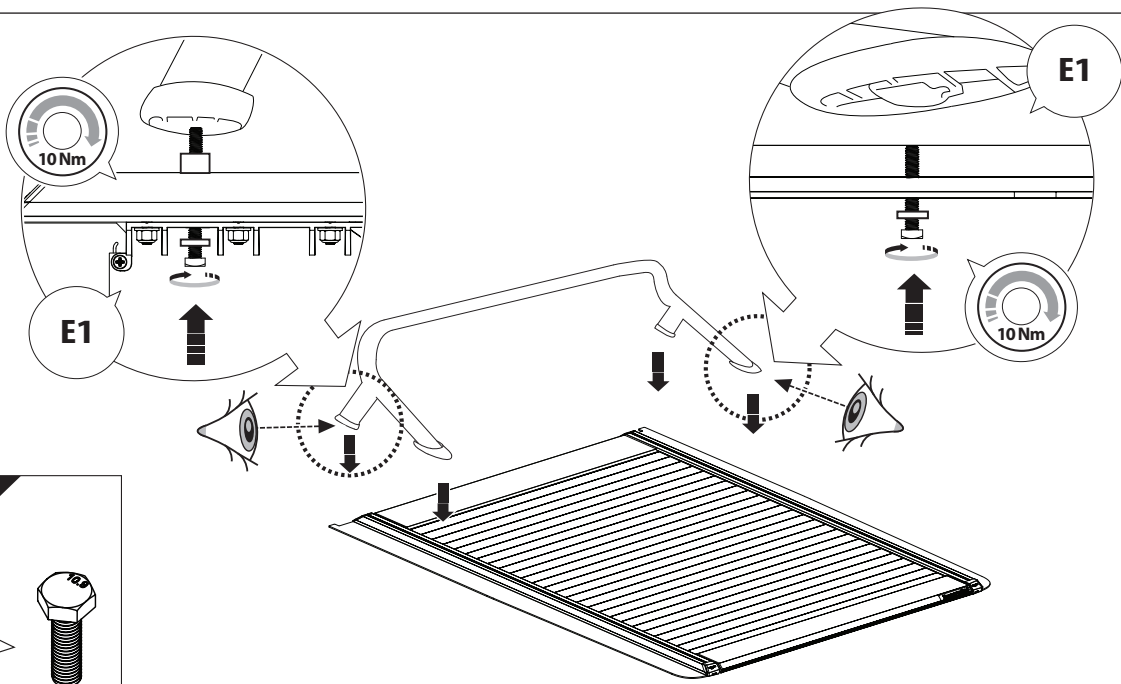
x4



16.0

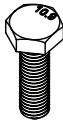


17



E1

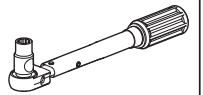
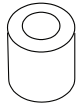
4x
M10x40



4x
Ø10



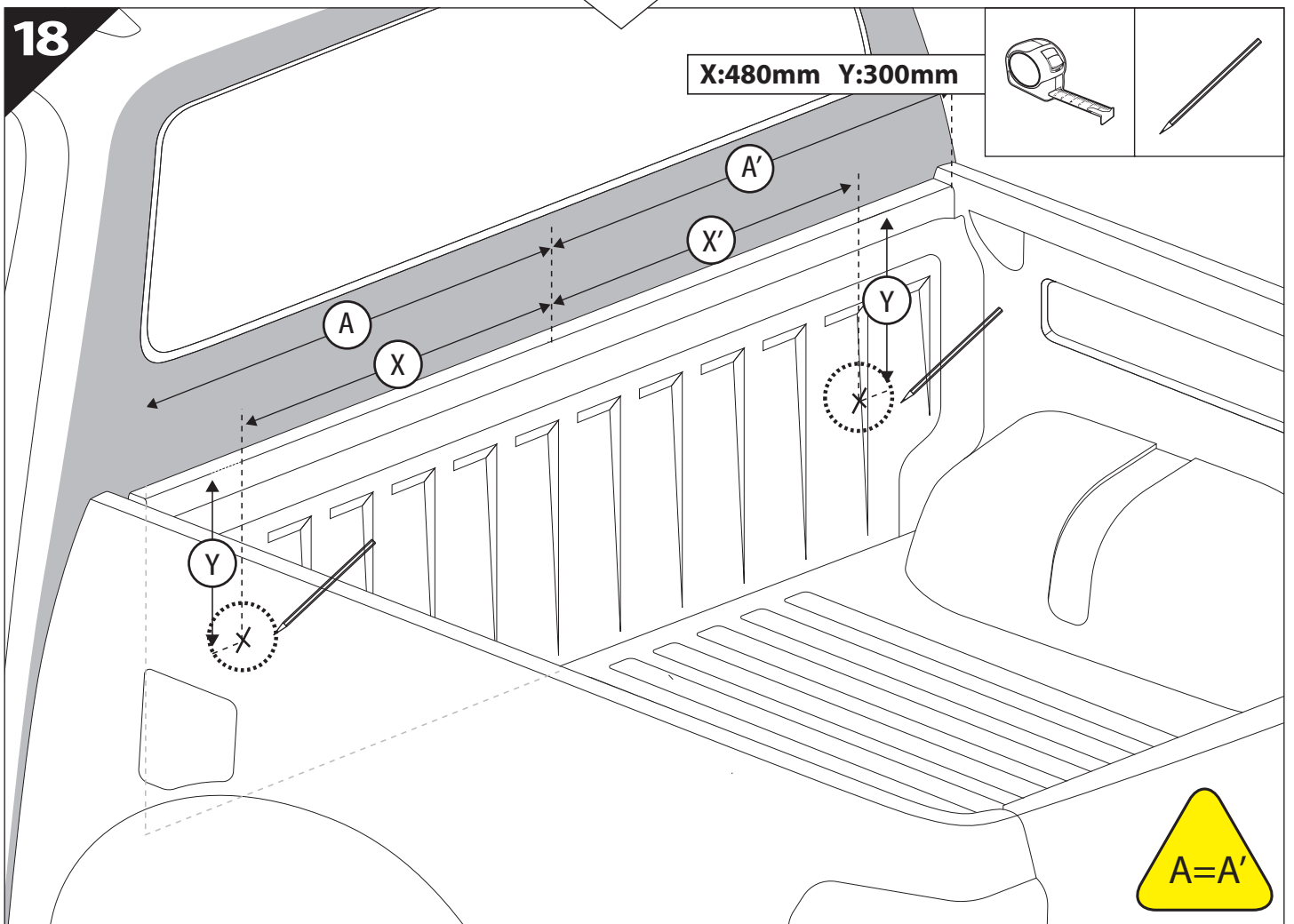
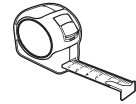
2x
18mm



17 mm

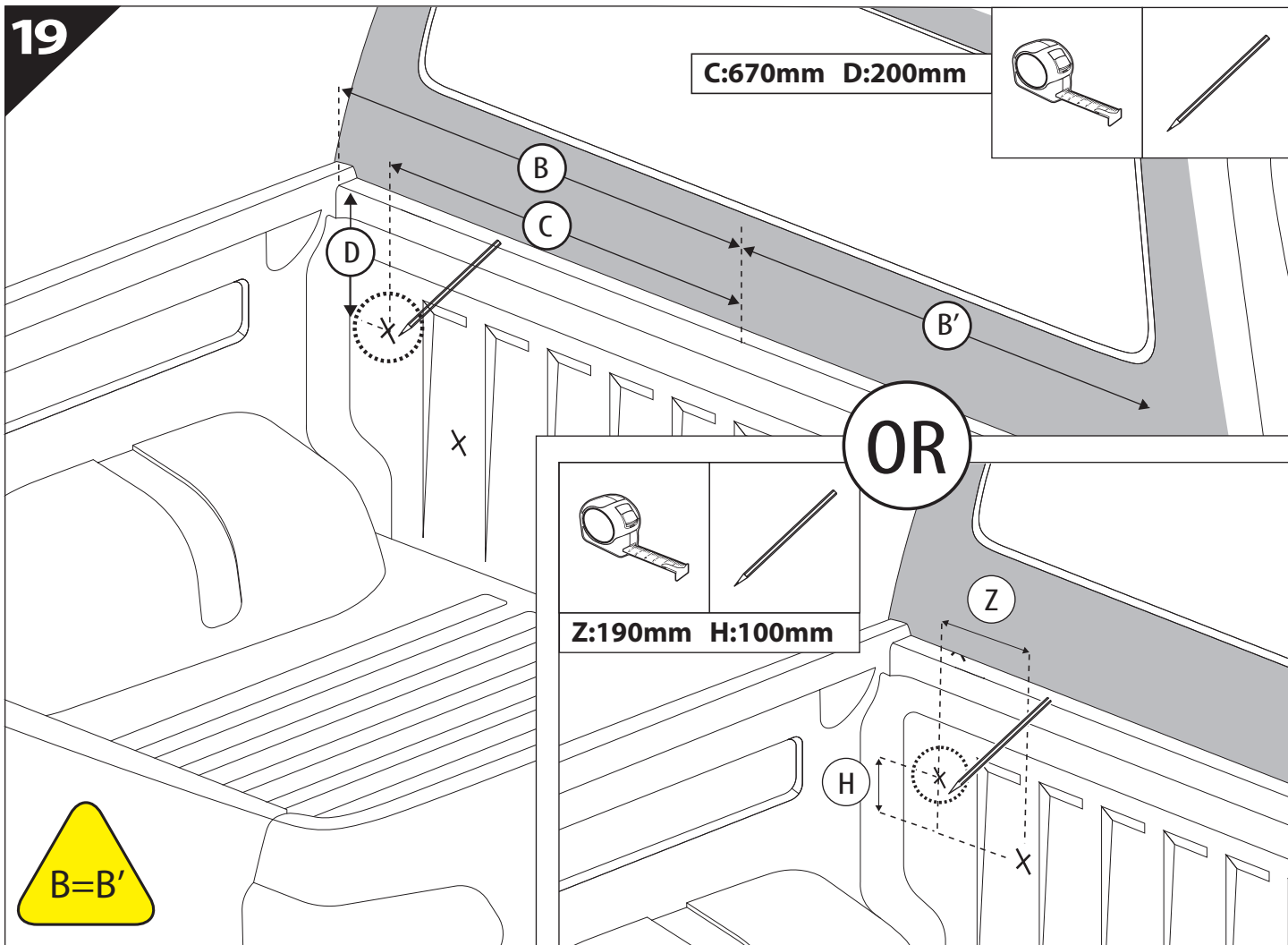
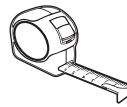
18

X:480mm Y:300mm

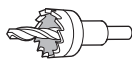
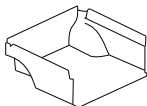


19

C:670mm D:200mm

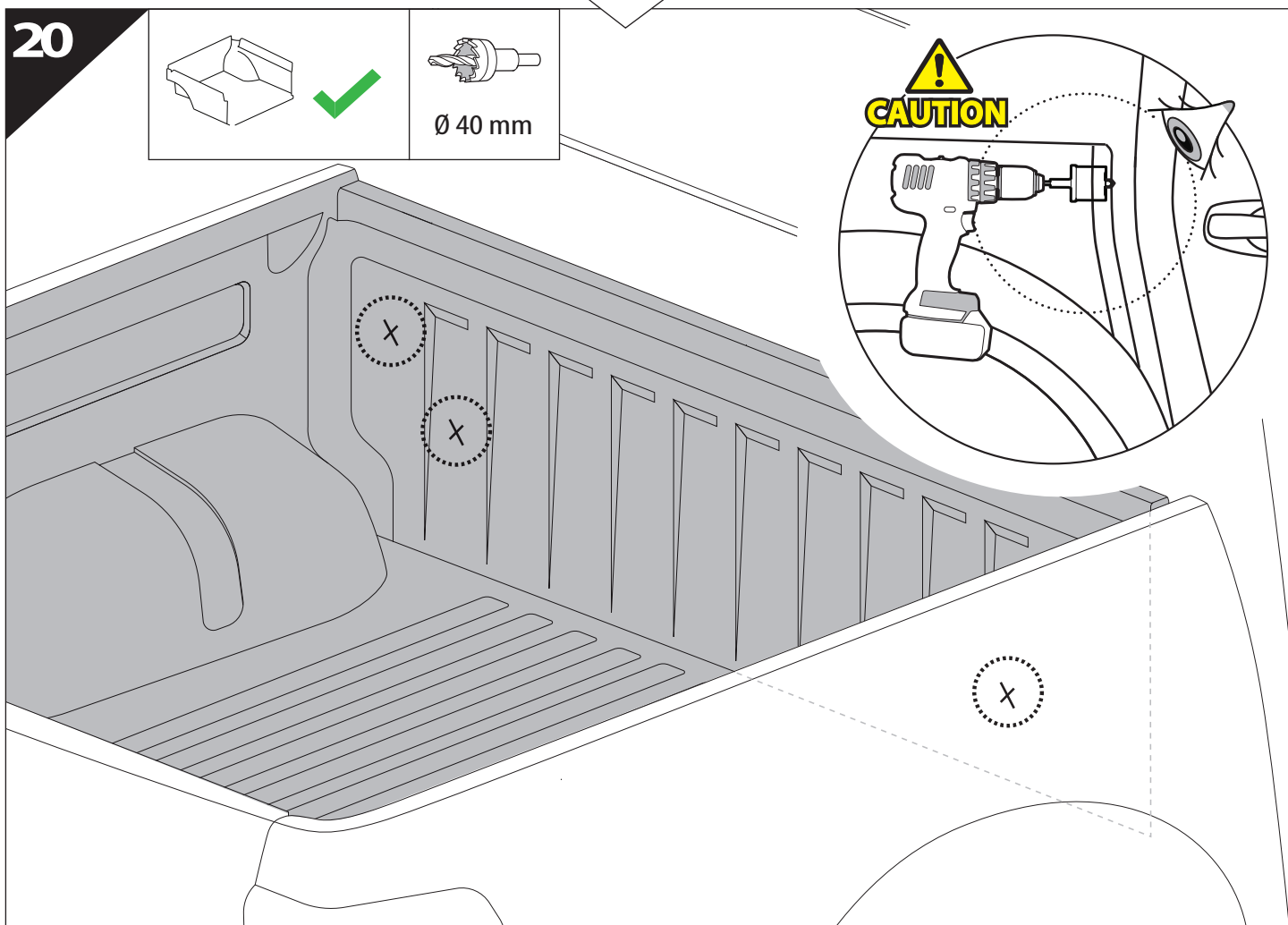
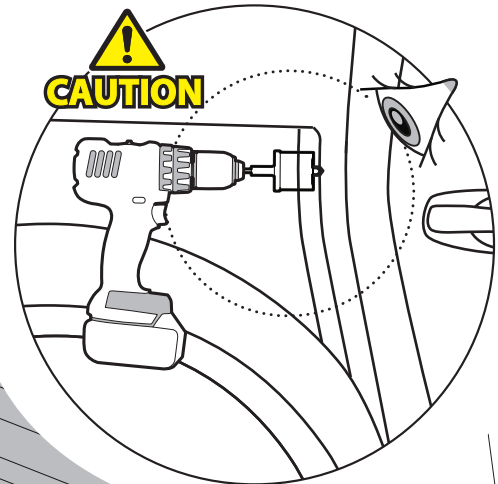


20

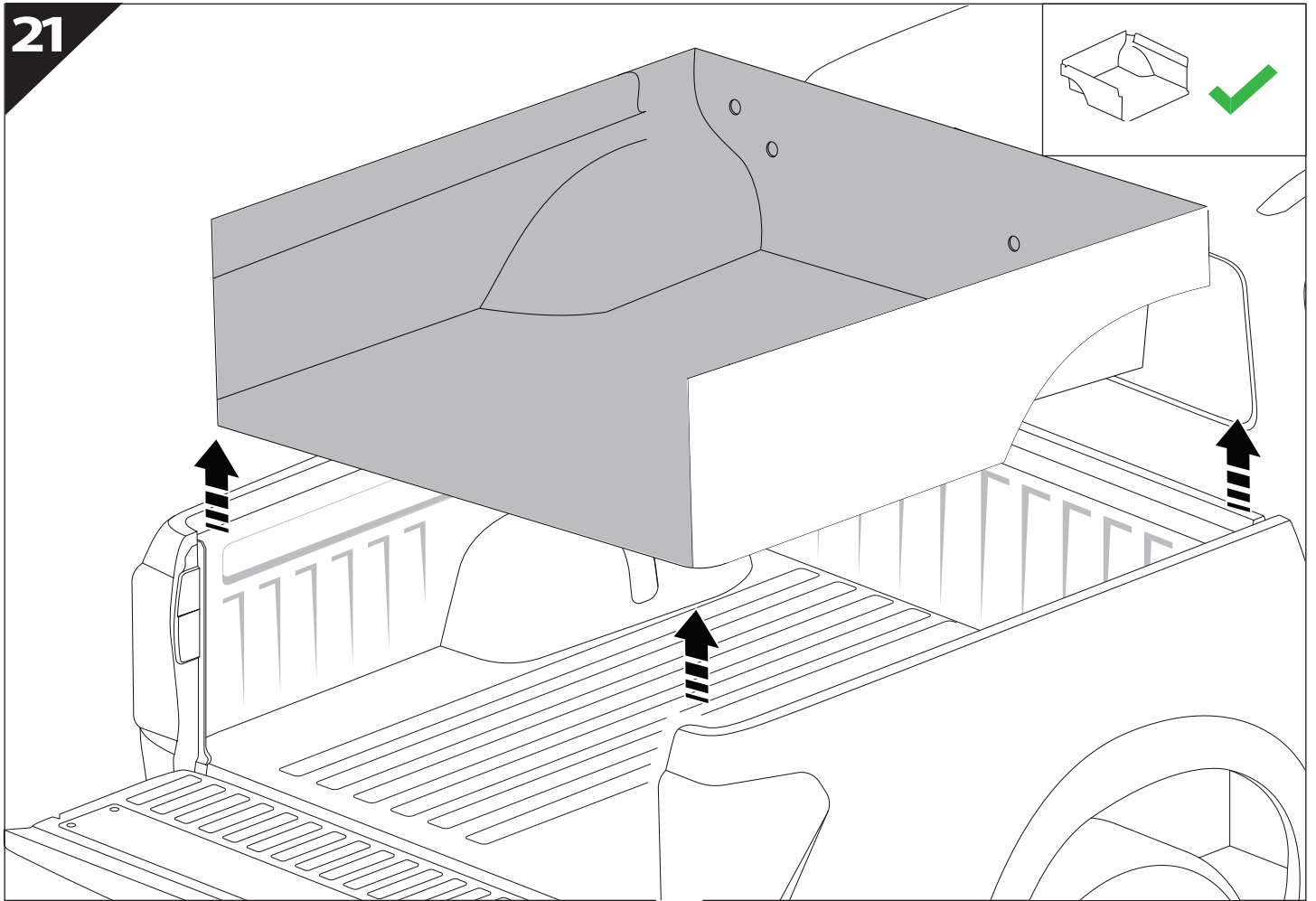


Ø 40 mm

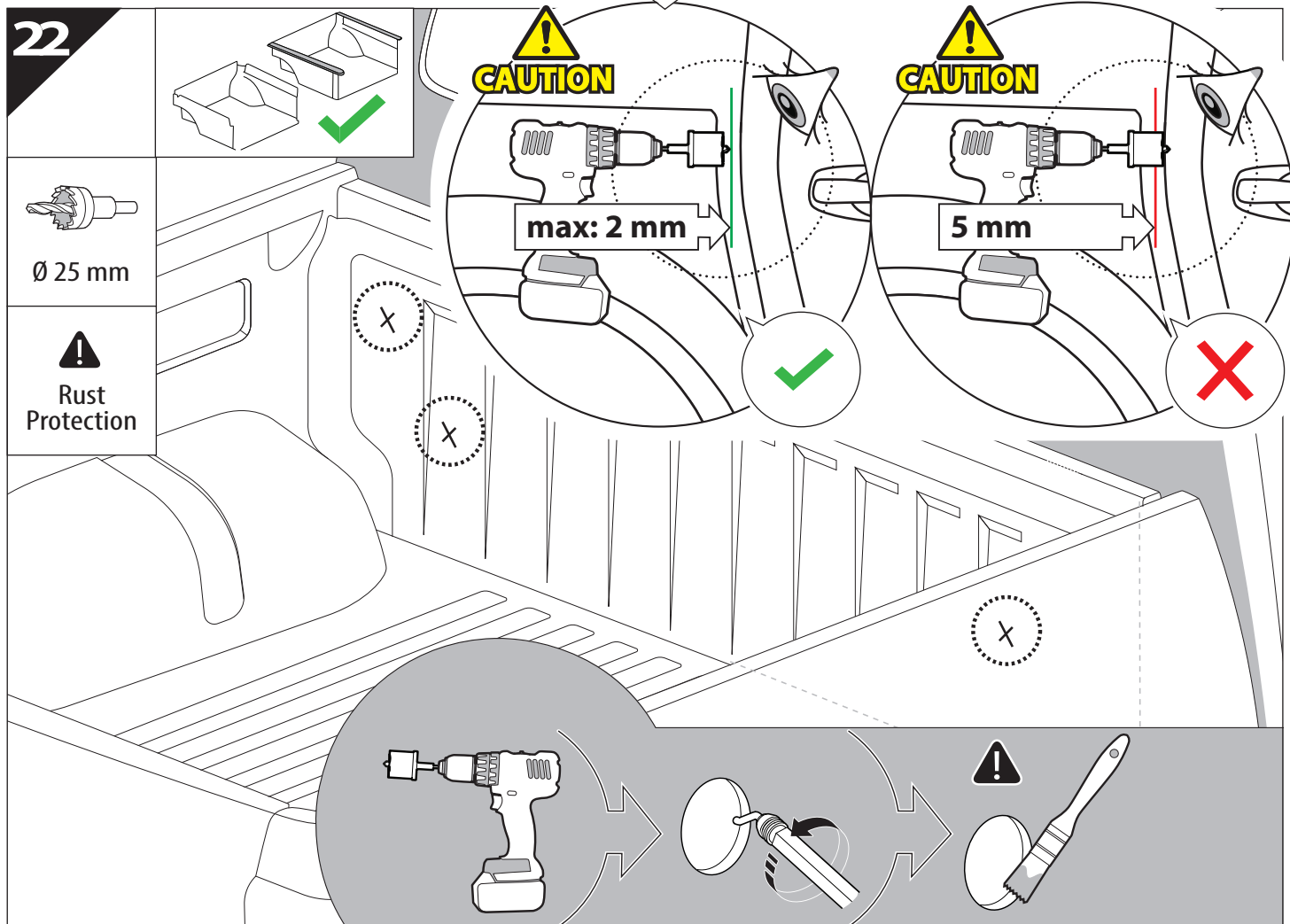
CAUTION

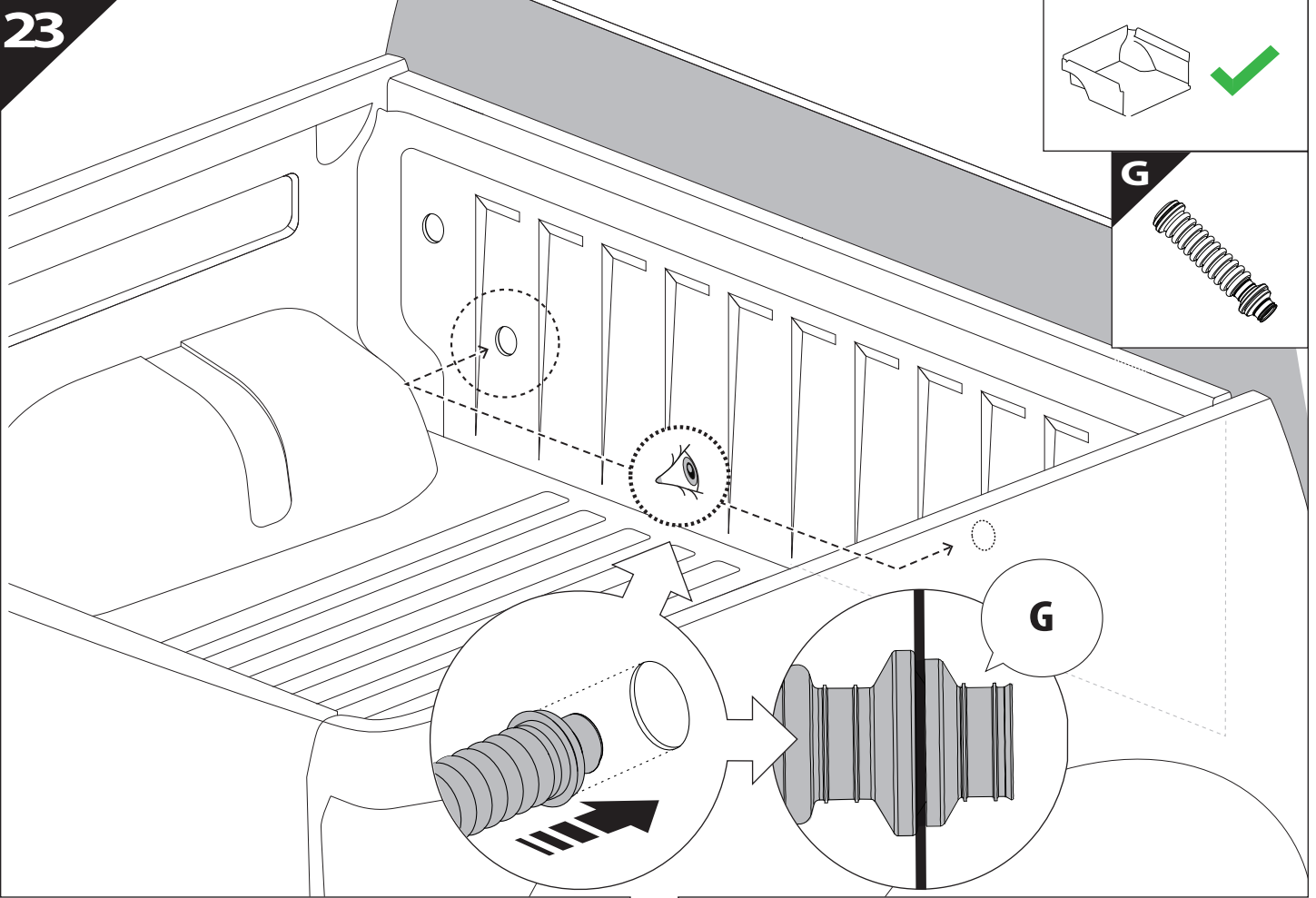


21

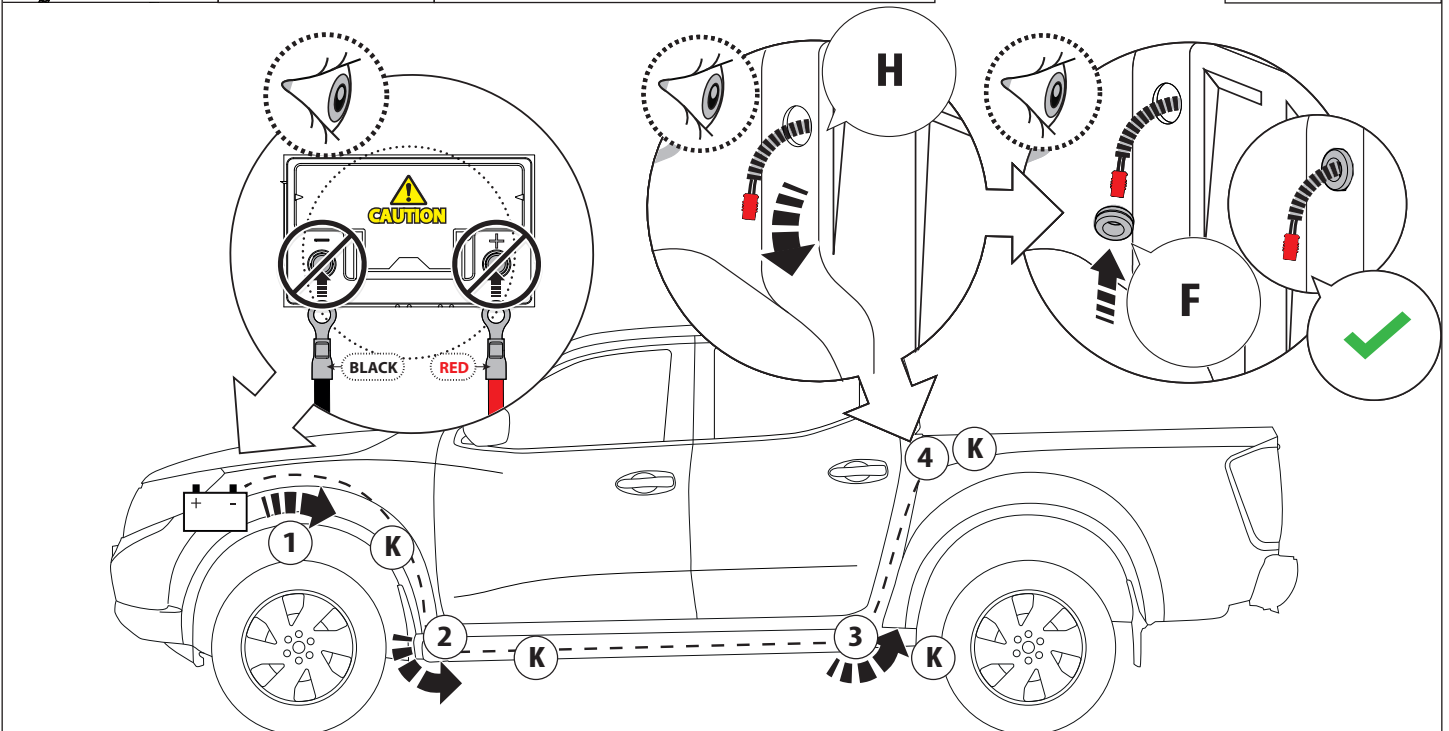
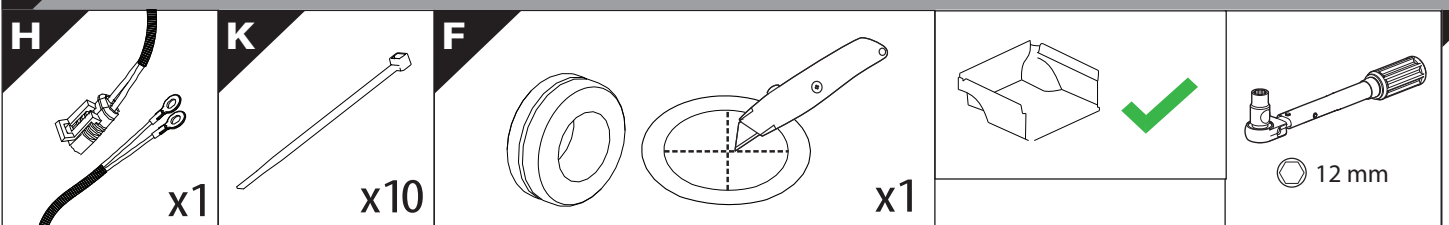


22

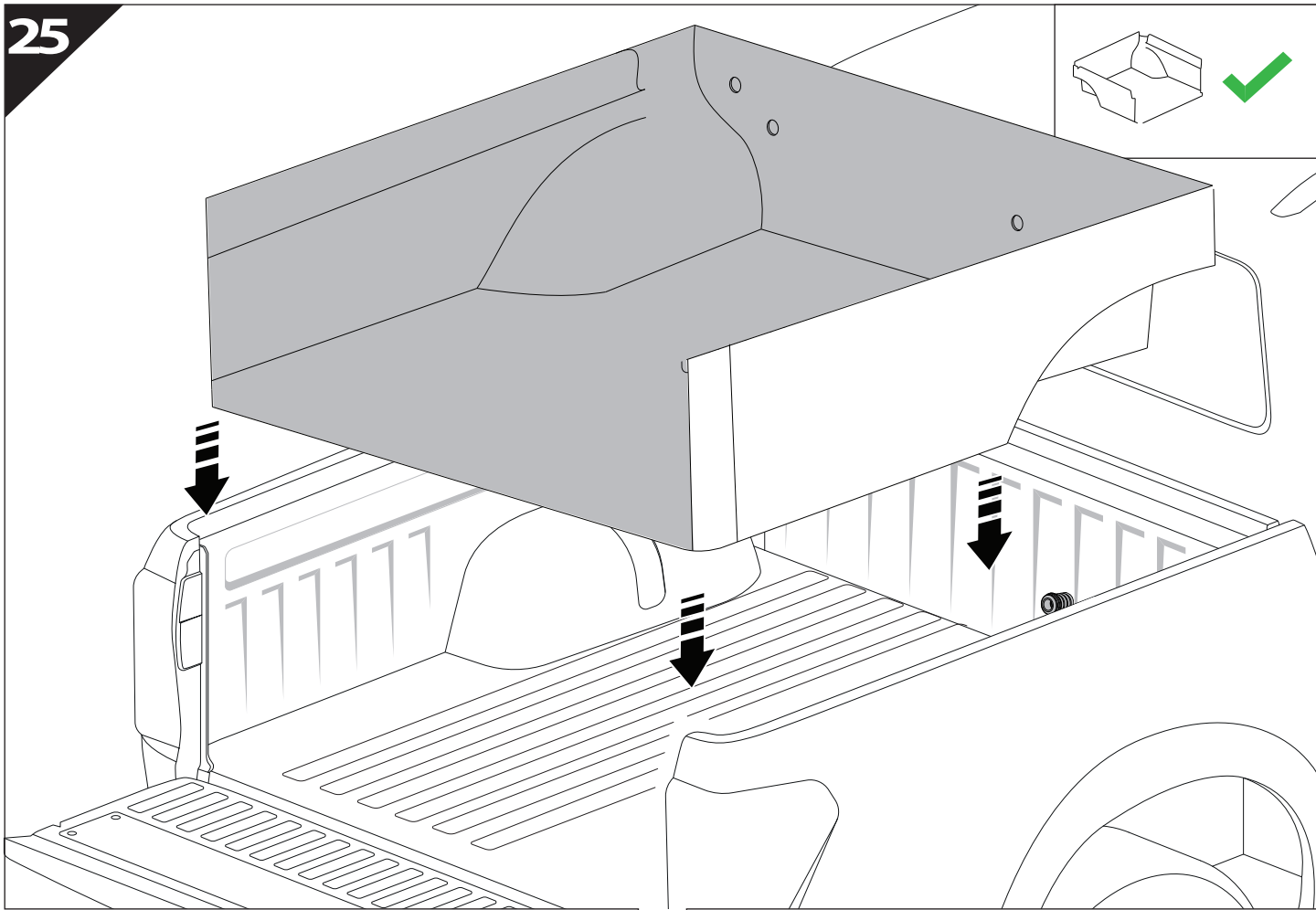




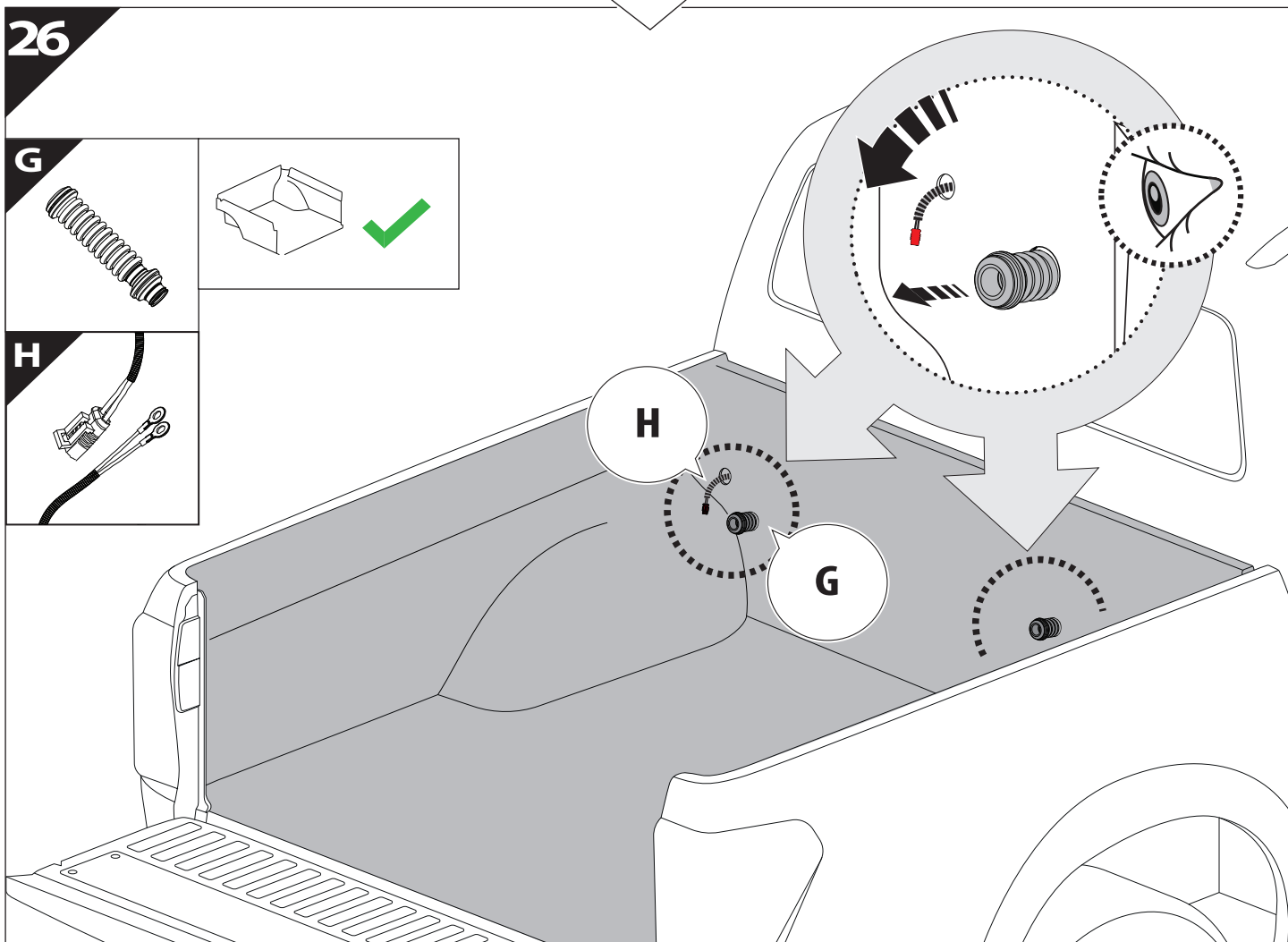
24 Only to be installed by authorized personnel



25

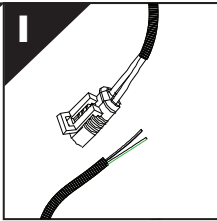


26

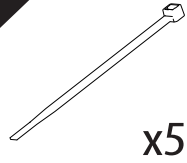


27

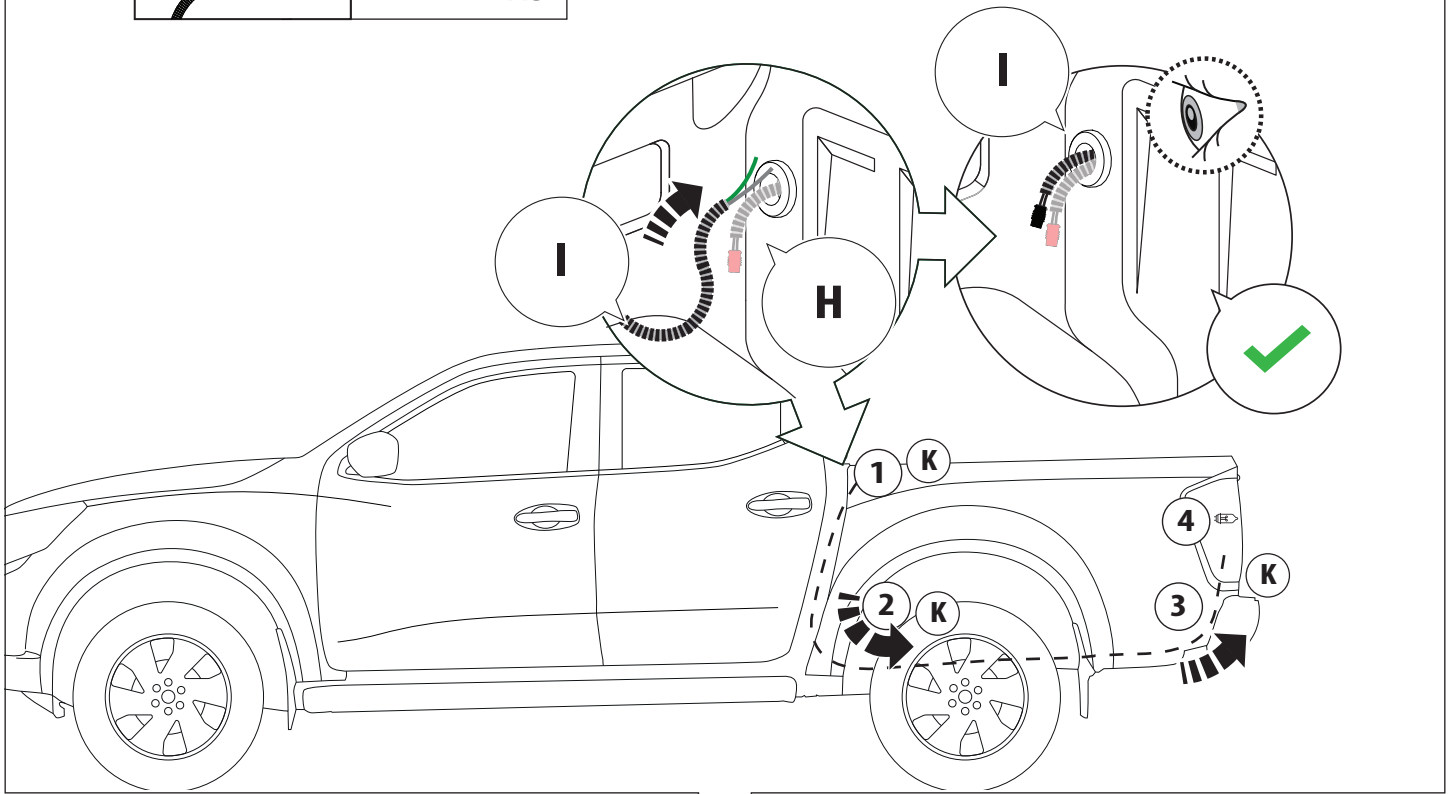
I



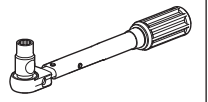
K



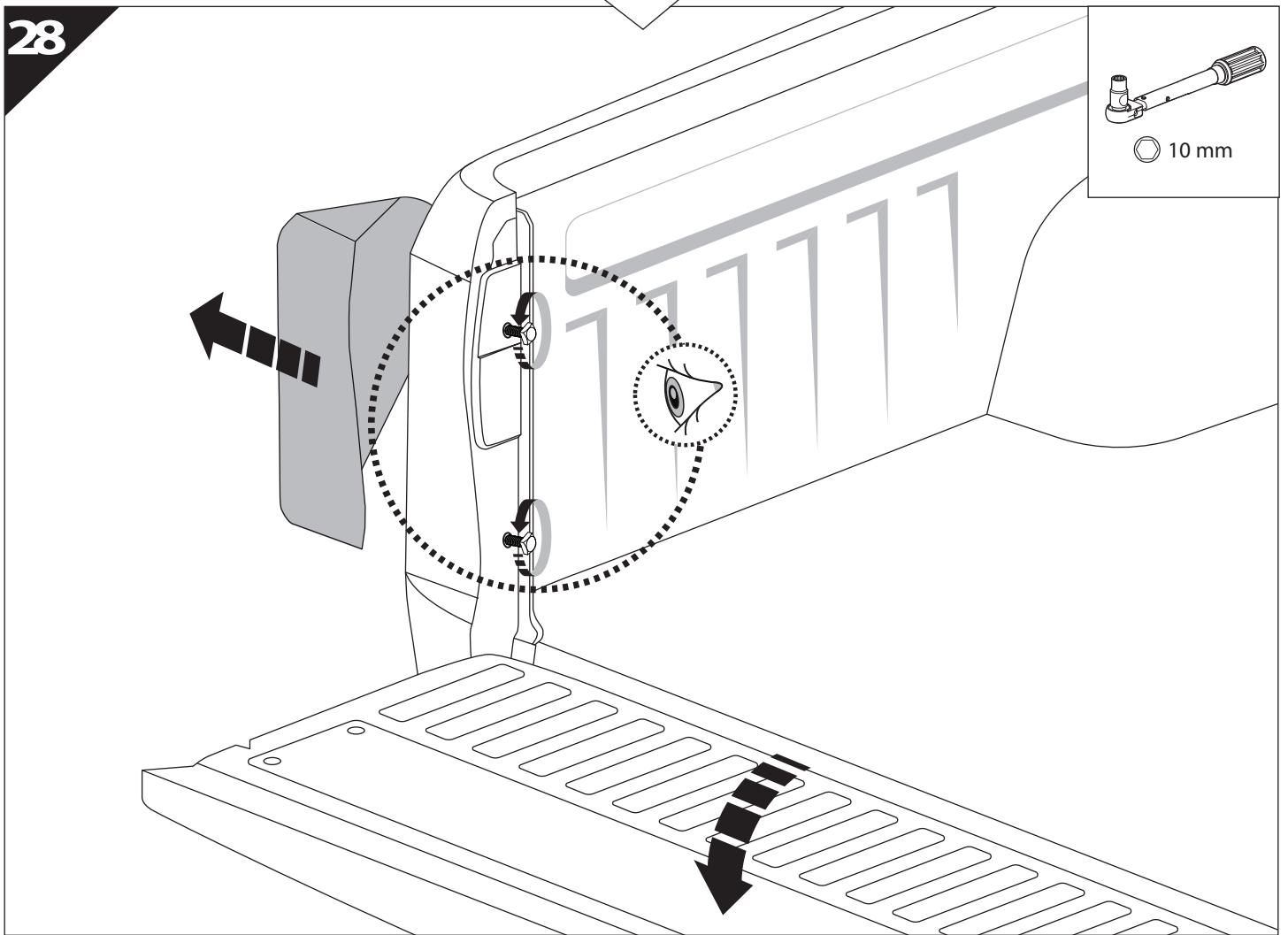
x5



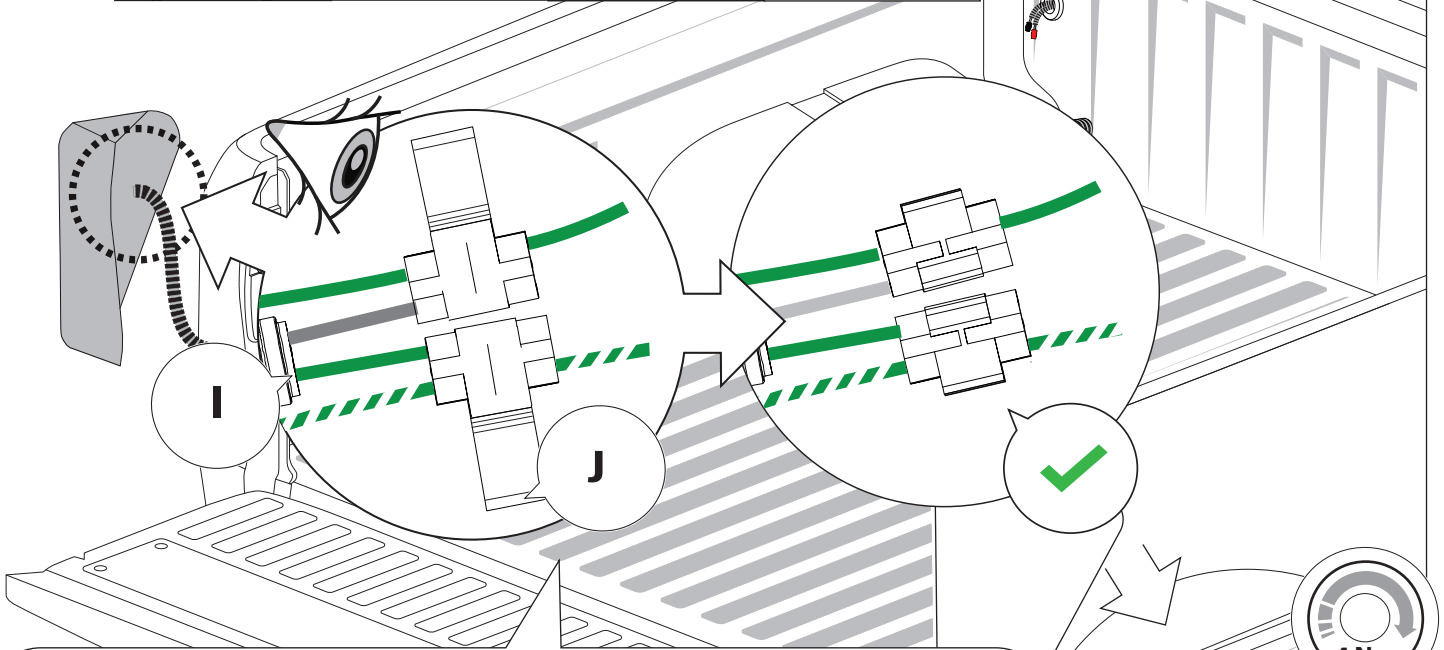
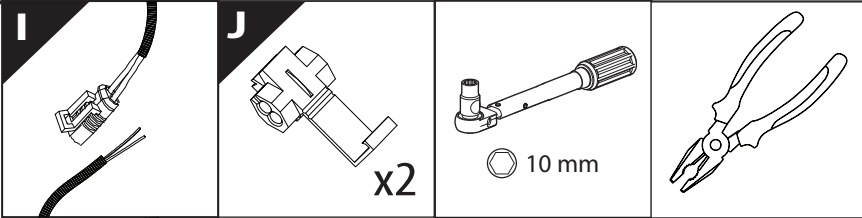
28



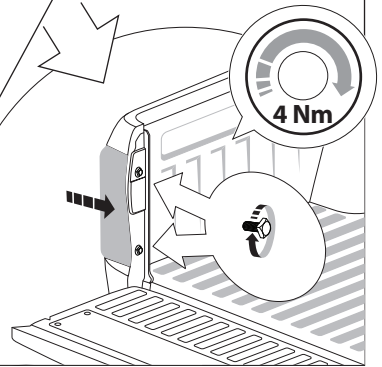
10 mm



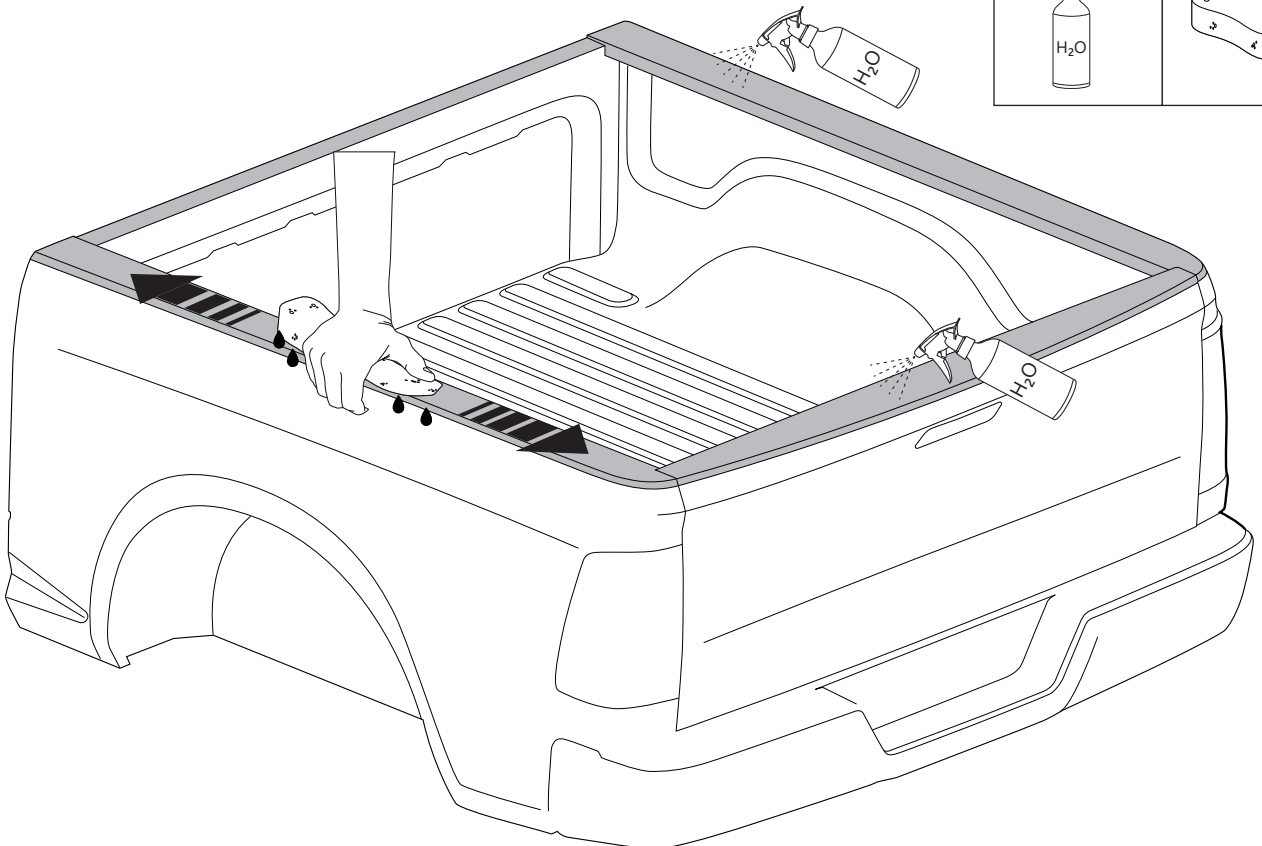
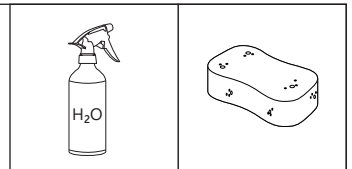
29

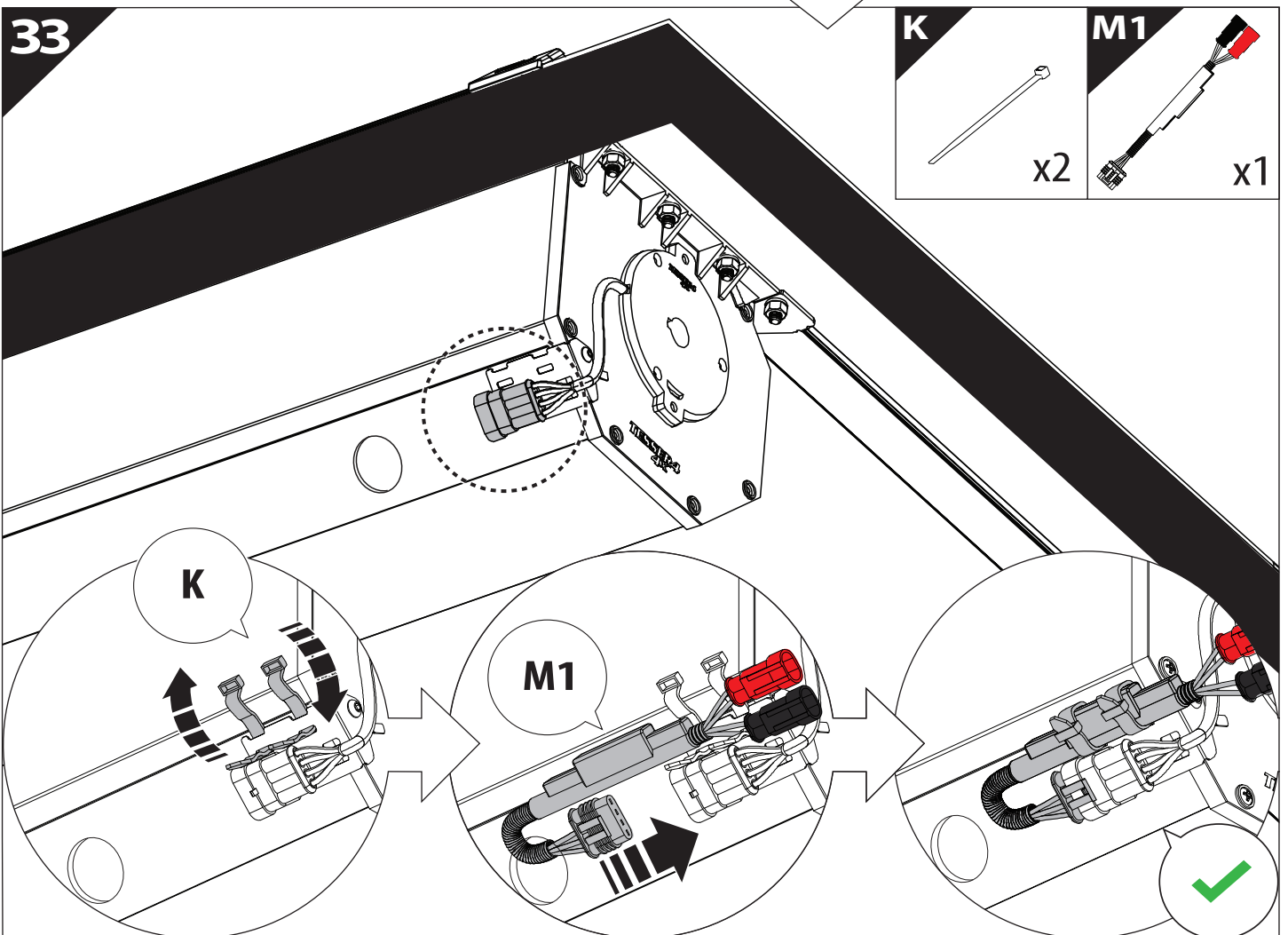
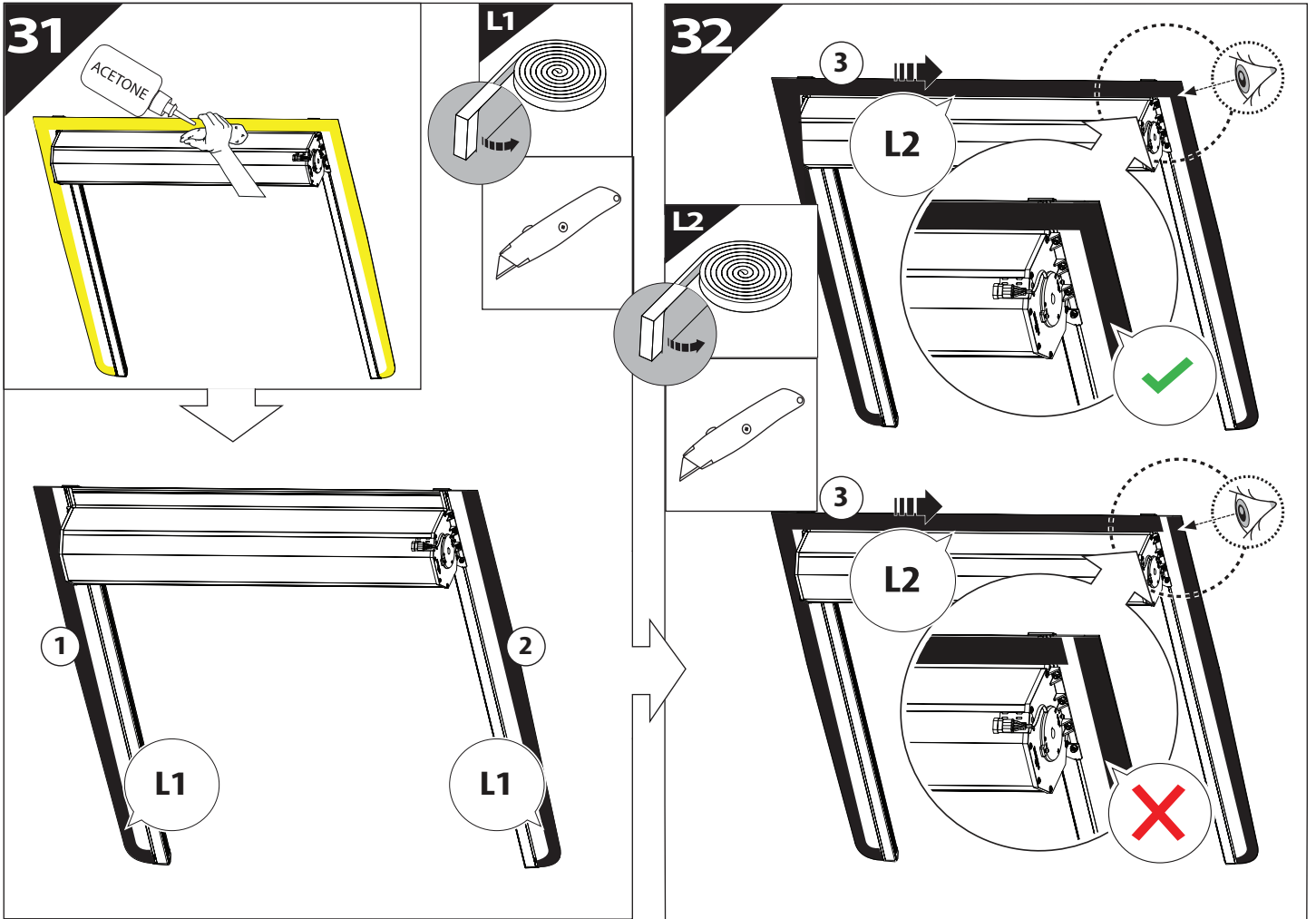


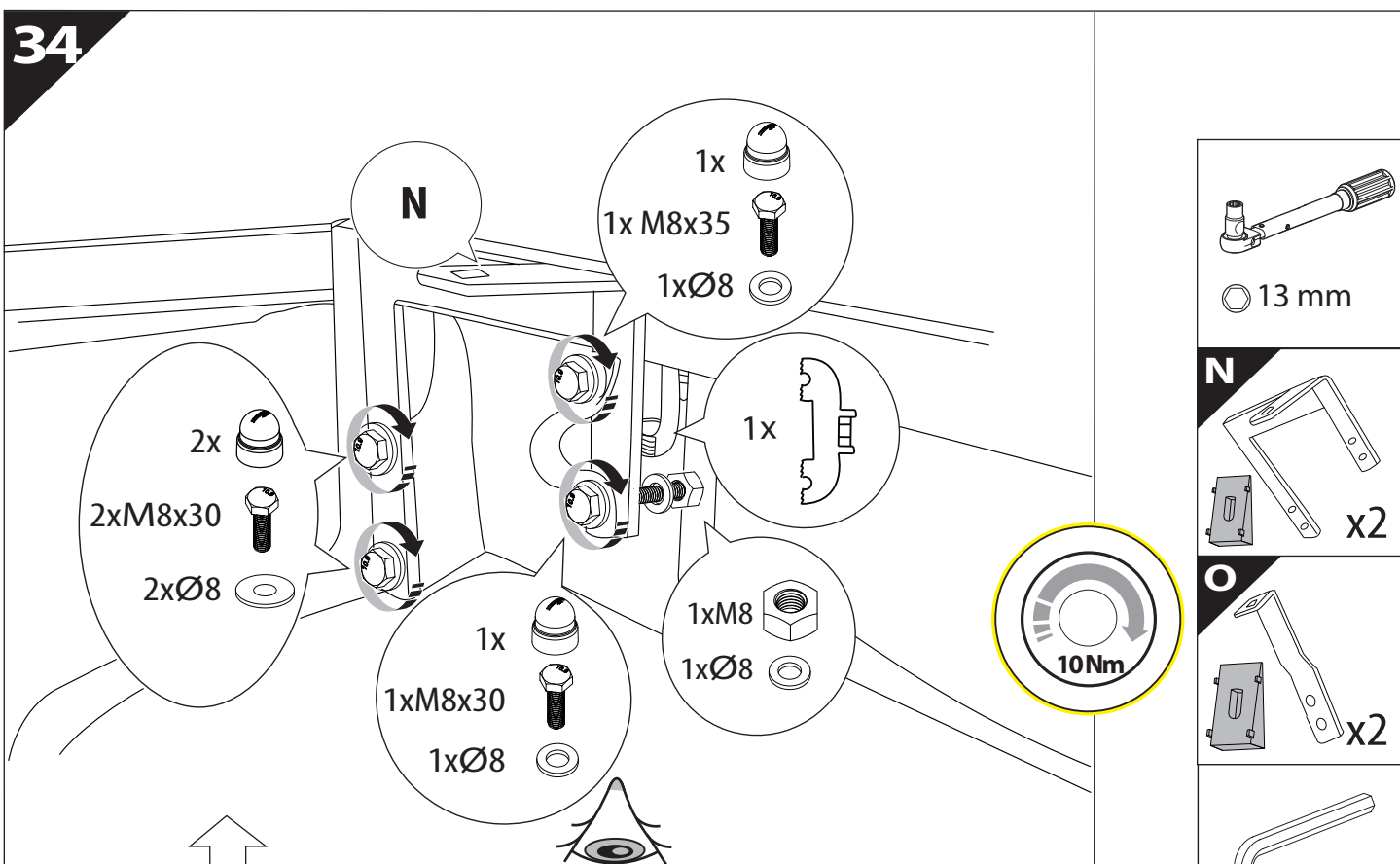
MODEL YEAR	LIGHTS	CAR	TESSERA ROLL+
HILUX 2016+/2021+	BEAM		
HILUX 2016+	STOP		
HILUX 2021+	STOP		

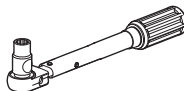
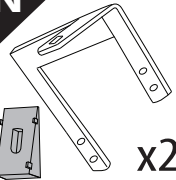
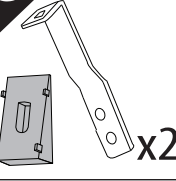
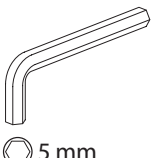



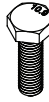

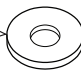

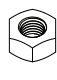

30

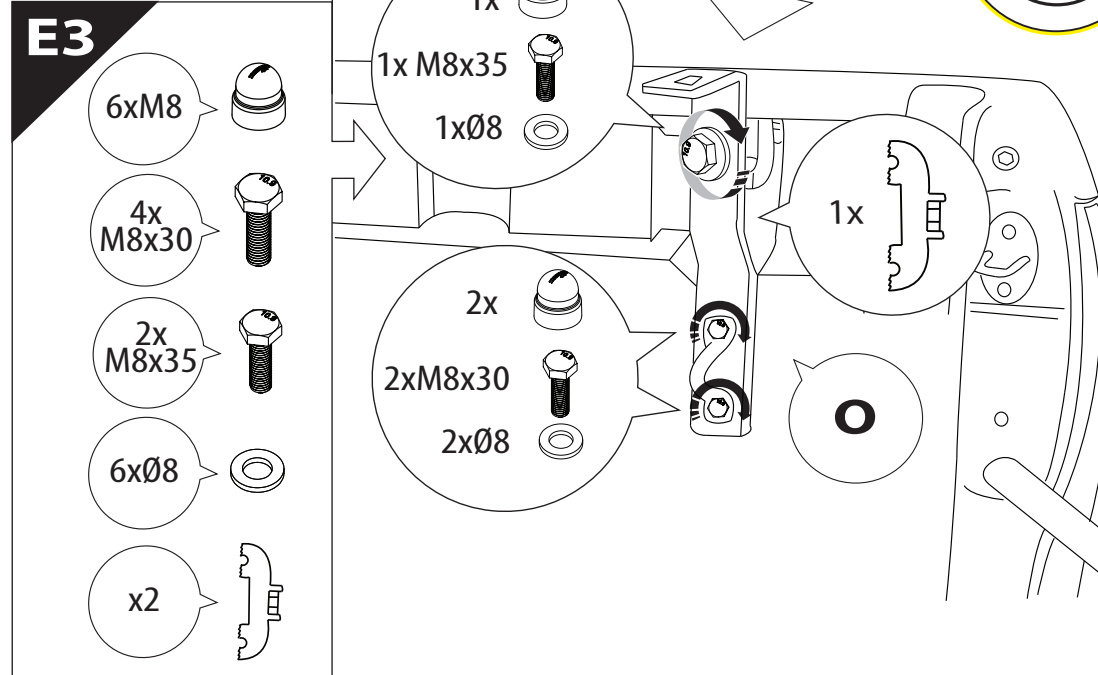
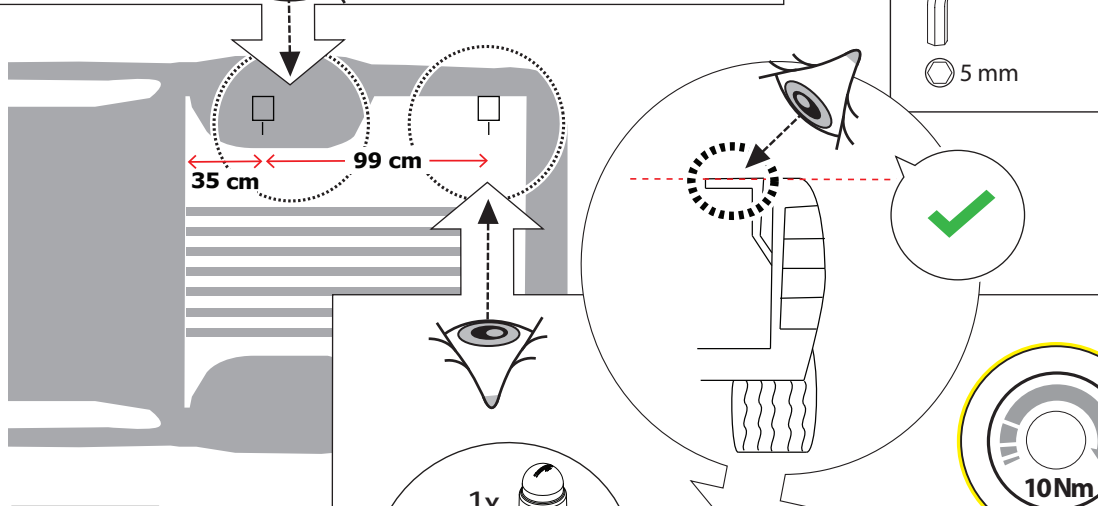


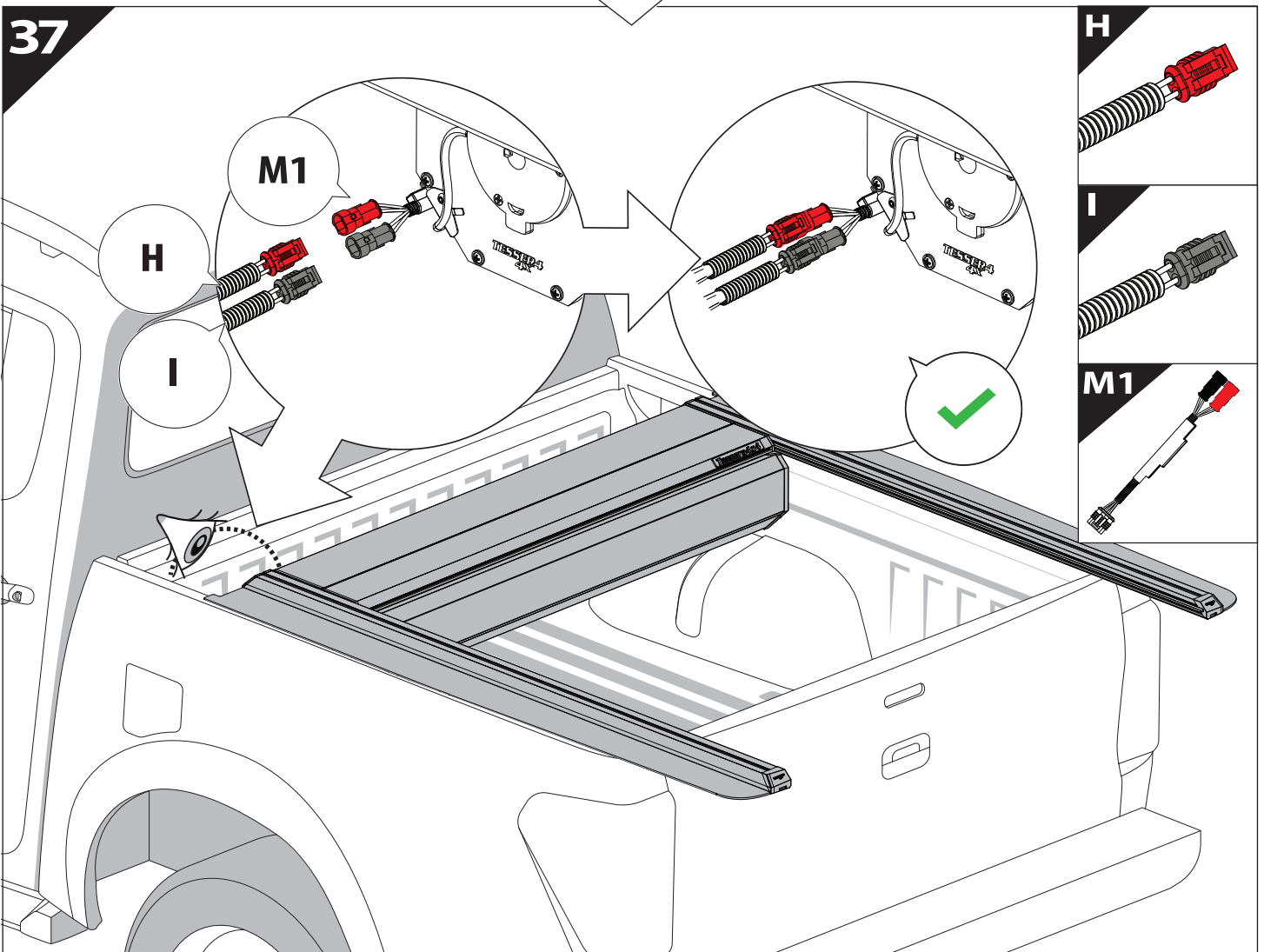
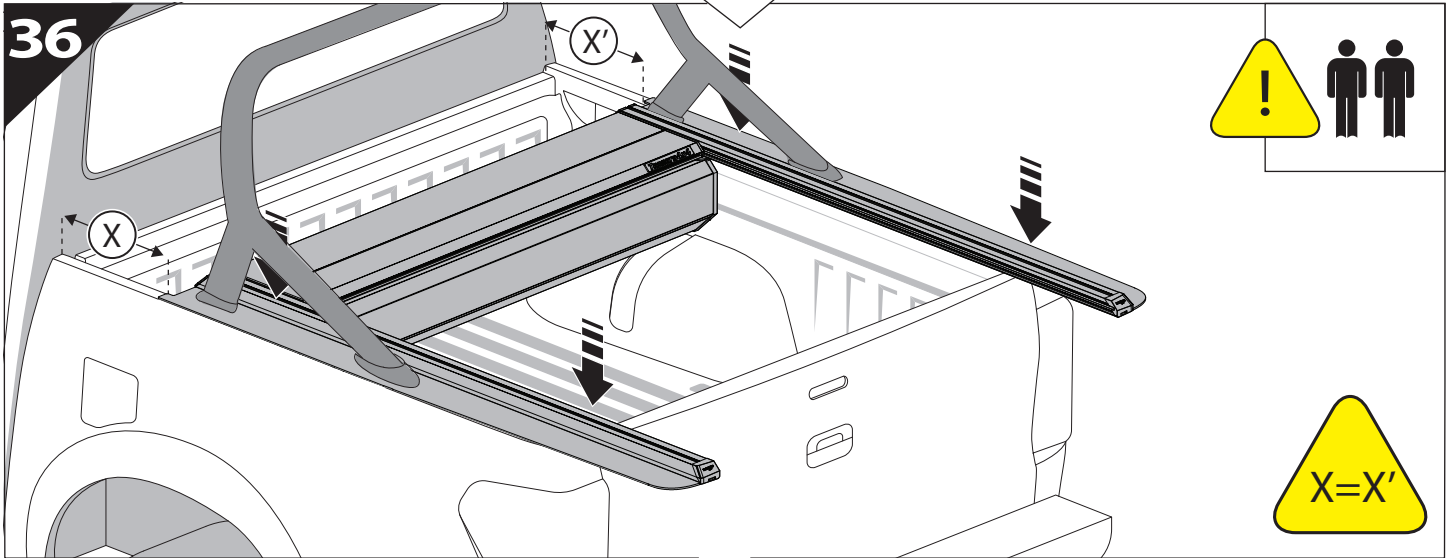
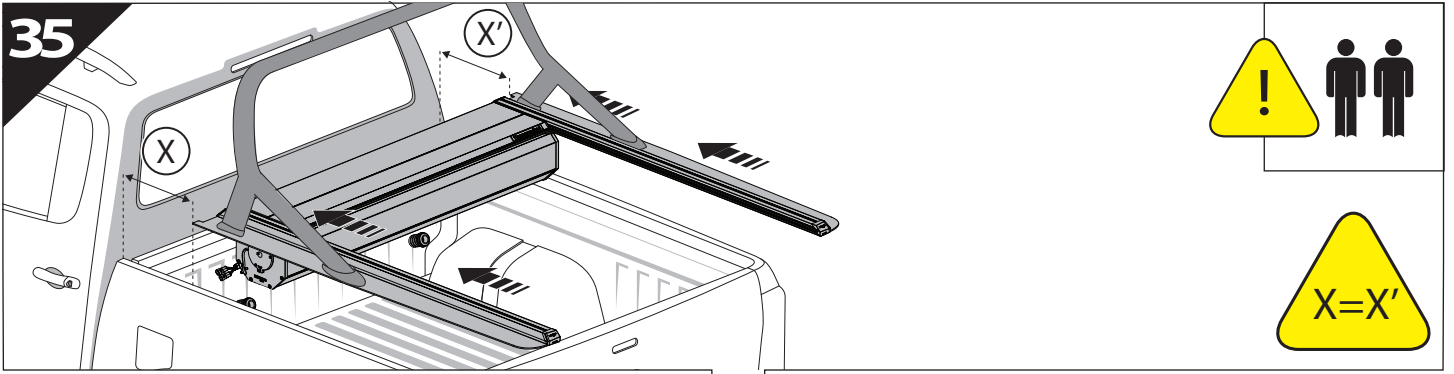




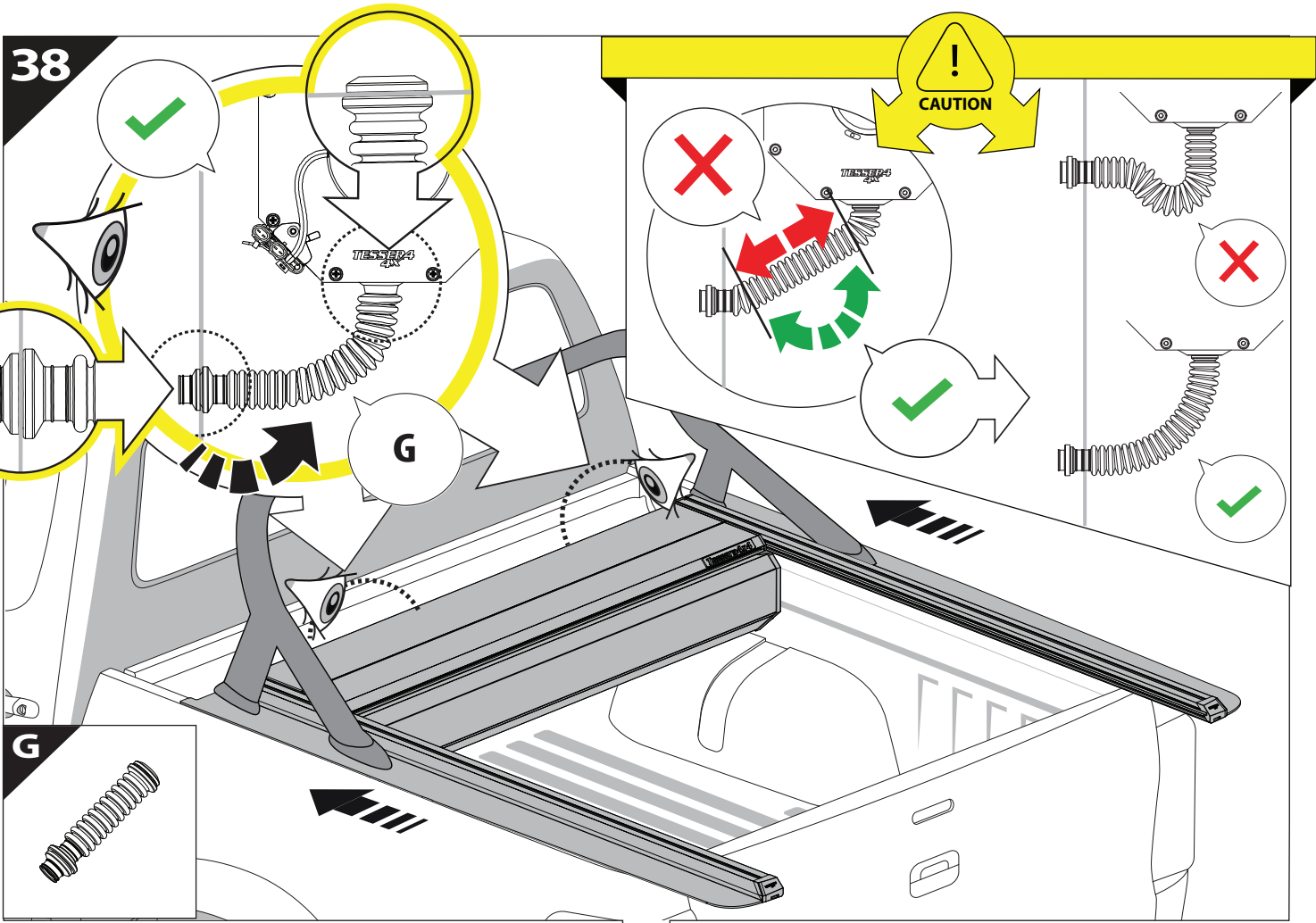
-  13 mm
- N**  x2
- O**  x2
-  5 mm

- E2**
- 8xM8 
 - 6x M8x30 
 - 2x M8x35 
 - 4xØ8 
 - 6xØ8 
 - 2xM8 
 - x2 

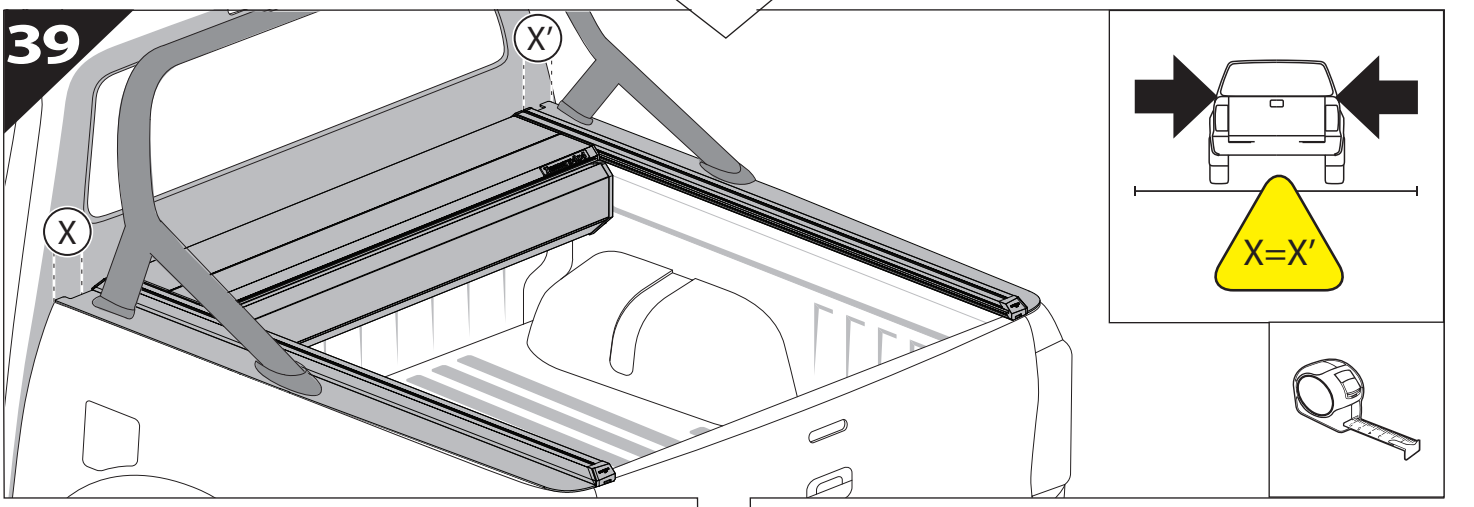




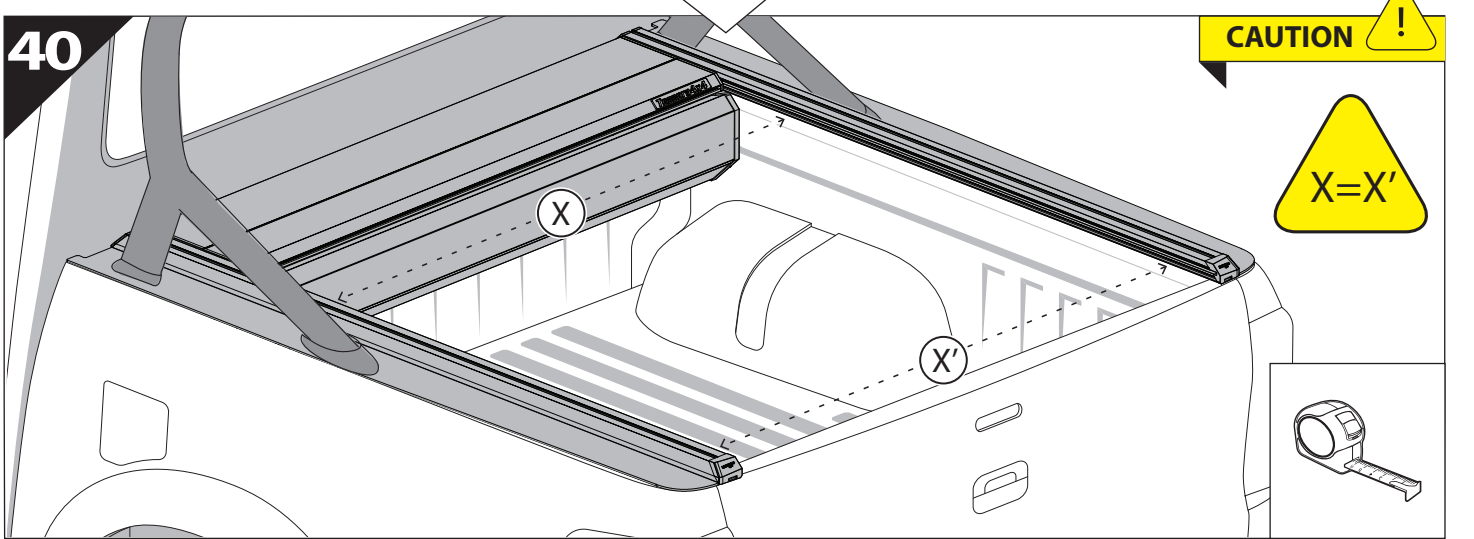
38

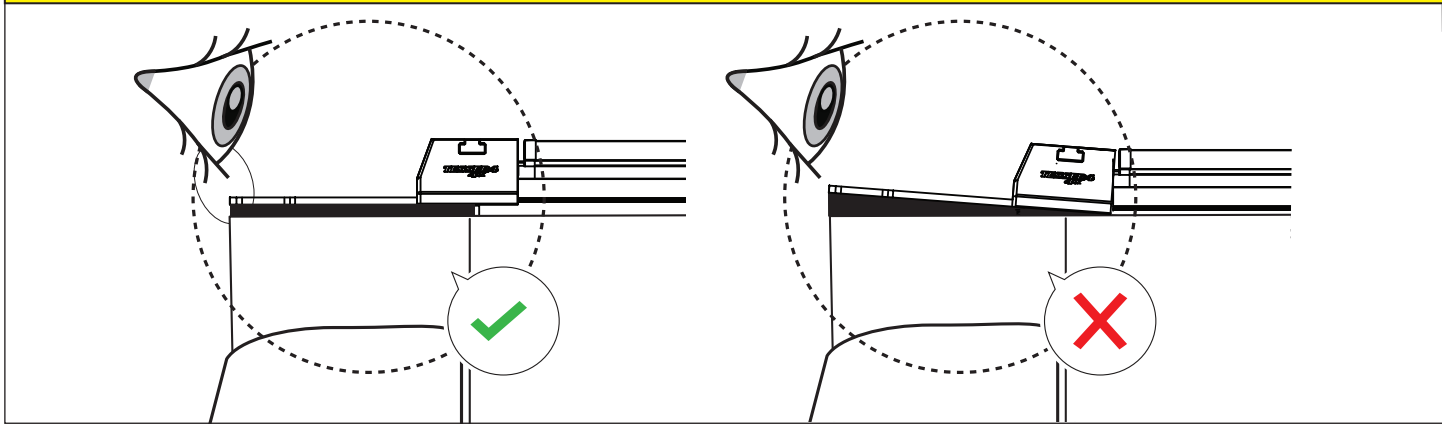


39

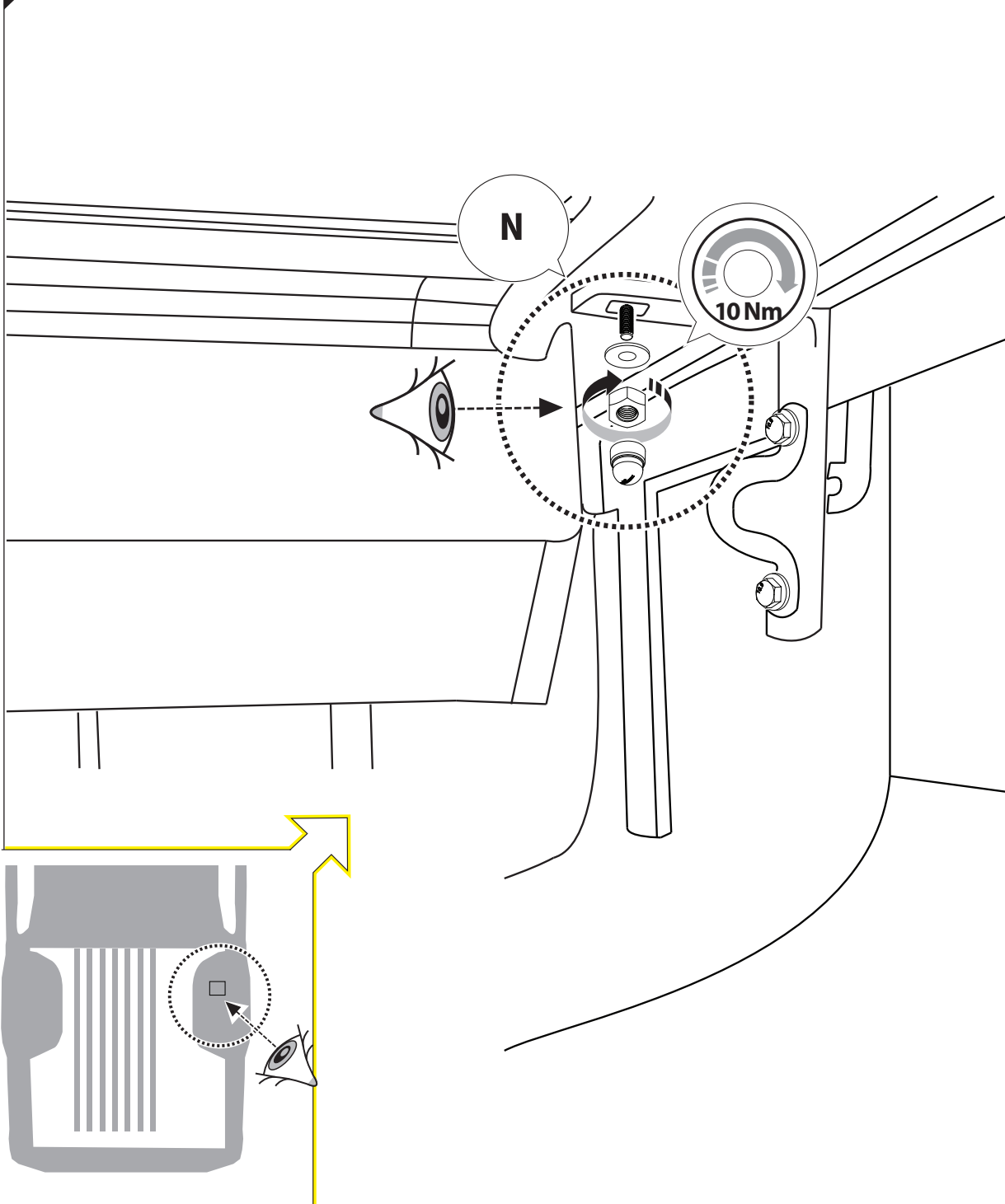


40





41



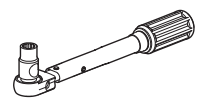
- E**
- 1 screw
 - 1 washer
 - 1 nut
 - 1 cap
- x2

-
- 13 mm

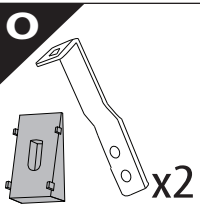
- N**
- 1 square hole component
 - 1 L-shaped component
- x2



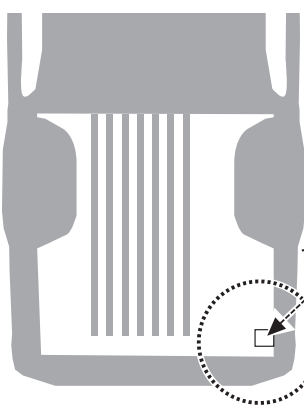
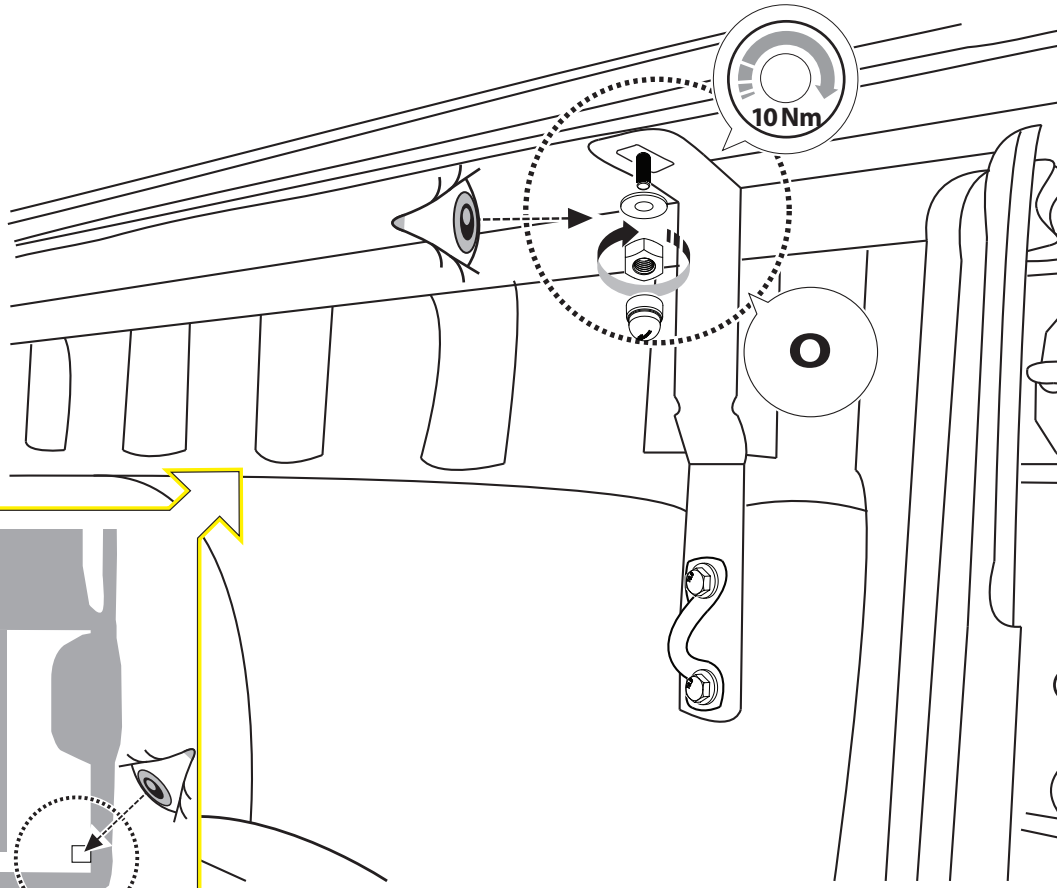
x2



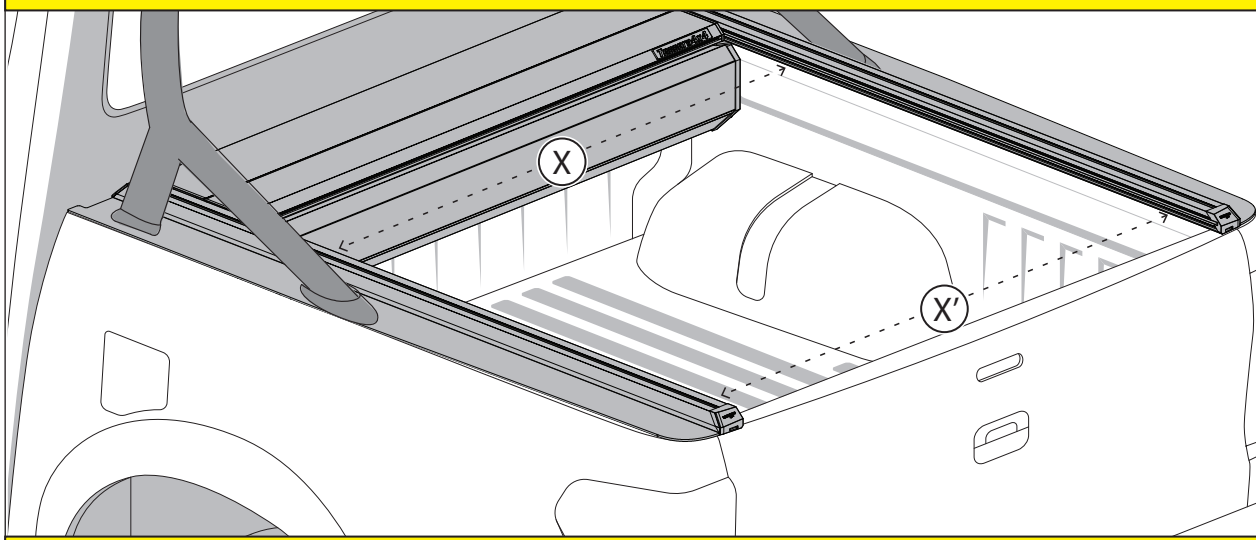
13 mm



x2

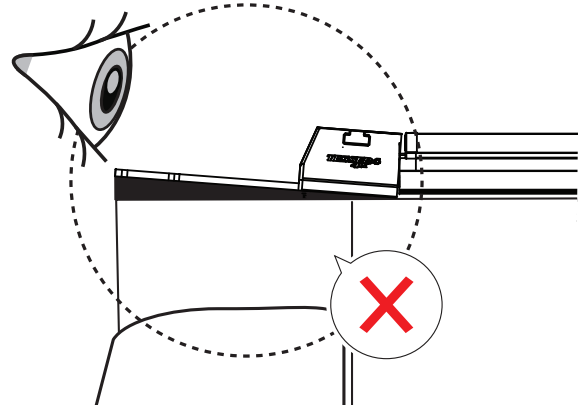
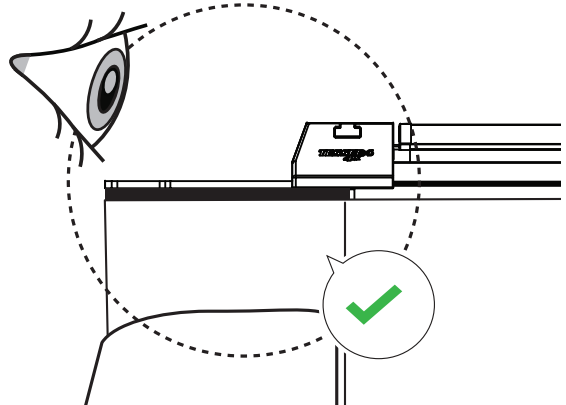


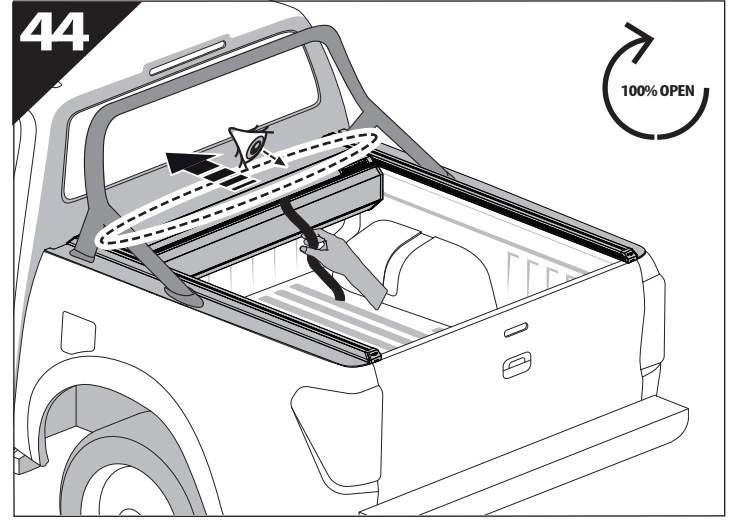
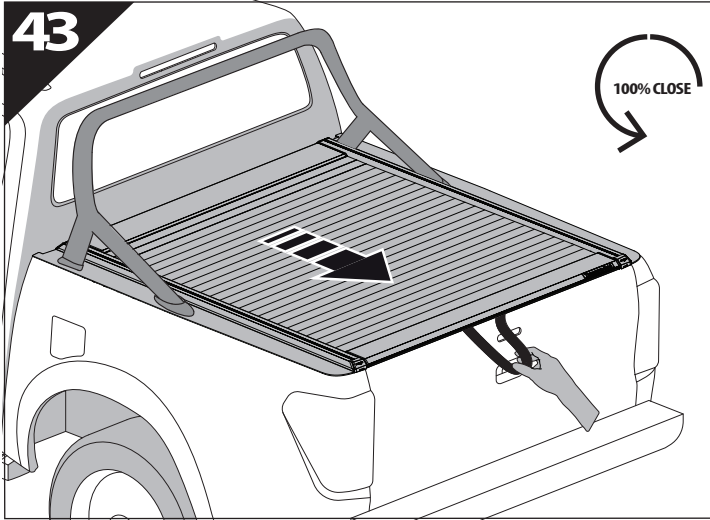
CAUTION !



X=X'

CAUTION !





GR: Οδηγίες Εγκατάστασης
GB: Installation manual
SF: Asennusohje
F: Notice de montage
PL: Instrukcja montażu
NL: Installatie-instructies
TR: Montaj Talimatı
S: Monteringsanvisning
E: Instrucciones de montaje

H: Szerelési utasítás
P: Instruções de instalação
RUS: Инструкция по установке
N: Monteringsveiledning
D: Einbauanleitung
CZ: Návod k instalaci
I: Istruzioni de montaggio
DK: Monteringsvejledning
RO: Instructiuni de instalare

Customer Service:

+30 (210) 5541161, +30 (210) 5541154 (08:00 - 16:00 EET)

Support department:

info@gianso.gr

Website:

www.tessera4x4.com

Address:

19.5 km of National road Athens-Korinthos (Elefsina) Greece, P.C: 19200