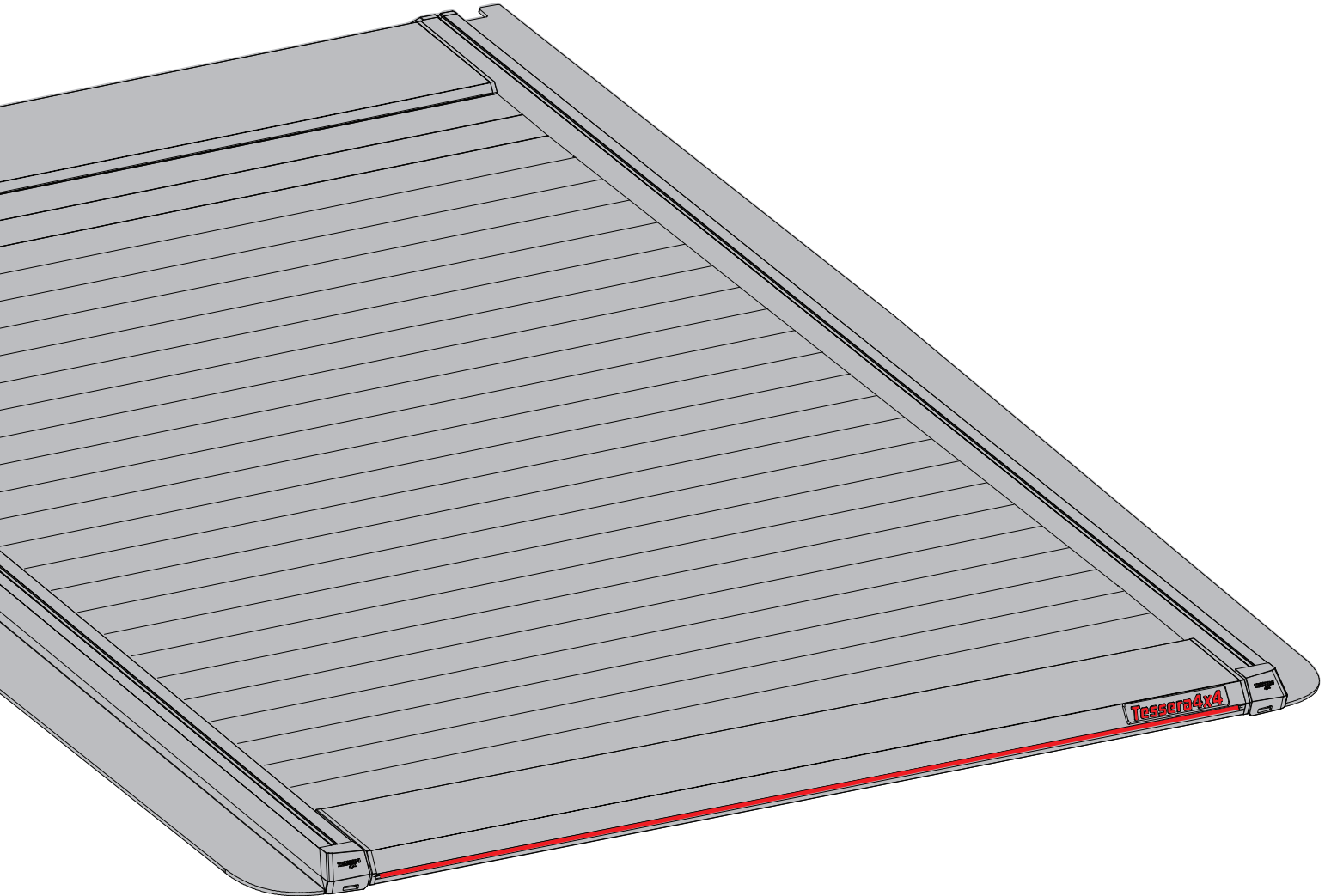


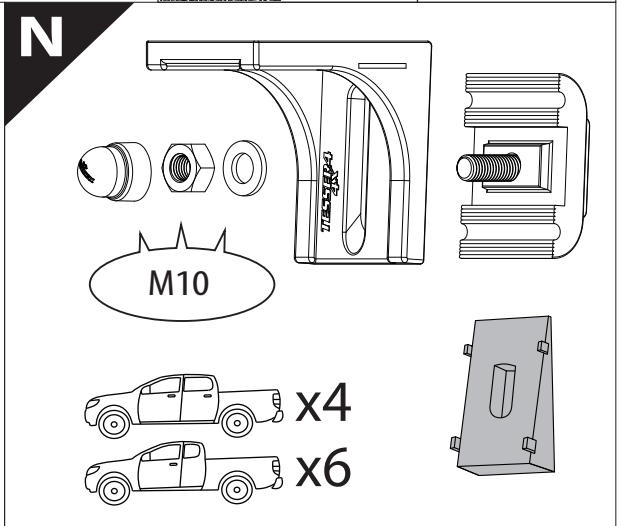
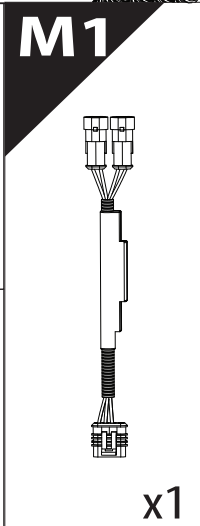
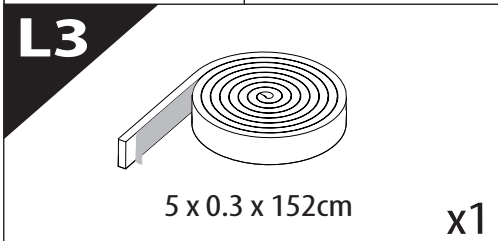
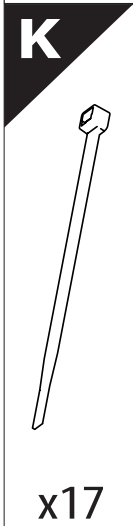
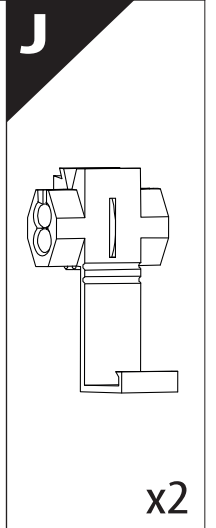
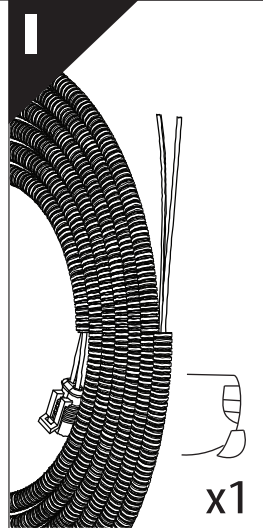
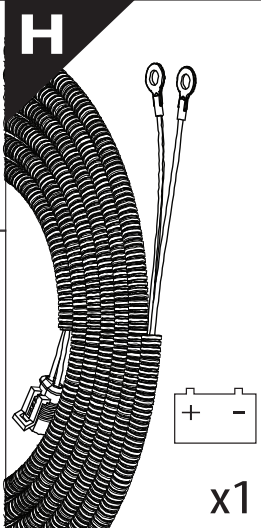
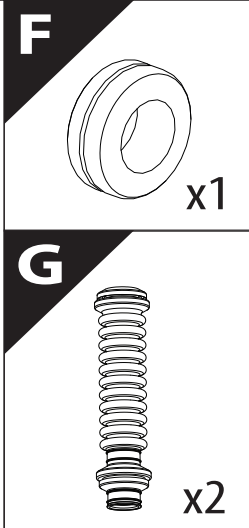
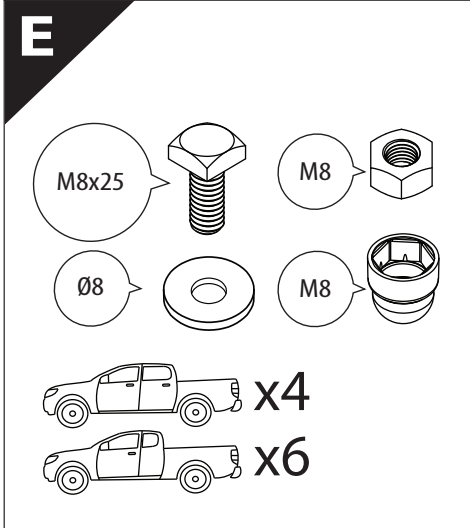
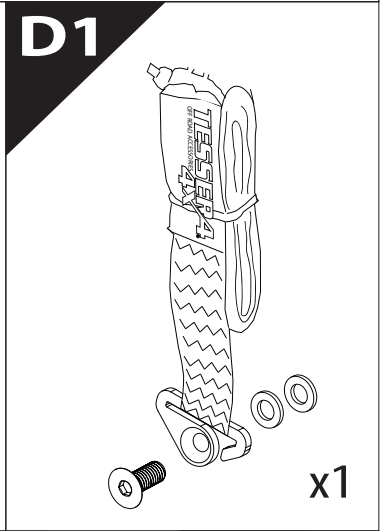
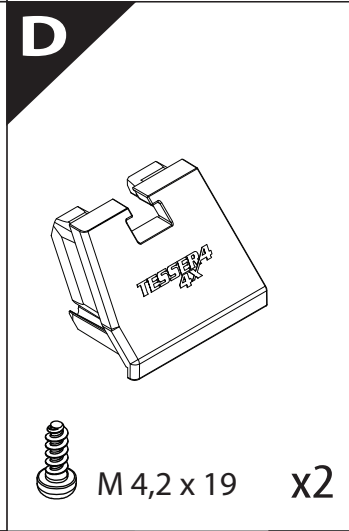
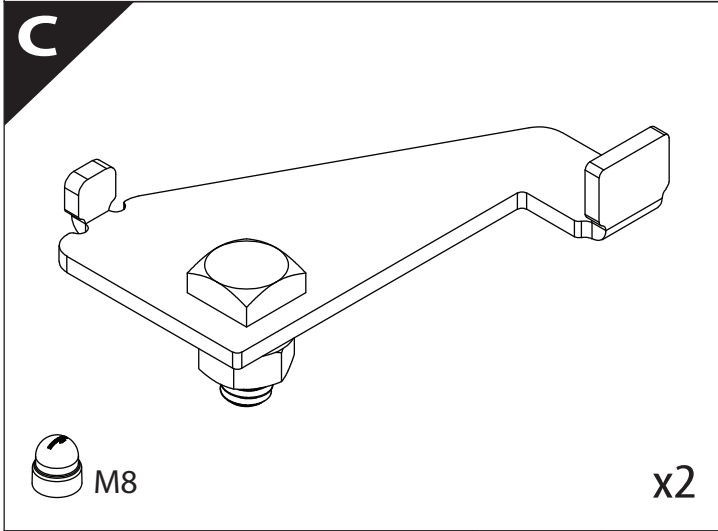
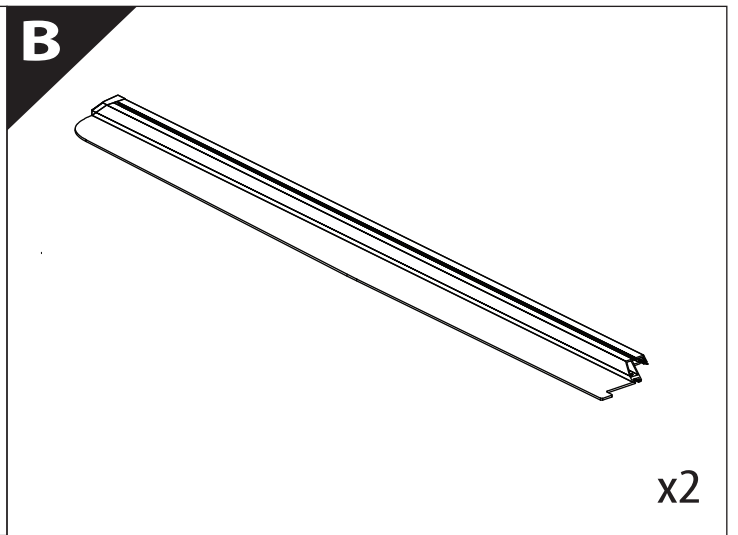
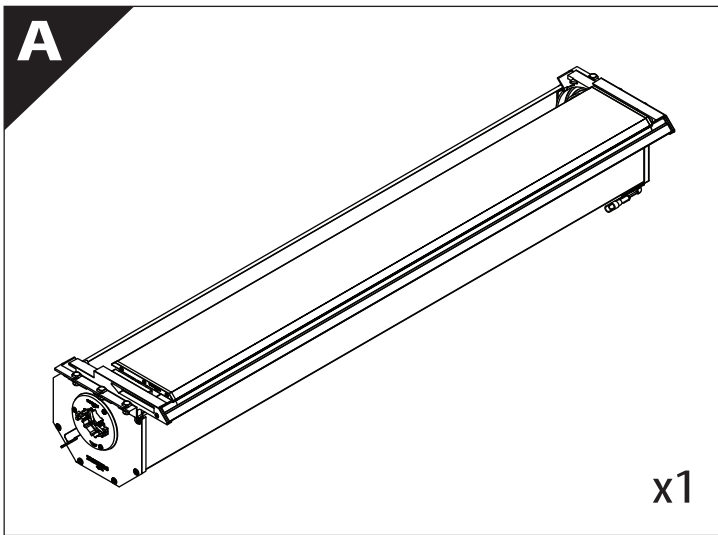
Tessera Roll+

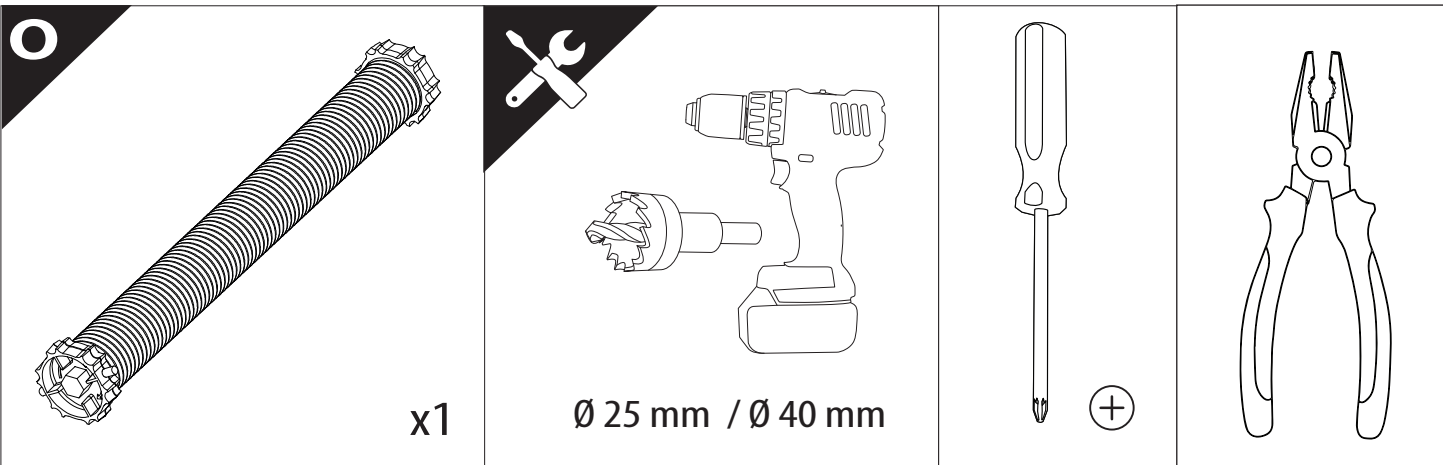
Basic Version + ⚙️ S-KIT



Installation Manual

PART NUMBER(S)	Model Year
TESS 140 ROLL+S-KIT	Nissan D40 (no c-channels)
TESS 1402 ROLL+S-KIT	
TESS 1403 ROLL+S-KIT	
Cab(s)	Installation Time / Weight
Double Cab & Space Cab	40-60 minutes / 53-57 kg

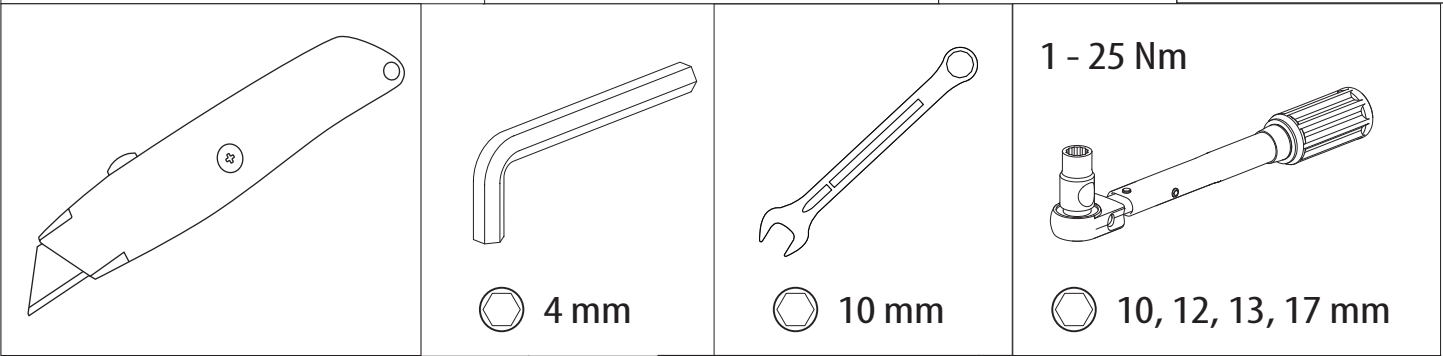




x1

Ø 25 mm / Ø 40 mm

+

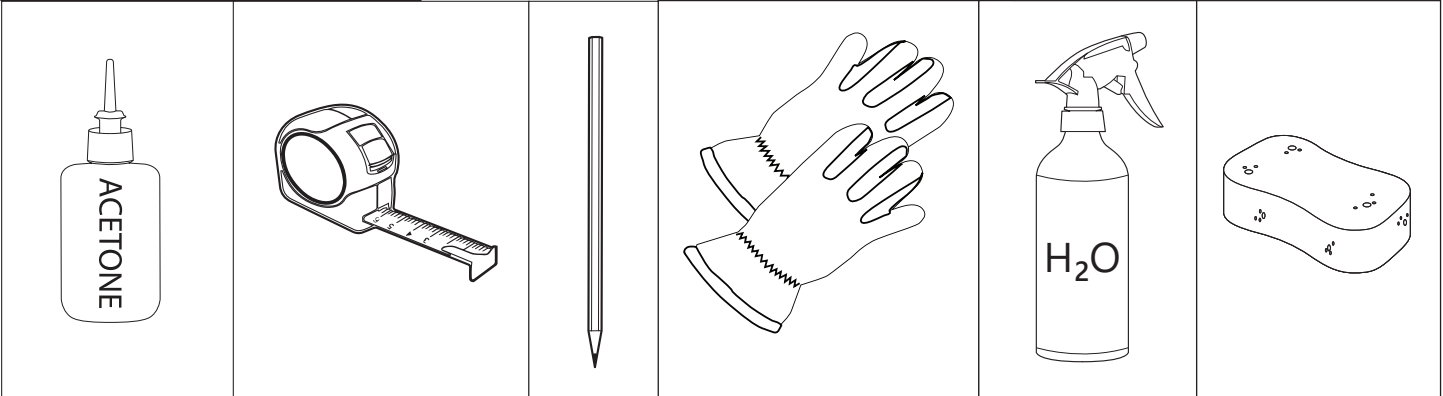


1 - 25 Nm

4 mm

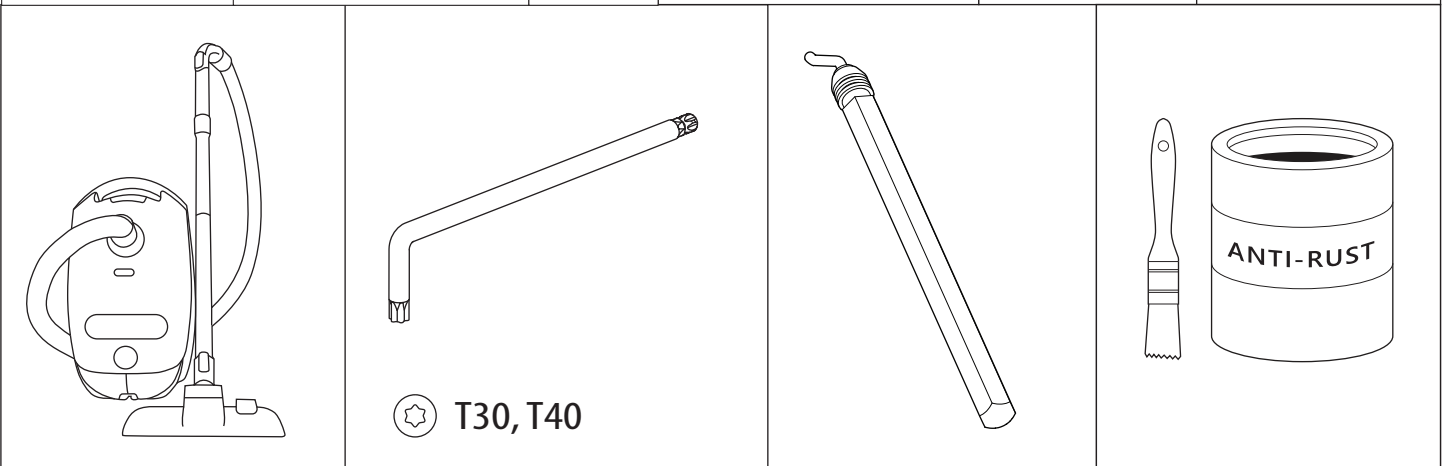
10 mm

10, 12, 13, 17 mm



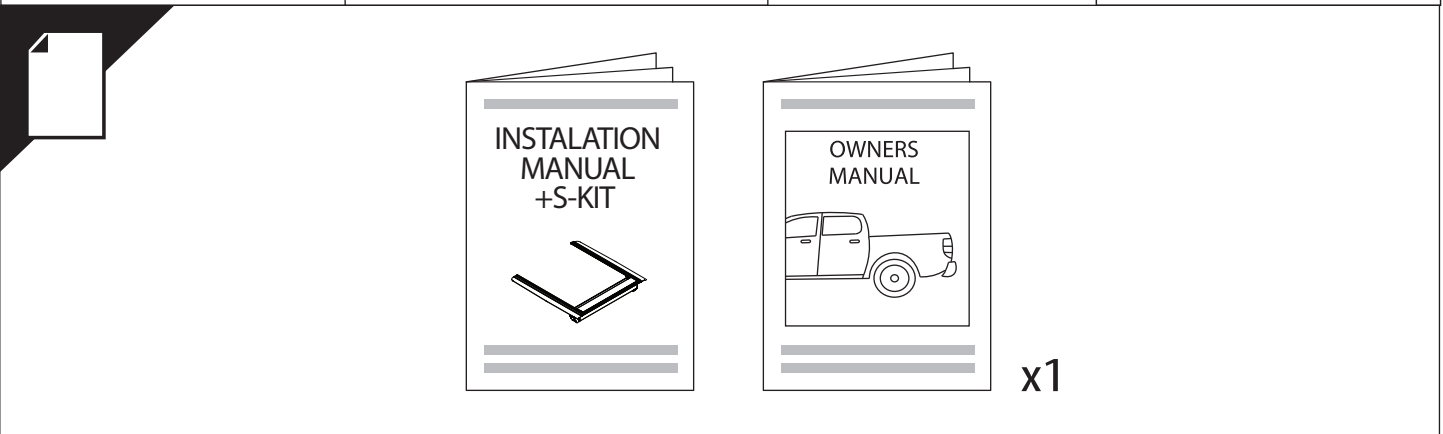
ACETONE

H₂O



T30, T40

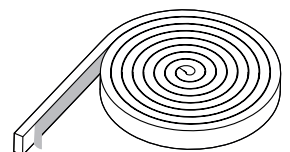
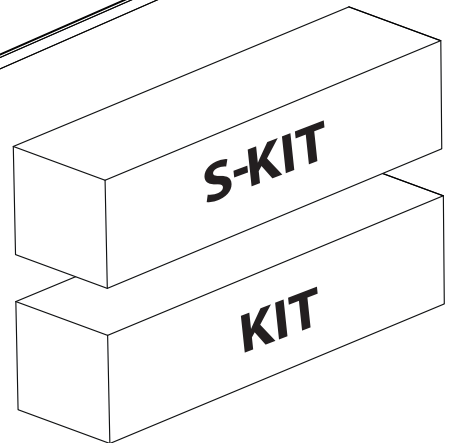
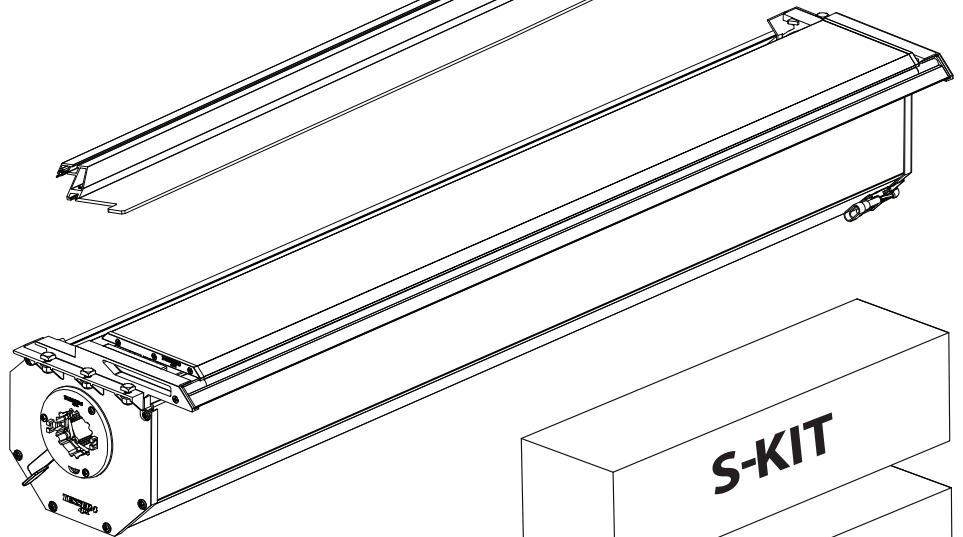
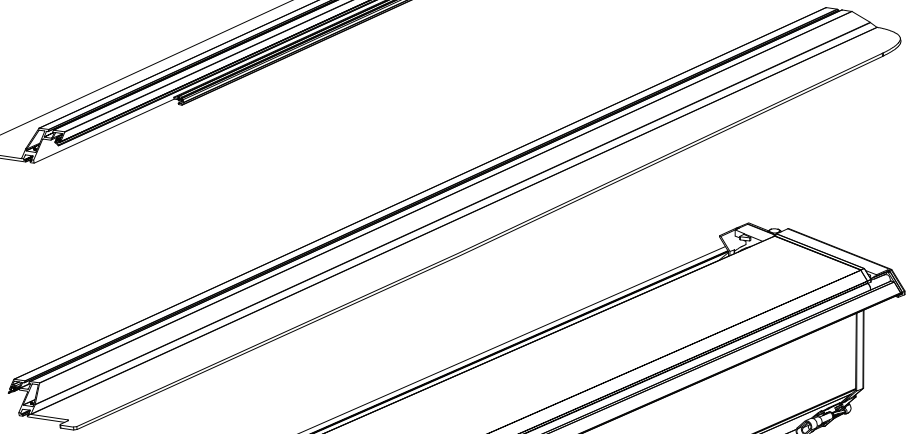
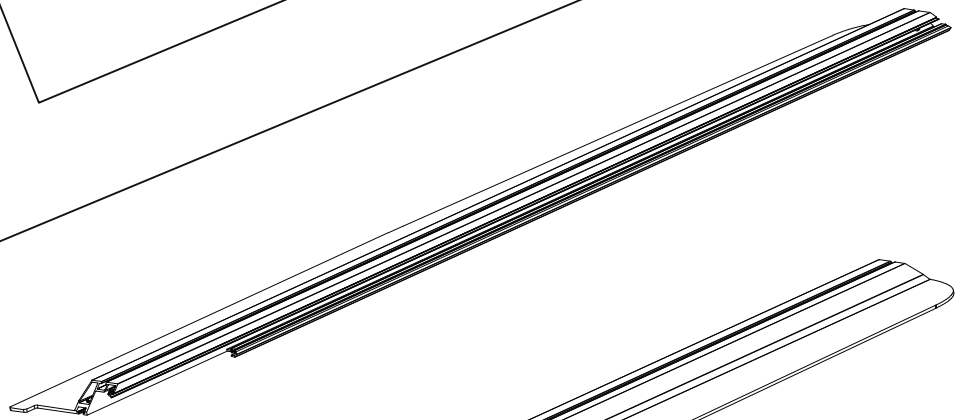
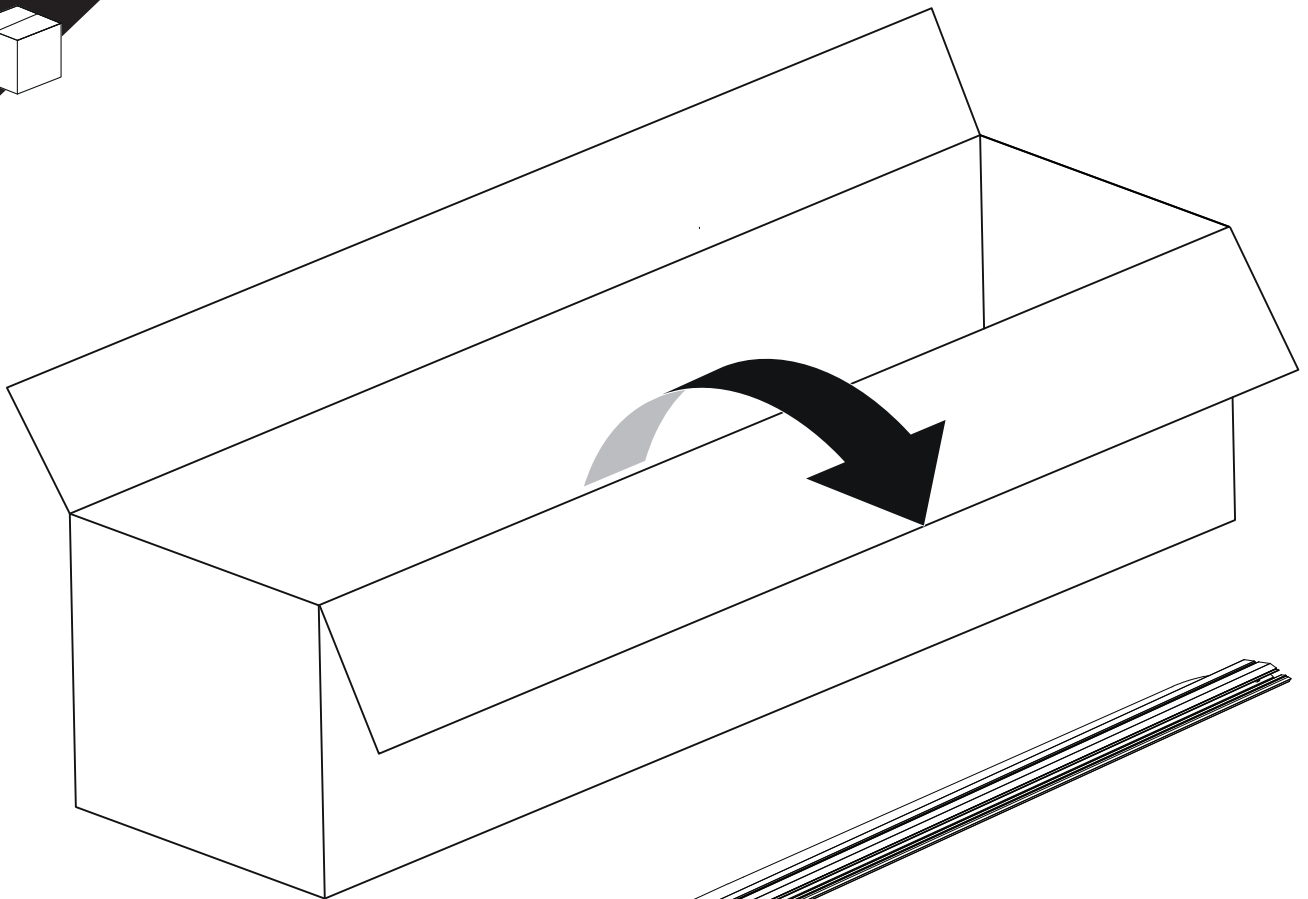
ANTI-RUST



INSTALLATION
MANUAL
+S-KIT

OWNERS
MANUAL

x1

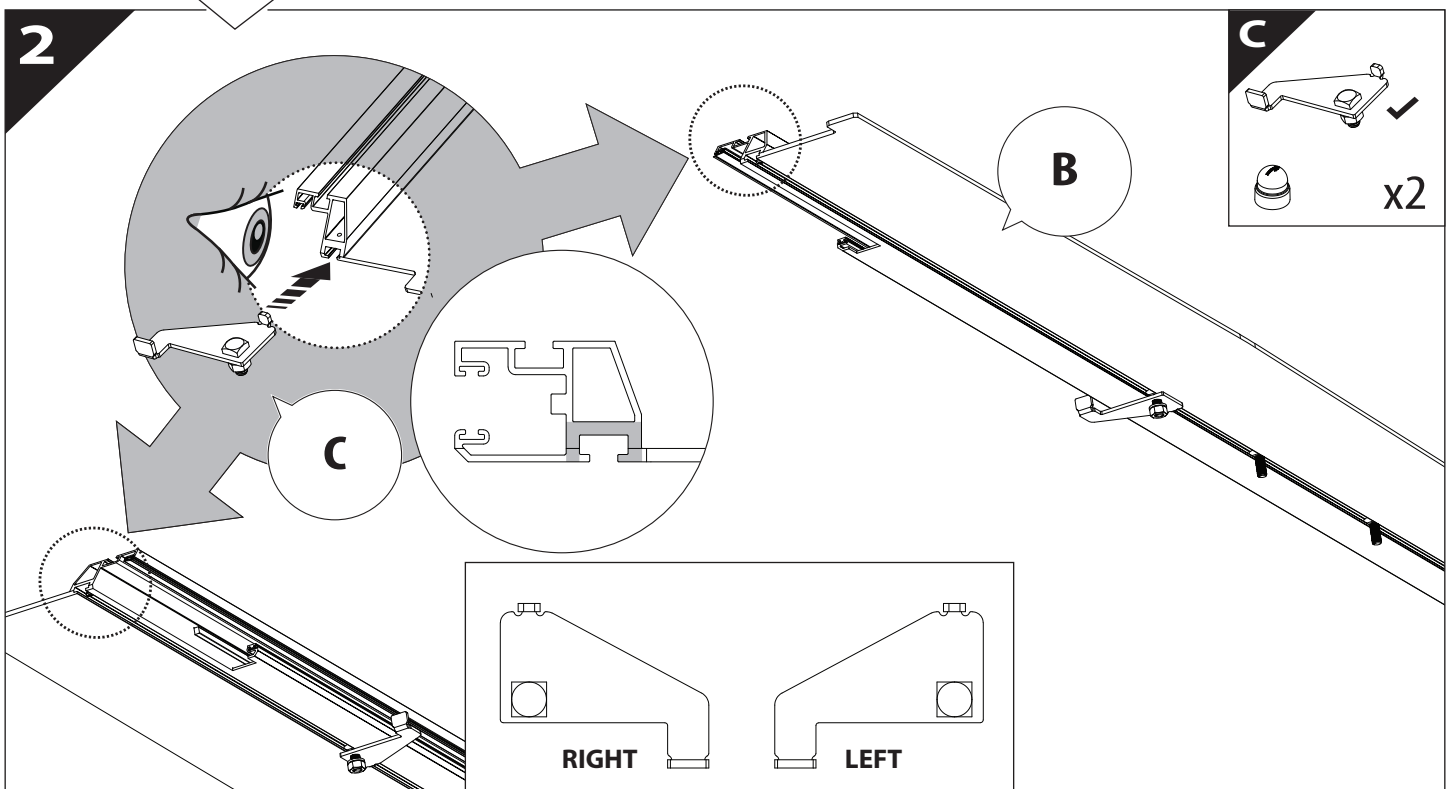
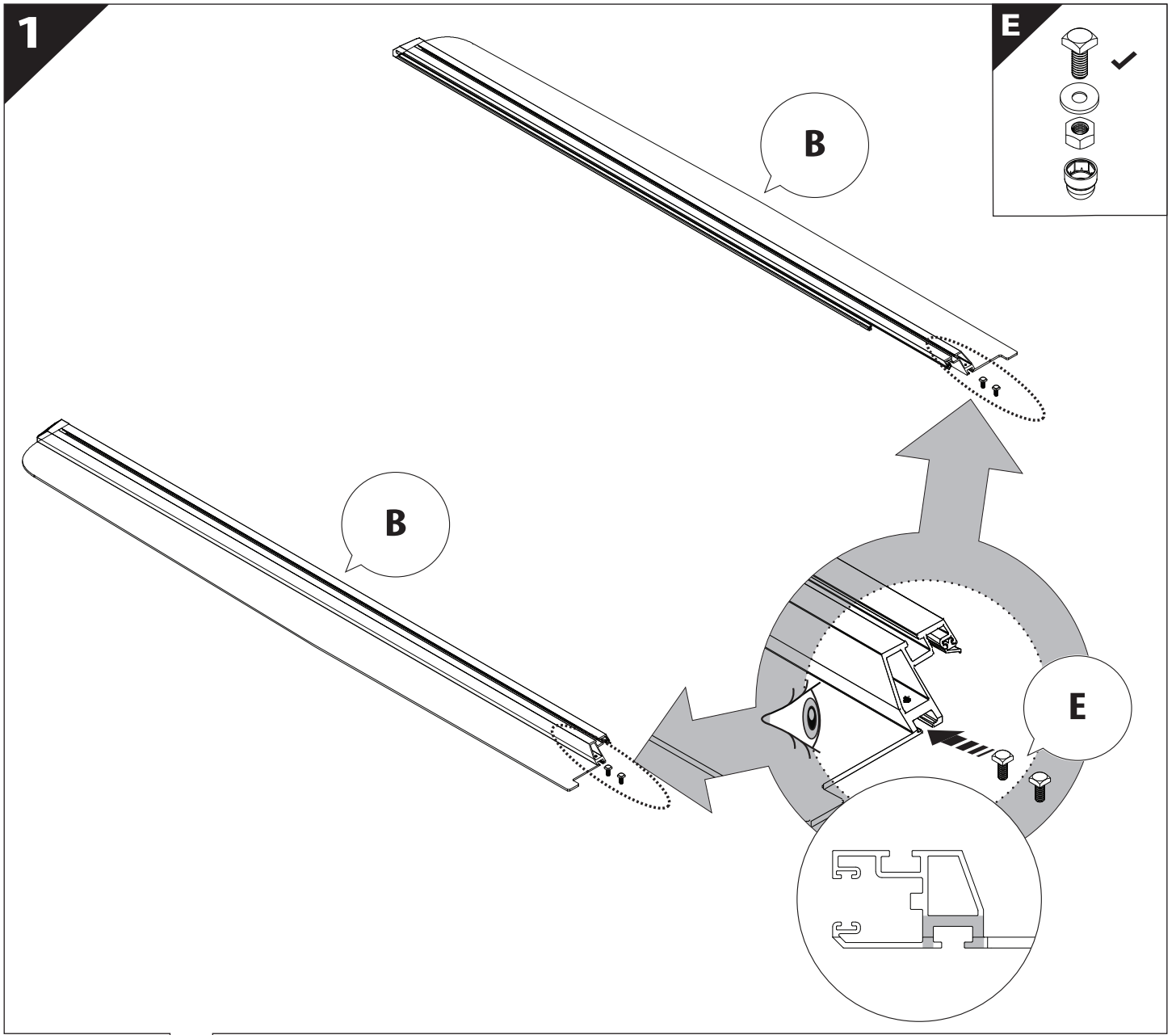


B

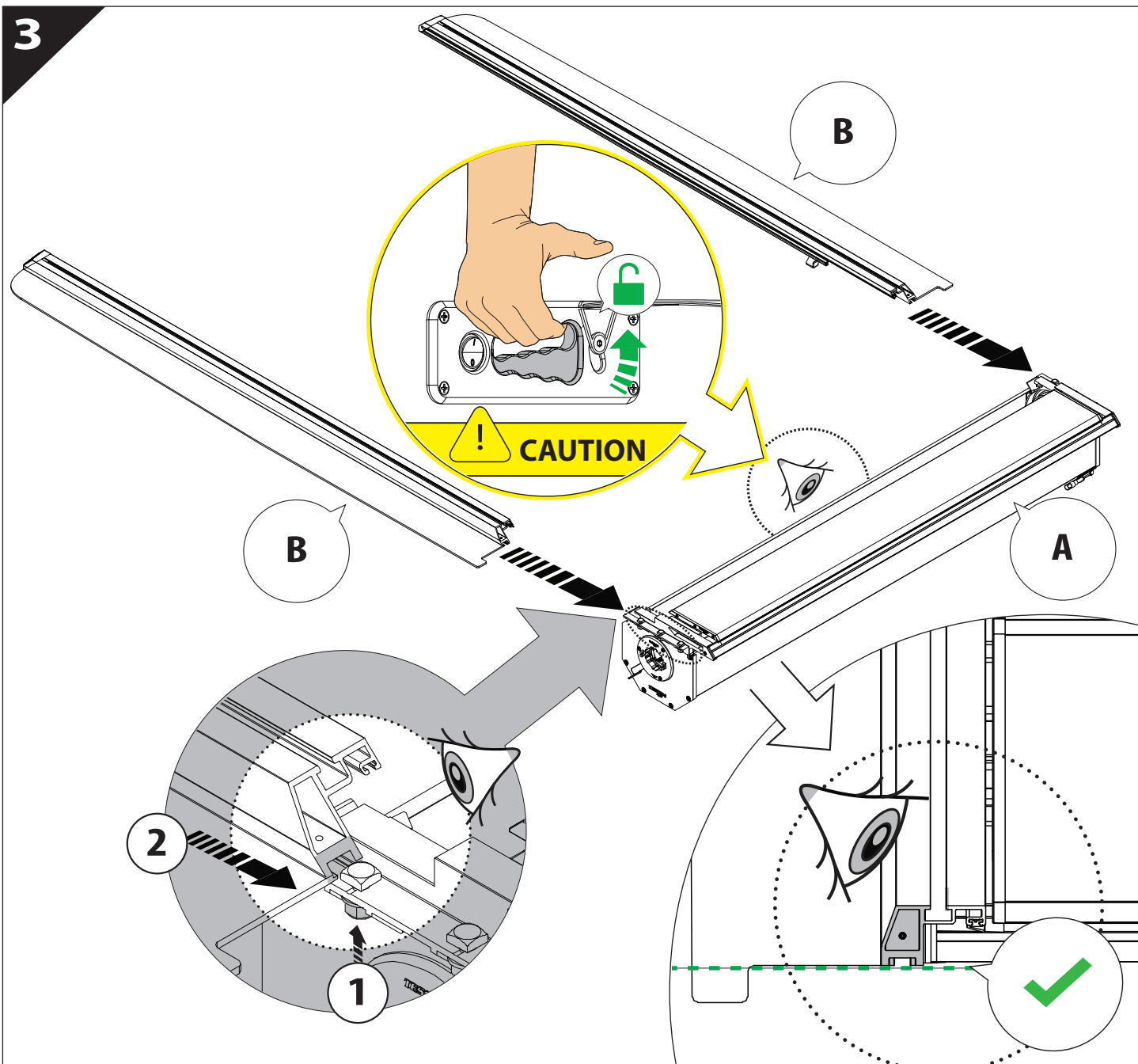
A

KITS

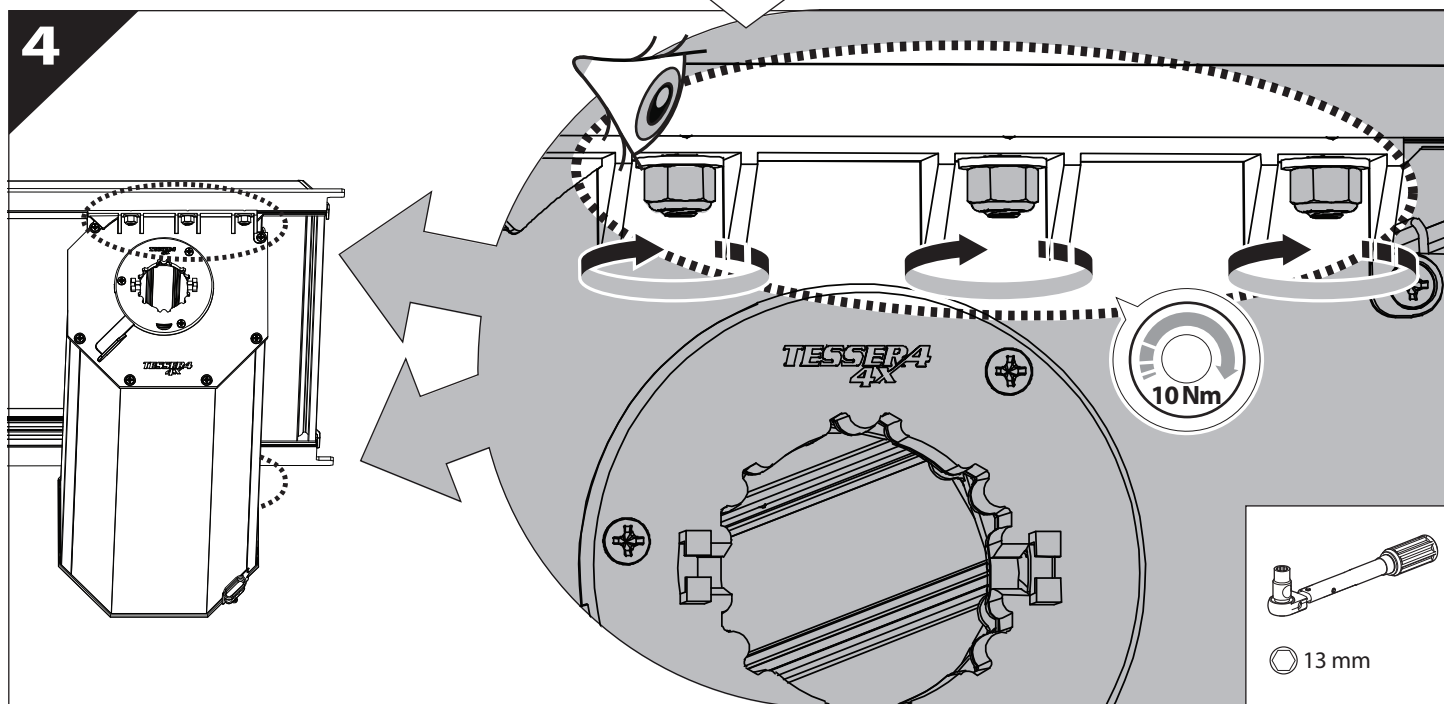
L

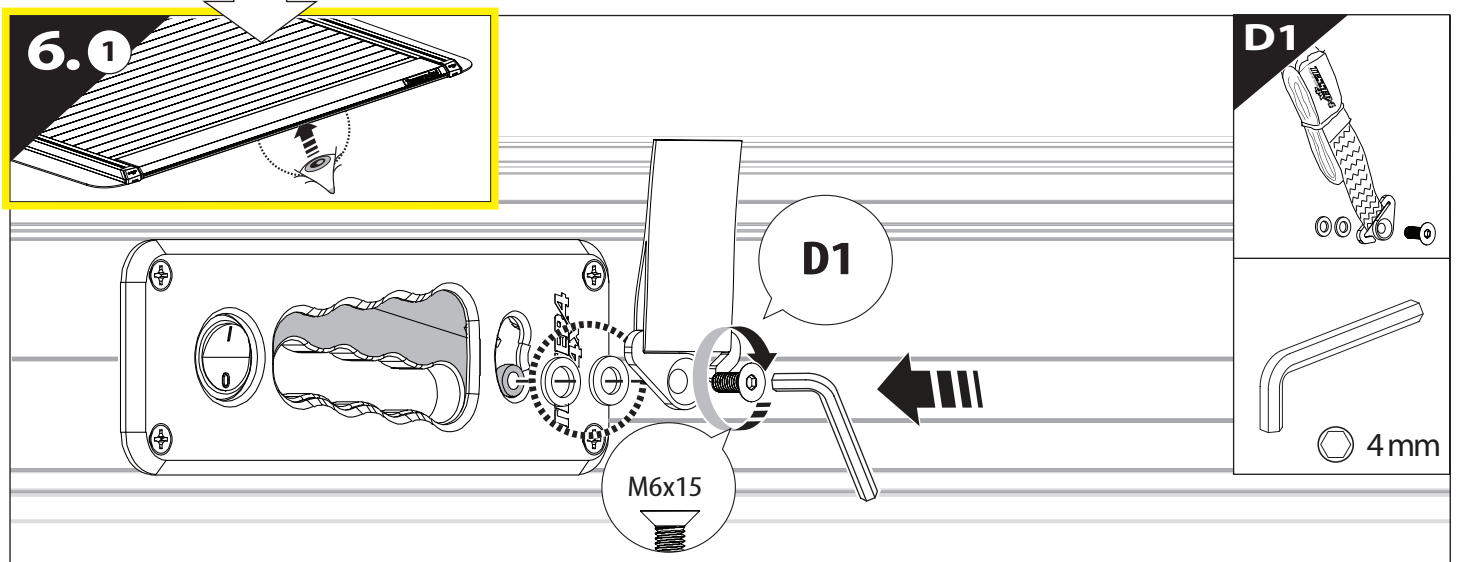
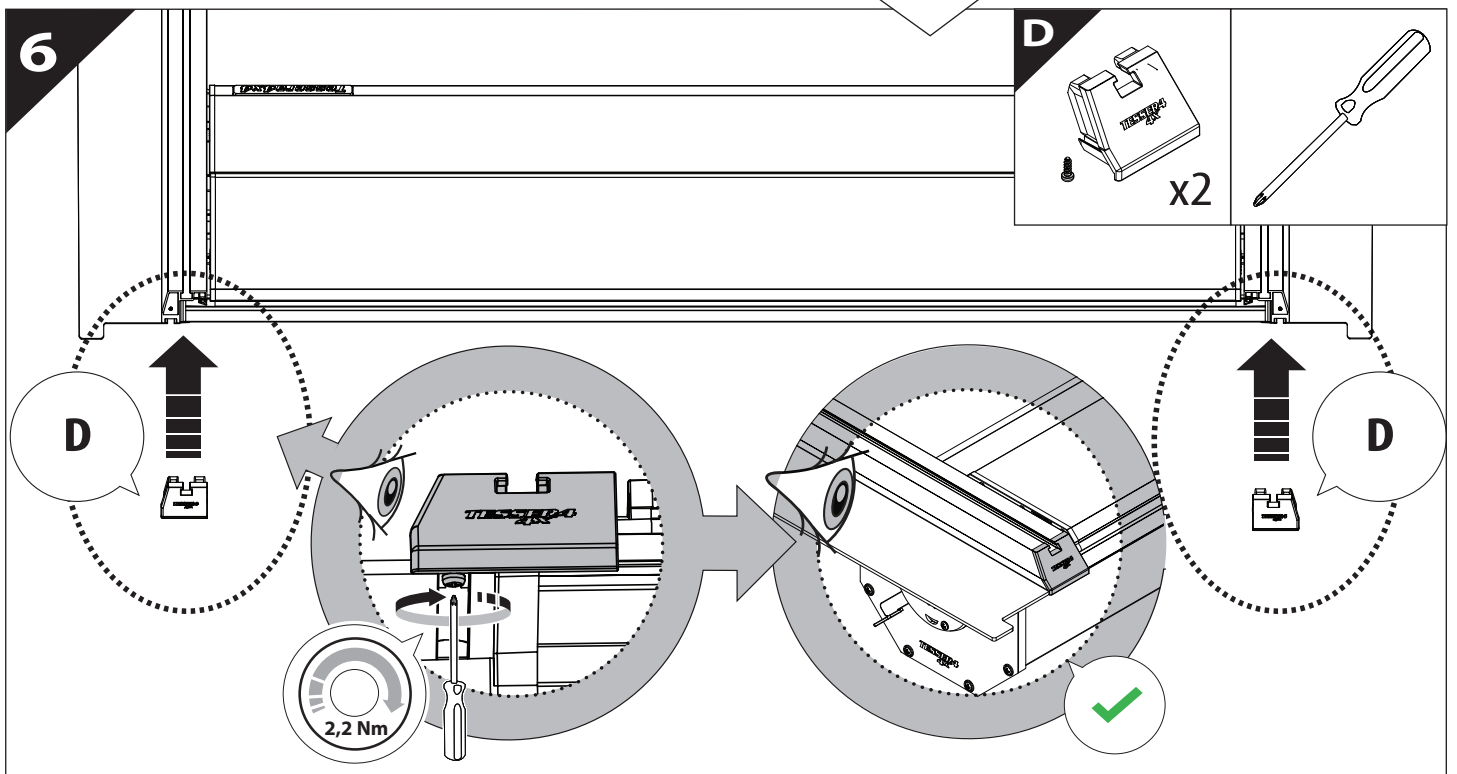
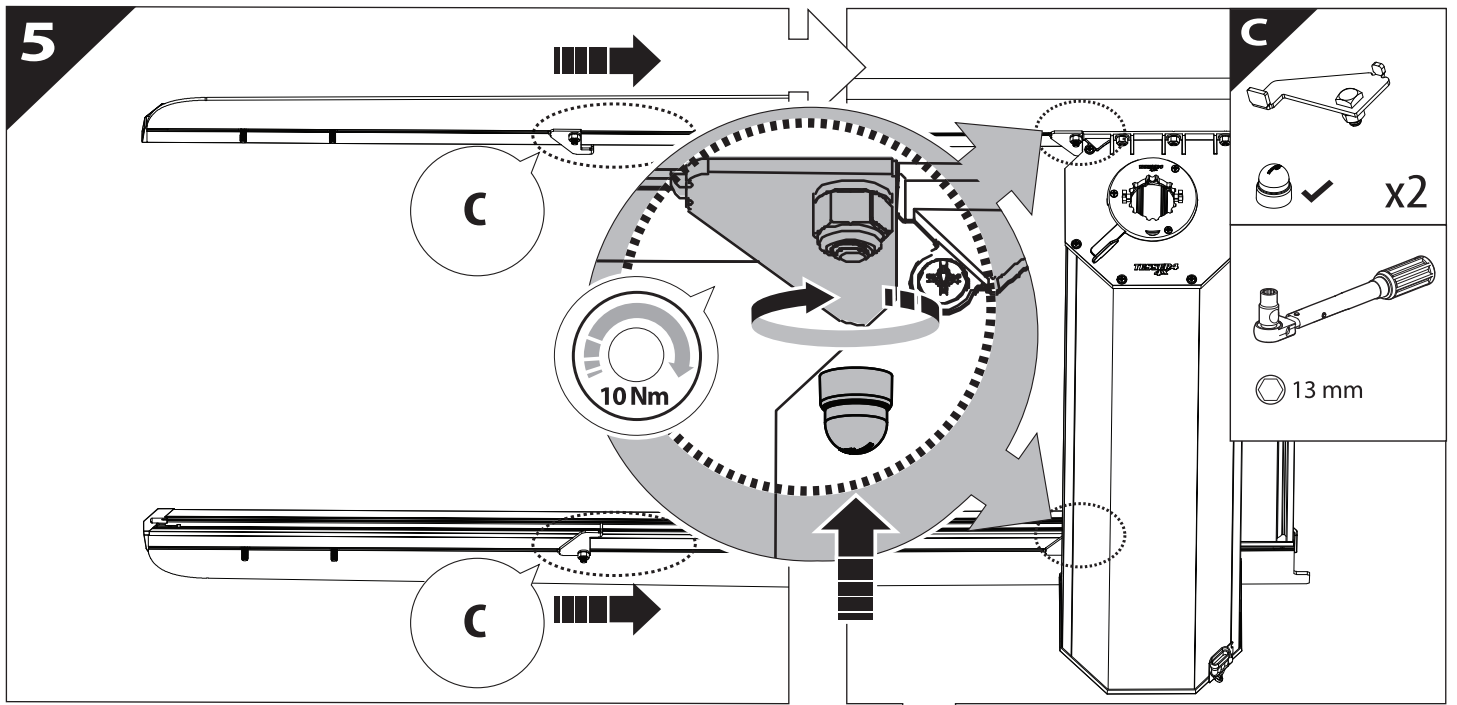


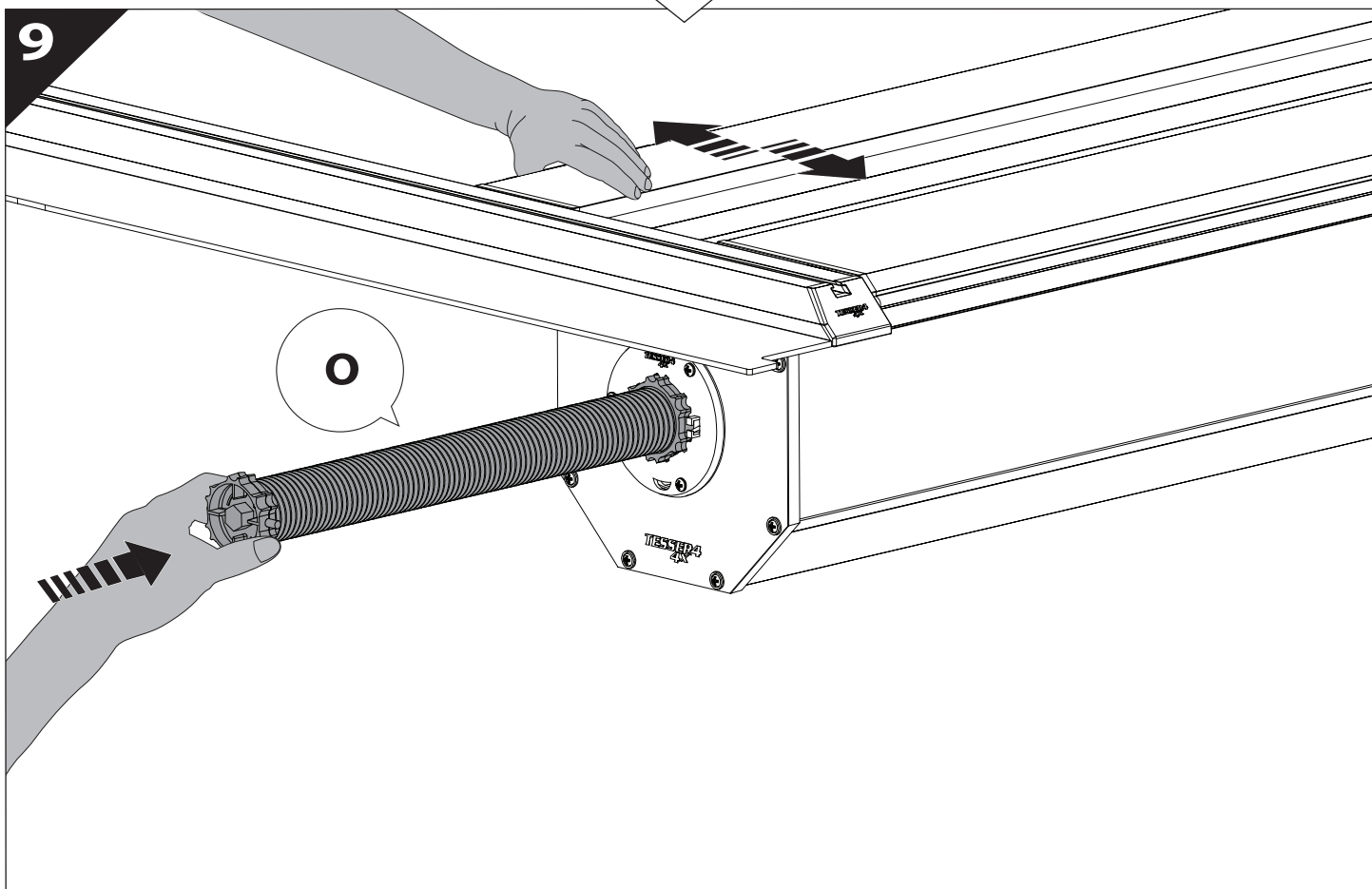
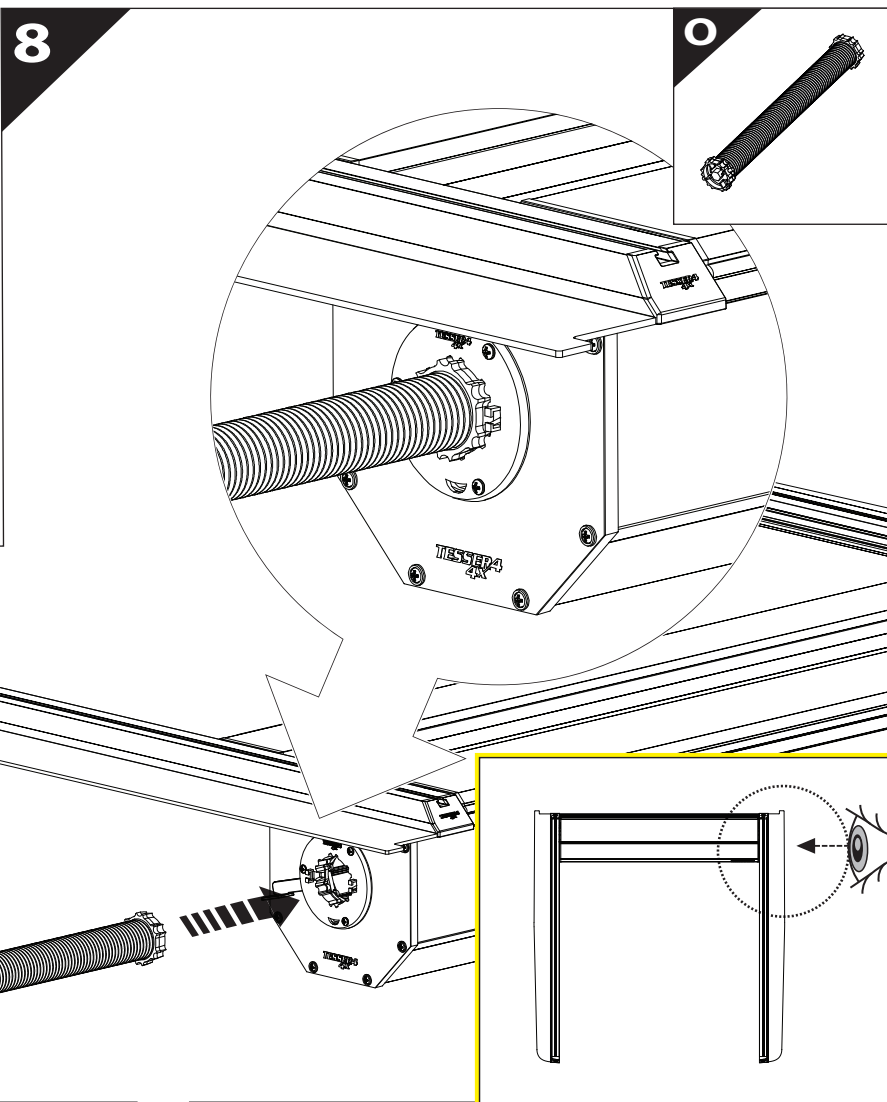
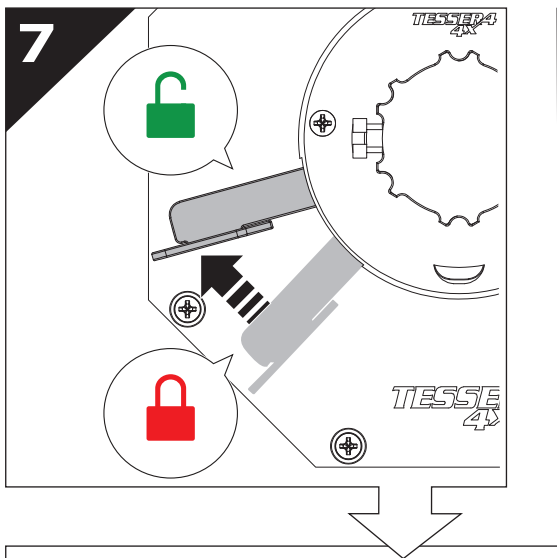
3



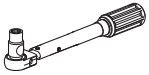
4



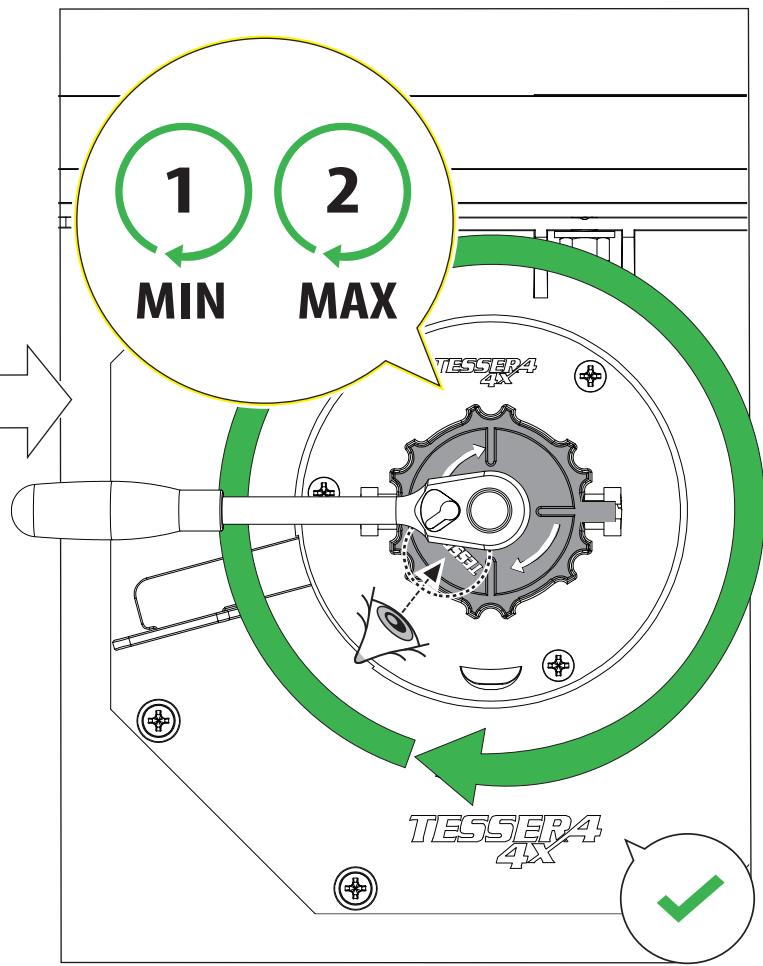
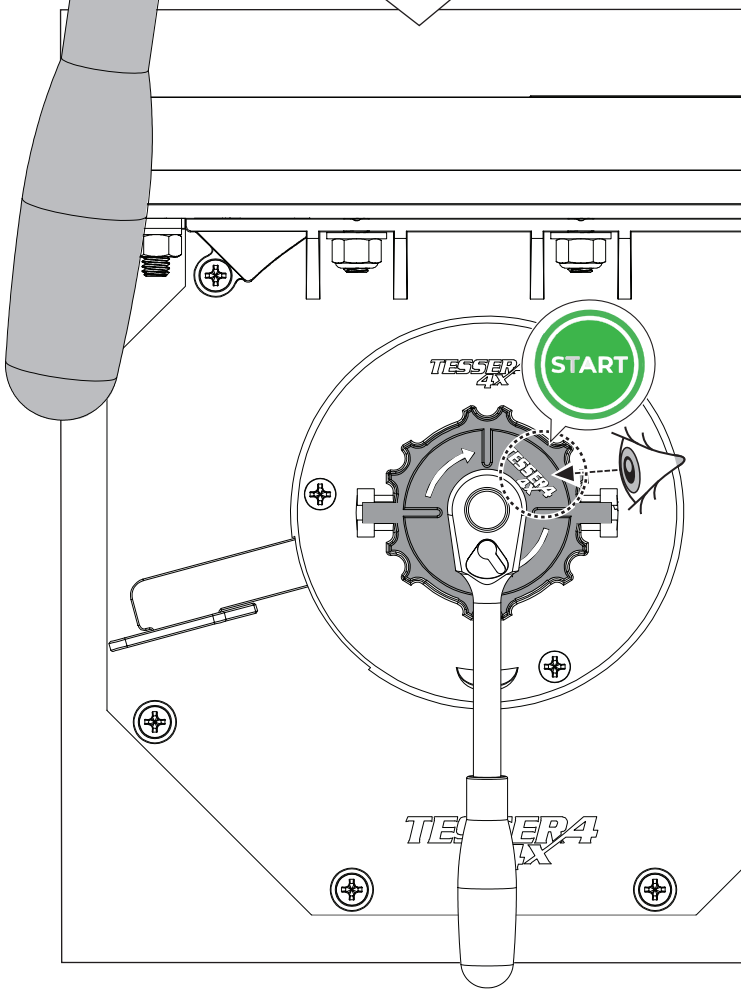
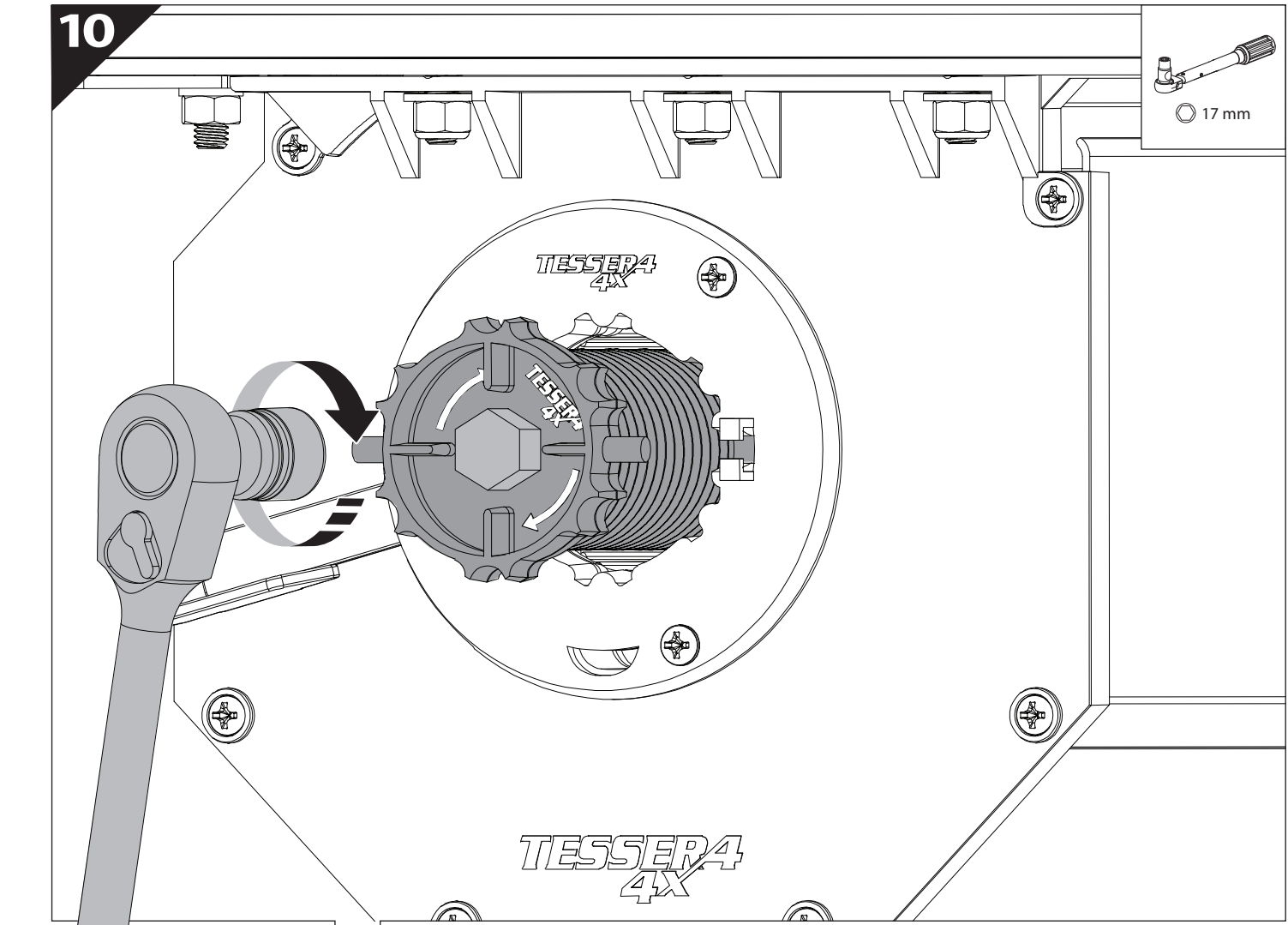




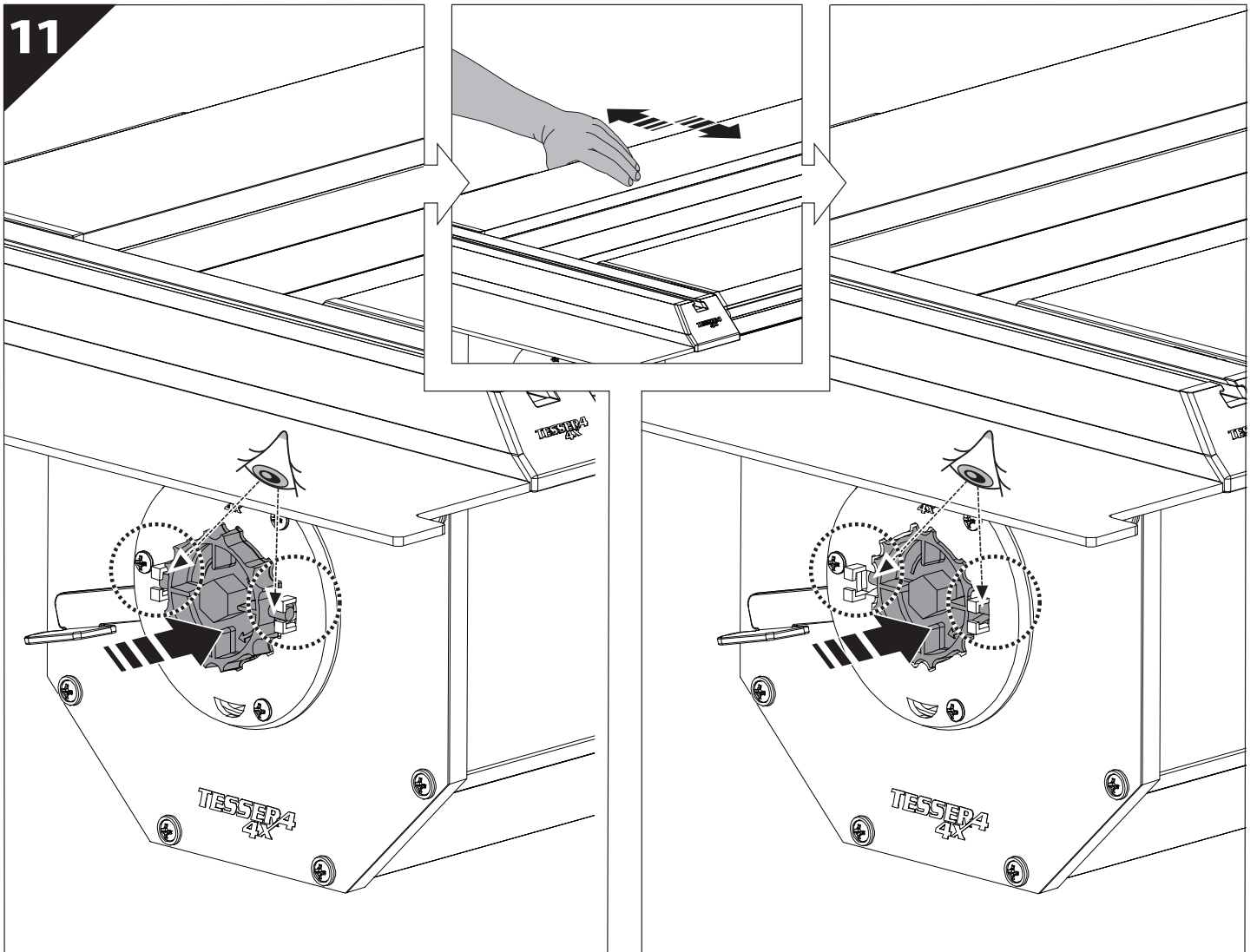
10



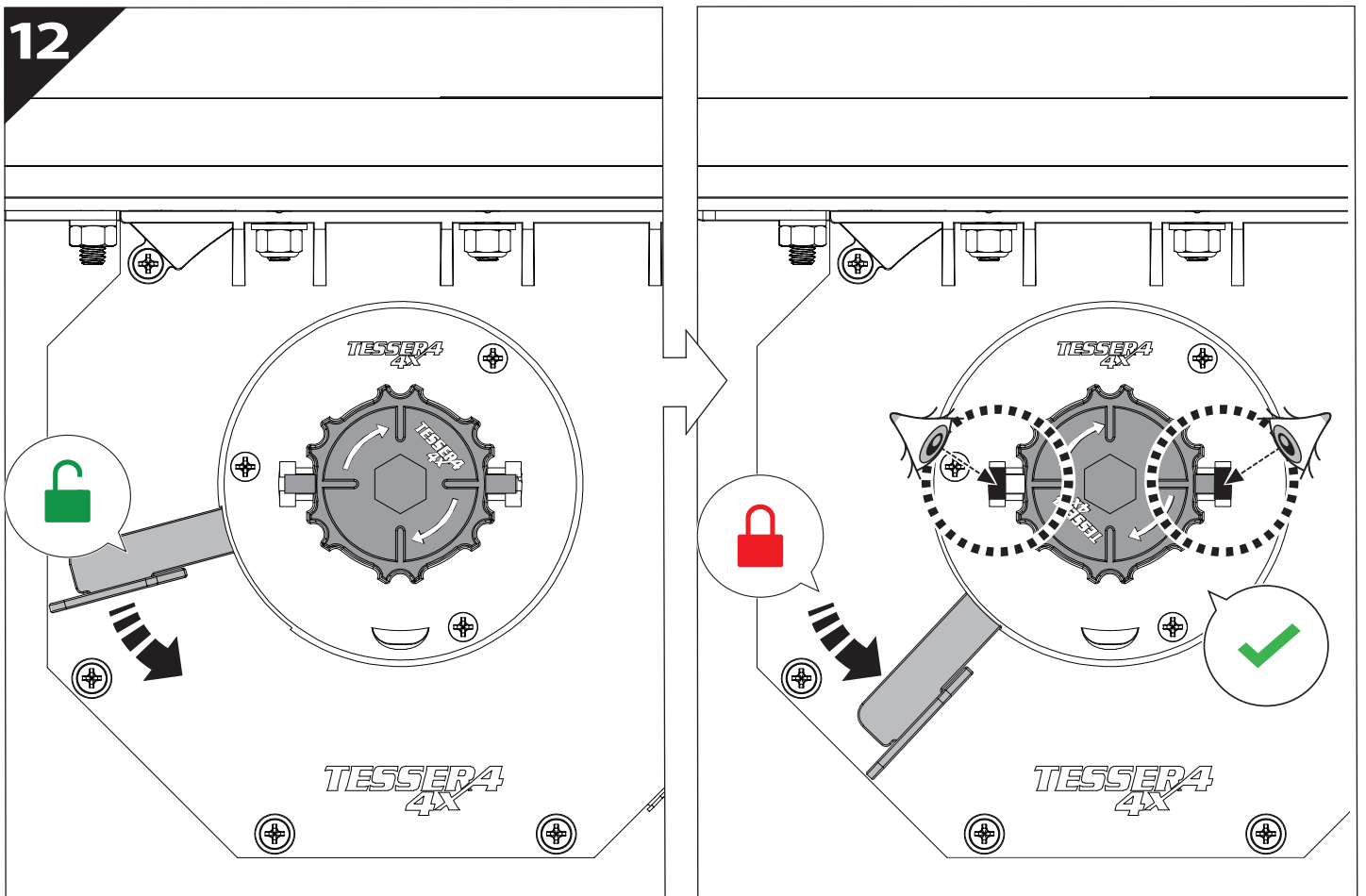
17 mm



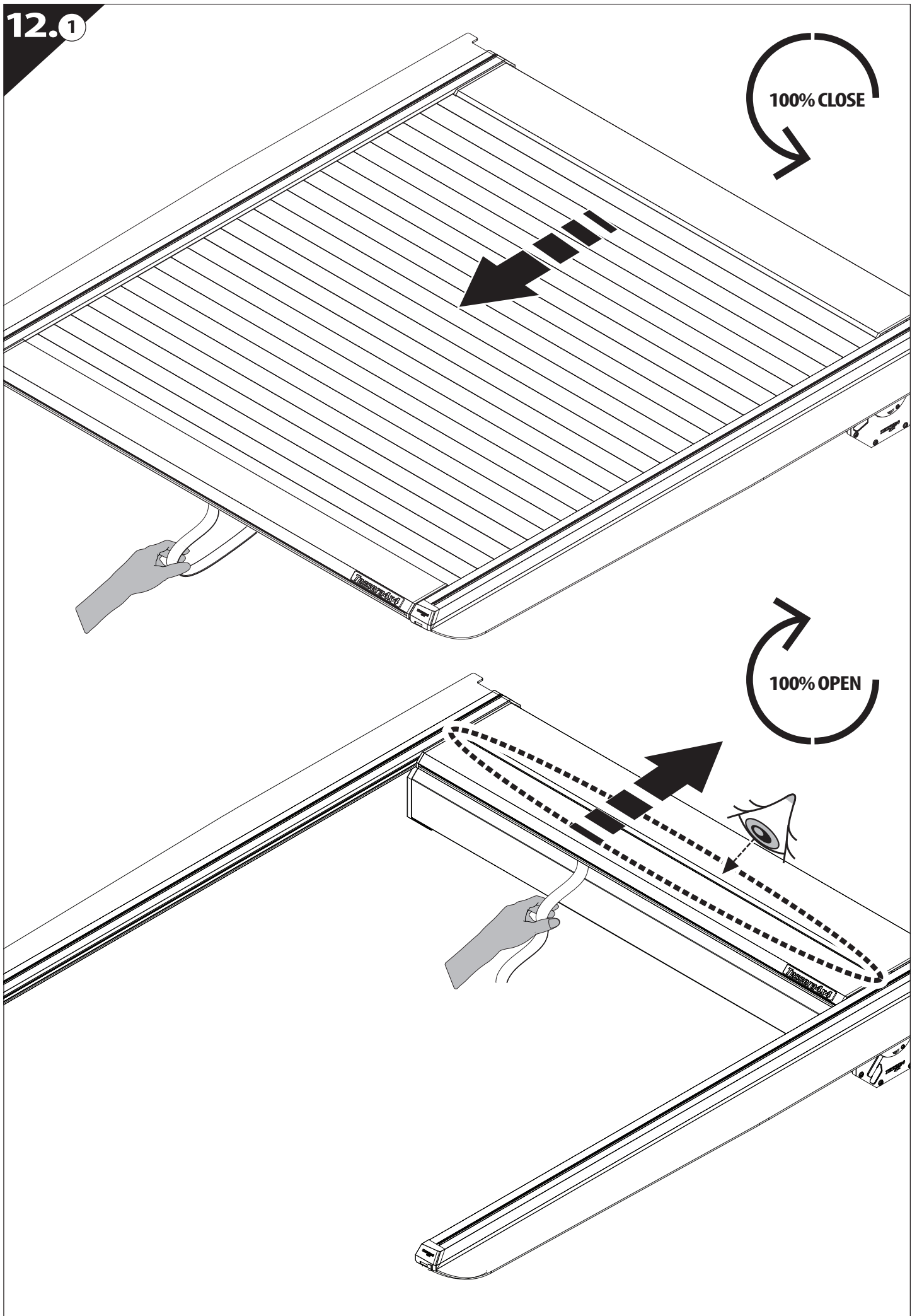
11



12



12.0



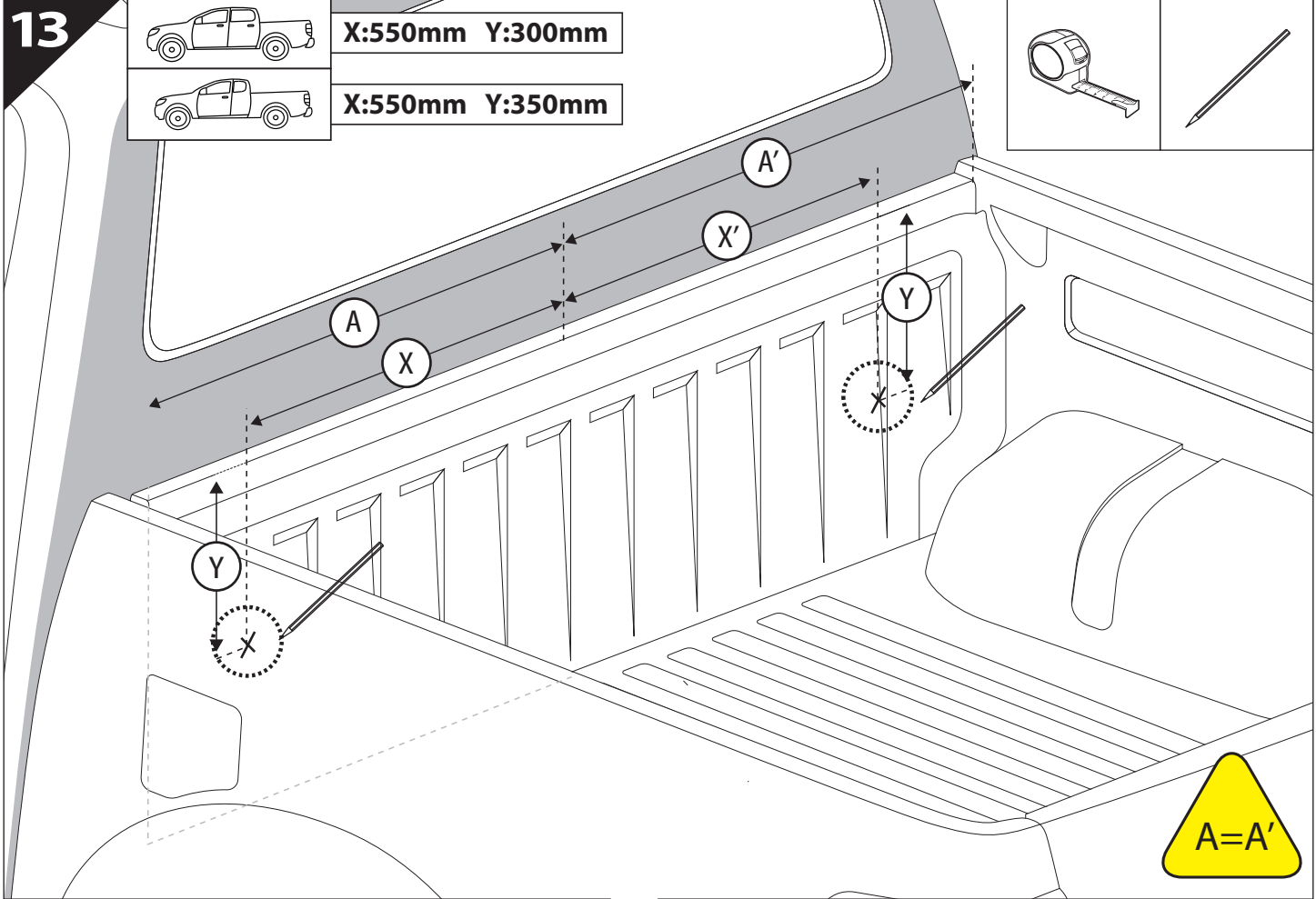
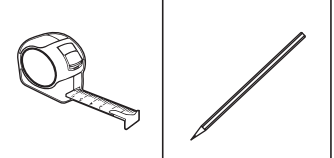
13



X:550mm Y:300mm



X:550mm Y:350mm



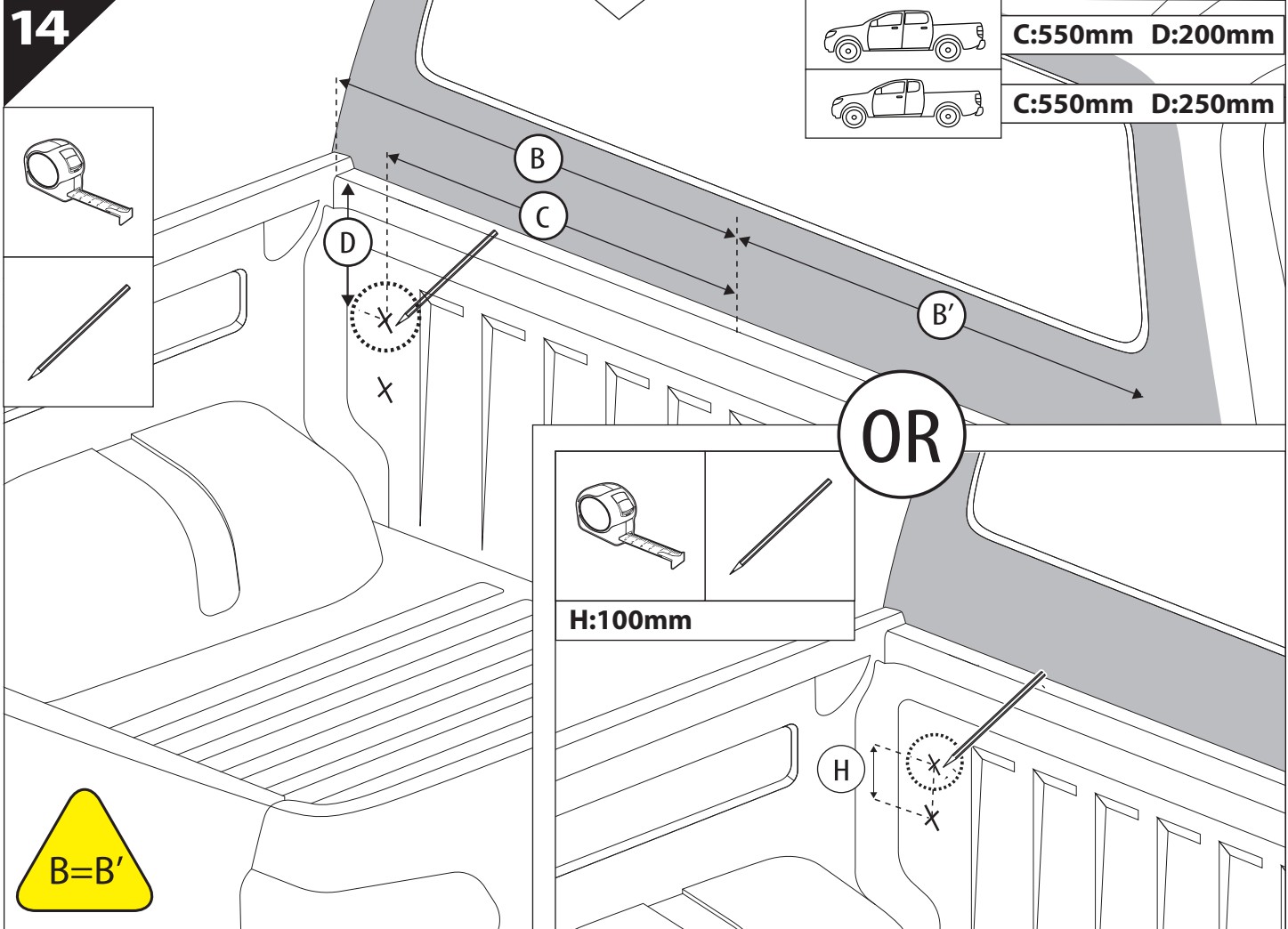
14

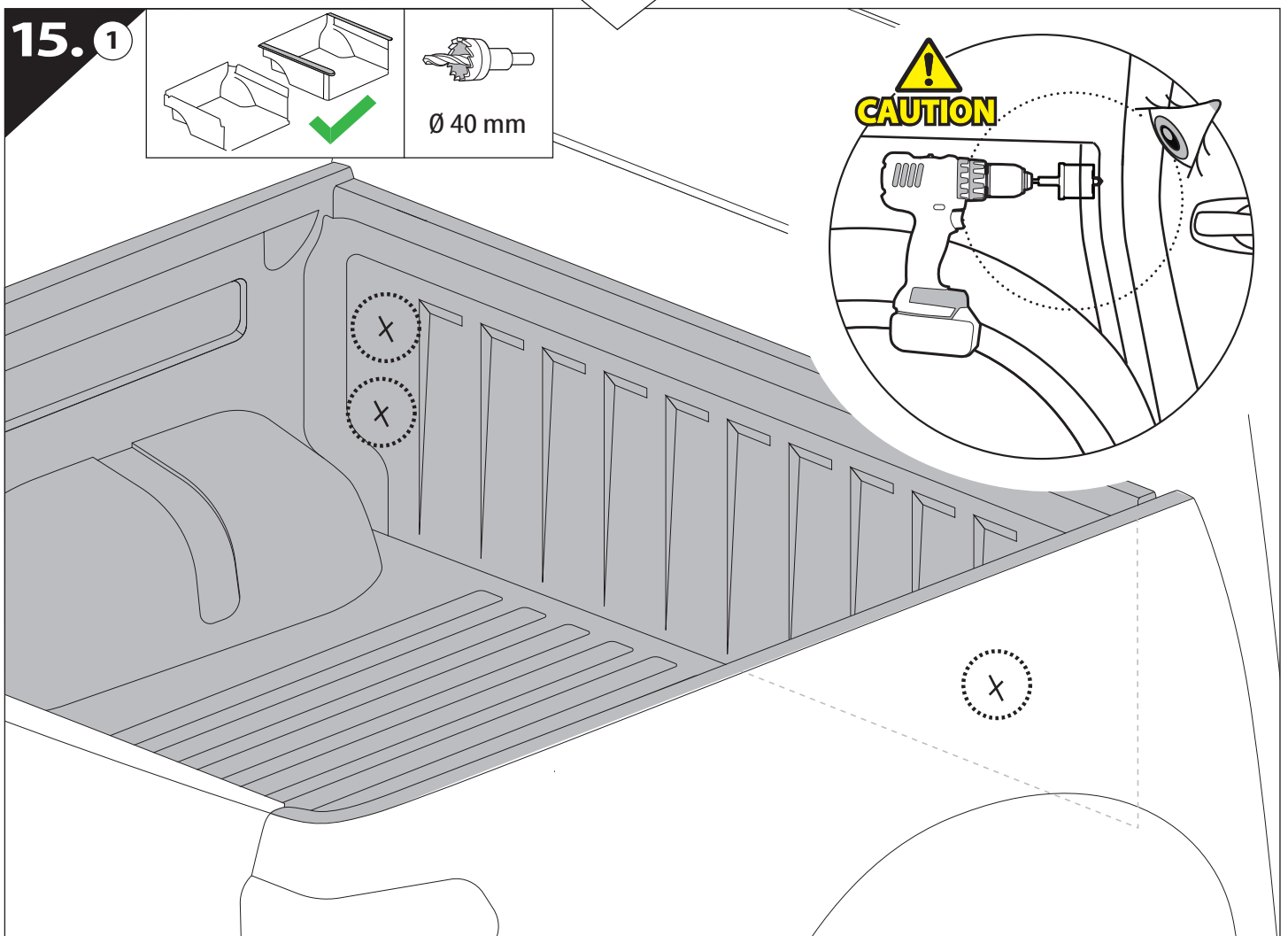
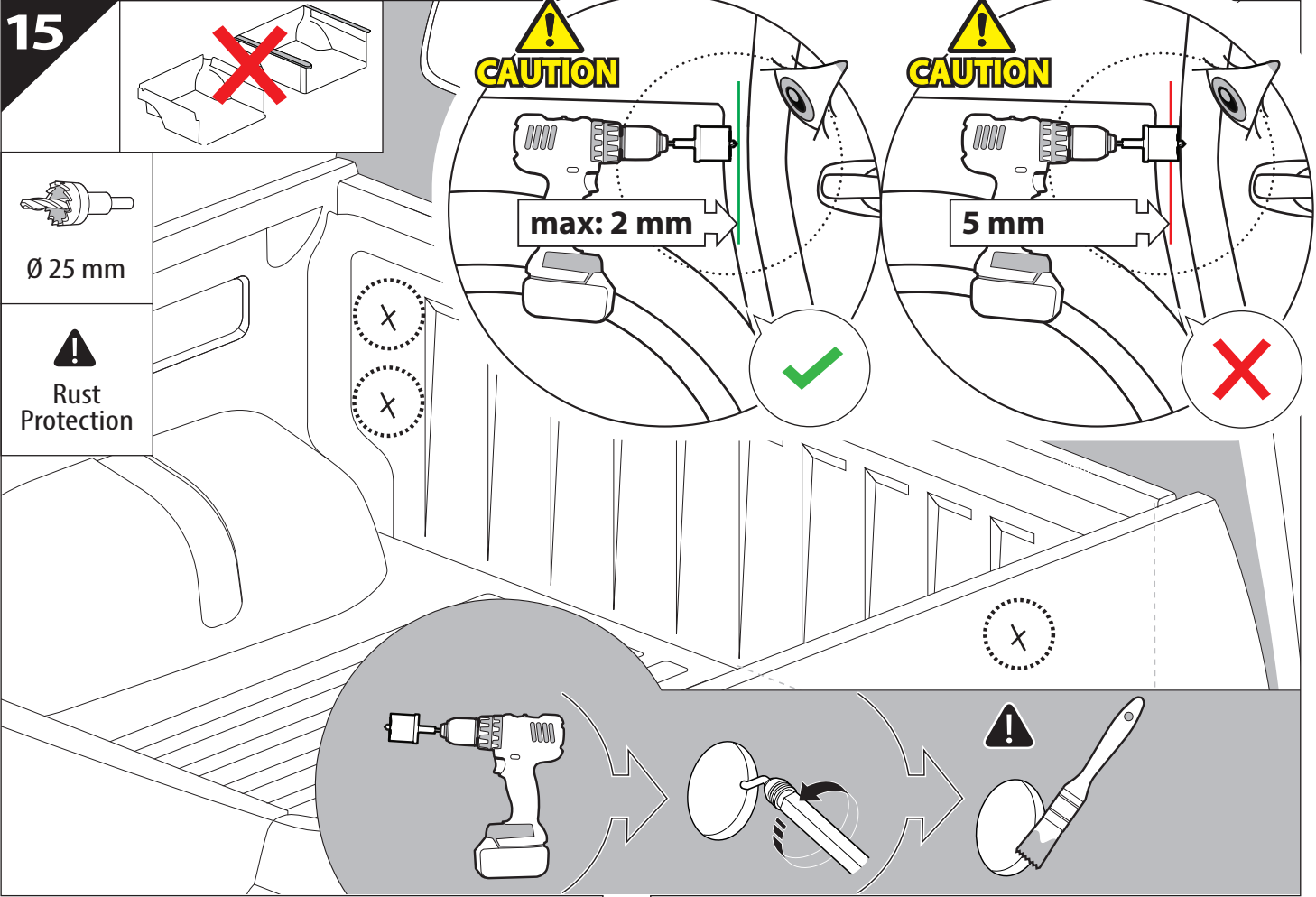


C:550mm D:200mm

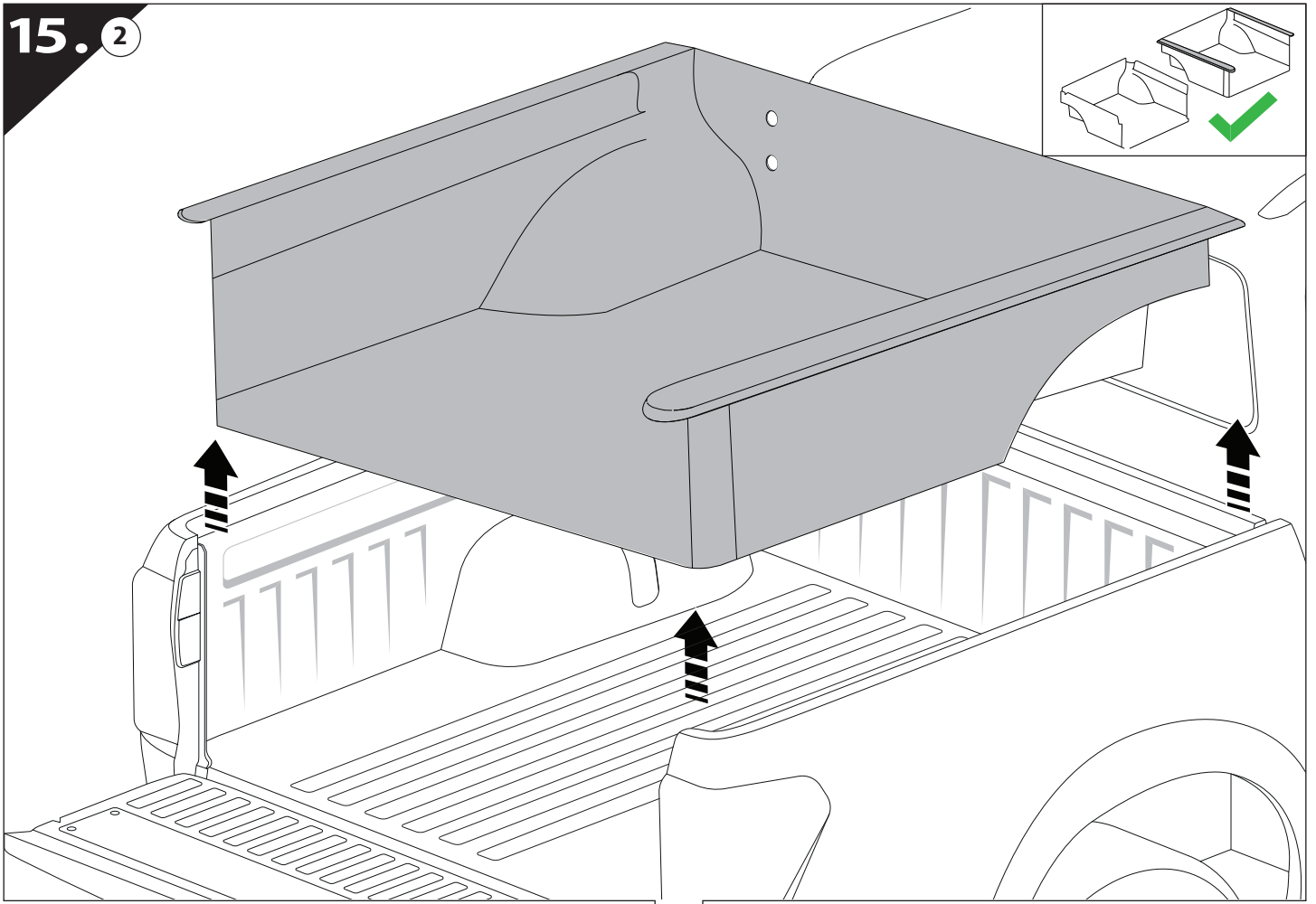


C:550mm D:250mm

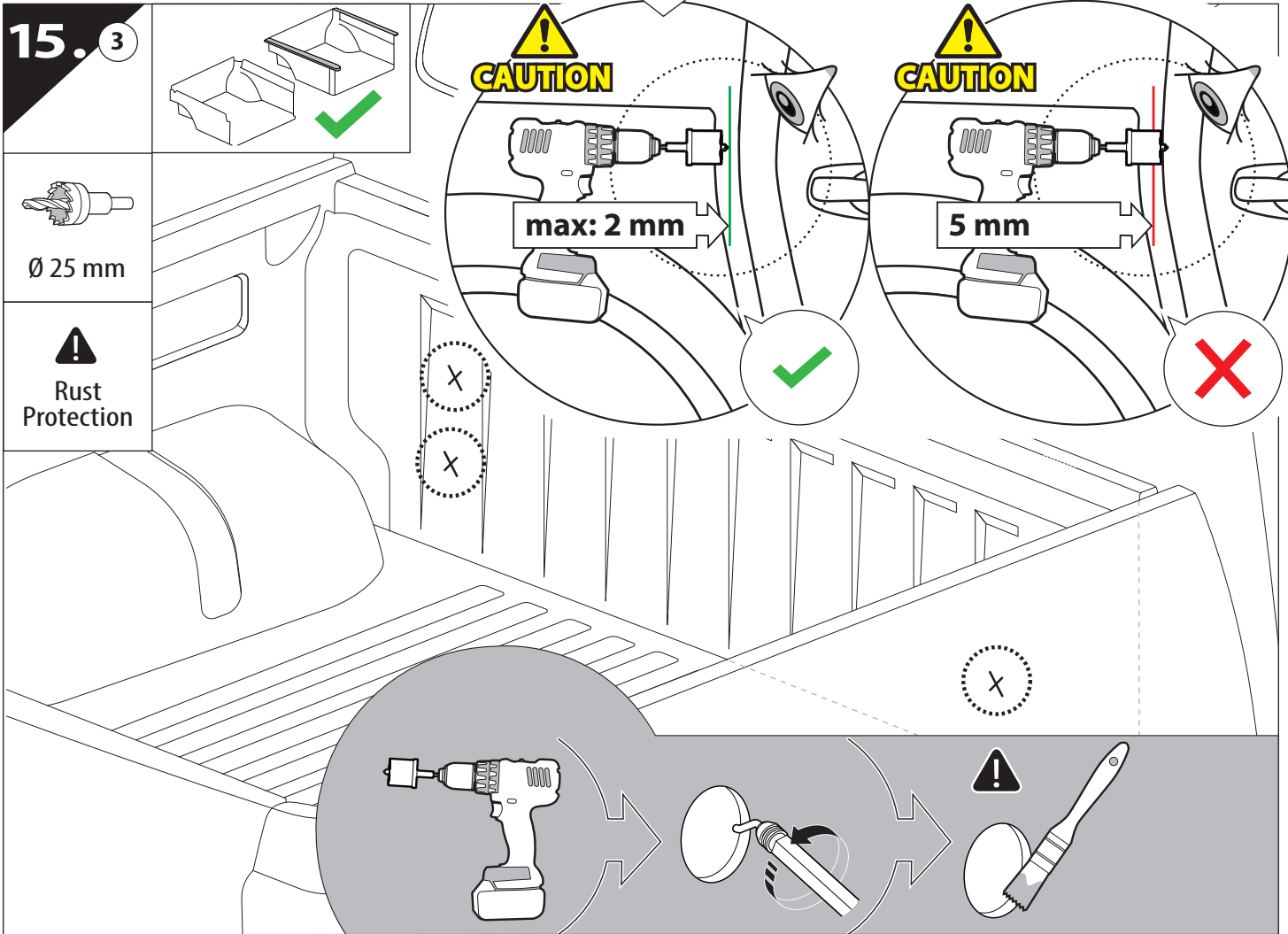




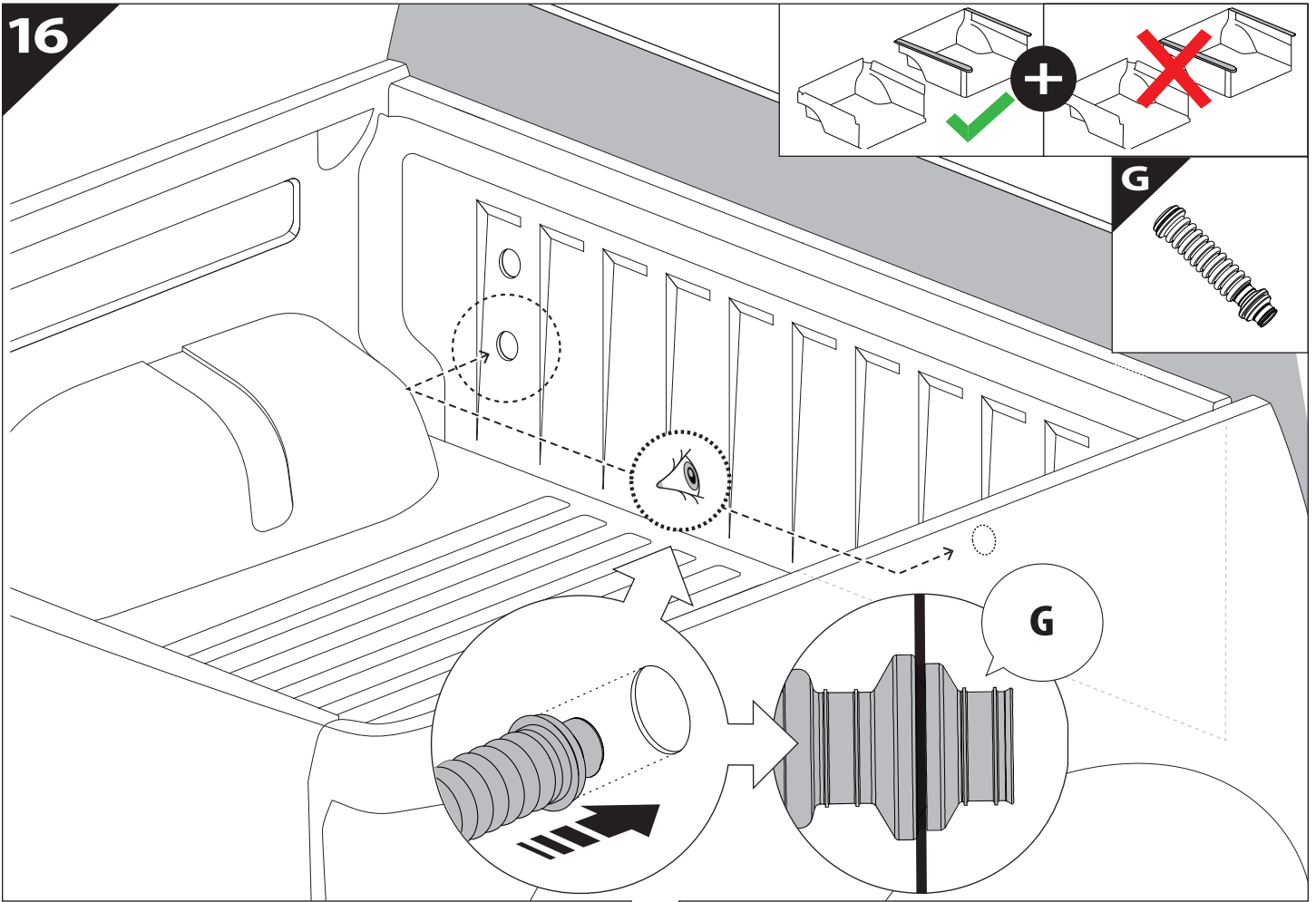
15. 2



15. 3

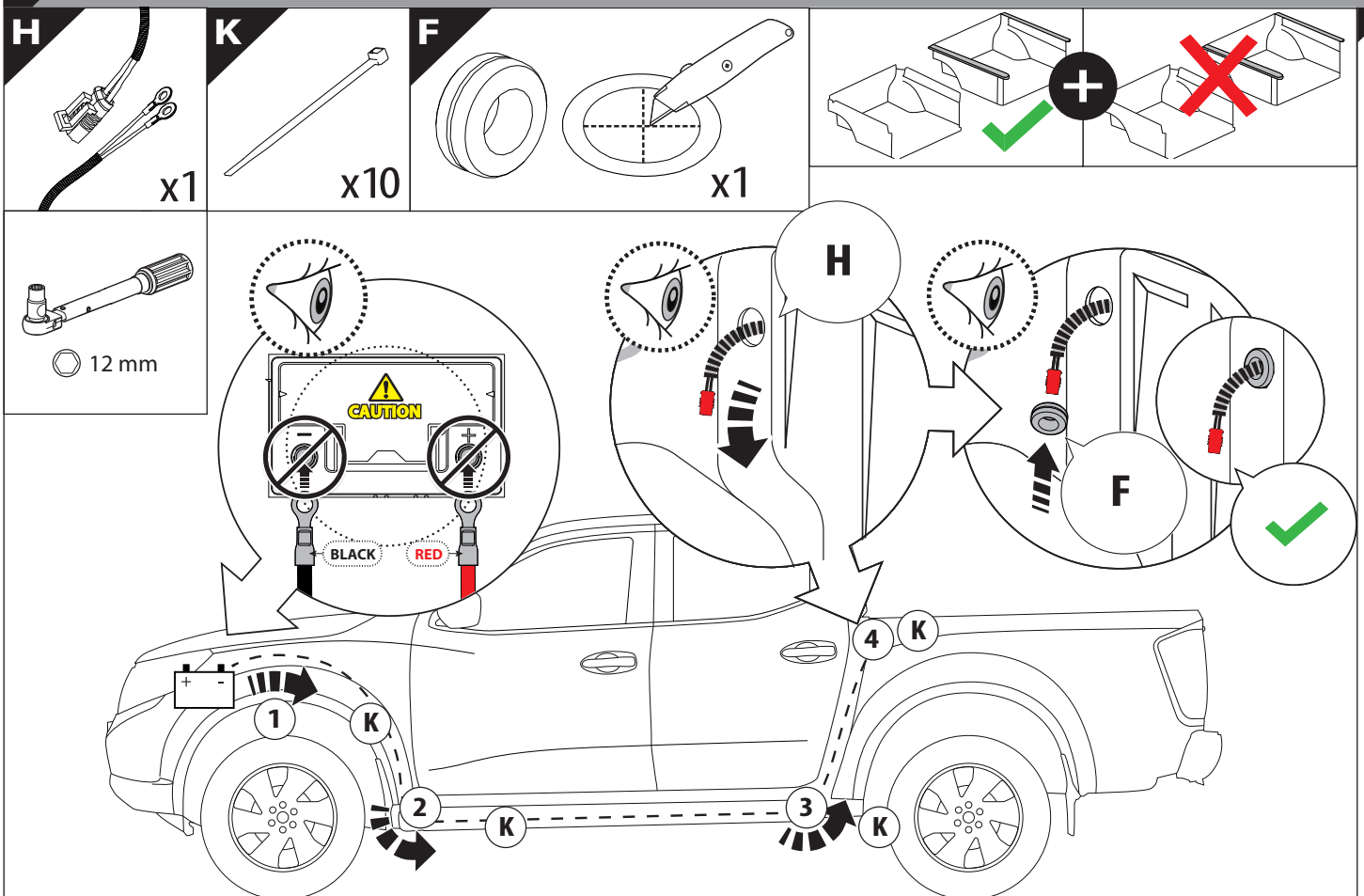


16

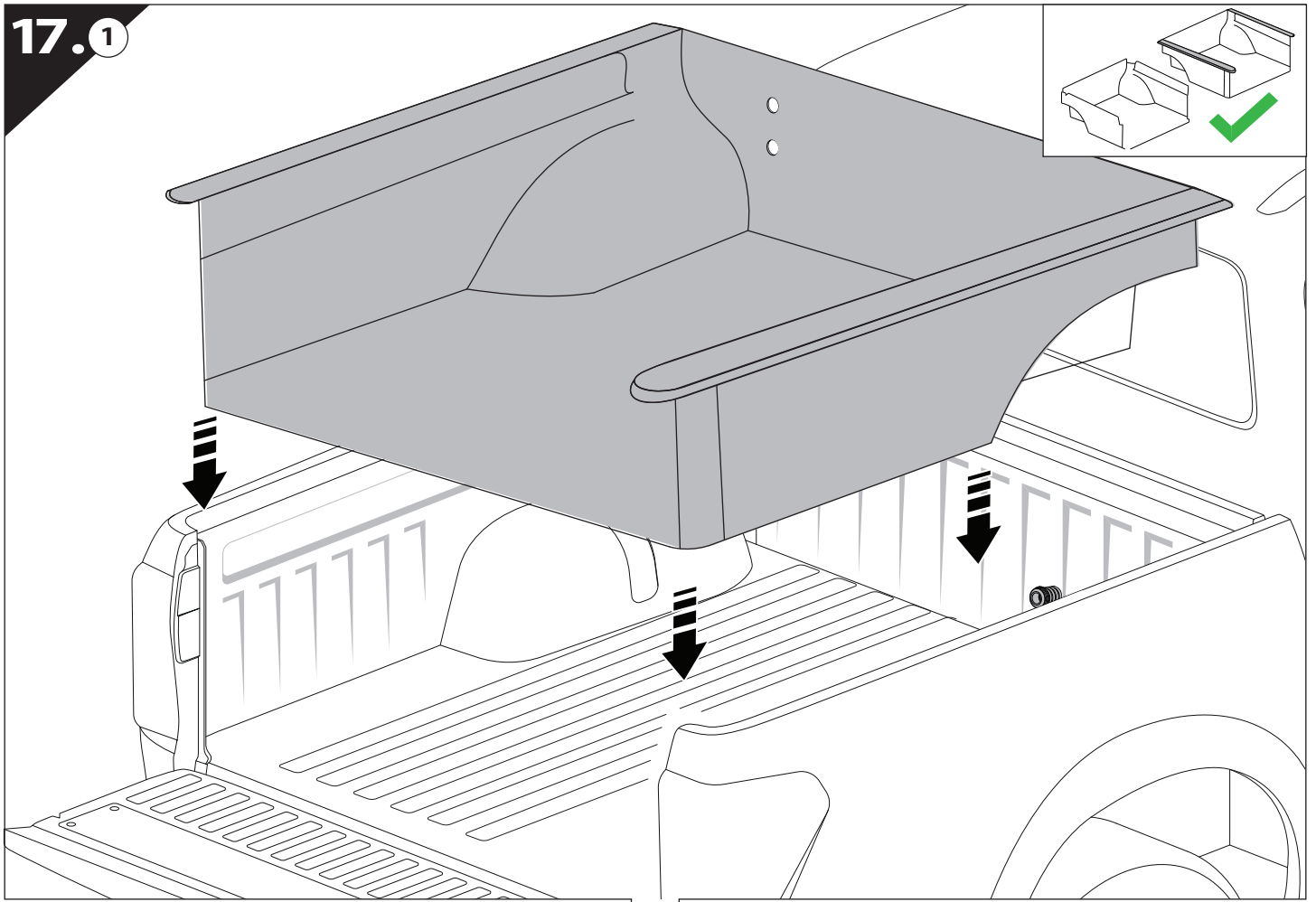


17

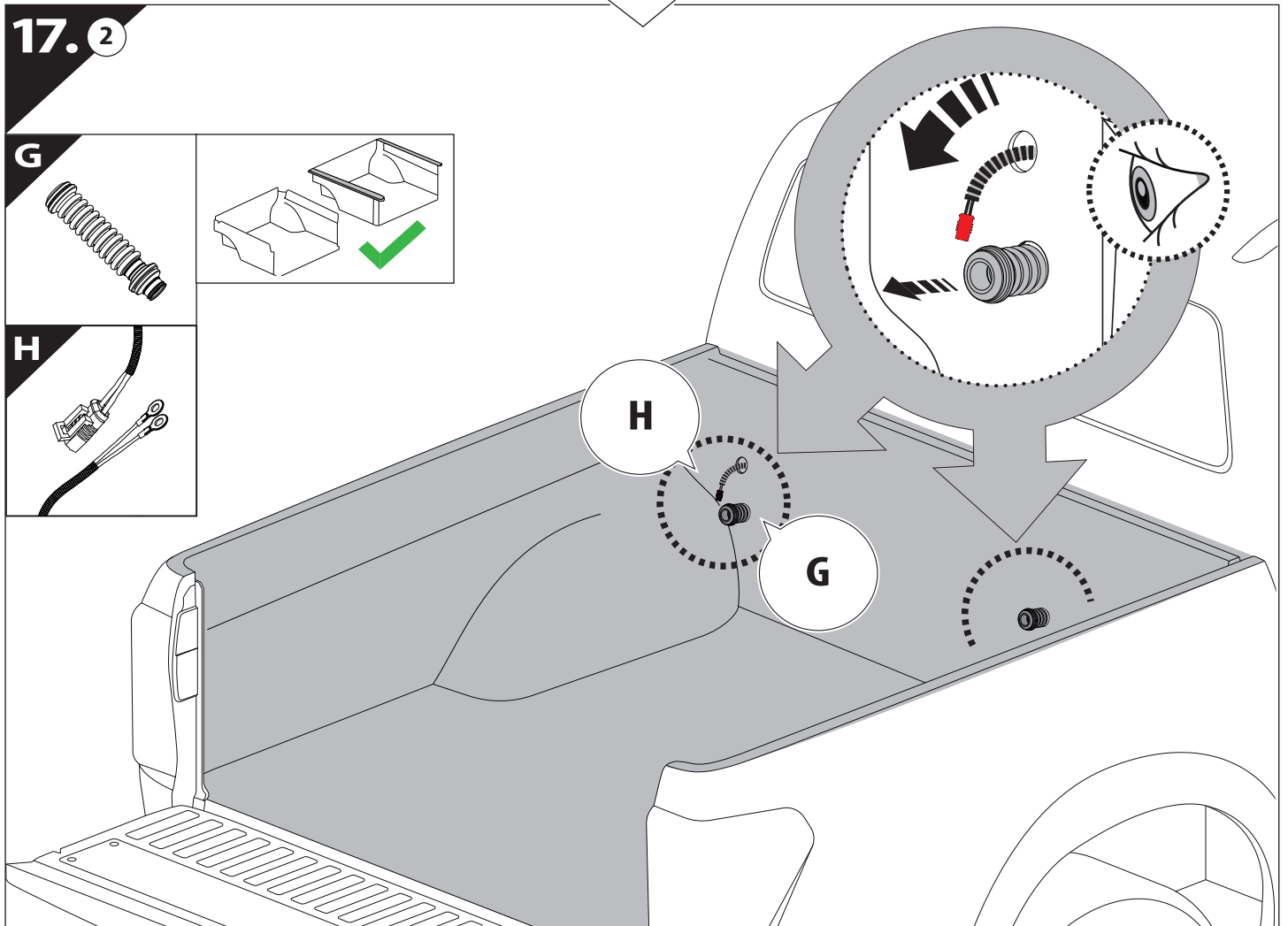
Only to be installed by authorized personnel

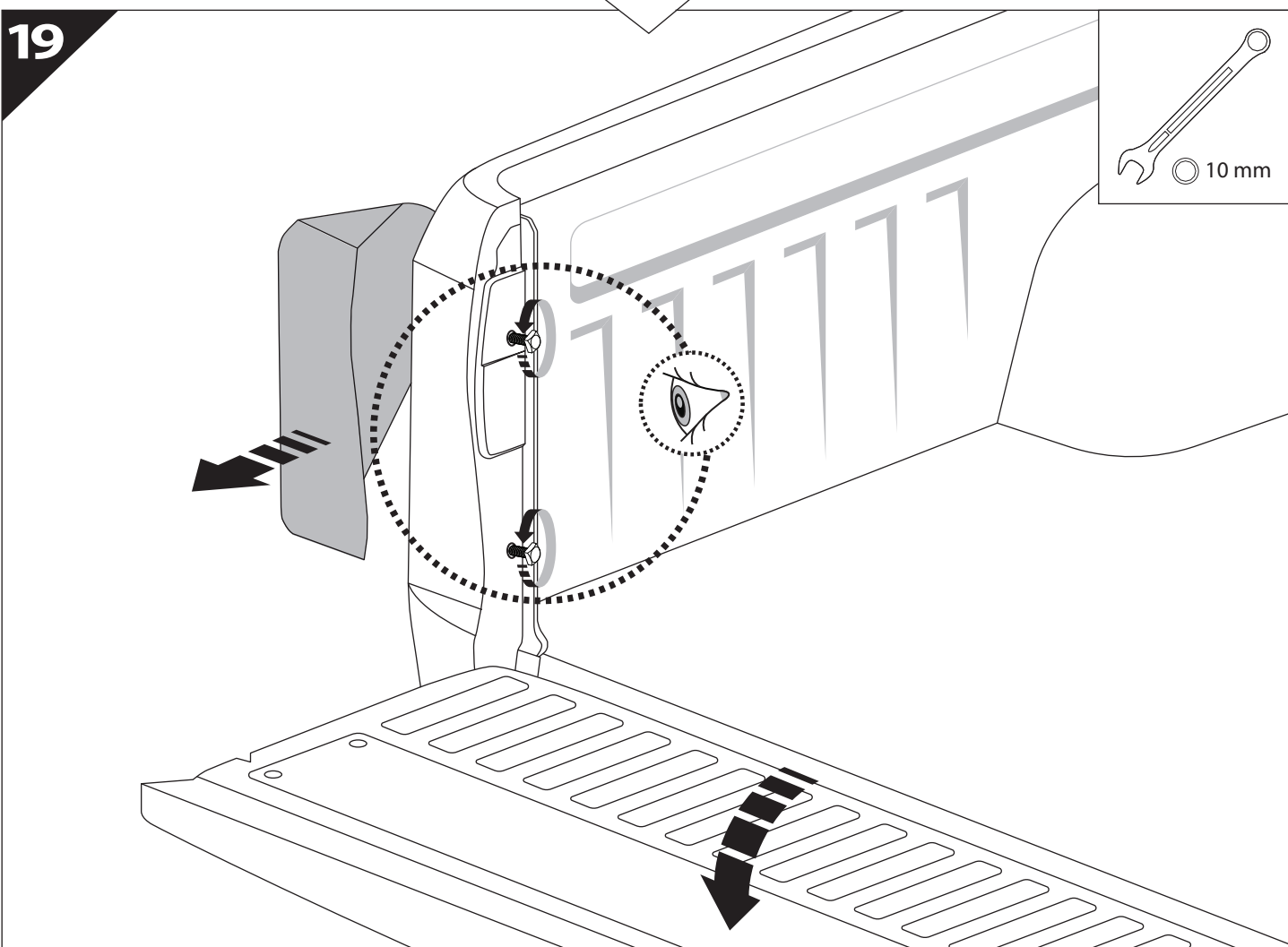
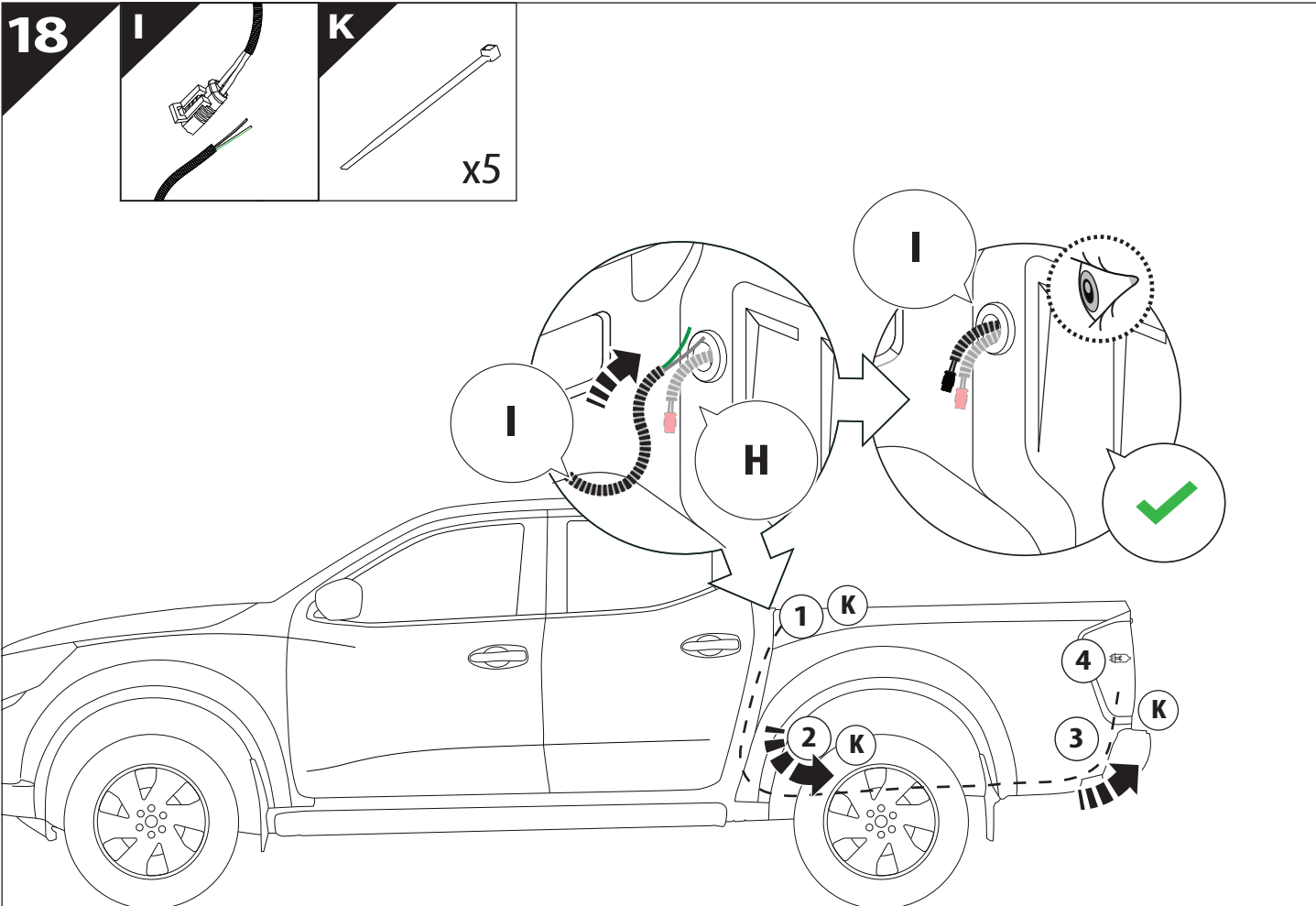


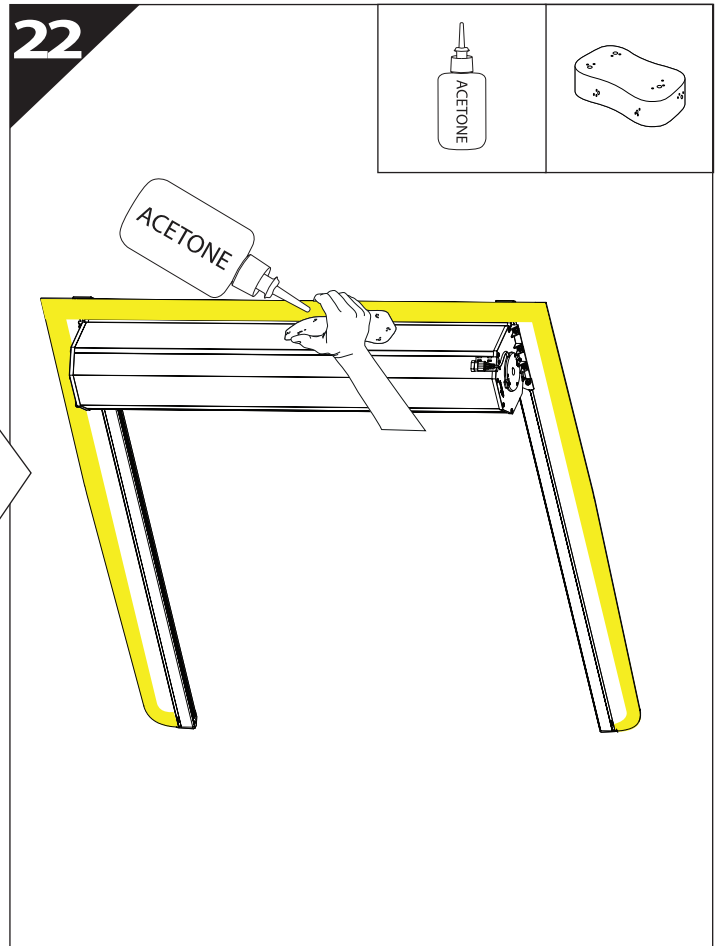
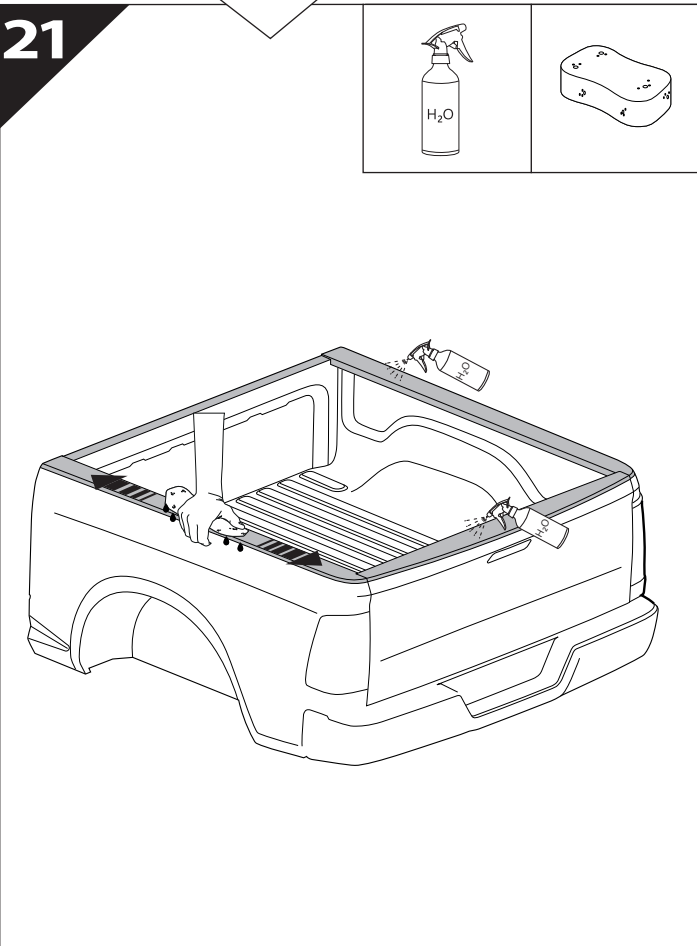
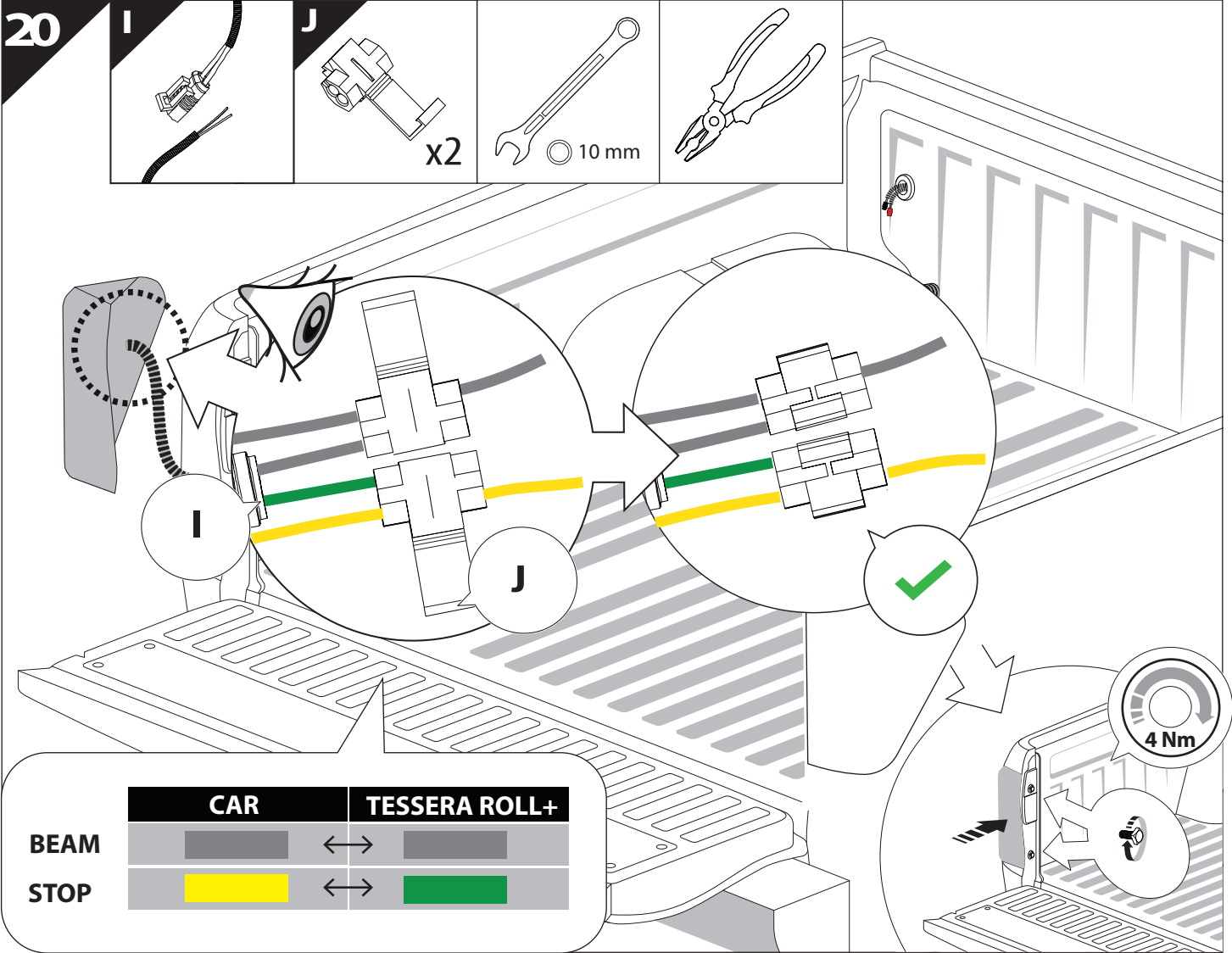
17.1

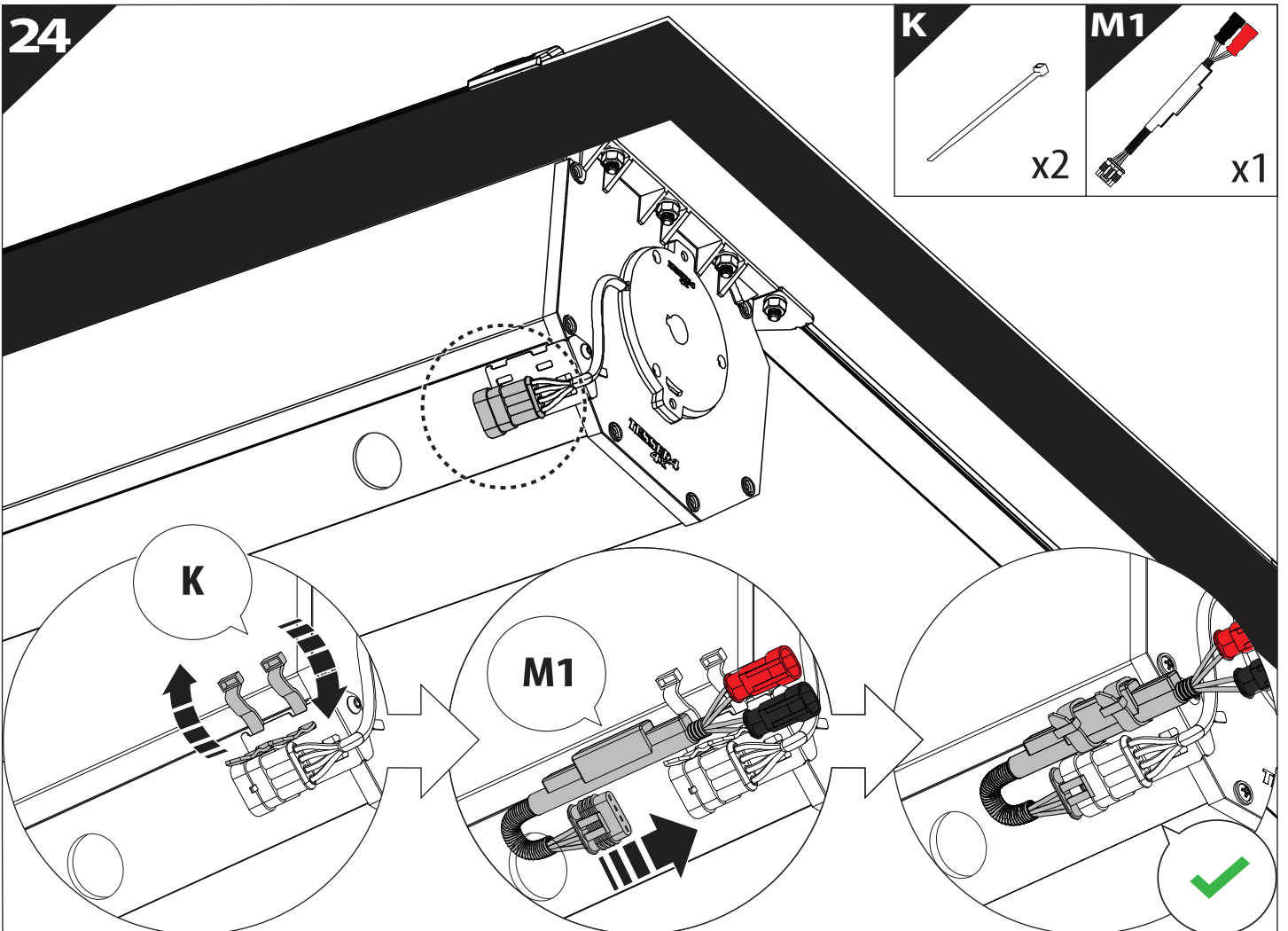
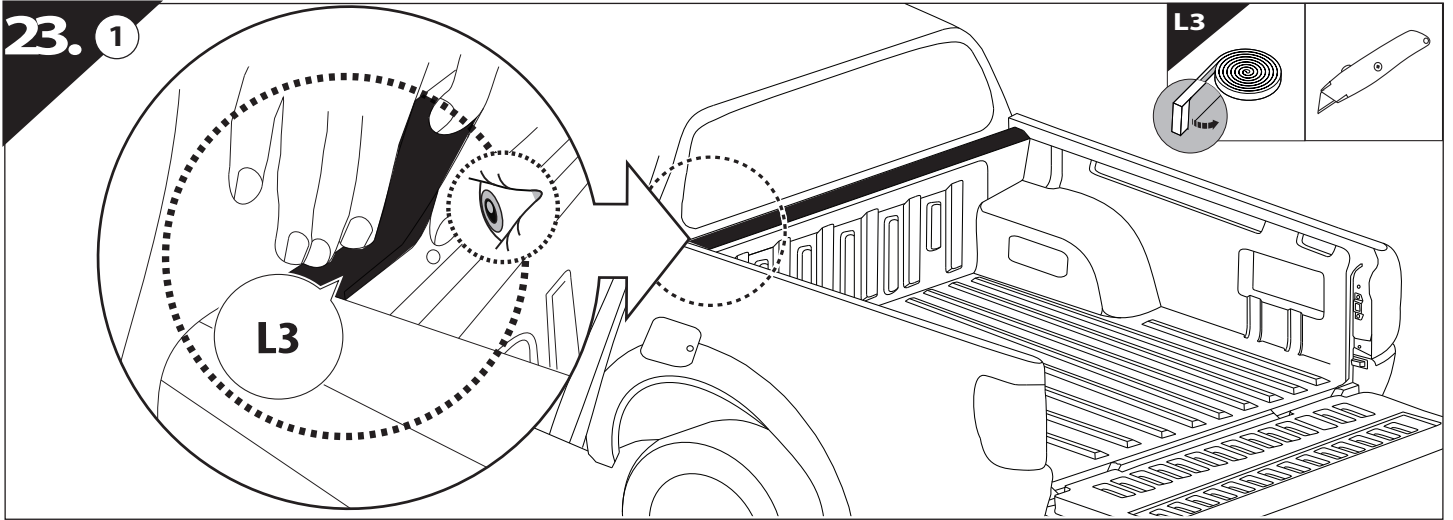
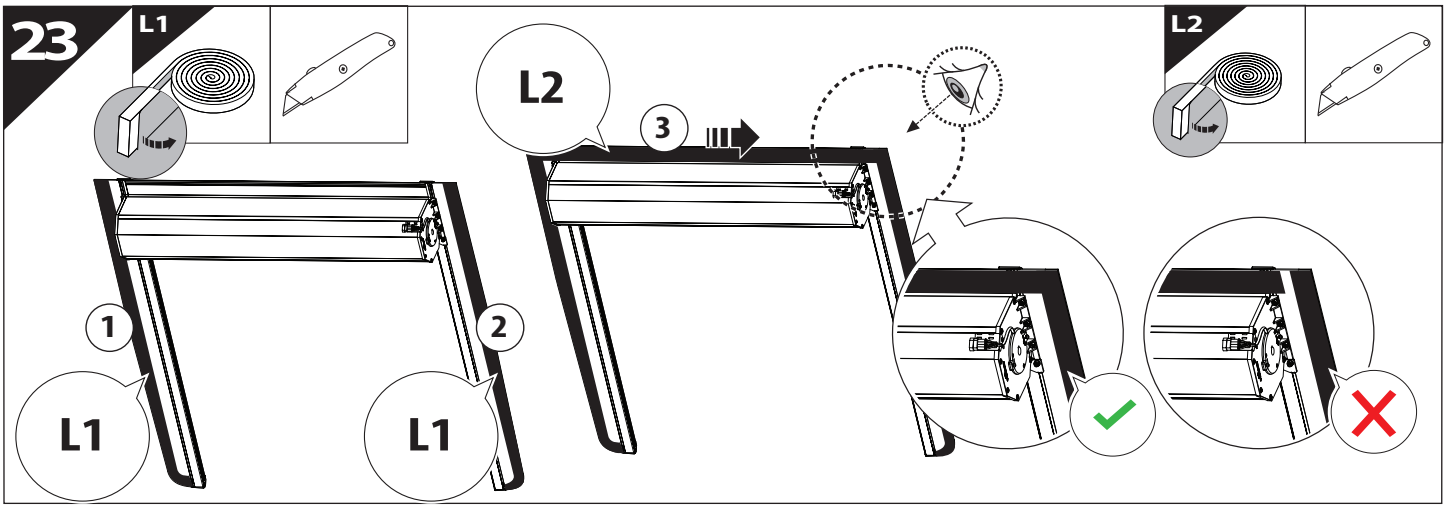


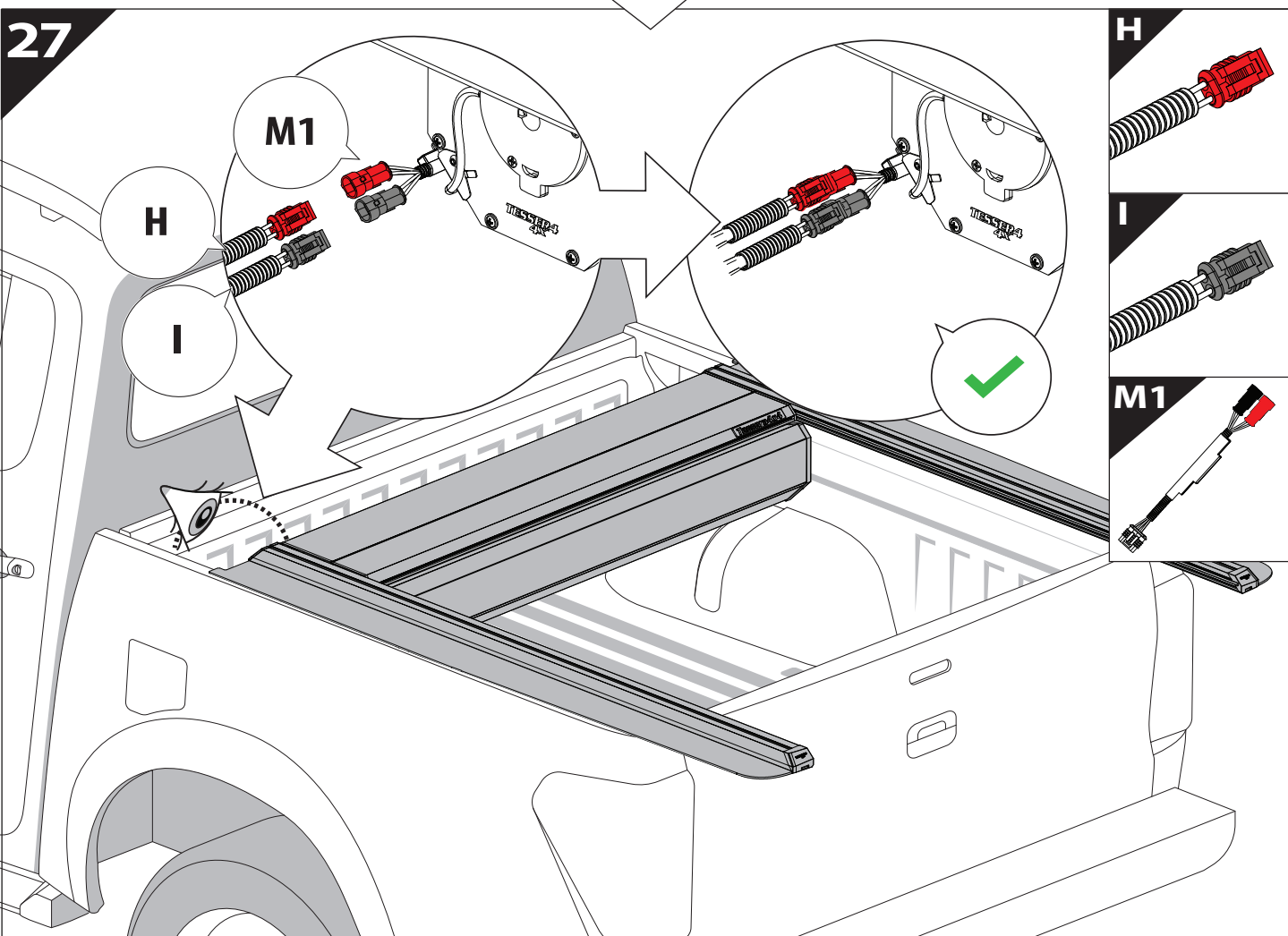
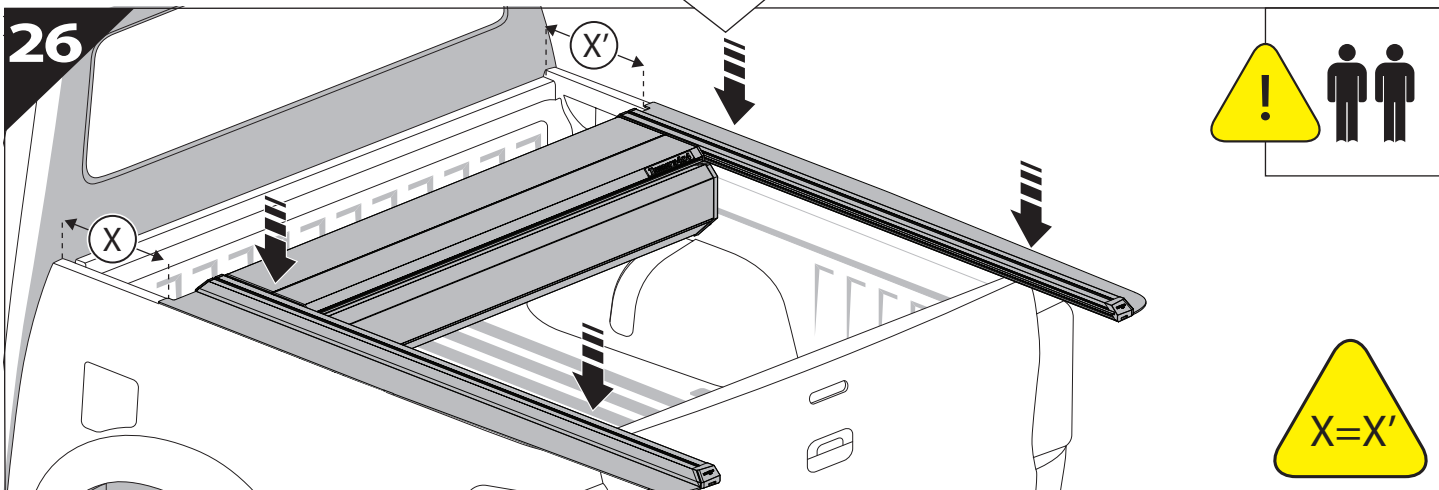
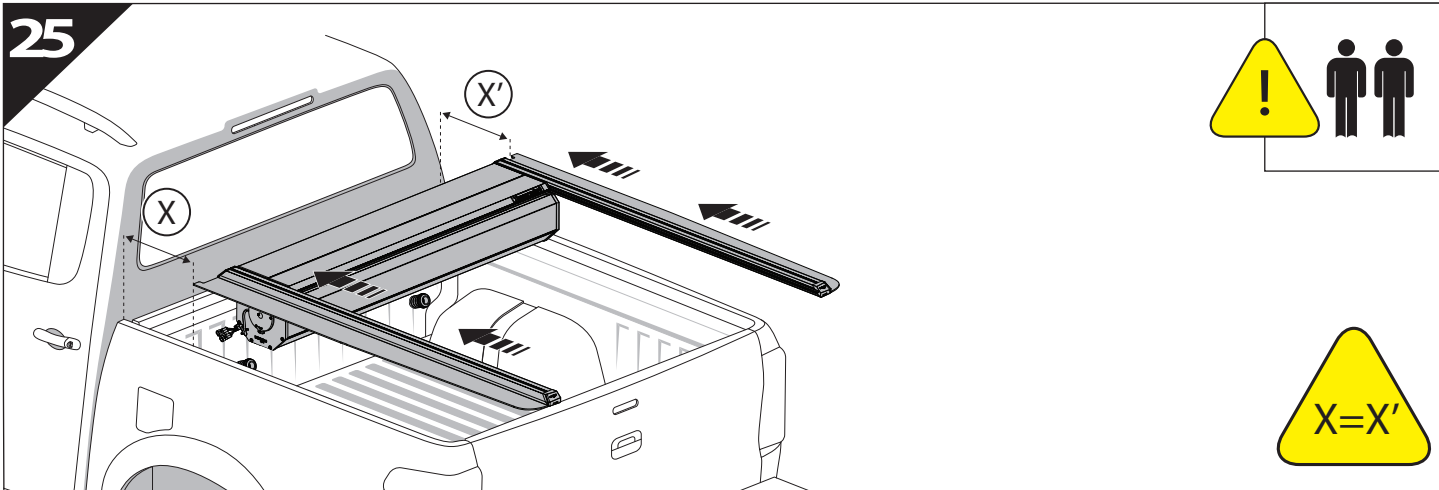
17.2



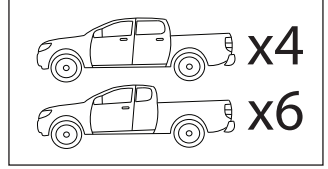
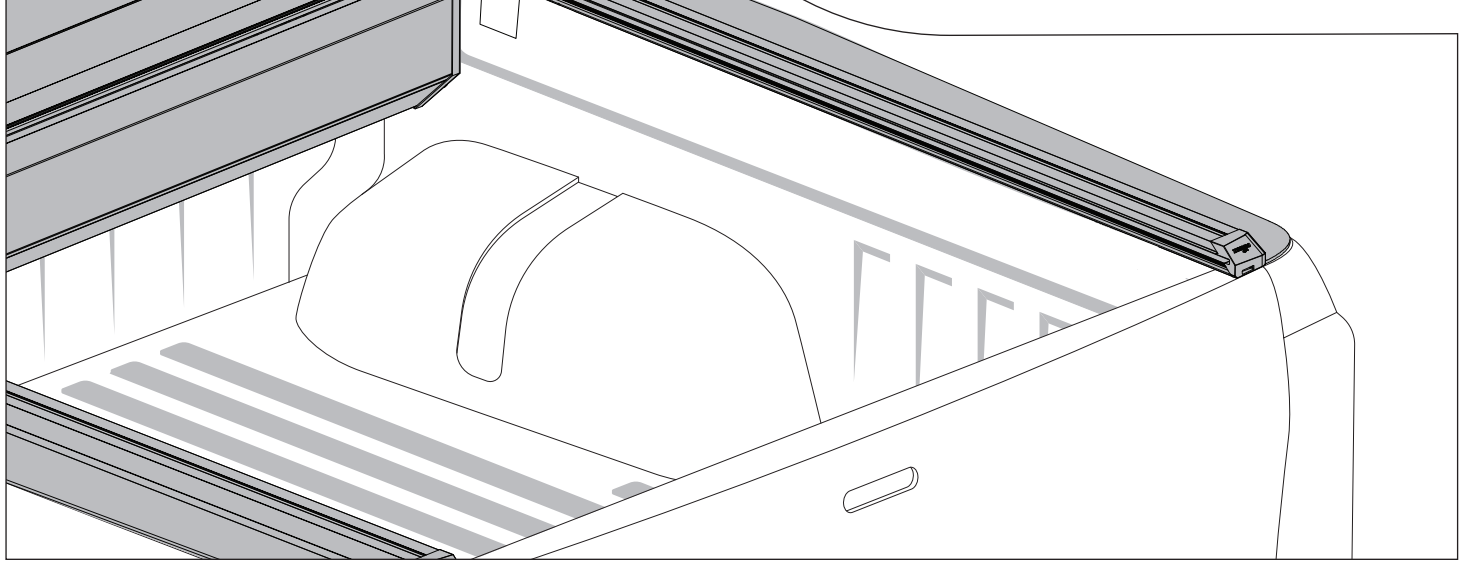
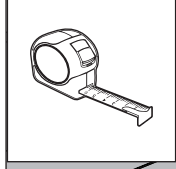
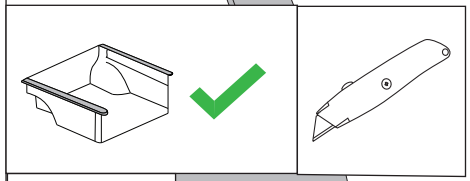




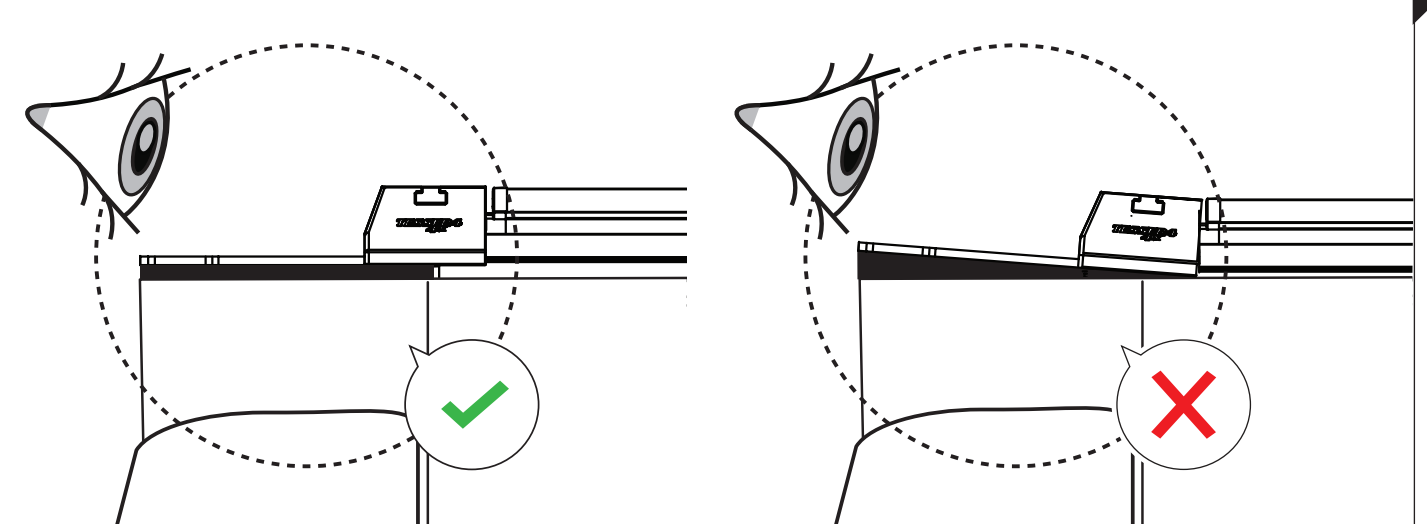
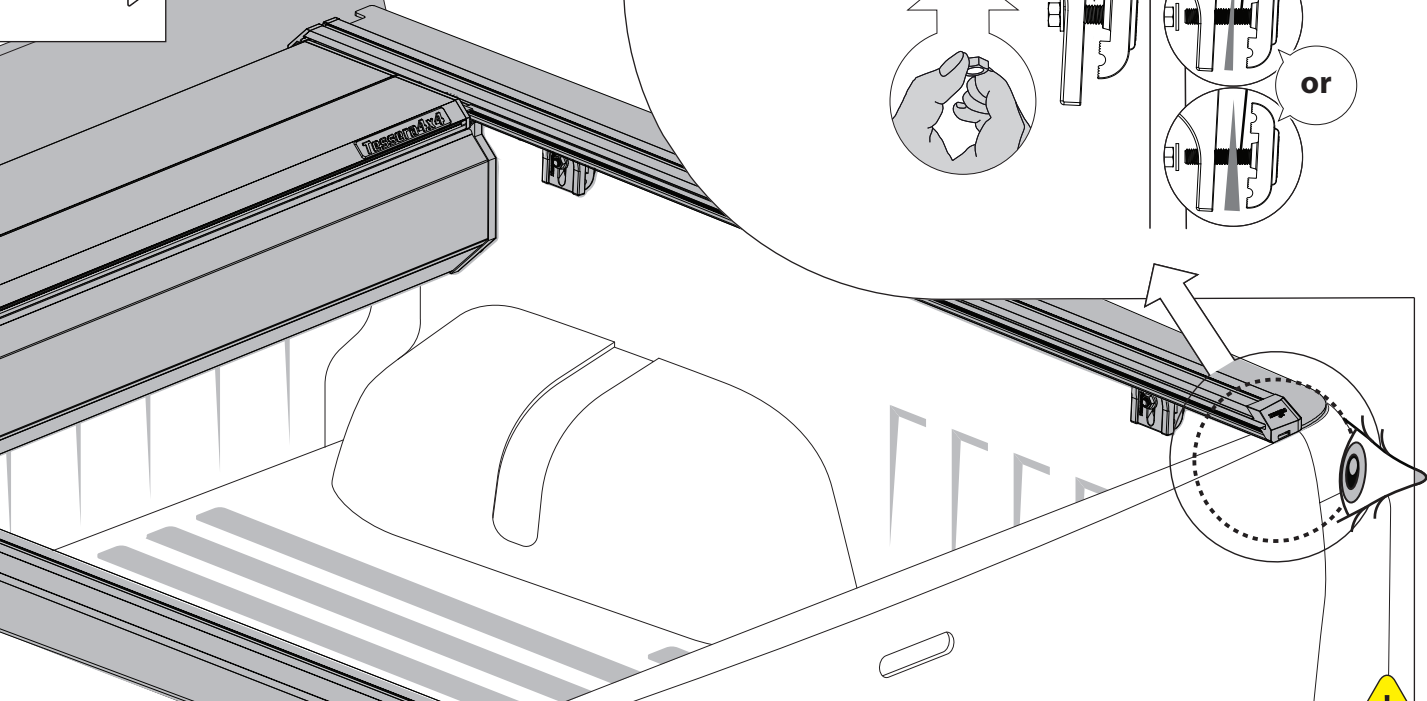
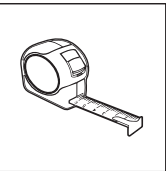
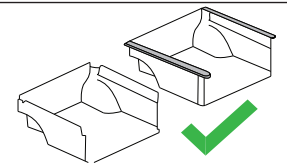
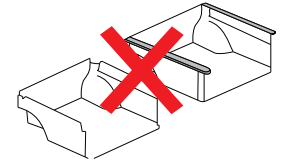
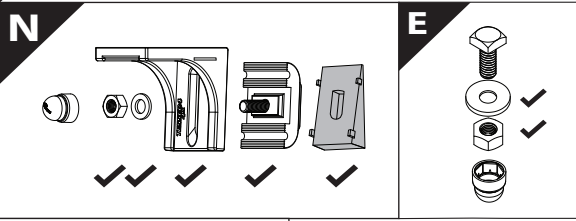


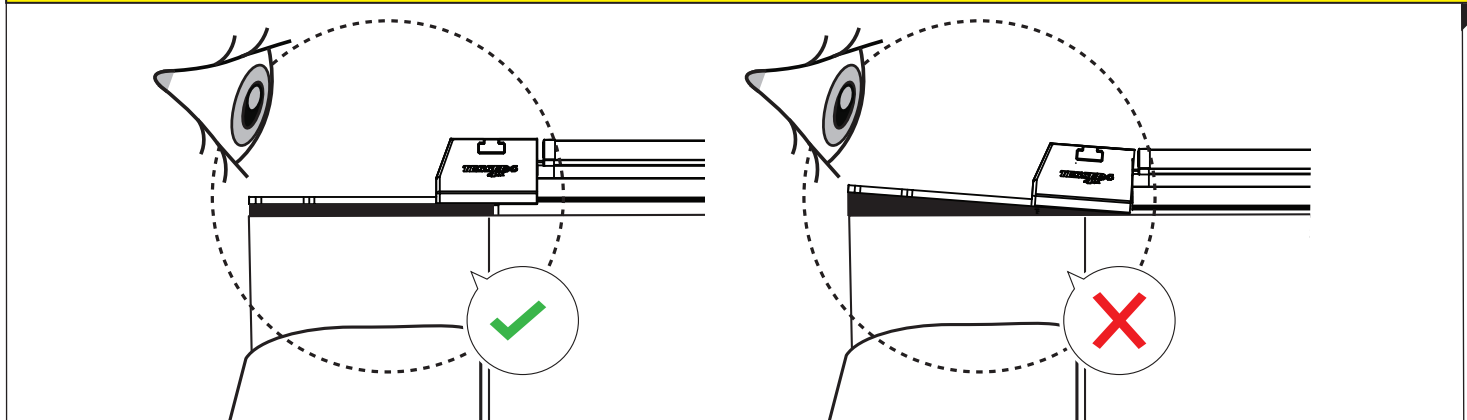
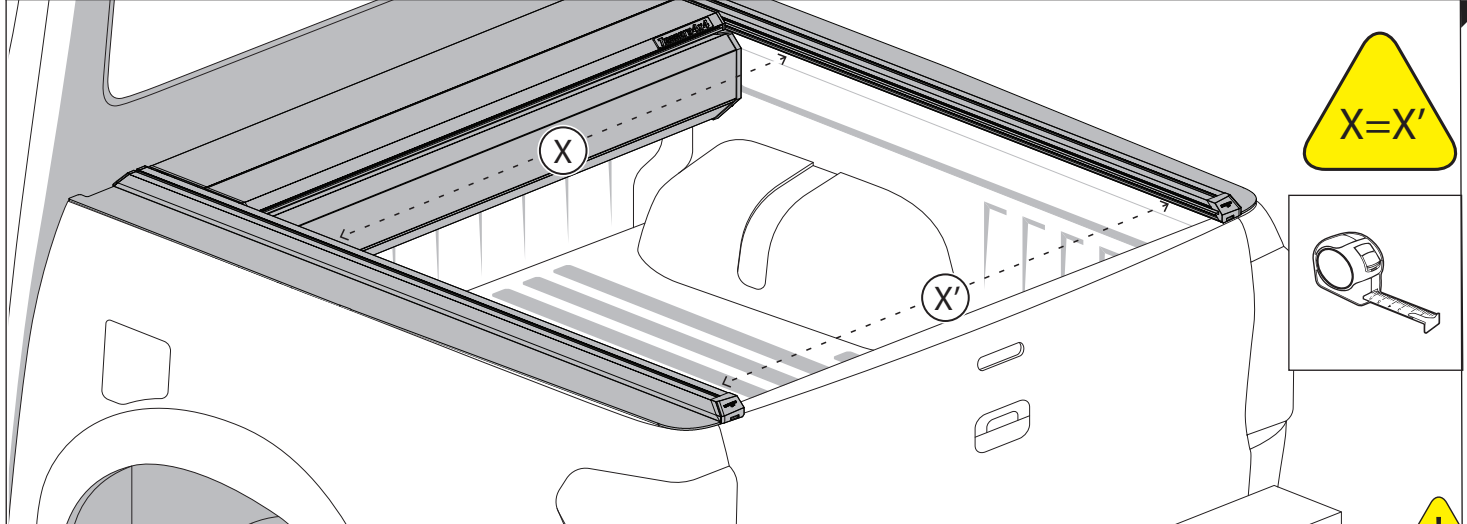
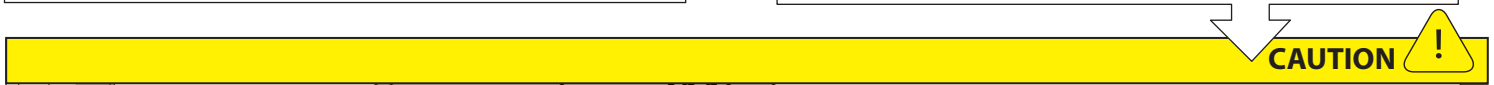
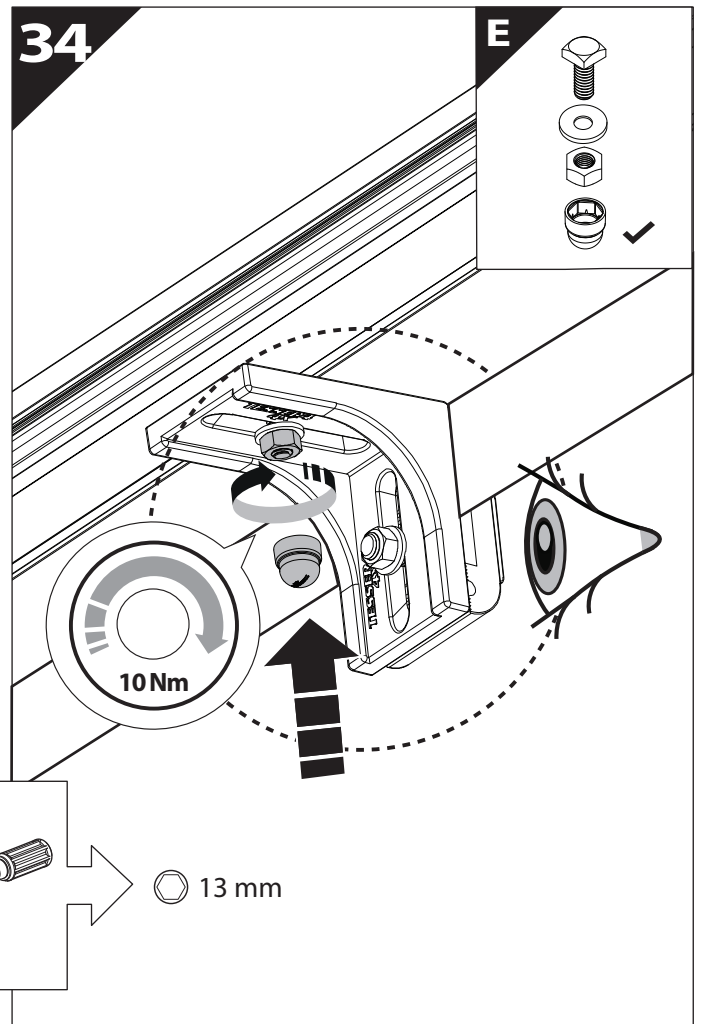
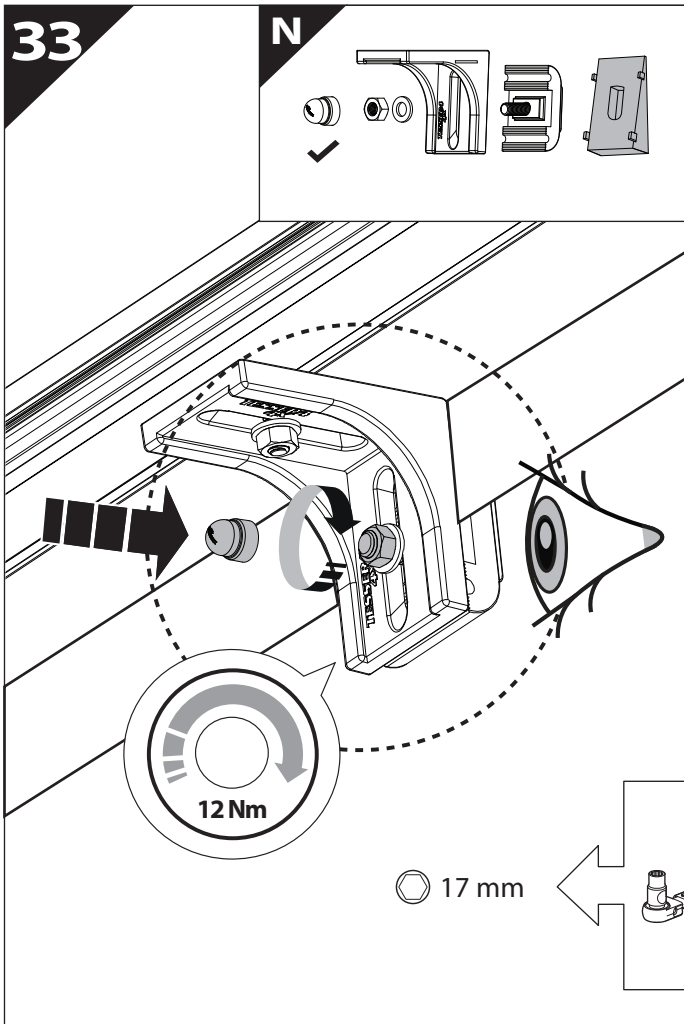


31

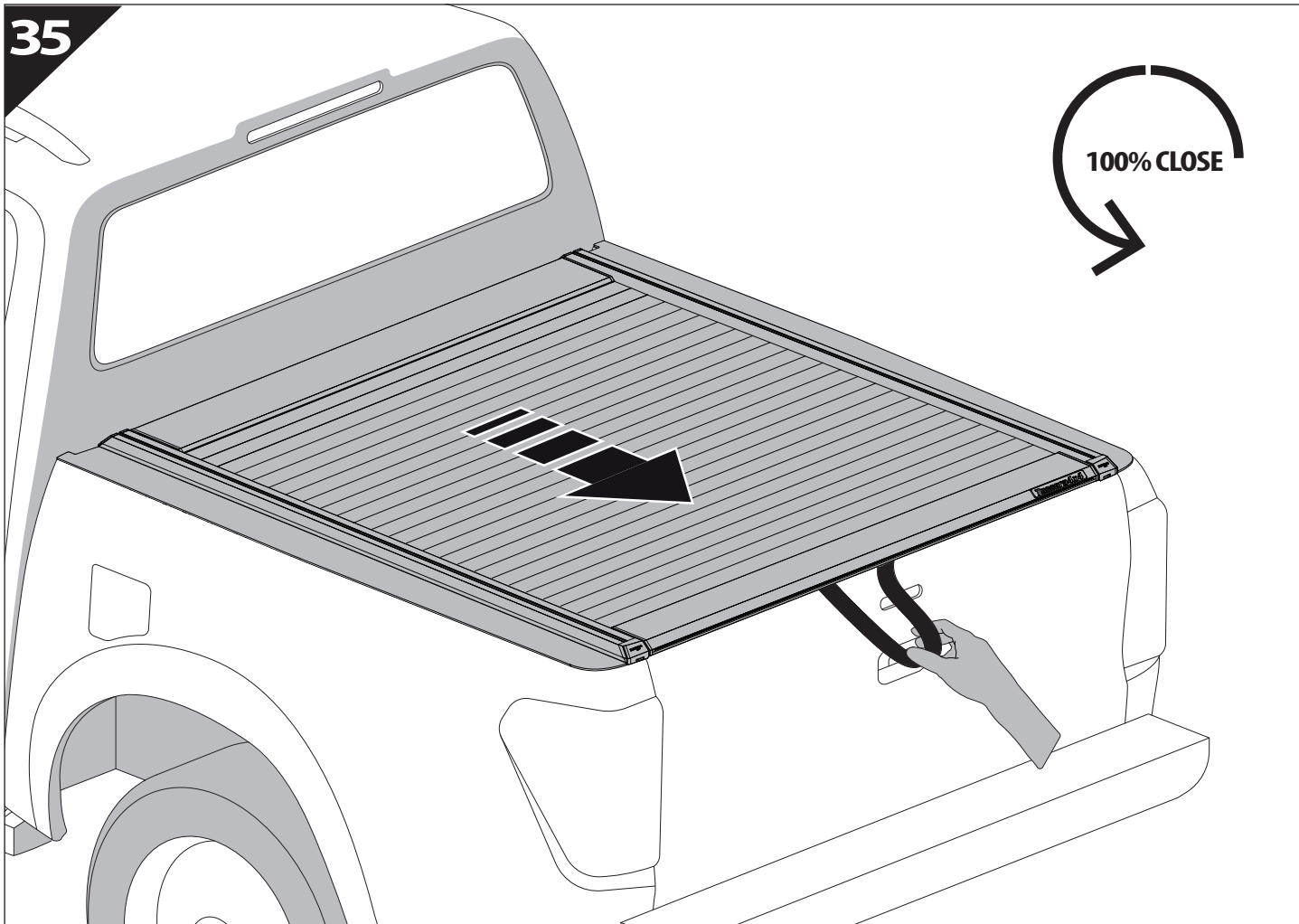


32

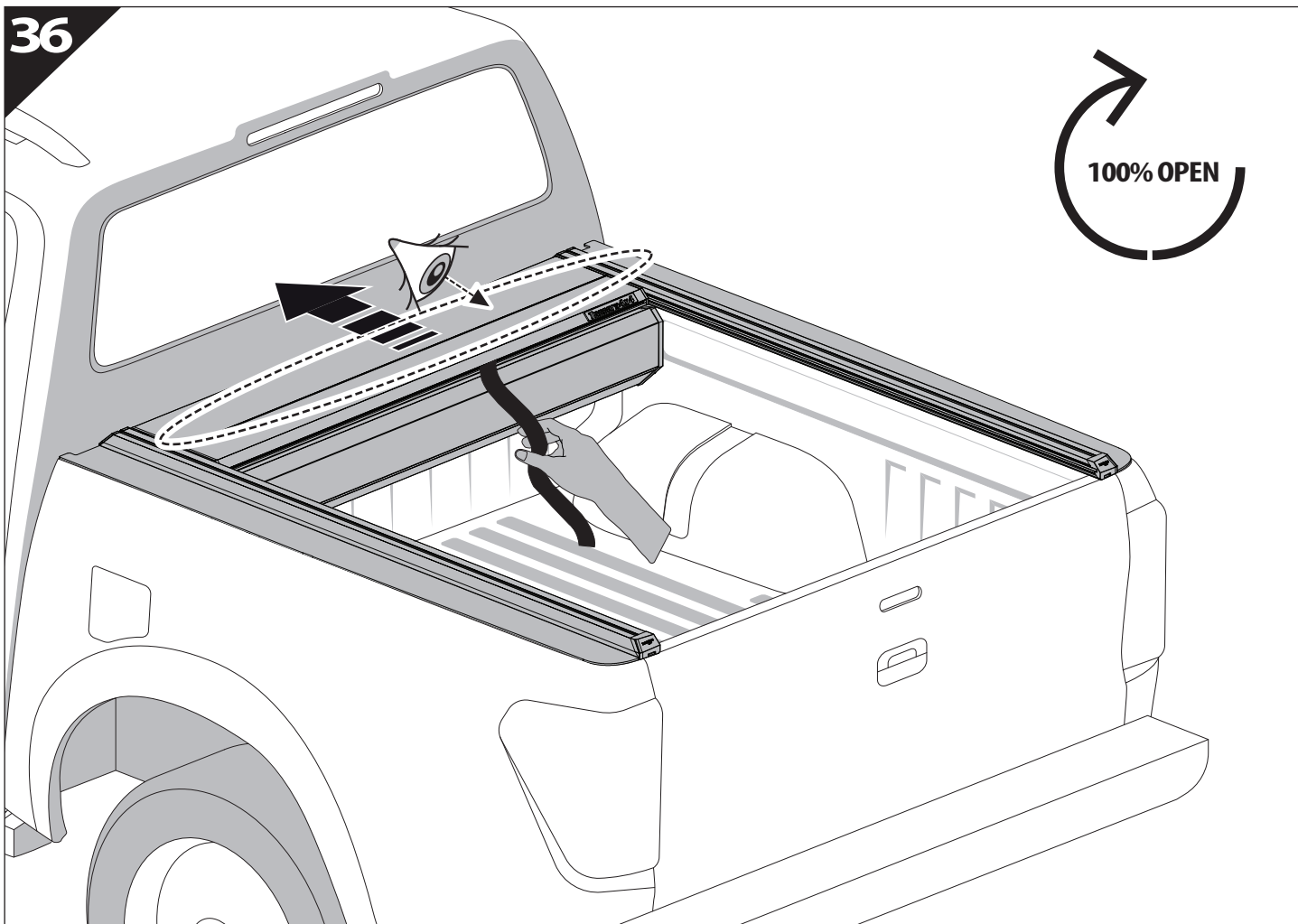




35



36





GR: Οδηγίες Εγκατάστασης
GB: Installation manual
SF: Asennusohje
F: Notice de montage
PL: Instrukcja montażu
NL: Installatie-instructies
TR: Montaj Talimatı
S: Monteringsanvisning
E: Instrucciones de montaje

H: Szerelési utasítás
P: Instruções de instalação
RUS: Инструкция по установке
N: Monteringsveiledning
D: Einbauanleitung
CZ: Návod k instalaci
I: Istruzioni de montaggio
DK: Monteringsvejledning
RO: Instructiuni de instalare

Customer Service:

+30 (210) 5541161, +30 (210) 5541154 (08:00 - 16:00 EET)

Support department:

info@gianso.gr

Website:

www.tessera4x4.com

Address:

19.5 km of National road Athens-Korinthos (Elefsina) Greece, P.C: 19200