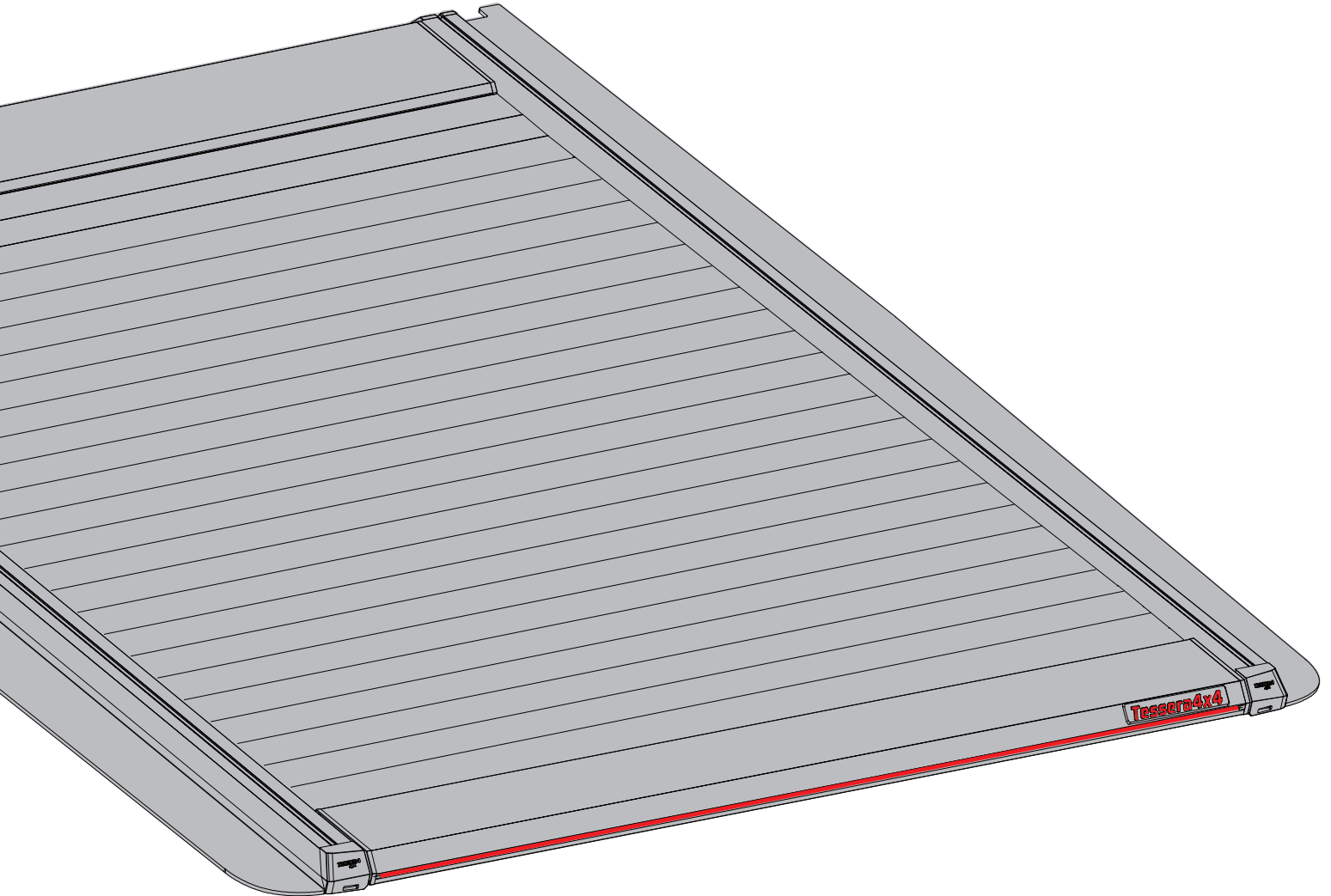


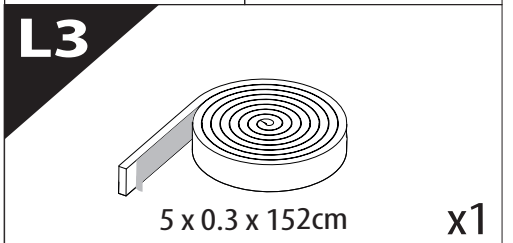
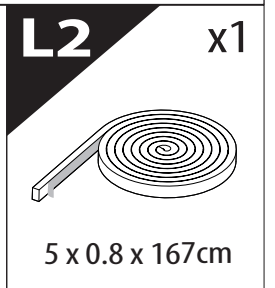
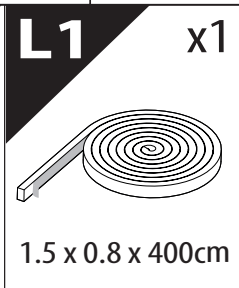
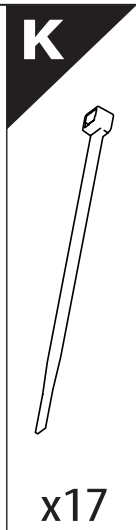
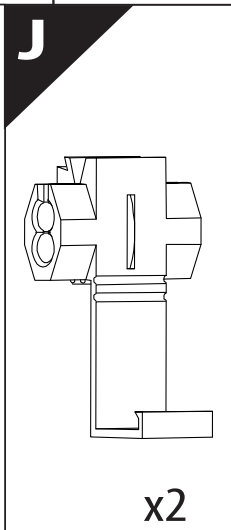
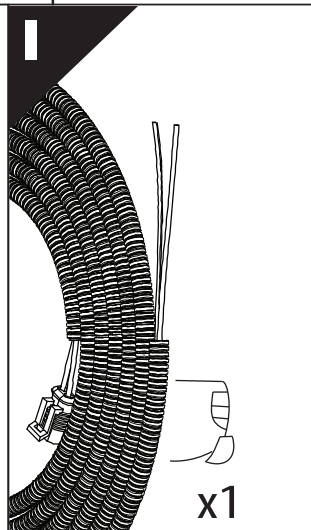
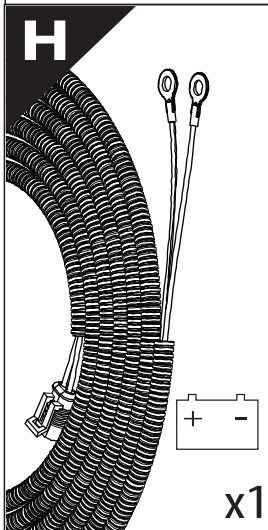
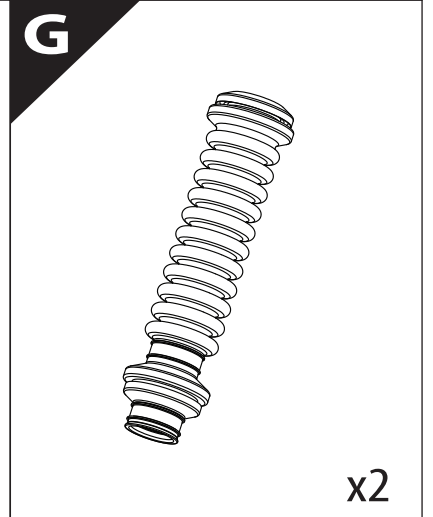
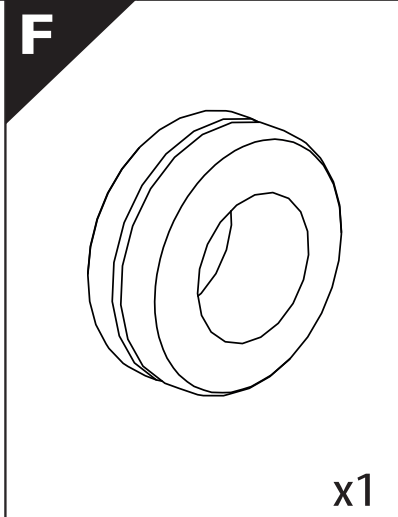
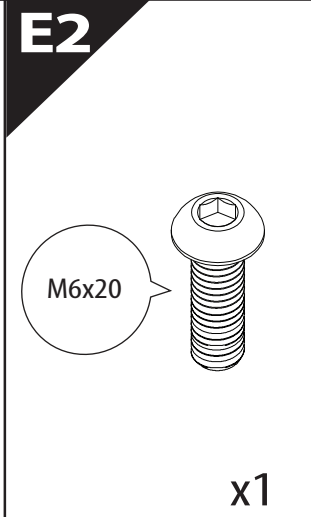
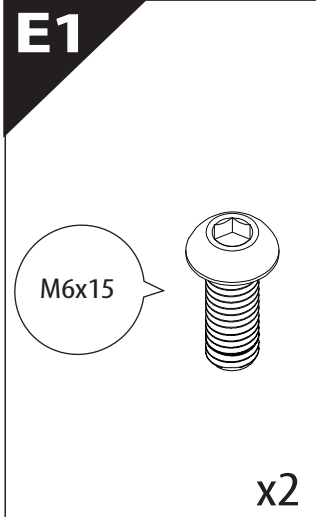
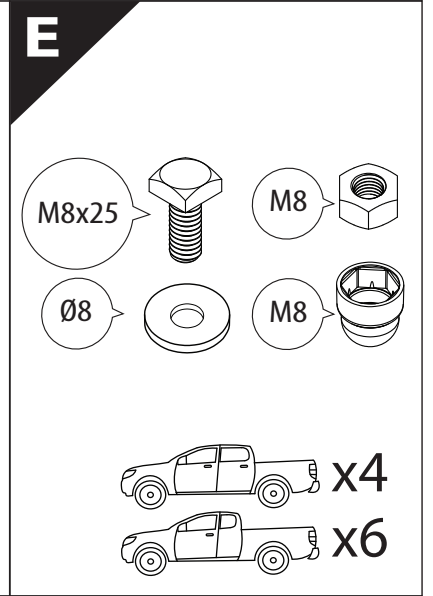
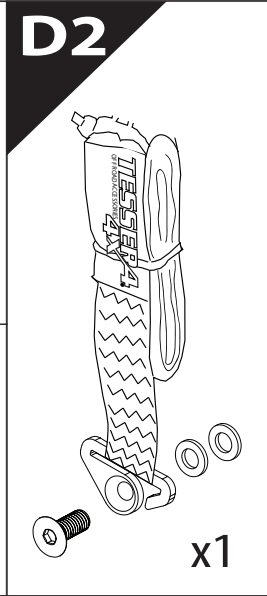
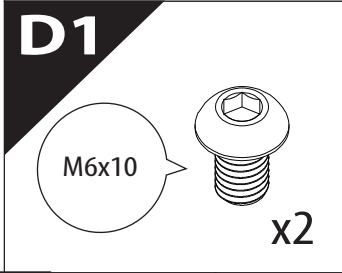
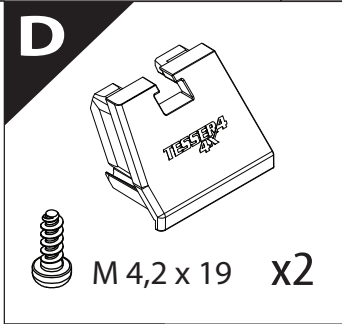
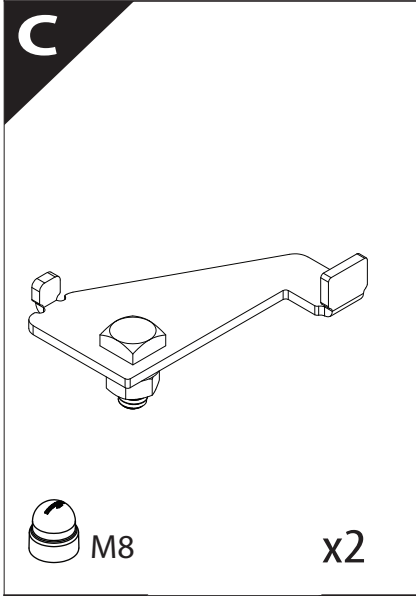
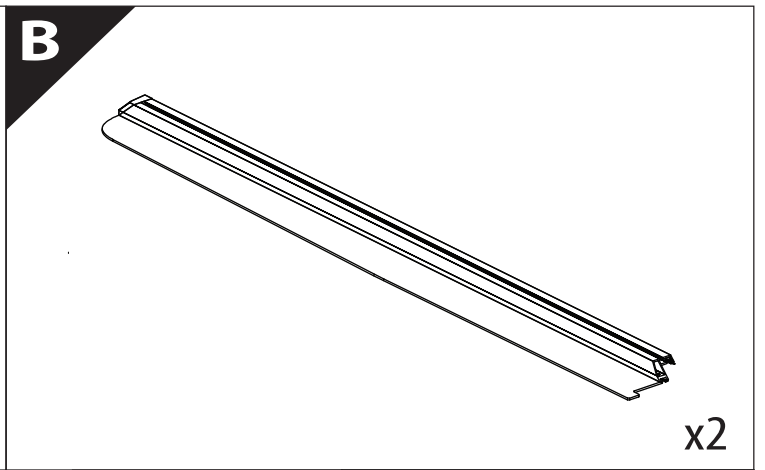
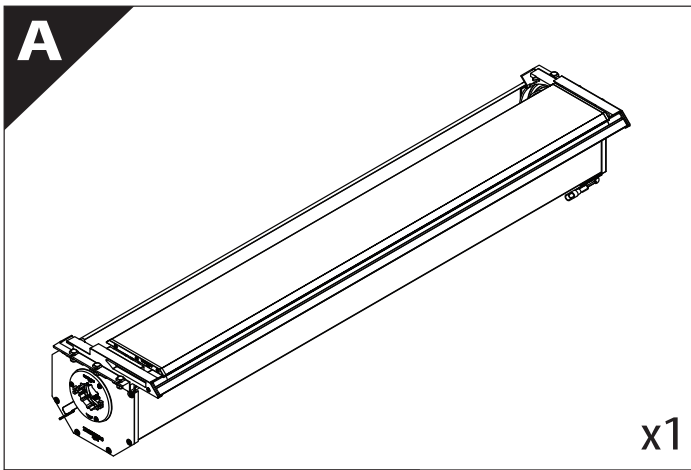
Tessera Roll+

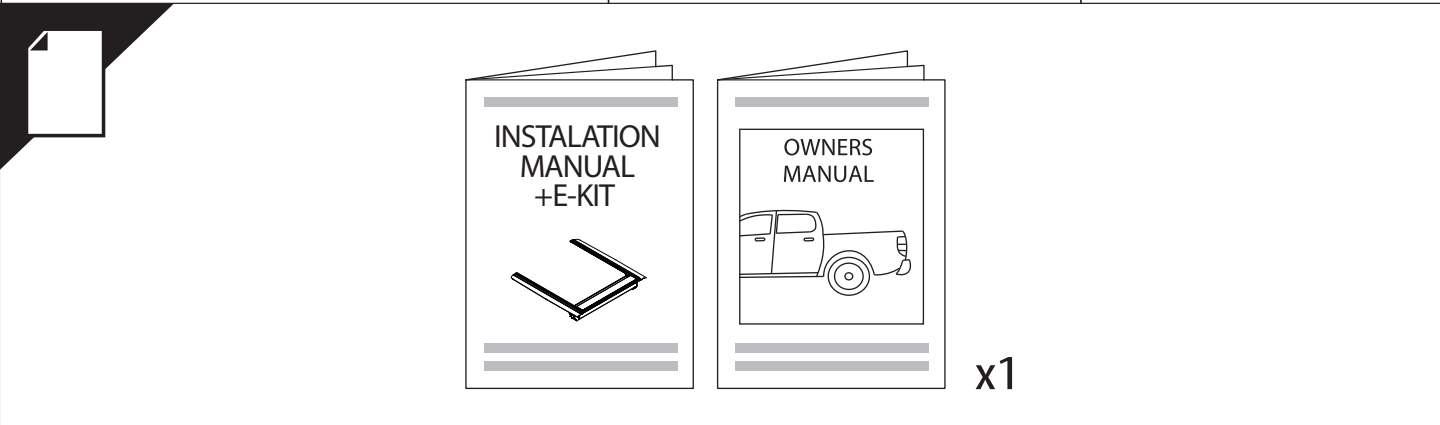
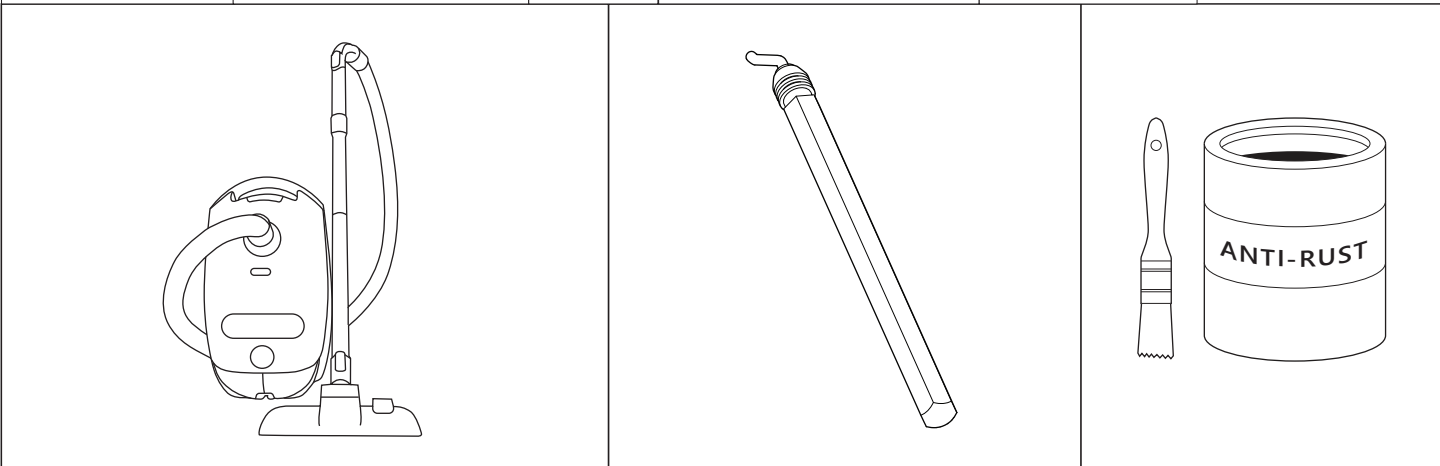
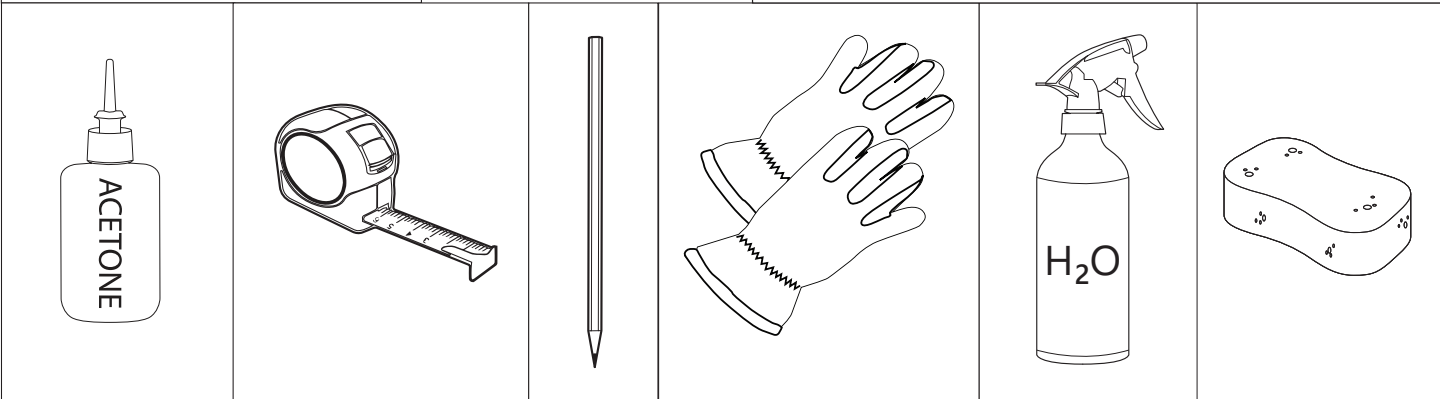
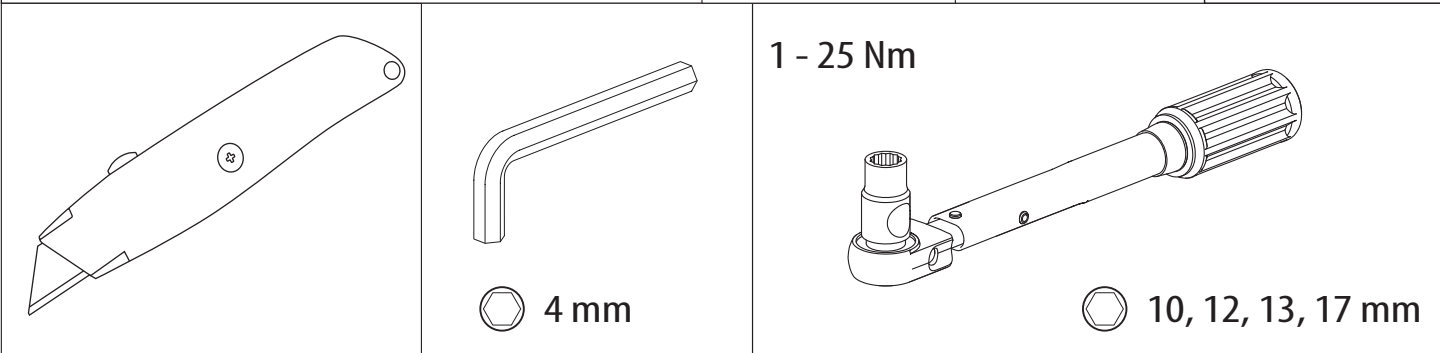
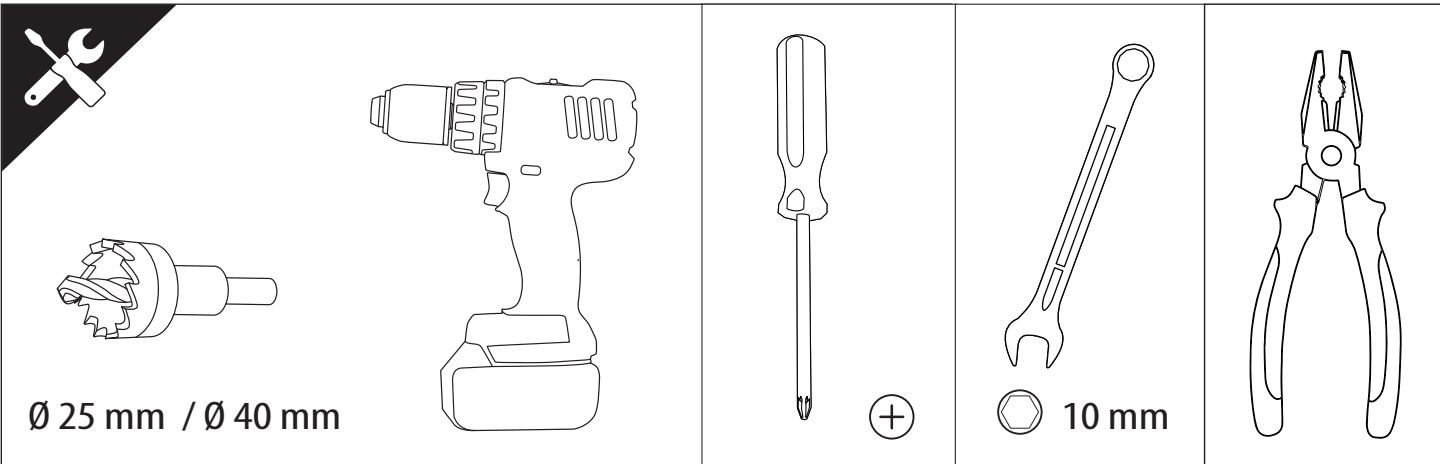
Basic Version + ⚡ E-KIT

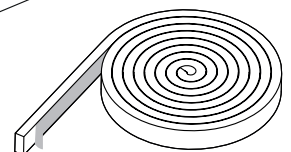
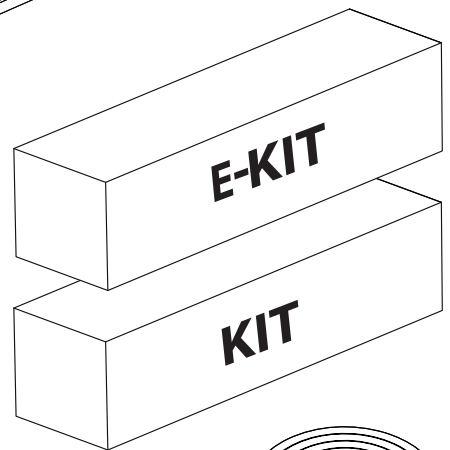
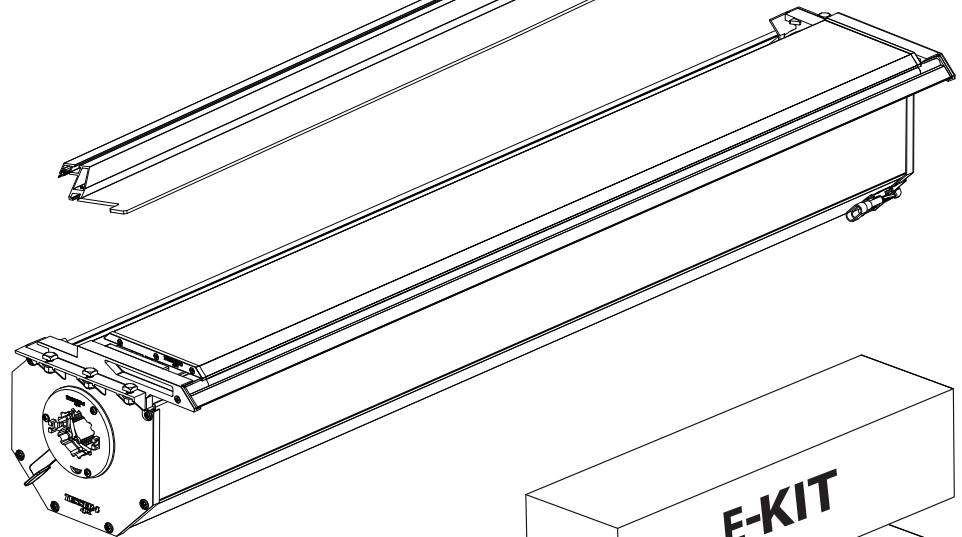
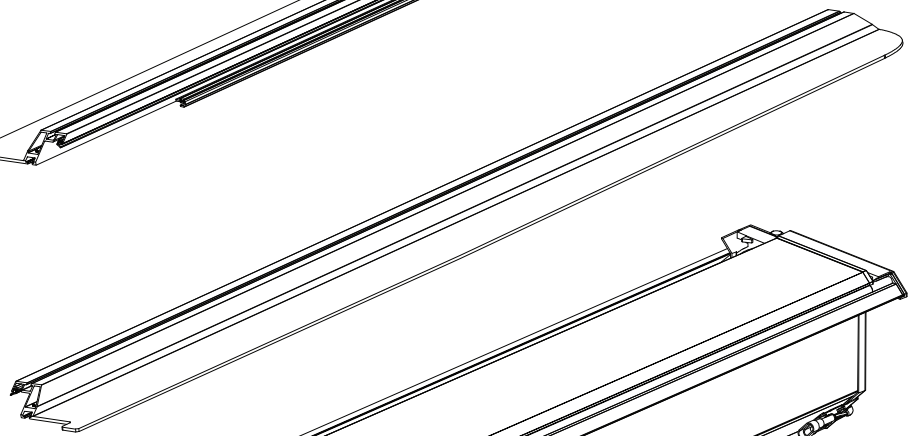
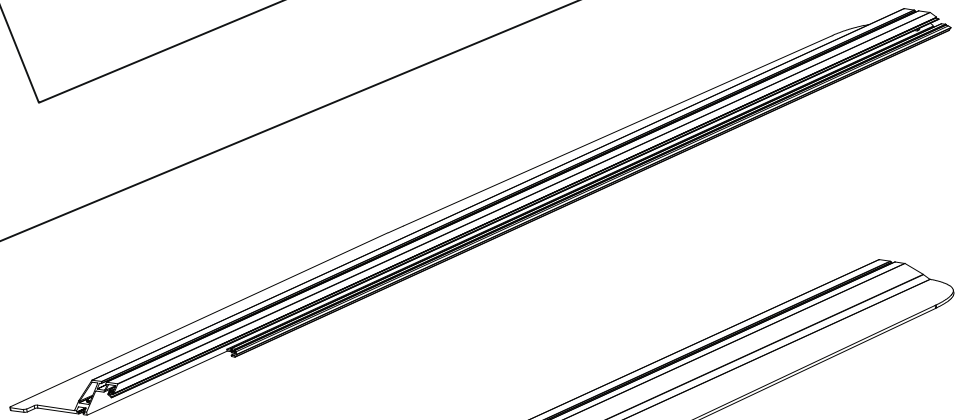
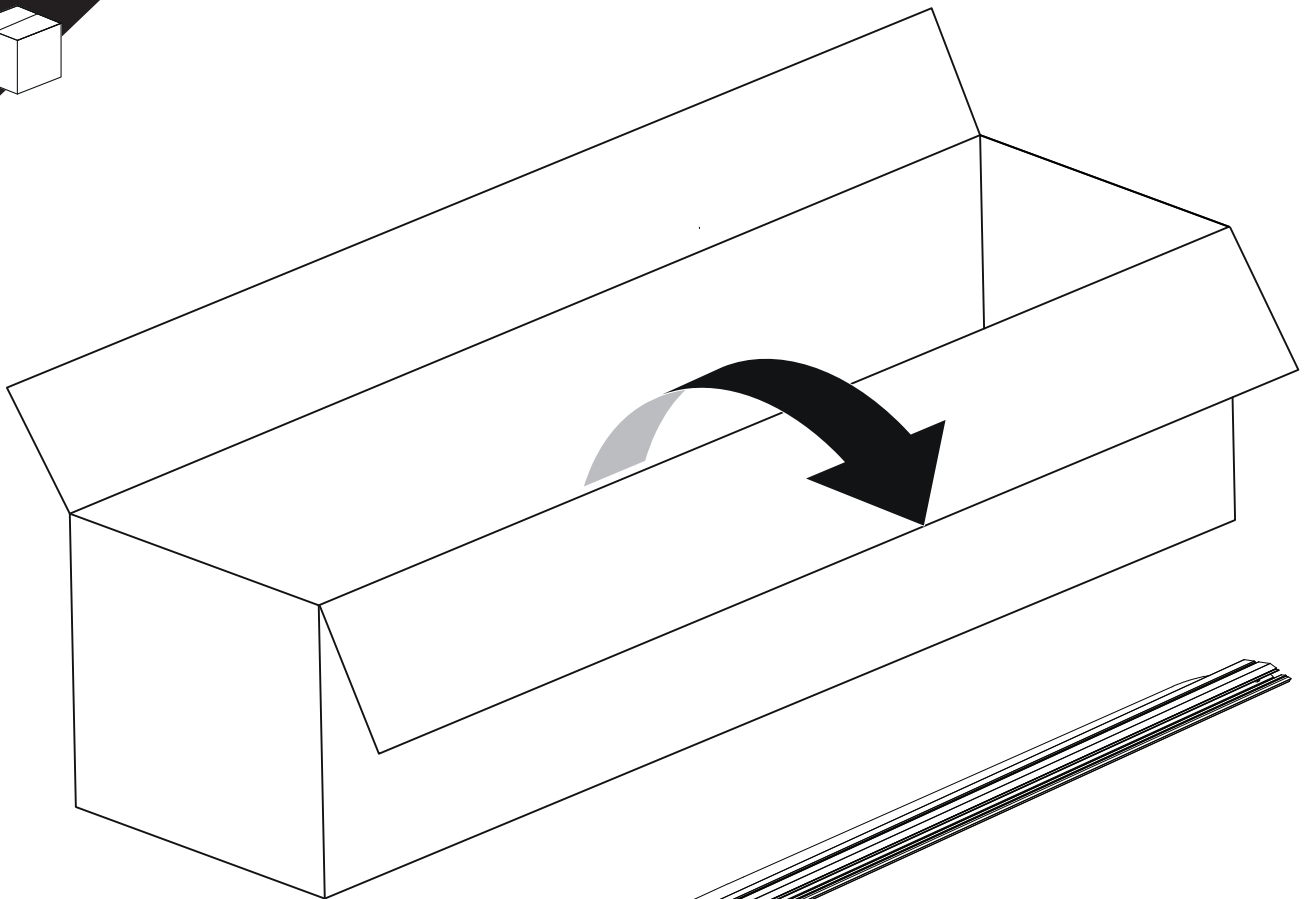


Installation Manual

PART NUMBER(S)	Model Year
TESS 140 ROLL+E-KIT	Nissan D40 (no c-channels)
TESS 1402 ROLL+E-KIT	
TESS 1403 ROLL+E-KIT	
Cab(s)	Installation Time / Weight
Double Cab & Space Cab	40-60 minutes / 53-57 kg





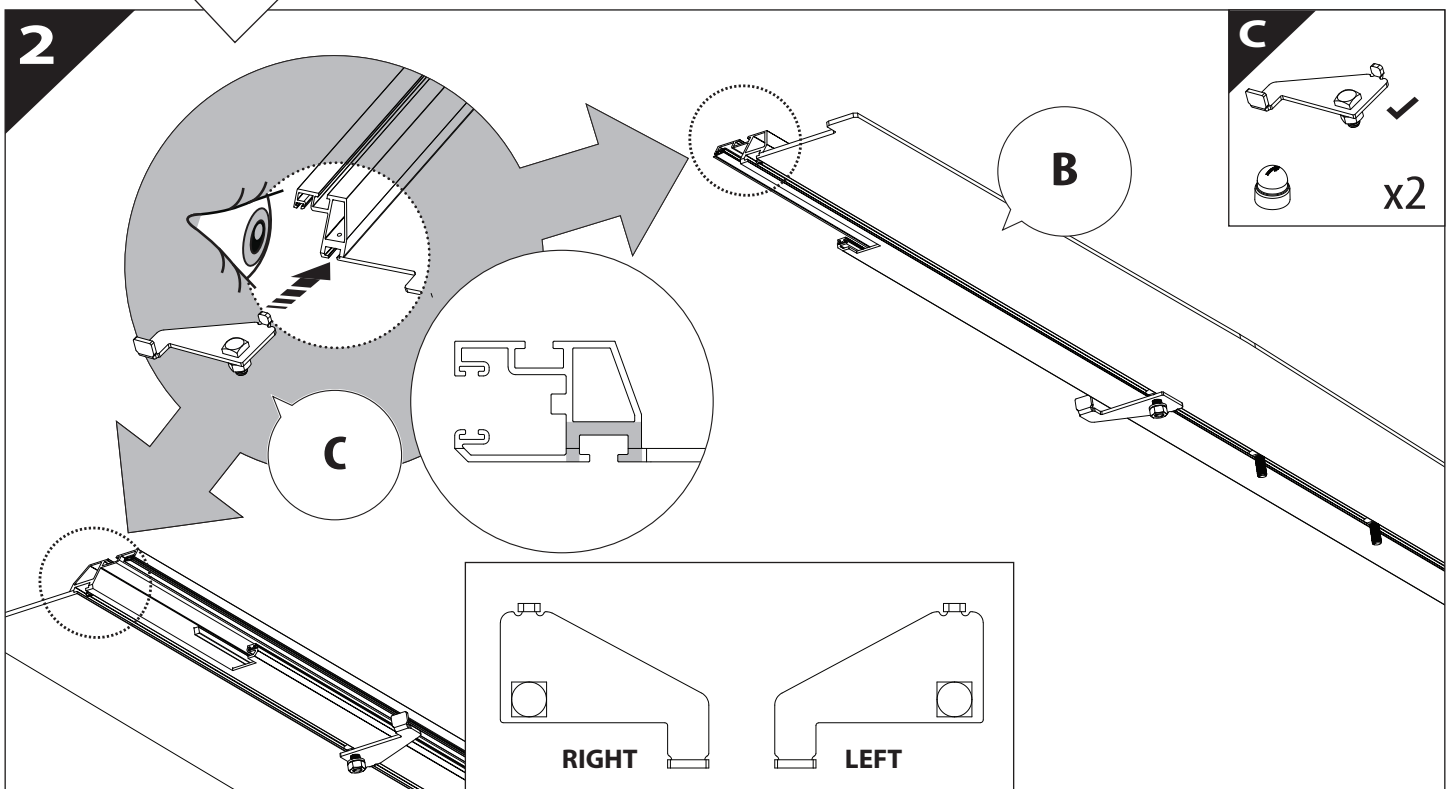
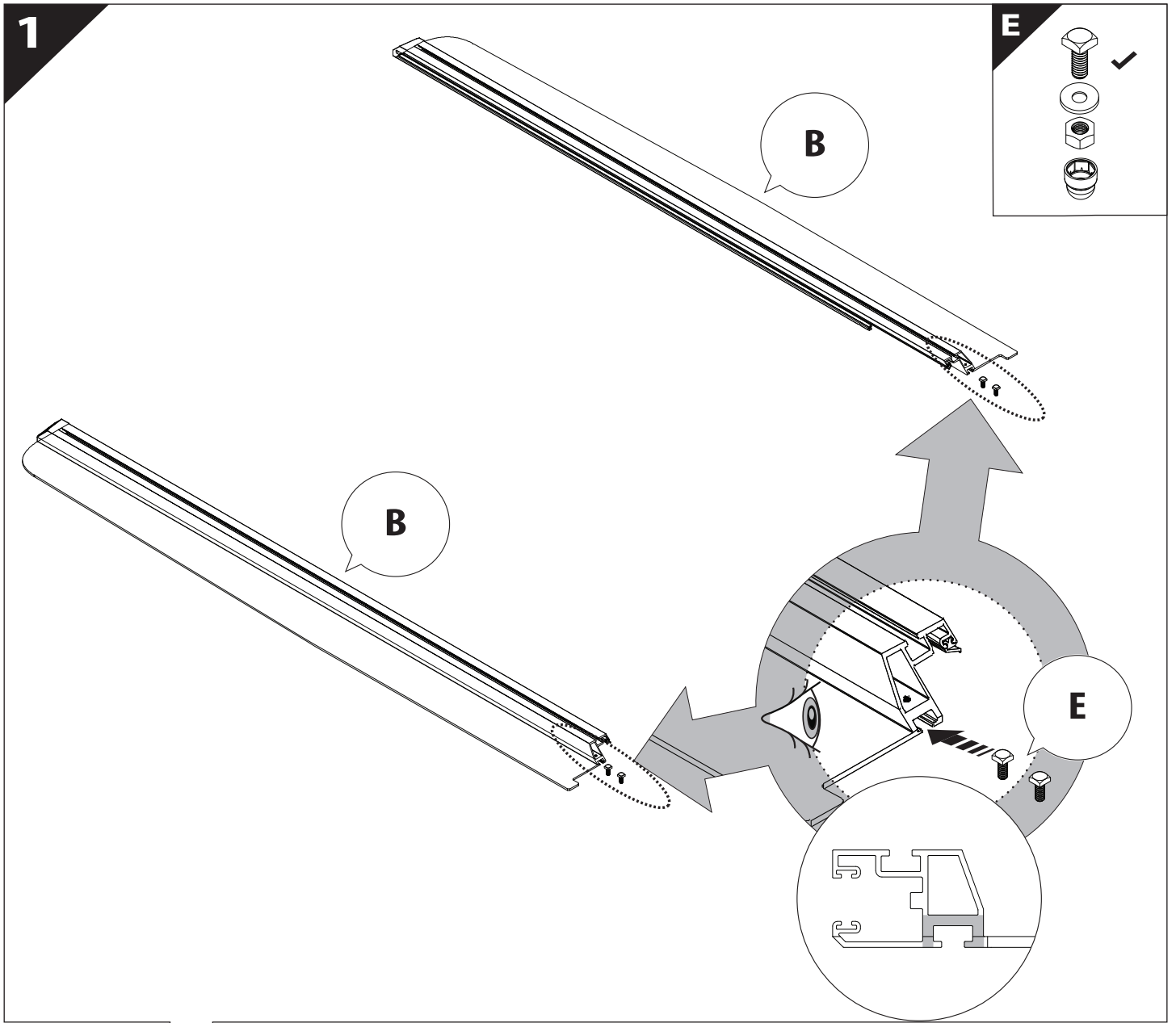


B

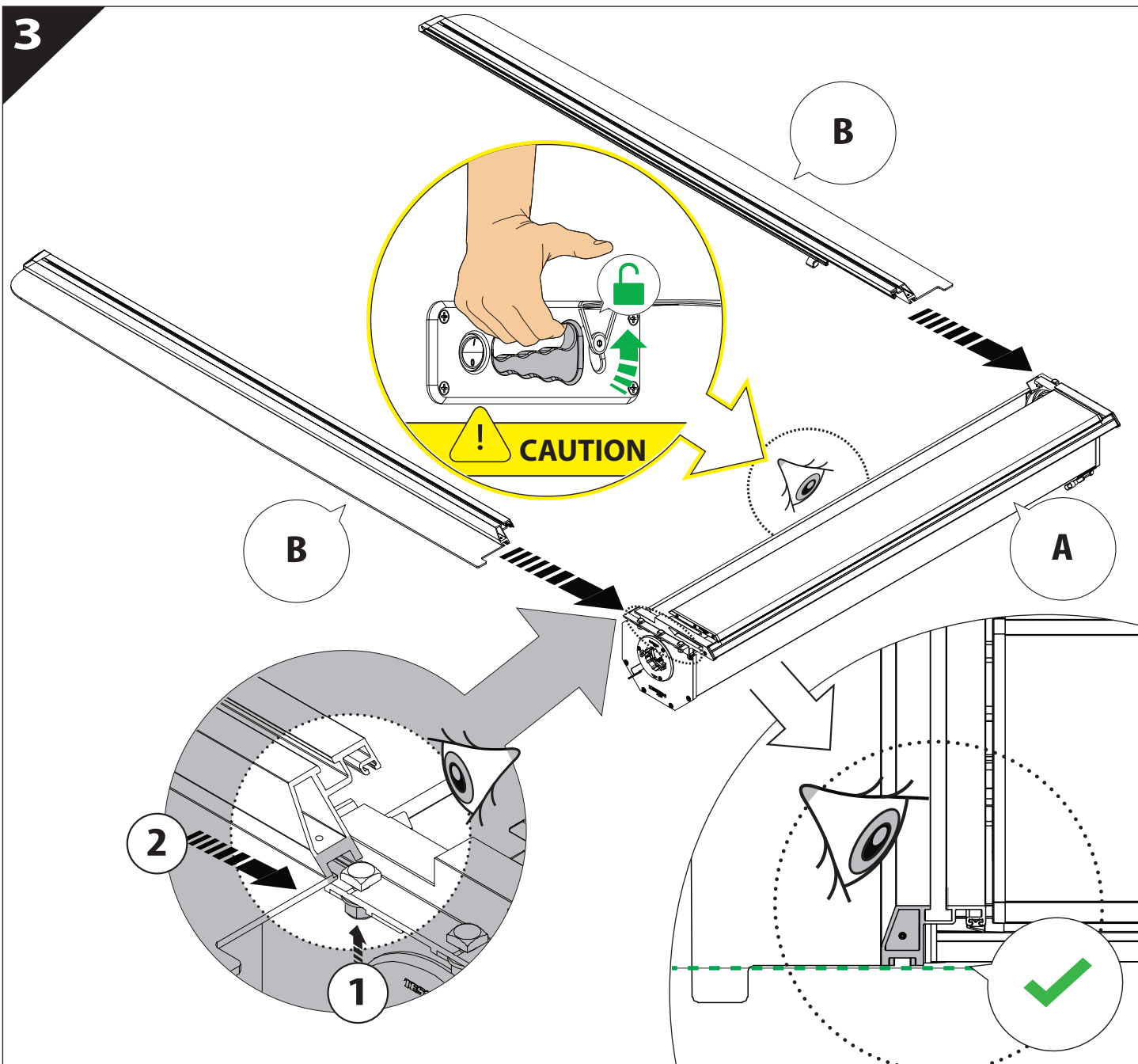
A

KITS

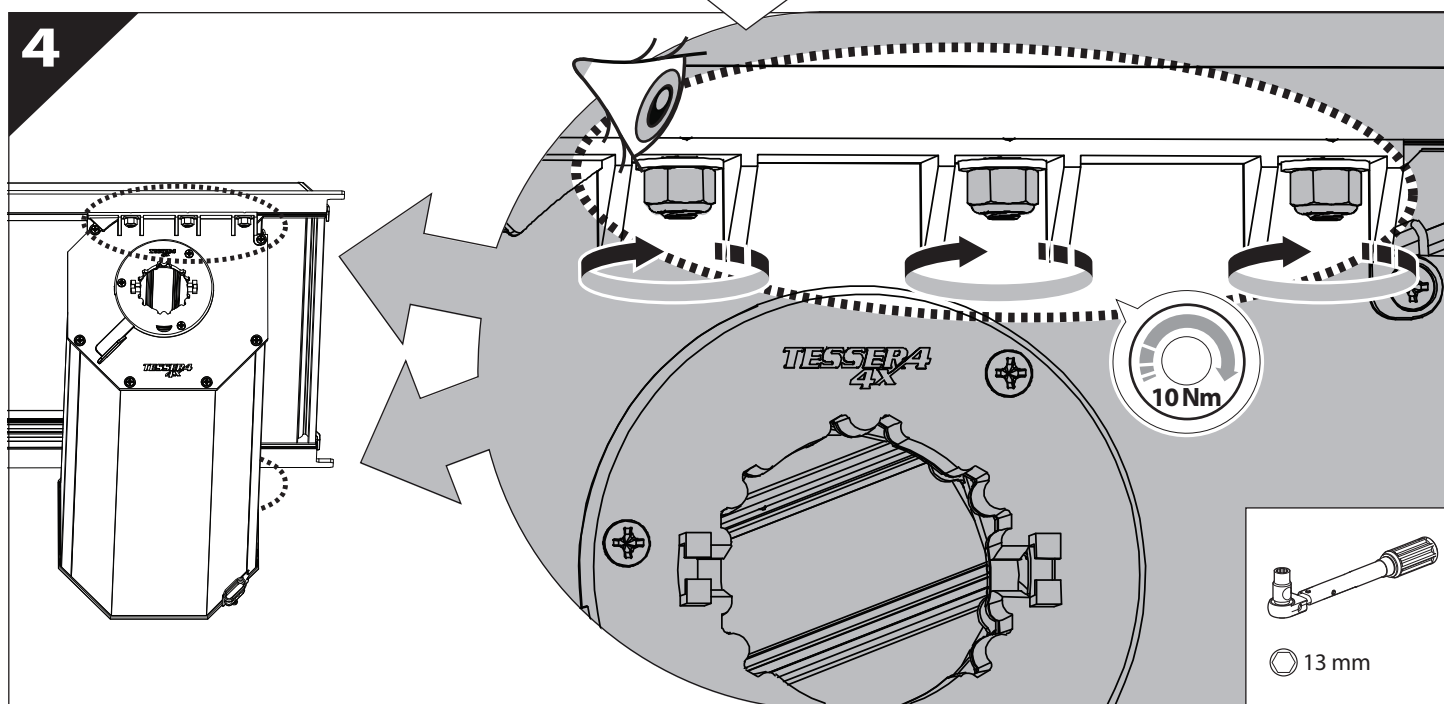
L

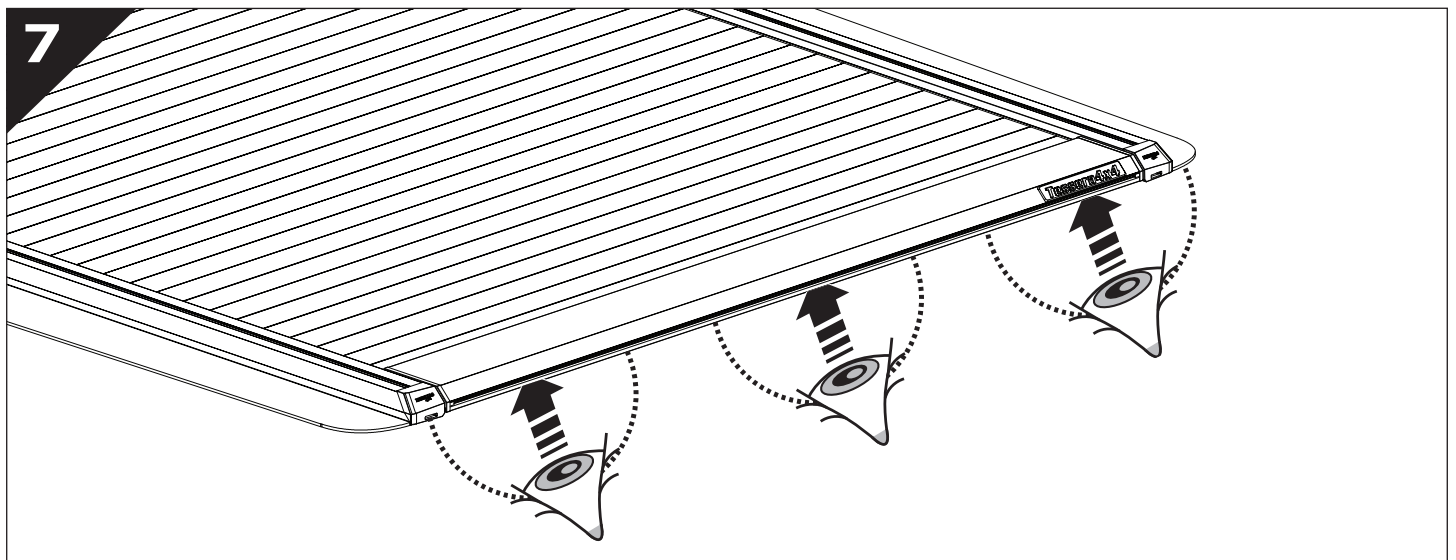
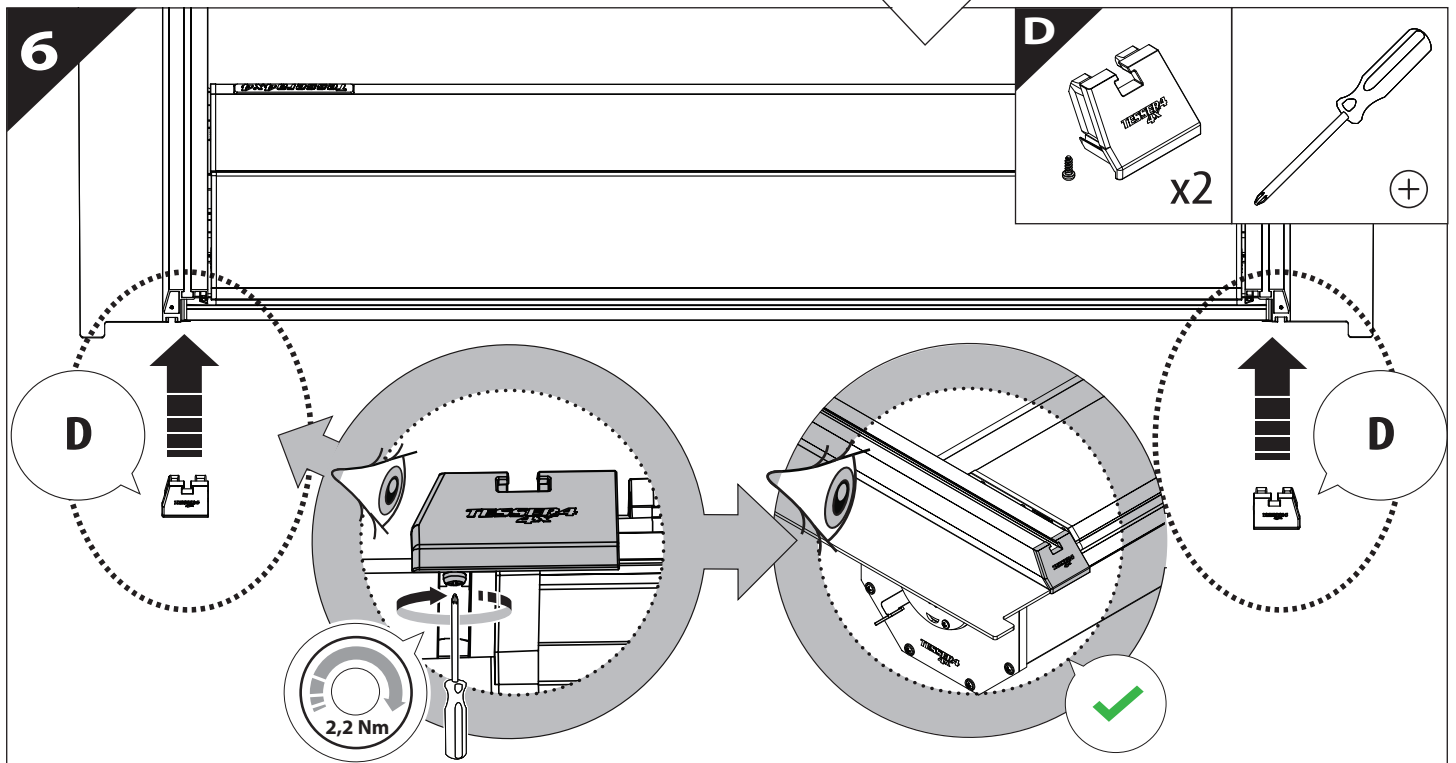
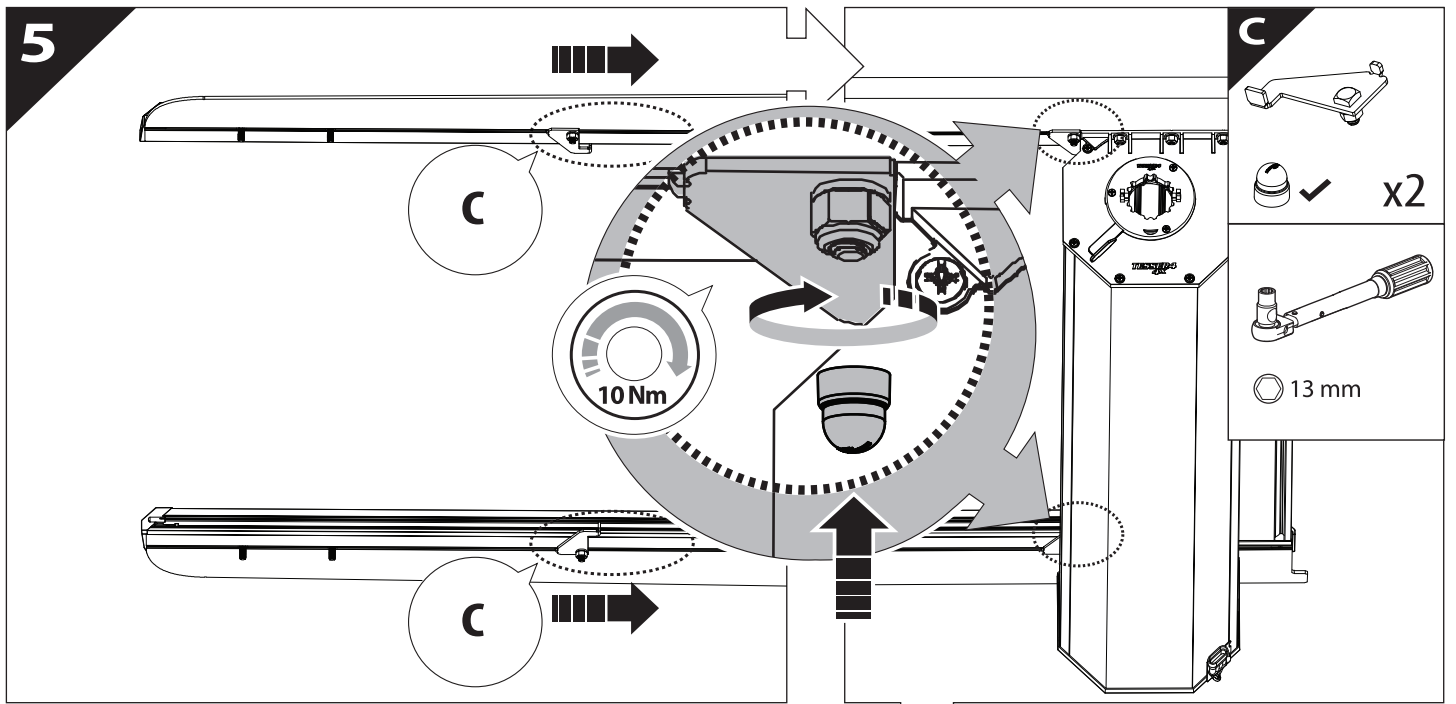


3

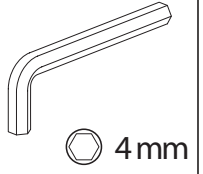
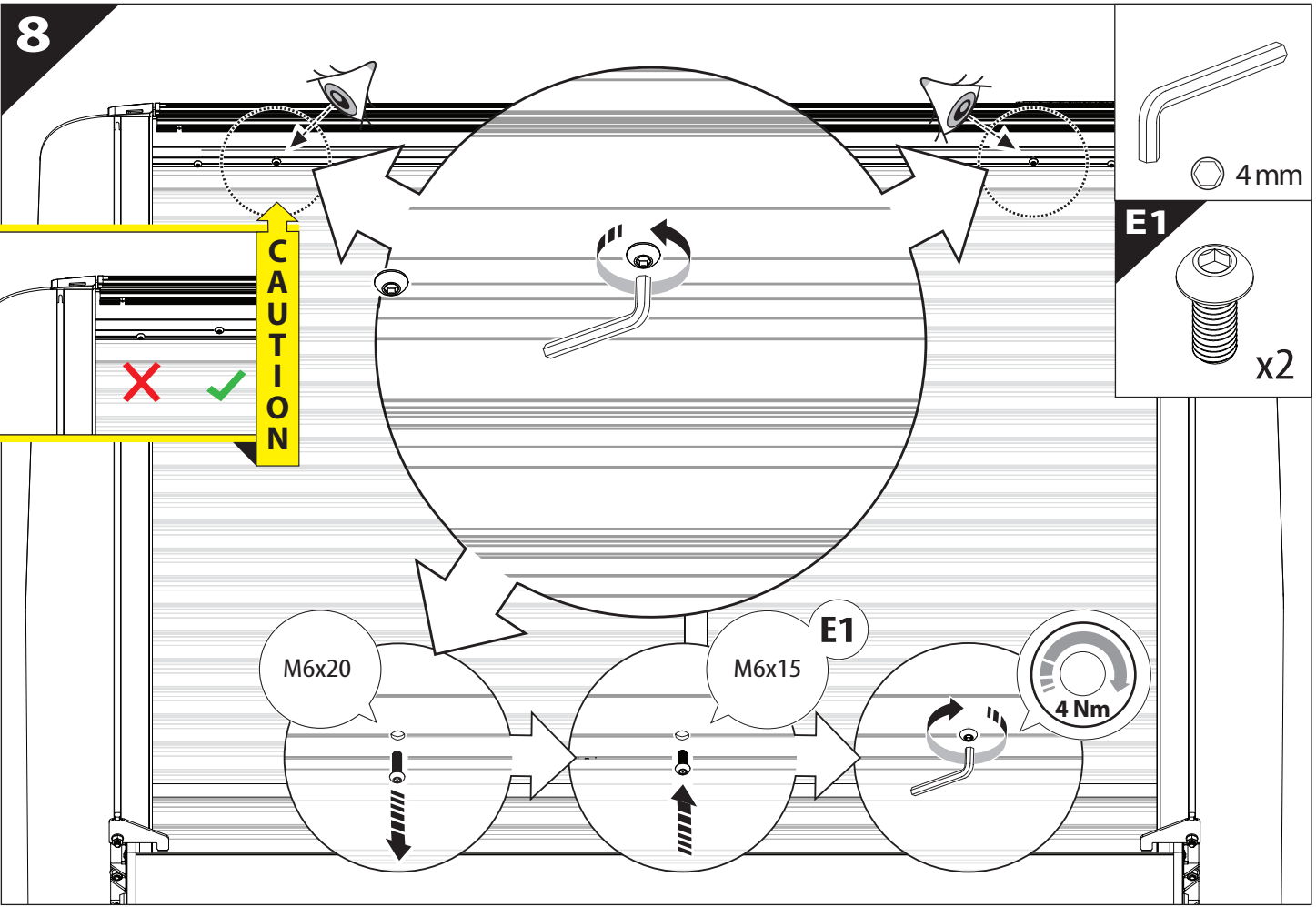
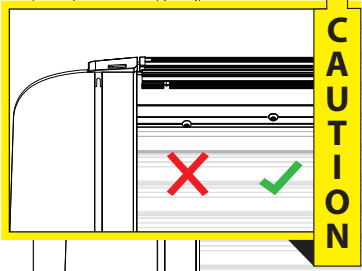


4





8



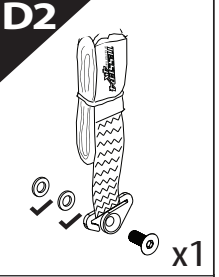
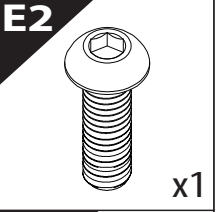
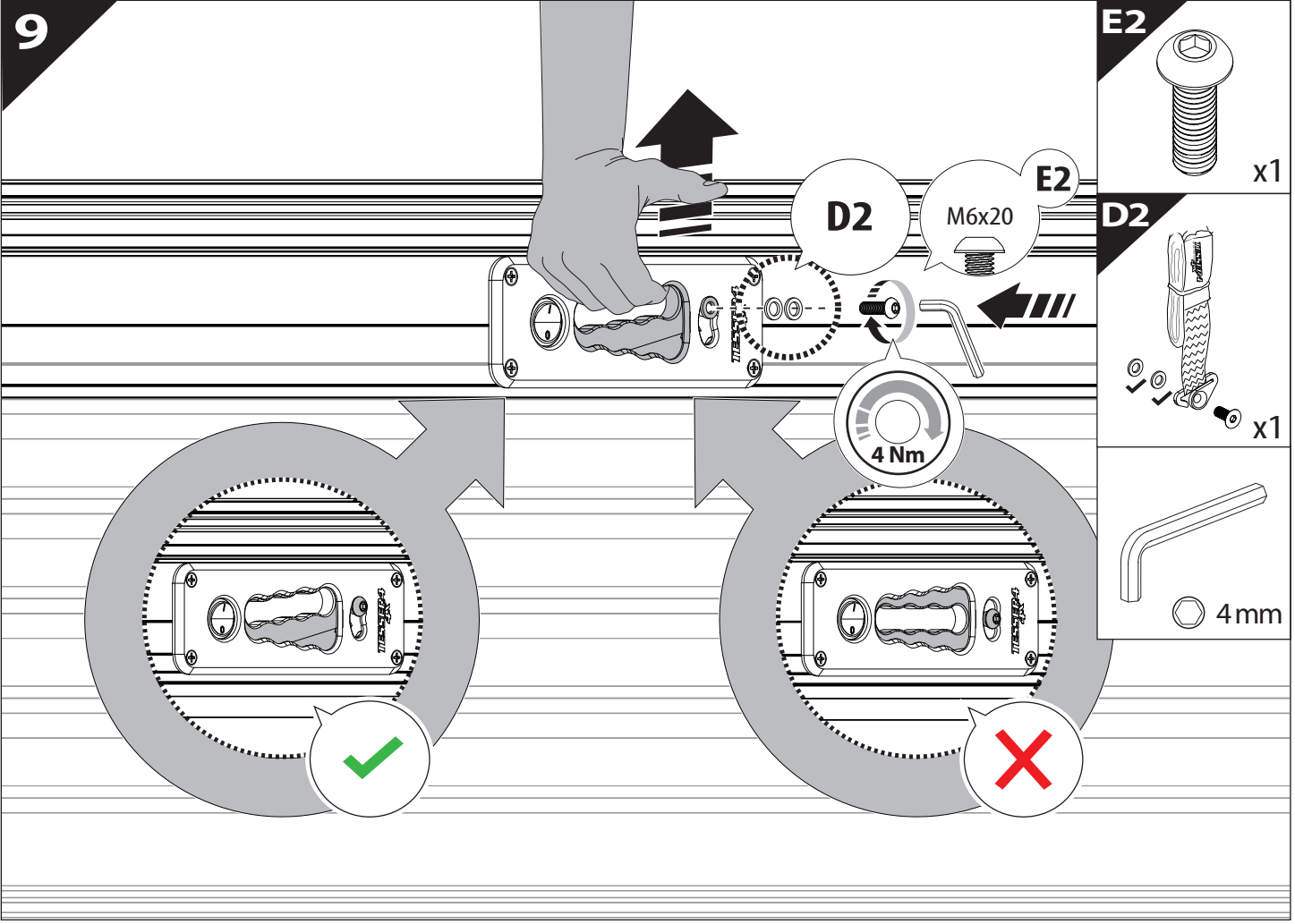
M6x20

M6x15

E1

4 Nm

9

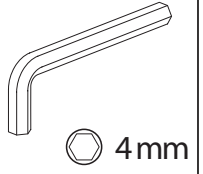


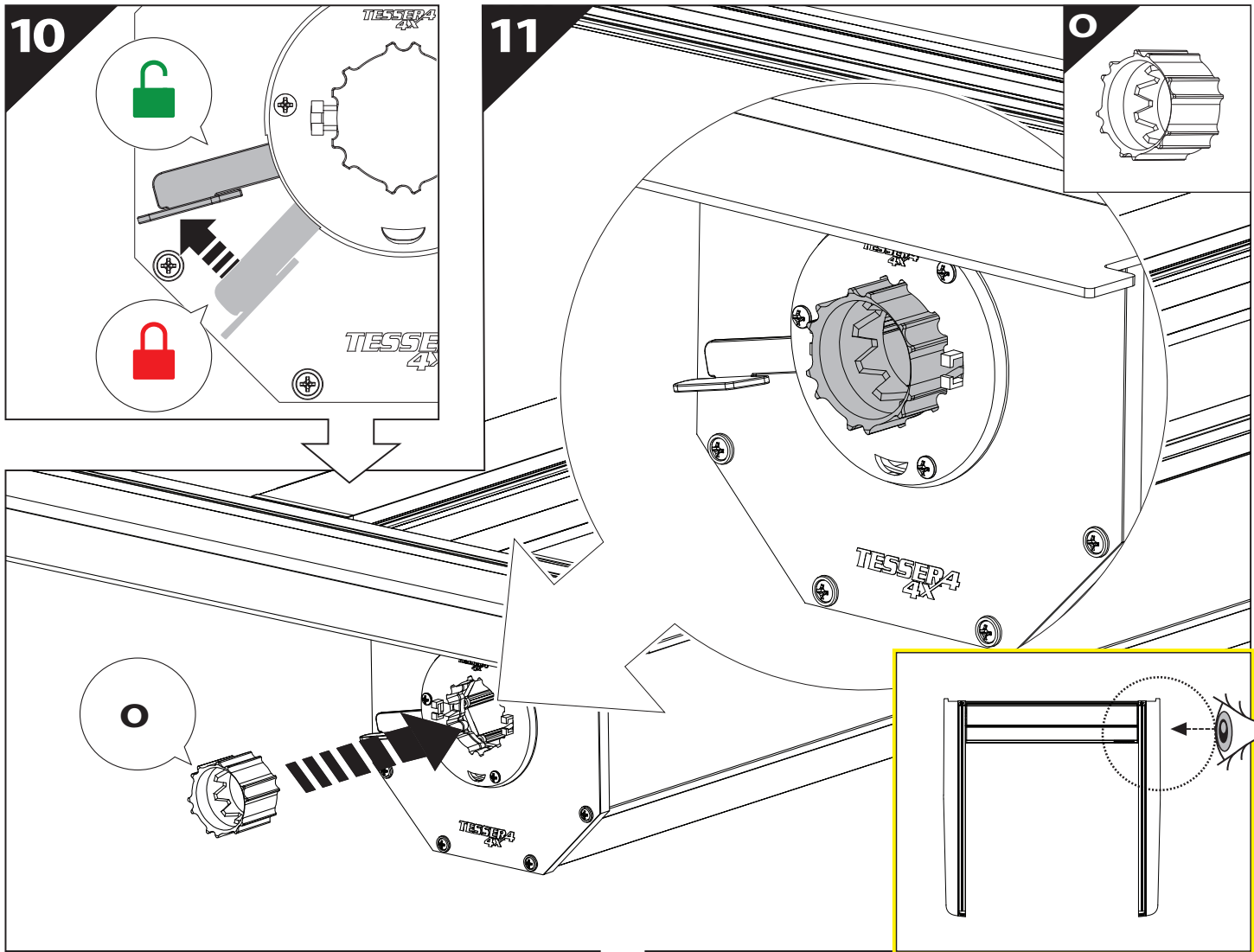
D2

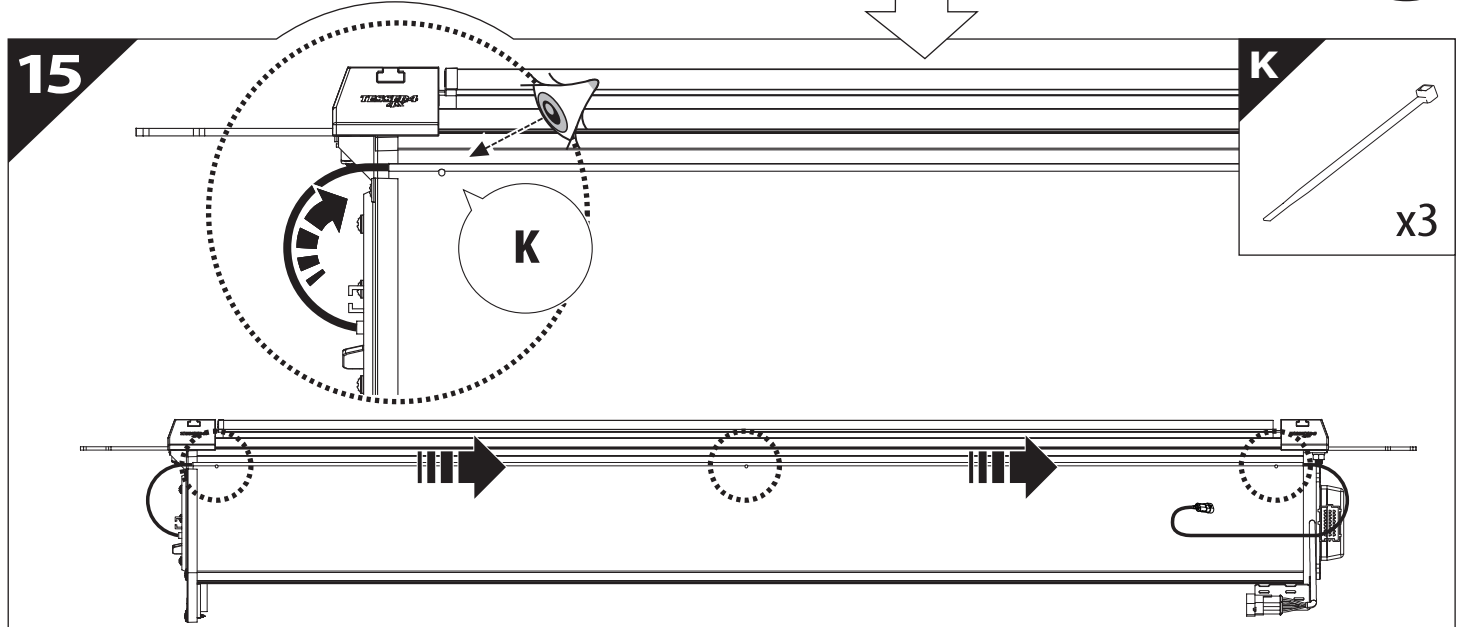
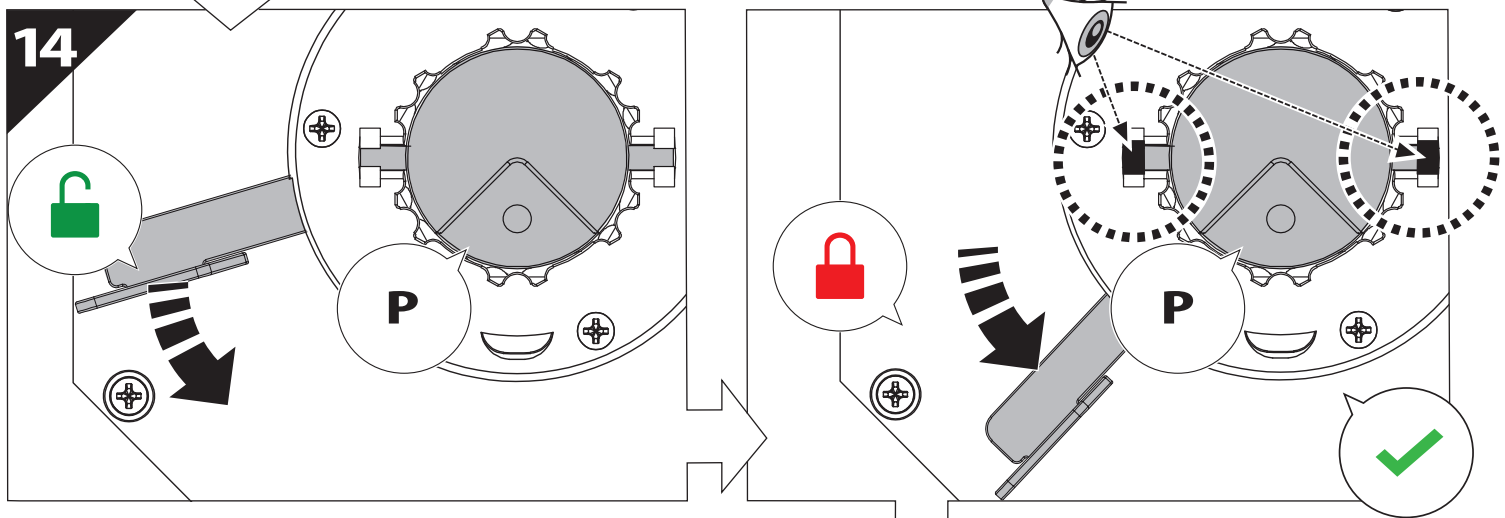
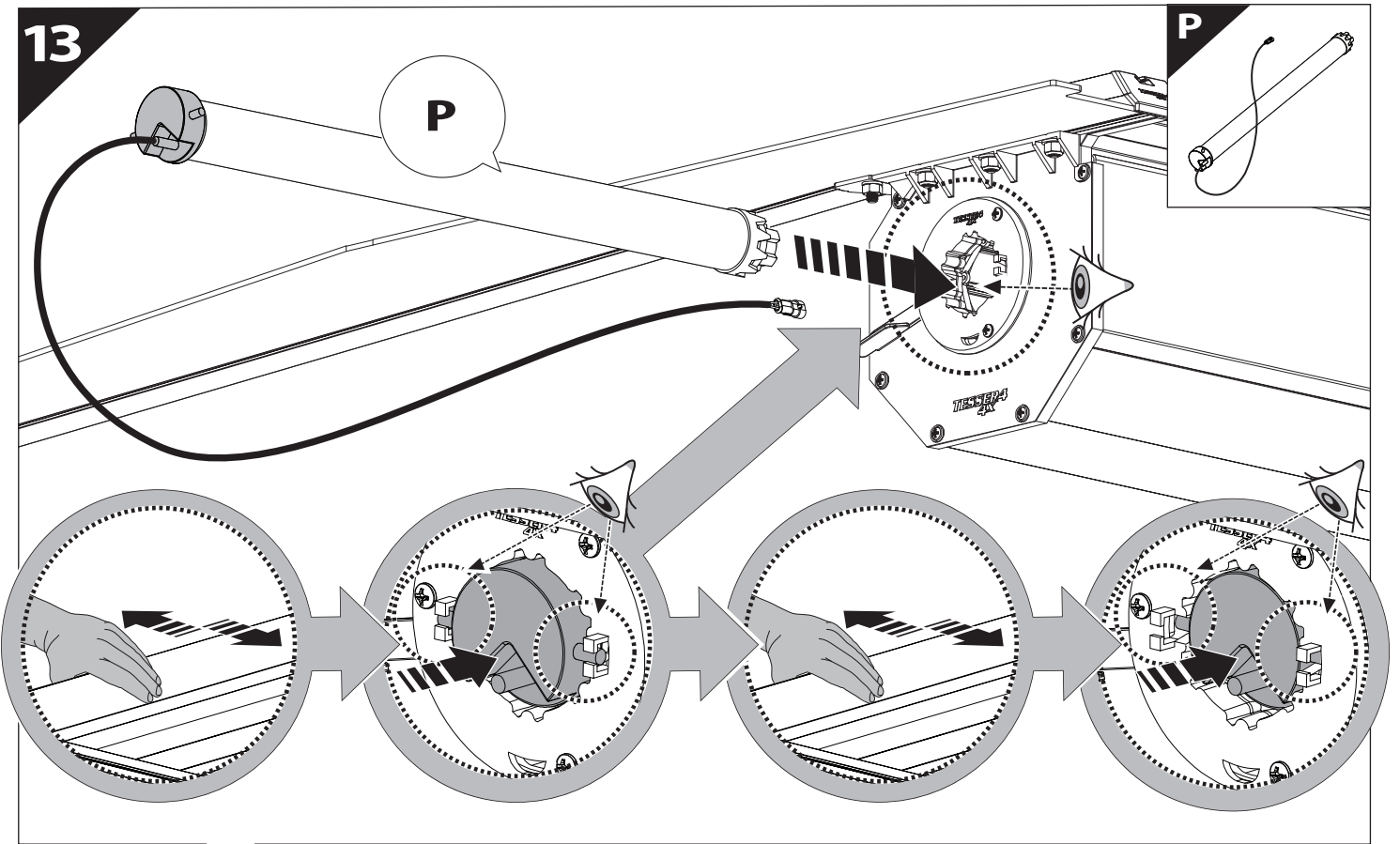
M6x20

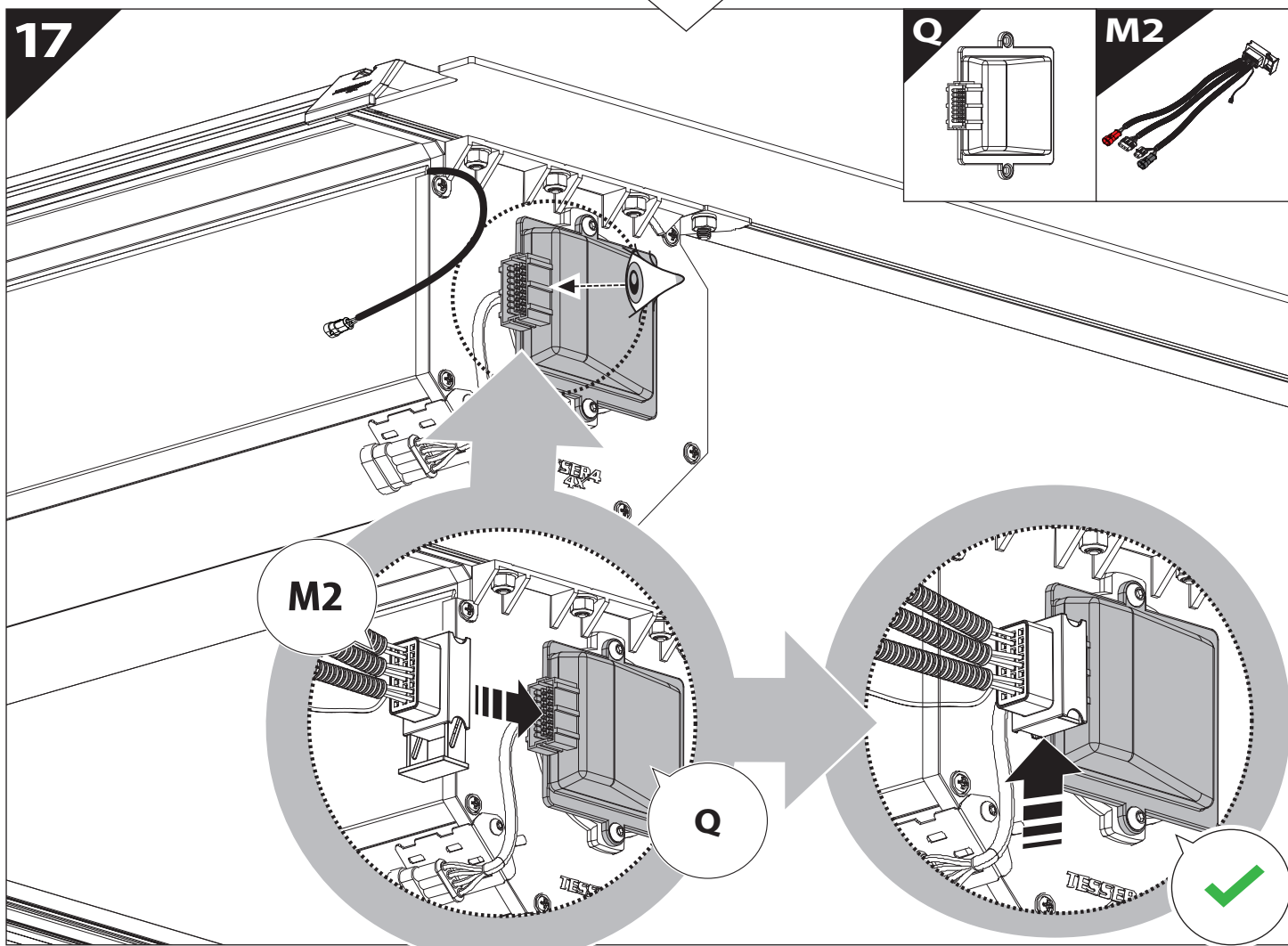
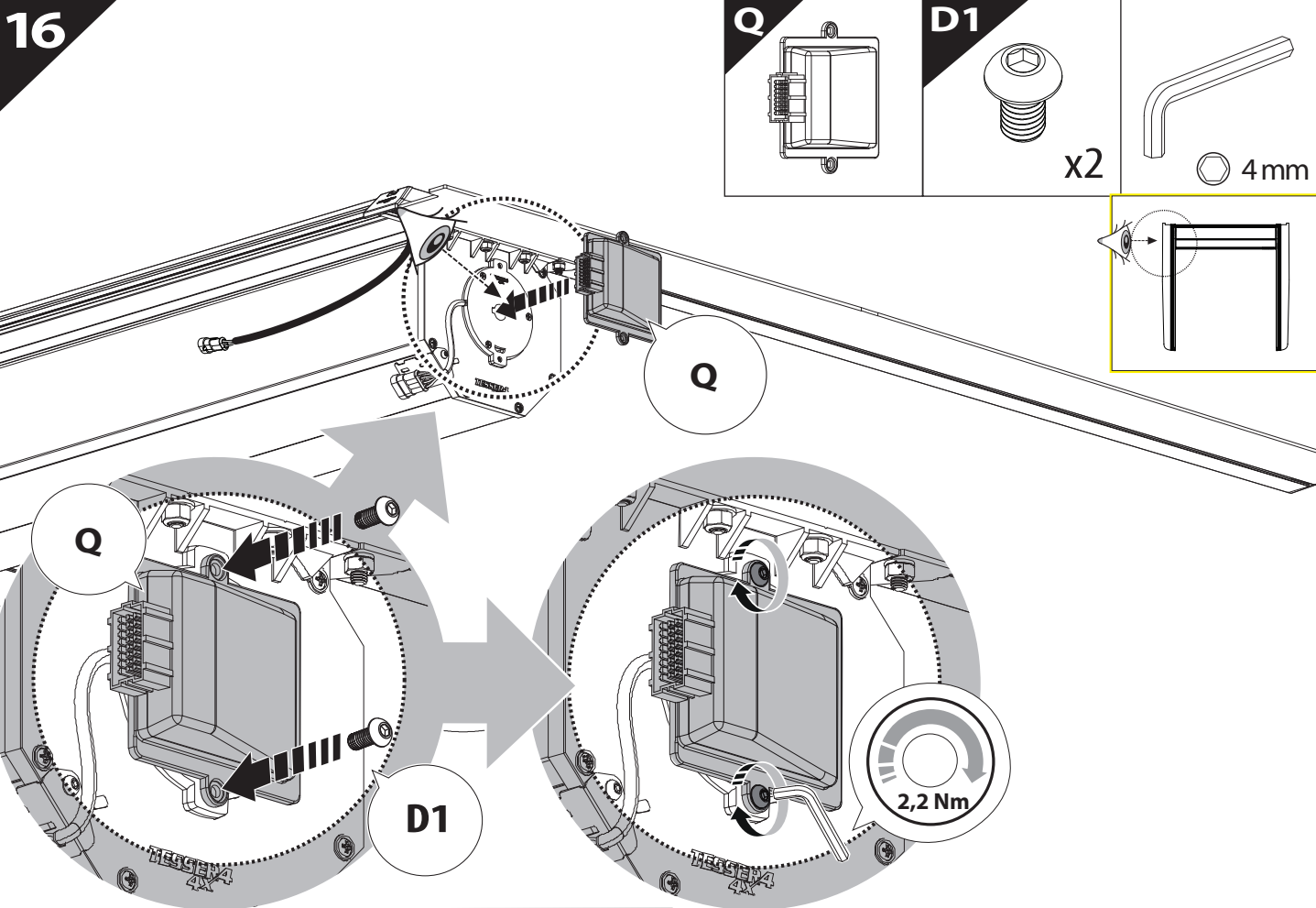
E2

4 Nm

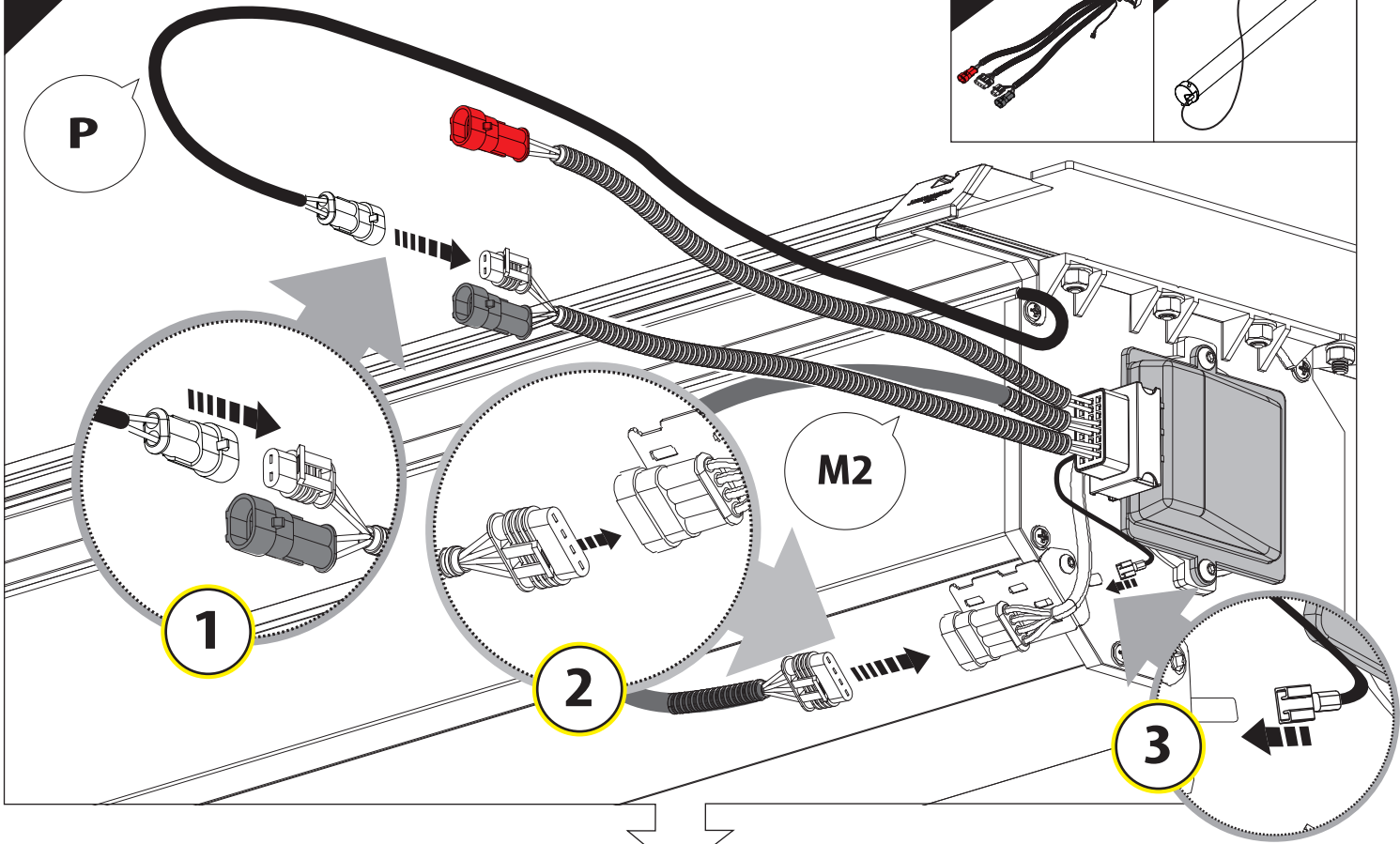
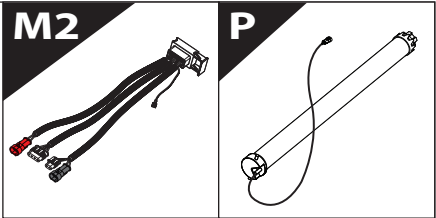




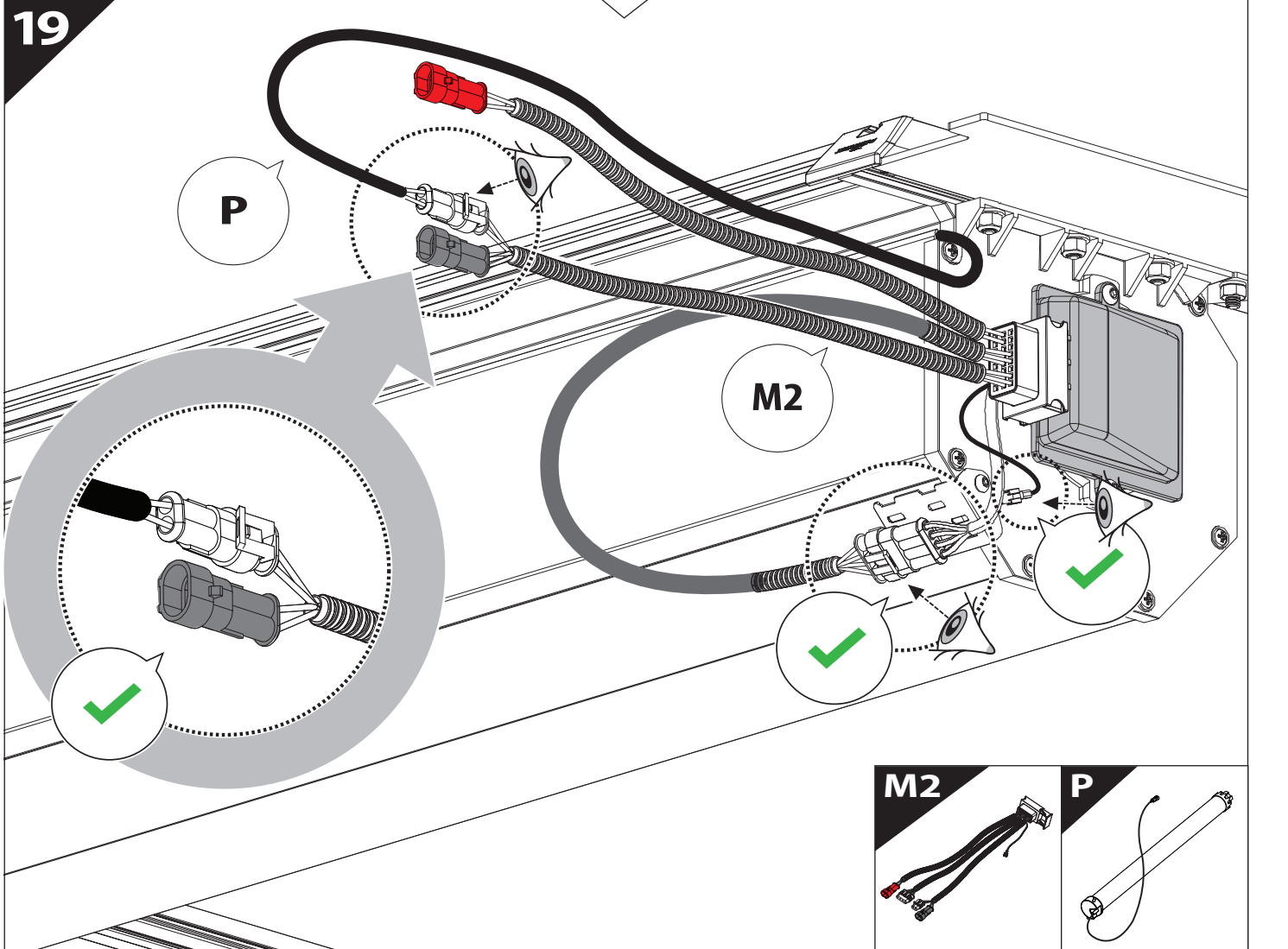
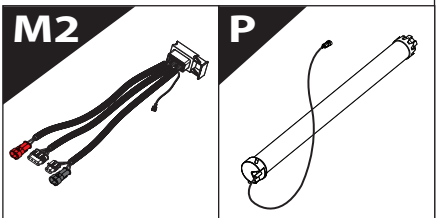




18

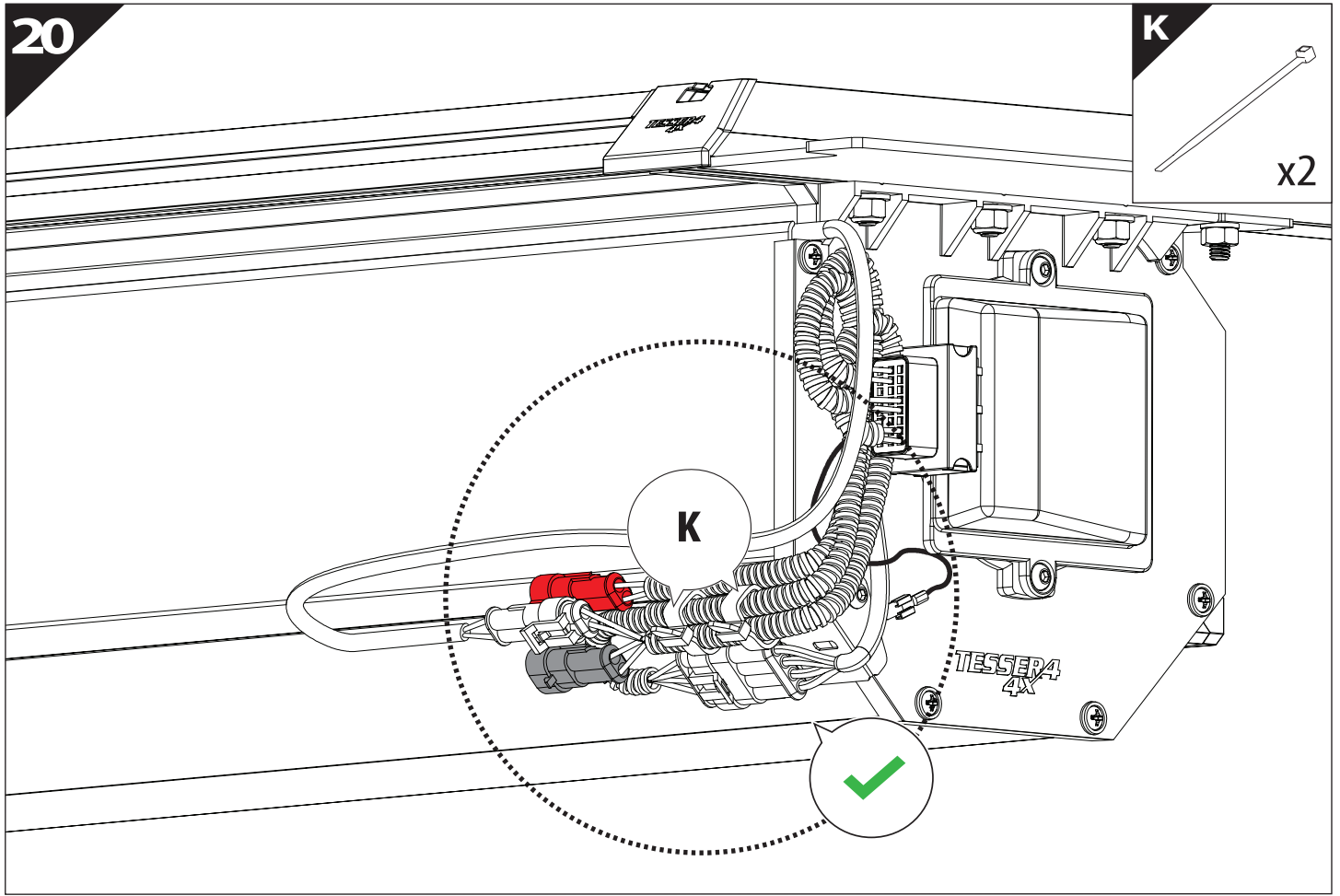


19



20

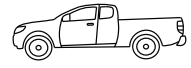
K



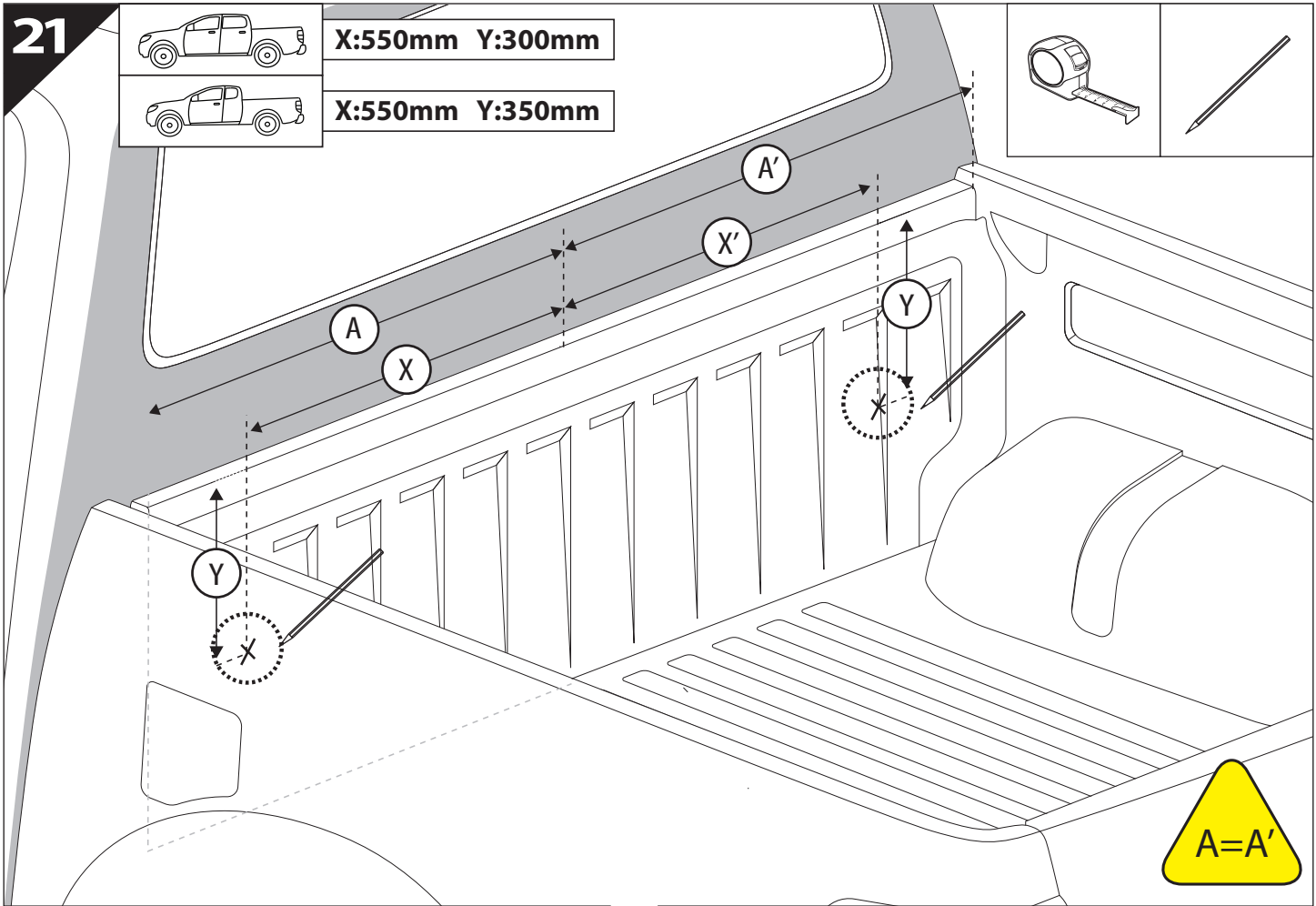
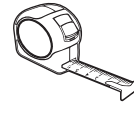
21



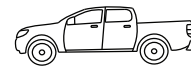
X:550mm Y:300mm



X:550mm Y:350mm



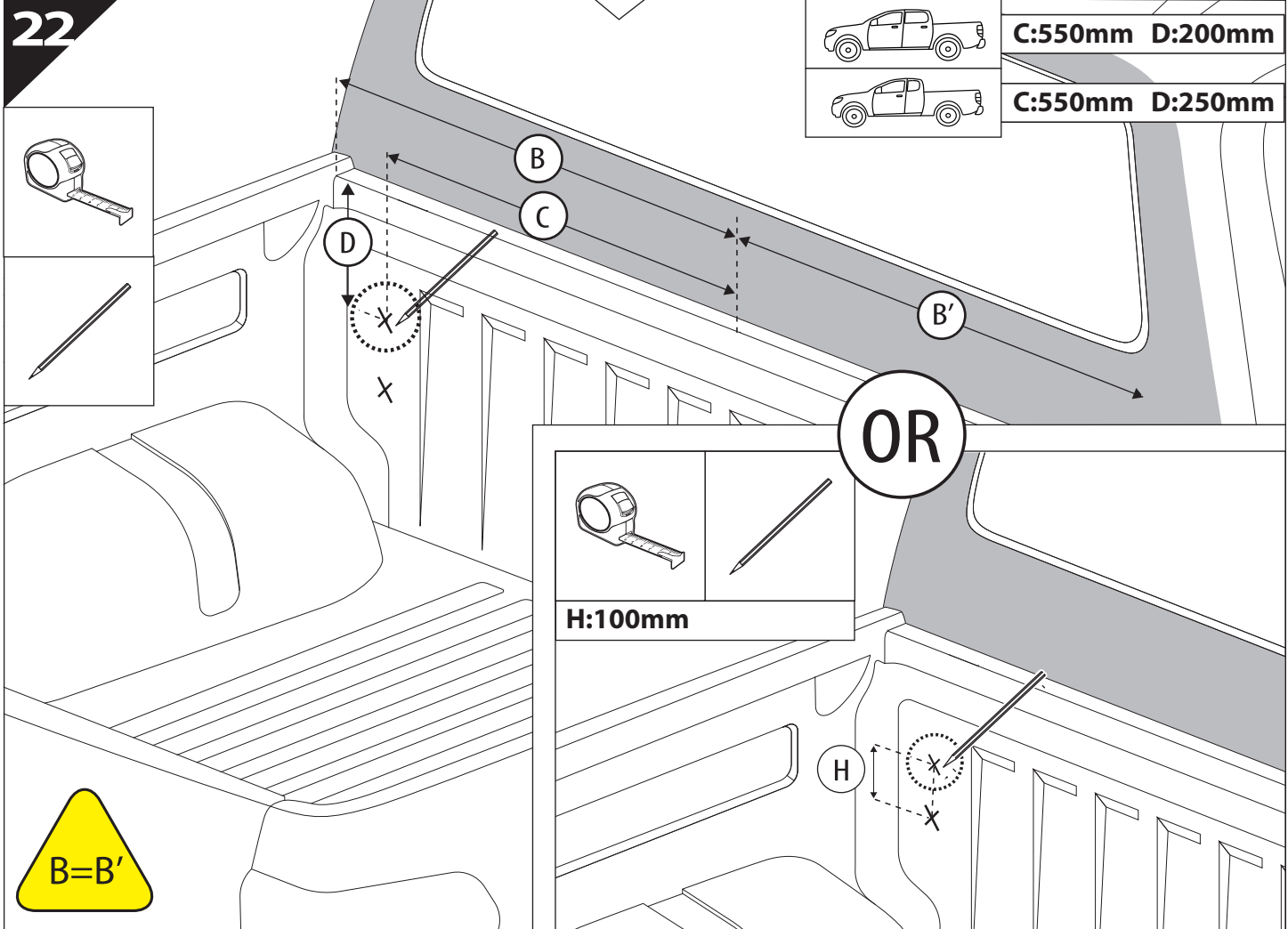
22

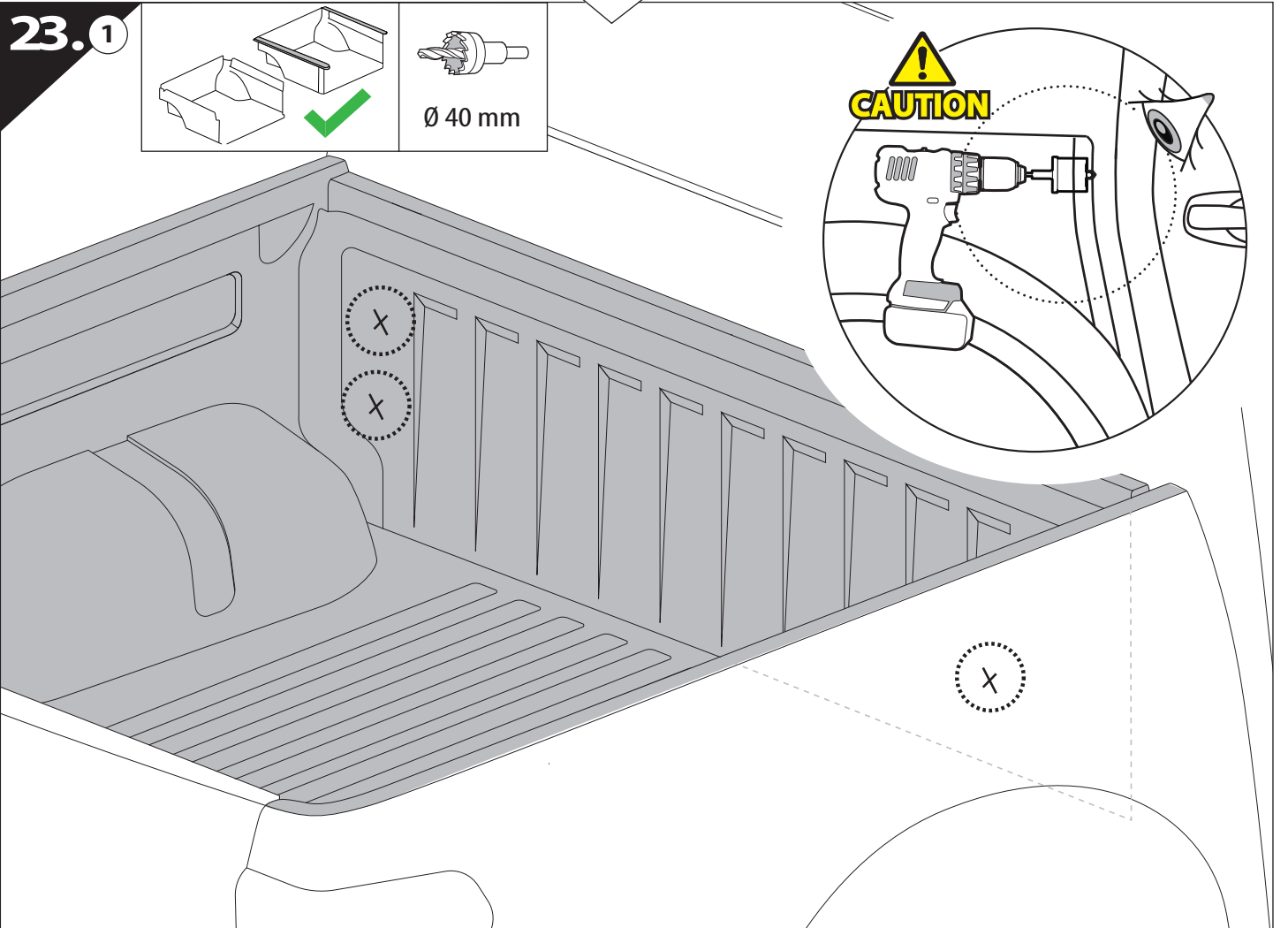
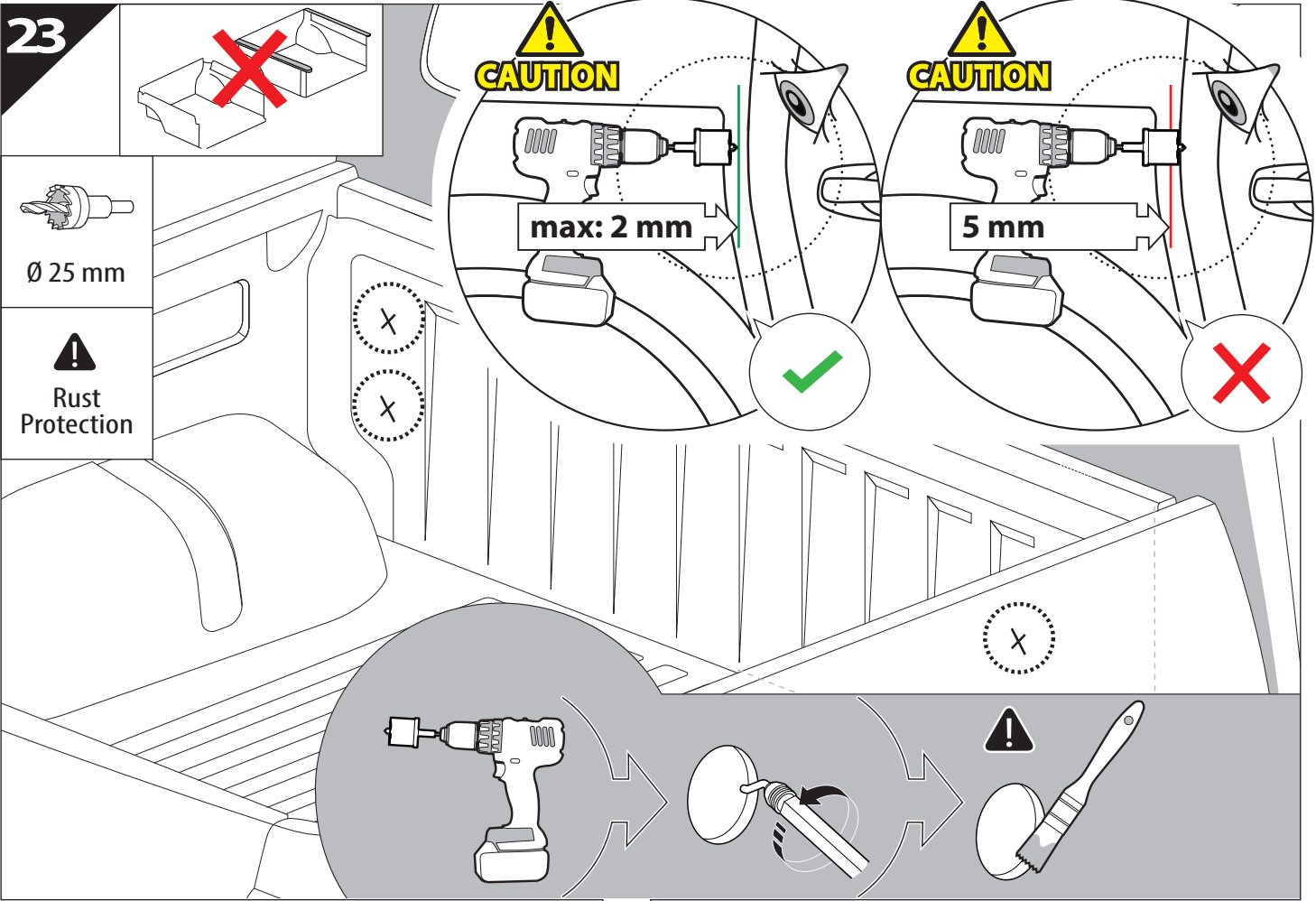


C:550mm D:200mm

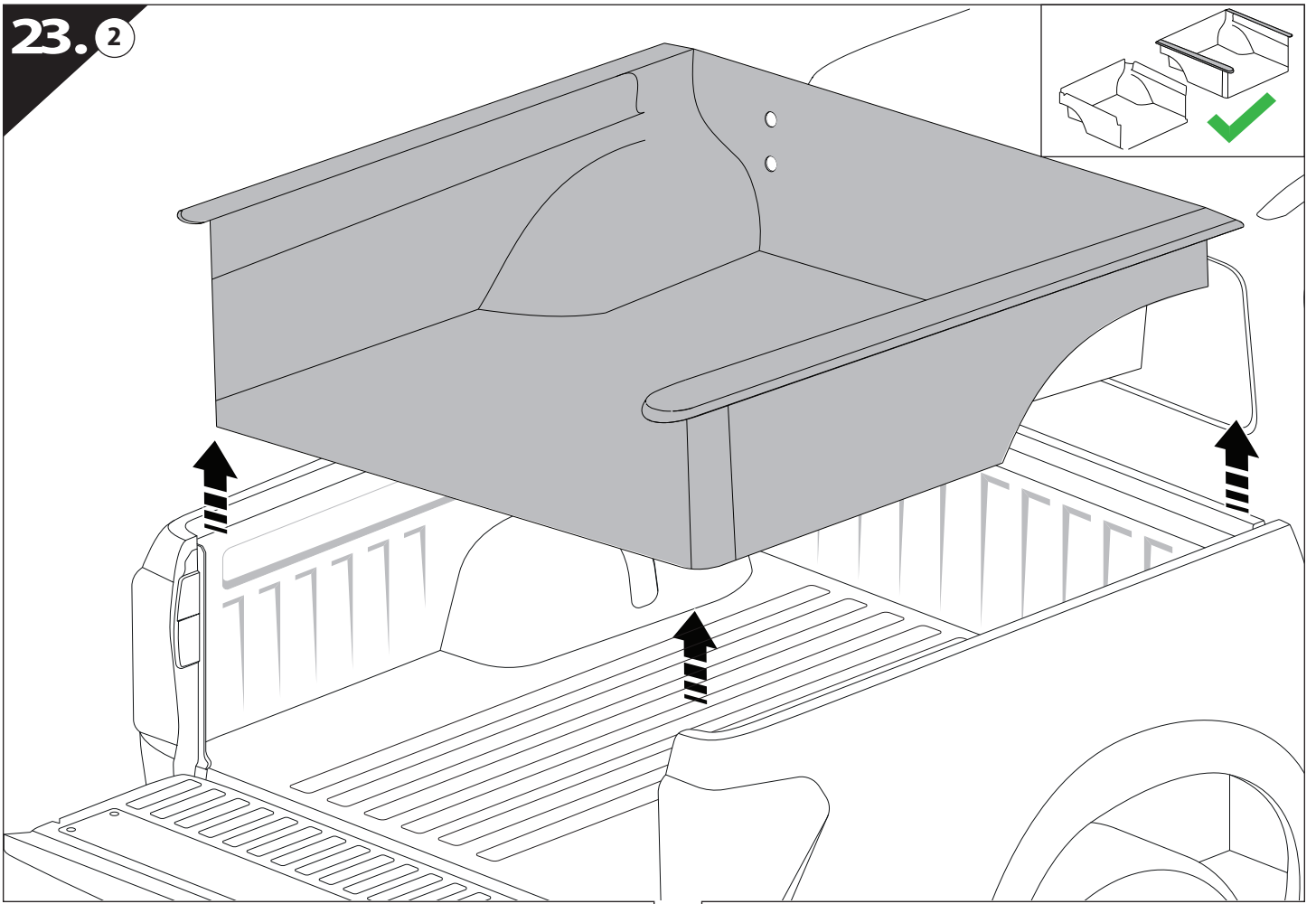


C:550mm D:250mm

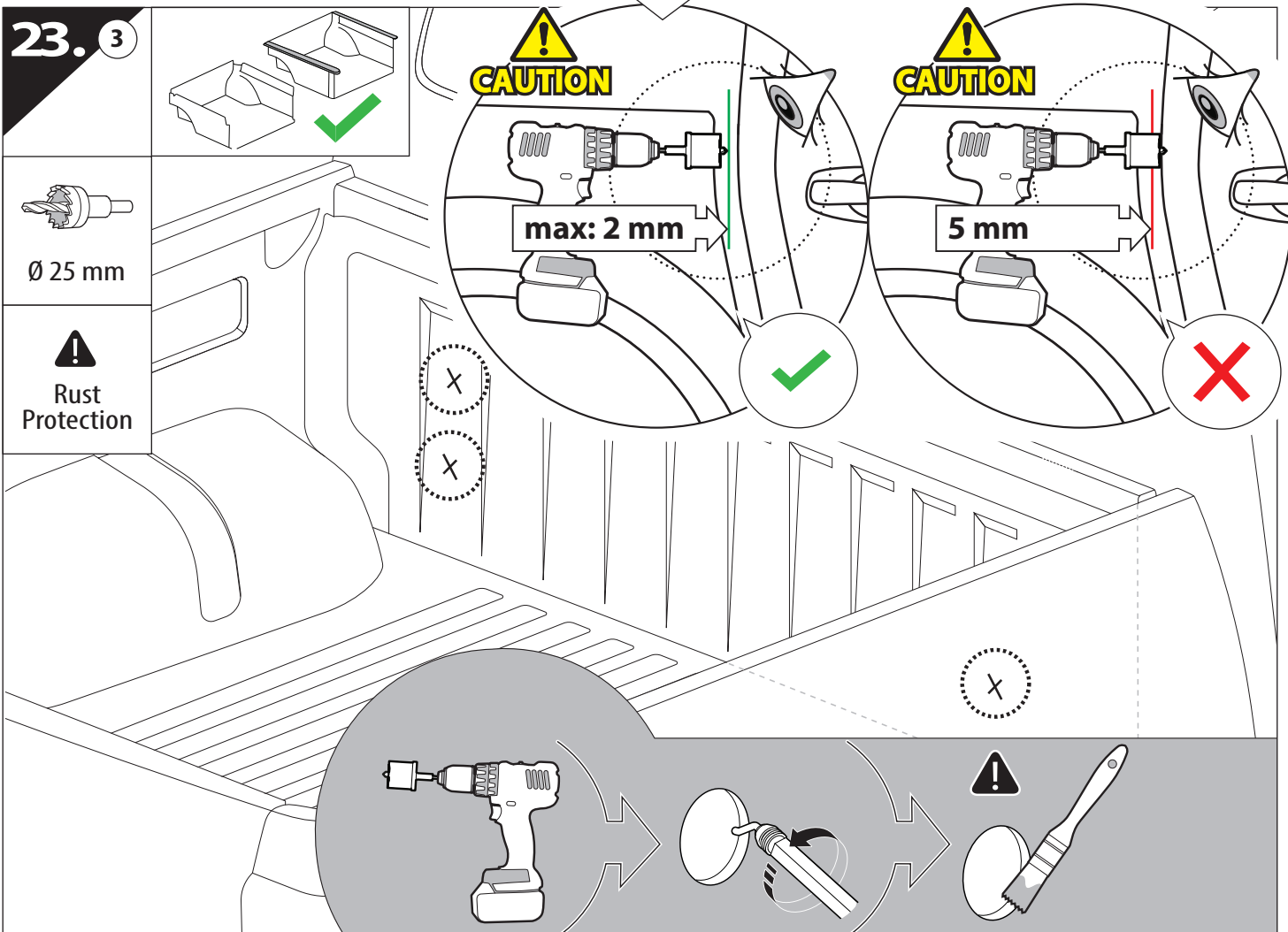


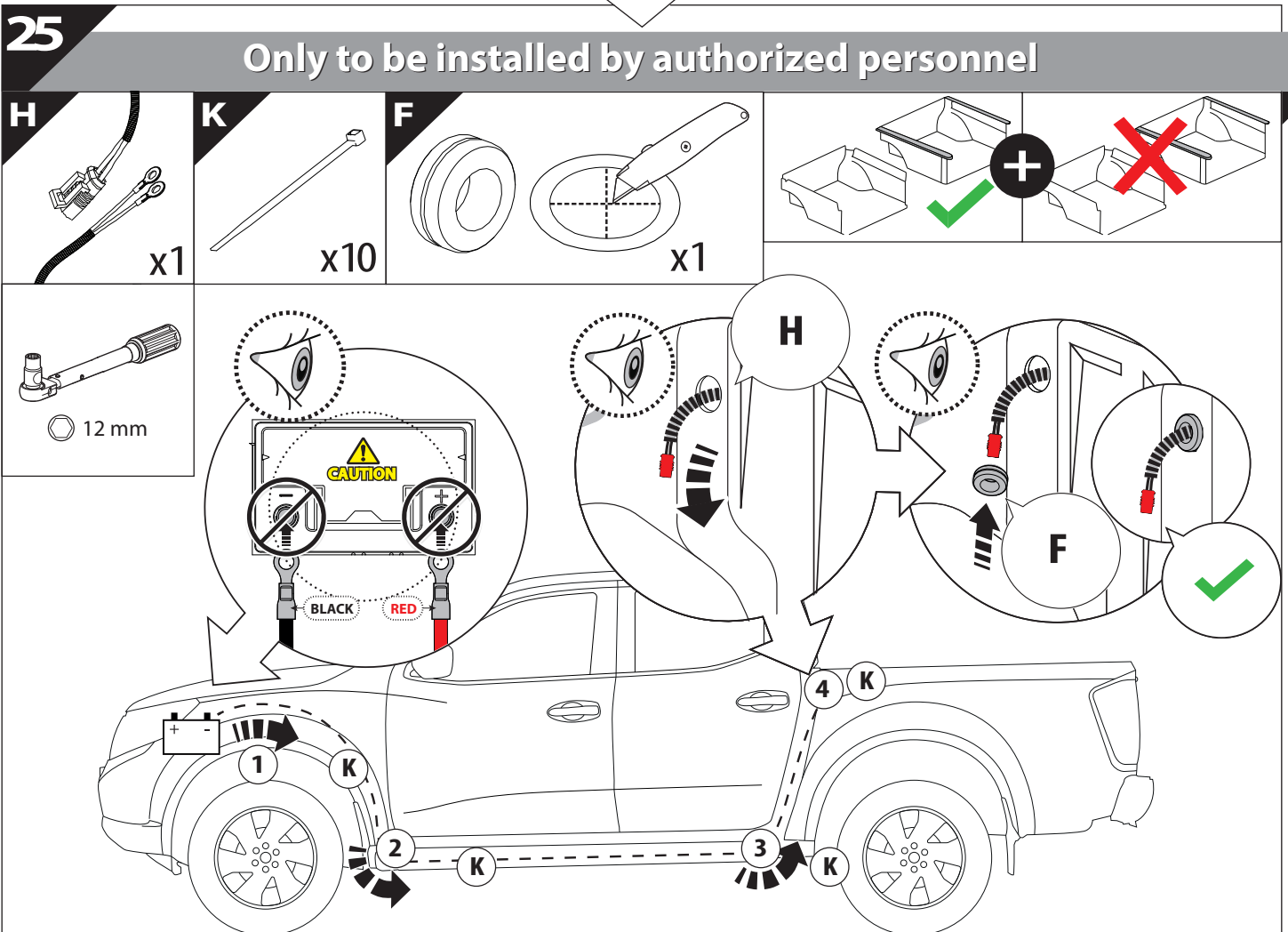
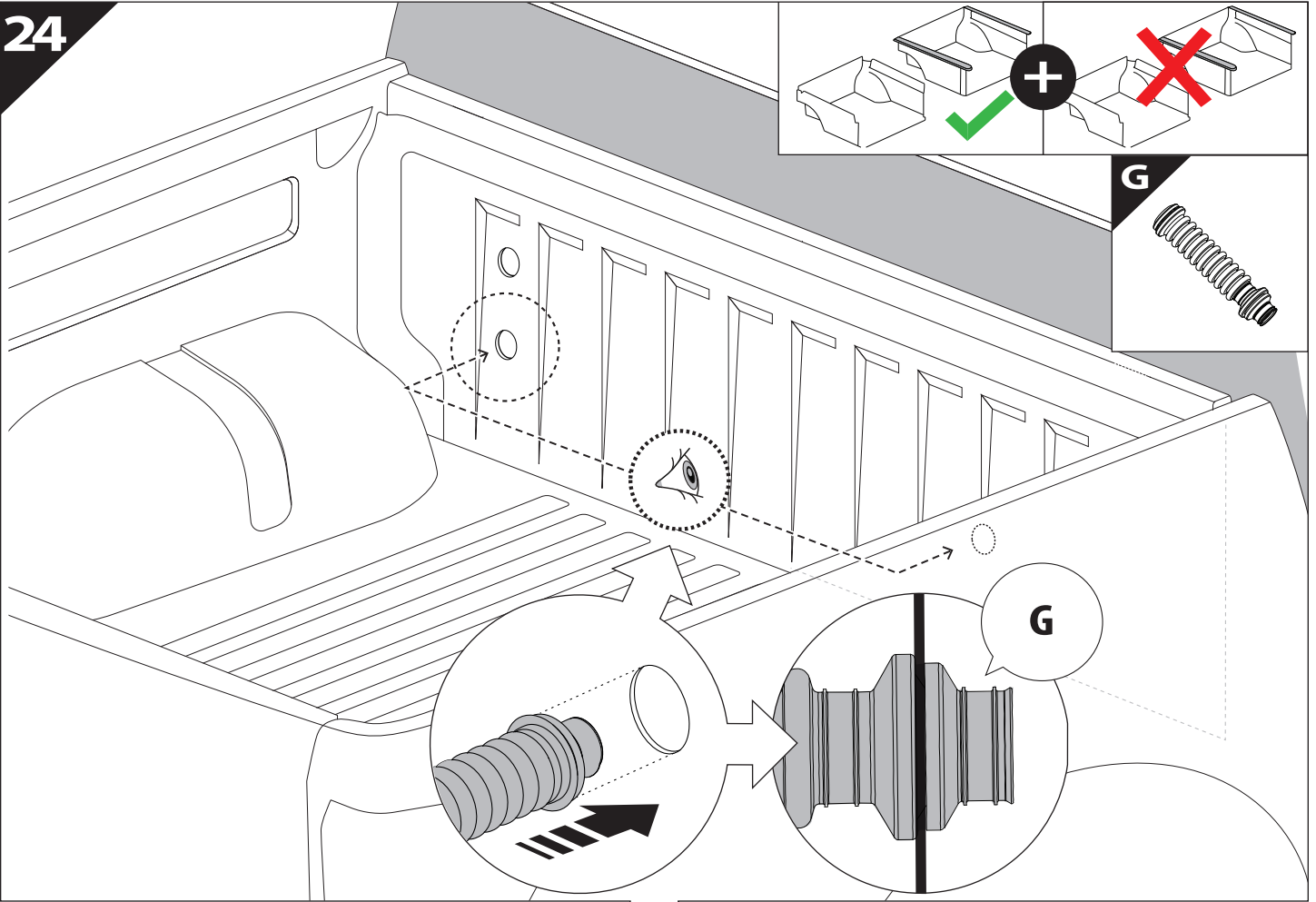


23.2

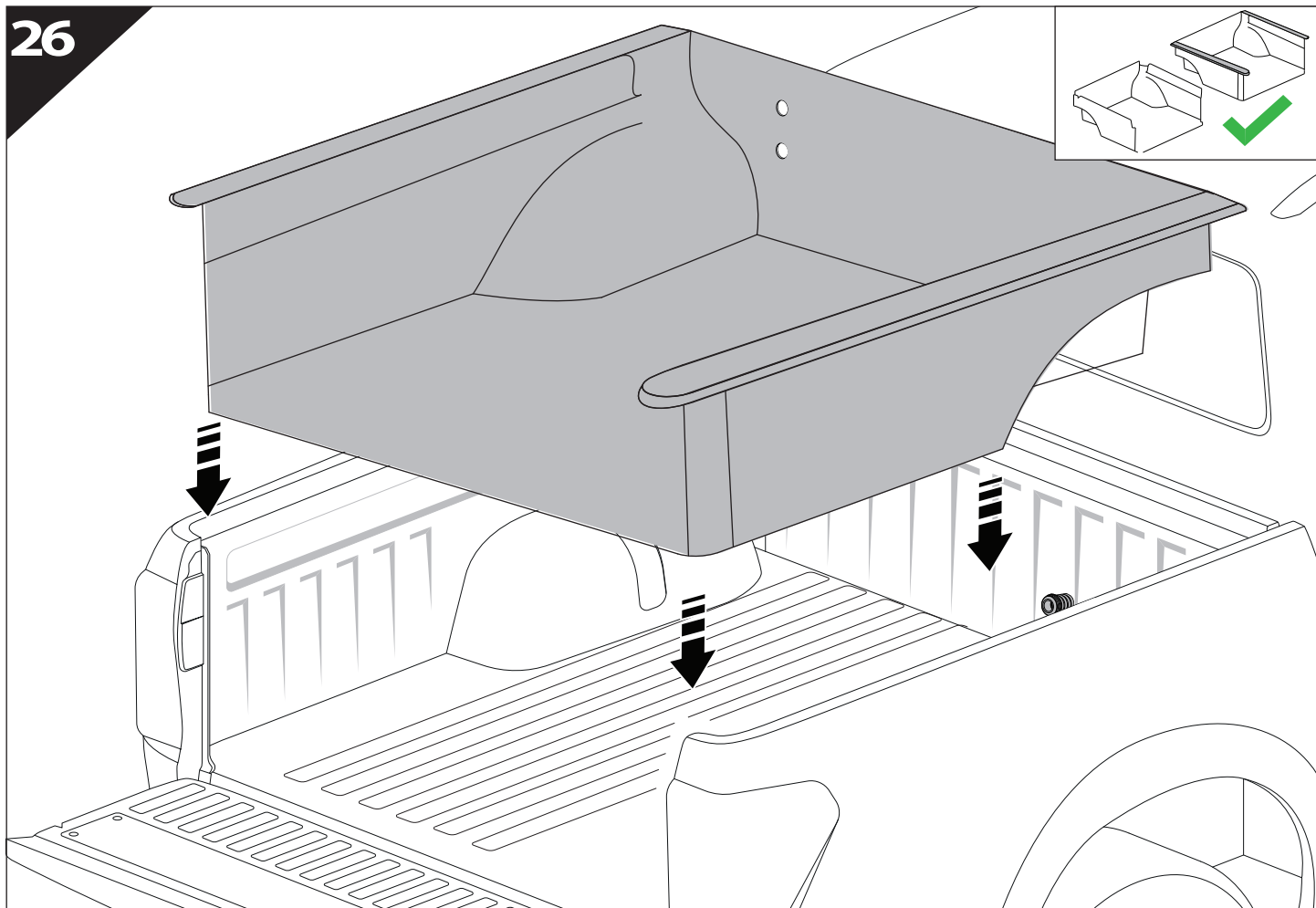


23.3

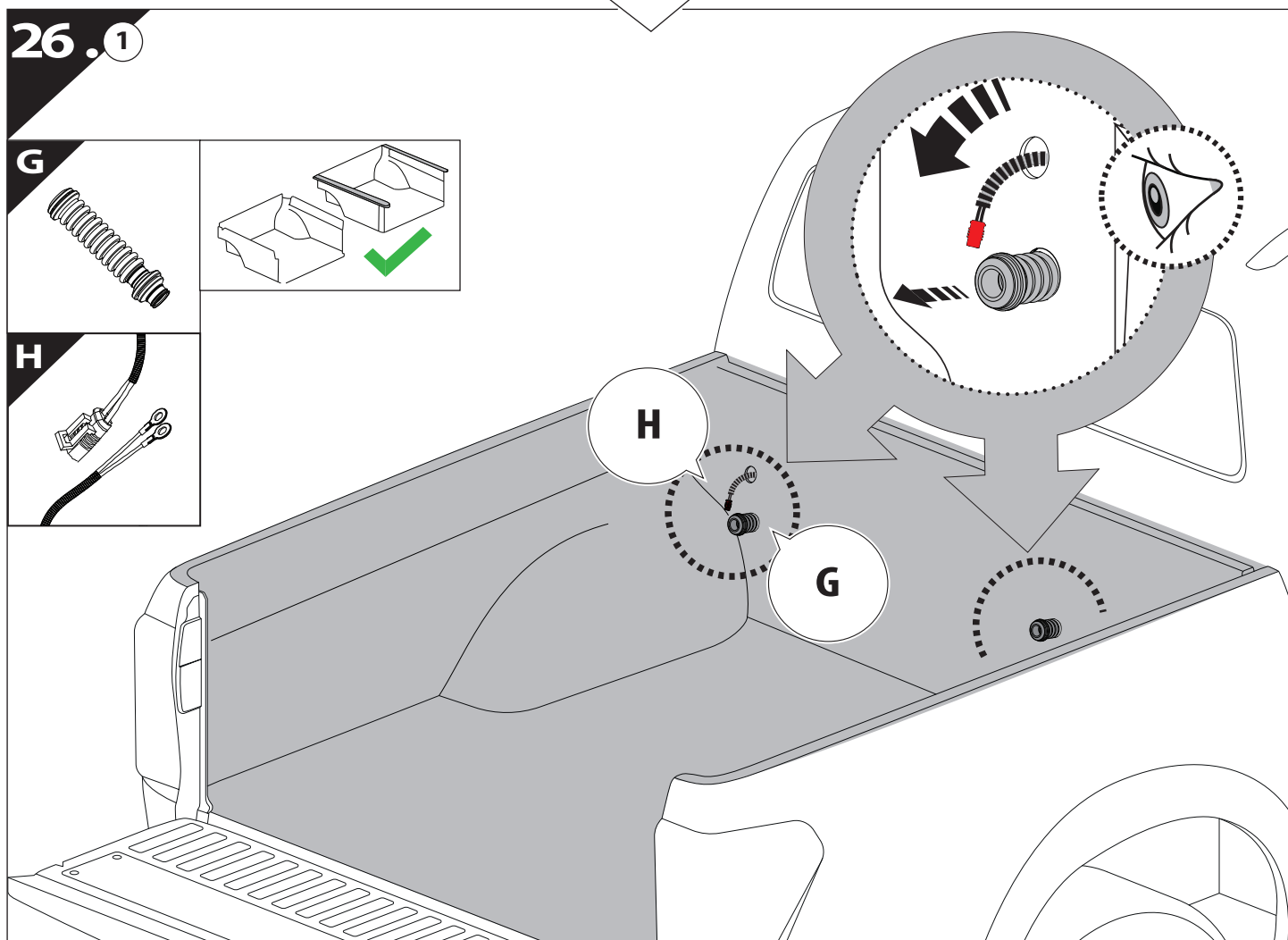




26

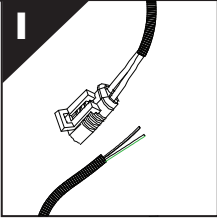


26.1

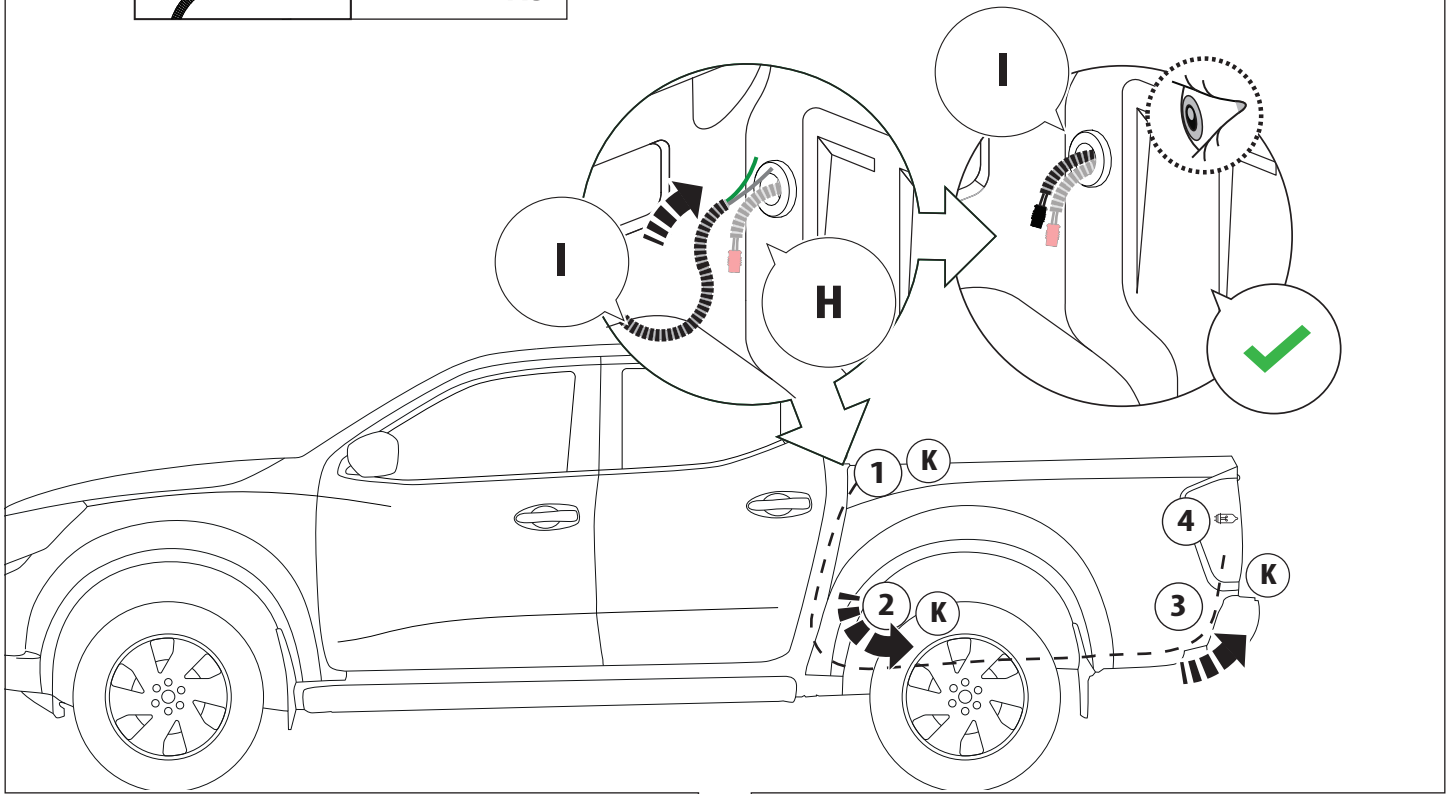
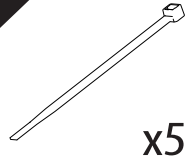


27

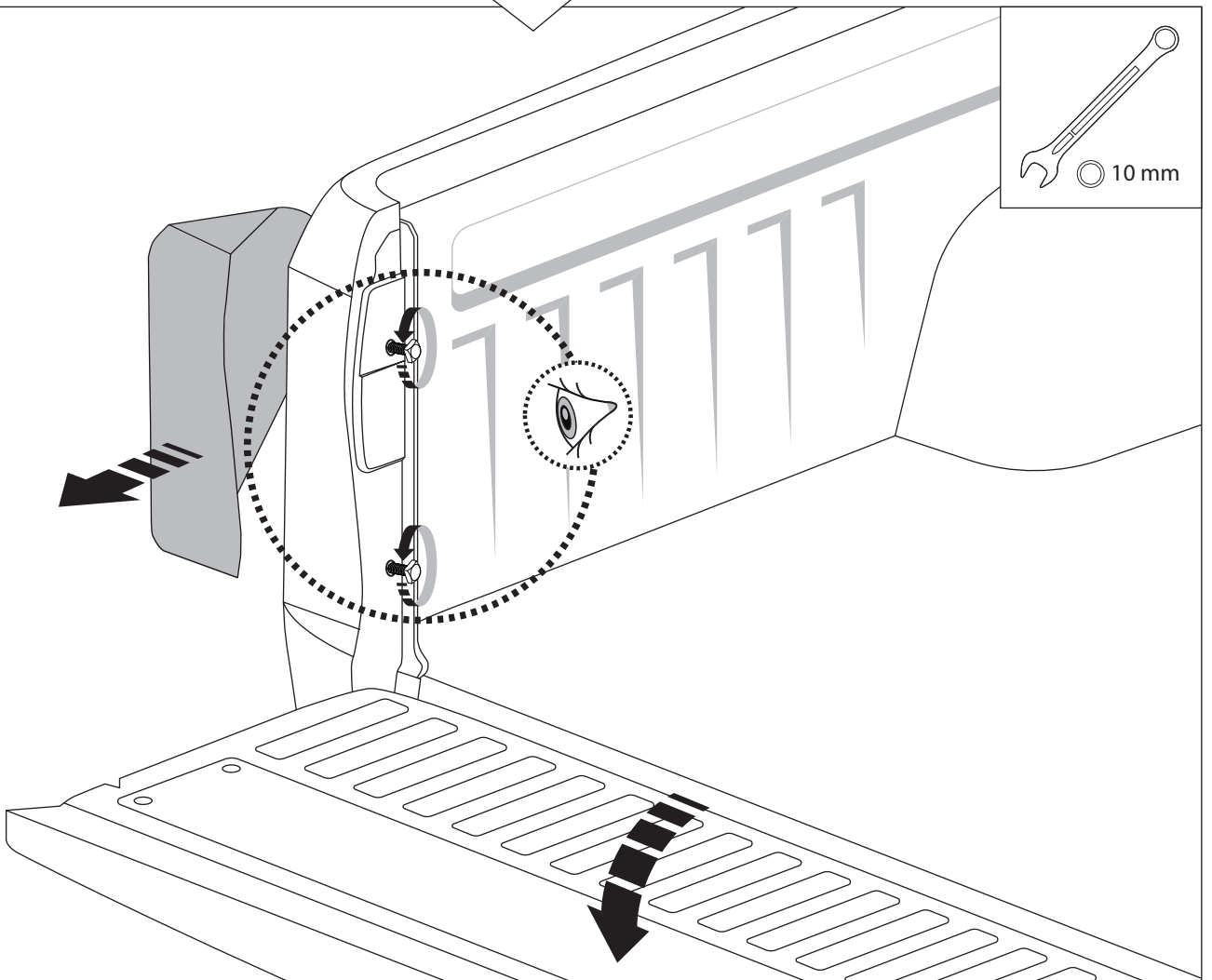
I

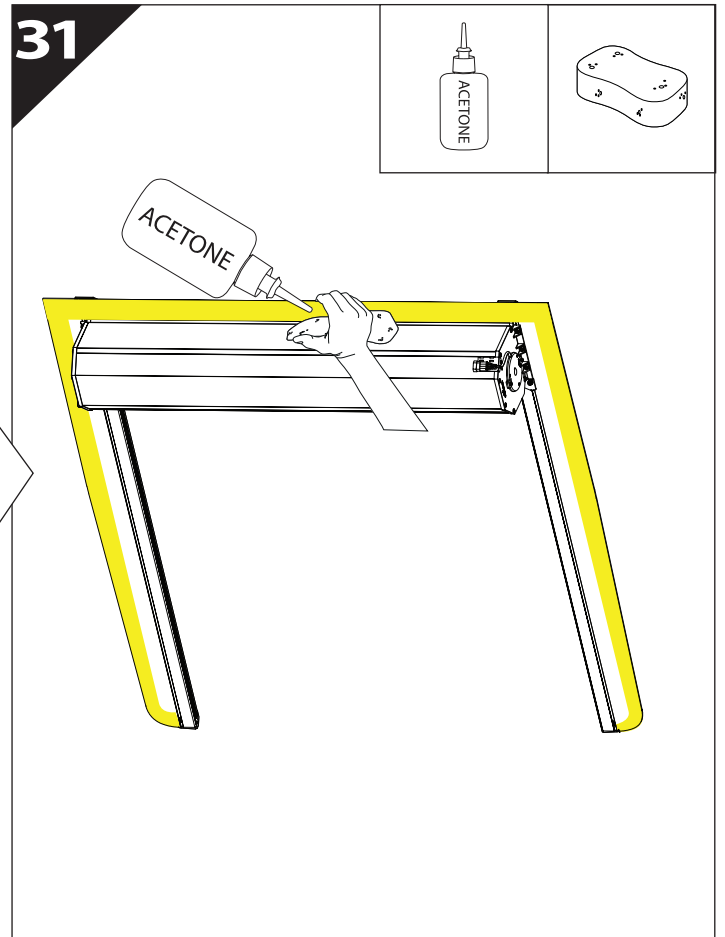
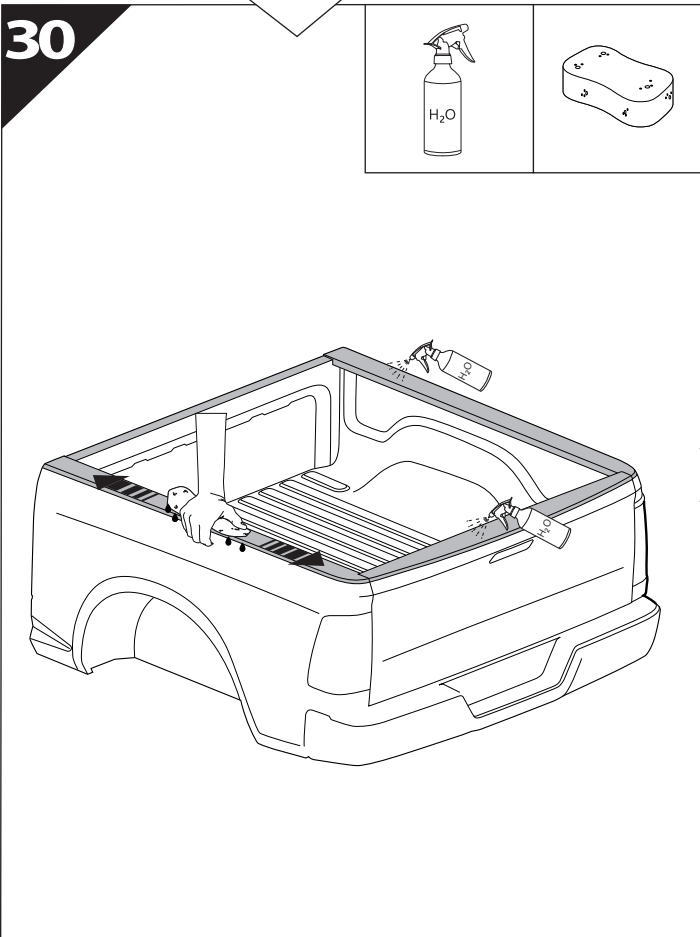
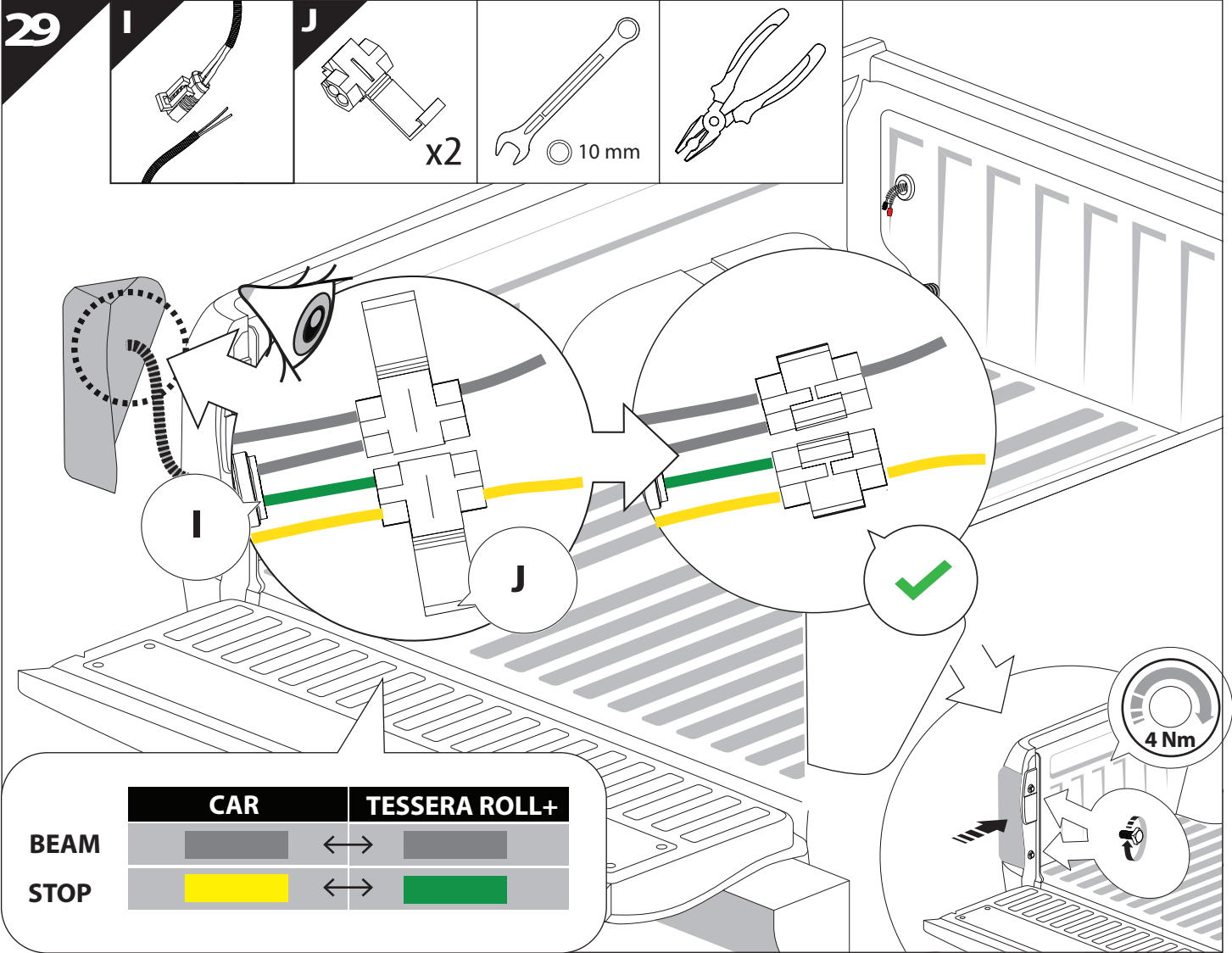


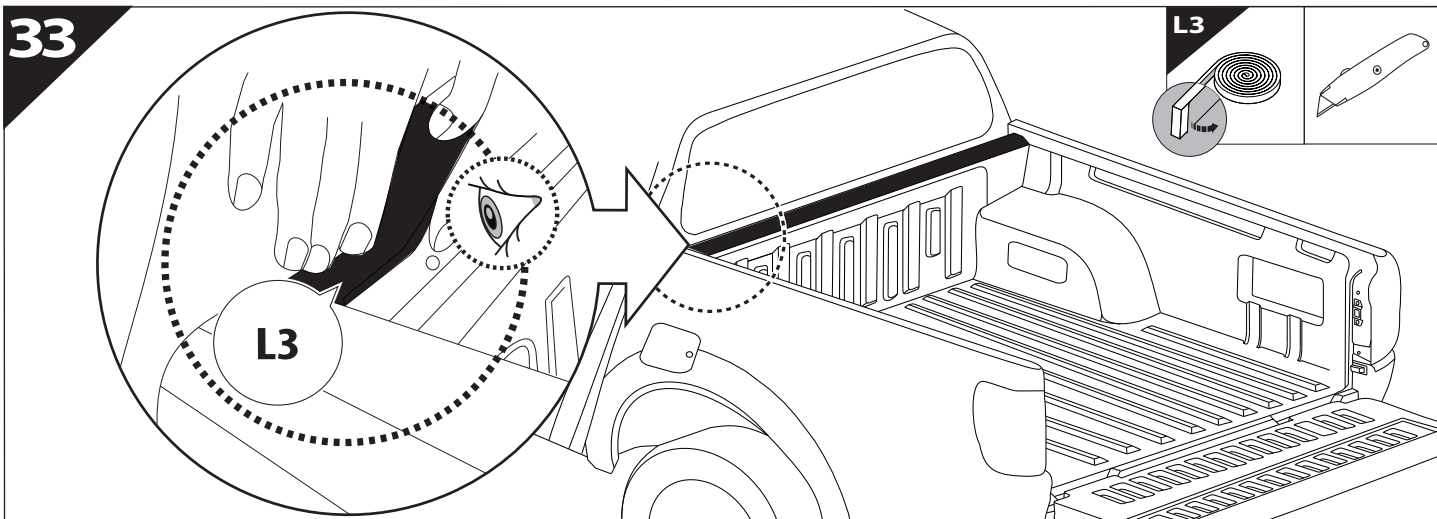
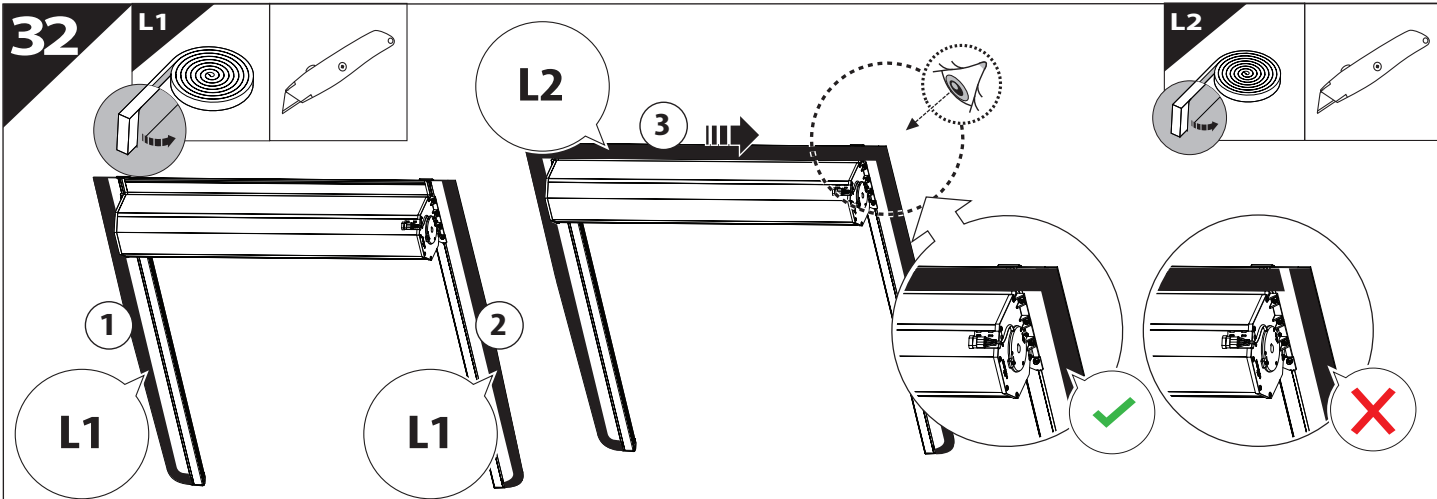
K

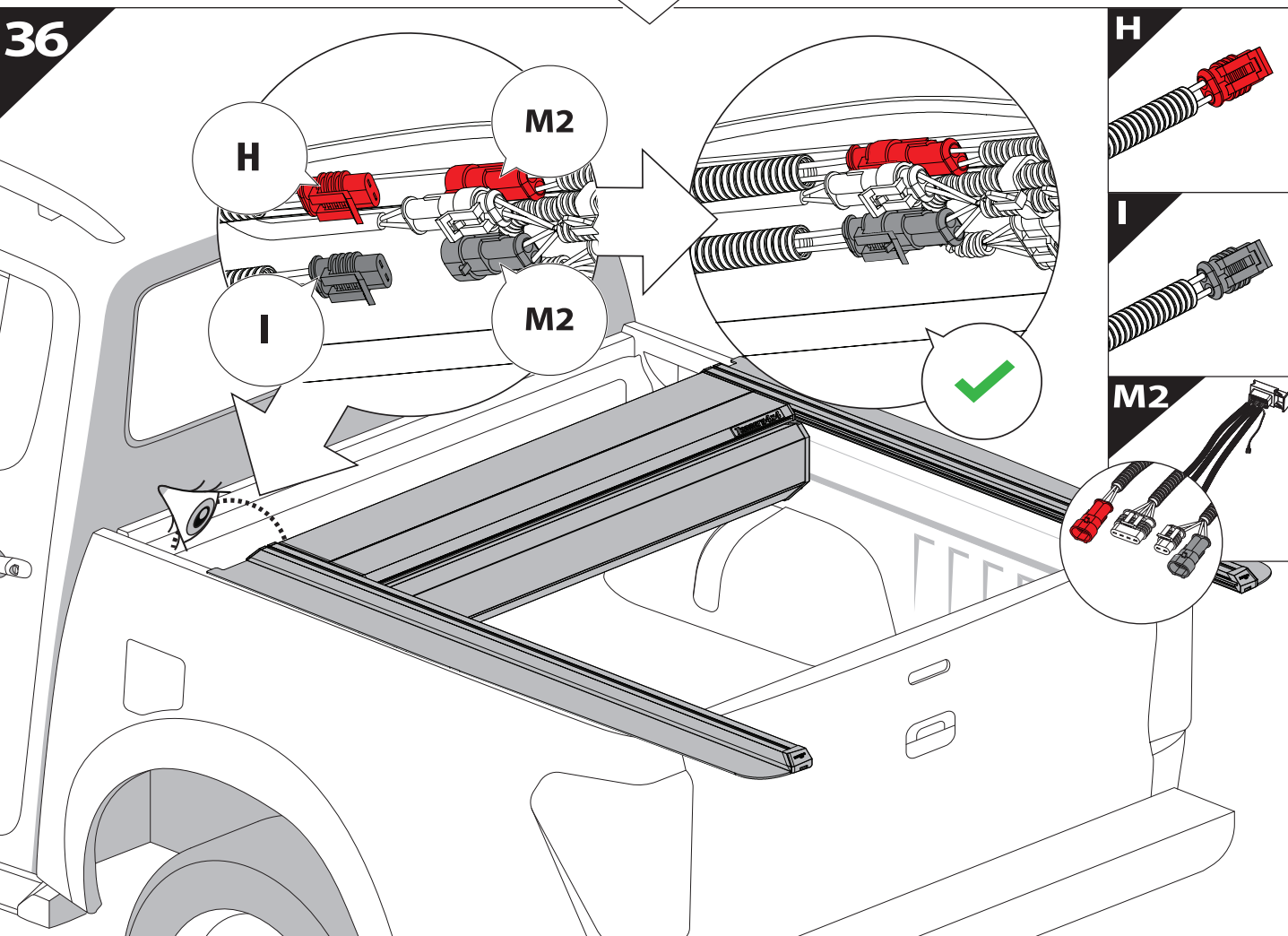
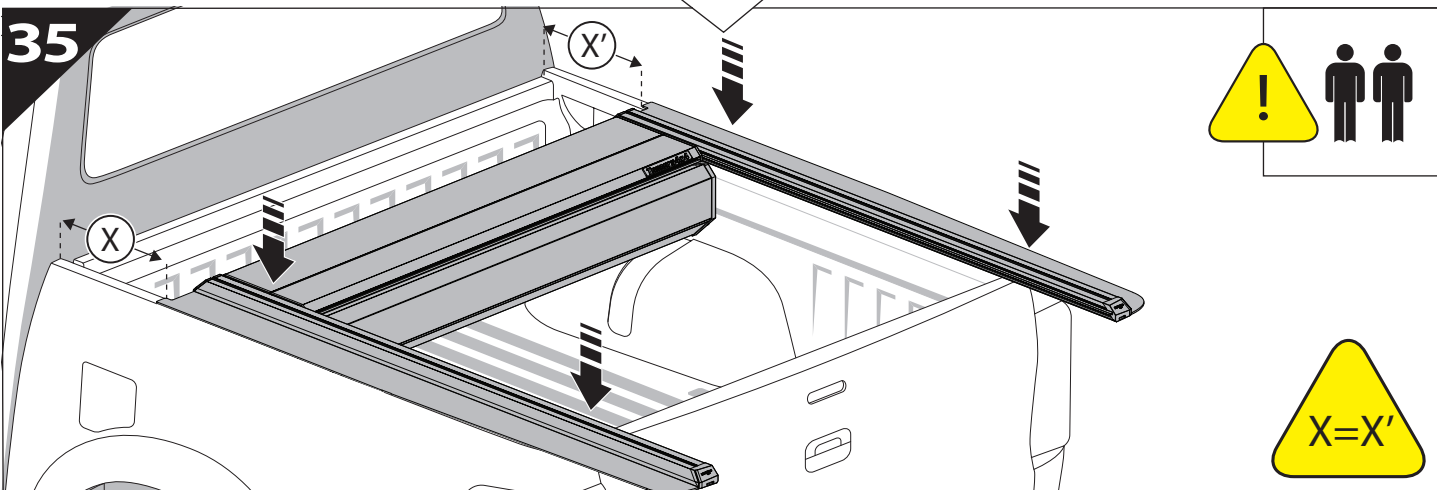
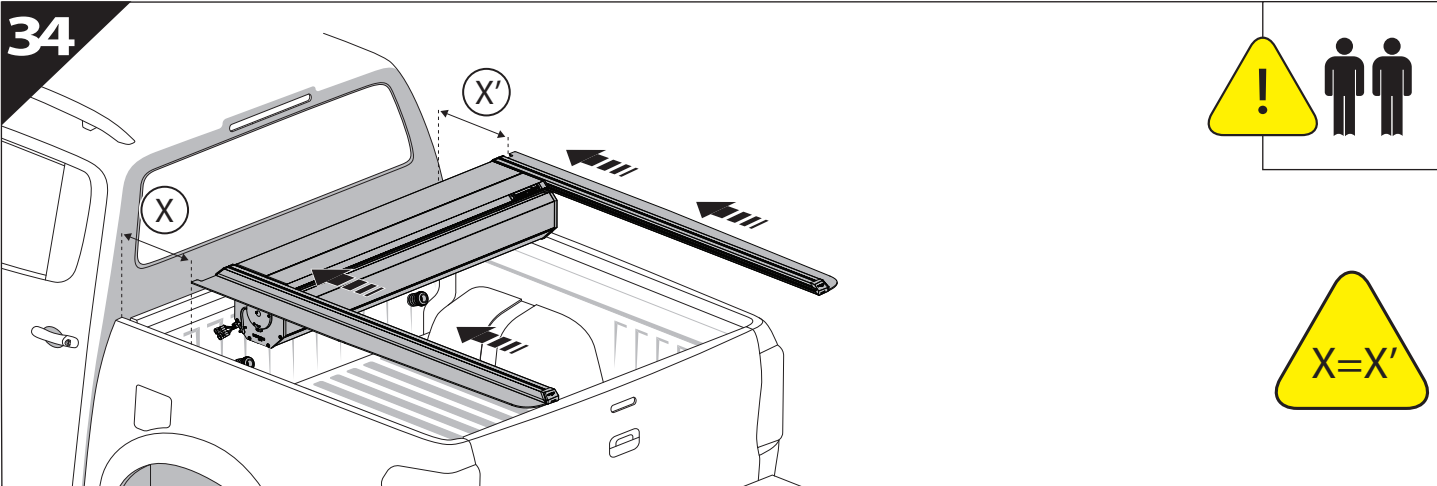


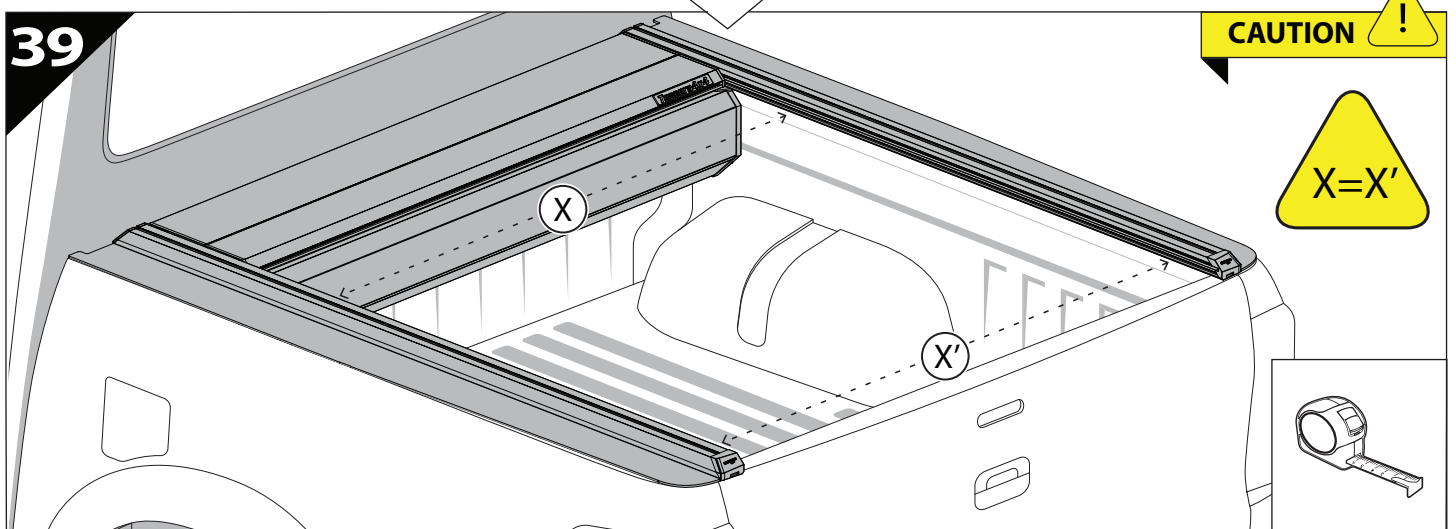
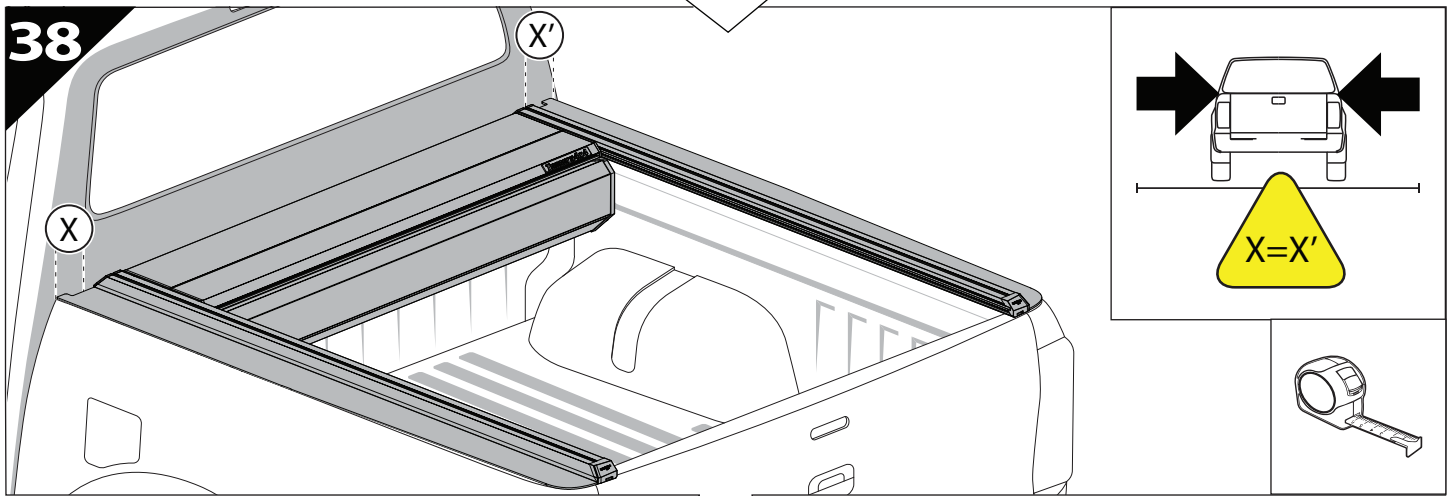
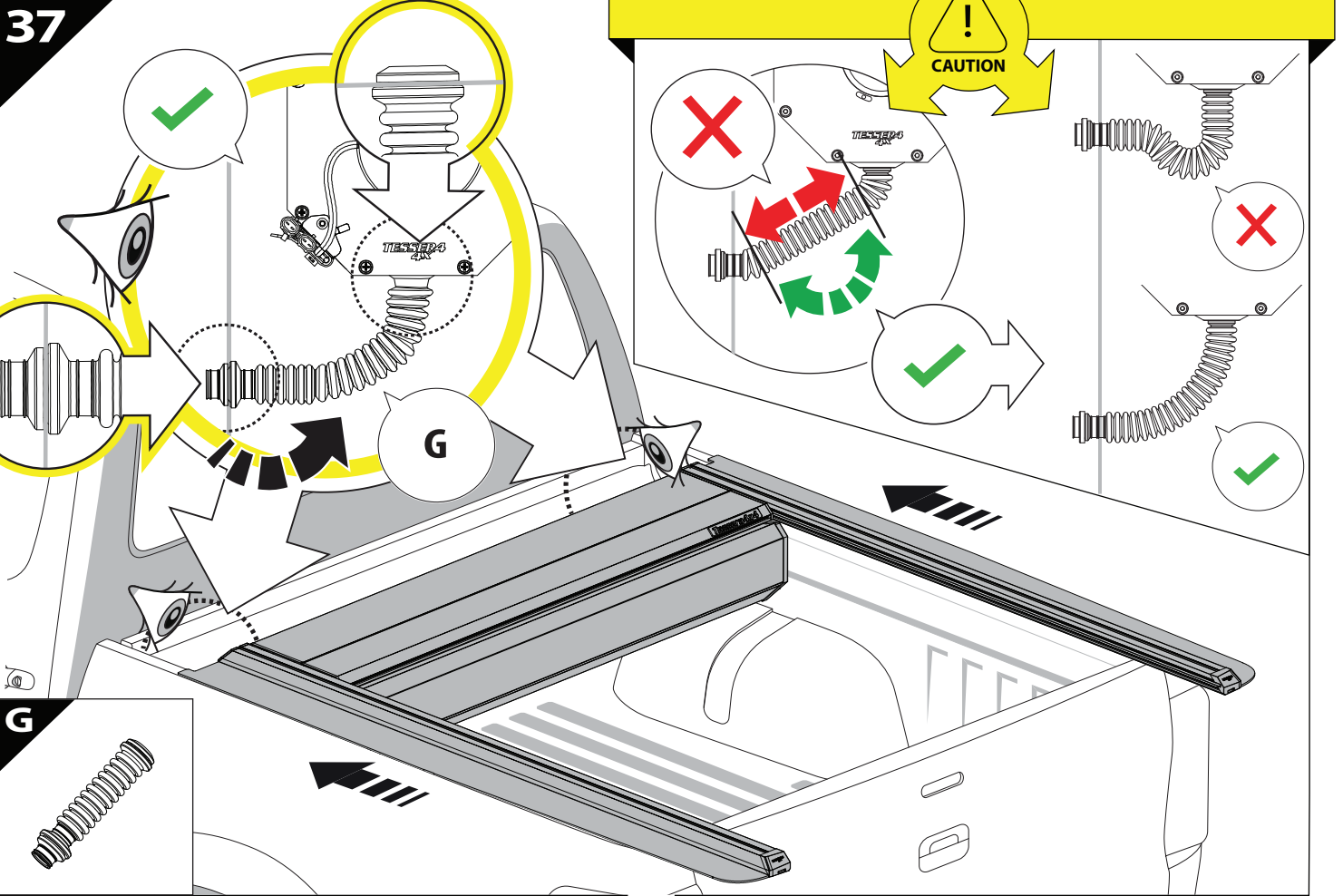
28



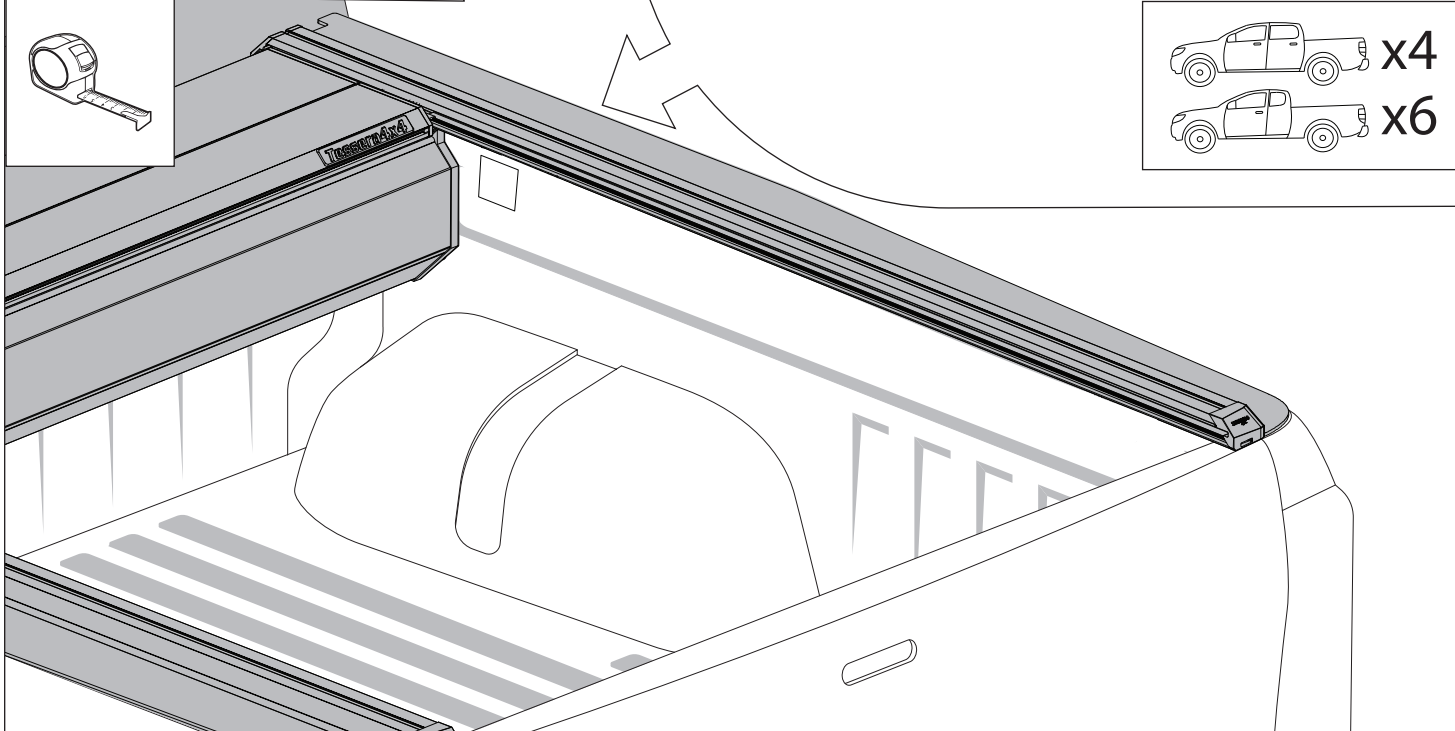
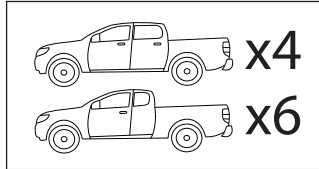
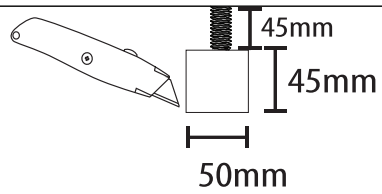
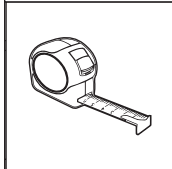
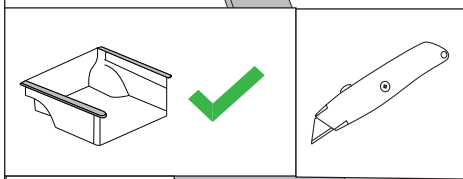






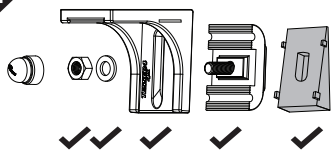


40

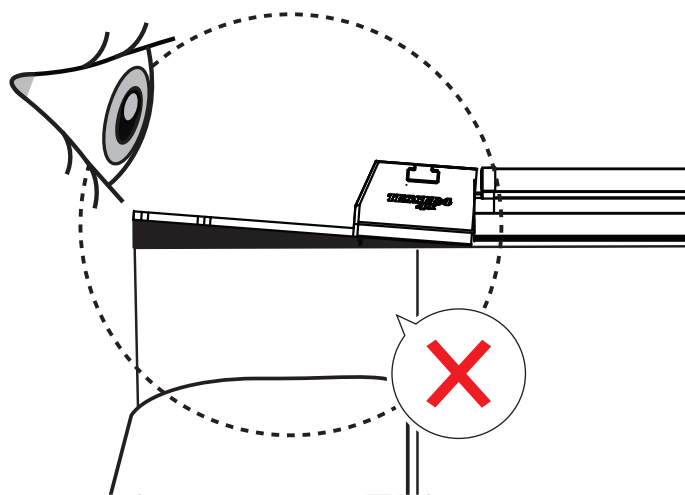
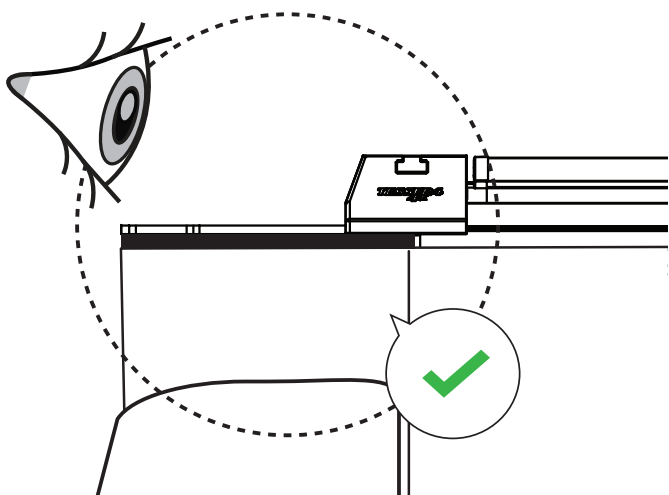
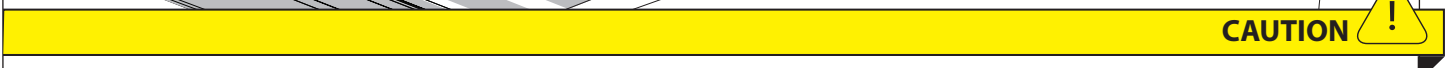
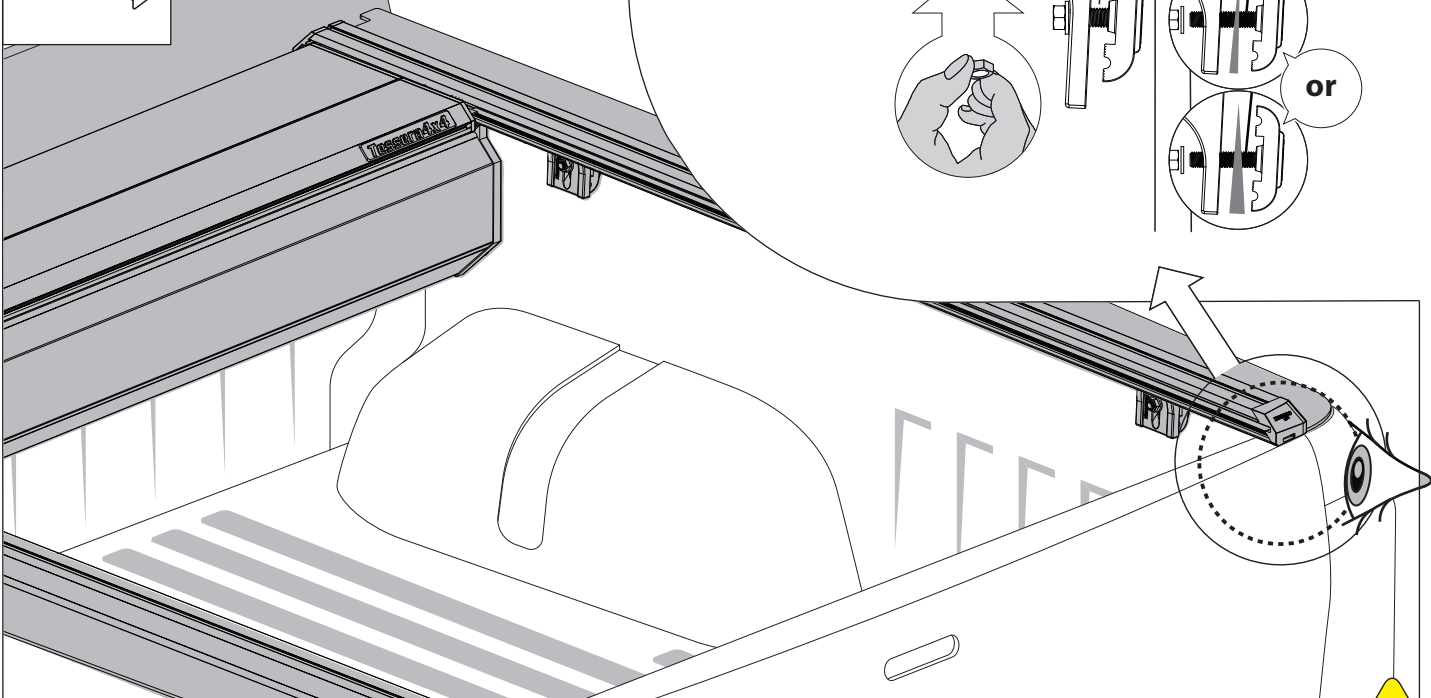
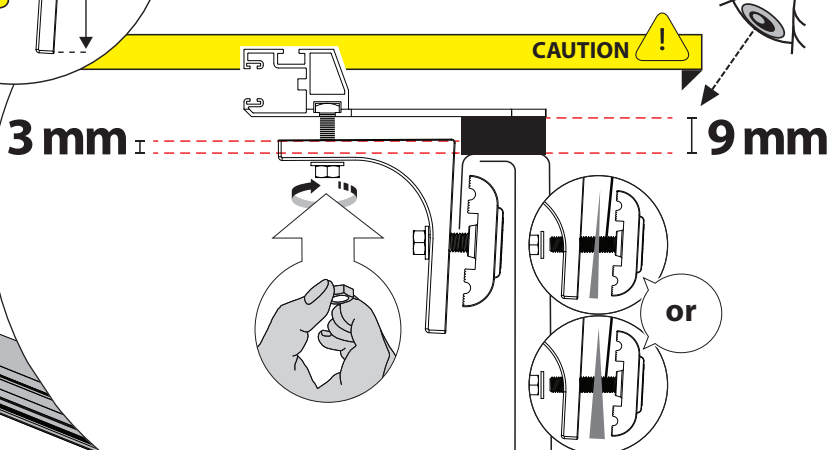
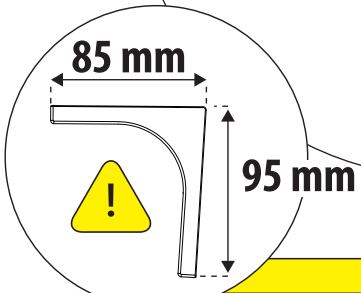
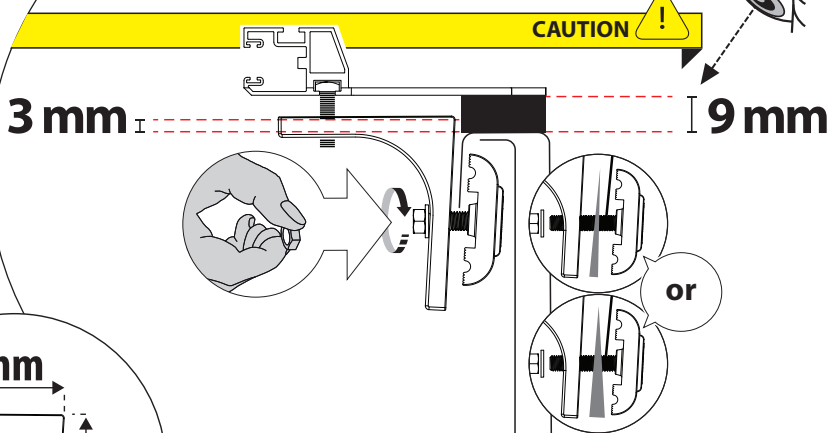
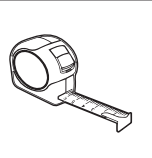
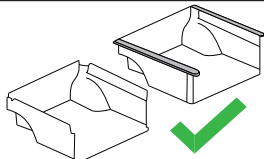
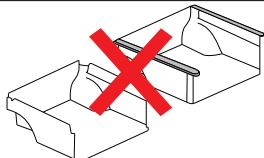
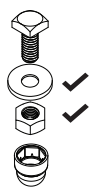


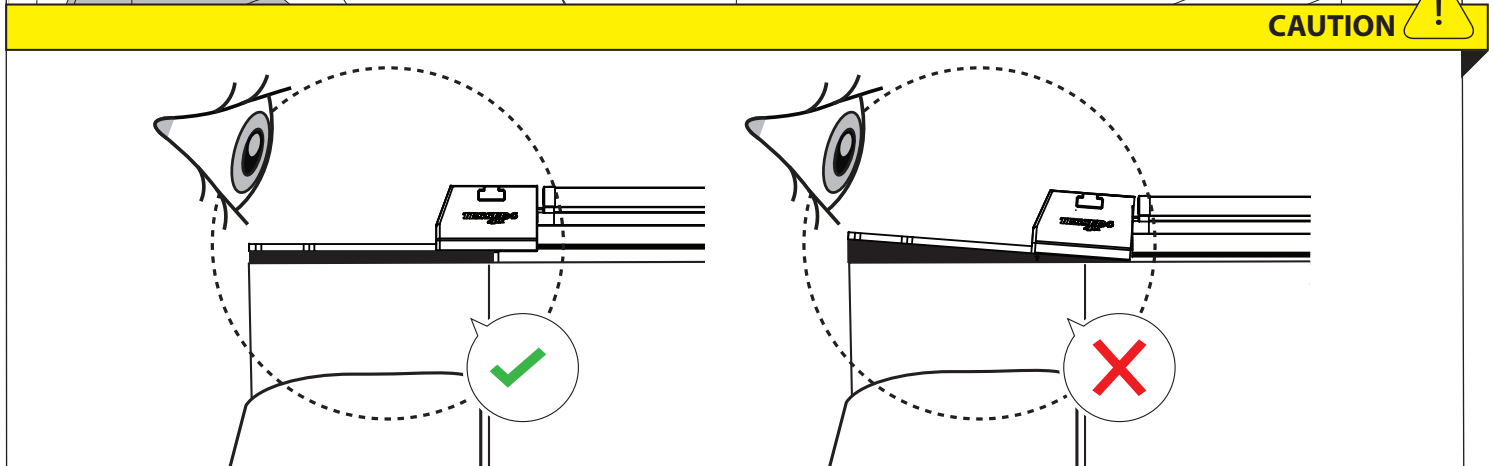
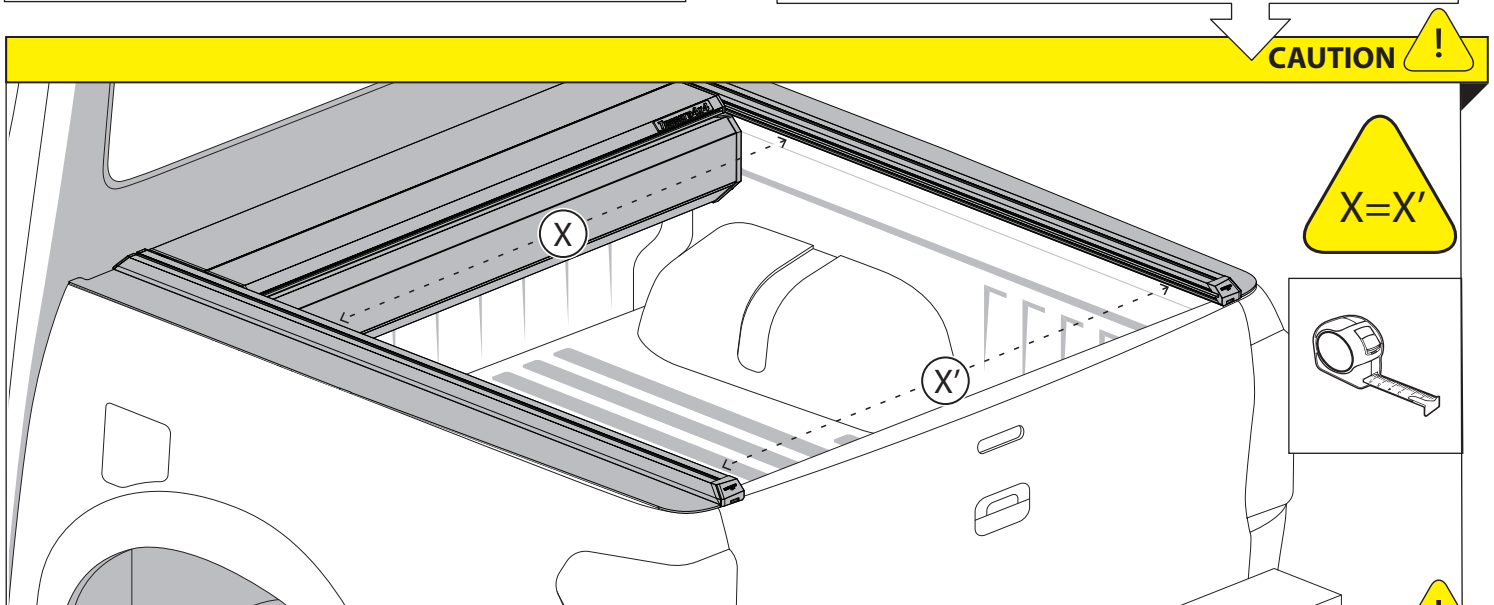
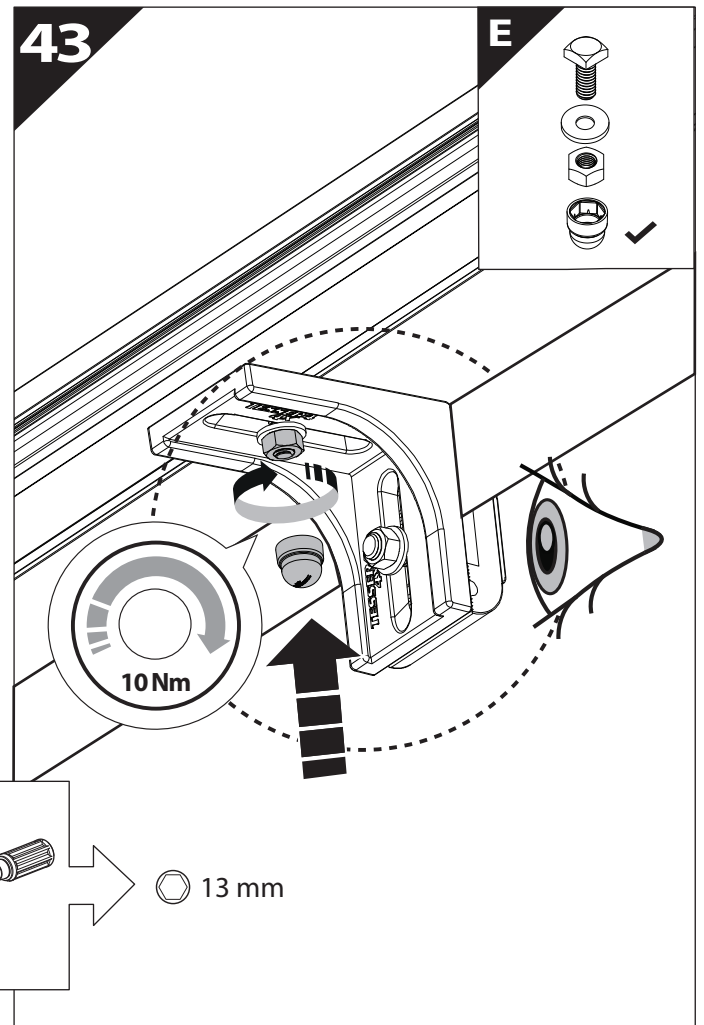
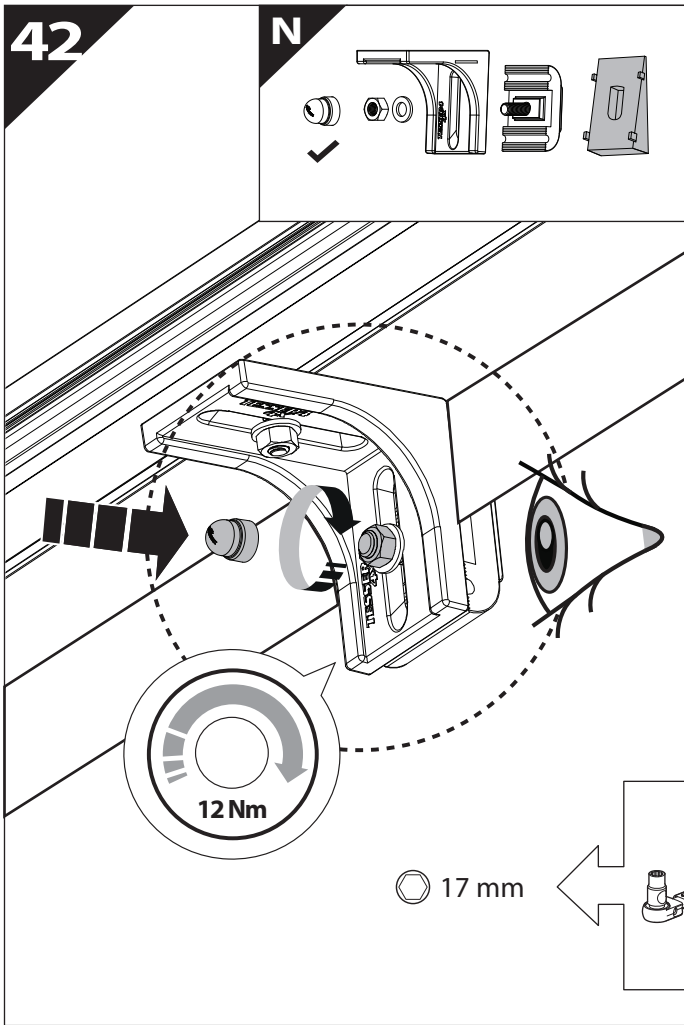
41

N

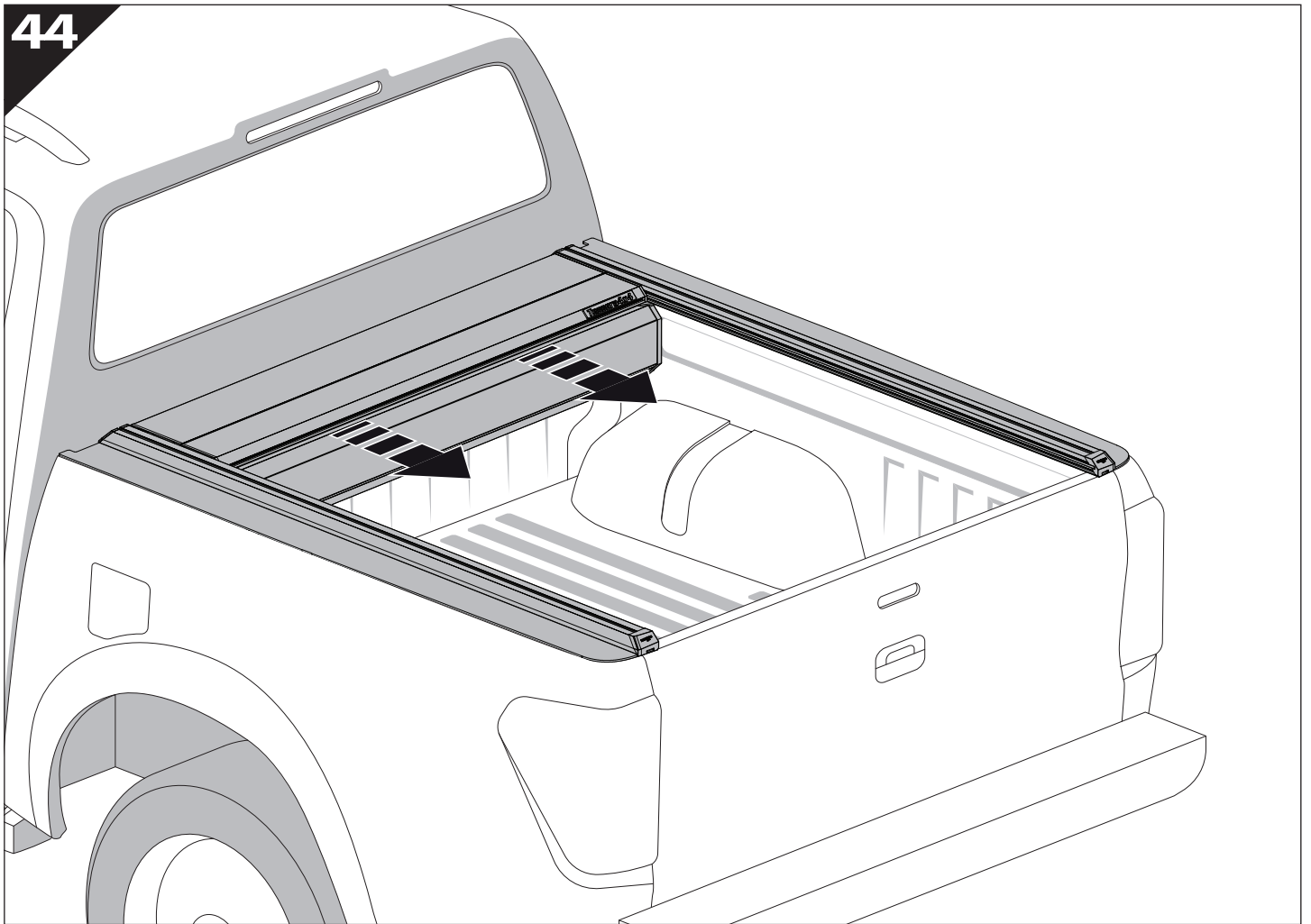


E

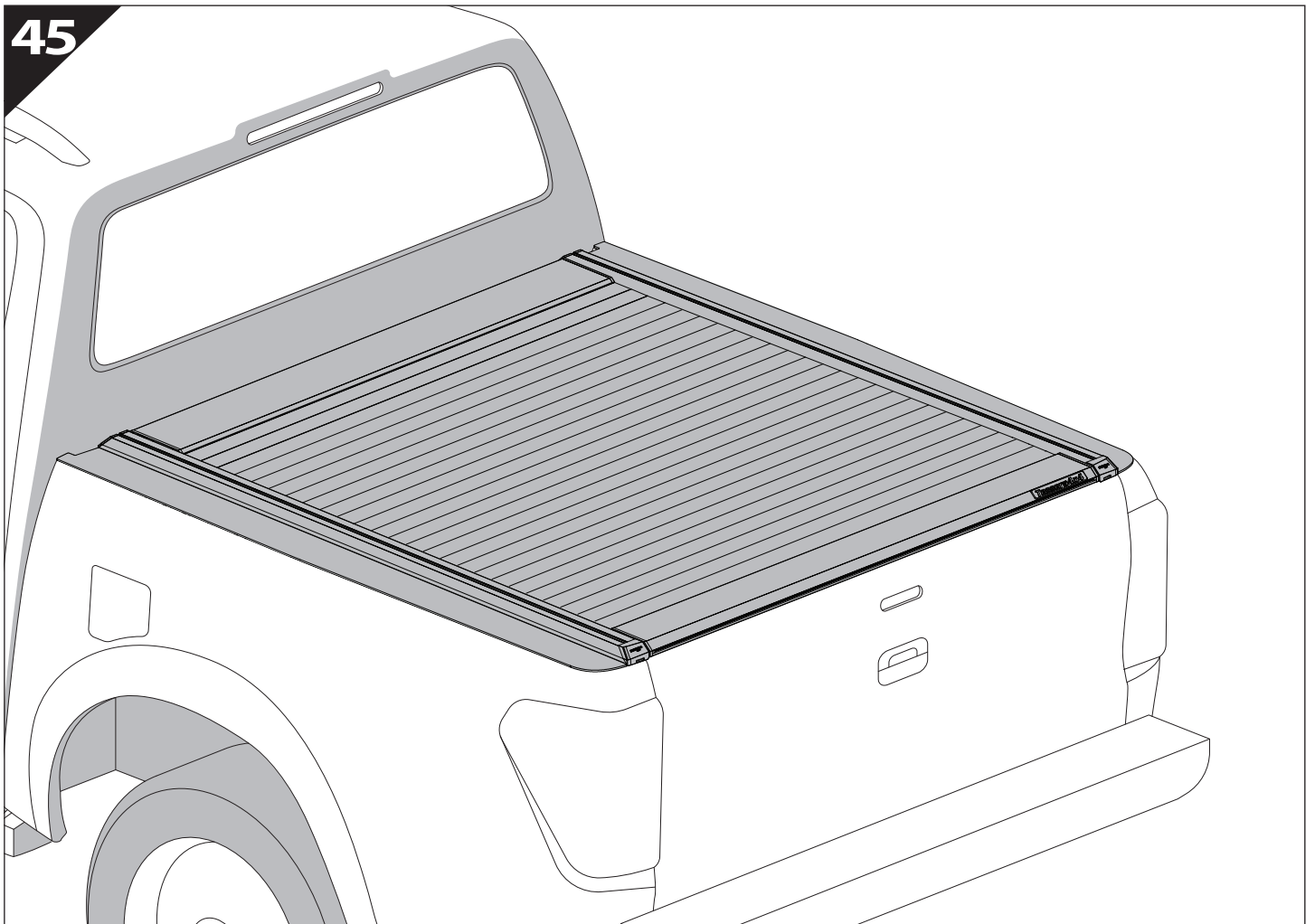




44



45





GR: Οδηγίες Εγκατάστασης
GB: Installation manual
SF: Asennusohje
F: Notice de montage
PL: Instrukcja montażu
NL: Installatie-instructies
TR: Montaj Talimatı
S: Monteringsanvisning
E: Instrucciones de montaje

H: Szerelési utasítás
P: Instruções de instalação
RUS: Инструкция по установке
N: Monteringsveiledning
D: Einbauanleitung
CZ: Návod k instalaci
I: Istruzioni de montaggio
DK: Monteringsvejledning
RO: Instructiuni de instalare

Customer Service:

+30 (210) 5541161, +30 (210) 5541154 (08:00 - 16:00 EET)

Support department:

info@gianso.gr

Website:

www.tessera4x4.com

Address:

19.5 km of National road Athens-Korinthos (Elefsina) Greece, P.C: 19200