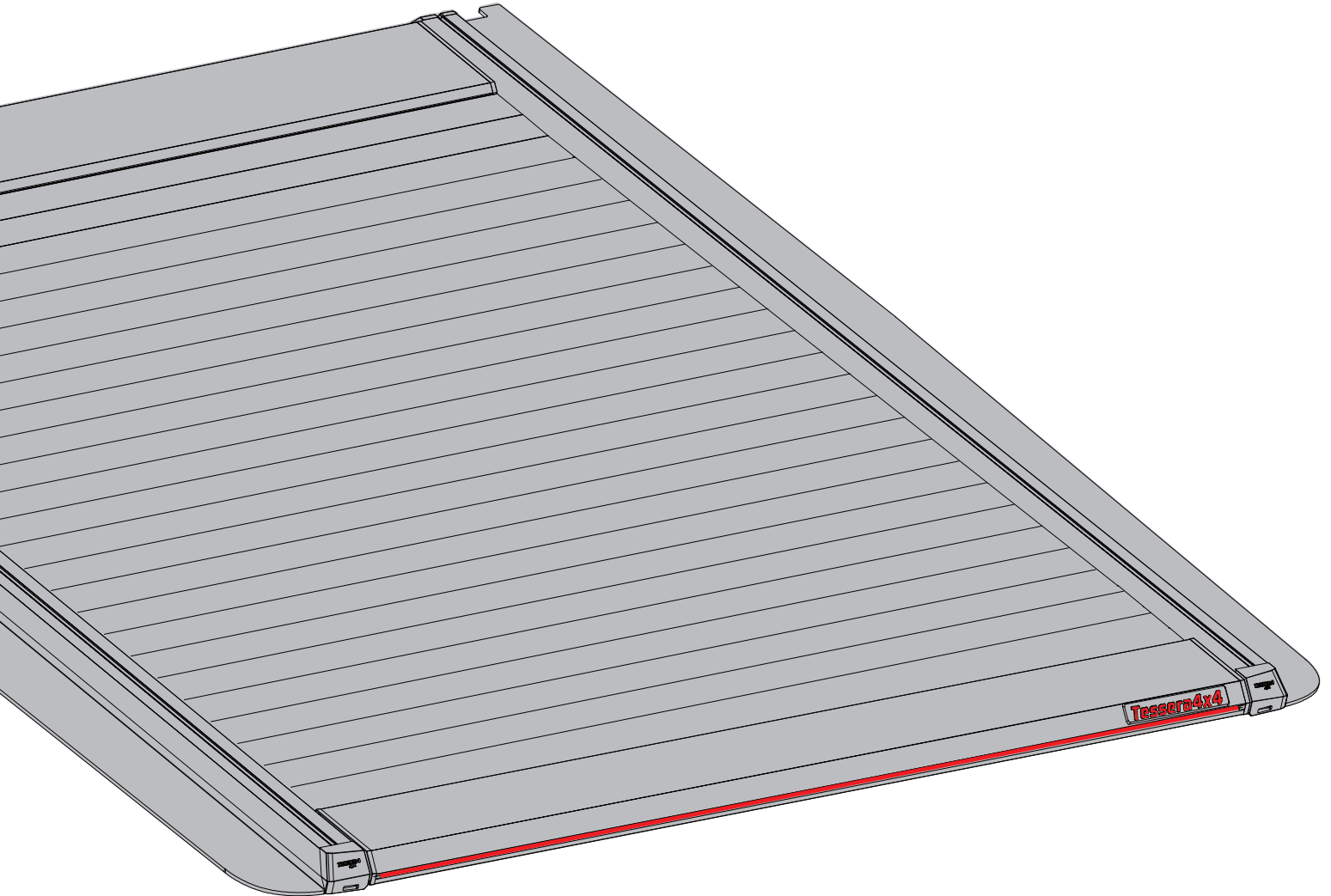


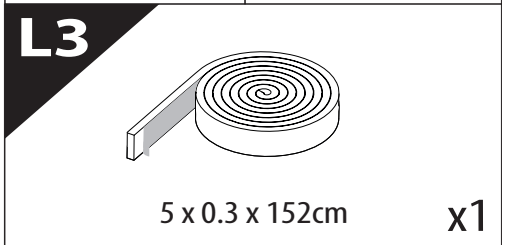
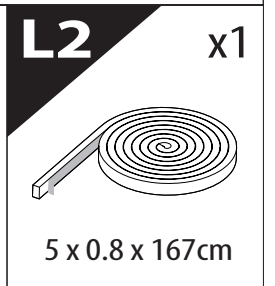
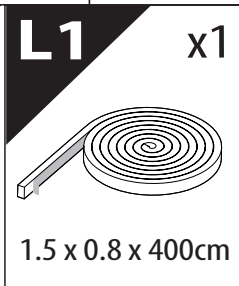
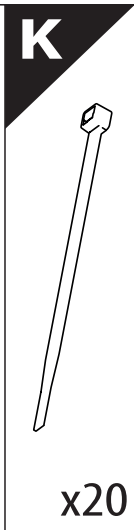
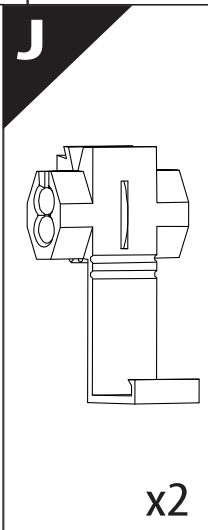
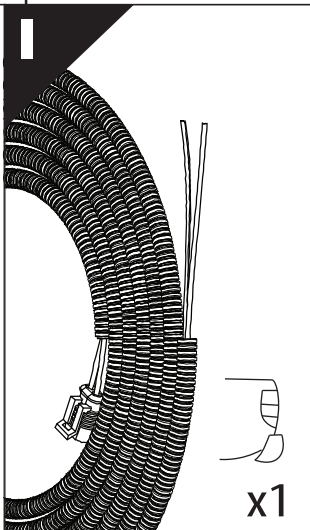
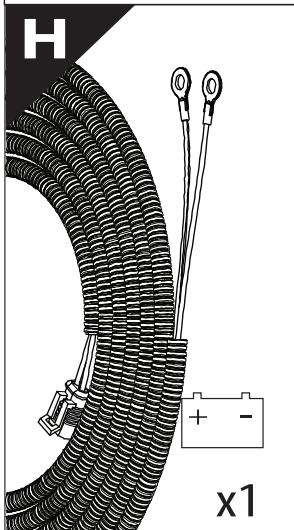
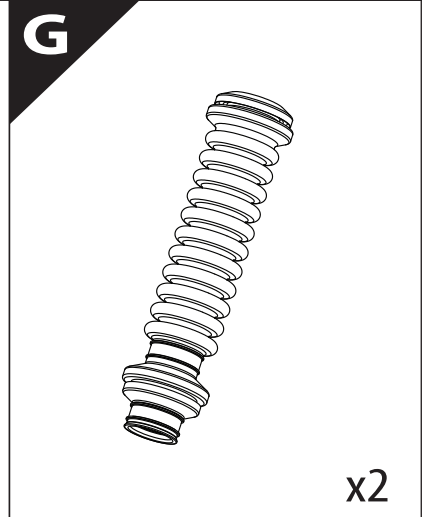
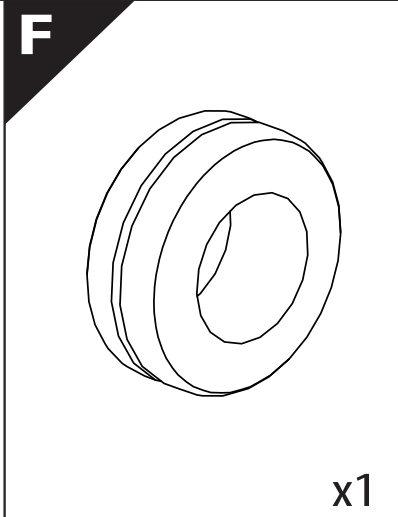
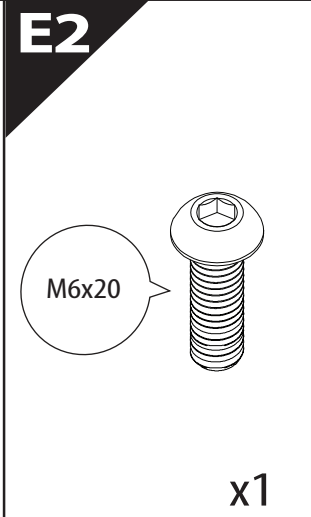
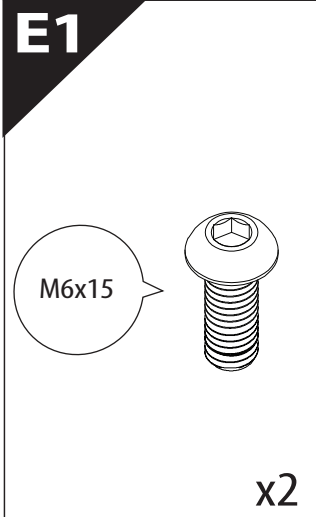
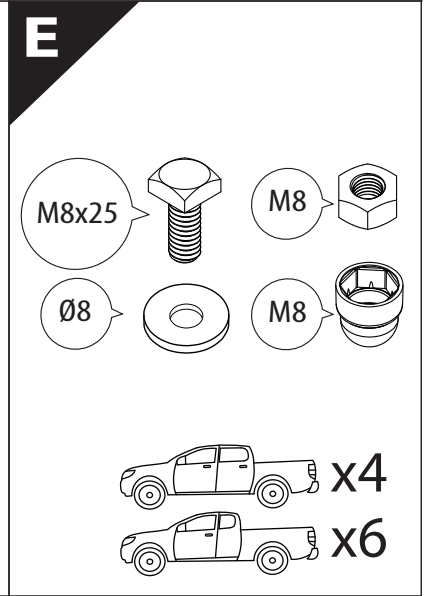
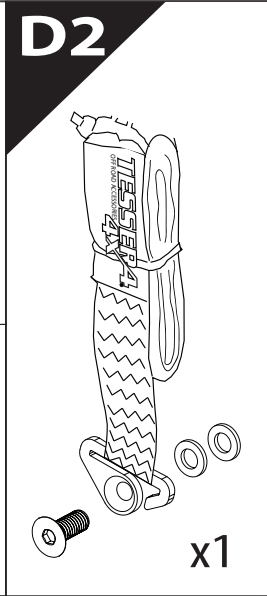
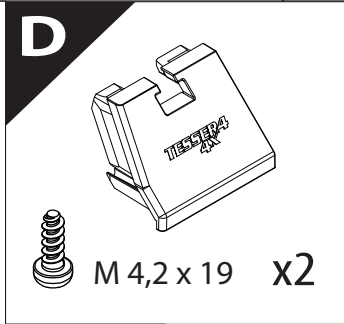
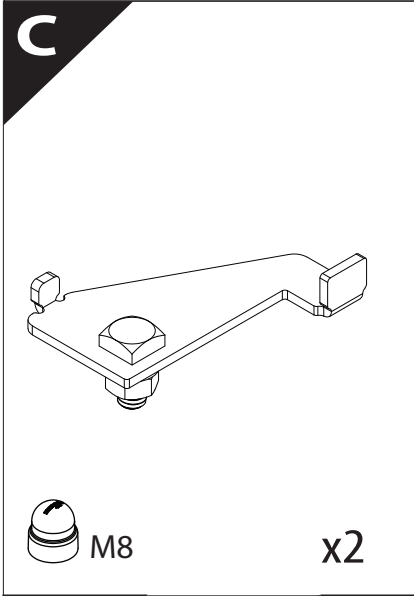
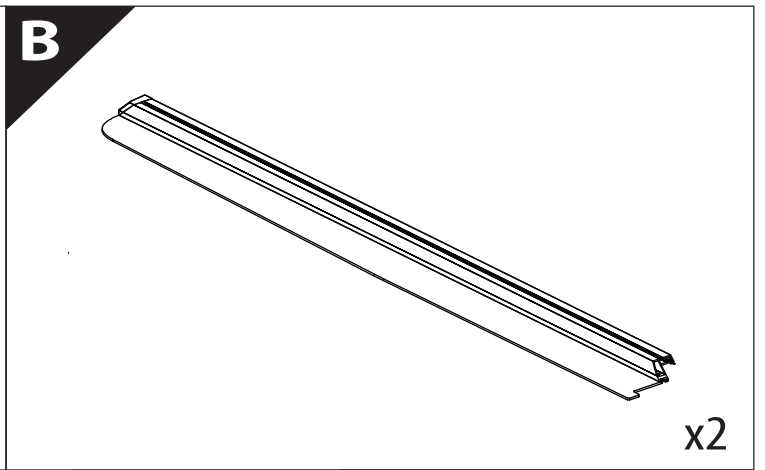
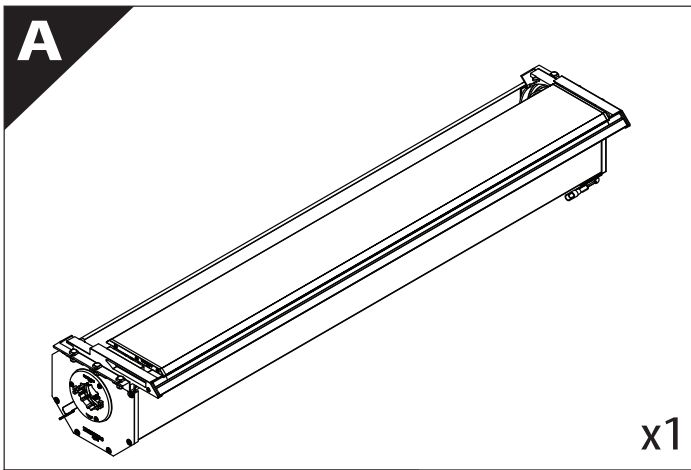
Tessera Roll+

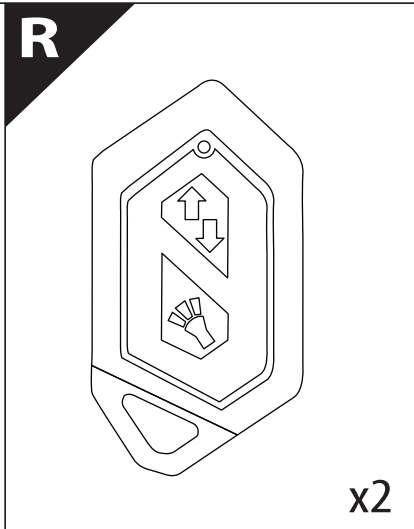
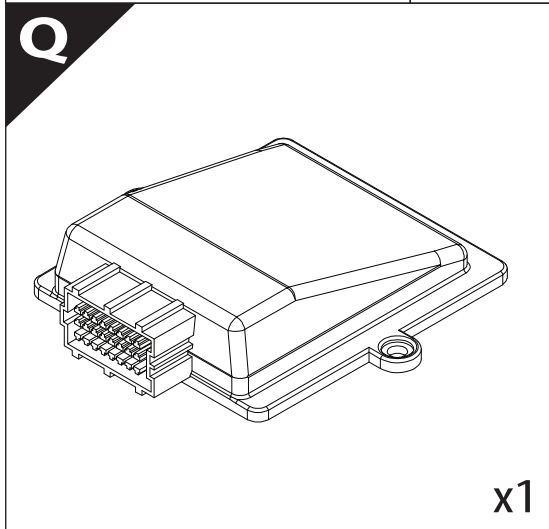
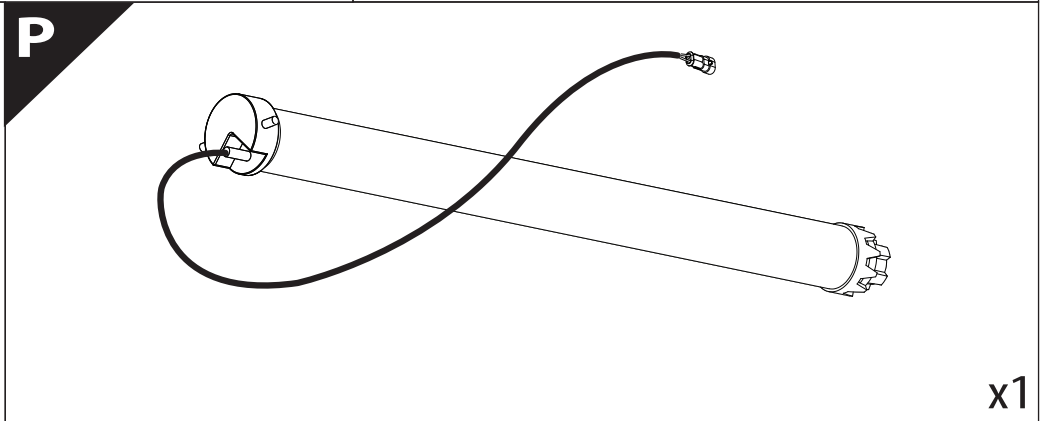
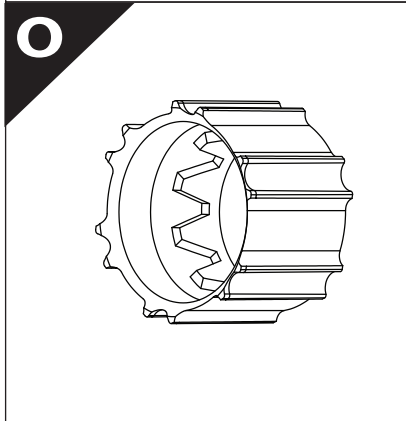
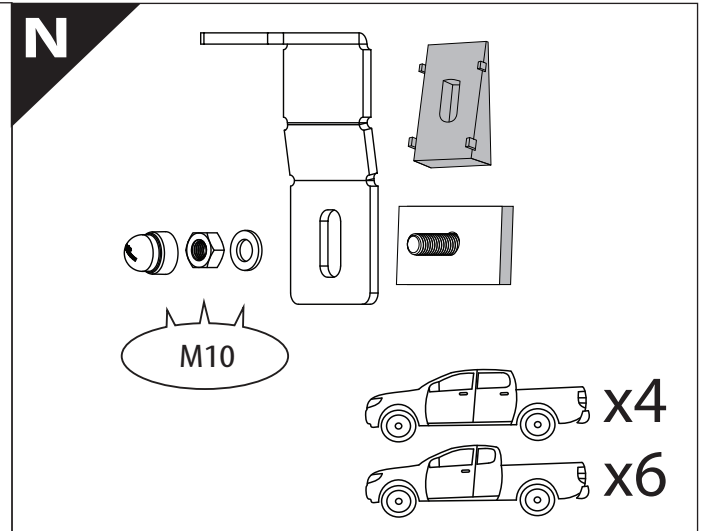
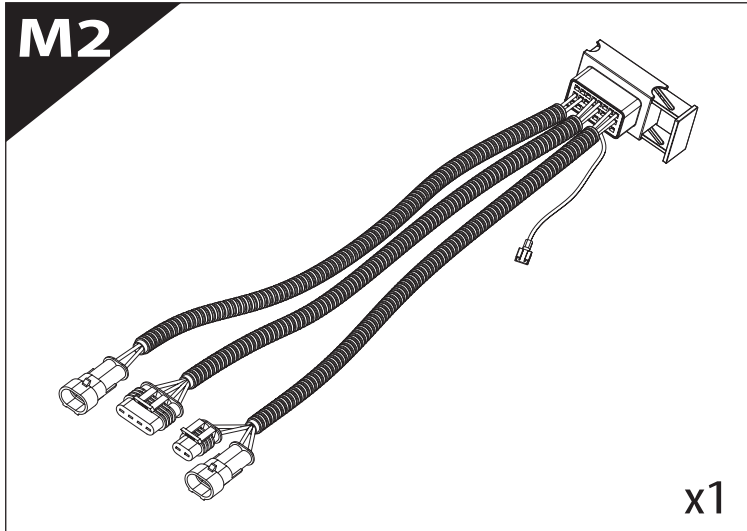
Basic Version + ⚡ E-KIT

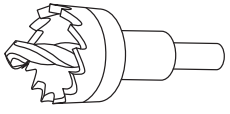


Installation Manual

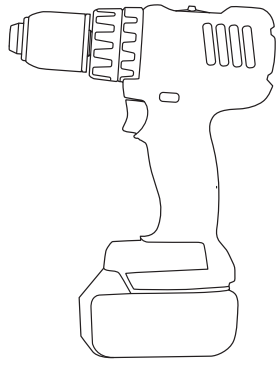
PART NUMBER(S)	Model Year
TESS 140 ROLL+E-KIT	Nissan D40 (with c-channels)
TESS 1402 ROLL+E-KIT	
TESS 1403 ROLL+E-KIT	
Cab(s)	Installation Time / Weight
Double Cab & Space Cab	40-60 minutes / 53-57 kg



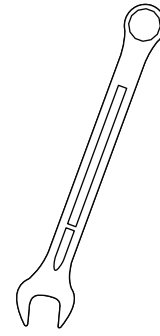




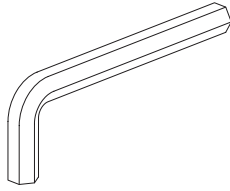
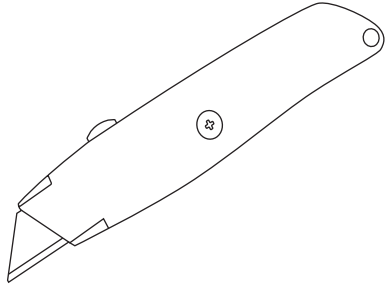
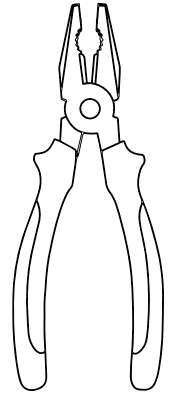
Ø 25 mm / Ø 40 mm



+

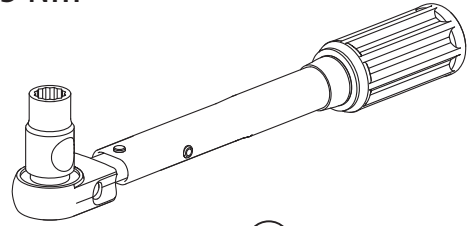


10 mm

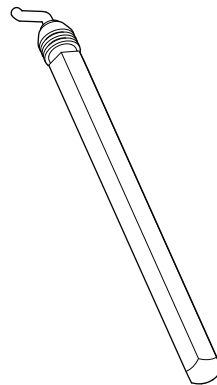
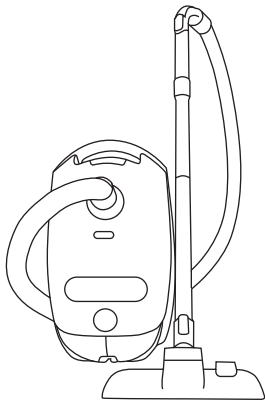
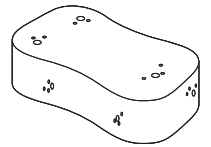
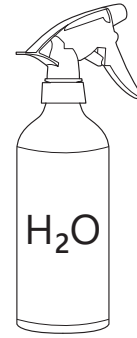
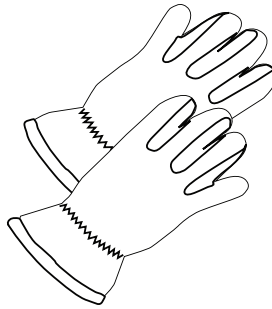
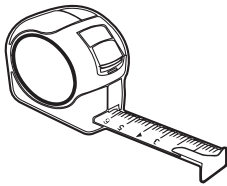


4 mm

1 - 25 Nm



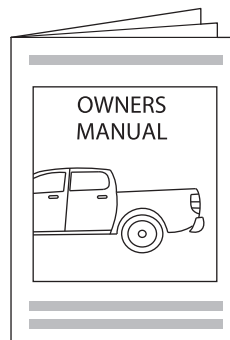
10, 12, 13, 17 mm



ANTI-RUST

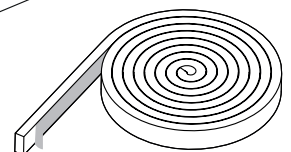
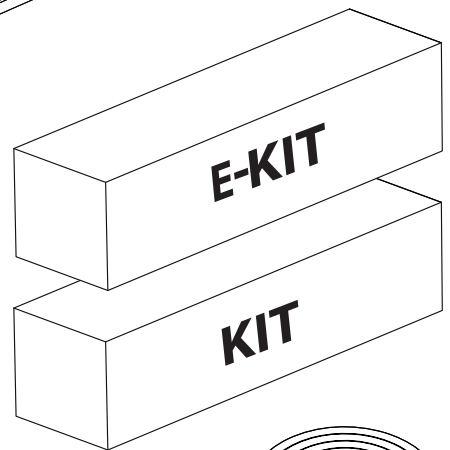
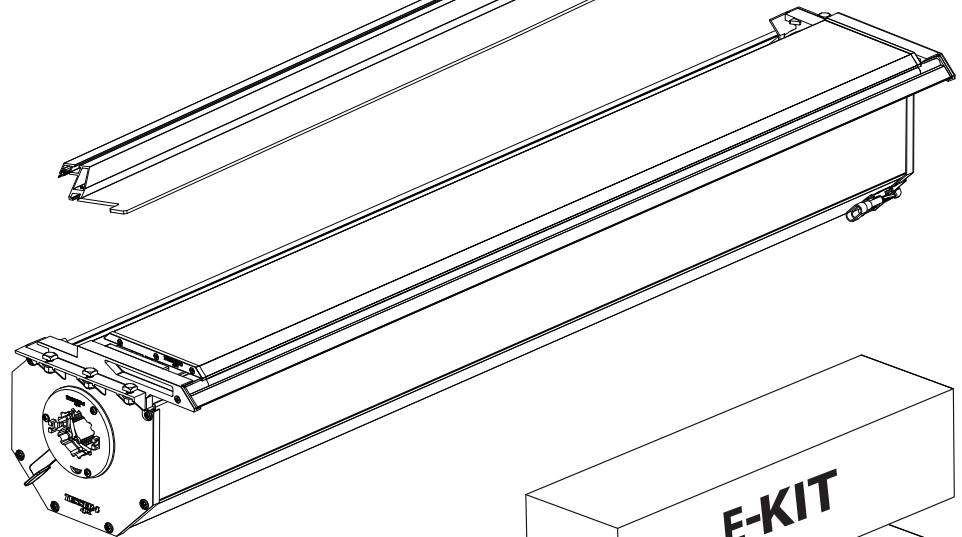
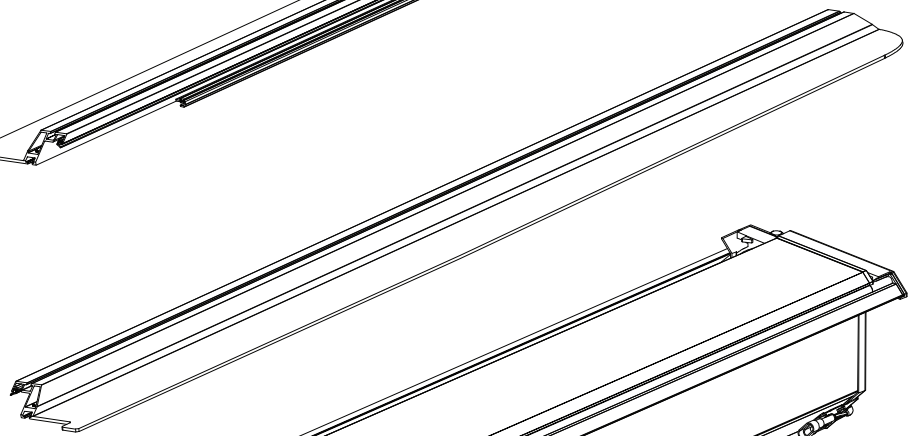
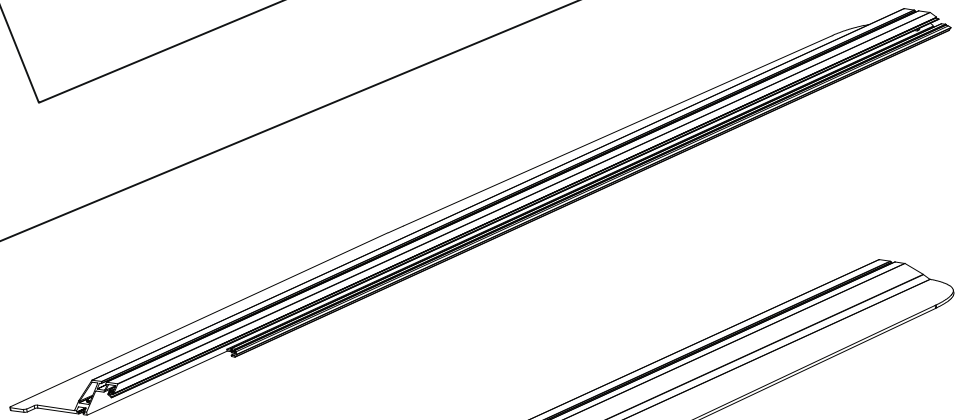
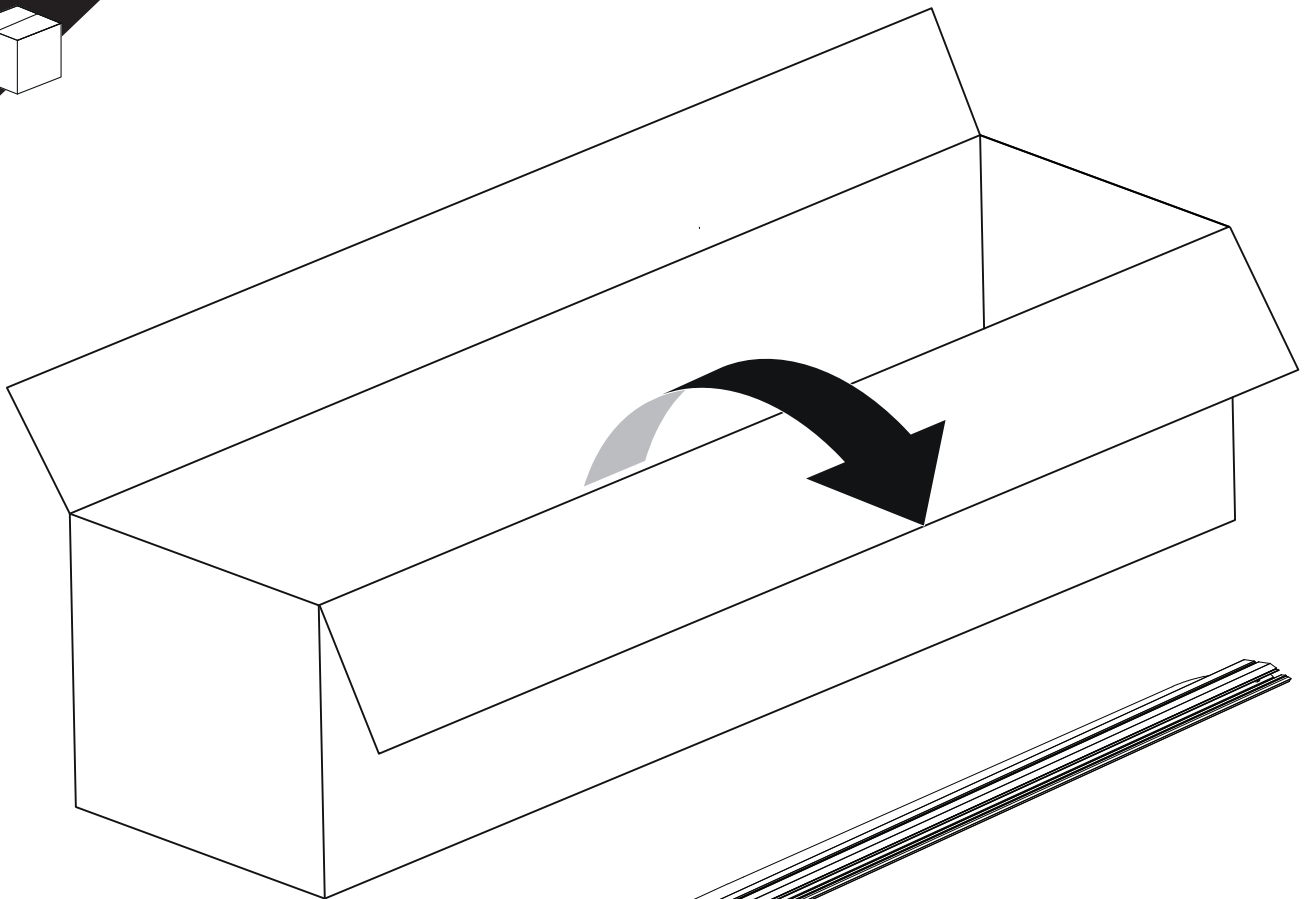


INSTALLATION
MANUAL
+E-KIT



OWNERS
MANUAL

x1

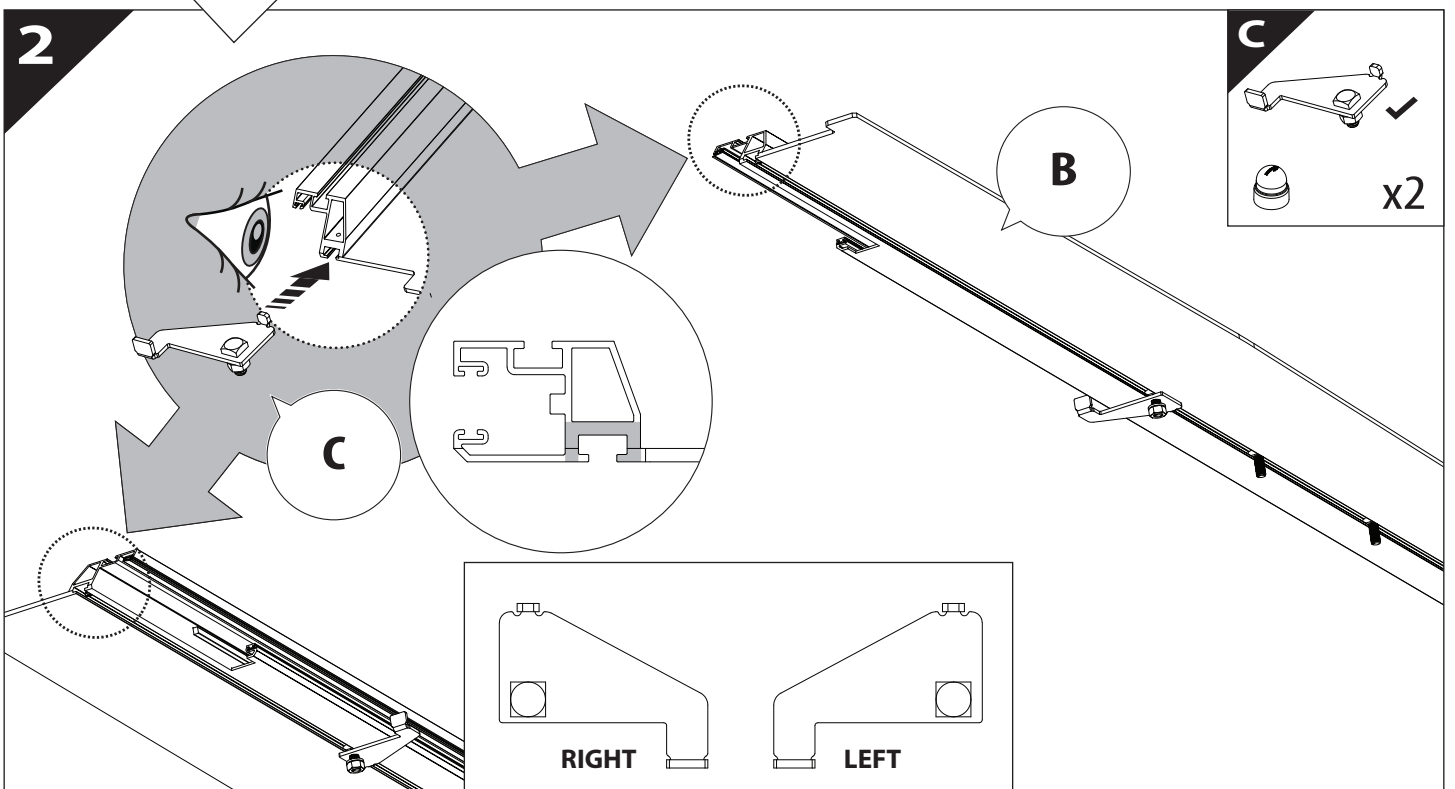
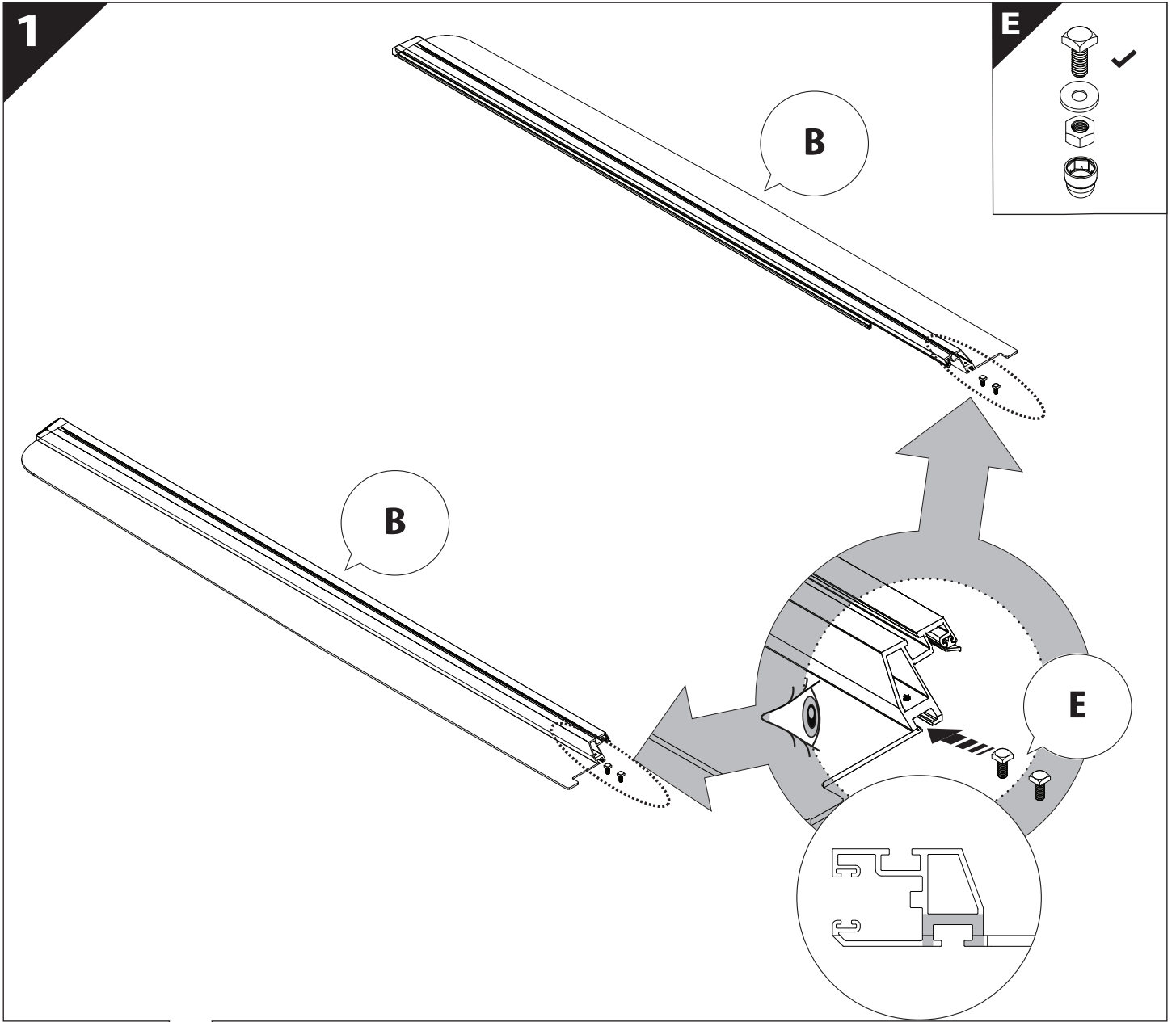


B

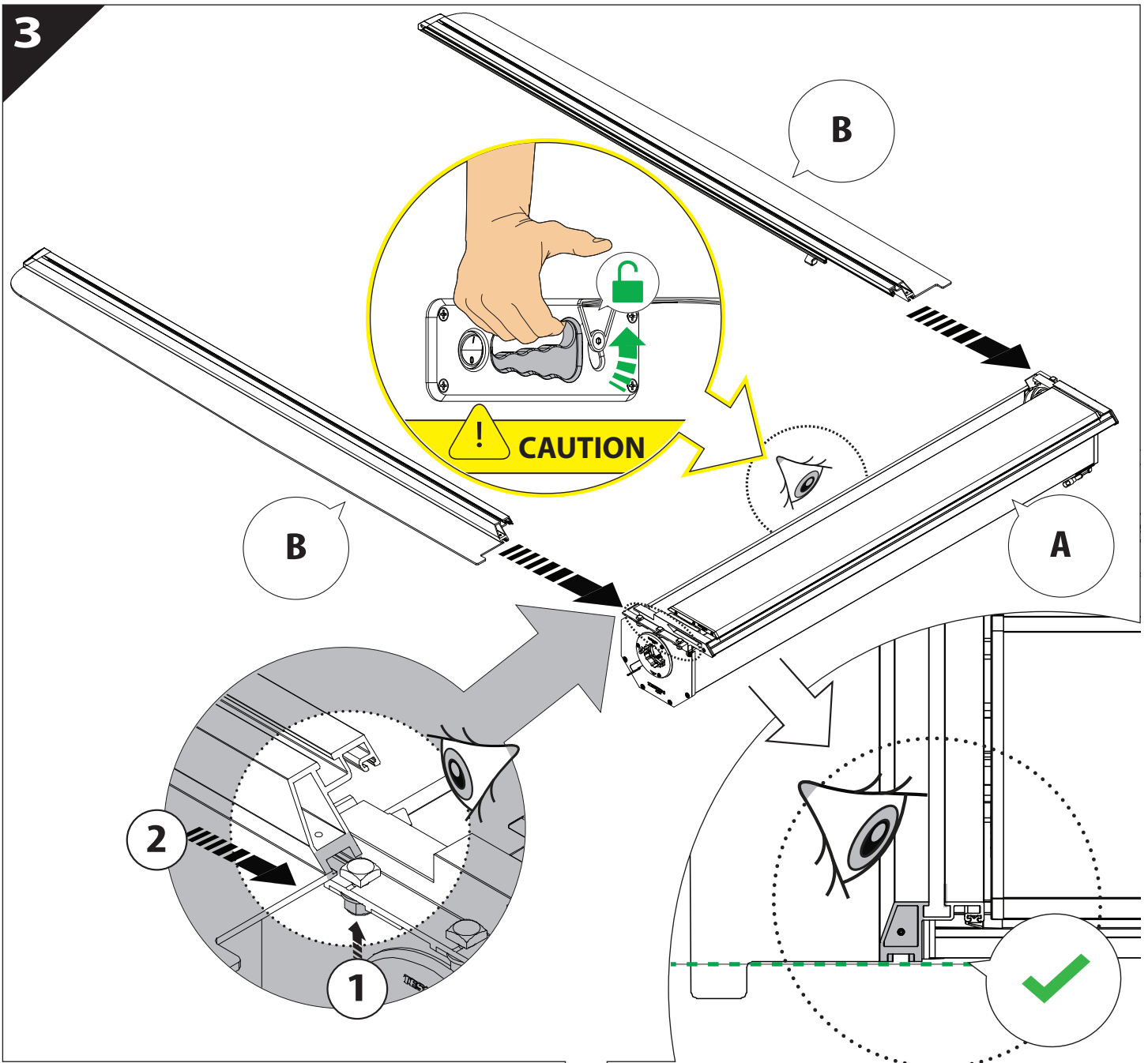
A

KITS

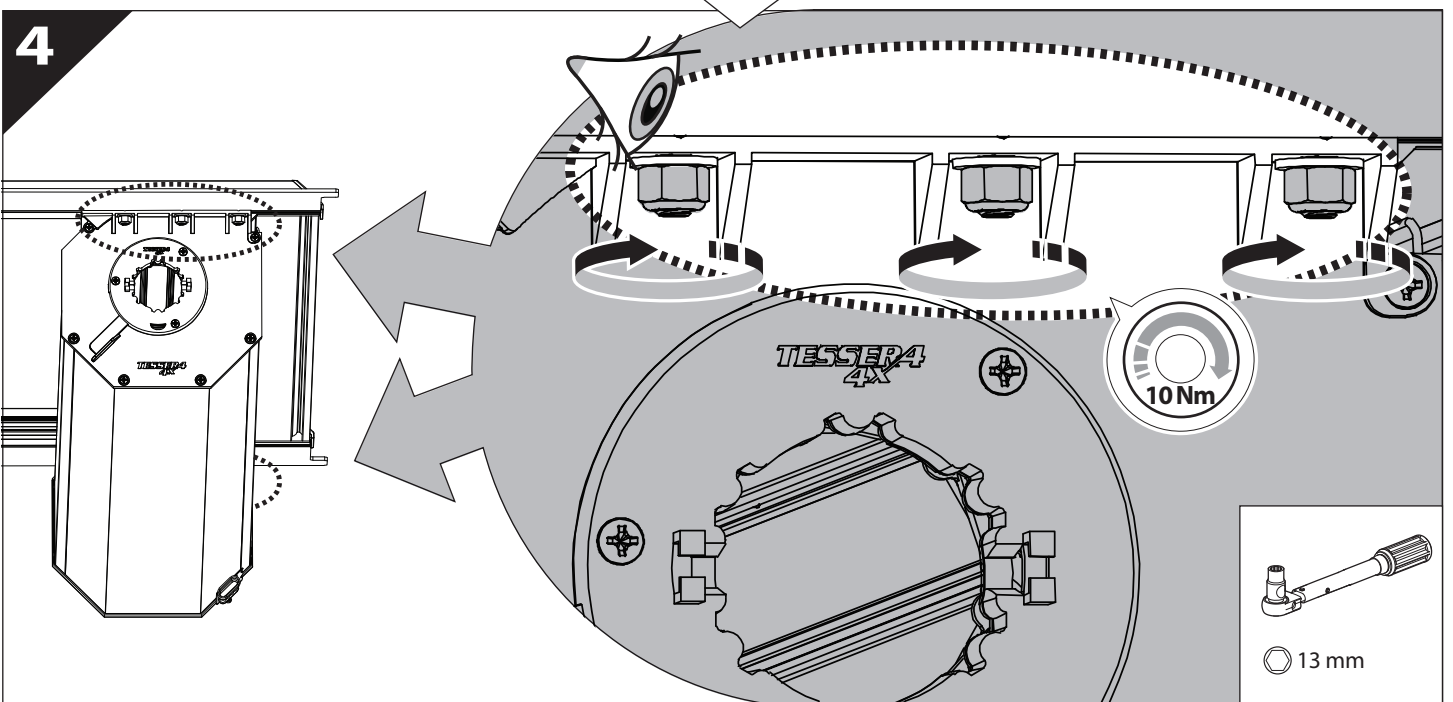
L

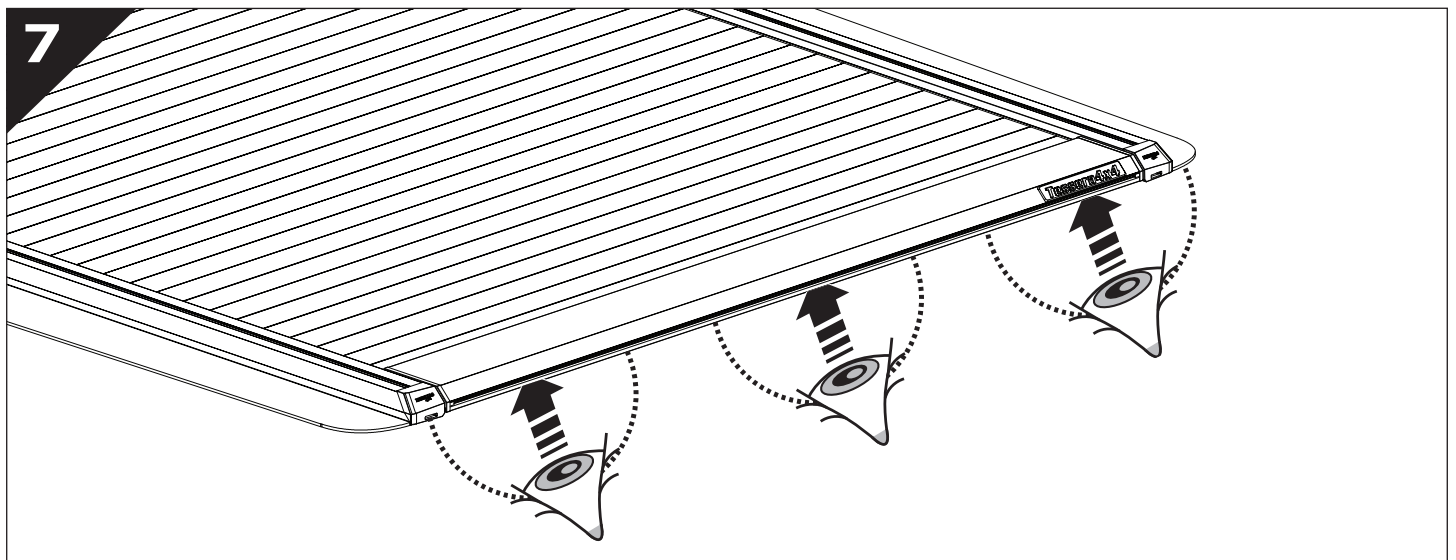
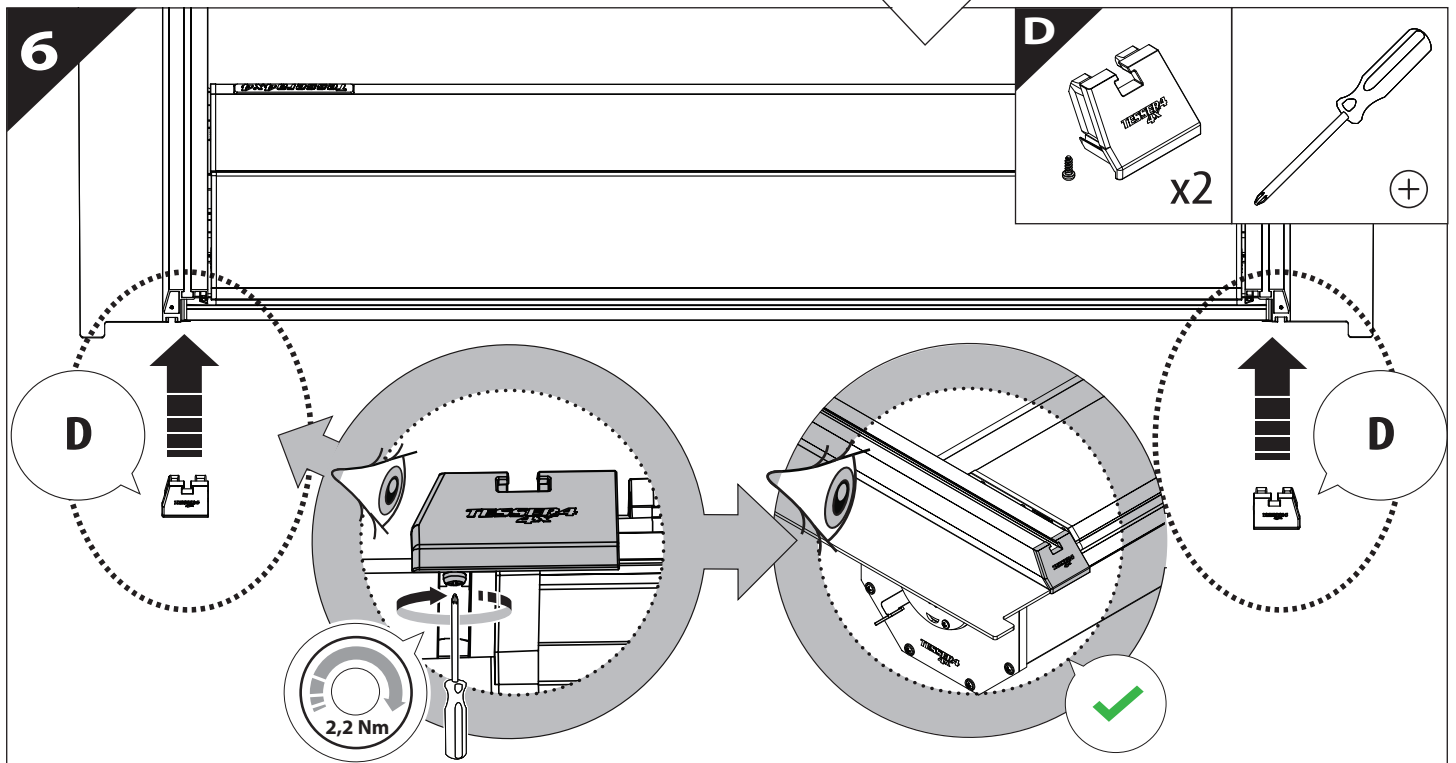
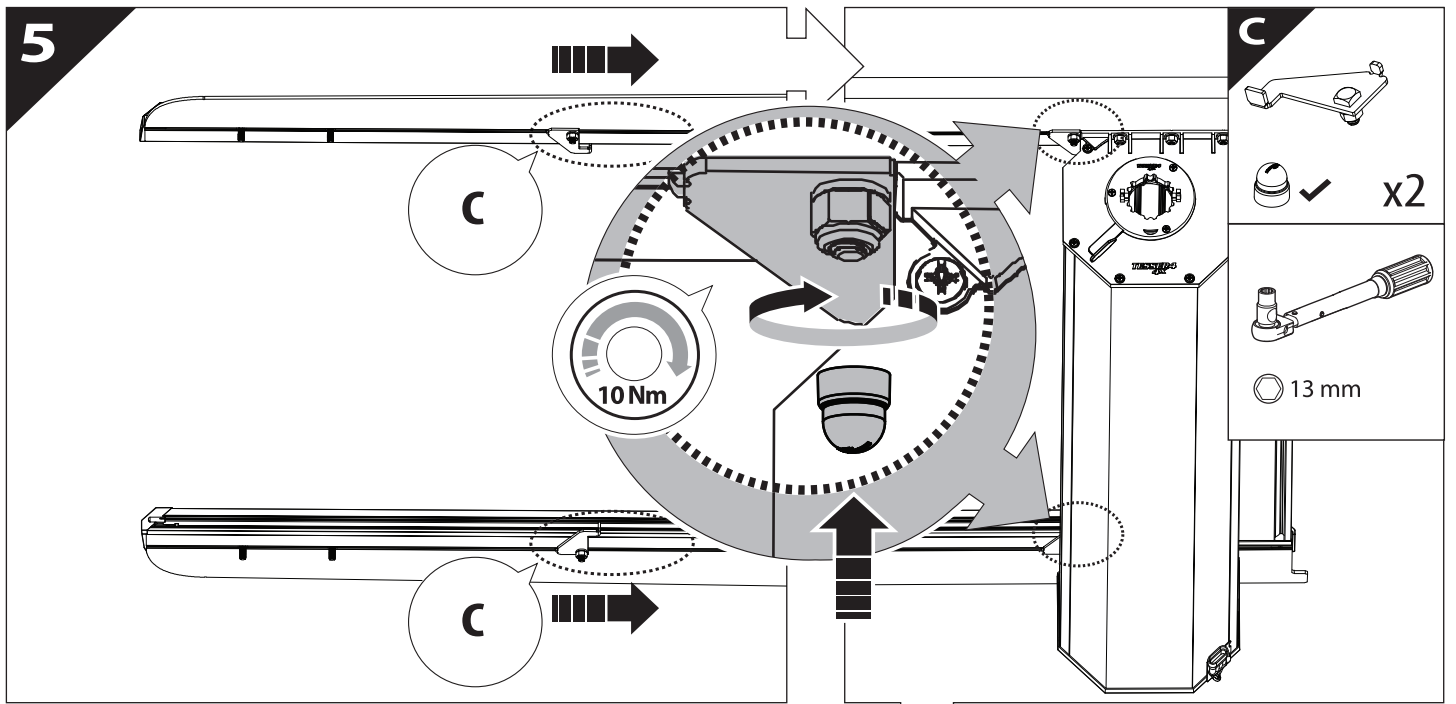


3



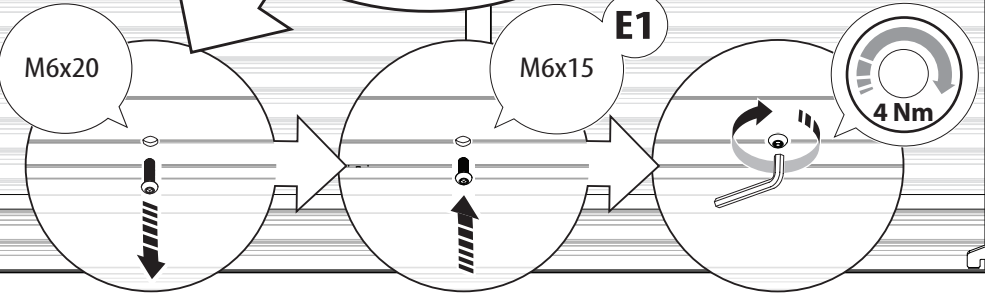
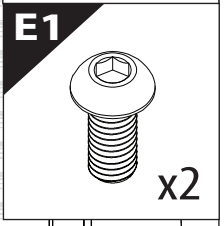
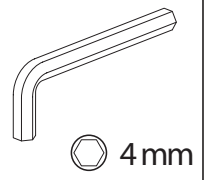
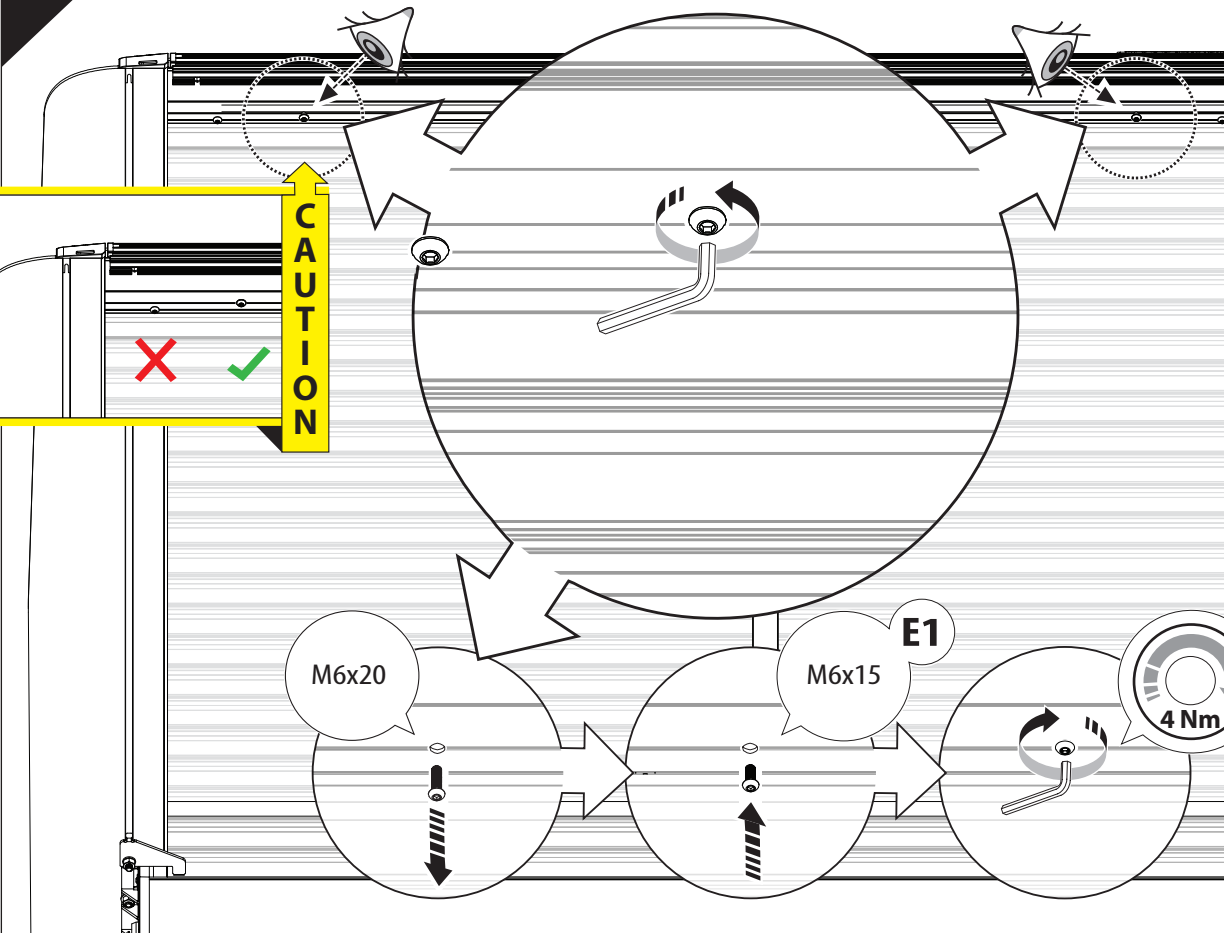
4



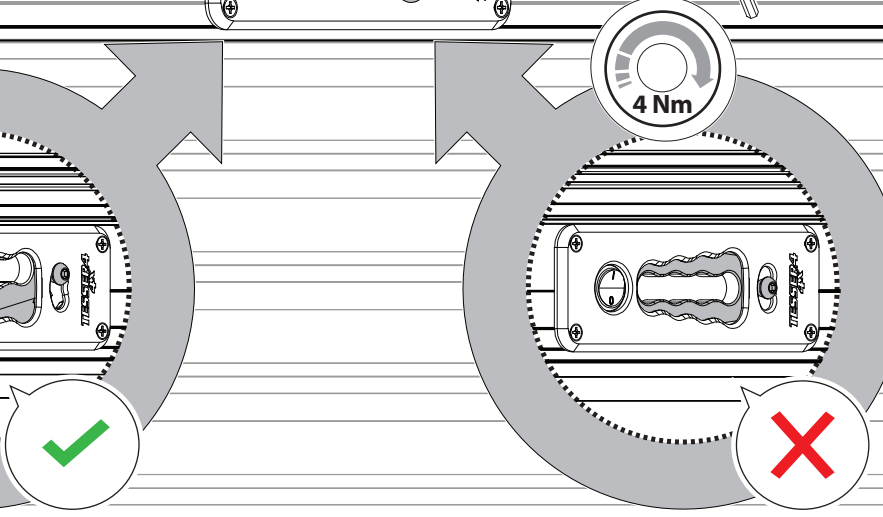
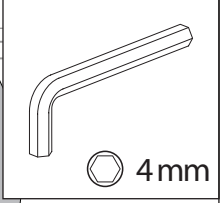
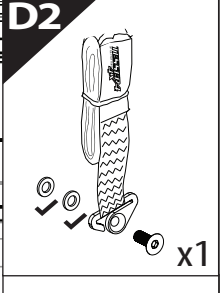
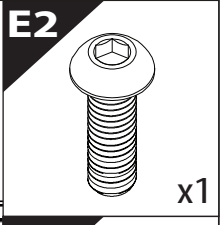
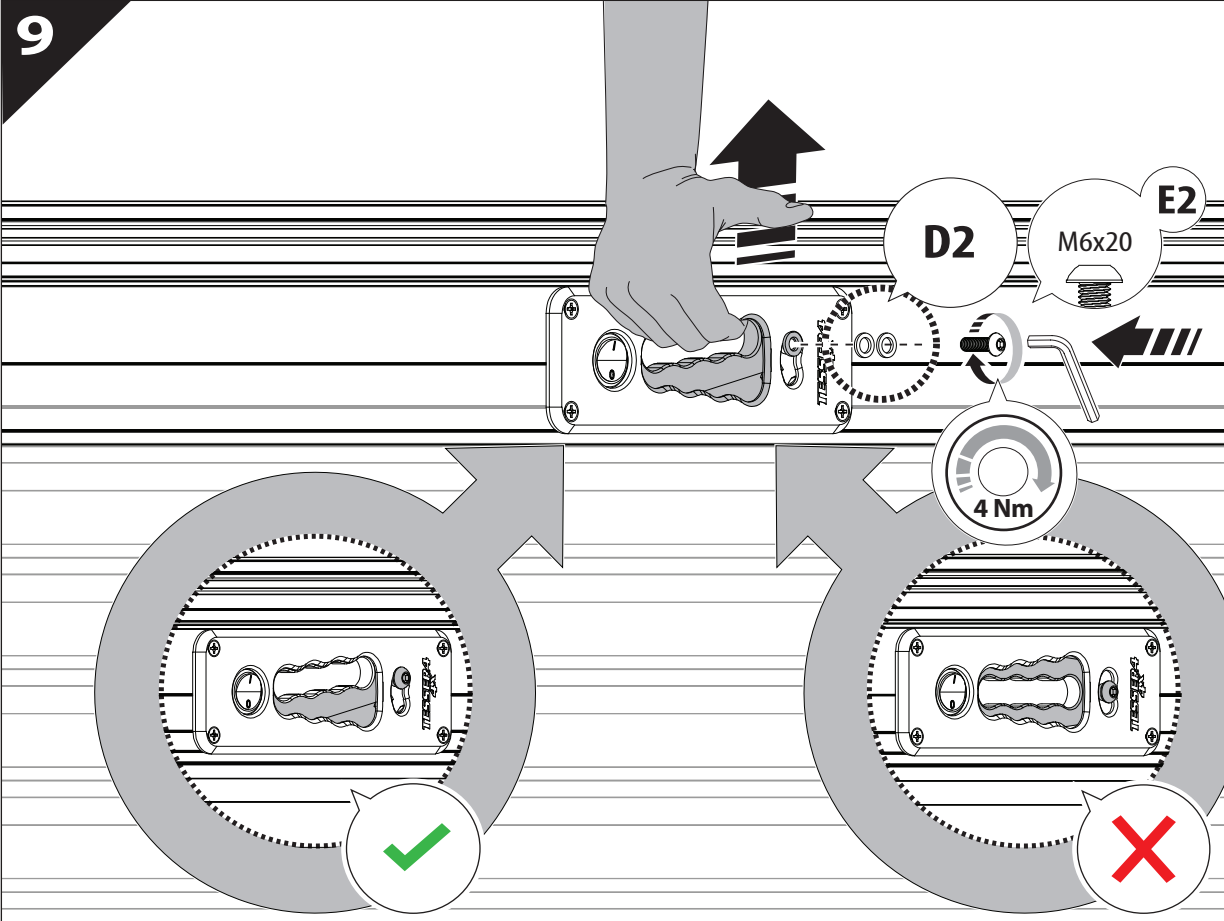


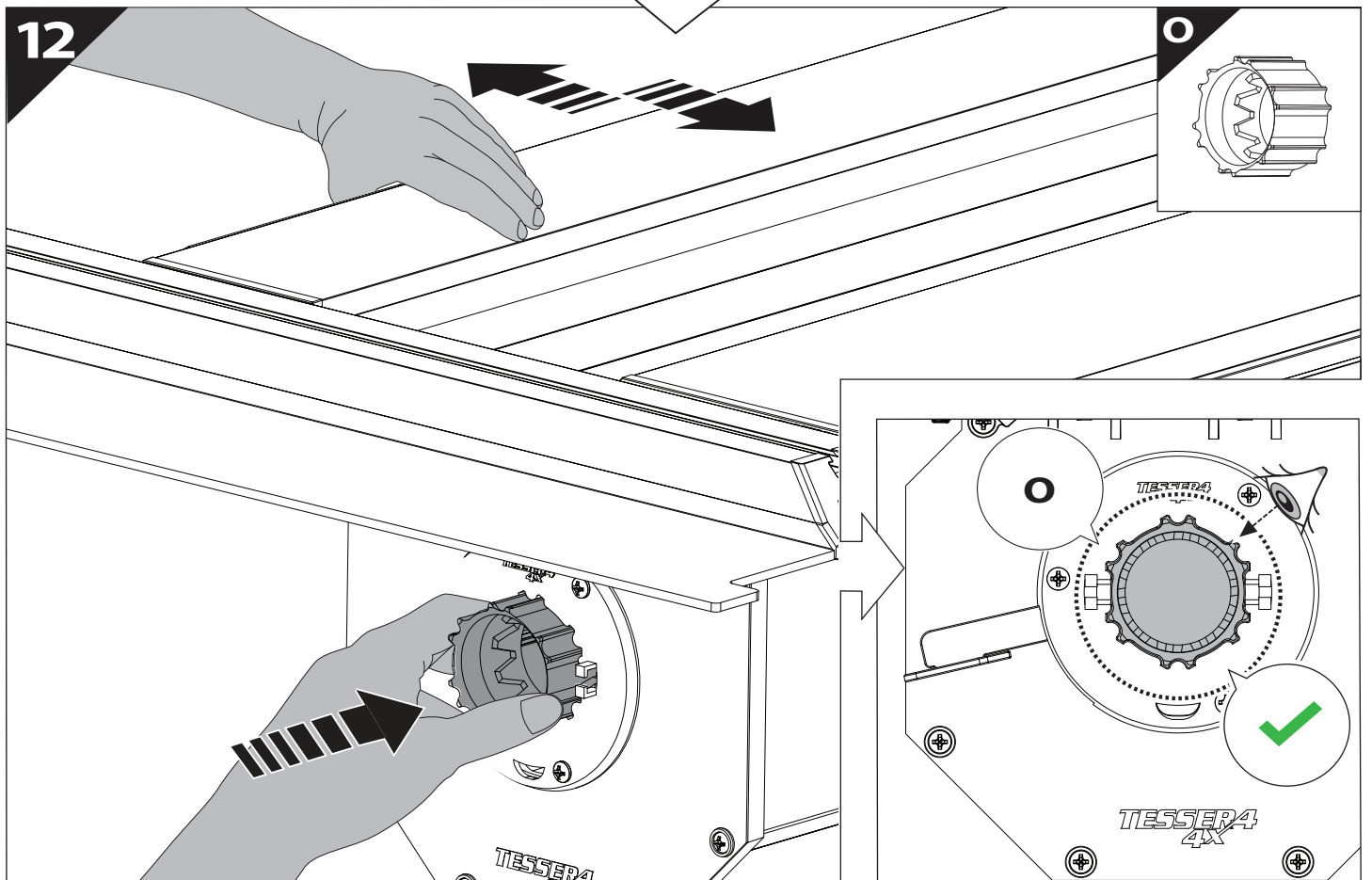
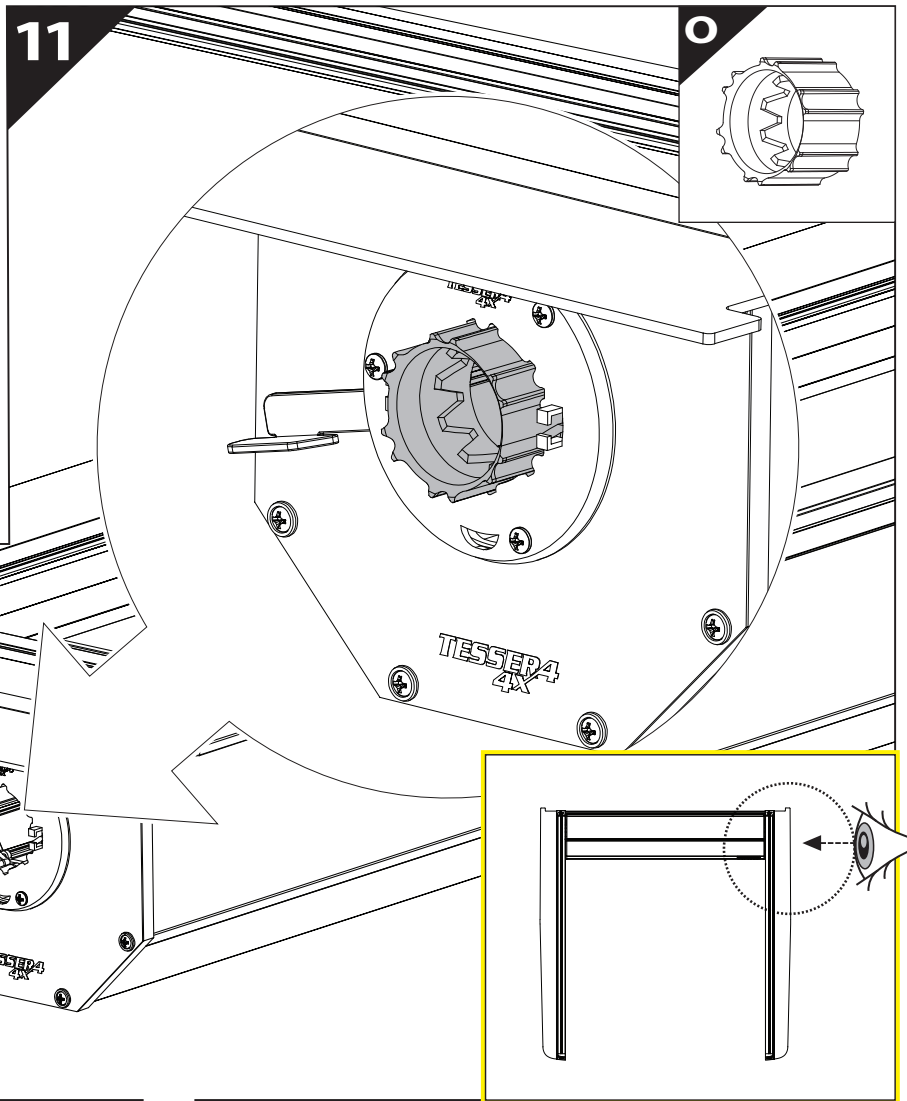
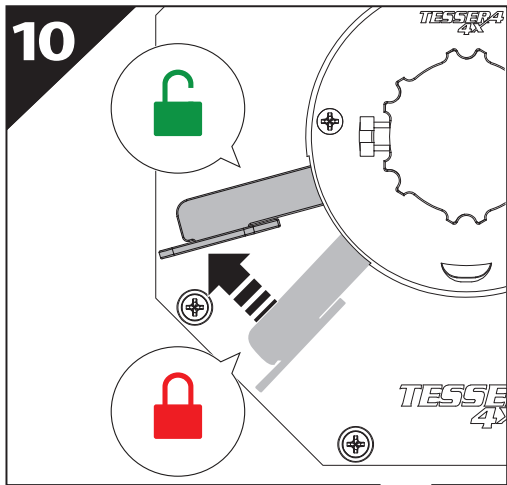
8

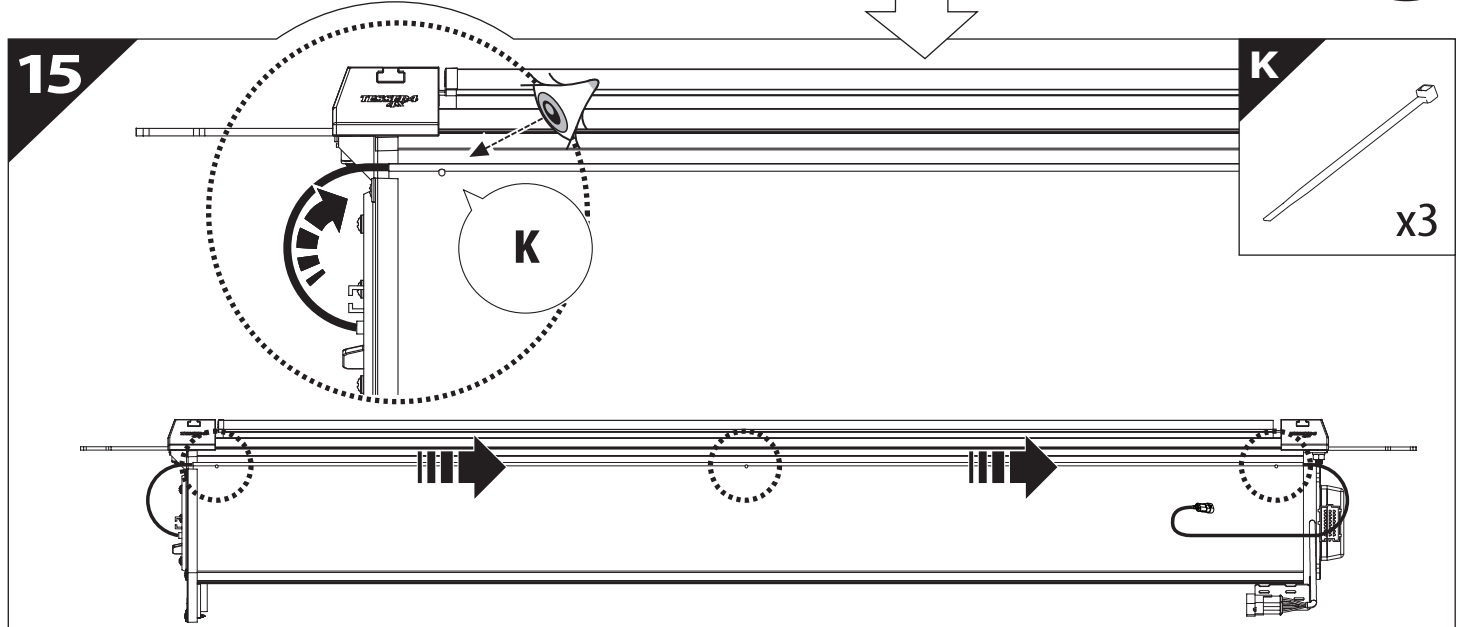
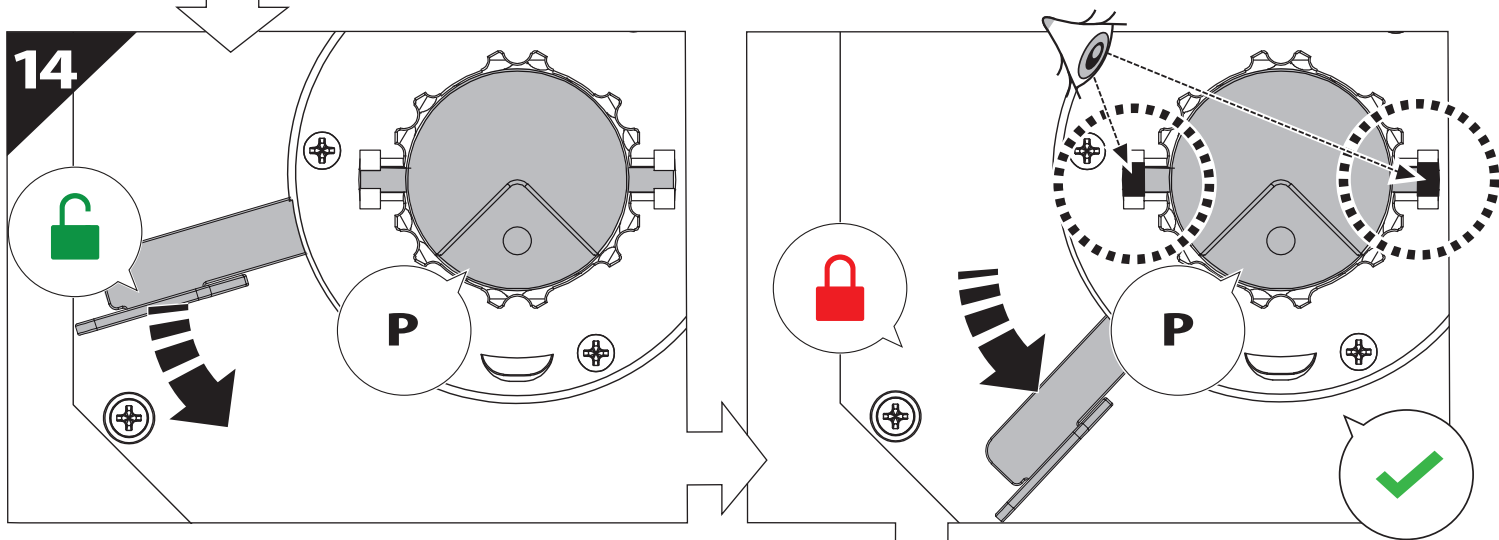
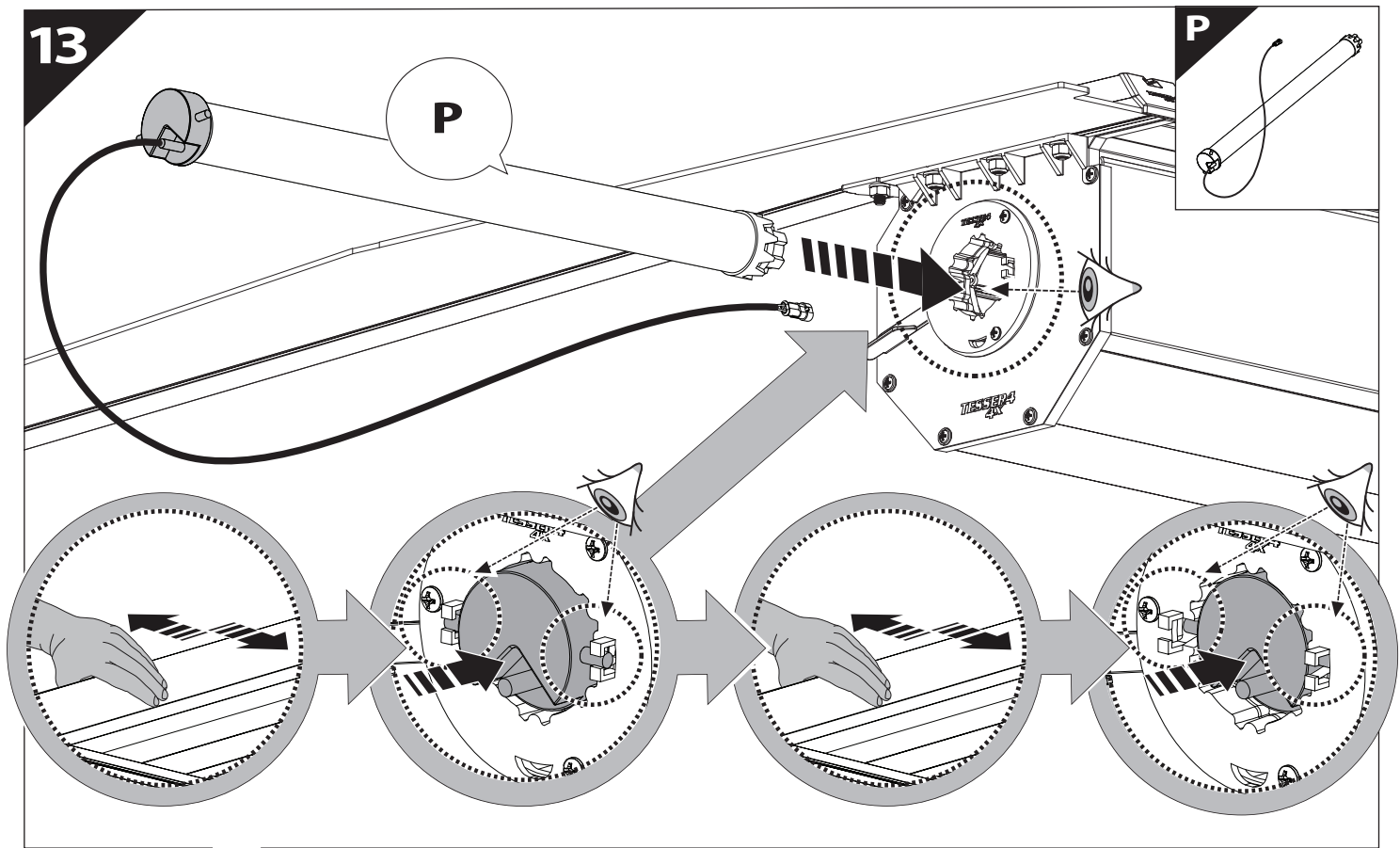
CAUTION

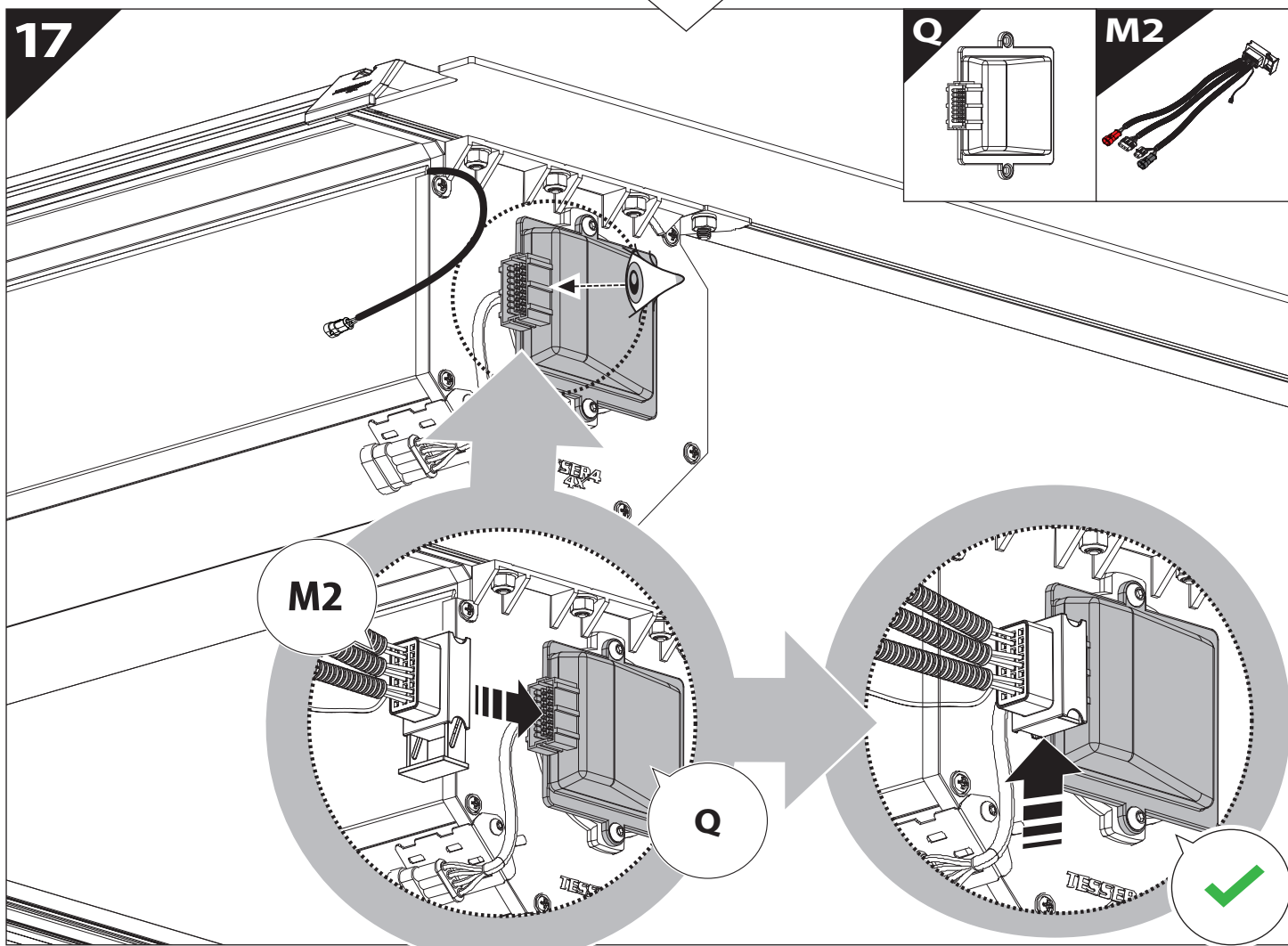
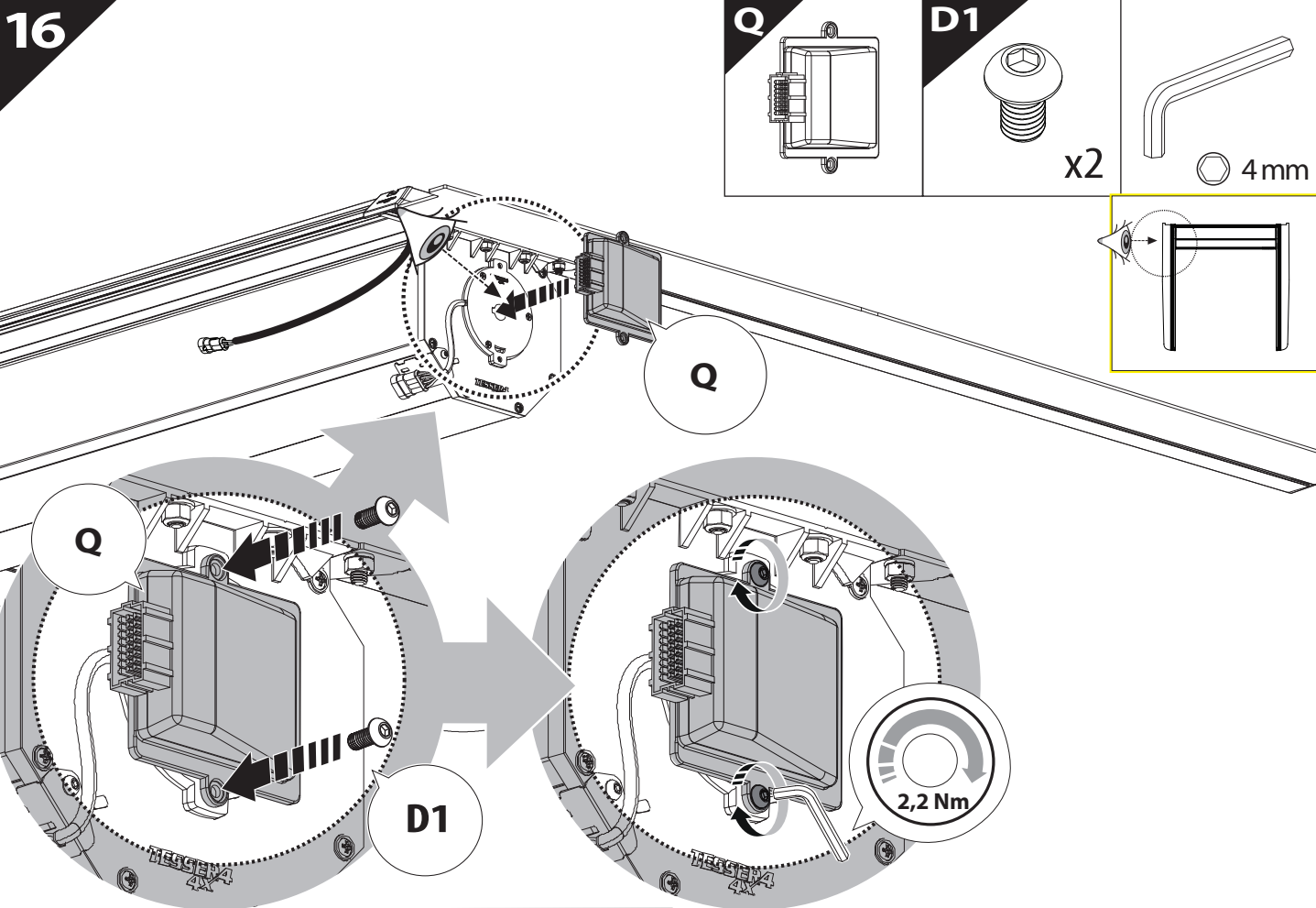


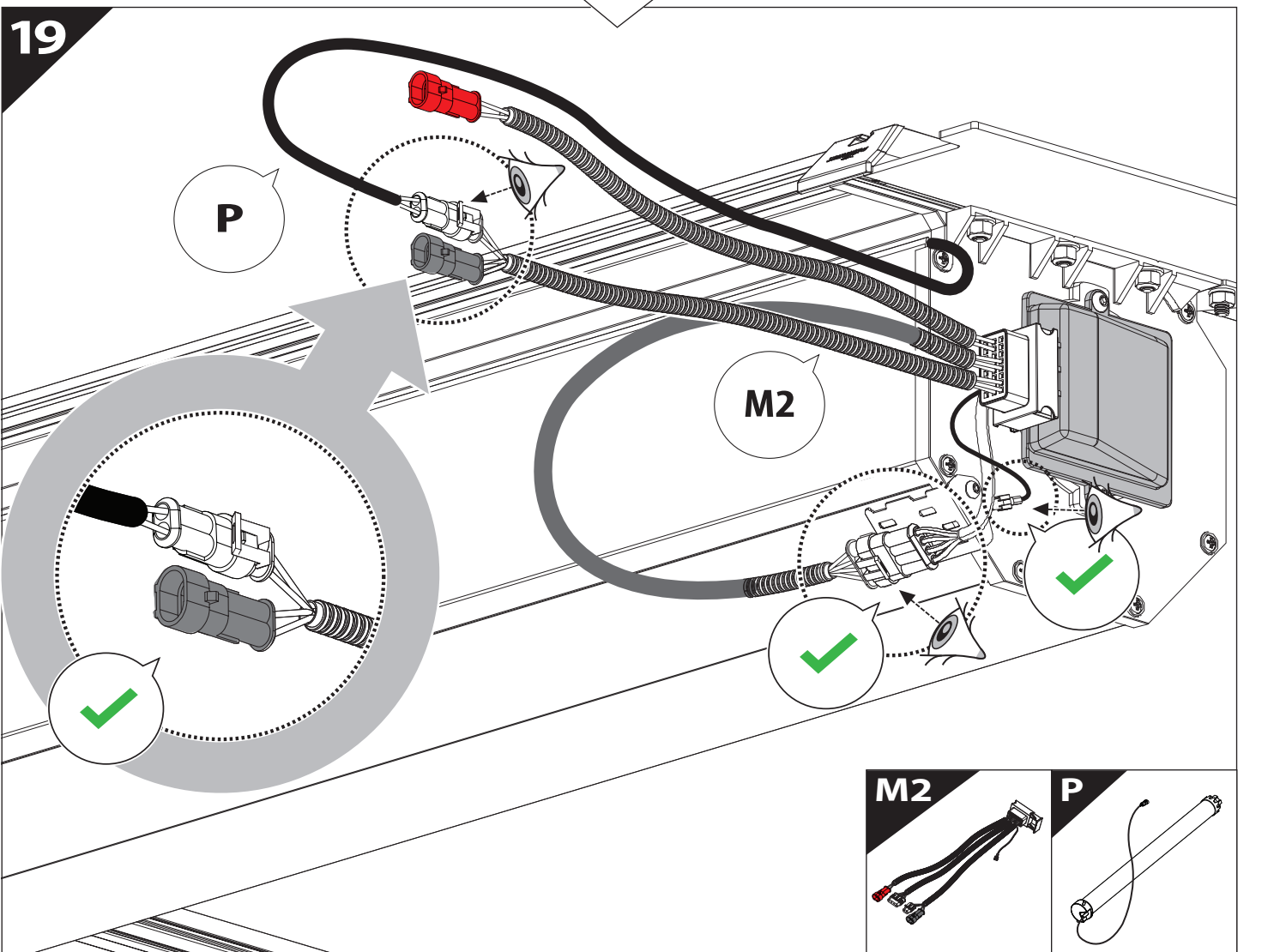
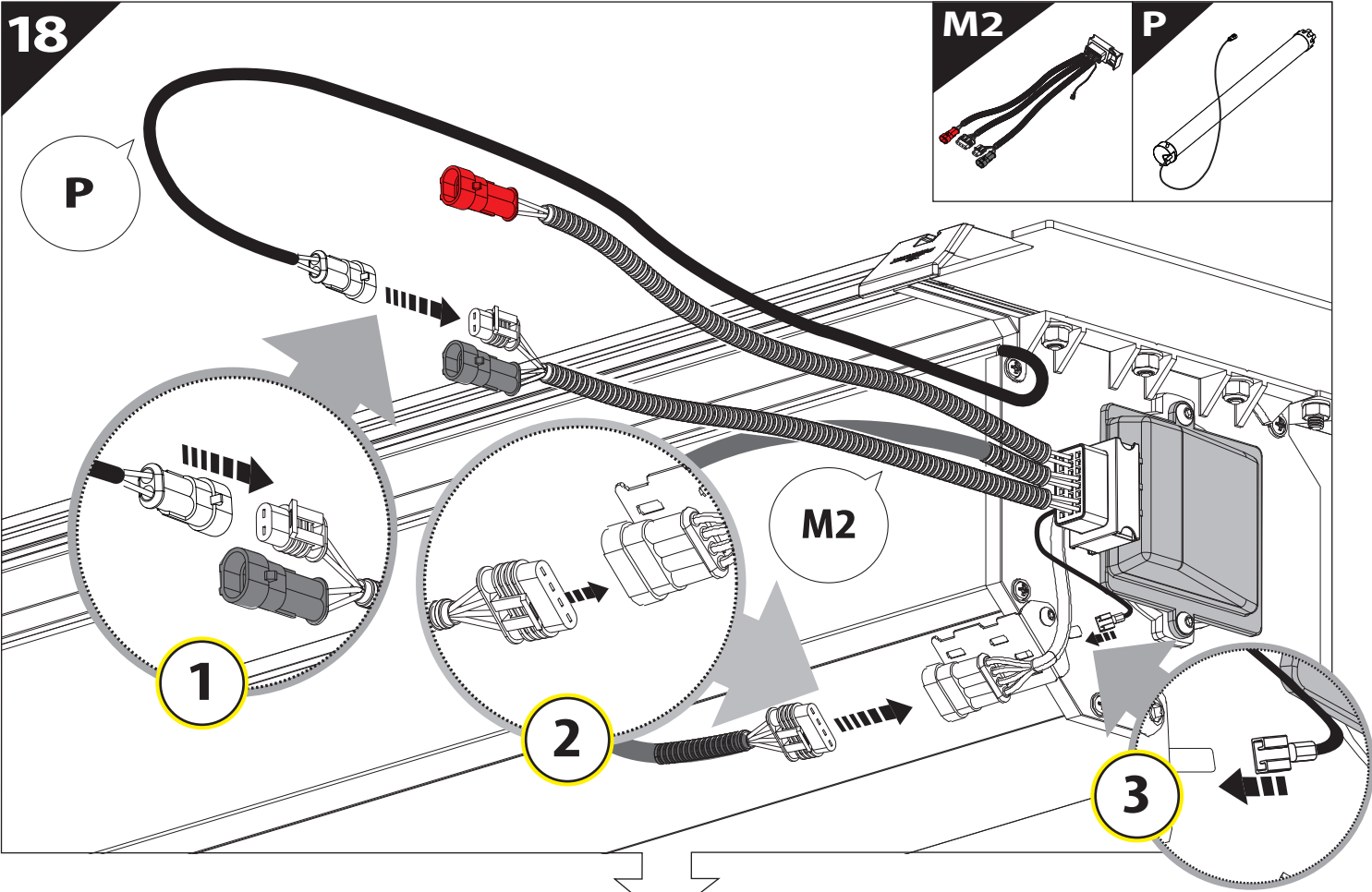
9





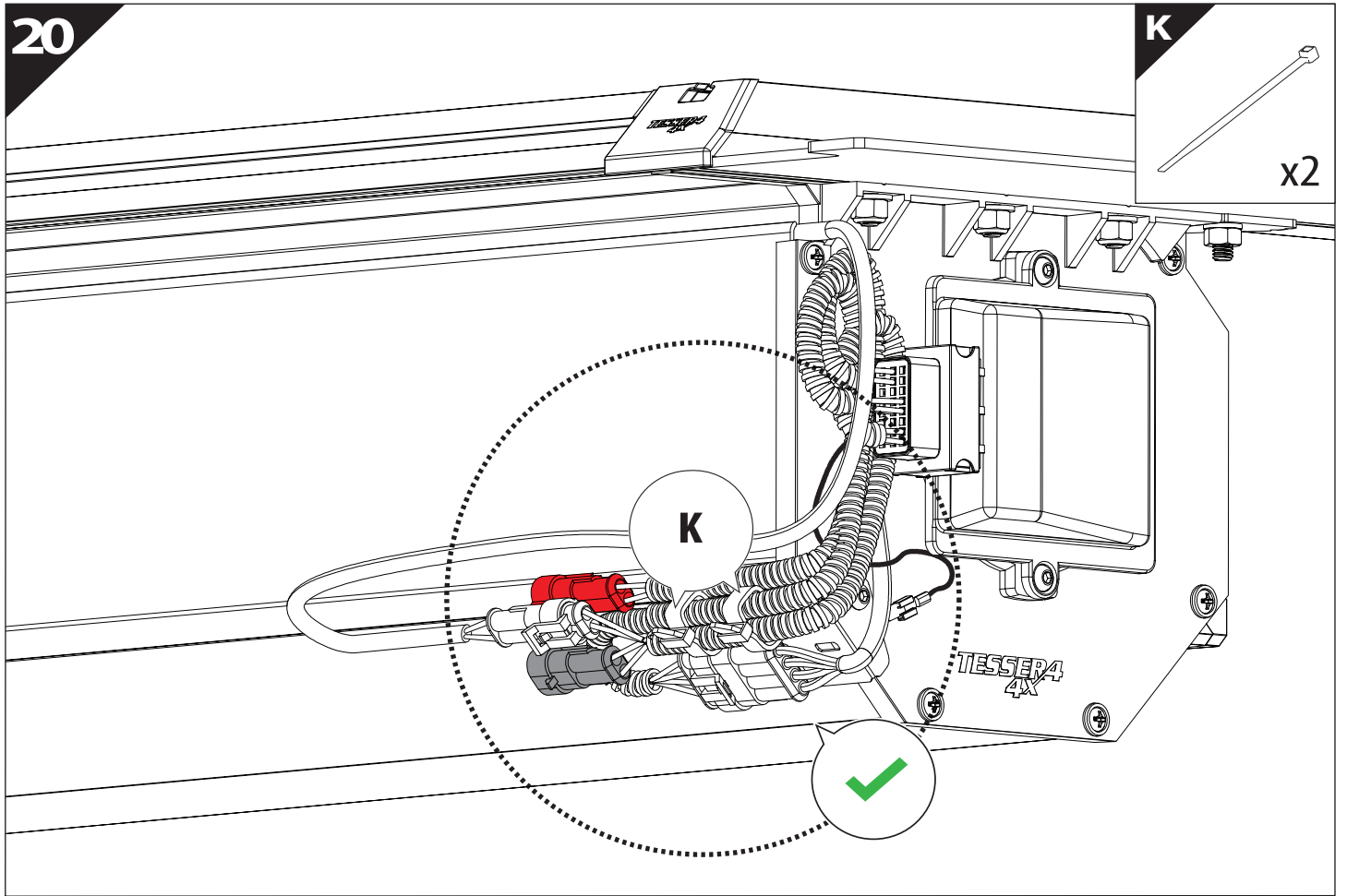




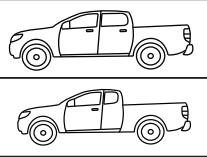


20

K

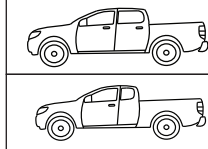
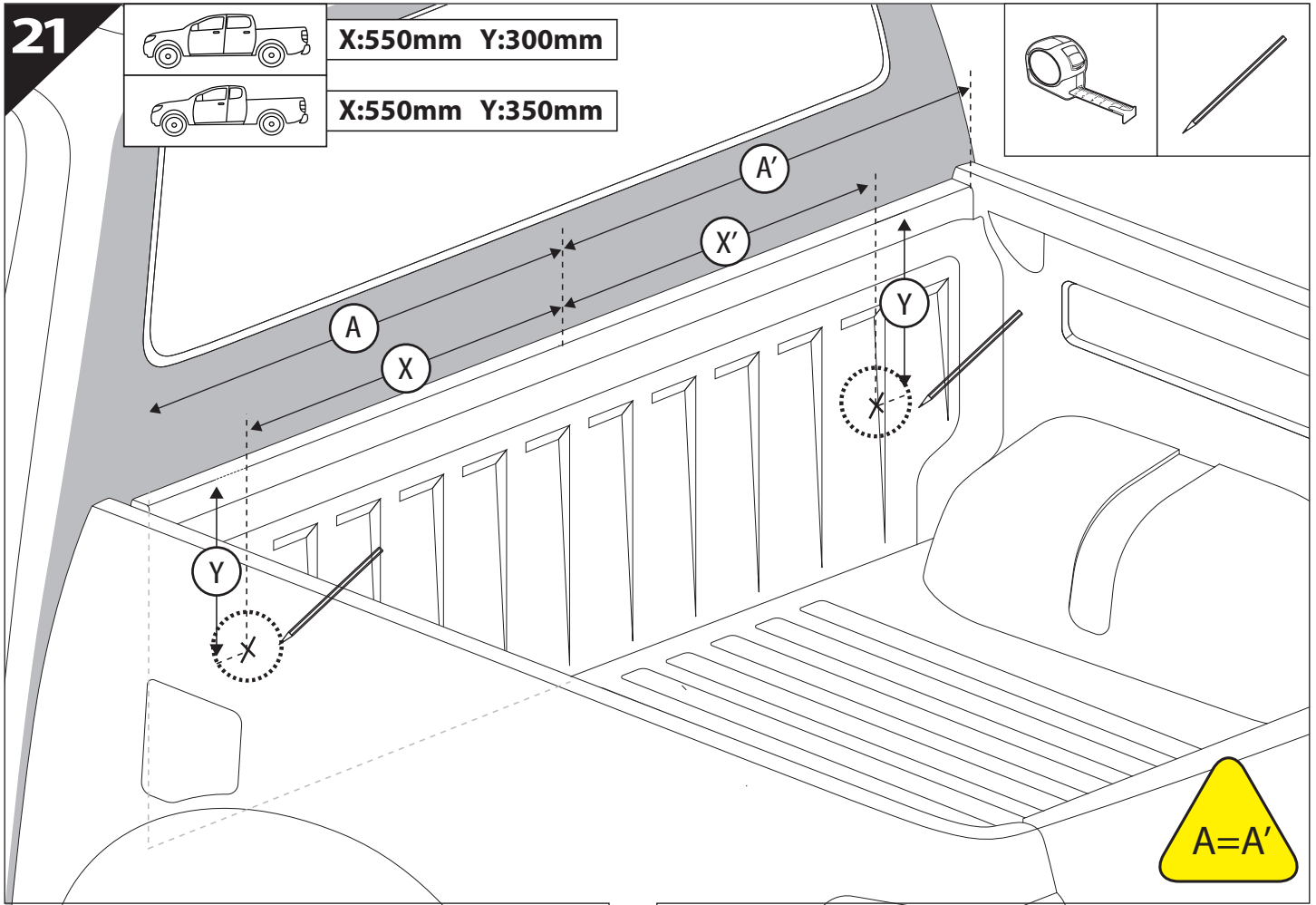
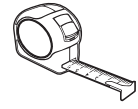


21



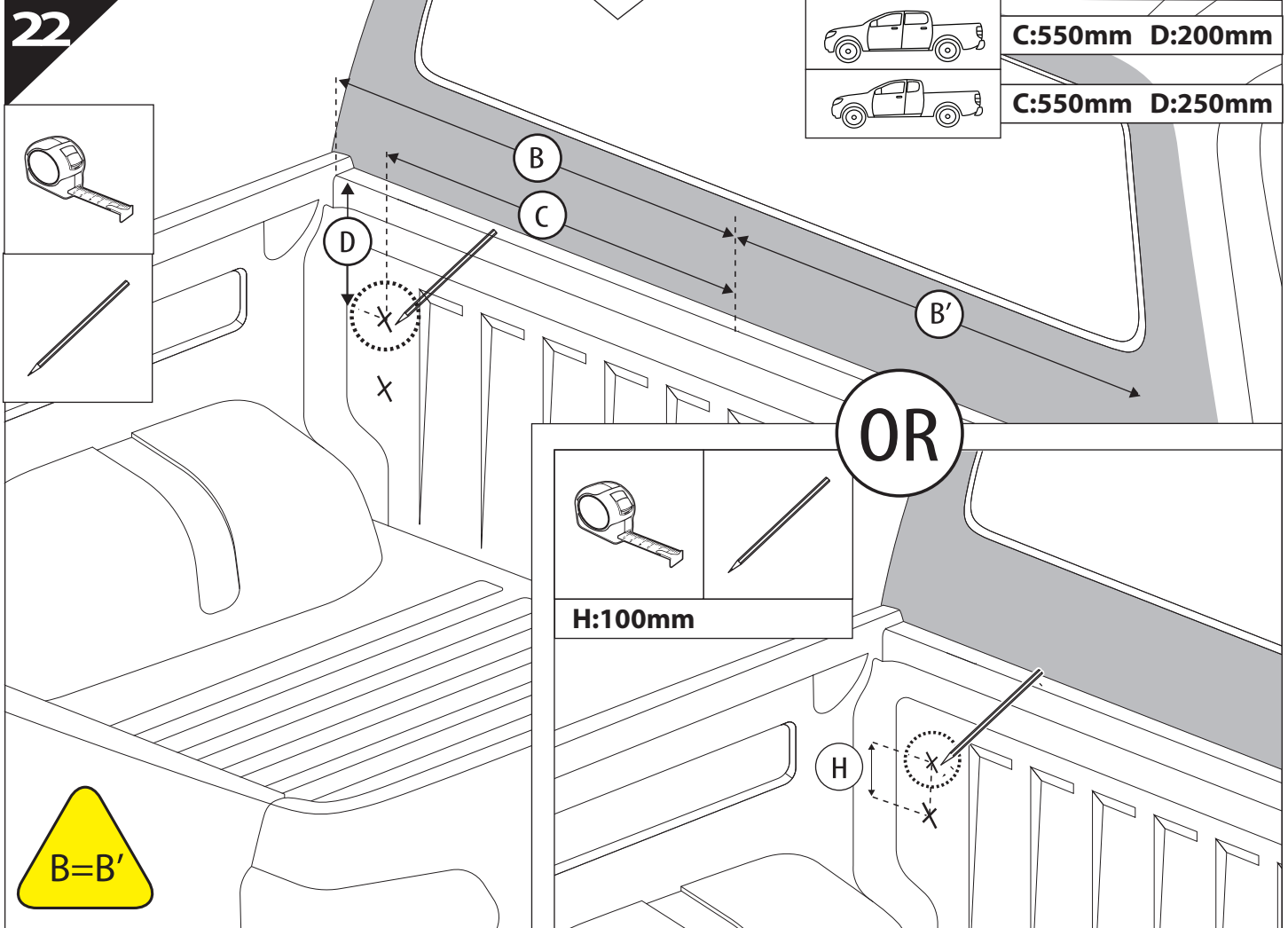
X:550mm Y:300mm

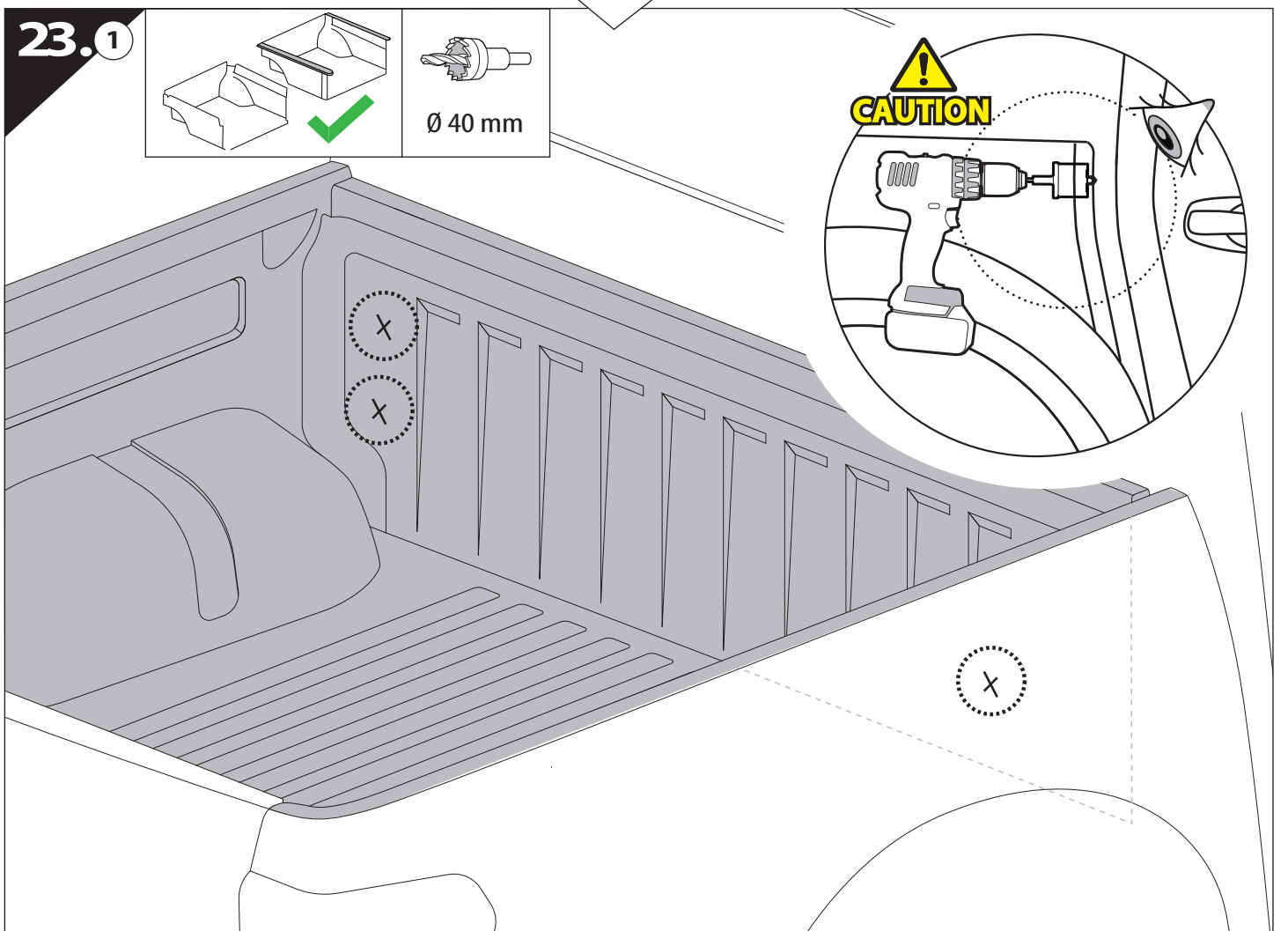
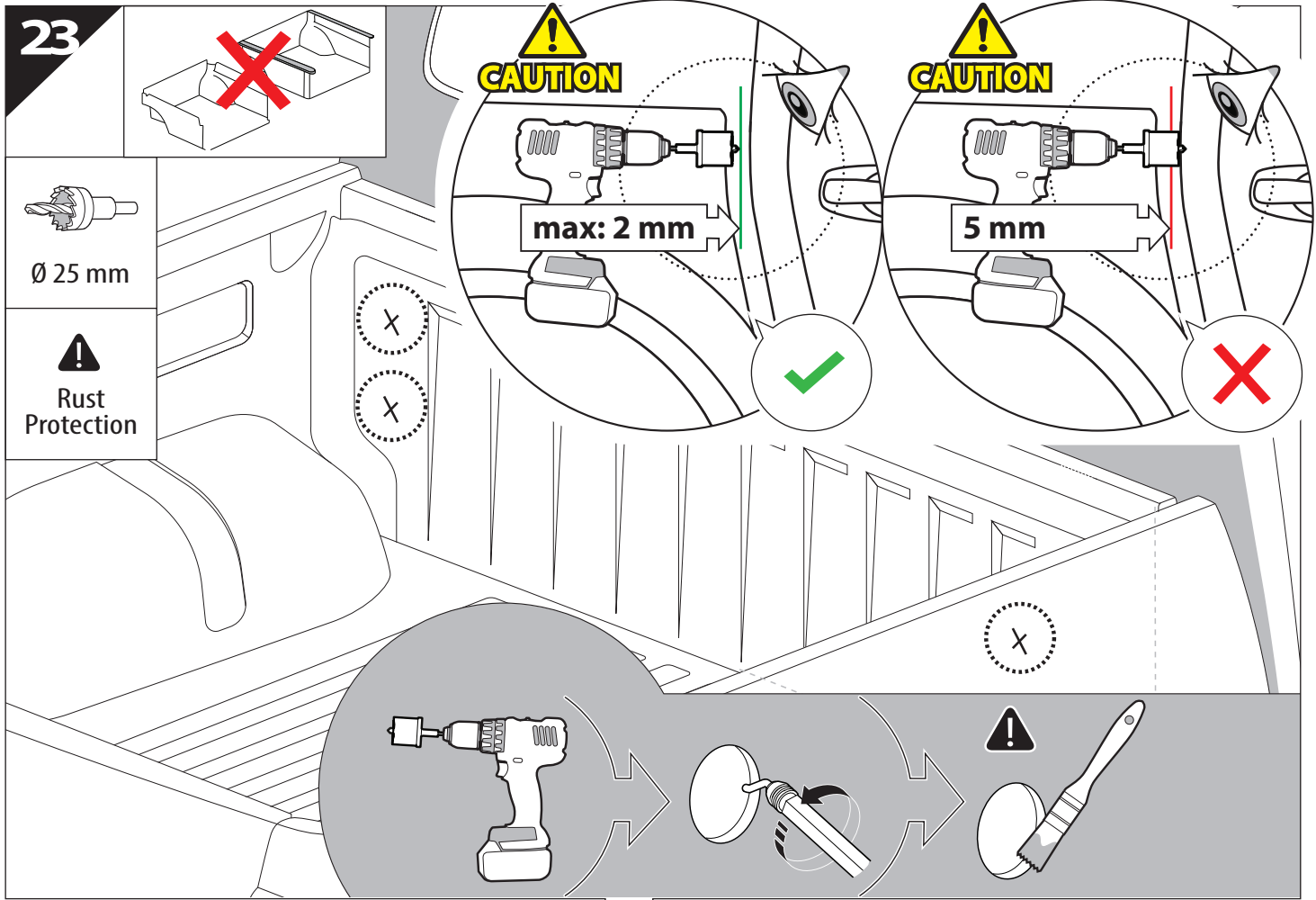
X:550mm Y:350mm



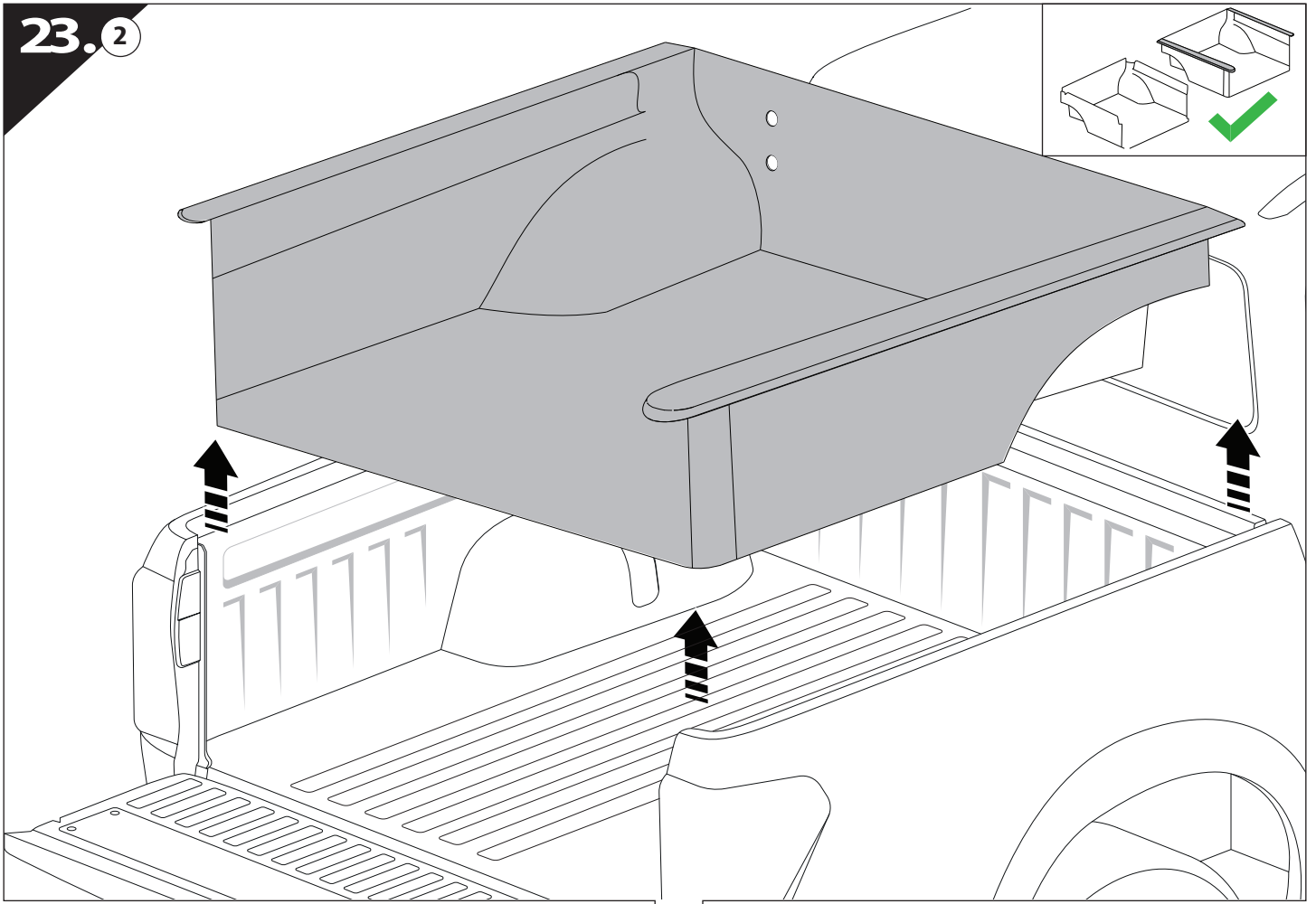
C:550mm D:200mm

C:550mm D:250mm

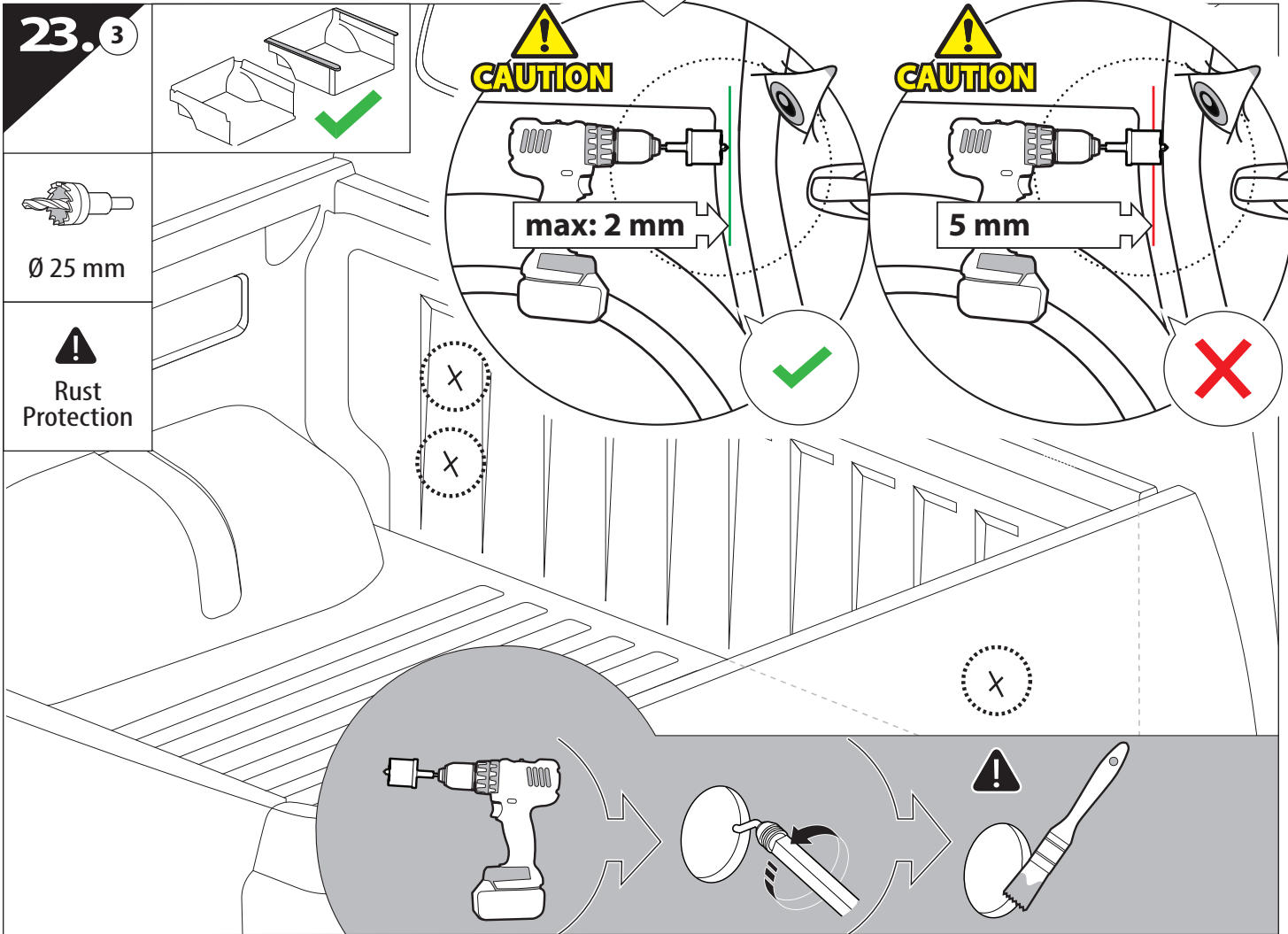


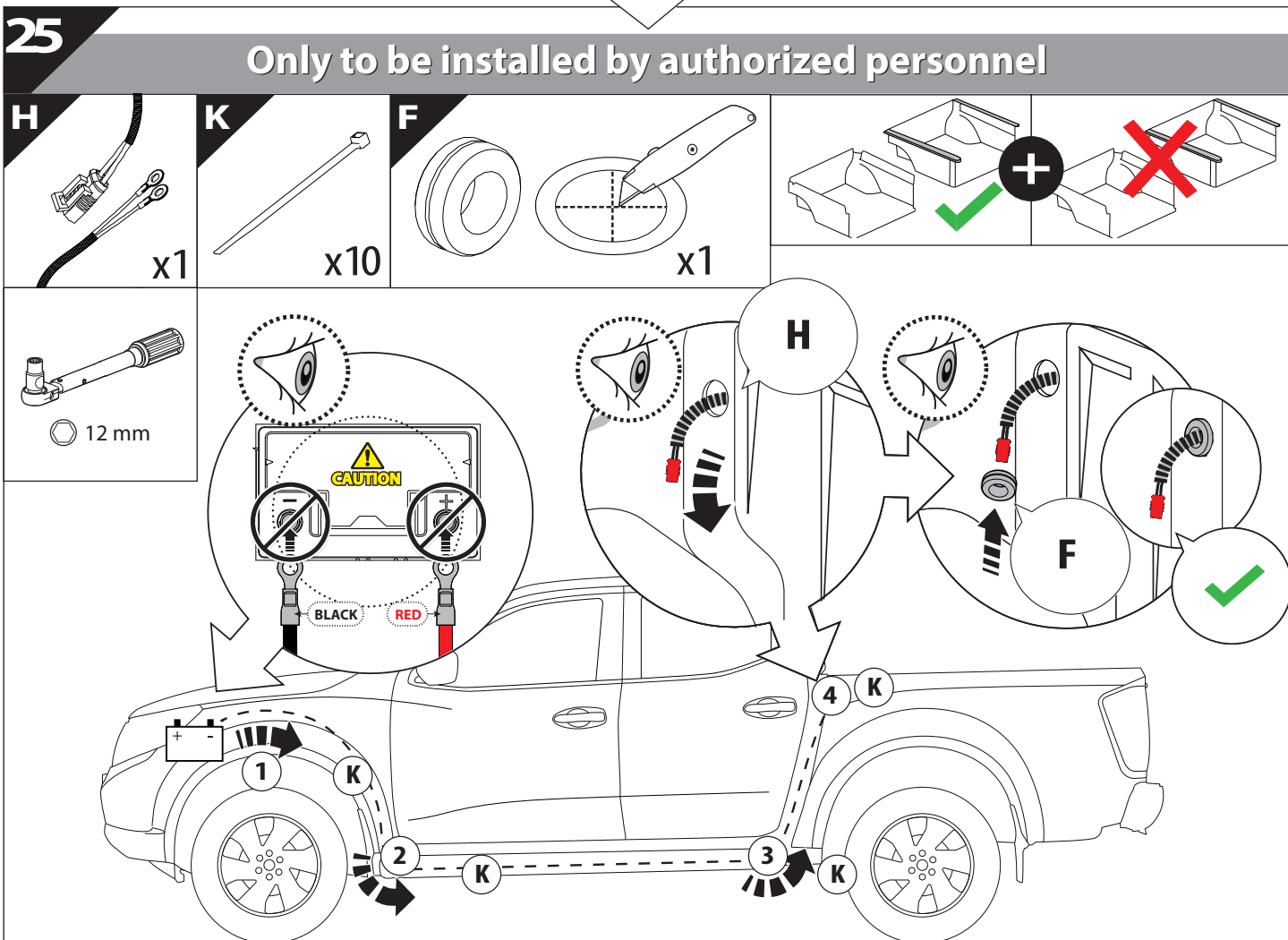
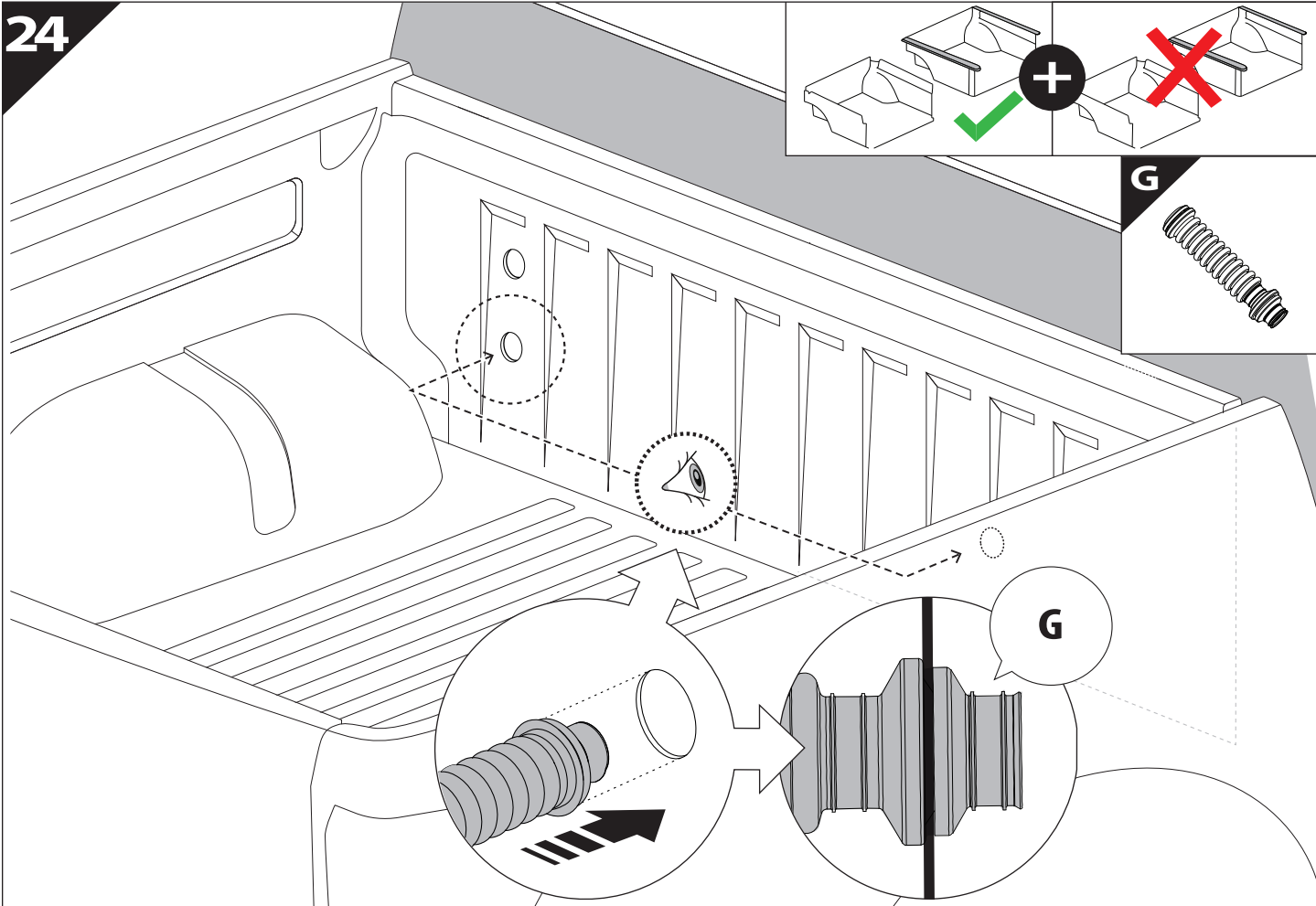


23.2

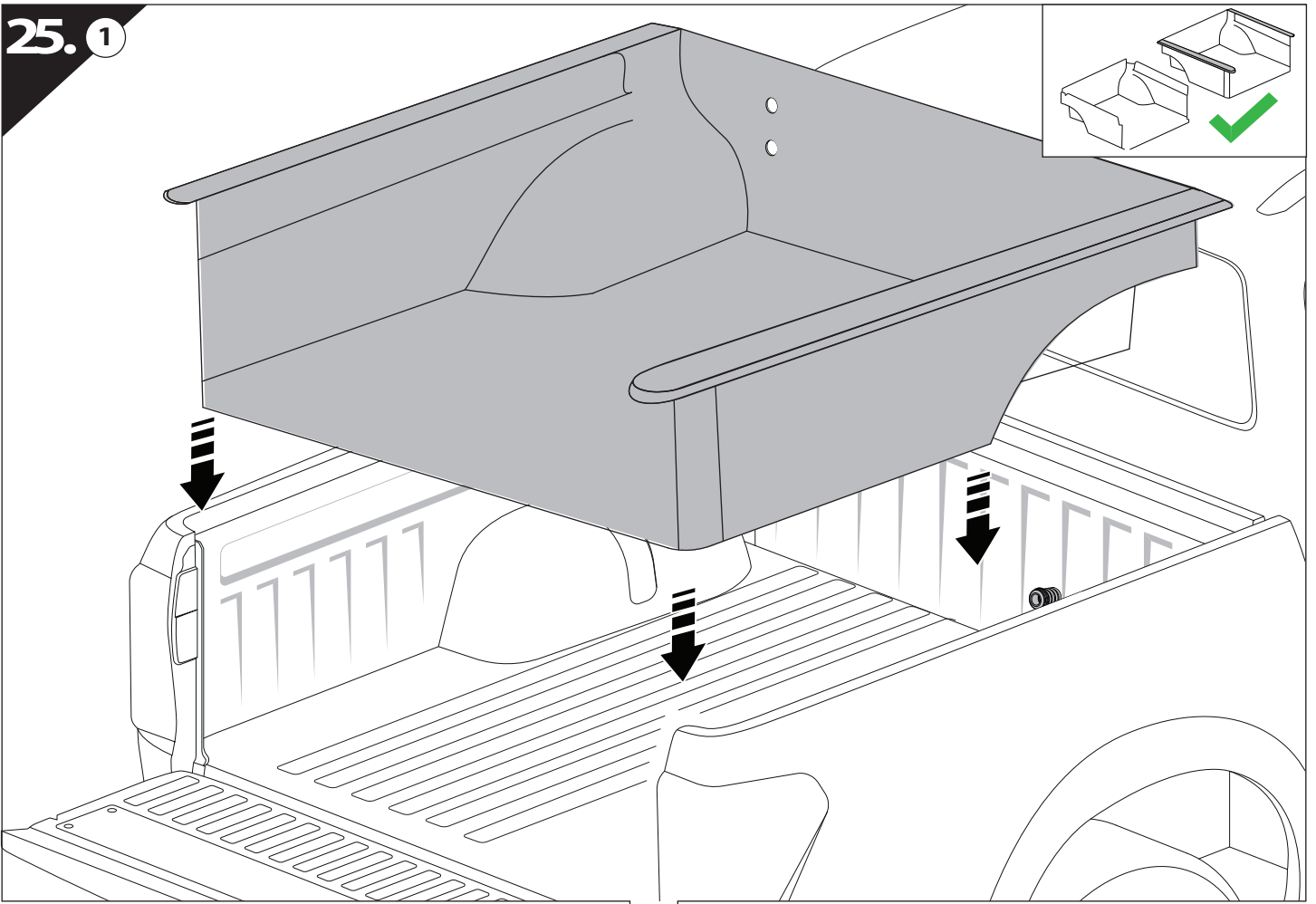


23.3

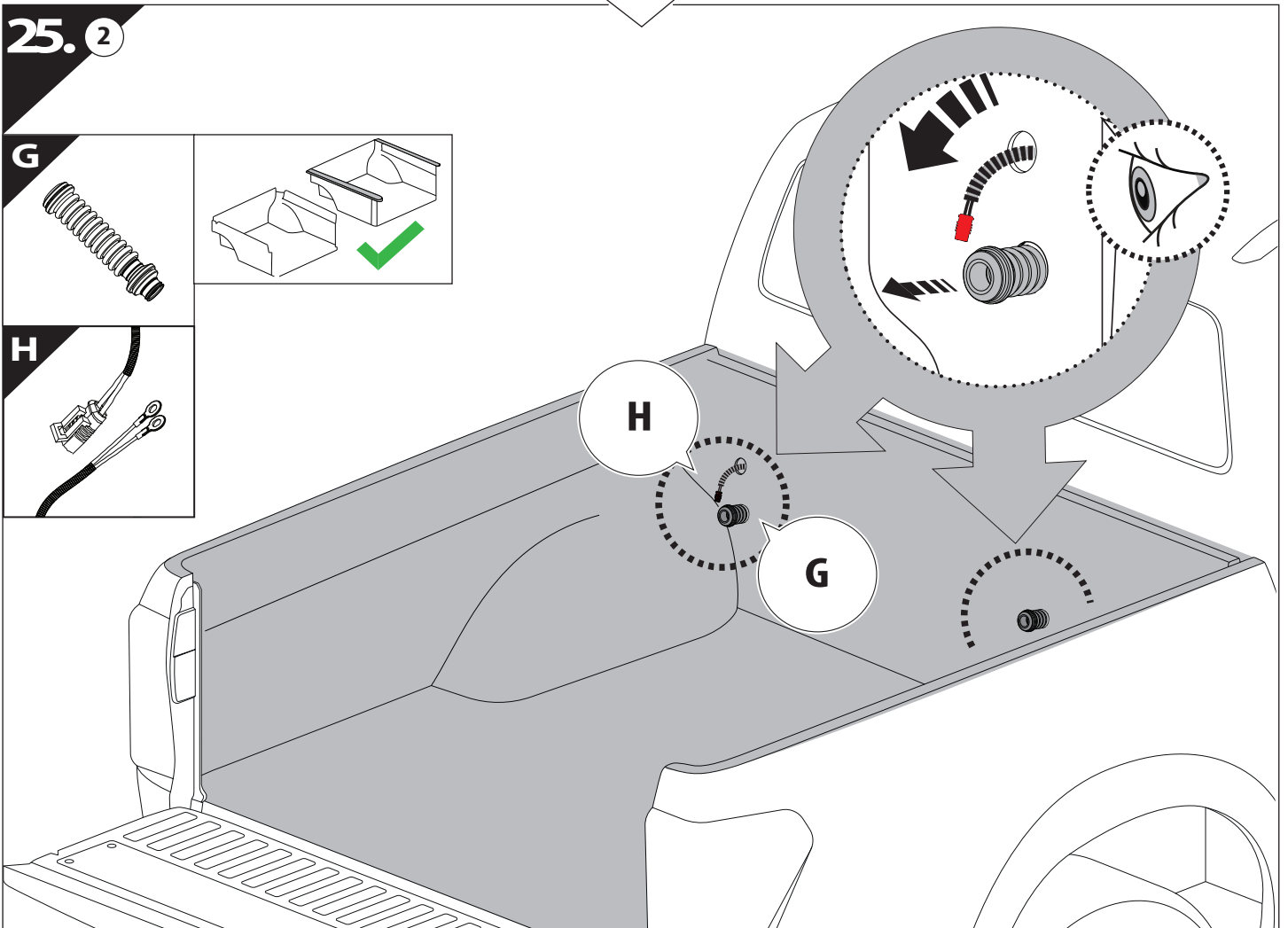




25. ①

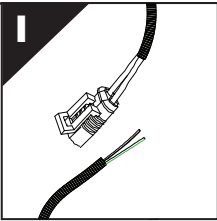


25. ②

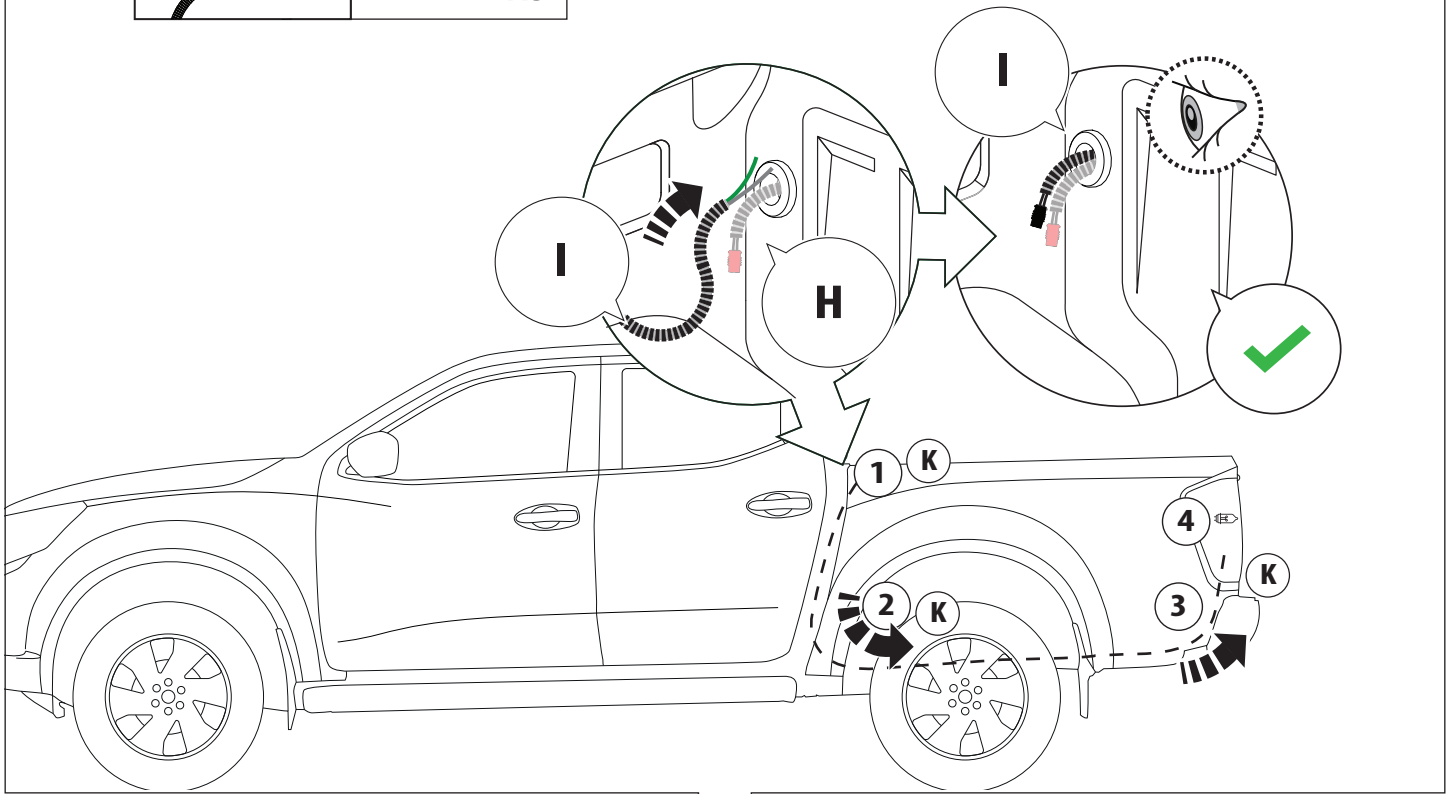
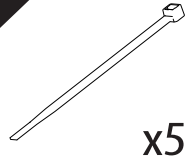


26

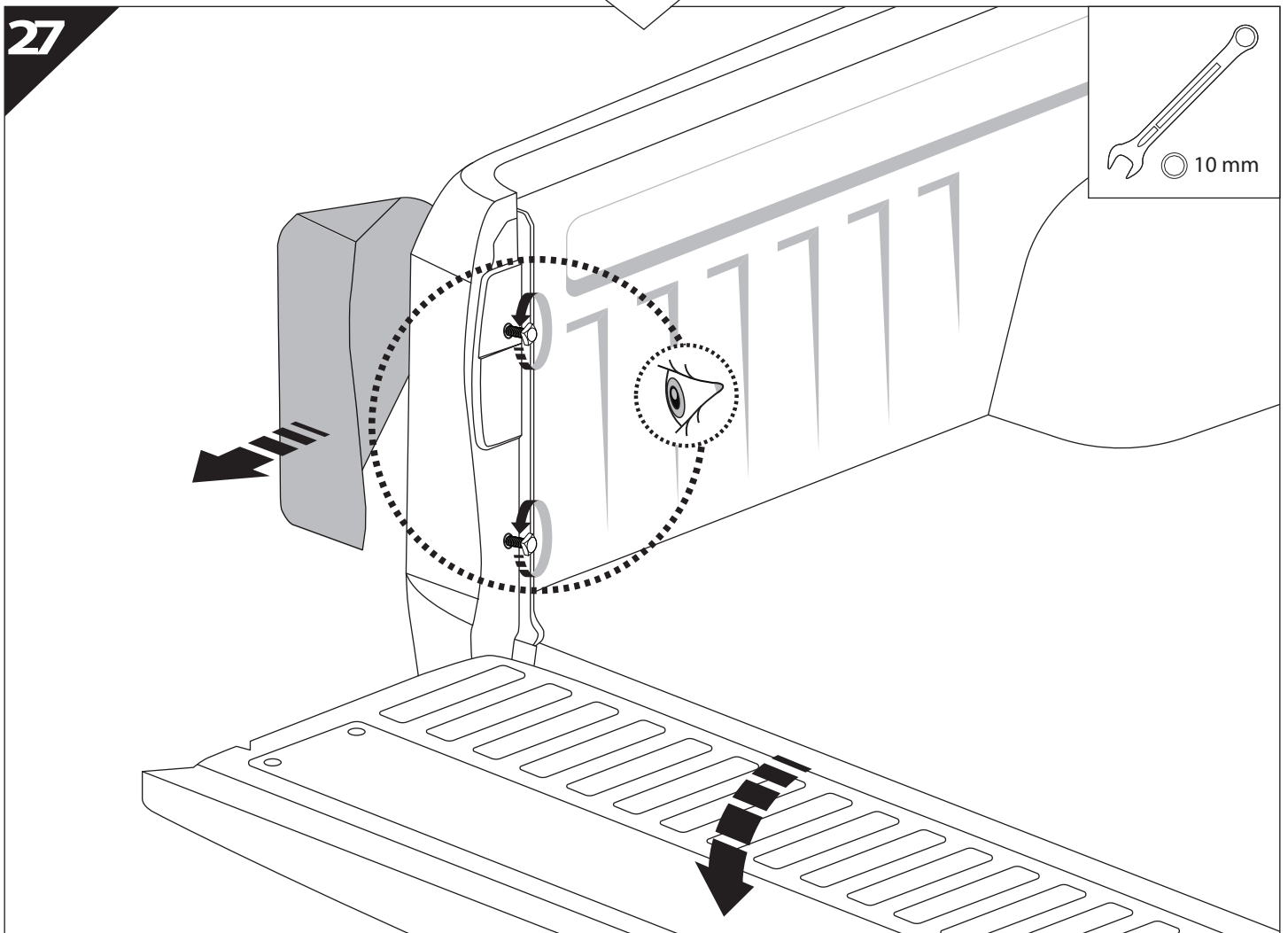
I

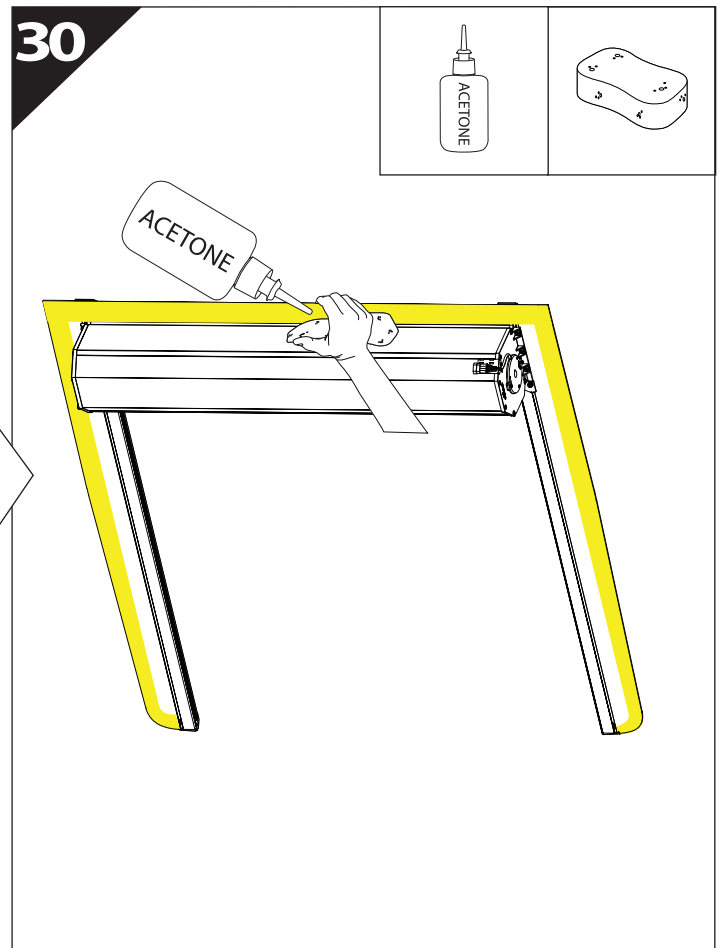
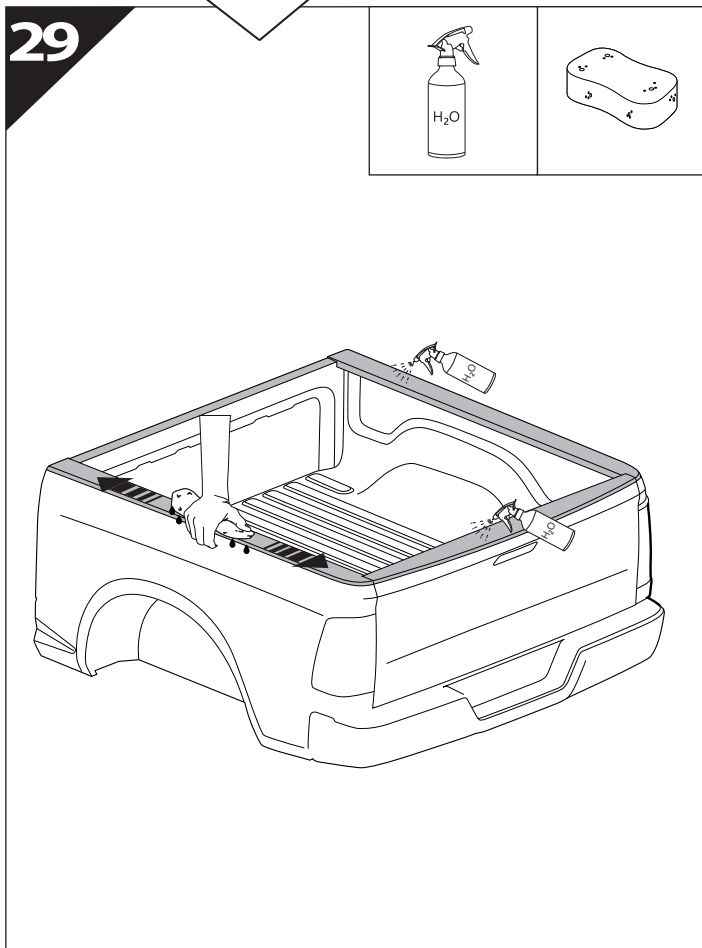
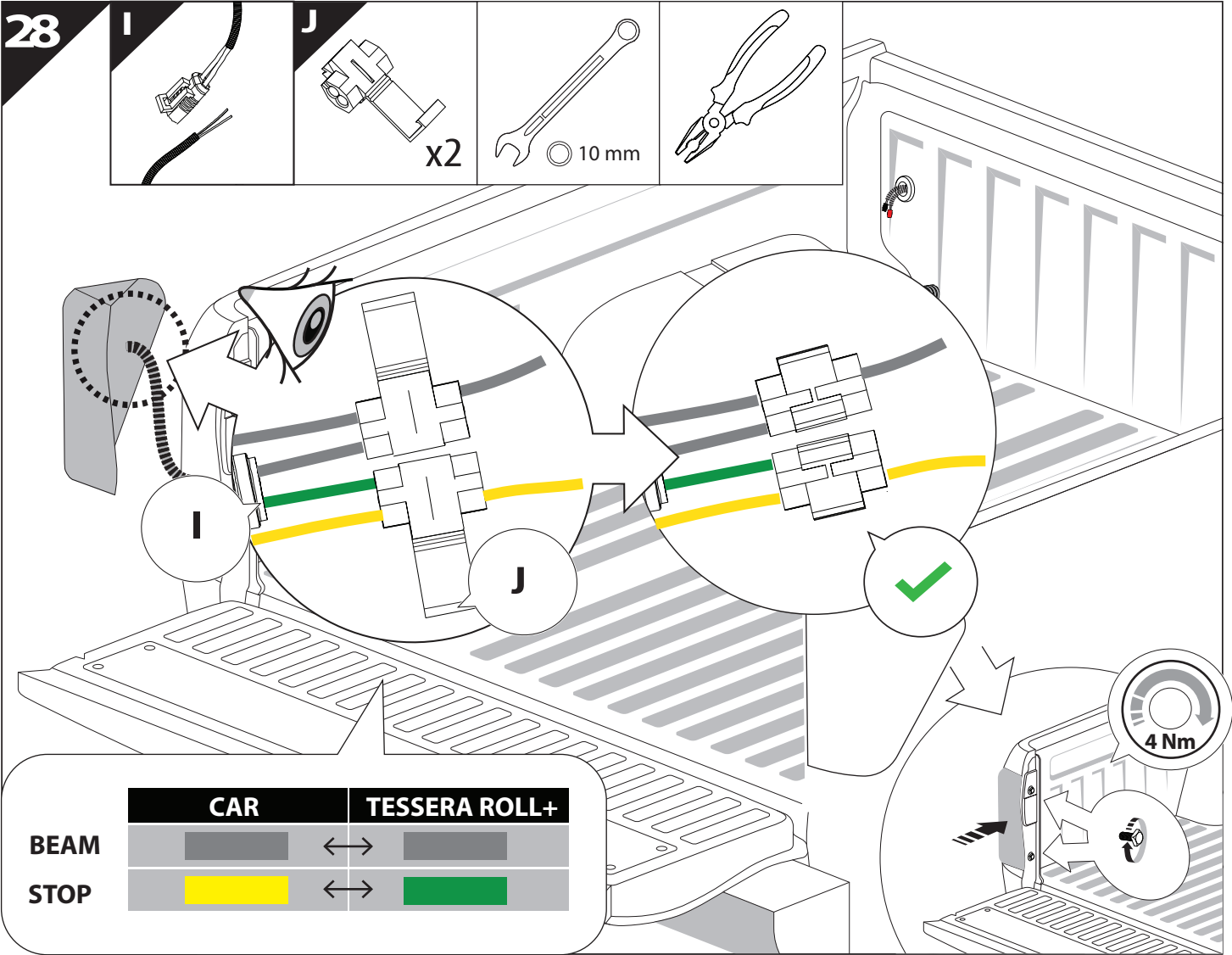


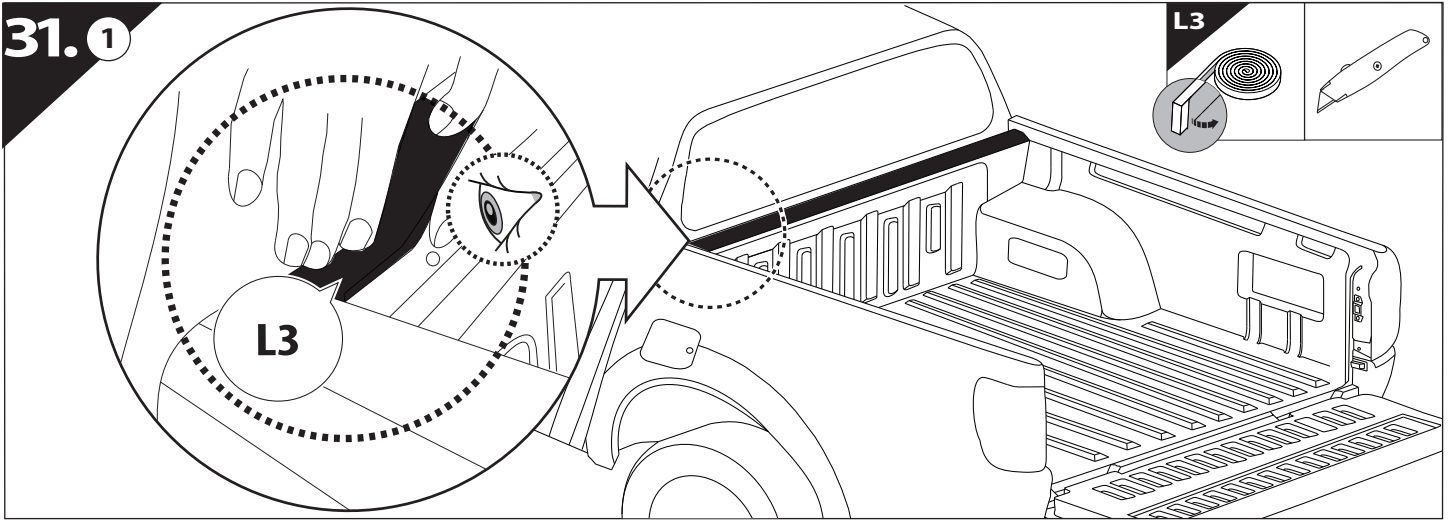
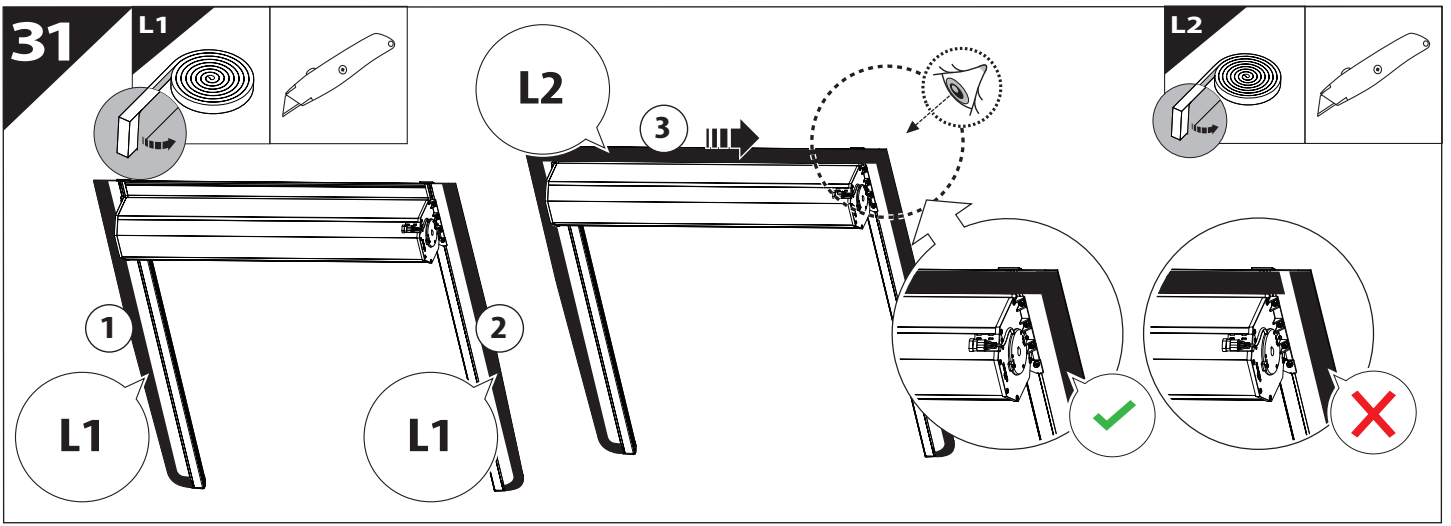
K

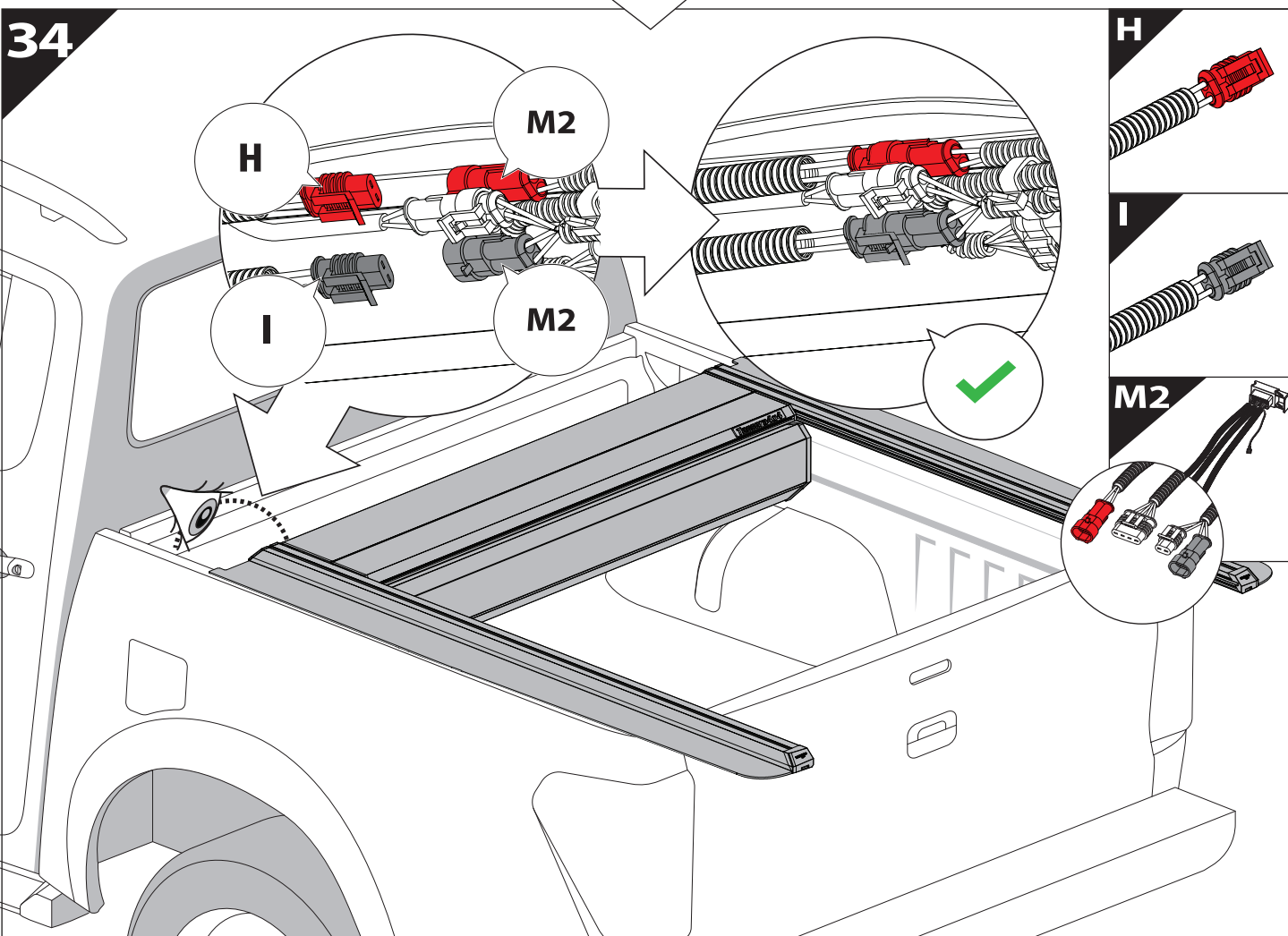
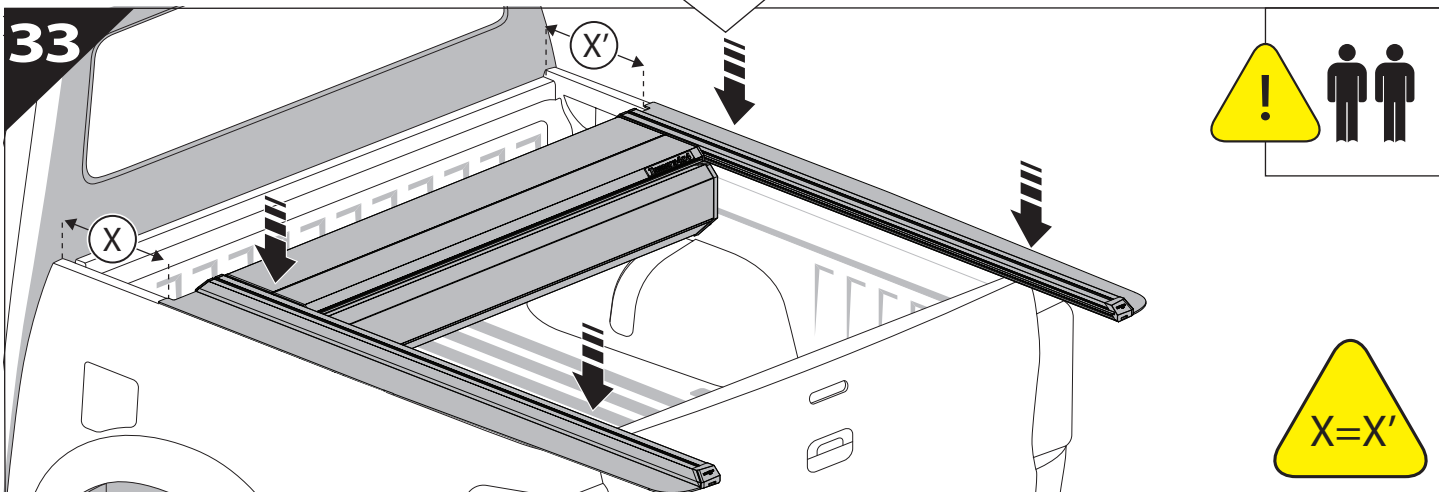
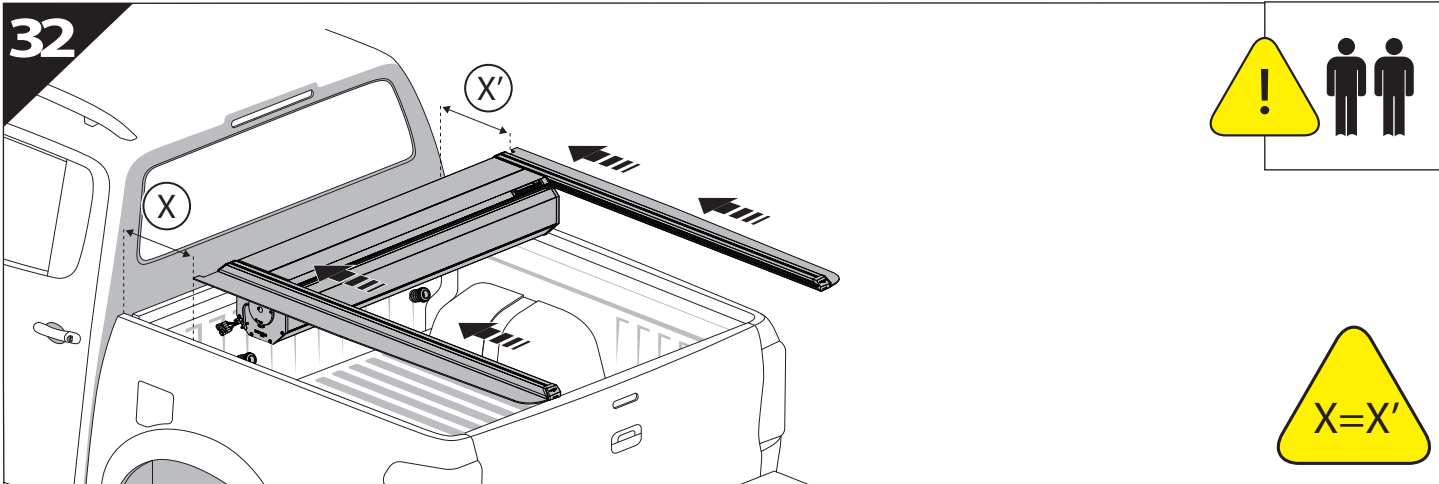


27

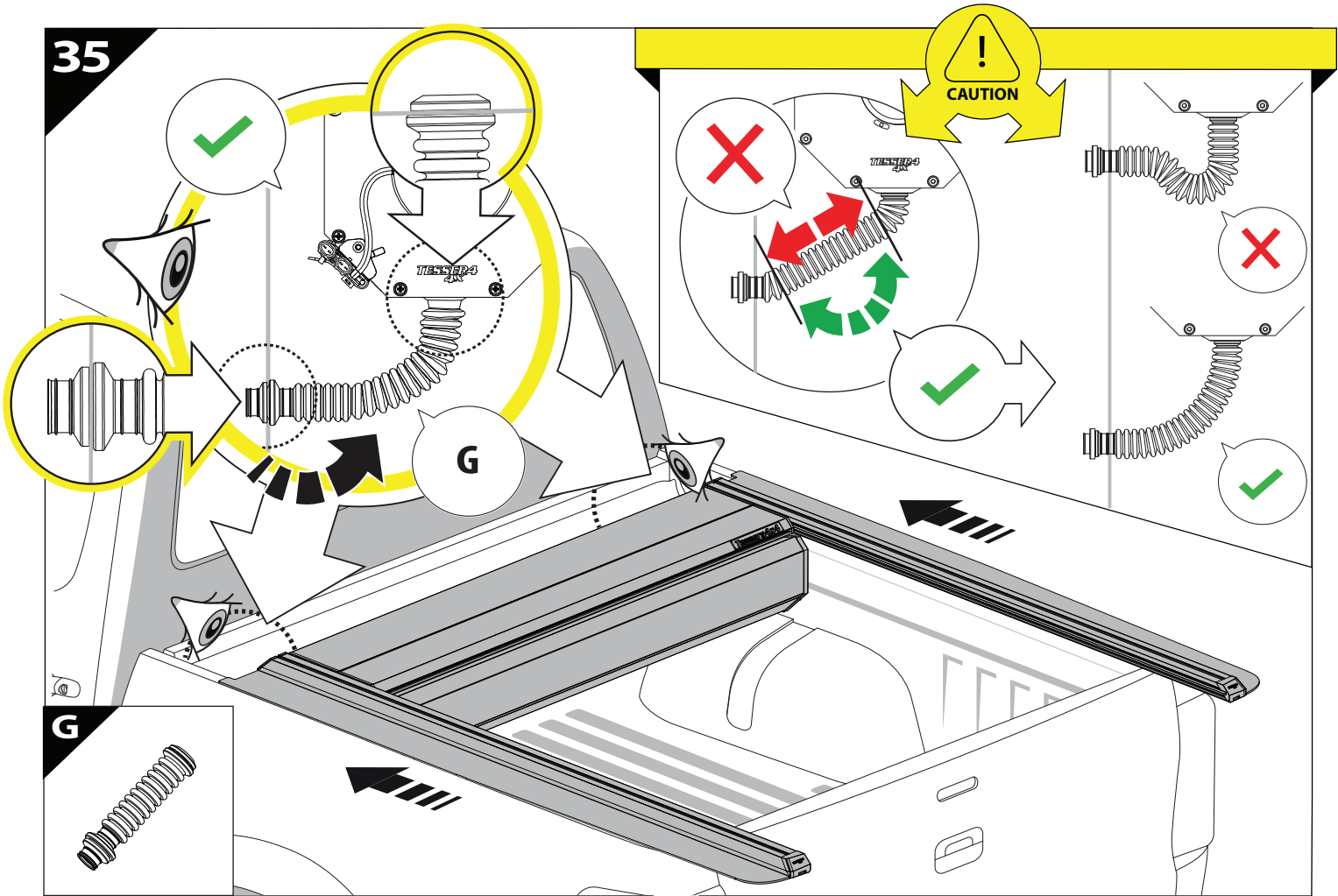




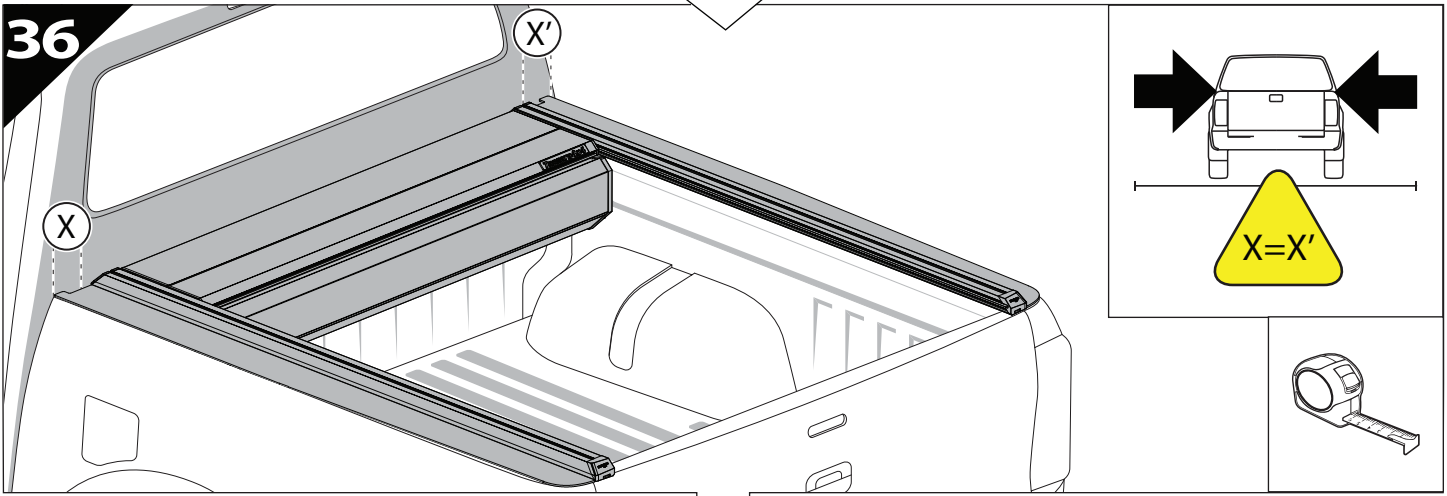




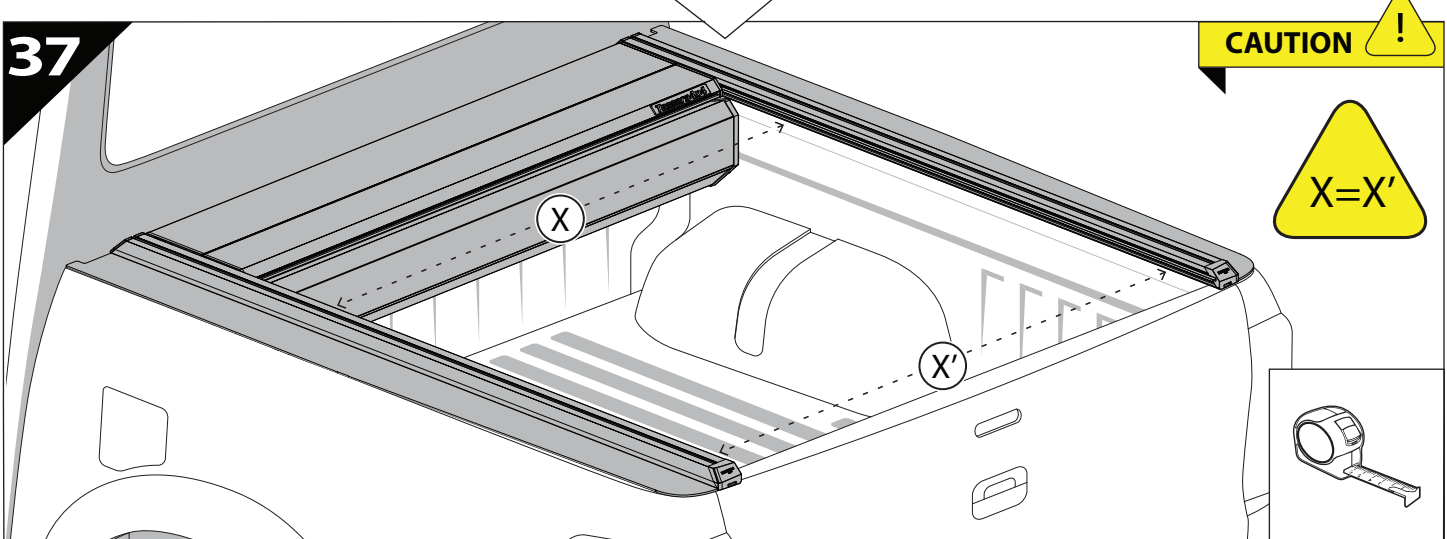
35



36

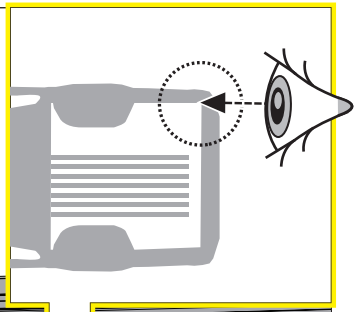
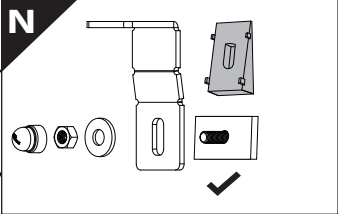


37

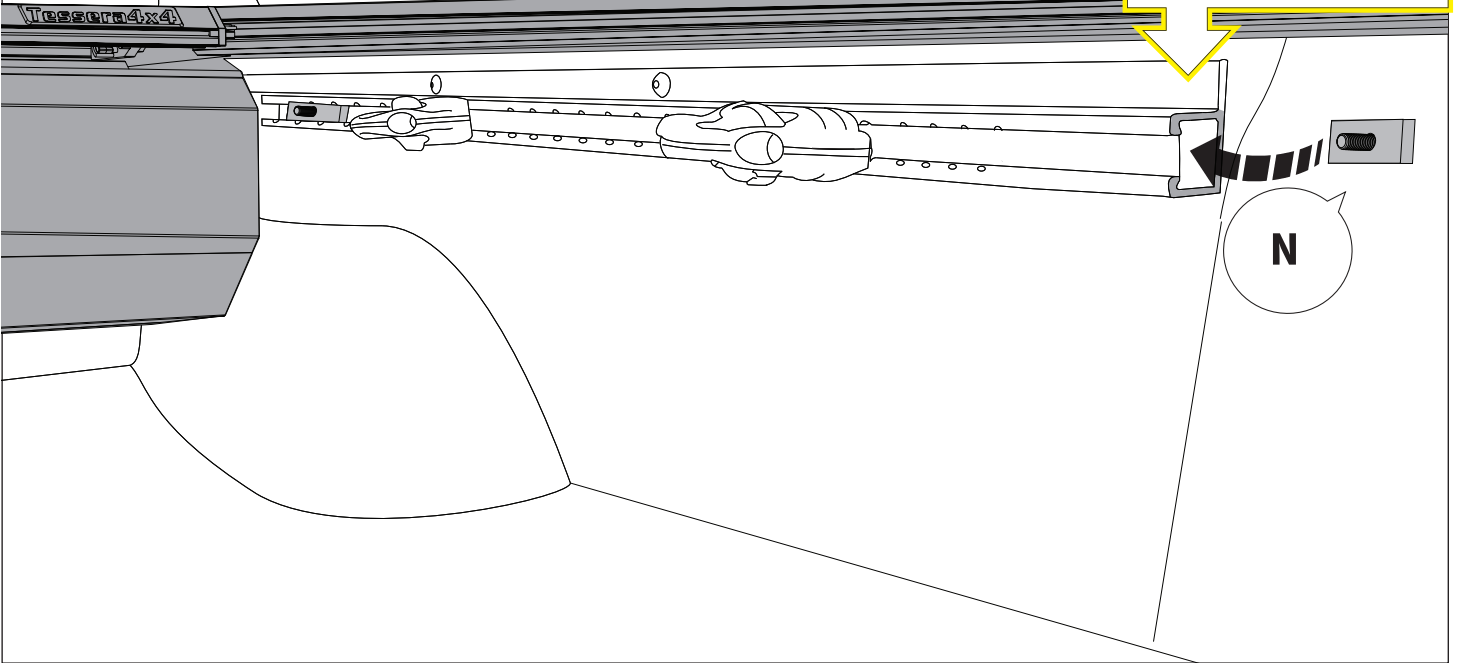


38

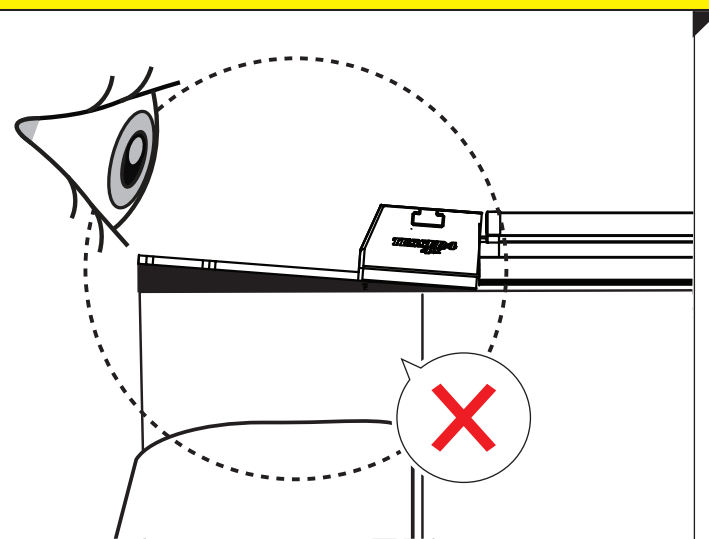
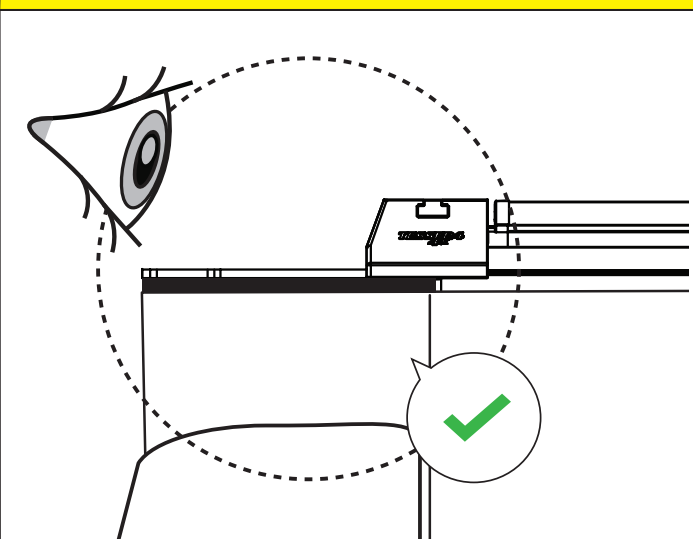
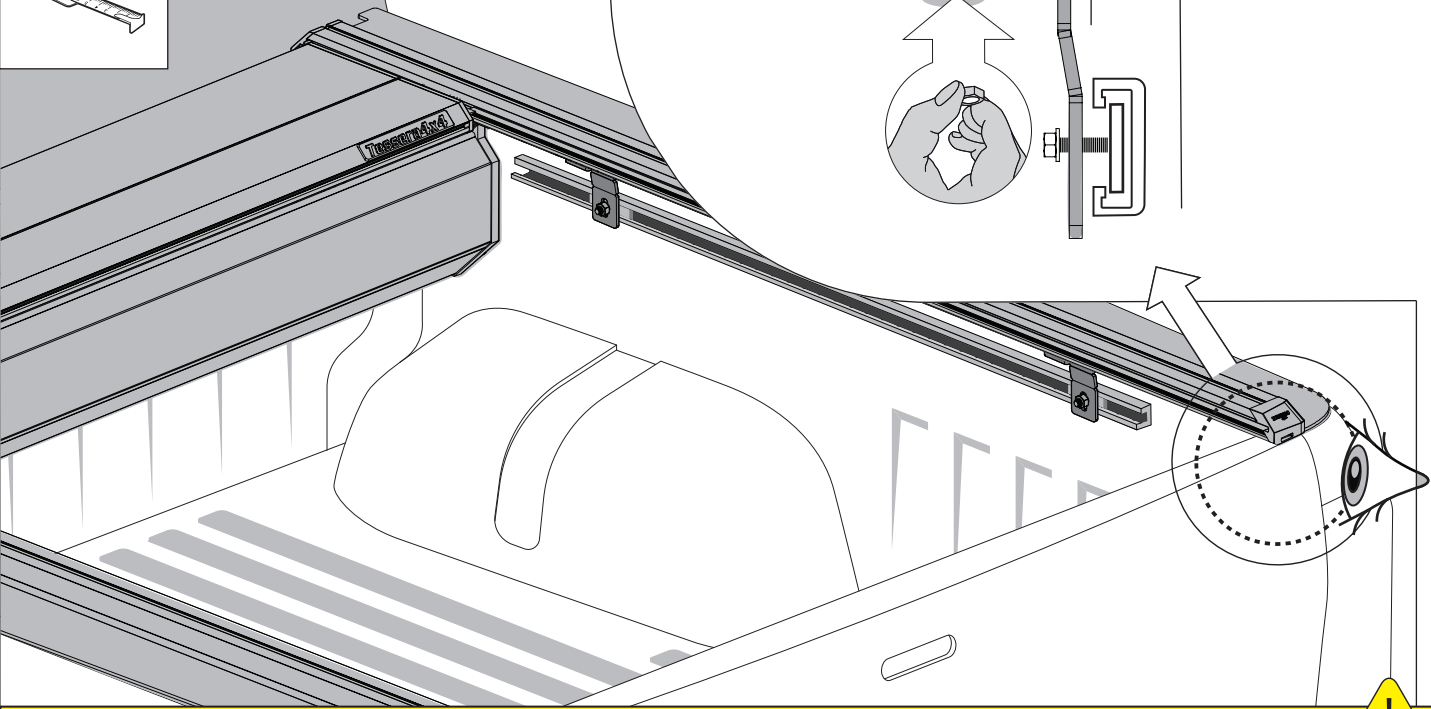
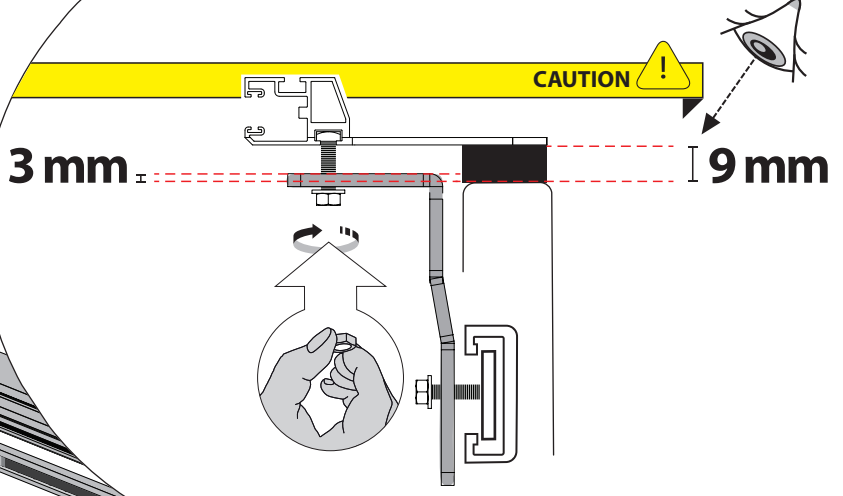
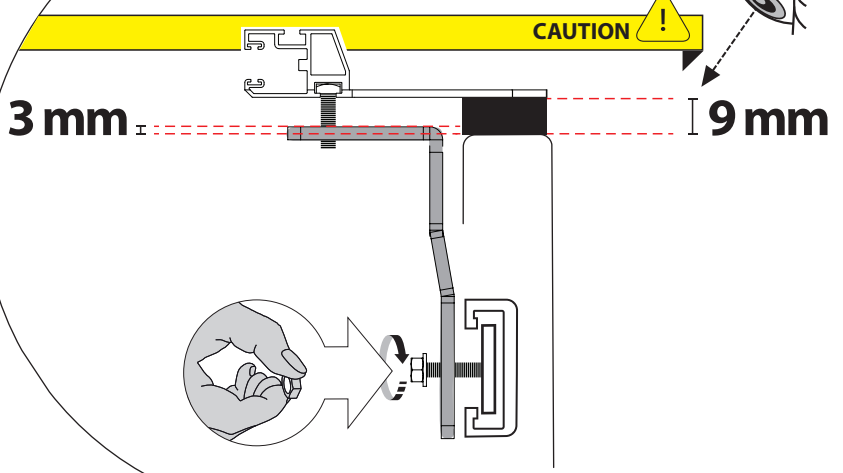
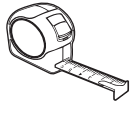
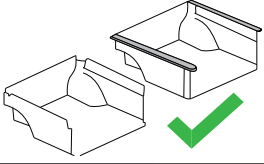
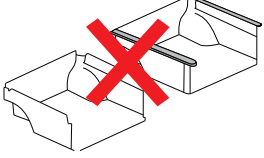
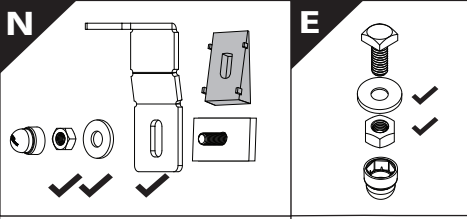
N

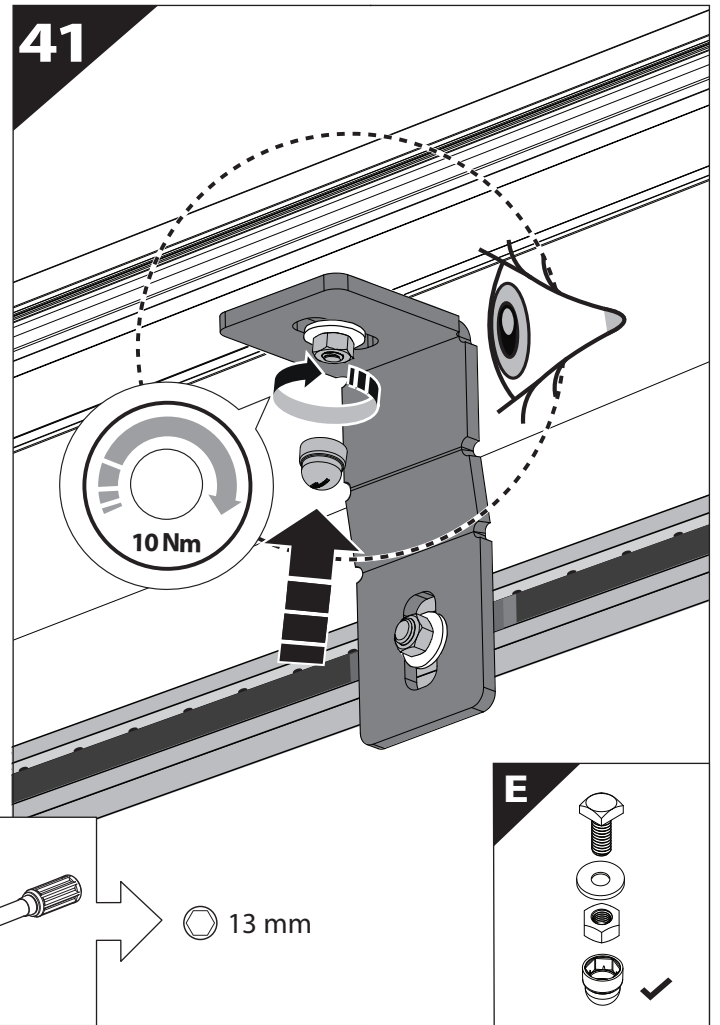
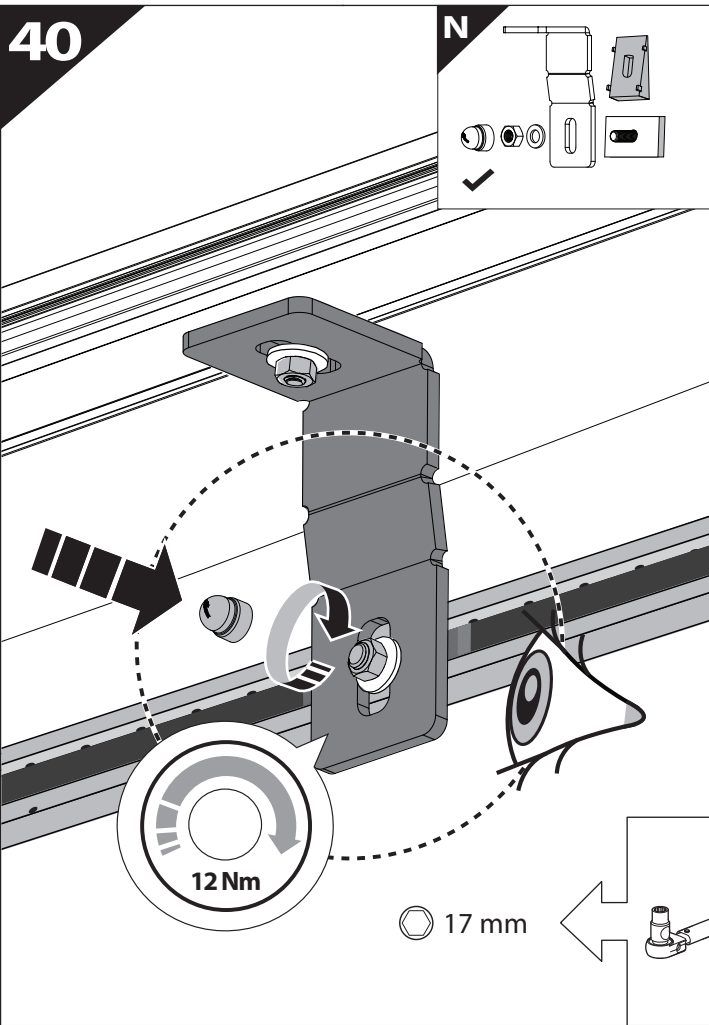


Tessera4x4

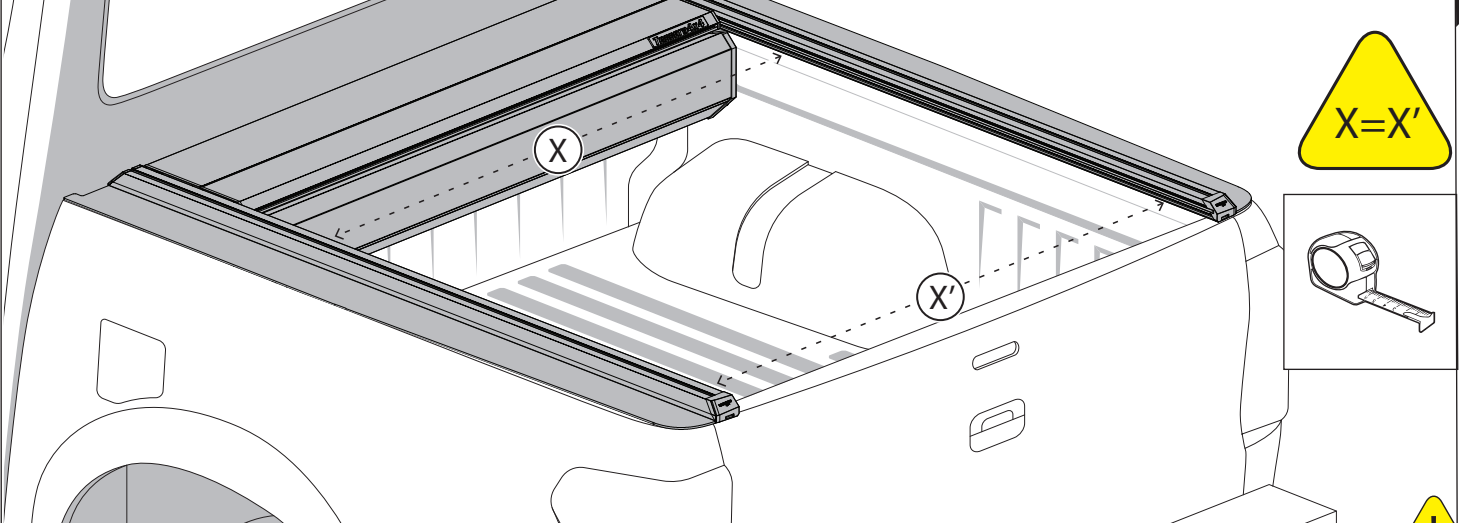


39

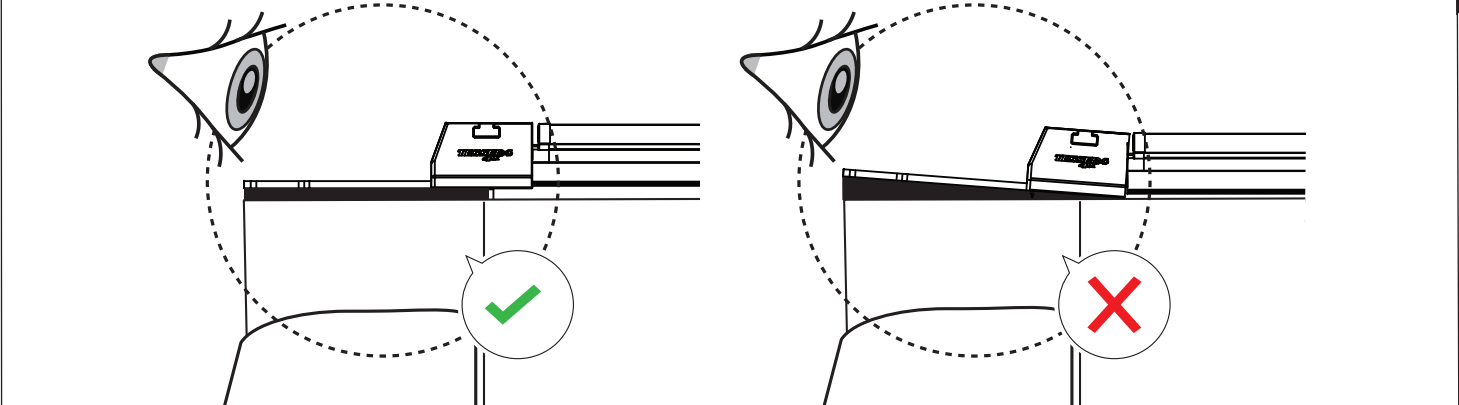




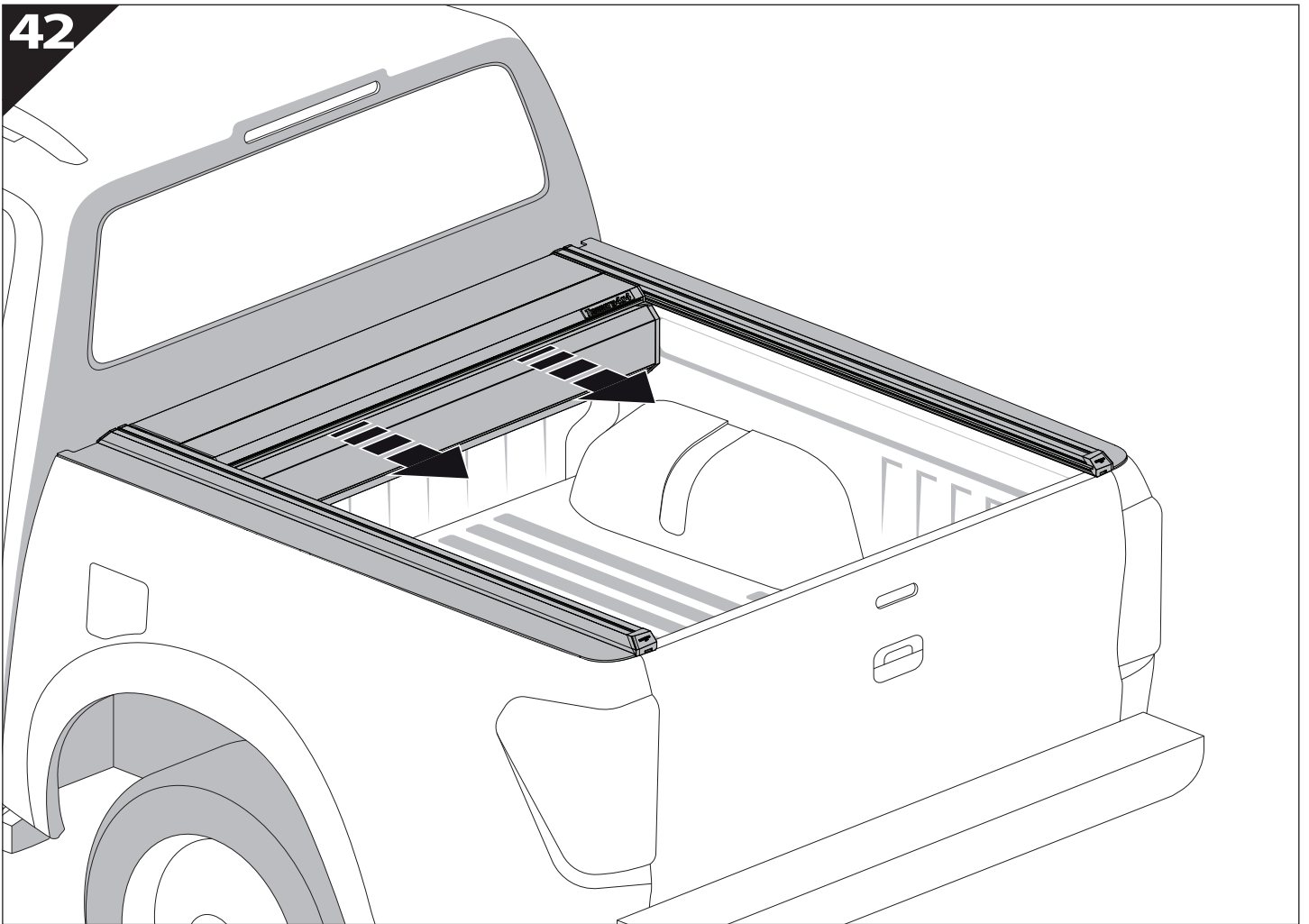
CAUTION !



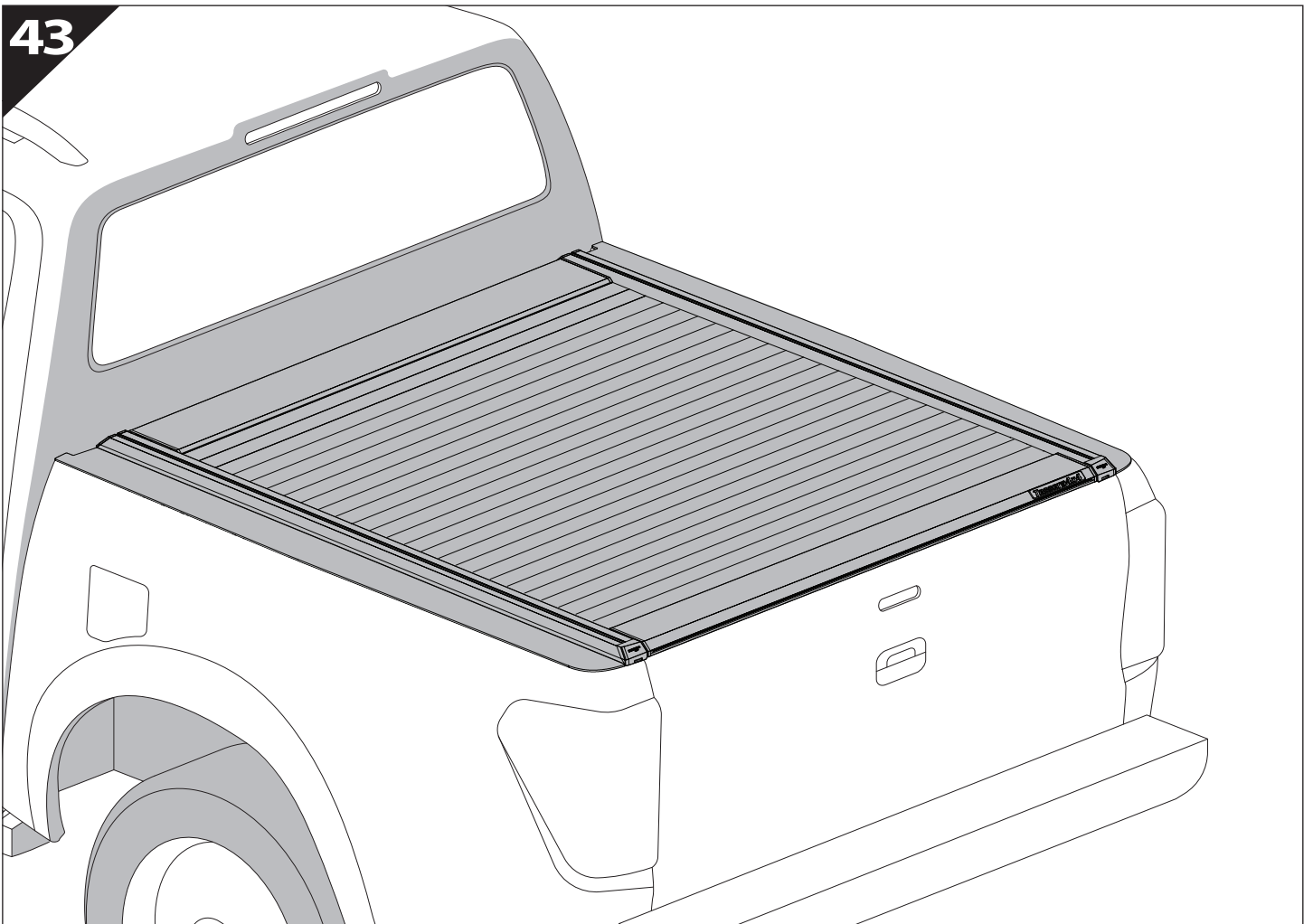
CAUTION !



42



43





GR: Οδηγίες Εγκατάστασης
GB: Installation manual
SF: Asennusohje
F: Notice de montage
PL: Instrukcja montażu
NL: Installatie-instructies
TR: Montaj Talimatı
S: Monteringsanvisning
E: Instrucciones de montaje

H: Szerelési utasítás
P: Instruções de instalação
RUS: Инструкция по установке
N: Monteringsveiledning
D: Einbauanleitung
CZ: Návod k instalaci
I: Istruzioni de montaggio
DK: Monteringsvejledning
RO: Instructiuni de instalare

Customer Service:

+30 (210) 5541161, +30 (210) 5541154 (08:00 - 16:00 EET)

Support department:

info@gianso.gr

Website:

www.tessera4x4.com

Address:

19.5 km of National road Athens-Korinthos (Elefsina) Greece, P.C: 19200