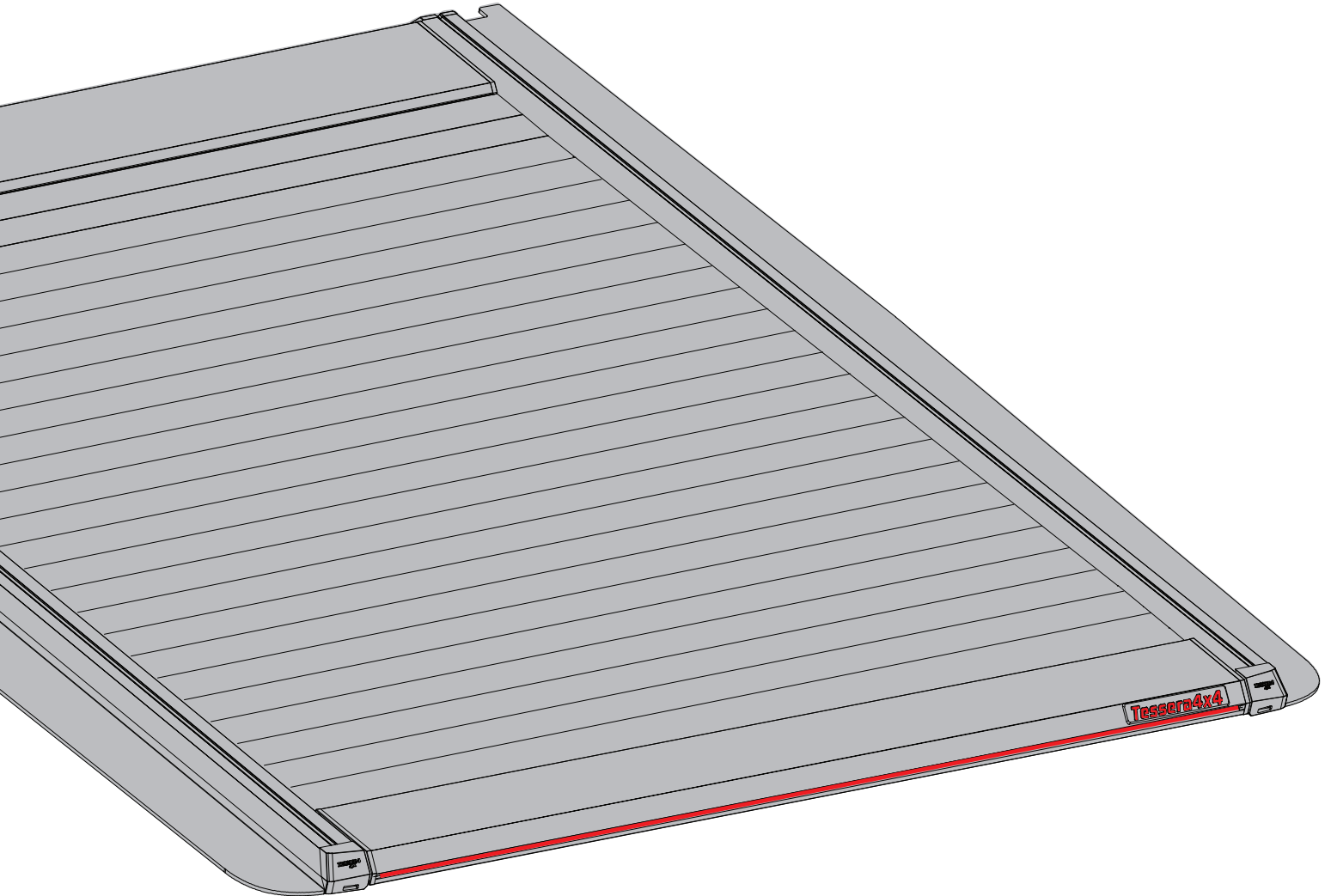


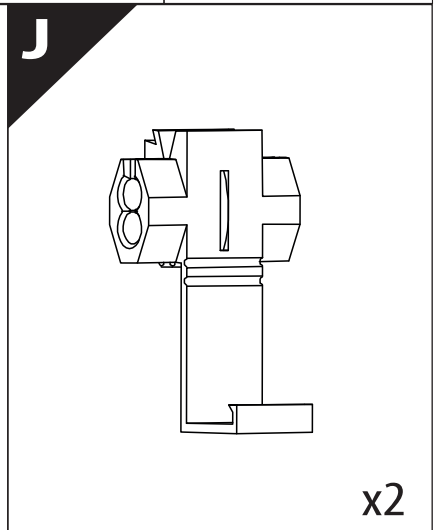
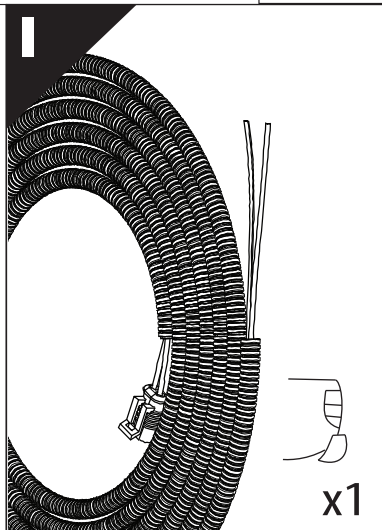
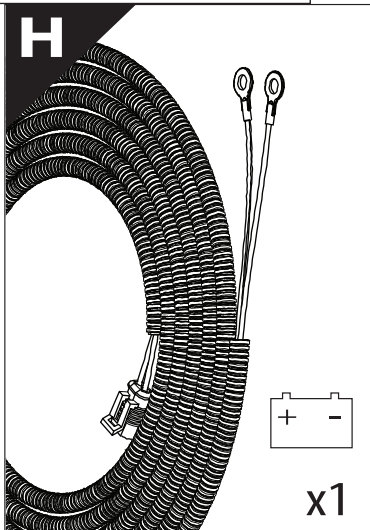
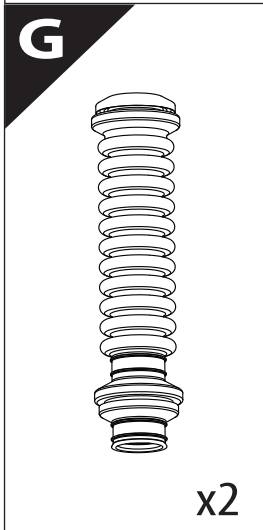
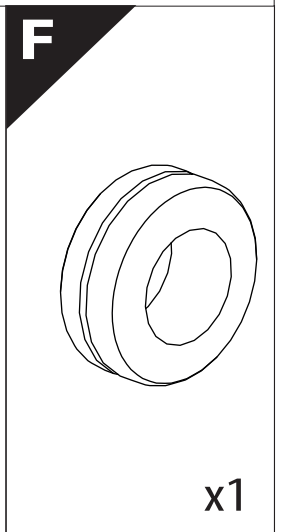
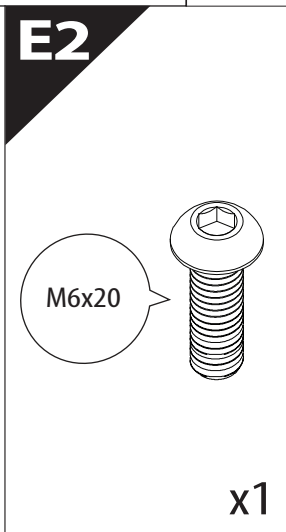
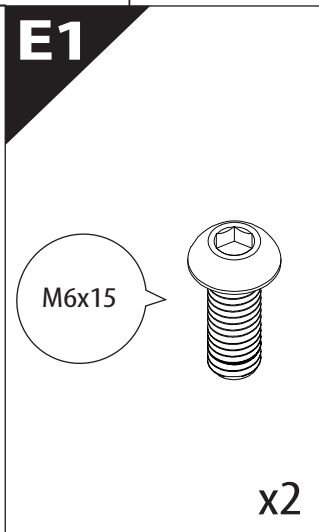
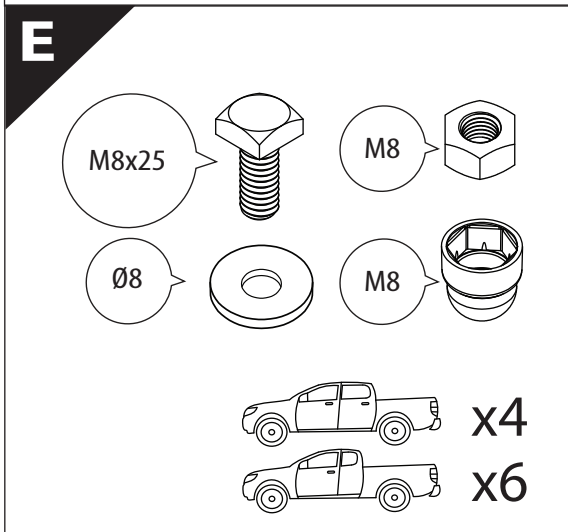
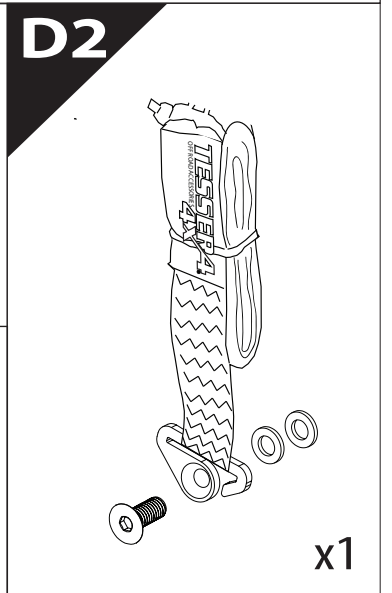
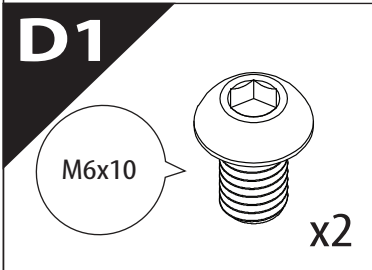
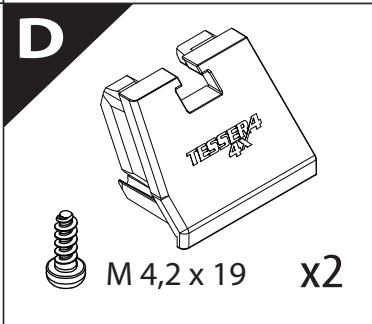
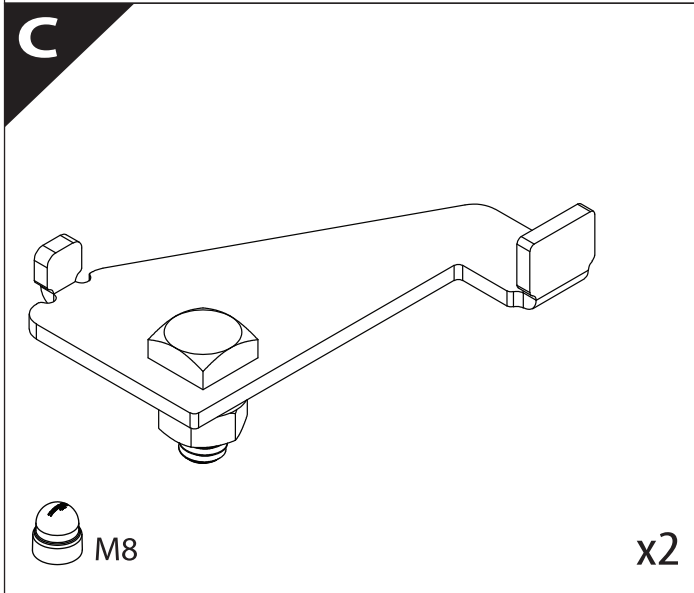
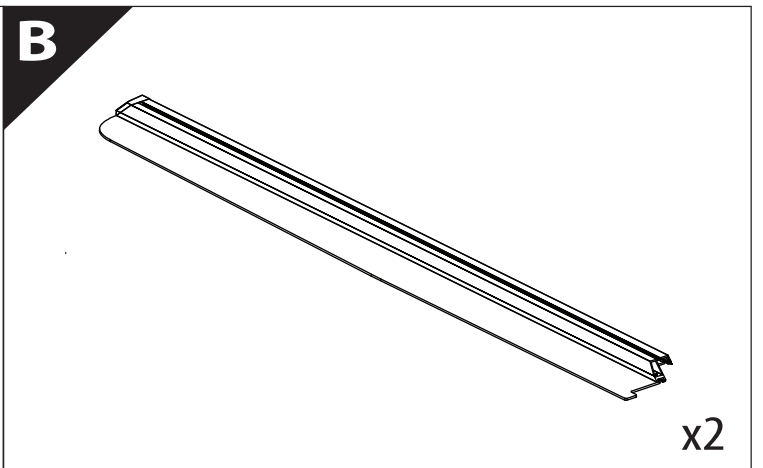
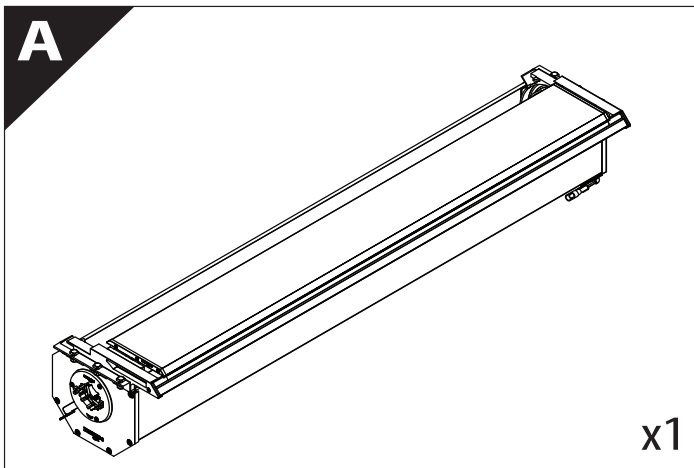
Tessera Roll+

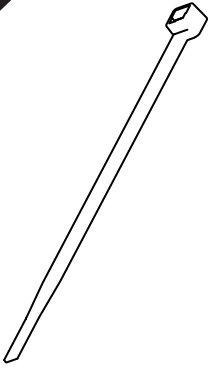
Basic Version + ⚡ E-KIT

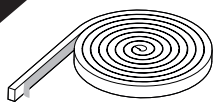


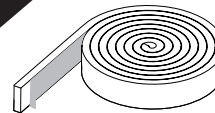
Installation Manual

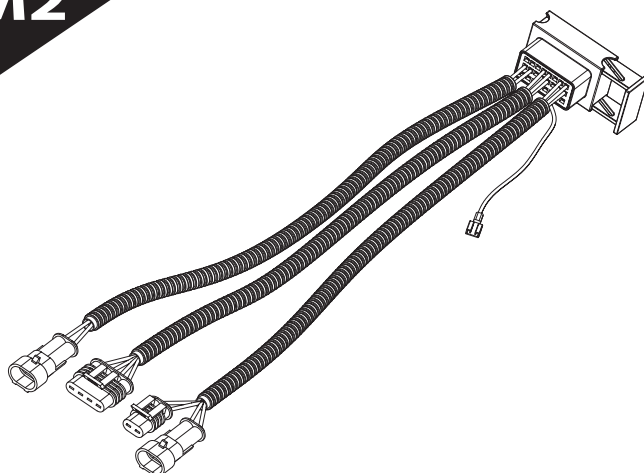
PART NUMBER(S)	Model Year
TESS 1416 ROLL+ E-KIT	Toyota Hilux (Revo) 2016+
TESS 1417 ROLL+ E-KIT	
Cab(s)	Installation Time / Weight
Double Cab & Space cab	40-60 minutes / 53-57 kg

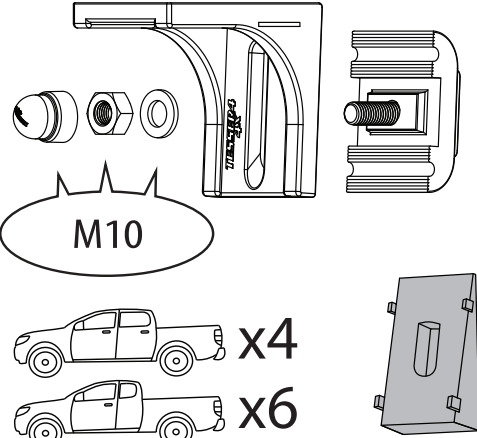


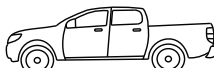
K  **x20**

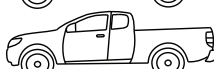
L1  **x1**
1.5 x 0.8 x 400cm

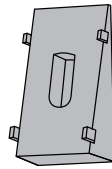
L2  **x1**
5 x 0.8 x 167cm

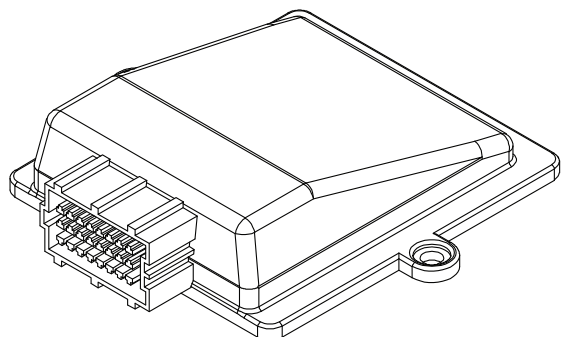
M2  **x1**

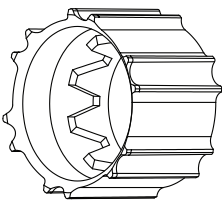
N  **M10**

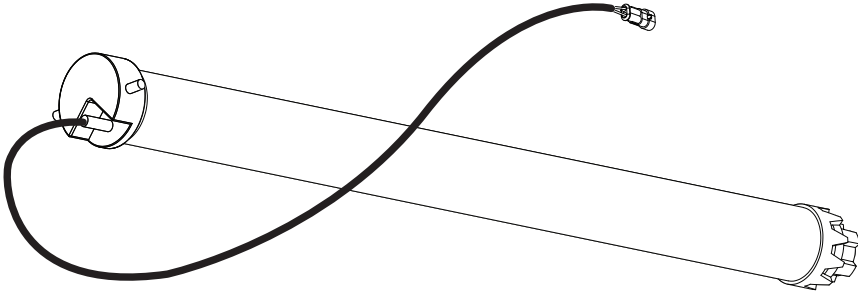
 **x4**

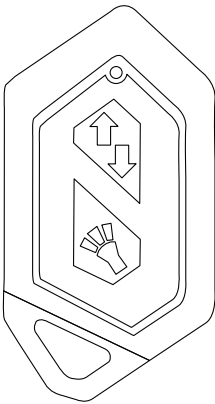
 **x6**



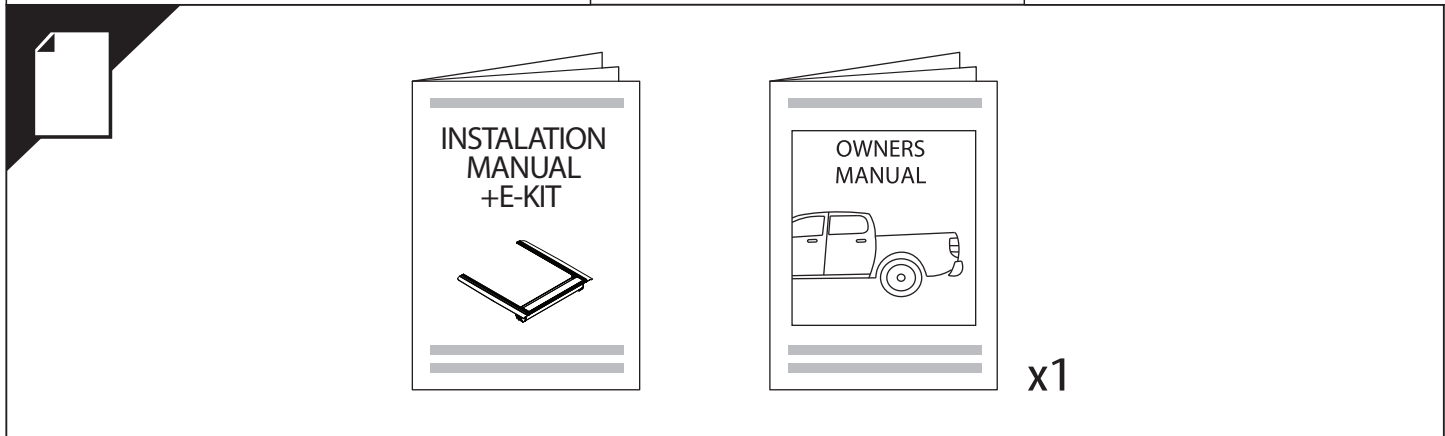
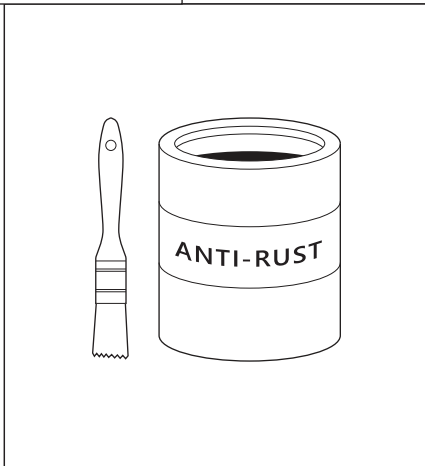
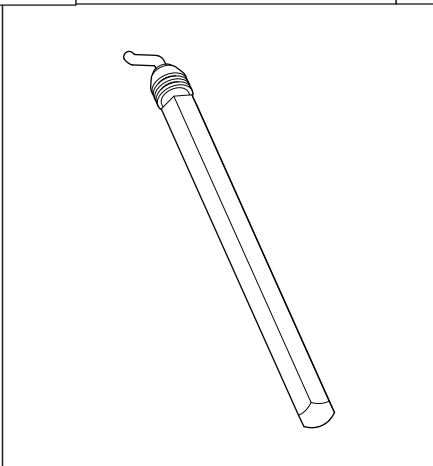
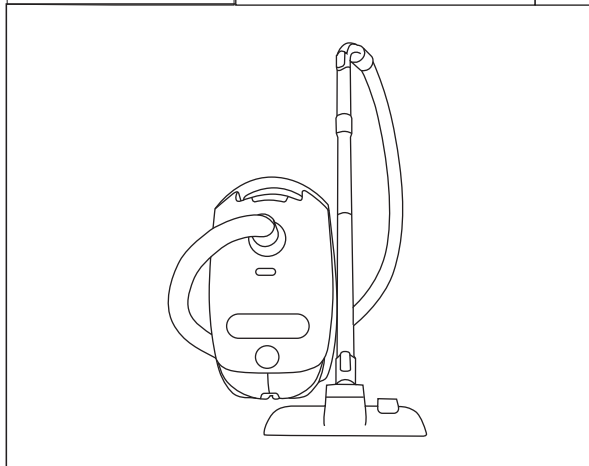
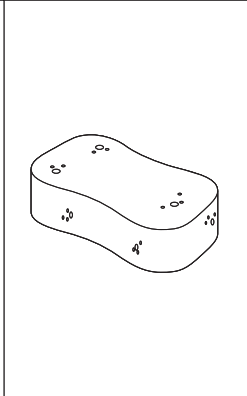
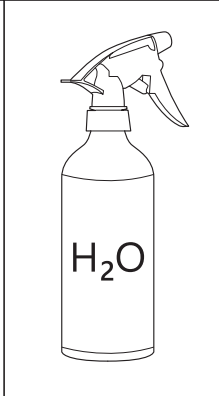
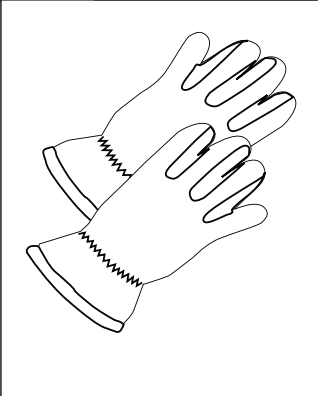
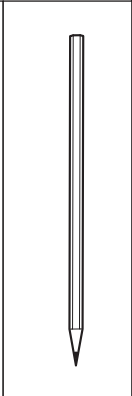
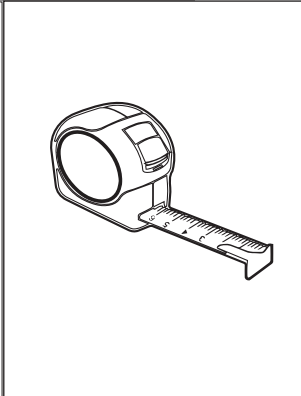
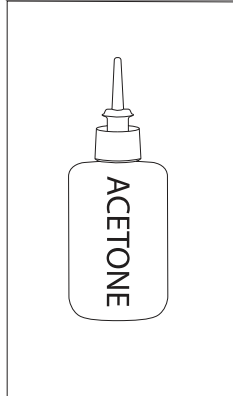
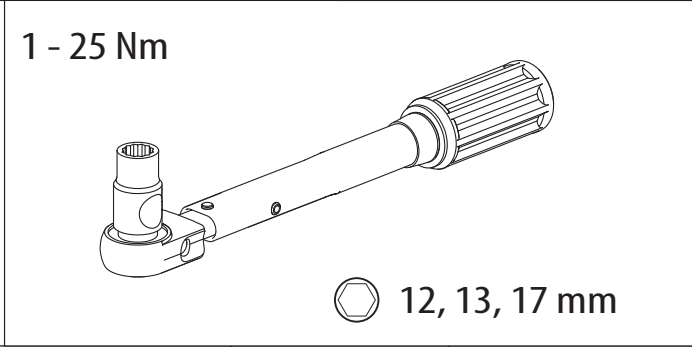
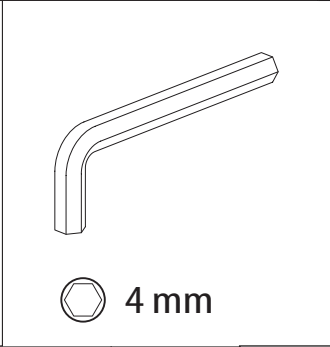
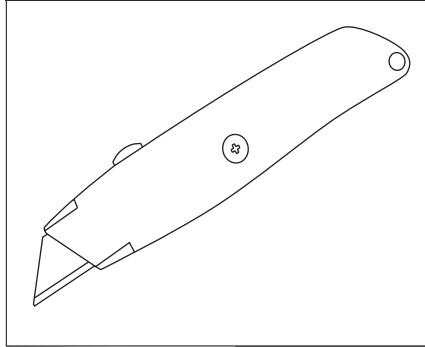
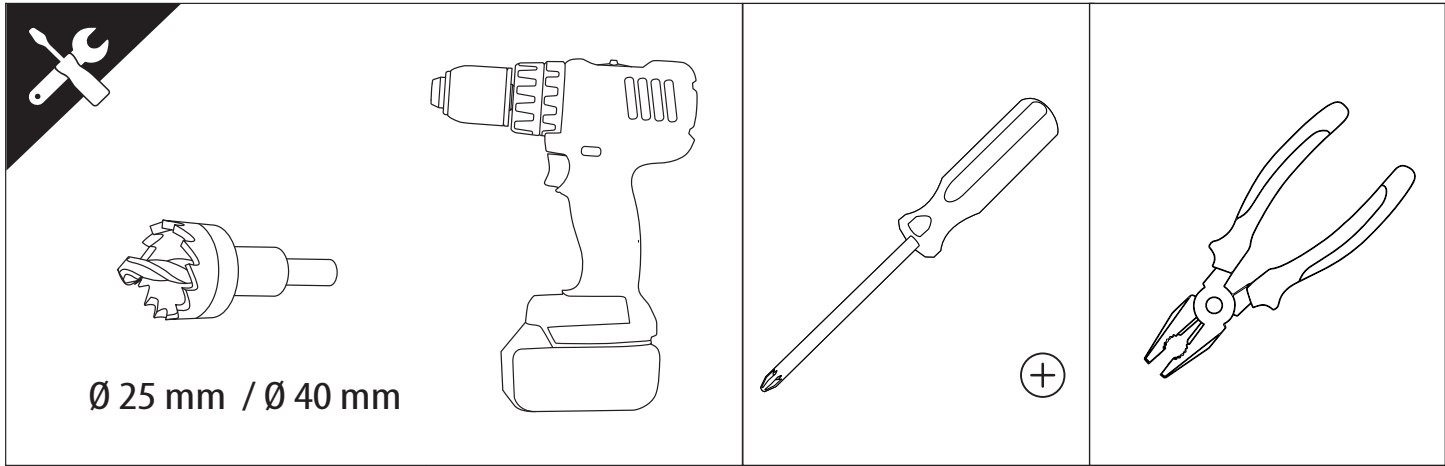
O  **x1**

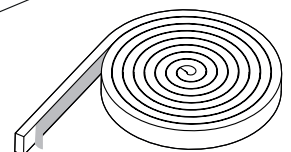
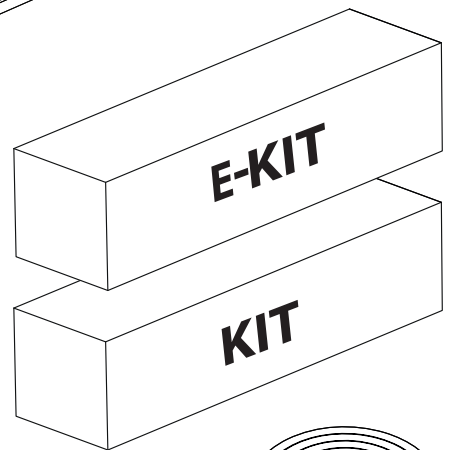
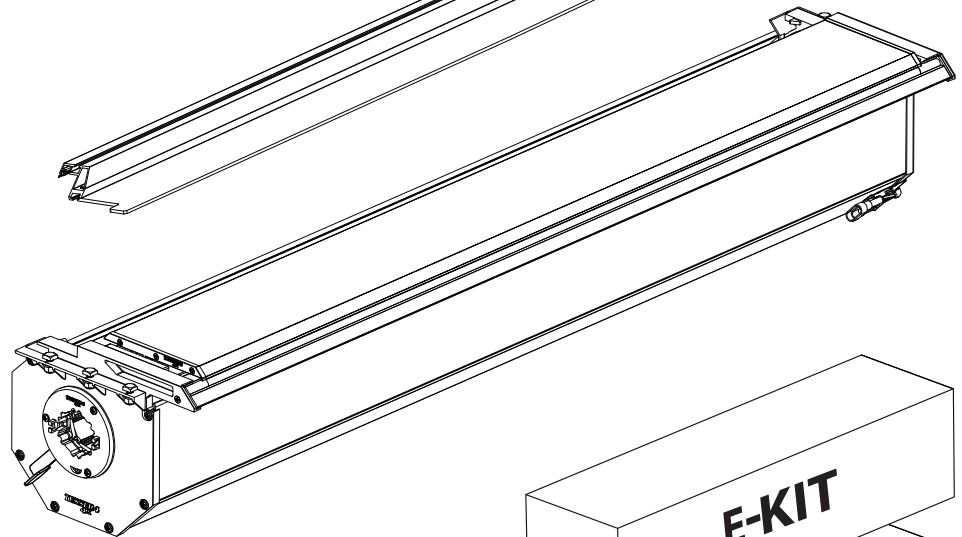
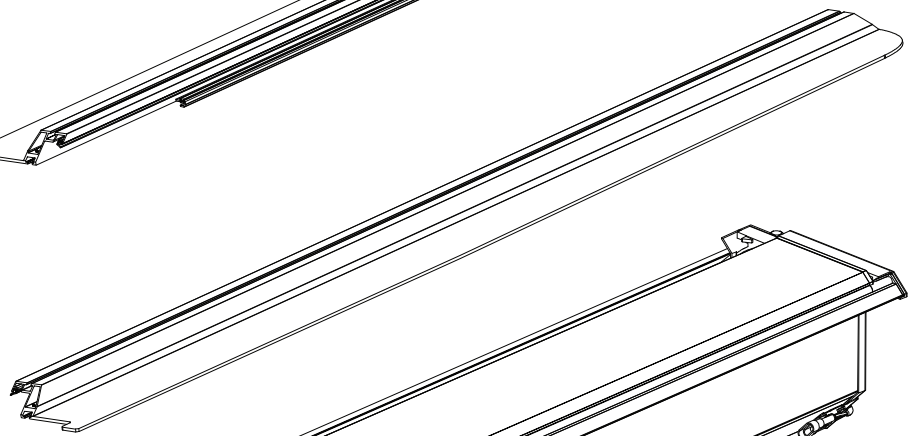
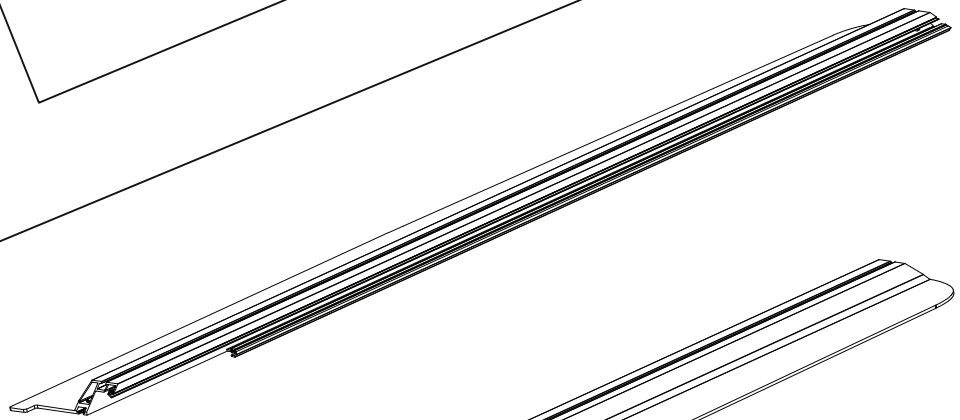
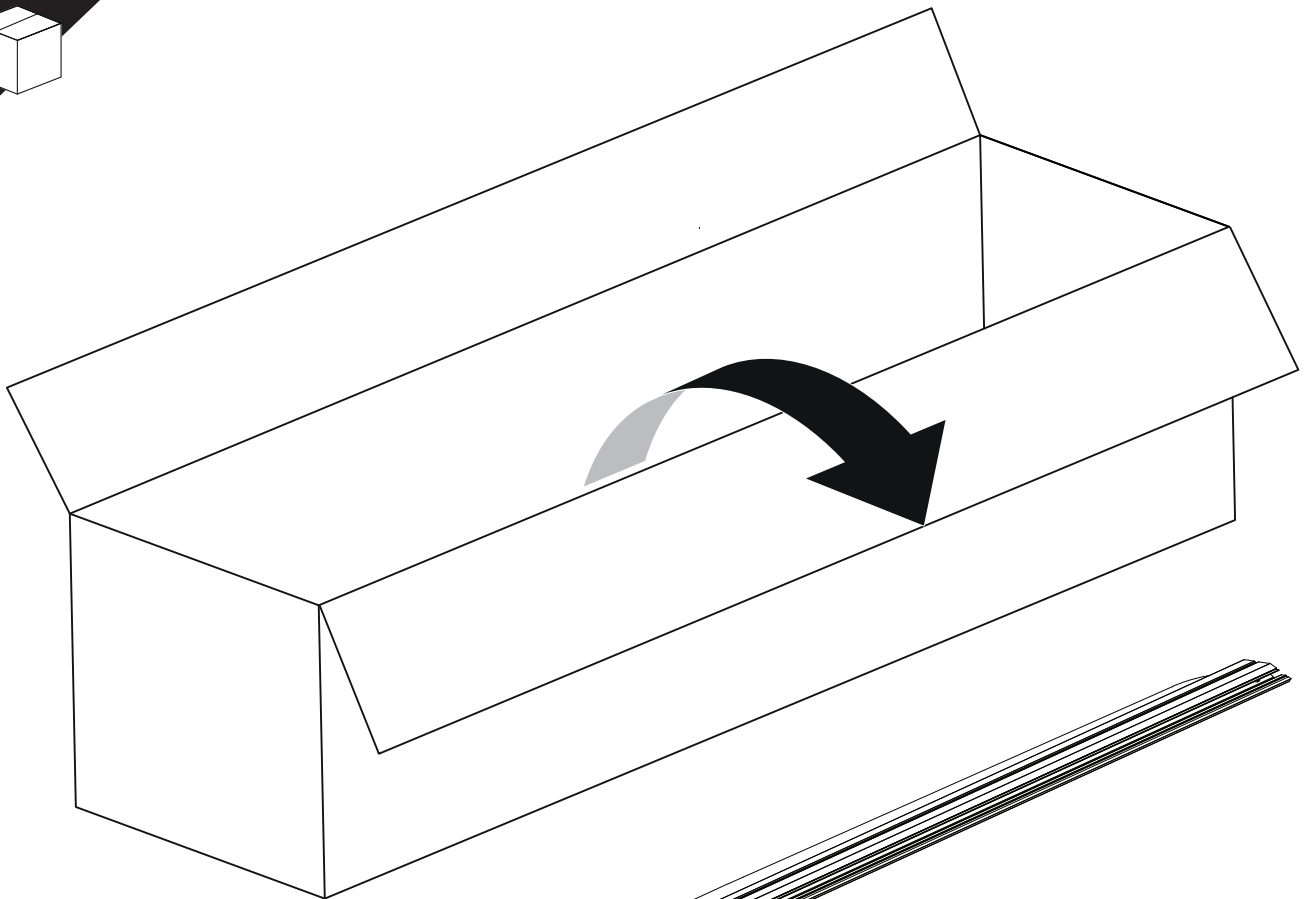
P  **x1**

Q  **x1**

R  **x2**

S  **x2**



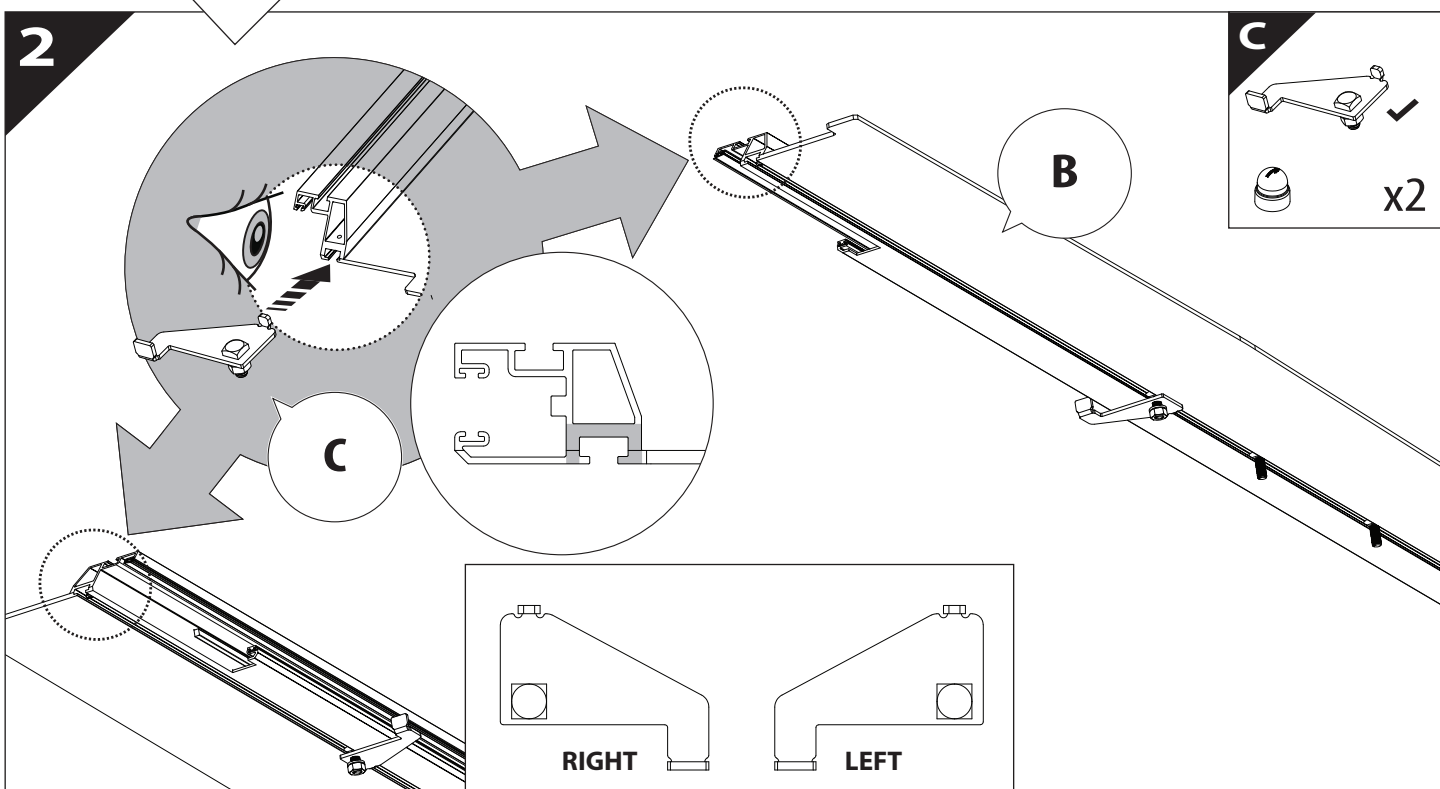
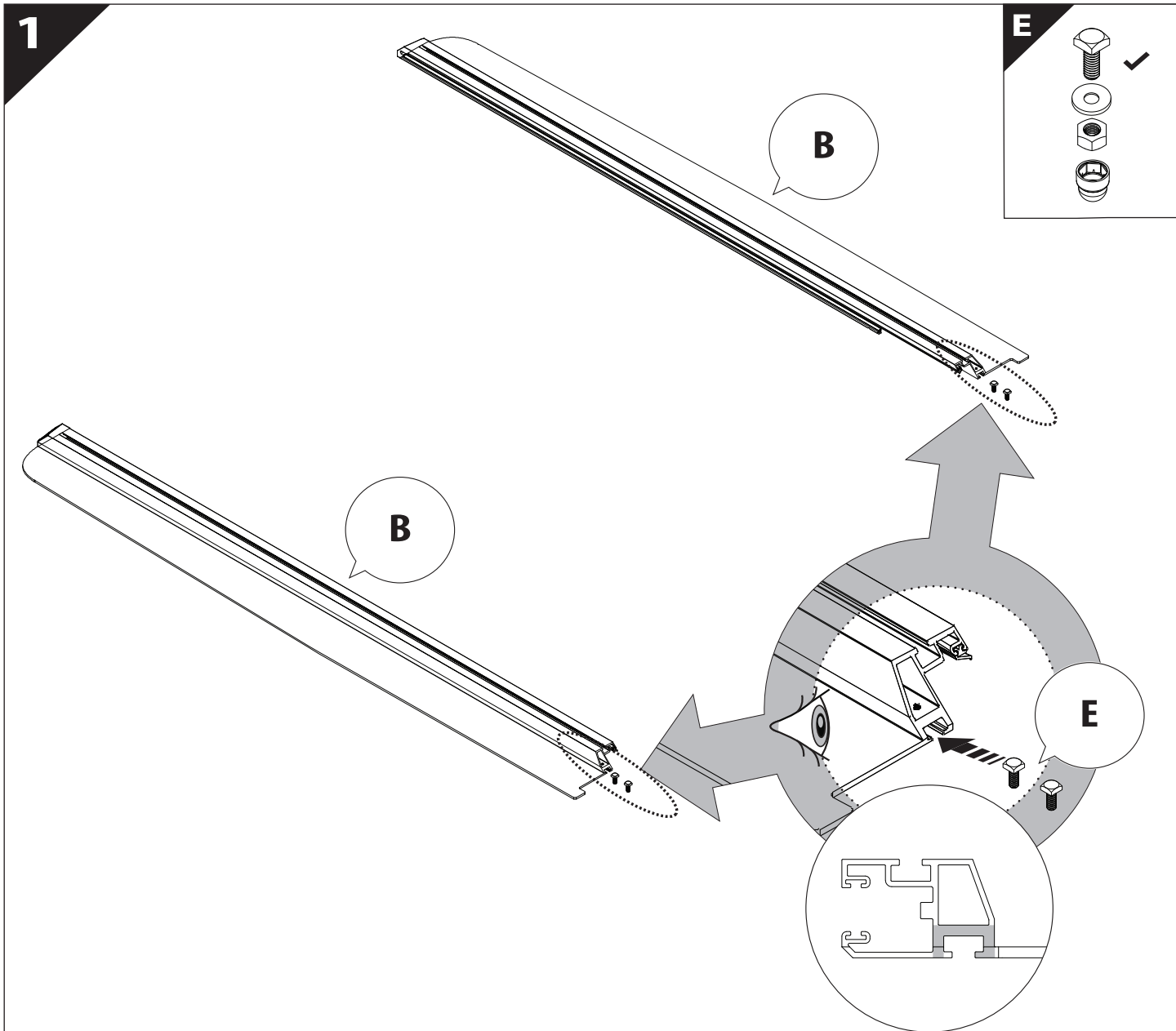


B

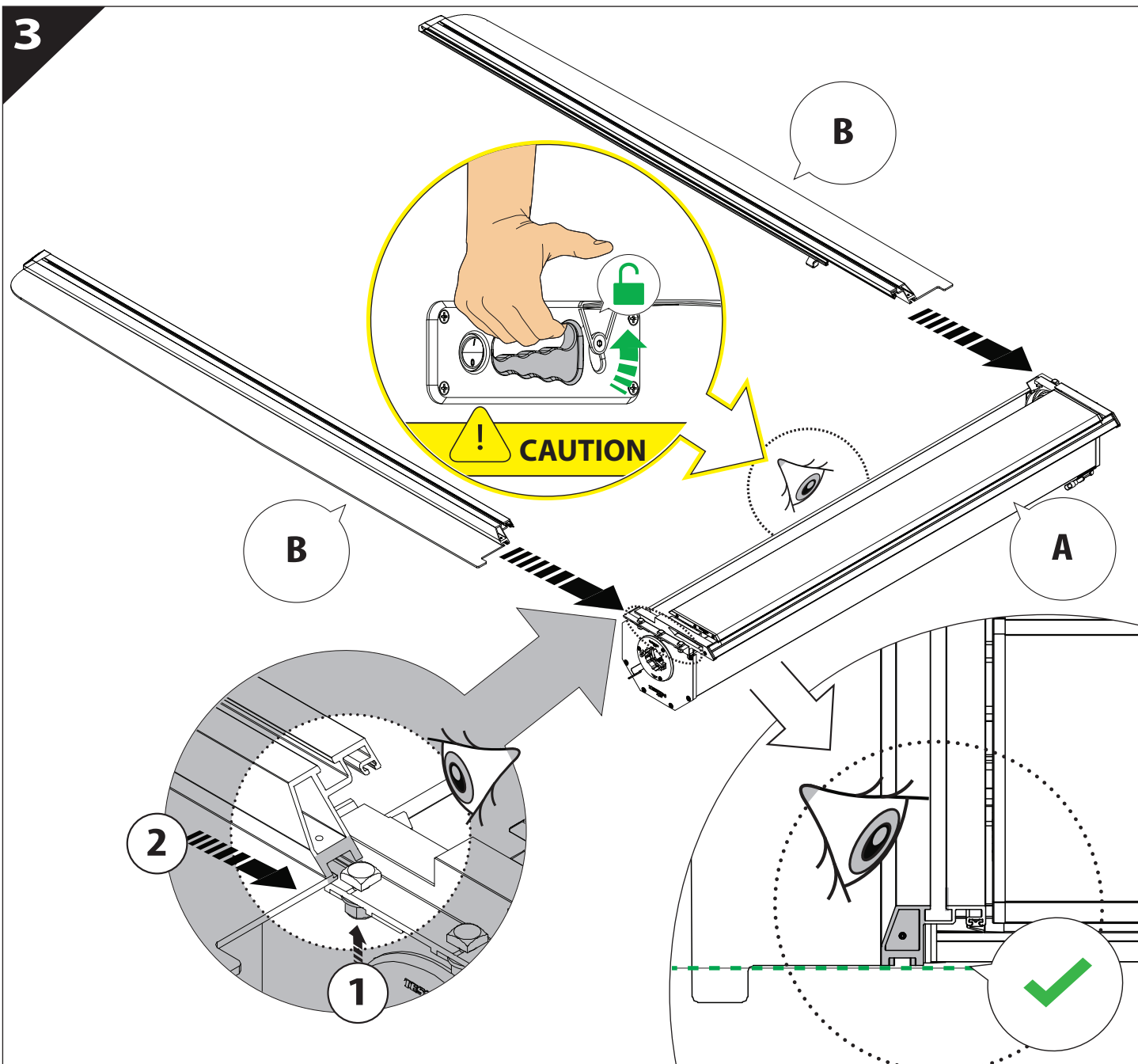
A

KITS

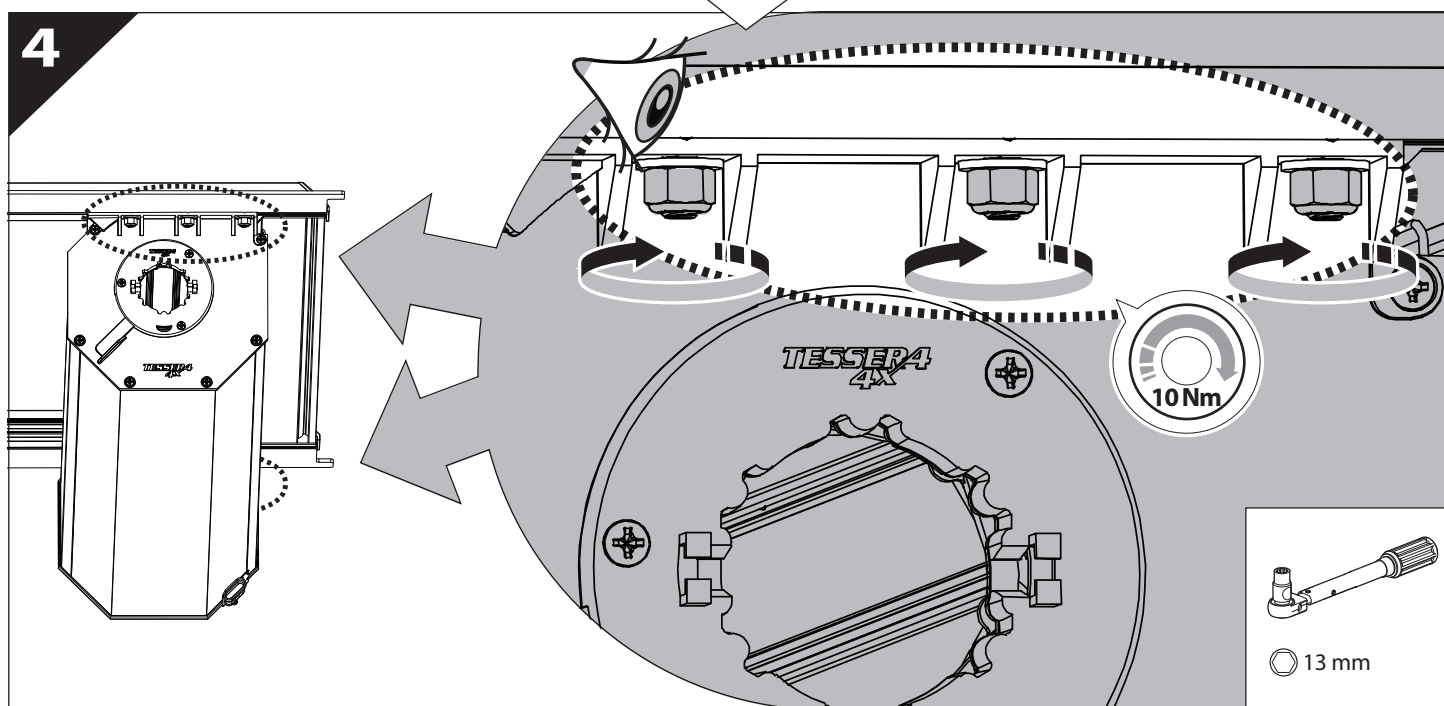
L

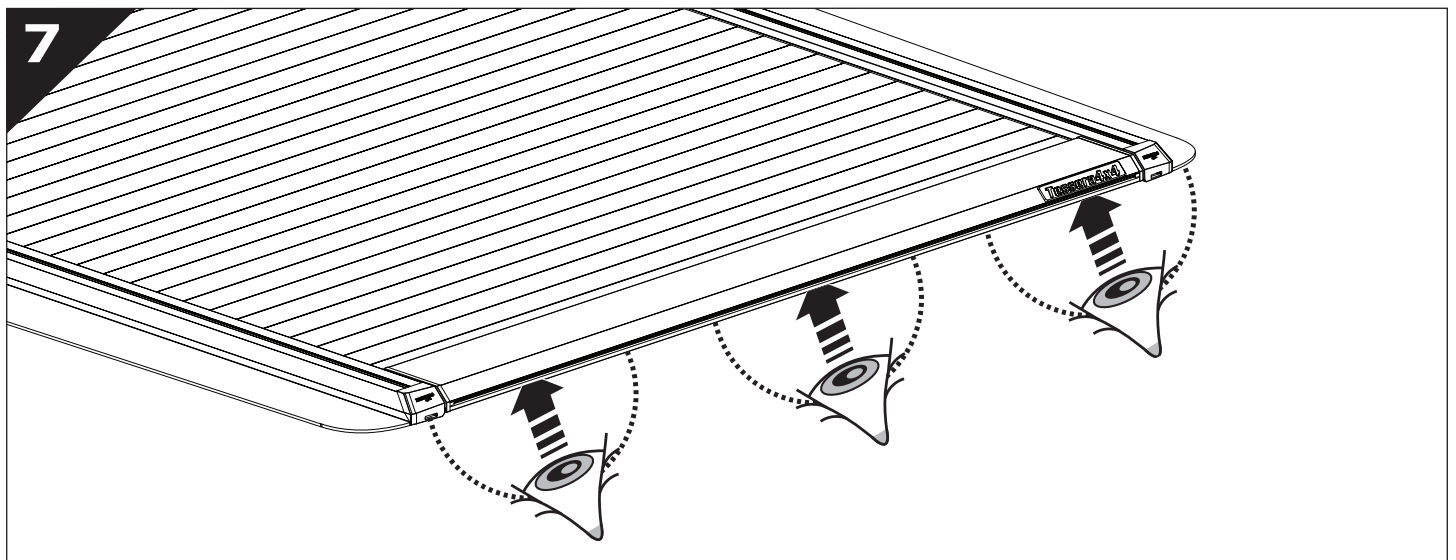
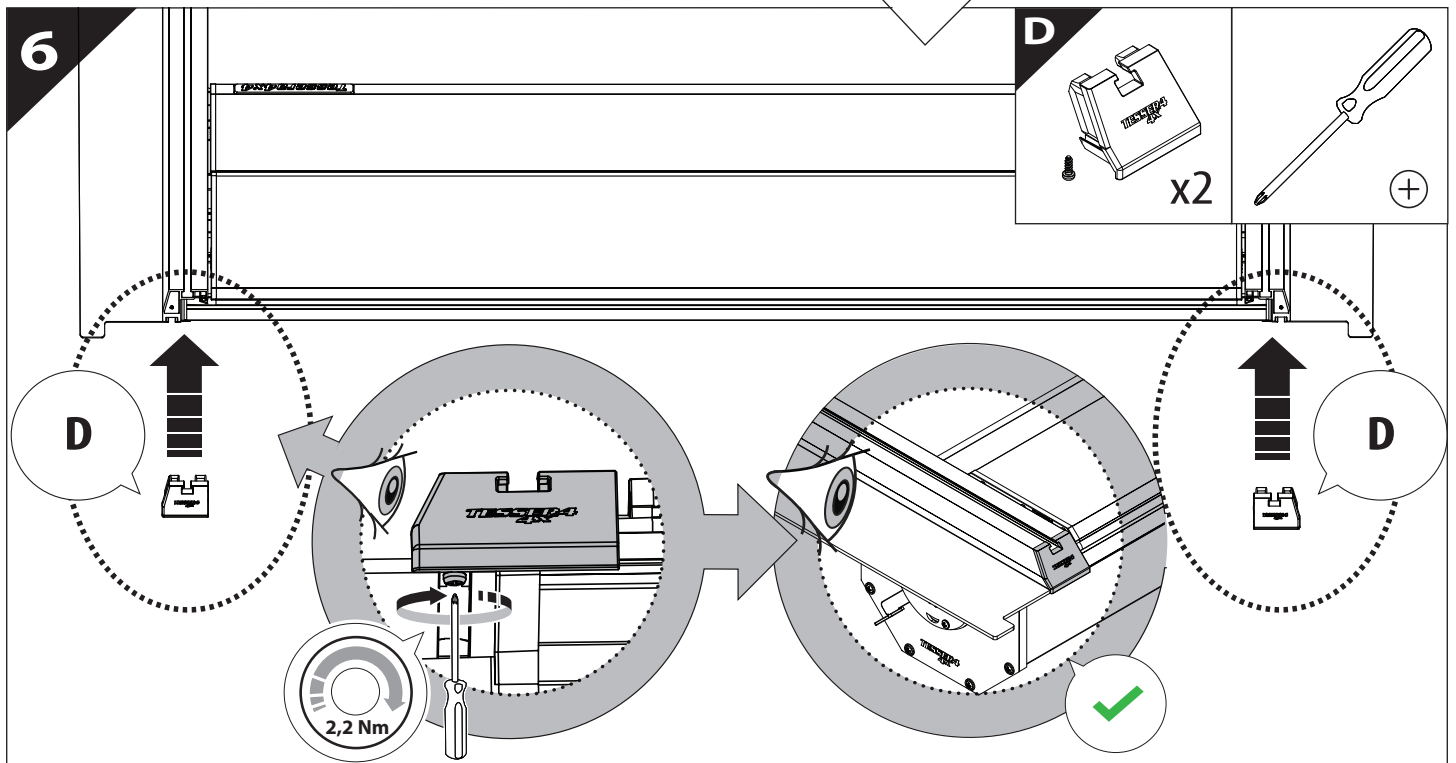
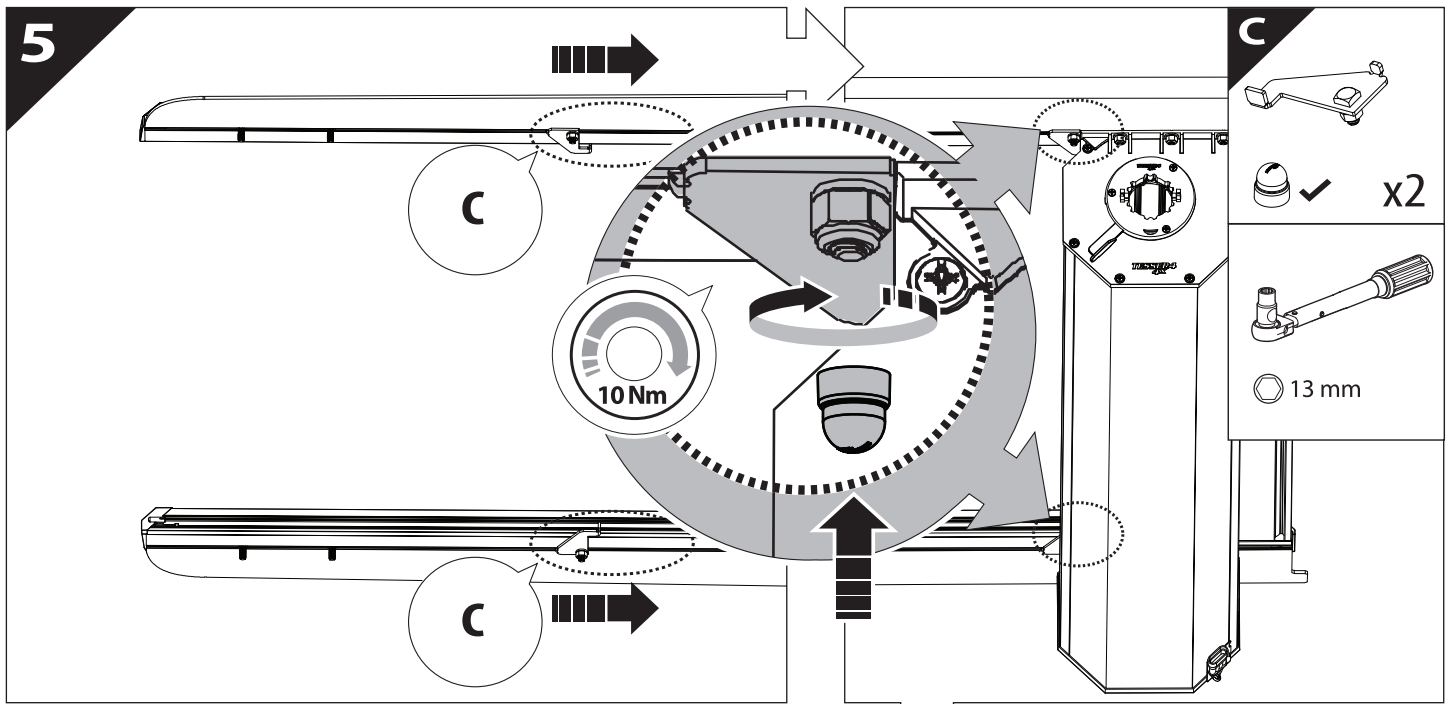


3



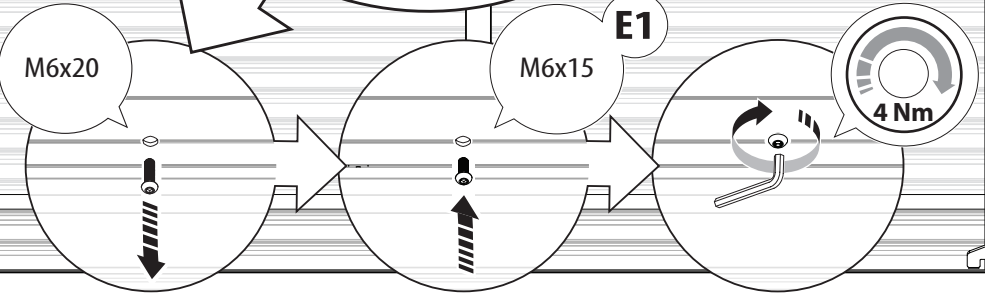
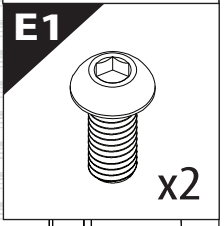
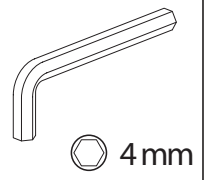
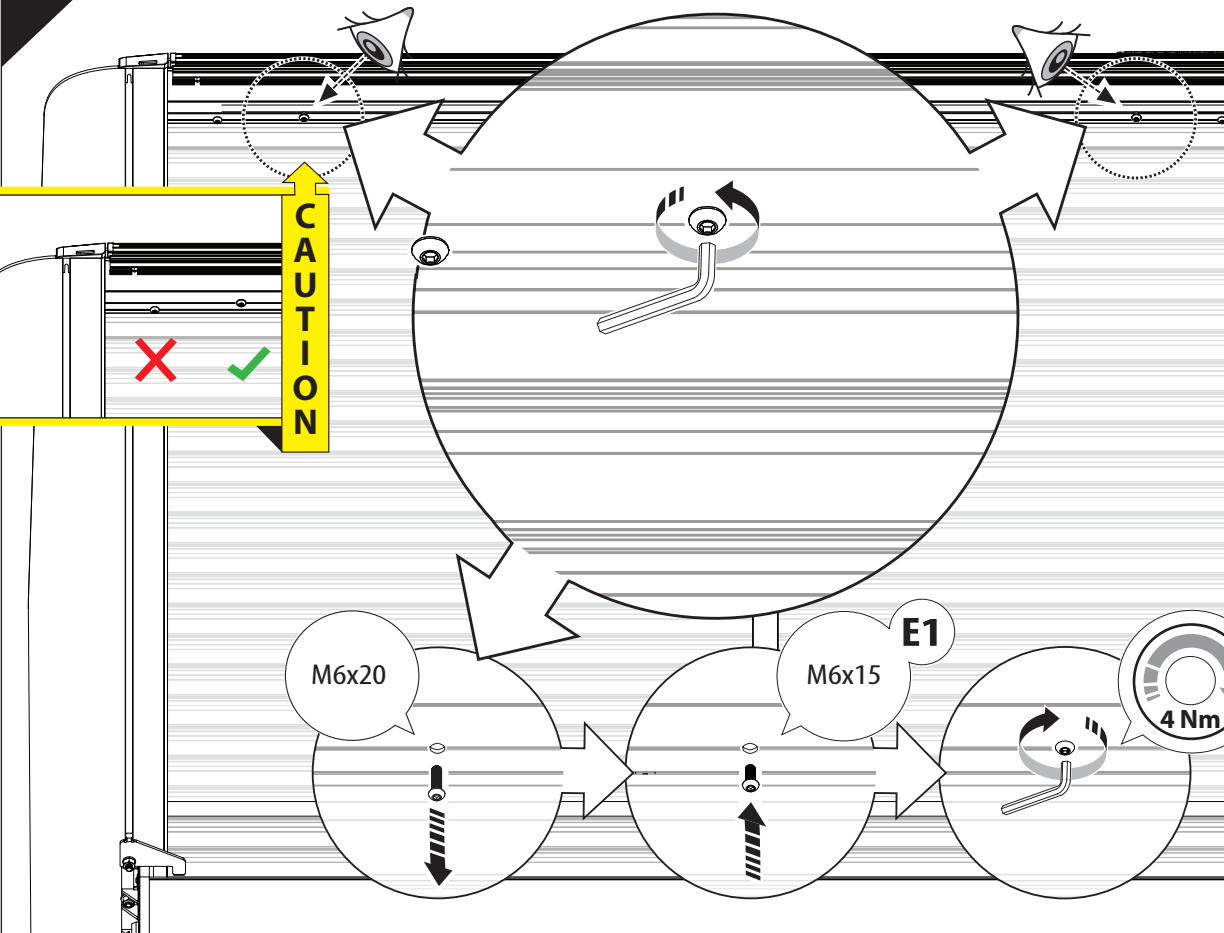
4



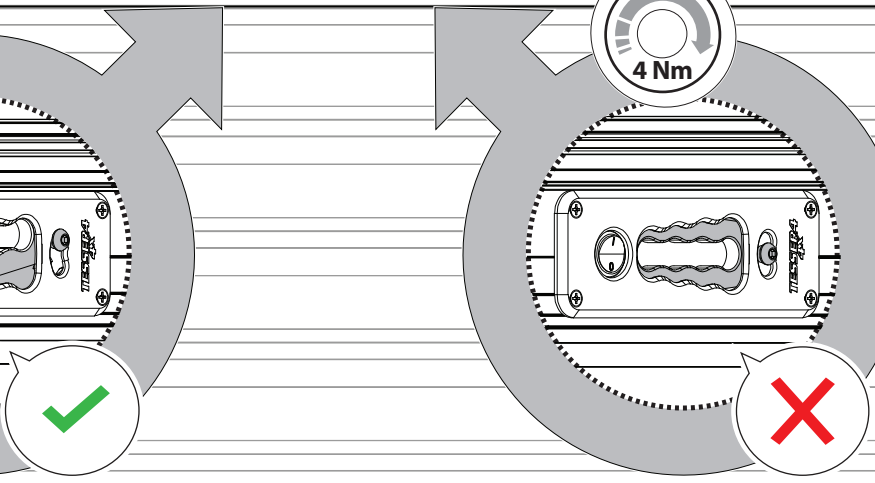
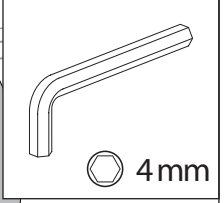
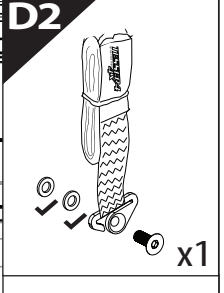
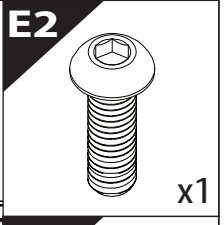
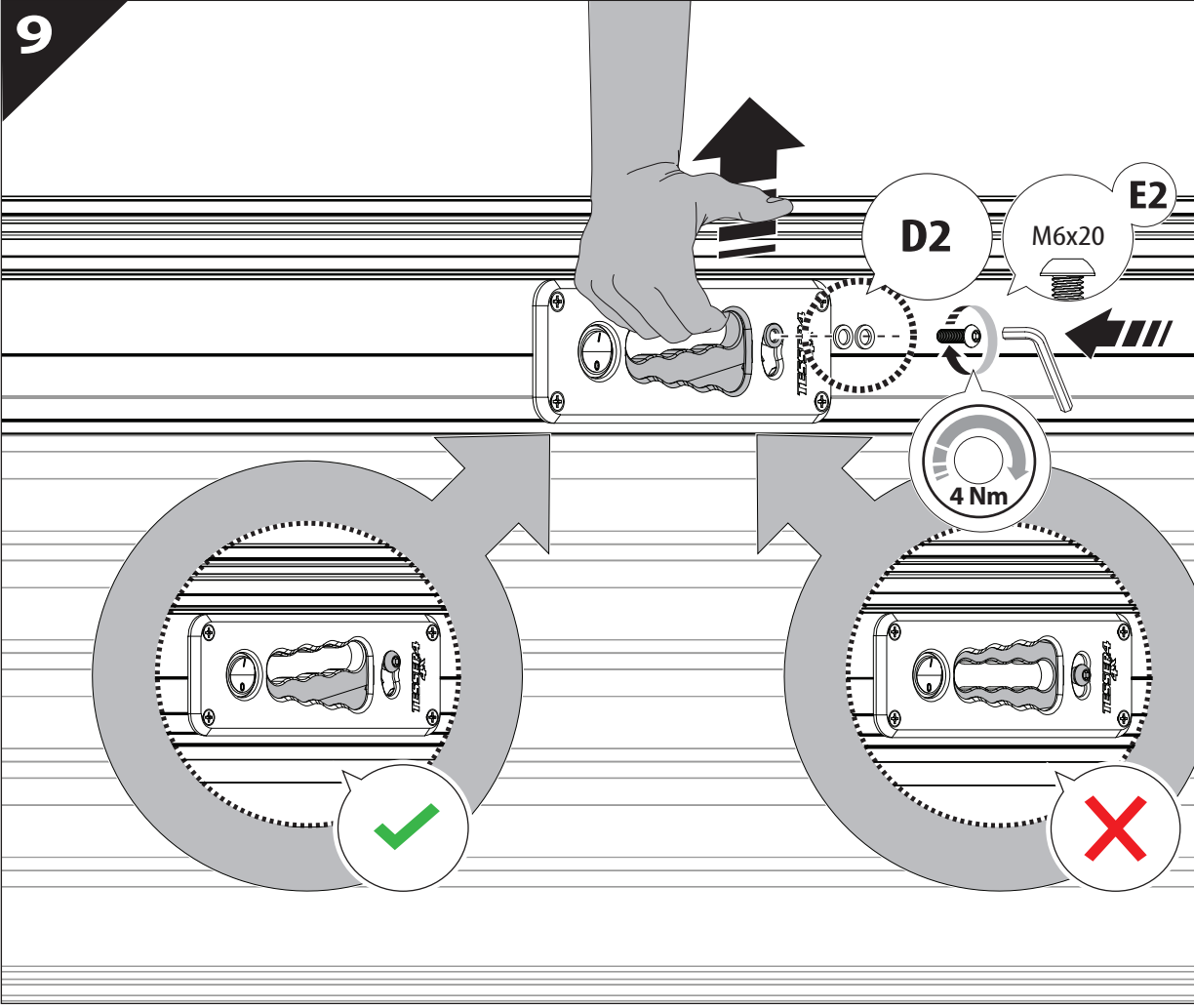


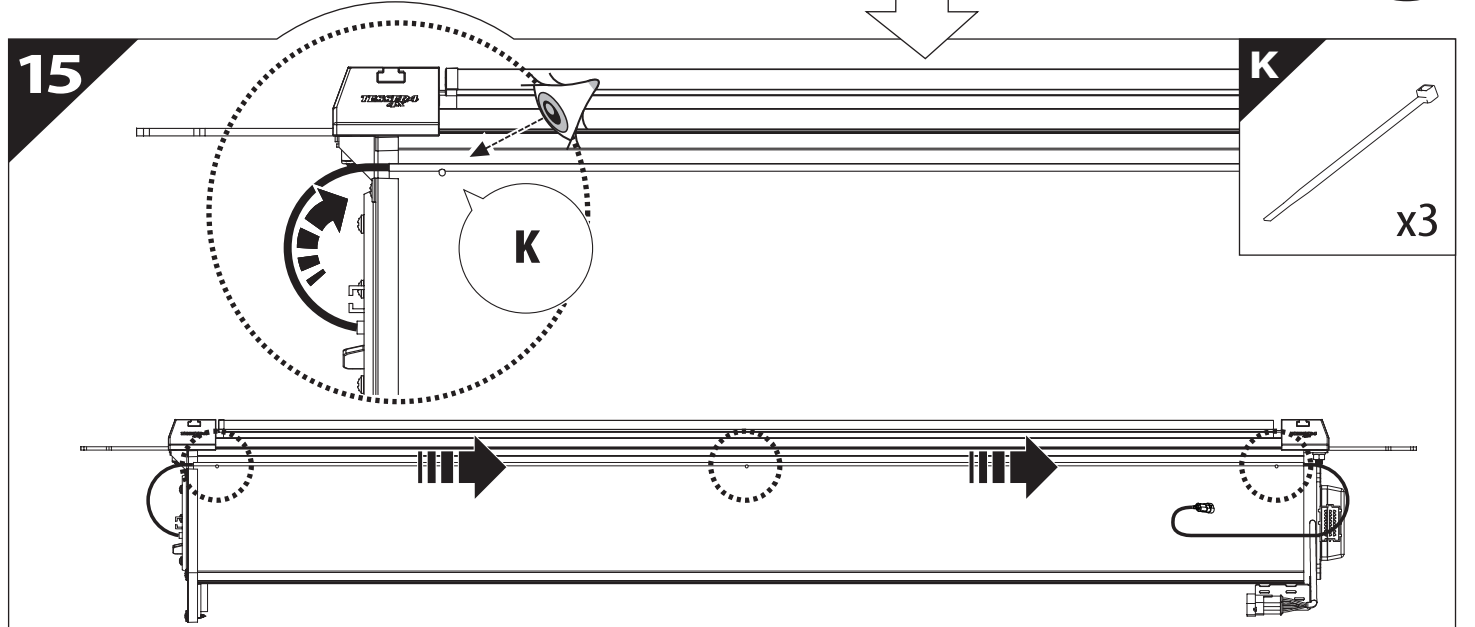
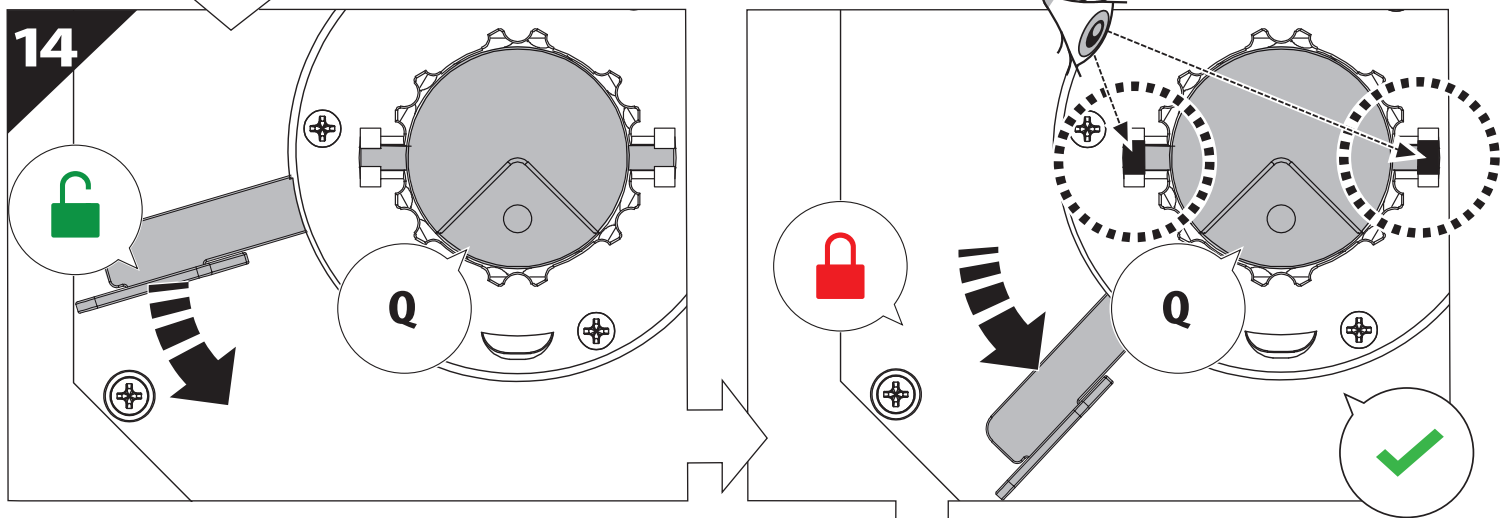
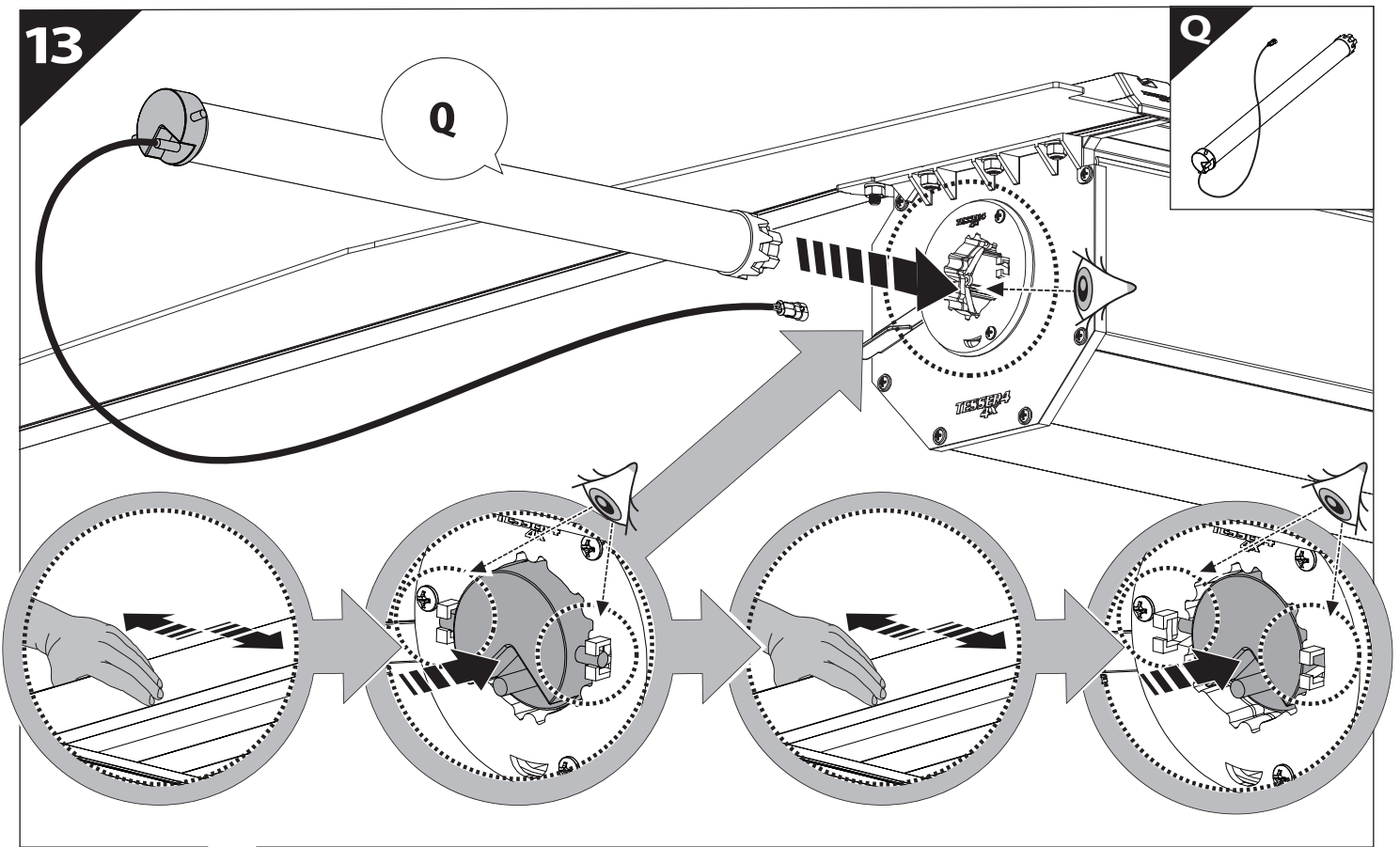
8

CAUTION

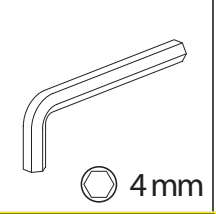
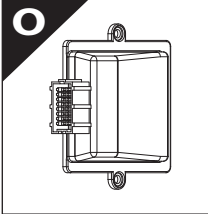


9



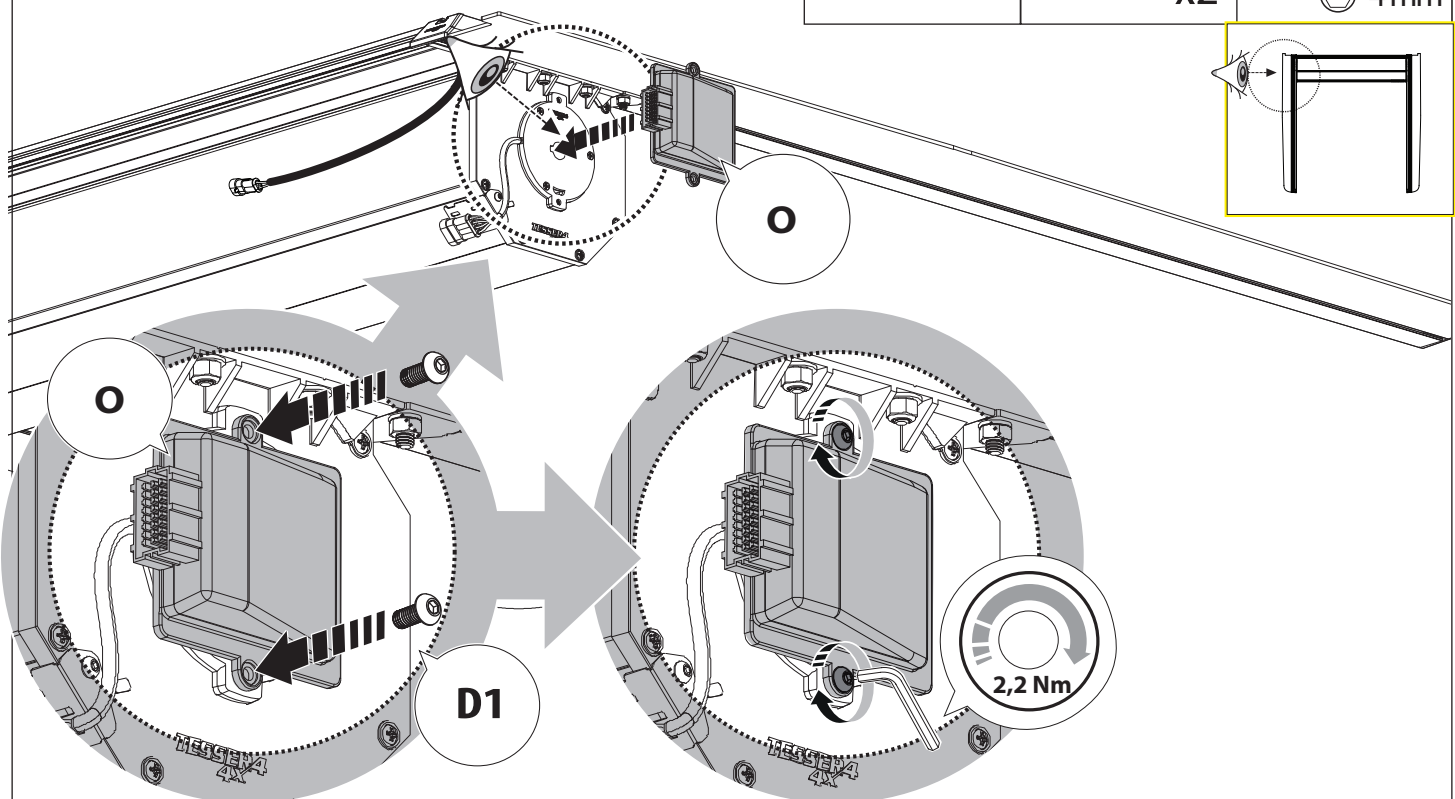
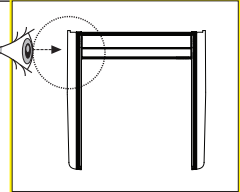


16

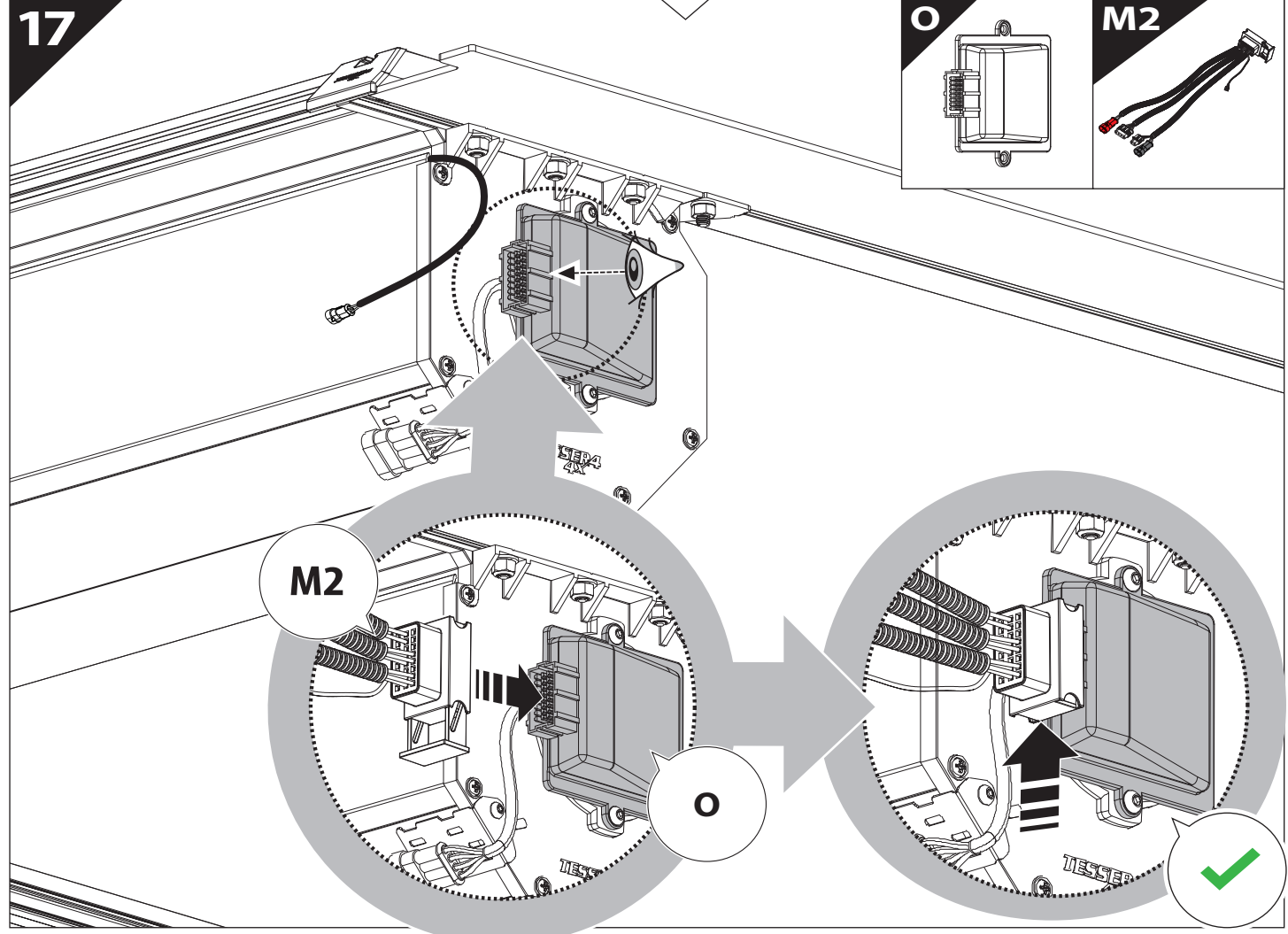
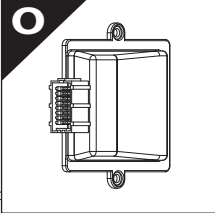


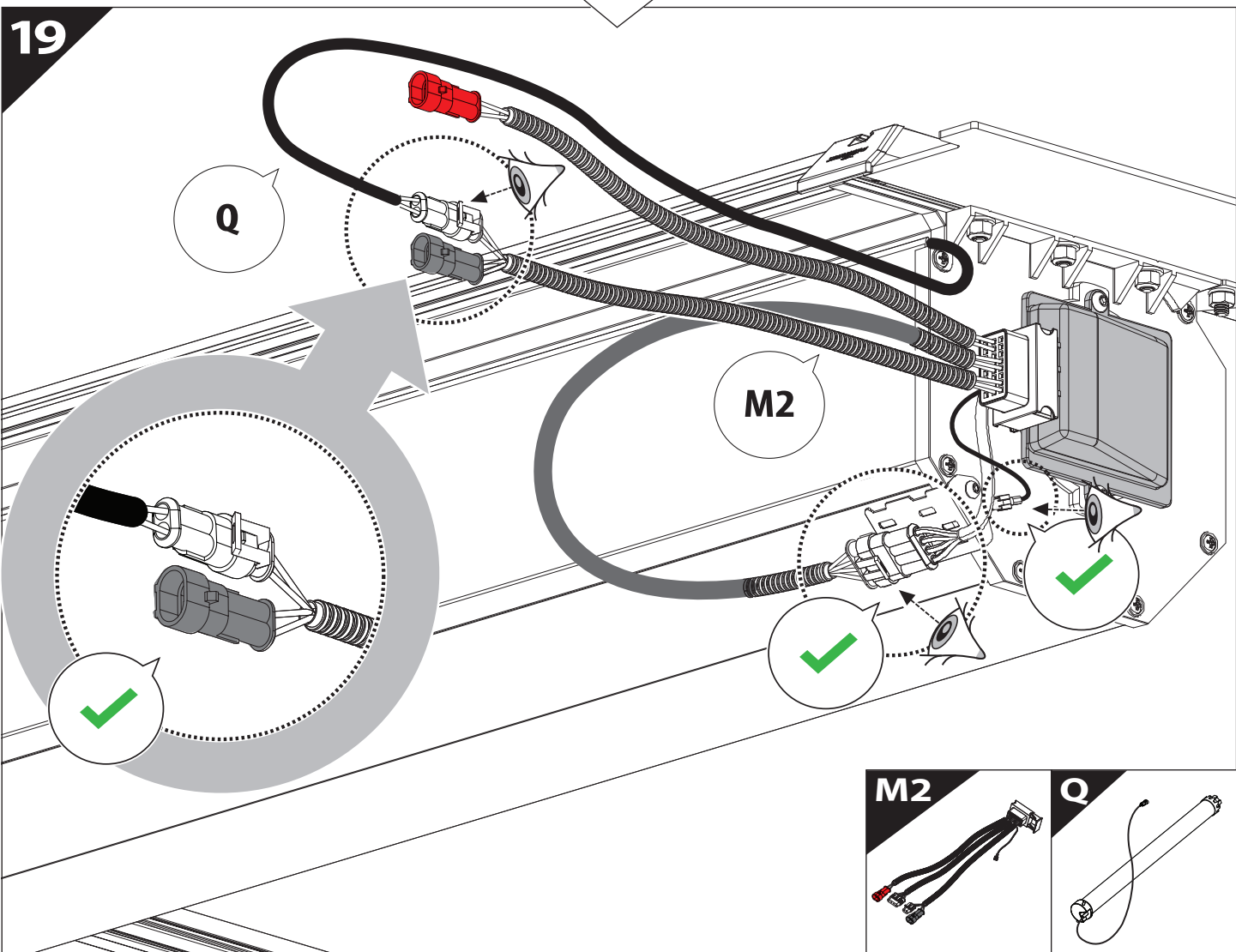
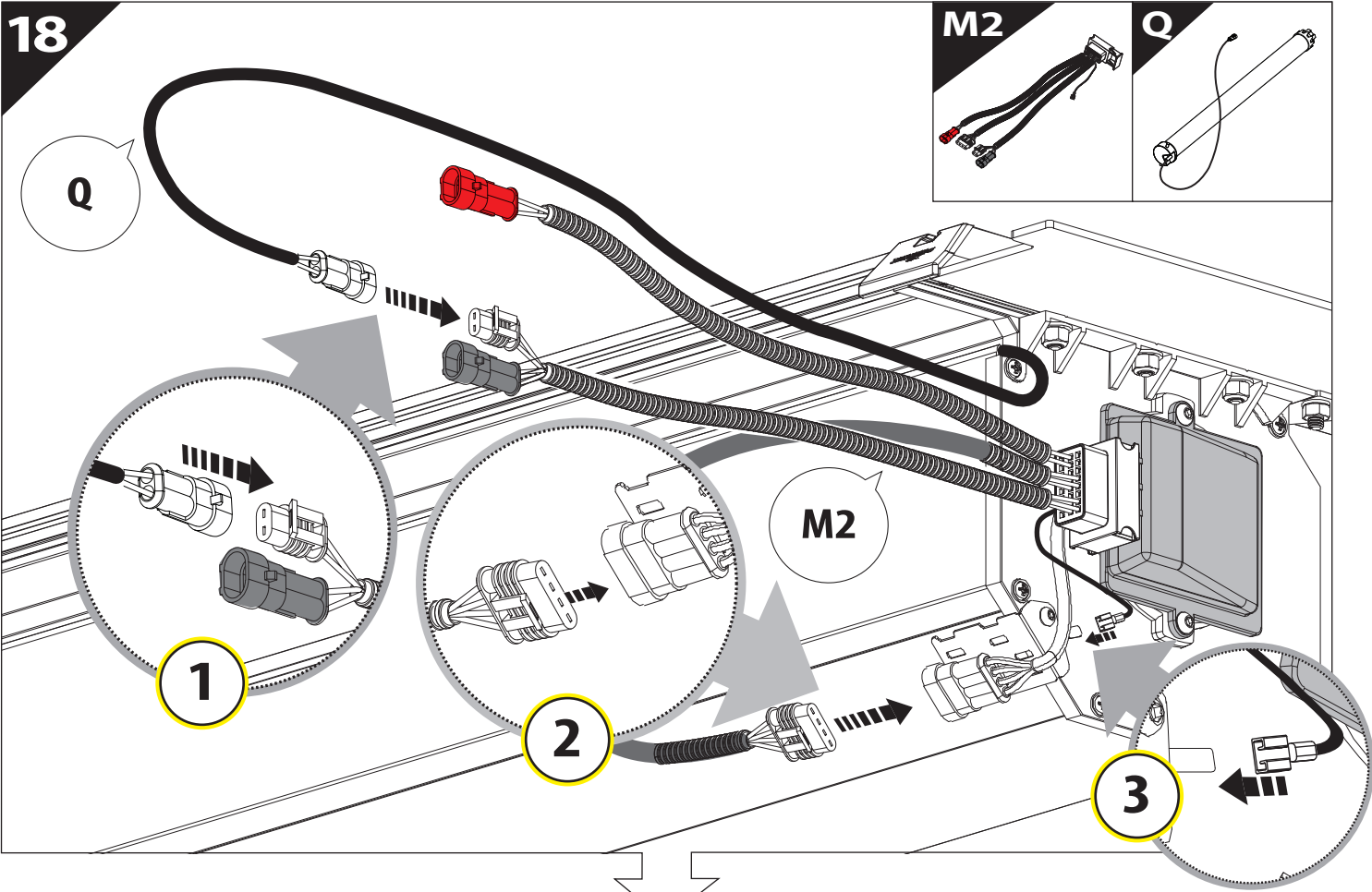
x2

4mm



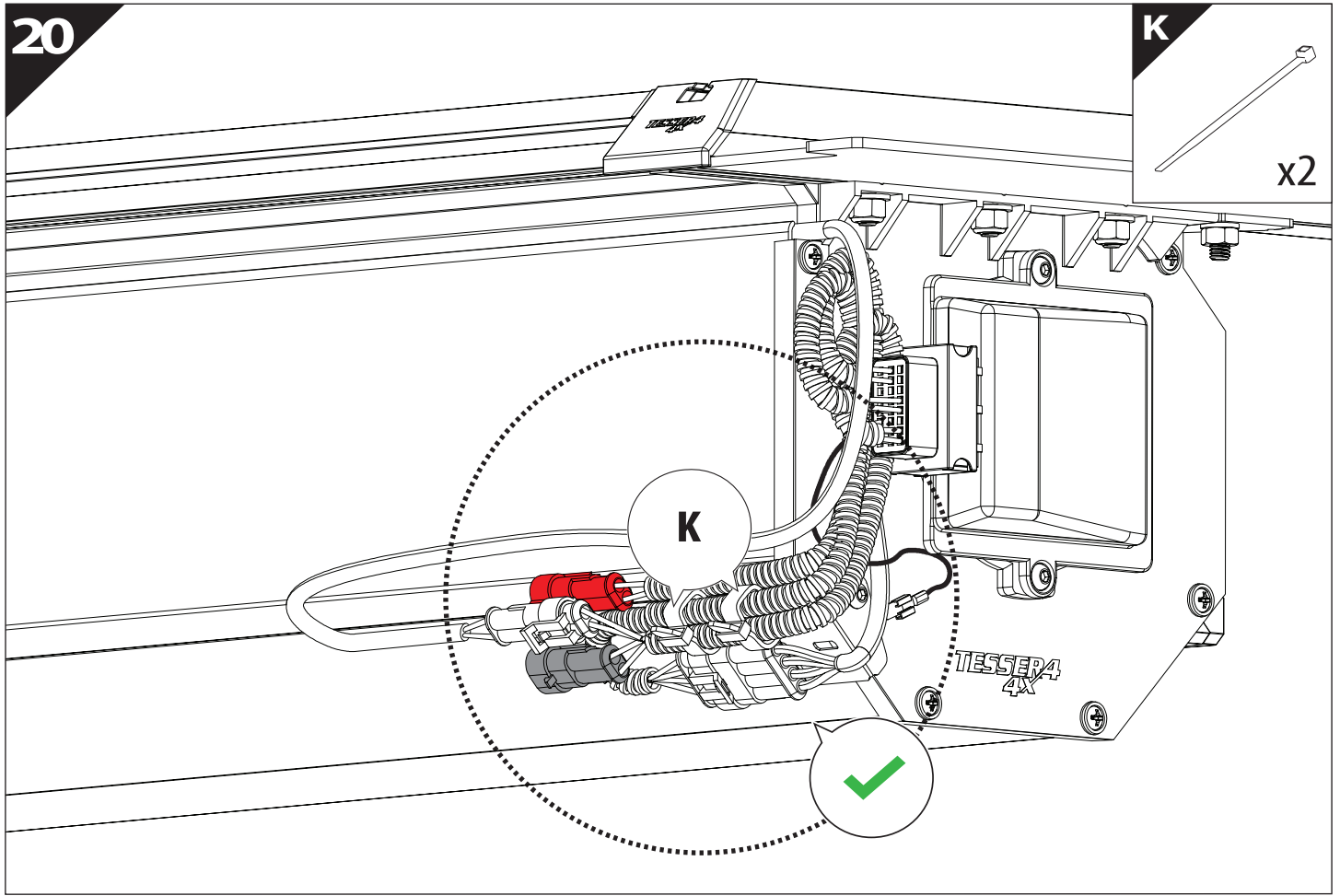
17





20

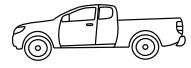
K



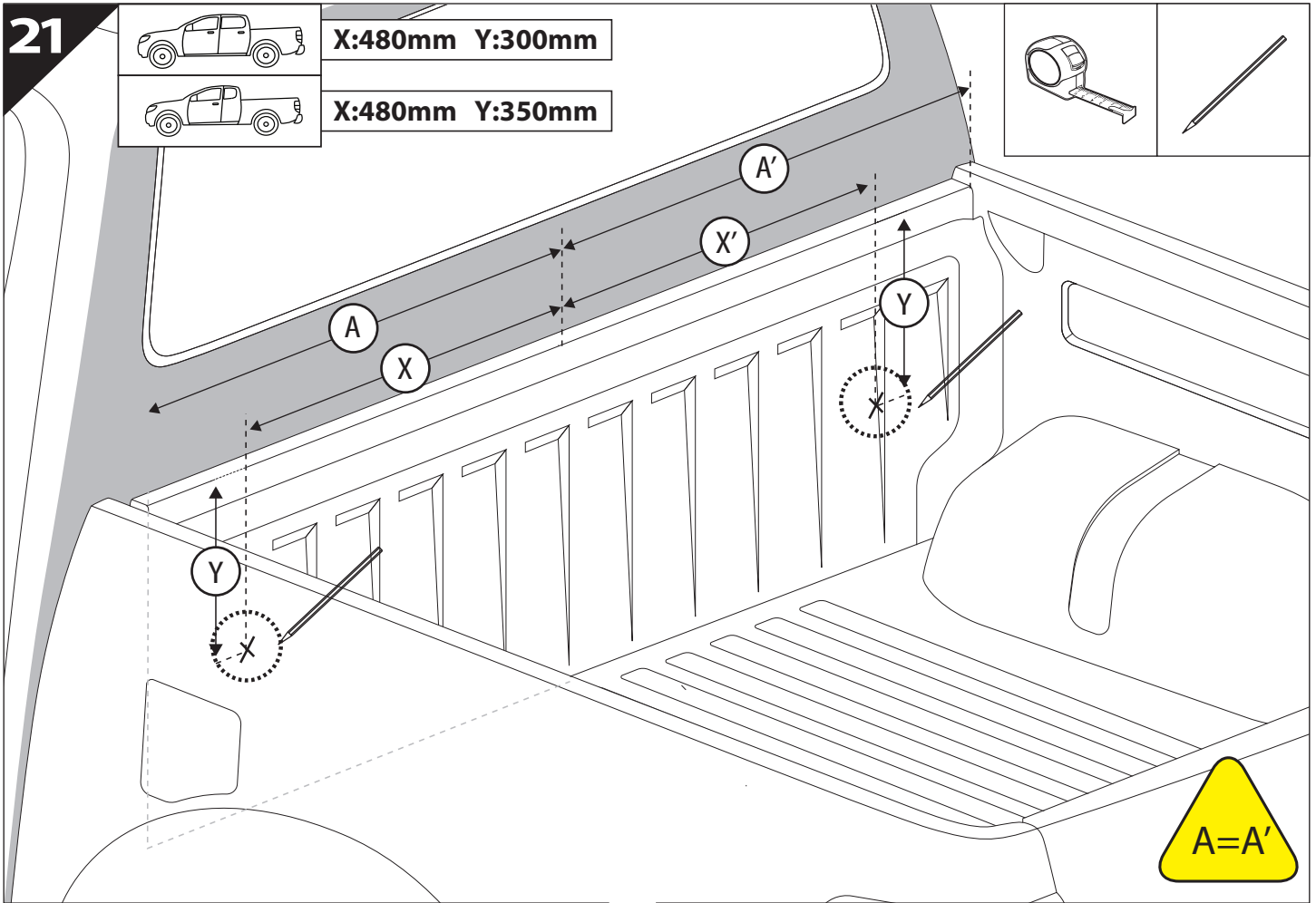
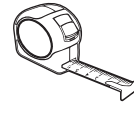
21



X:480mm Y:300mm



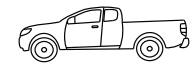
X:480mm Y:350mm



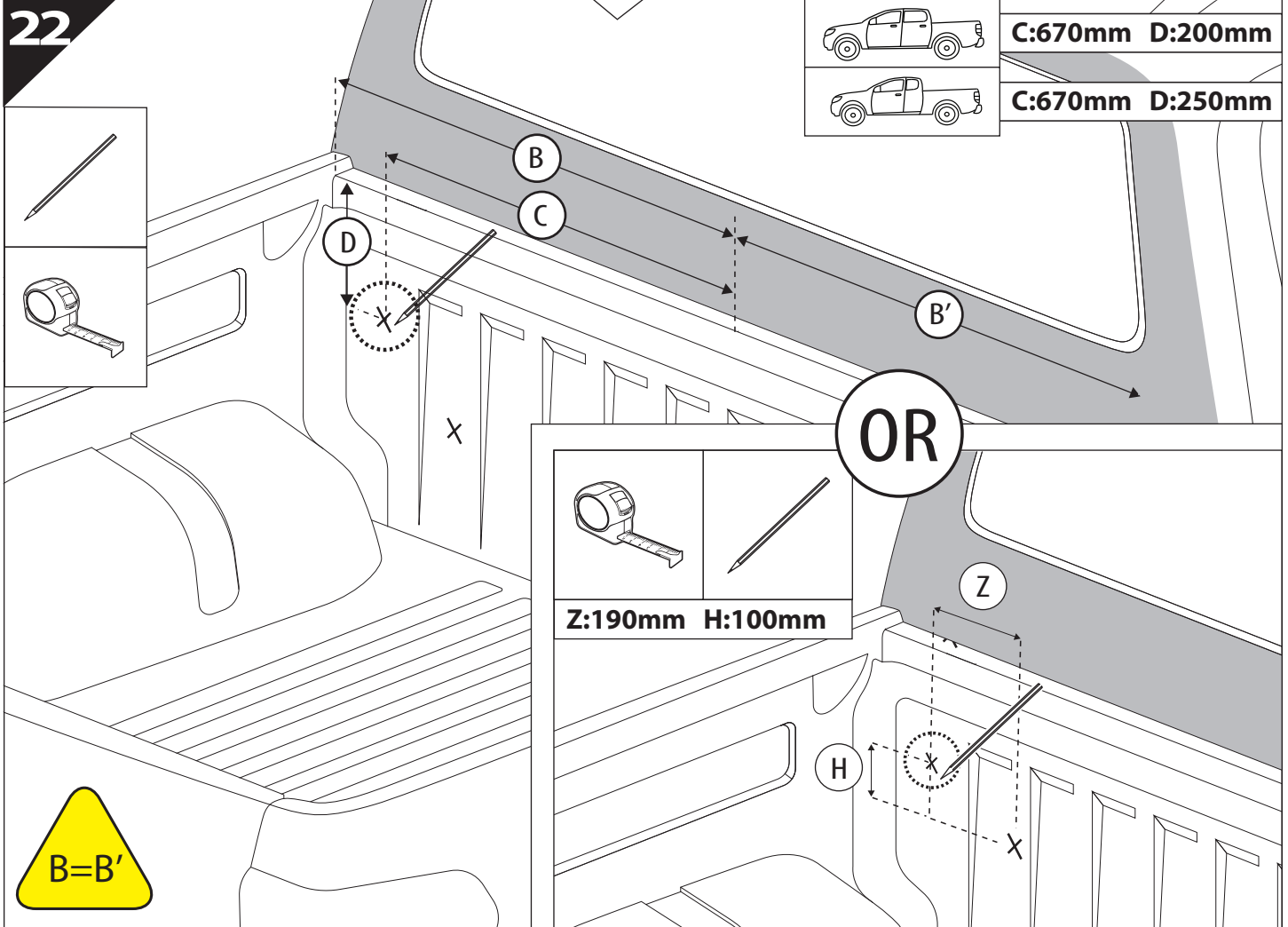
22



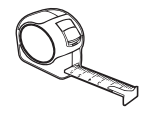
C:670mm D:200mm



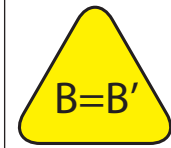
C:670mm D:250mm

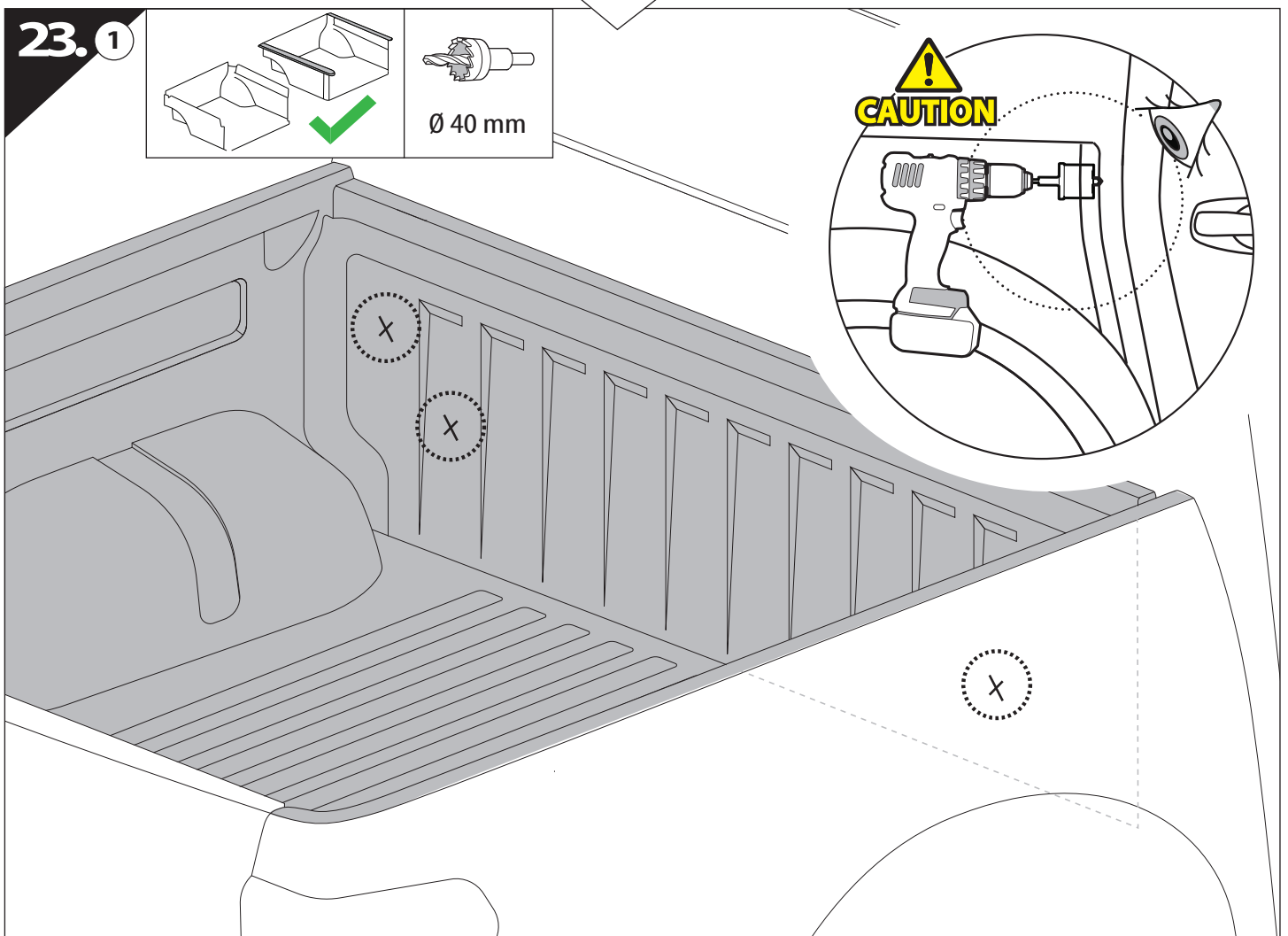
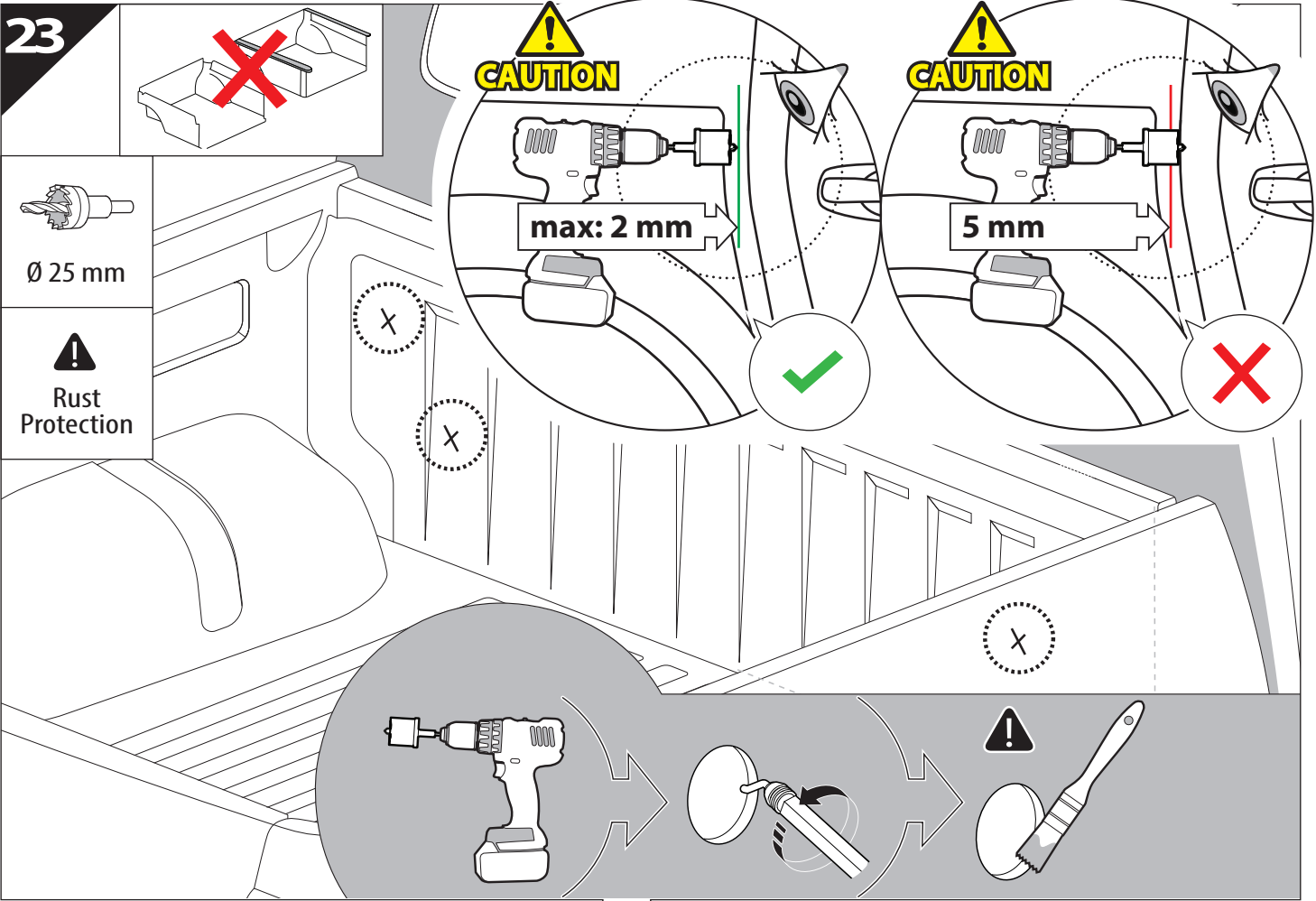


OR

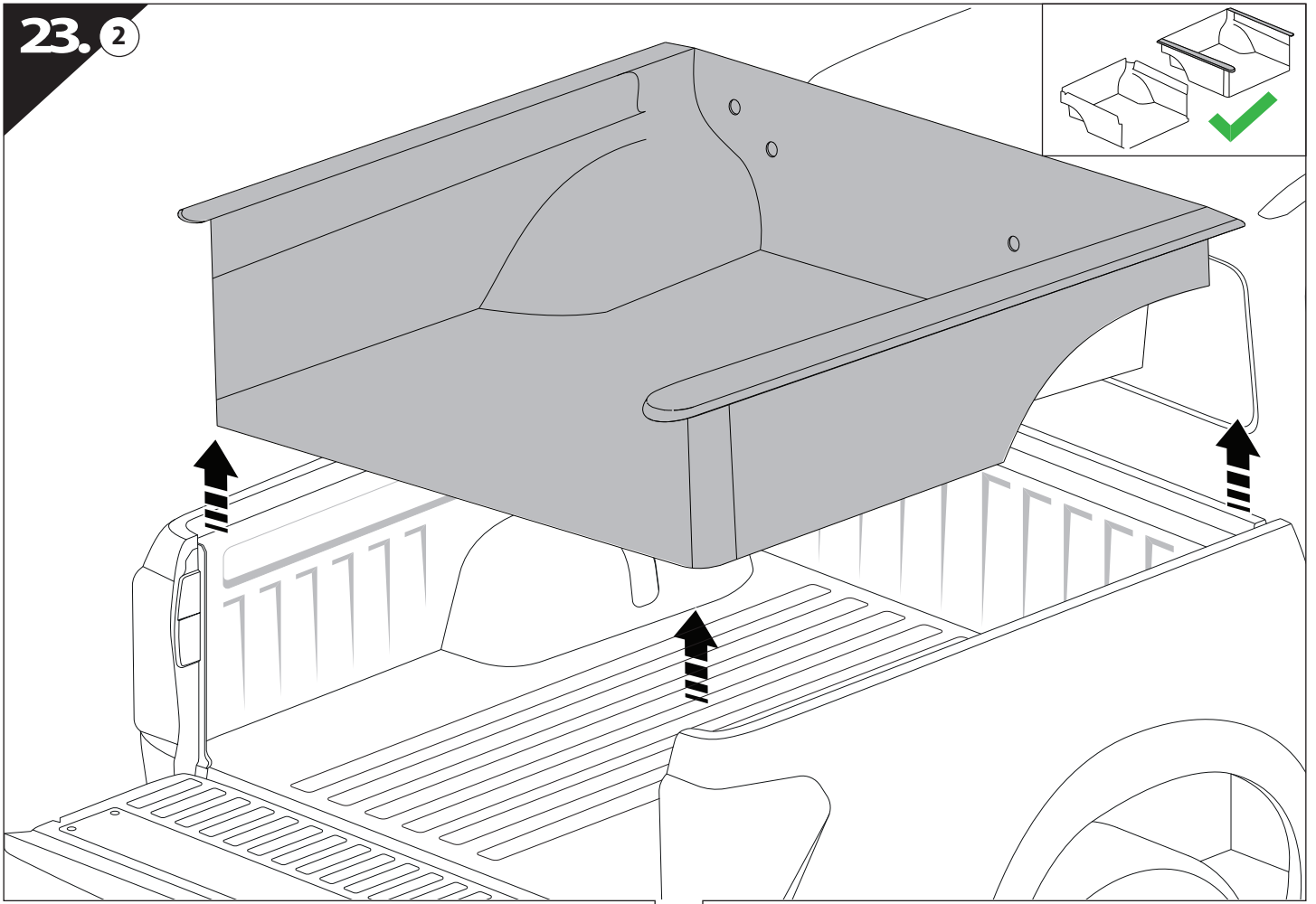


Z:190mm H:100mm

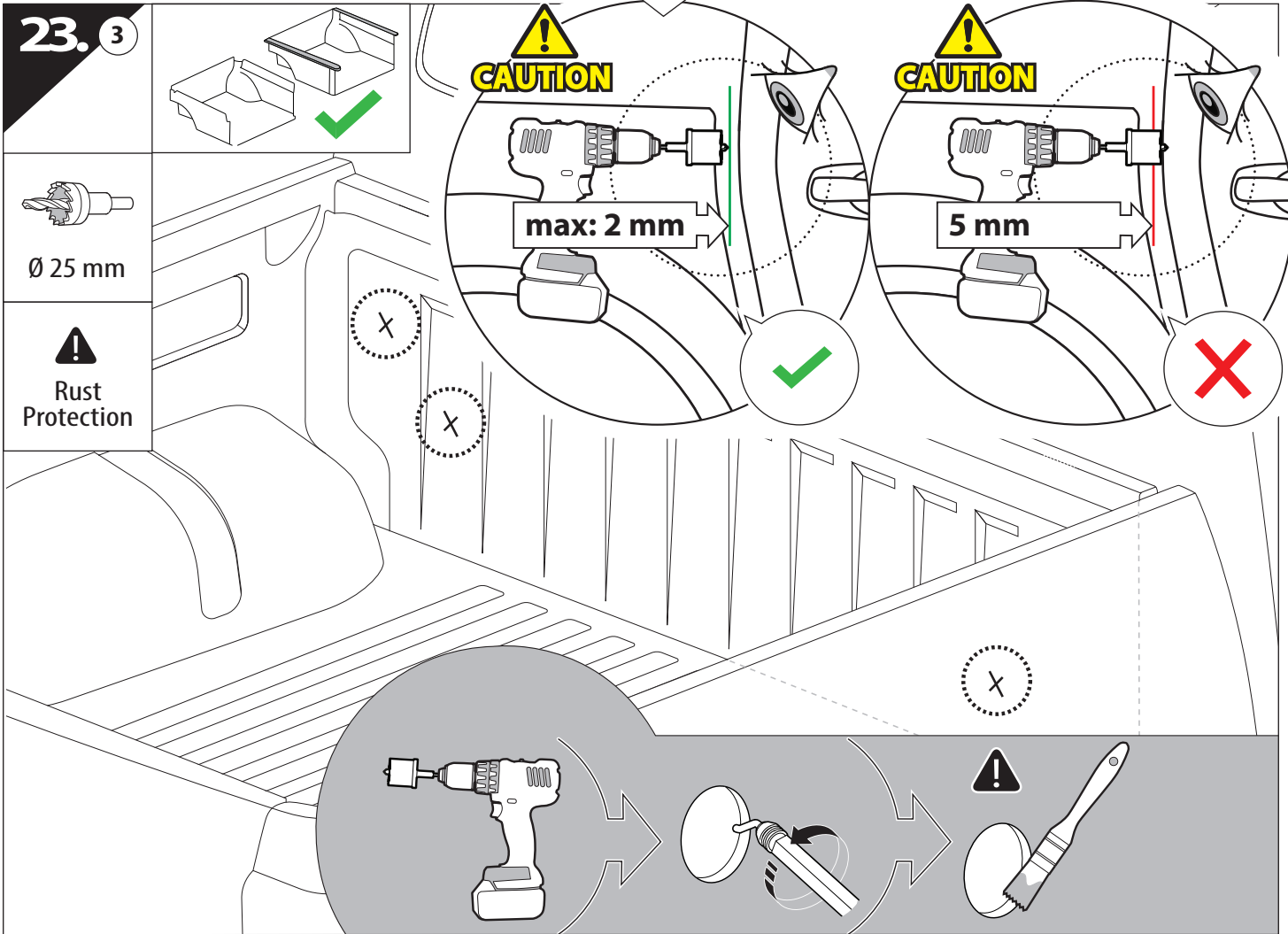


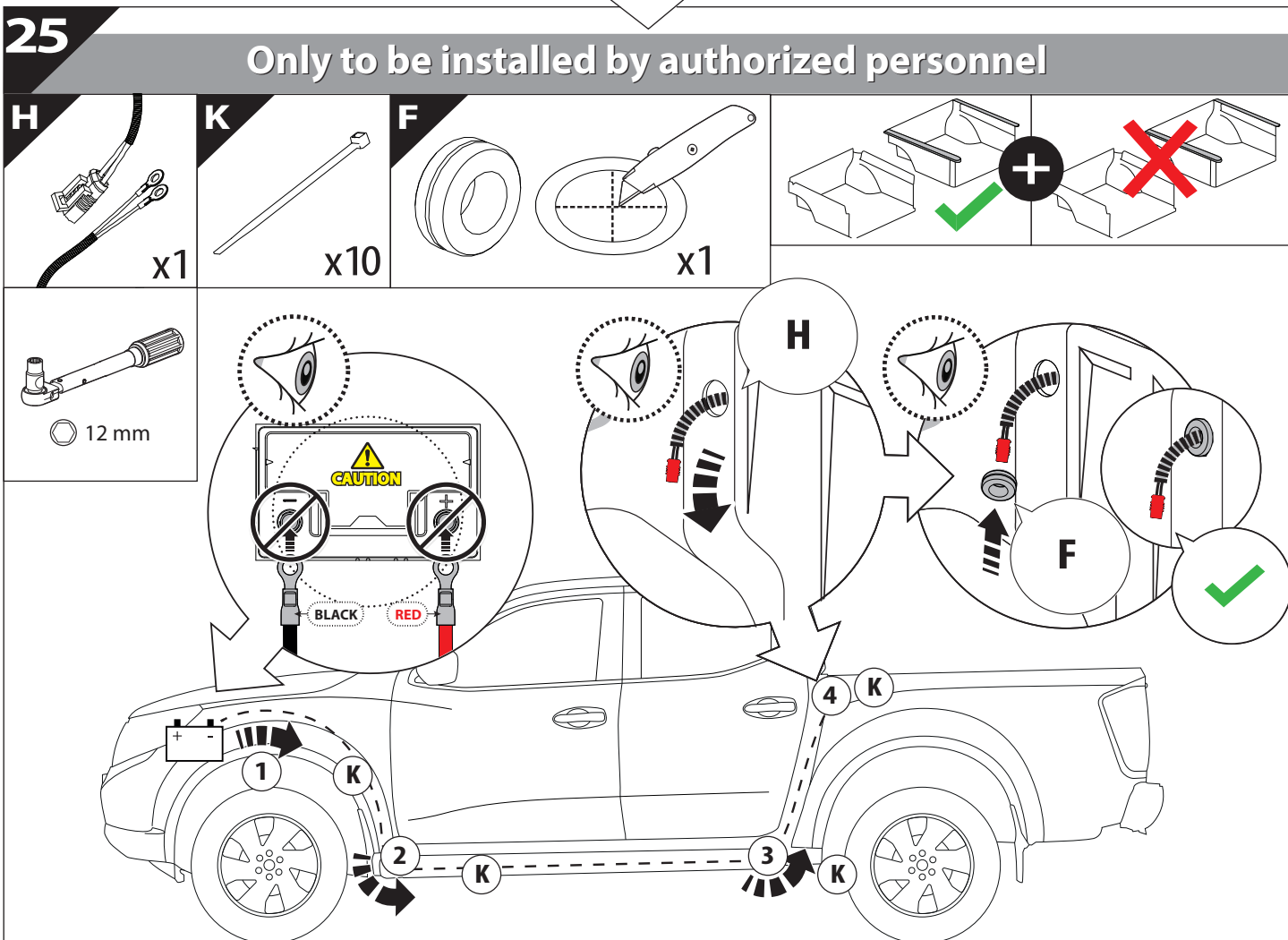
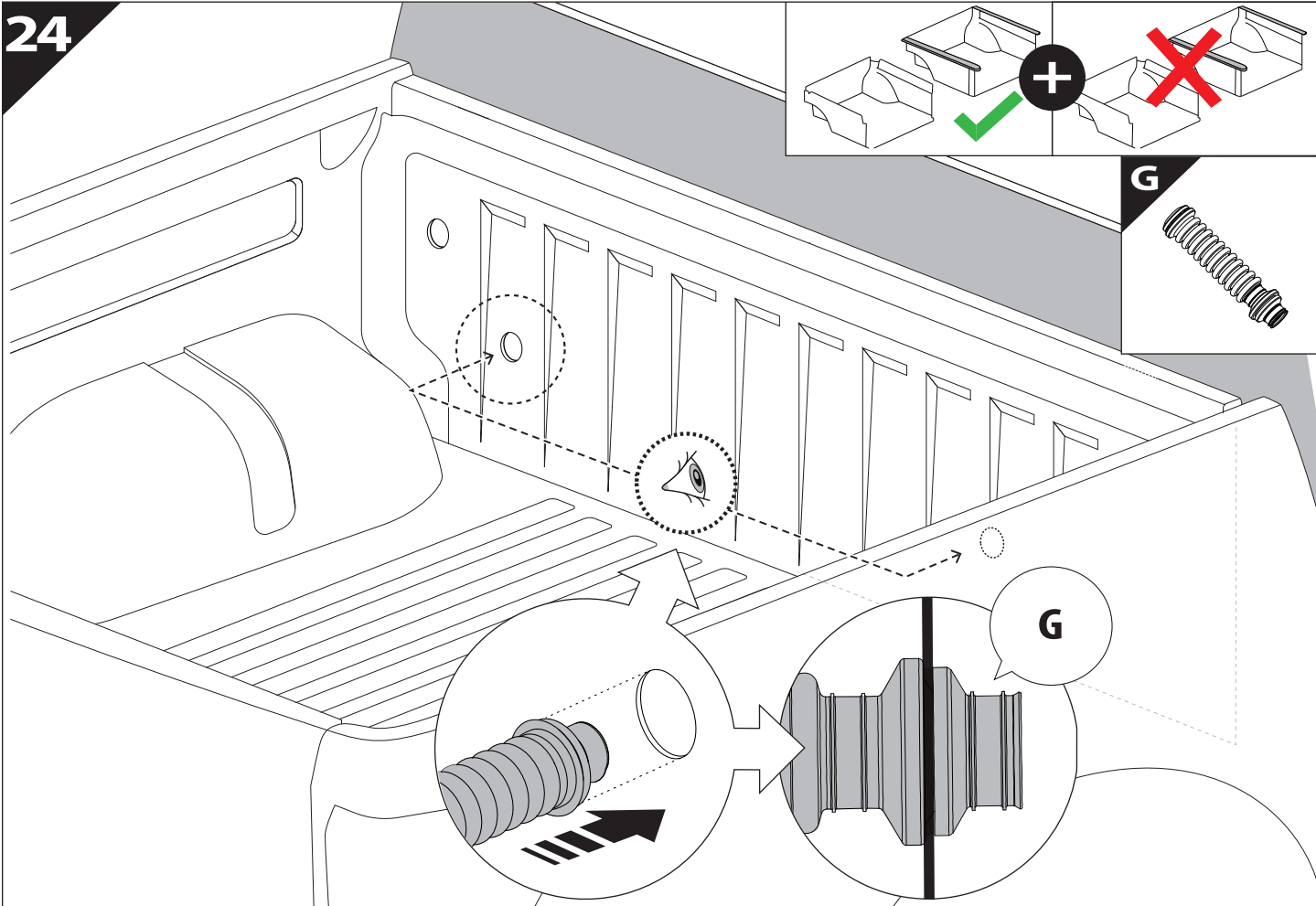


23. 2

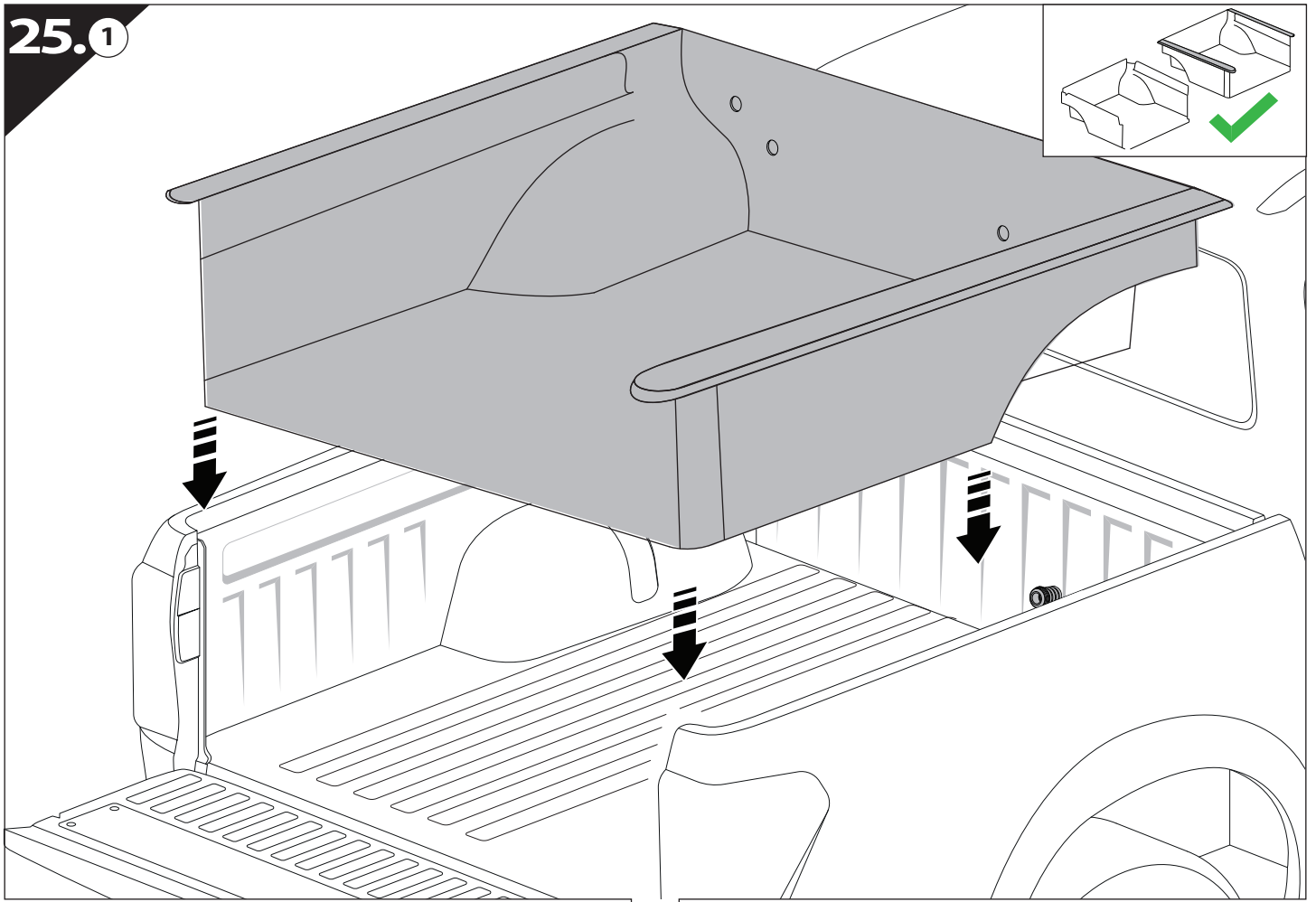


23. 3

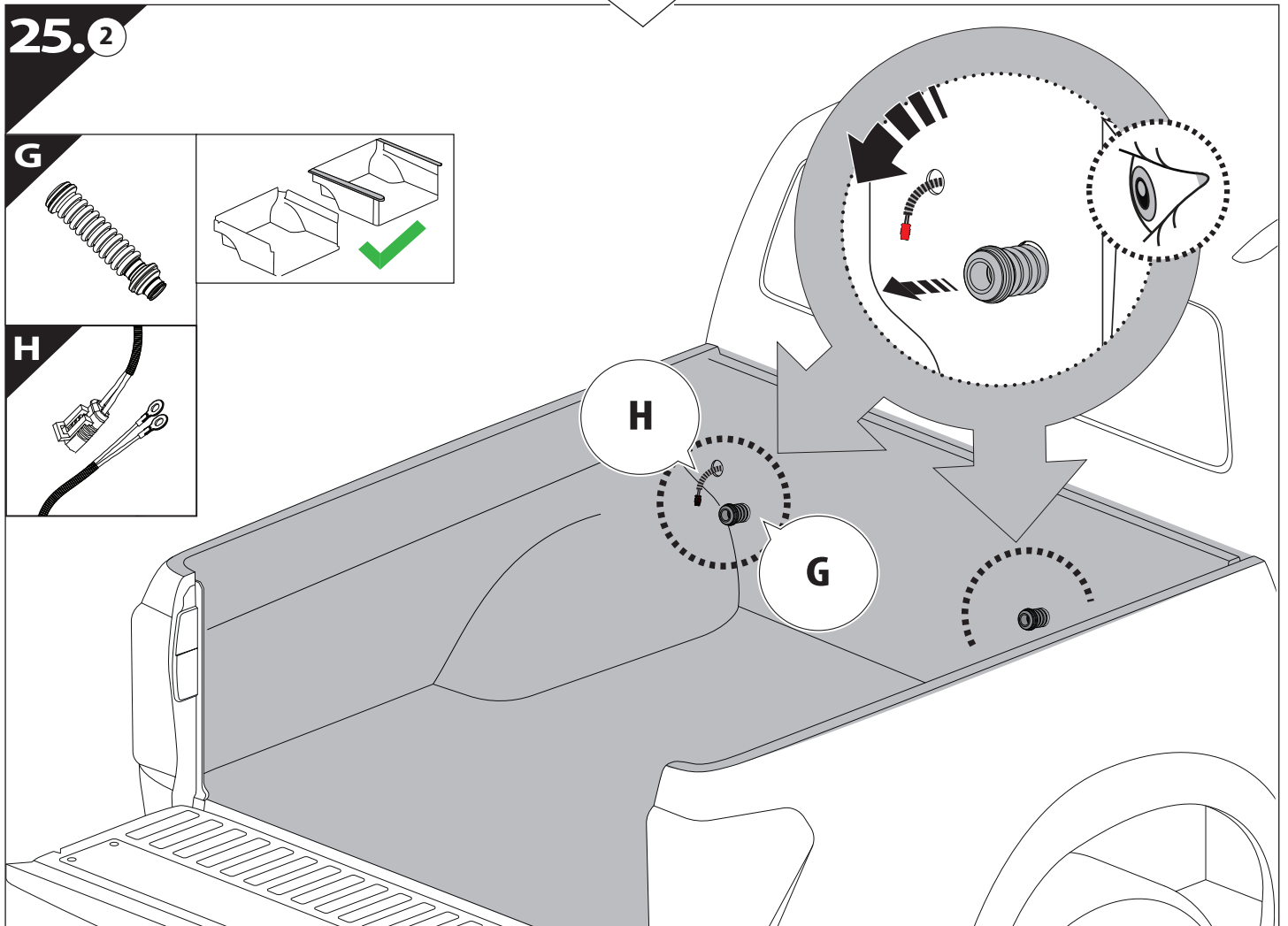




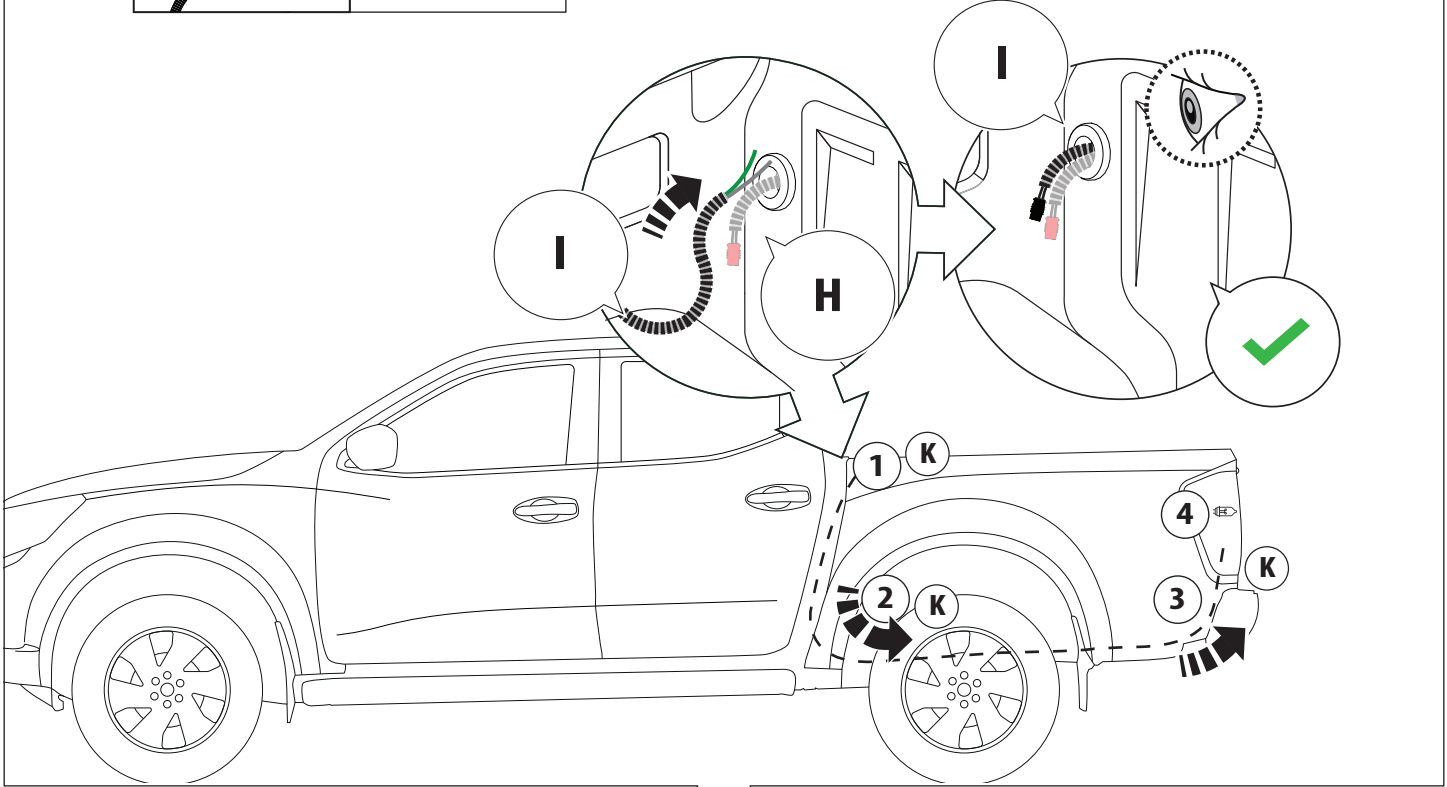
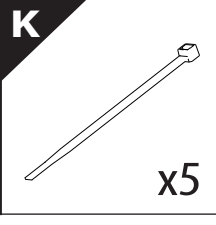
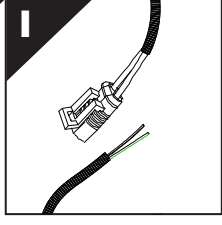
25.1



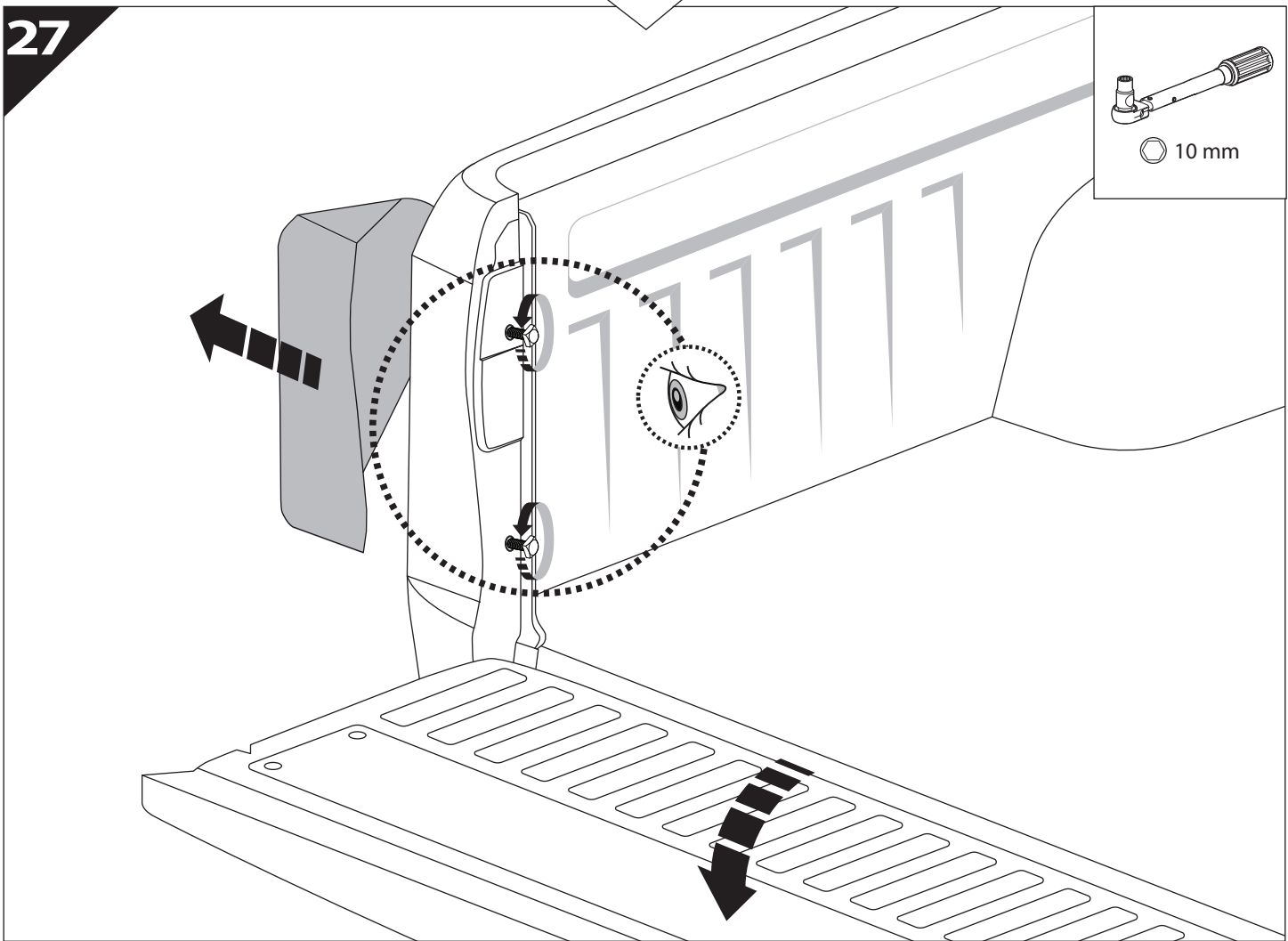
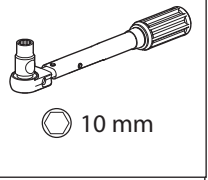
25.2



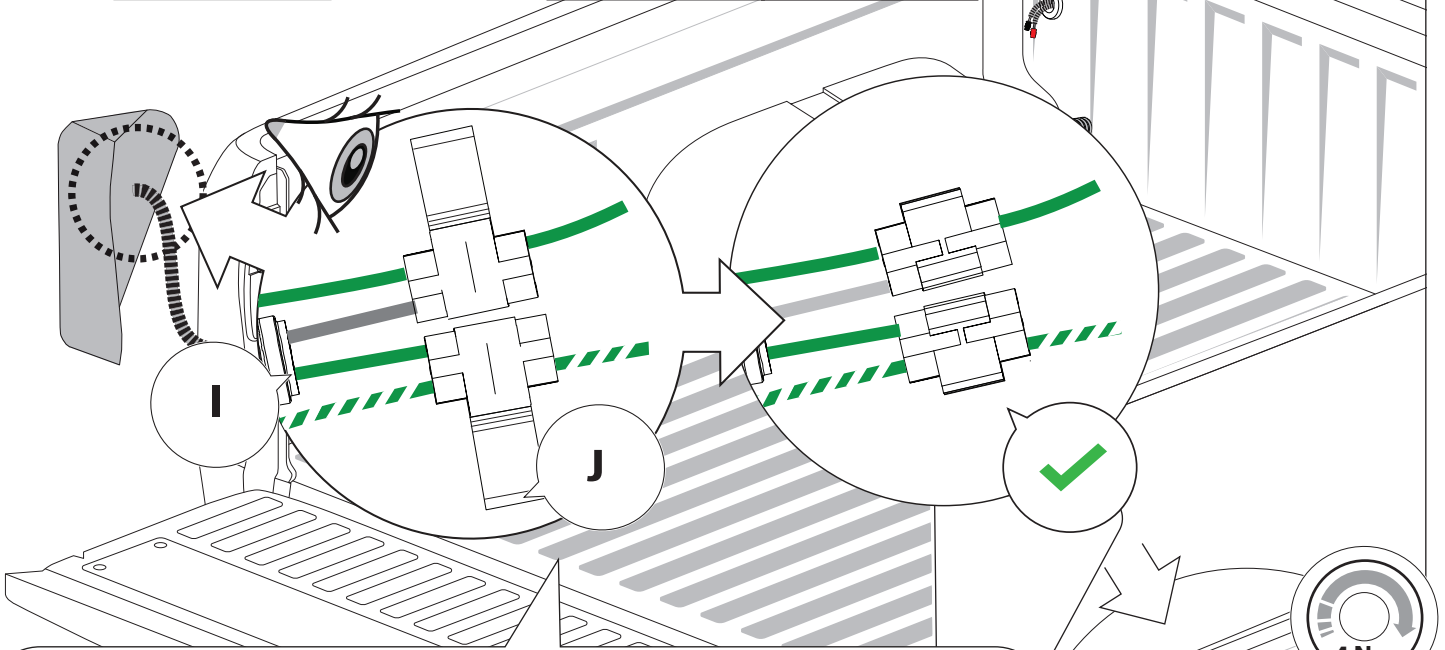
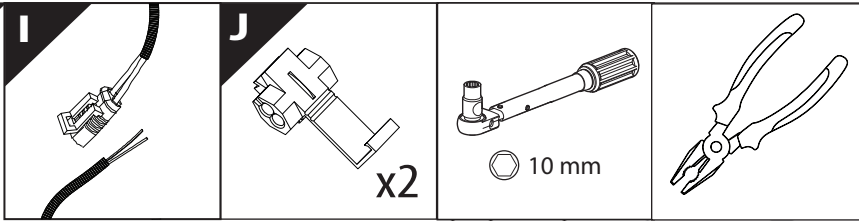
26



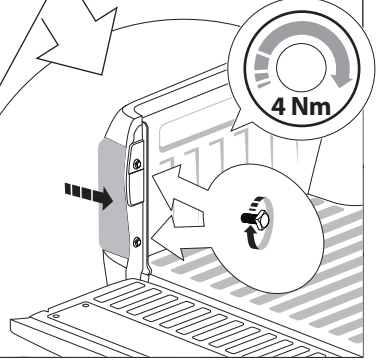
27



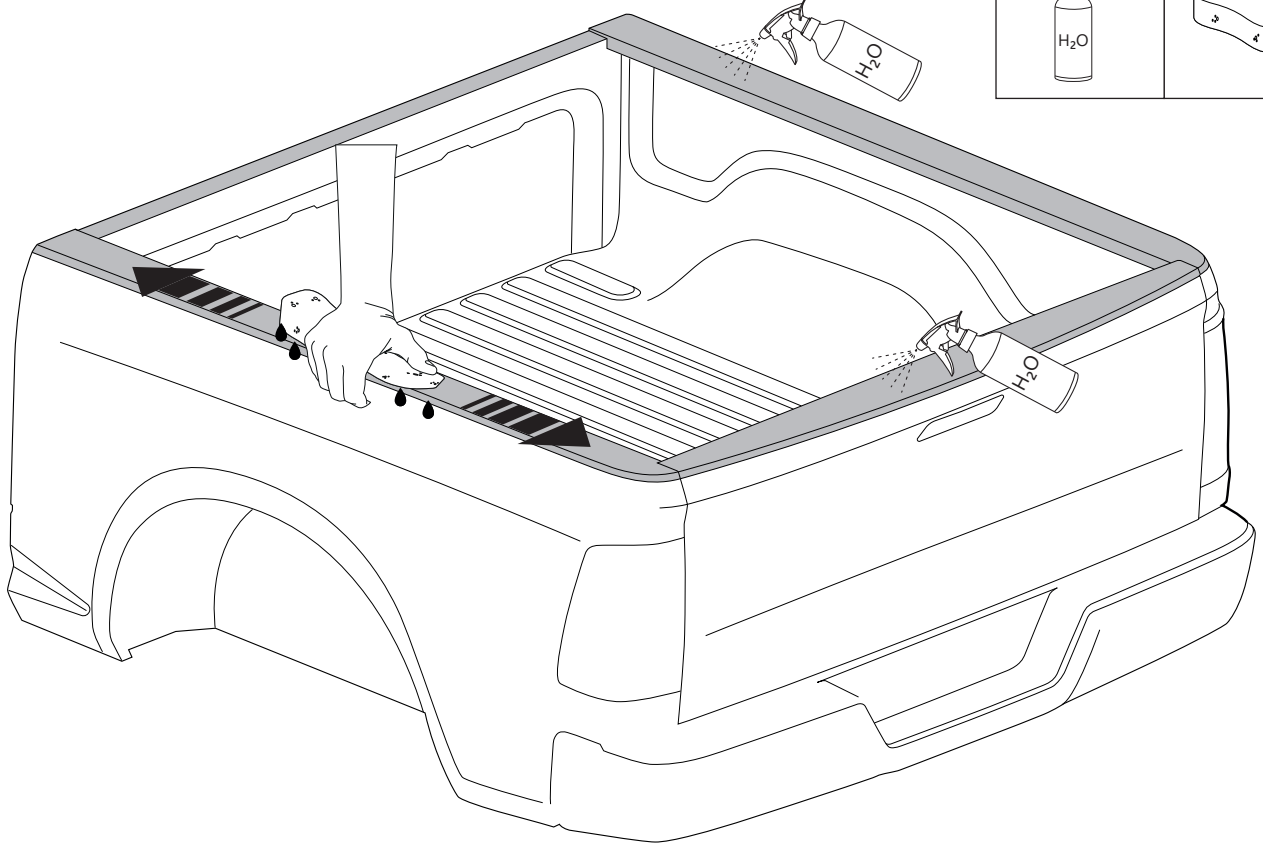
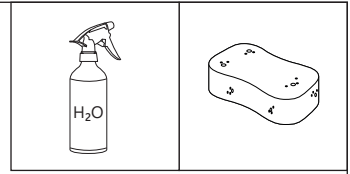
28

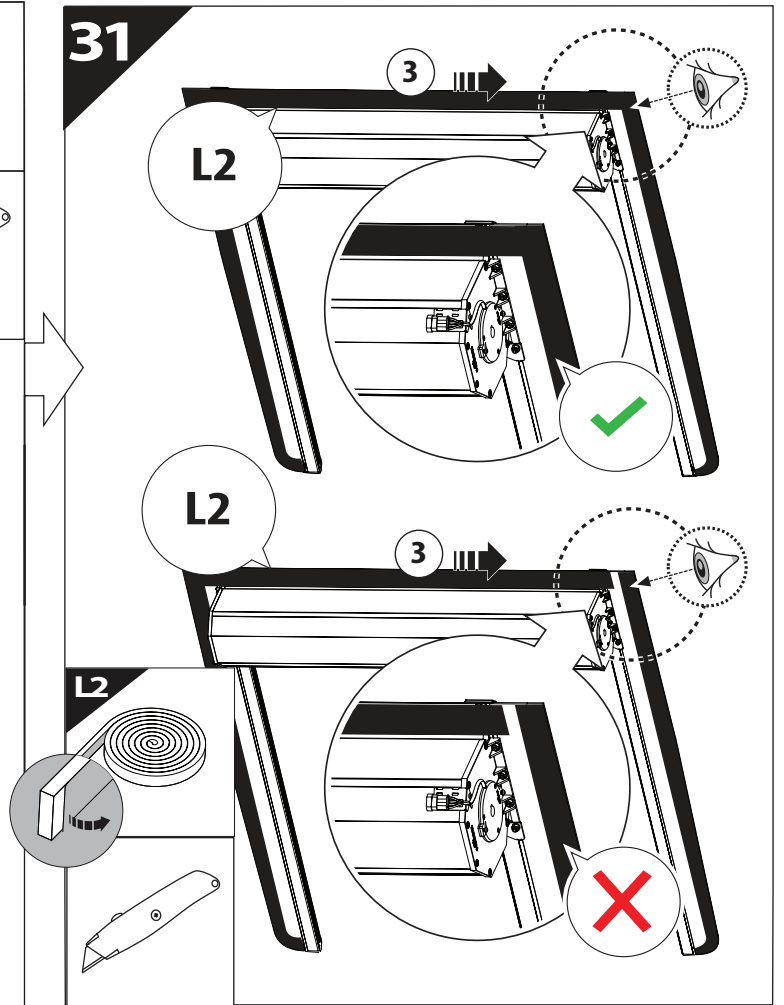
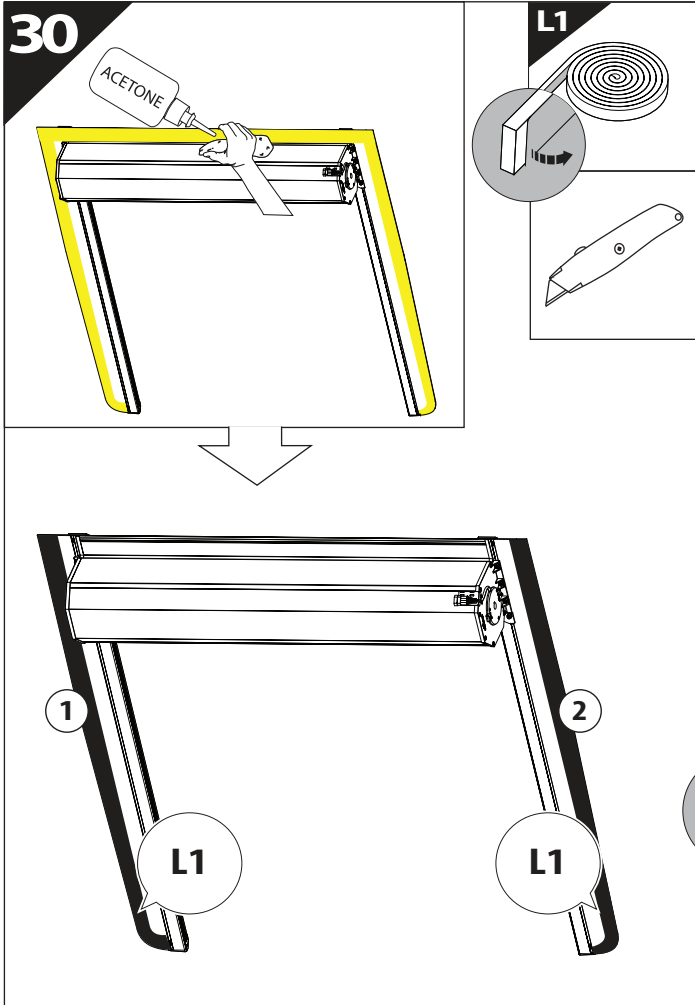


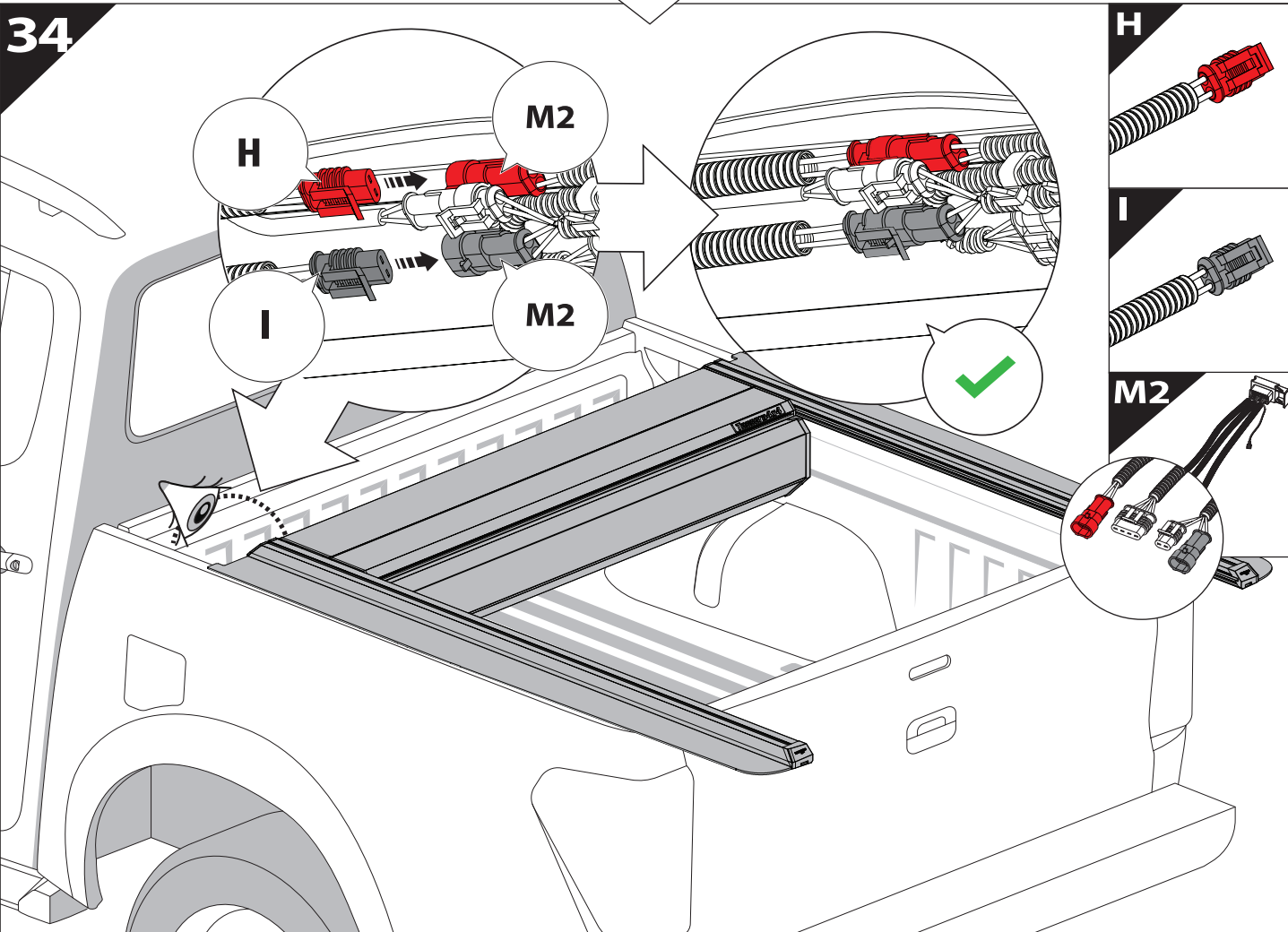
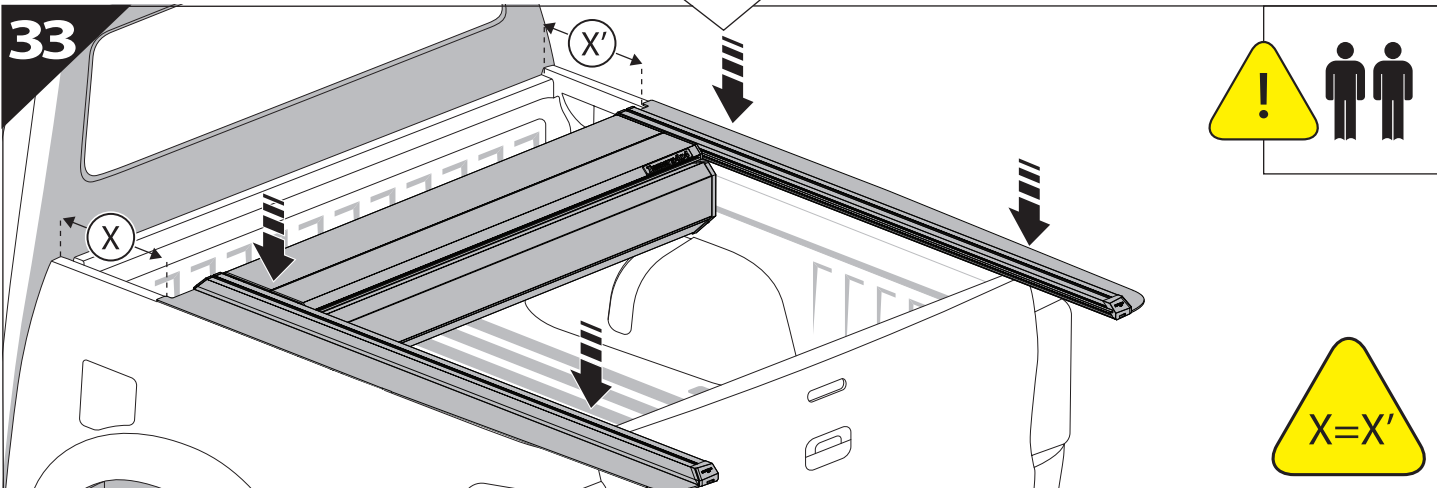
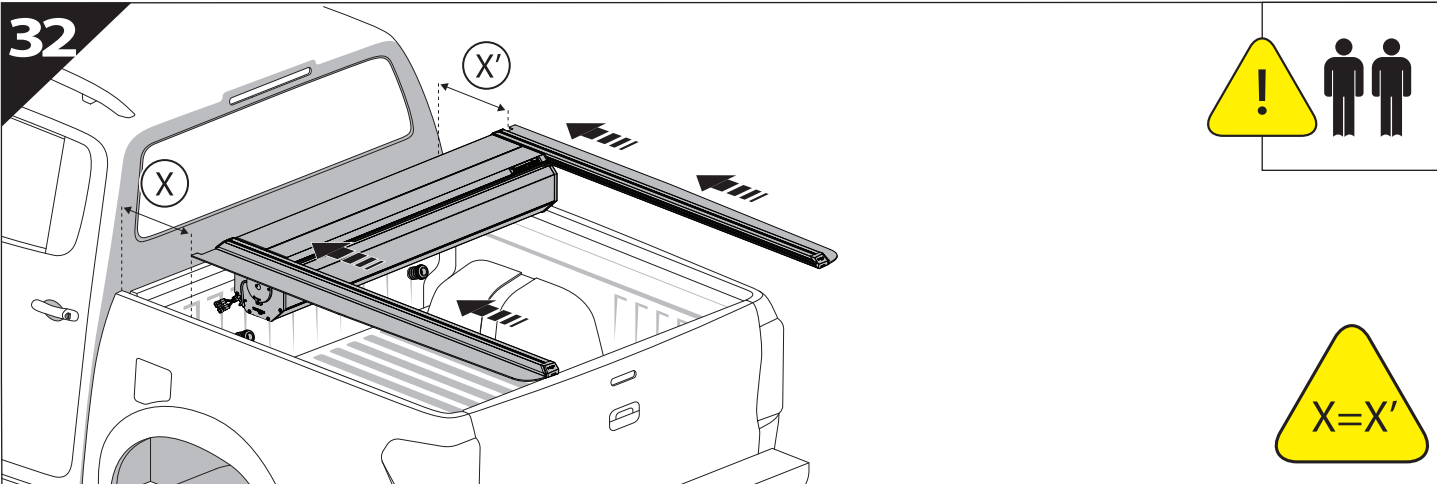
MODEL YEAR	LIGHTS	CAR	TESSERA ROLL+
HILUX 2016+/2021+	BEAM		
HILUX 2016+	STOP		
HILUX 2021+	STOP		



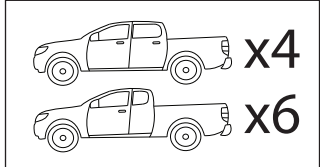
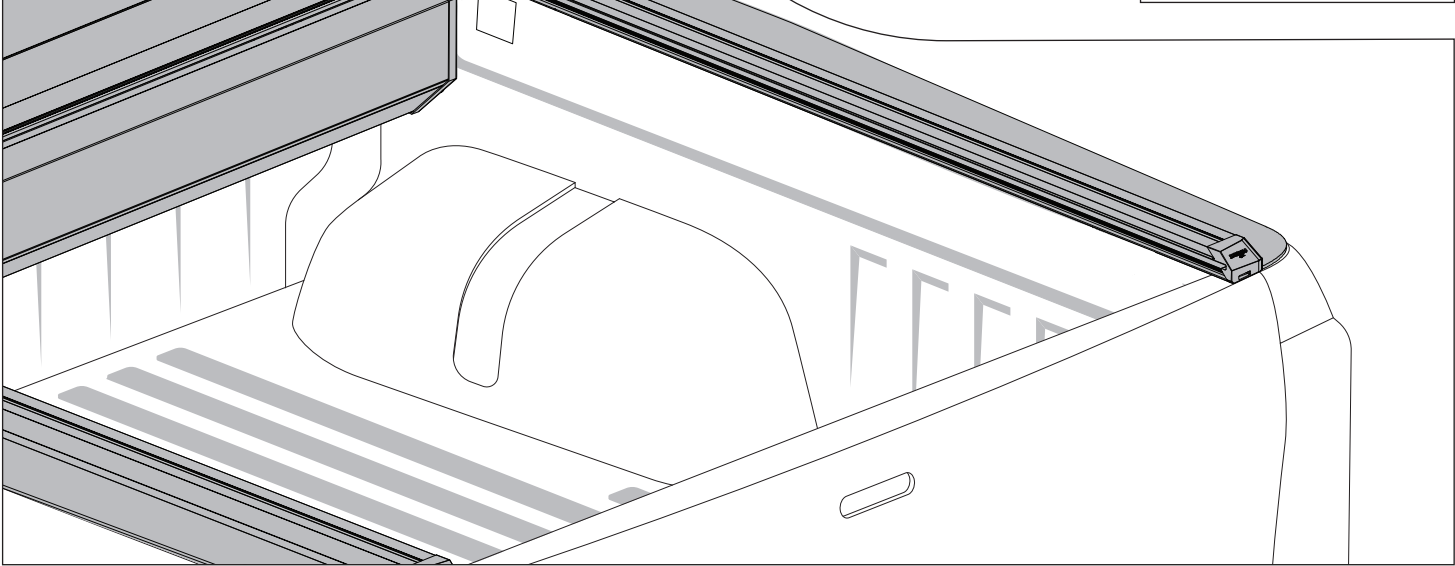
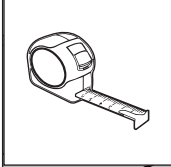
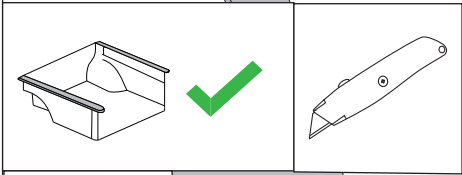
29



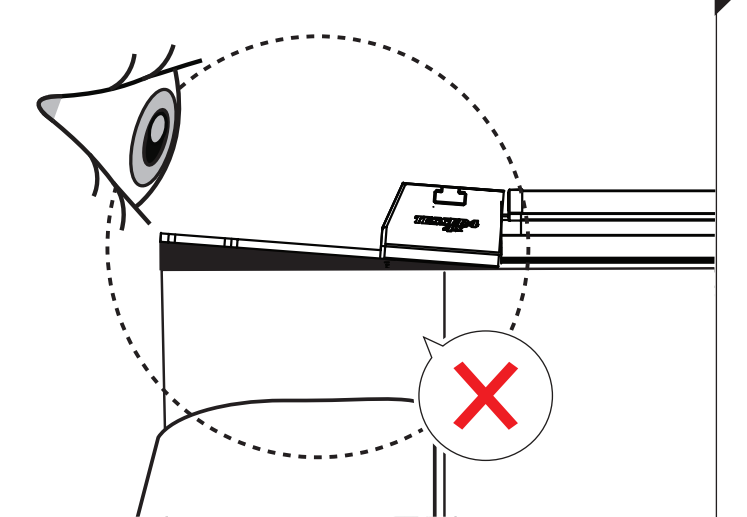
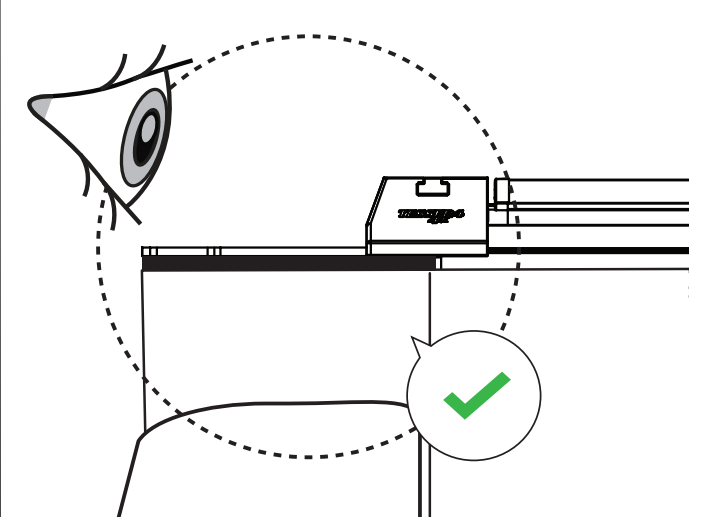
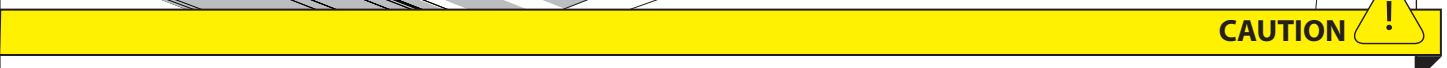
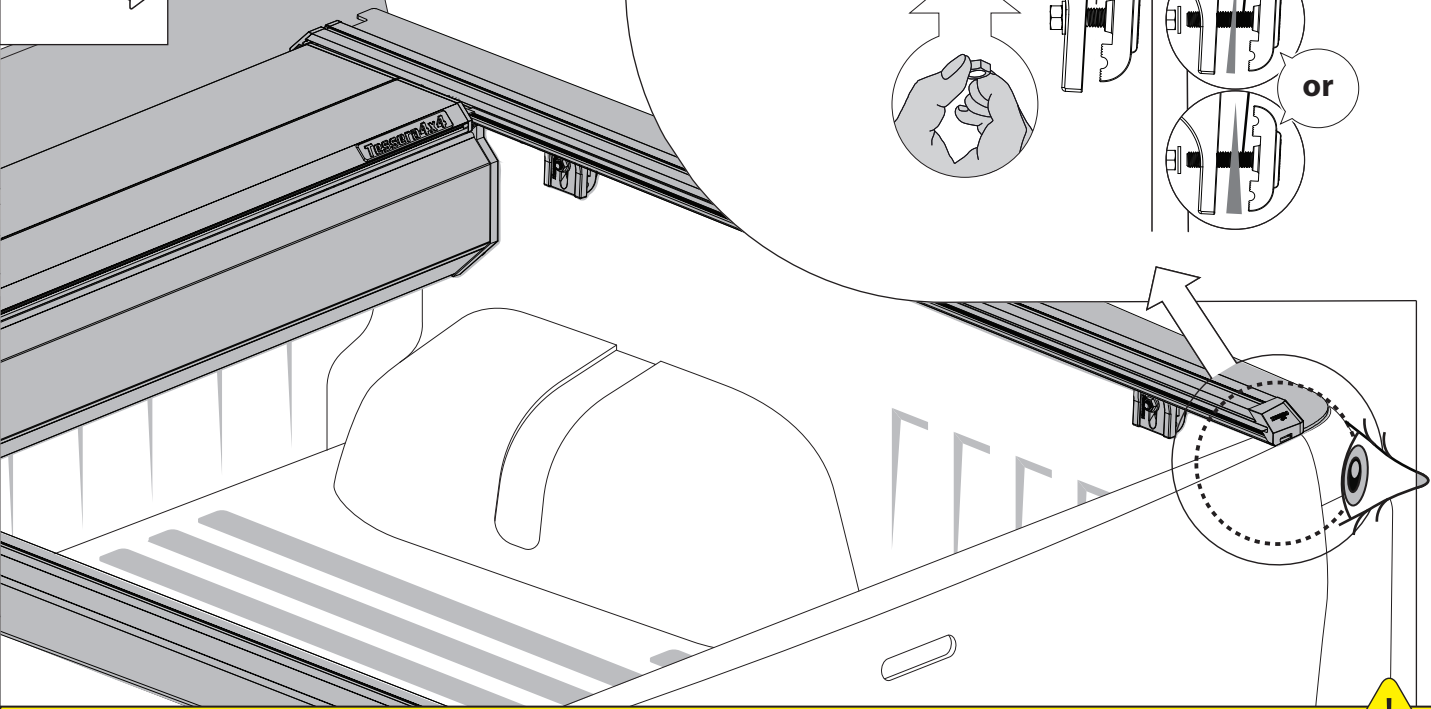
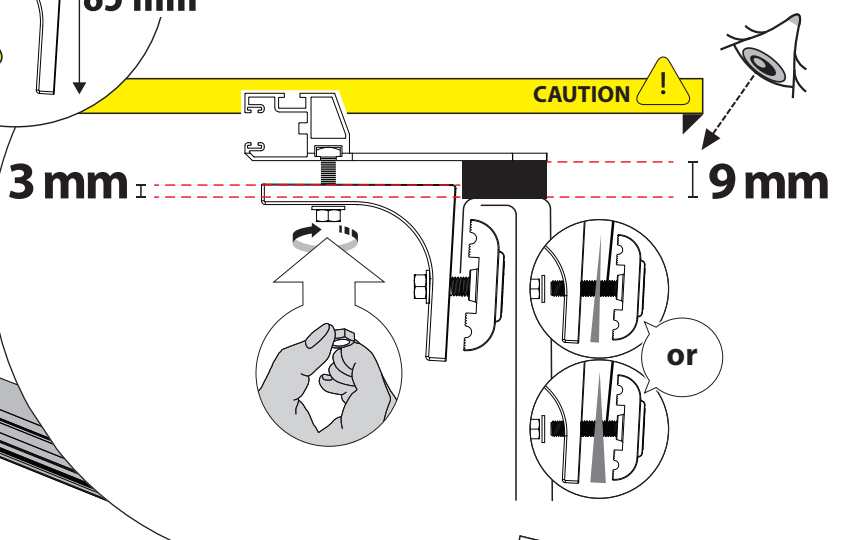
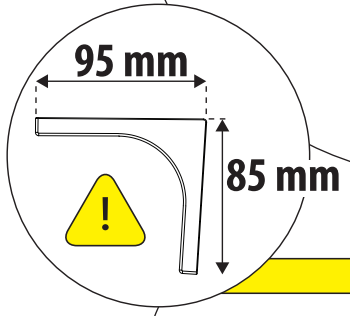
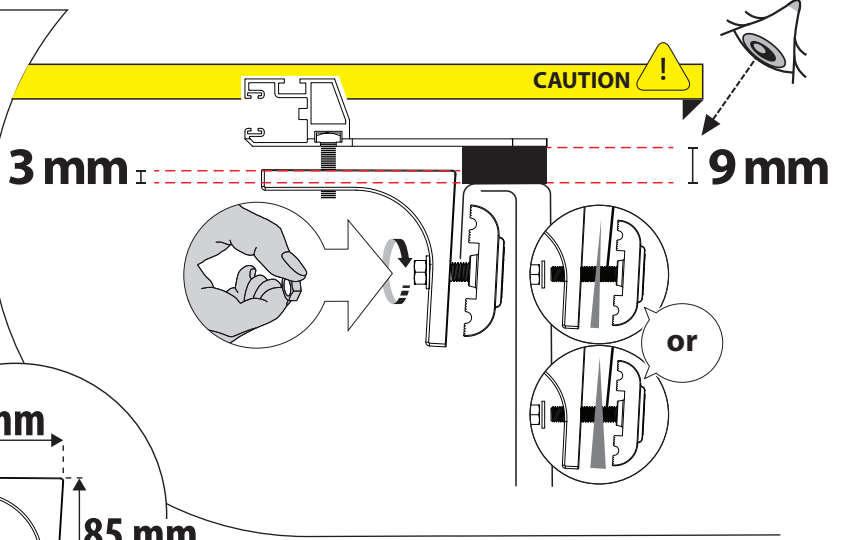
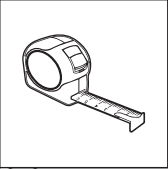
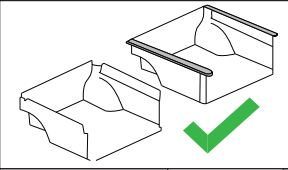
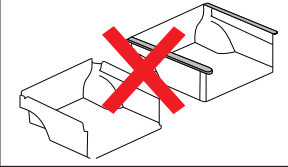
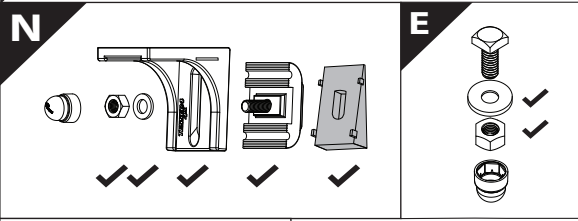


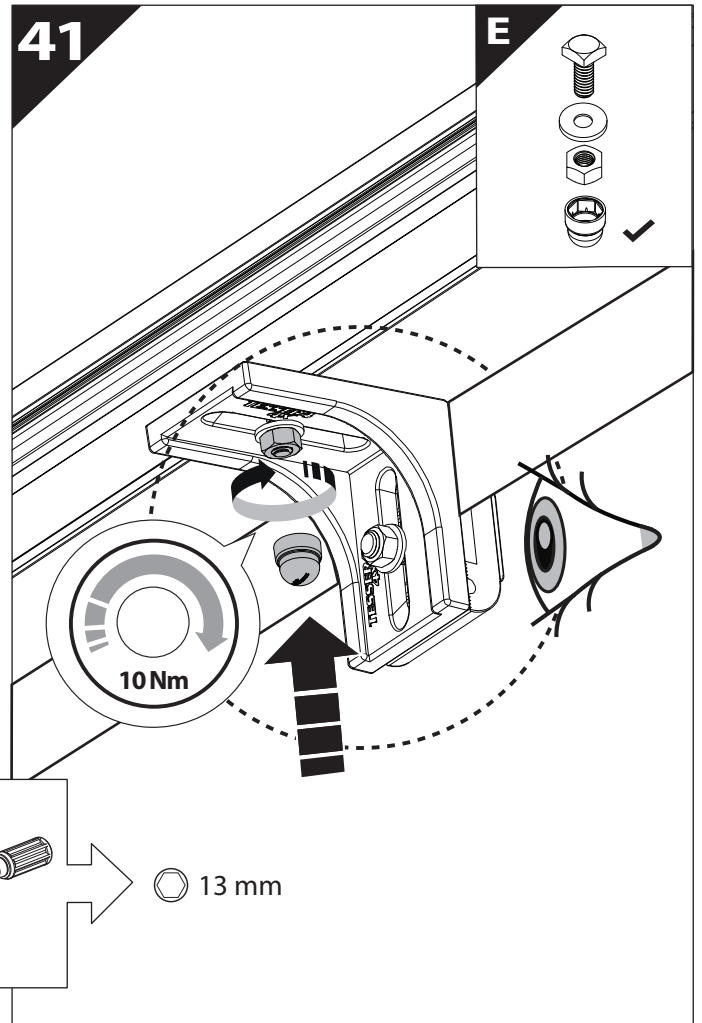
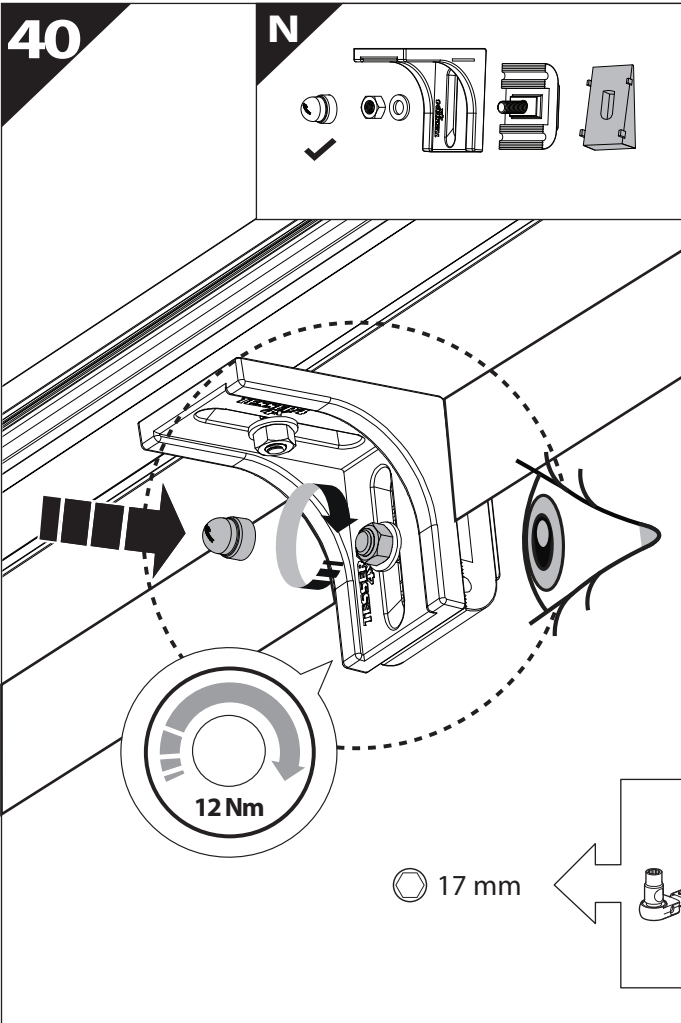


38

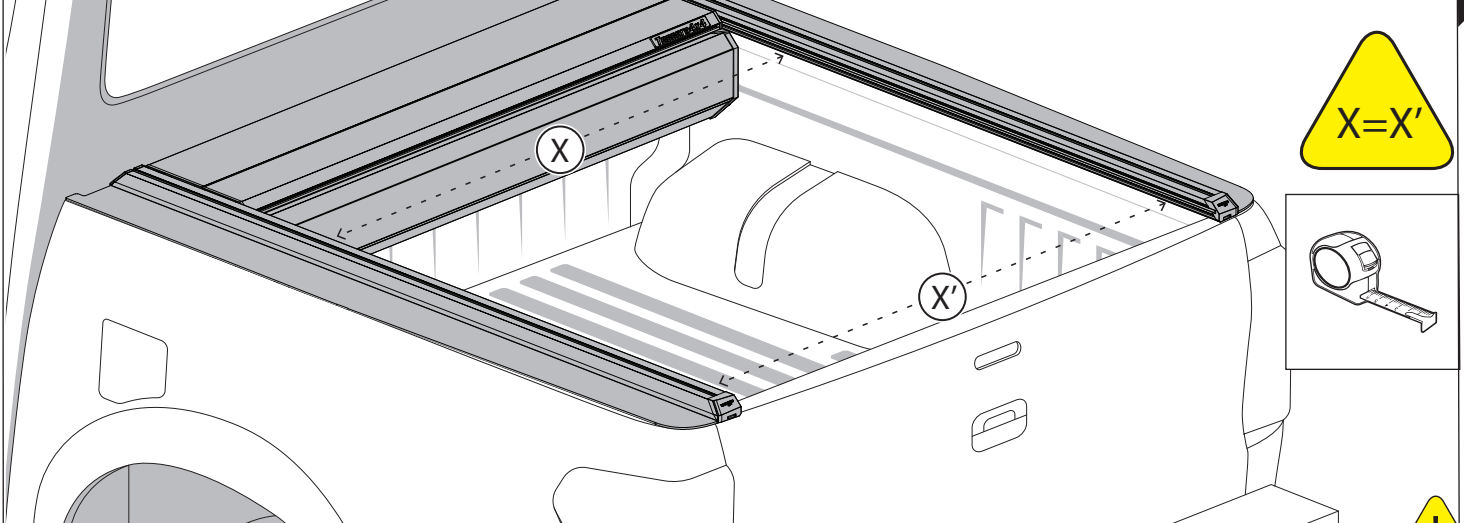


39

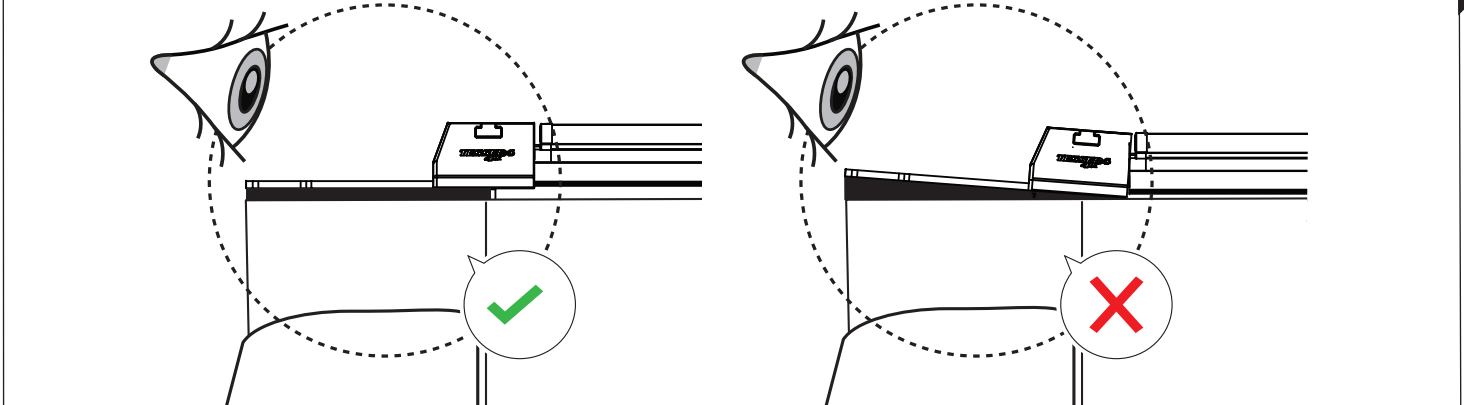




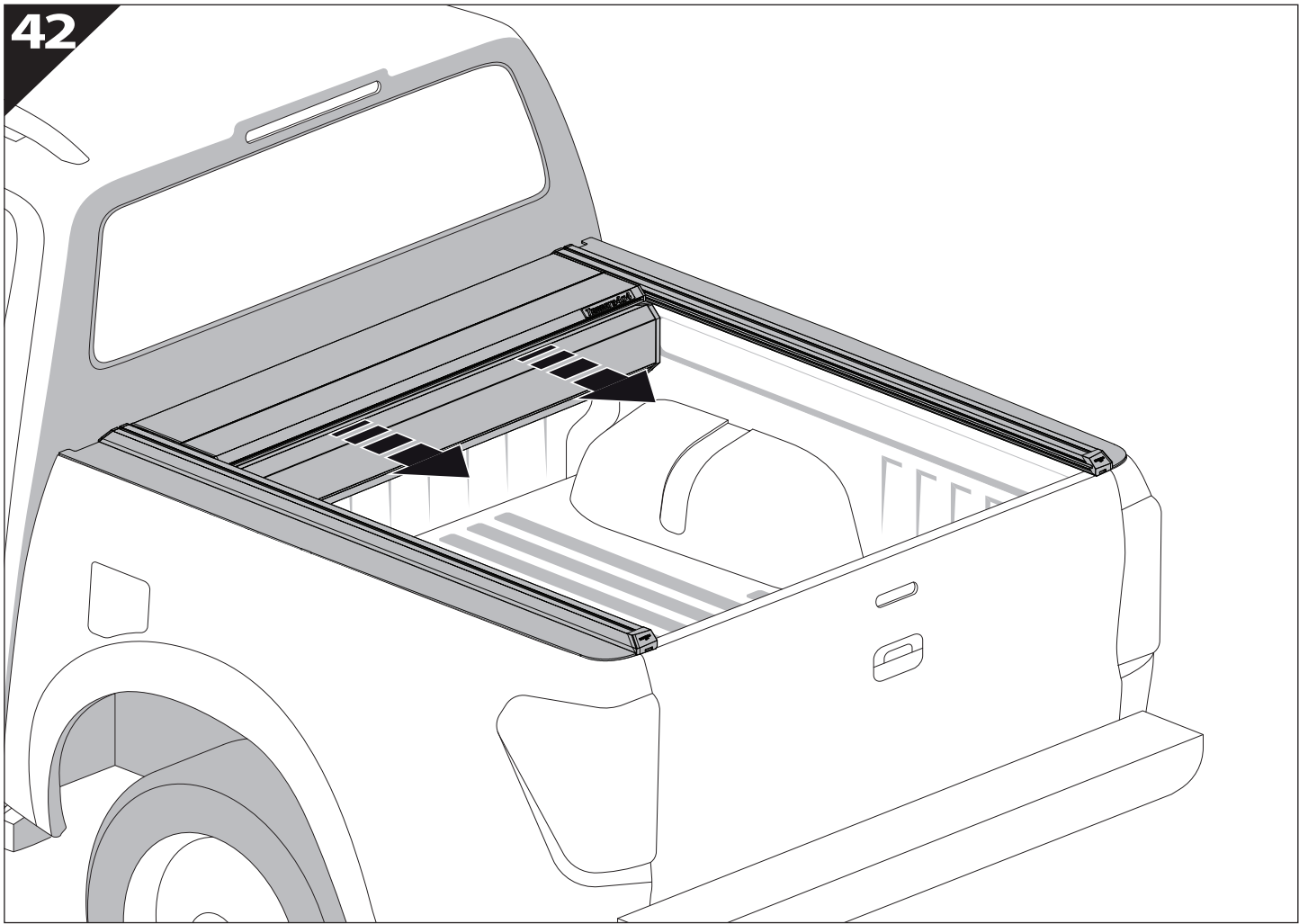
CAUTION !



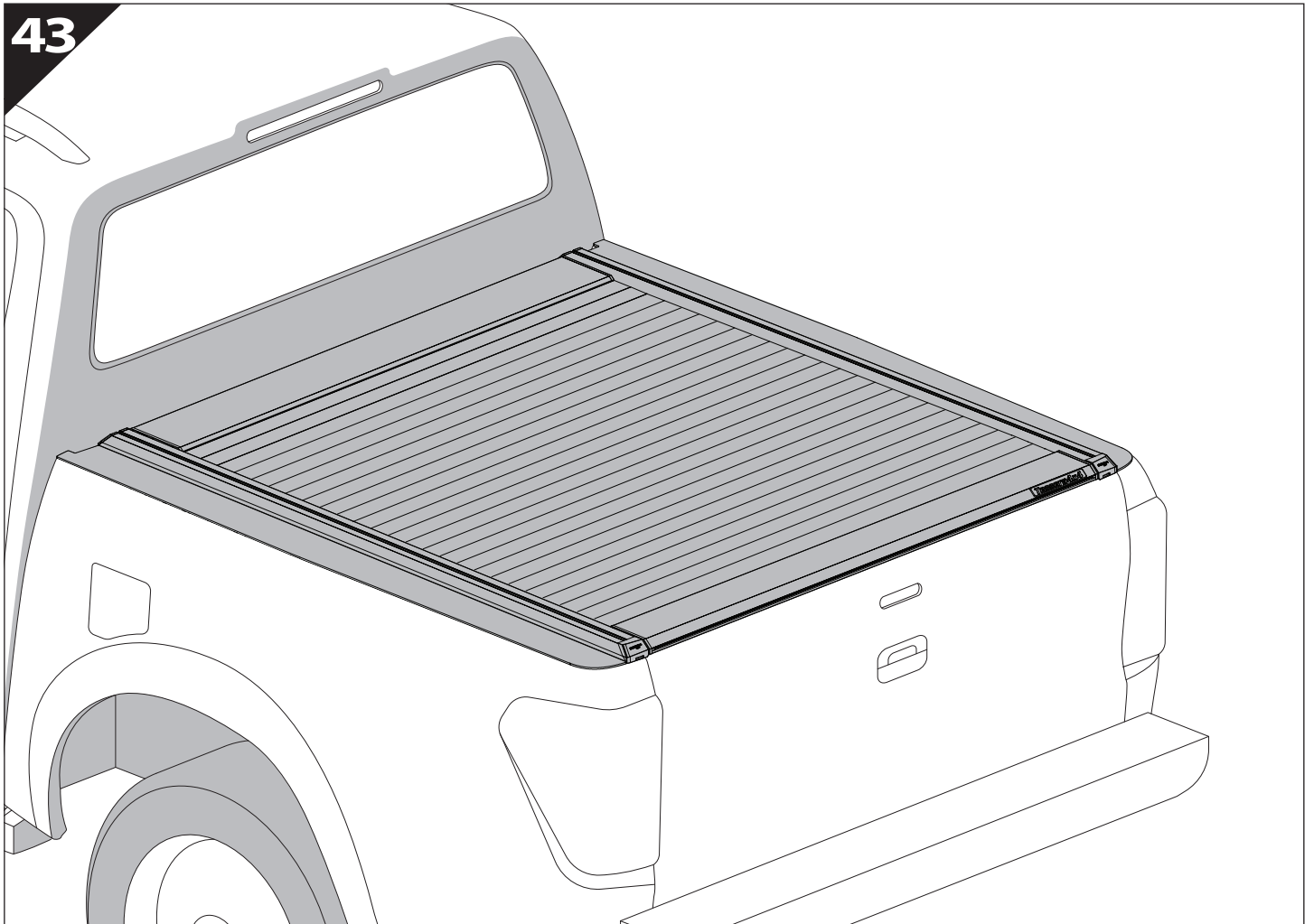
CAUTION !



42



43





GR: Οδηγίες Εγκατάστασης
GB: Installation manual
SF: Asennusohje
F: Notice de montage
PL: Instrukcja montażu
NL: Installatie-instructies
TR: Montaj Talimatı
S: Monteringsanvisning
E: Instrucciones de montaje

H: Szerelési utasítás
P: Instruções de instalação
RUS: Инструкция по установке
N: Monteringsveiledning
D: Einbauanleitung
CZ: Návod k instalaci
I: Istruzioni de montaggio
DK: Monteringsvejledning
RO: Instructiuni de instalare

Customer Service:

+30 (210) 5541161, +30 (210) 5541154 (08:00 - 16:00 EET)

Support department:

info@gianso.gr

Website:

www.tessera4x4.com

Address:

19.5 km of National road Athens-Korinthos (Elefsina) Greece, P.C: 19200