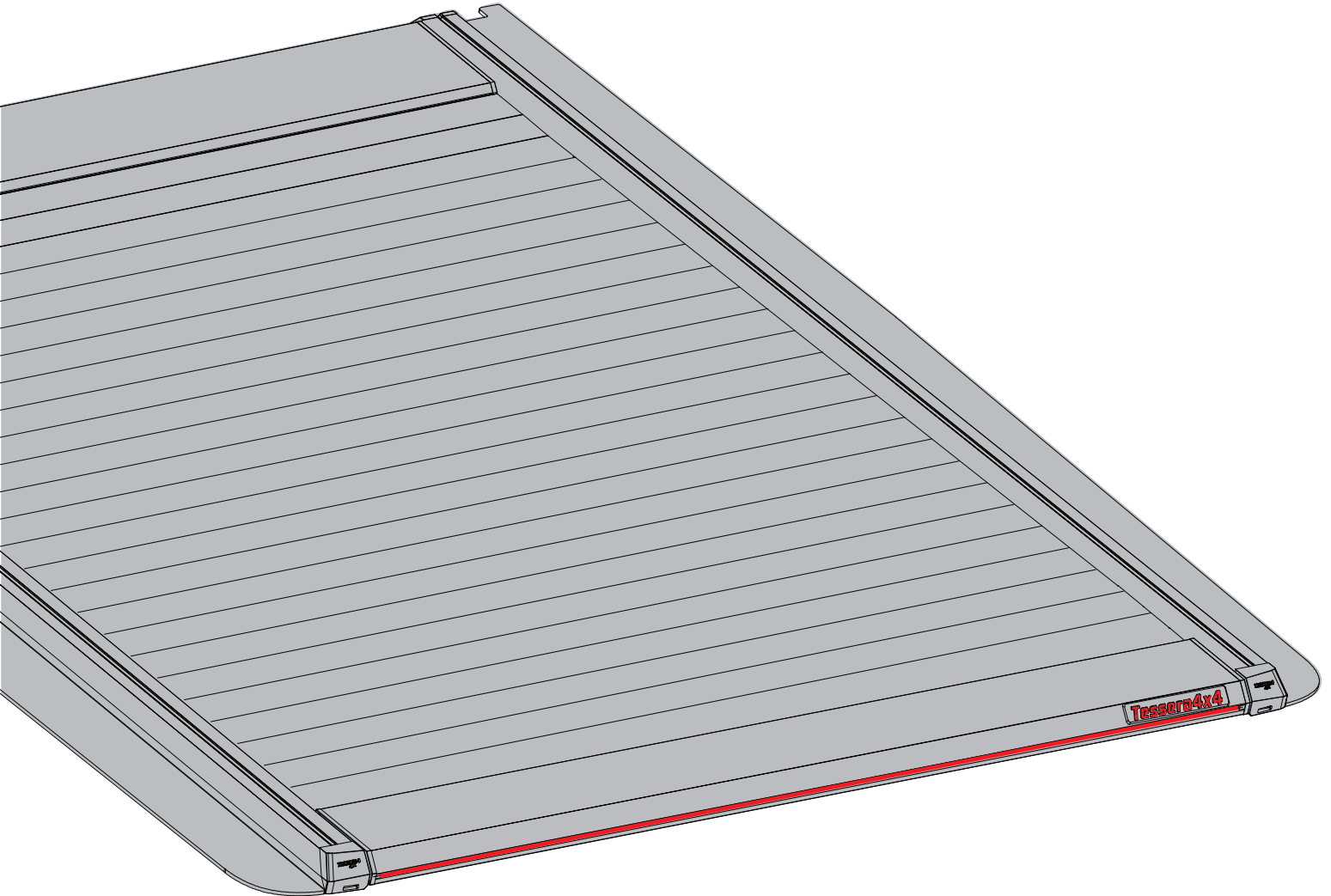


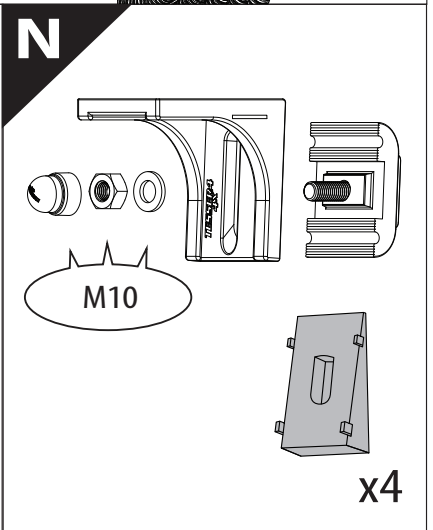
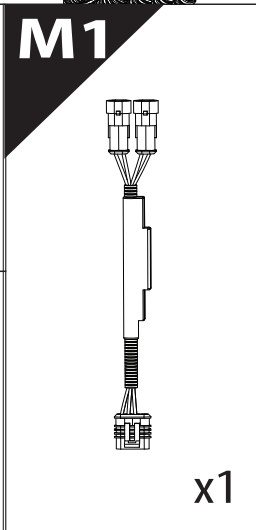
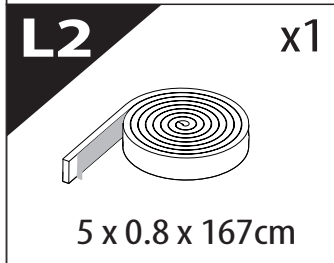
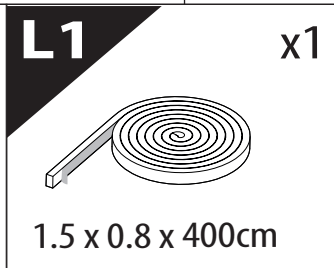
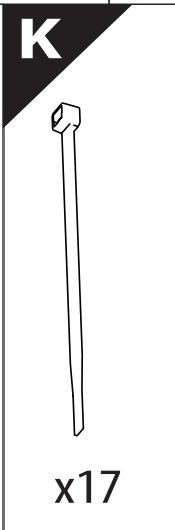
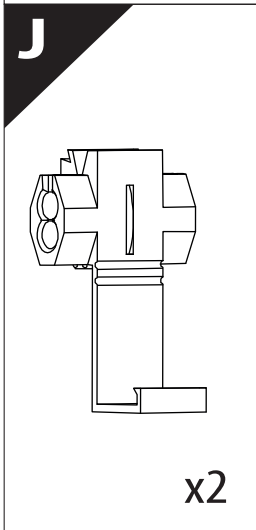
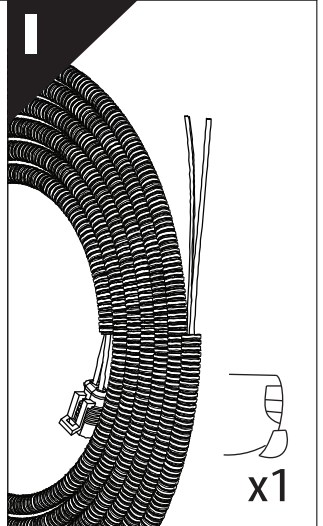
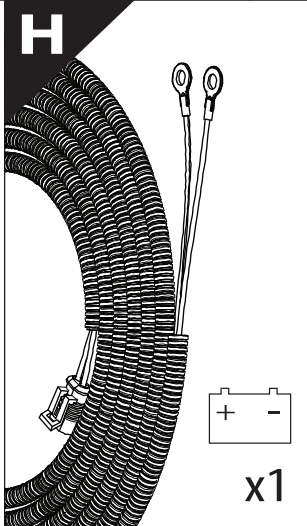
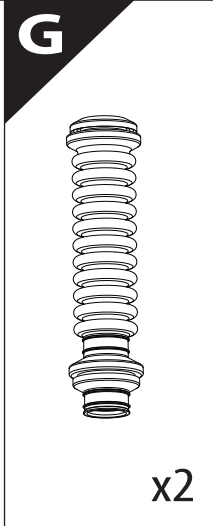
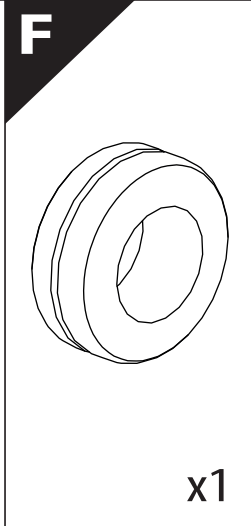
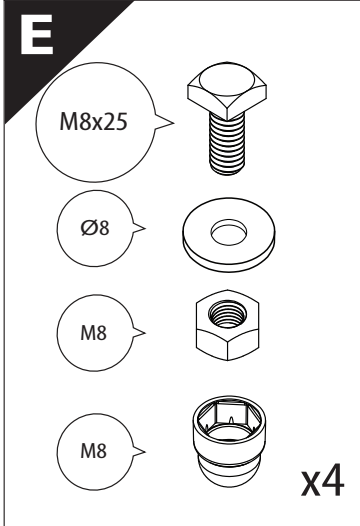
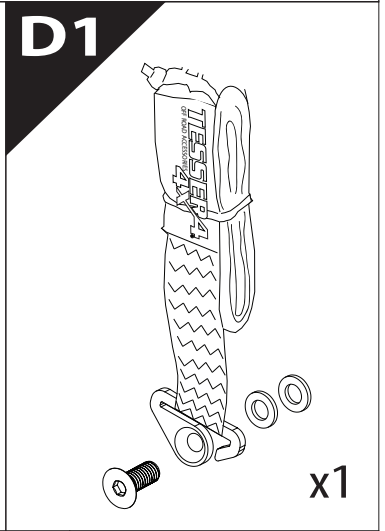
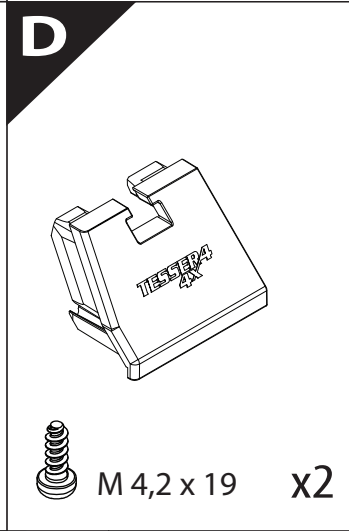
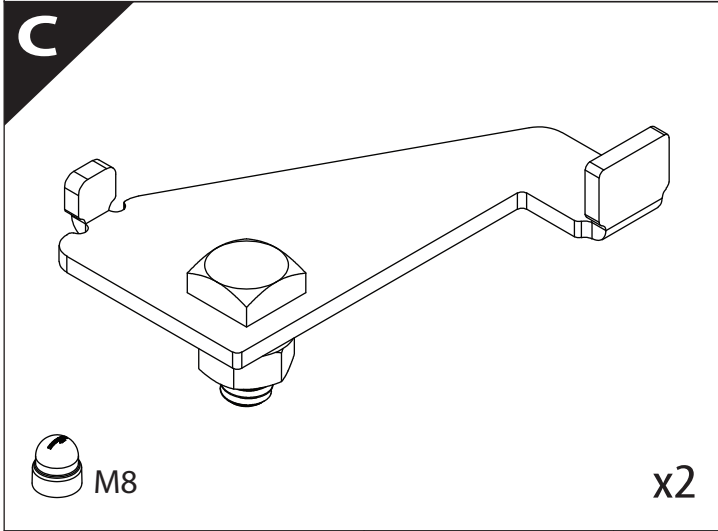
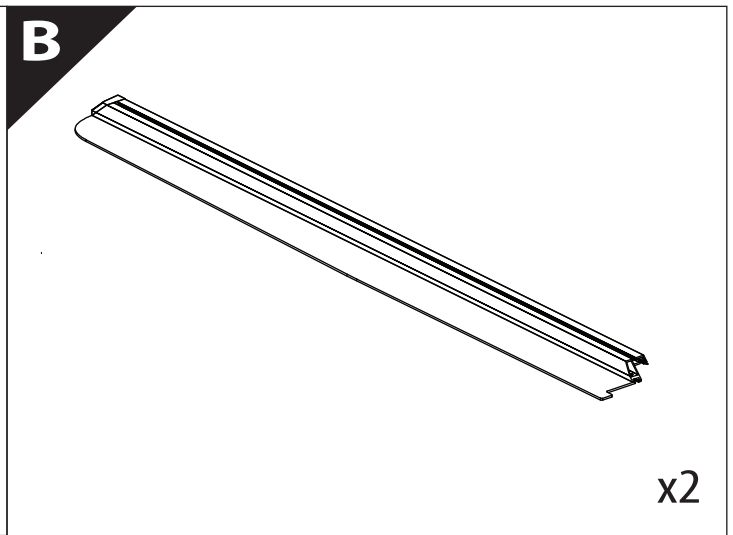
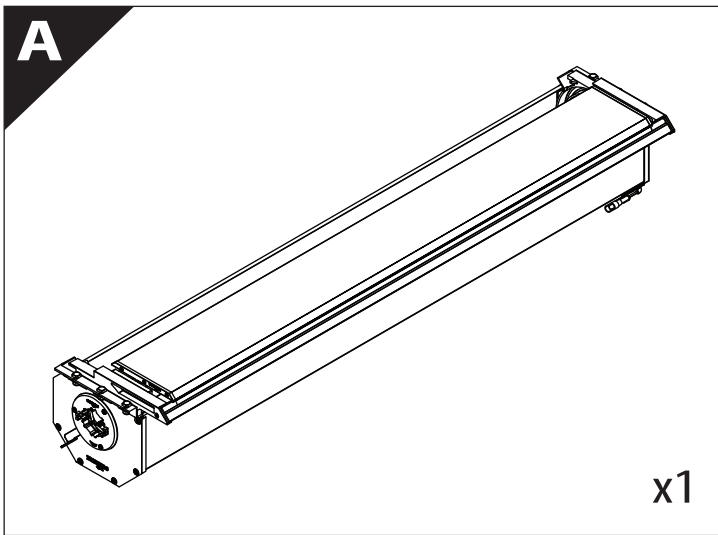
Tessera Roll+

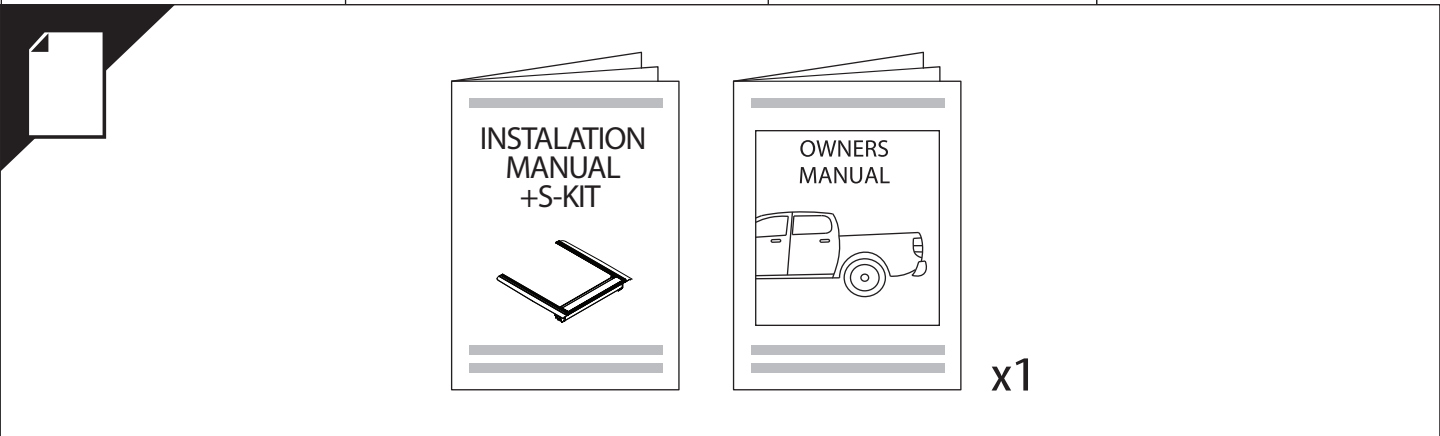
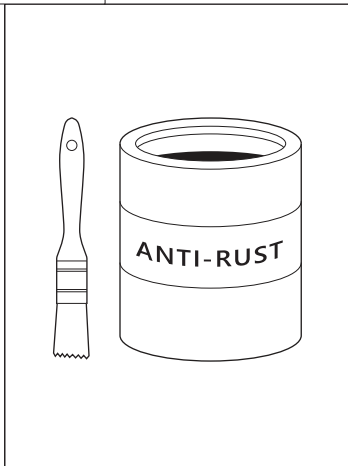
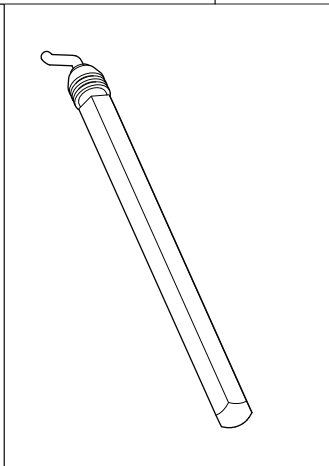
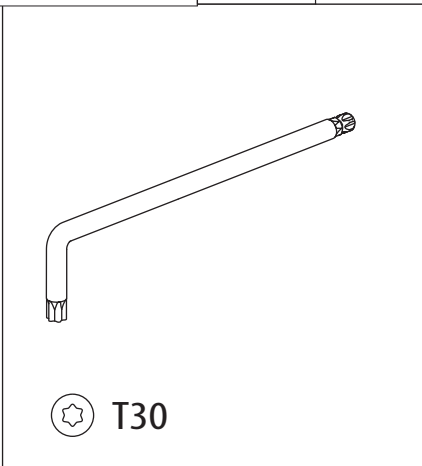
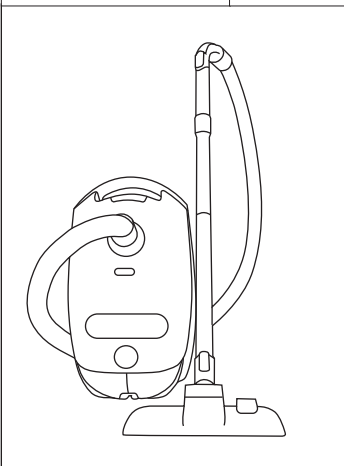
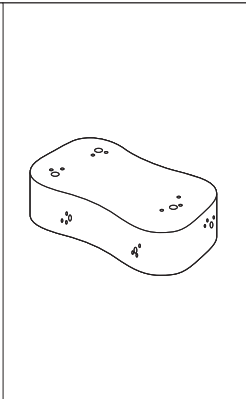
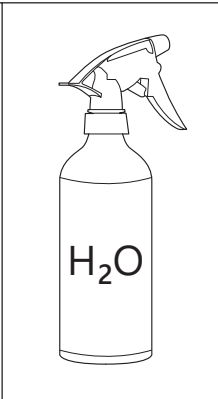
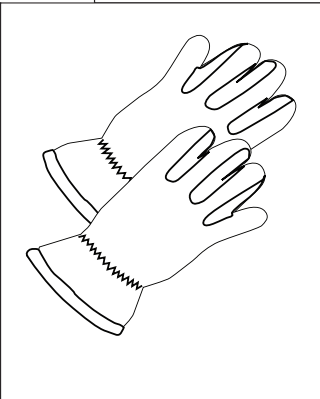
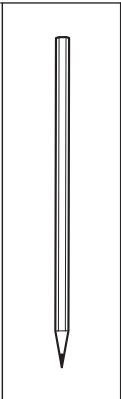
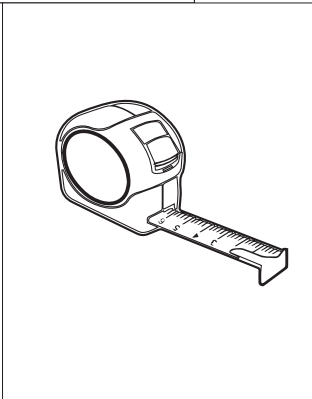
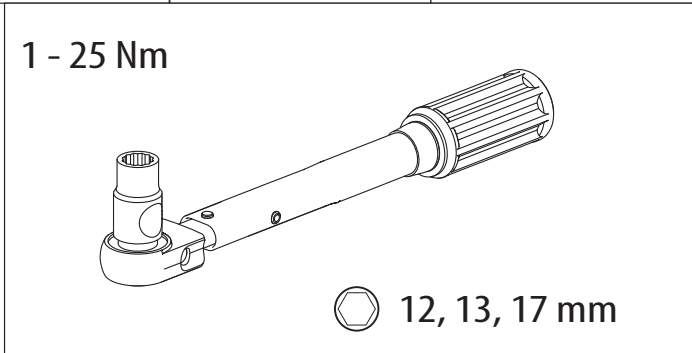
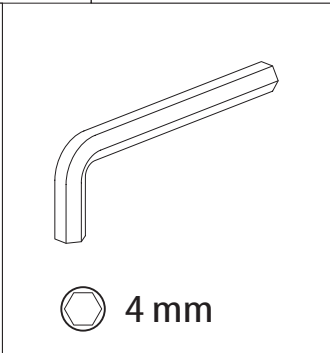
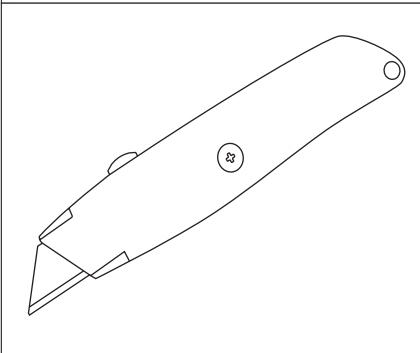
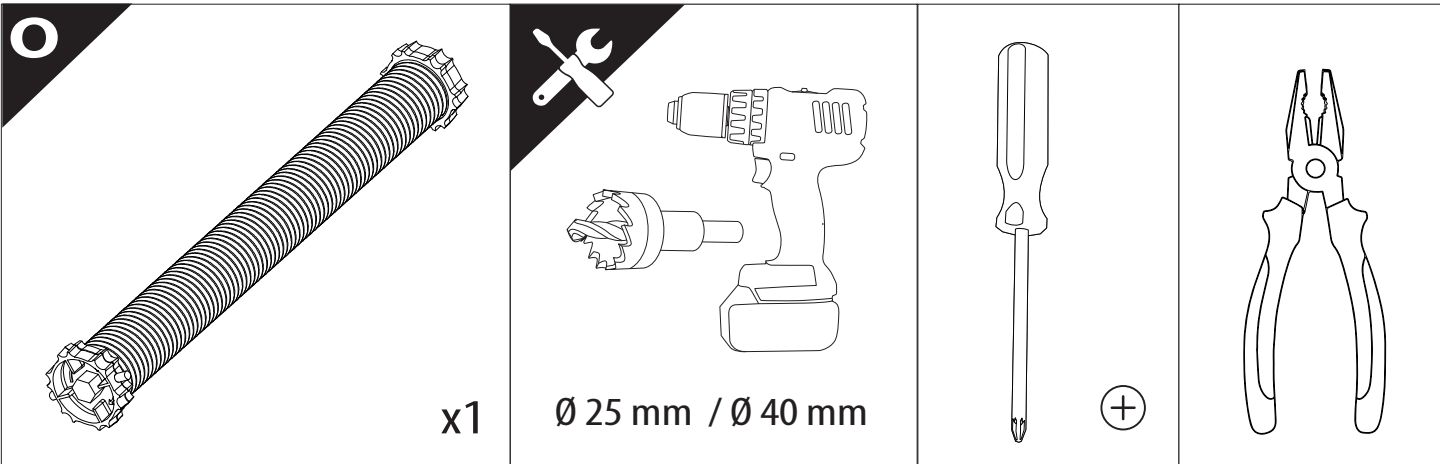
Basic Version + ⚙️ S-KIT

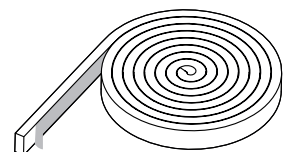
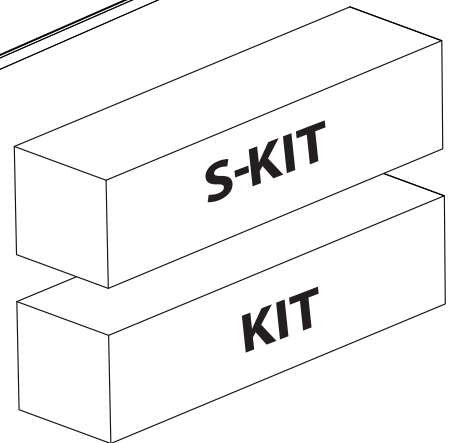
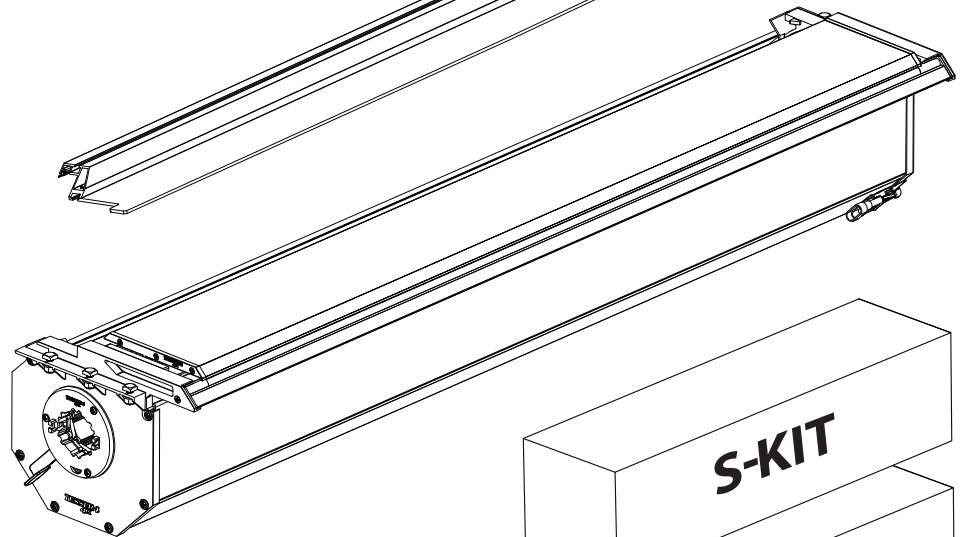
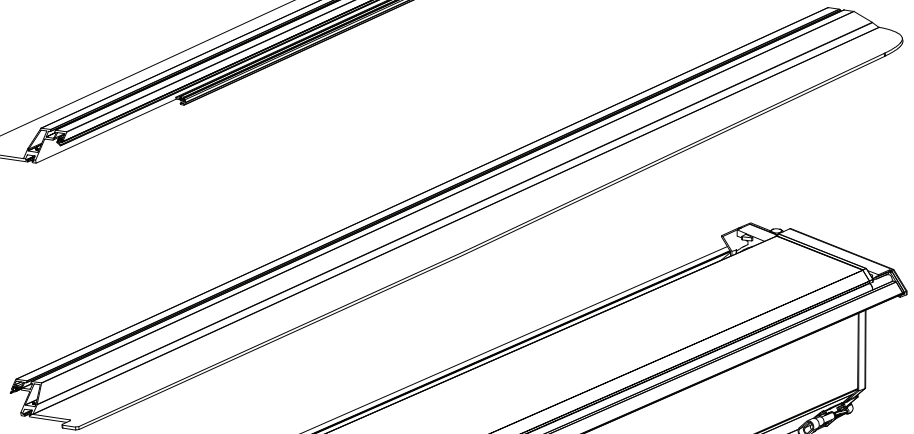
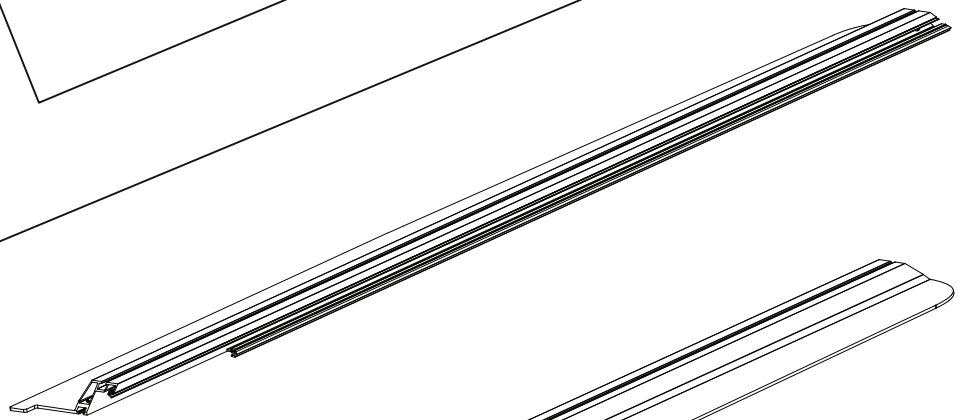
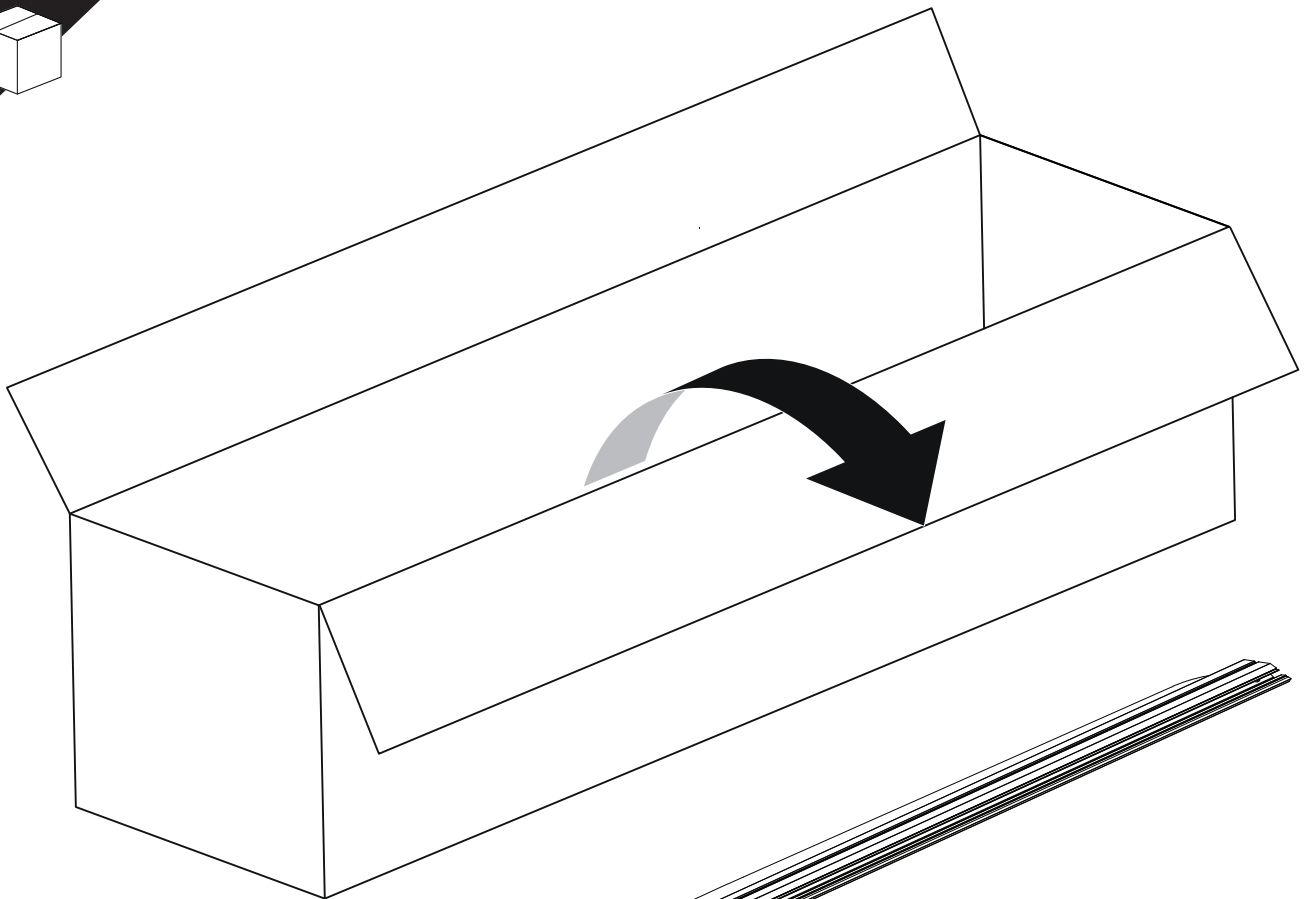


Installation Manual

PART NUMBER(S)	Model Year
TESS 1401 ROLL+S-KIT	VW Amarok 2010-2021
Cab(s)	Installation Time / Weight
Double Cab	40-60 minutes / 53-57 kg





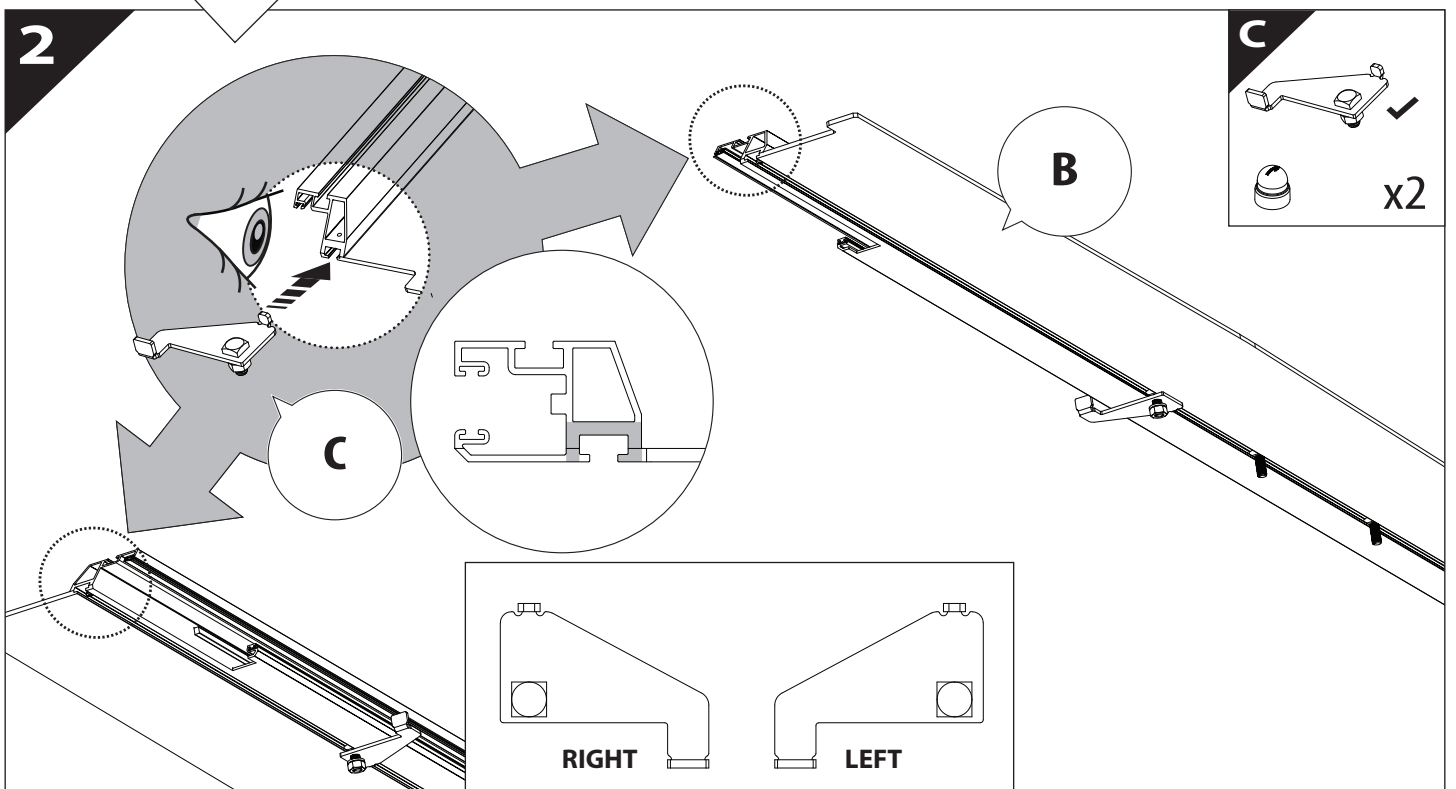
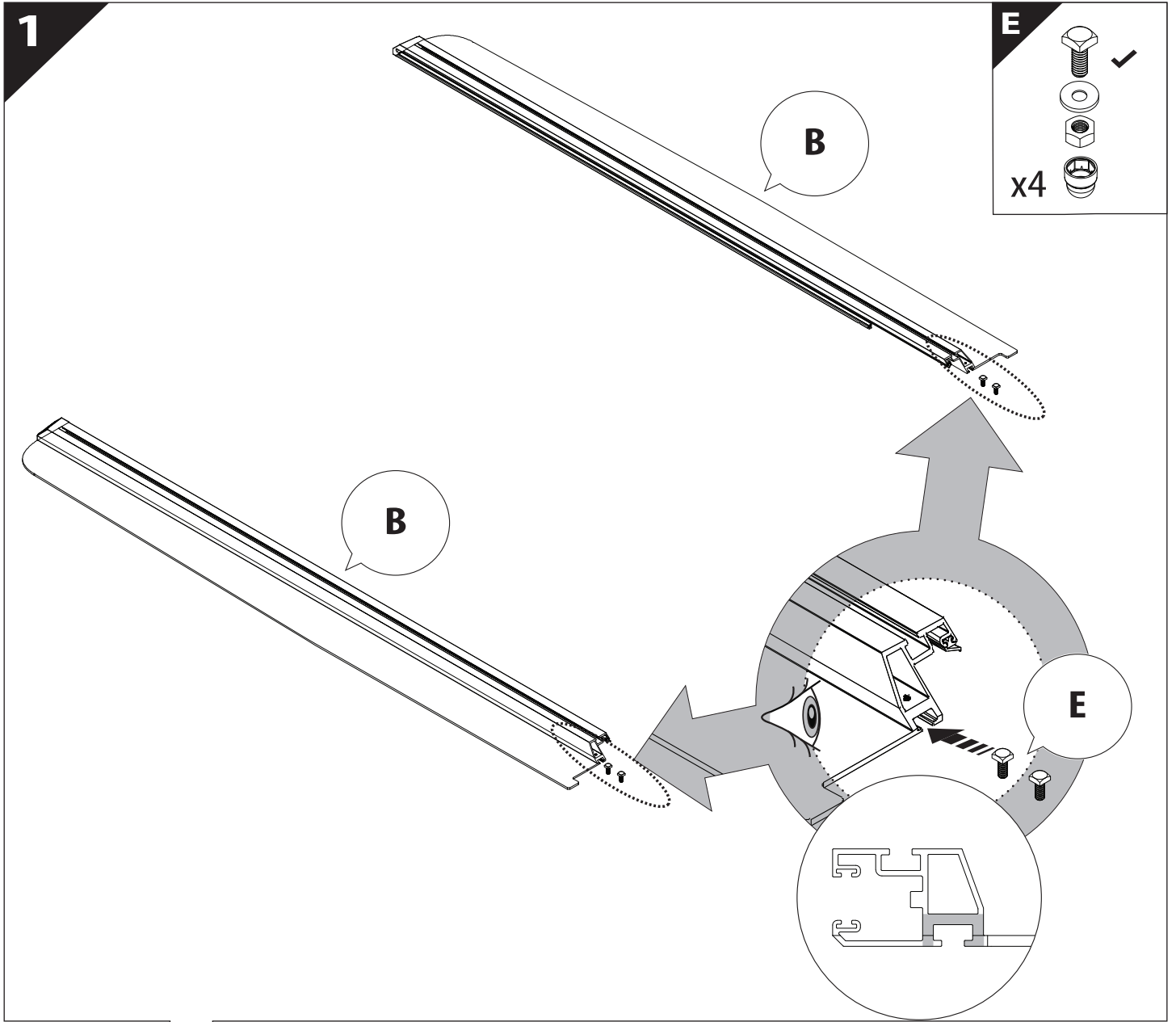


B

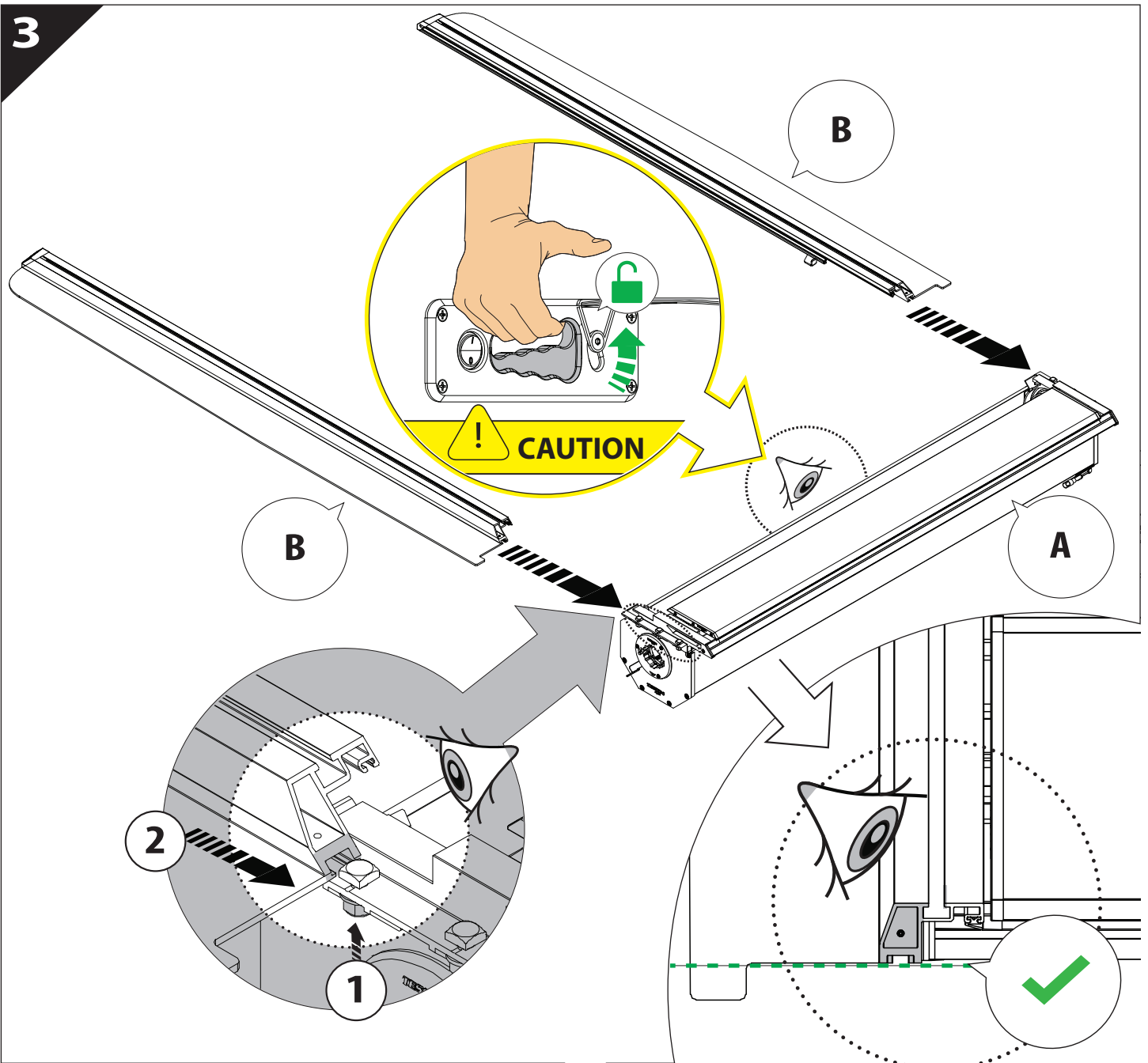
A

KITS

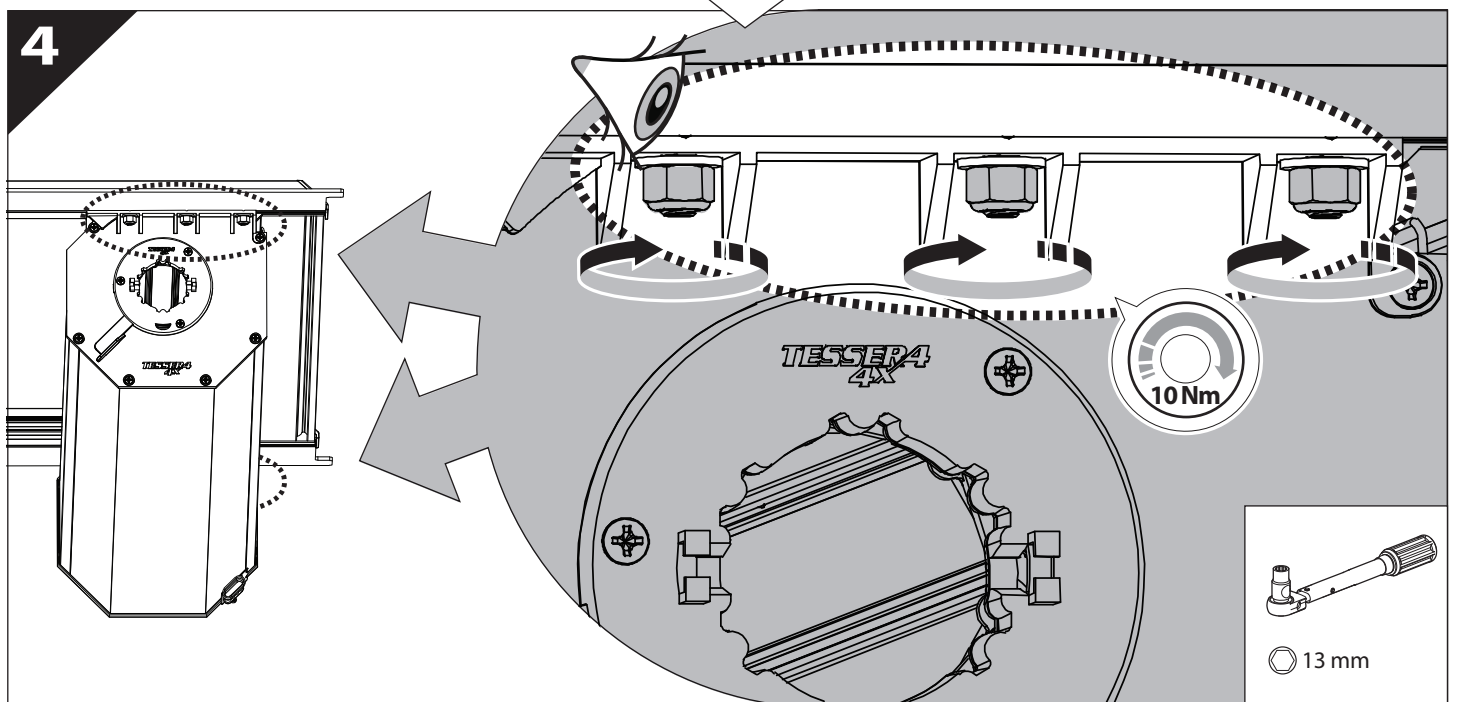
L

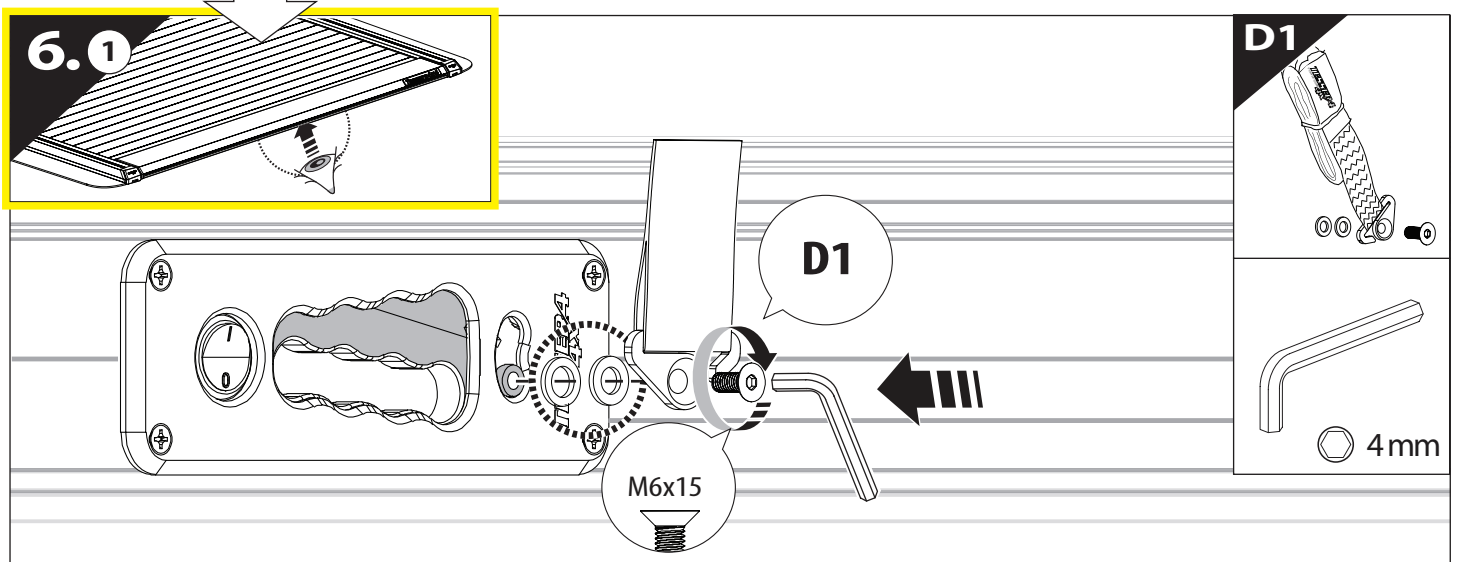
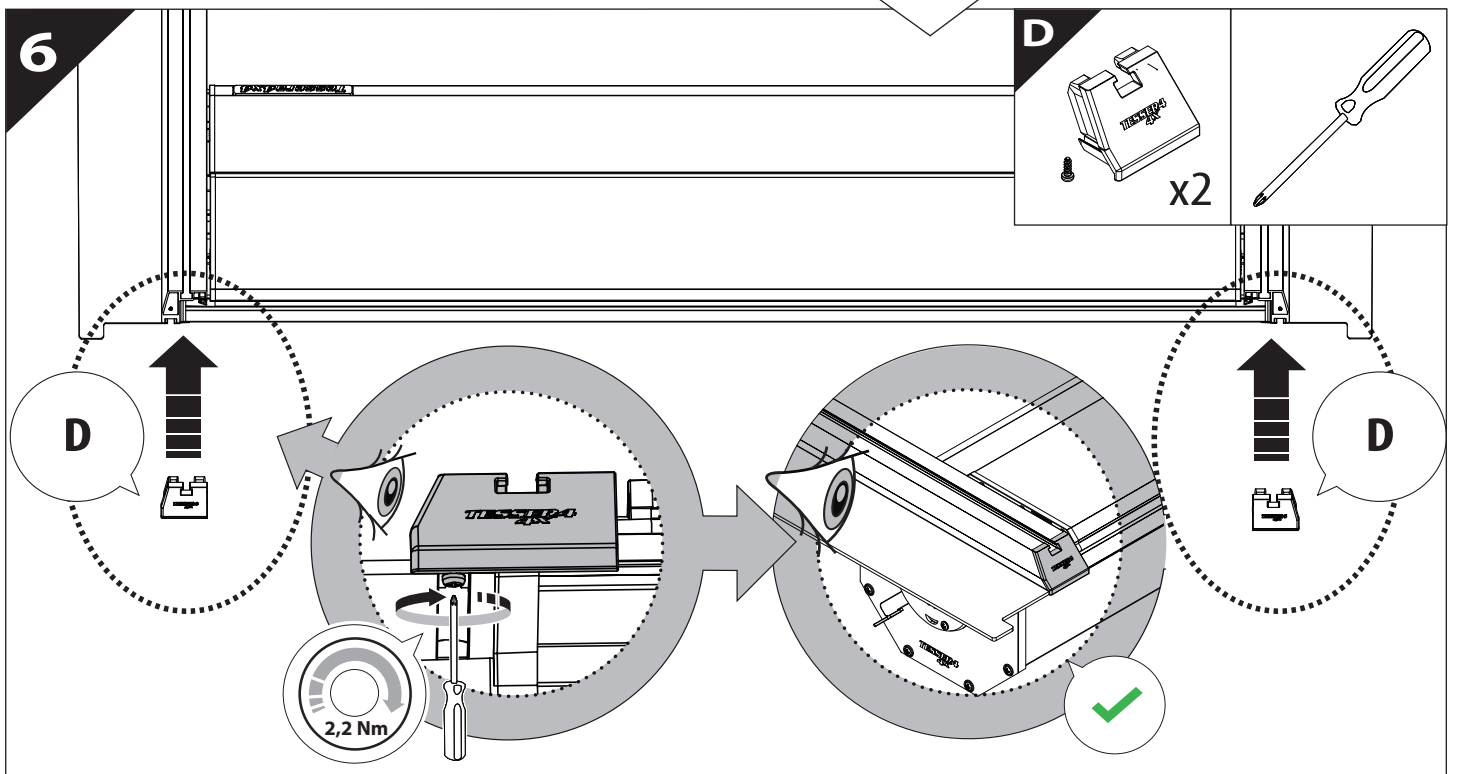
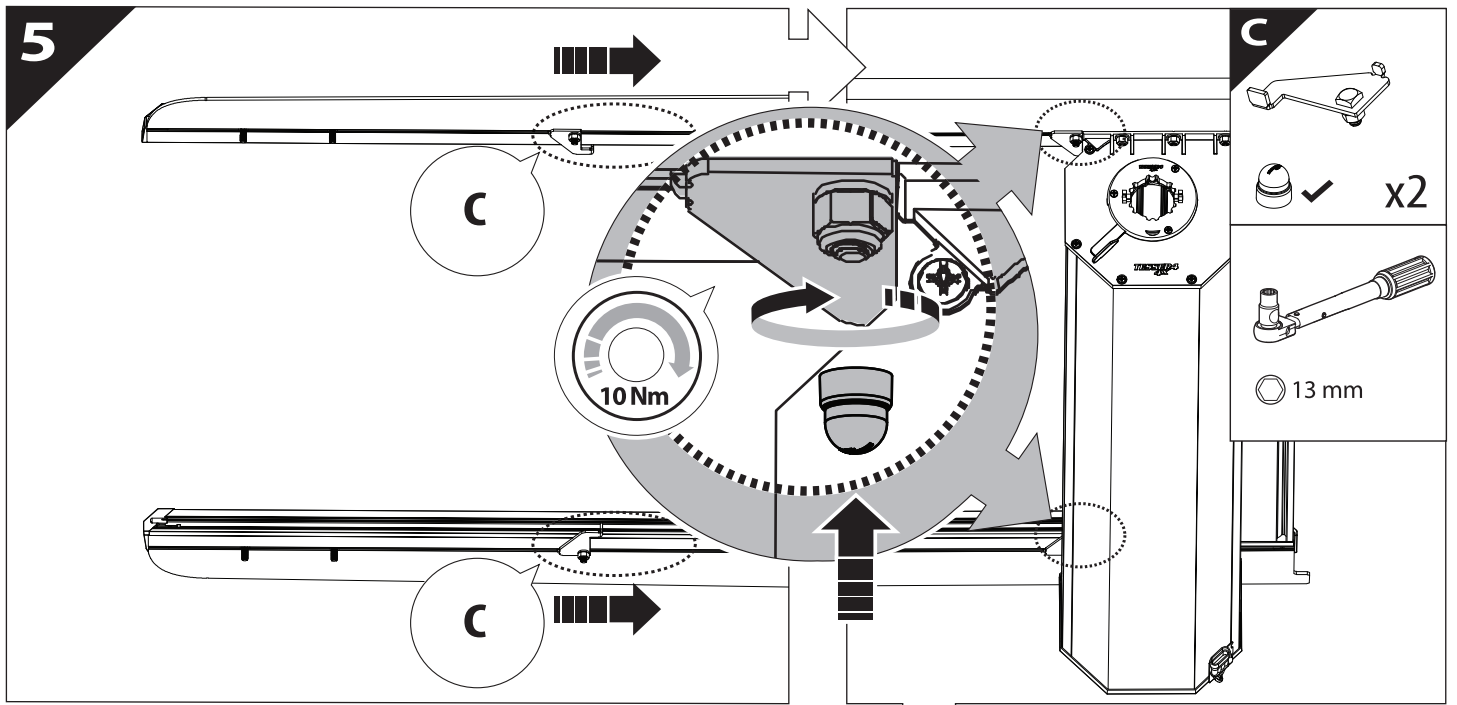


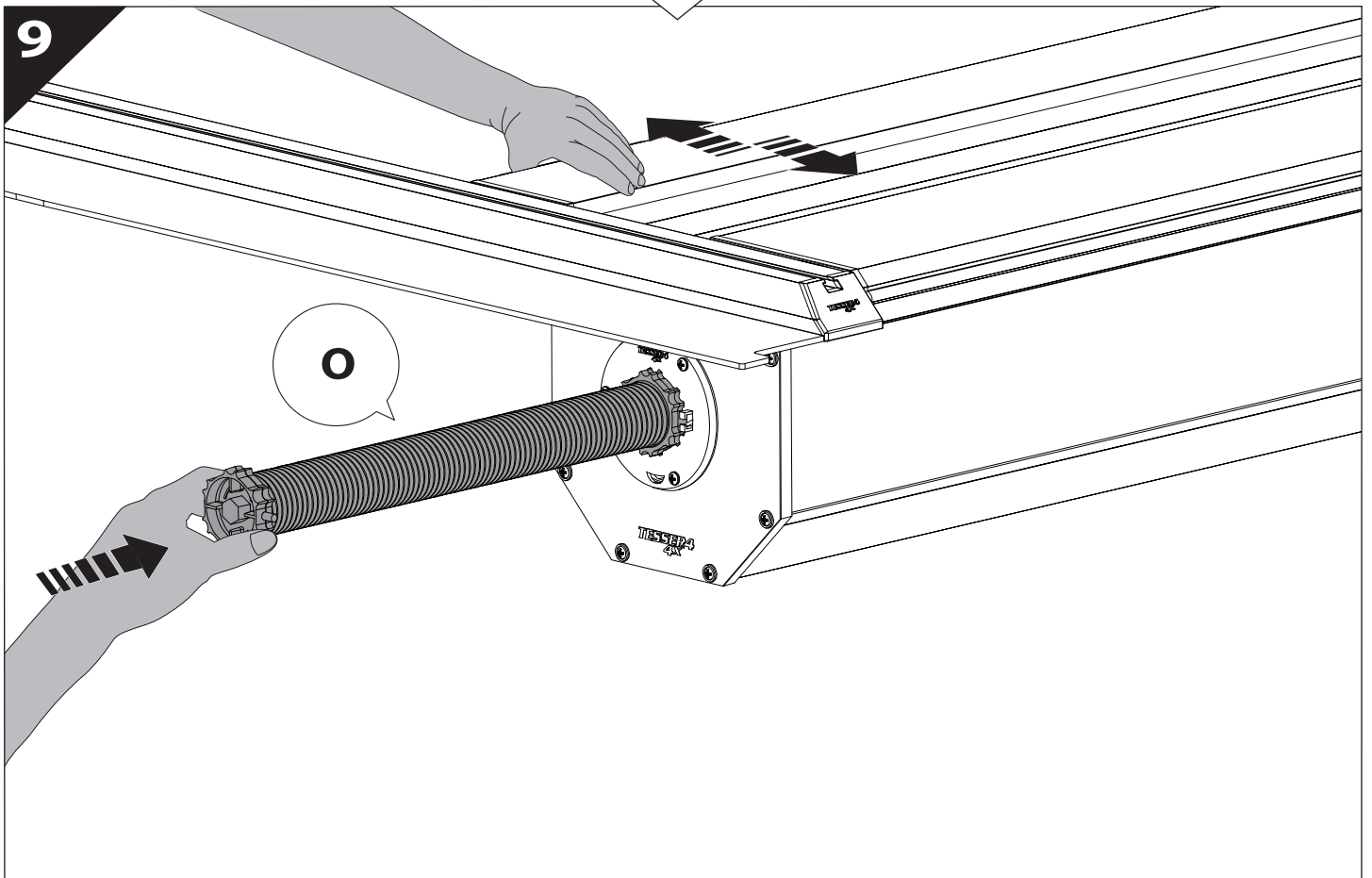
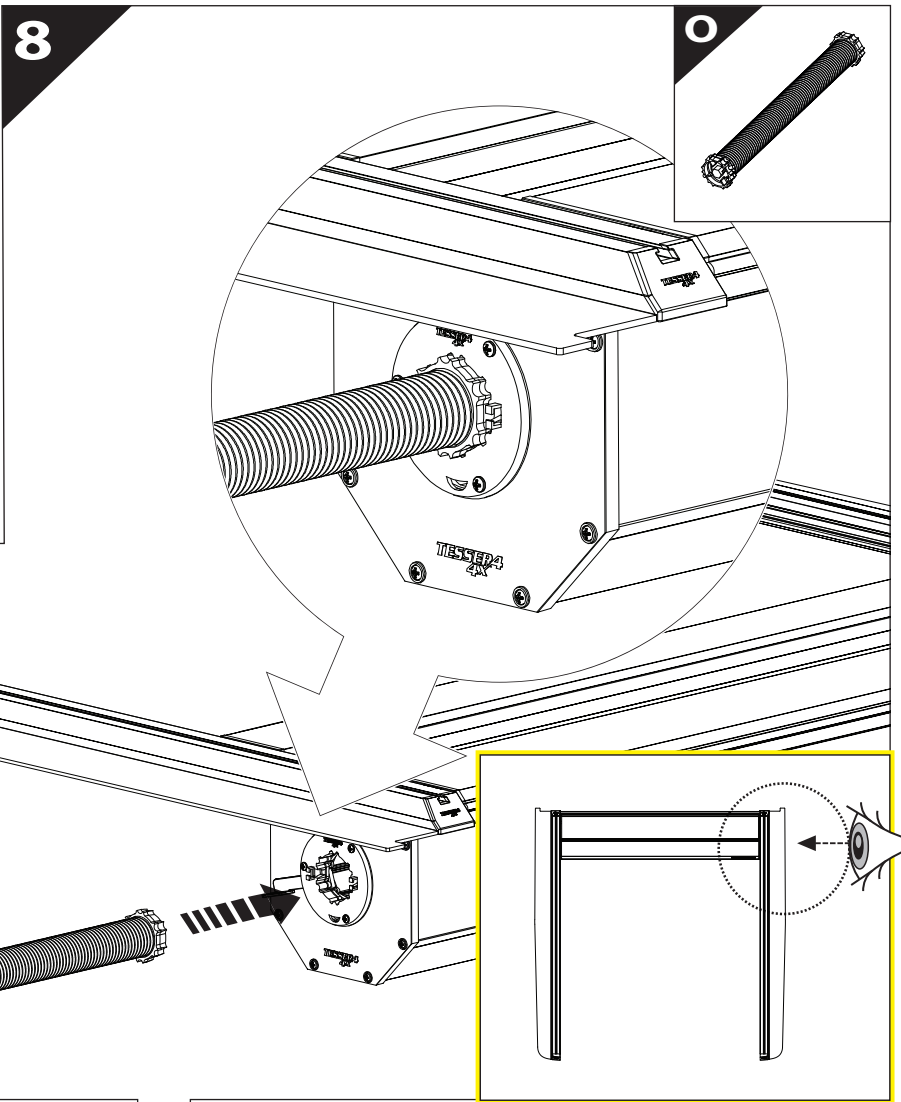
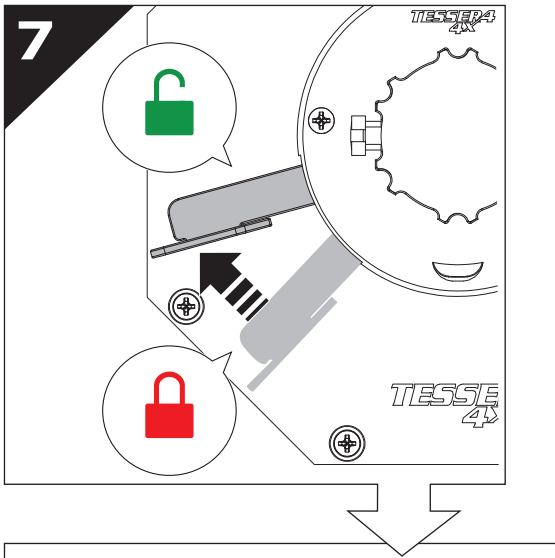
3



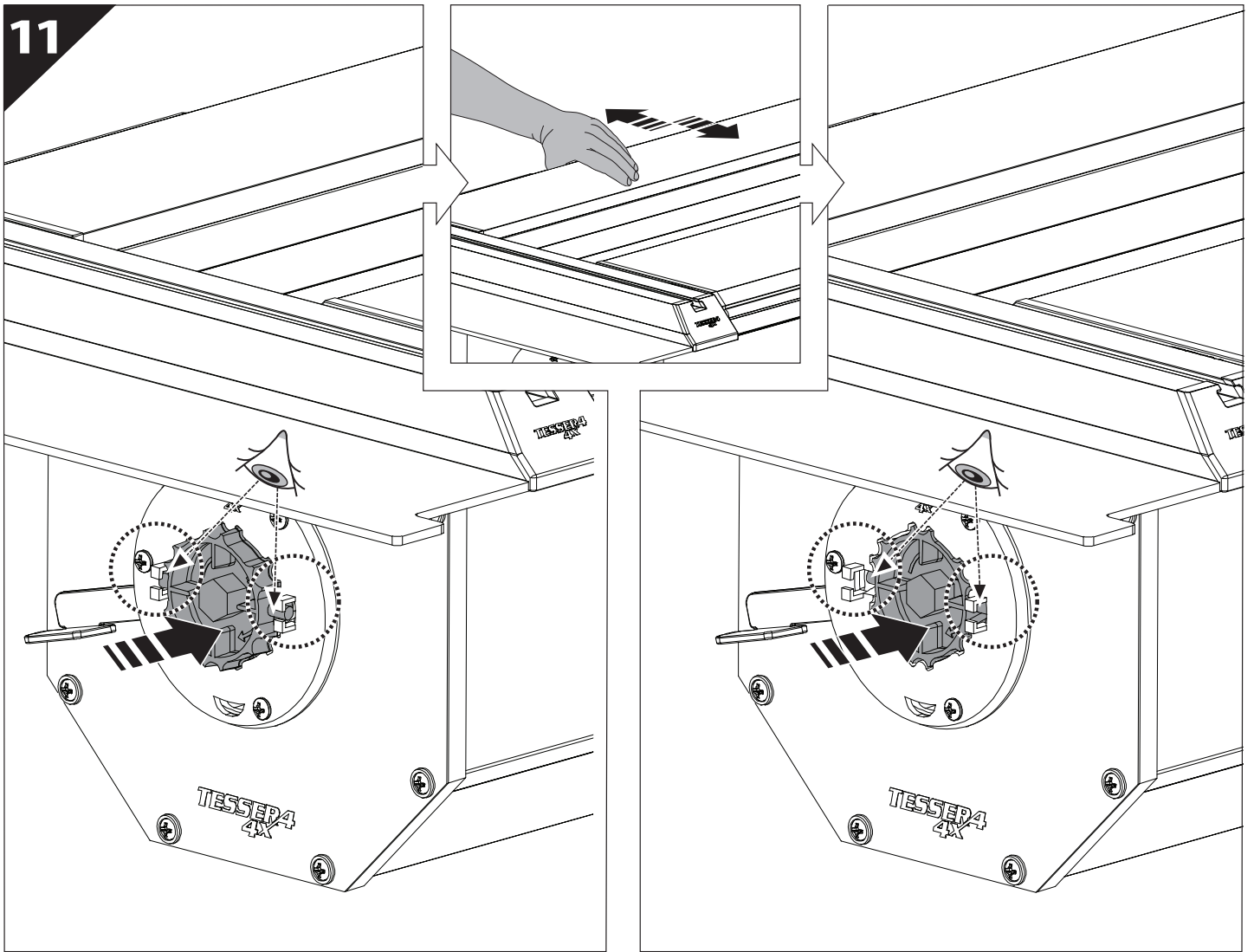
4



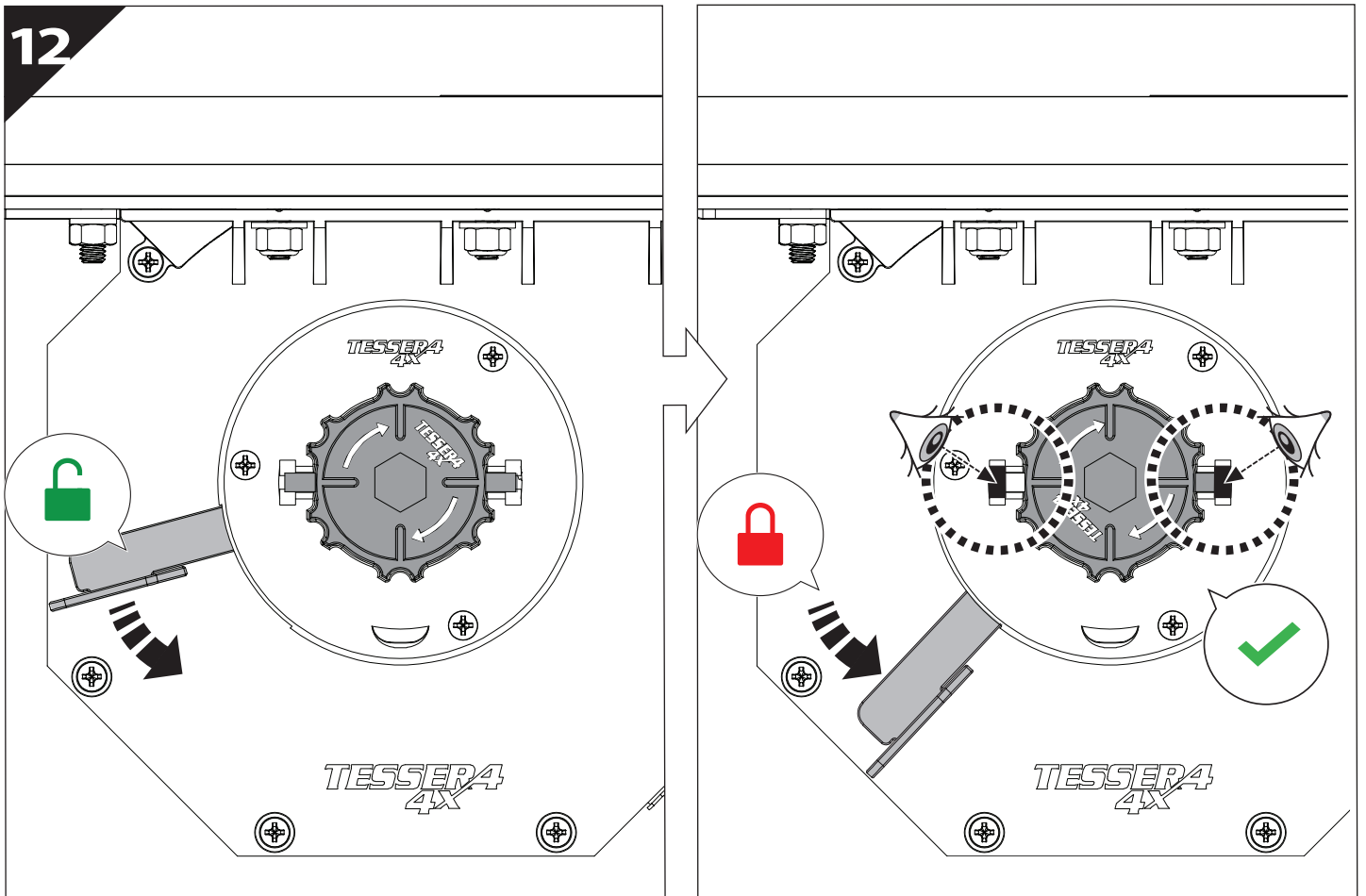




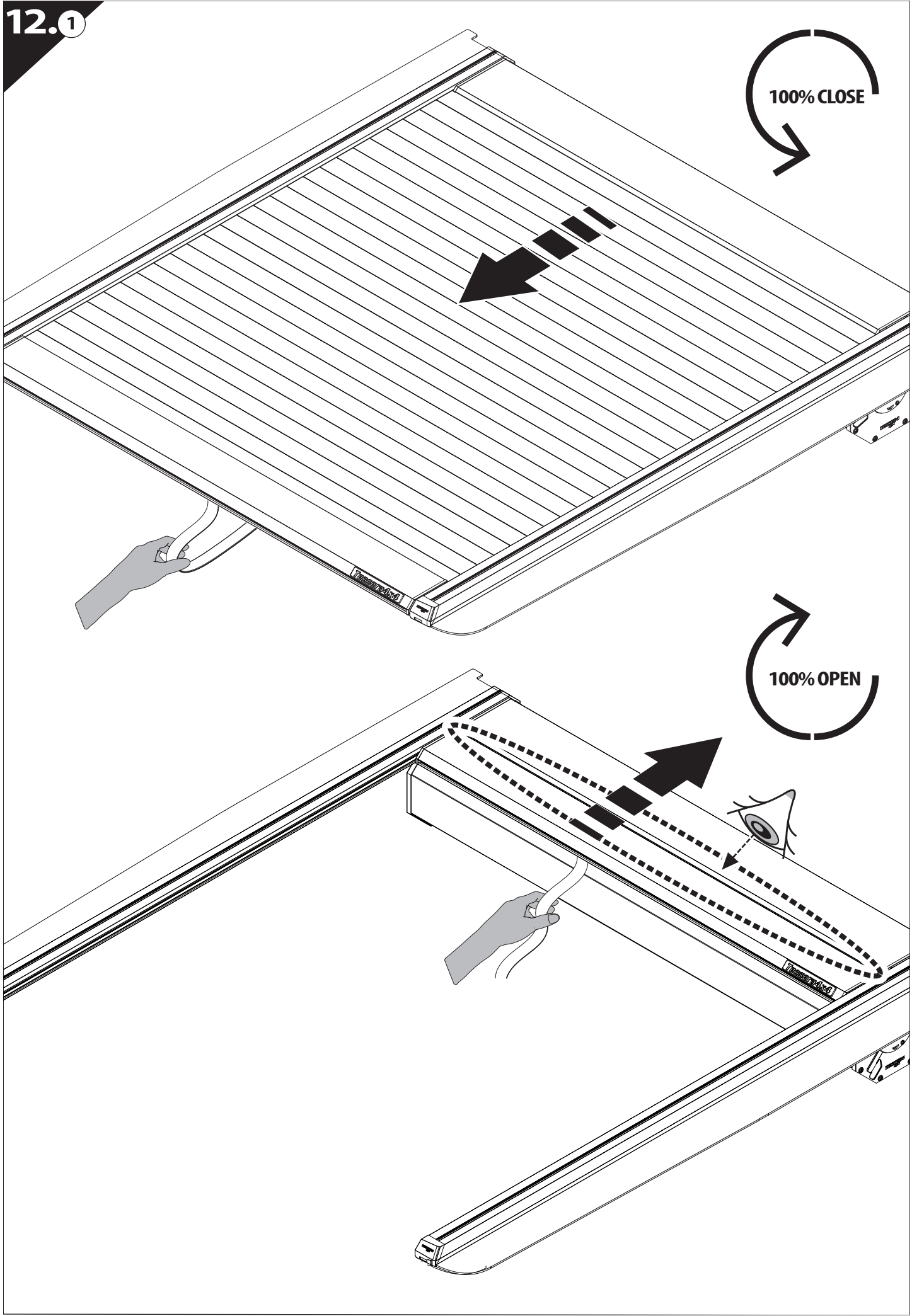
11

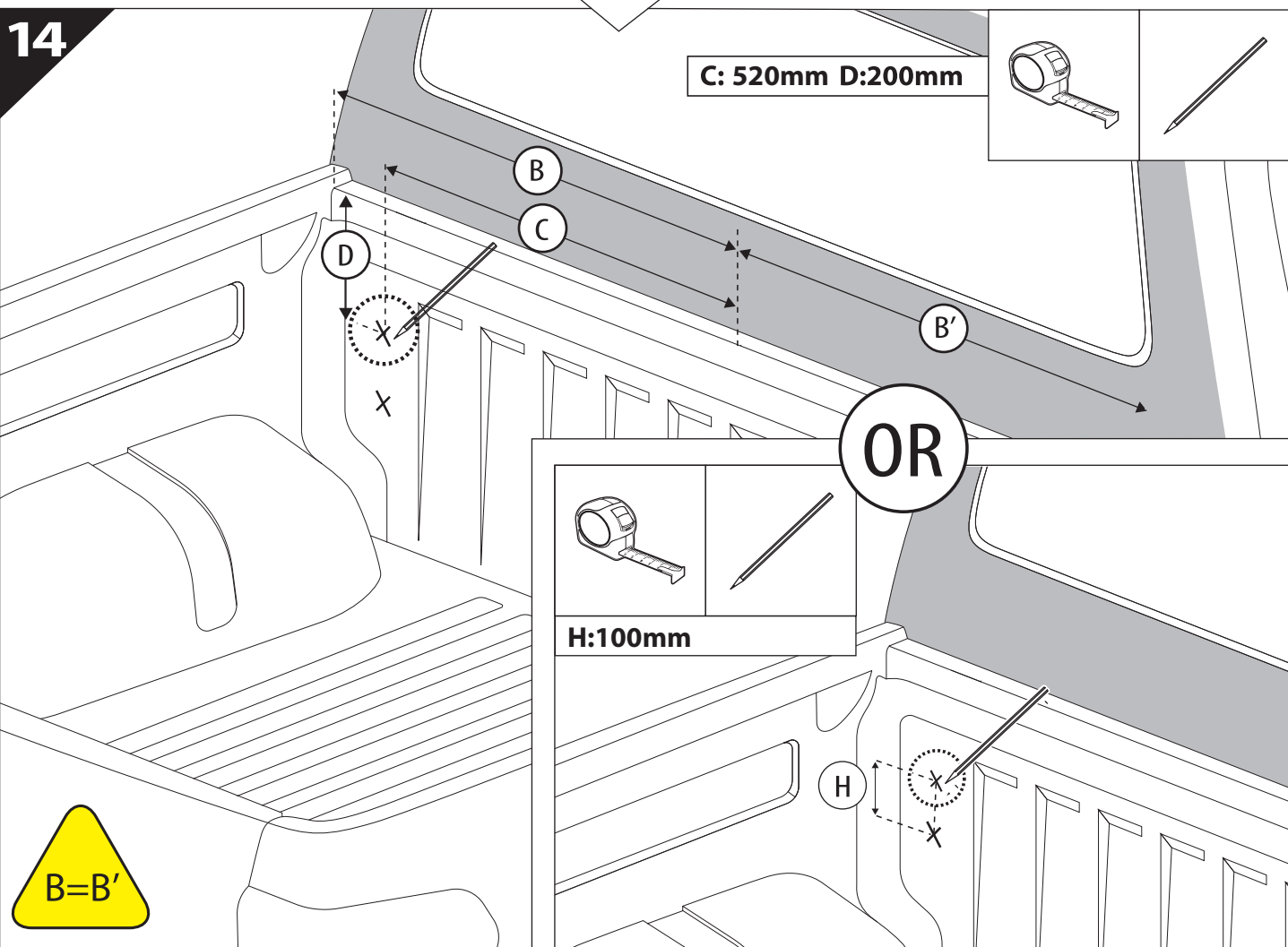
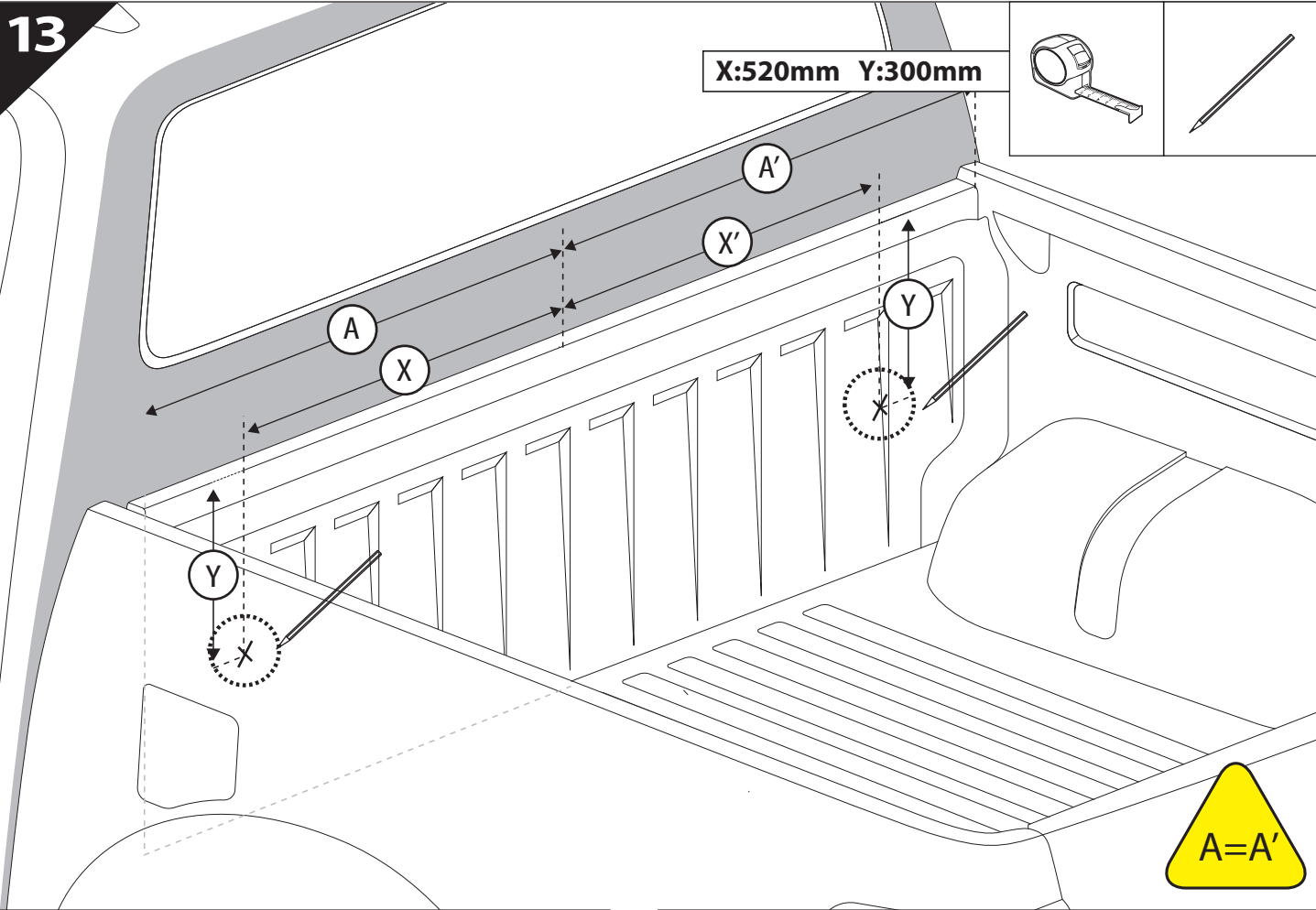


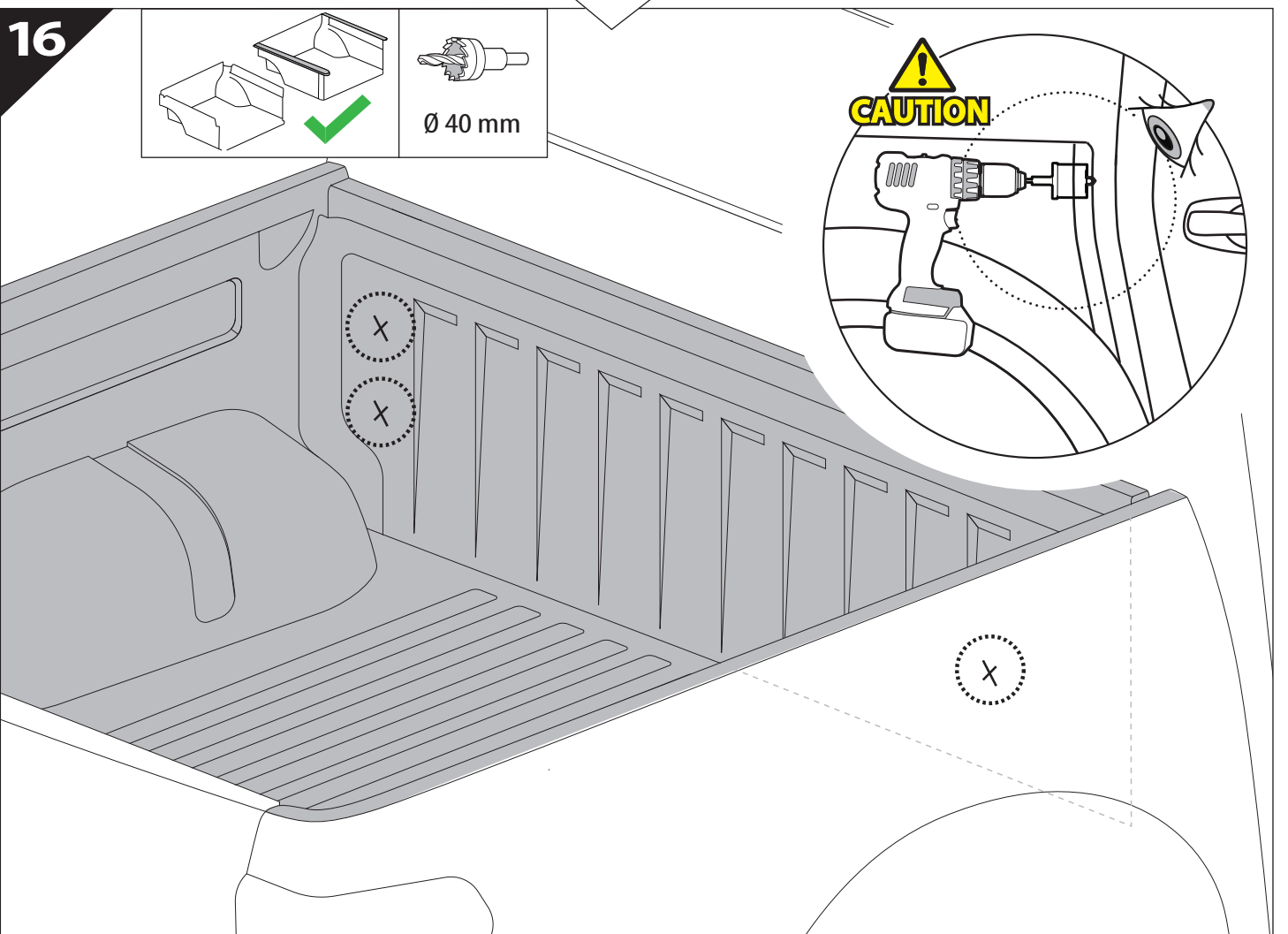
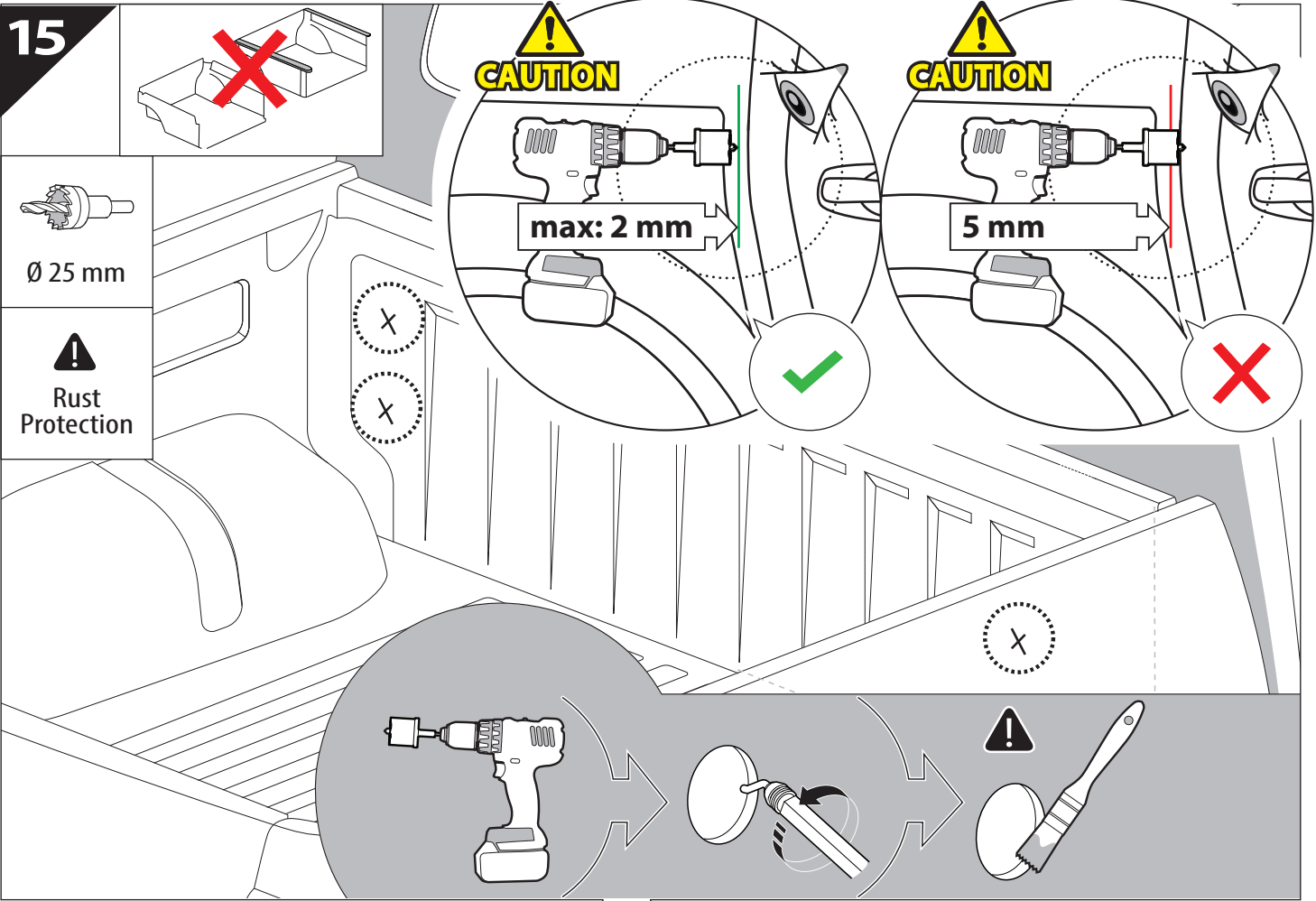
12



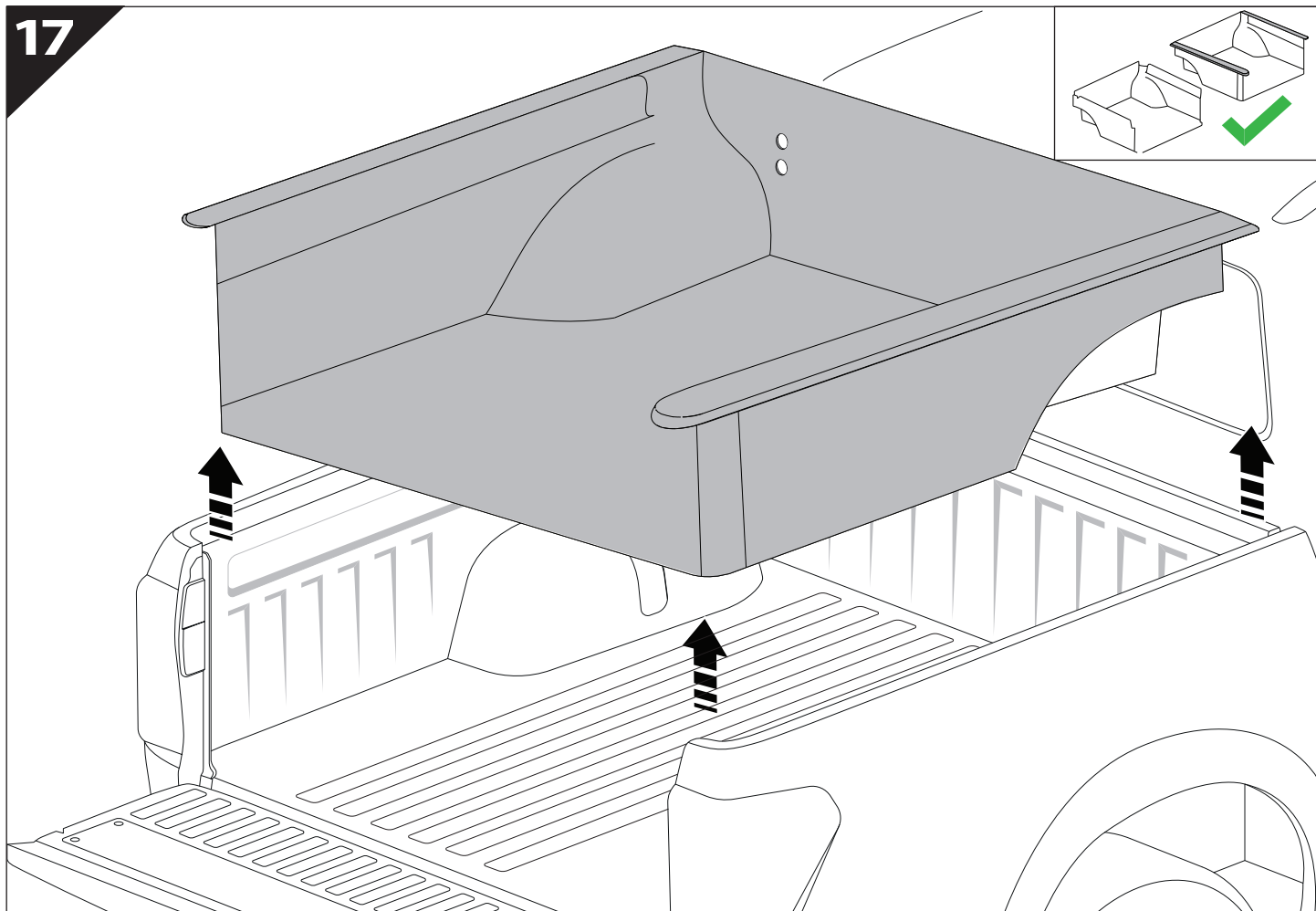
12.0



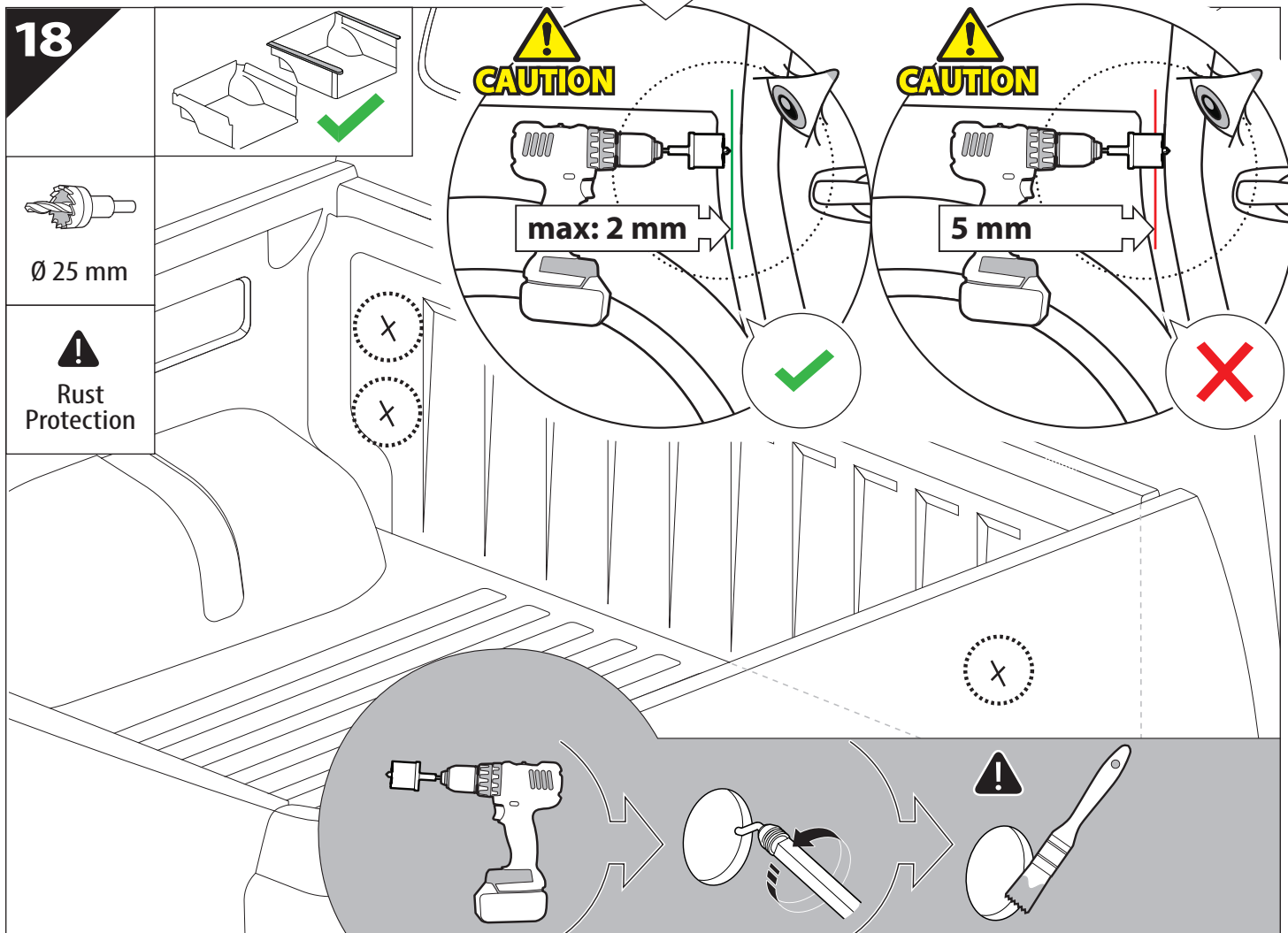


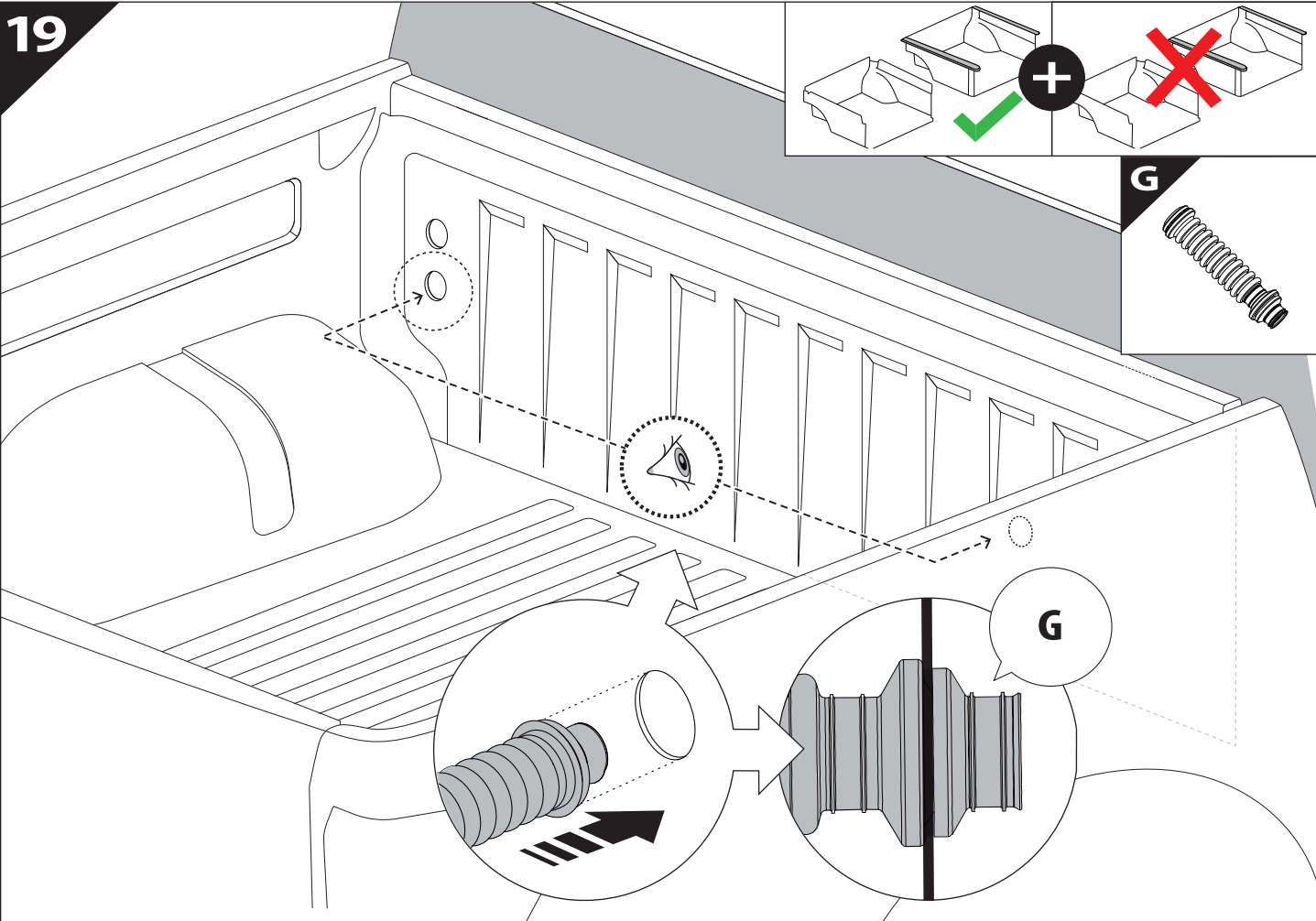


17

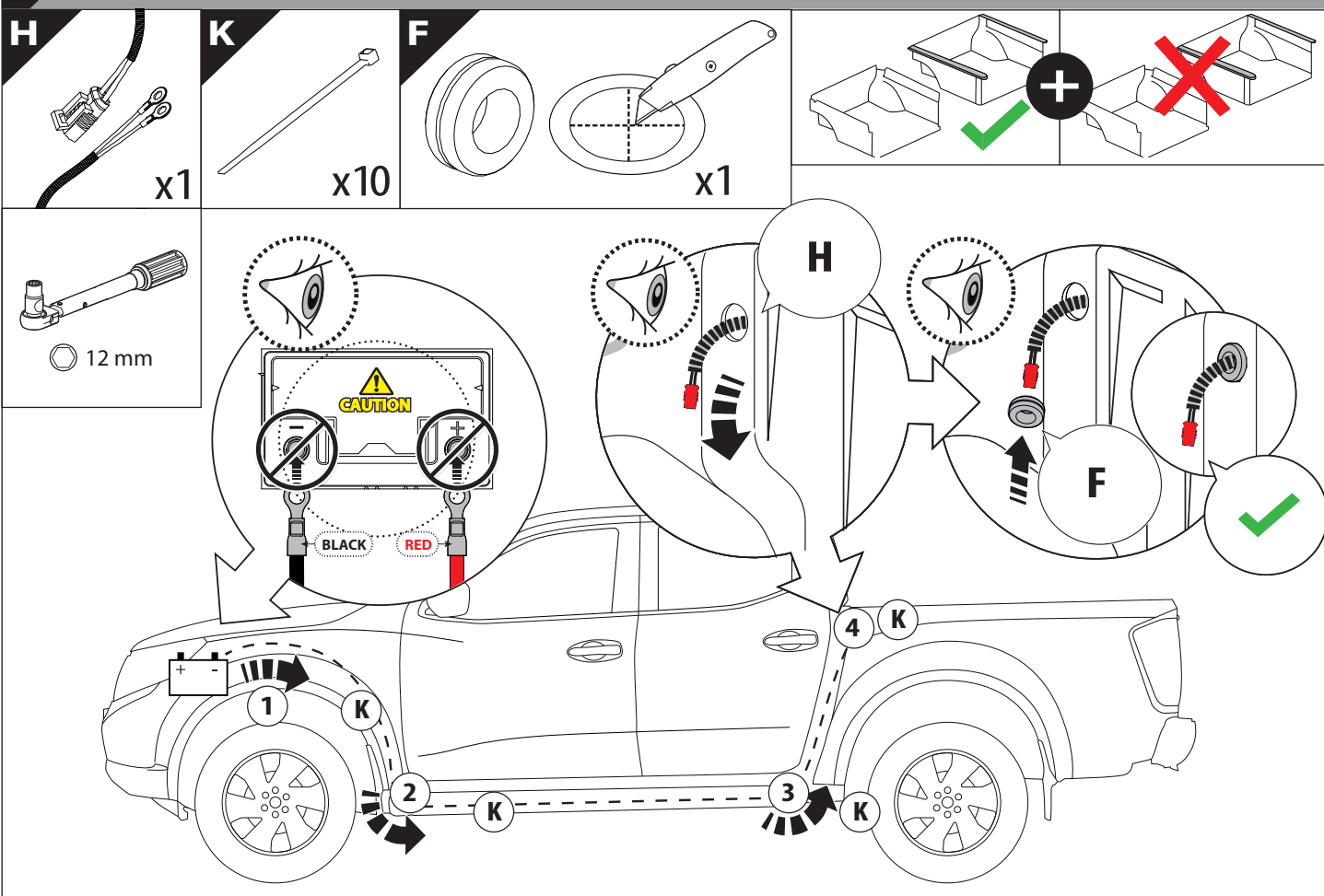


18

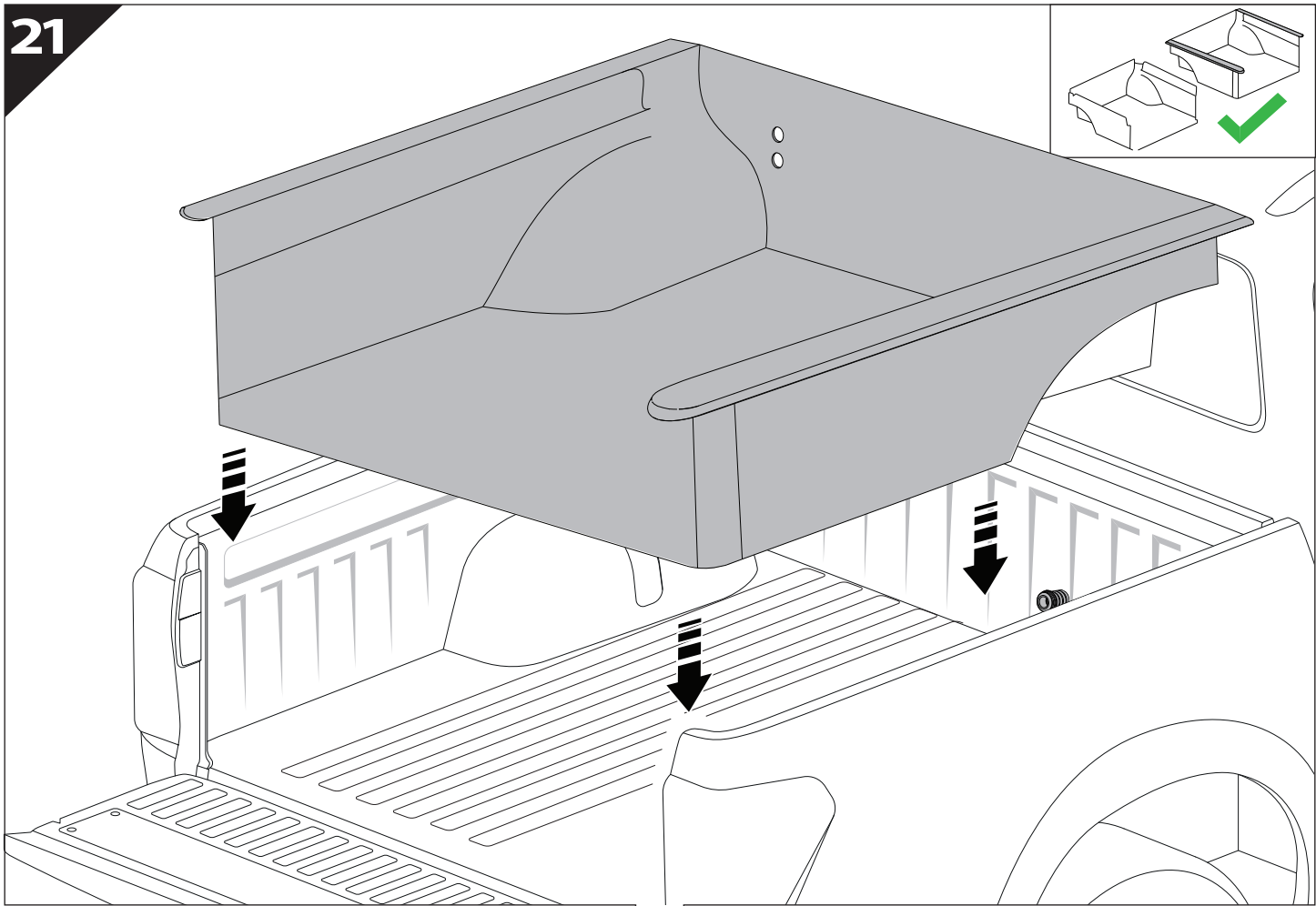




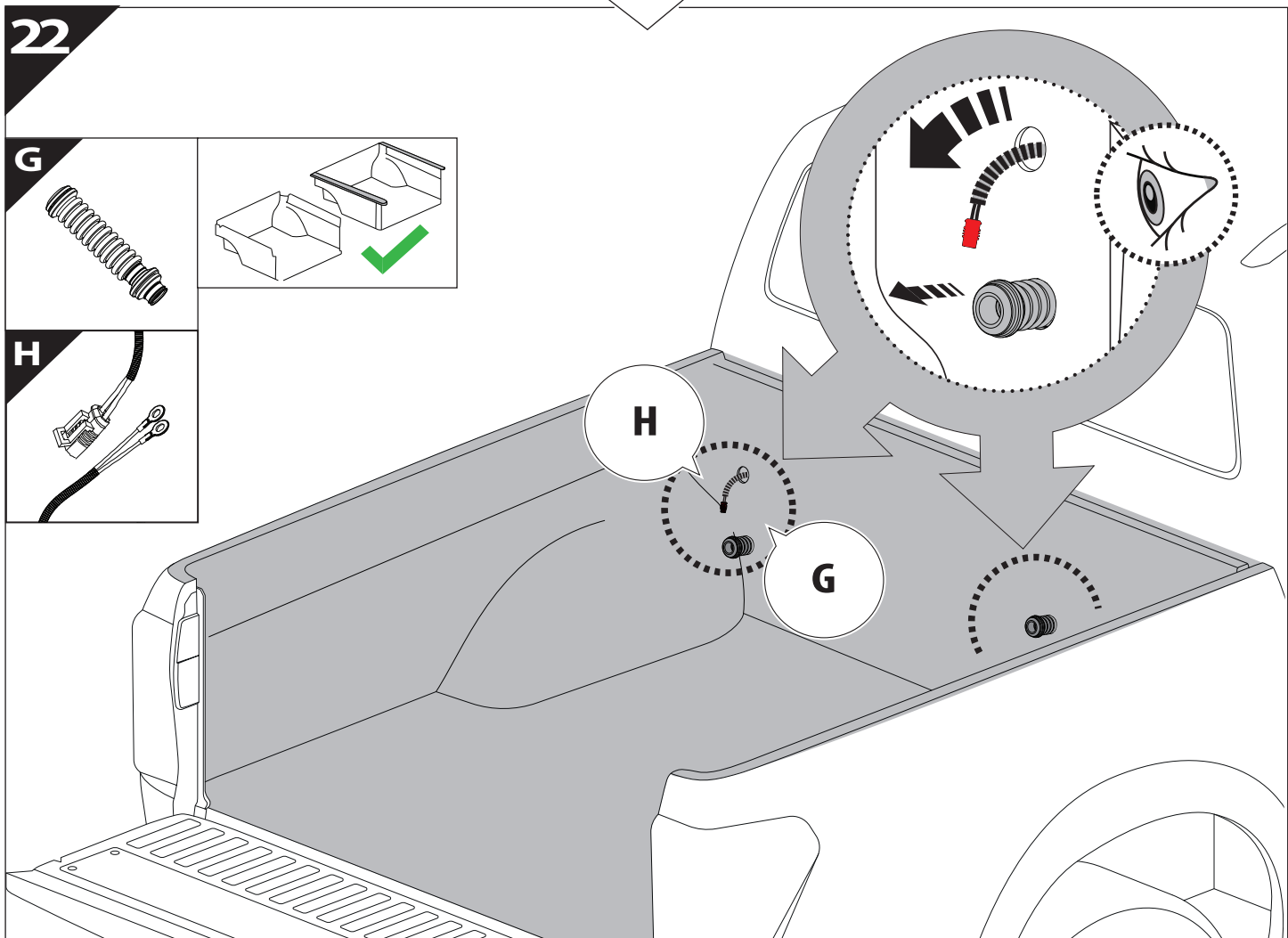
20 Only to be installed by authorized personnel

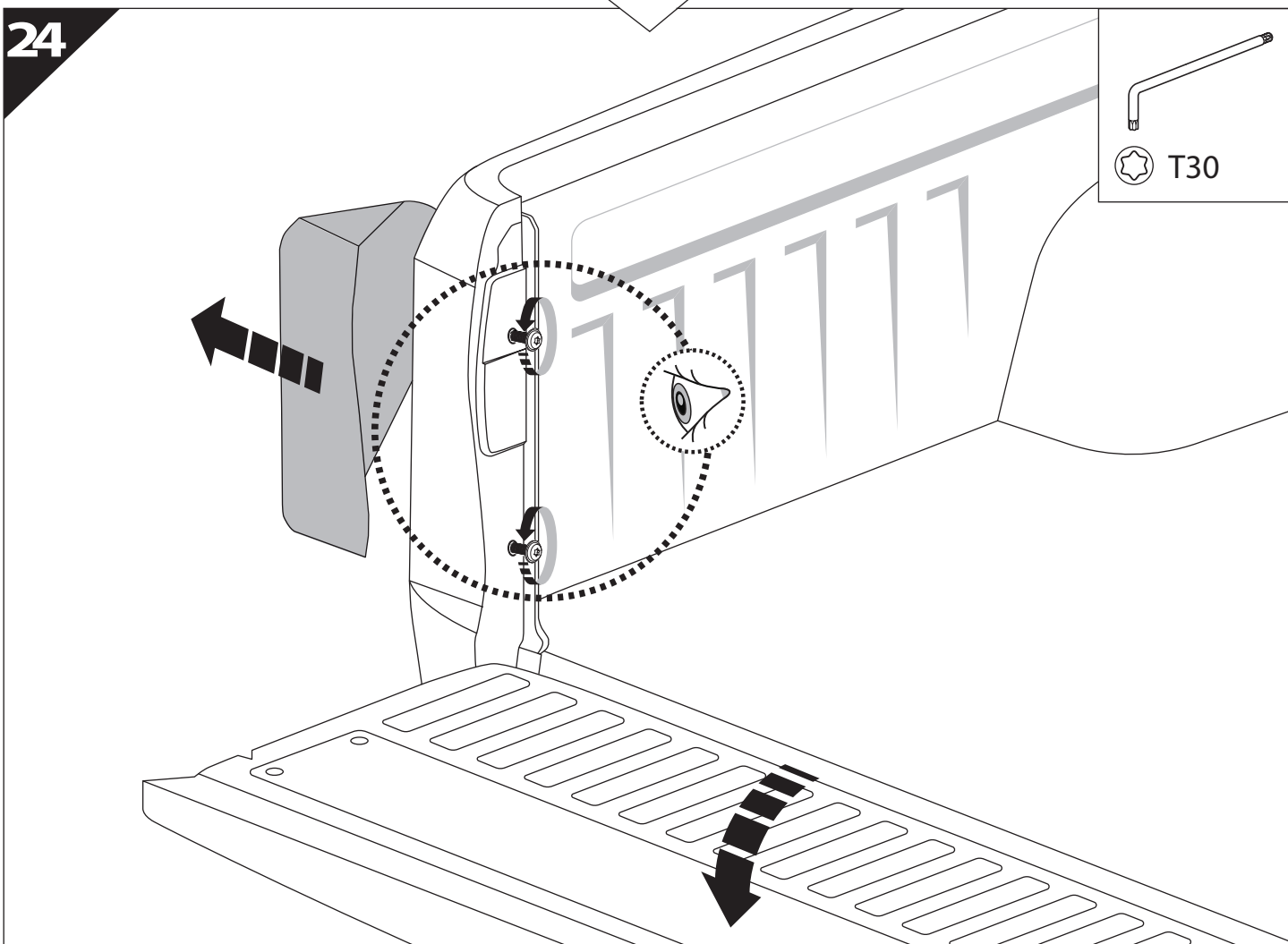
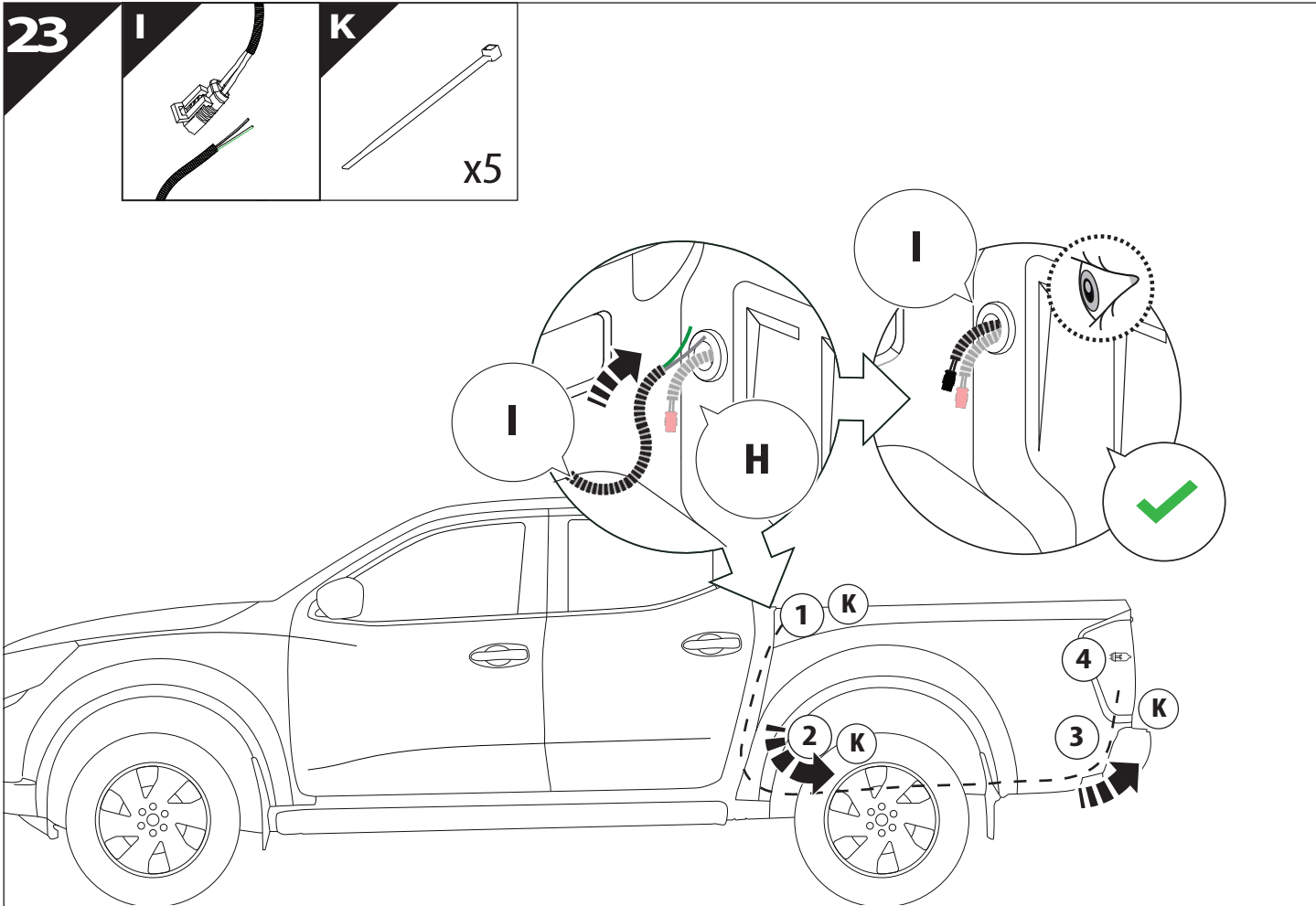


21

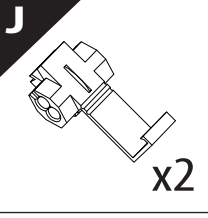
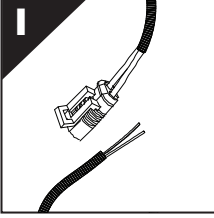


22

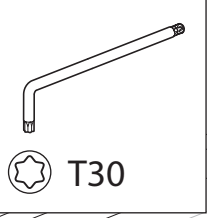




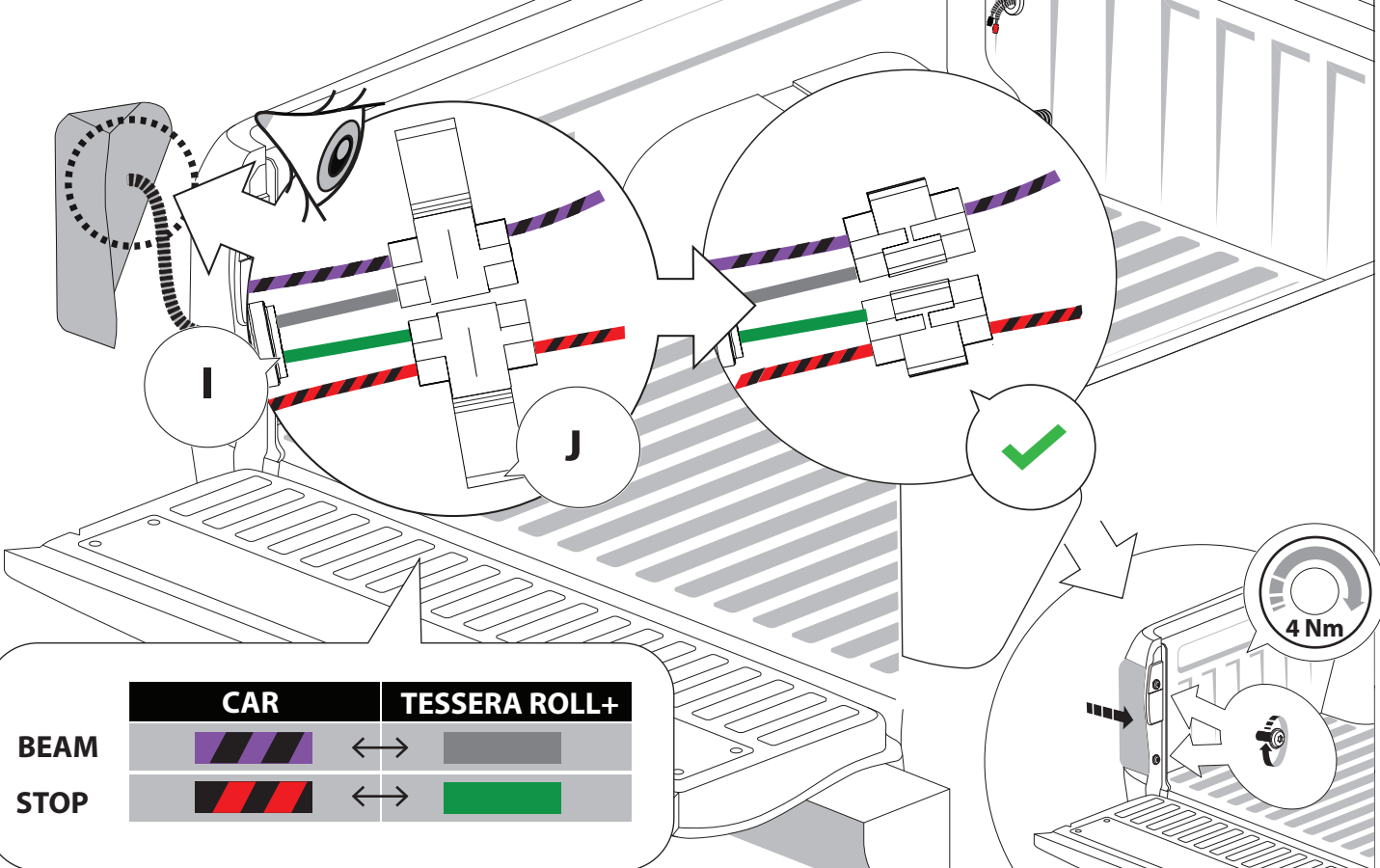
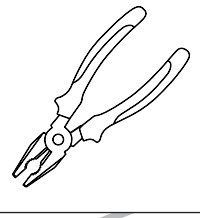
25



x2

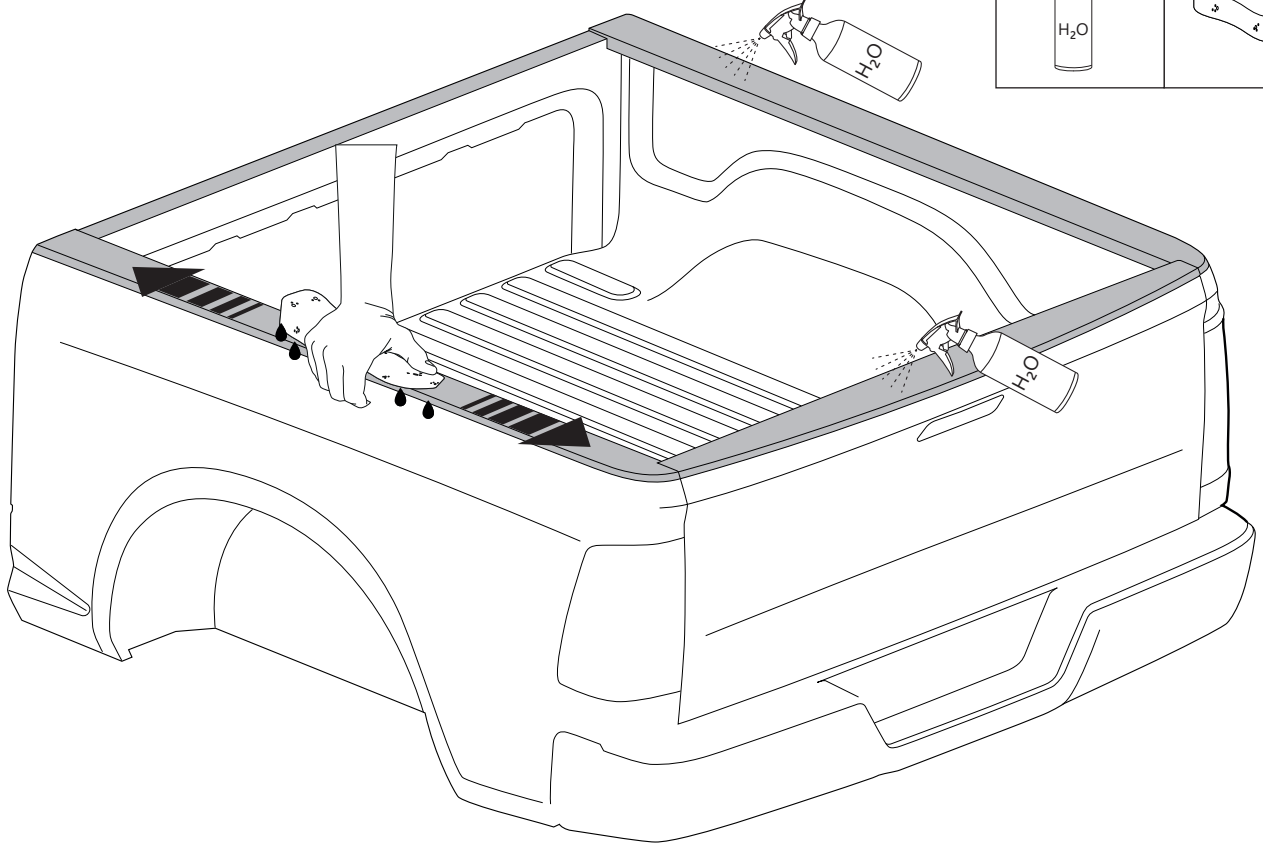
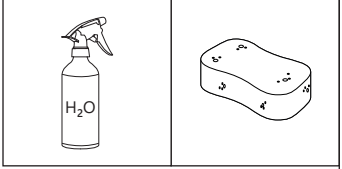


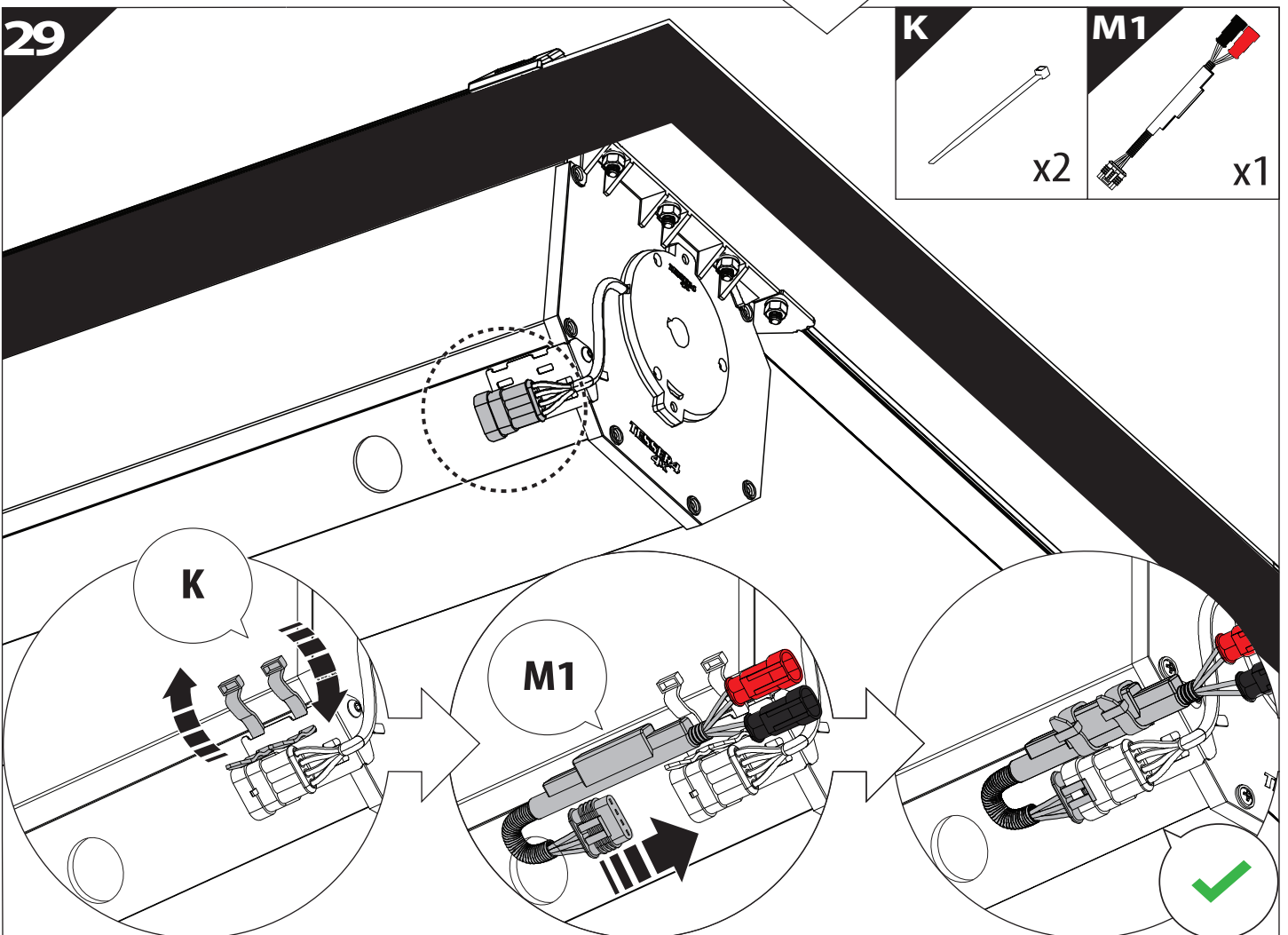
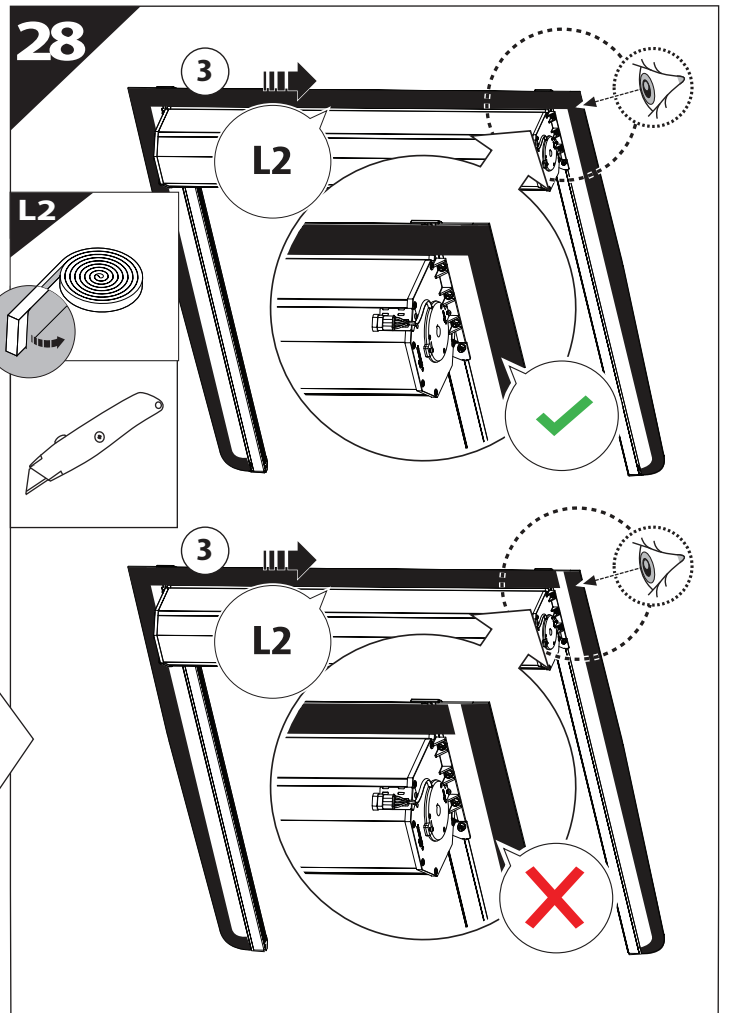
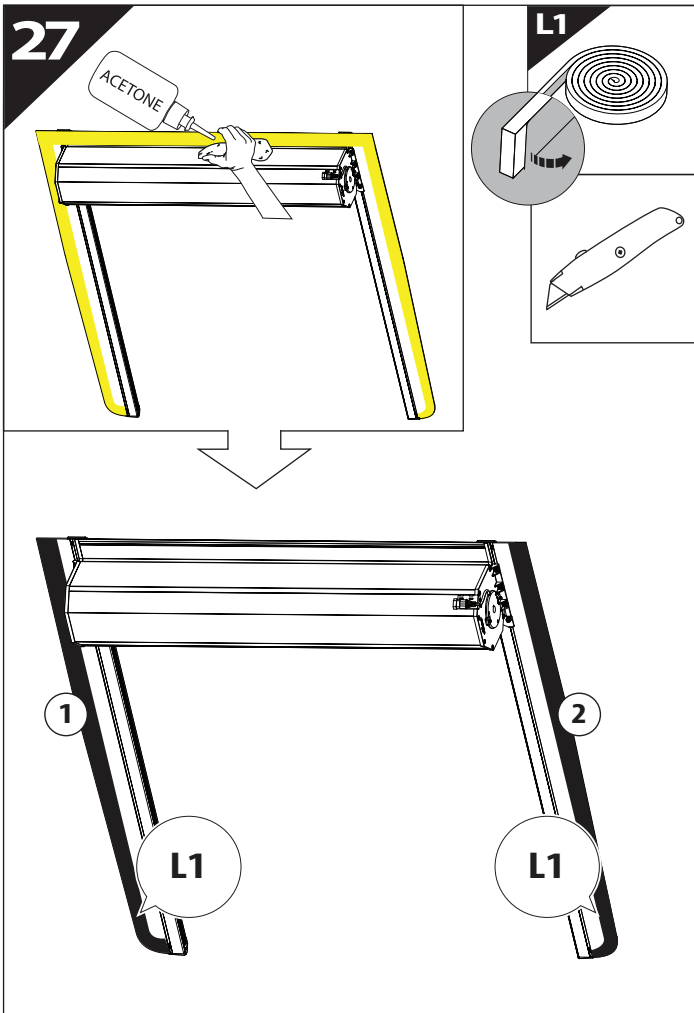
T30

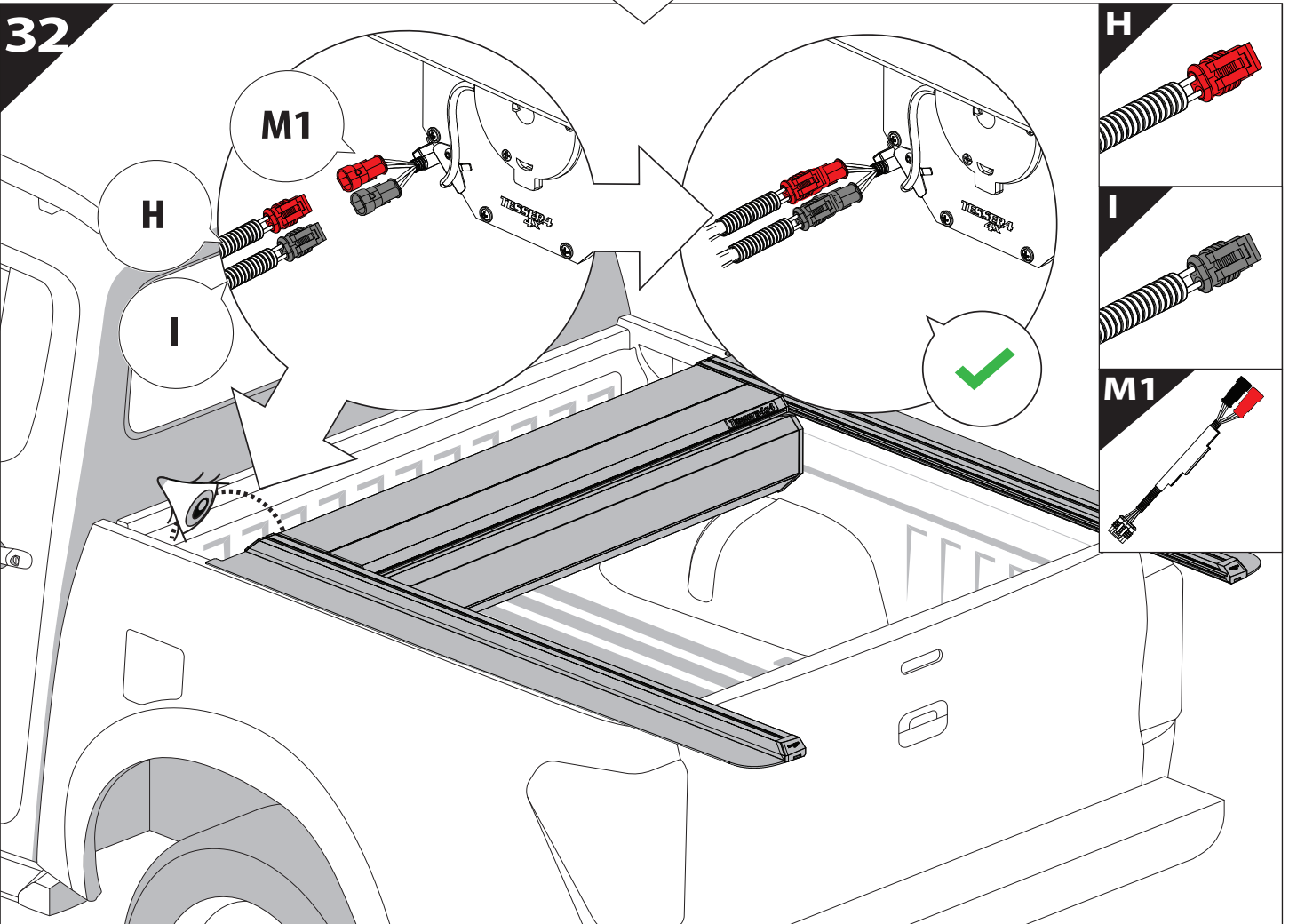
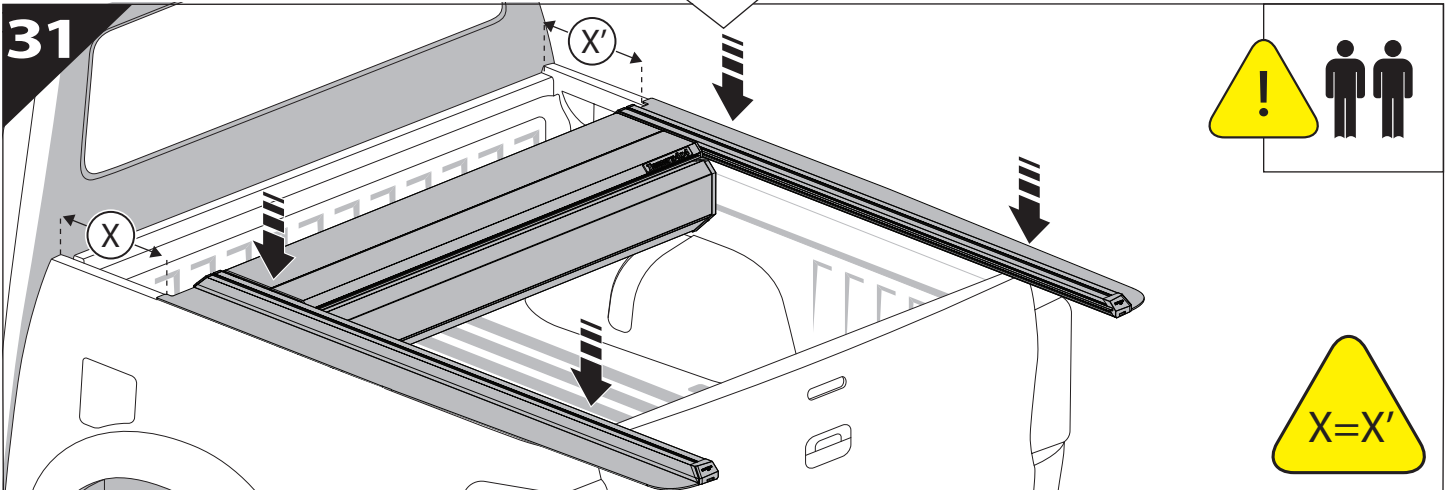
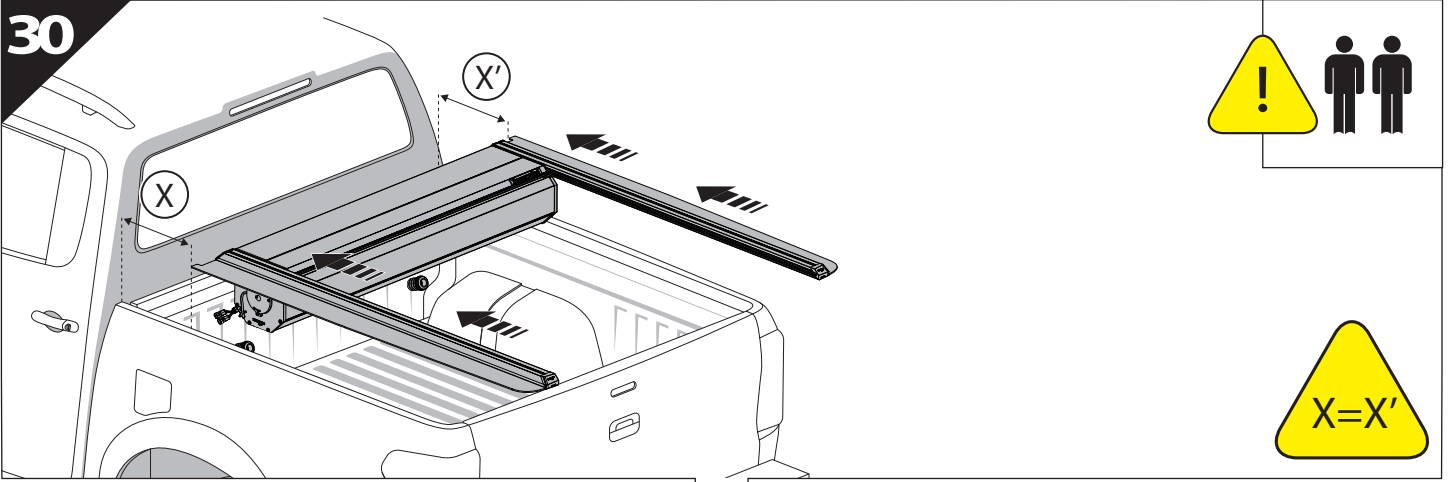


	CAR		TESSERA ROLL+
BEAM		↔	
STOP		↔	

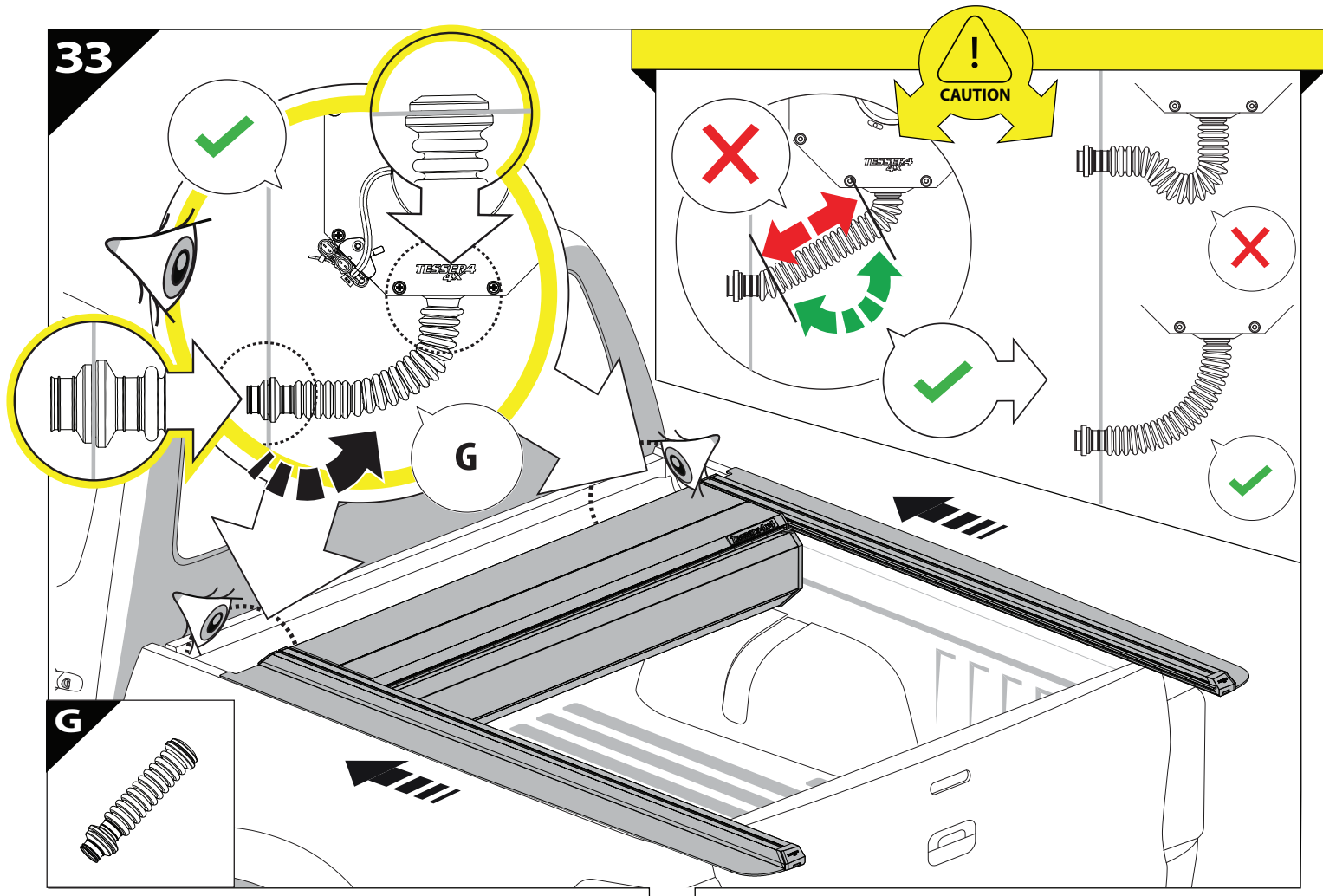
26



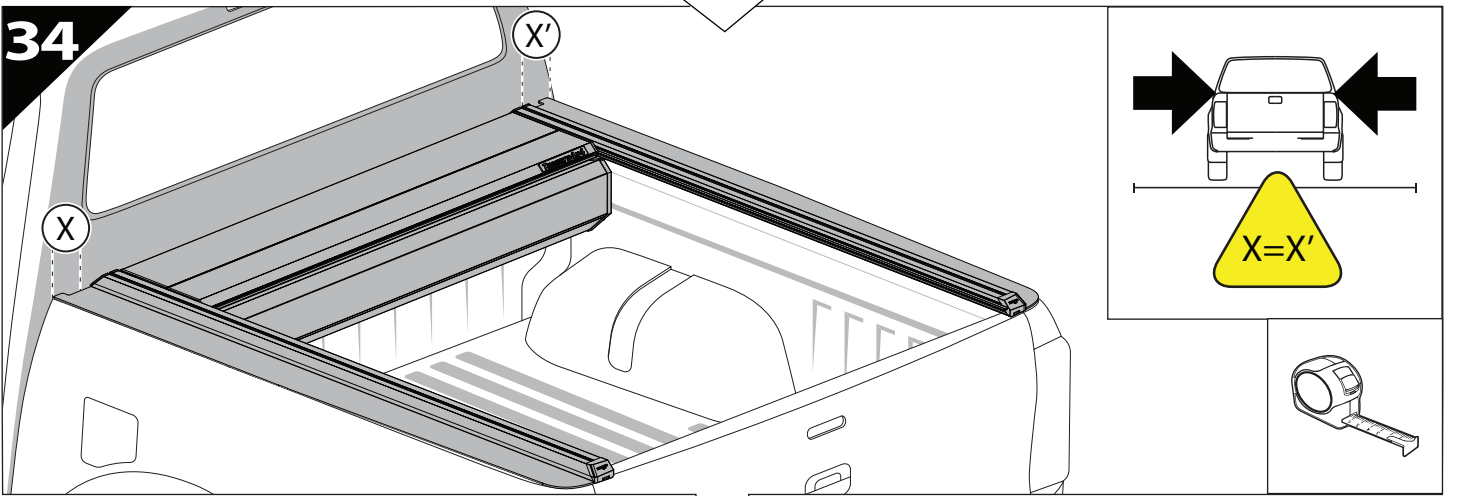




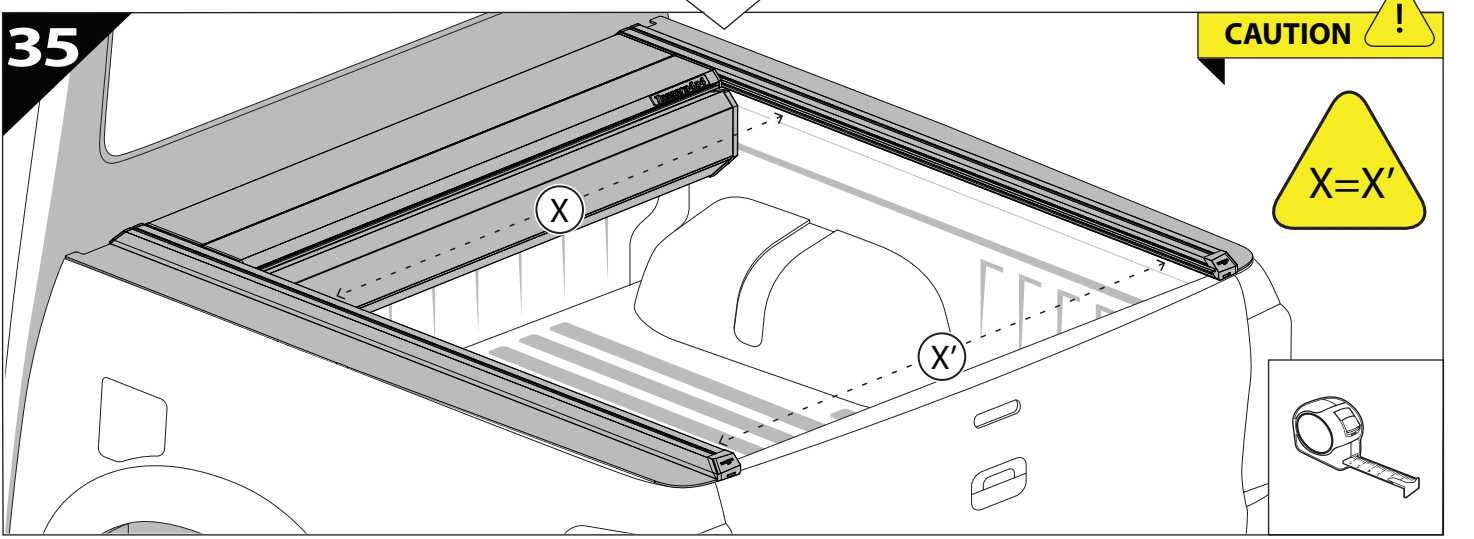
33



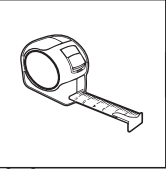
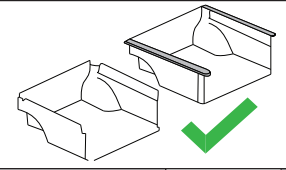
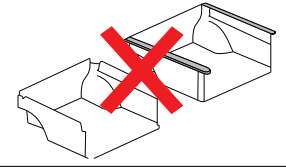
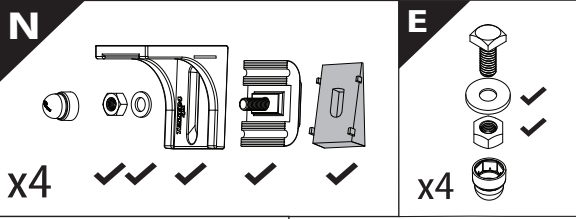
34



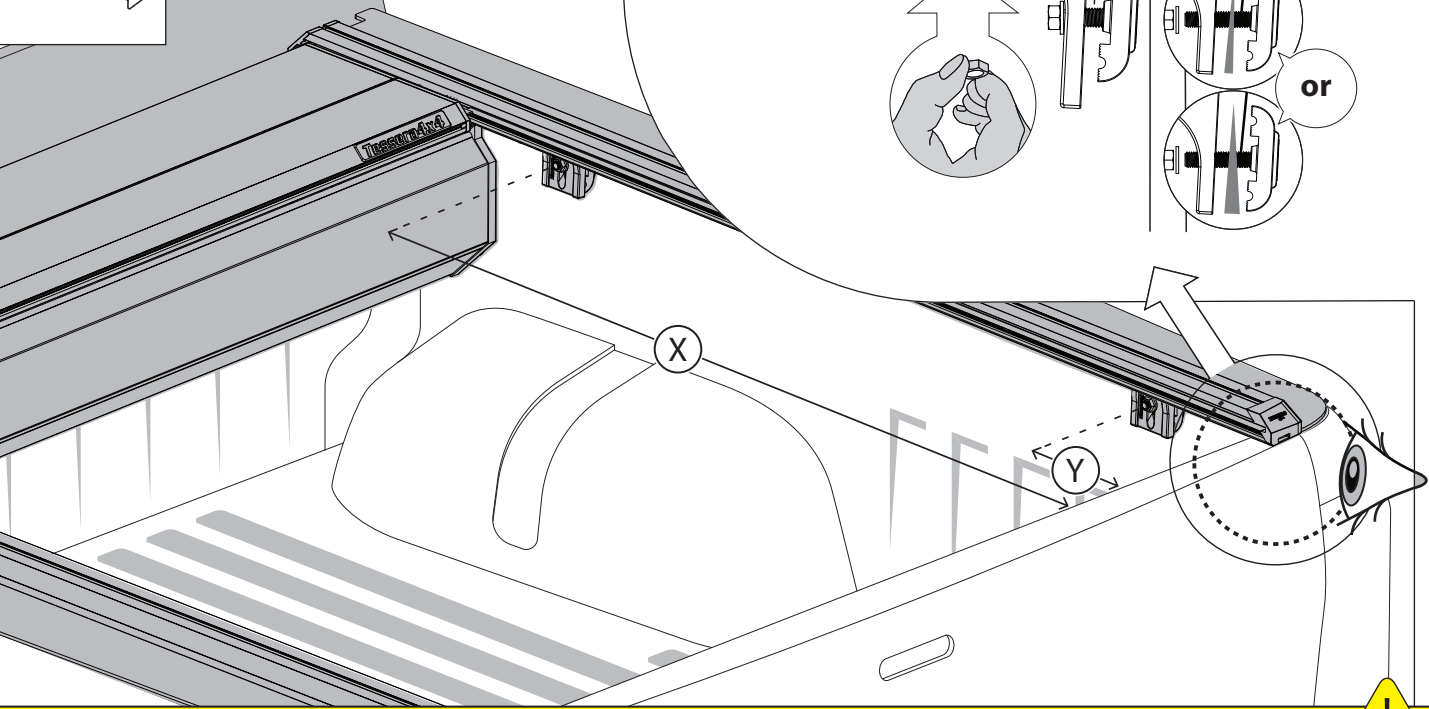
35



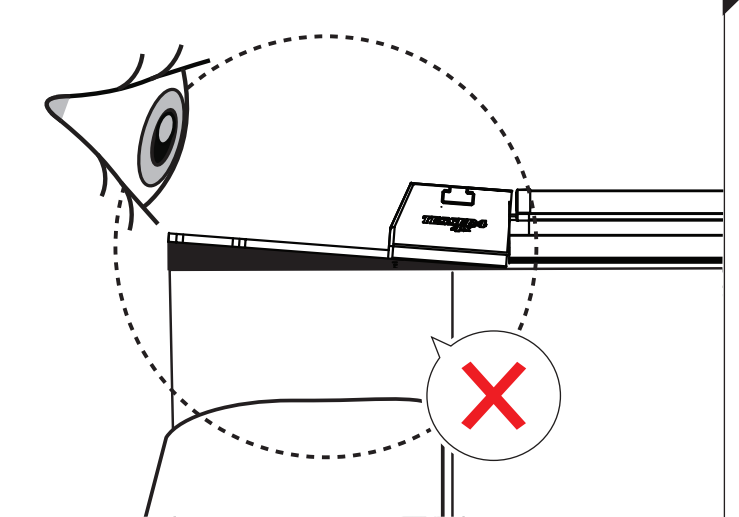
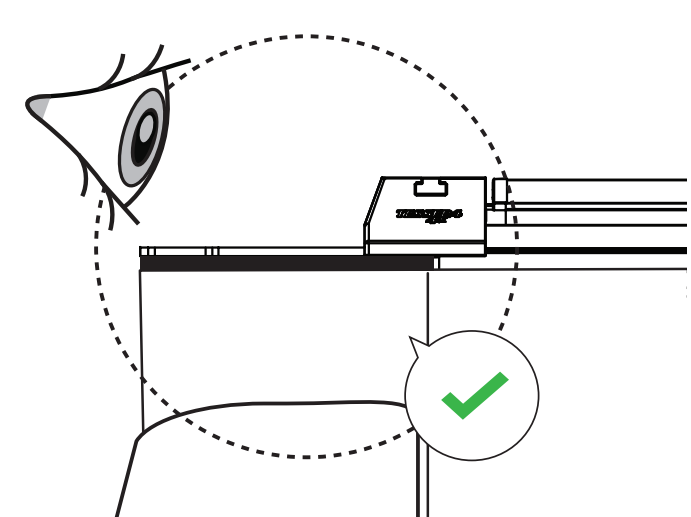
37

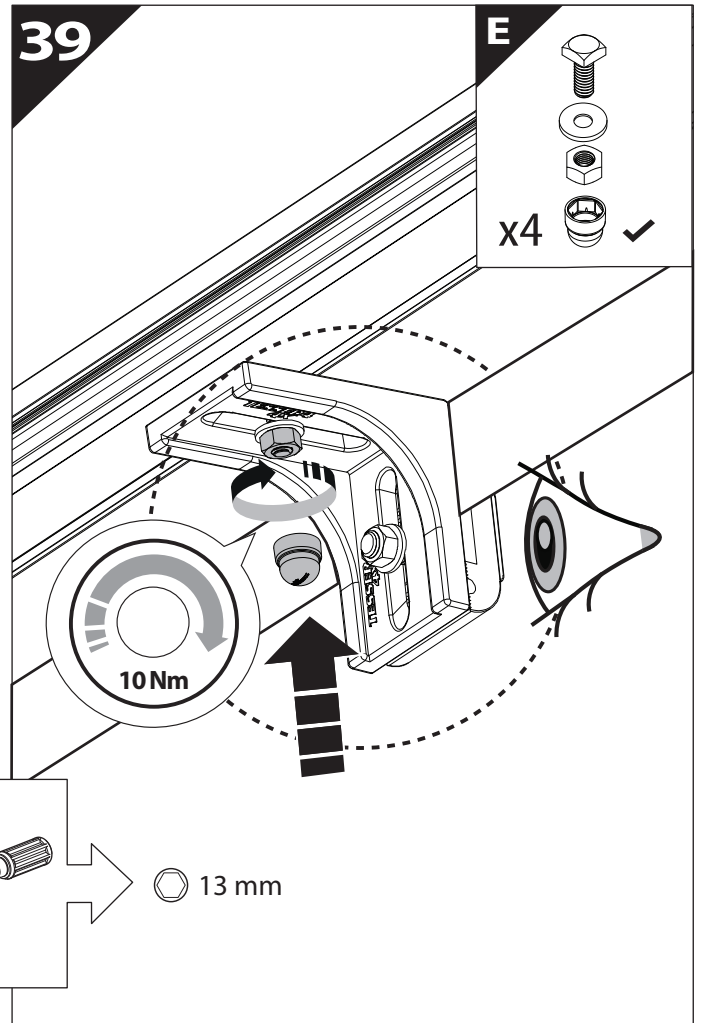
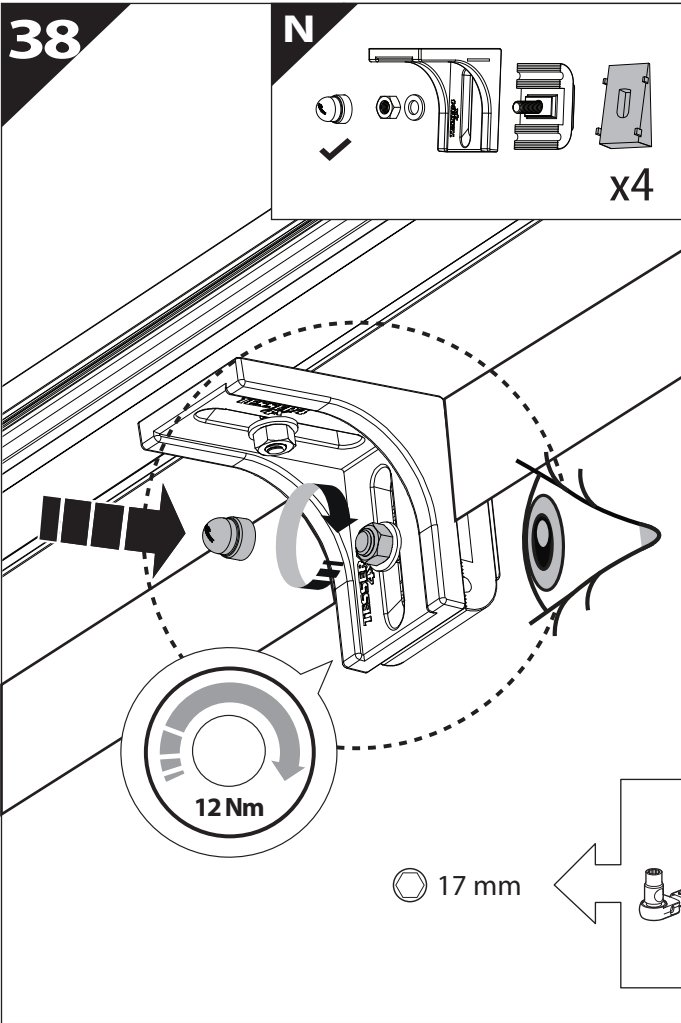


X:1100mm Y:200mm

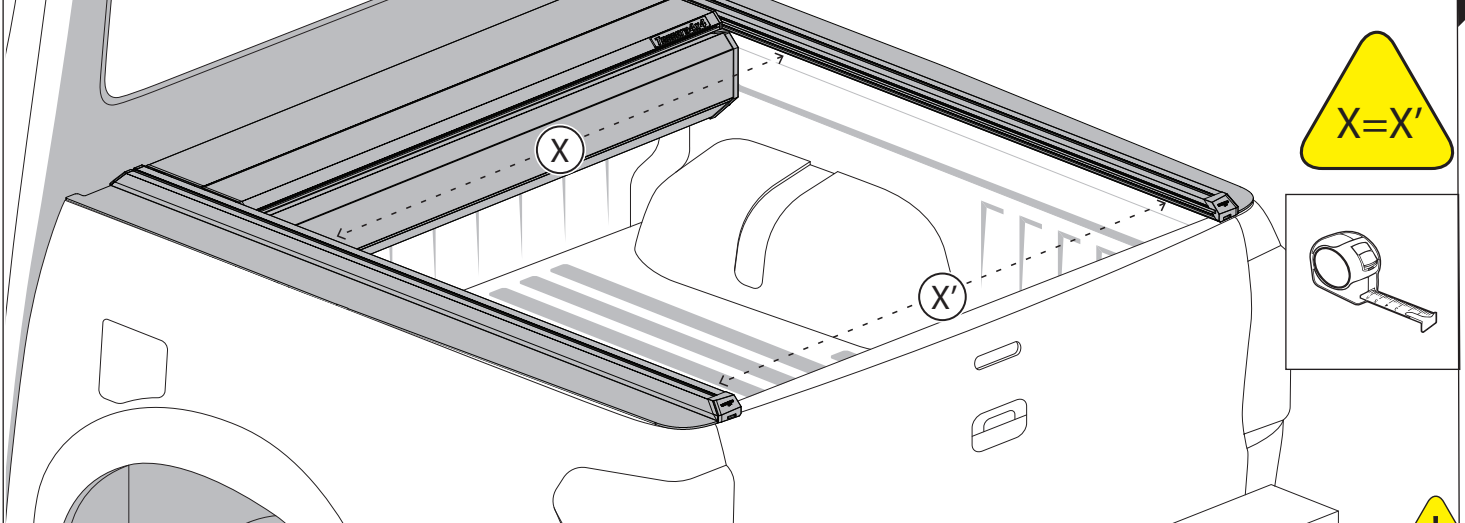


CAUTION !

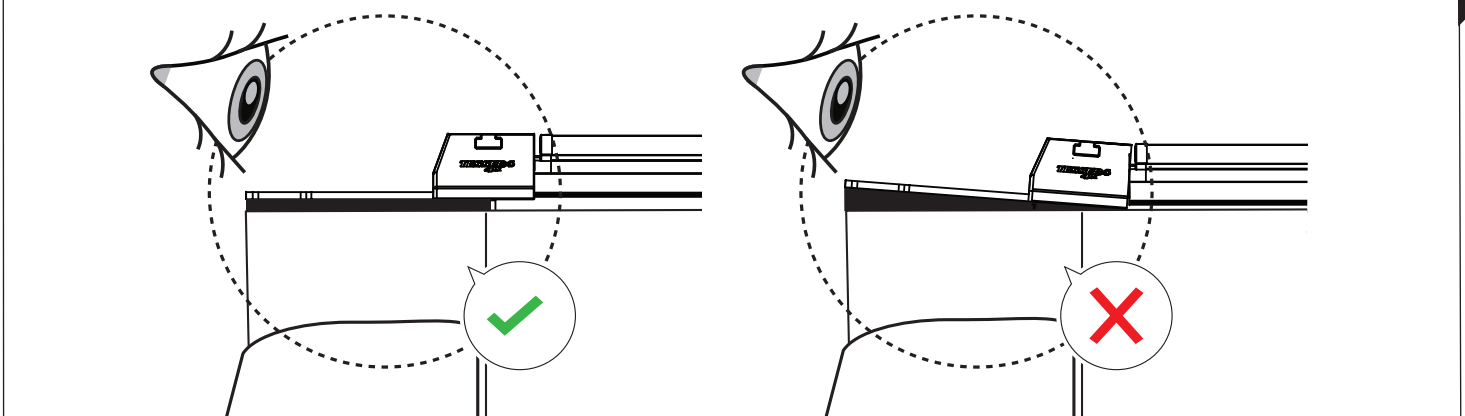




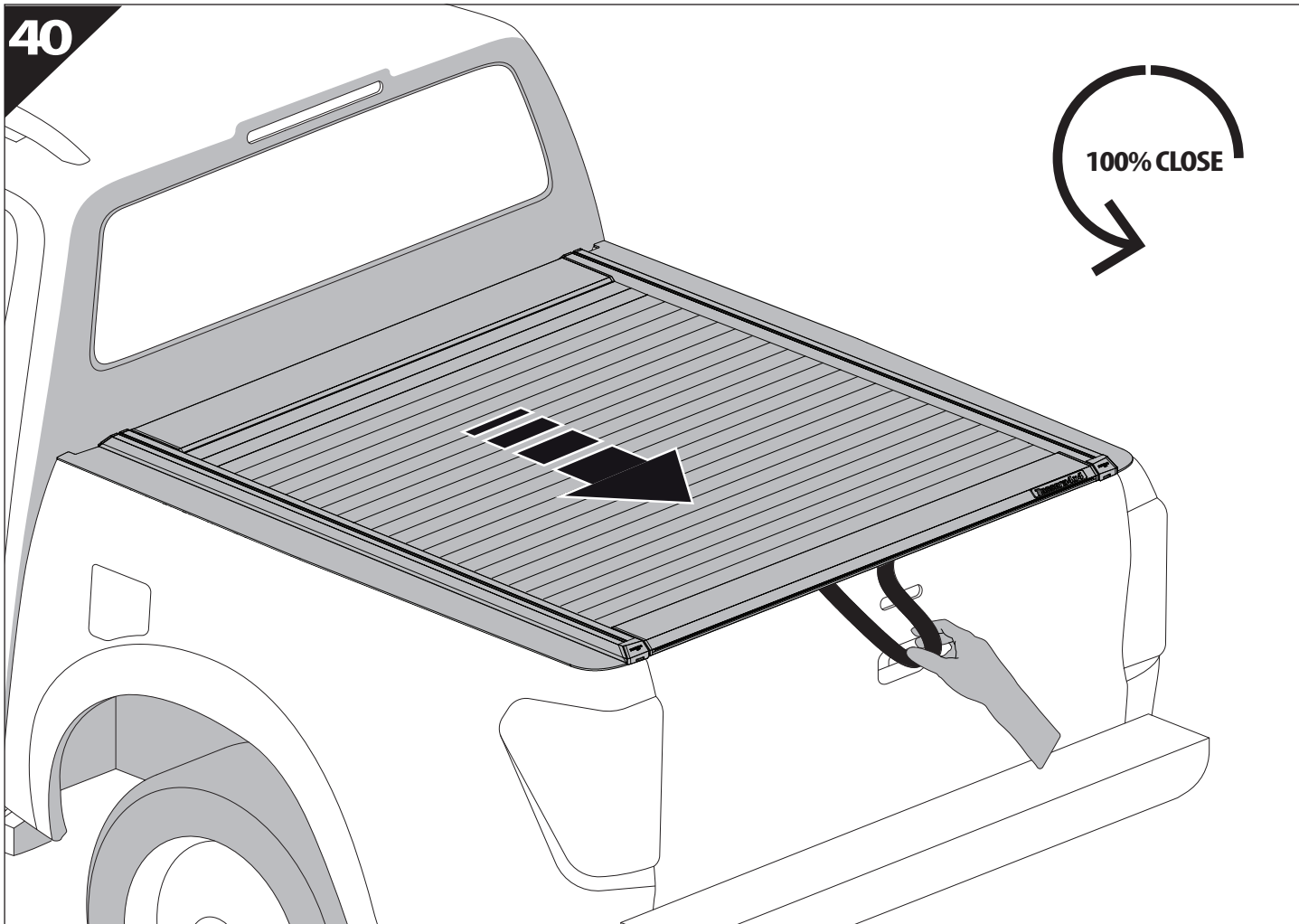
CAUTION !



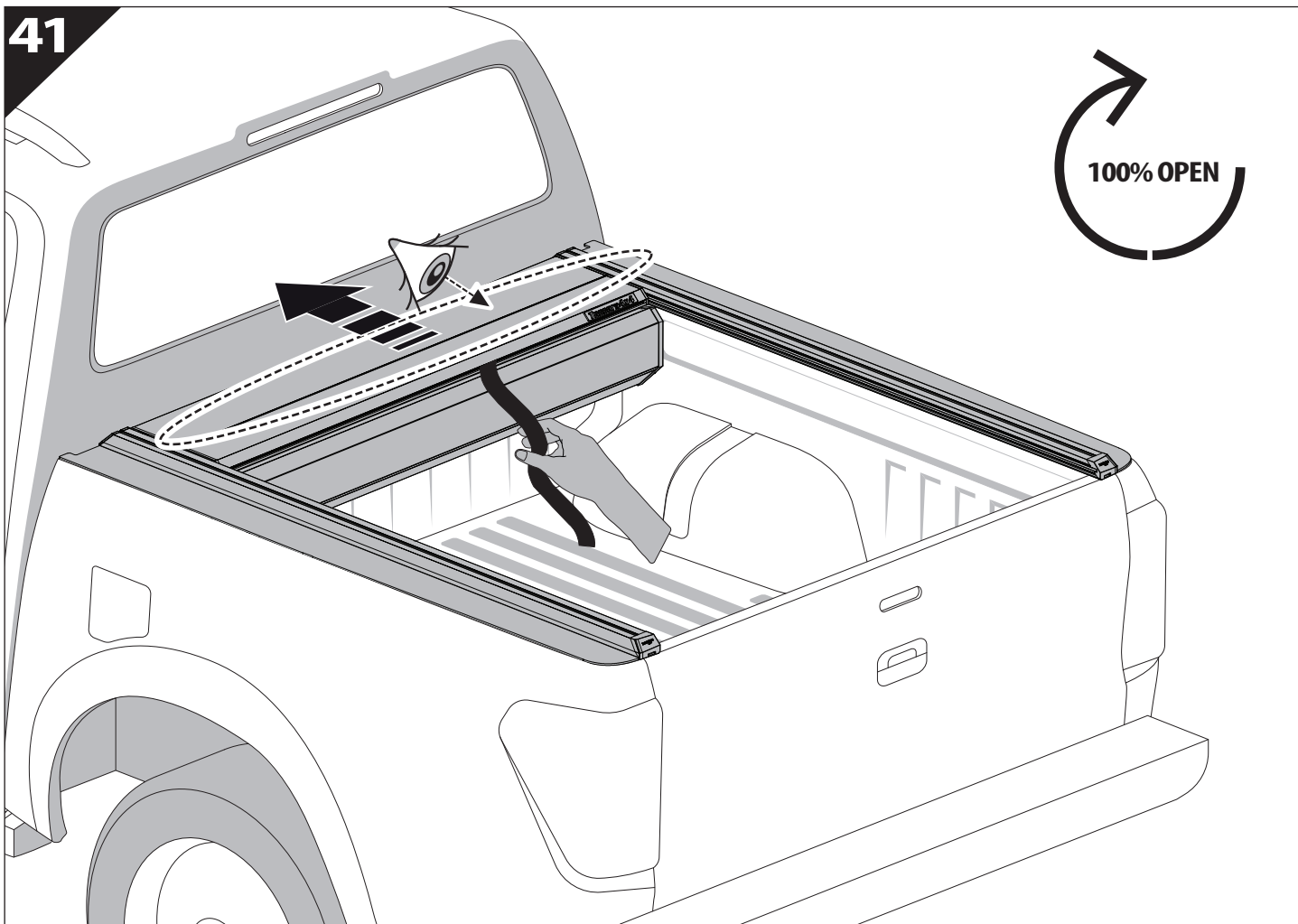
CAUTION !



40



41





GR: Οδηγίες Εγκατάστασης
GB: Installation manual
SF: Asennusohje
F: Notice de montage
PL: Instrukcja montażu
NL: Installatie-instructies
TR: Montaj Talimatı
S: Monteringsanvisning
E: Instrucciones de montaje

H: Szerelési utasítás
P: Instruções de instalação
RUS: Инструкция по установке
N: Monteringsveiledning
D: Einbauanleitung
CZ: Návod k instalaci
I: Istruzioni de montaggio
DK: Monteringsvejledning
RO: Instructiuni de instalare

Customer Service:

+30 (210) 5541161, +30 (210) 5541154 (08:00 - 16:00 EET)

Support department:

info@gianso.gr

Website:

www.tessera4x4.com

Address:

19.5 km of National road Athens-Korinthos (Elefsina) Greece, P.C: 19200