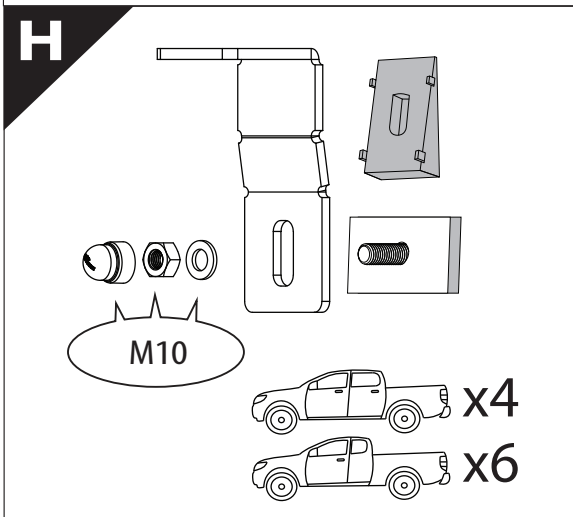
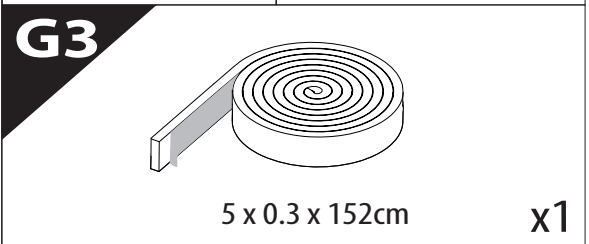
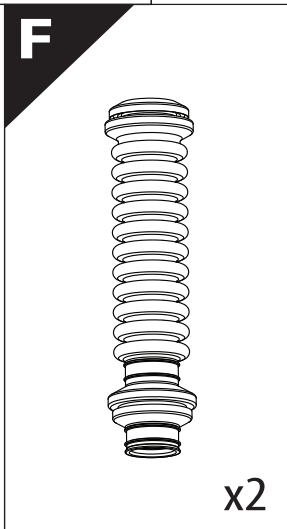
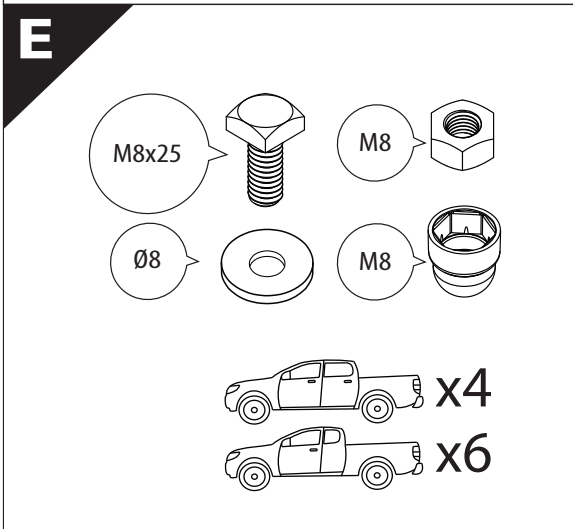
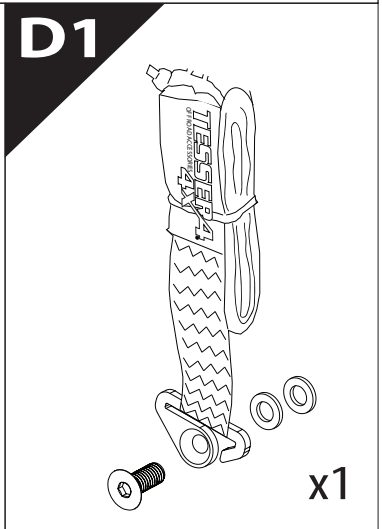
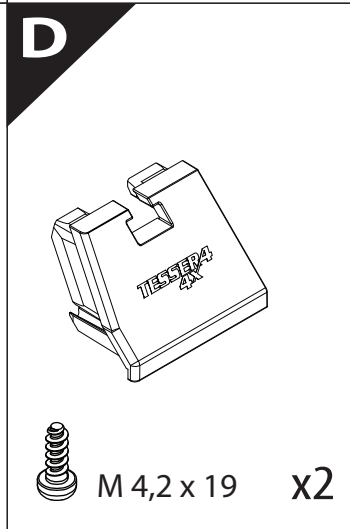
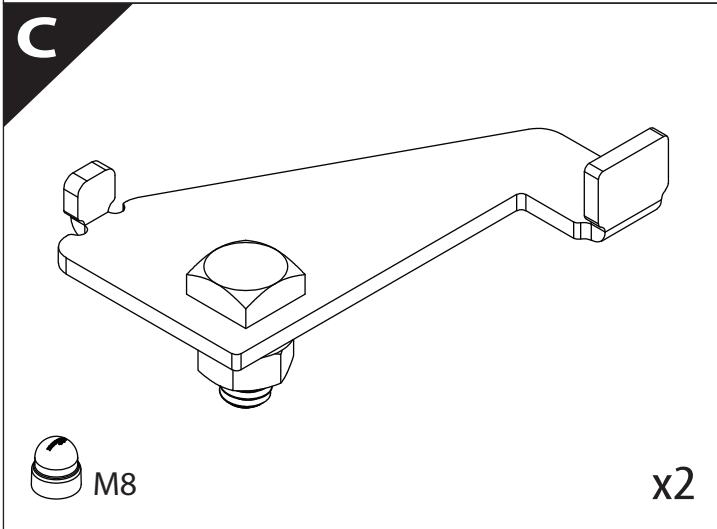
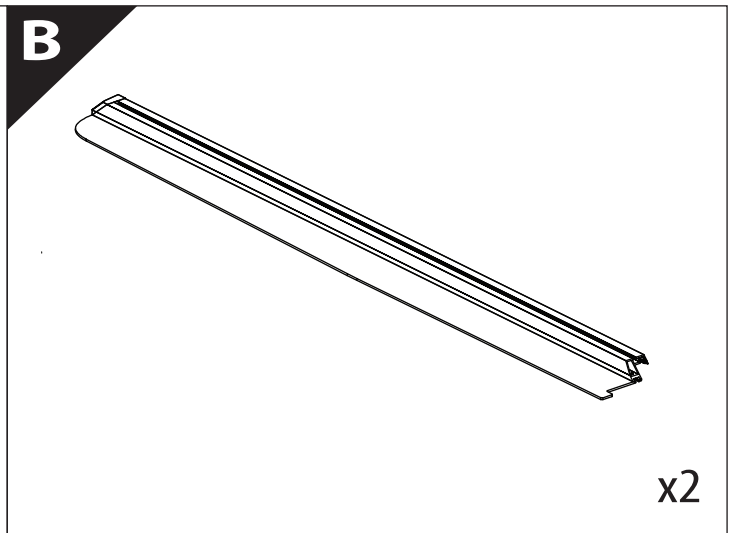
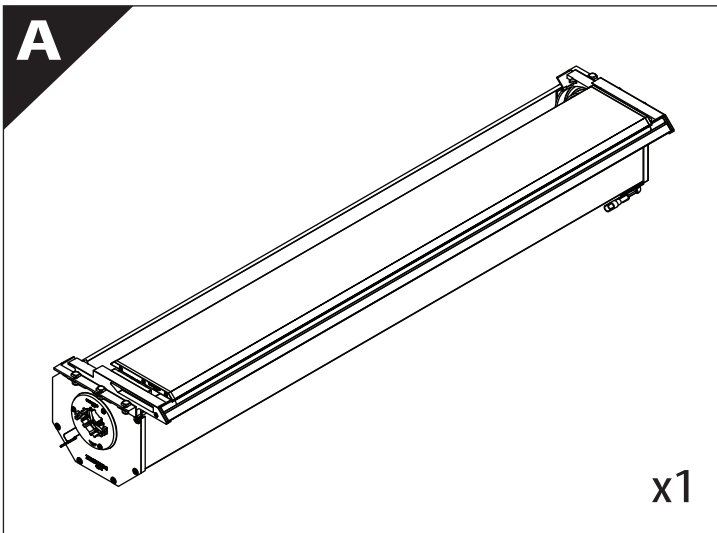
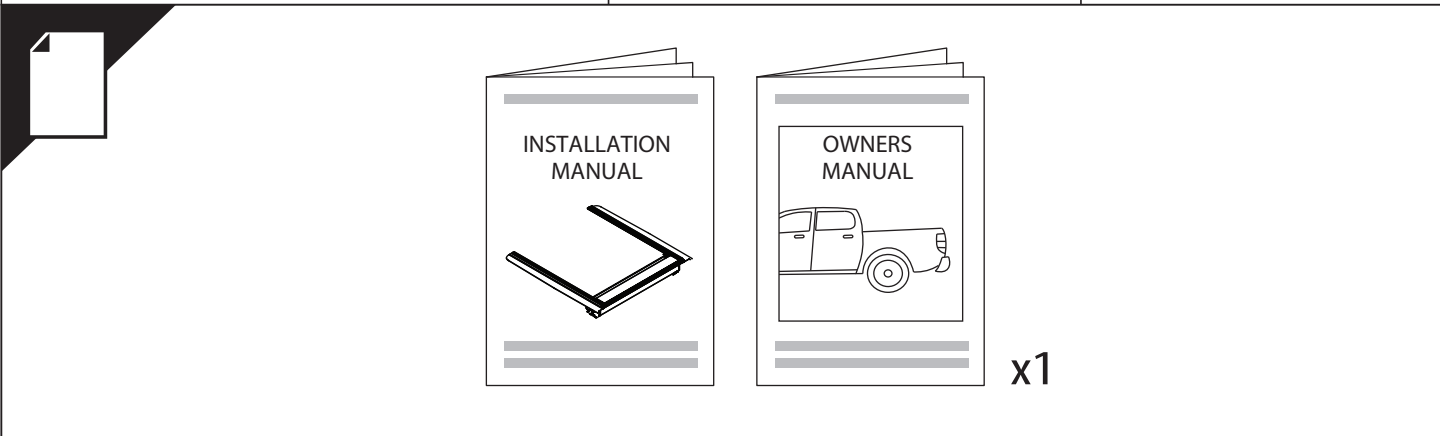
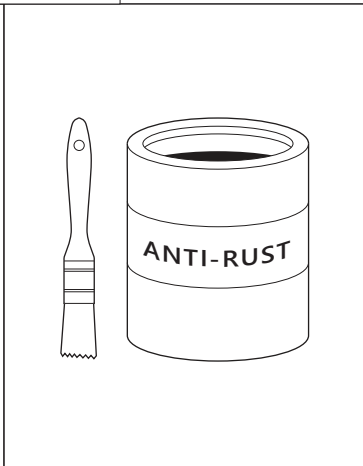
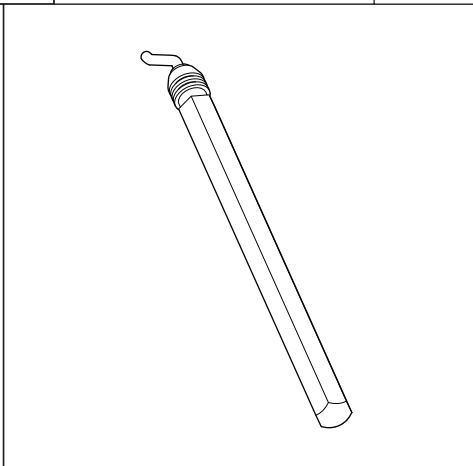
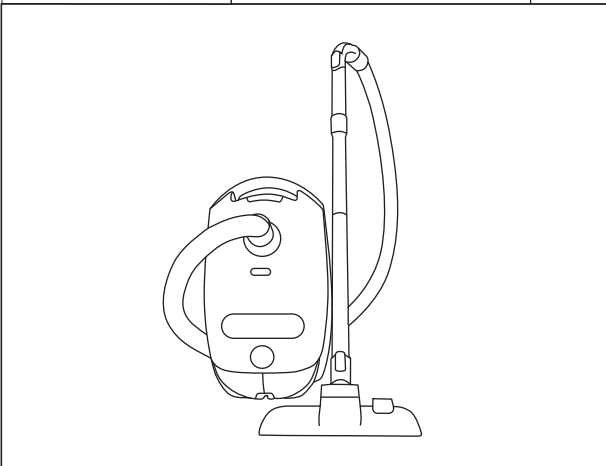
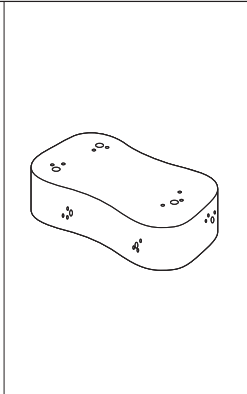
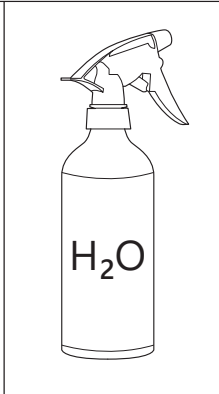
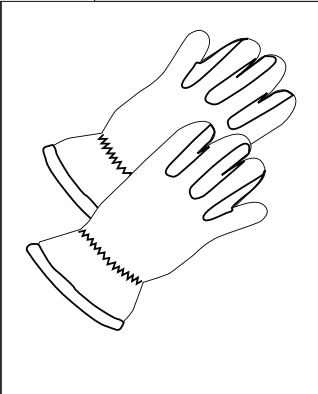
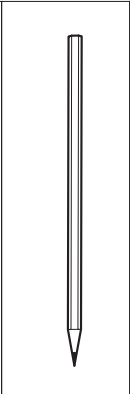
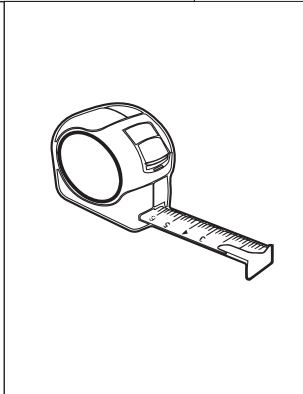
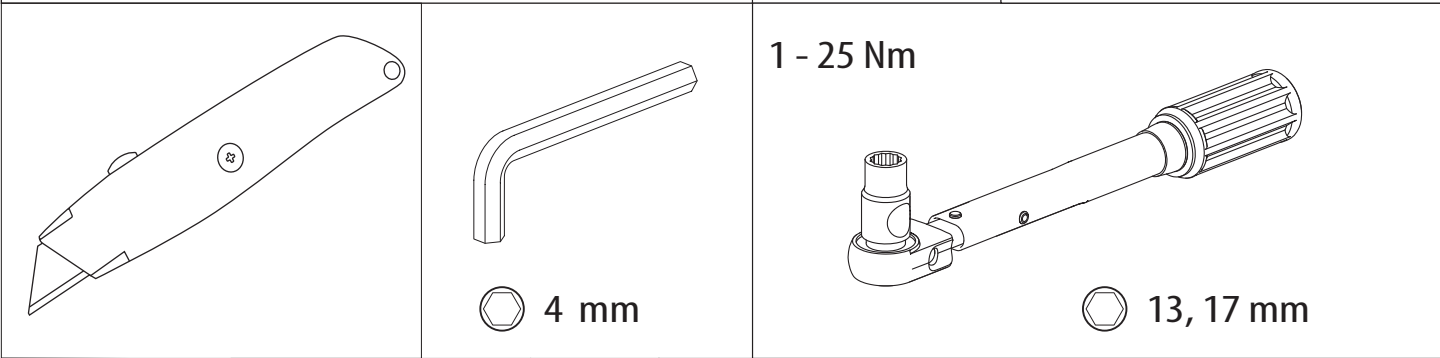
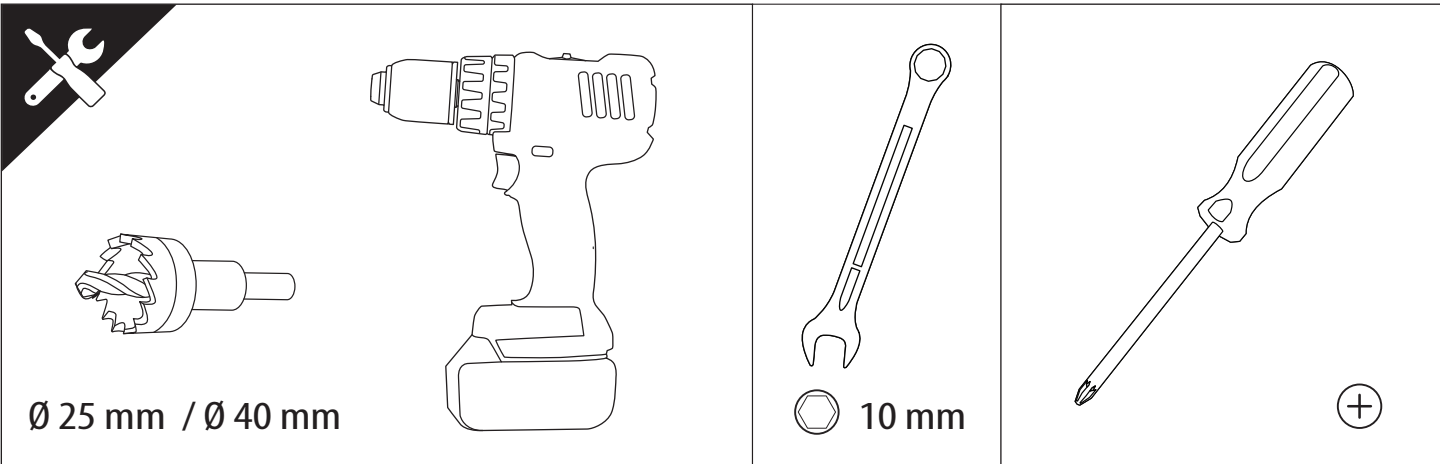
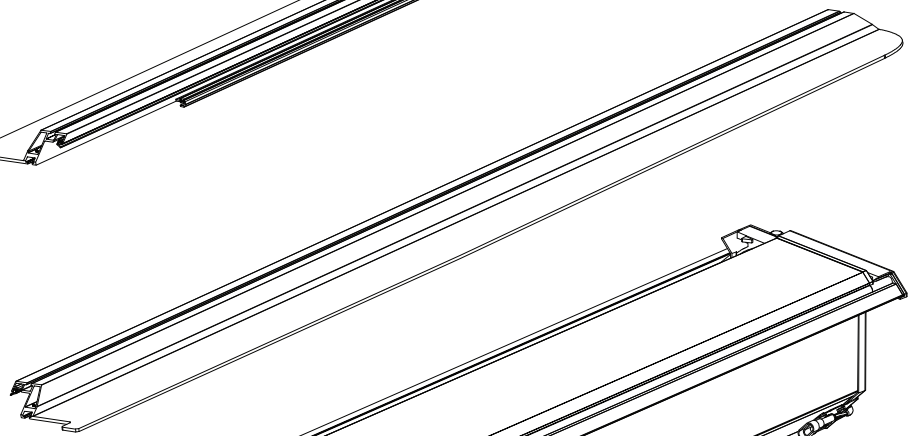
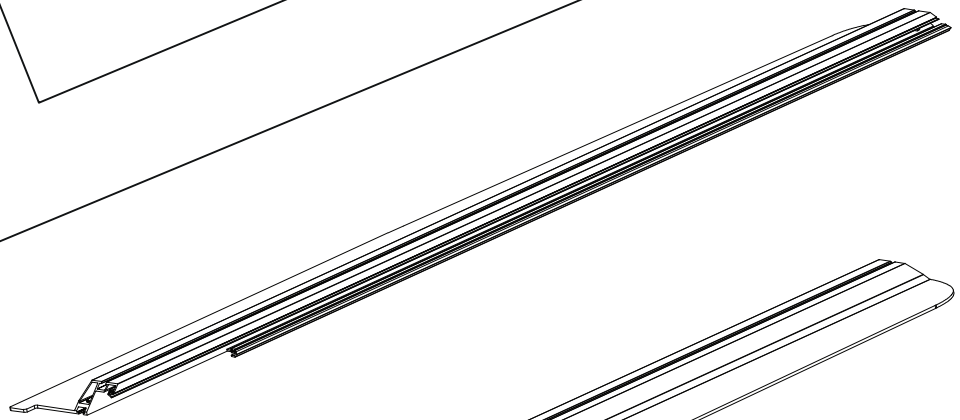
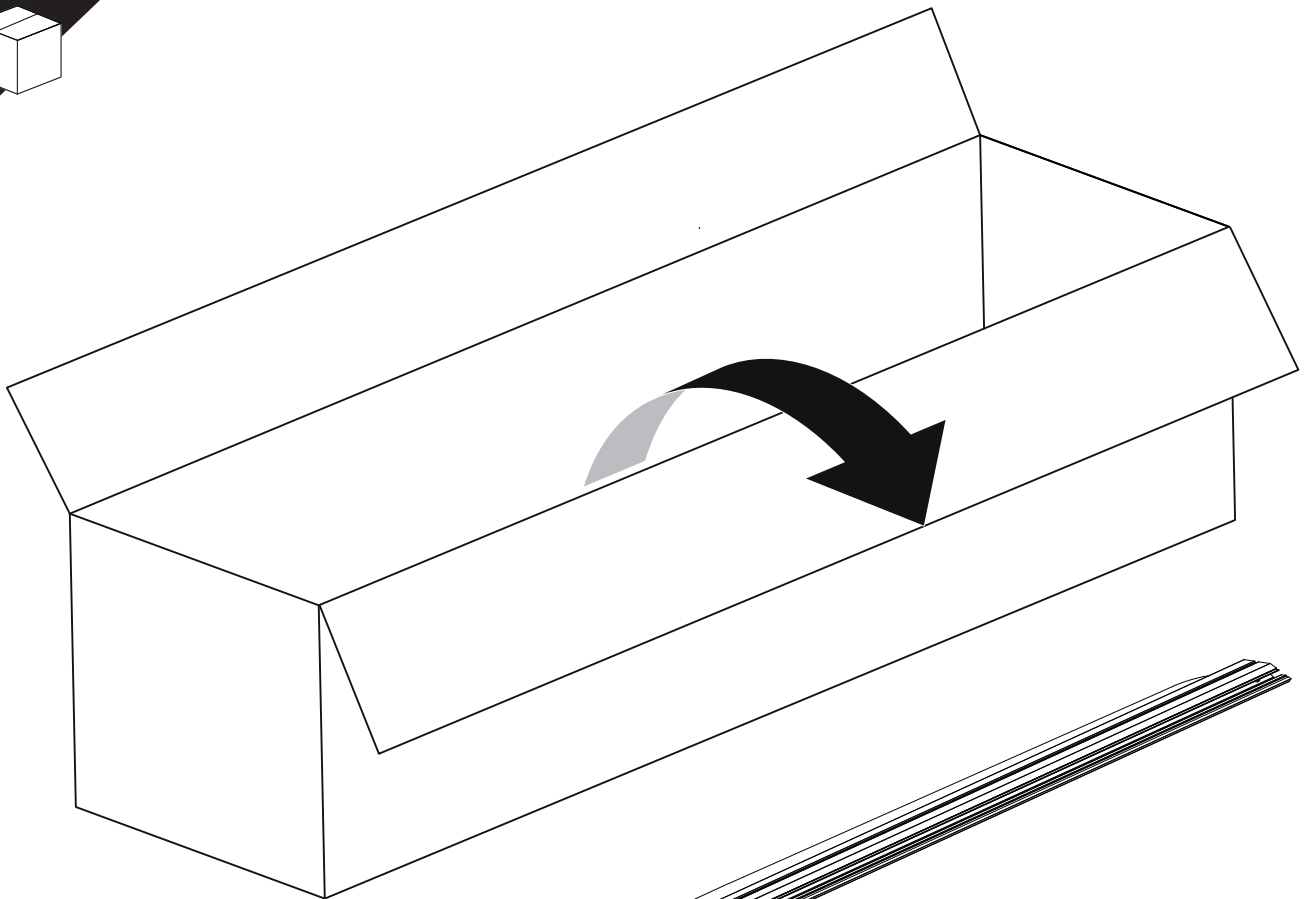


Installation Manual

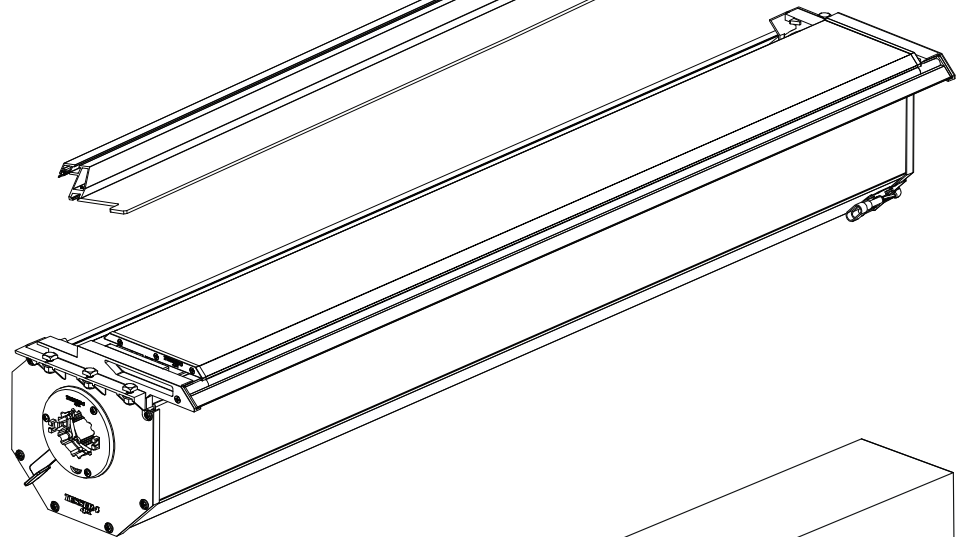
PART NUMBER(S)	Model Year
TESS 150 SE	Nissan D40 (with c-channels)
TESS 1502 SE	
TESS 1503 SE	
Cab(s)	Installation Time / Weight
Double Cab & Space Cab	40-60 minutes / 53-57 kg







B



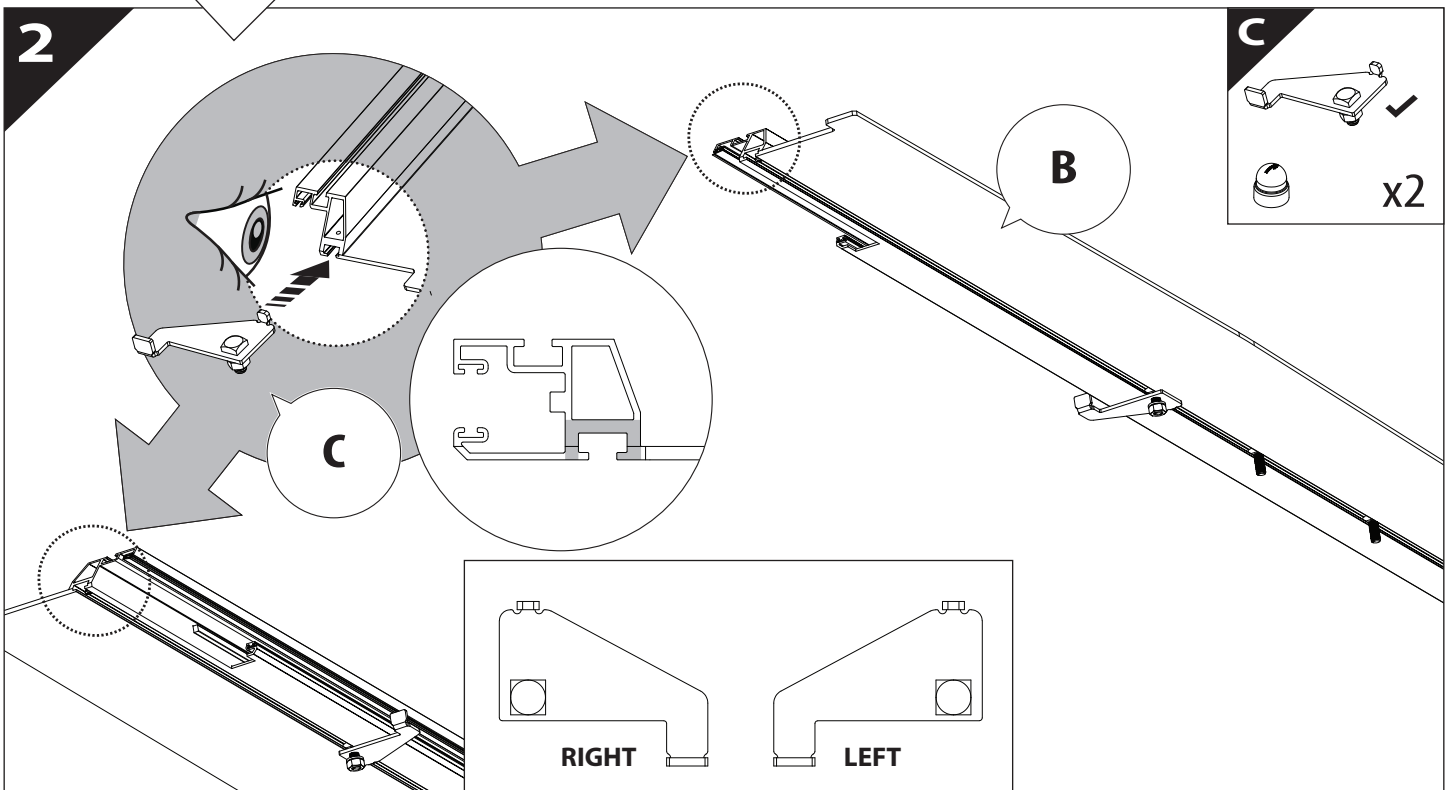
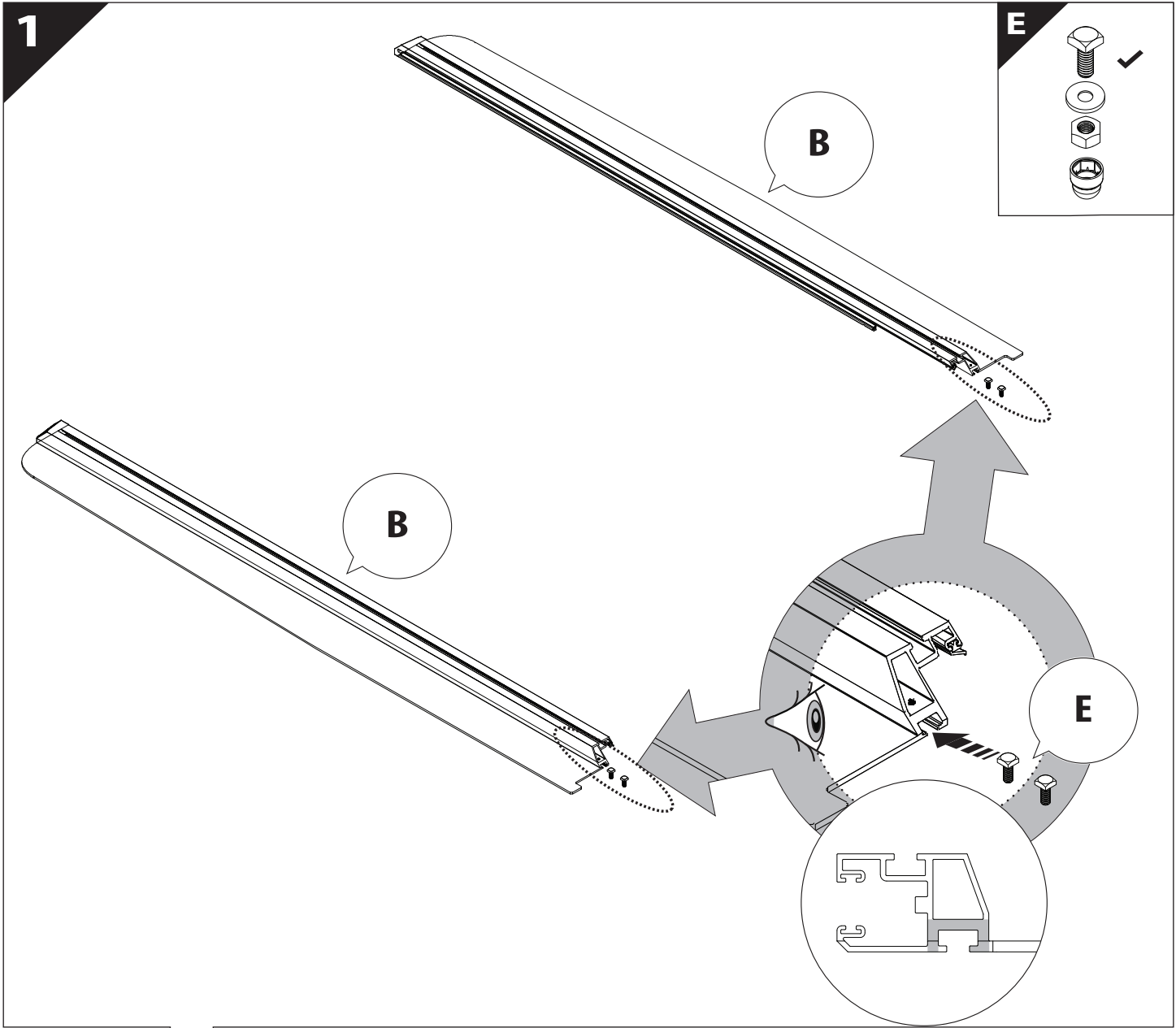
A

KITS

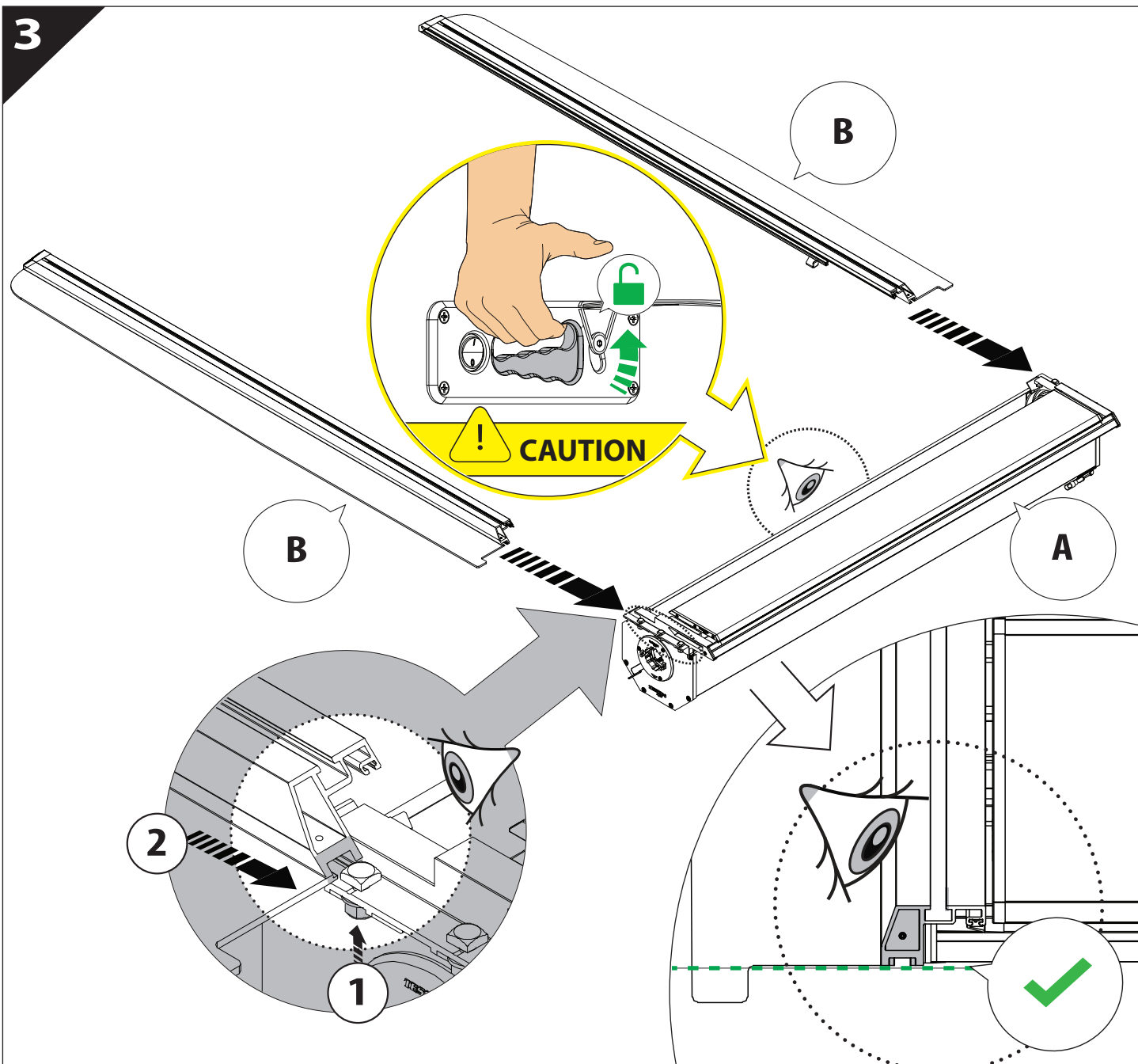


G

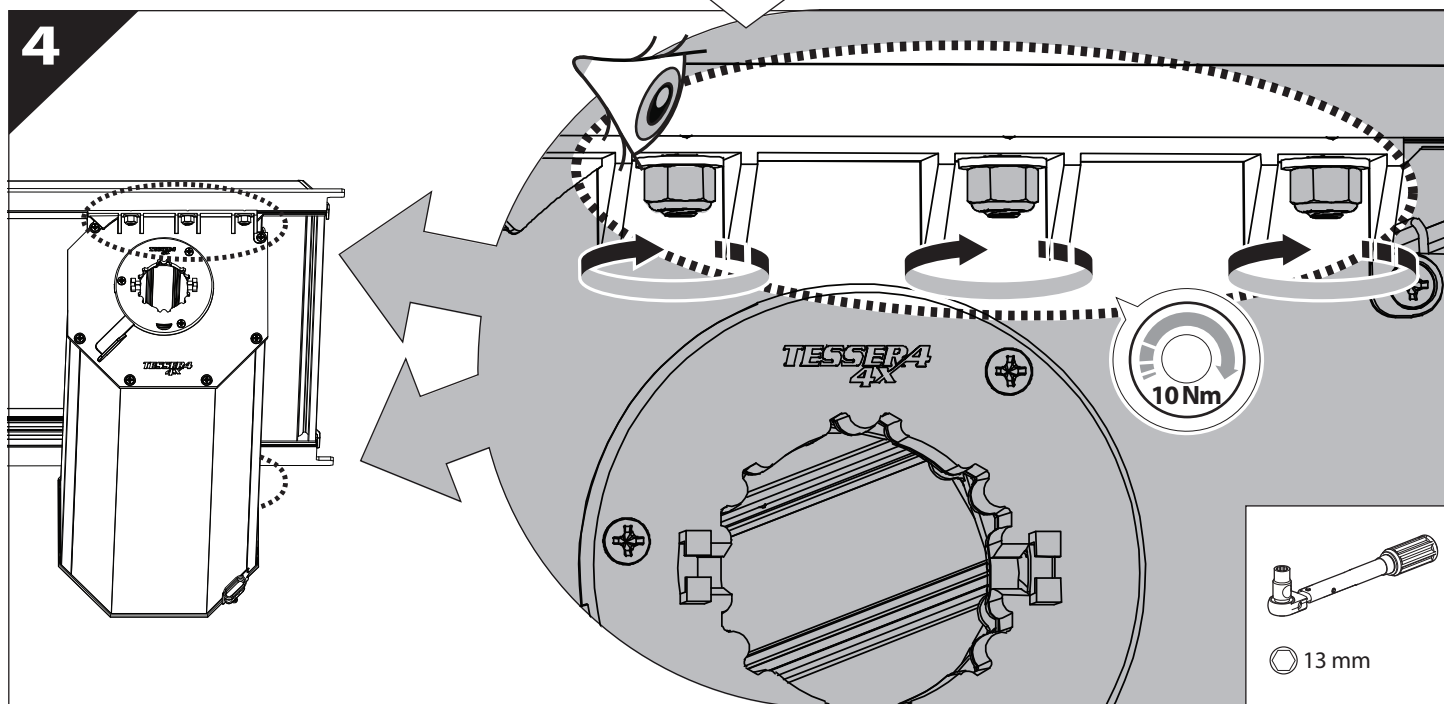




3



4



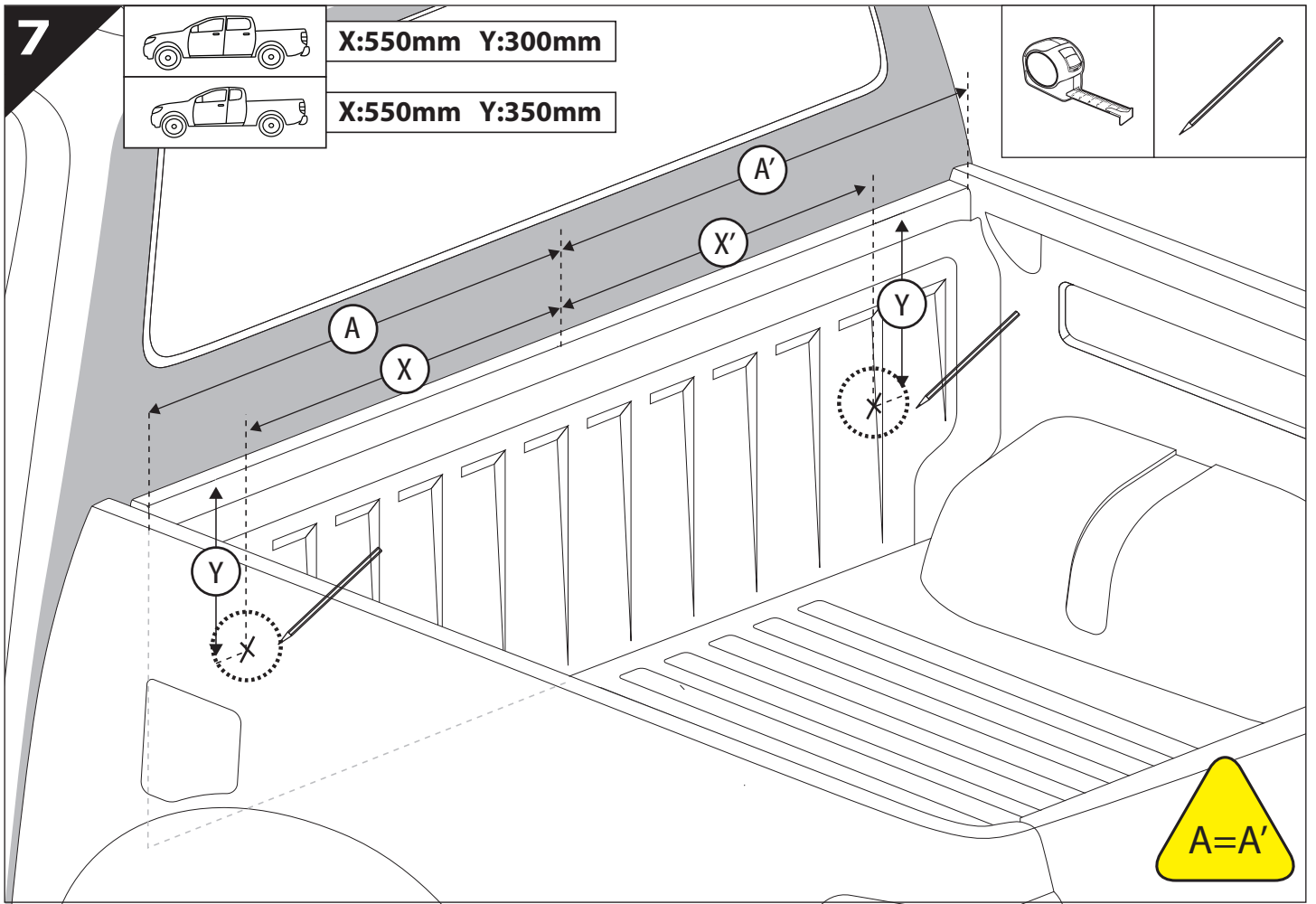
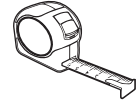
7



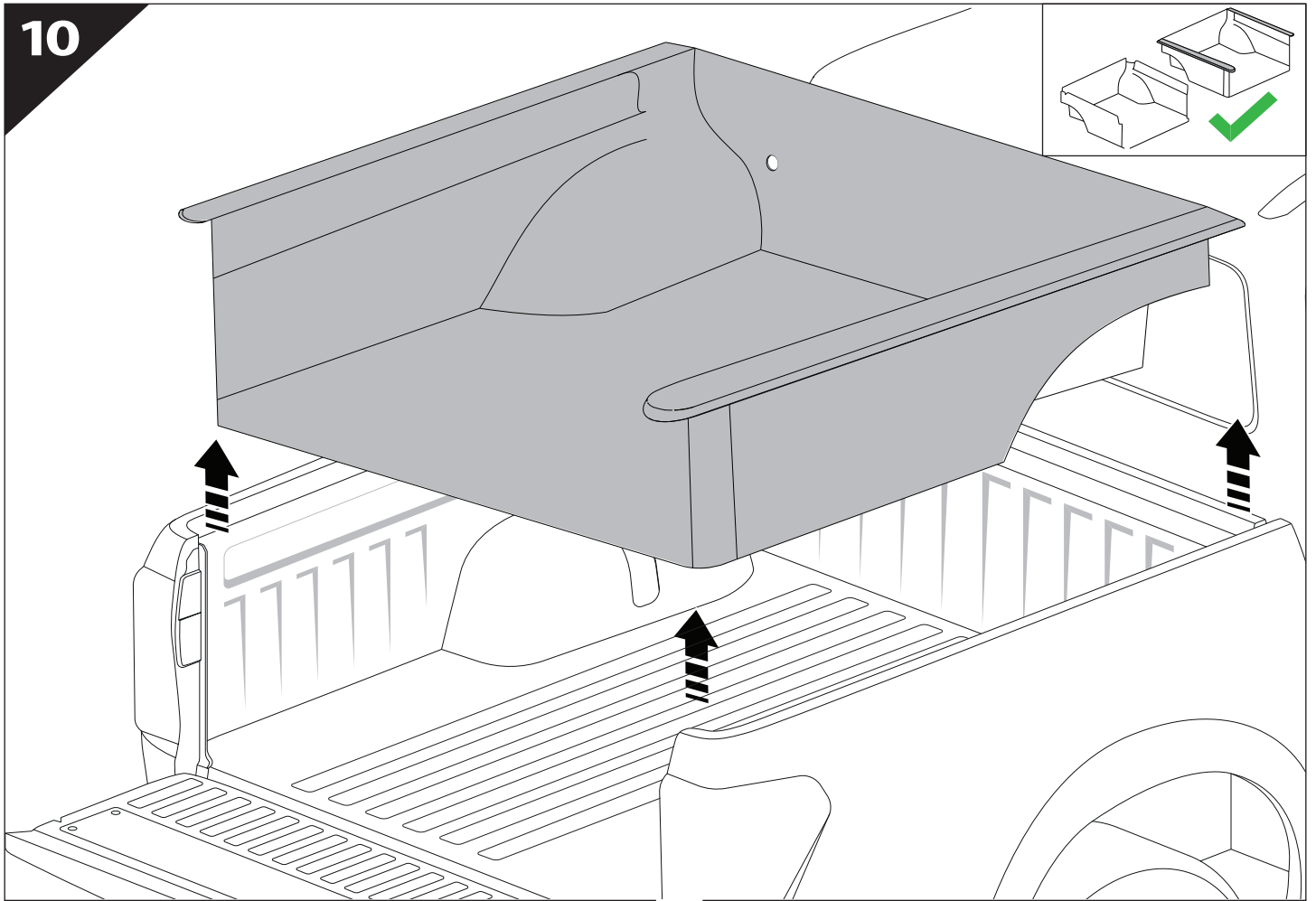
X:550mm Y:300mm



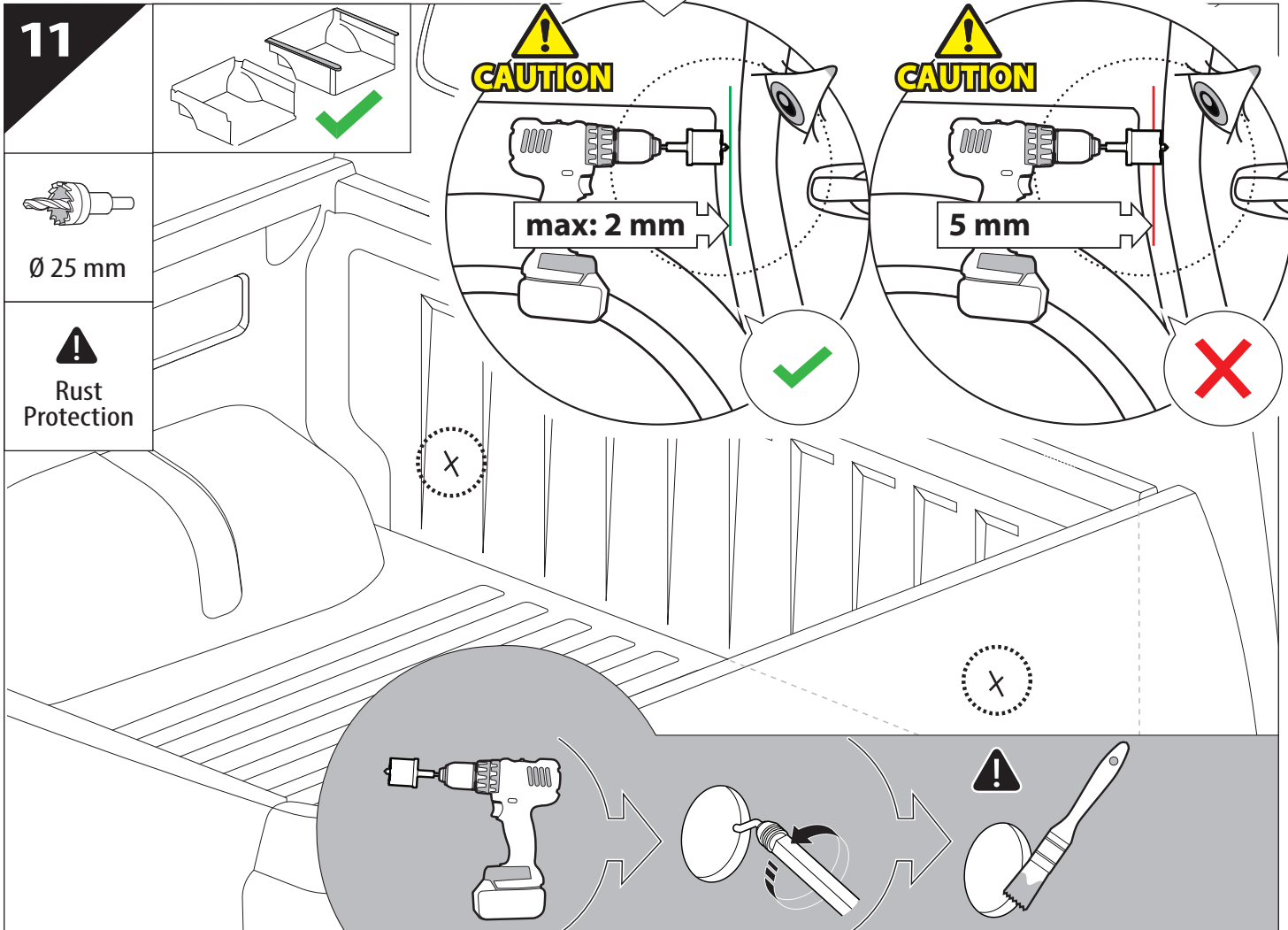
X:550mm Y:350mm



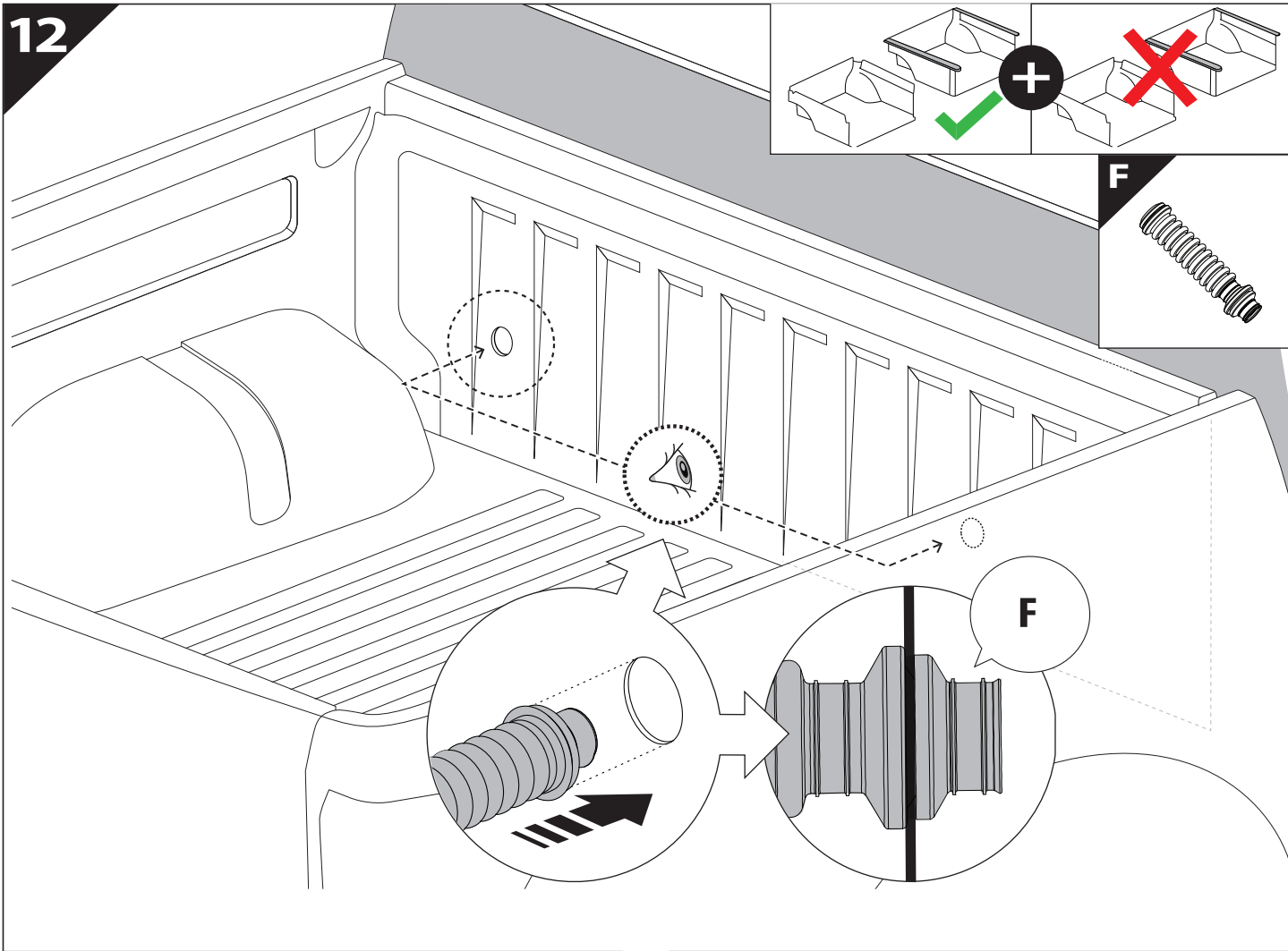
10



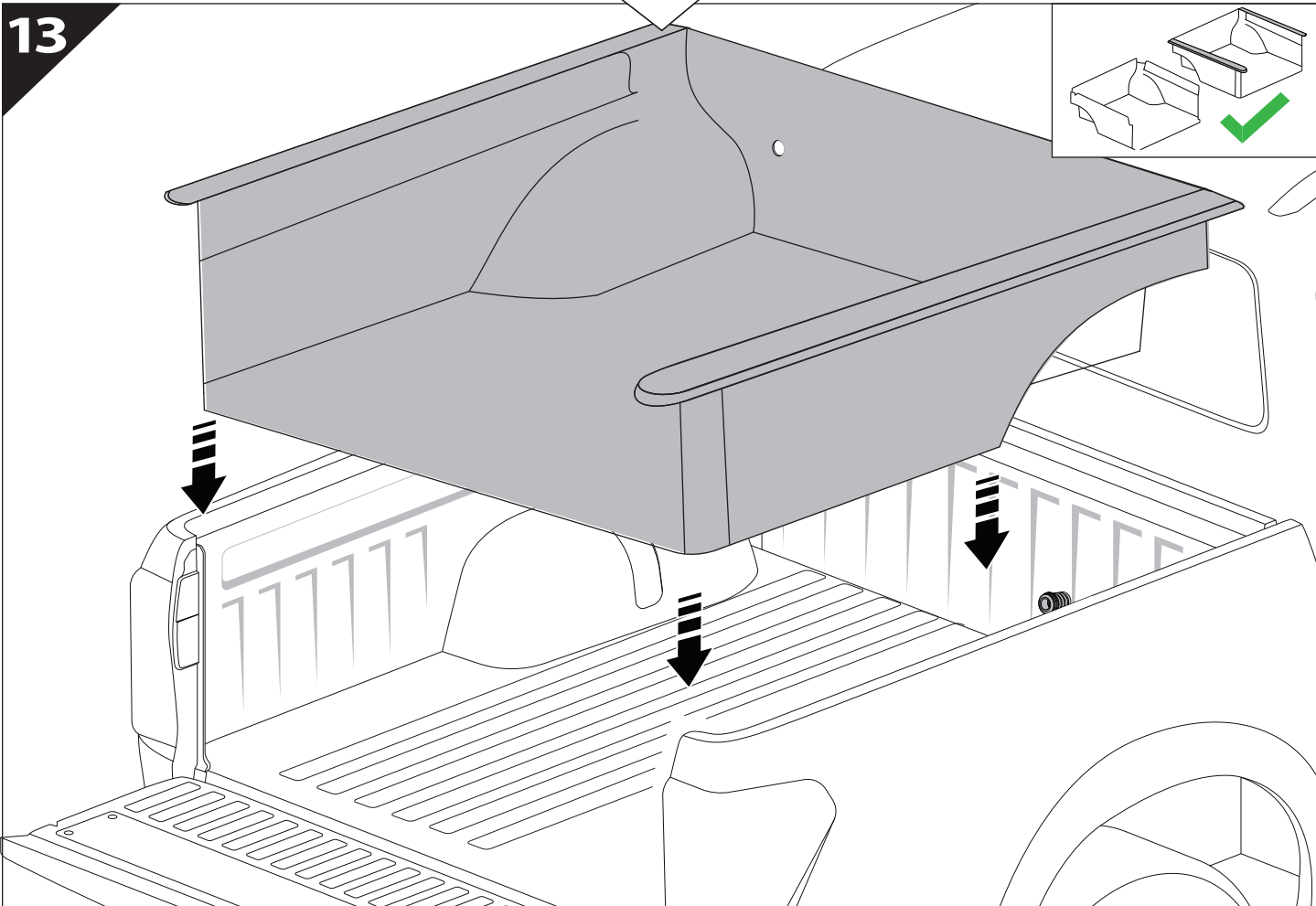
11

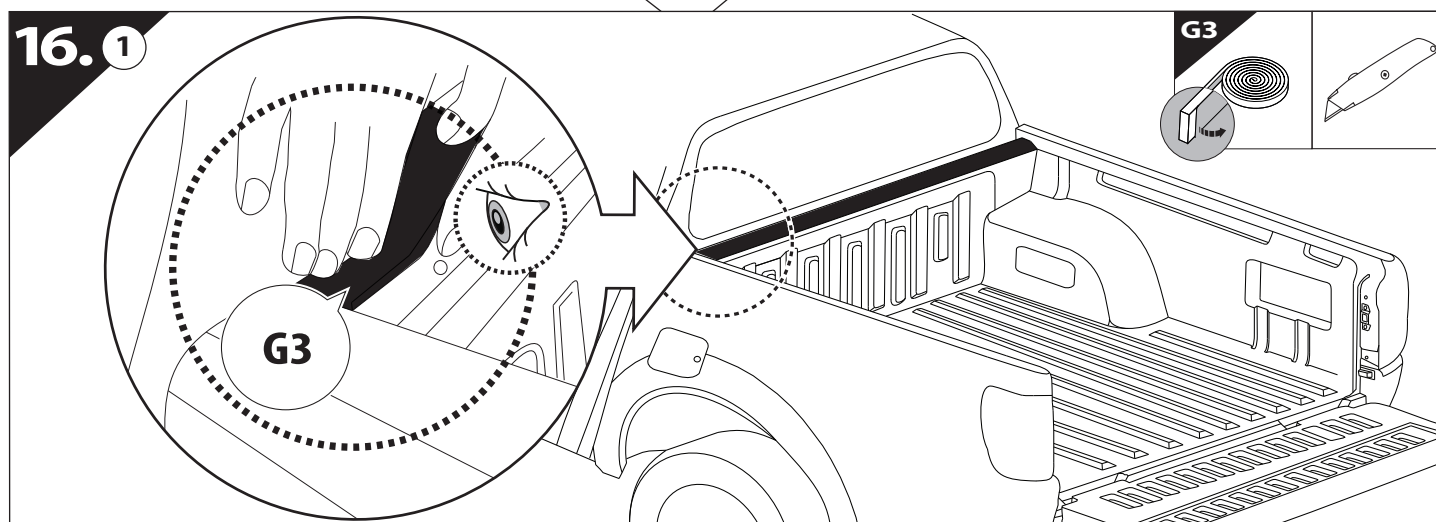
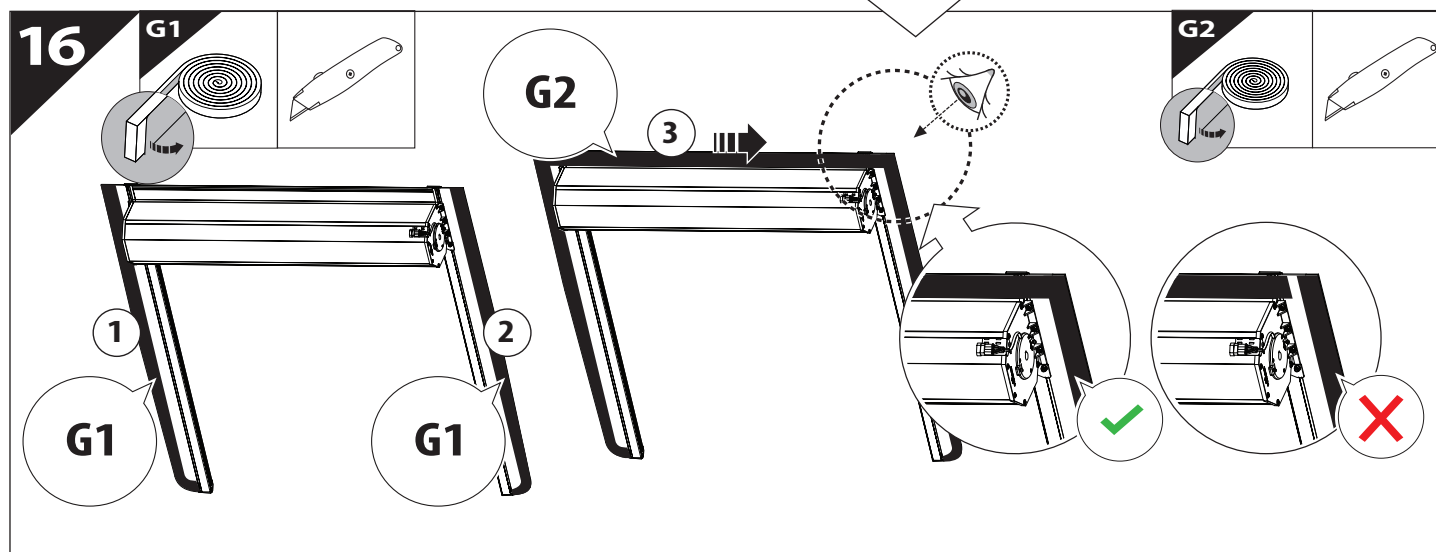
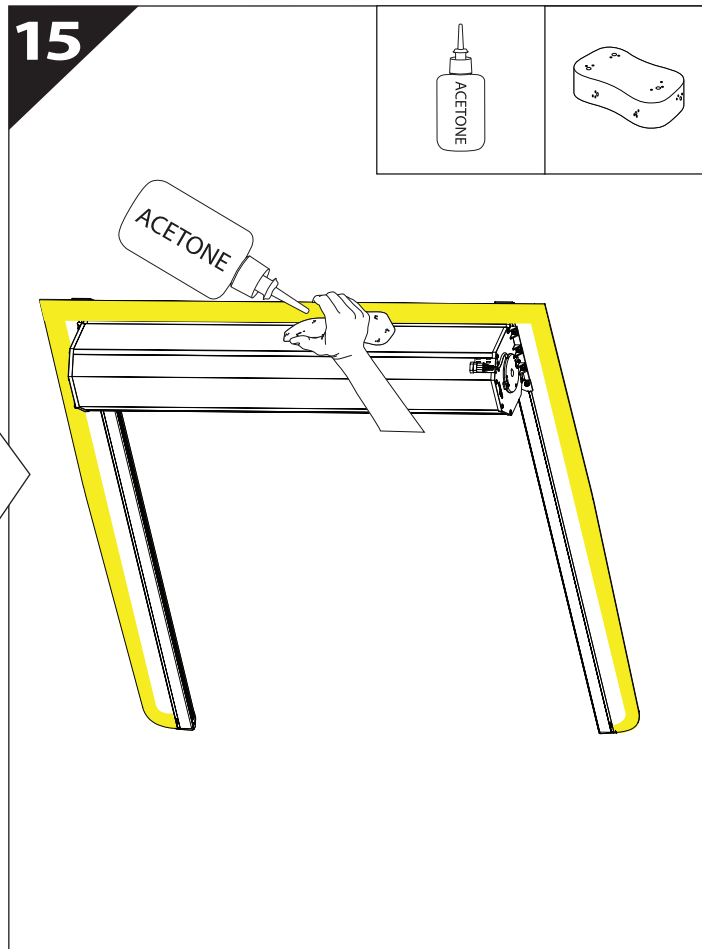
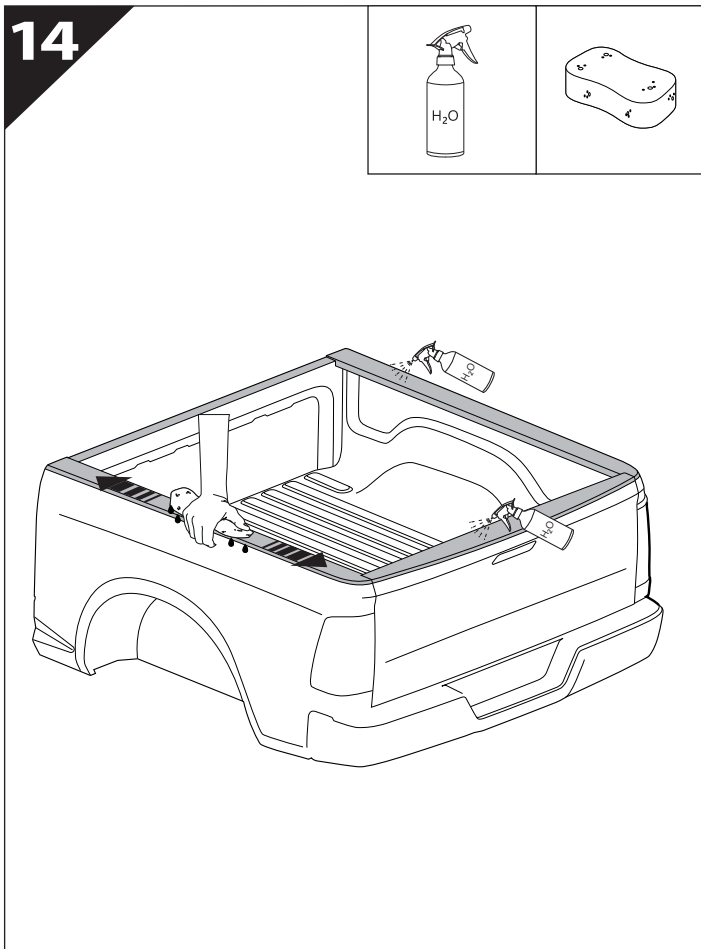


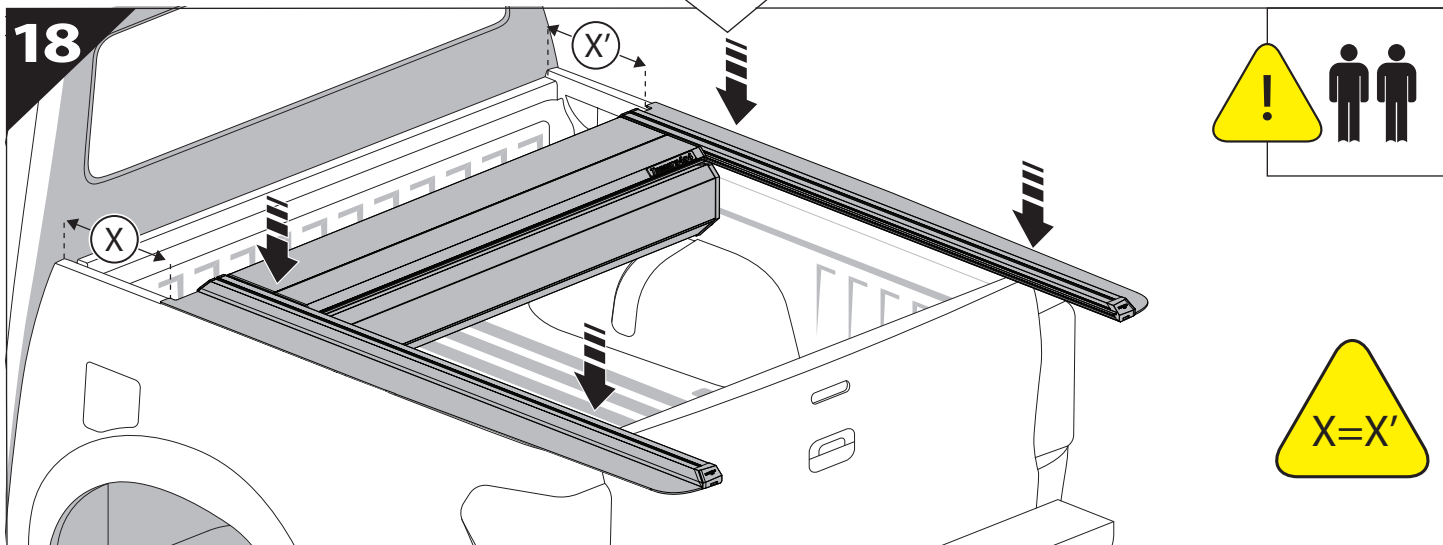
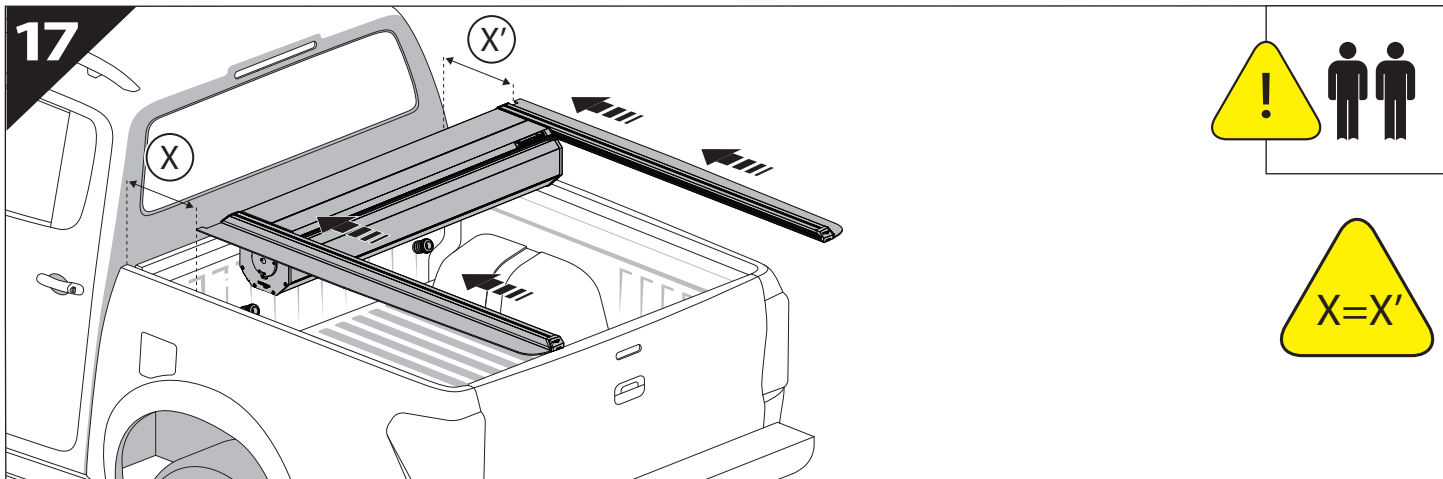
12



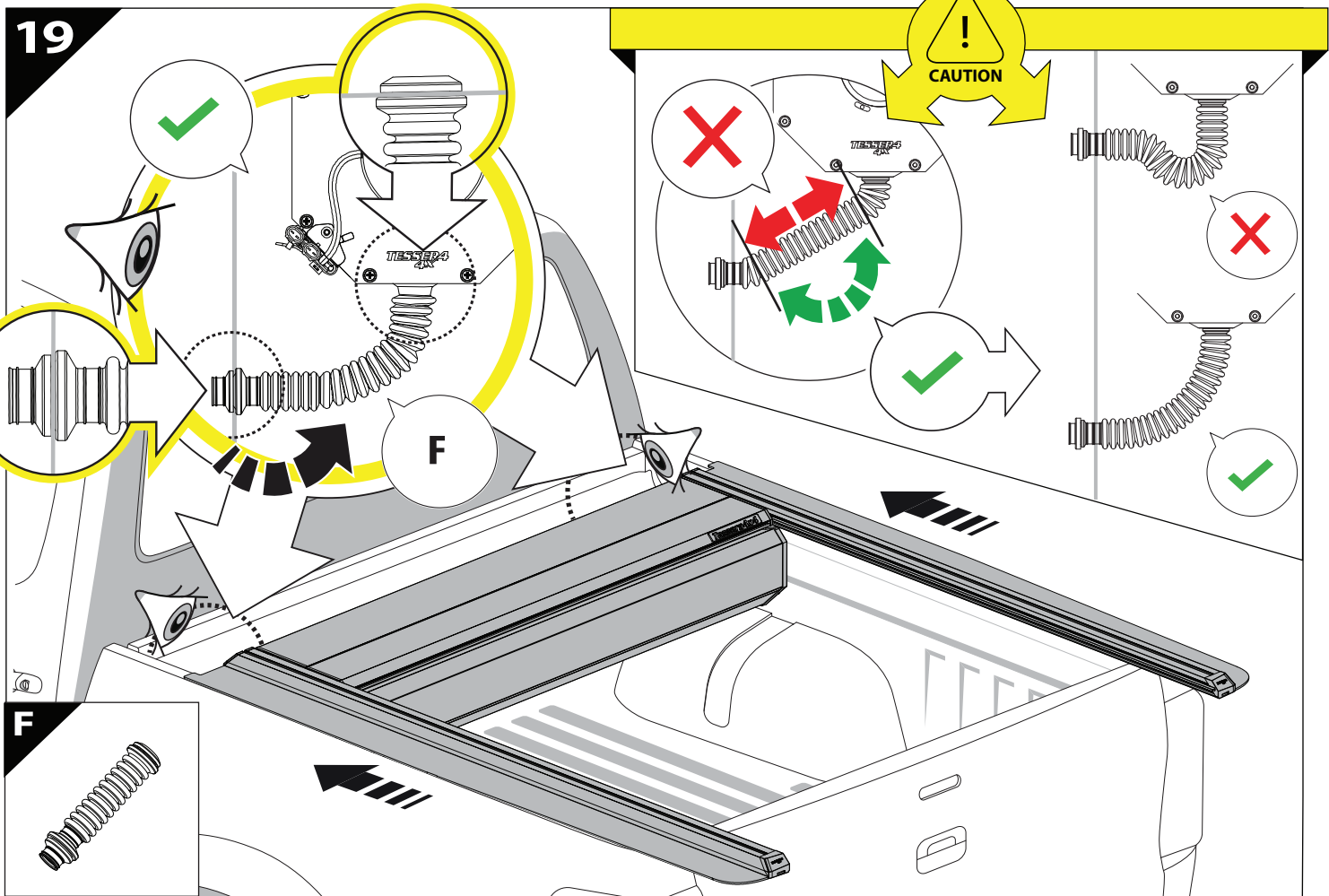
13



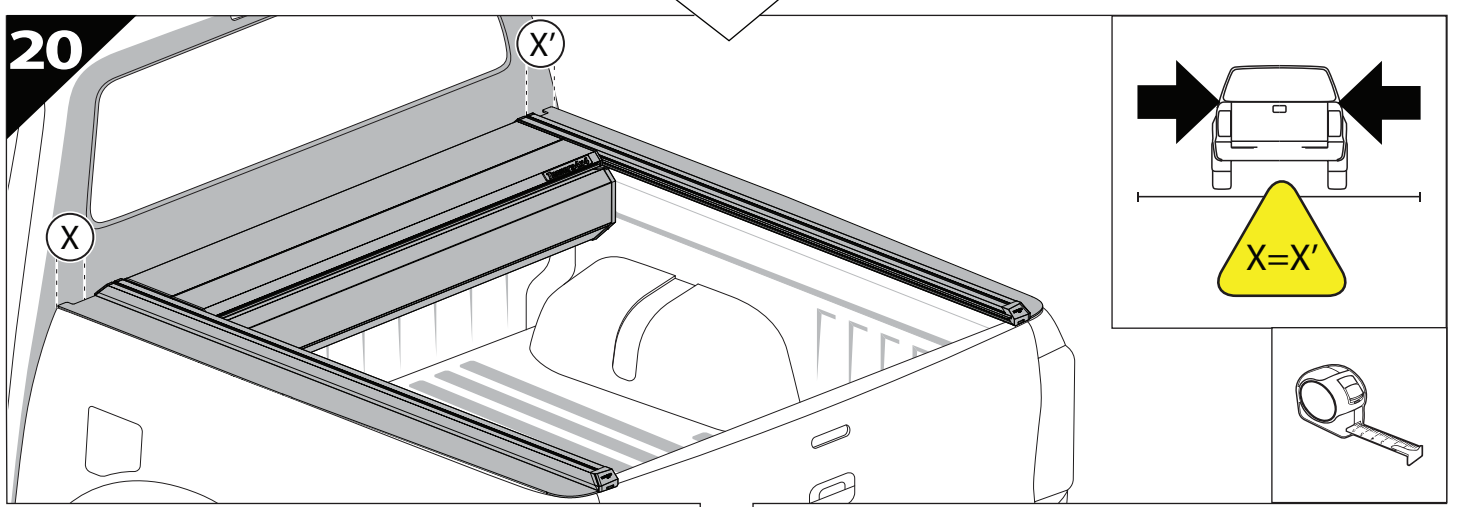




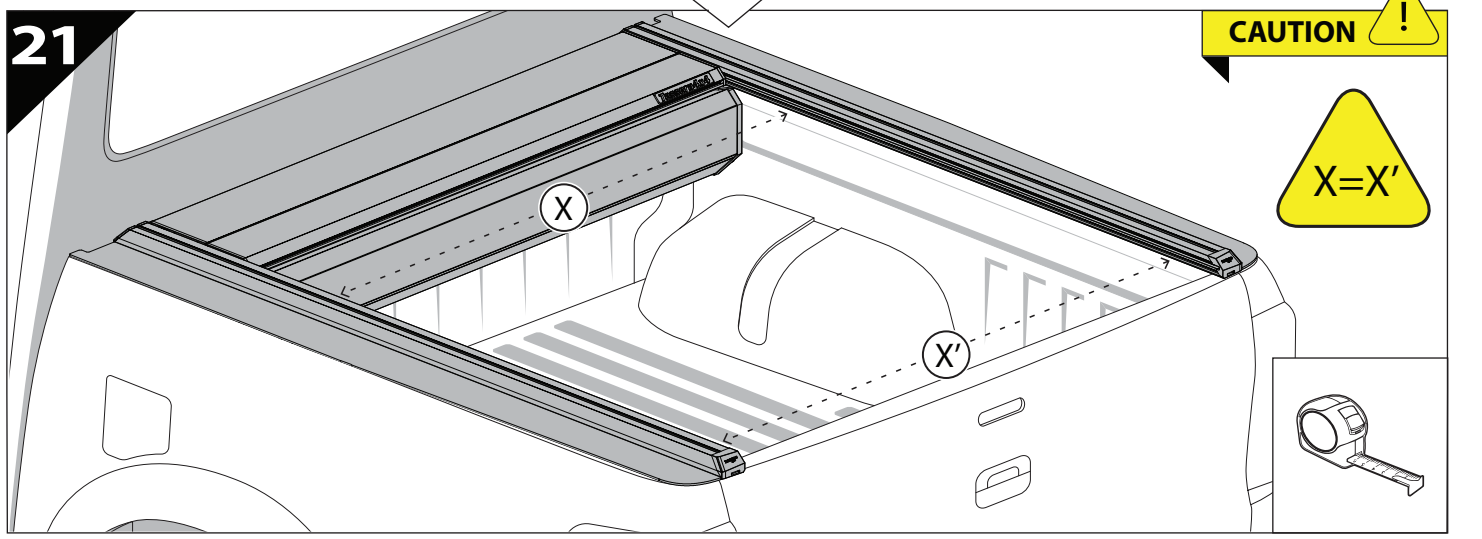
19



20

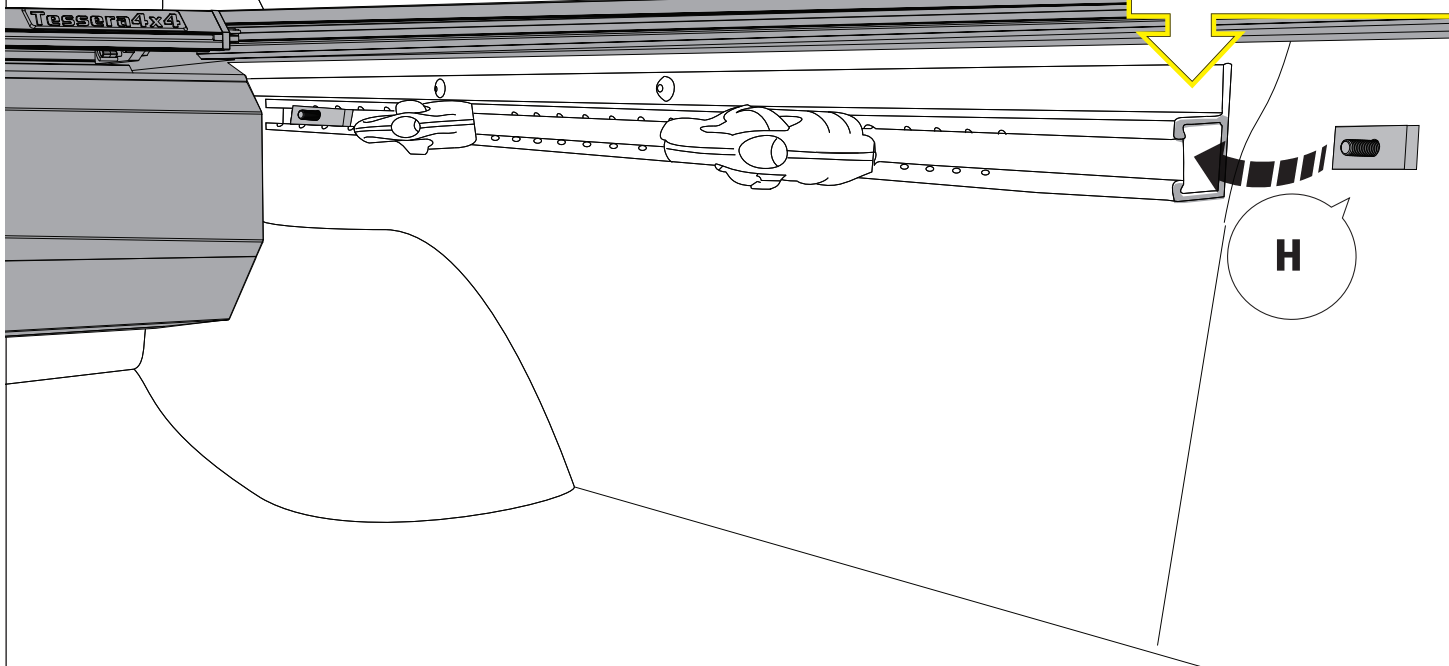
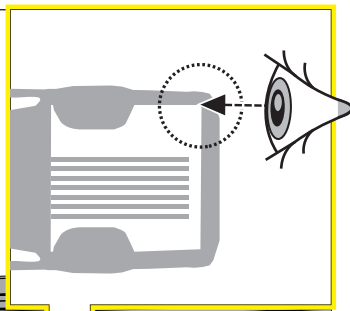
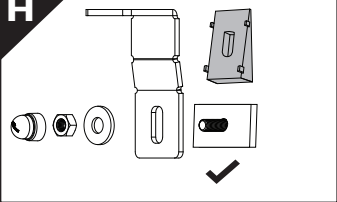


21

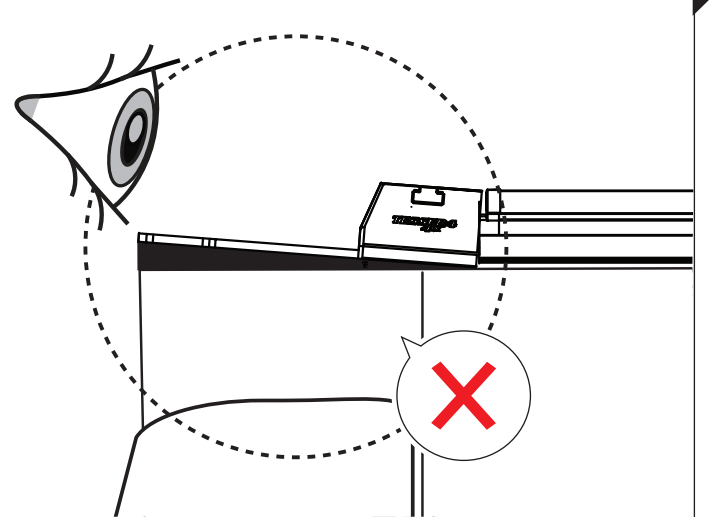
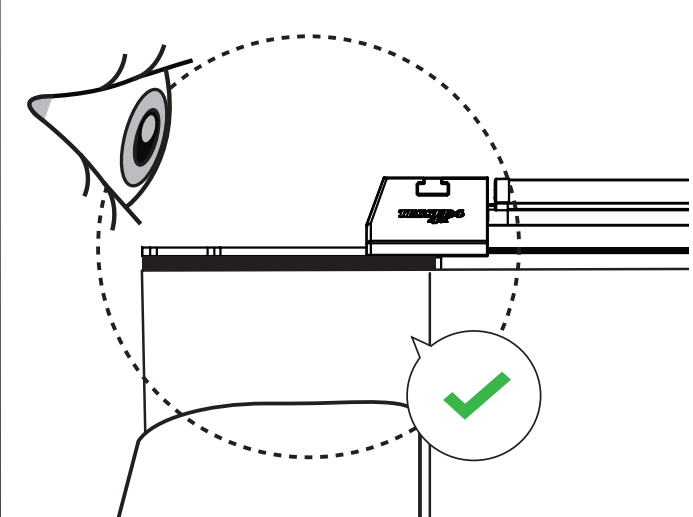
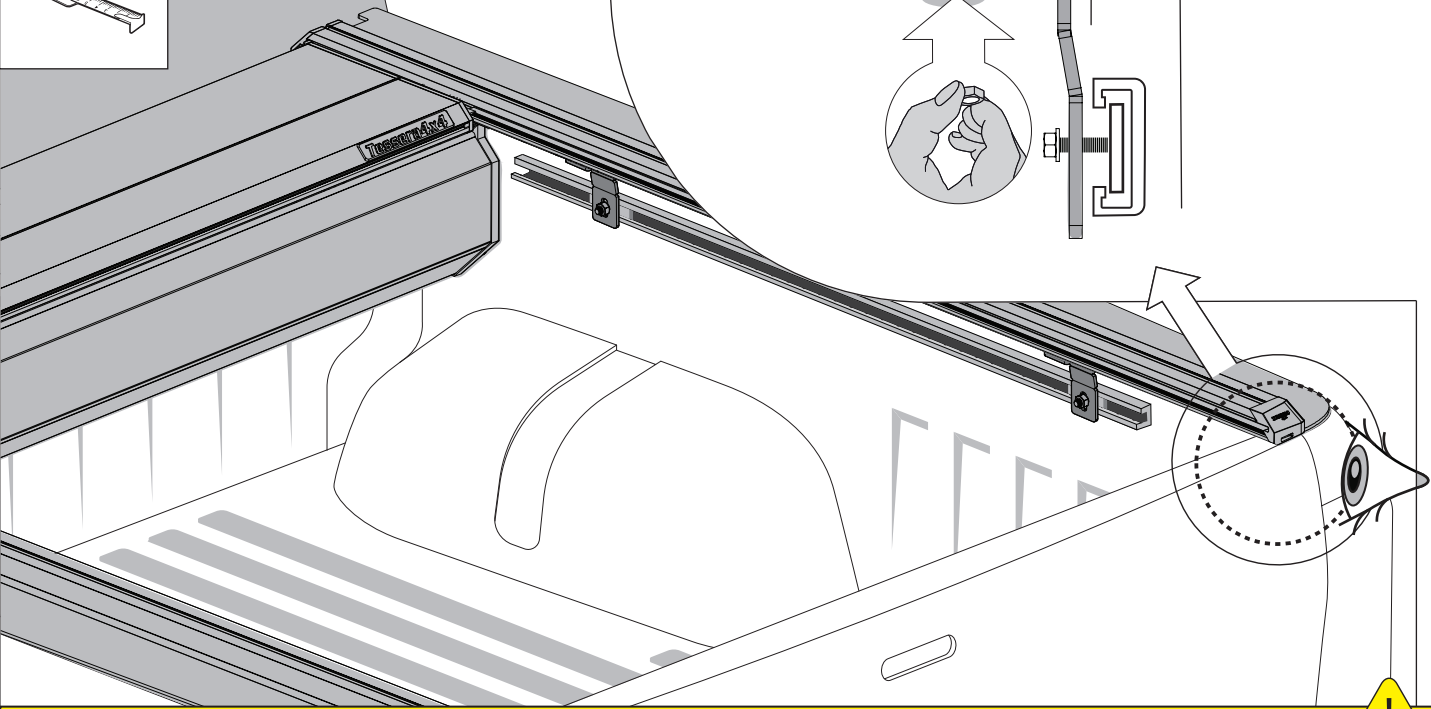
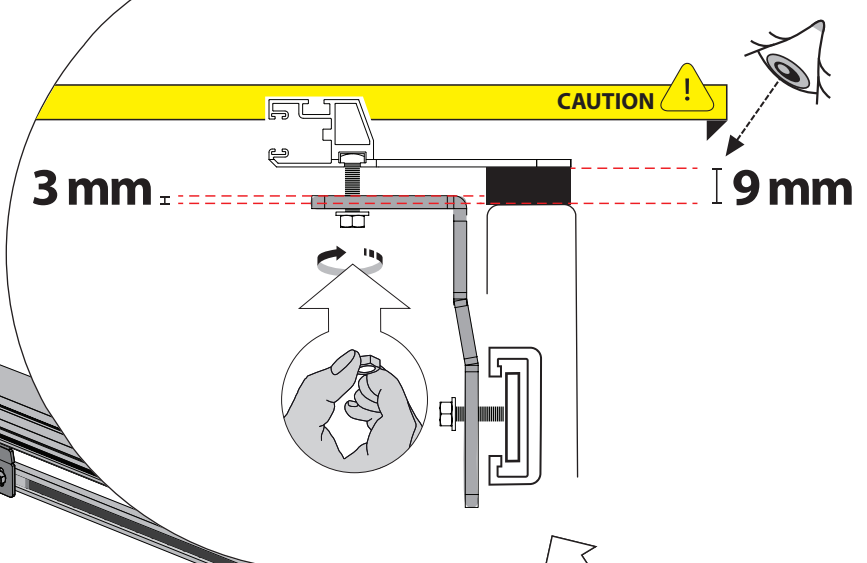
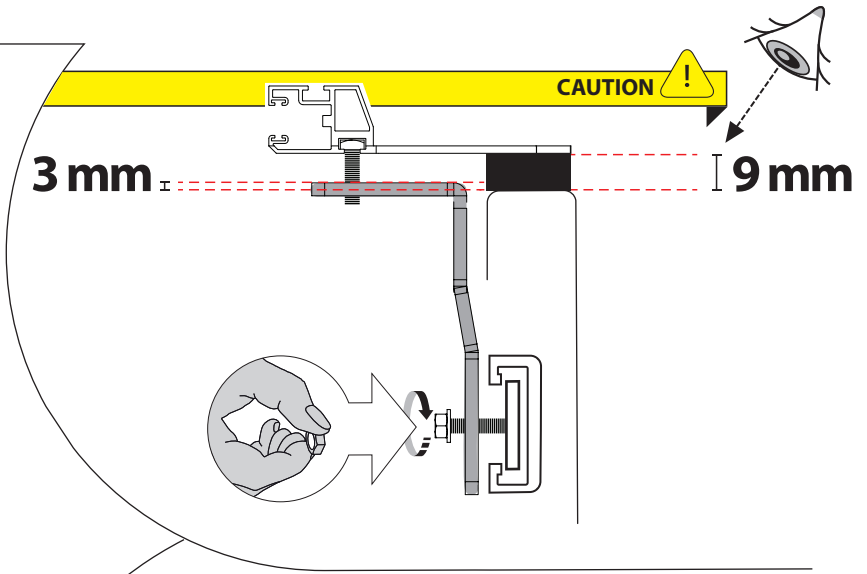
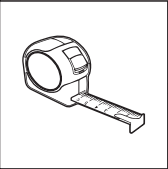
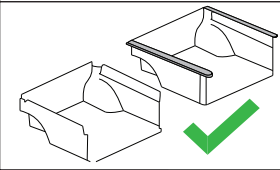
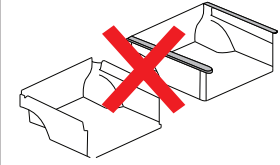
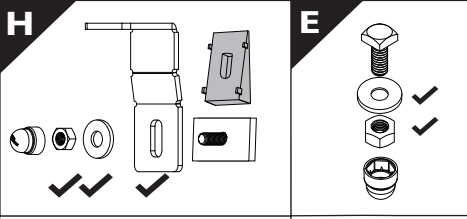


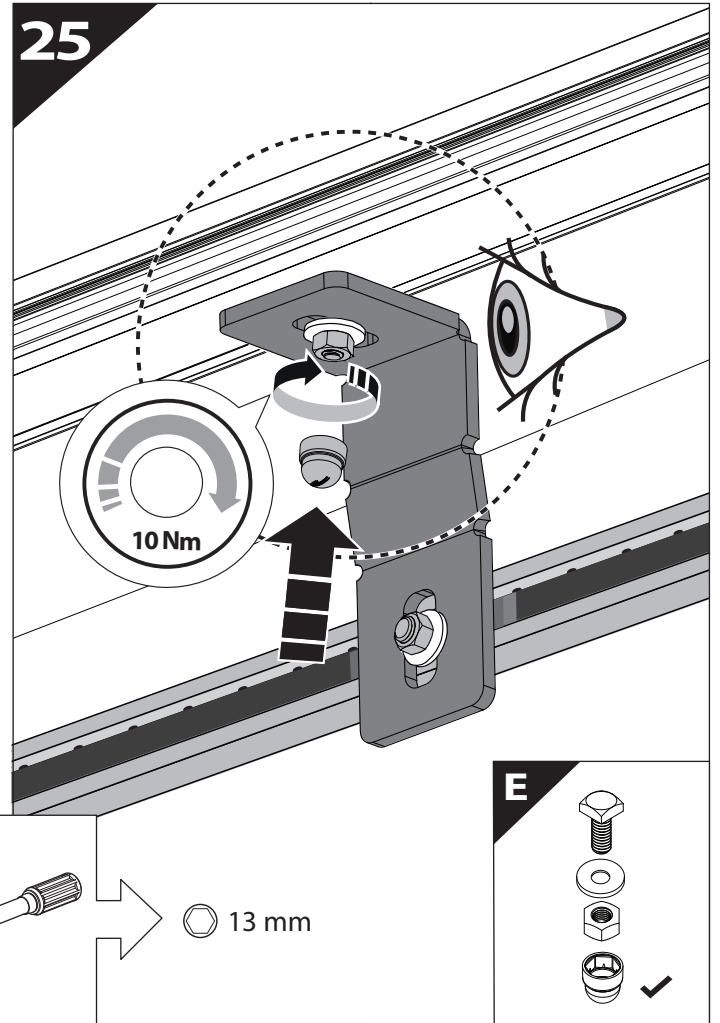
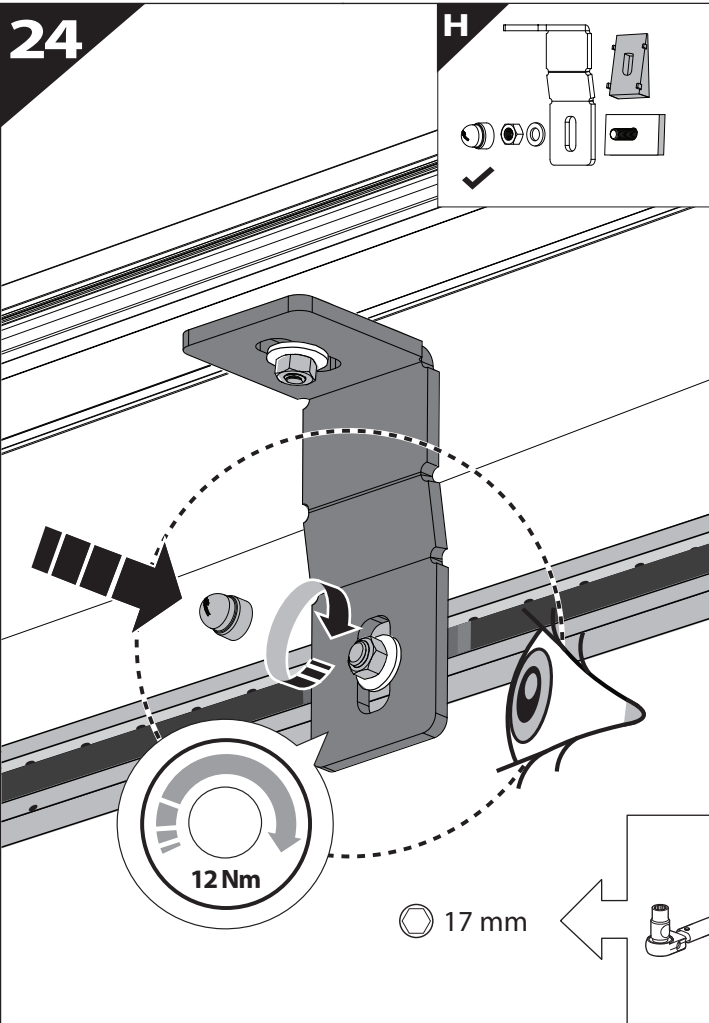
22

H

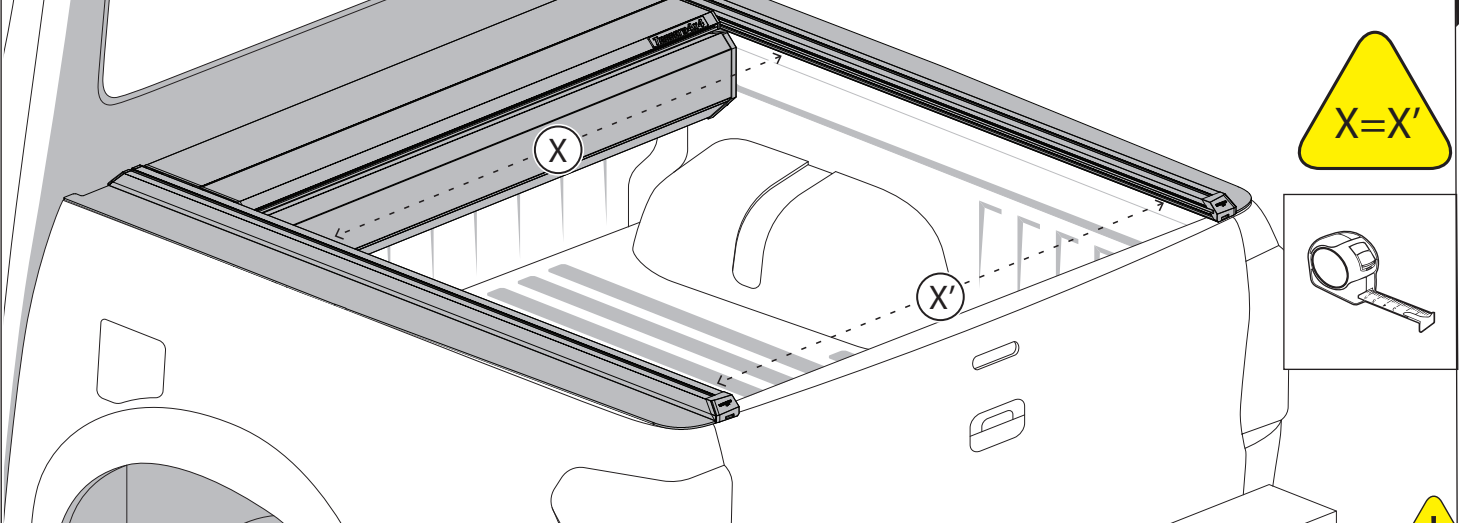


23

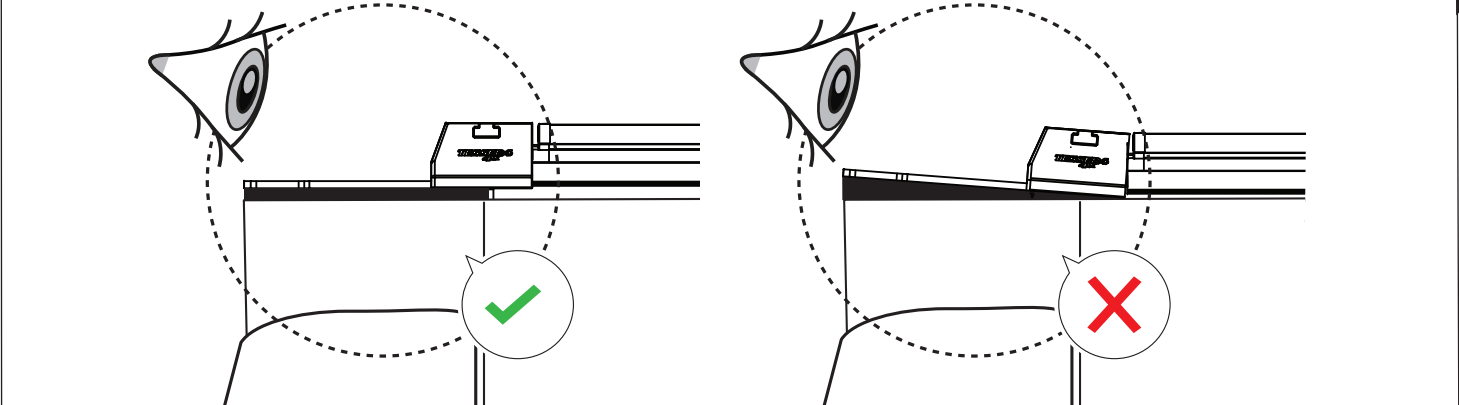




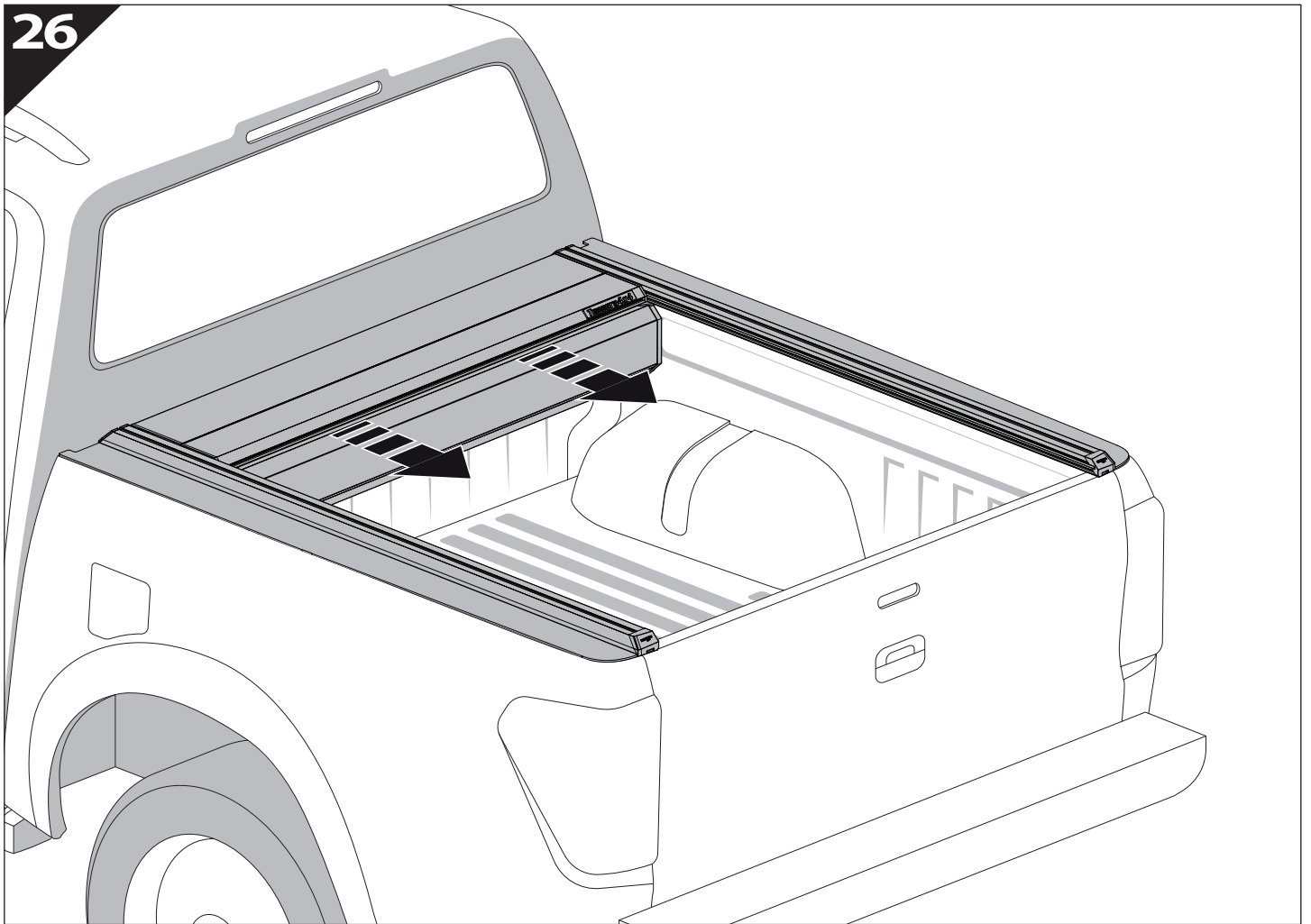
CAUTION !



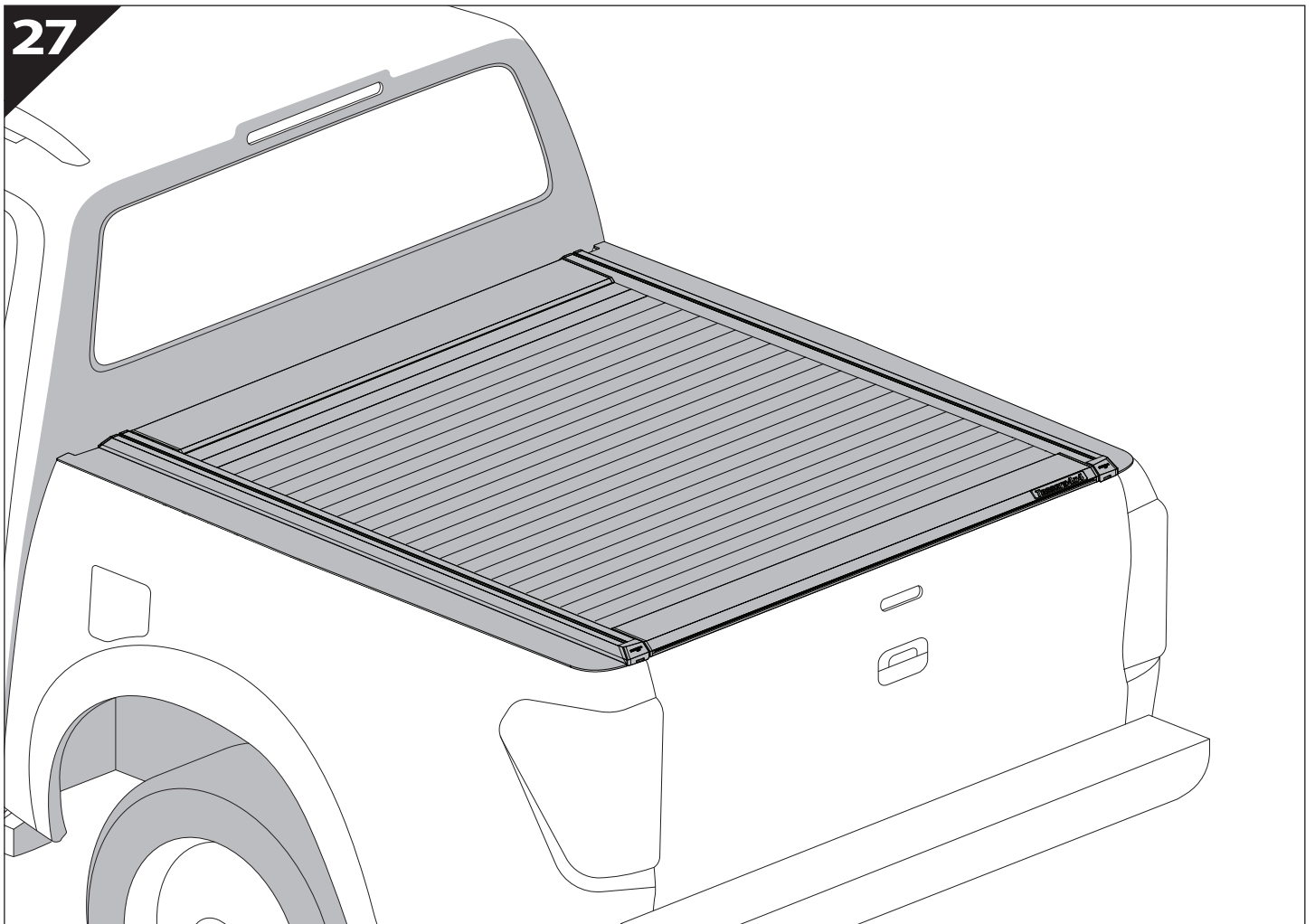
CAUTION !



26



27





GR: Οδηγίες Εγκατάστασης
GB: Installation manual
SF: Asennusohje
F: Notice de montage
PL: Instrukcja montażu
NL: Installatie-instructies
TR: Montaj Talimatı
S: Monteringsanvisning
E: Instrucciones de montaje

H: Szerelési utasítás
P: Instruções de instalação
RUS: Инструкция по установке
N: Monteringsveiledning
D: Einbauanleitung
CZ: Návod k instalaci
I: Istruzioni de montaggio
DK: Monteringsvejledning
RO: Instructiuni de instalare

Customer Service:

+30 (210) 5541161, +30 (210) 5541154 (08:00 - 16:00 EET)

Support department:

info@gianso.gr

Website:

www.tessera4x4.com

Address:

19.5 km of National road Athens-Korinthos (Elefsina) Greece, P.C: 19200