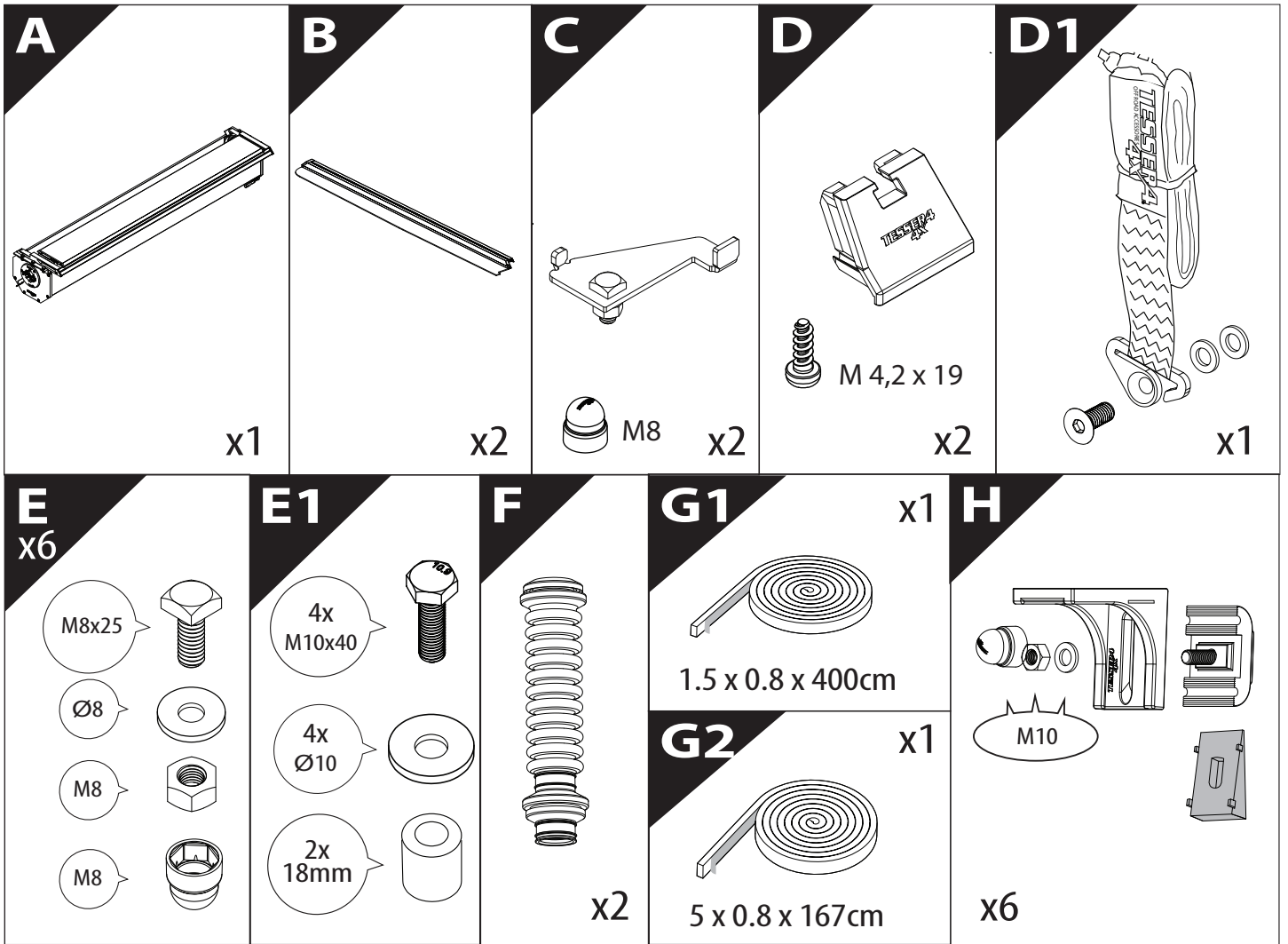
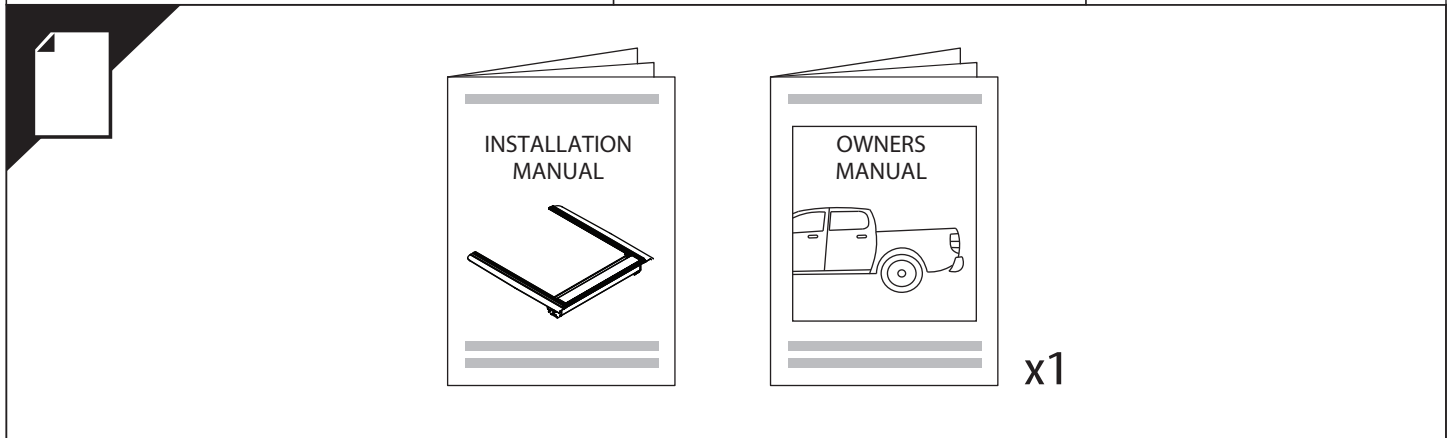
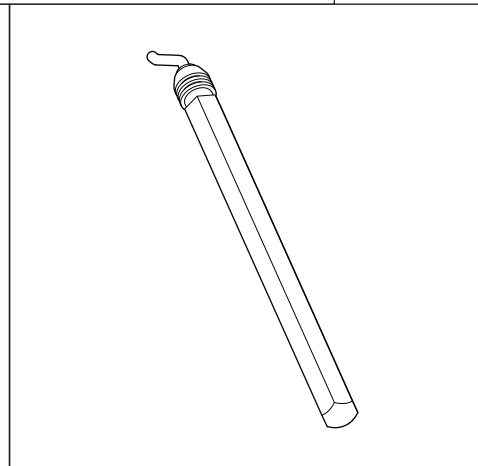
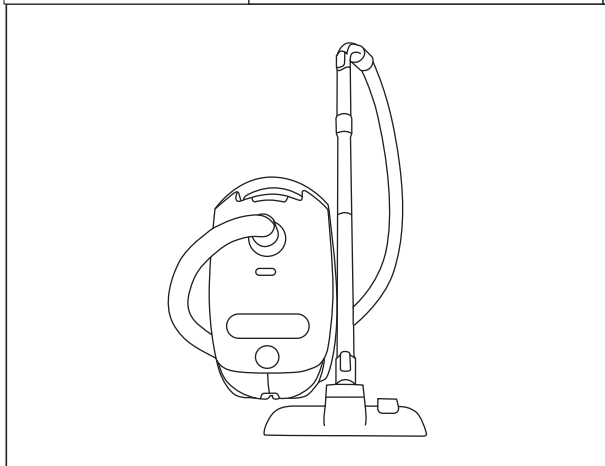
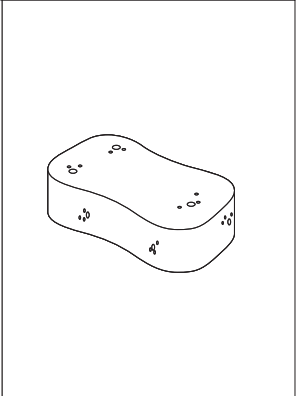
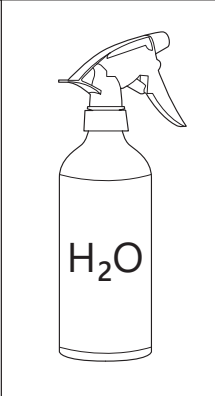
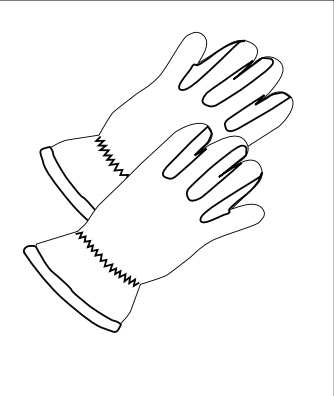
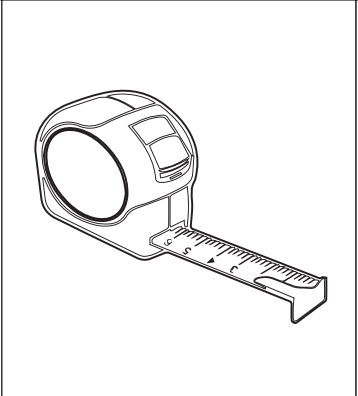
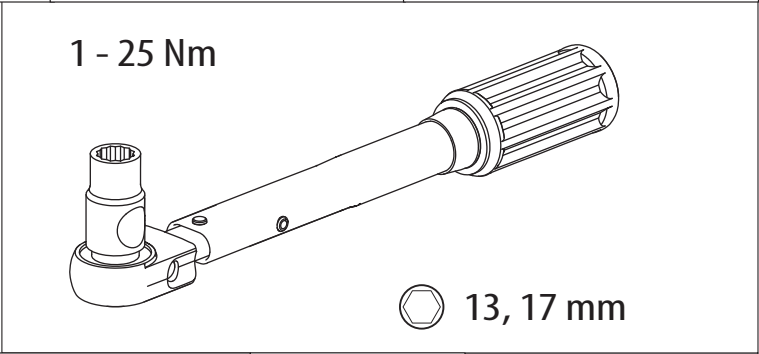
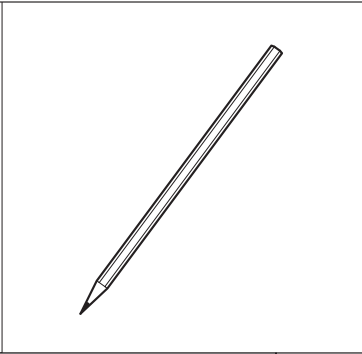
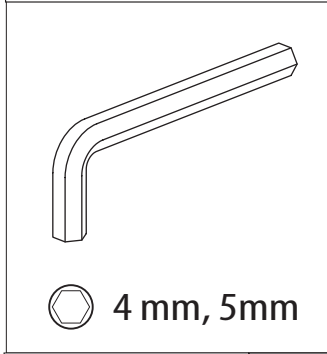
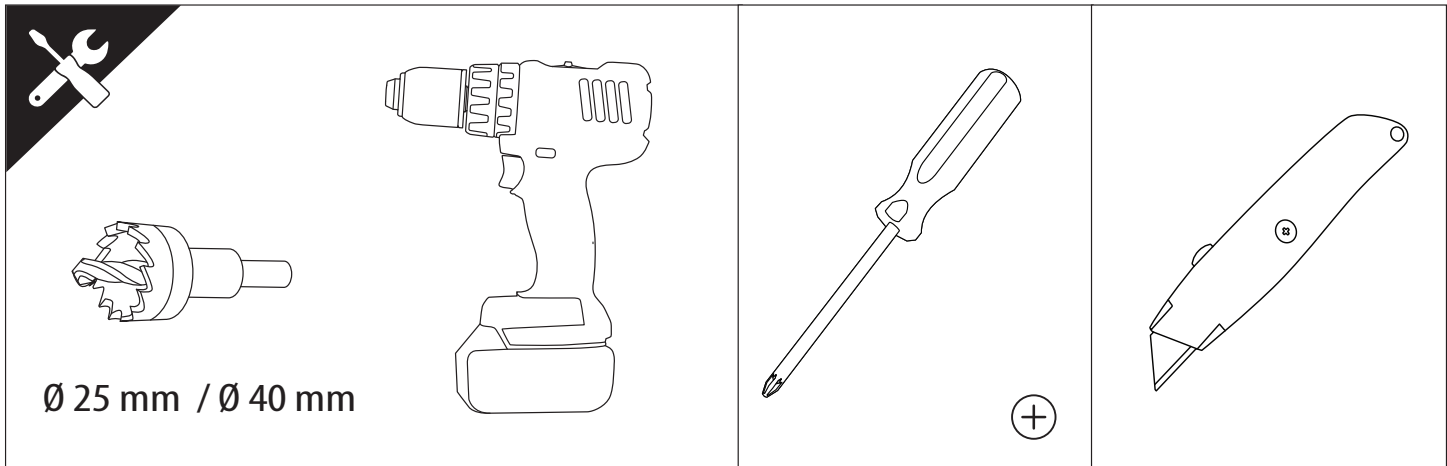


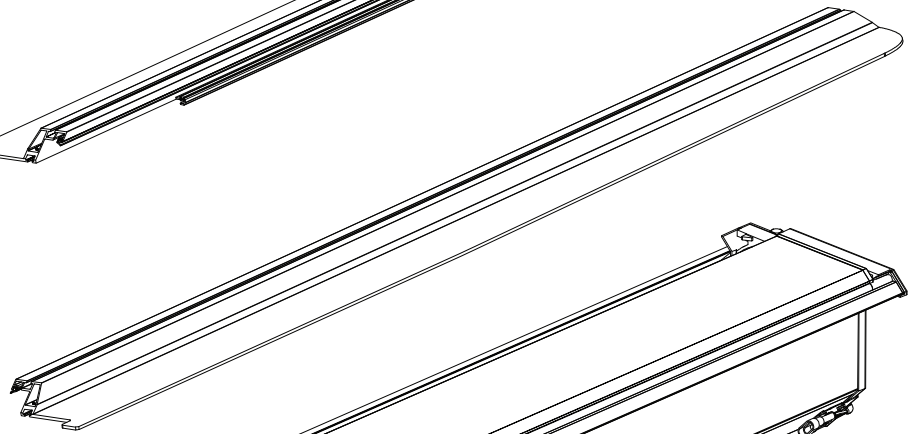
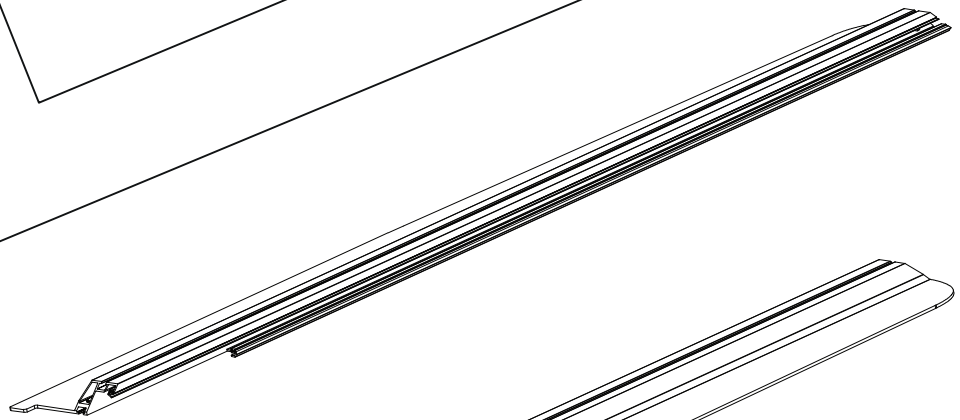
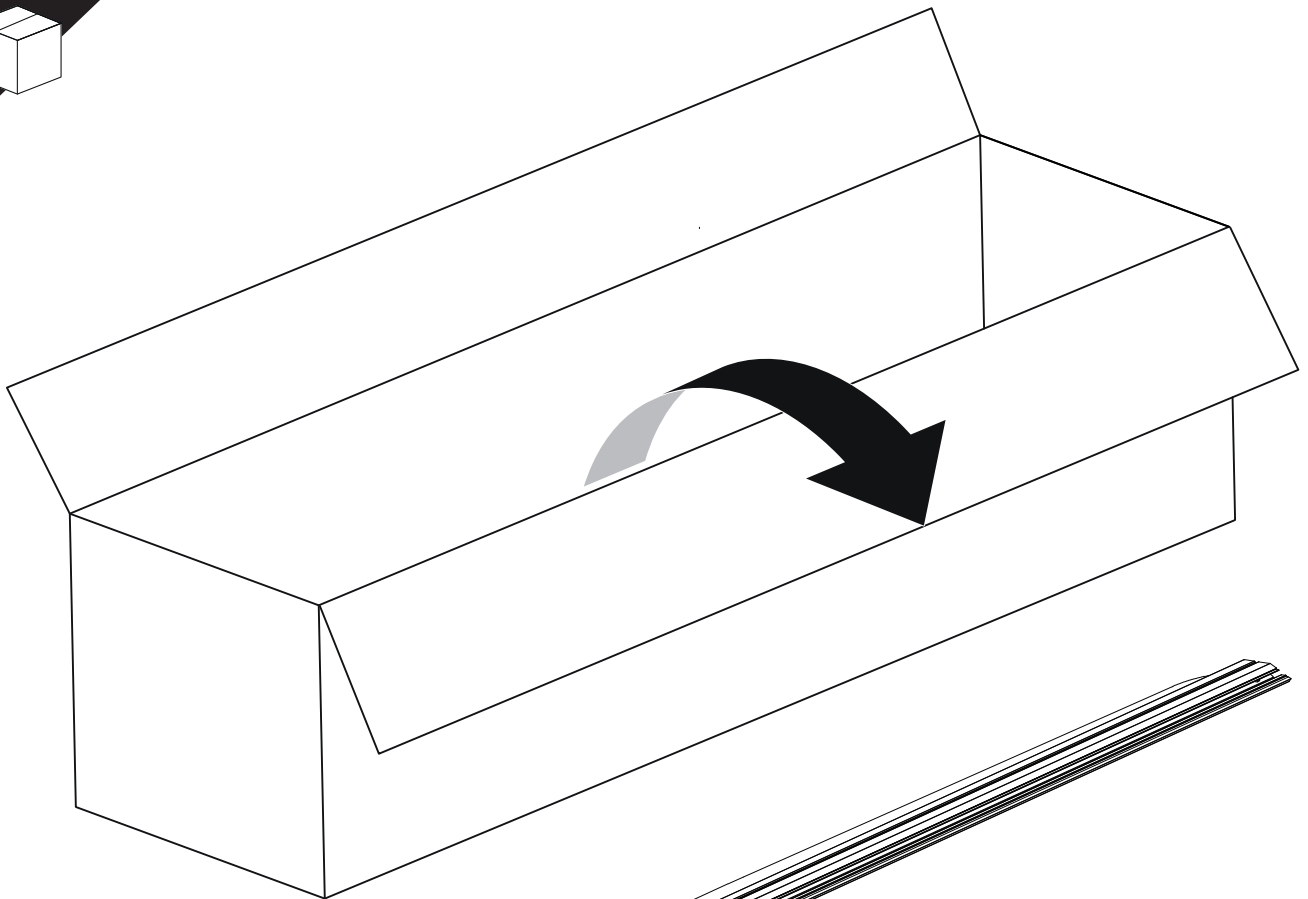
## Installation Manual

<b>PART NUMBER(S)</b>	<b>Model Year</b>
<b>TESS 15171 SE</b>	<b>Toyota Hilux (Revo) 2016+ WITH OEM ROLL BAR</b>
<b>Cab(s)</b>	<b>Installation Time / Weight</b>
<b>Space Cab</b>	<b>40-60 minutes / 53-57 kg</b>

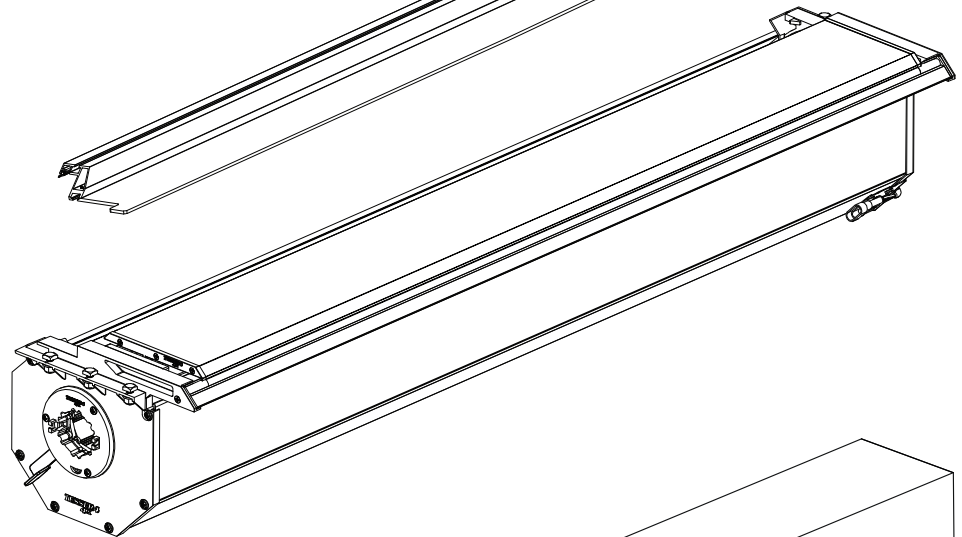






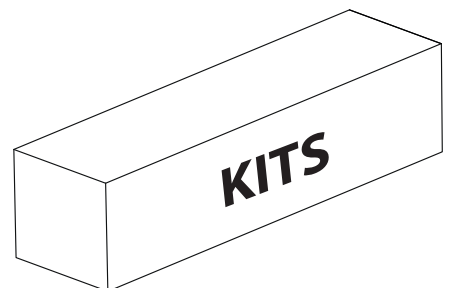


**B**

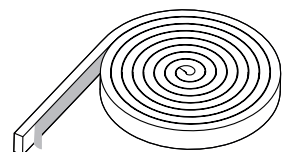


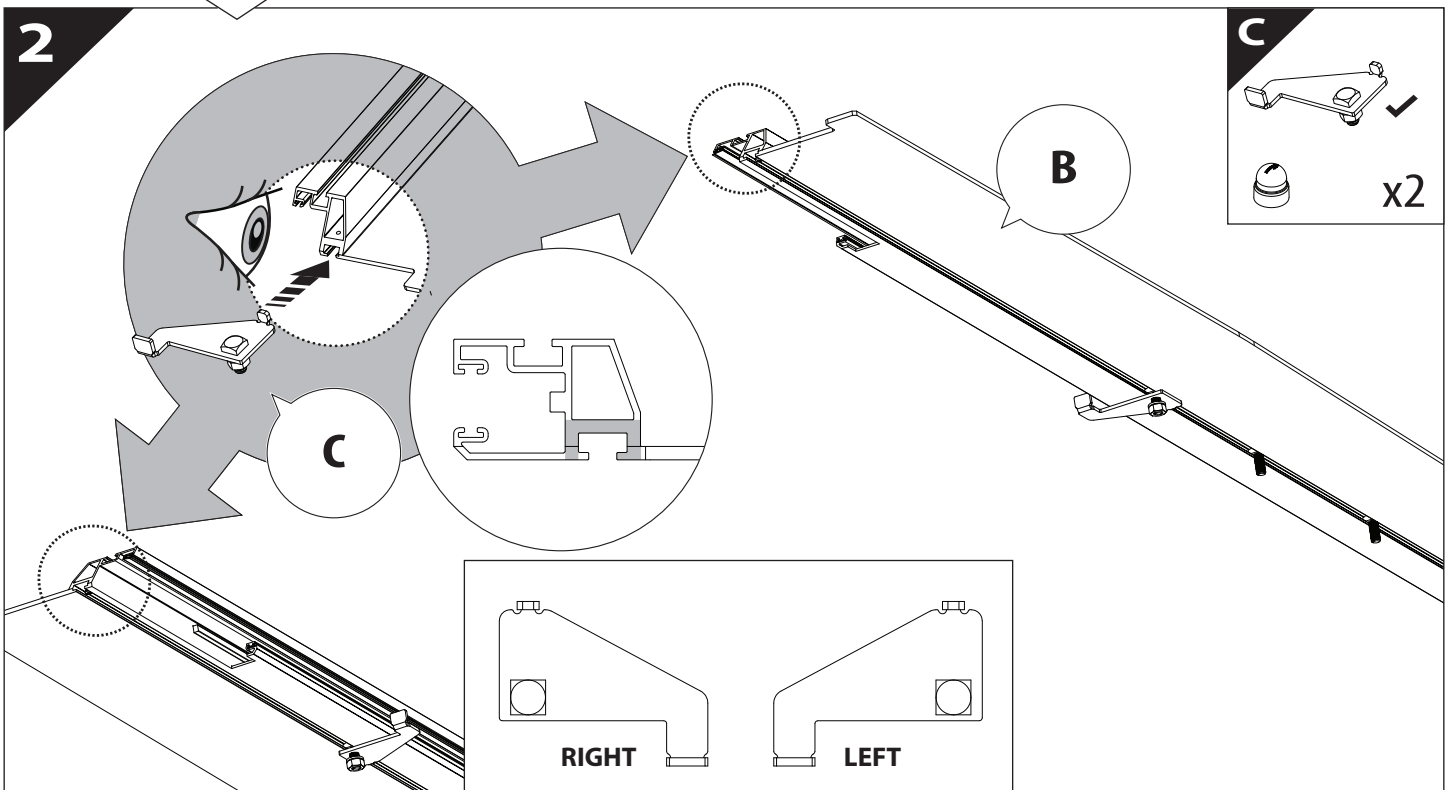
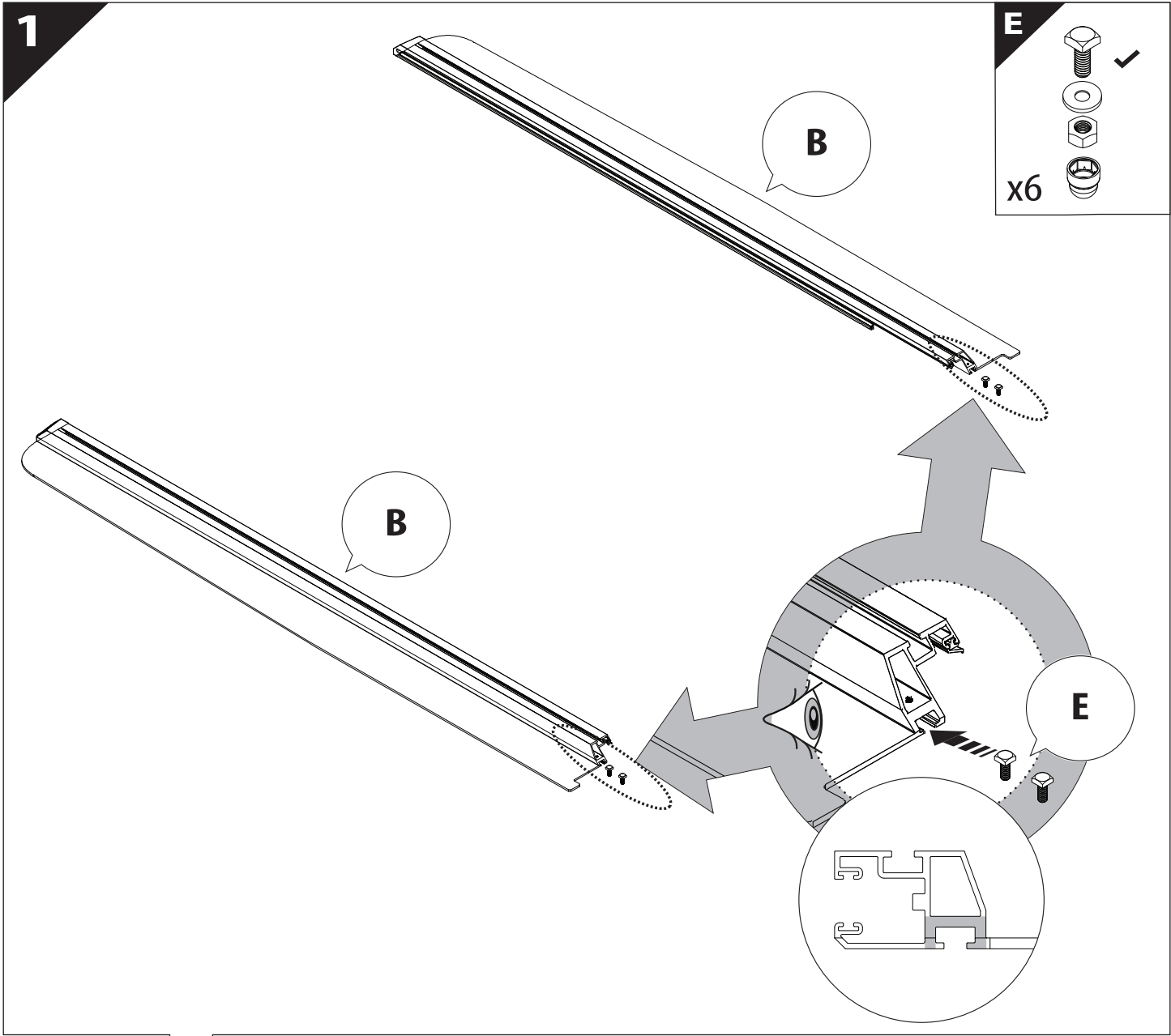
**A**

**KITS**

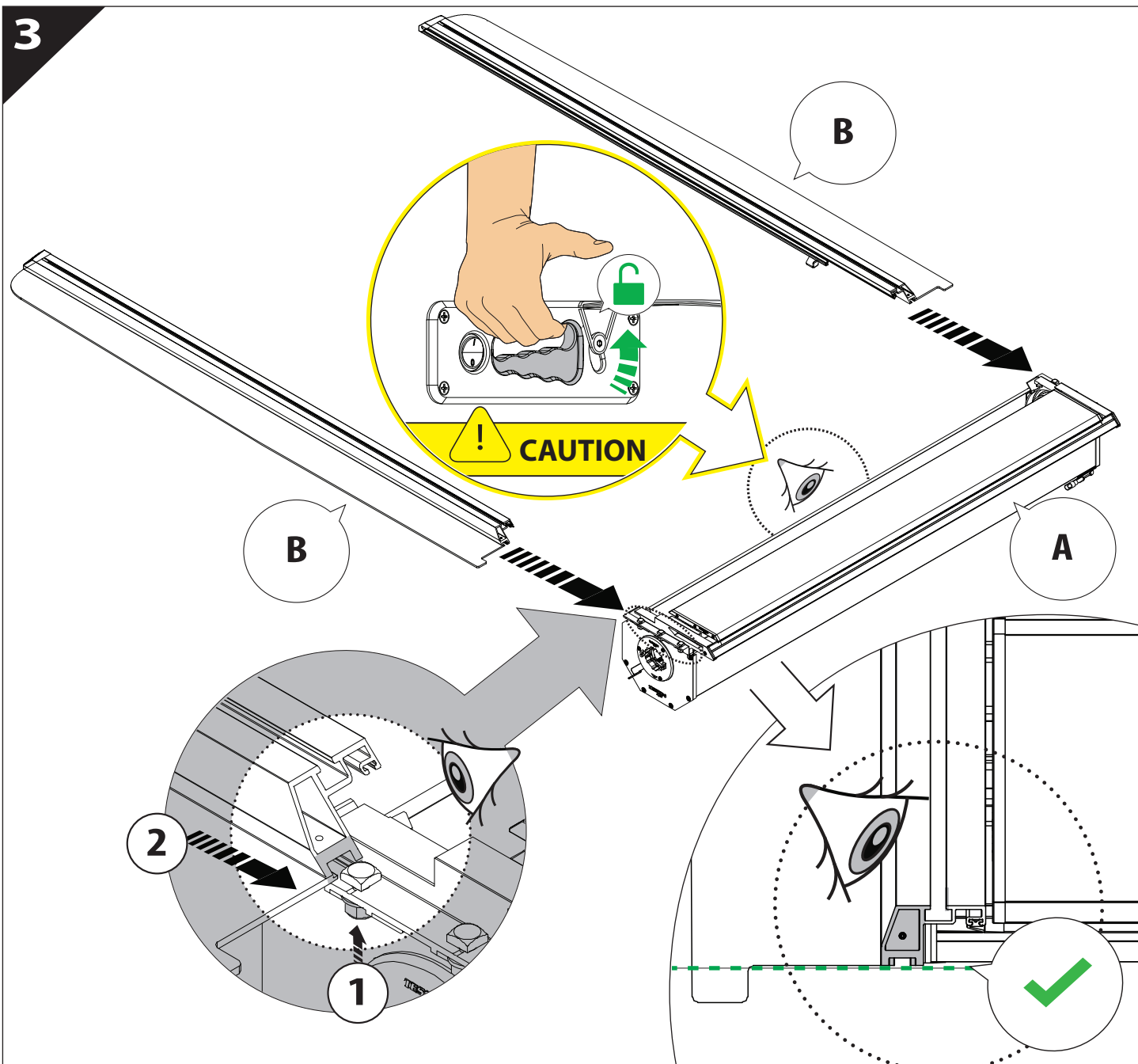


**G**

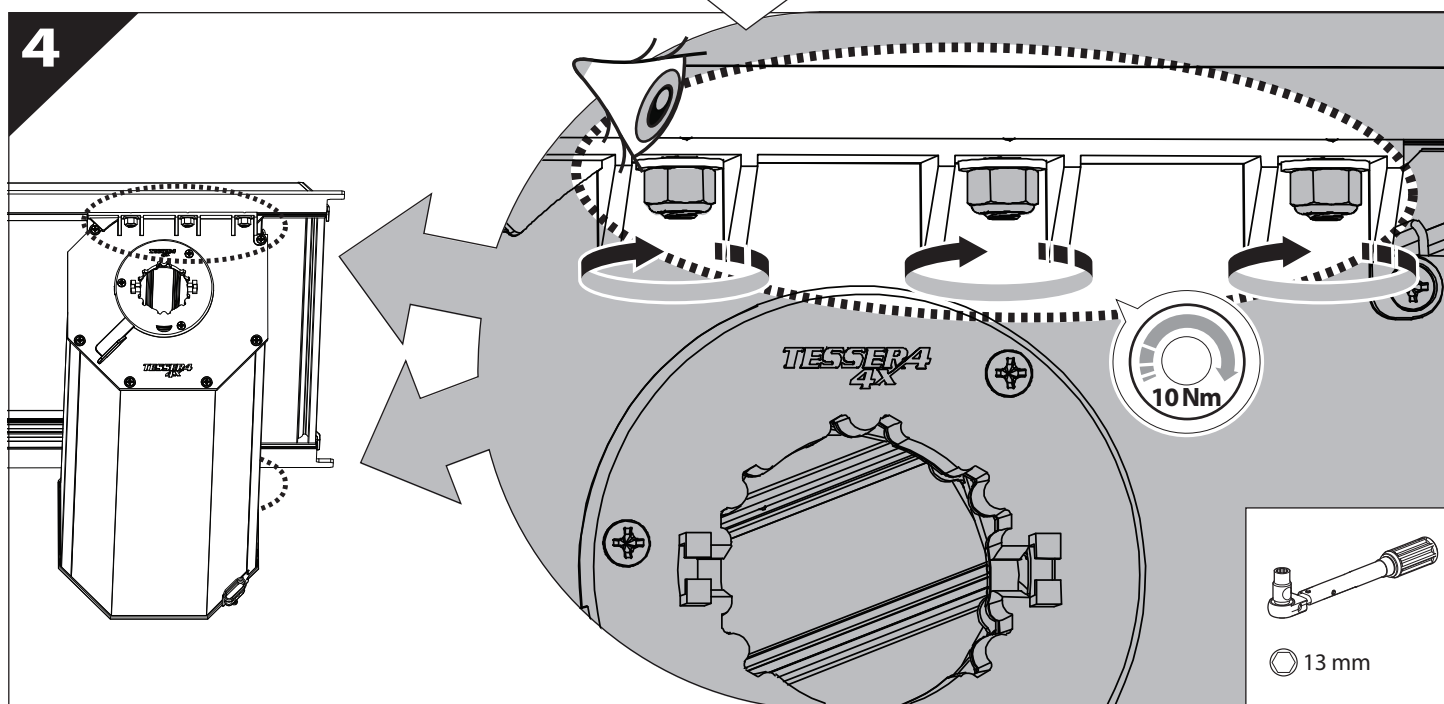


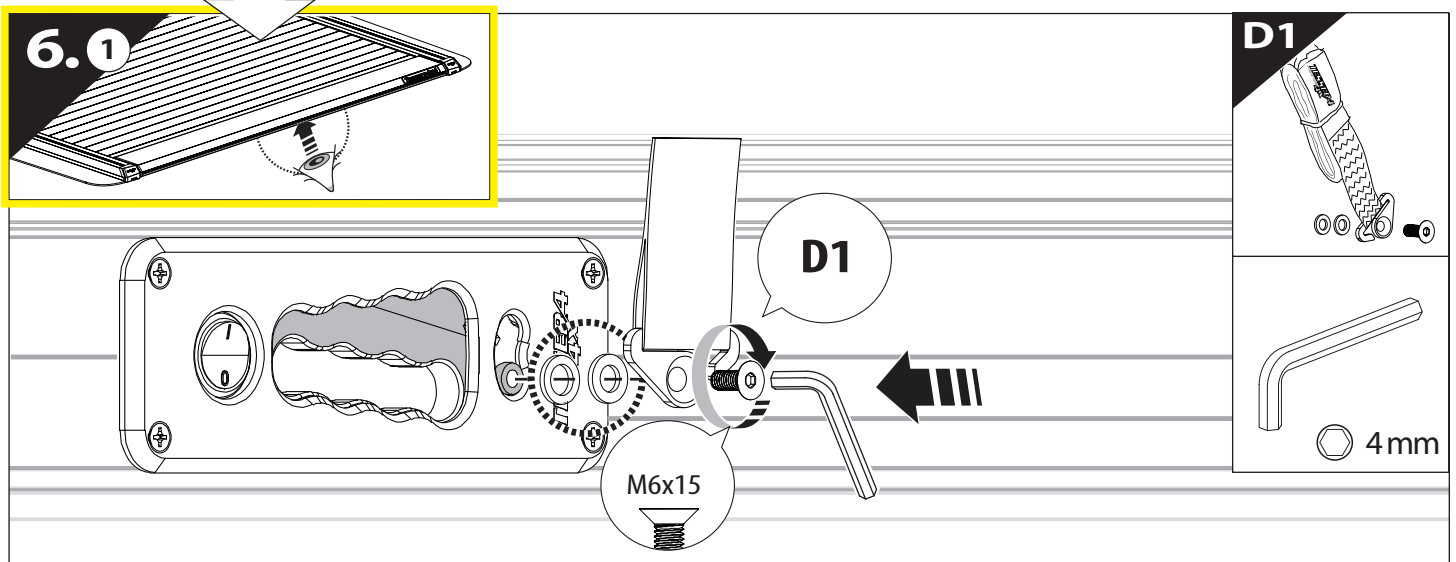
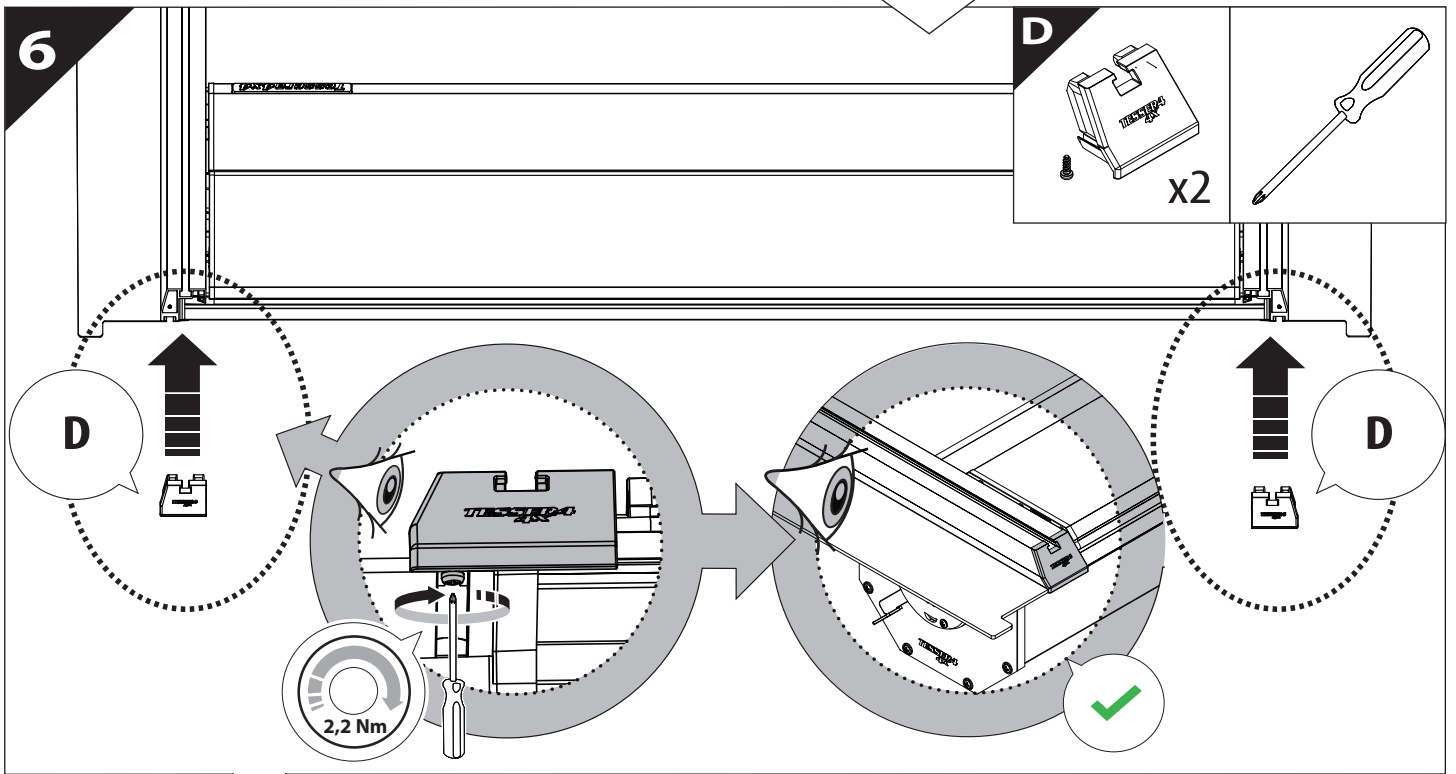
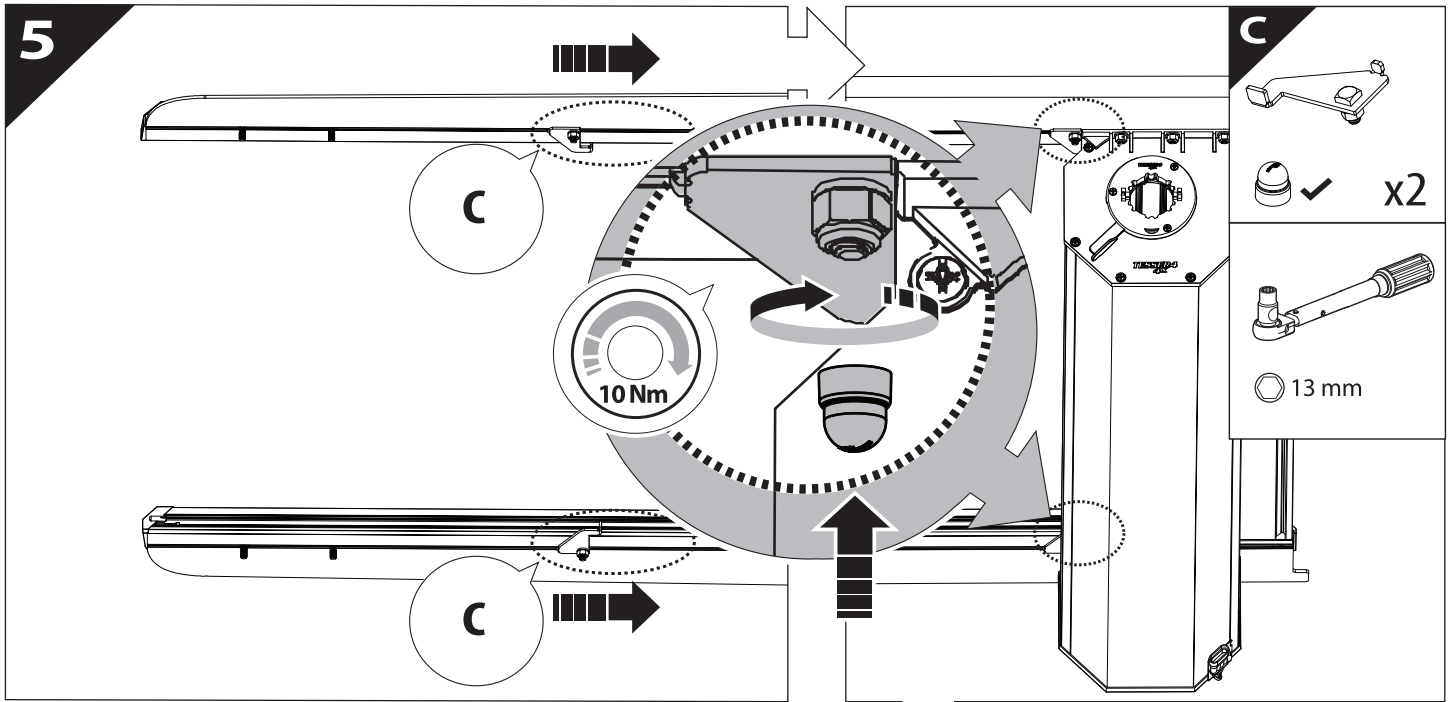


3

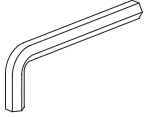


4

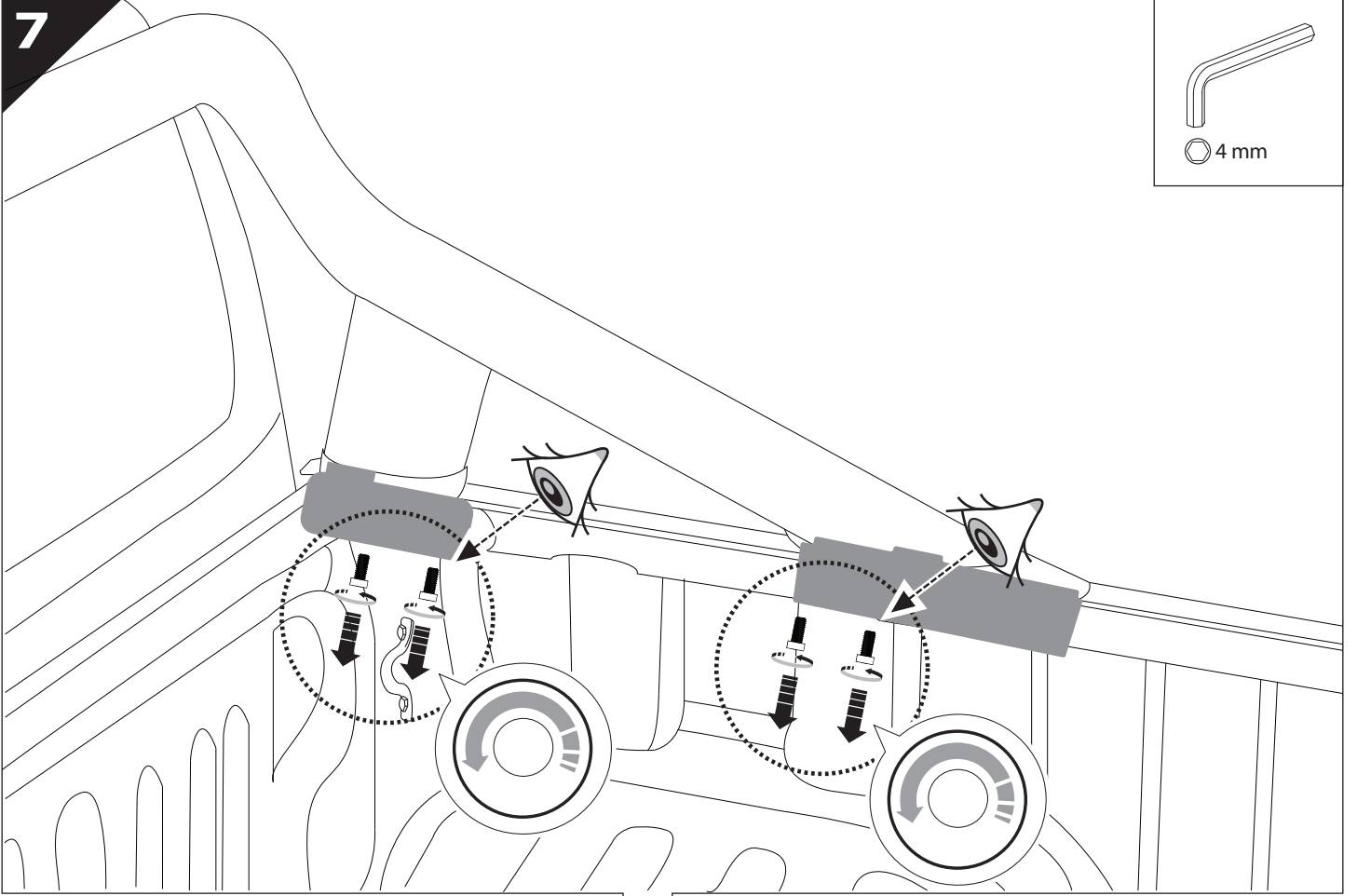




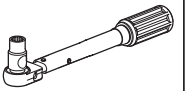
7



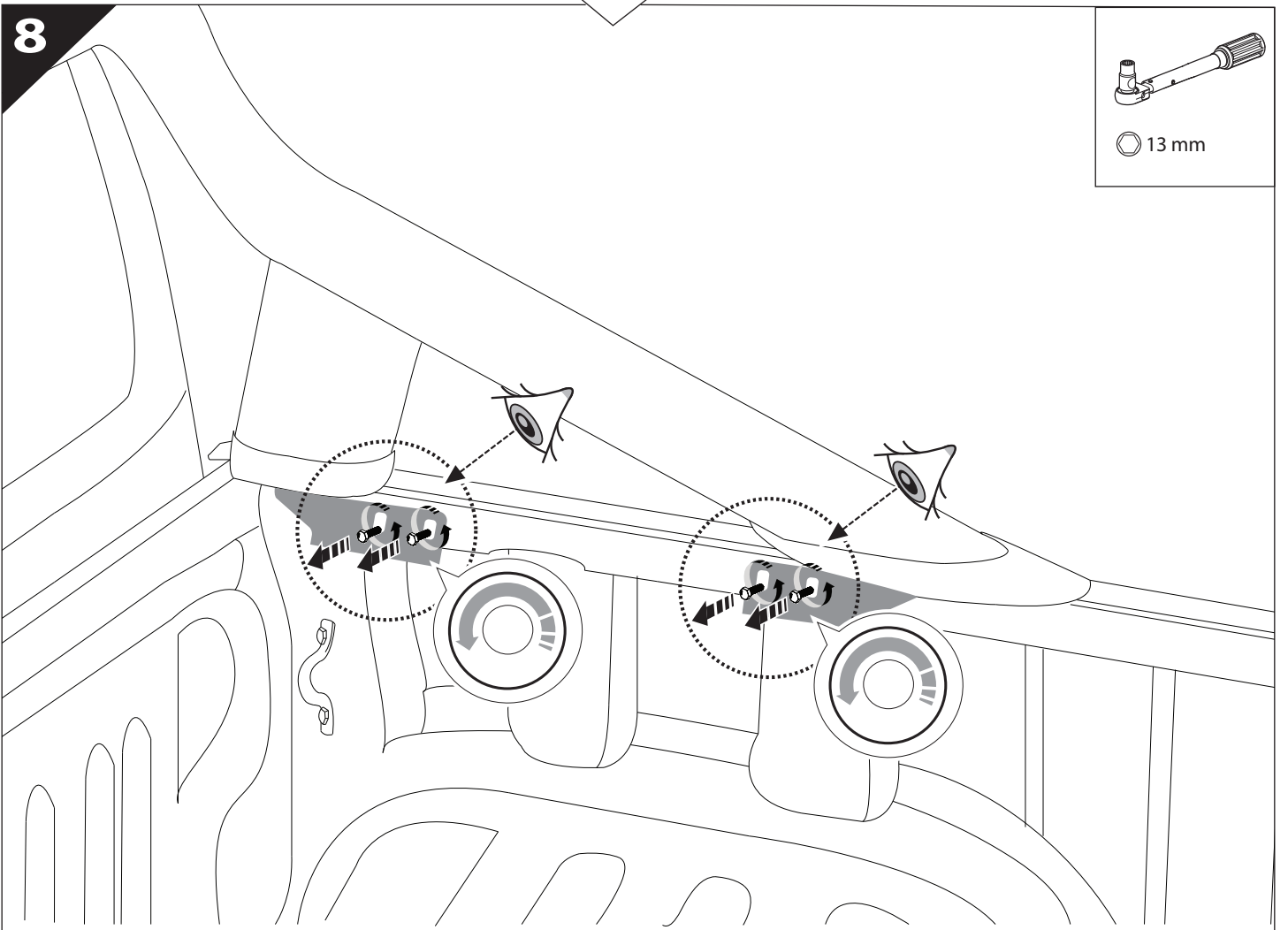
4 mm



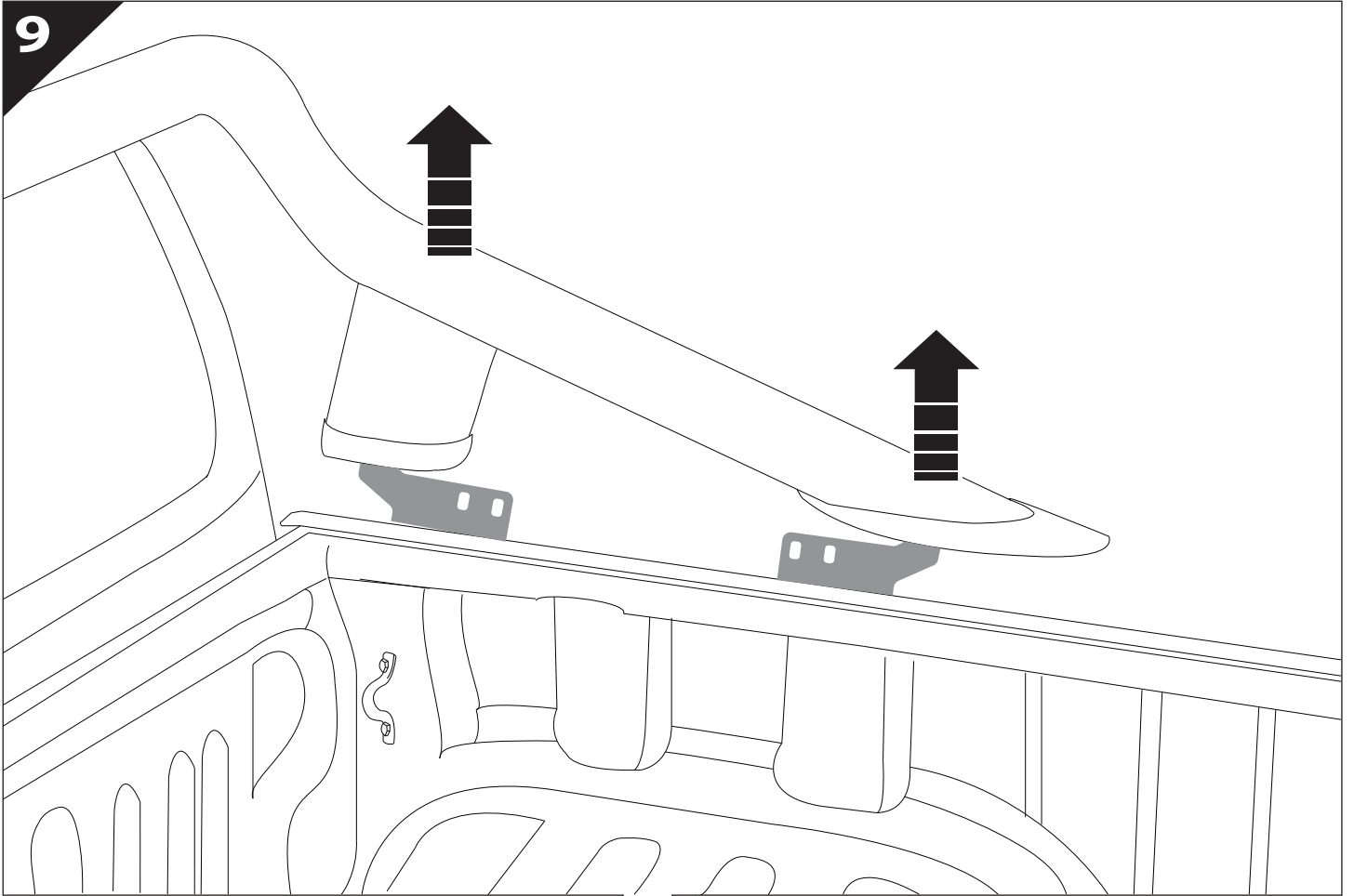
8



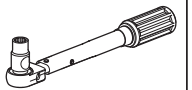
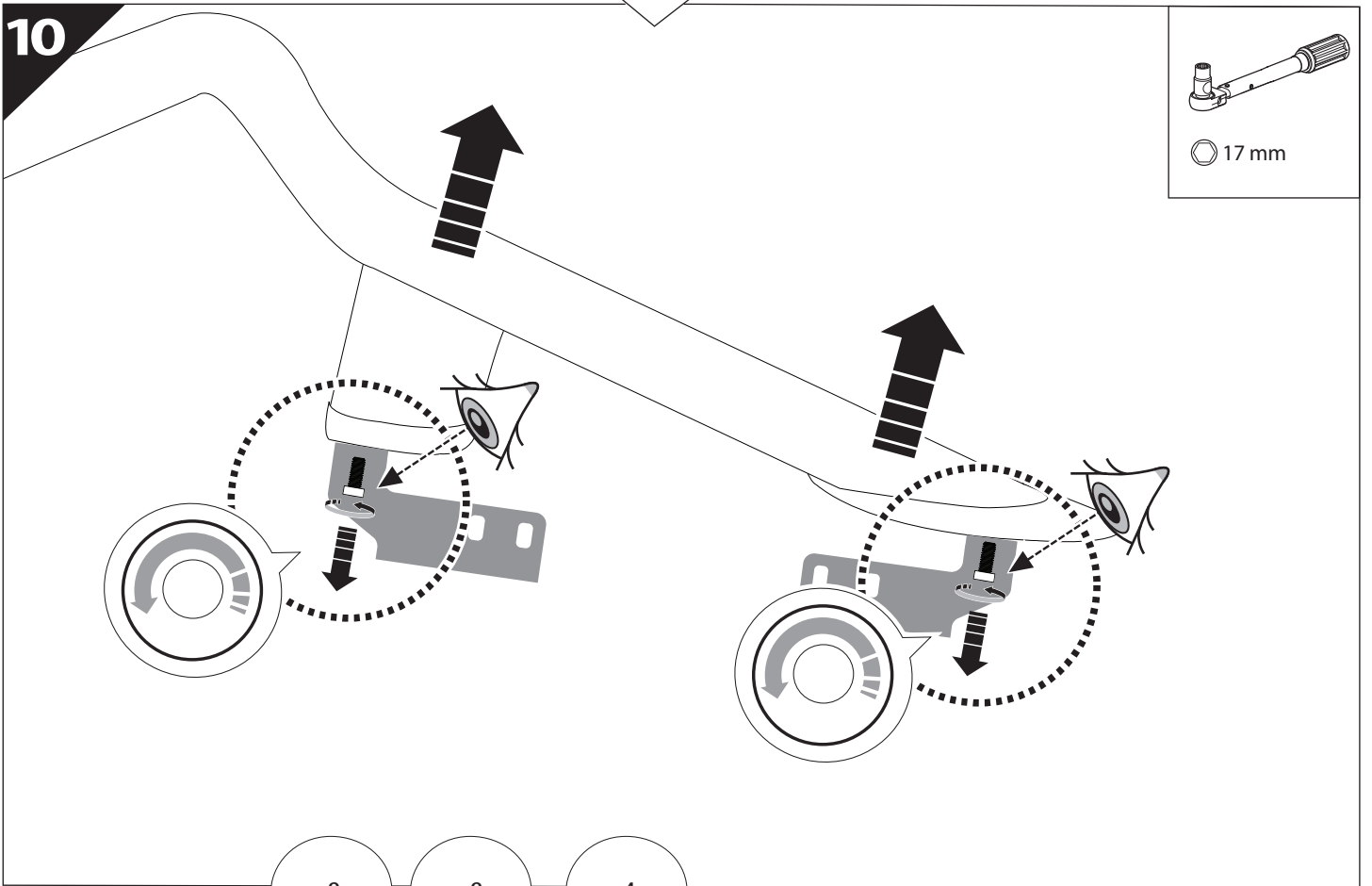
13 mm



9



10



17 mm

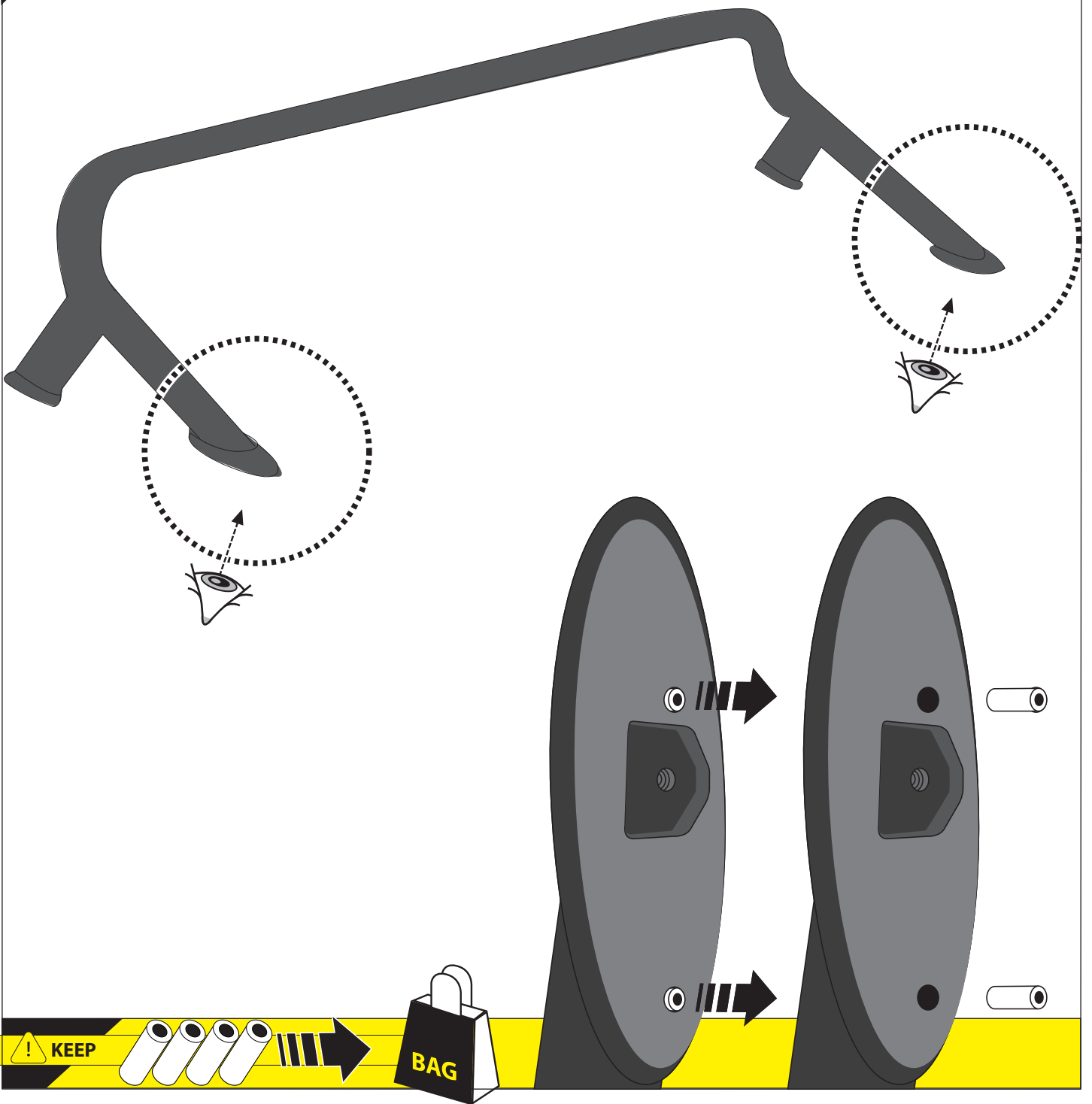
x8

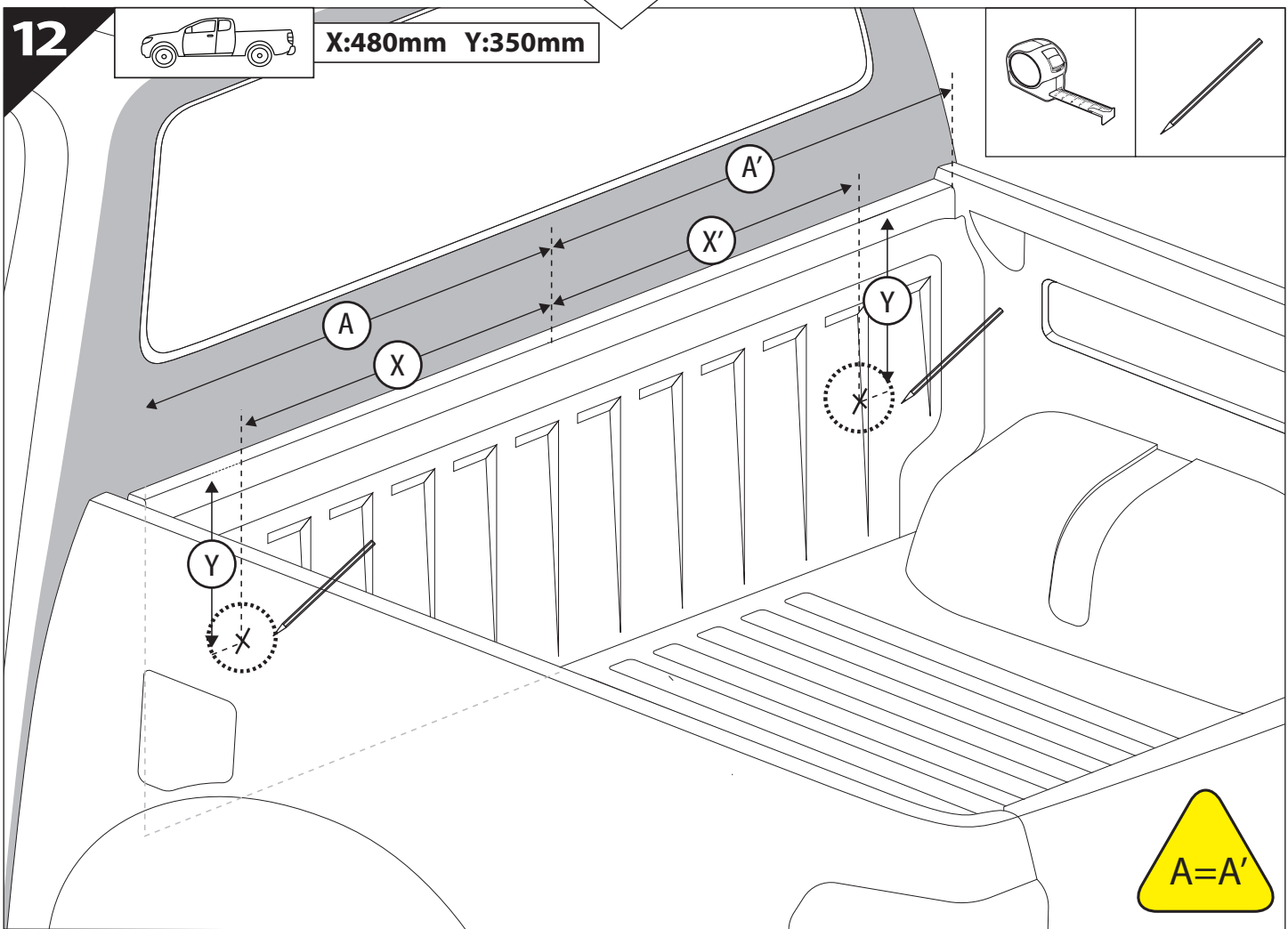
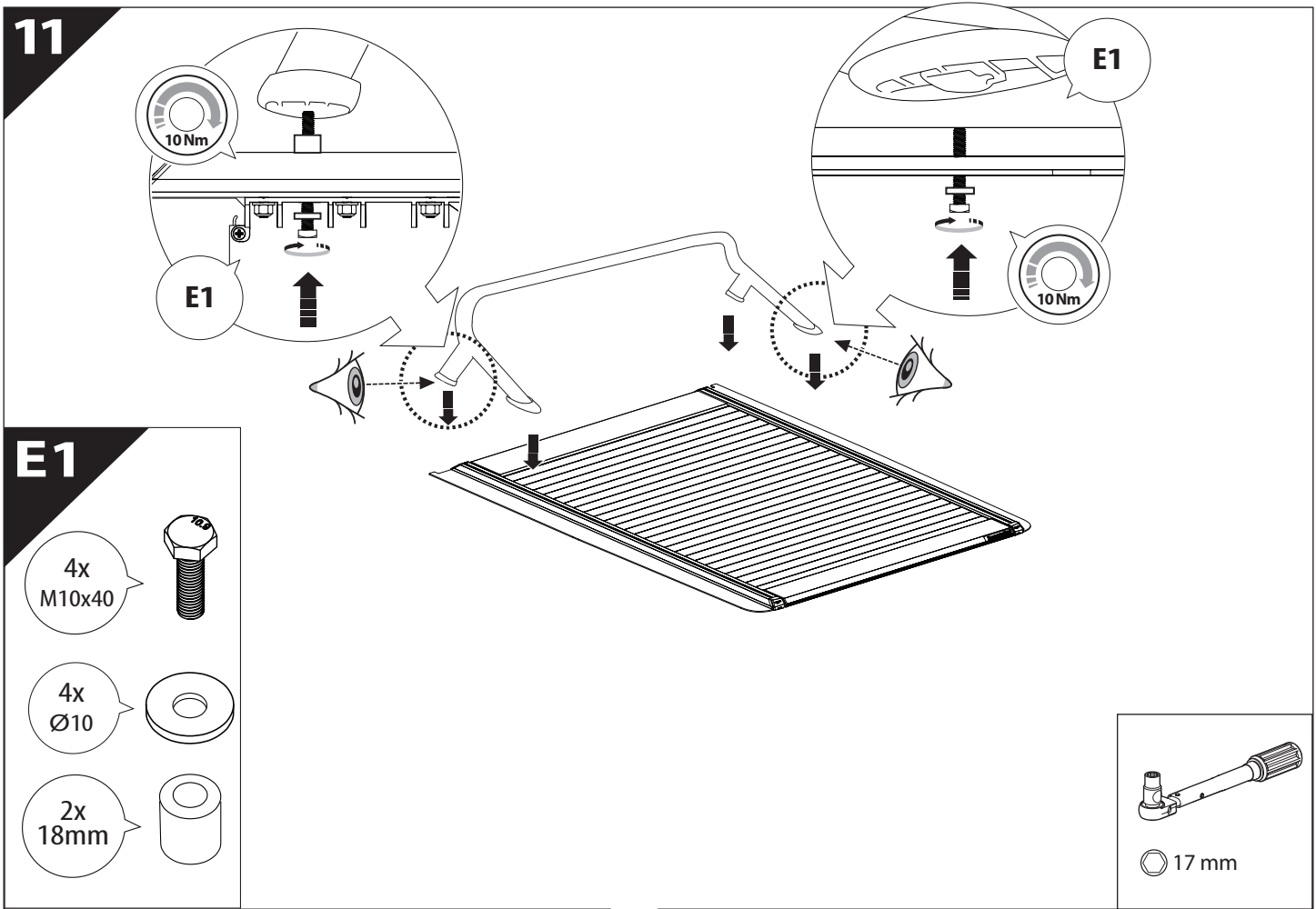
x8

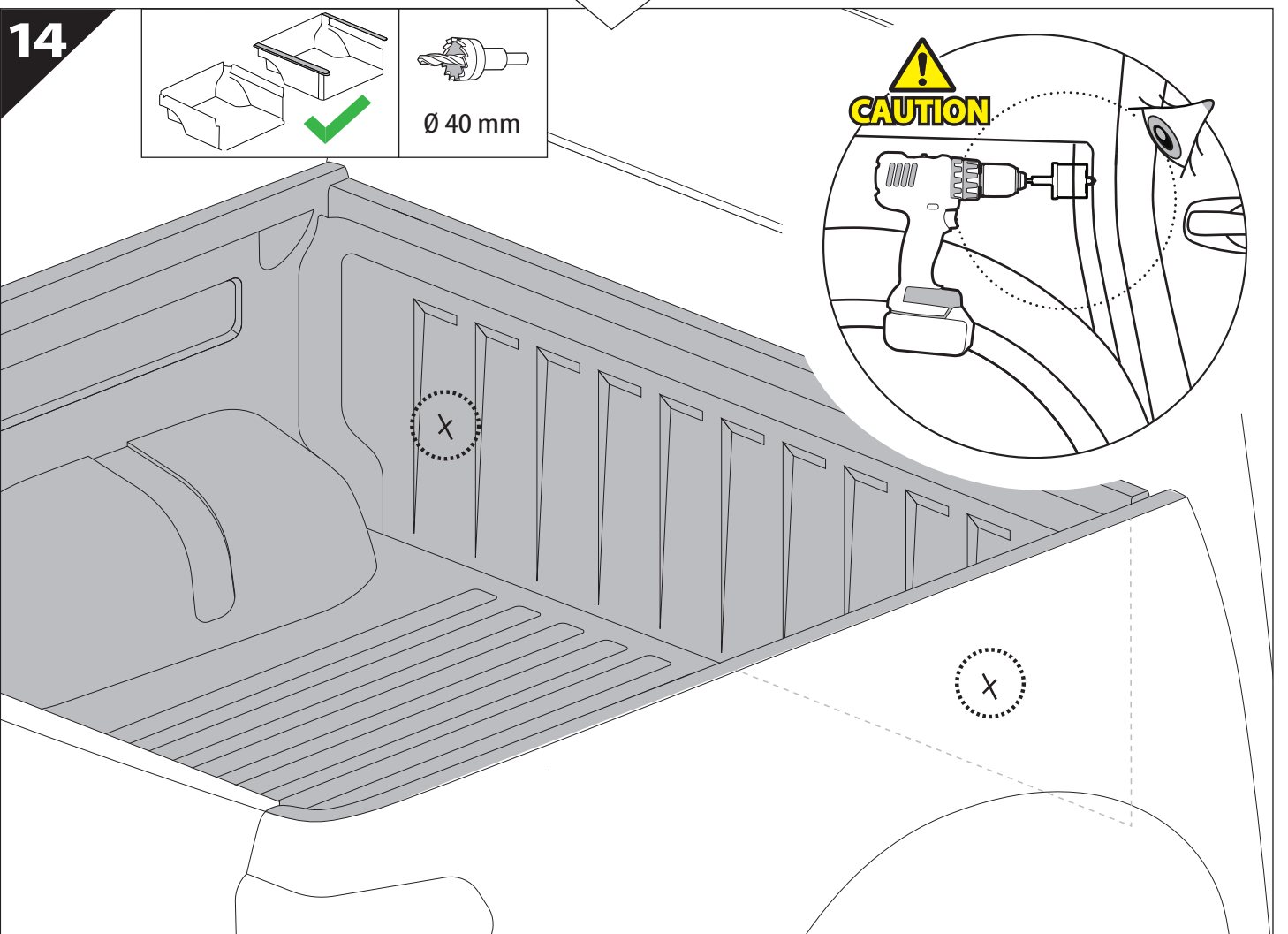
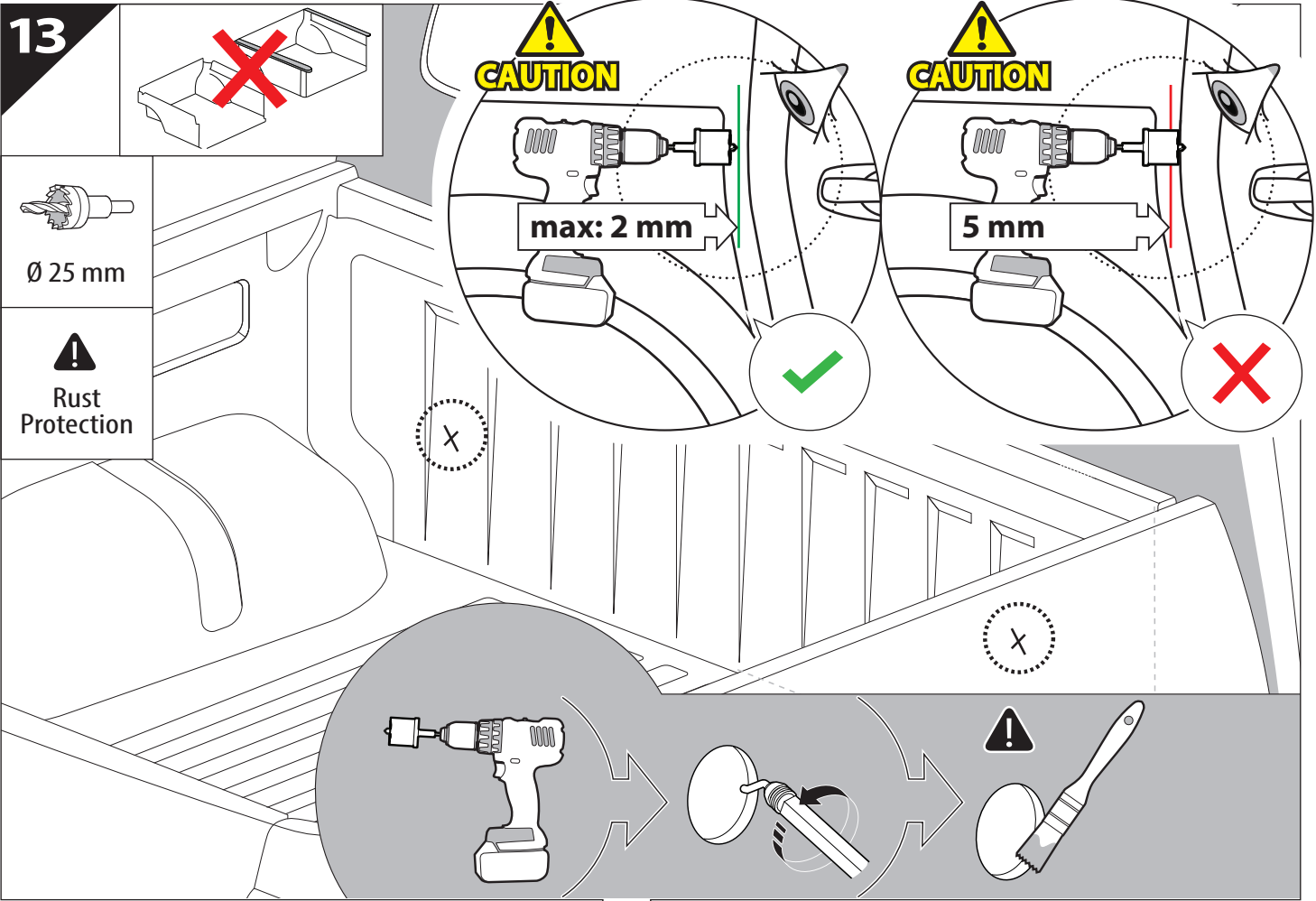
x4



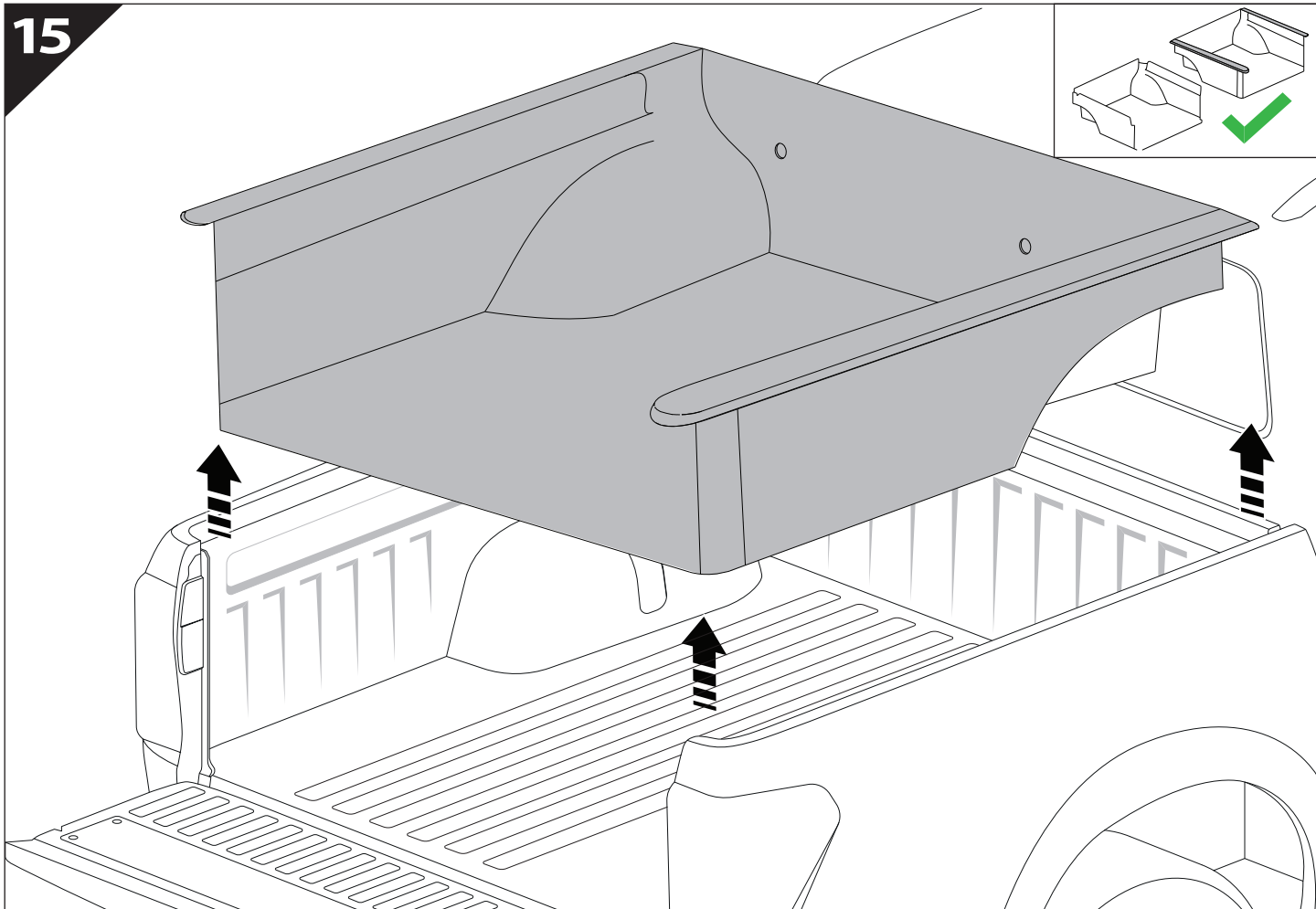
10.0



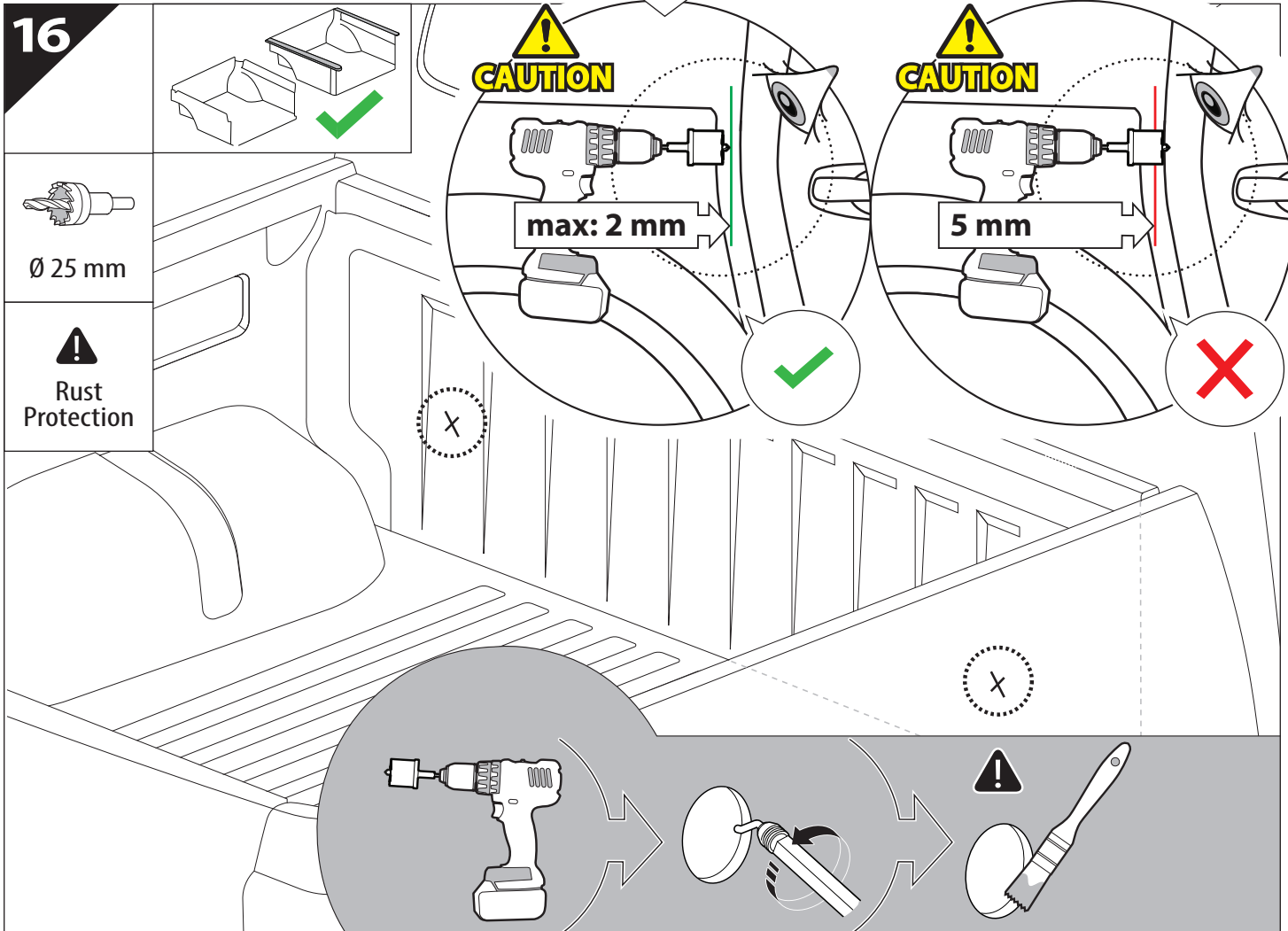




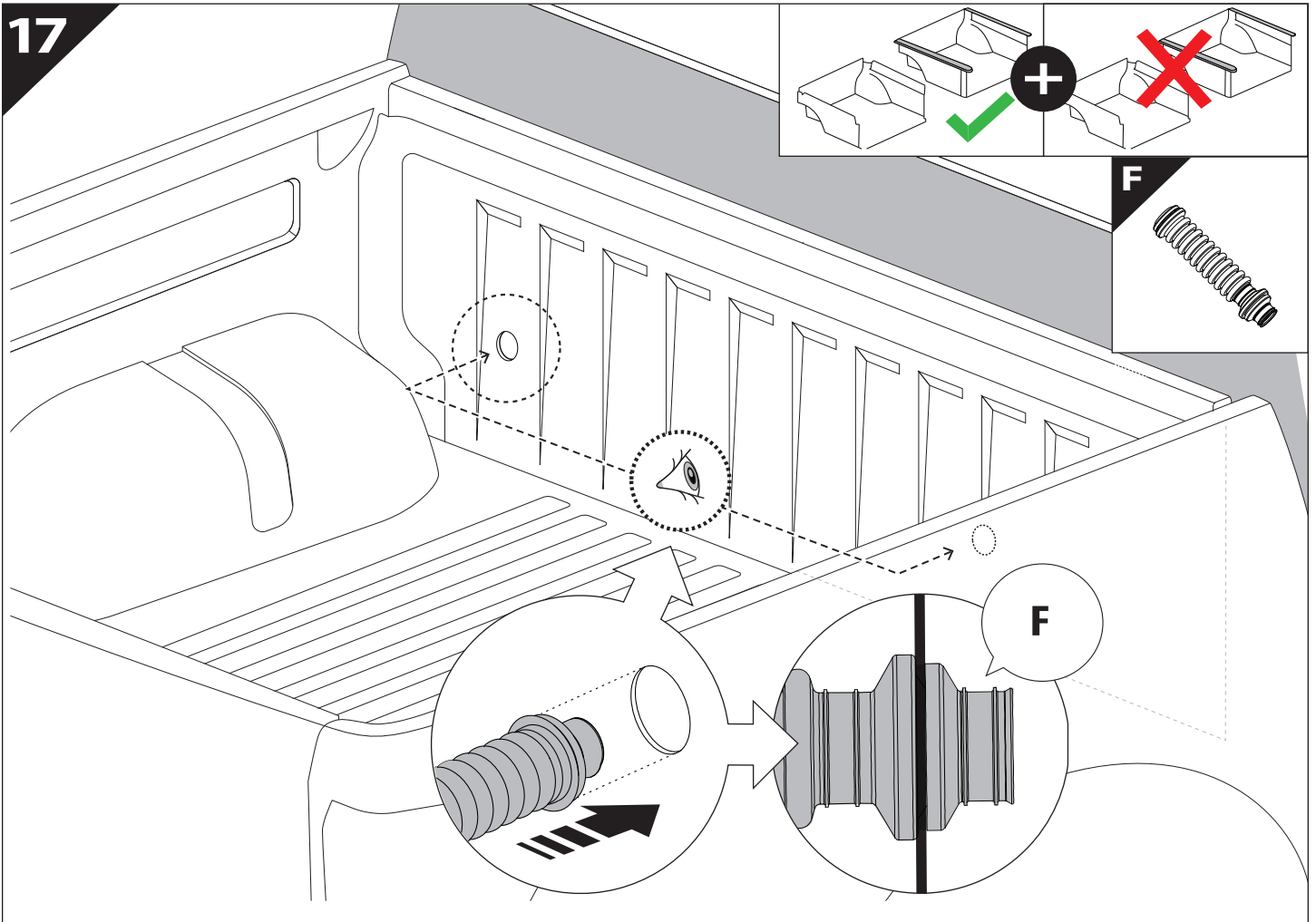
15



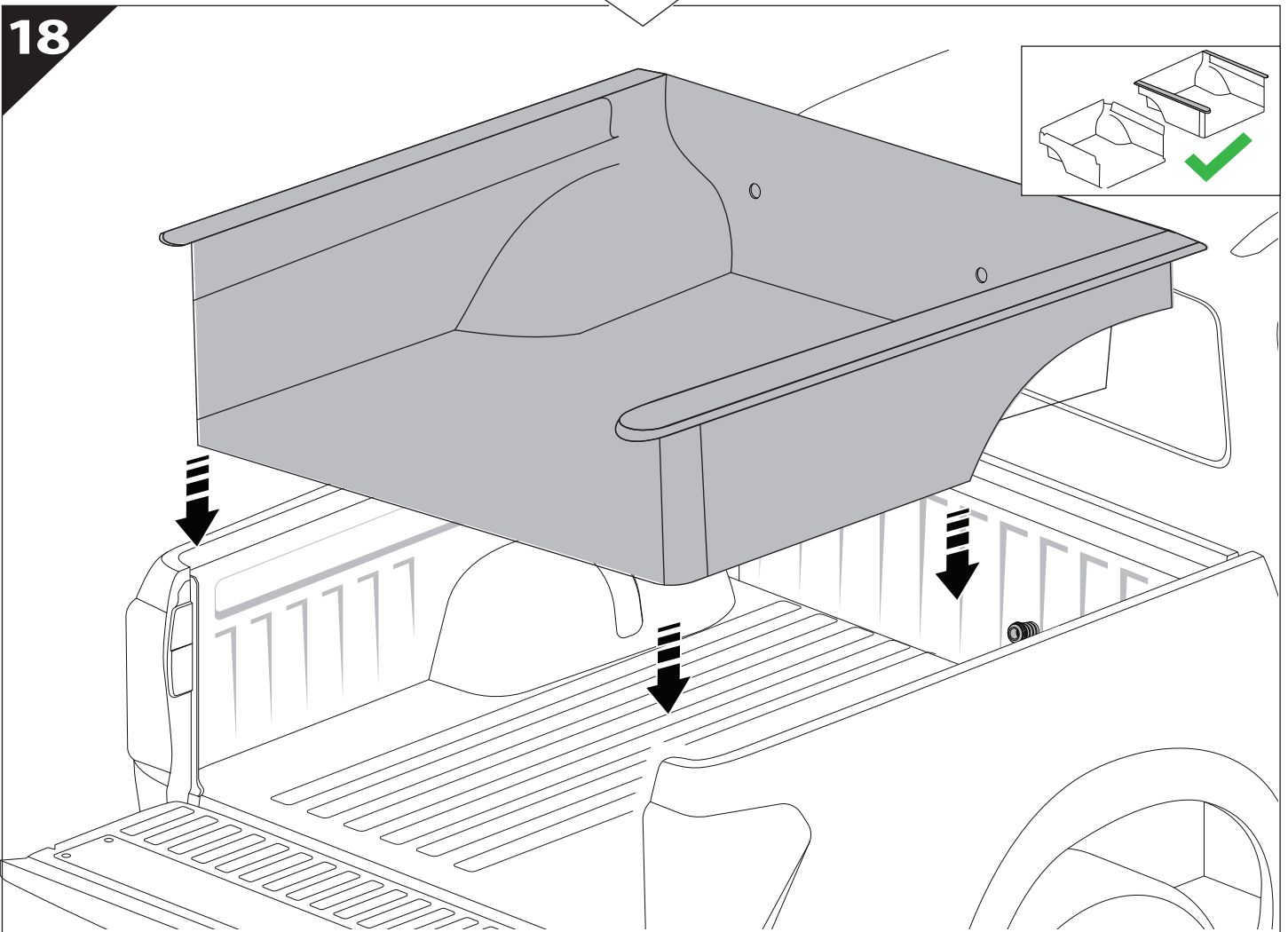
16



17

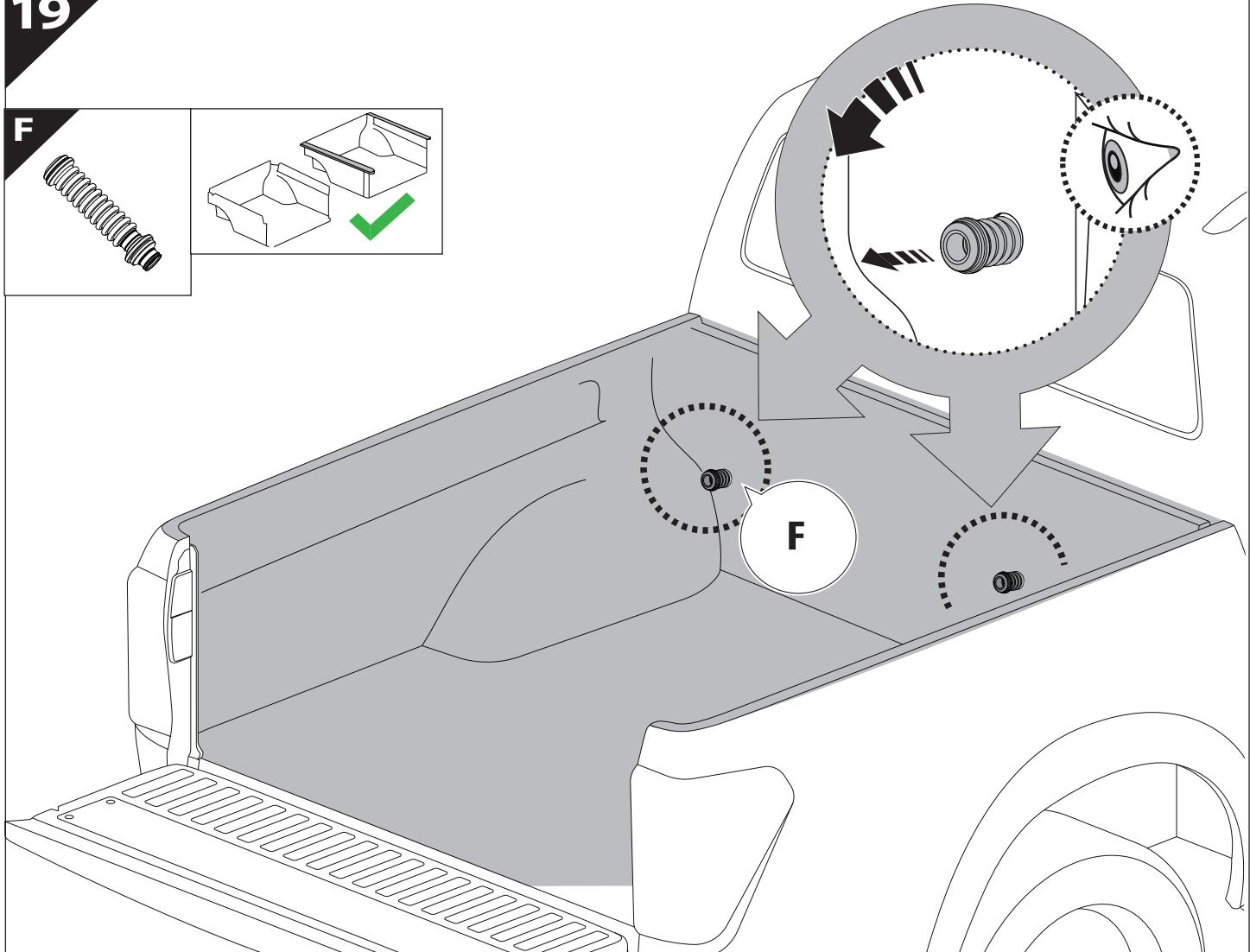
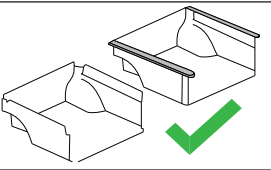


18

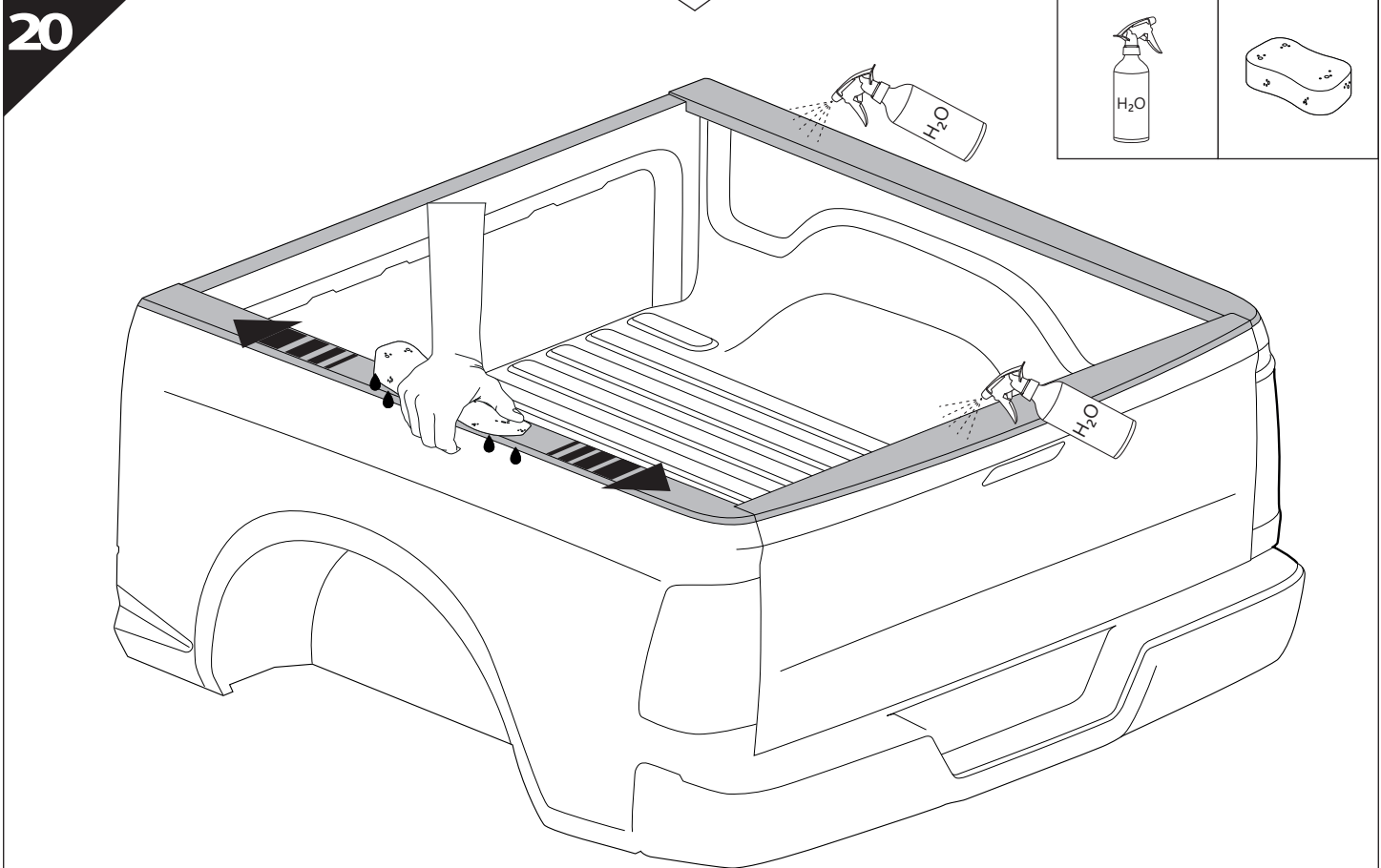
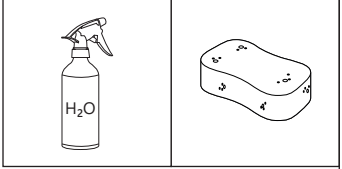


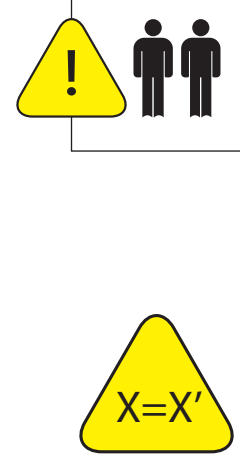
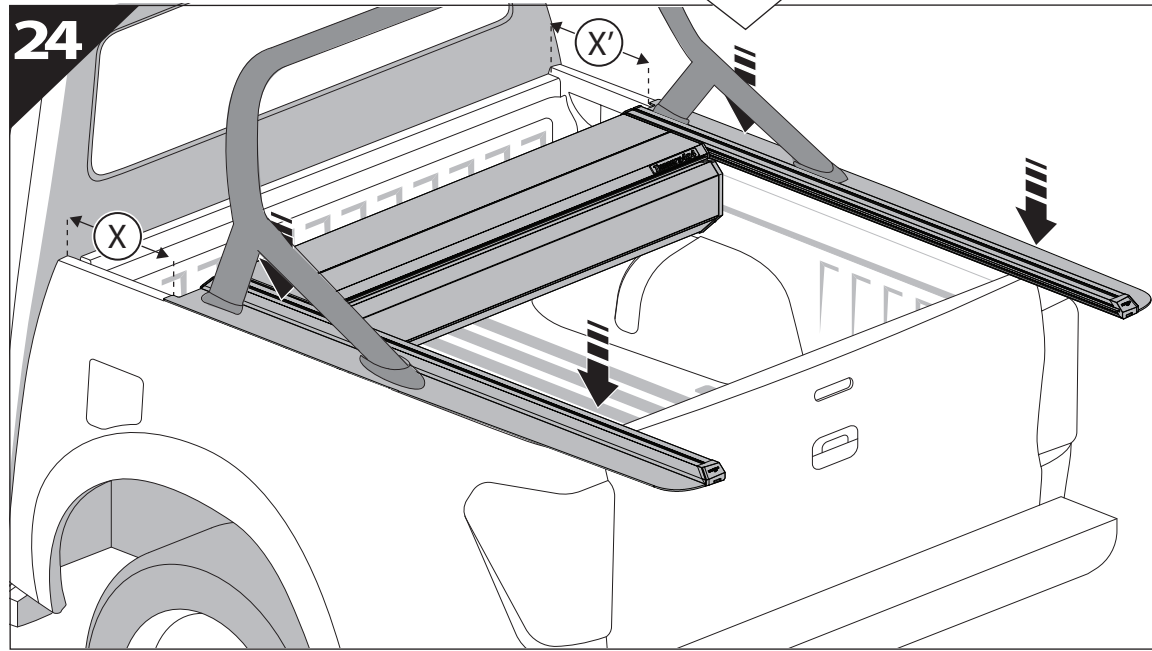
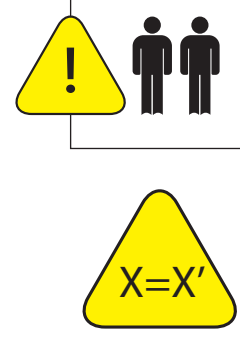
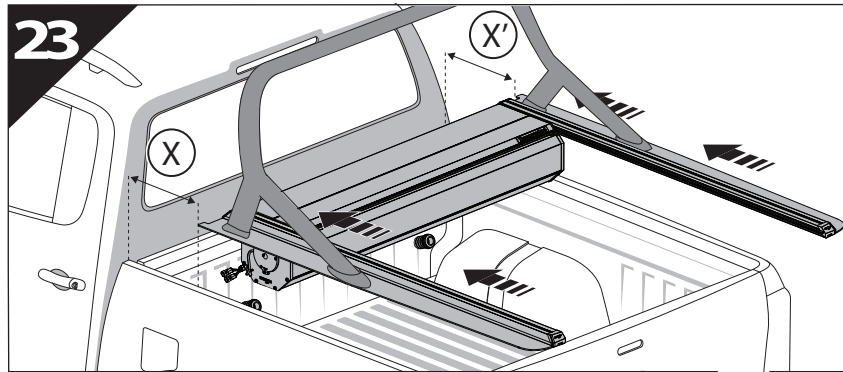
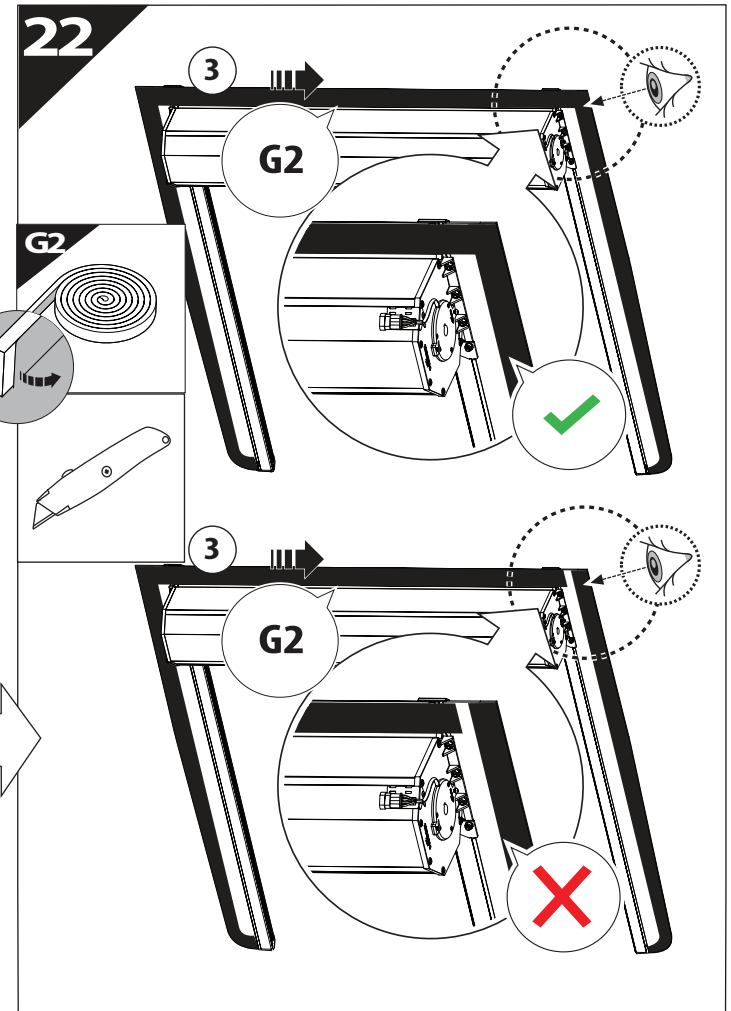
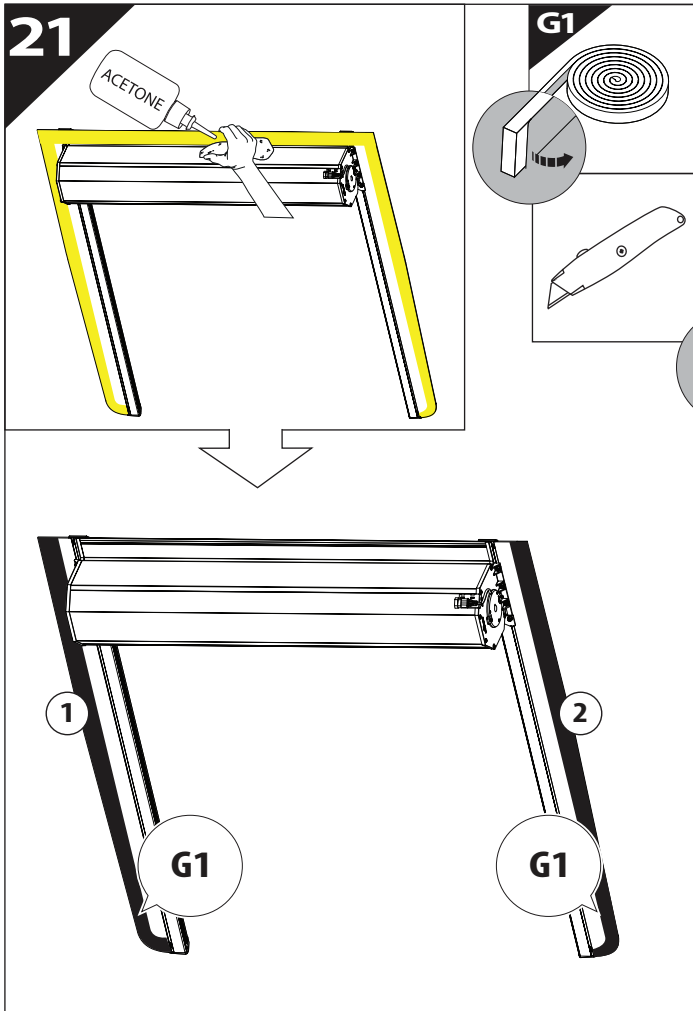
19

F

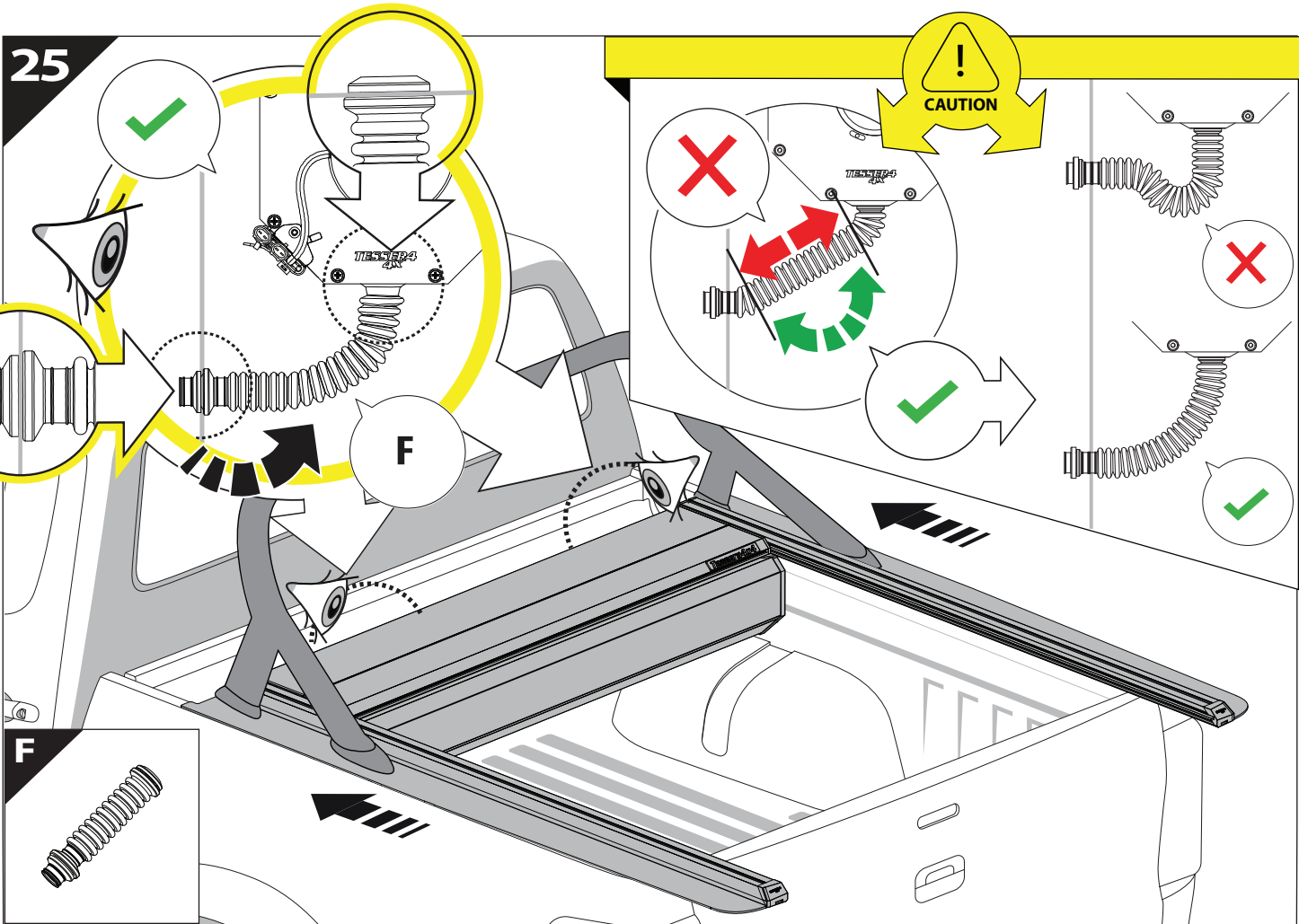


20

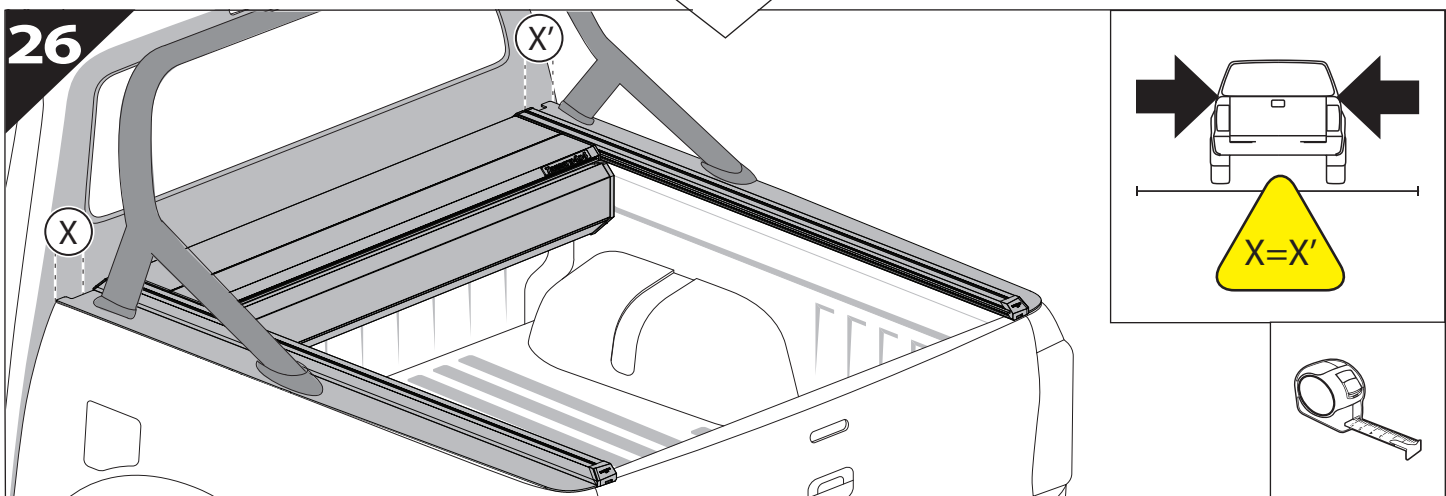




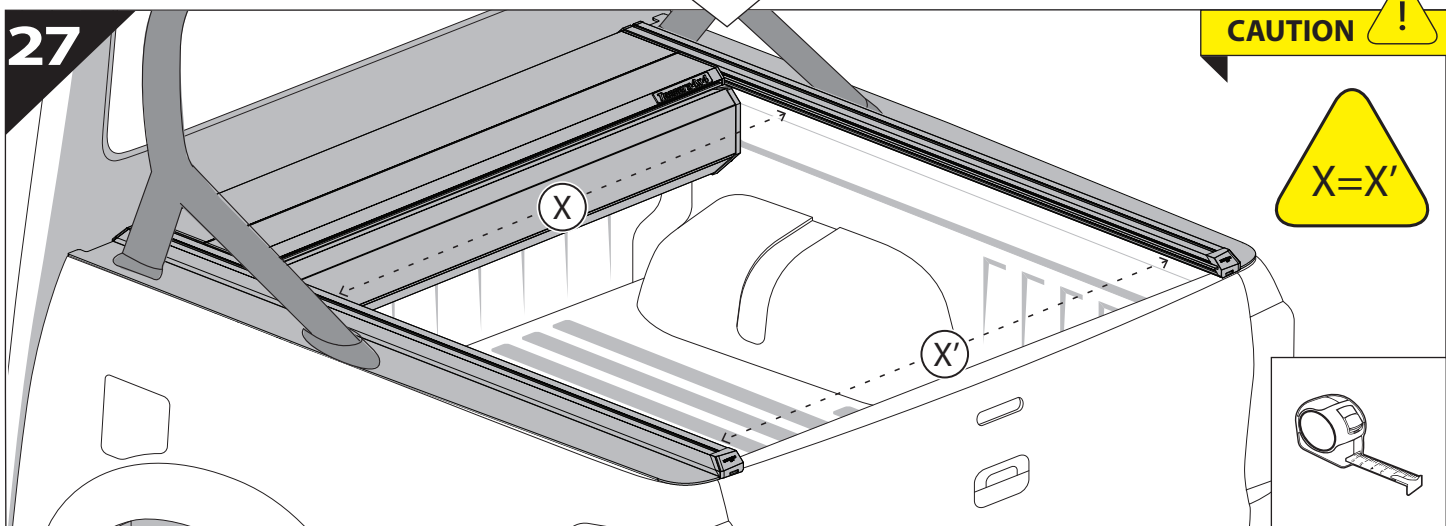
25



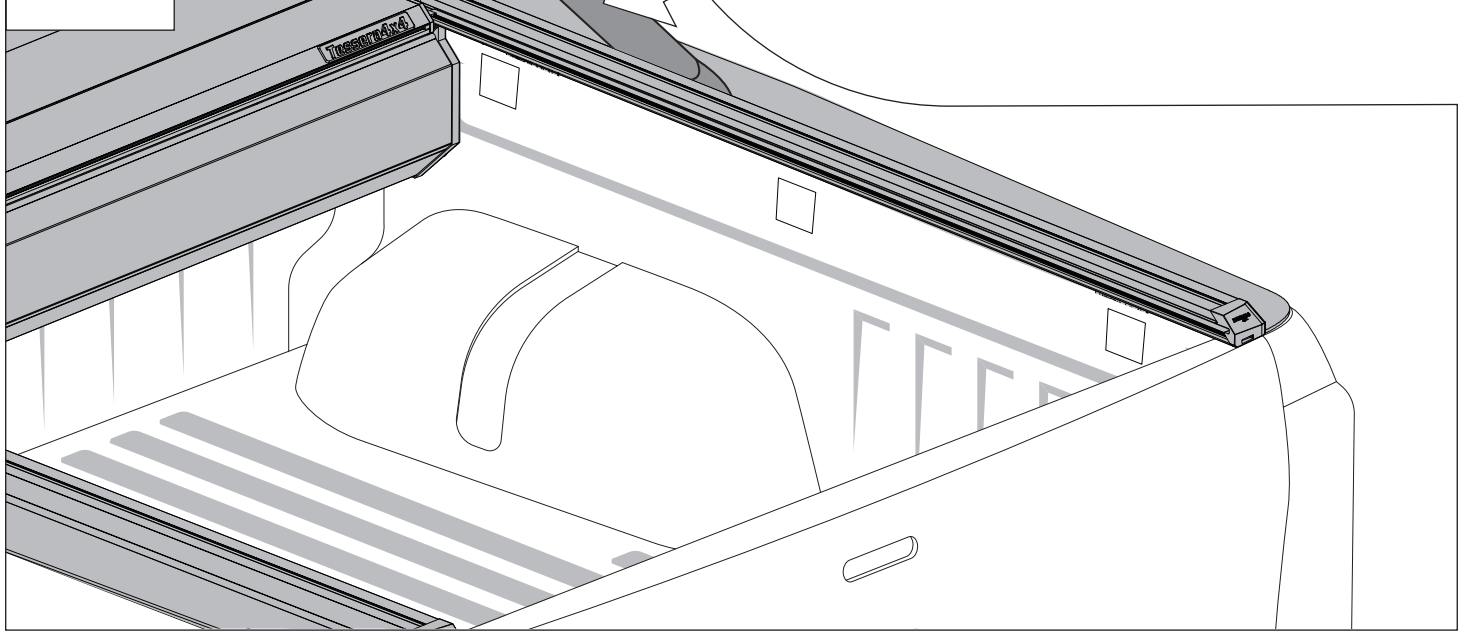
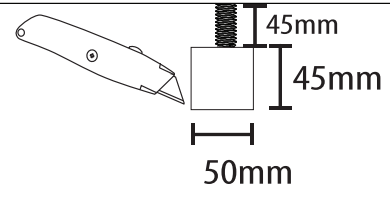
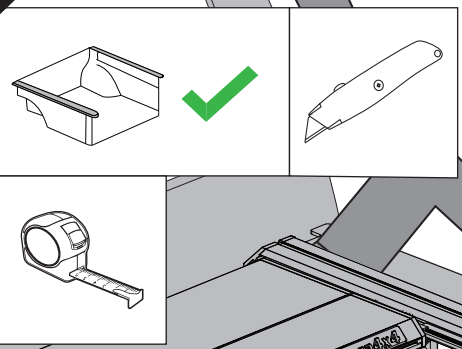
26



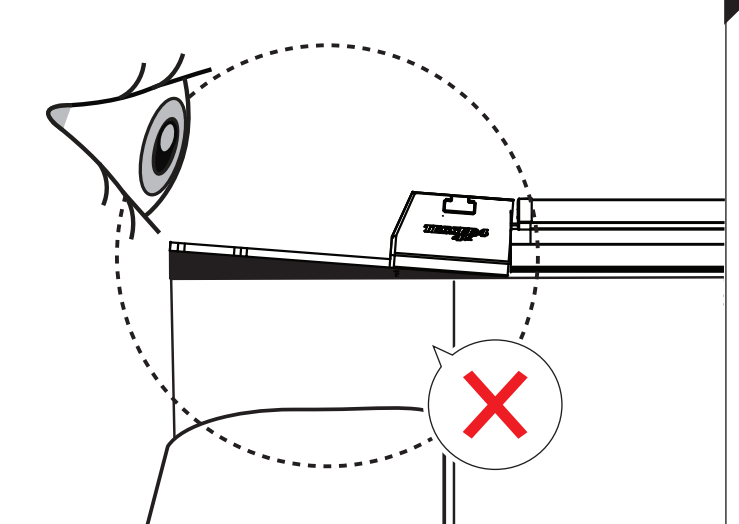
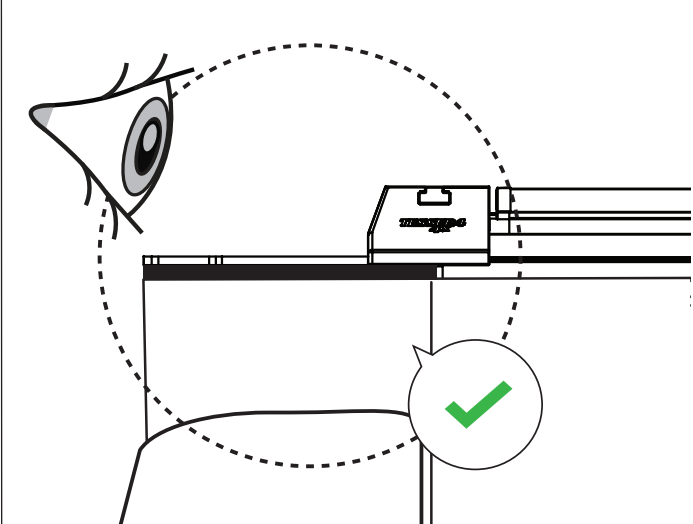
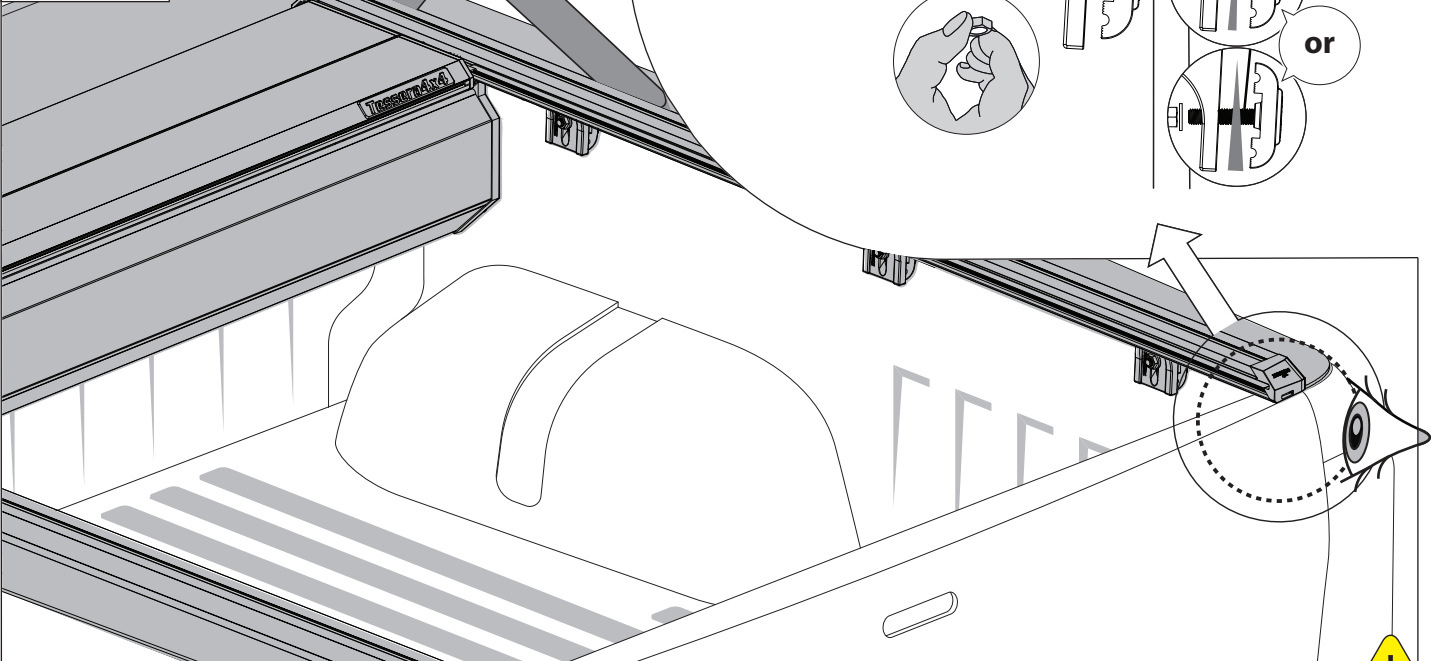
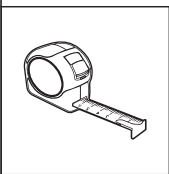
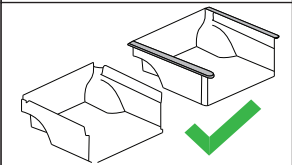
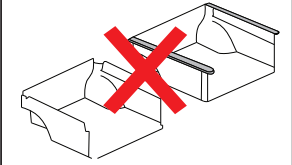
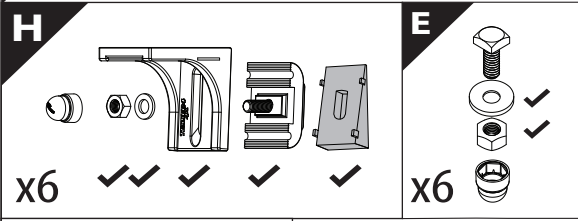
27

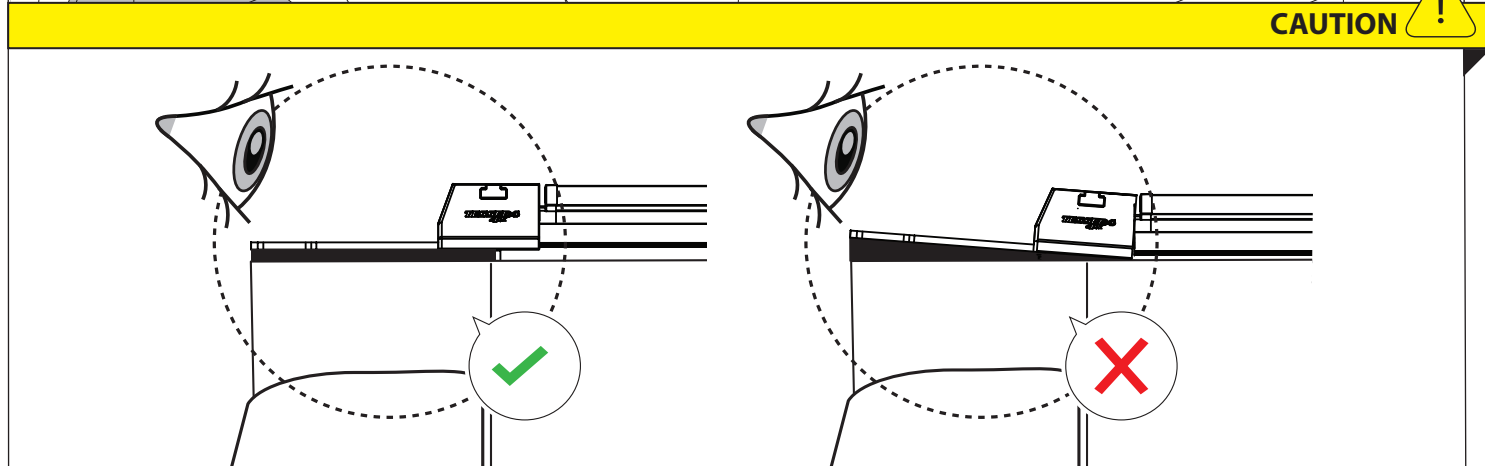
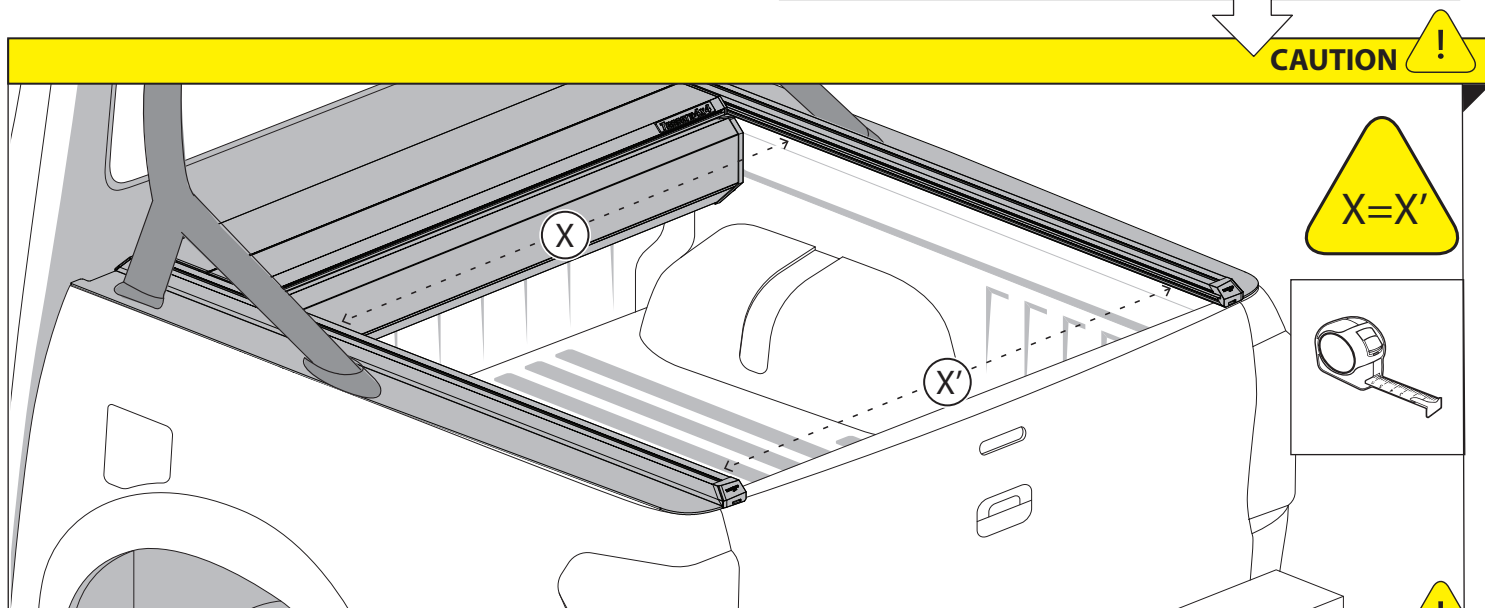
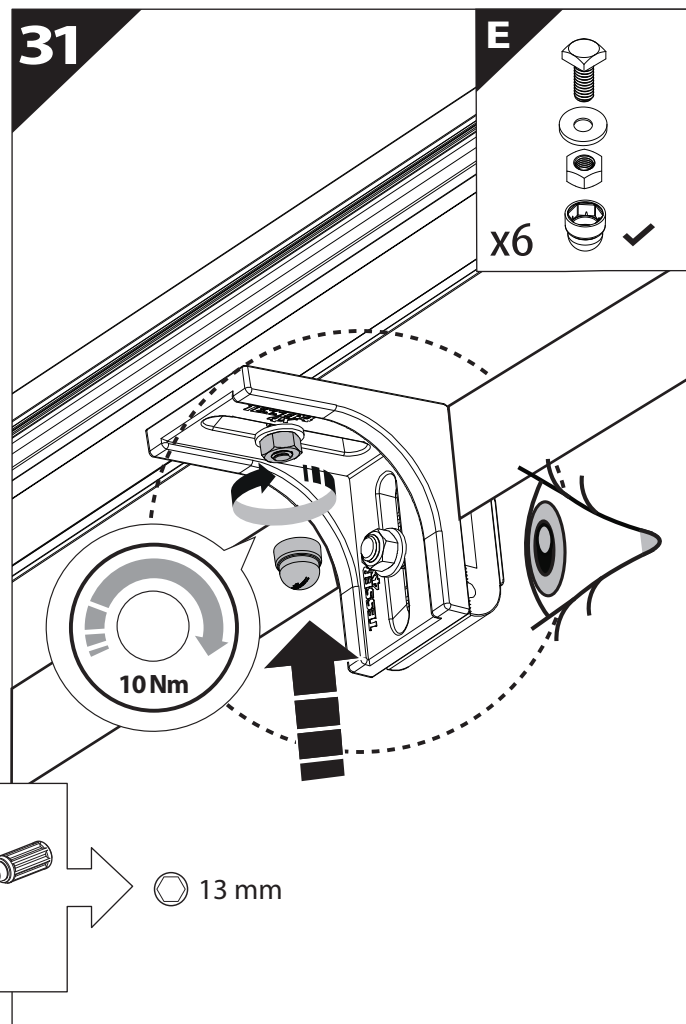
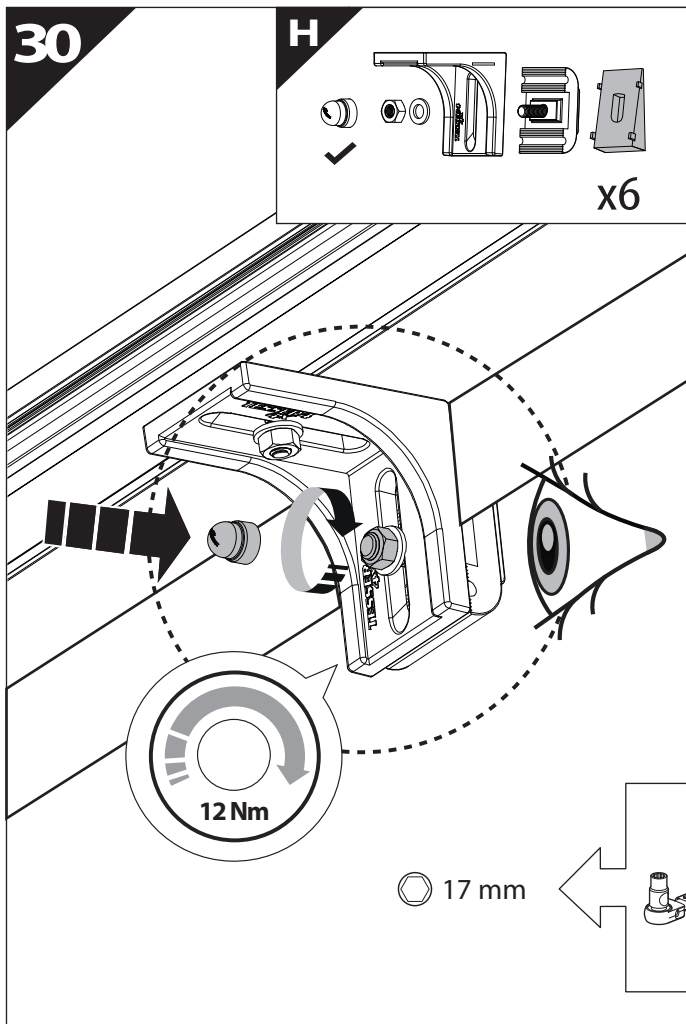


28

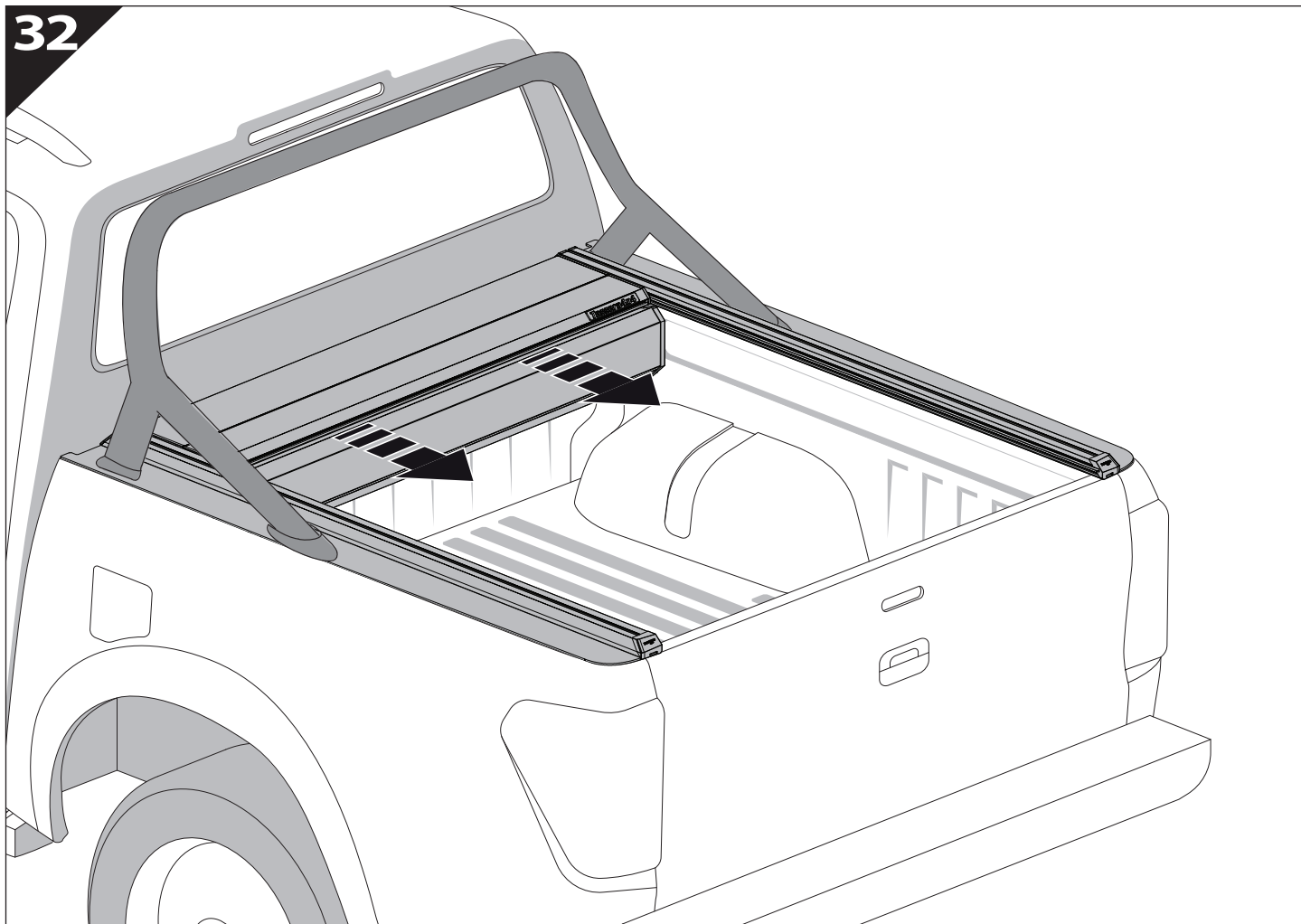


29

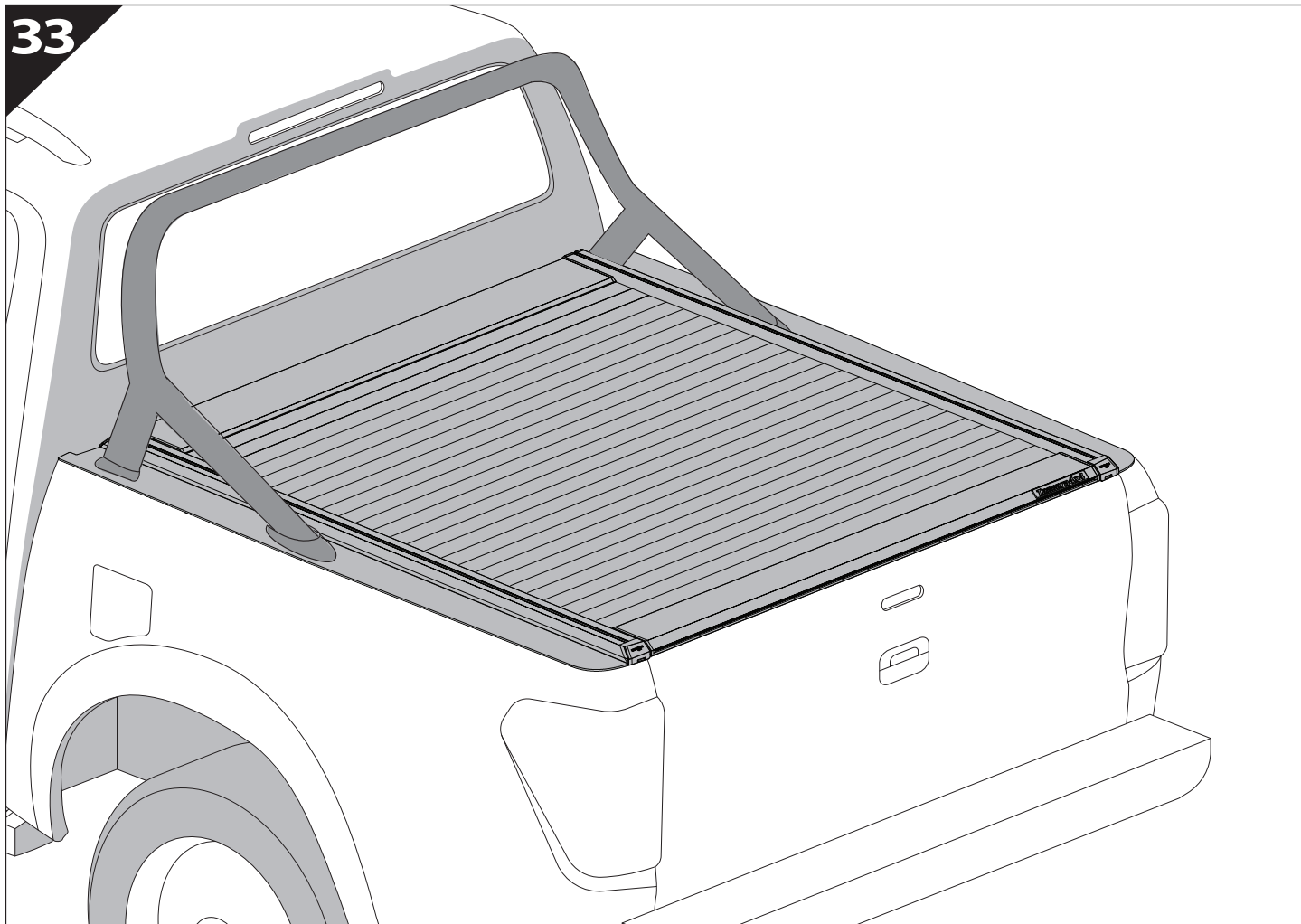




32



33







**GR:** Οδηγίες Εγκατάστασης  
**GB:** Installation manual  
**SF:** Asennusohje  
**F:** Notice de montage  
**PL:** Instrukcja montażu  
**NL:** Installatie-instructies  
**TR:** Montaj Talimatı  
**S:** Monteringsanvisning  
**E:** Instrucciones de montaje

**H:** Szerelési utasítás  
**P:** Instruções de instalação  
**RUS:** Инструкция по установке  
**N:** Monteringsveiledning  
**D:** Einbauanleitung  
**CZ:** Návod k instalaci  
**I:** Istruzioni de montaggio  
**DK:** Monteringsvejledning  
**RO:** Instructiuni de instalare

Customer Service:

+30 (210) 5541161, +30 (210) 5541154 (08:00 - 16:00 EET)

Support department:

[info@gianso.gr](mailto:info@gianso.gr)

Website:

[www.tessera4x4.com](http://www.tessera4x4.com)

Address:

19.5 km of National road Athens-Korinthos (Elefsina) Greece, P.C: 19200