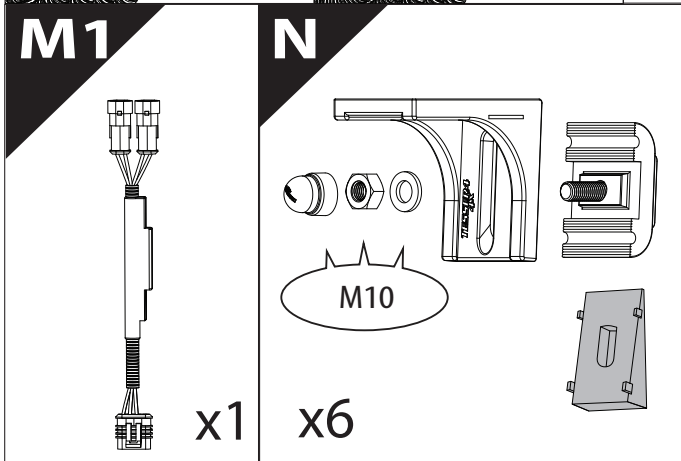
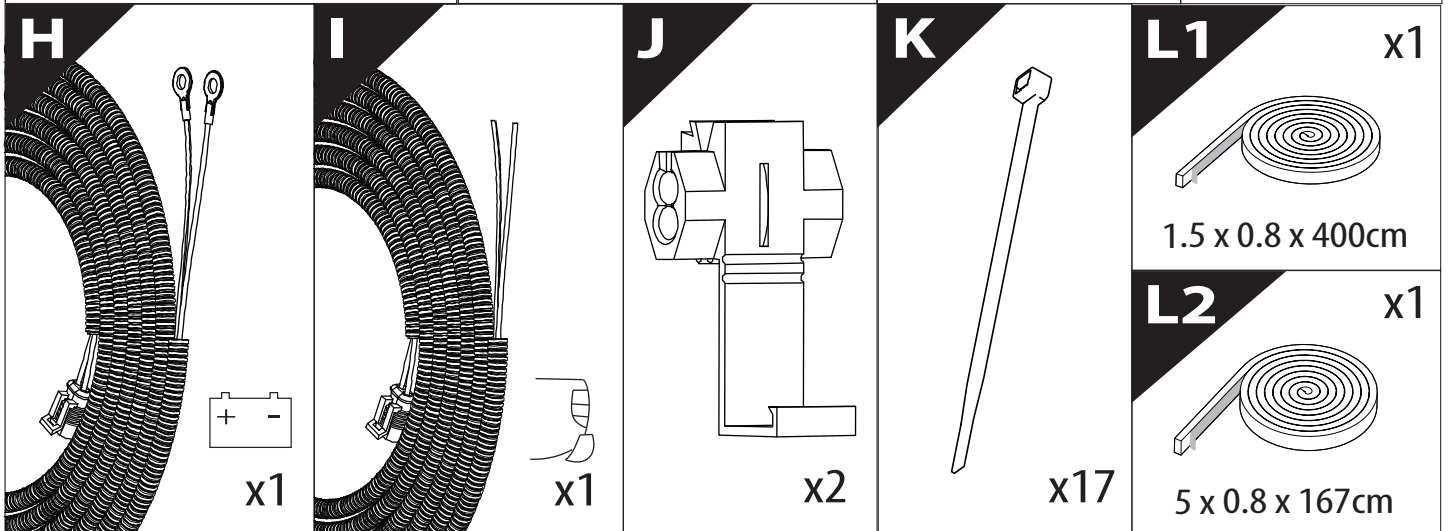
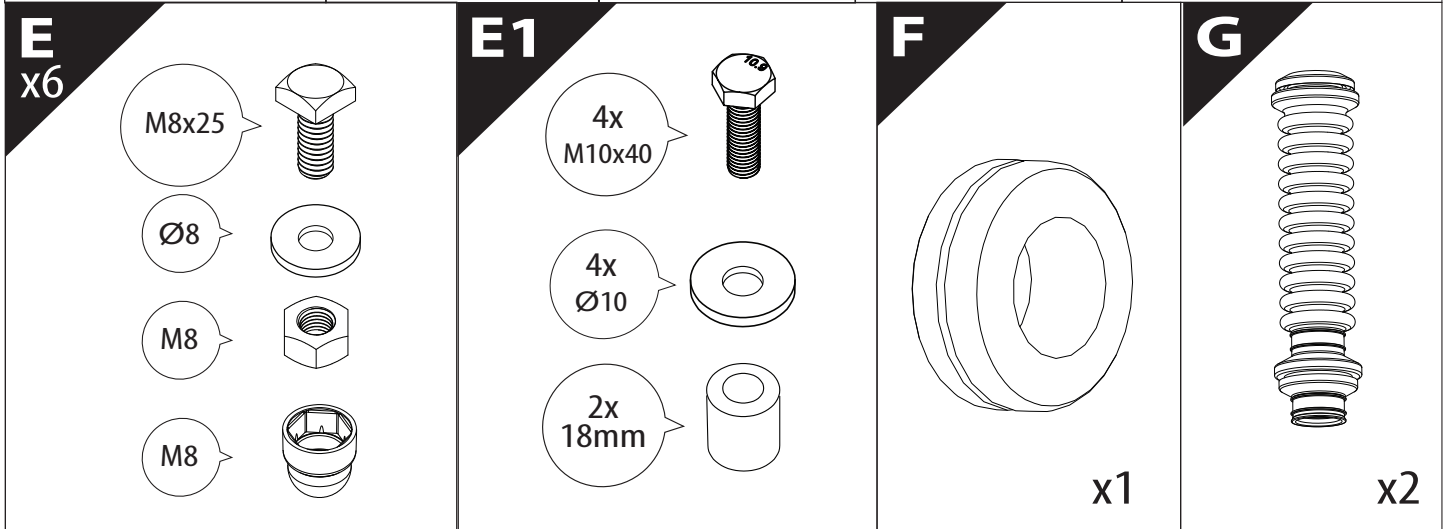
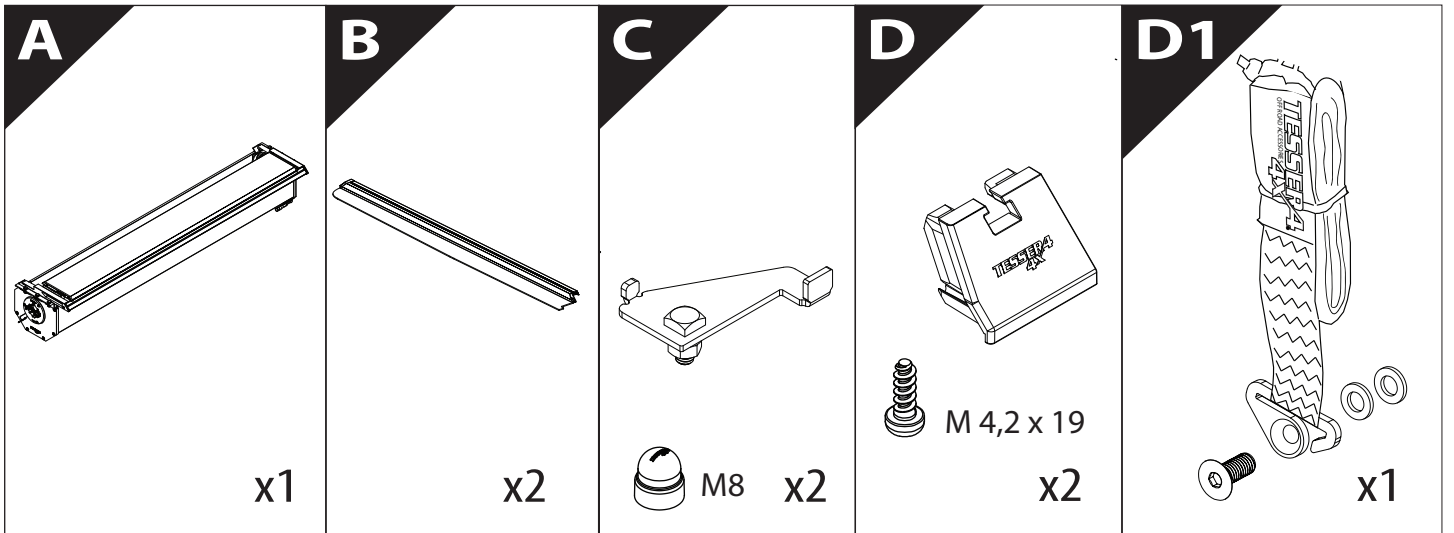
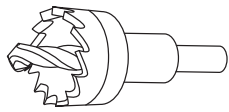


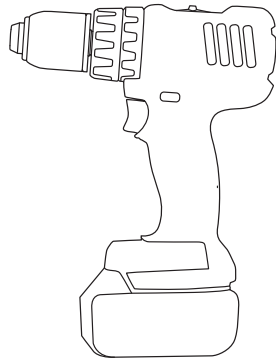
Installation Manual

PART NUMBER(S)	Model Year
TESS 14171 ROLL	Toyota Hilux (Revo) 2016+ WITH OEM ROLL BAR
Cab(s)	Installation Time / Weight
Space Cab	40-60 minutes / 53-57 kg





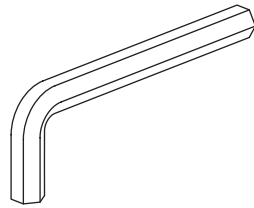
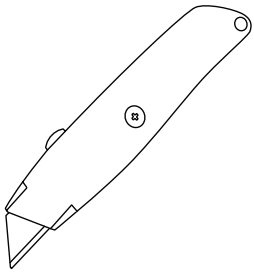
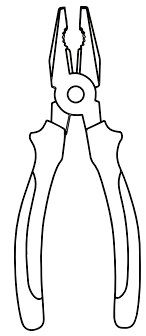
Ø 25 mm / Ø 40 mm



+

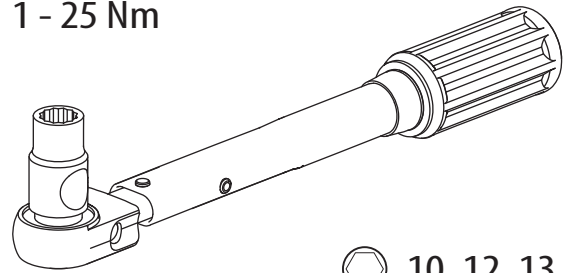


-



○ 4 mm, 5mm

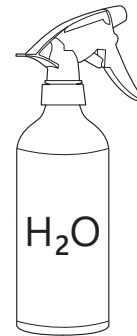
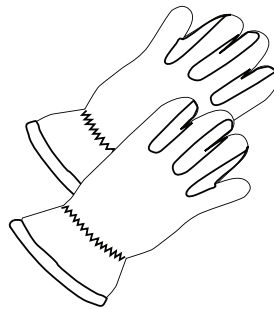
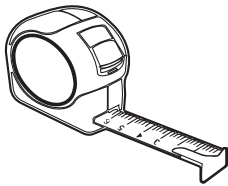
1 - 25 Nm



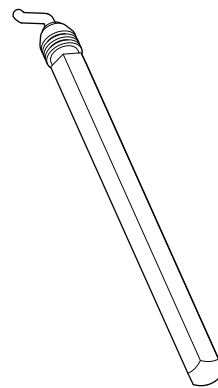
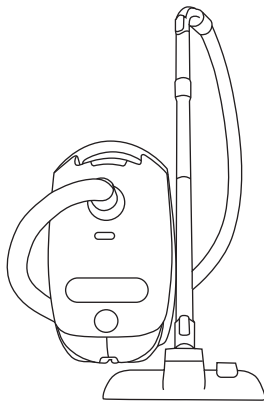
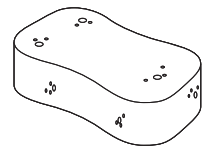
○ 10, 12, 13, 17 mm



ACETONE



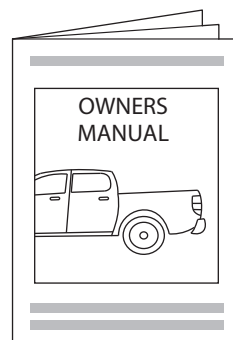
H₂O



ANTI-RUST

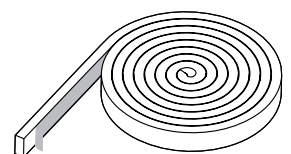
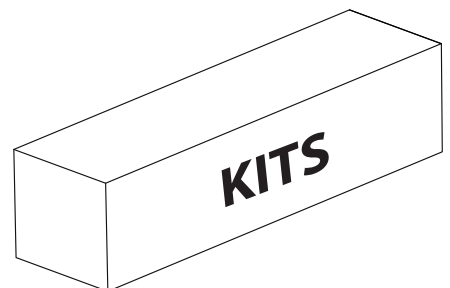
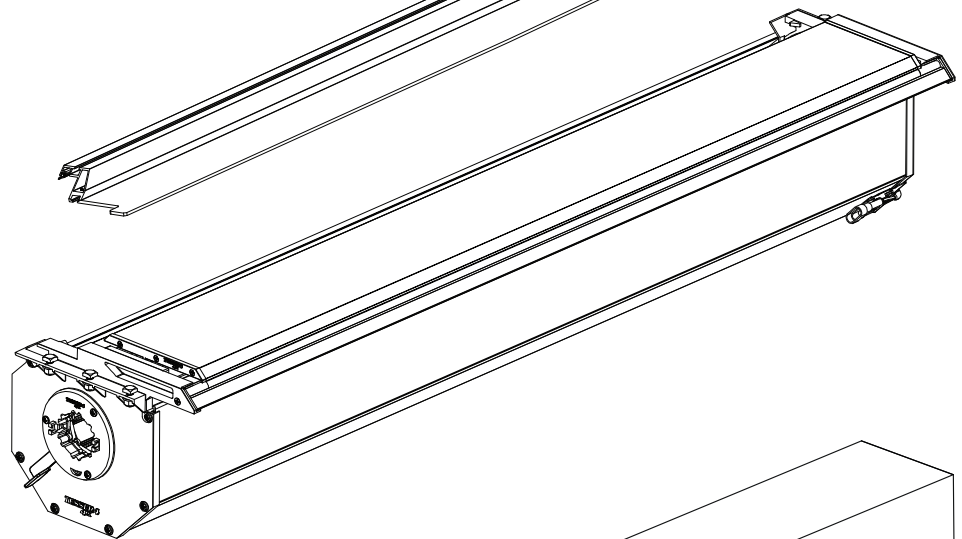
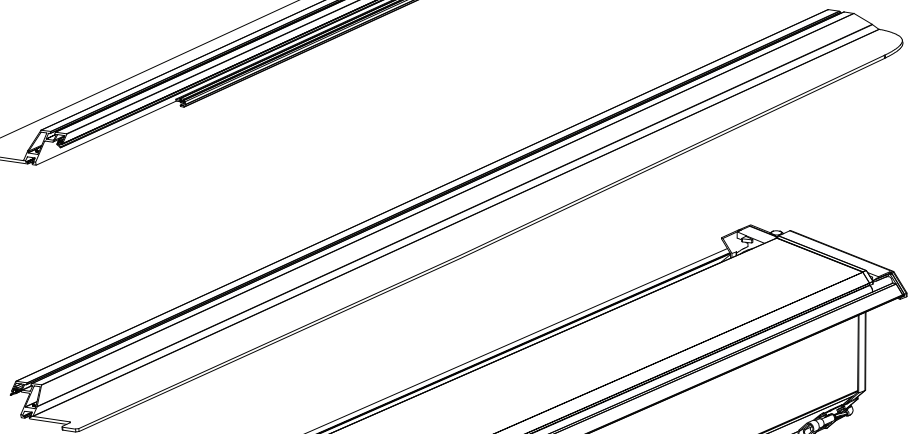
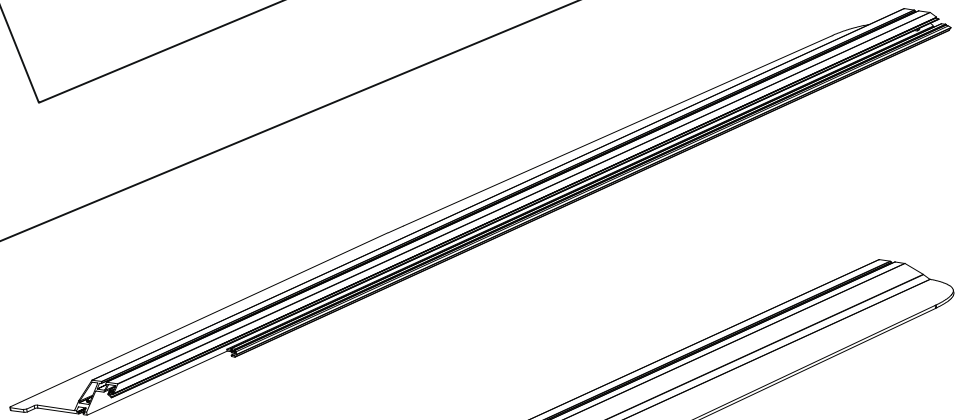
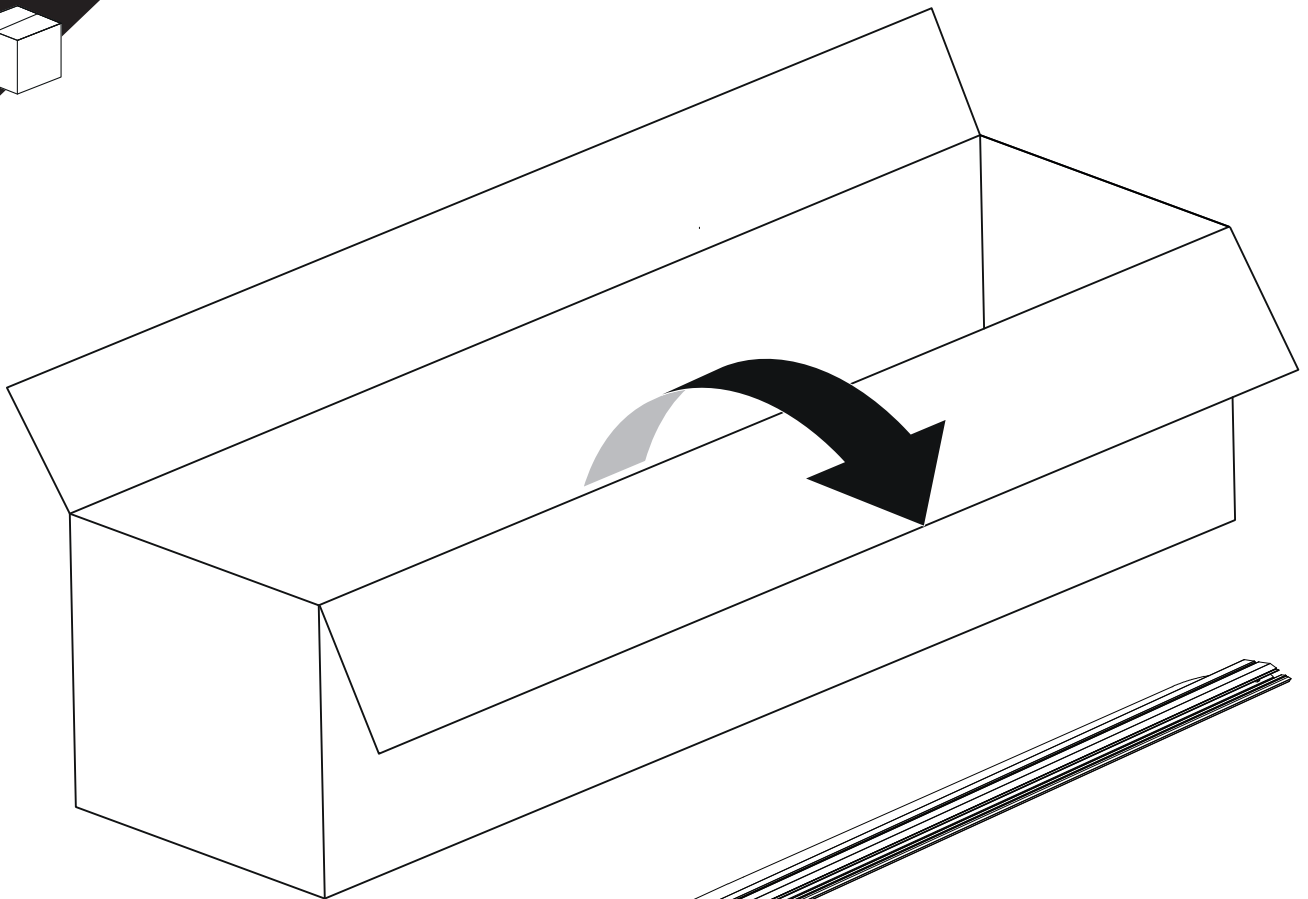


INSTALLATION
MANUAL



OWNERS
MANUAL

x1

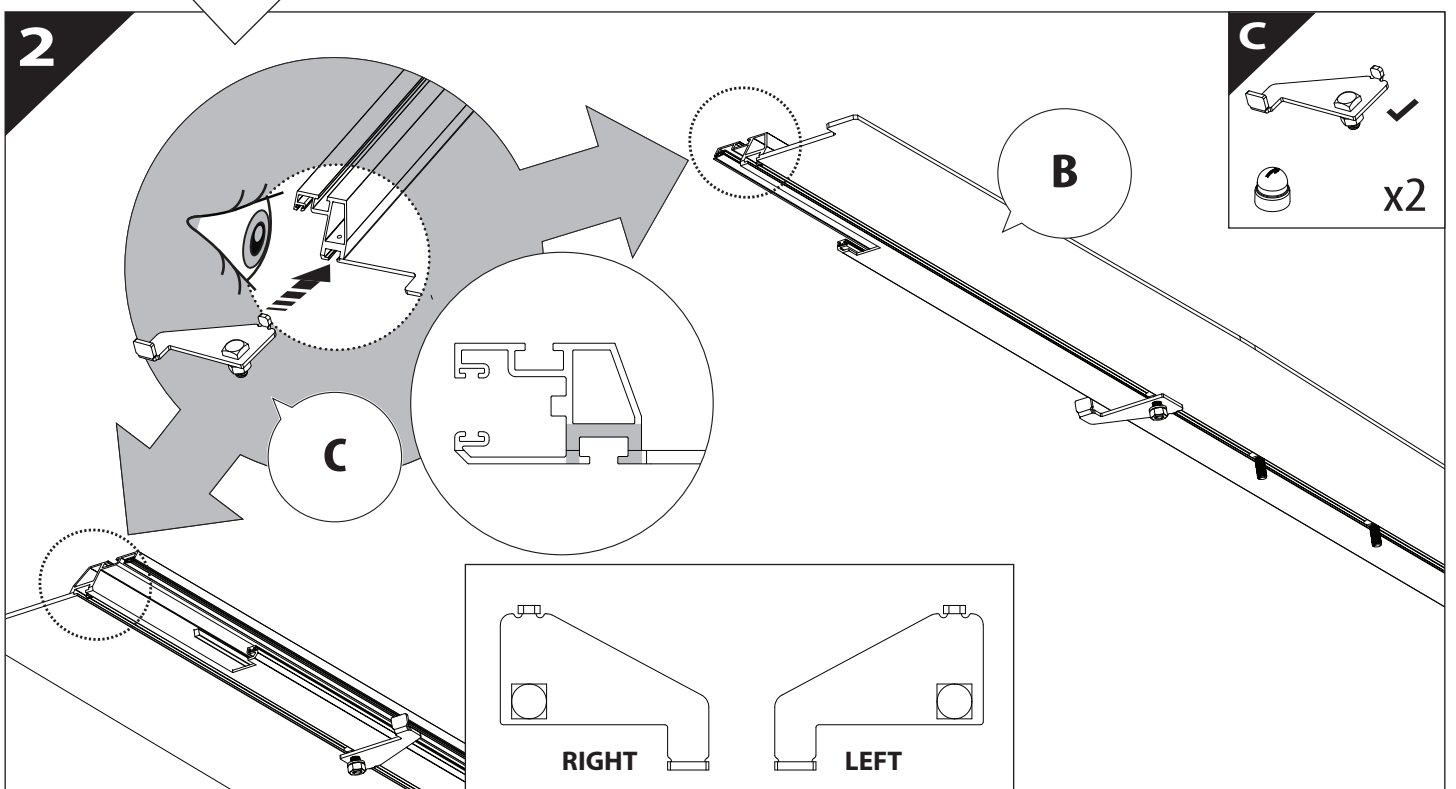
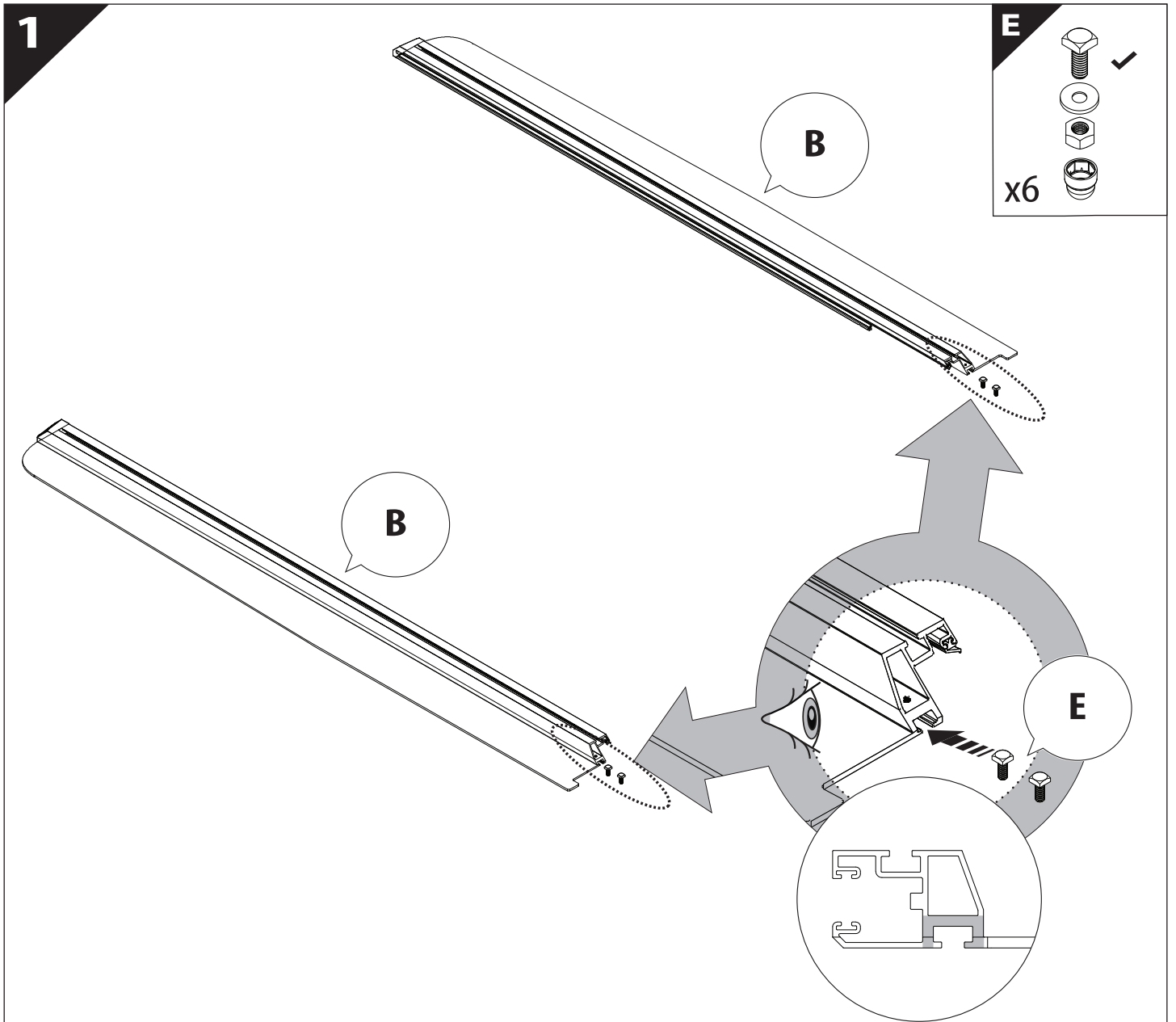


B

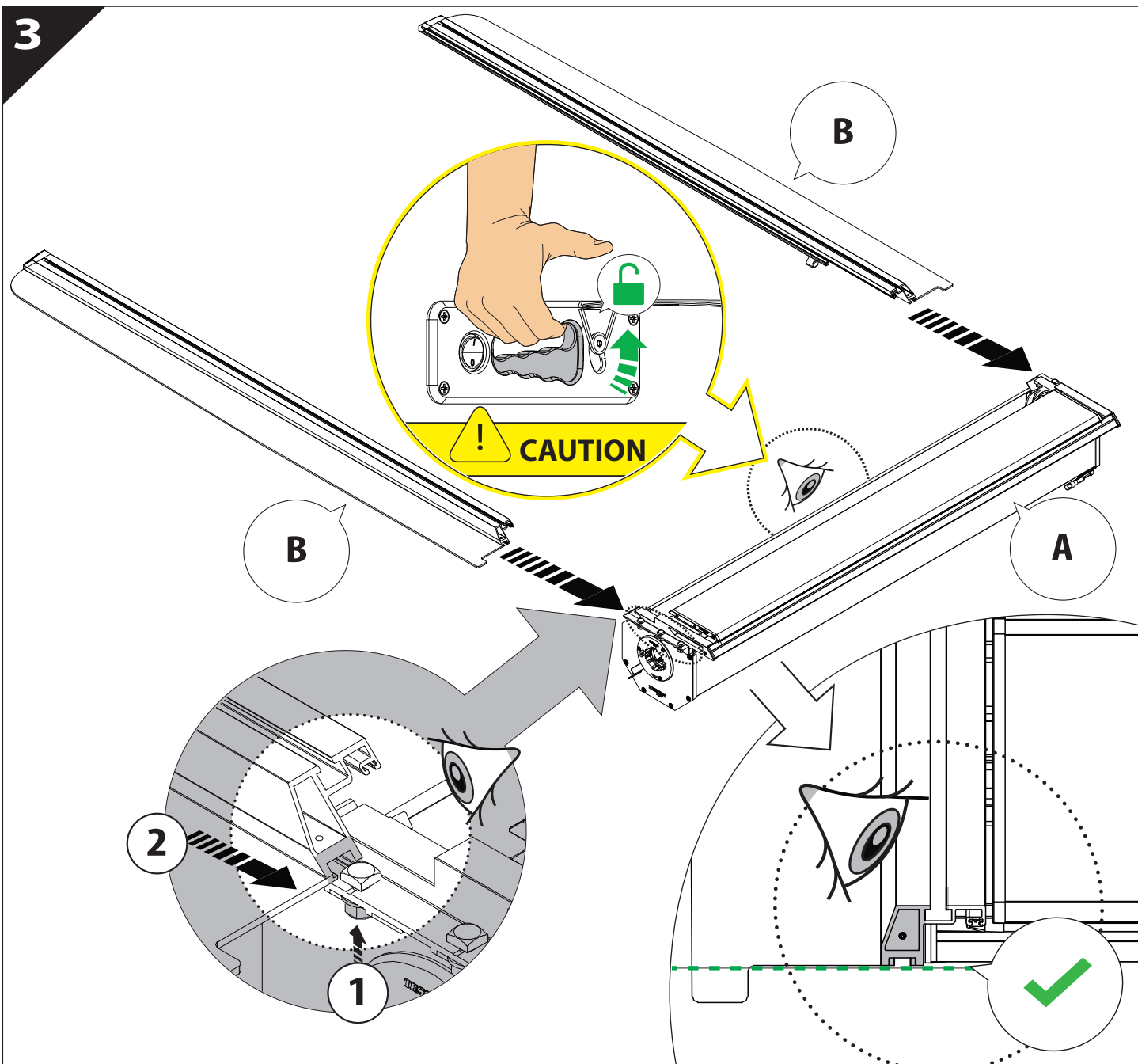
A

KITS

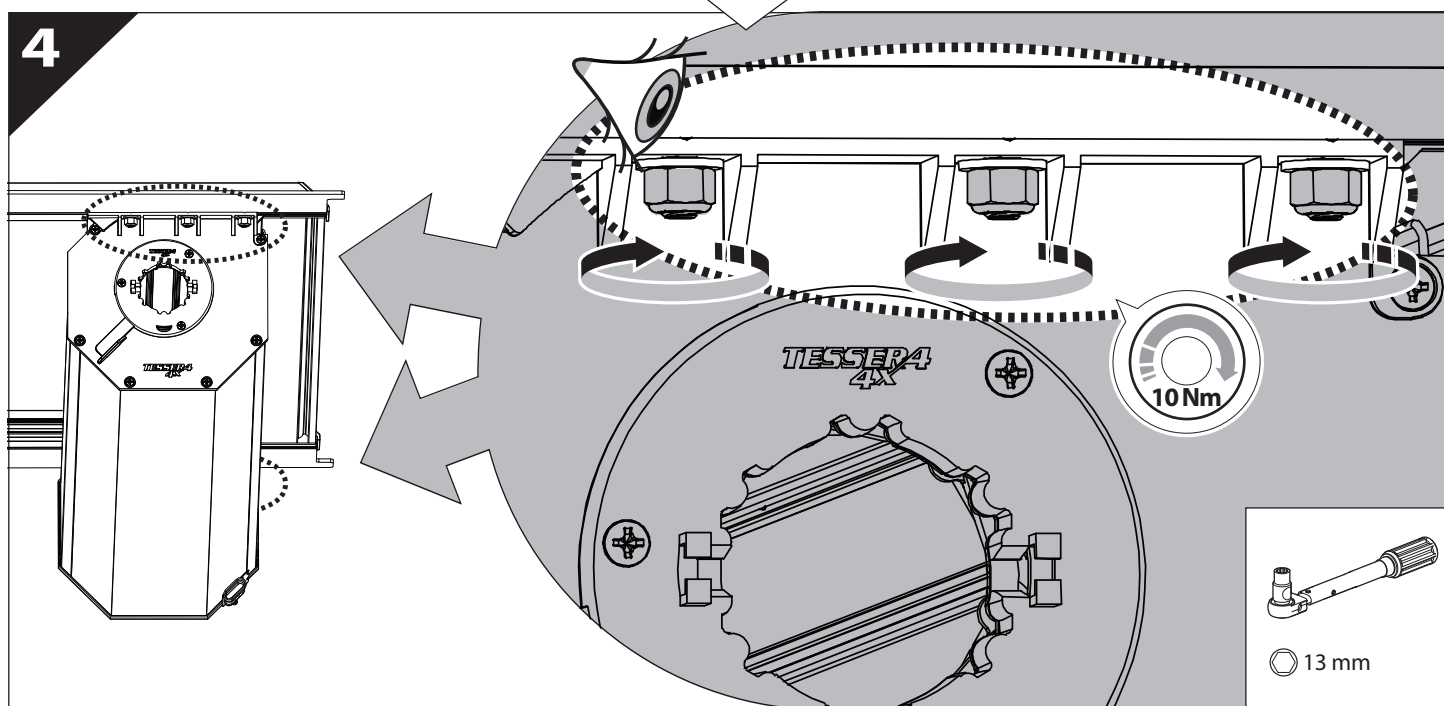
L

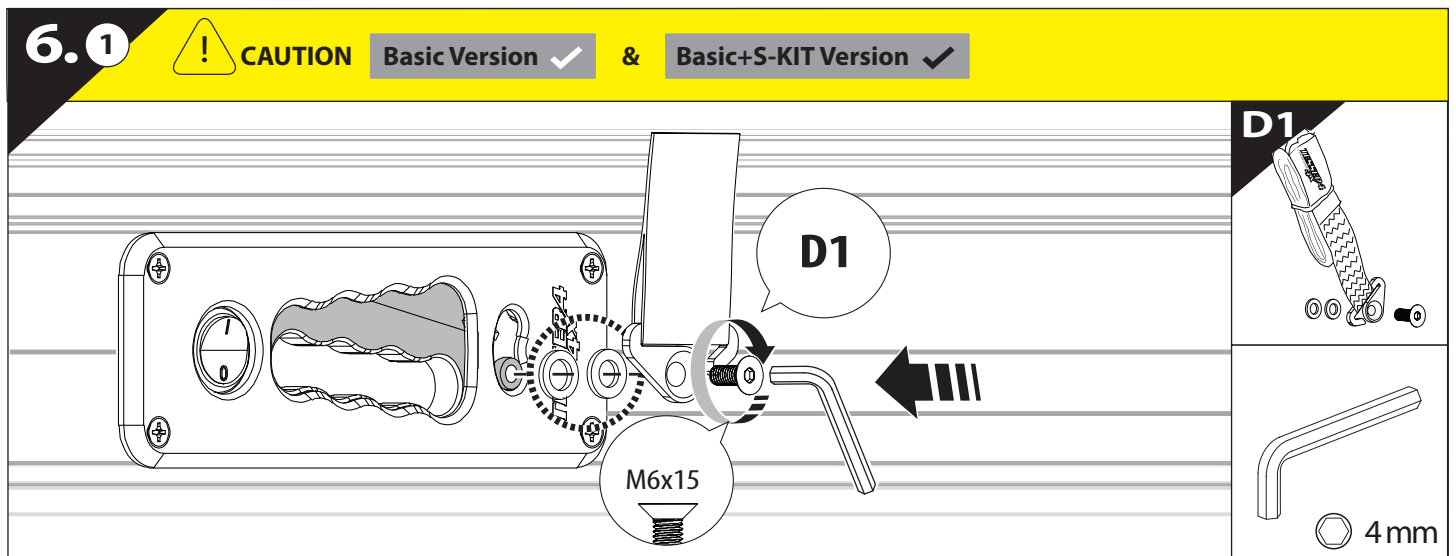
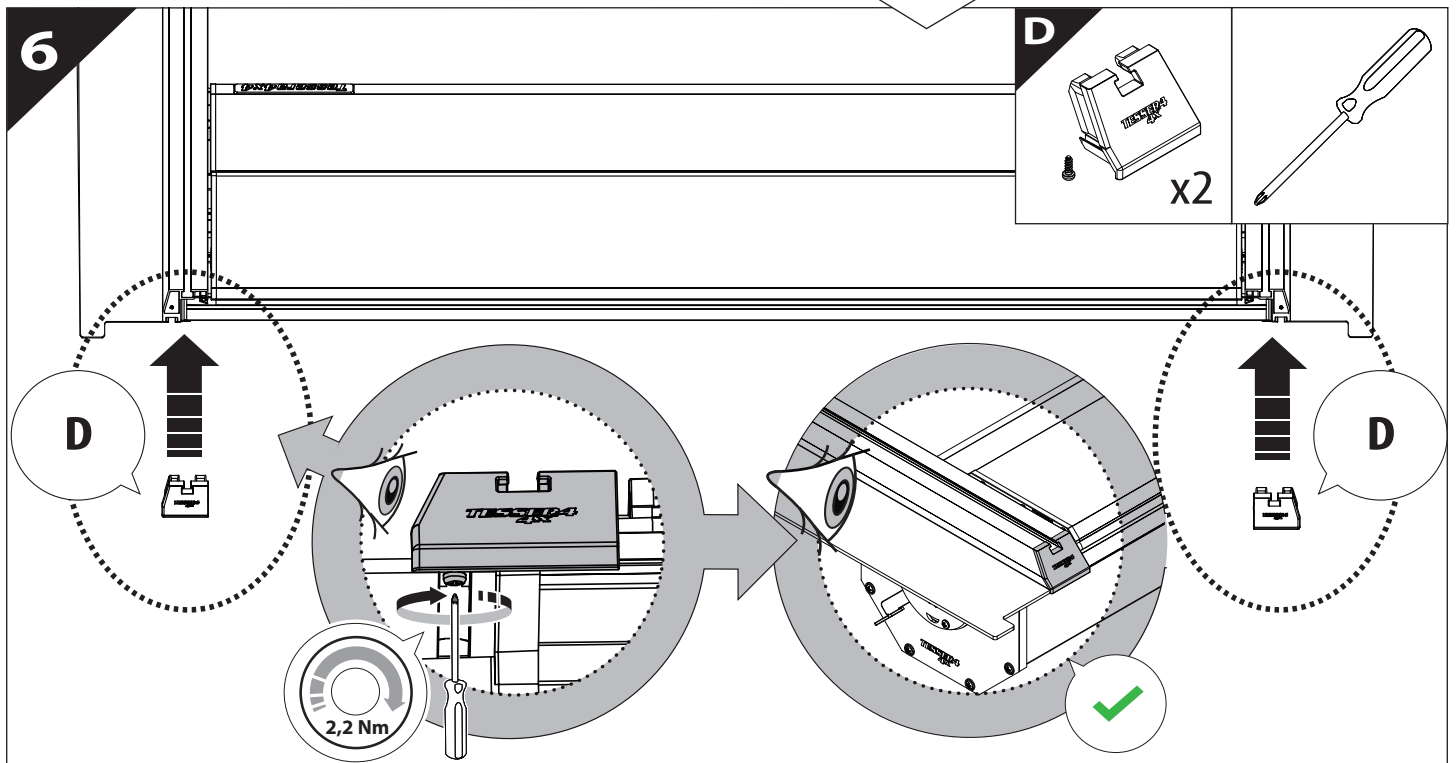
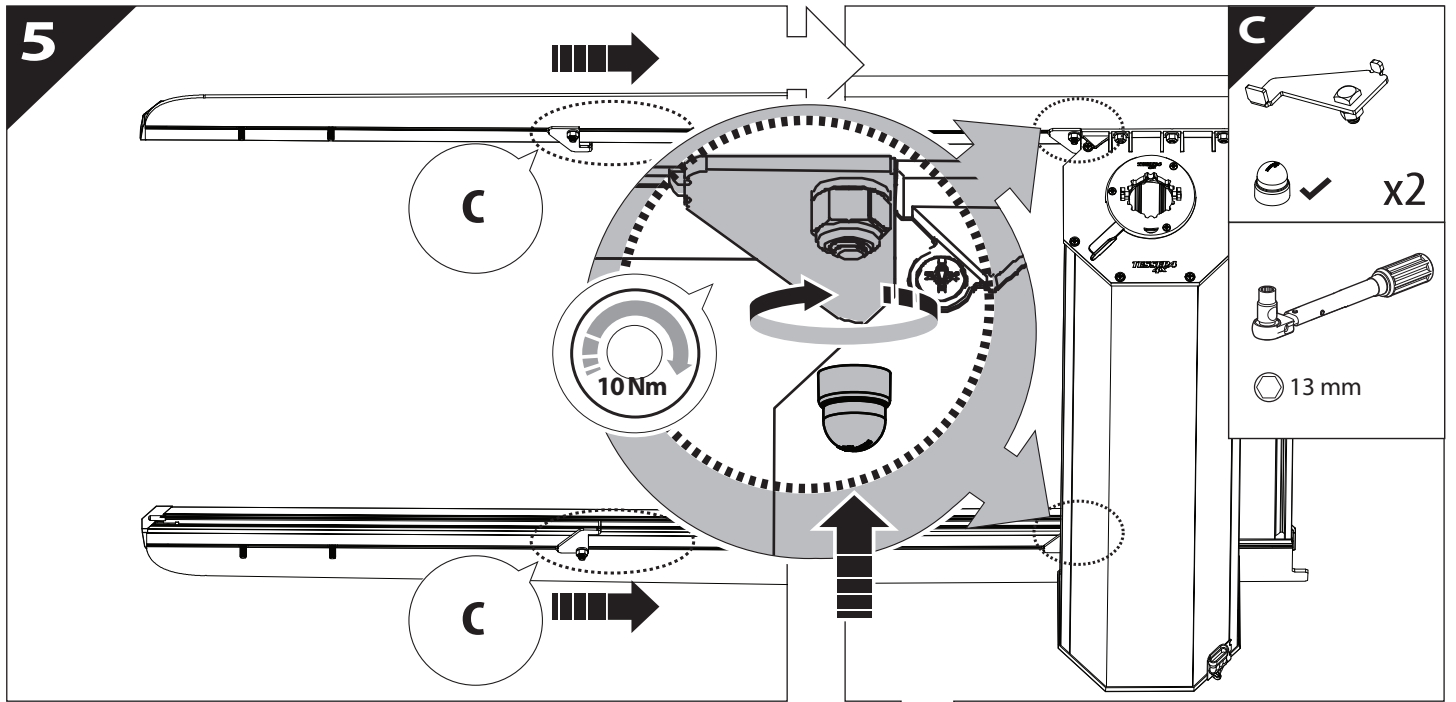


3

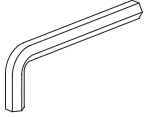


4

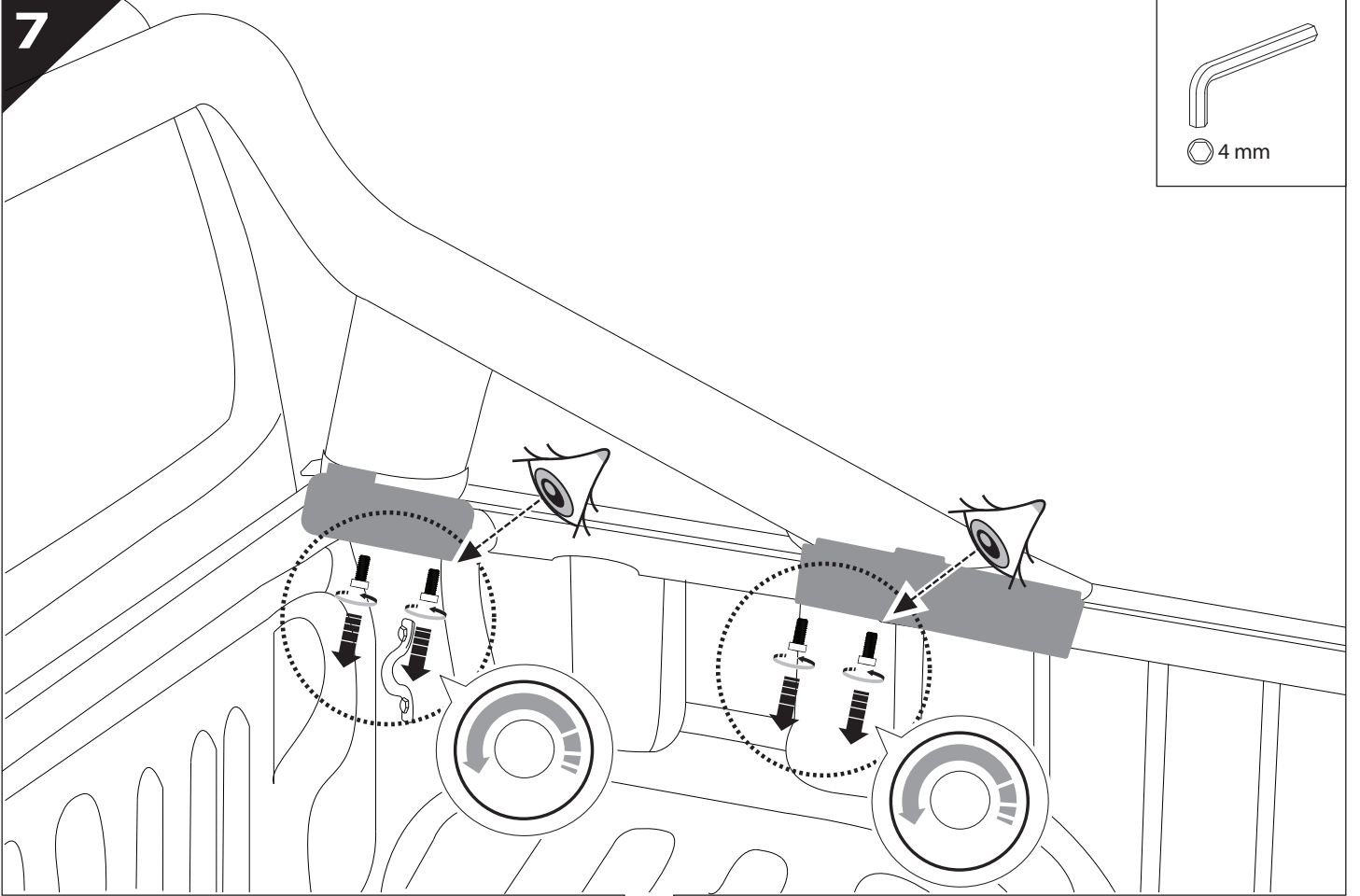




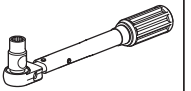
7



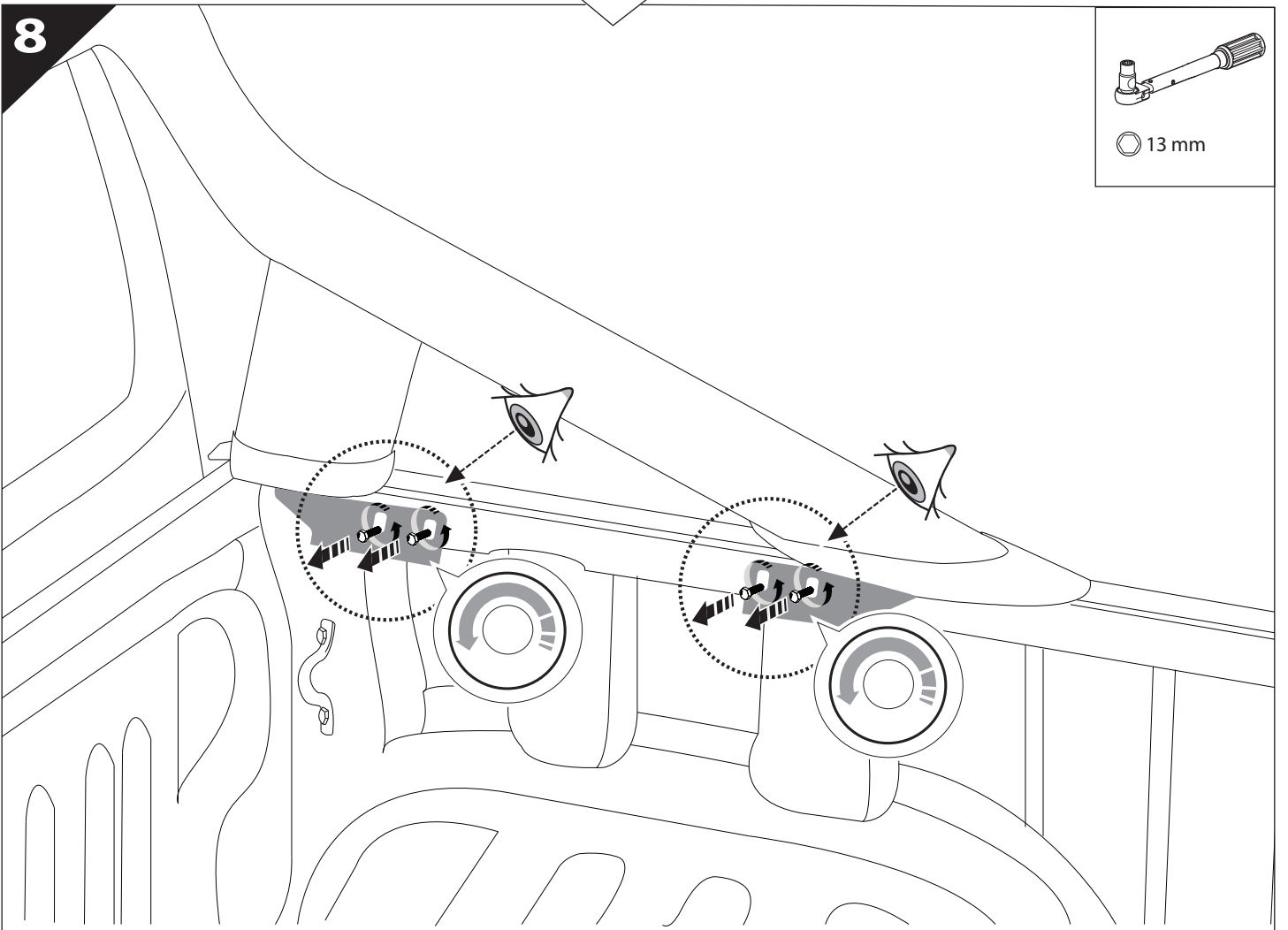
4 mm



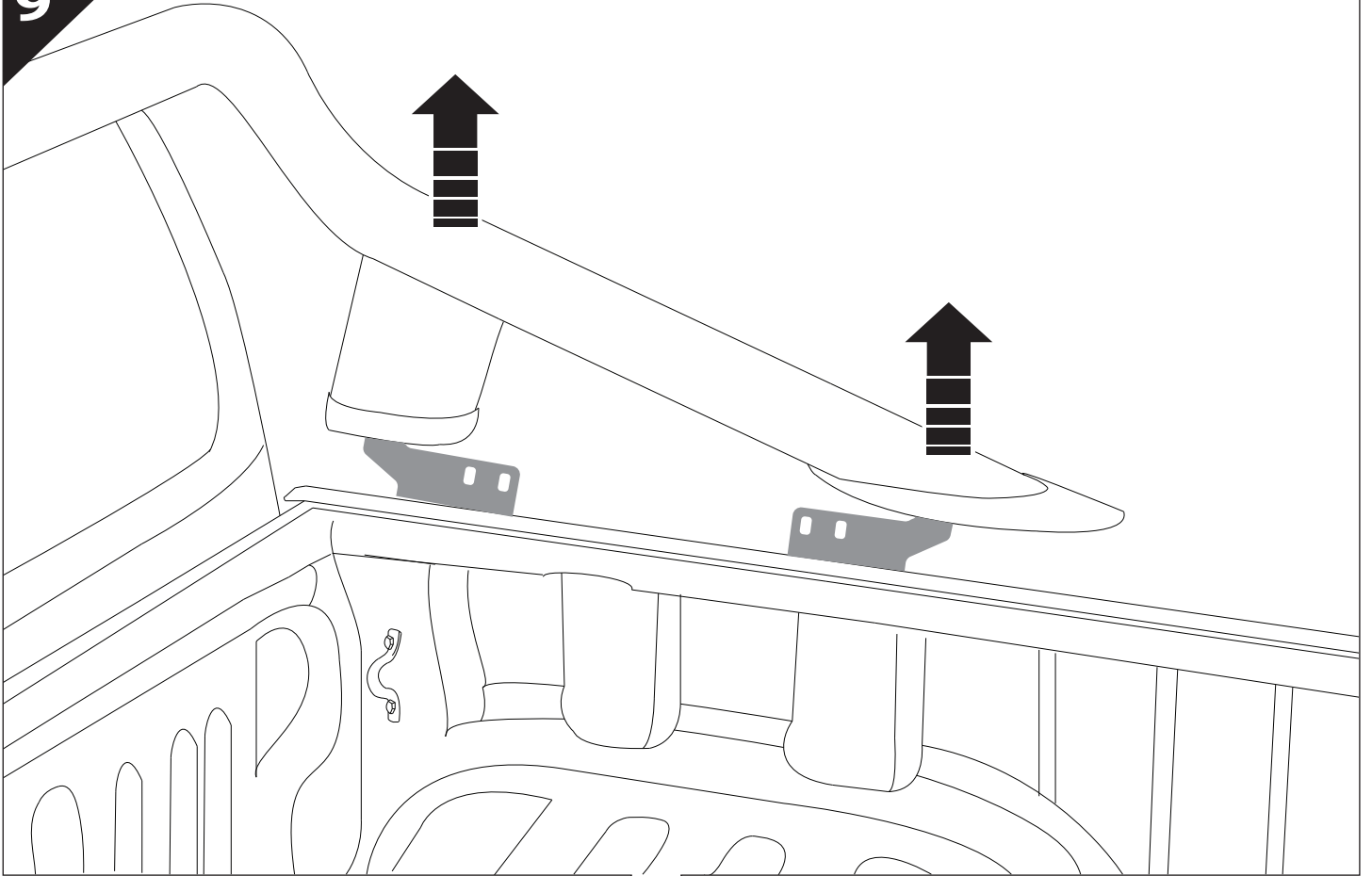
8



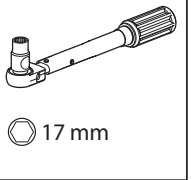
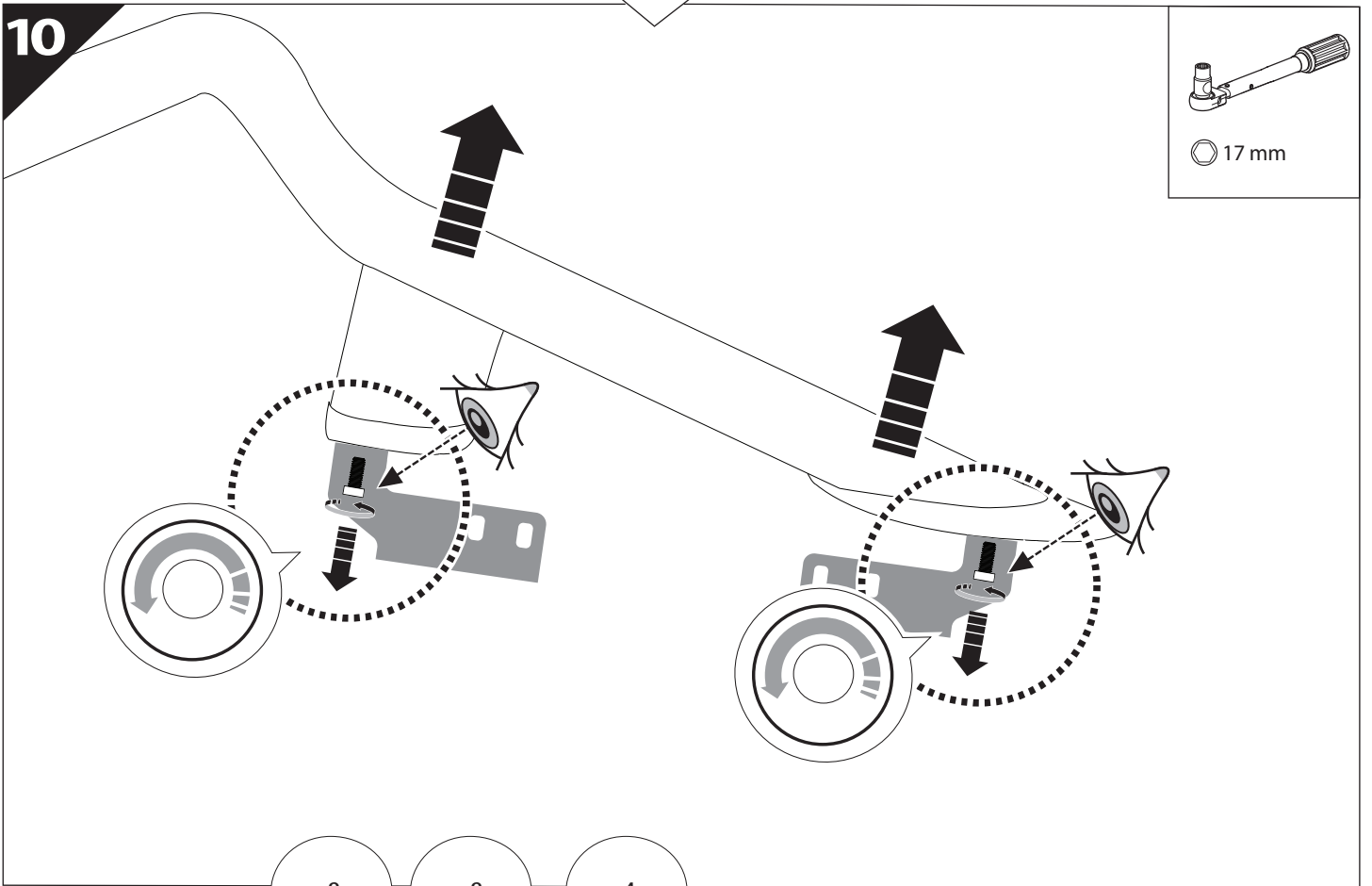
13 mm



9



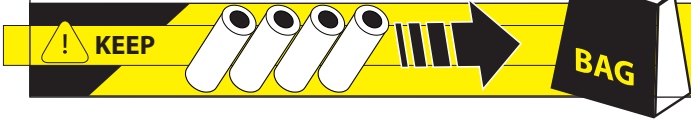
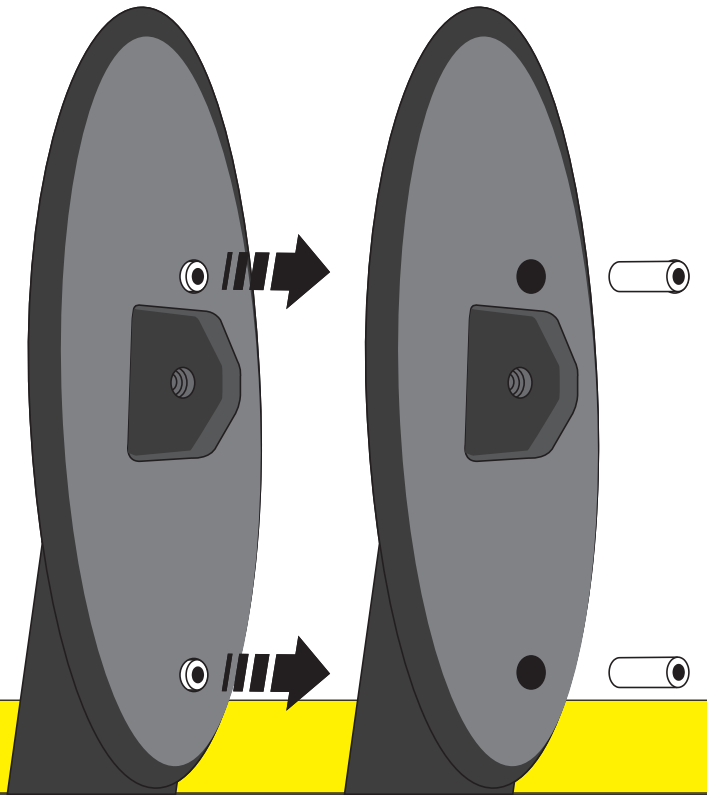
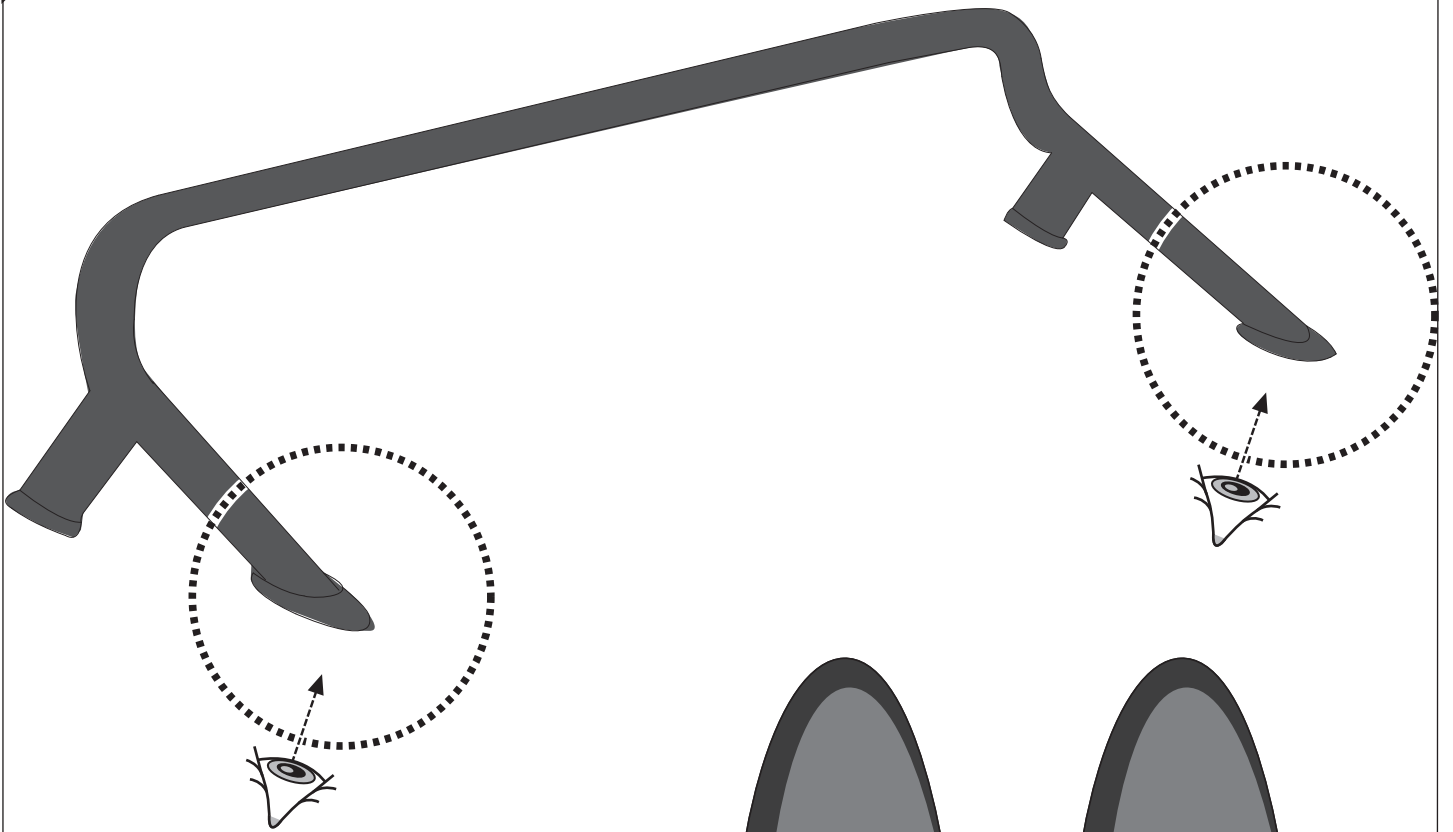
10

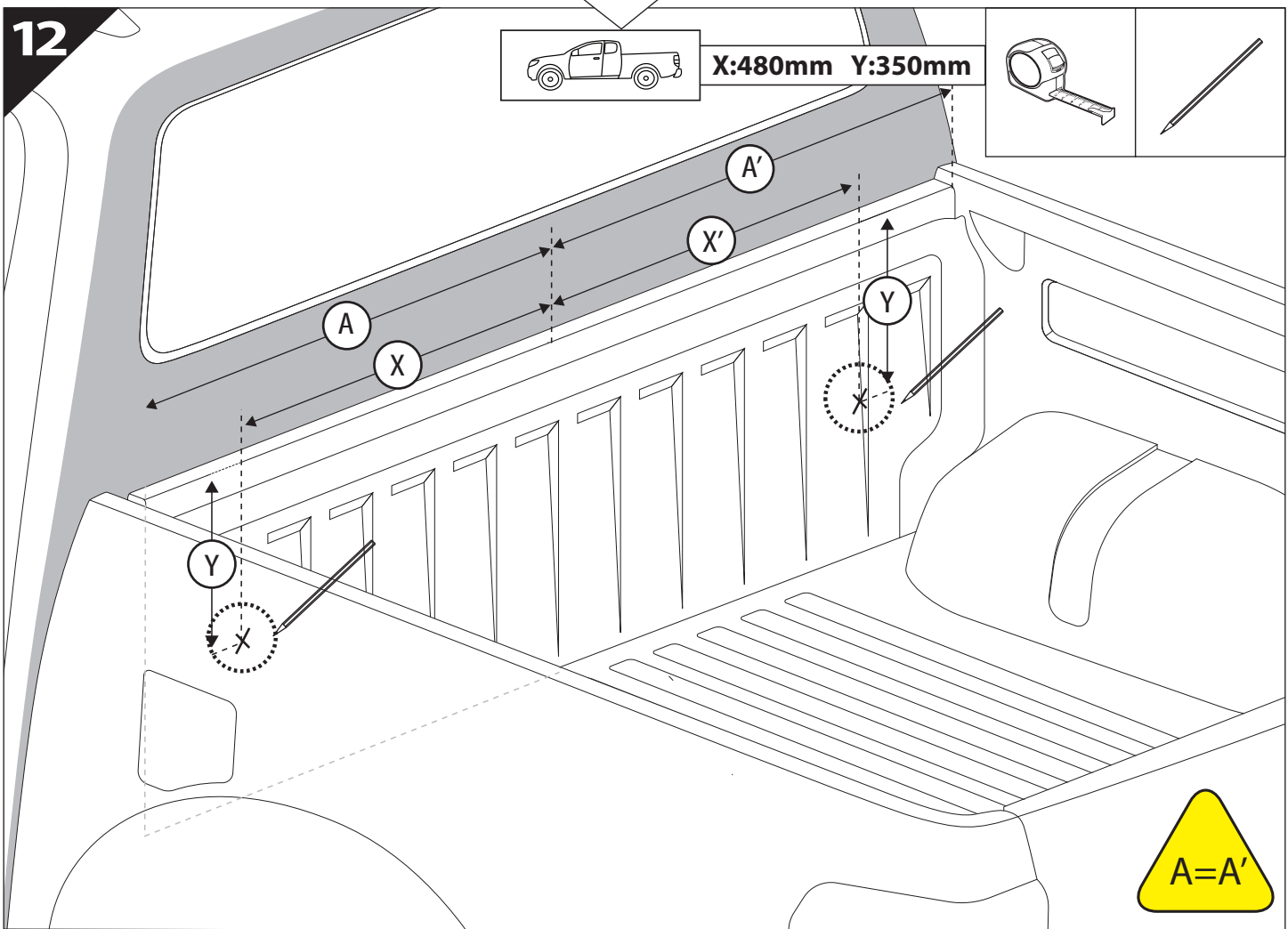
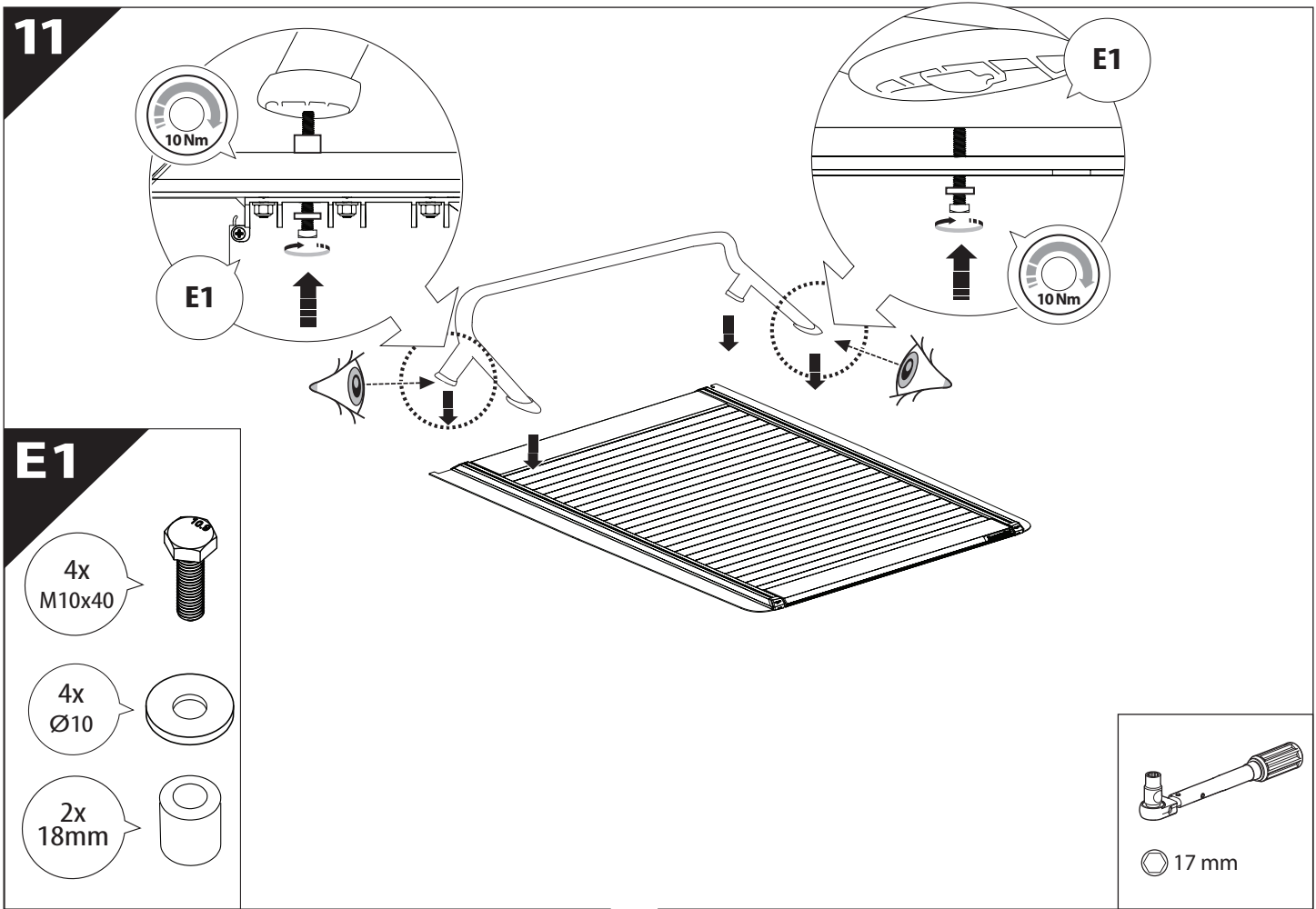


-  x8
-  x8
-  x4

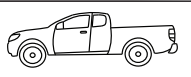


10.0

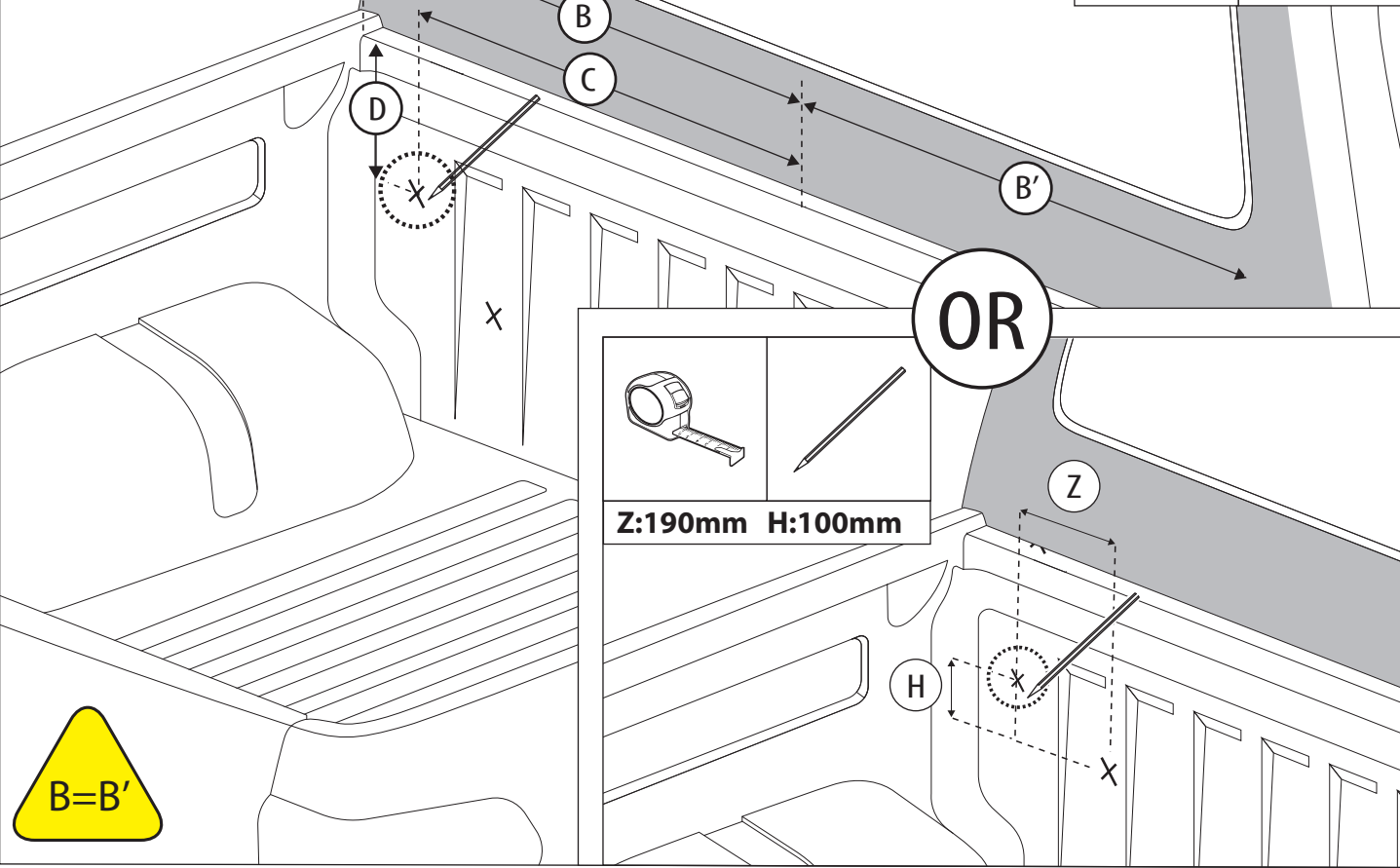
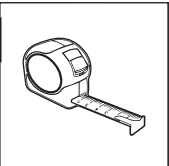




13

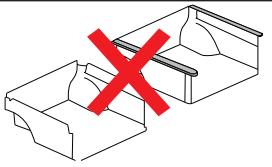


C:670mm D:250mm



B=B'

14

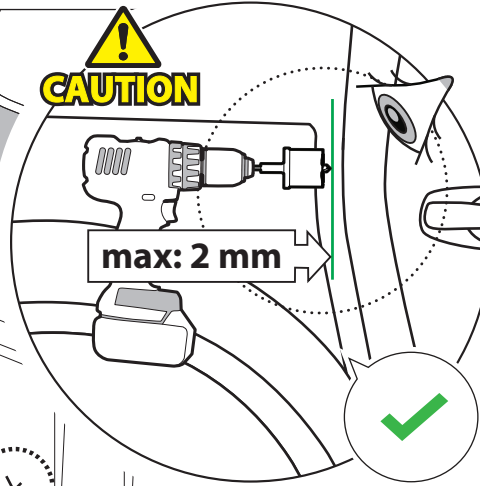


Ø 25 mm

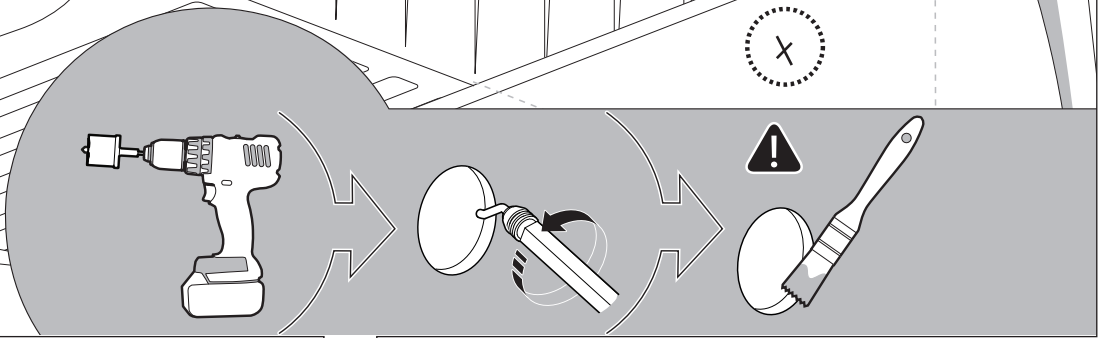
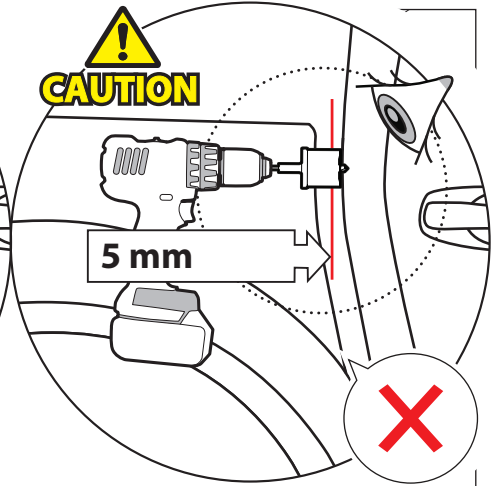


Rust Protection

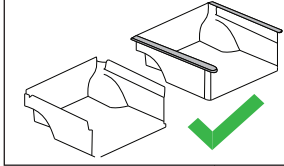
CAUTION



CAUTION

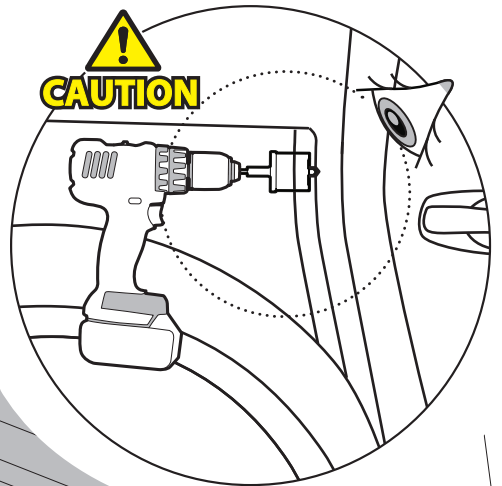


15

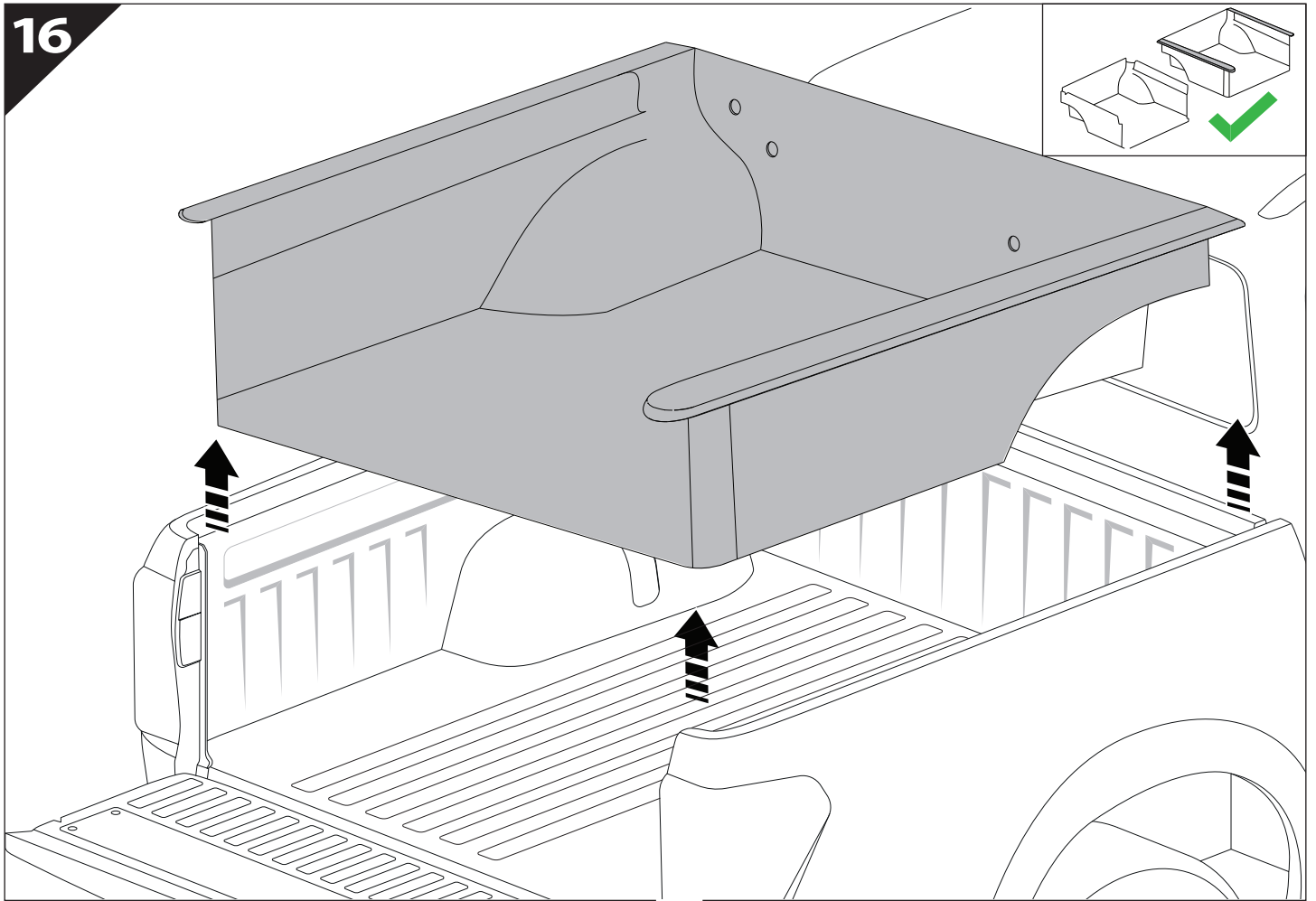


Ø 40 mm

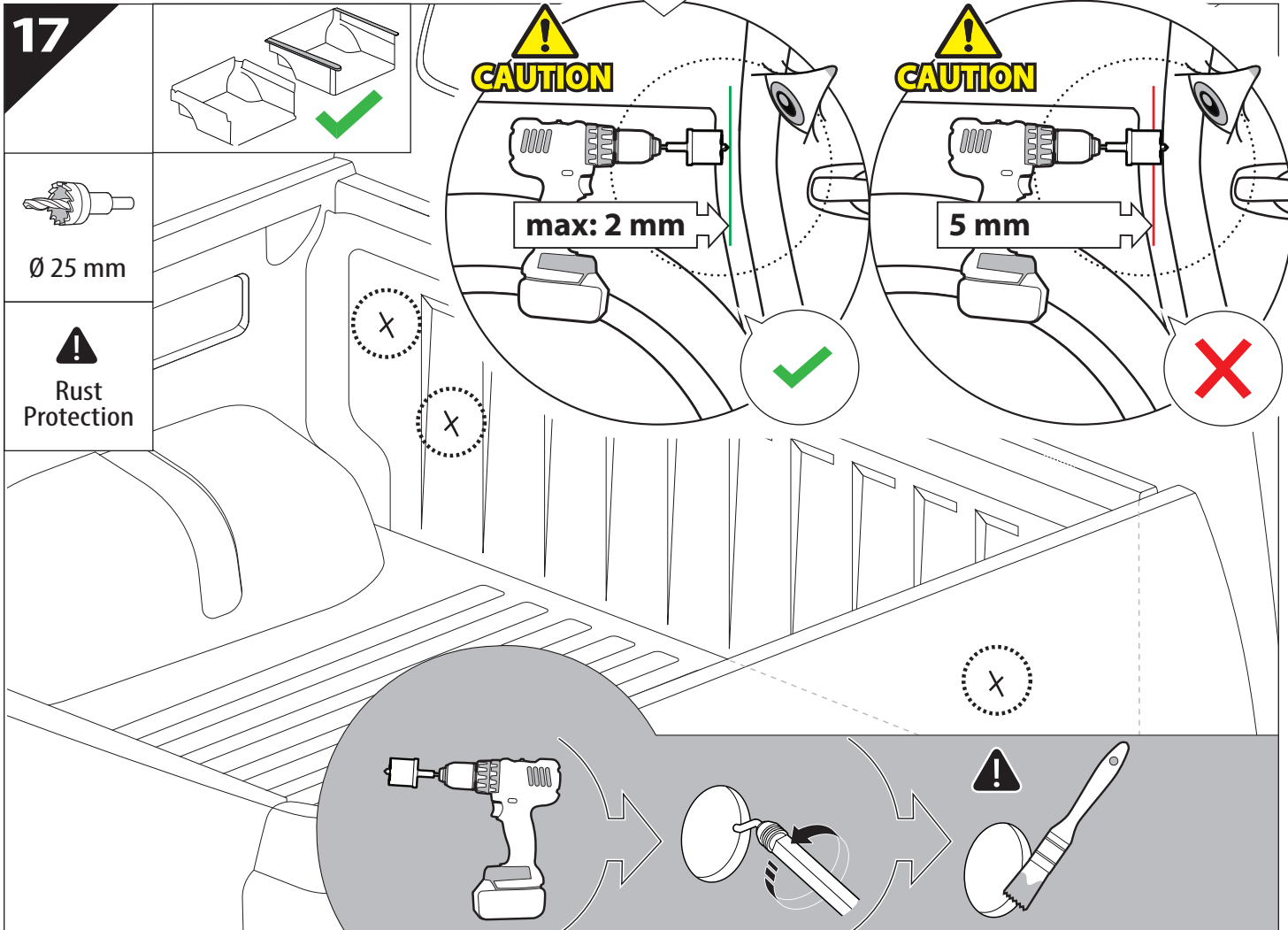
CAUTION



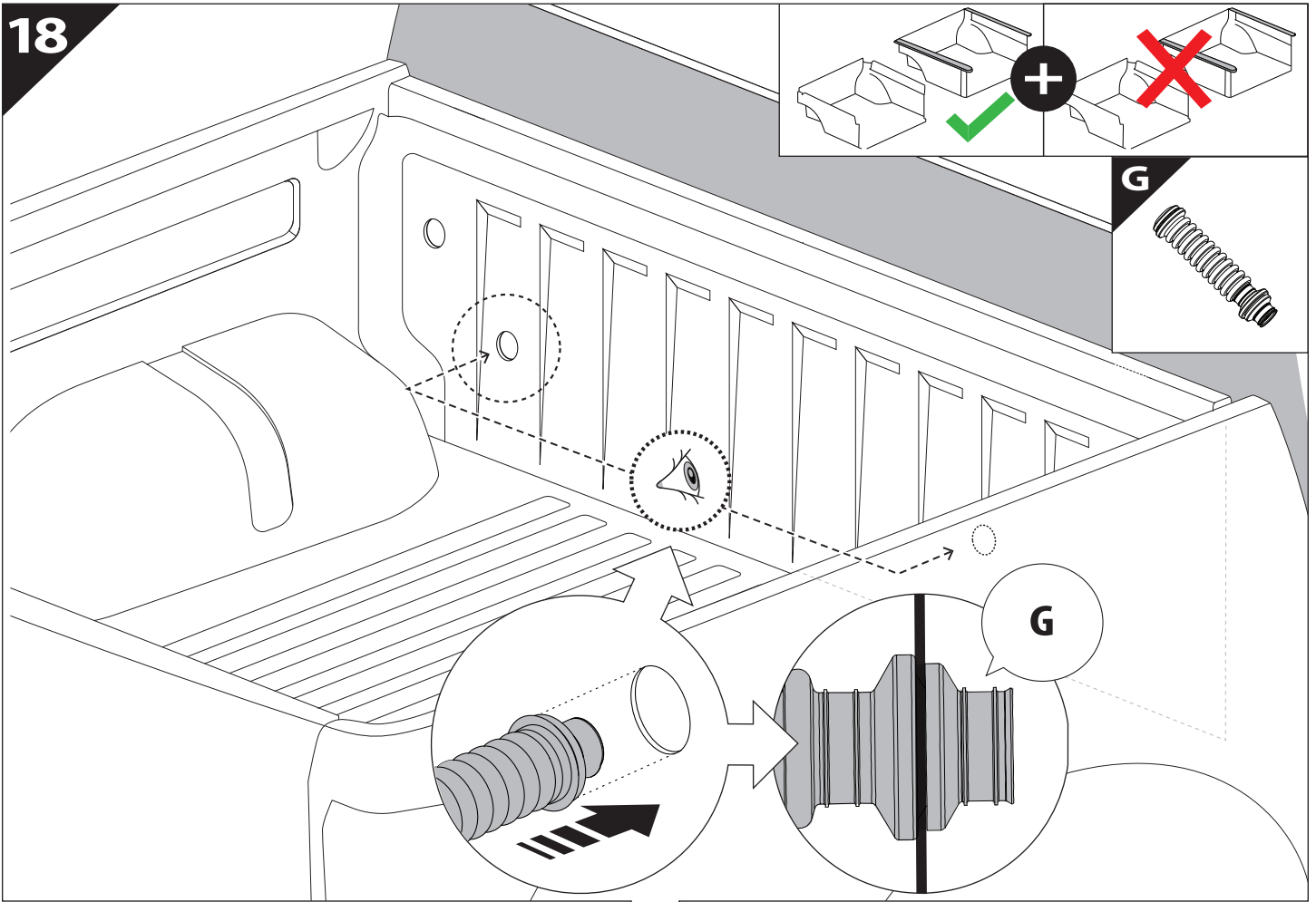
16



17

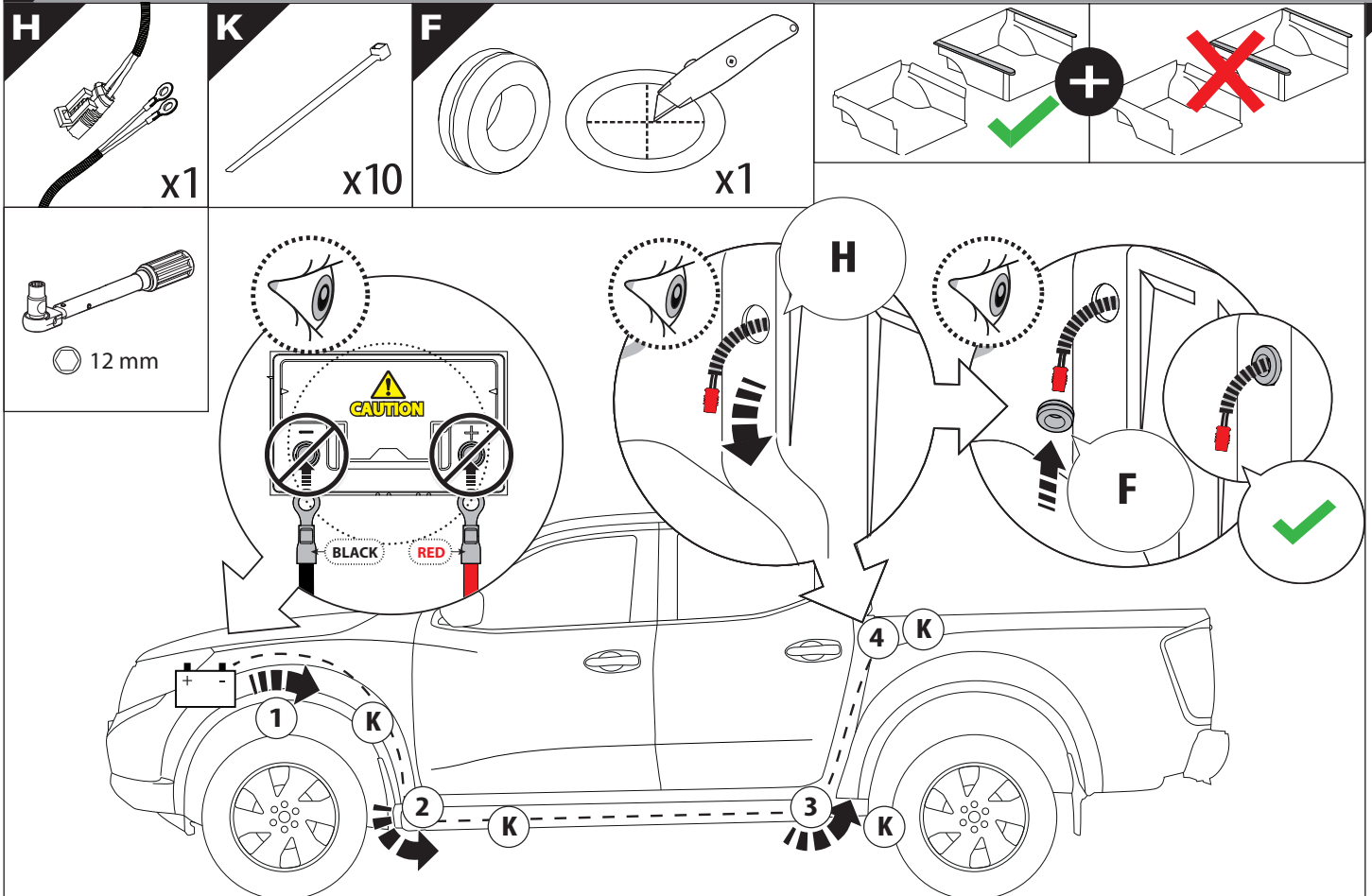


18

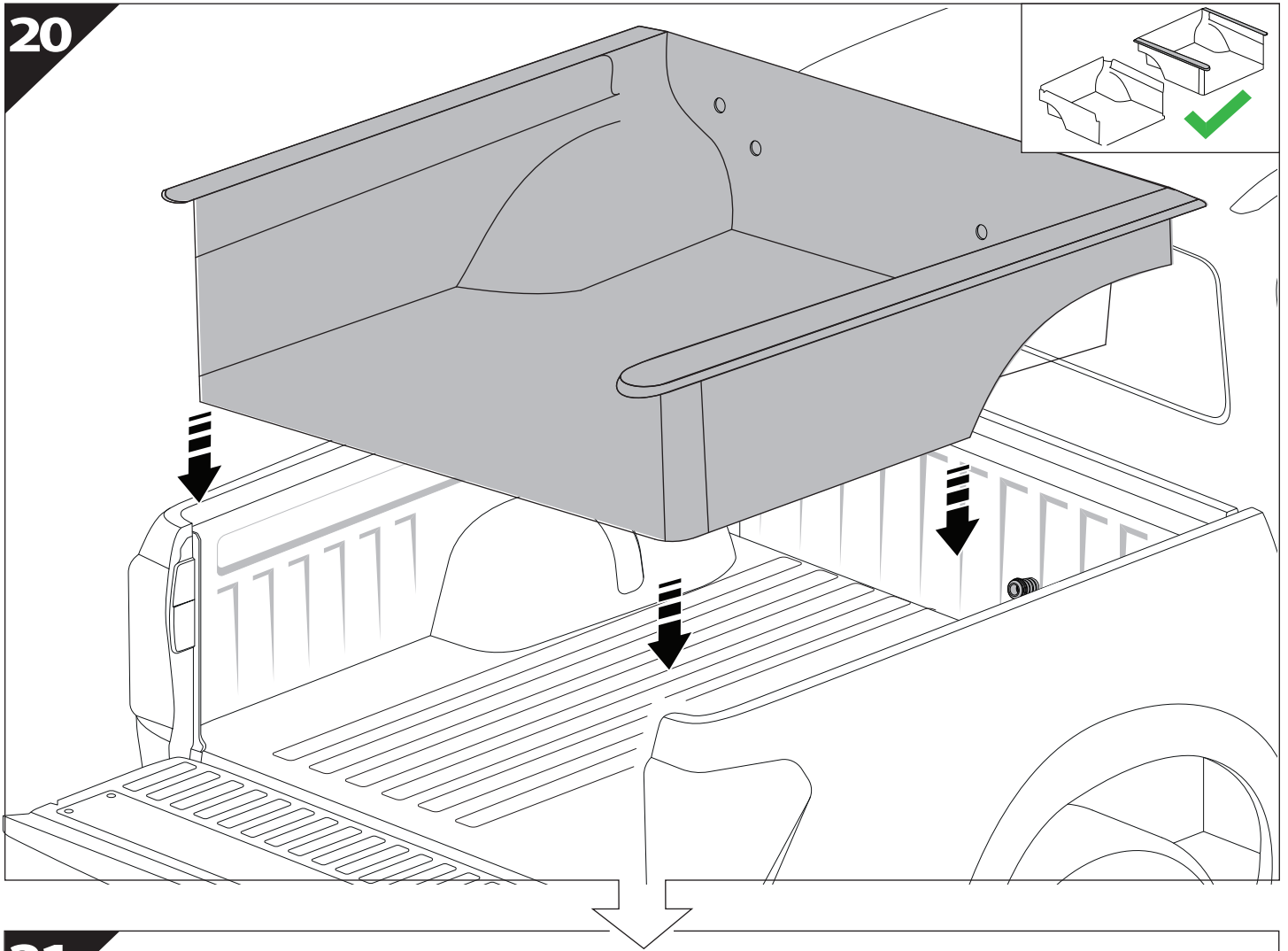


19

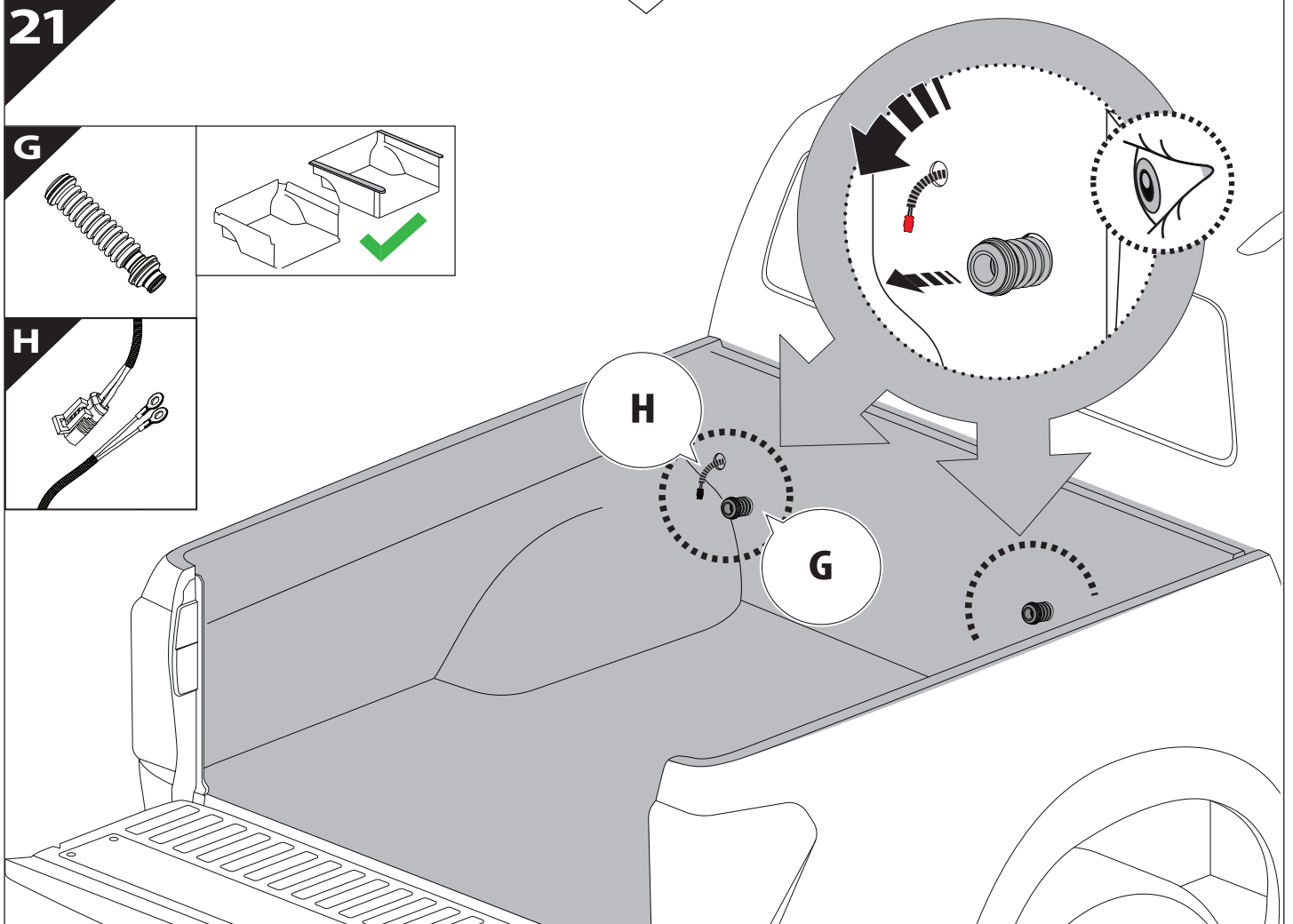
Only to be installed by authorized personnel



20

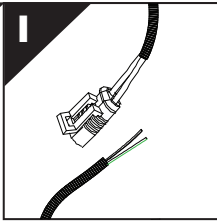


21

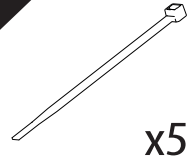


22

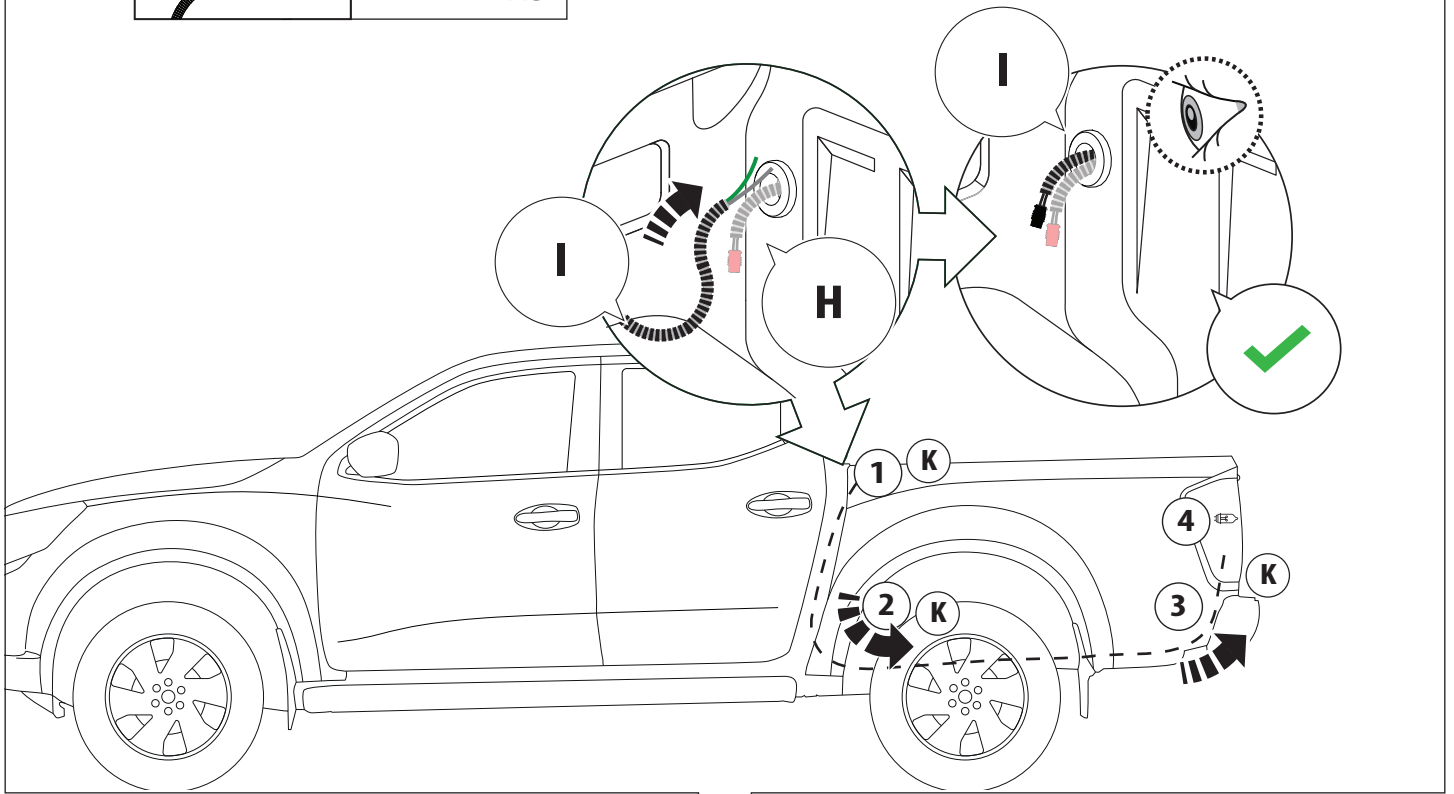
I



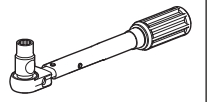
K



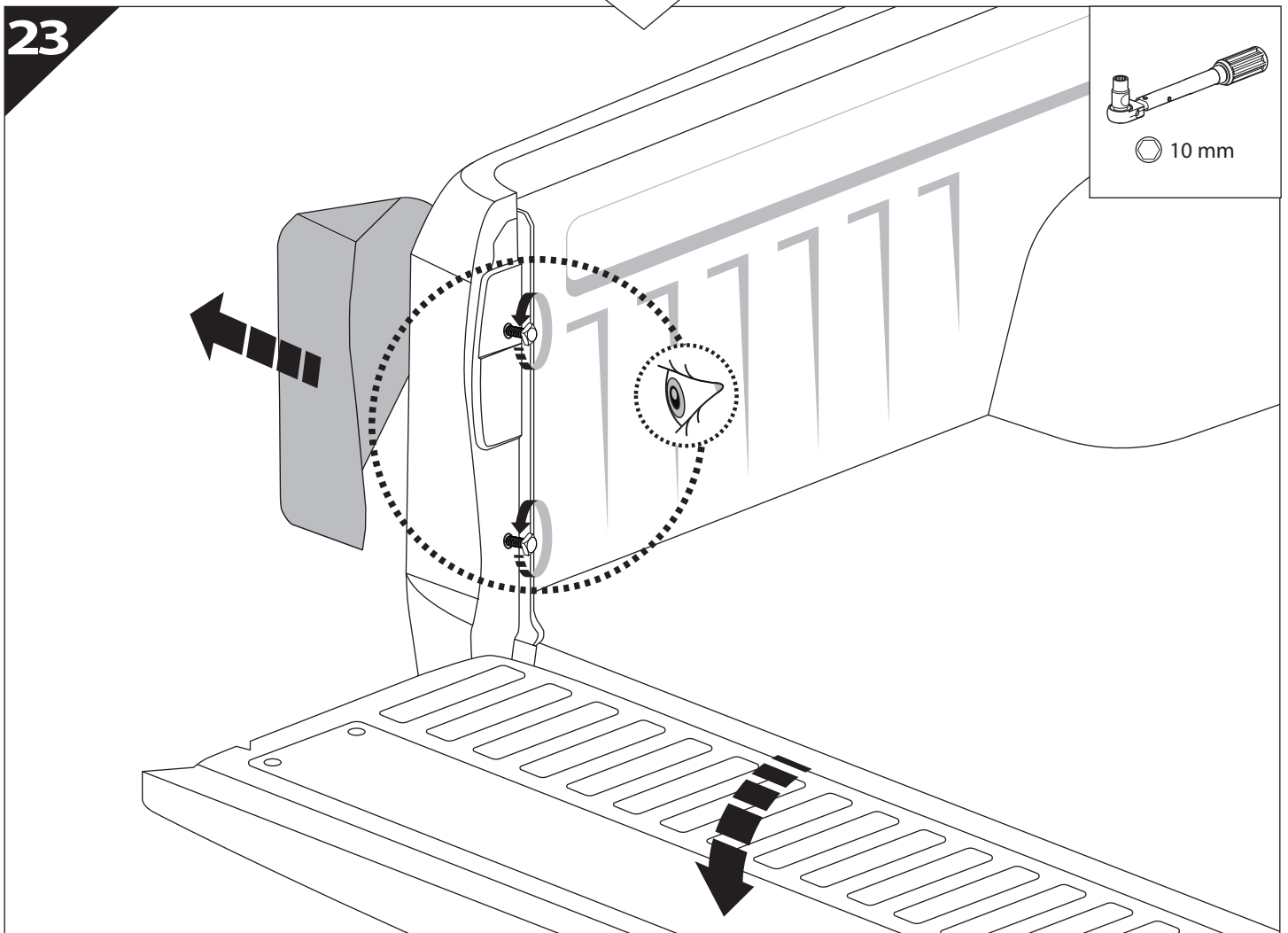
x5



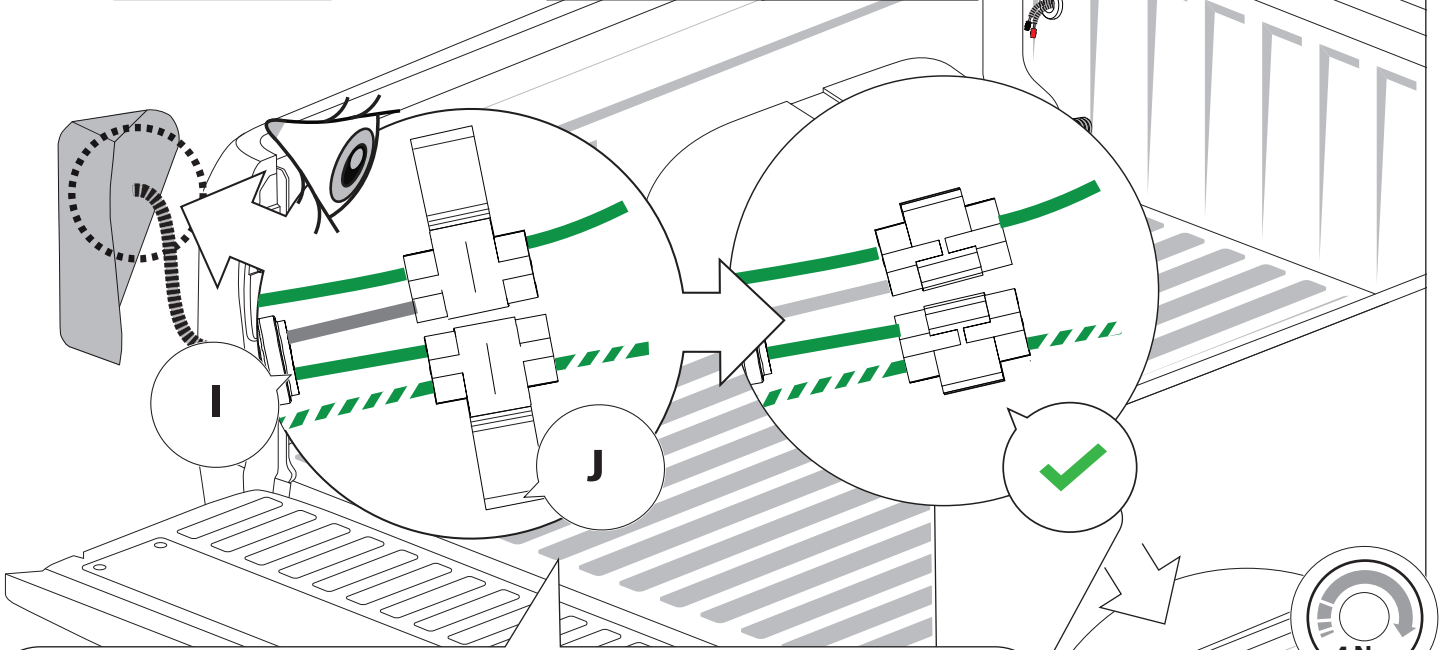
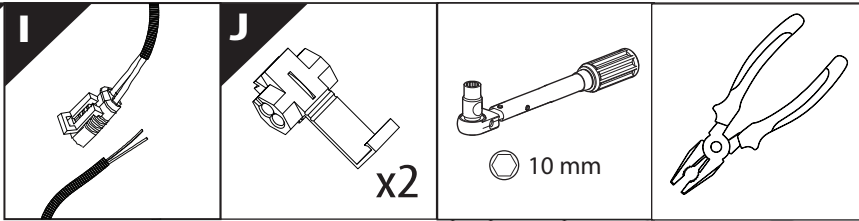
23



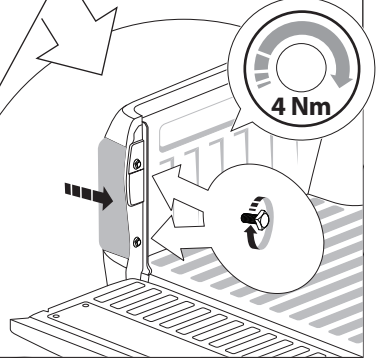
10 mm



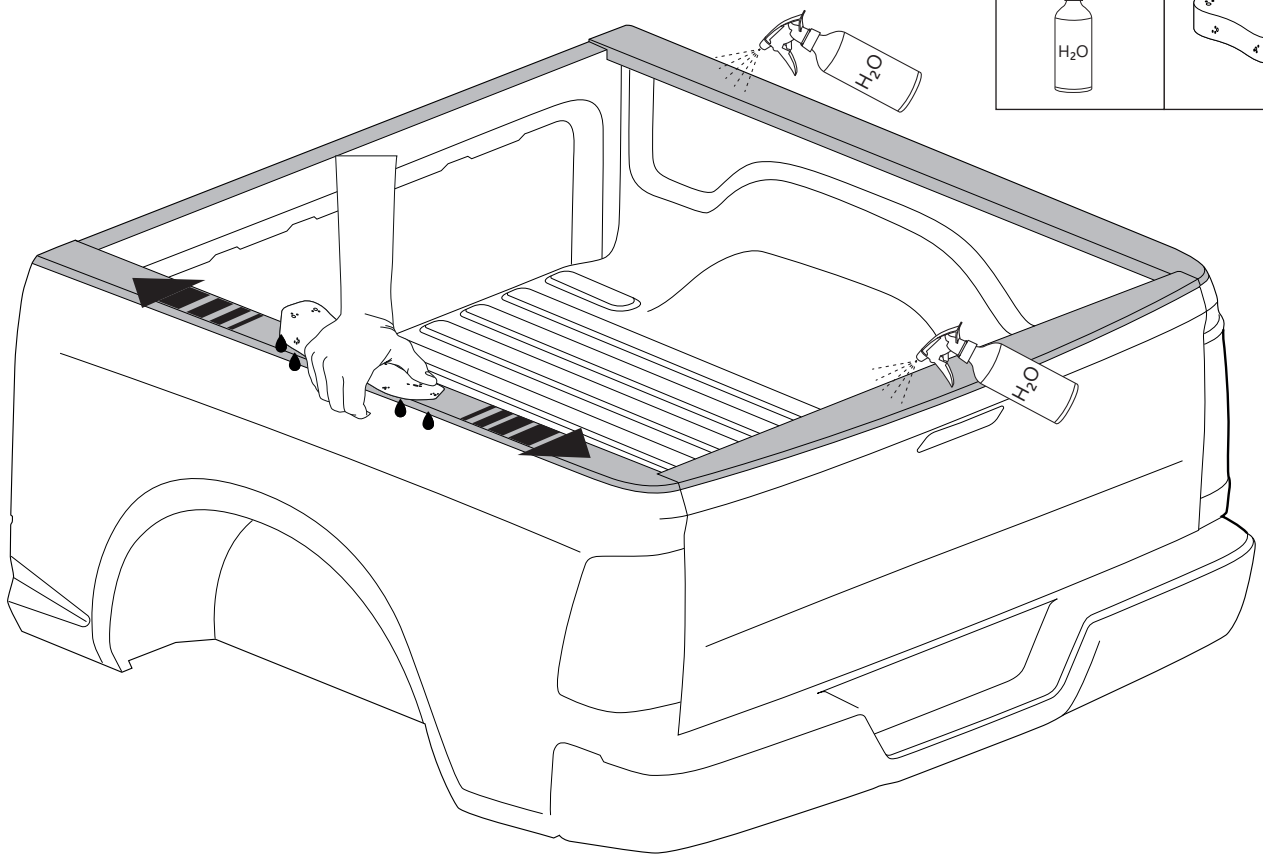
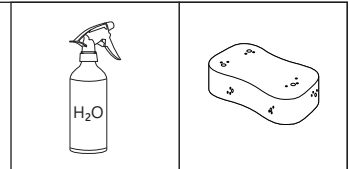
24

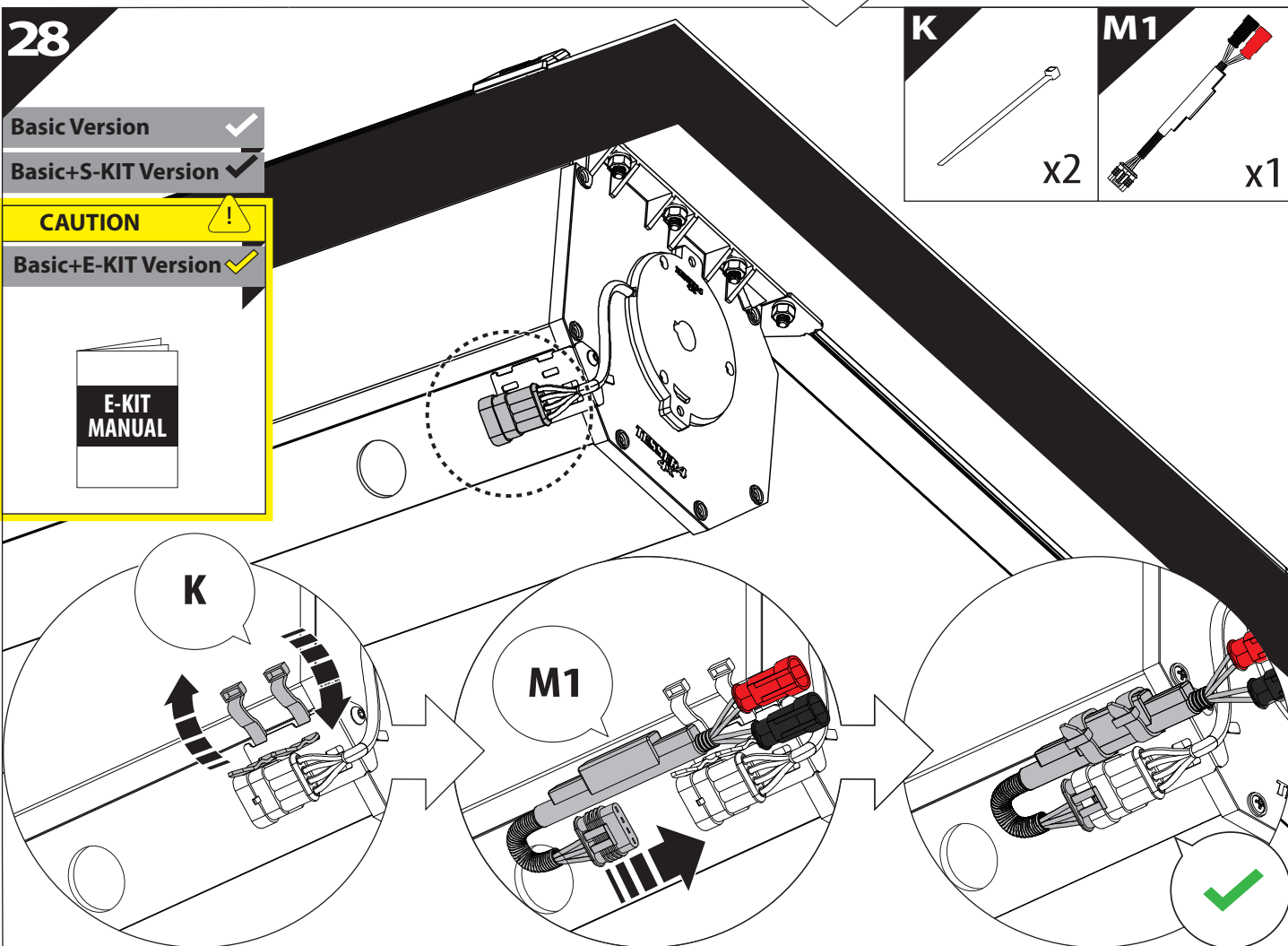
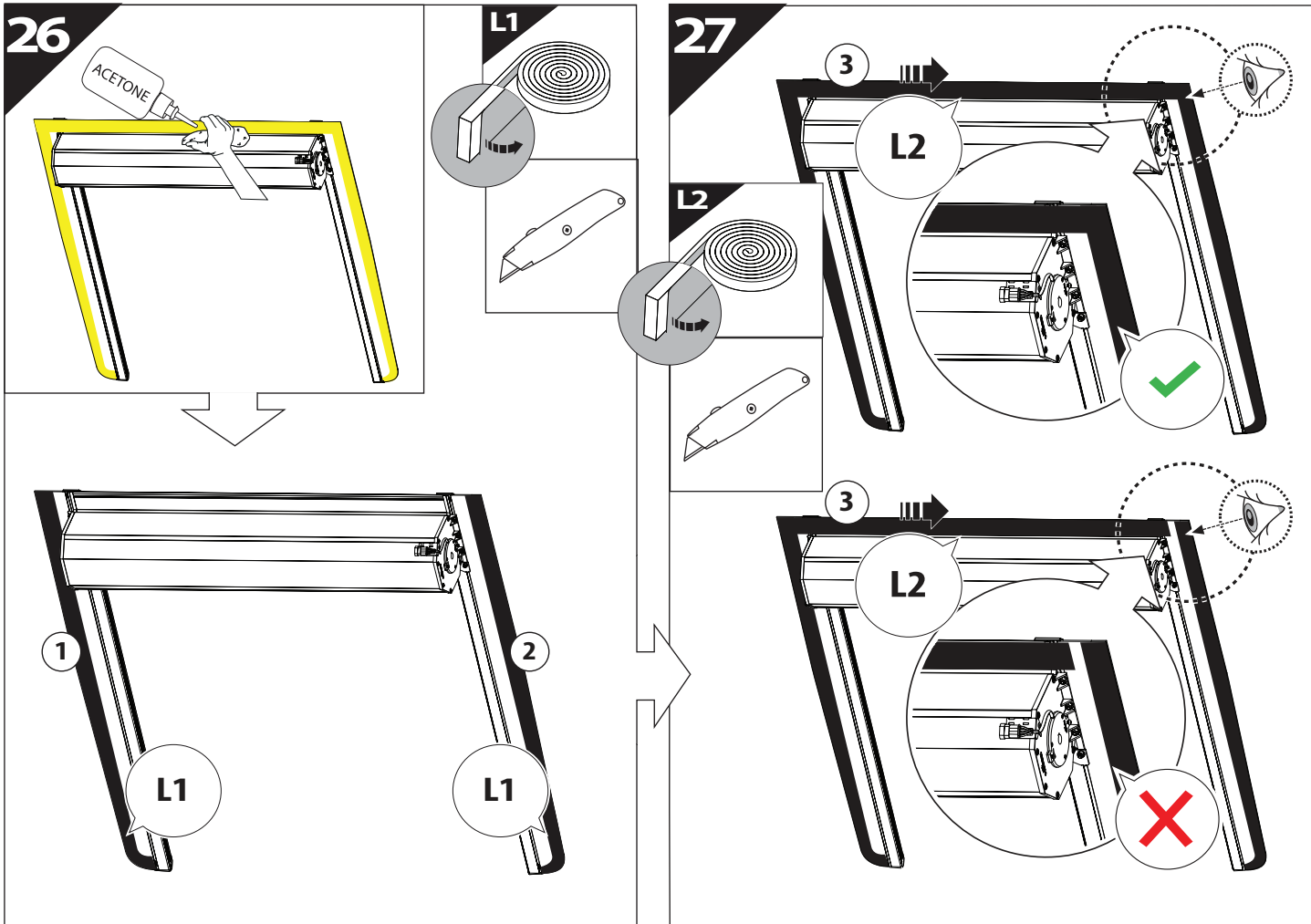


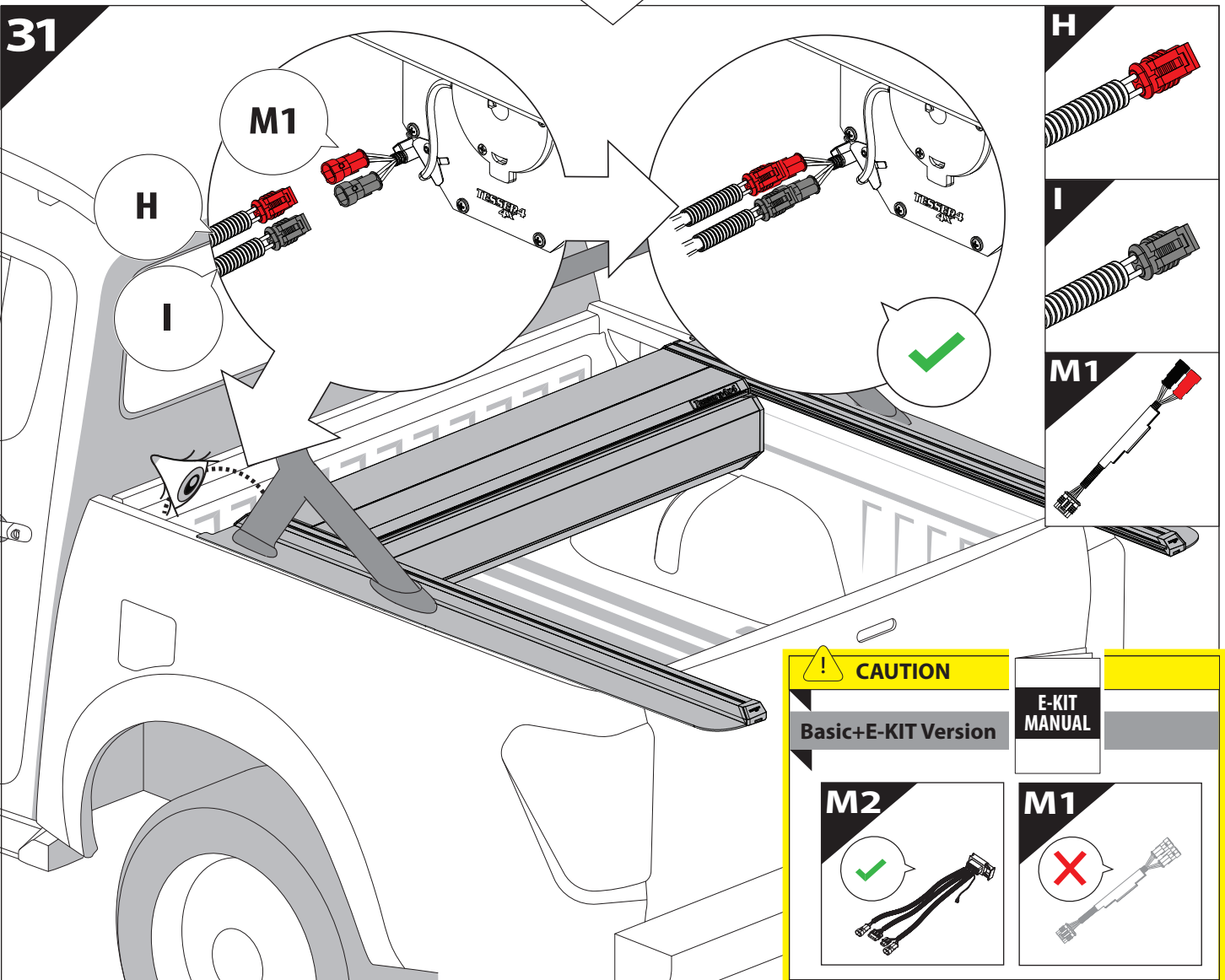
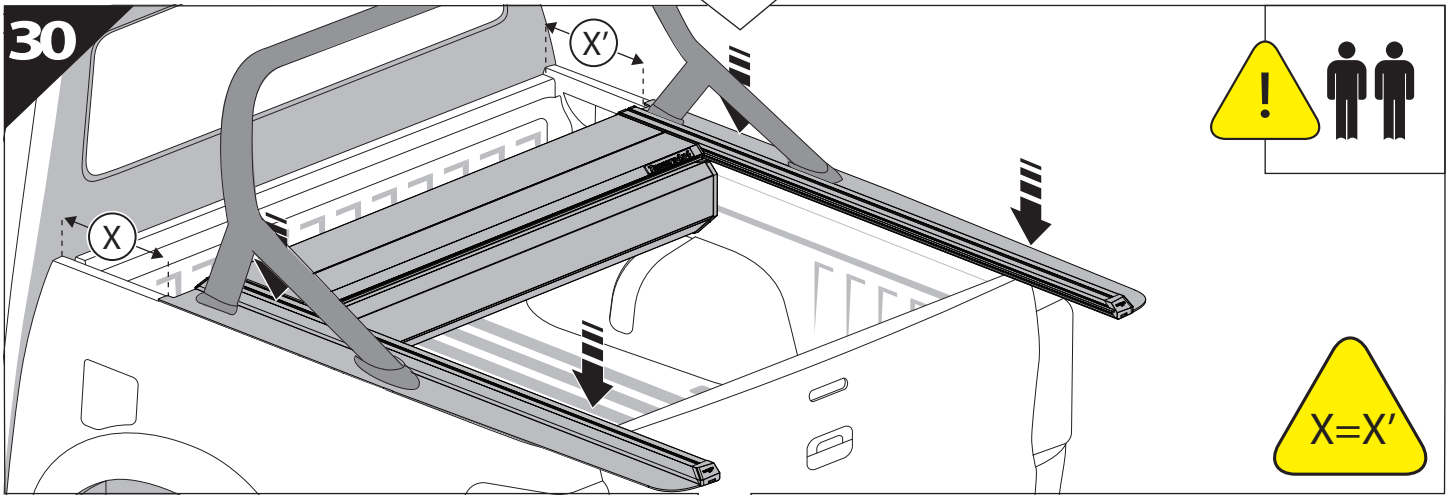
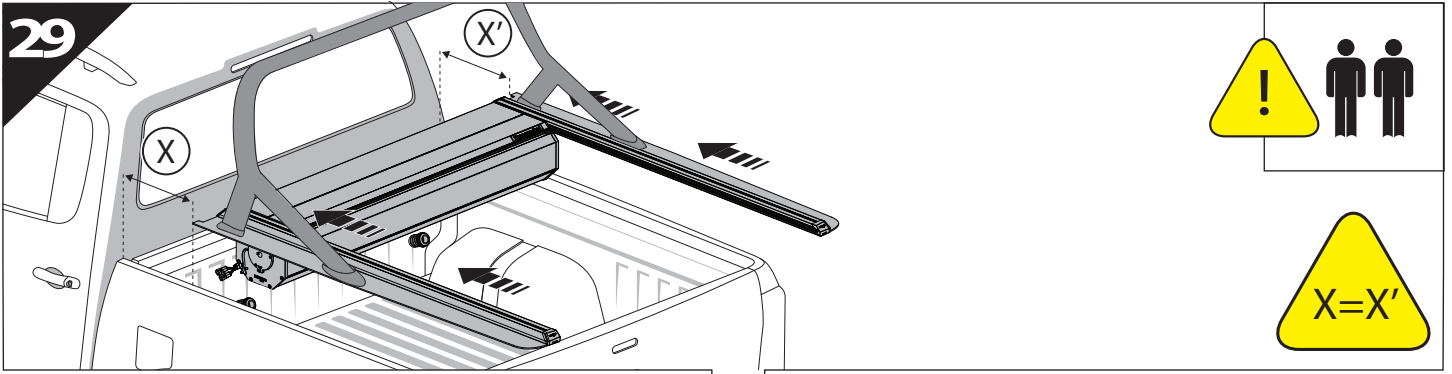
MODEL YEAR	LIGHTS	CAR	TESSERA ROLL+
HILUX 2016+/2021+	BEAM		
HILUX 2016+	STOP		
HILUX 2021+	STOP		



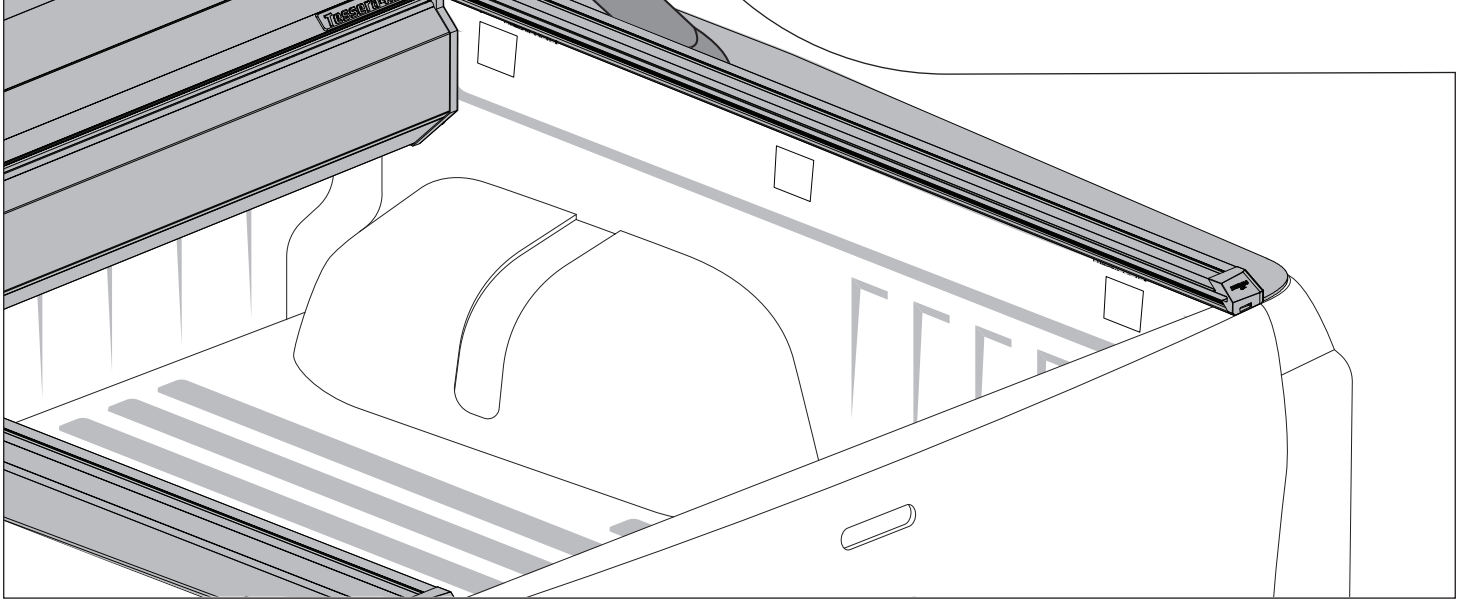
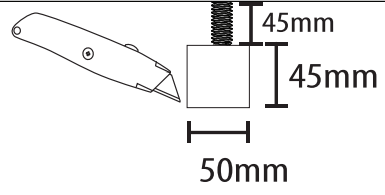
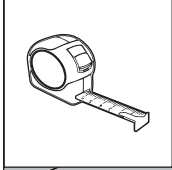
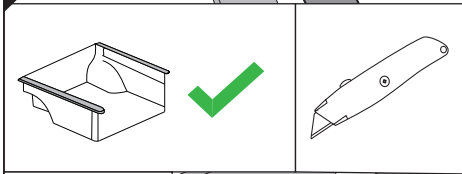
25



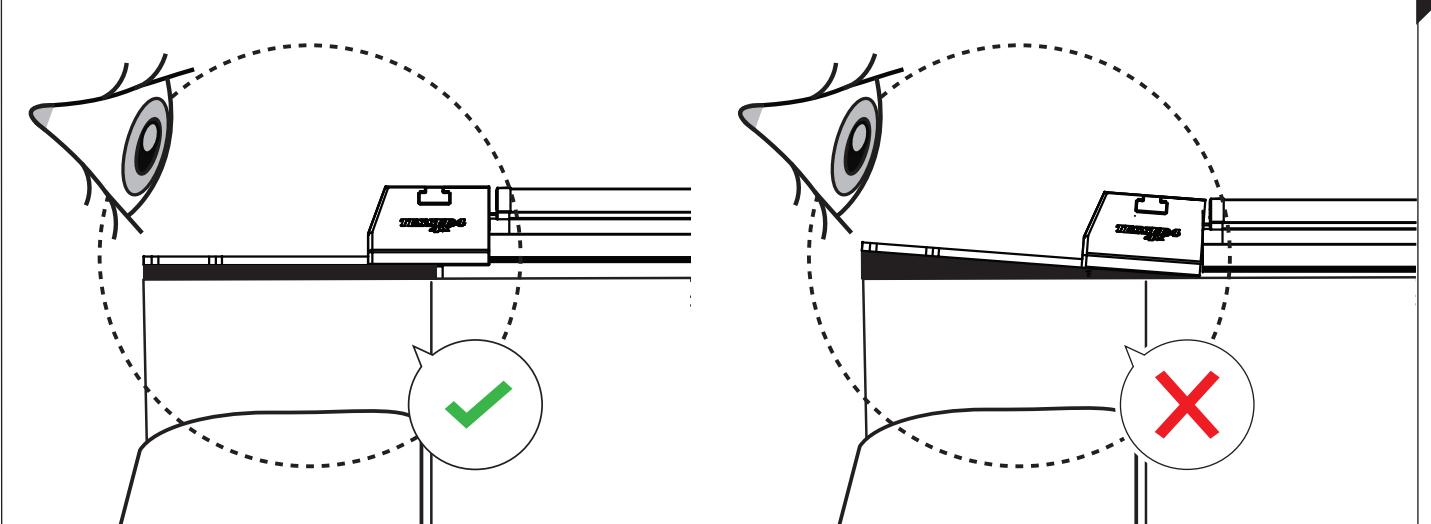
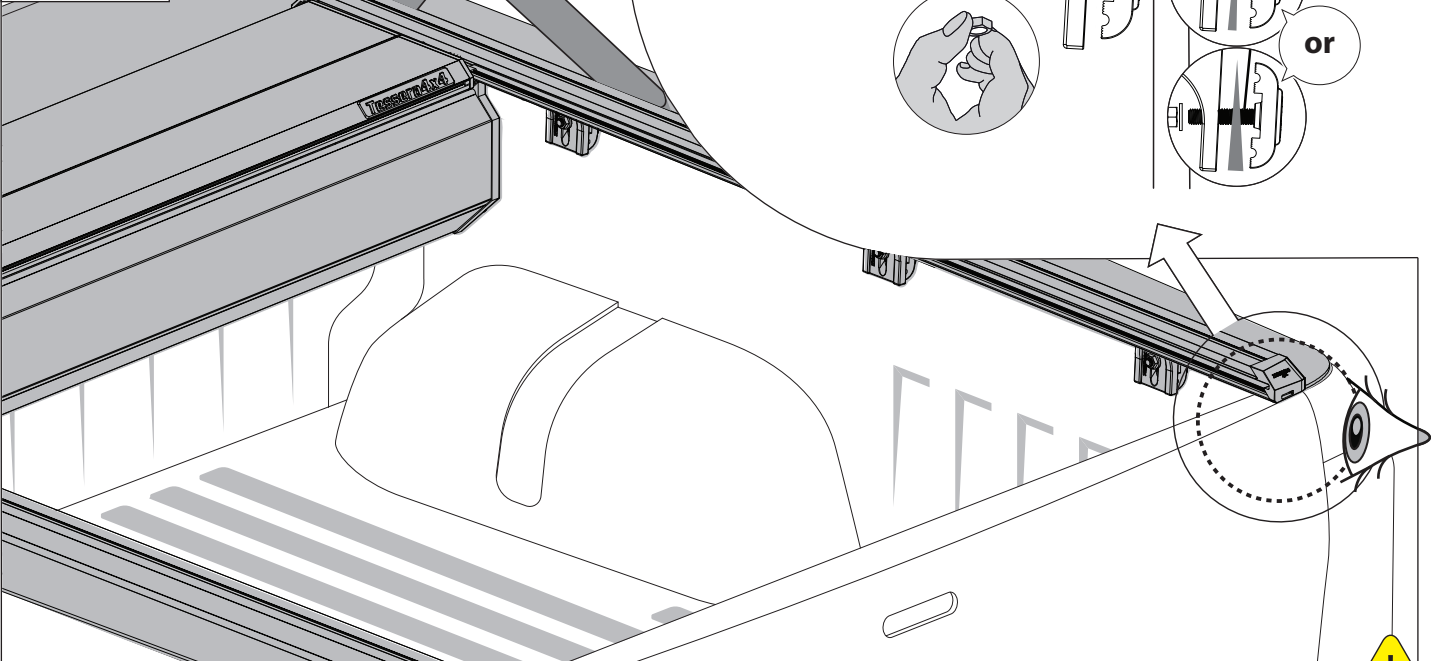
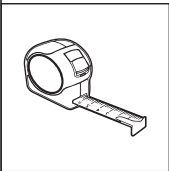
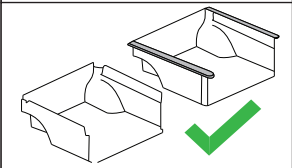
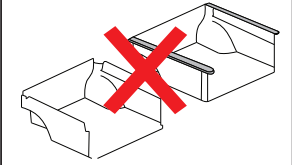
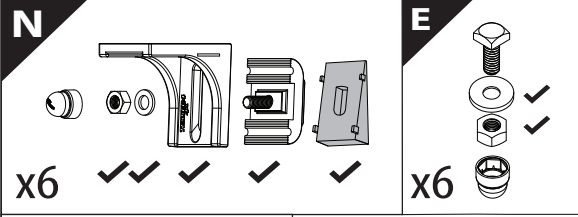


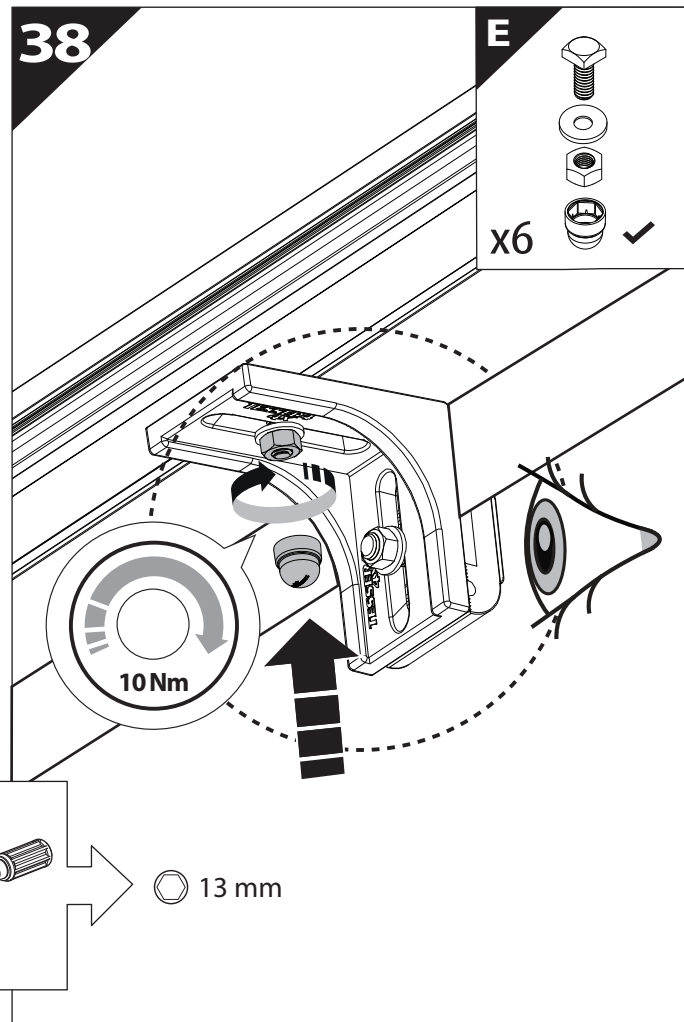
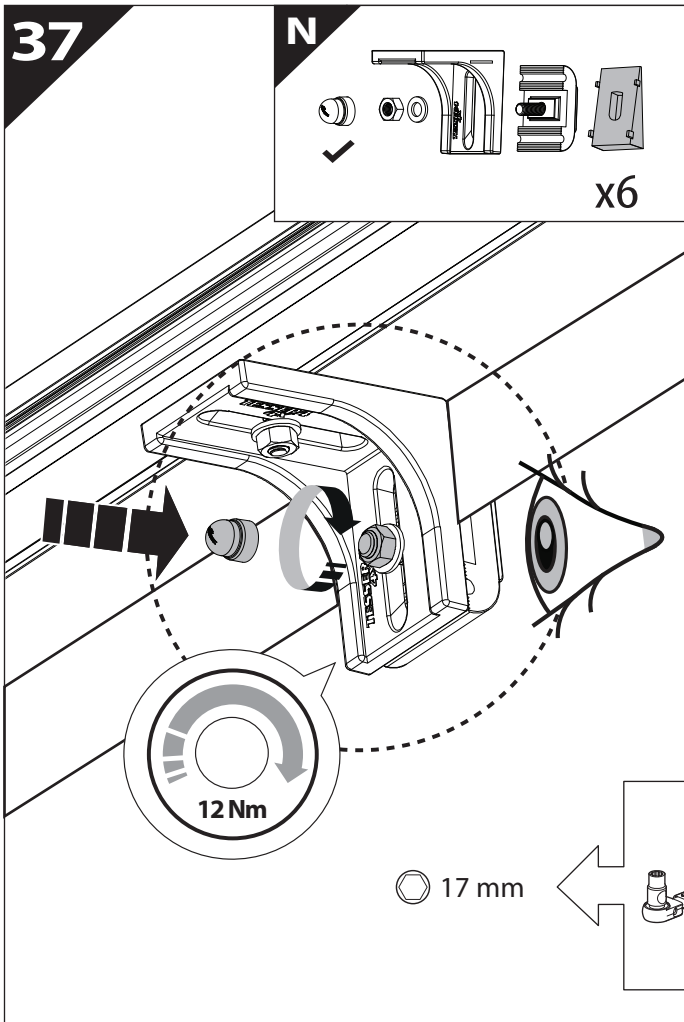


35

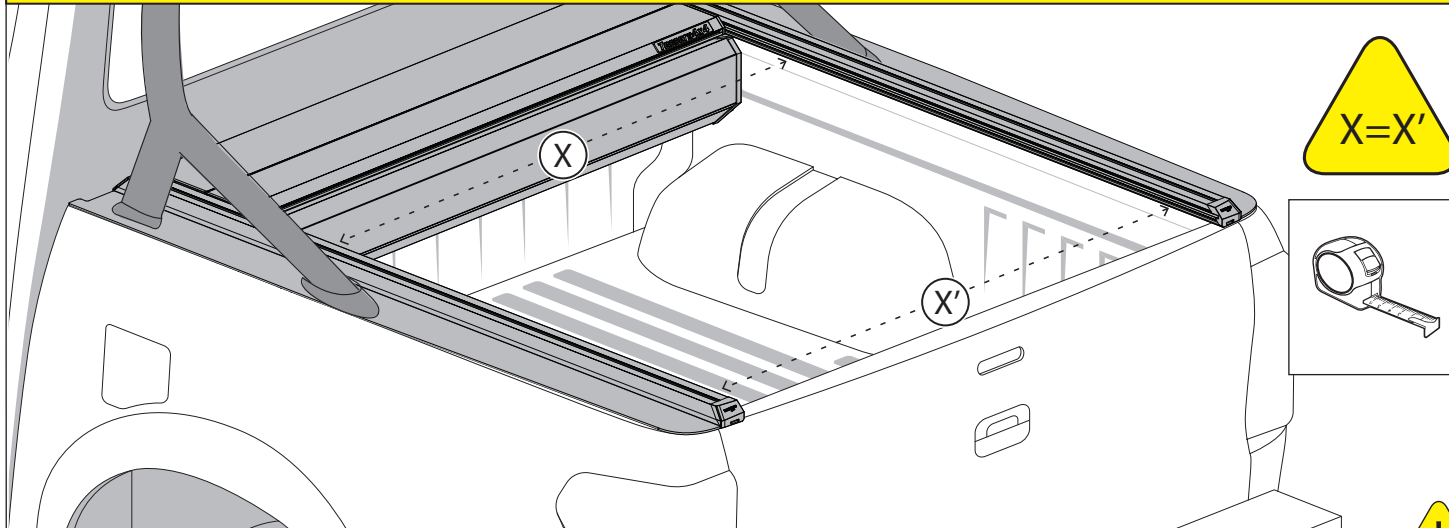


36

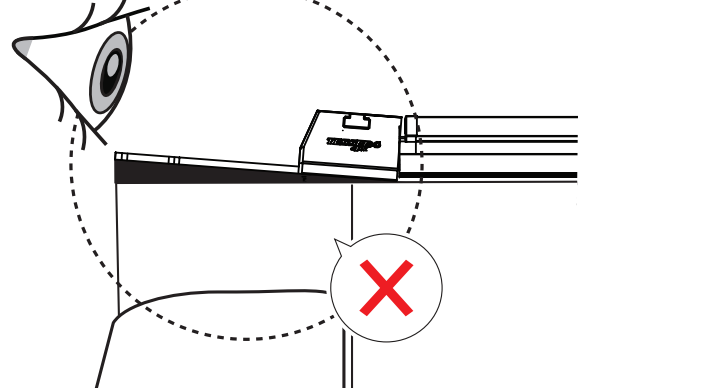
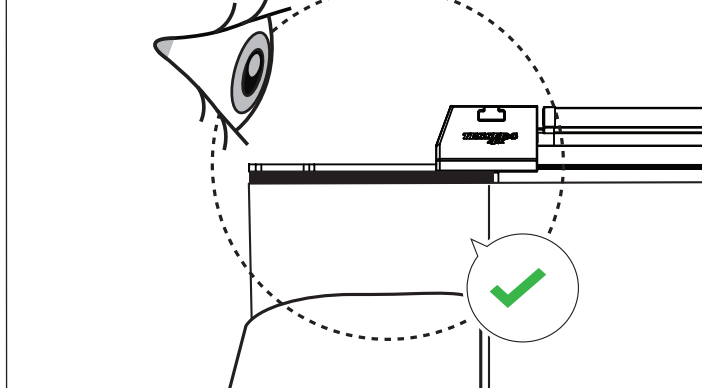




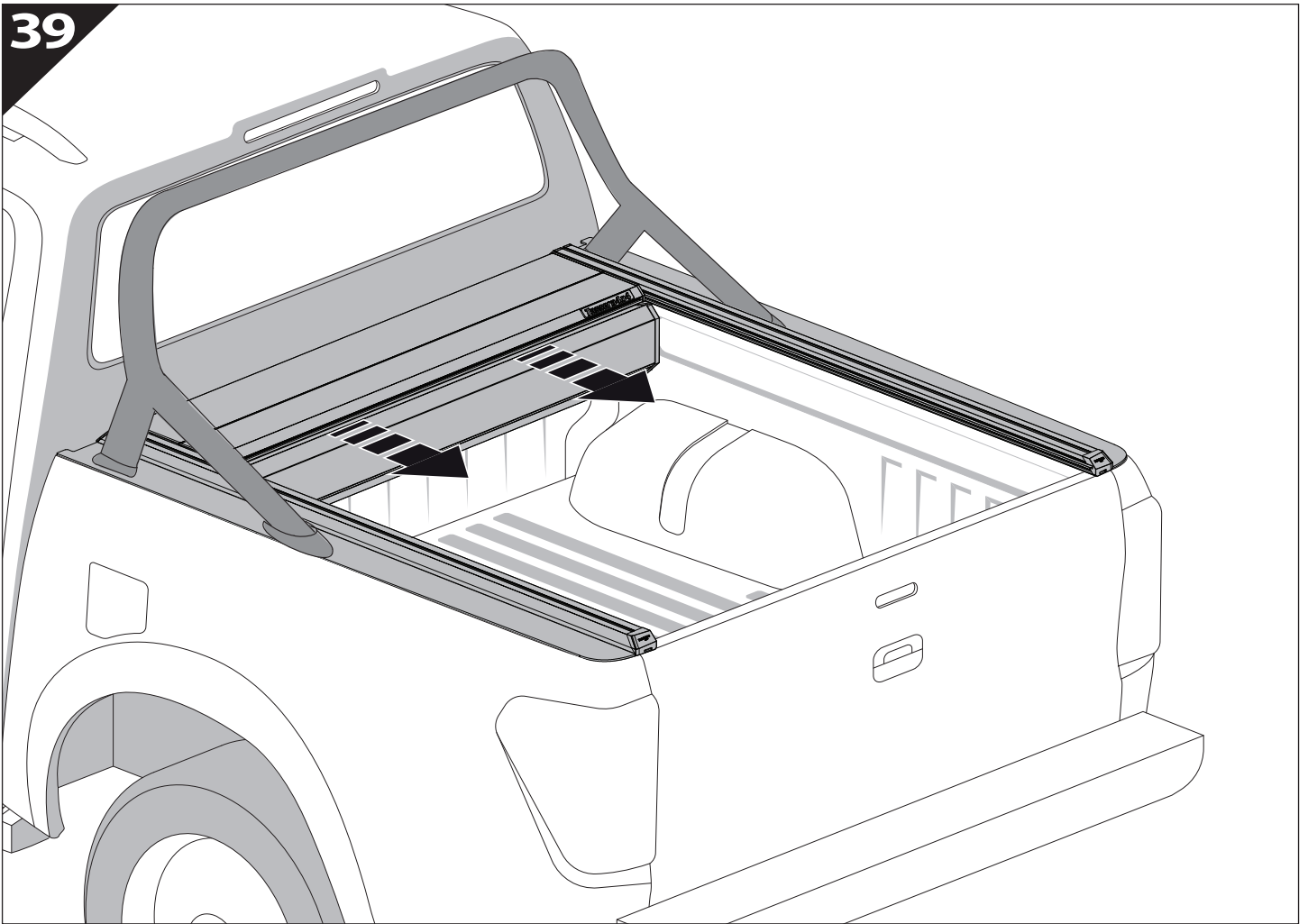
CAUTION !



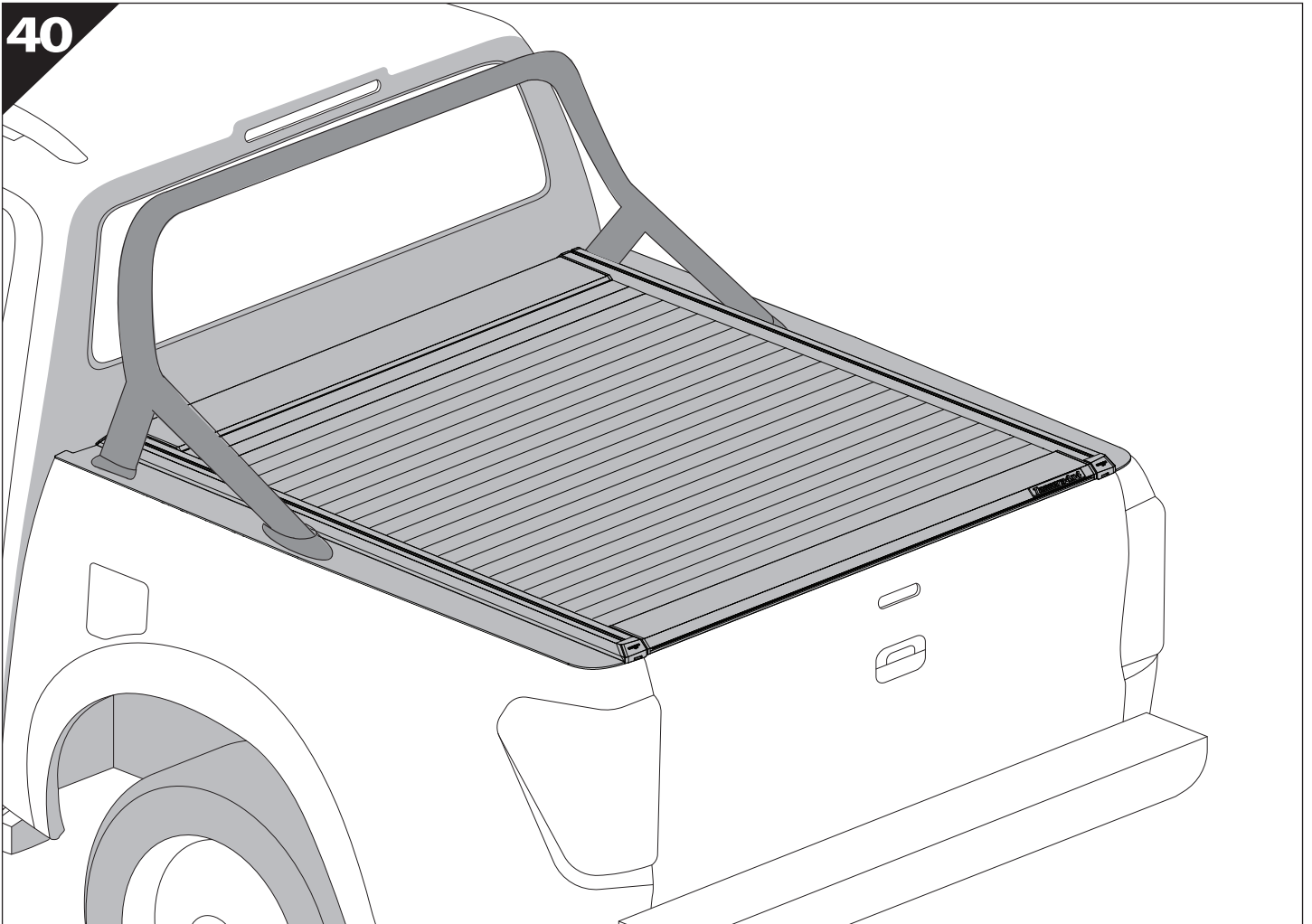
CAUTION !



39



40





GR: Οδηγίες Εγκατάστασης
GB: Installation manual
SF: Asennusohje
F: Notice de montage
PL: Instrukcja montażu
NL: Installatie-instructies
TR: Montaj Talimatı
S: Monteringsanvisning
E: Instrucciones de montaje

H: Szerelési utasítás
P: Instruções de instalação
RUS: Инструкция по установке
N: Monteringsveiledning
D: Einbauanleitung
CZ: Návod k instalaci
I: Istruzioni de montaggio
DK: Monteringsvejledning
RO: Instructiuni de instalare

Customer Service:

+30 (210) 5541161, +30 (210) 5541154 (08:00 - 16:00 EET)

Support department:

info@gianso.gr

Website:

www.tessera4x4.com

Address:

19.5 km of National road Athens-Korinthos (Elefsina) Greece, P.C: 19200