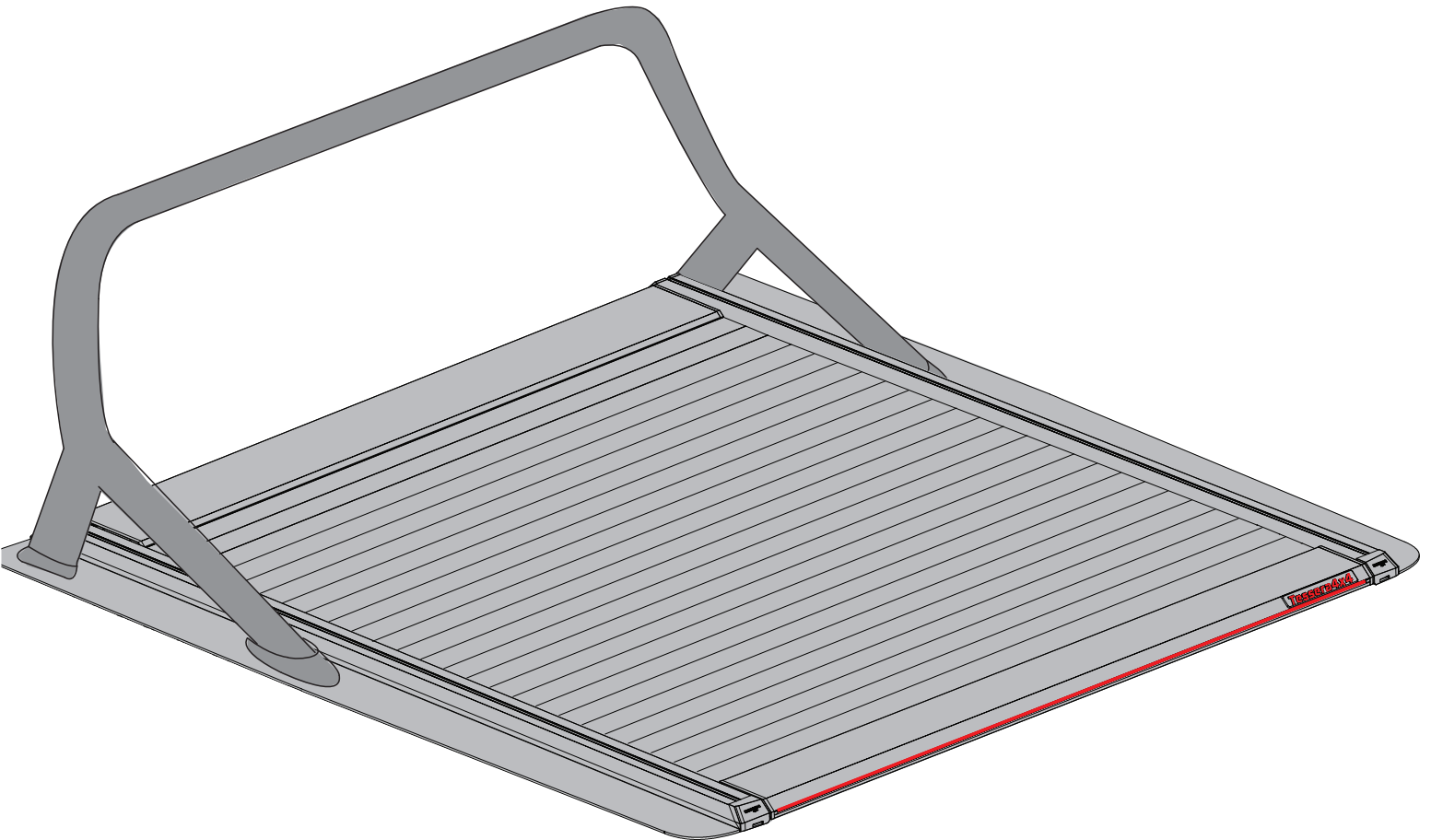


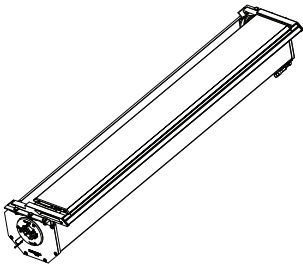
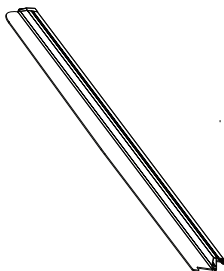
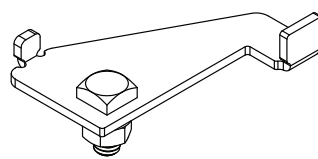
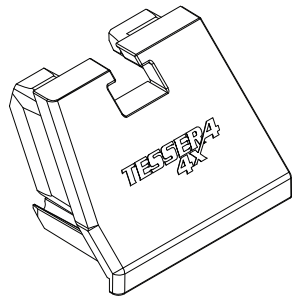
Tessera Roll+

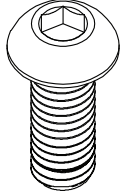
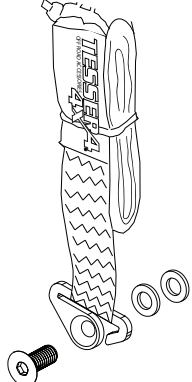
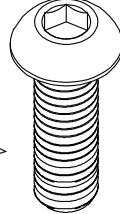
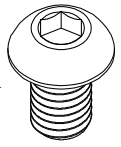
Basic Version + ⚡ E-KIT

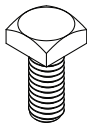

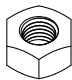

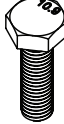
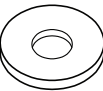
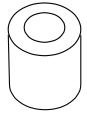
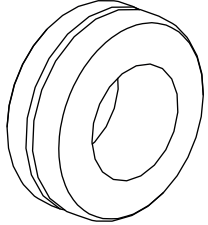
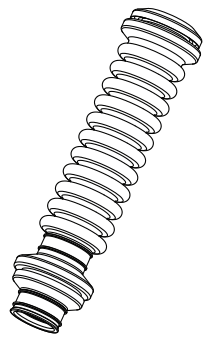


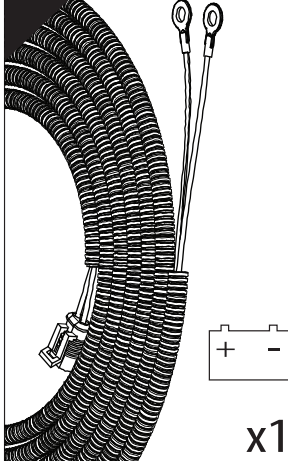
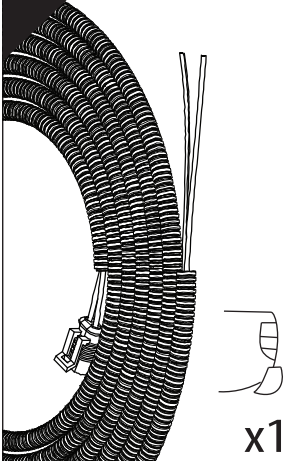
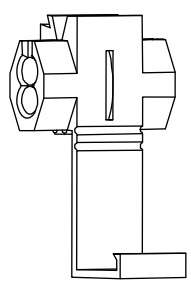
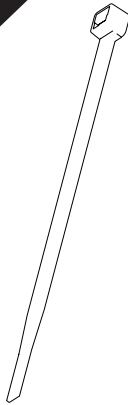
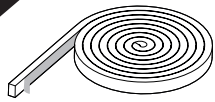
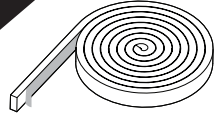
Installation Manual

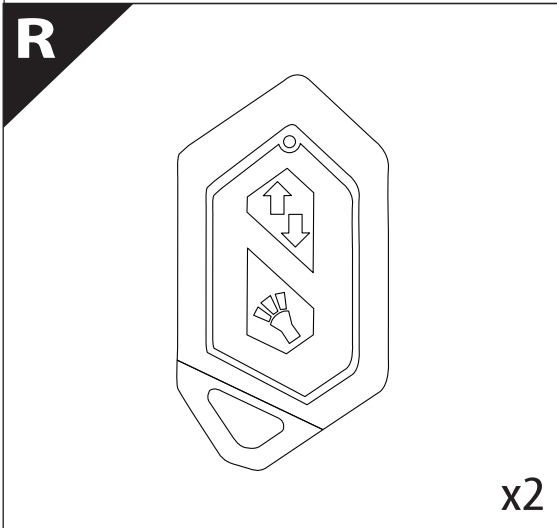
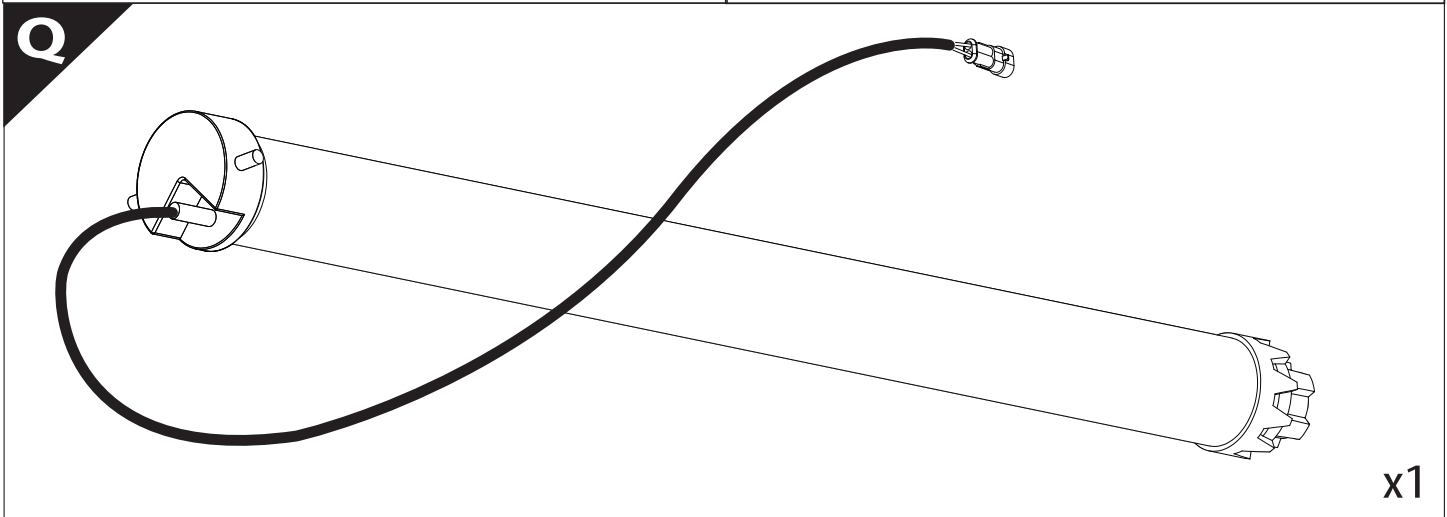
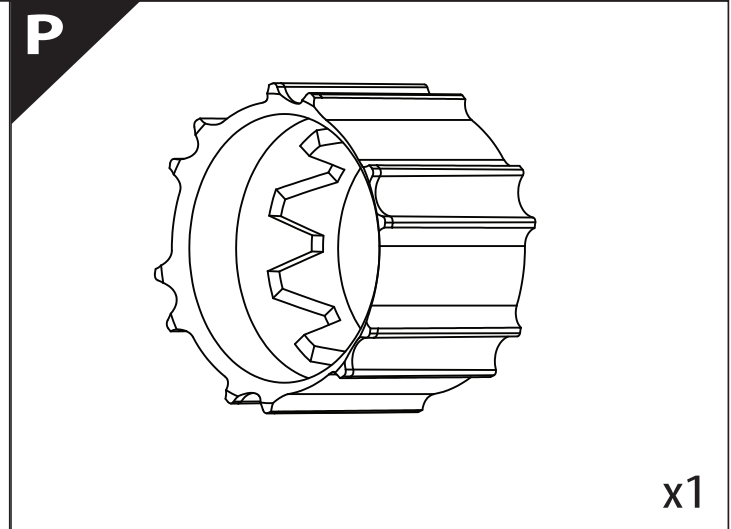
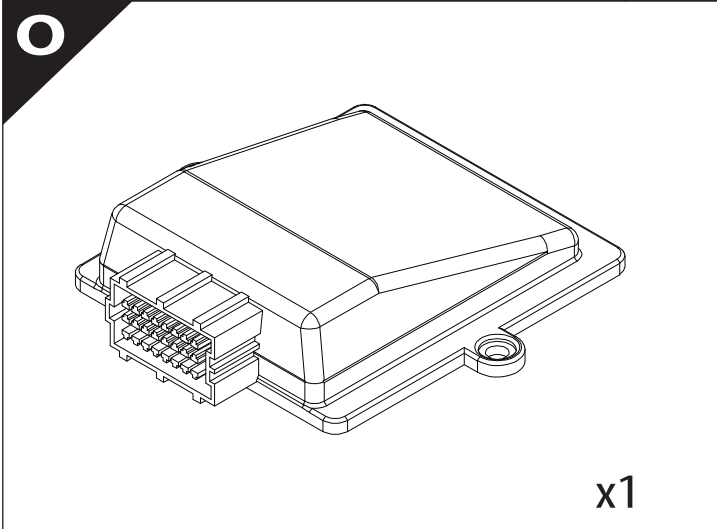
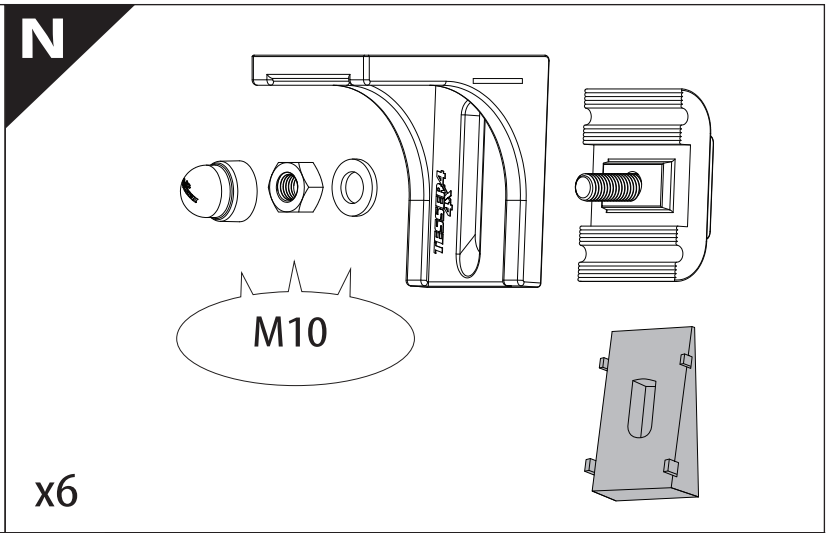
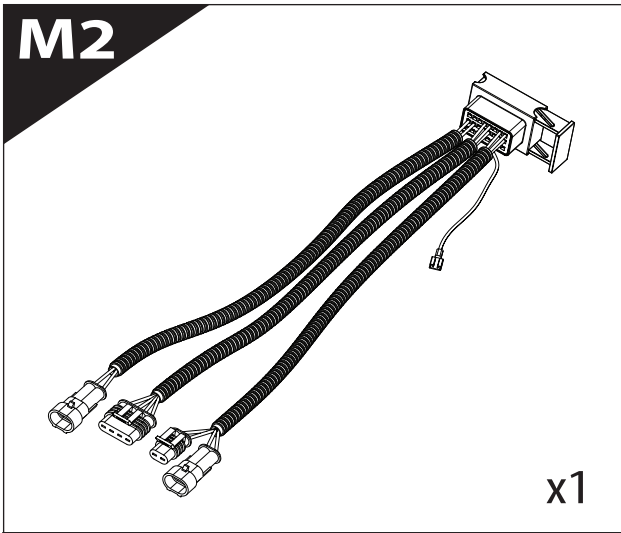
PART NUMBER(S)	Model Year
TESS 14171 ROLL+ E-KIT	Toyota Hilux (Revo) 2016+ WITH OEM ROLL BAR
Cab(s)	Installation Time / Weight
Space Cab	40-60 minutes / 53-57 kg

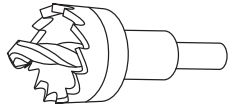
<p>A</p>  <p>x1</p>	<p>B</p>  <p>x2</p>	<p>C</p>  <p>M8</p> <p>x2</p>	<p>D</p>  <p>M 4,2 x 19</p> <p>x2</p>
---	---	--	---

<p>D1</p>  <p>M6x15</p> <p>x2</p>	<p>D2</p>  <p>x1</p>	<p>D3</p>  <p>M6x20</p> <p>x1</p>	<p>D4</p>  <p>M6x10</p> <p>x2</p>
---	--	--	---

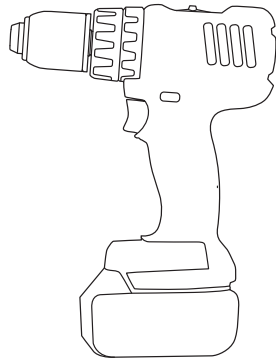
<p>E x6</p>  <p>M8x25</p>  <p>Ø8</p>  <p>M8</p>  <p>M8</p>	<p>E1</p>  <p>4x M10x40</p>  <p>4x Ø10</p>  <p>2x 18mm</p>	<p>F</p>  <p>x1</p>	<p>G</p>  <p>x2</p>
---	--	--	---

<p>H</p>  <p>x1</p>	<p>I</p>  <p>x1</p>	<p>J</p>  <p>x2</p>	<p>K</p>  <p>x20</p>	<p>L1</p> <p>x1</p>  <p>1.5 x 0.8 x 400cm</p>	<p>L2</p> <p>x1</p>  <p>5 x 0.8 x 167cm</p>
--	---	---	---	---	---





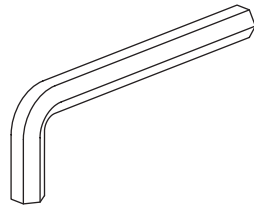
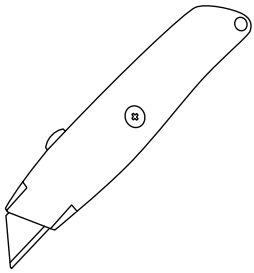
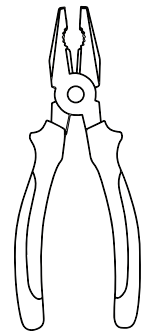
Ø 25 mm / Ø 40 mm



+

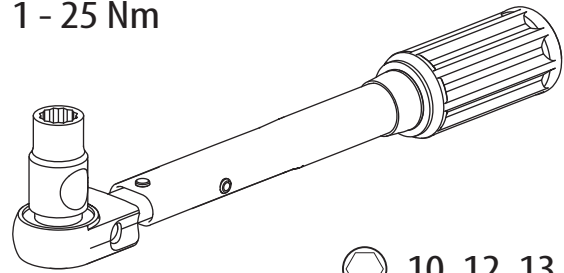


-



4 mm, 5mm

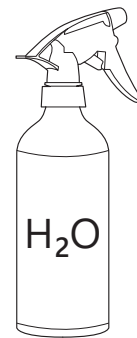
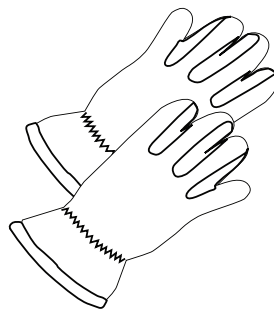
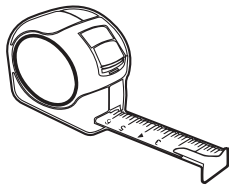
1 - 25 Nm



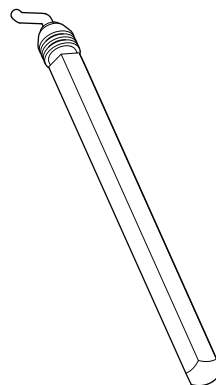
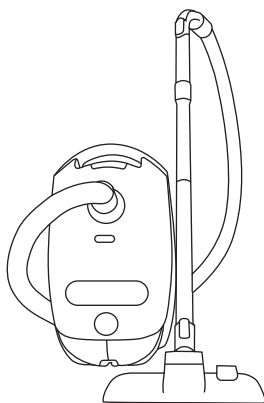
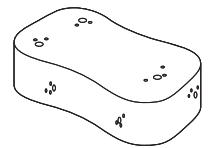
10, 12, 13, 17 mm



ACETONE



H₂O



ANTI-RUST



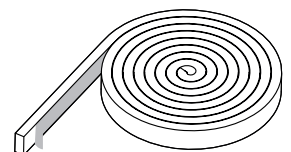
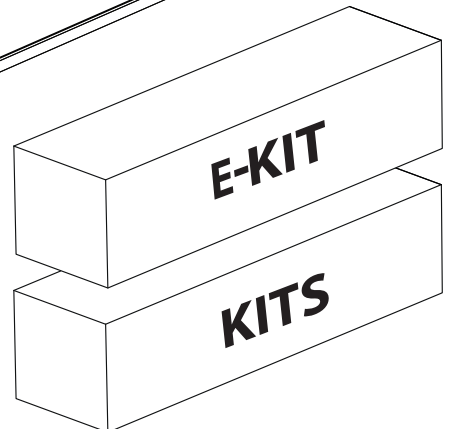
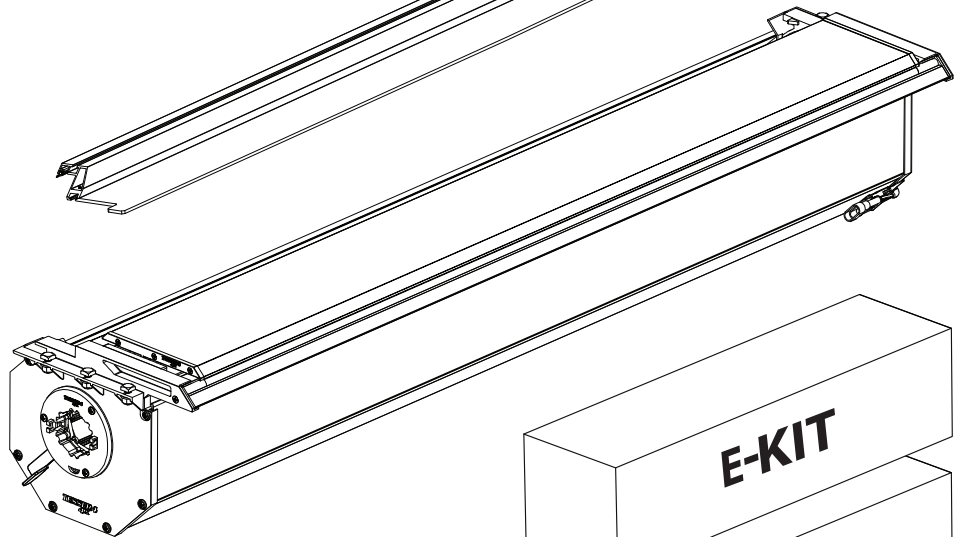
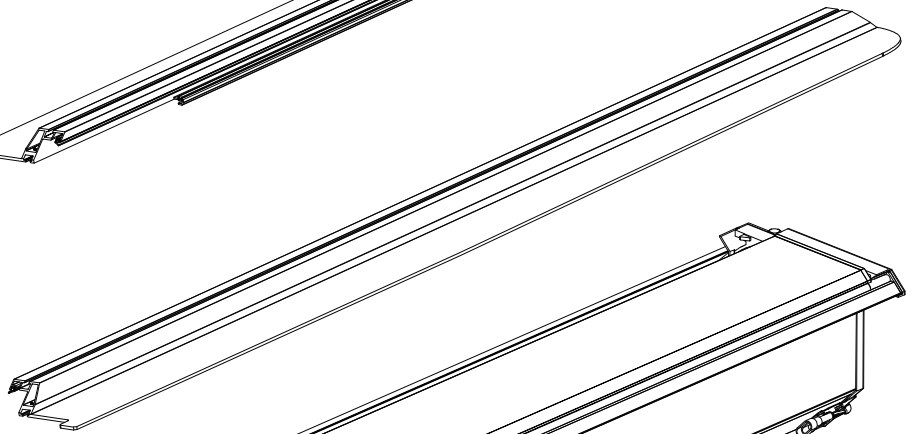
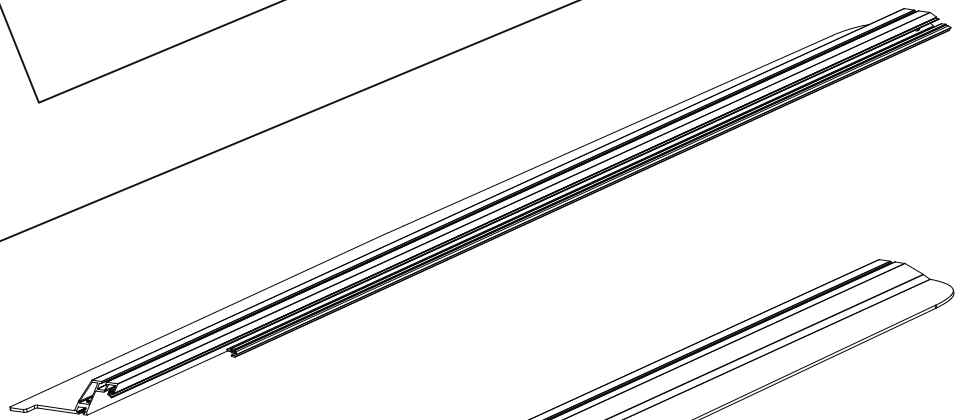
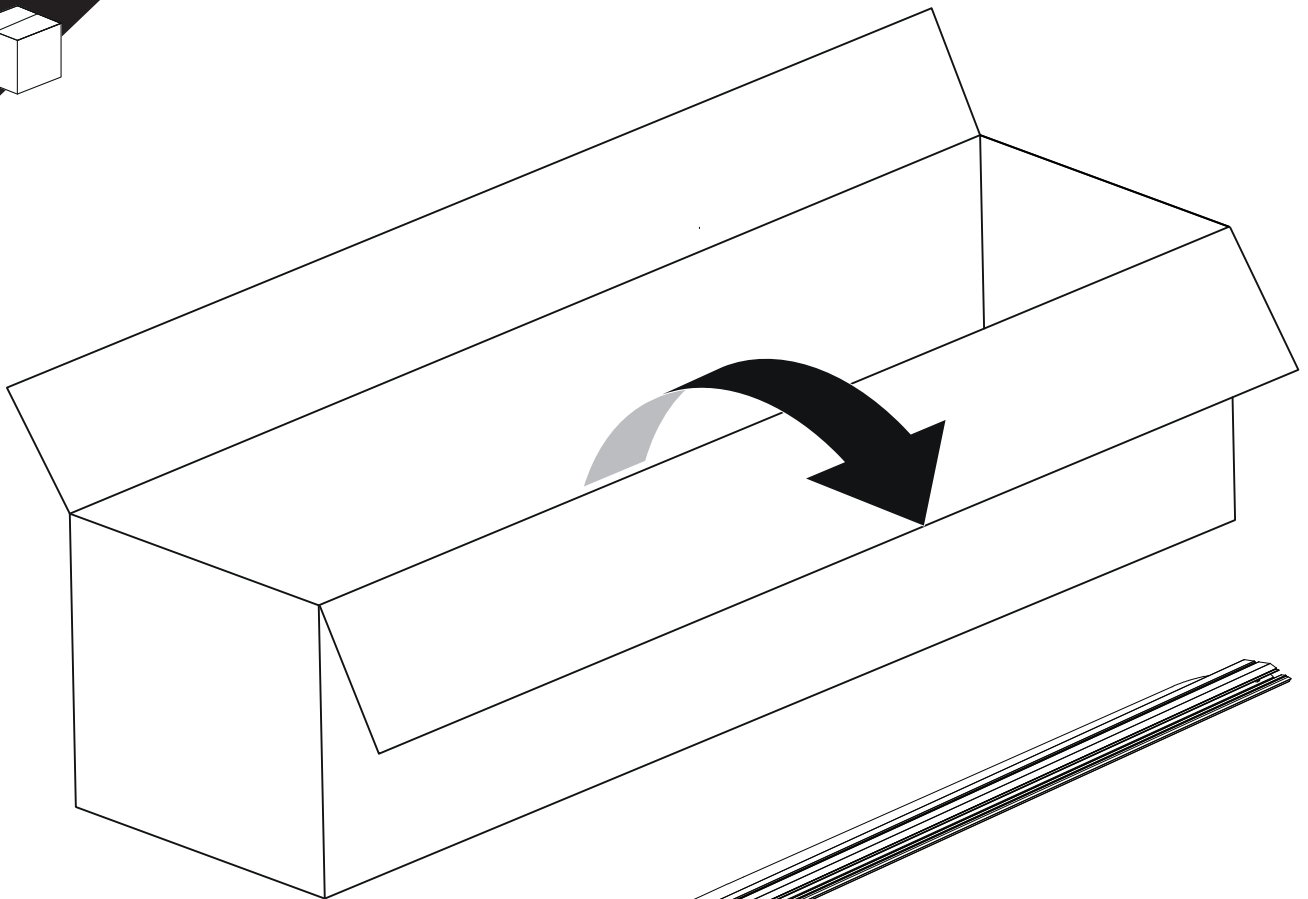
INSTALATION
MANUAL
+E-KIT



OWNERS
MANUAL



x1

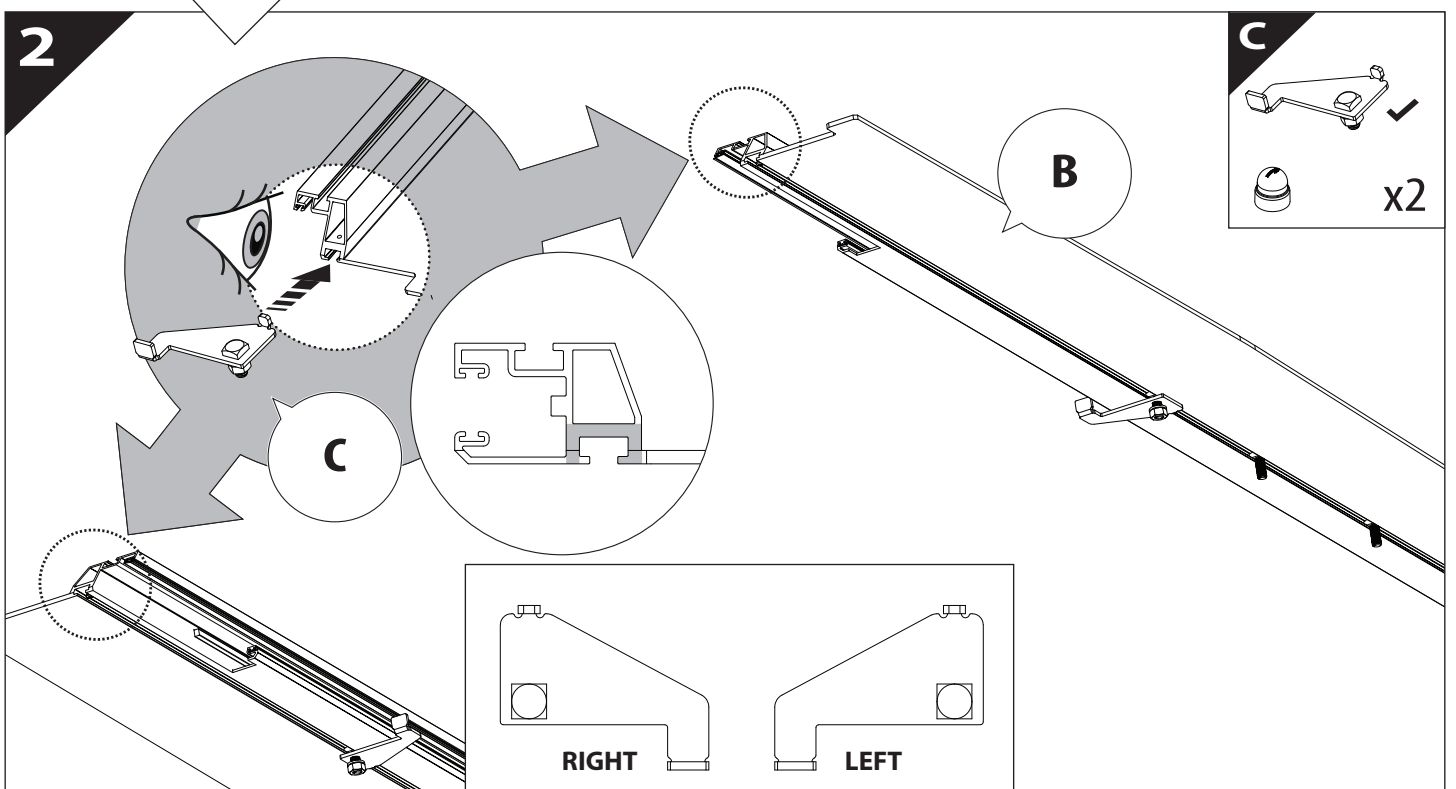
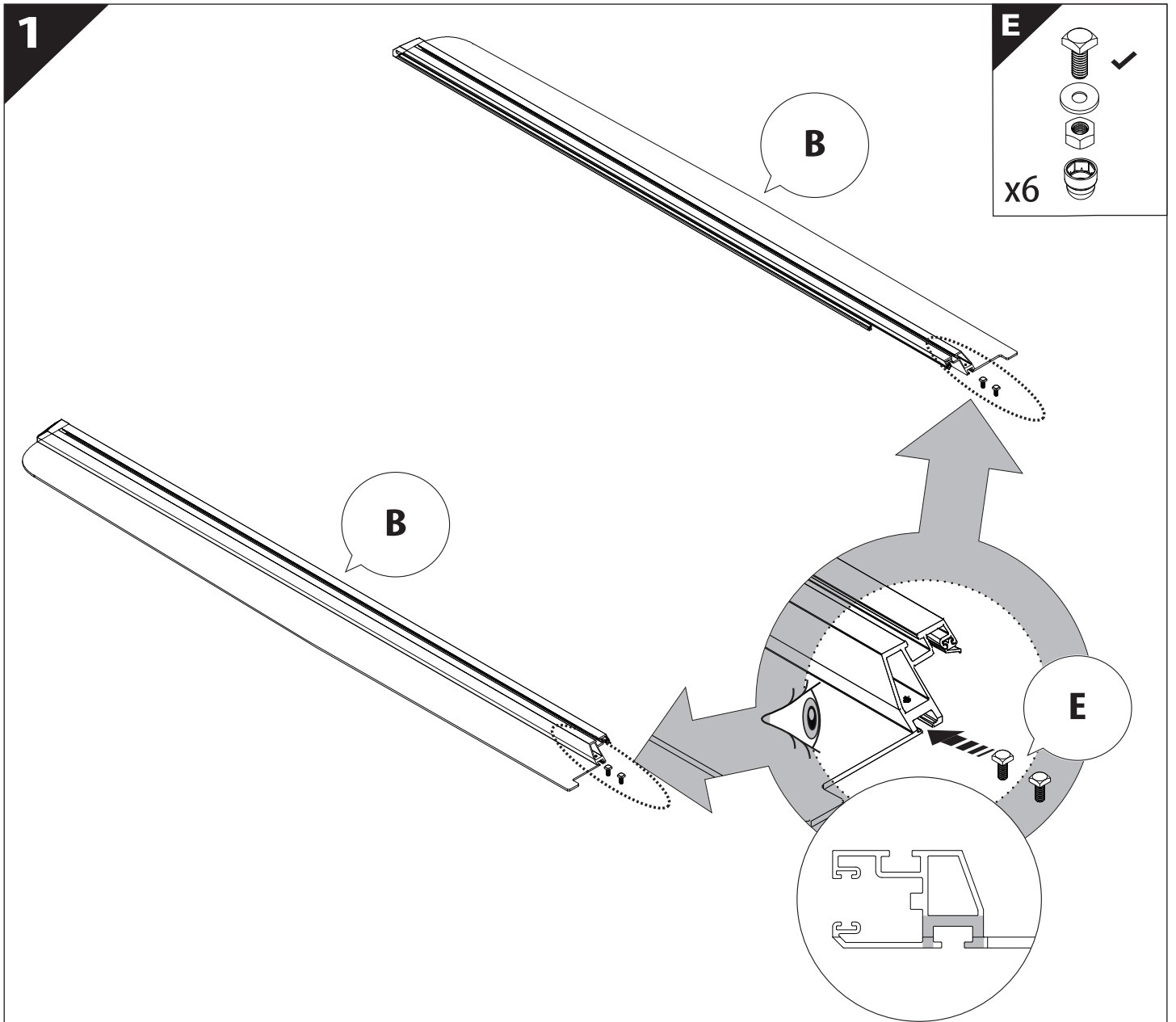


B

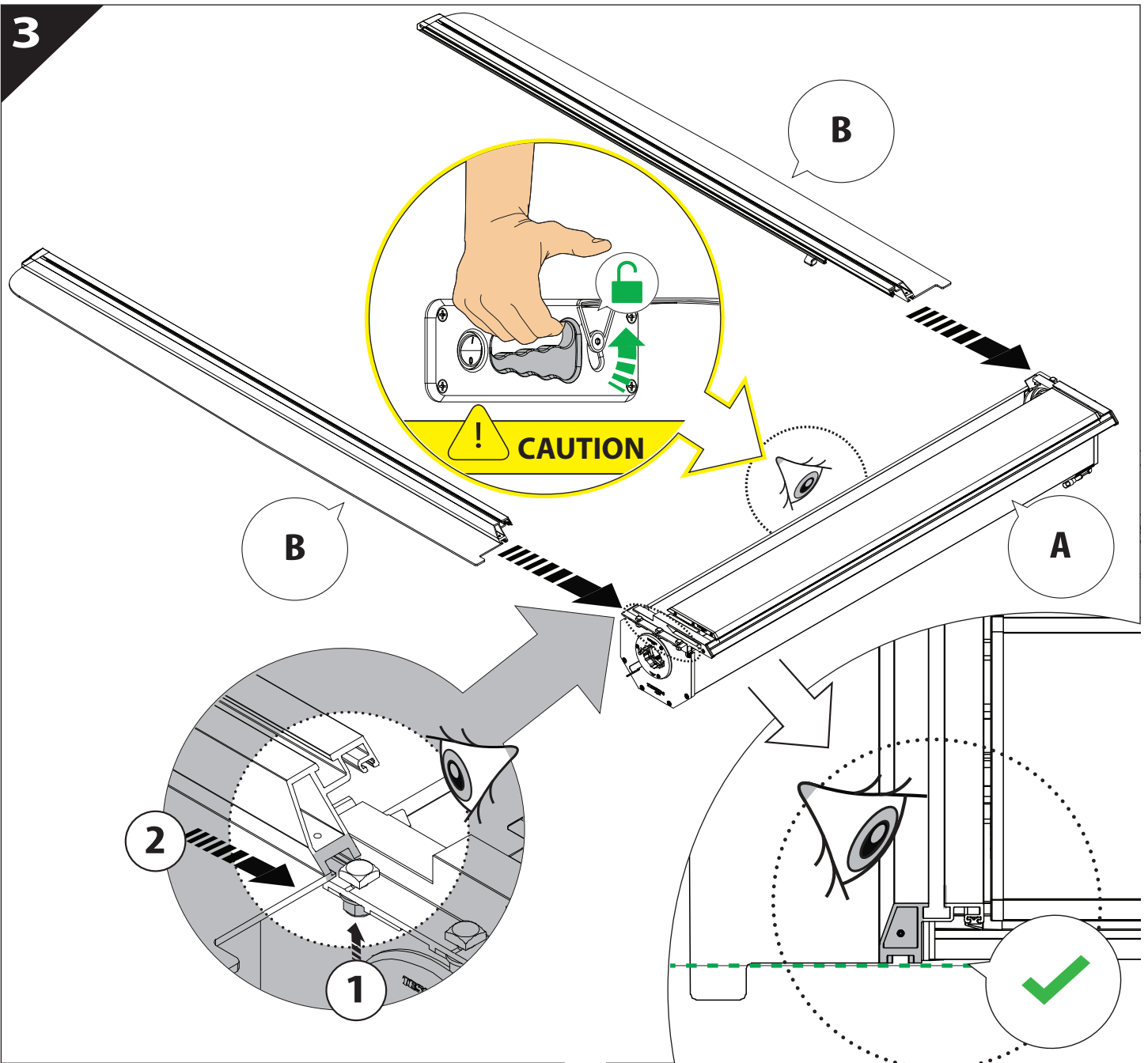
A

KITS

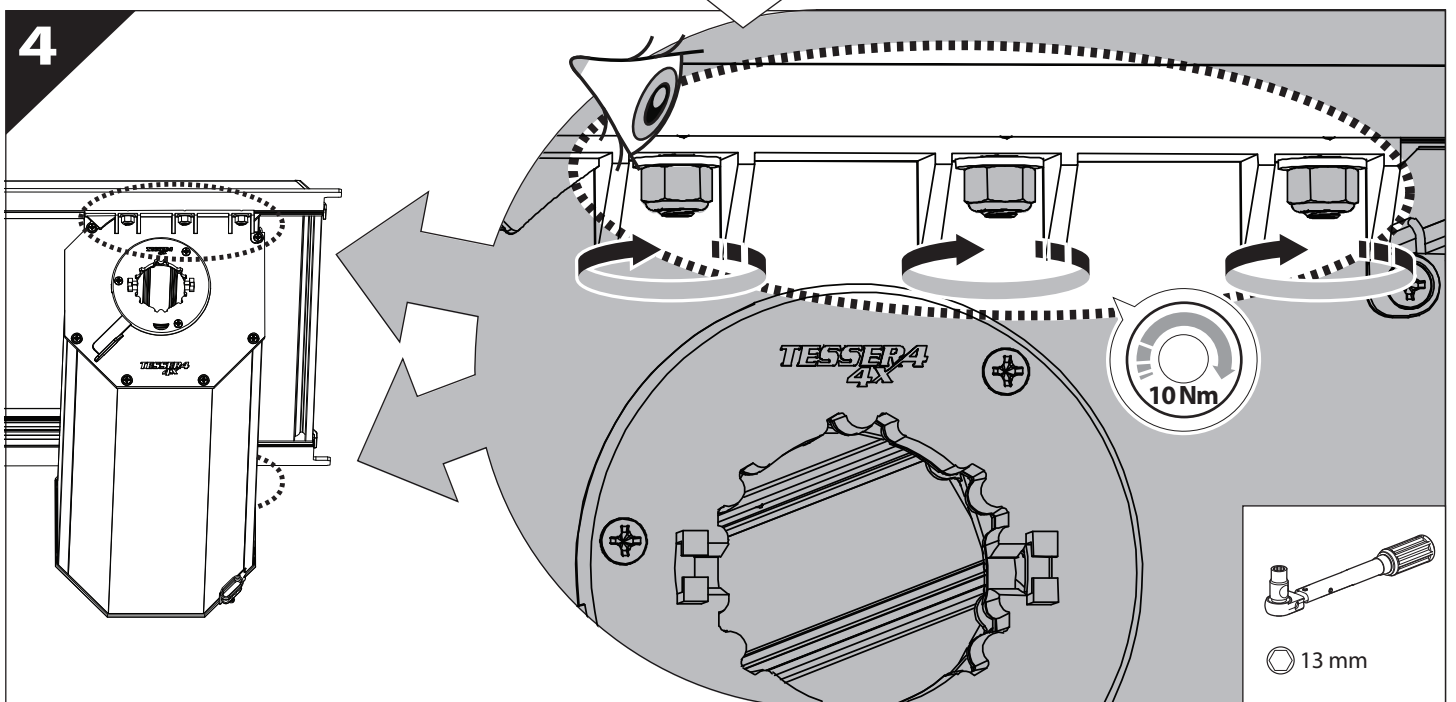
L

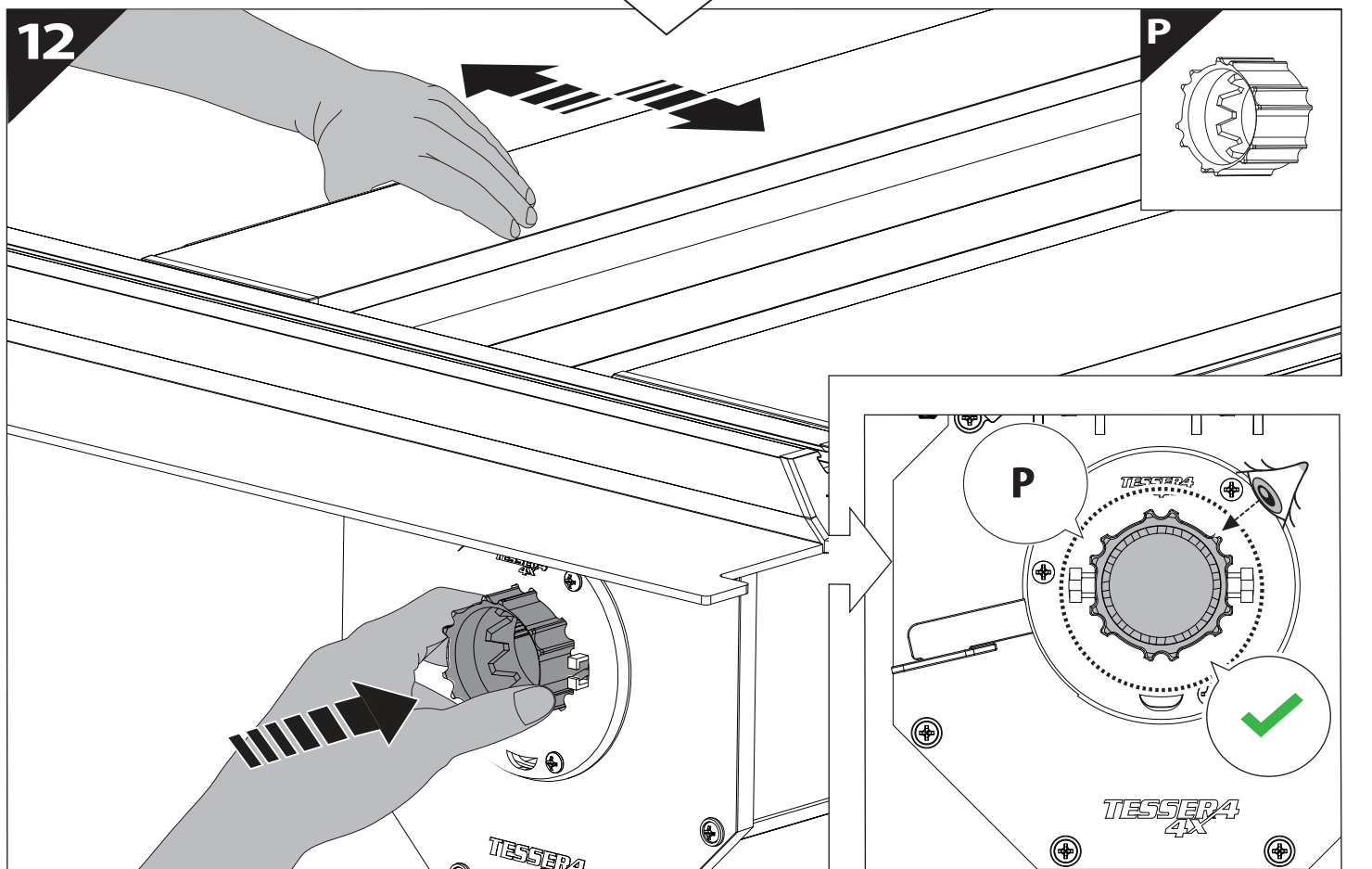
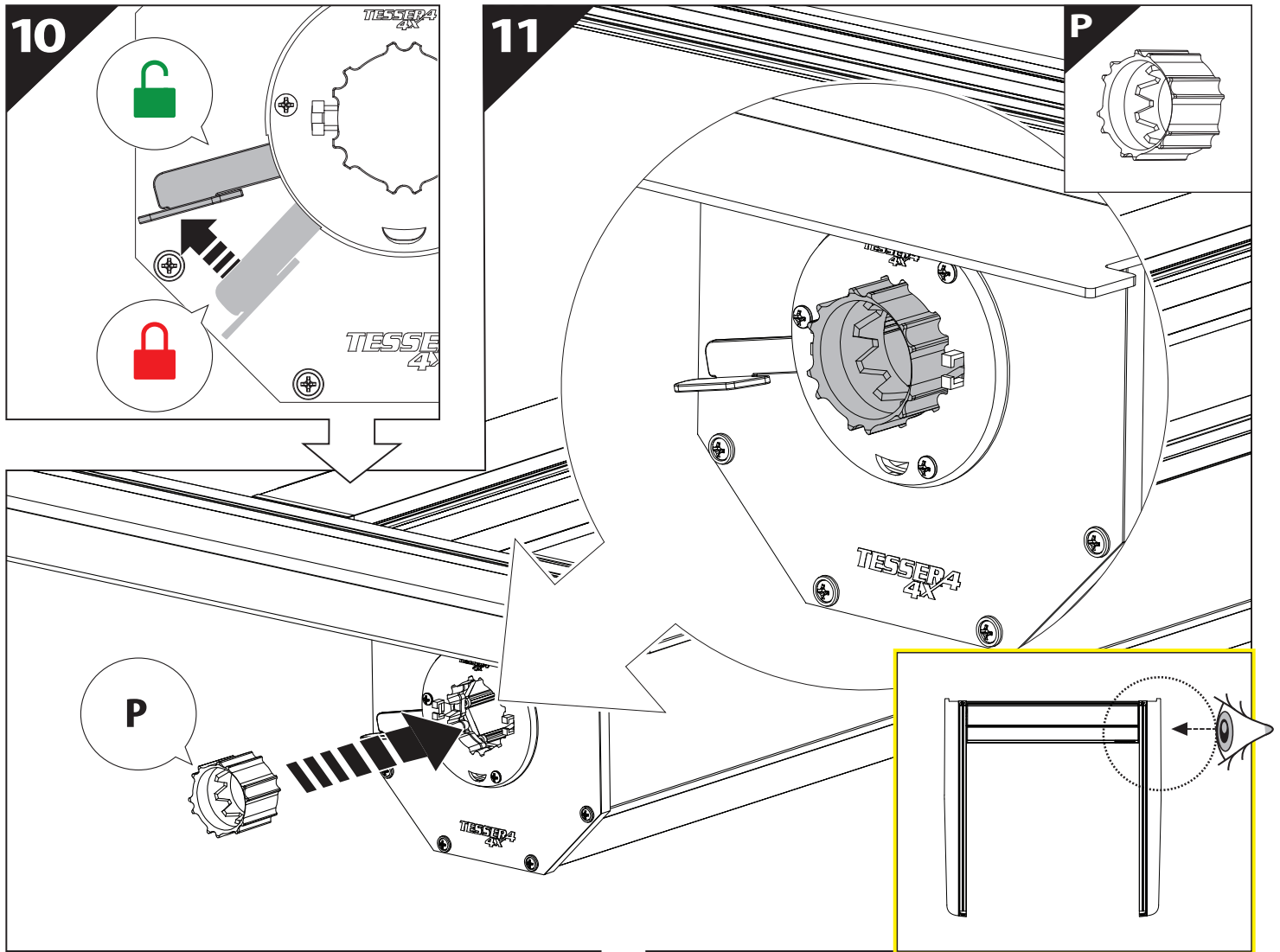


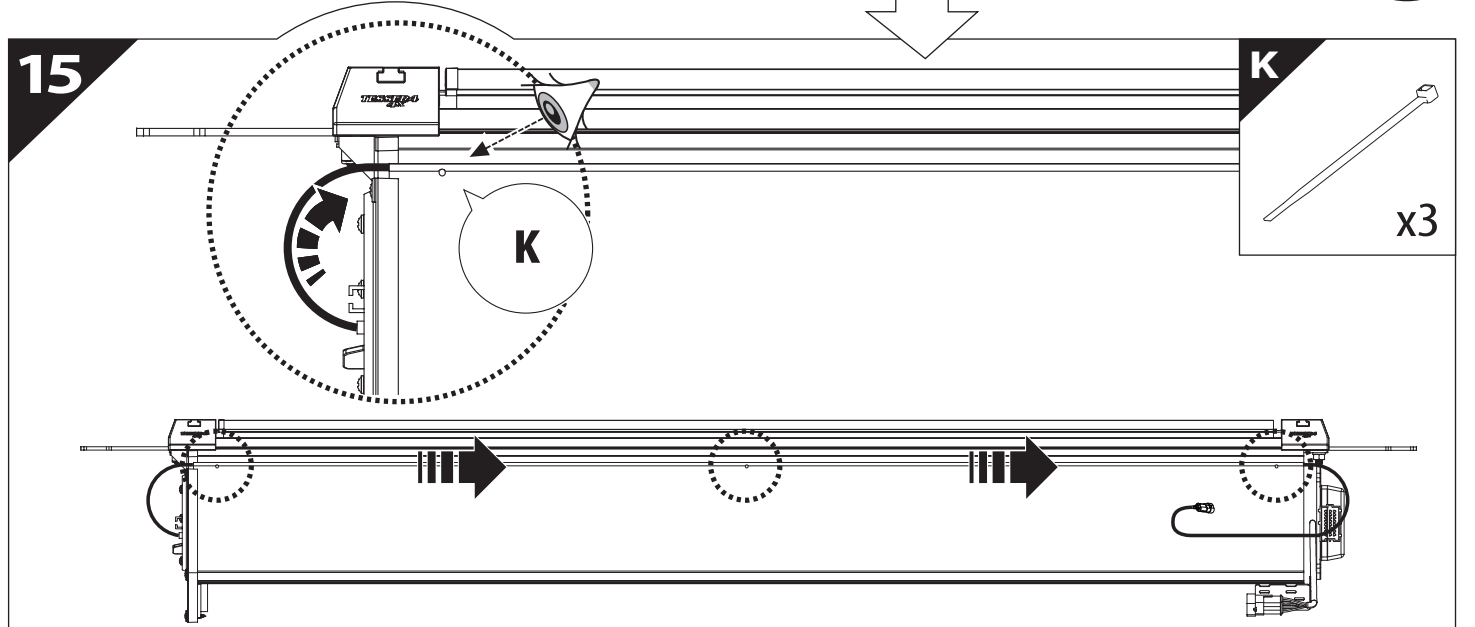
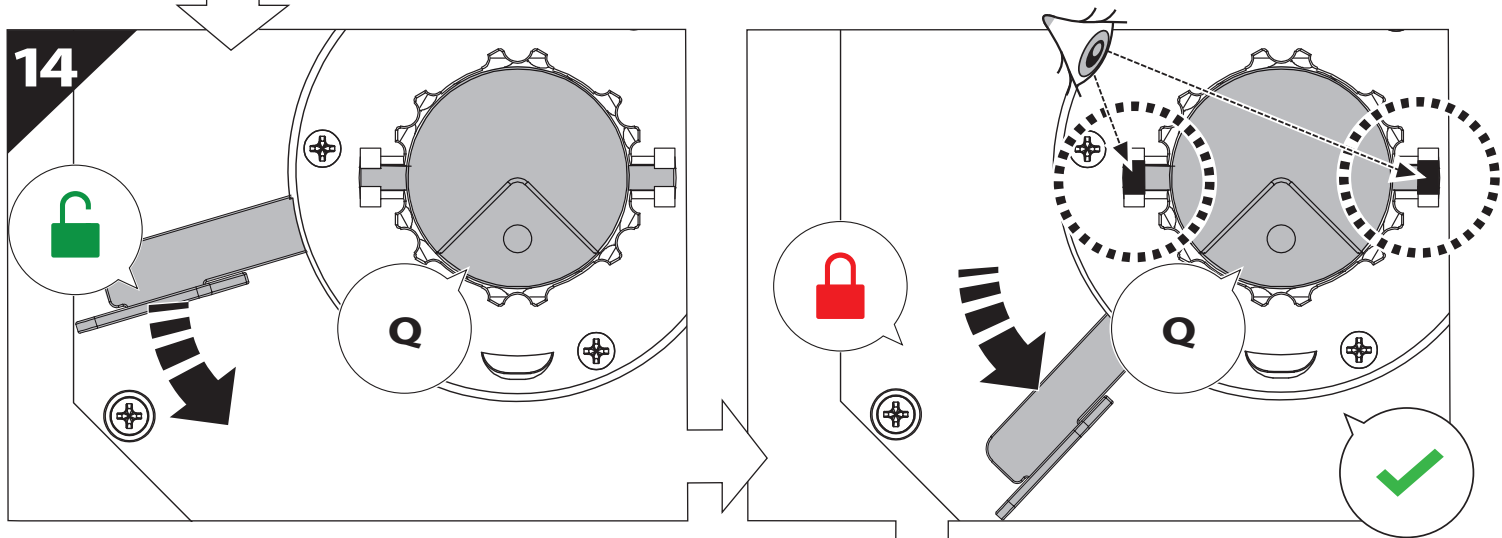
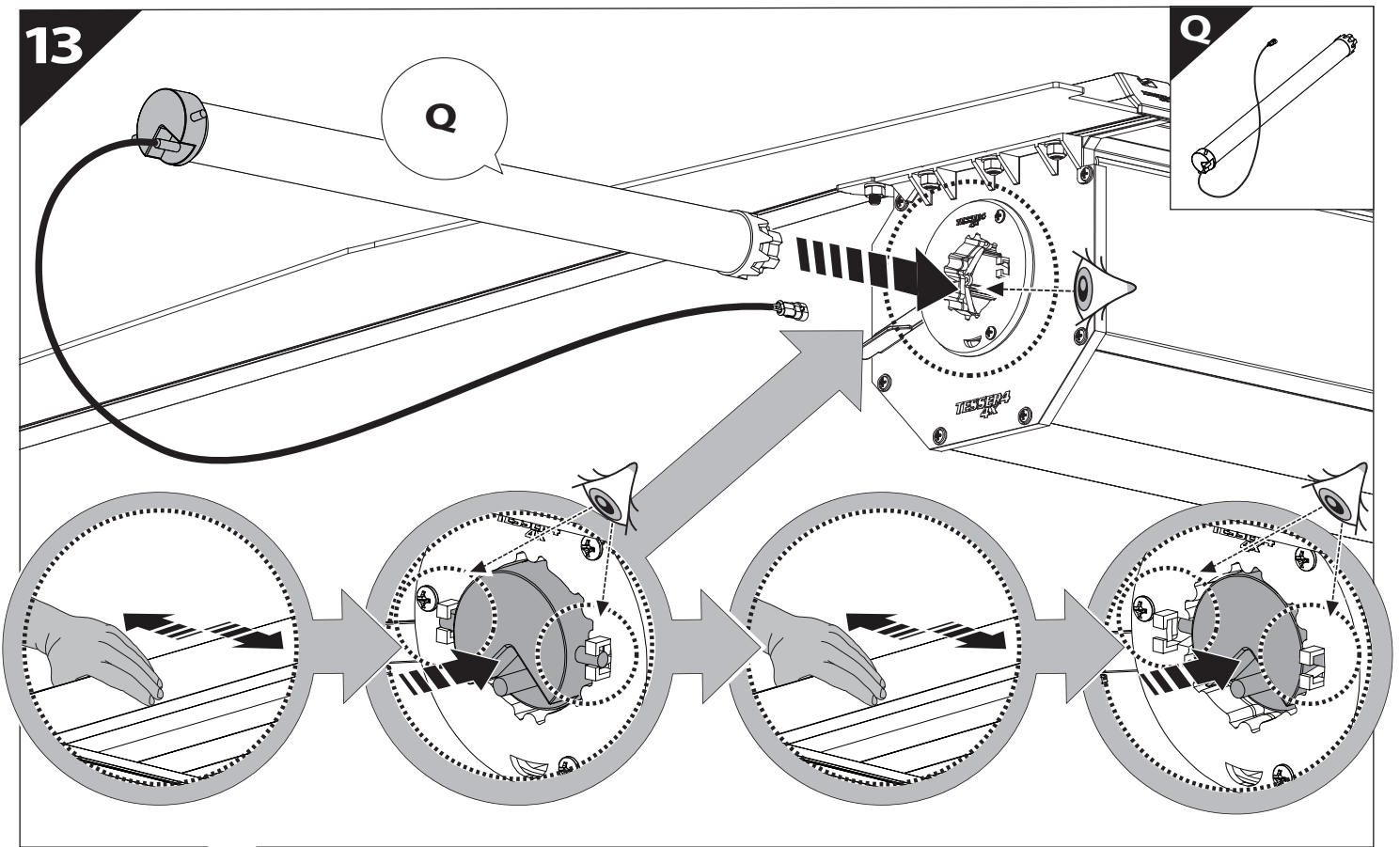
3



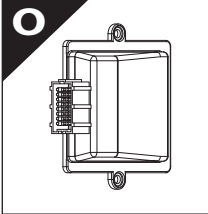
4



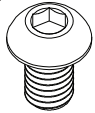




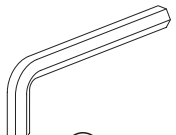
16



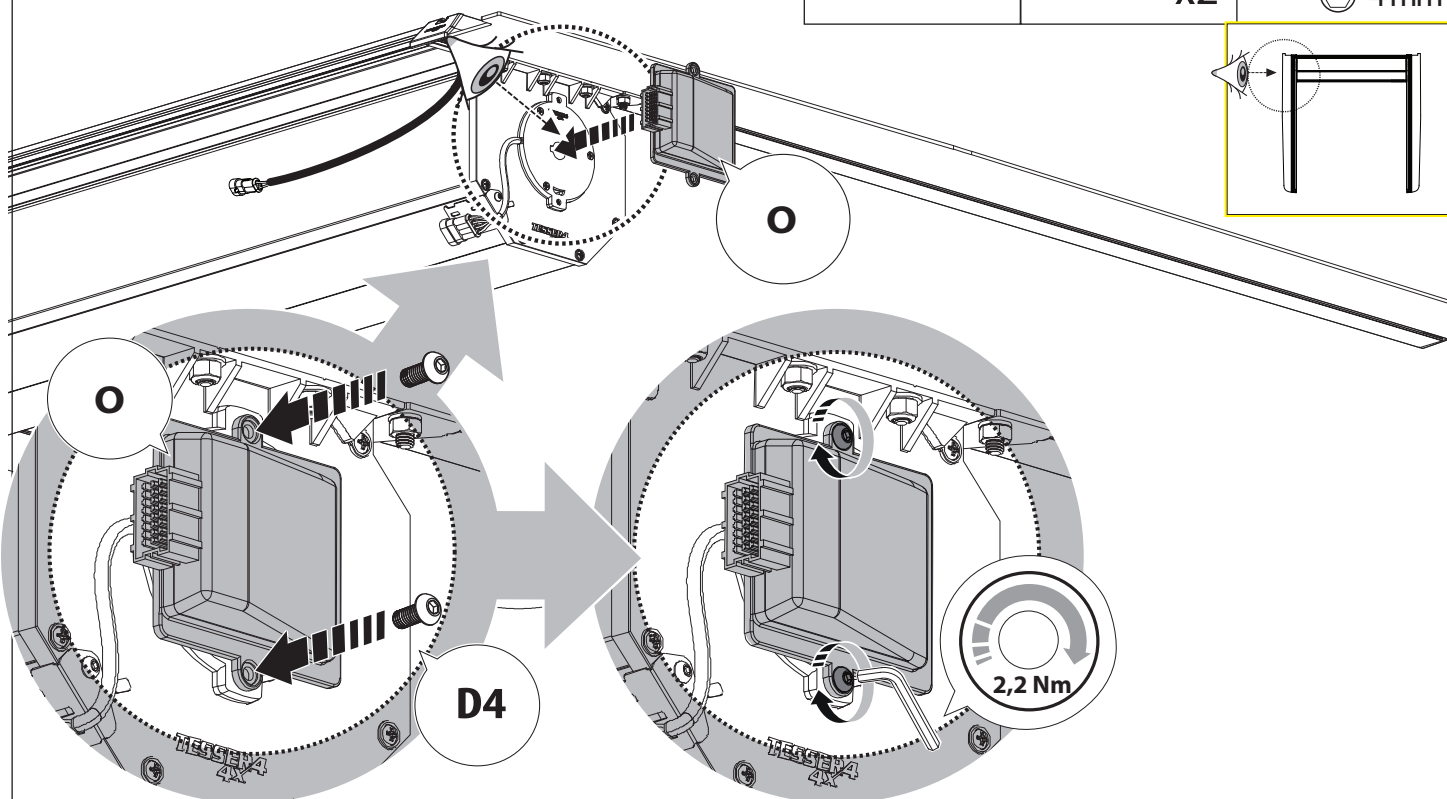
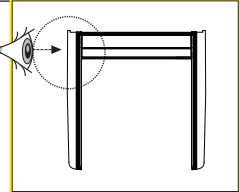
D4



x2

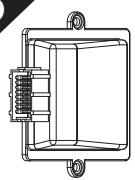


4mm

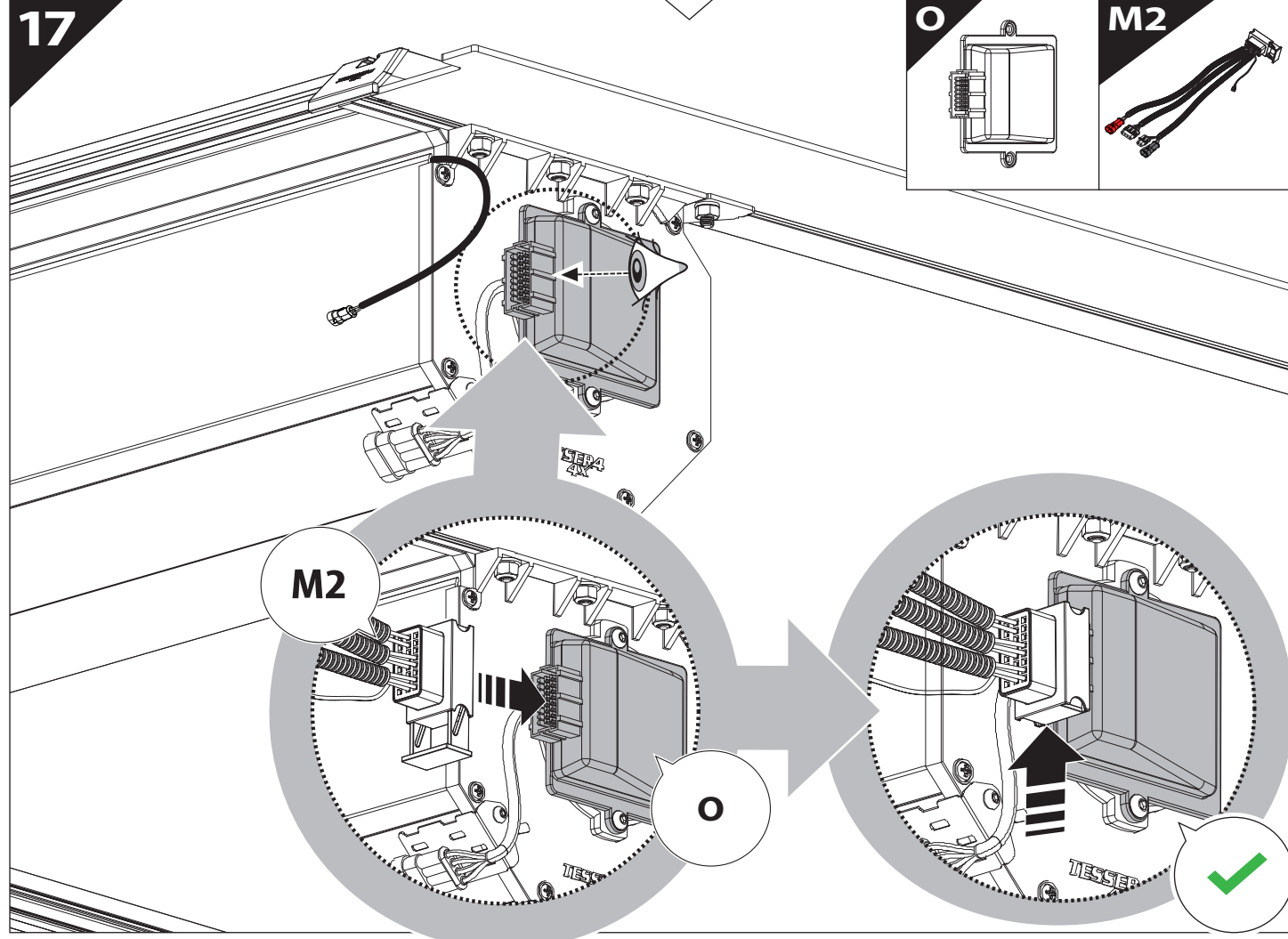


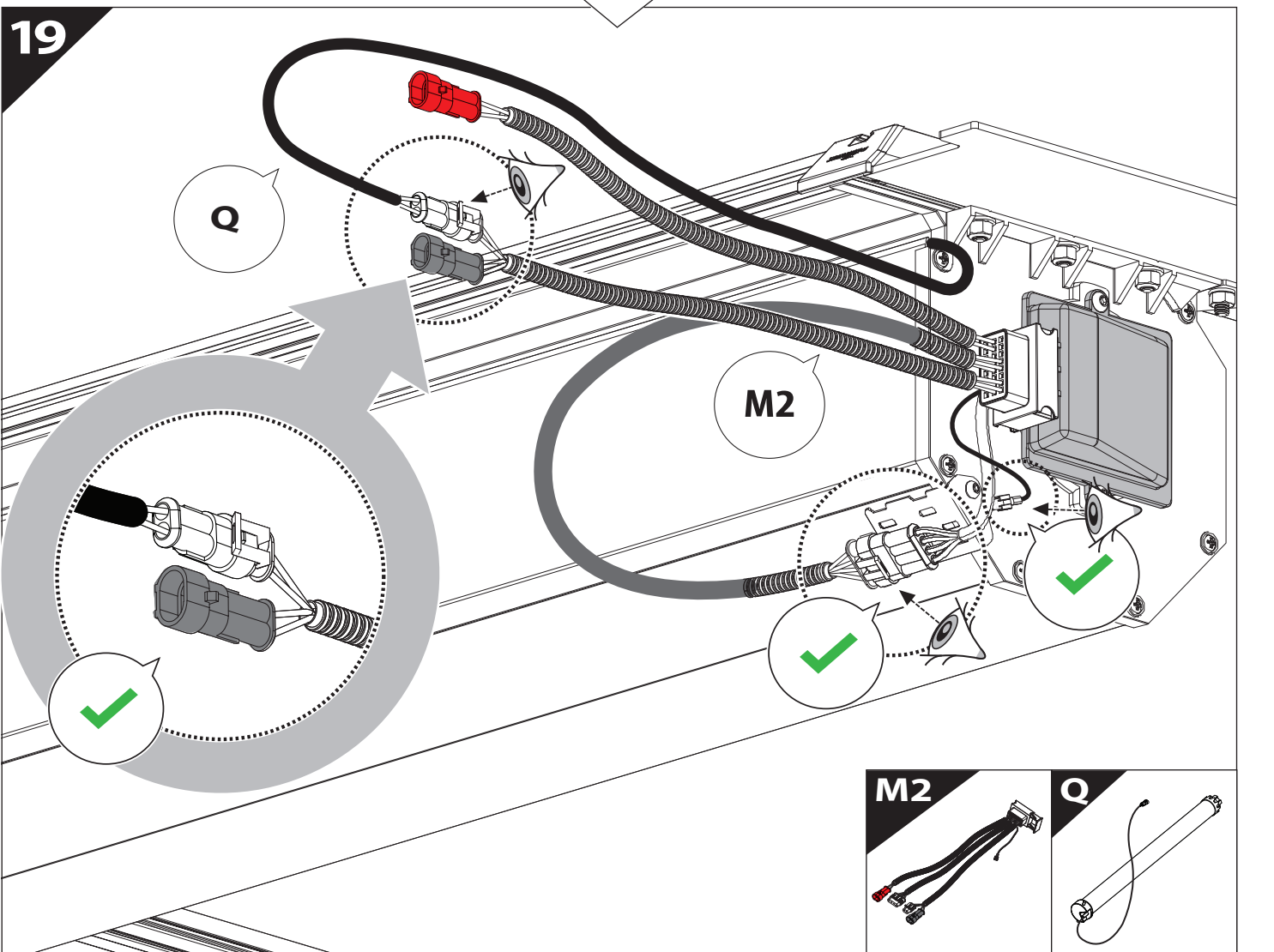
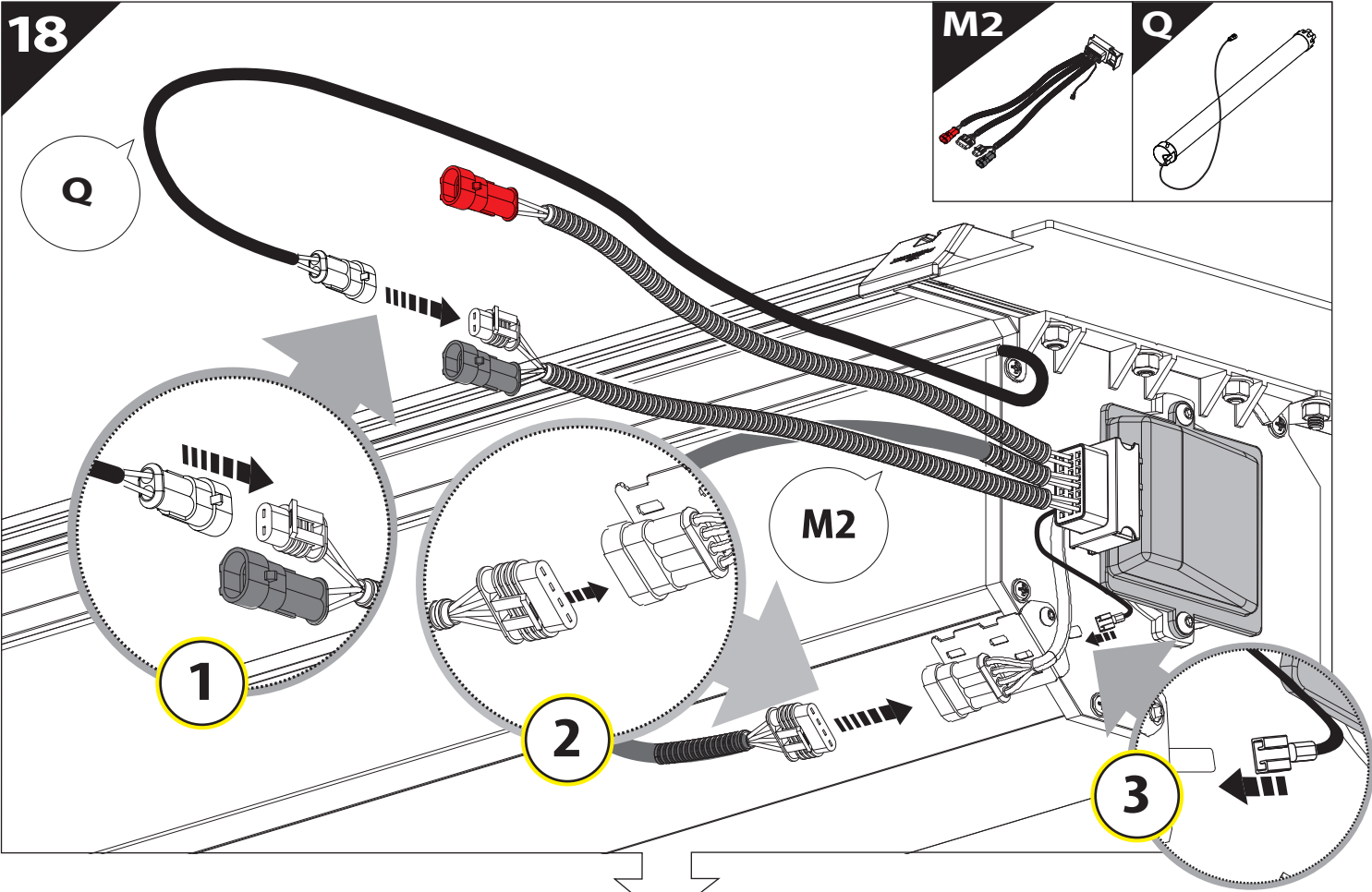
17

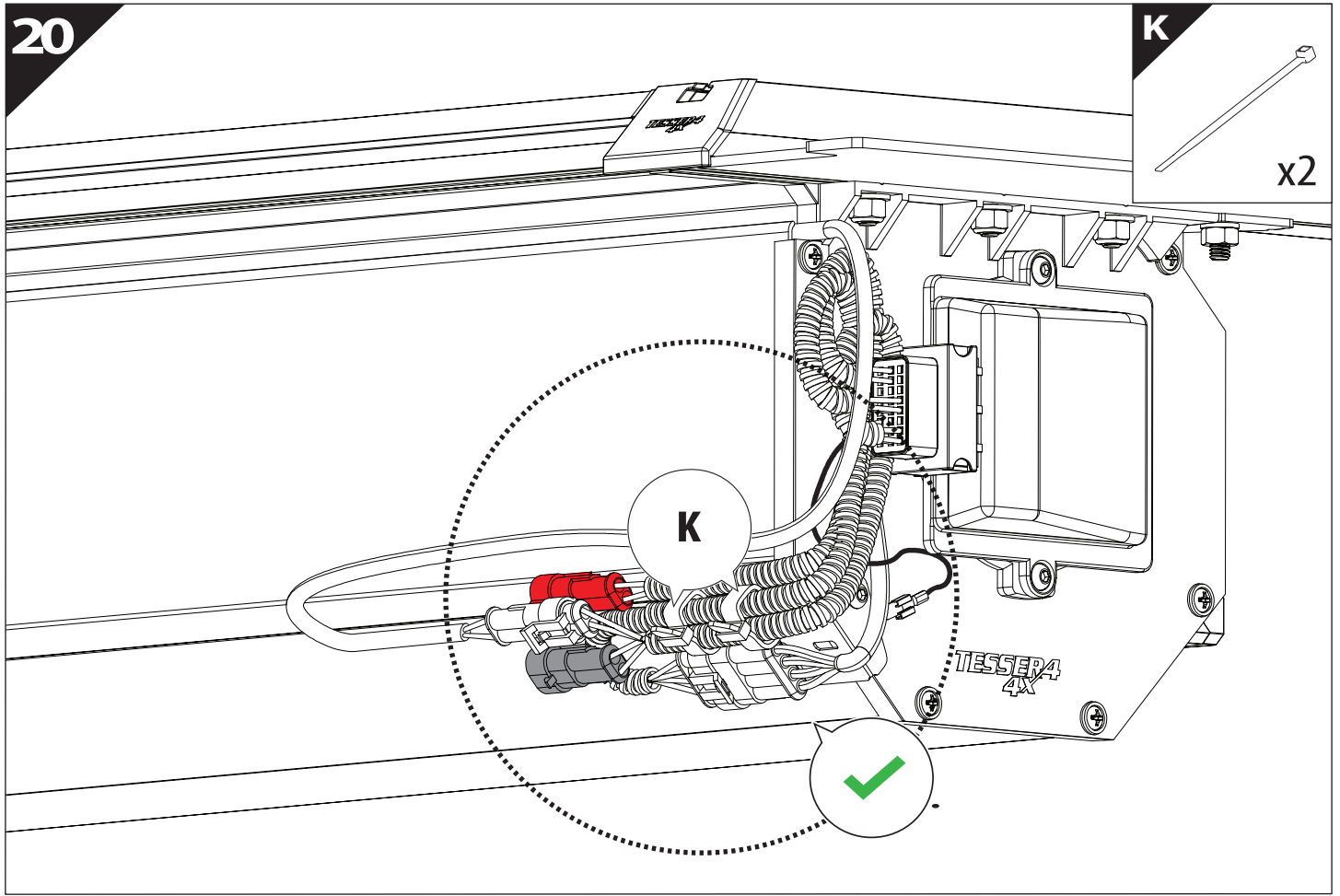
O



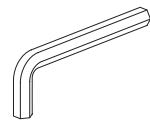
M2



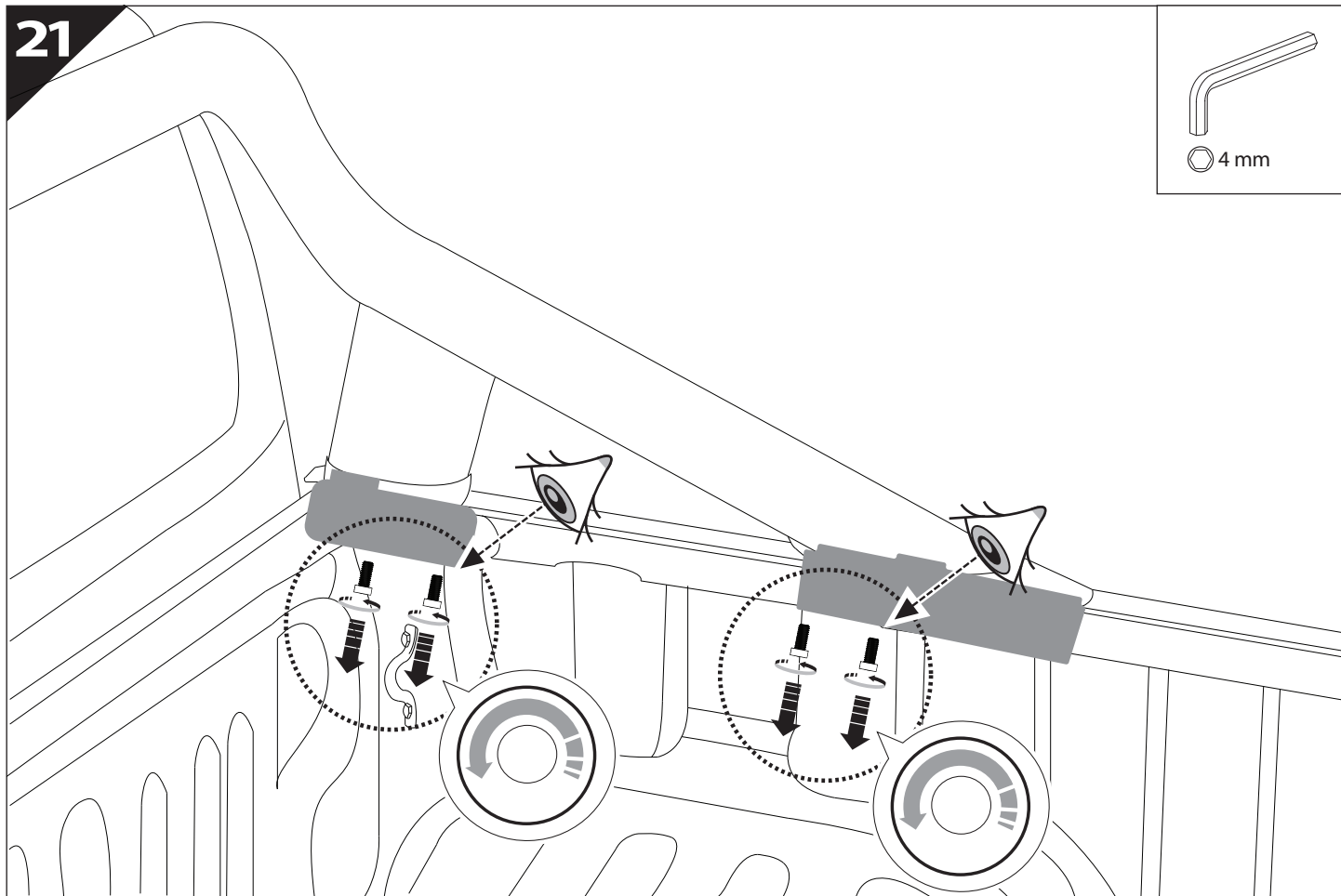




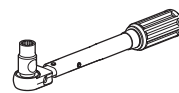
21



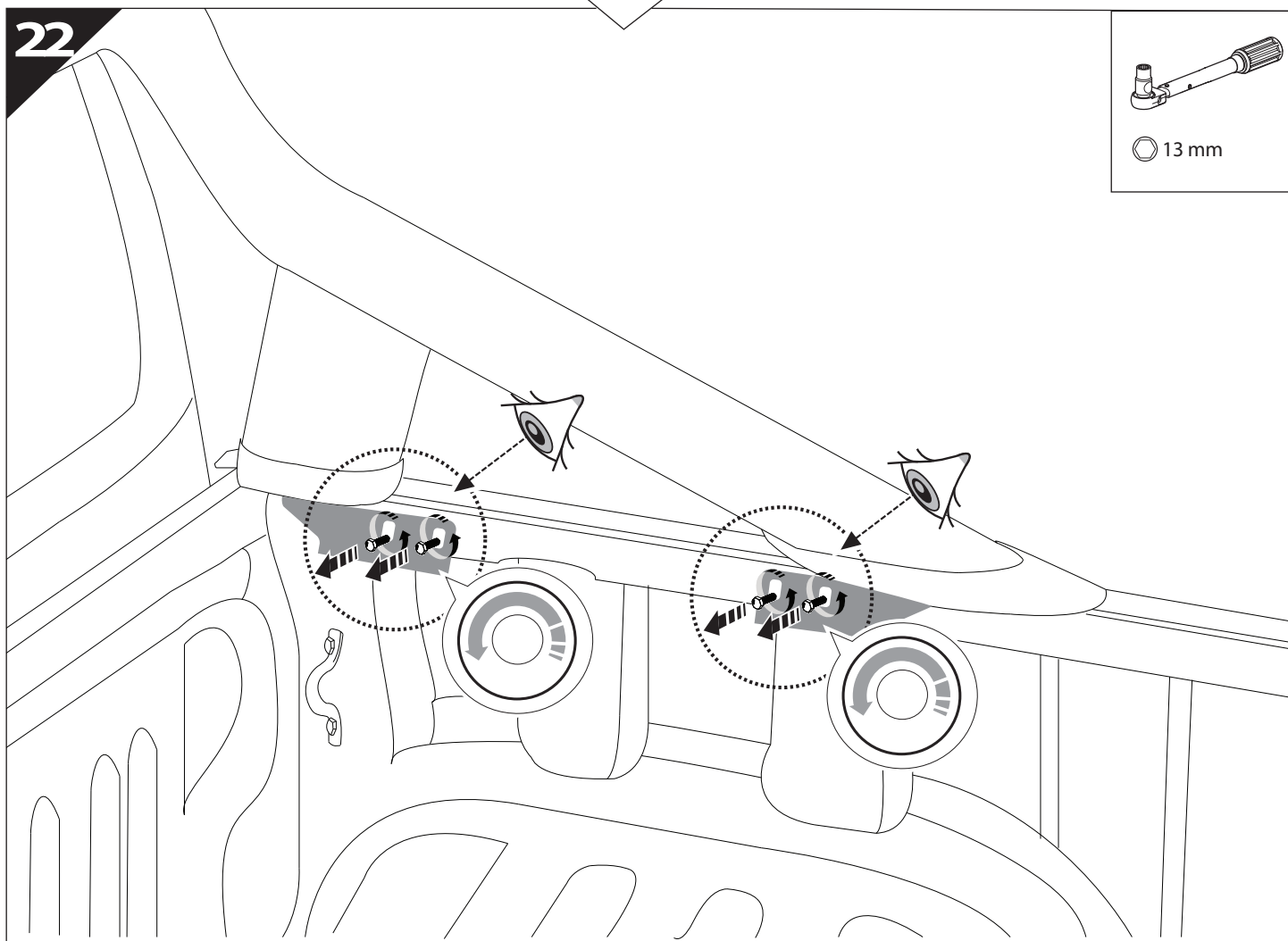
4 mm



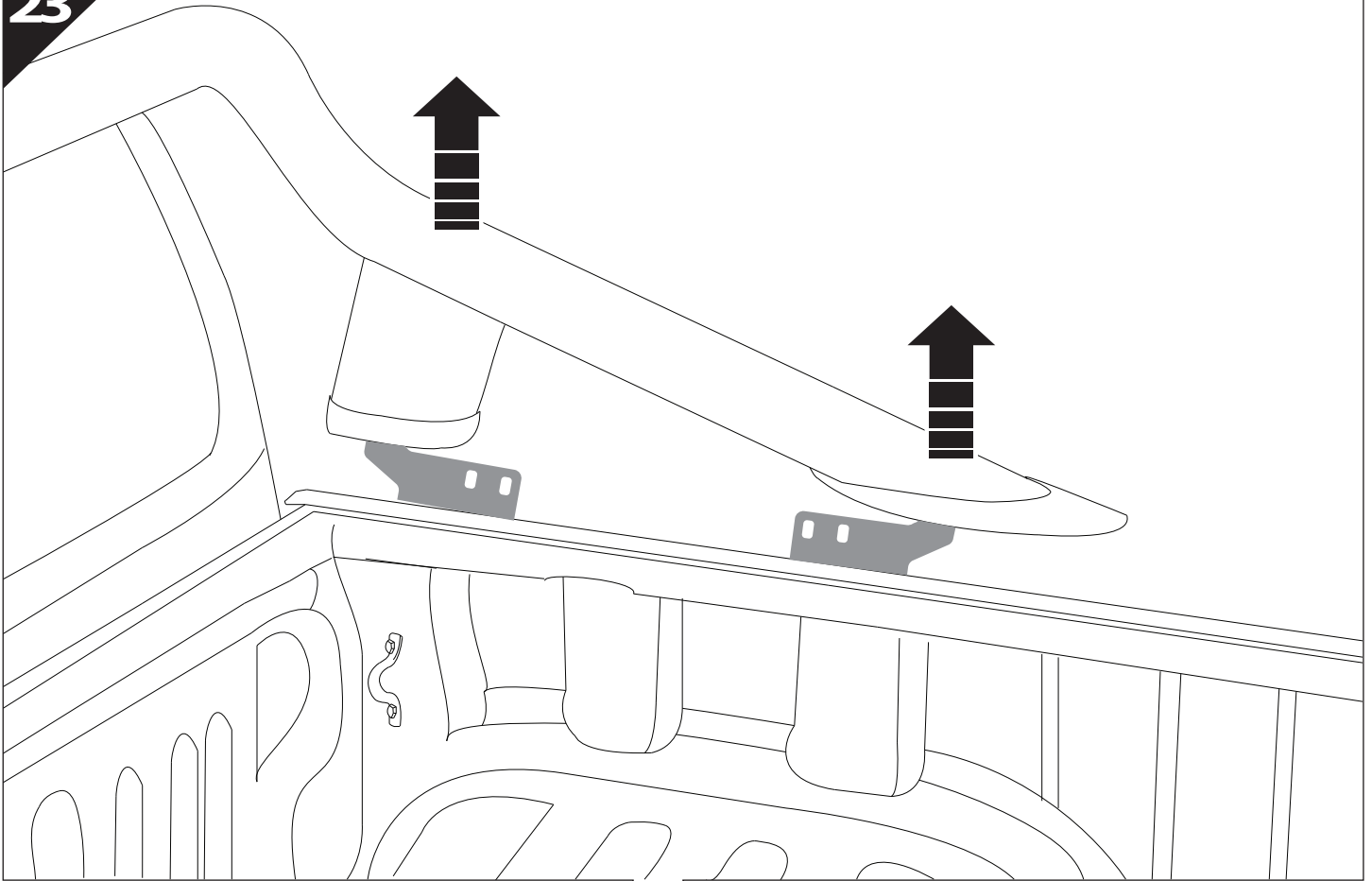
22



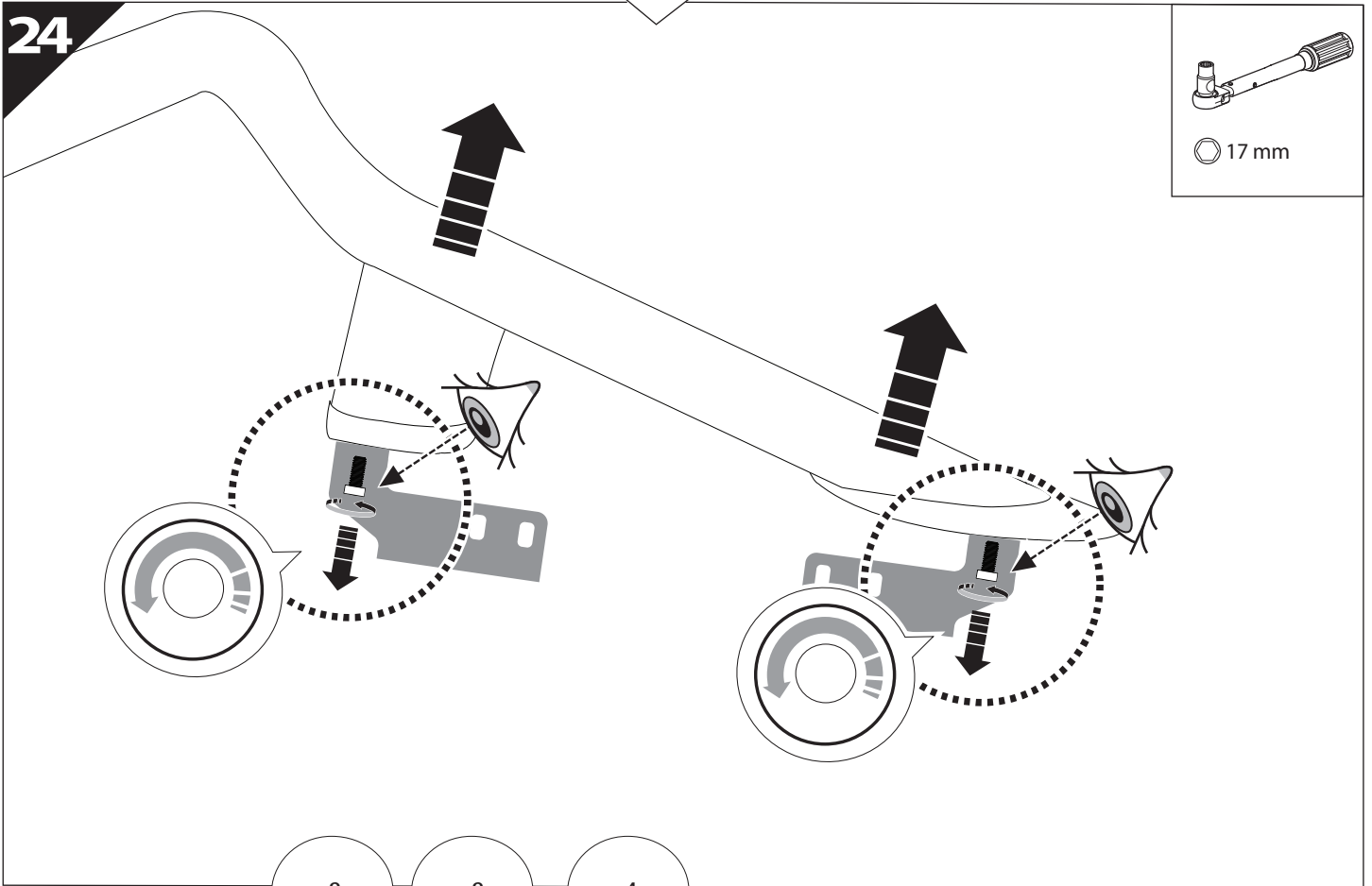
13 mm



23



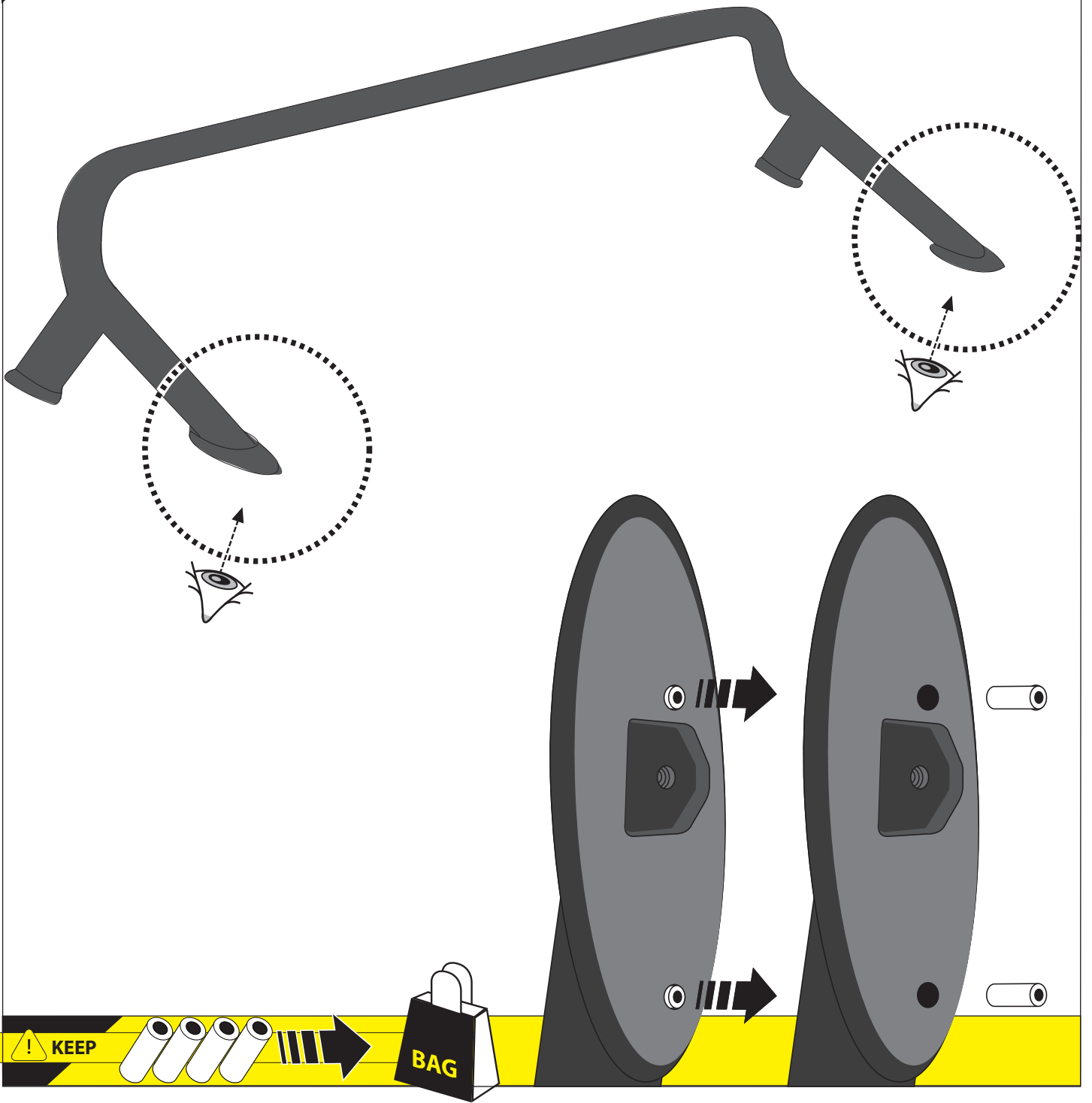
24



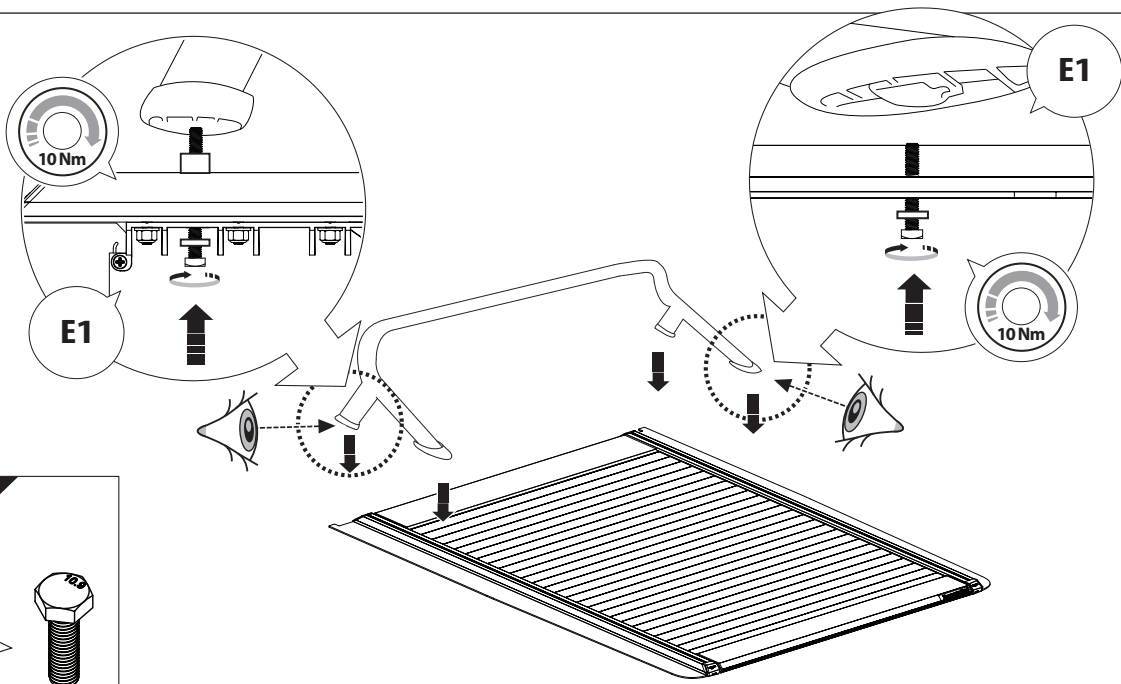
-  x8
-  x8
-  x4



24. 1

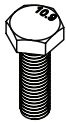


25

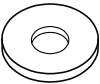


E1

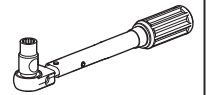
4x
M10x40



4x
Ø10



2x
18mm

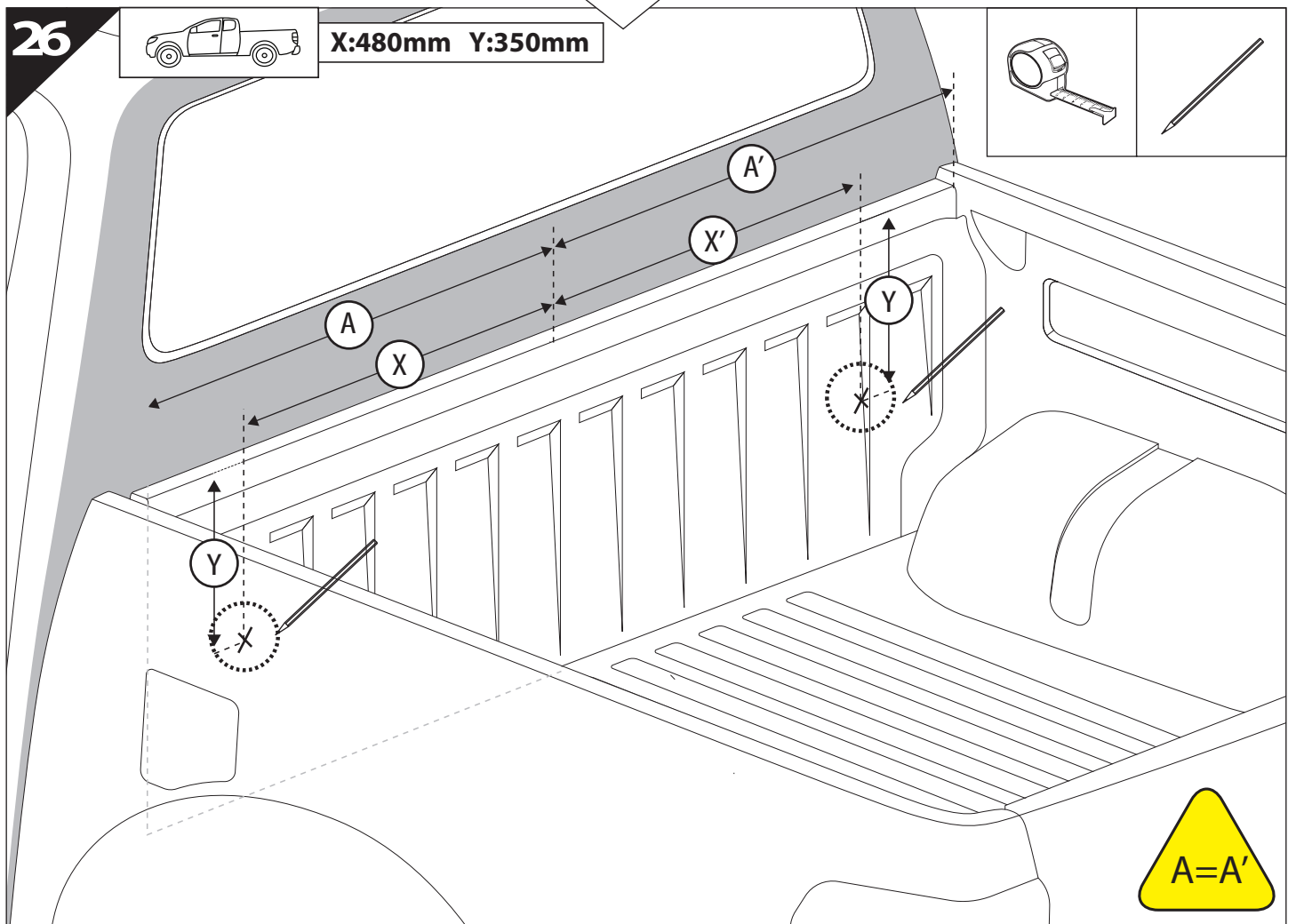
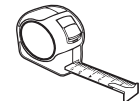


17 mm

26

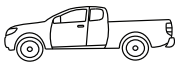


X:480mm Y:350mm

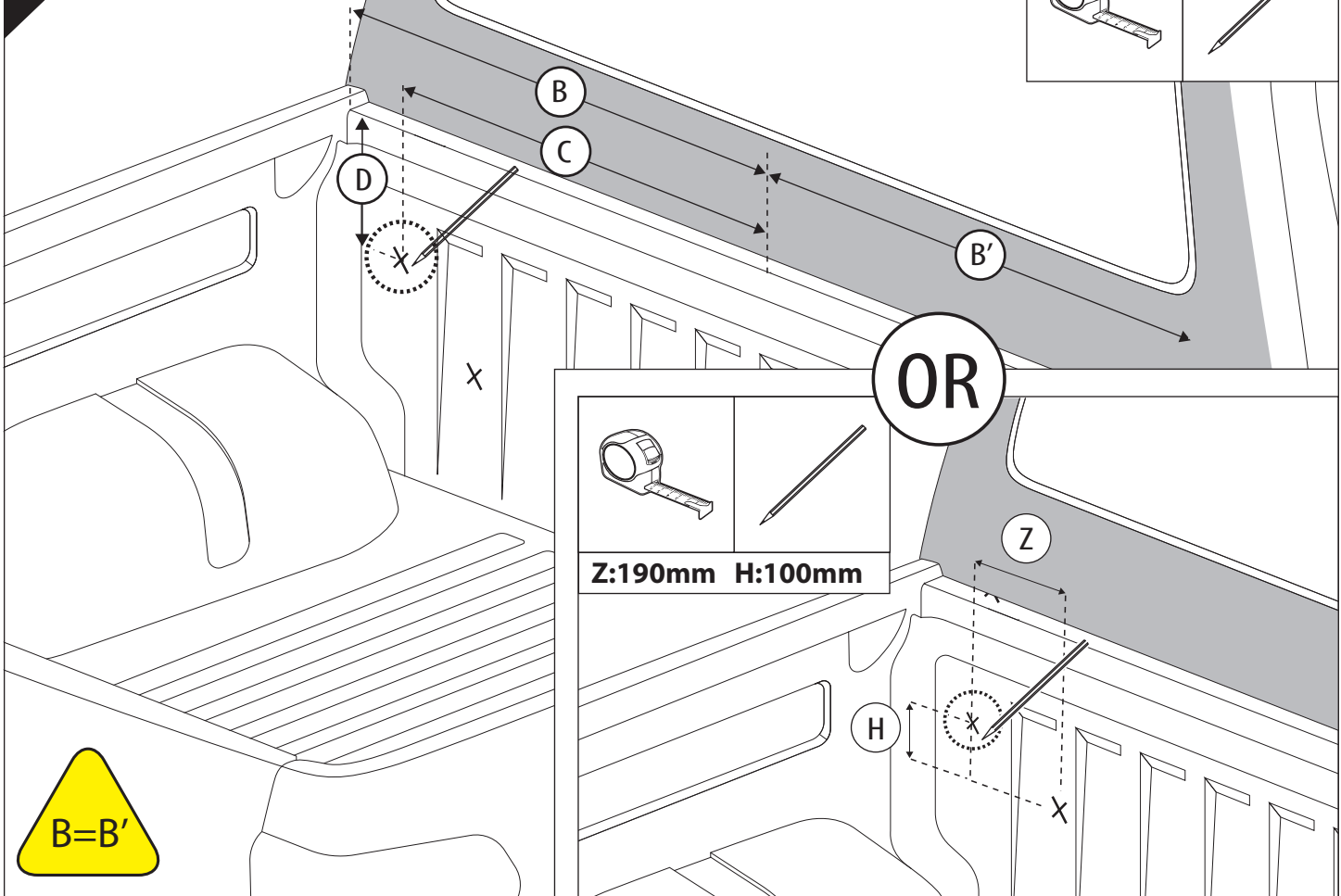
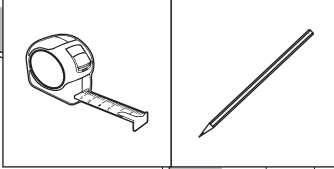


A=A'

27

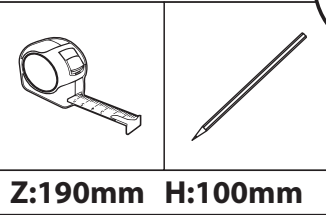


C:670mm D:250mm

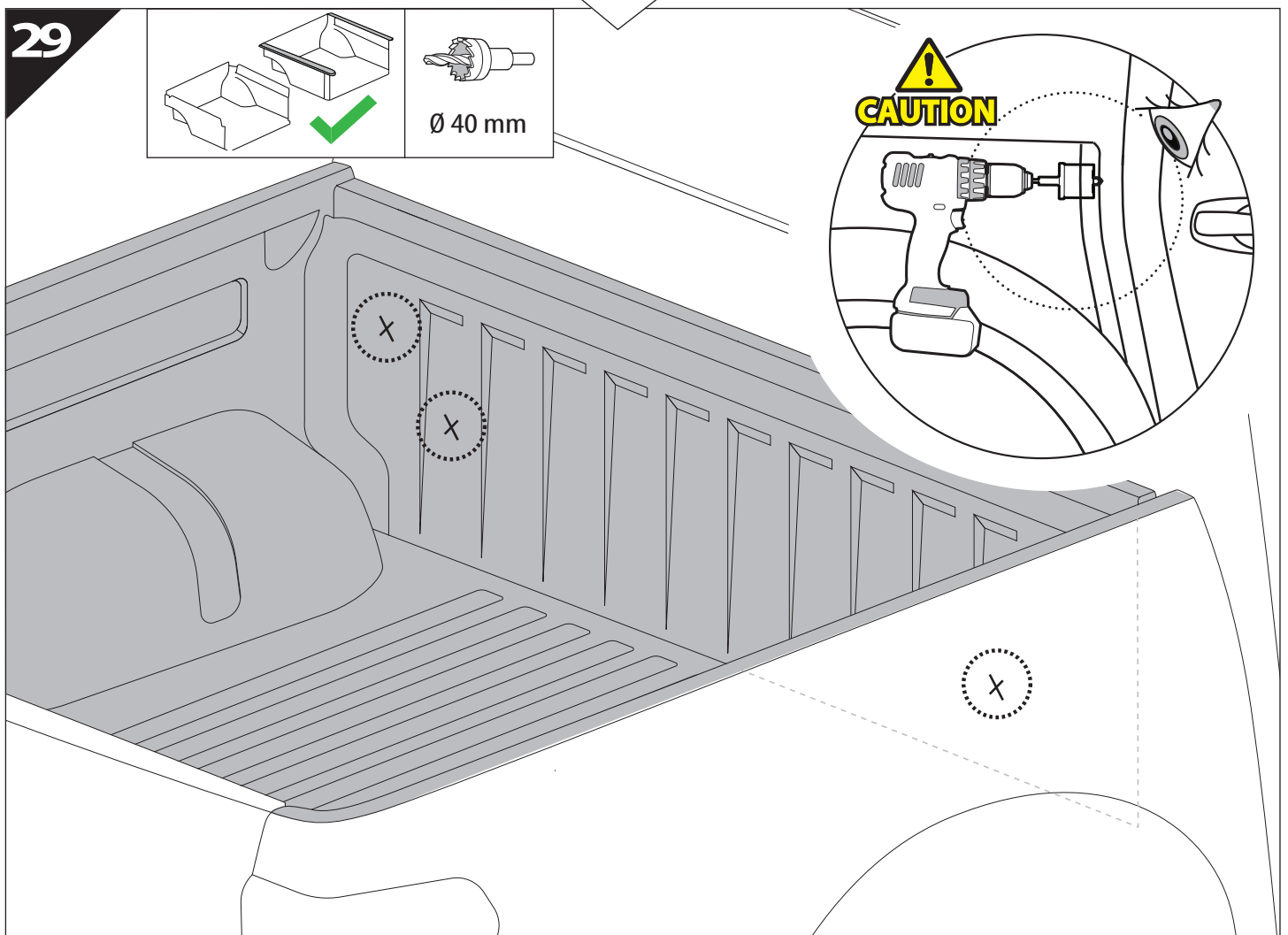
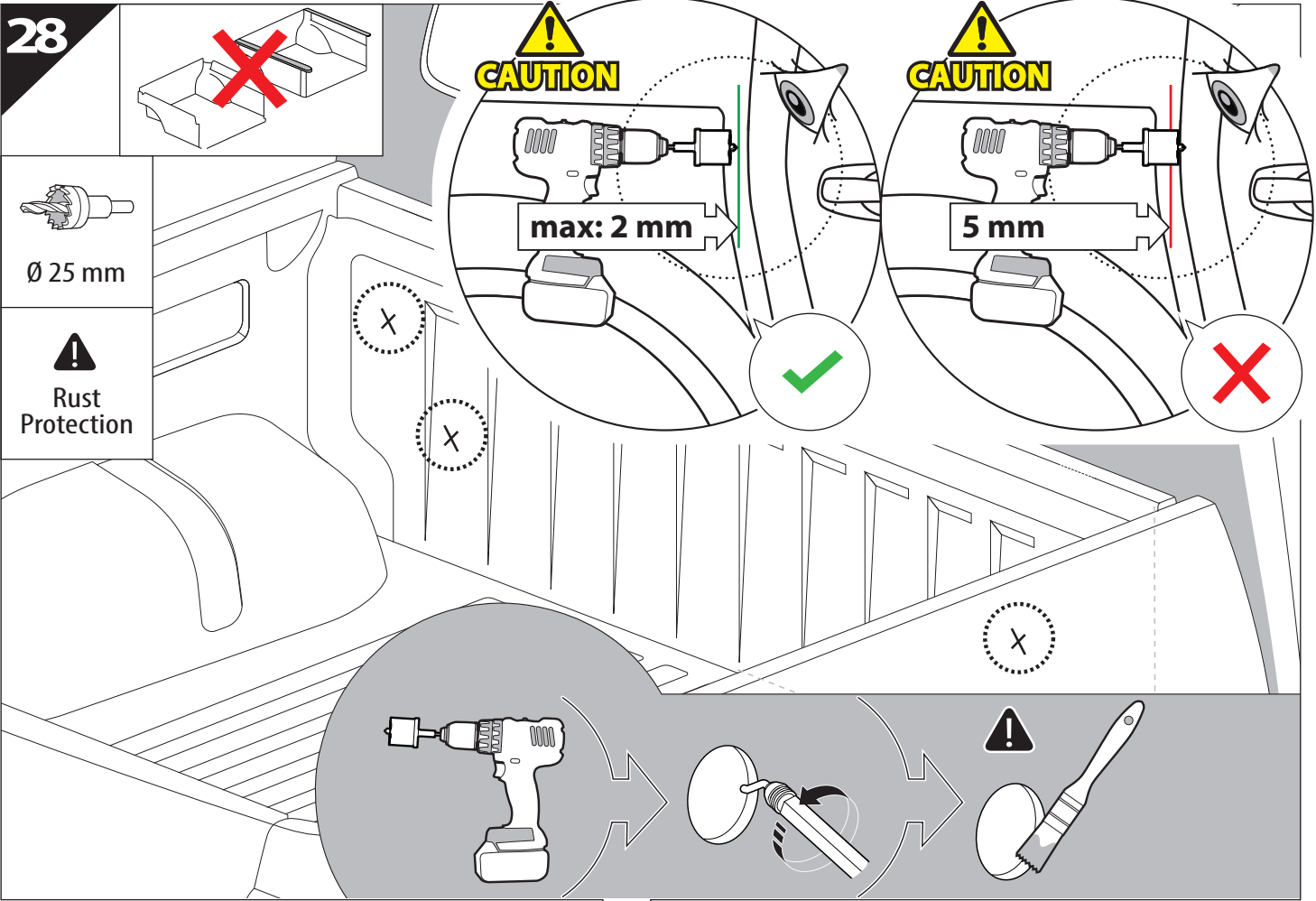


B=B'

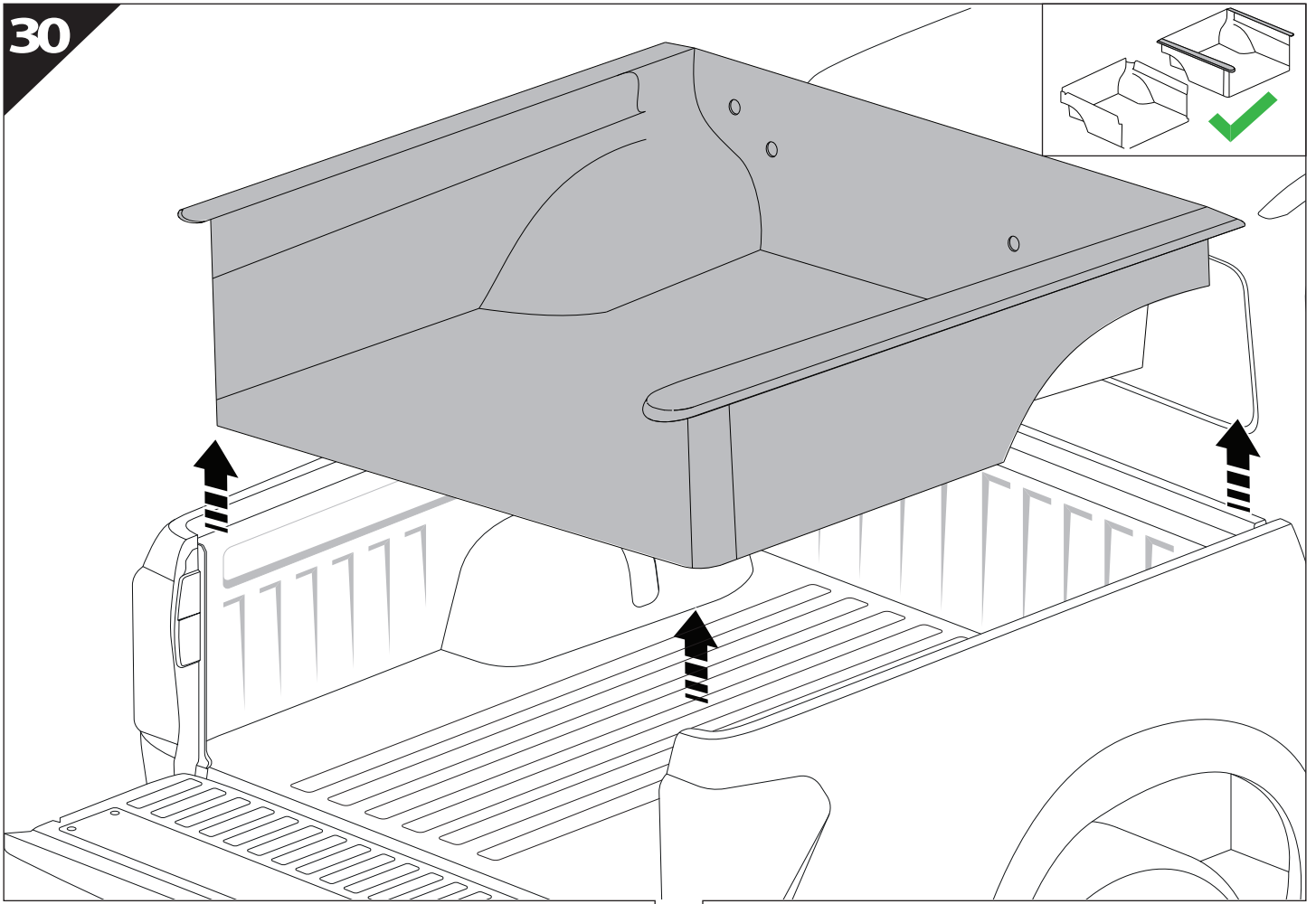
OR



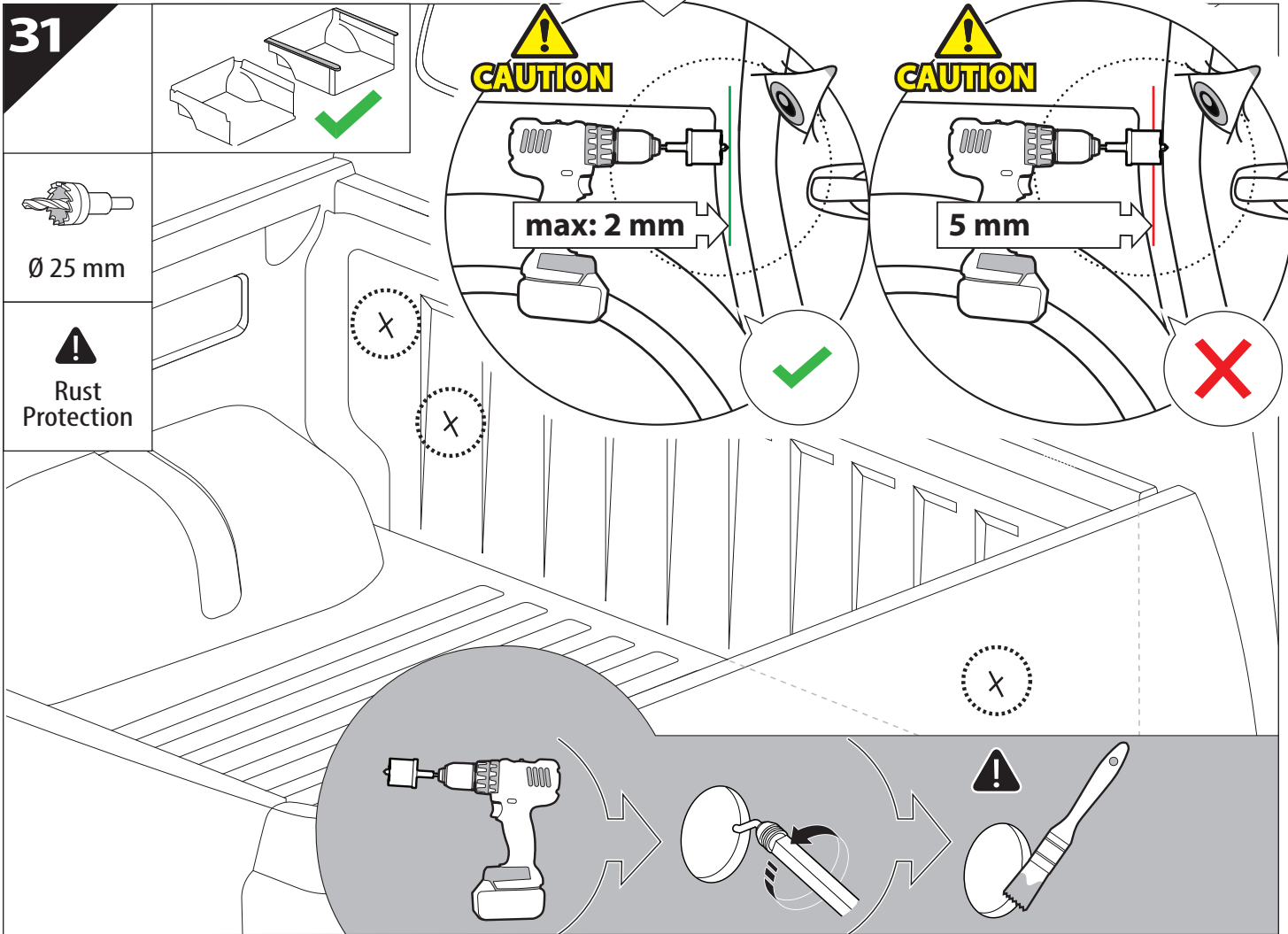
Z:190mm H:100mm

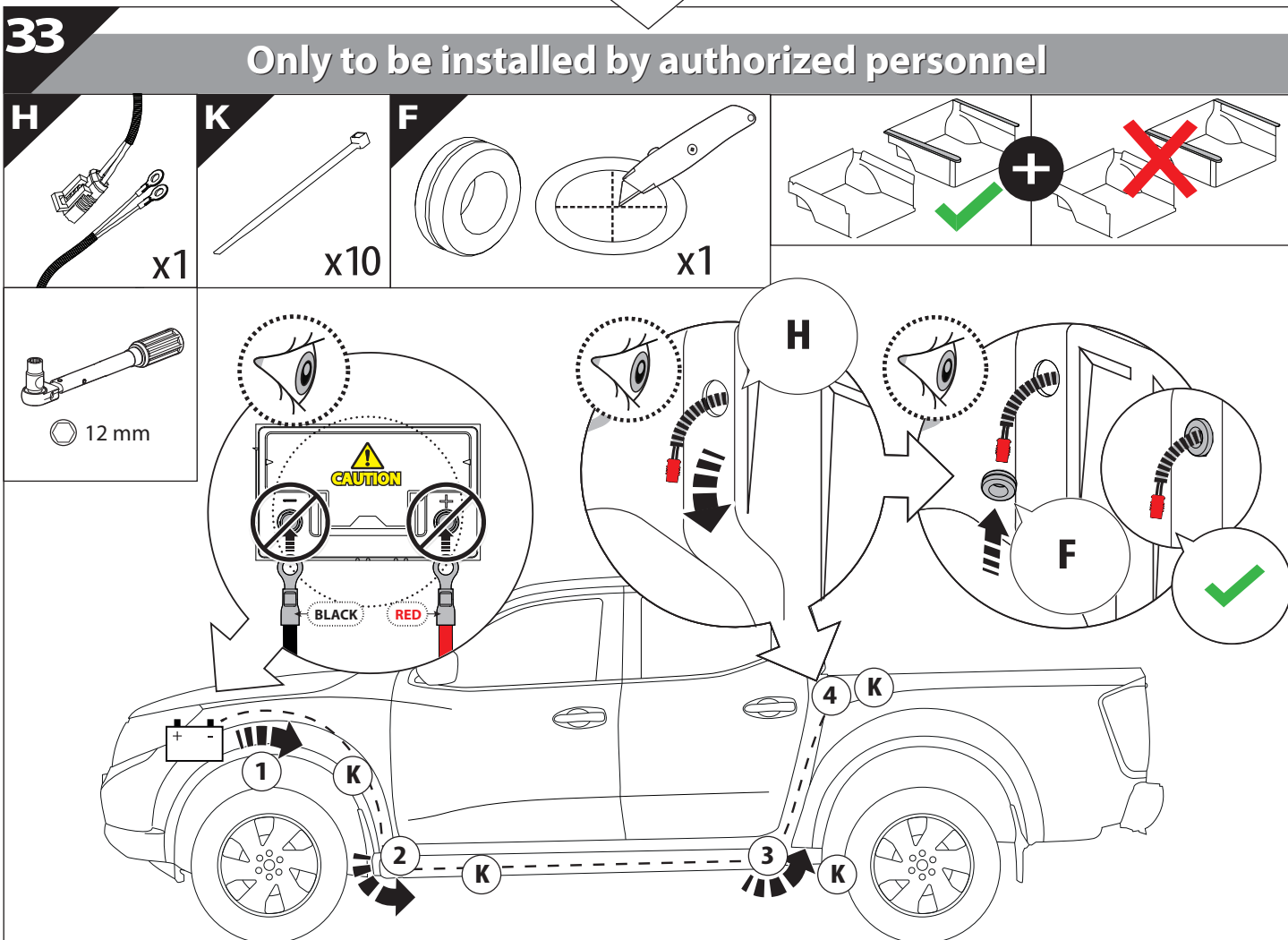
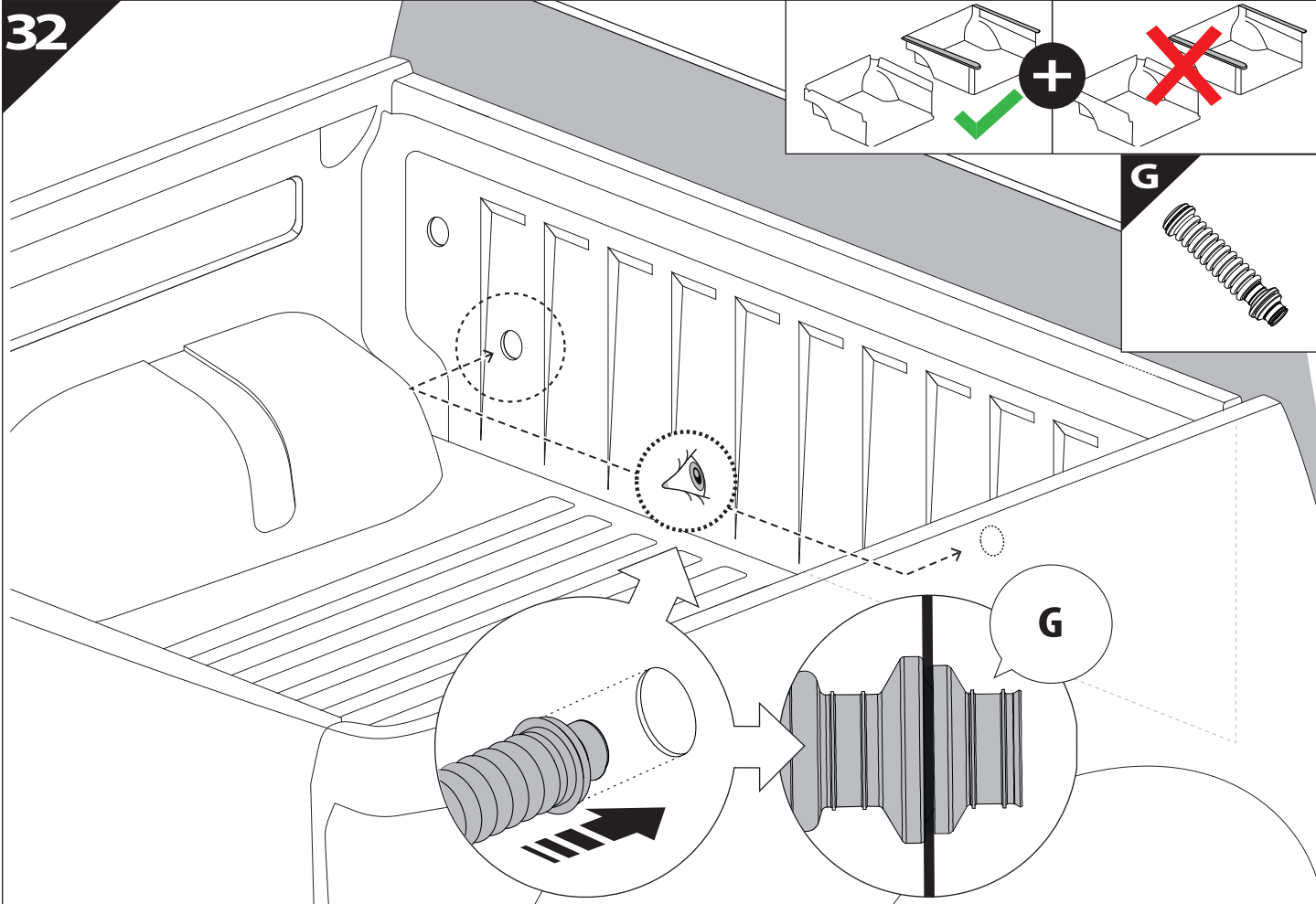


30

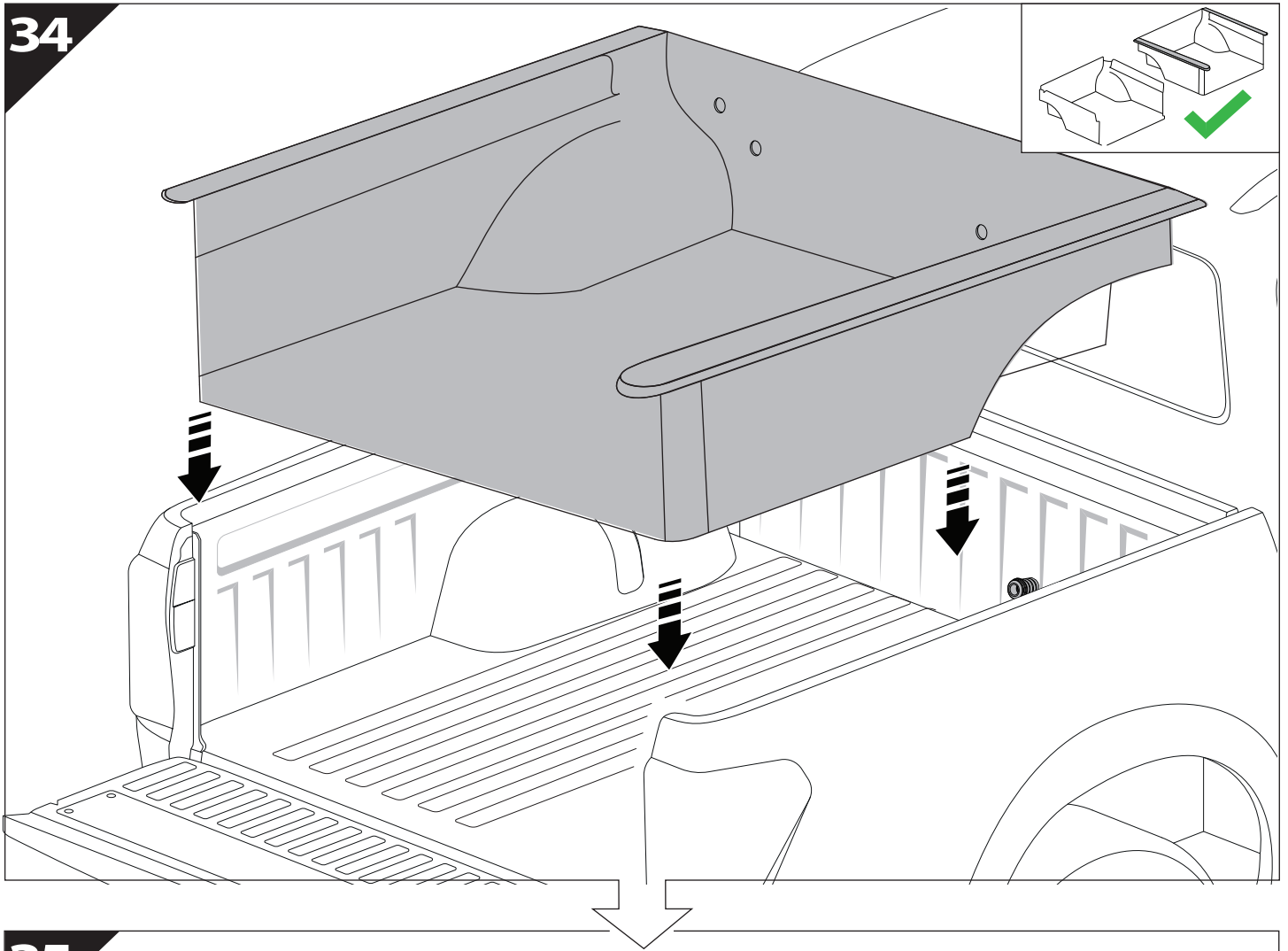


31

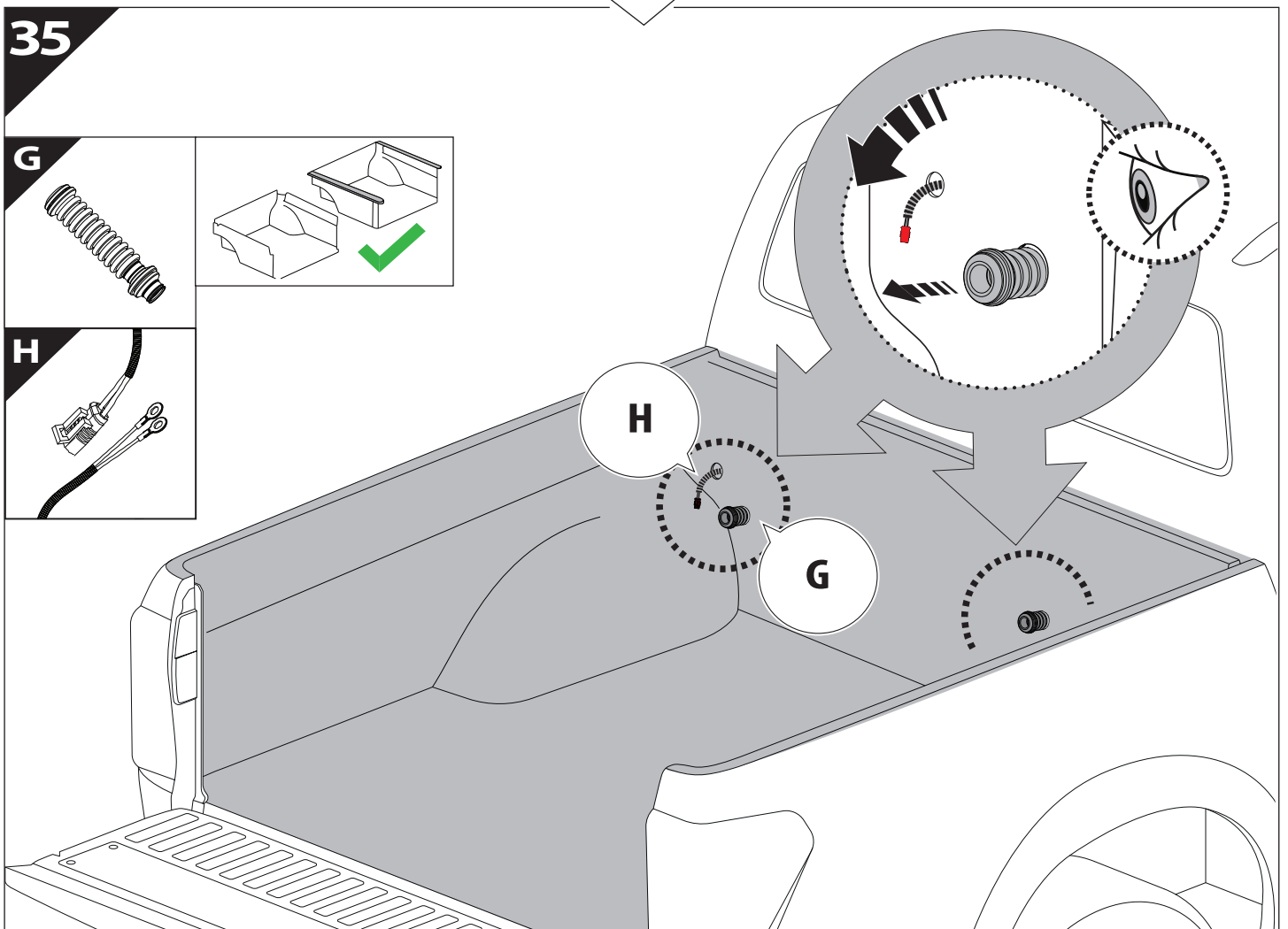


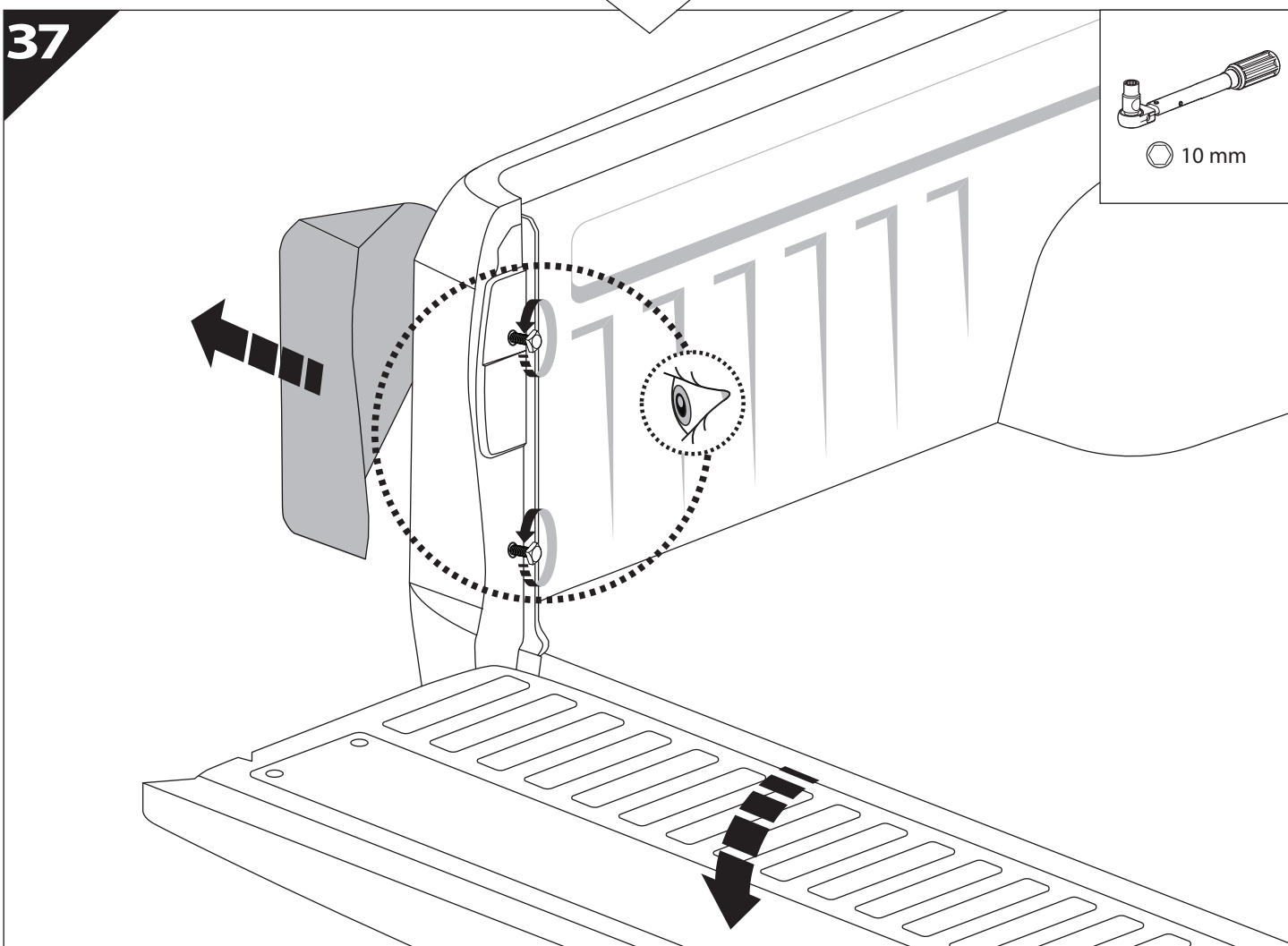
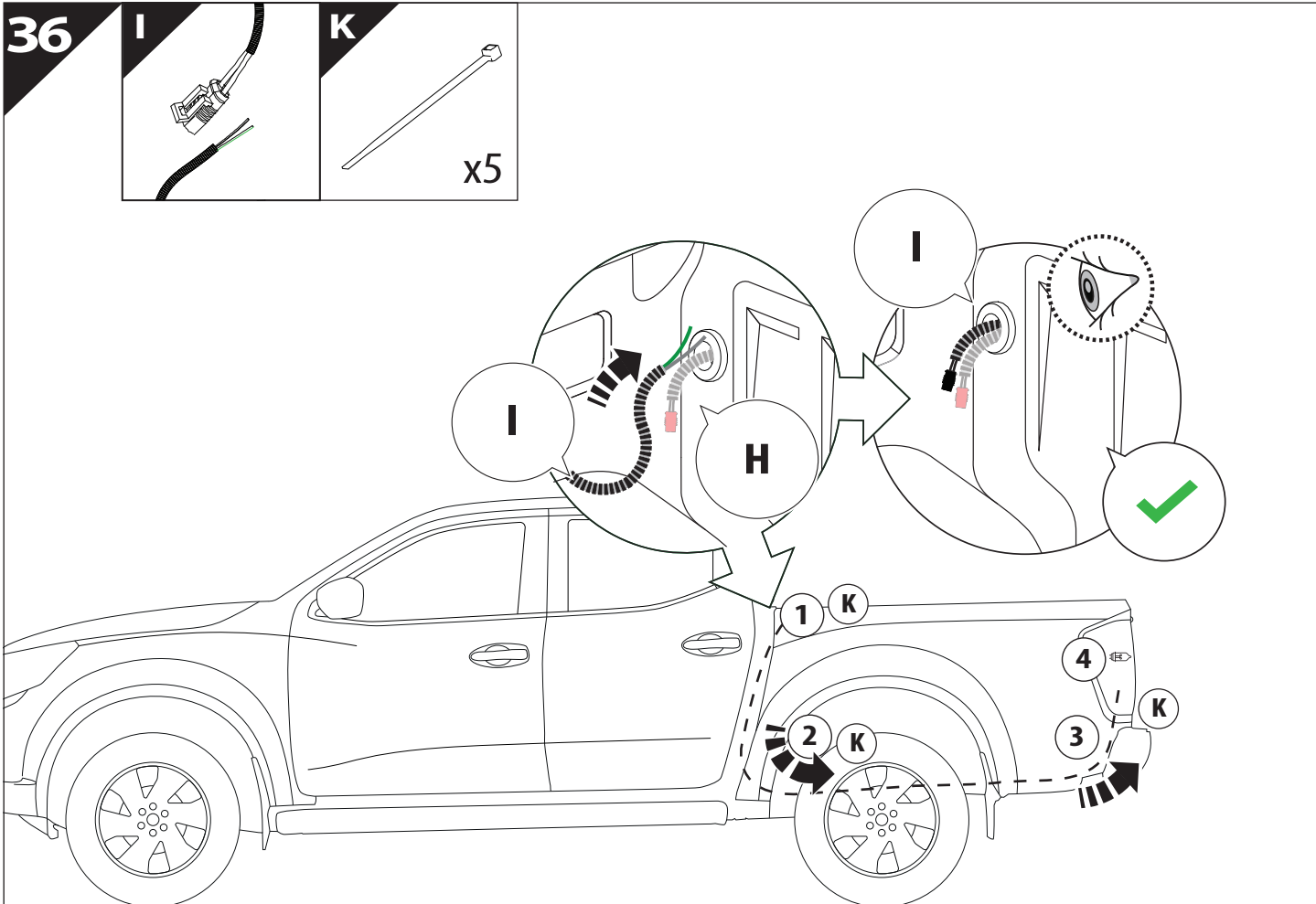


34



35





38

I **J** x2

10 mm

4 Nm

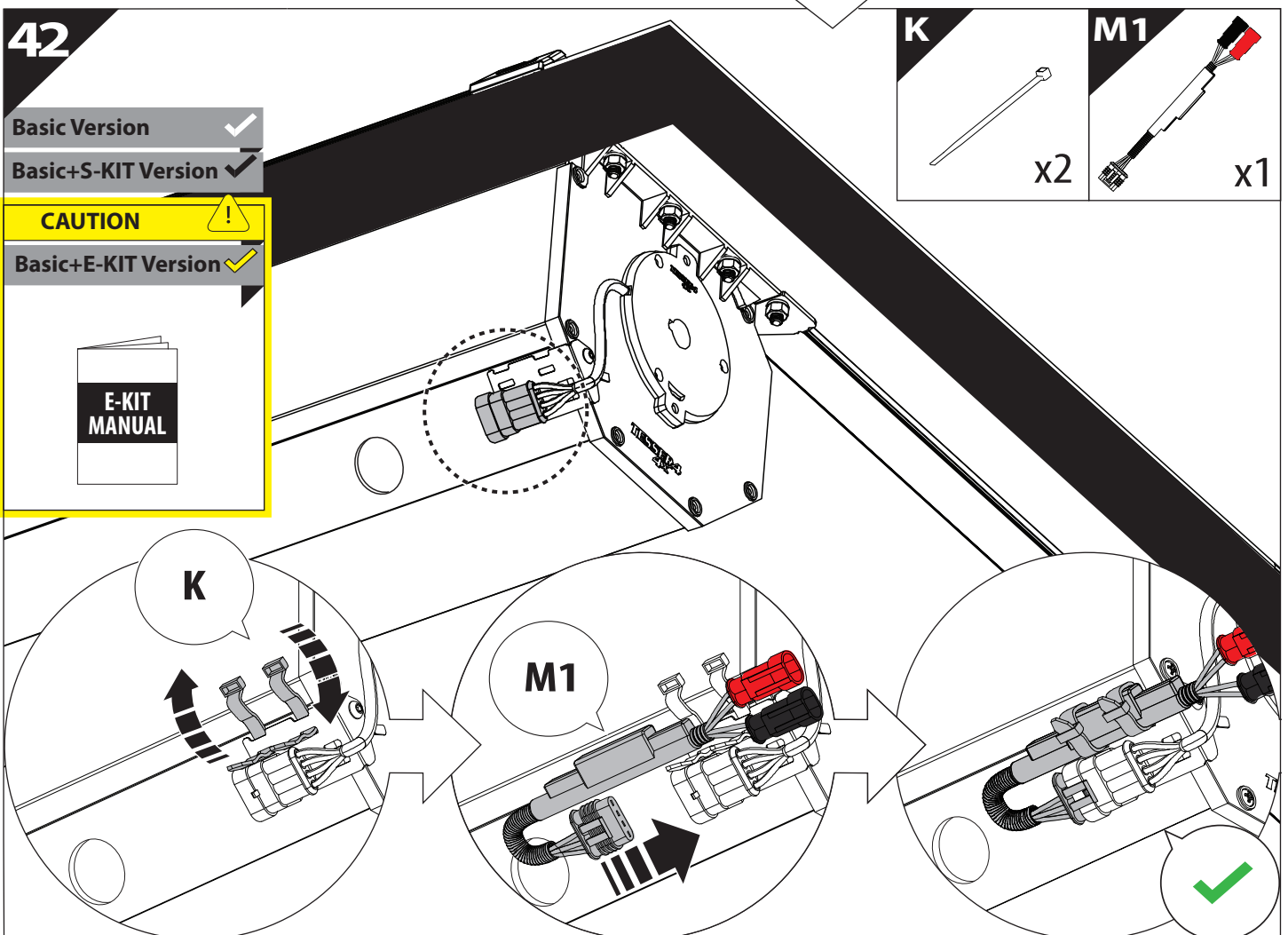
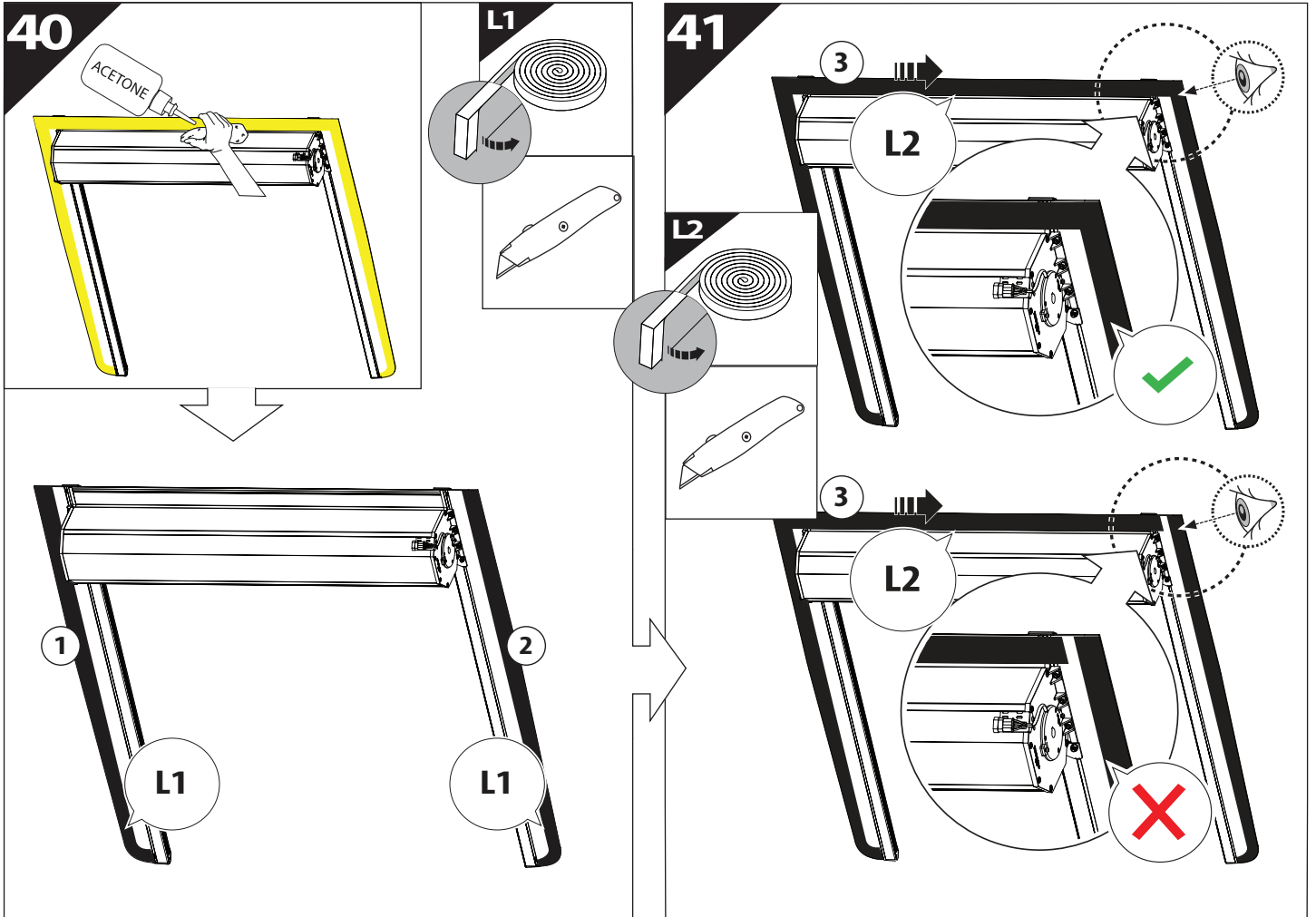
MODEL YEAR	LIGHTS	CAR	TESSERA ROLL+
HILUX 2016+/2021+	BEAM		
HILUX 2016+	STOP		
HILUX 2021+	STOP		

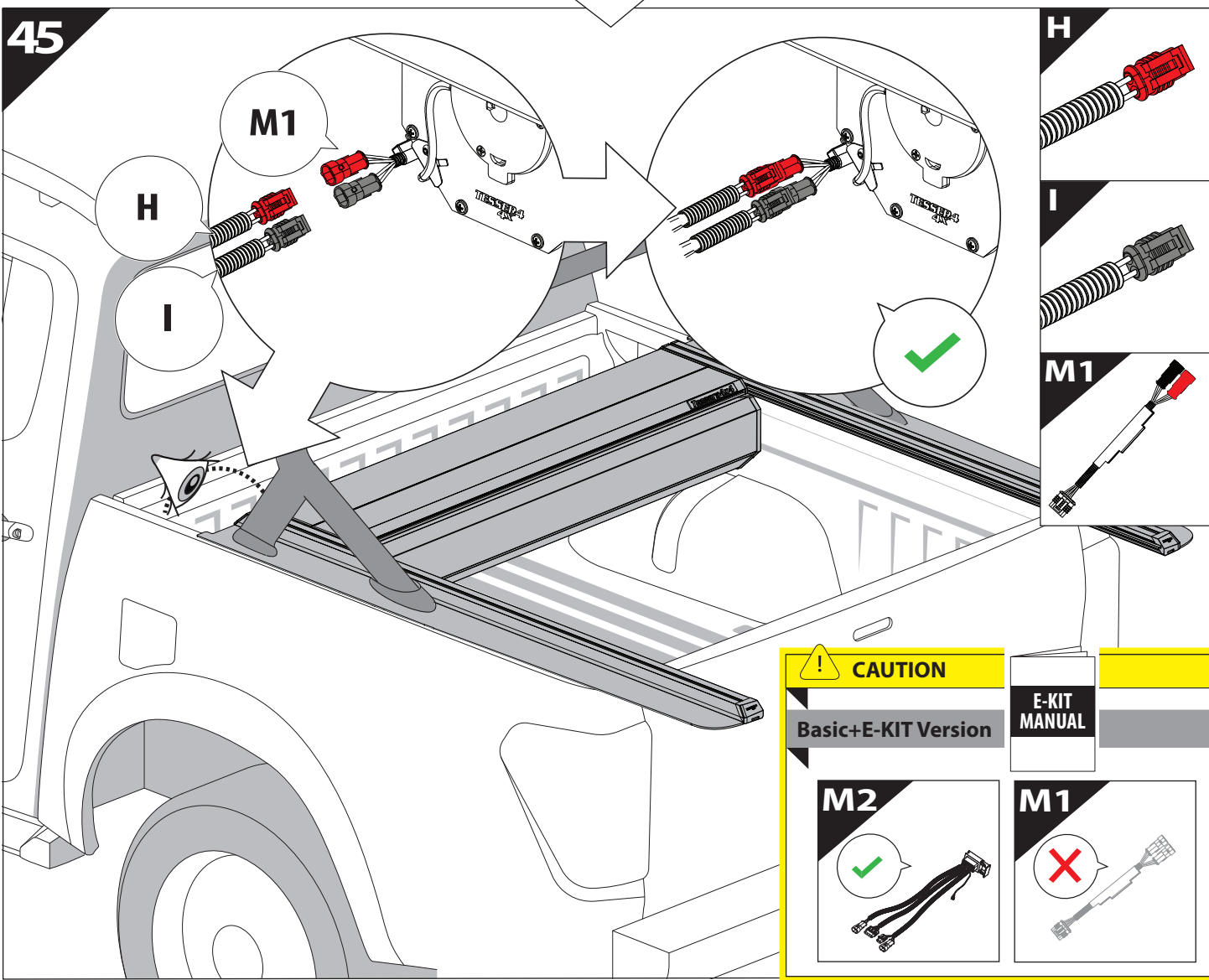
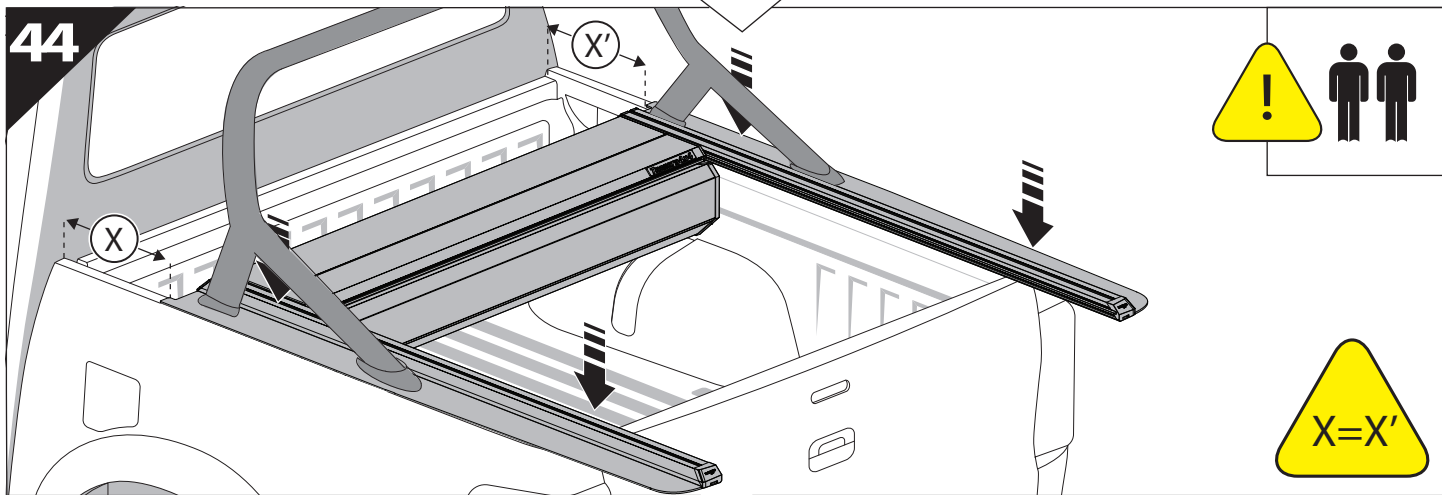
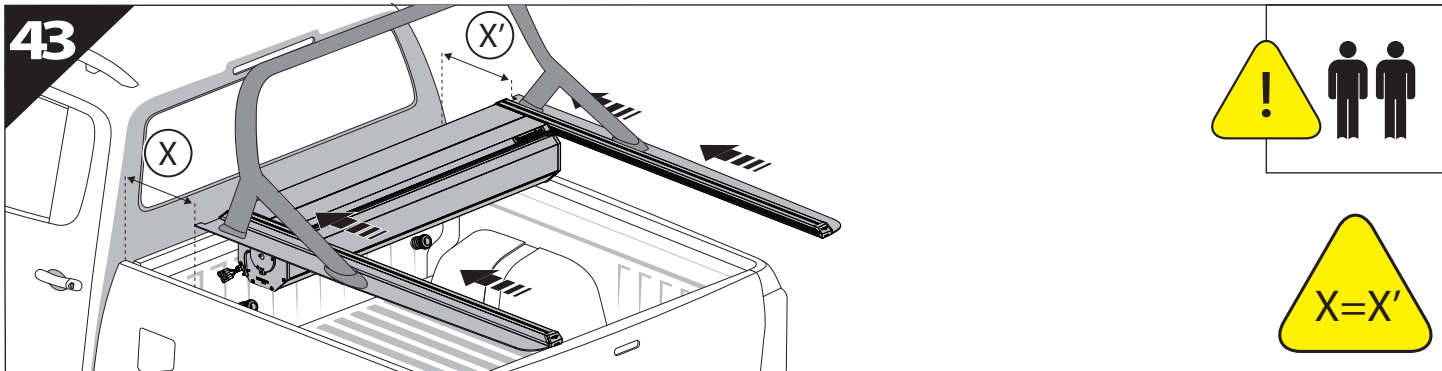
39

H₂O

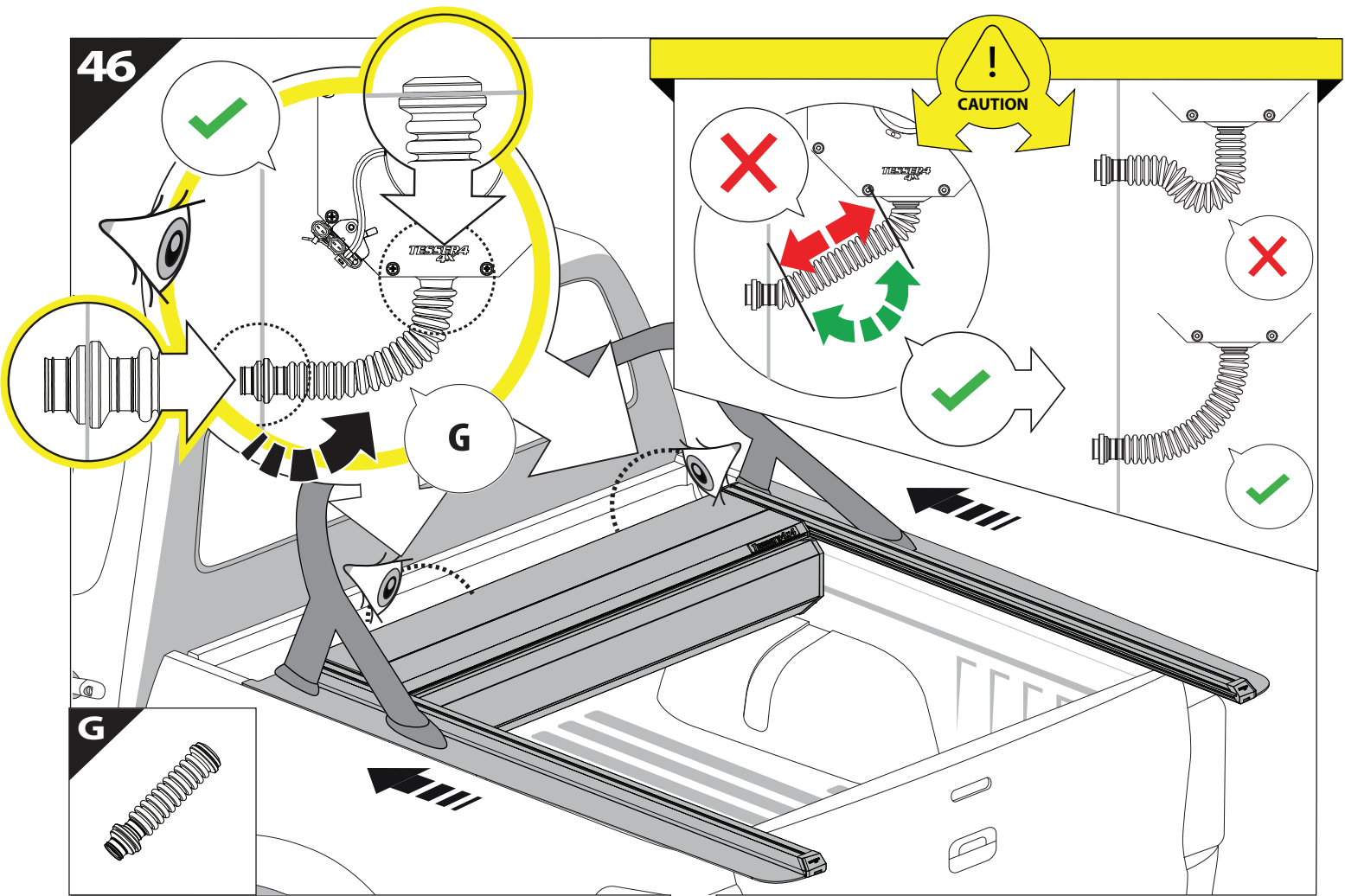
H₂O

H₂O

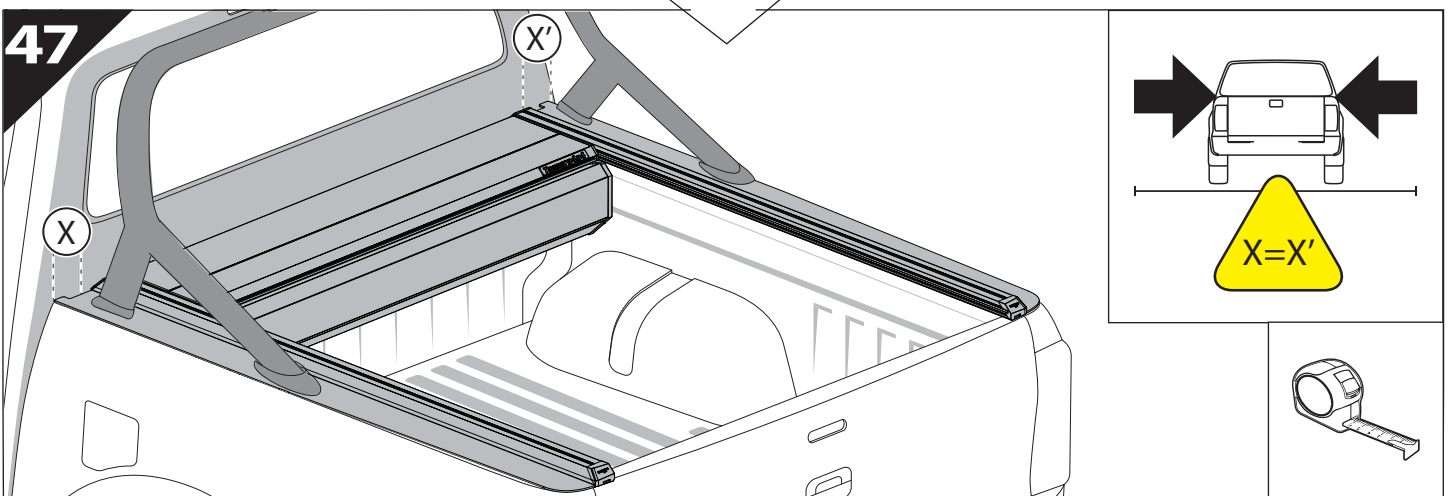




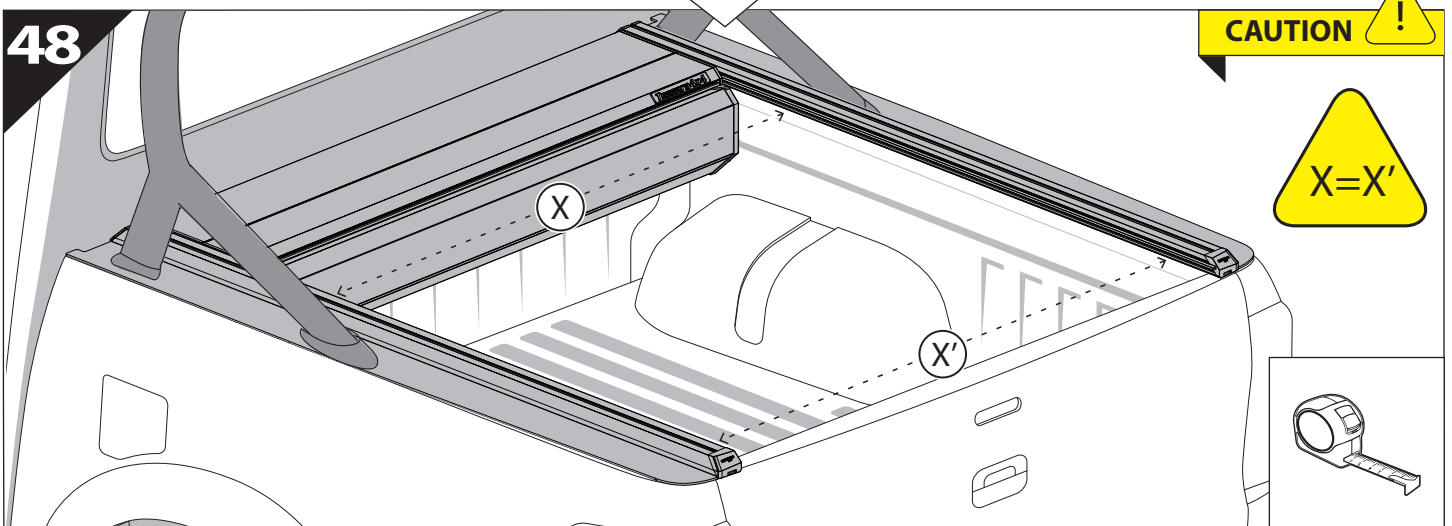
46



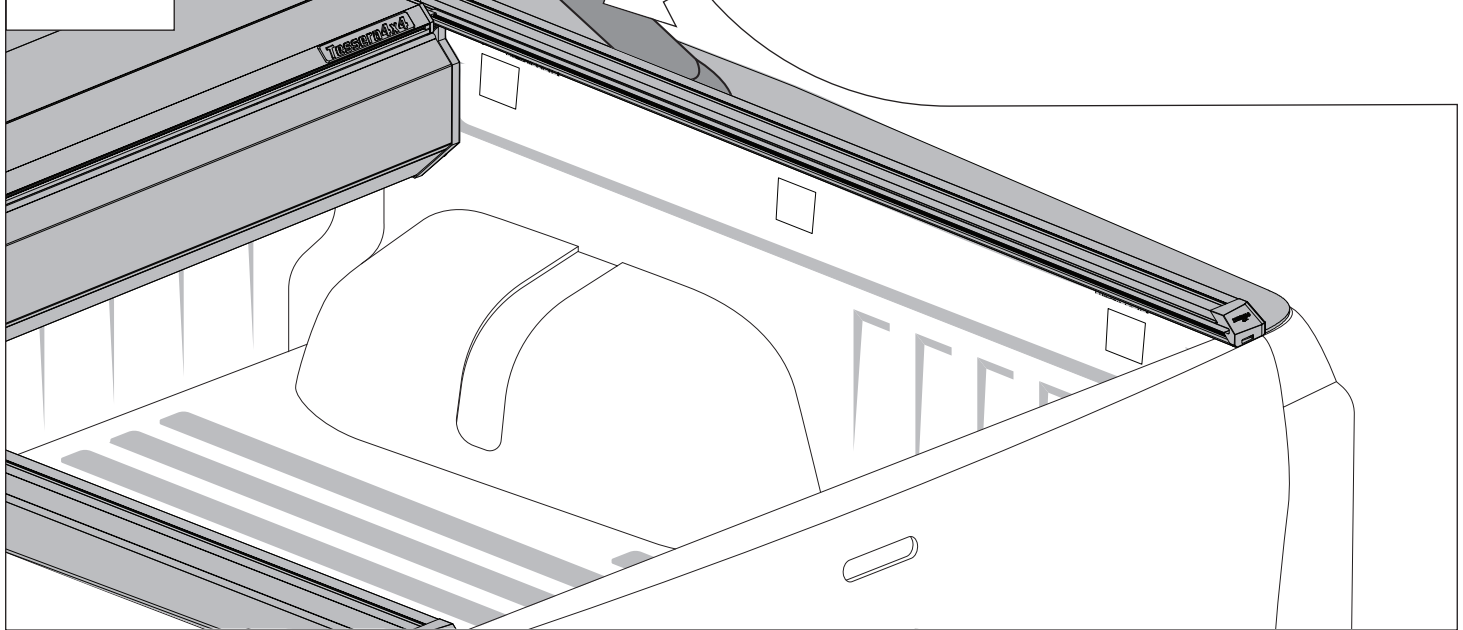
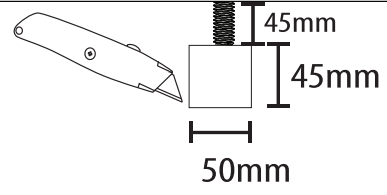
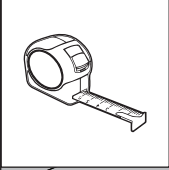
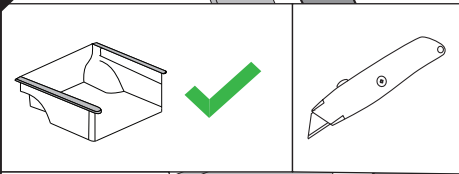
47



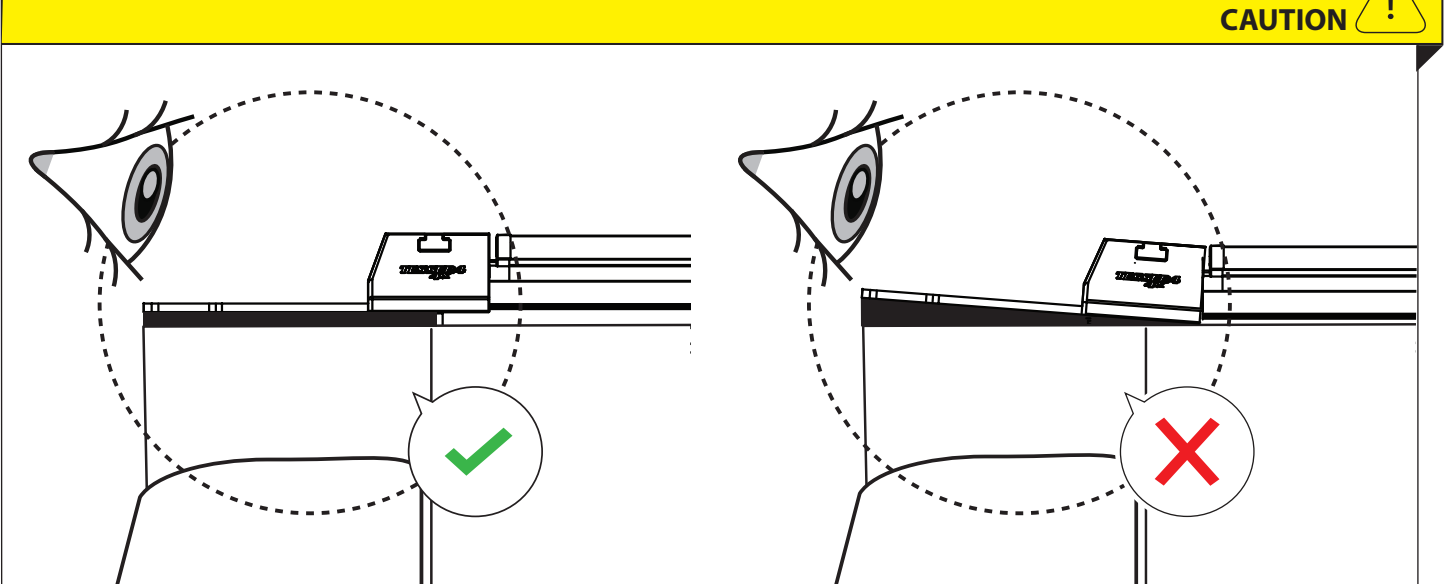
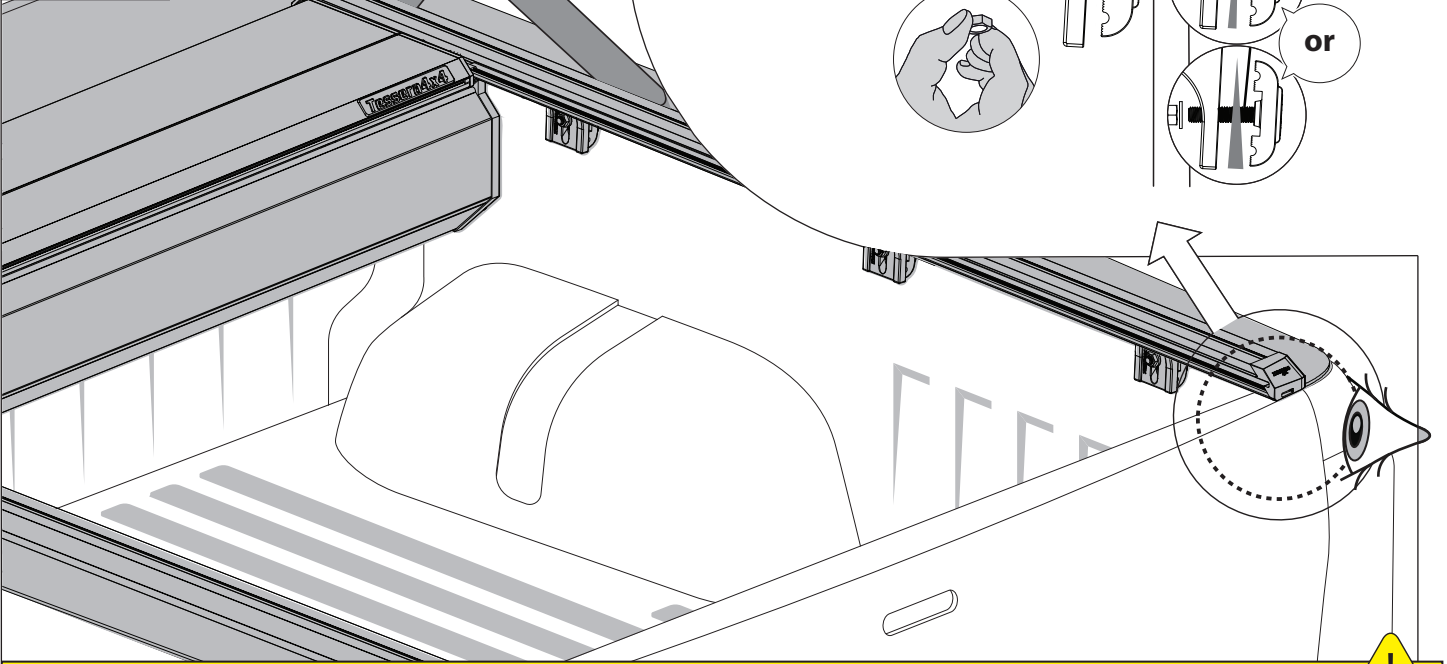
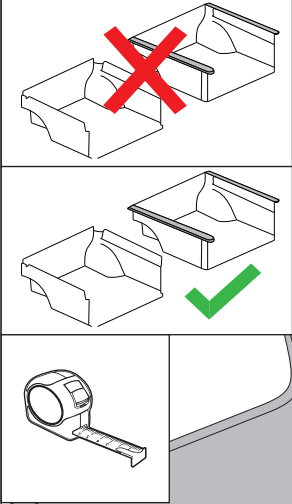
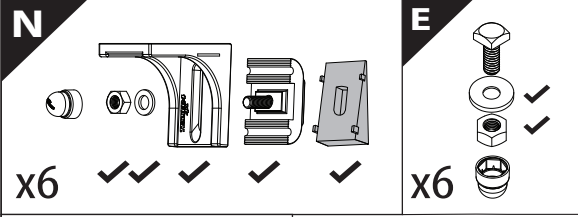
48

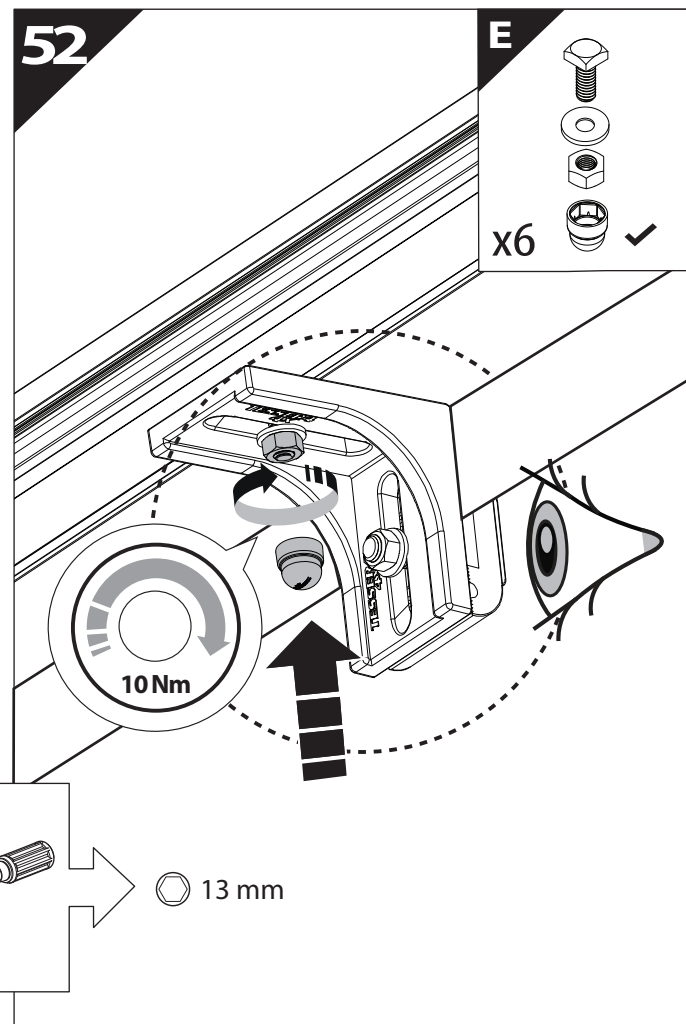
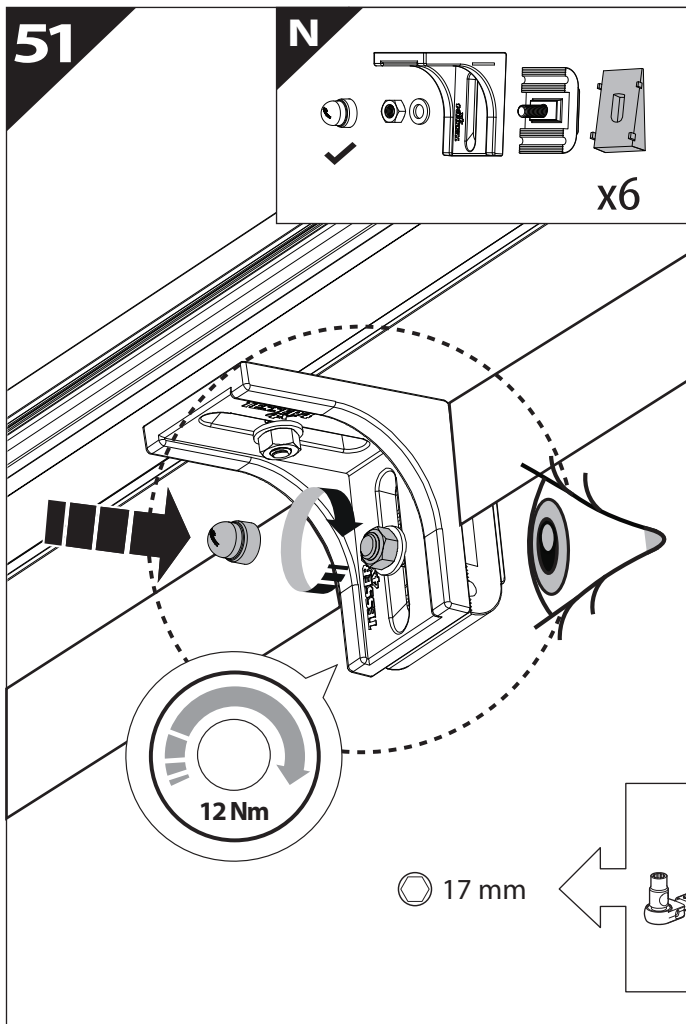


49

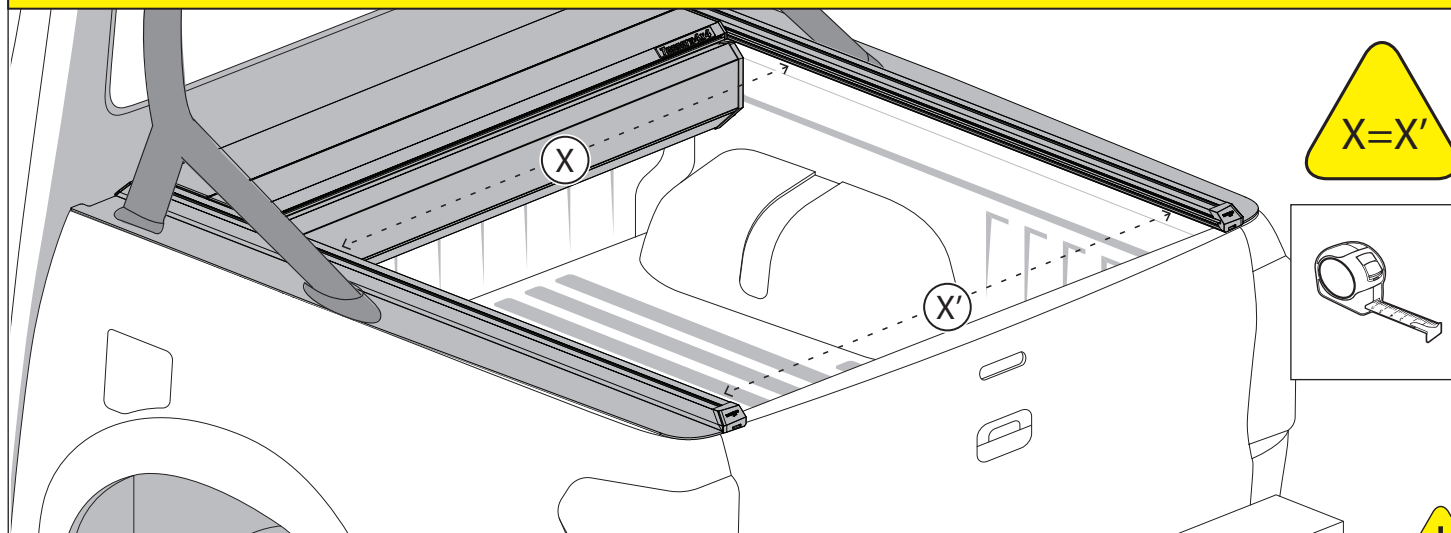


50

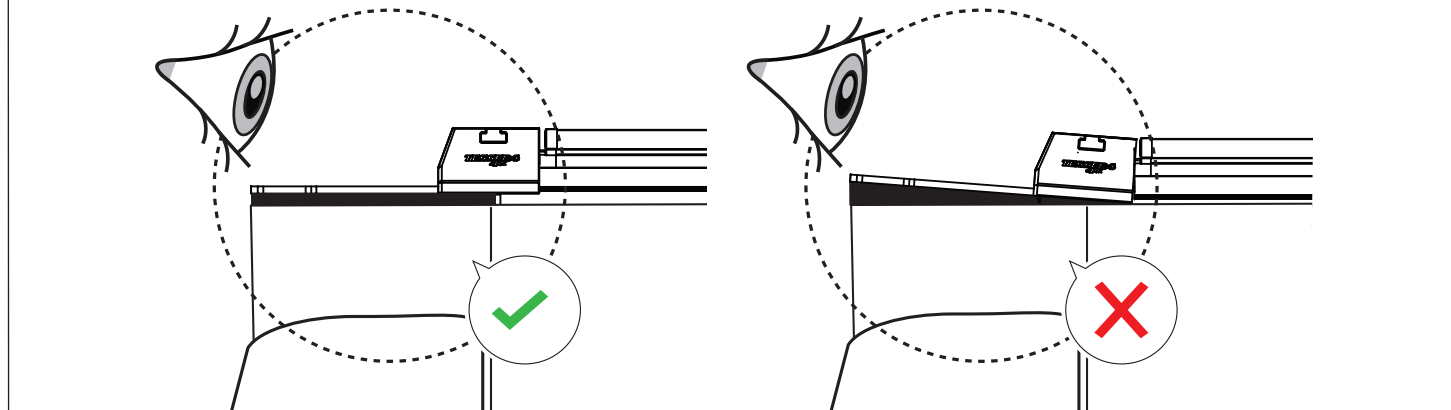


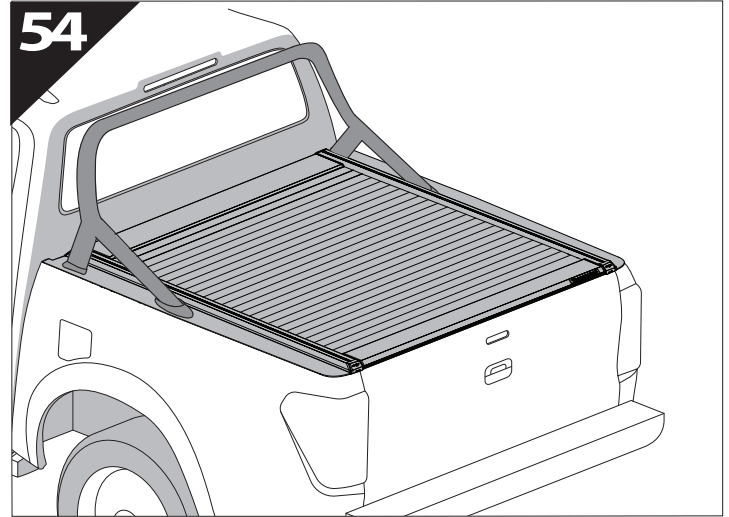
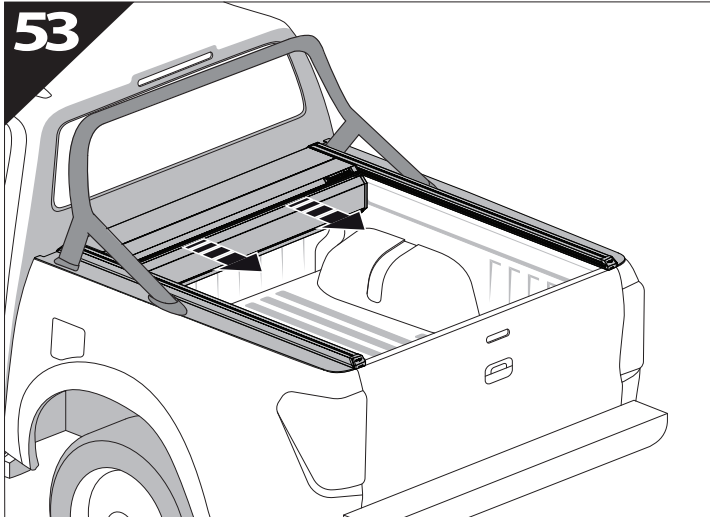


CAUTION !



CAUTION !





GR: Οδηγίες Εγκατάστασης
GB: Installation manual
SF: Asennusohje
F: Notice de montage
PL: Instrukcja montażu
NL: Installatie-instructies
TR: Montaj Talimatı
S: Monteringsanvisning
E: Instrucciones de montaje

H: Szerelési utasítás
P: Instruções de instalação
RUS: Инструкция по установке
N: Monteringsveiledning
D: Einbauanleitung
CZ: Návod k instalaci
I: Istruzioni de montaggio
DK: Monteringsvejledning
RO: Instructiuni de instalare

Customer Service:

+30 (210) 5541161, +30 (210) 5541154 (08:00 - 16:00 EET)

Support department:

info@gianso.gr

Website:

www.tessera4x4.com

Address:

19.5 km of National road Athens-Korinthos (Elefsina) Greece, P.C: 19200