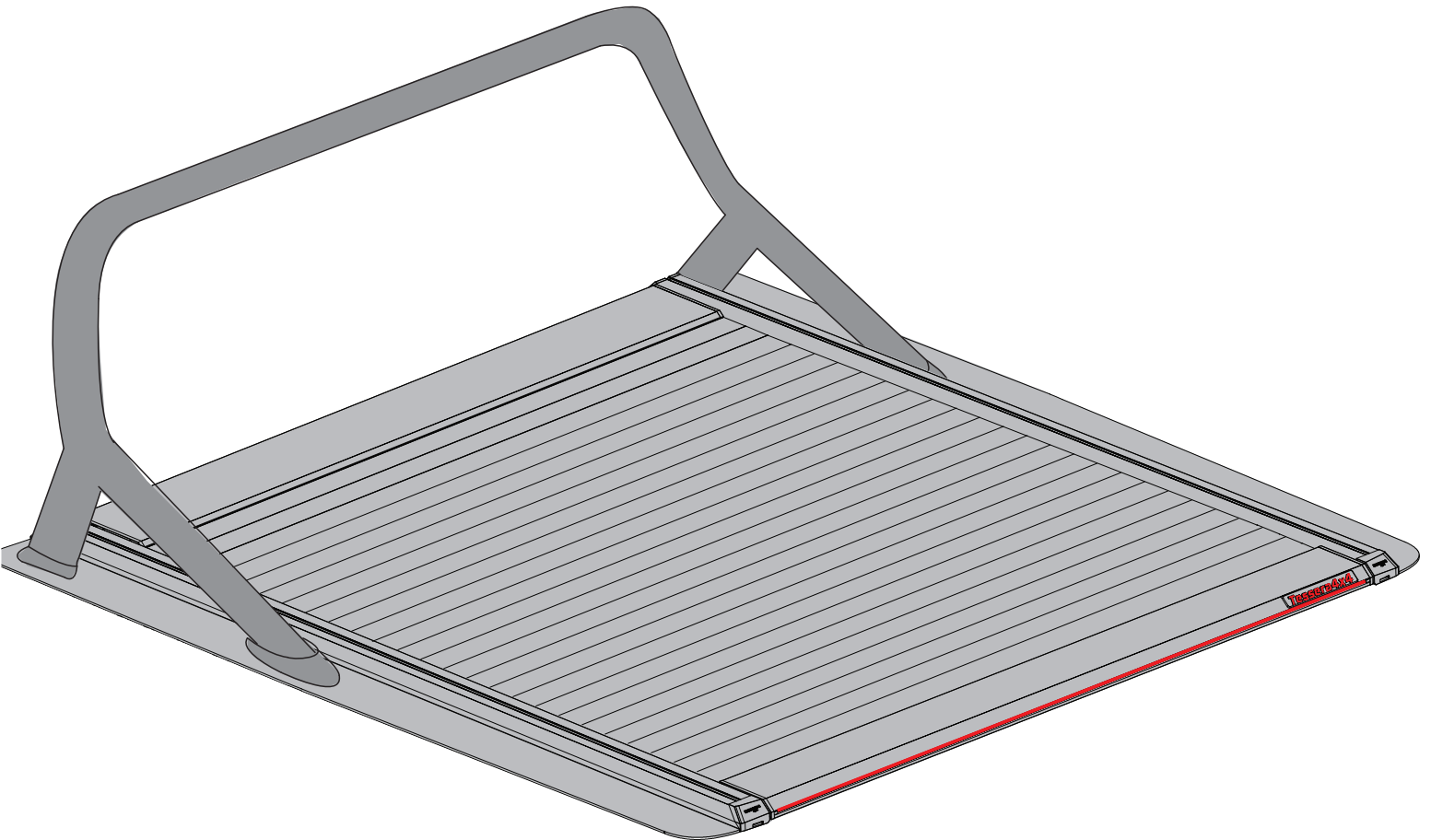


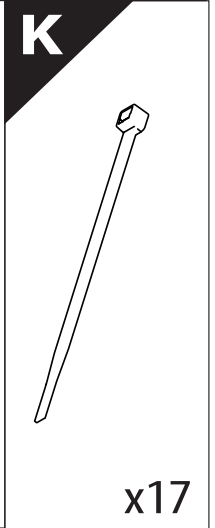
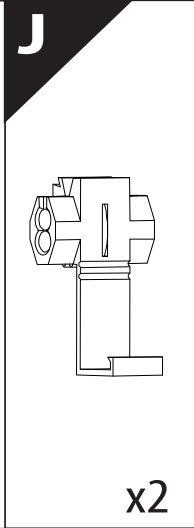
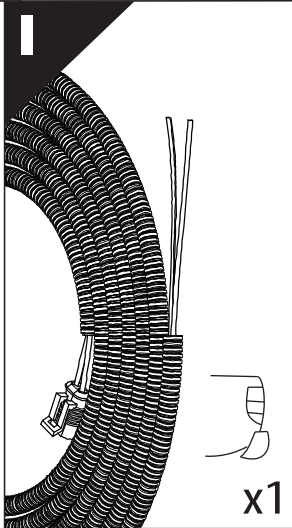
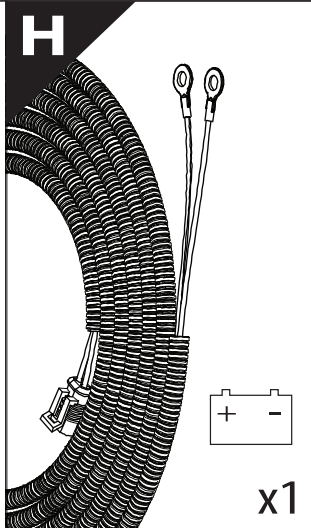
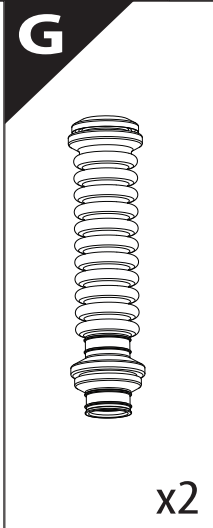
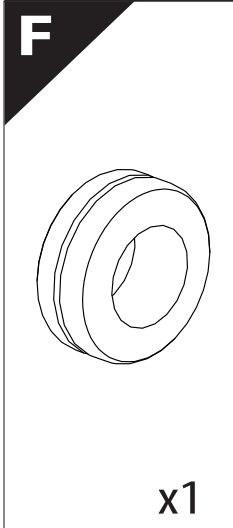
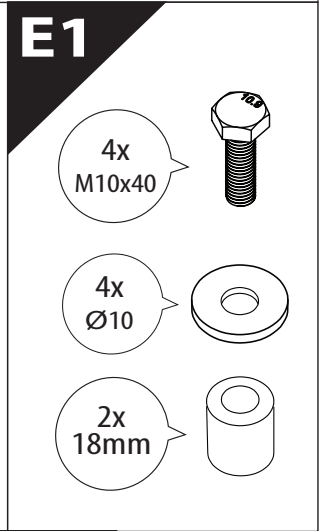
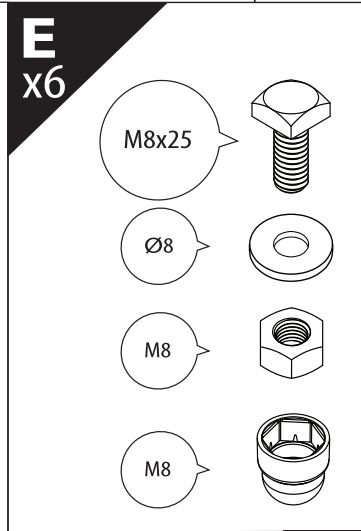
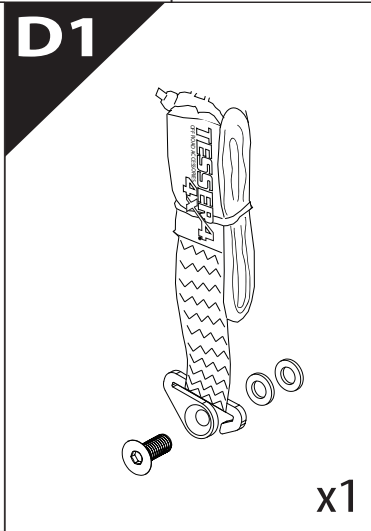
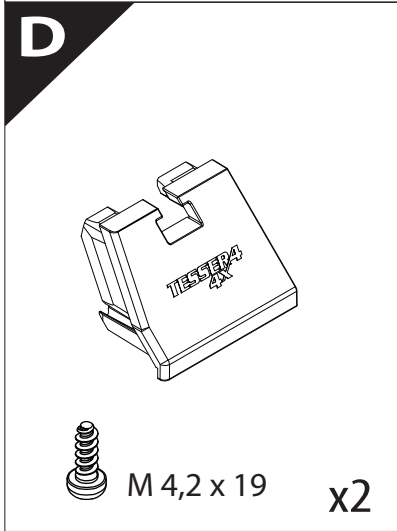
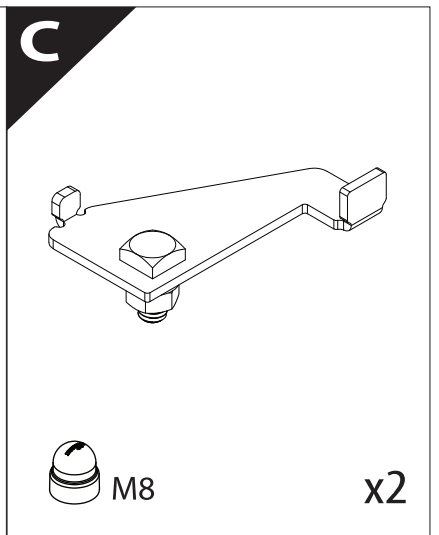
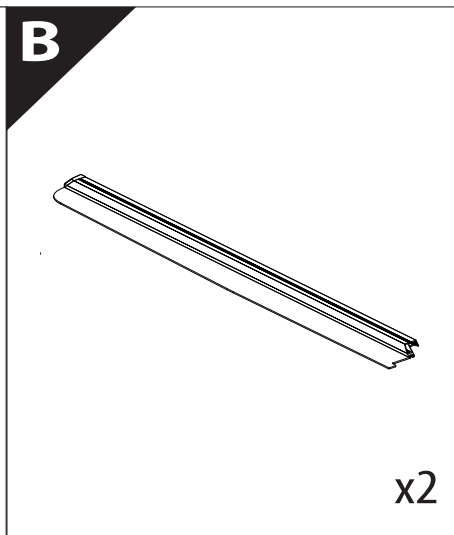
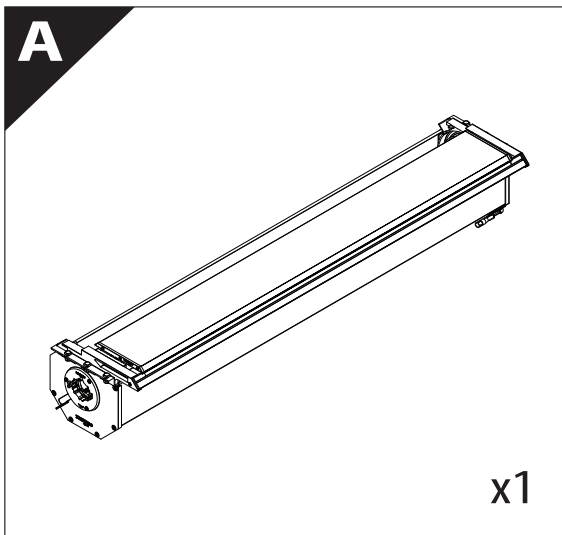
Tessera Roll+

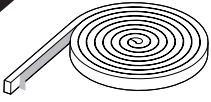
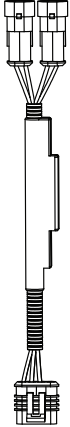
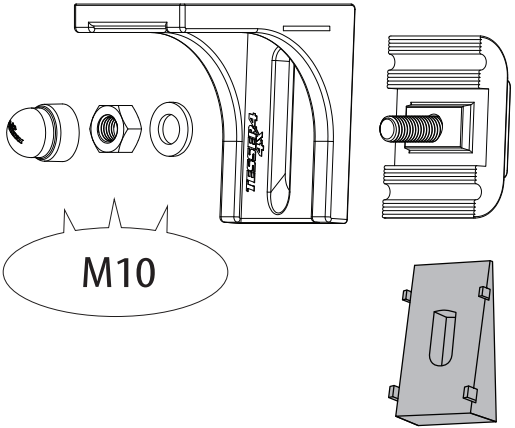
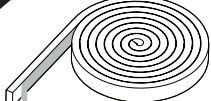
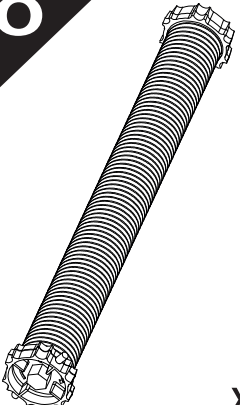

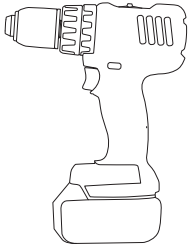


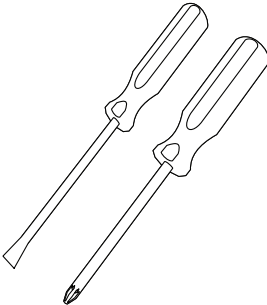
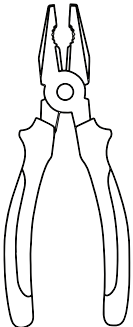
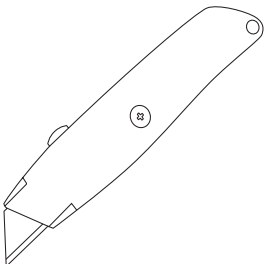
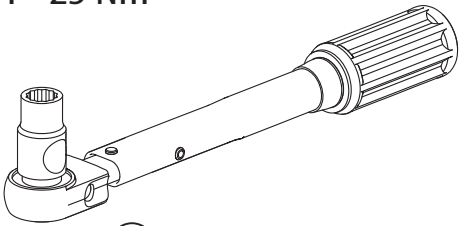
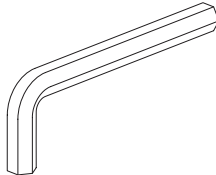
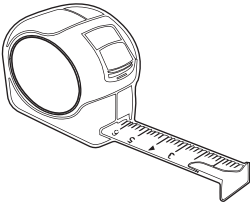

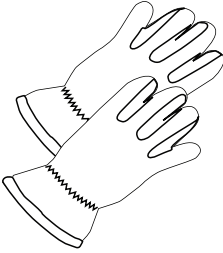
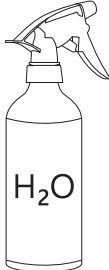
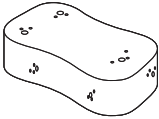
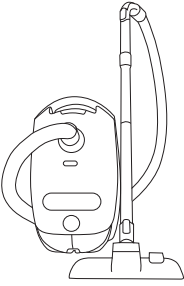
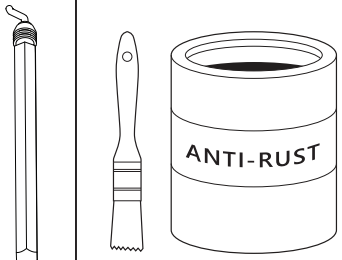


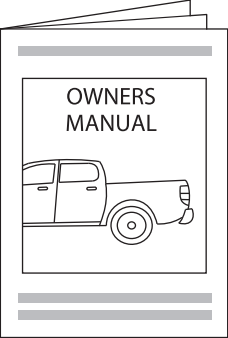
Basic Version + ⚙️ S-KIT

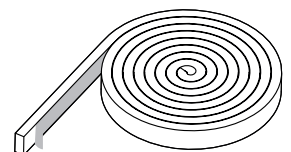
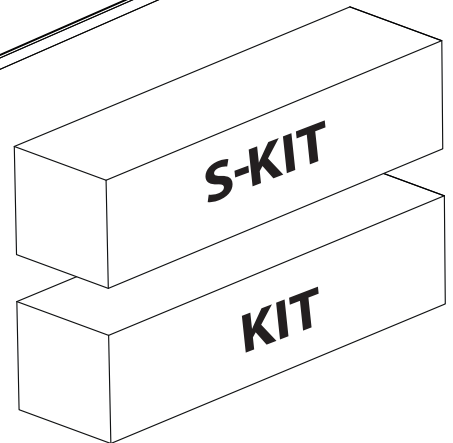
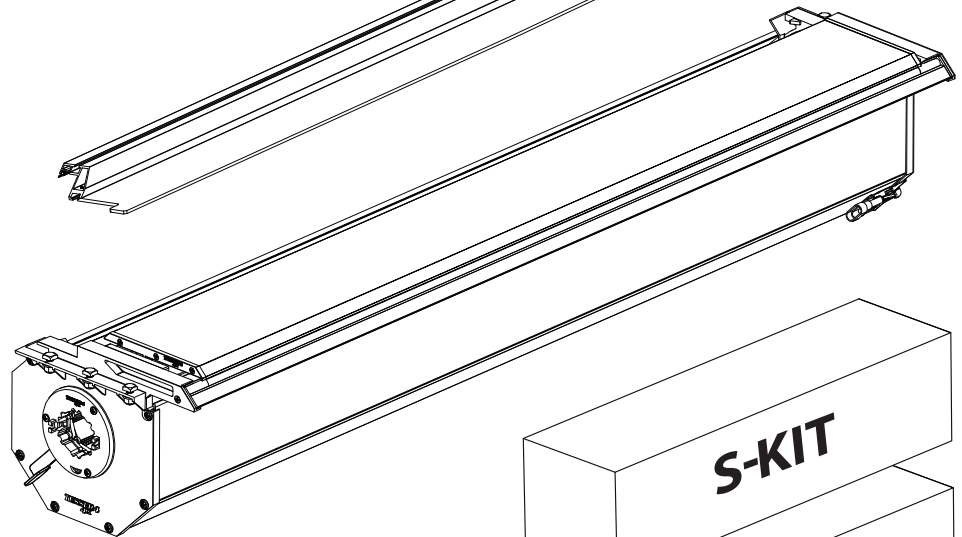
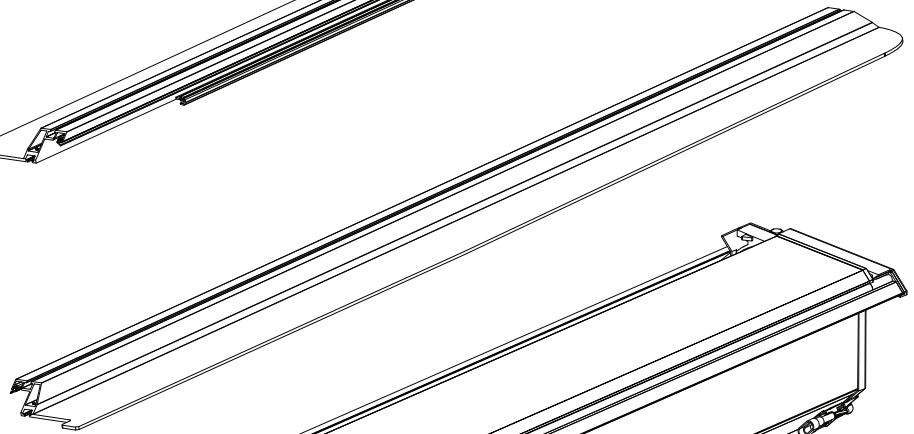
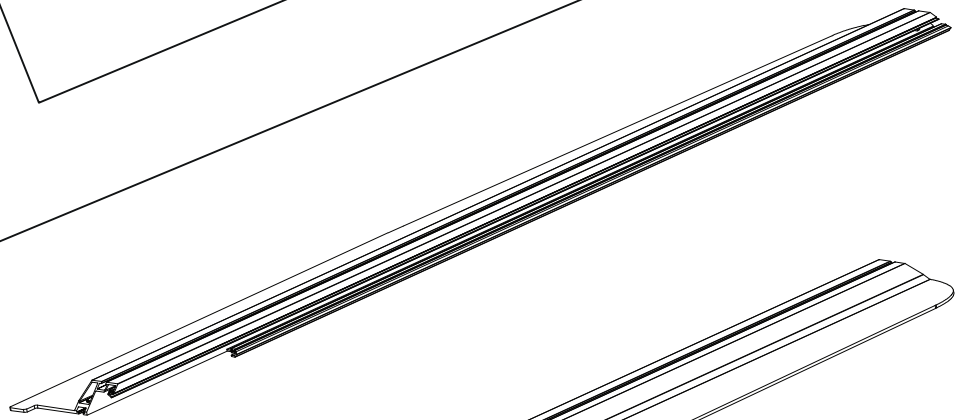
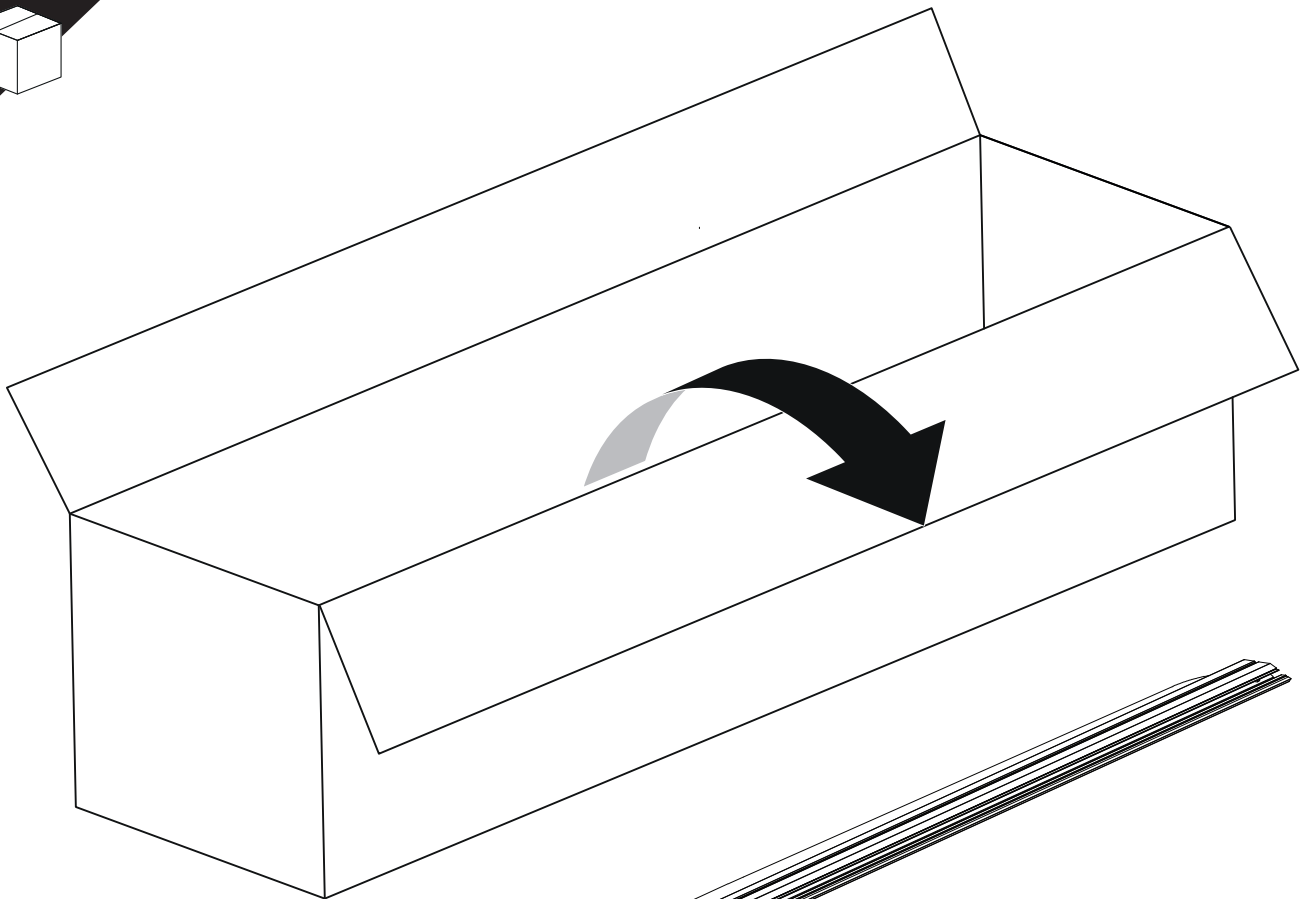


Installation Manual

PART NUMBER(S)	Model Year
TESS 14171 ROLL+S-KIT	Toyota Hilux (Revo) 2016+ WITH OEM ROLL BAR
Cab(s)	Installation Time / Weight
Space Cab	40-60 minutes / 53-57 kg



<p>L1 x1</p>  <p>1.5 x 0.8 x 400cm</p>	<p>M1</p>  <p>x1</p>	<p>N</p>  <p>M10</p> <p>x6</p>			
<p>L2 x1</p>  <p>5 x 0.8 x 167cm</p>	<p>x1</p>	<p>x6</p>			
<p>O</p>  <p>x1</p>	   <p>Ø 25 mm / Ø 40 mm</p>	 <p>ACETONE</p>	 <p>− +</p>		
	<p>1 - 25 Nm</p>  <p>10, 12, 13, 17 mm</p>	 <p>4 mm, 5mm</p>			
		 <p>H₂O</p>			 <p>ANTI-RUST</p>
	 <p>INSTALATION MANUAL +S-KIT</p>	 <p>OWNERS MANUAL</p> <p>x1</p>			

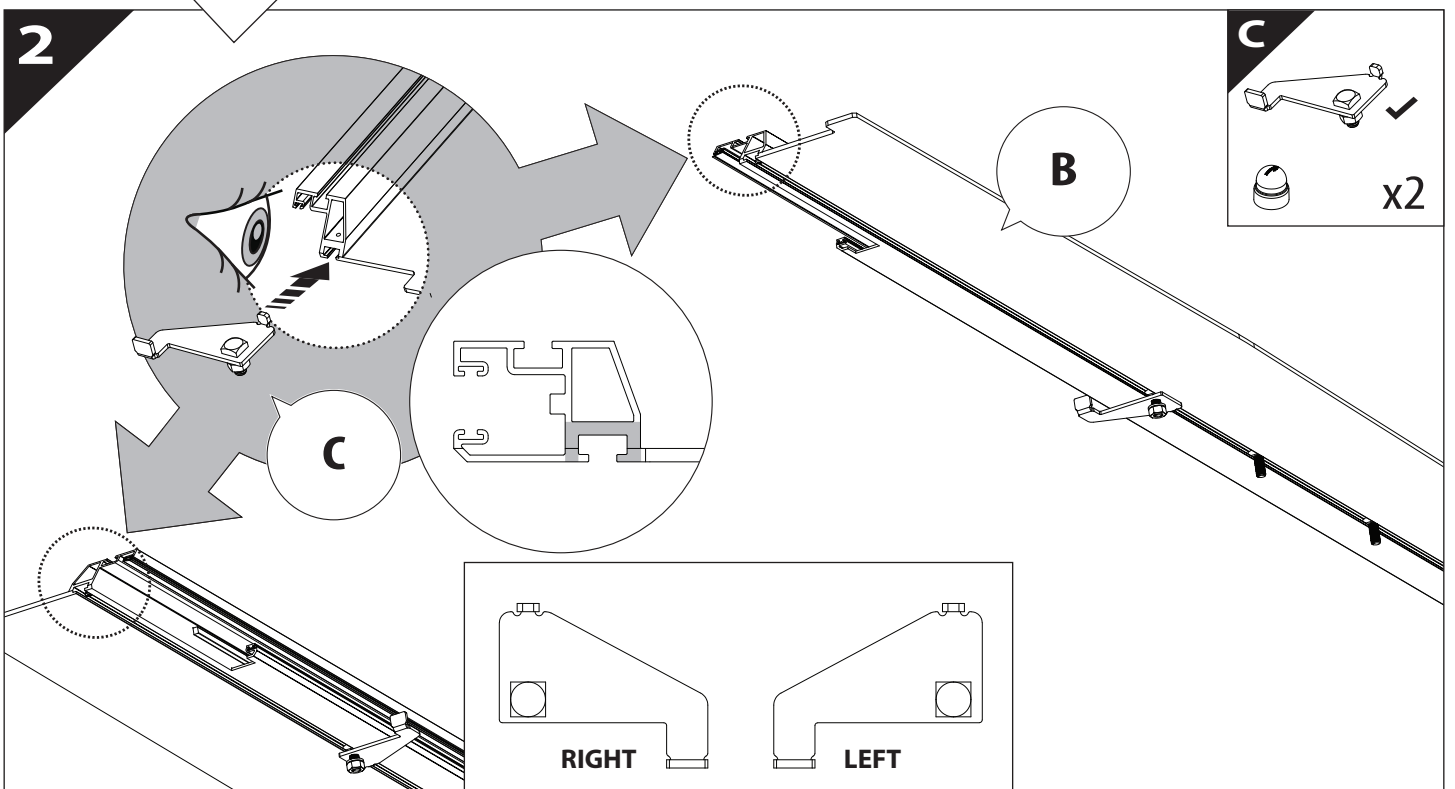
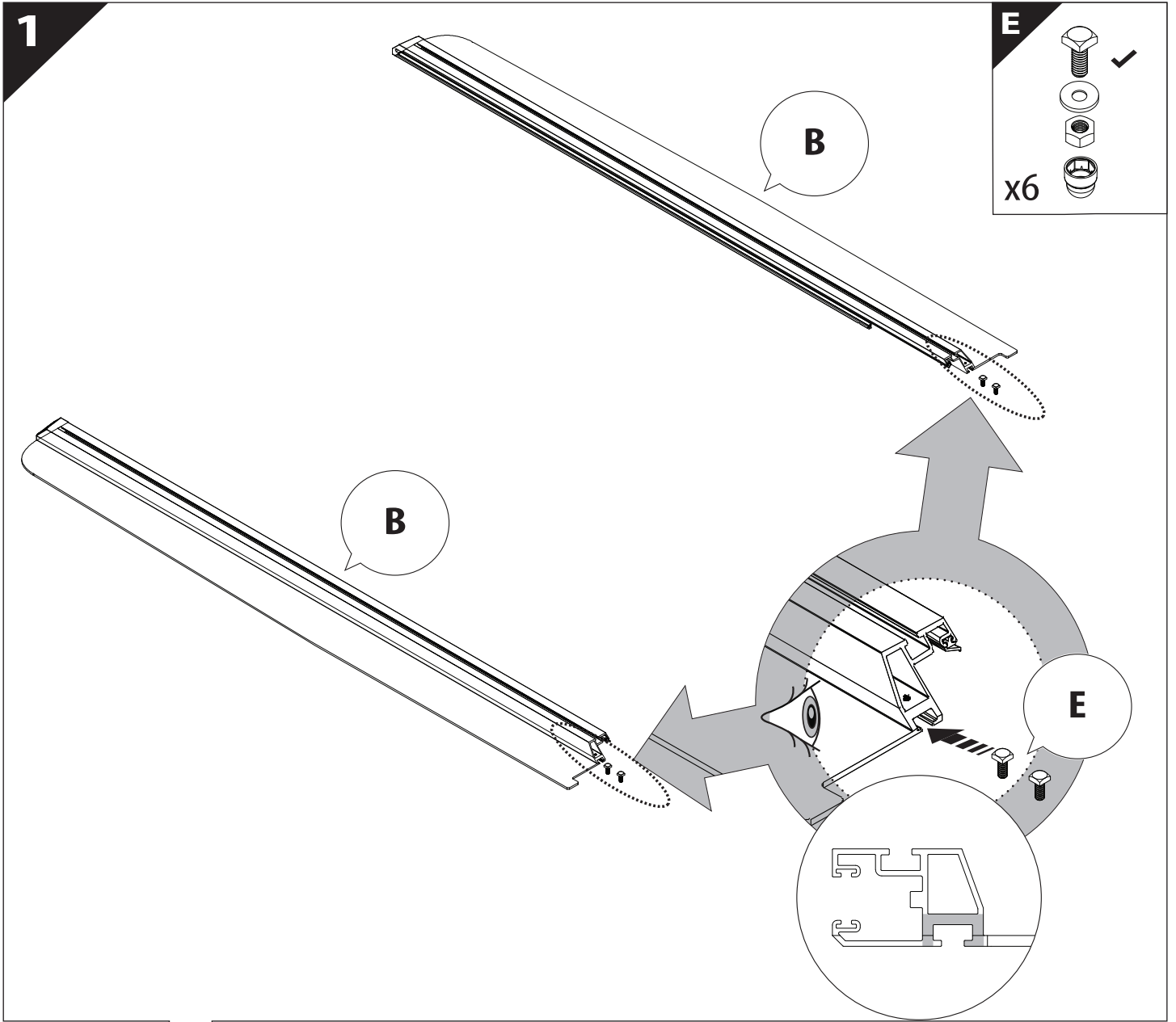


B

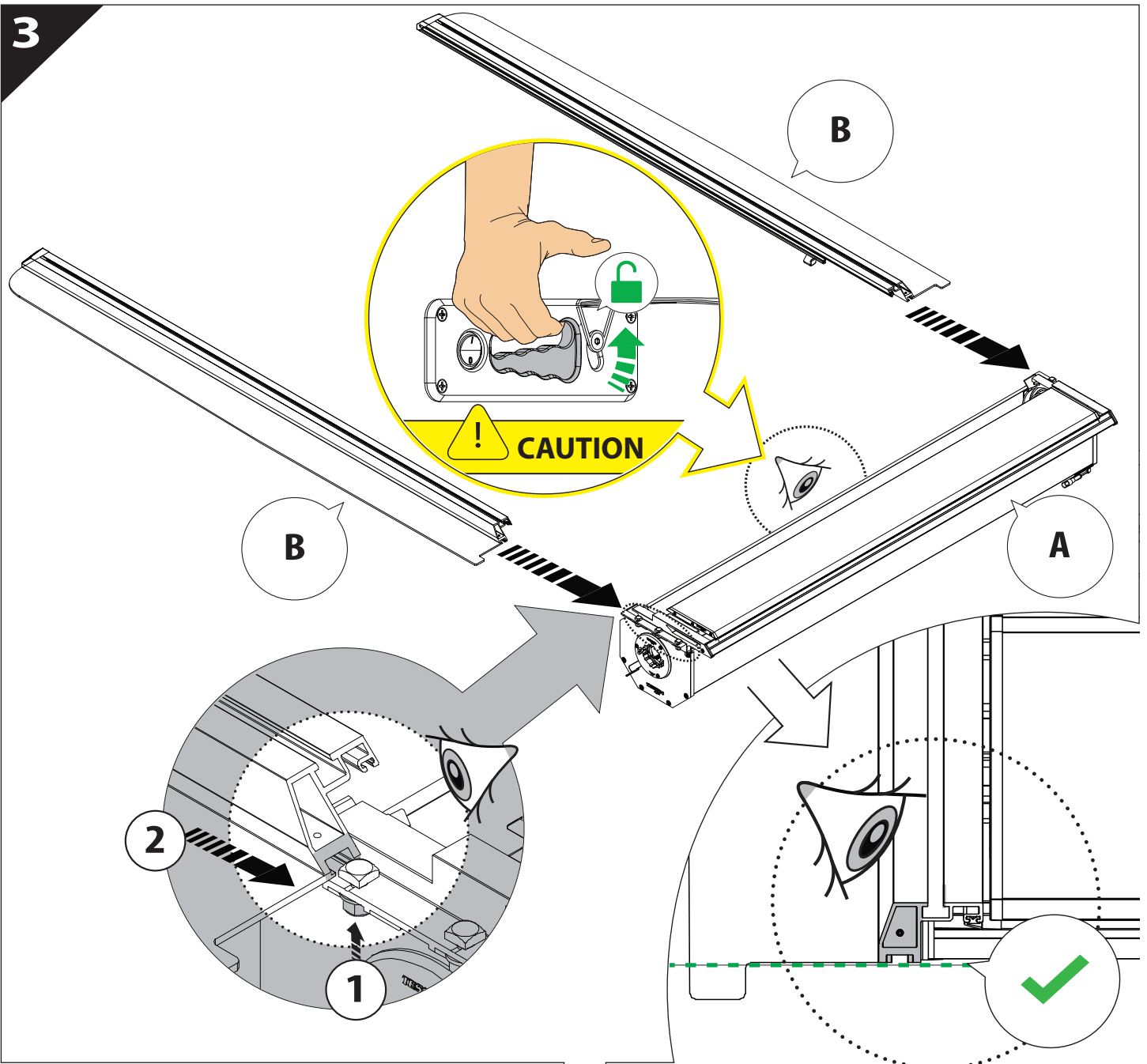
A

KITS

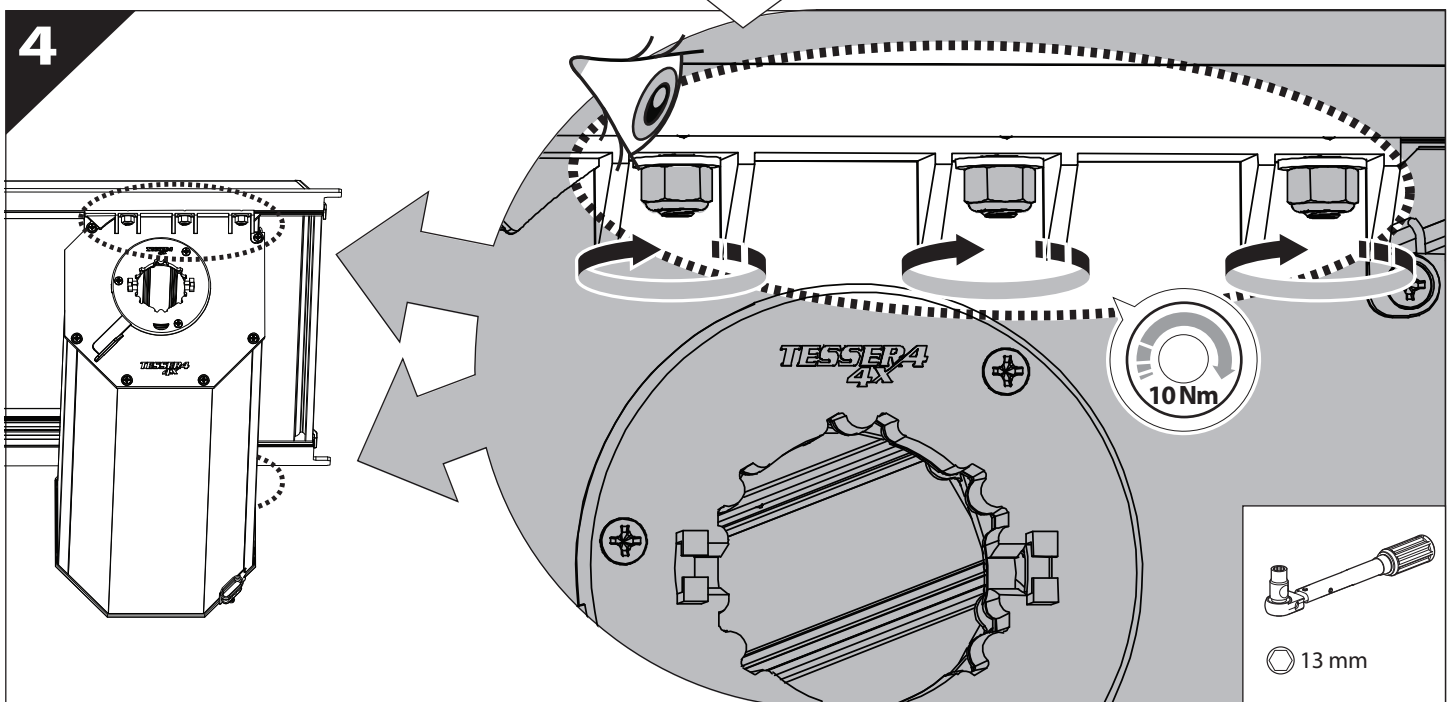
L

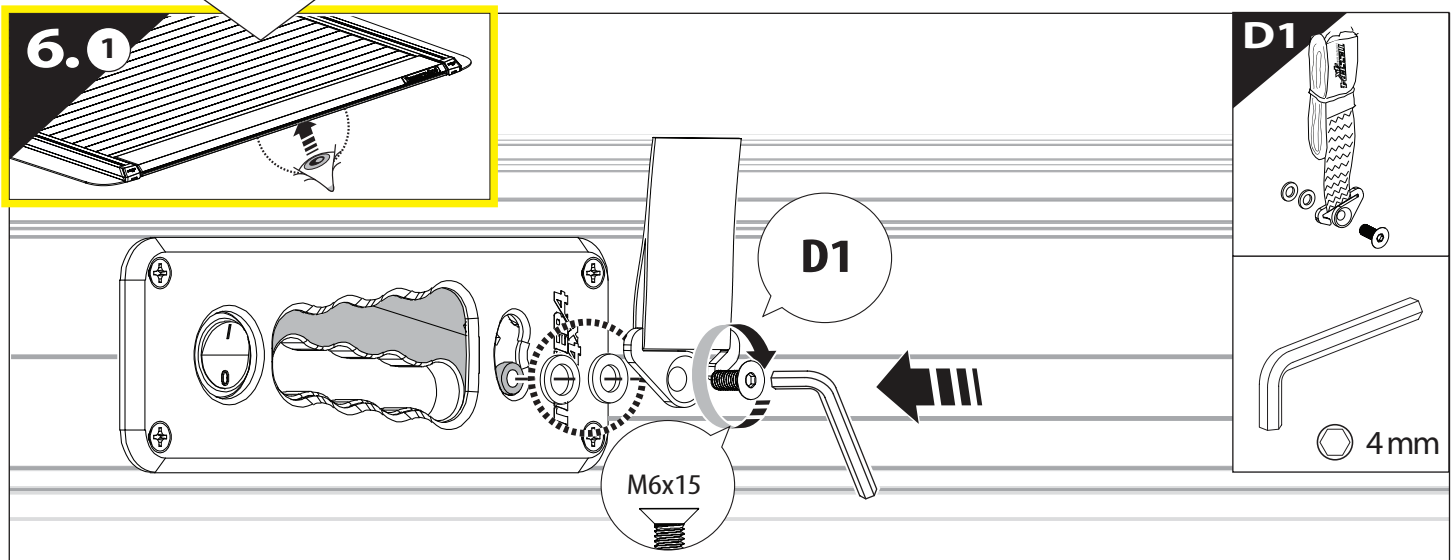
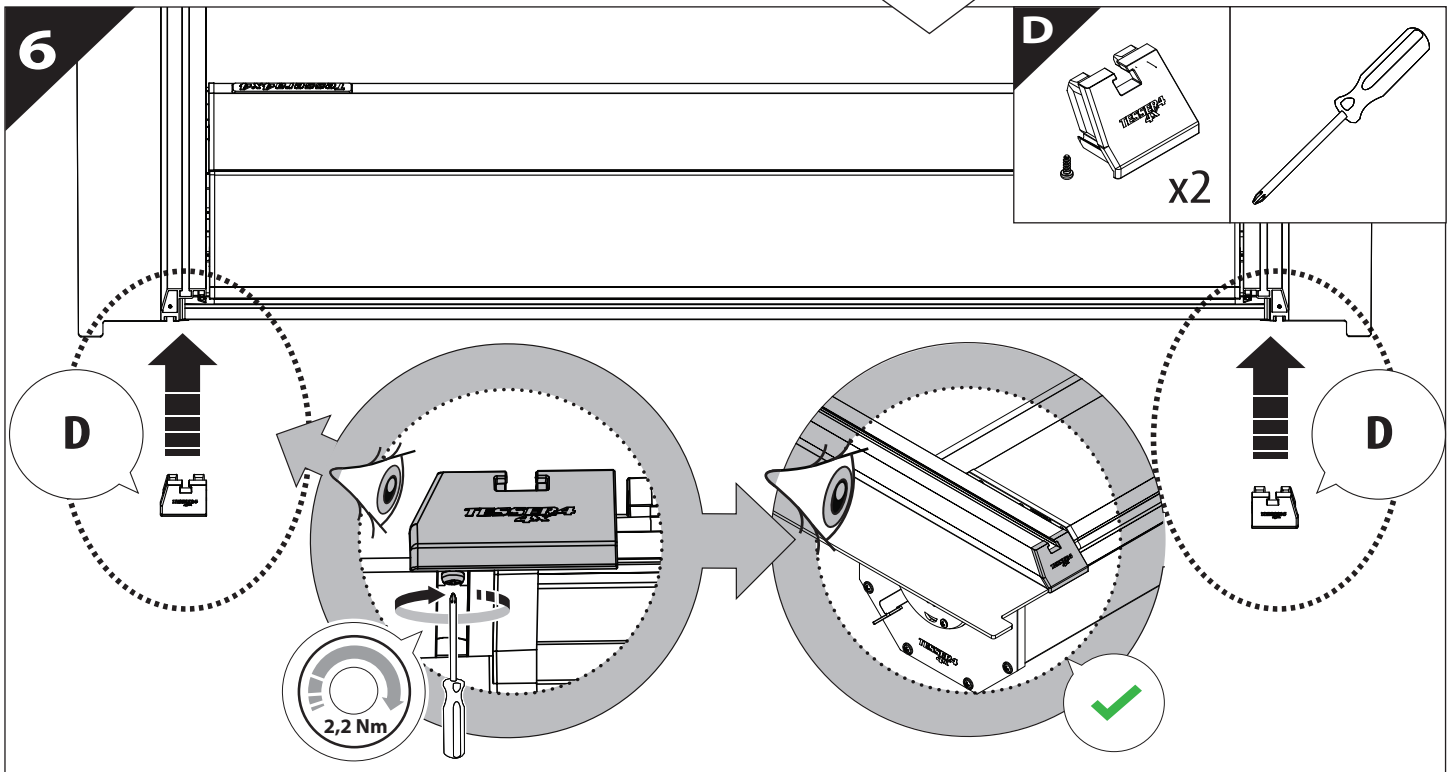
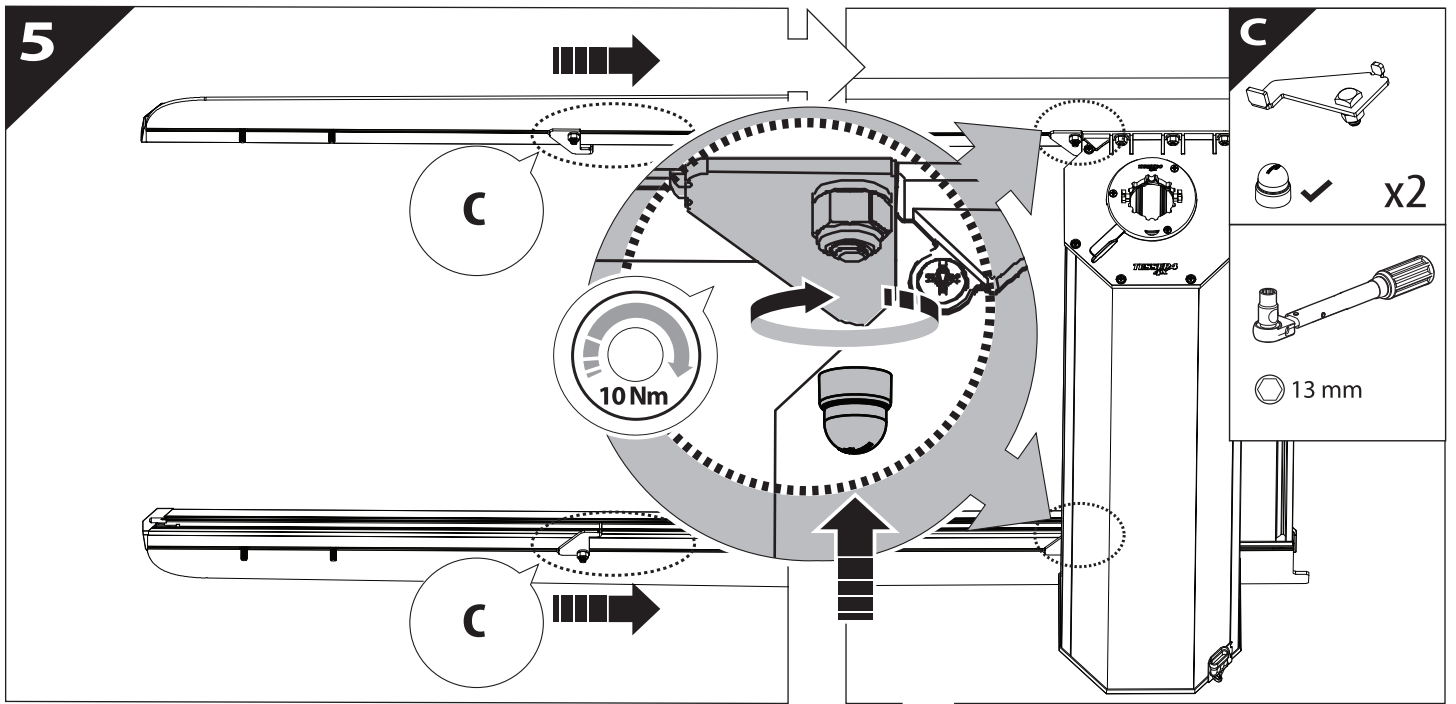


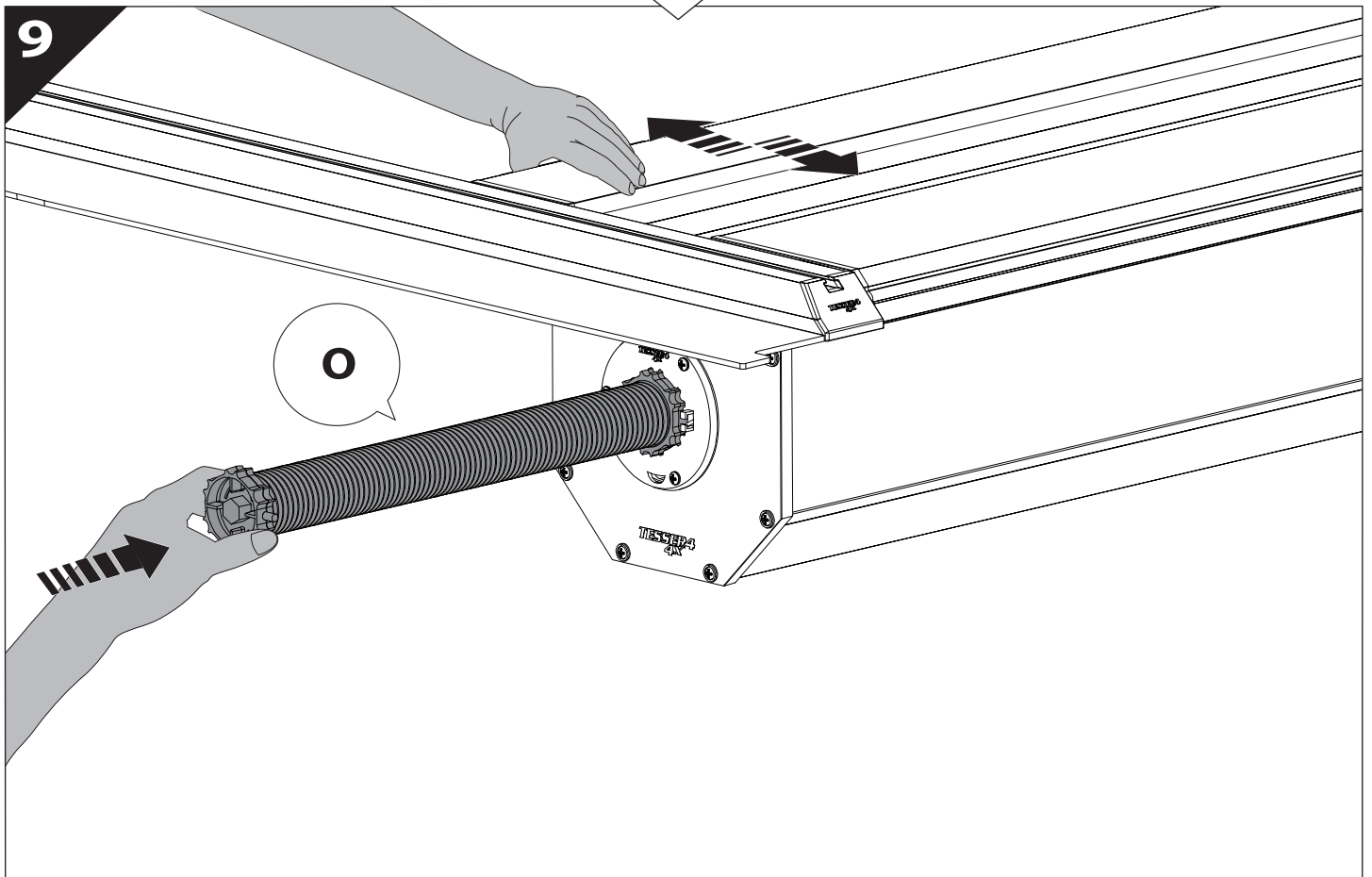
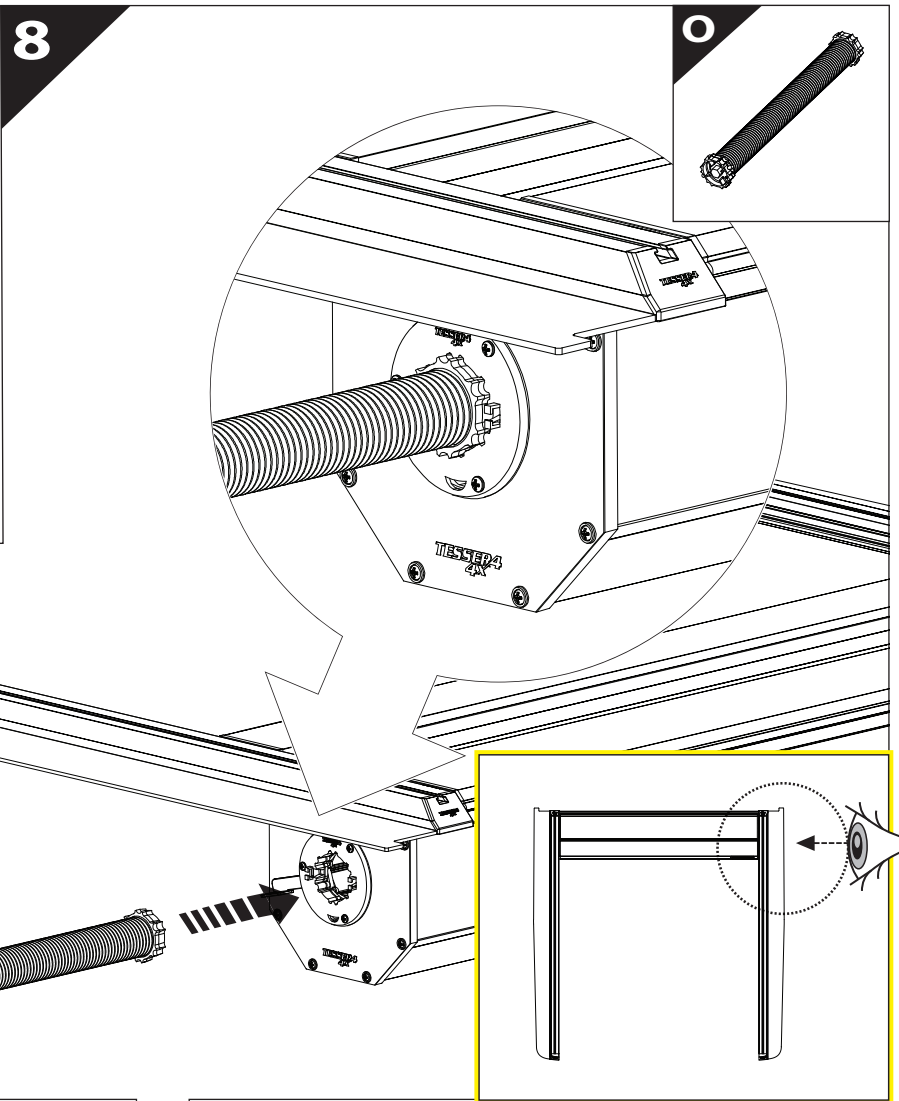
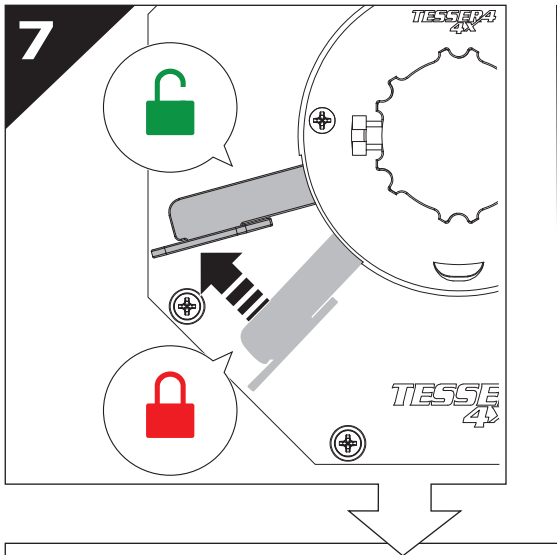
3



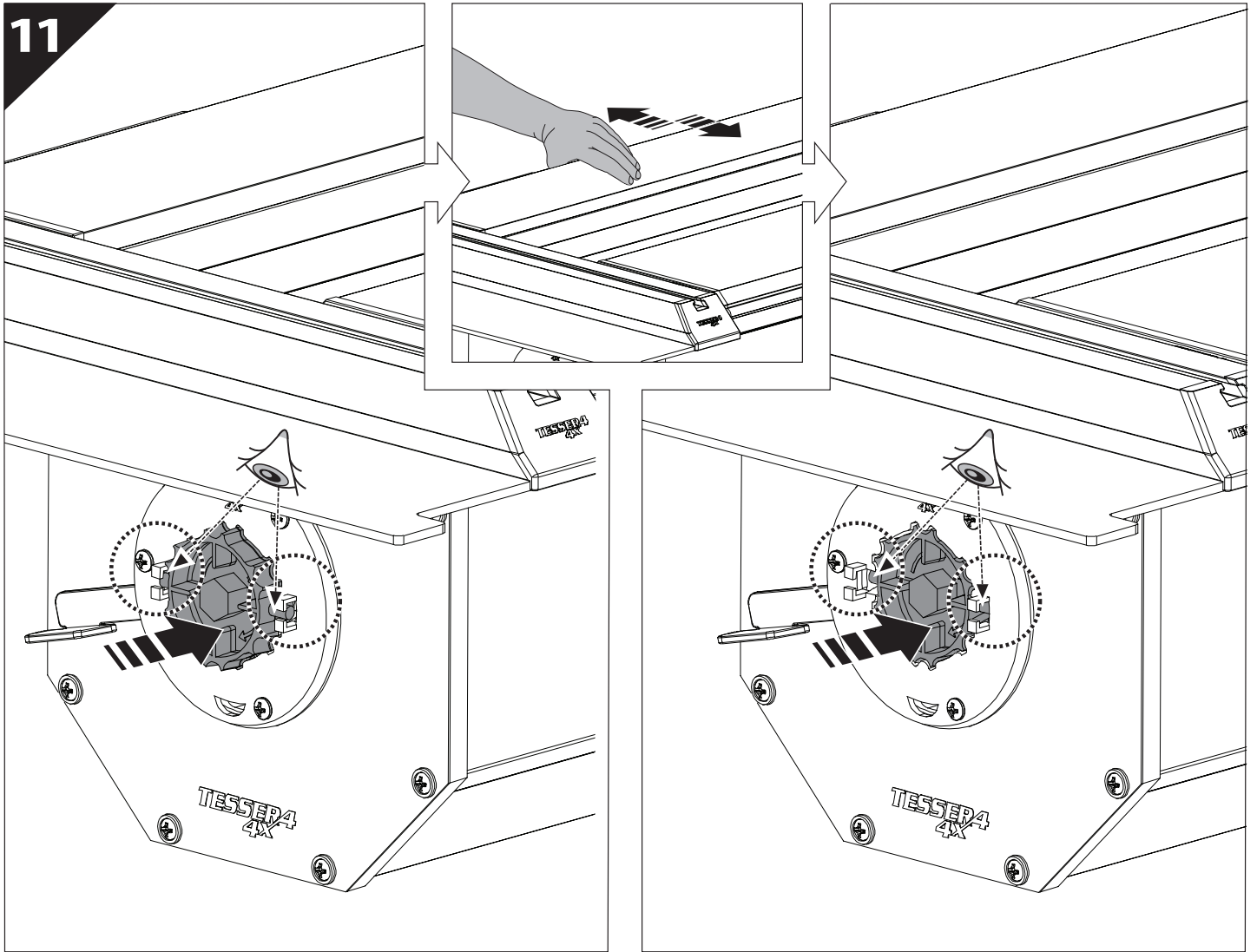
4



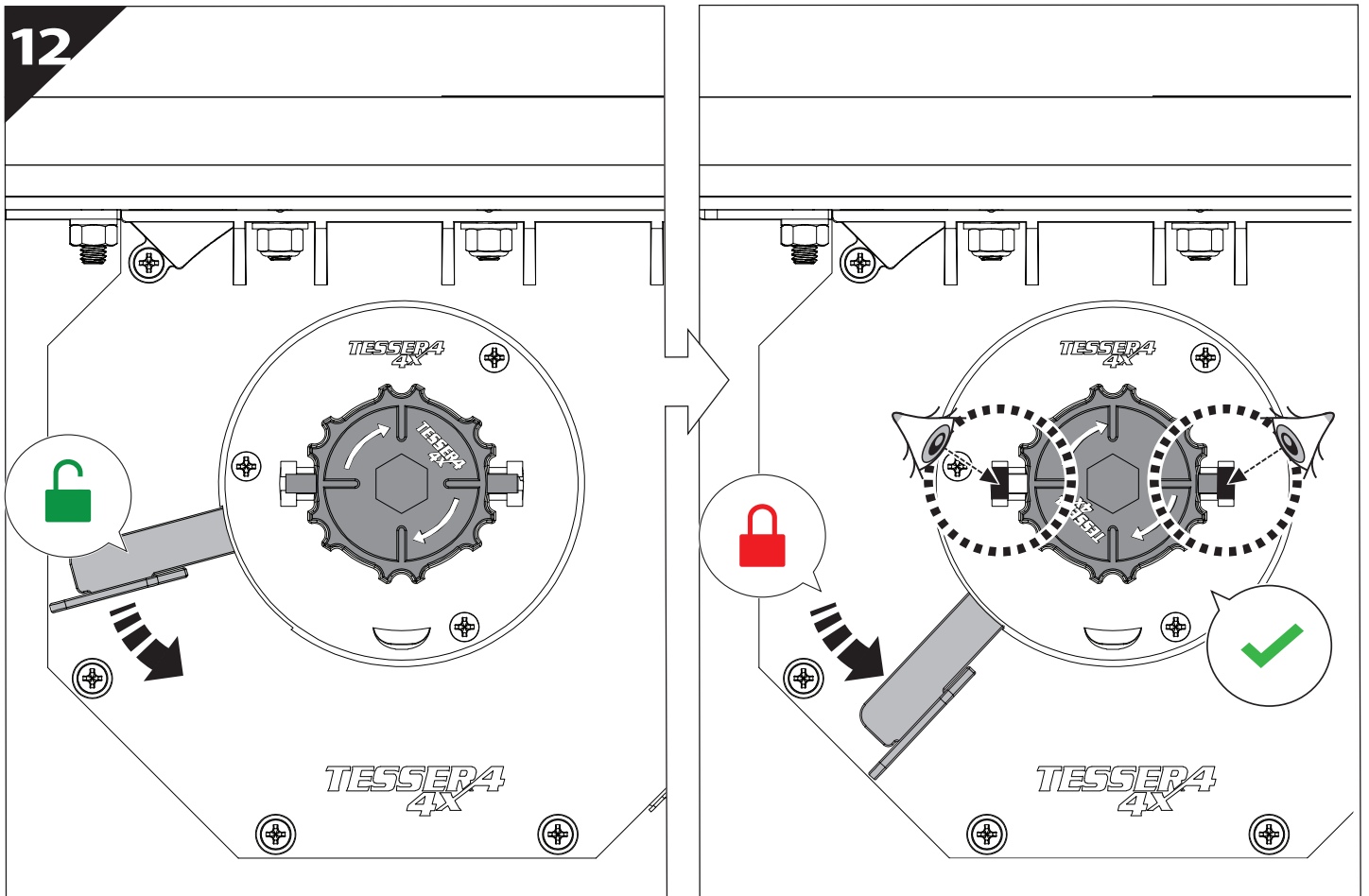




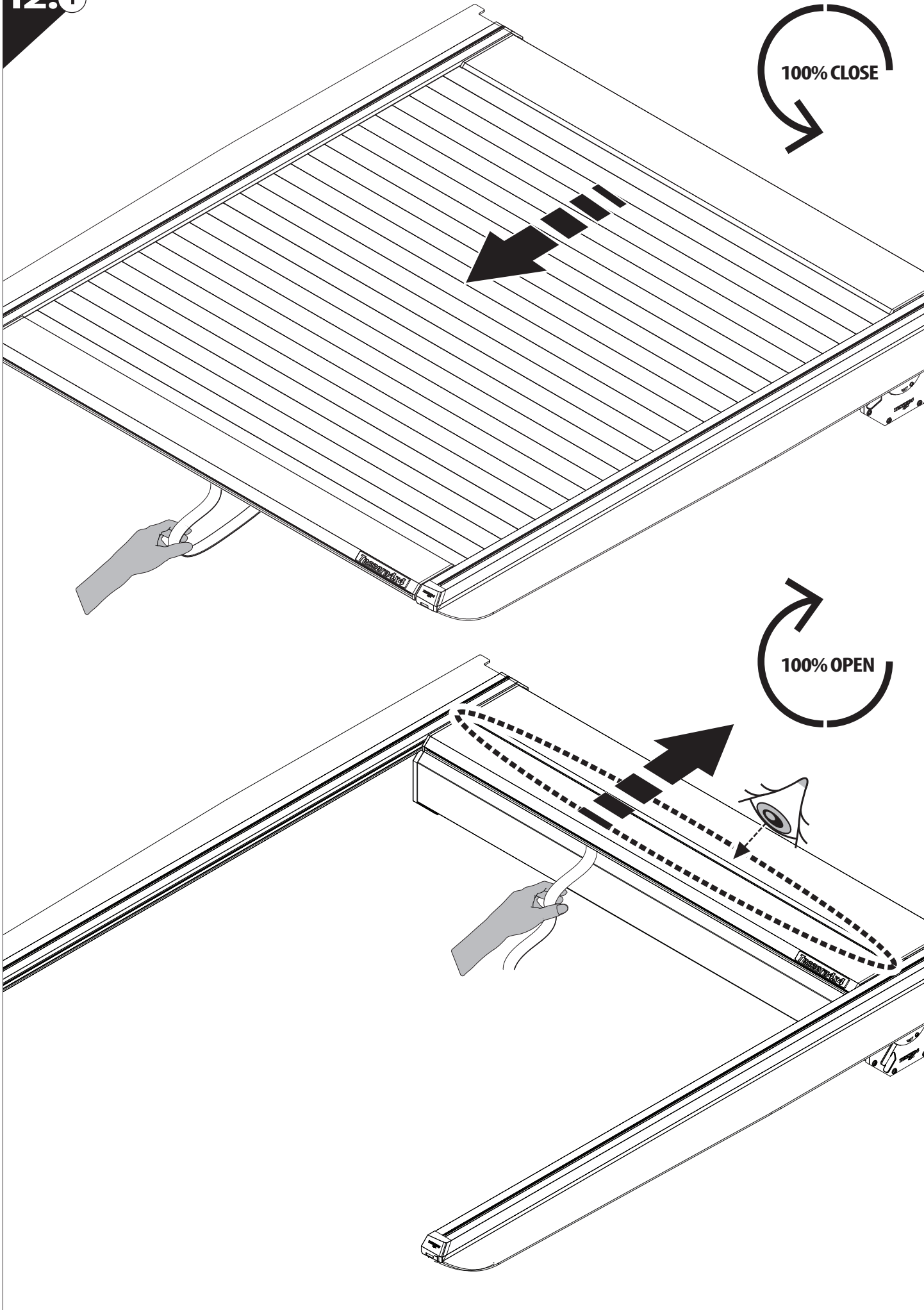
11



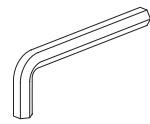
12



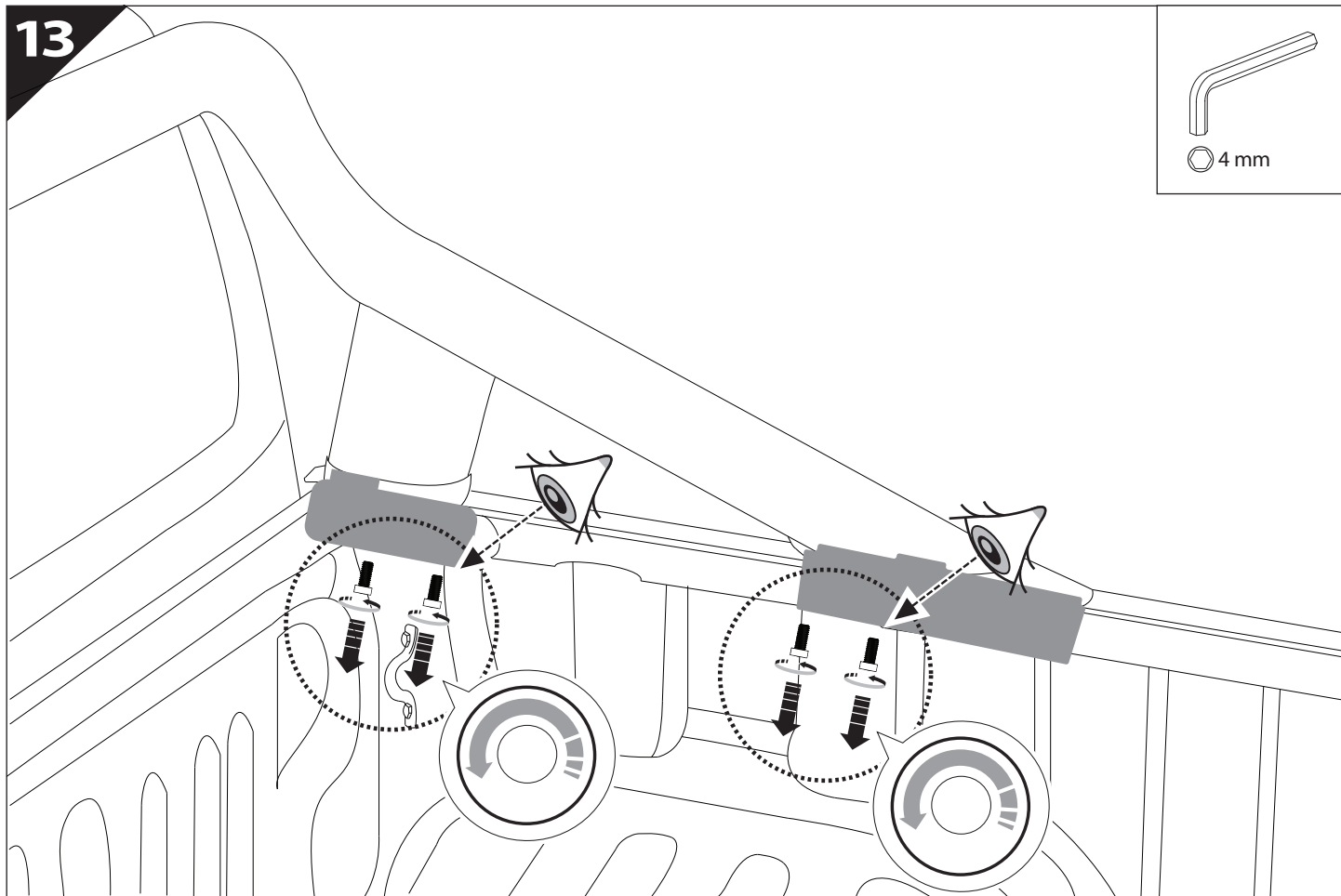
12.0



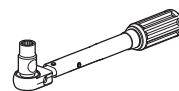
13



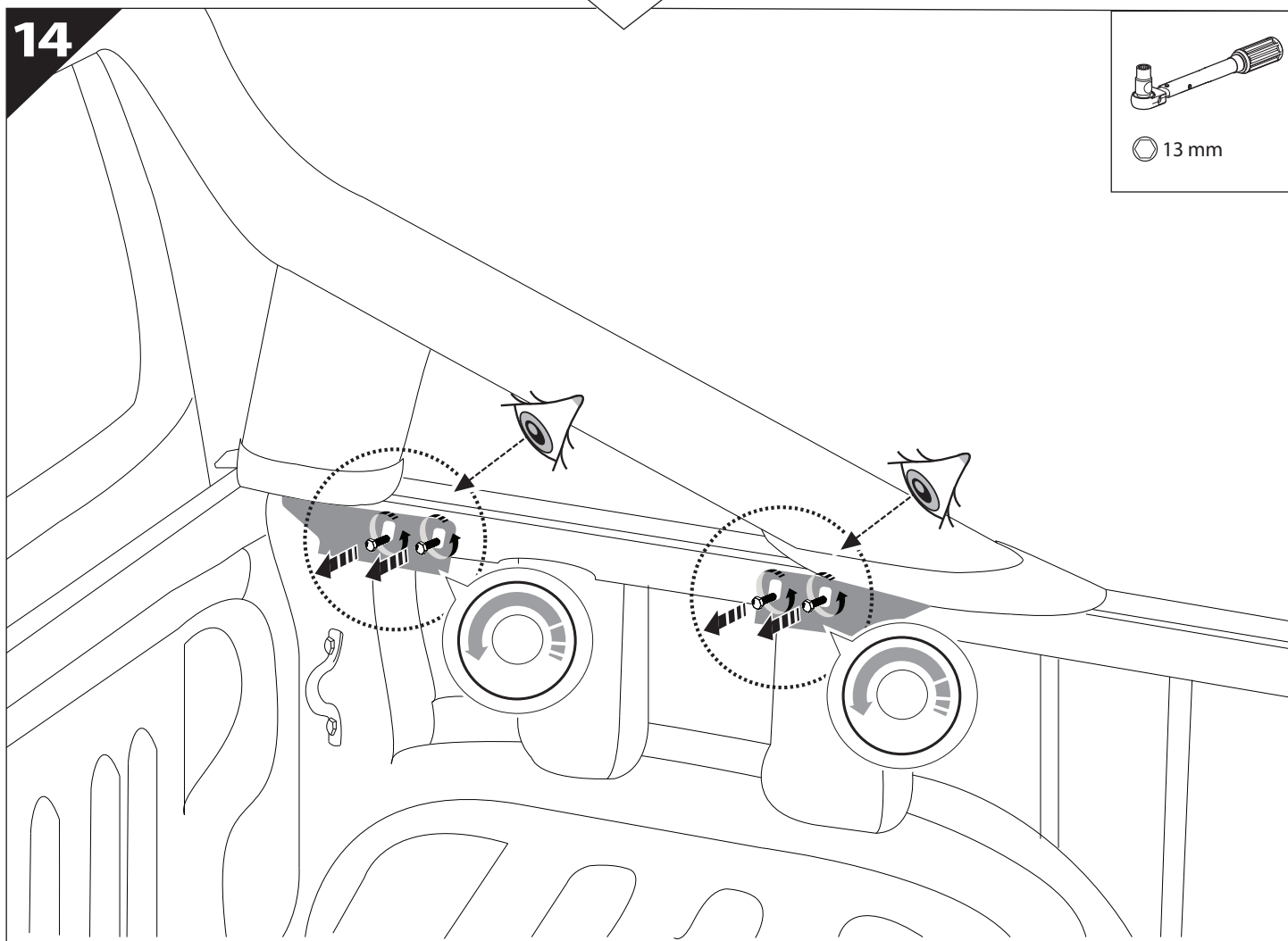
4 mm



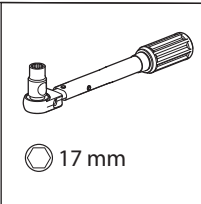
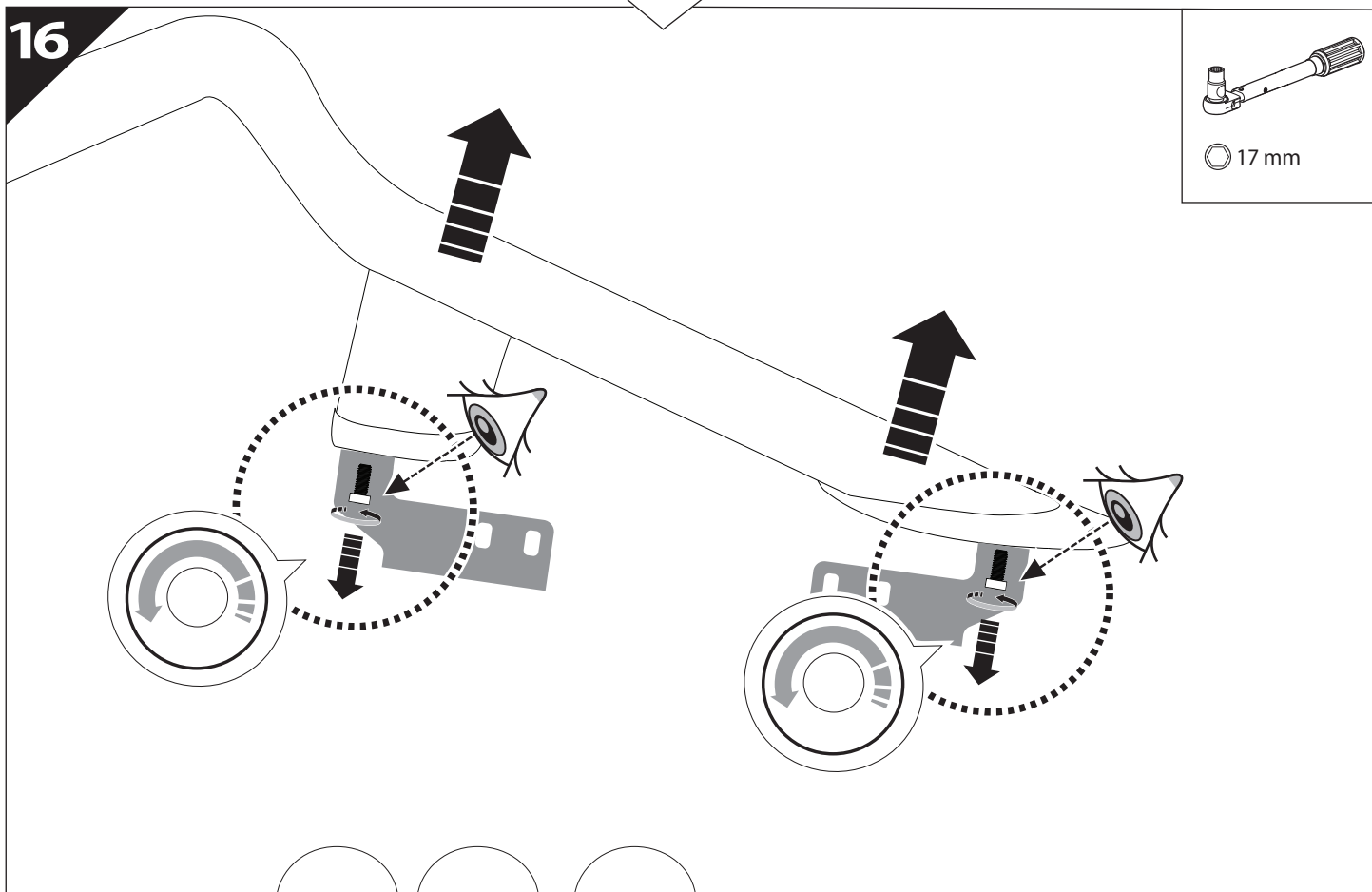
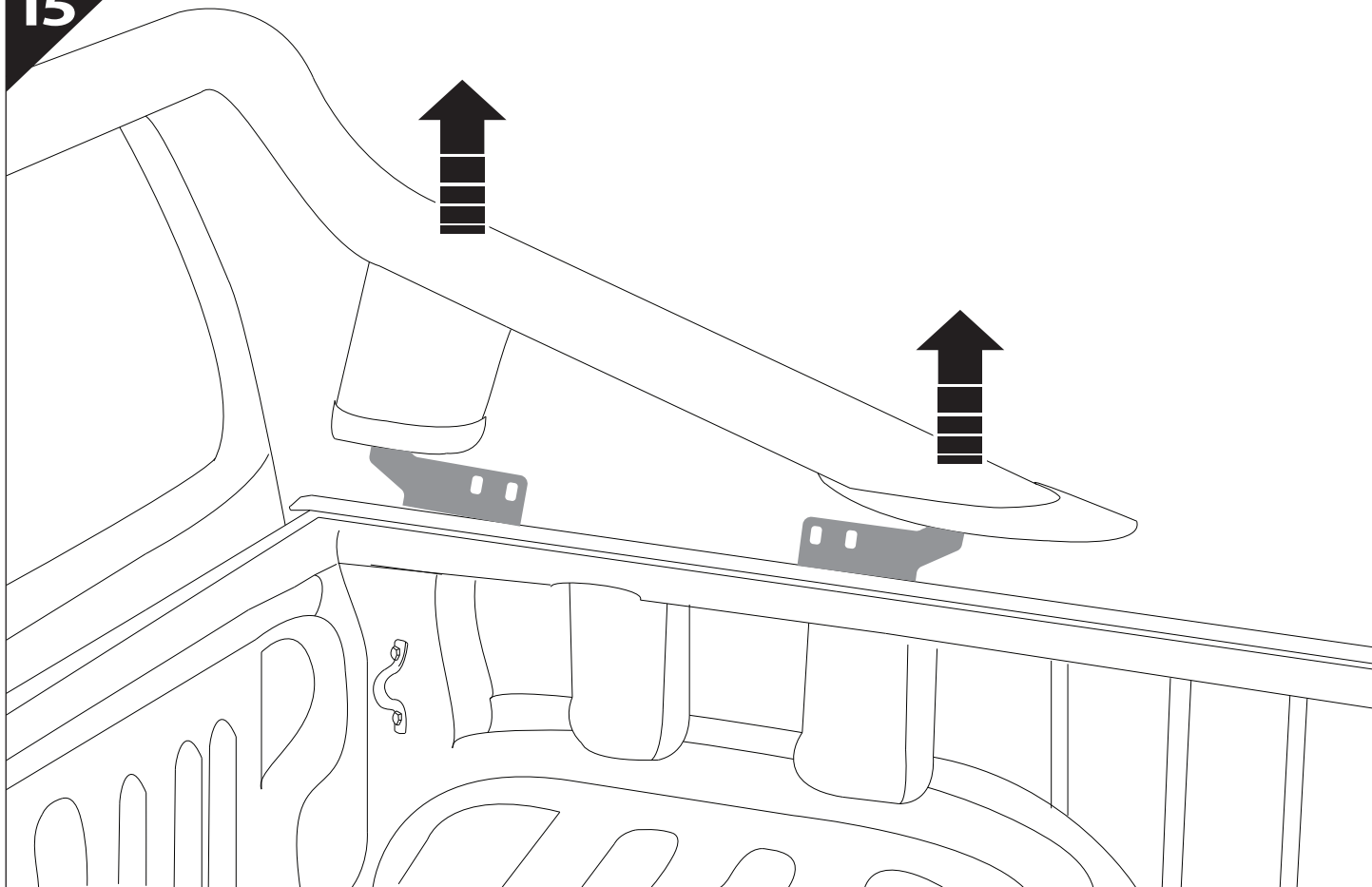
14



13 mm



15



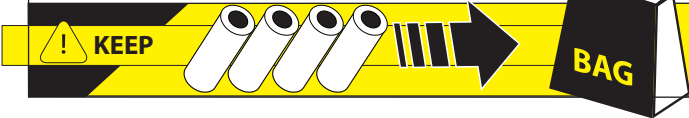
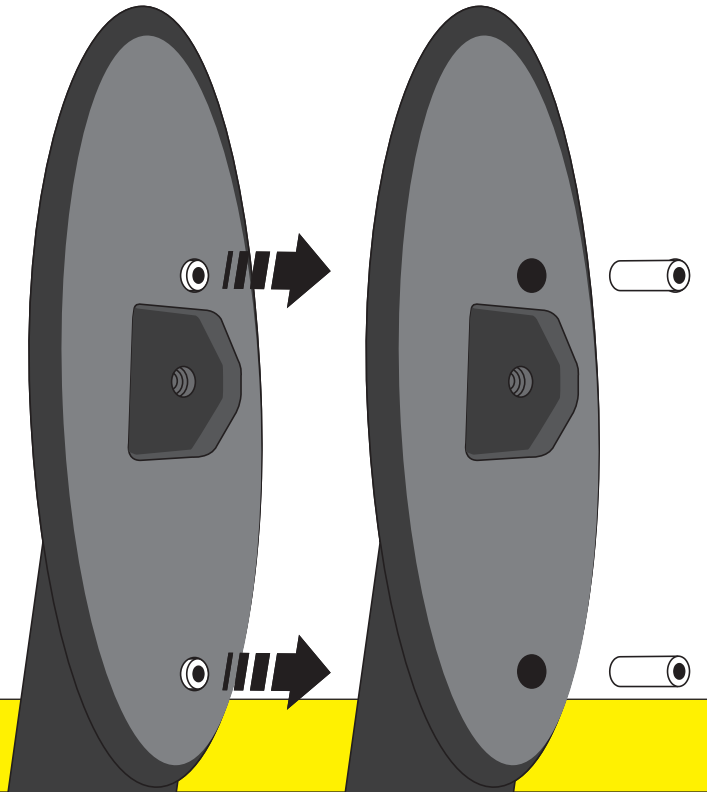
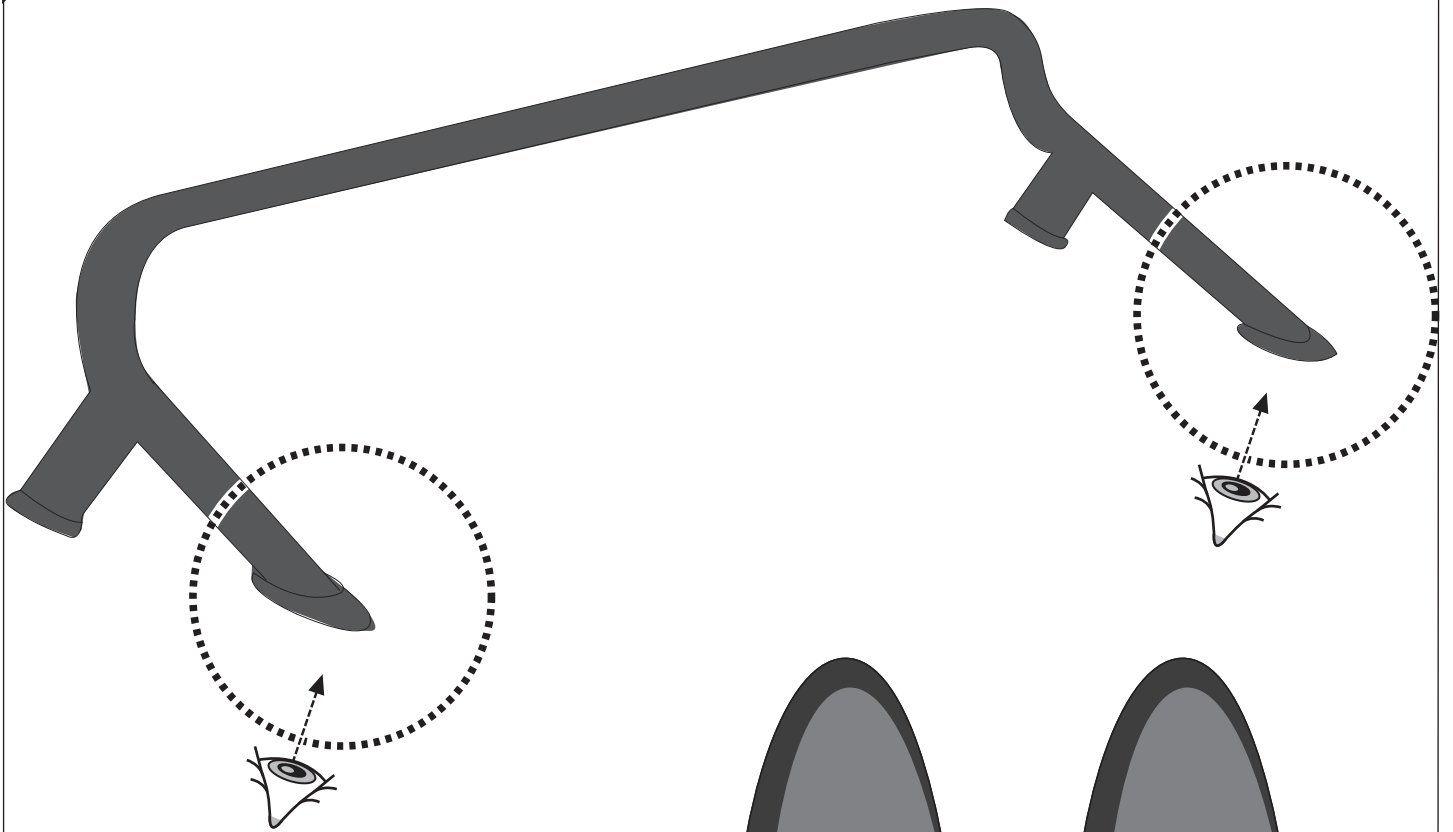
x8

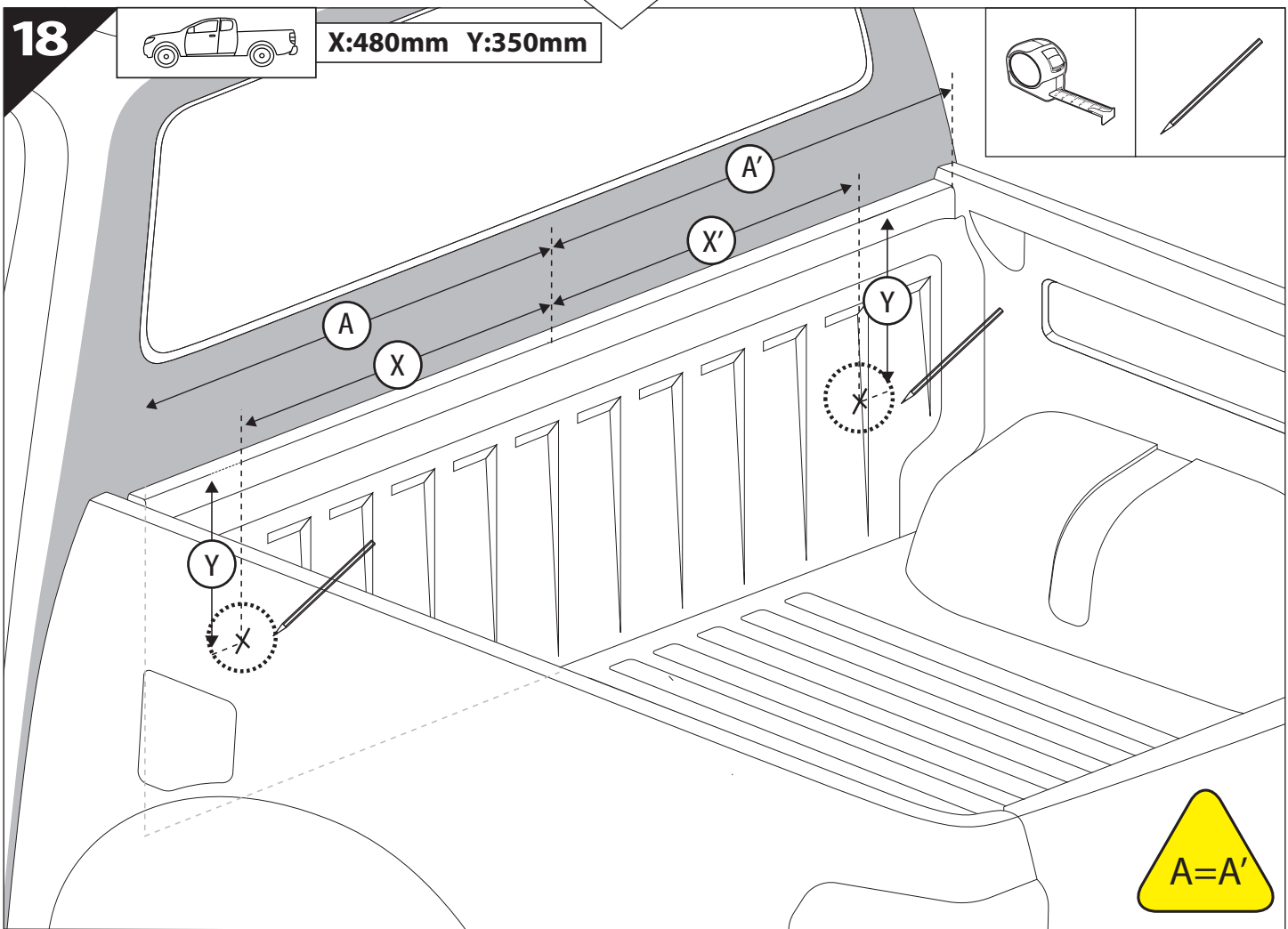
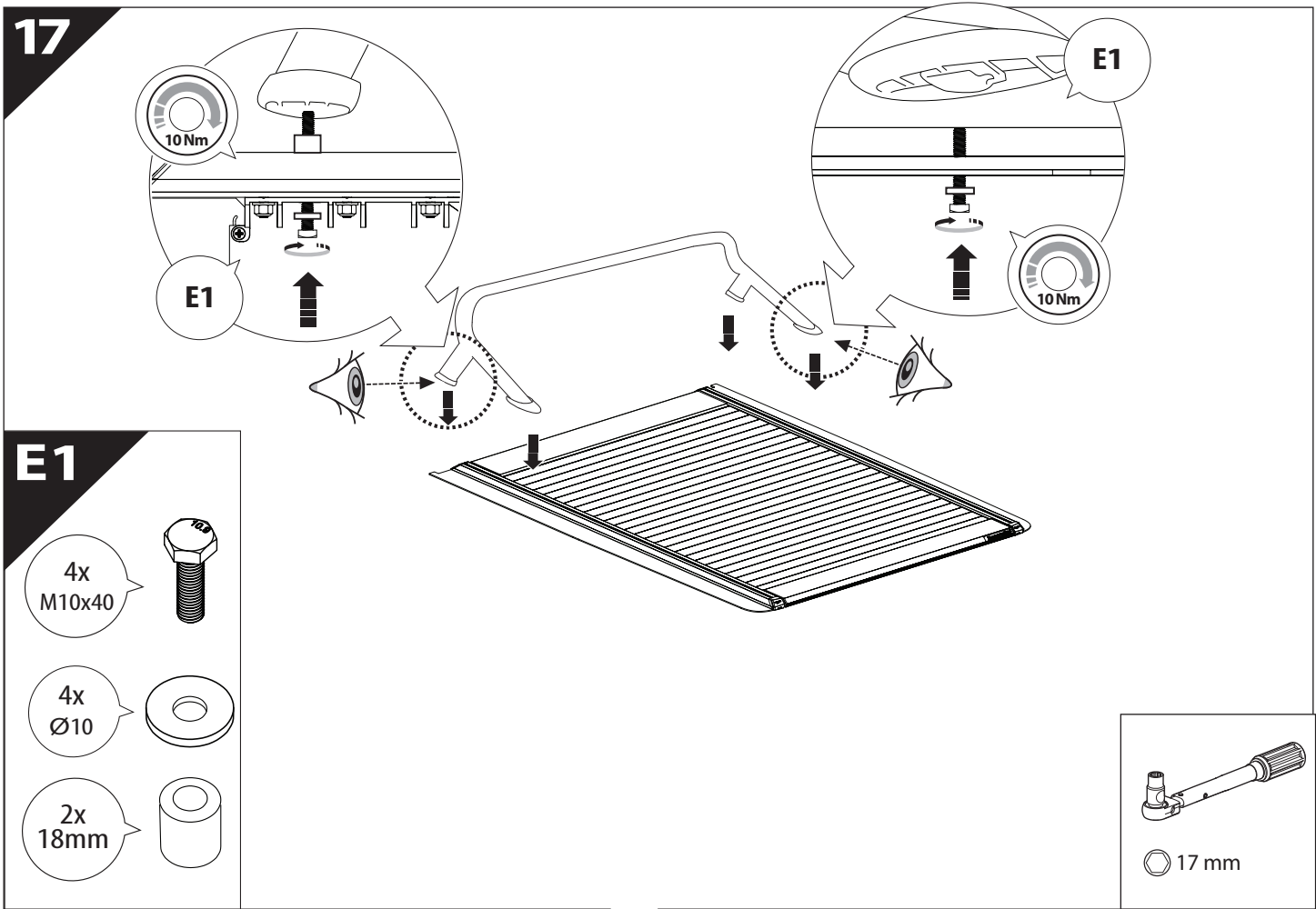
x8

x4

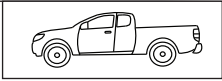


16.0

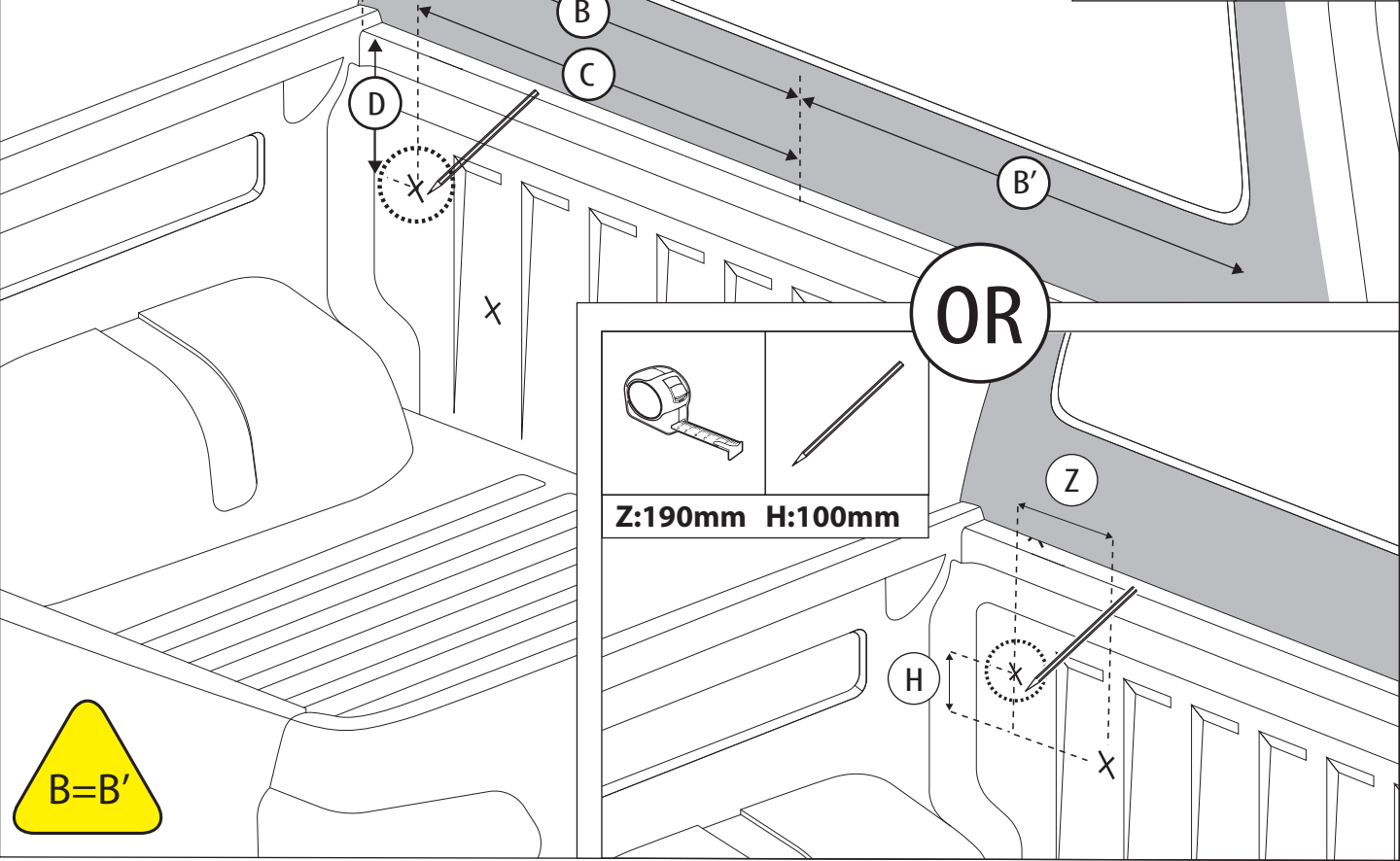
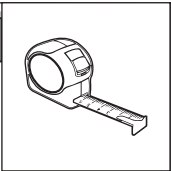




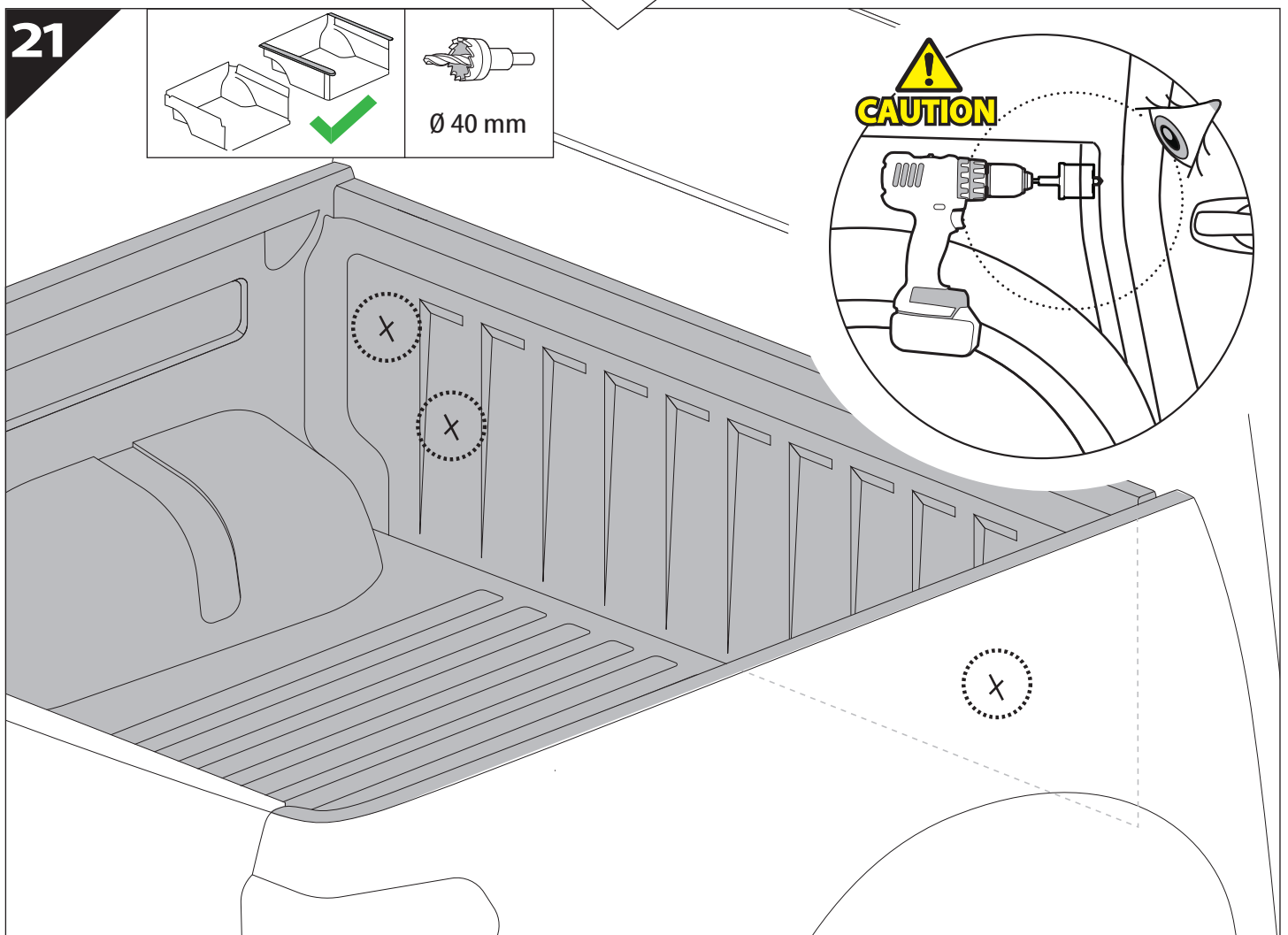
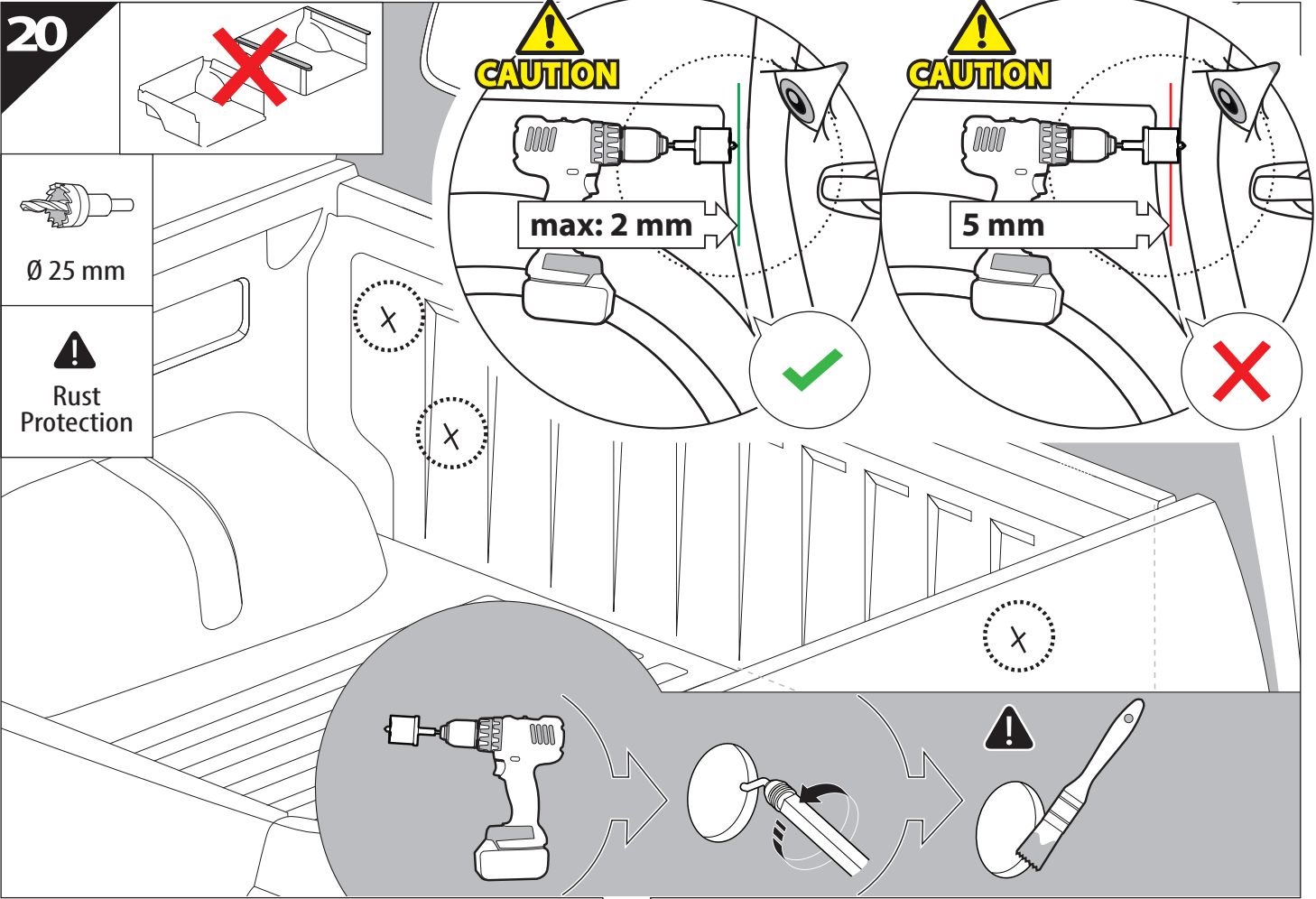
19



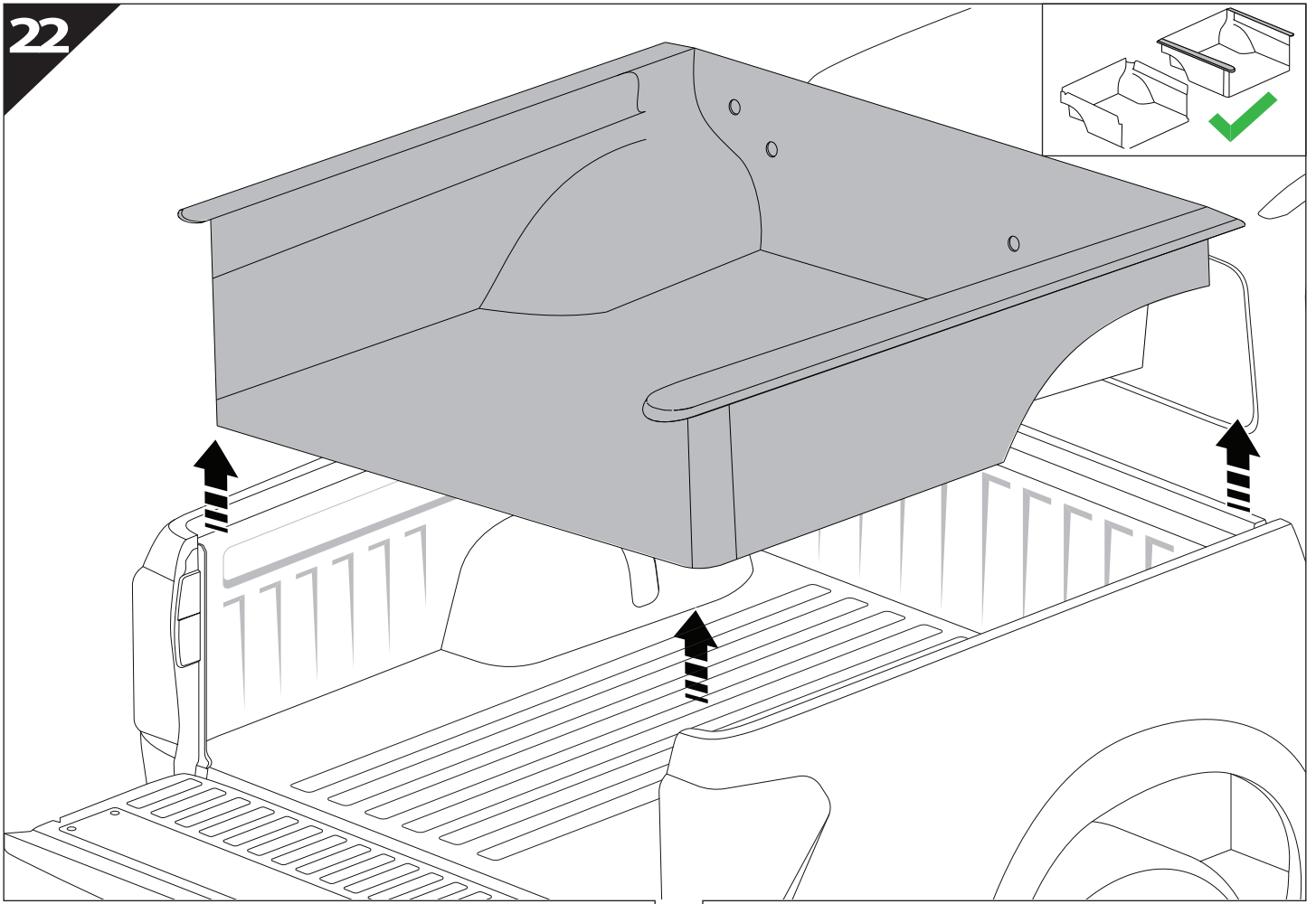
C:670mm D:250mm



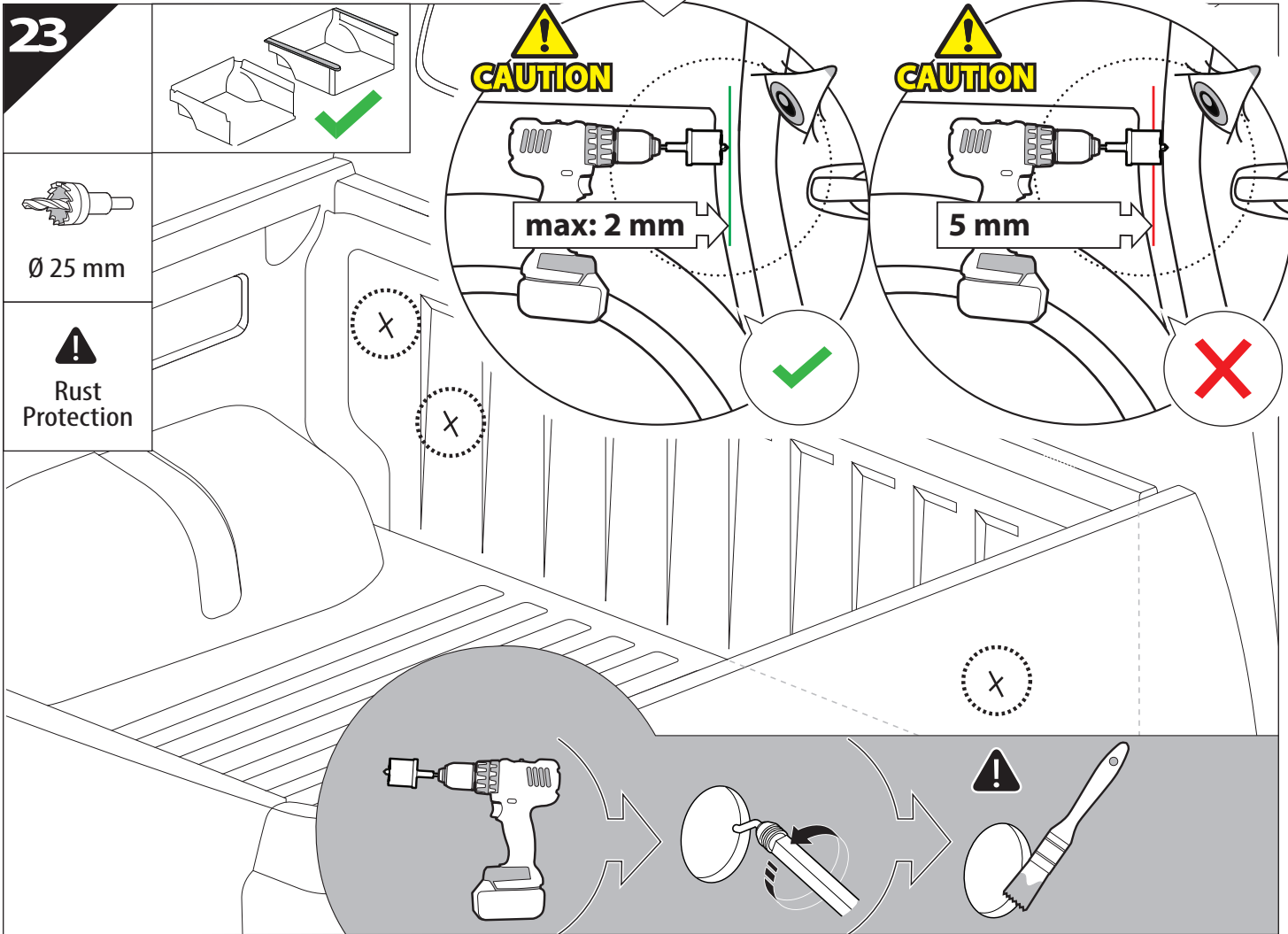
B=B'

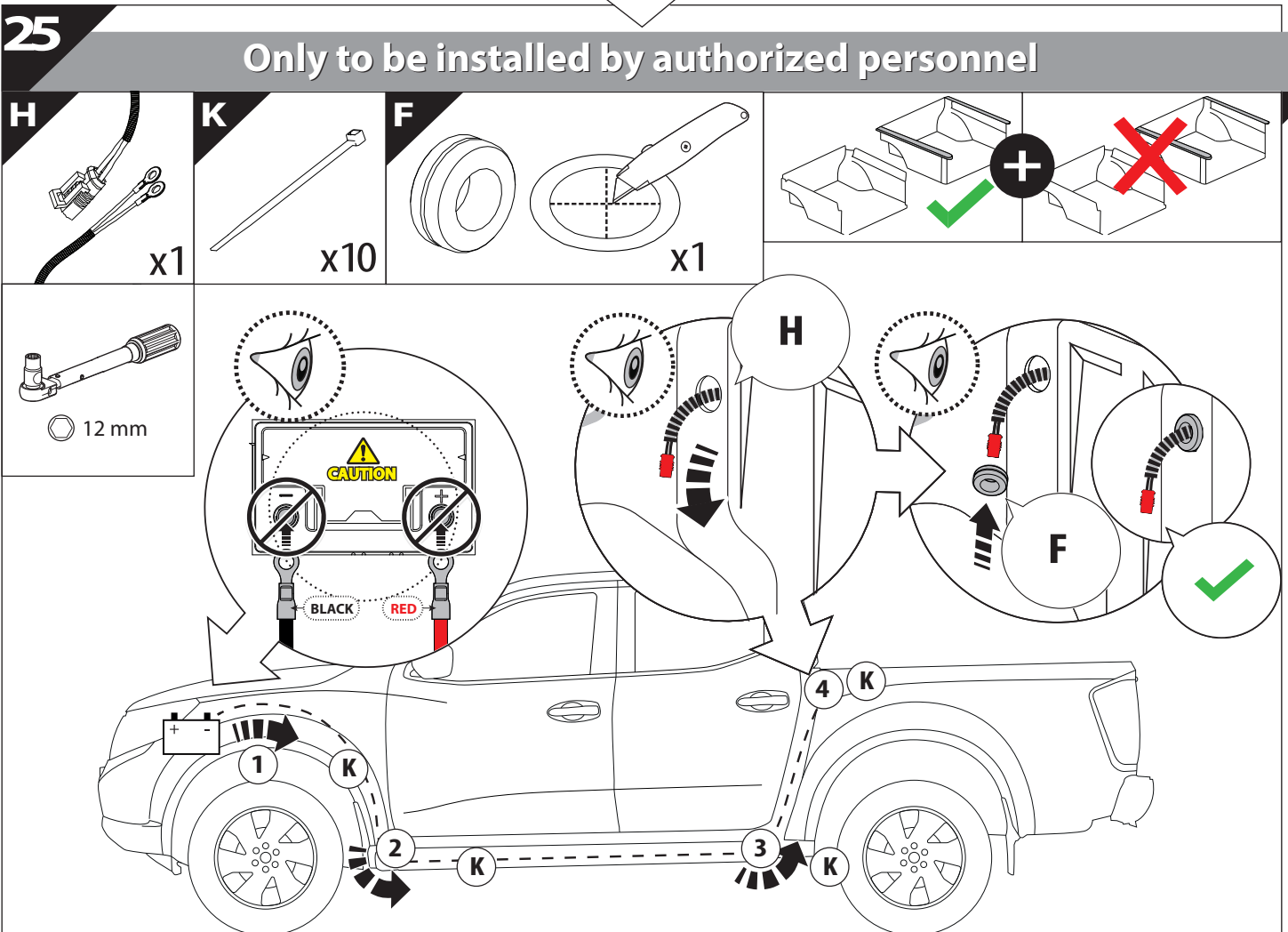
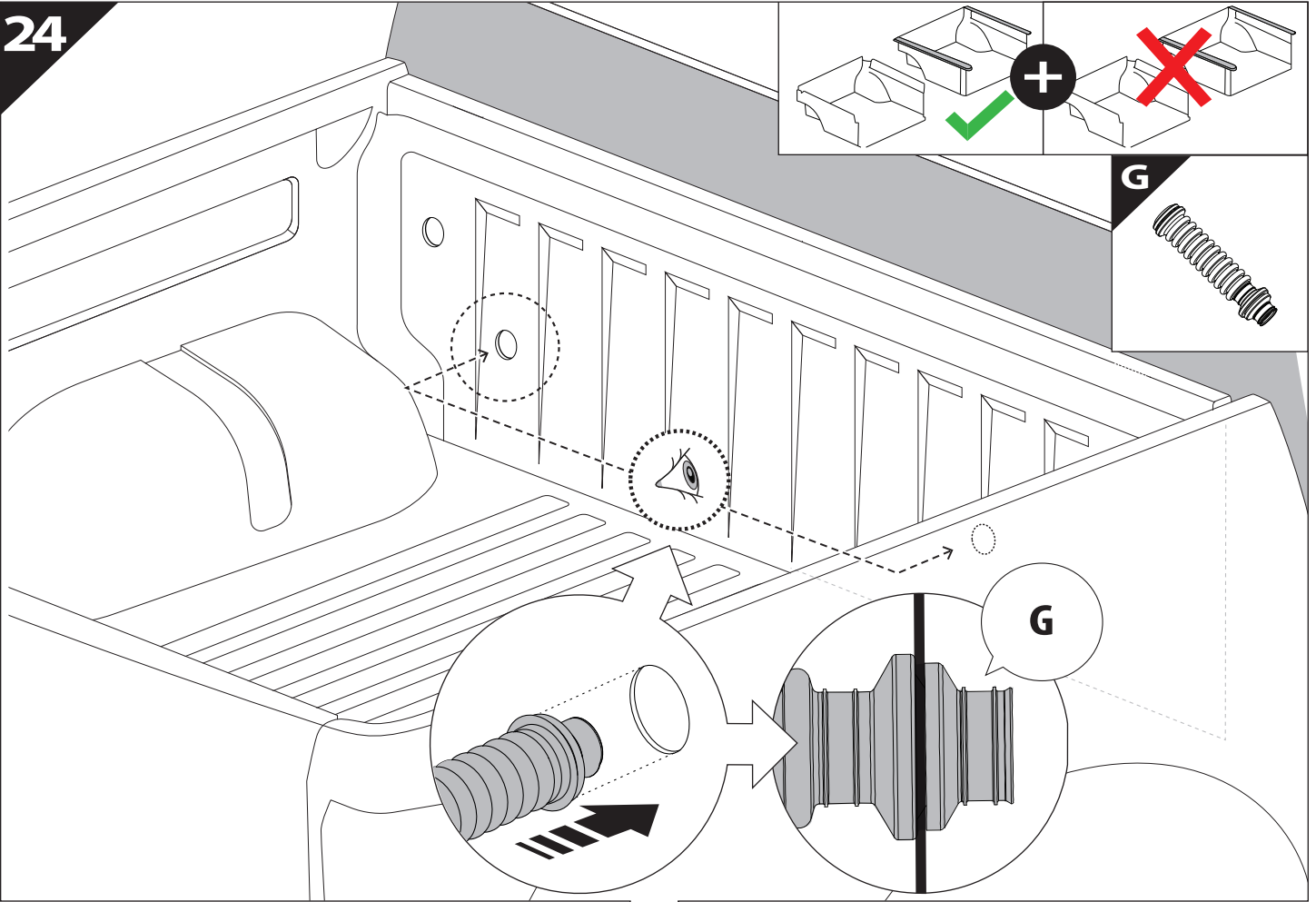


22

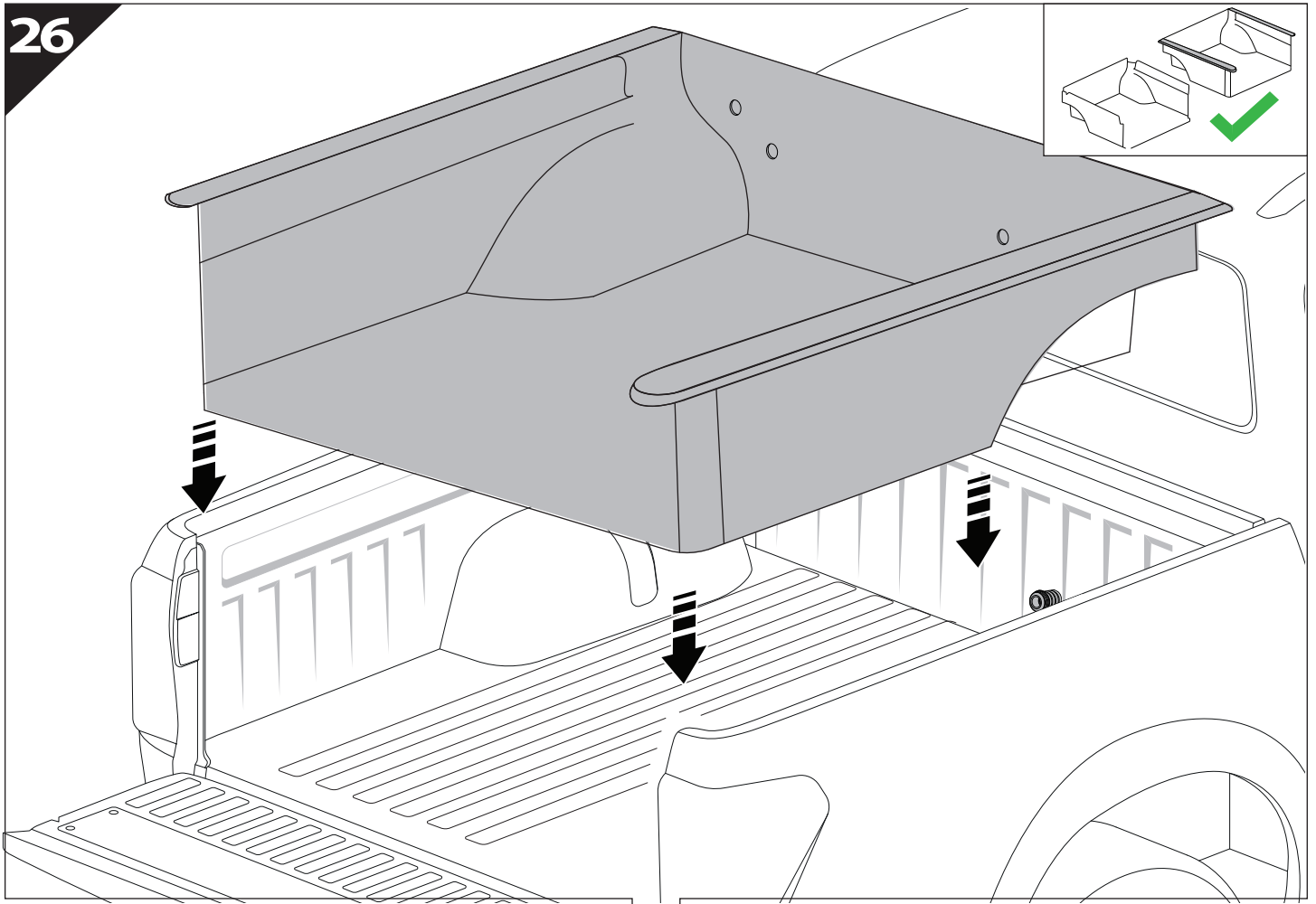


23

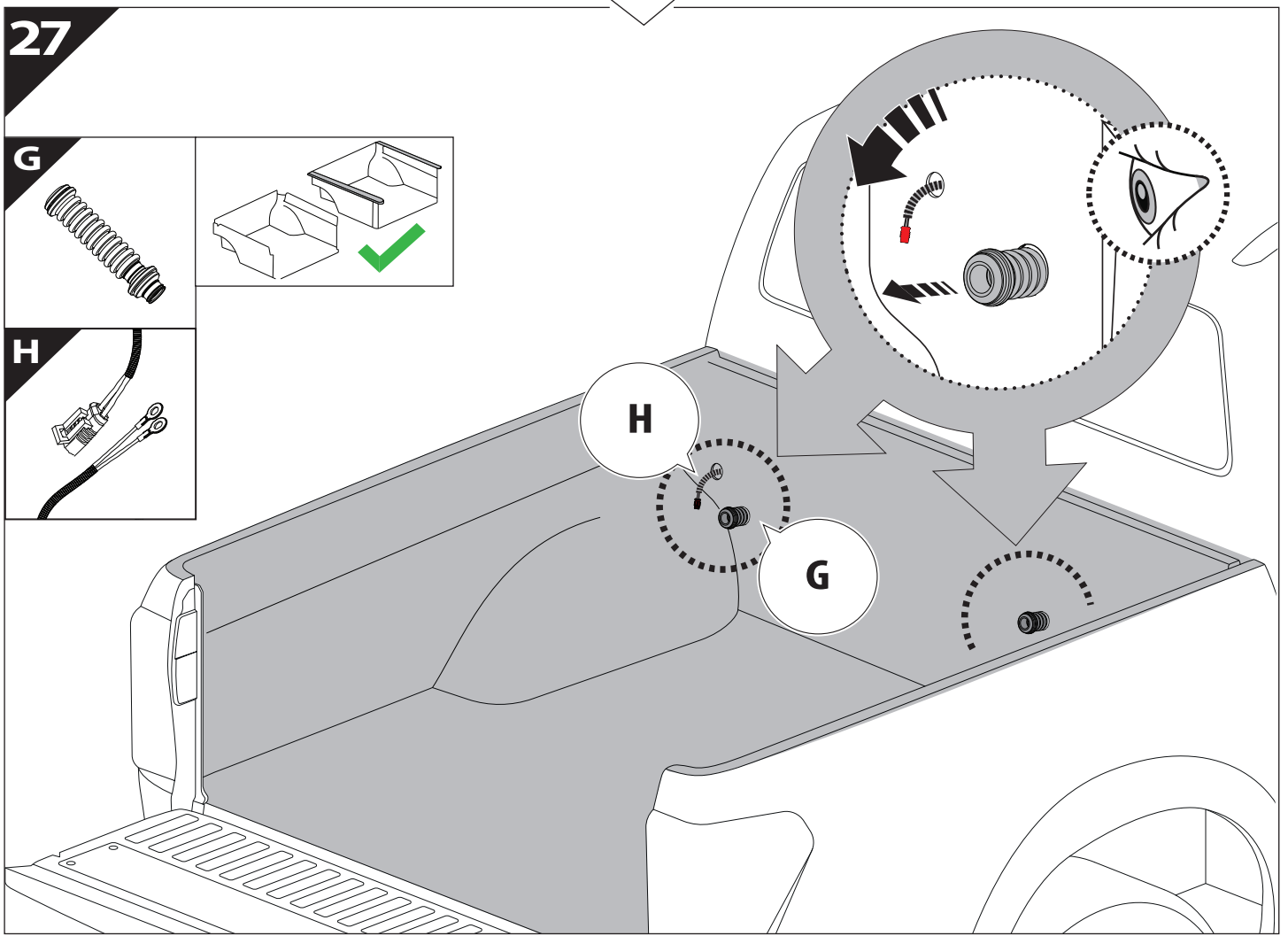




26

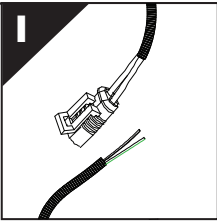


27

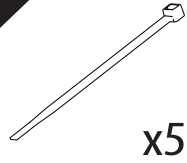


28

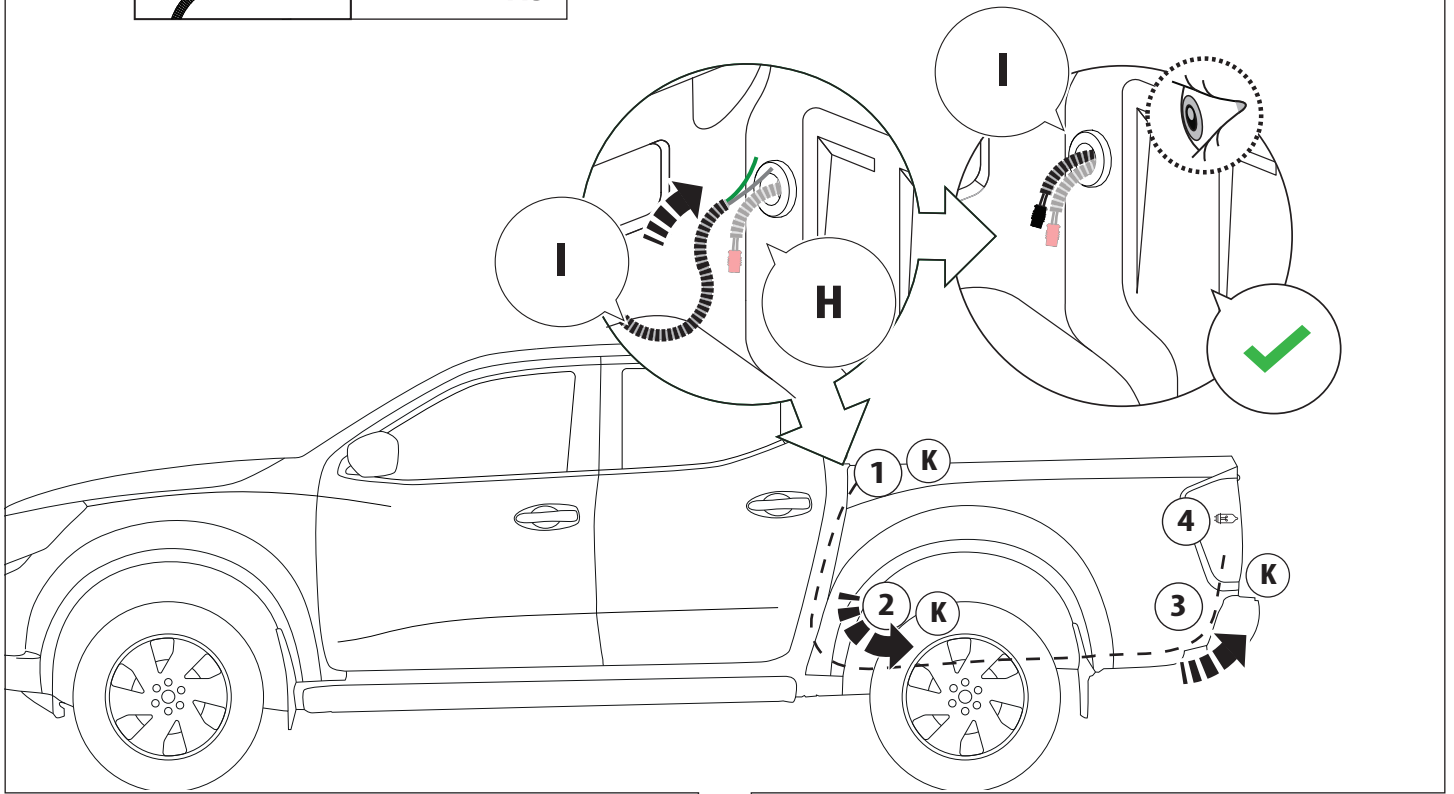
I



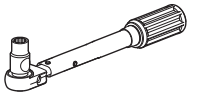
K



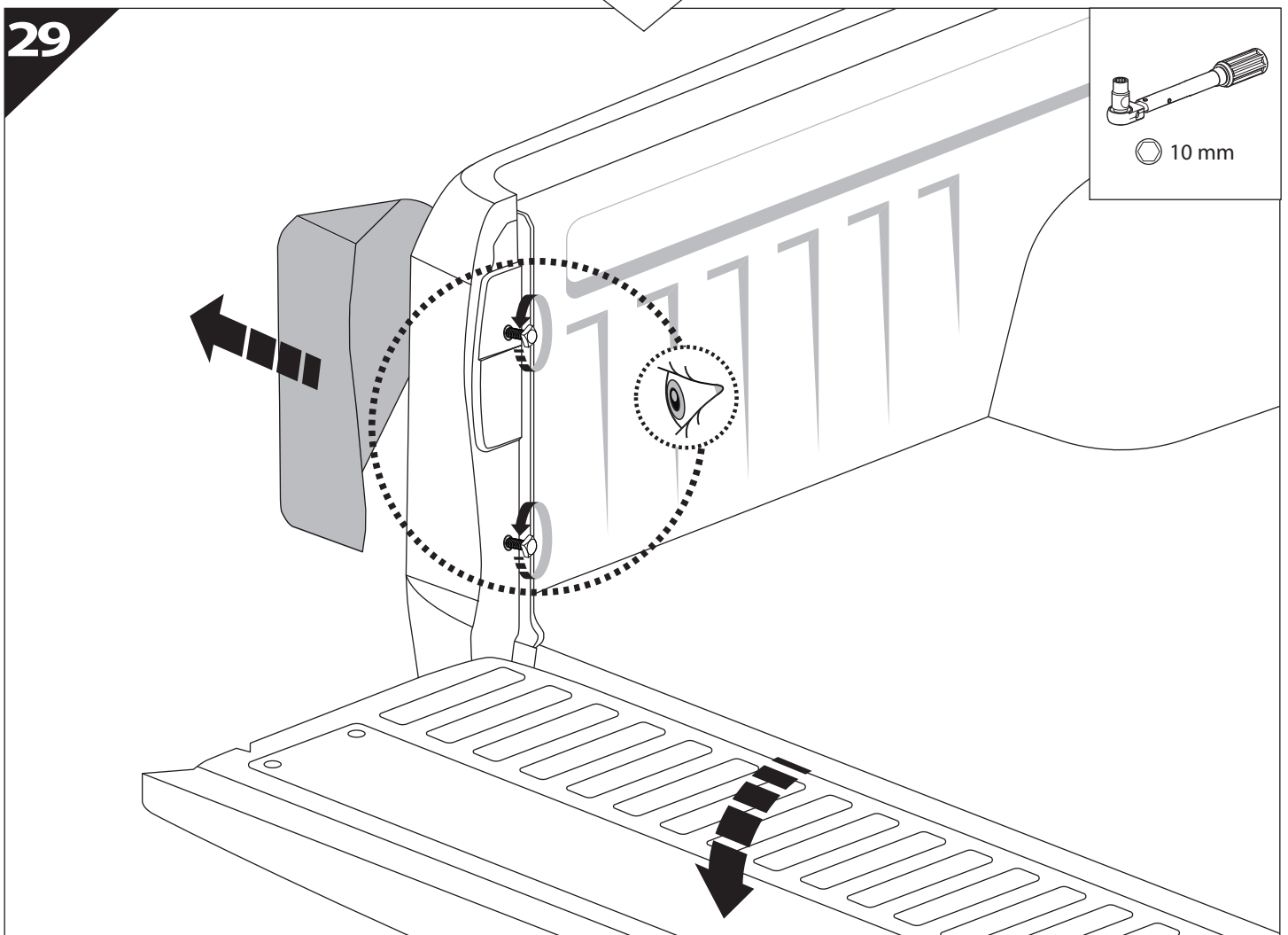
x5



29



10 mm



30

I **J** x2

10 mm

4 Nm

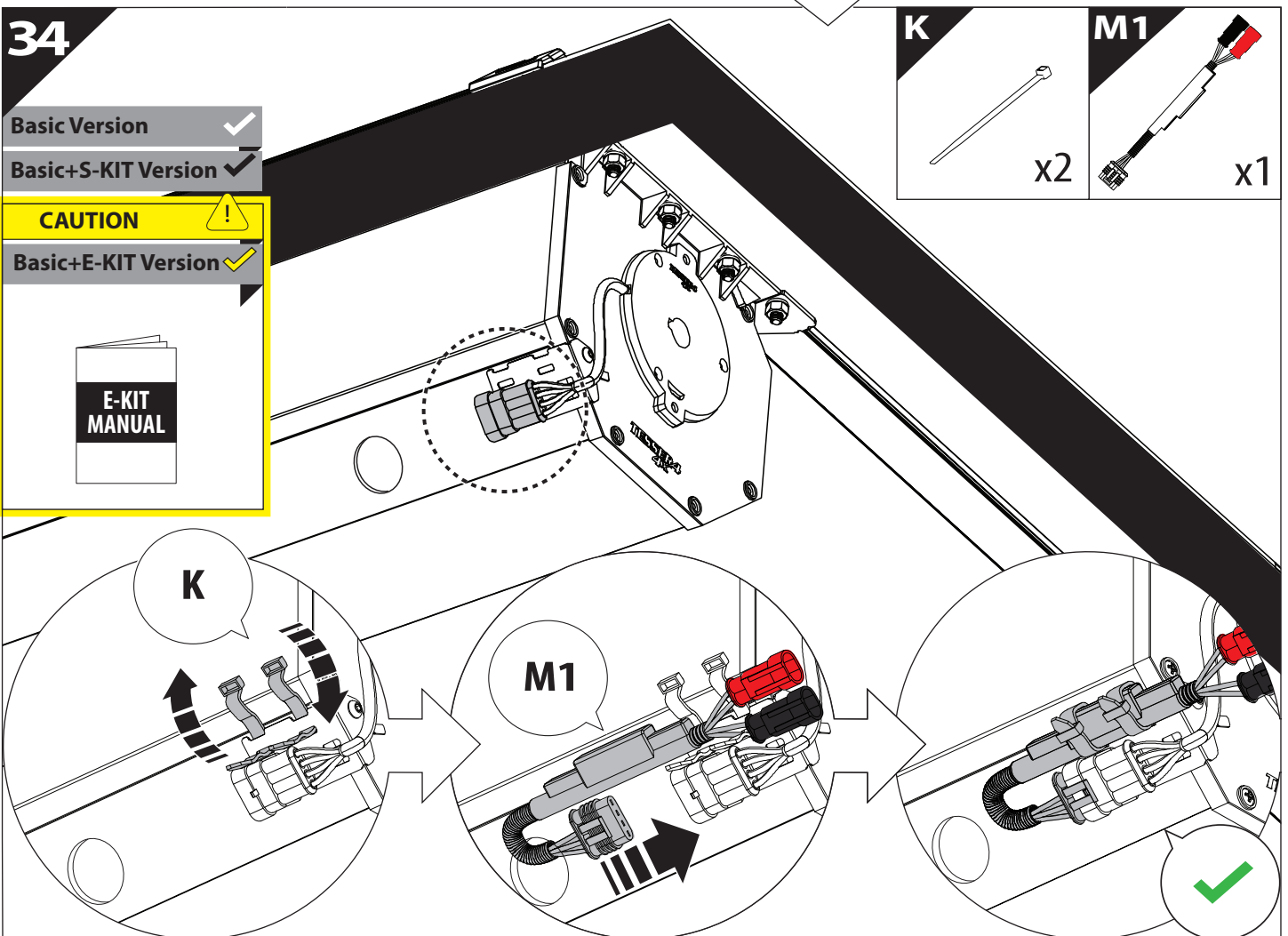
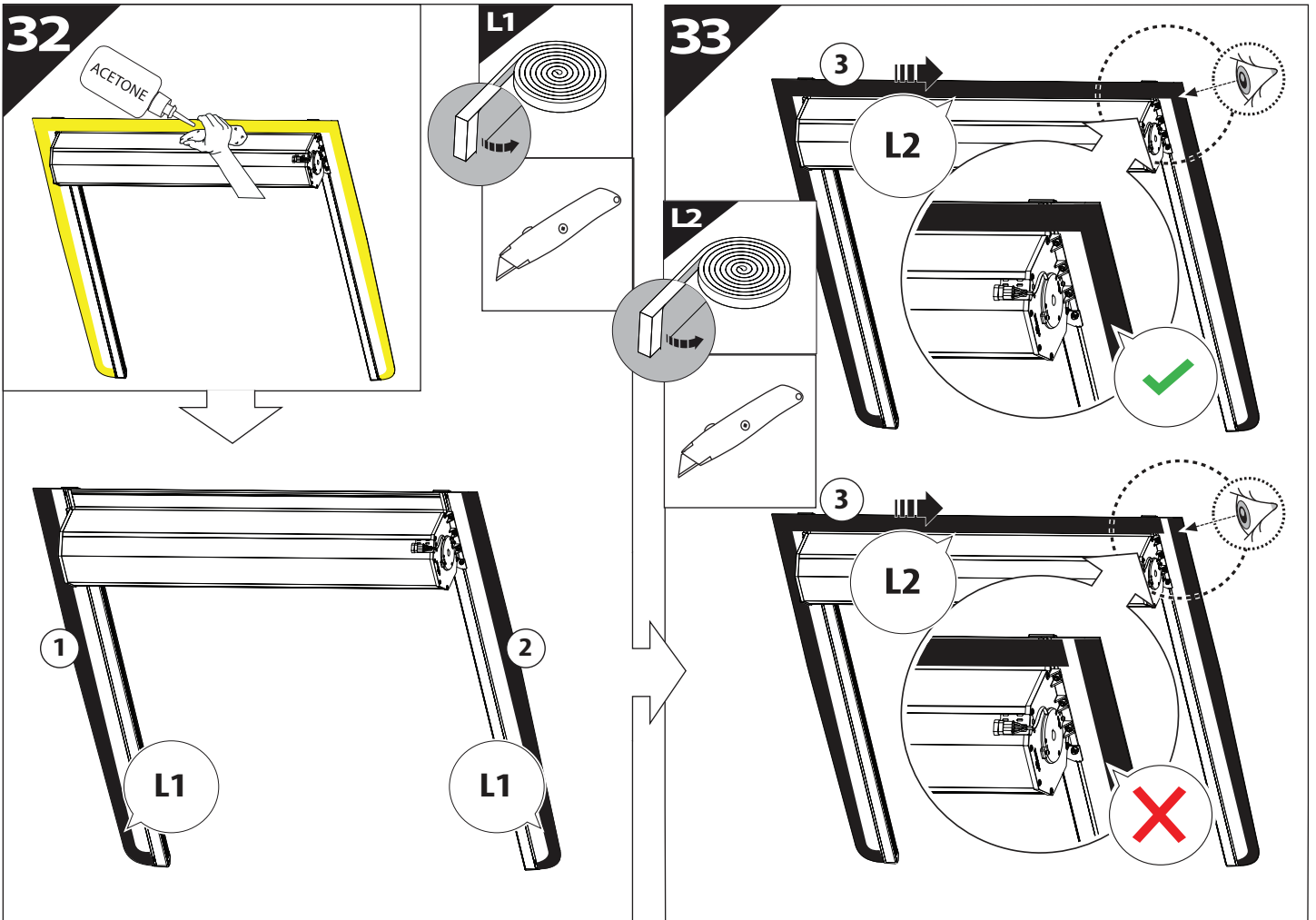
MODEL YEAR	LIGHTS	CAR	TESSERA ROLL+
HILUX 2016+/2021+	BEAM		
HILUX 2016+	STOP		
HILUX 2021+	STOP		

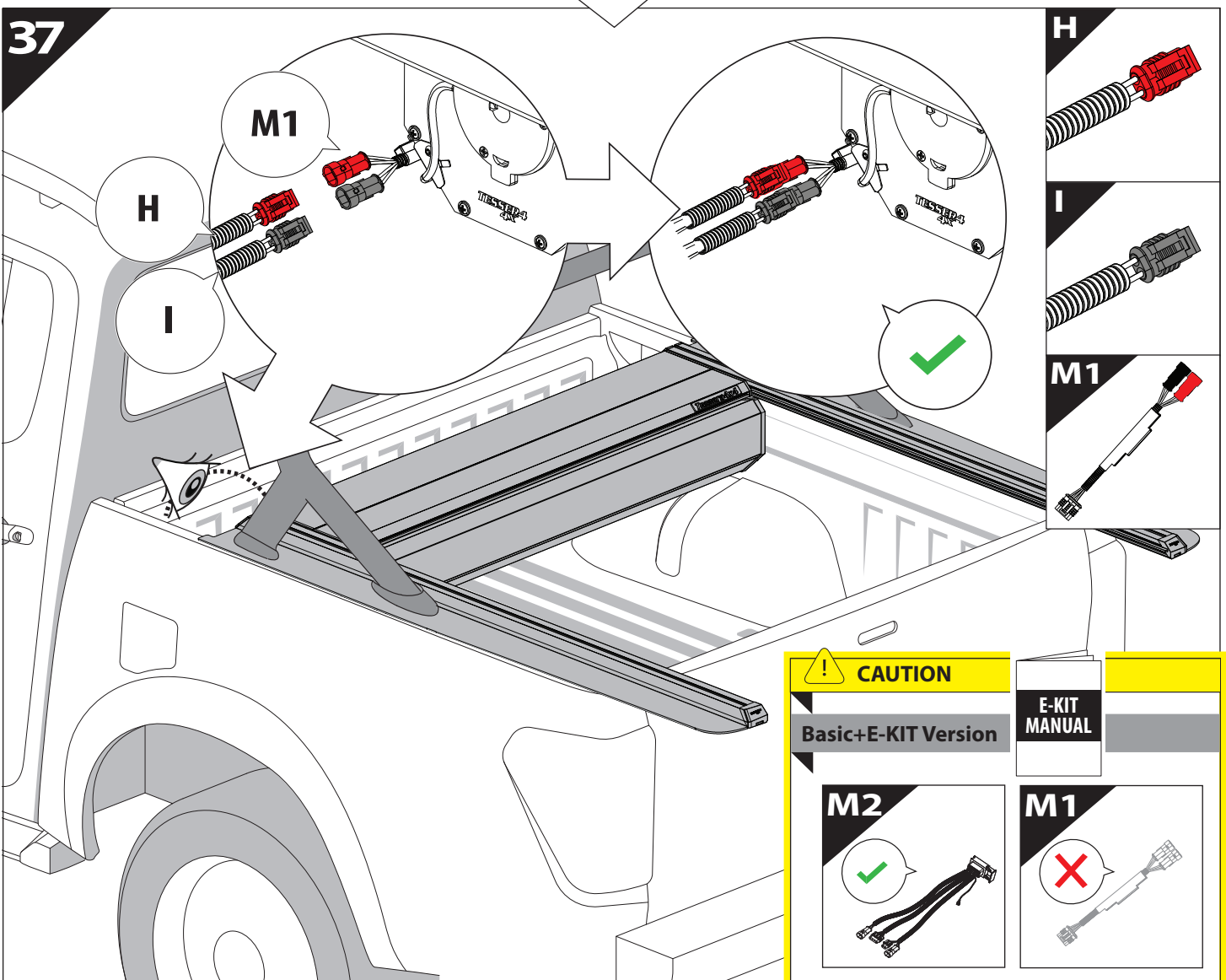
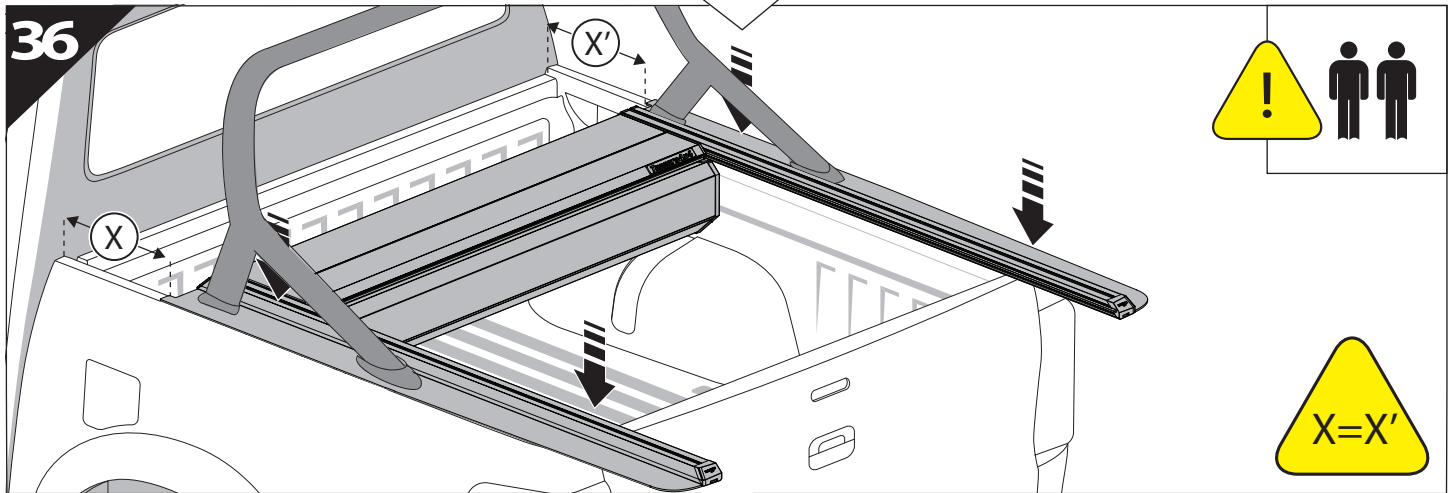
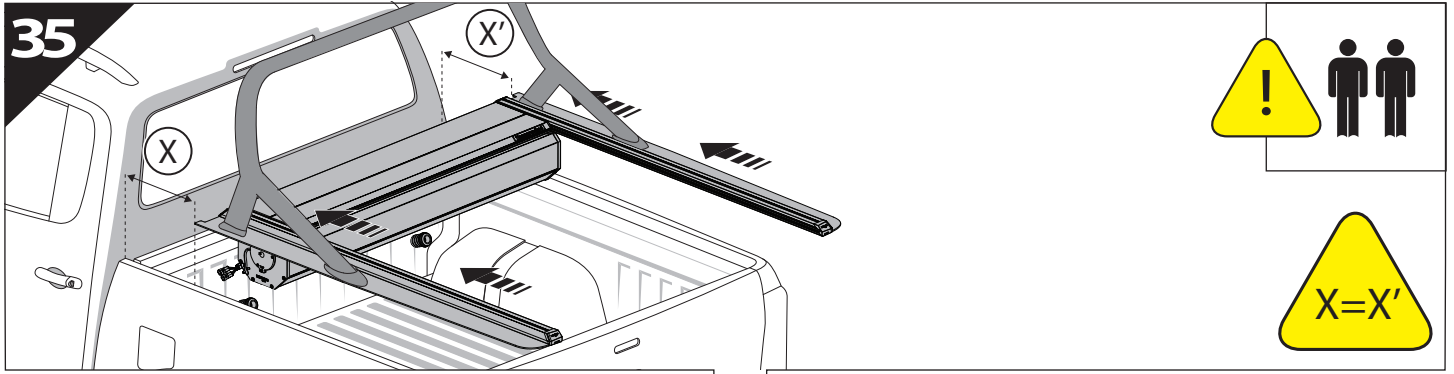
31

H₂O

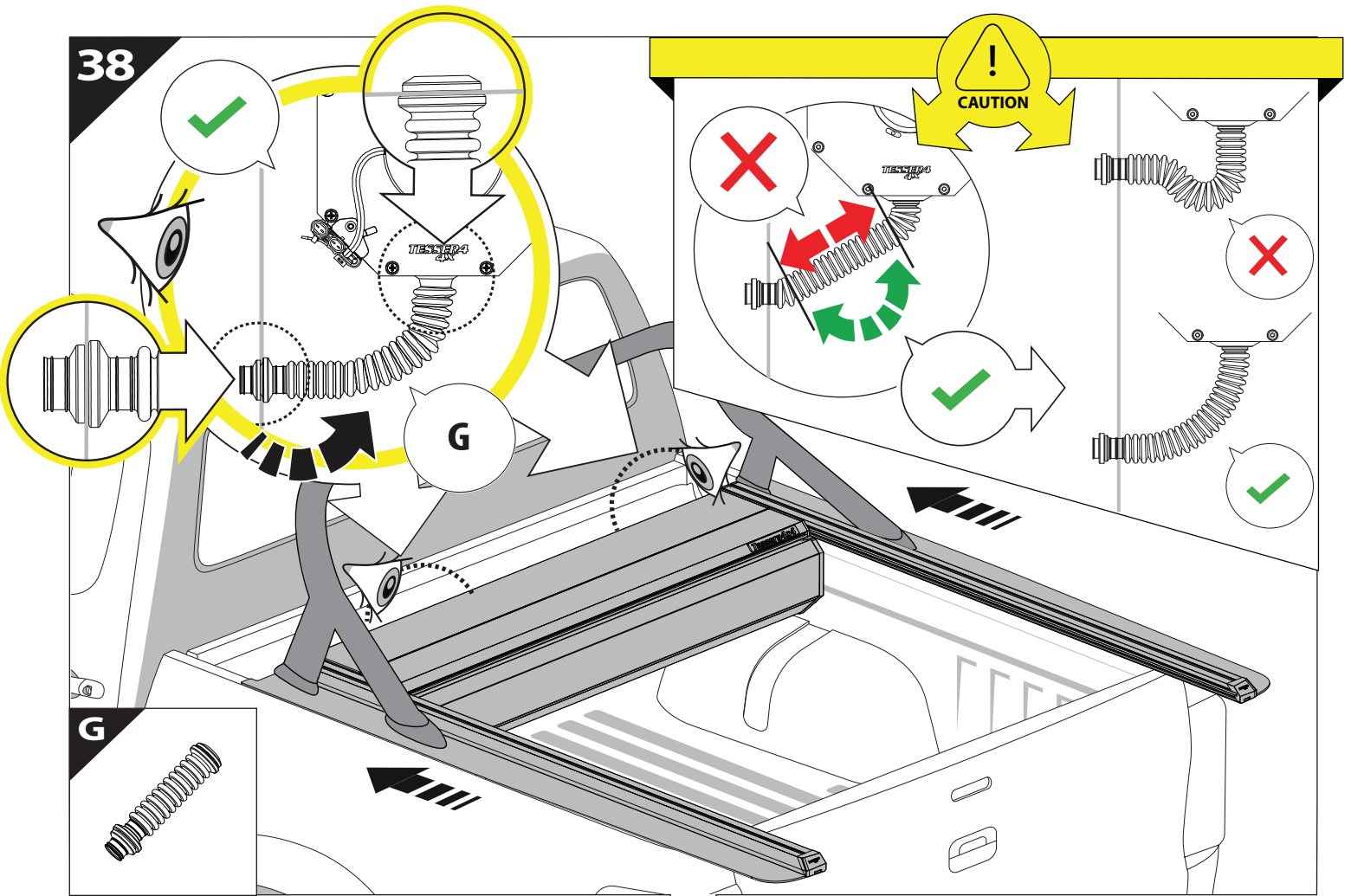
H₂O

H₂O

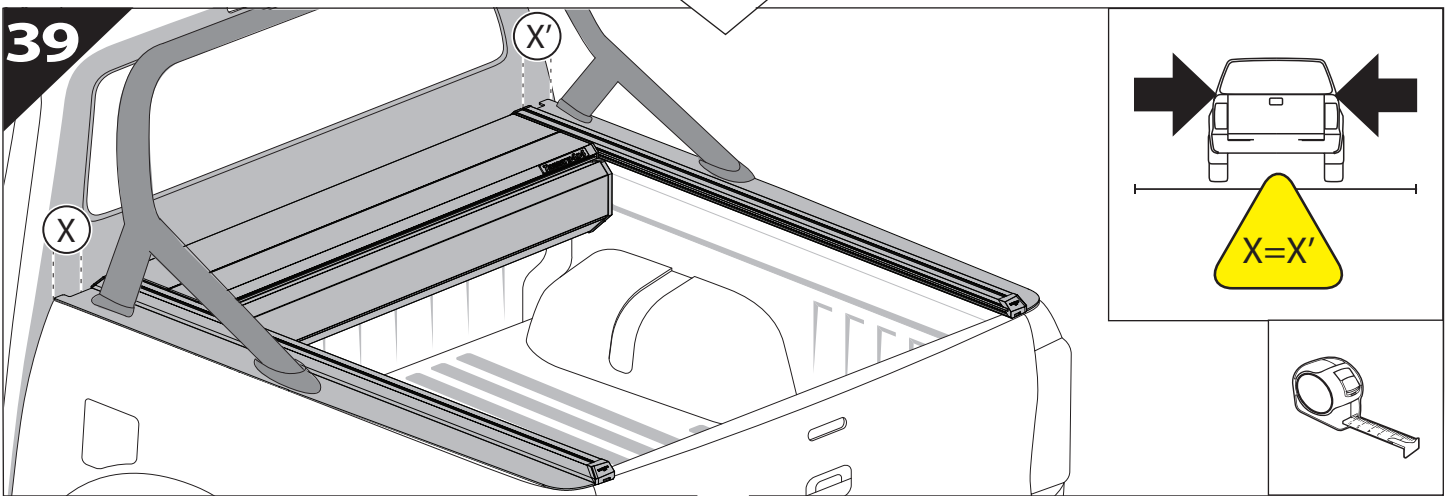




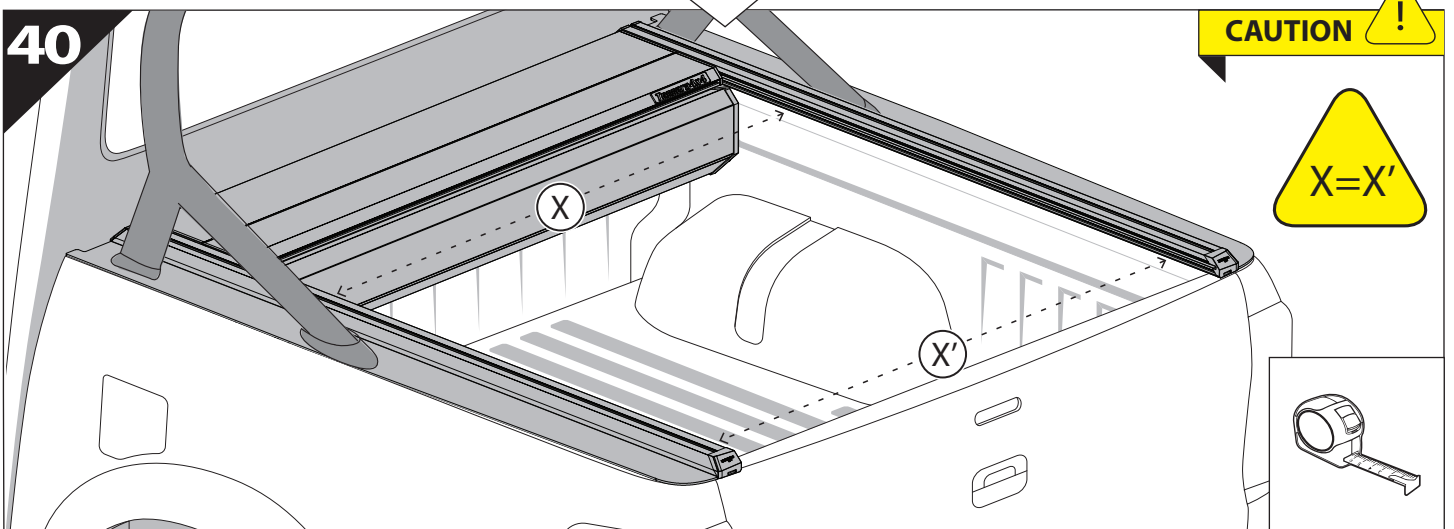
38



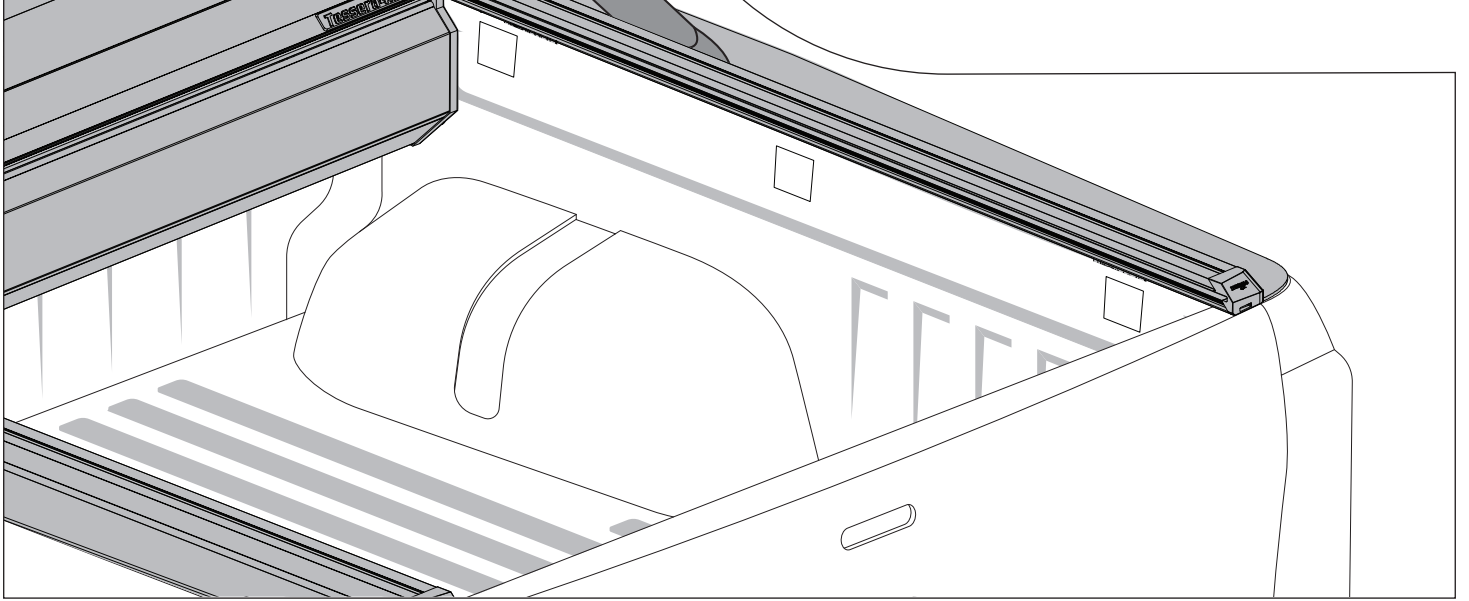
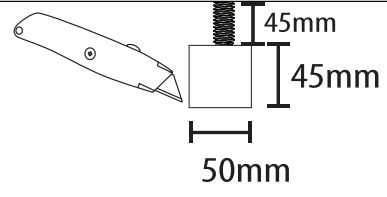
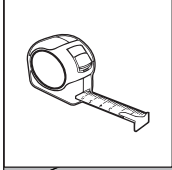
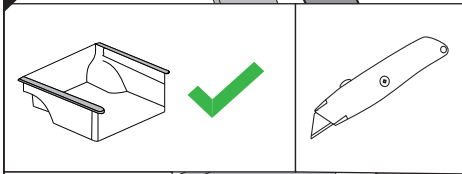
39

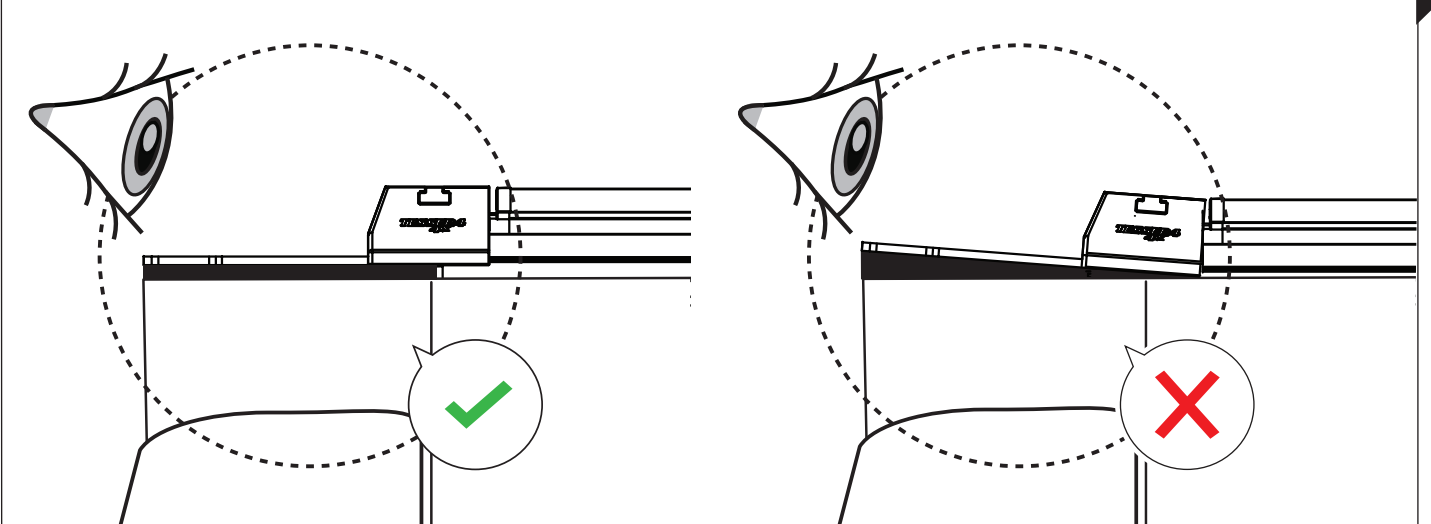
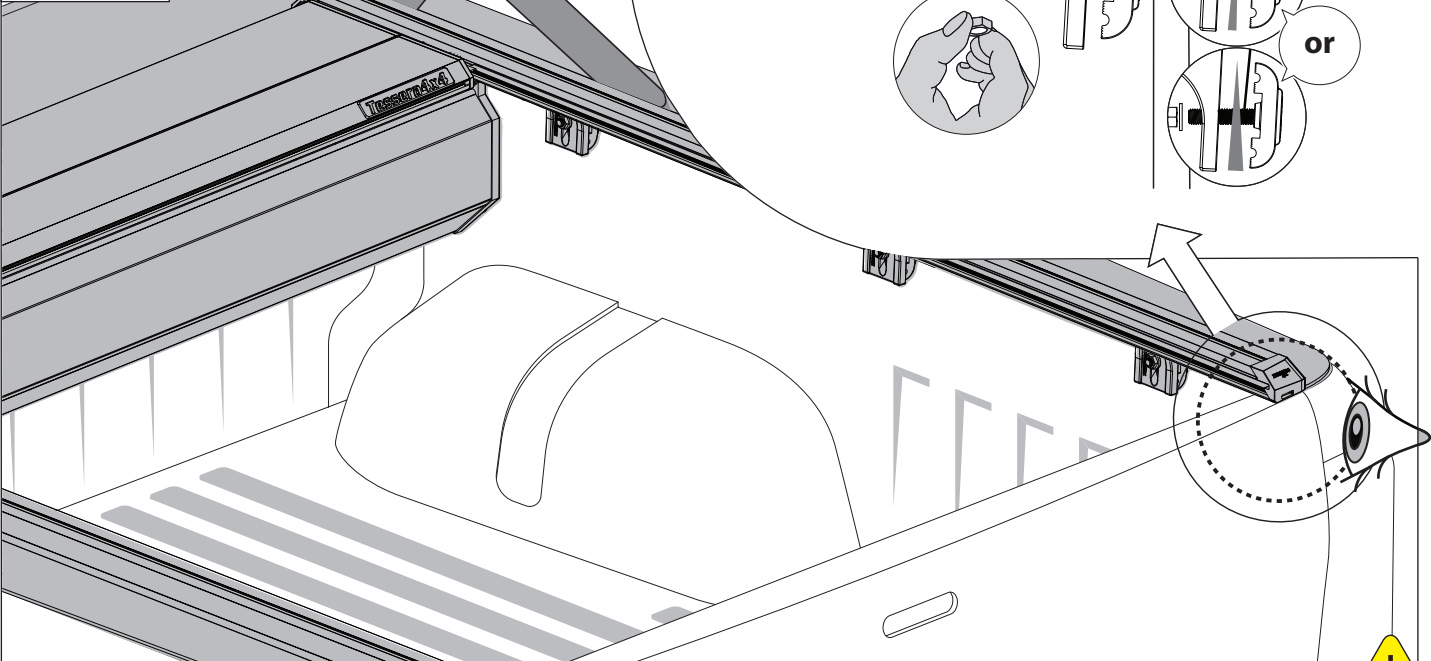
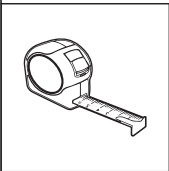
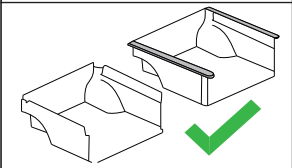
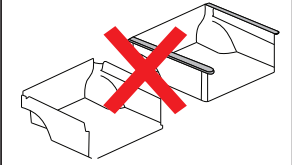
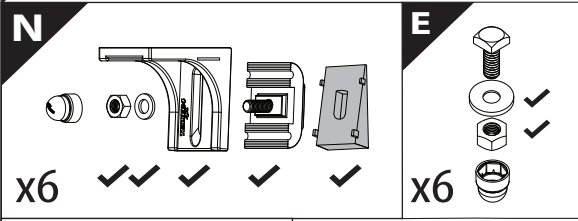


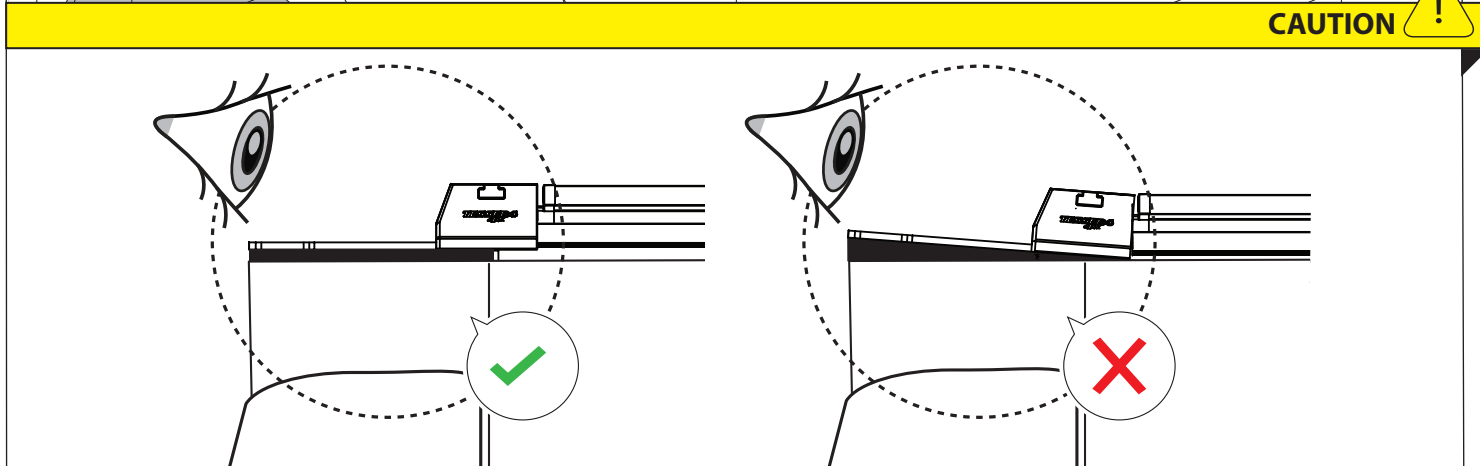
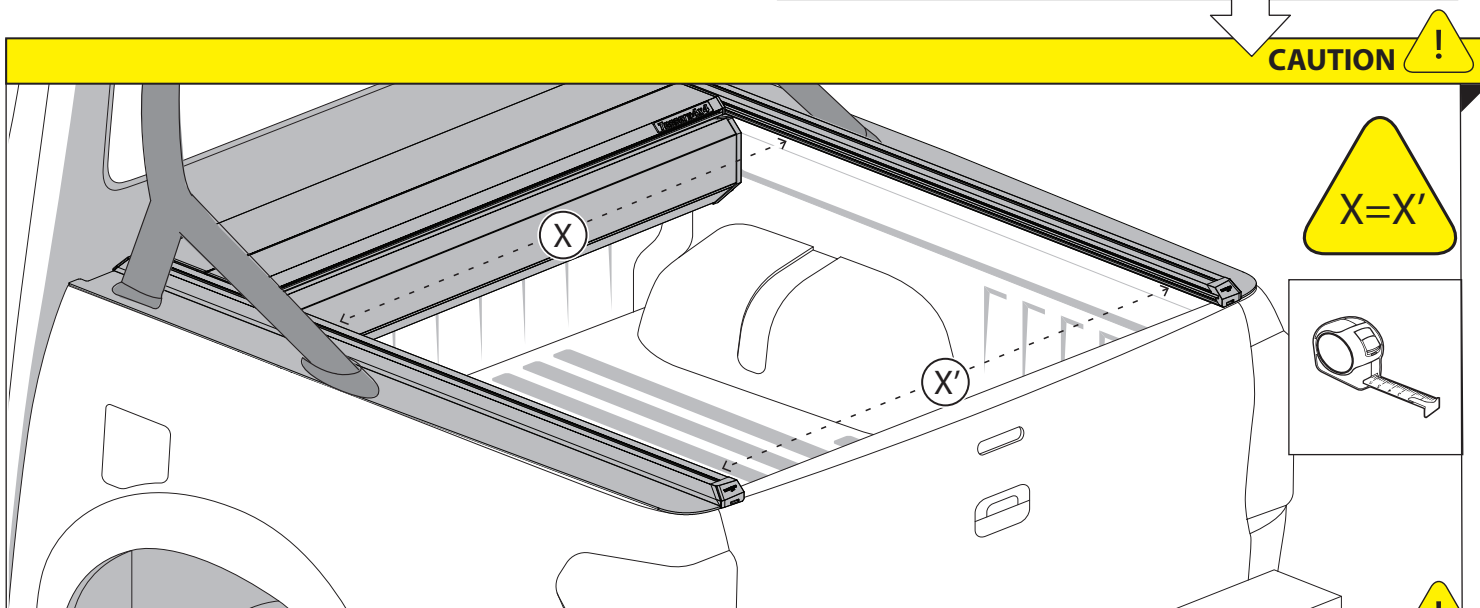
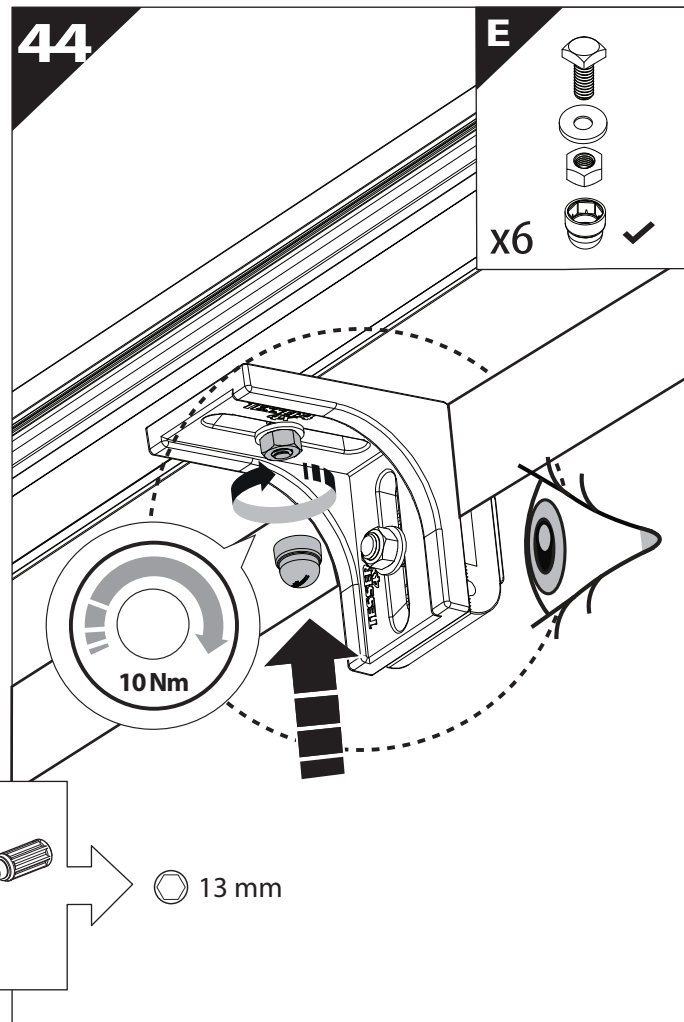
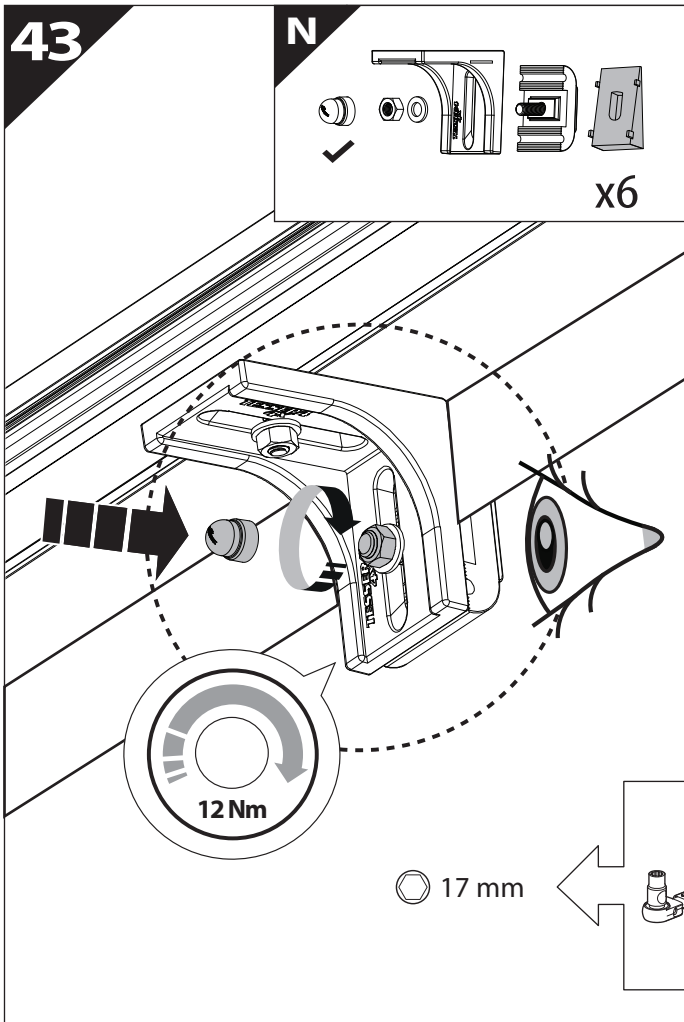
40



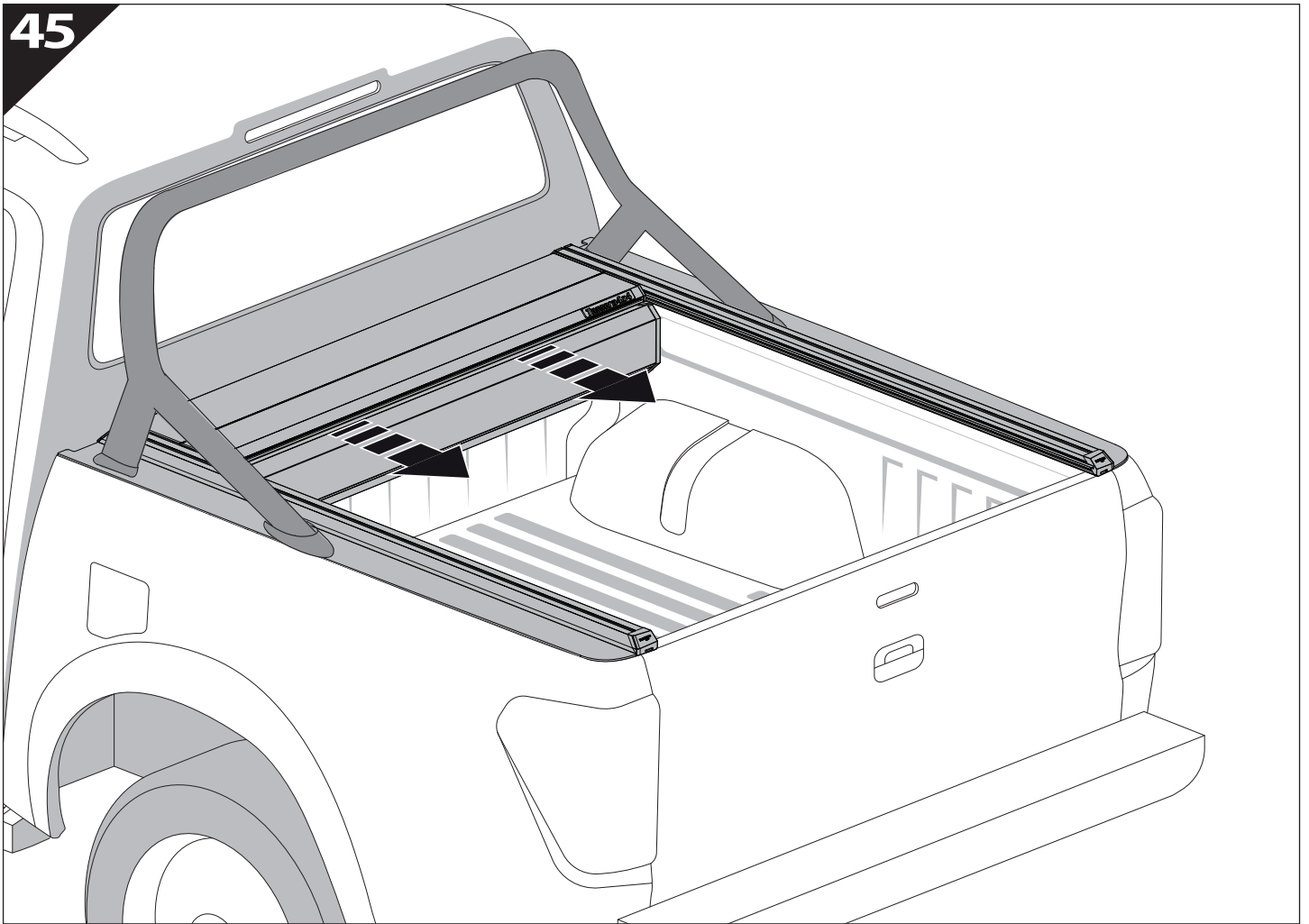
41



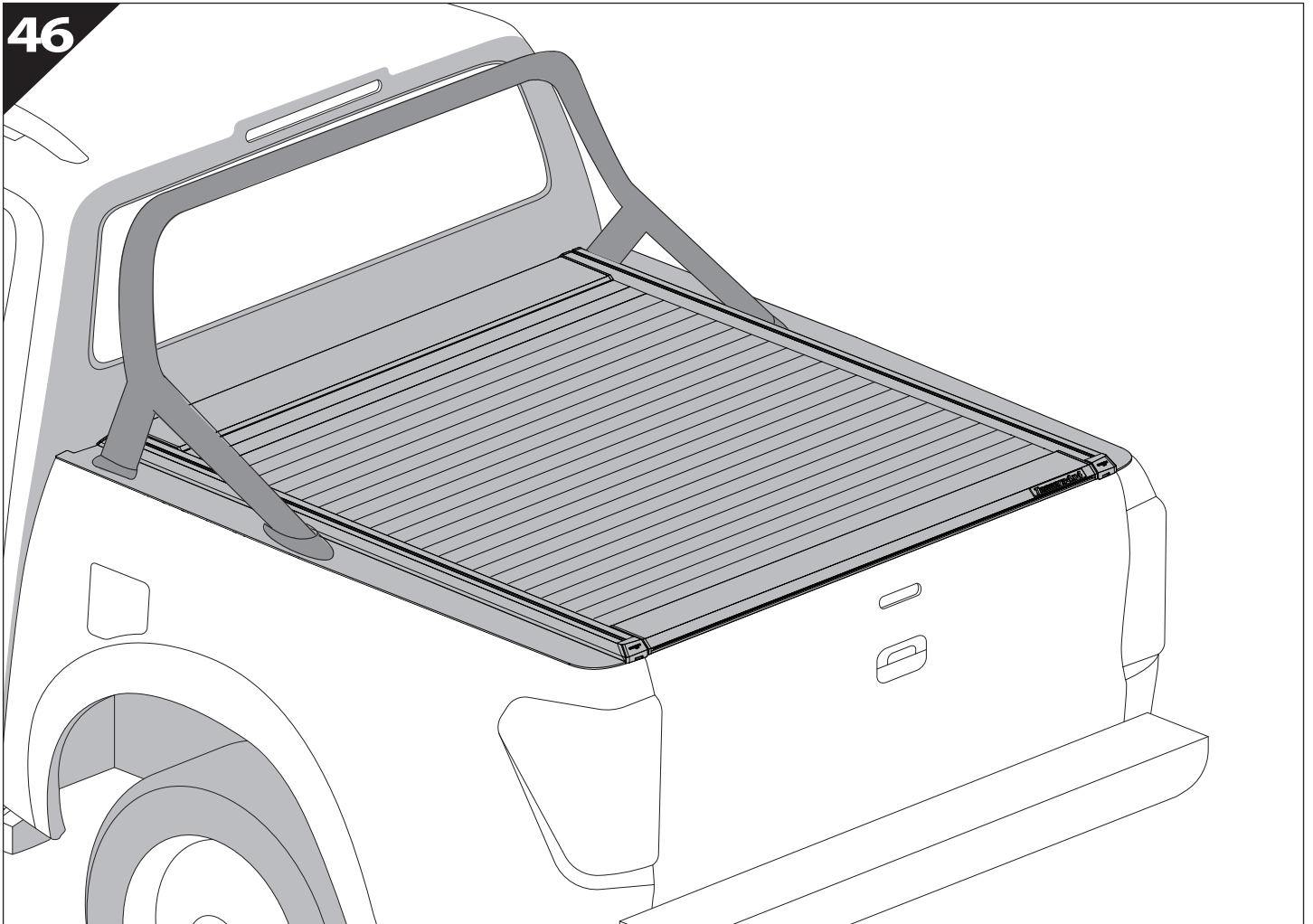




45



46





GR: Οδηγίες Εγκατάστασης
GB: Installation manual
SF: Asennusohje
F: Notice de montage
PL: Instrukcja montażu
NL: Installatie-instructies
TR: Montaj Talimatı
S: Monteringsanvisning
E: Instrucciones de montaje

H: Szerelési utasítás
P: Instruções de instalação
RUS: Инструкция по установке
N: Monteringsveiledning
D: Einbauanleitung
CZ: Návod k instalaci
I: Istruzioni de montaggio
DK: Monteringsvejledning
RO: Instructiuni de instalare

Customer Service:

+30 (210) 5541161, +30 (210) 5541154 (08:00 - 16:00 EET)

Support department:

info@gianso.gr

Website:

www.tessera4x4.com

Address:

19.5 km of National road Athens-Korinthos (Elefsina) Greece, P.C: 19200