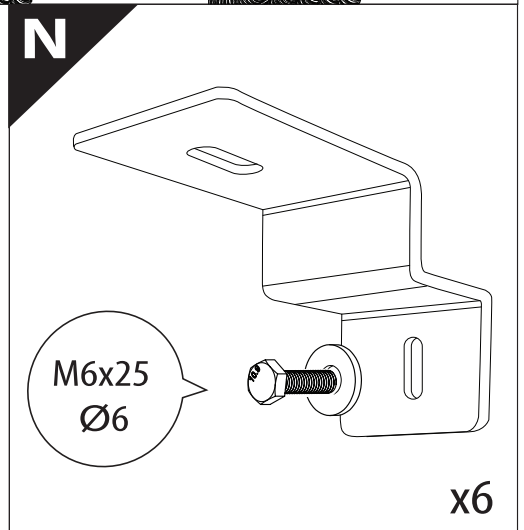
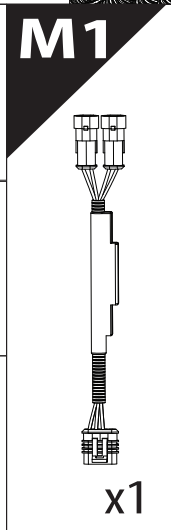
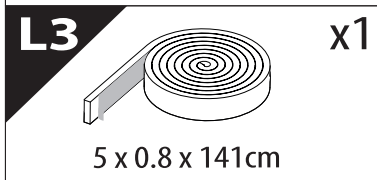
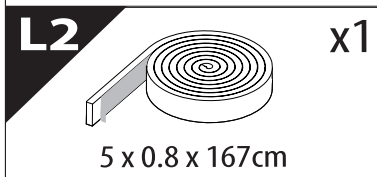
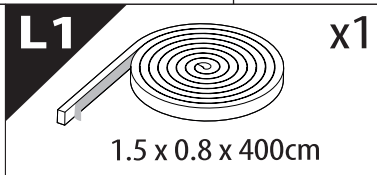
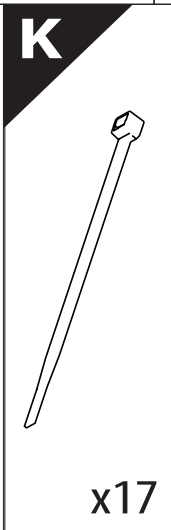
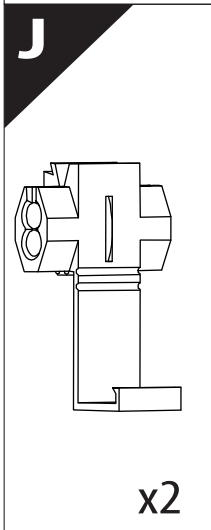
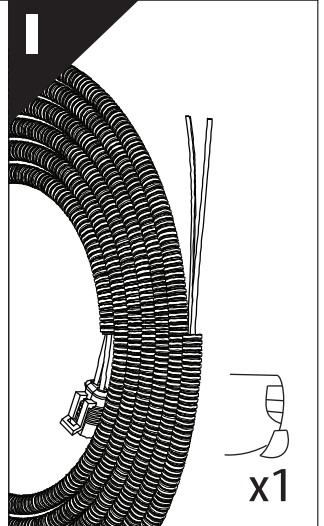
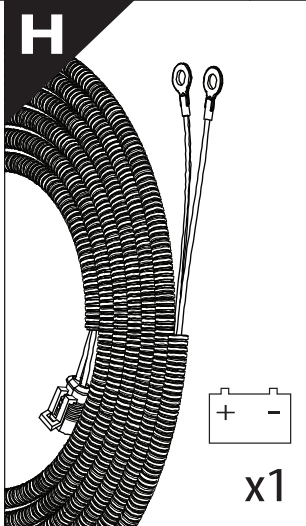
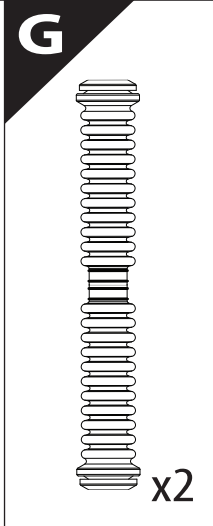
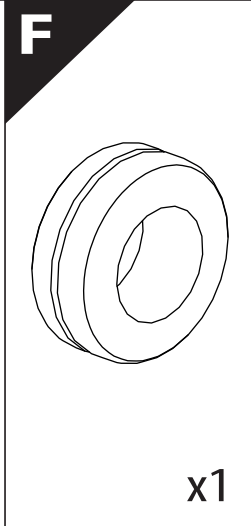
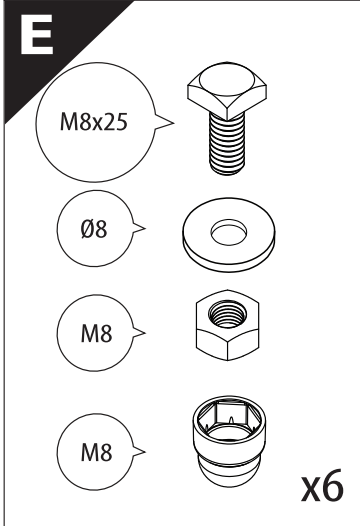
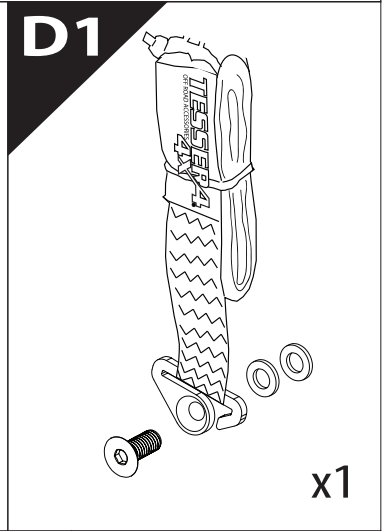
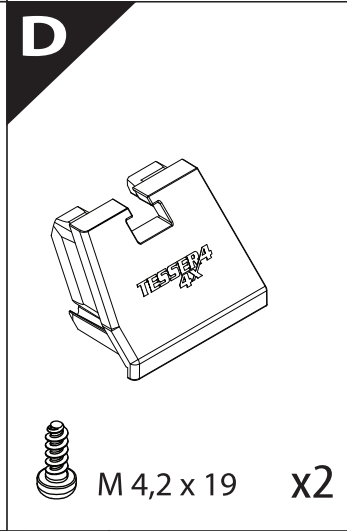
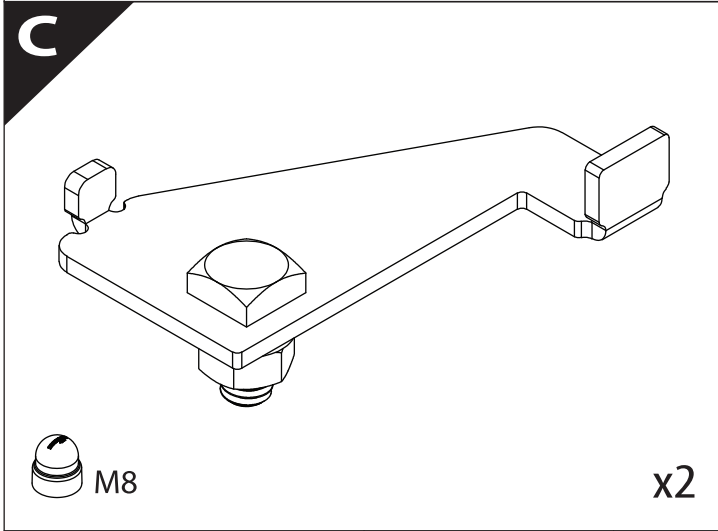
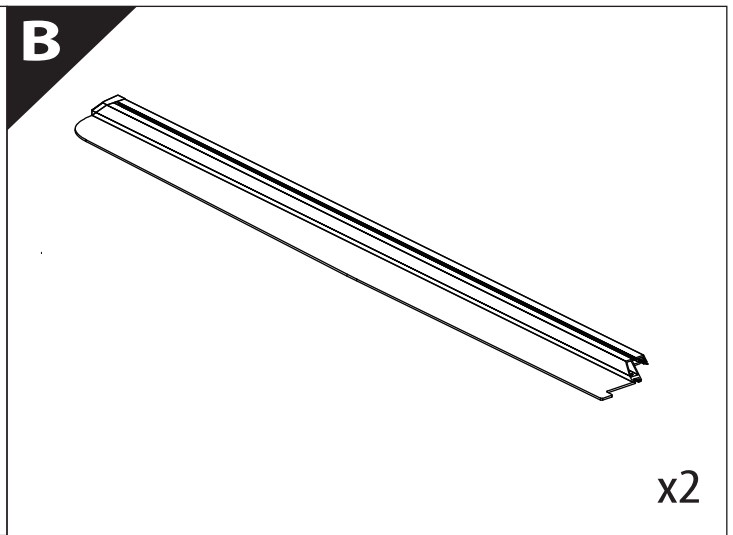
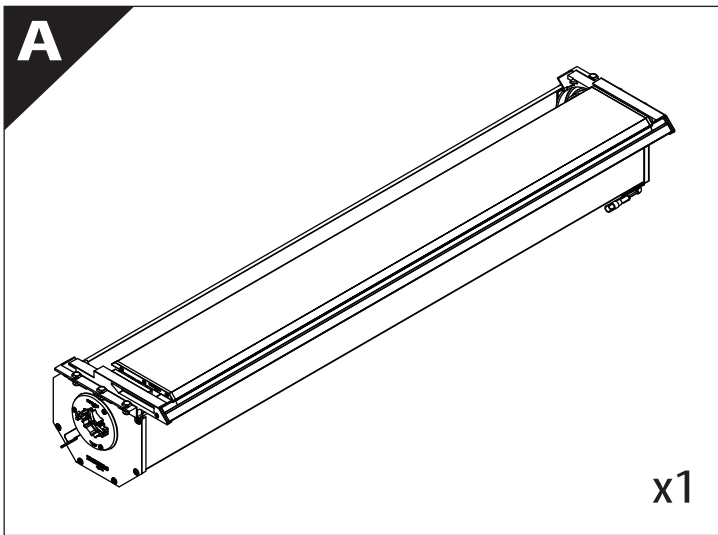
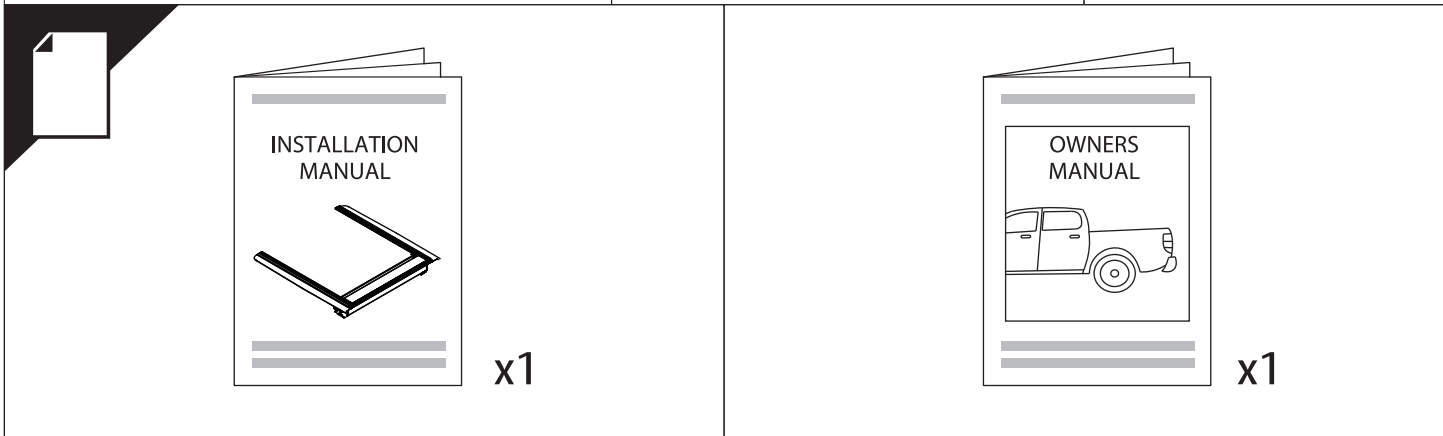
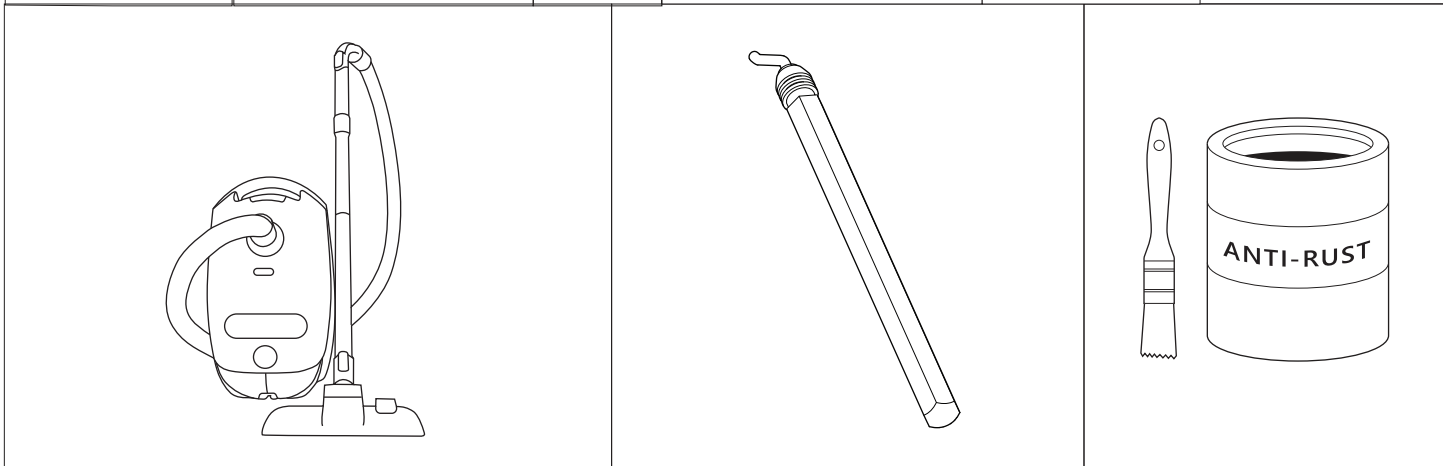
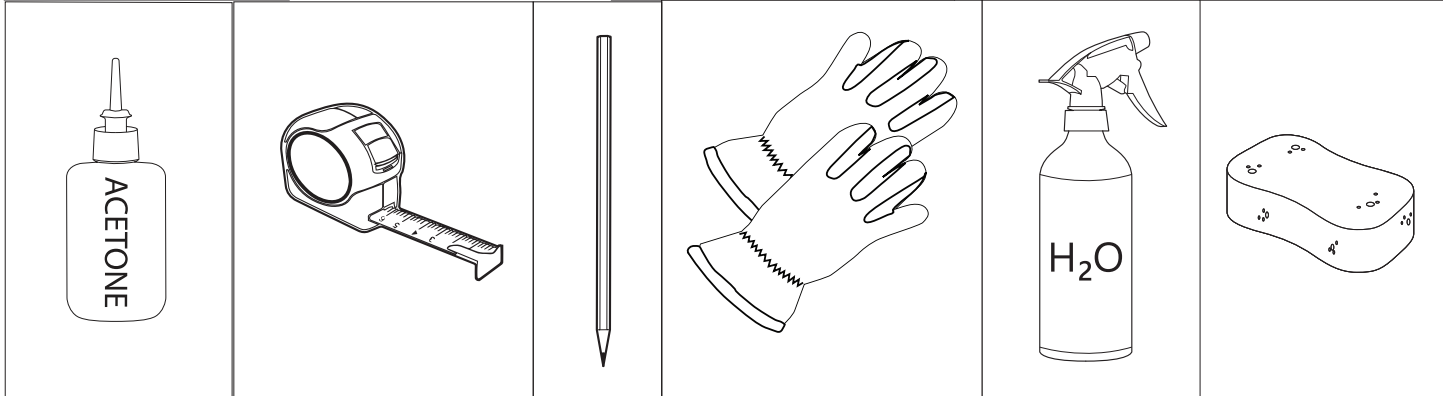
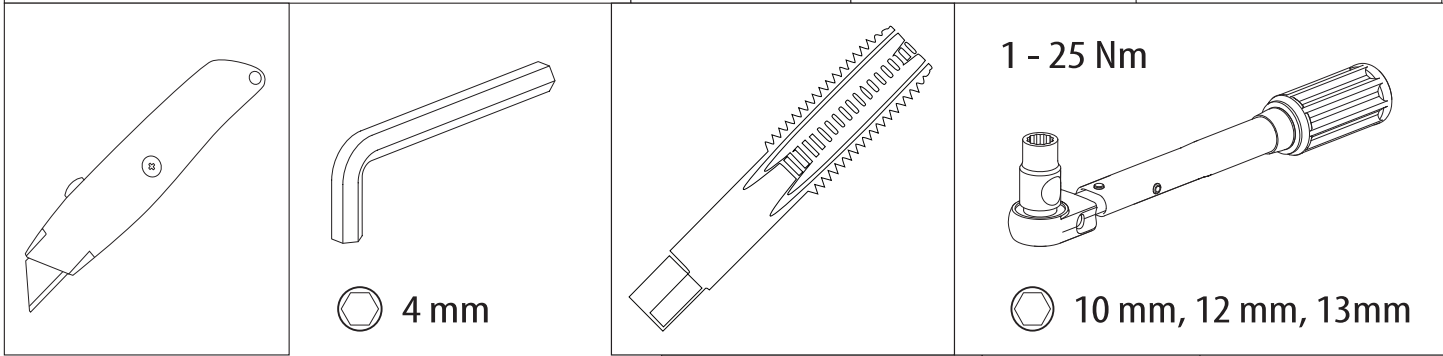
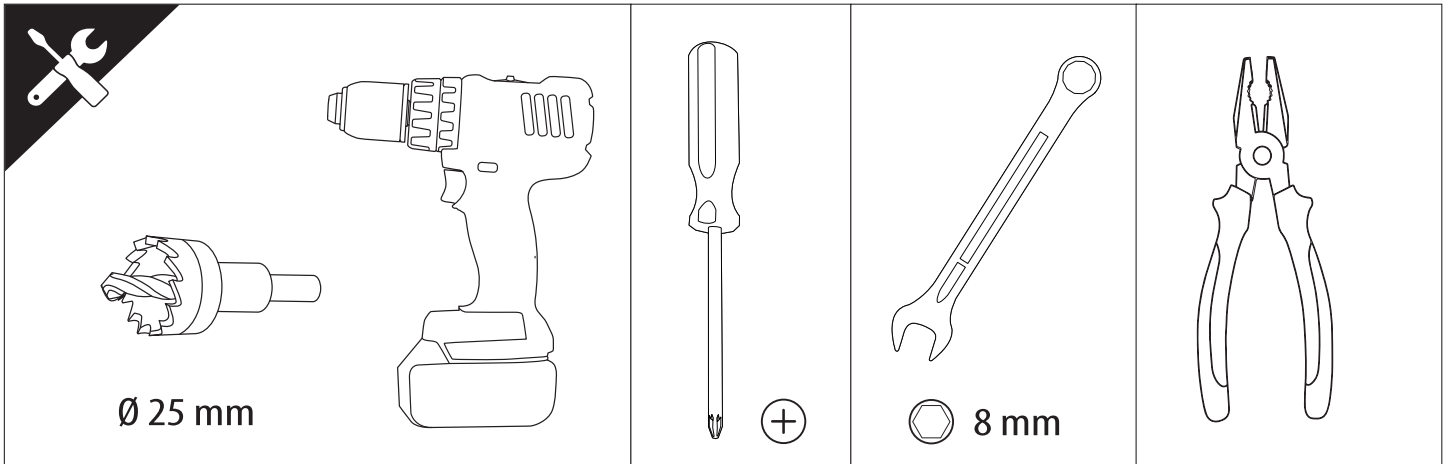
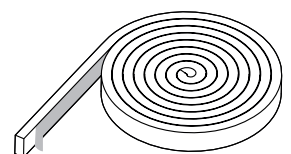
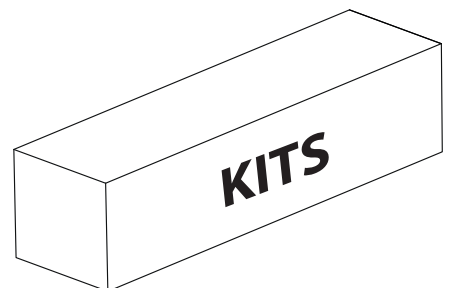
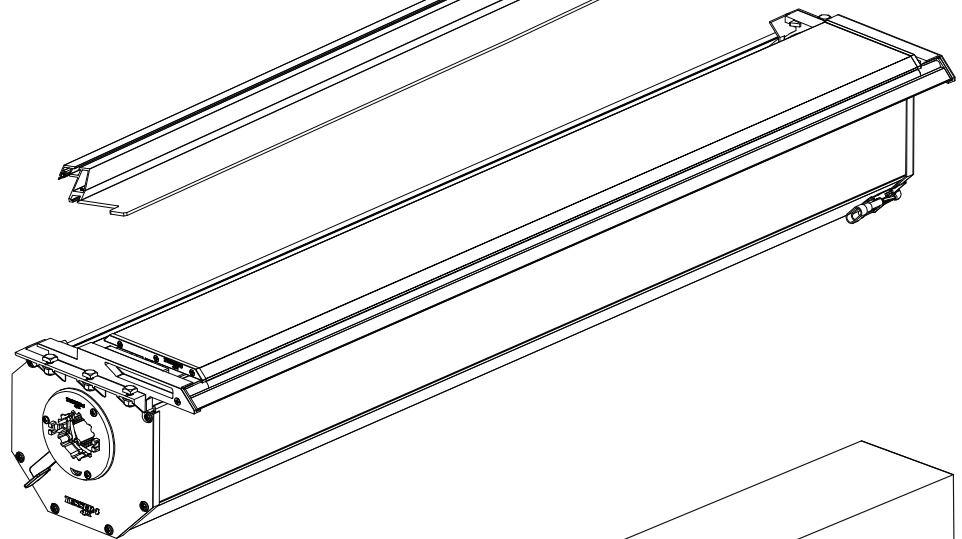
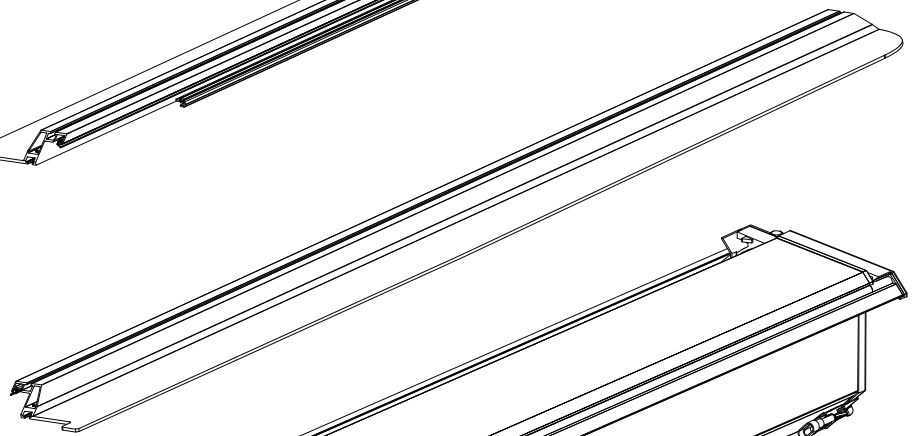
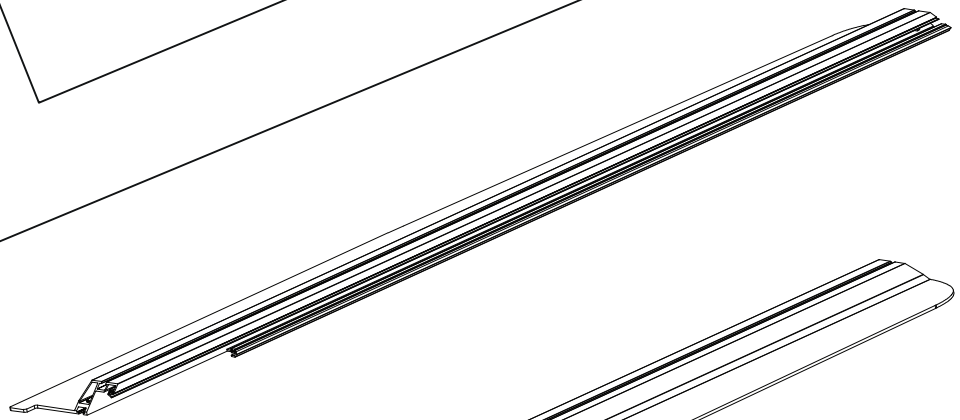
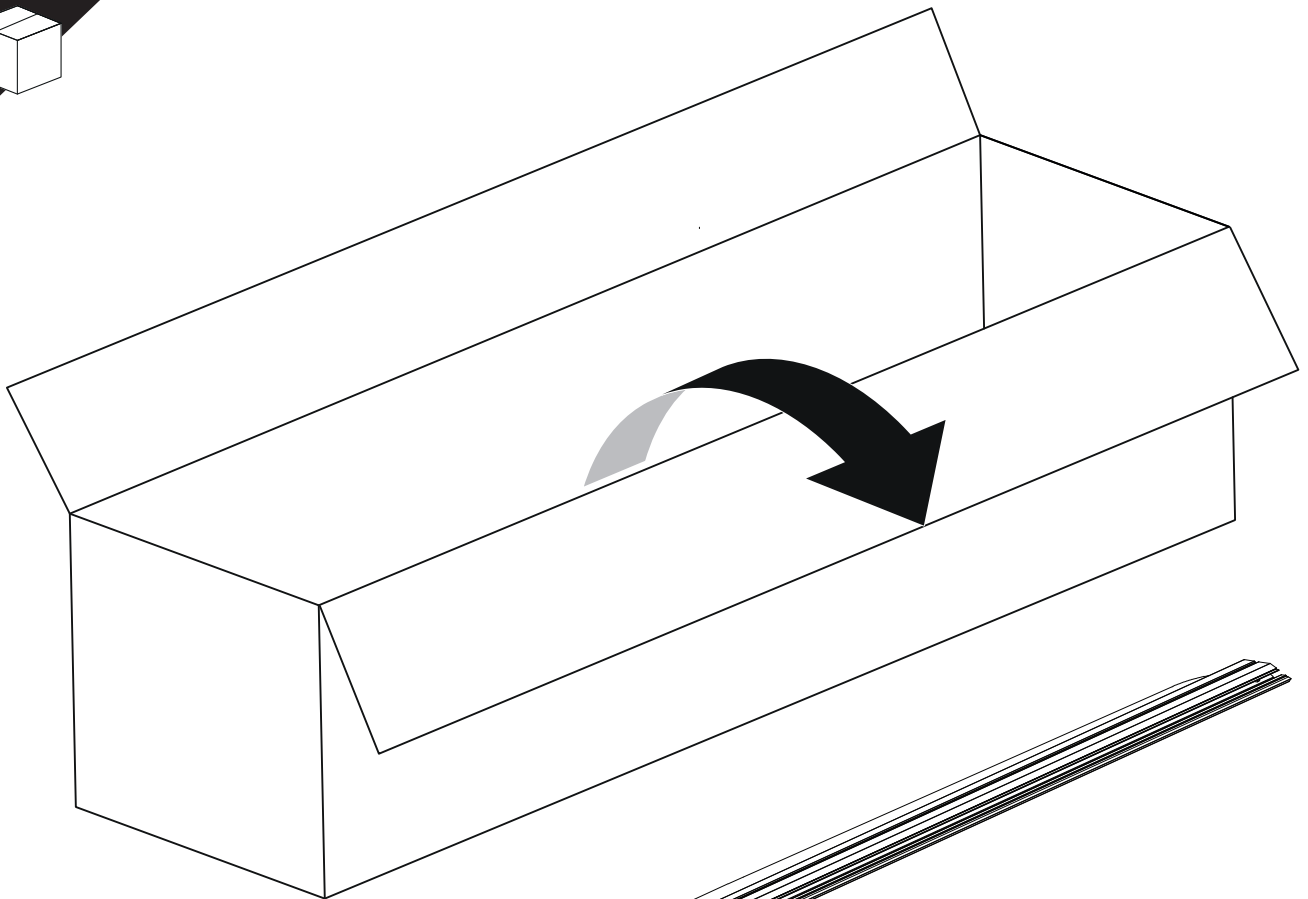


Installation Manual

PART NUMBER(S)	Model Year
TESS 1422 ROLL	JEEP GLADIATOR (no-c-channels)
Cab(s)	Installation Time / Weight
Double Cab	40-60 minutes / 53-57 kg





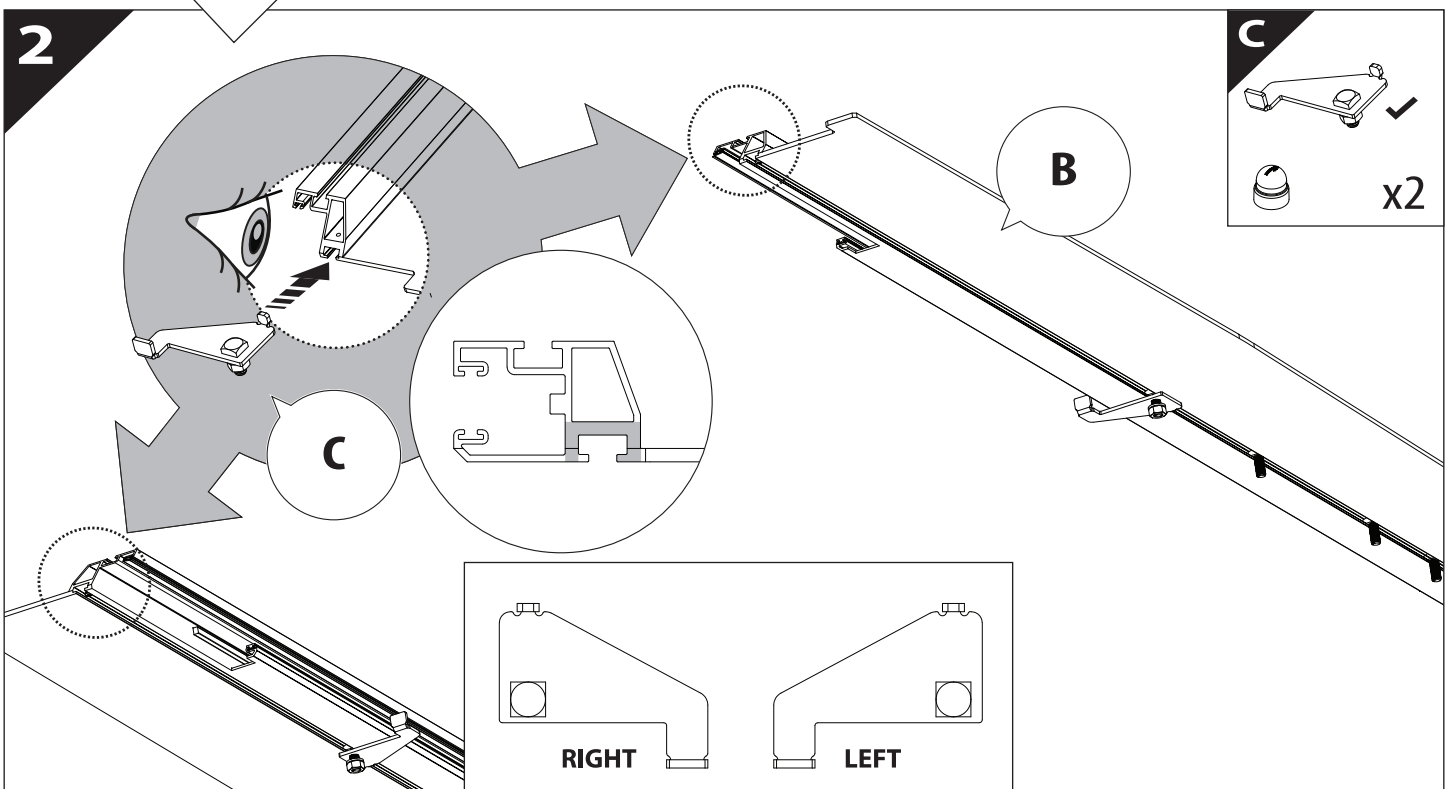
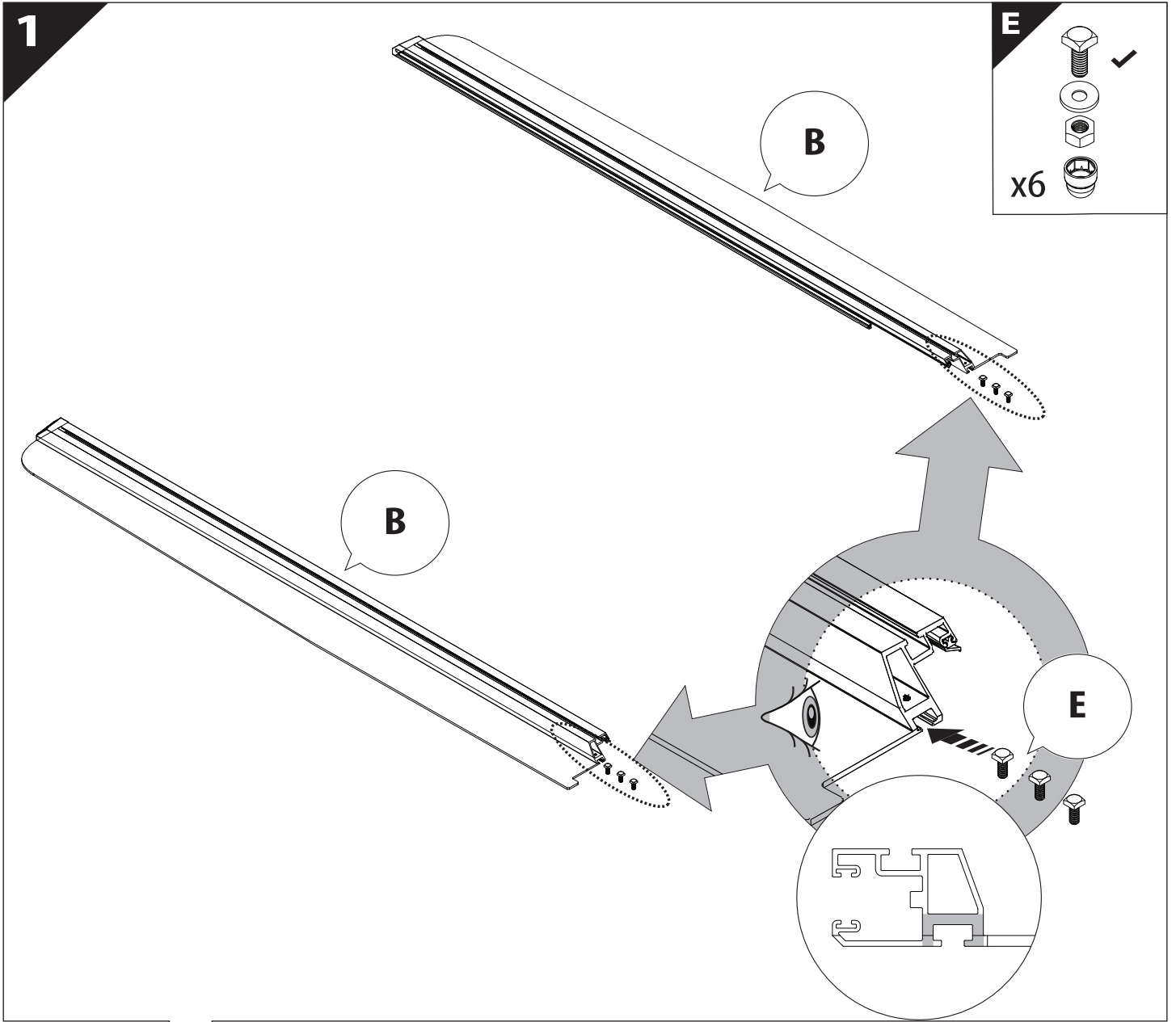


B

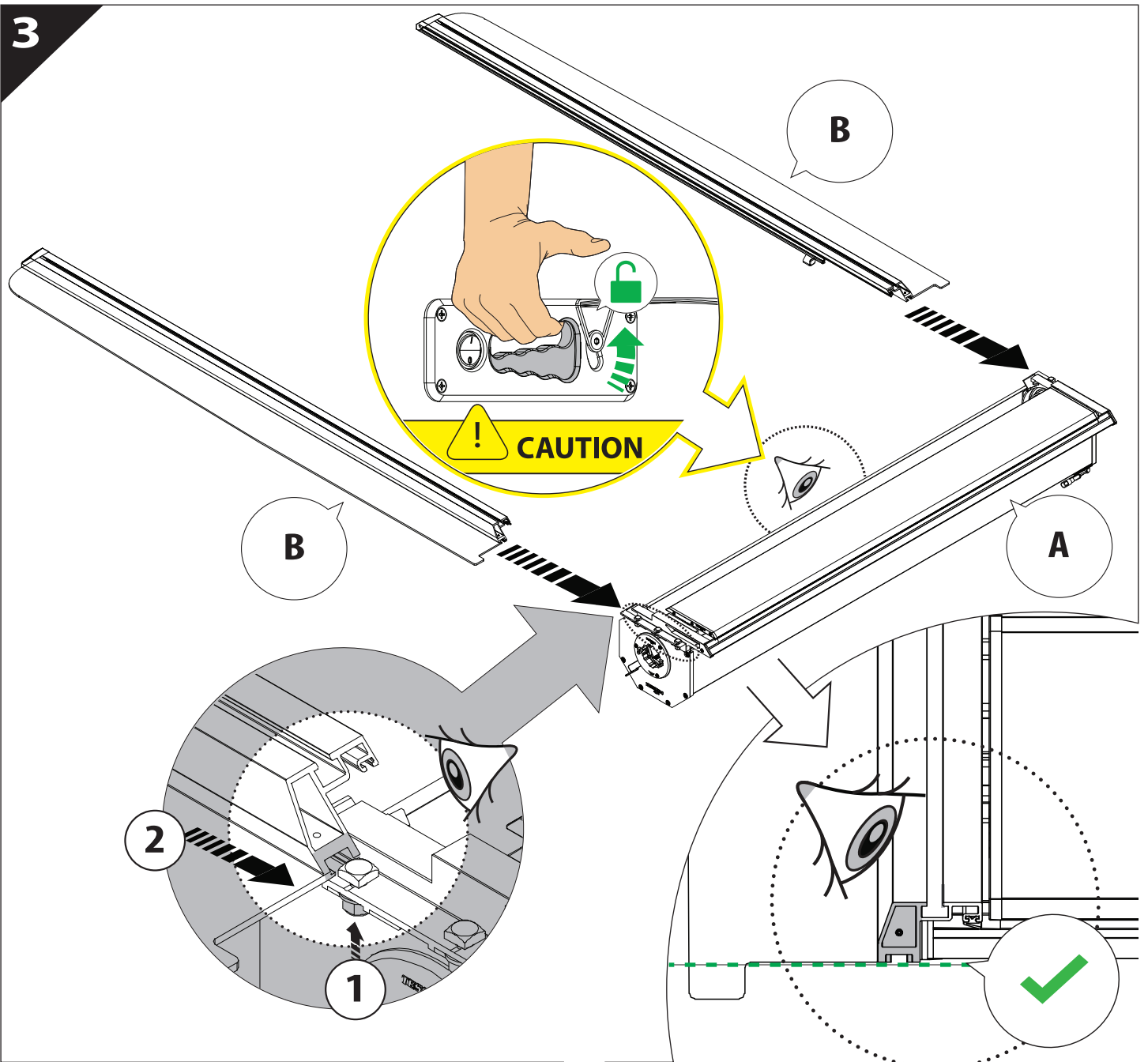
A

KITS

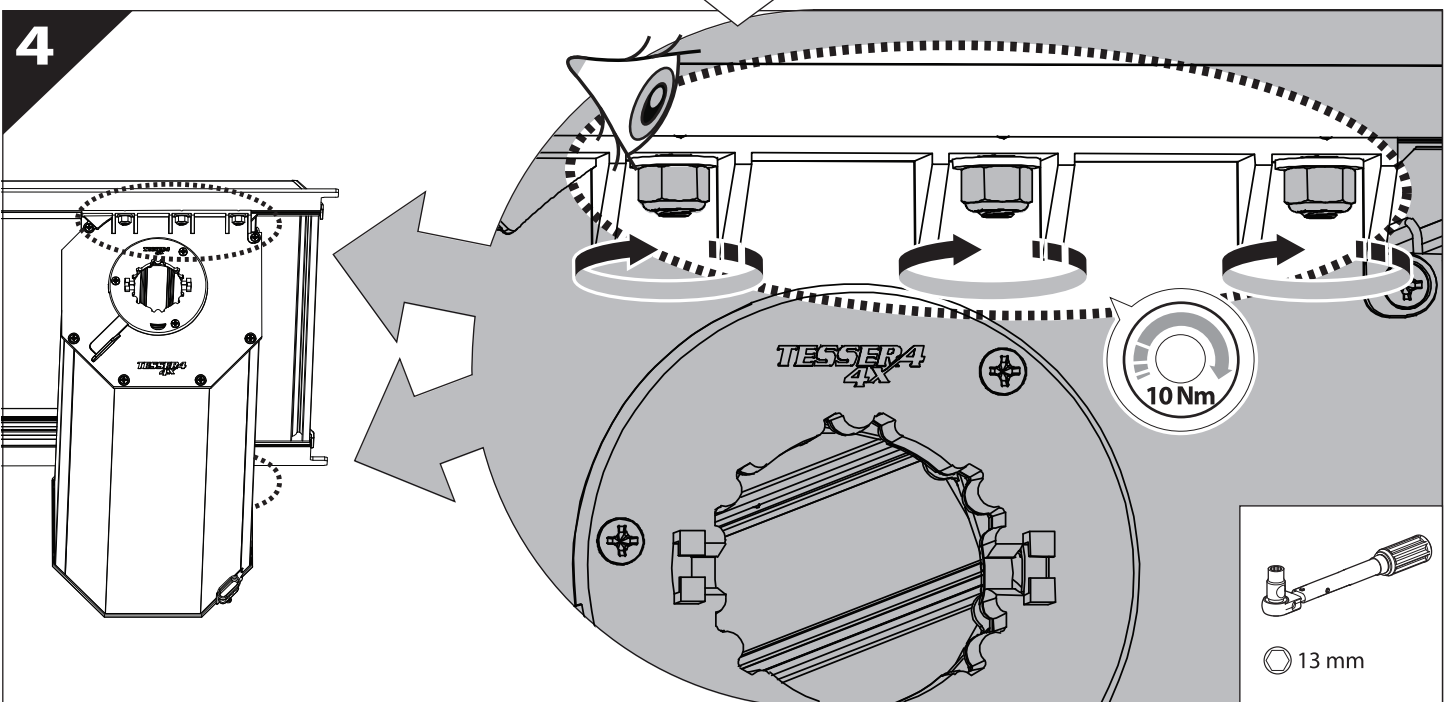
L

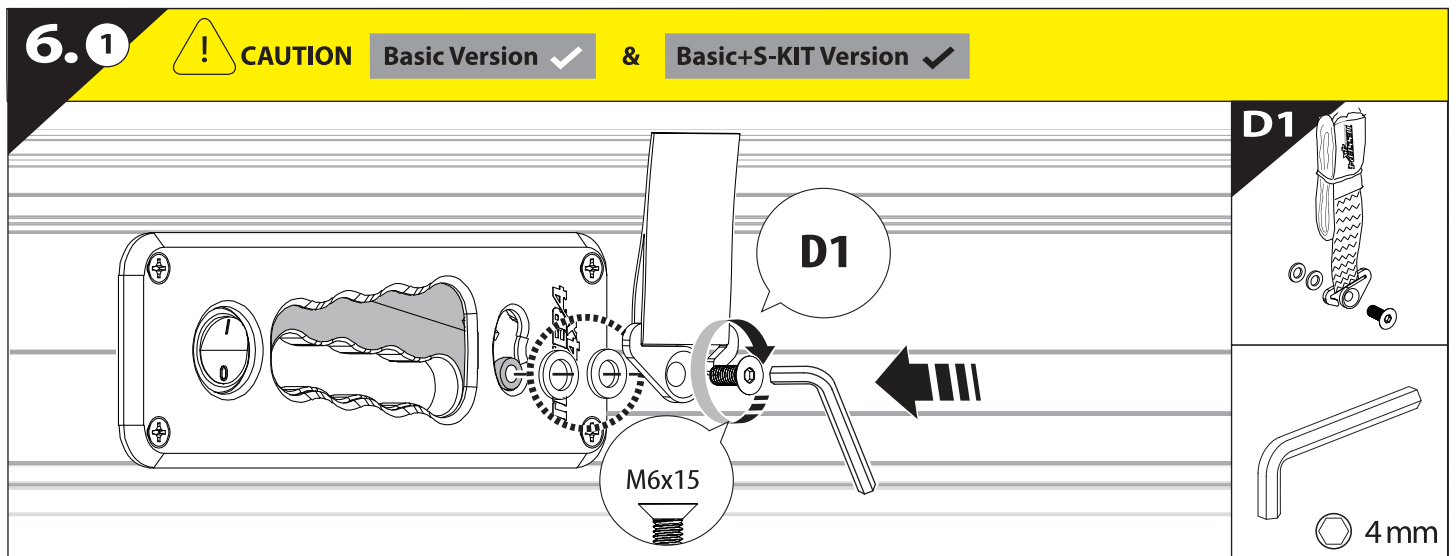
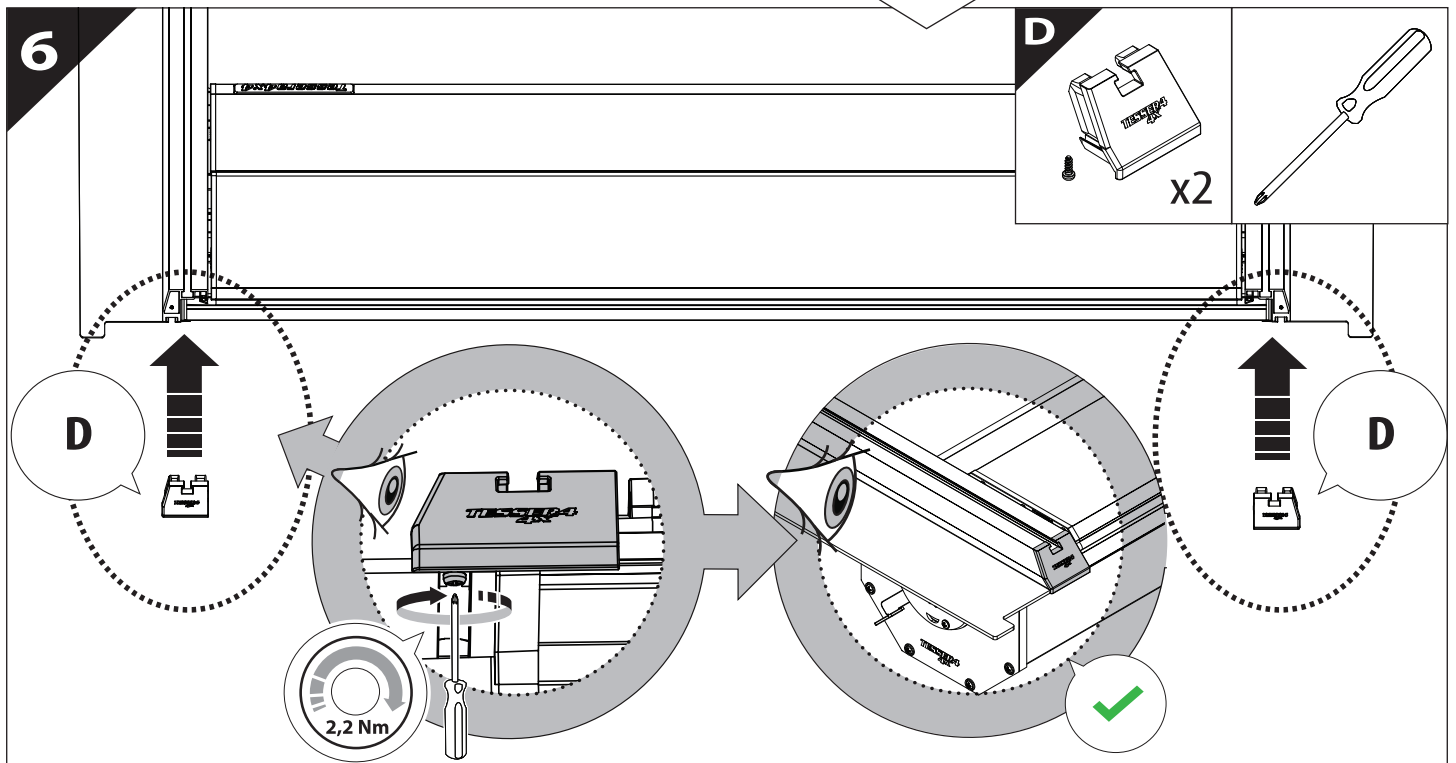
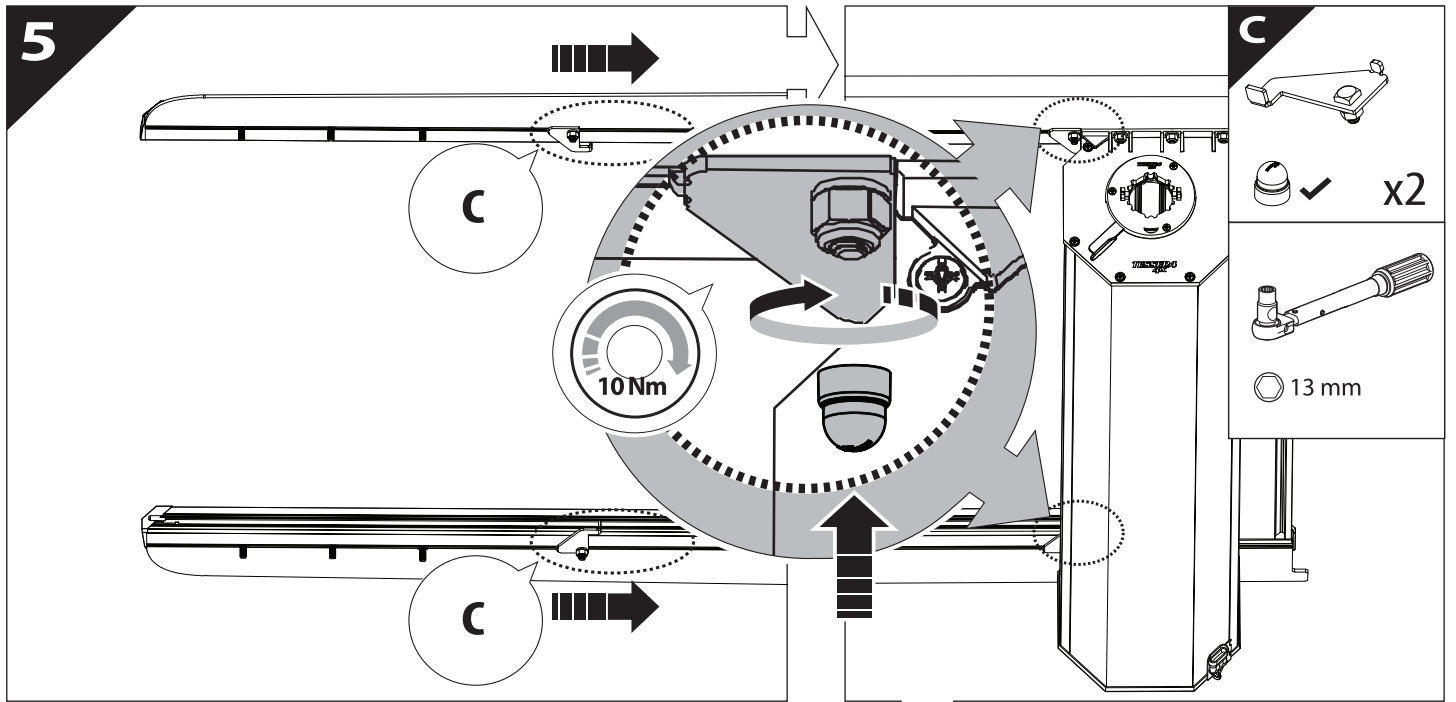


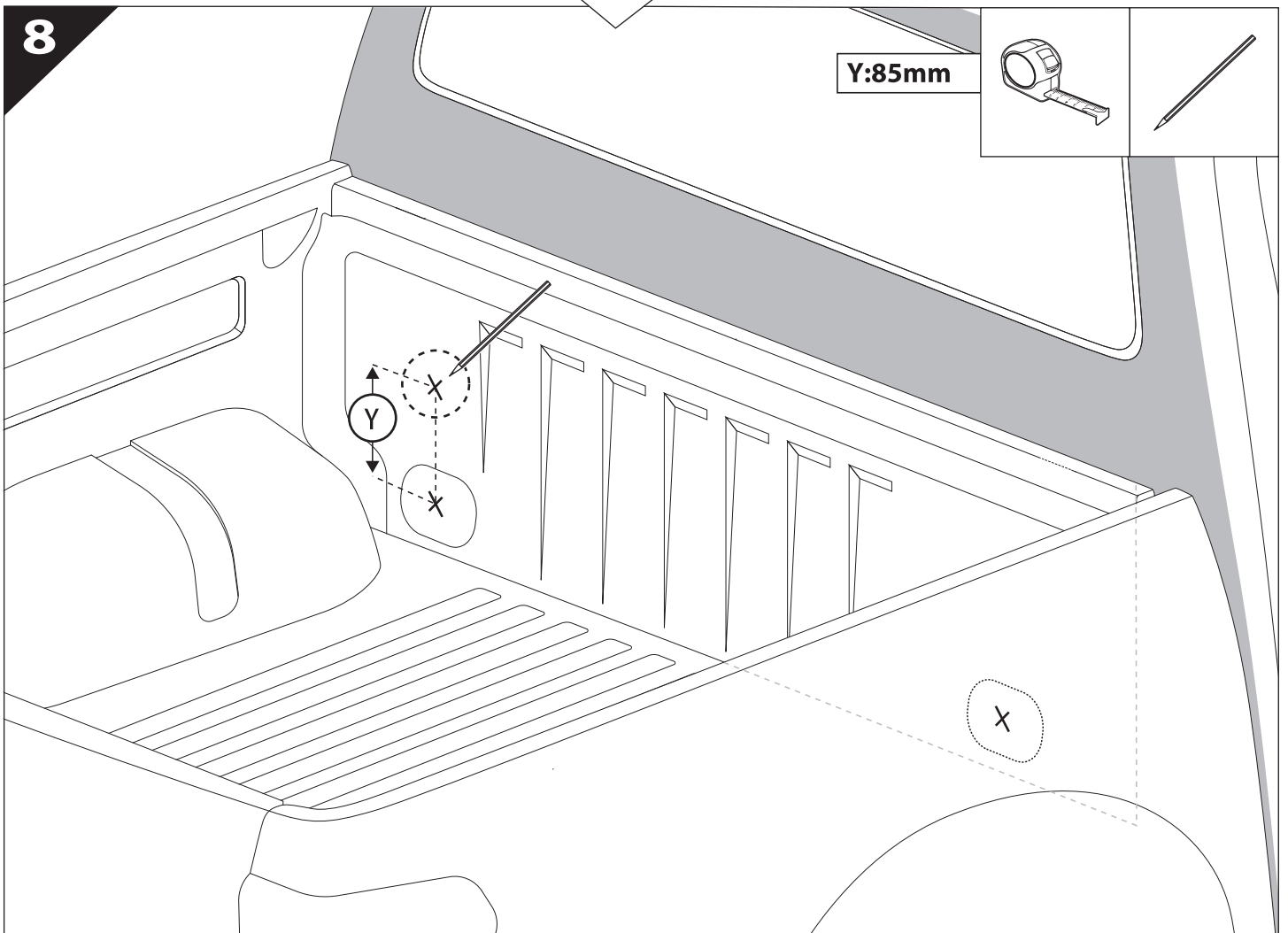
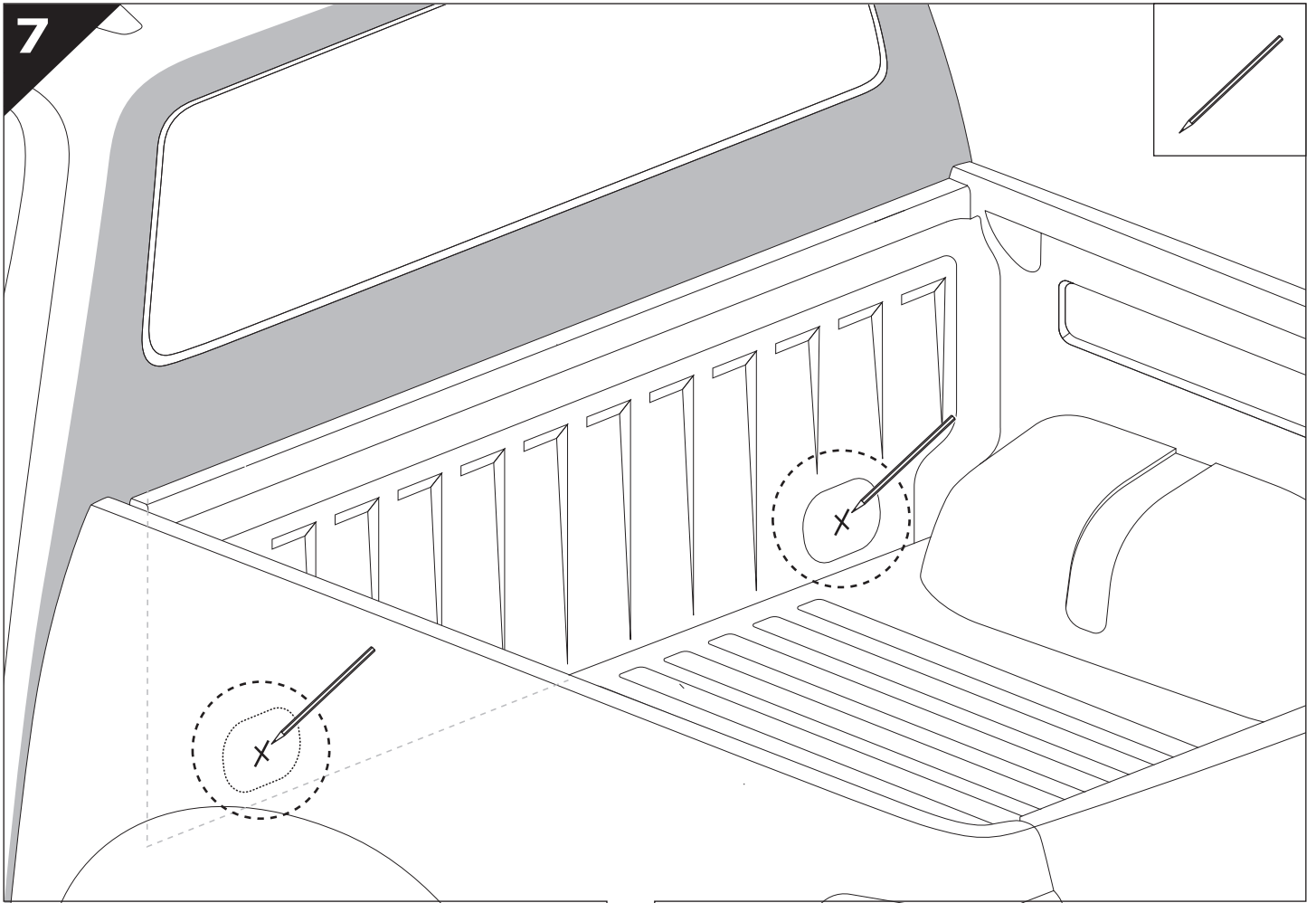
3

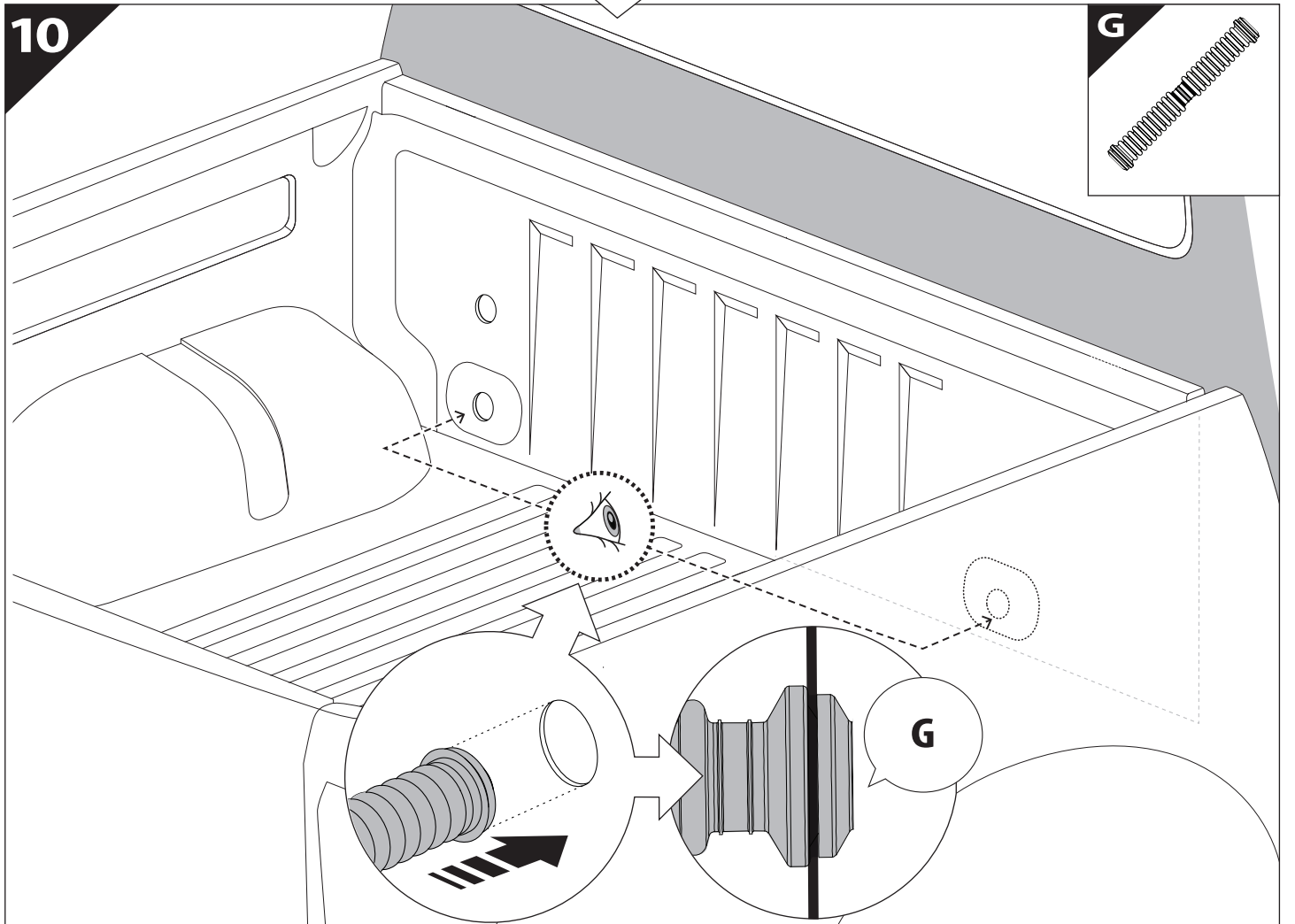
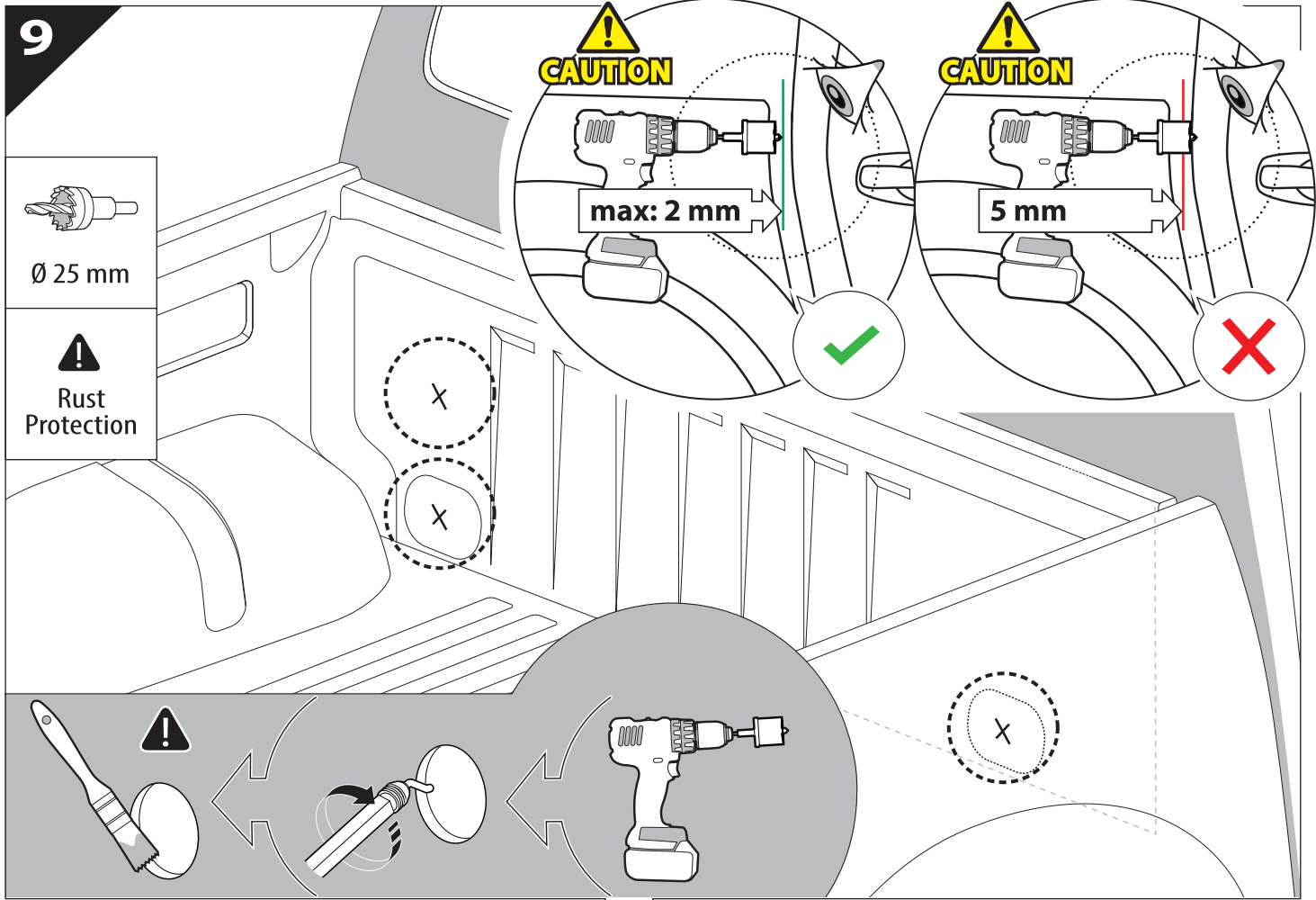


4



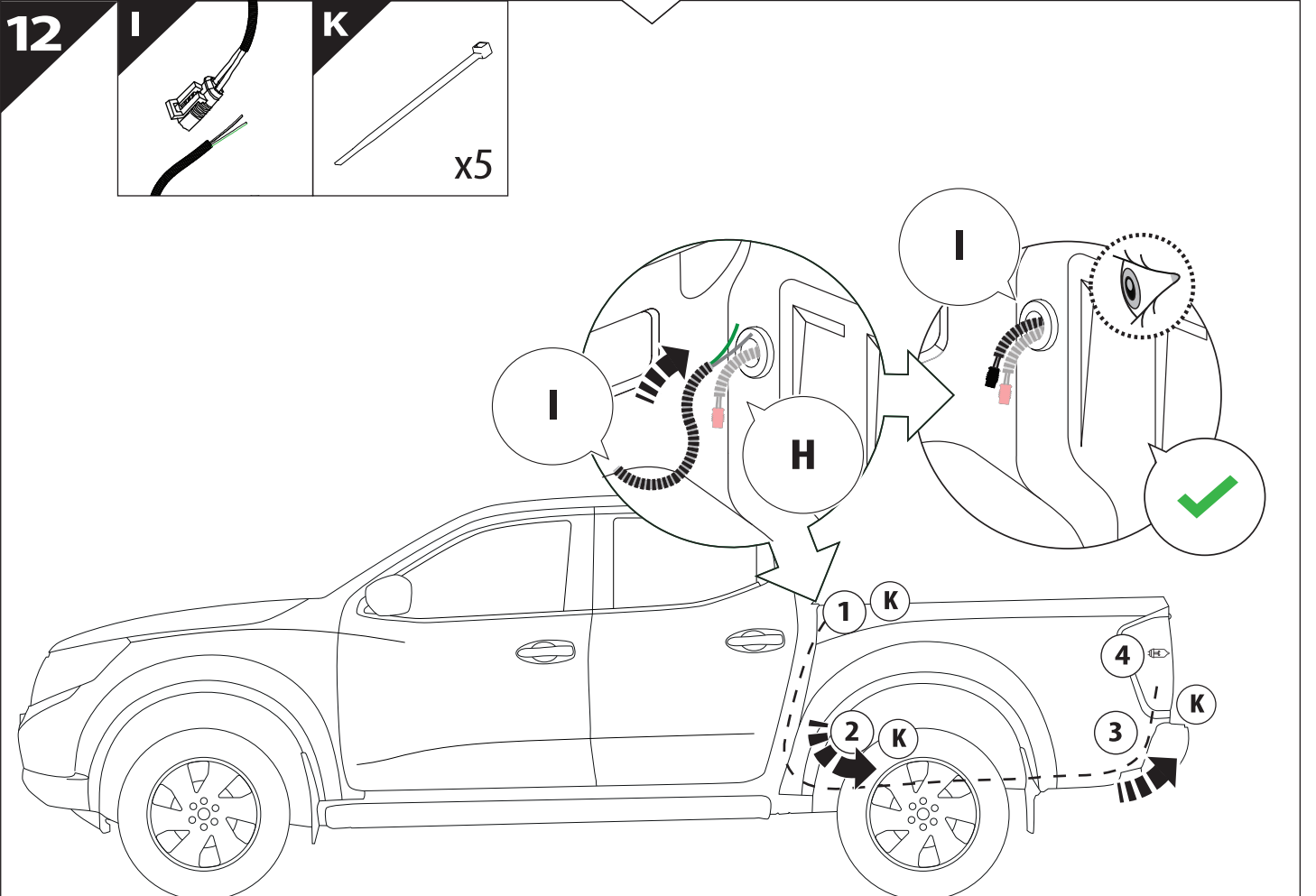
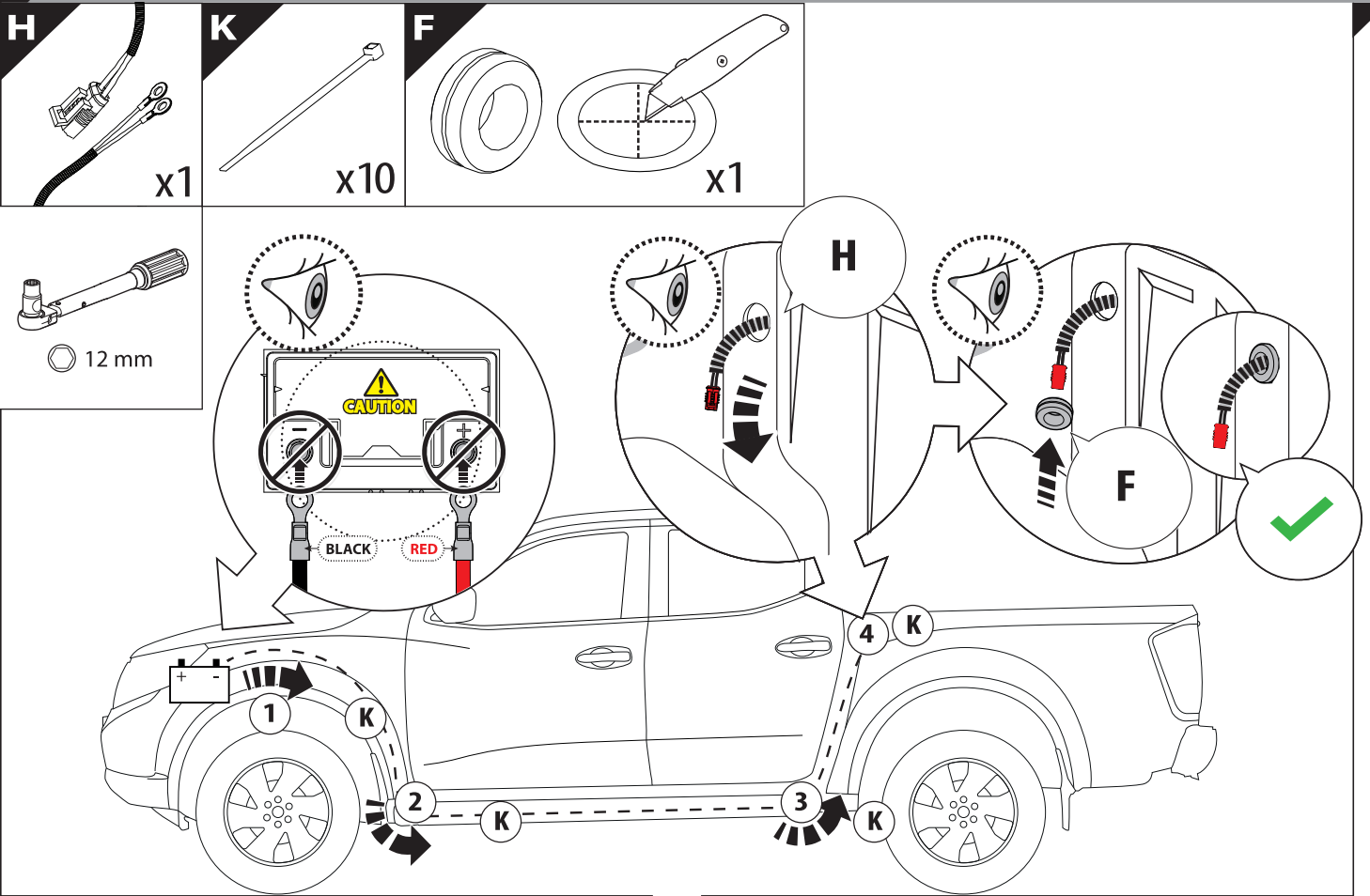




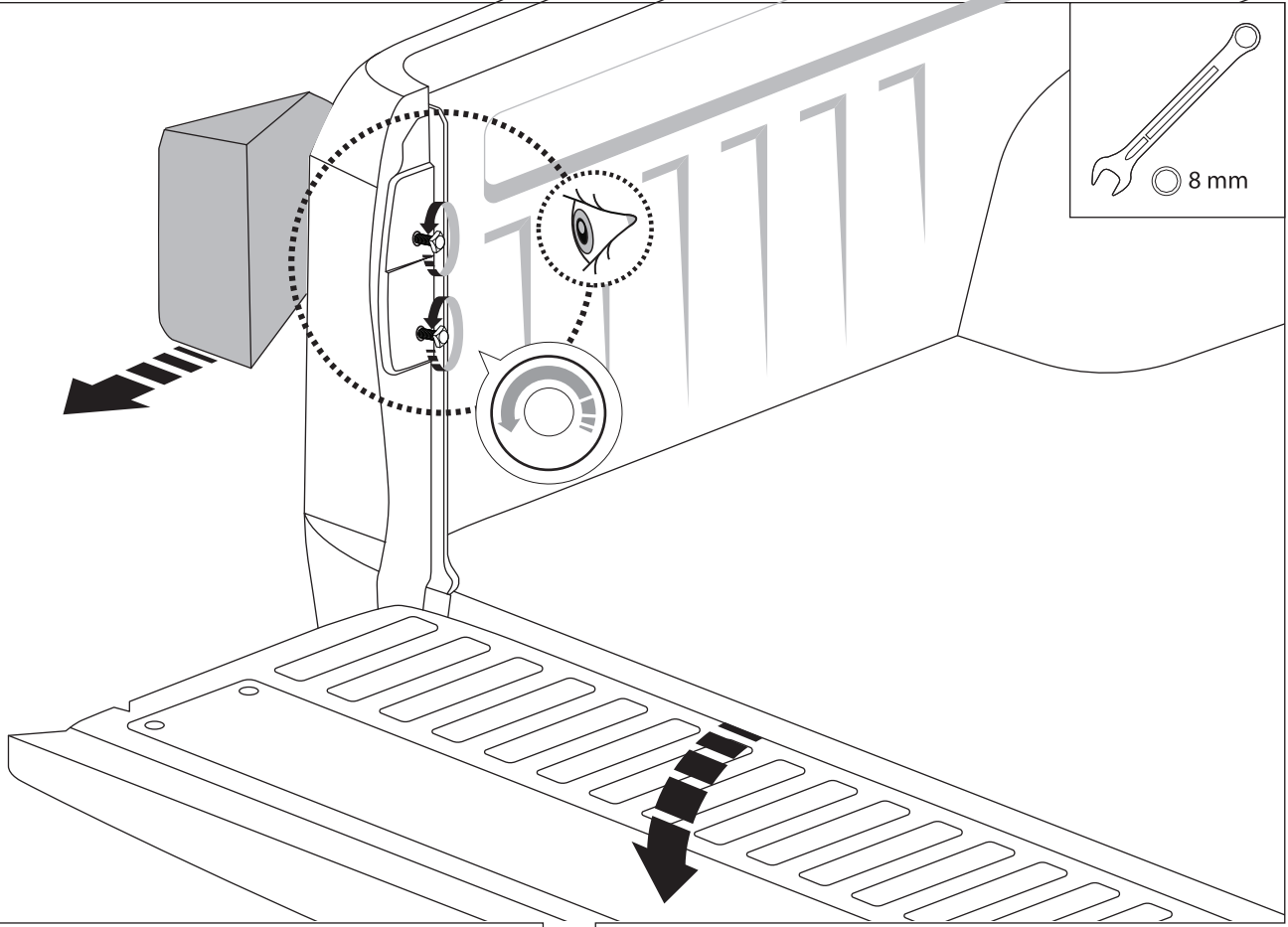


11

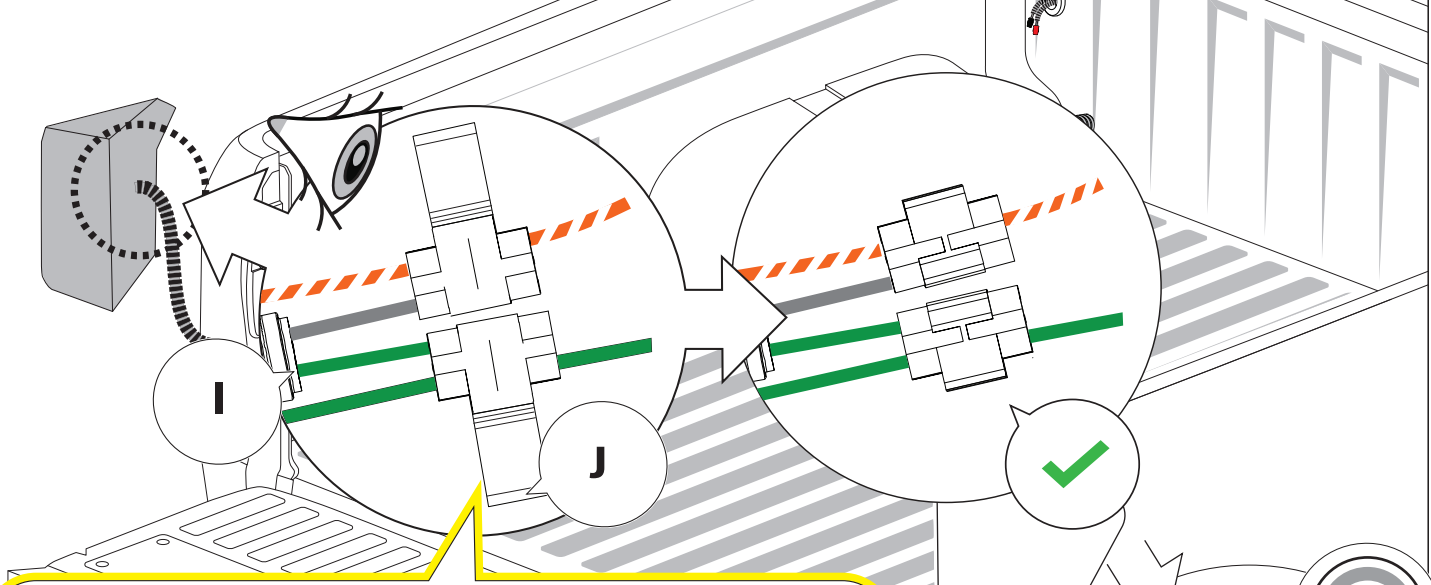
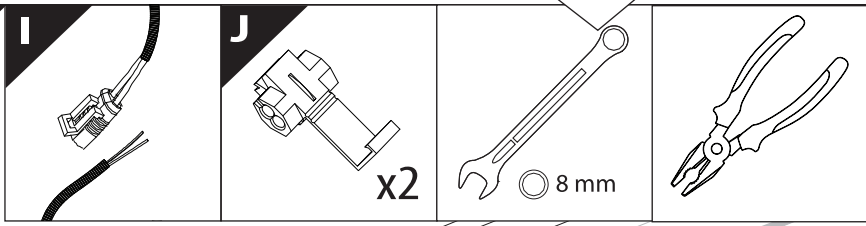
Only to be installed by authorized personnel



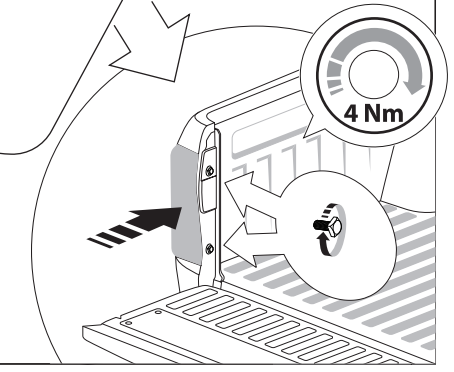
13

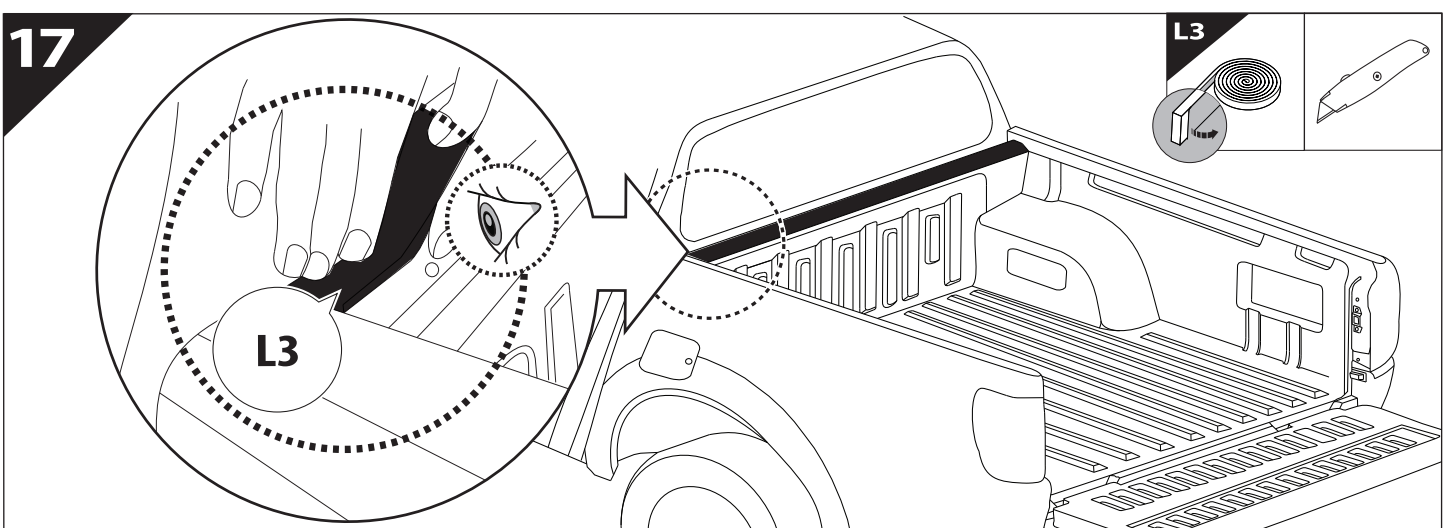
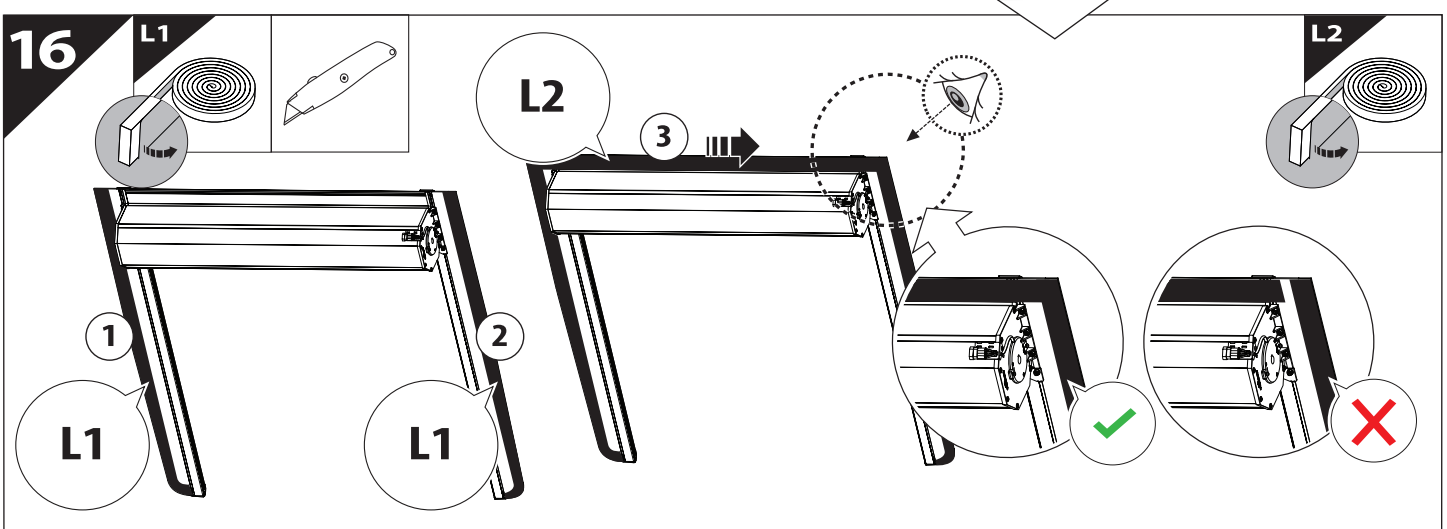
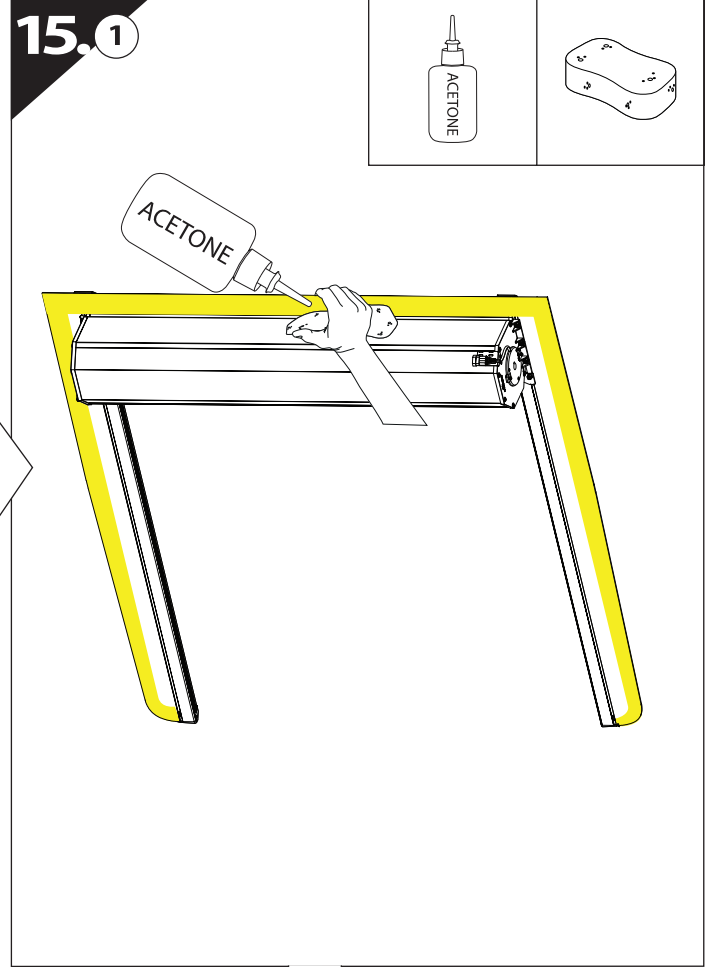
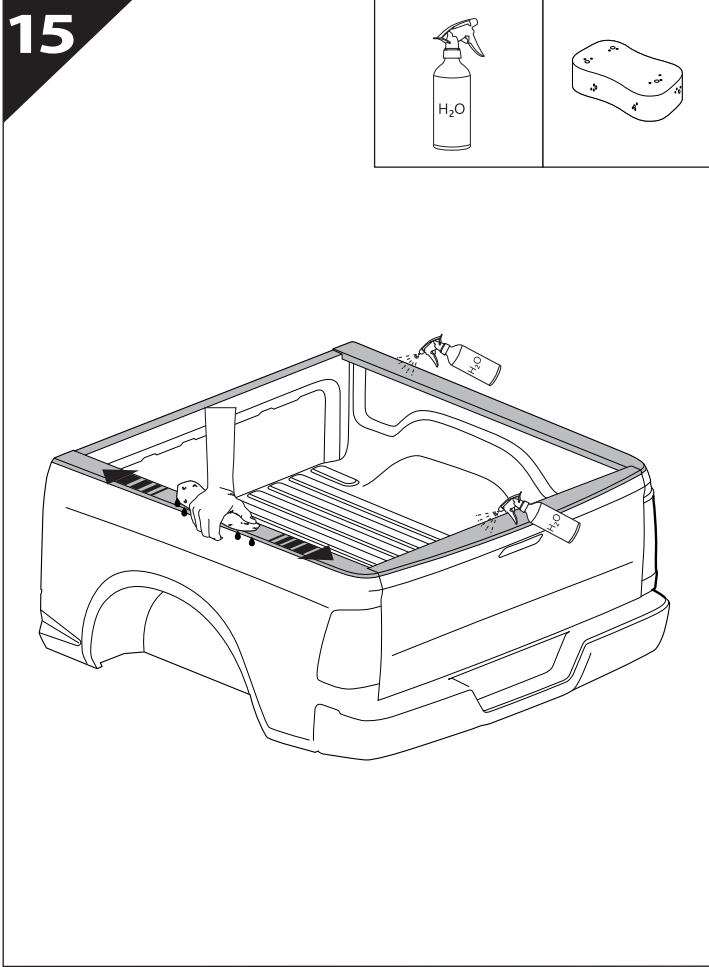


14



MODEL YEAR	LIGHTS	CAR	TESSERA ROLL+
2020+	BEAM	↔	
2020+	STOP	↔	
MODEL YEAR	LIGHTS	CAR	TESSERA ROLL+
2022+	BEAM	↔	
2022+	STOP	↔	





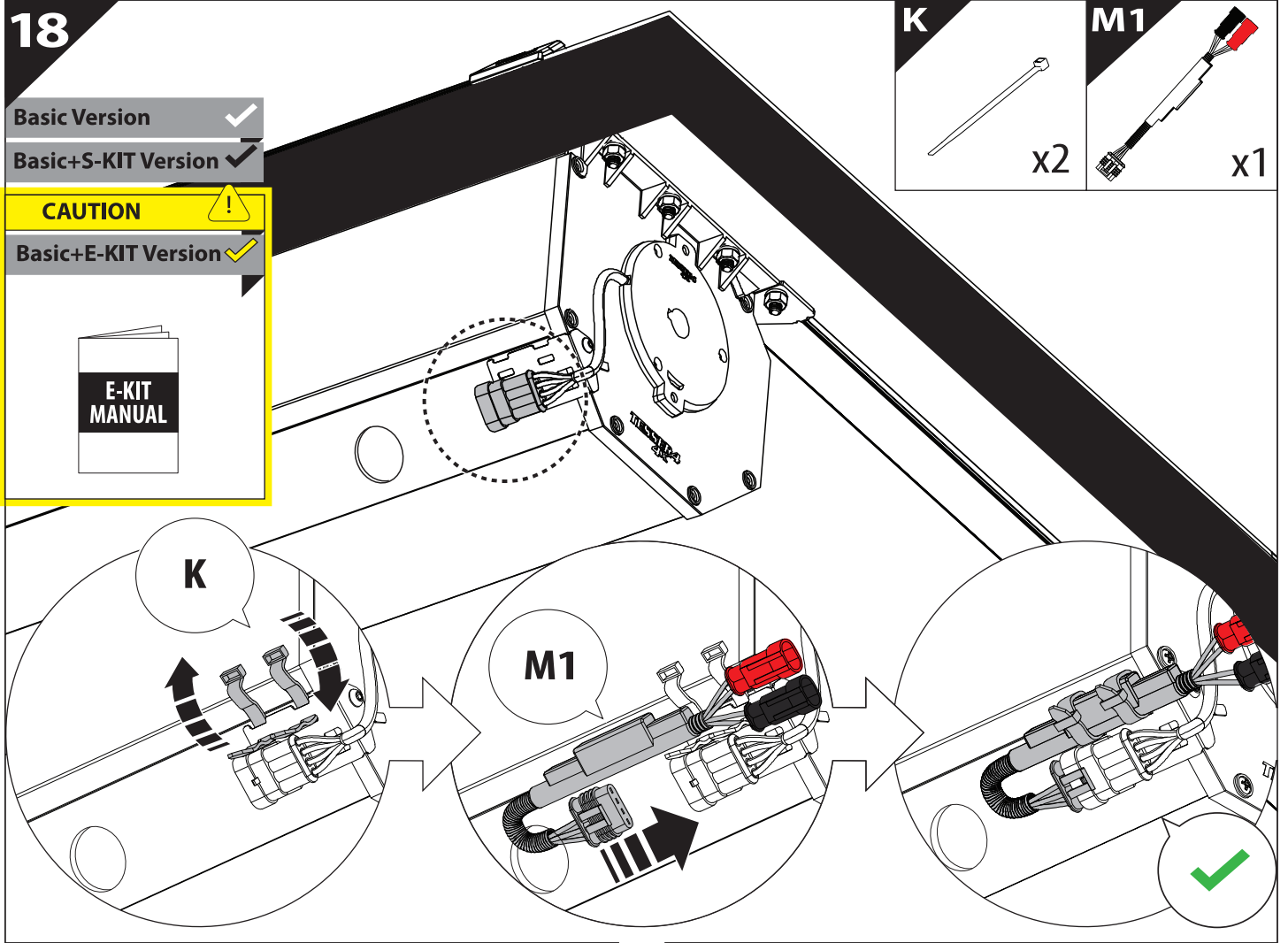
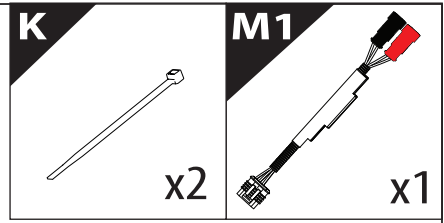
18

Basic Version ✓

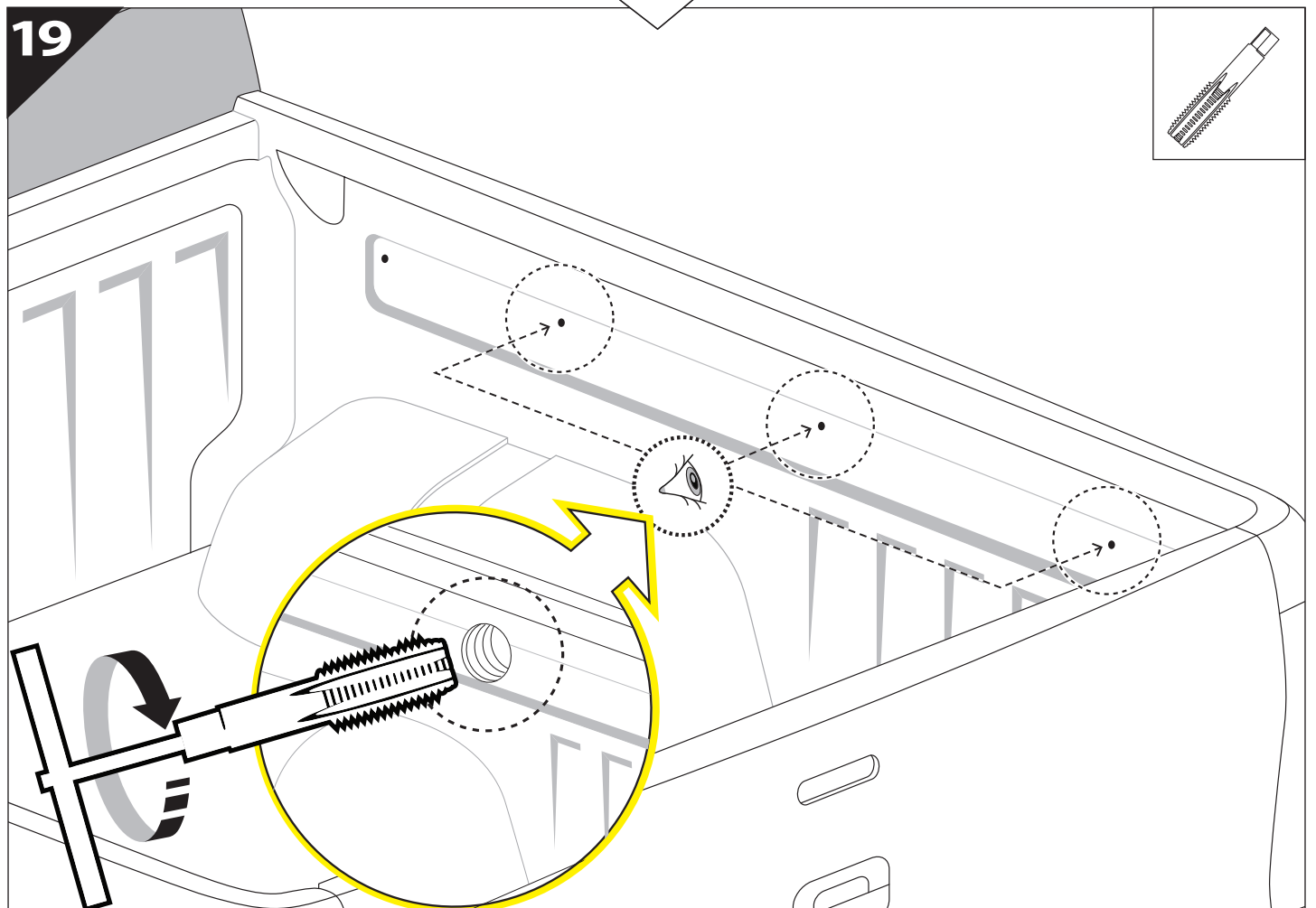
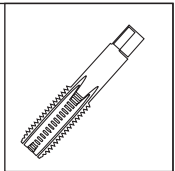
Basic+S-KIT Version ✓

CAUTION ⚠

Basic+E-KIT Version ✓



19

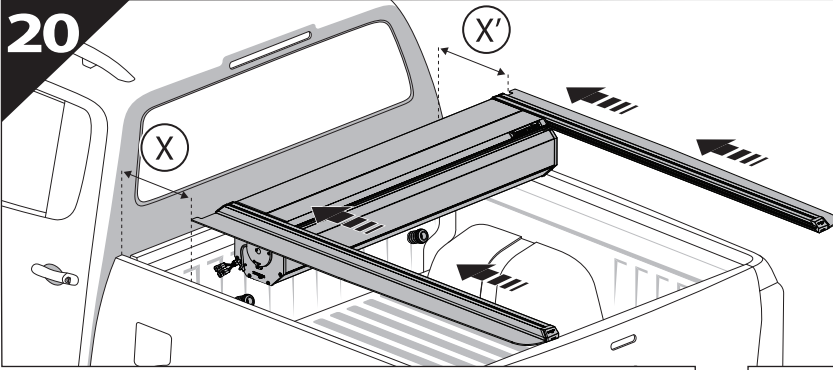


19.1

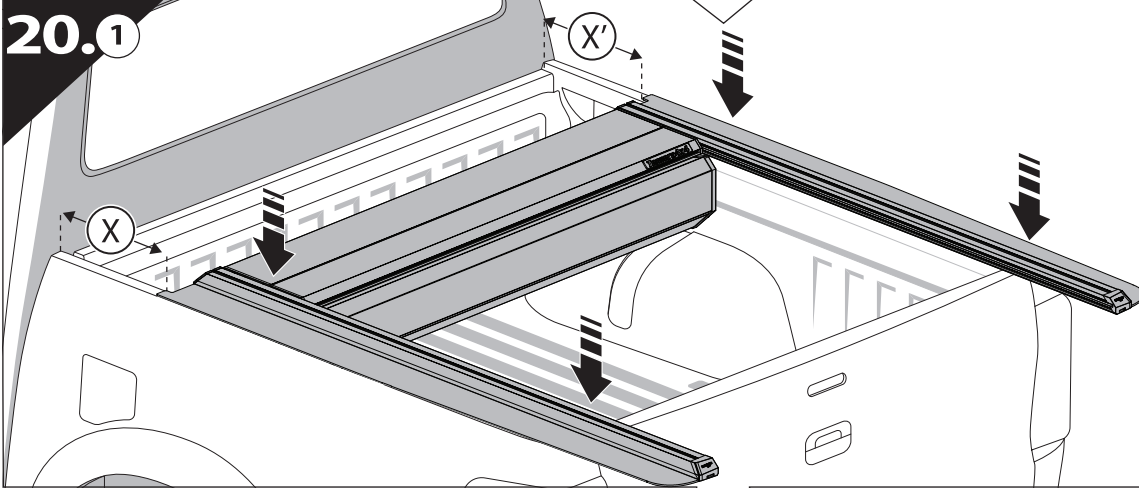
Basic+S-KIT Version

S-KIT
MANUAL

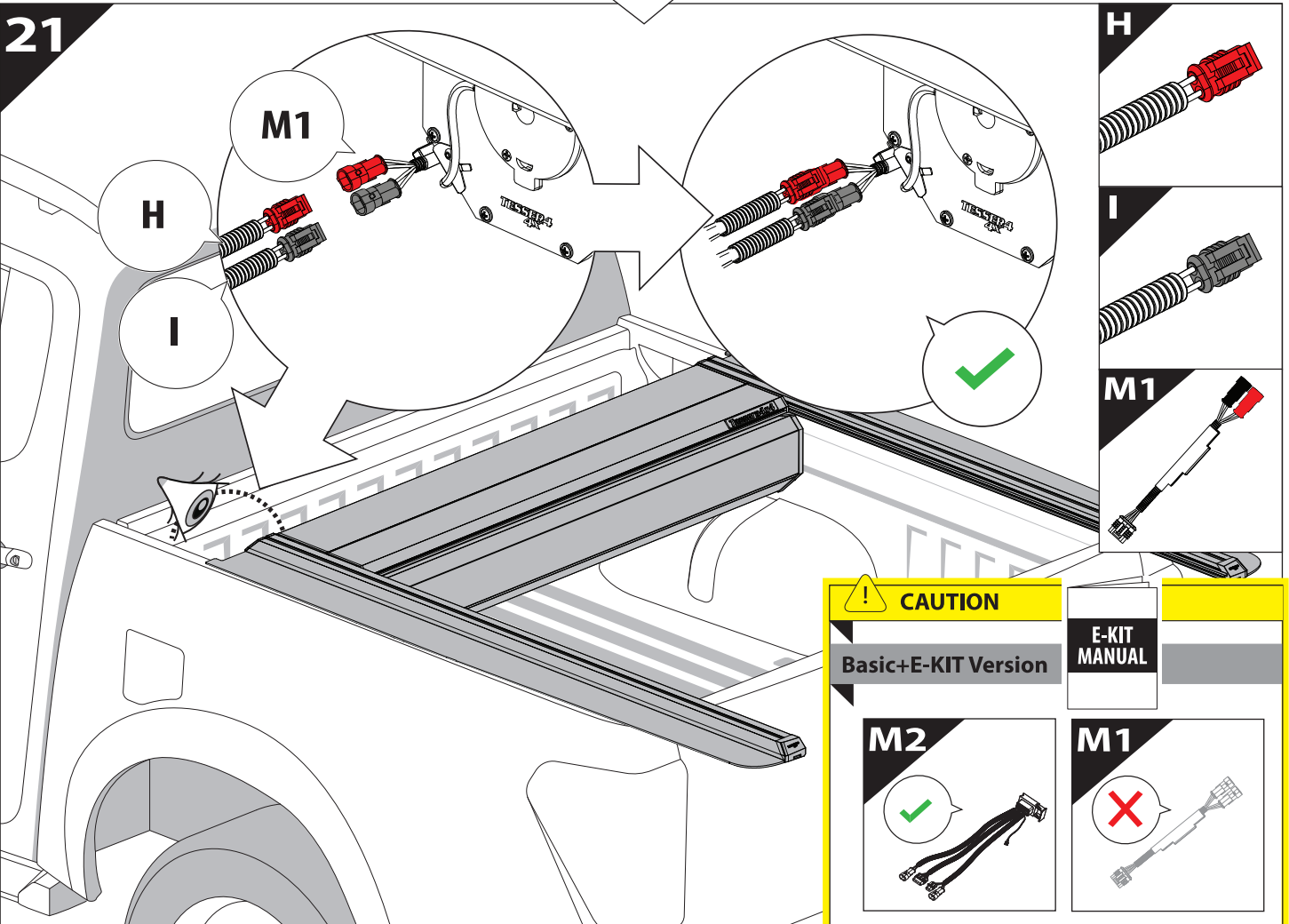
20



20.1

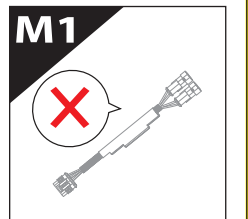
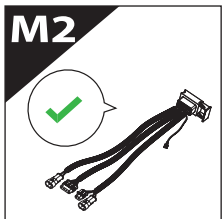


21



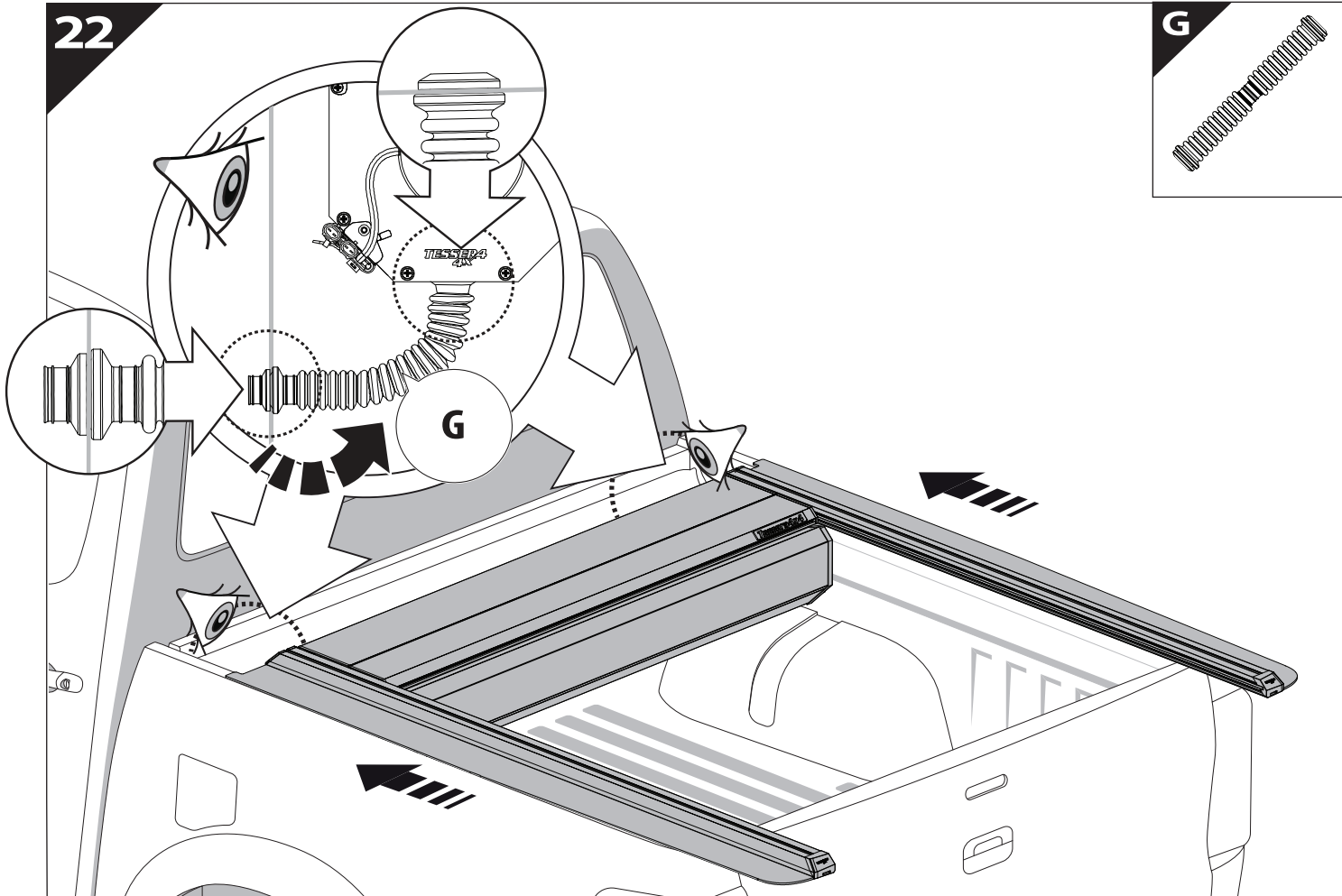
CAUTION
Basic+E-KIT Version

E-KIT
MANUAL



22

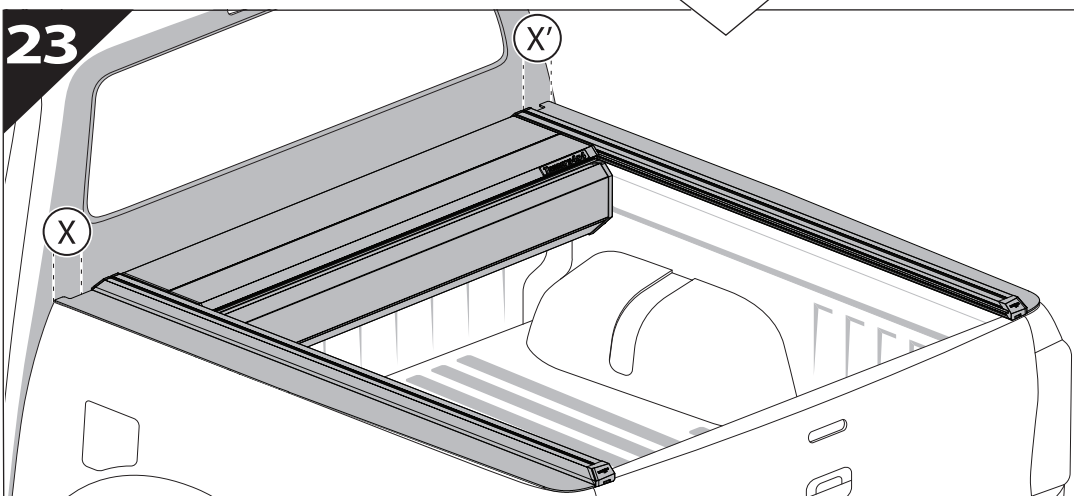
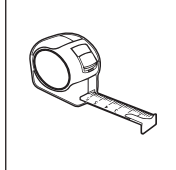
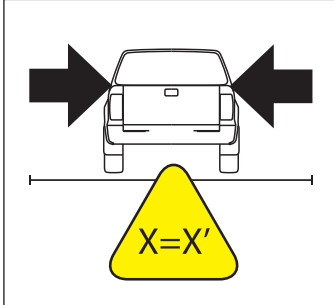
G



23

X'

X



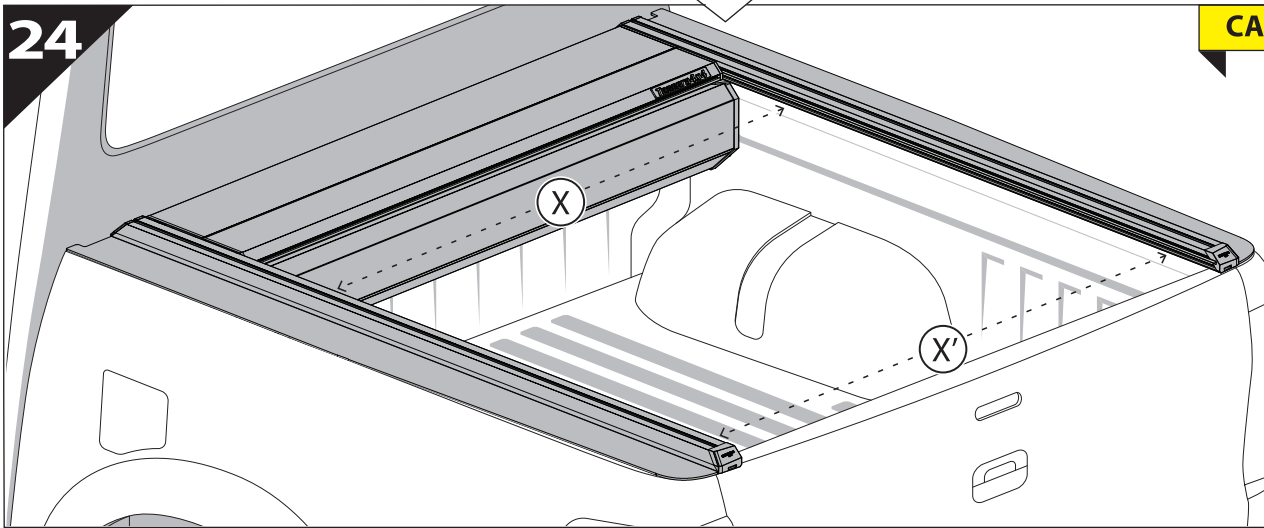
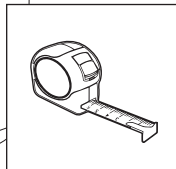
24

CAUTION !



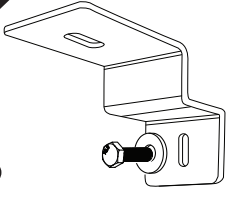
X

X'



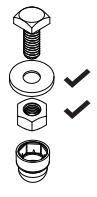
25

N

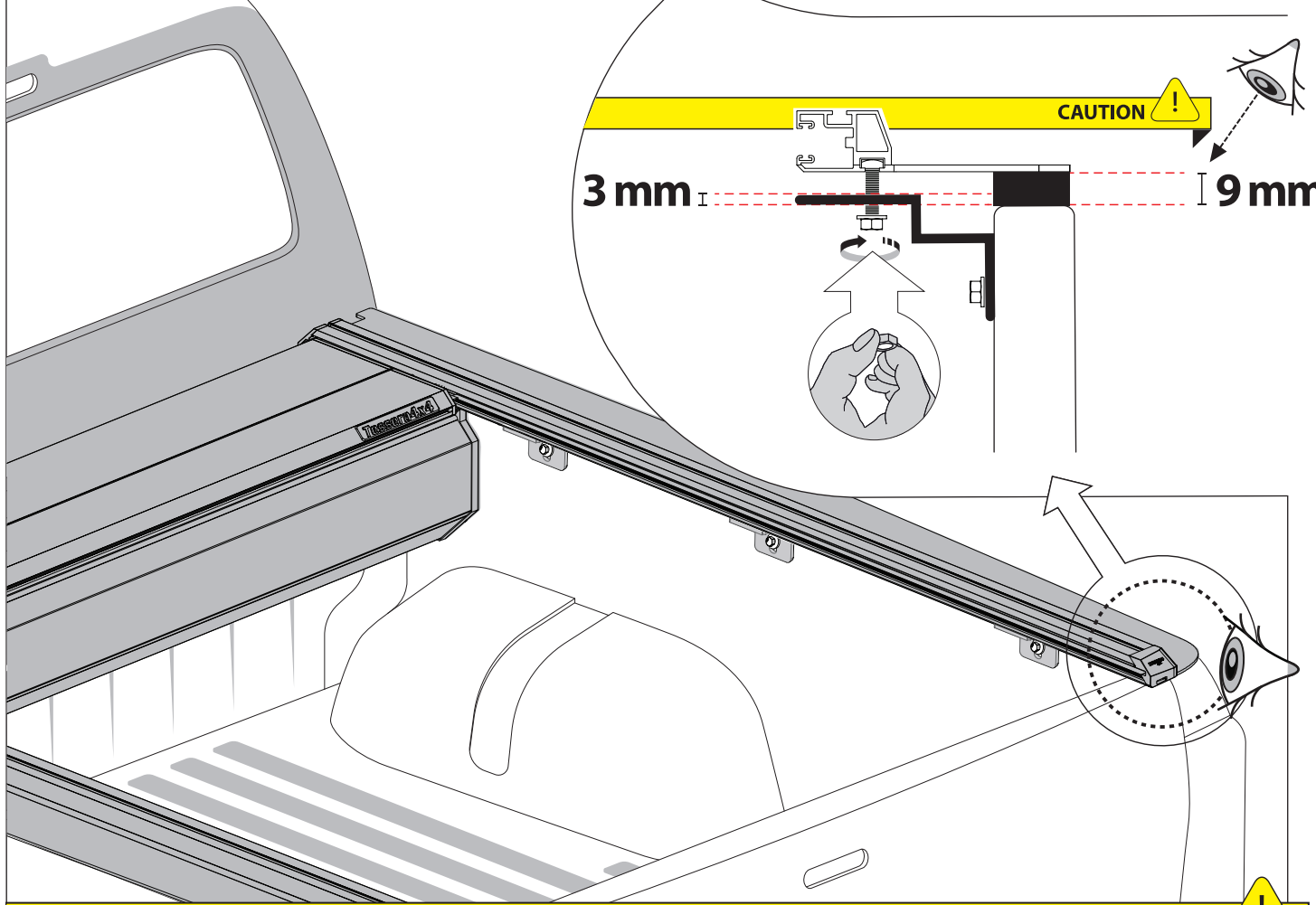
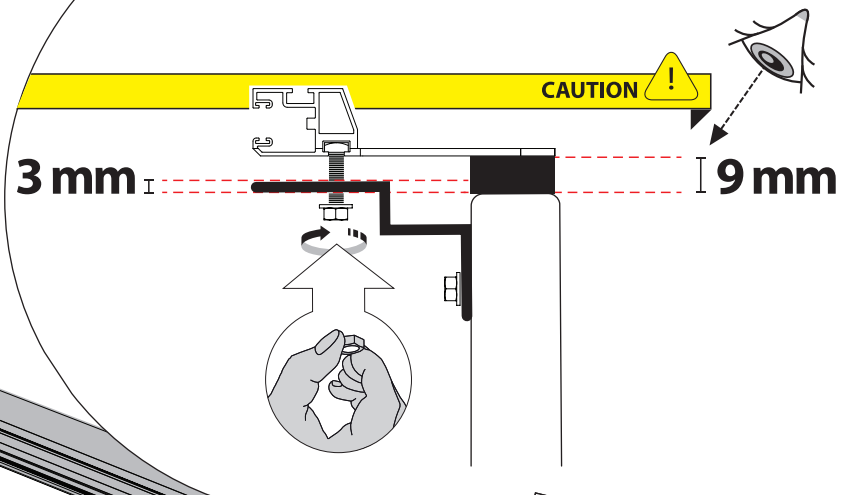
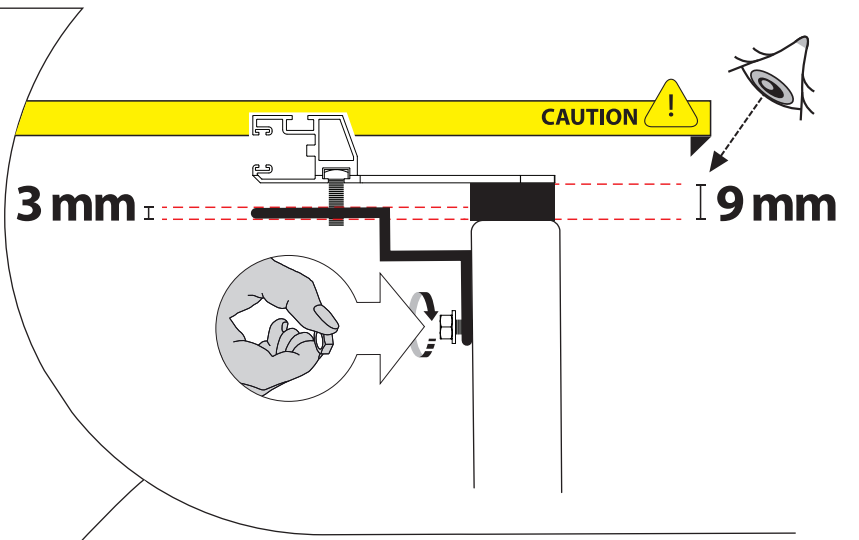
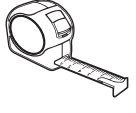


x6

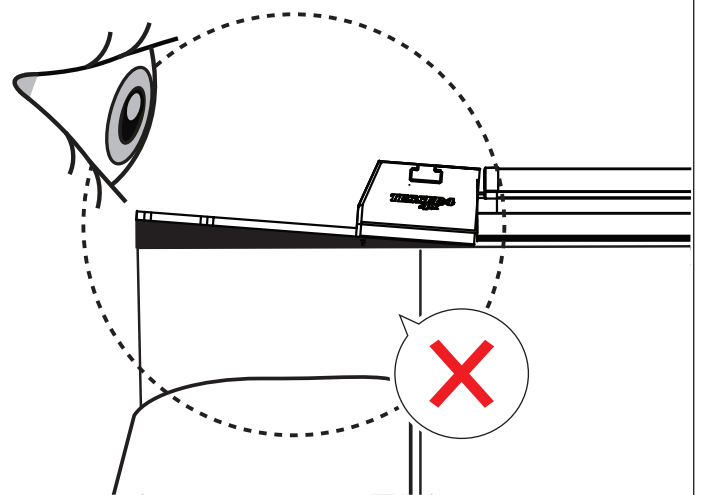
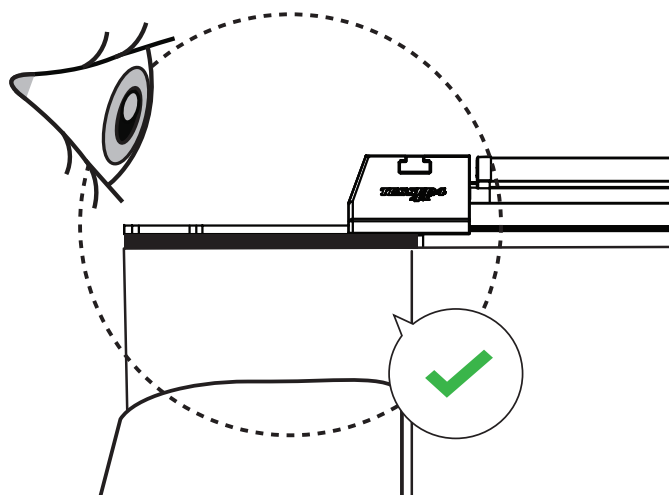
E

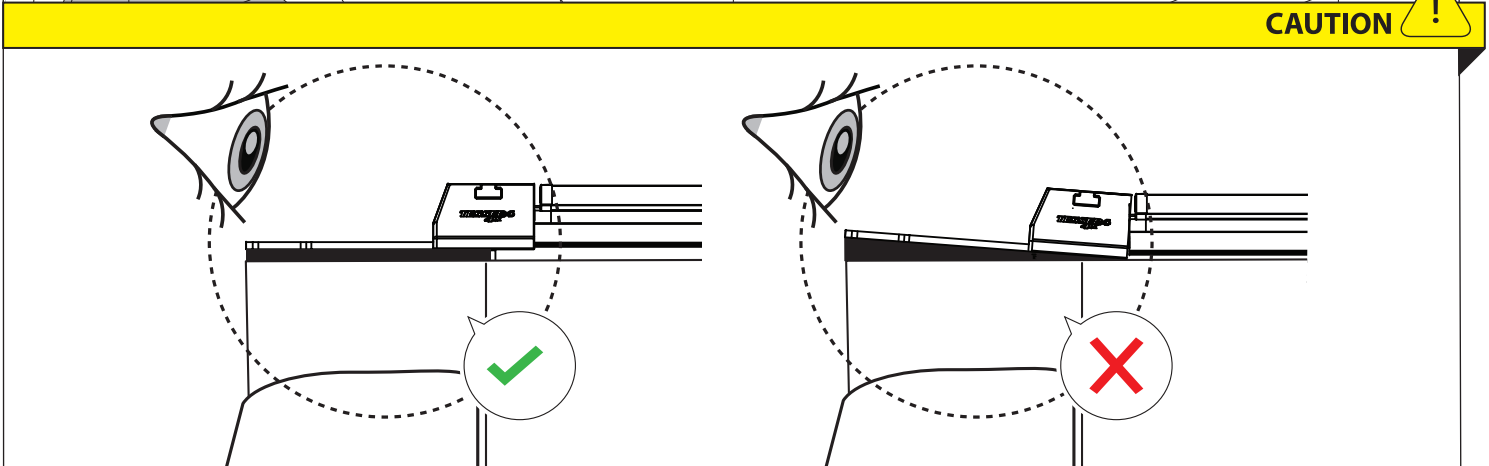
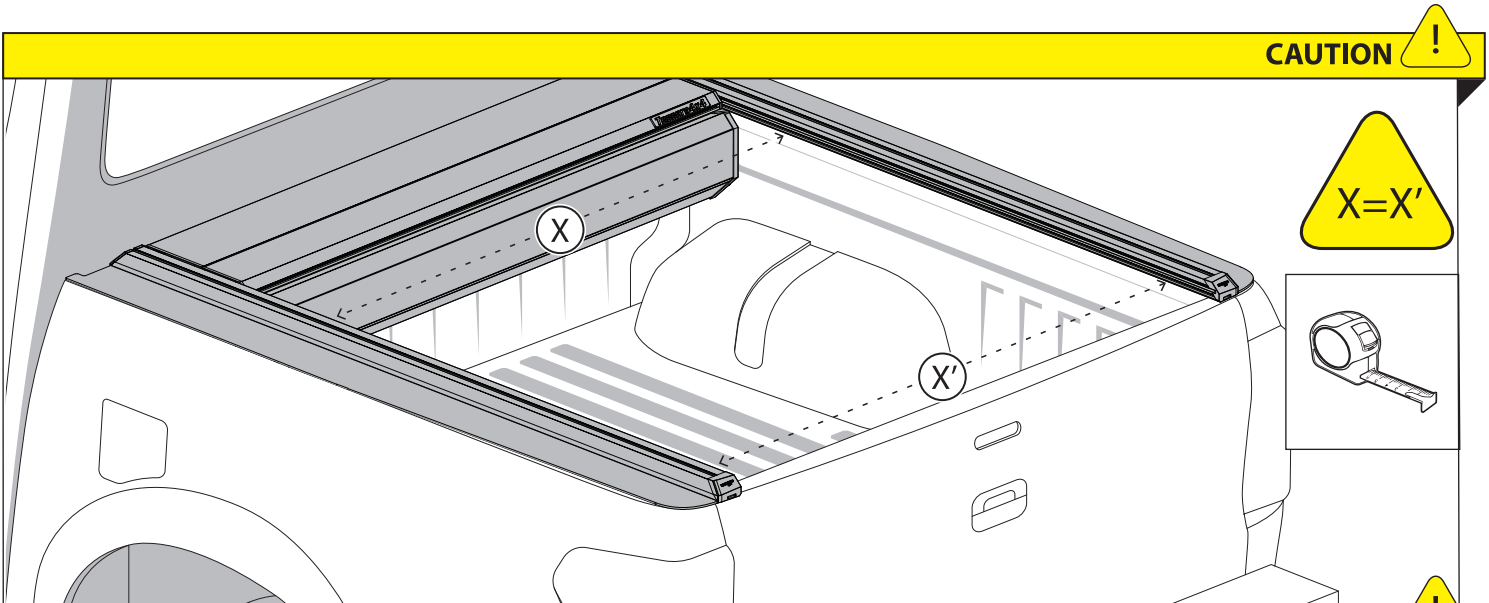
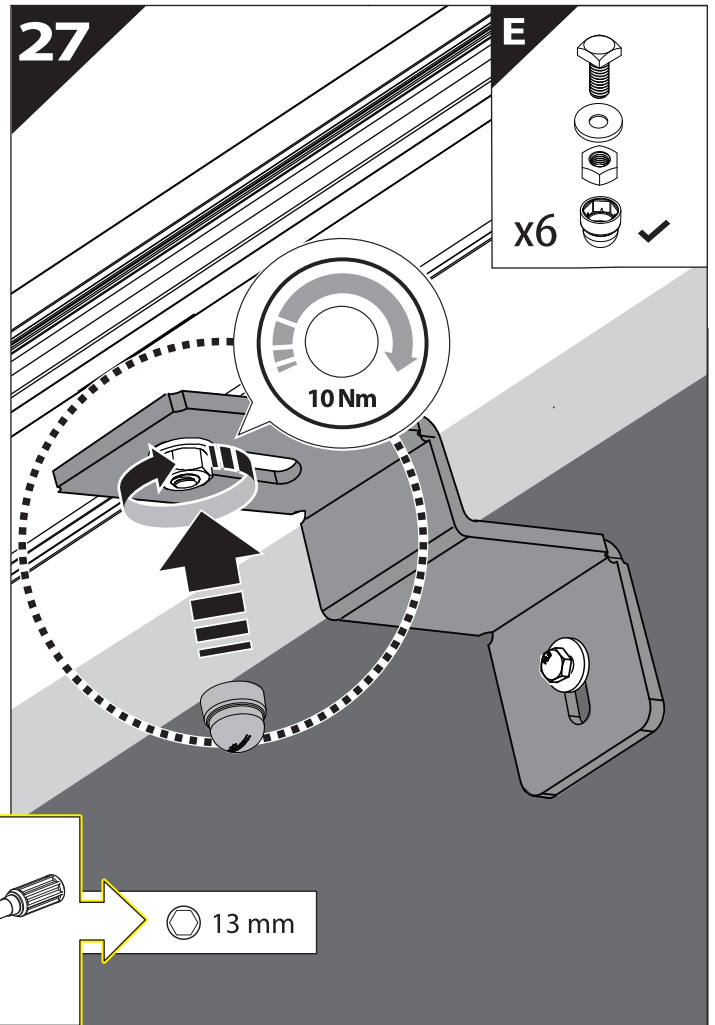
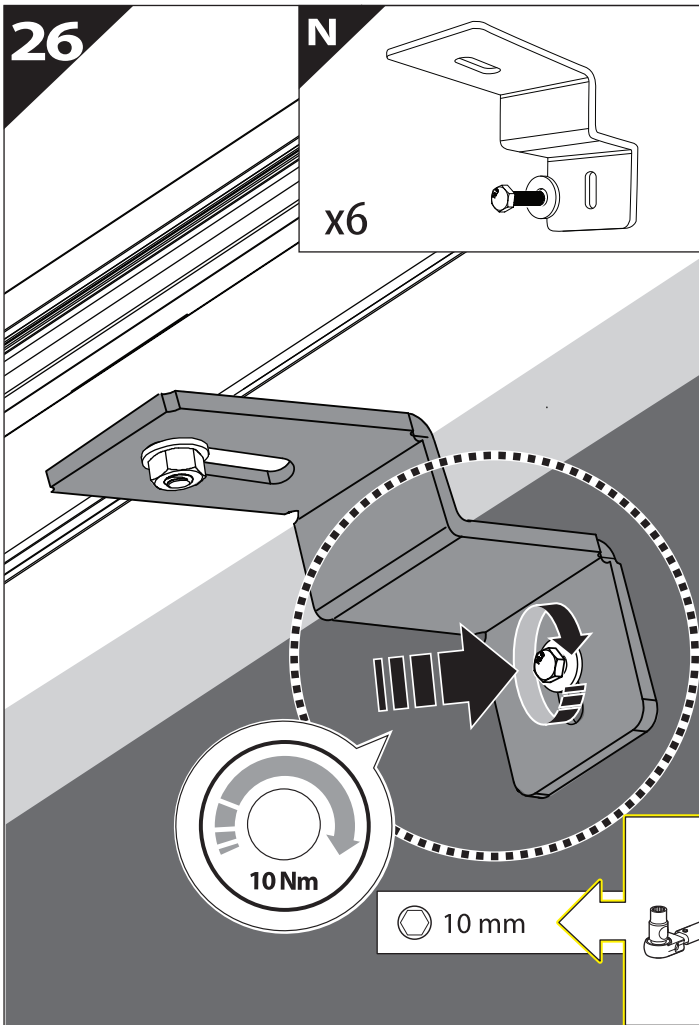


x6

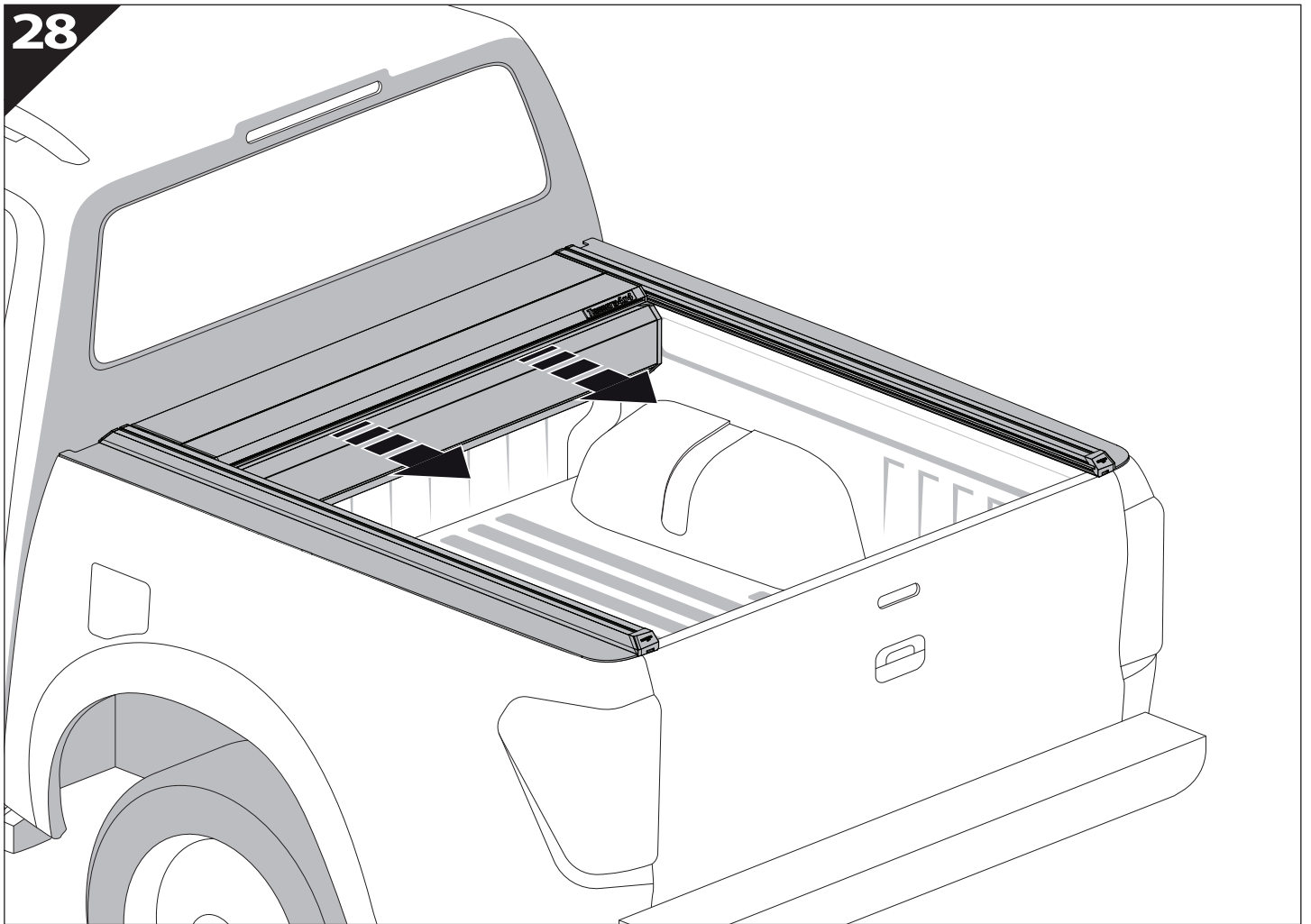


CAUTION !

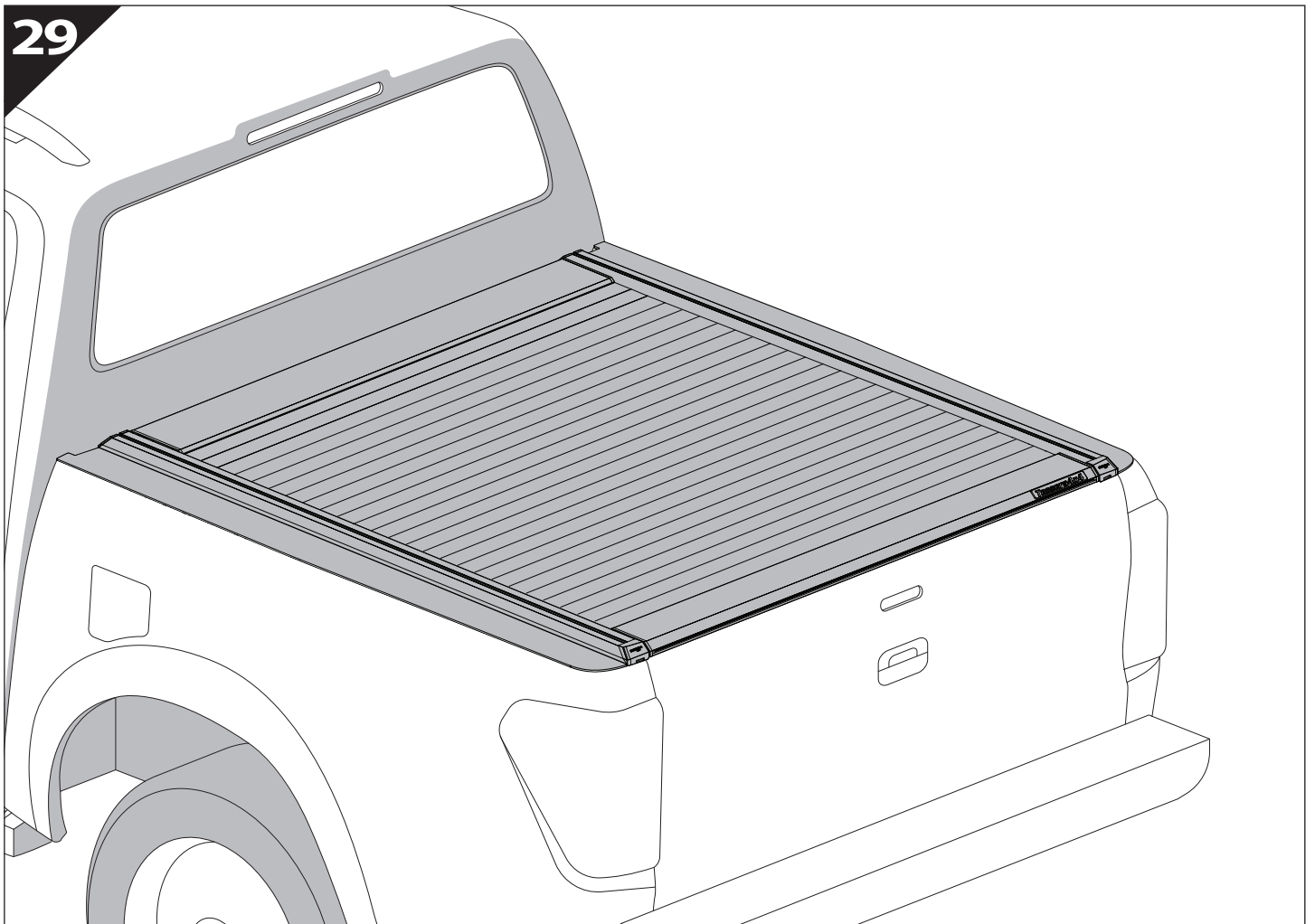




28



29





GR: Οδηγίες Εγκατάστασης
GB: Installation manual
SF: Asennusohje
F: Notice de montage
PL: Instrukcja montażu
NL: Installatie-instructies
TR: Montaj Talimatı
S: Monteringsanvisning
E: Instrucciones de montaje

H: Szerelési utasítás
P: Instruções de instalação
RUS: Инструкция по установке
N: Monteringsveiledning
D: Einbauanleitung
CZ: Návod k instalaci
I: Istruzioni de montaggio
DK: Monteringsvejledning
RO: Instructiuni de instalare

Customer Service:

+30 (210) 5541161, +30 (210) 5541154 (08:00 - 16:00 EET)

Support department:

info@gianso.gr

Website:

www.tessera4x4.com

Address:

19.5 km of National road Athens-Korinthos (Elefsina) Greece, P.C: 19200