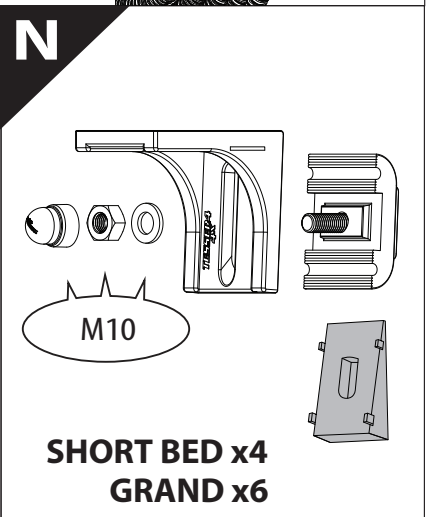
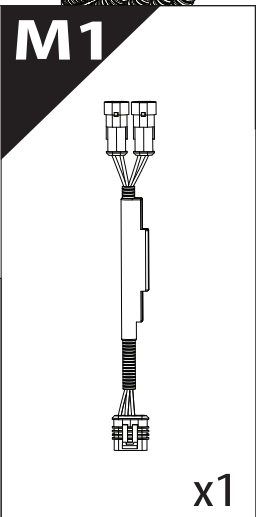
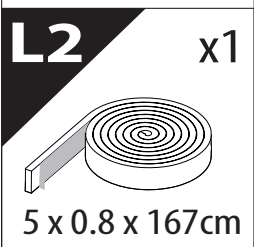
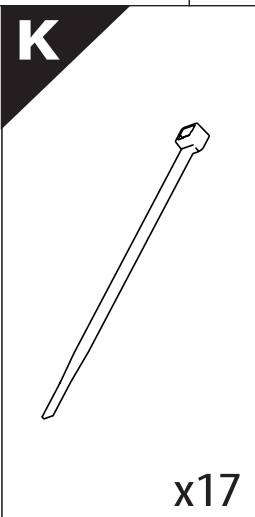
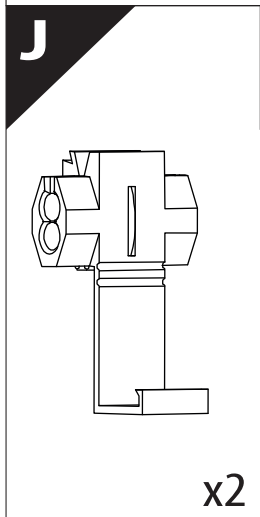
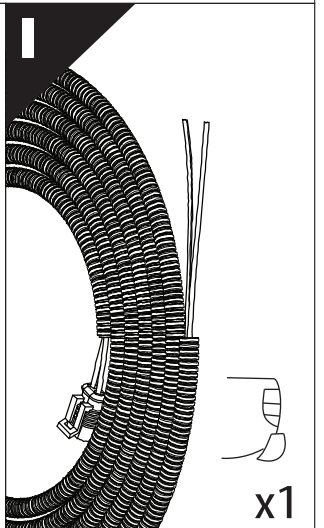
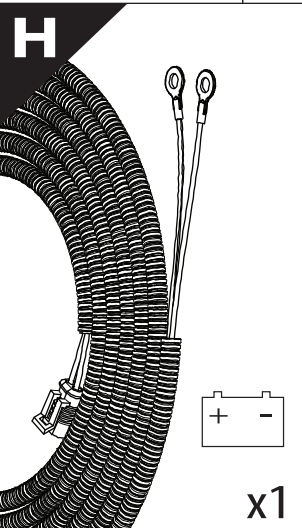
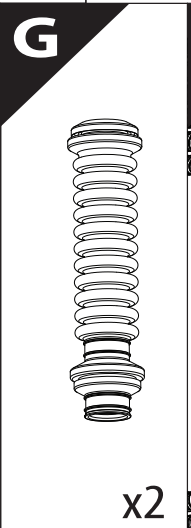
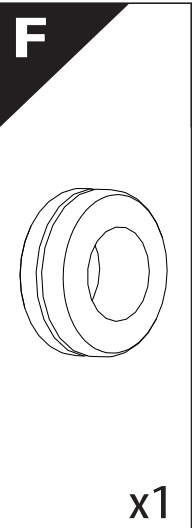
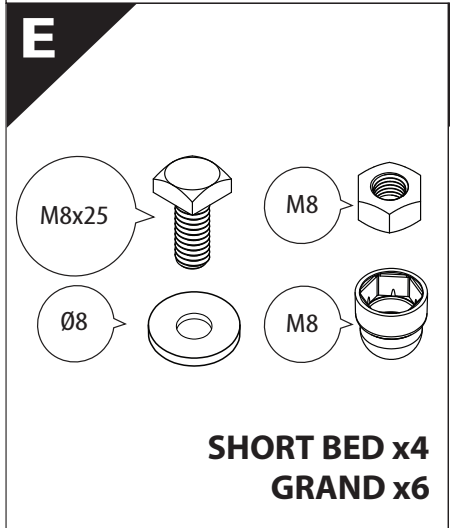
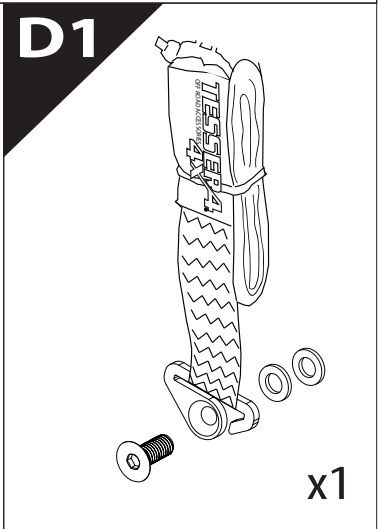
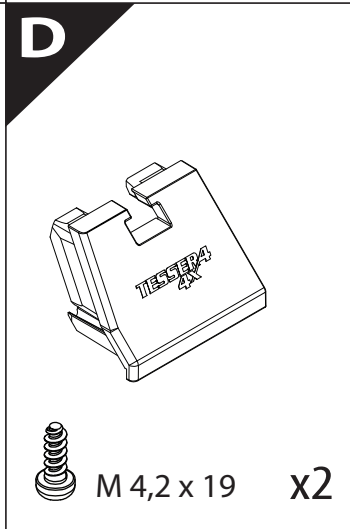
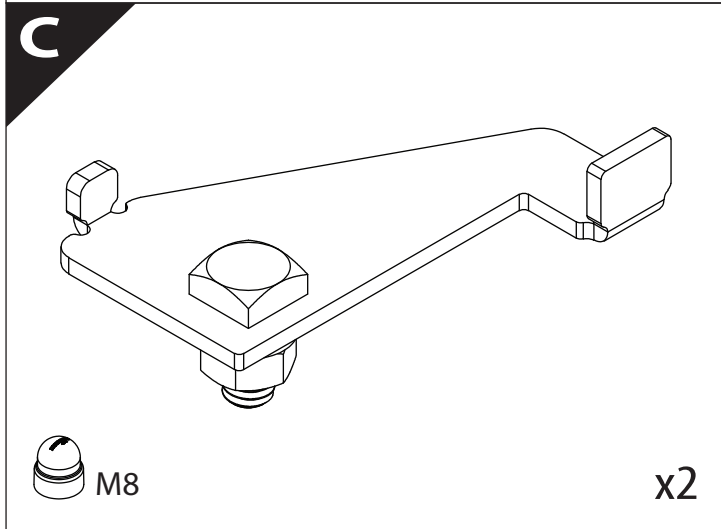
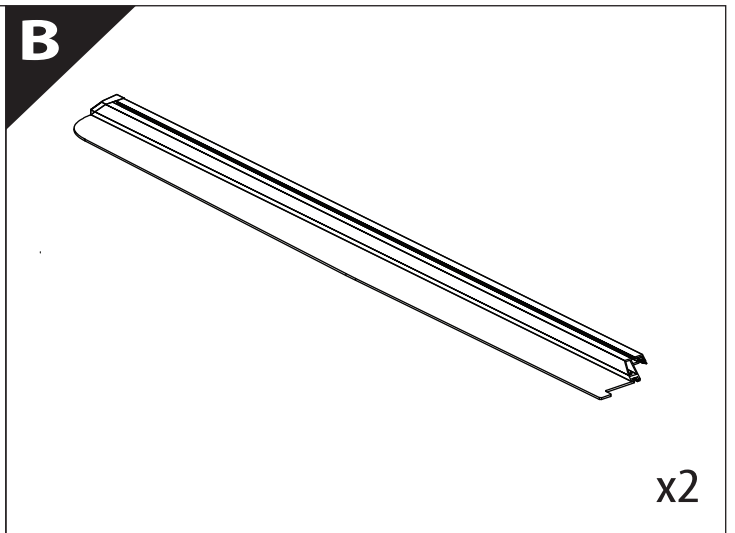
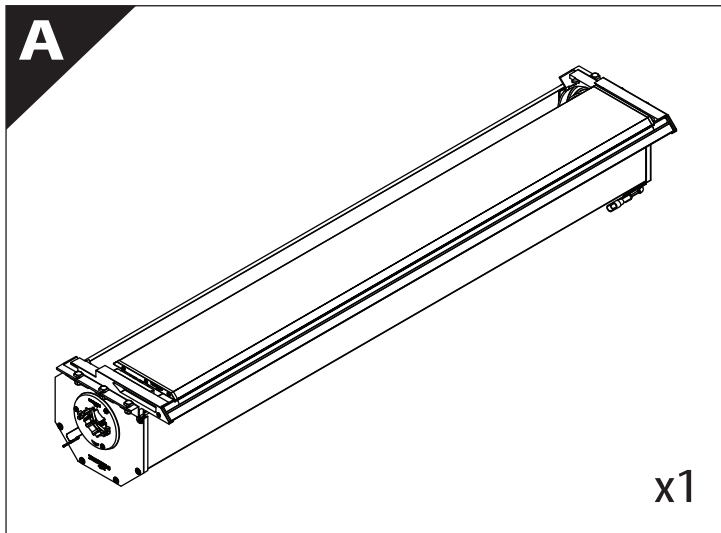
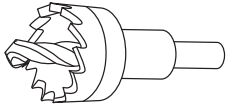


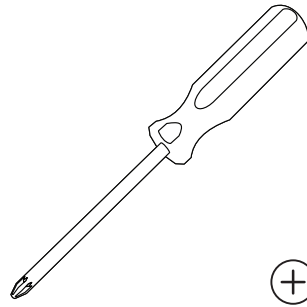
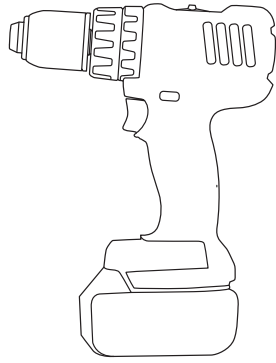
## Installation Manual

<b>PART NUMBER(S)</b>	<b>Model Year</b>
<b>TESS 14082 ROLL</b>	<b>KGM / SsangYong Musso-Rexton Sports 2018+ SHORT BED</b>
<b>TESS 14083 ROLL</b>	<b>KGM / SsangYong Musso-Rexton Sports 2018+ GRAND</b>
<b>Cab(s)</b>	<b>Installation Time / Weight</b>
<b>Double Cab</b>	<b>40-60 minutes / 53-57 kg</b>

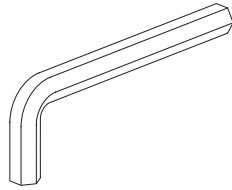
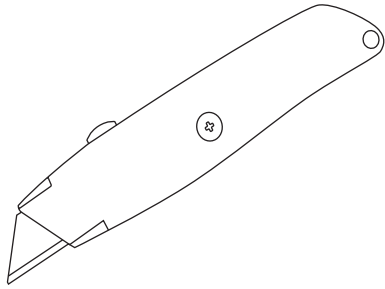
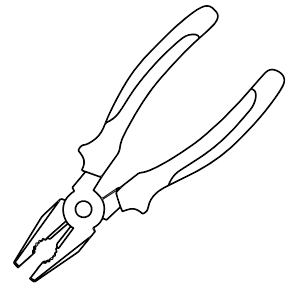




Ø 25 mm / 40 mm

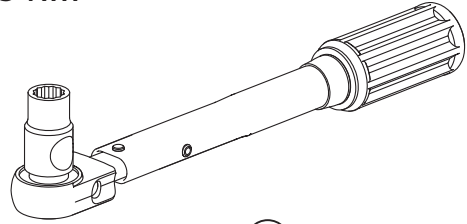


+



4 mm

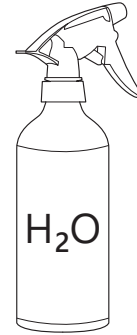
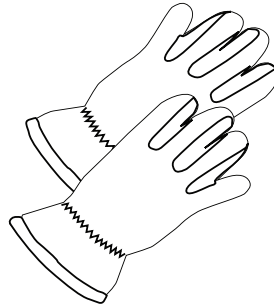
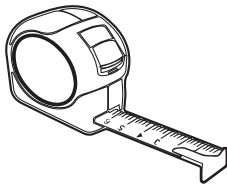
1 - 25 Nm



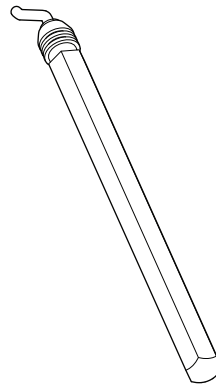
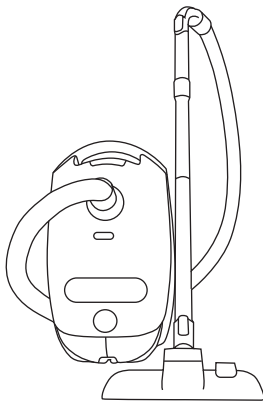
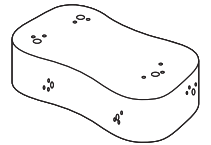
10, 12, 13, 17 mm



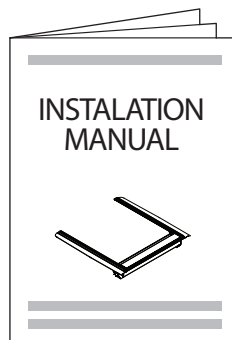
ACETONE



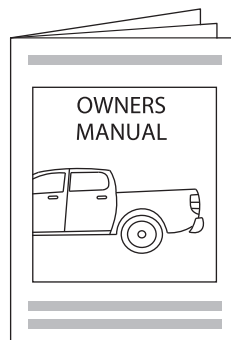
H<sub>2</sub>O



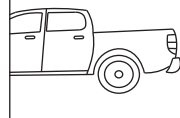
ANTI-RUST



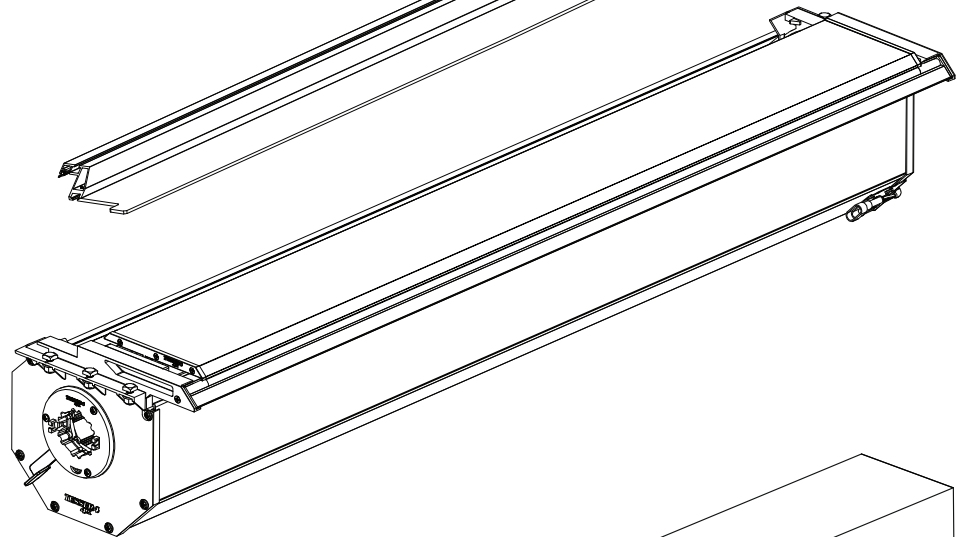
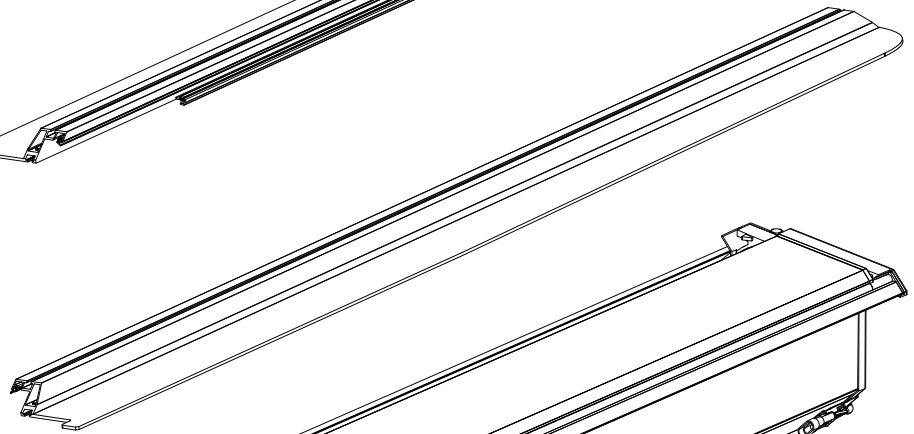
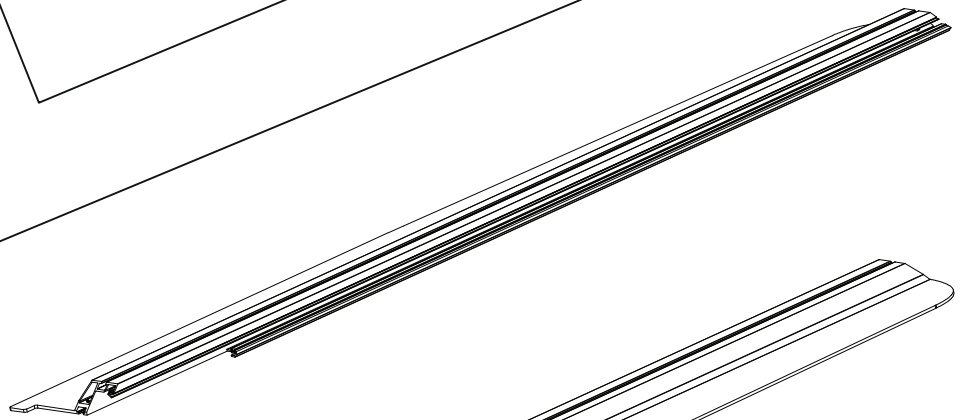
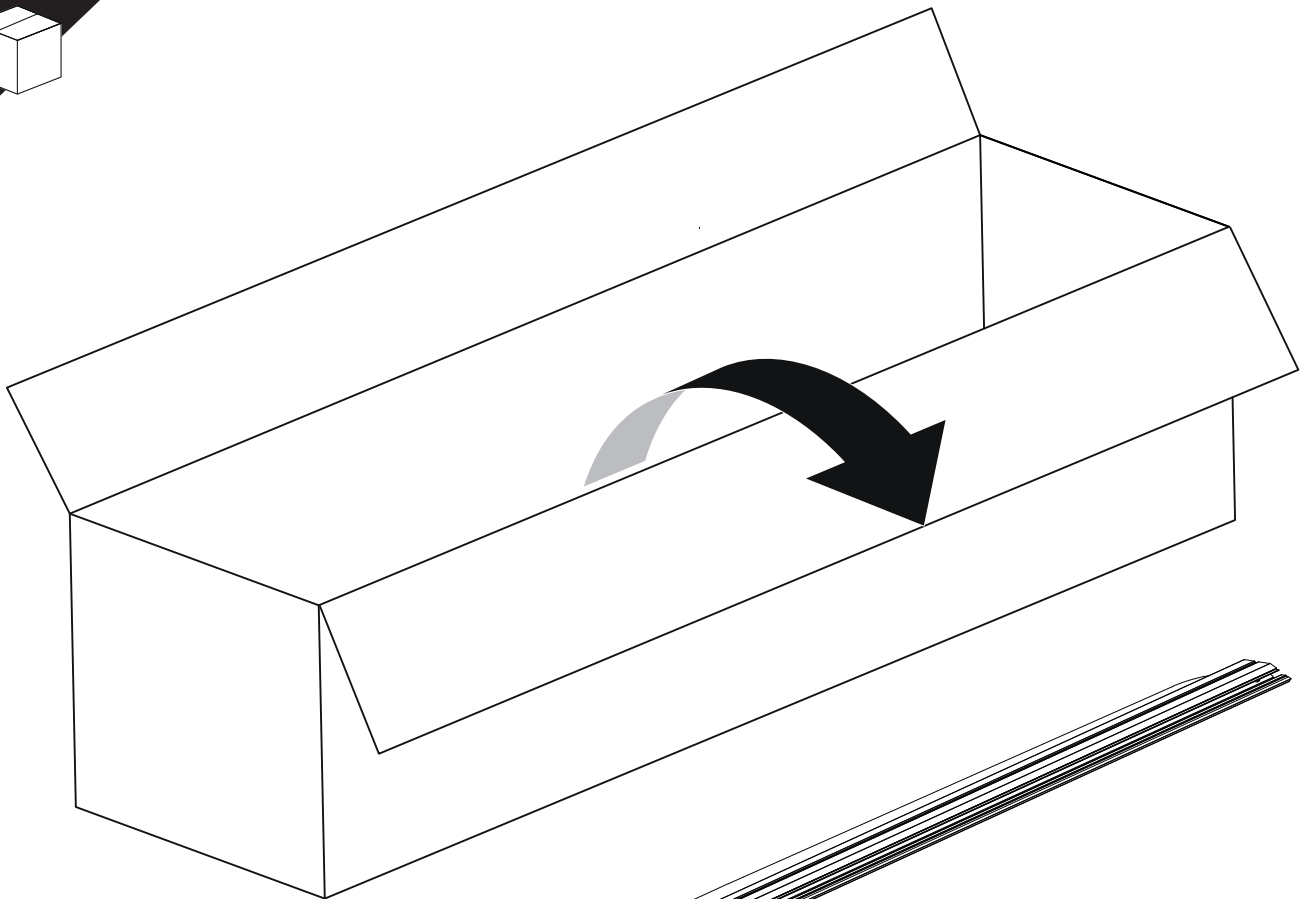
INSTALATION  
MANUAL



OWNERS  
MANUAL



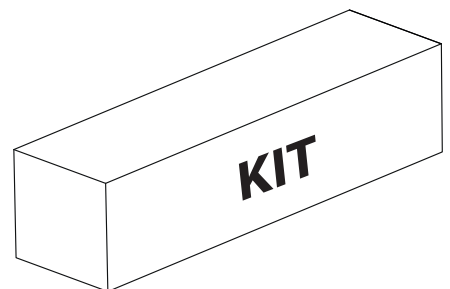
x1



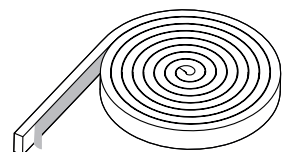
**B**

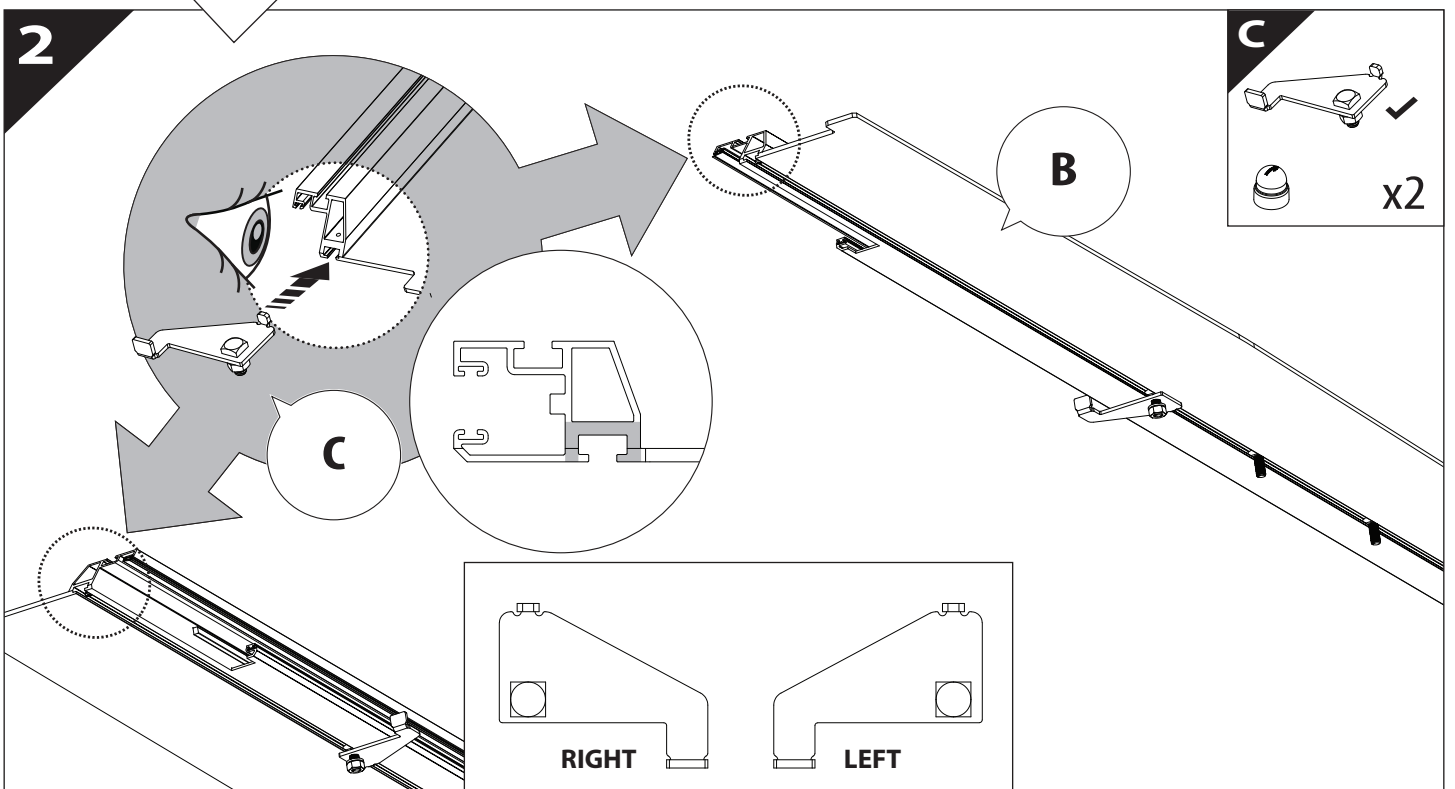
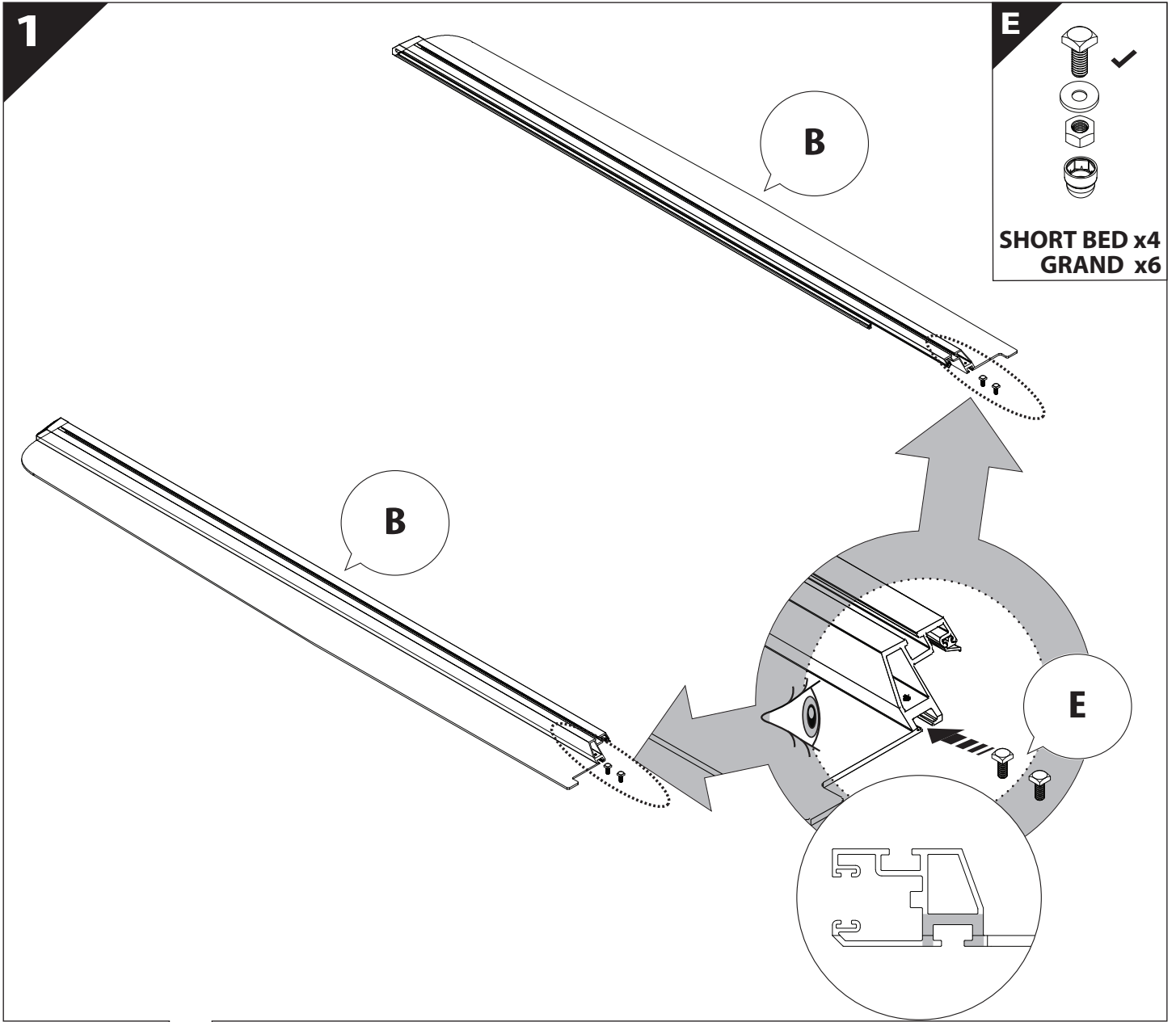
**A**

**KITS**

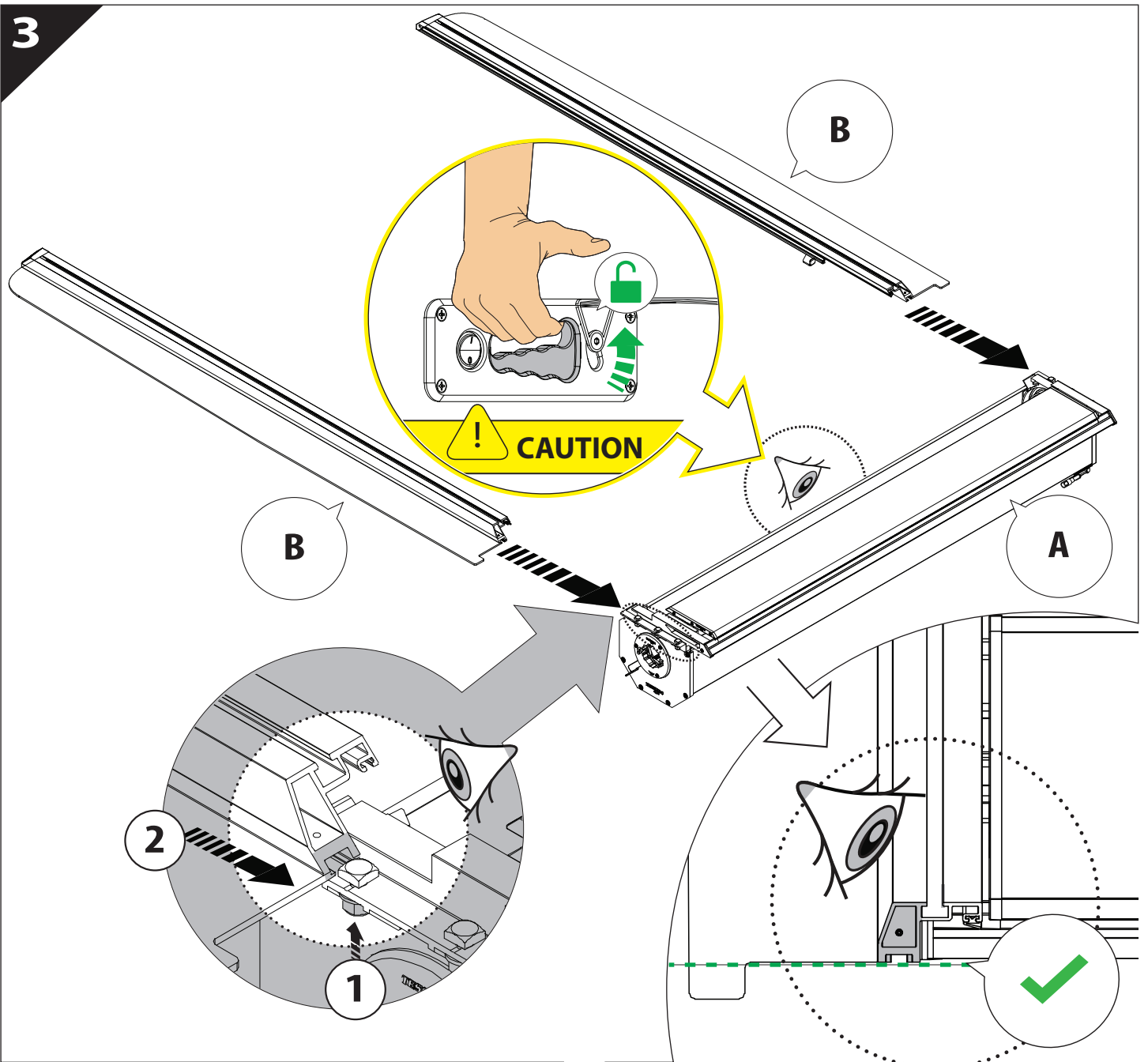


**L**

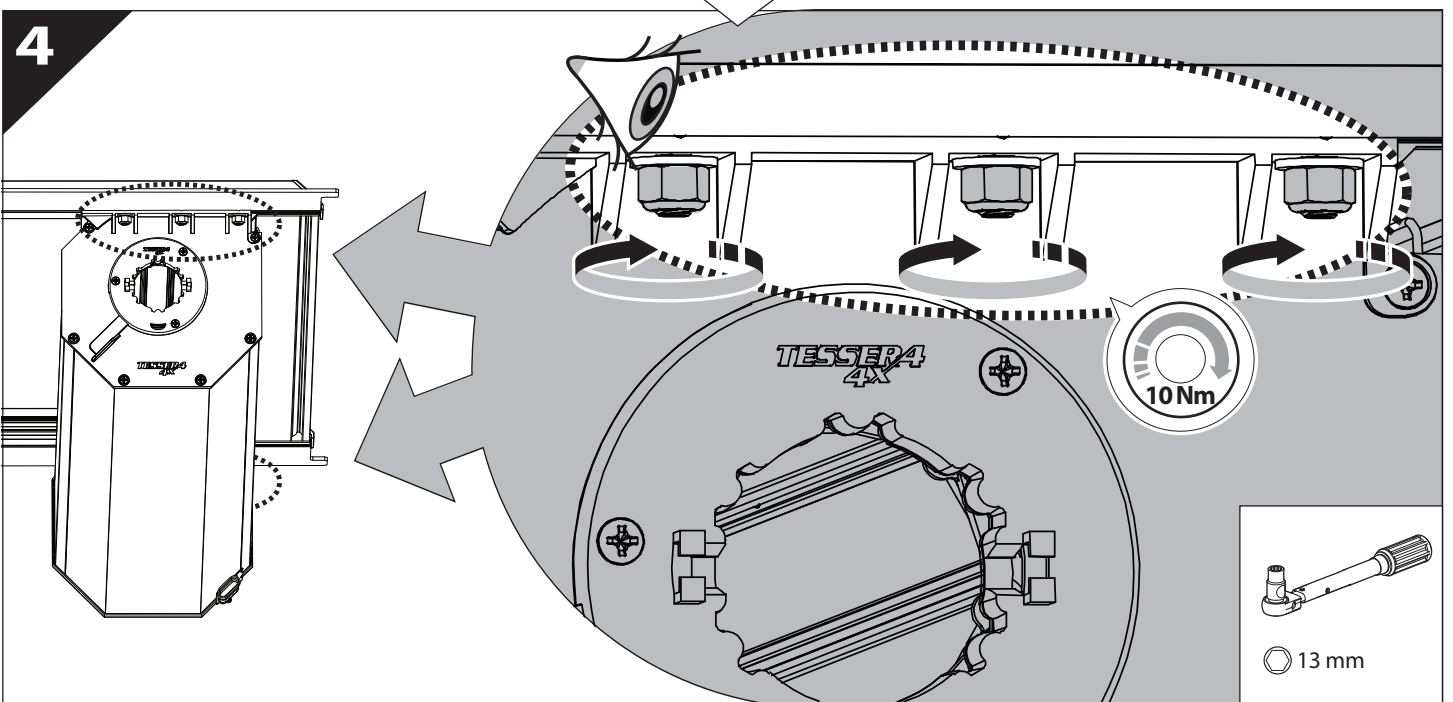


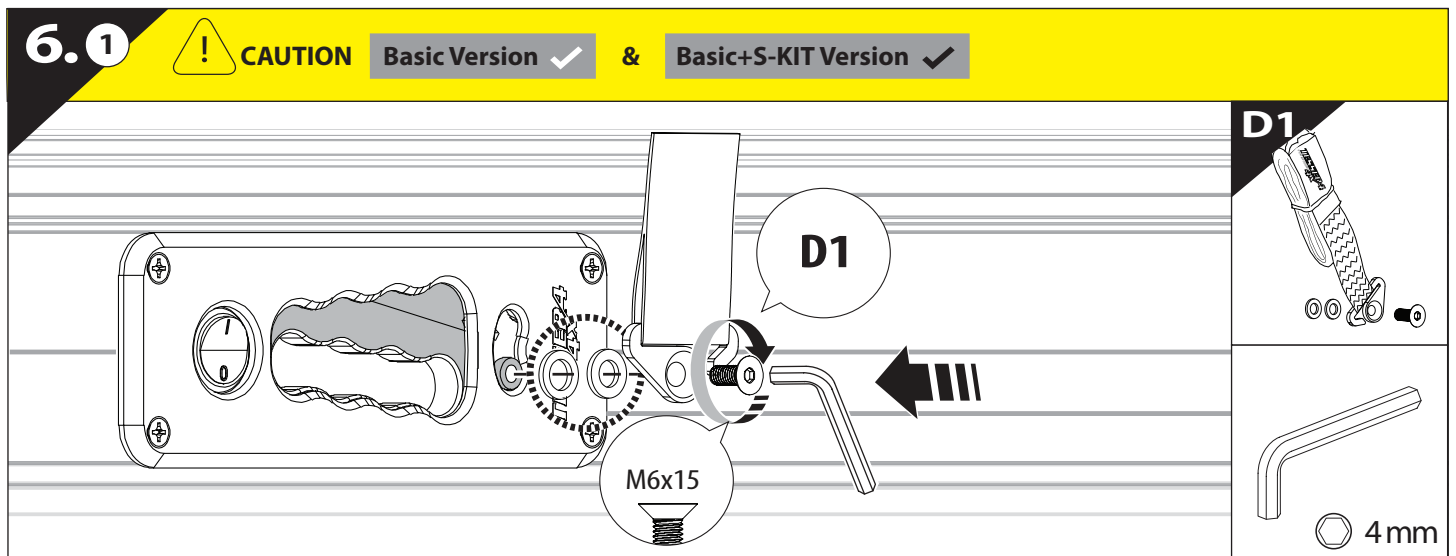
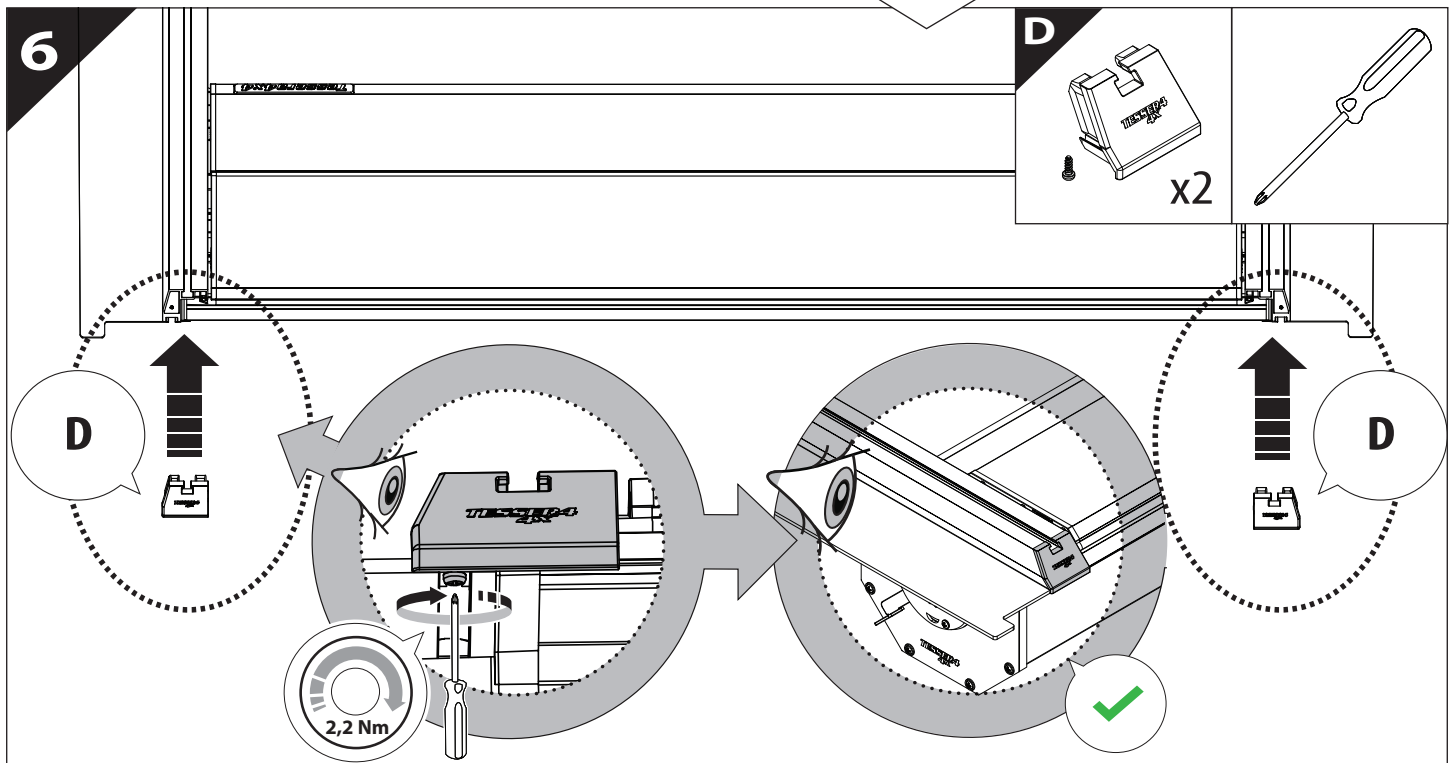
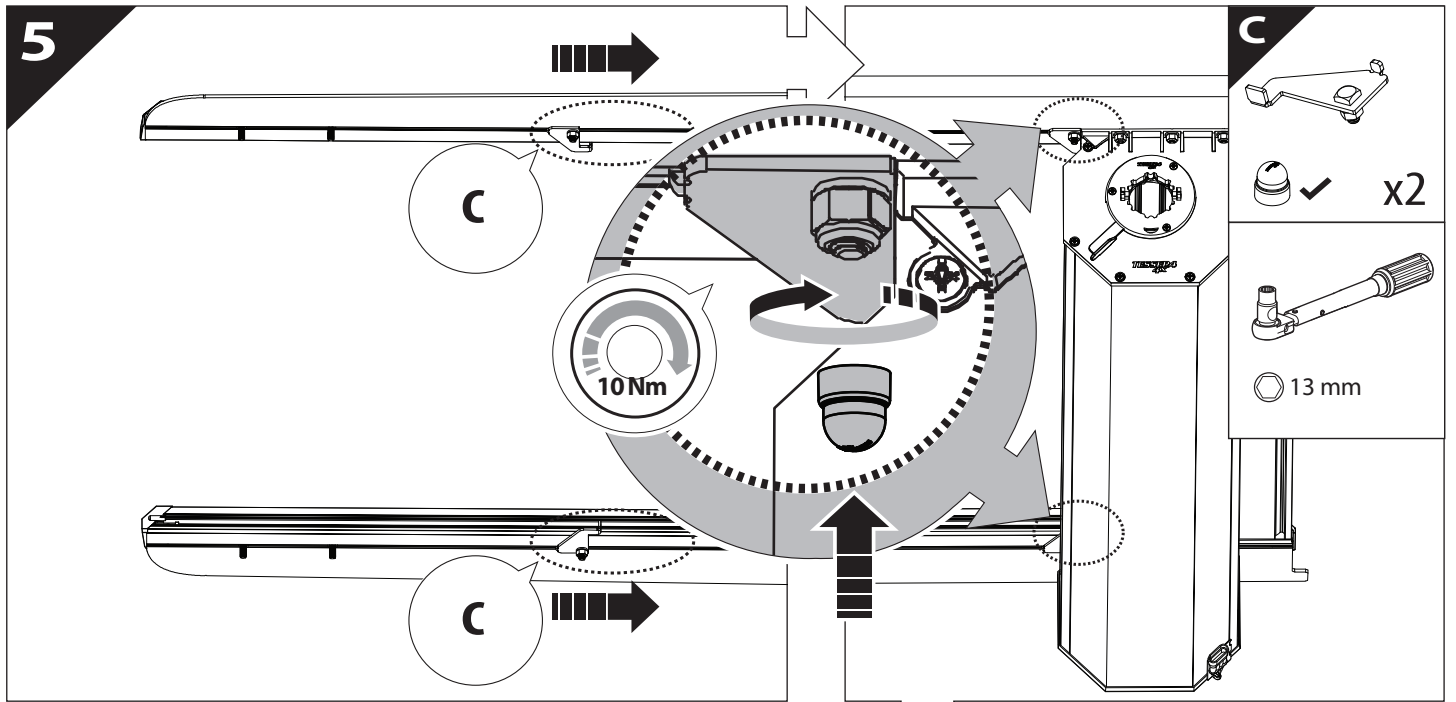


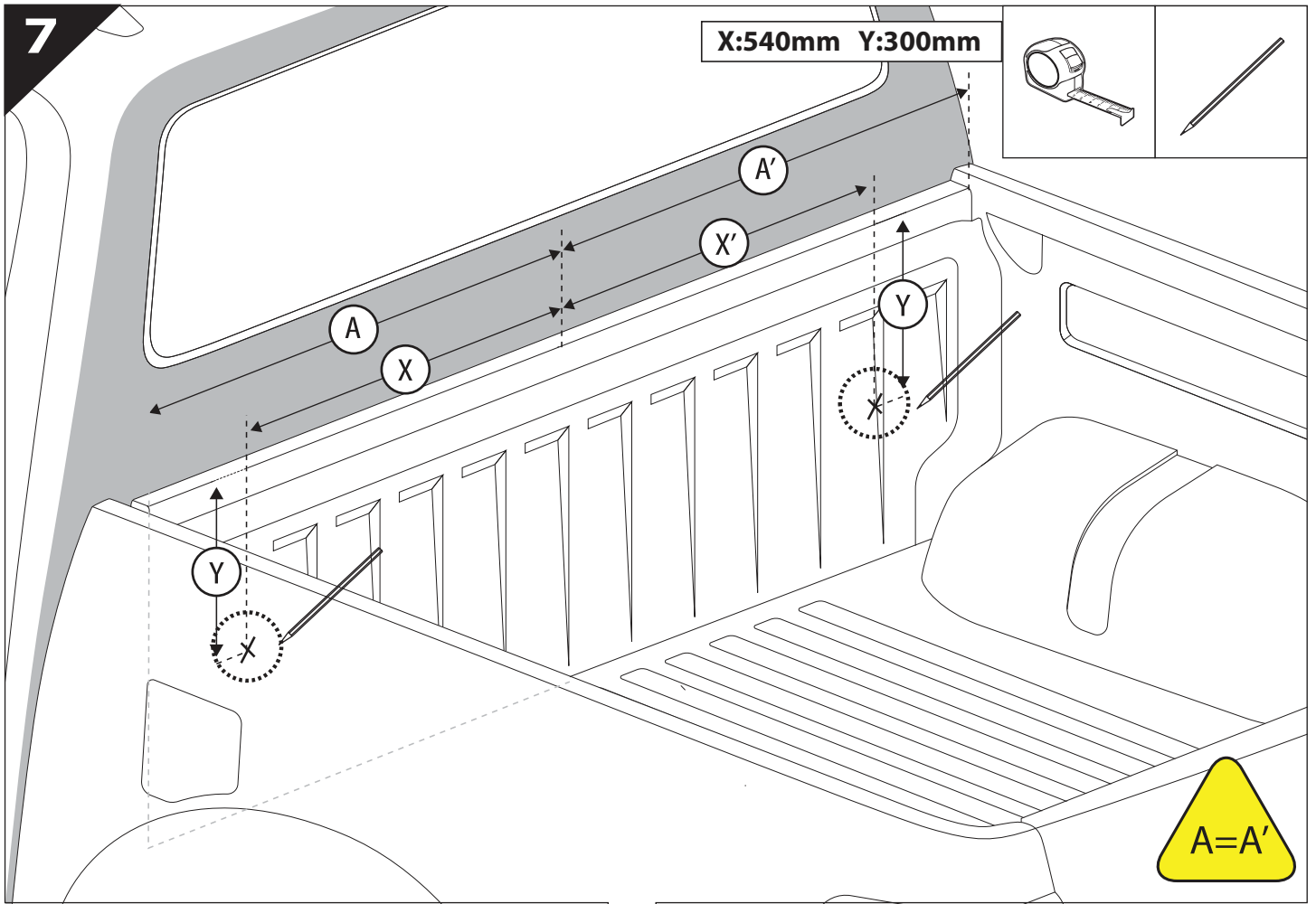
3



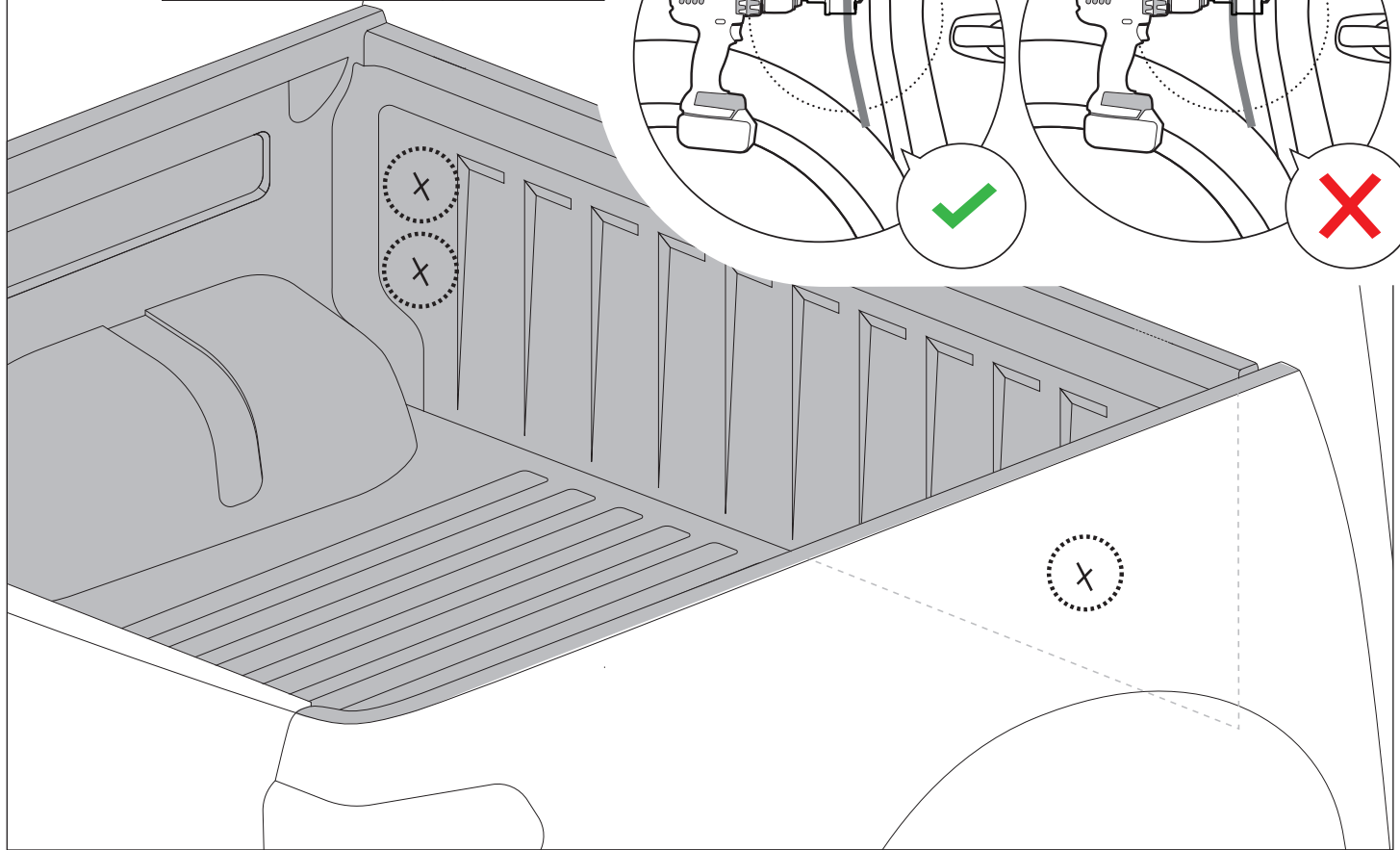
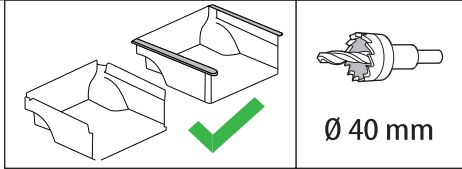
4



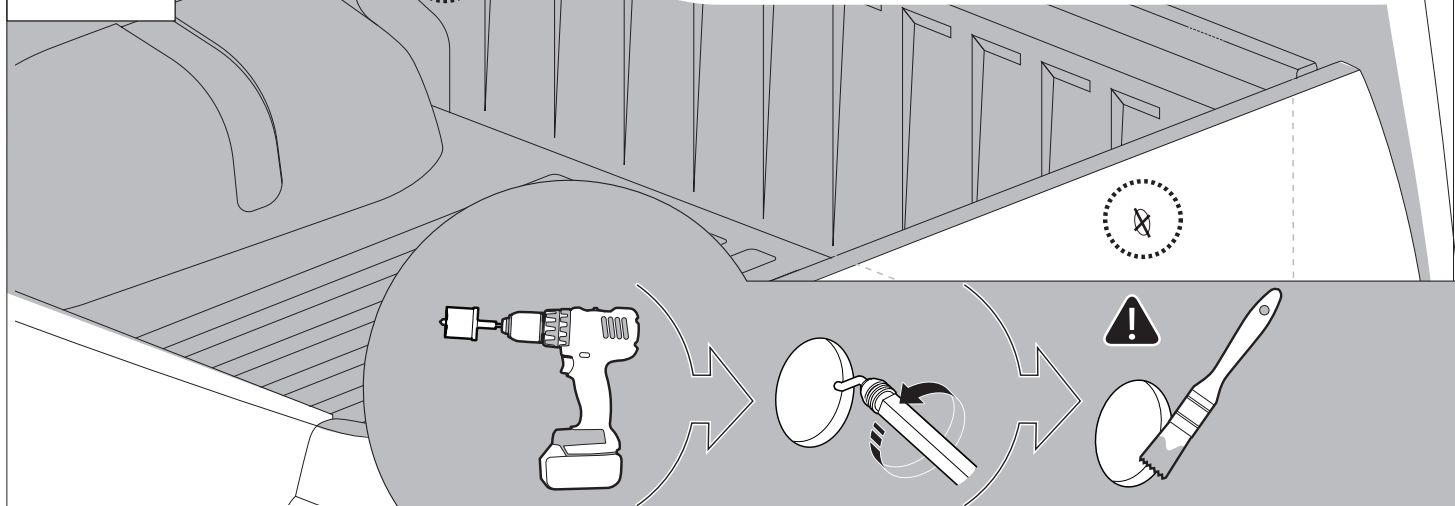
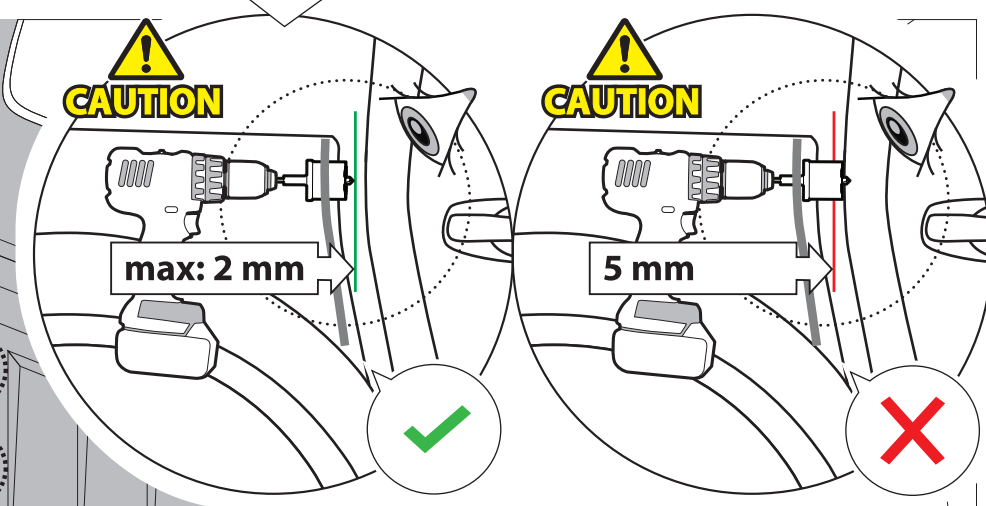
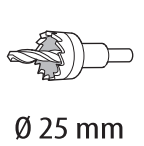
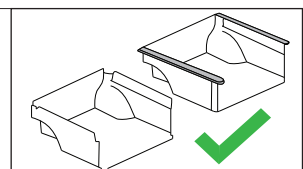


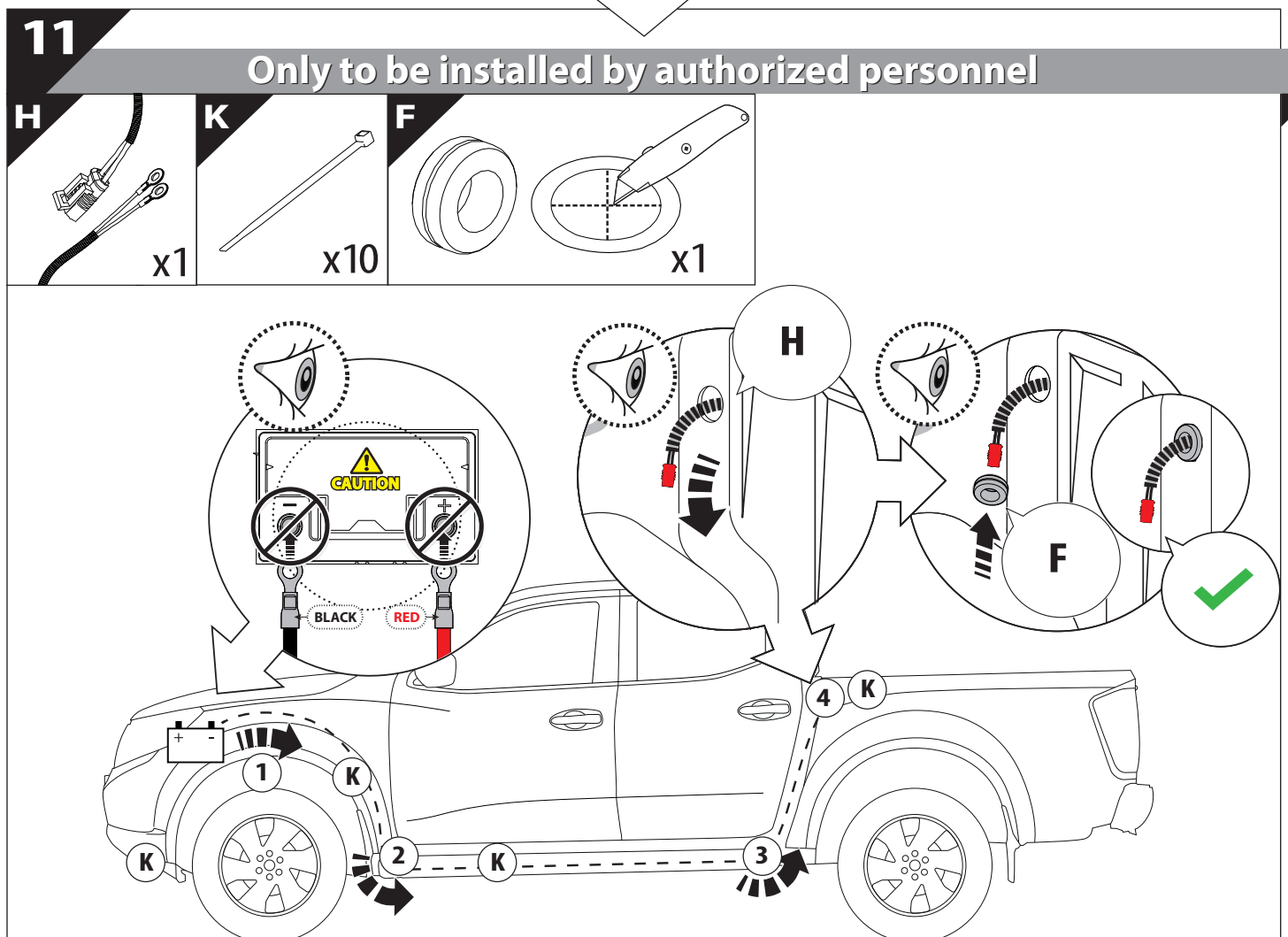
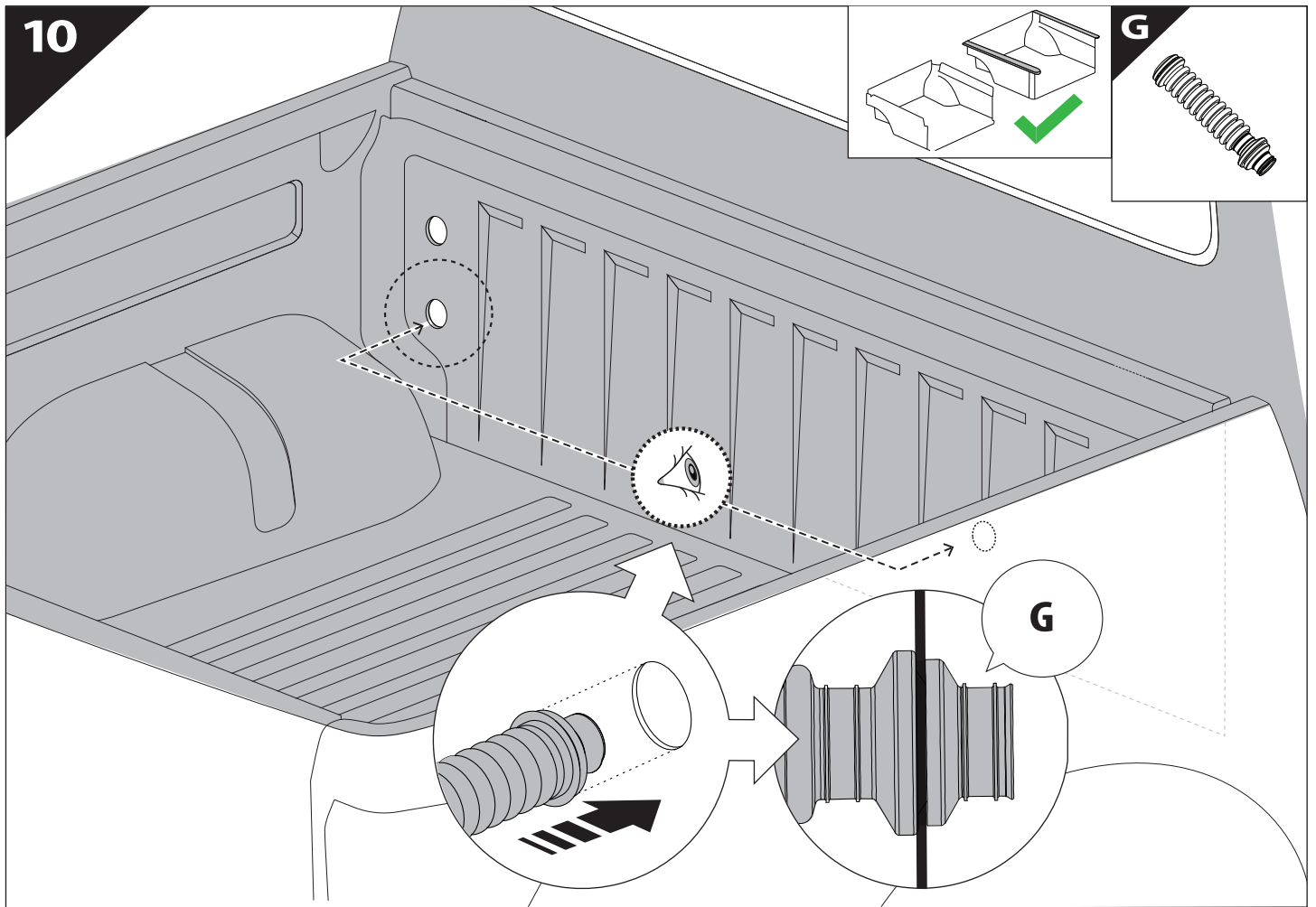


8

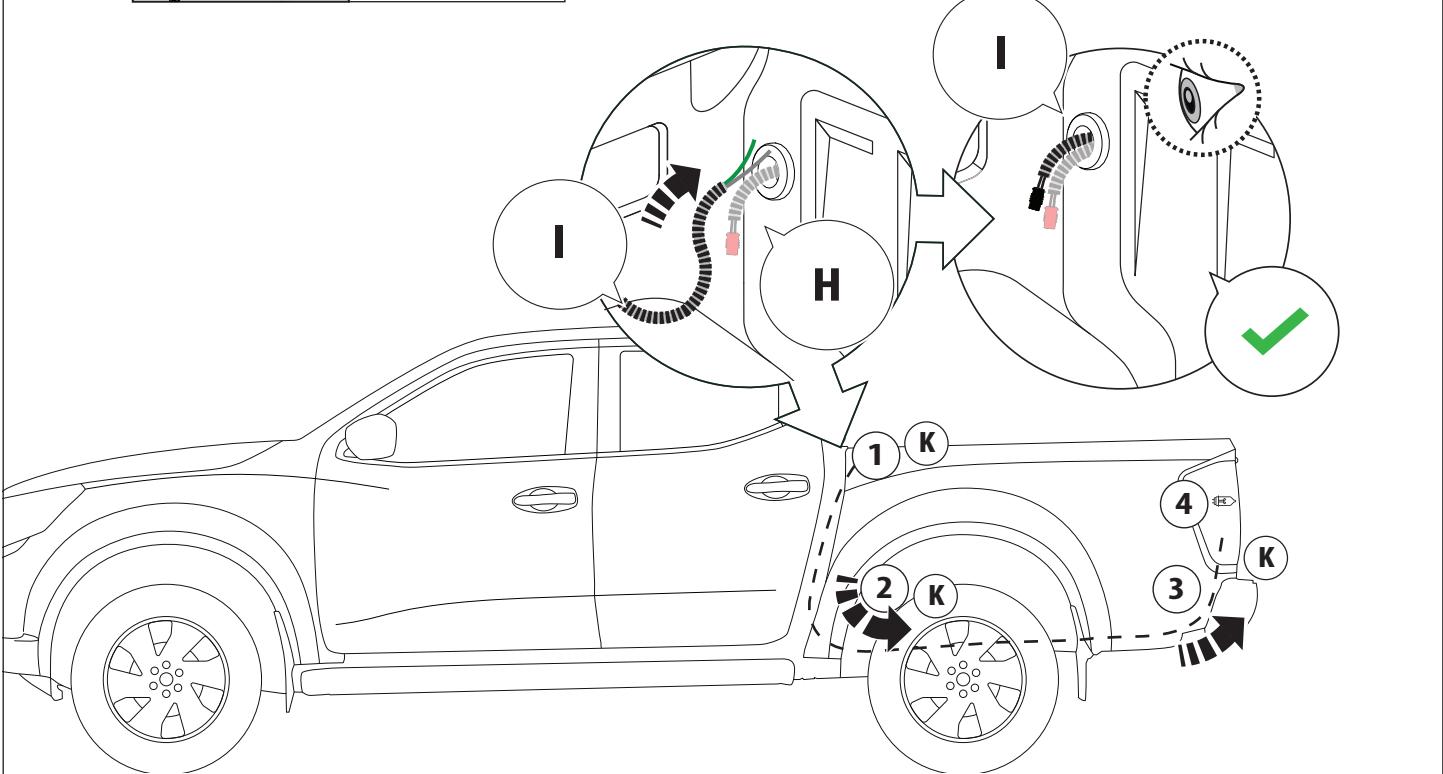
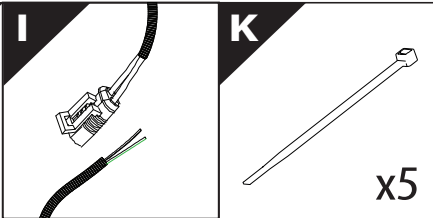


9

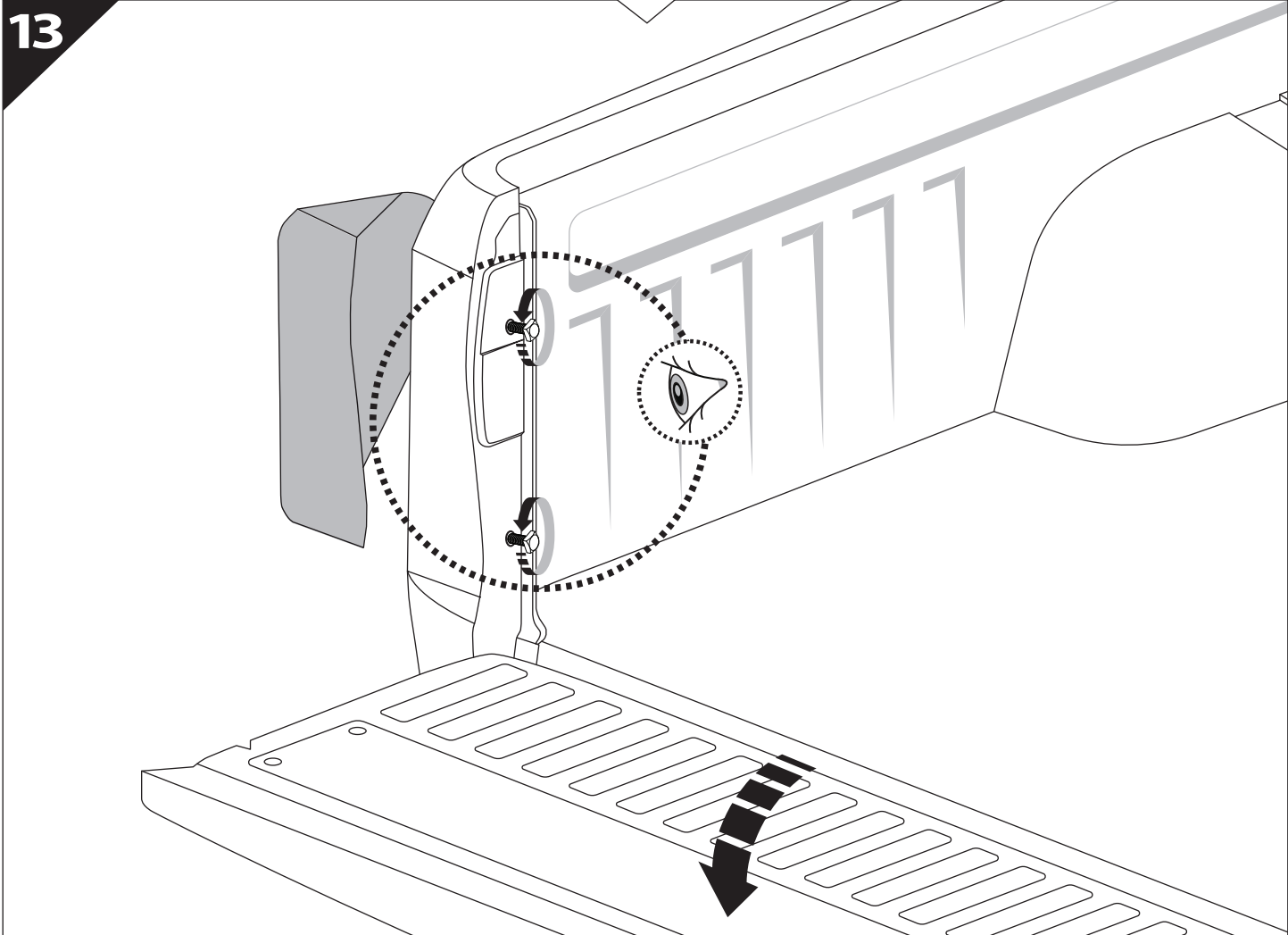




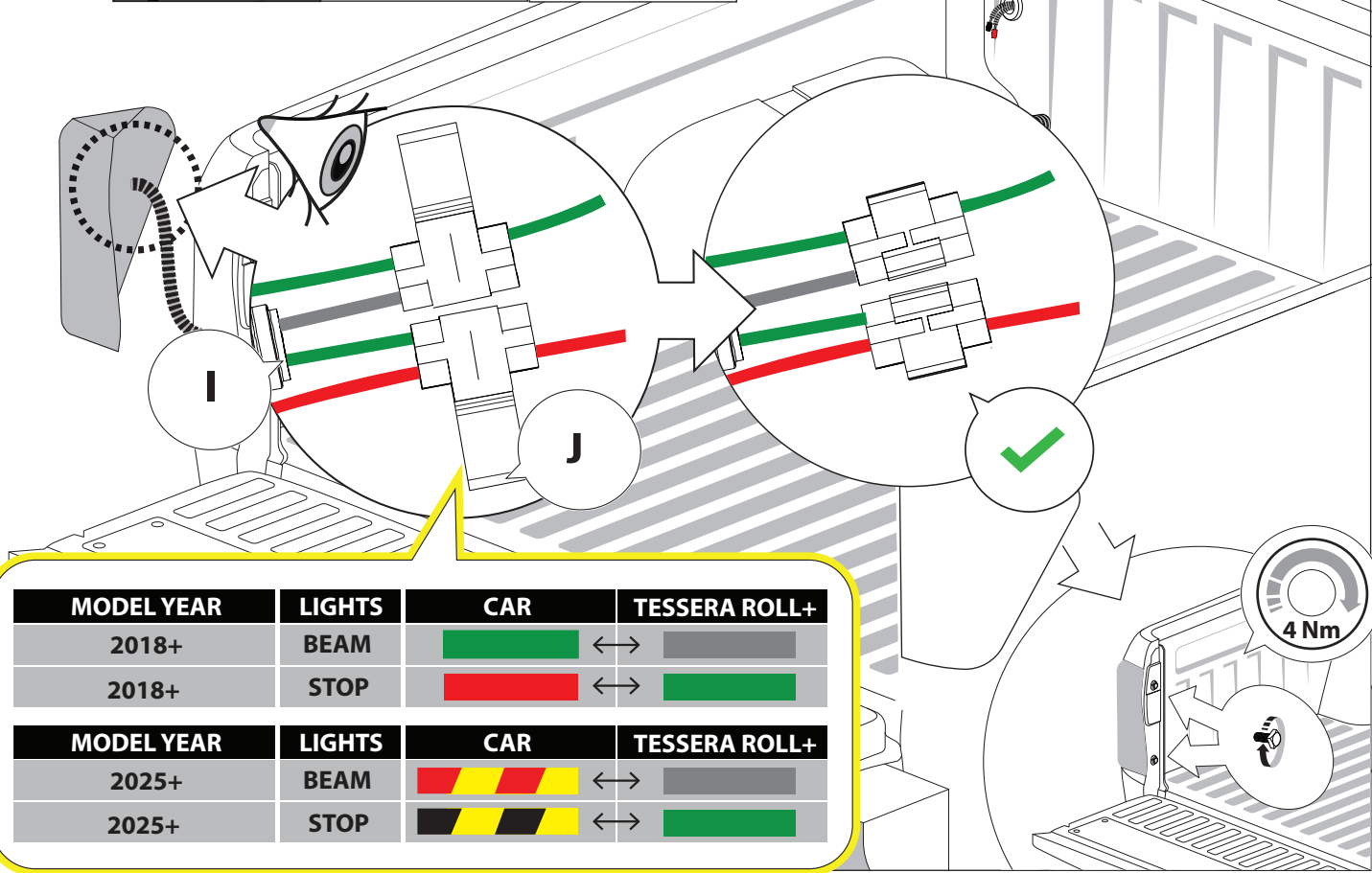
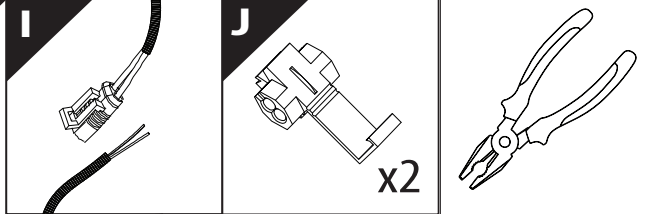
12








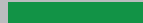


13

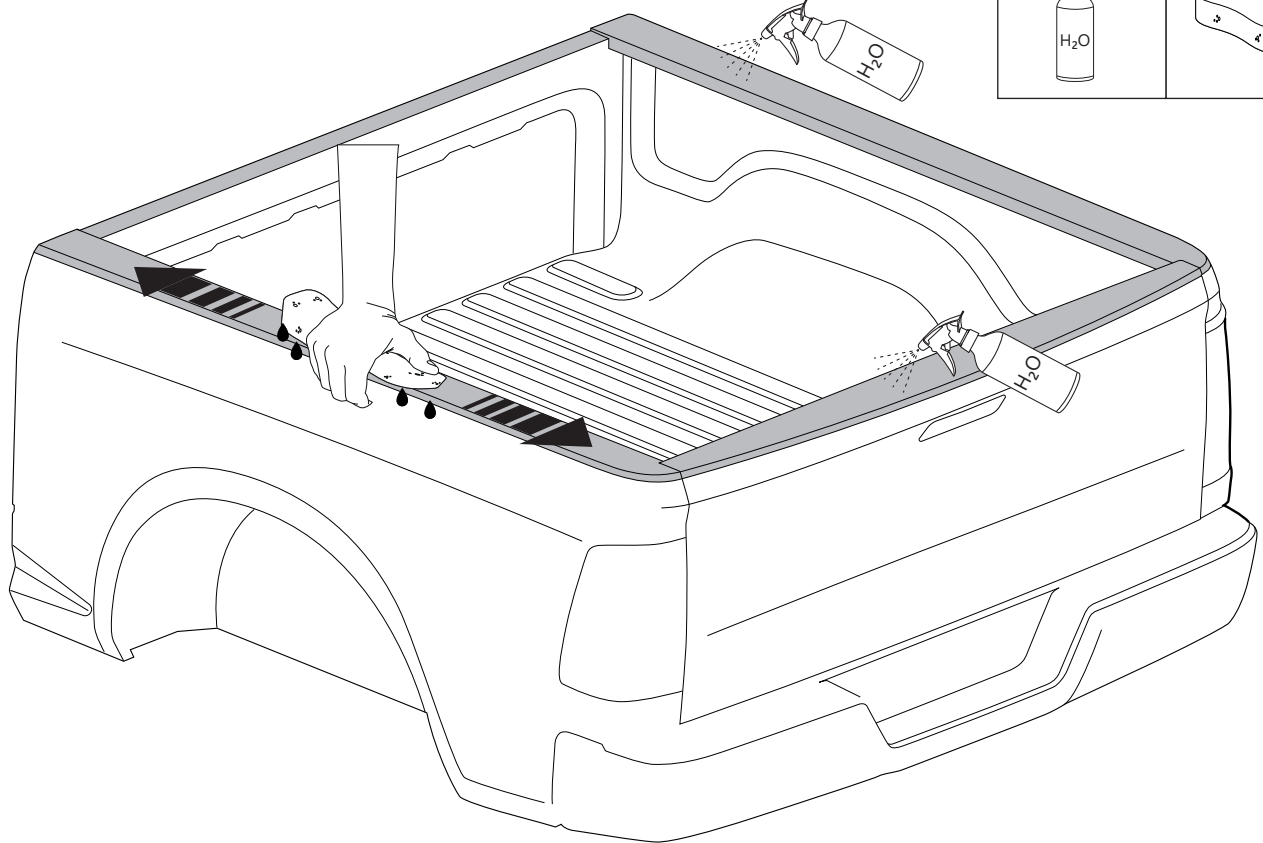
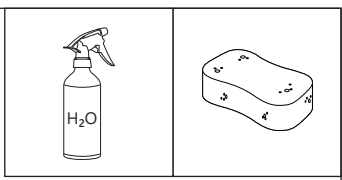


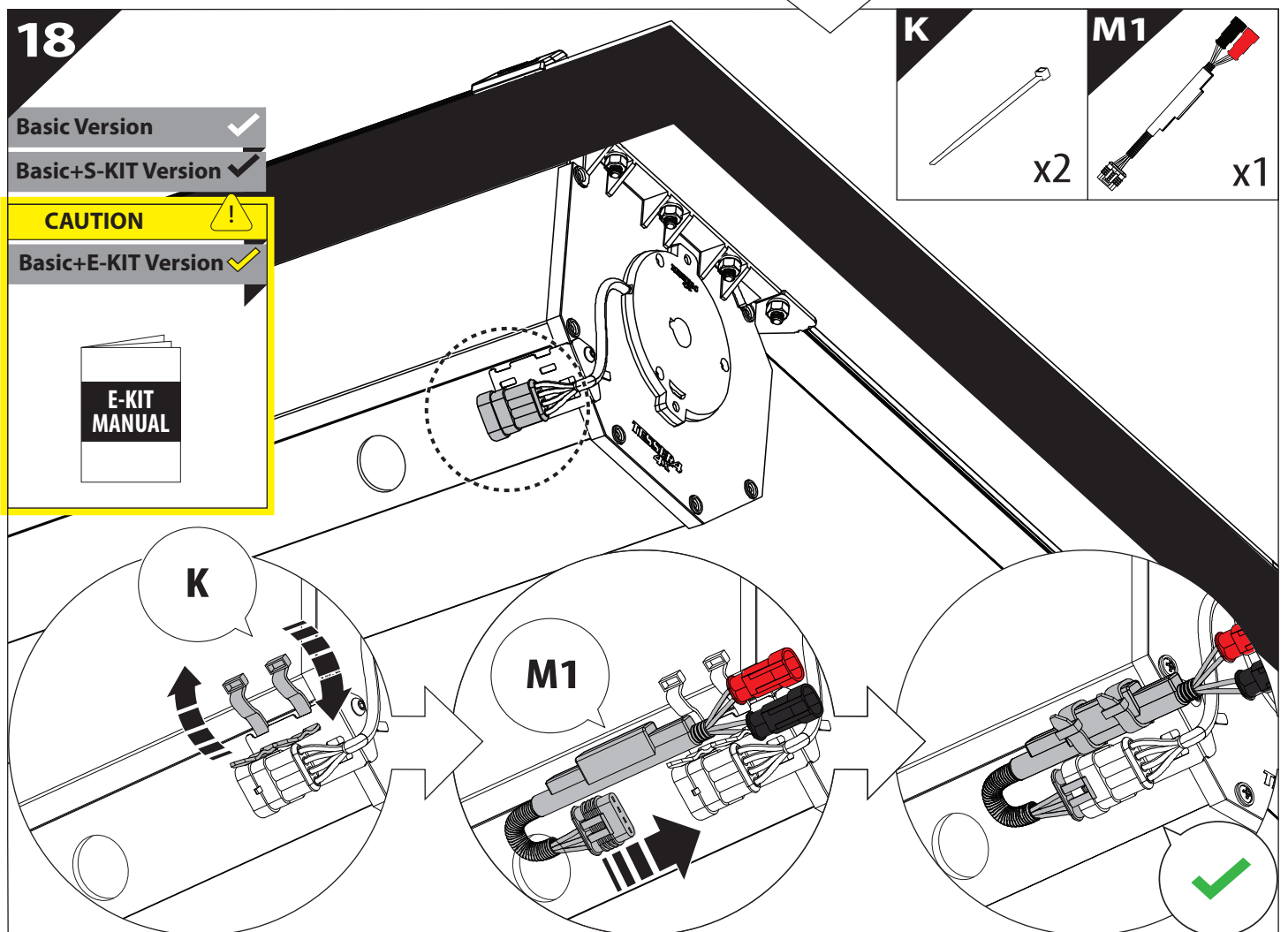
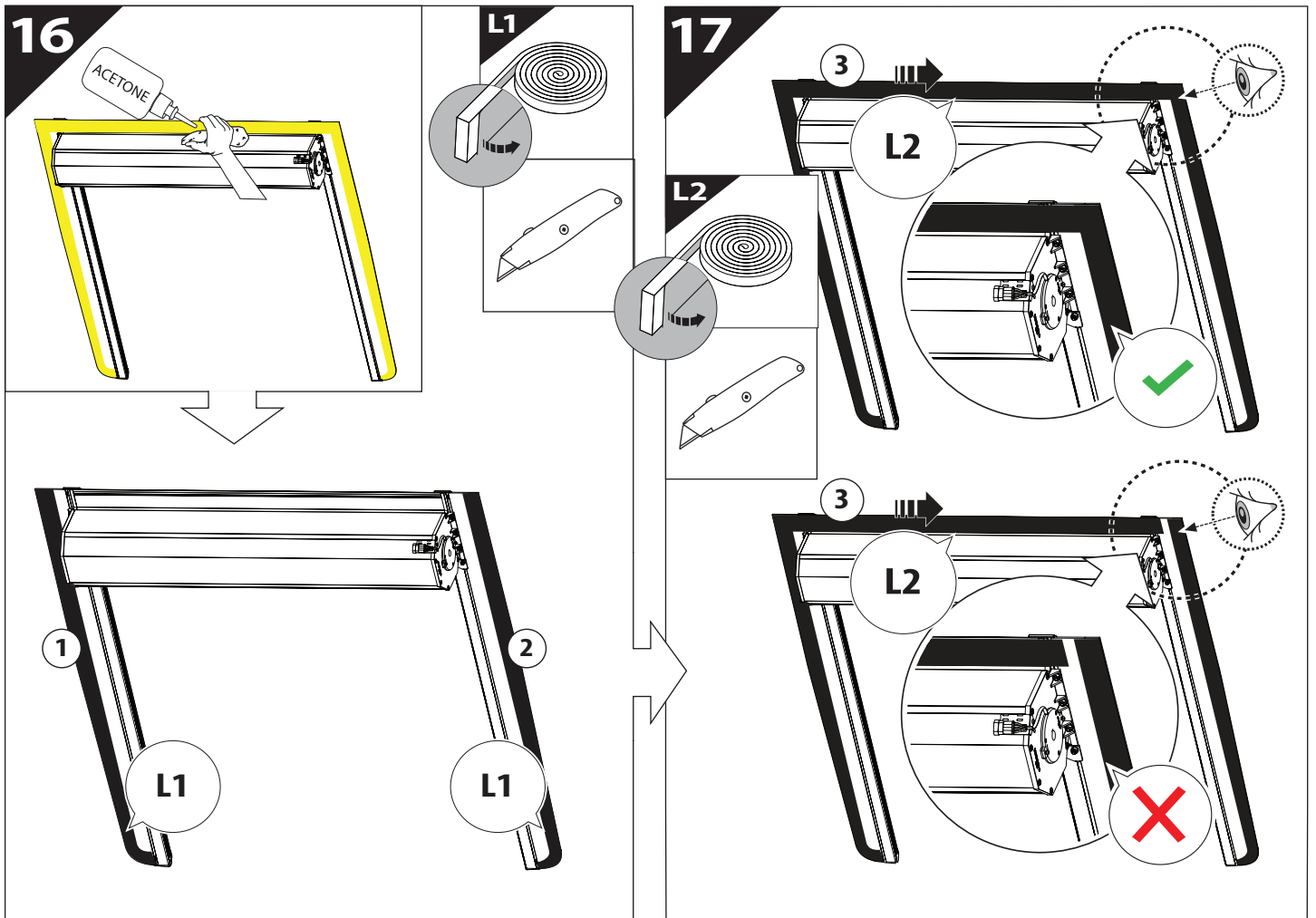
14



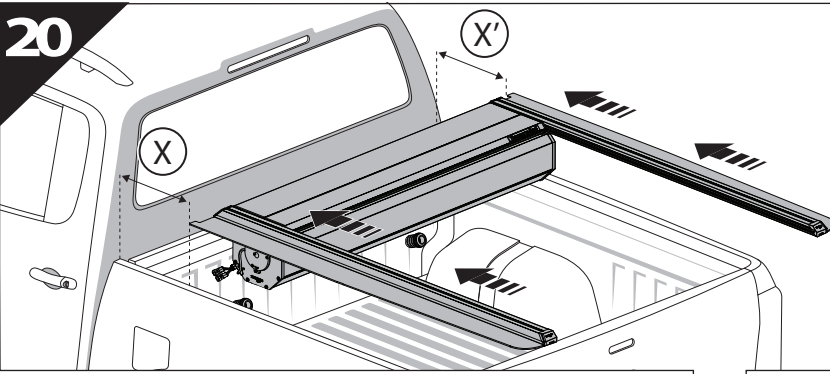
MODEL YEAR	LIGHTS	CAR	TESSERA ROLL+
2018+	BEAM		
2018+	STOP		
MODEL YEAR	LIGHTS	CAR	TESSERA ROLL+
2025+	BEAM		
2025+	STOP		

15

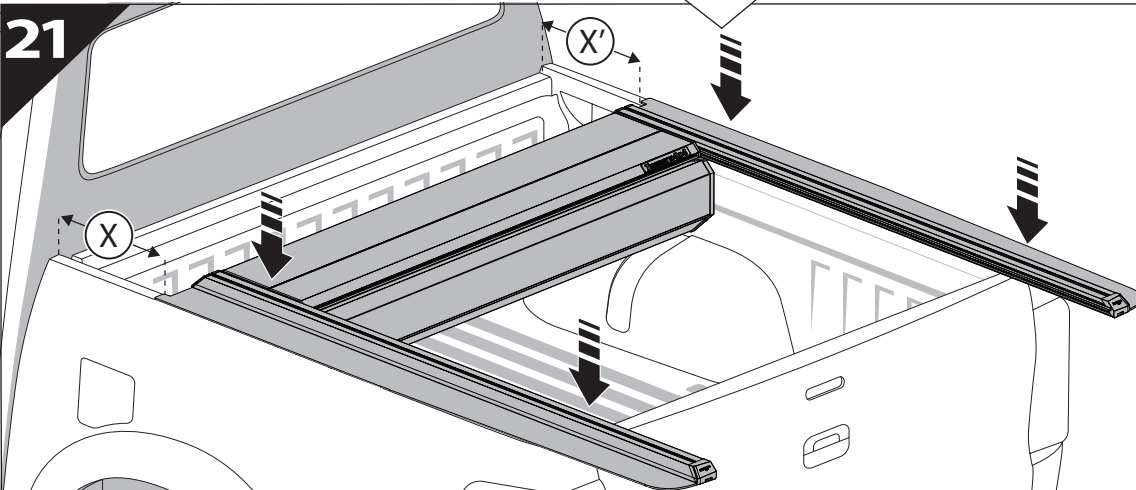




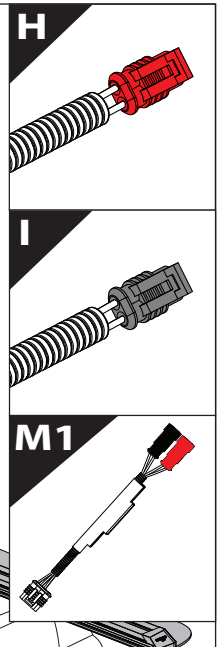
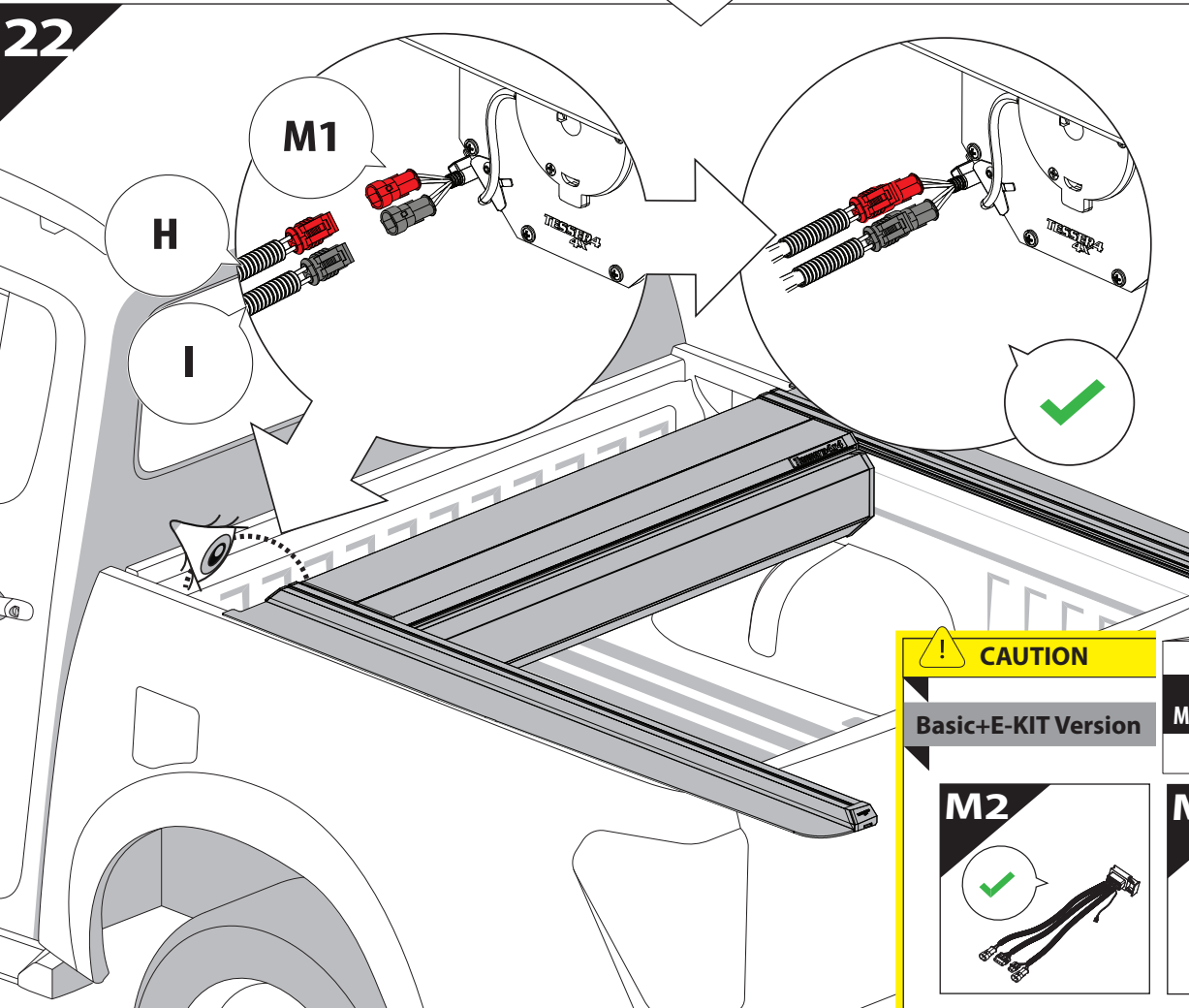
20



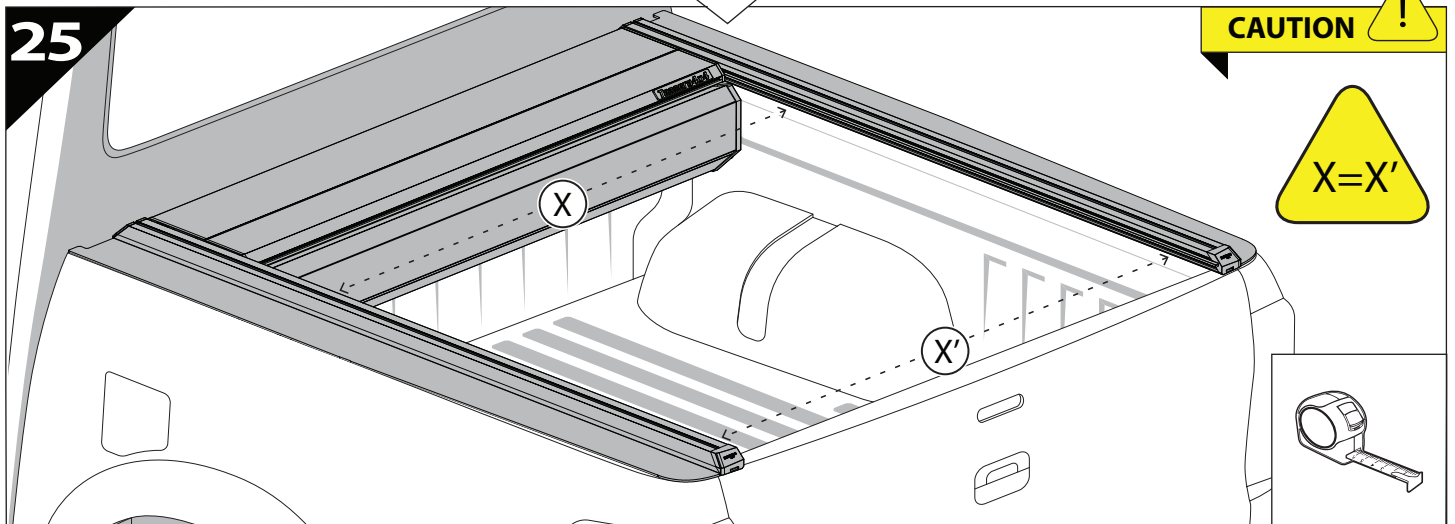
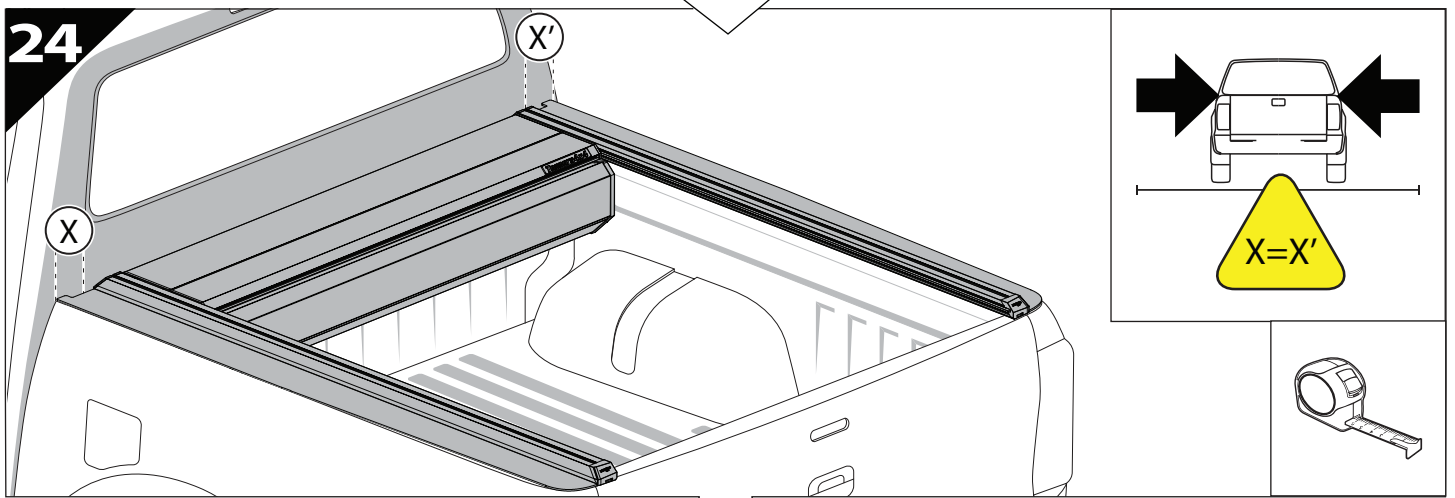
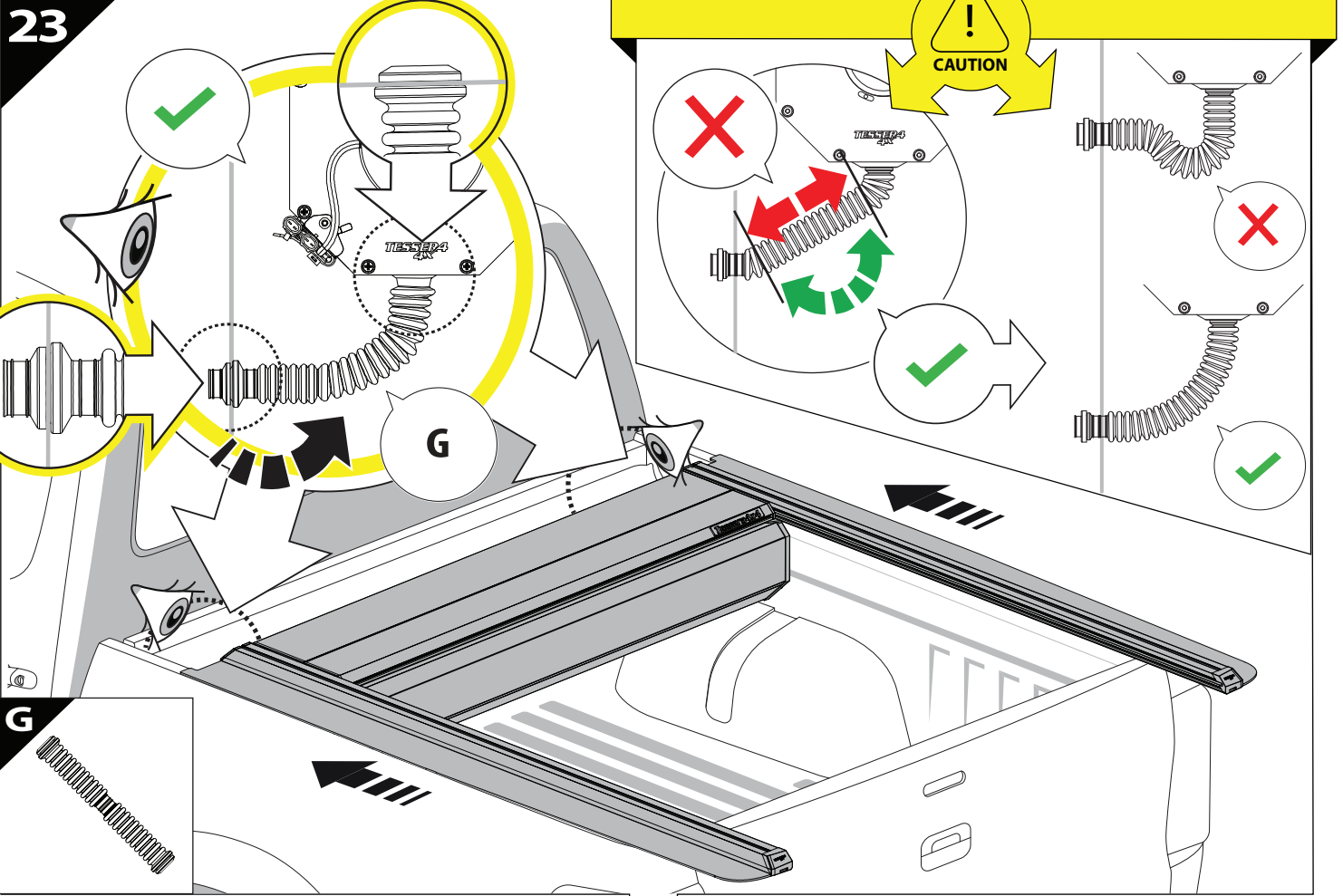
21



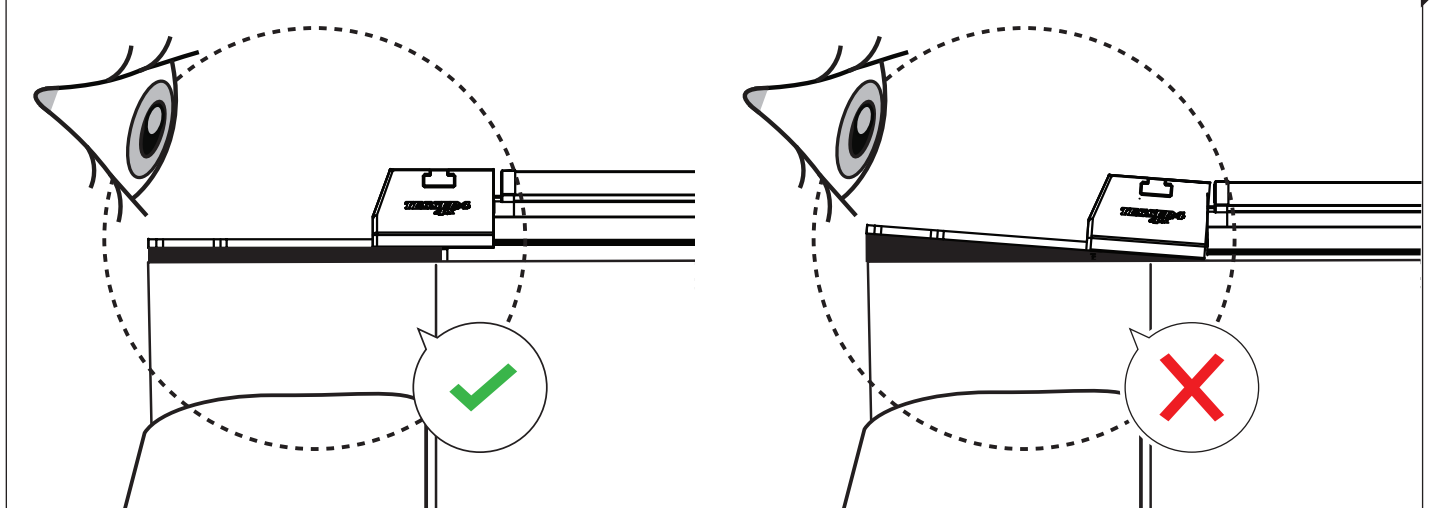
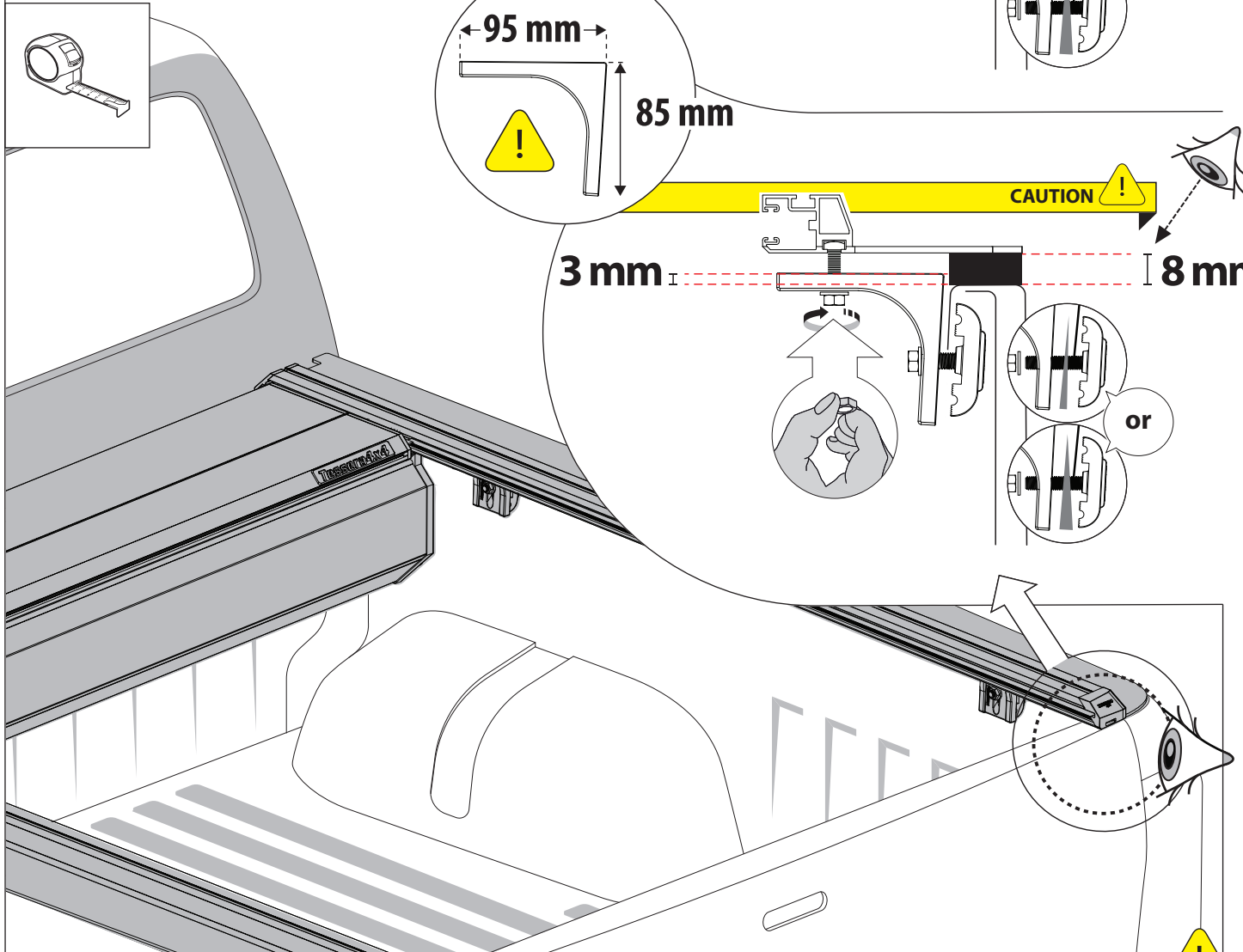
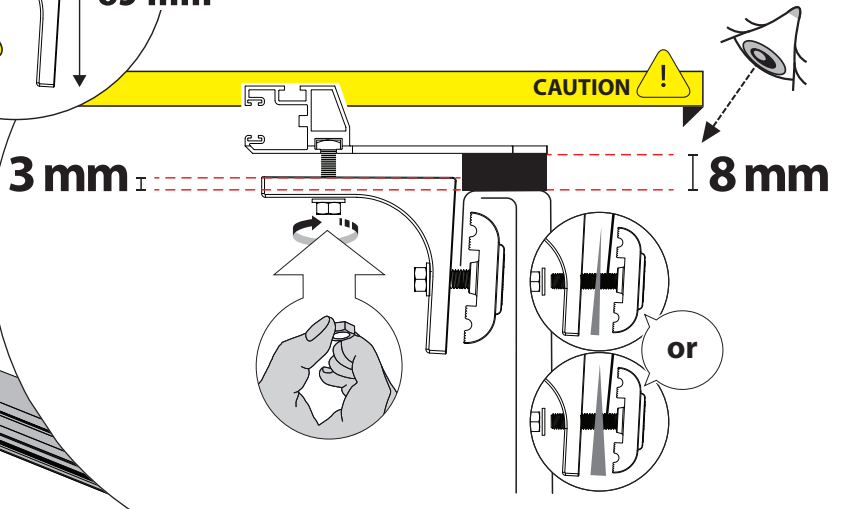
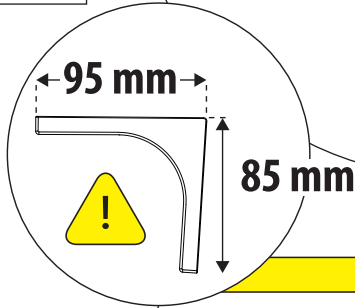
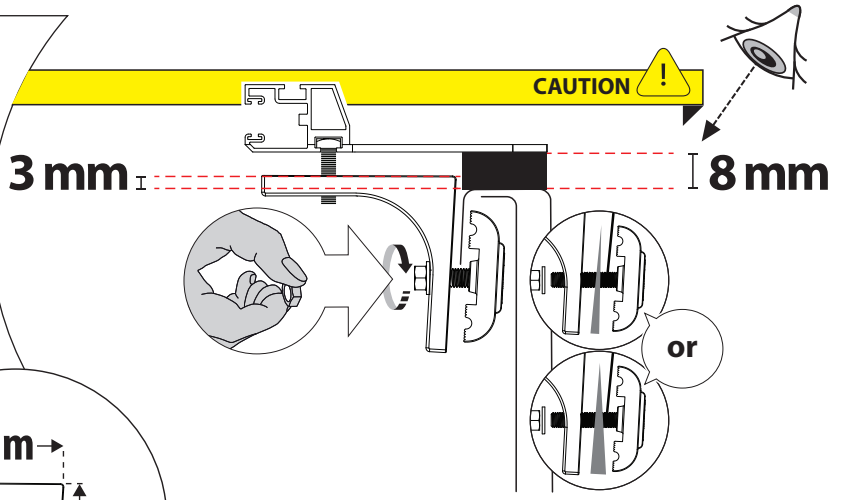
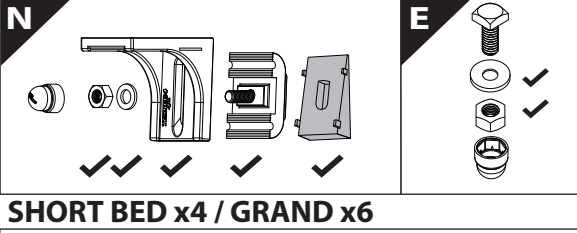
22

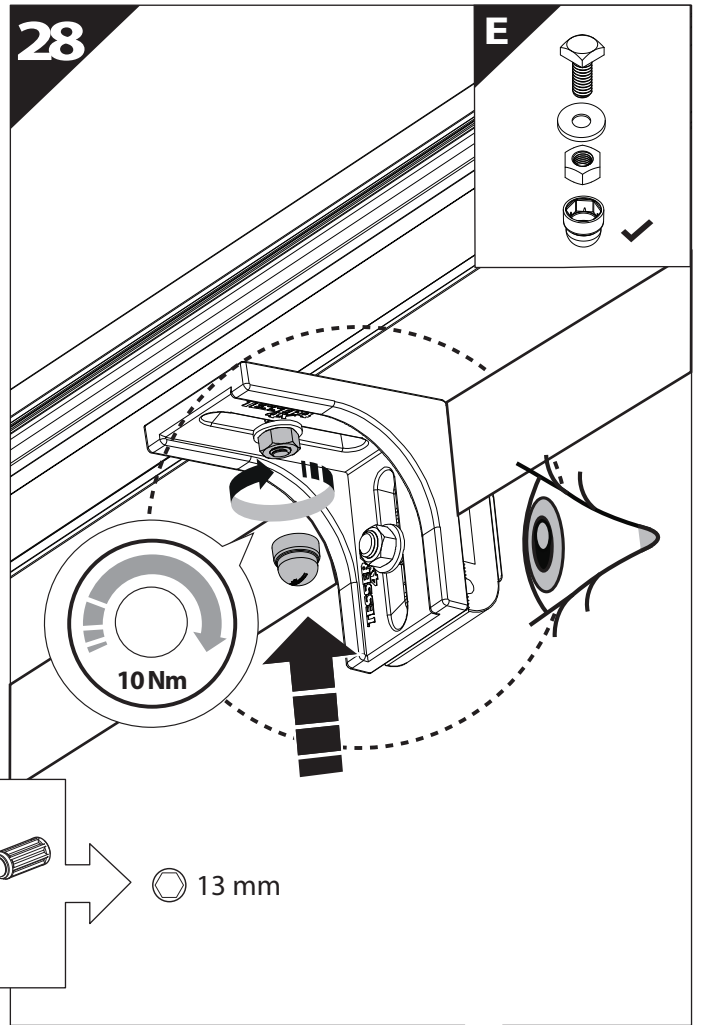
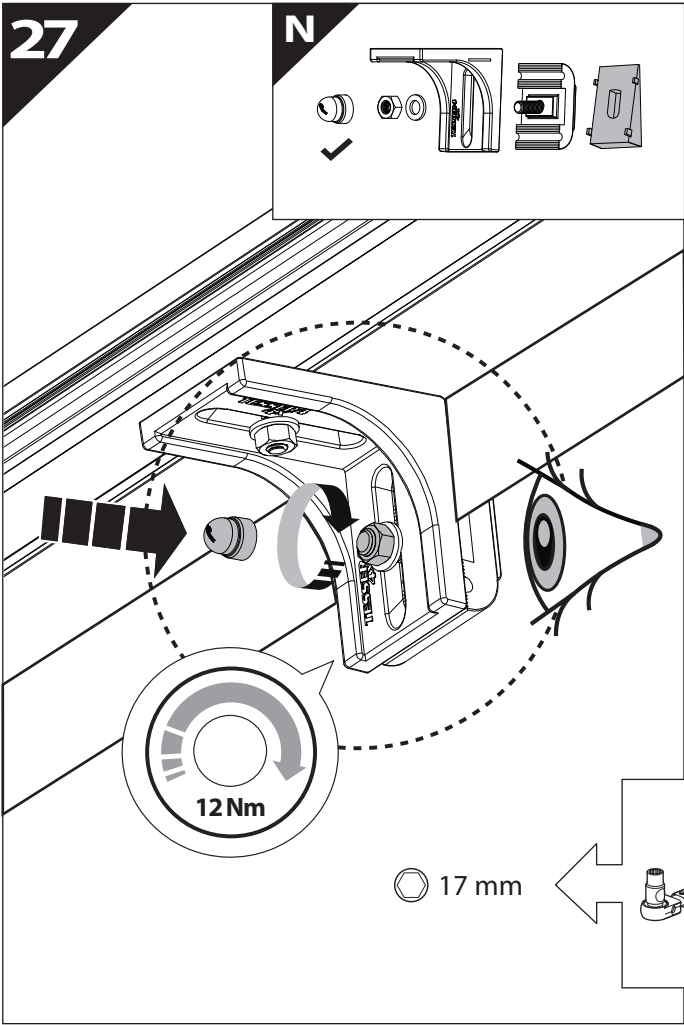


<b>CAUTION</b>	
Basic+E-KIT Version	
E-KIT MANUAL	
M2 	M1 

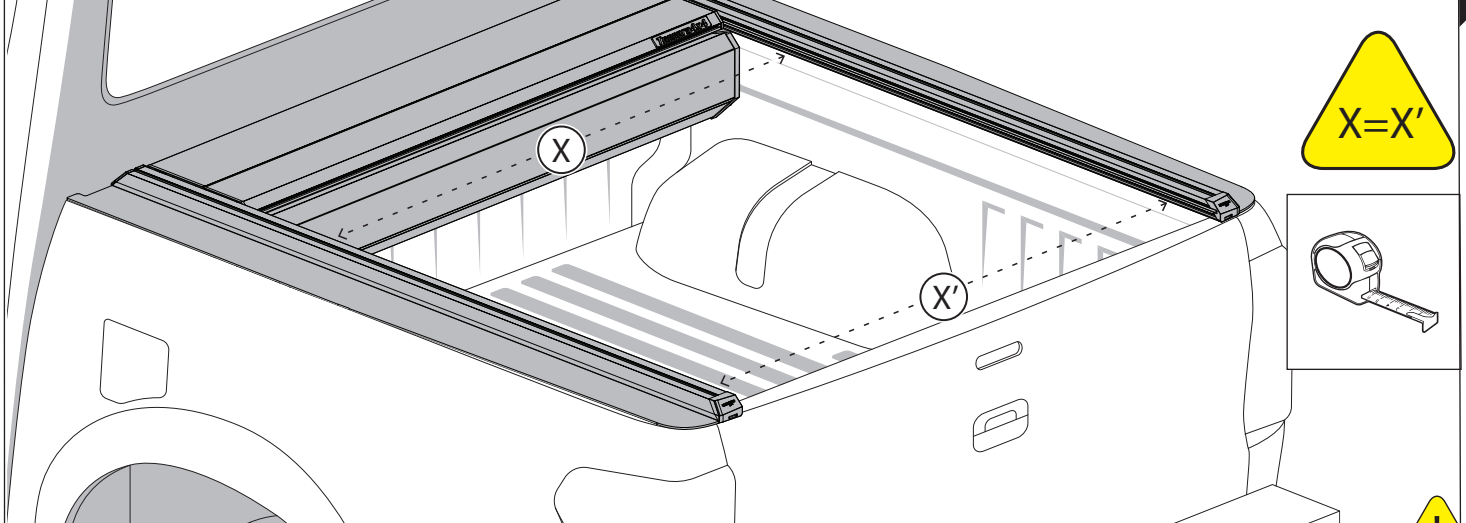


26

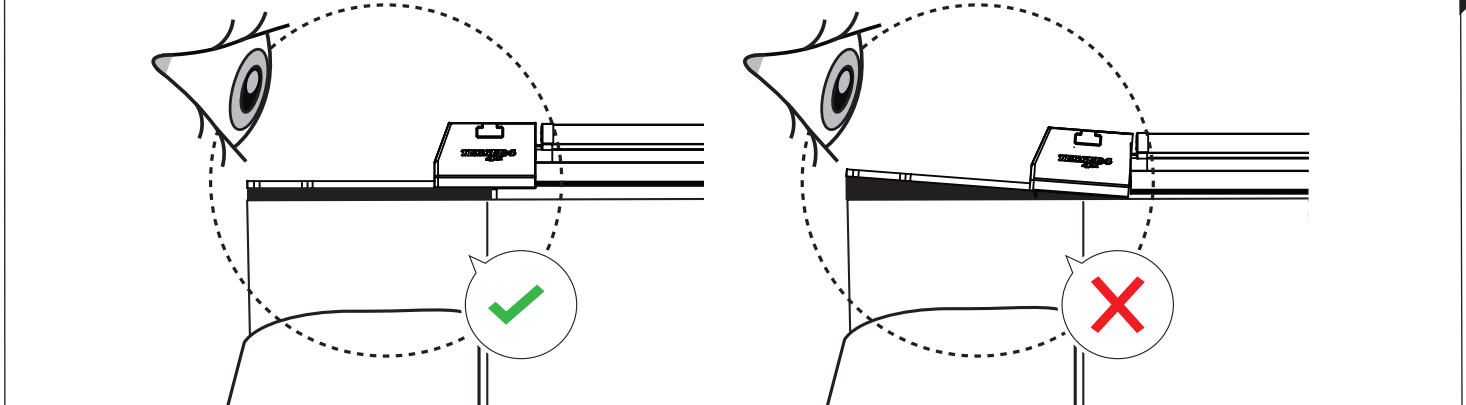




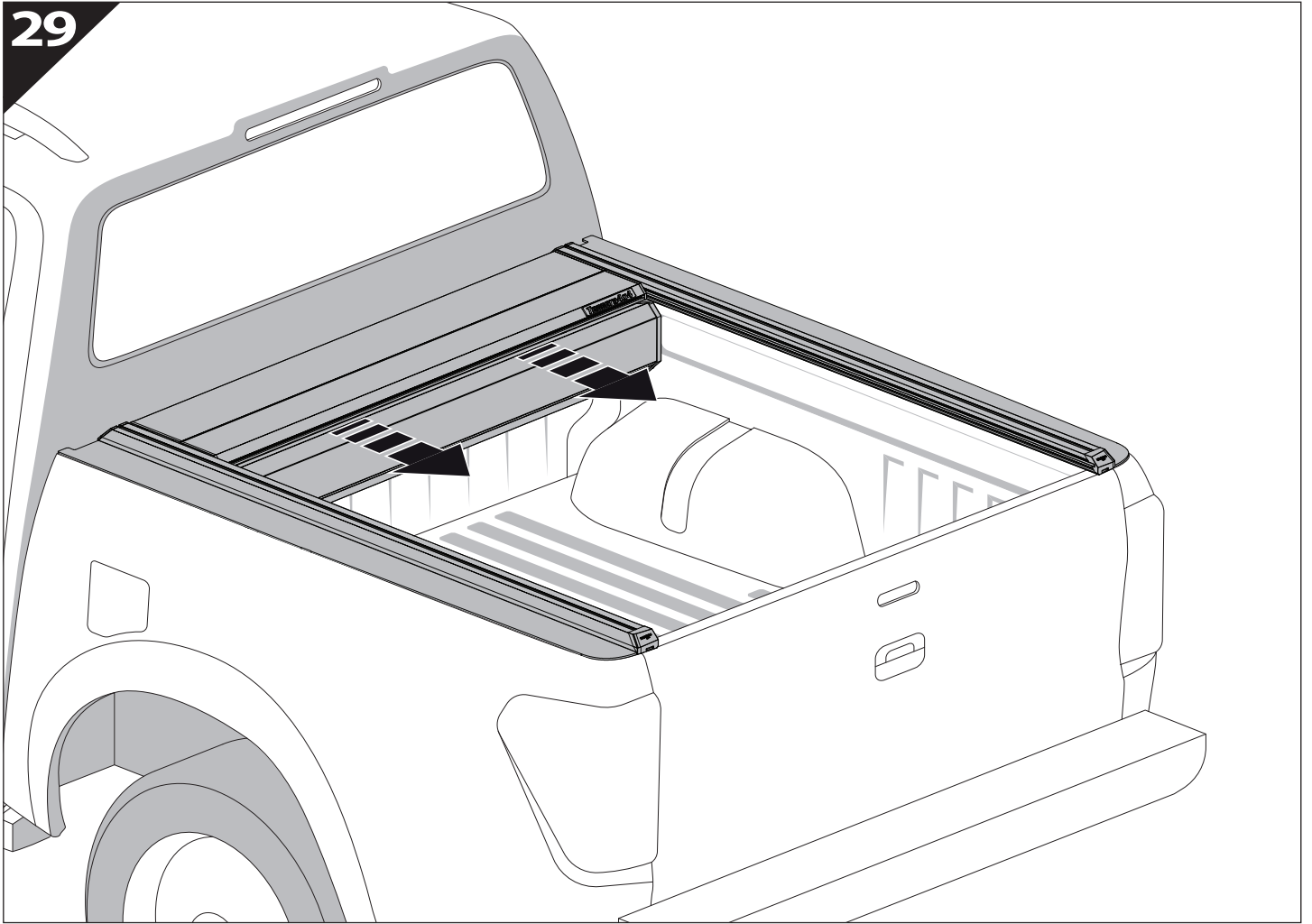
**CAUTION** !



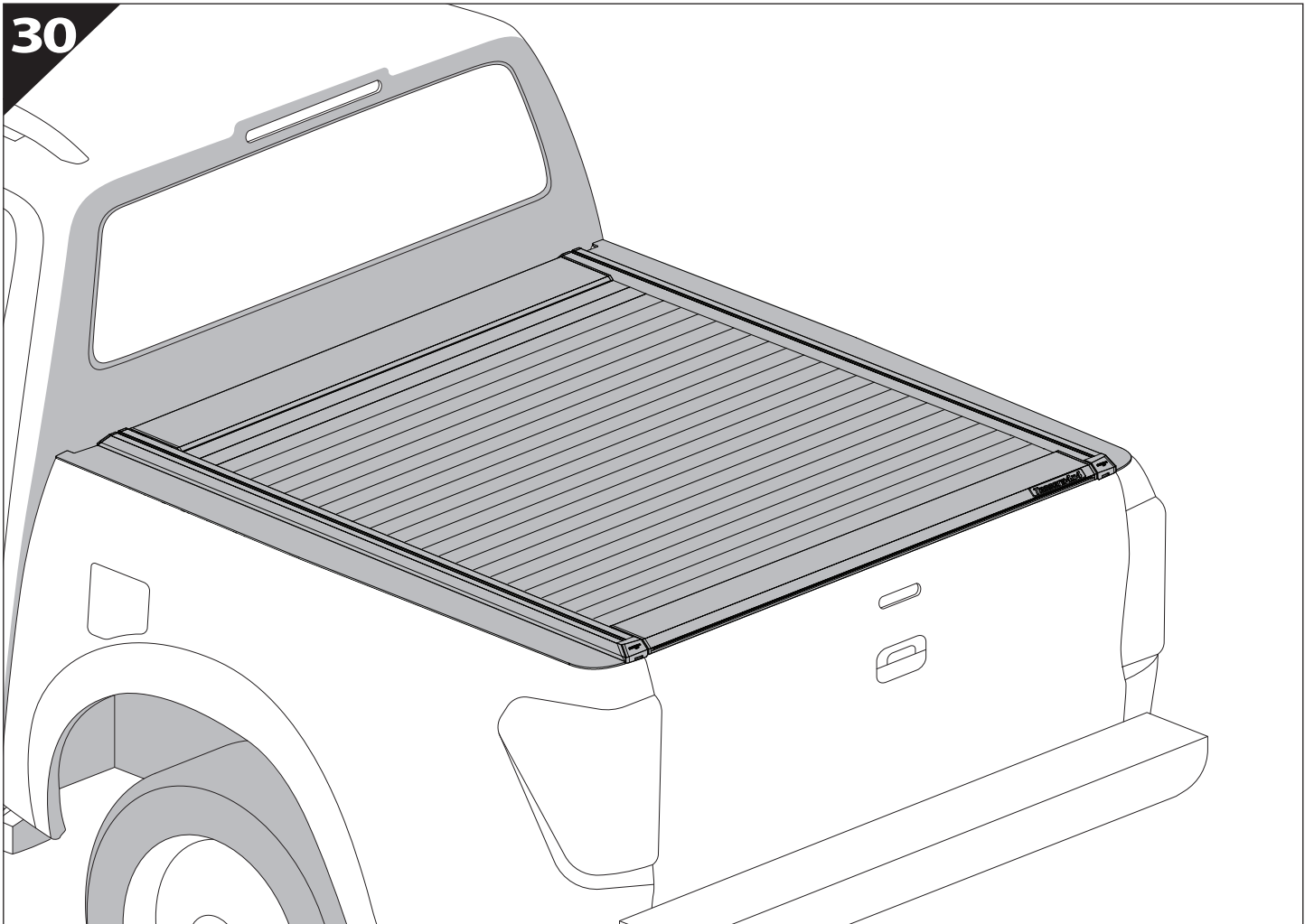
**CAUTION** !



29



30







**GR:** Οδηγίες Εγκατάστασης  
**GB:** Installation manual  
**SF:** Asennusohje  
**F:** Notice de montage  
**PL:** Instrukcja montażu  
**NL:** Installatie-instructies  
**TR:** Montaj Talimatı  
**S:** Monteringsanvisning  
**E:** Instrucciones de montaje

**H:** Szerelési utasítás  
**P:** Instruções de instalação  
**RUS:** Инструкция по установке  
**N:** Monteringsveiledning  
**D:** Einbauanleitung  
**CZ:** Návod k instalaci  
**I:** Istruzioni de montaggio  
**DK:** Monteringsvejledning  
**RO:** Instructiuni de instalare

Customer Service:

+30 (210) 5541161, +30 (210) 5541154 (08:00 - 16:00 EET)

Support department:

[info@gianso.gr](mailto:info@gianso.gr)

Website:

[www.tessera4x4.com](http://www.tessera4x4.com)

Address:

19.5 km of National road Athens-Korinthos (Elefsina) Greece, P.C: 19200