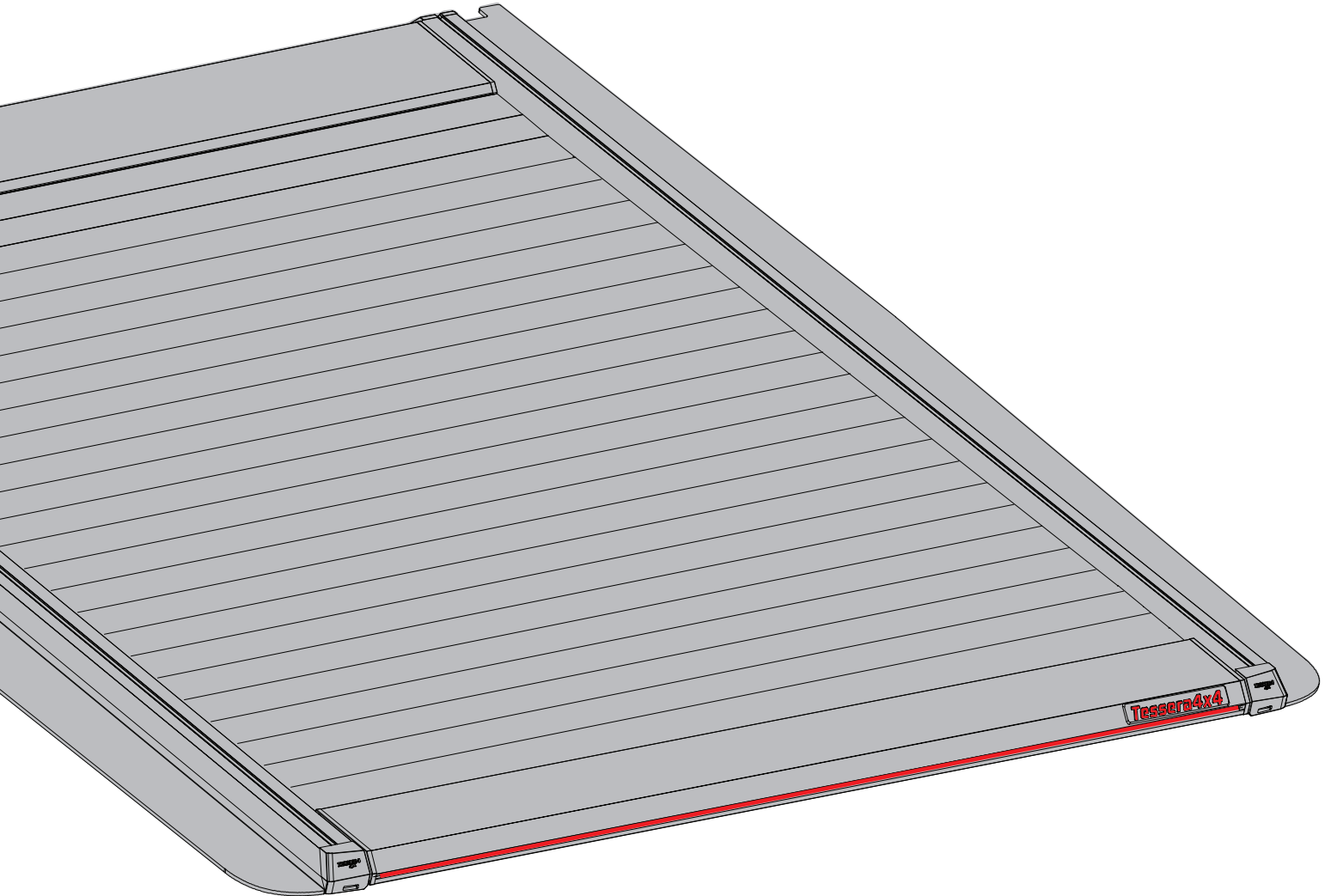


# Tessera Roll+

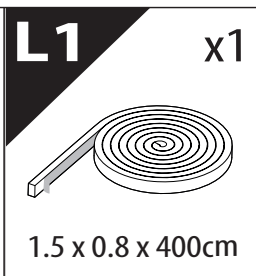
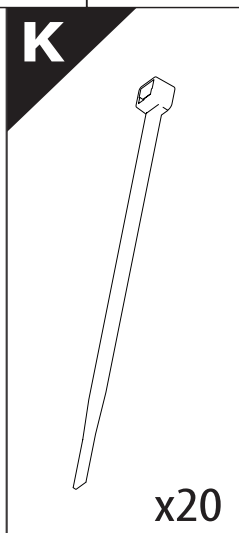
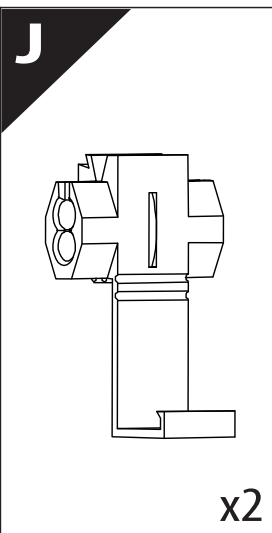
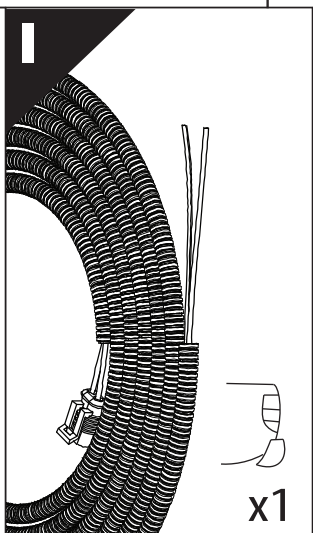
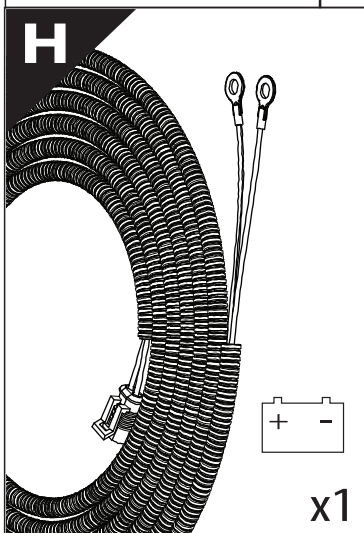
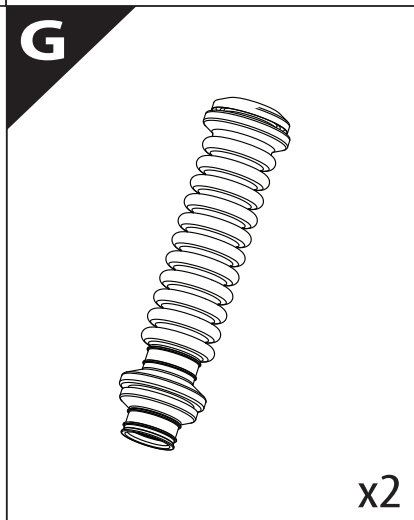
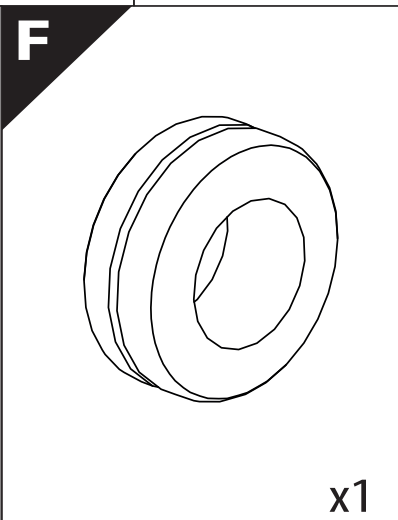
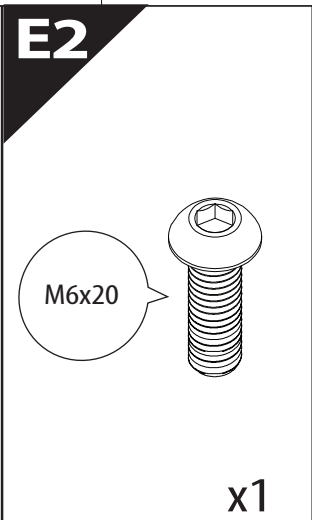
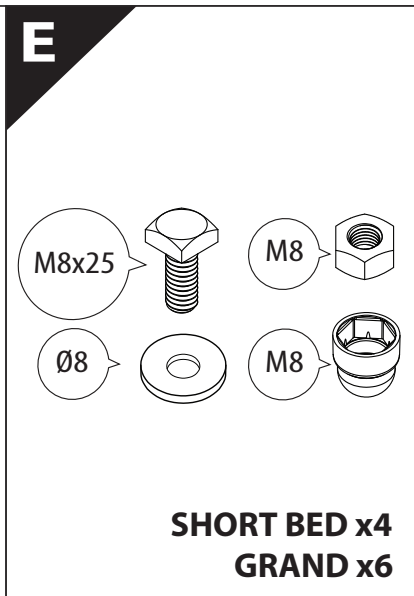
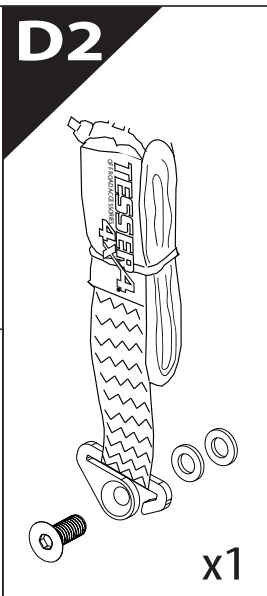
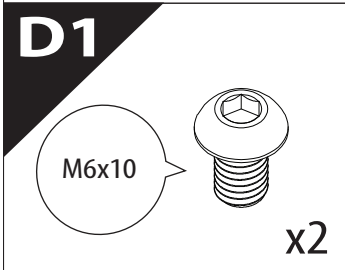
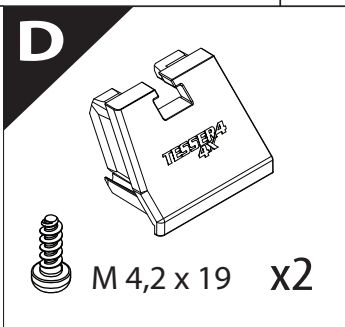
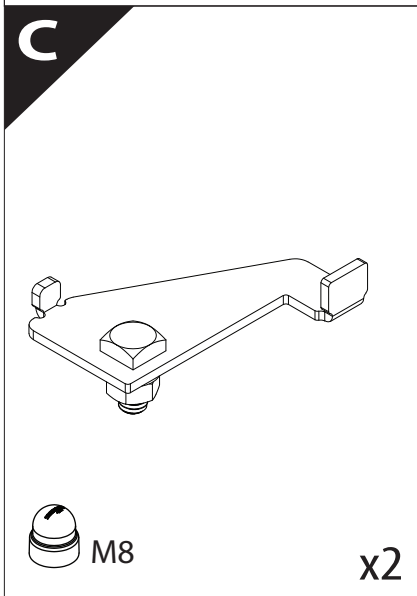
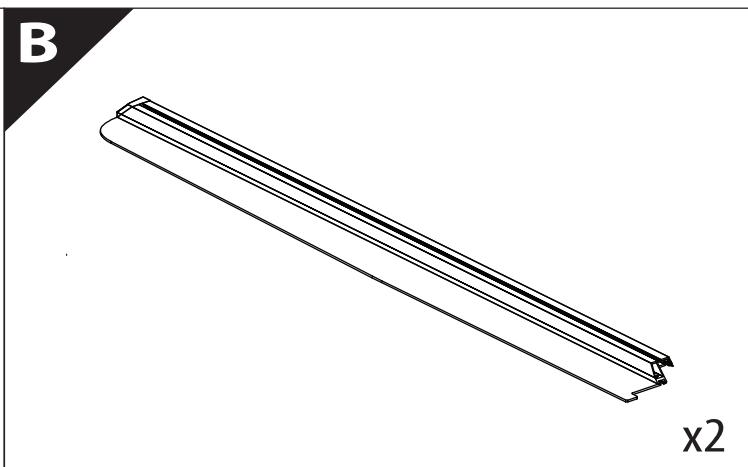
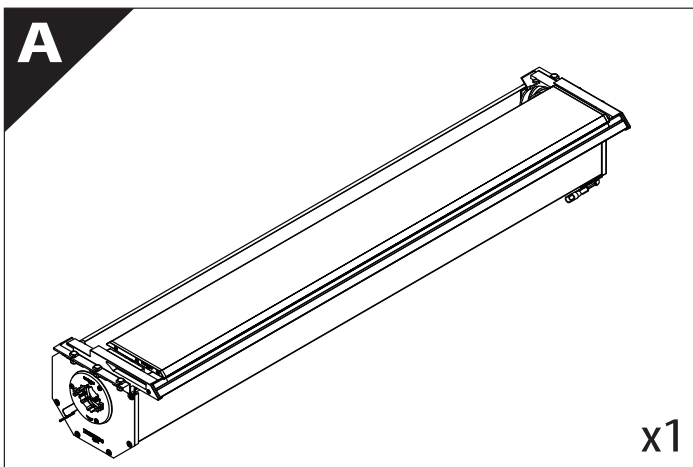
## Basic Version + ⚡ E-KIT



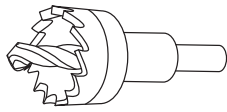
## Installation Manual

<b>PART NUMBER(S)</b>	<b>Model Year</b>
<b>TESS 14082 ROLL+E-KIT</b>	<b>KGM / SsangYong Musso-Rexton Sports 2018+ SHORT BED</b>
<b>TESS 14083 ROLL+E-KIT</b>	<b>KGM / SsangYong Musso-Rexton Sports 2018+ GRAND</b>
<b>Cab(s)</b>	<b>Installation Time / Weight</b>
<b>Double Cab</b>	<b>40-60 minutes / 53-57 kg</b>

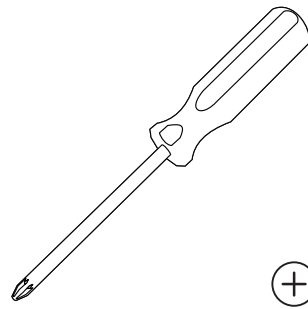
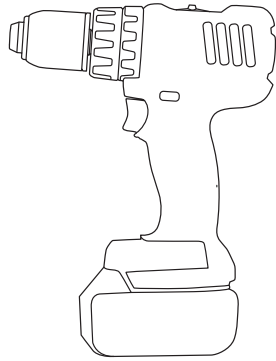




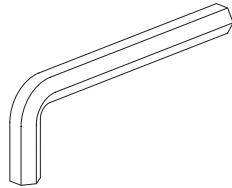
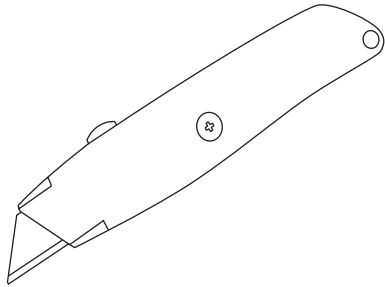
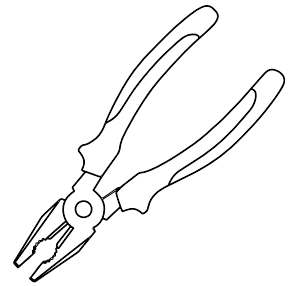




Ø 25 mm / 40 mm

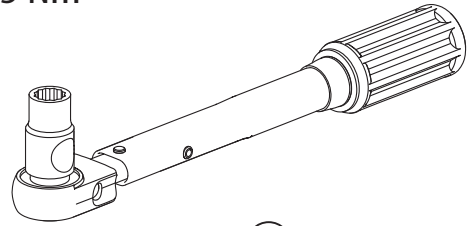


+



4 mm

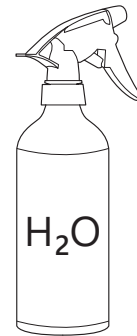
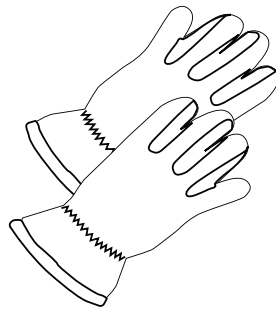
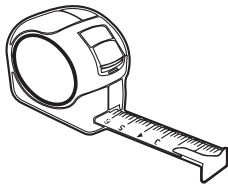
1 - 25 Nm



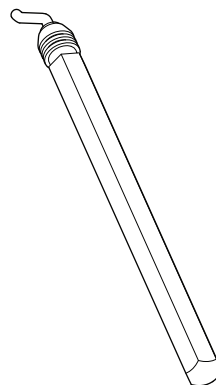
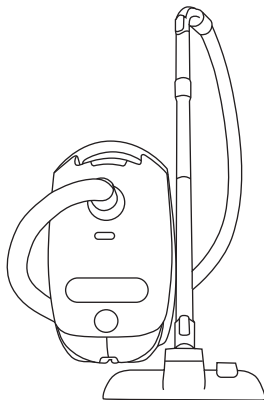
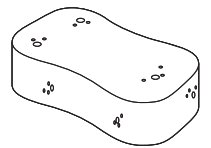
10, 12, 13, 17 mm



ACETONE



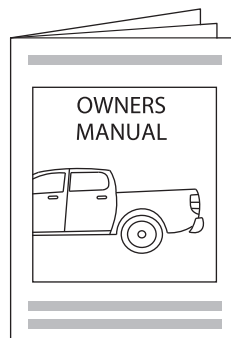
H<sub>2</sub>O



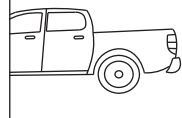
ANTI-RUST



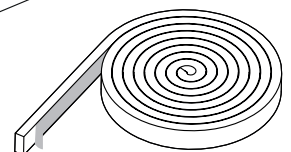
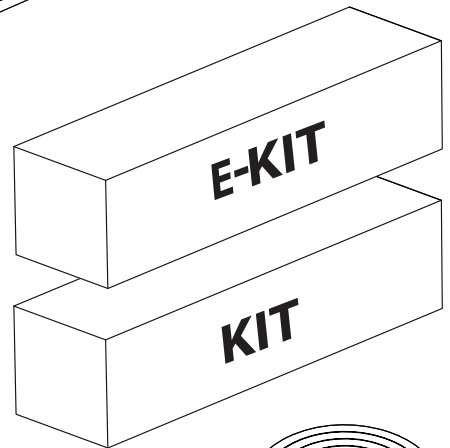
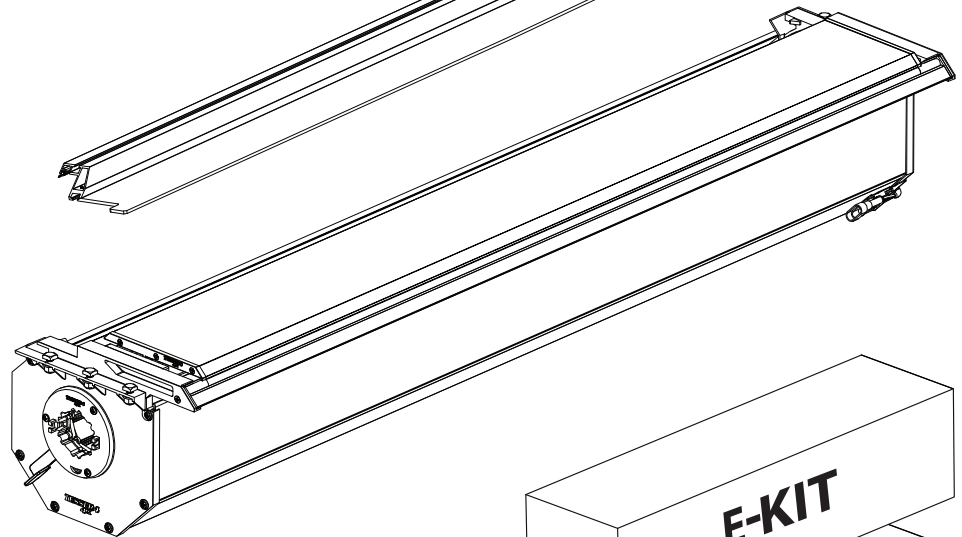
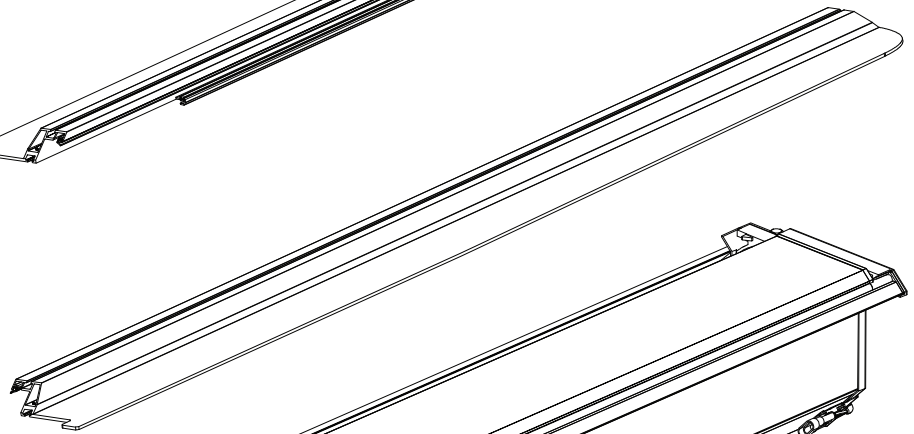
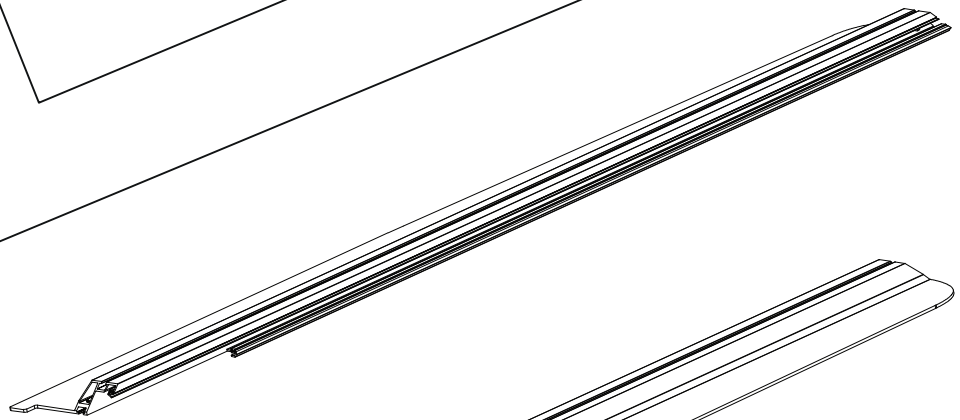
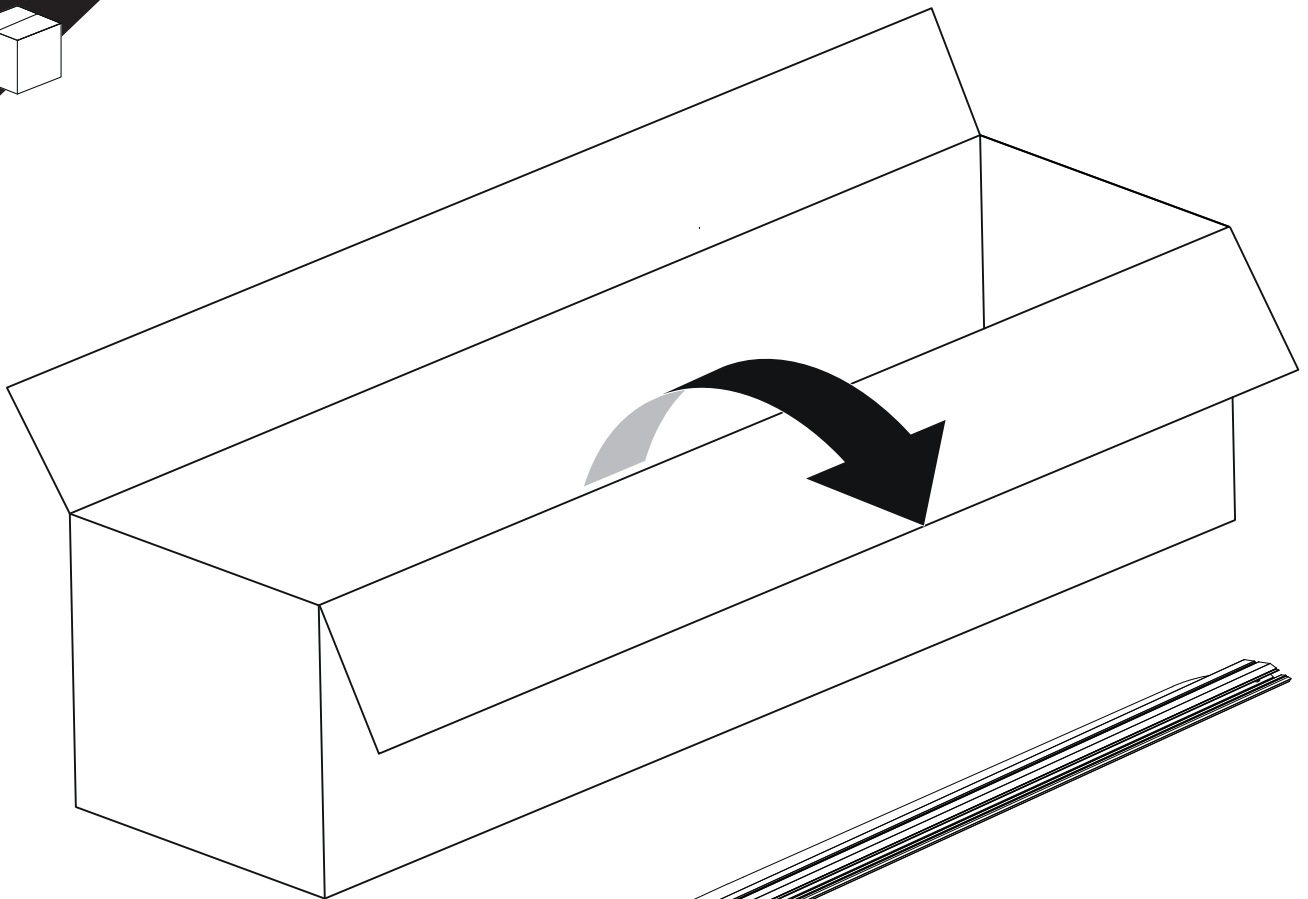
INSTALATION  
MANUAL  
+E-KIT



OWNERS  
MANUAL



x1

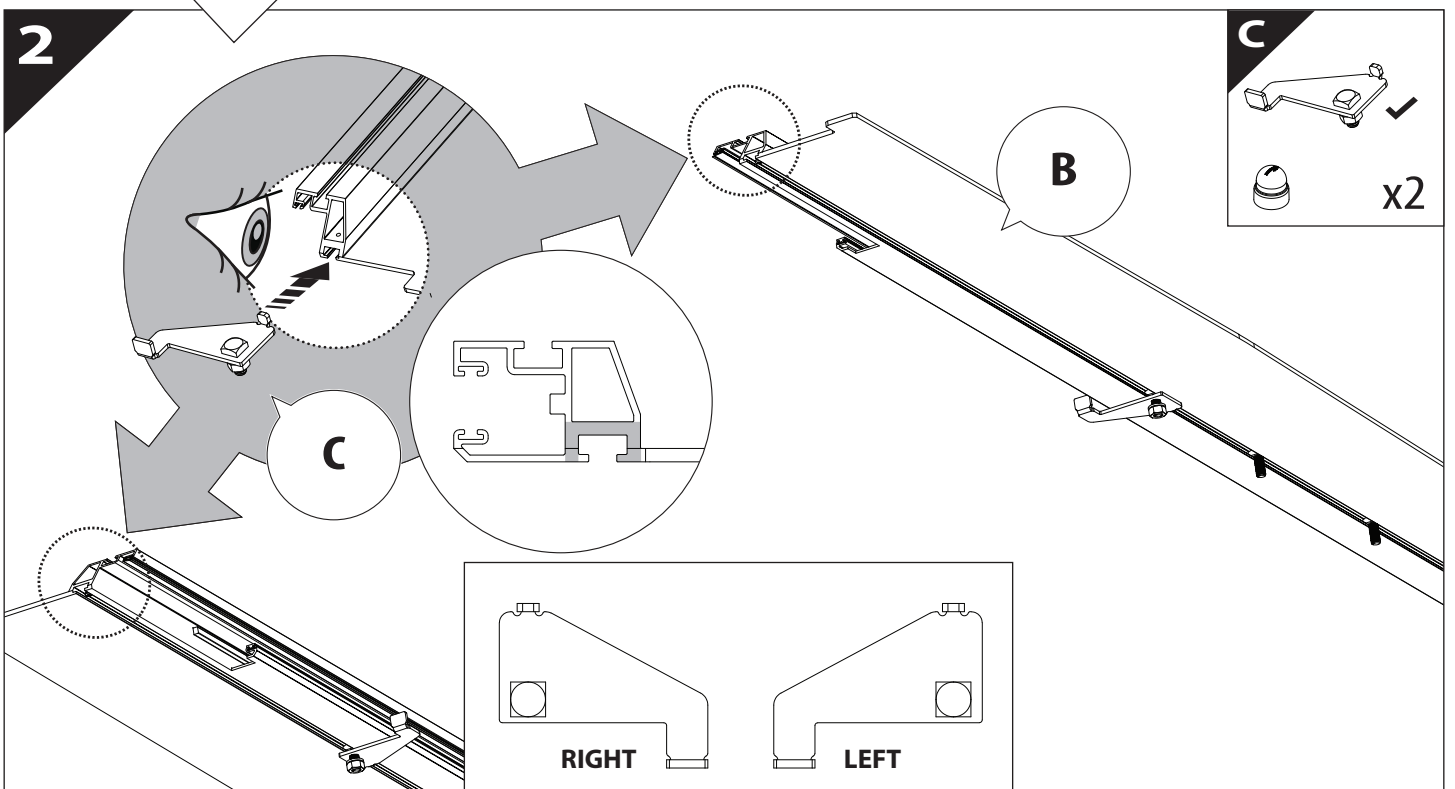
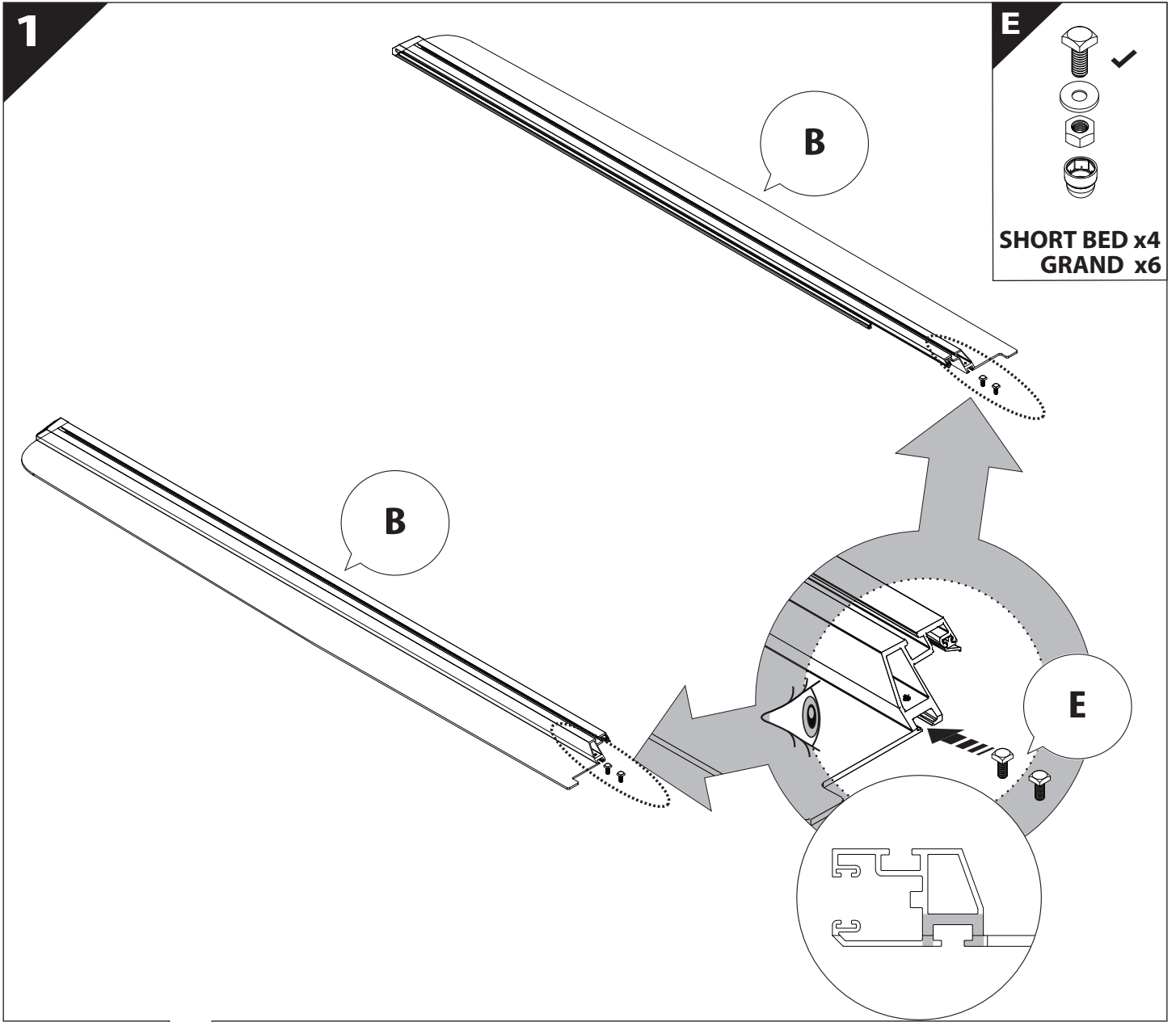


**B**

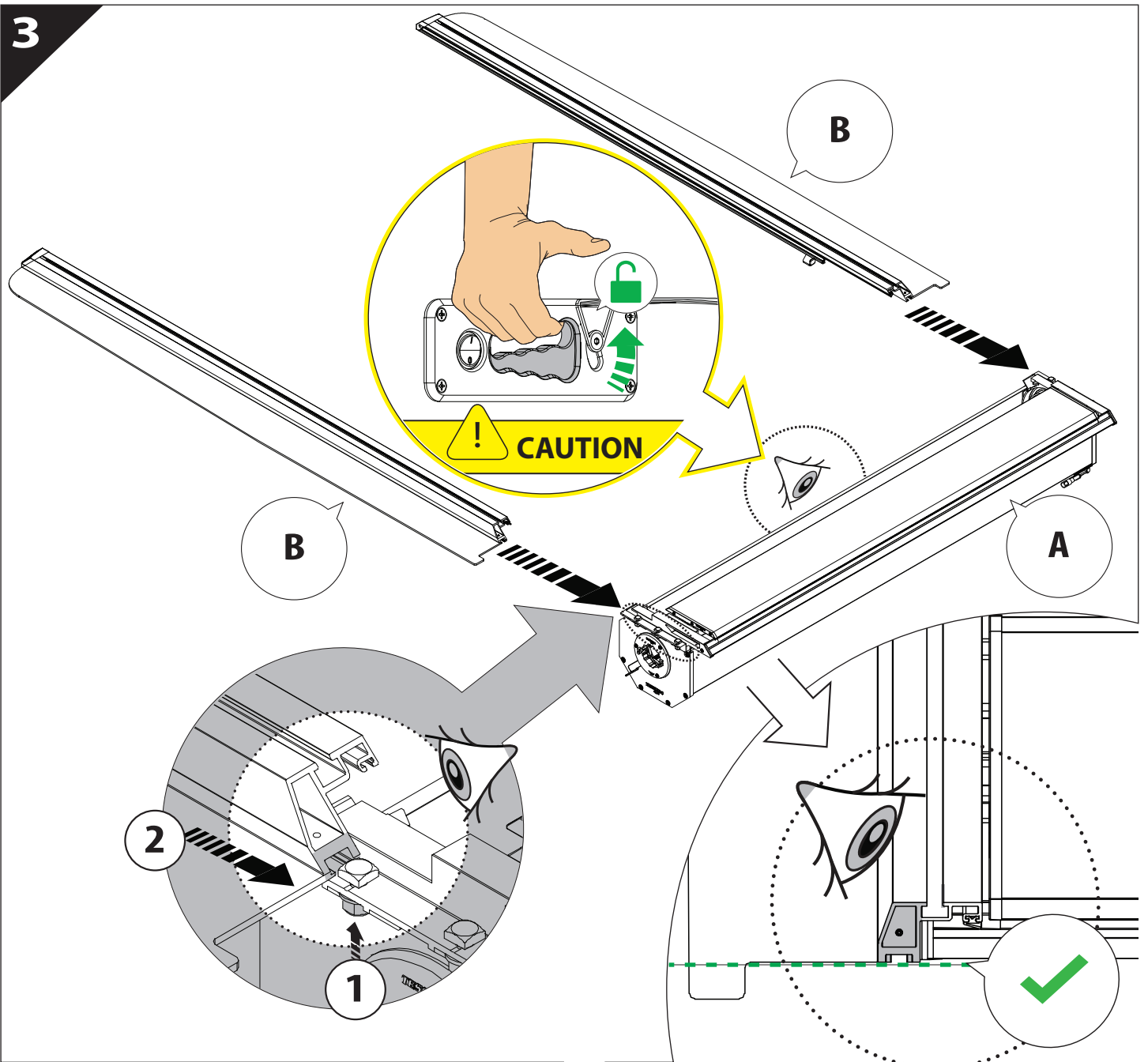
**A**

**KITS**

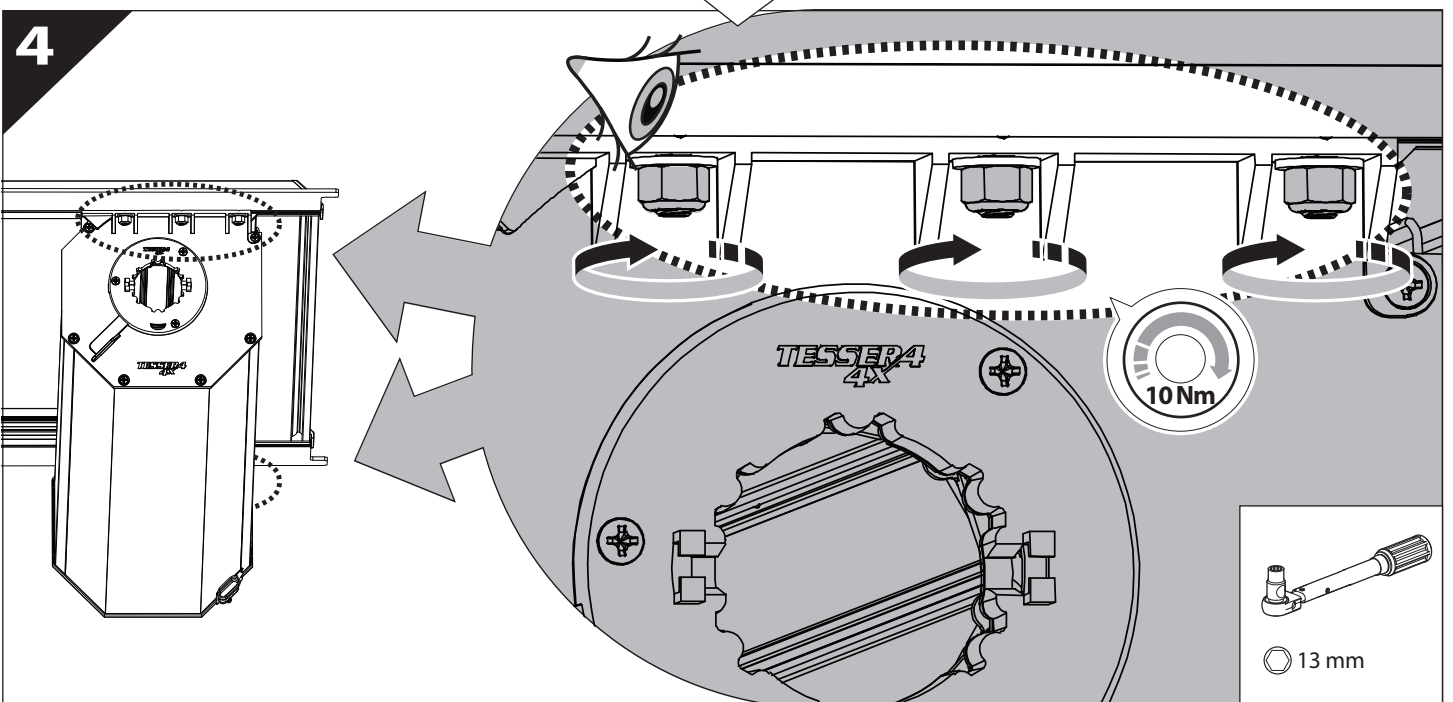
**L**

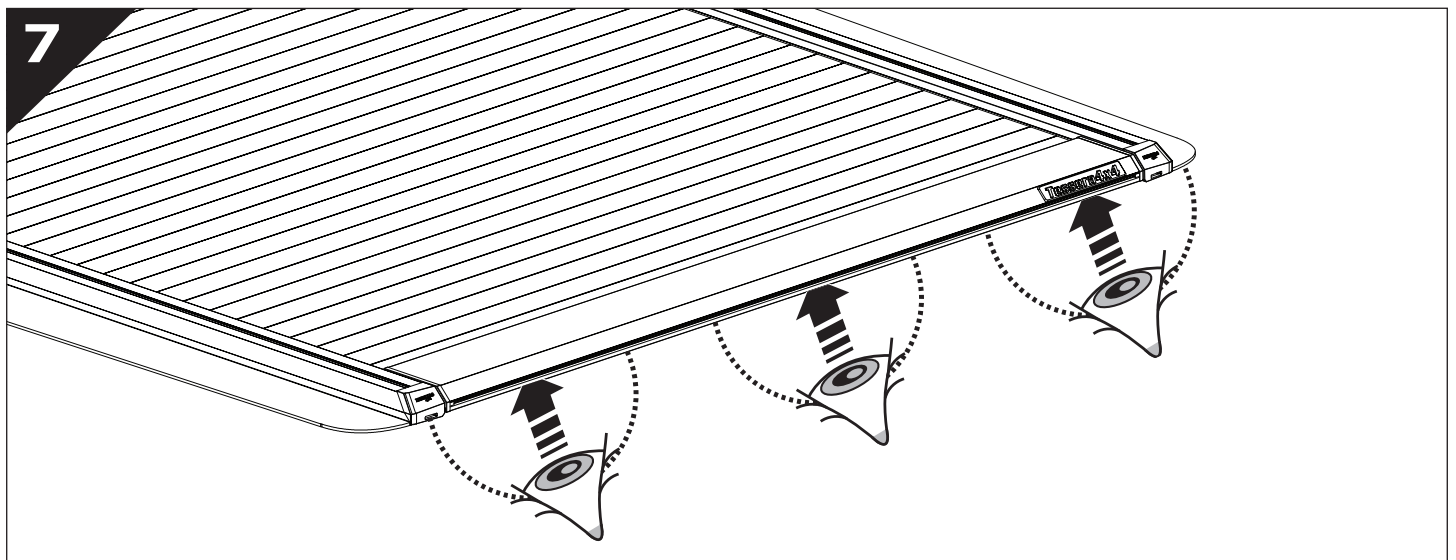
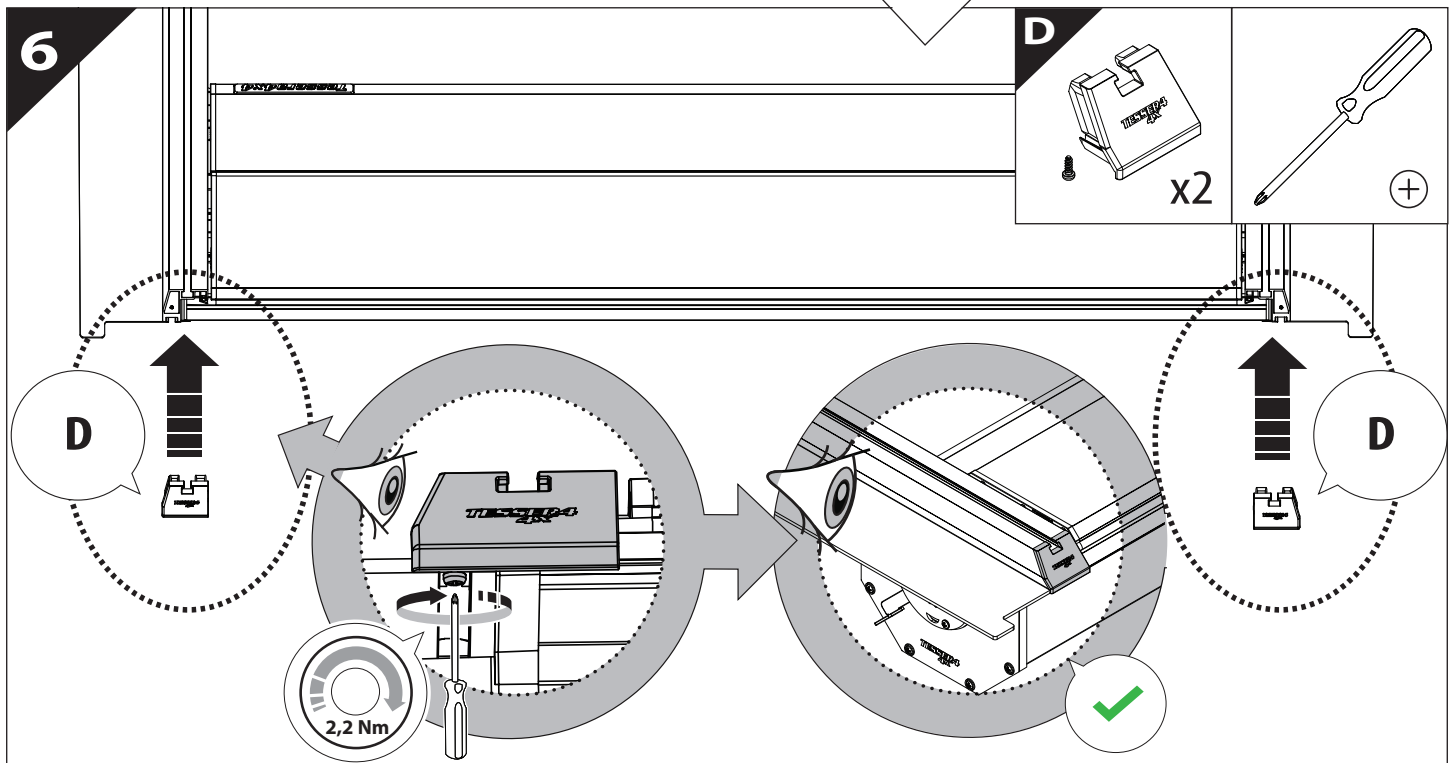
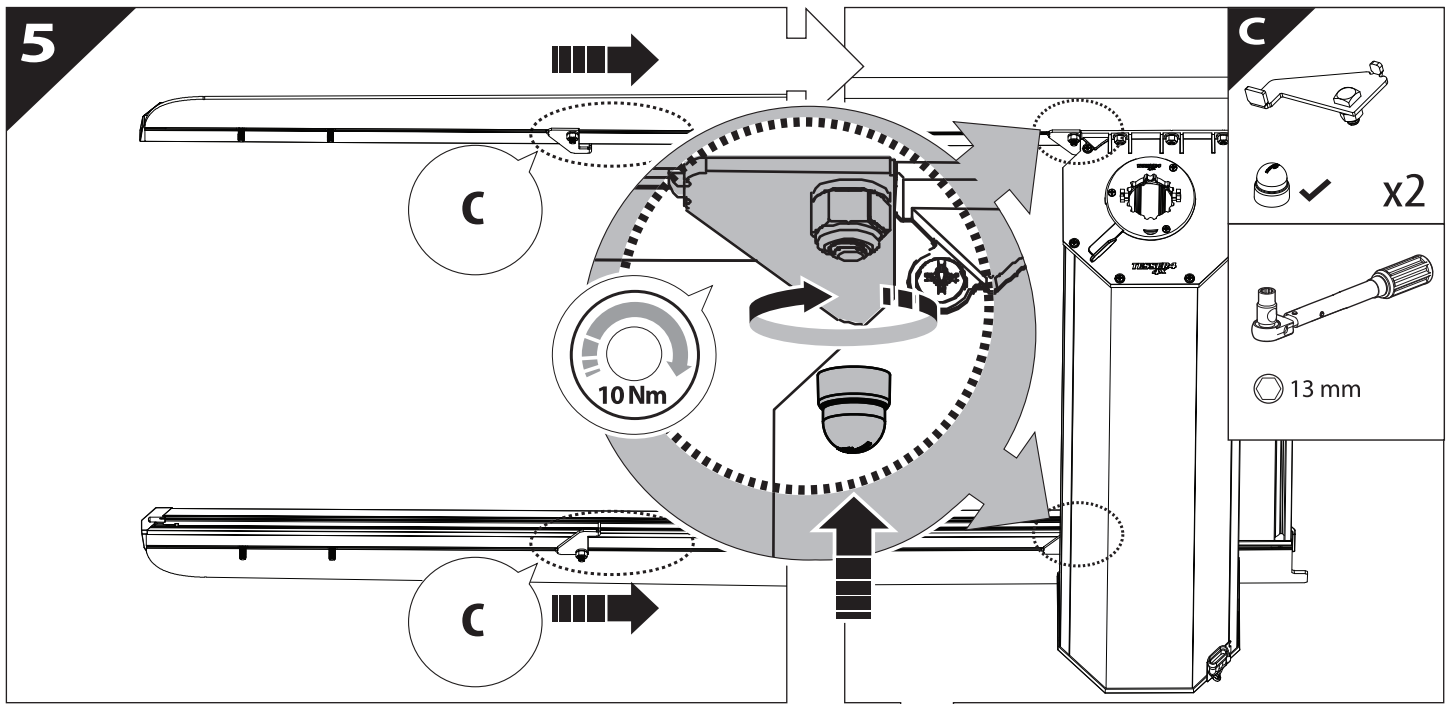


3



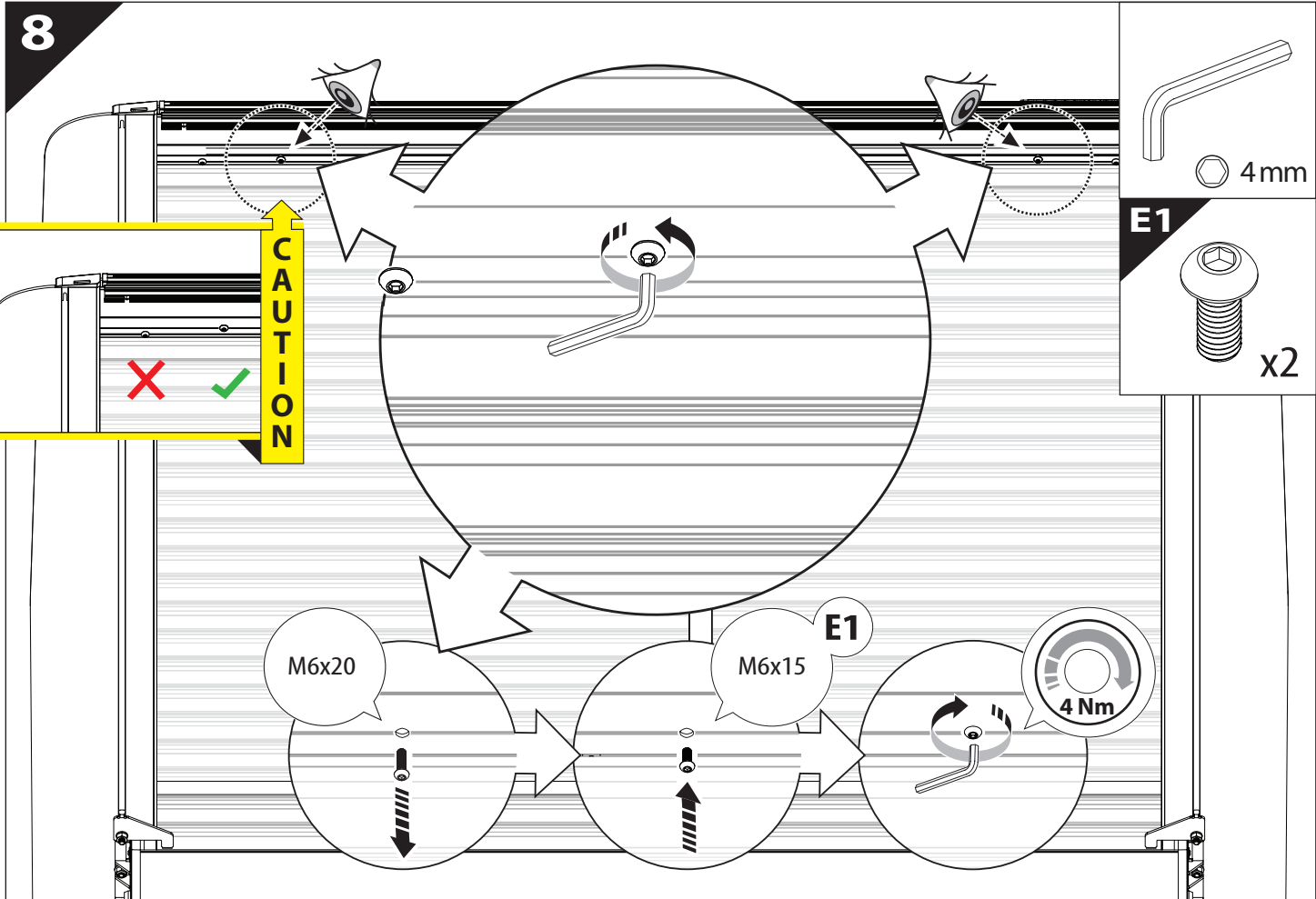
4





8

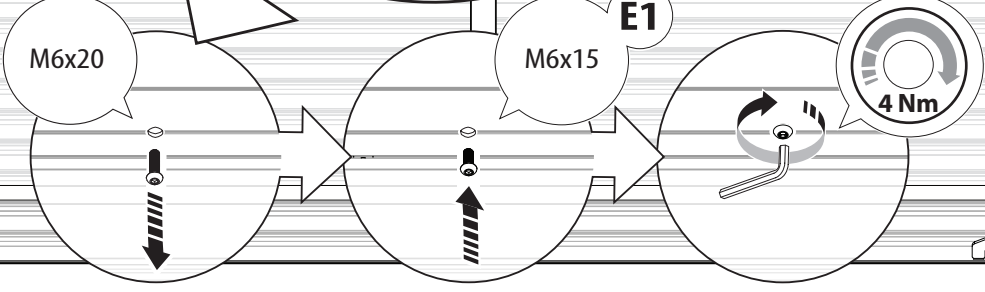
**CAUTION**



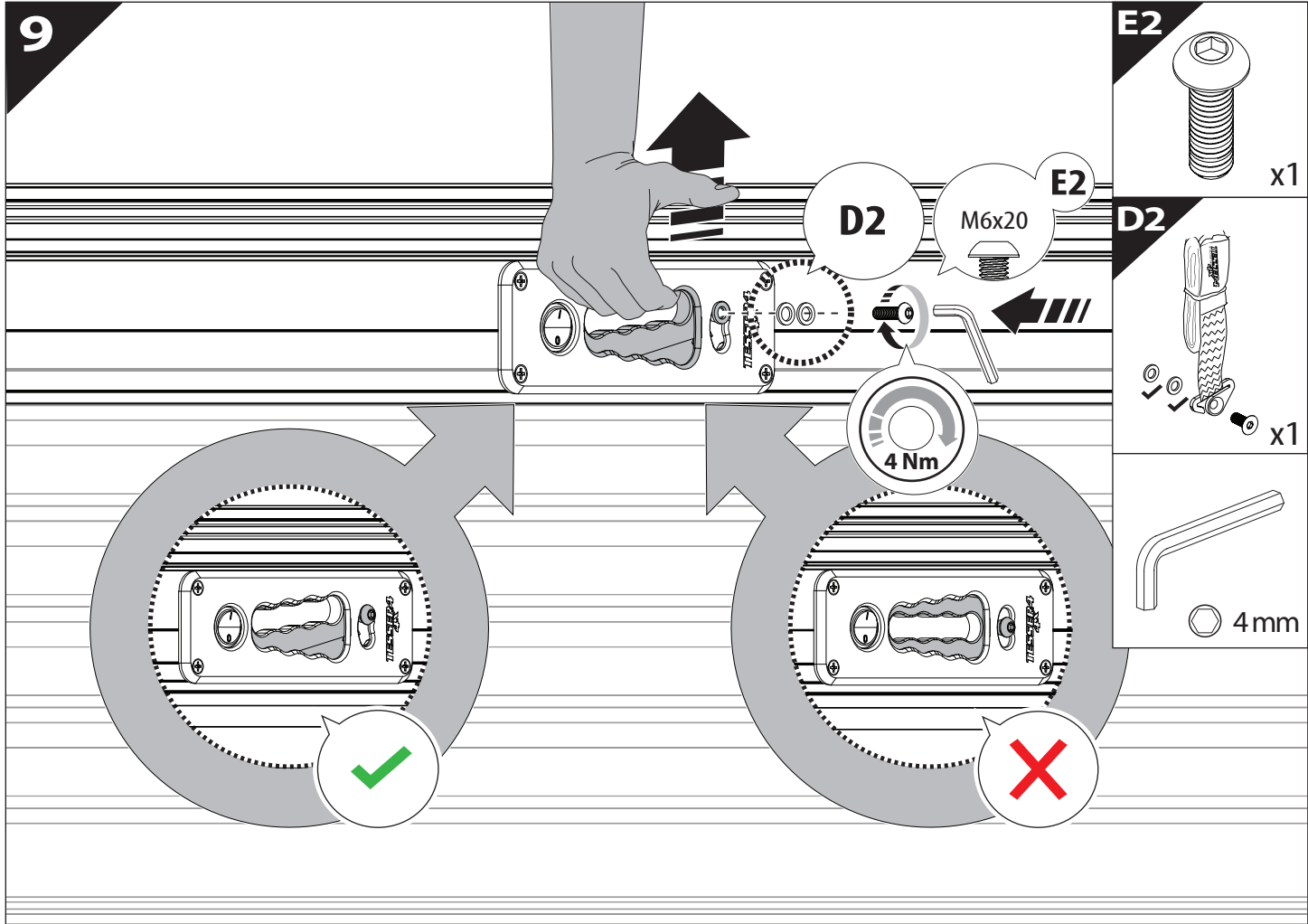
4mm

**E1**

x2



9



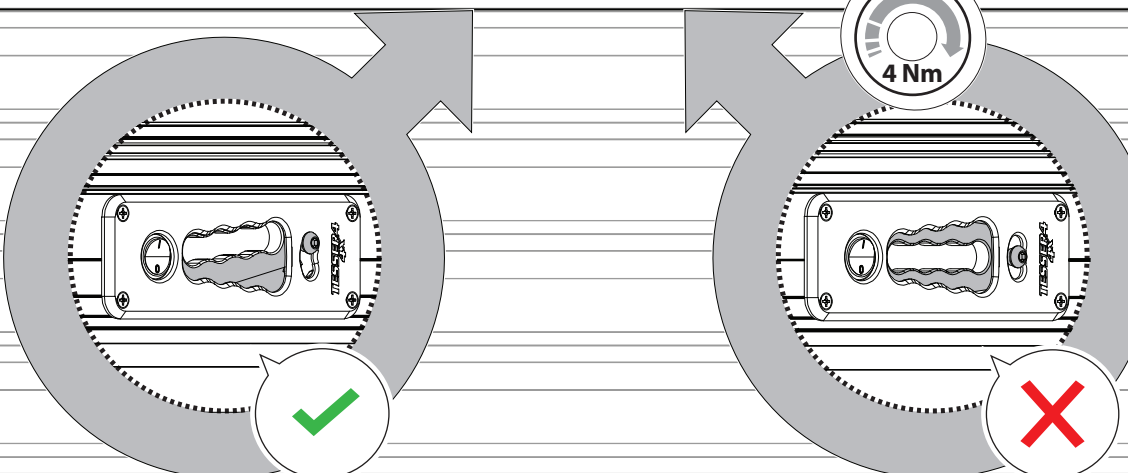
**E2**

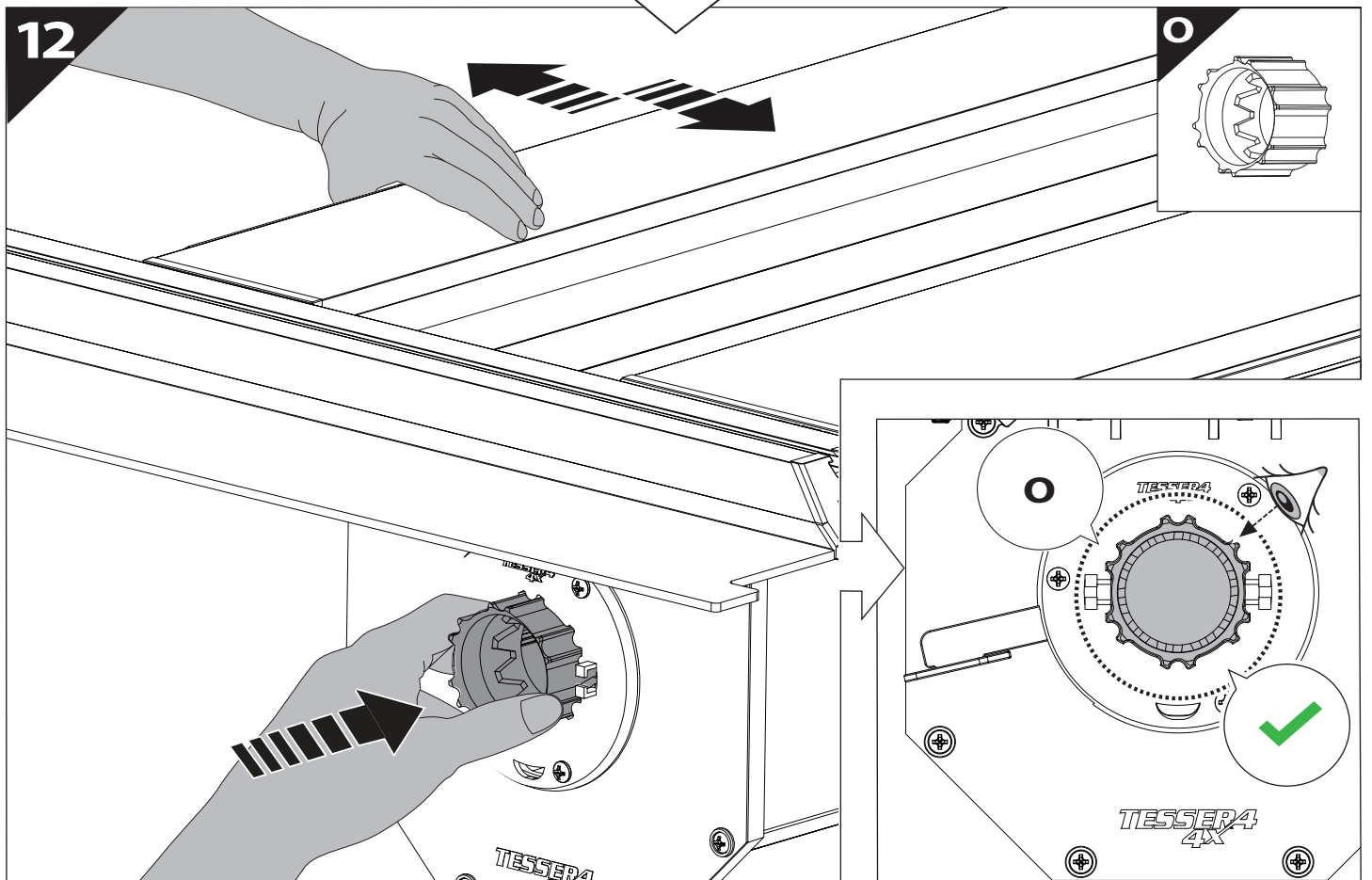
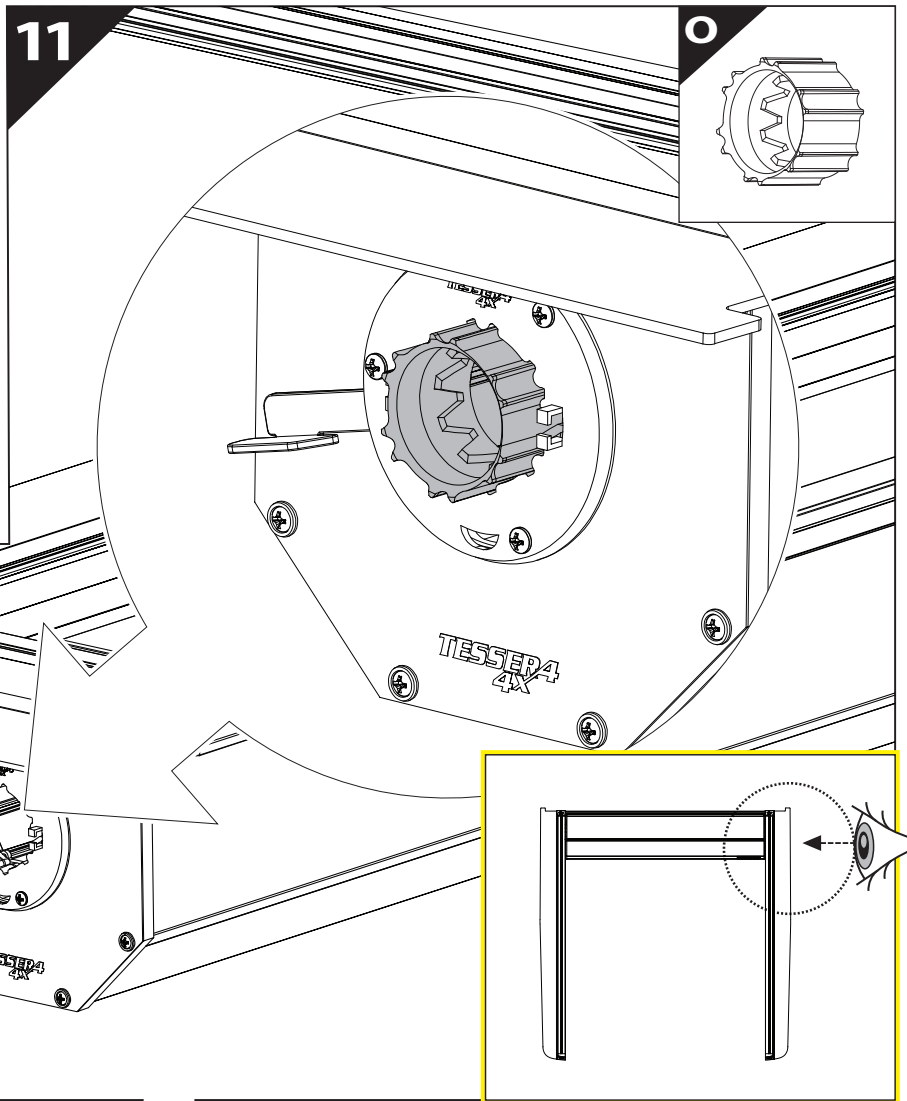
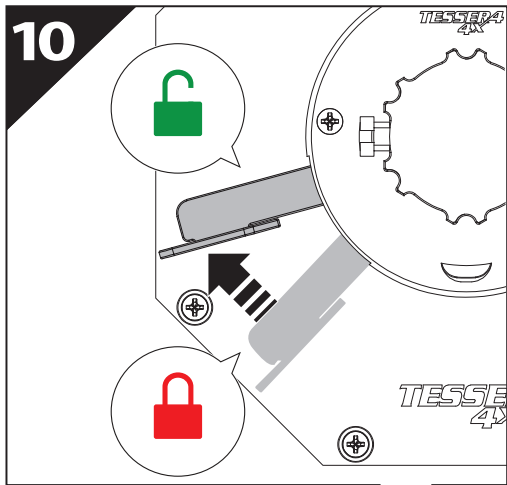
x1

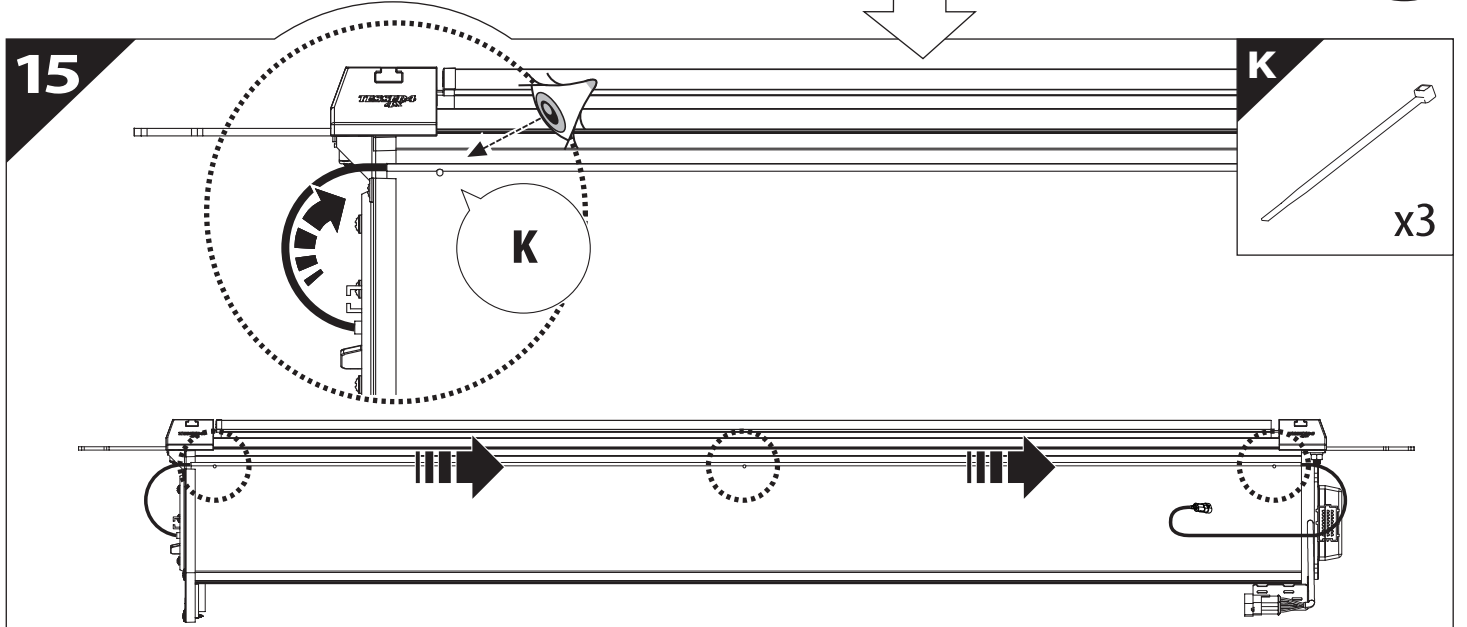
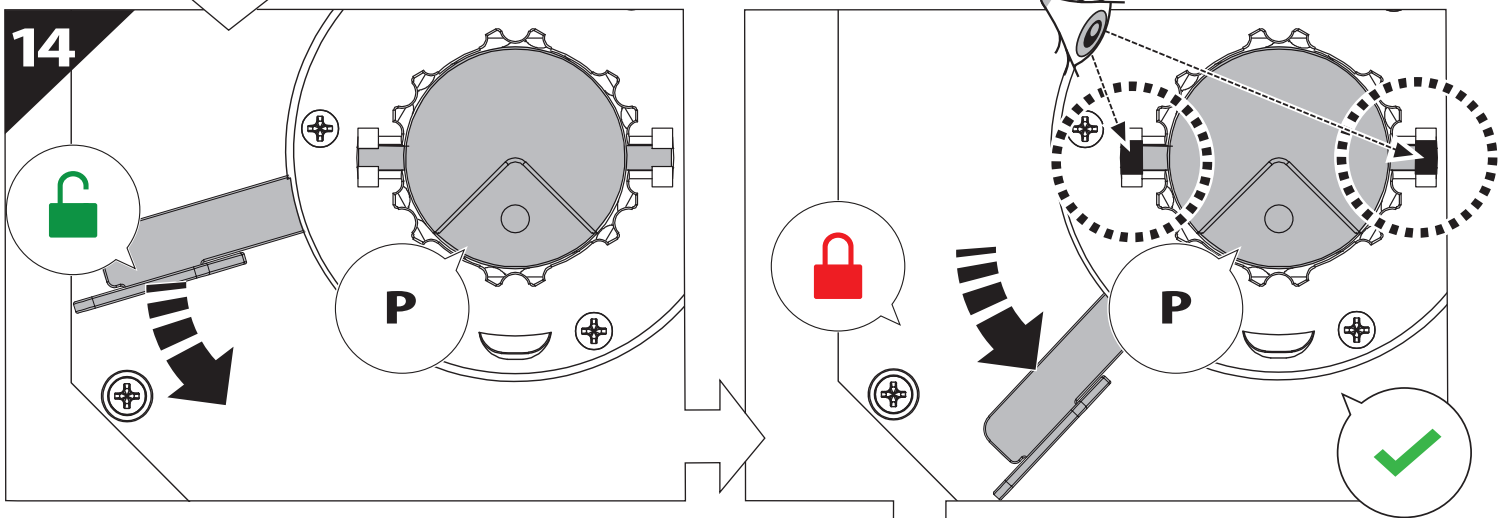
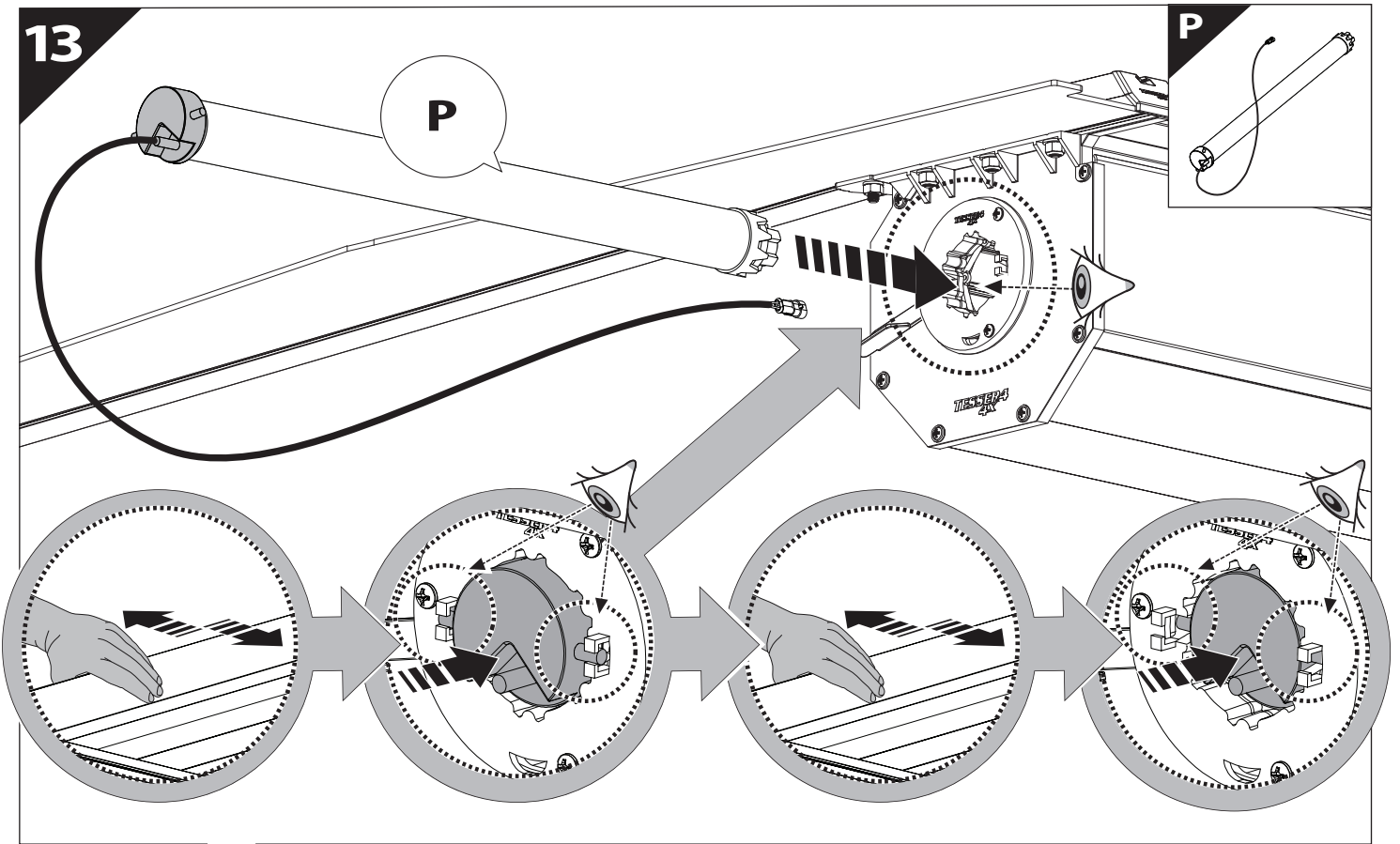
**D2**

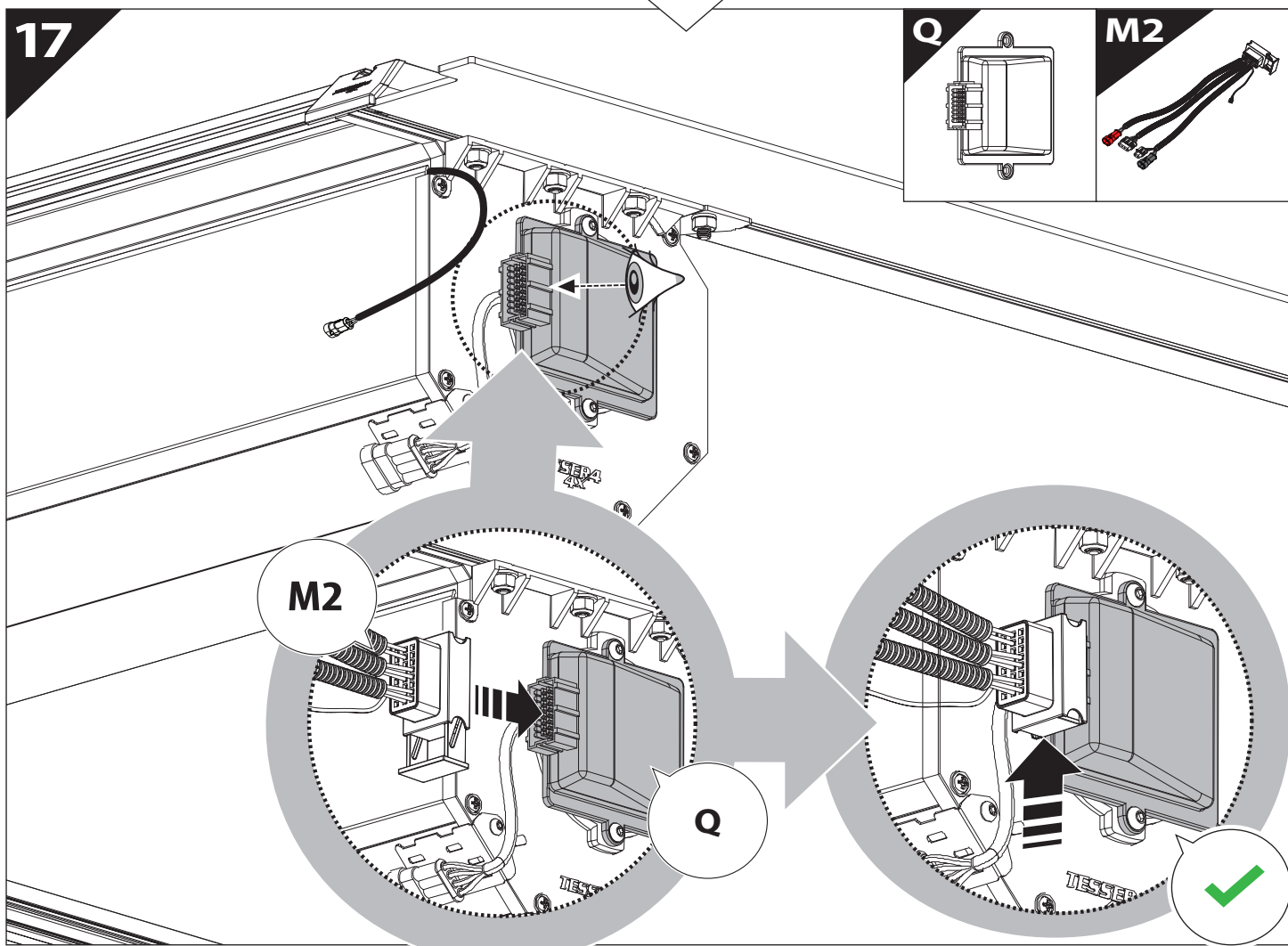
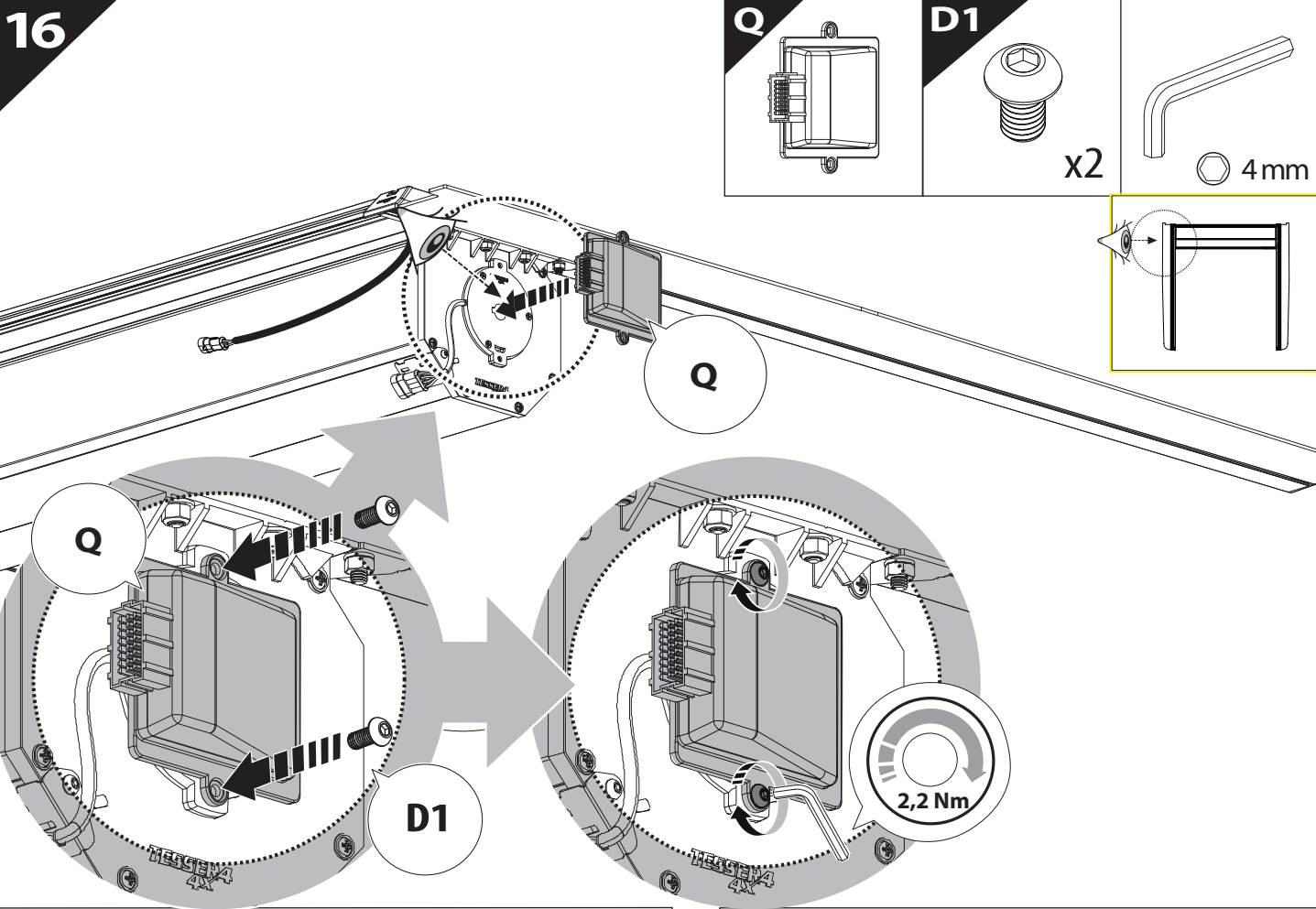
x1

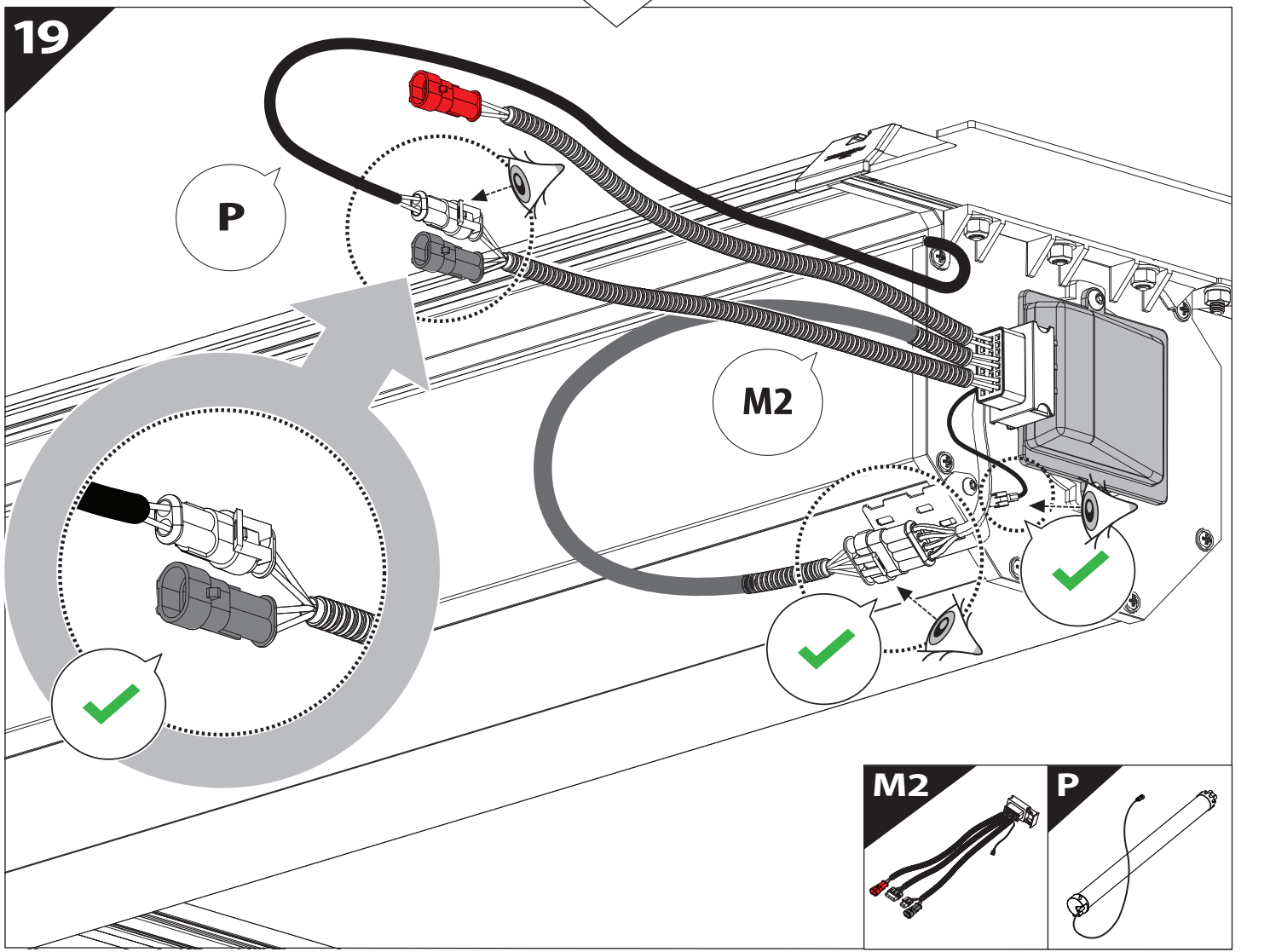
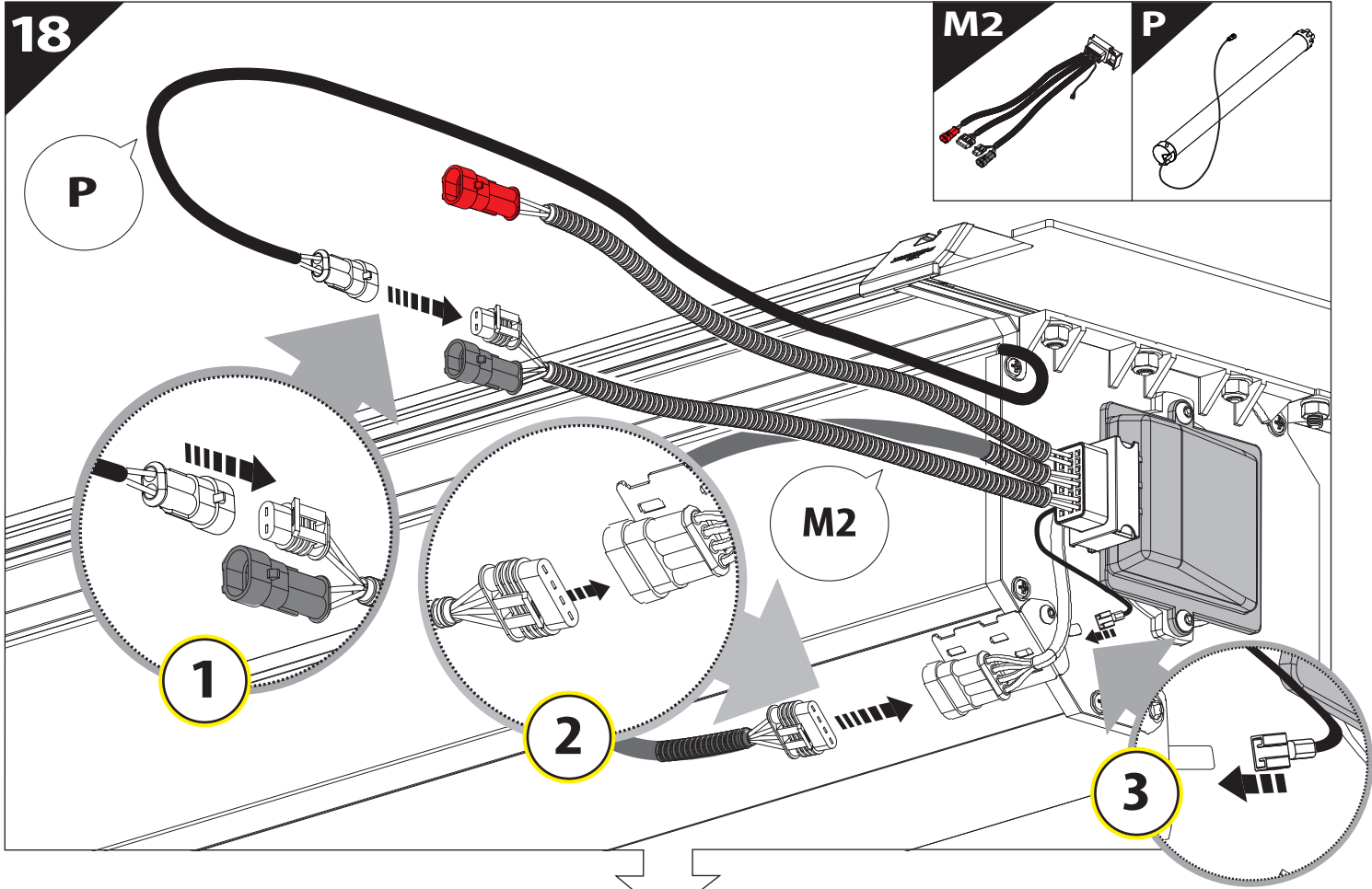
4mm





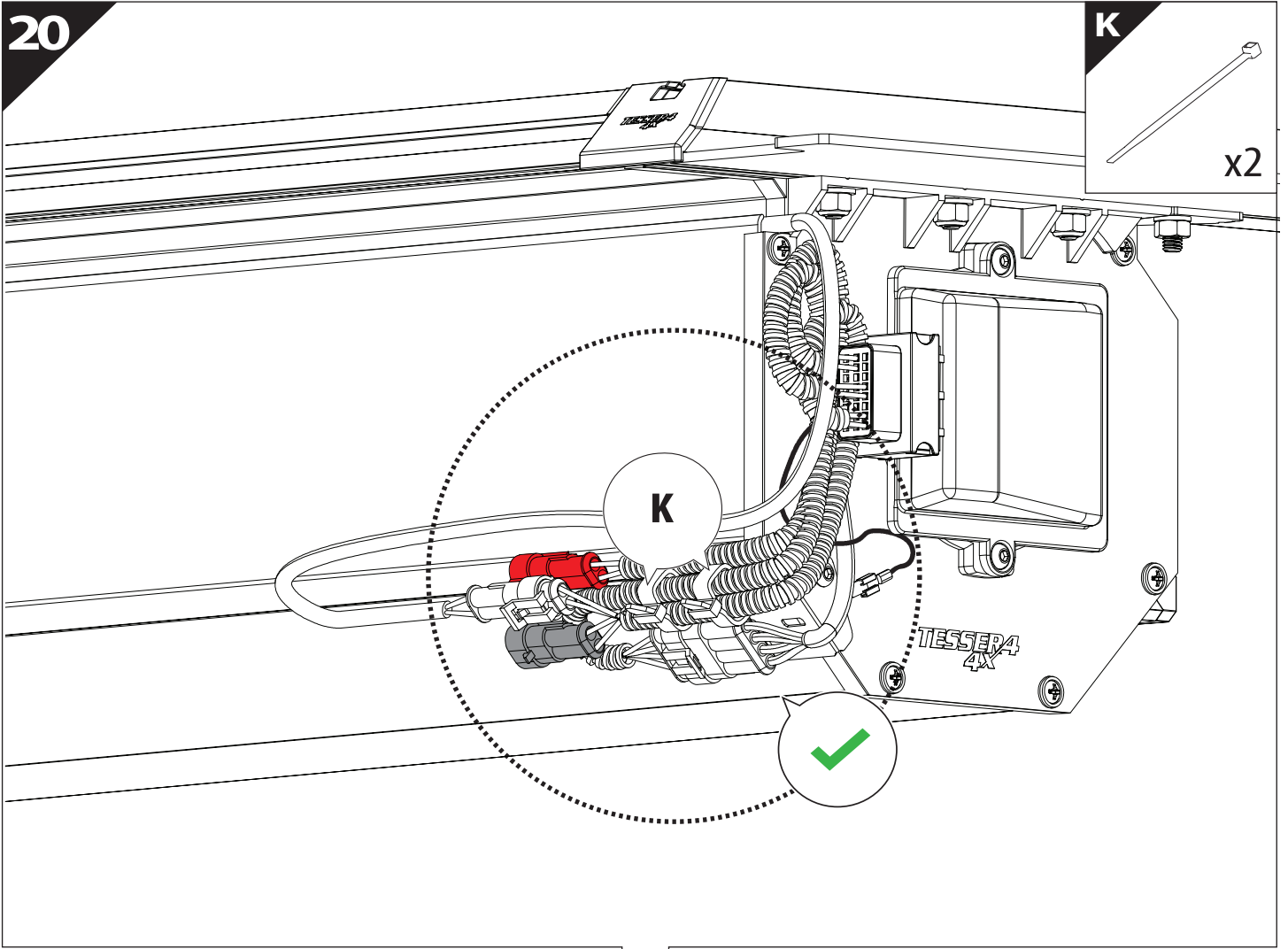


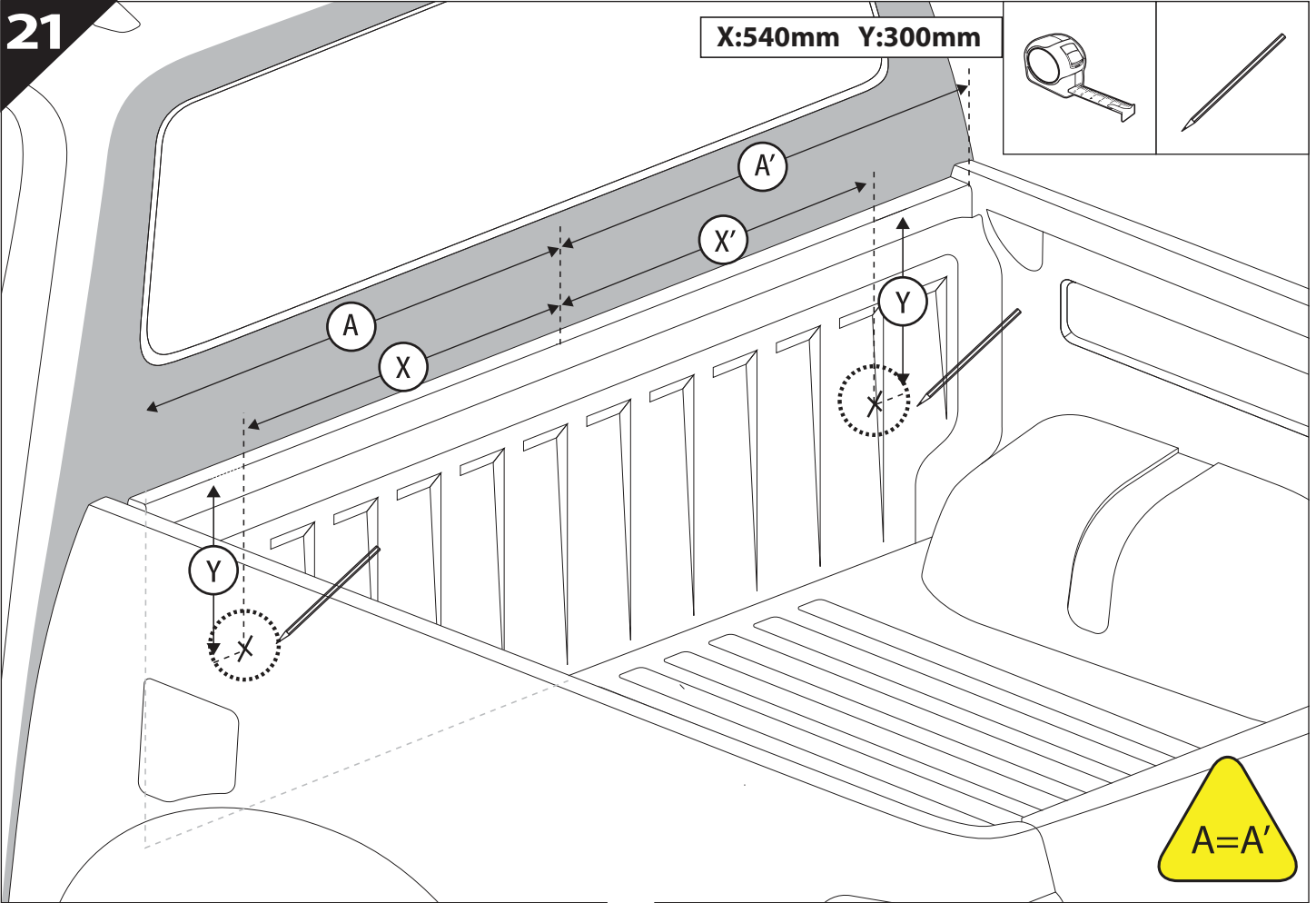




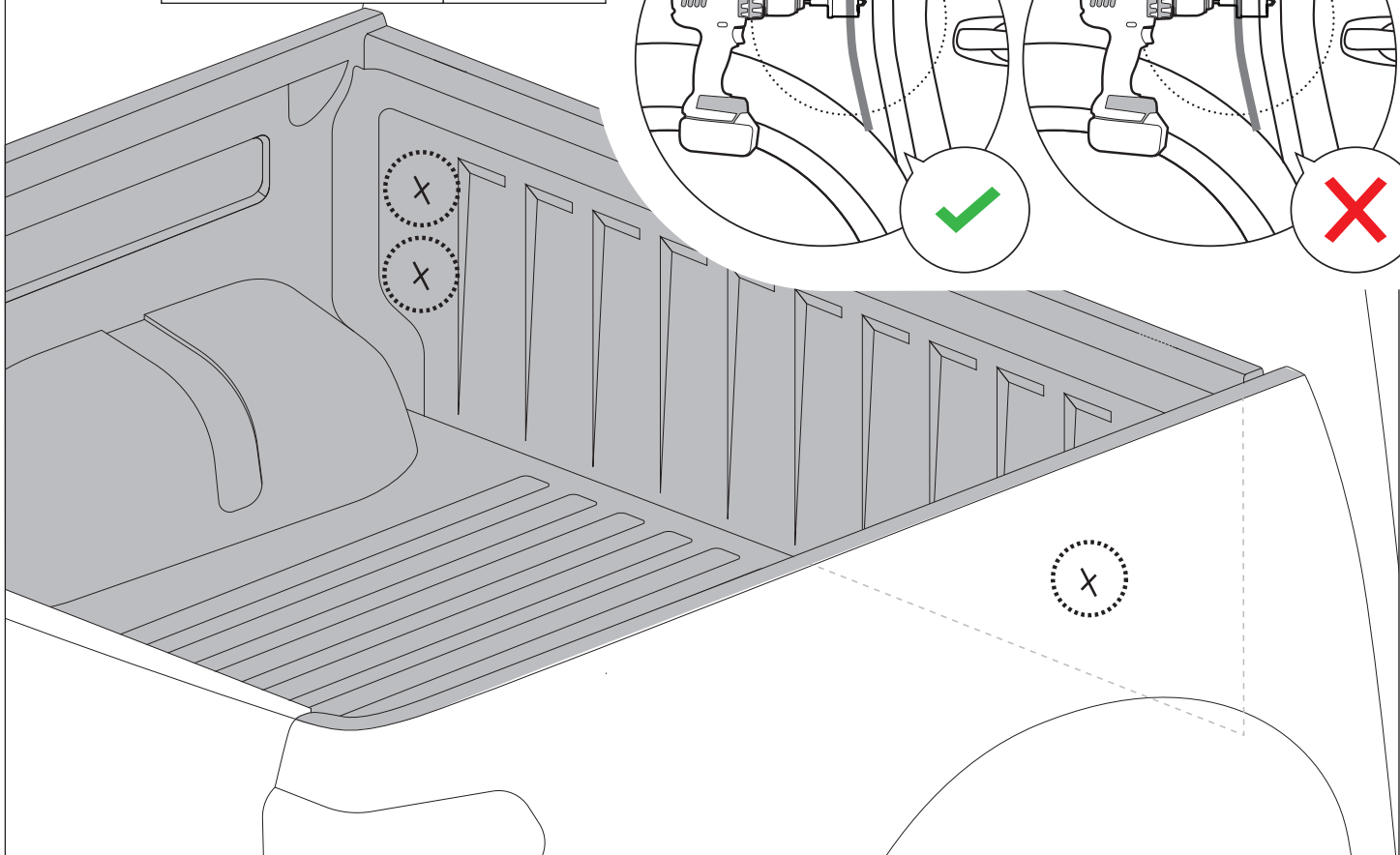
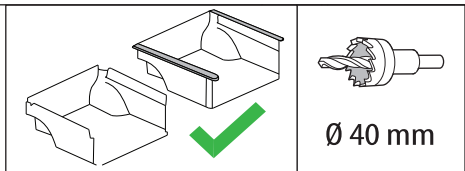
20

K

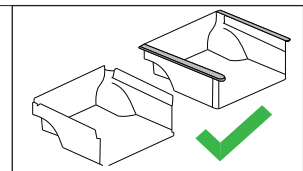




22



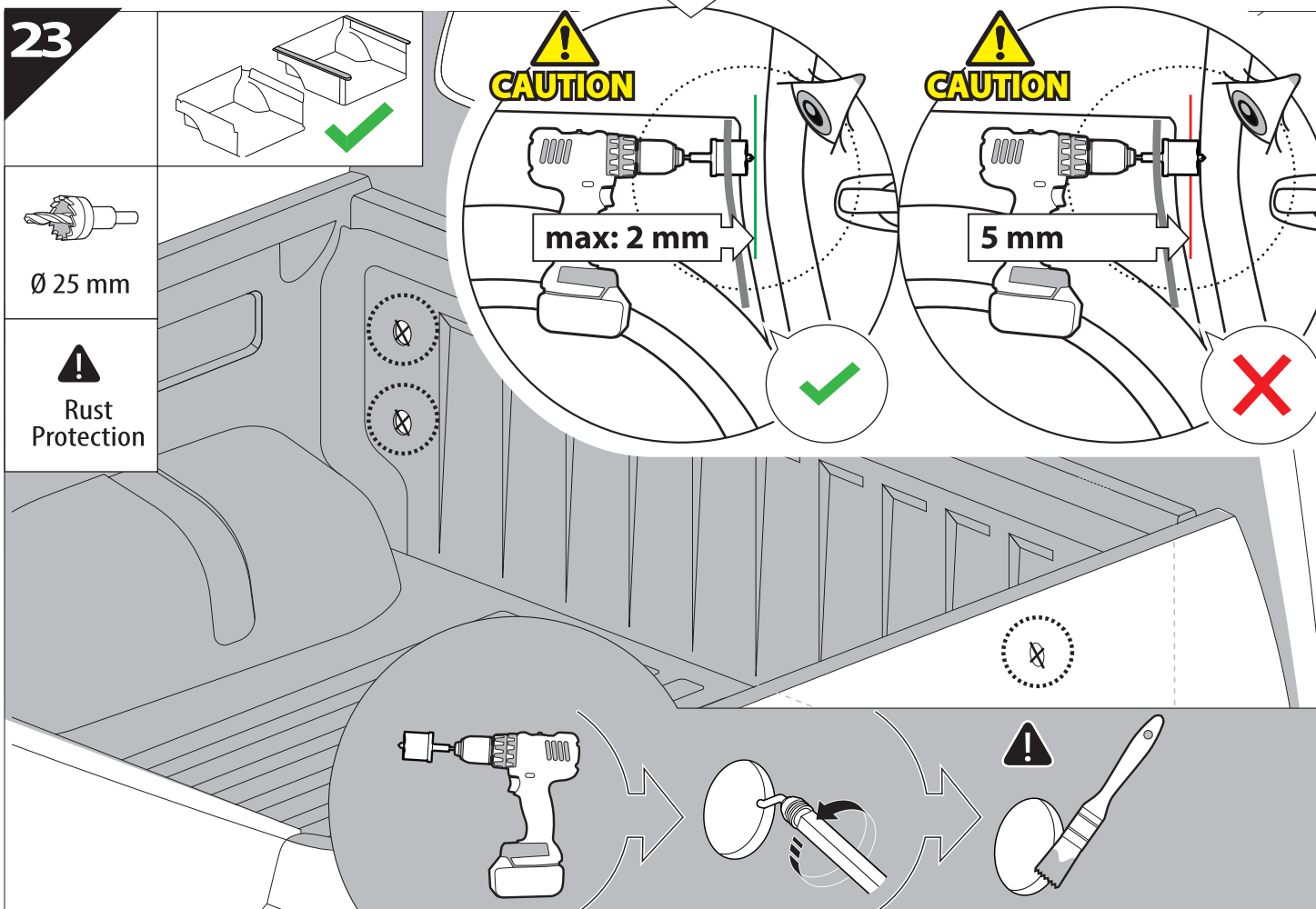
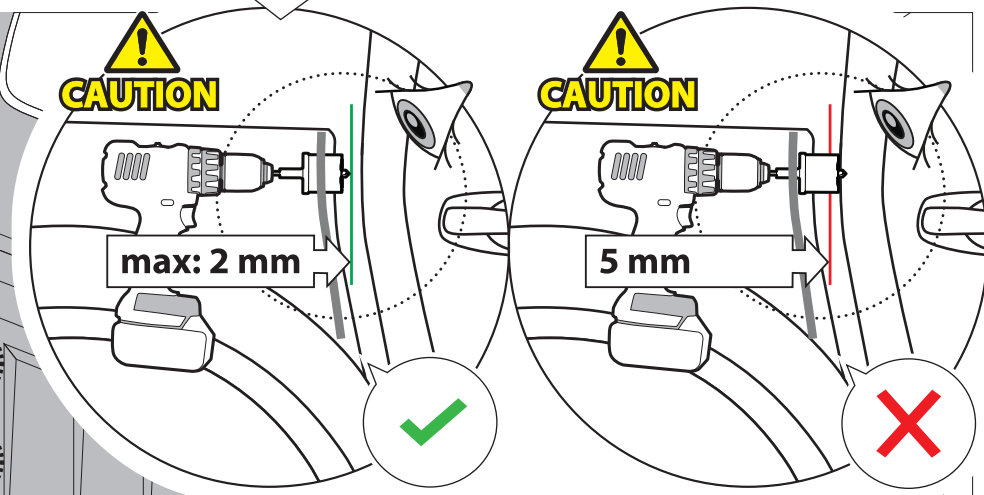
23



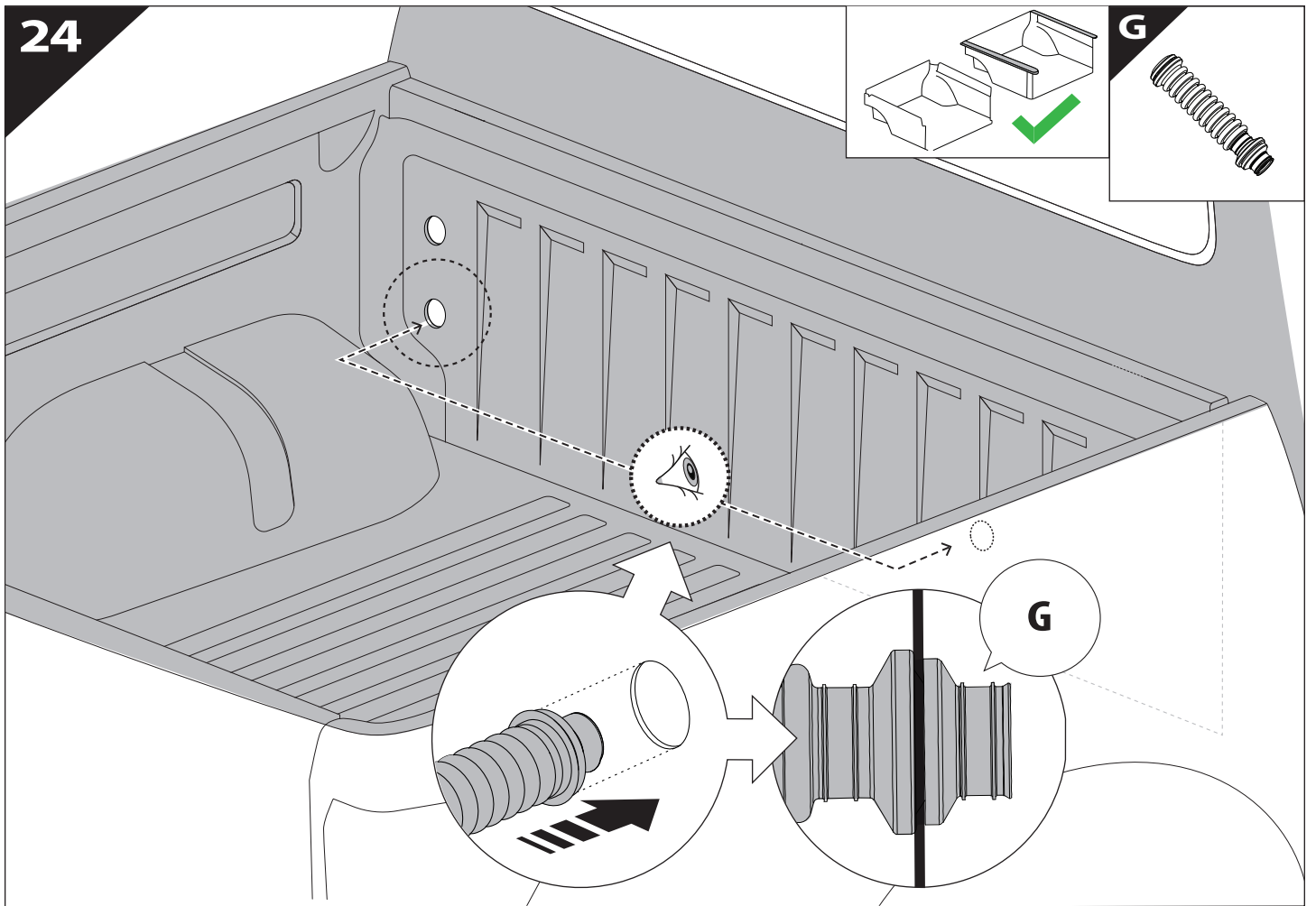
Ø 25 mm



Rust Protection

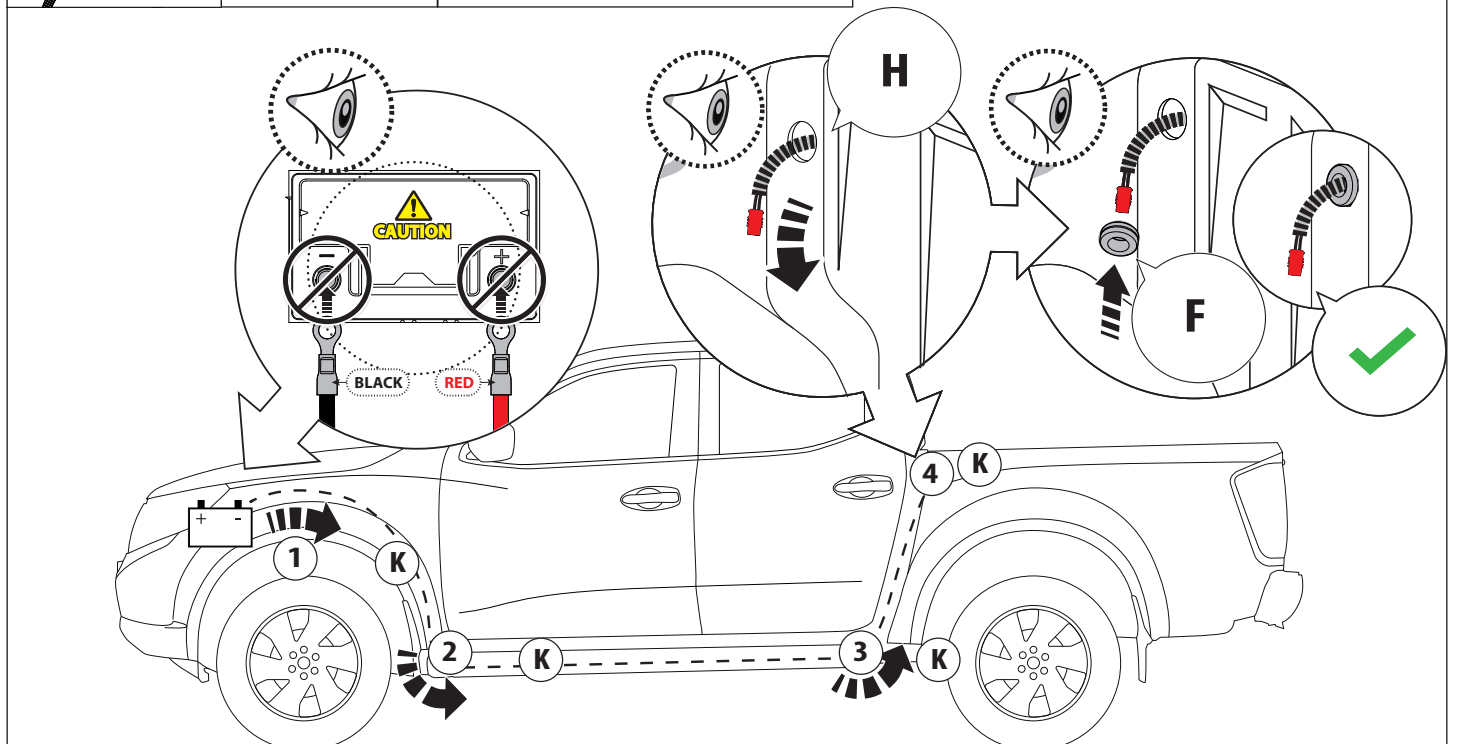
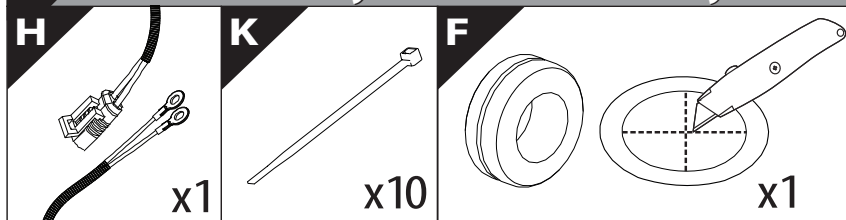


24



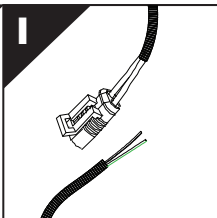
25

Only to be installed by authorized personnel

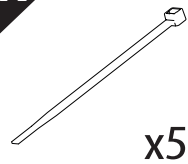


26

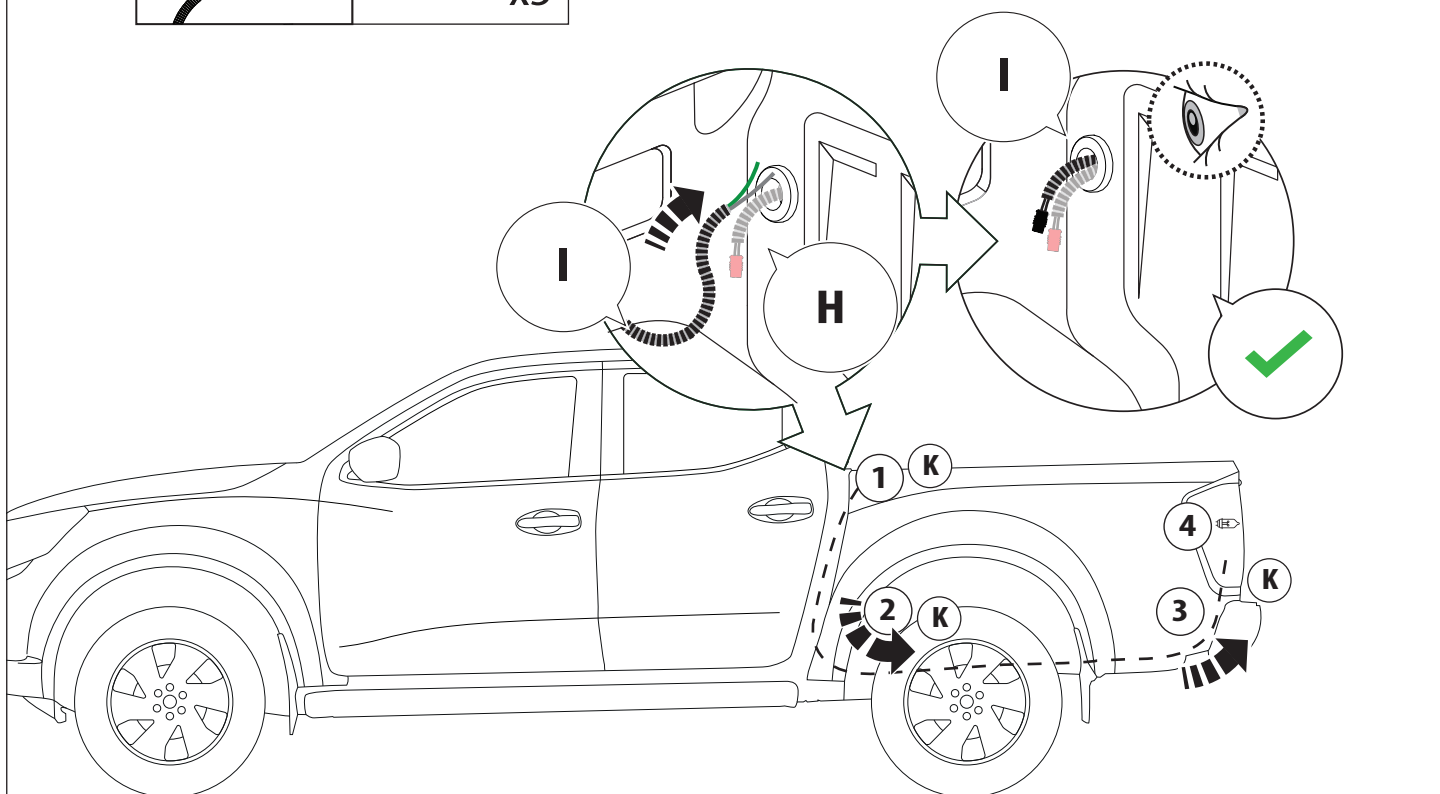
I



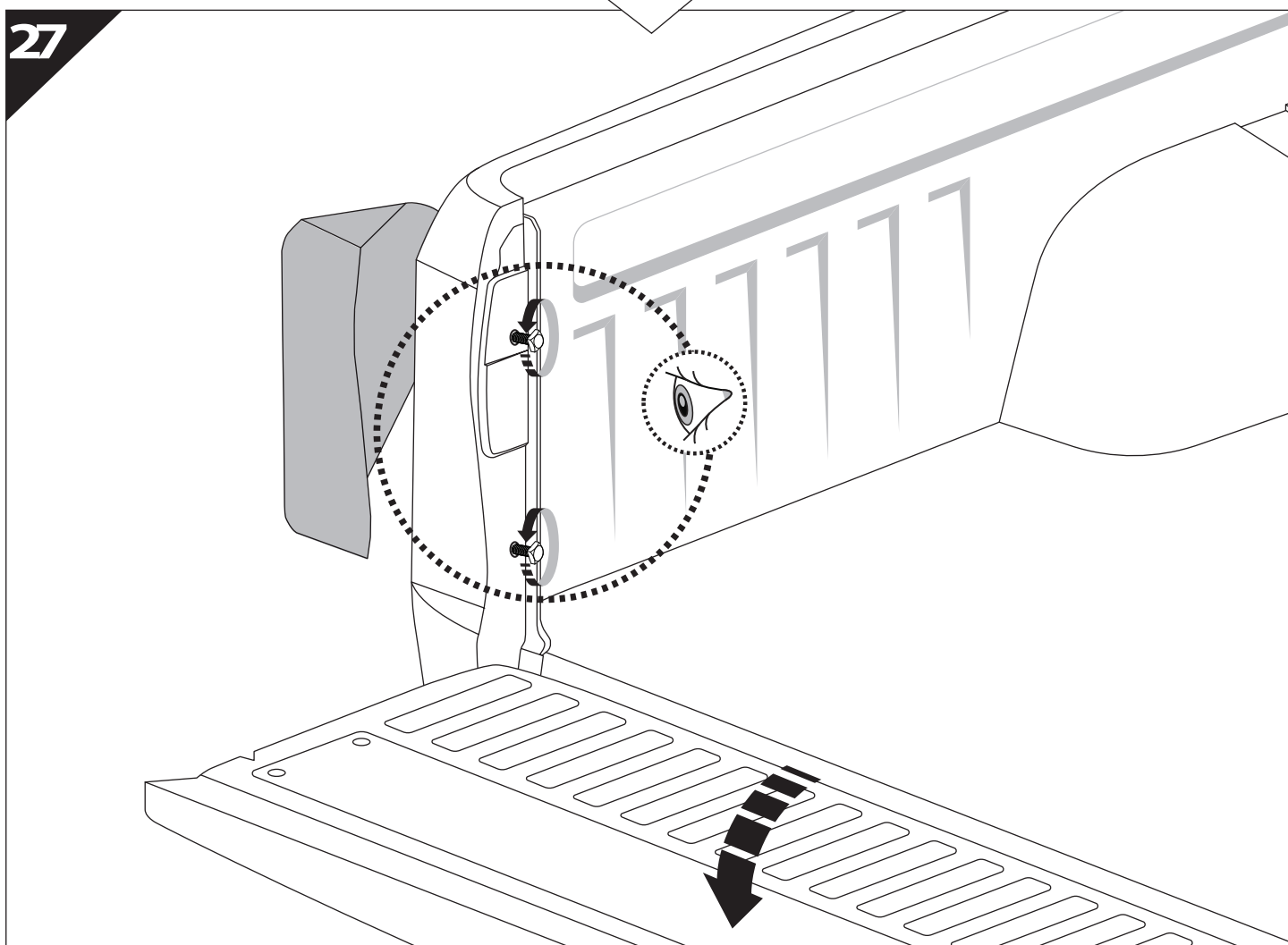
K



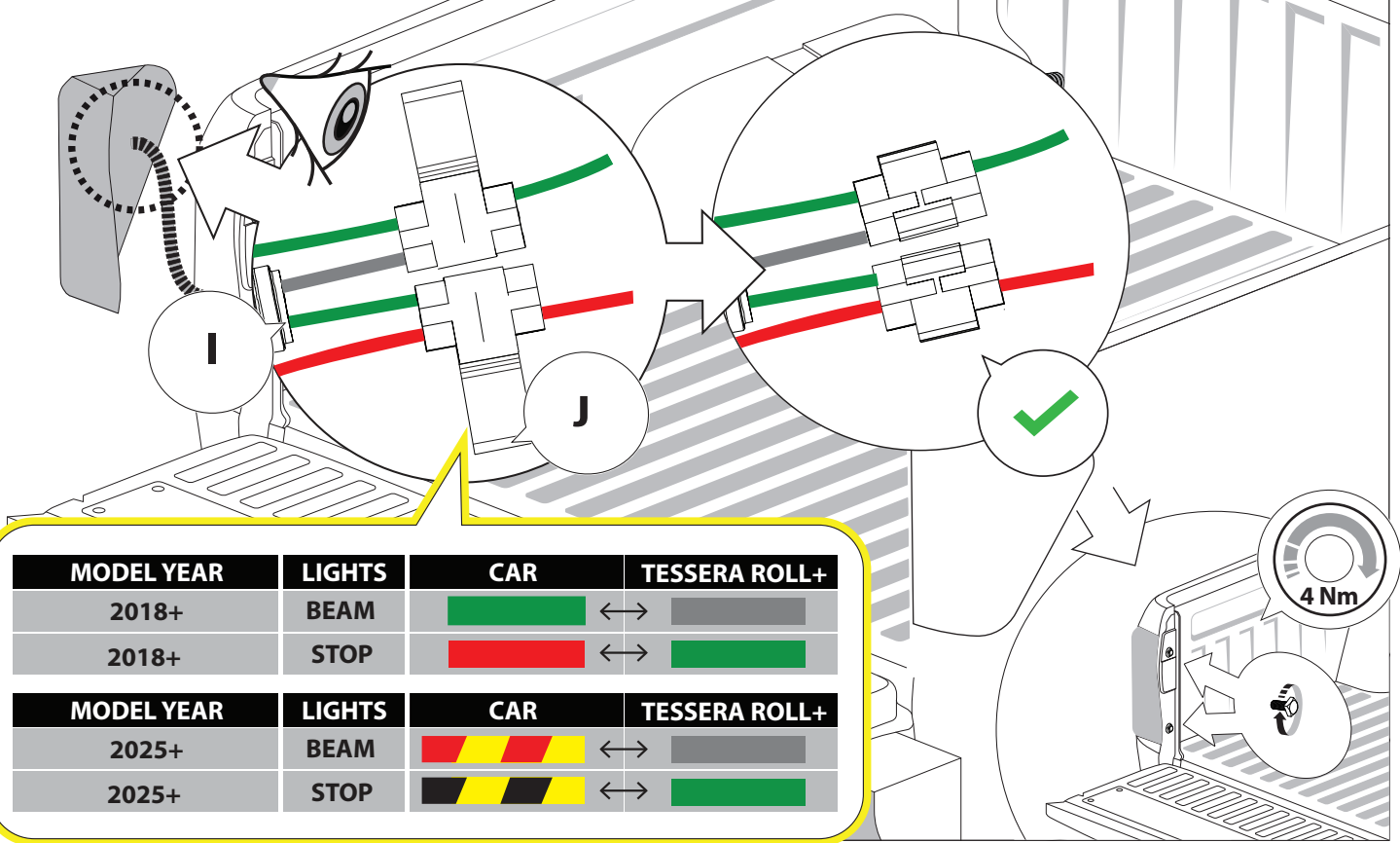
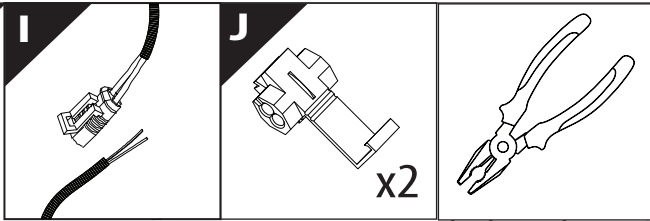
x5








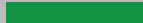


27

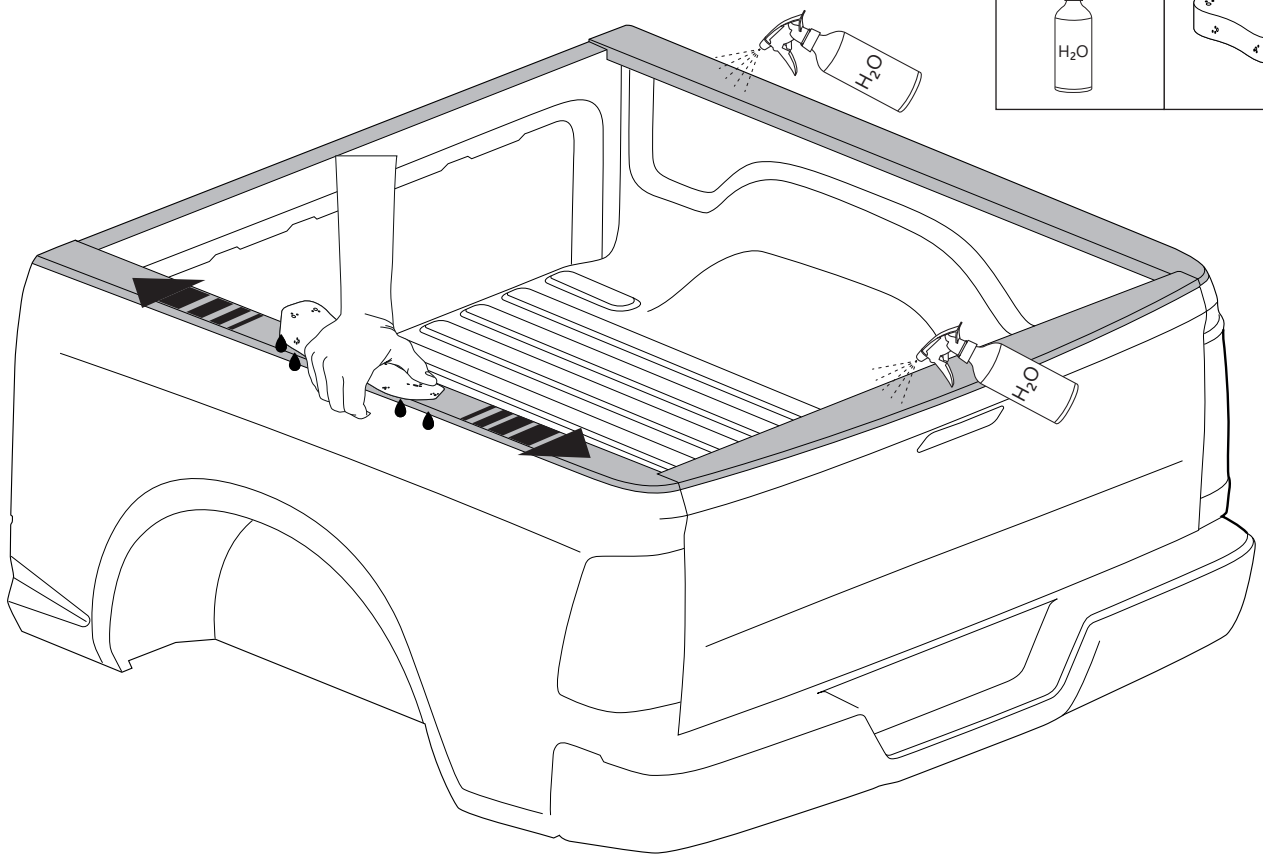
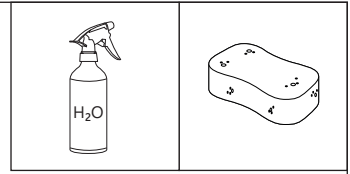


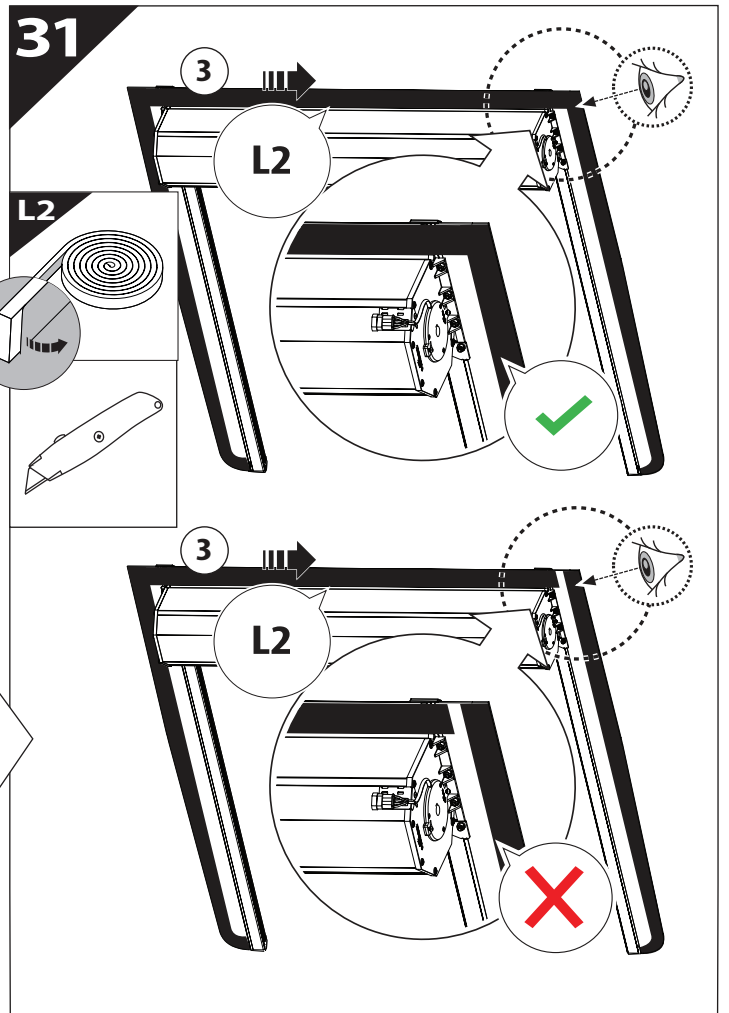
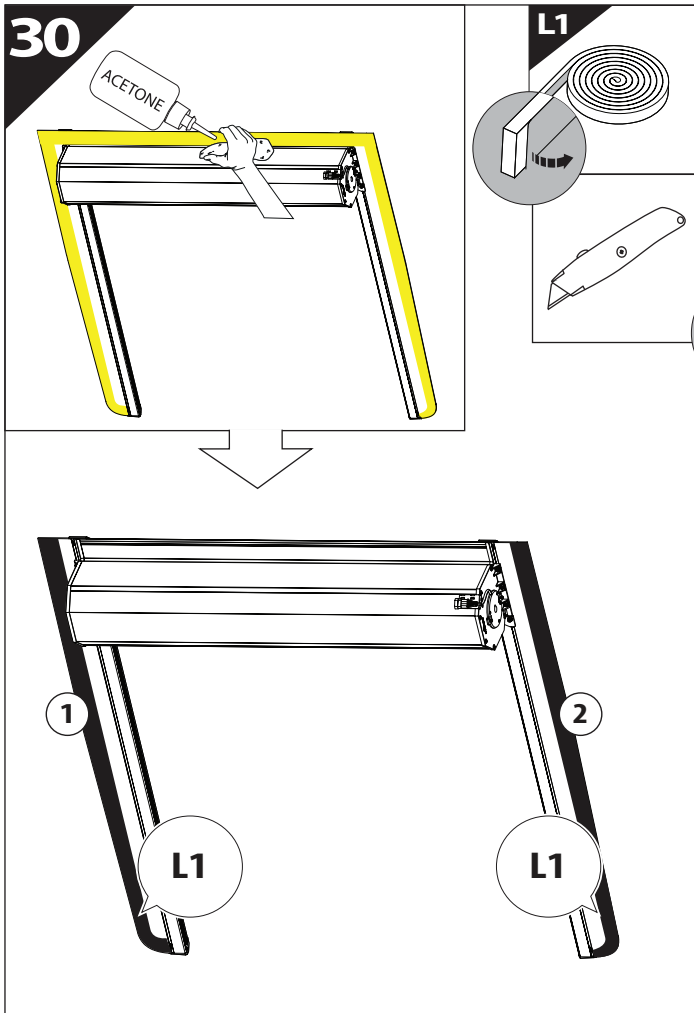
28

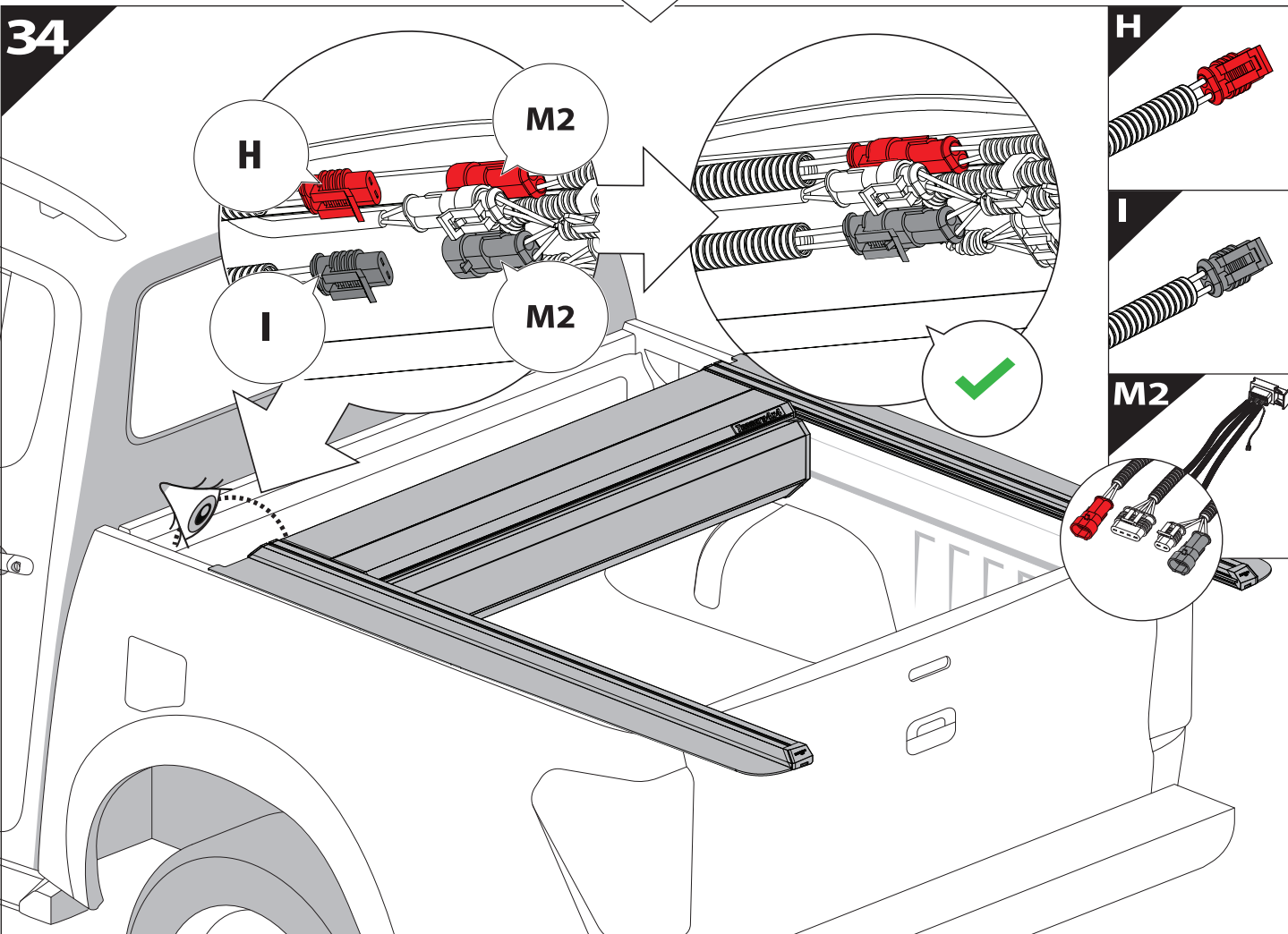
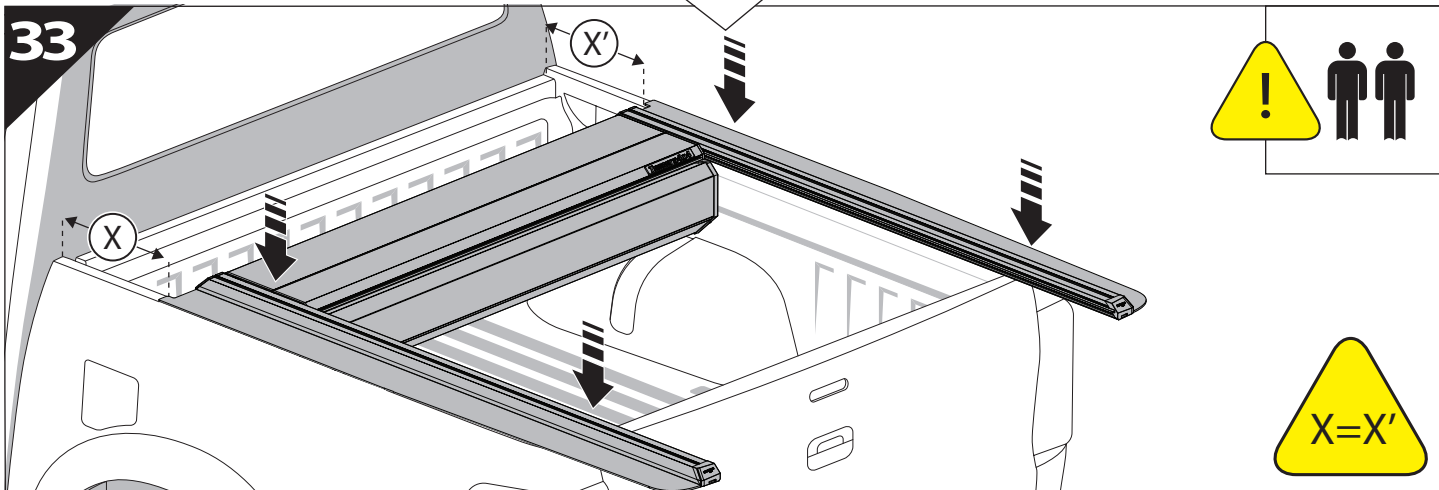
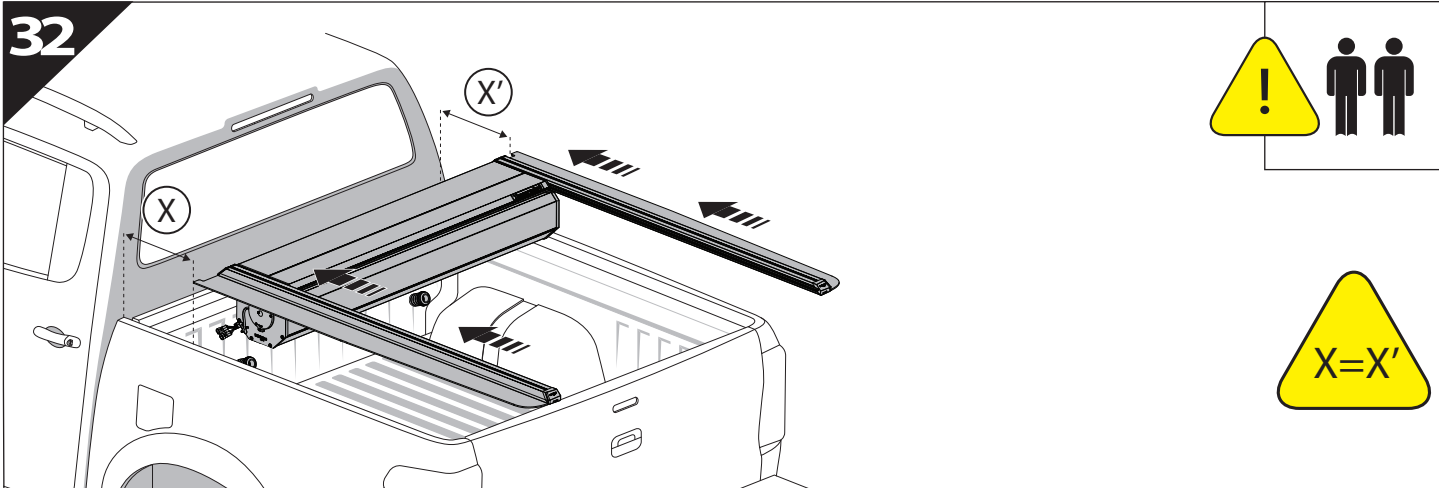


MODEL YEAR	LIGHTS	CAR	TESSERA ROLL+
2018+	BEAM	 ↔ 	
2018+	STOP	 ↔ 	
MODEL YEAR	LIGHTS	CAR	TESSERA ROLL+
2025+	BEAM	 ↔ 	
2025+	STOP	 ↔ 	

29



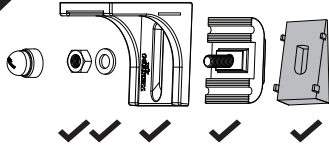




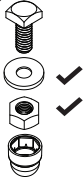


38

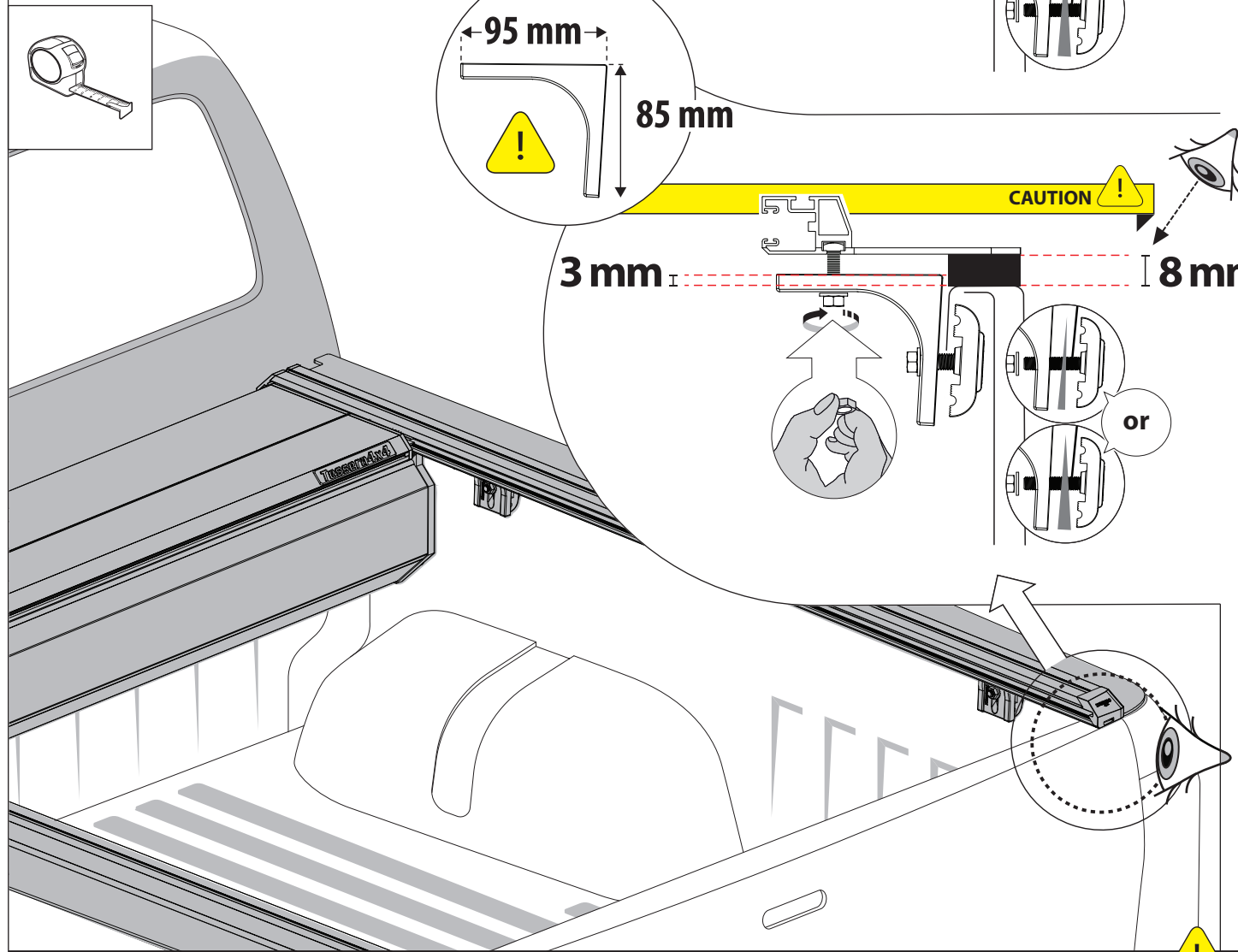
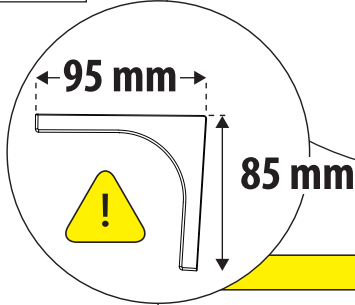
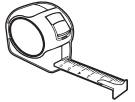
N



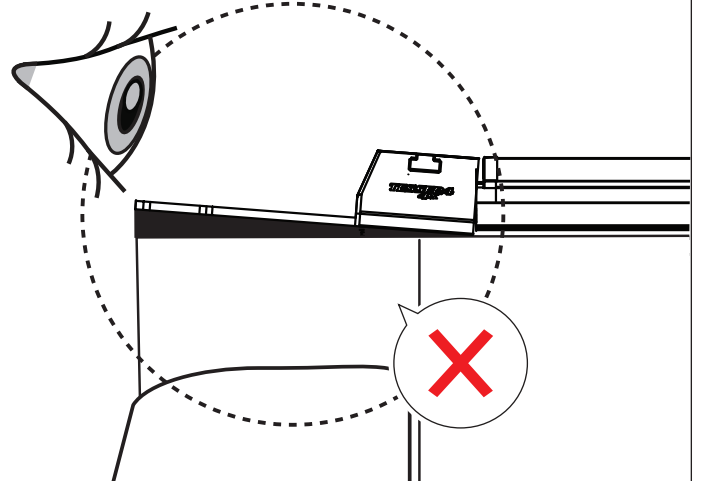
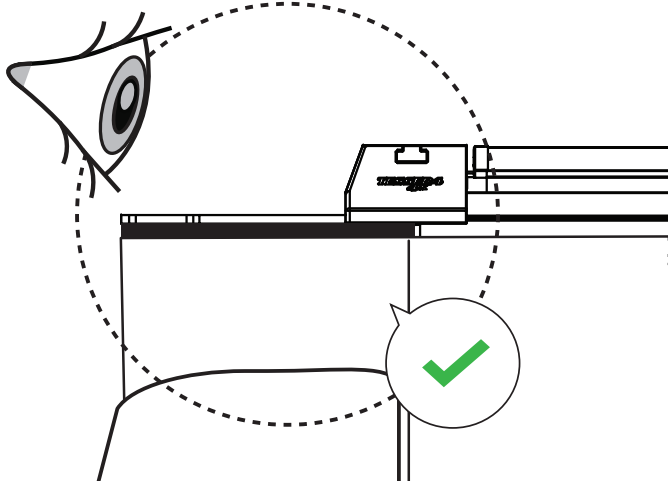
E

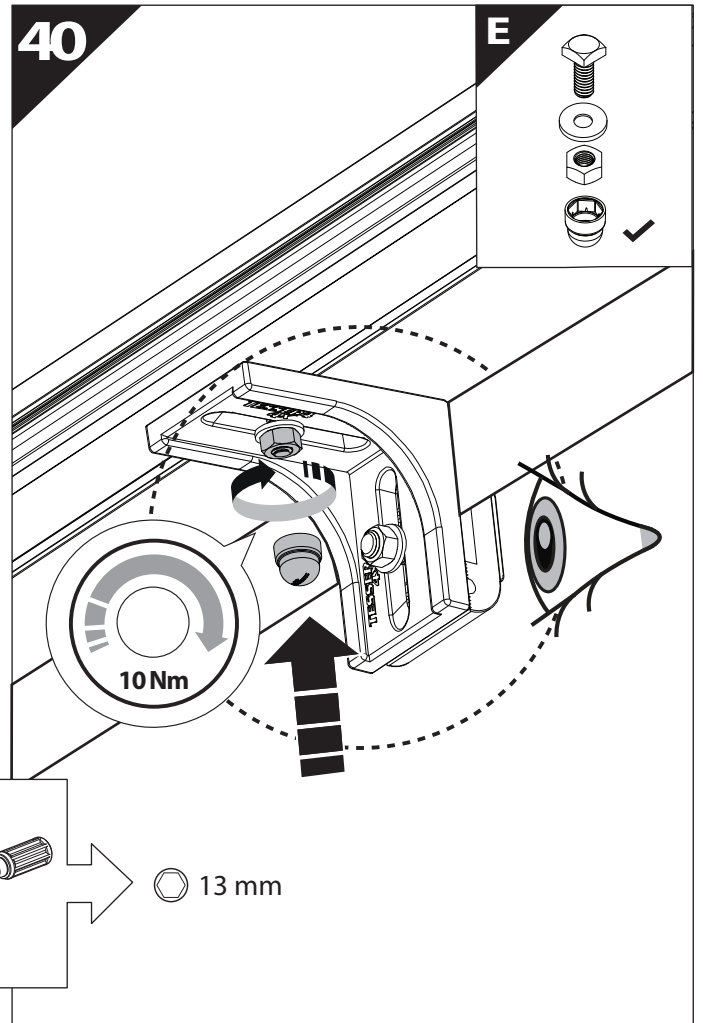
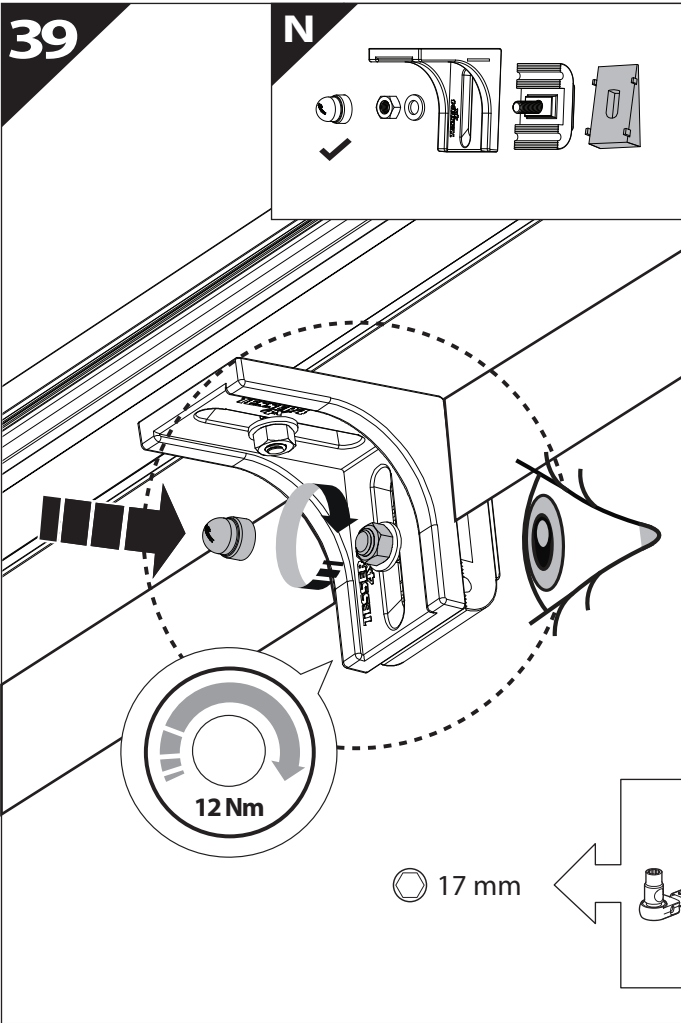


SHORT BED x4 / GRAND x6

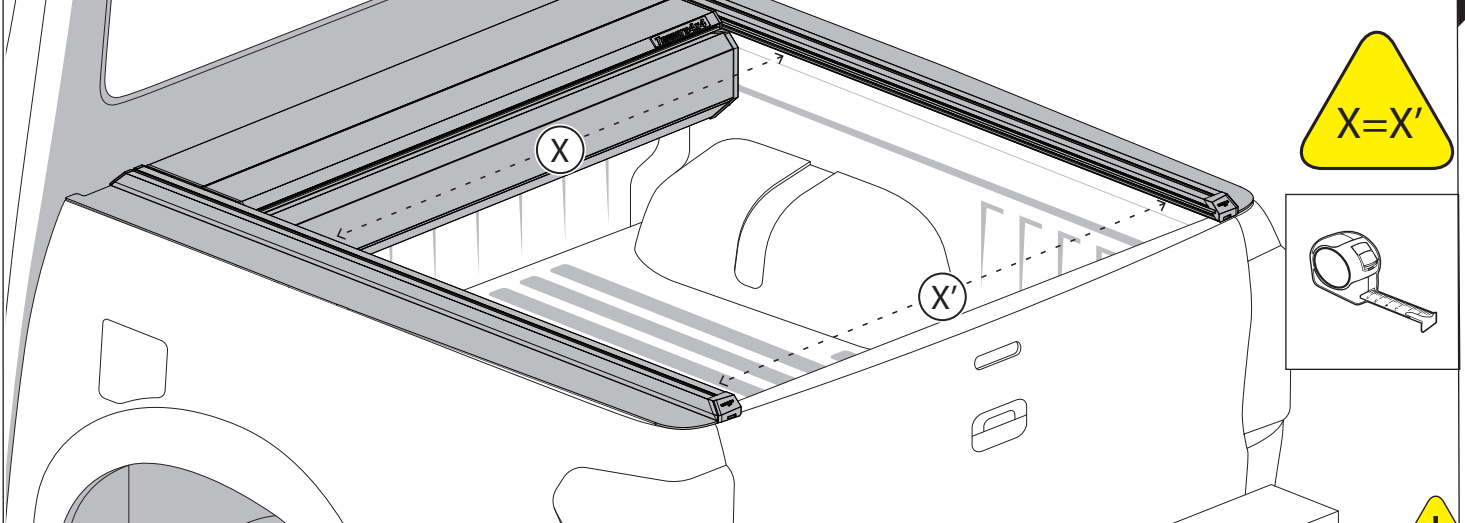


CAUTION

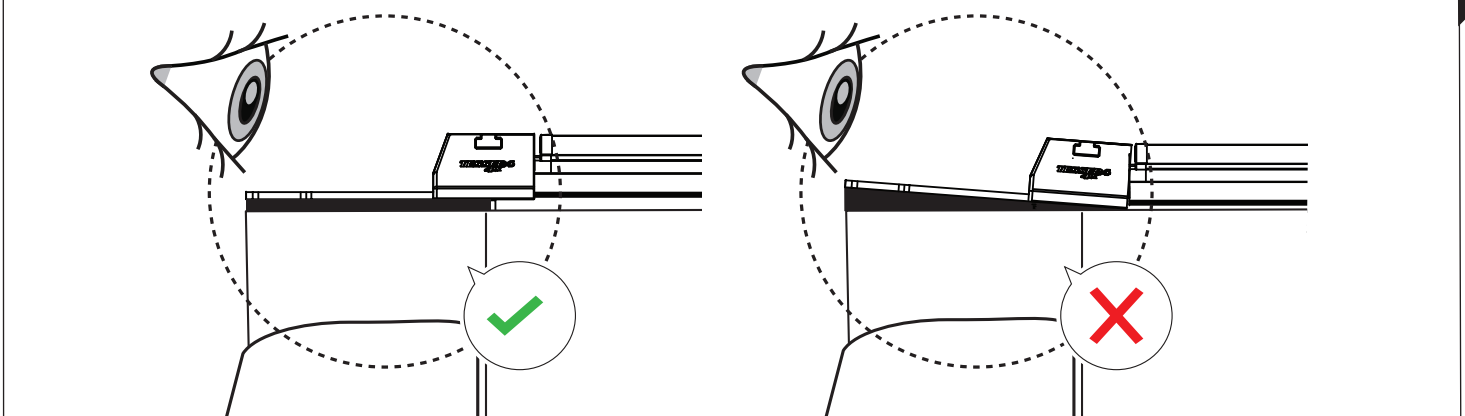




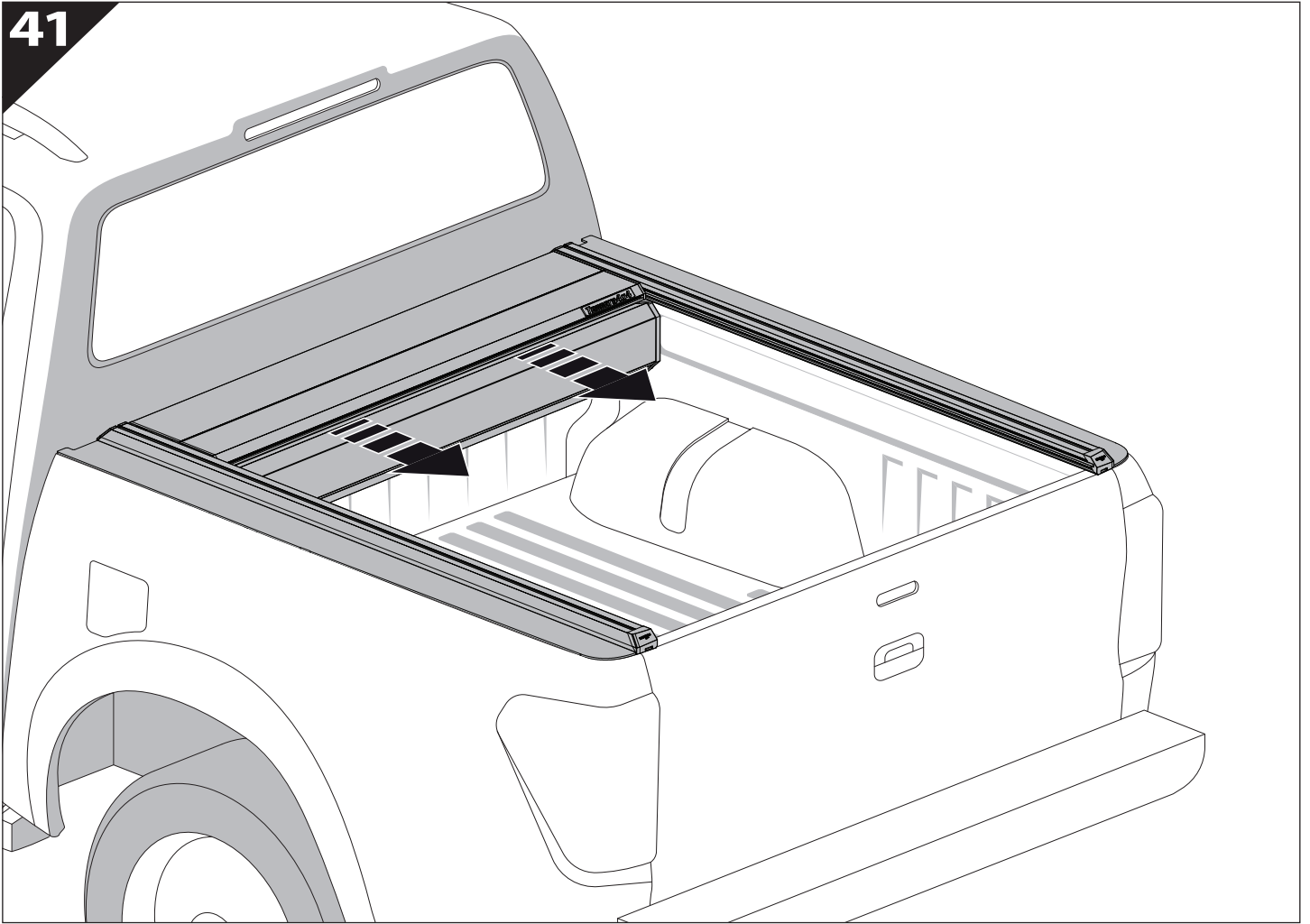
**CAUTION !**



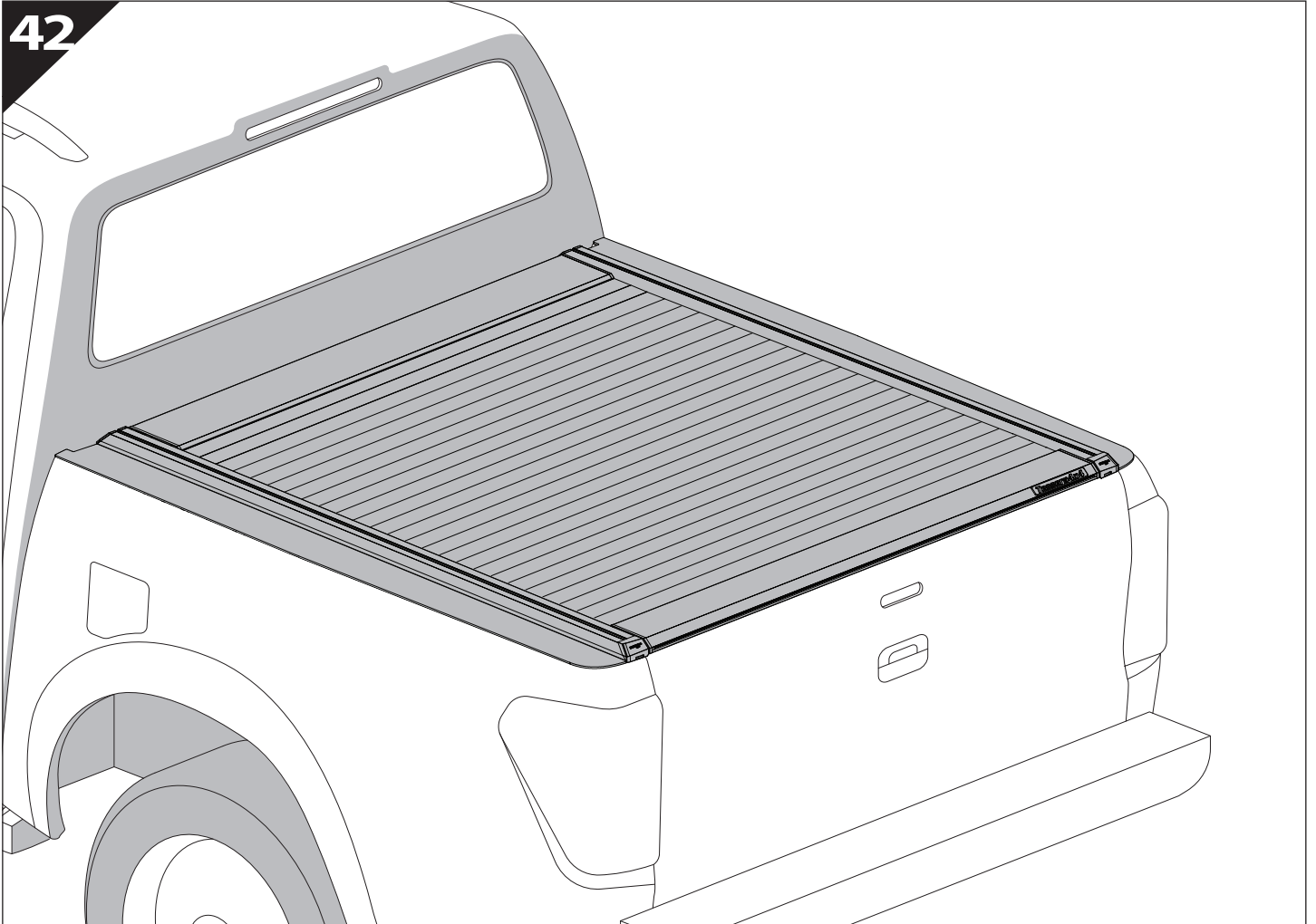
**CAUTION !**



41



42







**GR:** Οδηγίες Εγκατάστασης  
**GB:** Installation manual  
**SF:** Asennusohje  
**F:** Notice de montage  
**PL:** Instrukcja montażu  
**NL:** Installatie-instructies  
**TR:** Montaj Talimatı  
**S:** Monteringsanvisning  
**E:** Instrucciones de montaje

**H:** Szerelési utasítás  
**P:** Instruções de instalação  
**RUS:** Инструкция по установке  
**N:** Monteringsveiledning  
**D:** Einbauanleitung  
**CZ:** Návod k instalaci  
**I:** Istruzioni de montaggio  
**DK:** Monteringsvejledning  
**RO:** Instructiuni de instalare

Customer Service:

+30 (210) 5541161, +30 (210) 5541154 (08:00 - 16:00 EET)

Support department:

[info@gianso.gr](mailto:info@gianso.gr)

Website:

[www.tessera4x4.com](http://www.tessera4x4.com)

Address:

19.5 km of National road Athens-Korinthos (Elefsina) Greece, P.C: 19200