

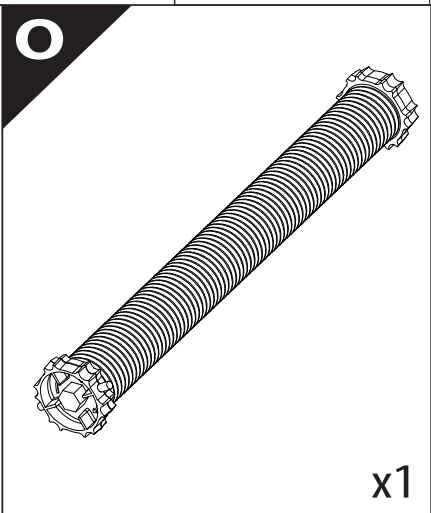
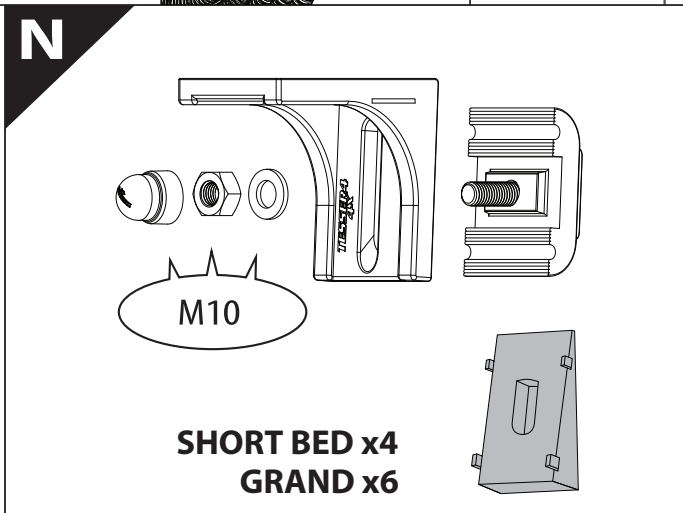
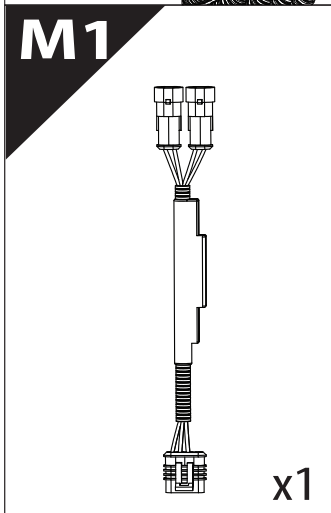
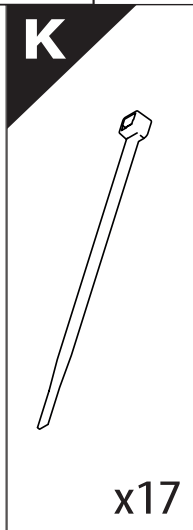
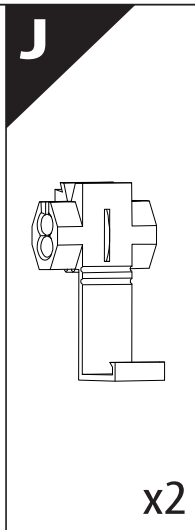
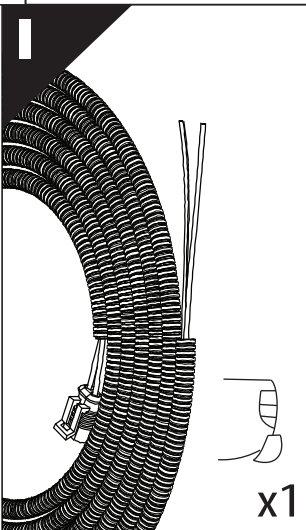
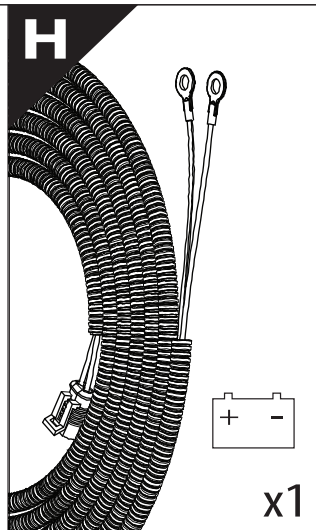
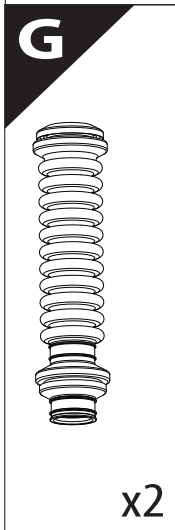
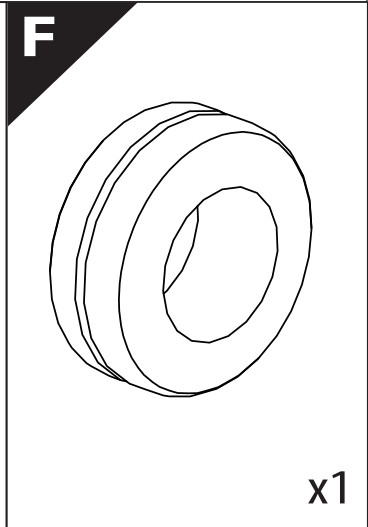
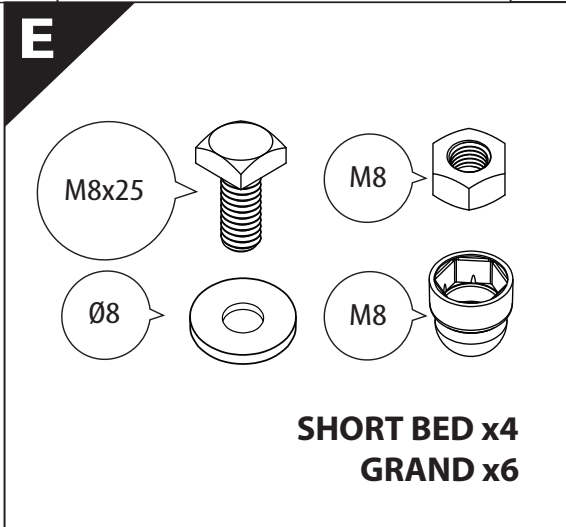
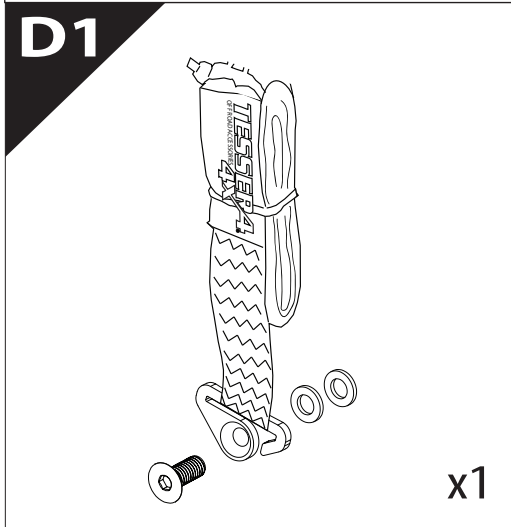
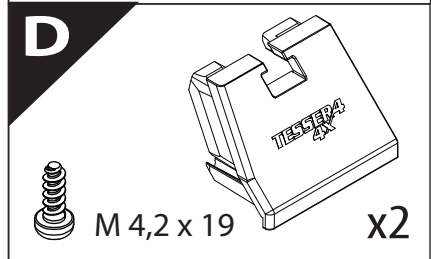
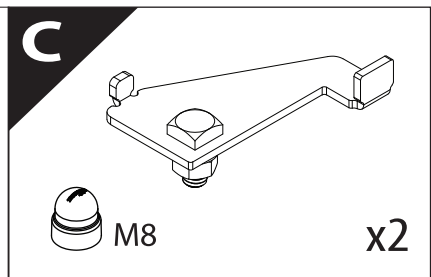
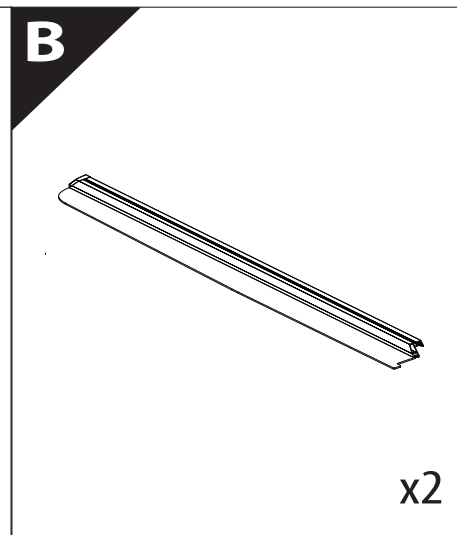
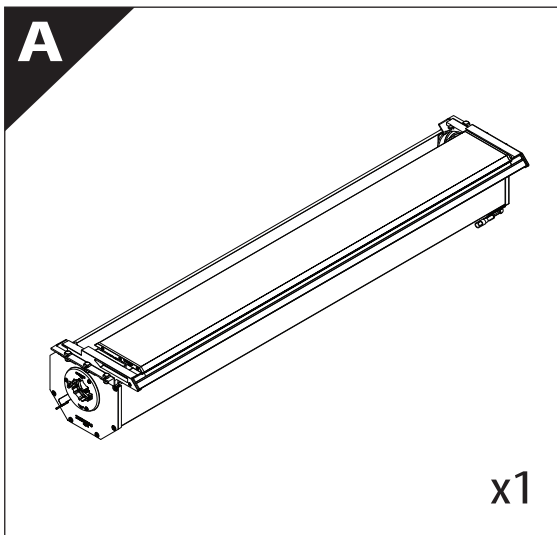
Tessera Roll+

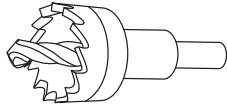
Basic Version + ⚙️ S-KIT



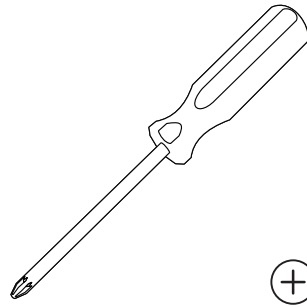
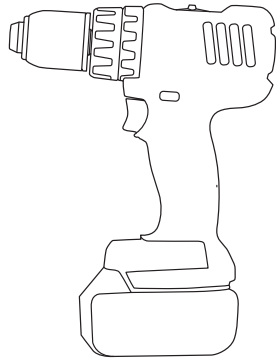
Installation Manual

PART NUMBER(S)	Model Year
TESS 14082 ROLL+S-KIT	KGM / SsangYong Musso-Rexton Sports 2018+ SHORT BED
TESS 14083 ROLL+S-KIT	KGM / SsangYong Musso-Rexton Sports 2018+ GRAND
Cab(s)	Installation Time / Weight
Double Cab	40-60 minutes / 53-57 kg

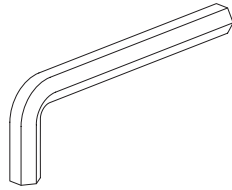
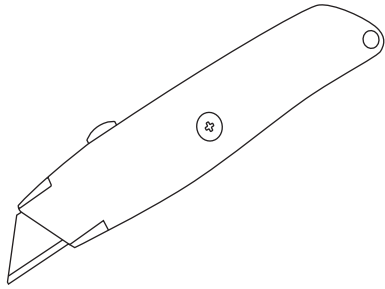
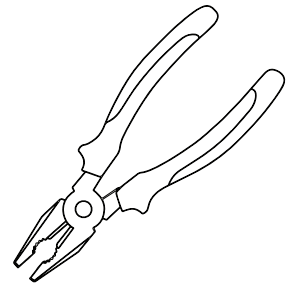




Ø 25 mm / 40 mm

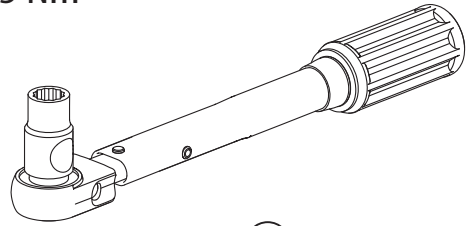


+



4 mm

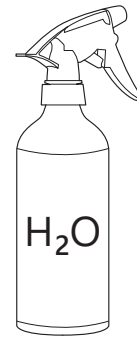
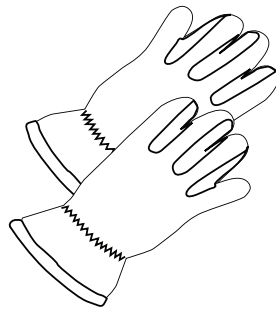
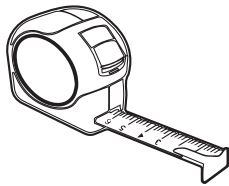
1 - 25 Nm



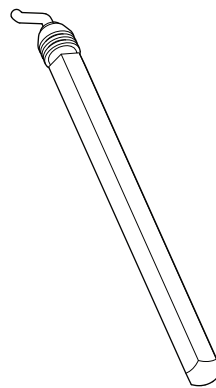
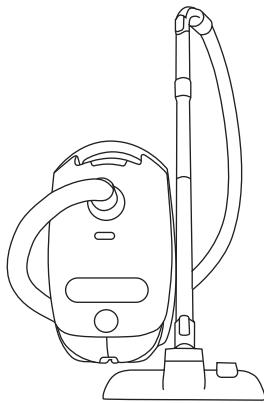
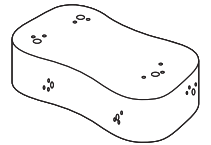
10, 12, 13, 17 mm



ACETONE



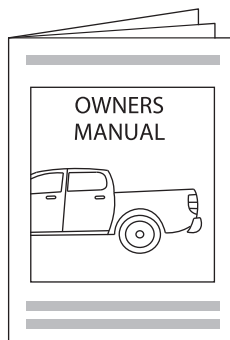
H₂O



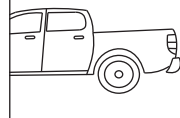
ANTI-RUST



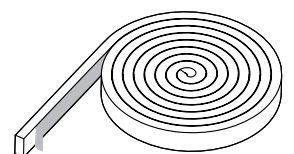
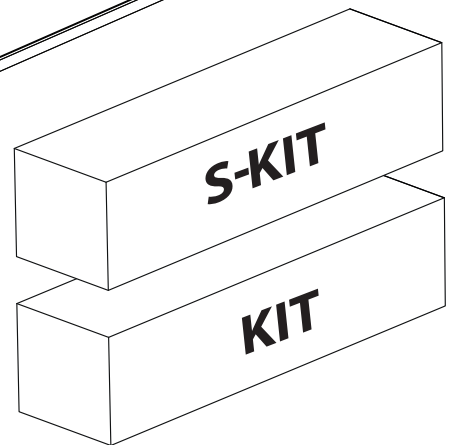
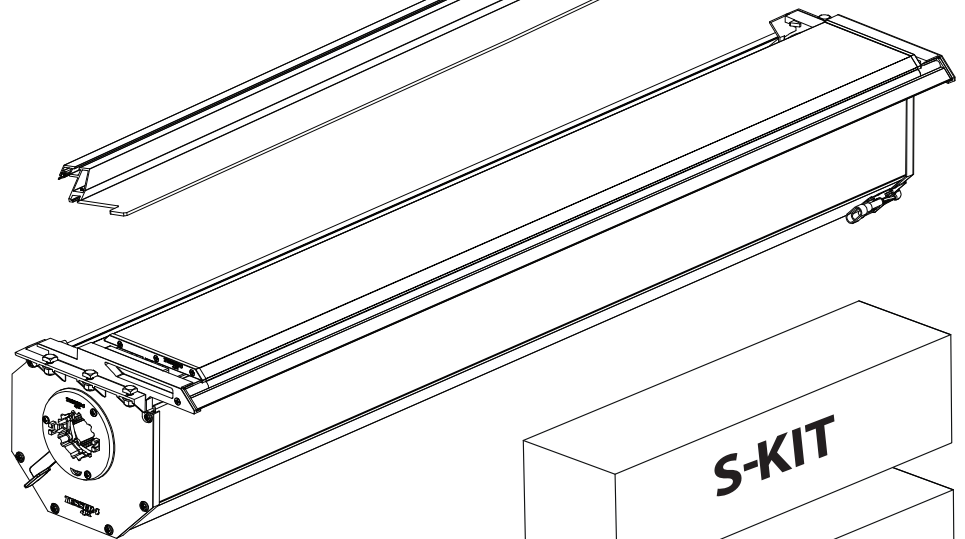
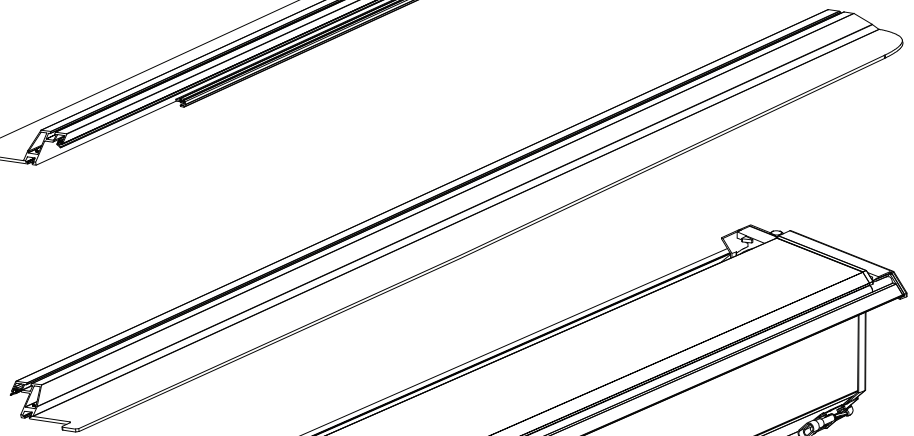
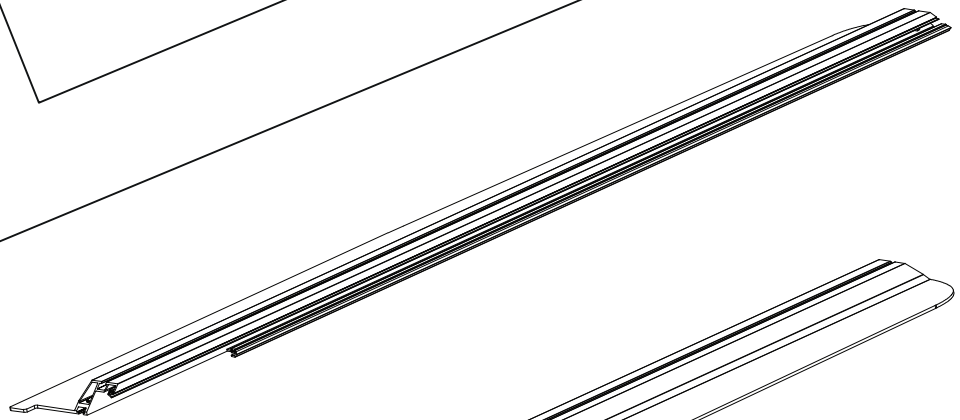
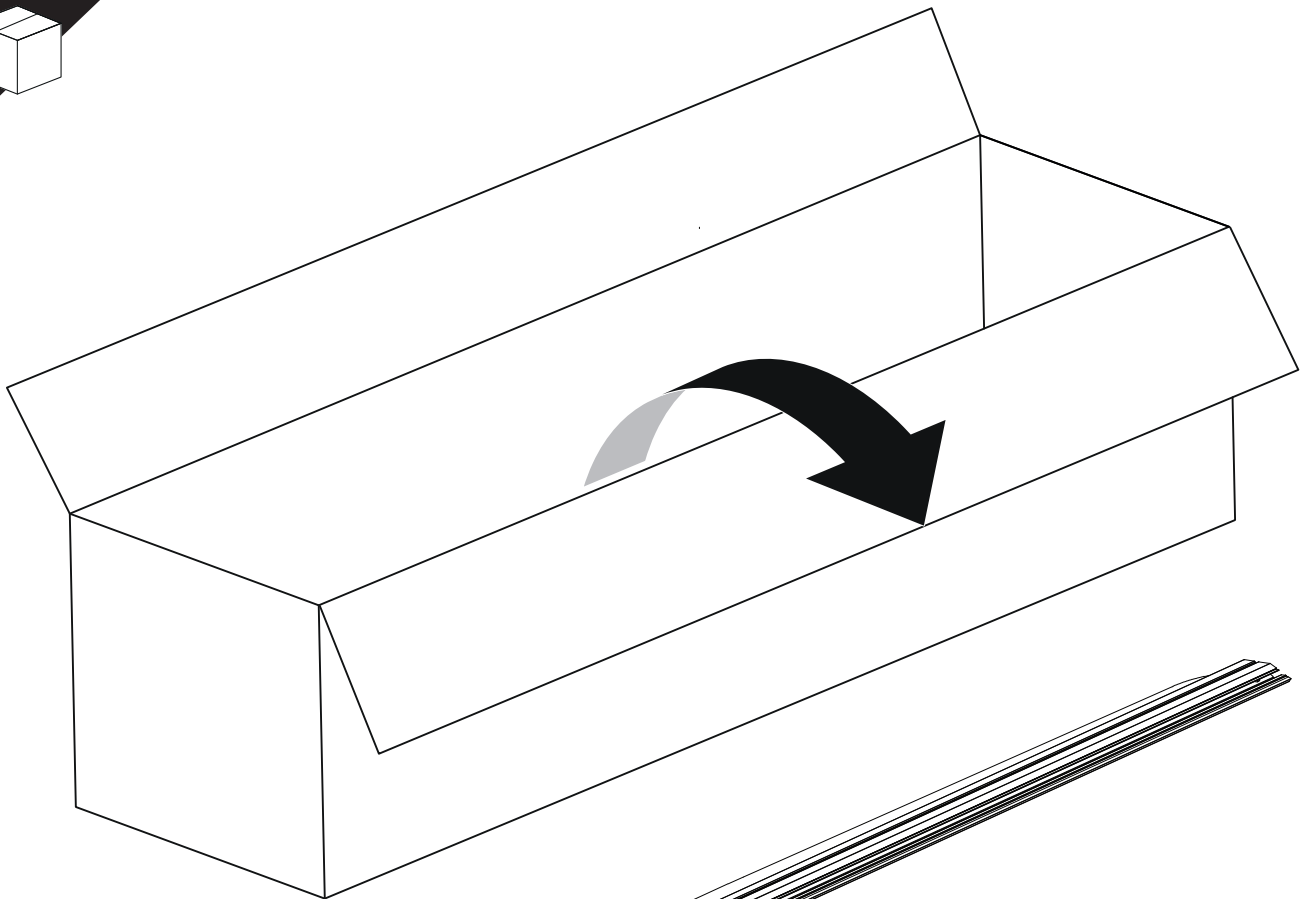
INSTALATION
MANUAL
+S-KIT



OWNERS
MANUAL



x1

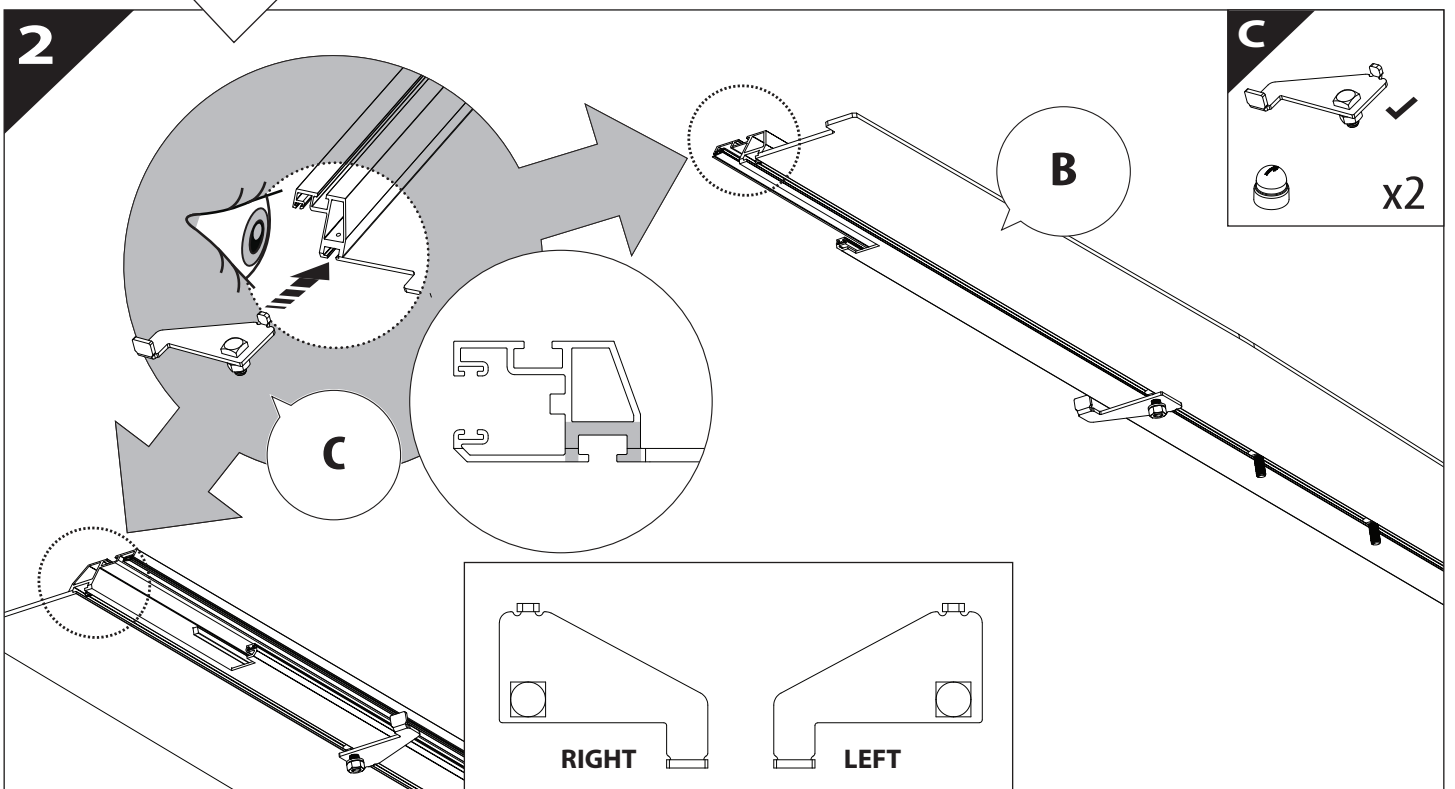
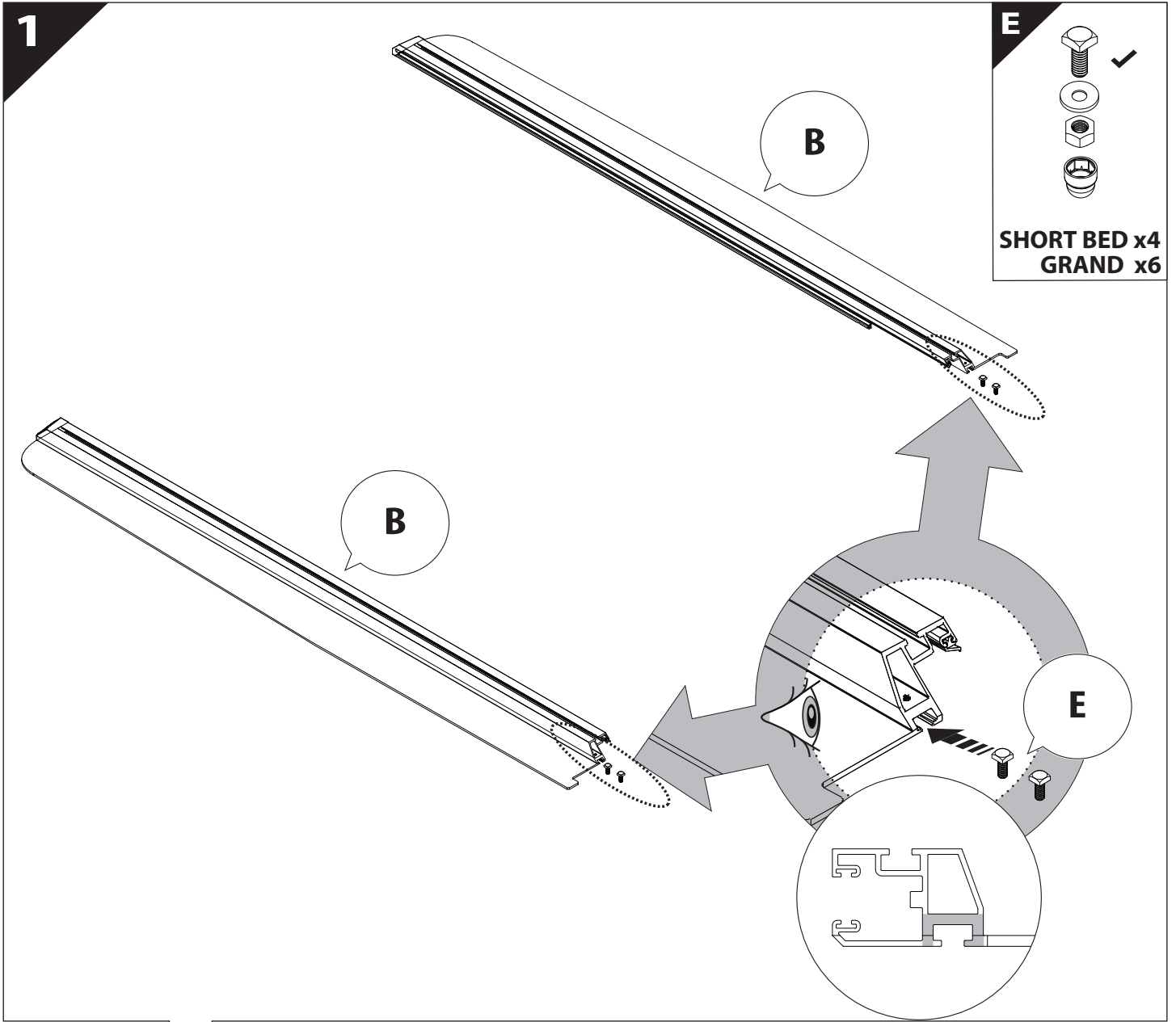


B

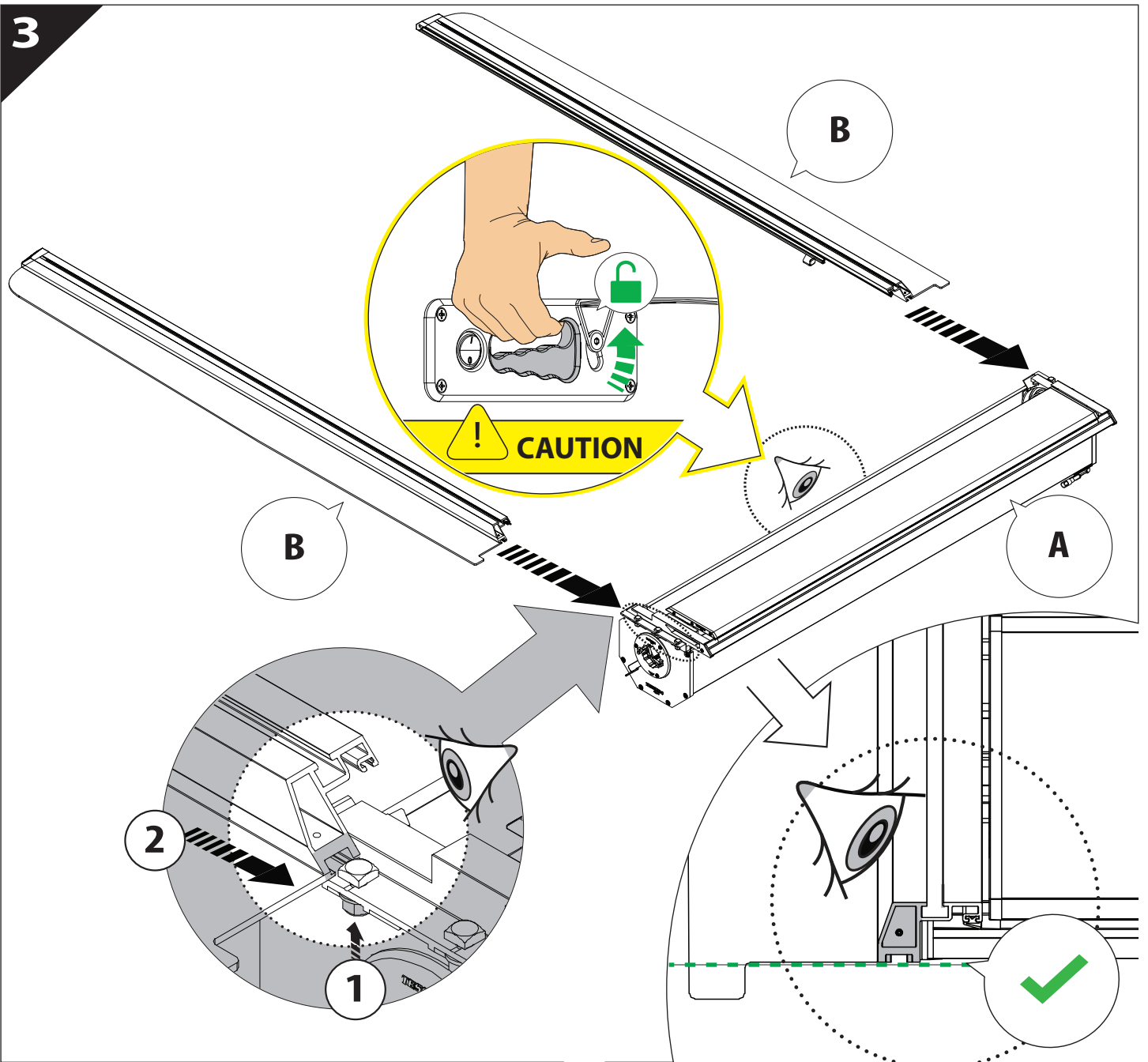
A

KITS

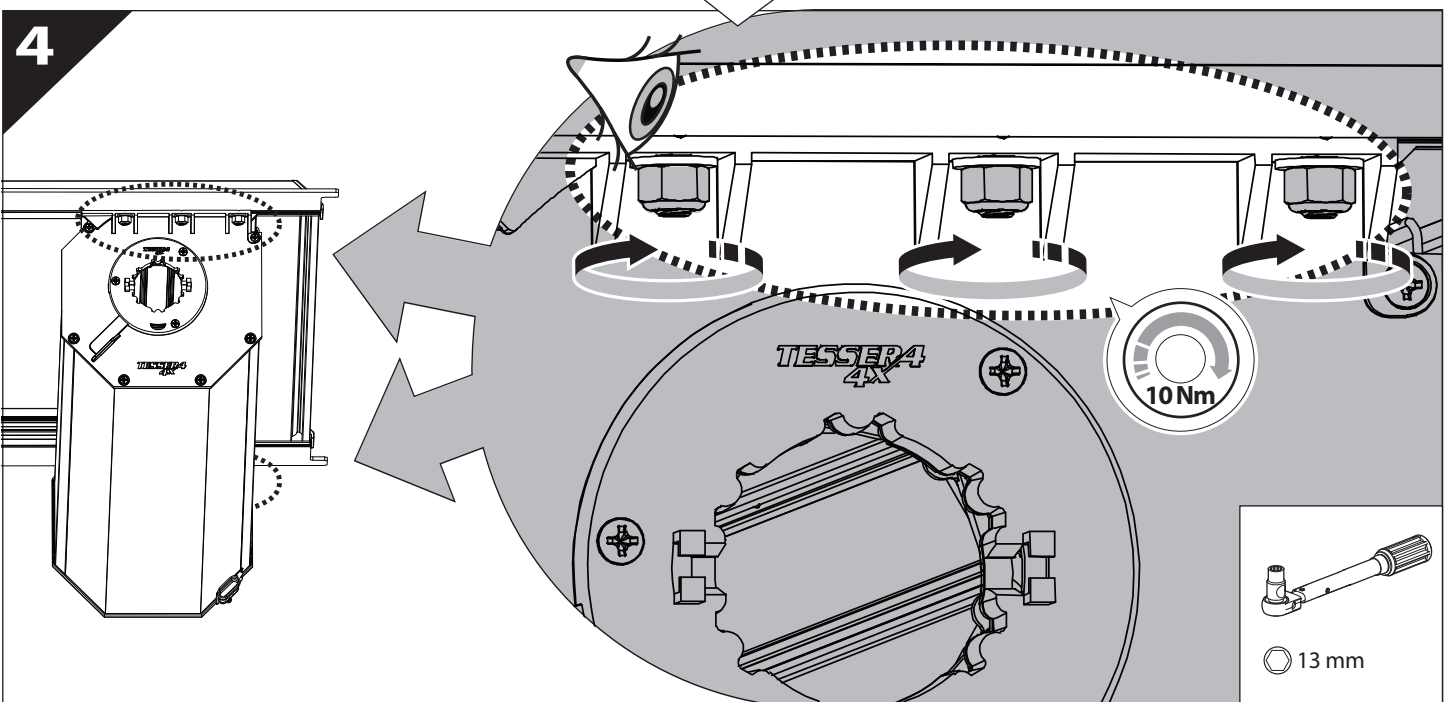
L

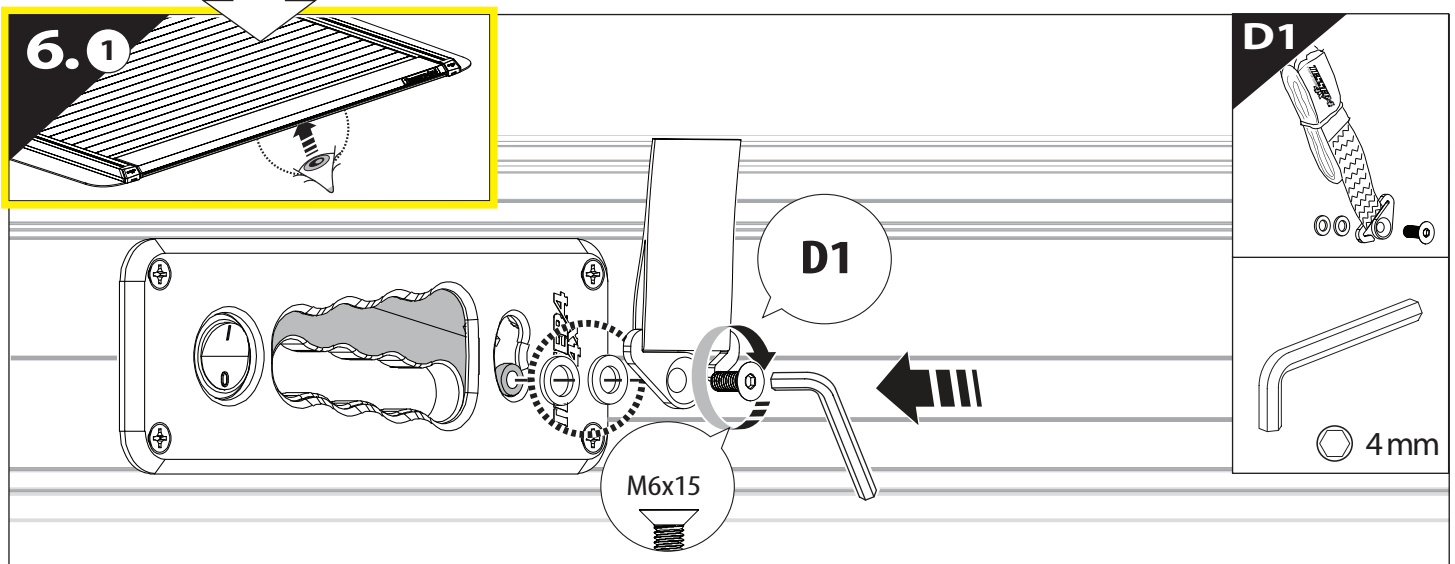
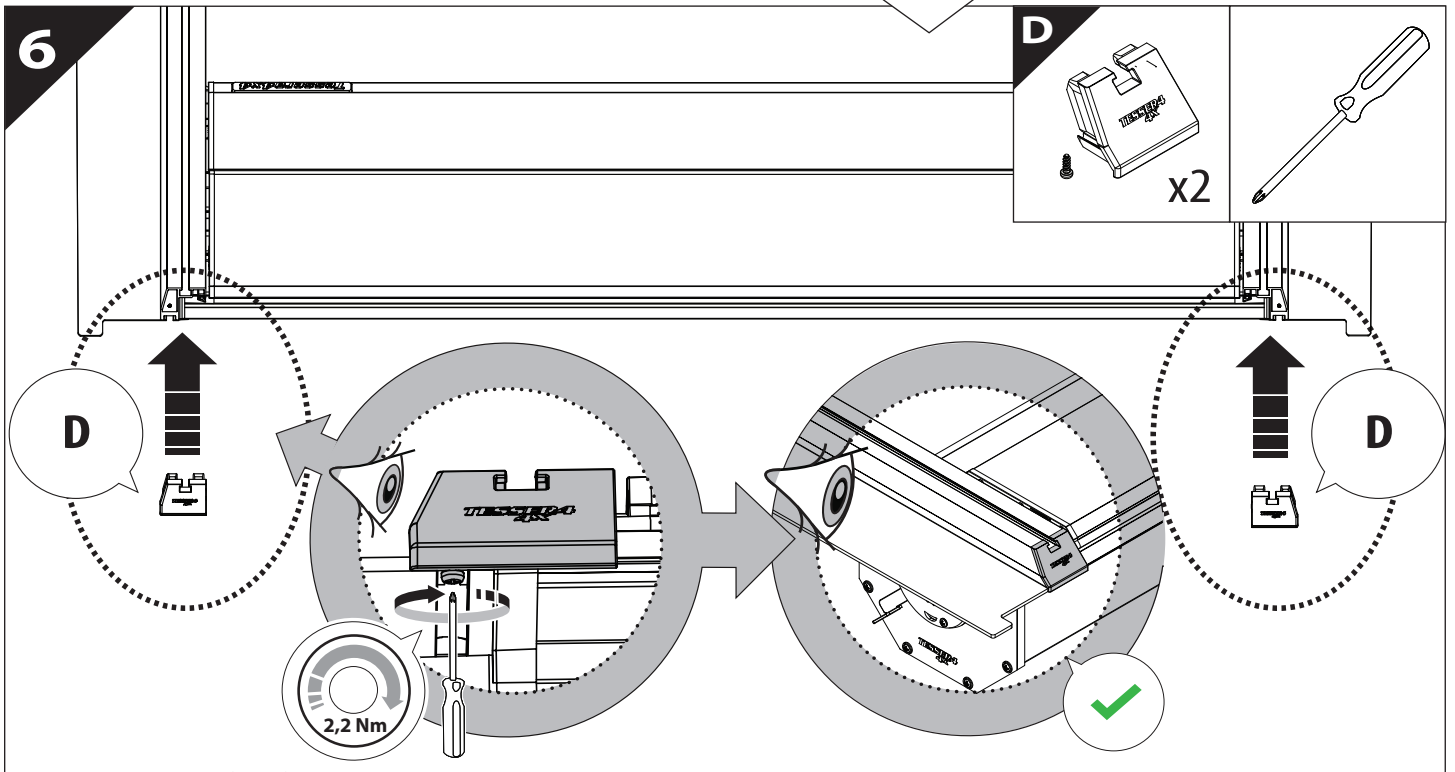
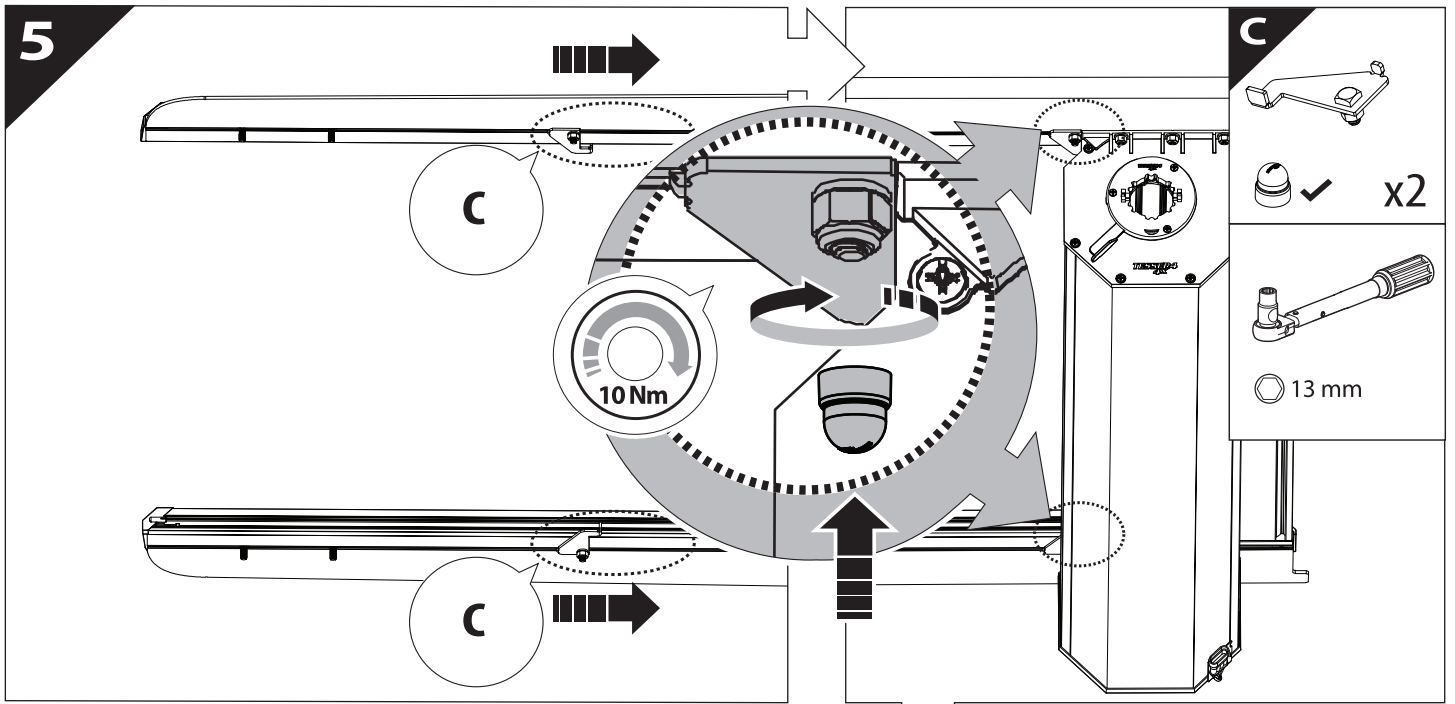


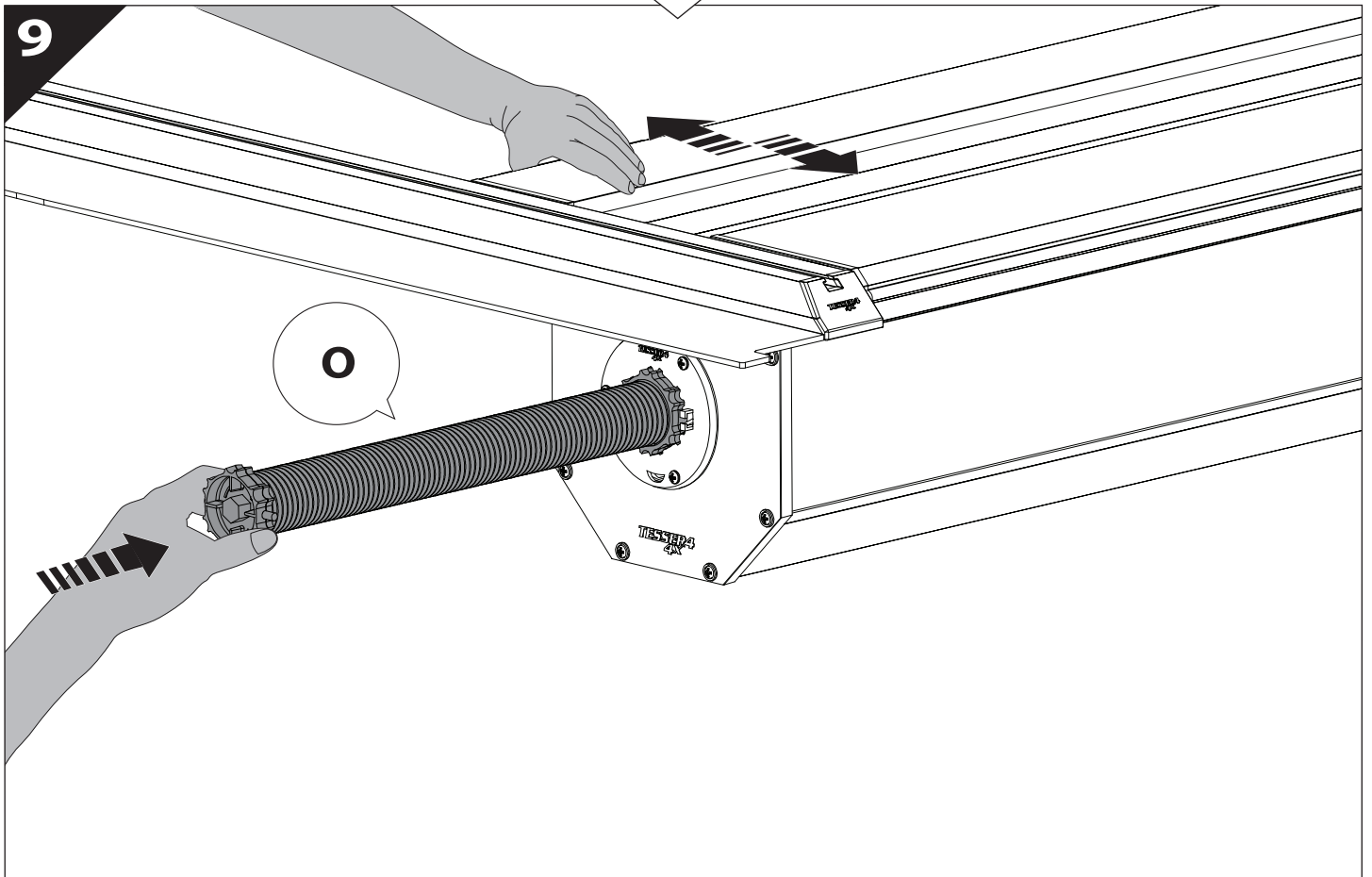
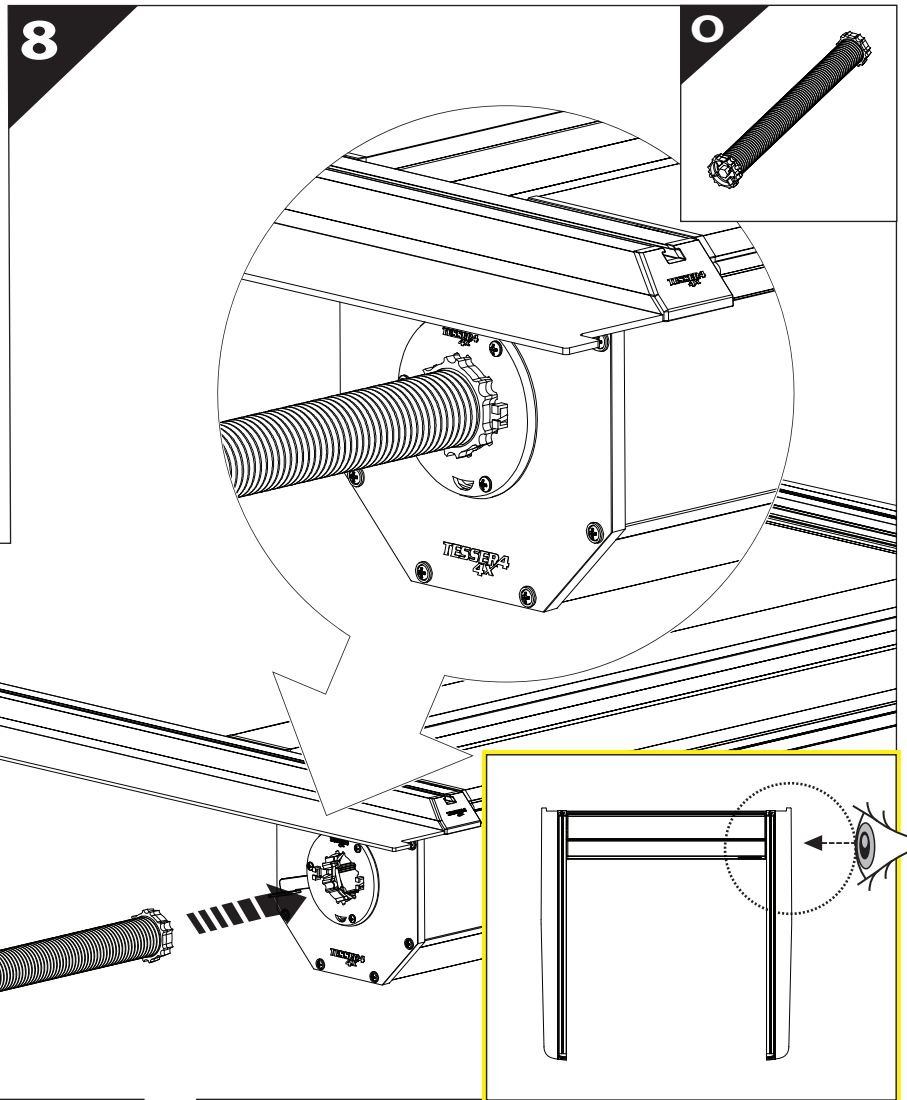
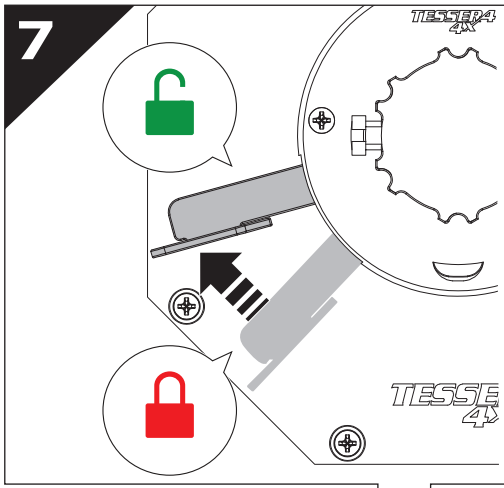
3

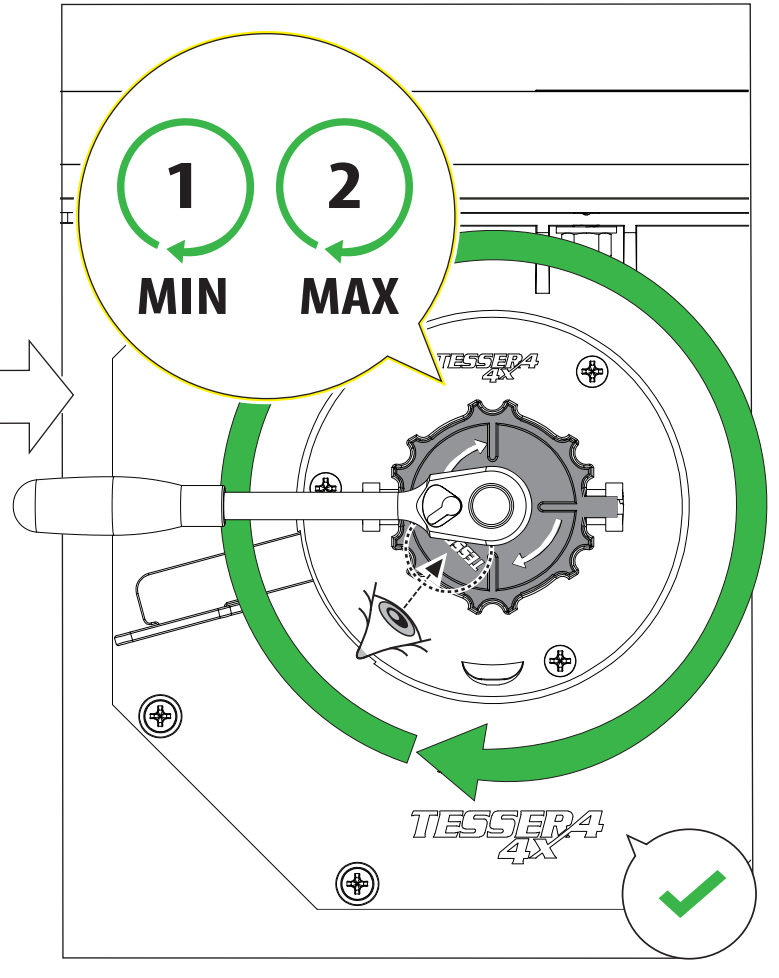
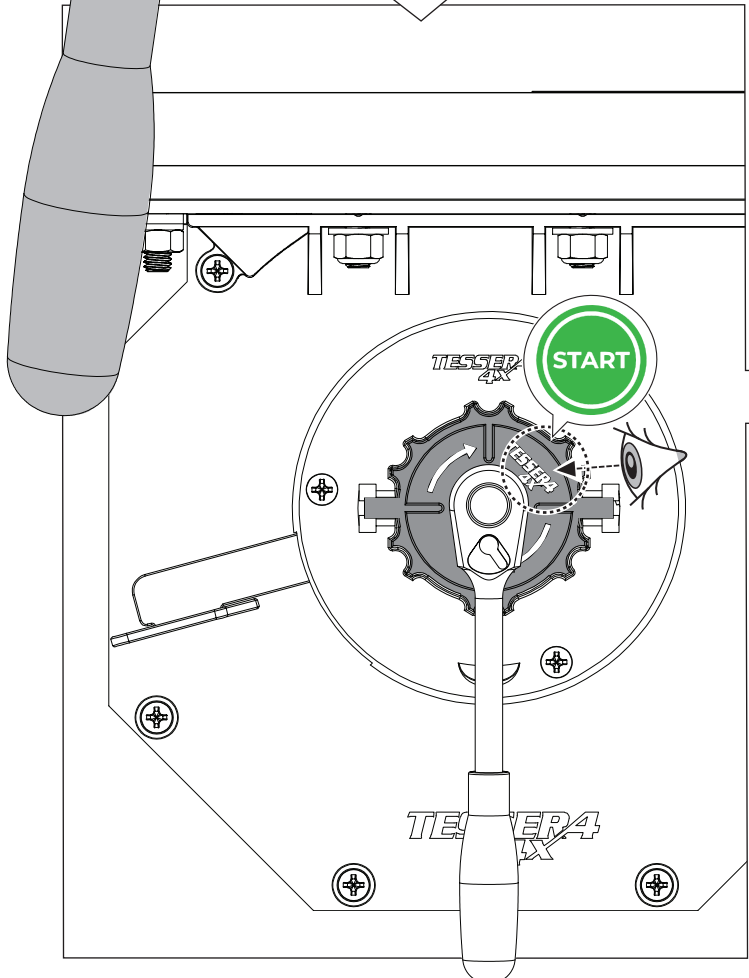
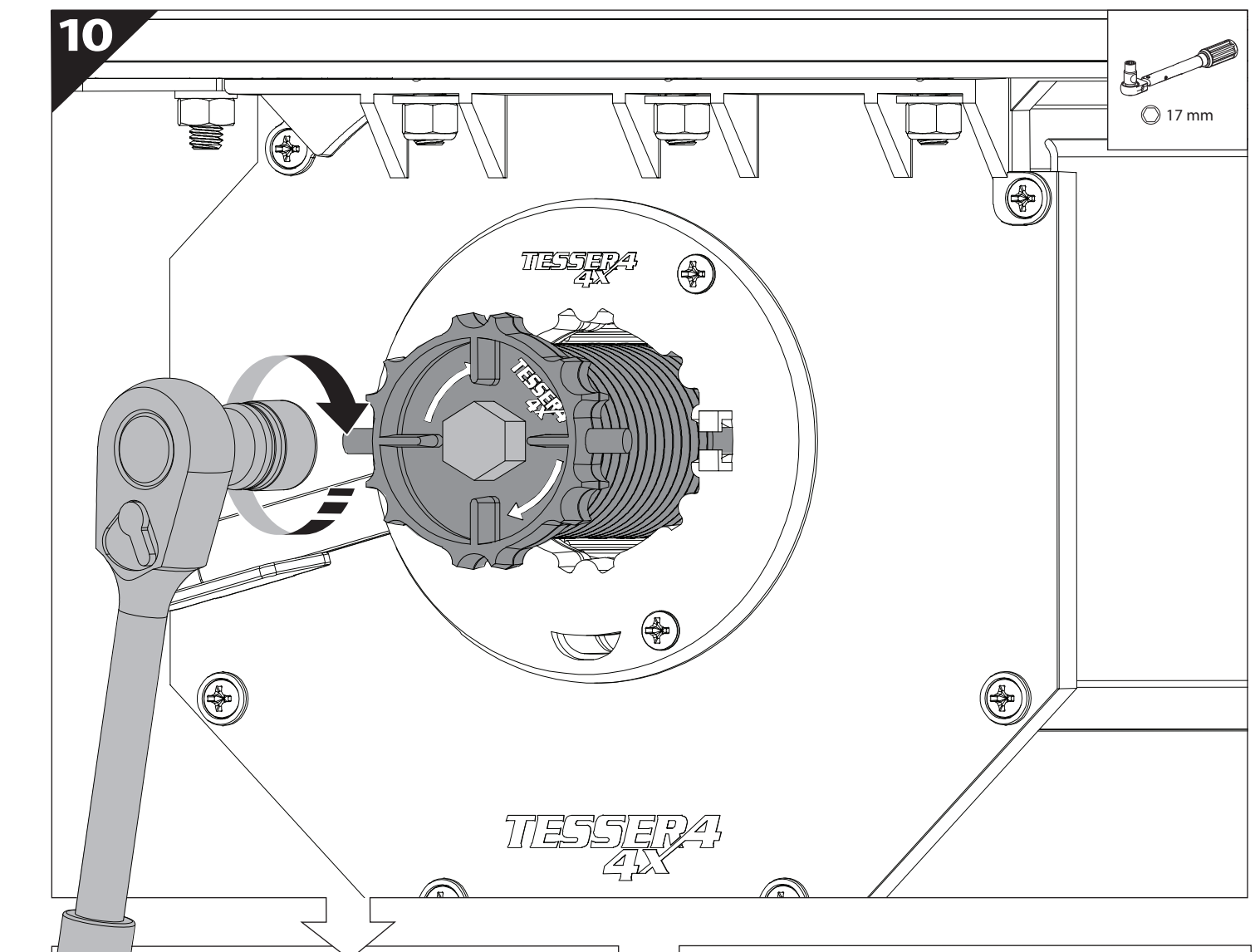


4

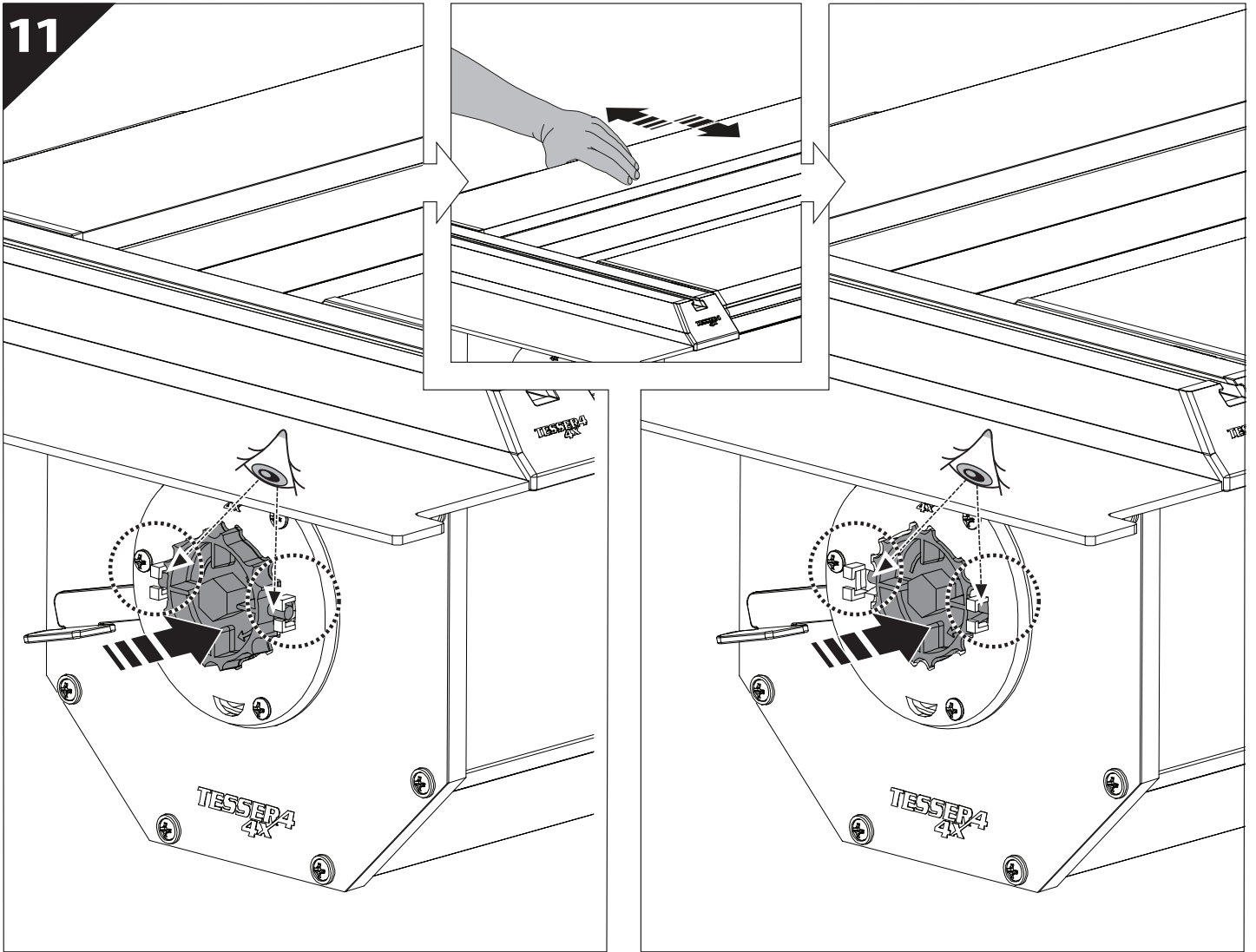




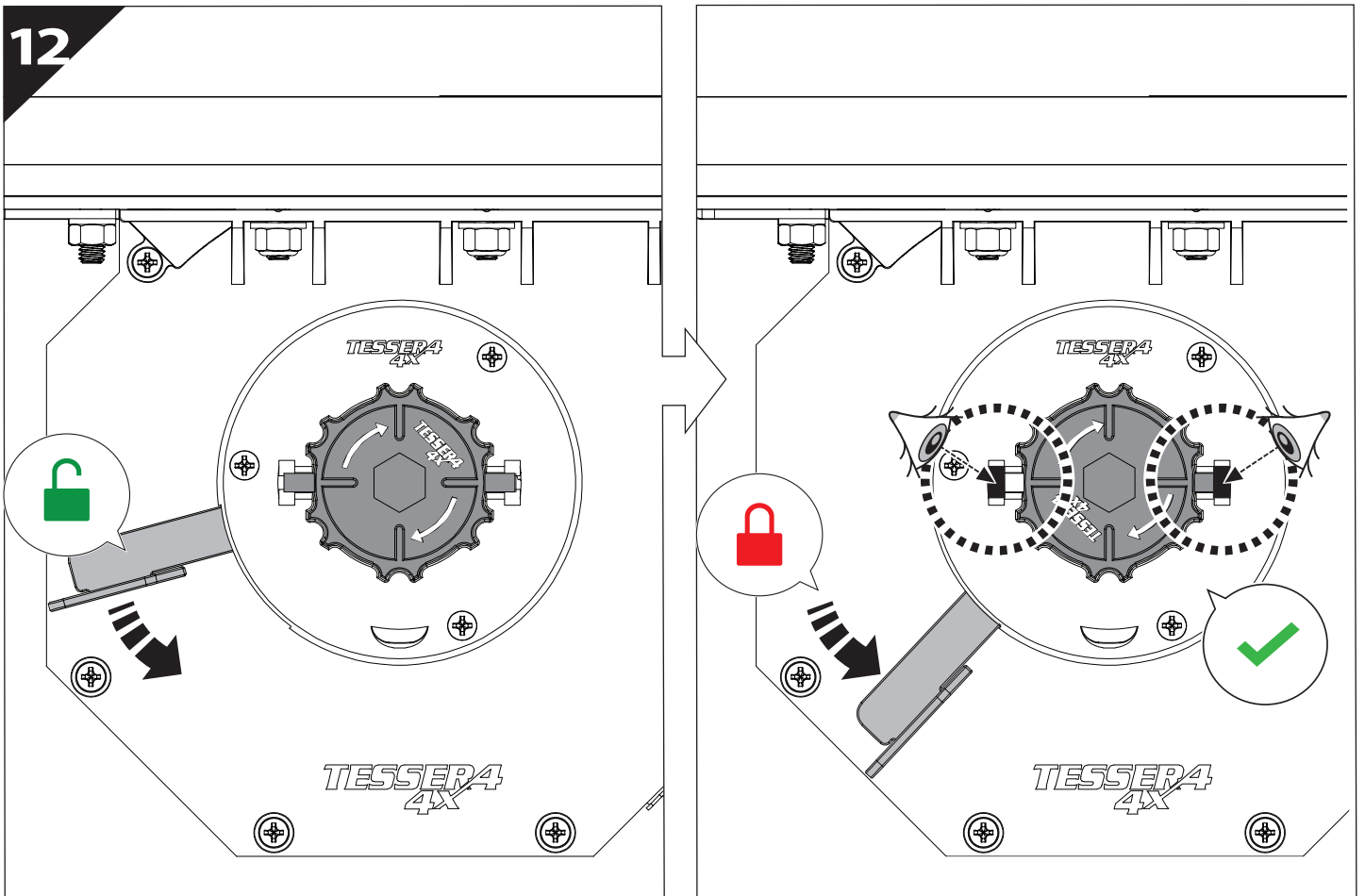




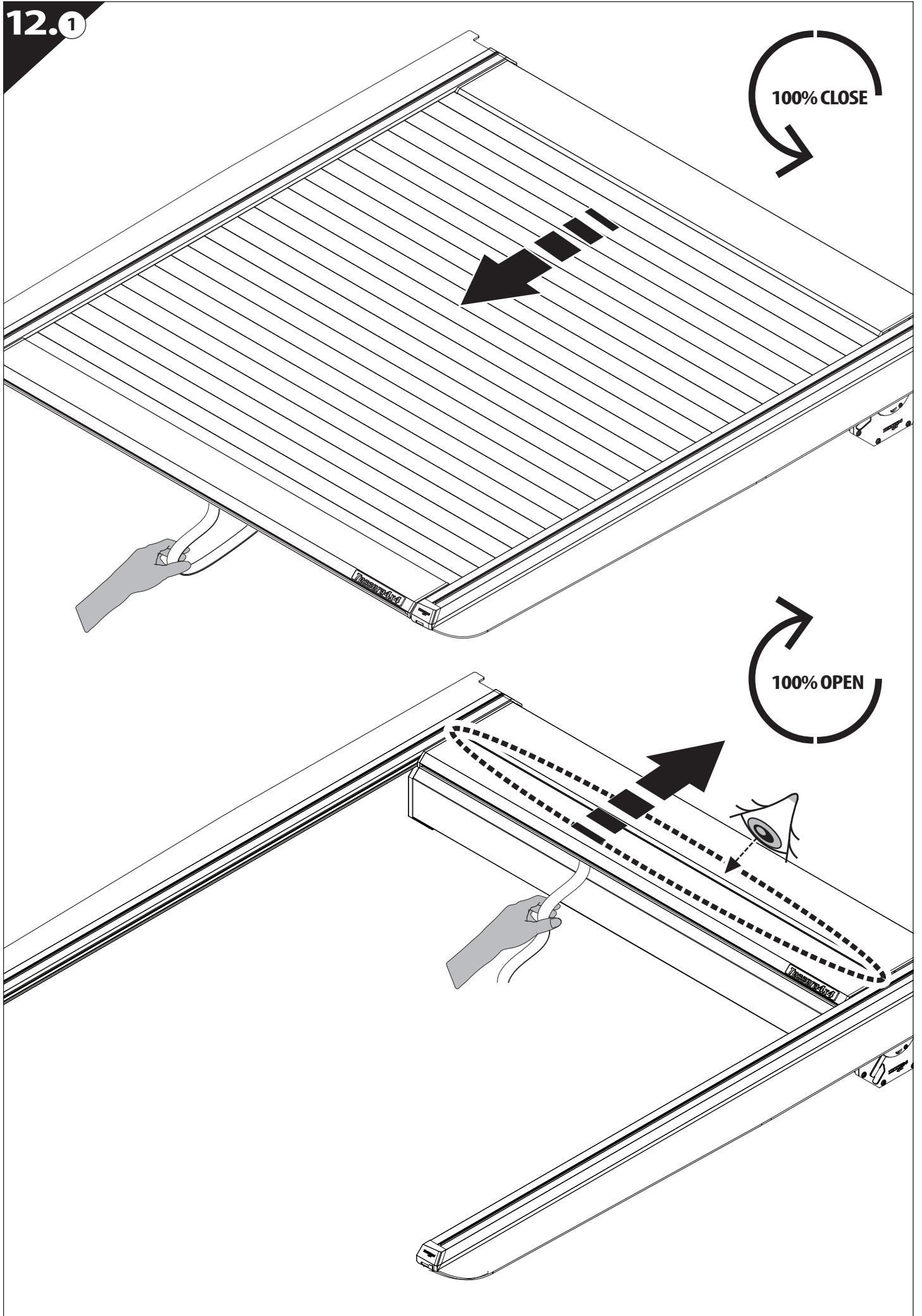
11

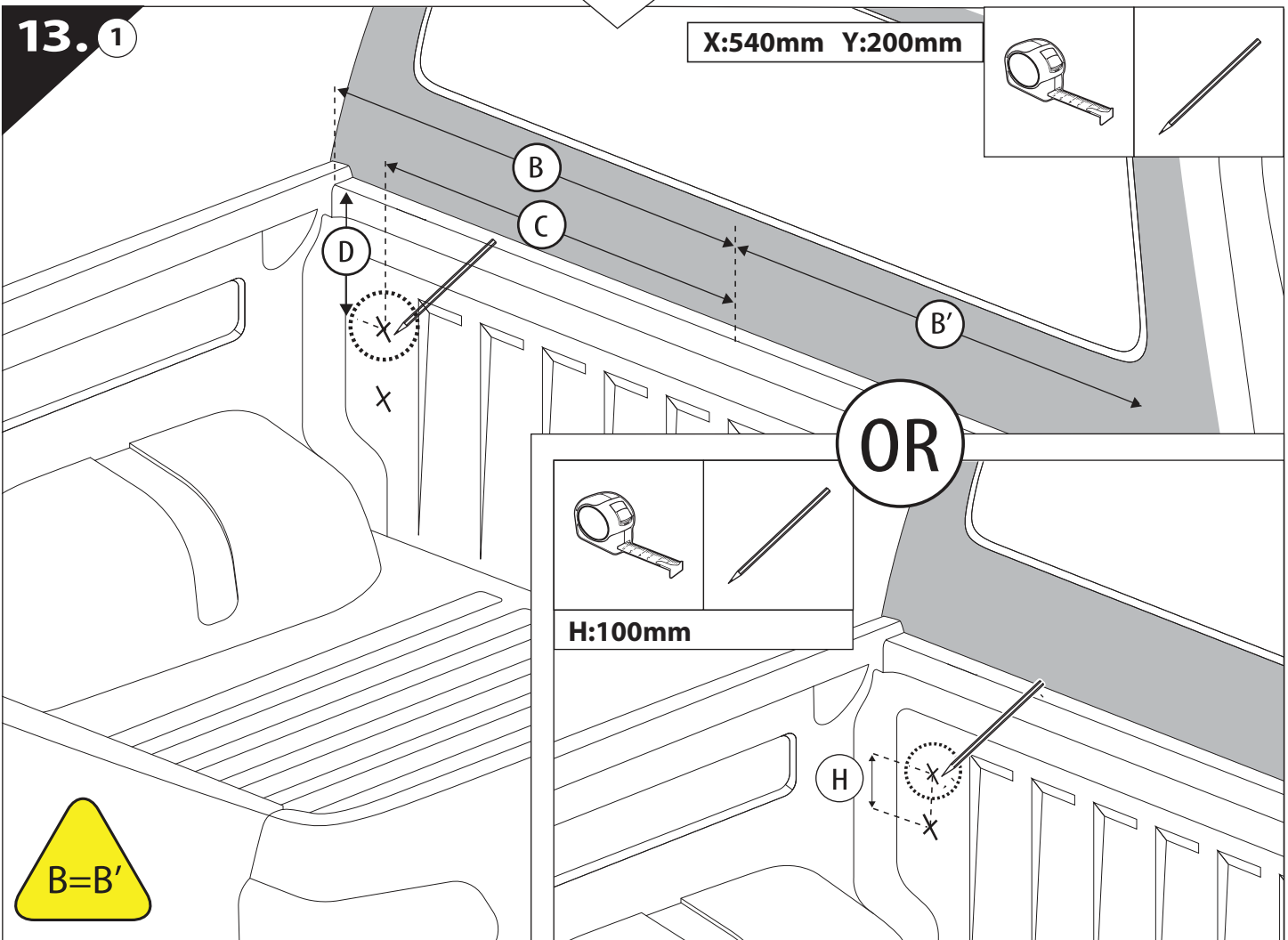
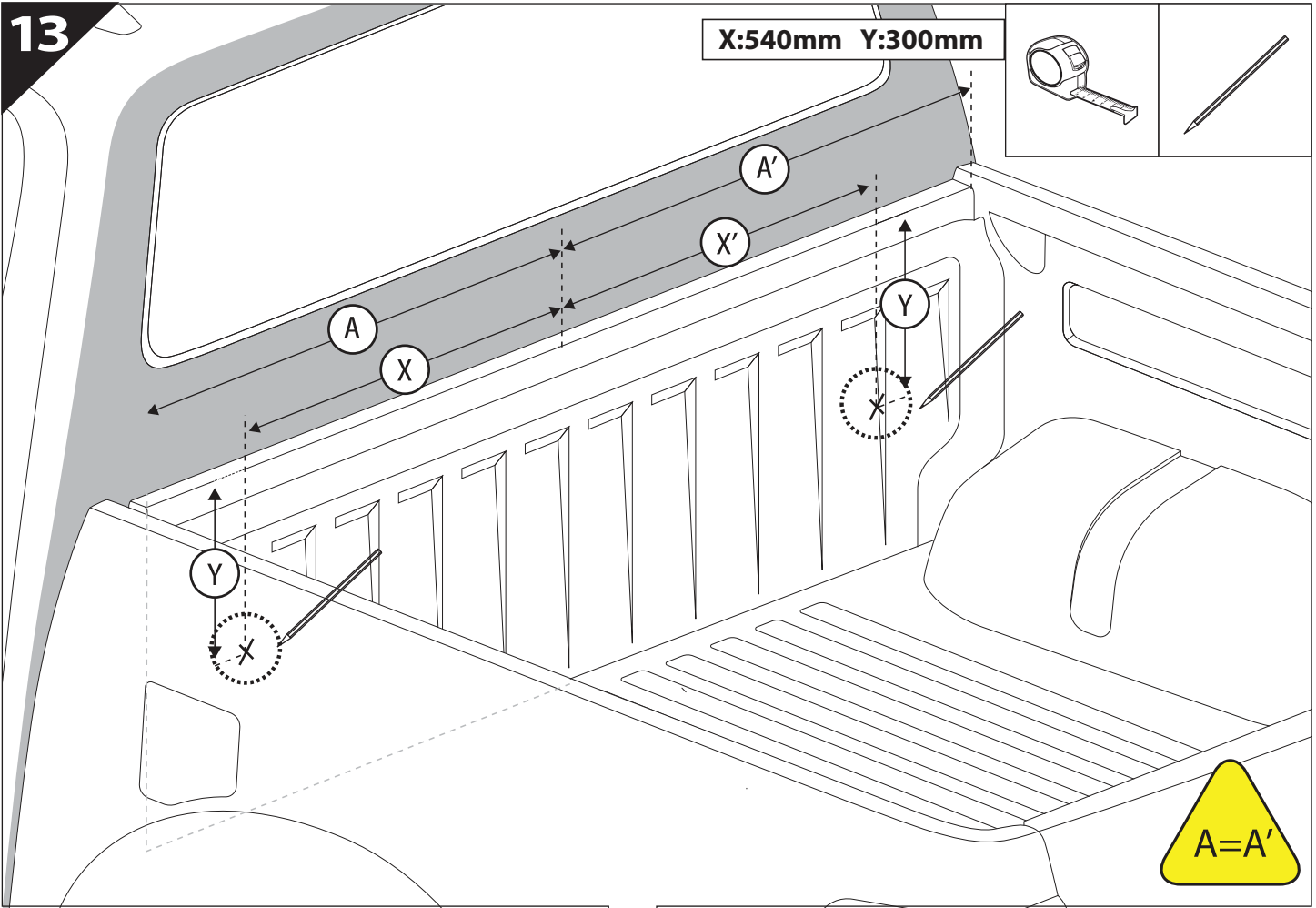


12

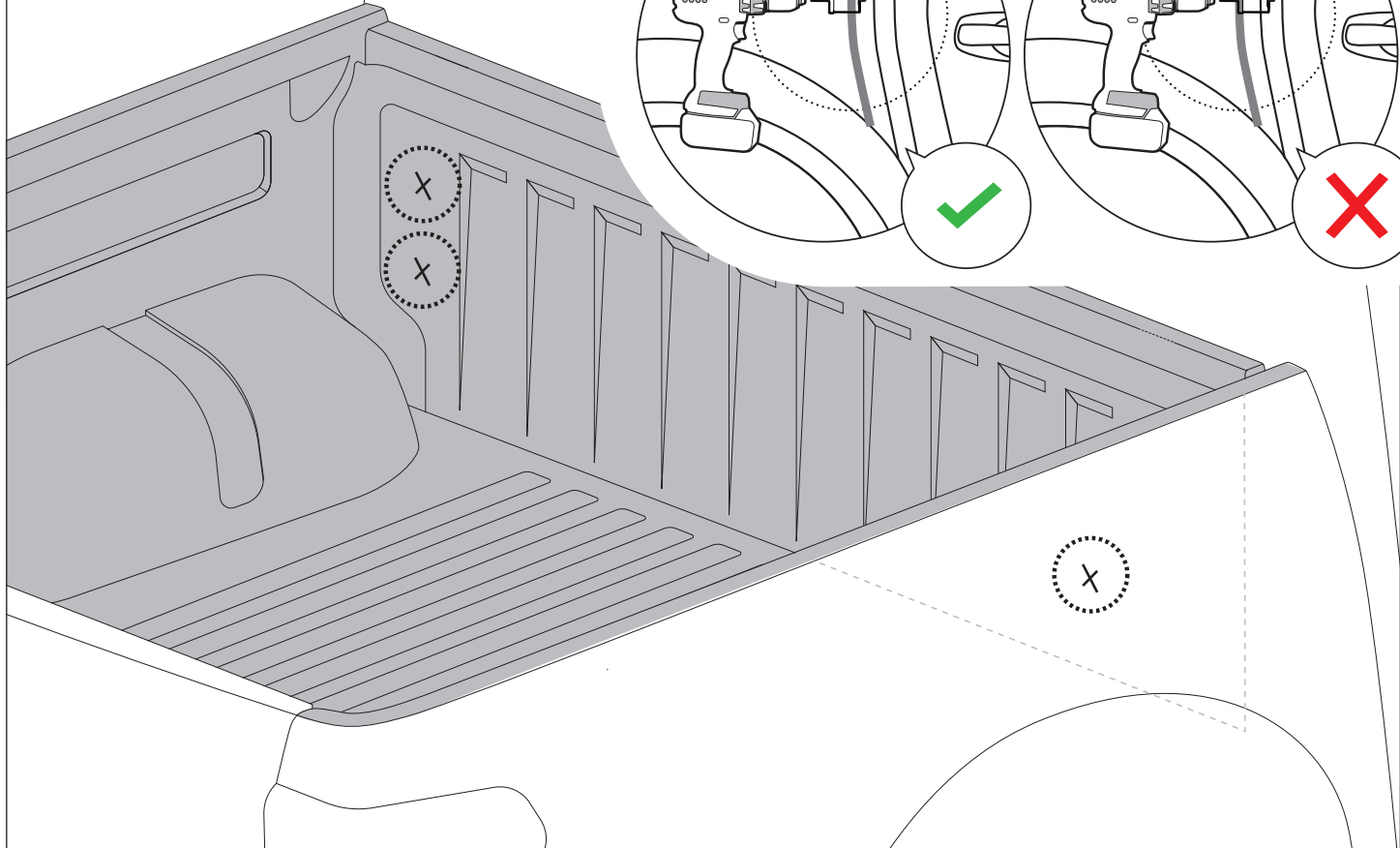
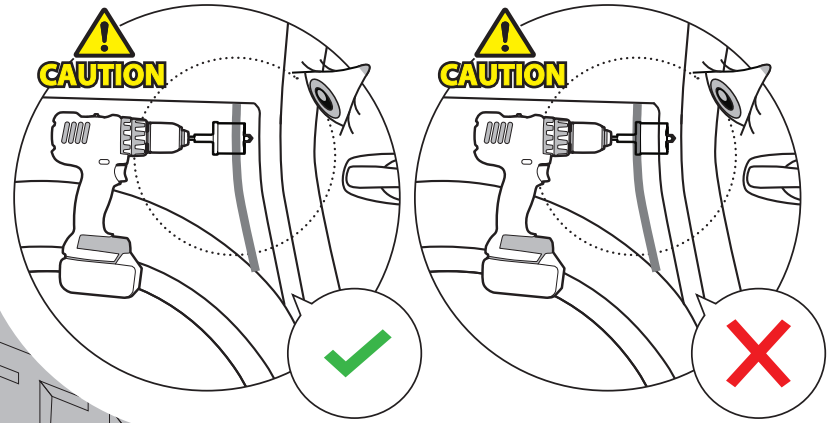
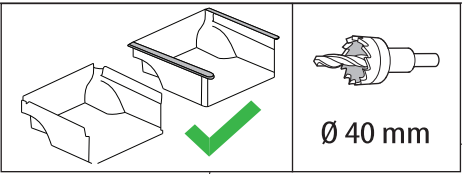


12.0

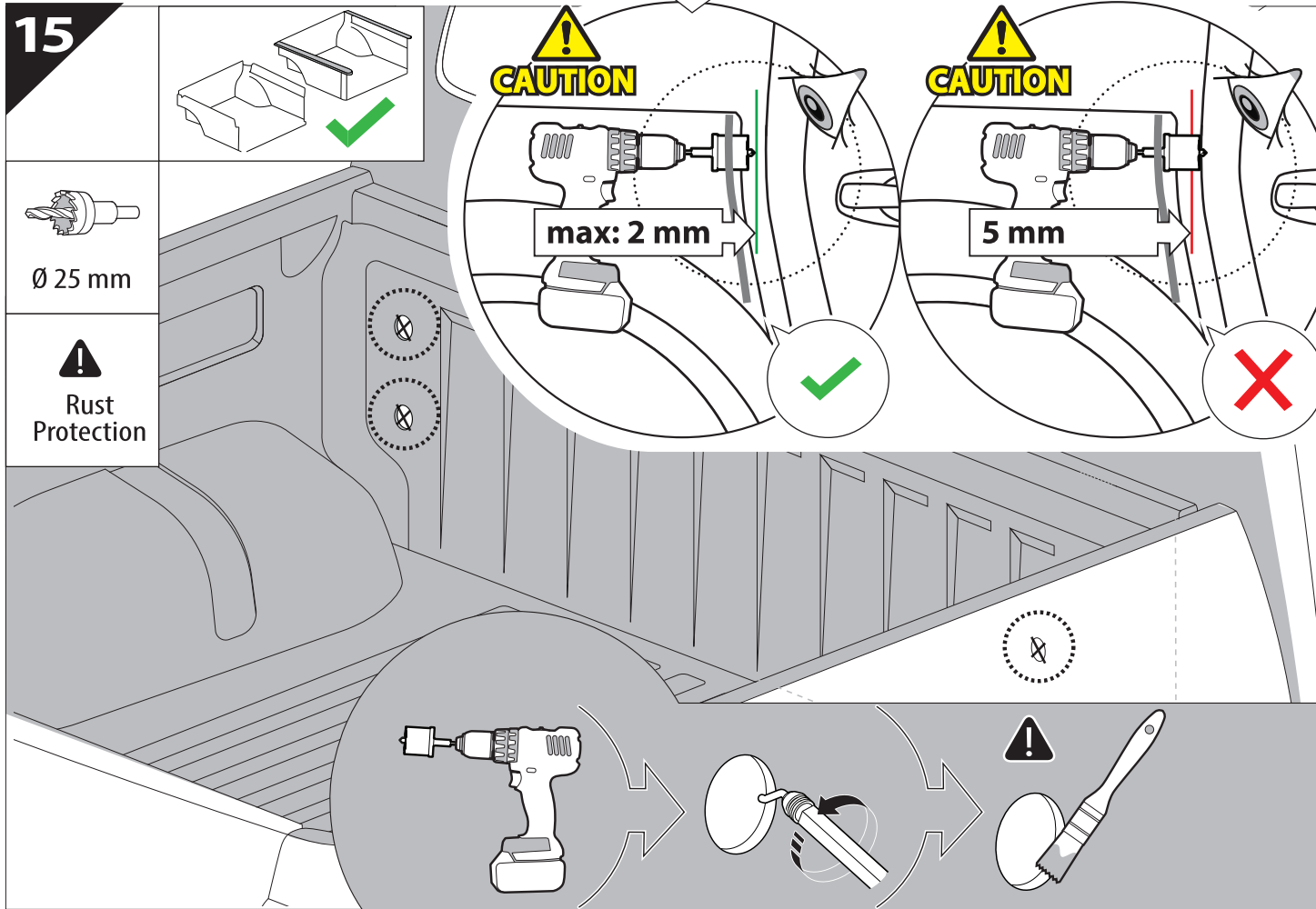
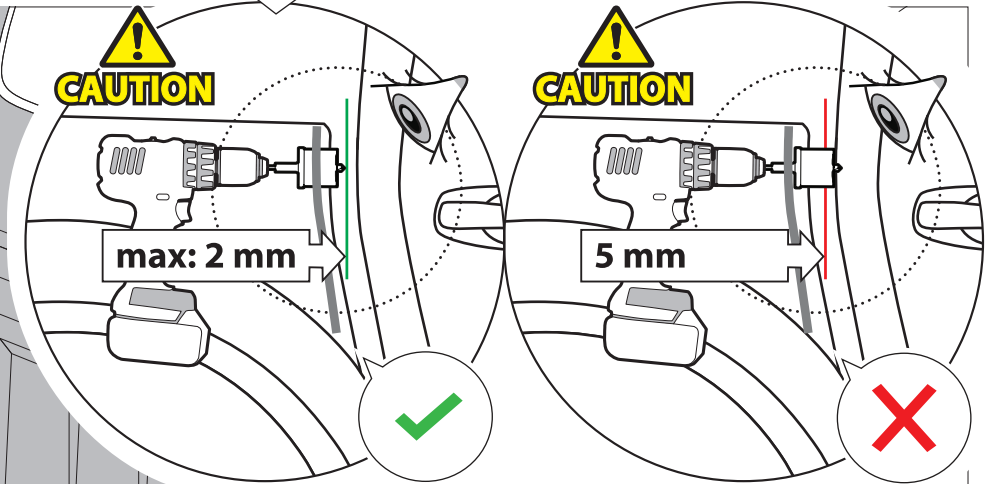
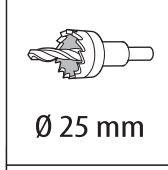
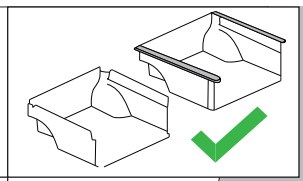




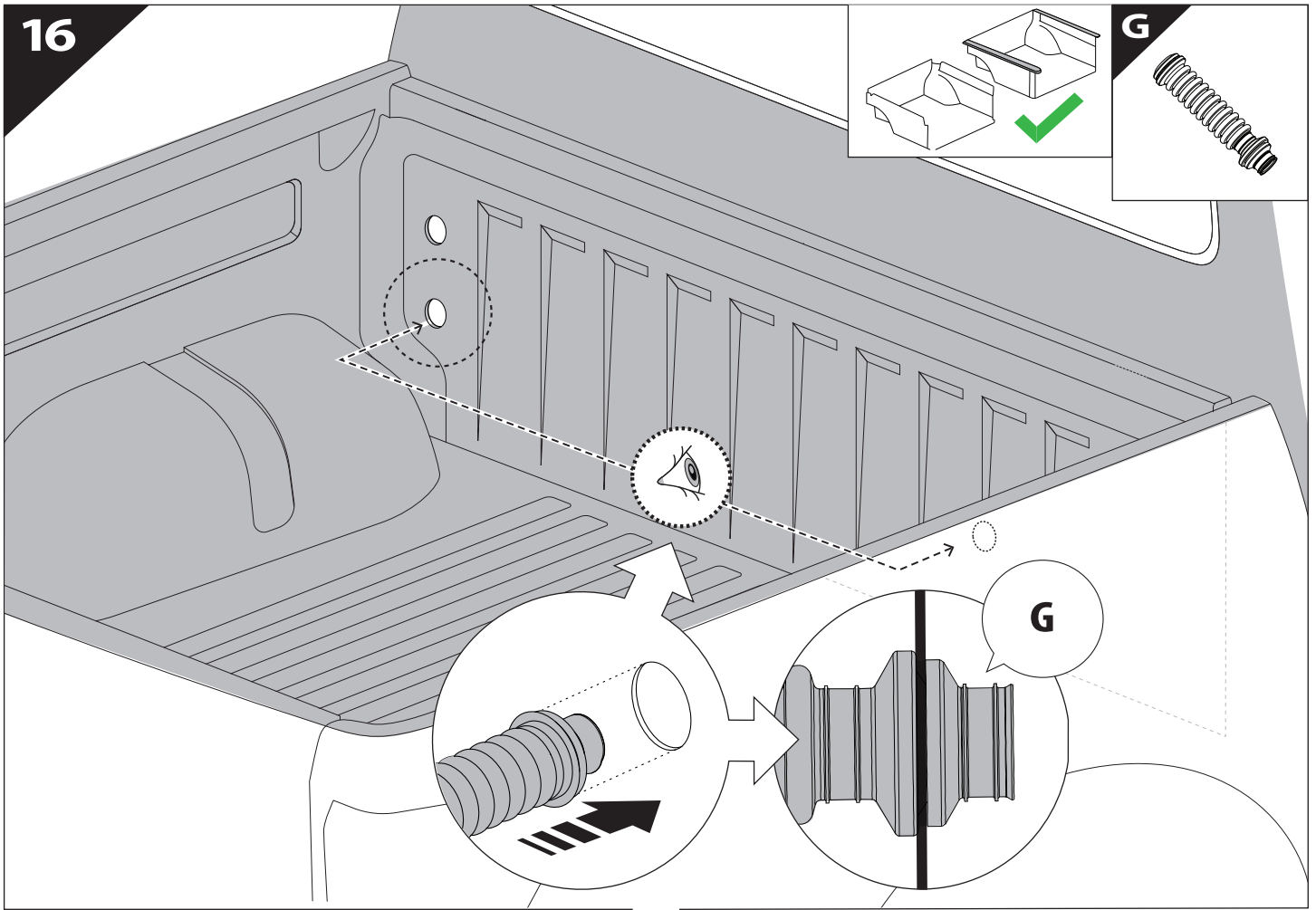
14



15

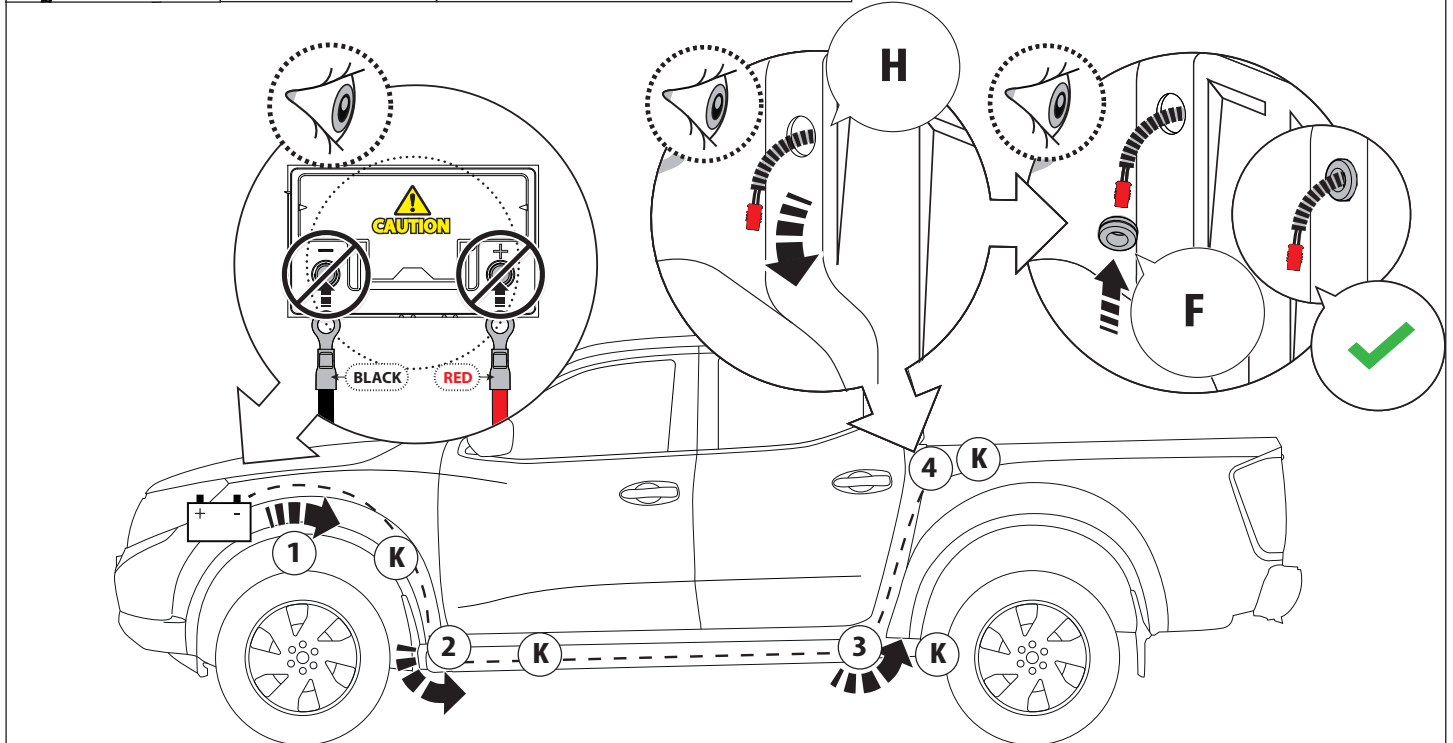
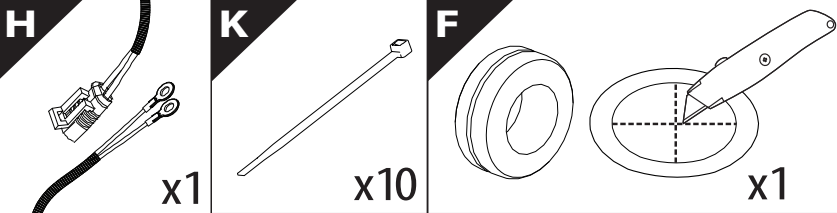


16



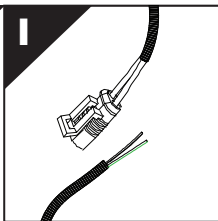
17

Only to be installed by authorized personnel

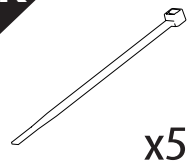


18

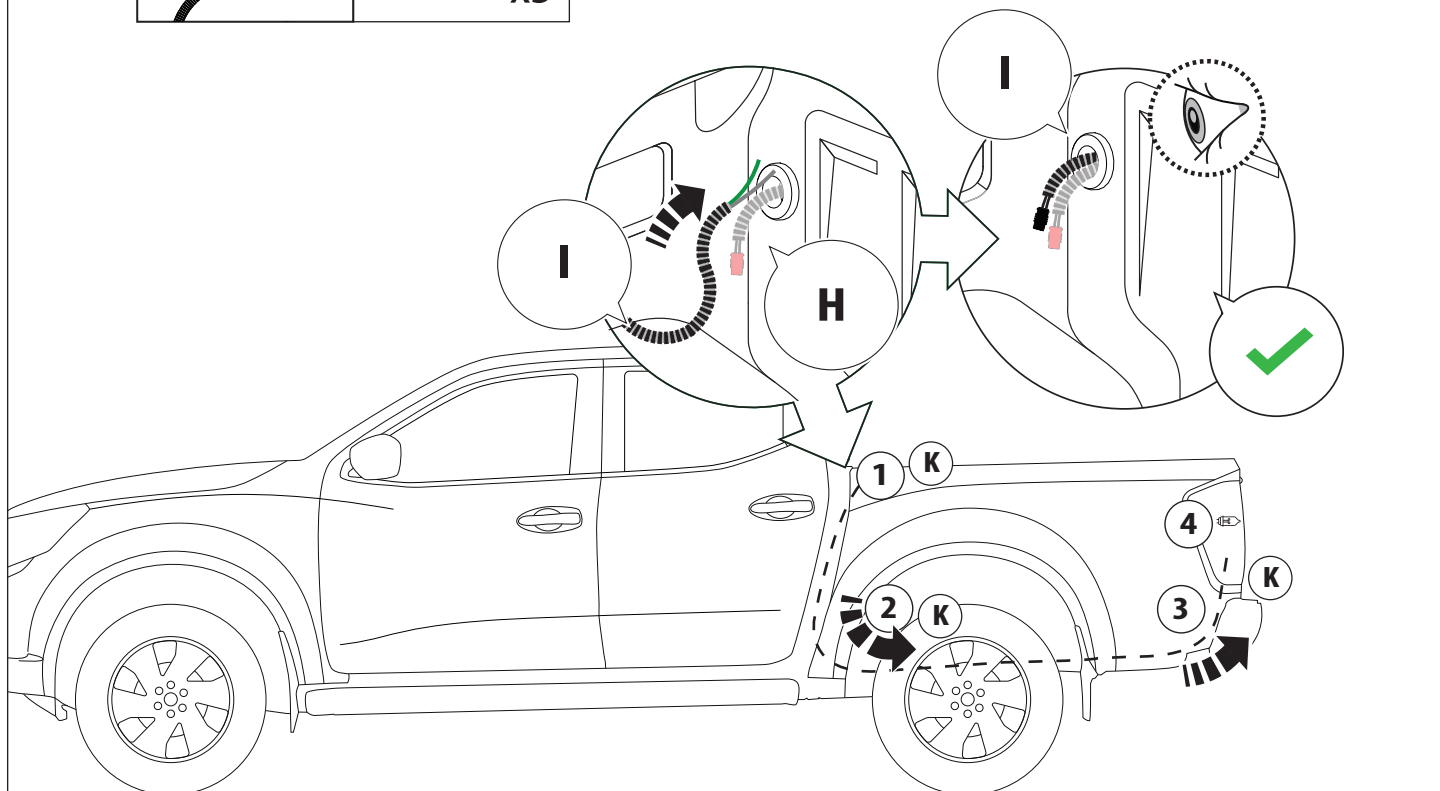
I



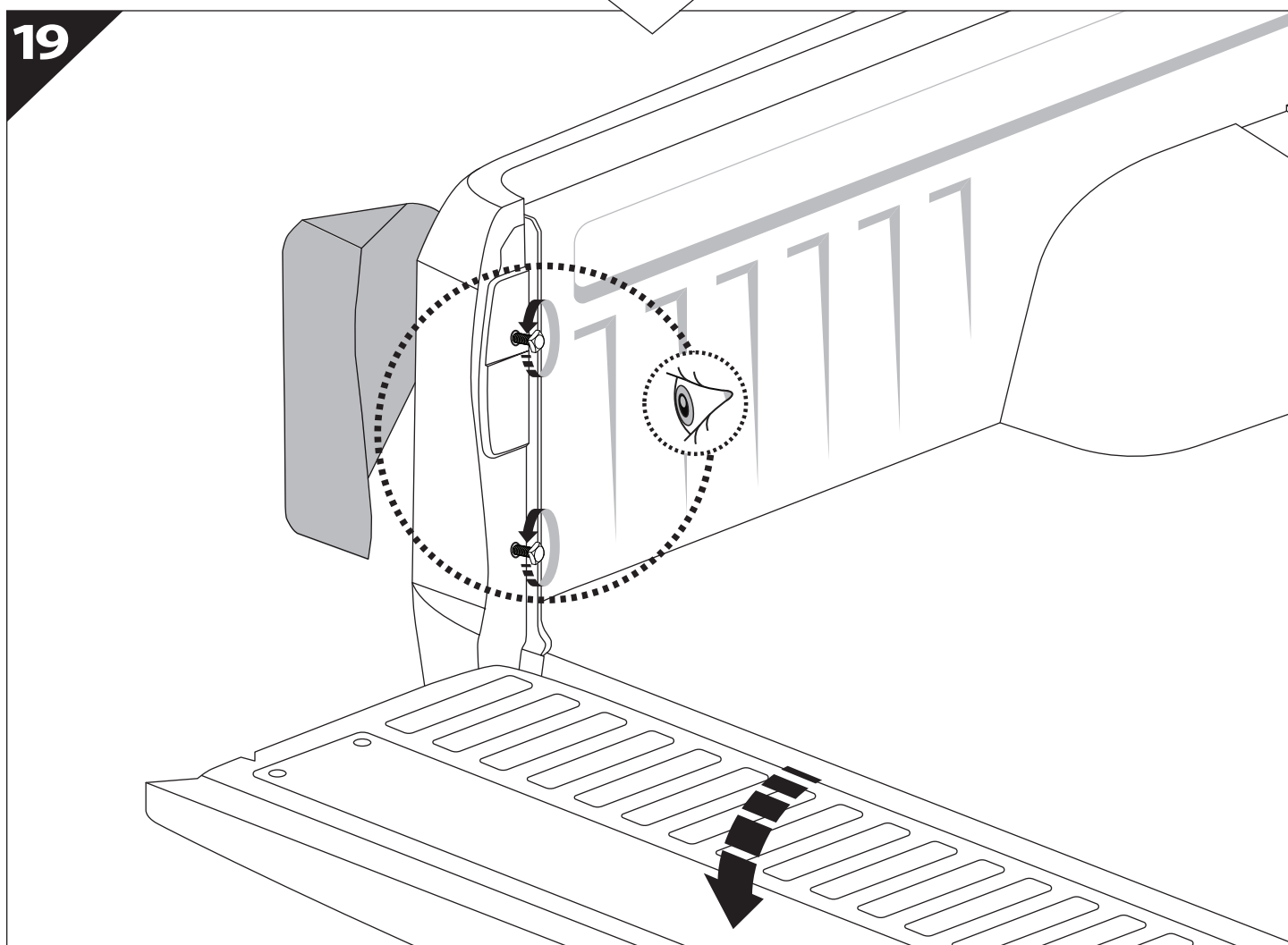
K



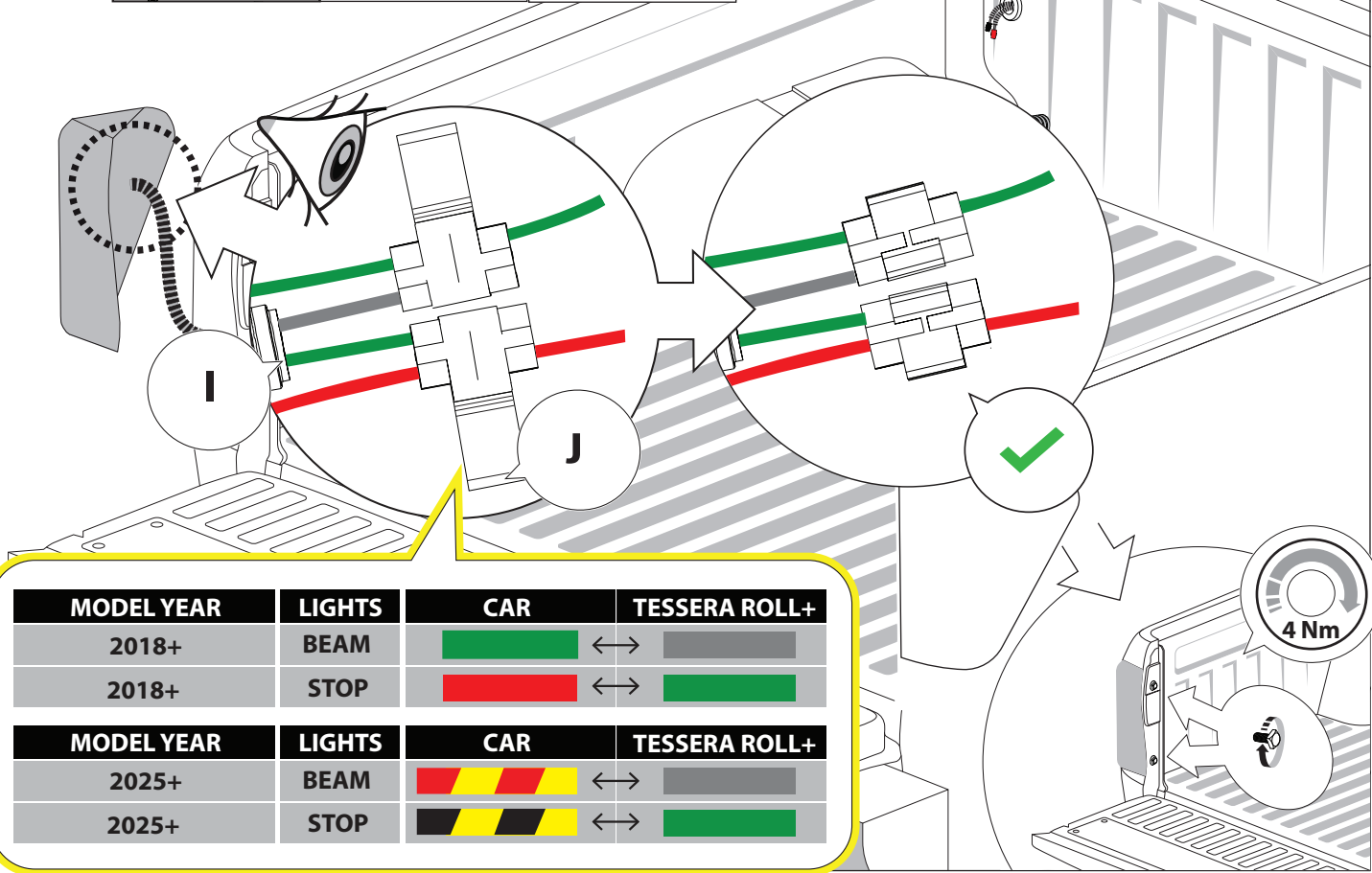
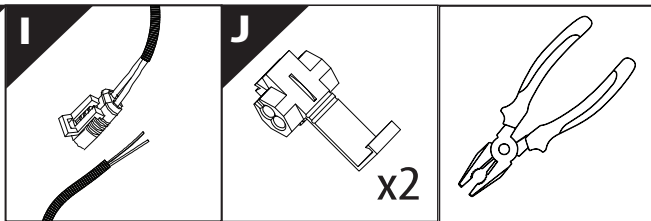
x5



19

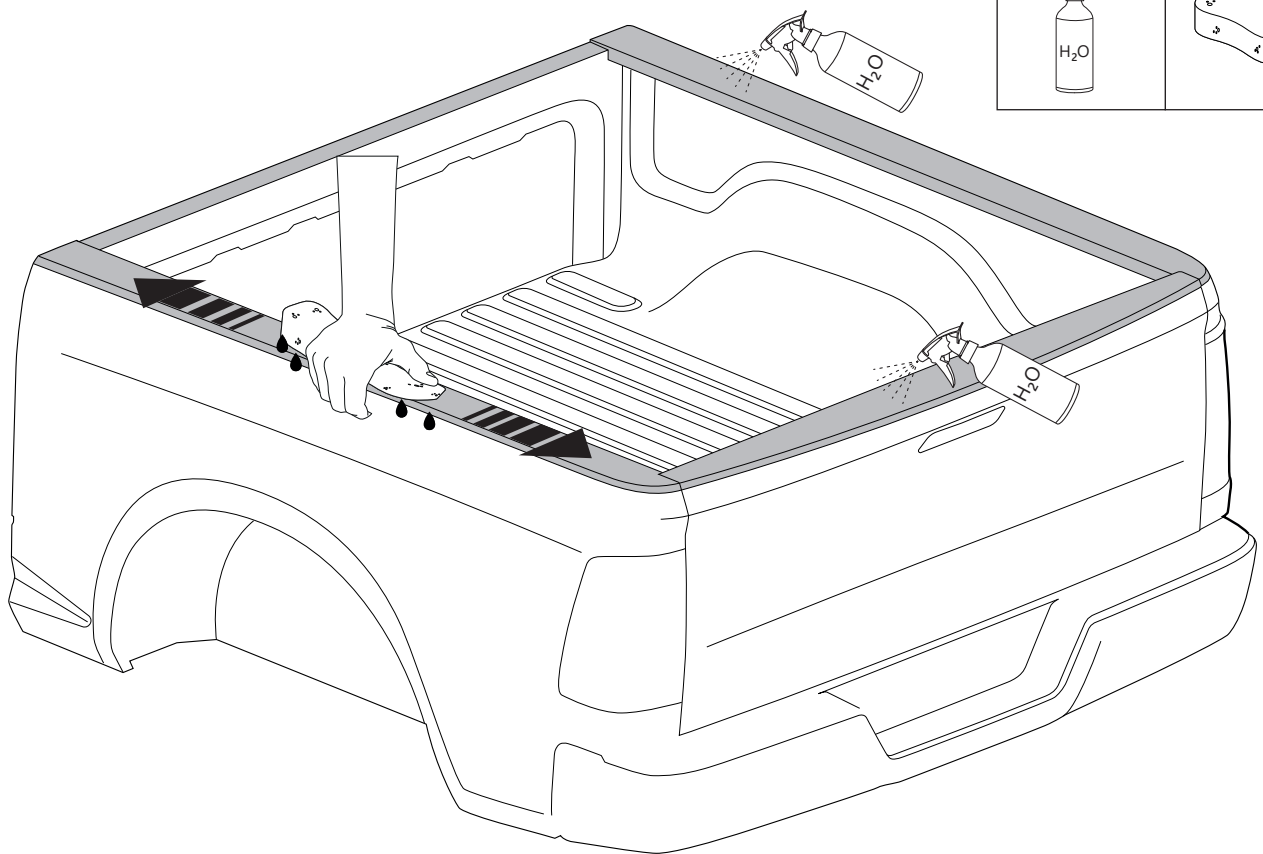
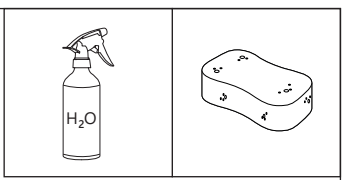


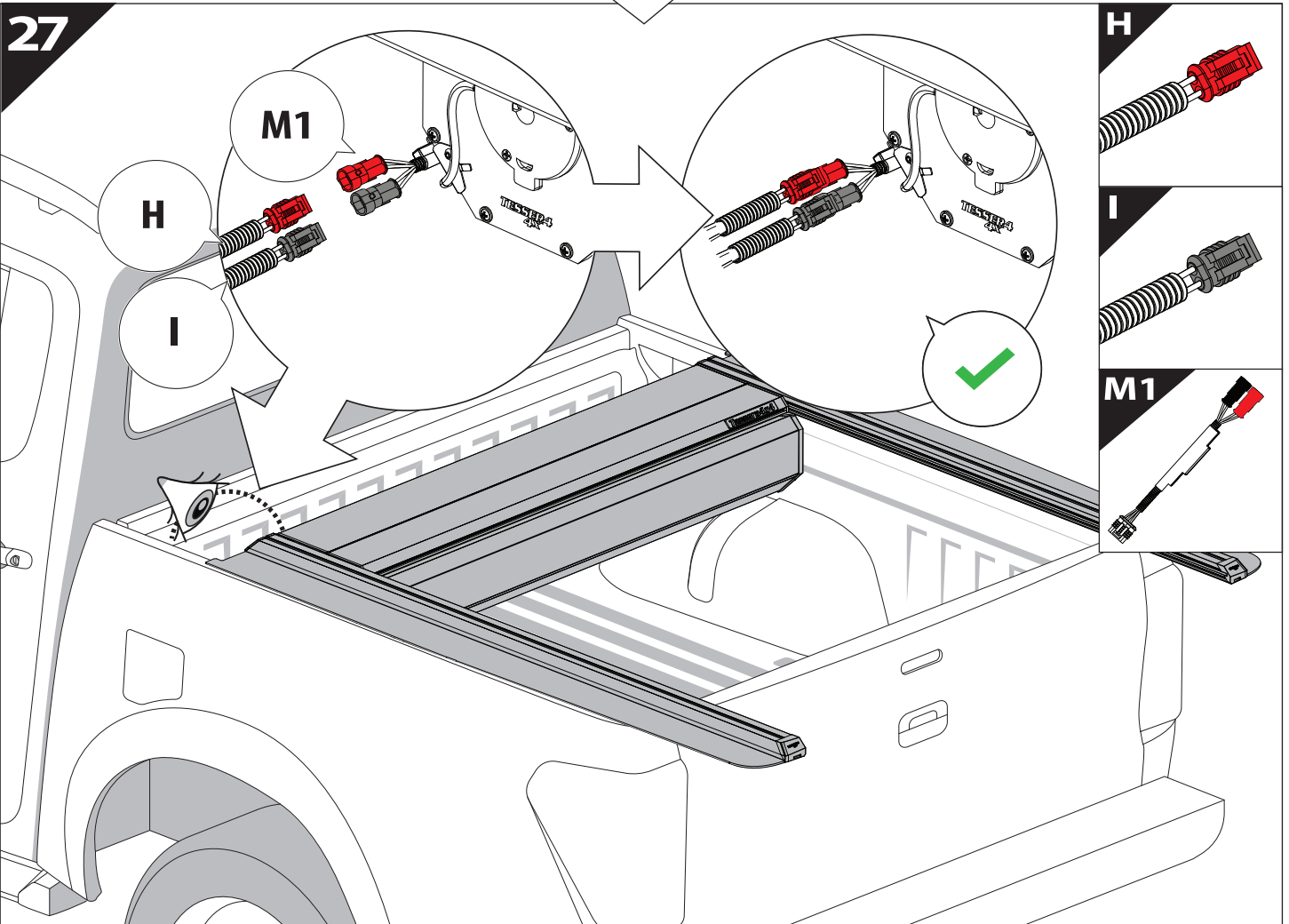
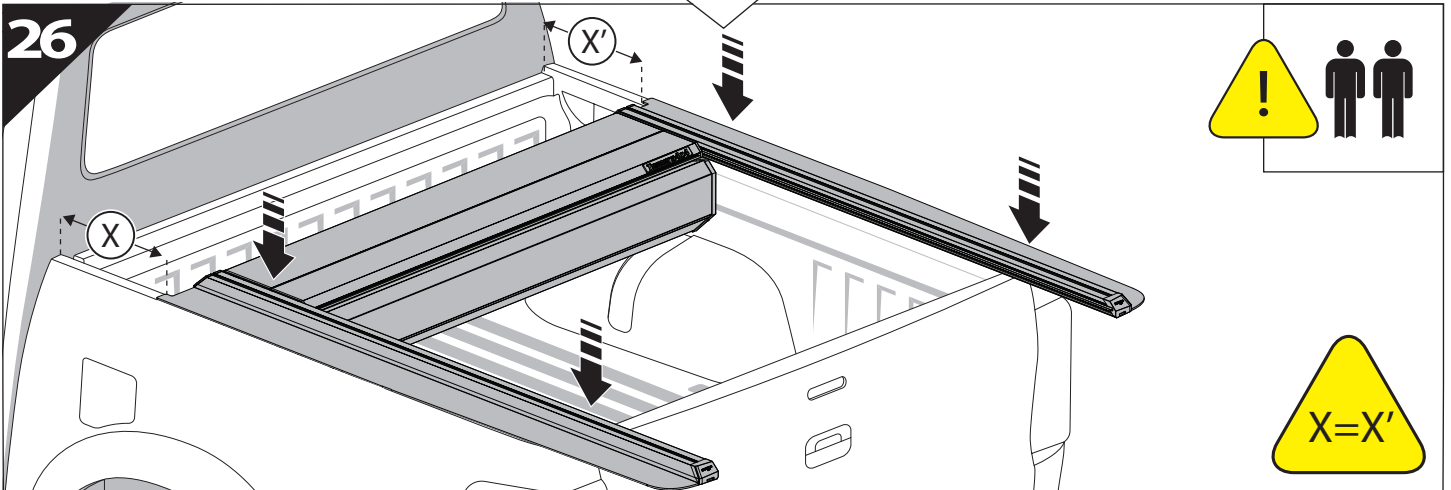
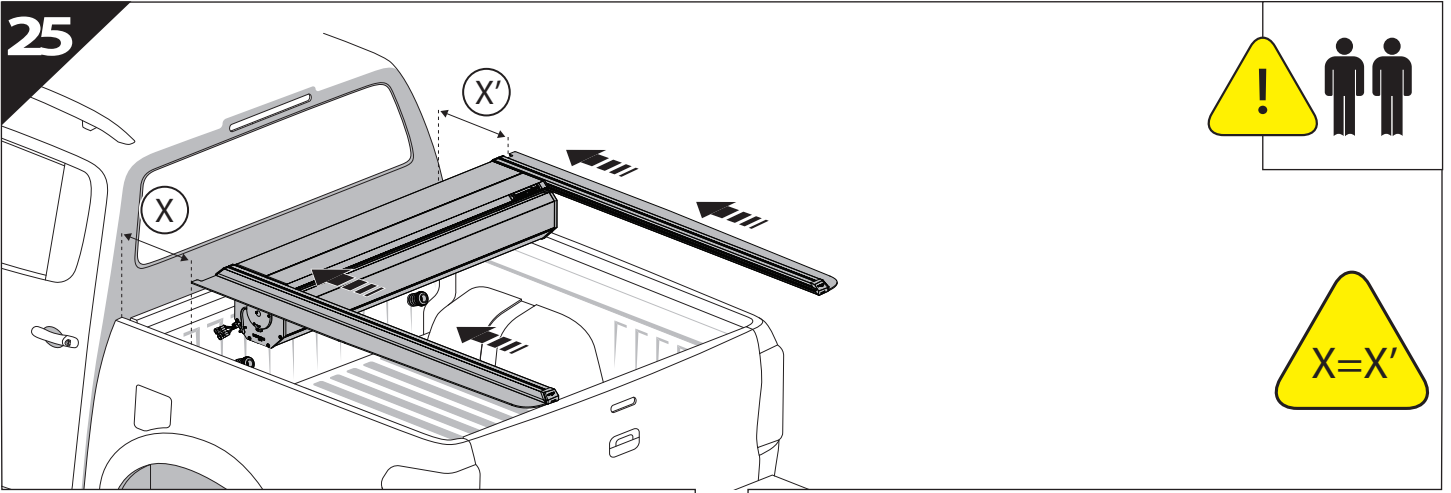
20



MODEL YEAR	LIGHTS	CAR	TESSERA ROLL+
2018+	BEAM		
2018+	STOP		
MODEL YEAR	LIGHTS	CAR	TESSERA ROLL+
2025+	BEAM		
2025+	STOP		

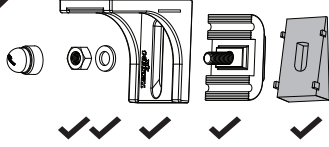
21



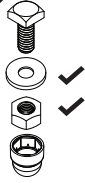


31

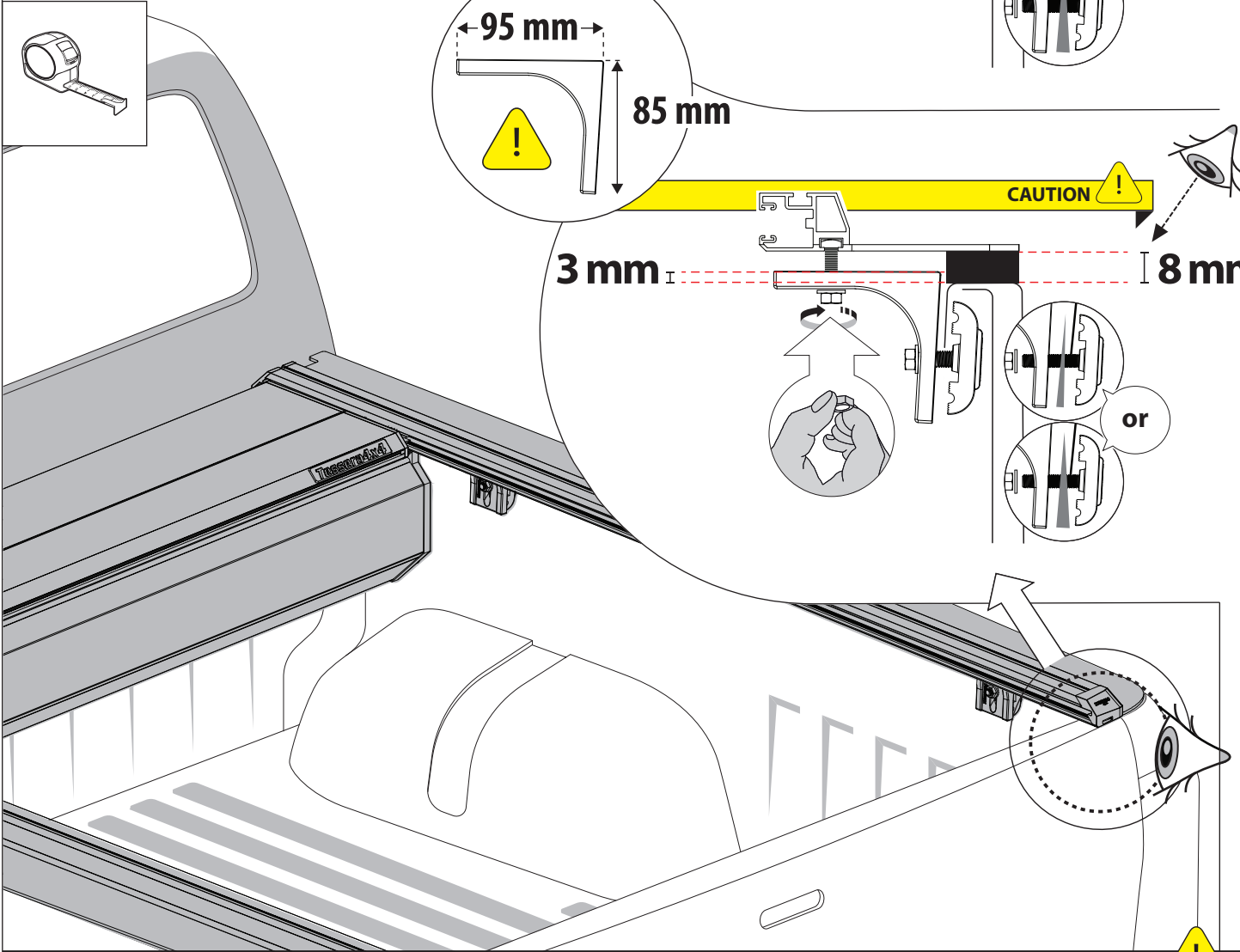
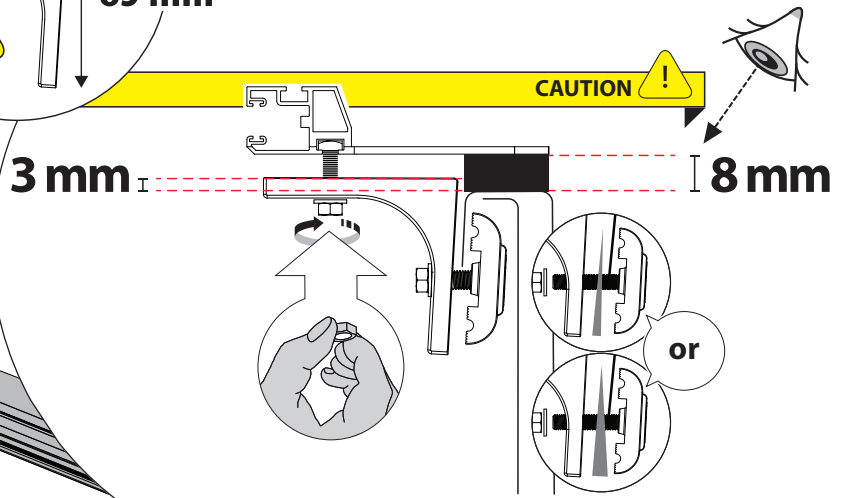
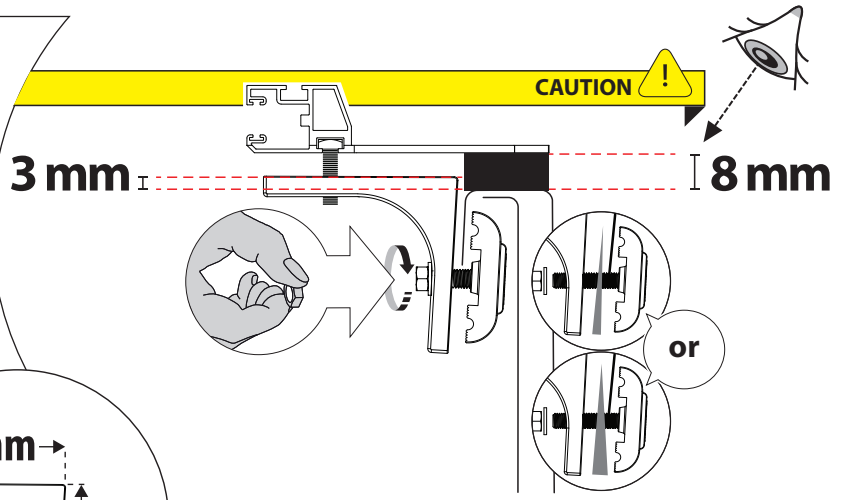
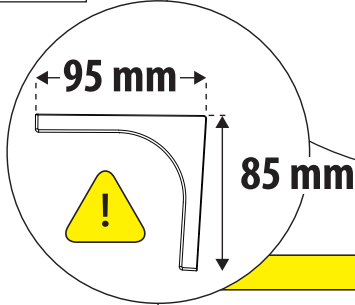
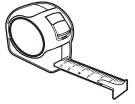
N



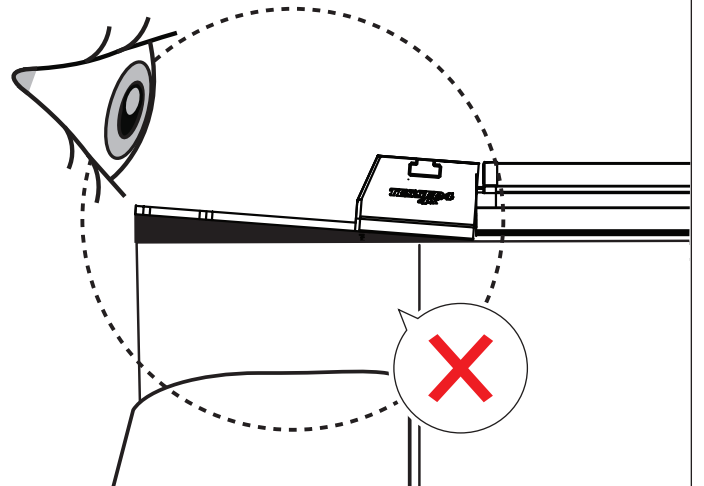
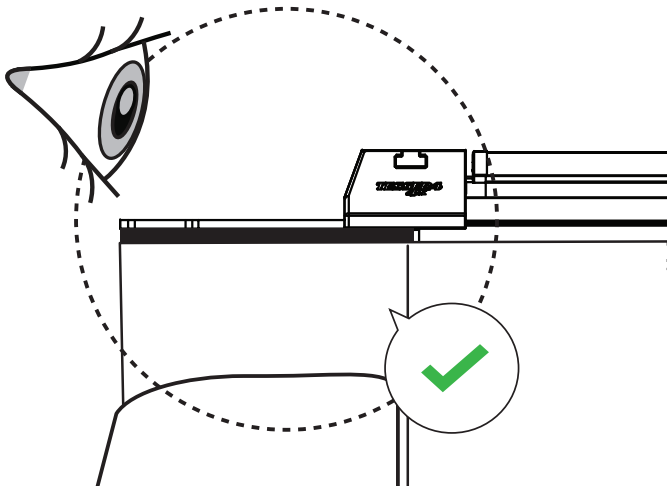
E

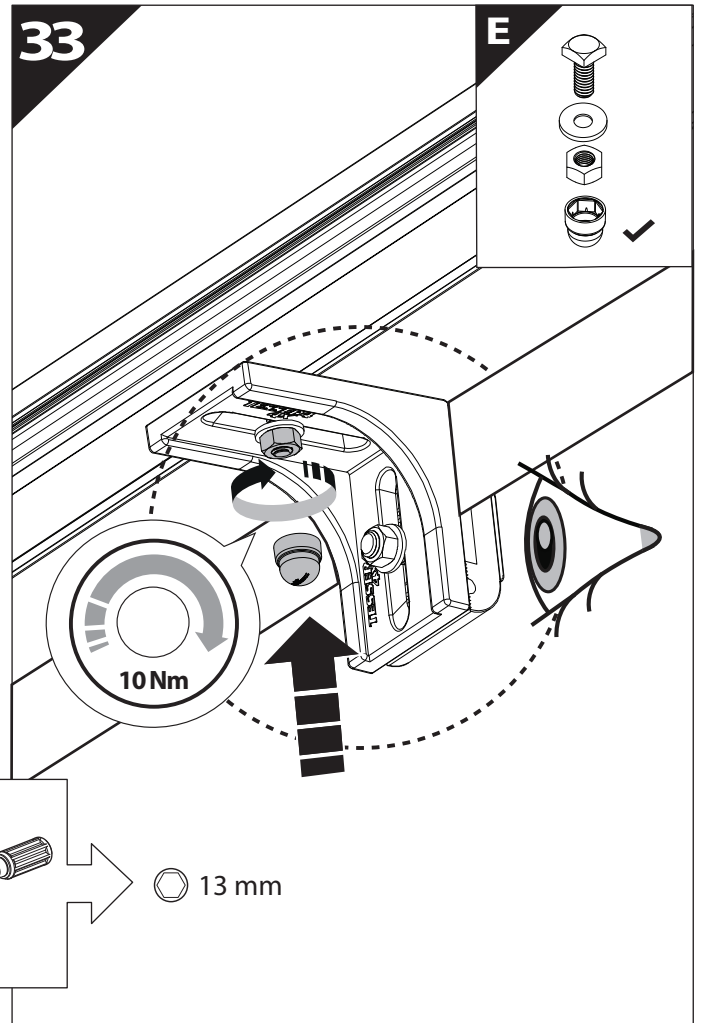
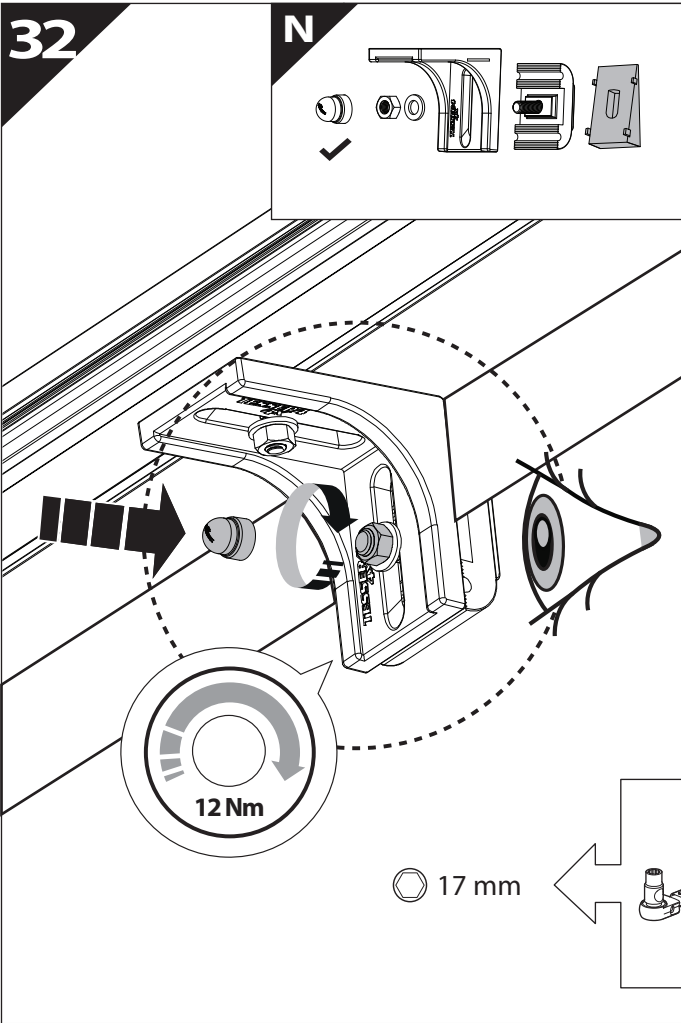


SHORT BED x4 / GRAND x6

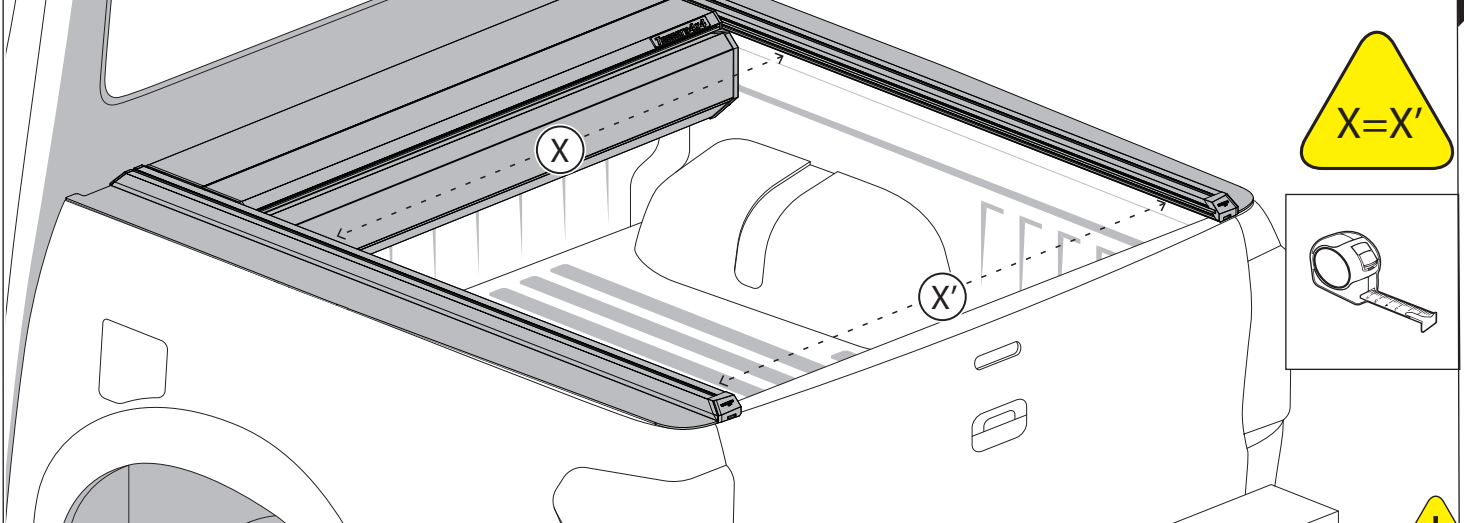


CAUTION !

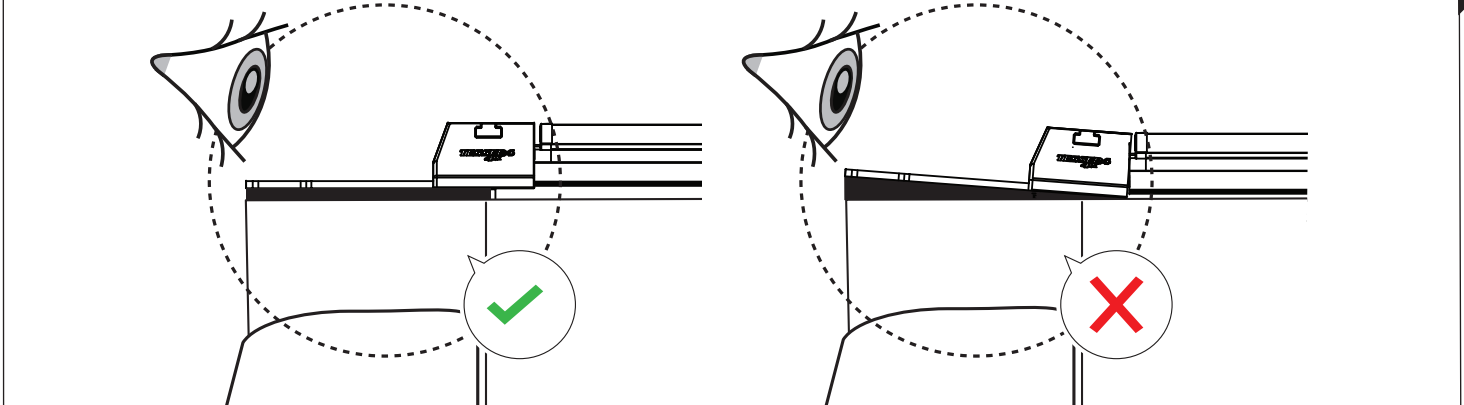




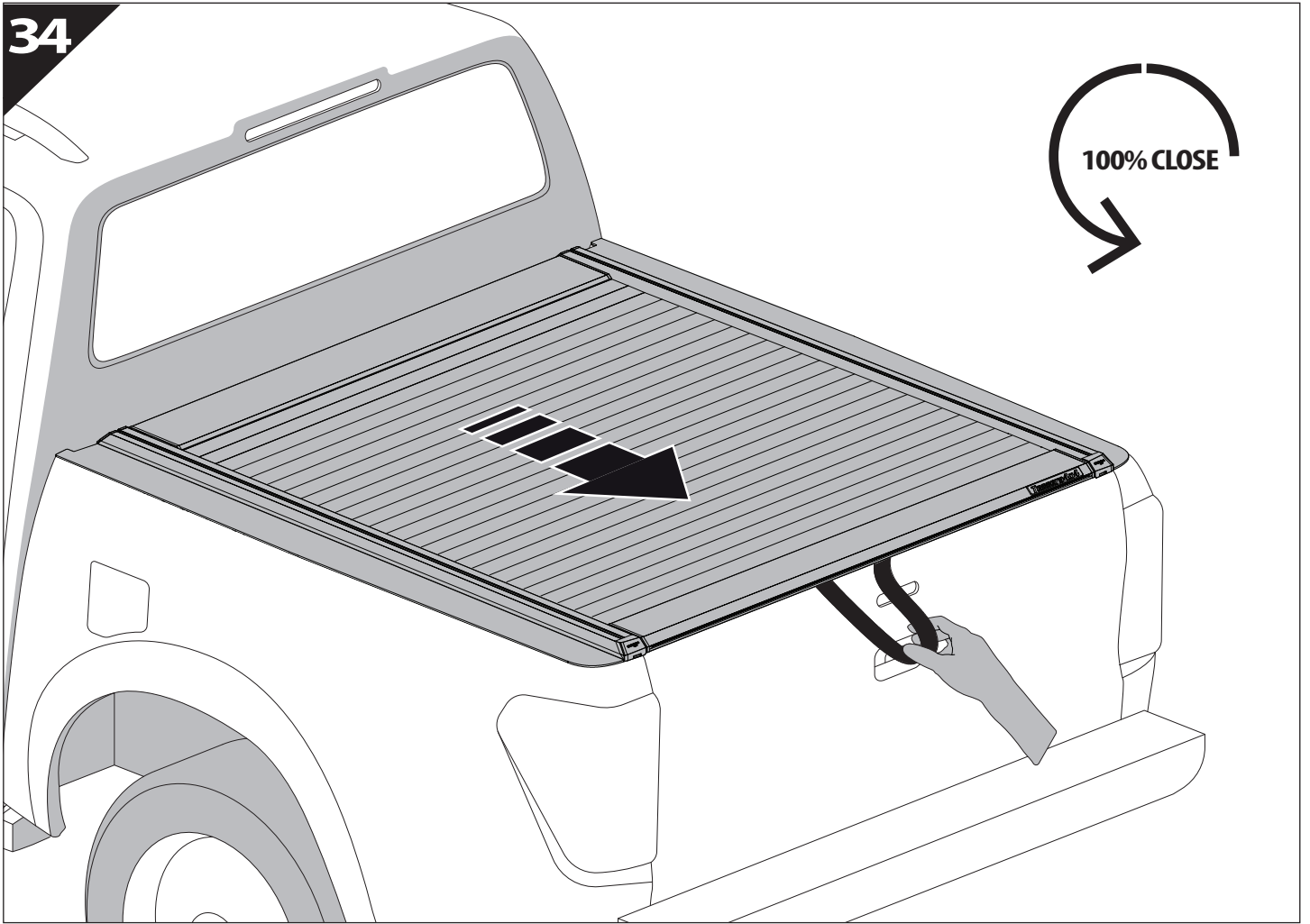
CAUTION !



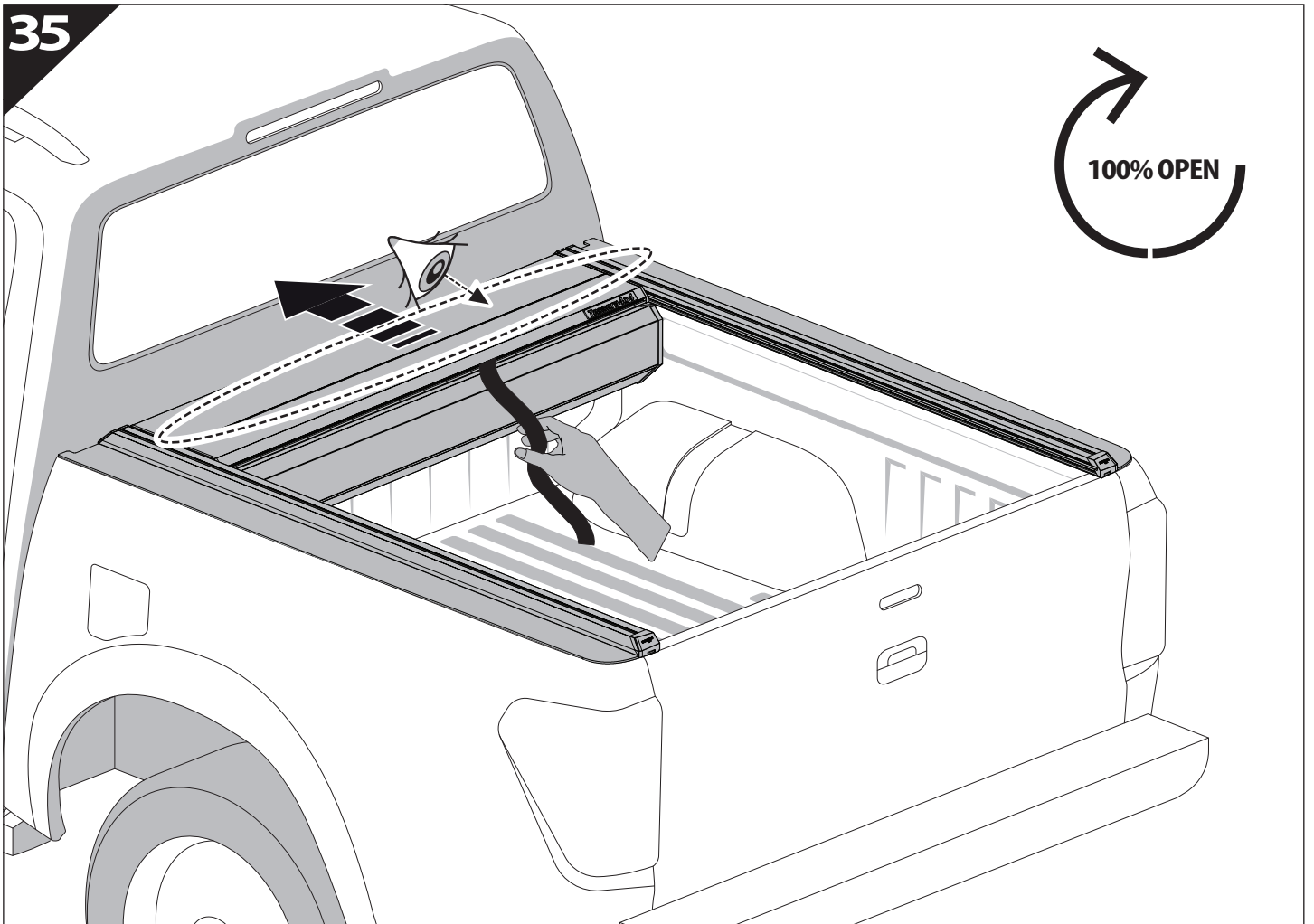
CAUTION !



34



35





GR: Οδηγίες Εγκατάστασης
GB: Installation manual
SF: Asennusohje
F: Notice de montage
PL: Instrukcja montażu
NL: Installatie-instructies
TR: Montaj Talimatı
S: Monteringsanvisning
E: Instrucciones de montaje

H: Szerelési utasítás
P: Instruções de instalação
RUS: Инструкция по установке
N: Monteringsveiledning
D: Einbauanleitung
CZ: Návod k instalaci
I: Istruzioni de montaggio
DK: Monteringsvejledning
RO: Instructiuni de instalare

Customer Service:

+30 (210) 5541161, +30 (210) 5541154 (08:00 - 16:00 EET)

Support department:

info@gianso.gr

Website:

www.tessera4x4.com

Address:

19.5 km of National road Athens-Korinthos (Elefsina) Greece, P.C: 19200