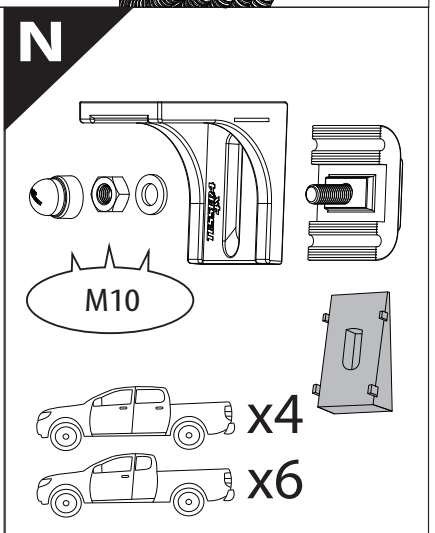
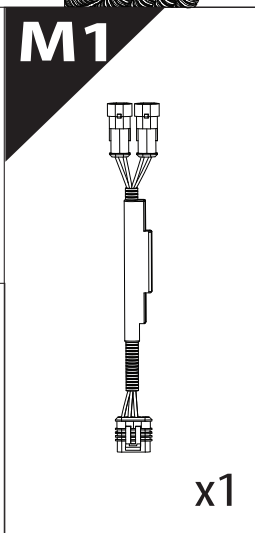
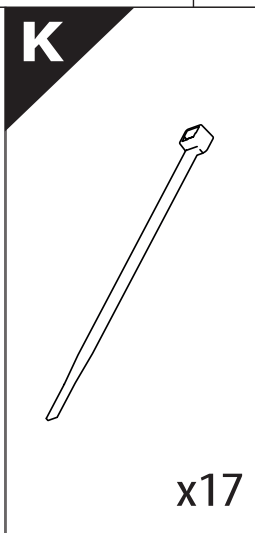
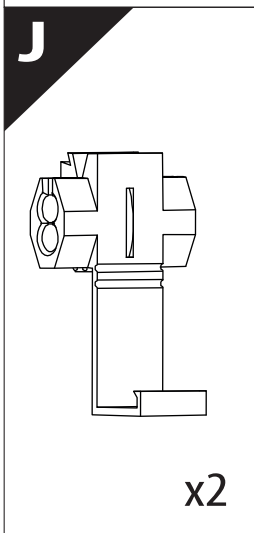
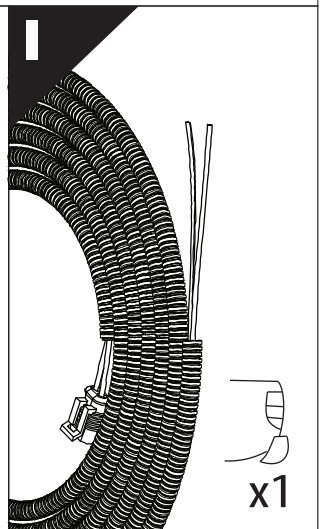
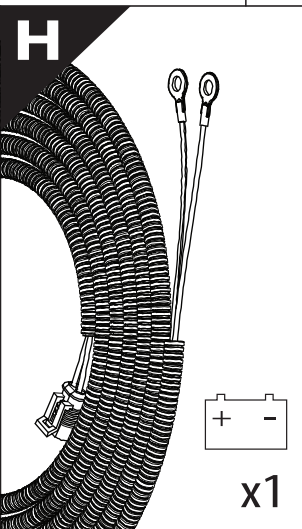
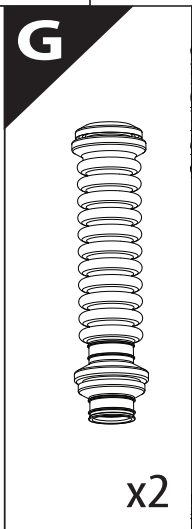
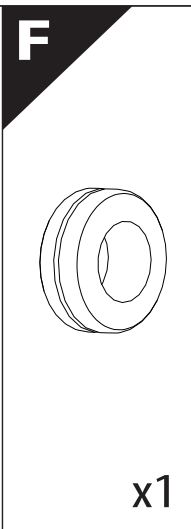
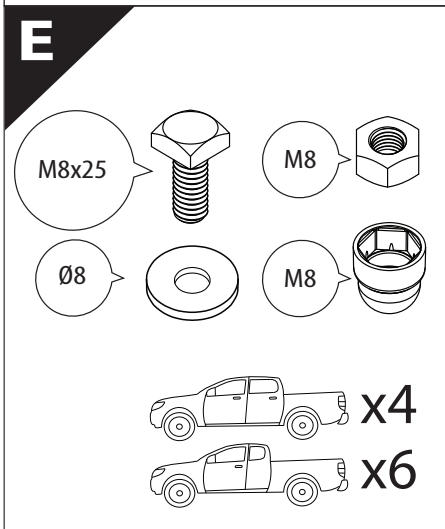
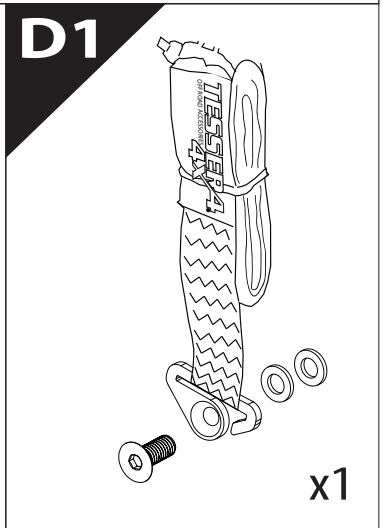
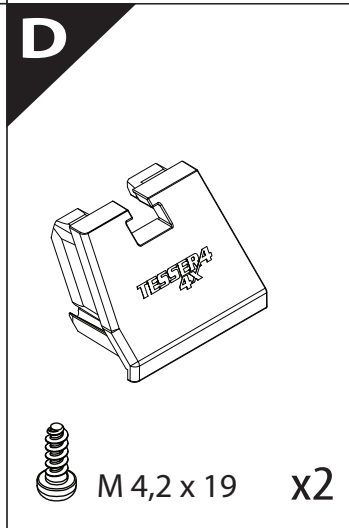
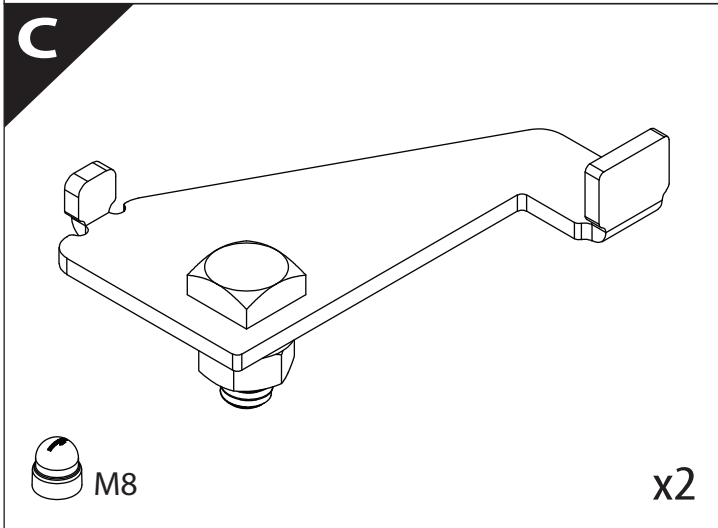
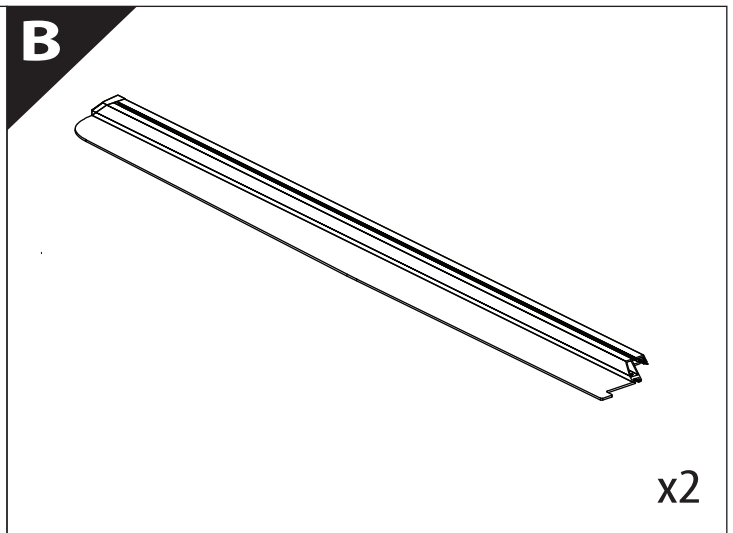
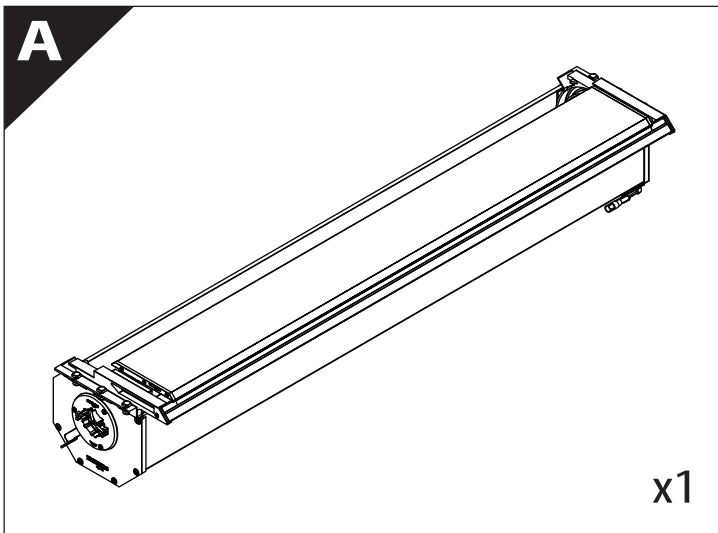
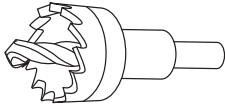


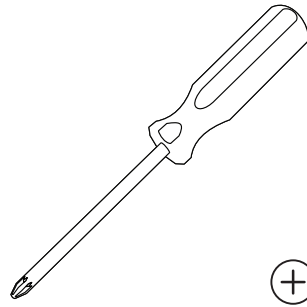
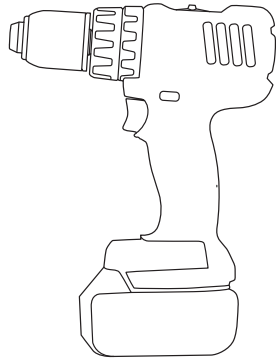
Installation Manual

PART NUMBER(S)	Model Year
TESS-140 ROLL	Toyota Hilux Vigo 2005-2016
TESS-1403 ROLL	
Cab(s)	Installation Time / Weight
Double Cab & Space cab	40-60 minutes / 53-57 kg

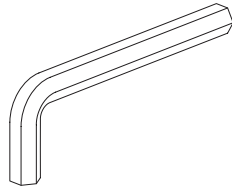
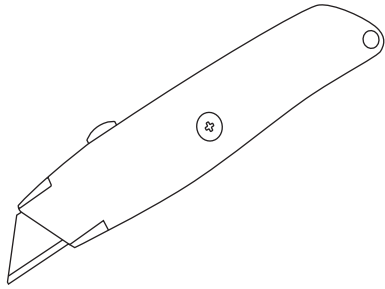
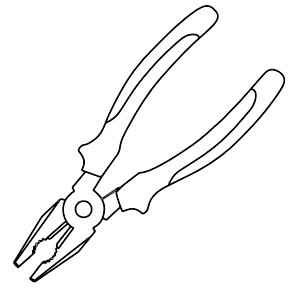




Ø 25 mm / Ø 40 mm

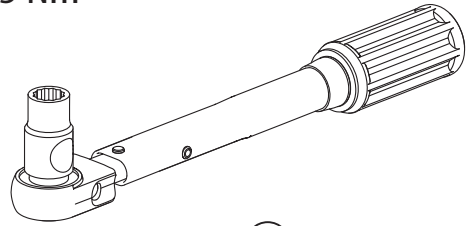


+



4 mm

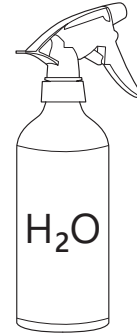
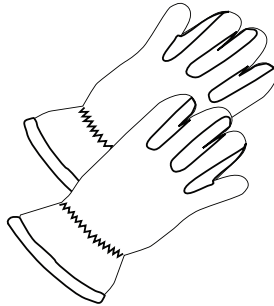
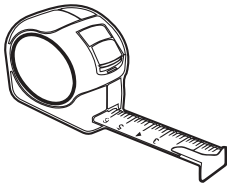
1 - 25 Nm



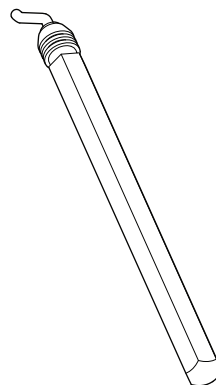
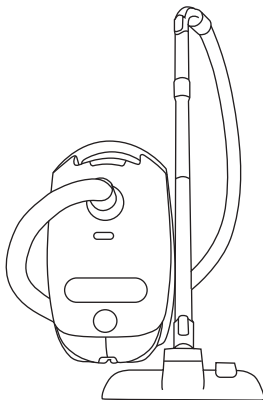
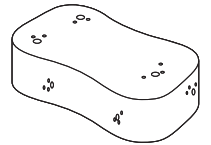
10, 12, 13, 17 mm



ACETONE



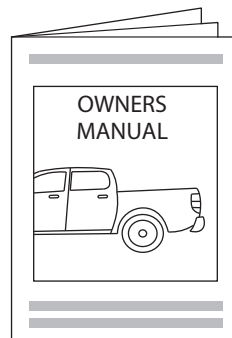
H₂O



ANTI-RUST

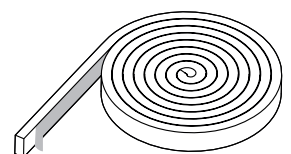
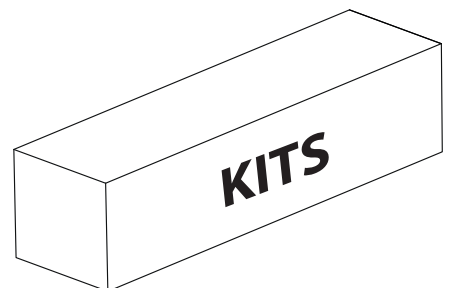
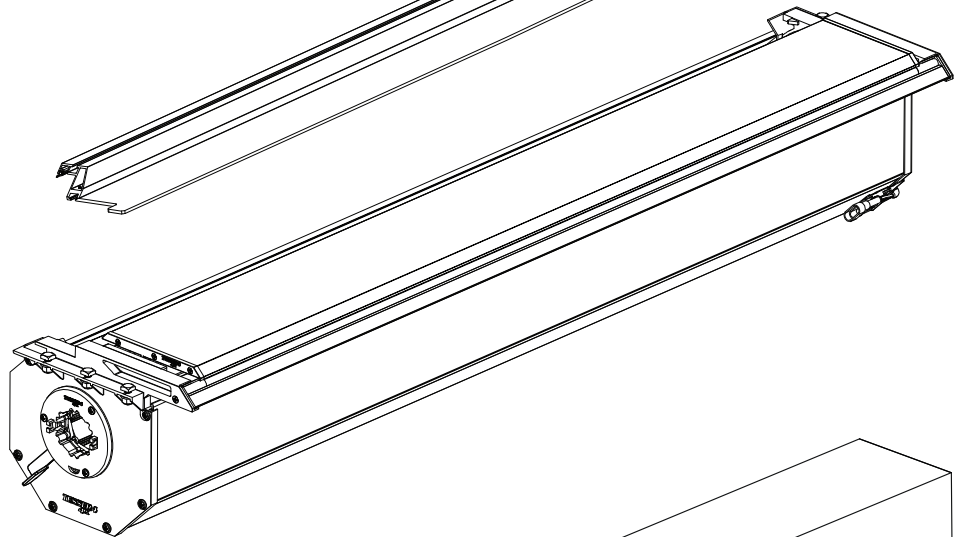
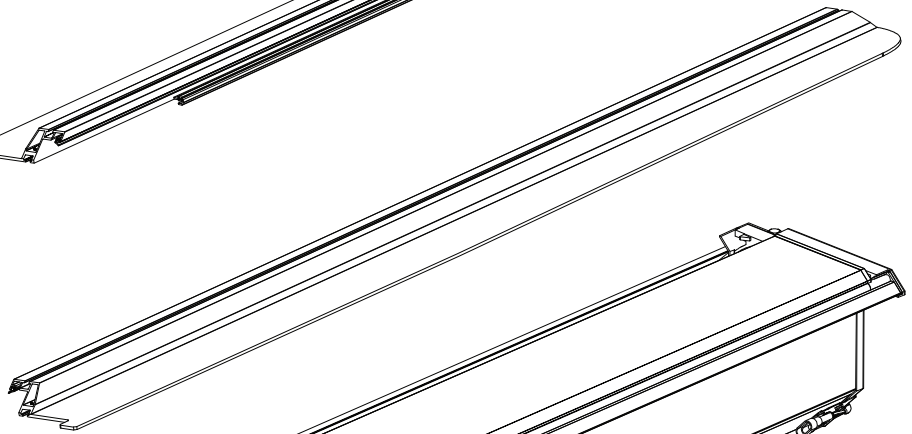
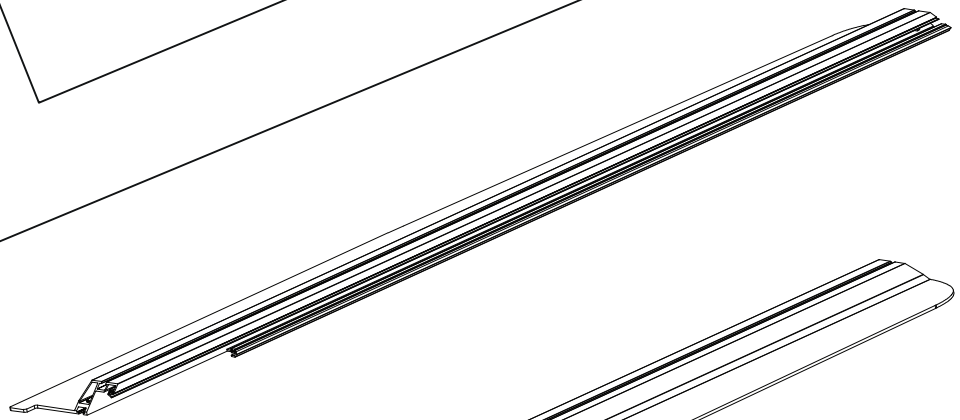
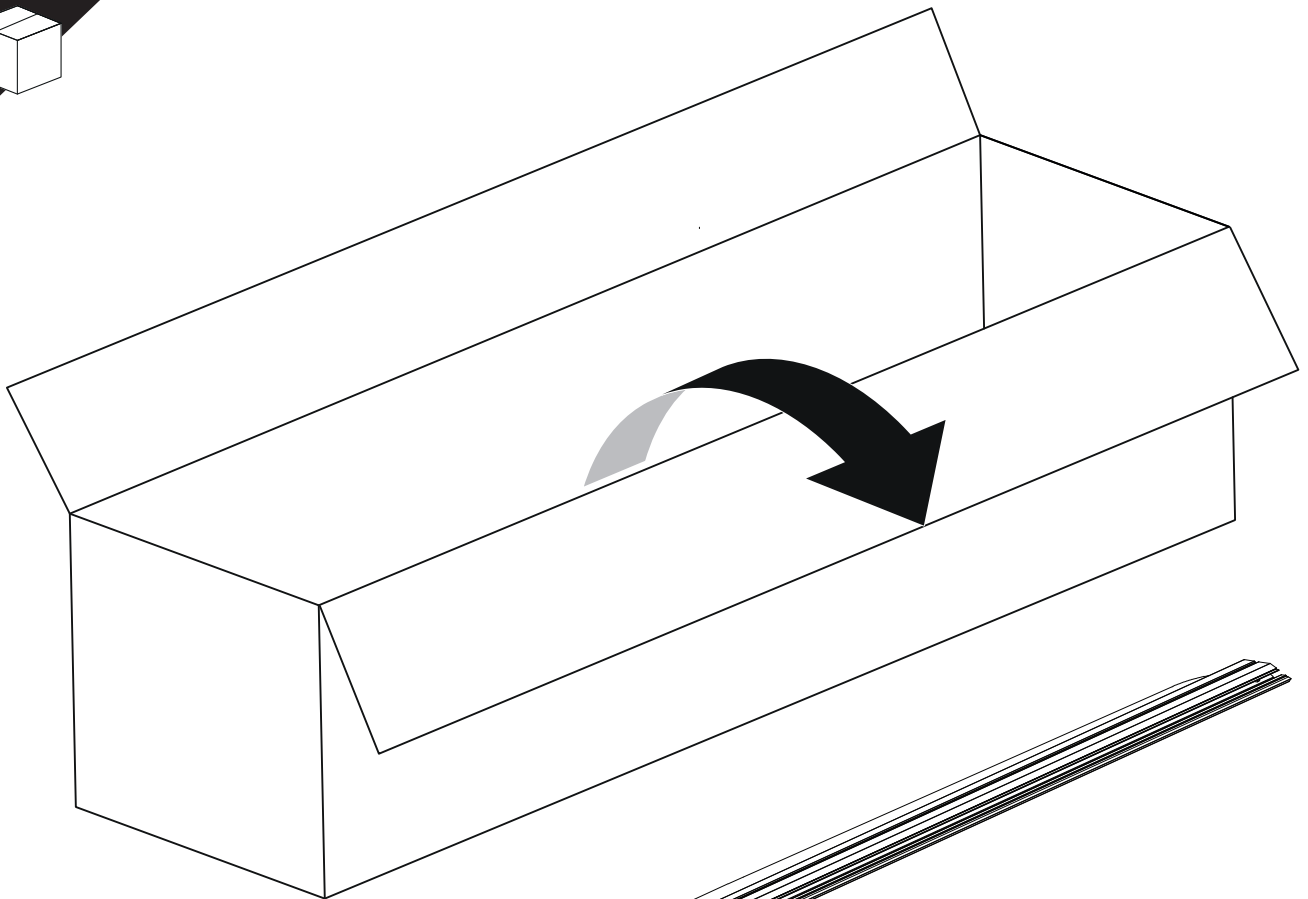


INSTALLATION
MANUAL



OWNERS
MANUAL

x1

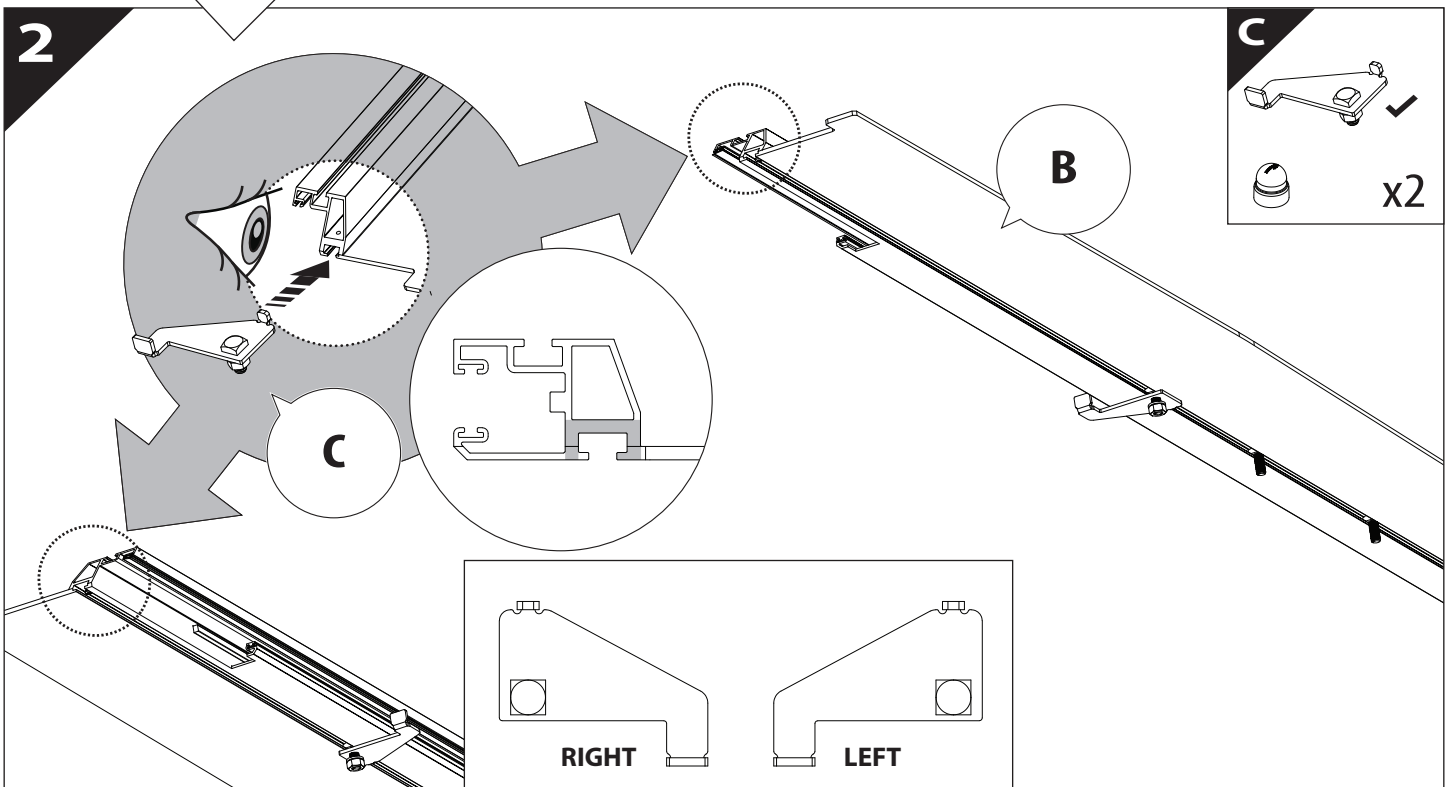
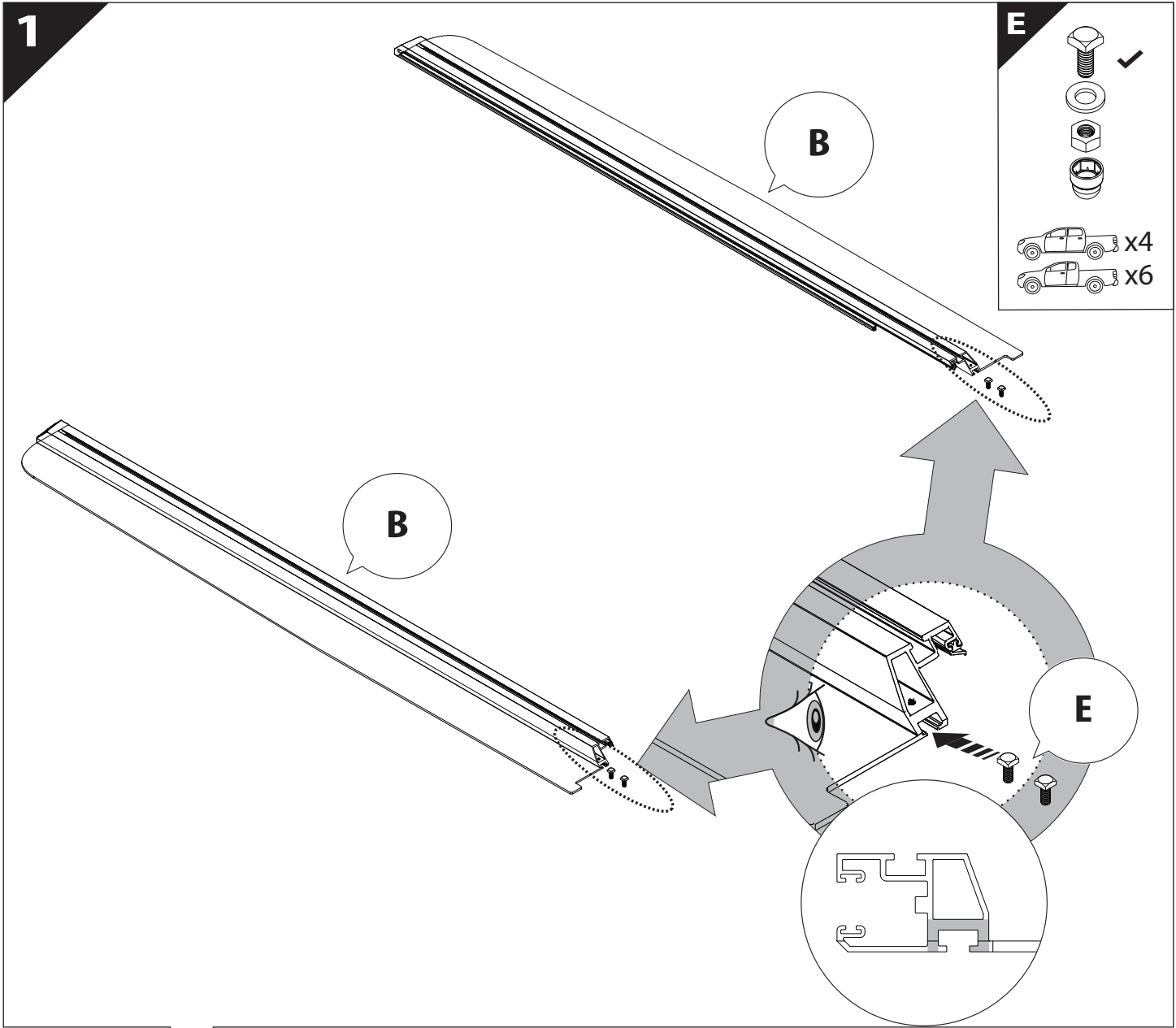


B

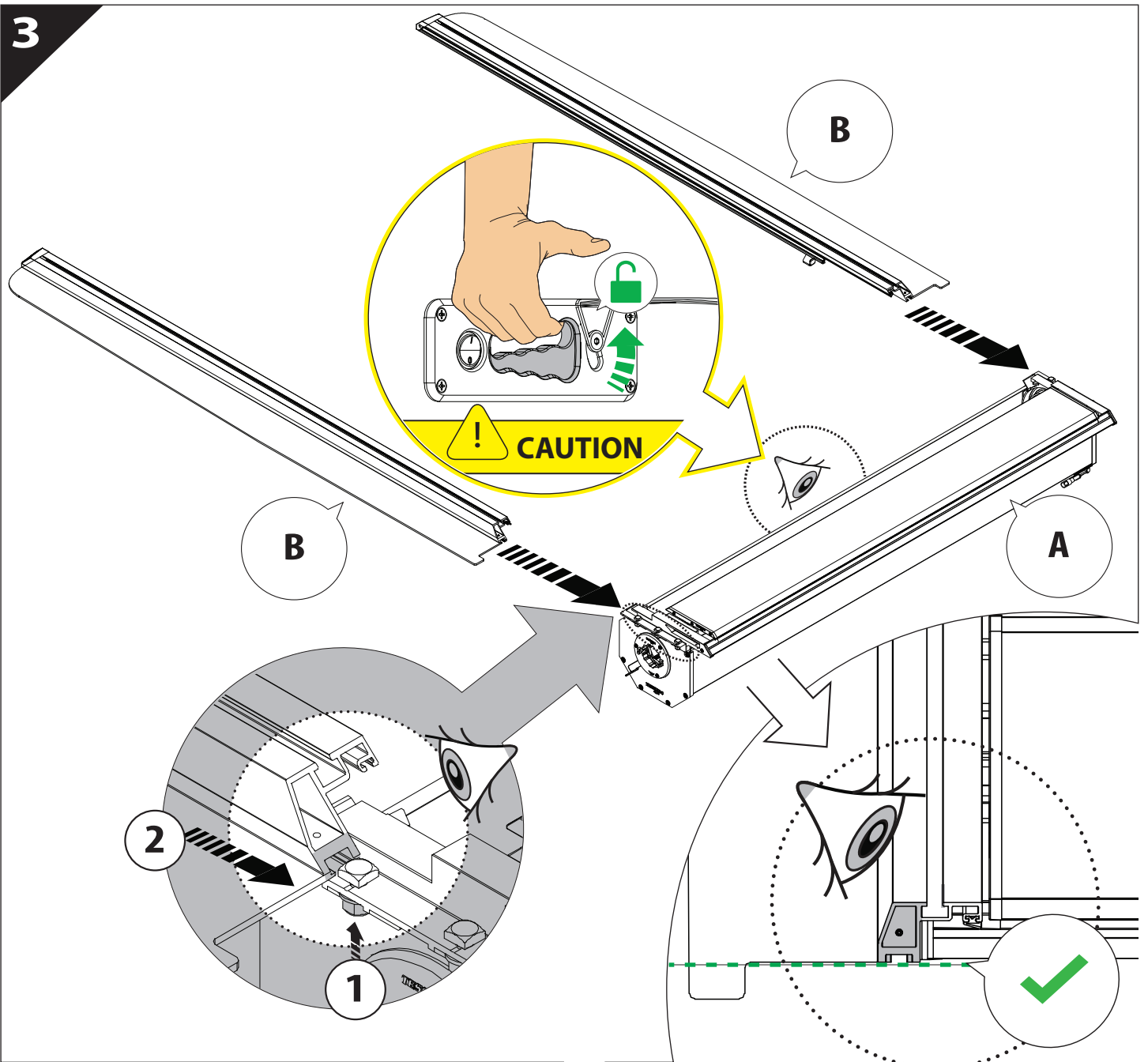
A

KITS

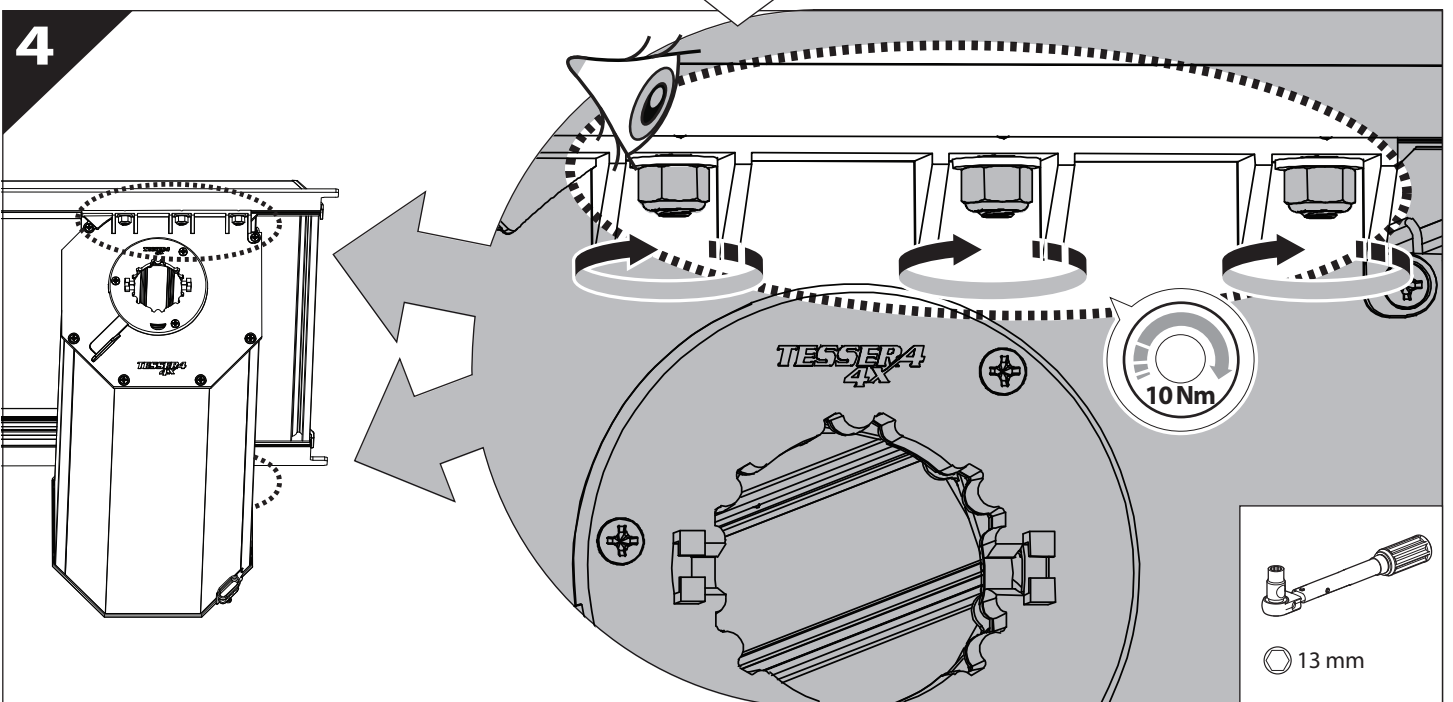
L

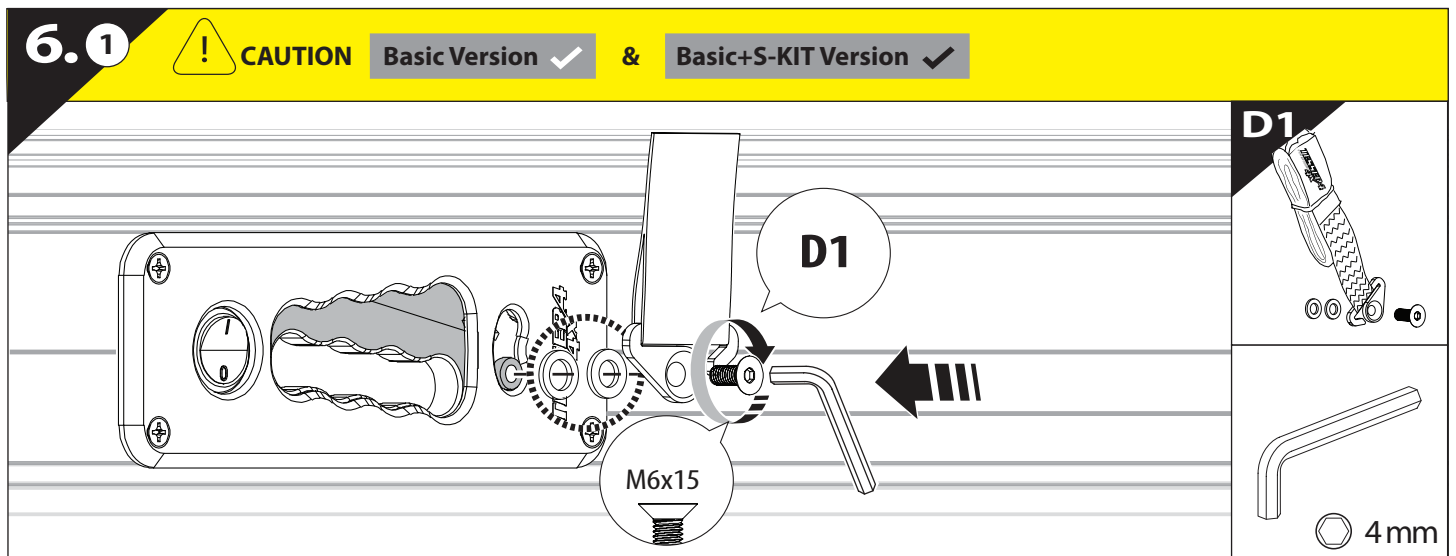
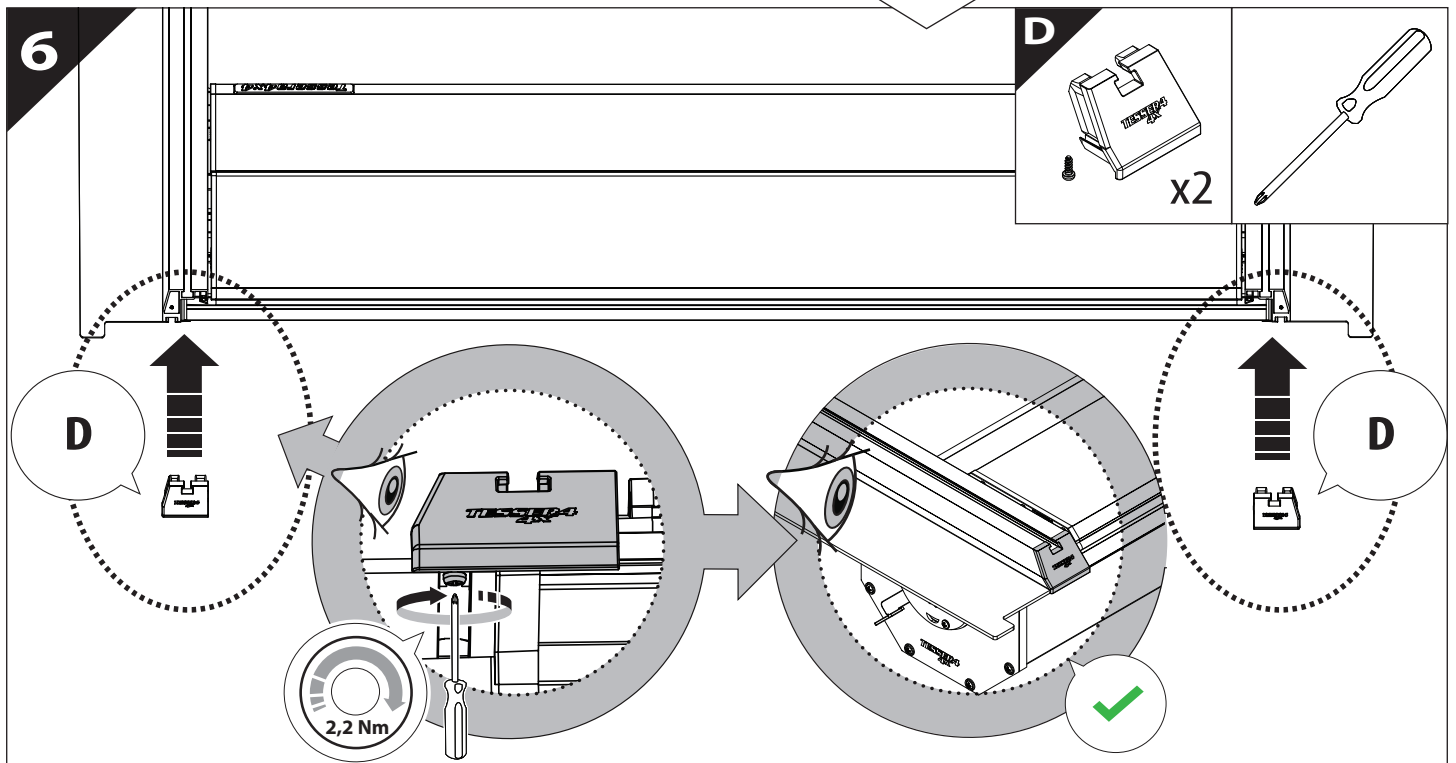
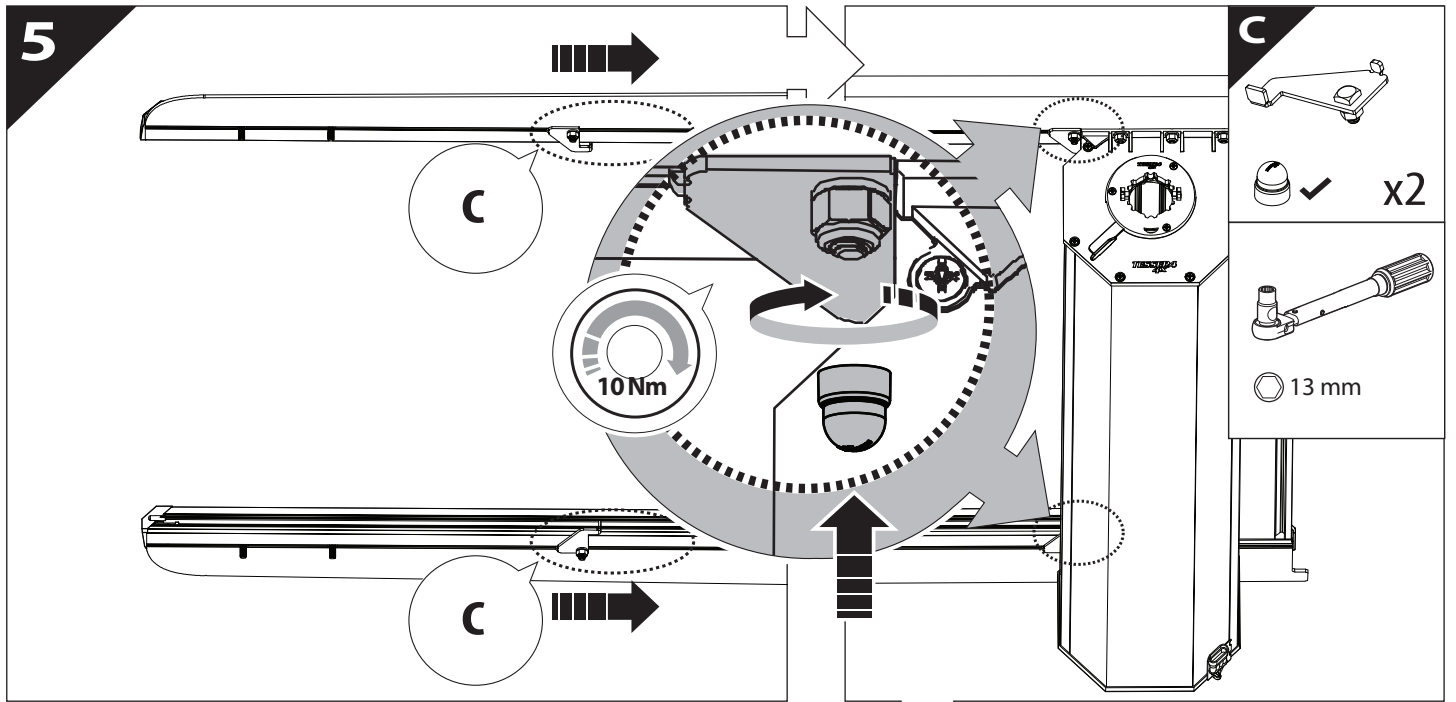


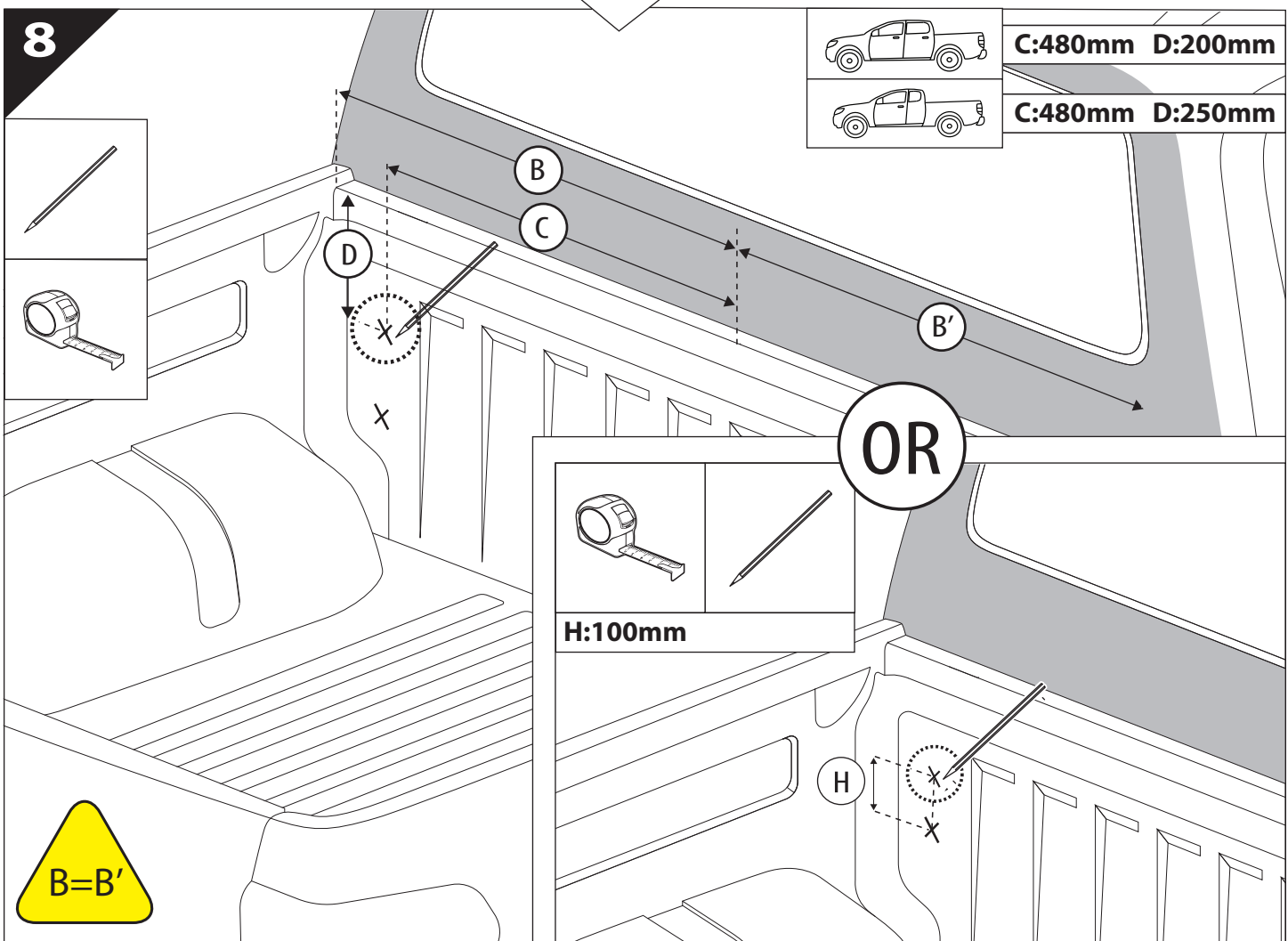
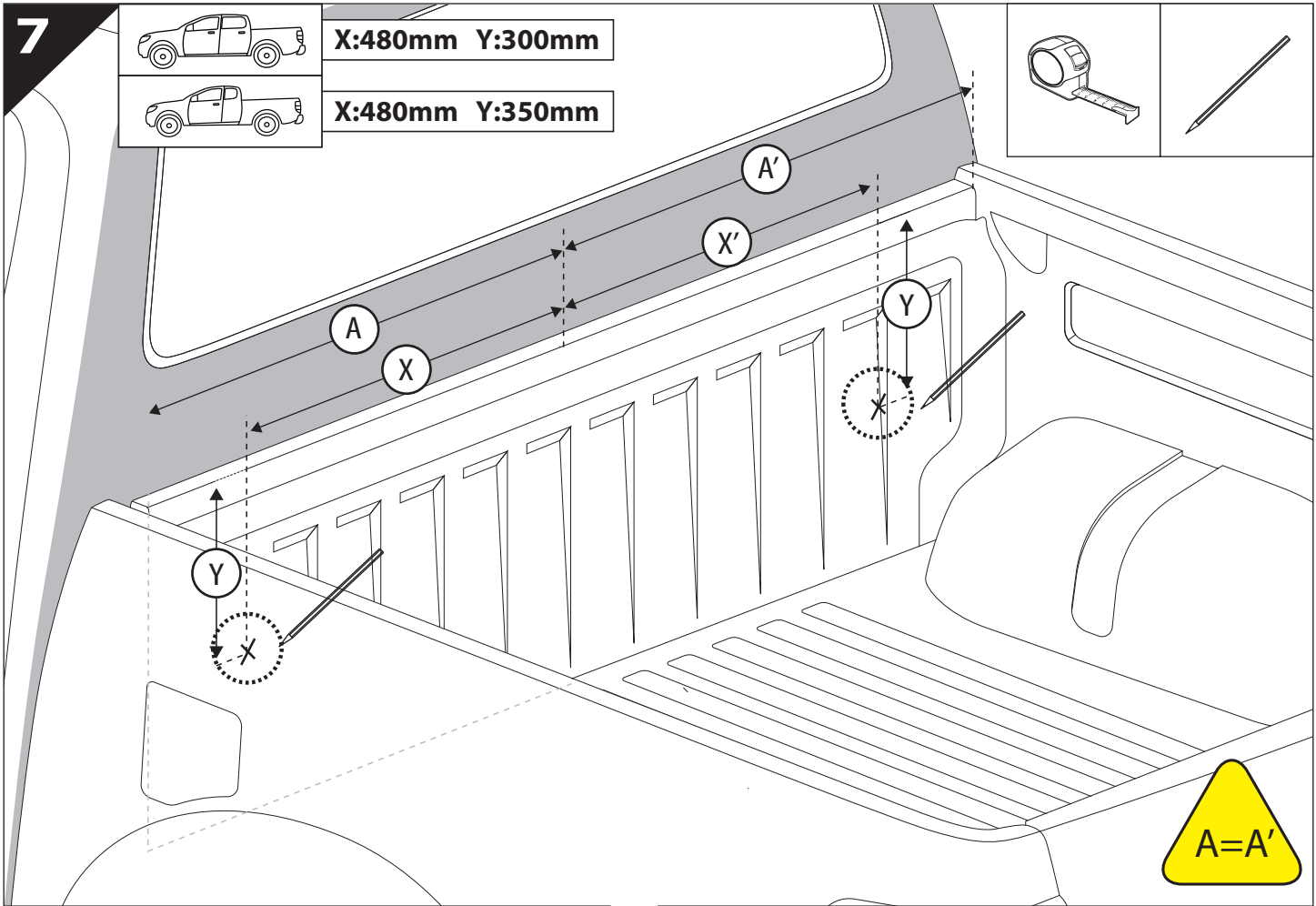
3

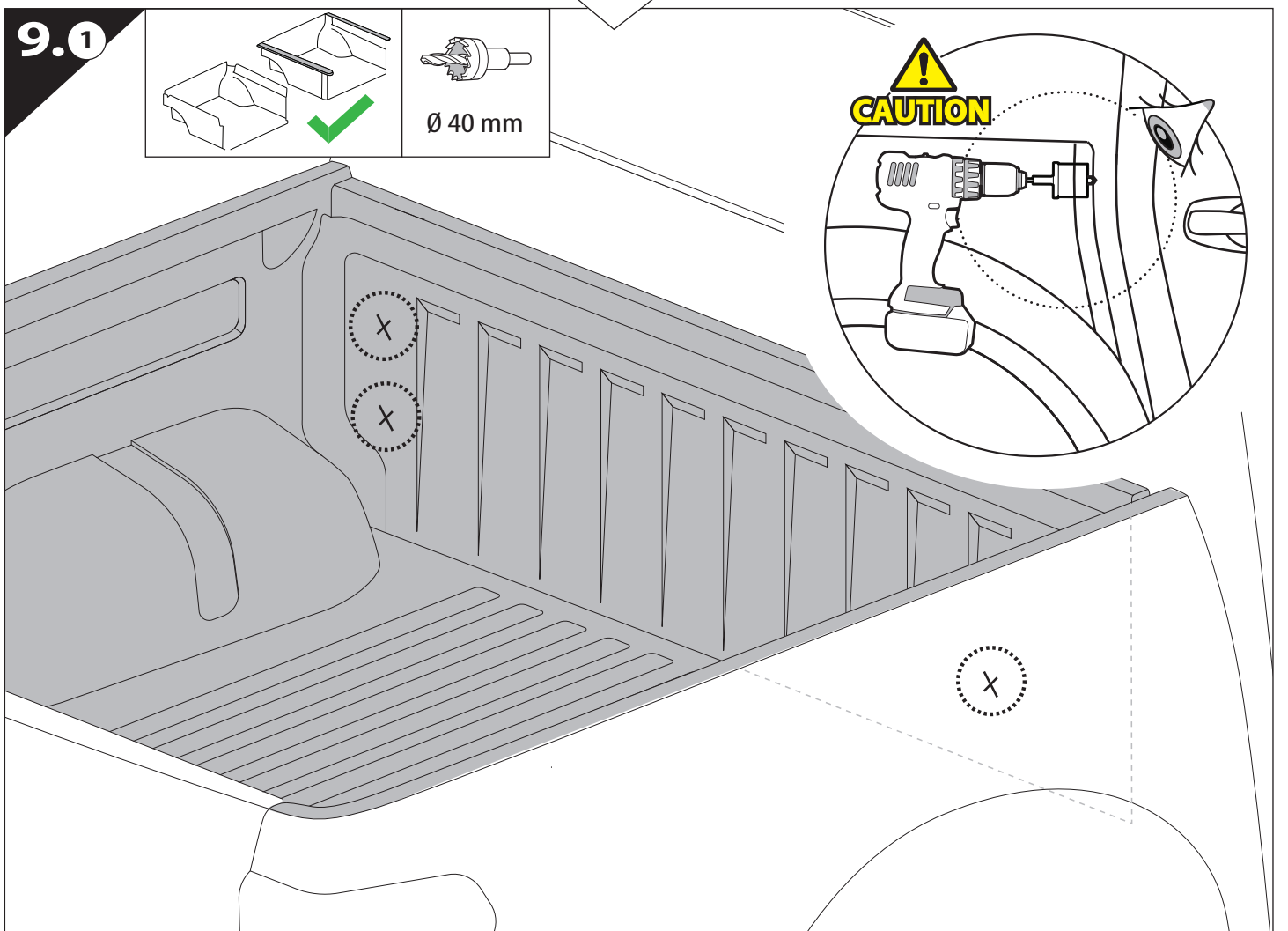
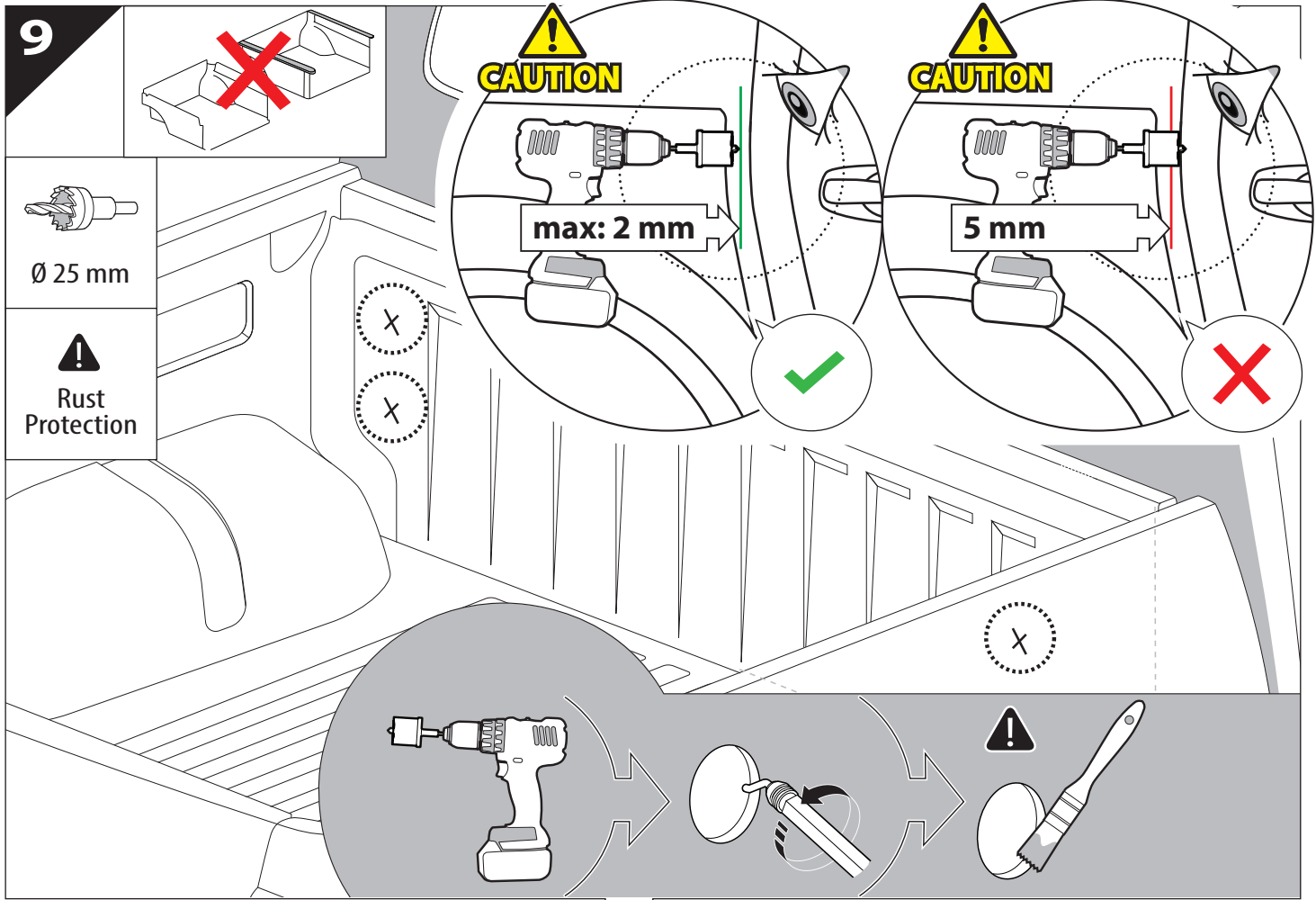


4

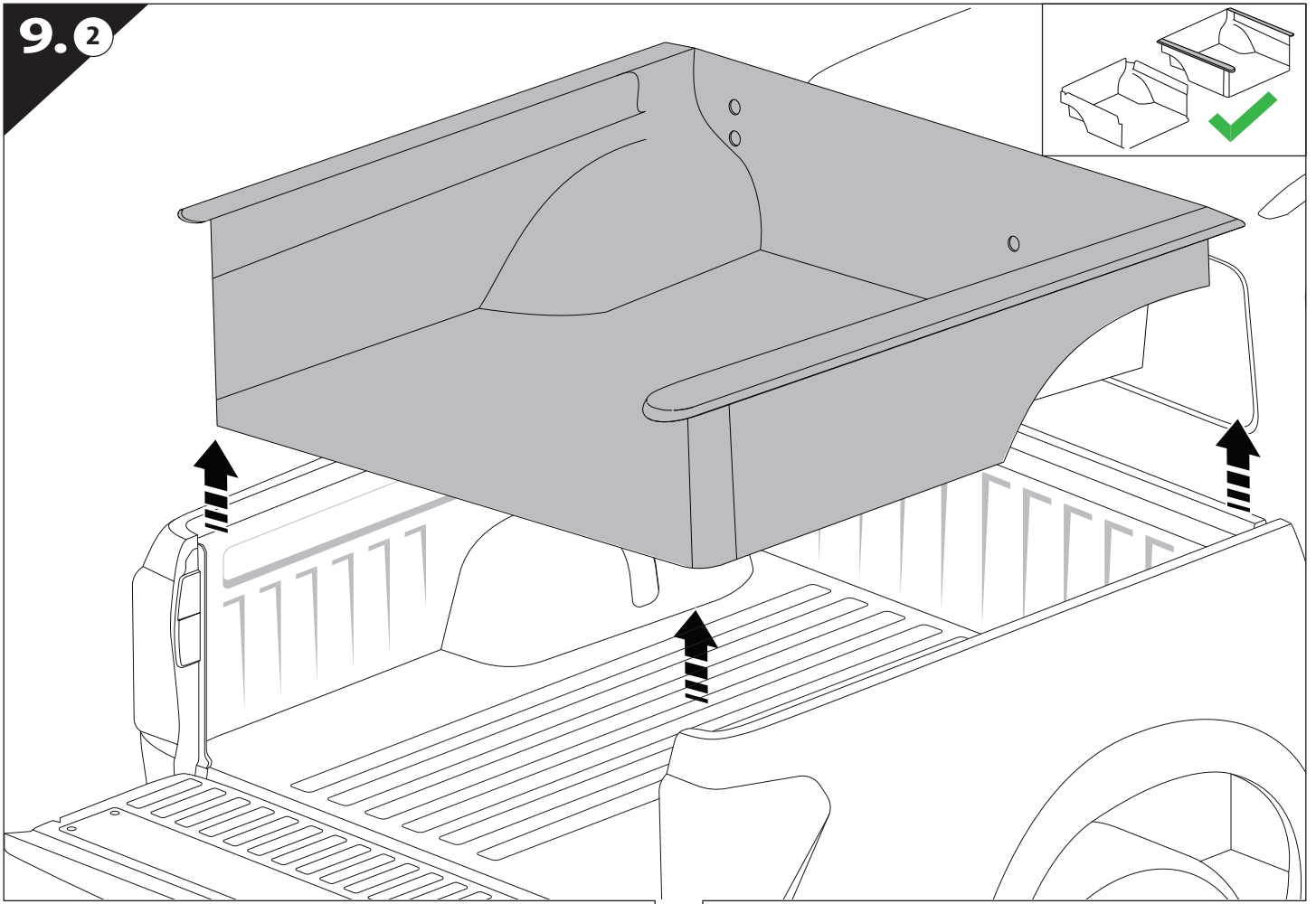




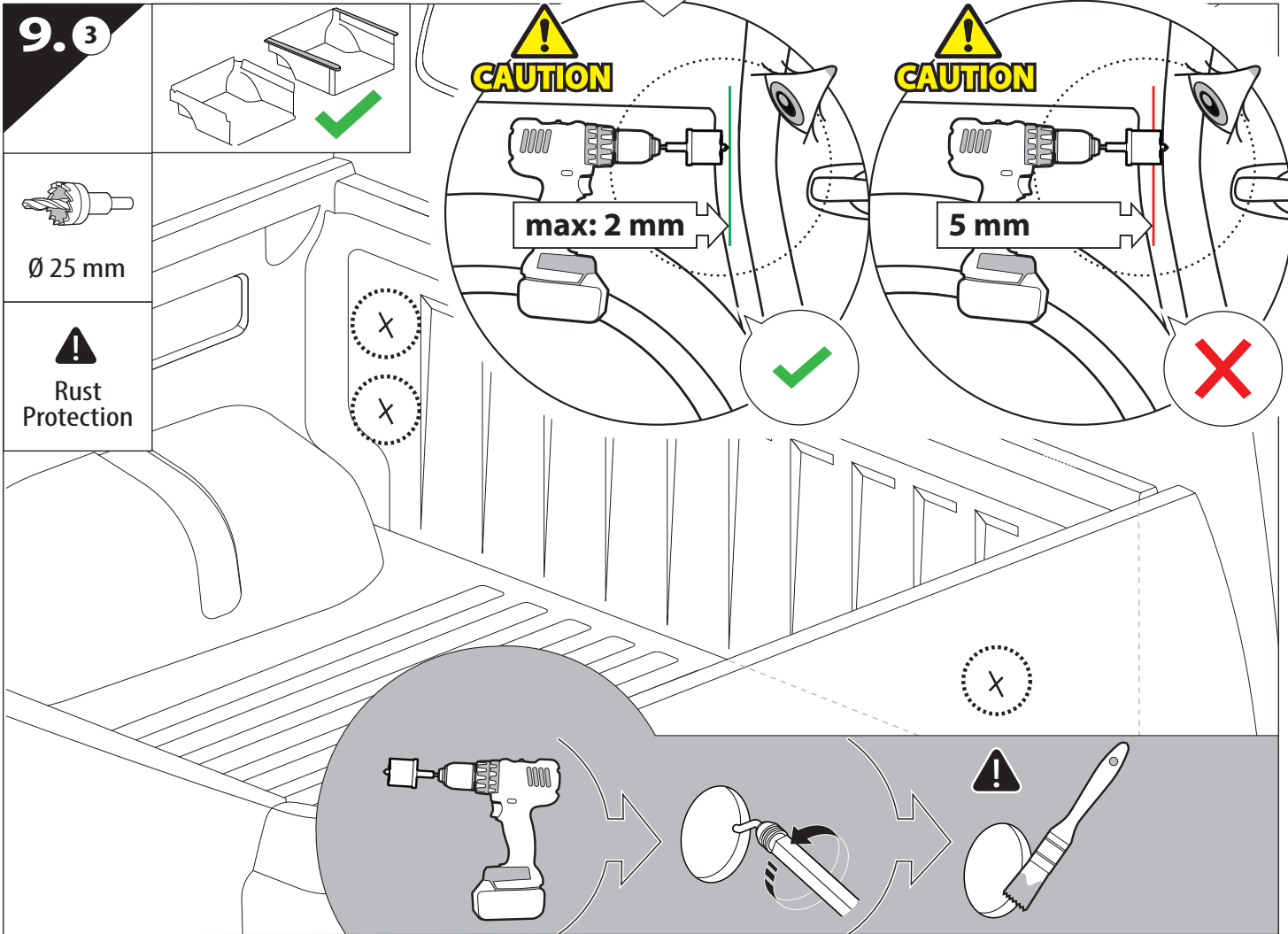


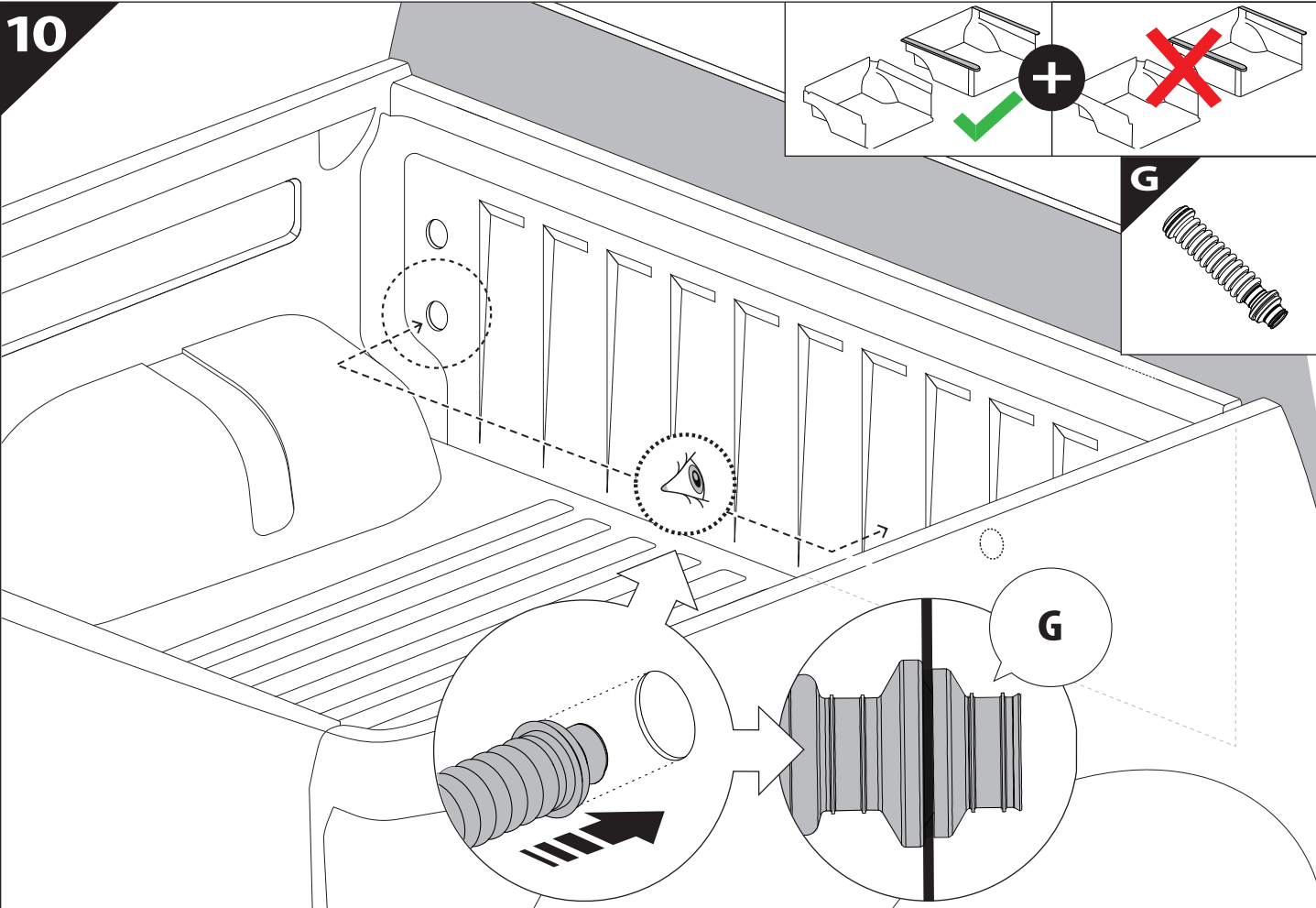


9.2

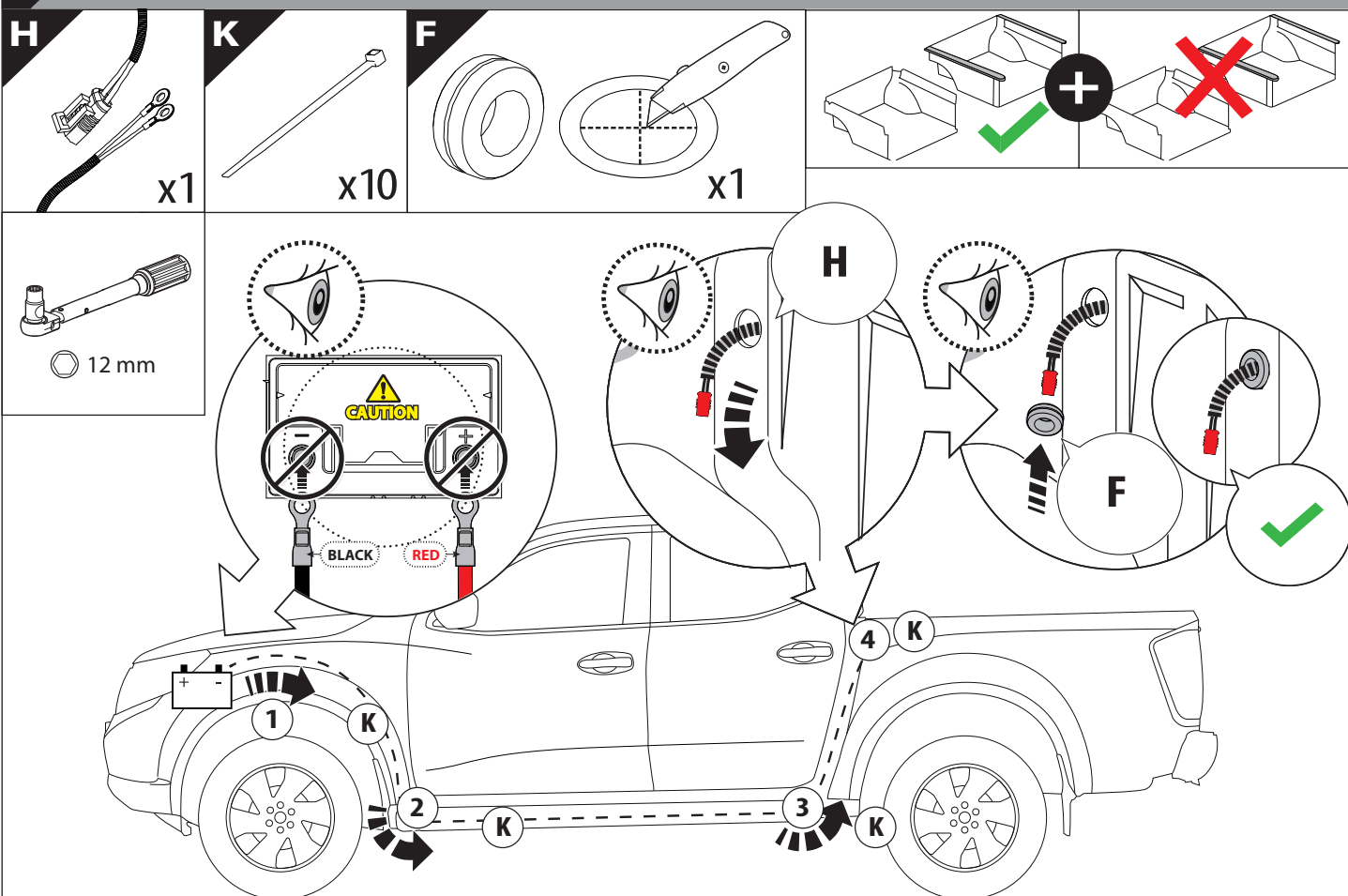


9.3

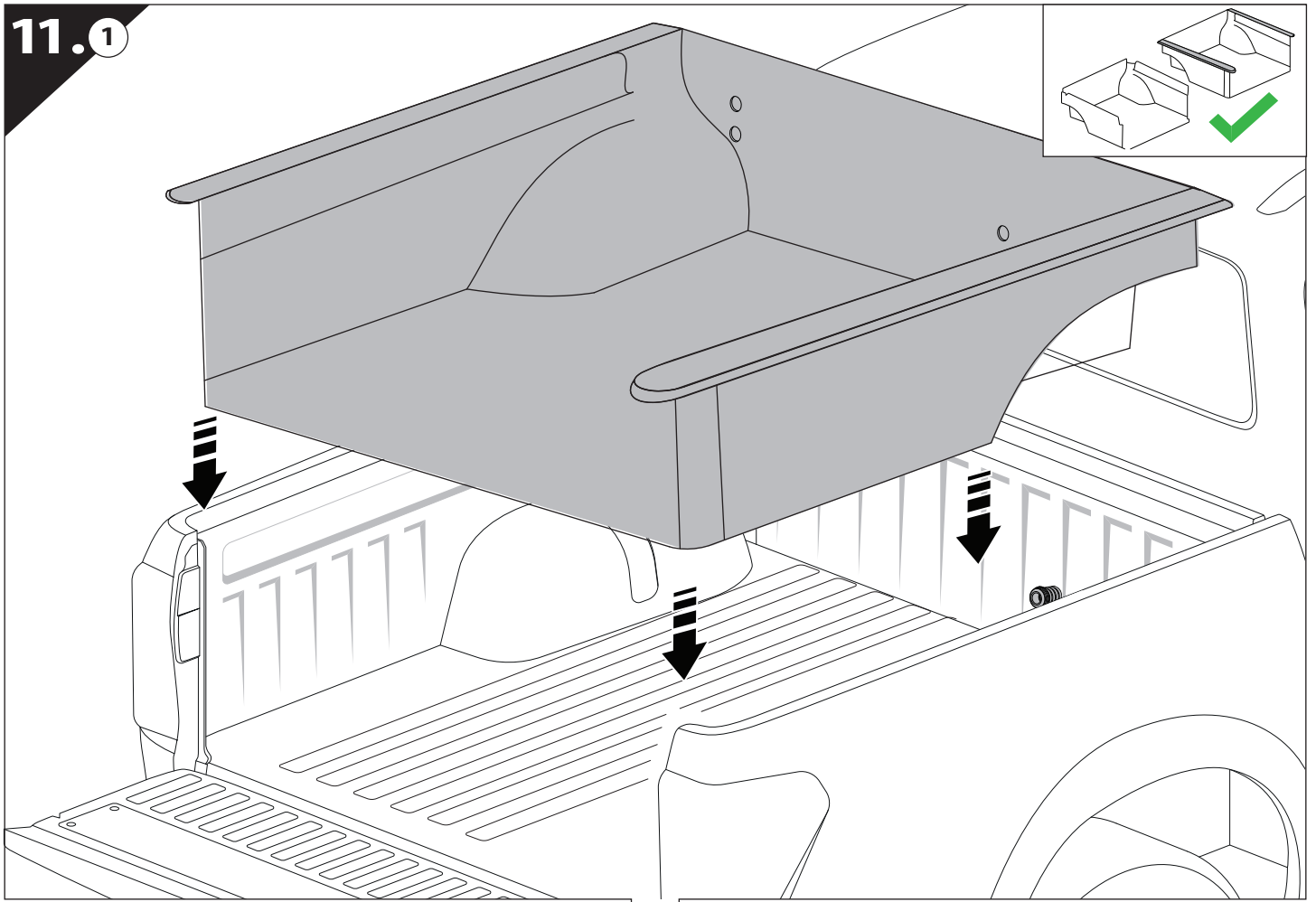




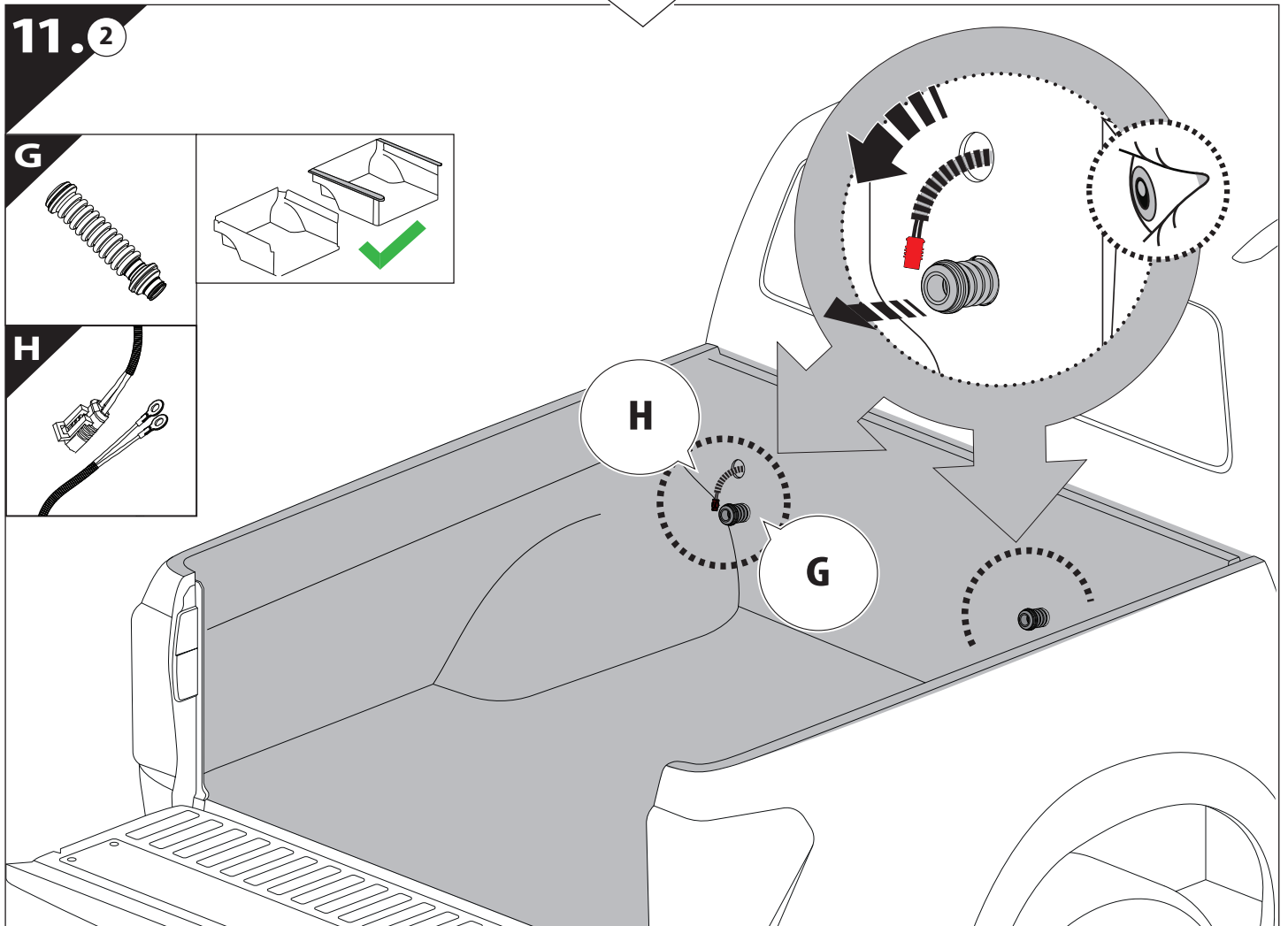
11 Only to be installed by authorized personnel

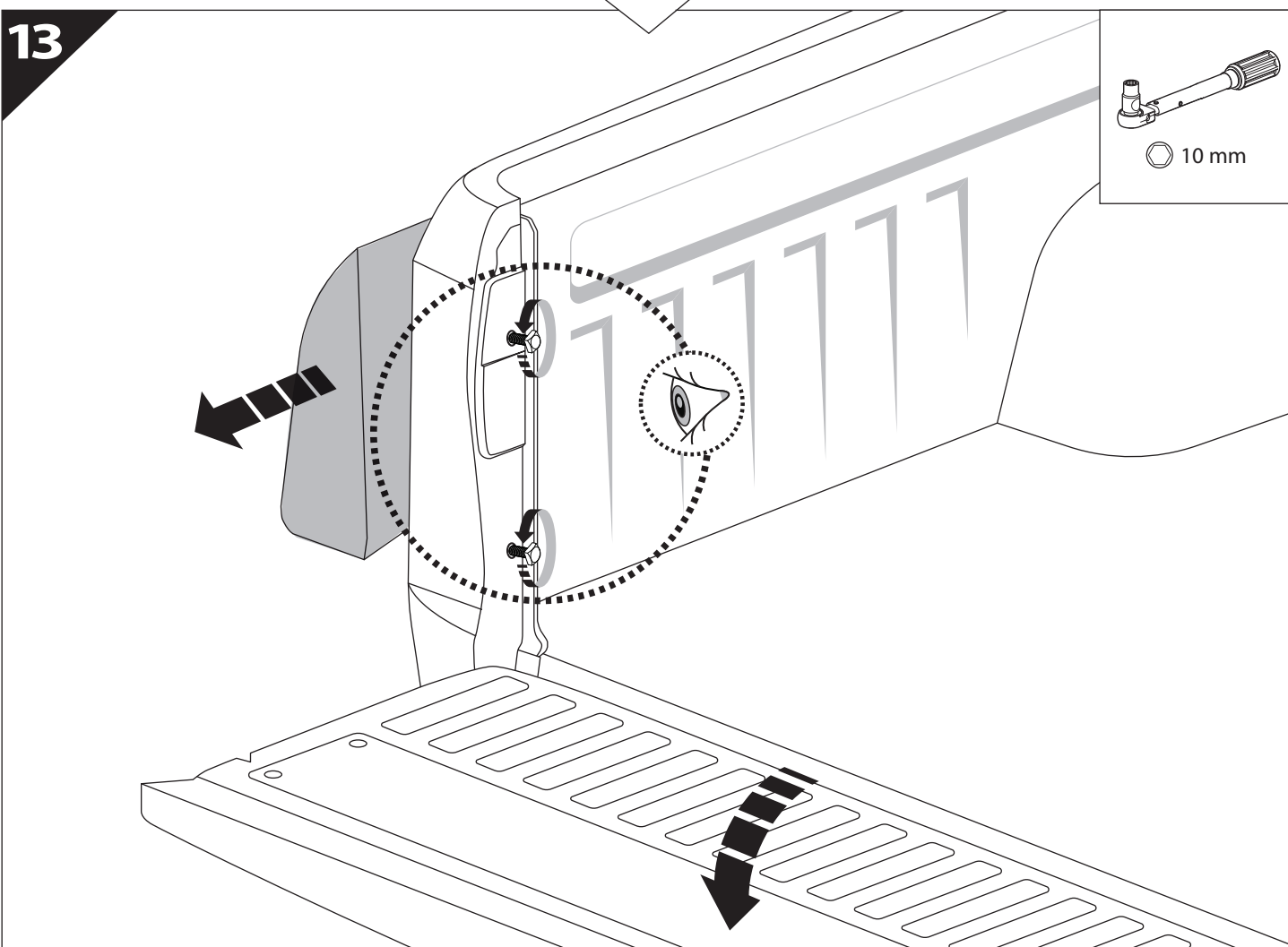
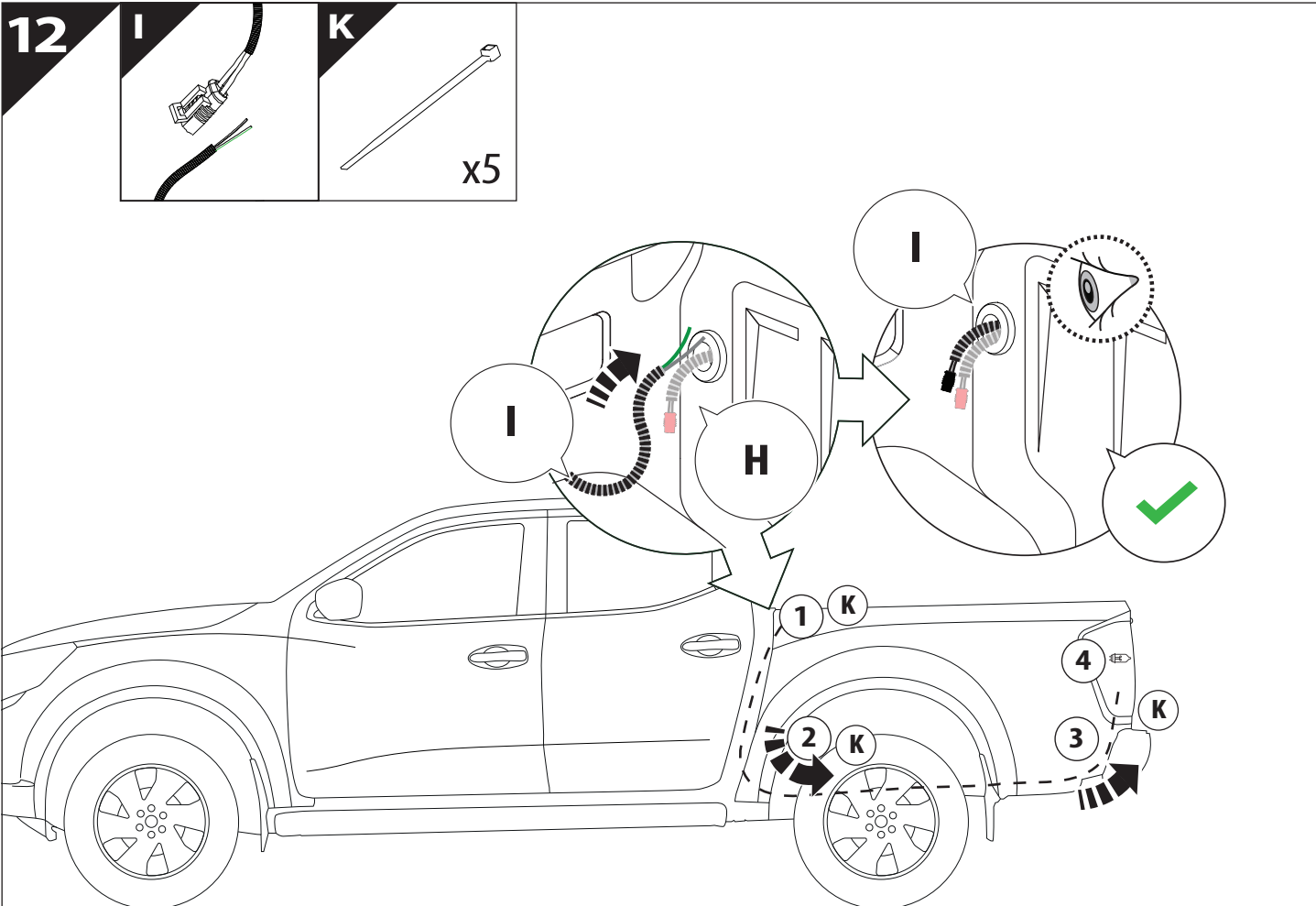


11.1

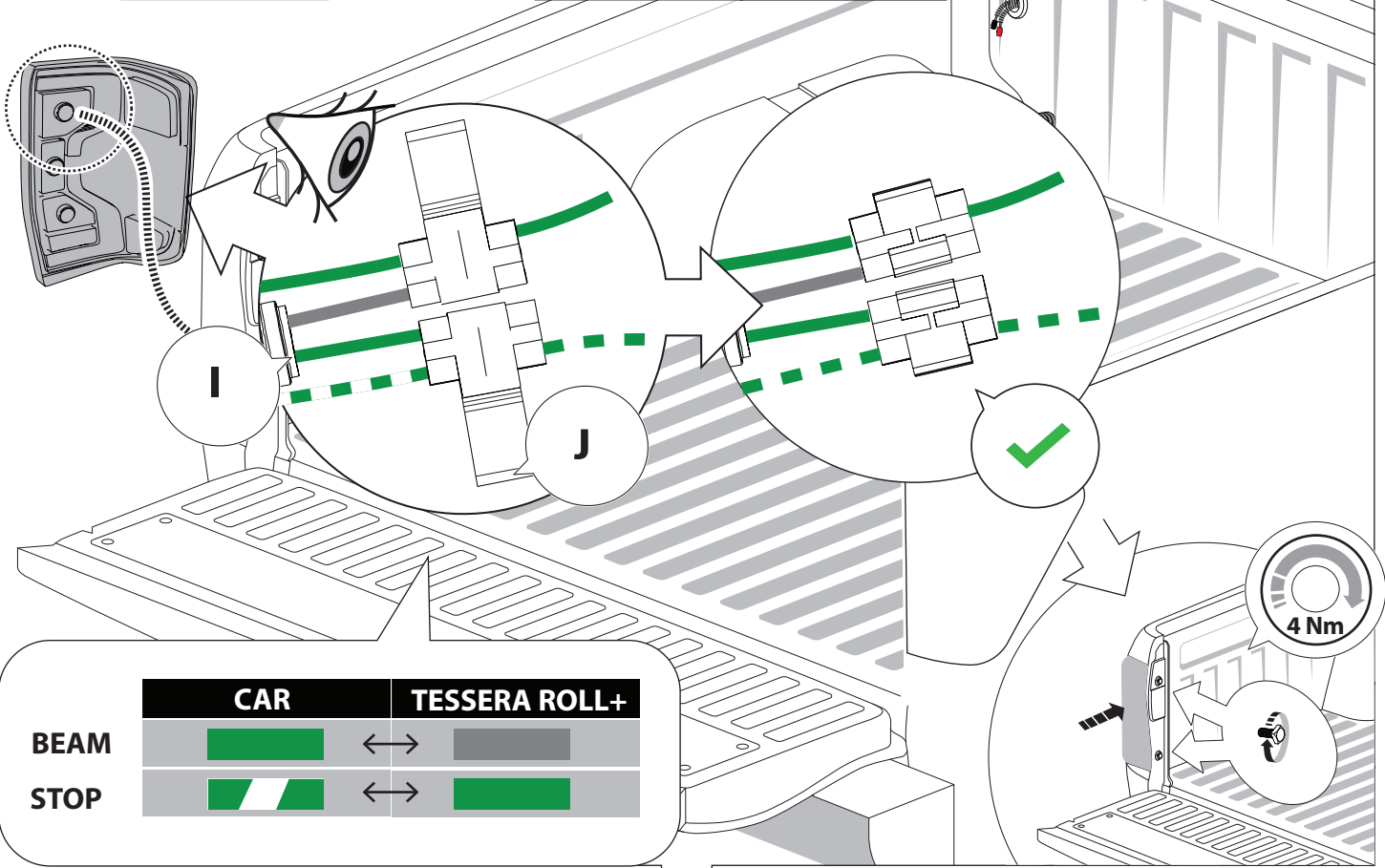
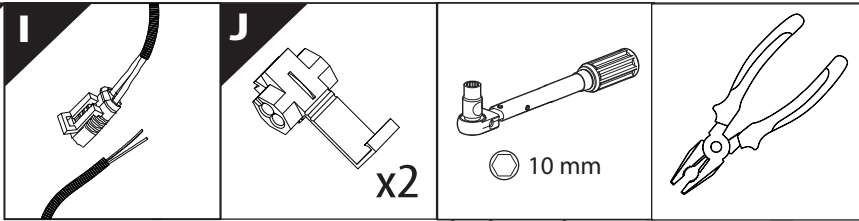


11.2



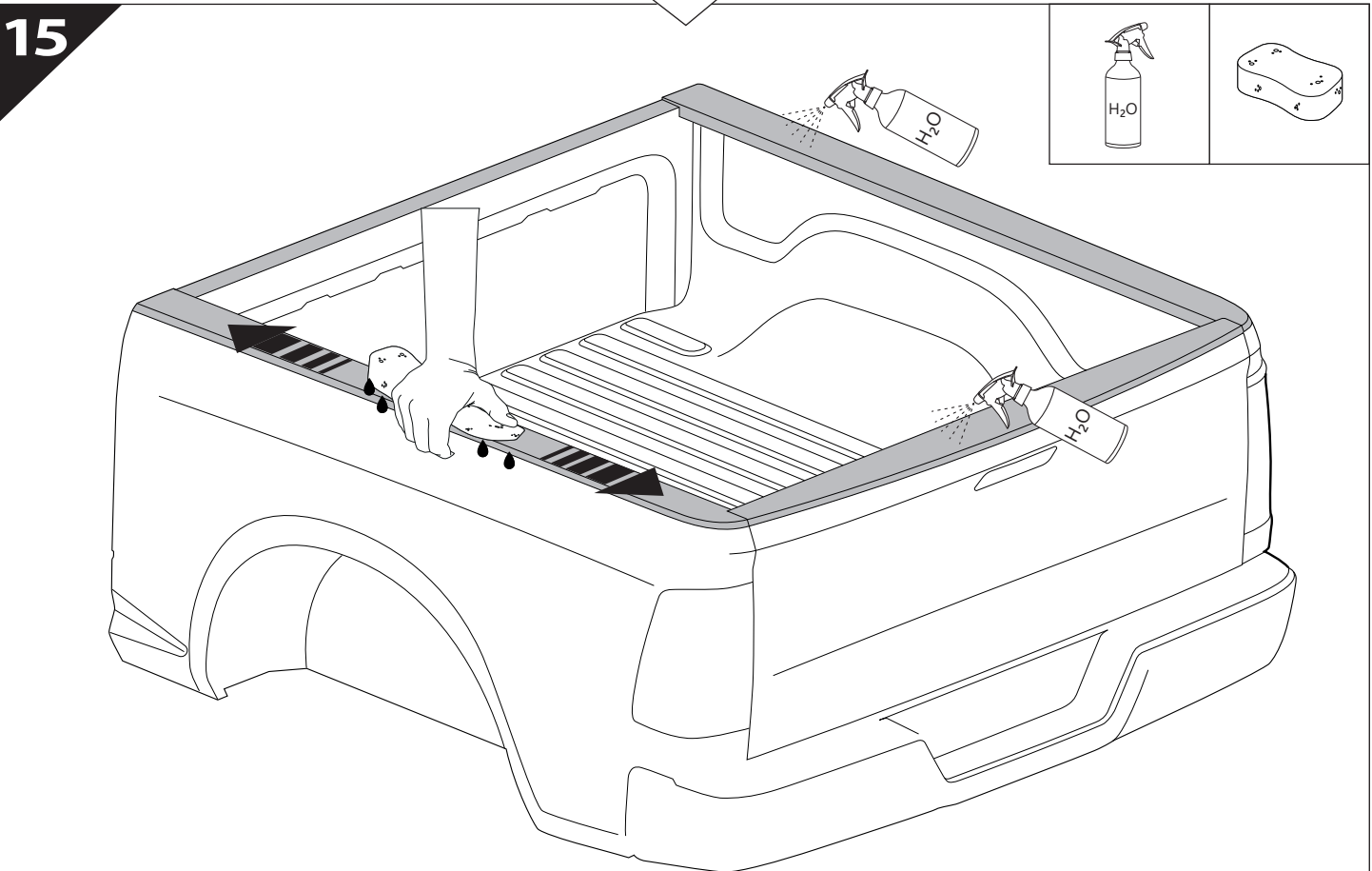
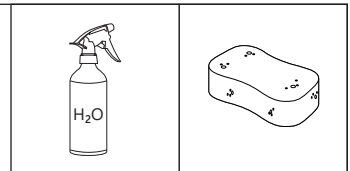


14



	CAR		TESSERA ROLL+
BEAM		↔	
STOP		↔	

15

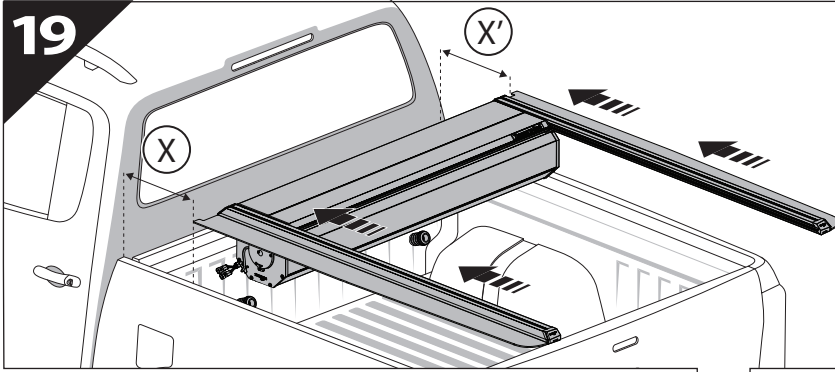


18. 1

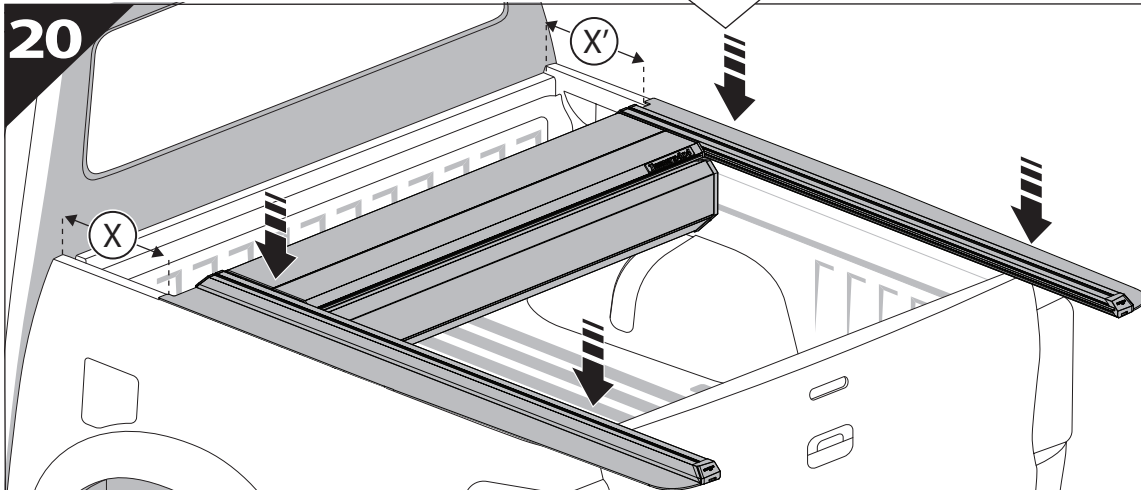
Basic+S-KIT Version

S-KIT
MANUAL

19



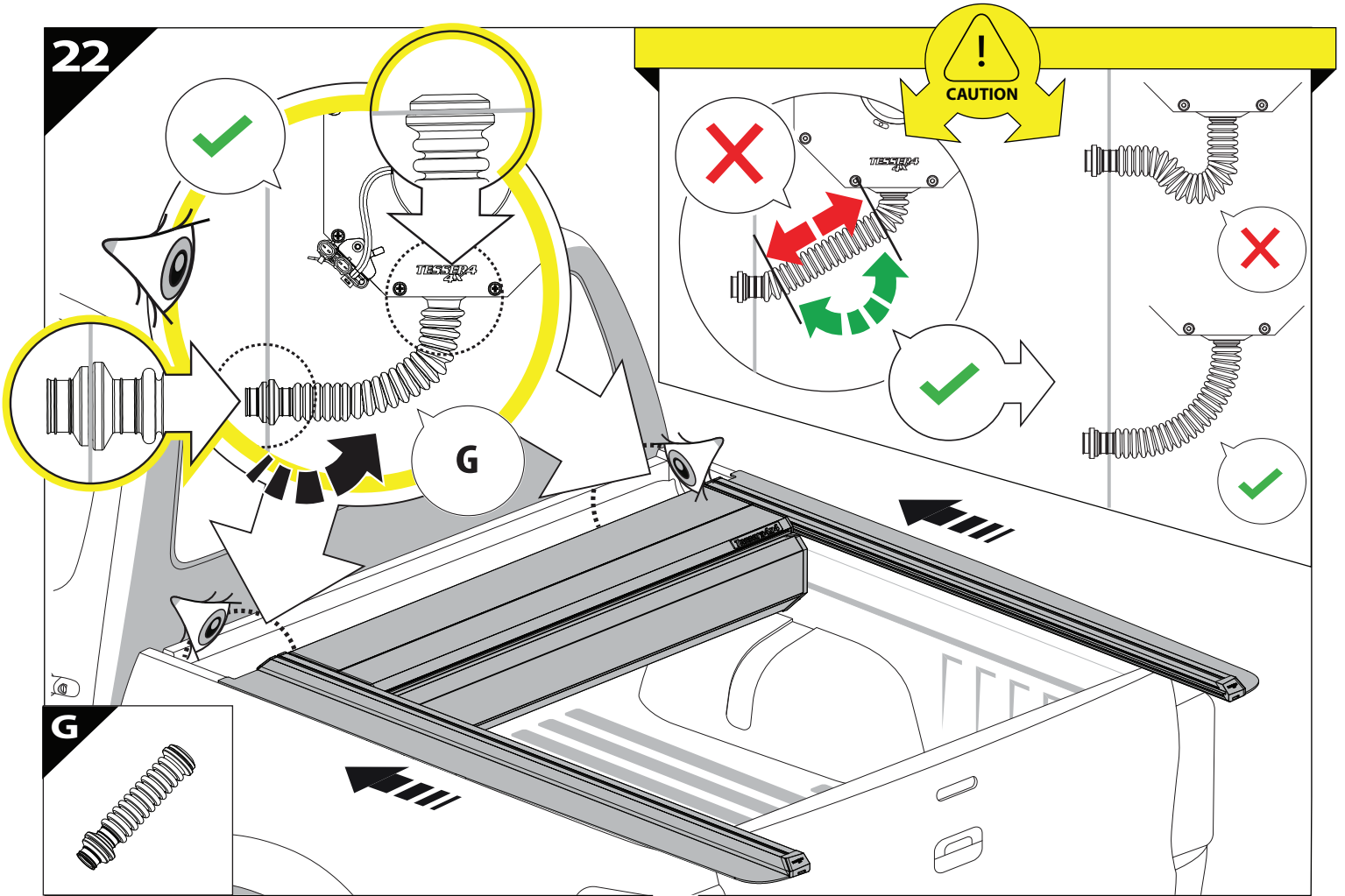
20



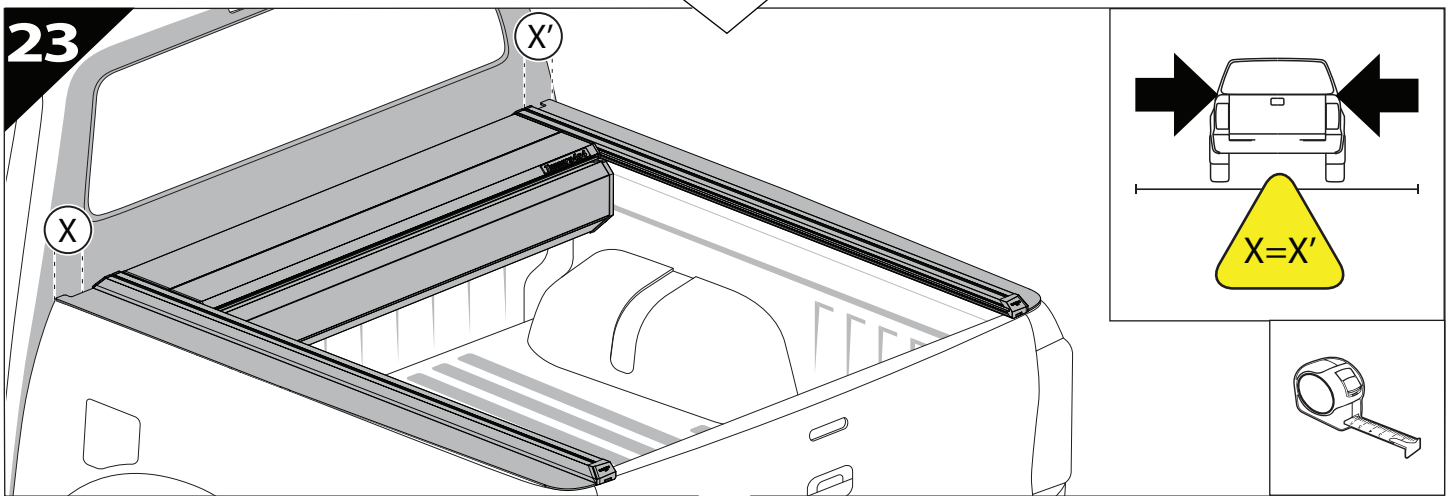
21



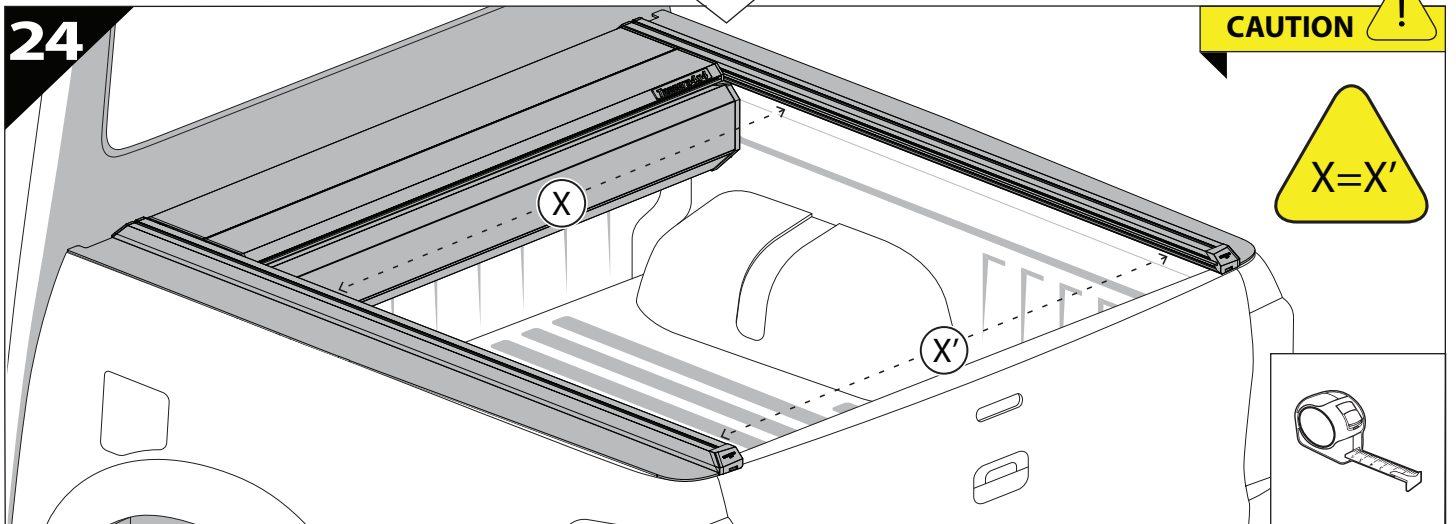
22



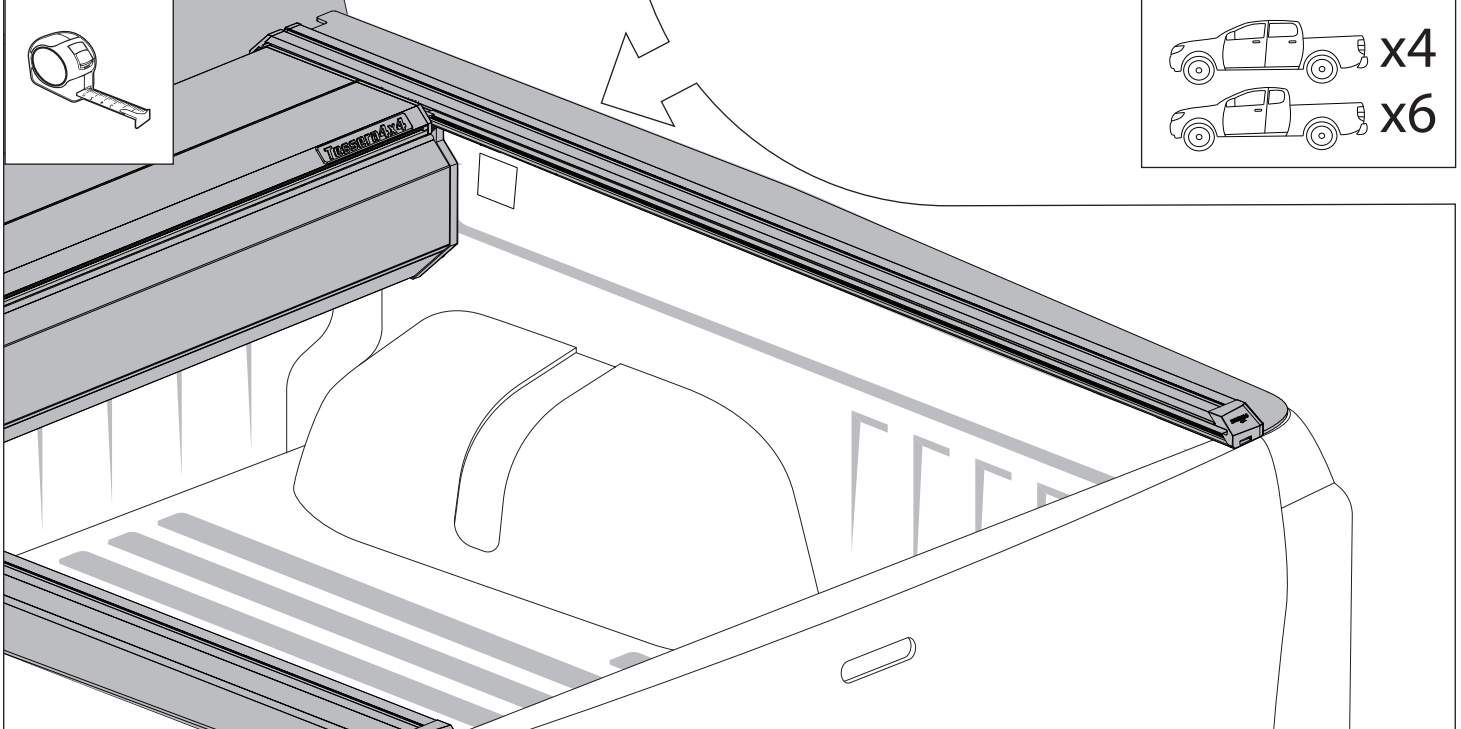
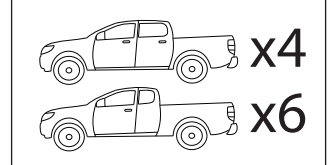
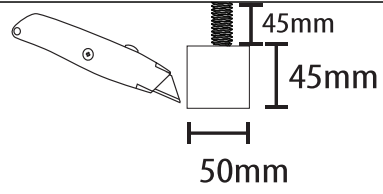
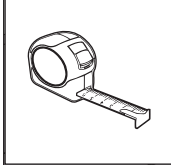
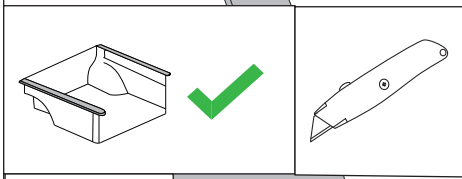
23



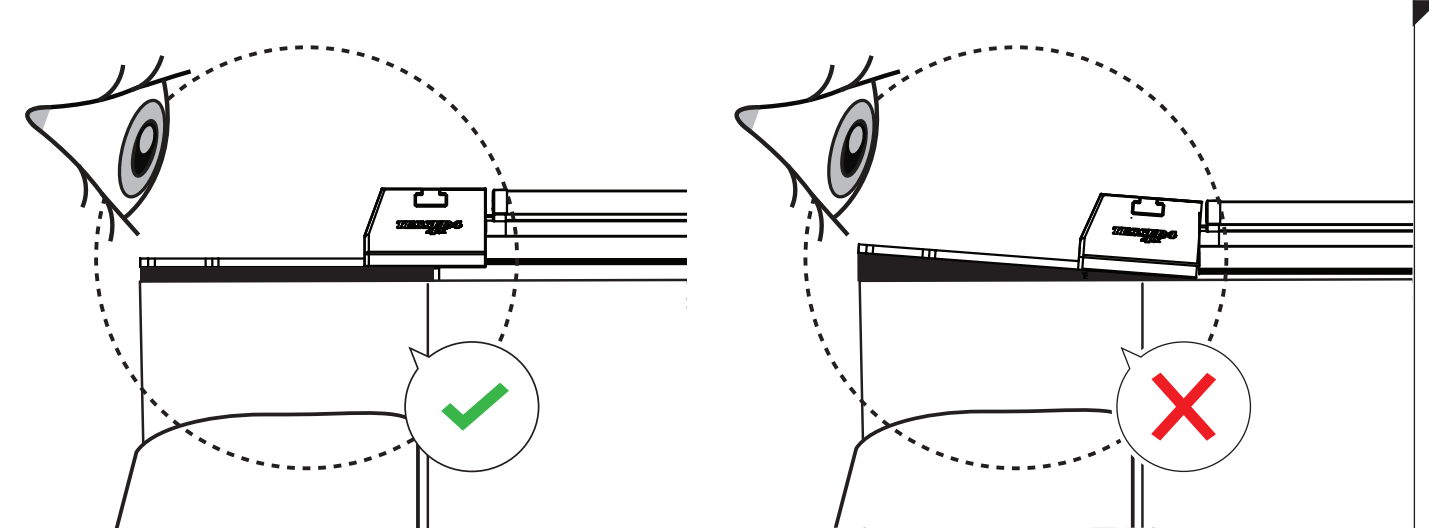
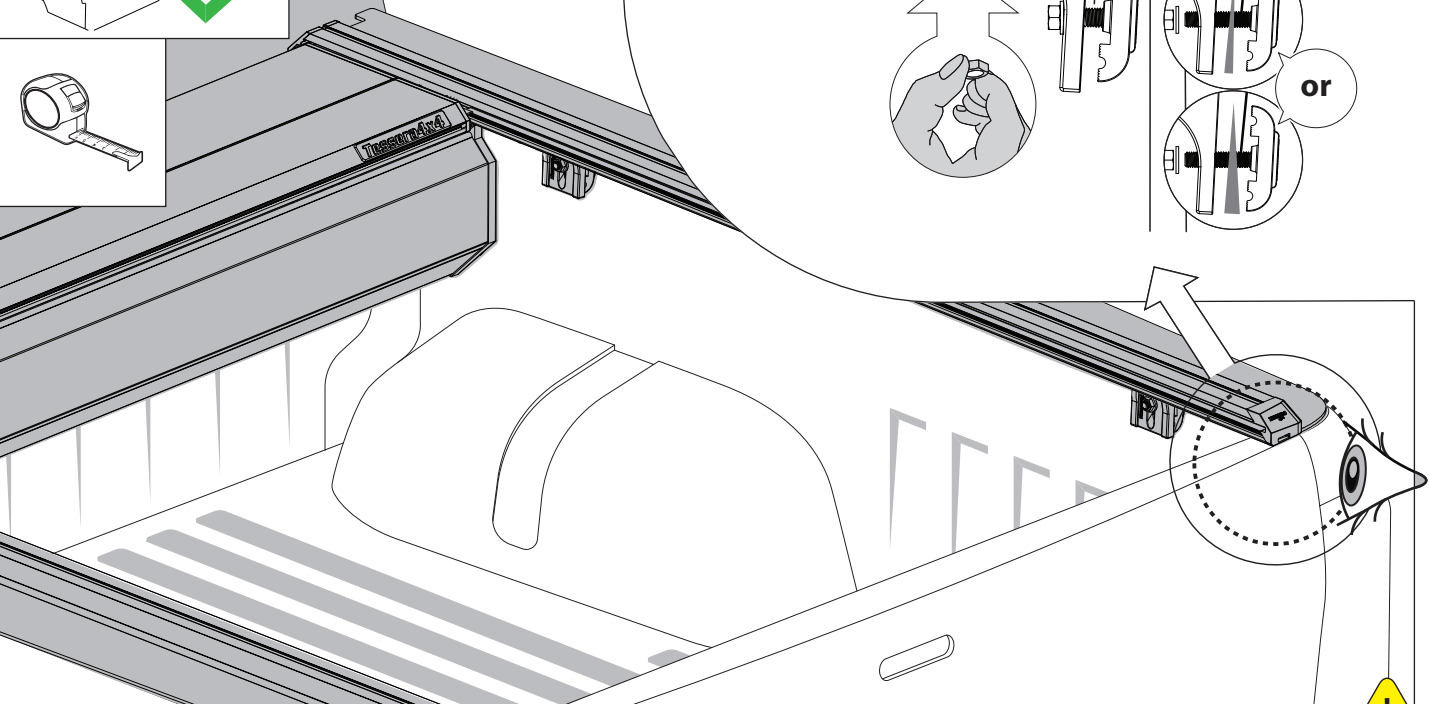
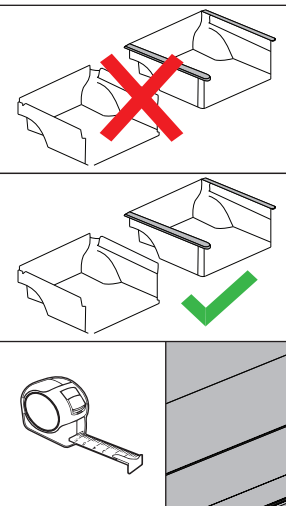
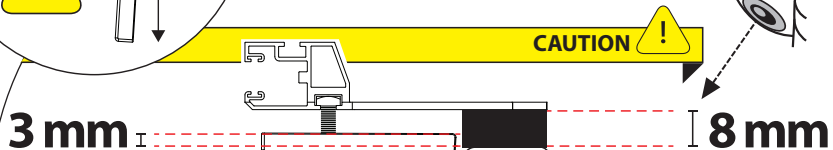
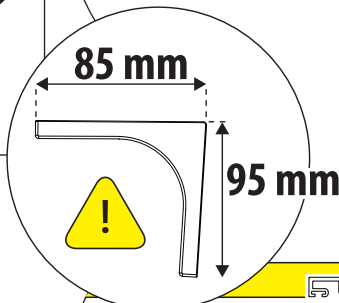
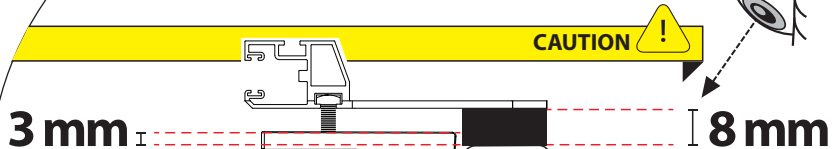
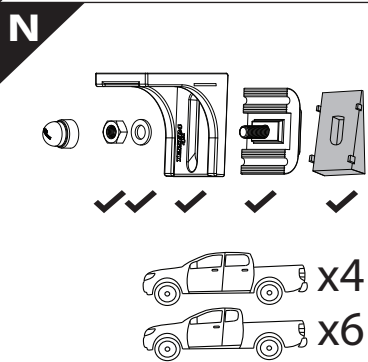
24

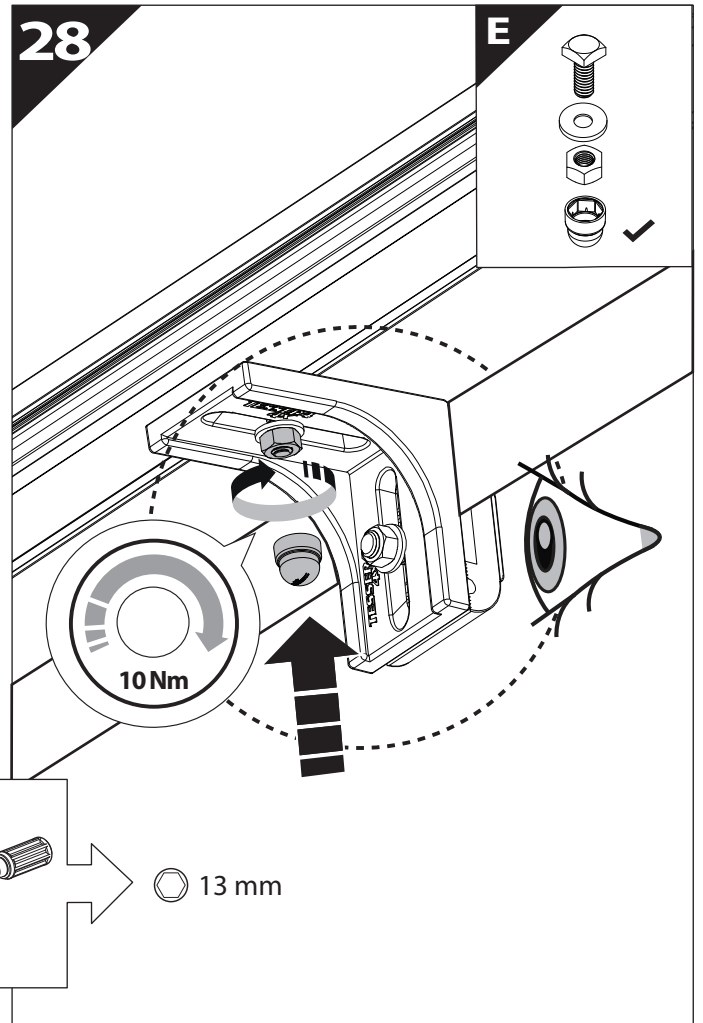
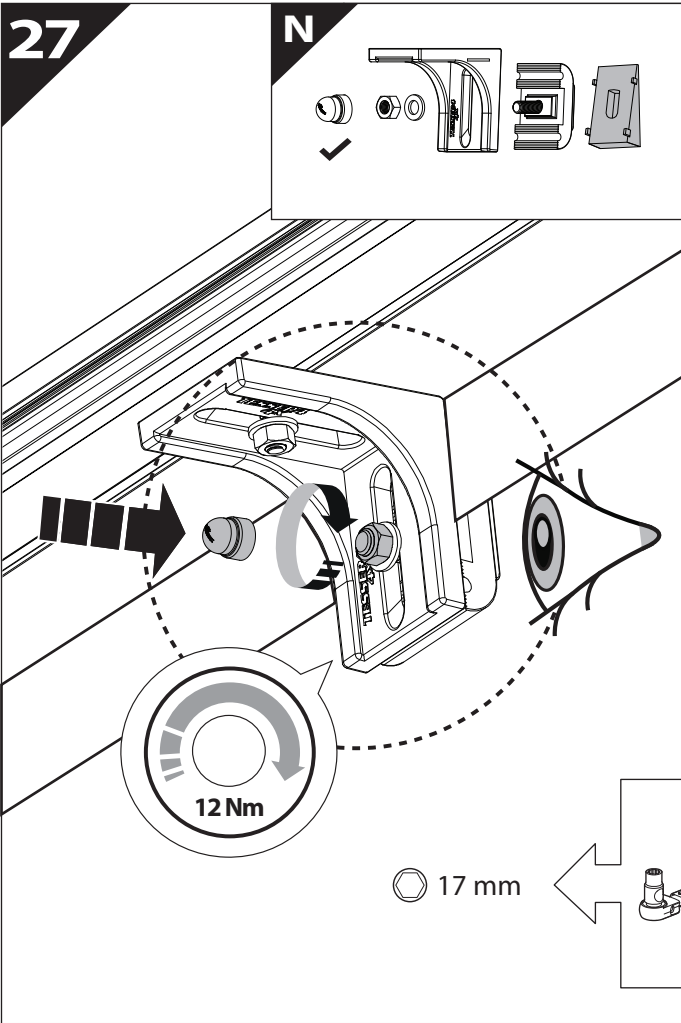


25

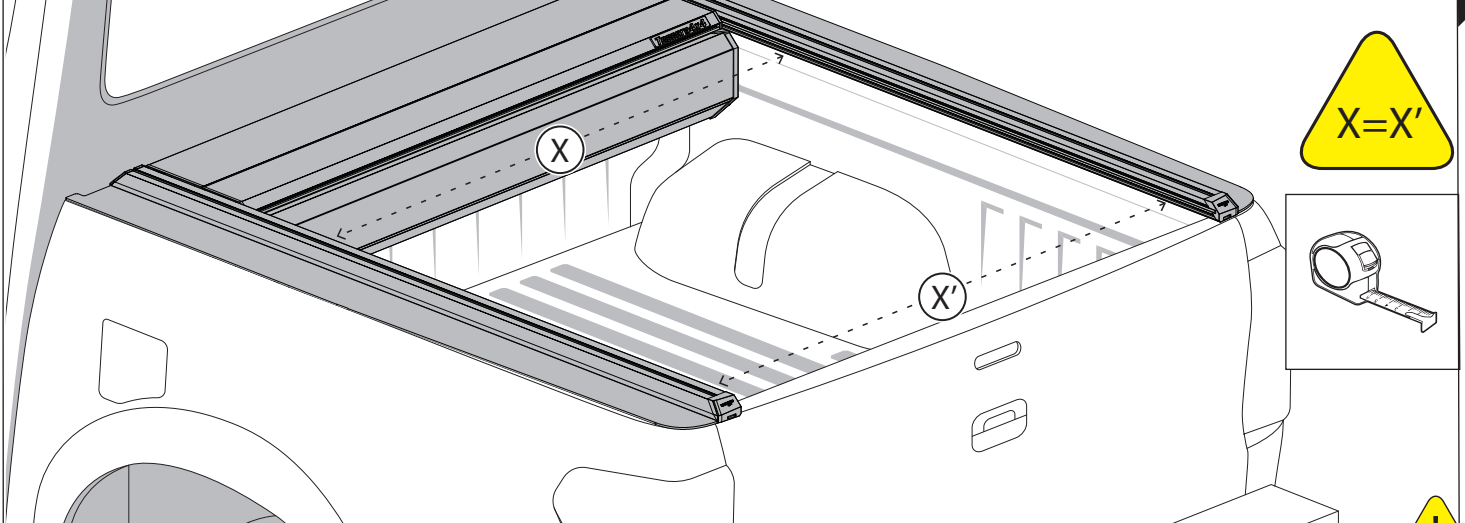


26

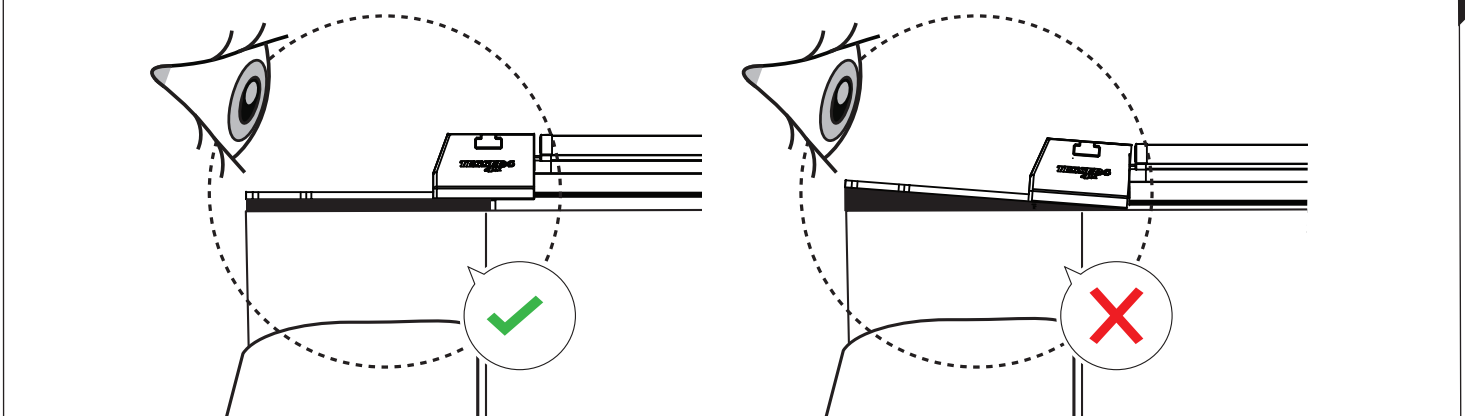




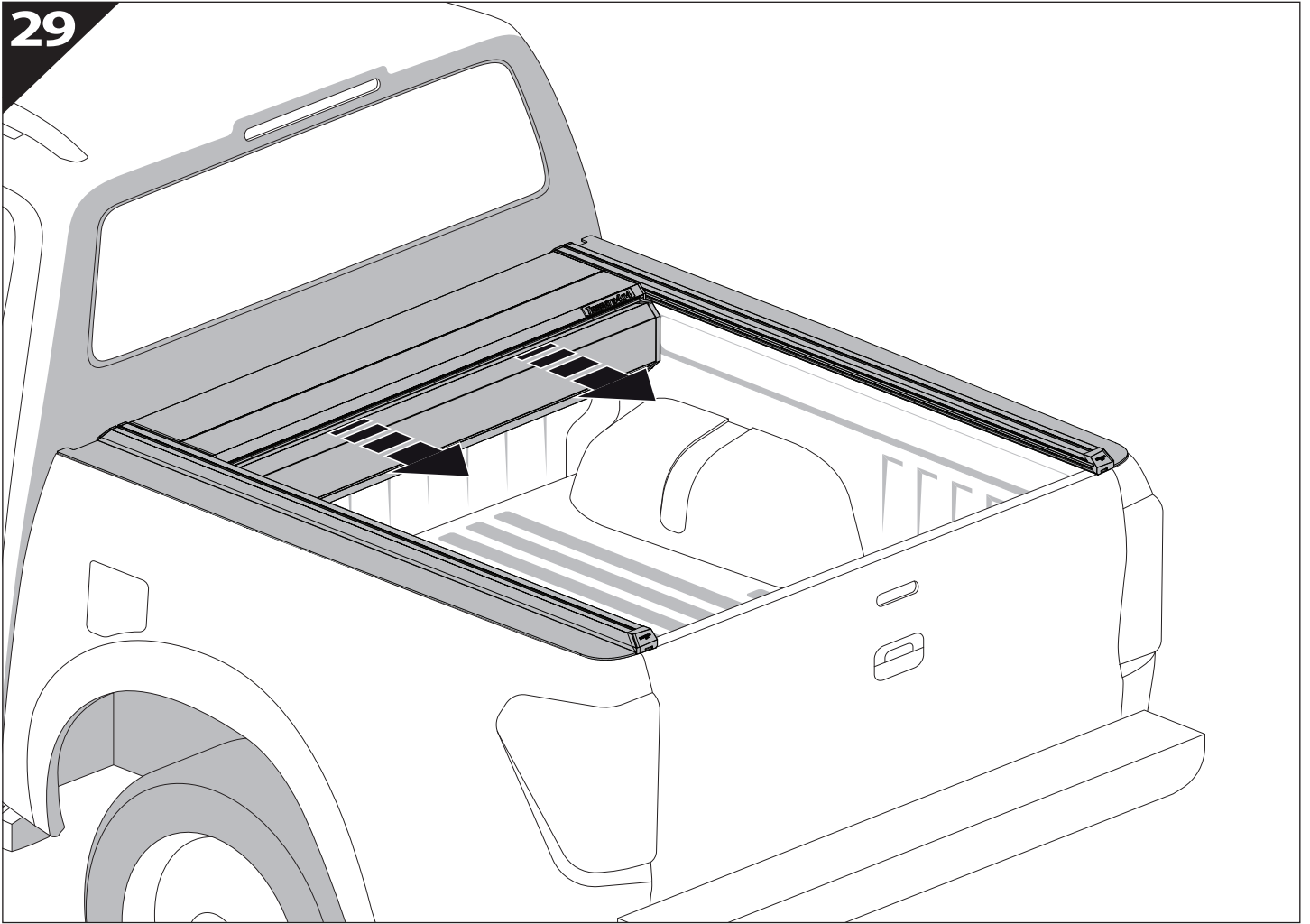
CAUTION !



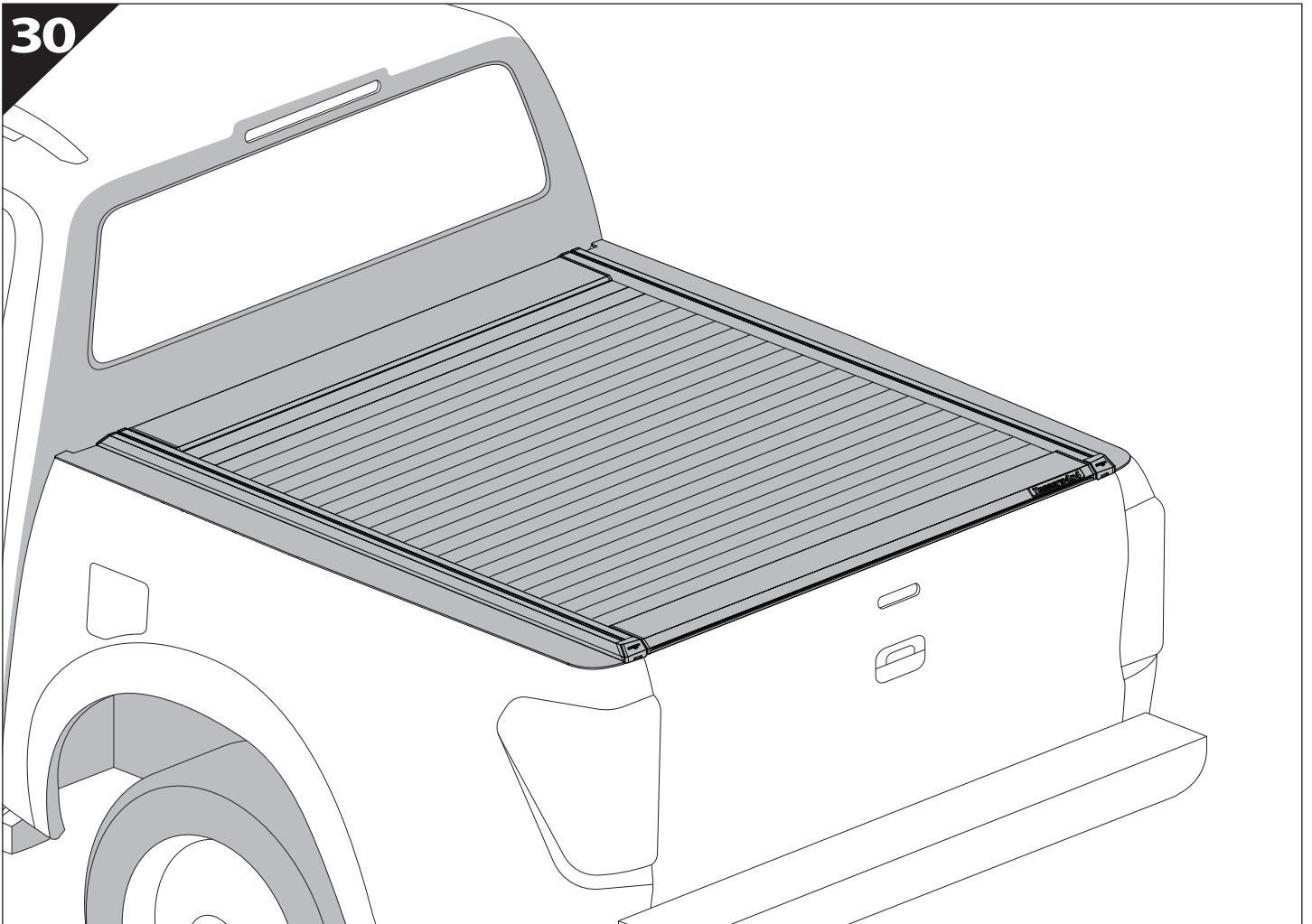
CAUTION !



29



30





GR: Οδηγίες Εγκατάστασης
GB: Installation manual
SF: Asennusohje
F: Notice de montage
PL: Instrukcja montażu
NL: Installatie-instructies
TR: Montaj Talimatı
S: Monteringsanvisning
E: Instrucciones de montaje

H: Szerelési utasítás
P: Instruções de instalação
RUS: Инструкция по установке
N: Monteringsveiledning
D: Einbauanleitung
CZ: Návod k instalaci
I: Istruzioni de montaggio
DK: Monteringsvejledning
RO: Instructiuni de instalare

Customer Service:

+30 (210) 5541161, +30 (210) 5541154 (08:00 - 16:00 EET)

Support department:

info@gianso.gr

Website:

www.tessera4x4.com

Address:

19.5 km of National road Athens-Korinthos (Elefsina) Greece, P.C: 19200