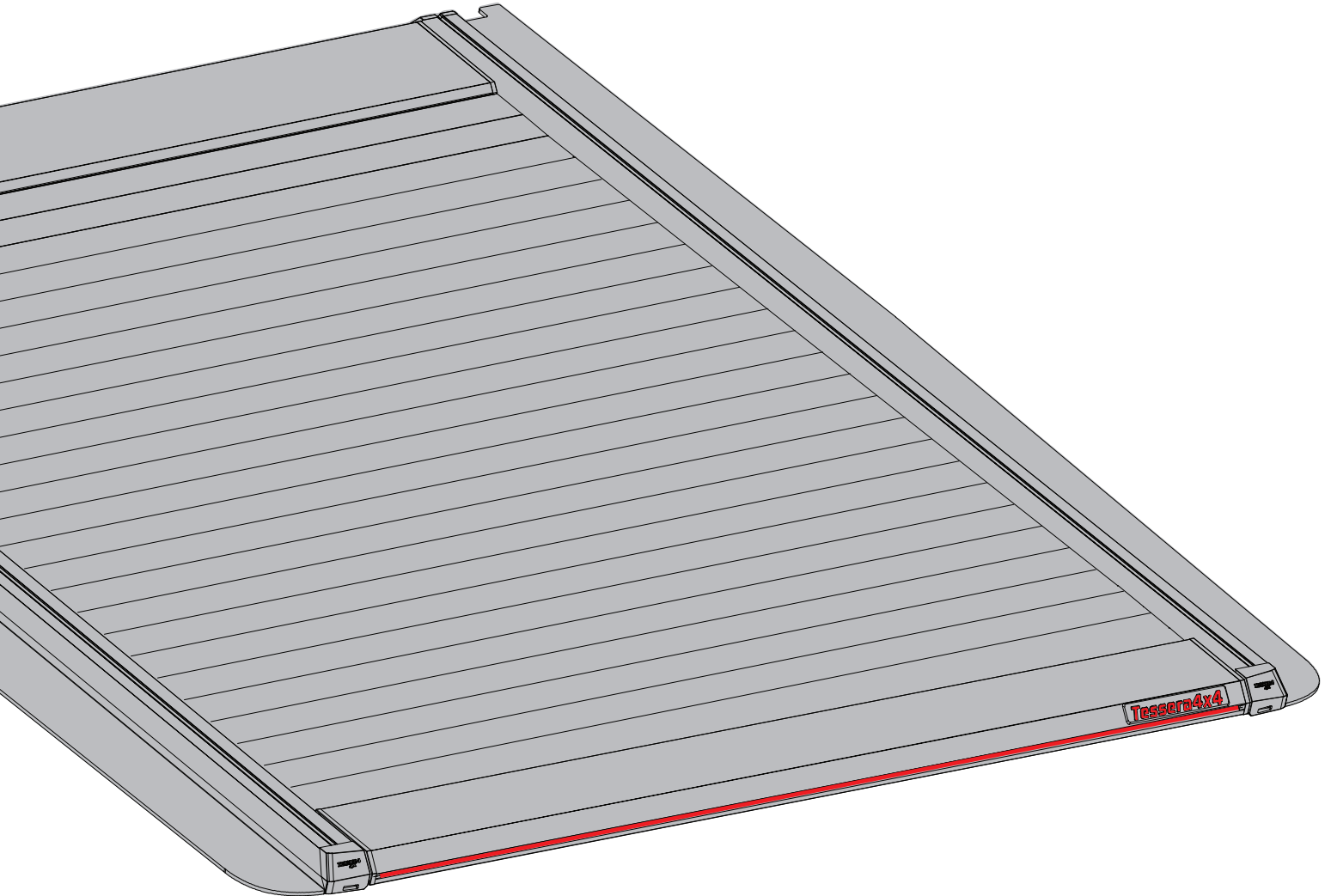


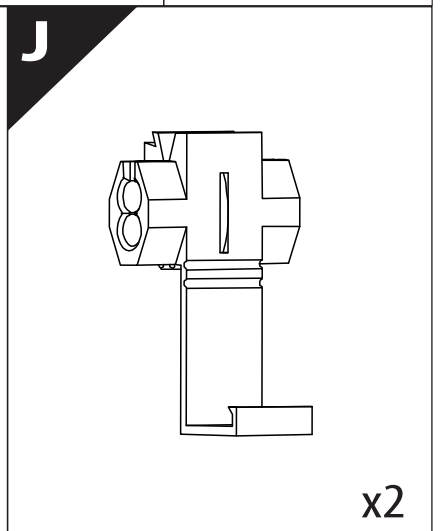
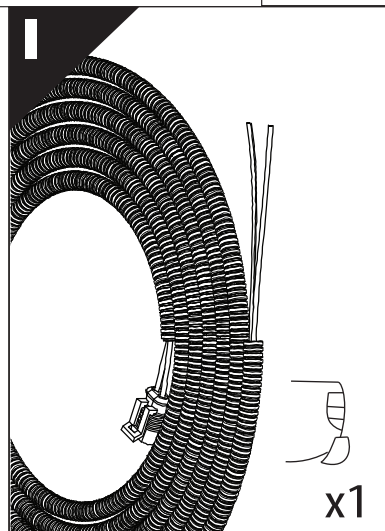
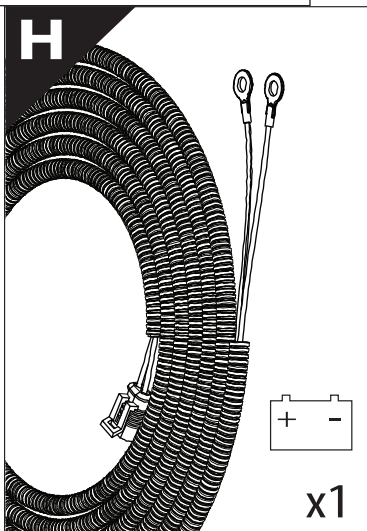
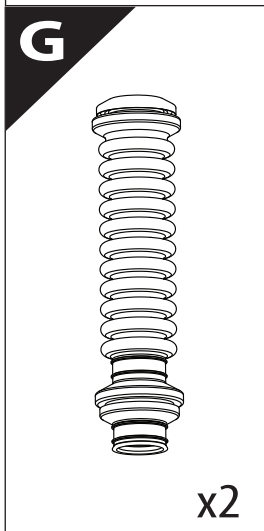
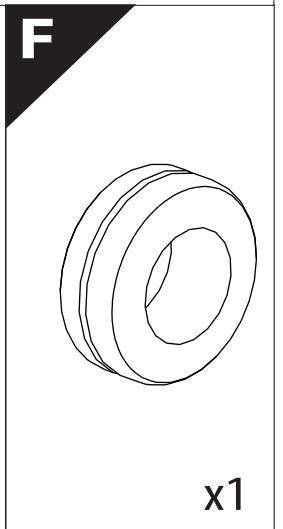
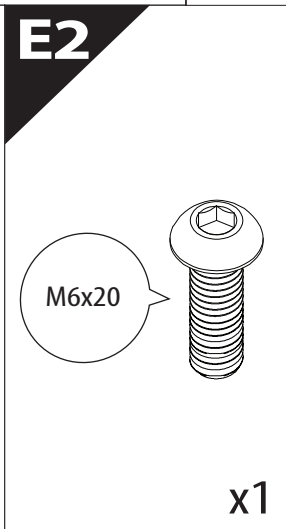
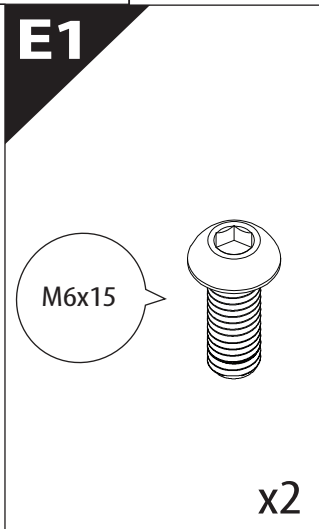
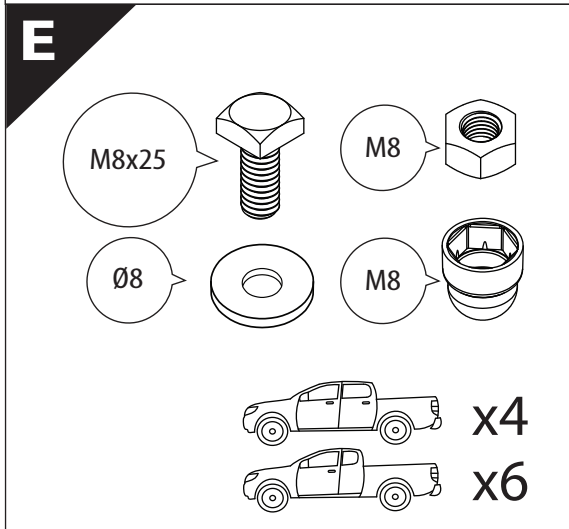
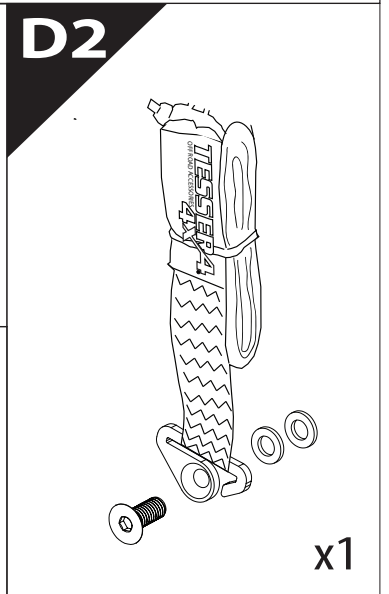
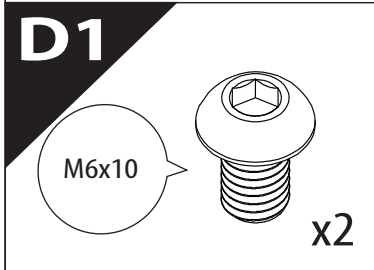
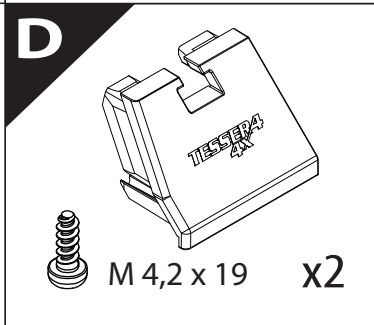
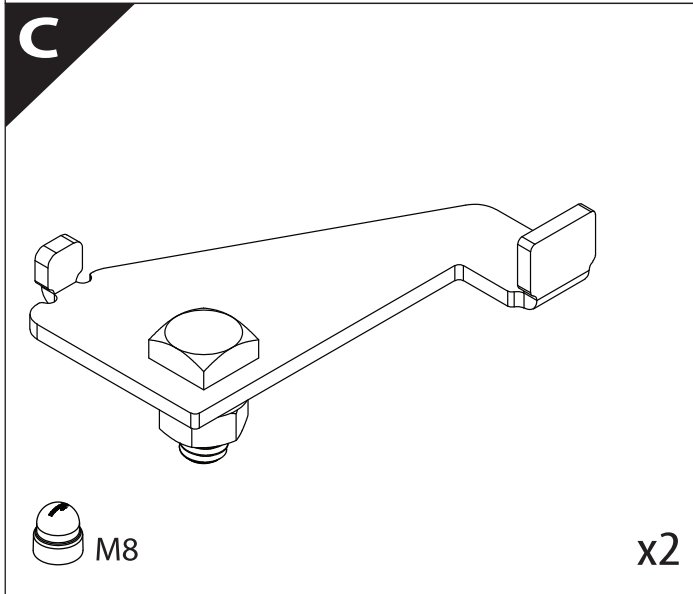
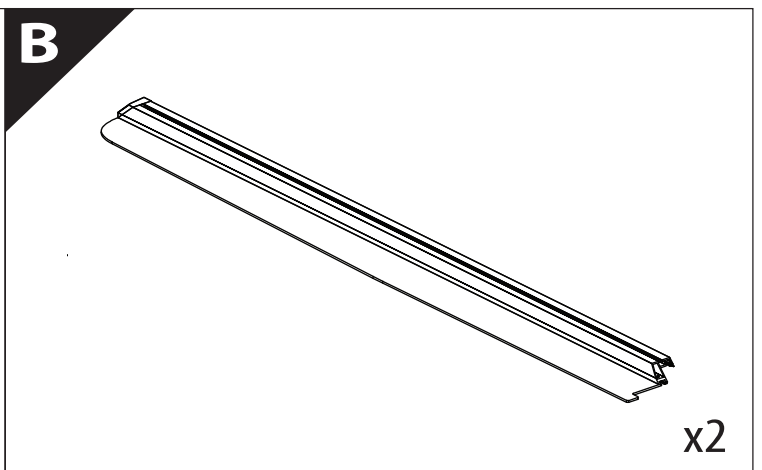
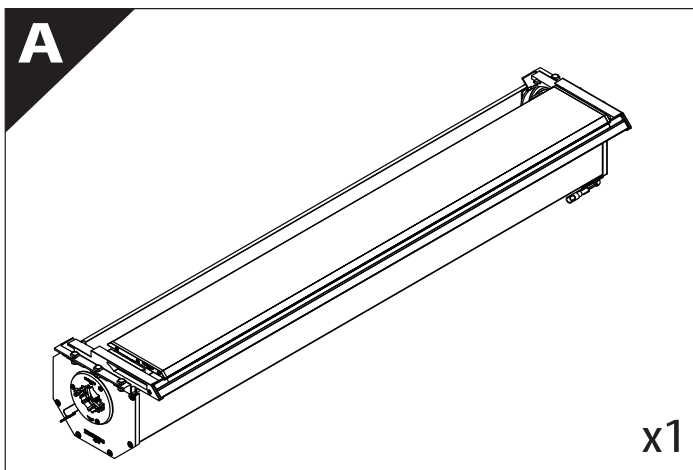
Tessera Roll+

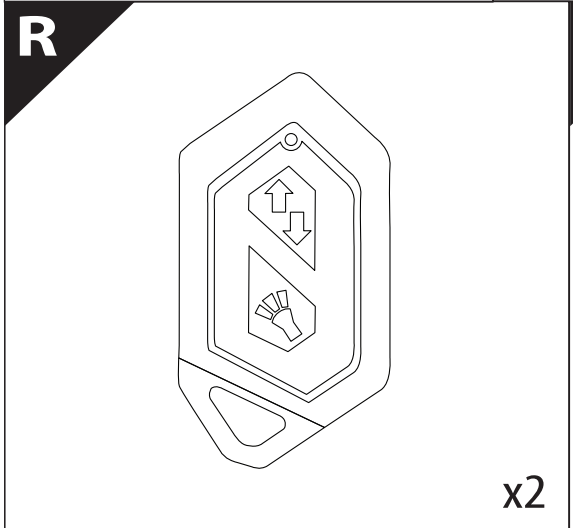
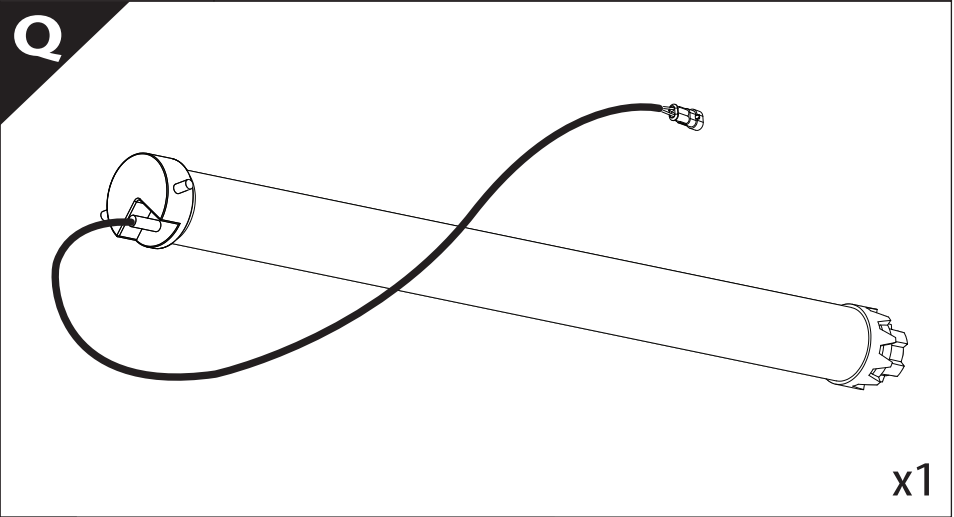
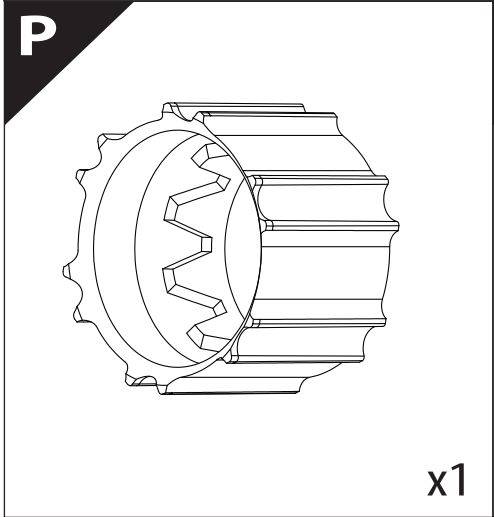
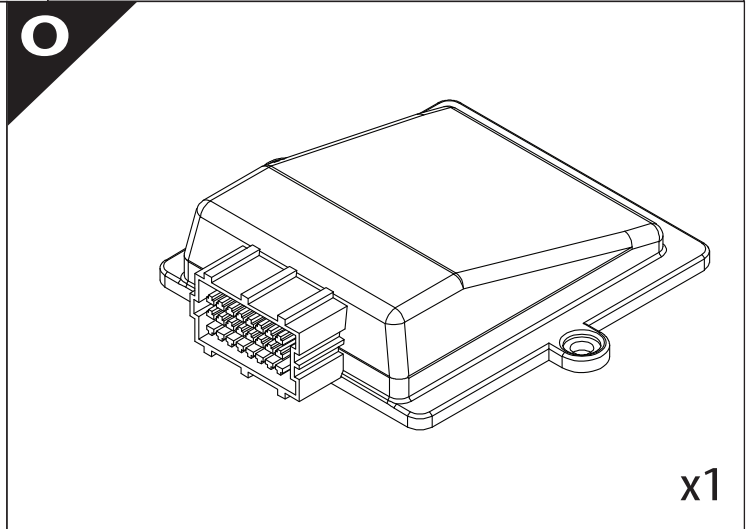
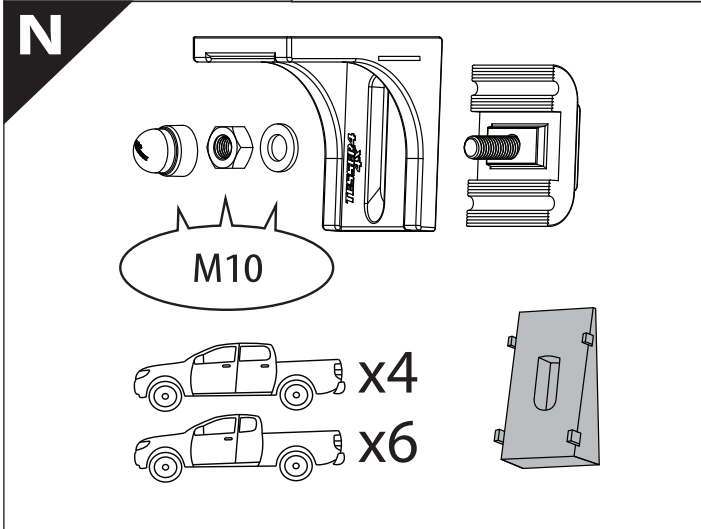
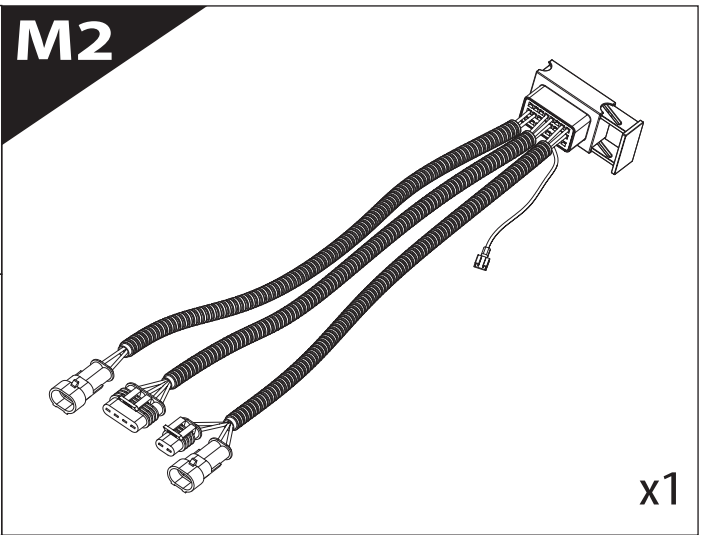
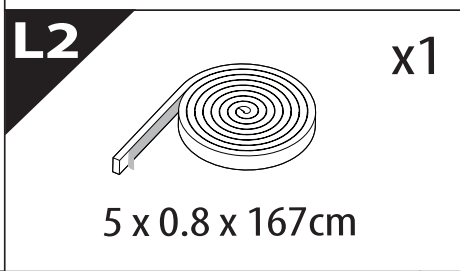
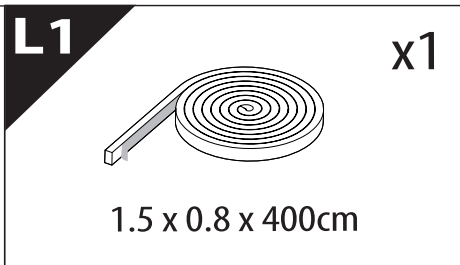
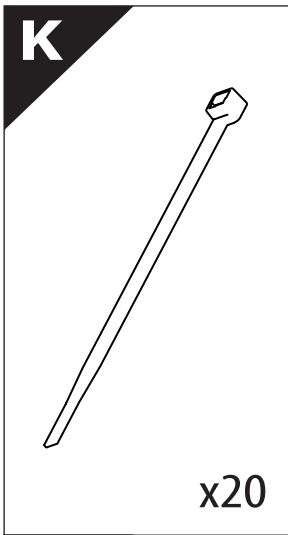
Basic Version + ⚡ E-KIT

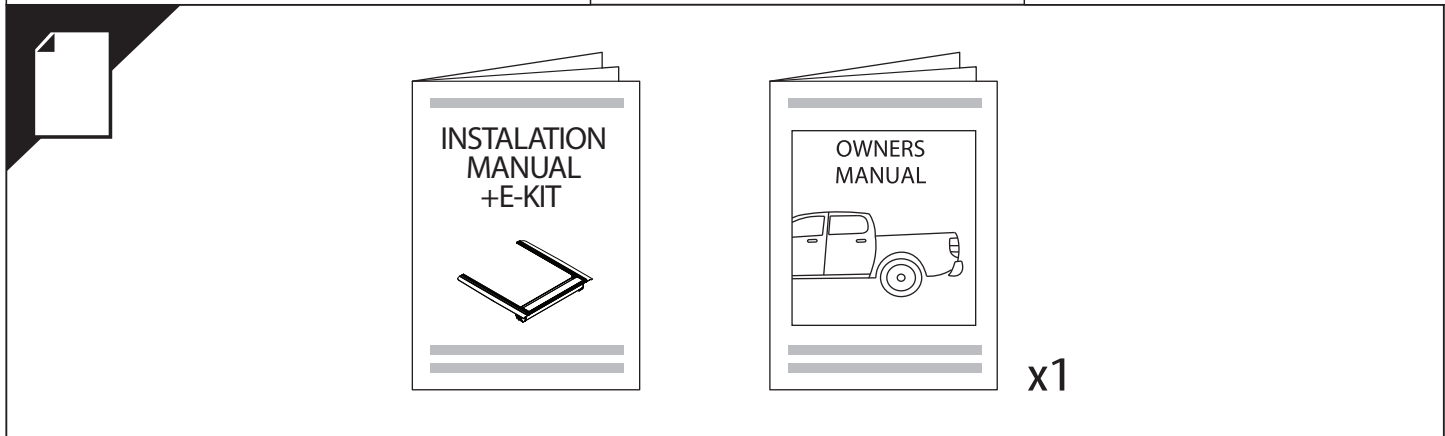
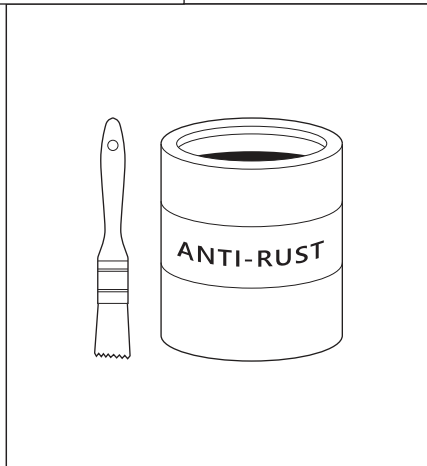
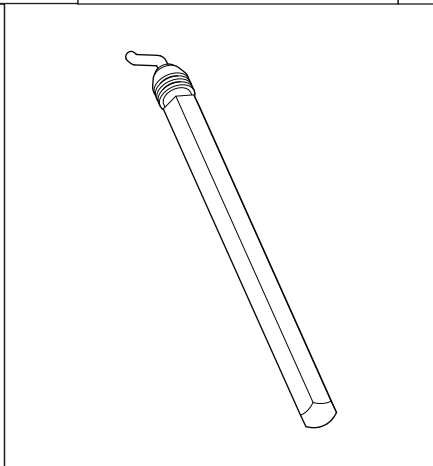
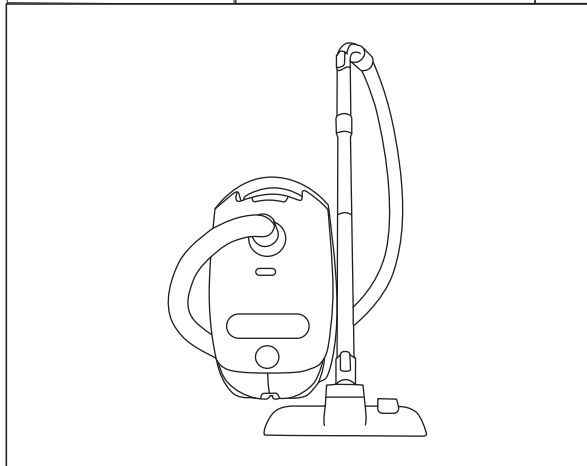
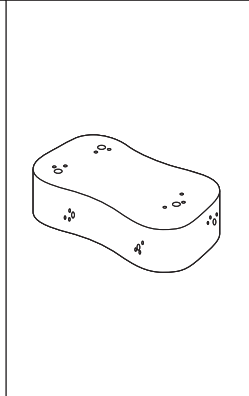
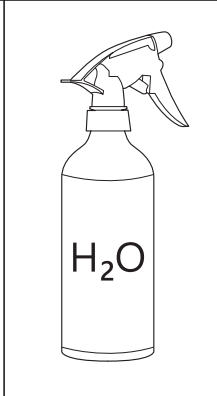
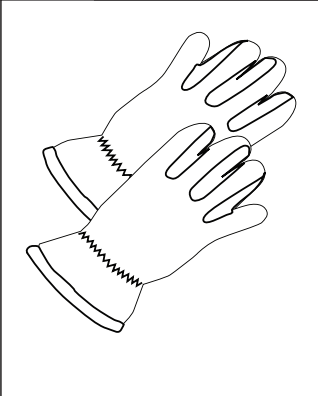
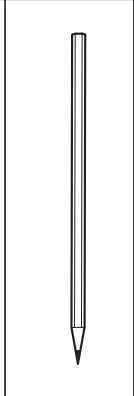
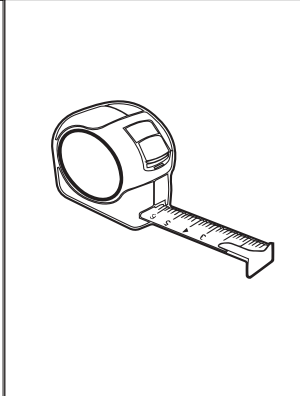
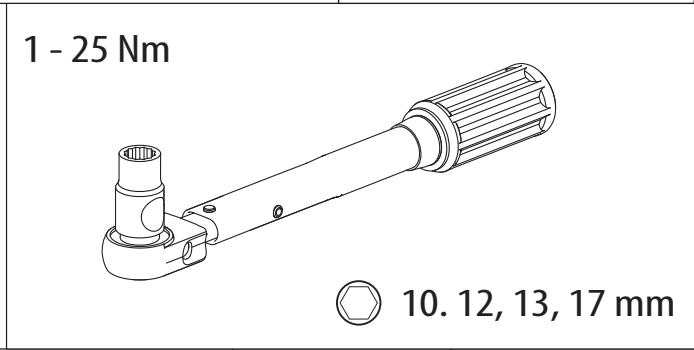
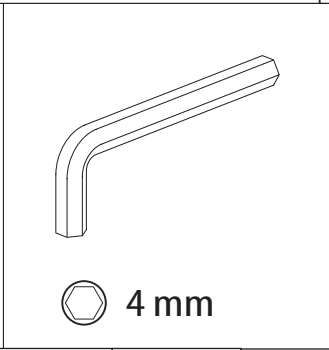
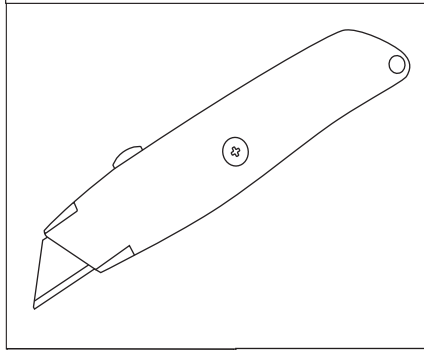
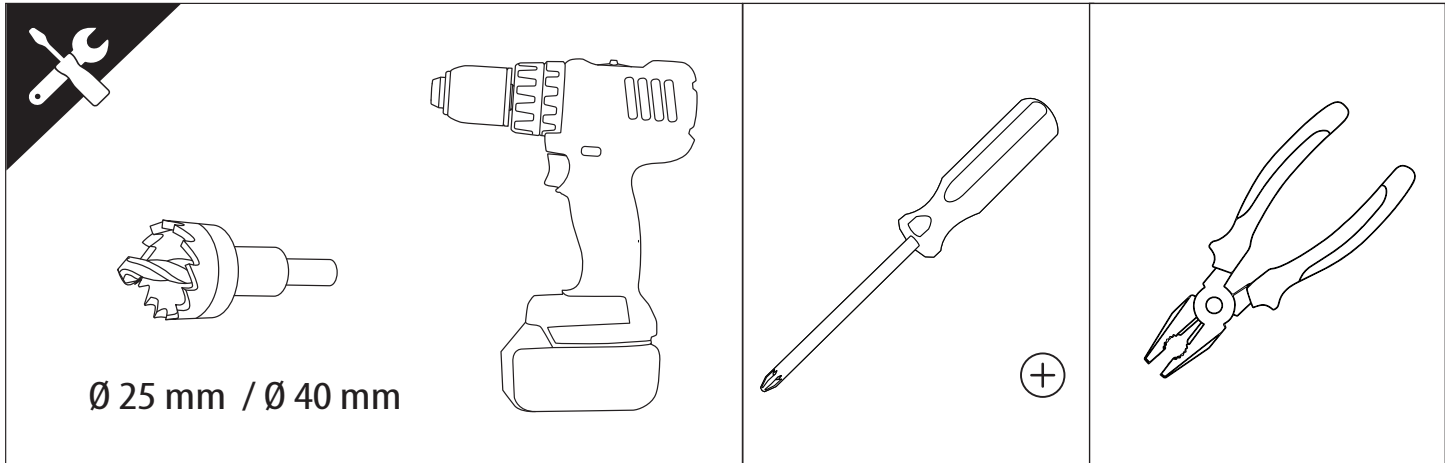


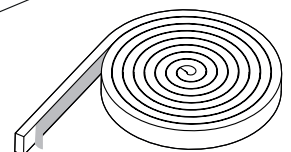
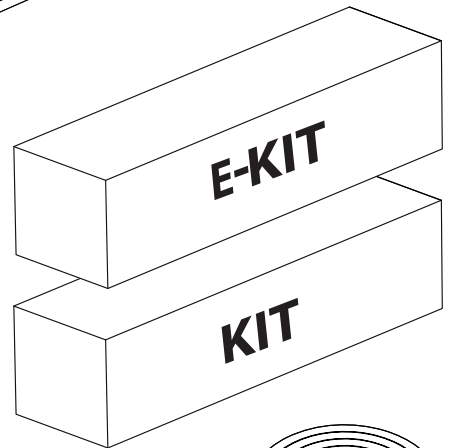
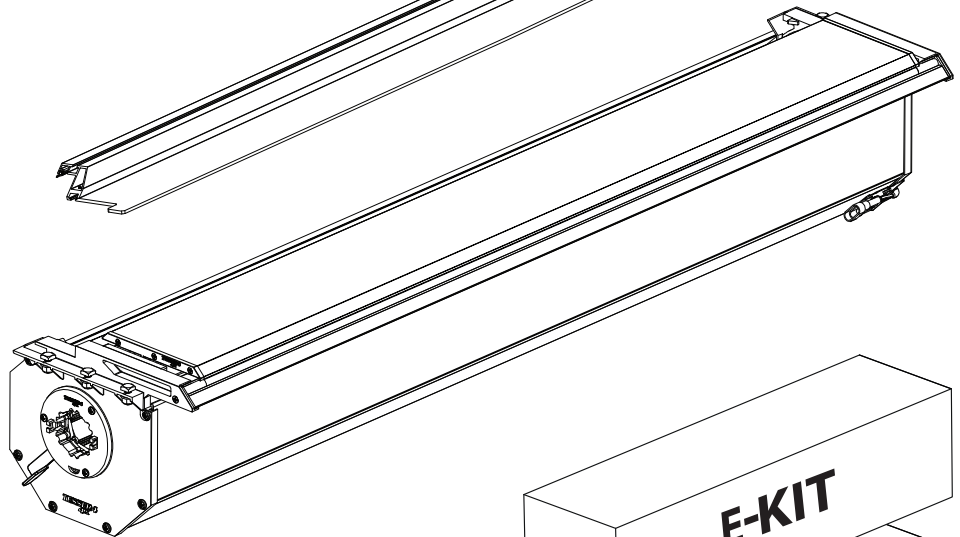
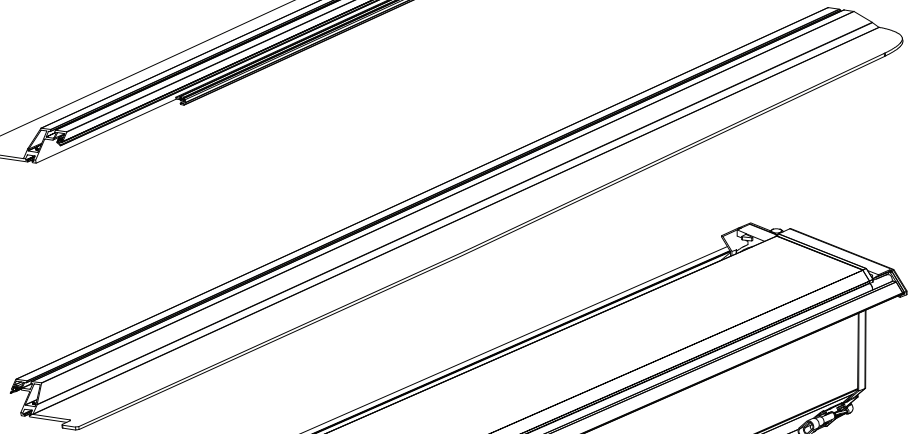
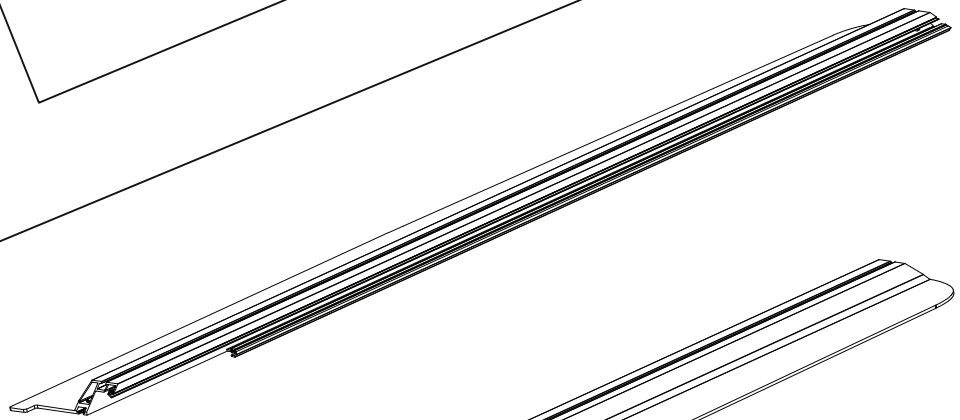
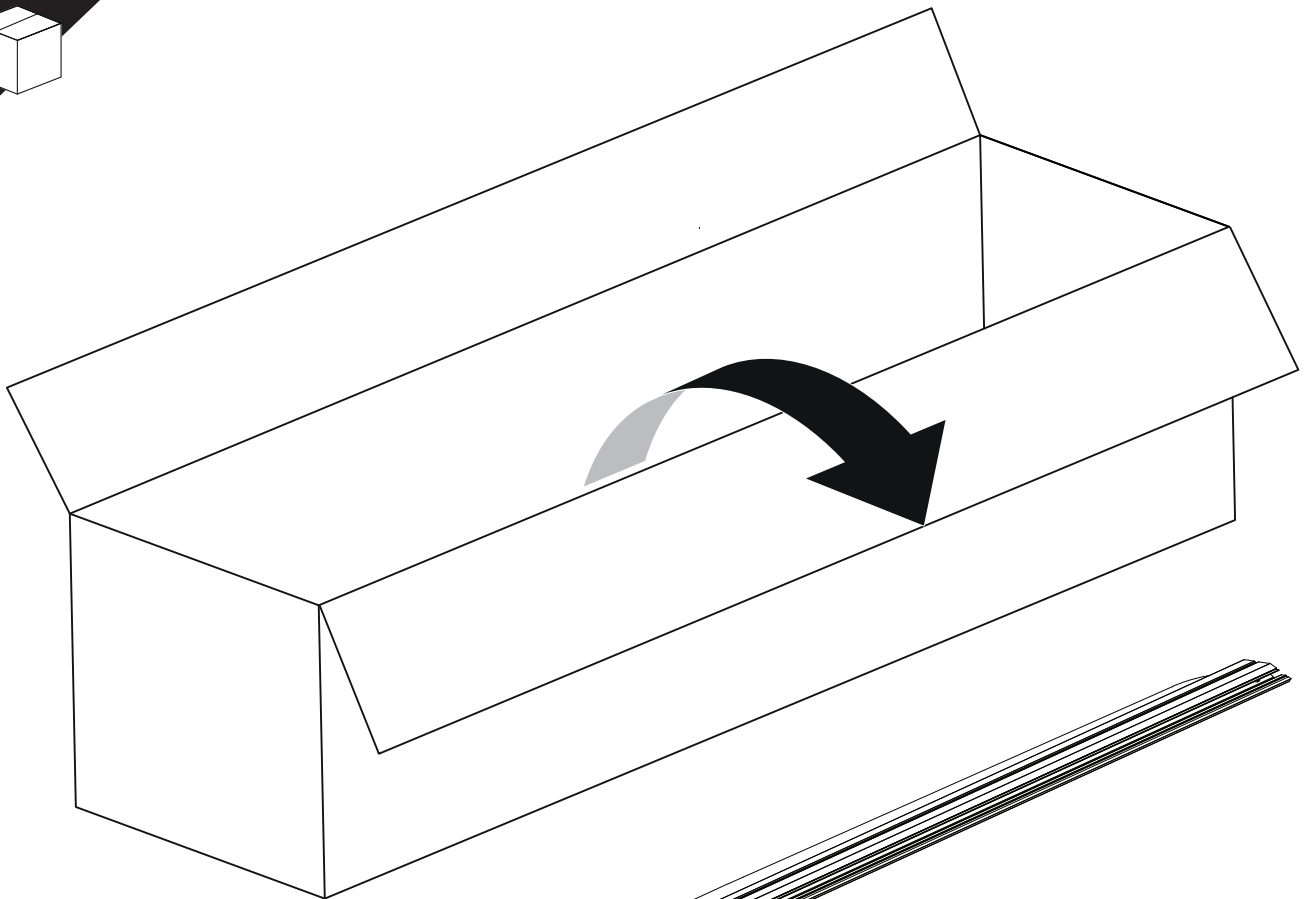
Installation Manual

PART NUMBER(S)	Model Year
TESS-140 ROLL+E-KIT	Toyota Hilux Vigo 2005-2016
TESS-1403 ROLL+E-KIT	
Cab(s)	Installation Time / Weight
Double Cab & Space cab	40-60 minutes / 53-57 kg







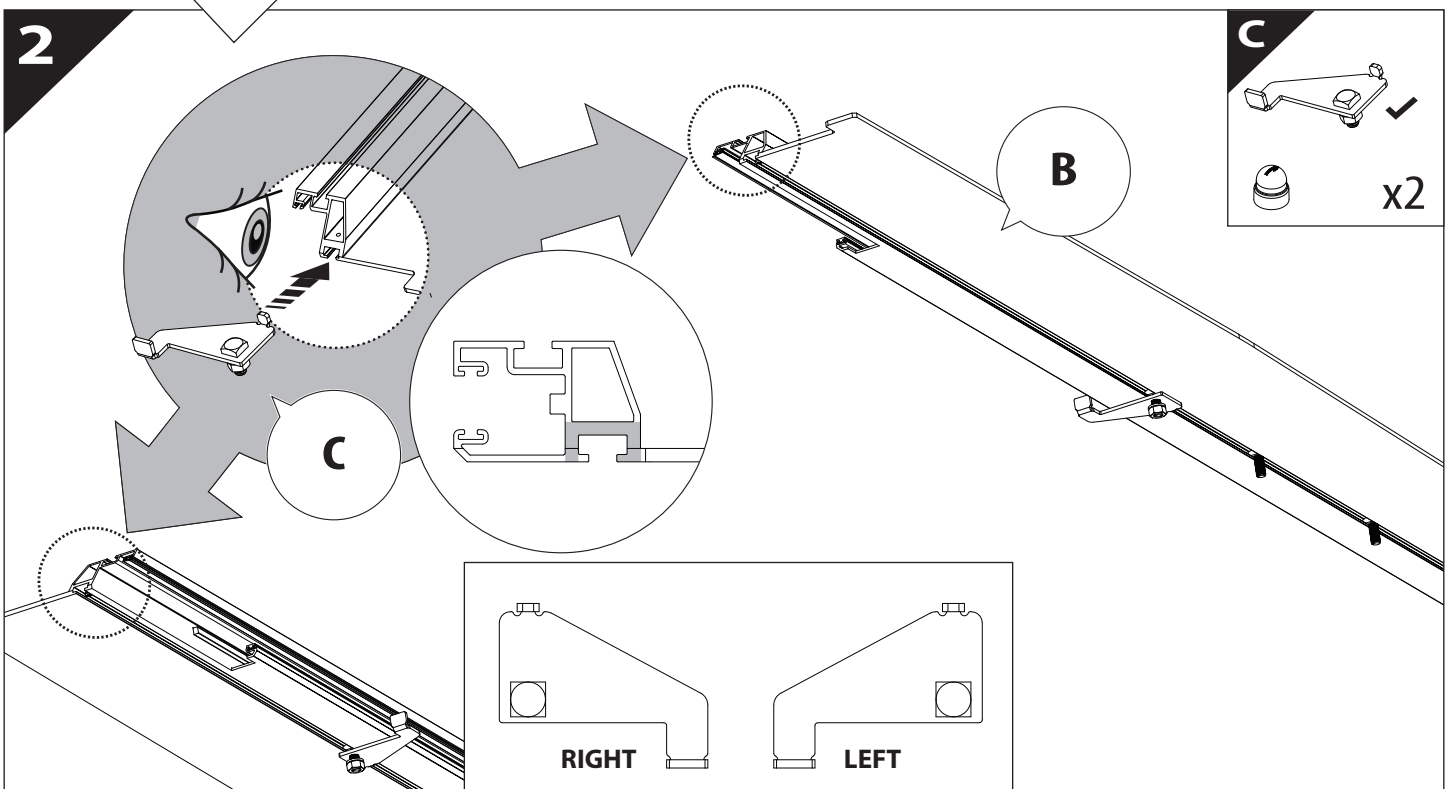
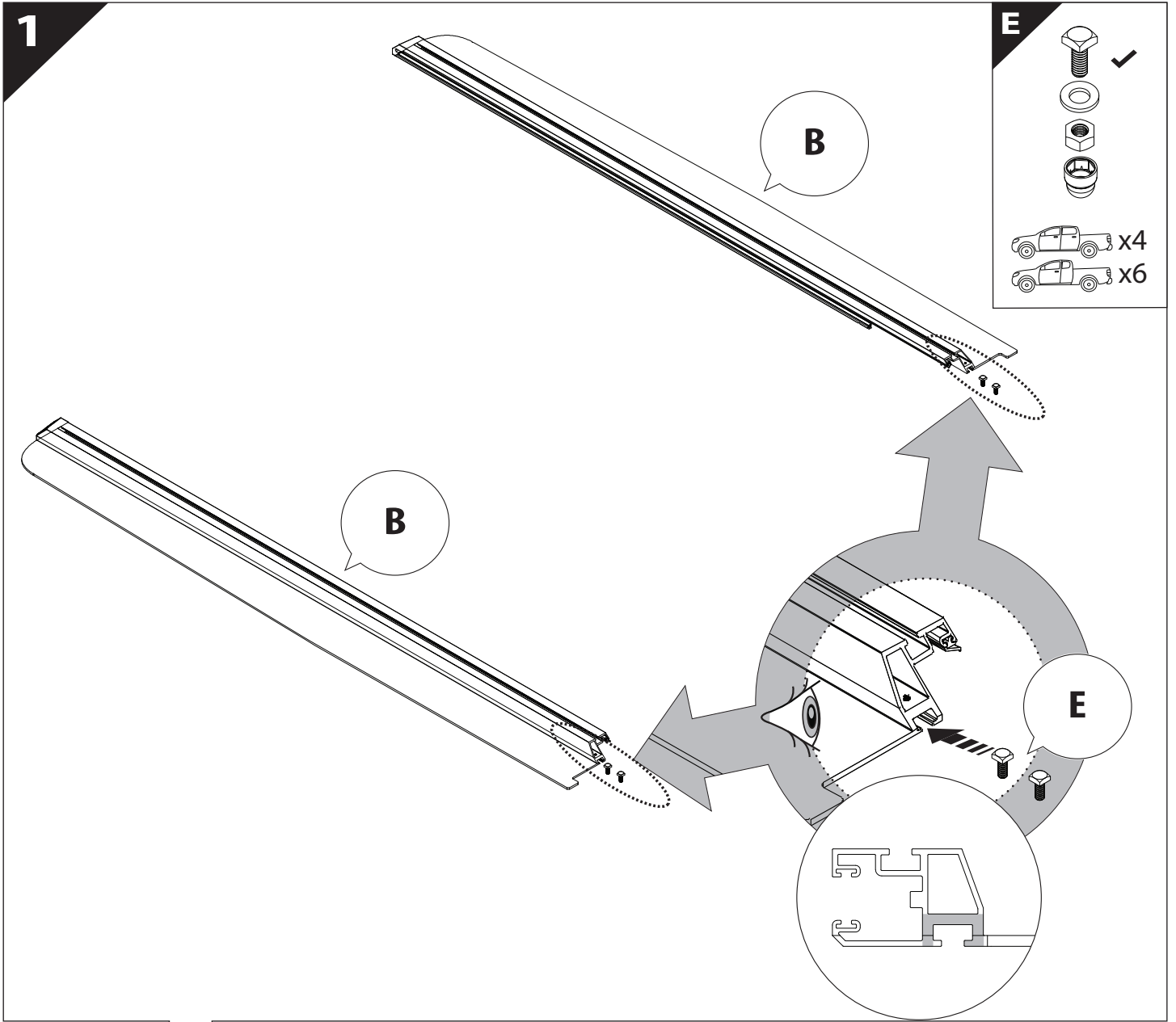


B

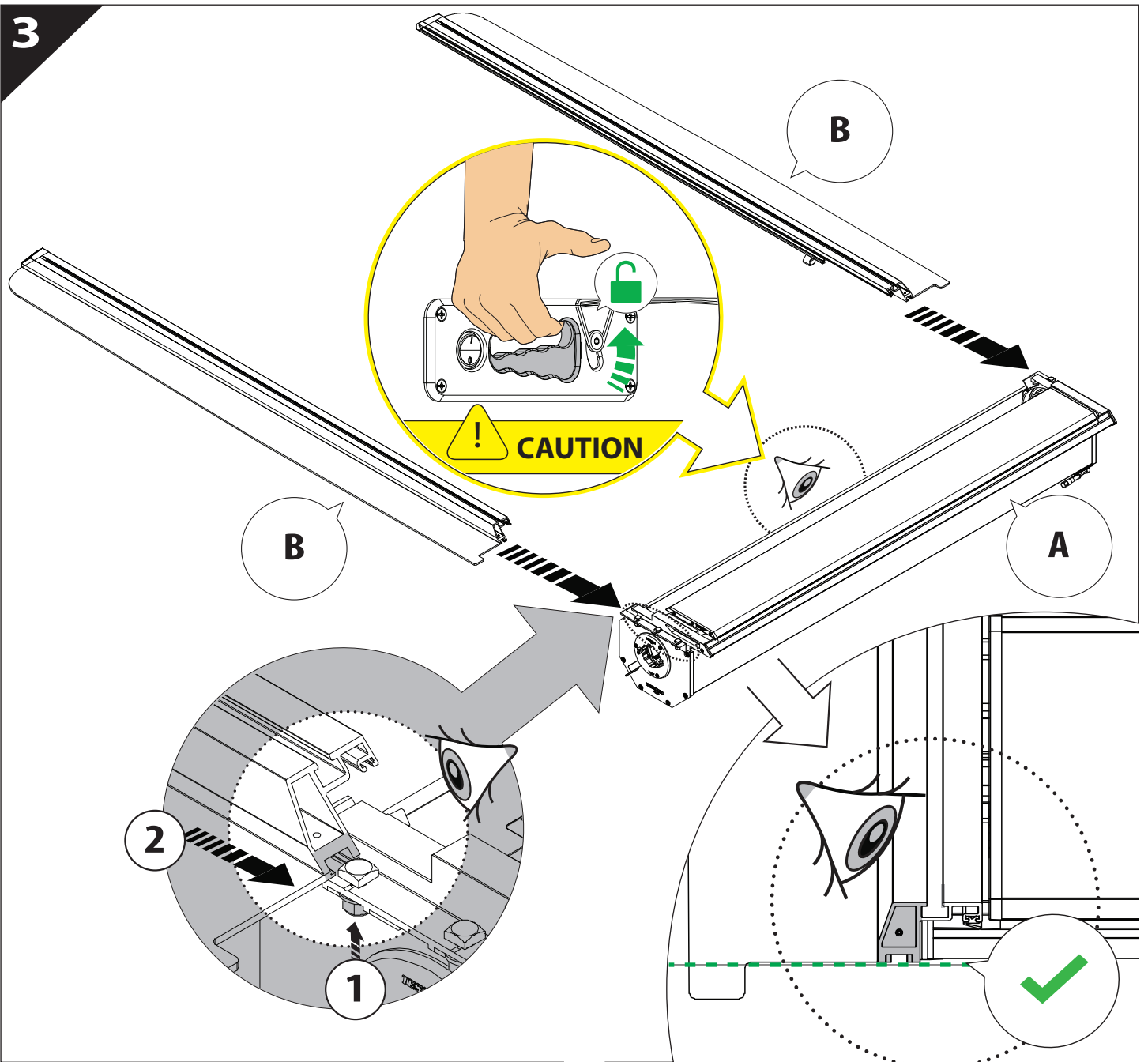
A

KITS

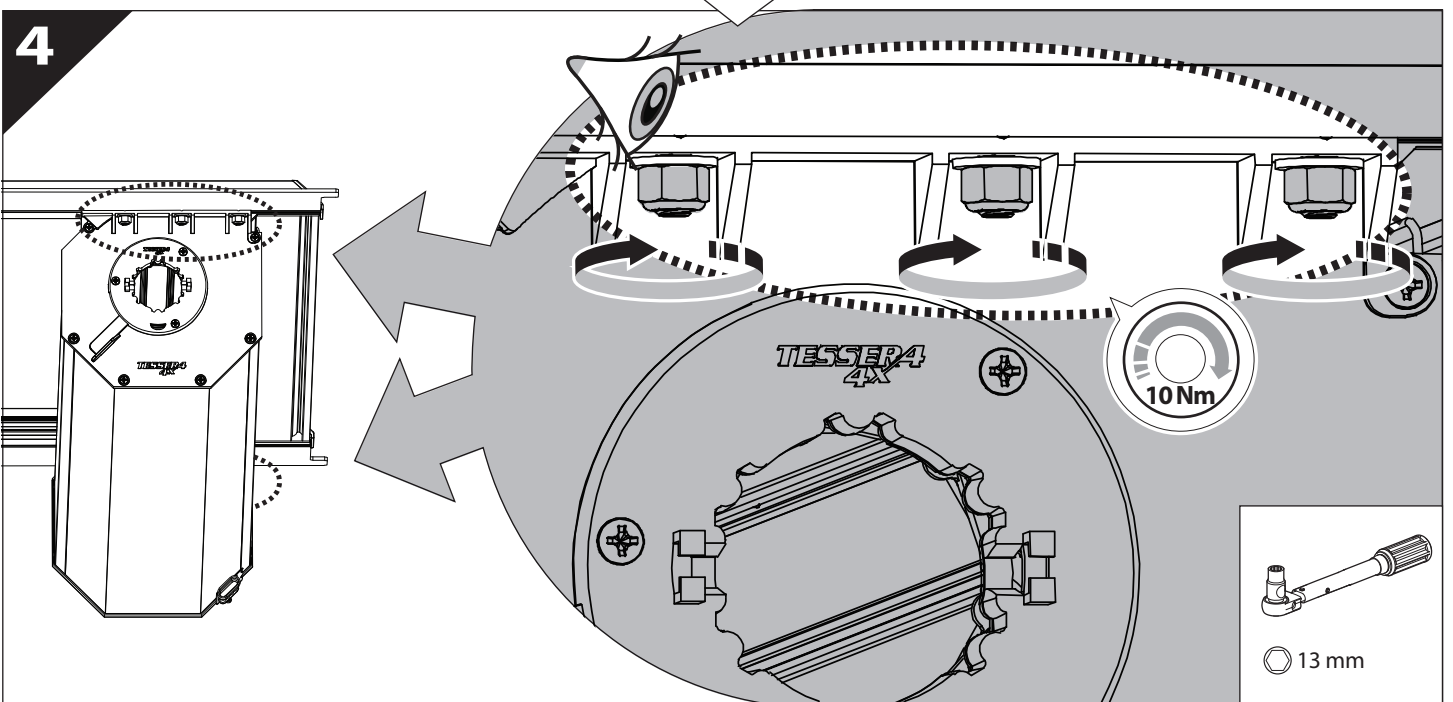
L



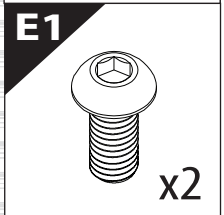
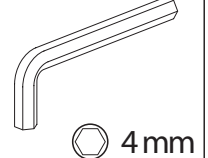
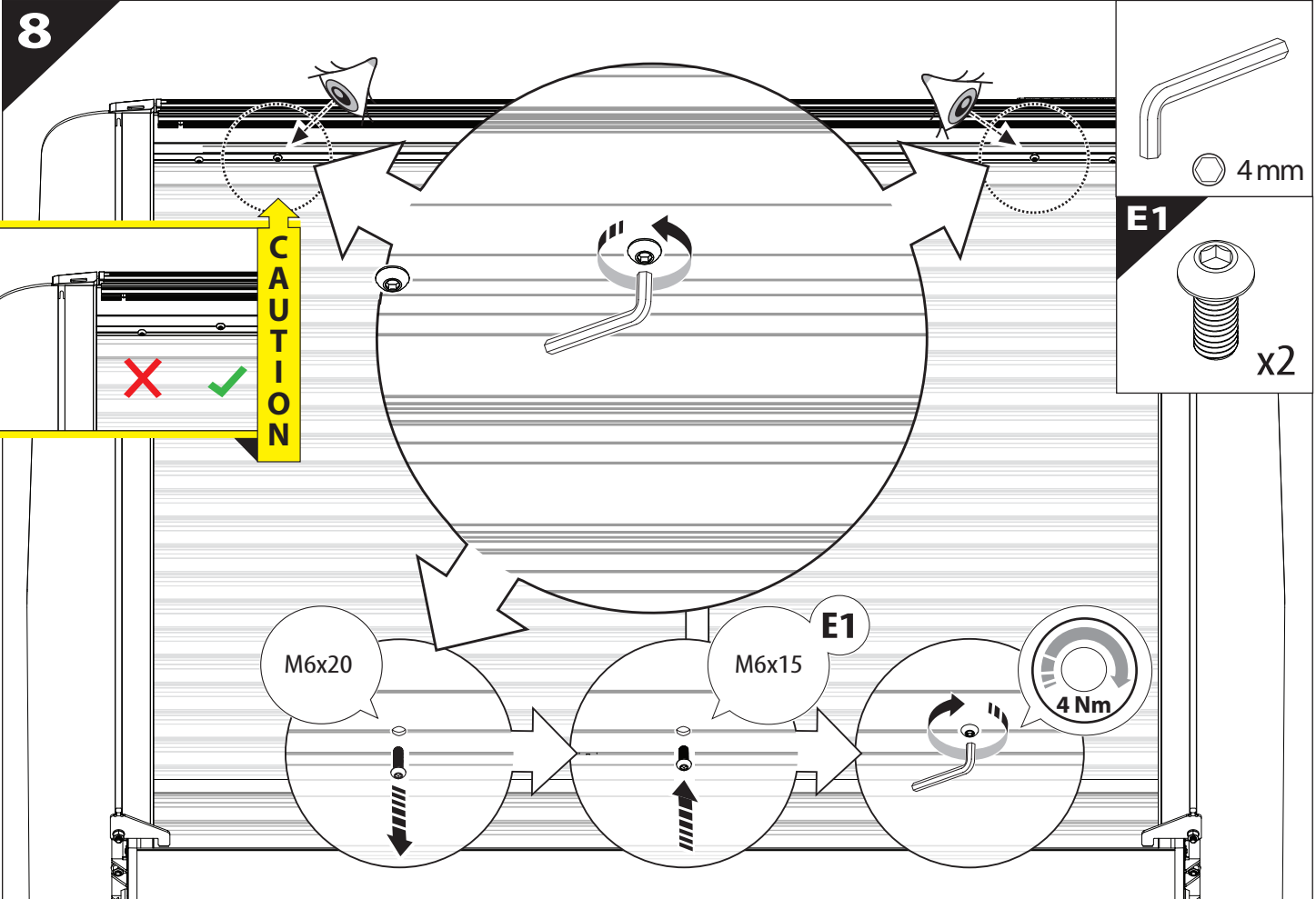
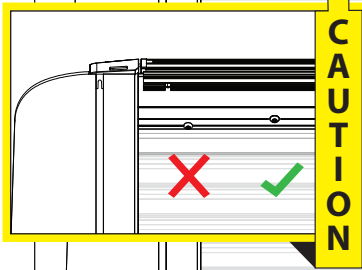
3



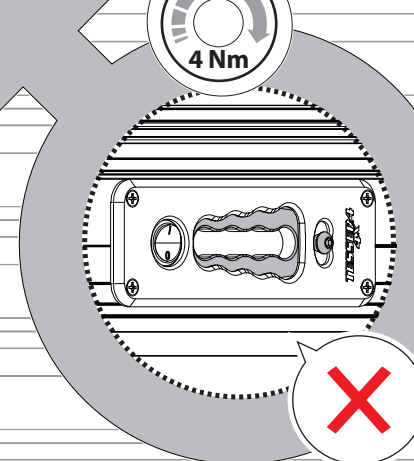
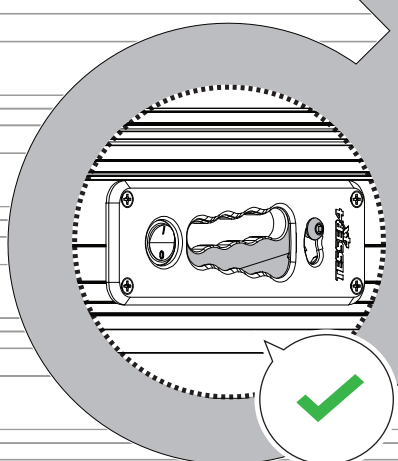
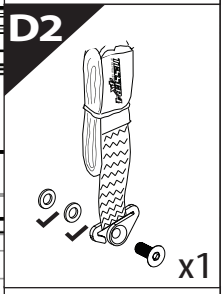
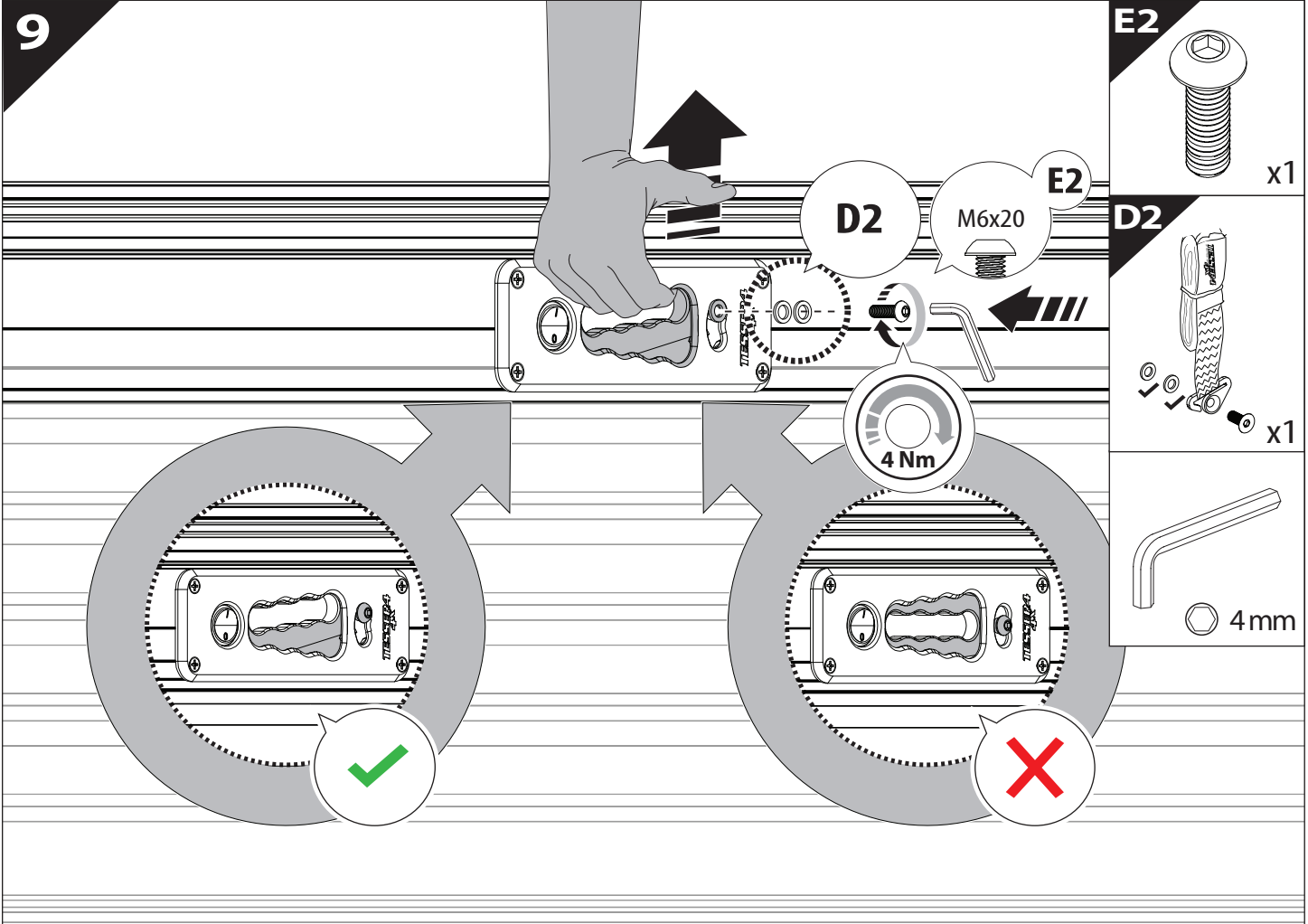
4

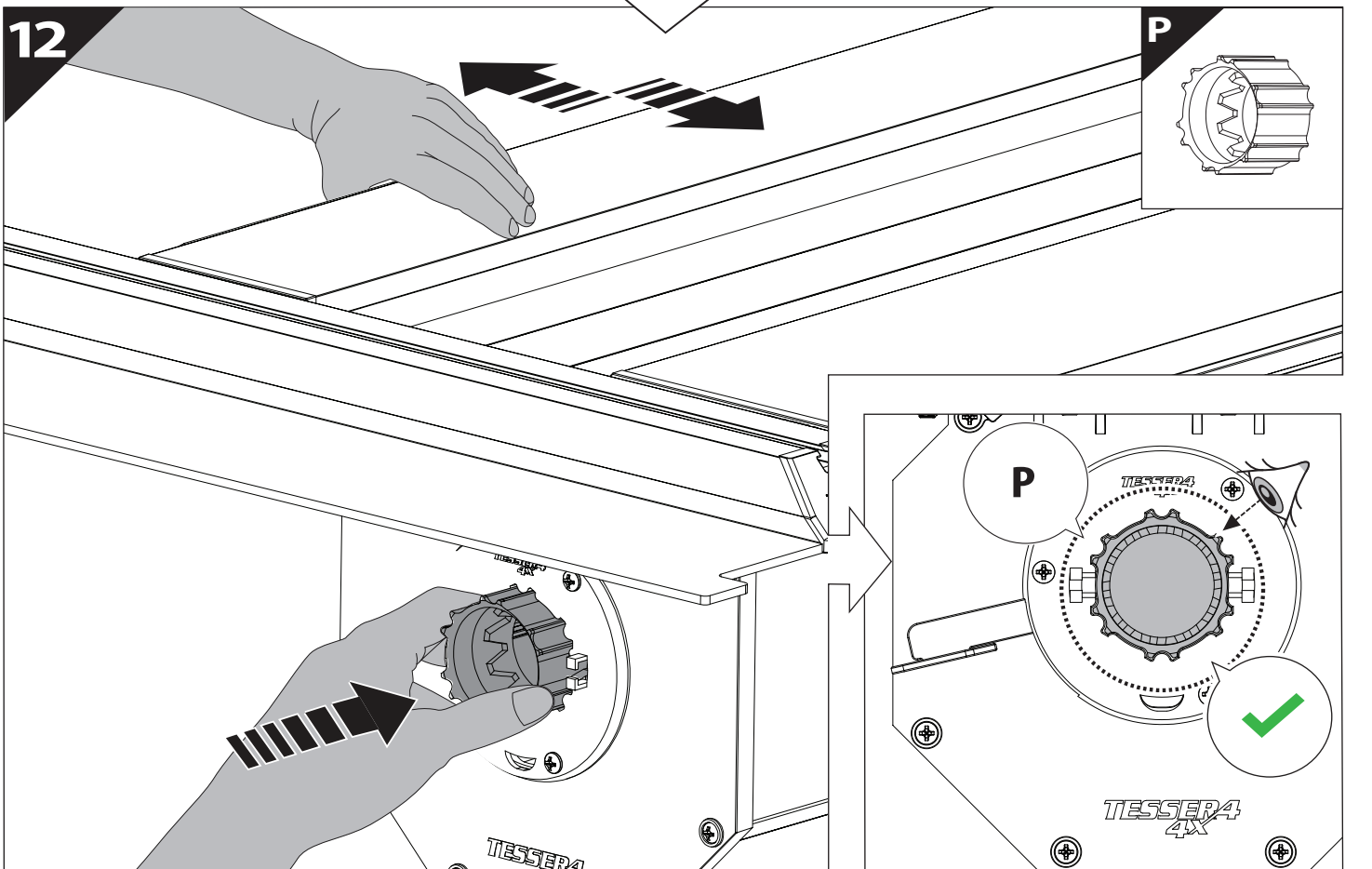
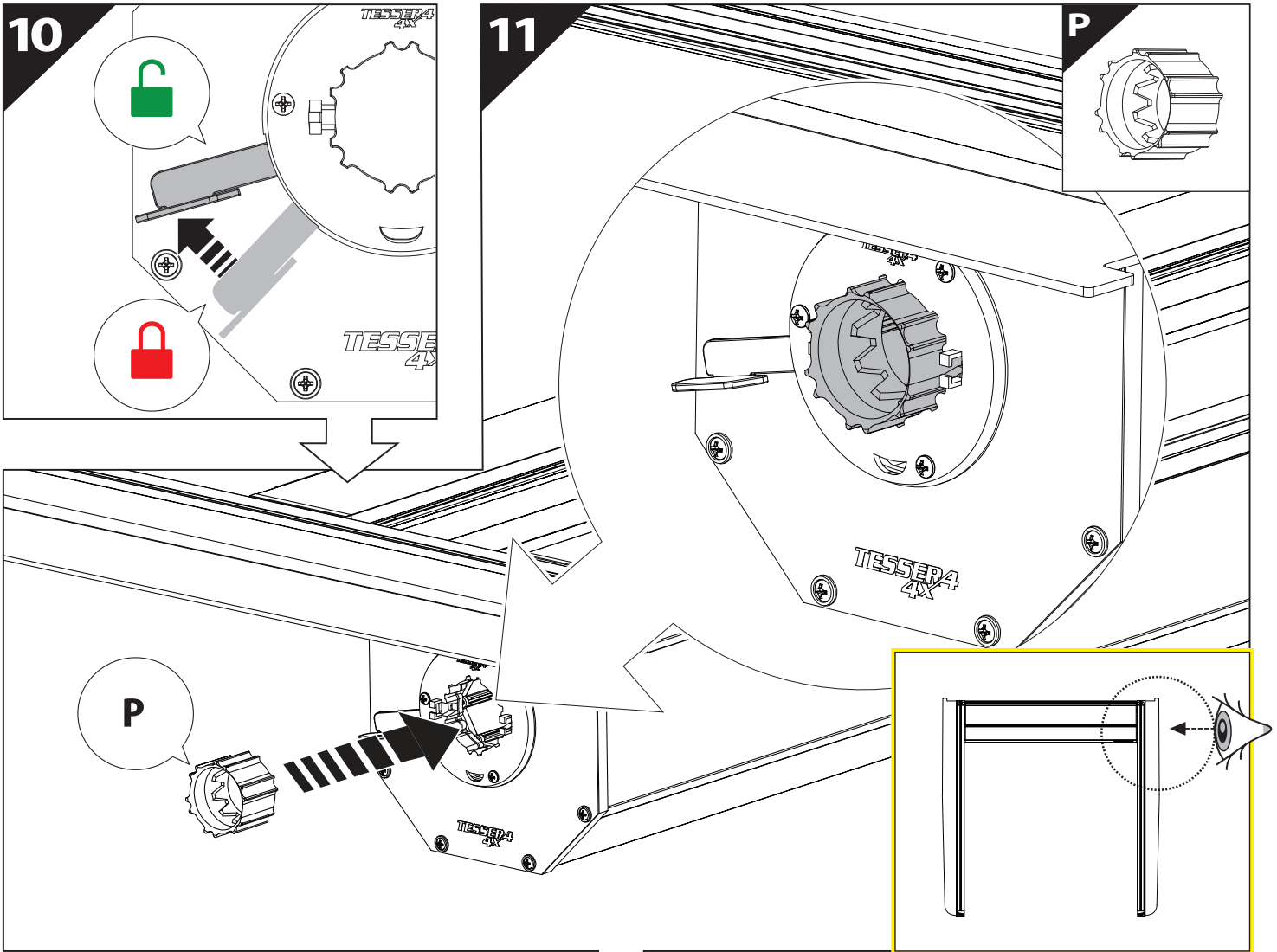


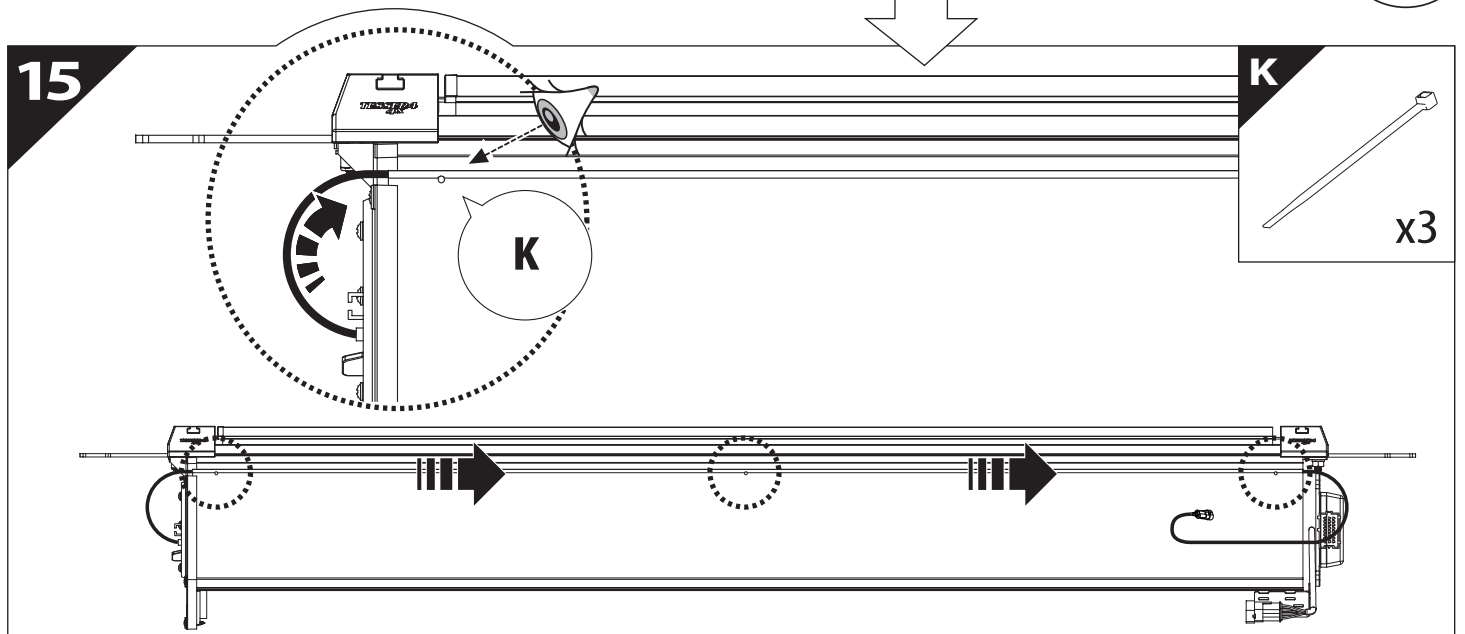
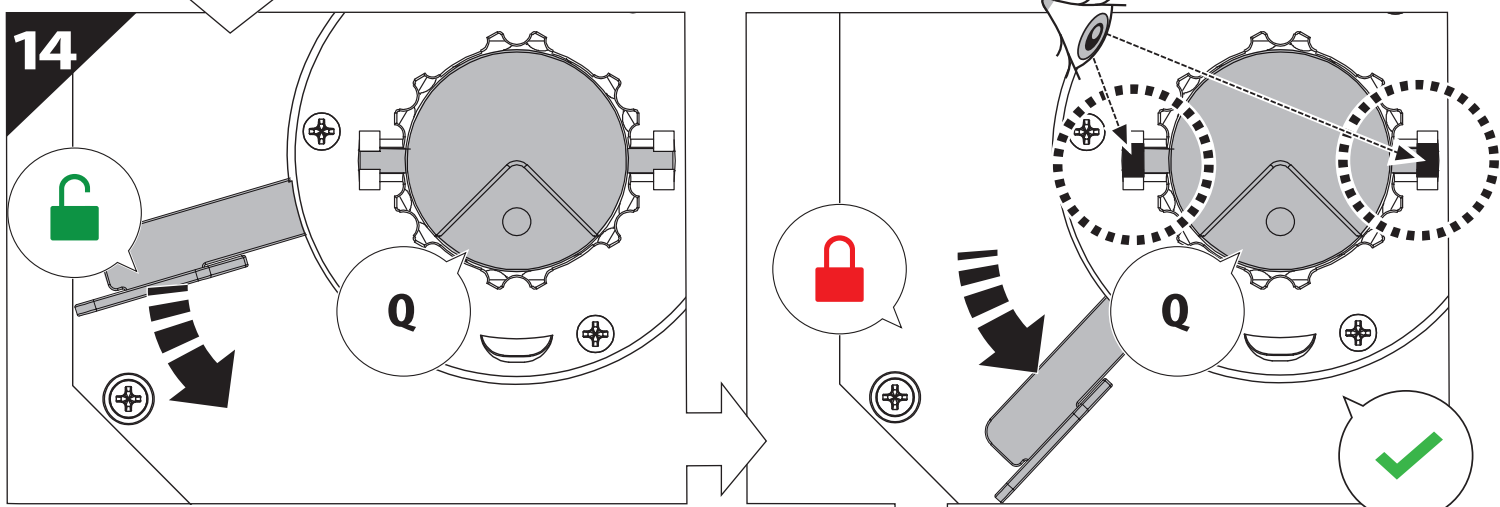
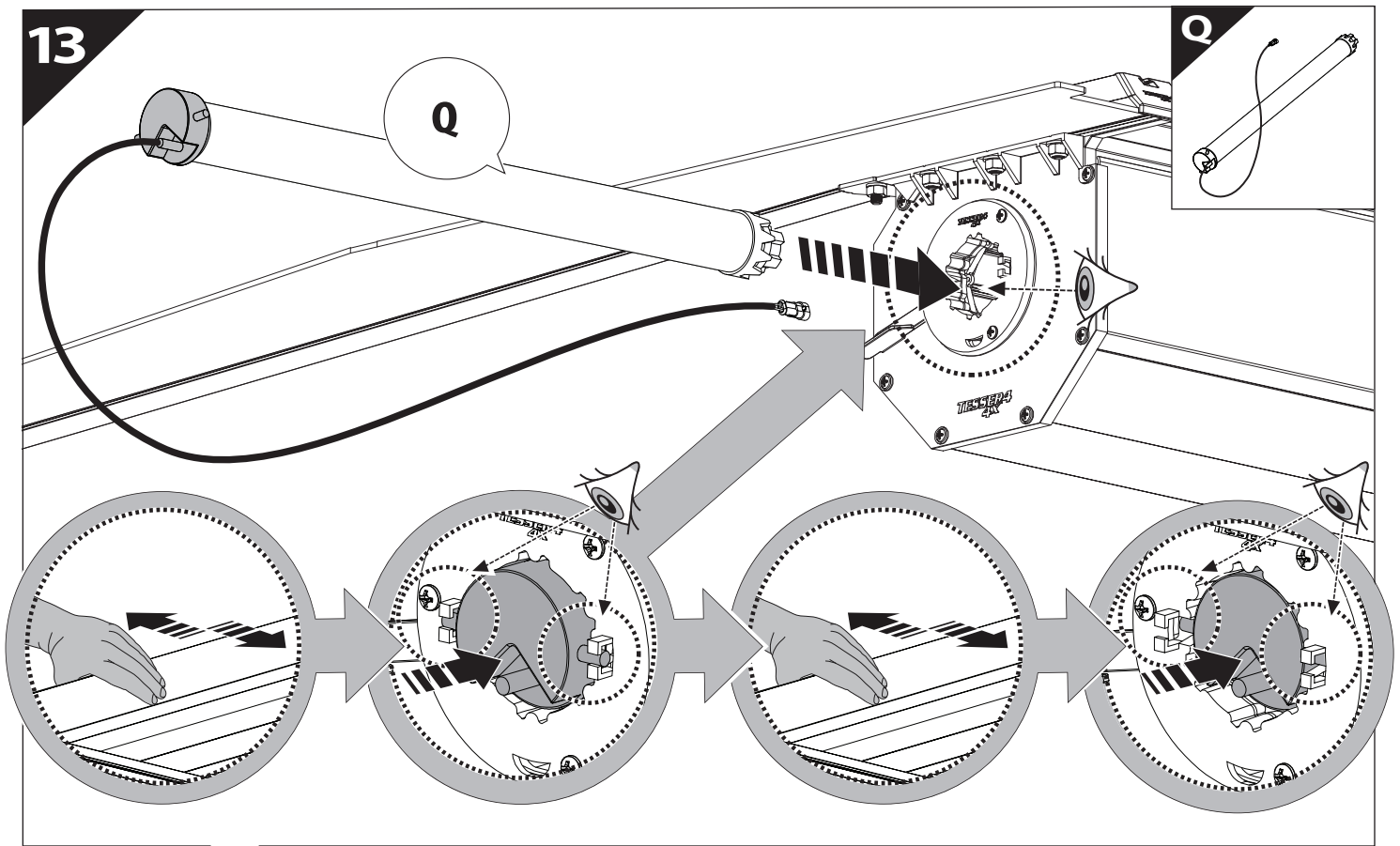
8

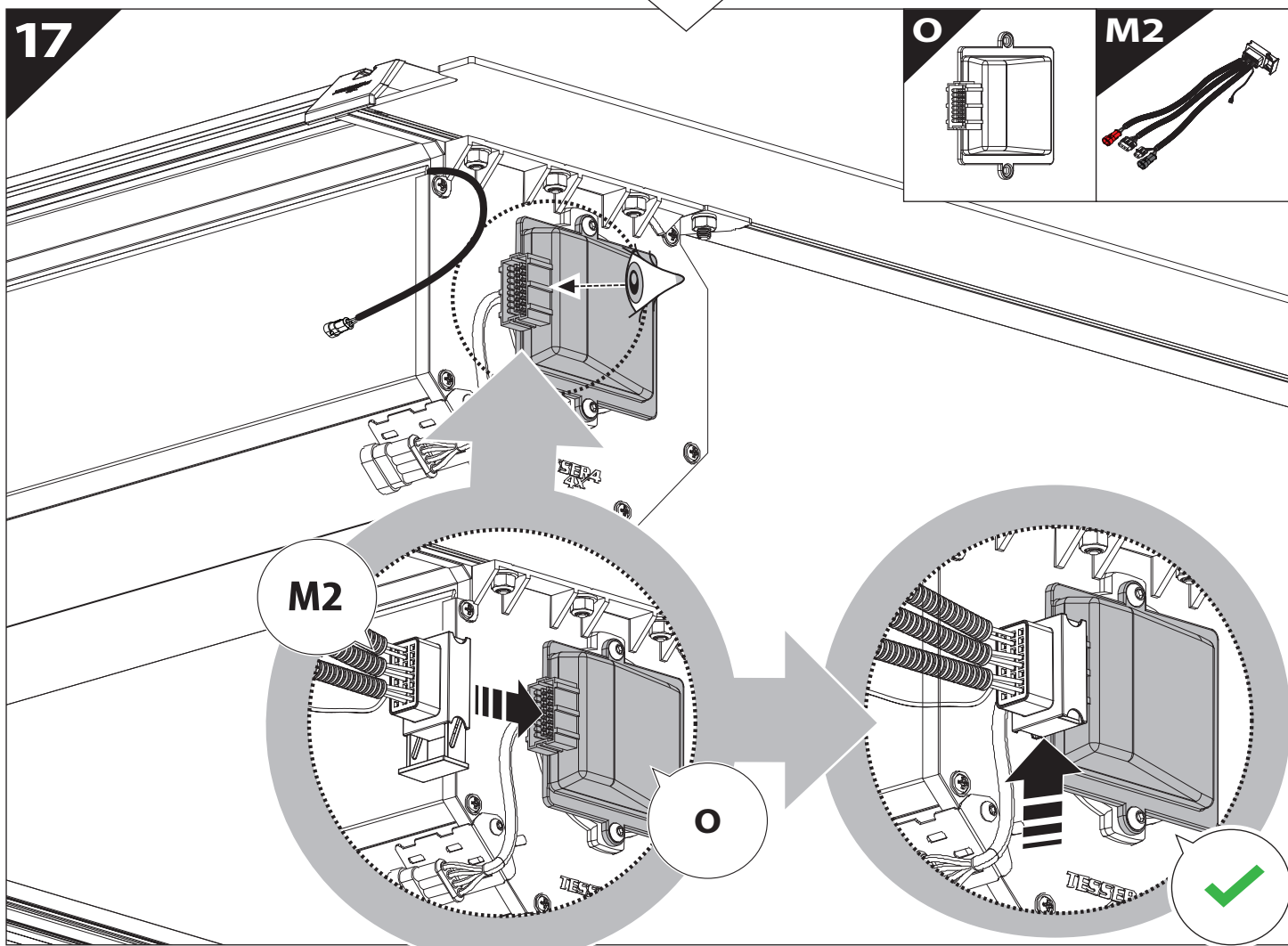
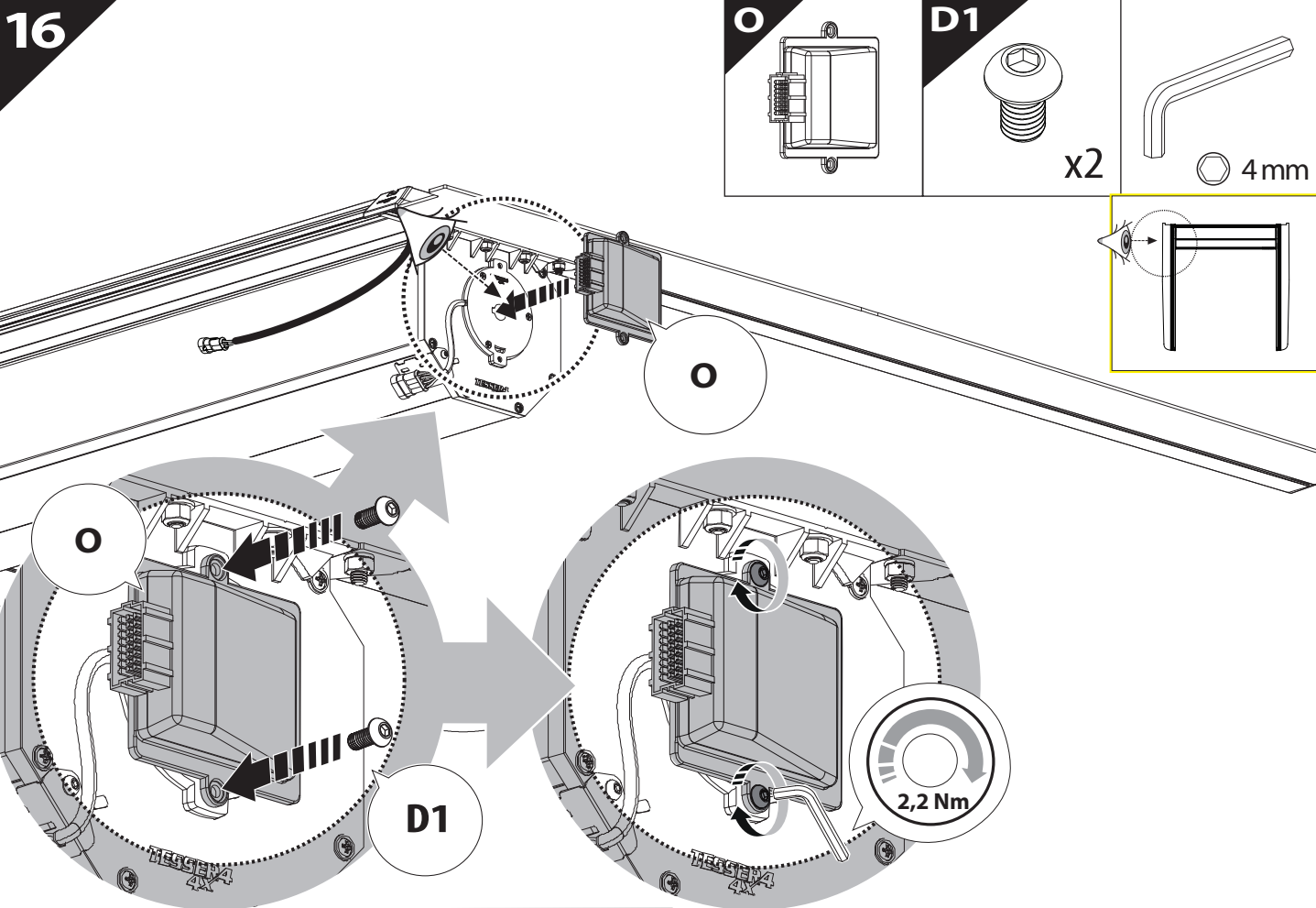


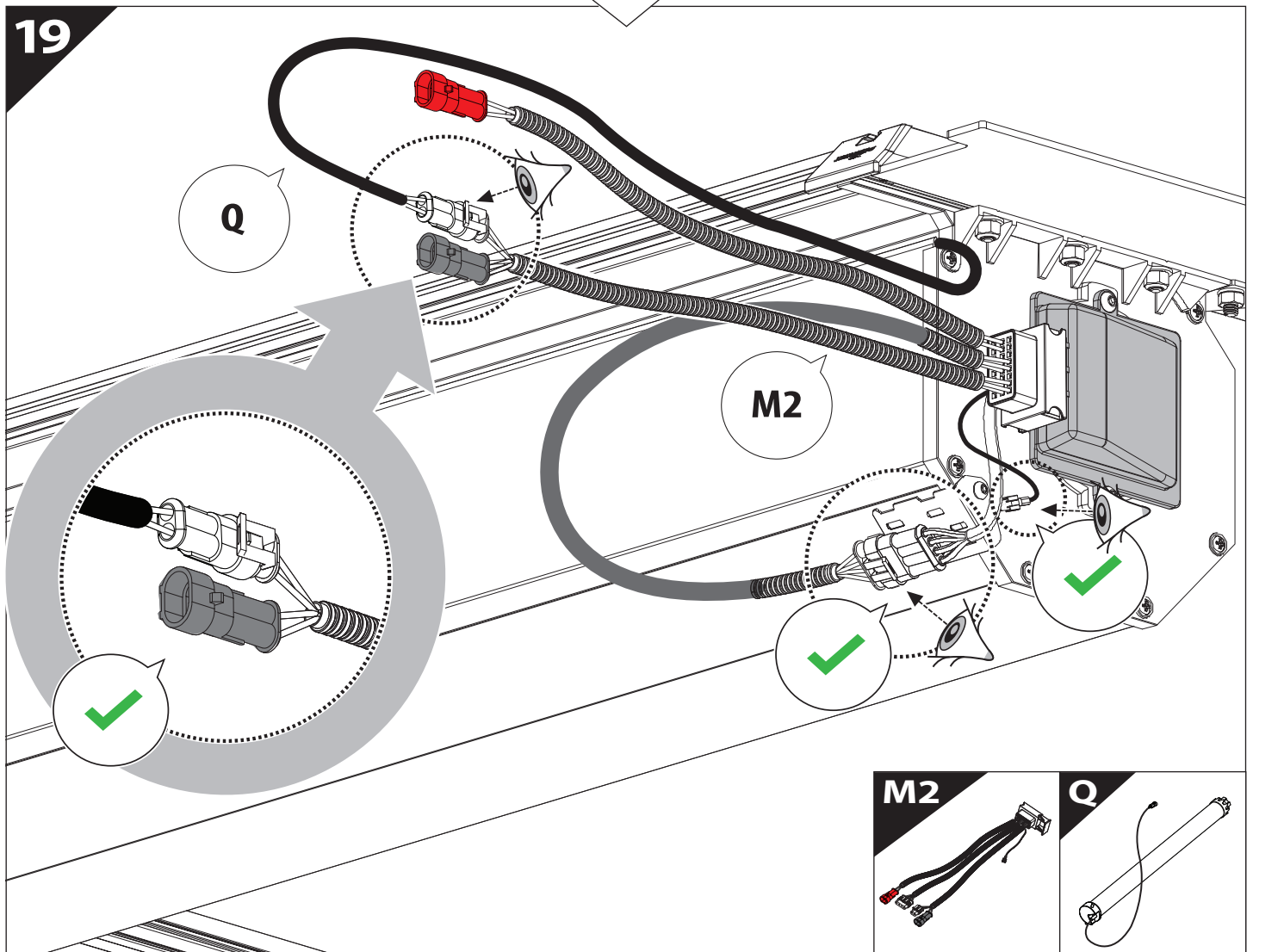
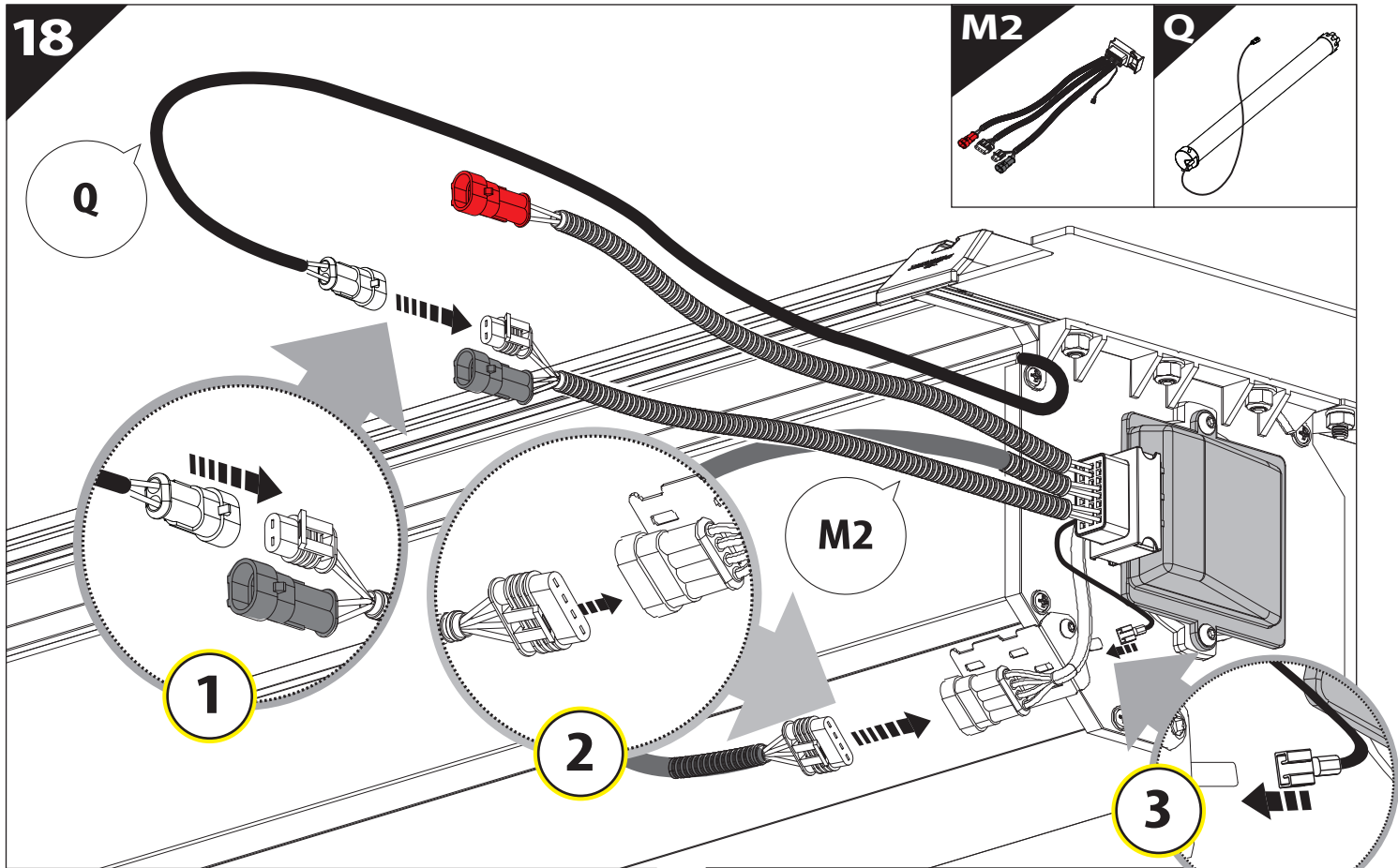
9

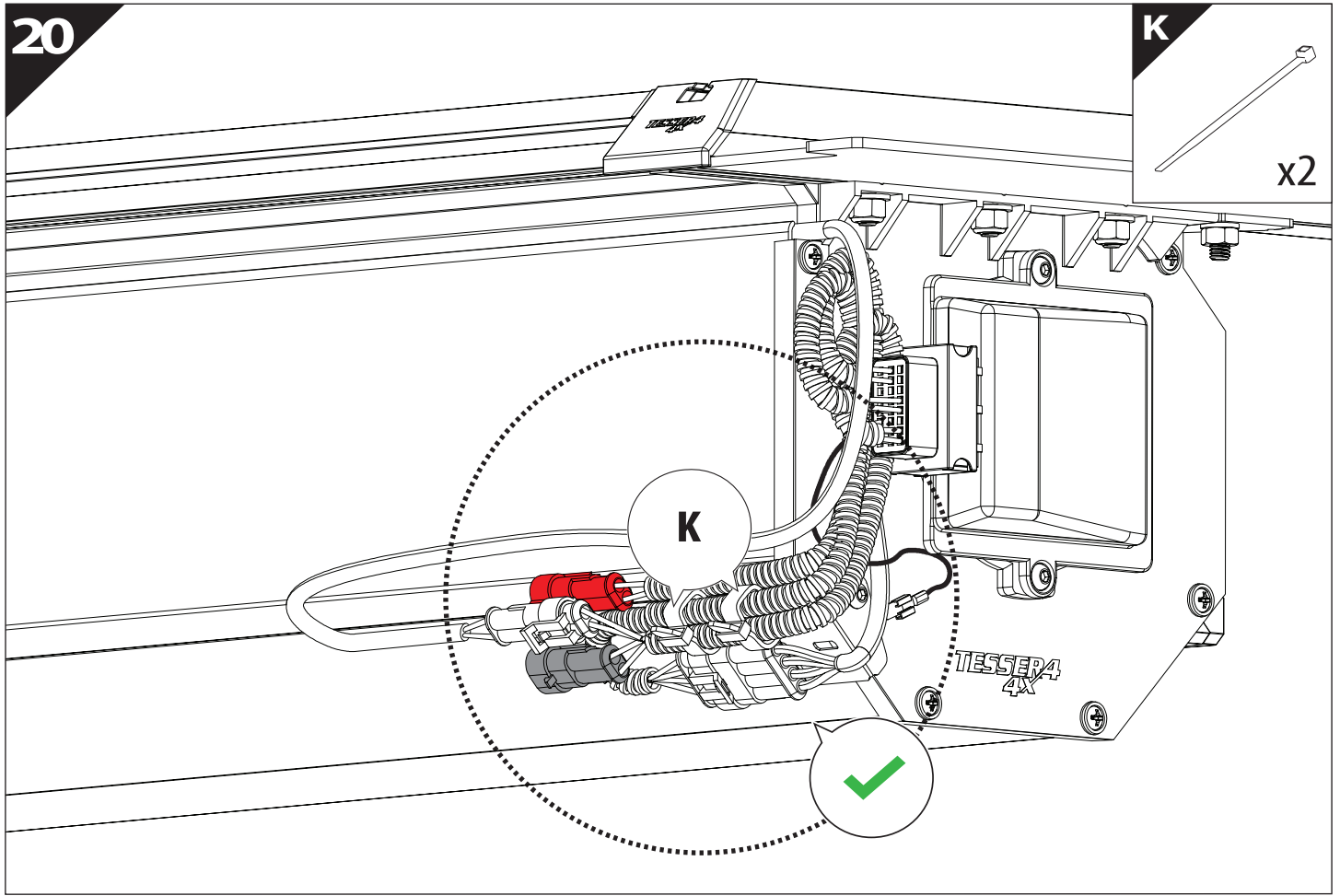












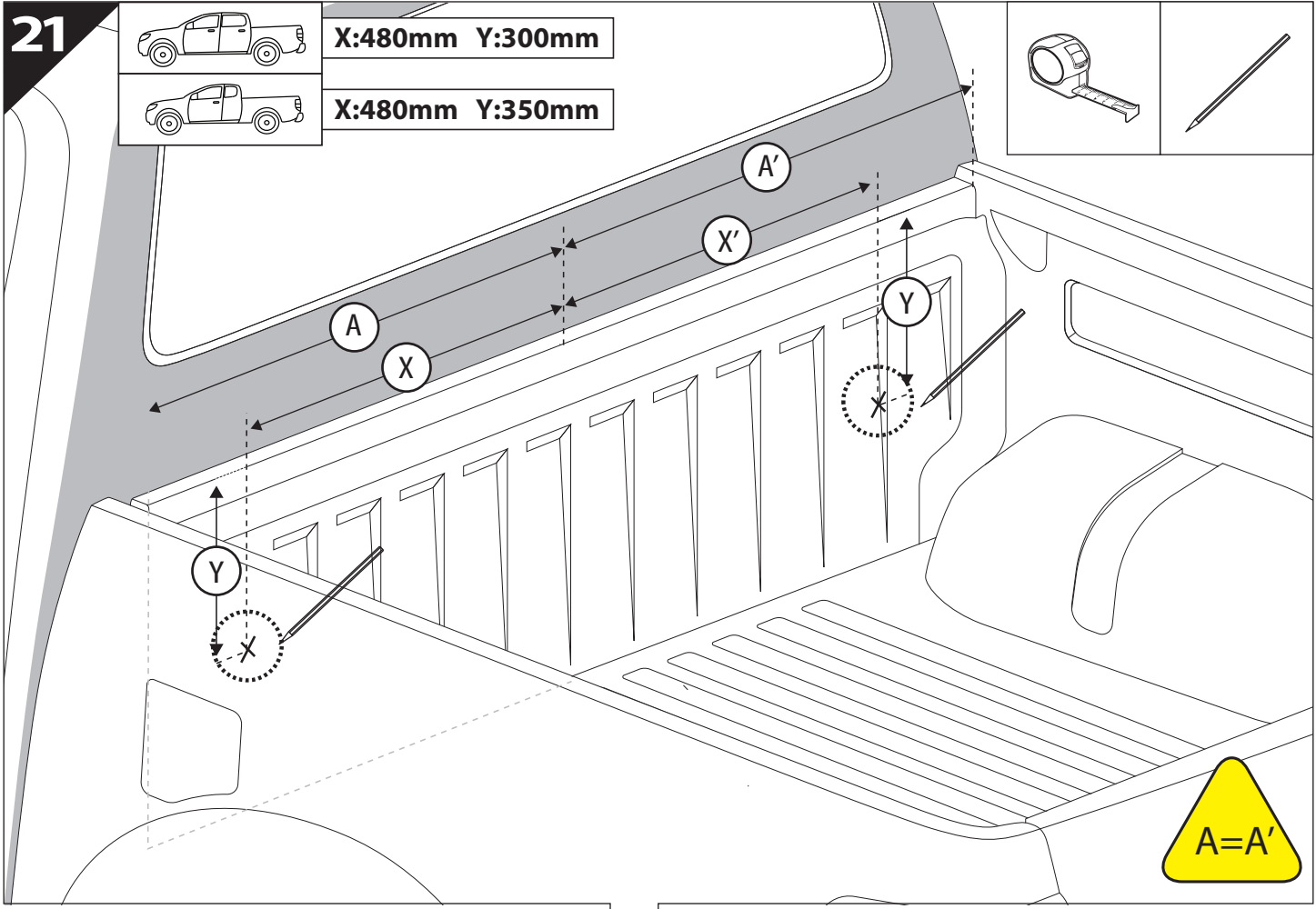
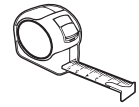
21



X:480mm Y:300mm



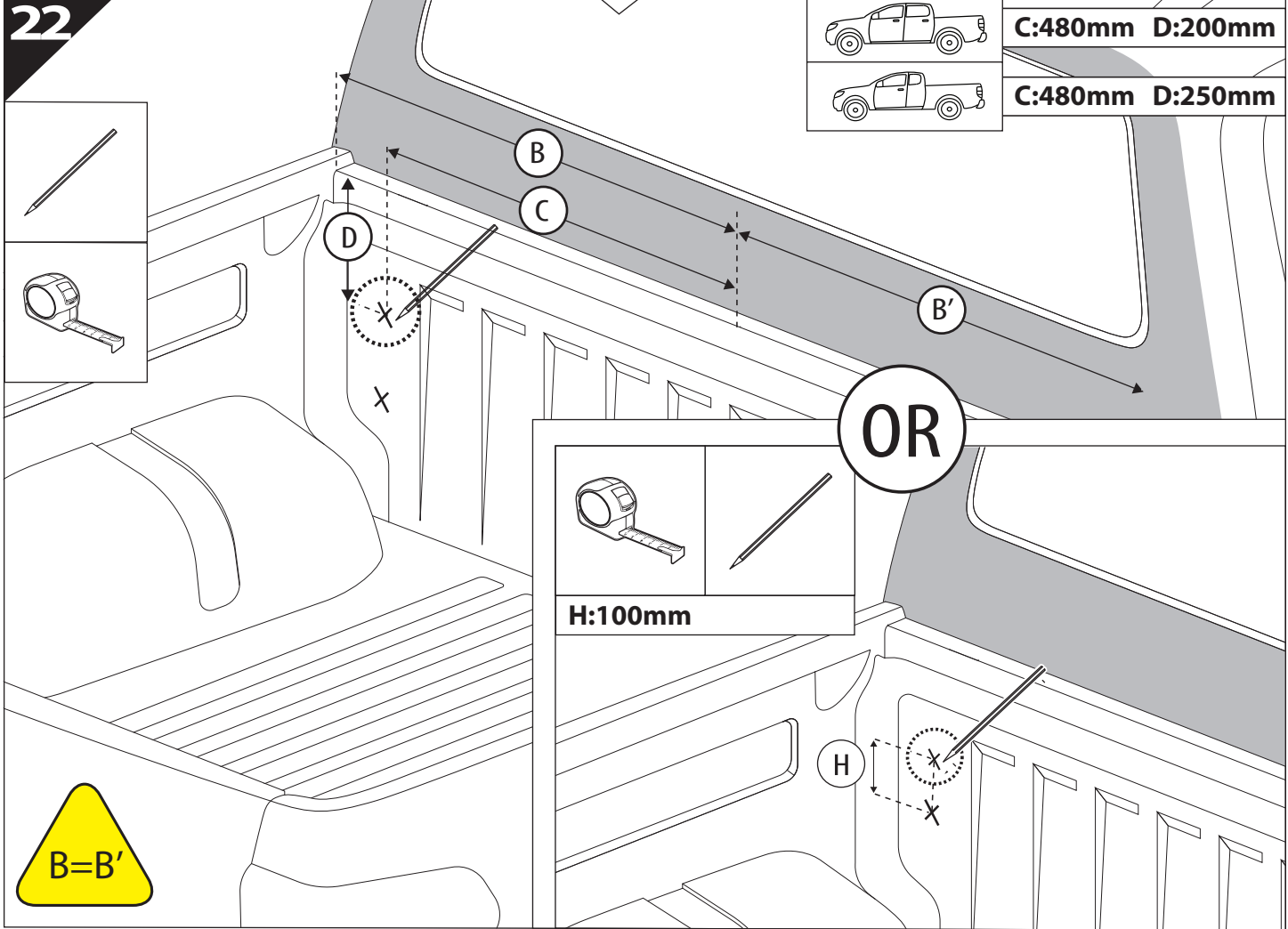
X:480mm Y:350mm

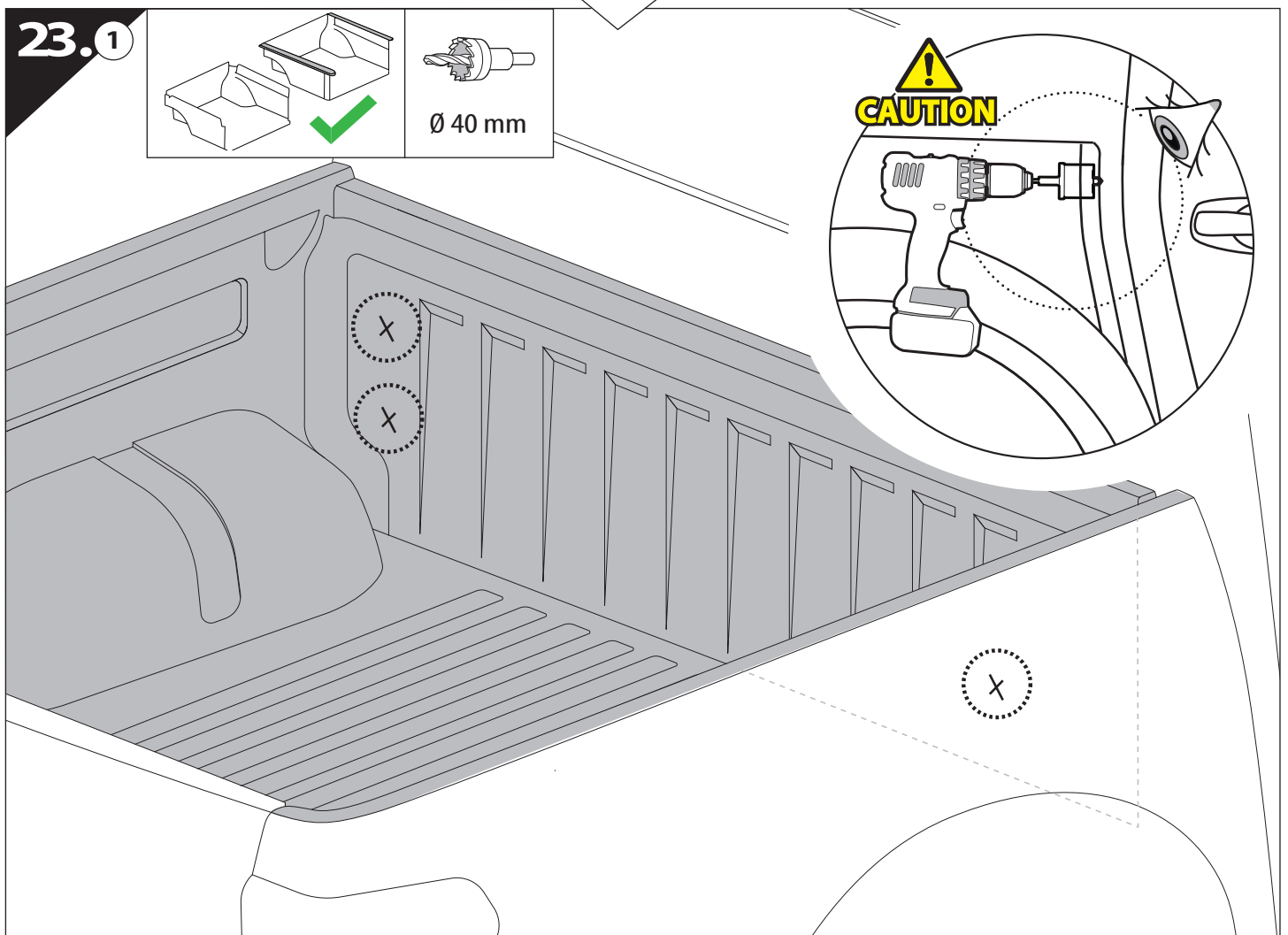
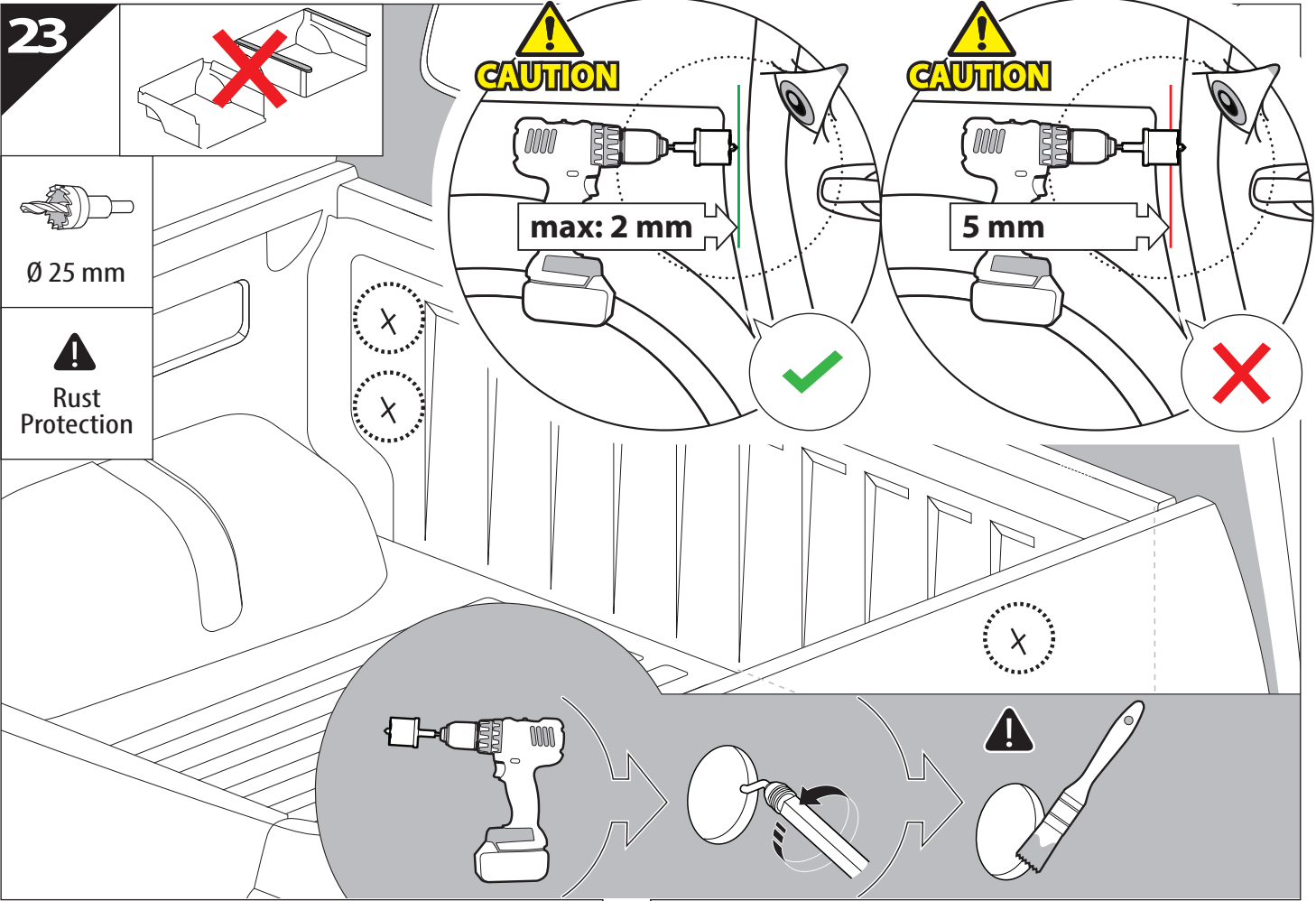


C:480mm D:200mm

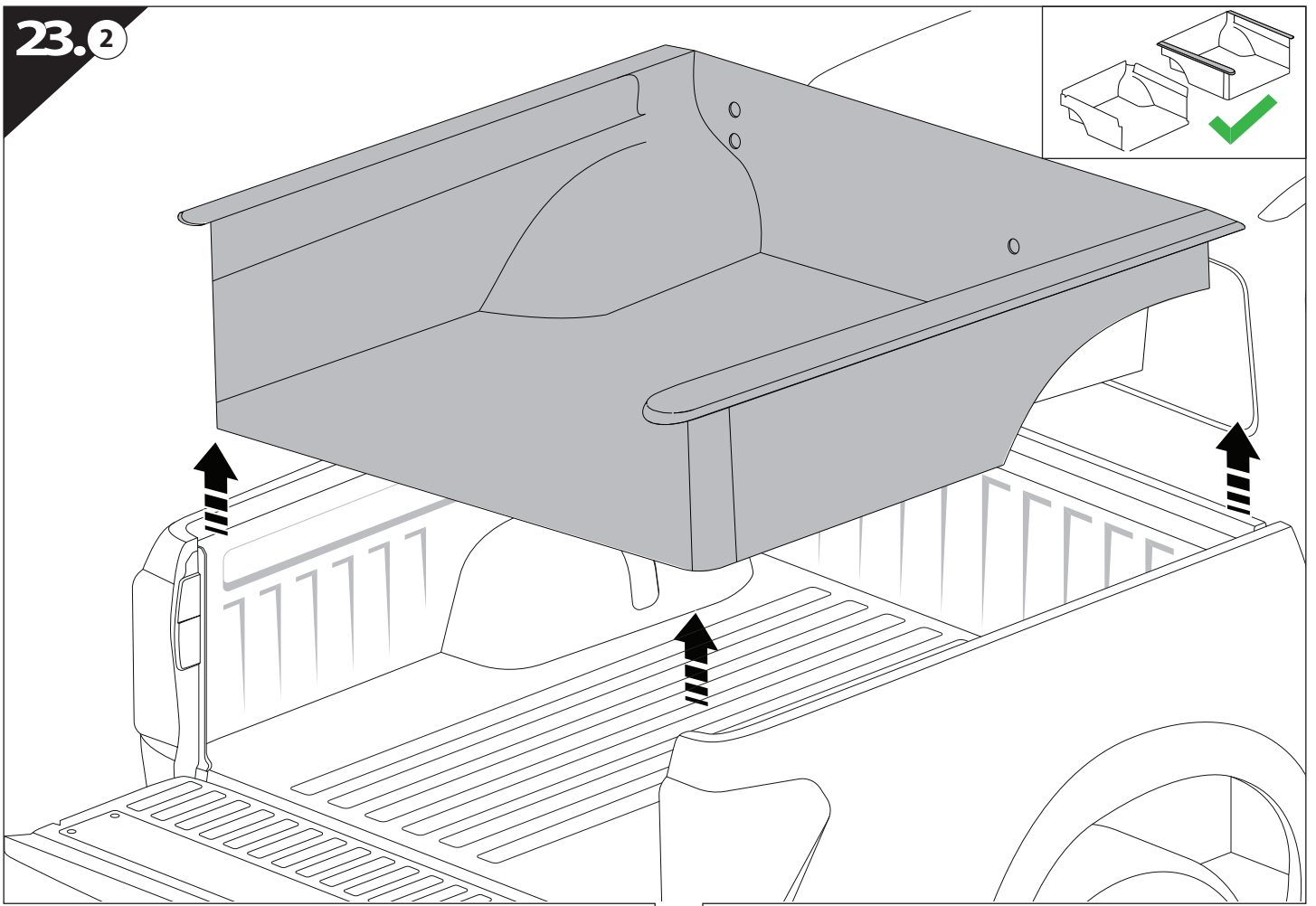


C:480mm D:250mm

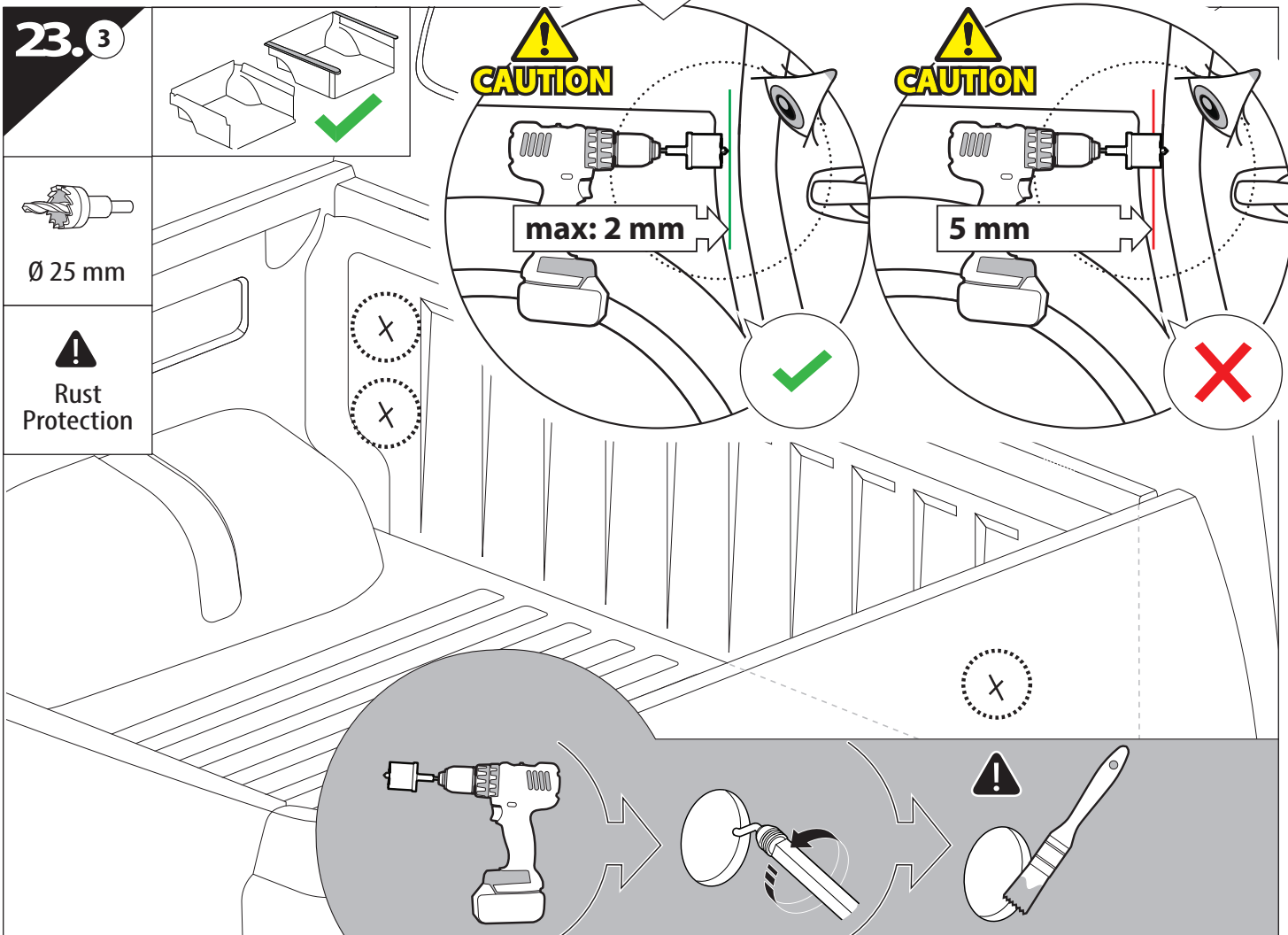




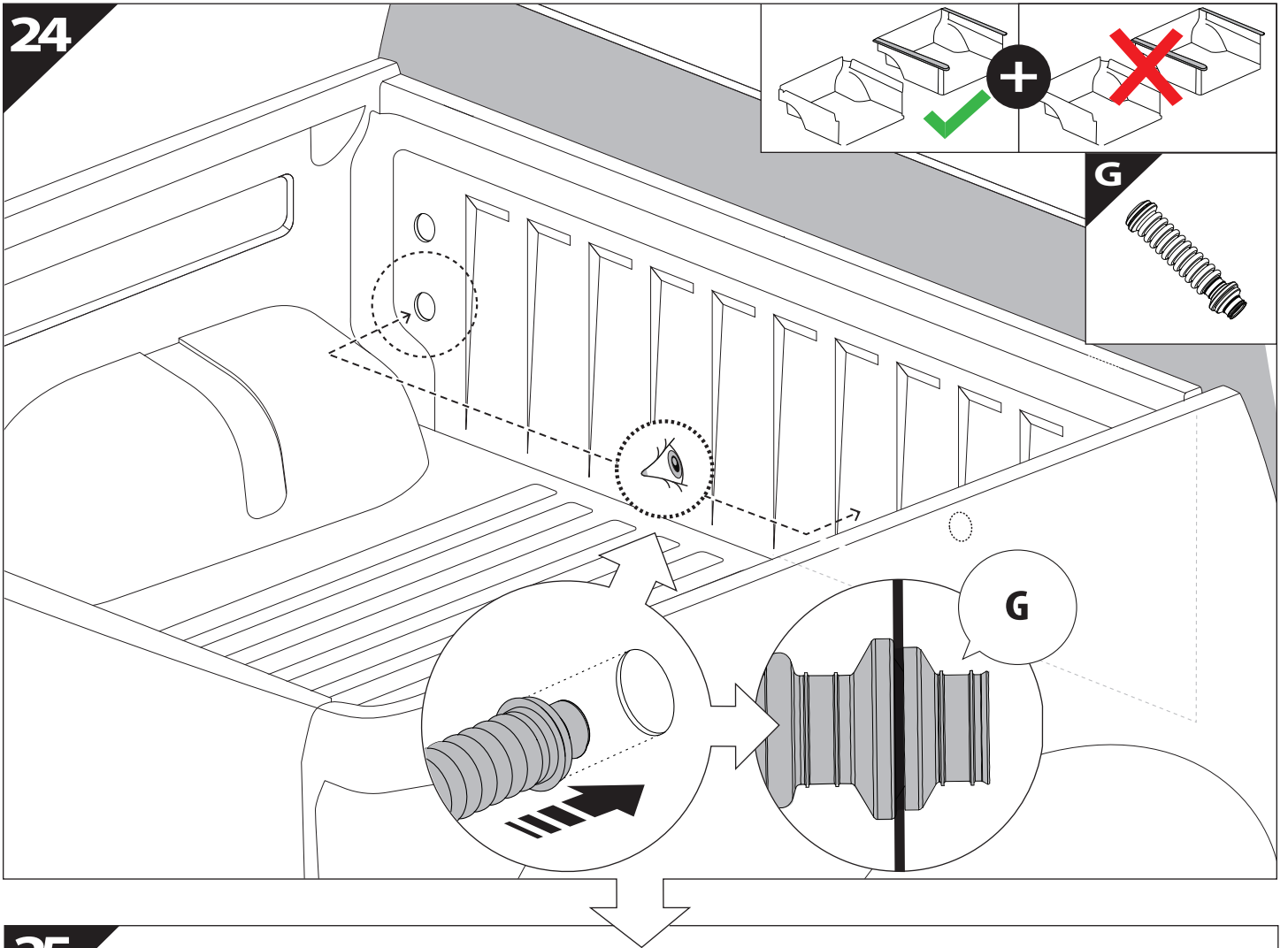
23.2



23.3

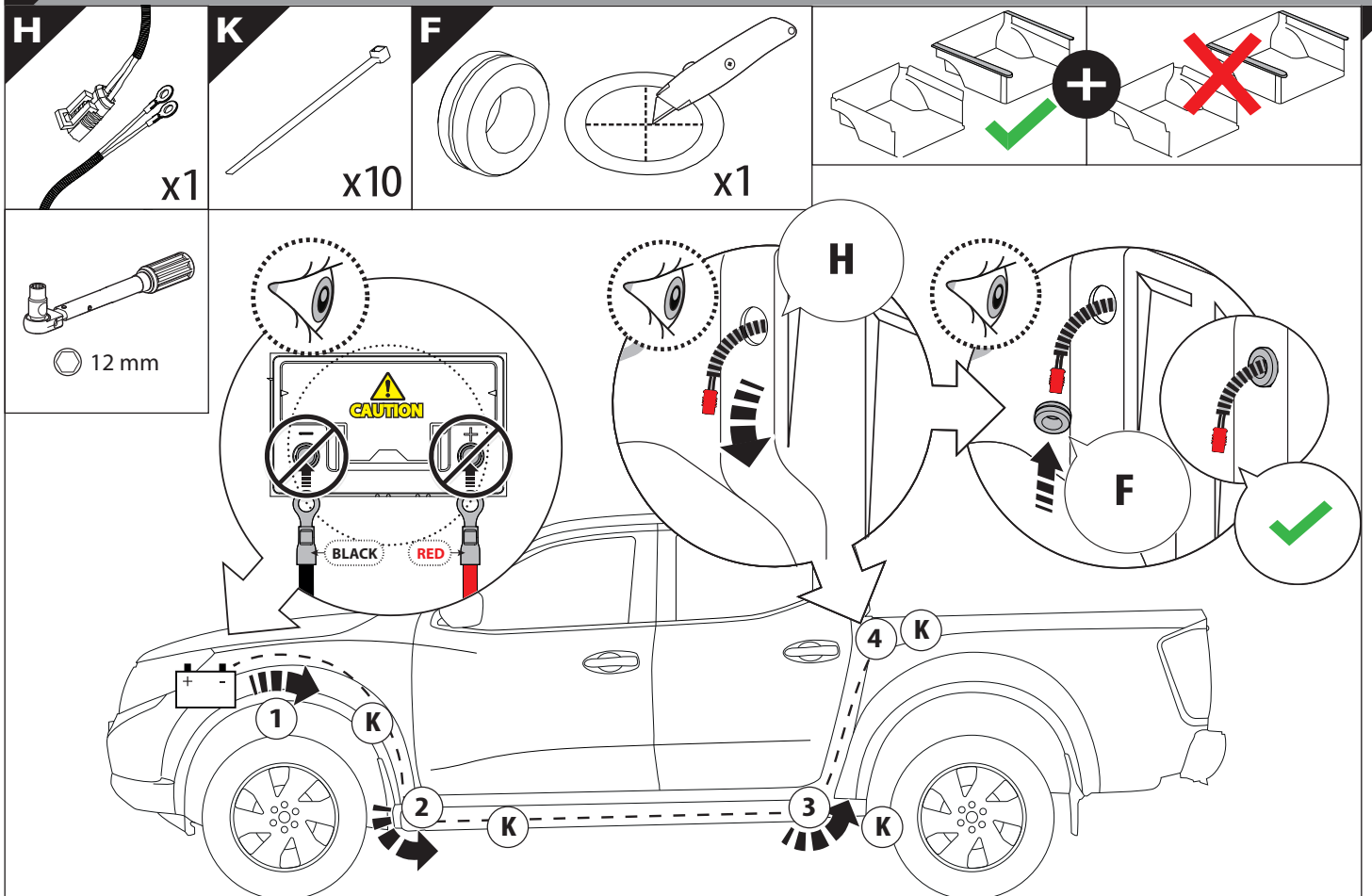


24

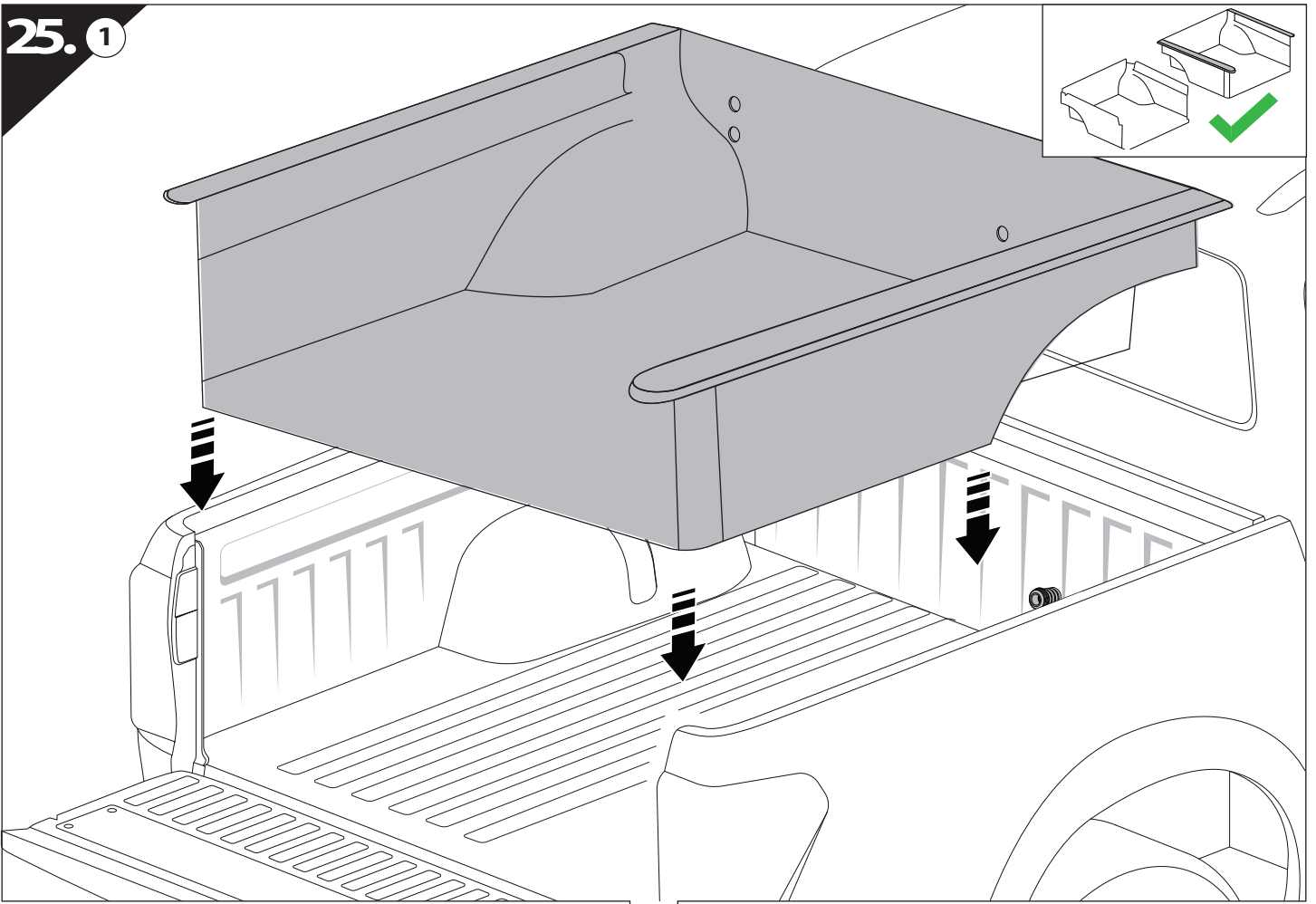


25

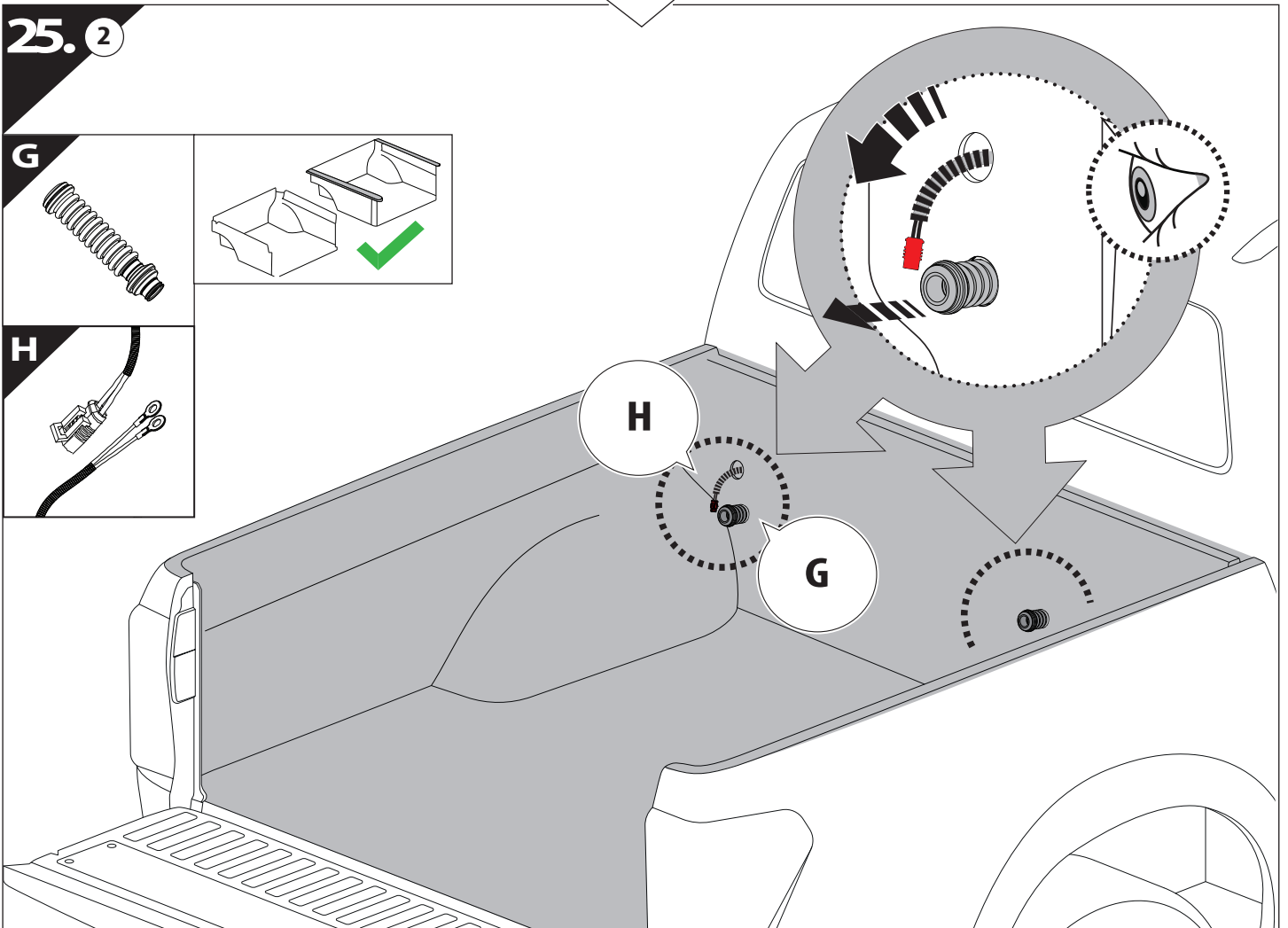
Only to be installed by authorized personnel



25.1

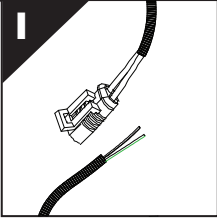


25.2

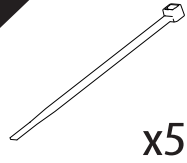


26

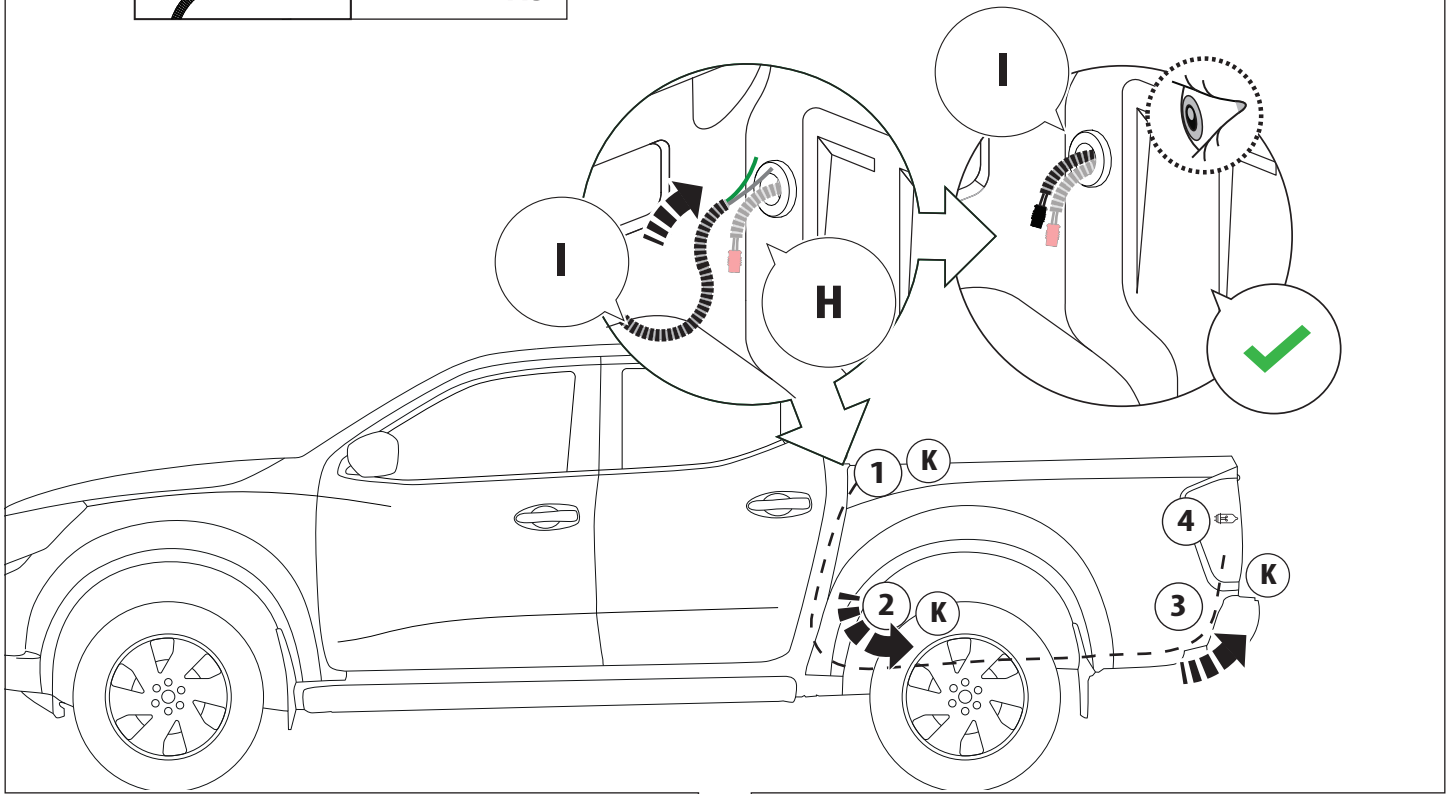
I



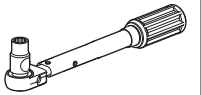
K



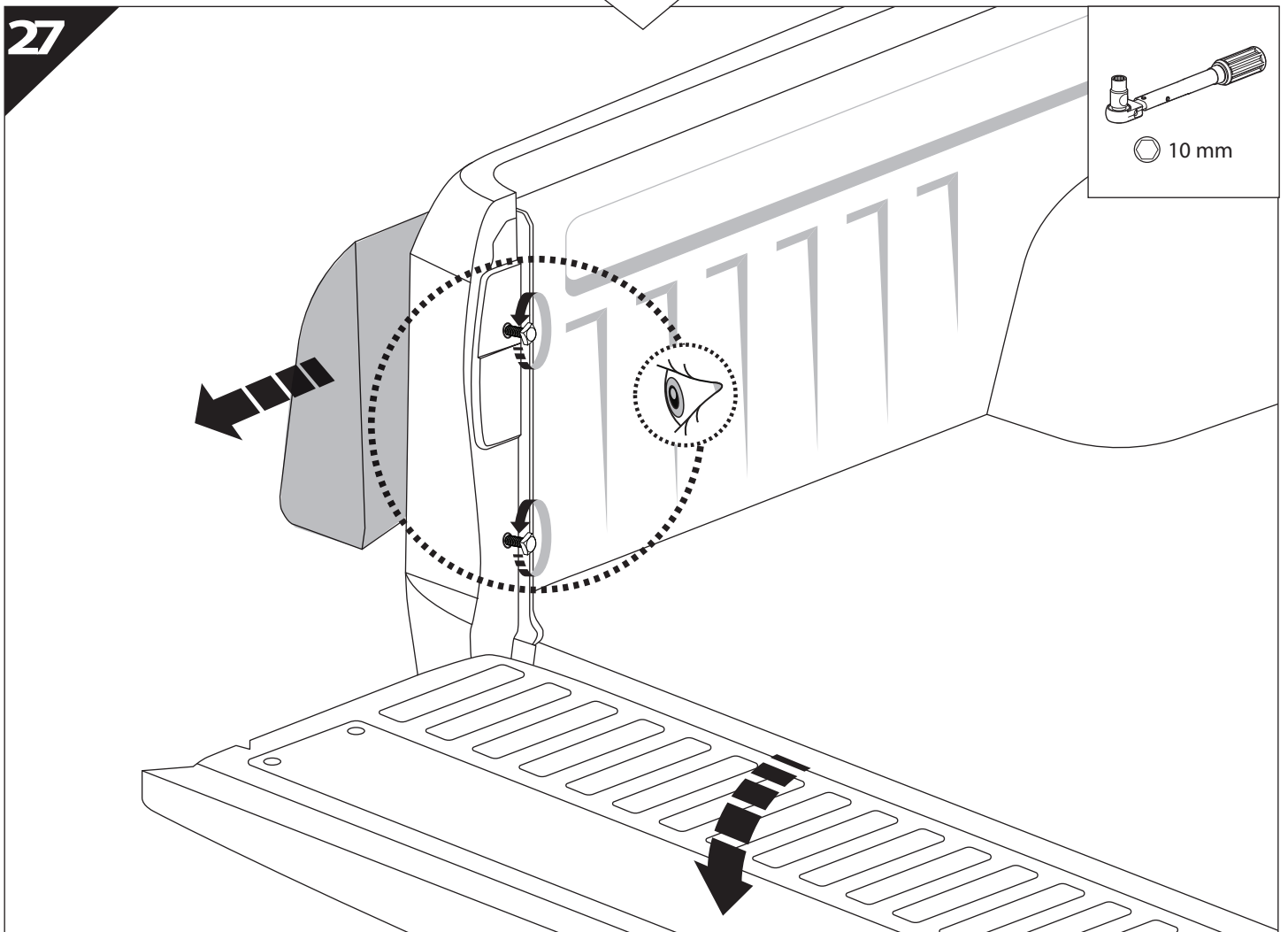
x5



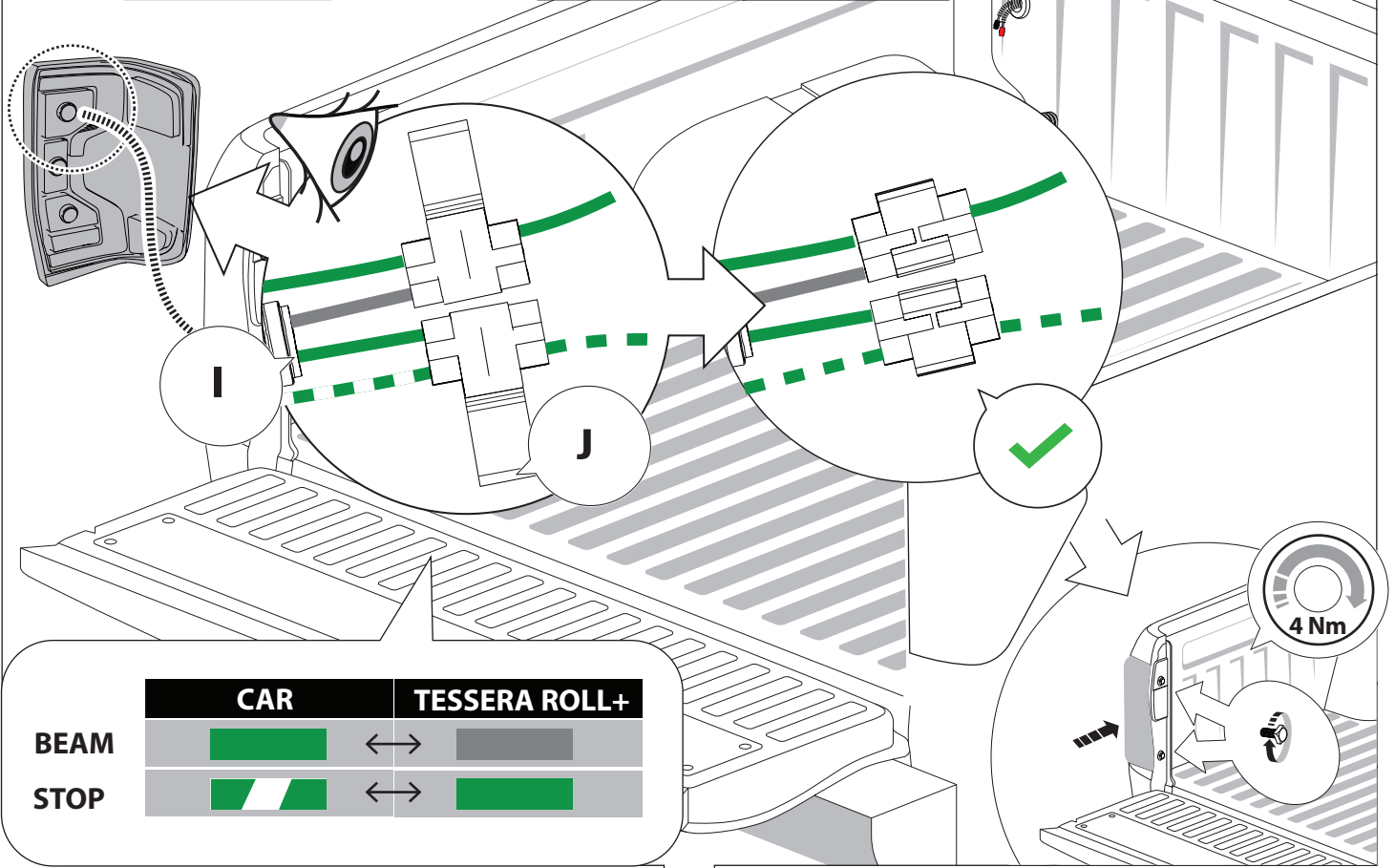
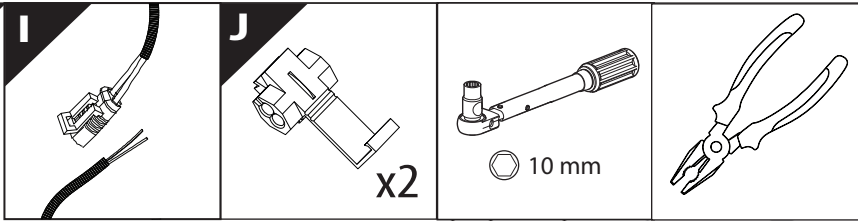
27



10 mm

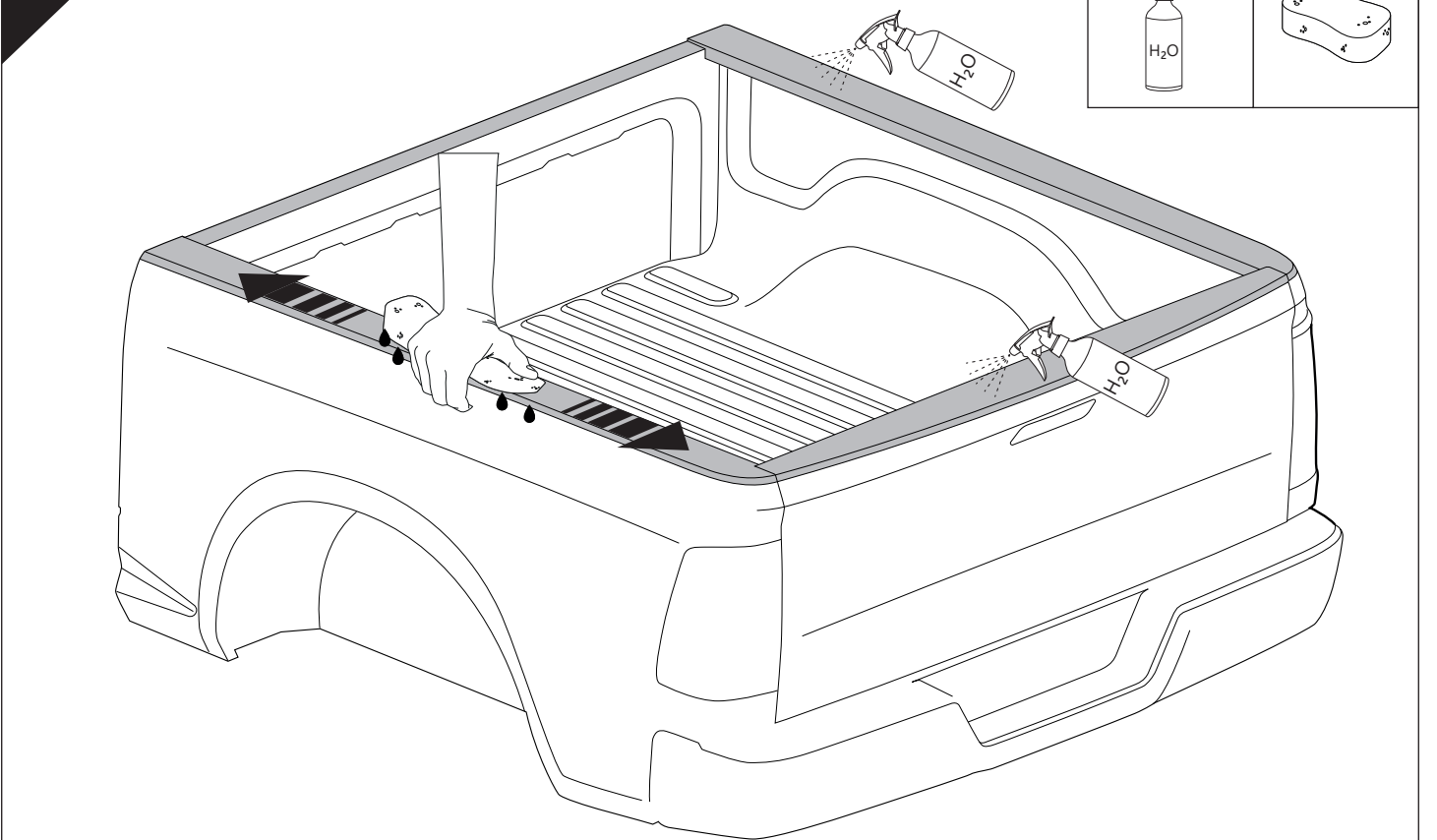
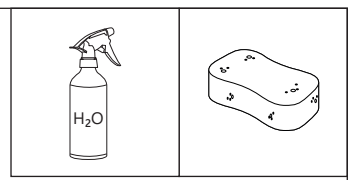


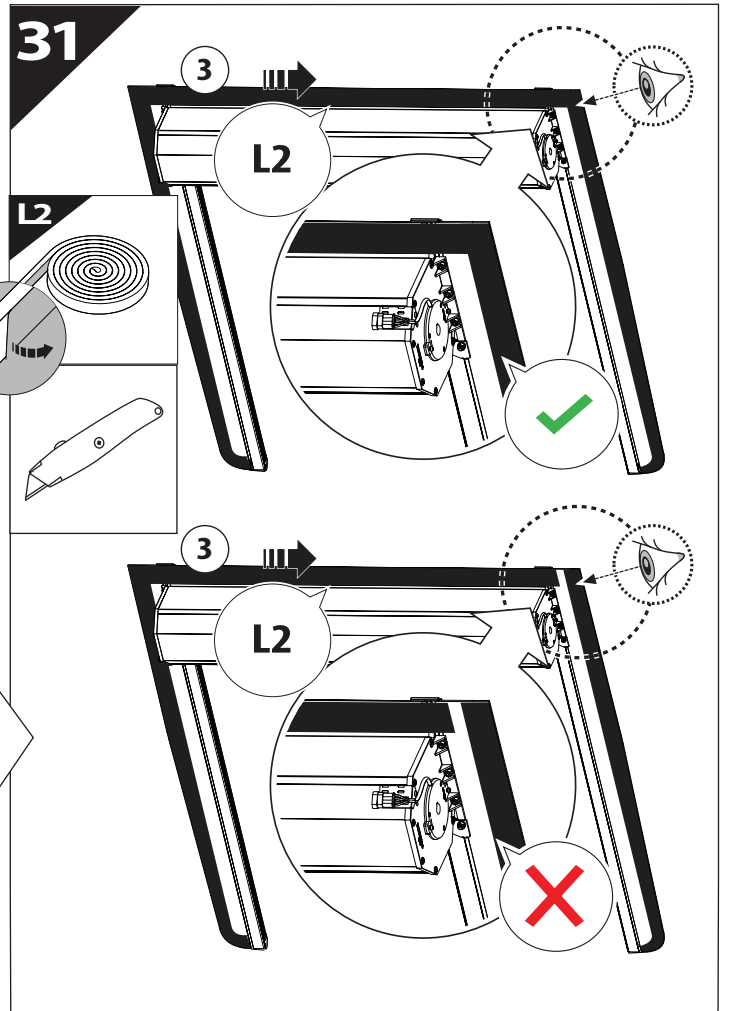
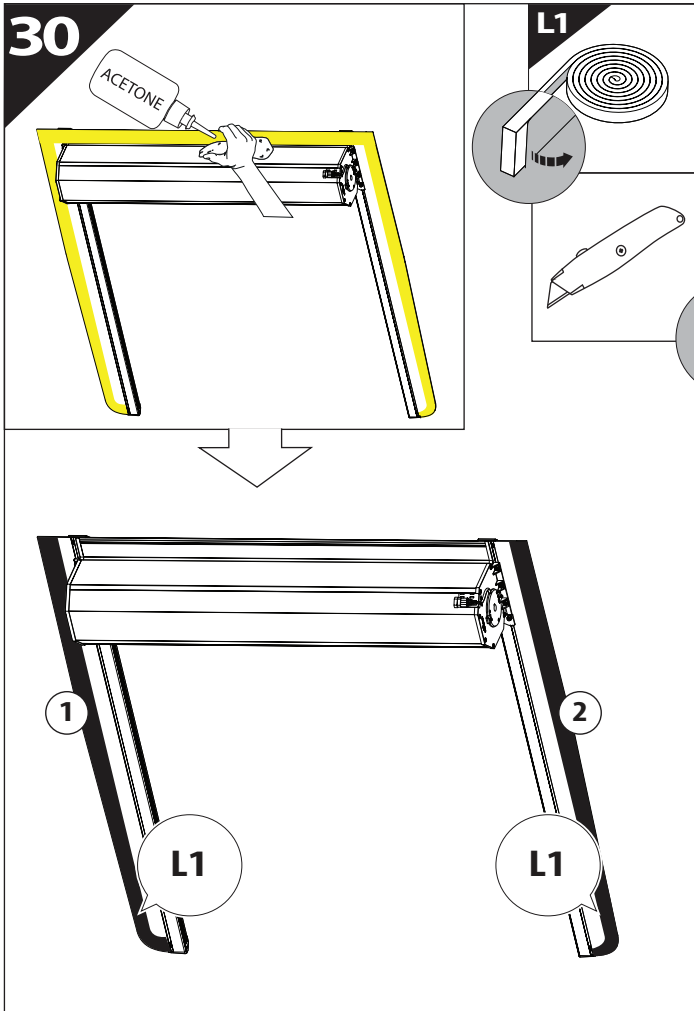
28

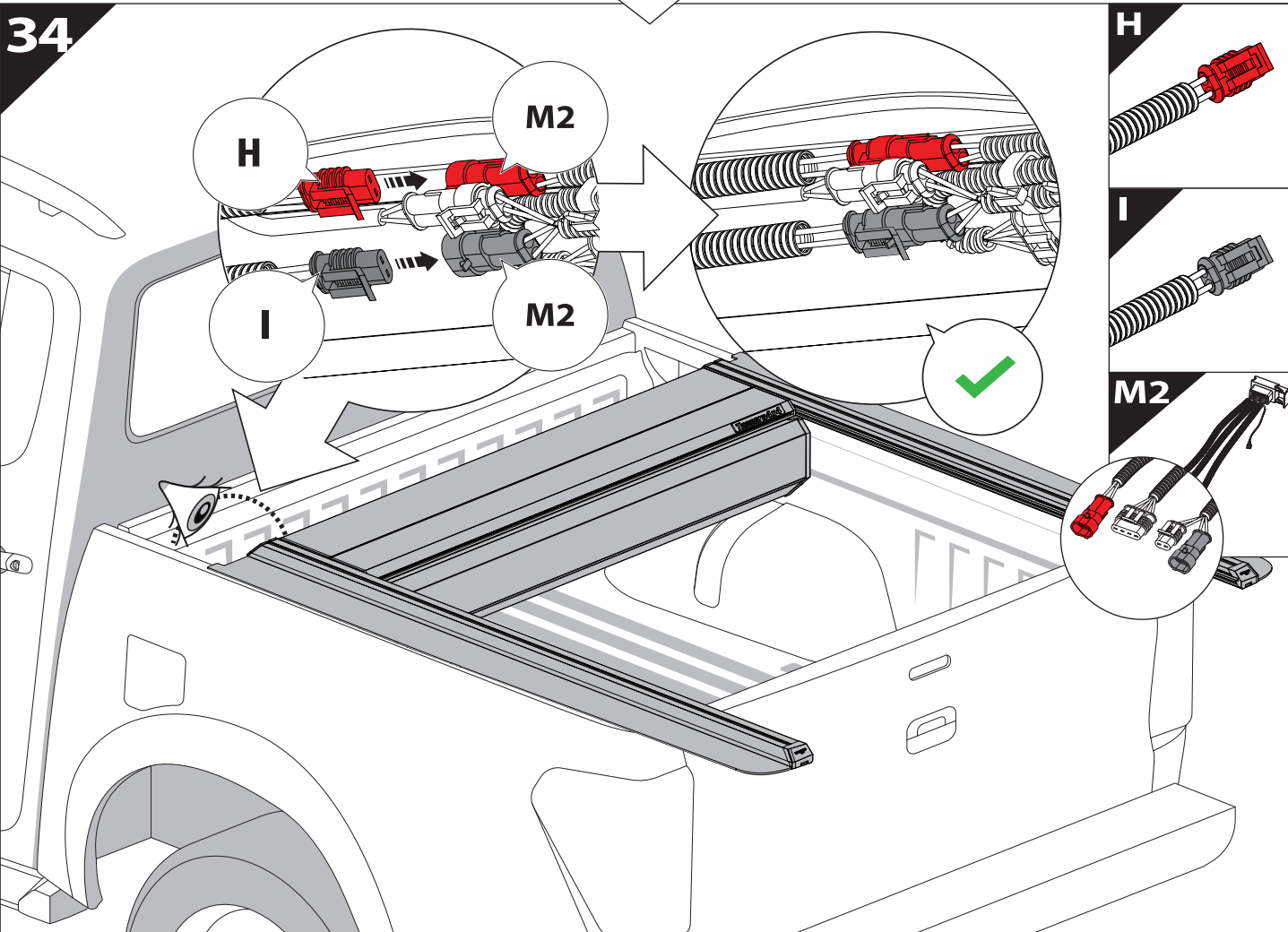
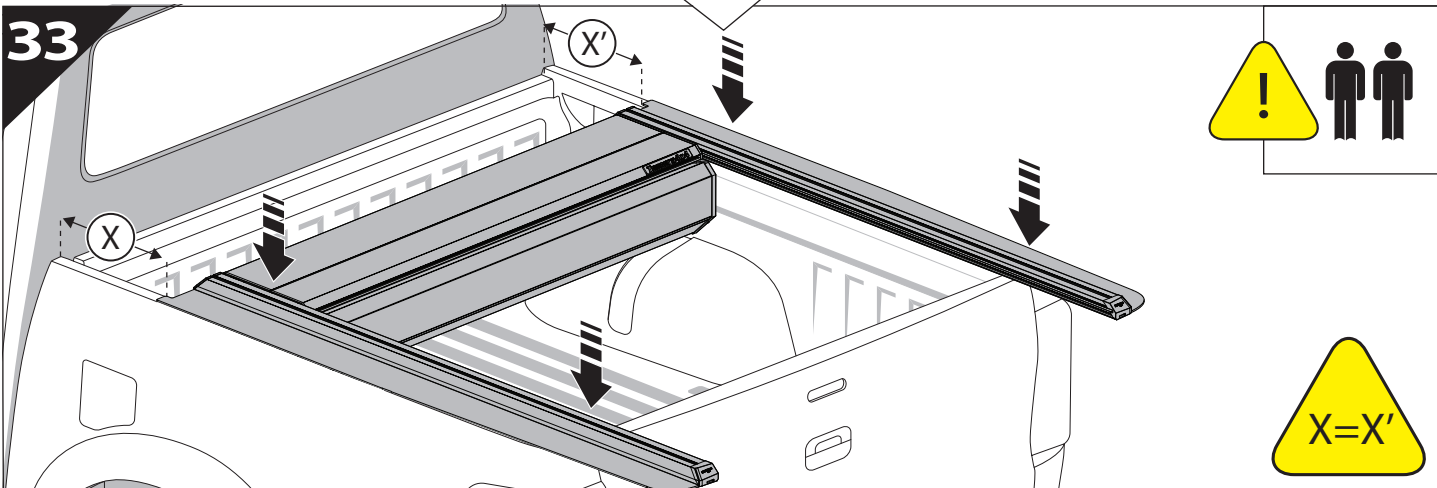
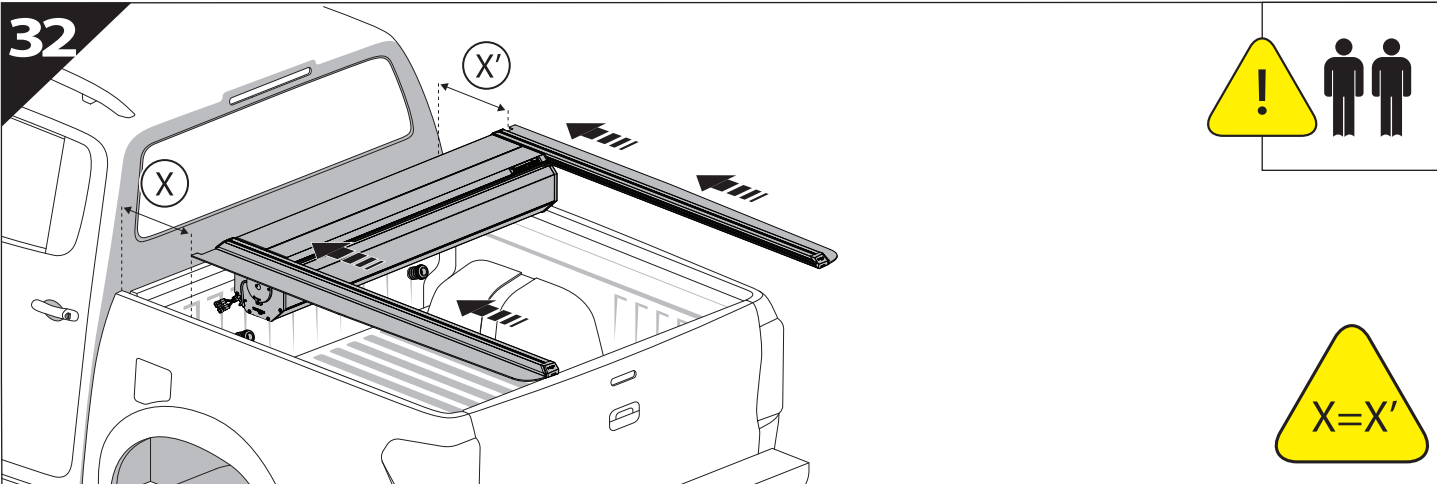


	CAR		TESSERA ROLL+
BEAM		↔	
STOP		↔	

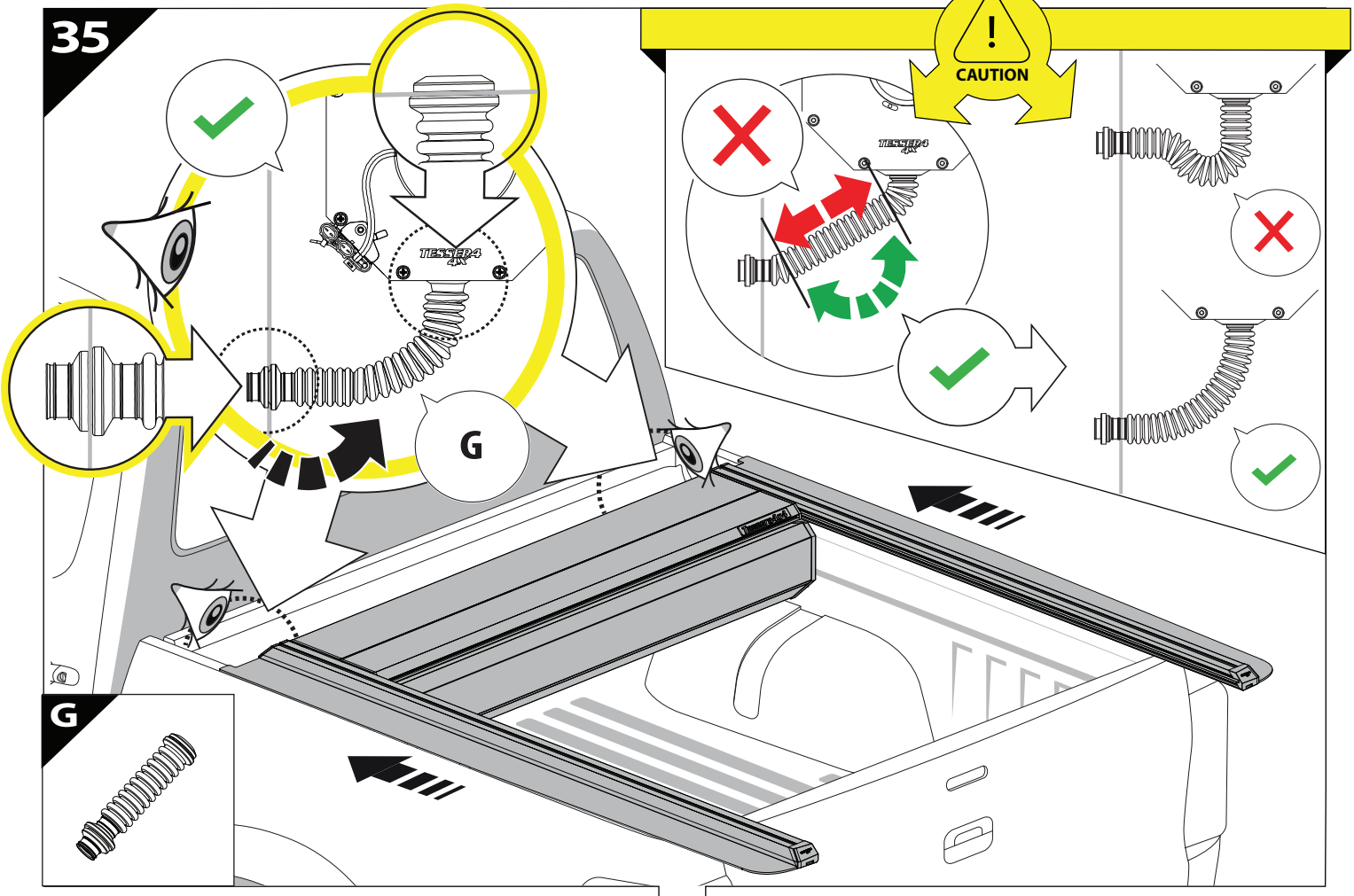
29



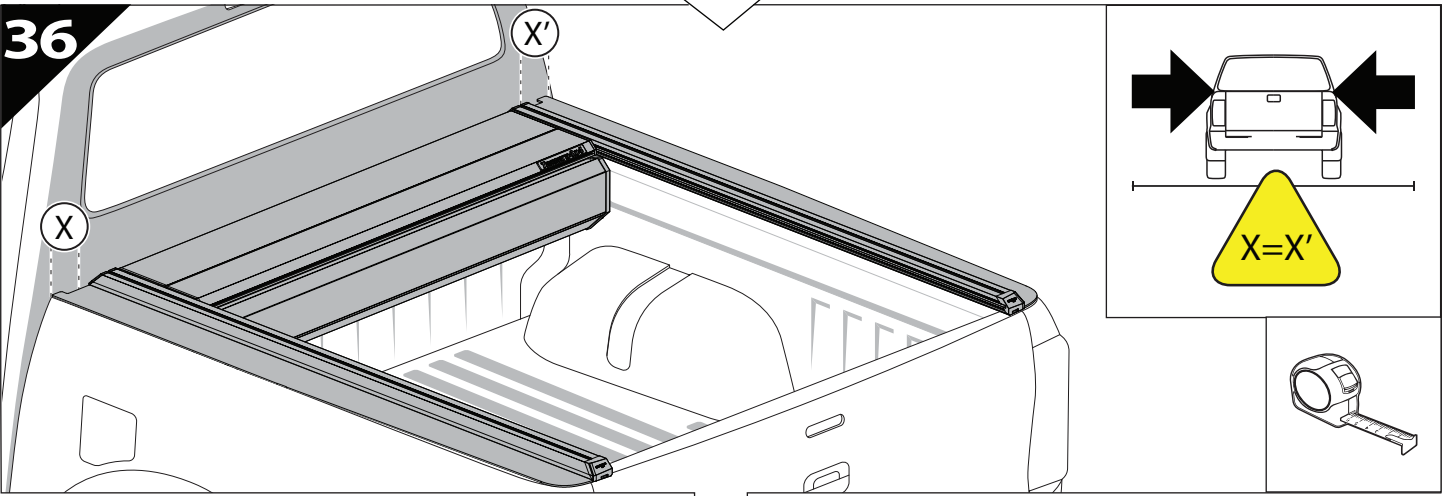




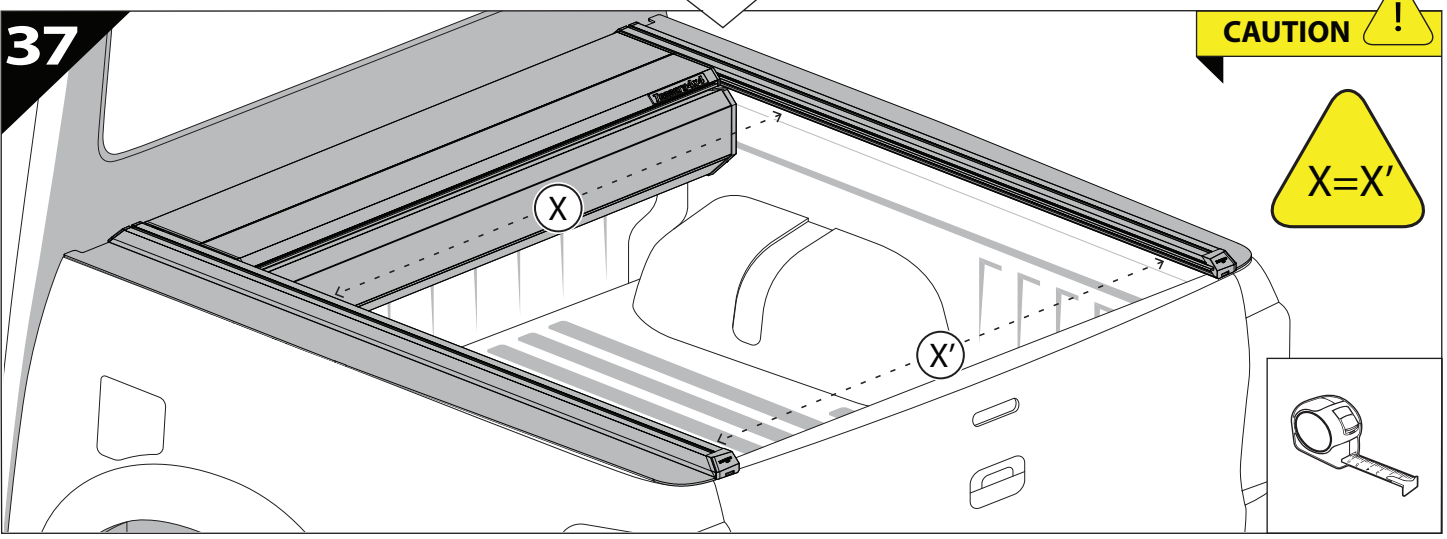
35



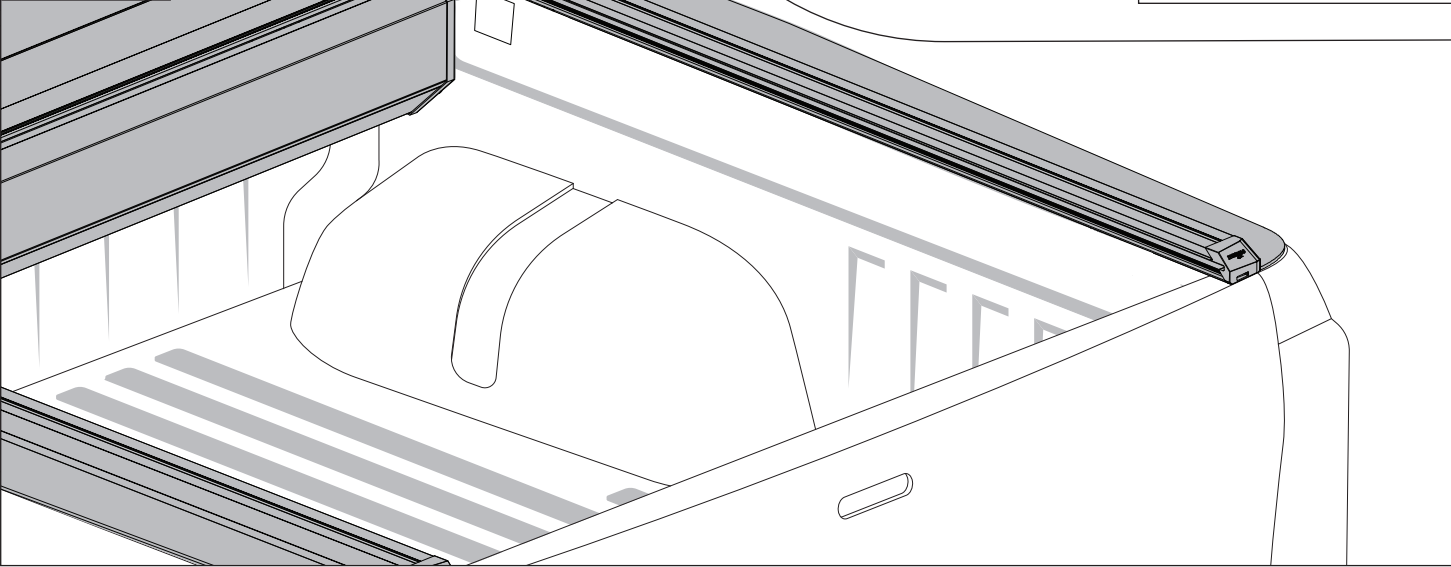
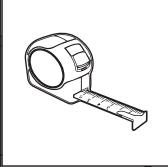
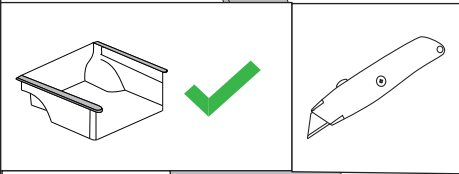
36



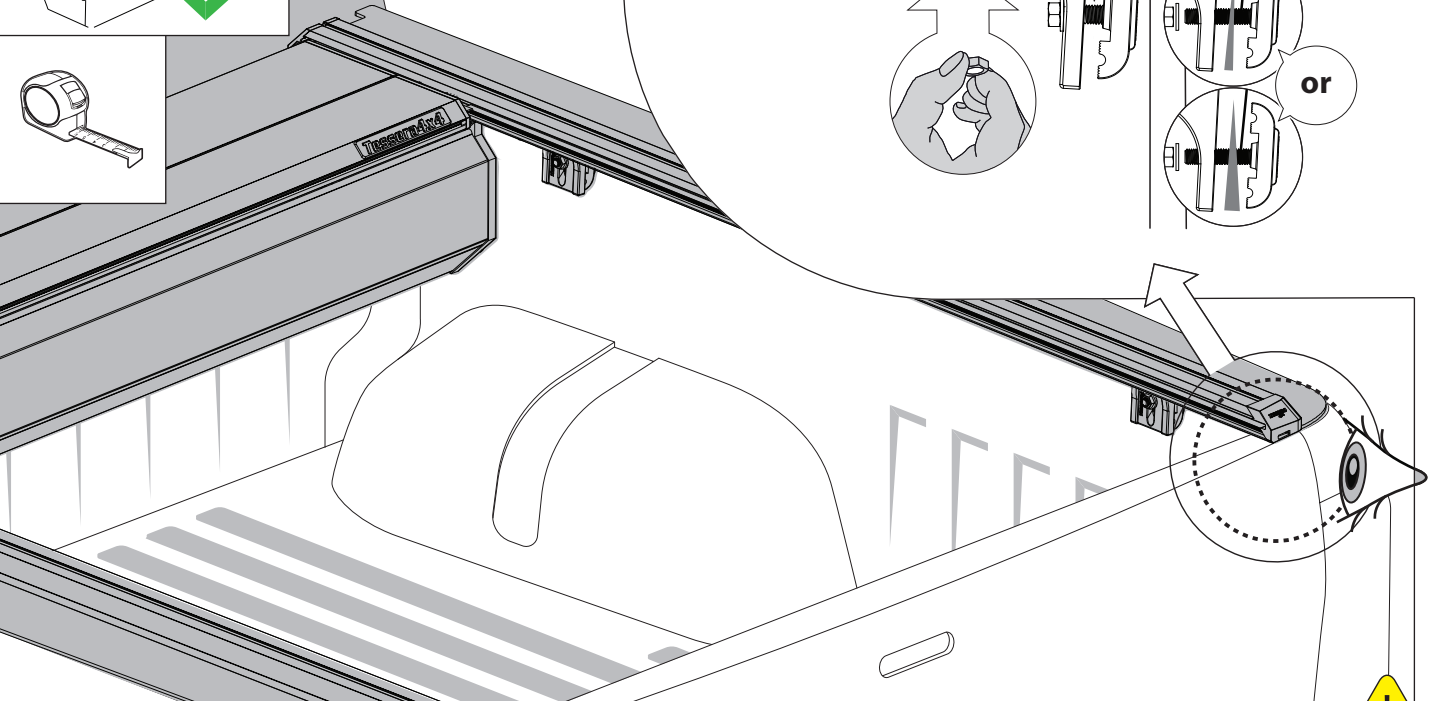
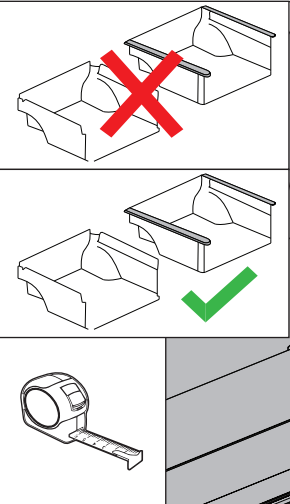
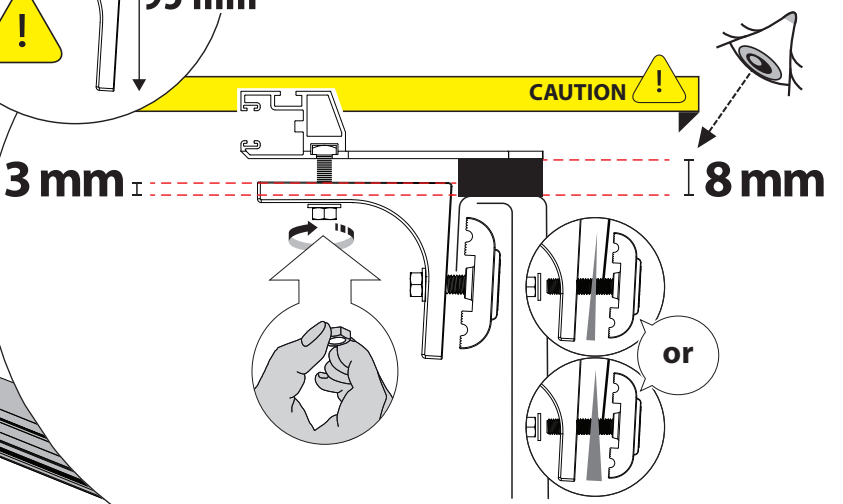
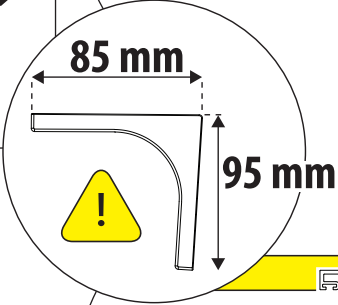
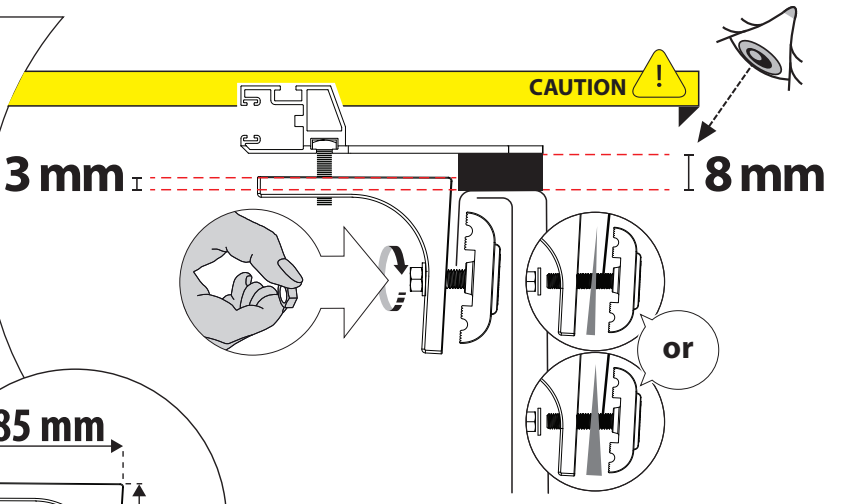
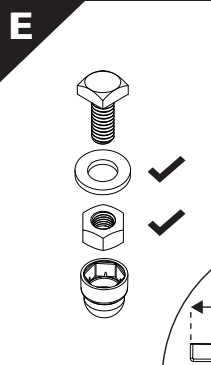
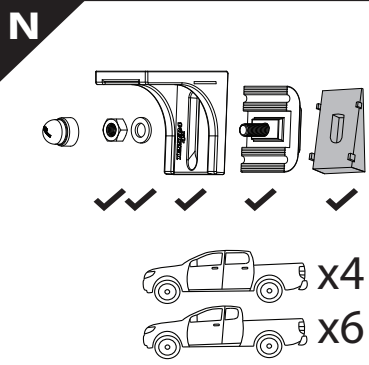
37



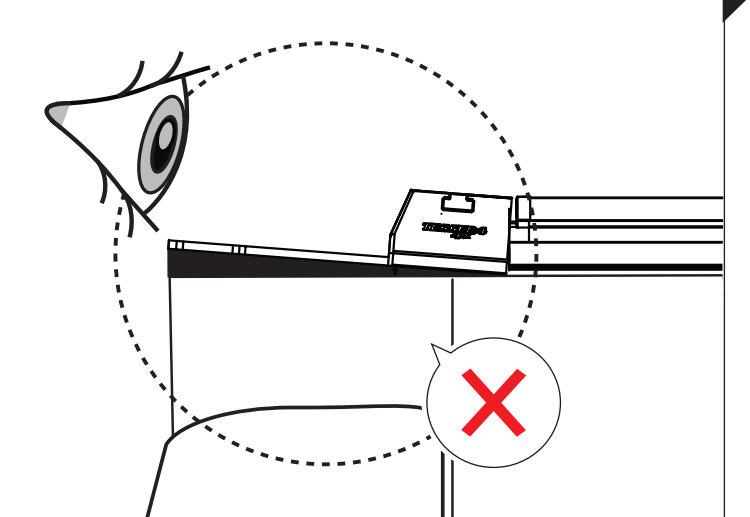
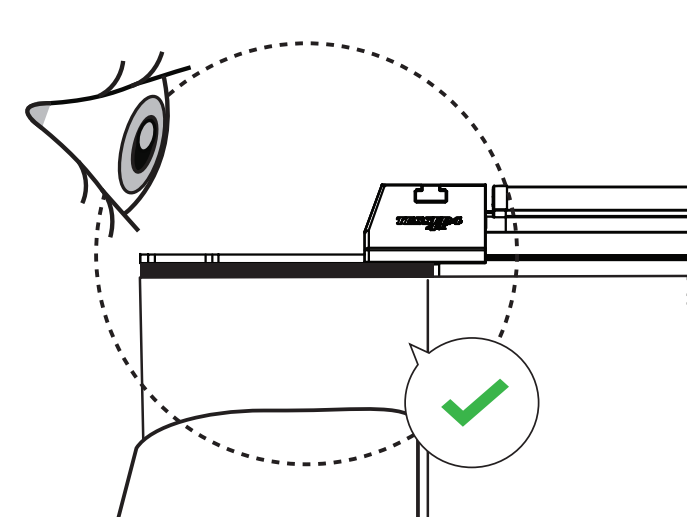
38

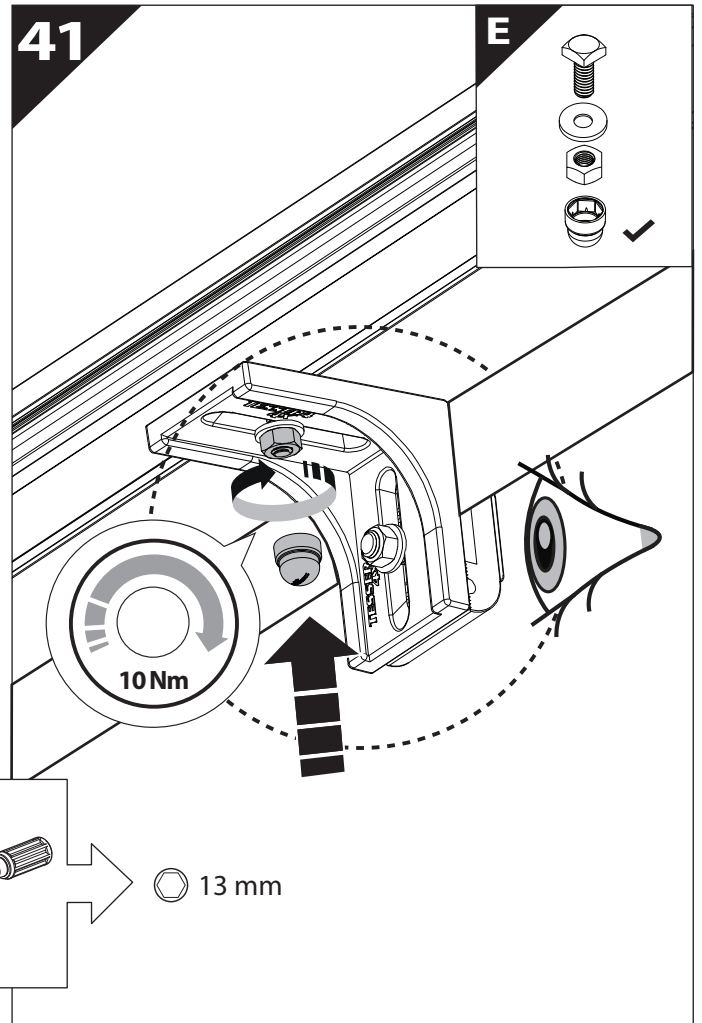
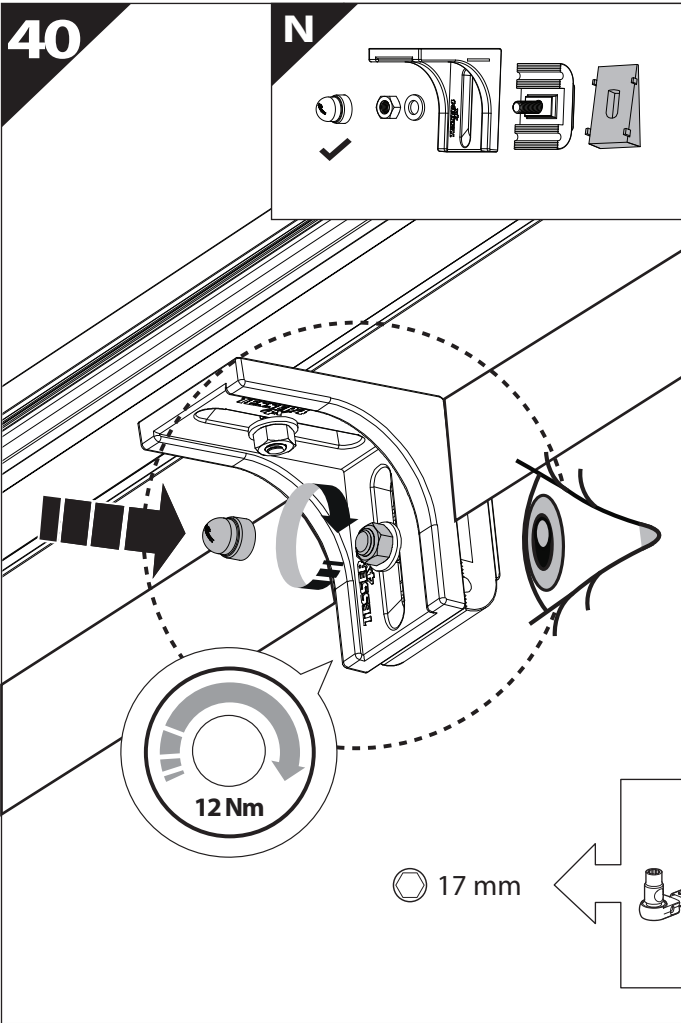


39

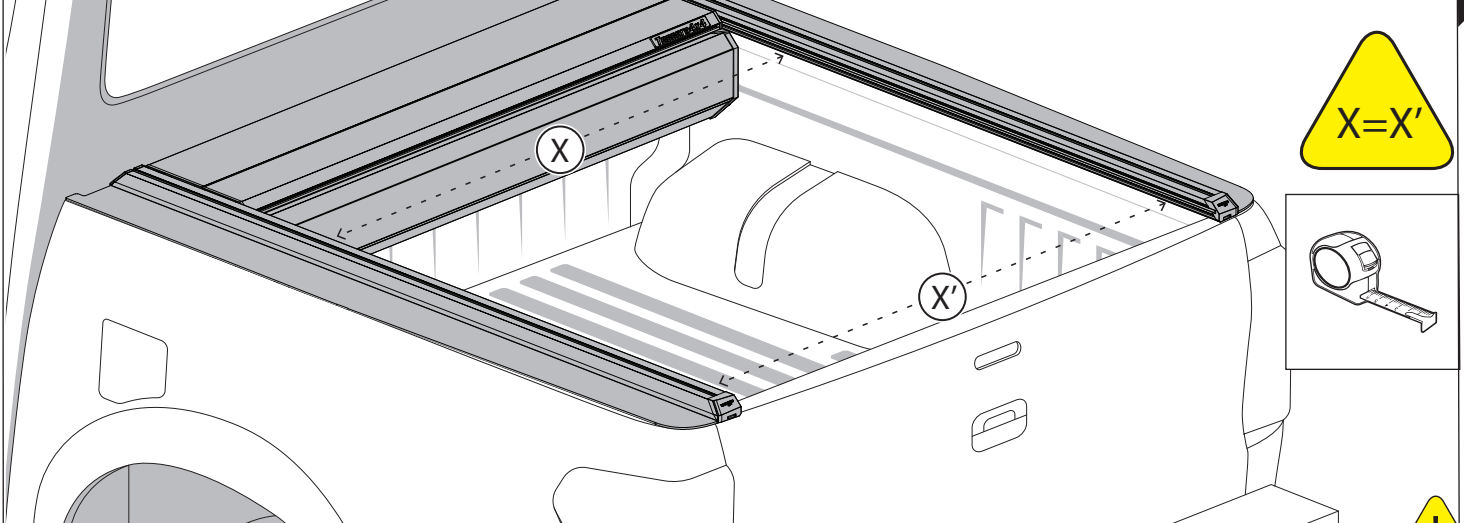


CAUTION !

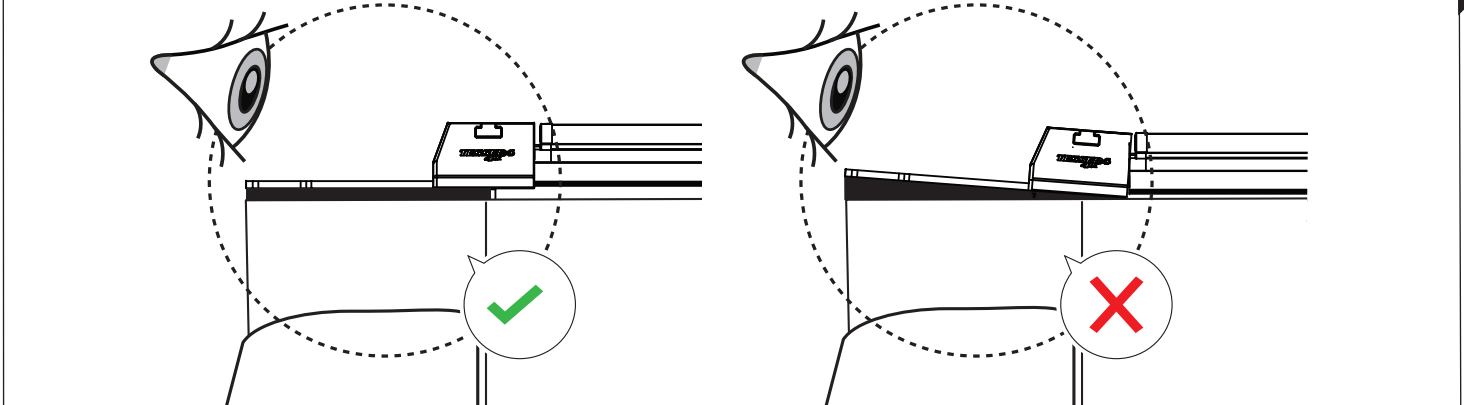




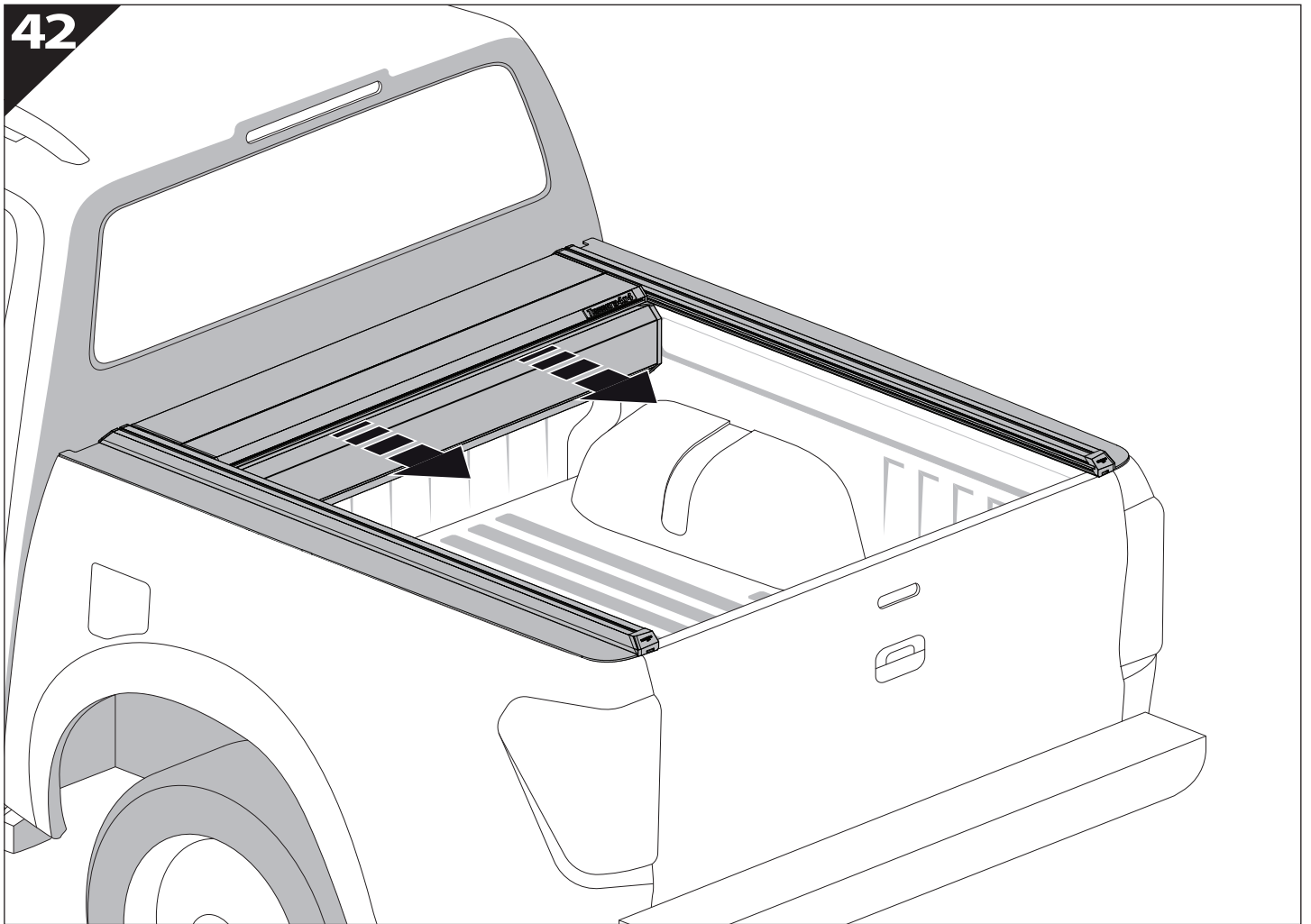
CAUTION !



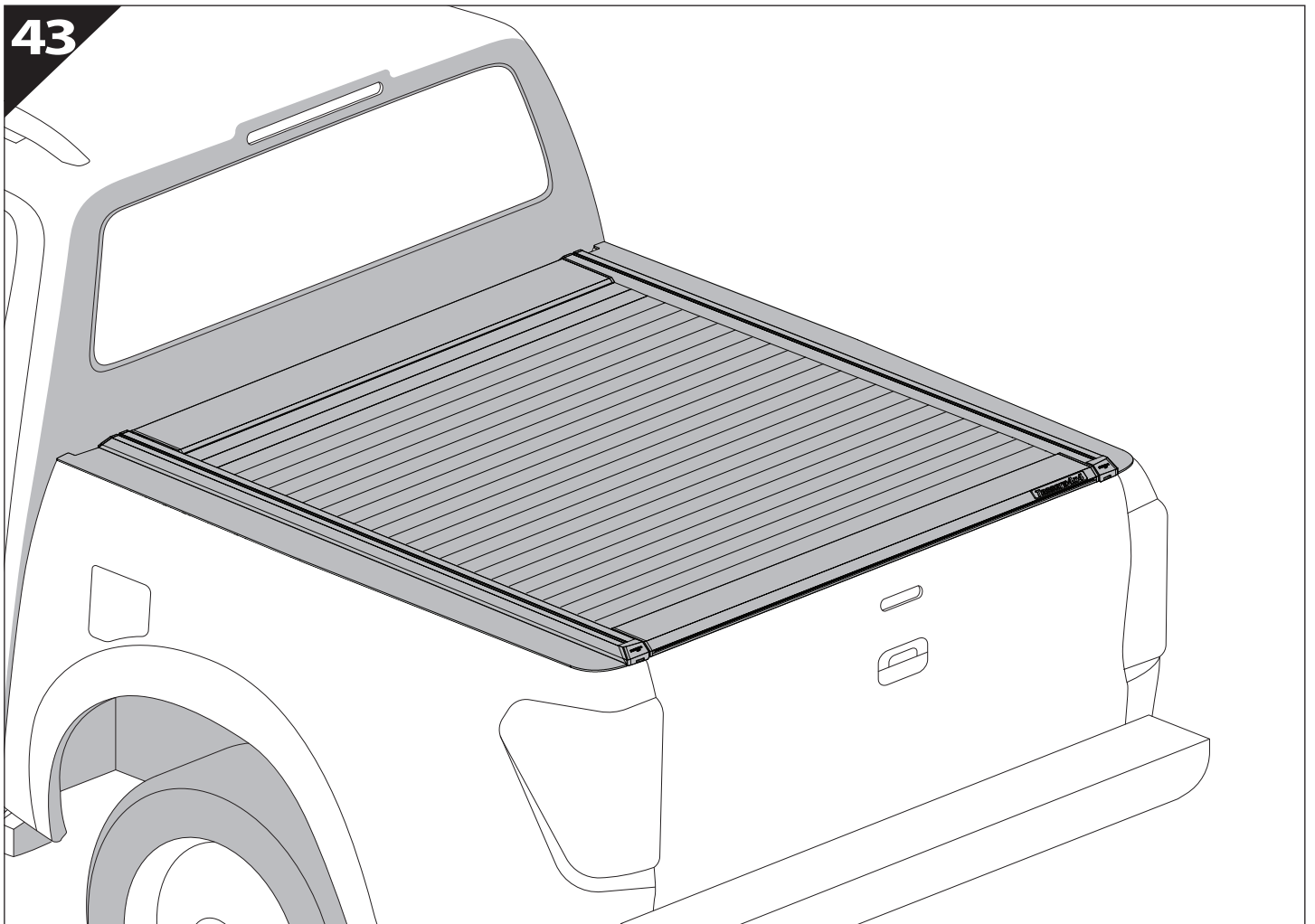
CAUTION !



42



43





GR: Οδηγίες Εγκατάστασης
GB: Installation manual
SF: Asennusohje
F: Notice de montage
PL: Instrukcja montażu
NL: Installatie-instructies
TR: Montaj Talimatı
S: Monteringsanvisning
E: Instrucciones de montaje

H: Szerelési utasítás
P: Instruções de instalação
RUS: Инструкция по установке
N: Monteringsveiledning
D: Einbauanleitung
CZ: Návod k instalaci
I: Istruzioni de montaggio
DK: Monteringsvejledning
RO: Instructiuni de instalare

Customer Service:

+30 (210) 5541161, +30 (210) 5541154 (08:00 - 16:00 EET)

Support department:

info@gianso.gr

Website:

www.tessera4x4.com

Address:

19.5 km of National road Athens-Korinthos (Elefsina) Greece, P.C: 19200