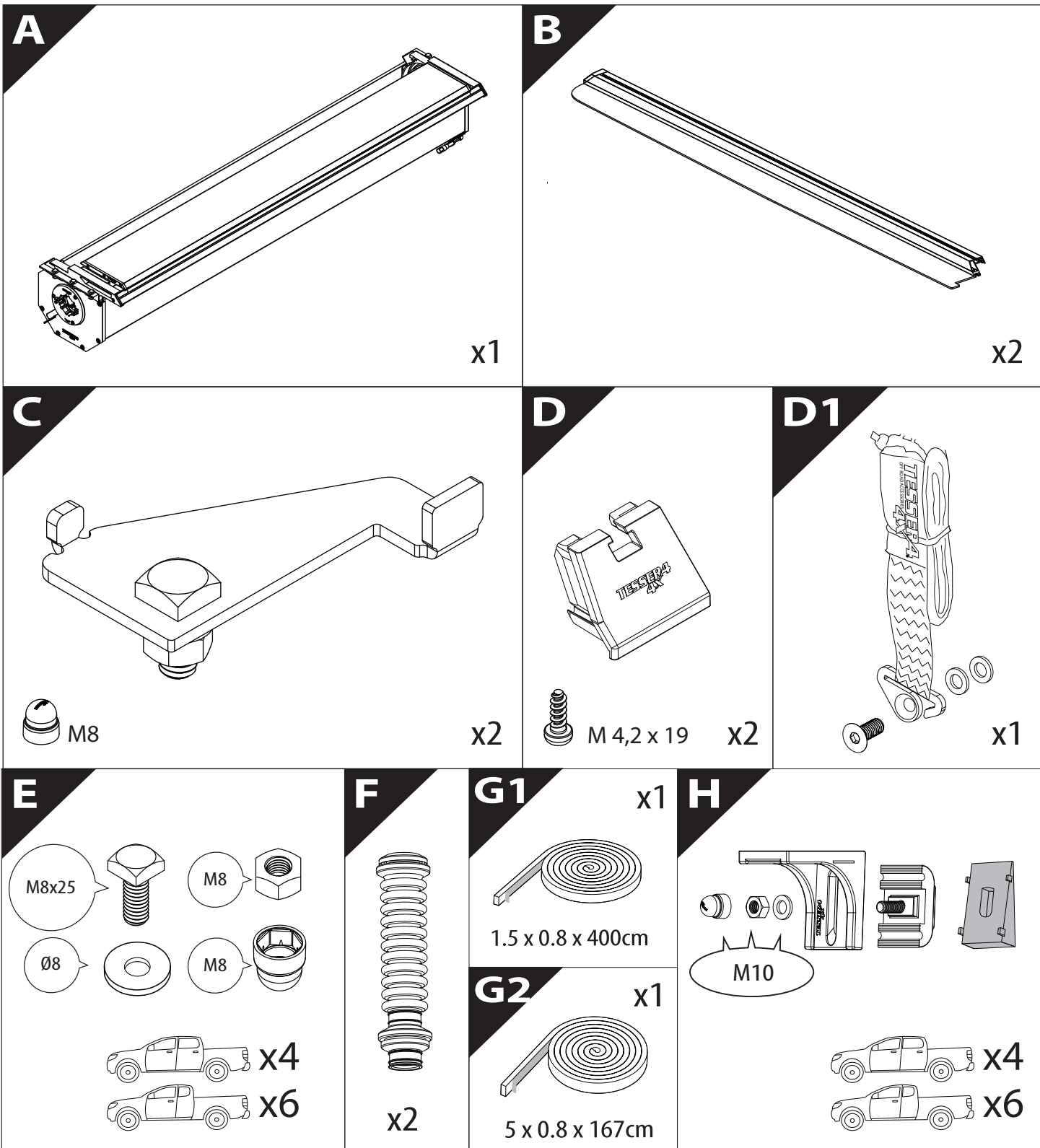
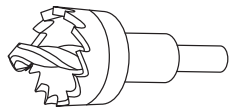


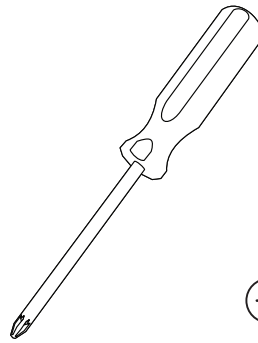
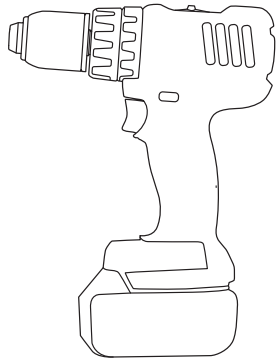
Installation Manual

PART NUMBER(S)	Model Year
TESS 150 SE	Toyota Hilux Vigo 2005-2016
TESS 1503 SE	
Cab(s)	Installation Time / Weight
Double Cab & Space cab	40-60 minutes / 53-57 kg

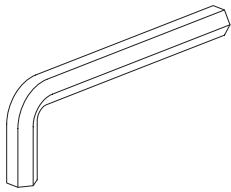
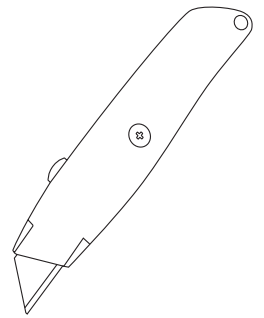




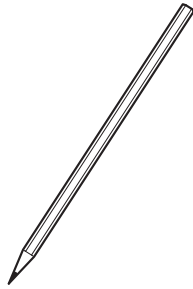
Ø 25 mm / Ø 40 mm



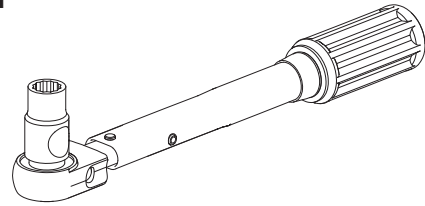
+



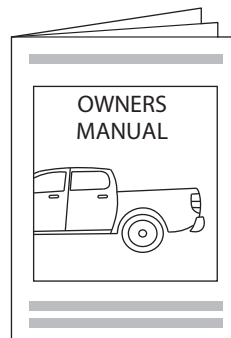
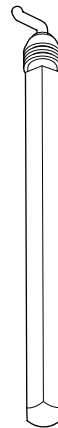
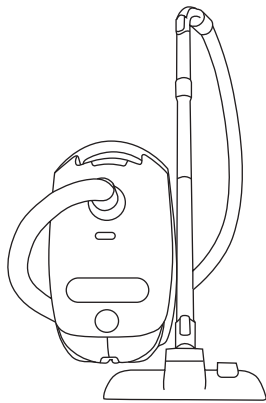
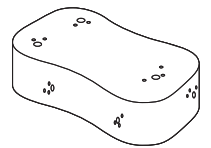
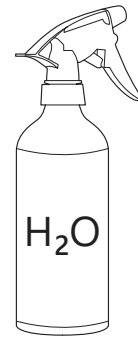
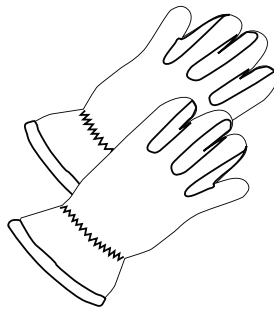
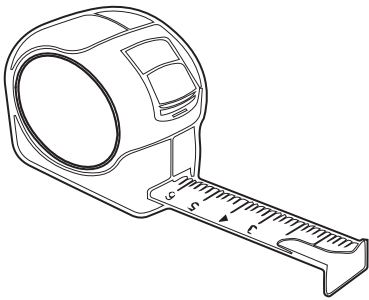
4 mm



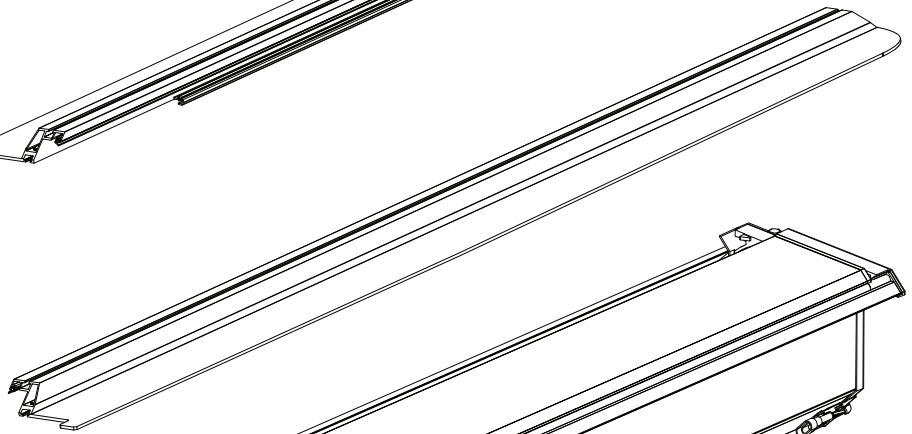
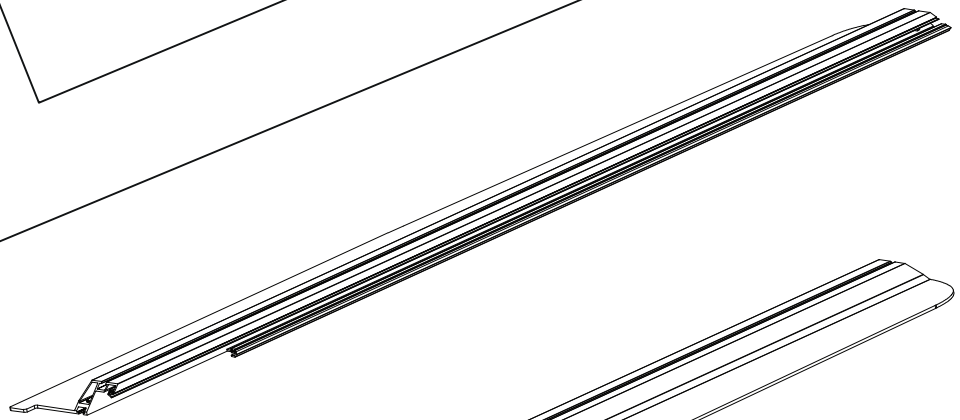
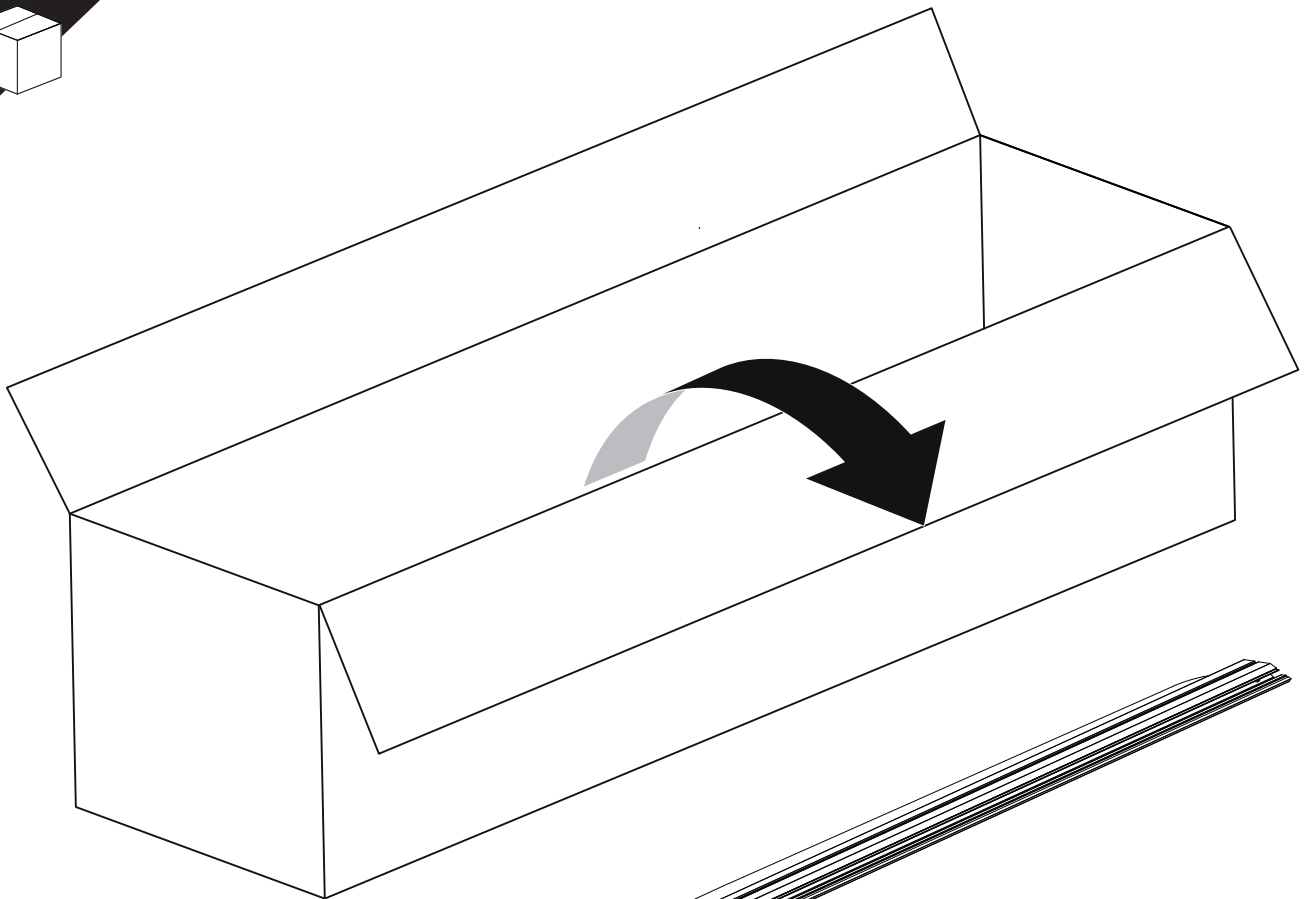
1 - 25 Nm



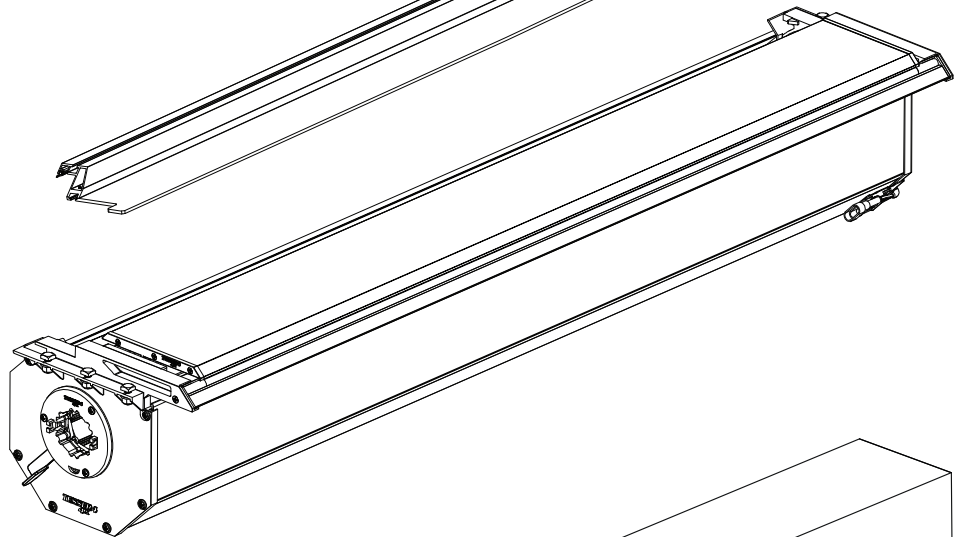
13, 17 mm



x1



B



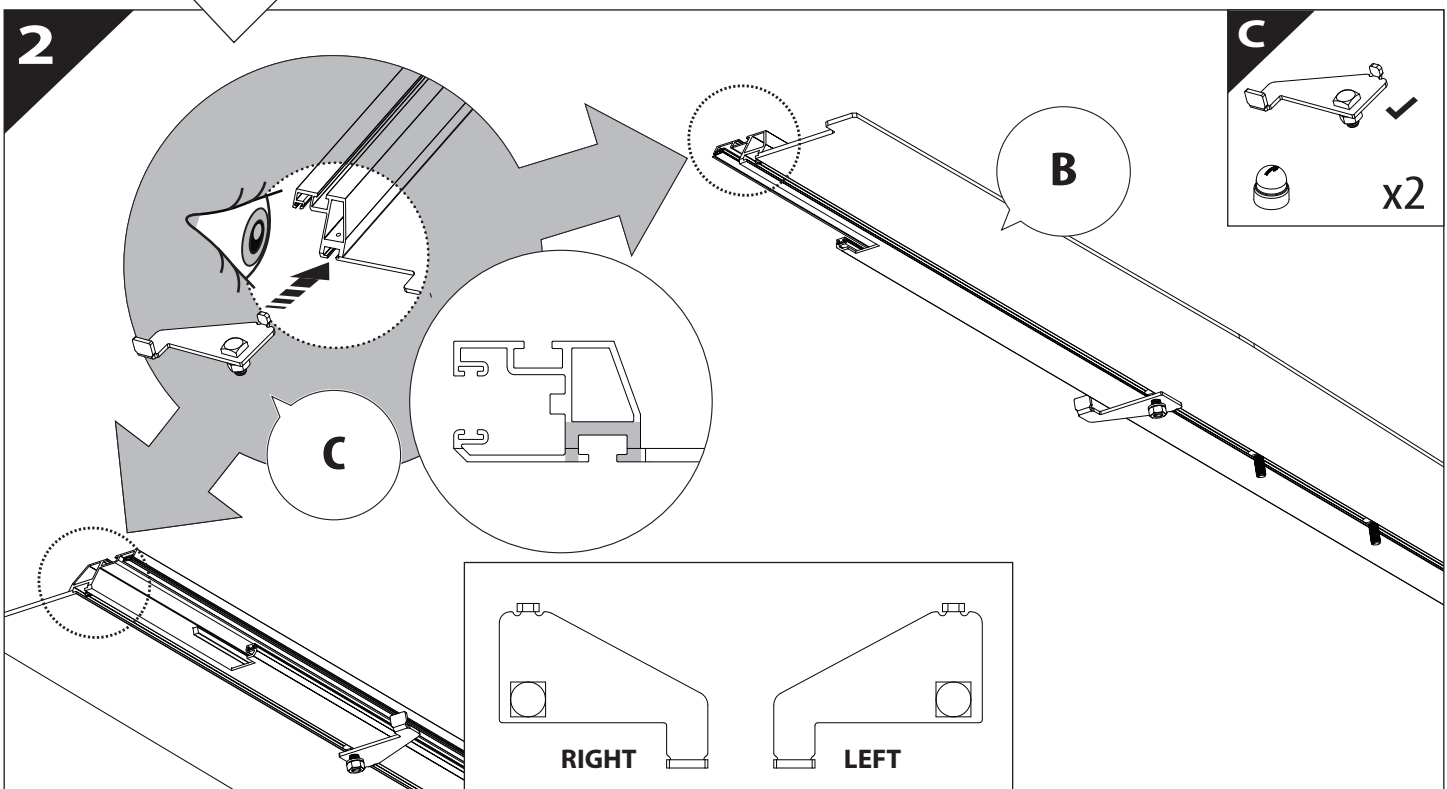
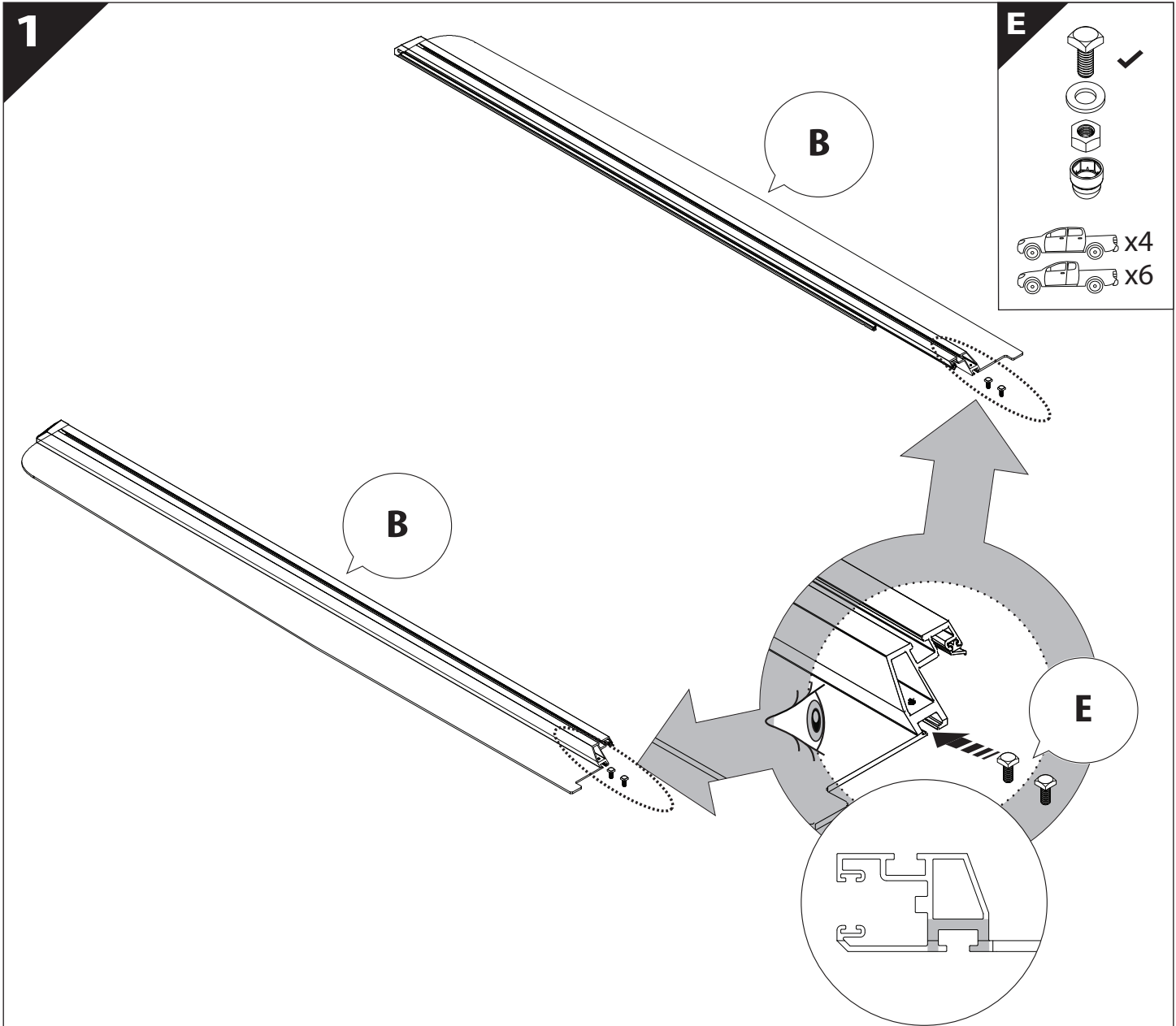
A

KITS

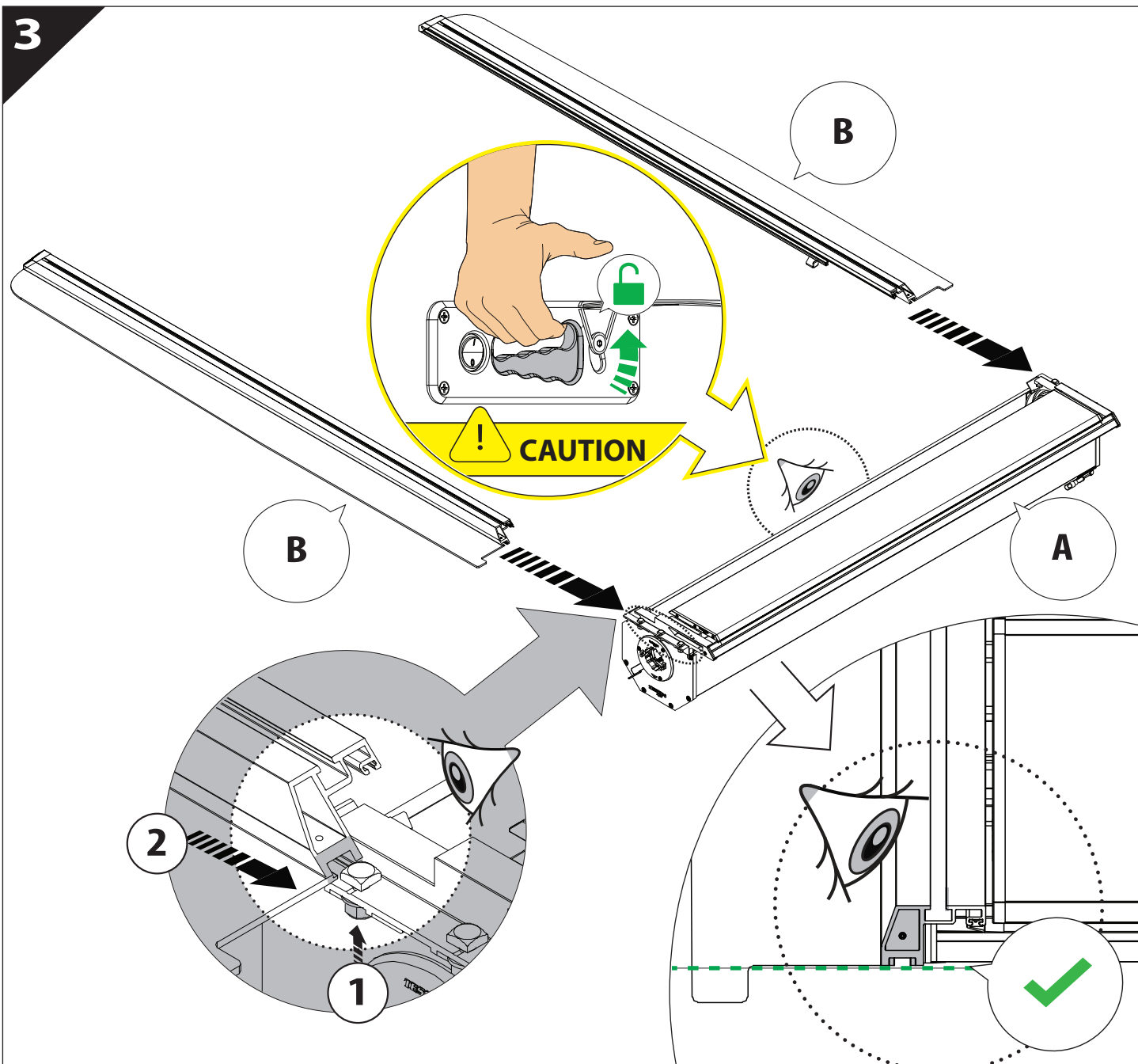


G

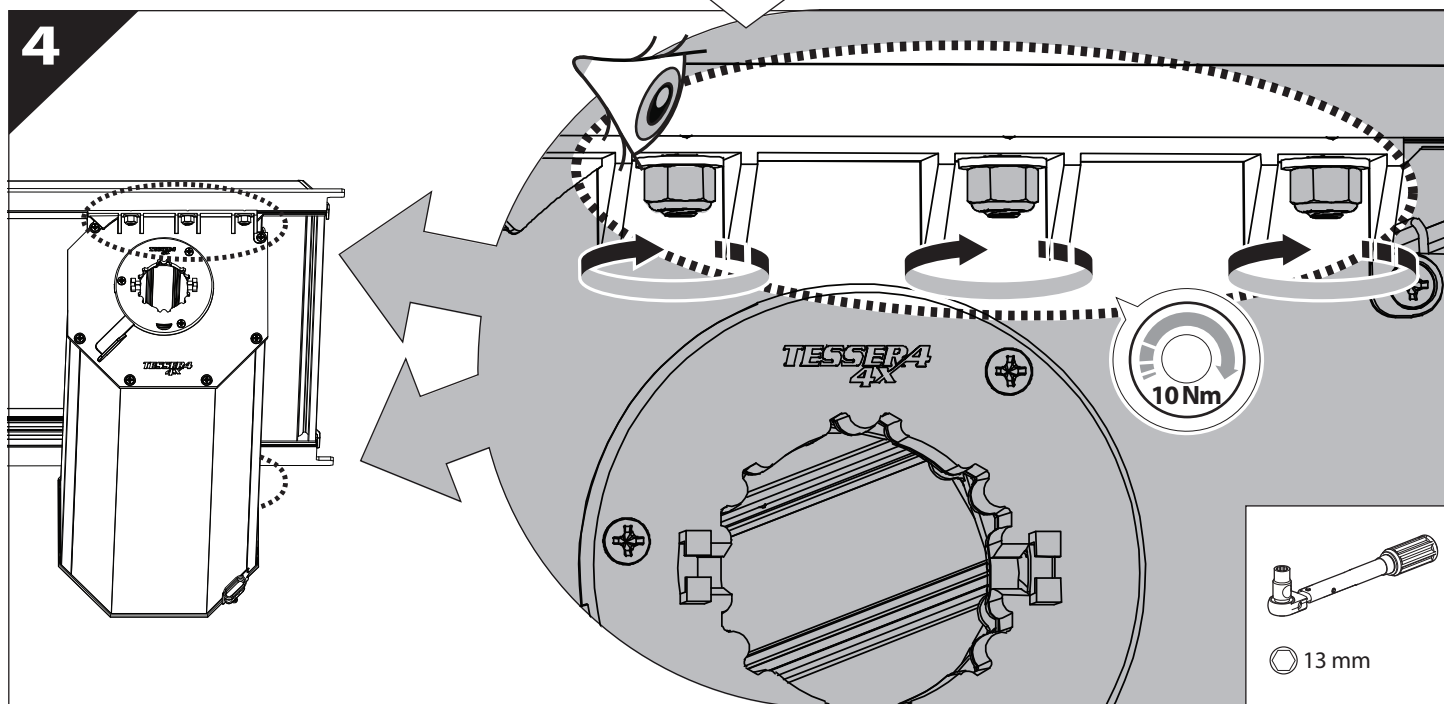


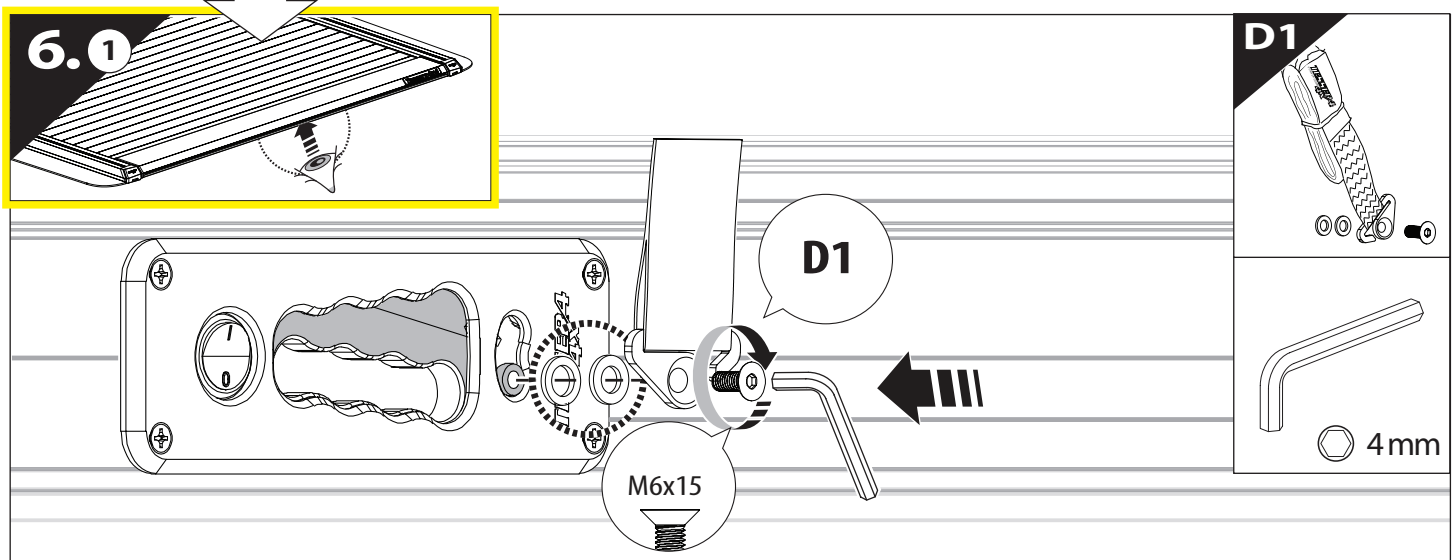
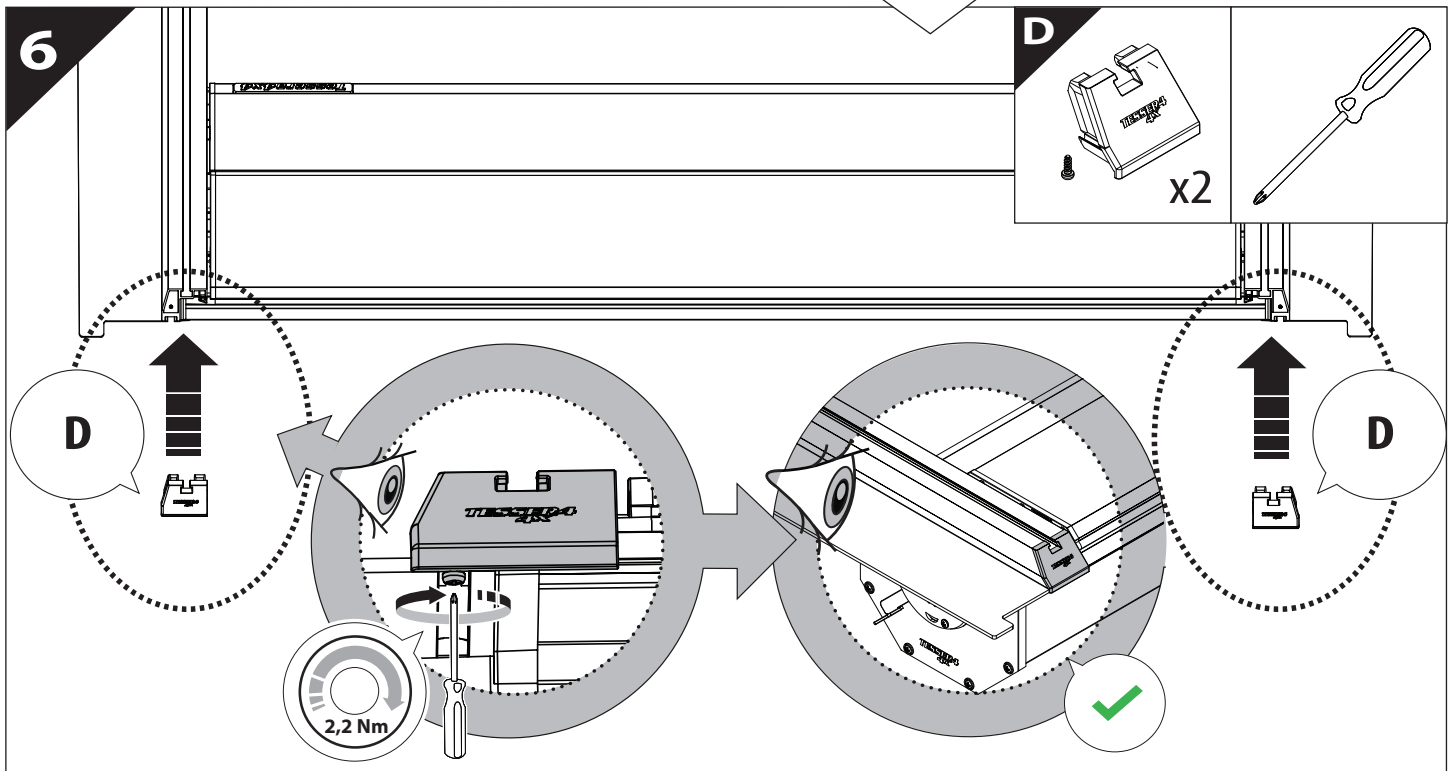
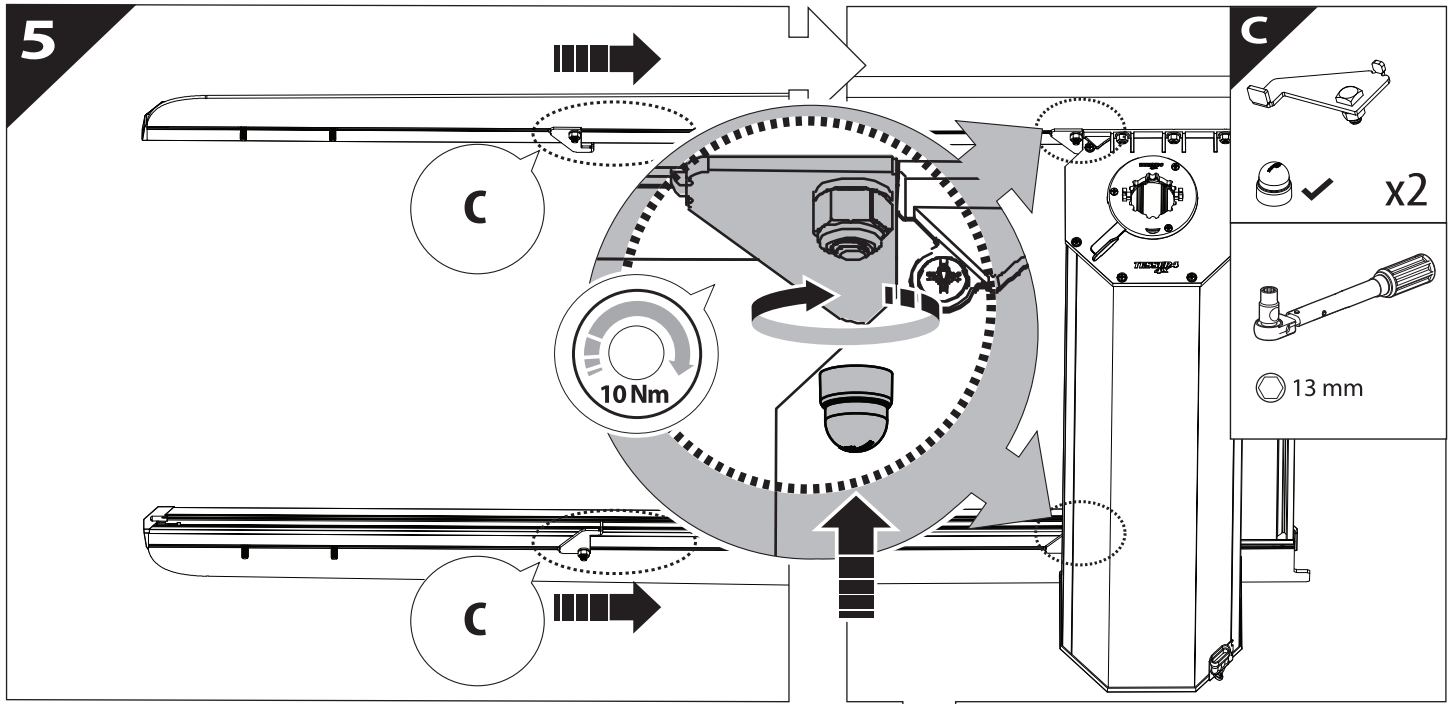


3

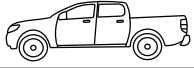


4

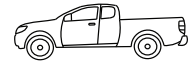




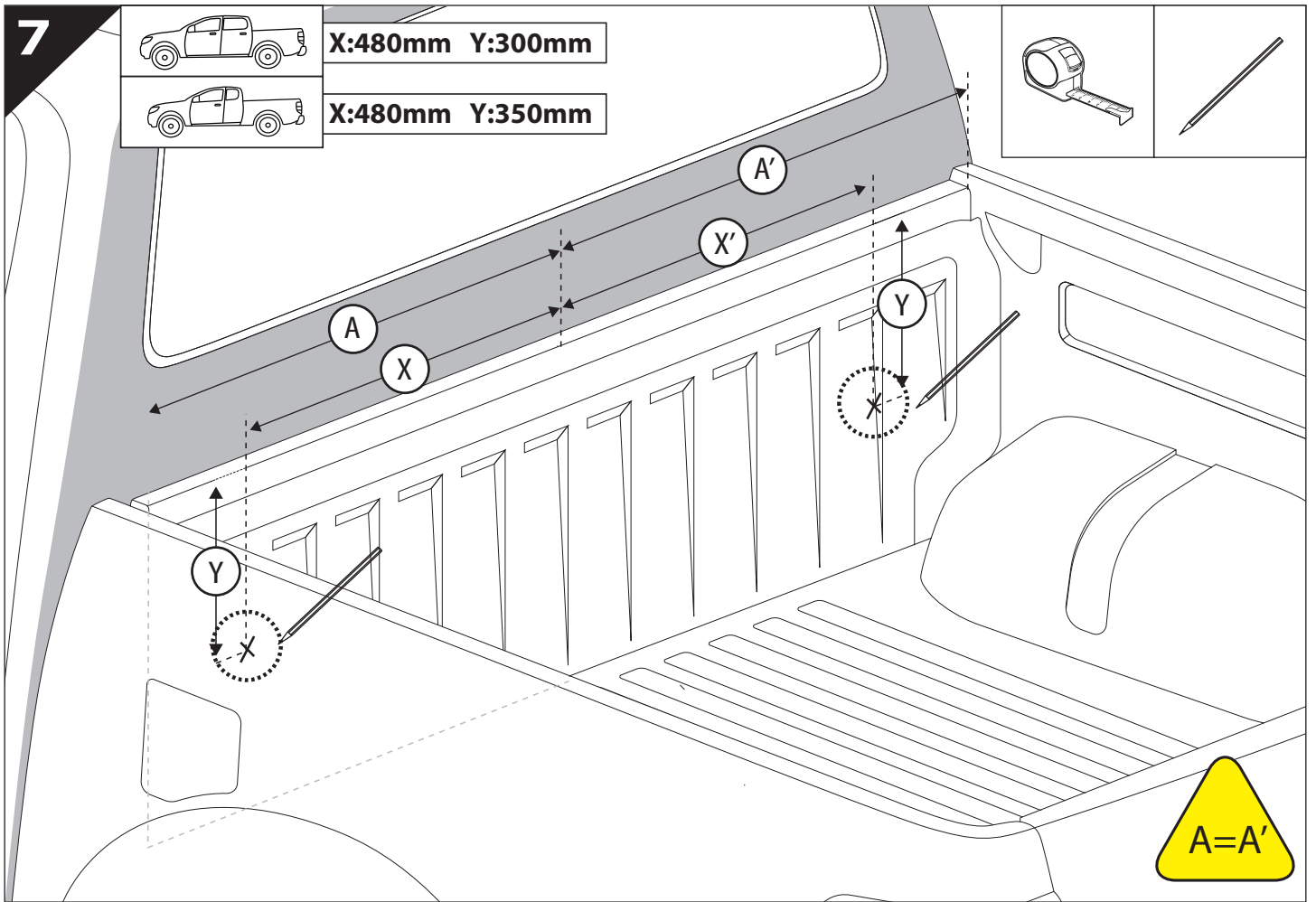
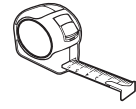
7

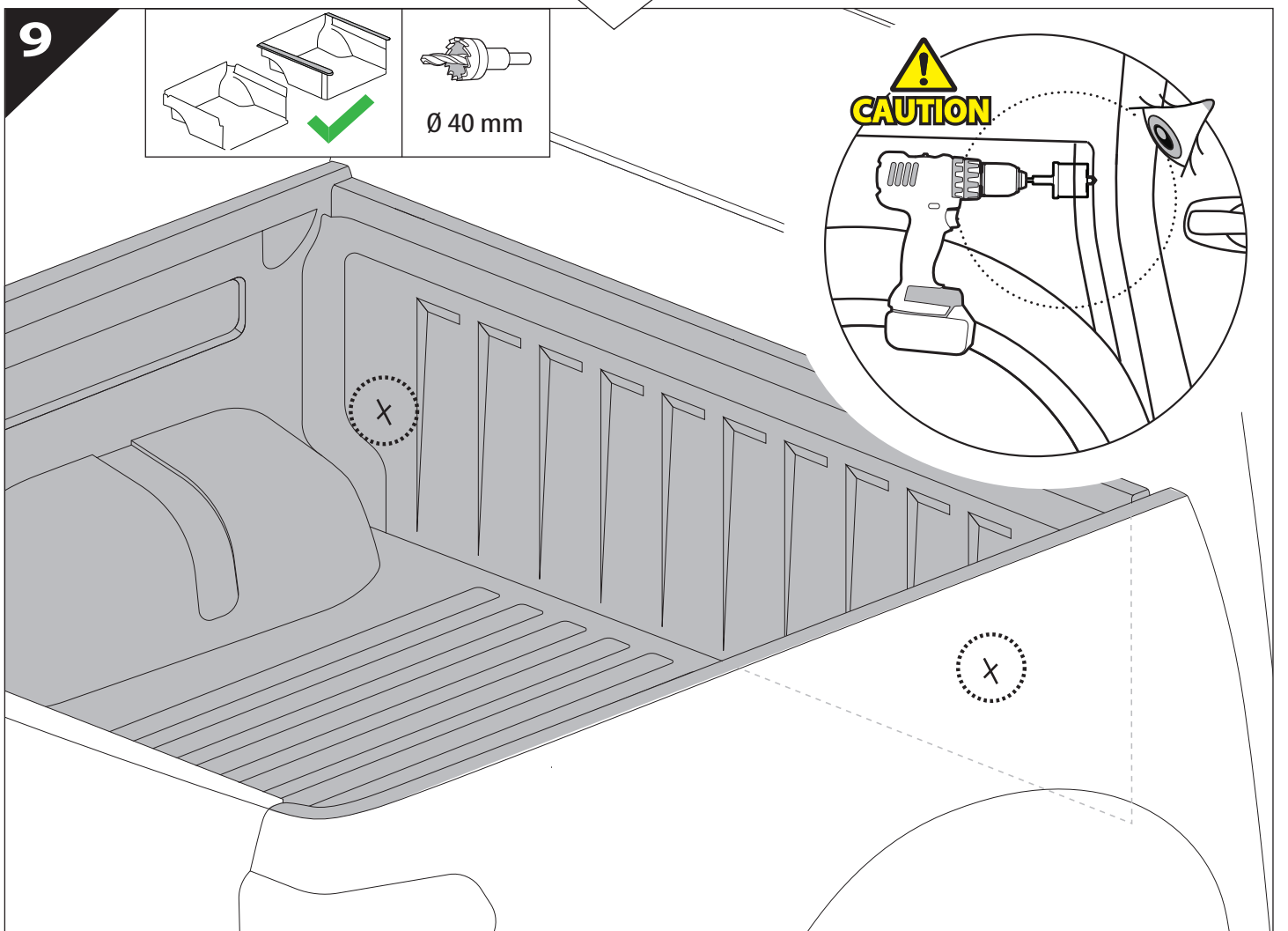
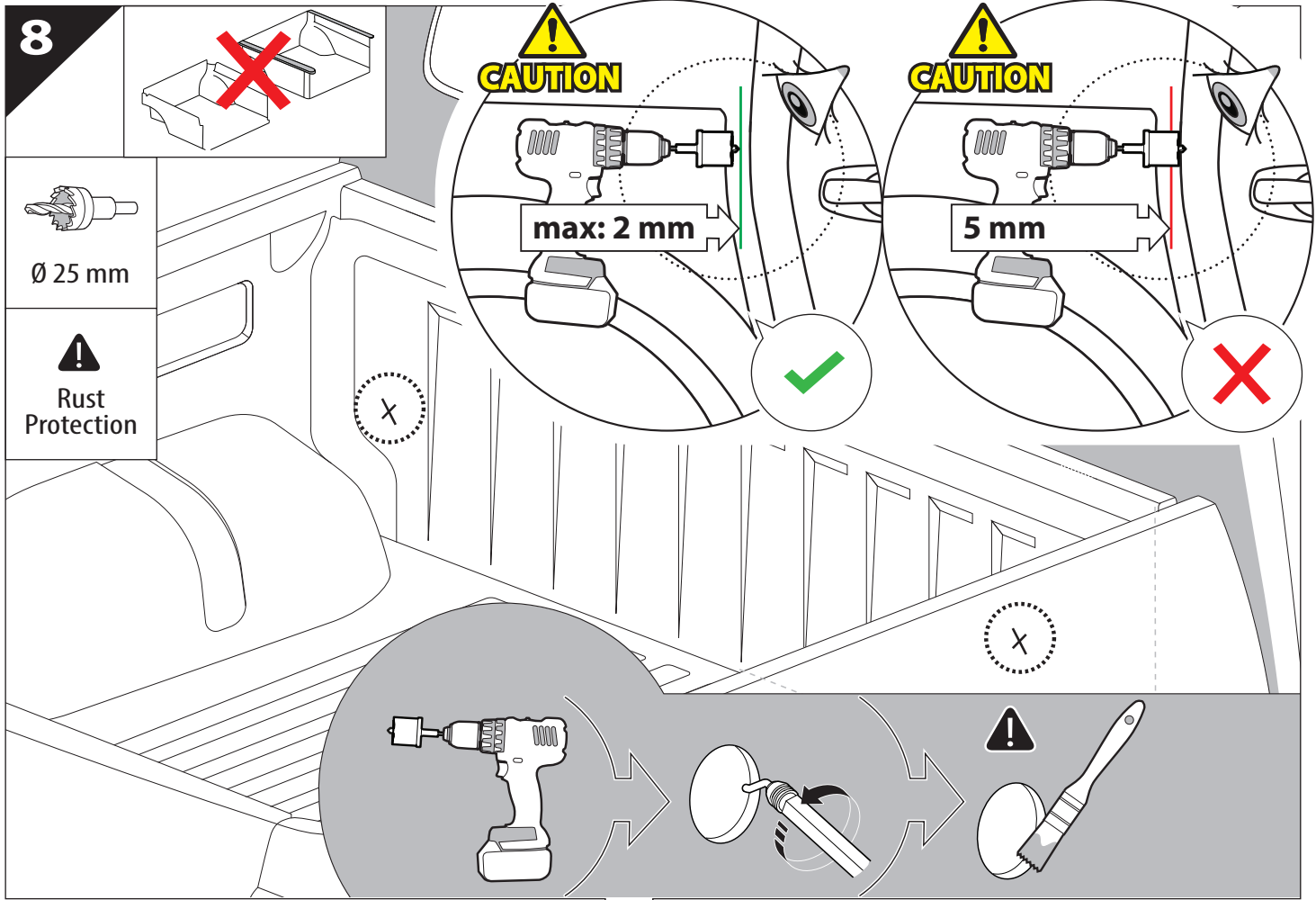


X:480mm Y:300mm

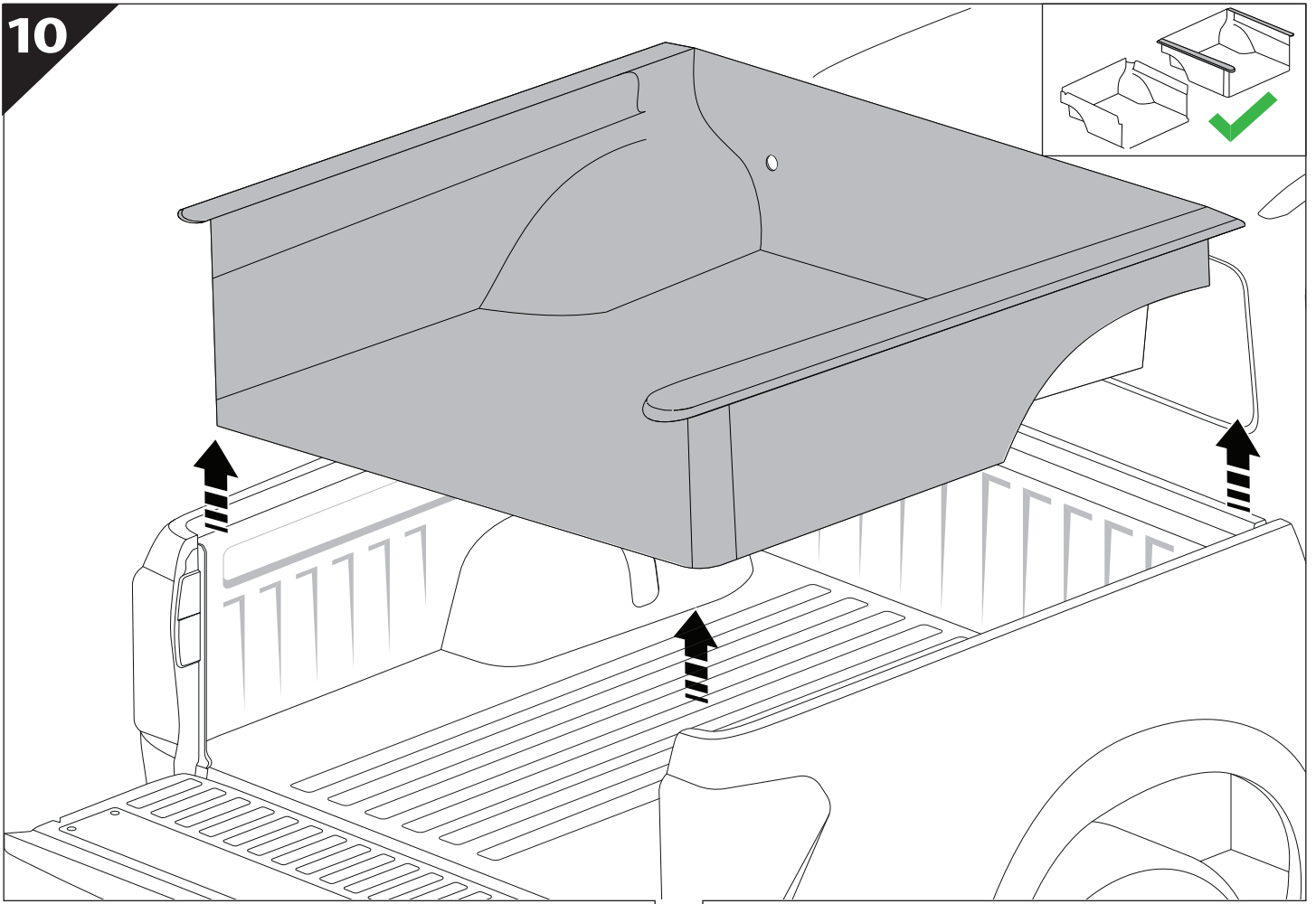


X:480mm Y:350mm

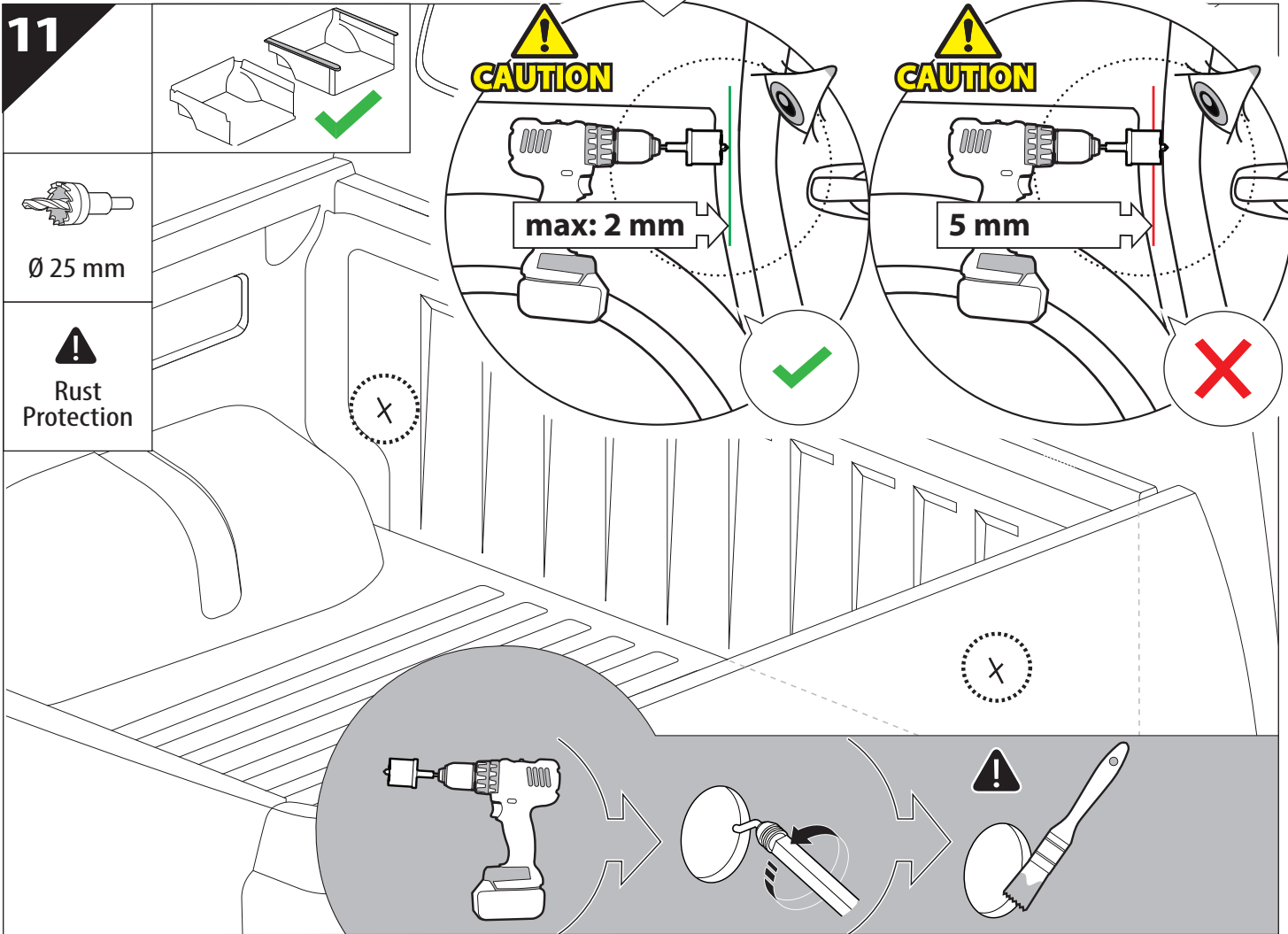




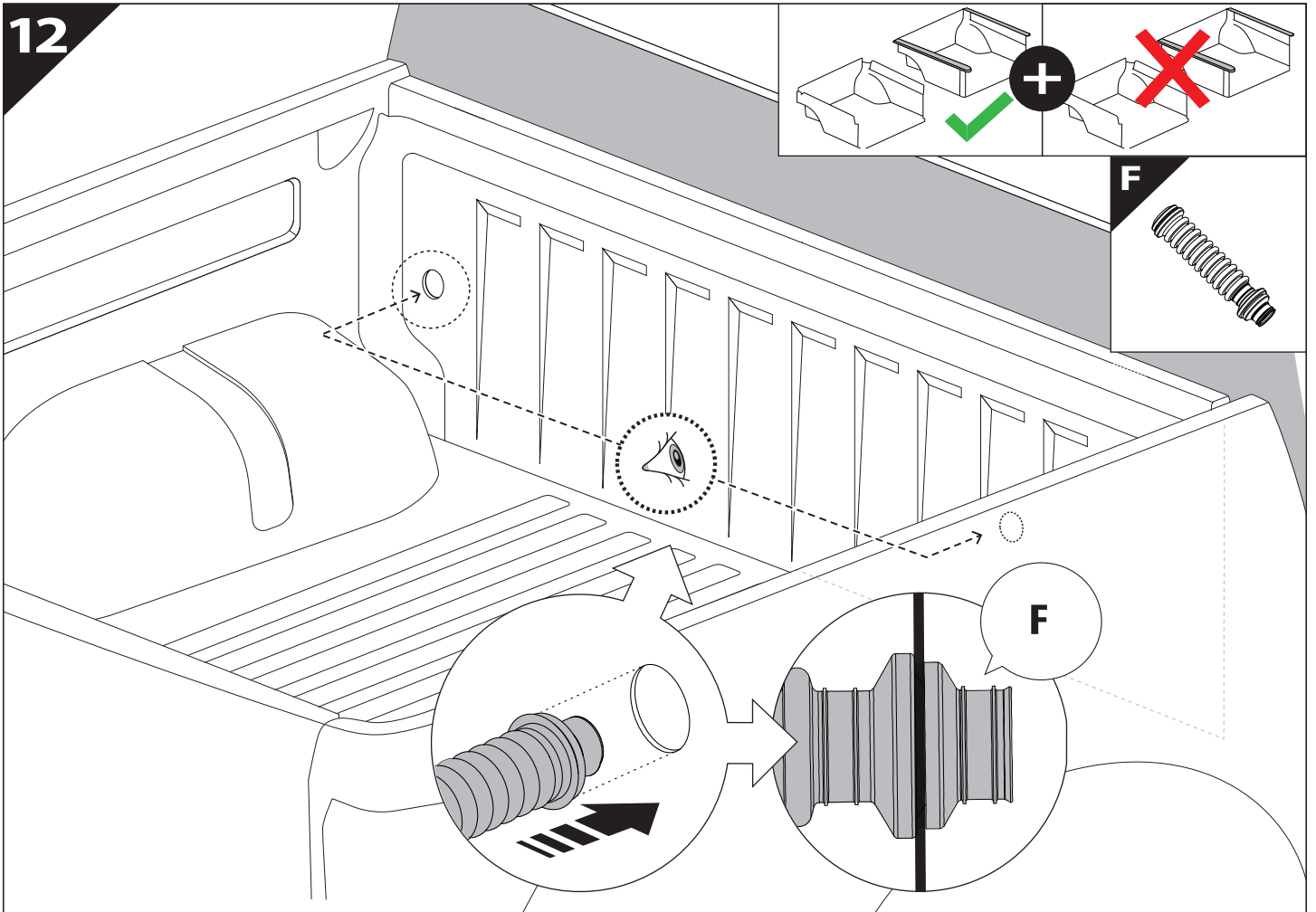
10



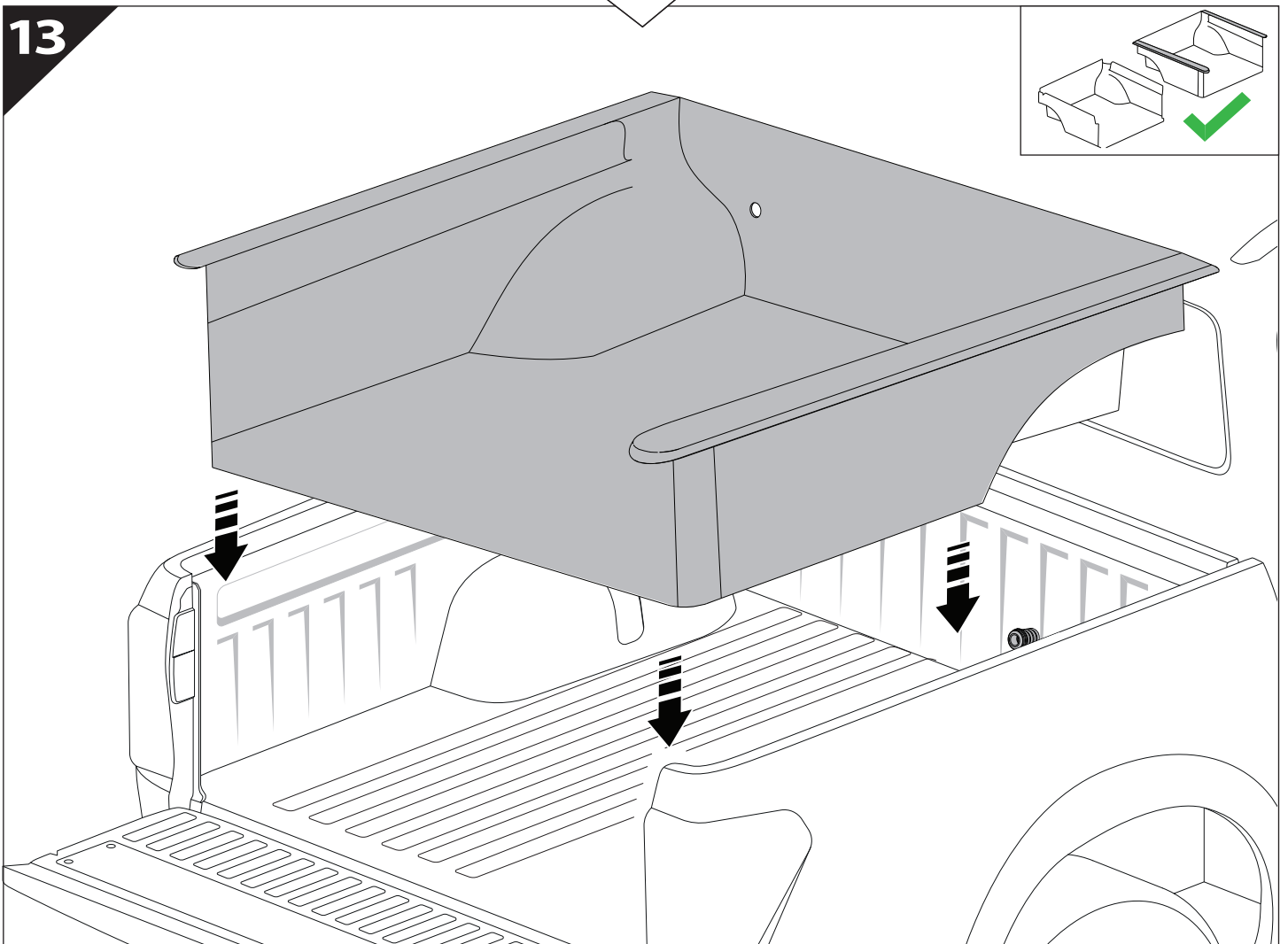
11



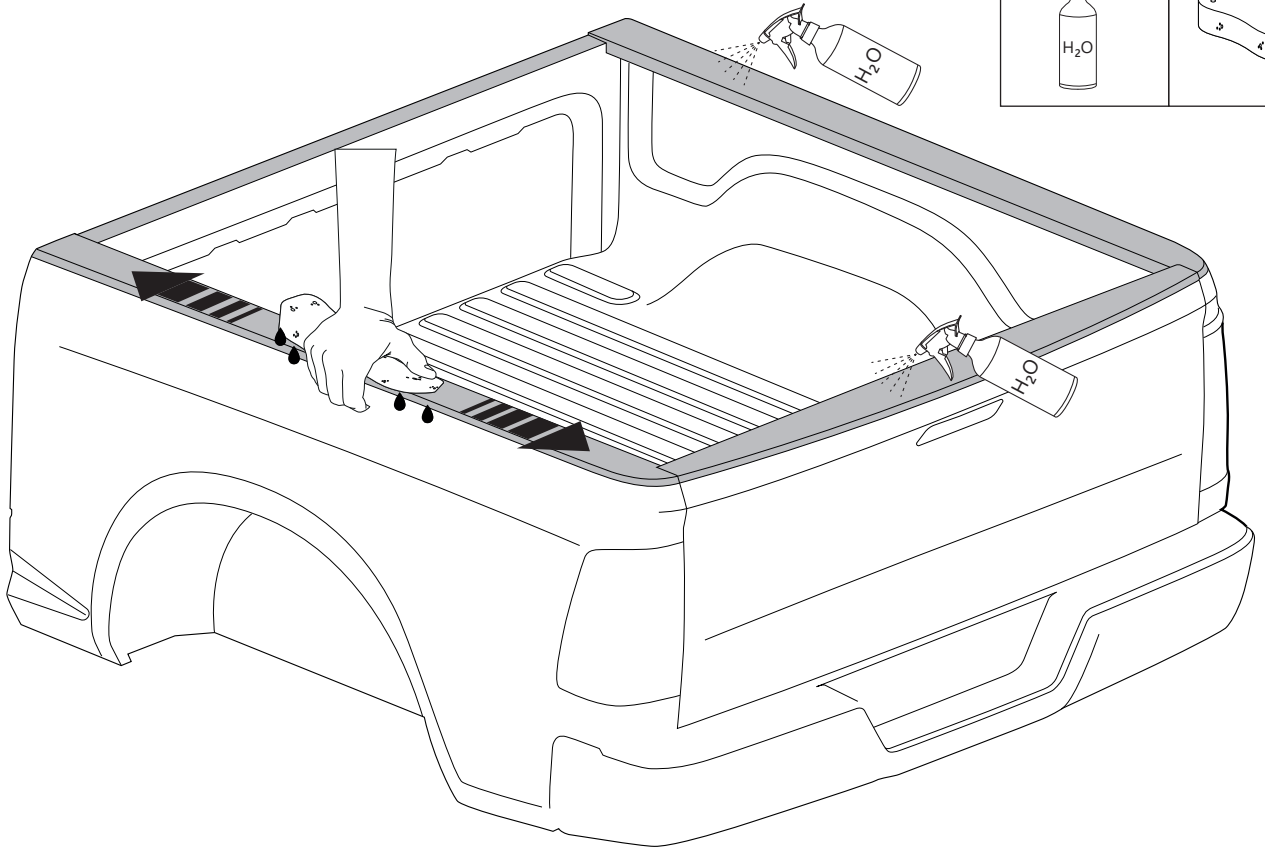
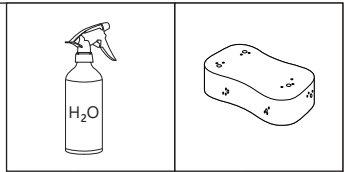
12



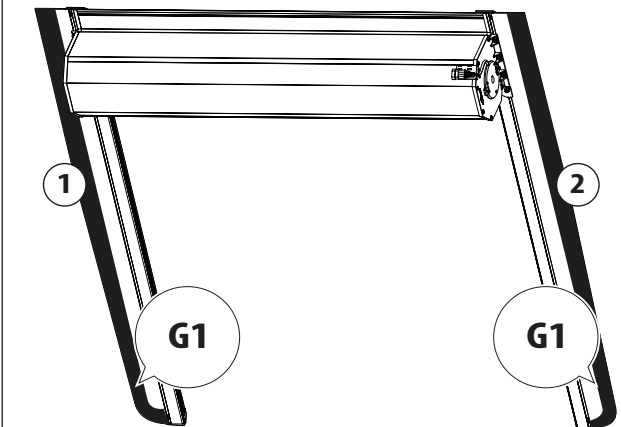
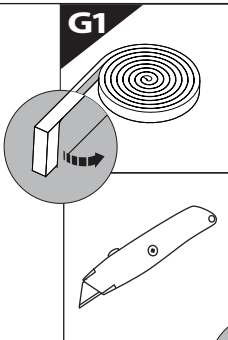
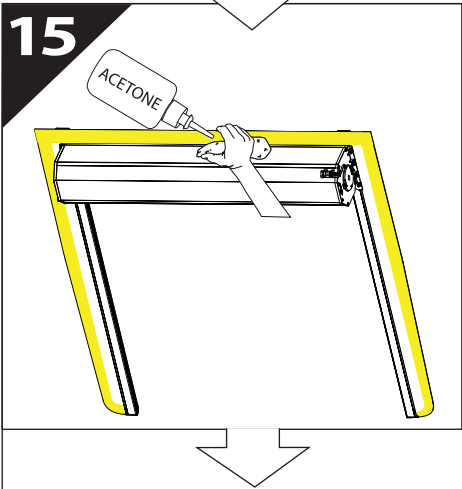
13



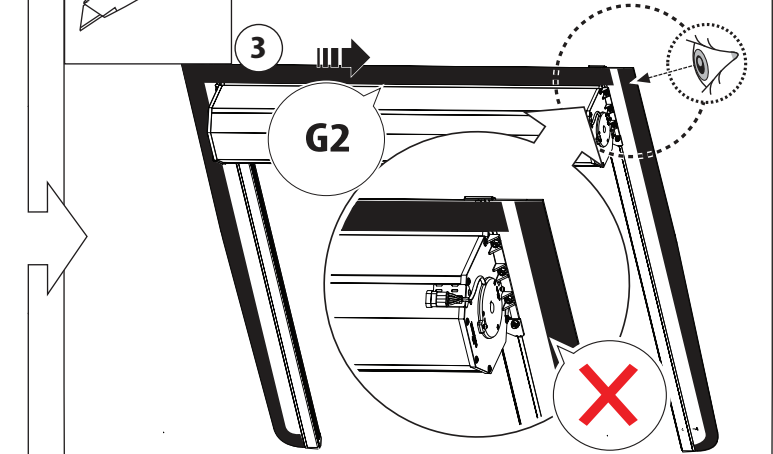
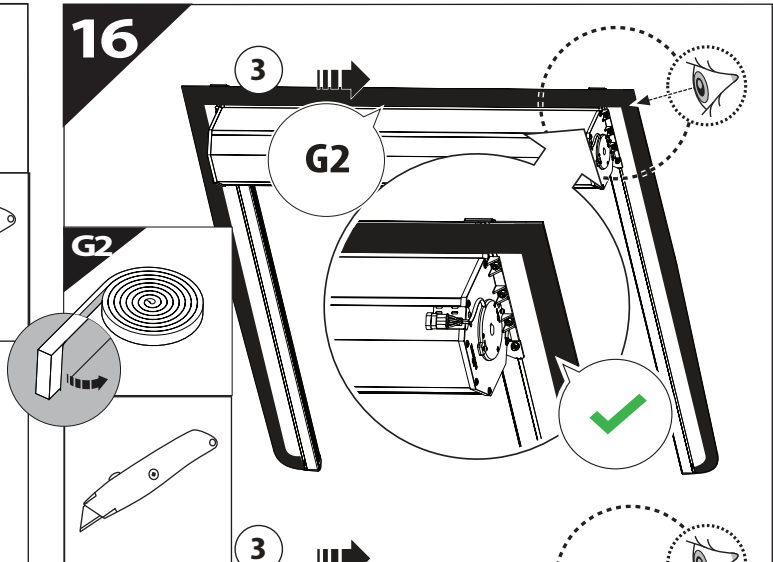
14

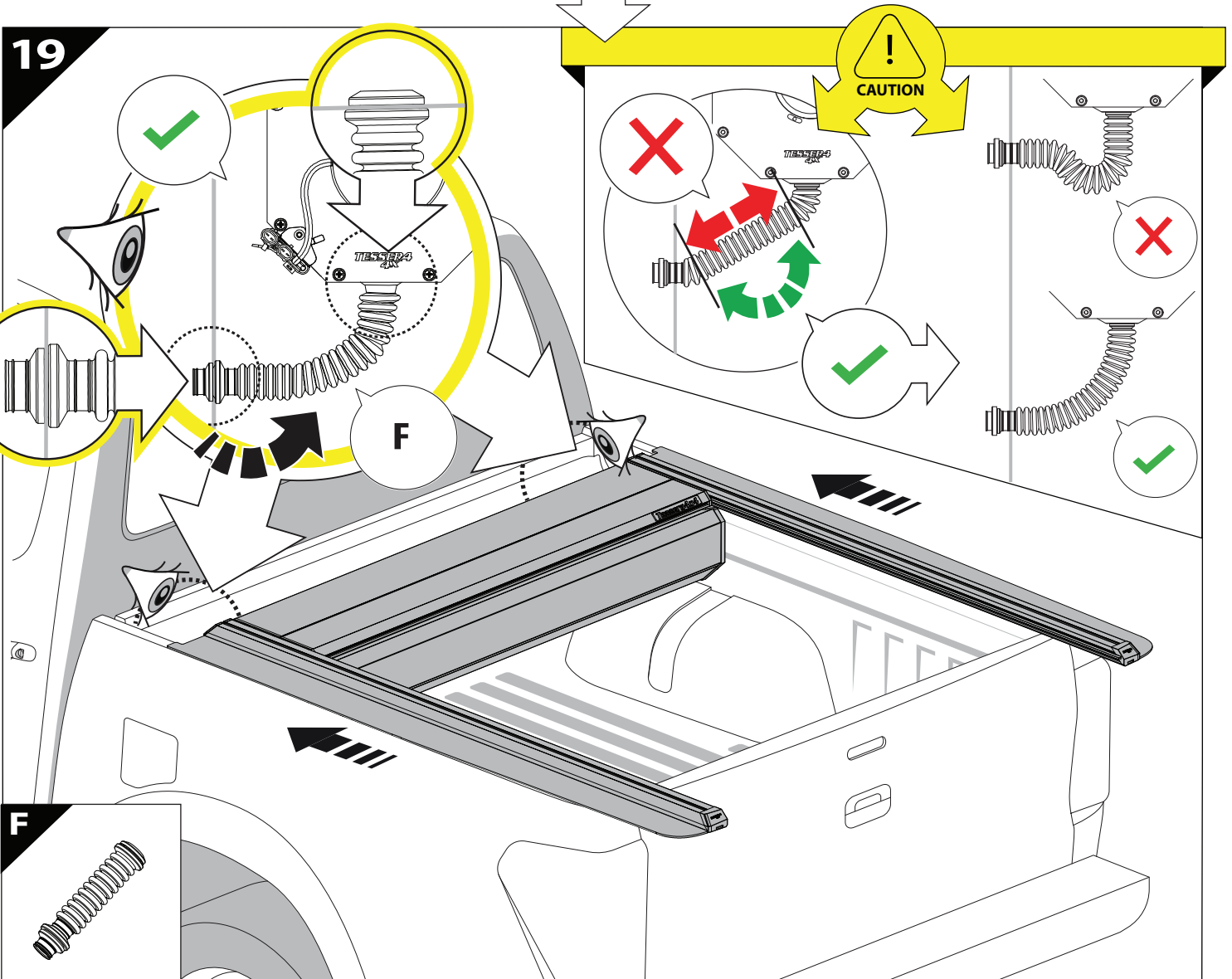
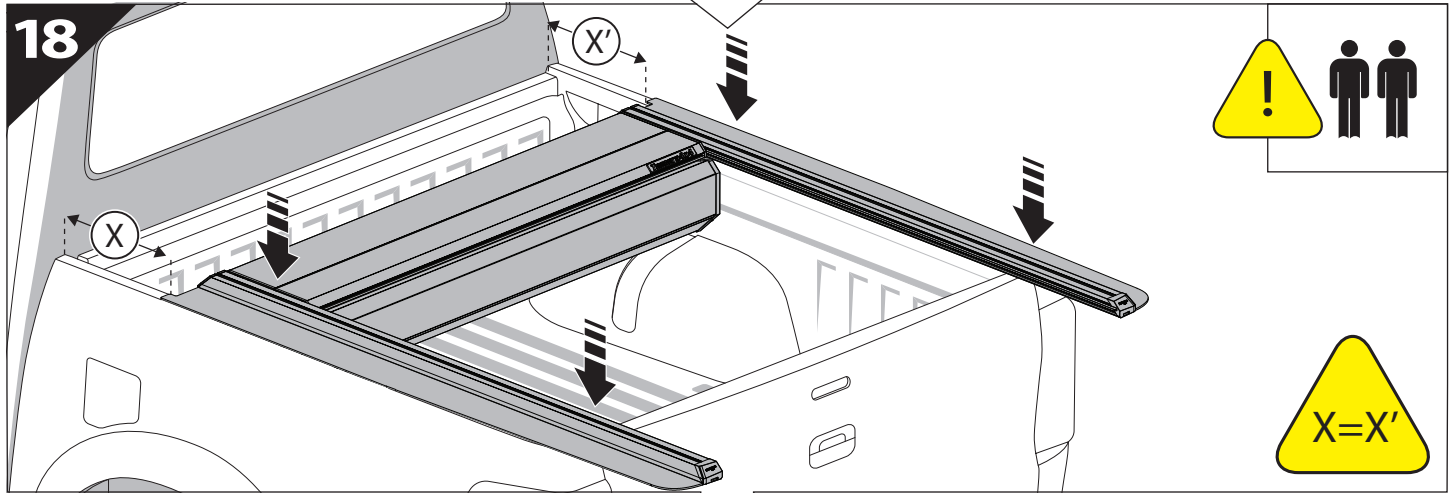
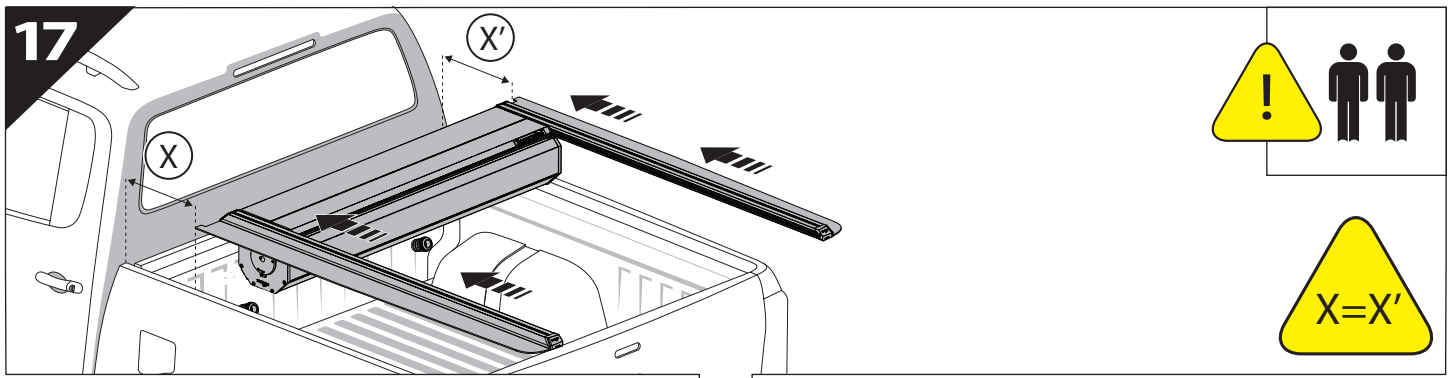


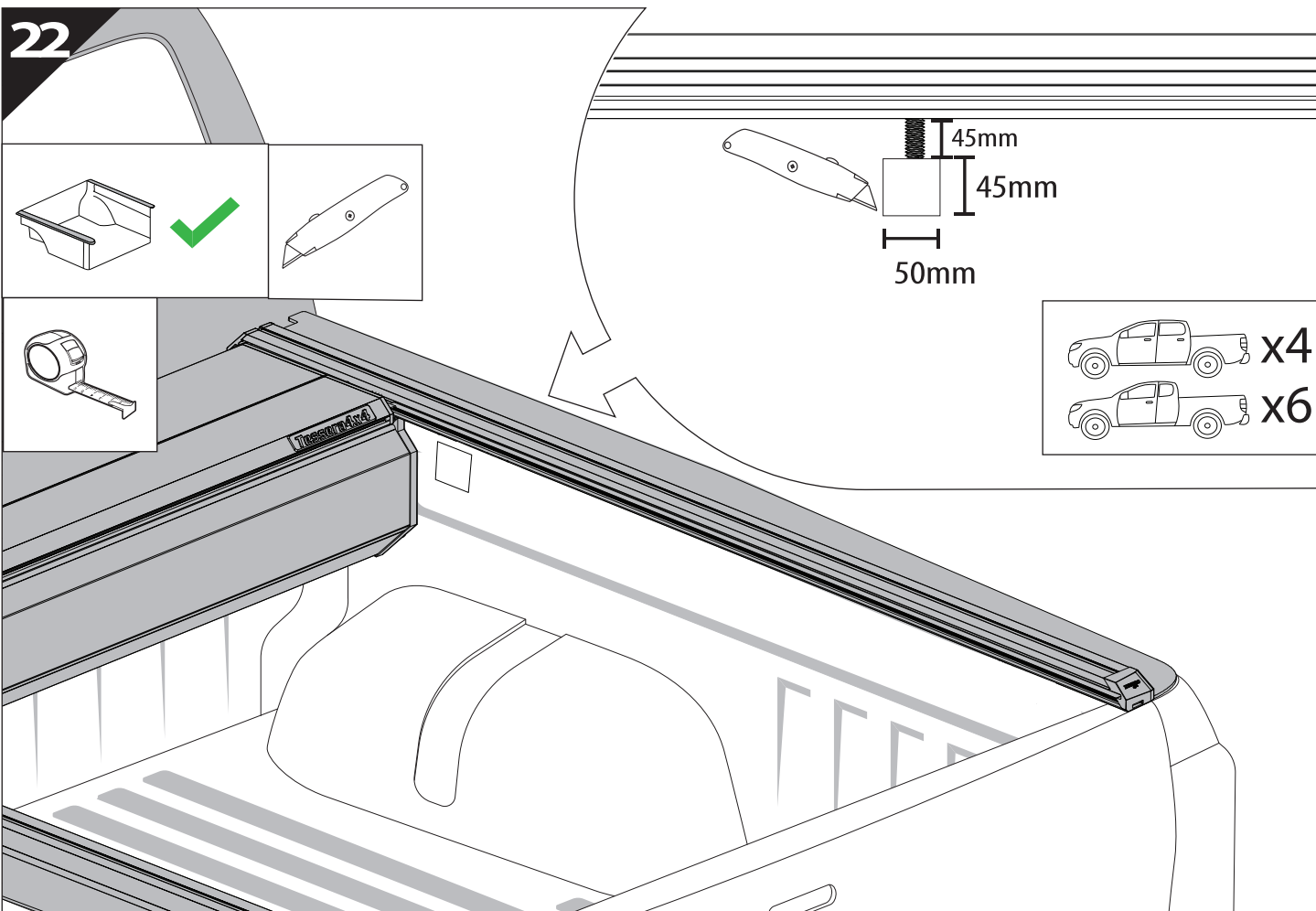
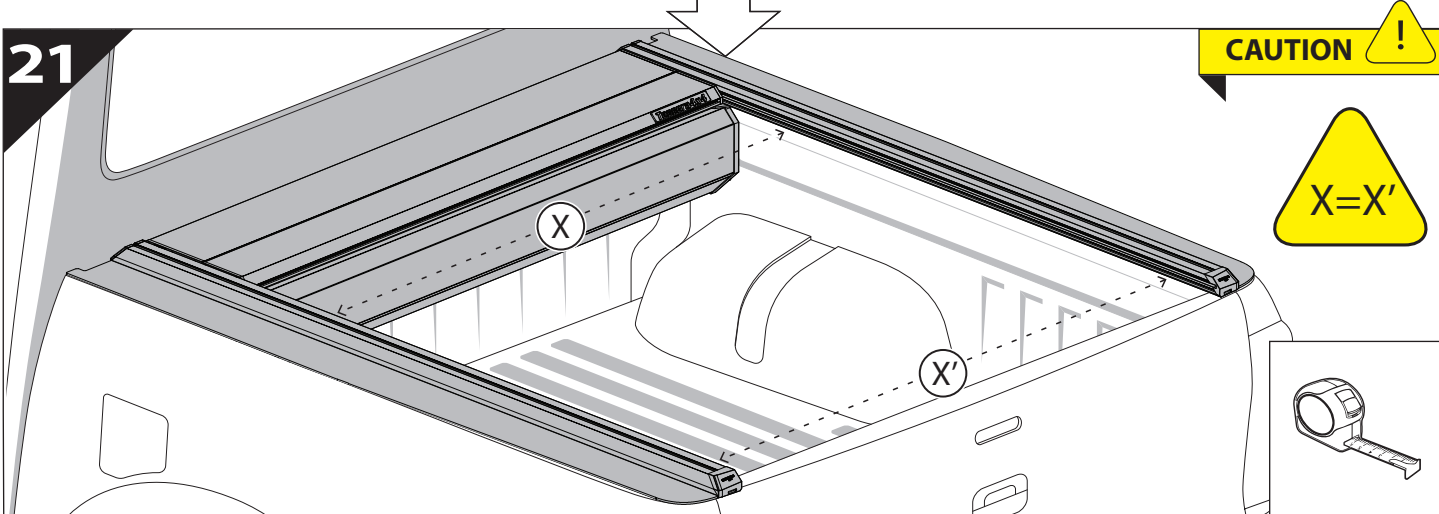
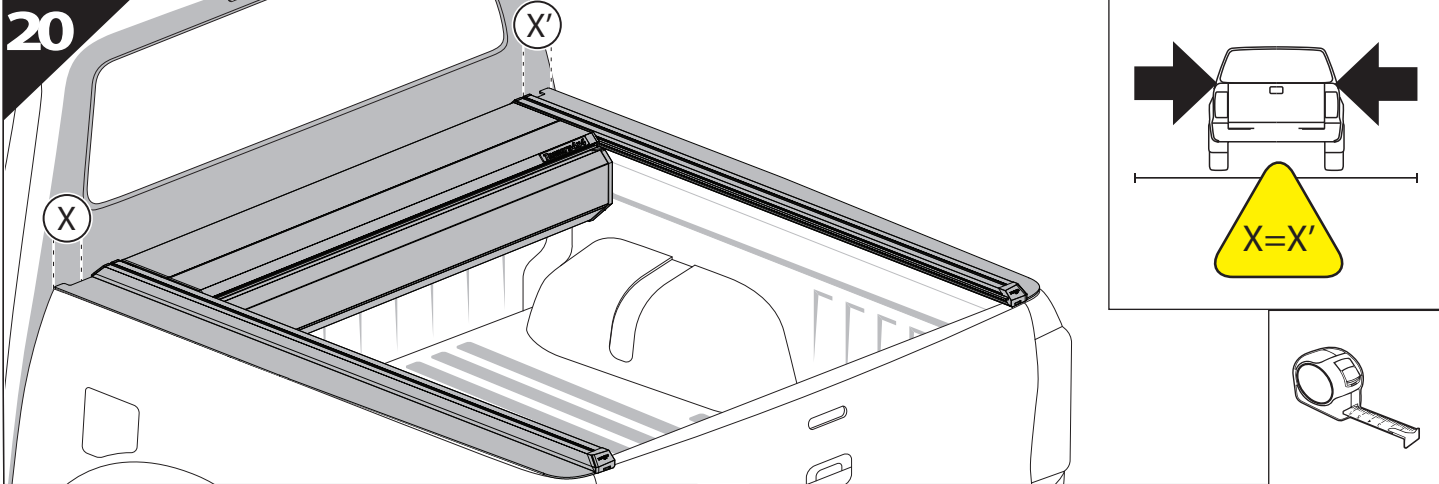
15



16

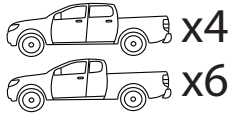
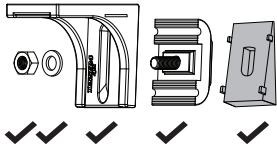




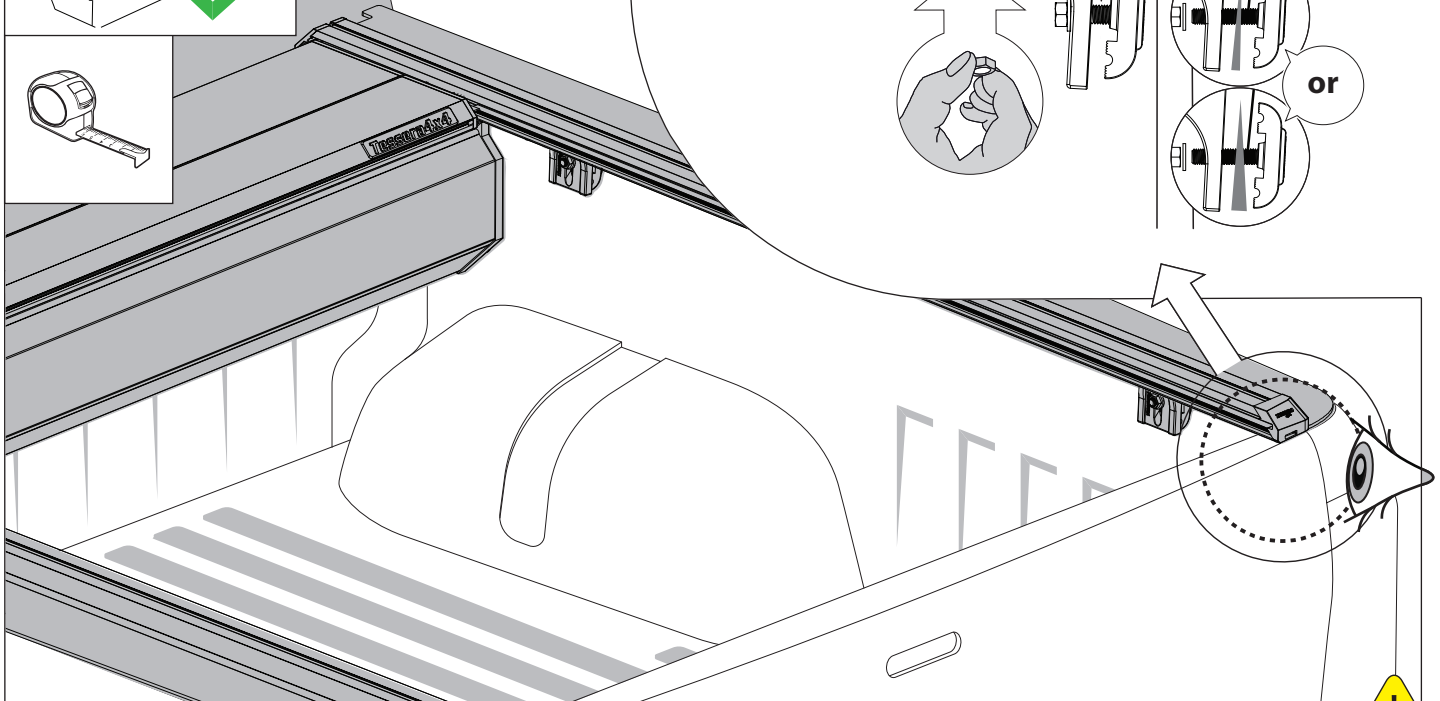
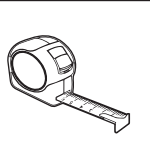
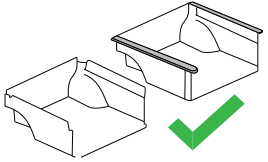
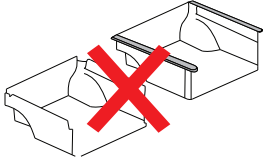
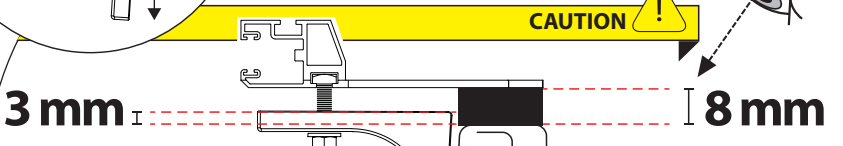
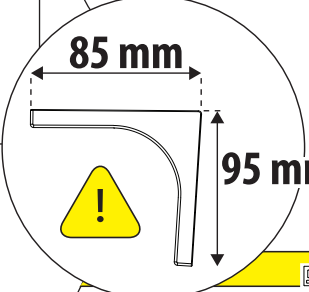
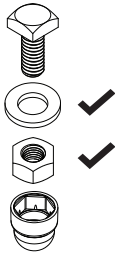


23

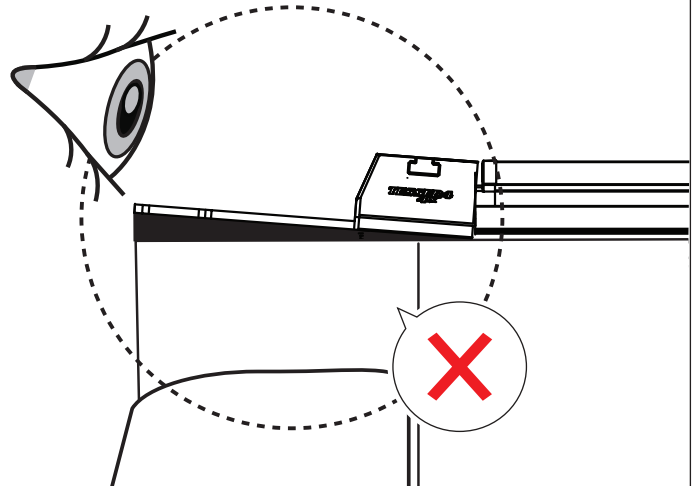
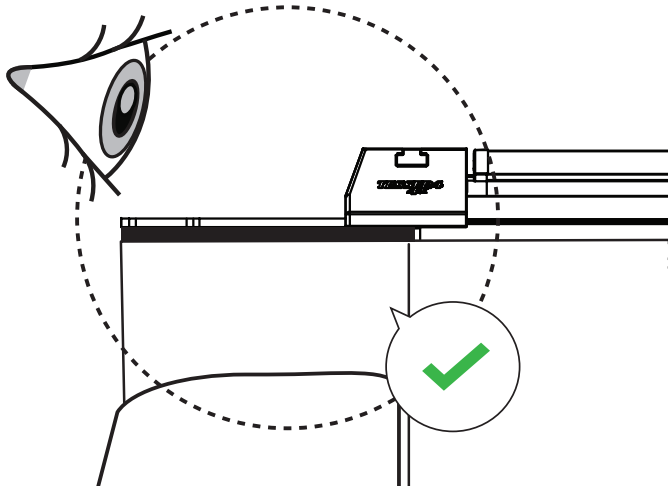
H

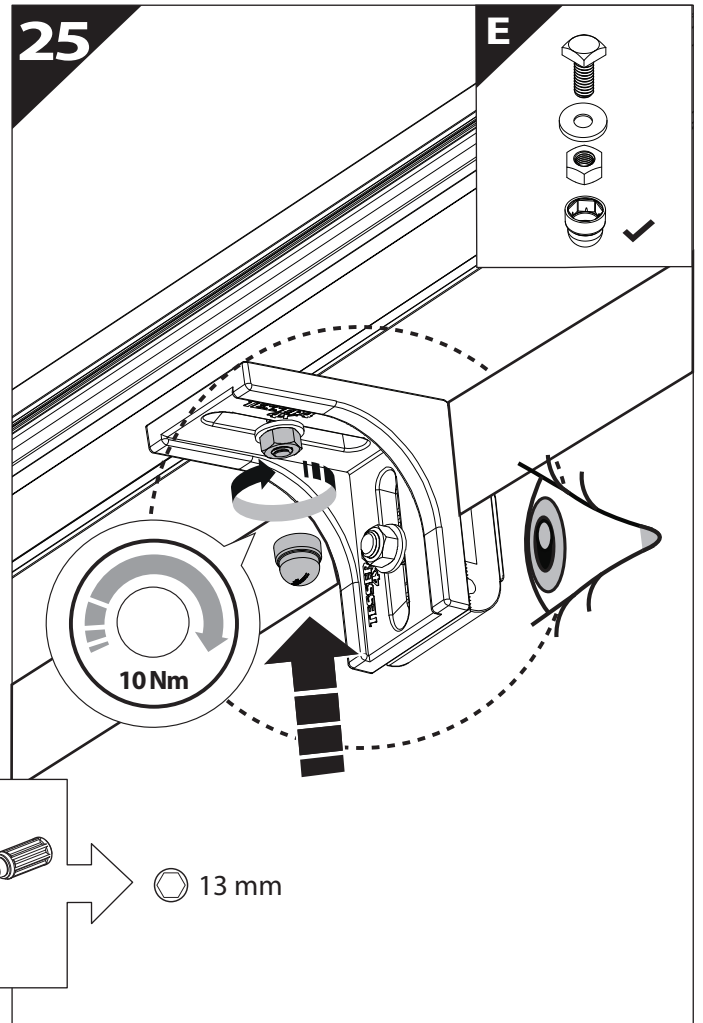
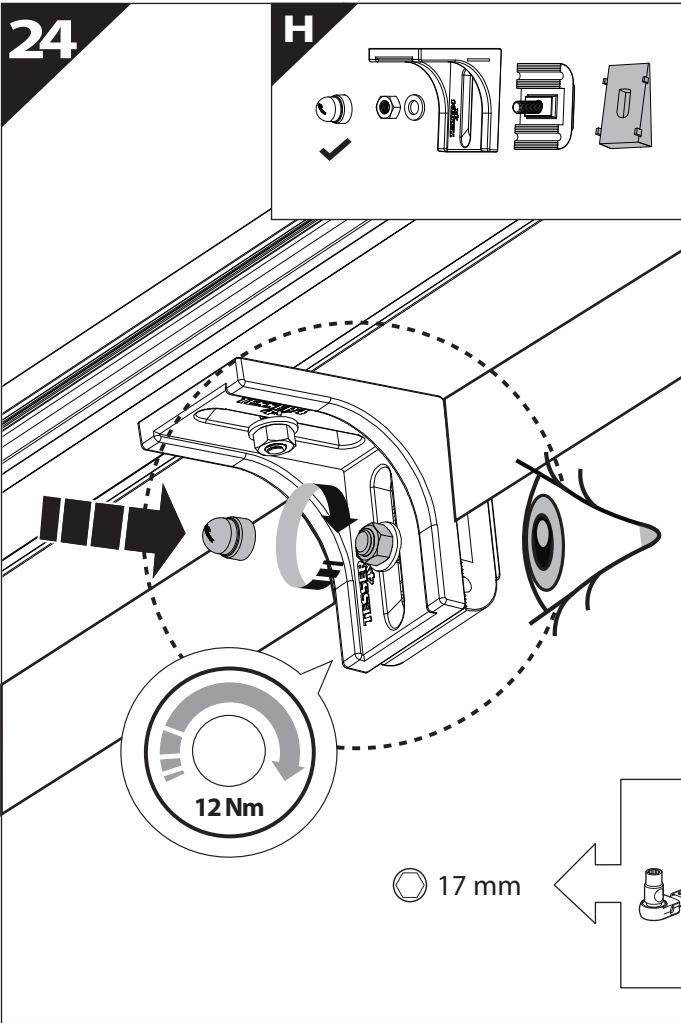


E

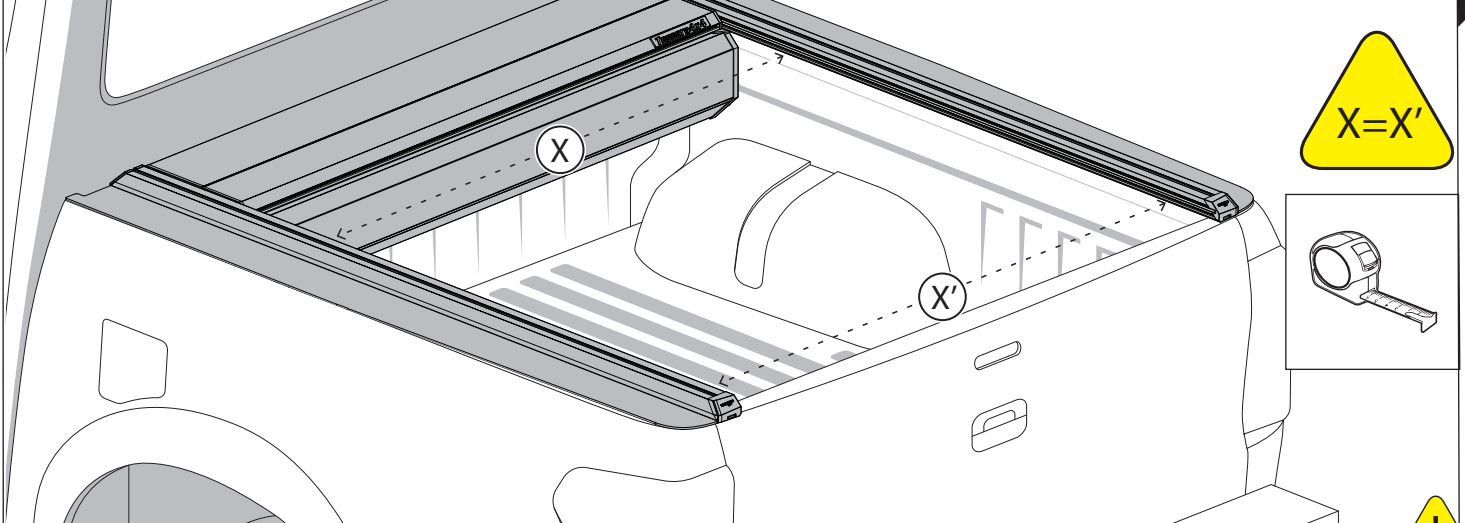


CAUTION !

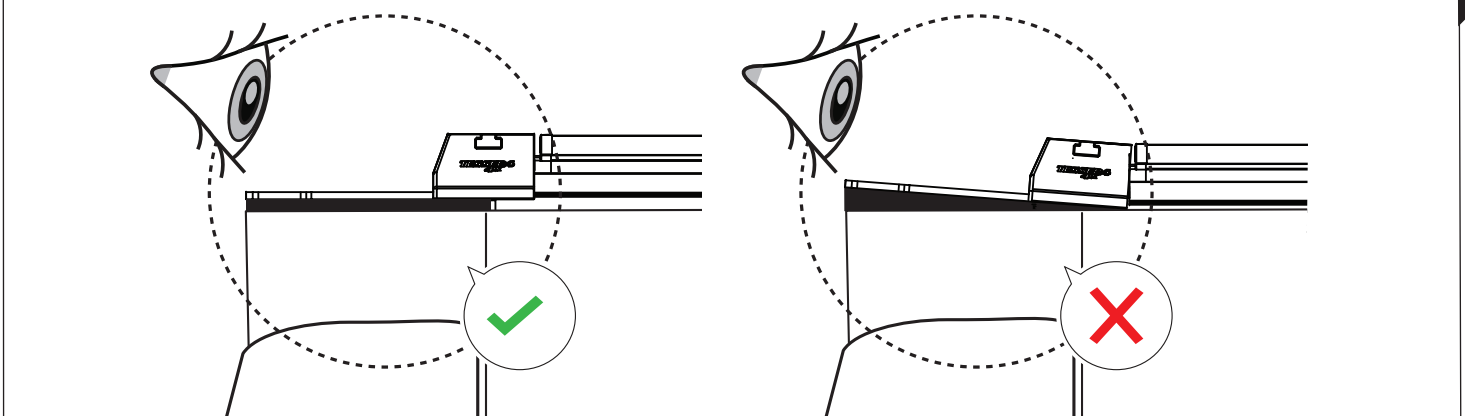




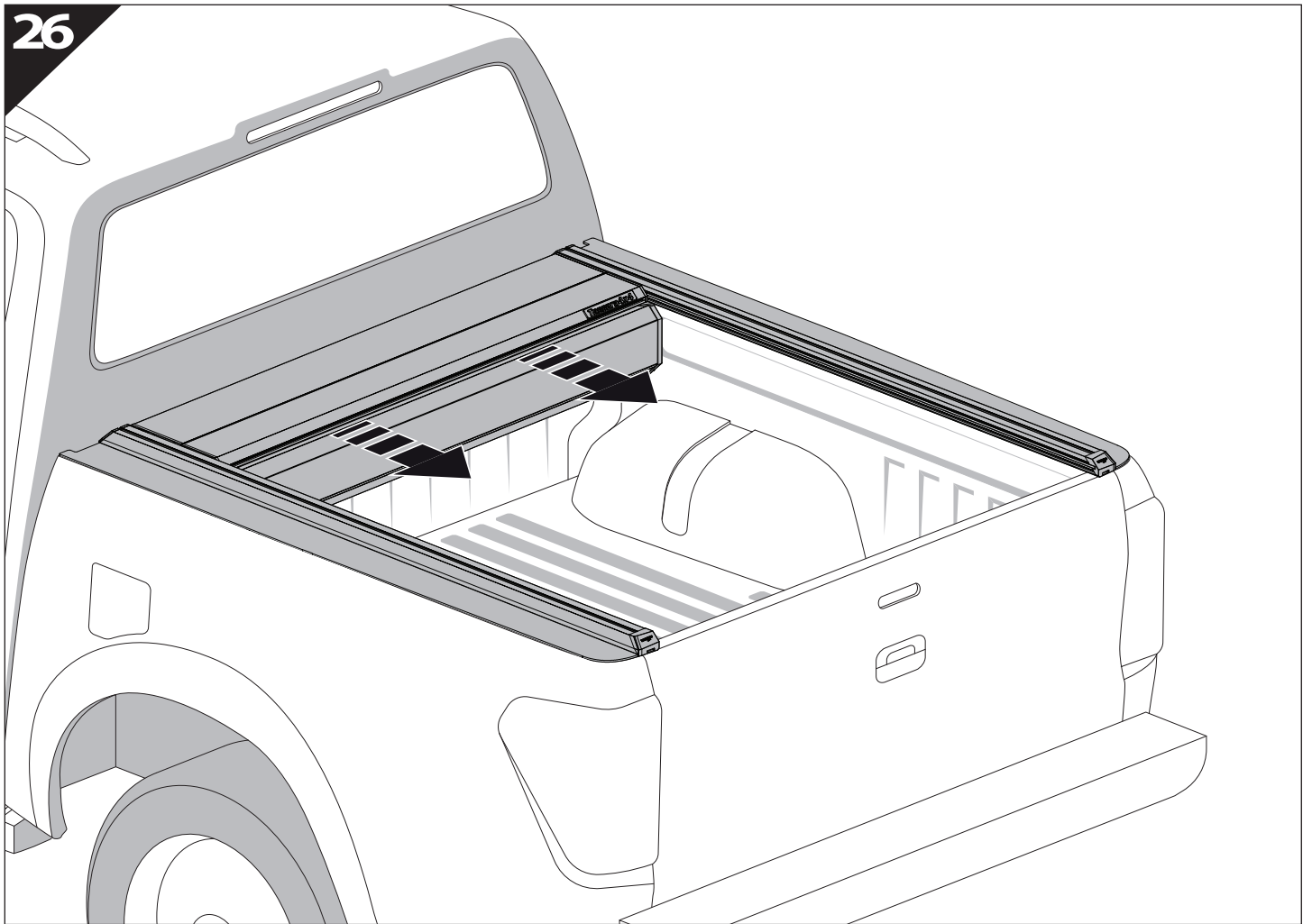
CAUTION !



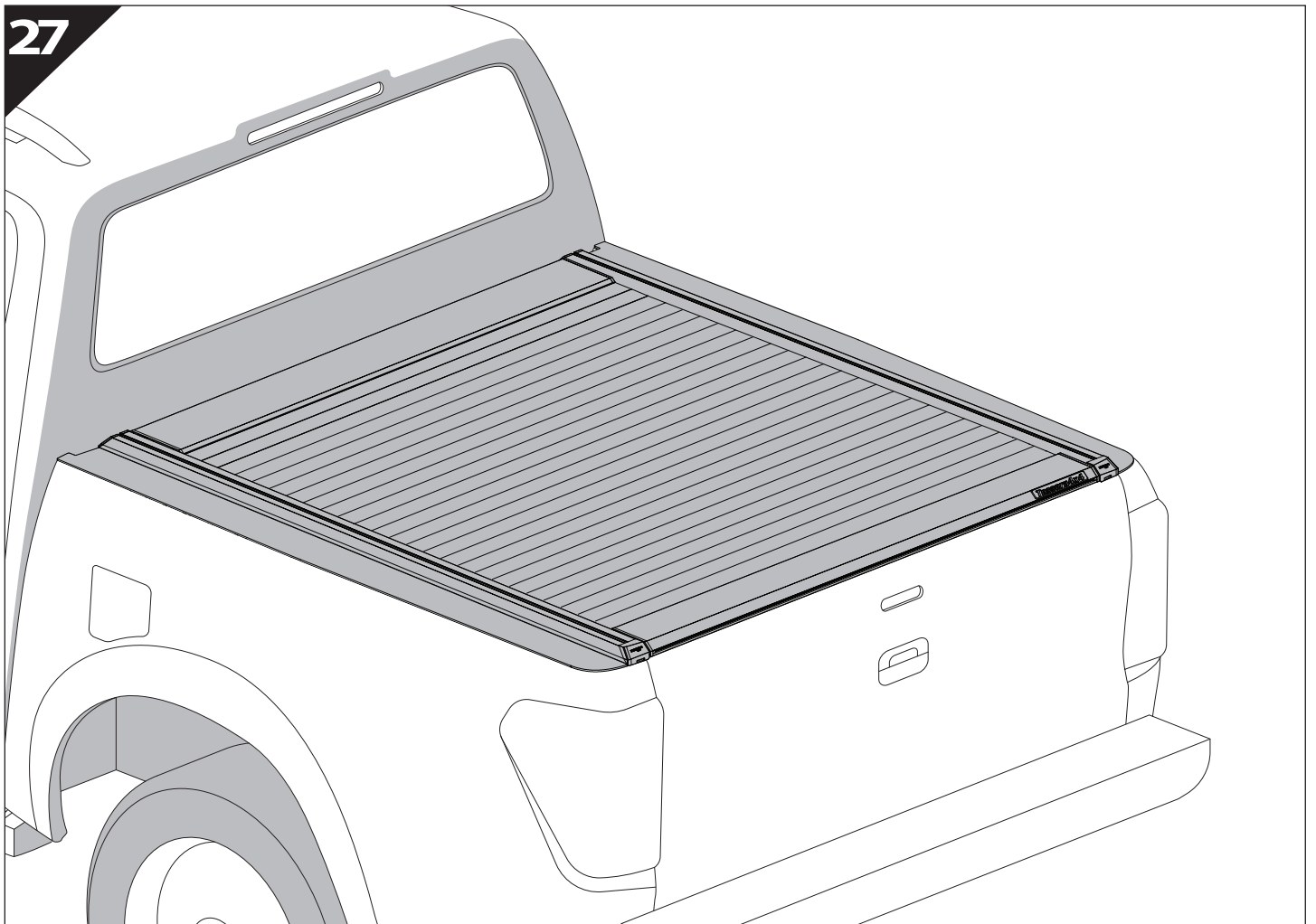
CAUTION !



26



27





GR: Οδηγίες Εγκατάστασης
GB: Installation manual
SF: Asennusohje
F: Notice de montage
PL: Instrukcja montażu
NL: Installatie-instructies
TR: Montaj Talimatı
S: Monteringsanvisning
E: Instrucciones de montaje

H: Szerelési utasítás
P: Instruções de instalação
RUS: Инструкция по установке
N: Monteringsveiledning
D: Einbauanleitung
CZ: Návod k instalaci
I: Istruzioni de montaggio
DK: Monteringsvejledning
RO: Instructiuni de instalare

Customer Service:

+30 (210) 5541161, +30 (210) 5541154 (08:00 - 16:00 EET)

Support department:

info@gianso.gr

Website:

www.tessera4x4.com

Address:

19.5 km of National road Athens-Korinthos (Elefsina) Greece, P.C: 19200