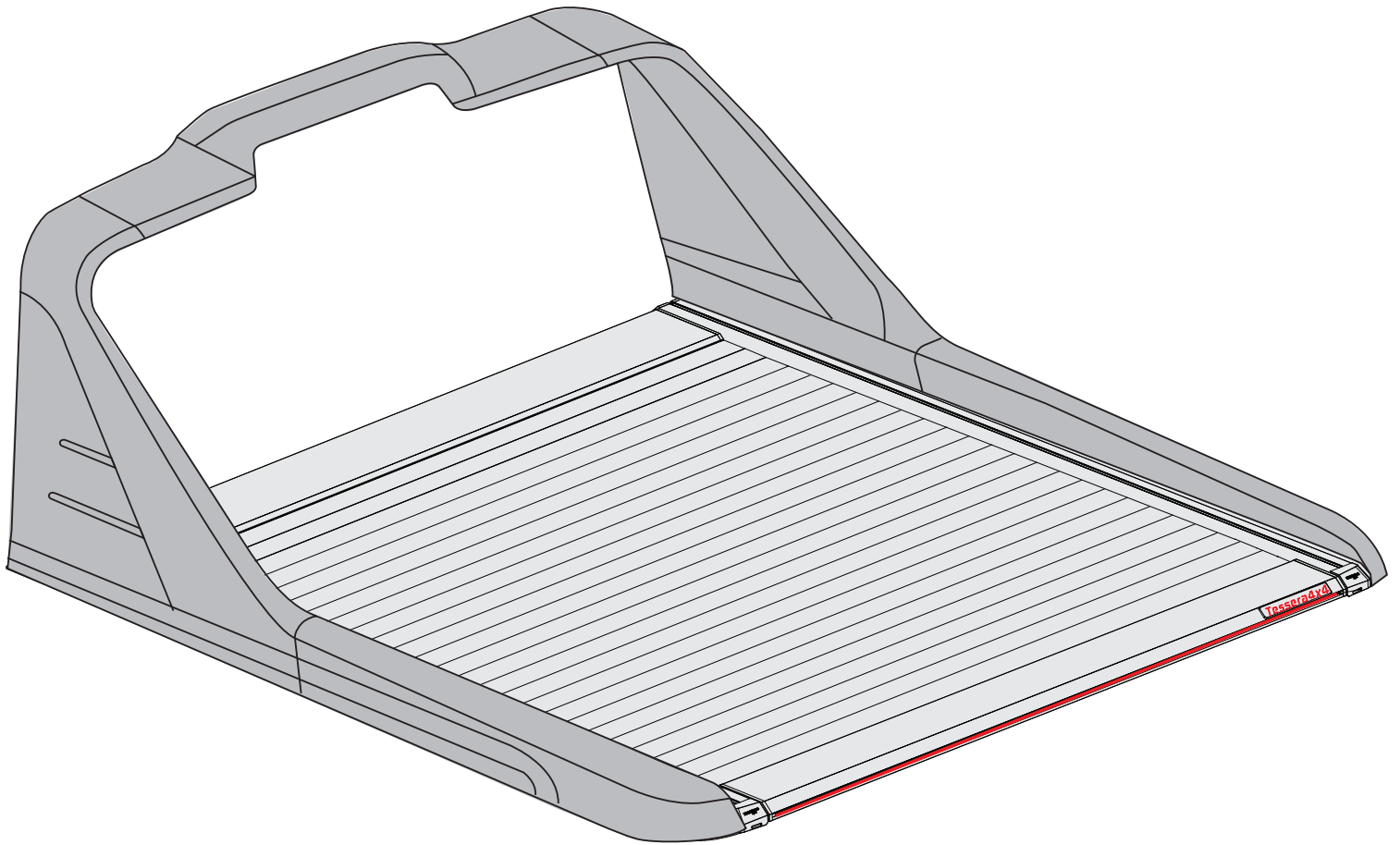


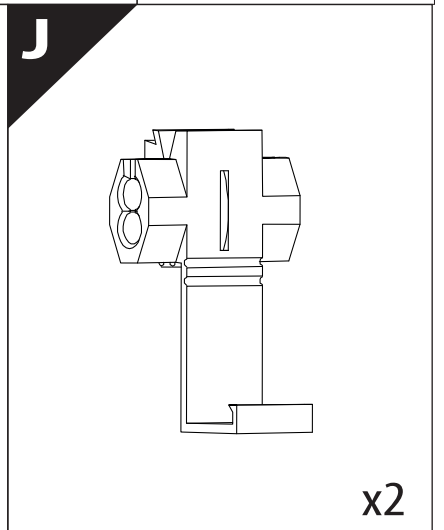
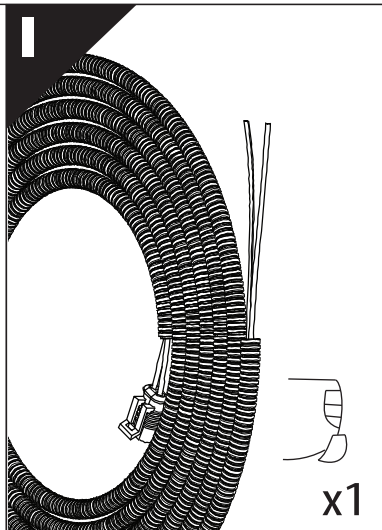
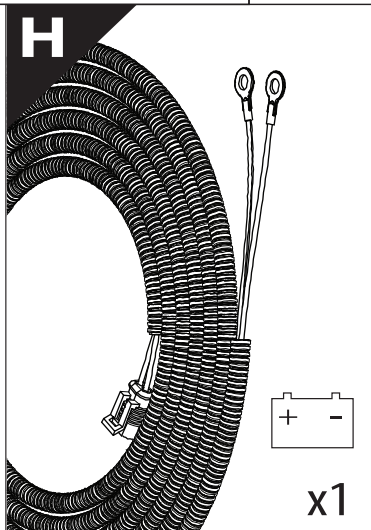
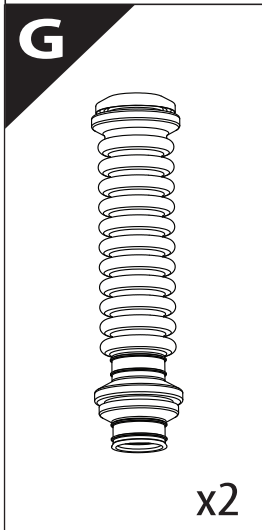
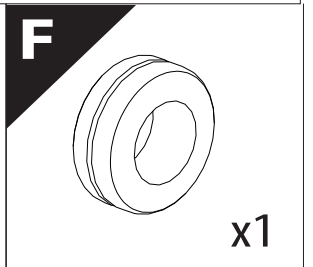
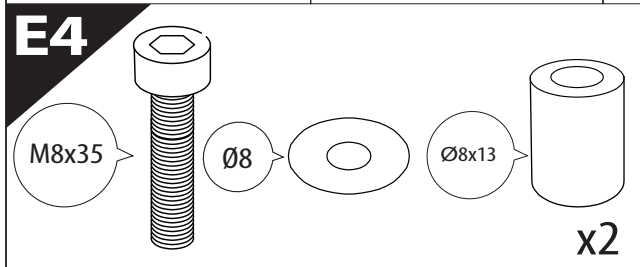
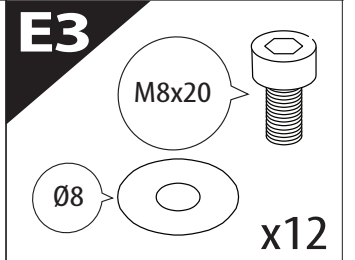
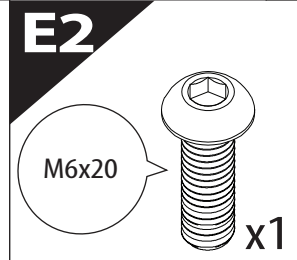
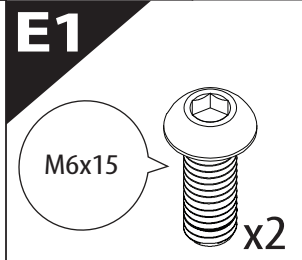
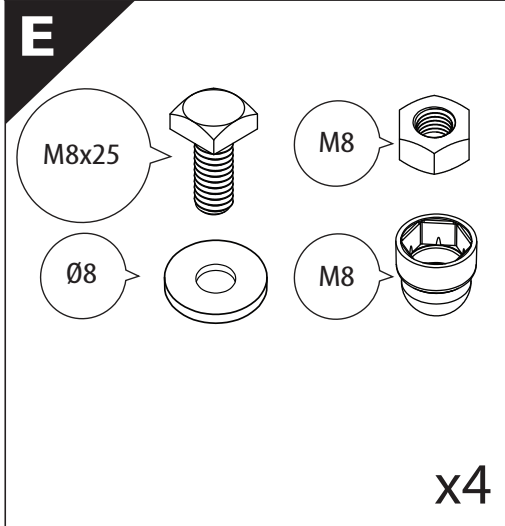
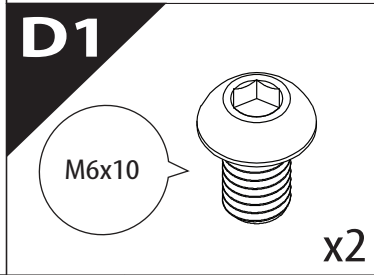
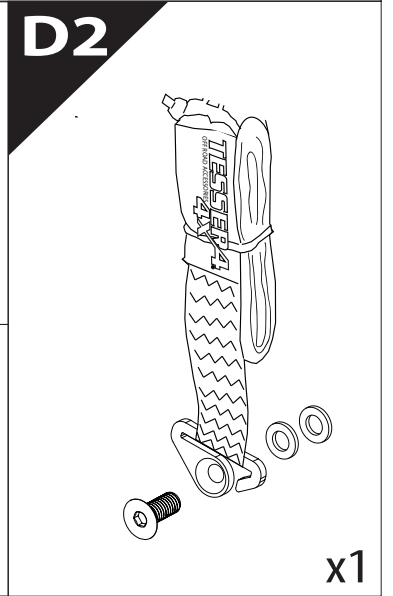
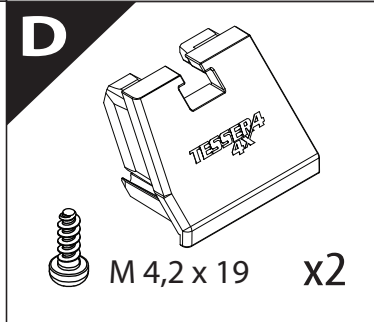
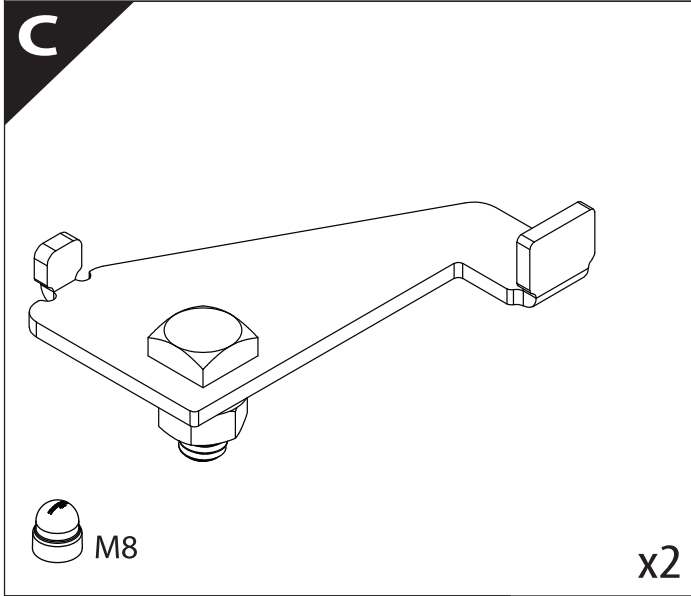
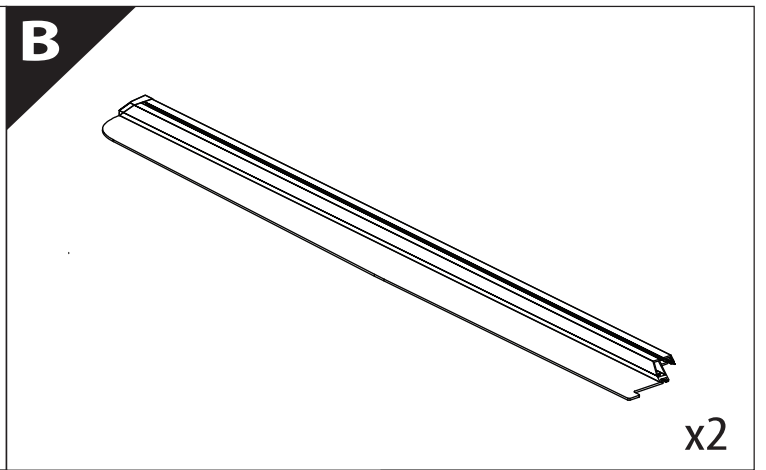
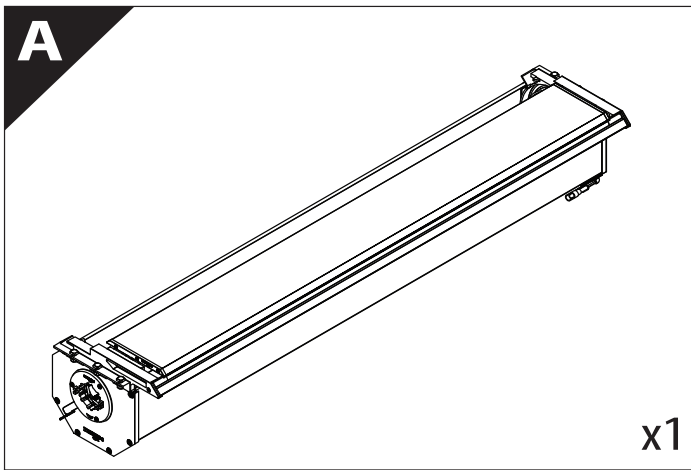
Tessera Roll+

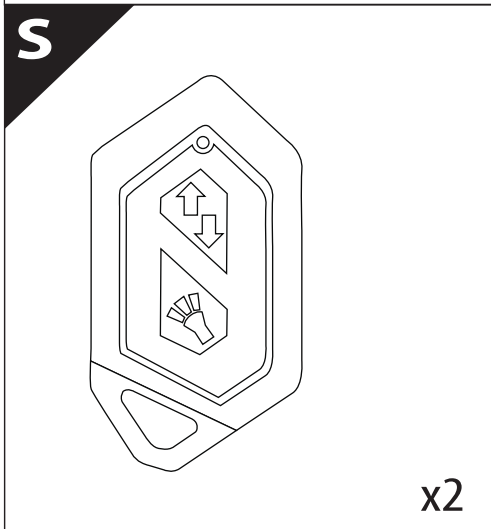
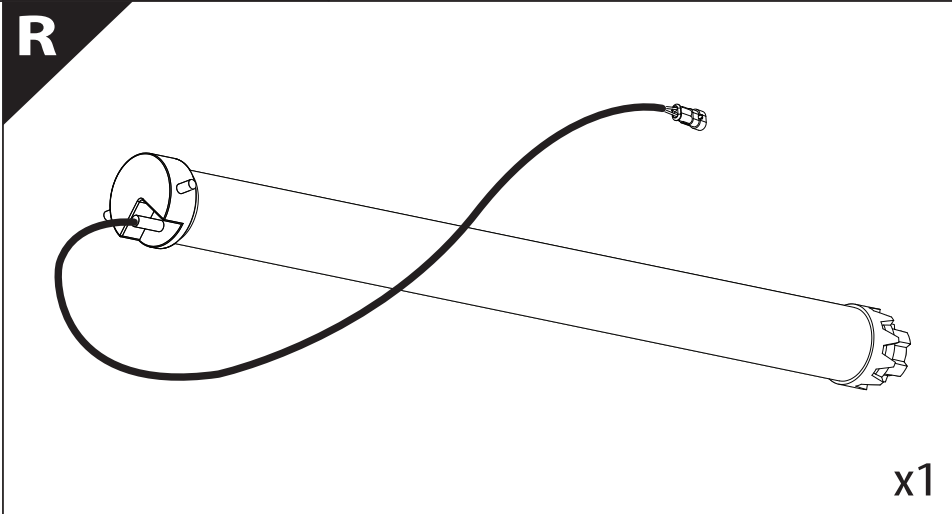
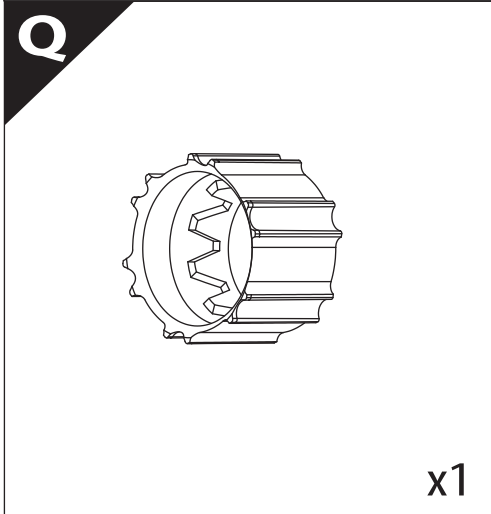
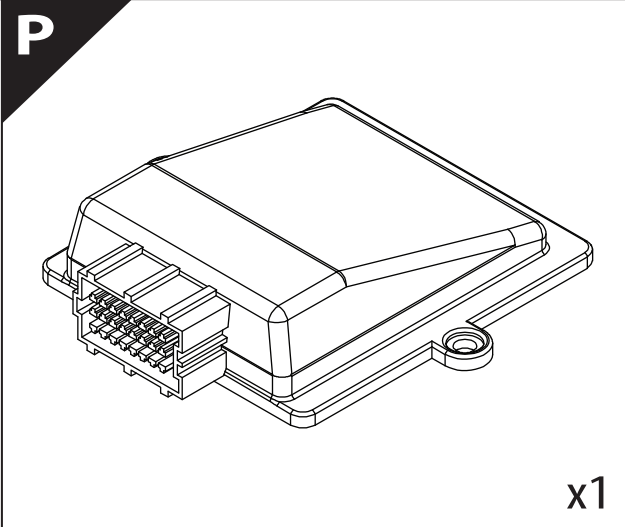
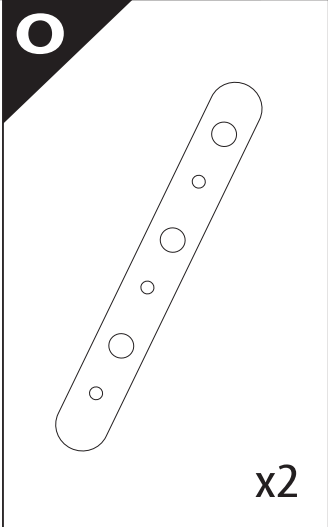
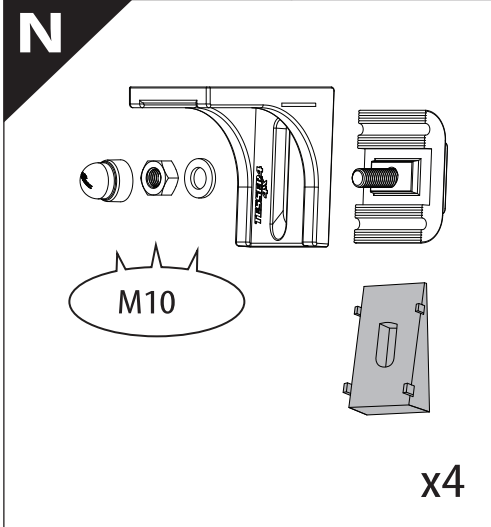
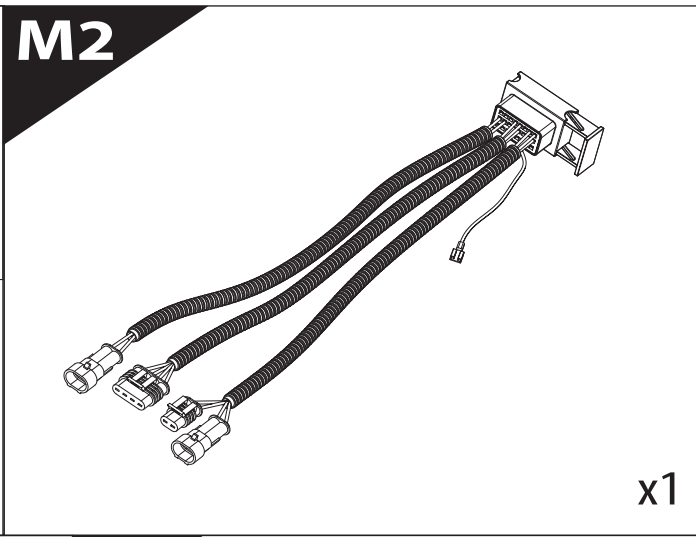
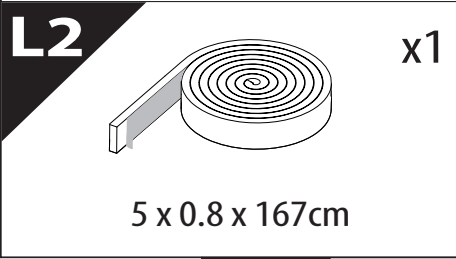
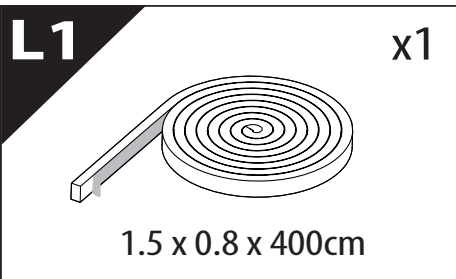
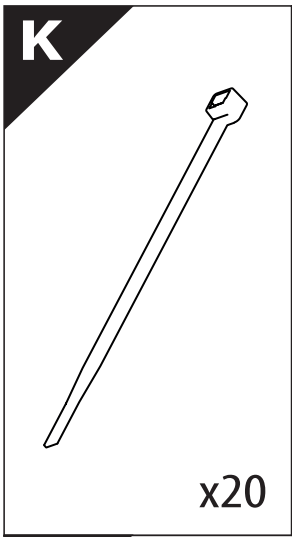
Basic Version + ⚡ E-KIT

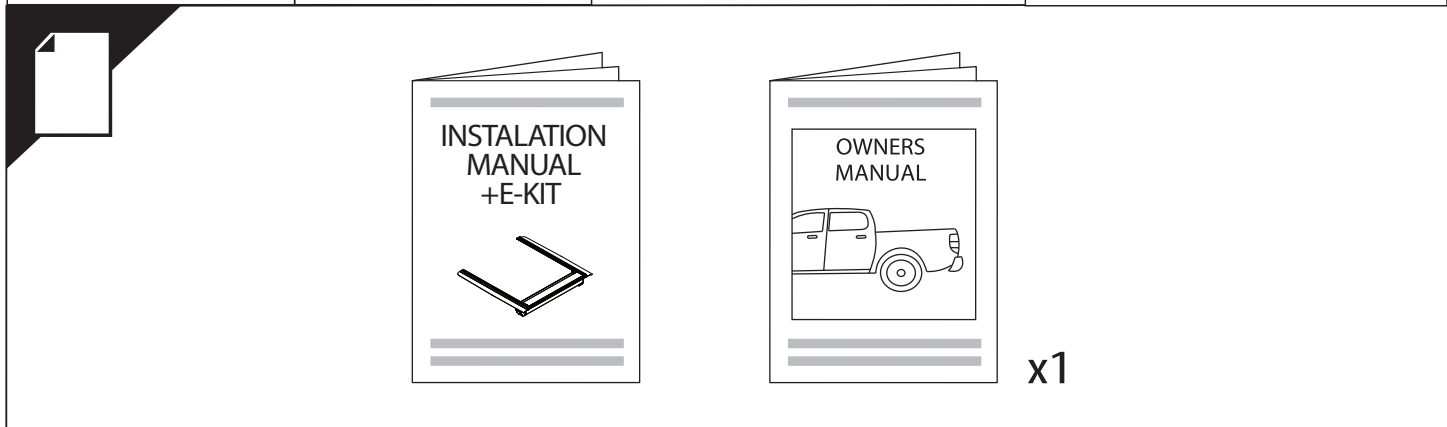
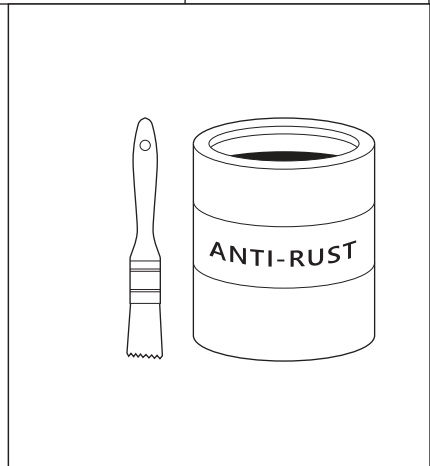
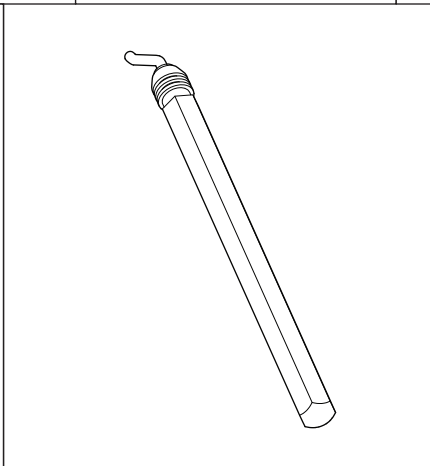
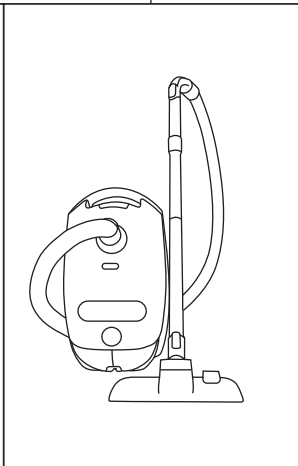
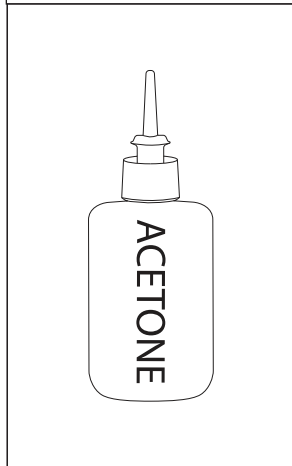
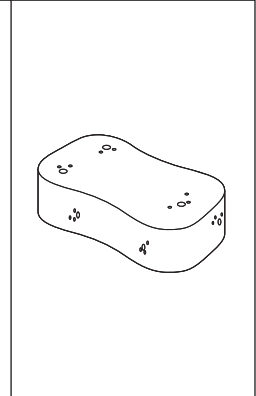
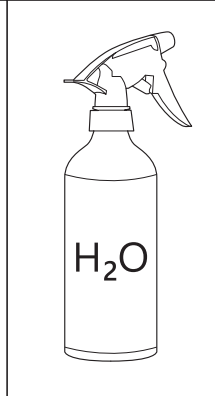
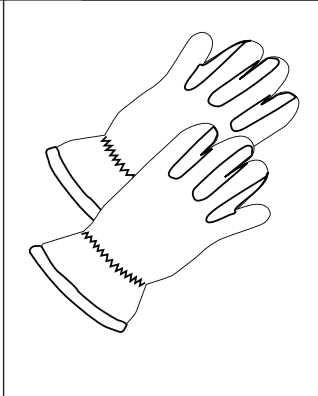
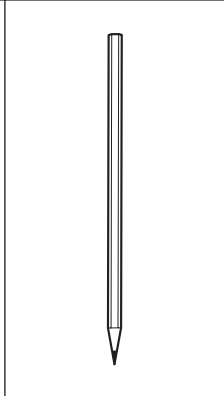
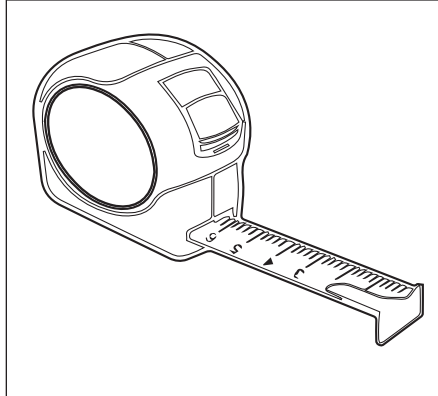
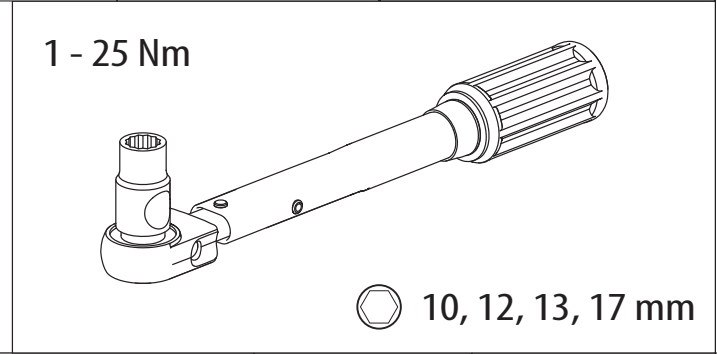
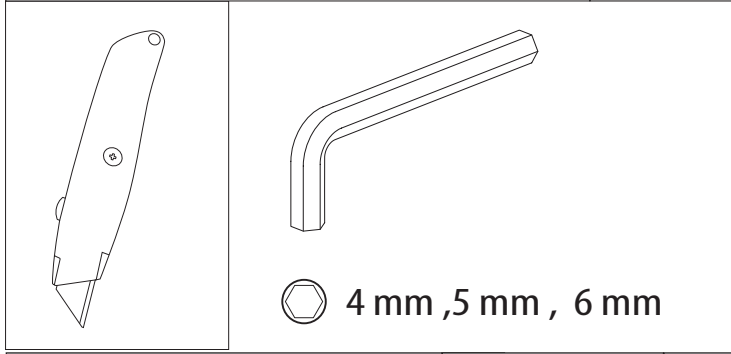
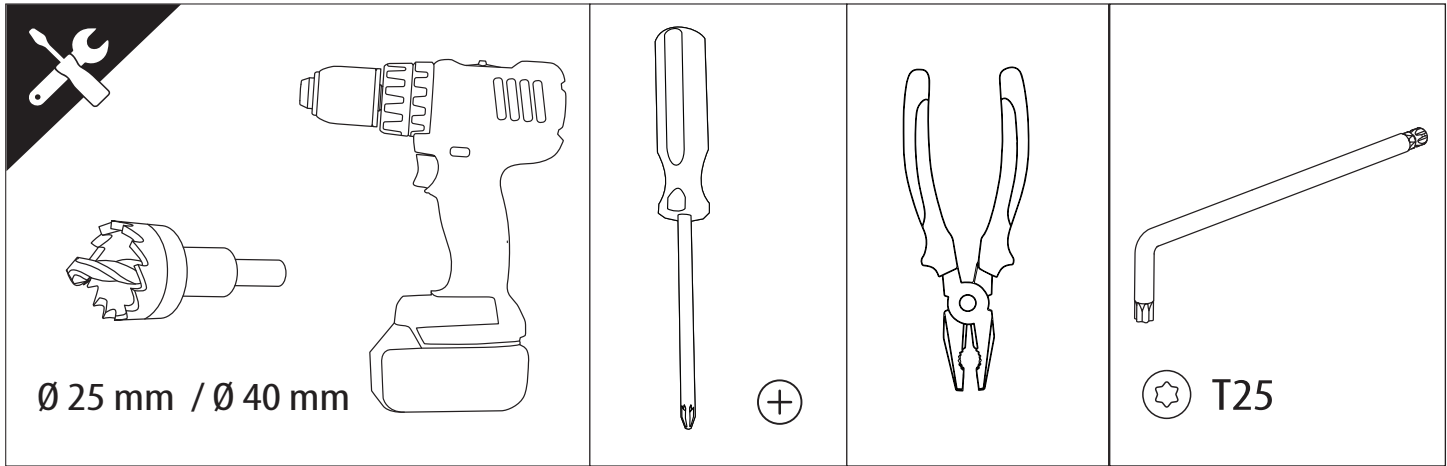


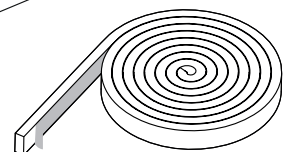
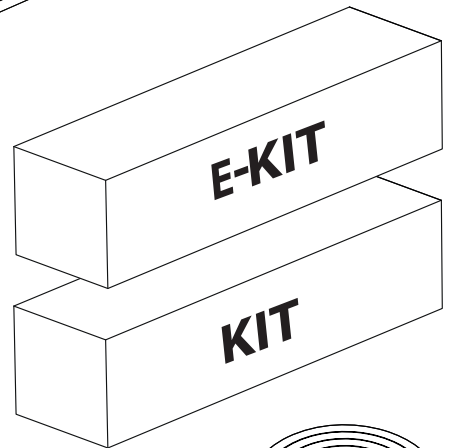
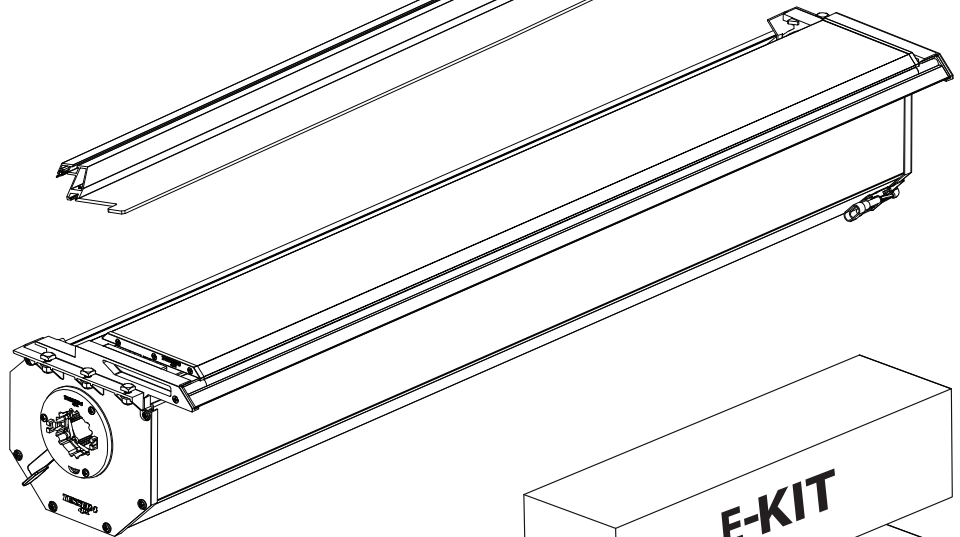
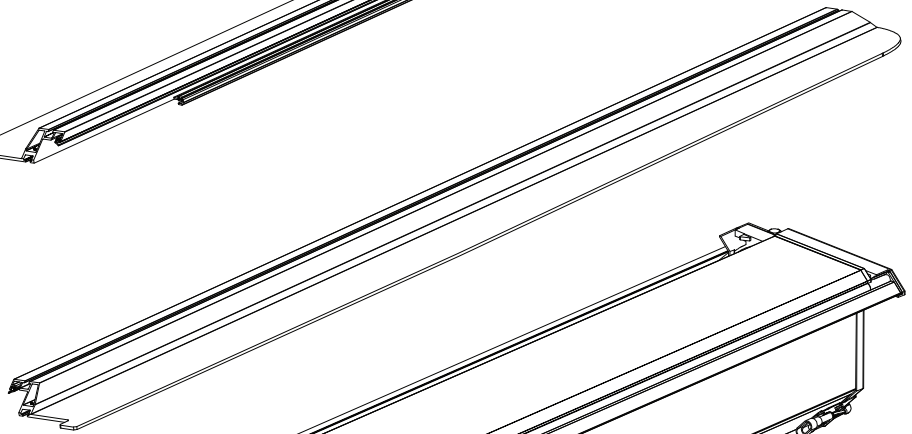
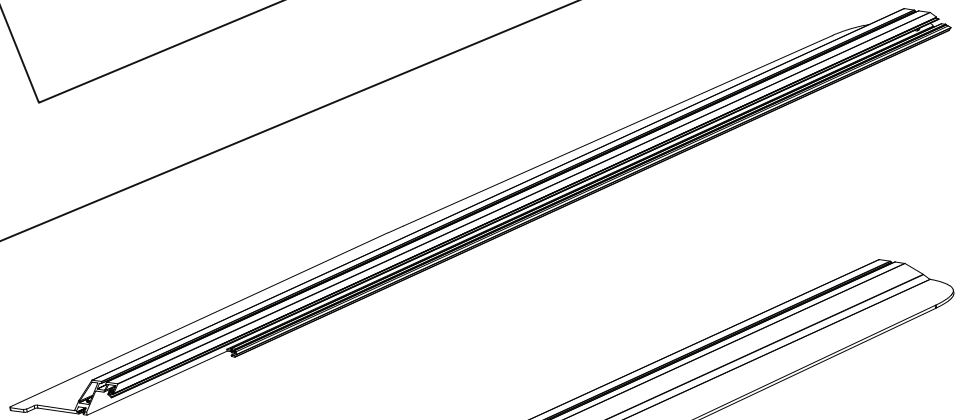
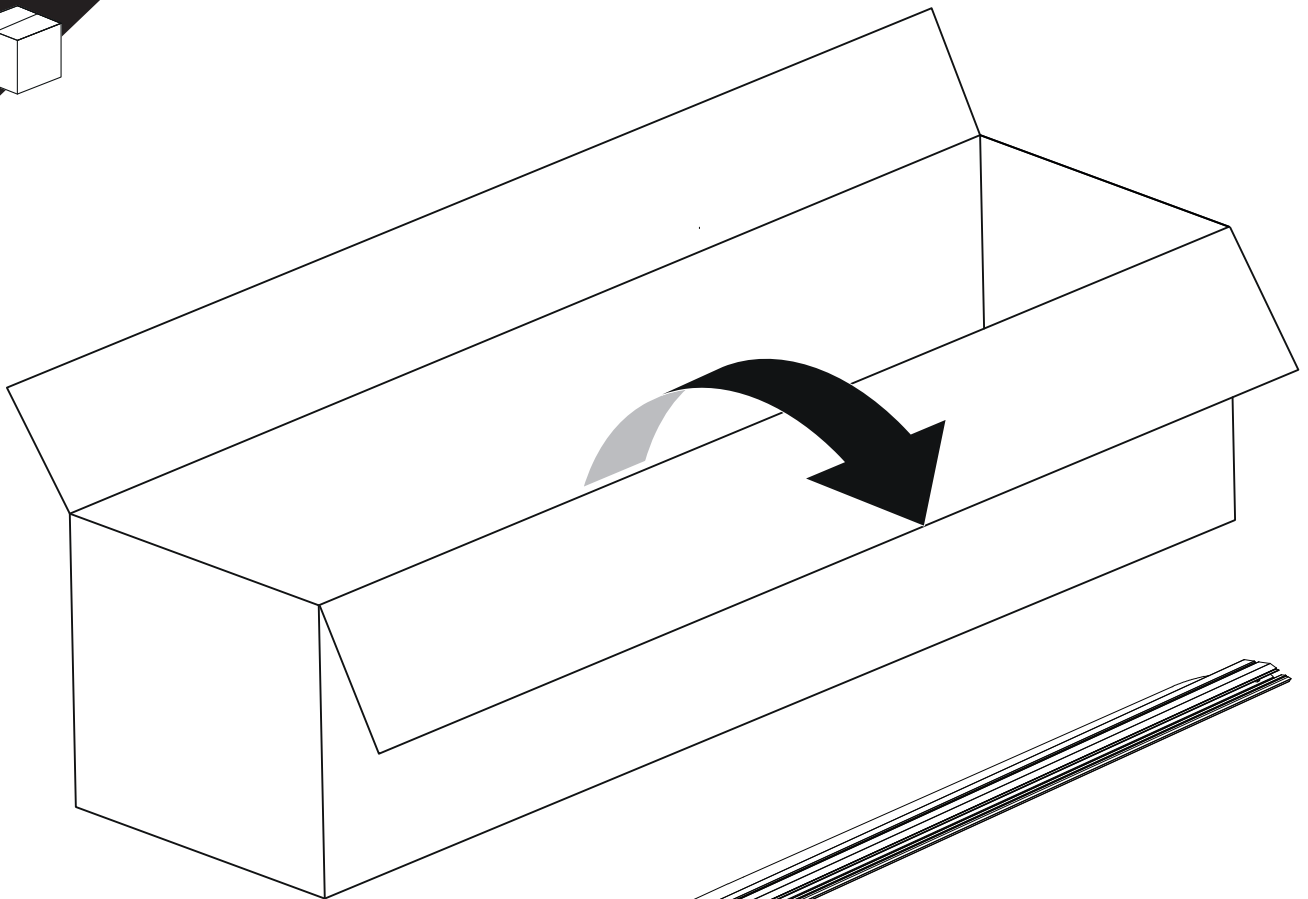
Installation Manual

PART NUMBER(S)	Model Year
TESS 140411 ROLL+E-KIT	ISUZU DMAX 2021+ OEM ROLL BAR
Cab(s)	Installation Time / Weight
Double Cab	40-60 minutes / 53-57 kg







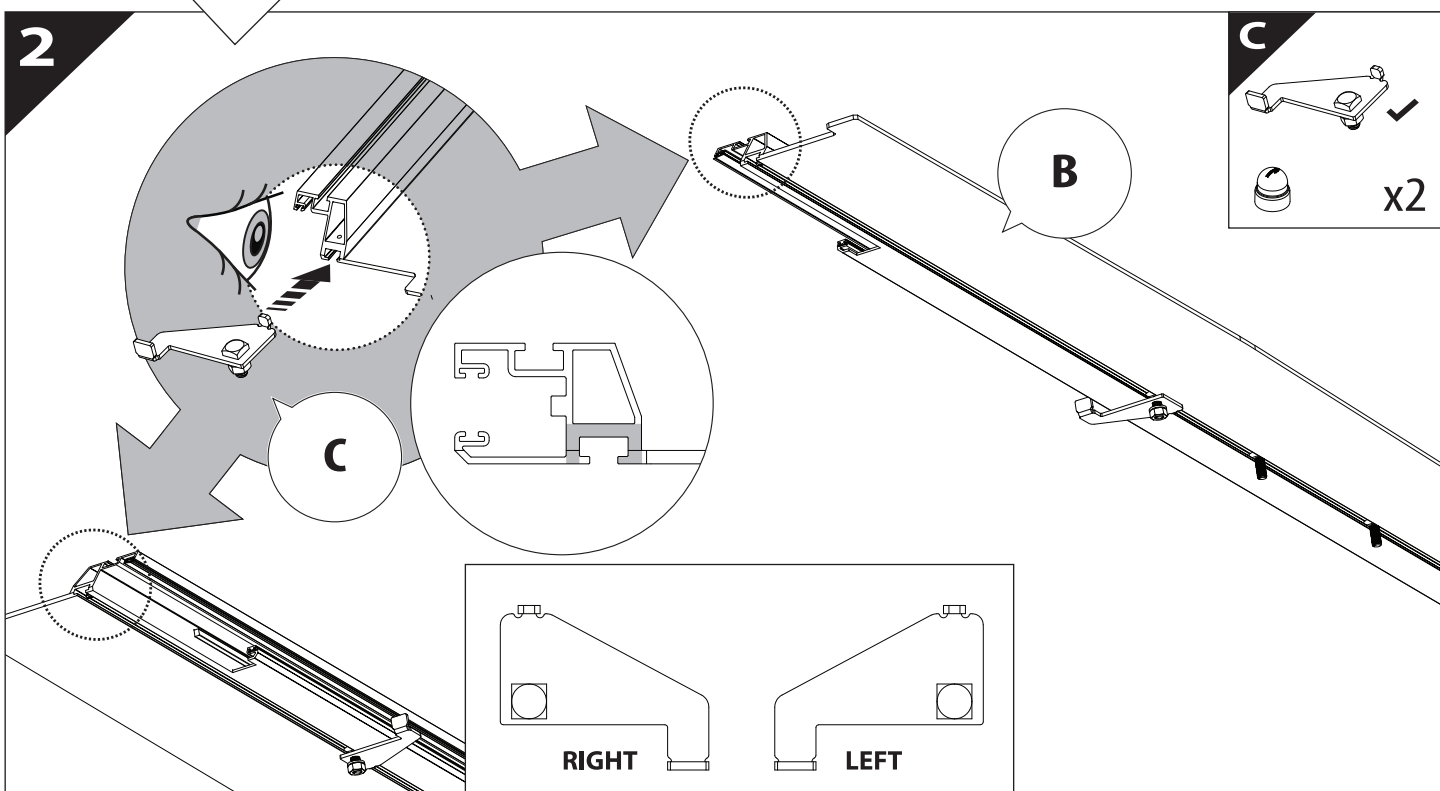
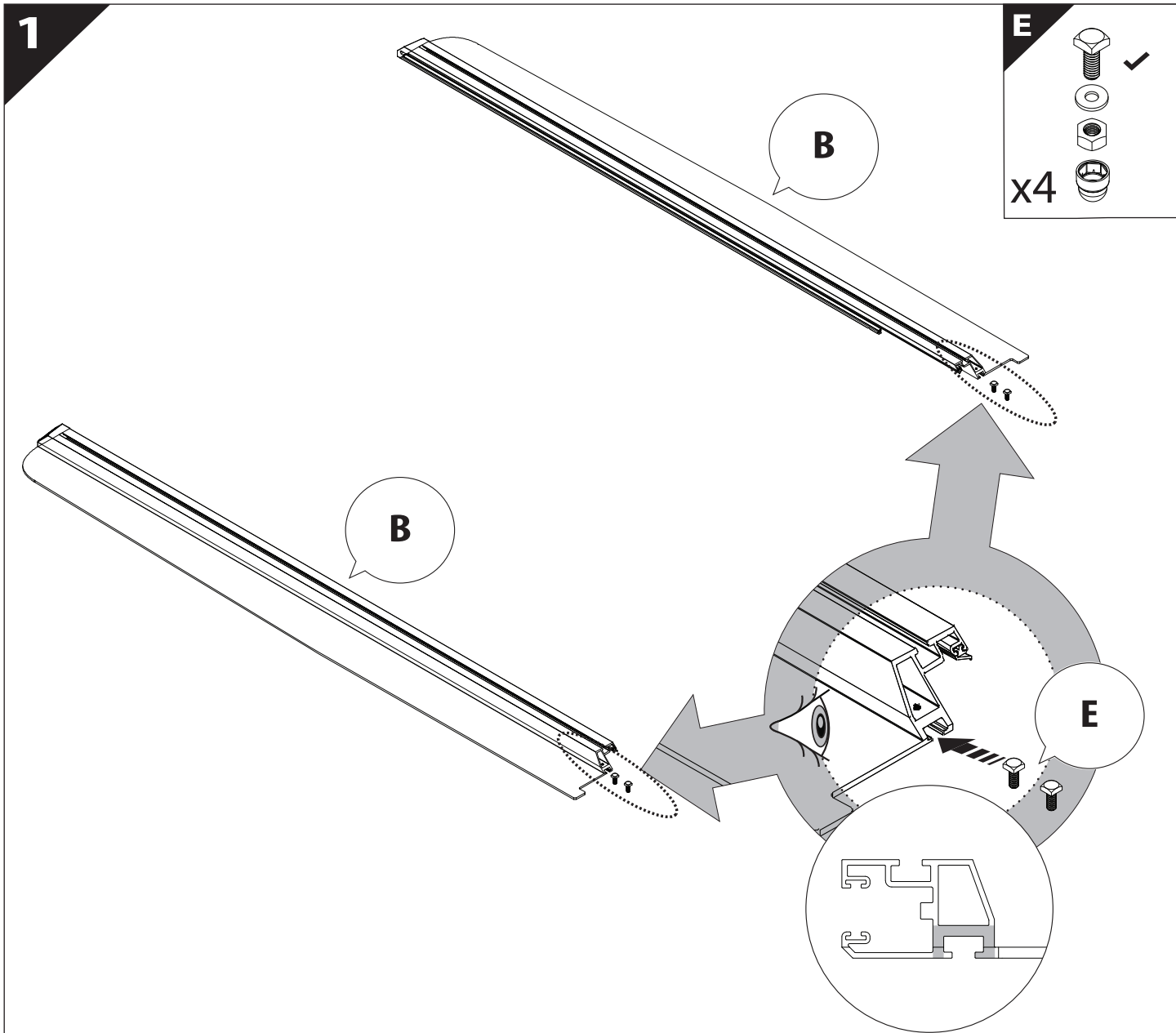


B

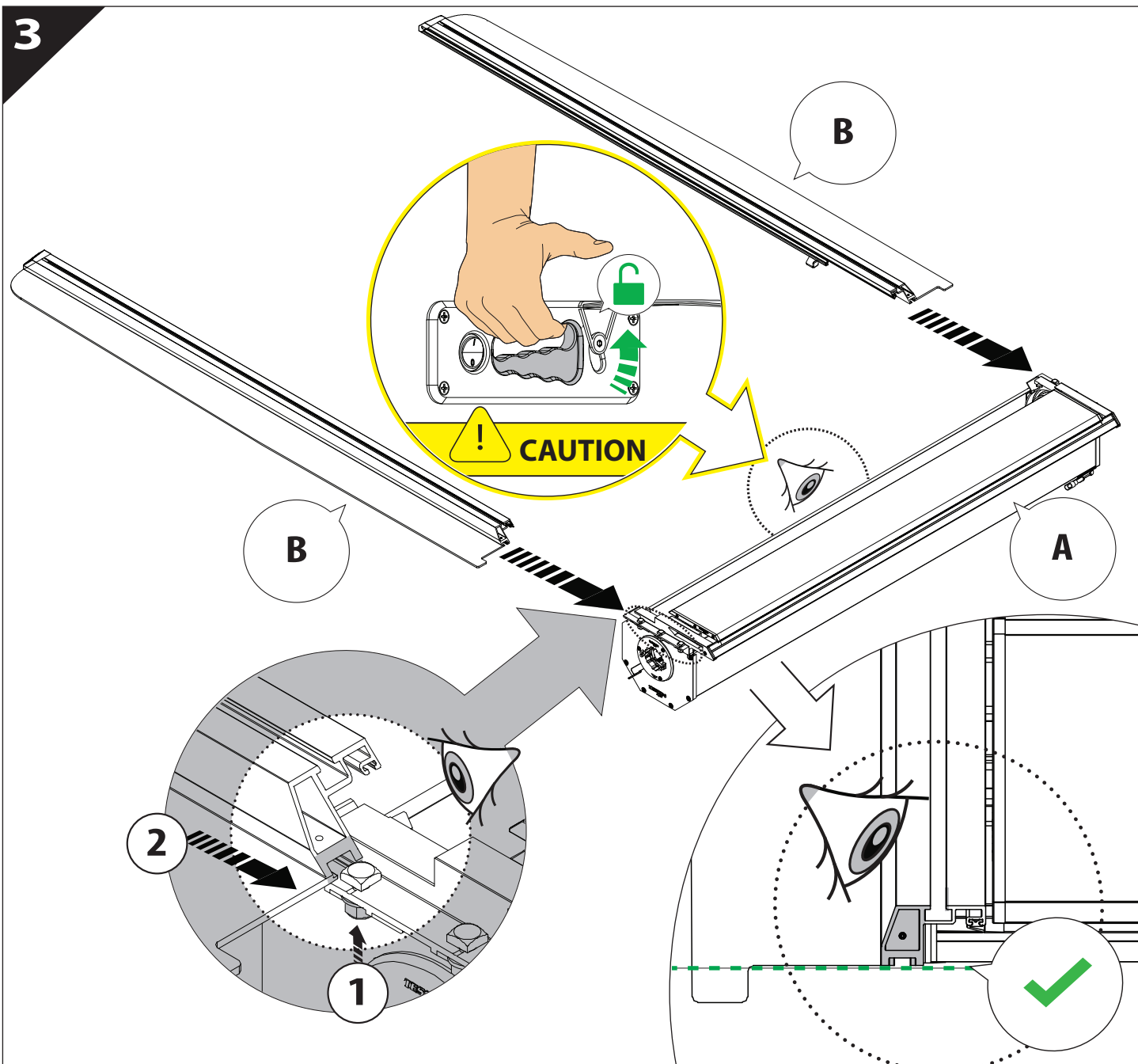
A

KITS

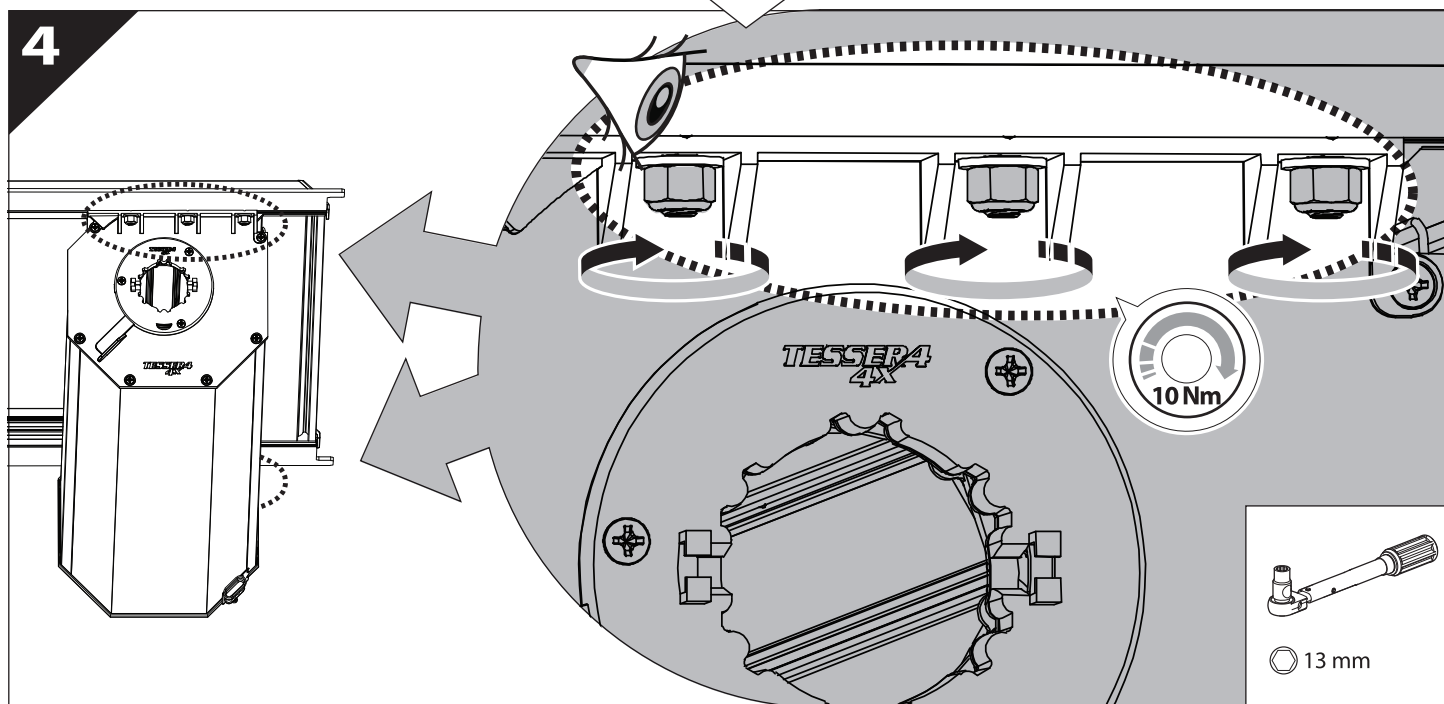
L

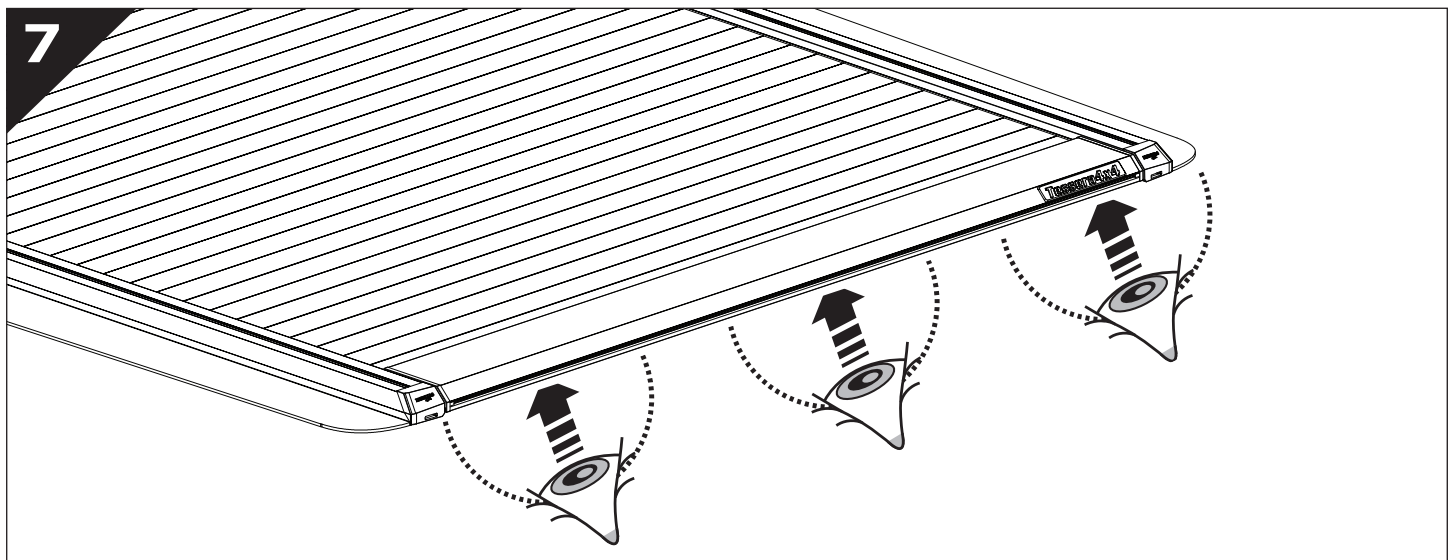
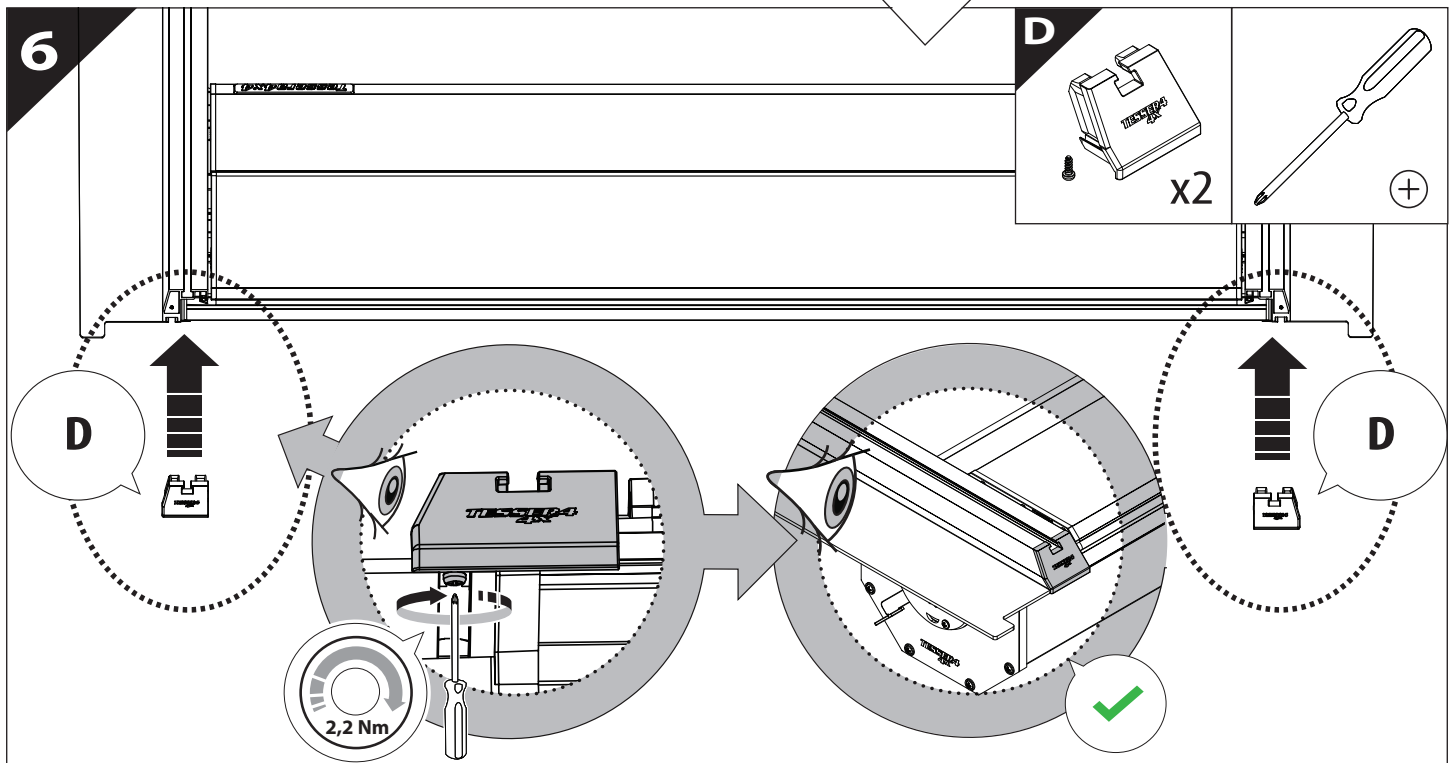
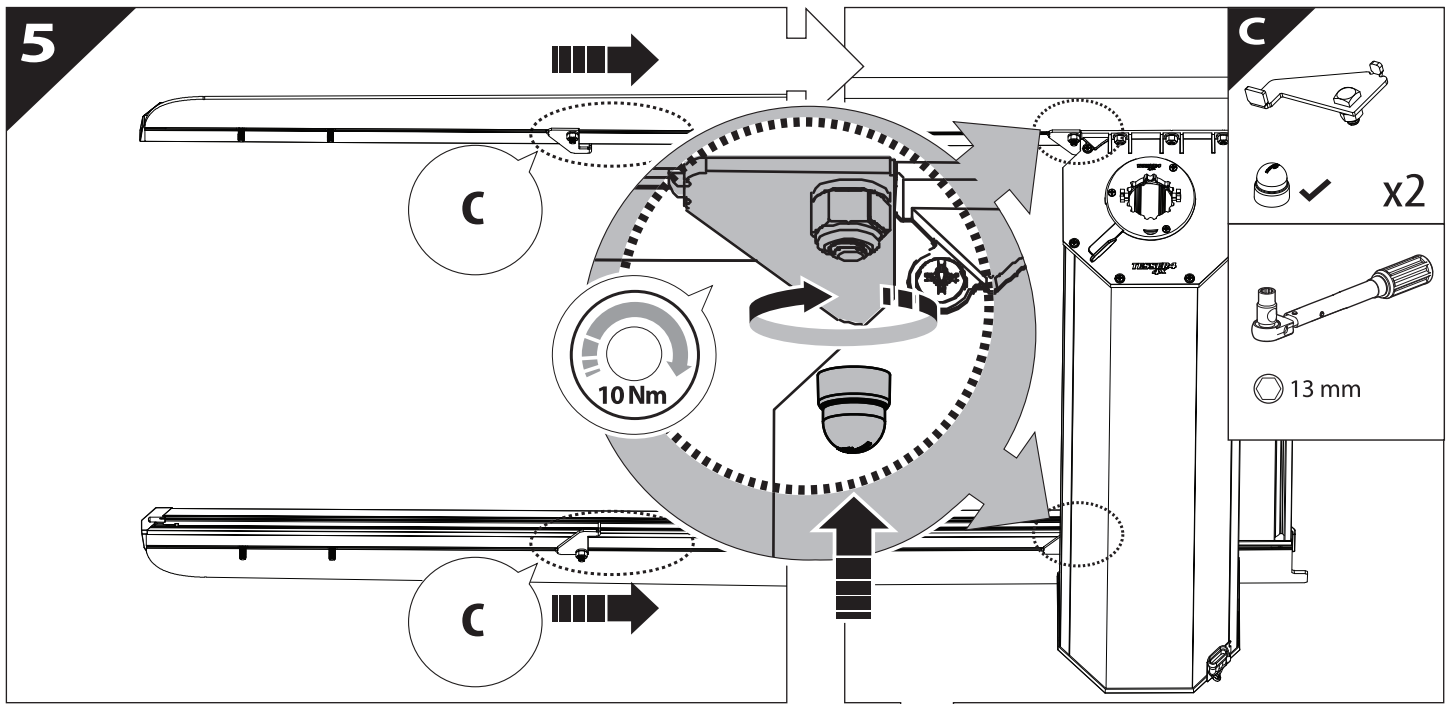


3

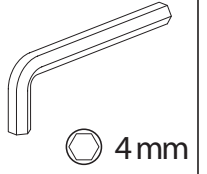
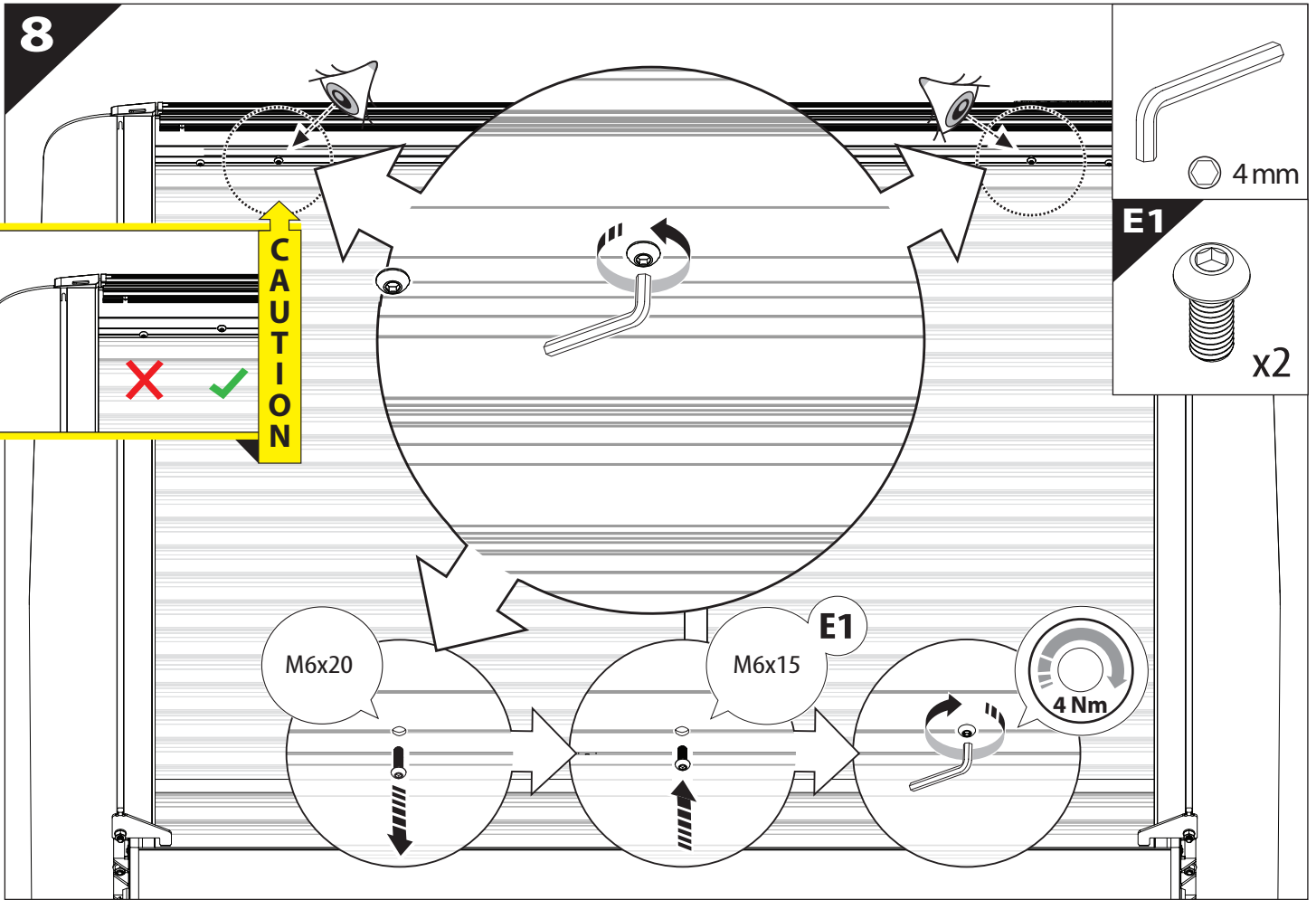
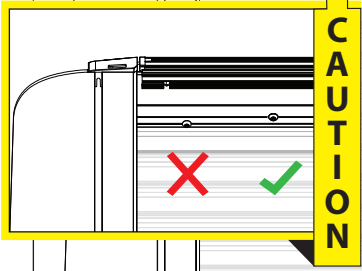


4





8



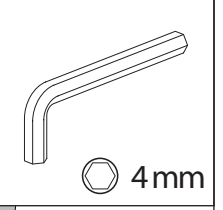
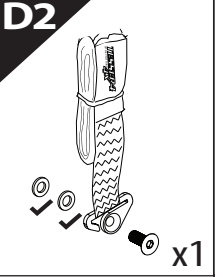
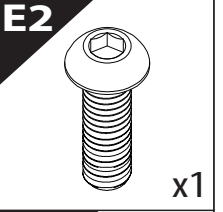
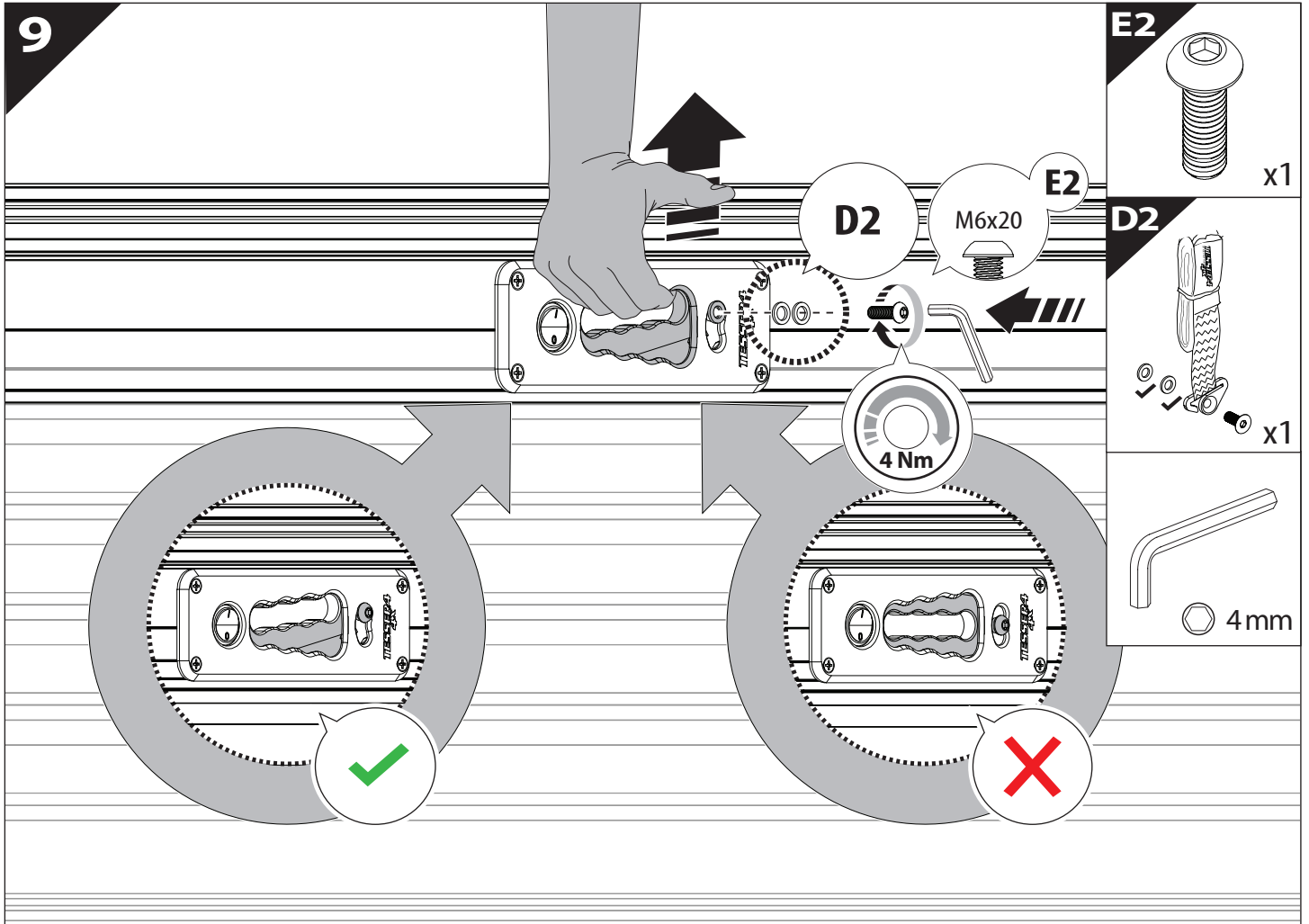
M6x20

M6x15

E1

4 Nm

9



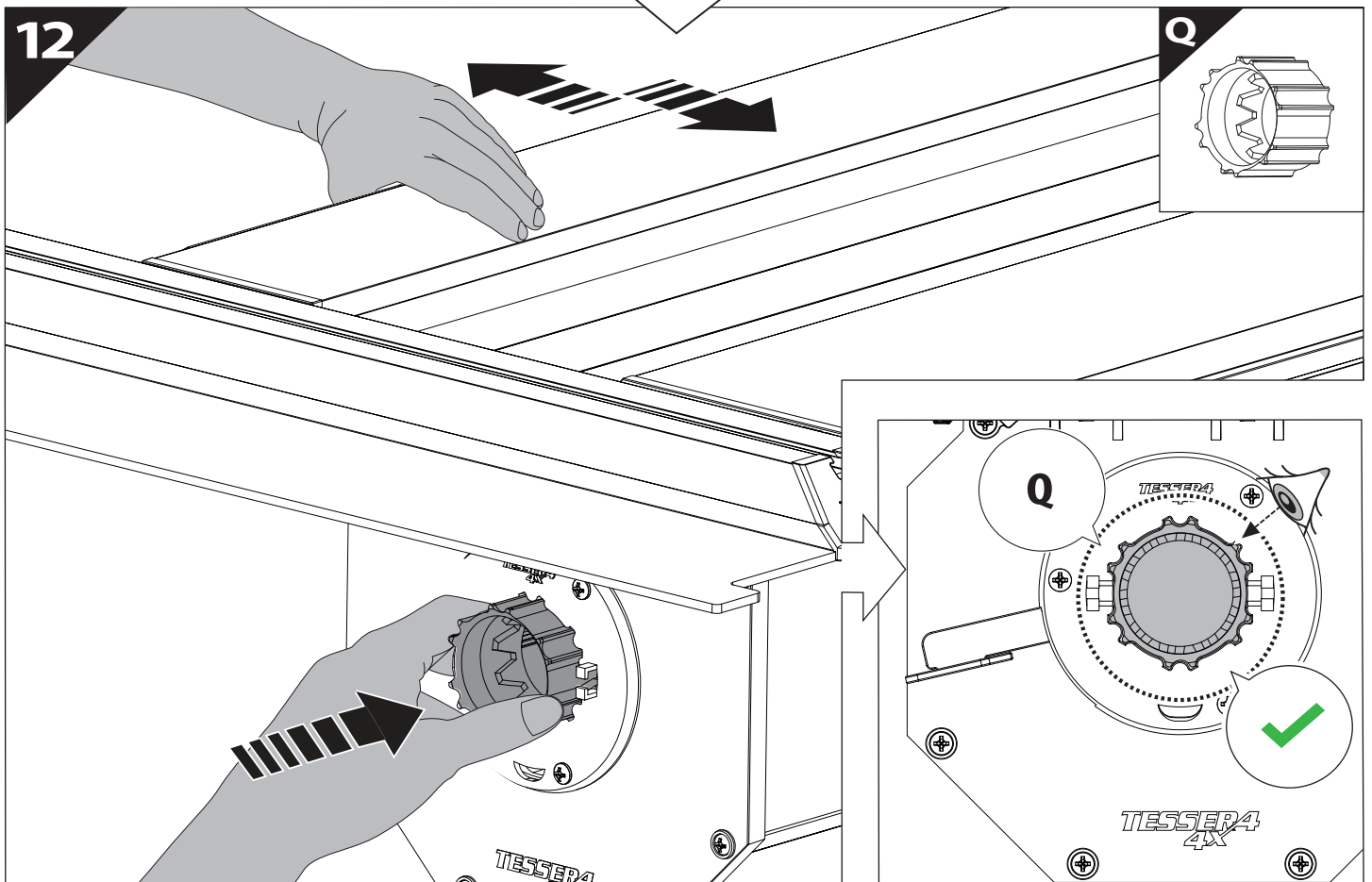
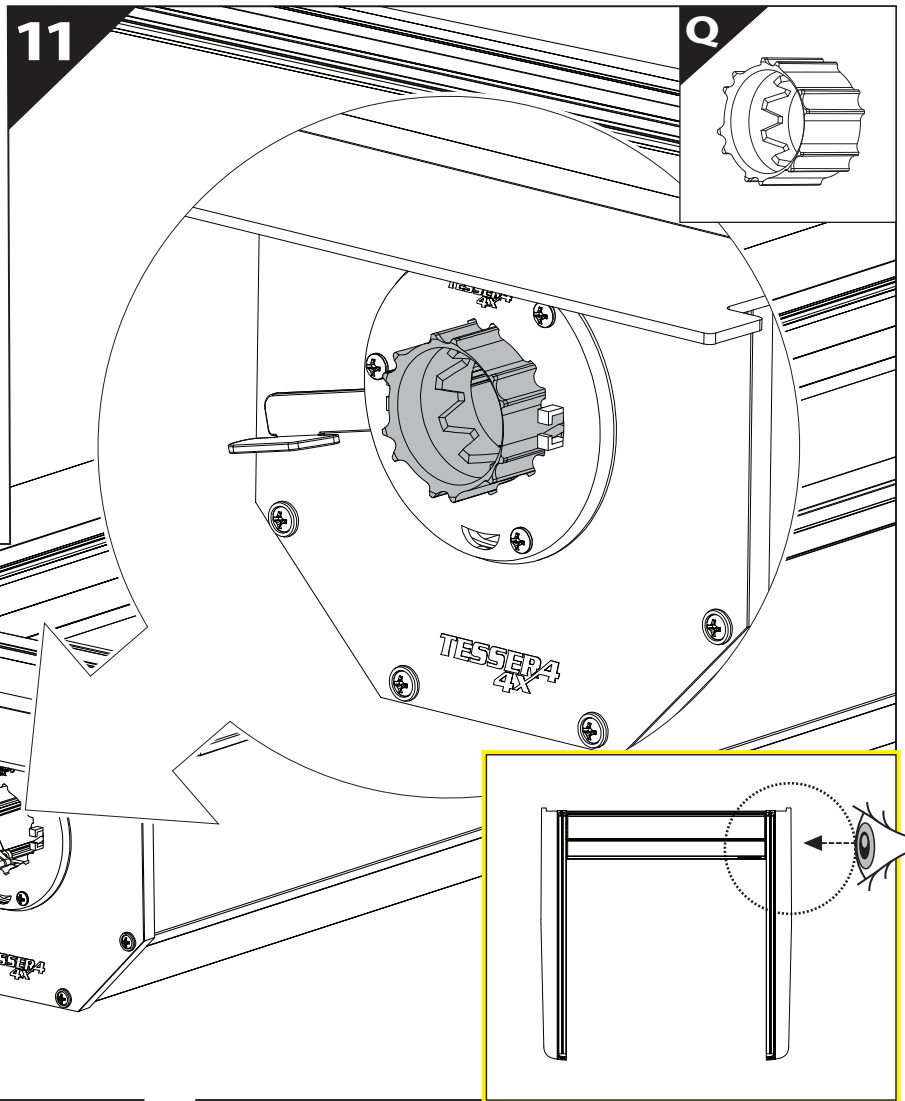
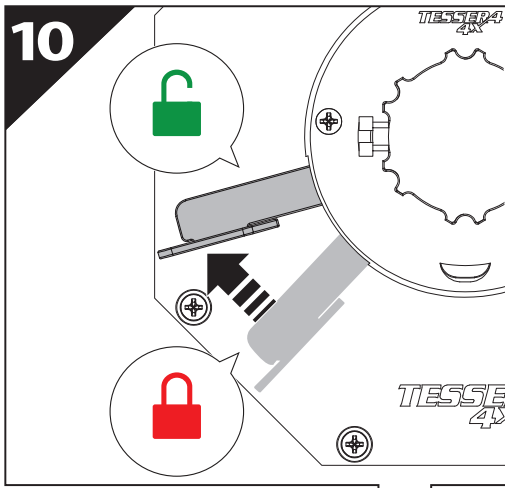
D2

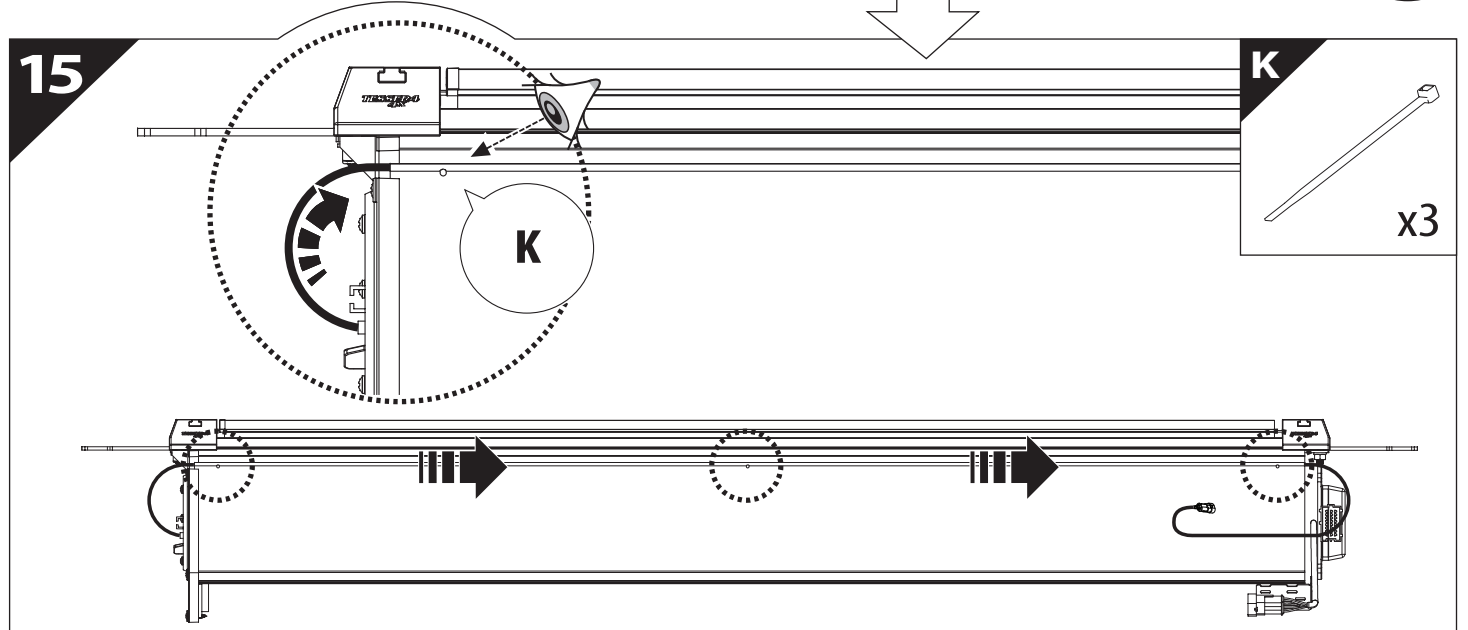
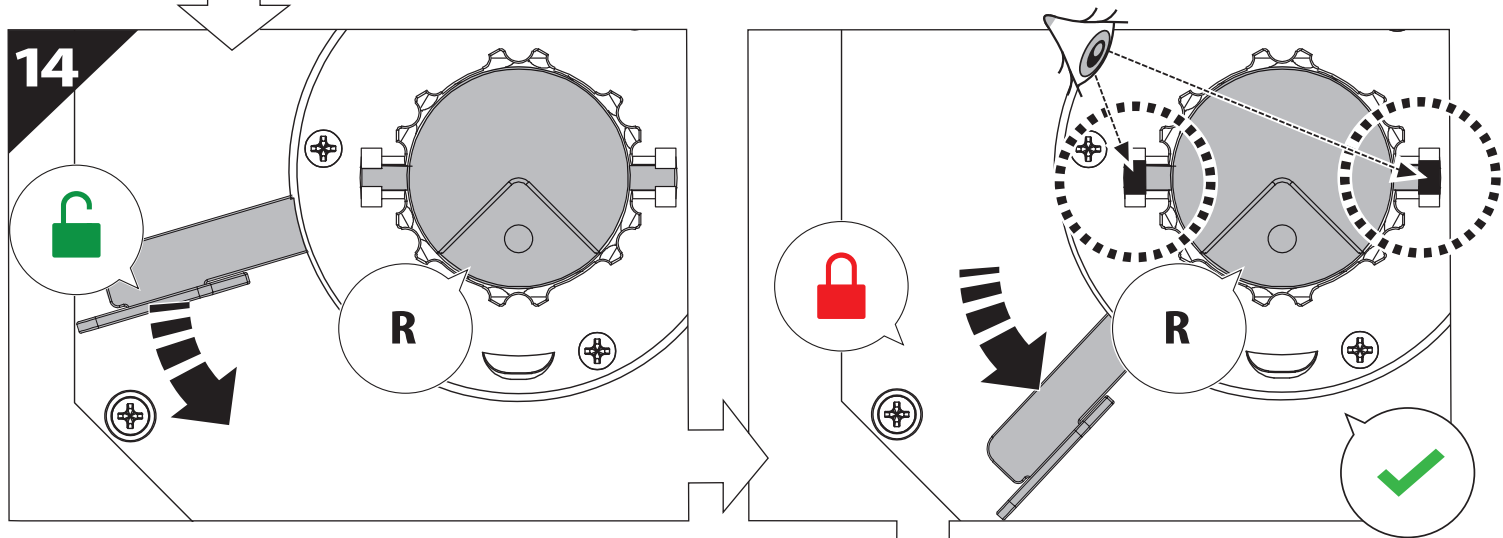
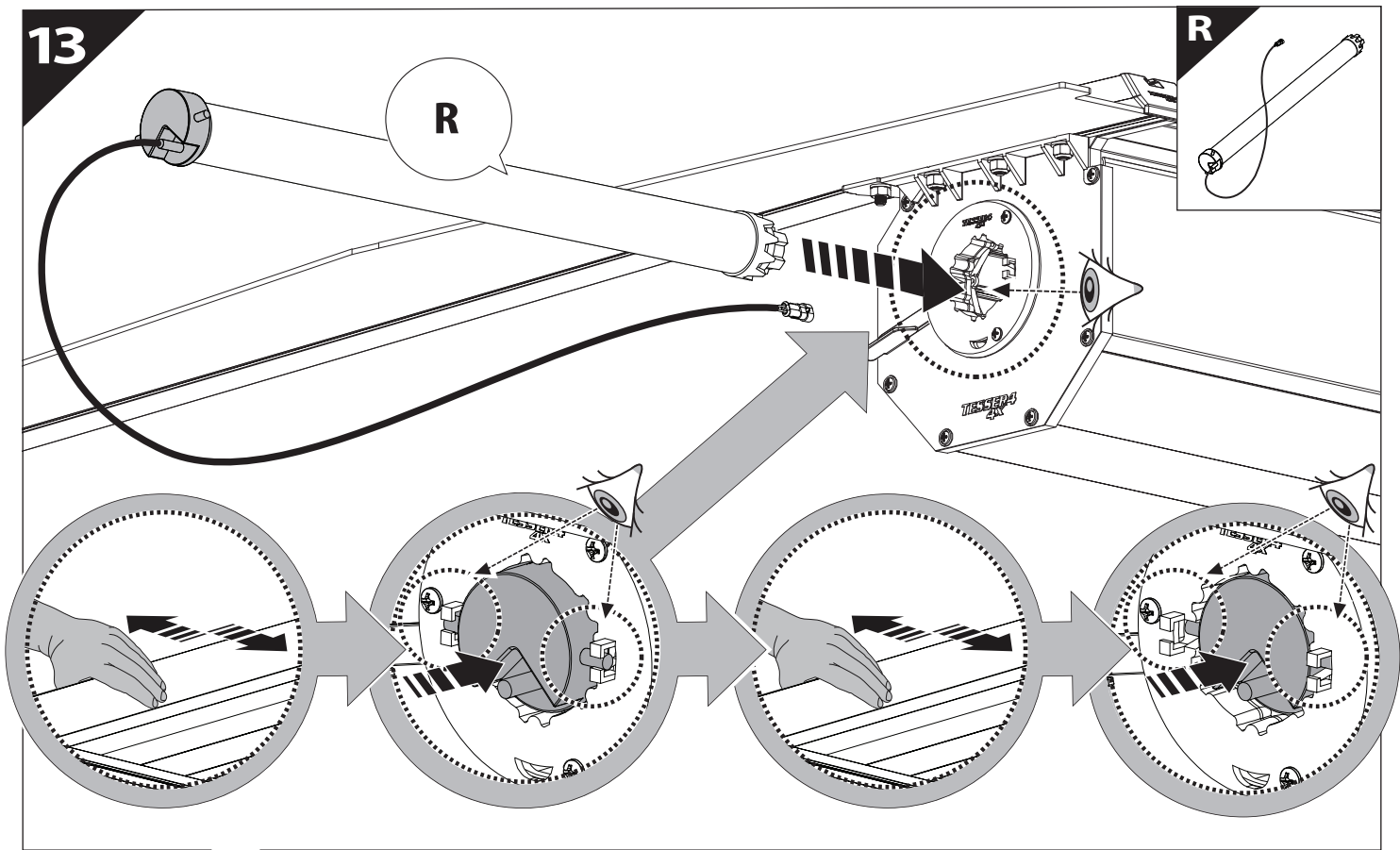
M6x20

E2

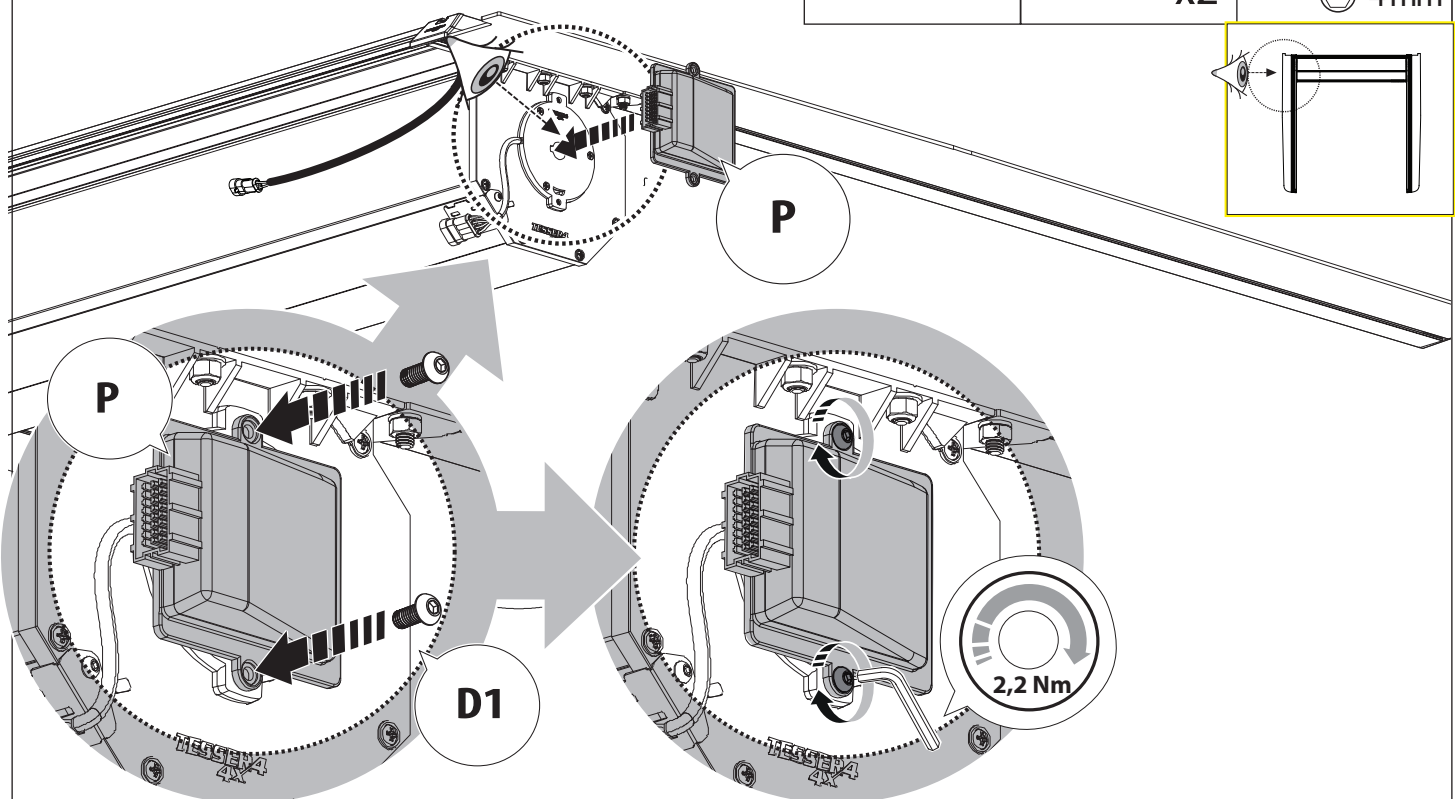
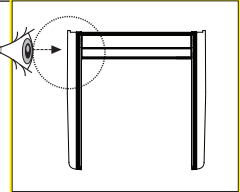
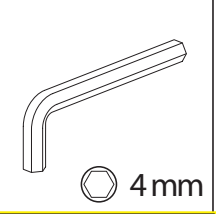
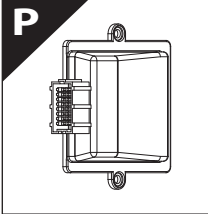
4 Nm



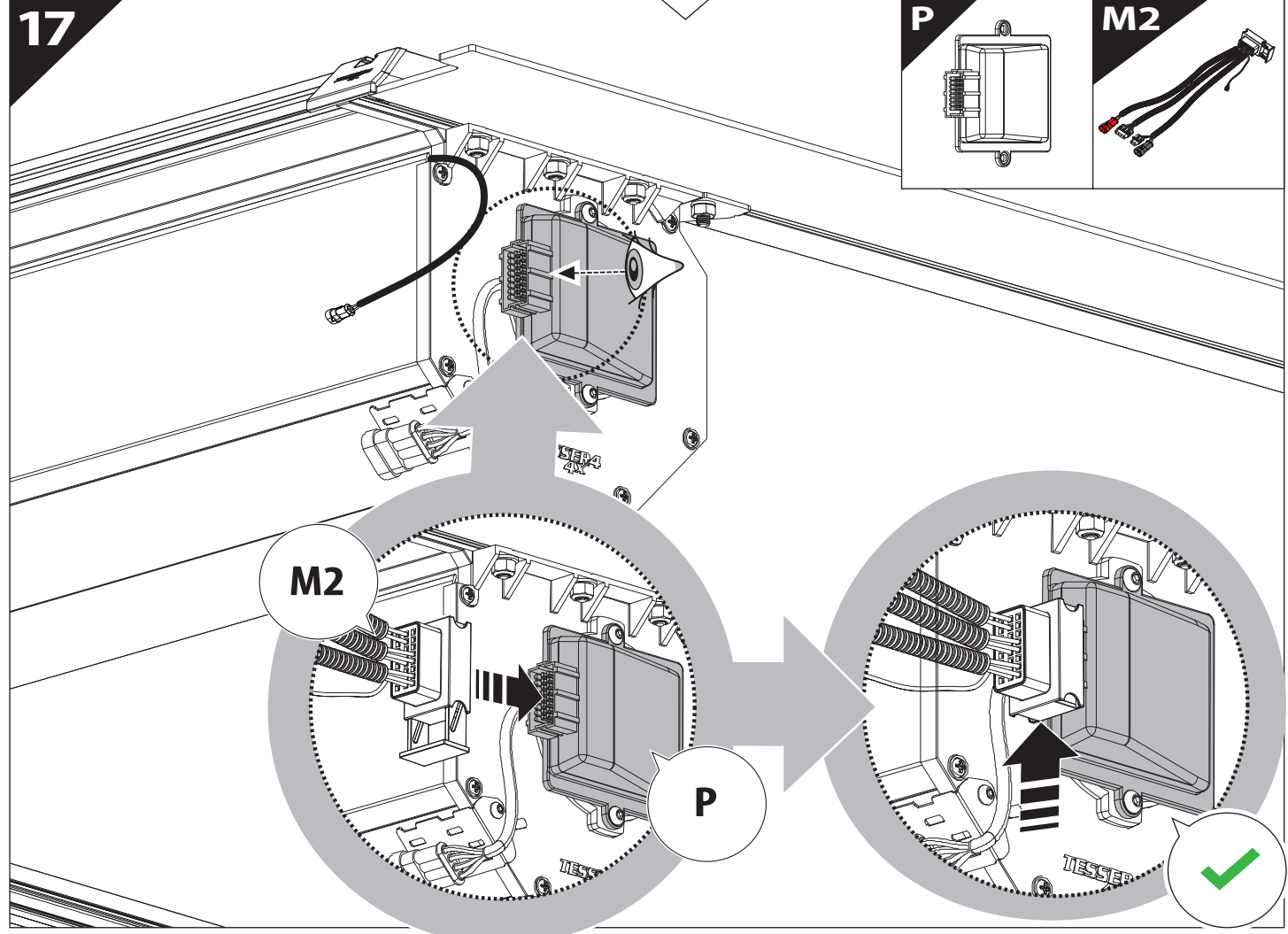
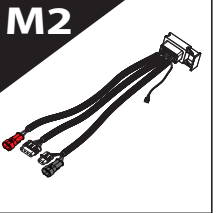
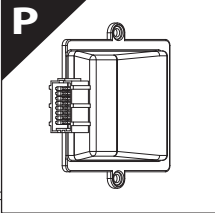


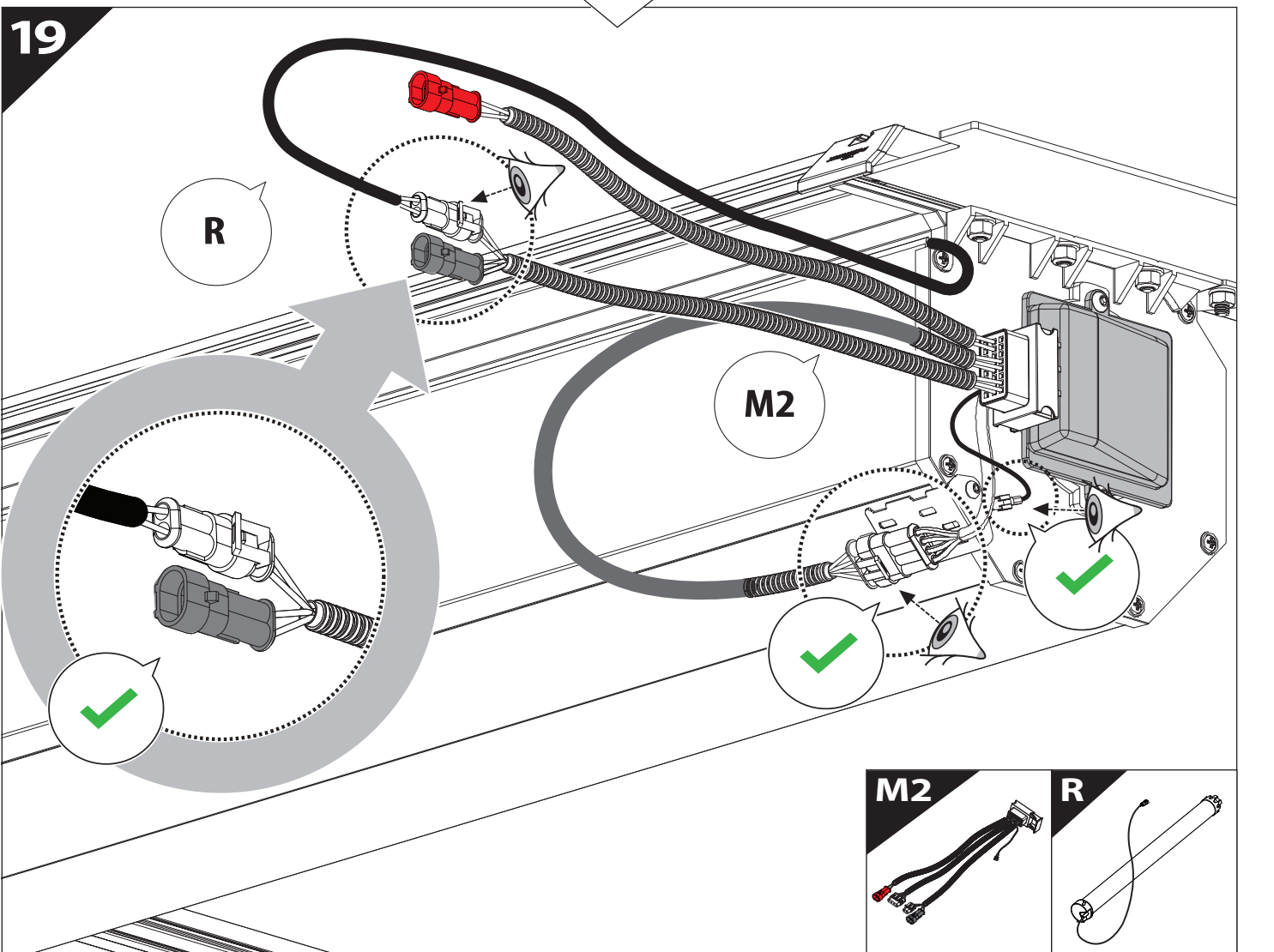
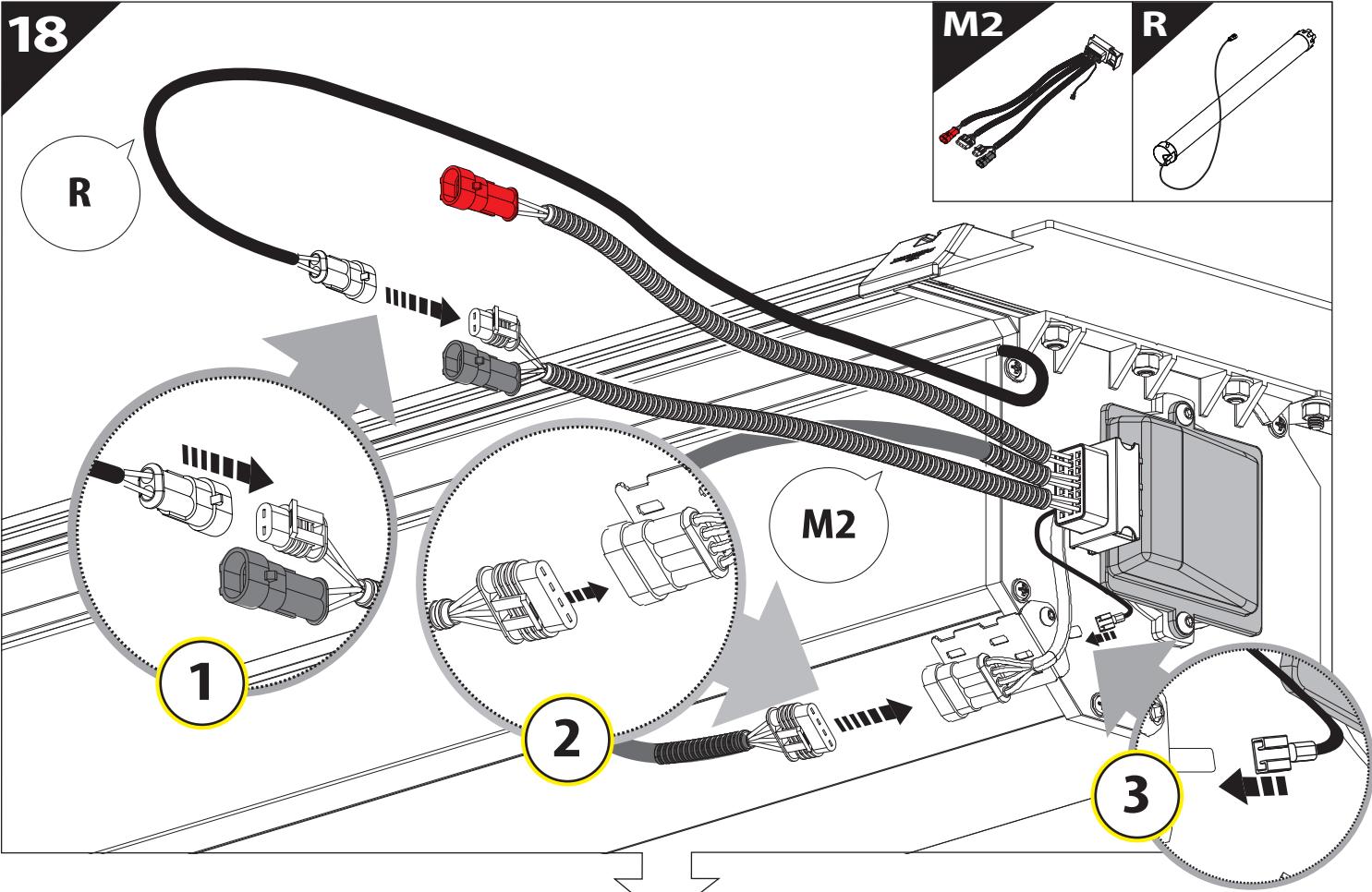


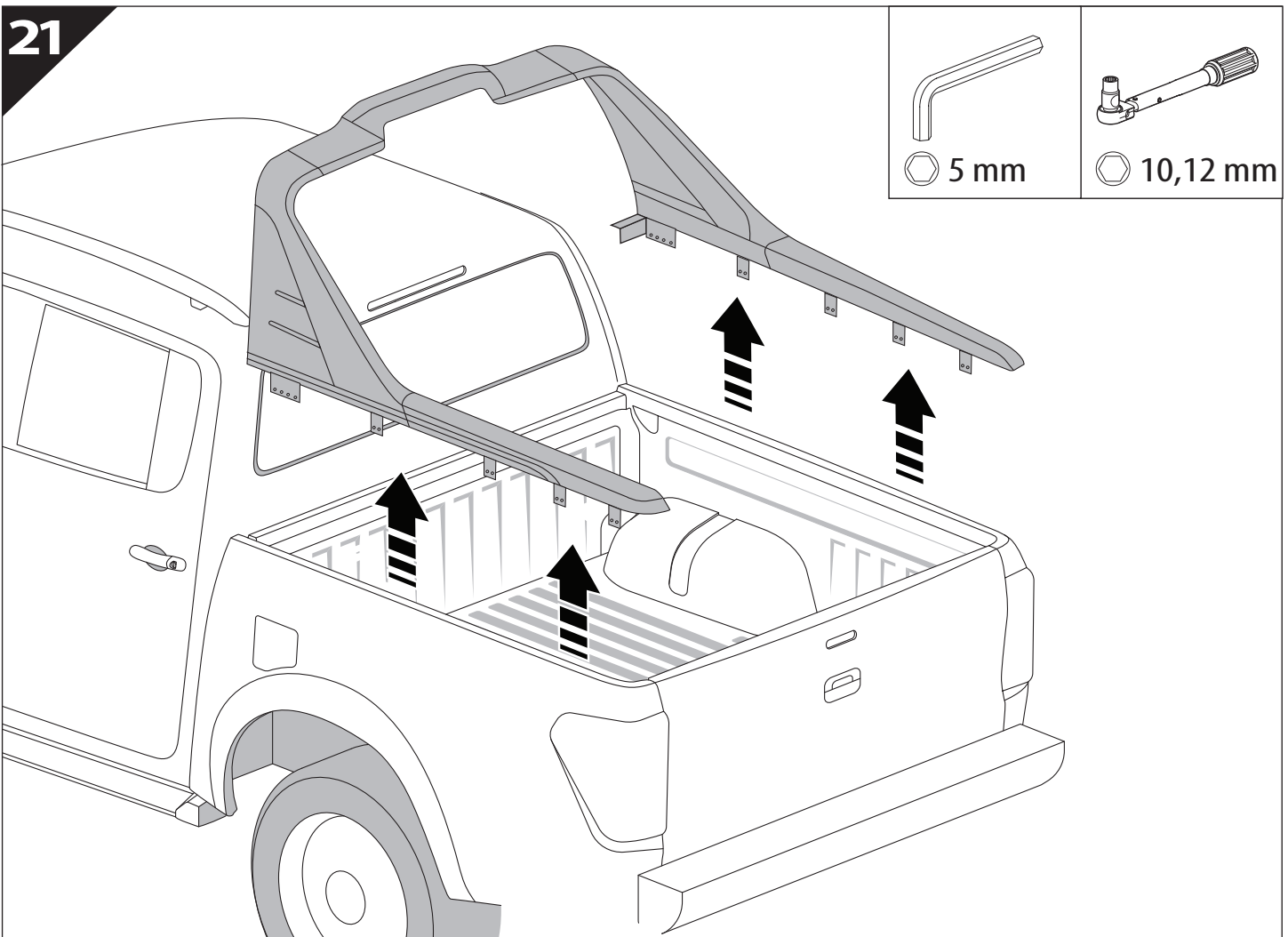
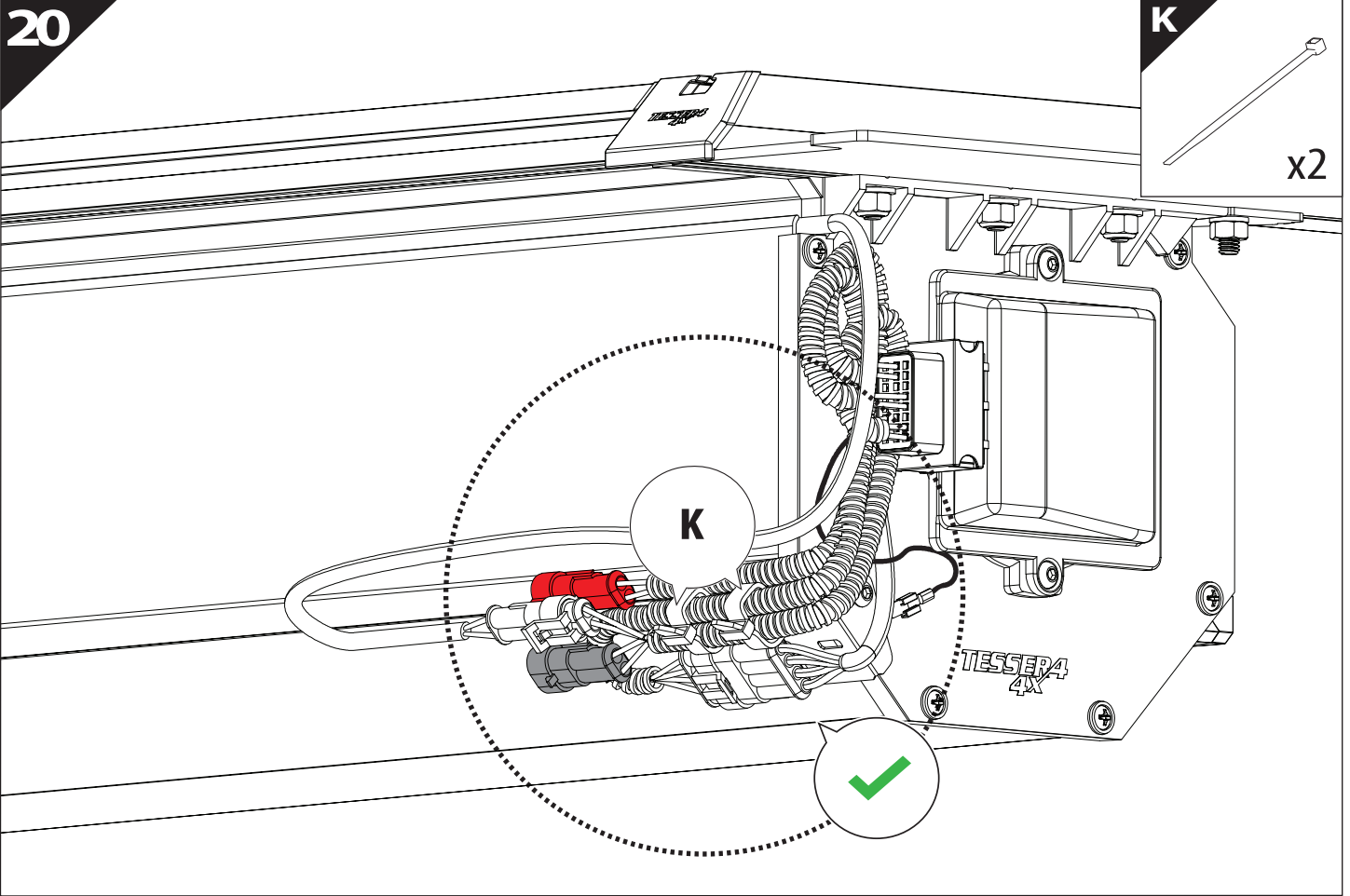
16



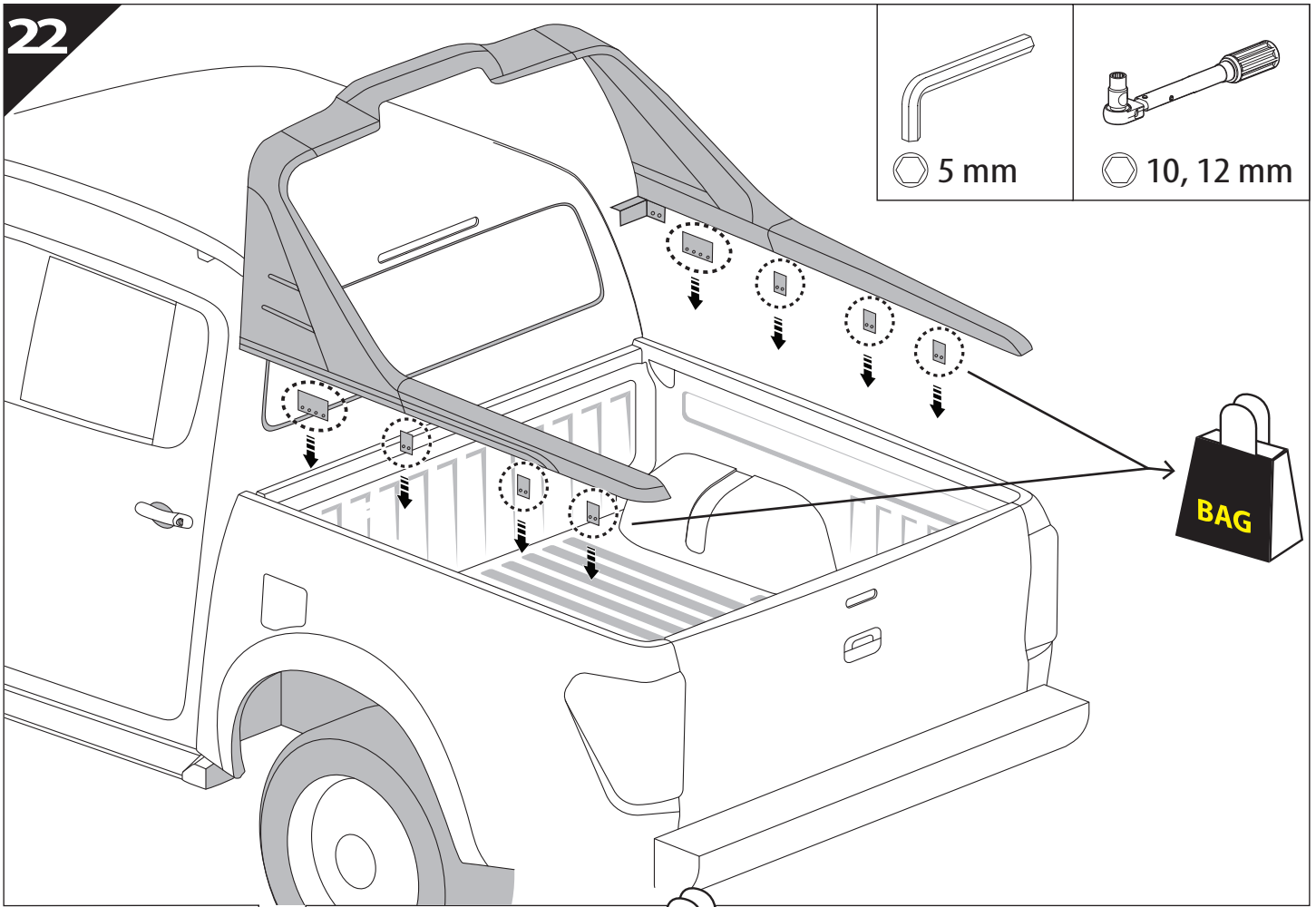
17



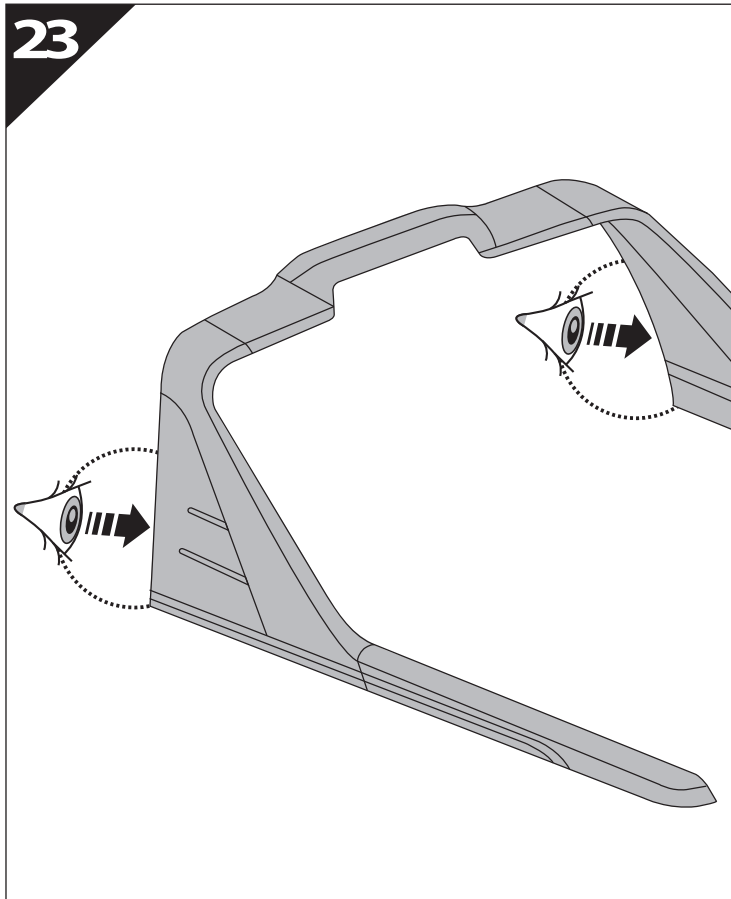




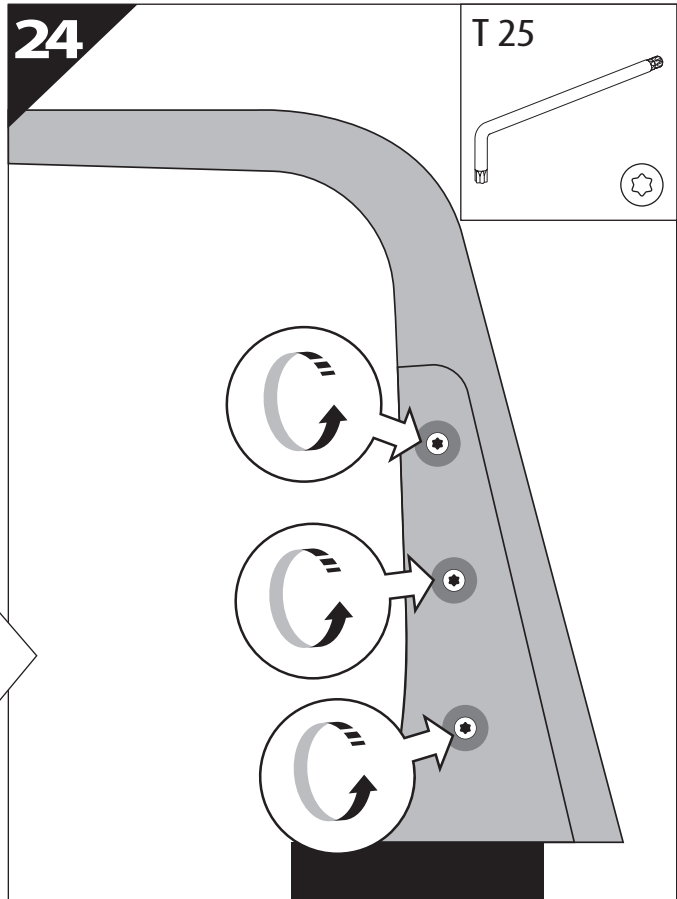
22

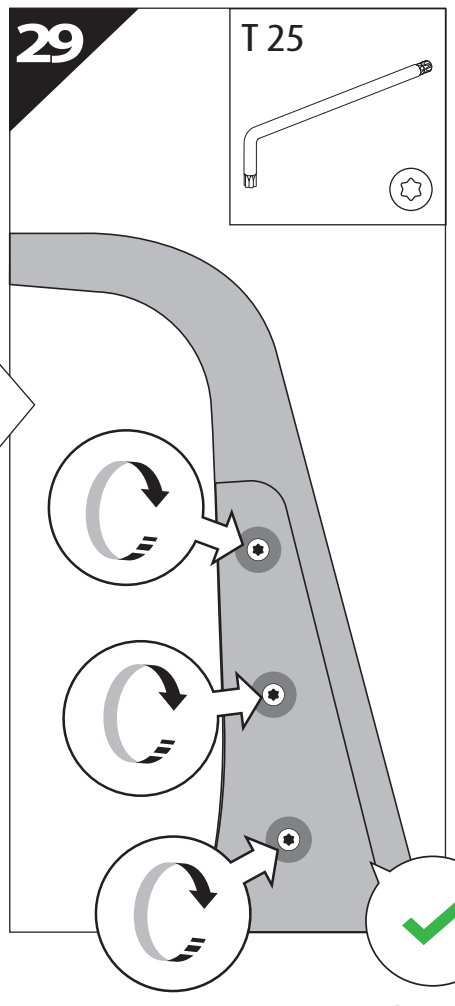
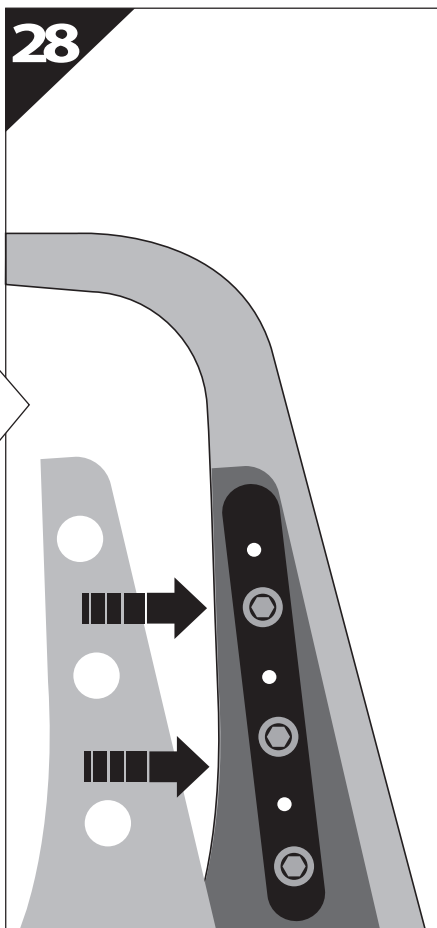
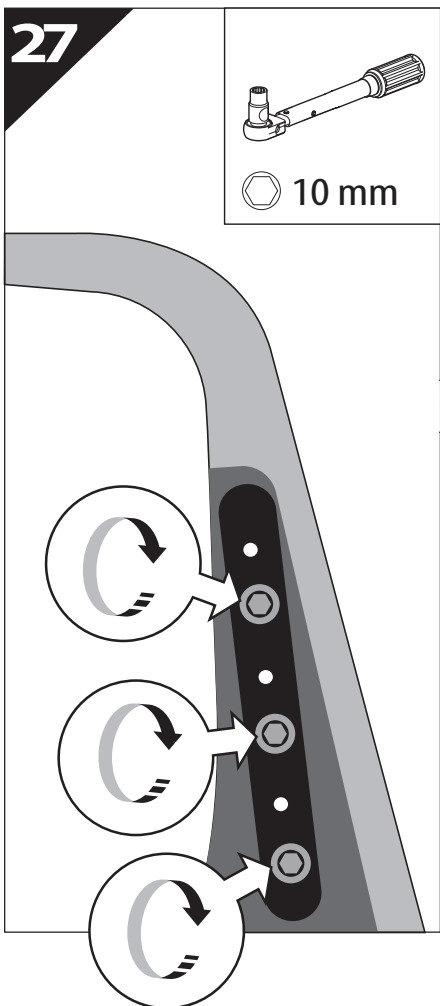
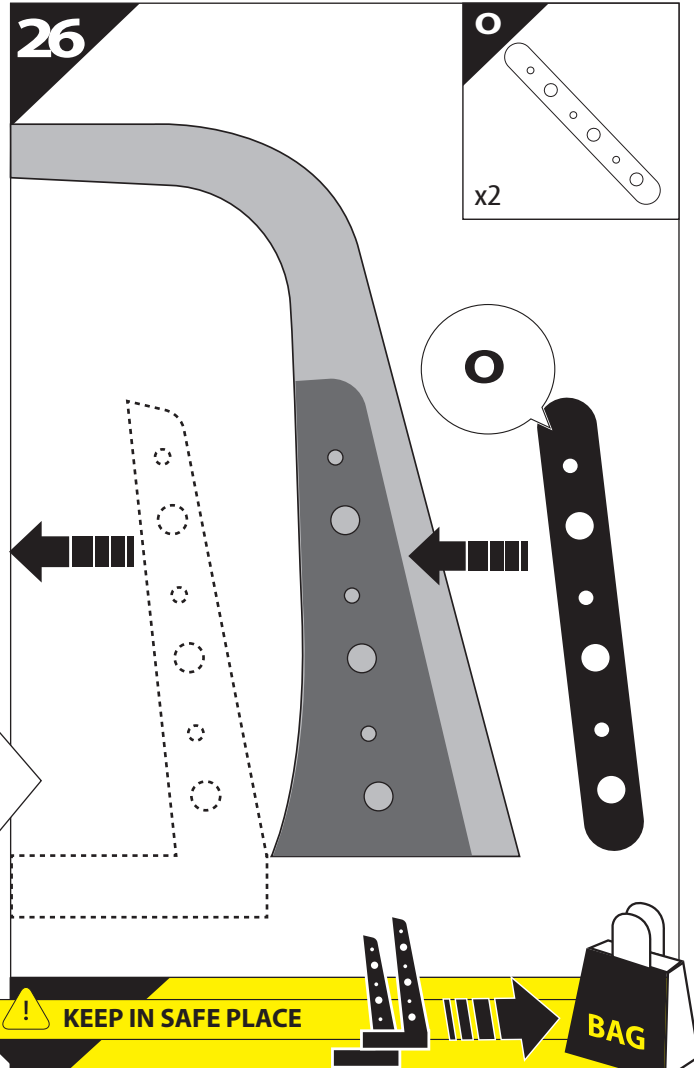
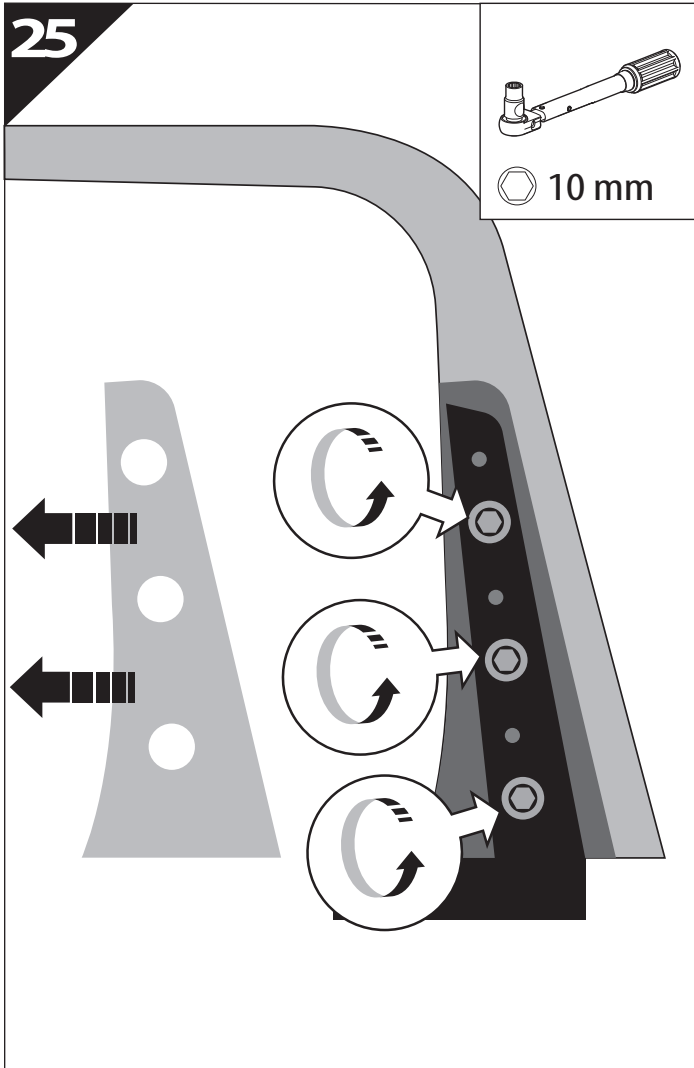


23

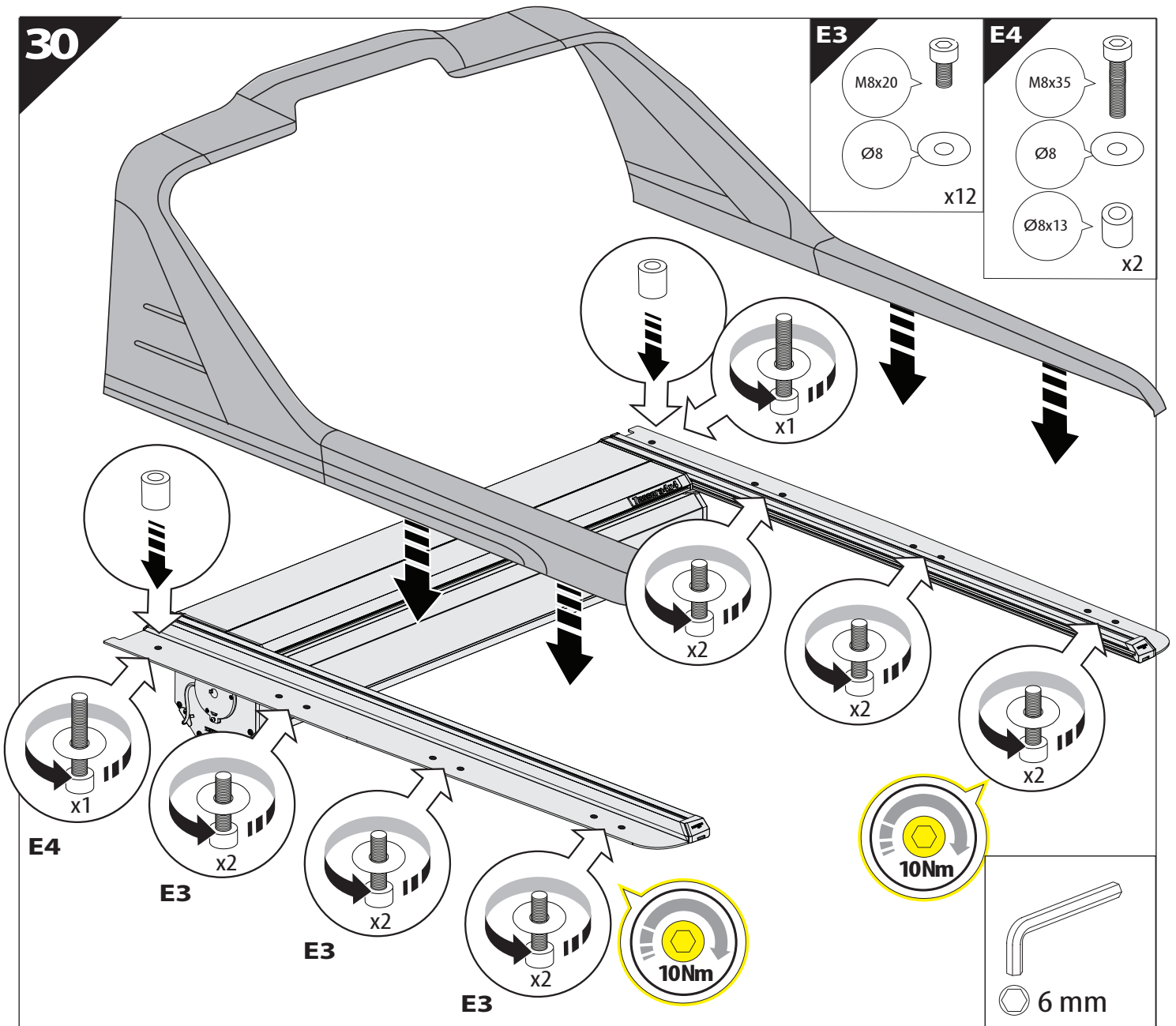


24

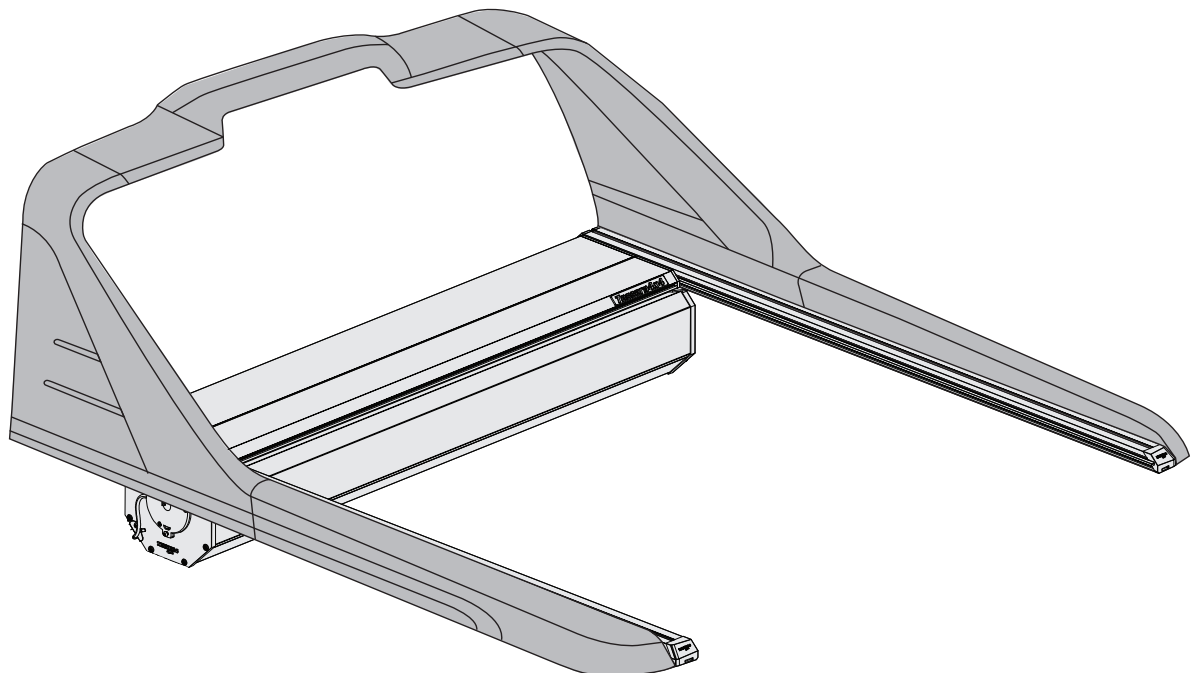




30

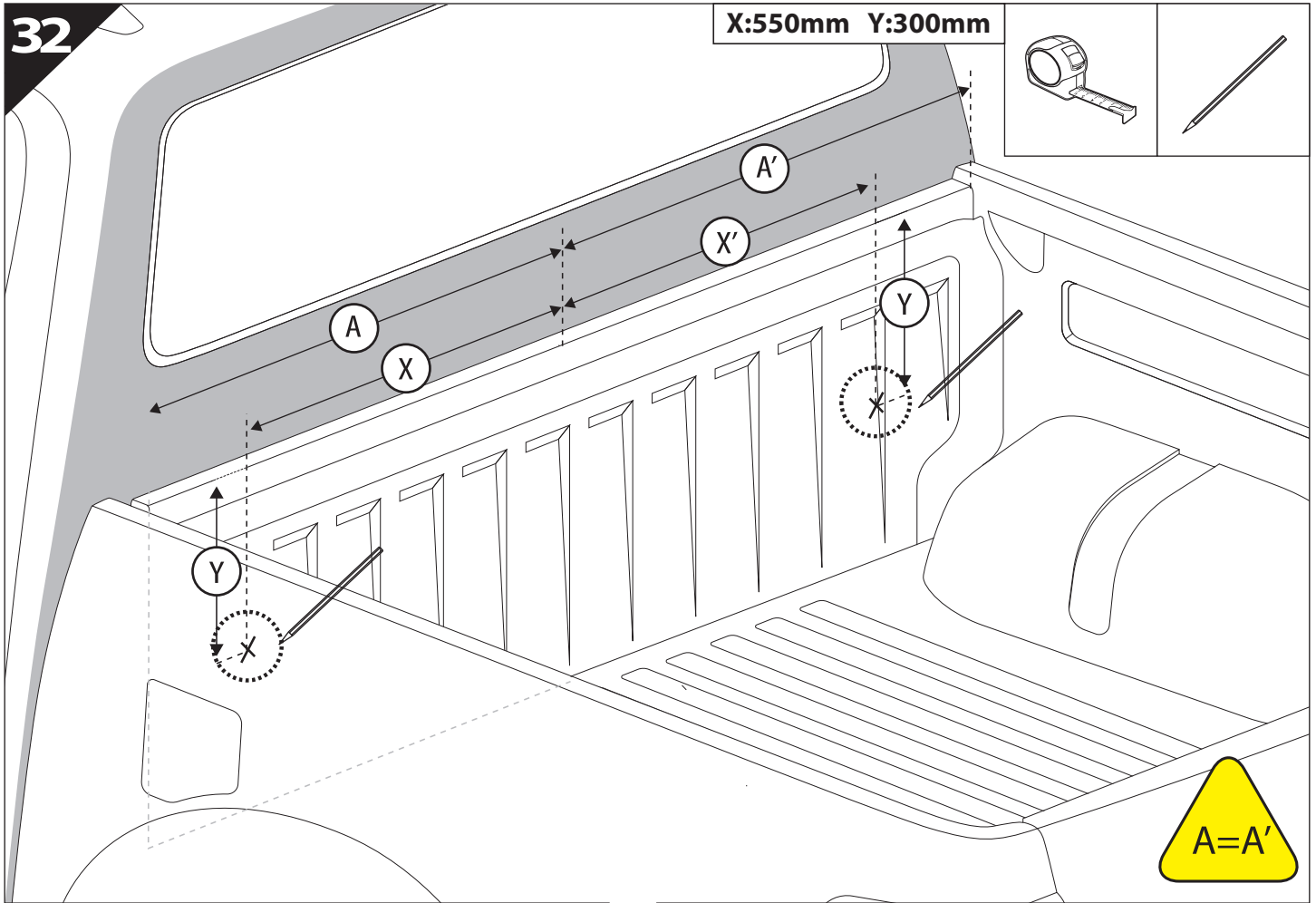
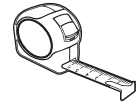


31



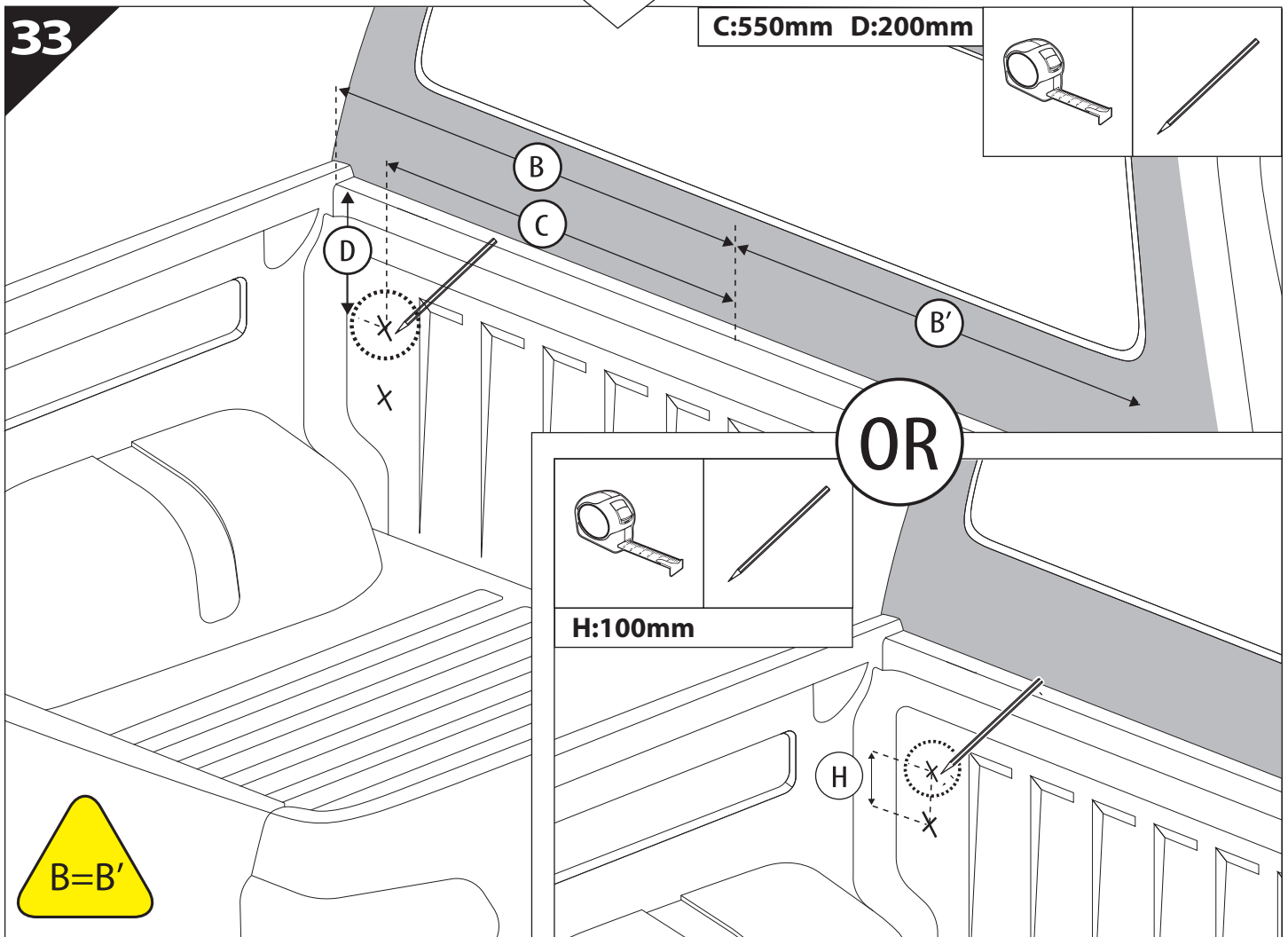
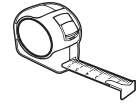
32

X:550mm Y:300mm

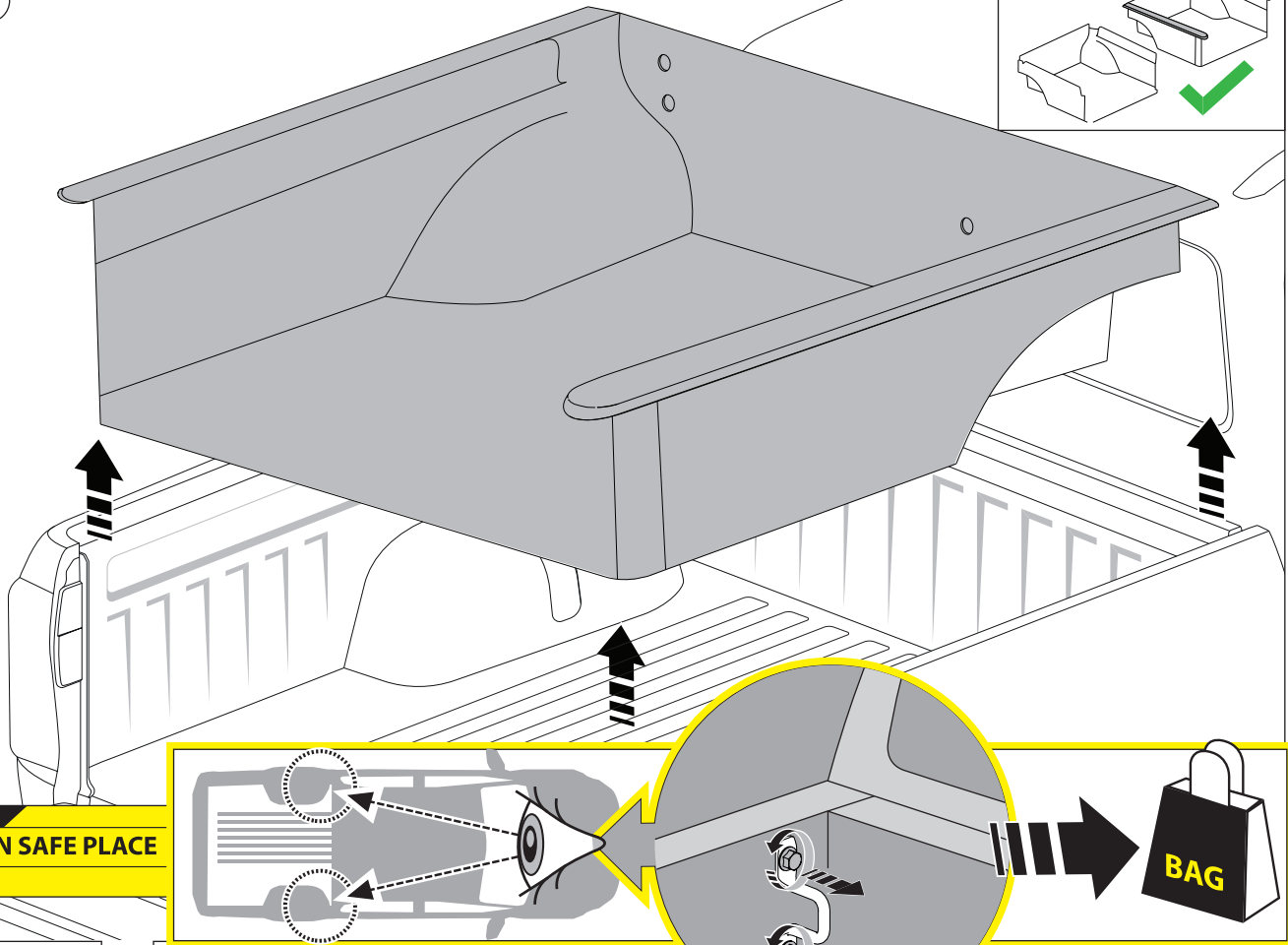
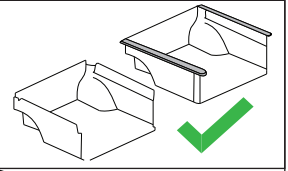


33

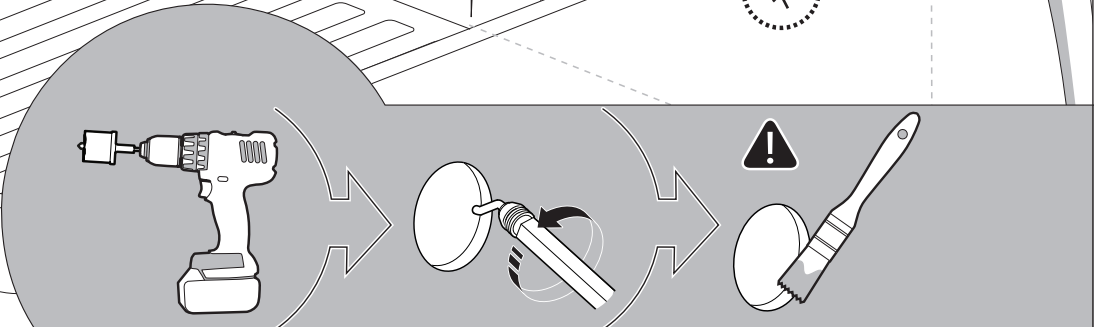
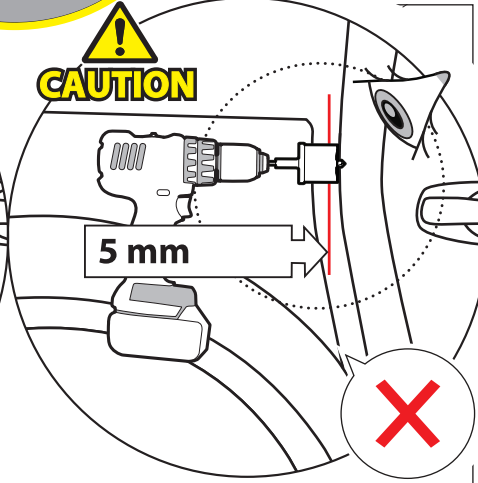
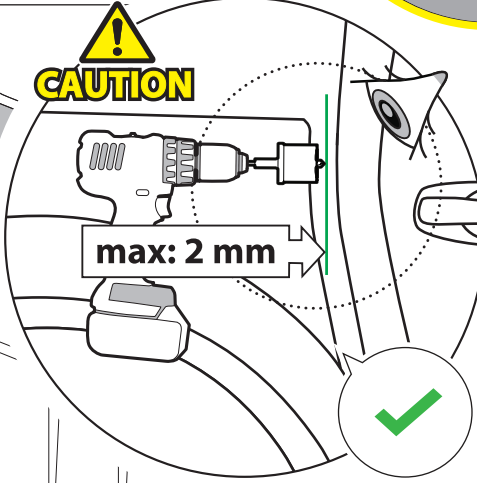
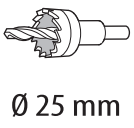
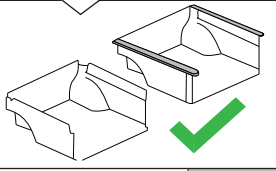
C:550mm D:200mm



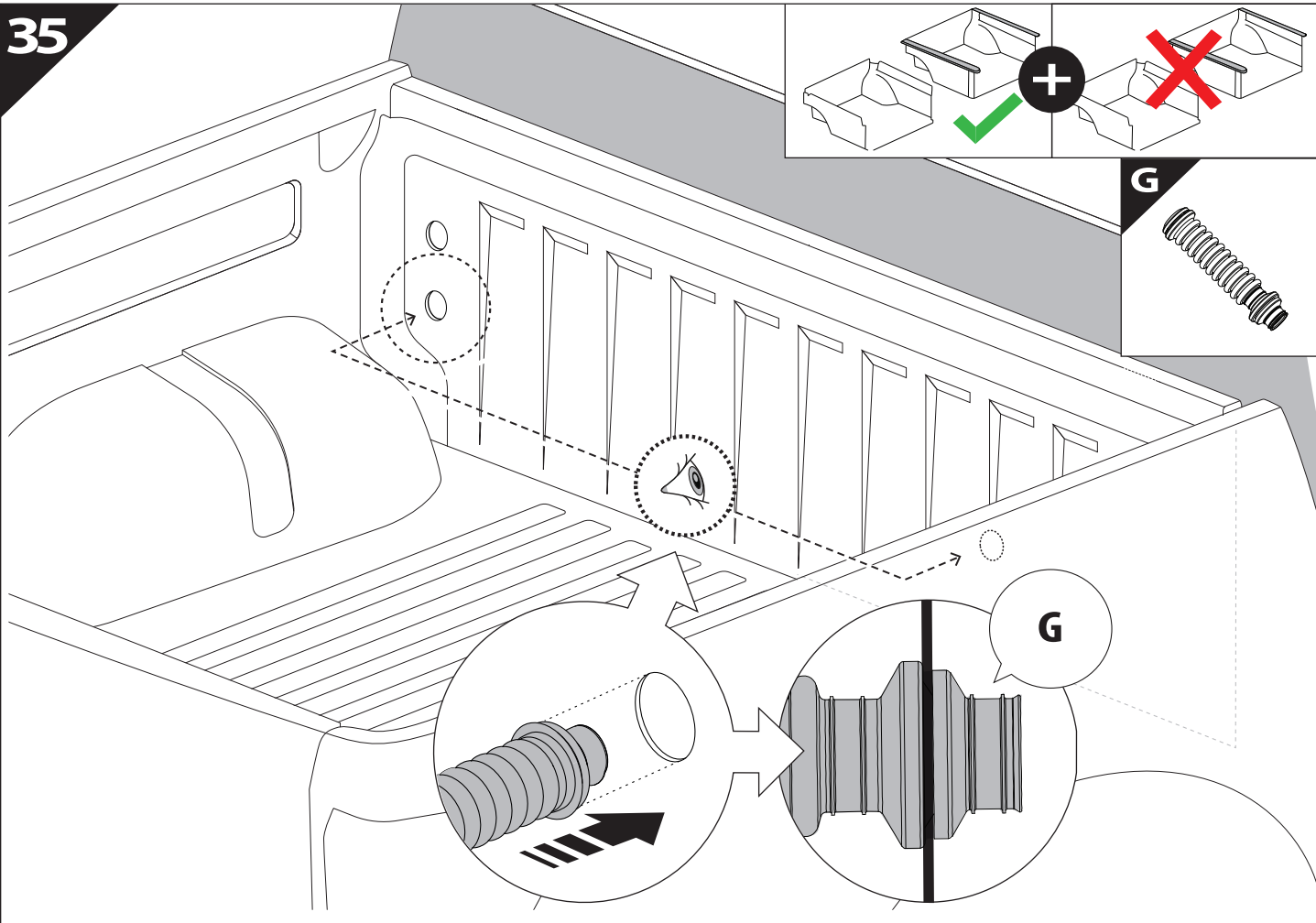
34.2



34.3

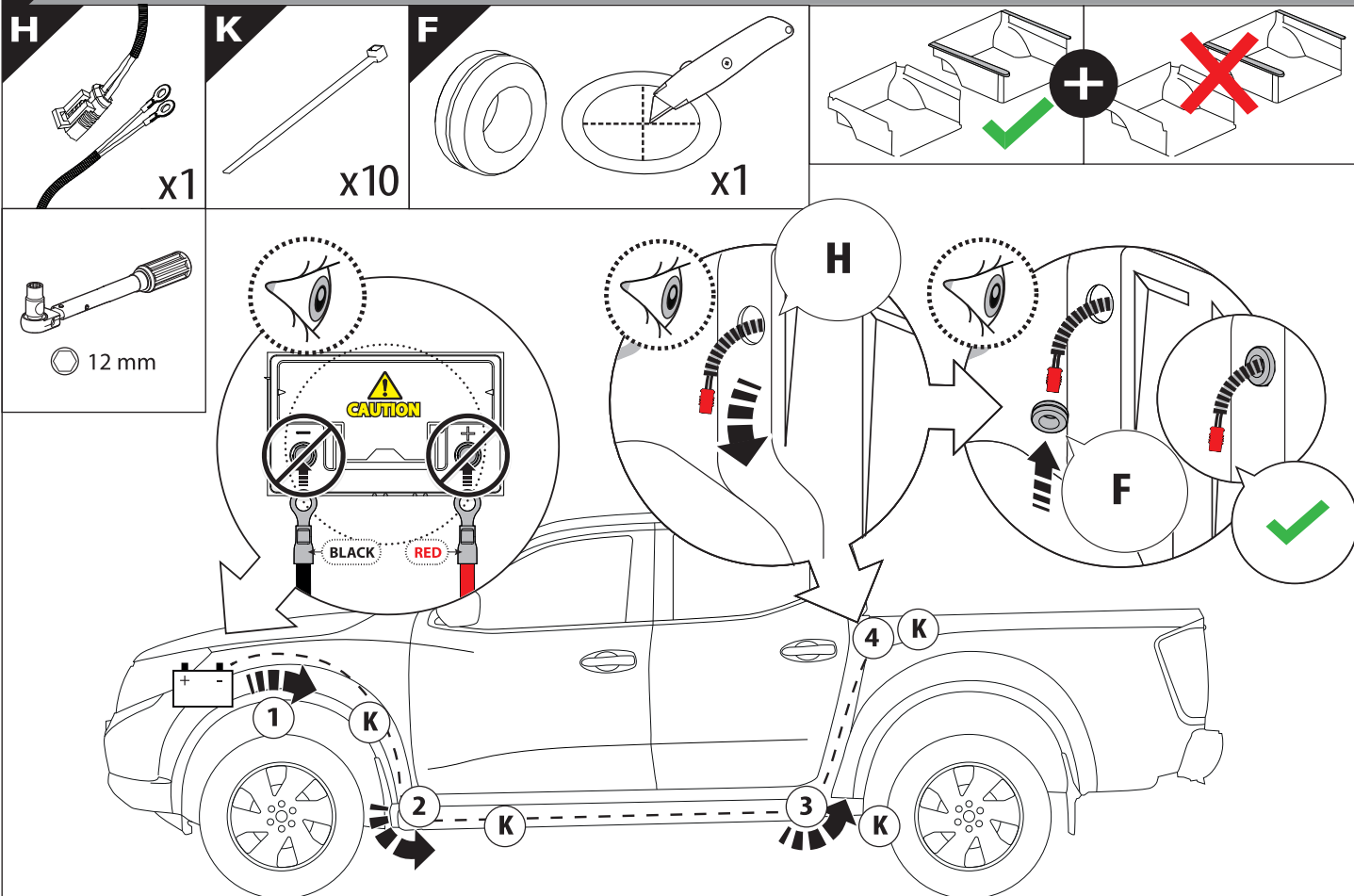


35

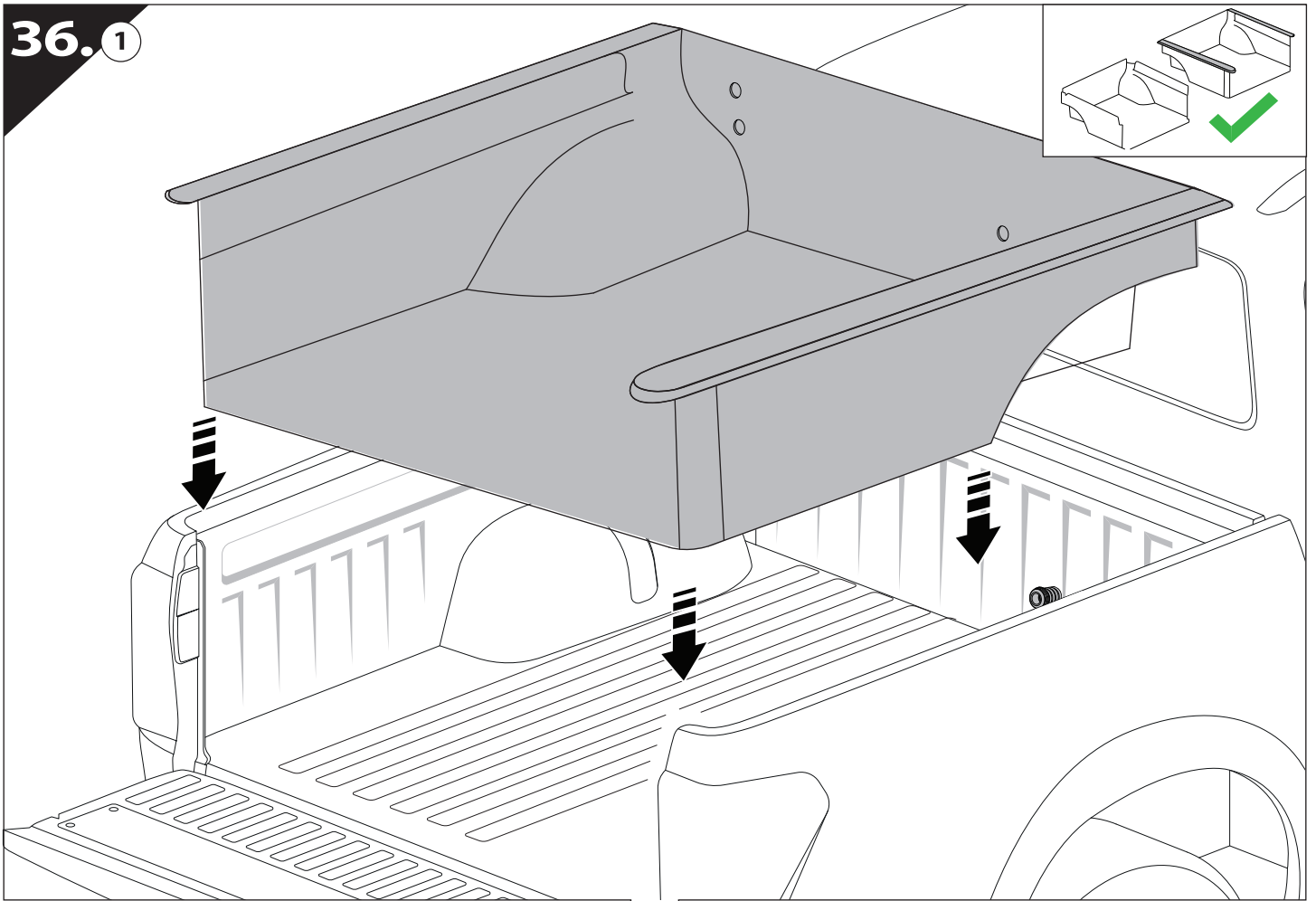


36

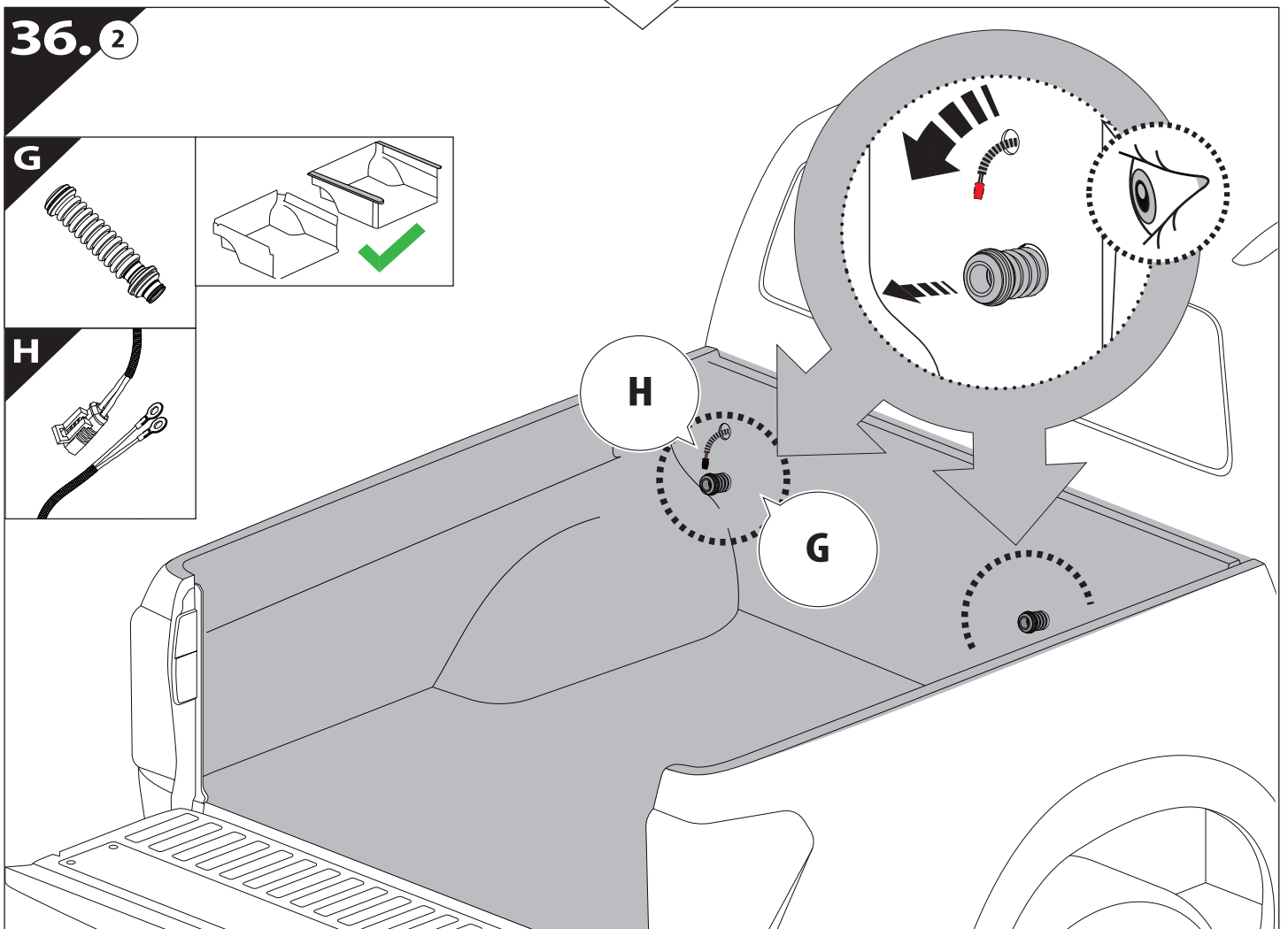
Only to be installed by authorized personnel



36.1

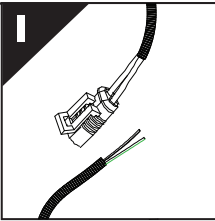


36.2

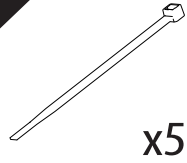


37

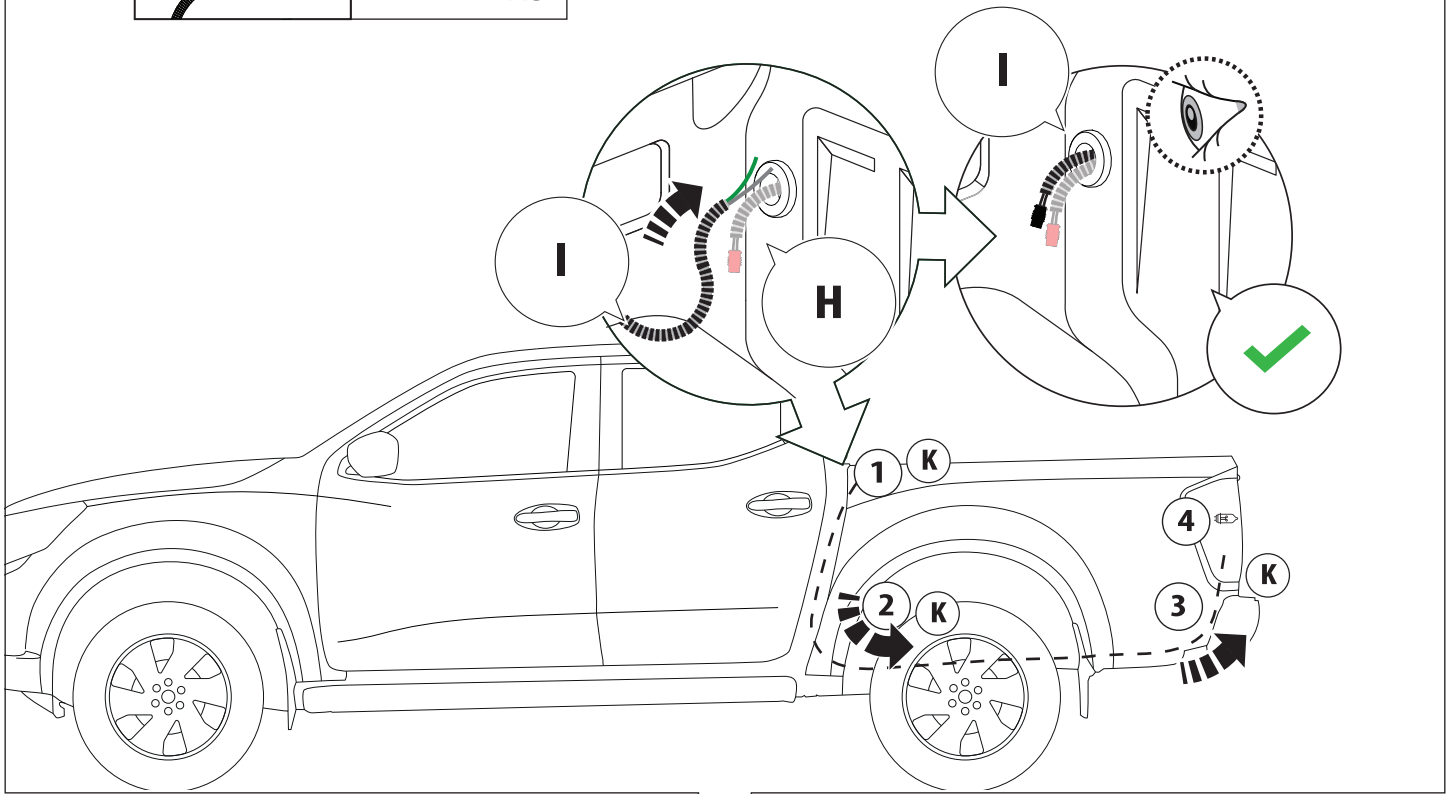
I



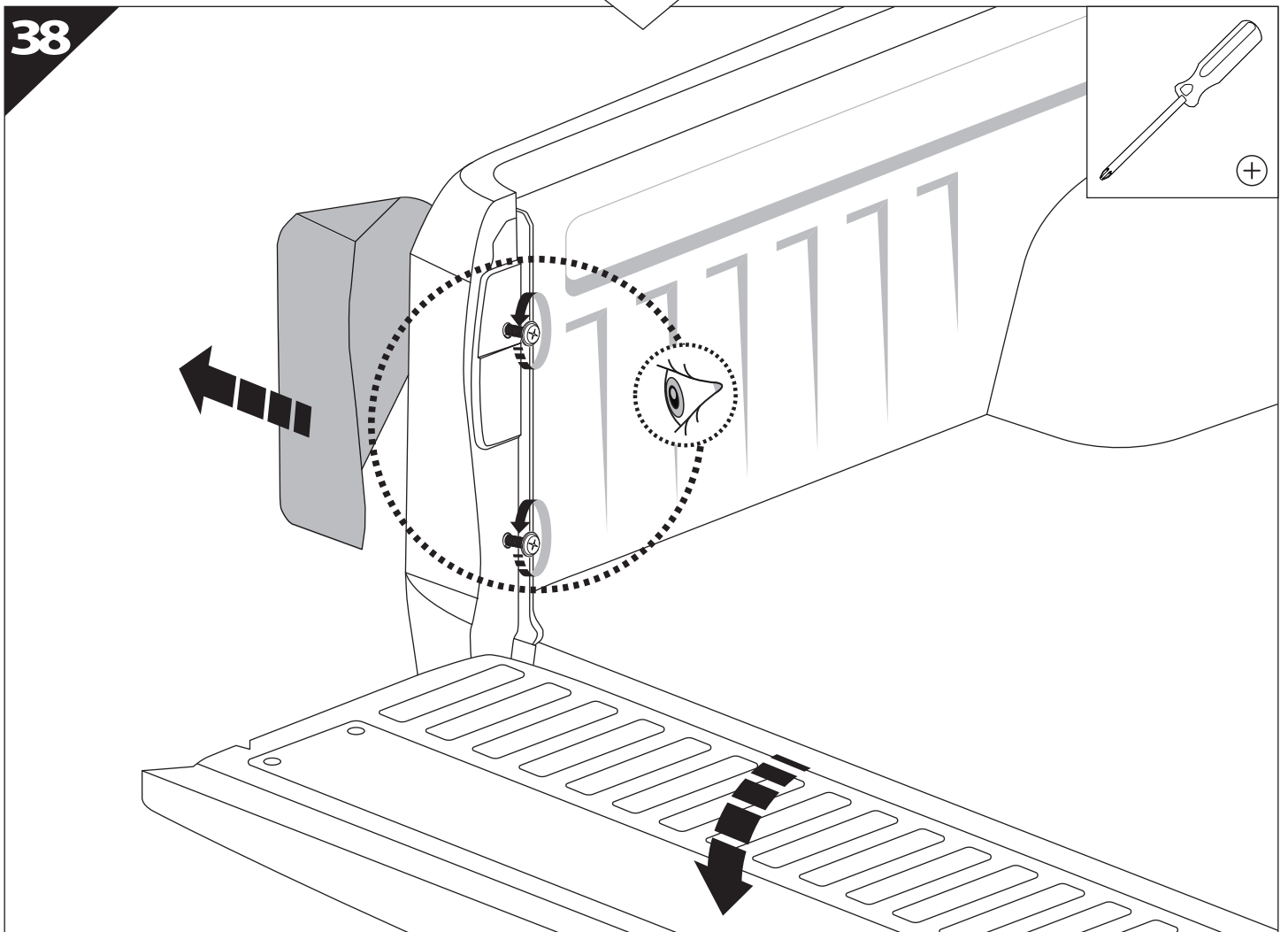
K



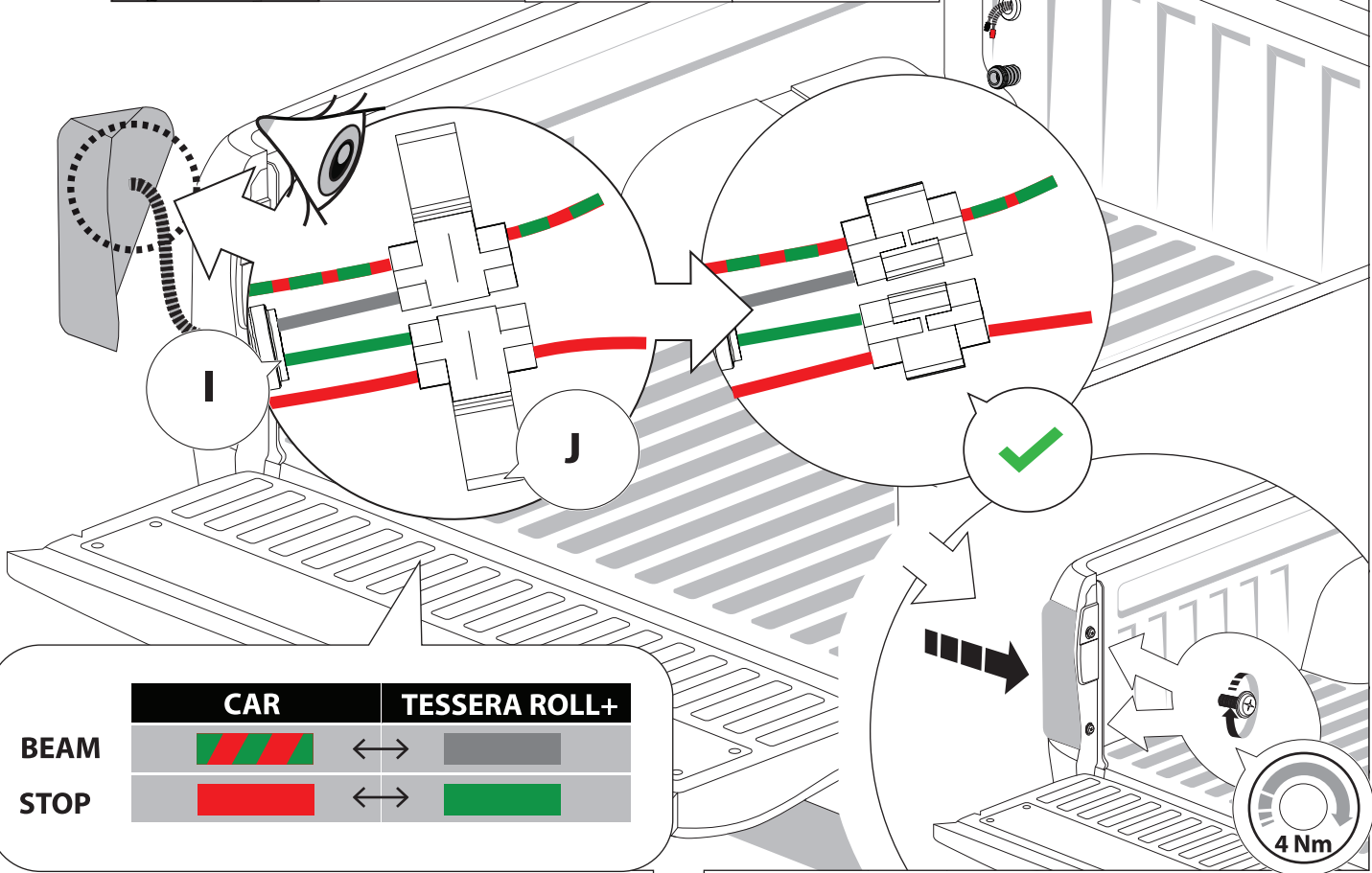
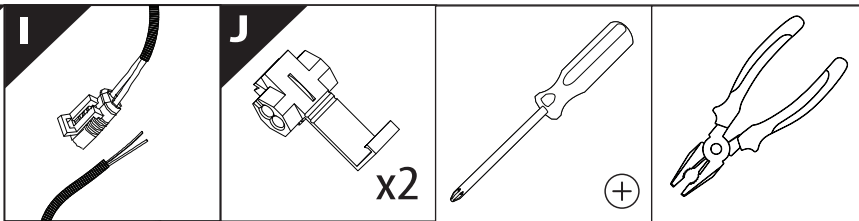
x5



38

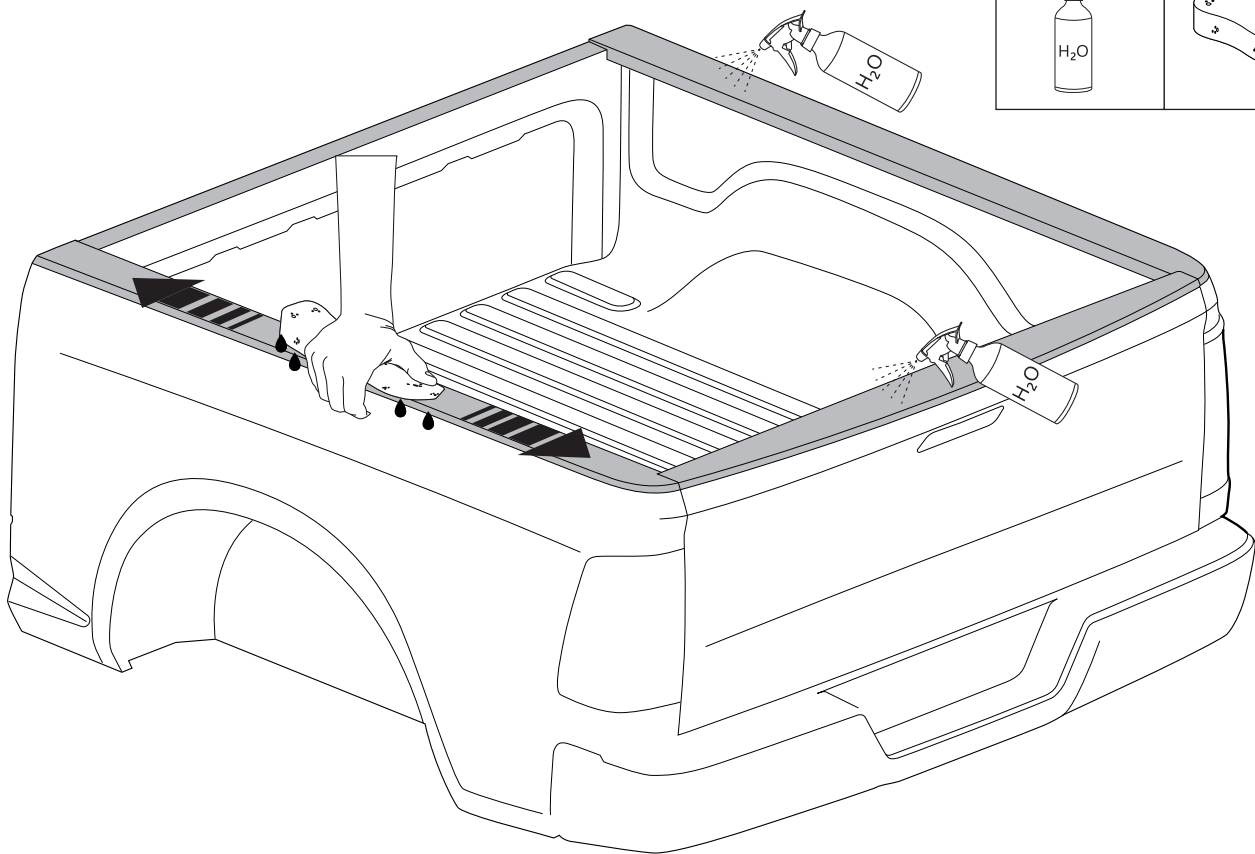
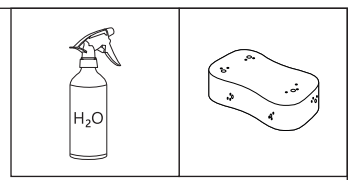


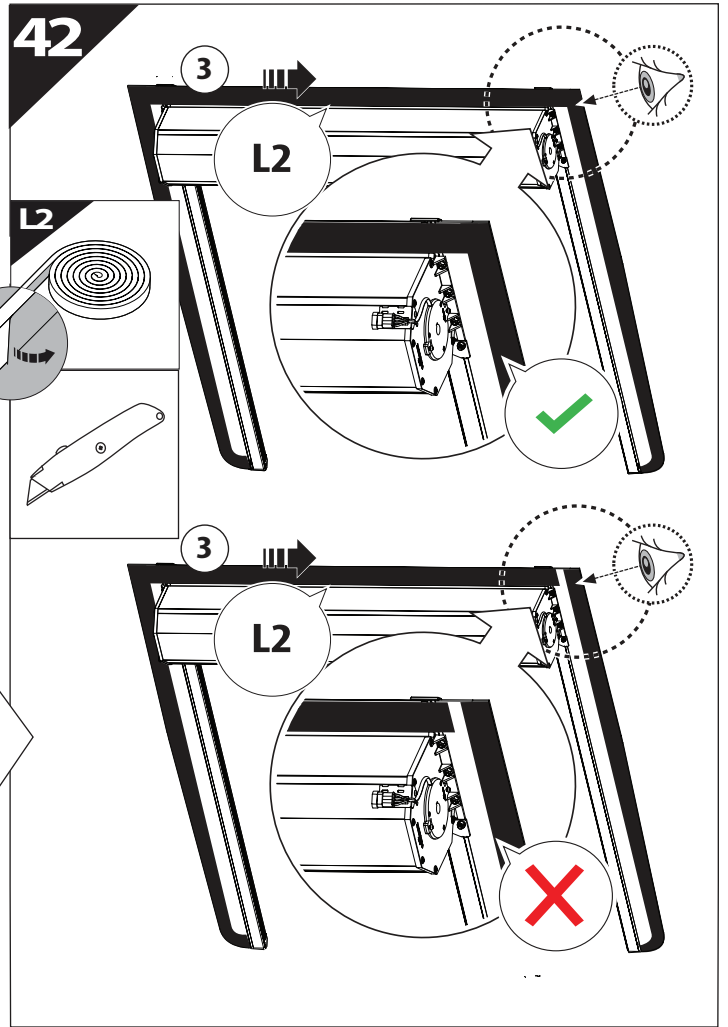
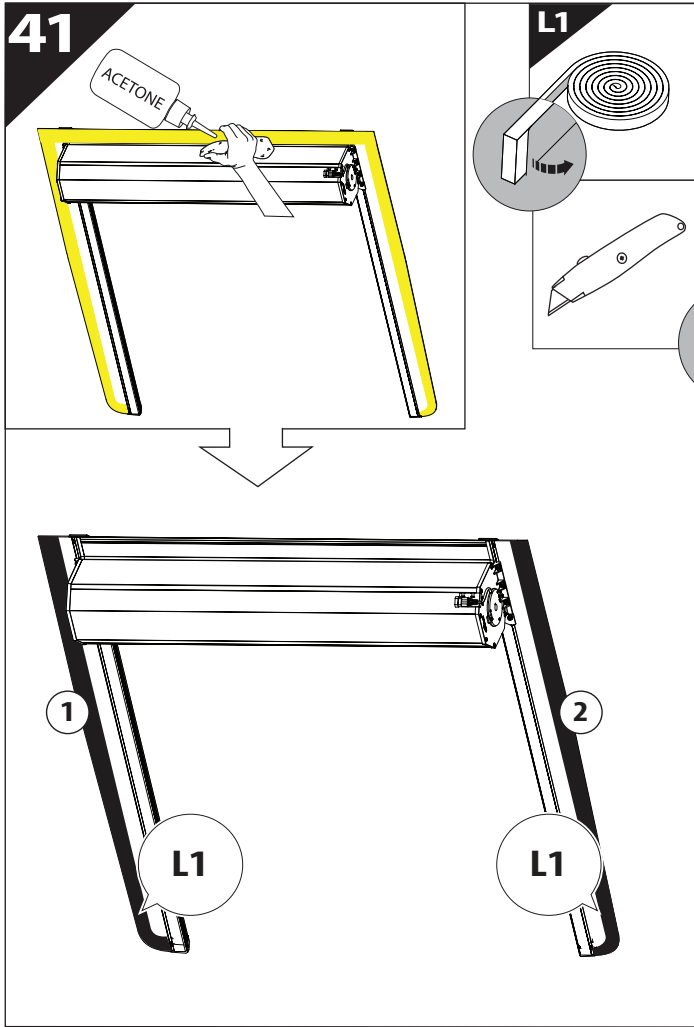
39

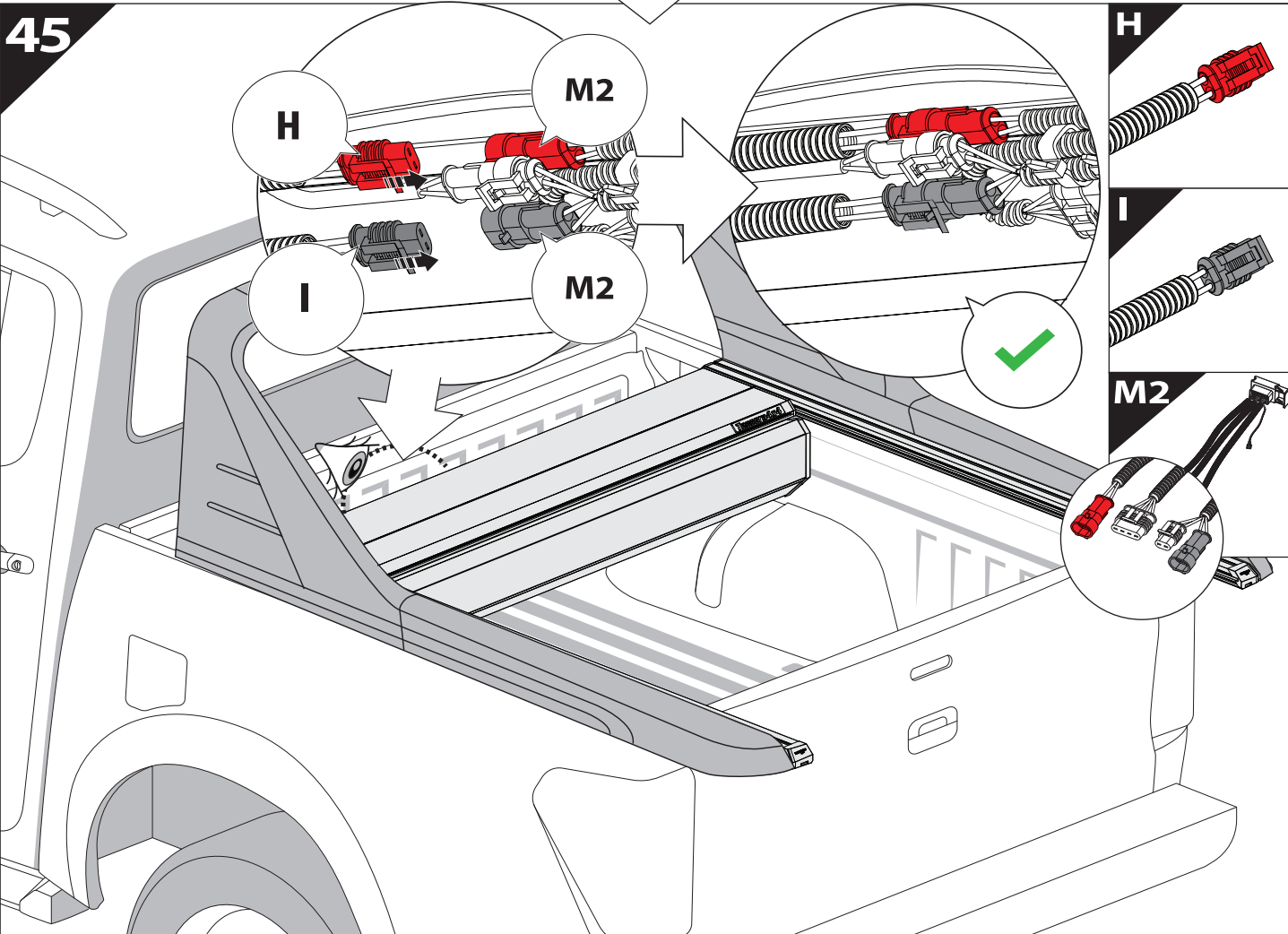
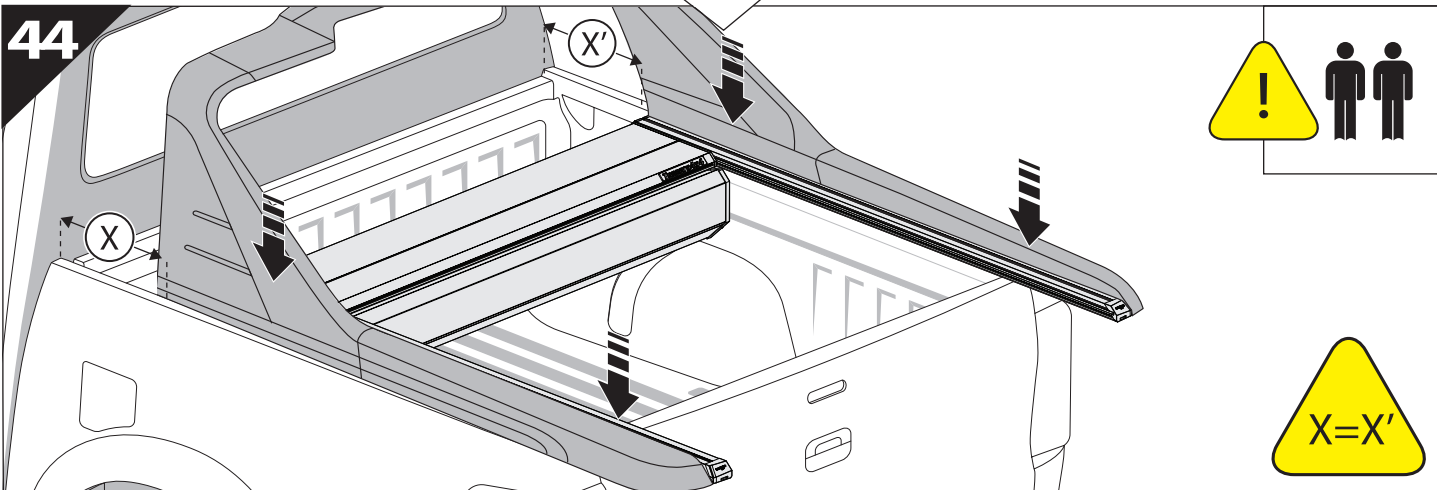
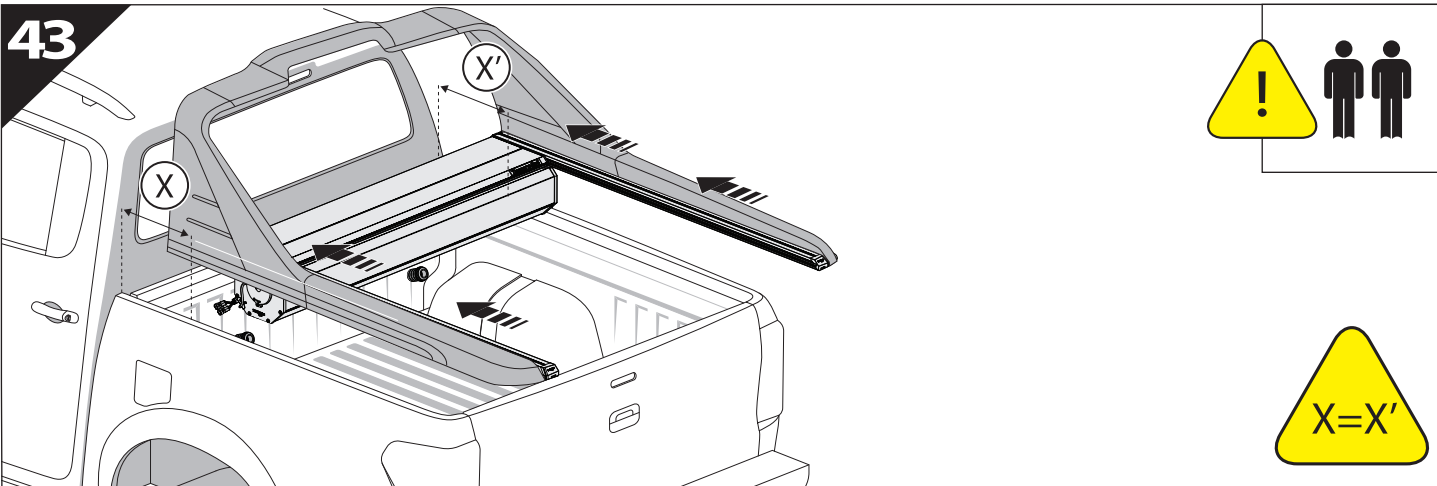


	CAR		TESSERA ROLL+
BEAM		↔	
STOP		↔	

40

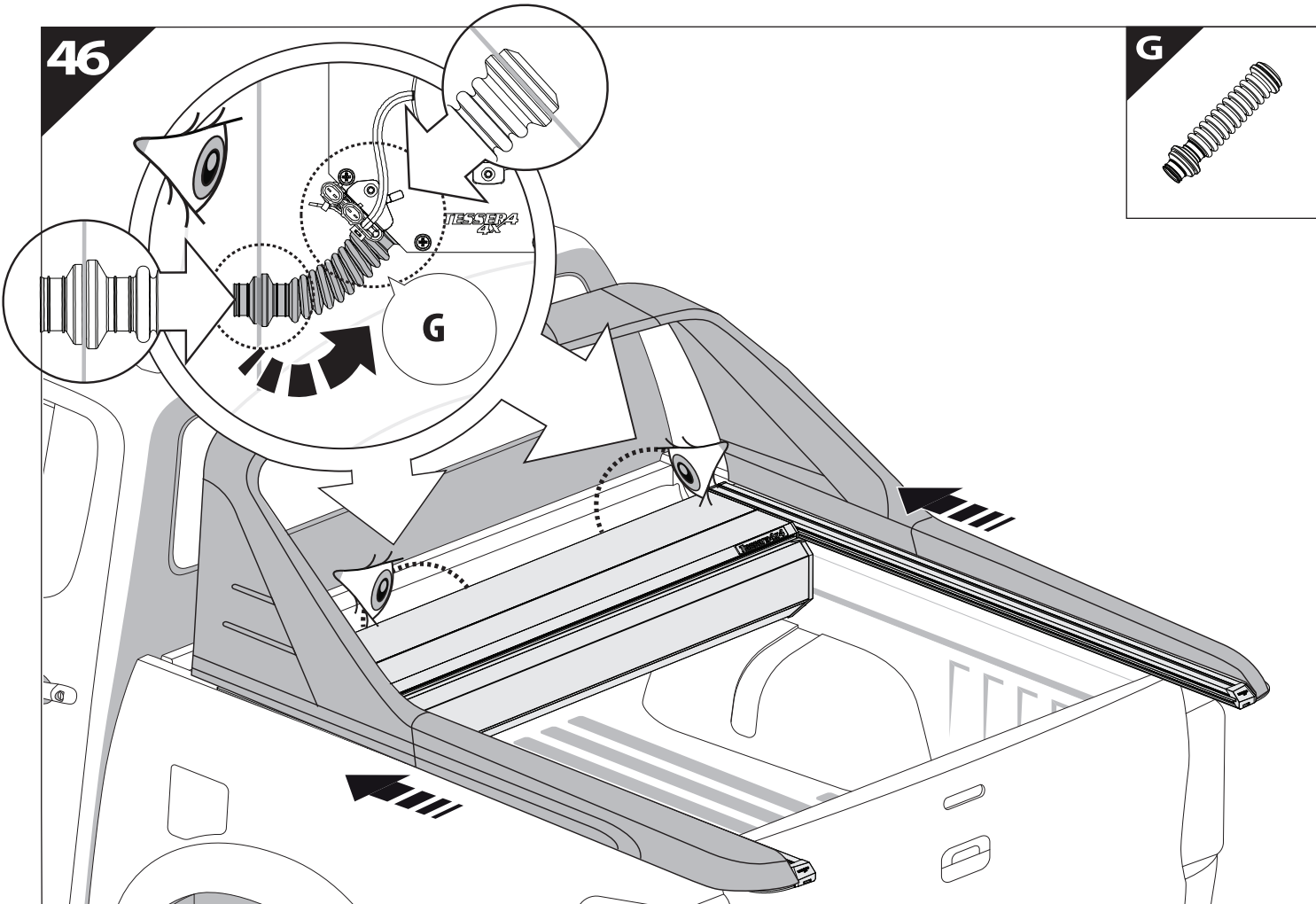




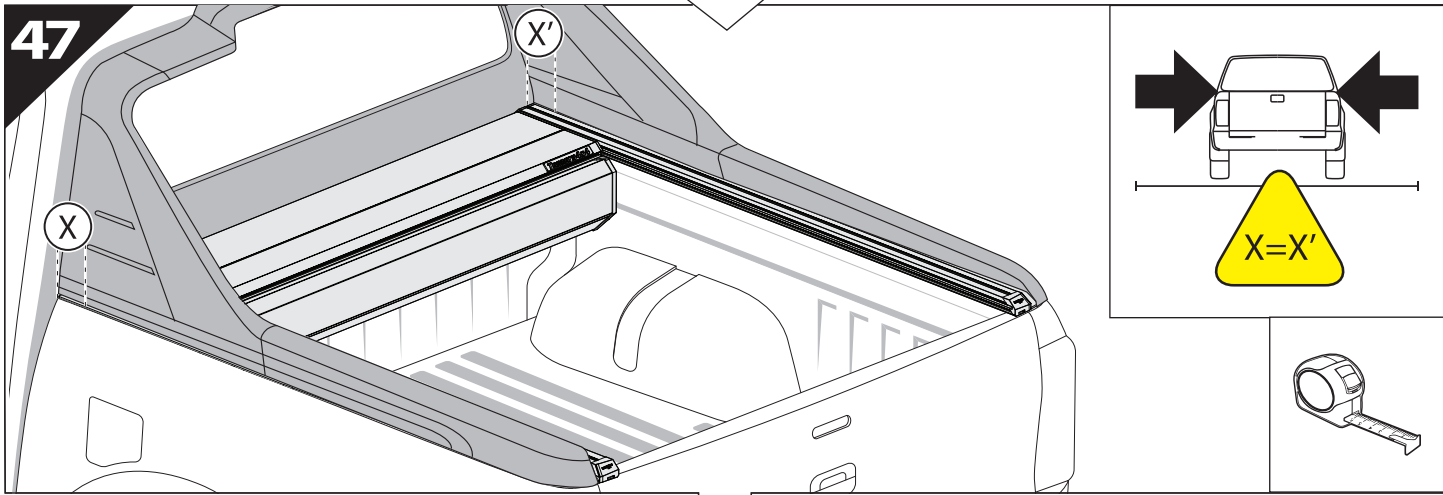


46

G

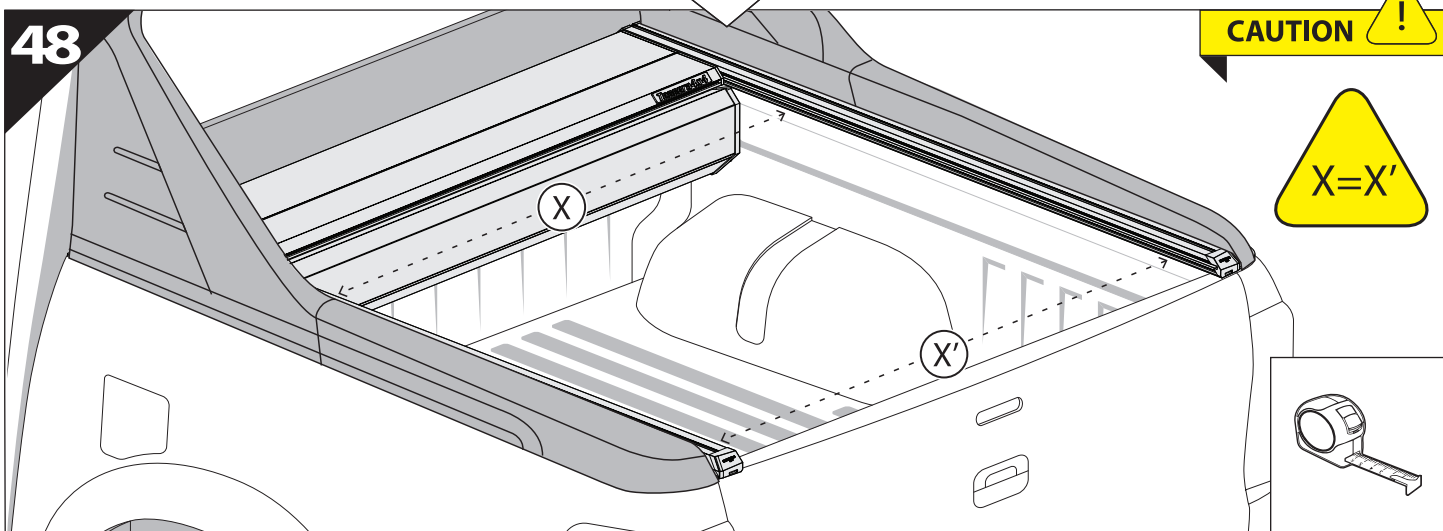


47

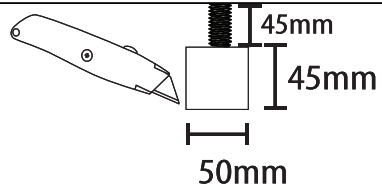
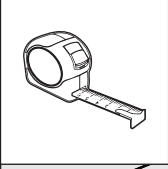
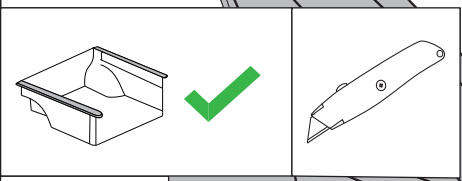


48

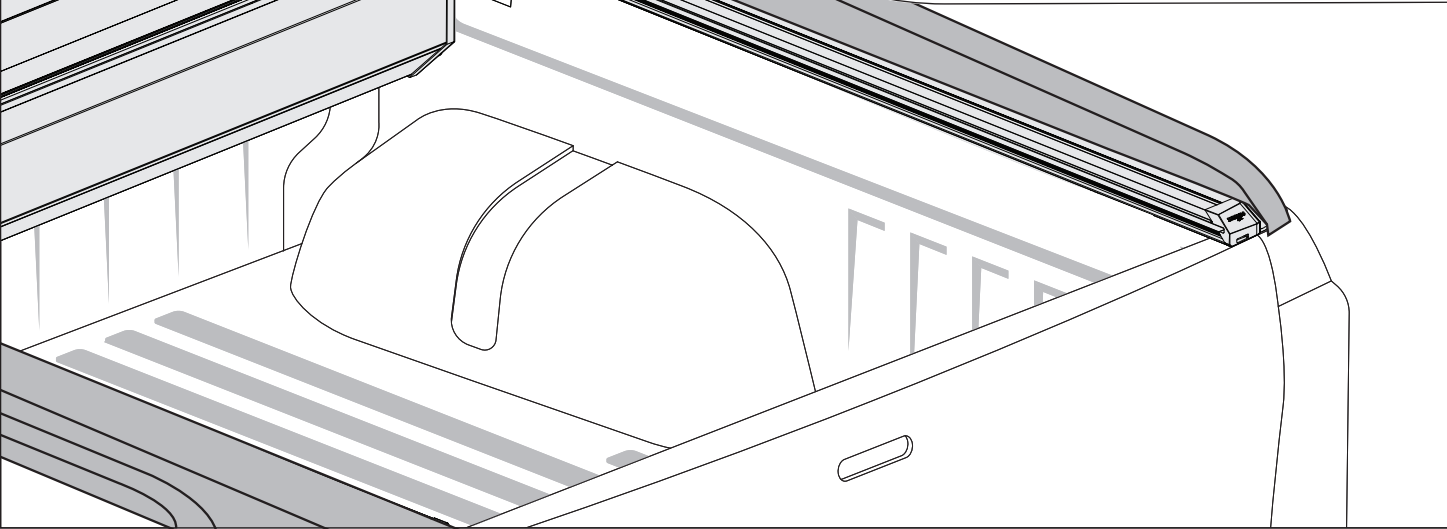
CAUTION !



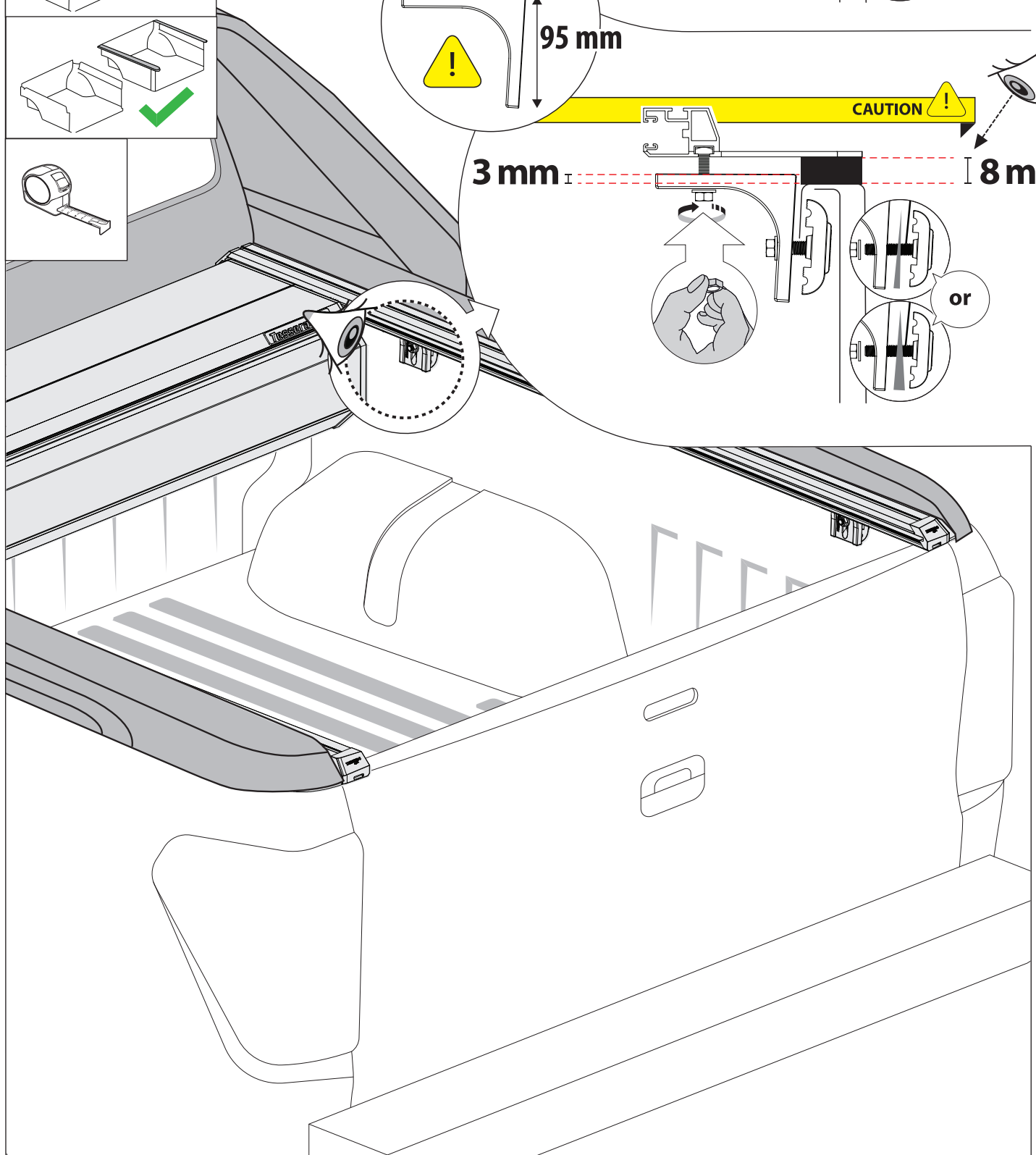
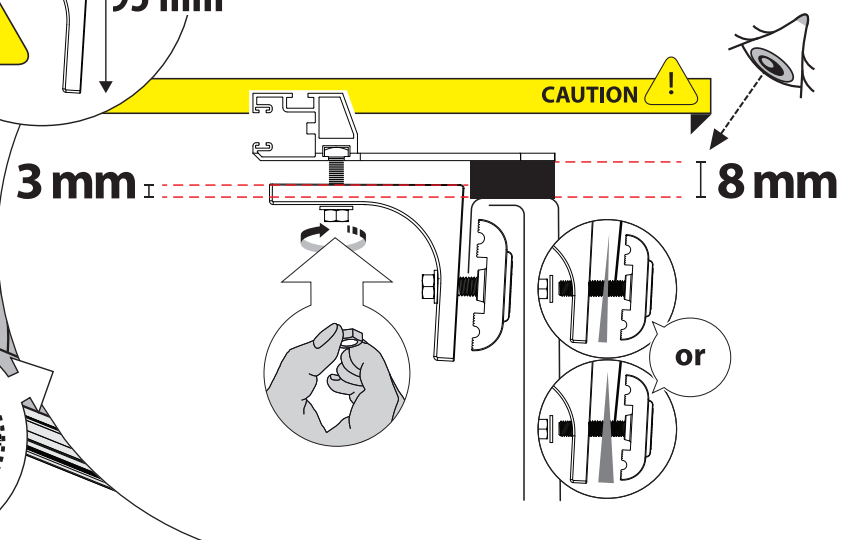
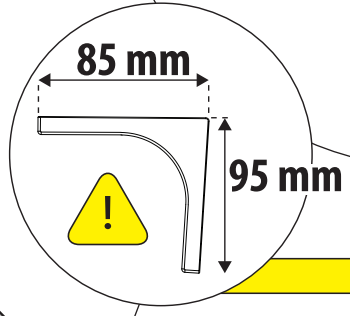
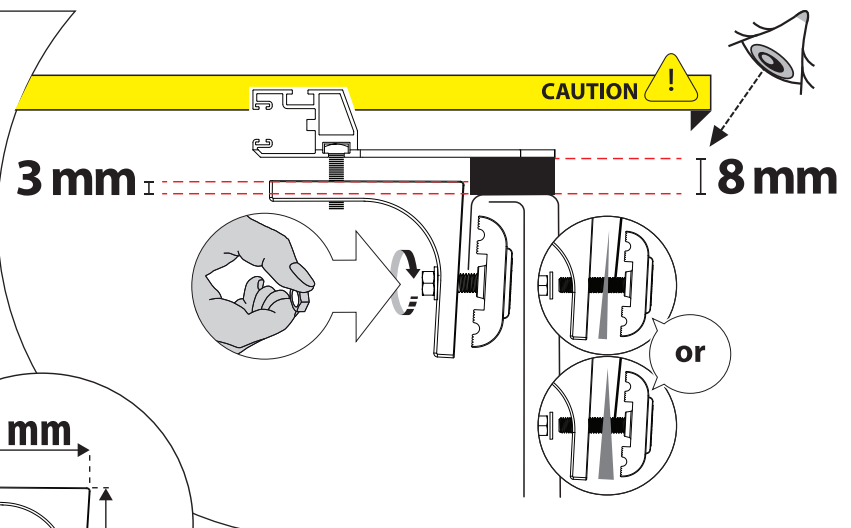
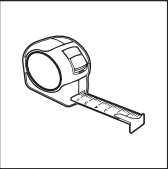
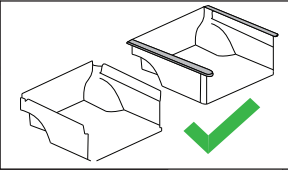
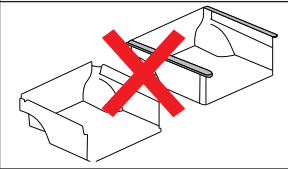
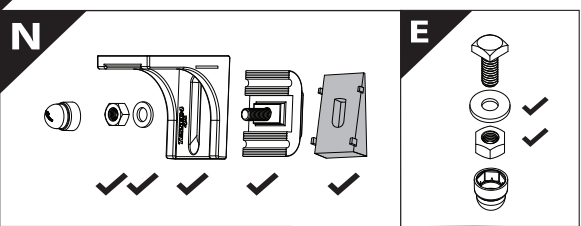
49

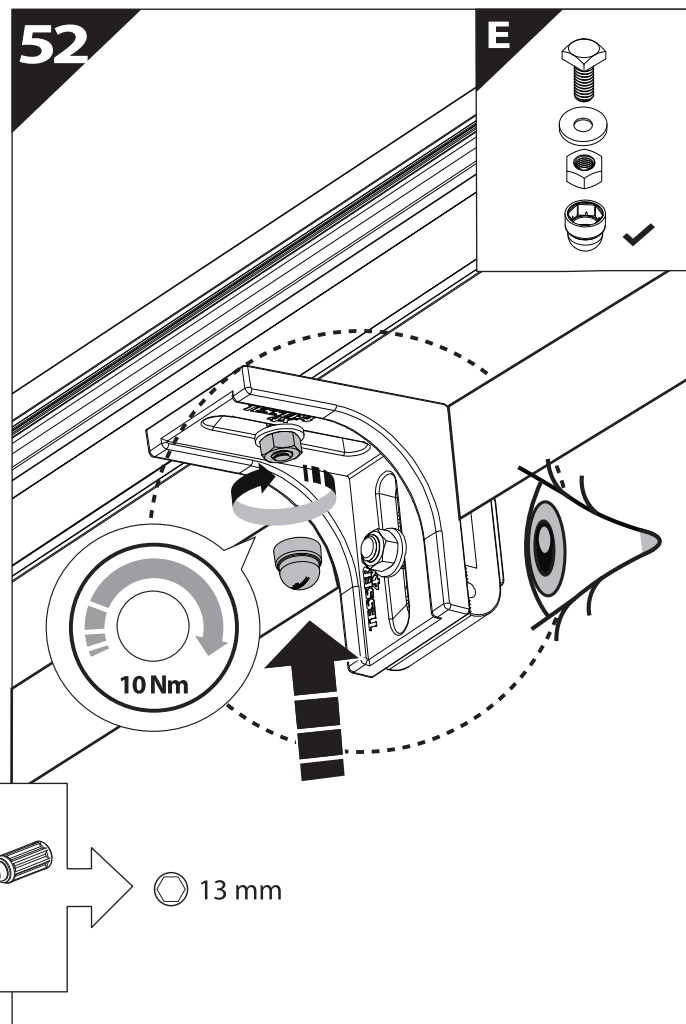
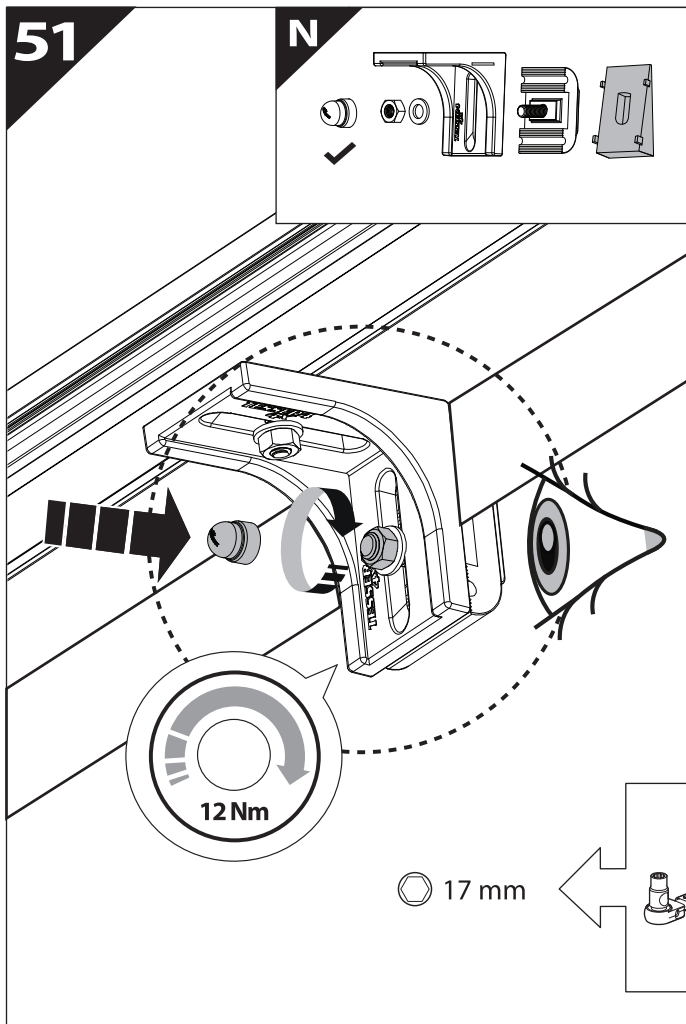


x4

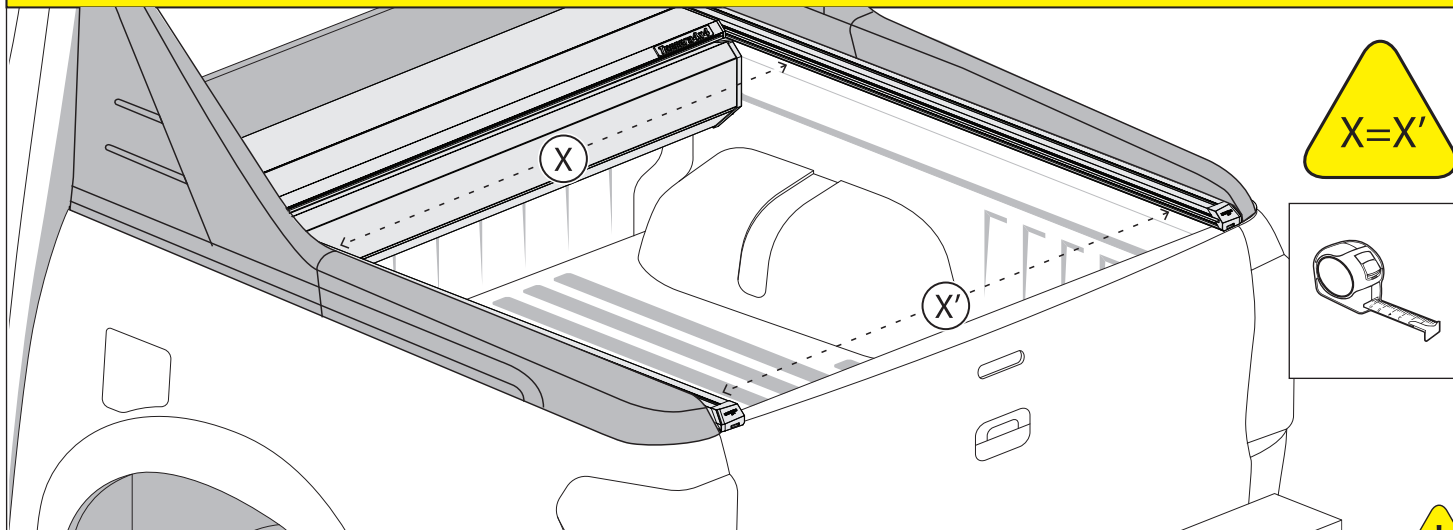


50

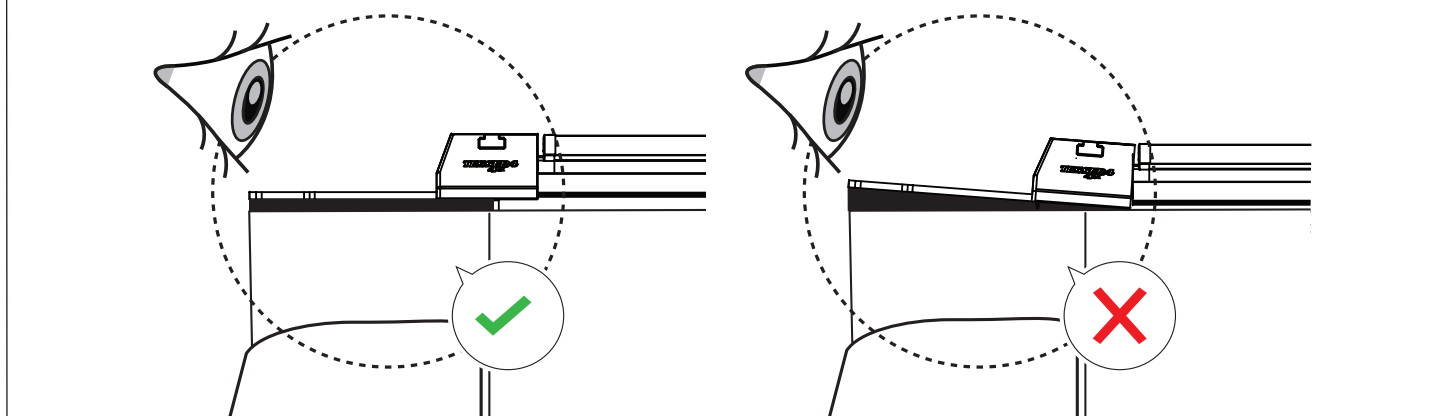


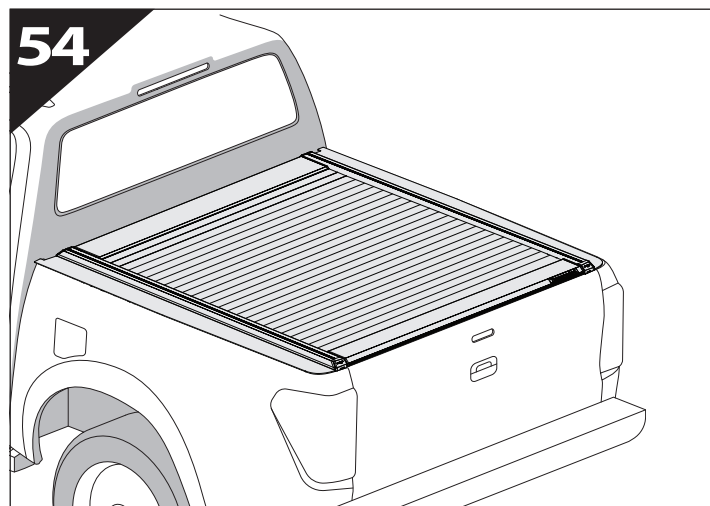
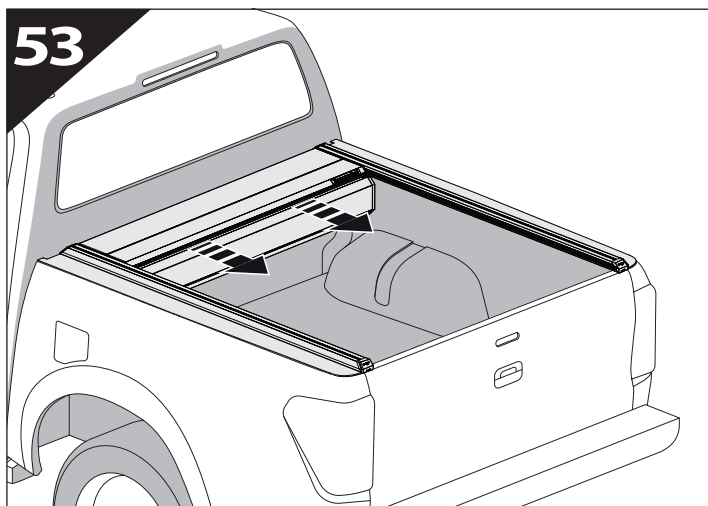


CAUTION !



CAUTION !





GR: Οδηγίες Εγκατάστασης
GB: Installation manual
SF: Asennusohje
F: Notice de montage
PL: Instrukcja montażu
NL: Installatie-instructies
TR: Montaj Talimatı
S: Monteringsanvisning
E: Instrucciones de montaje

H: Szerelési utasítás
P: Instruções de instalação
RUS: Инструкция по установке
N: Monteringsveiledning
D: Einbauanleitung
CZ: Návod k instalaci
I: Istruzioni de montaggio
DK: Monteringsvejledning
RO: Instructiuni de instalare

Customer Service:

+30 (210) 5541161, +30 (210) 5541154 (08:00 - 16:00 EET)

Support department:

info@gianso.gr

Website:

www.tessera4x4.com

Address:

19.5 km of National road Athens-Korinthos (Elefsina) Greece, P.C: 19200