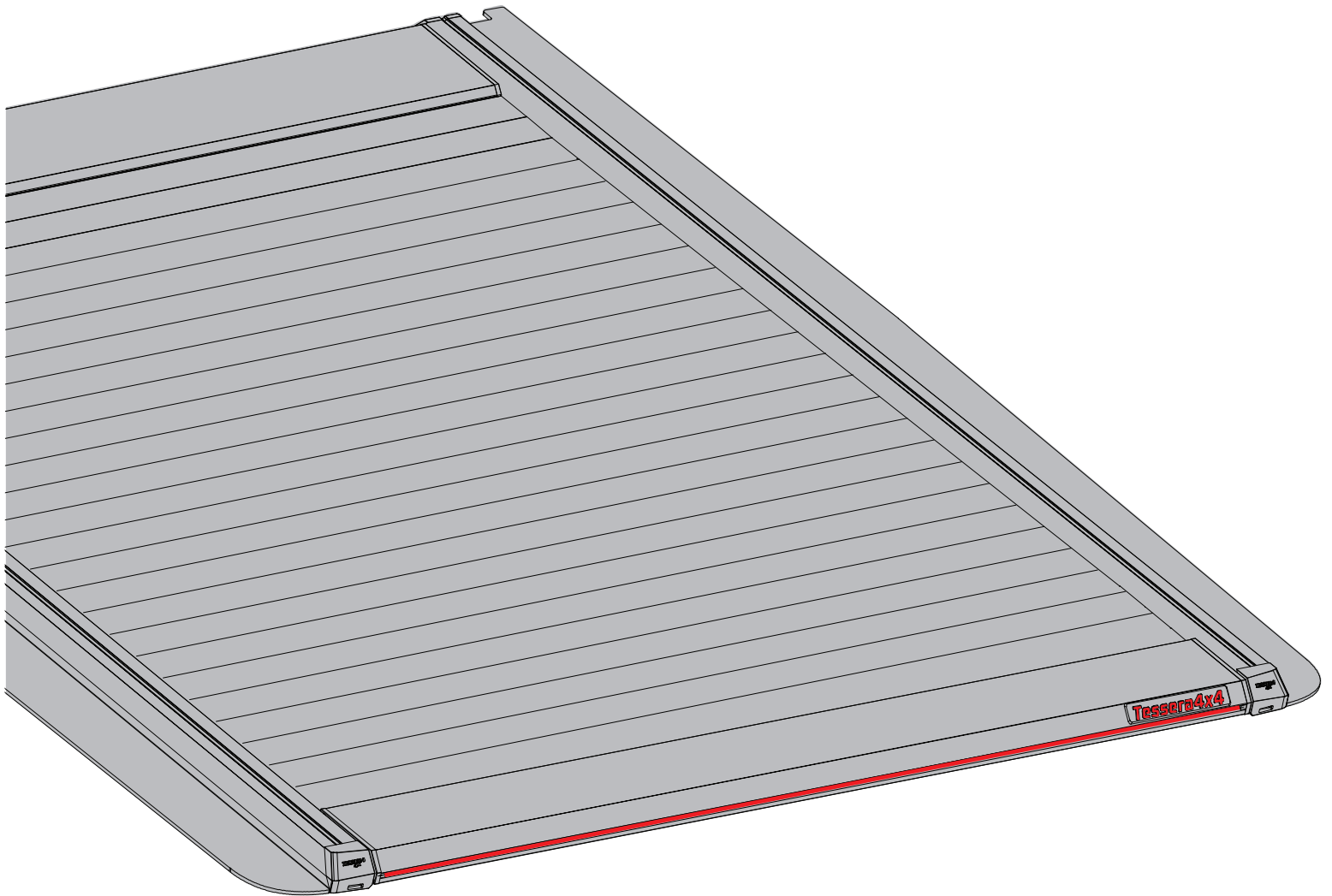


# Tessera Roll+

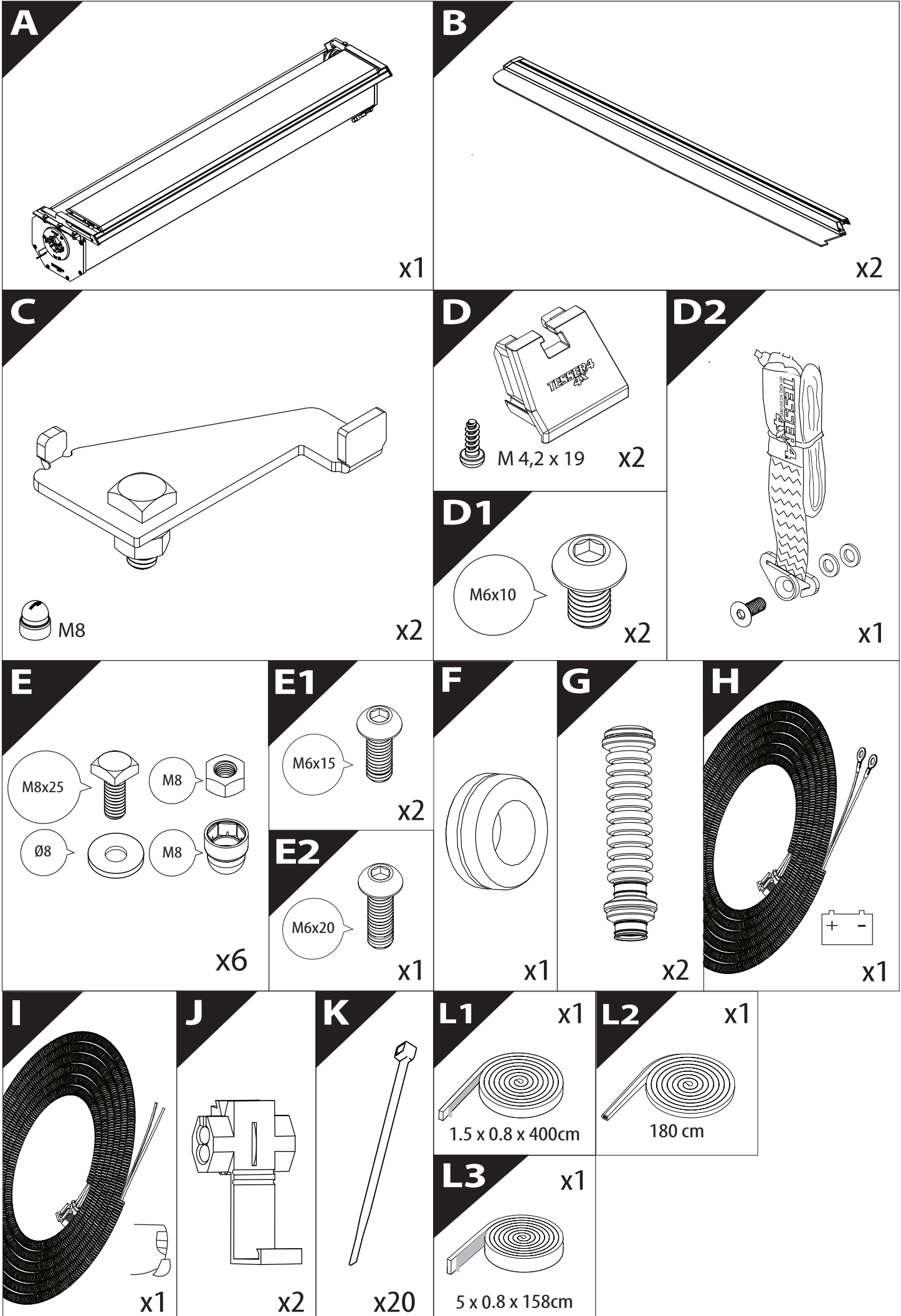
Basic Version + ⚡ E-KIT



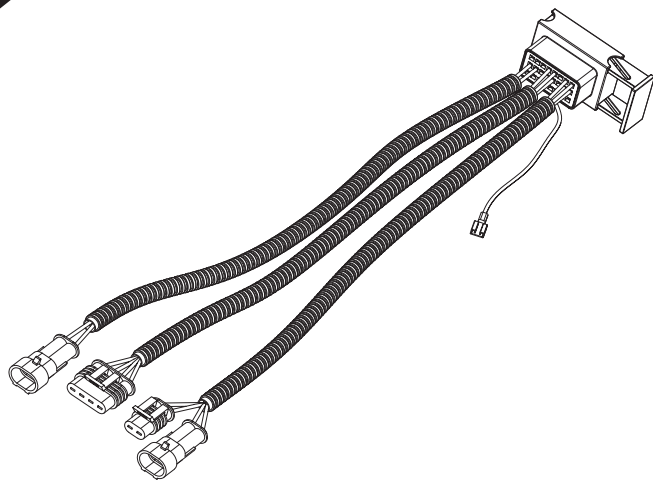
## Installation Manual

PART NUMBER(S)	Model Year
TESS 1424 ROLL+E-KIT	Dodge Ram 1500 2002+
TESS 14241 ROLL+ E-KIT	
Cab(s)	Installation Time / Weight
Short Bed 5.7" & Standard Bed 6.4"	40-60 minutes / 53-57 kg



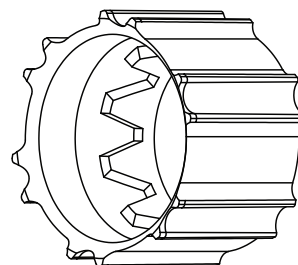


**M2**



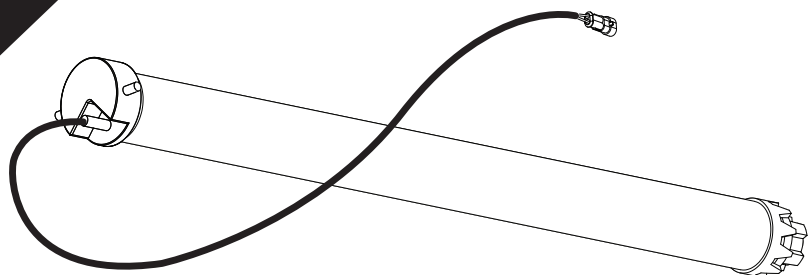
x1

**N**



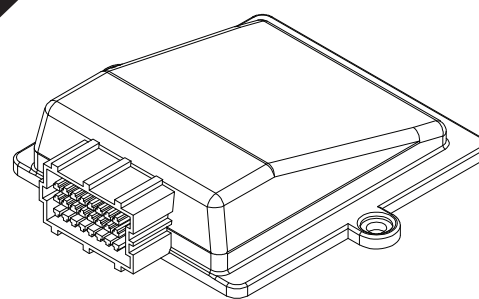
x1

**O**



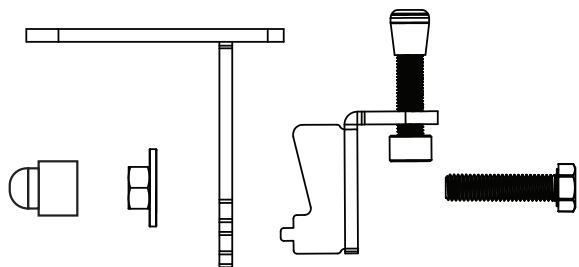
x1

**P**



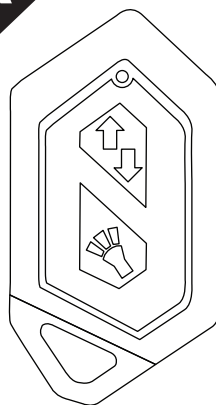
x1

**Q**



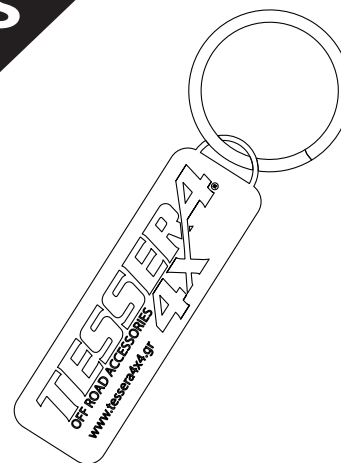
x6

**R**

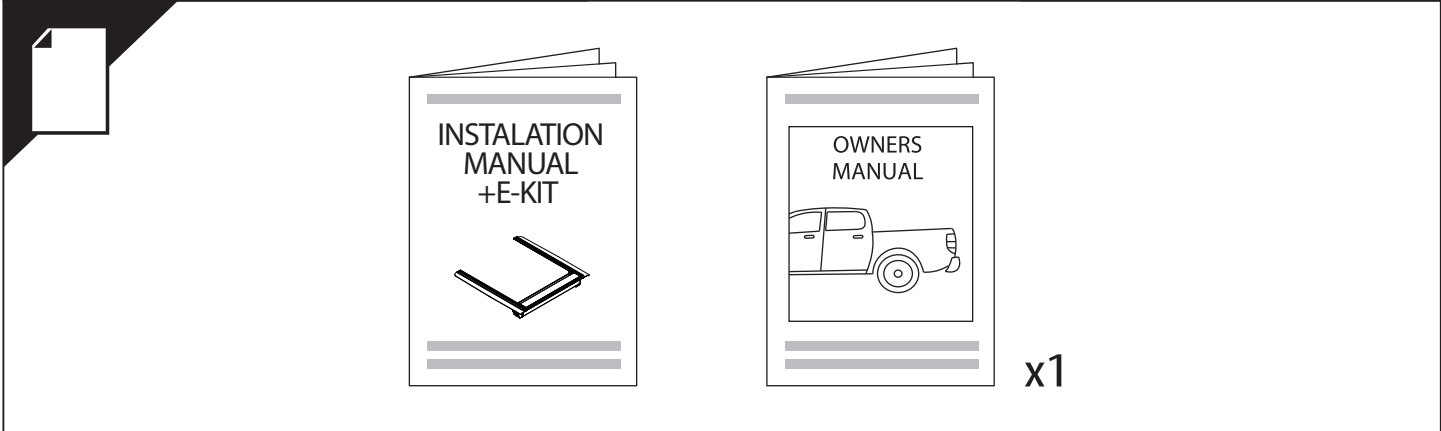
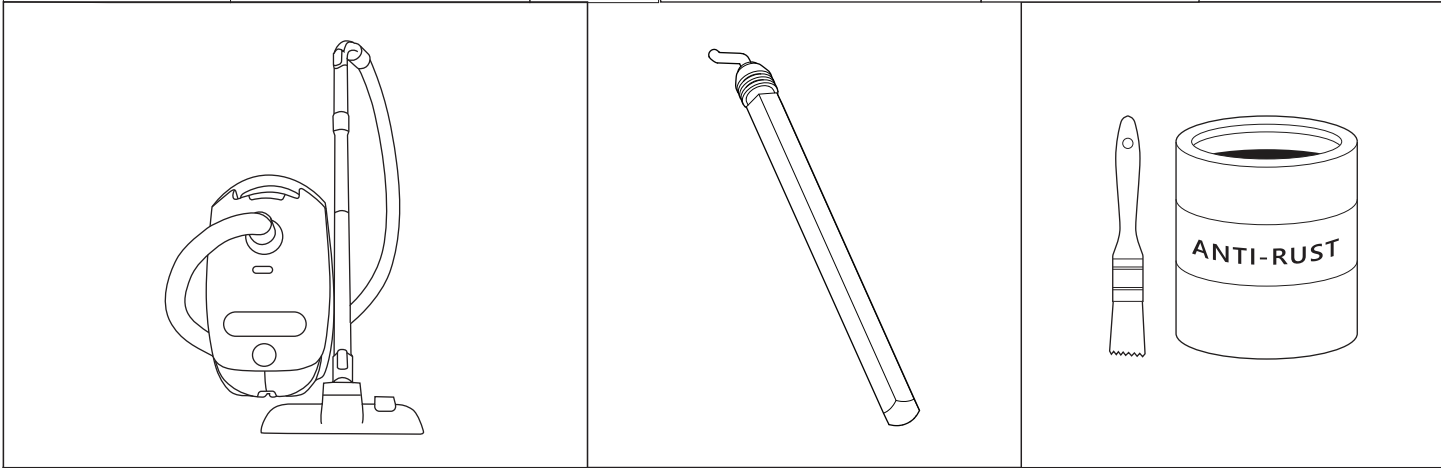
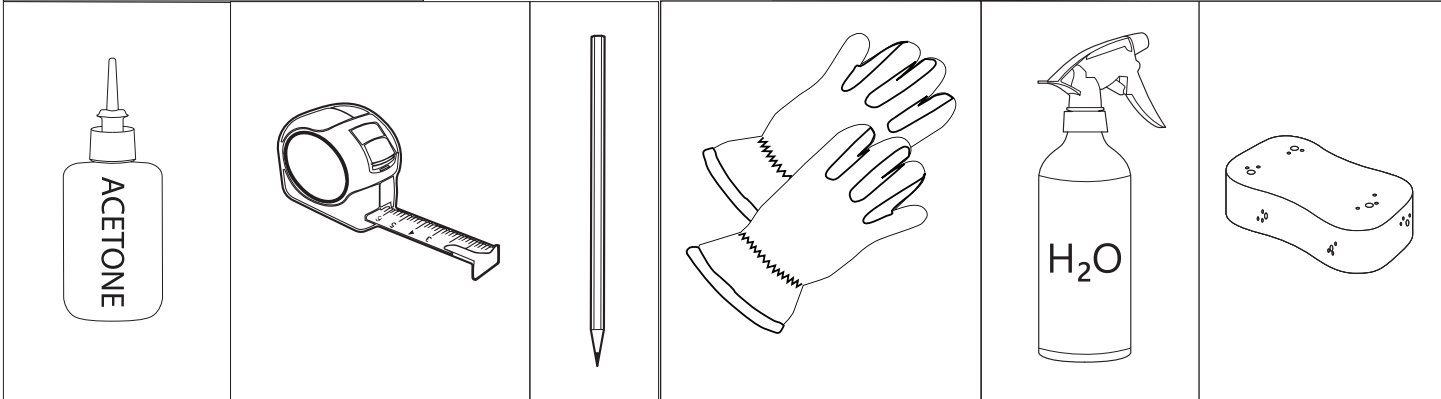
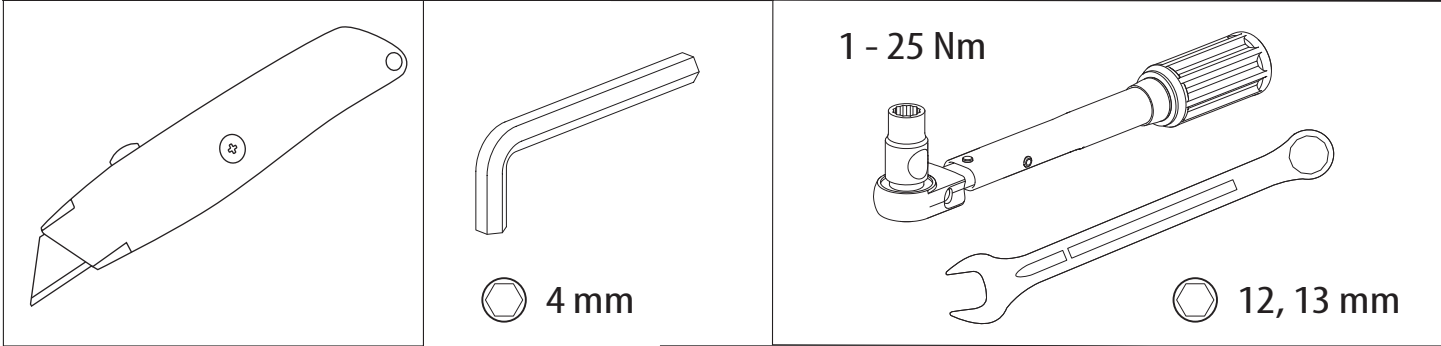
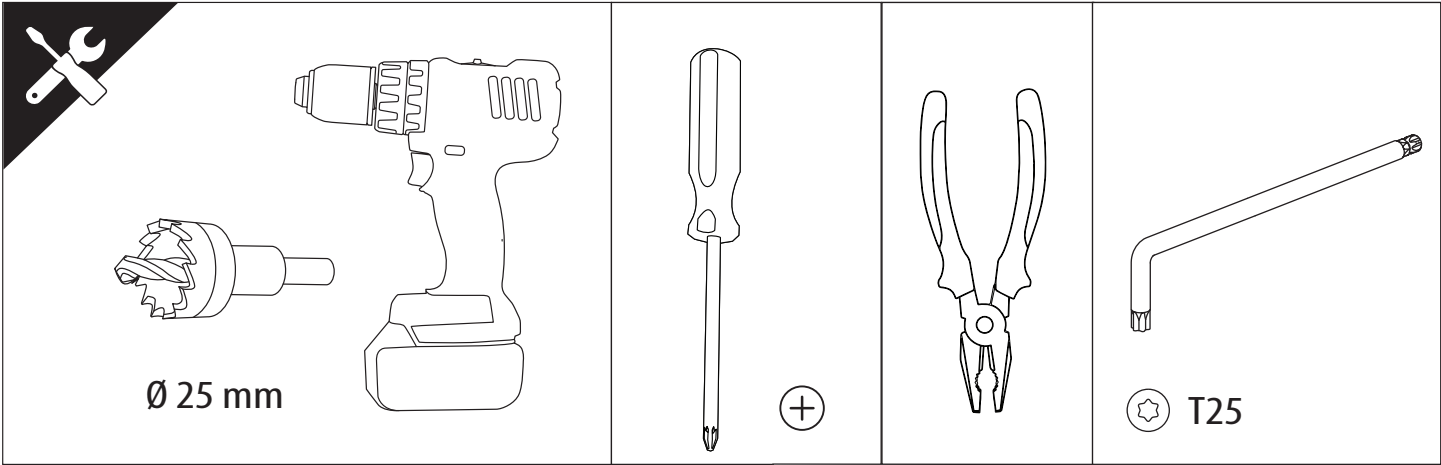


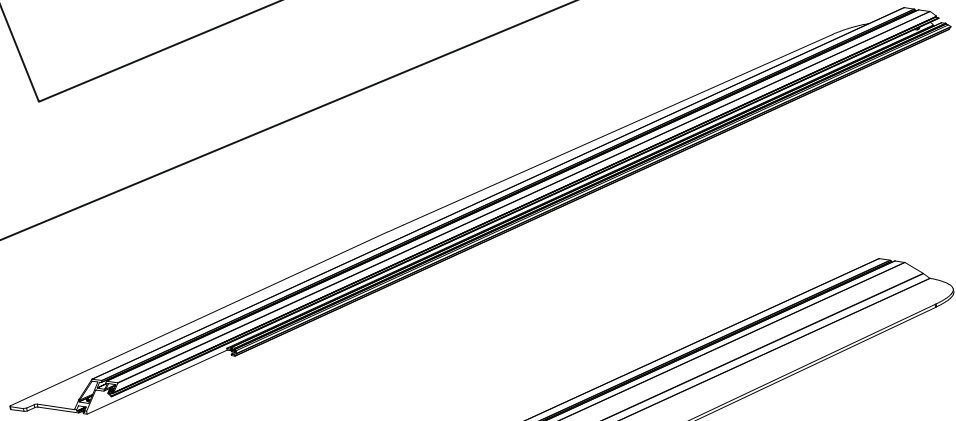
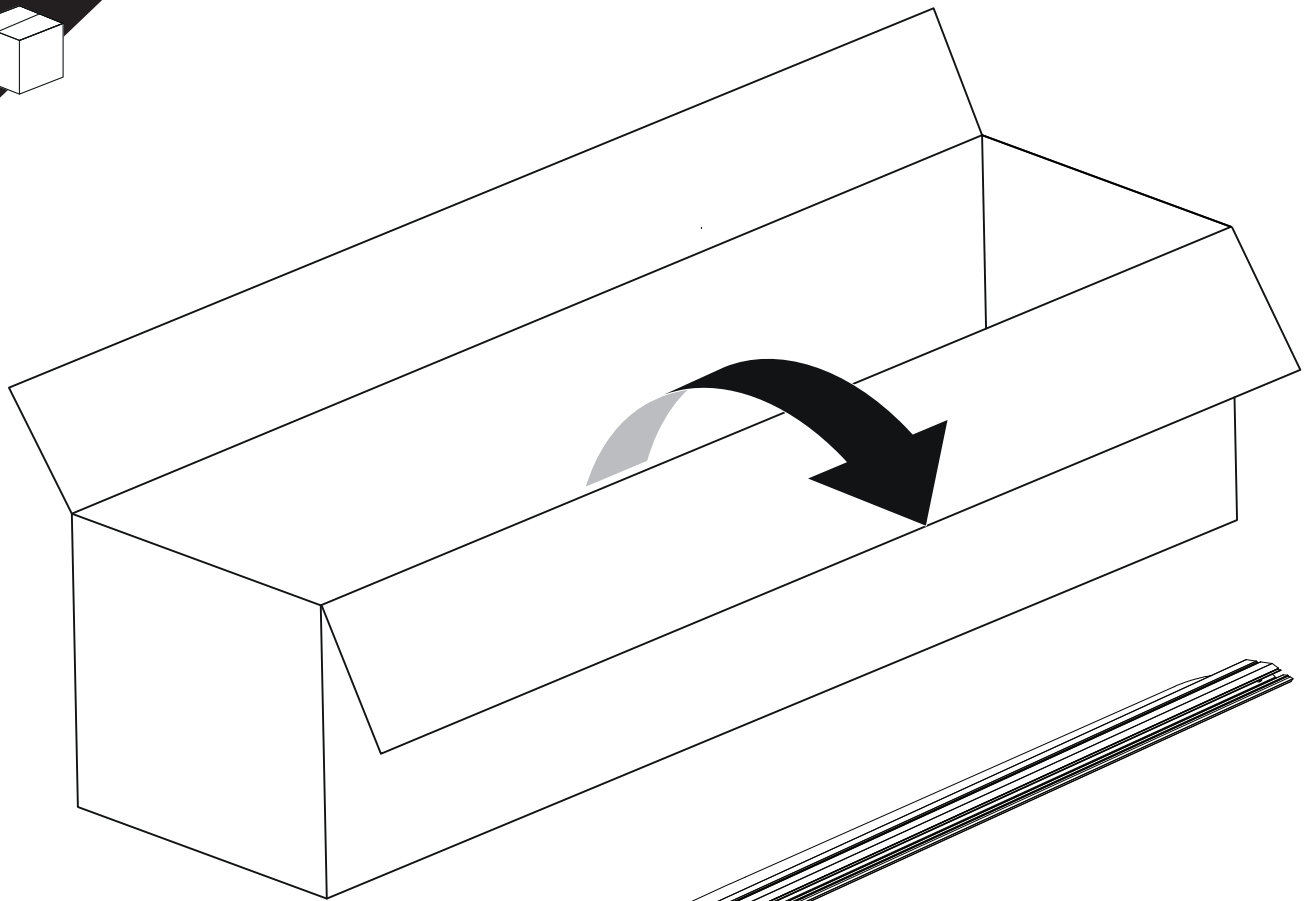
x2

**S**

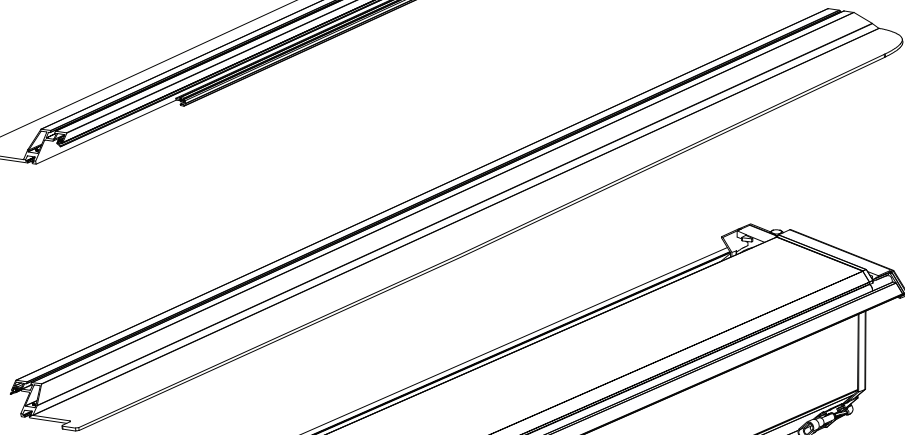


x2

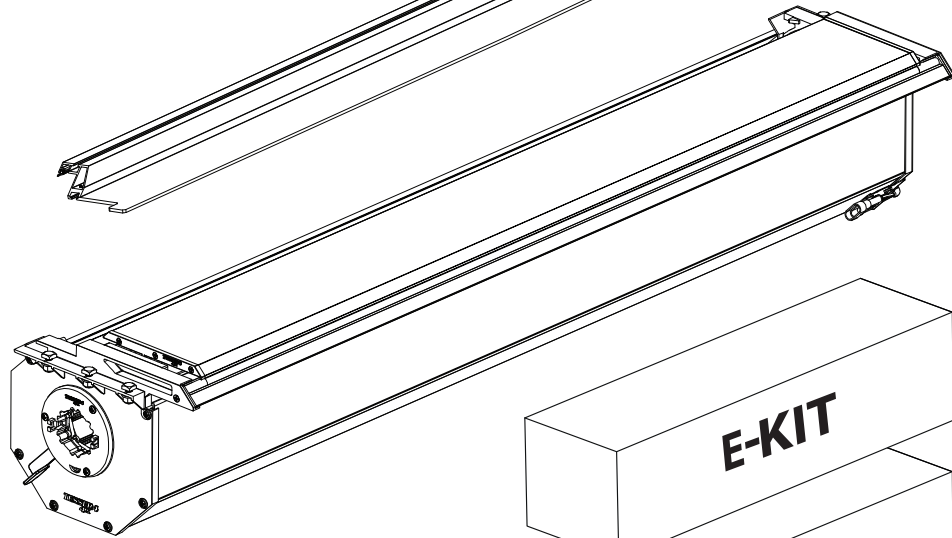




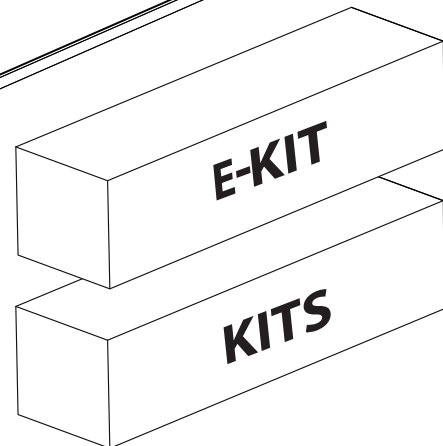
**B**



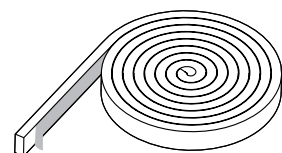
**A**



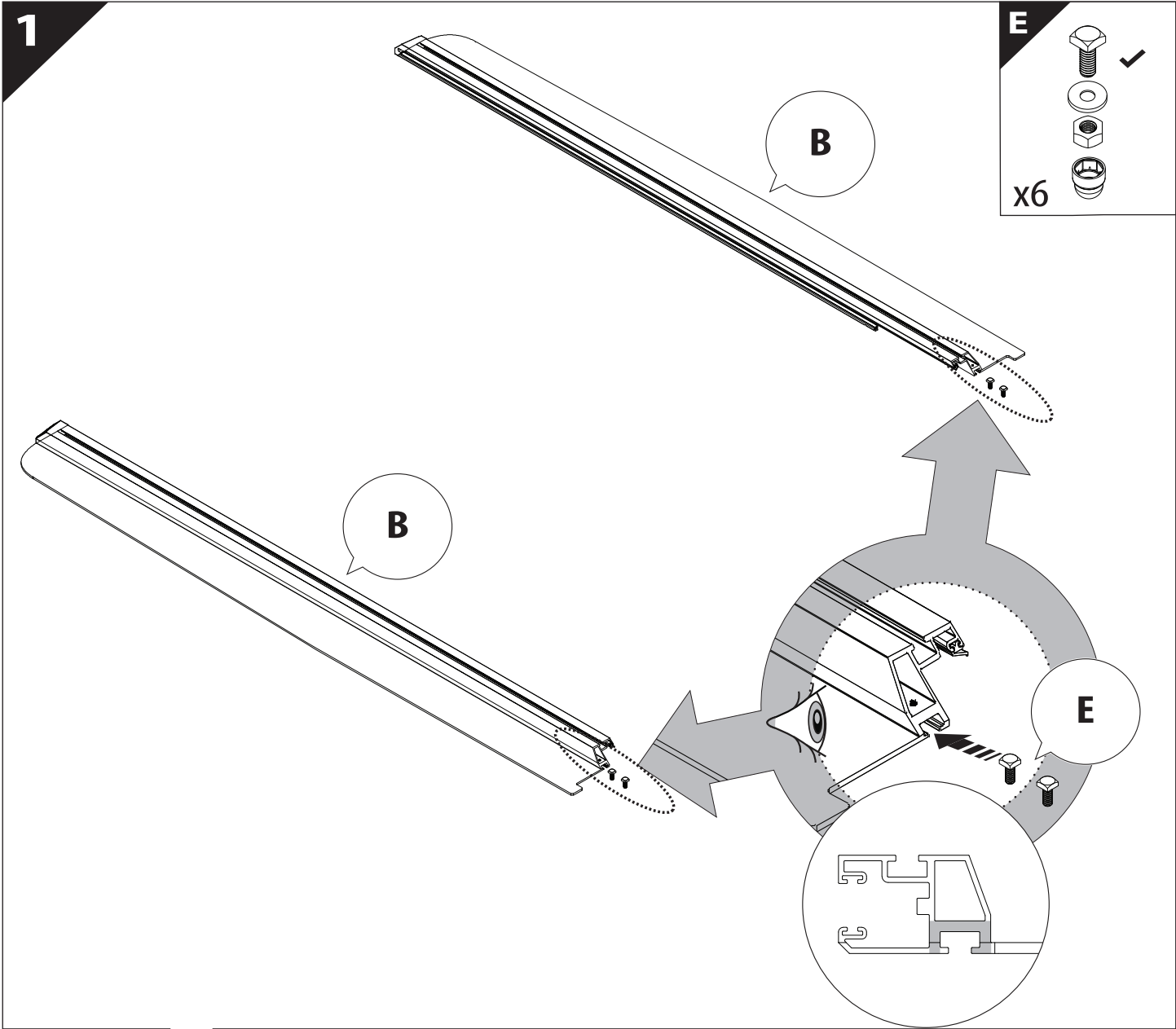
**KITS**



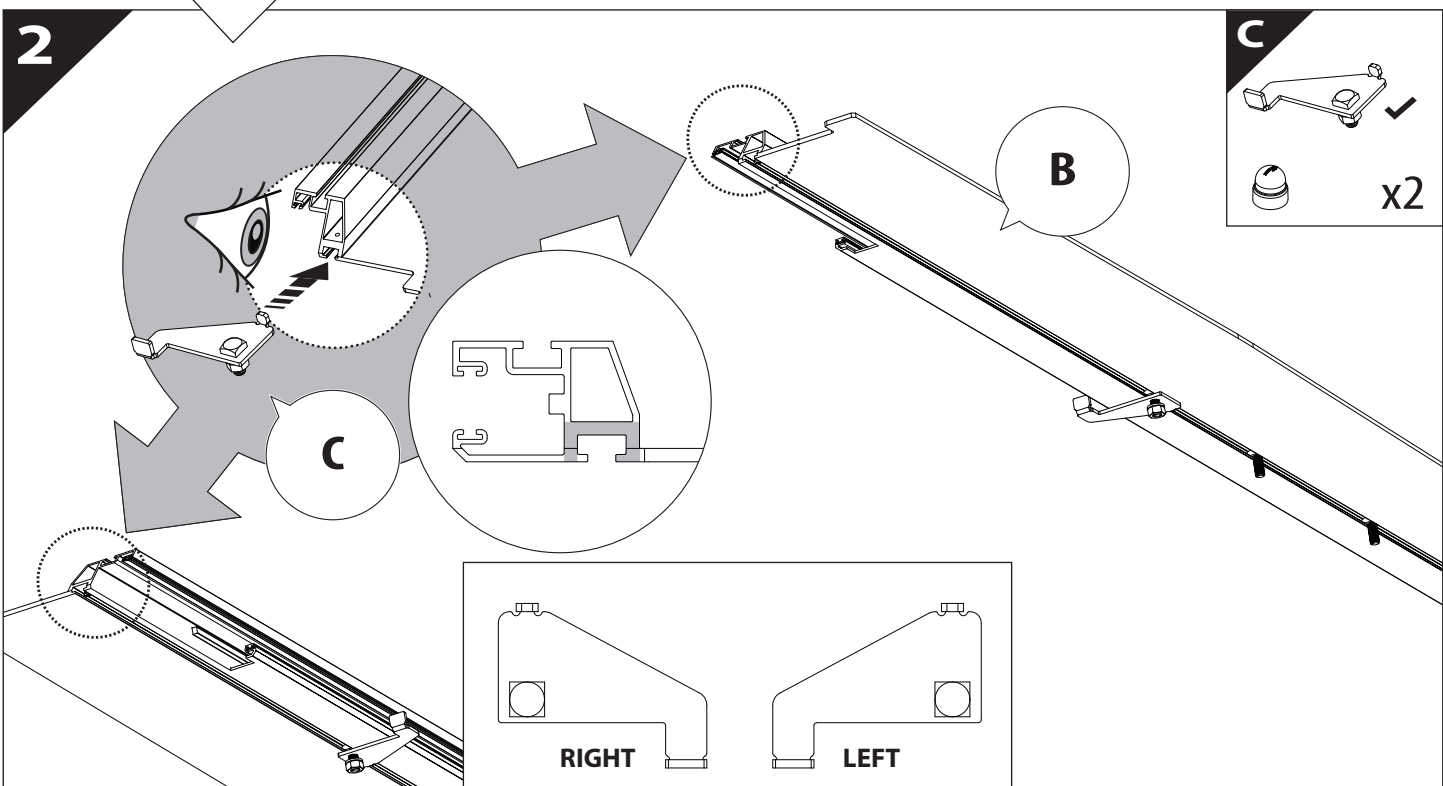
**L**



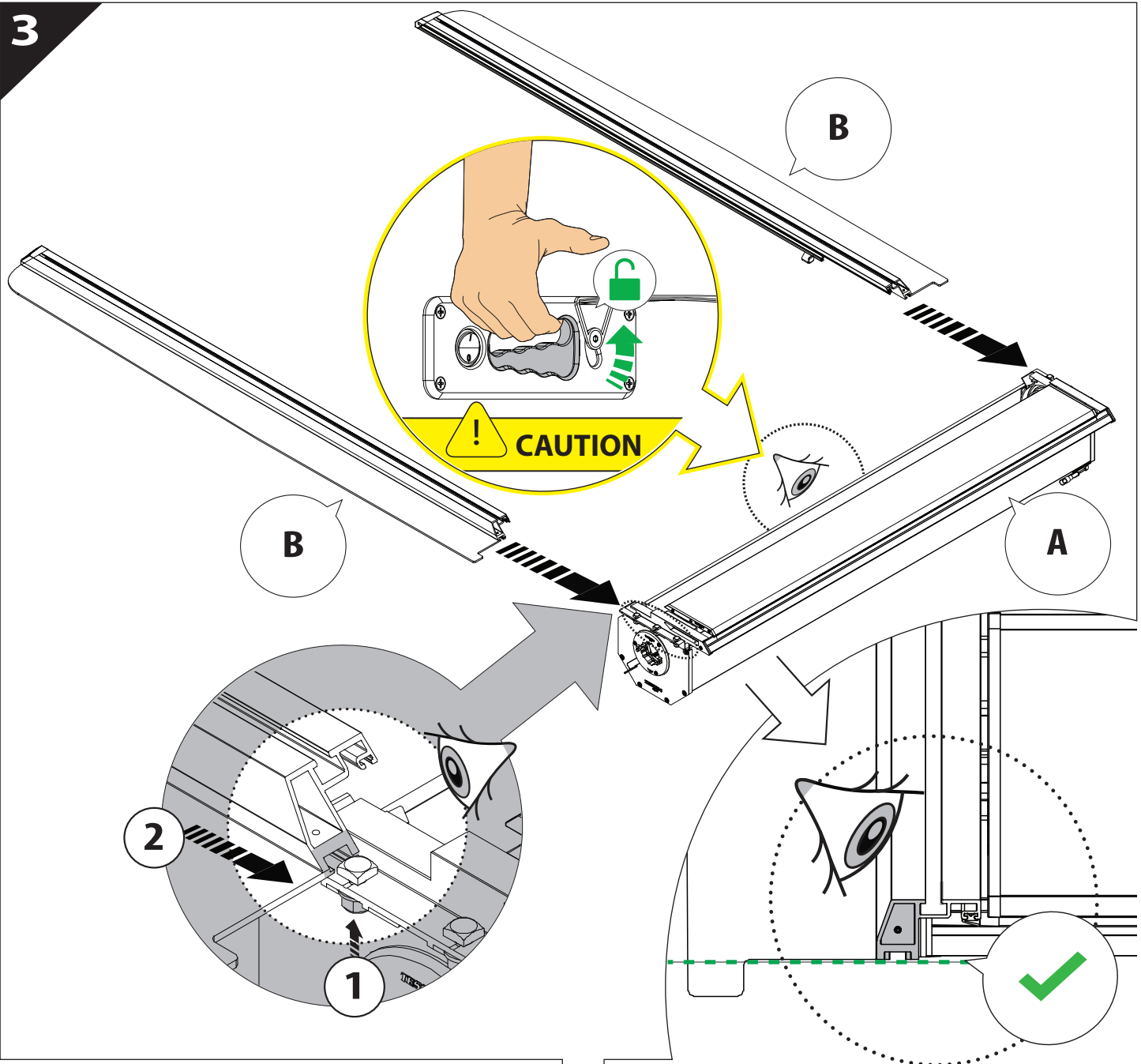
**1**



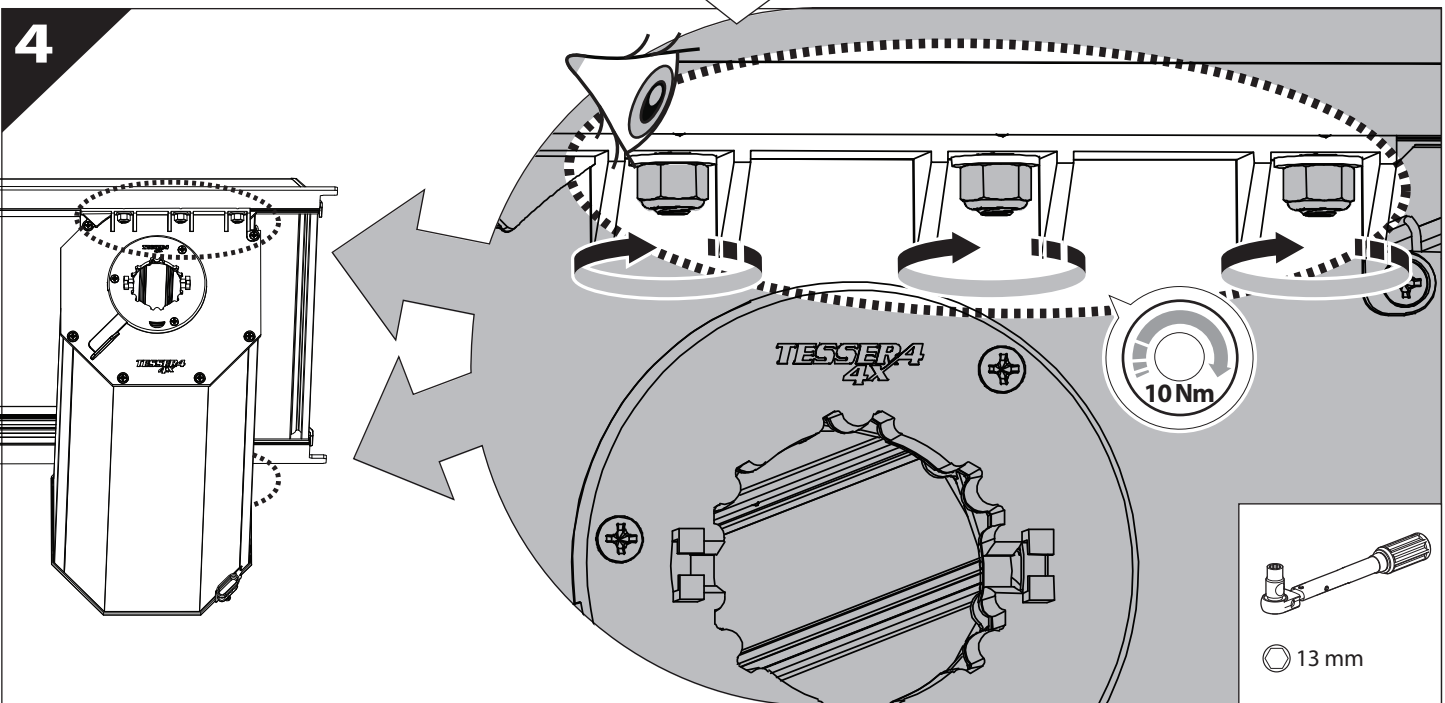
**2**



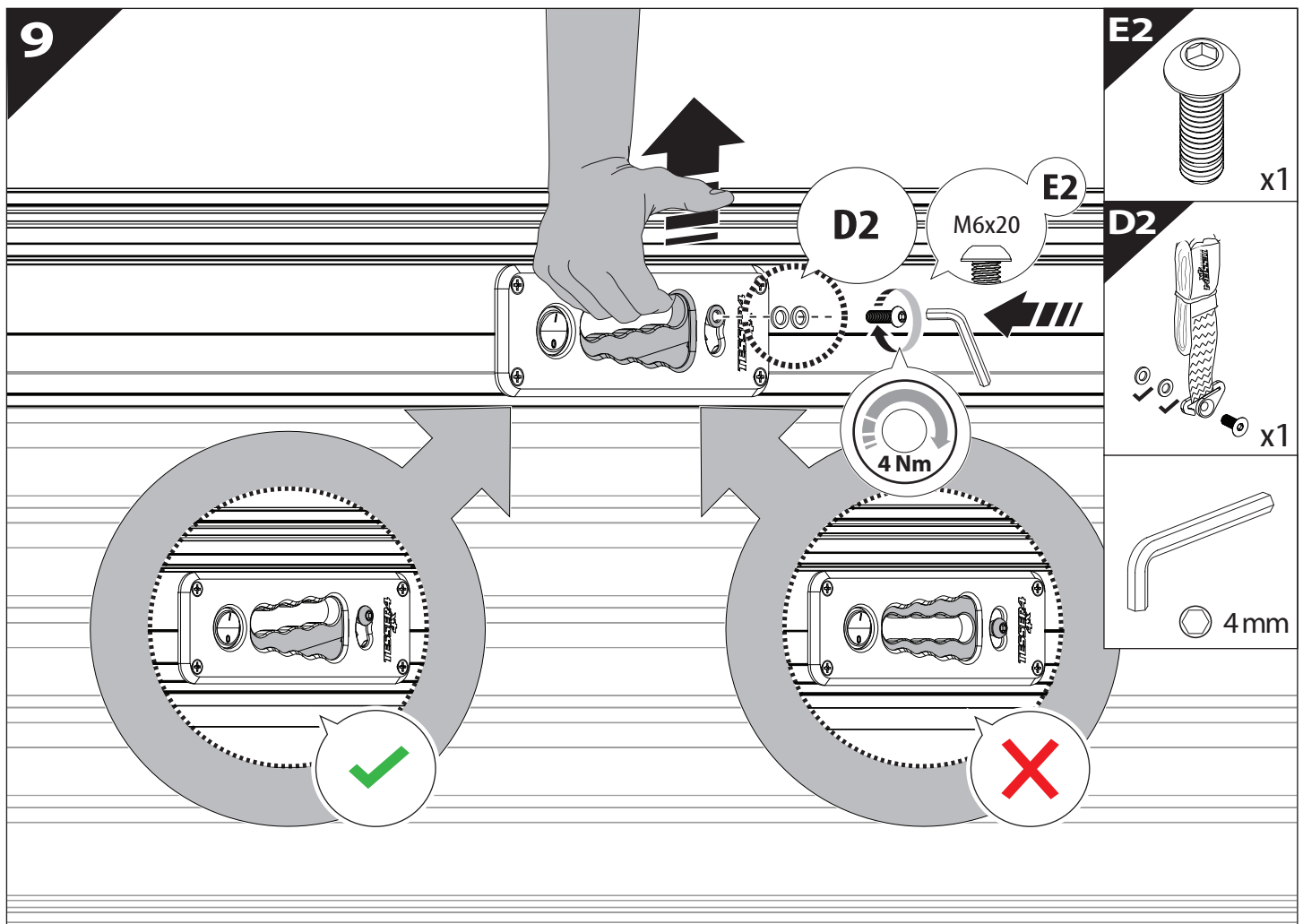
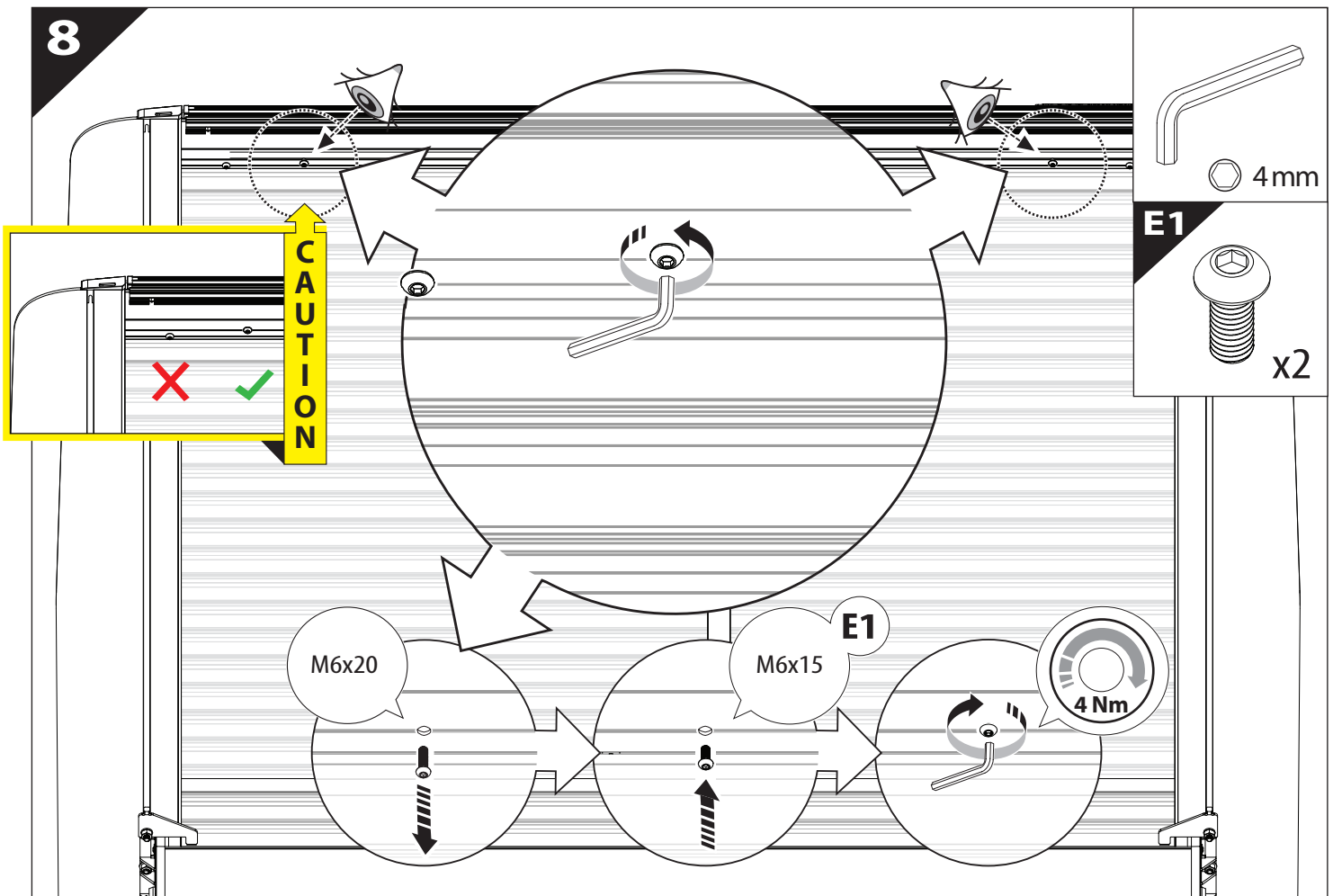
3

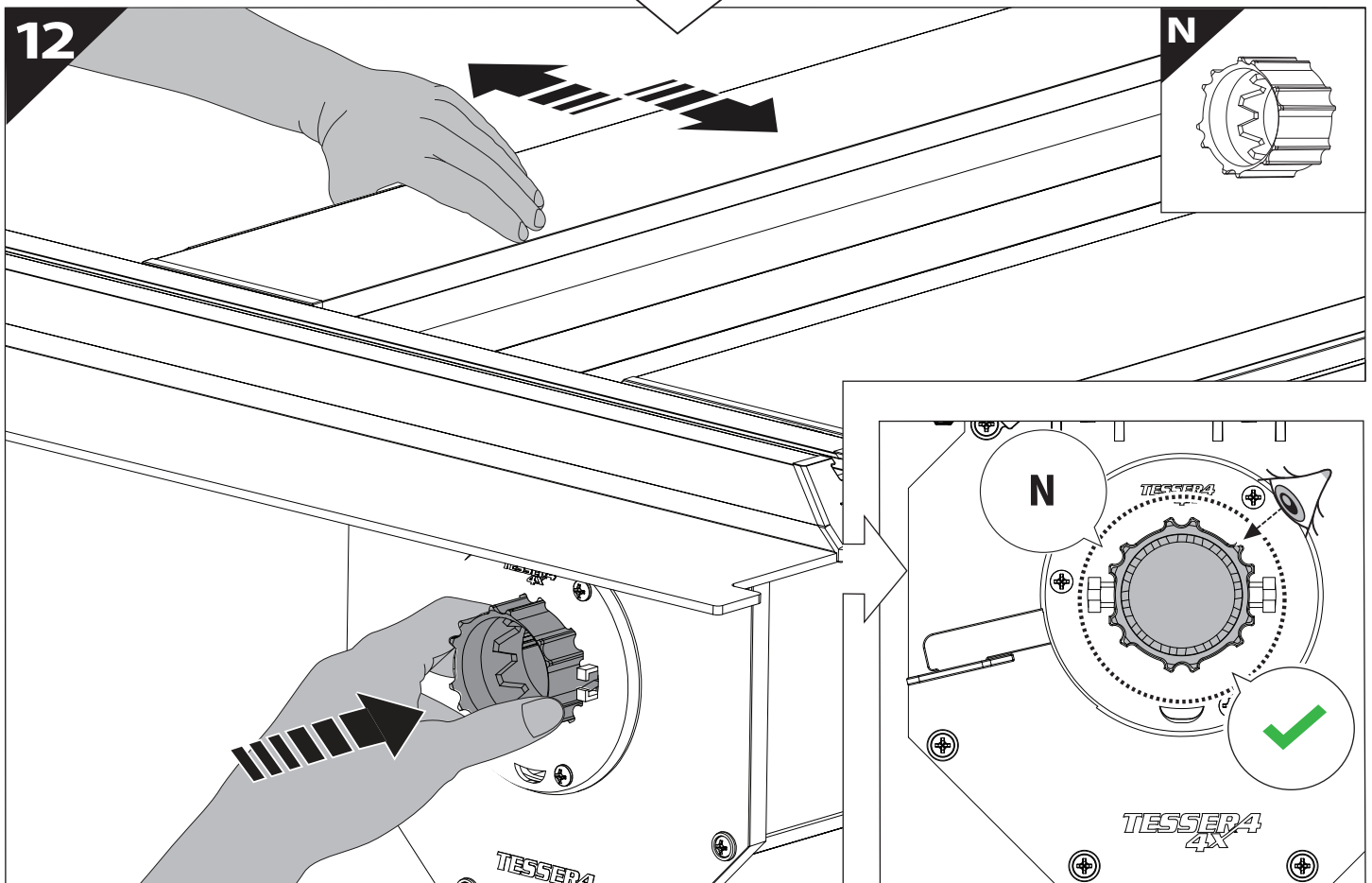
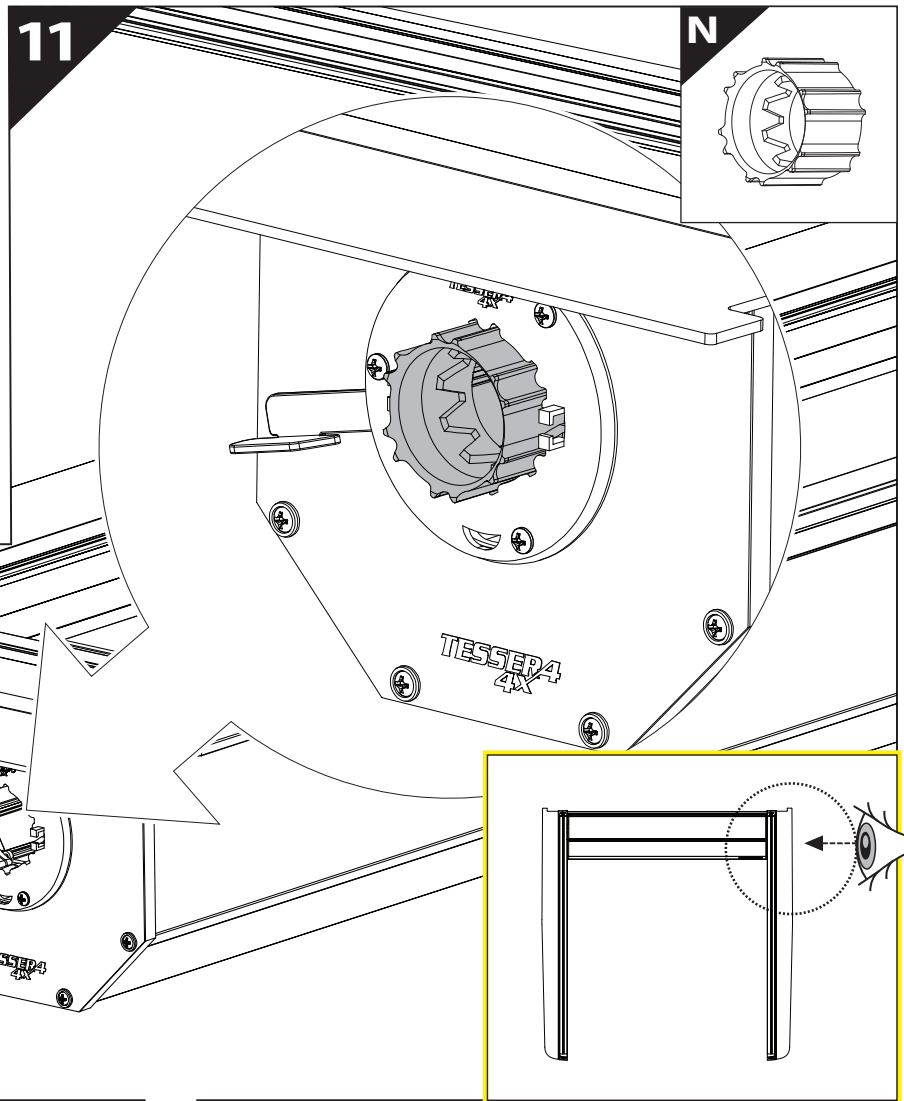
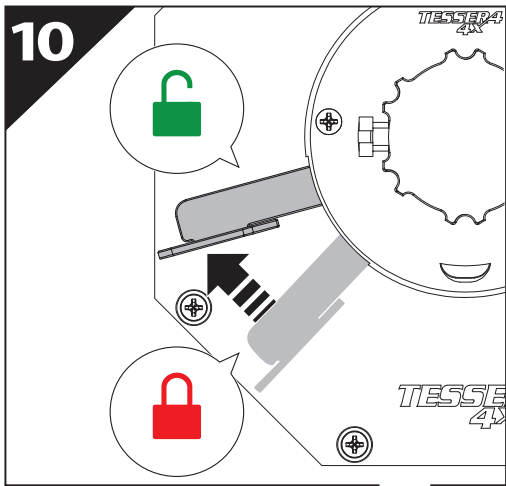


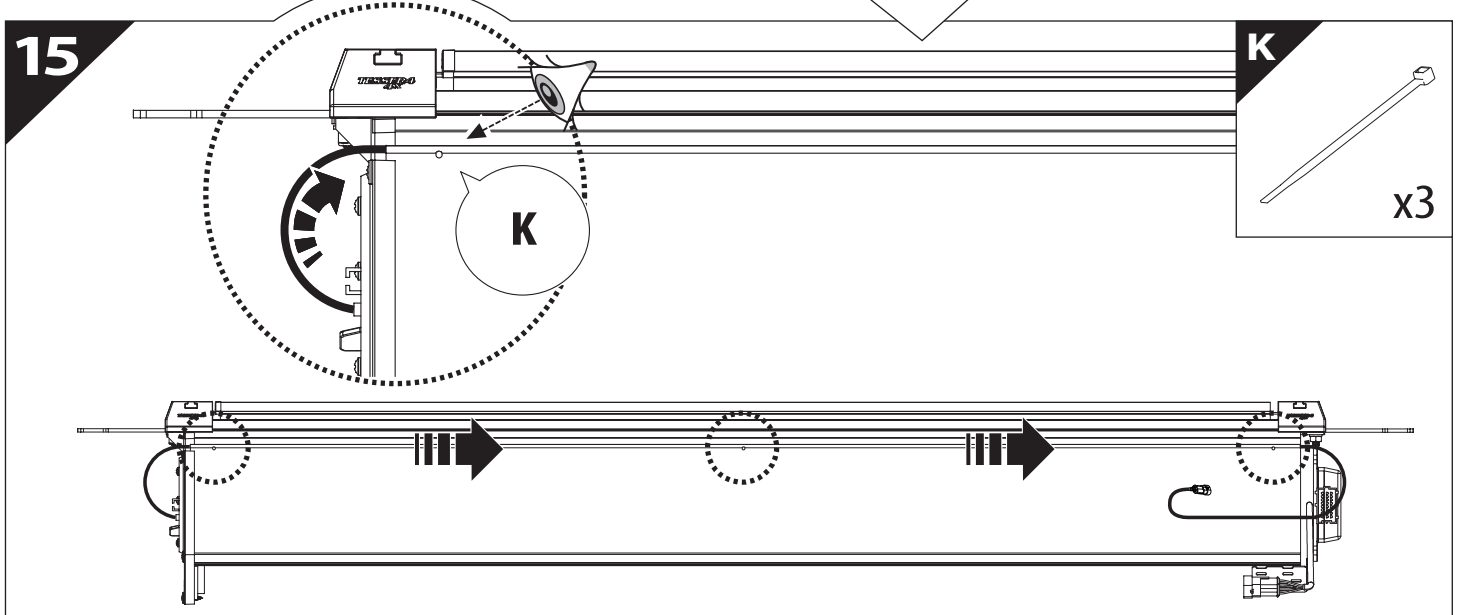
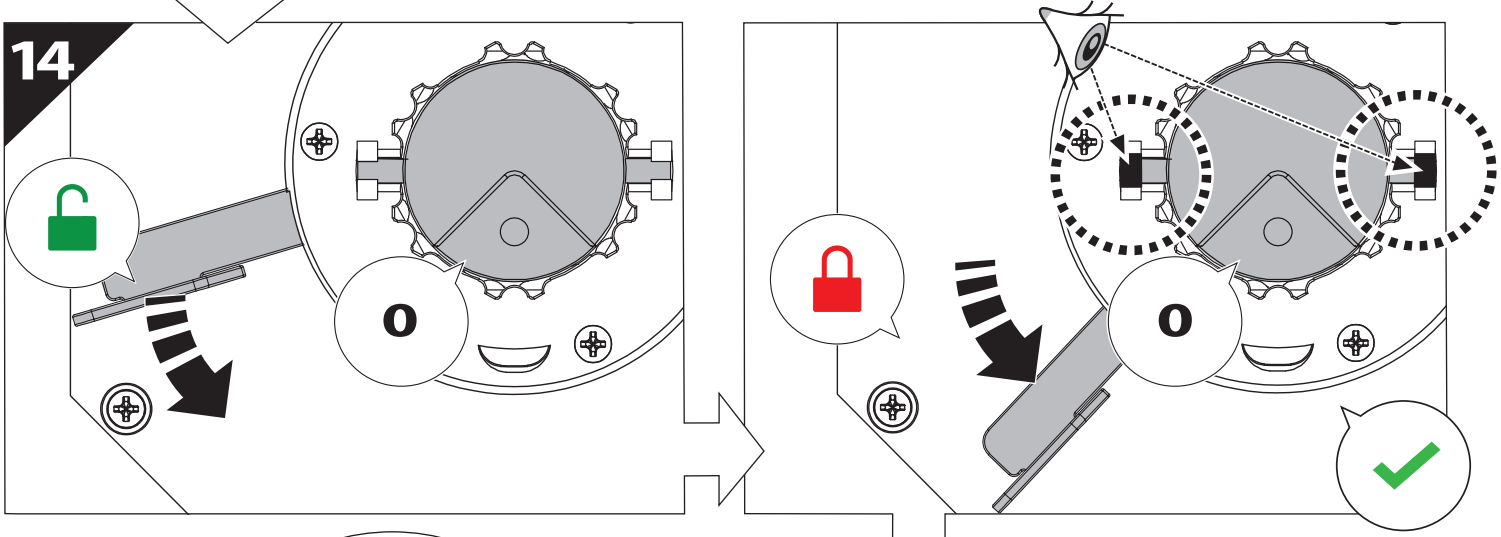
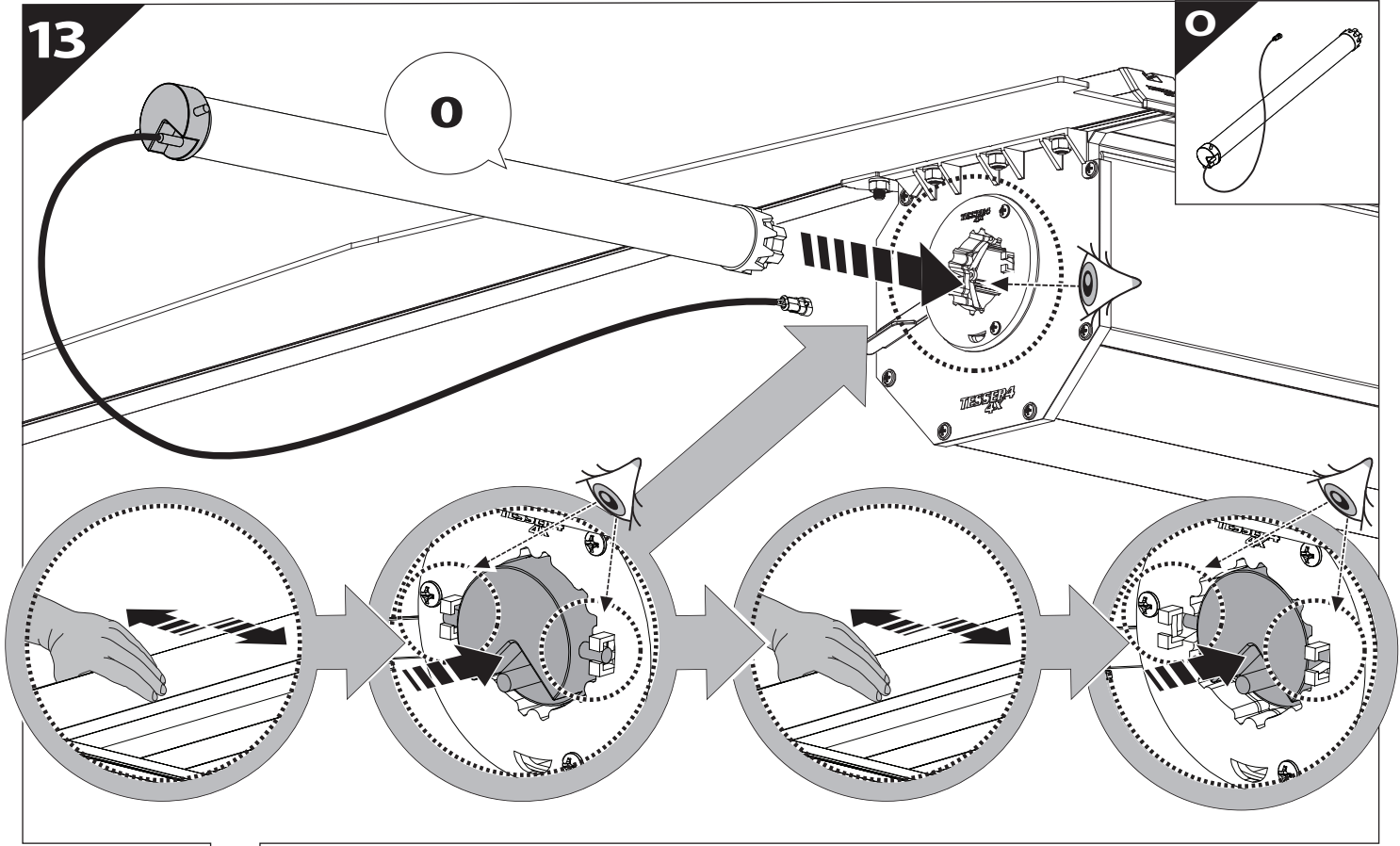
4



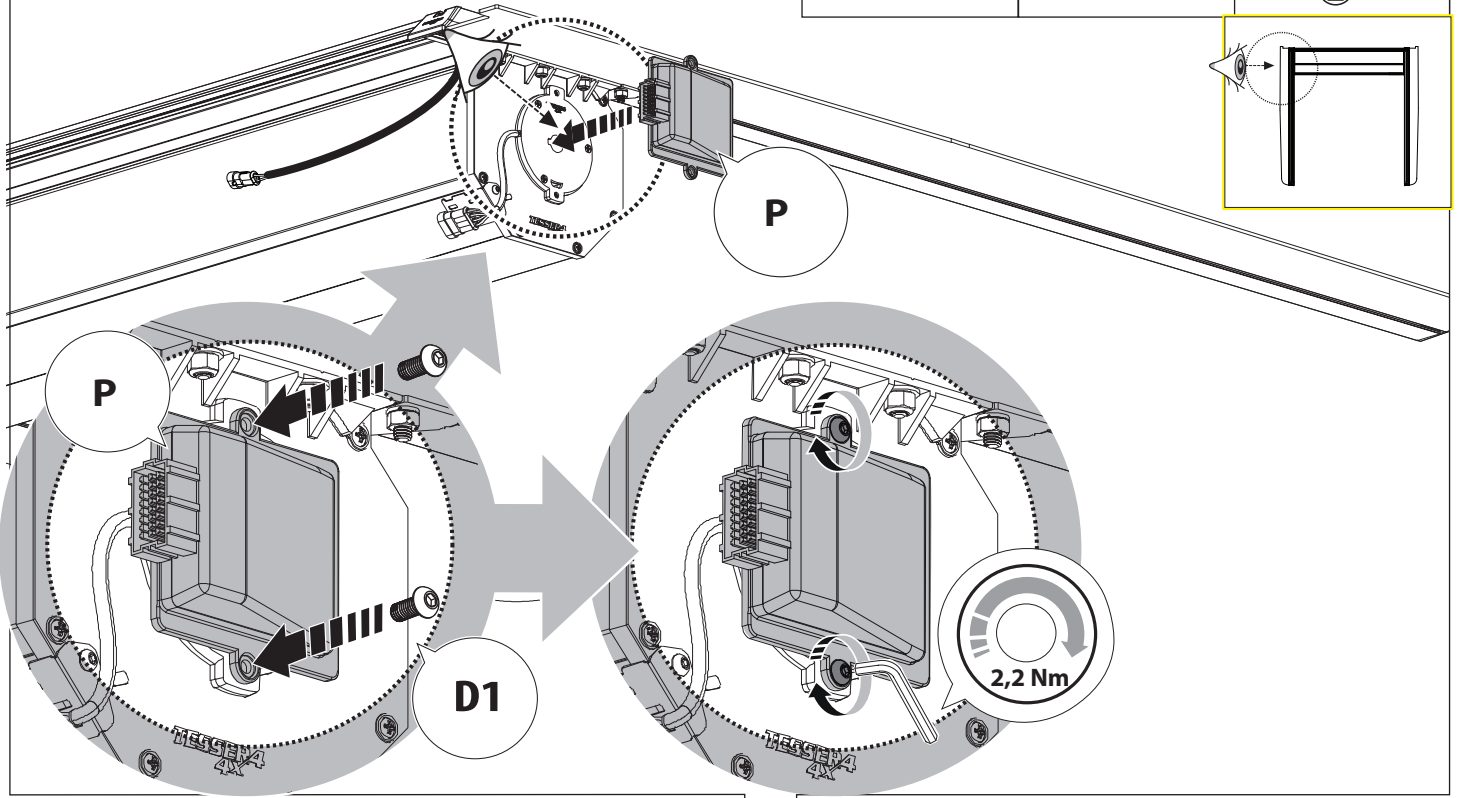
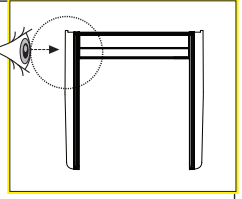
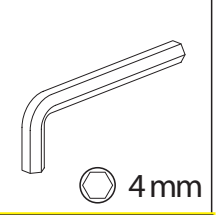
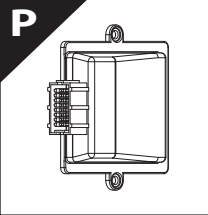




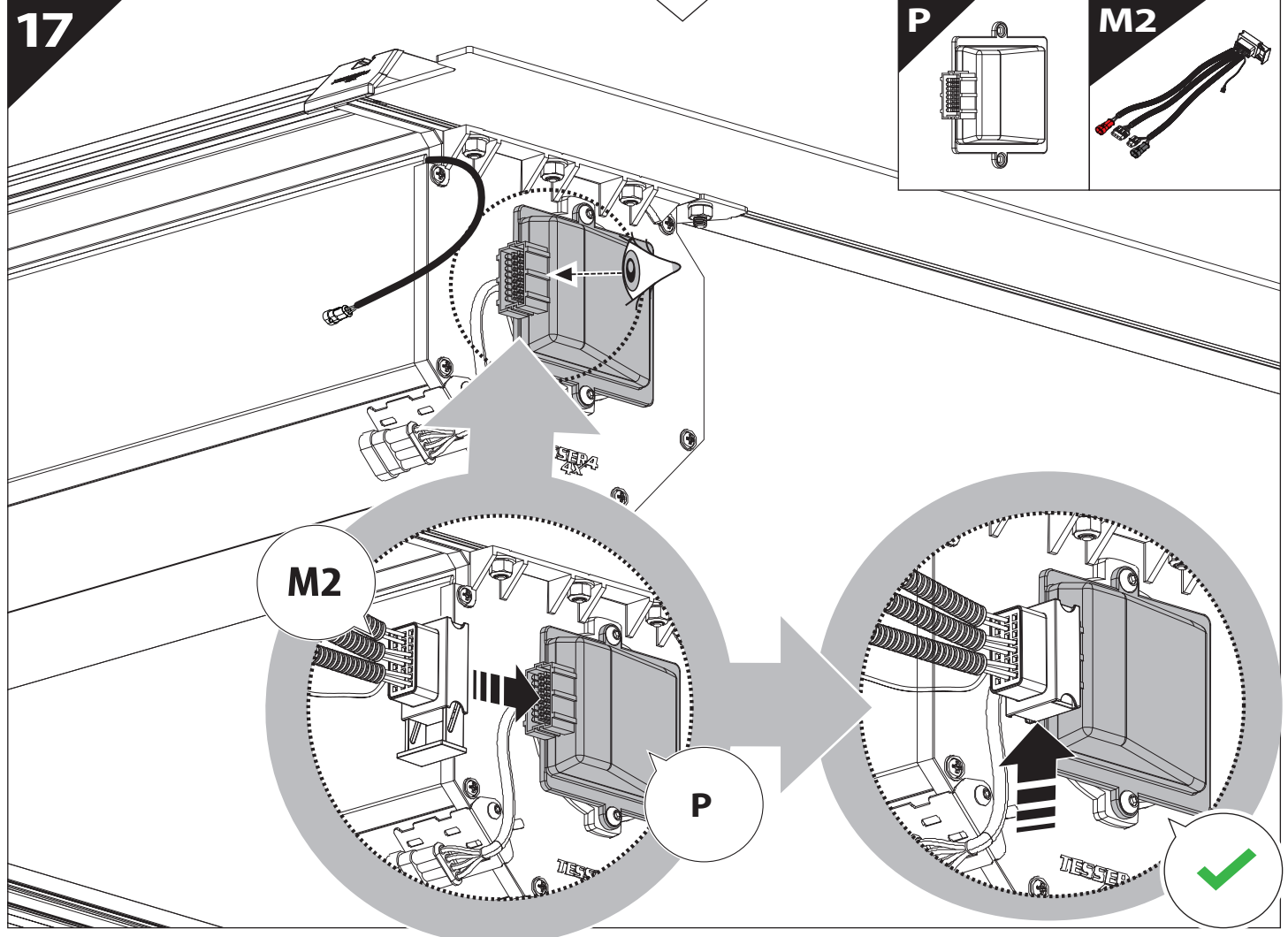
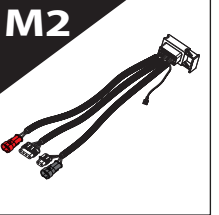
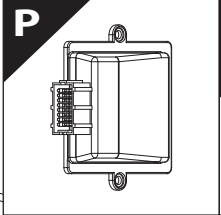




16



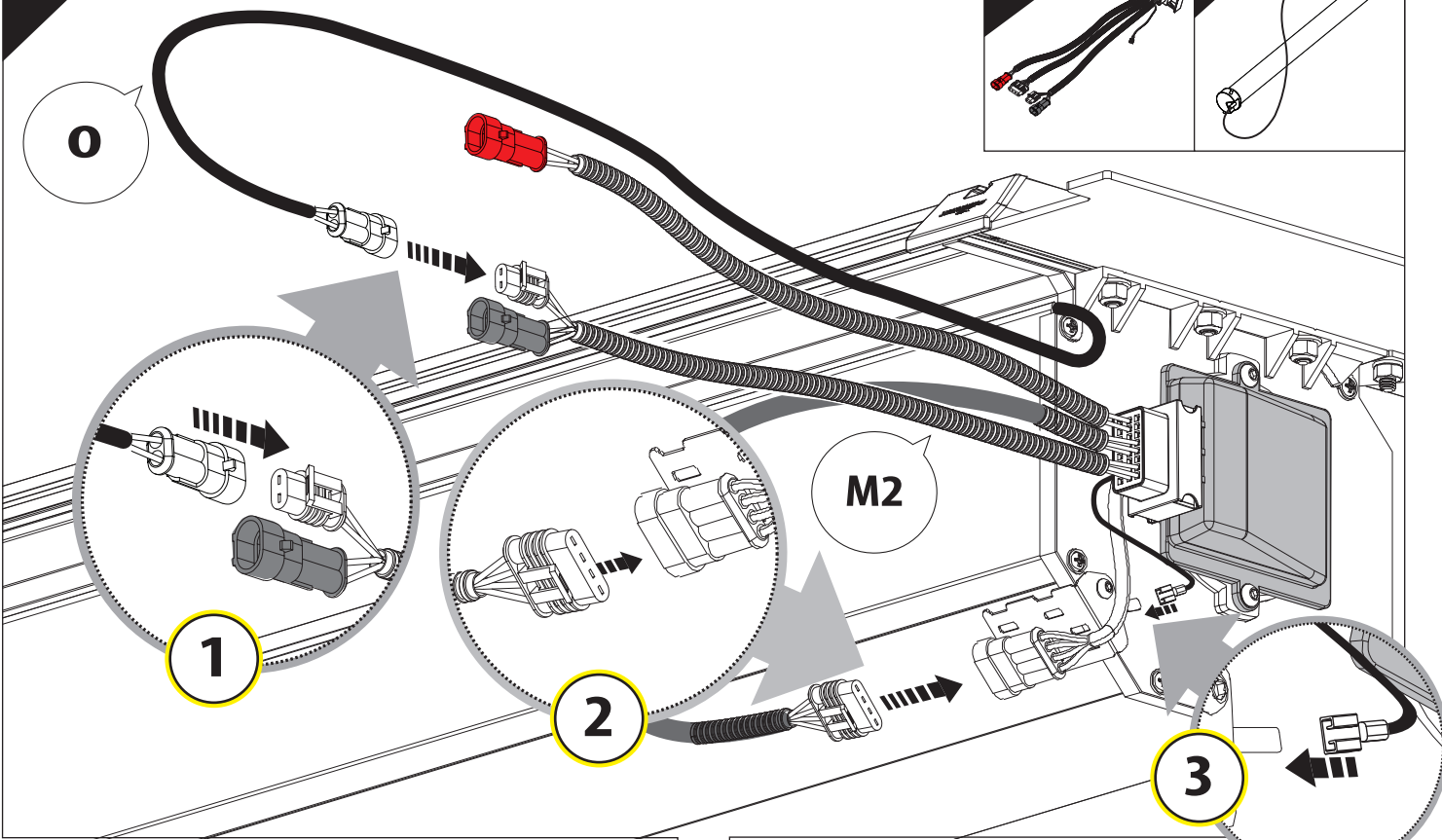
17



18

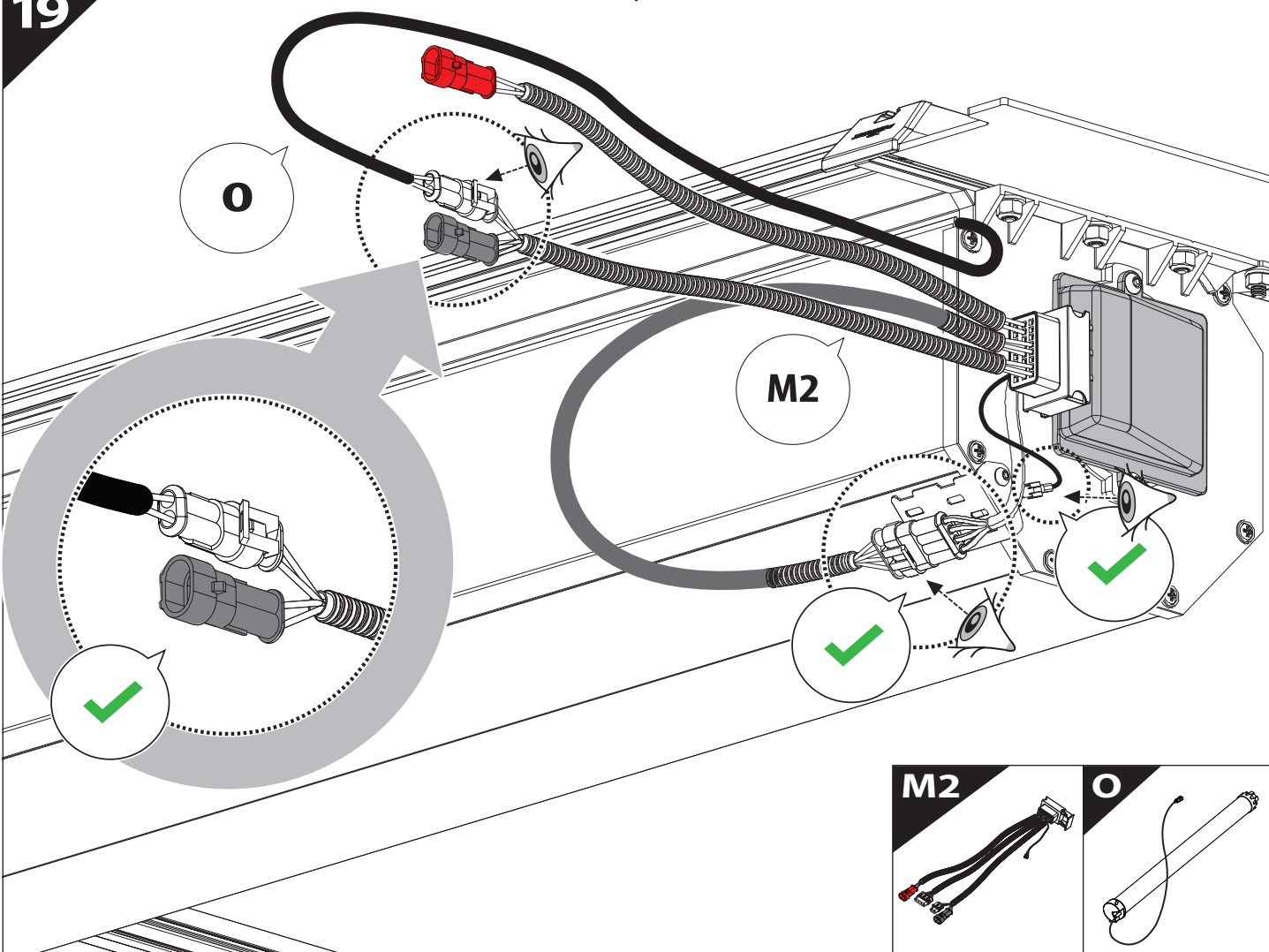
M2

O



19

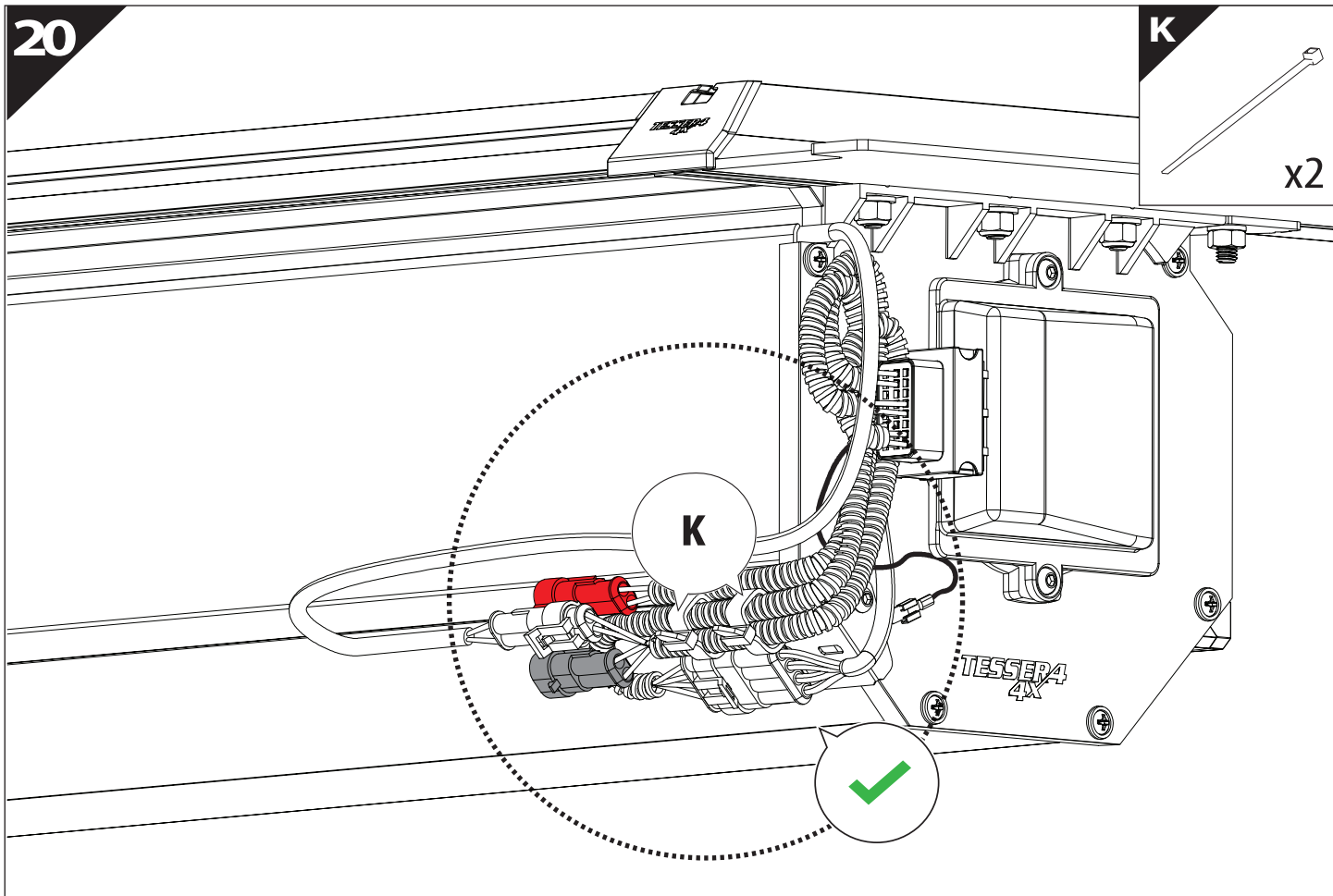
M2



20

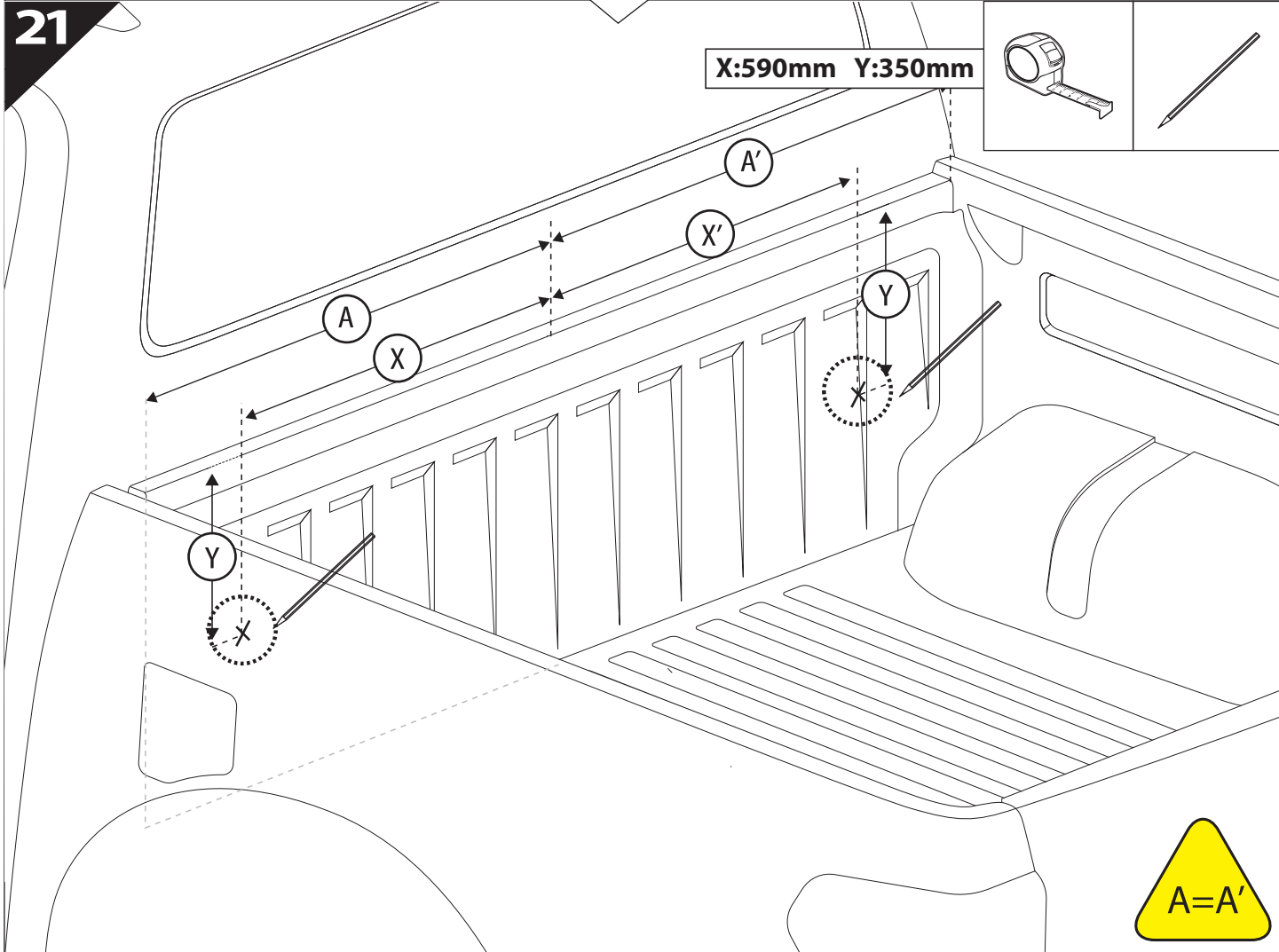
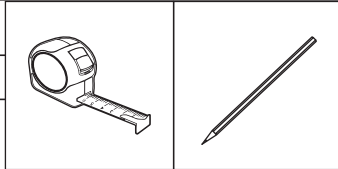
K

x2



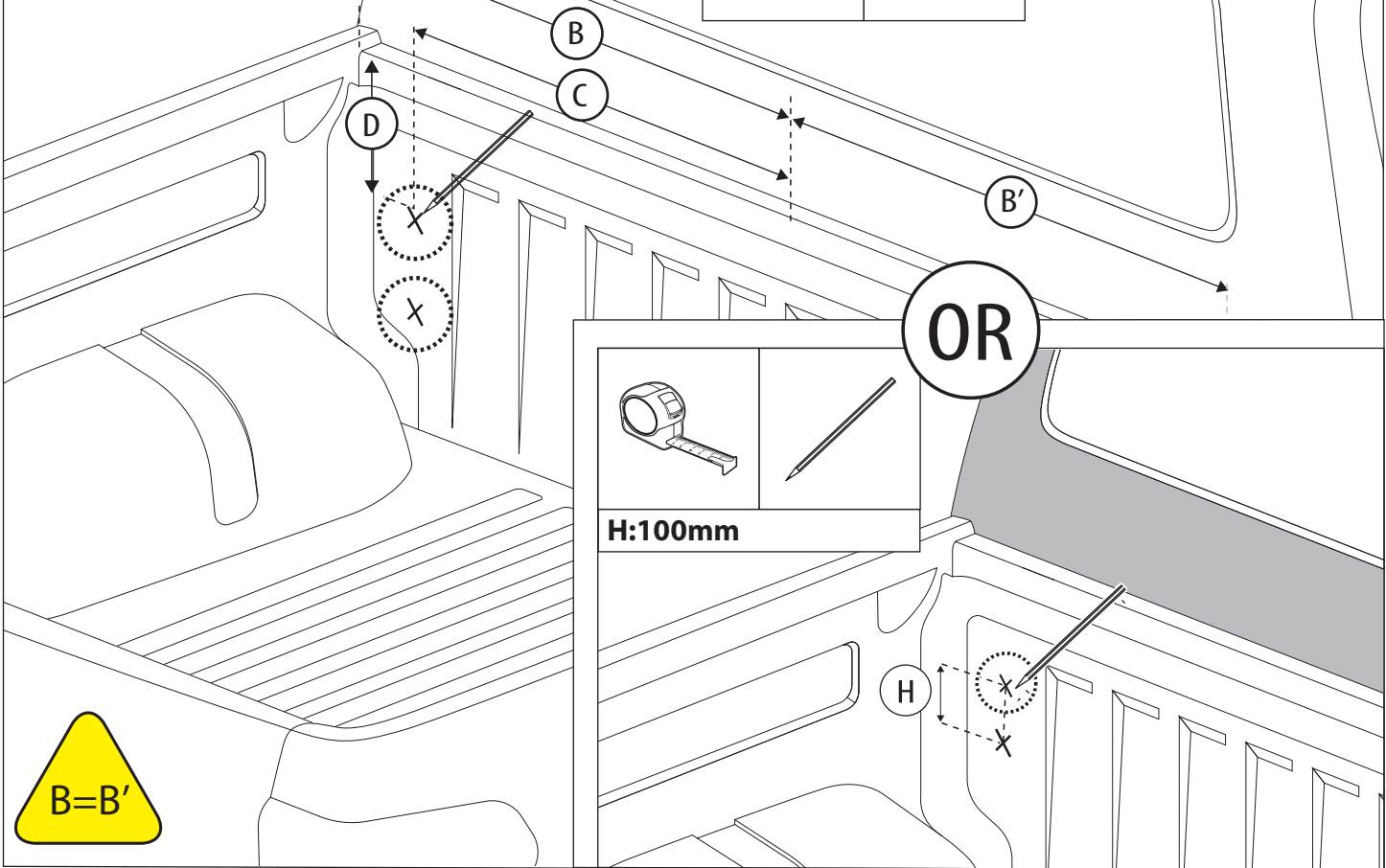
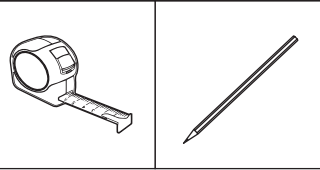
21

X:590mm Y:350mm



22

C:590mm D:250mm



23

CAUTION

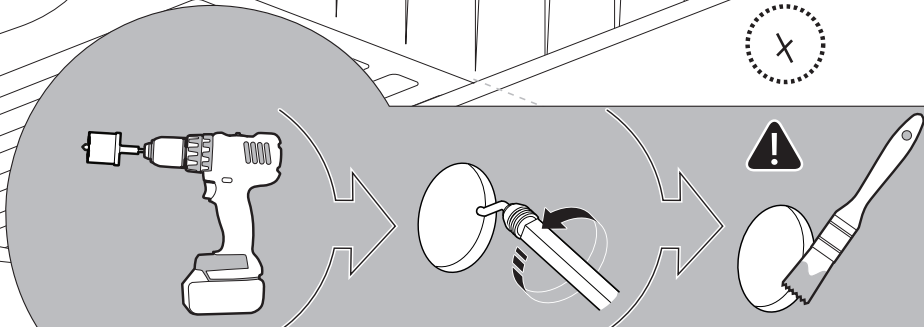
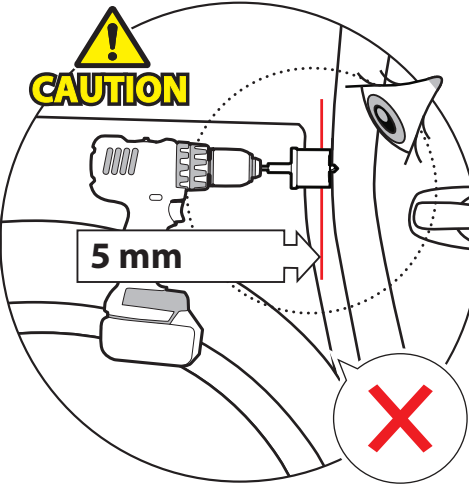
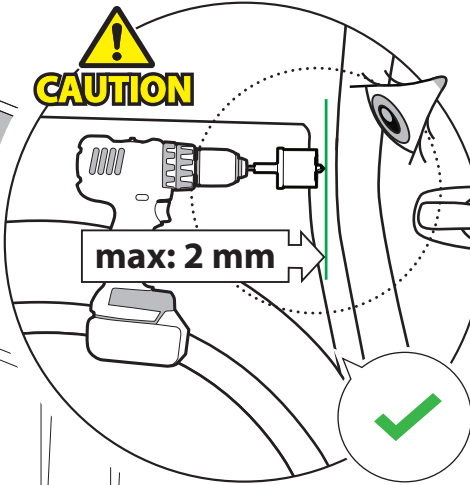
CAUTION



Ø 25 mm

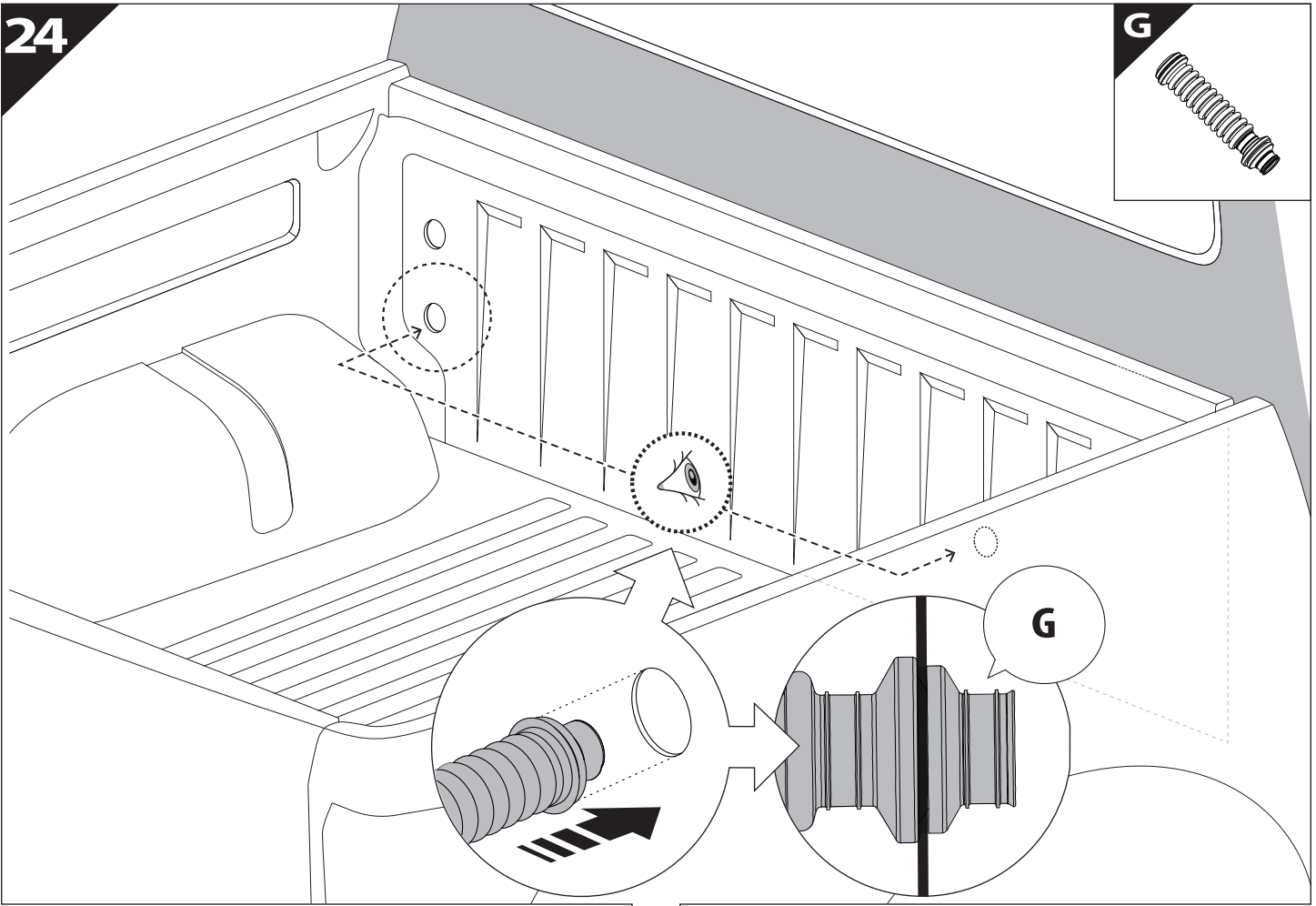


Rust Protection



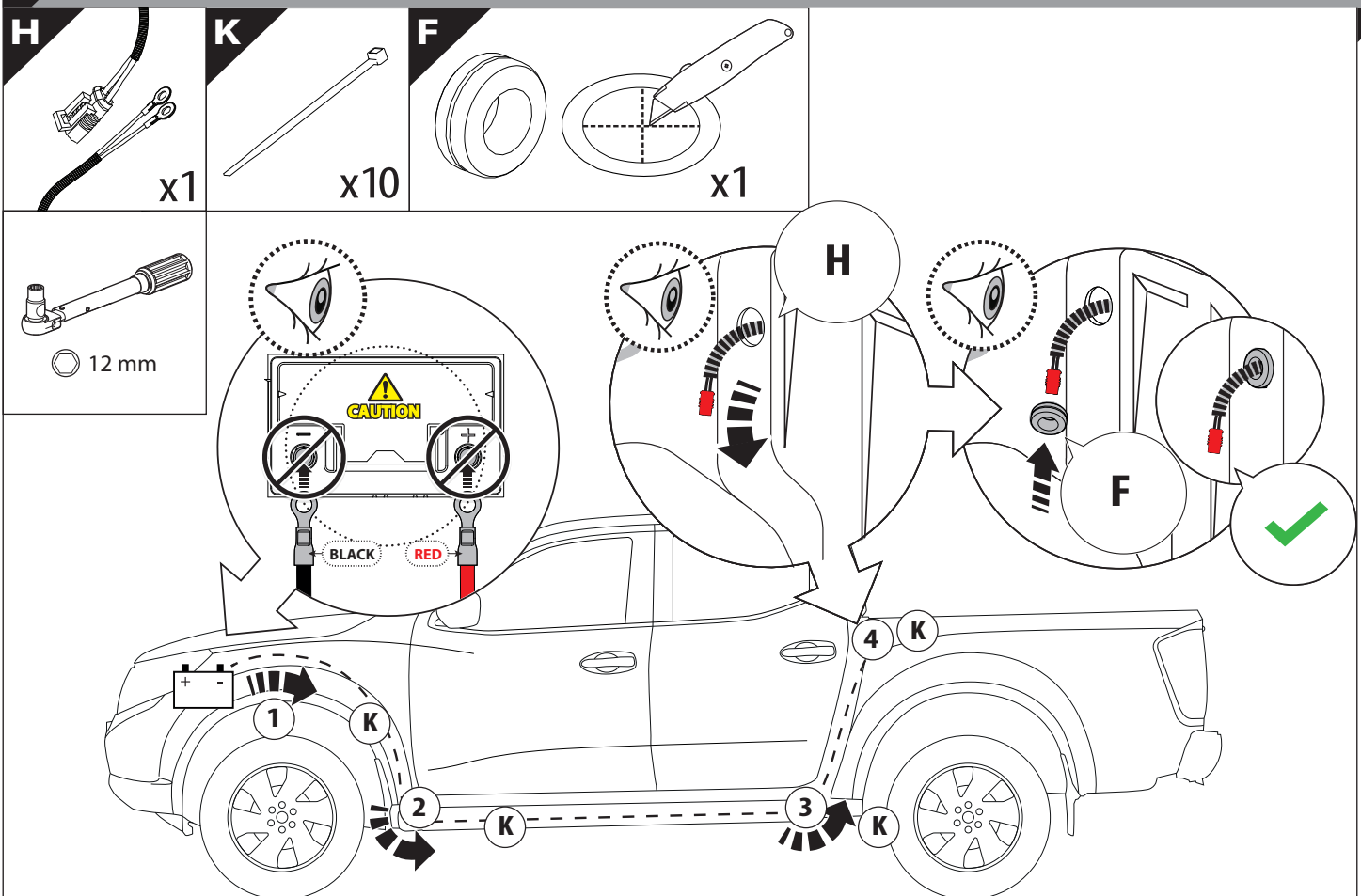
24

G

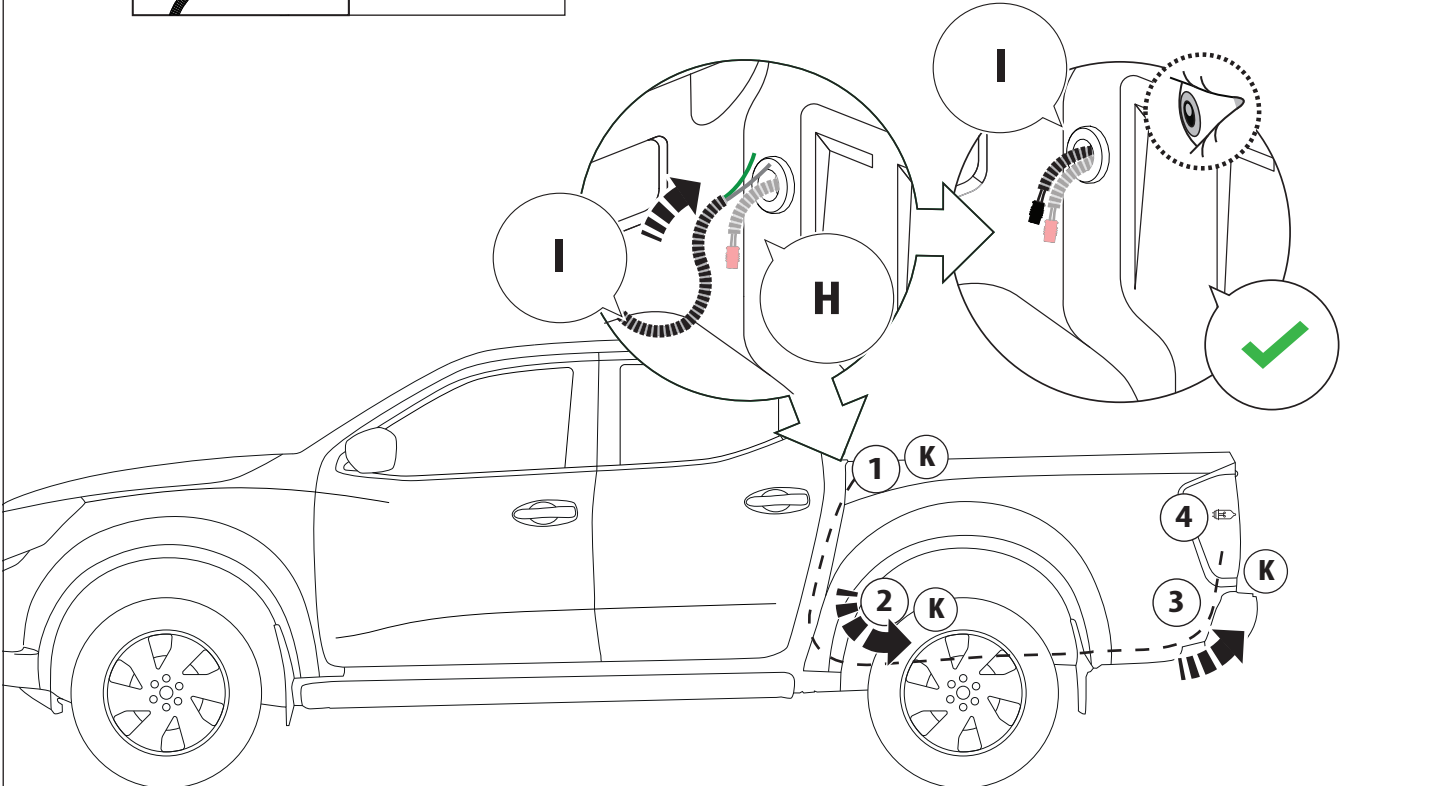
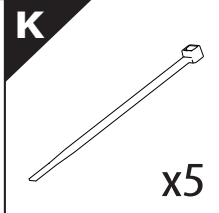
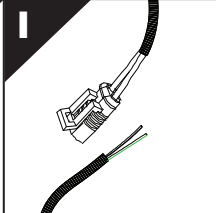


25

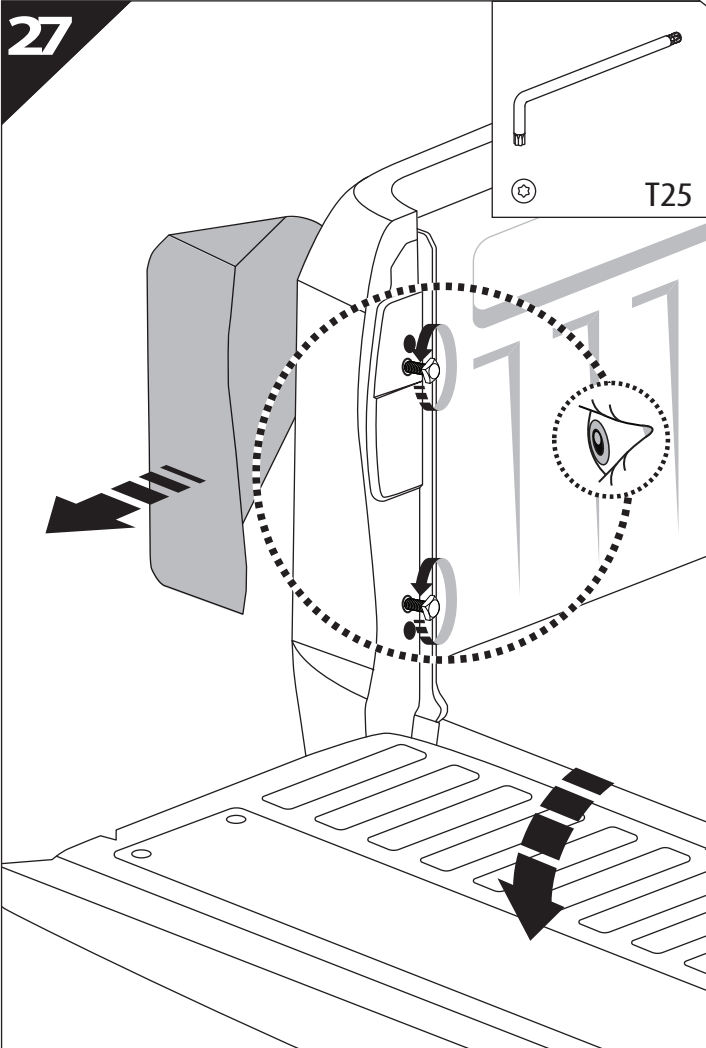
Only to be installed by authorized personnel



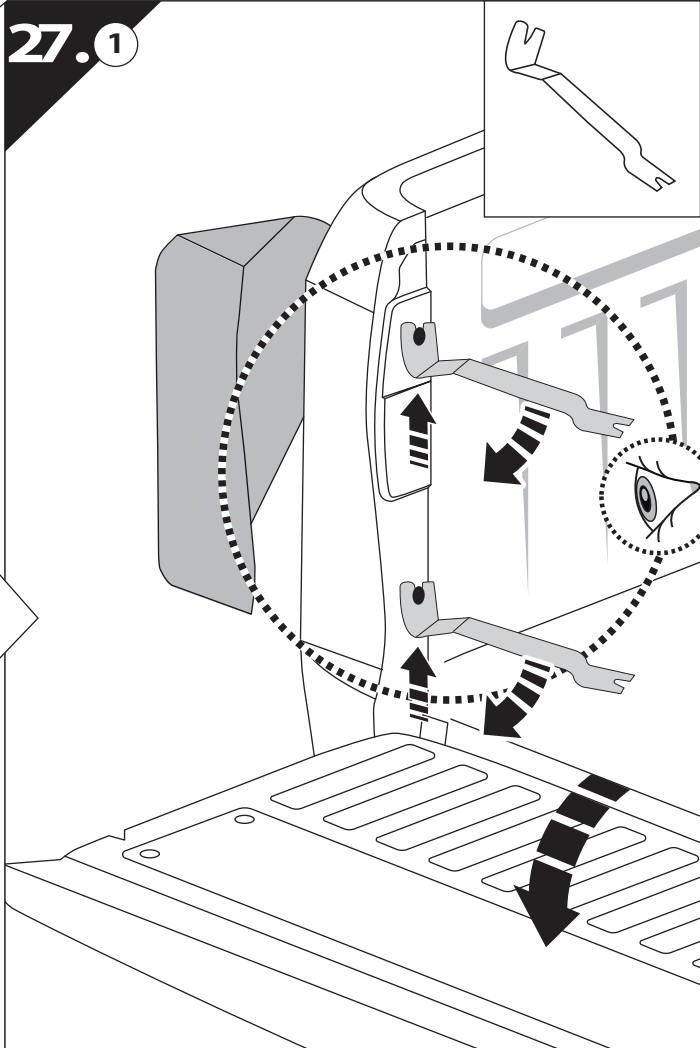
26



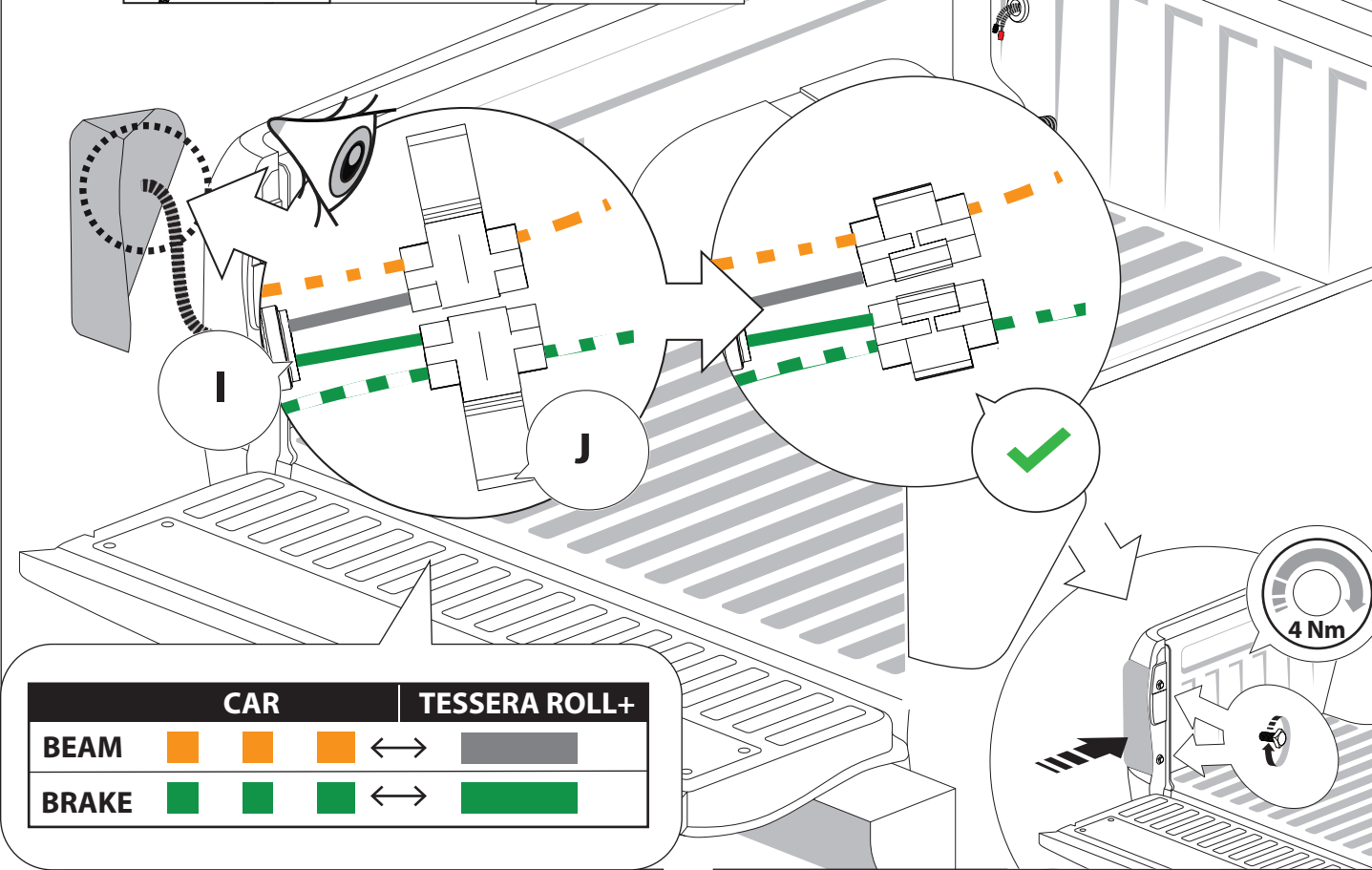
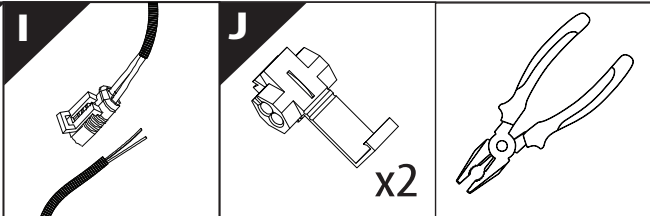
27



27.1

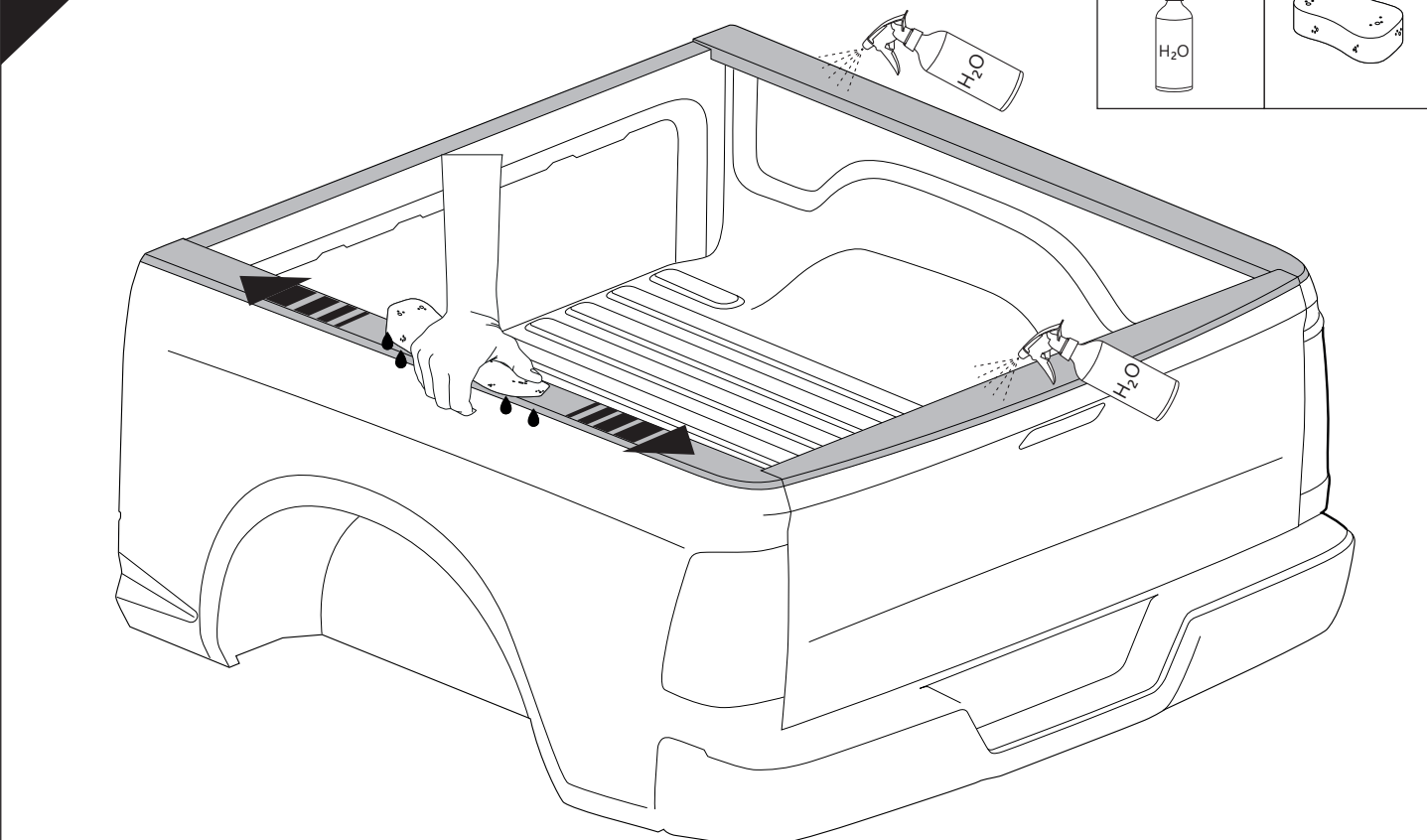
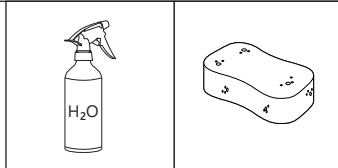


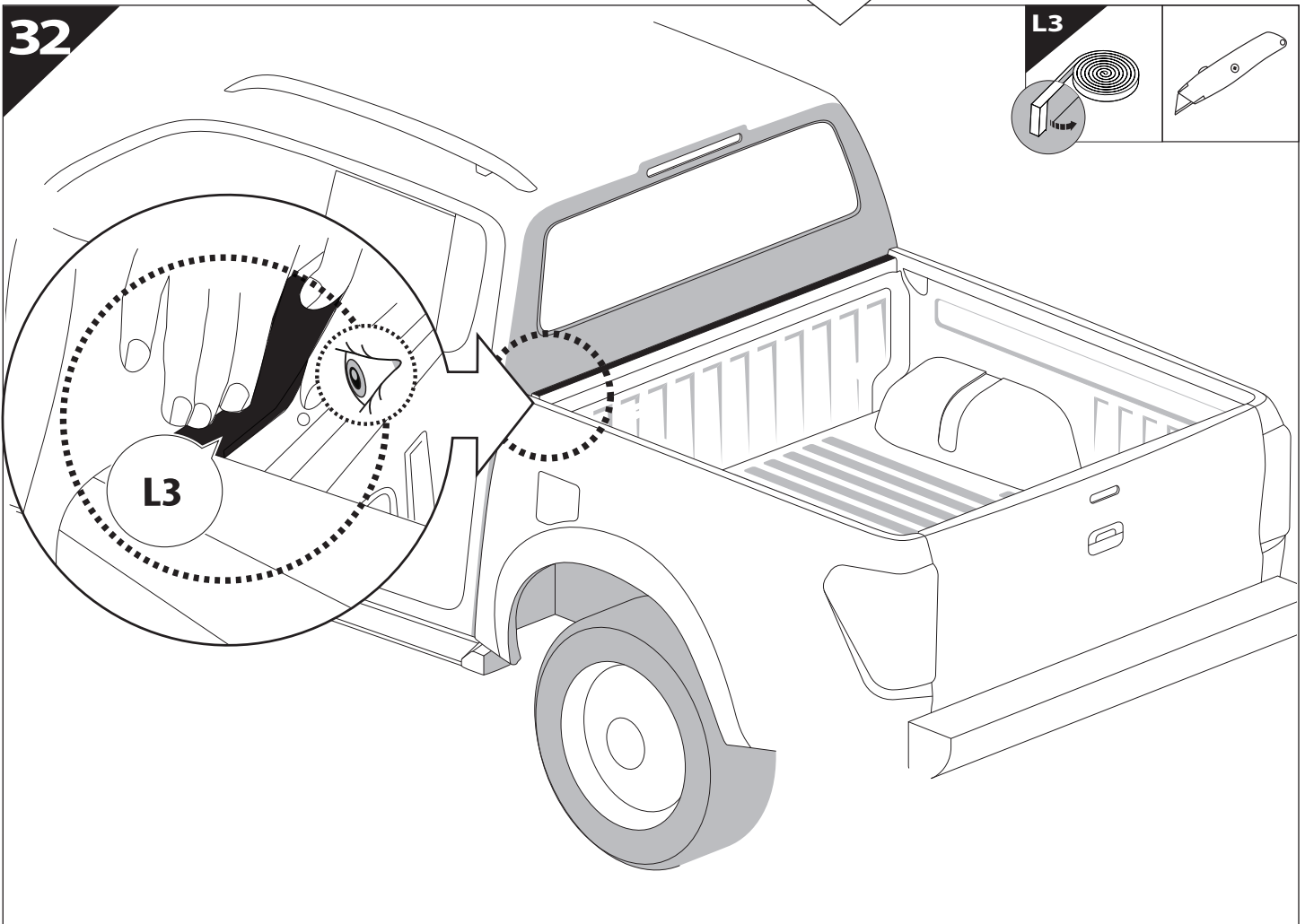
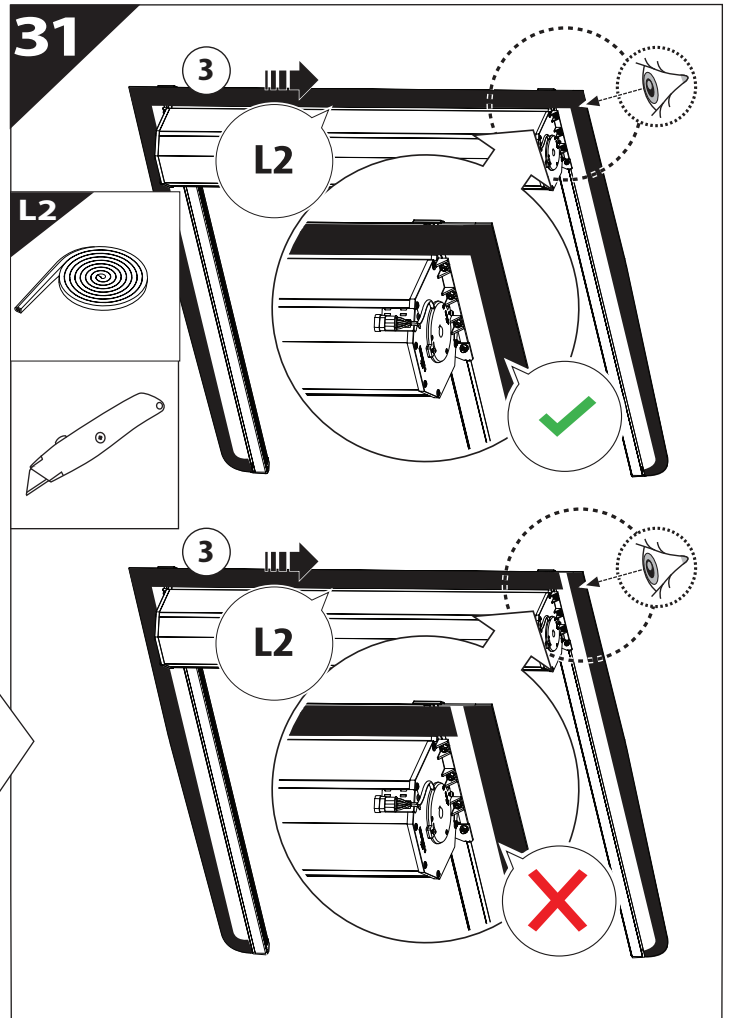
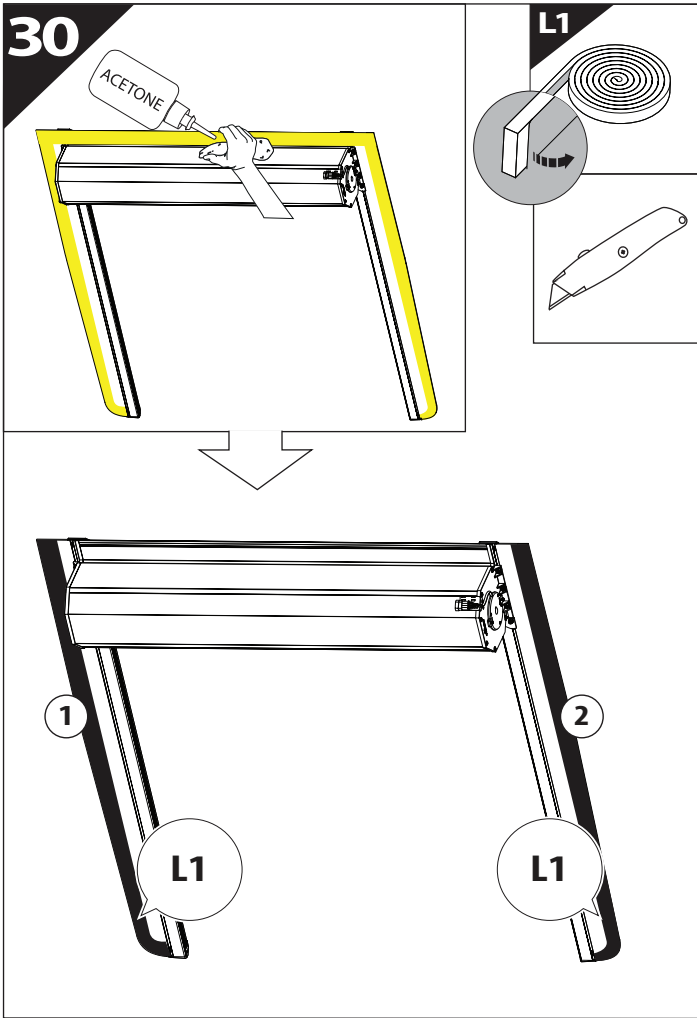
28



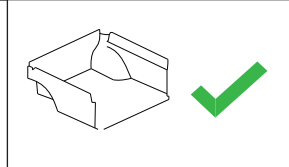
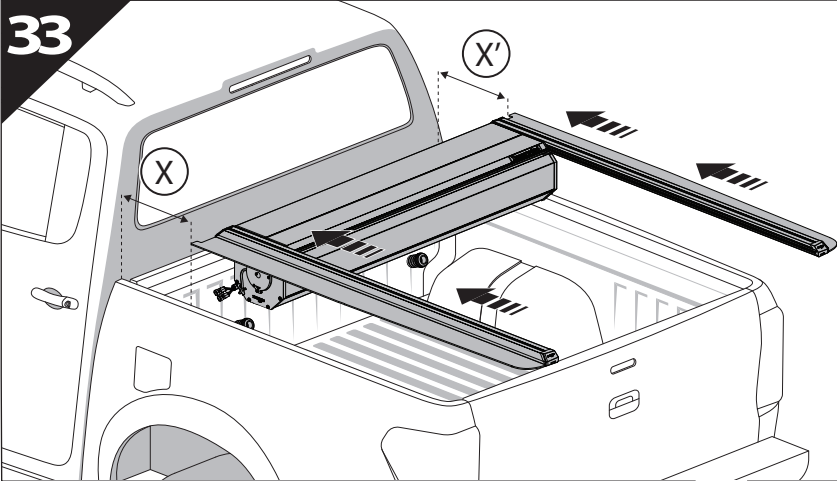
	CAR			TESSERA ROLL+	
BEAM	Orange square	Orange square	Orange square	↔	Grey rectangle
BRAKE	Green square	Green square	Green square	↔	Green rectangle

29

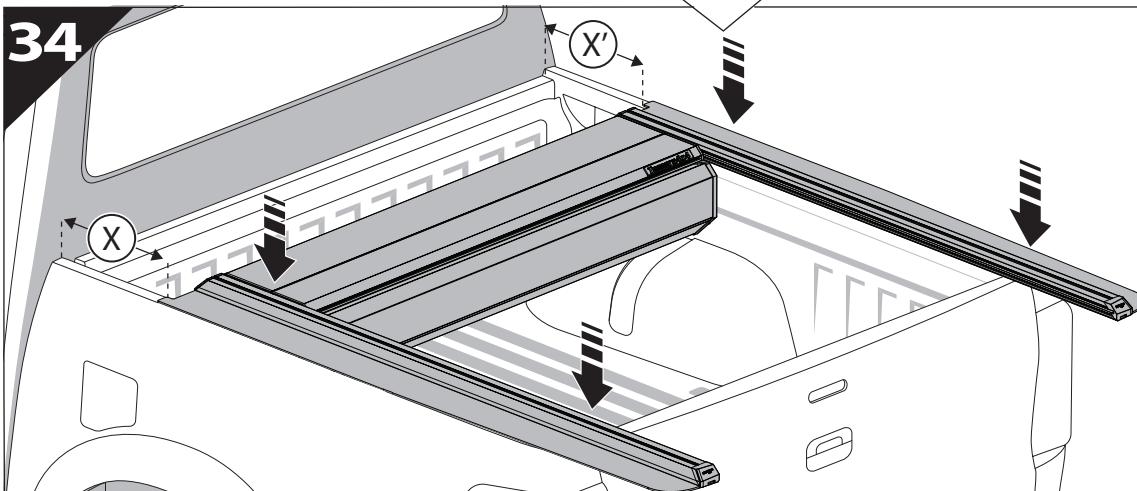




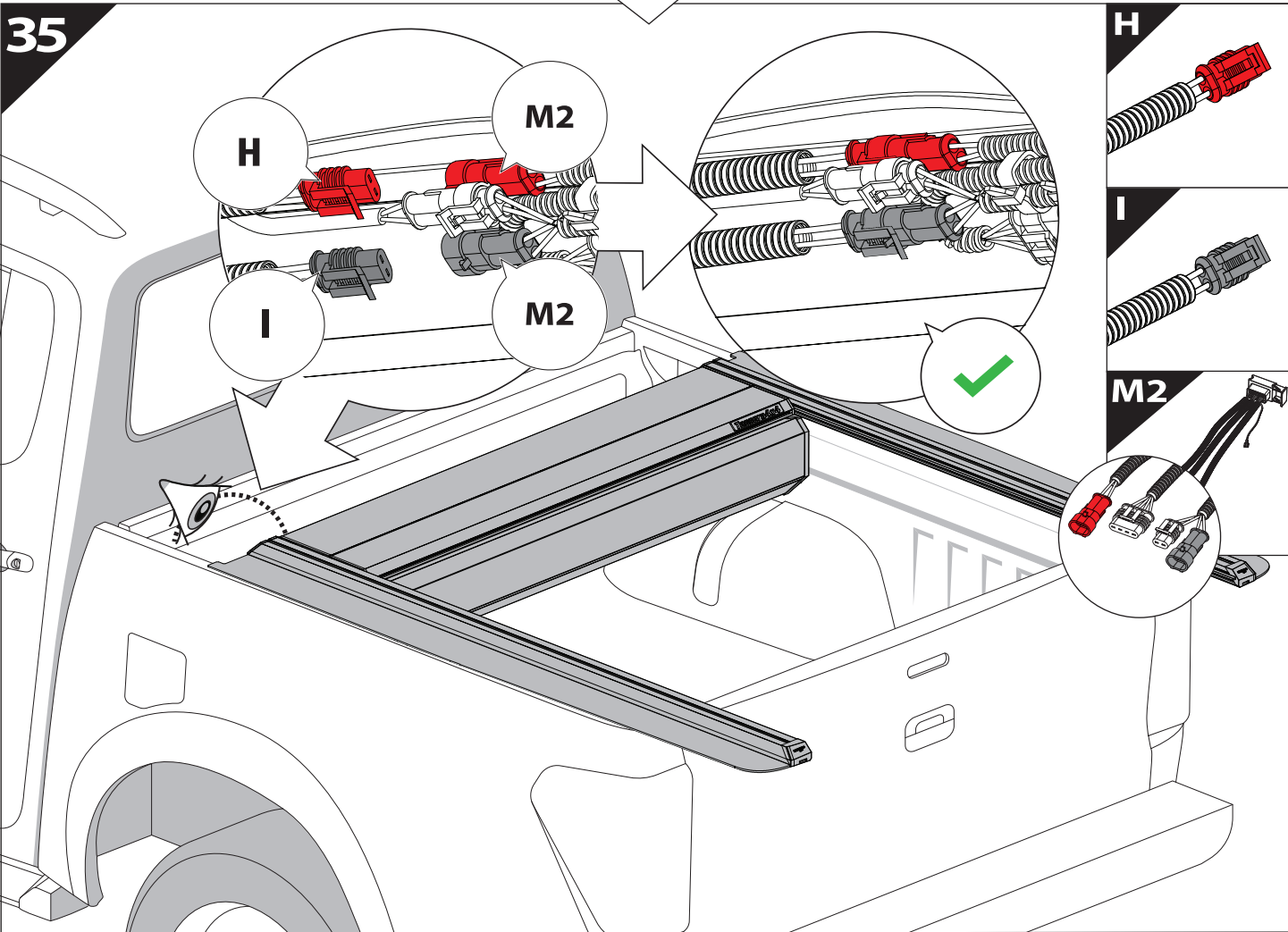
33

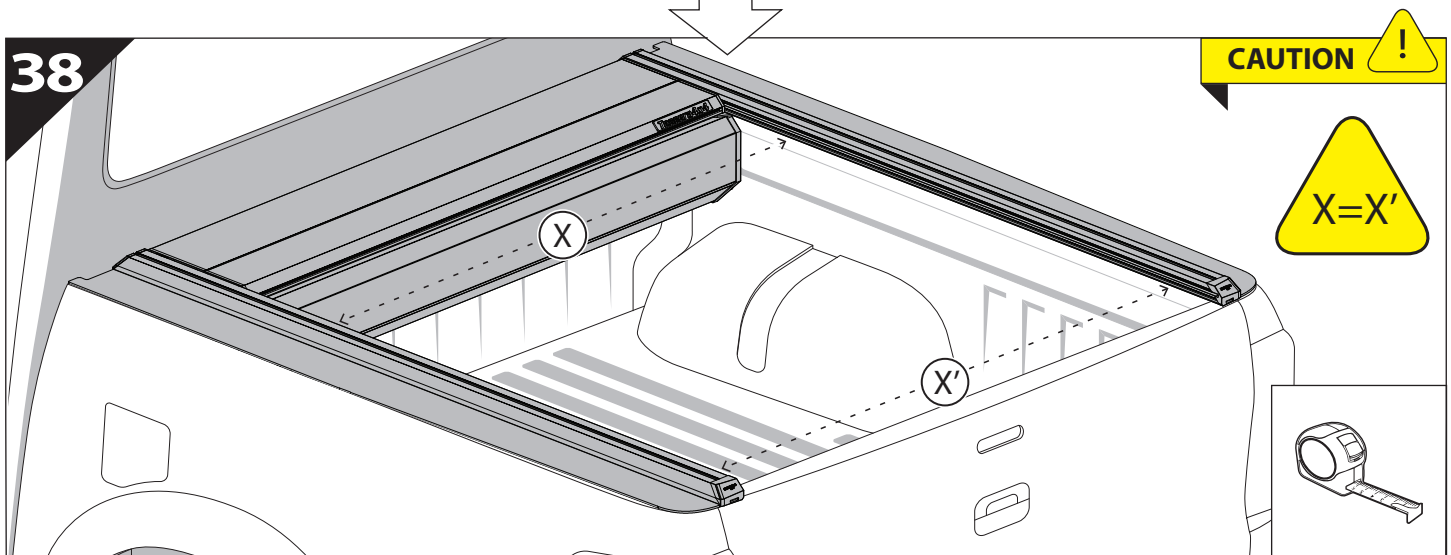
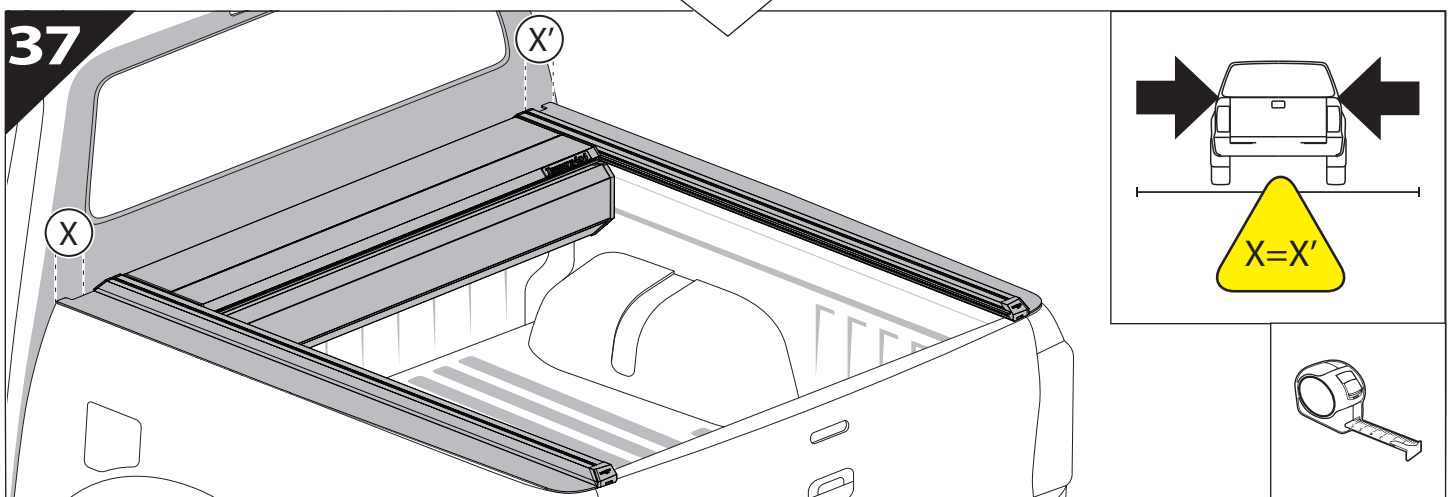
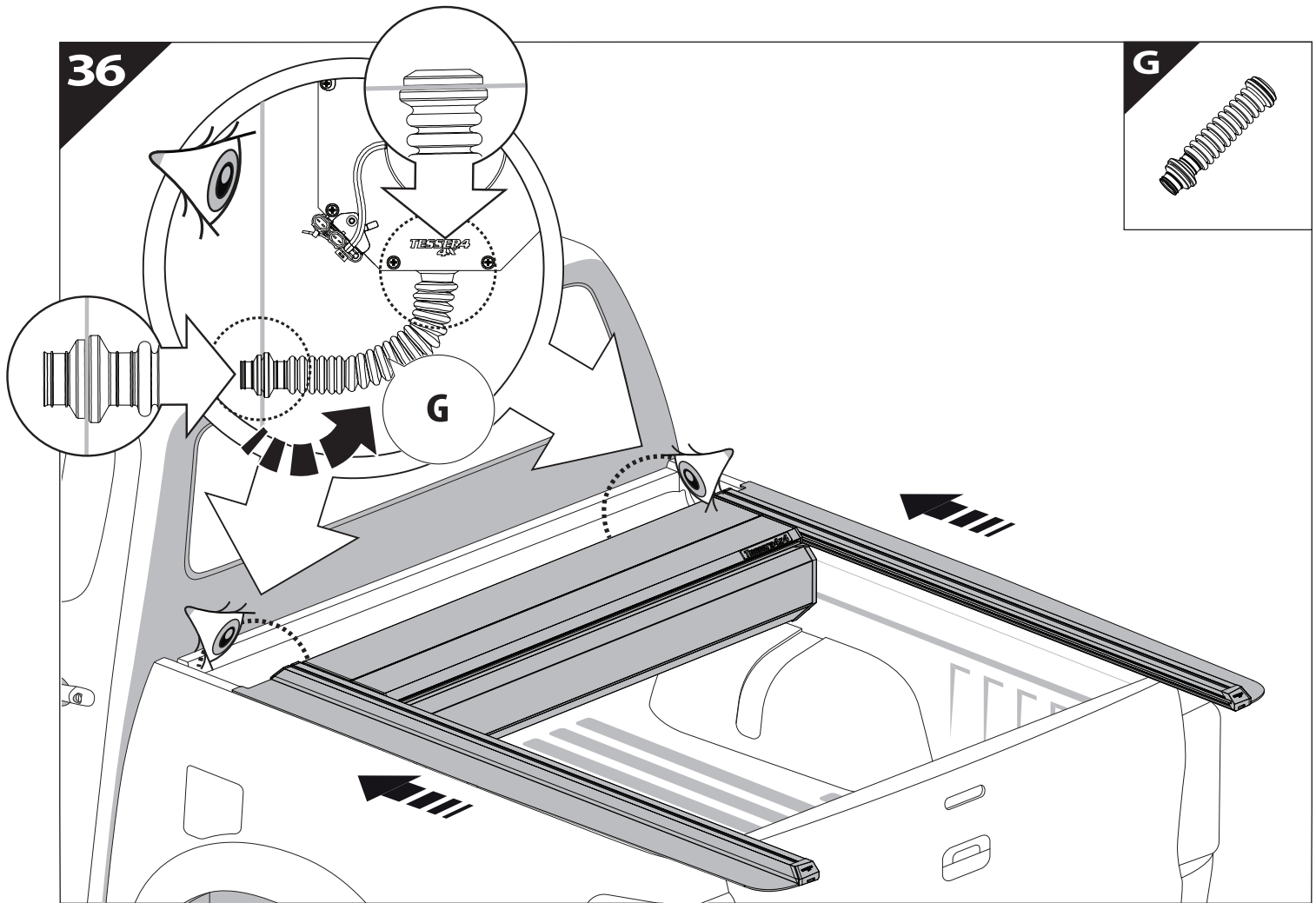


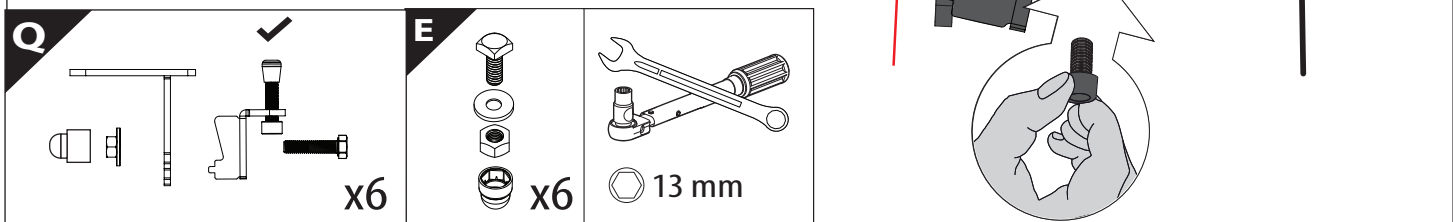
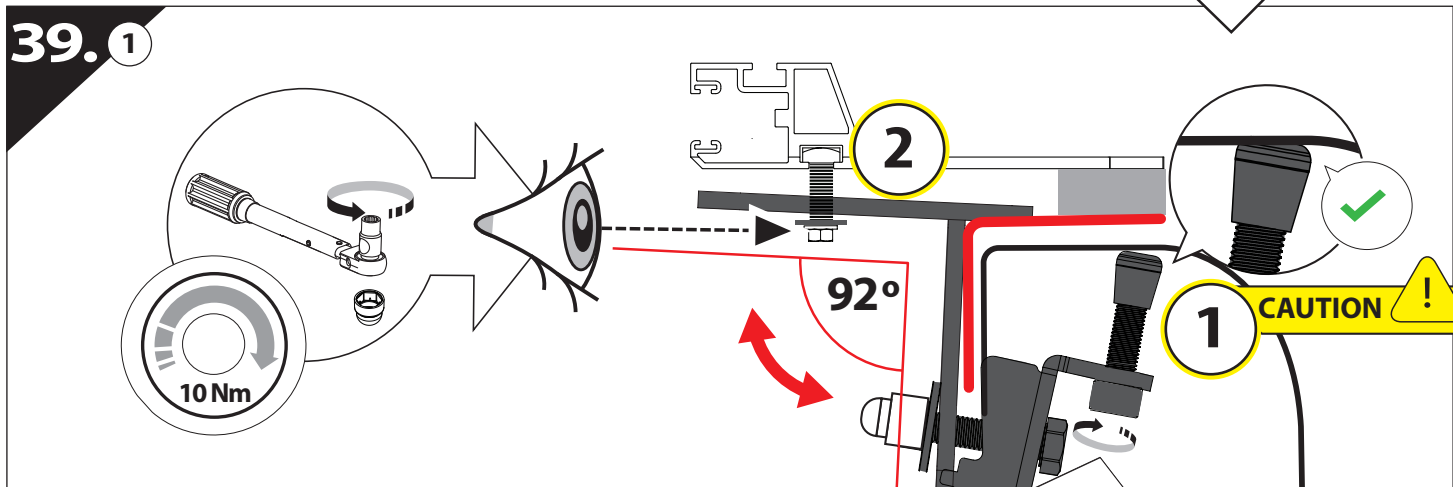
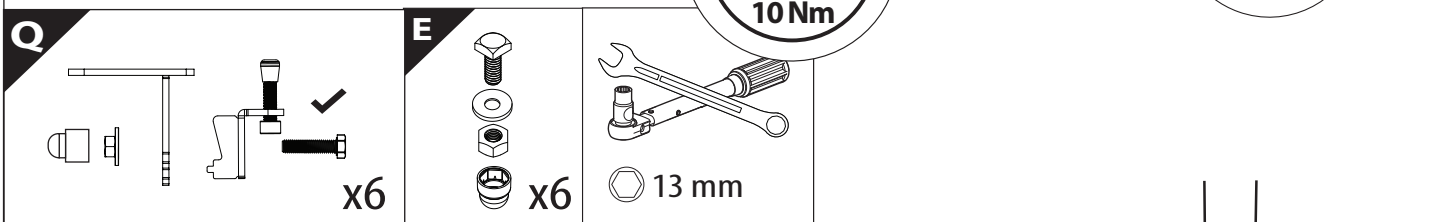
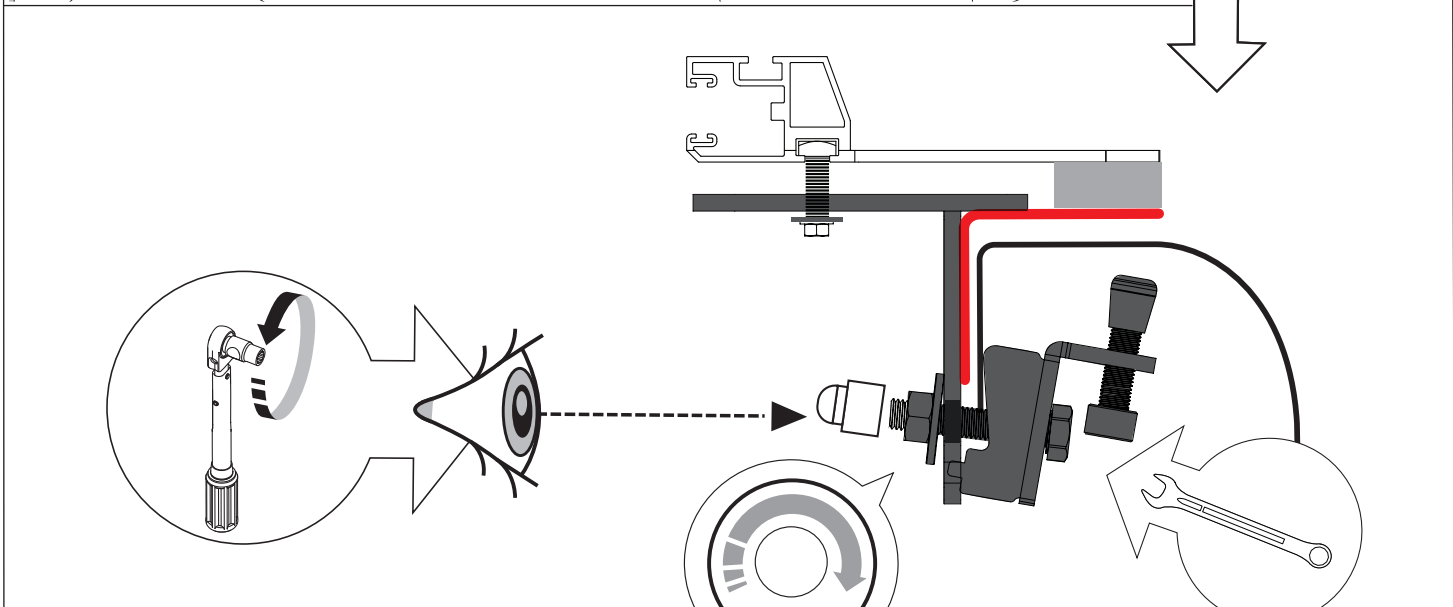
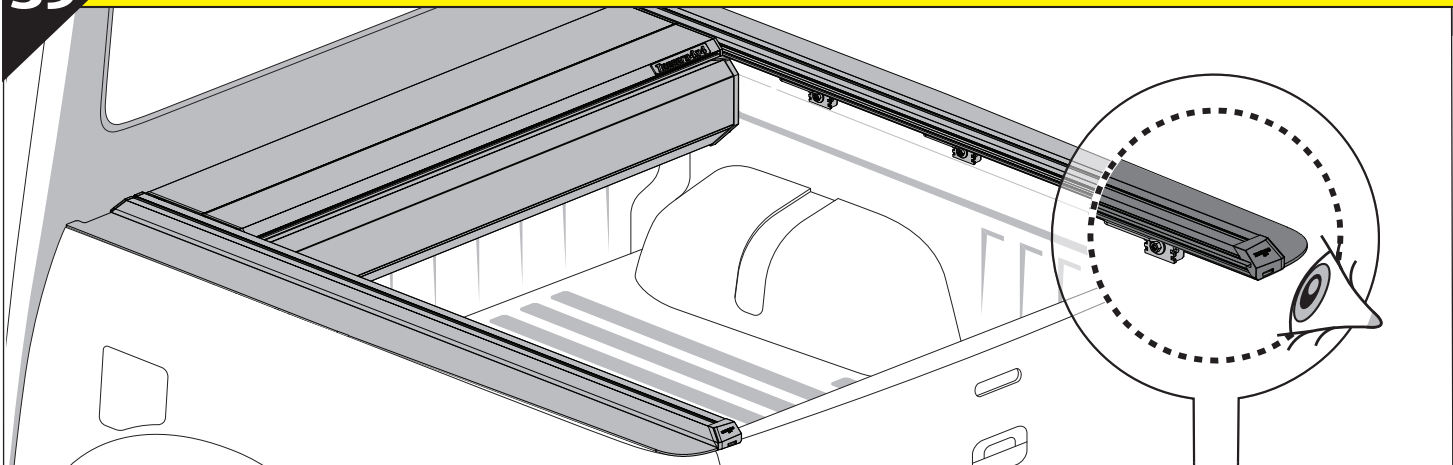
34

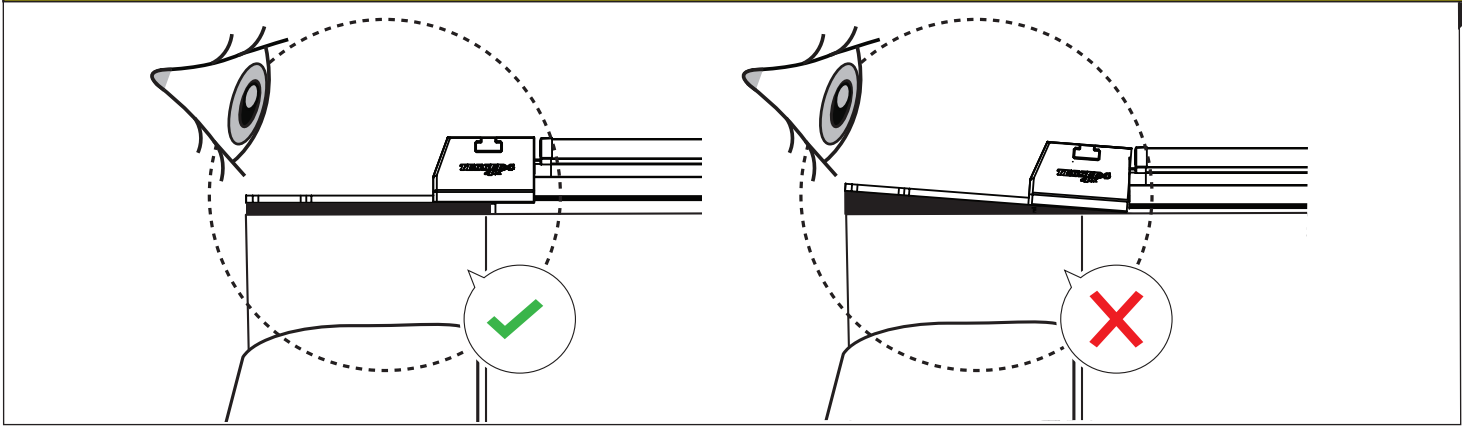
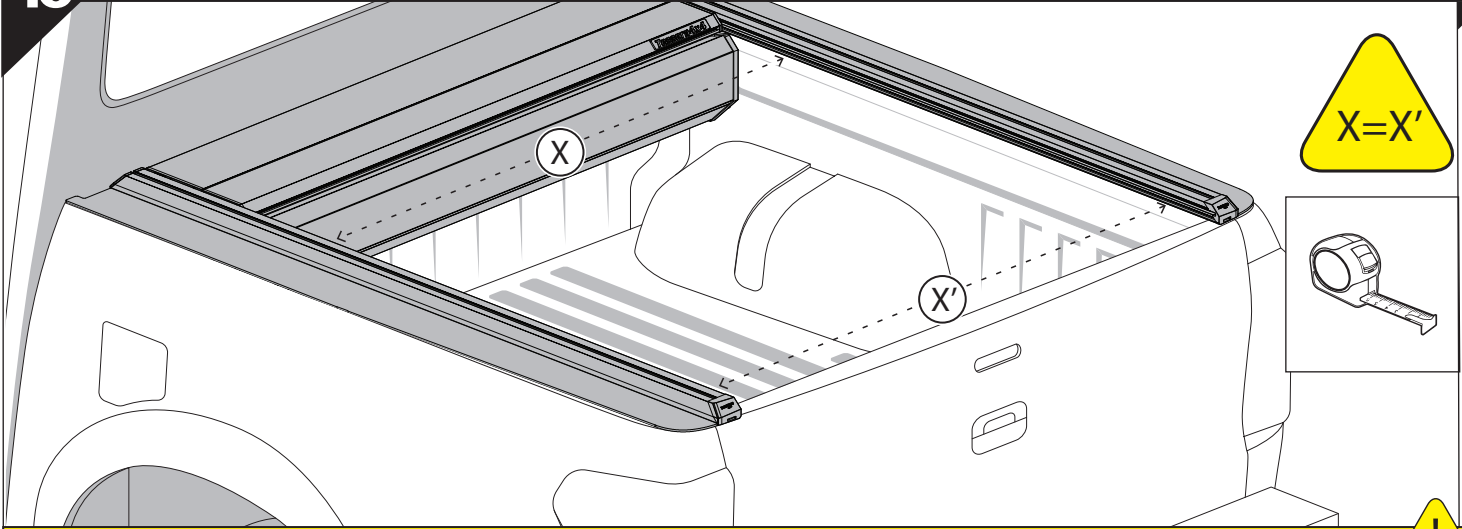


35

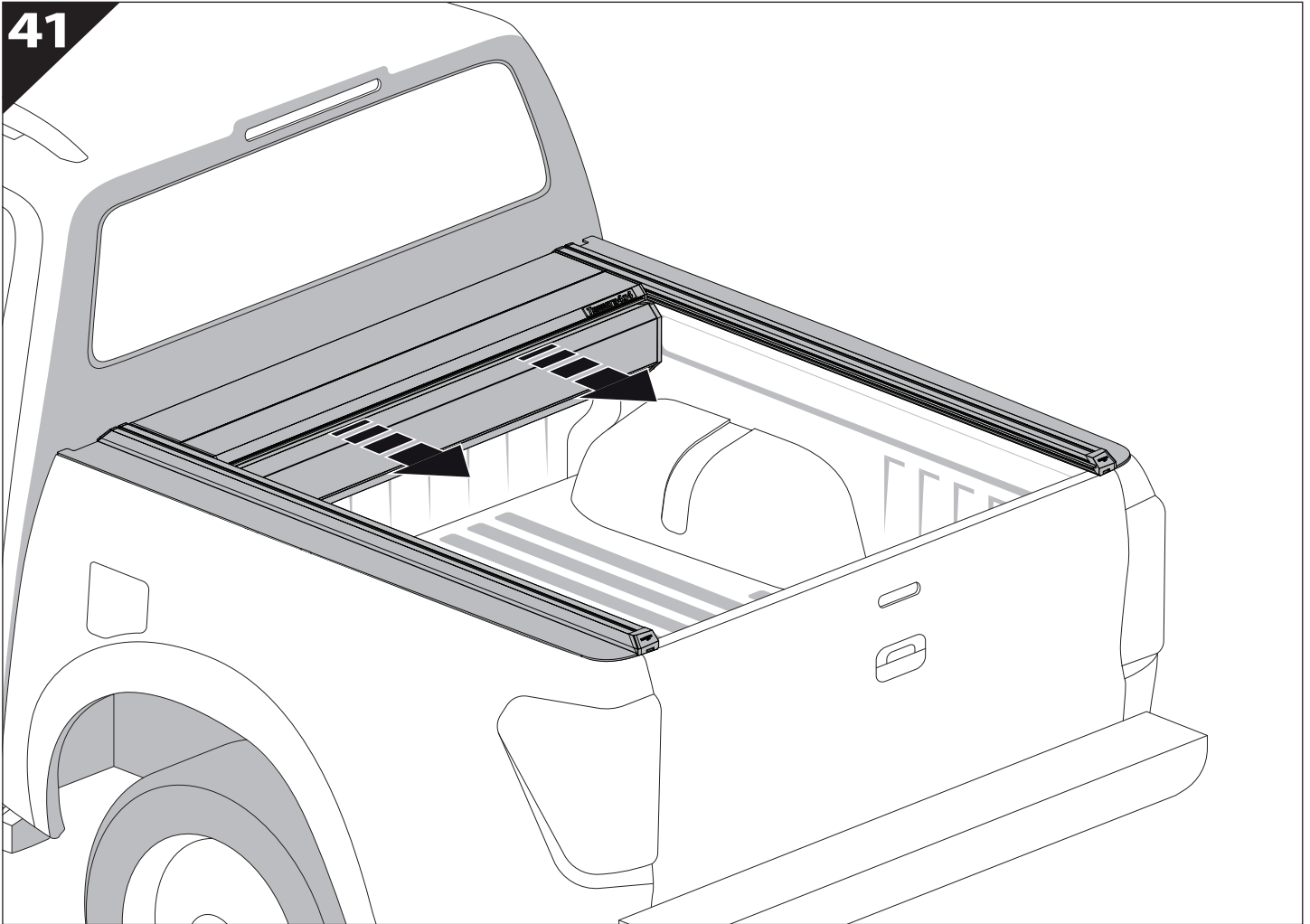




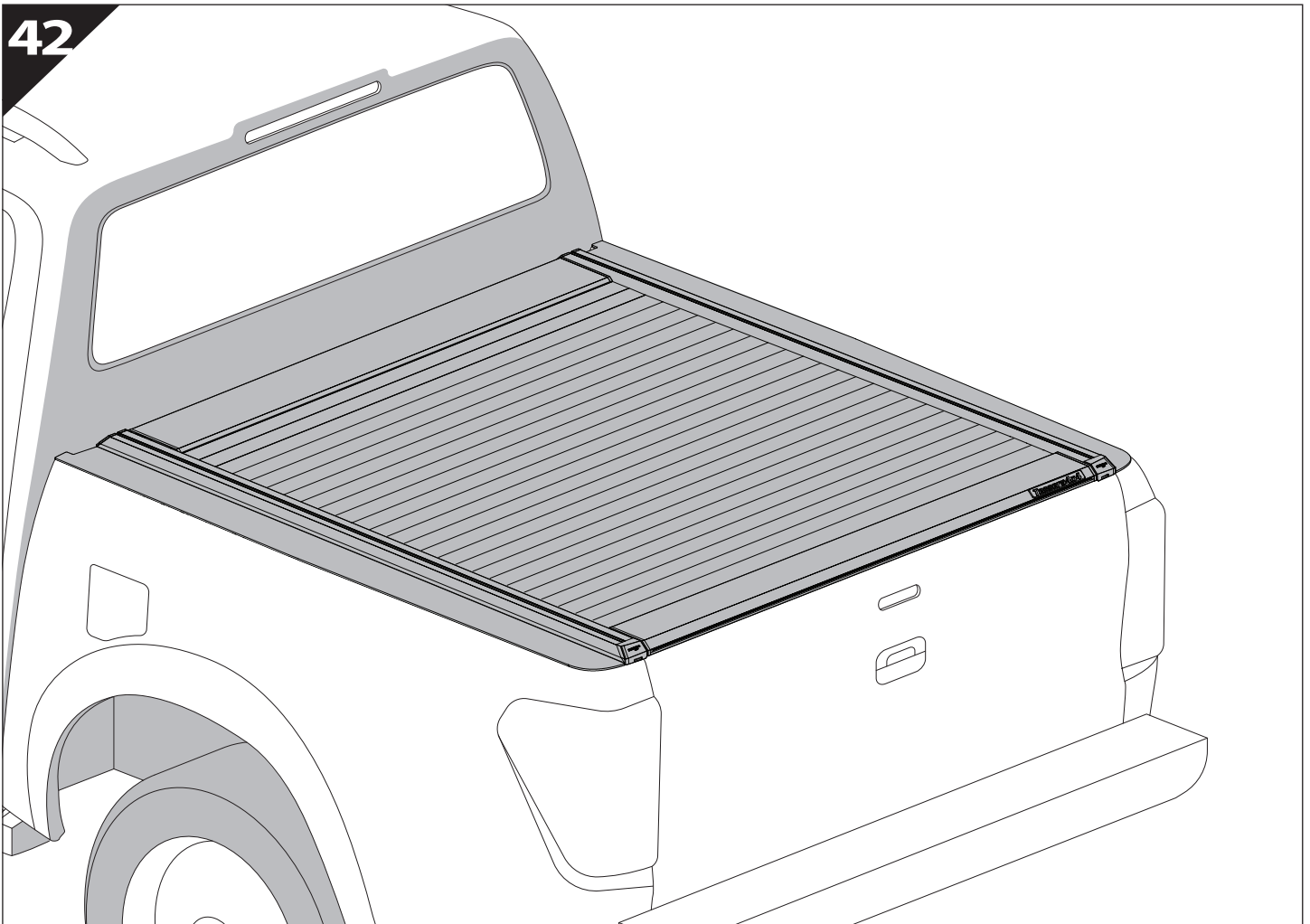




41



42









**GR:** Οδηγίες Εγκατάστασης  
**GB:** Installation manual  
**SF:** Asennusohje  
**F:** Notice de montage  
**PL:** Instrukcja montażu  
**NL:** Installatie-instructies  
**TR:** Montaj Talimatı  
**S:** Monteringsanvisning  
**E:** Instrucciones de montaje

**H:** Szerelési utasítás  
**P:** Instruções de instalação  
**RUS:** Инструкция по установке  
**N:** Monteringsveiledning  
**D:** Einbauanleitung  
**CZ:** Návod k instalaci  
**I:** Istruzioni de montaggio  
**DK:** Monteringsvejledning  
**RO:** Instructiuni de instalare

Customer Service:

+30 (210) 5541161, +30 (210) 5541154 (08:00 - 16:00 EET)

Support department:

[info@gianso.gr](mailto:info@gianso.gr)

Website:

[www.tessera4x4.com](http://www.tessera4x4.com)

Address:

19.5 km of National road Athens-Korinthos (Elefsina) Greece, P.C: 19200