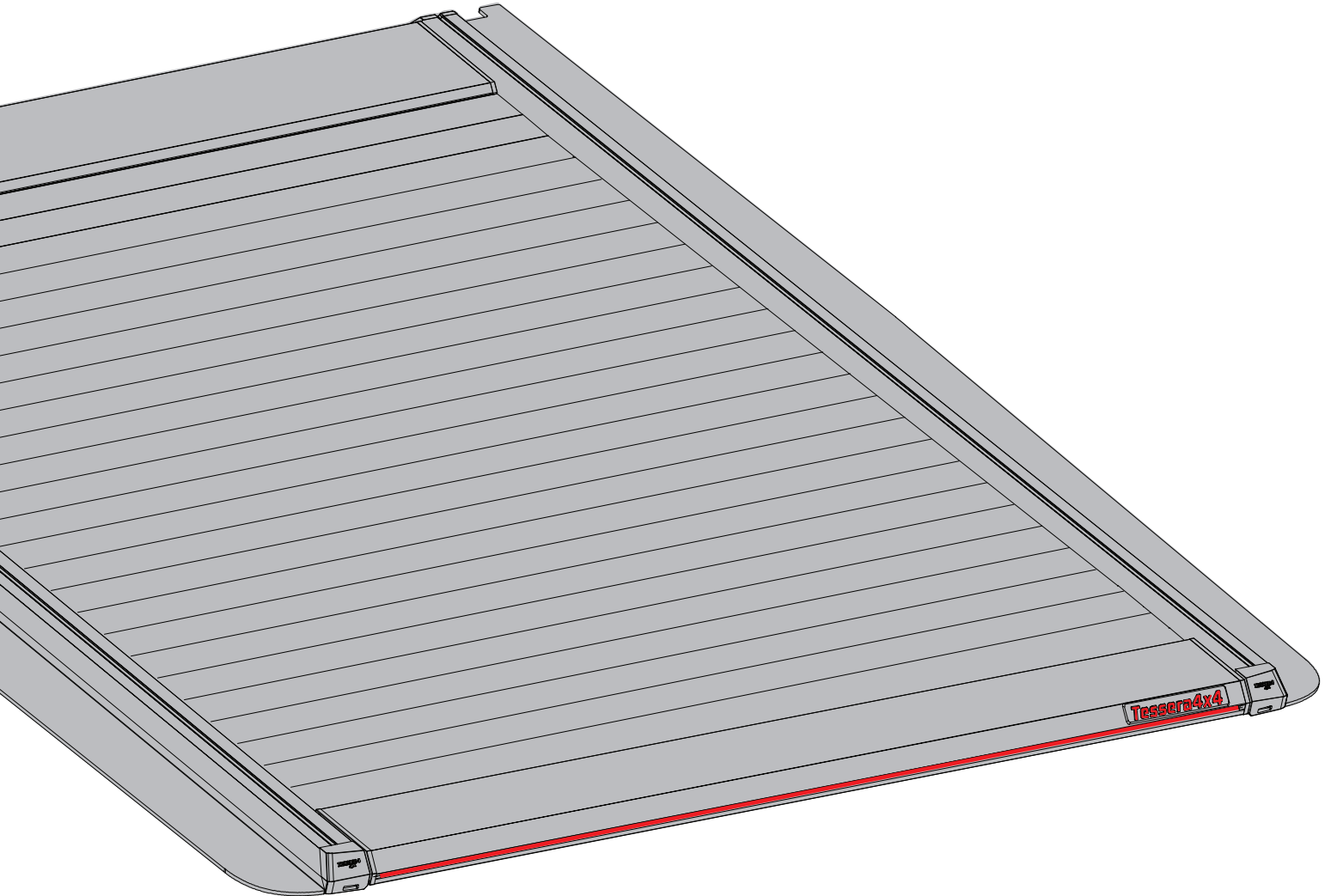


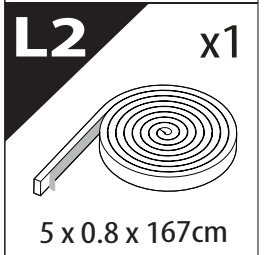
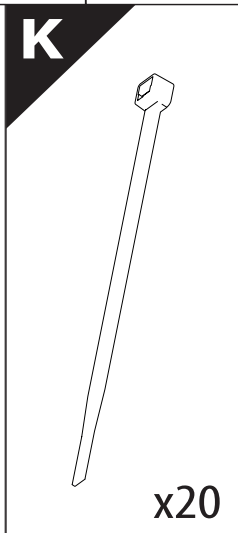
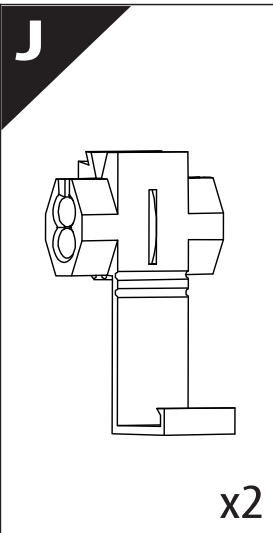
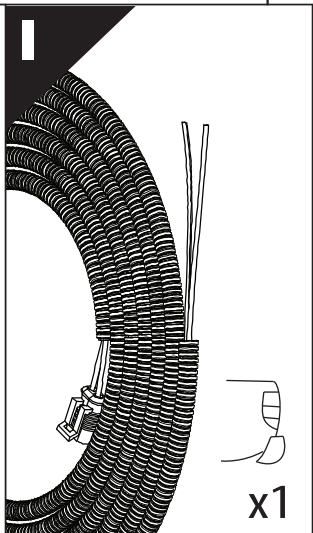
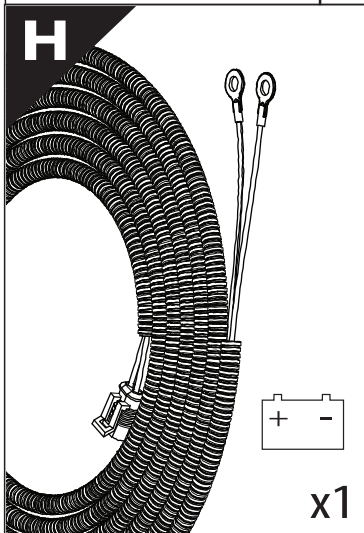
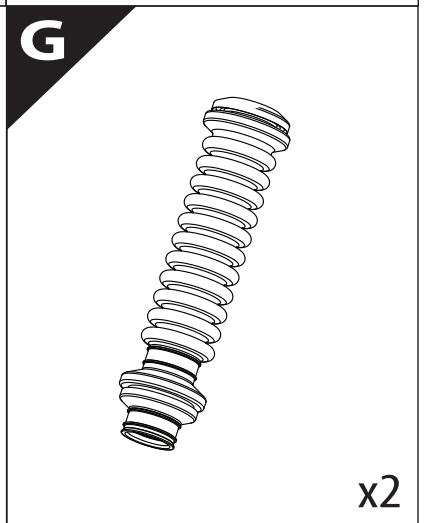
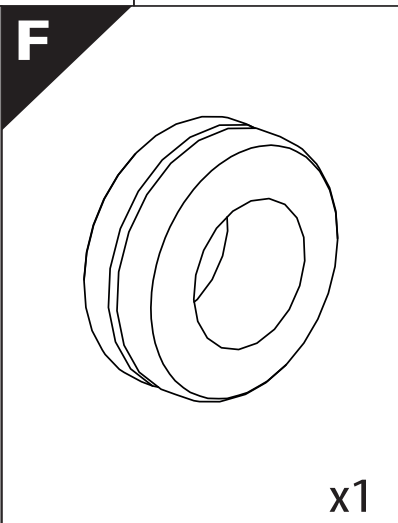
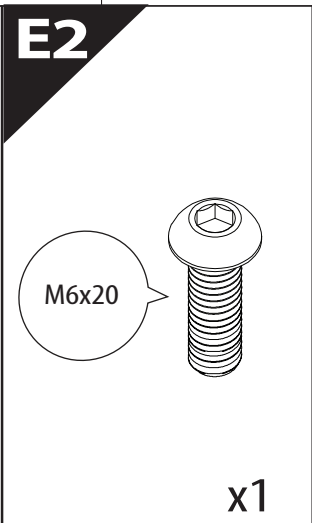
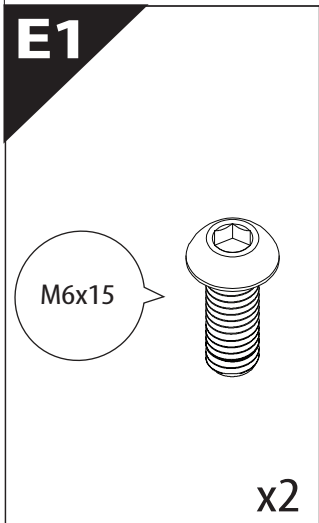
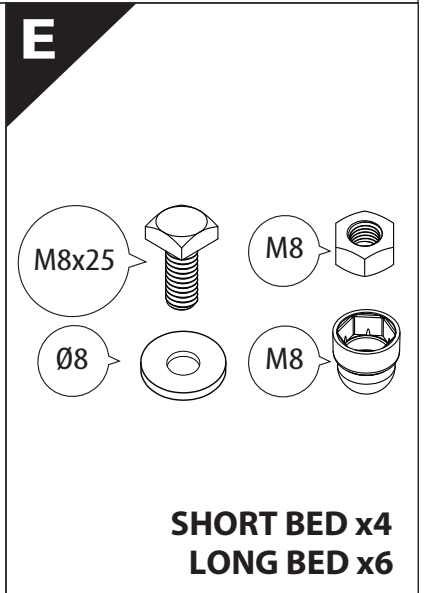
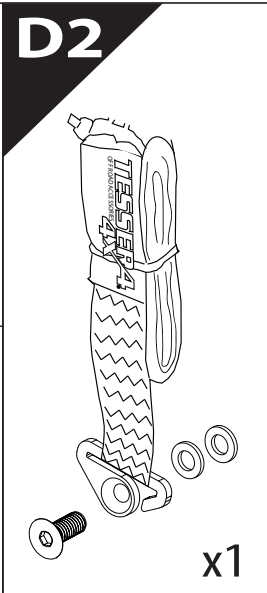
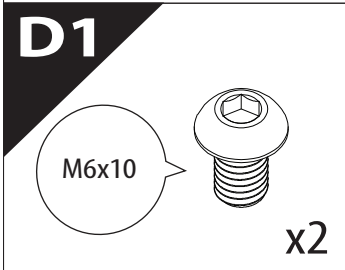
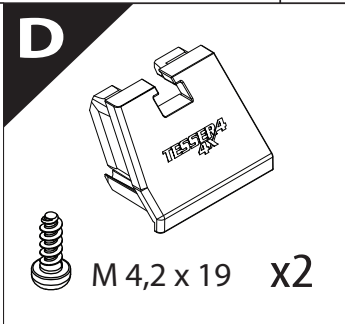
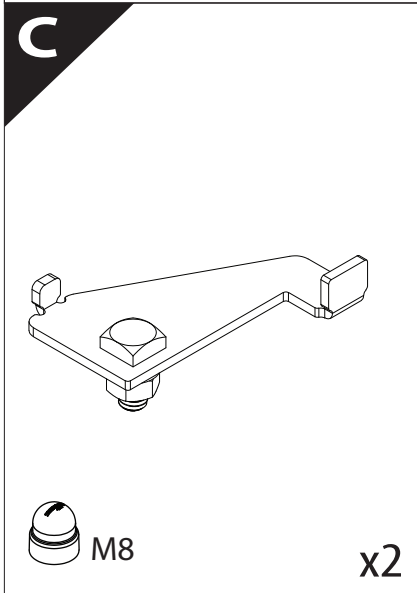
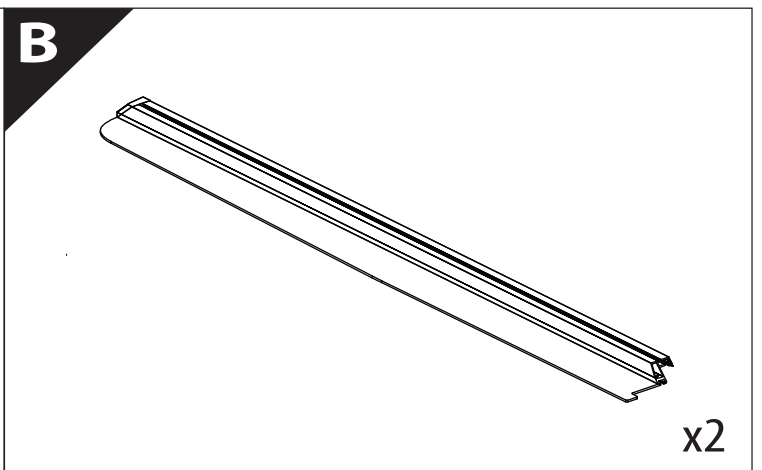
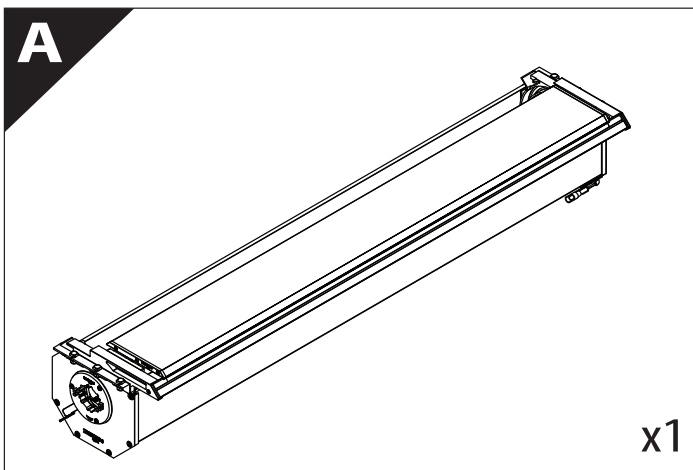
Tessera Roll+

Basic Version + ⚡ E-KIT

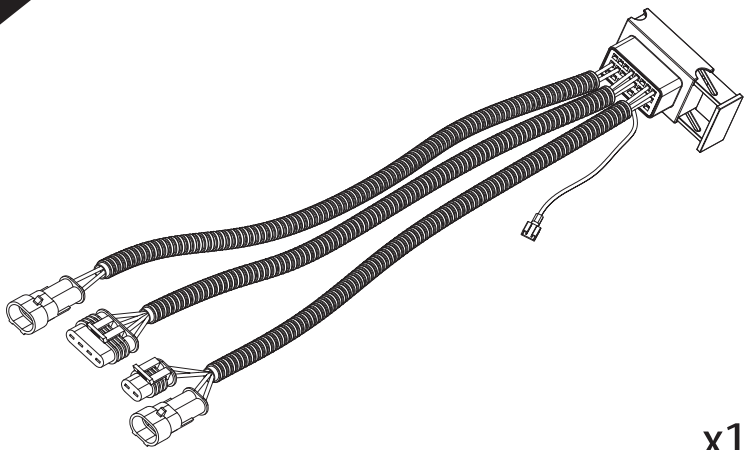


Installation Manual

PART NUMBER(S)	Model Year
TESS 14141 ROLL+E-KIT	Nissan Frontier 2023+ SHORT BED 5 FEET WITH C-CHANNELS
TESS 14142 ROLL+E-KIT	Nissan Frontier 2023+ LONG BED 6.1 FEET WITH C-CHANNELS
Cab(s)	Installation Time / Weight
Double Cab American Model	40-60 minutes / 53-57 kg

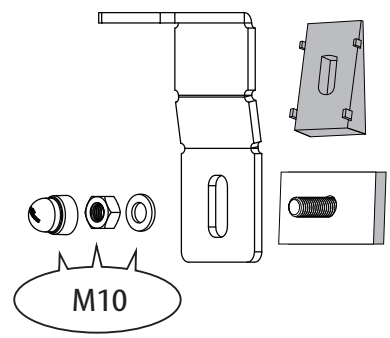


M2



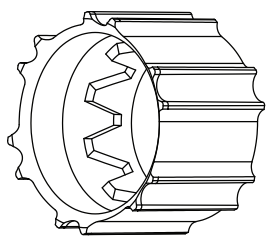
x1

N



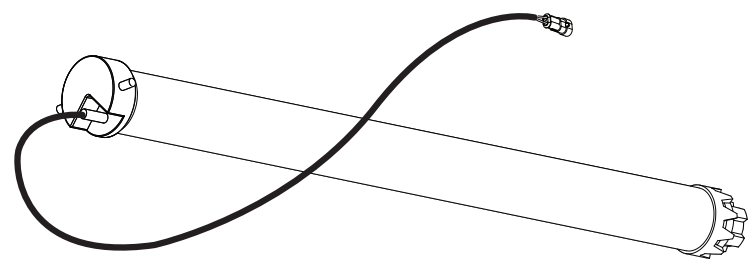
**SHORT BED x4
LONG BED x6**

O



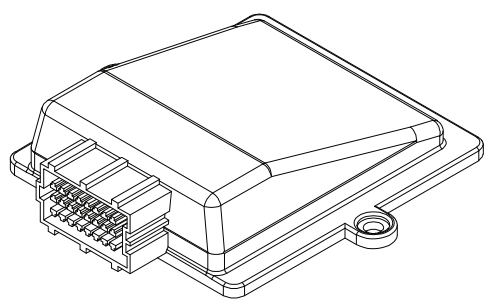
x1

P



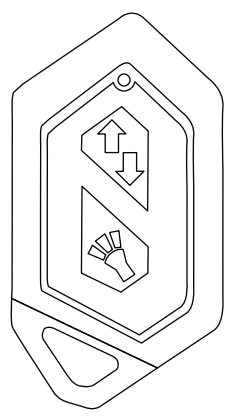
x1

Q



x1

R

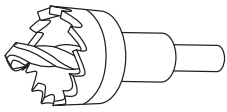


x2

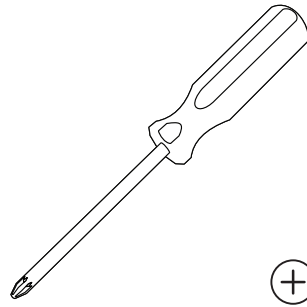
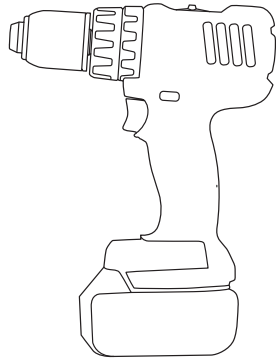
S



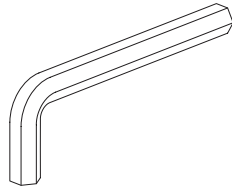
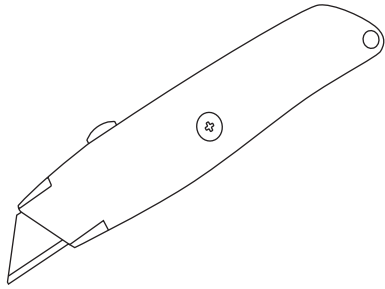
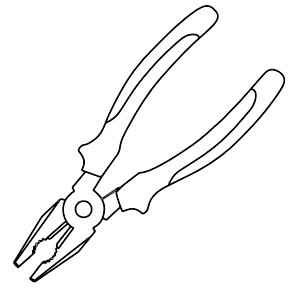
x2



Ø 25 mm / 40 mm

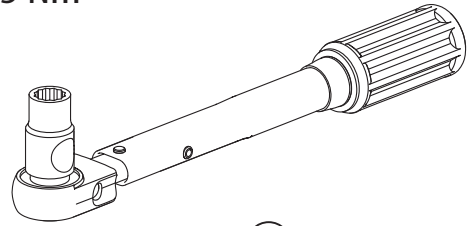


+



4 mm

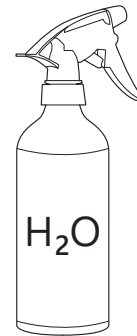
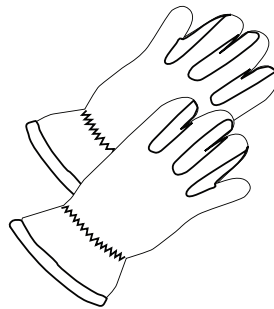
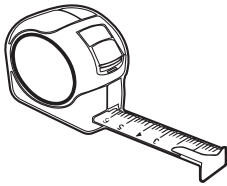
1 - 25 Nm



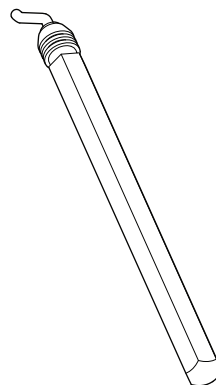
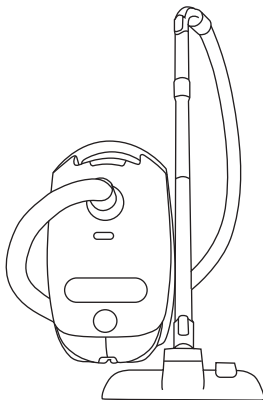
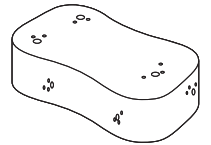
10, 12, 13, 17 mm



ACETONE



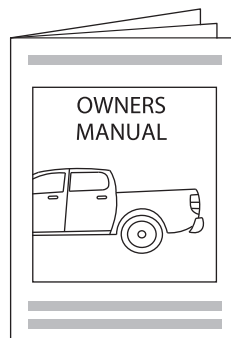
H₂O



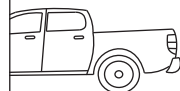
ANTI-RUST



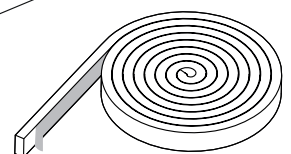
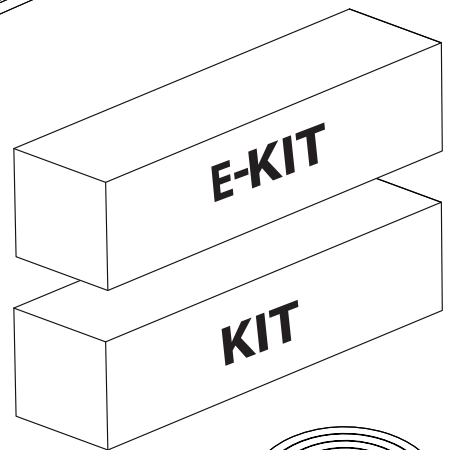
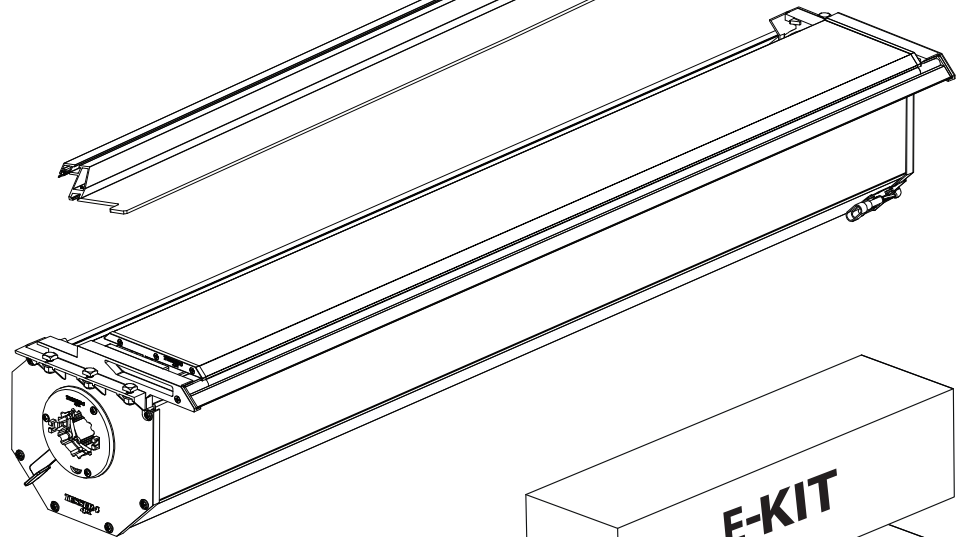
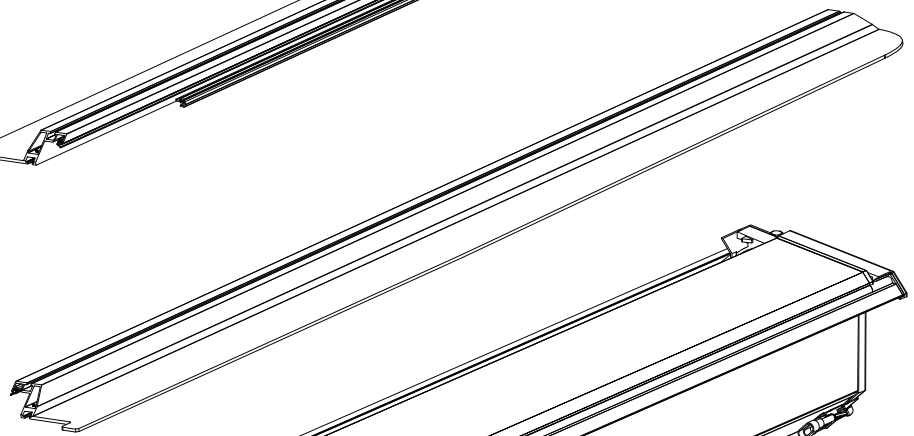
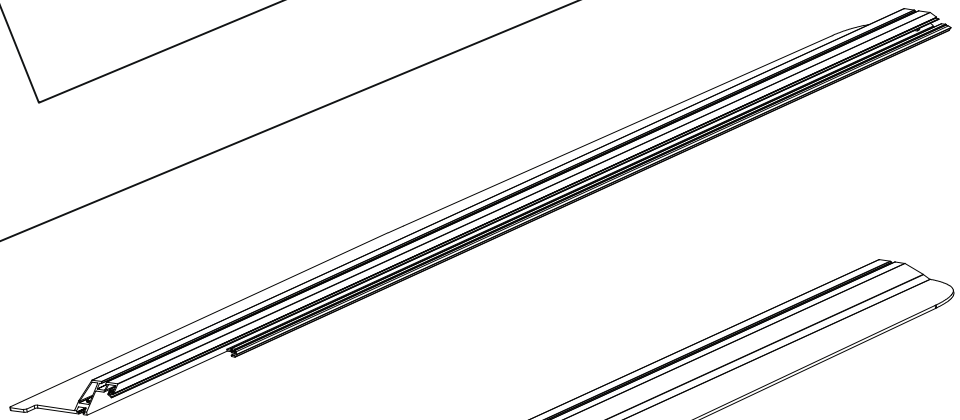
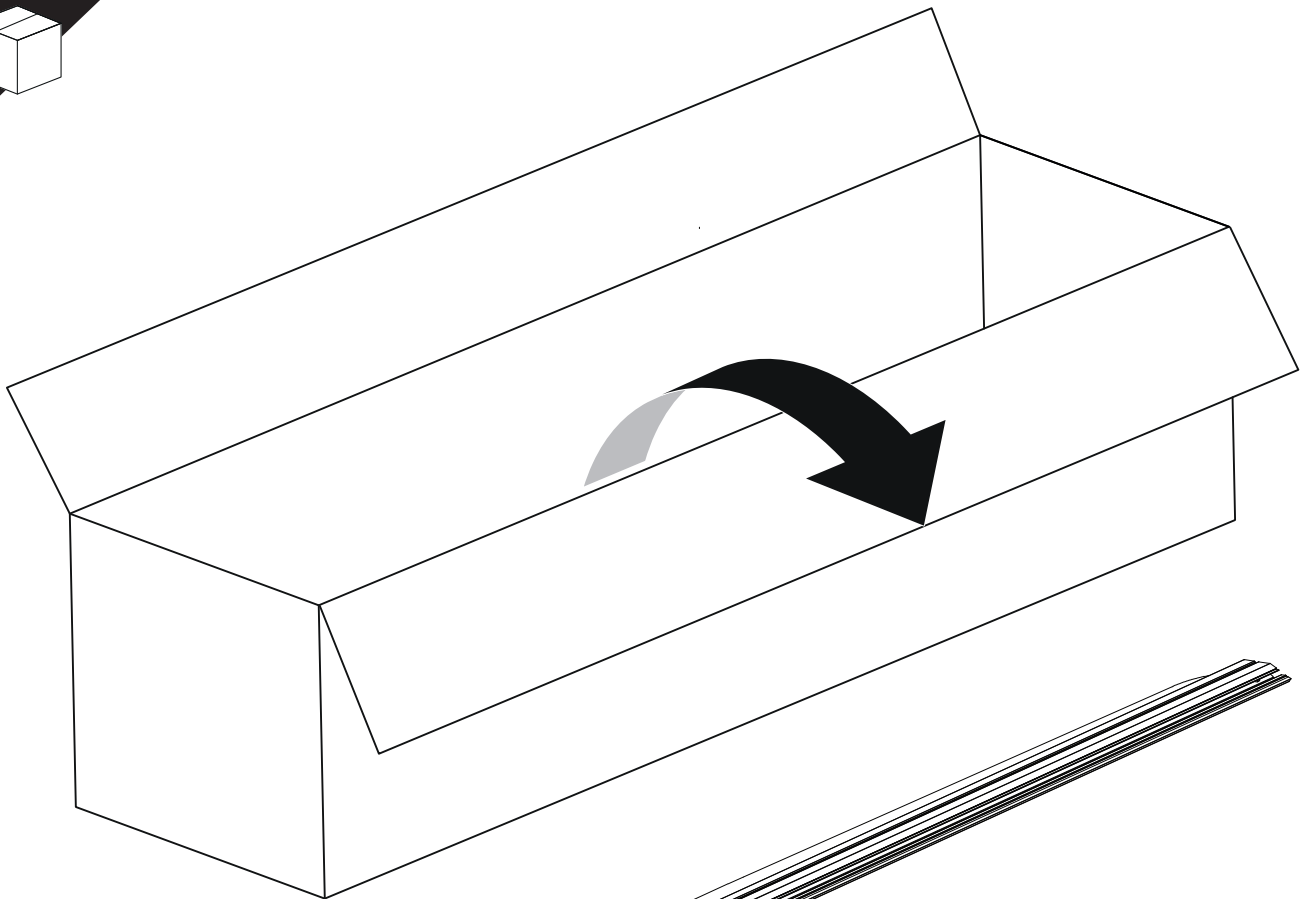
INSTALATION
MANUAL
+E-KIT



OWNERS
MANUAL



x1

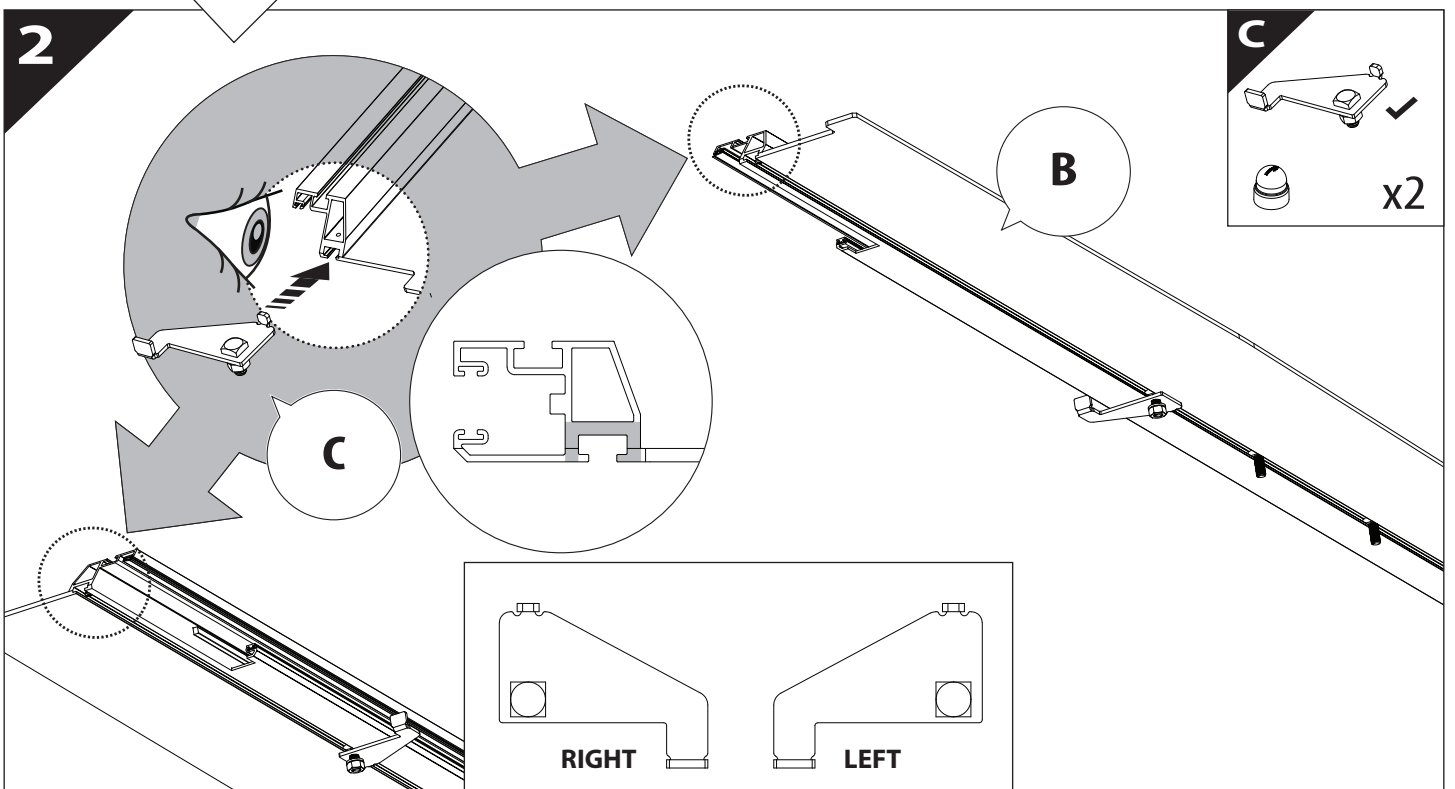
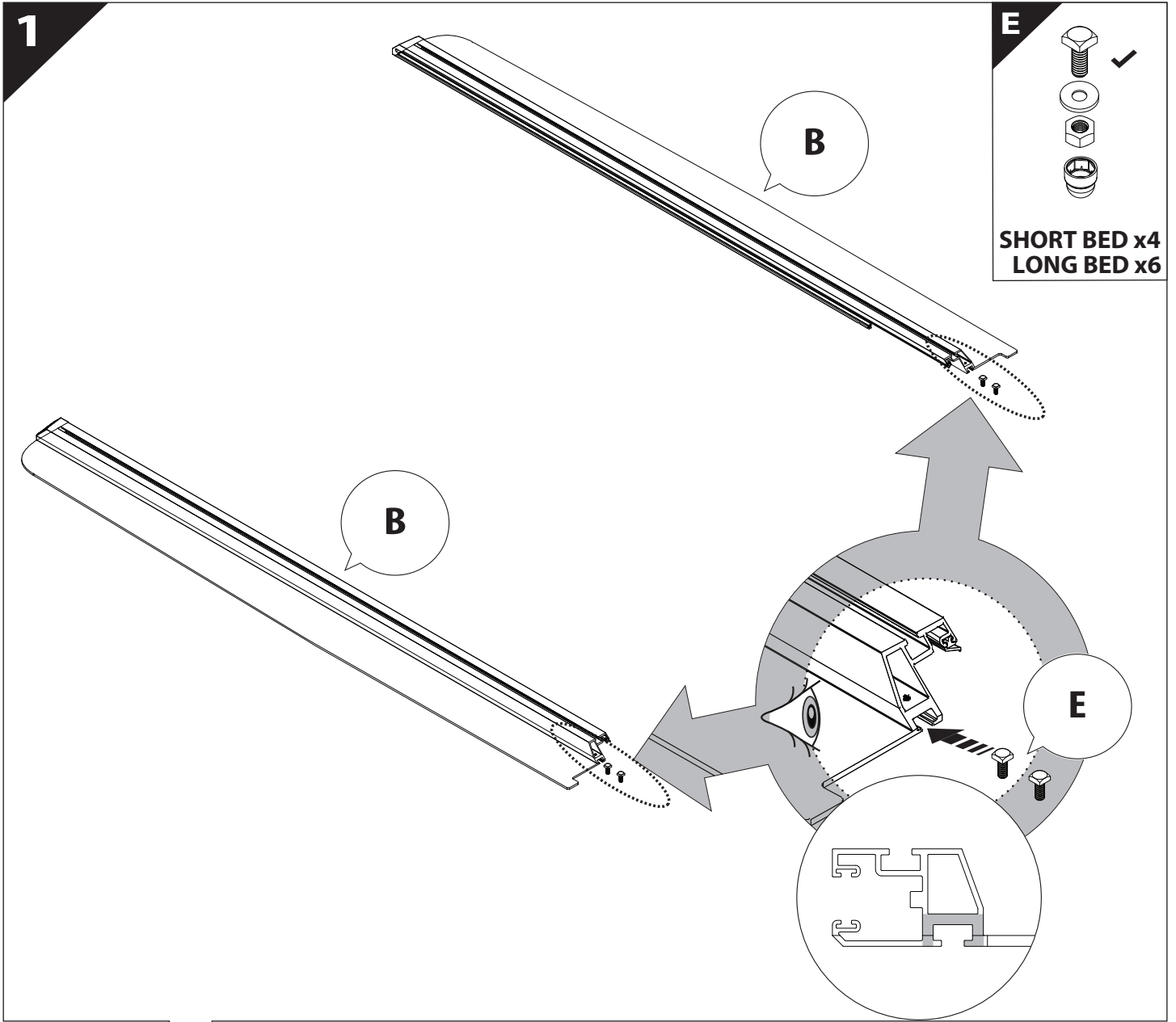


B

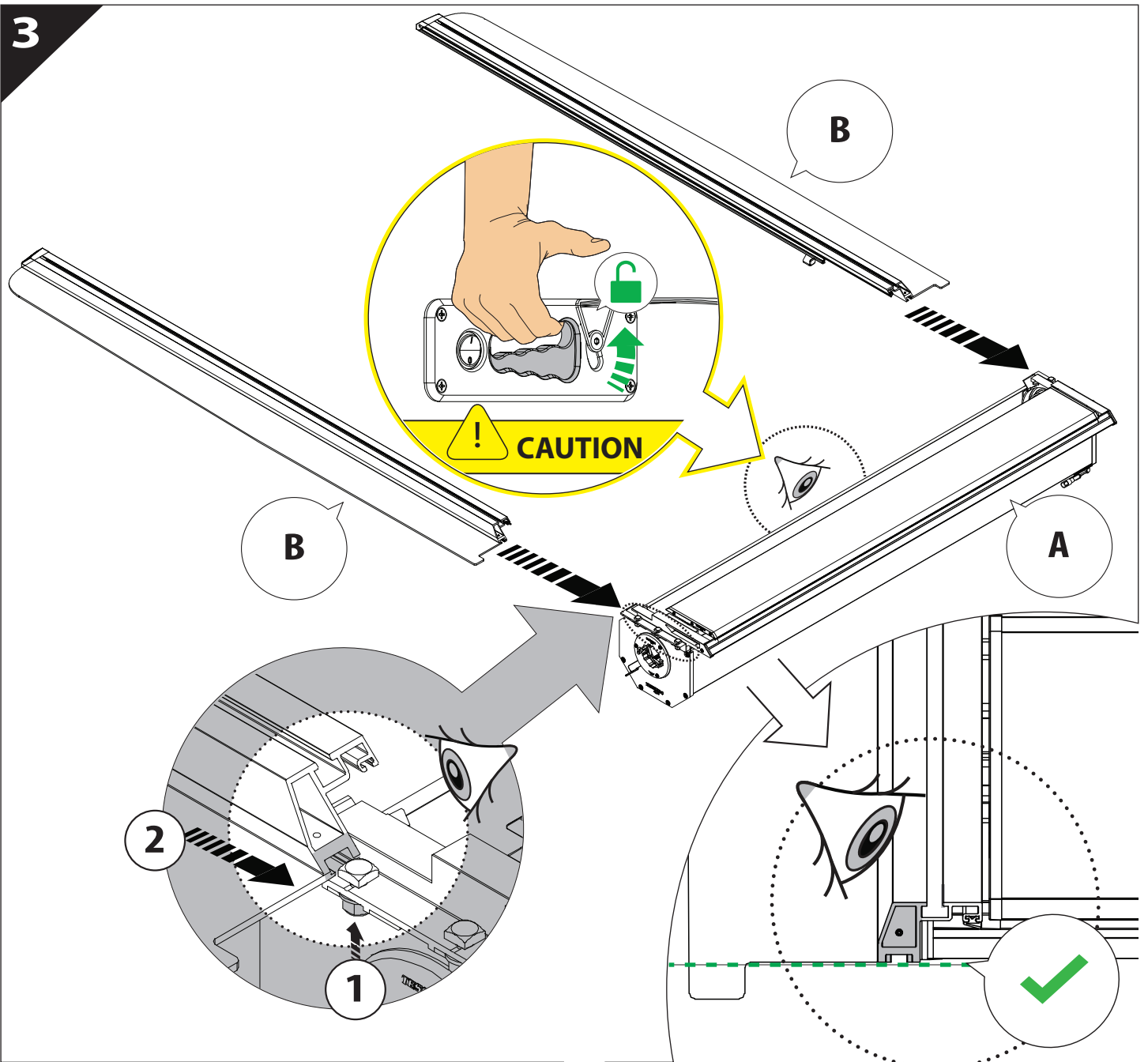
A

KITS

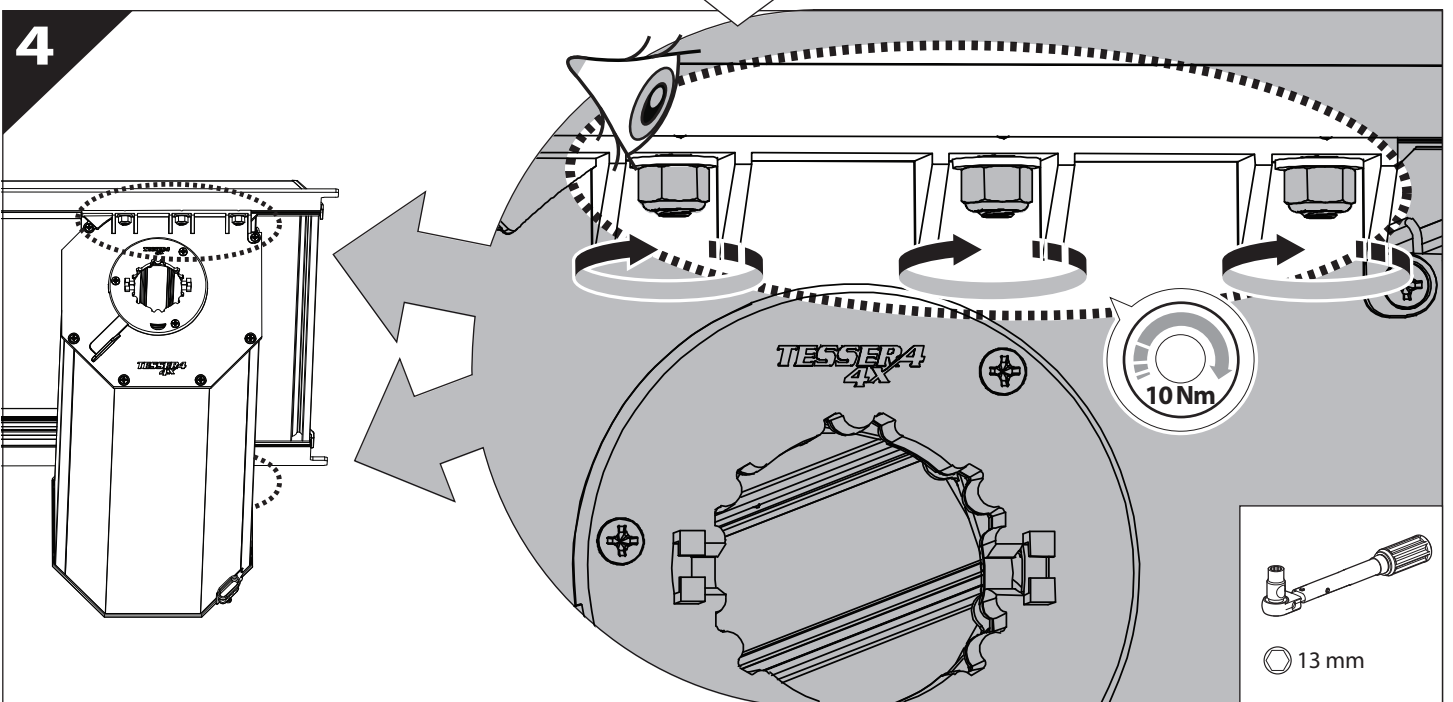
L

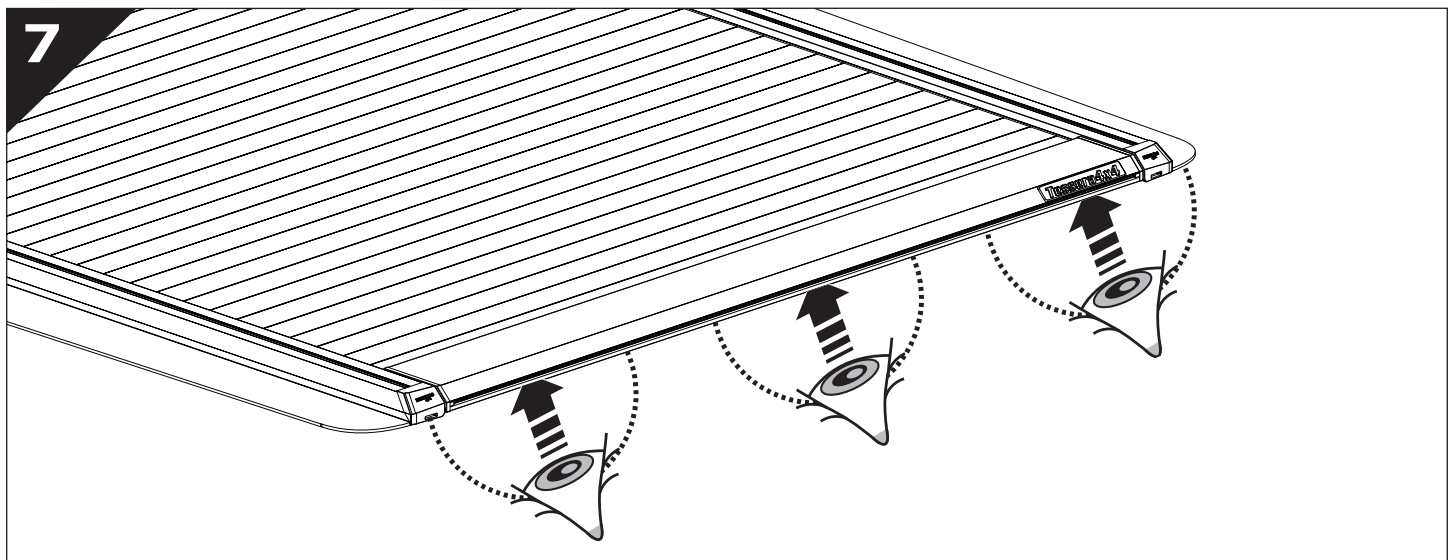
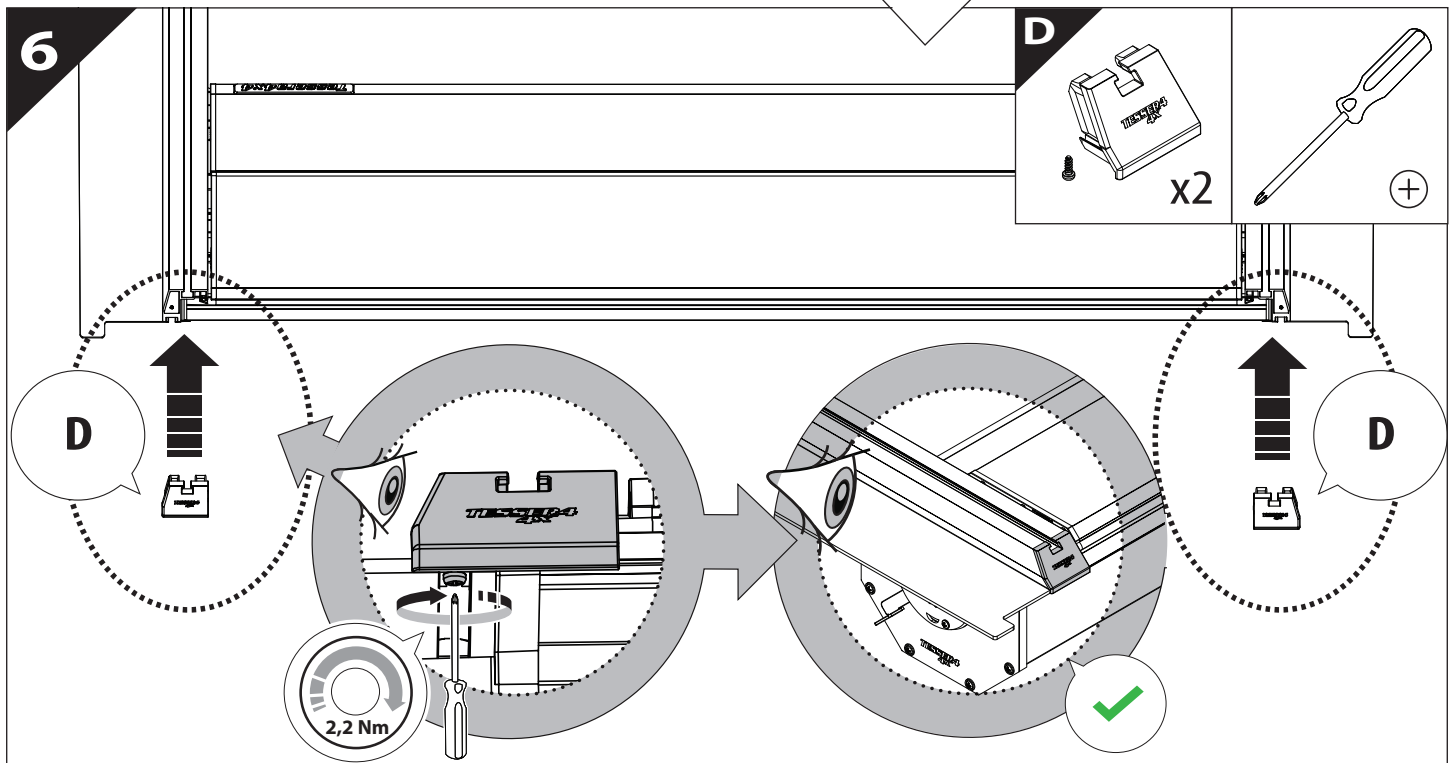
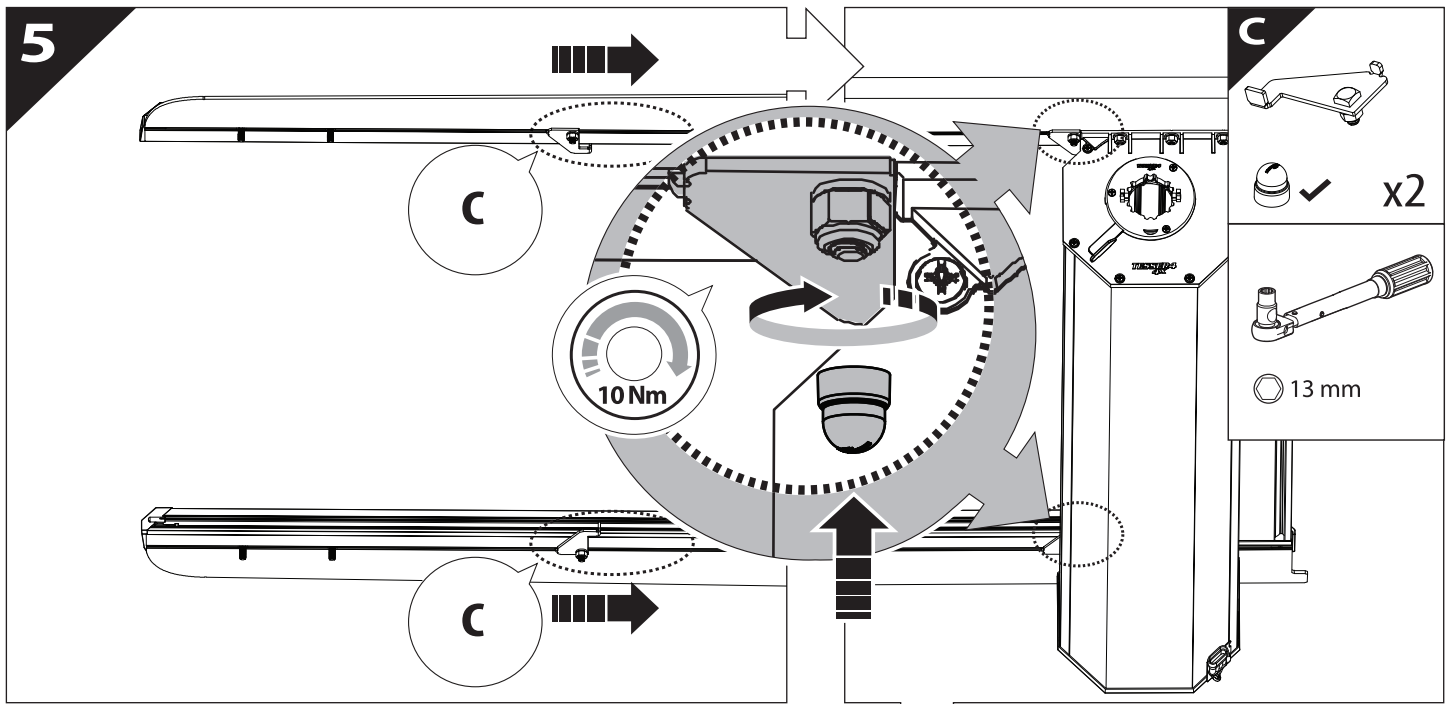


3

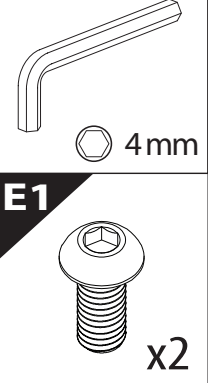
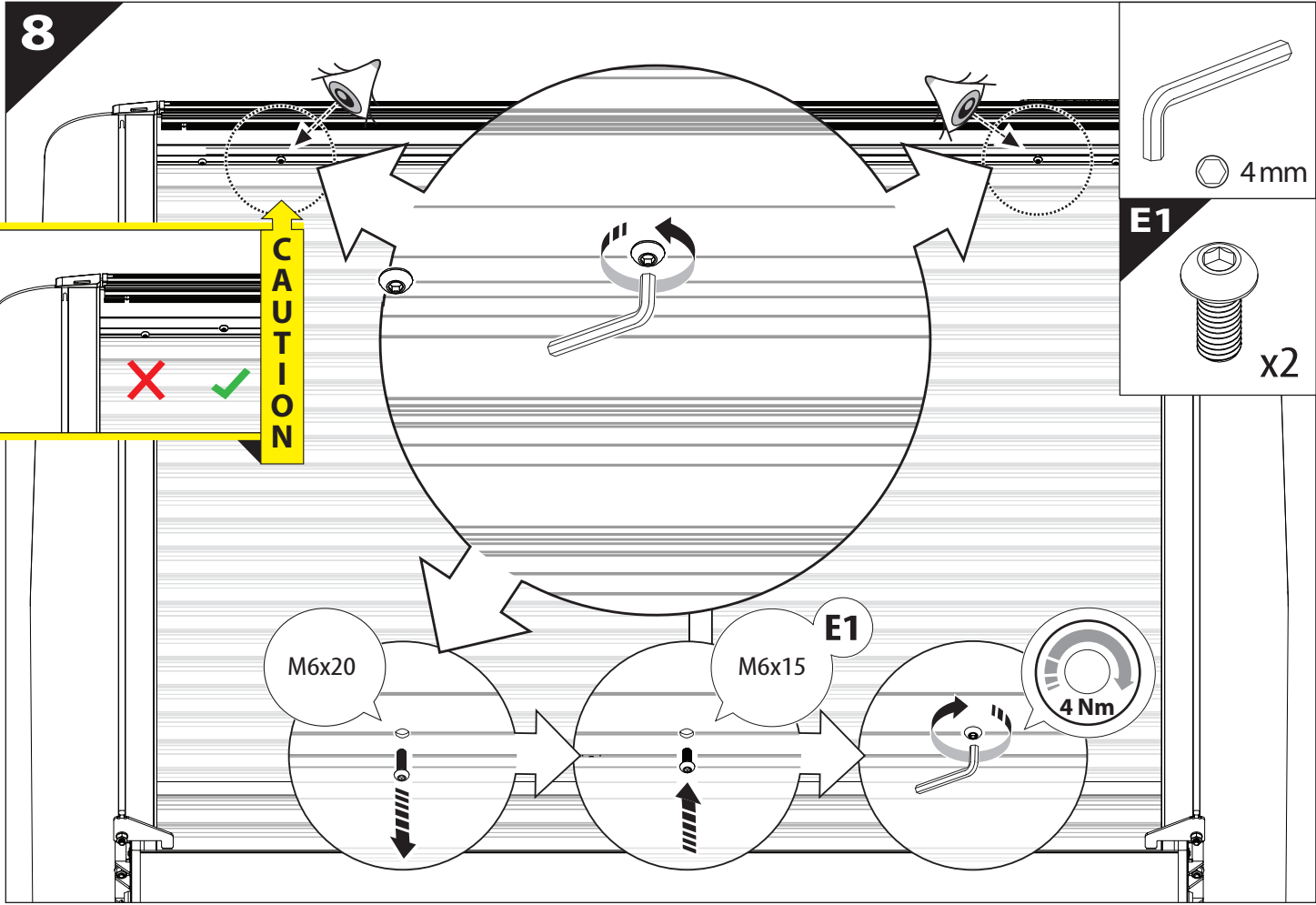
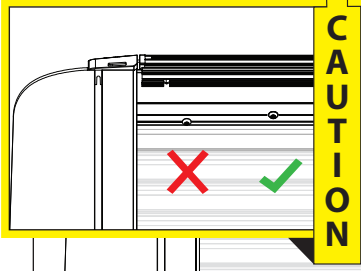


4

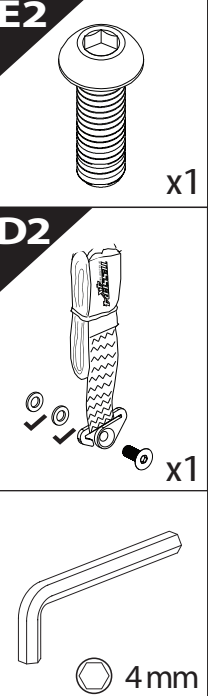
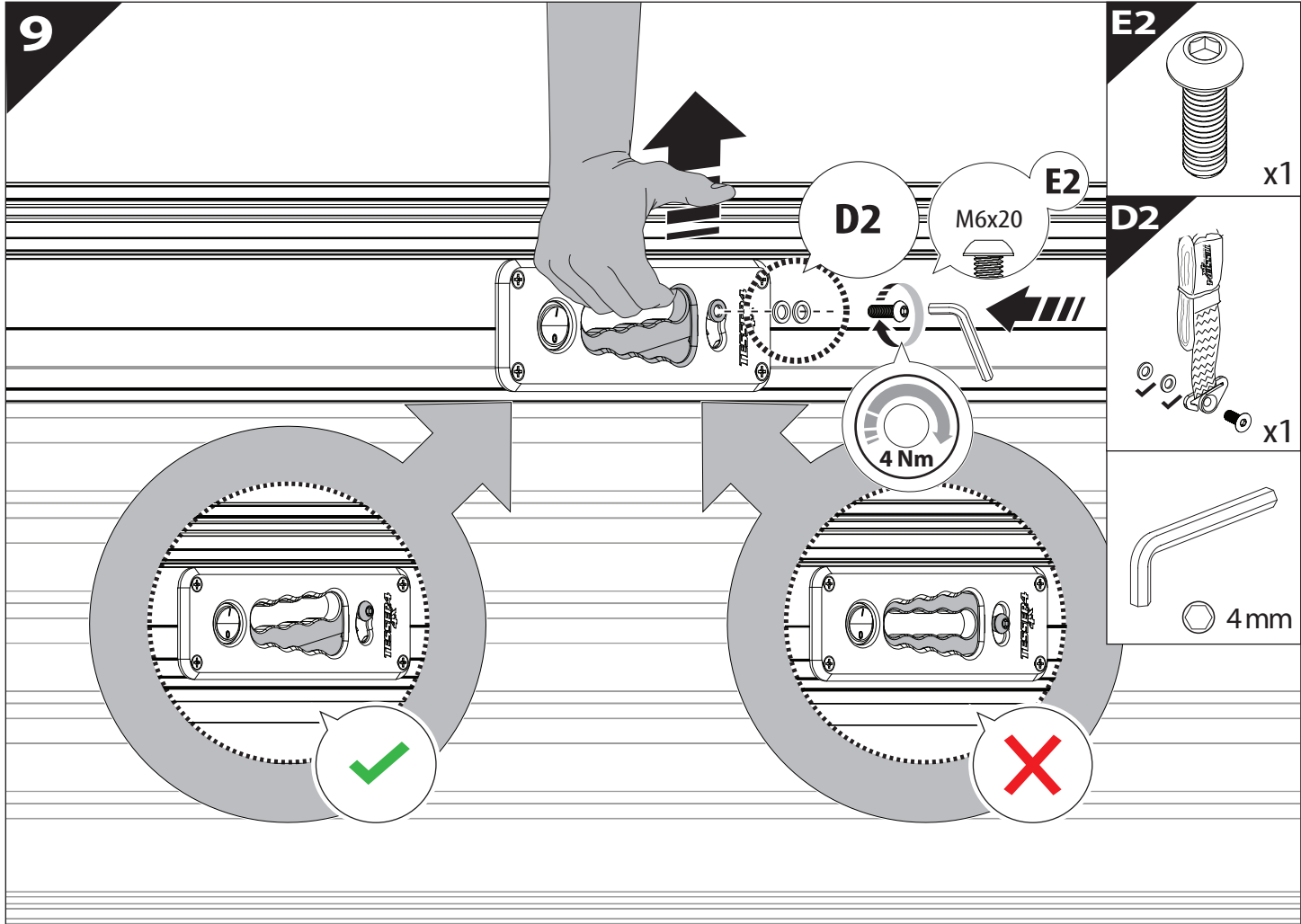


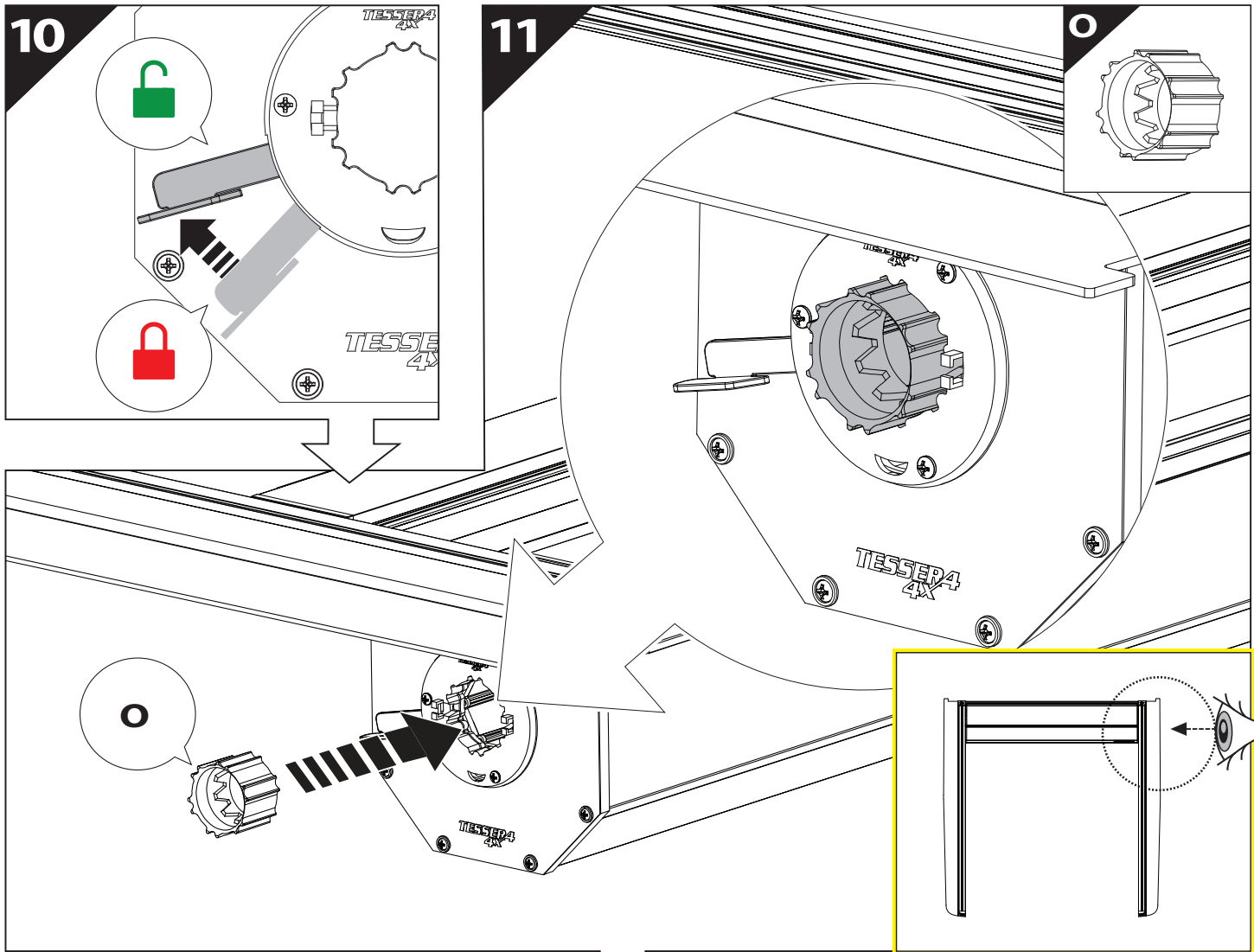


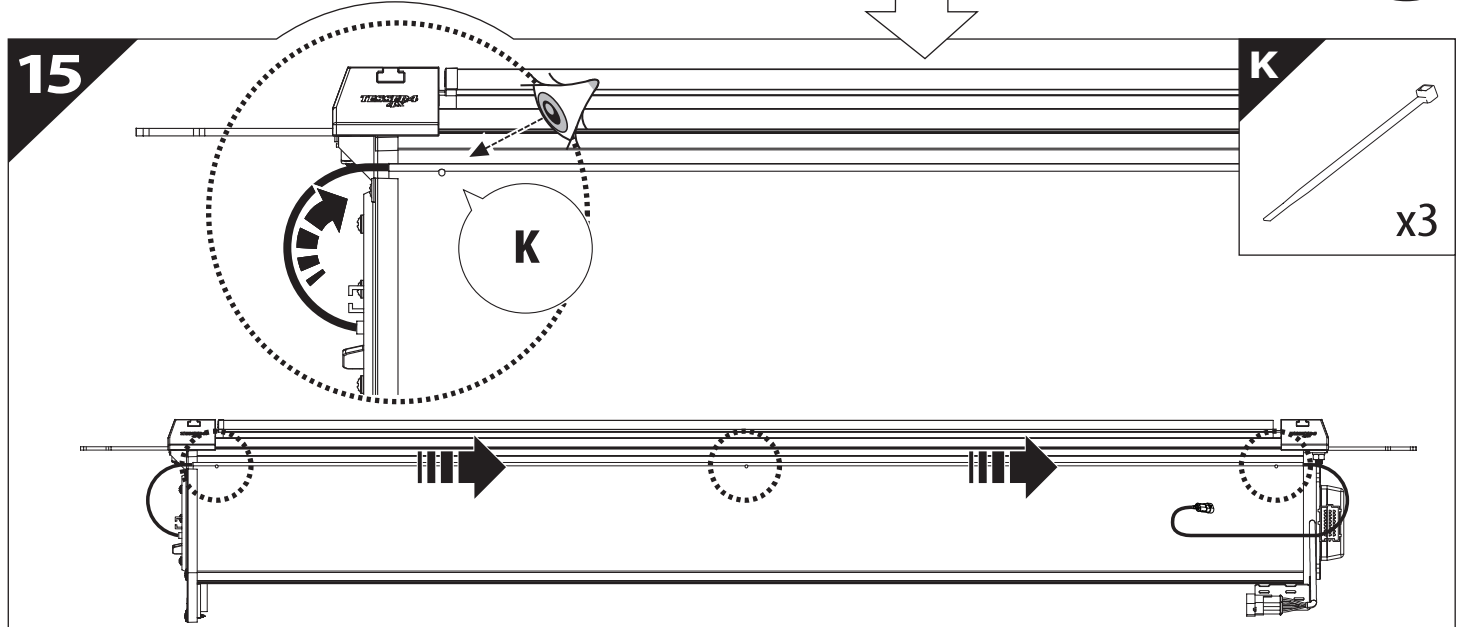
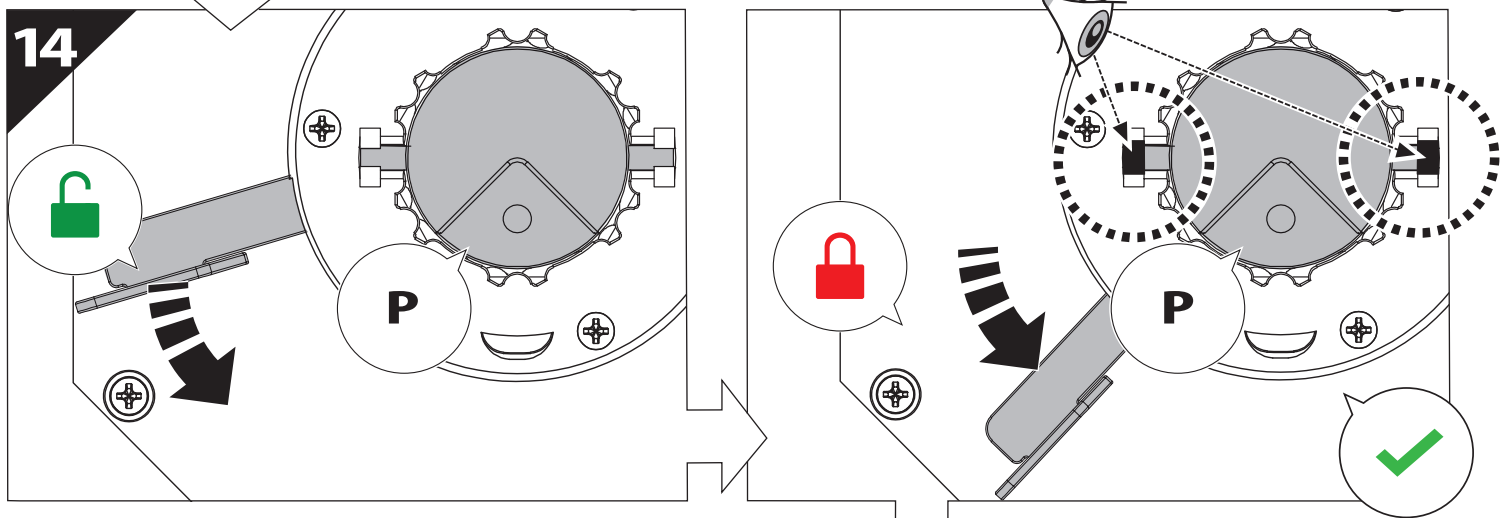
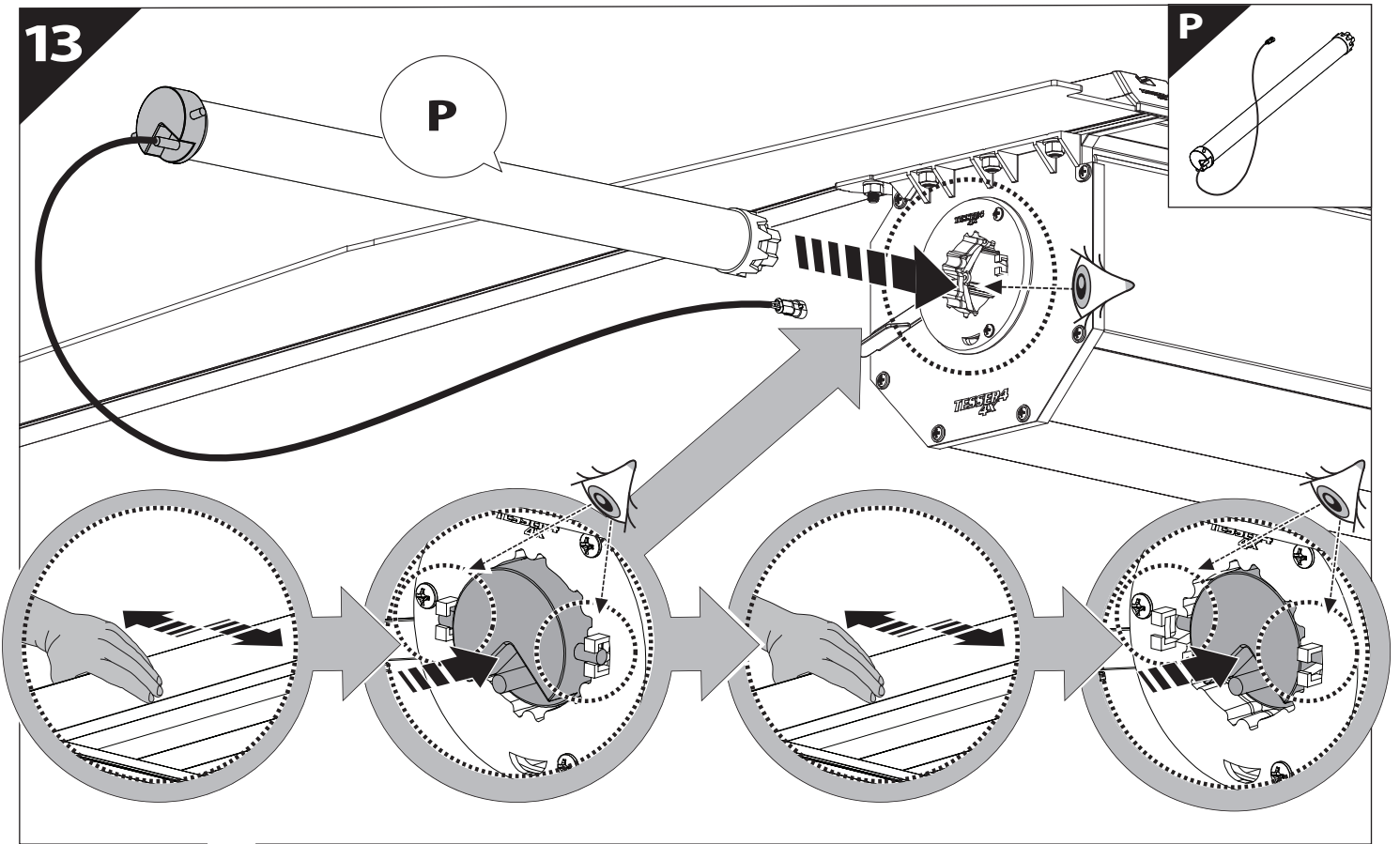
8

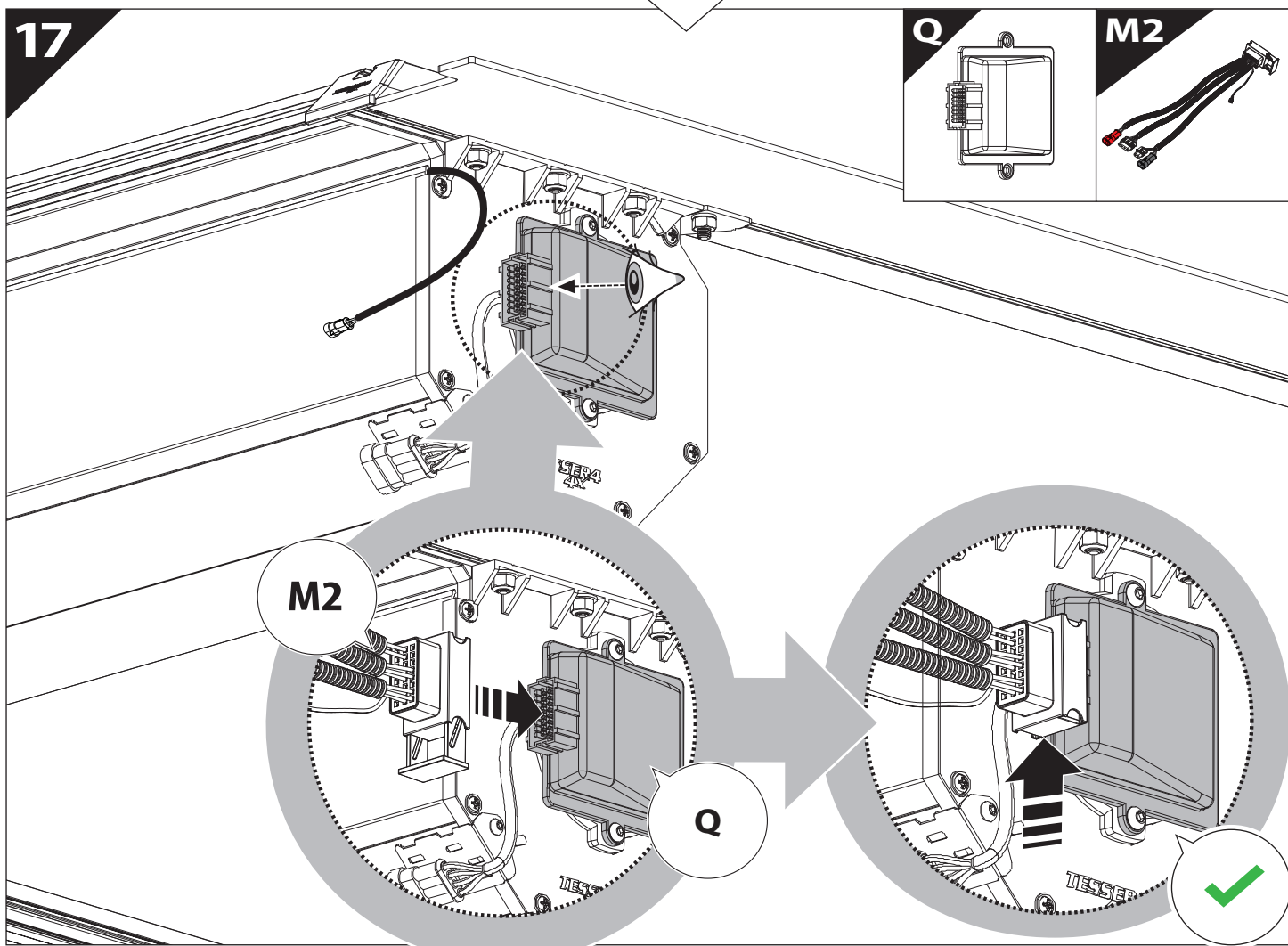
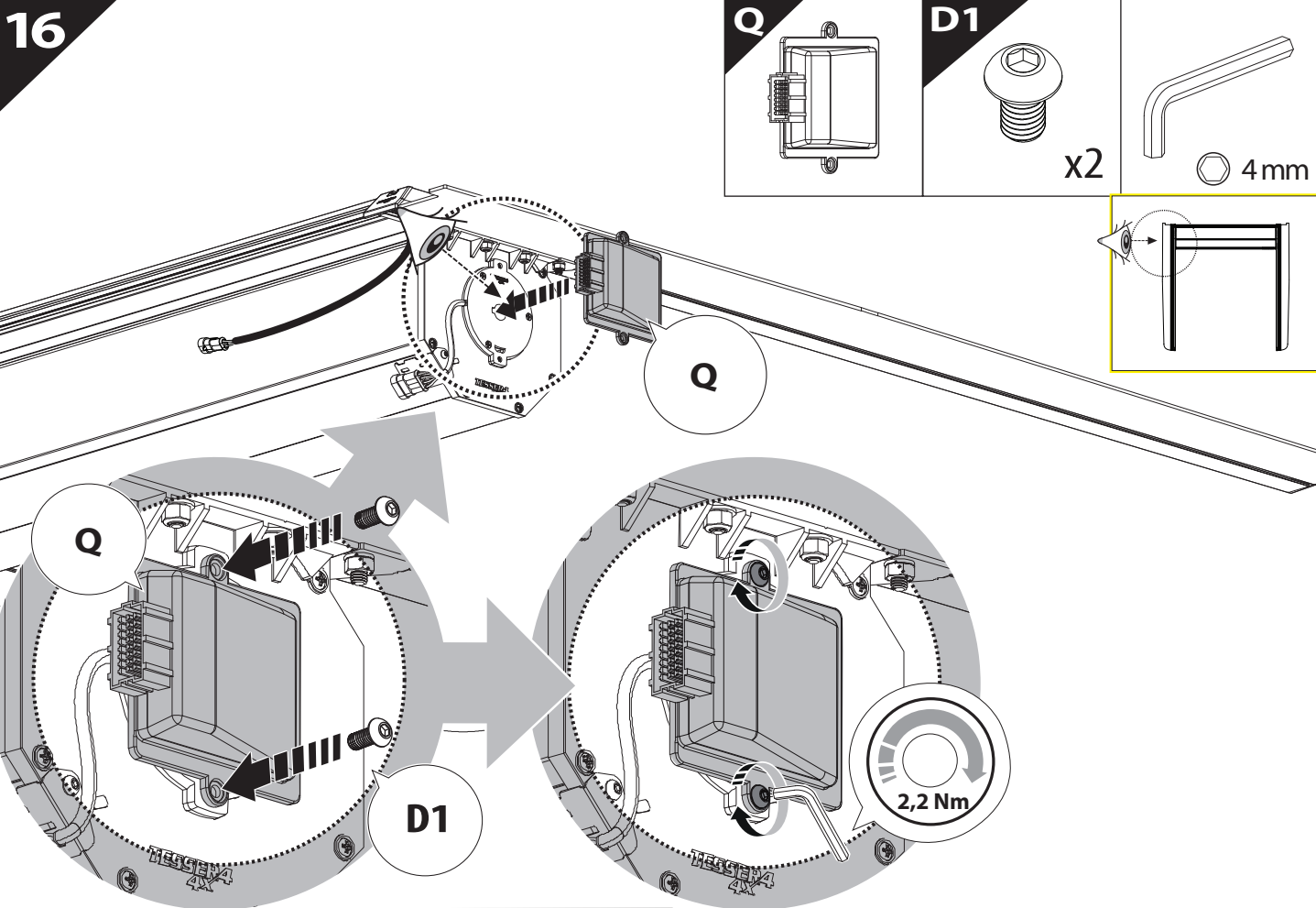


9





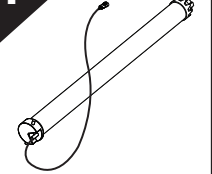




18

M2

P



P

1

2

M2

3

19

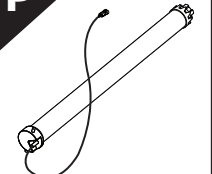
P

M2



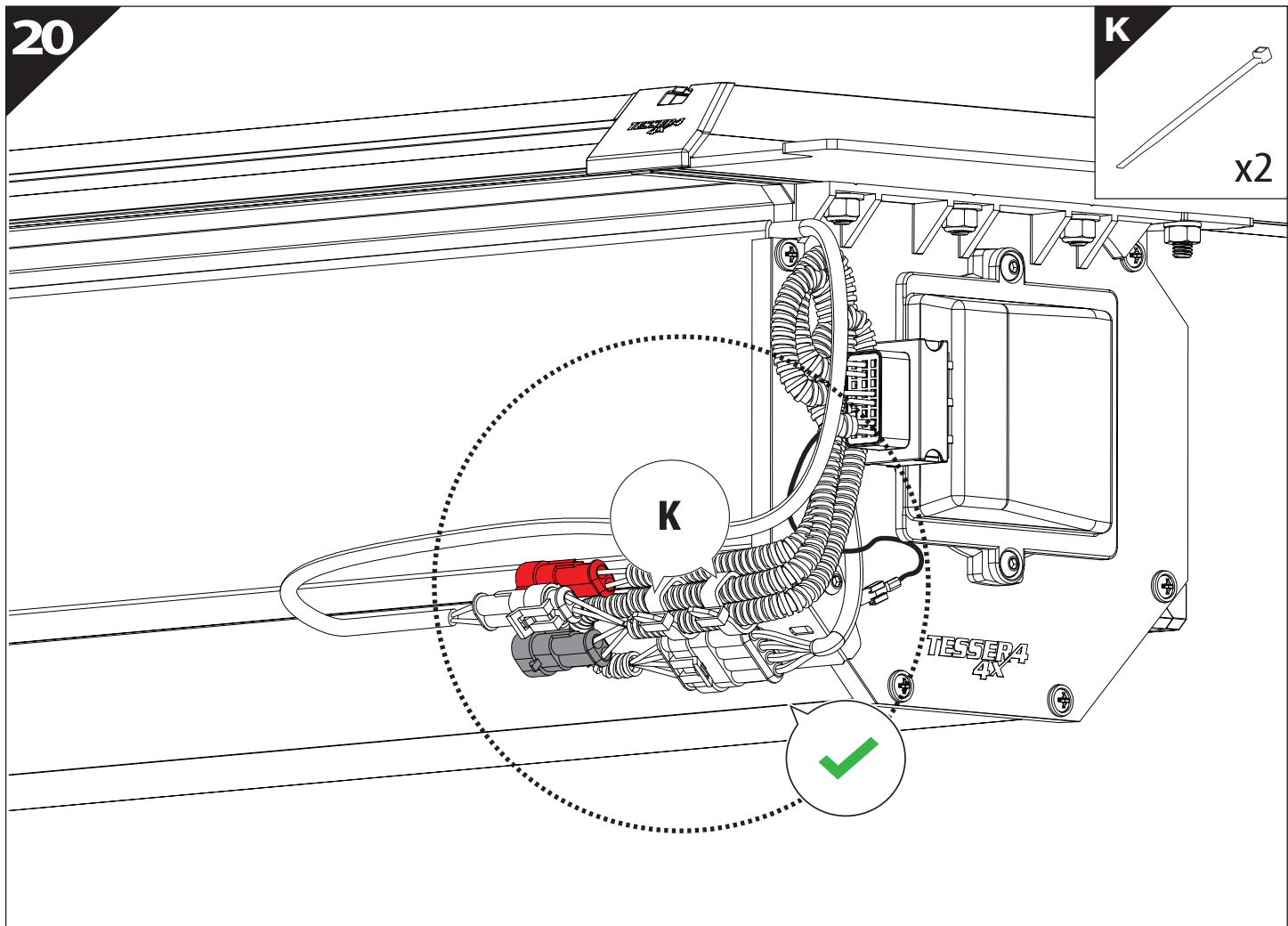
M2

P

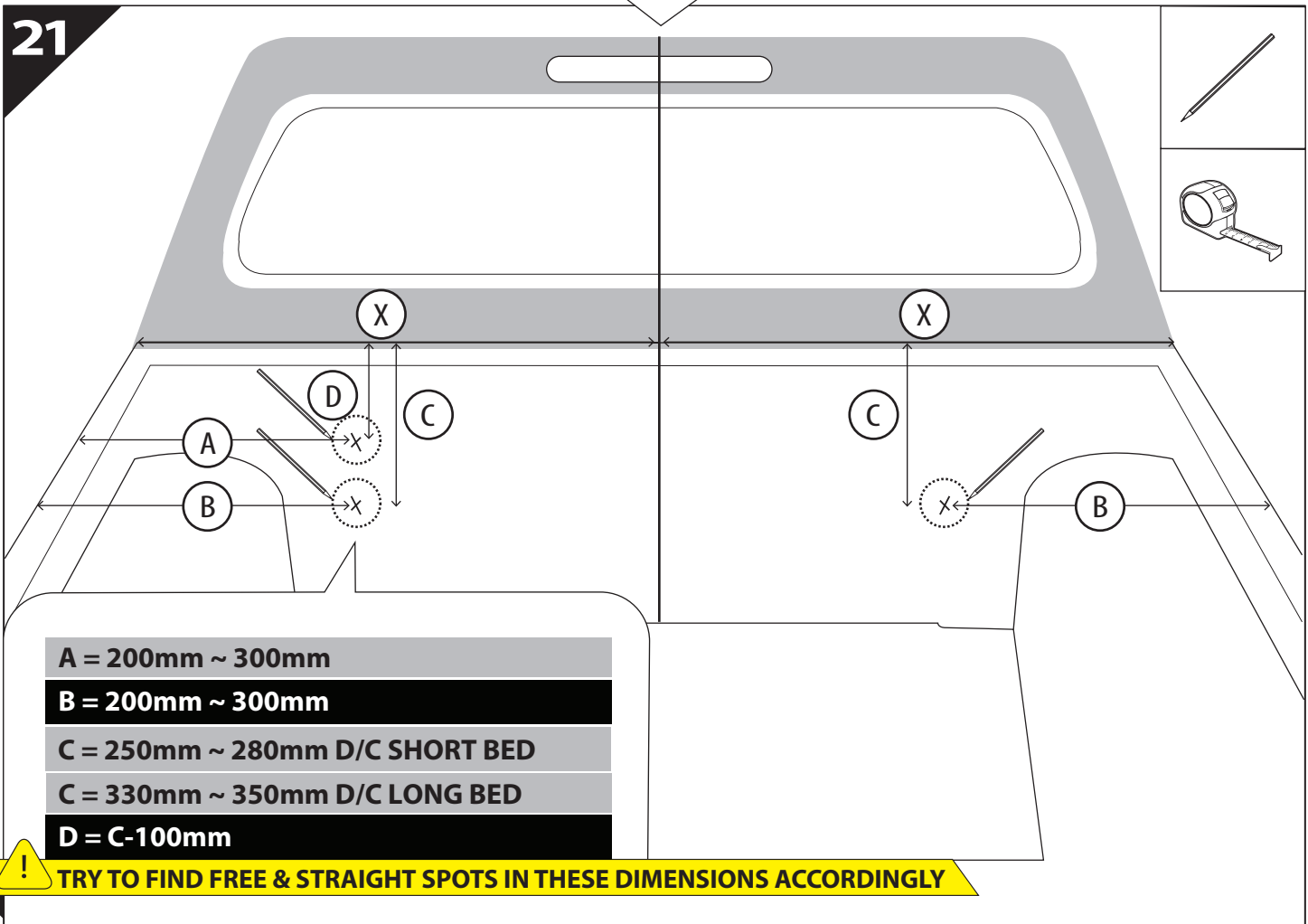


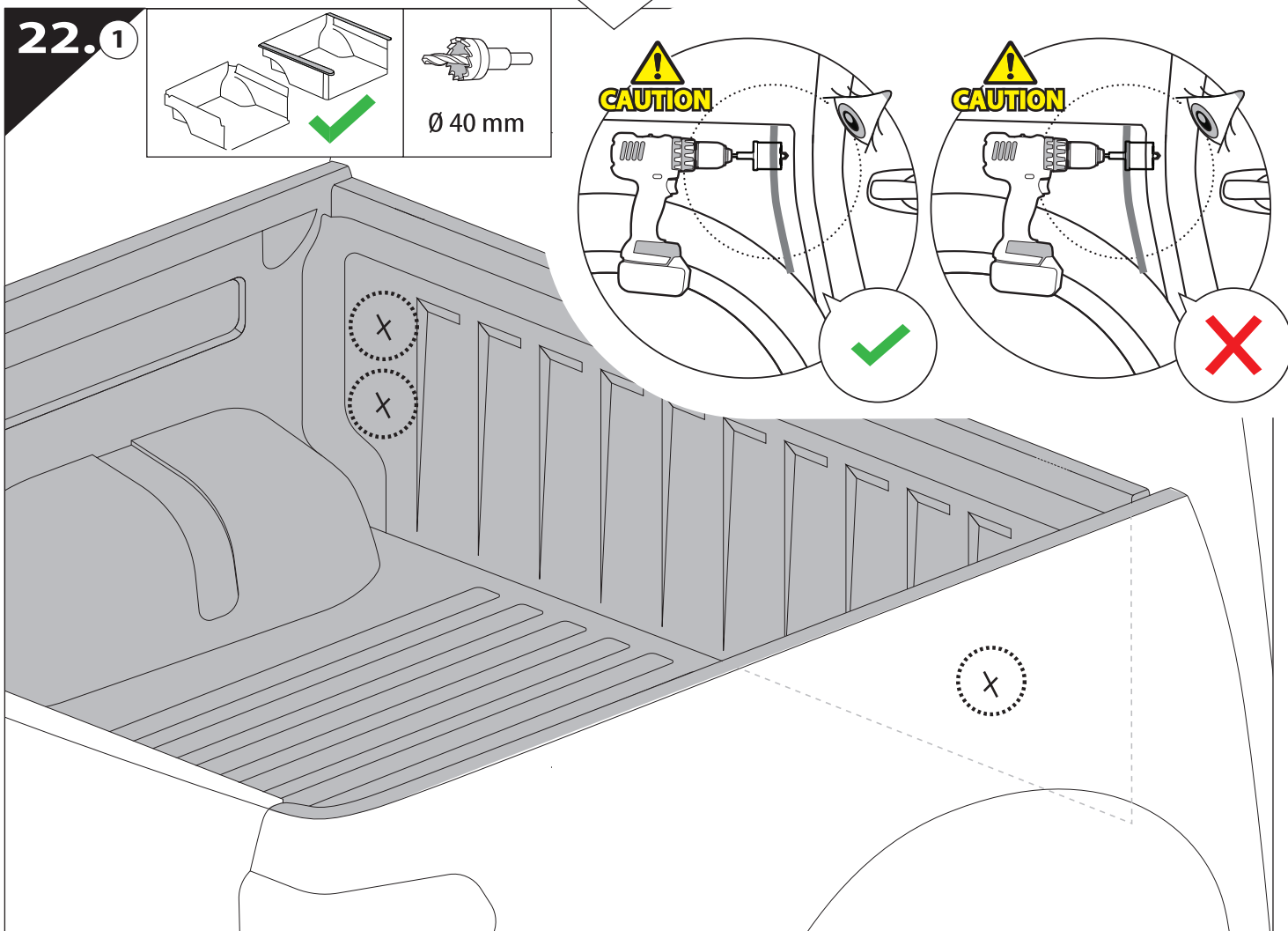
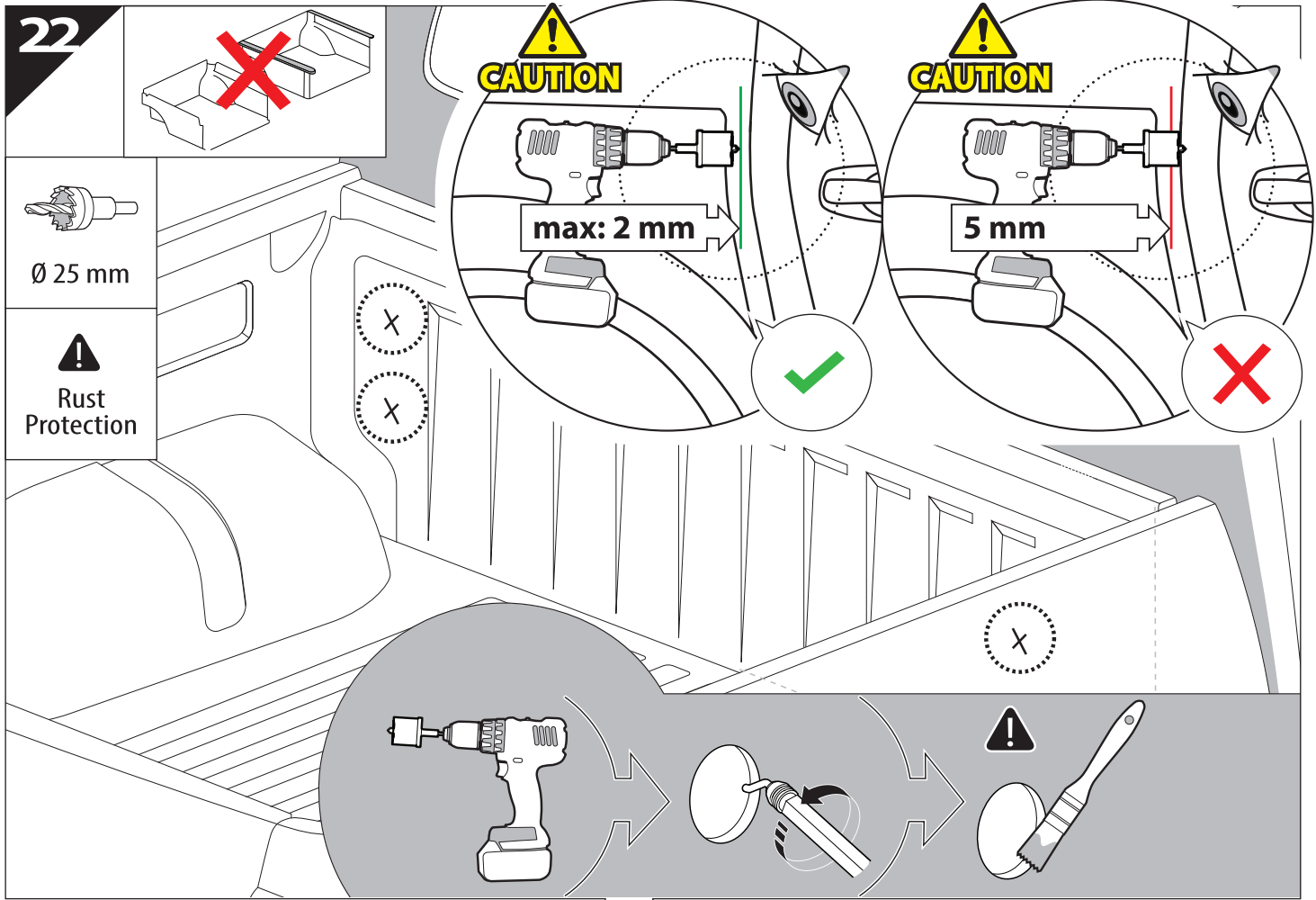
20

K

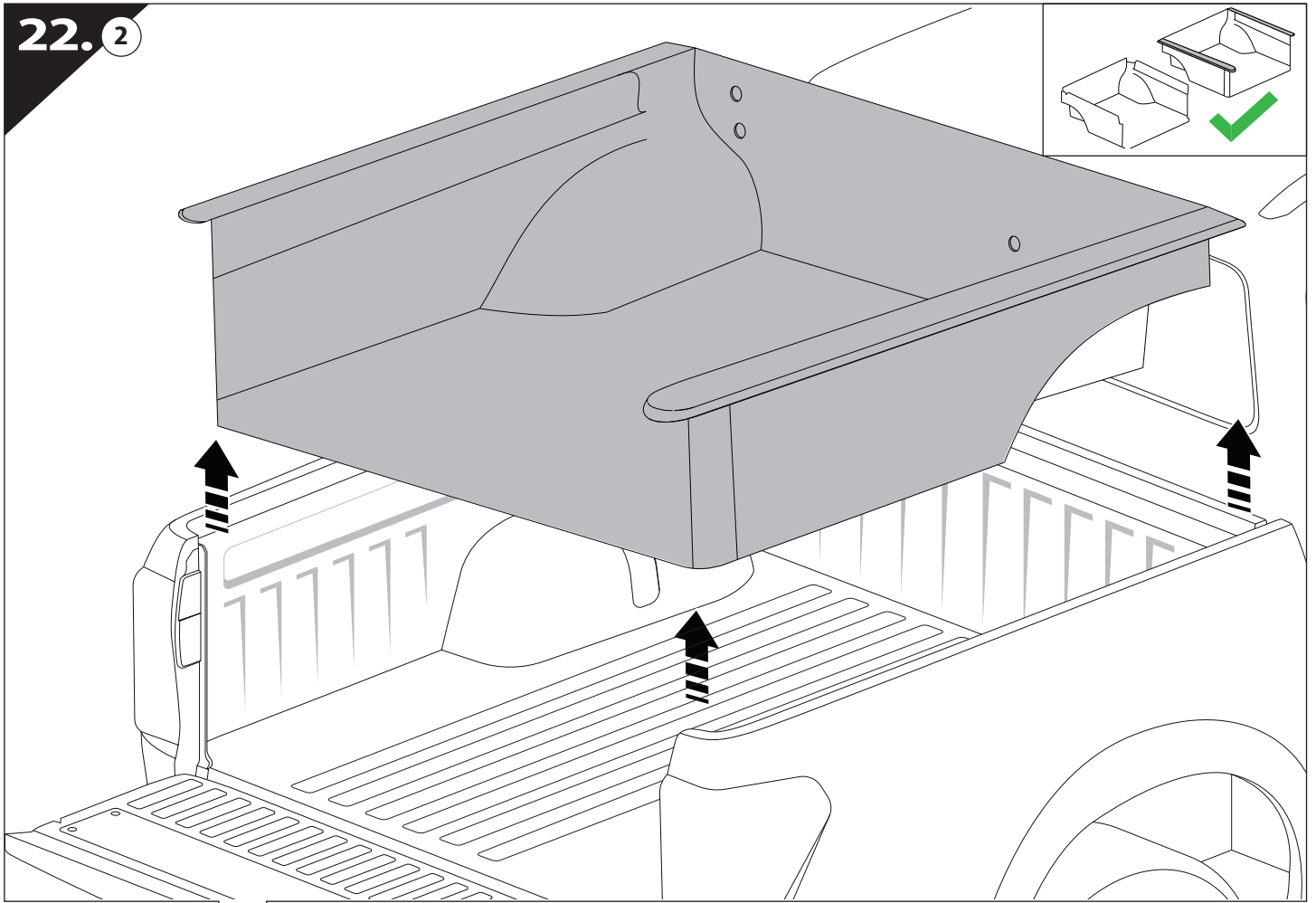


21

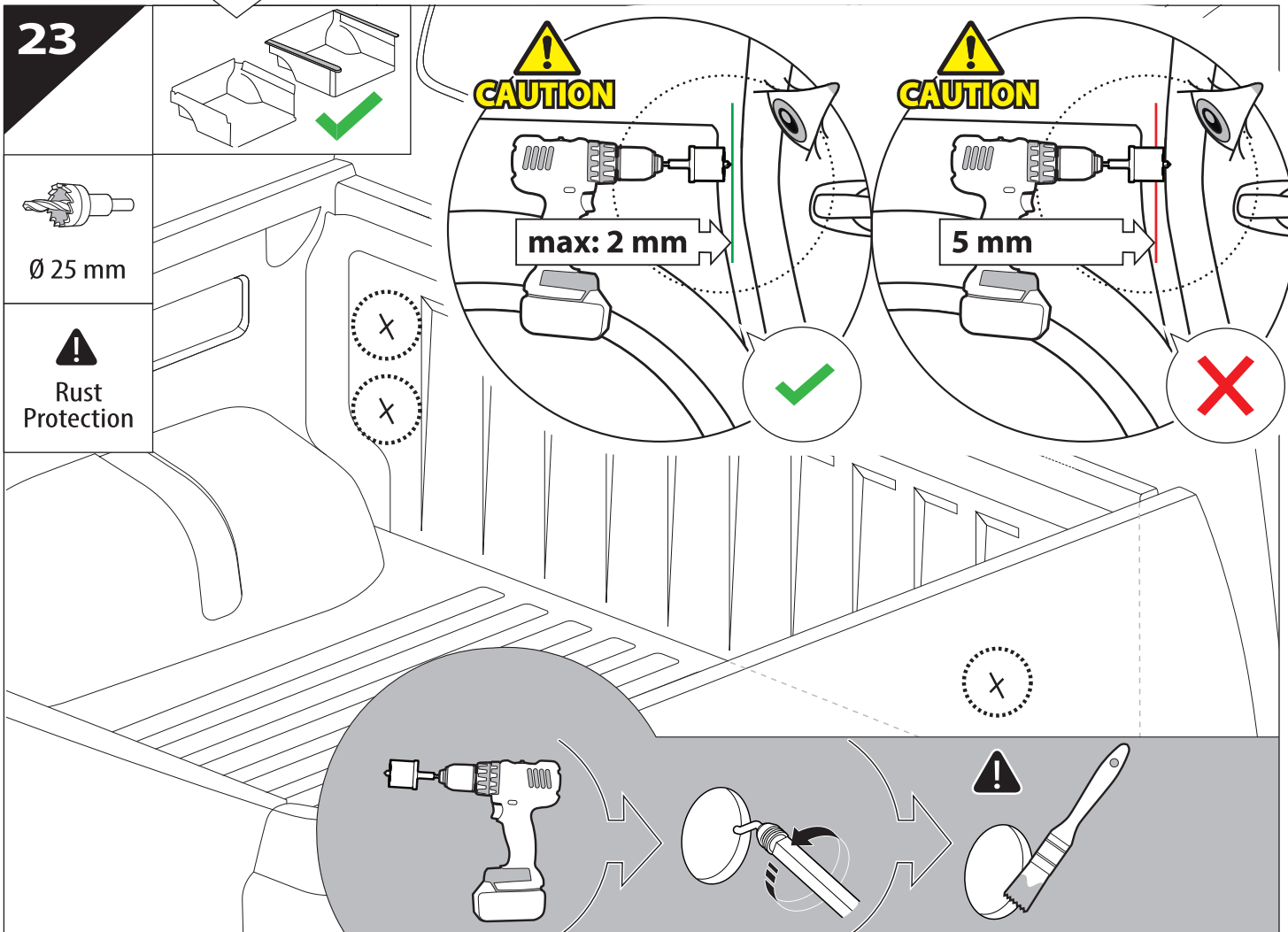




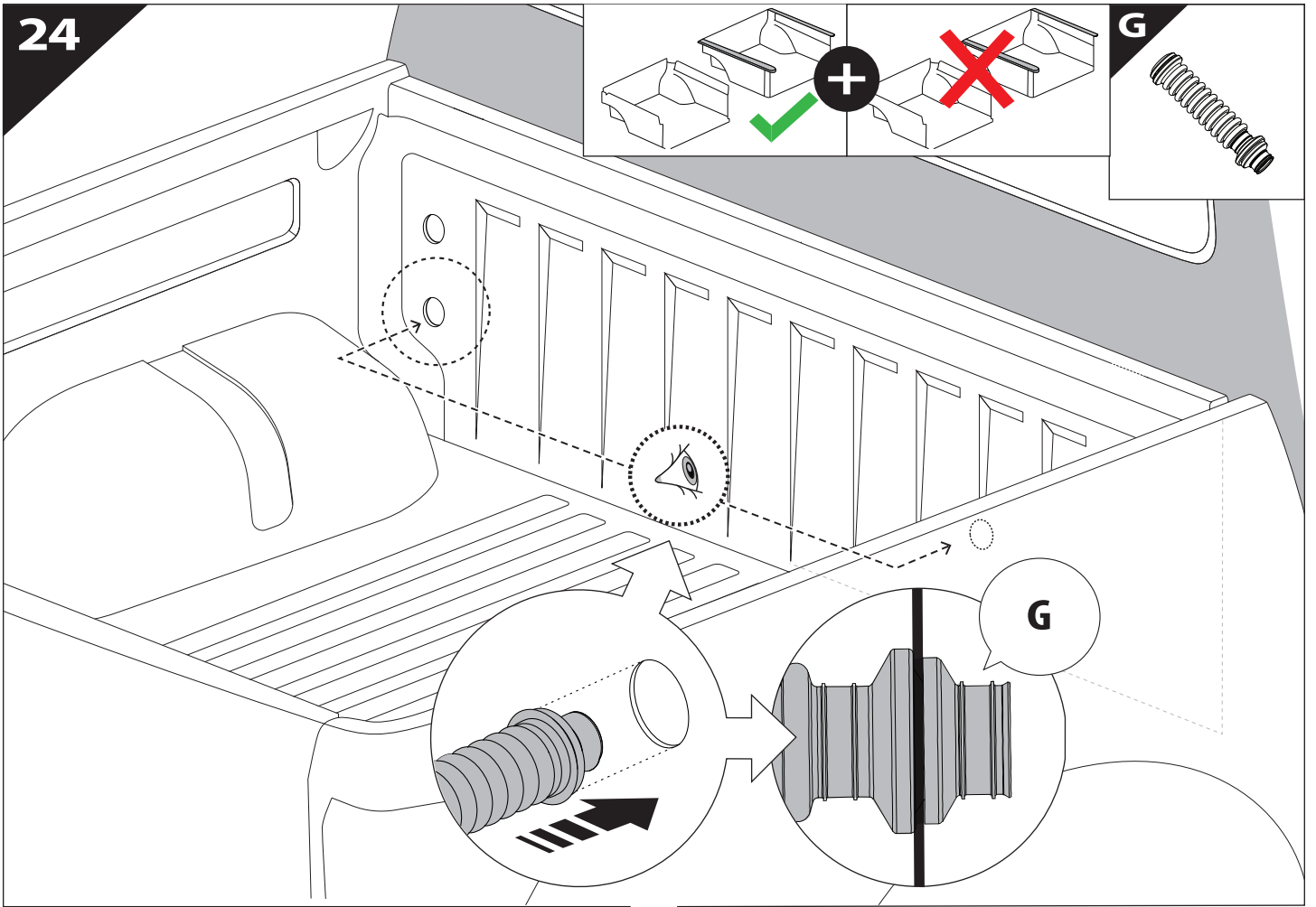
22. 2



23

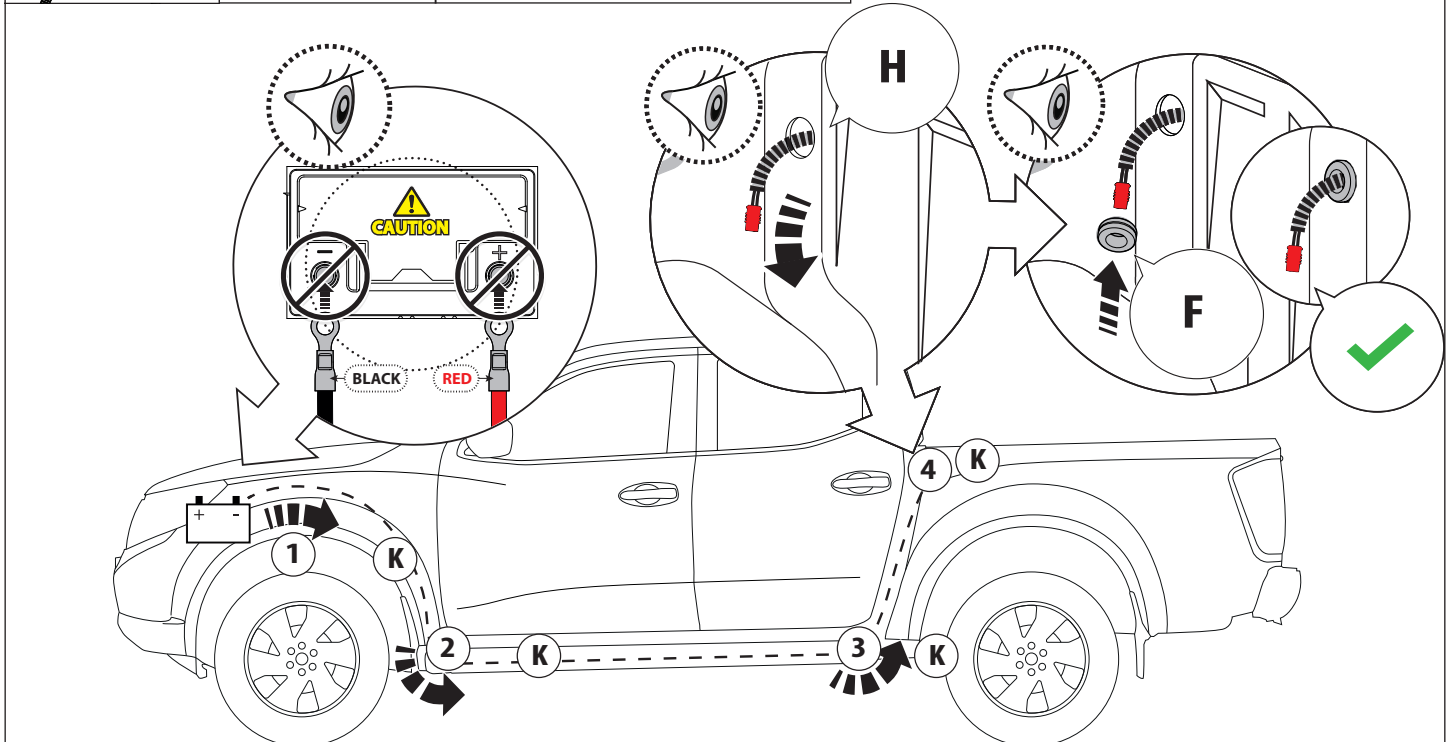
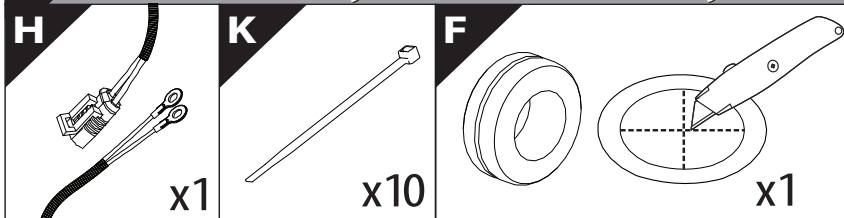


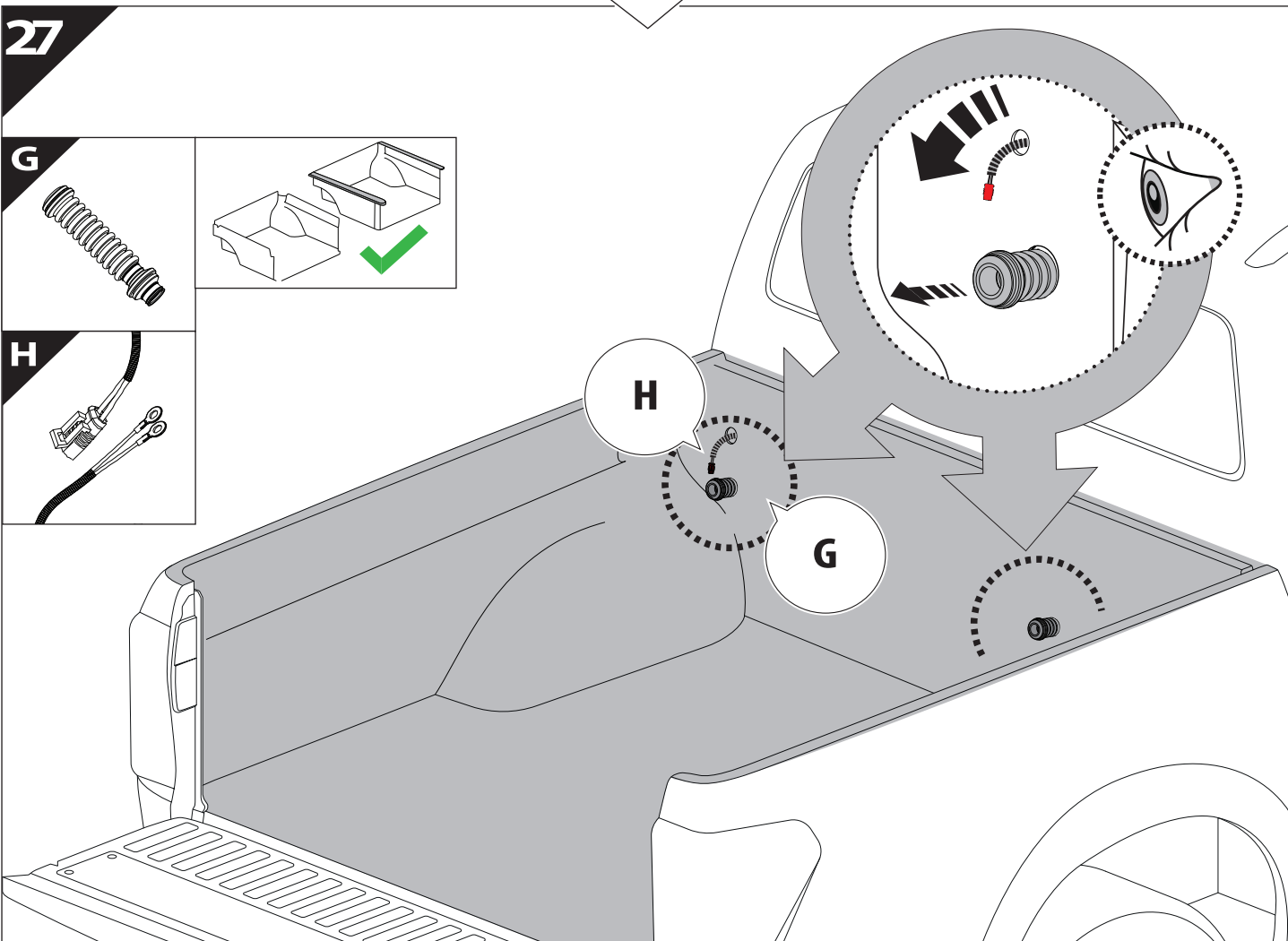
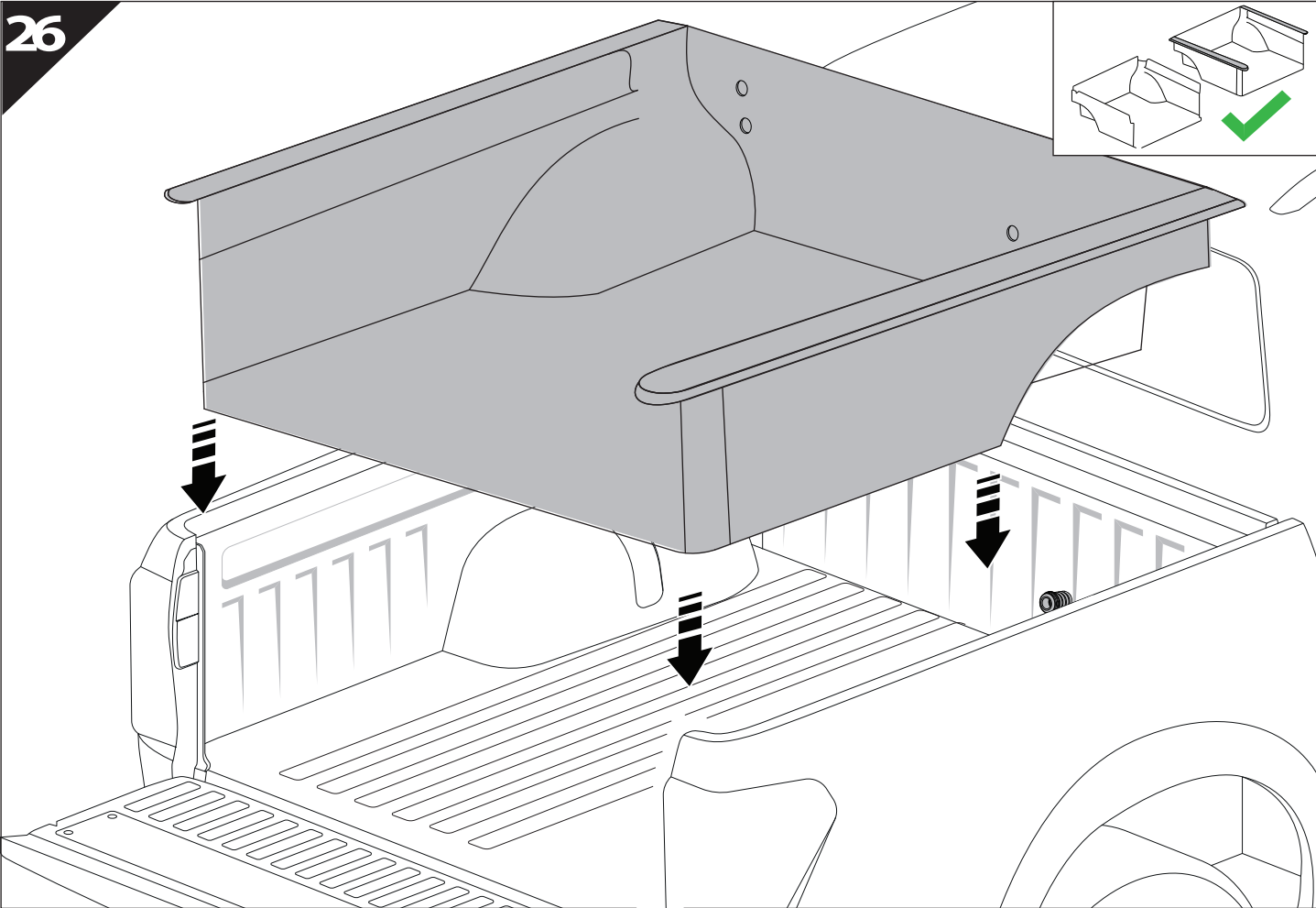
24



25

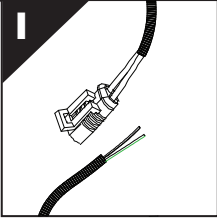
Only to be installed by authorized personnel



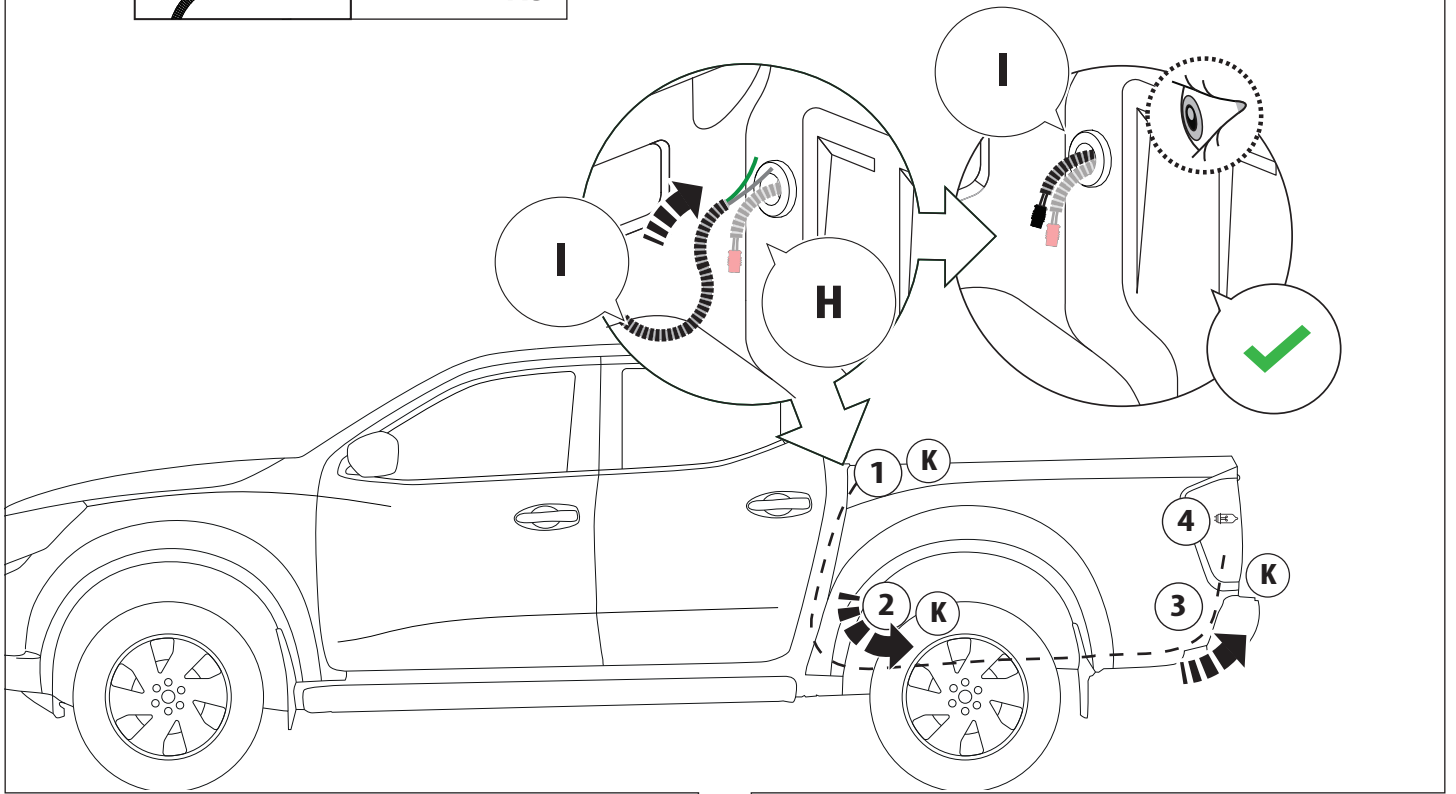
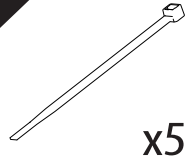


28

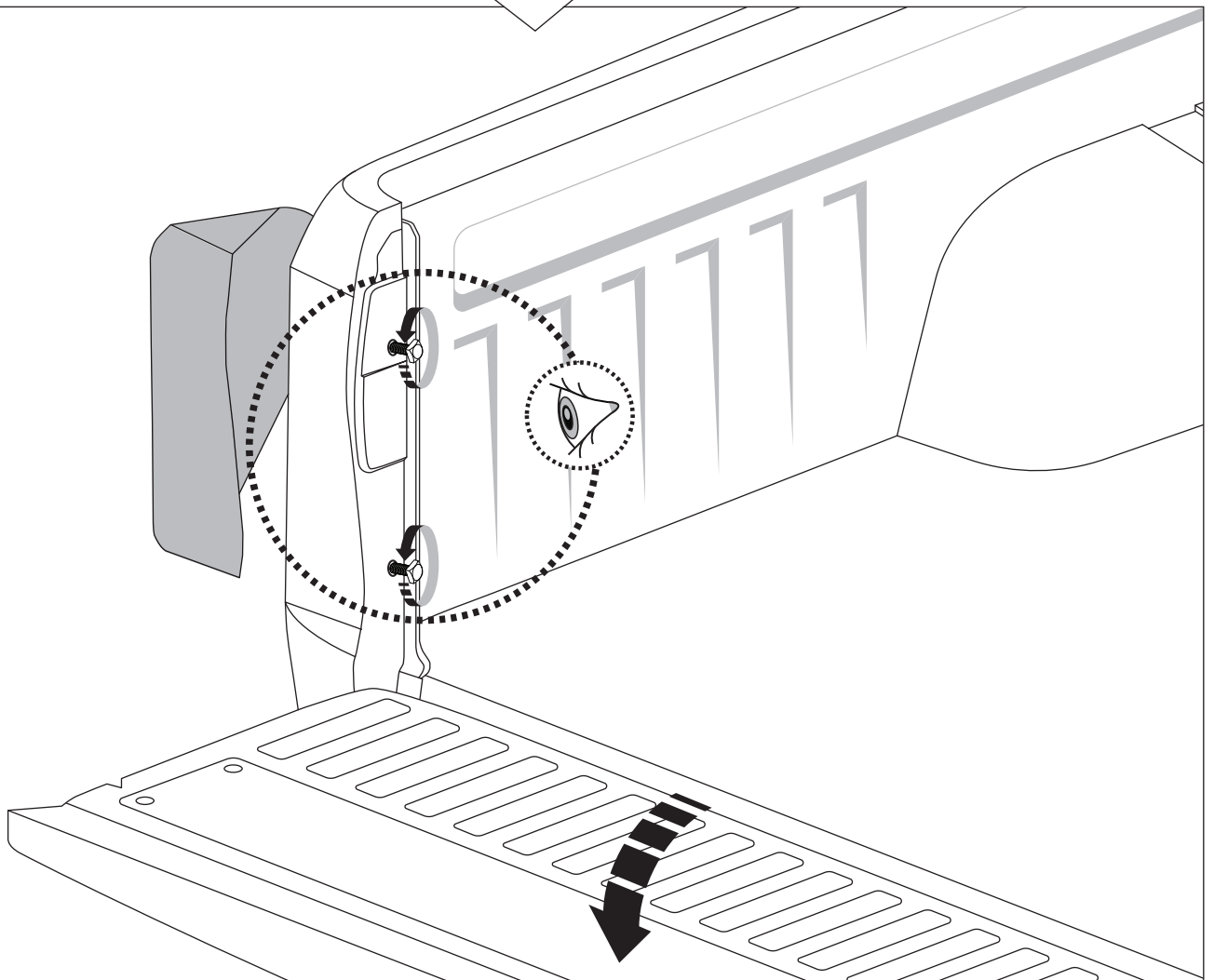
I

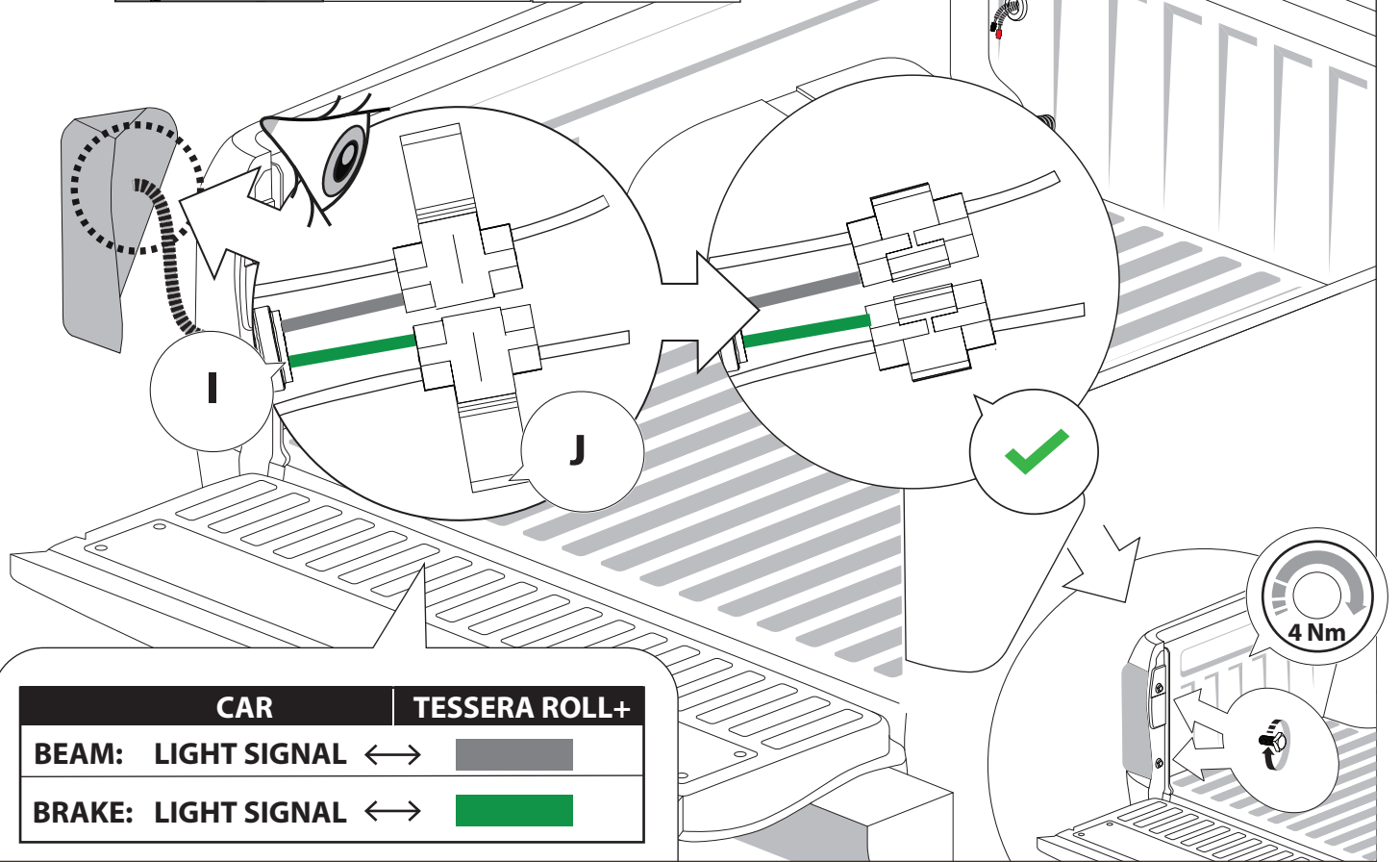
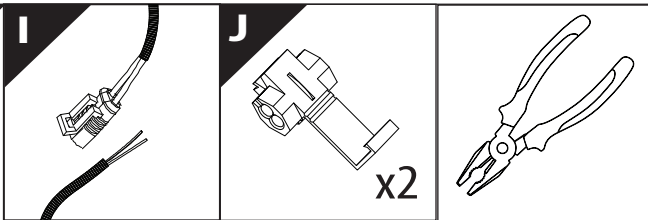


K



29

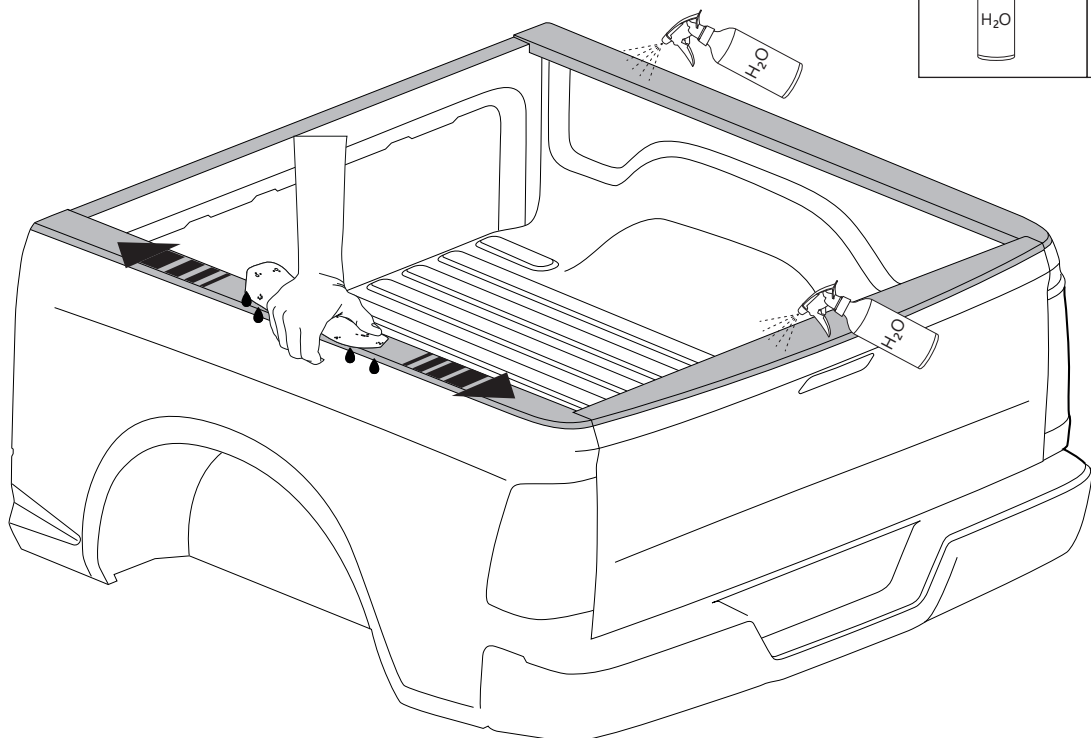
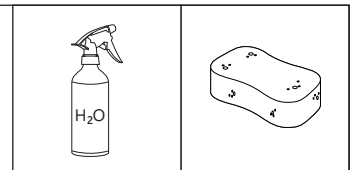


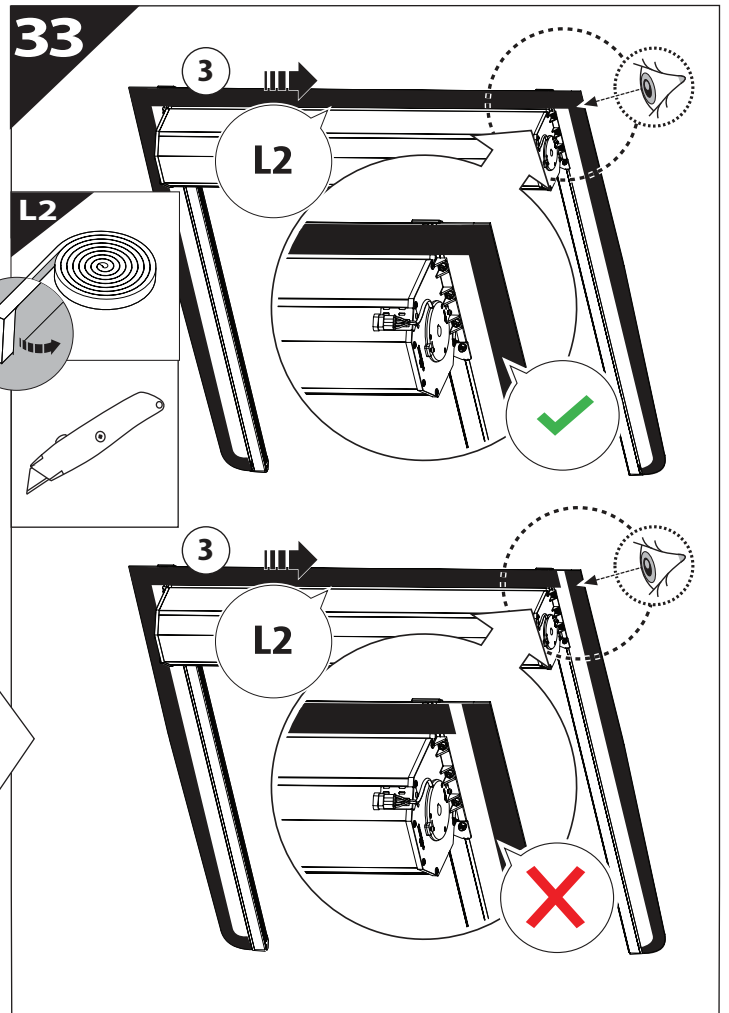
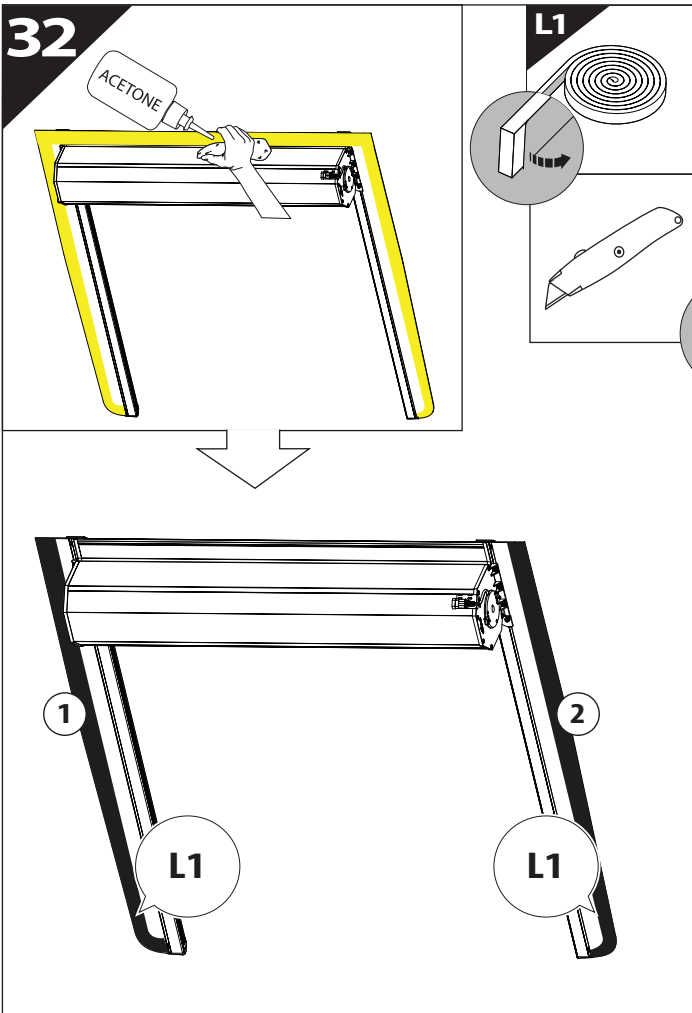
30

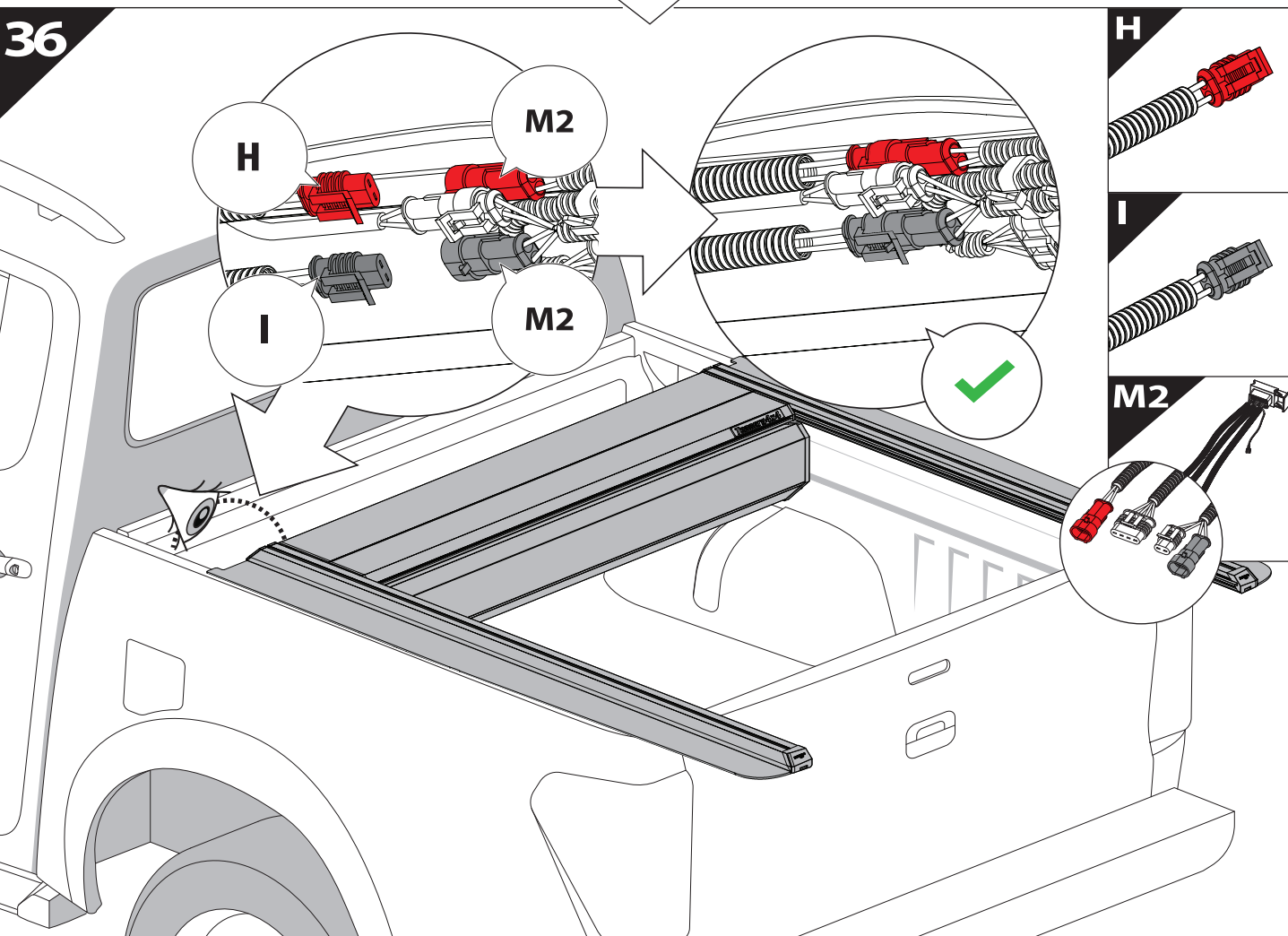
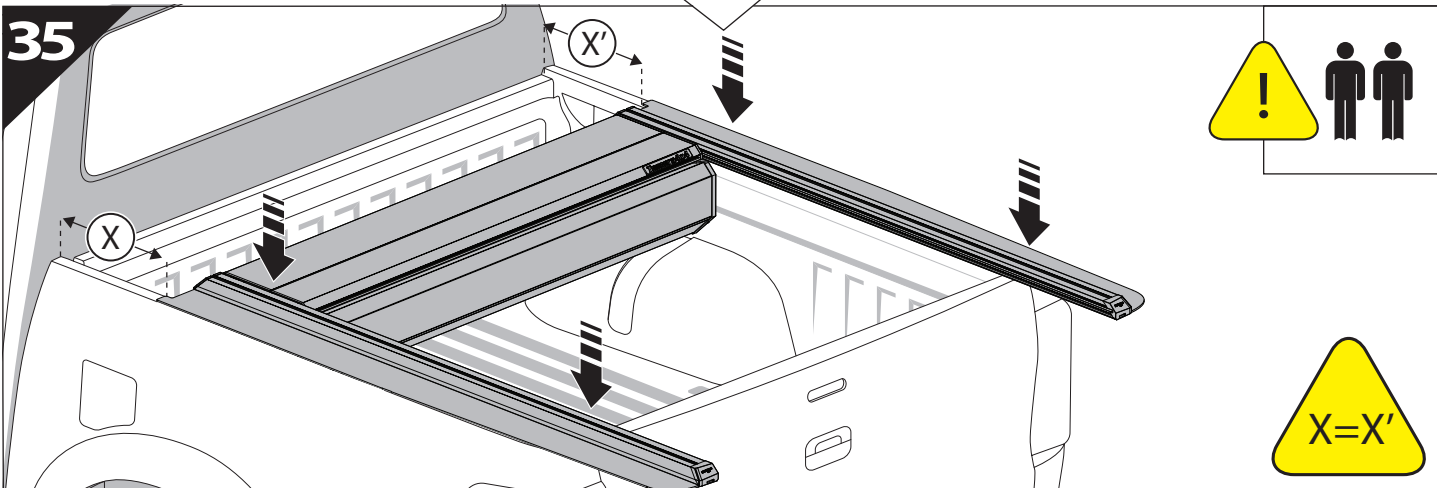
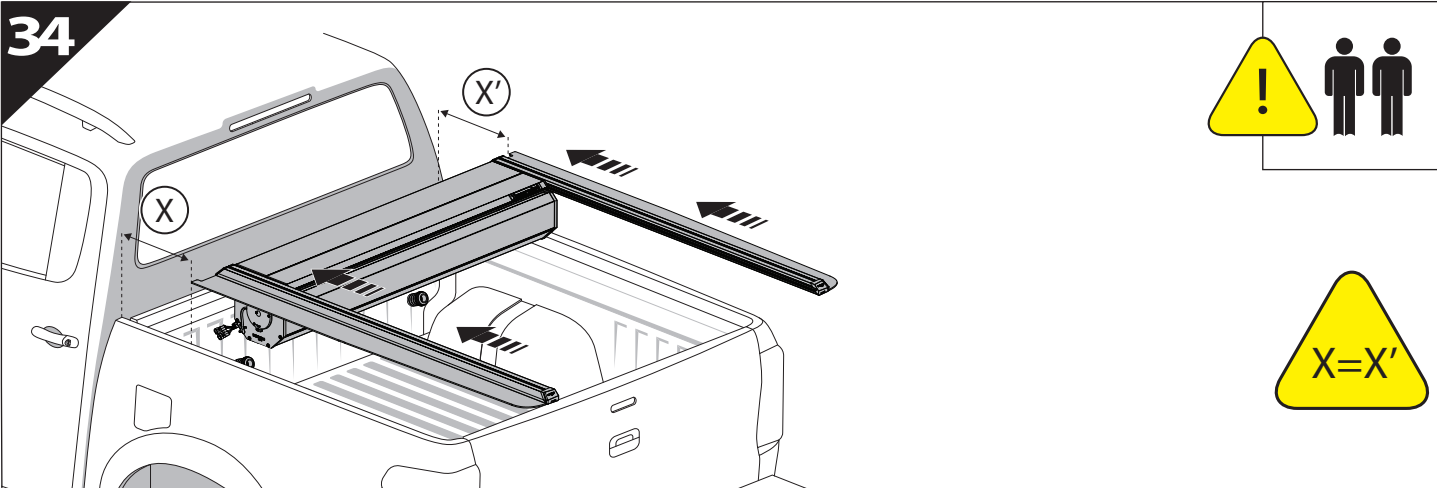
CAR	TESSERA ROLL+
BEAM: LIGHT SIGNAL ↔	
BRAKE: LIGHT SIGNAL ↔	



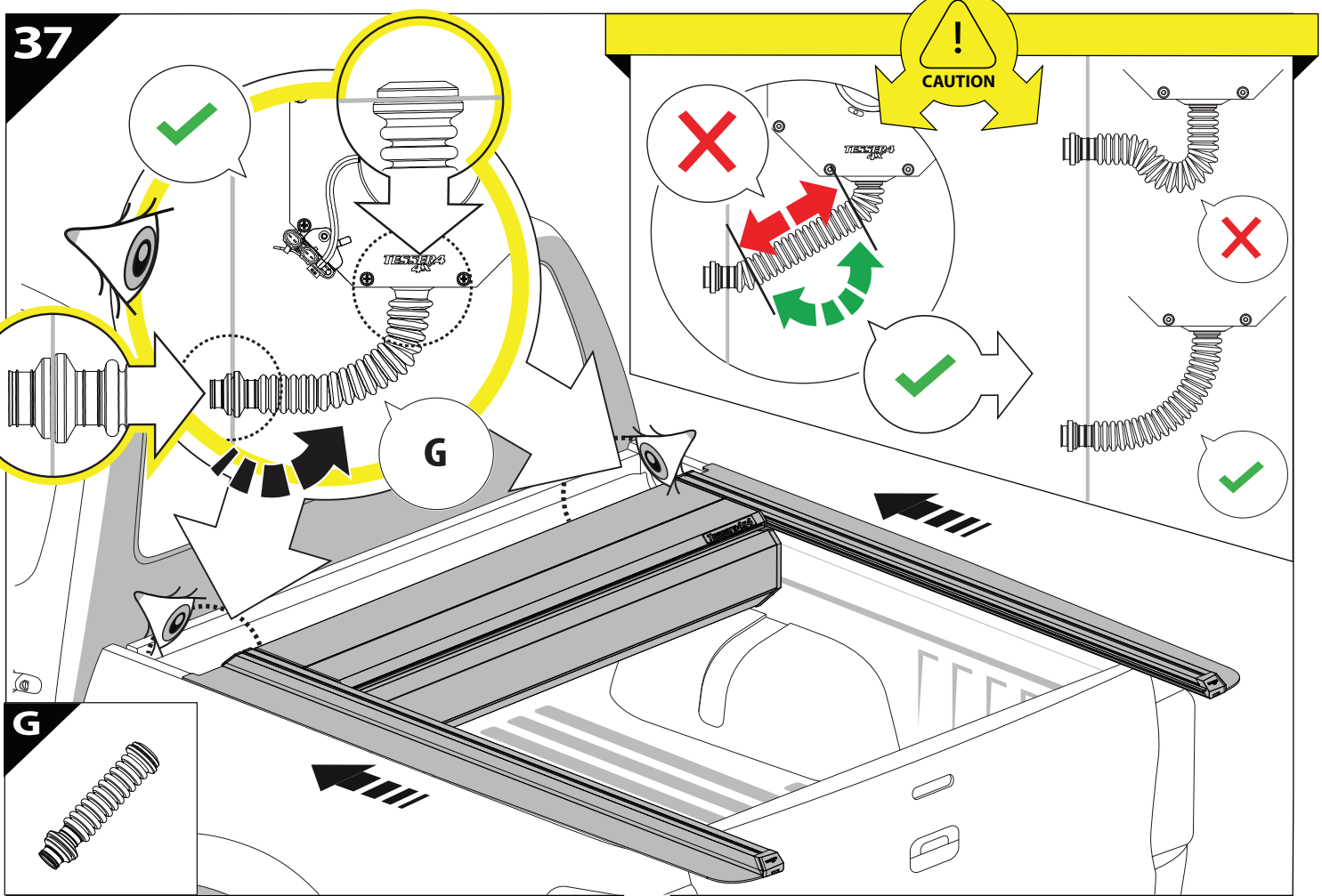
CAUTION: CONSULT A CERTIFIED AUTO MECHANIC OR AUTOMOTIVE ELECTRICIAN TO IDENTIFY THE CORRECT WIRING CABLES FOR BEAM AND BRAKE SIGNALS BEFORE MAKING ANY CONNECTIONS.

31

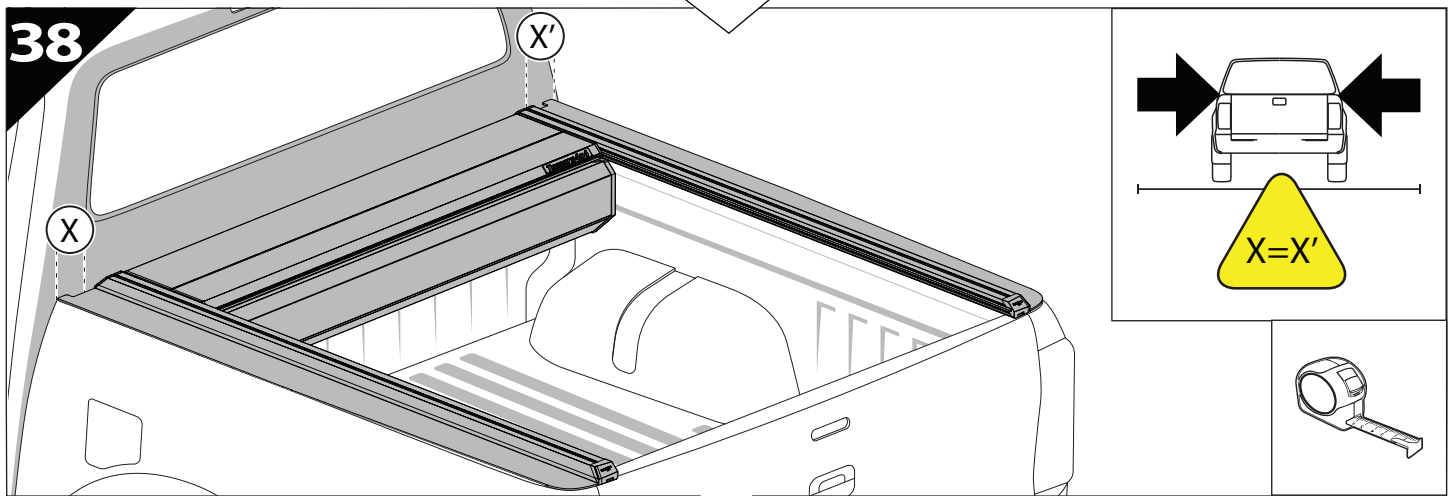




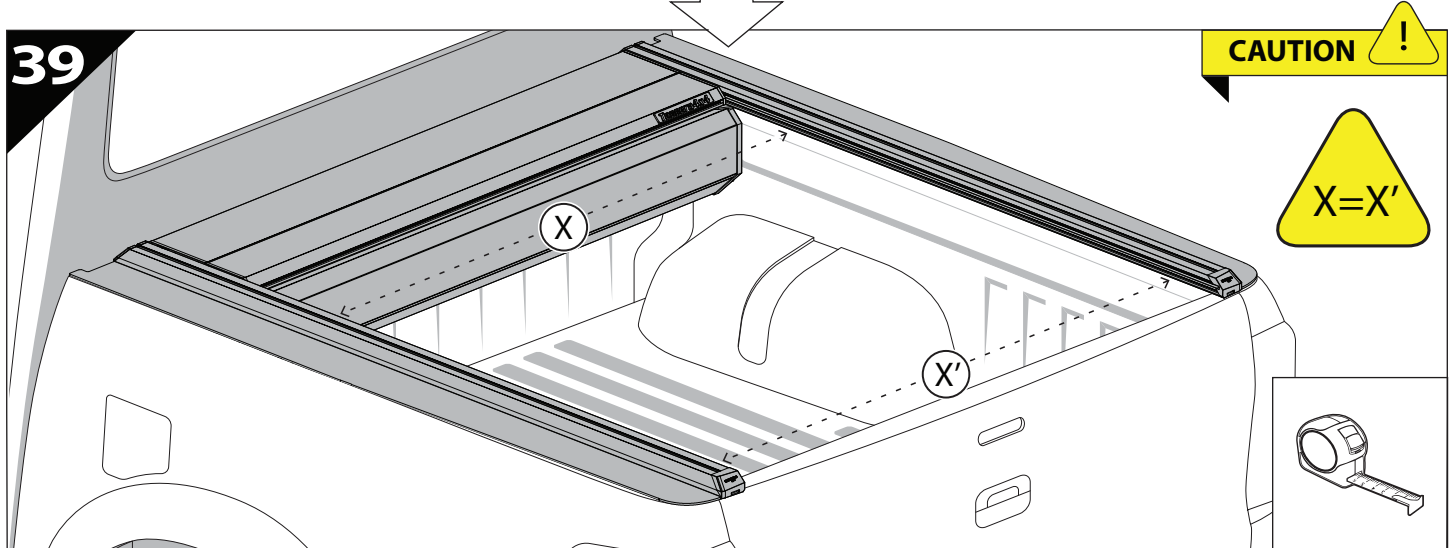
37



38

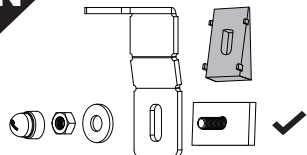


39

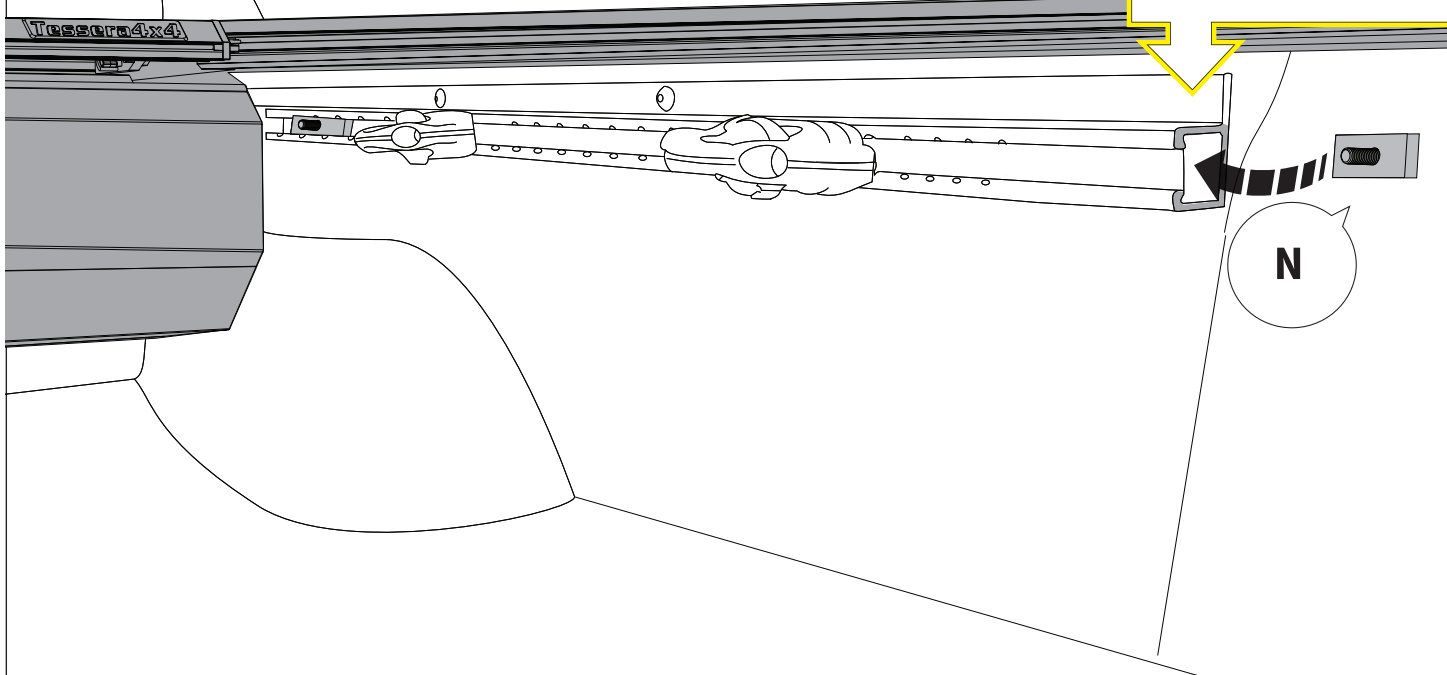
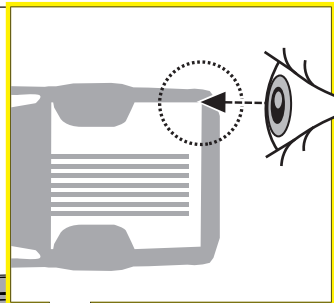


40

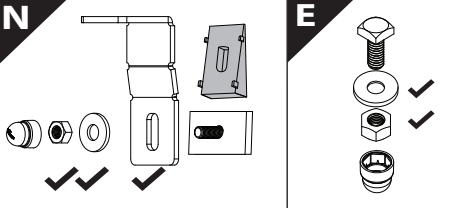
N



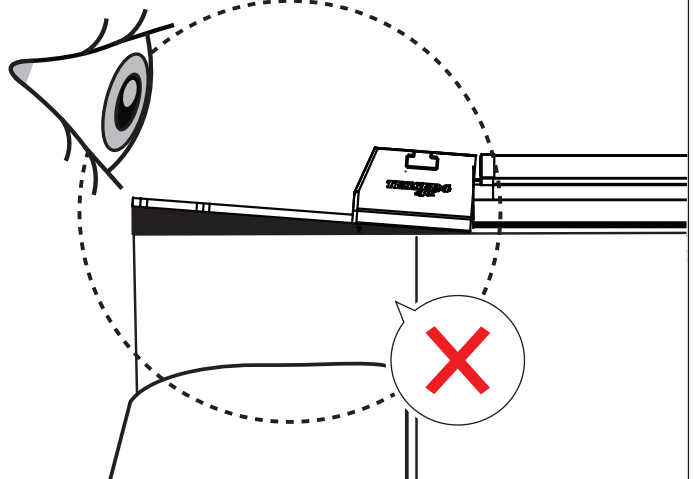
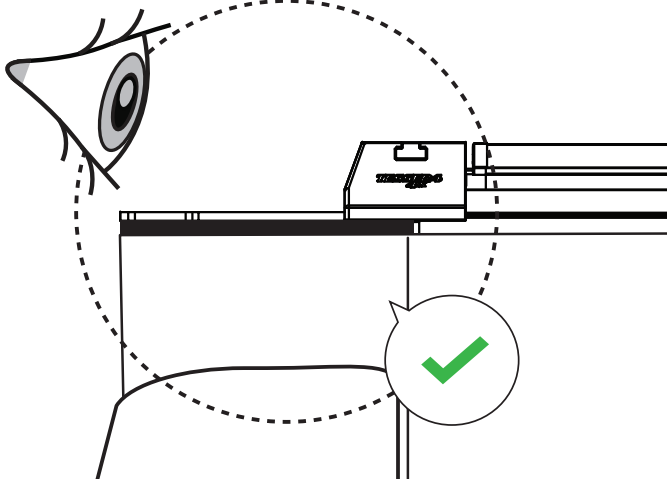
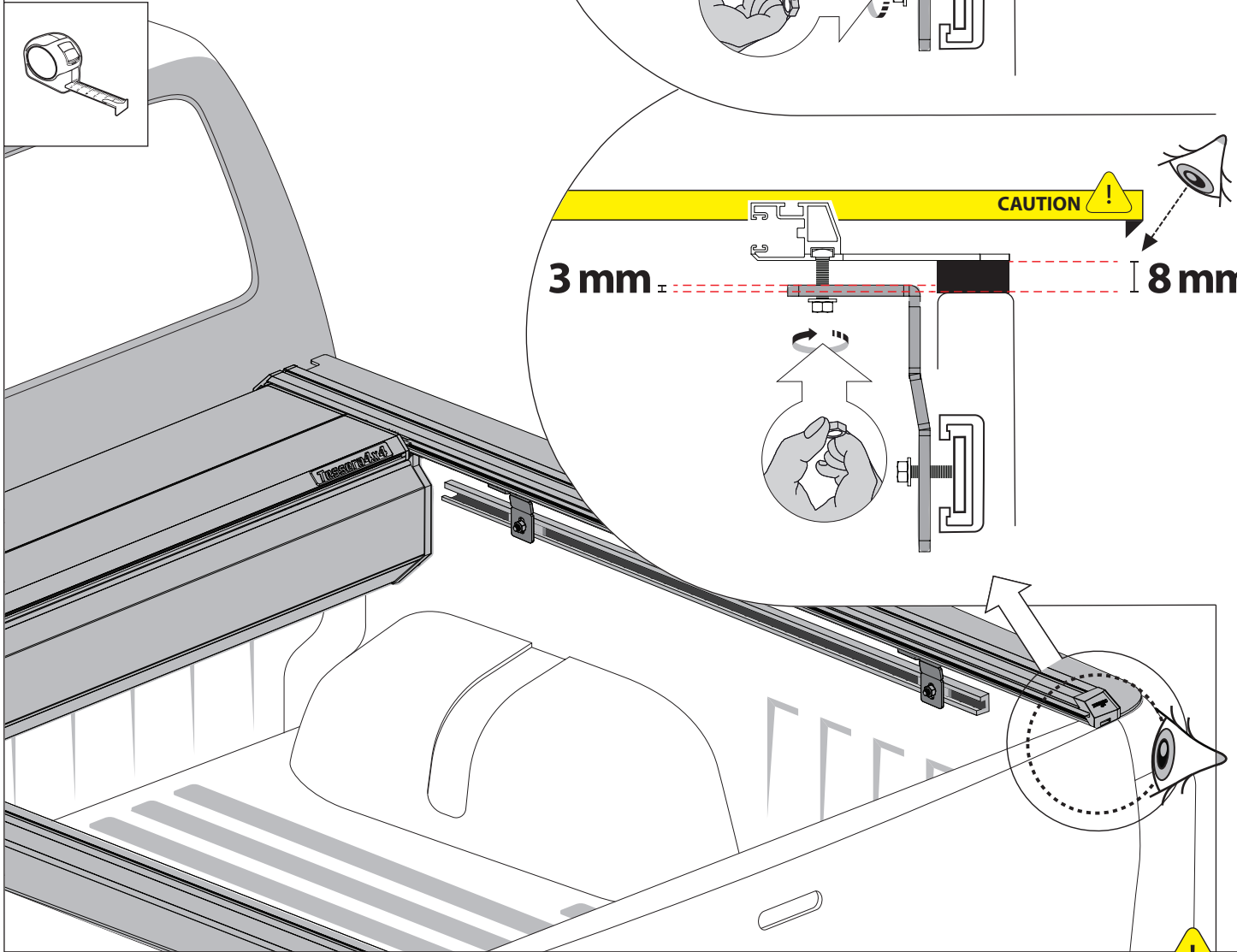
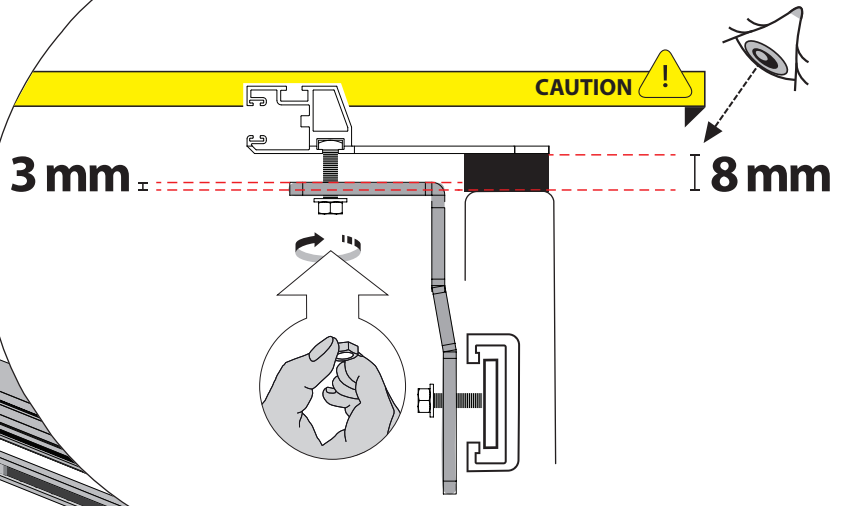
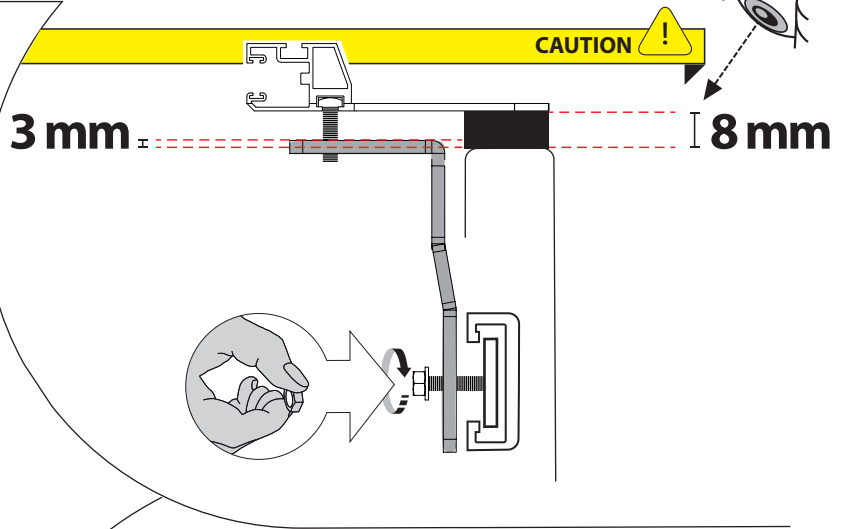
SHORT BED x4 / LONG BED x6

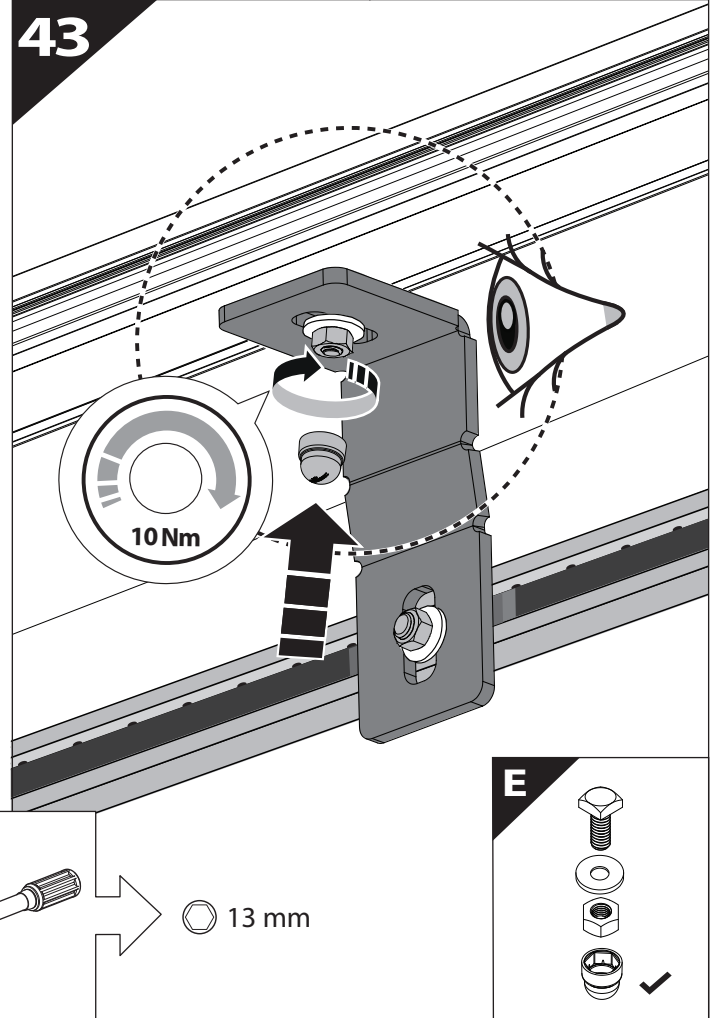
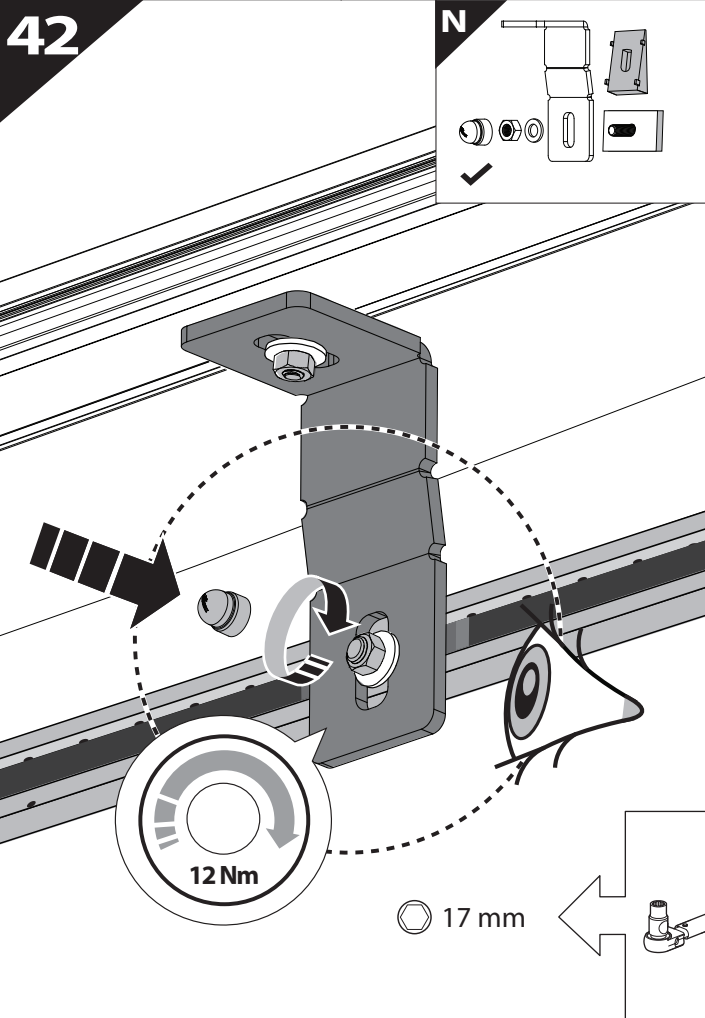


41

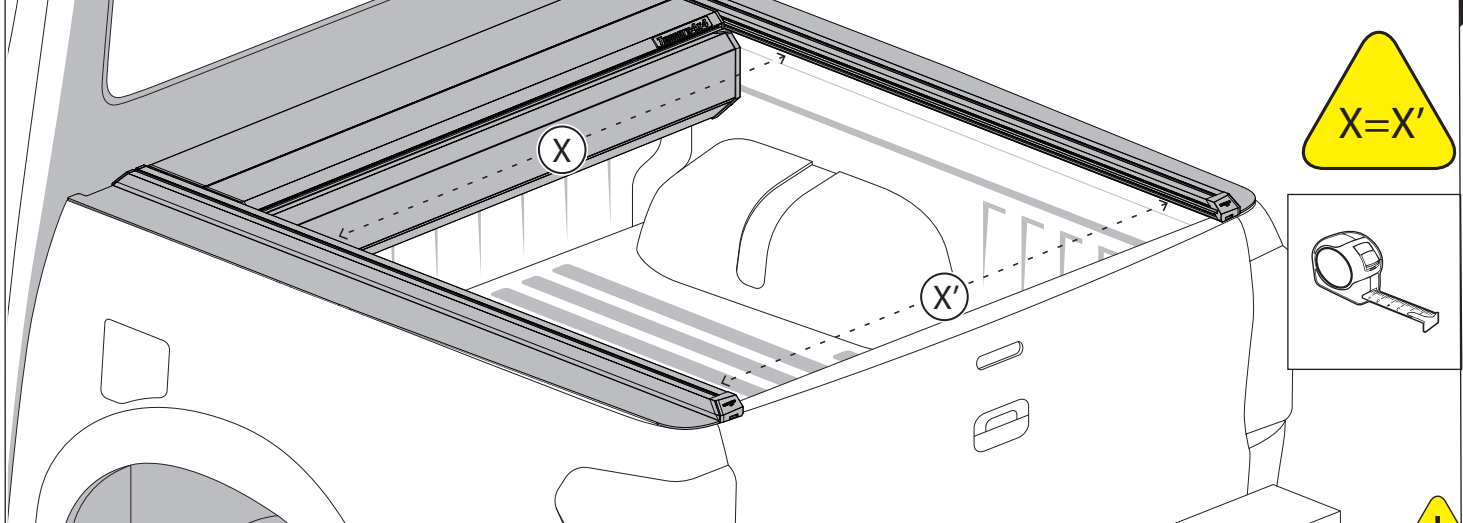


SHORT BED x4 / LONG BED x6

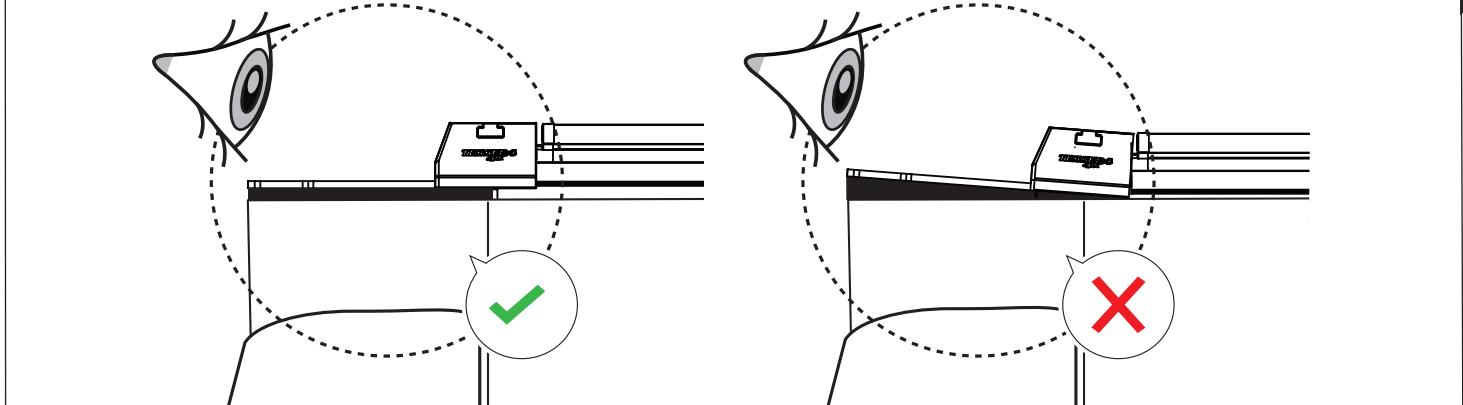




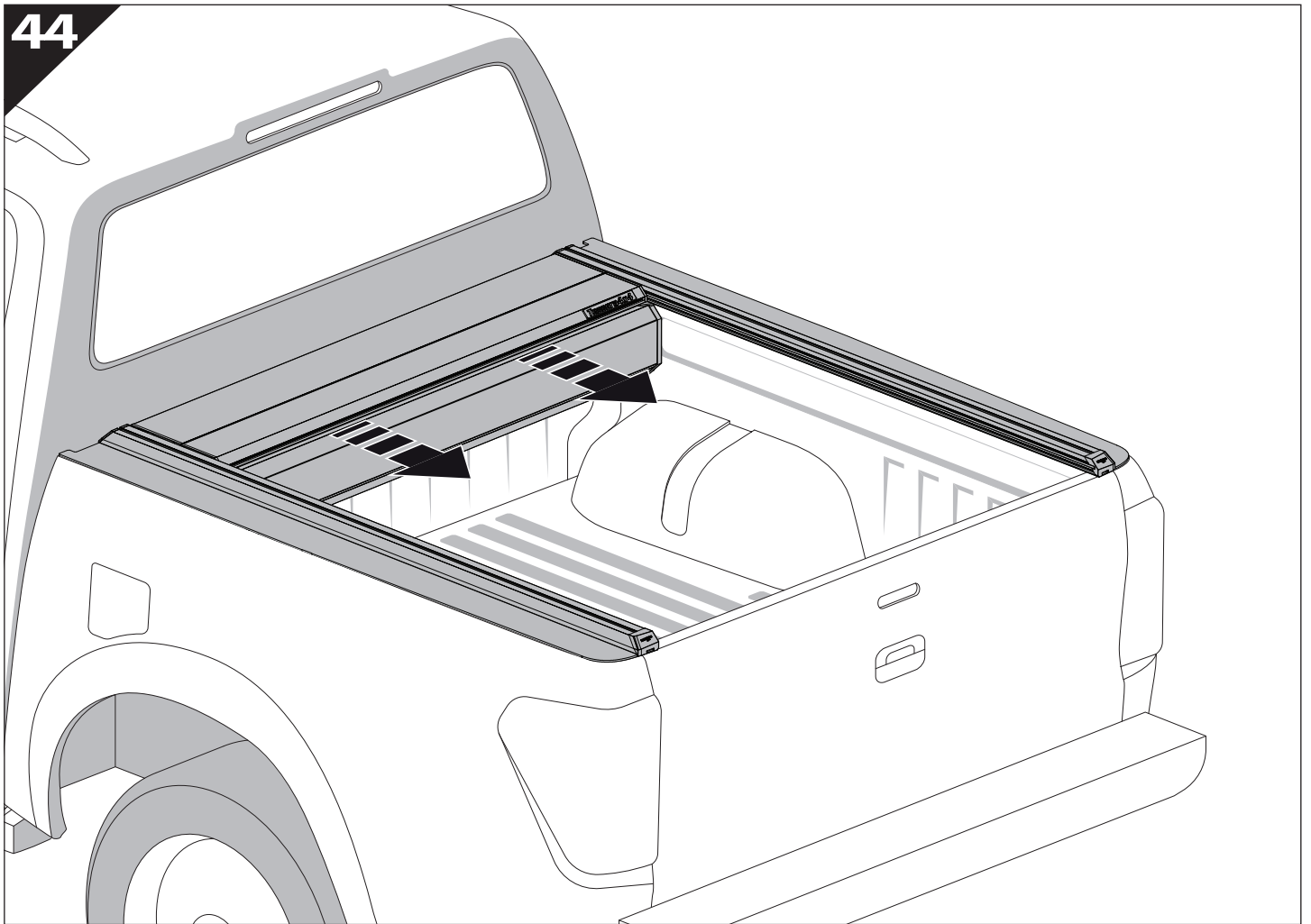
CAUTION !



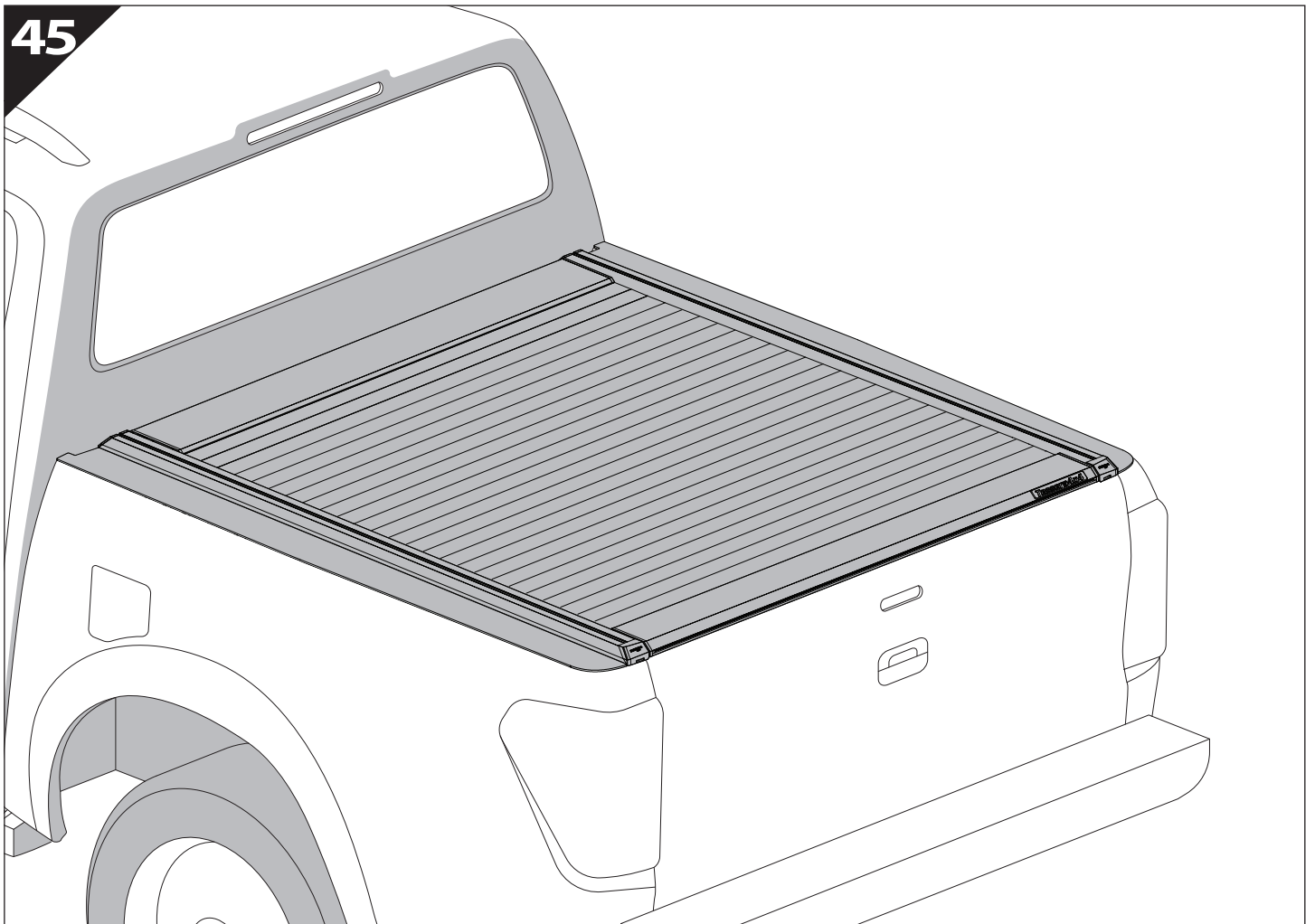
CAUTION !



44



45





GR: Οδηγίες Εγκατάστασης
GB: Installation manual
SF: Asennusohje
F: Notice de montage
PL: Instrukcja montażu
NL: Installatie-instructies
TR: Montaj Talimatı
S: Monteringsanvisning
E: Instrucciones de montaje

H: Szerelési utasítás
P: Instruções de instalação
RUS: Инструкция по установке
N: Monteringsveiledning
D: Einbauanleitung
CZ: Návod k instalaci
I: Istruzioni de montaggio
DK: Monteringsvejledning
RO: Instructiuni de instalare

Customer Service:

+30 (210) 5541161, +30 (210) 5541154 (08:00 - 16:00 EET)

Support department:

info@gianso.gr

Website:

www.tessera4x4.com

Address:

19.5 km of National road Athens-Korinthos (Elefsina) Greece, P.C: 19200