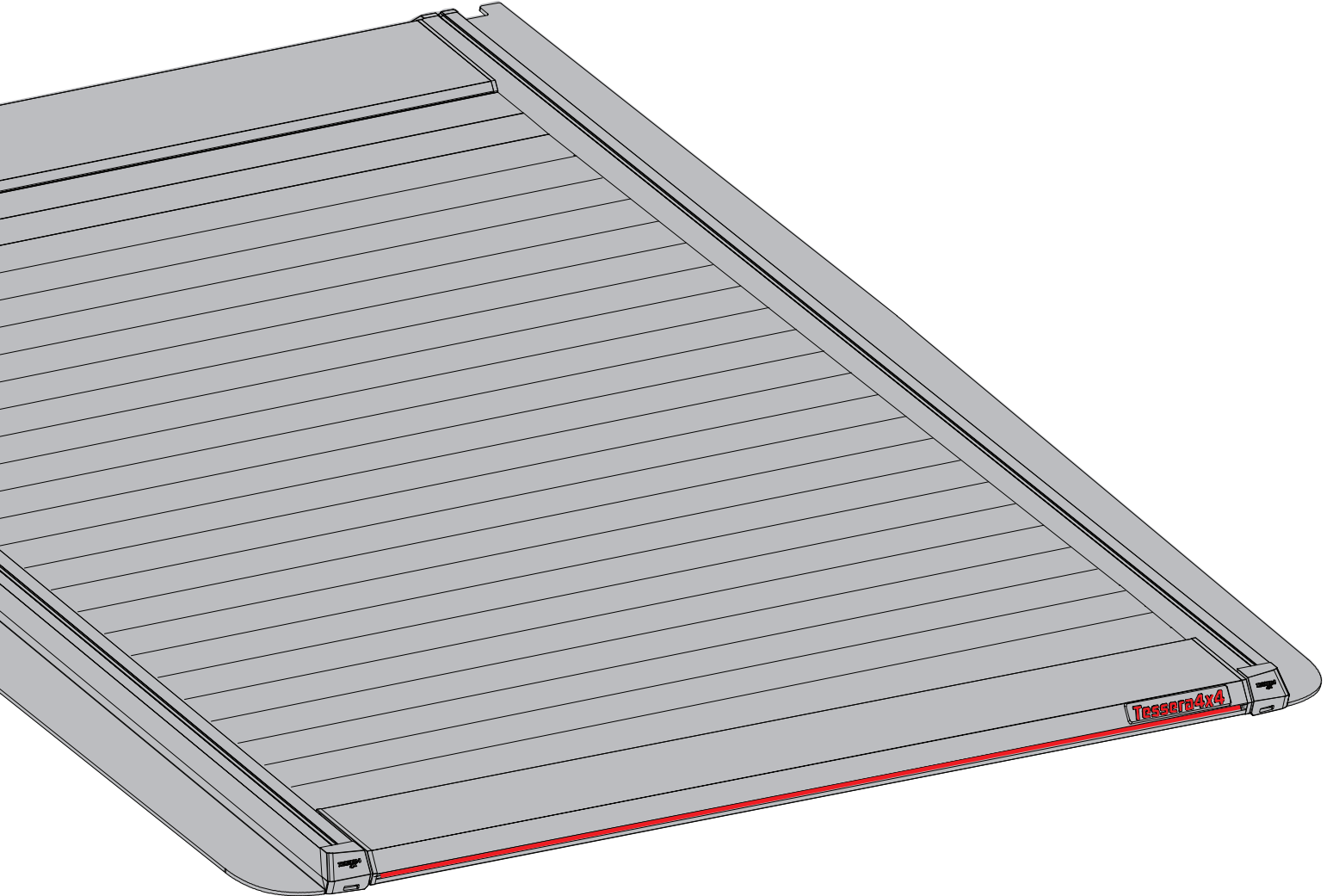


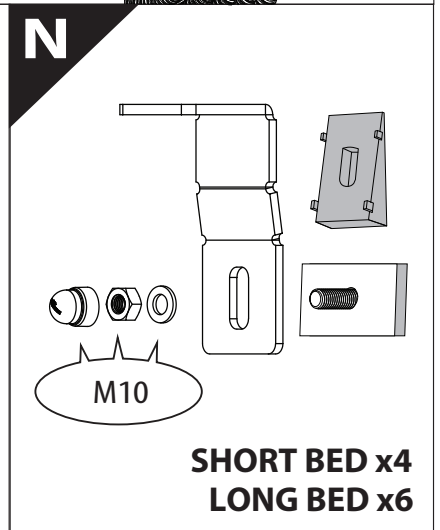
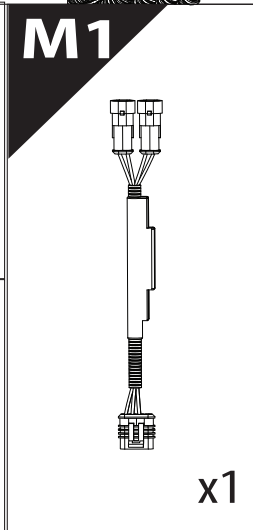
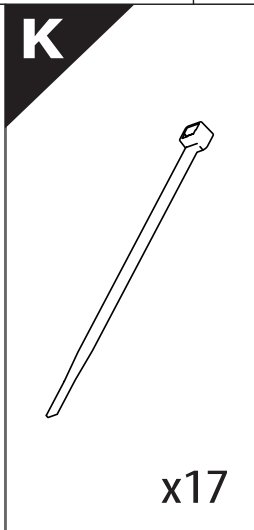
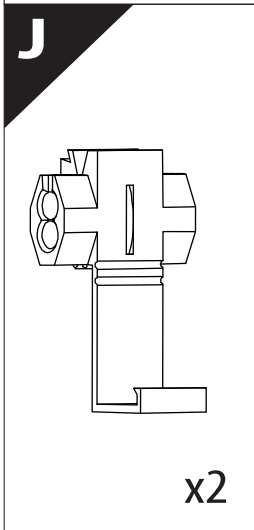
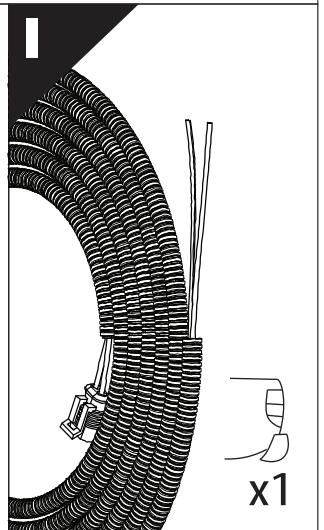
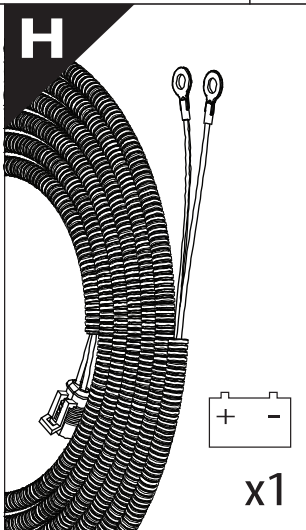
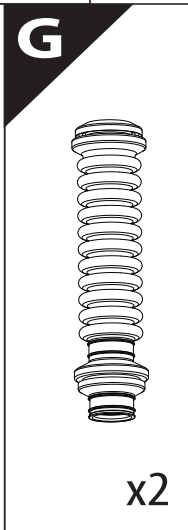
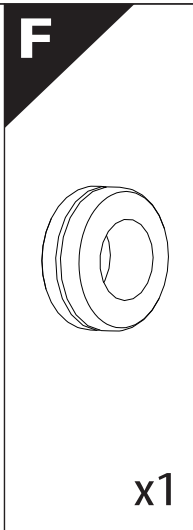
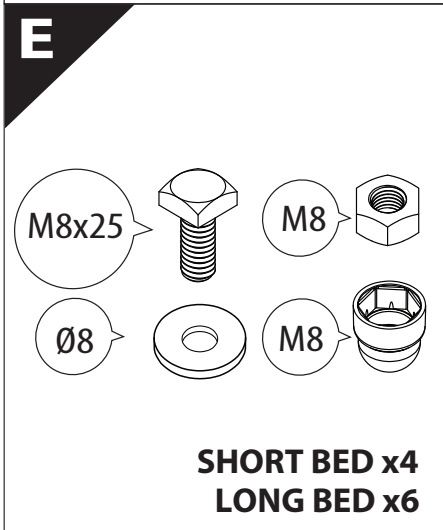
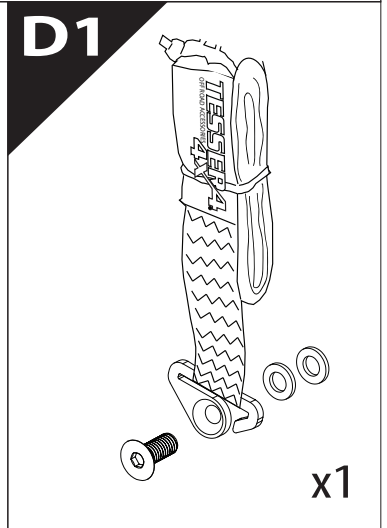
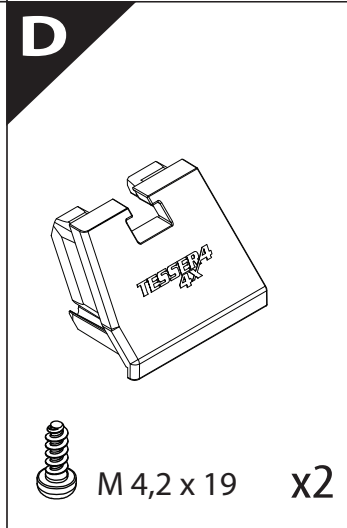
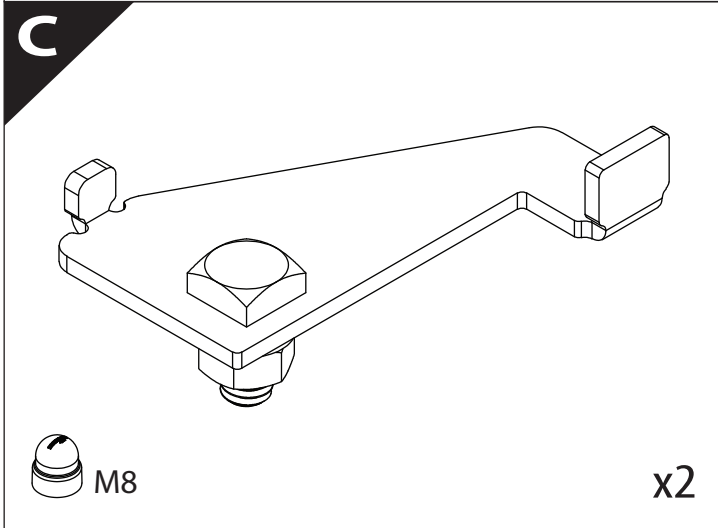
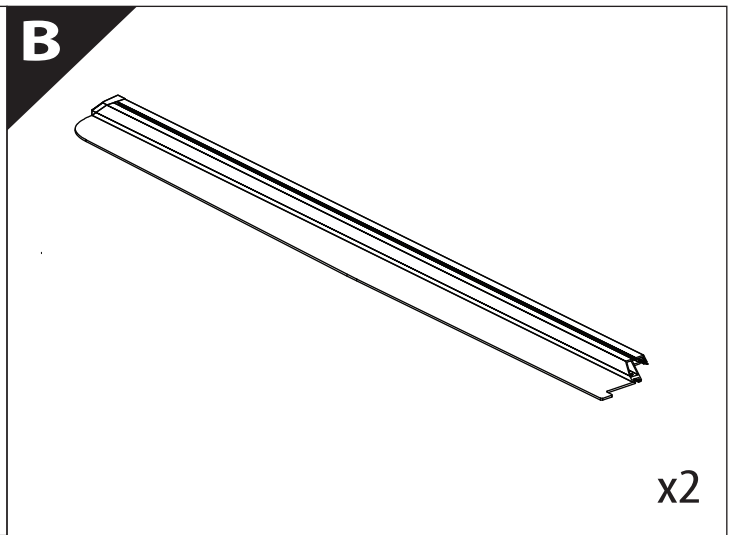
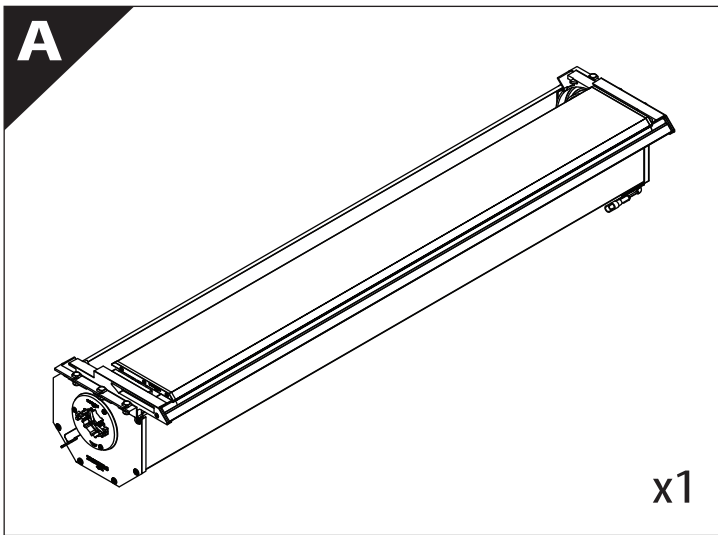
Tessera Roll+

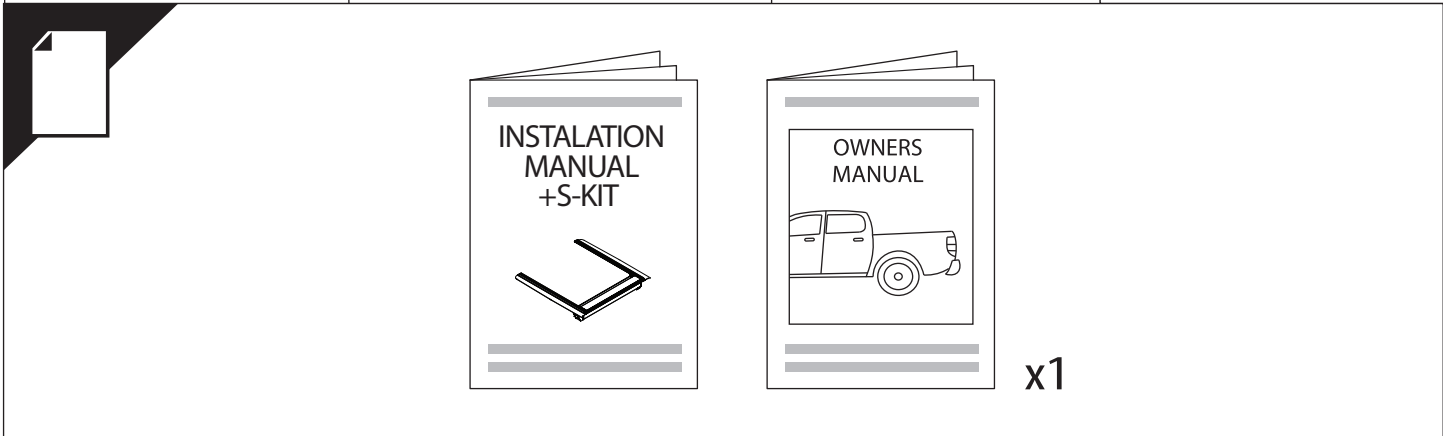
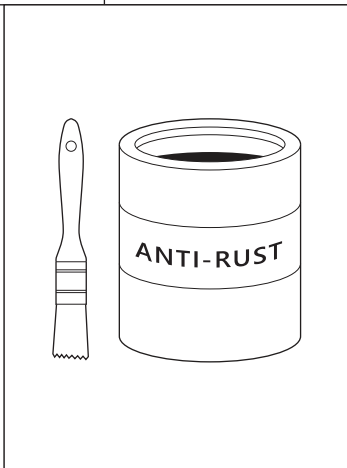
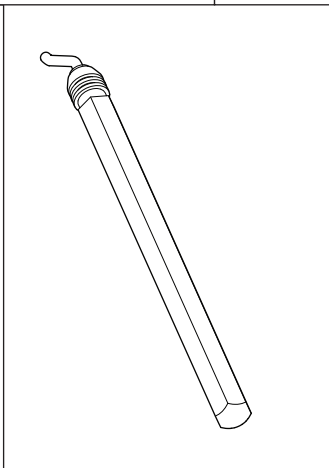
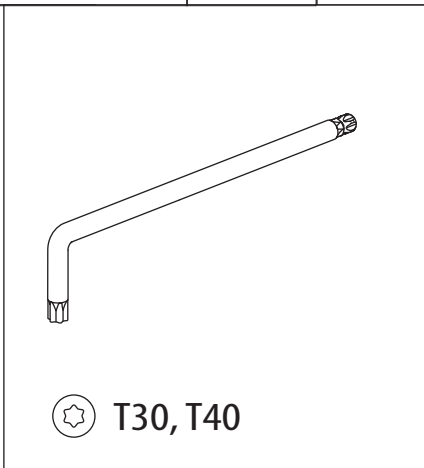
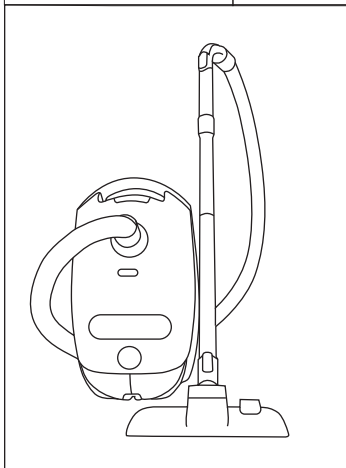
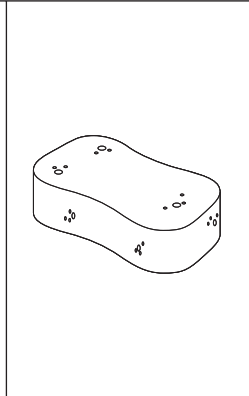
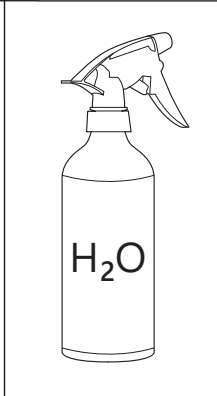
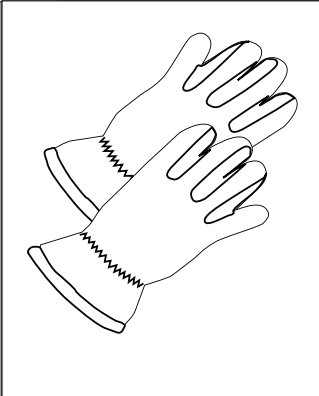
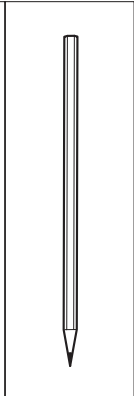
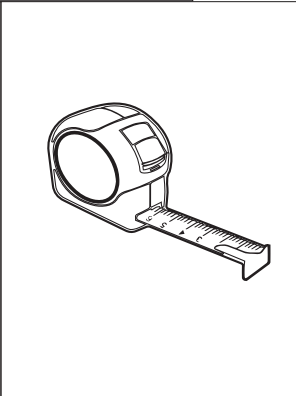
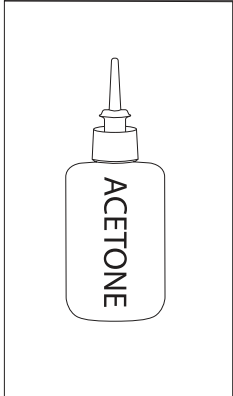
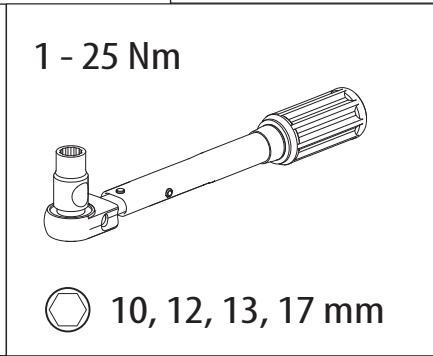
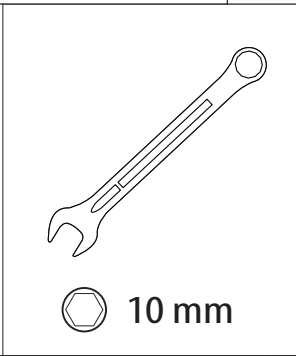
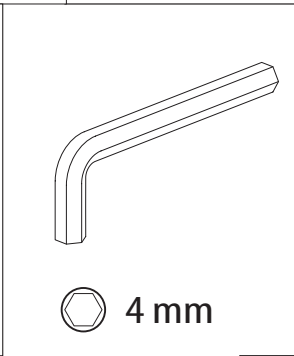
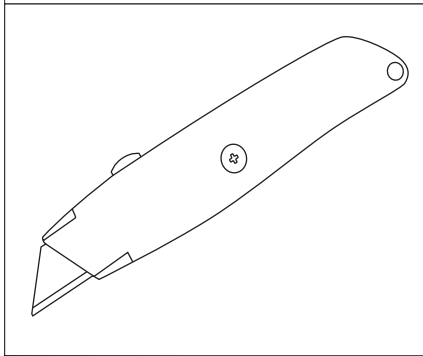
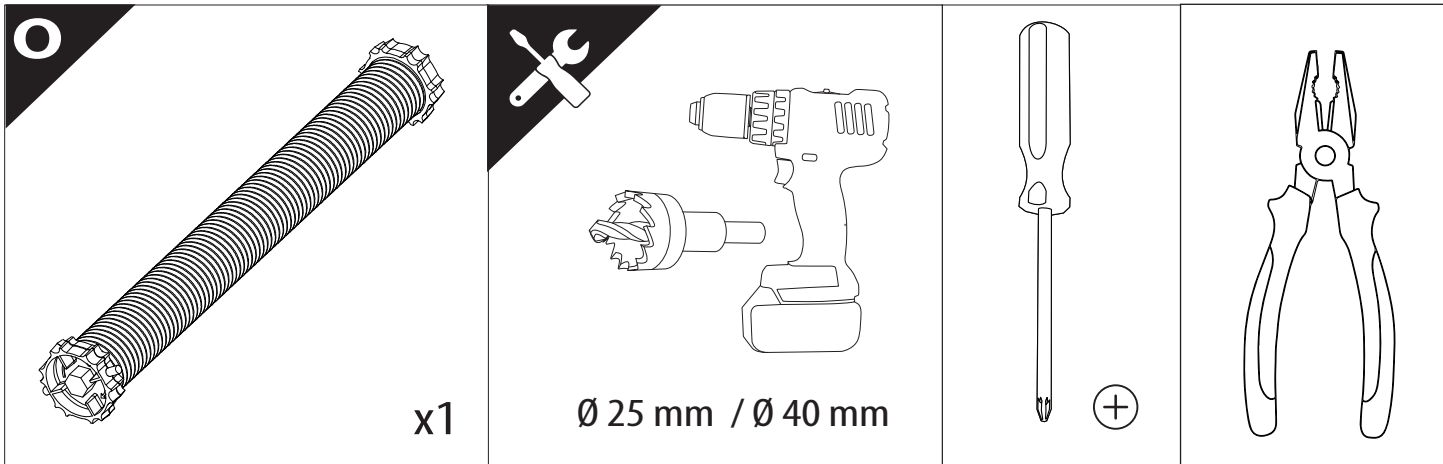
Basic Version + ⚙️ S-KIT

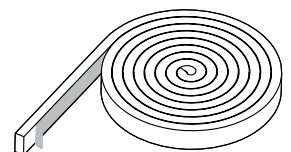
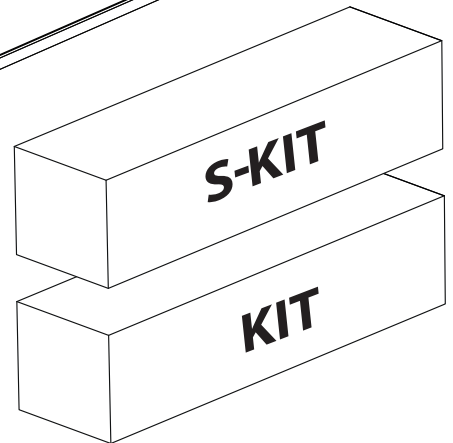
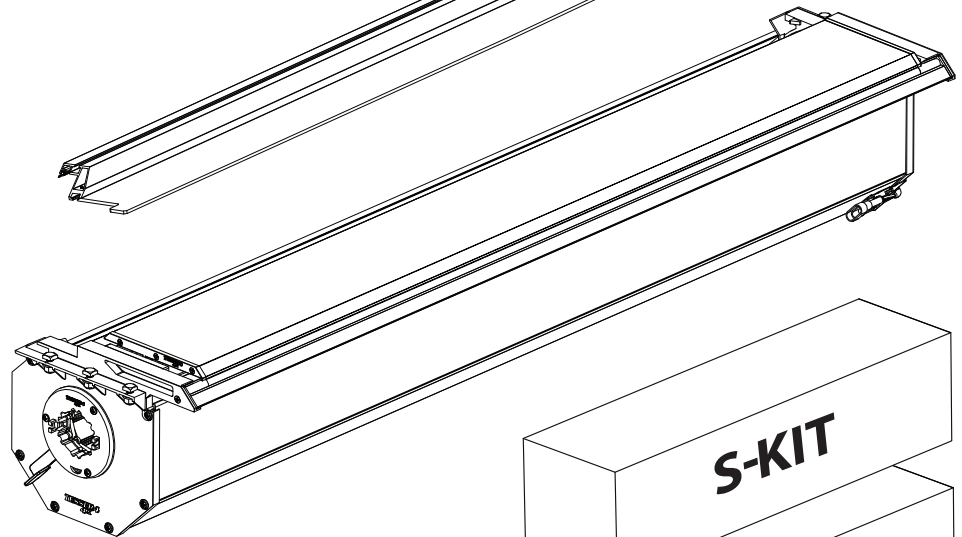
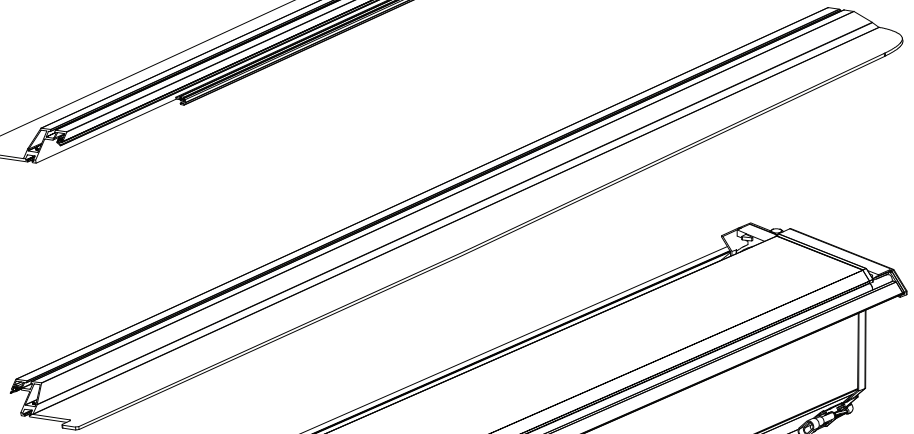
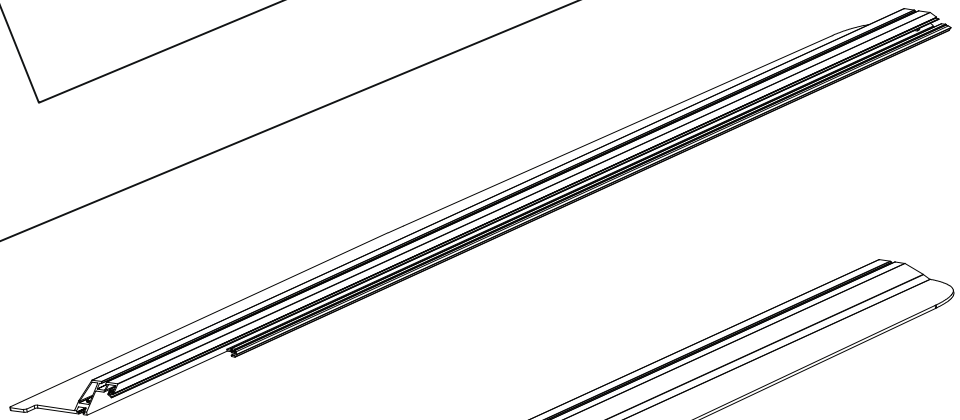
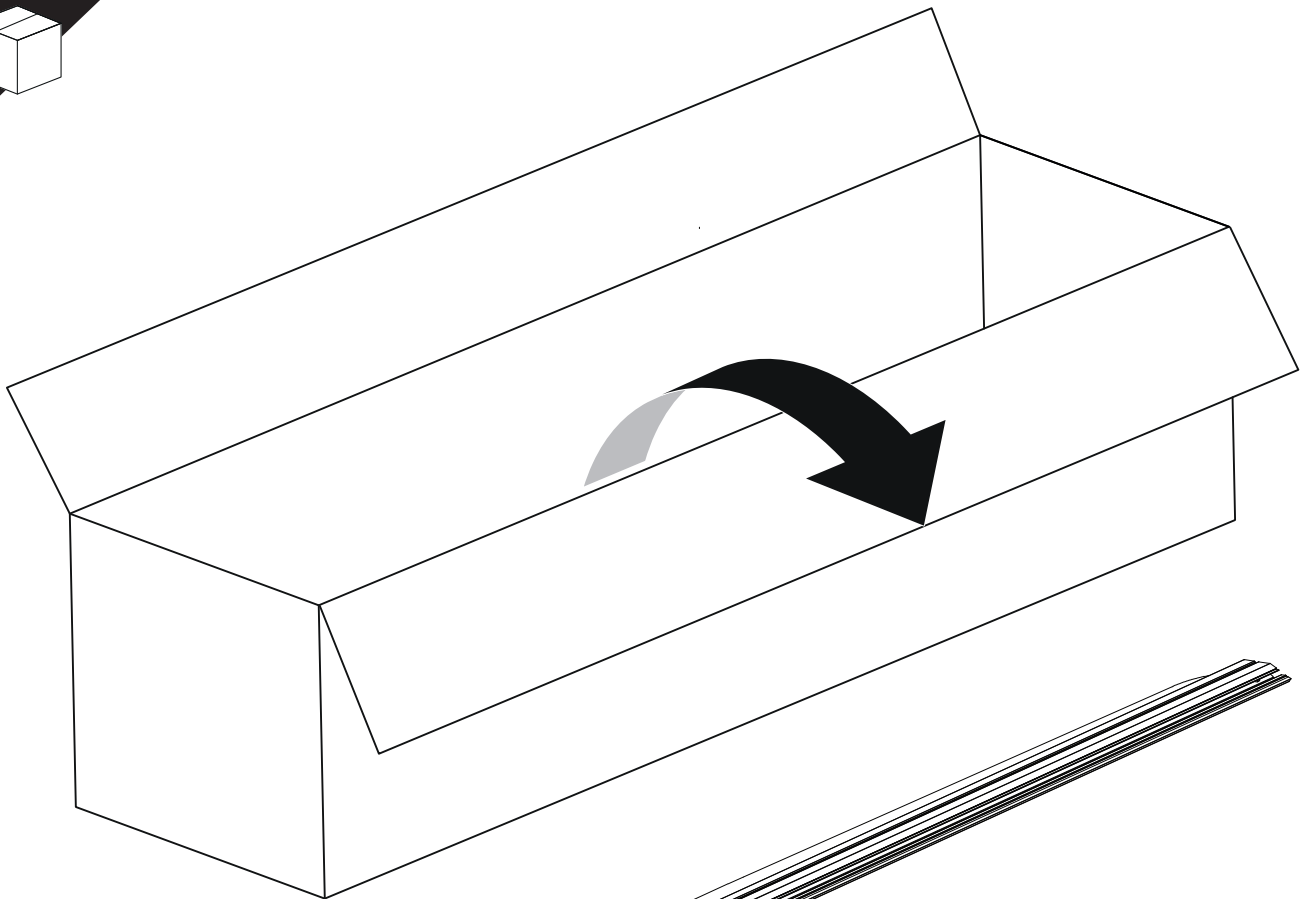


Installation Manual

| PART NUMBER(S) | Model Year |
|---------------------------|---|
| TESS 14141 ROLL+ S-KIT | Nissan Frontier 2023+ SHORT BED 5 FEET WITH C-CHANNELS |
| TESS 14142 ROLL+ S-KIT | Nissan Frontier 2023+ LONG BED 6.1 FEET WITH C-CHANNELS |
| Cab(s) | Installation Time / Weight |
| Double Cab American Model | 40-60 minutes / 53-57 kg |





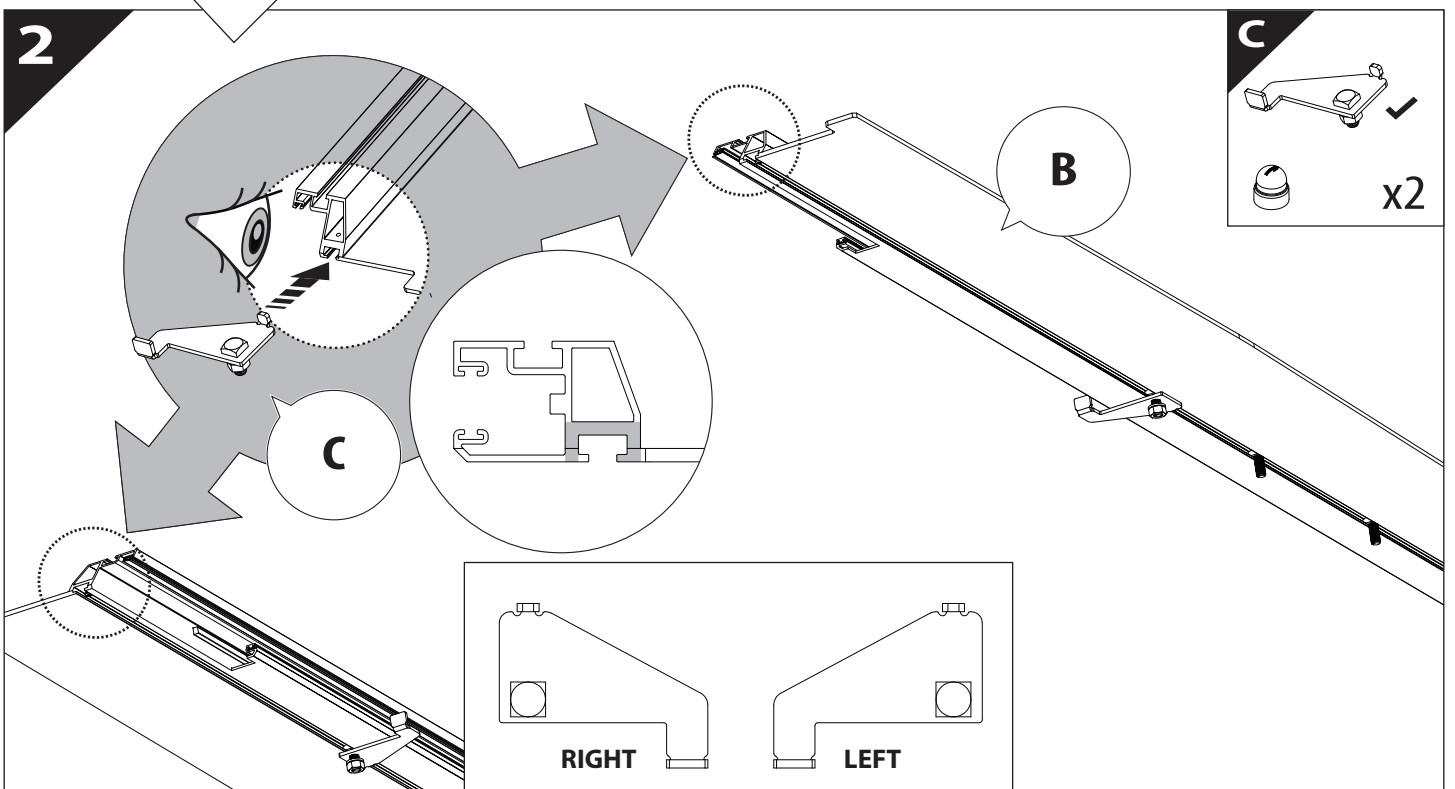
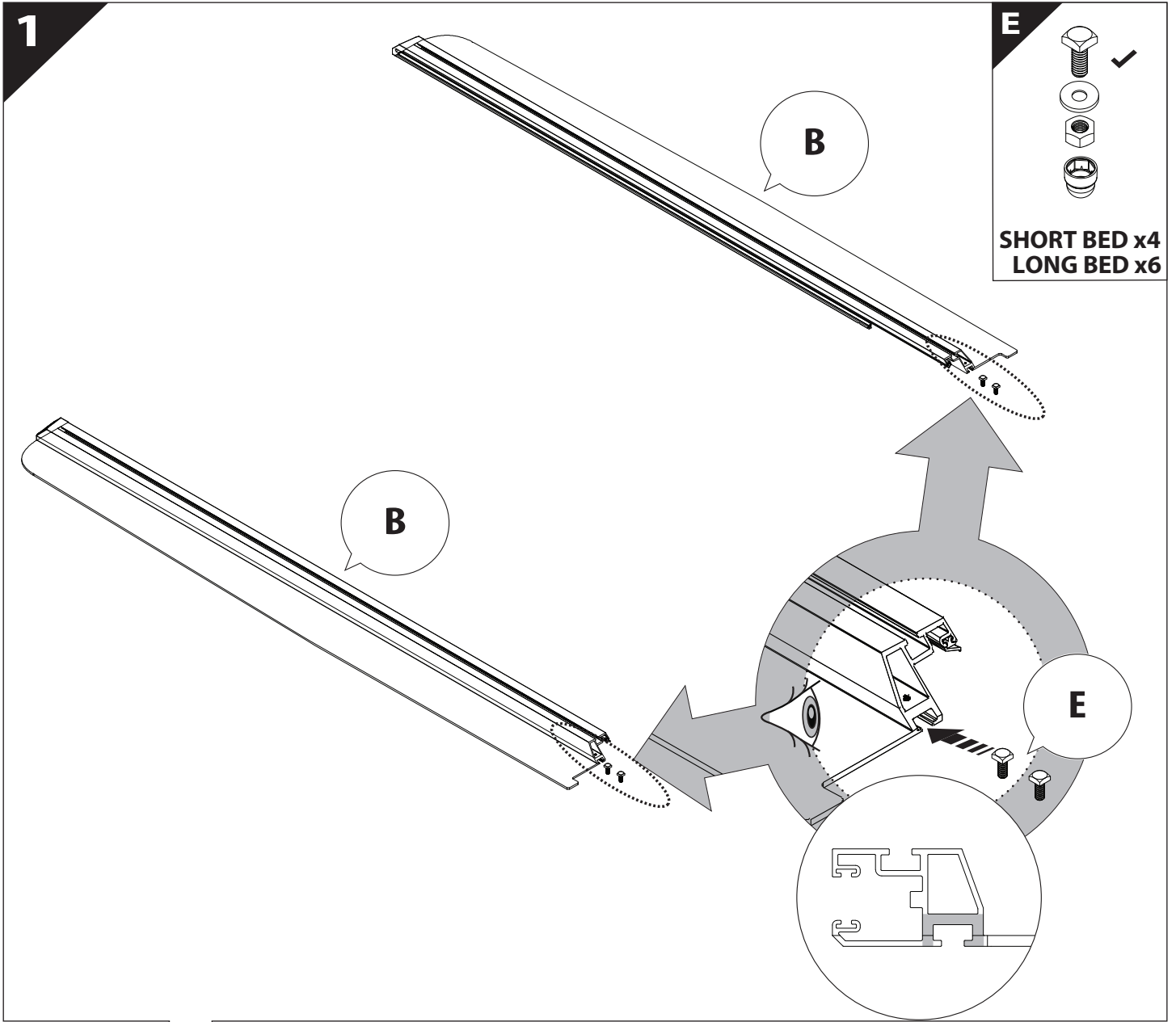


B

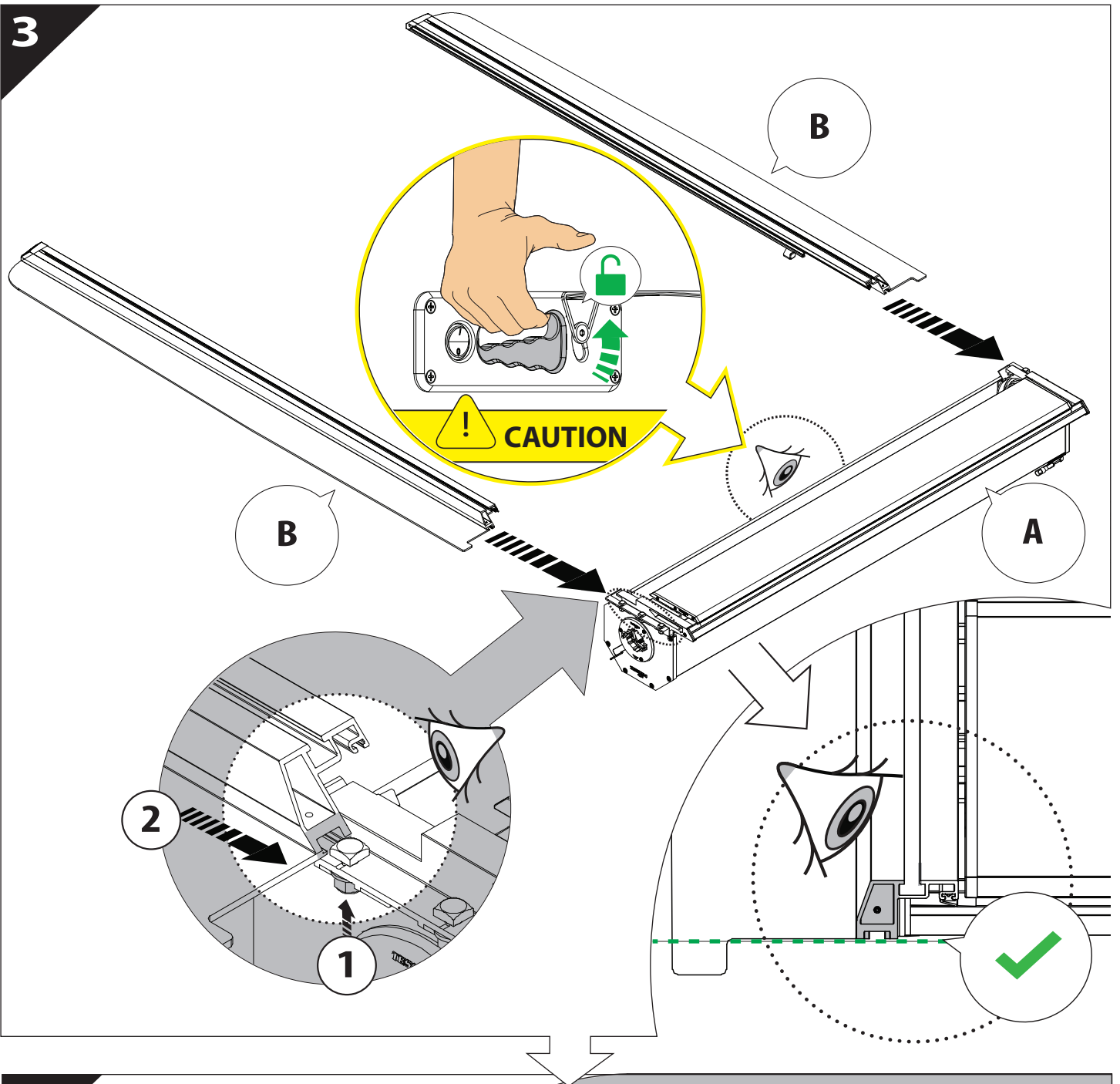
A

KITS

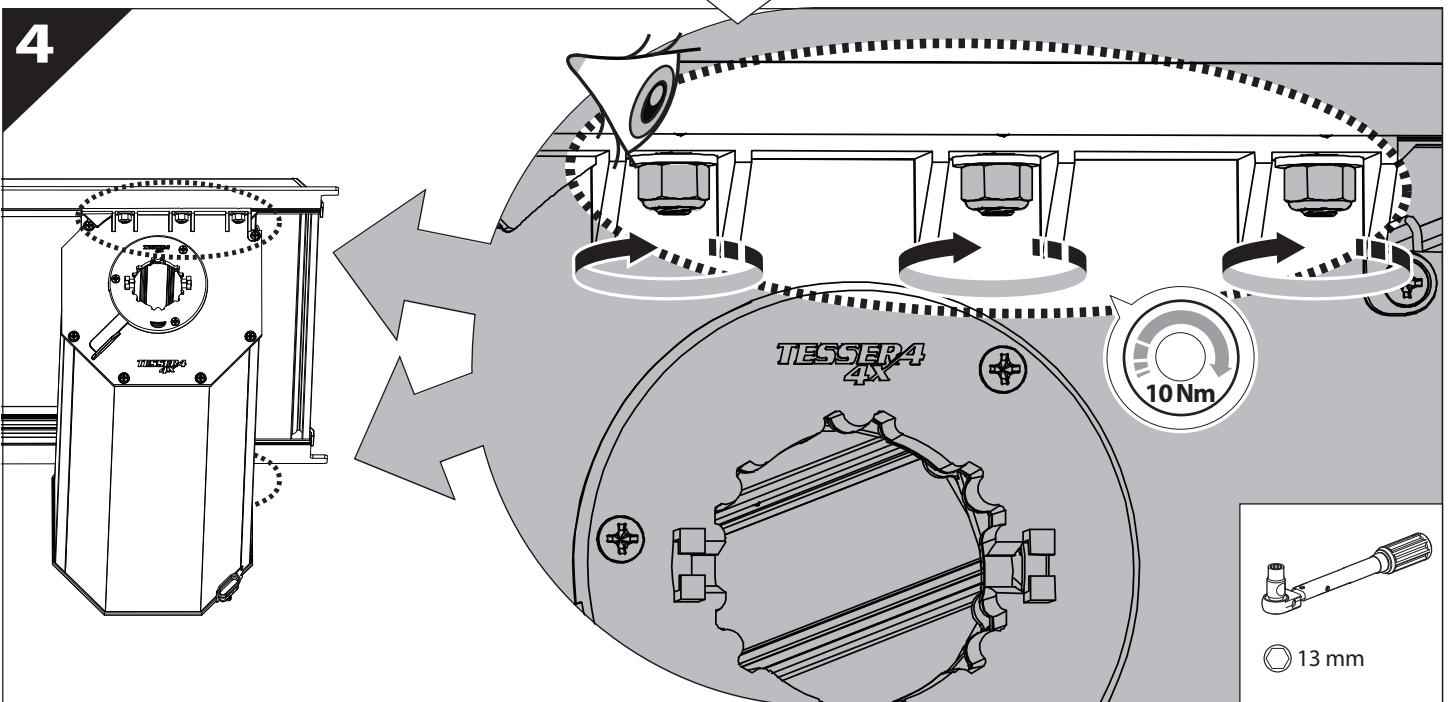
L

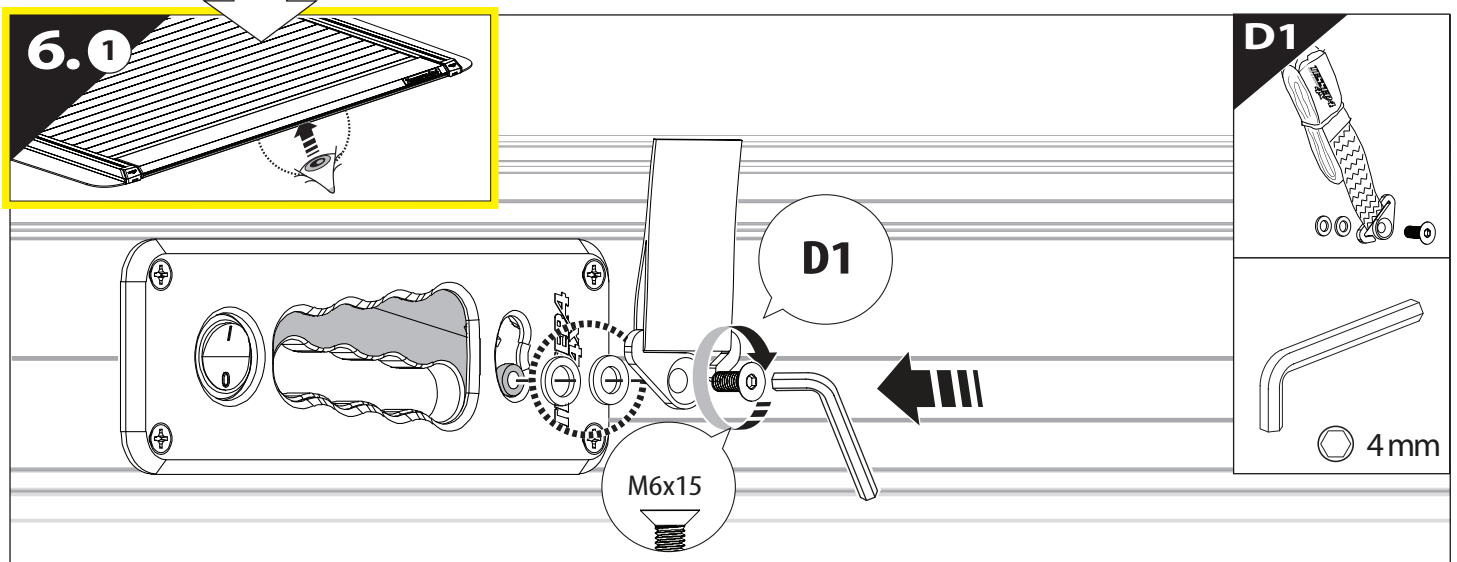
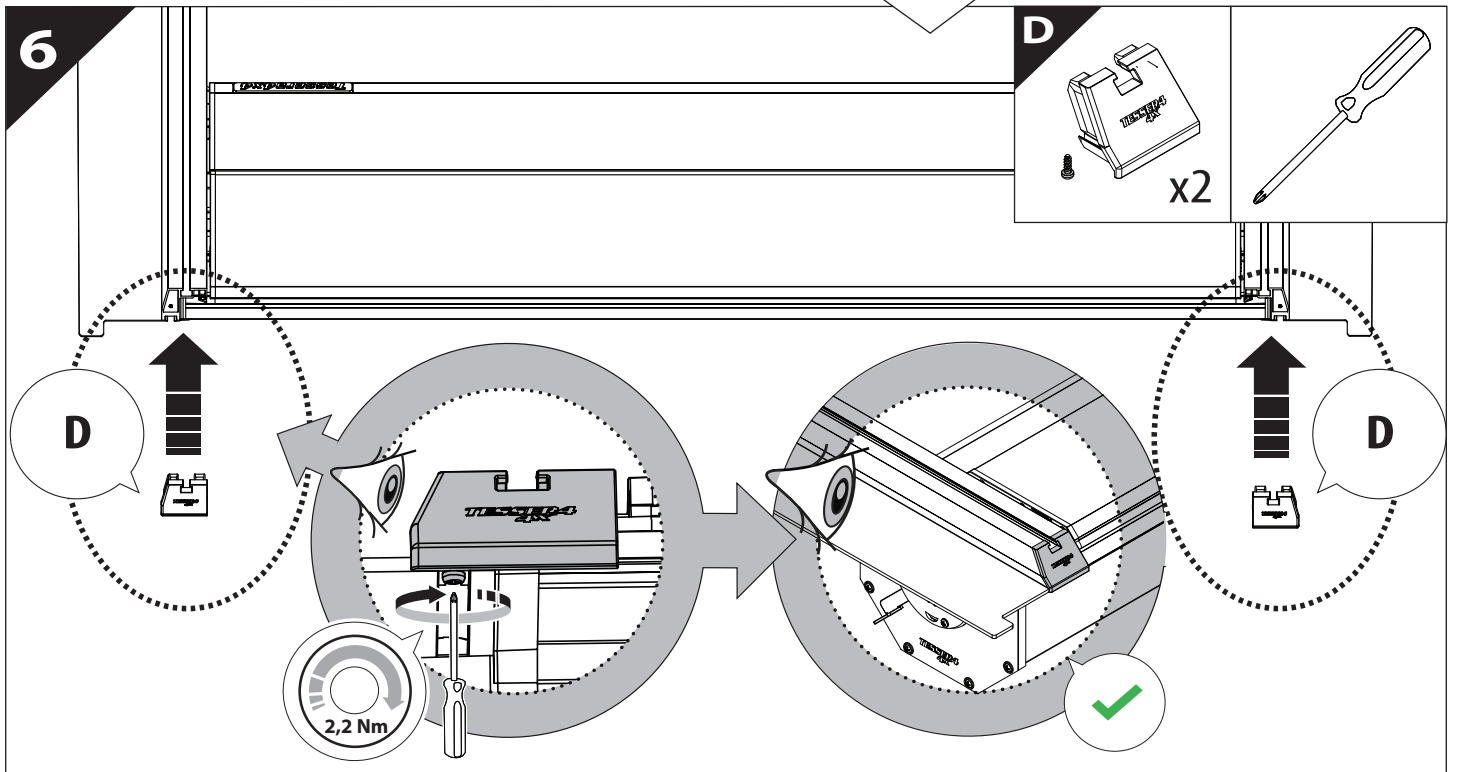
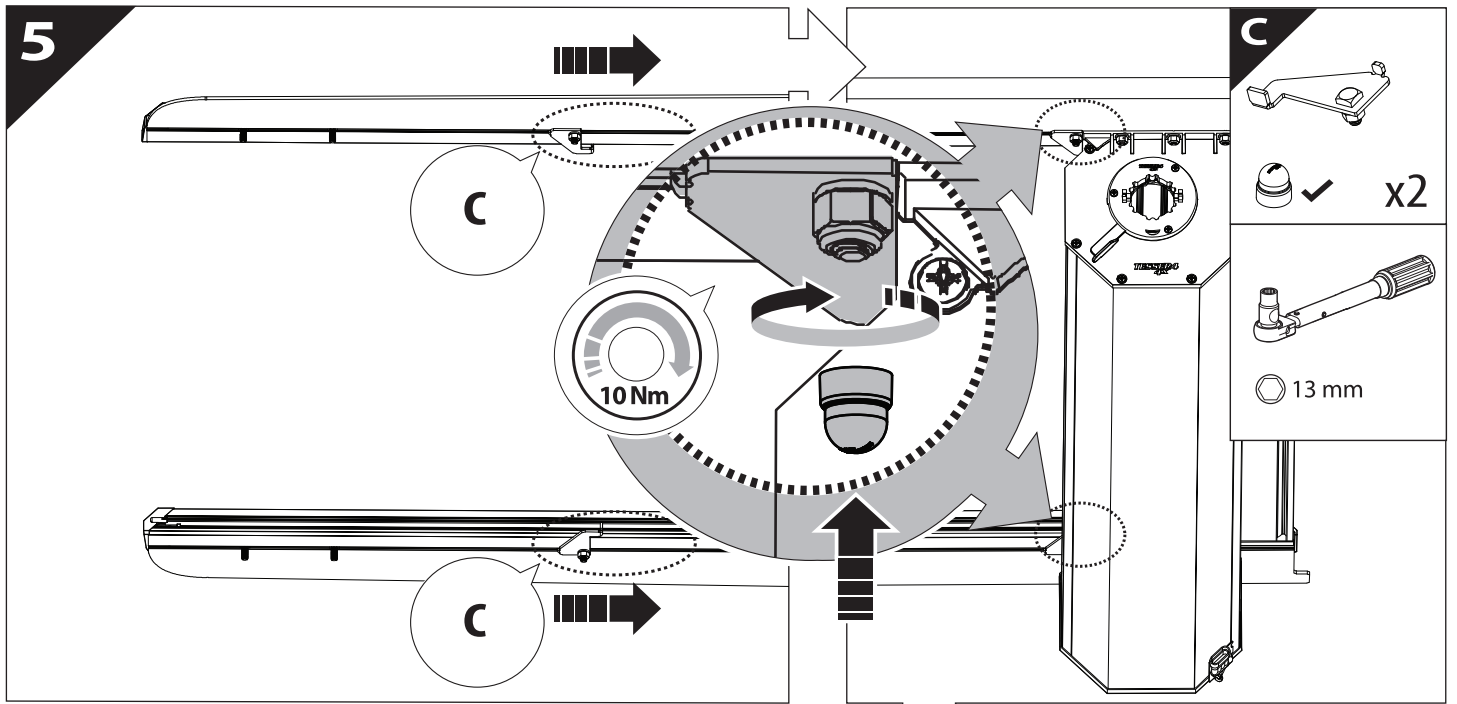


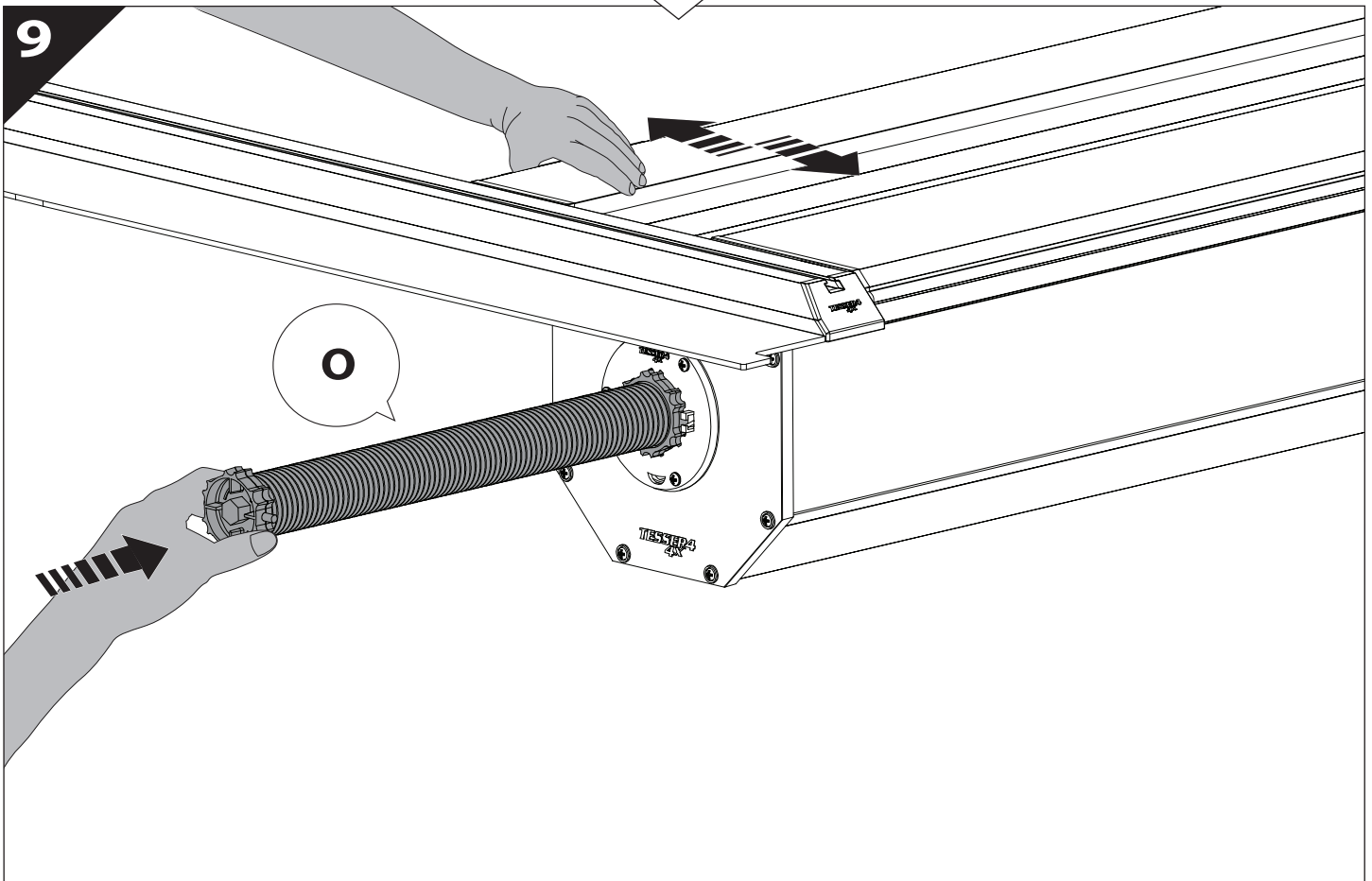
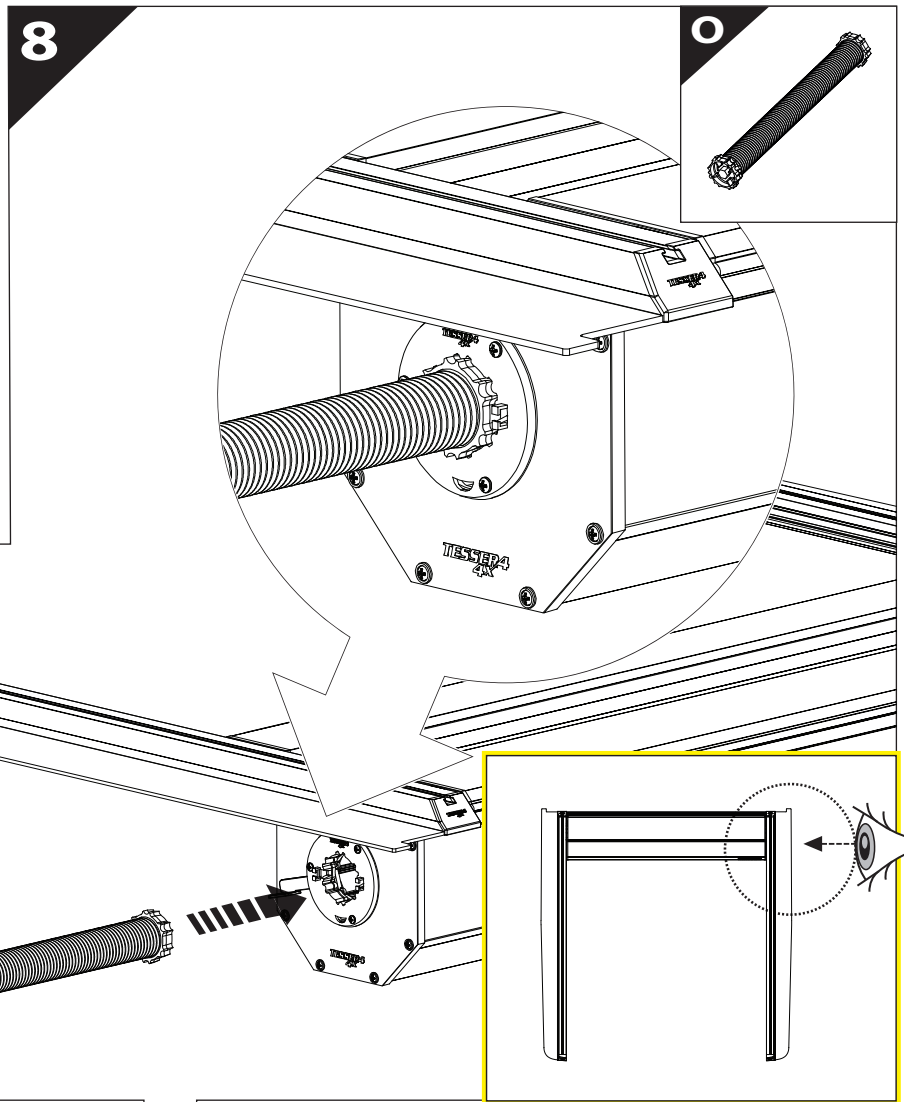
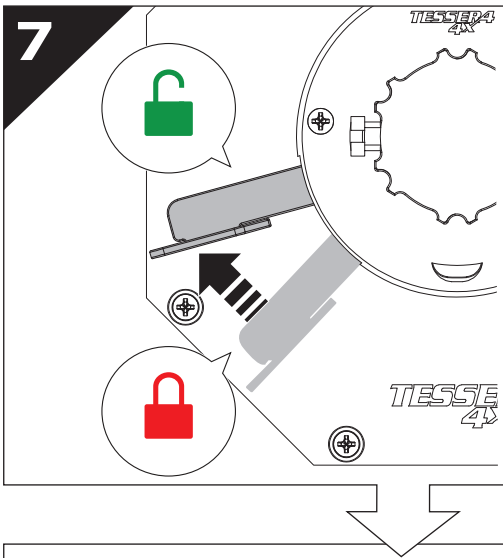
3



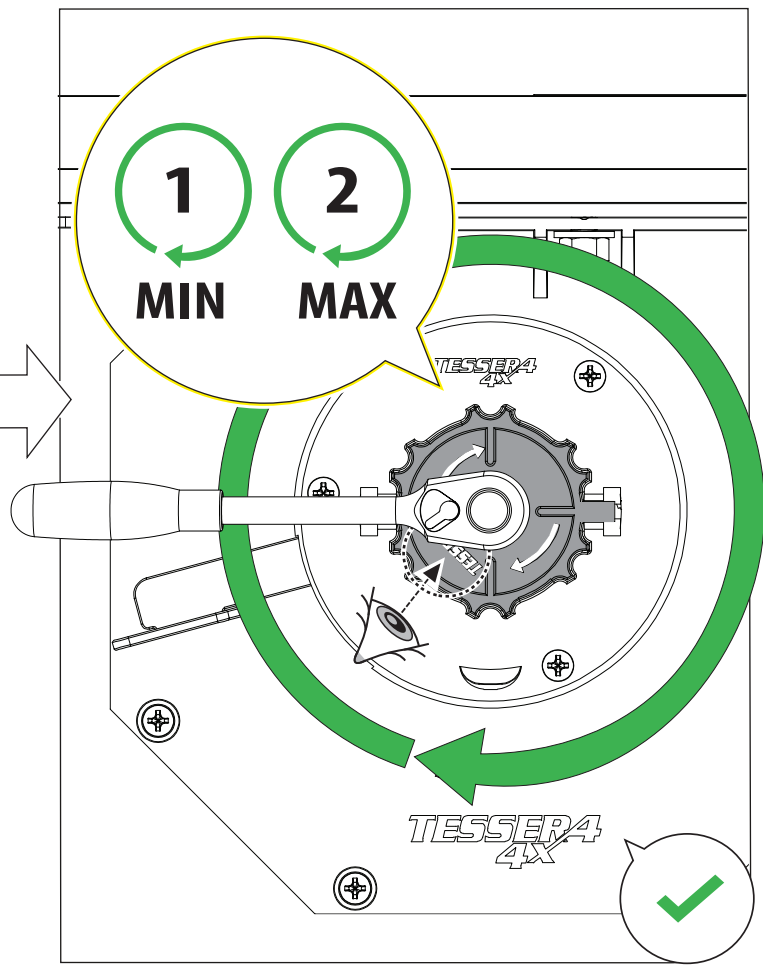
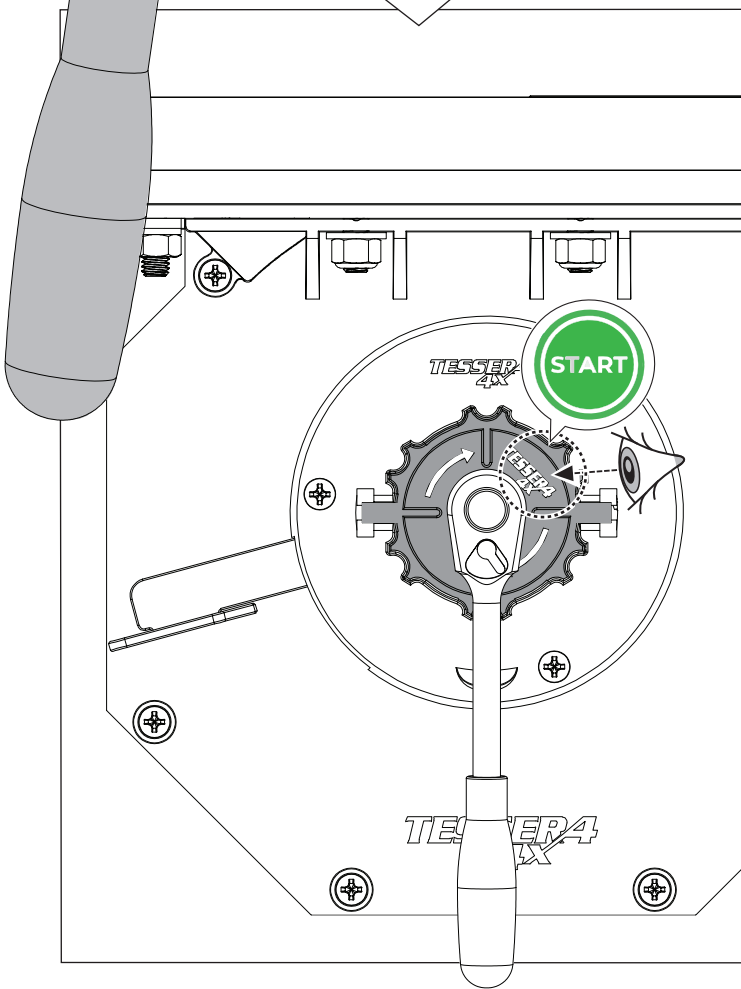
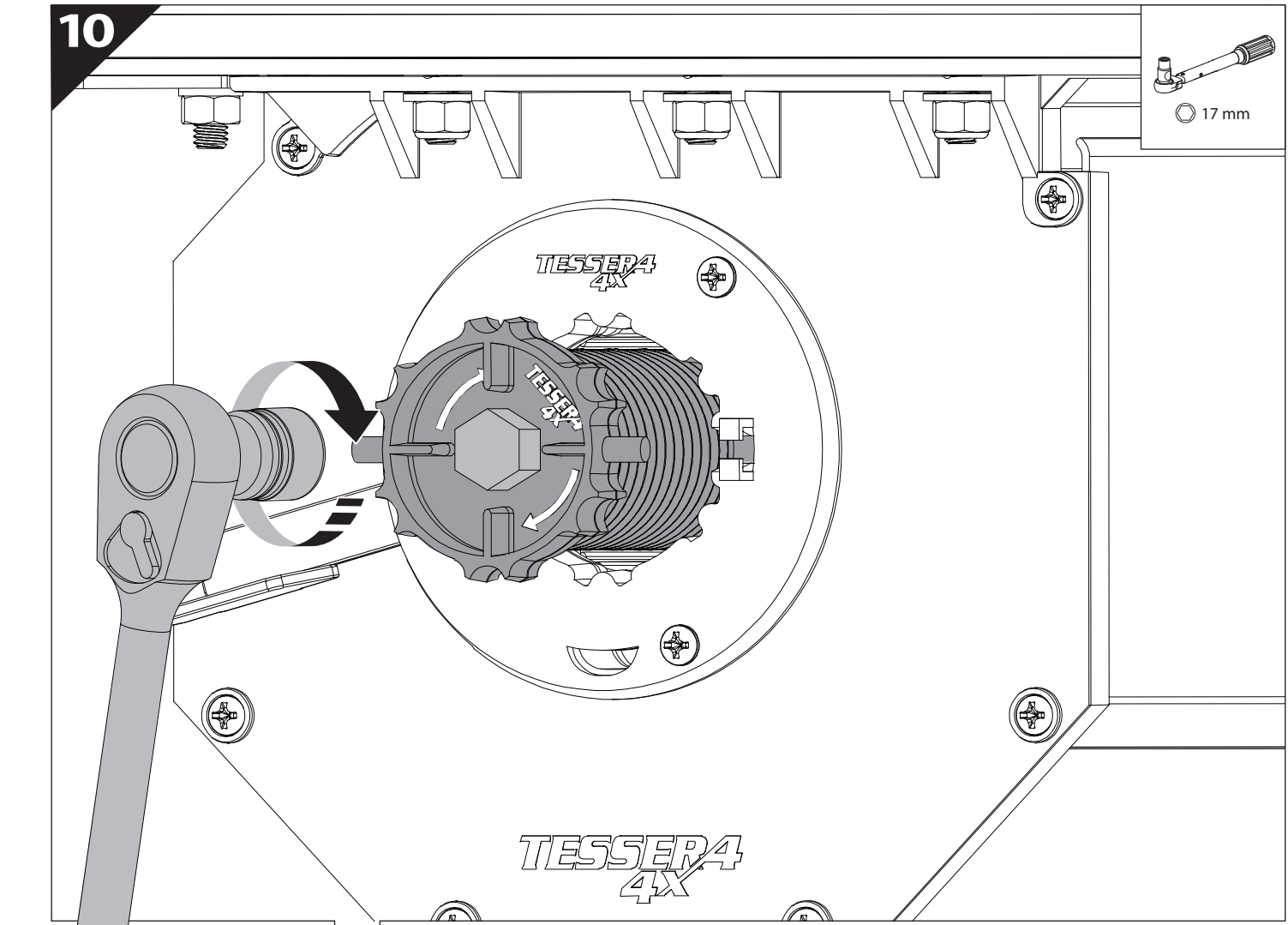
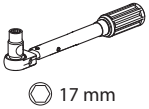
4



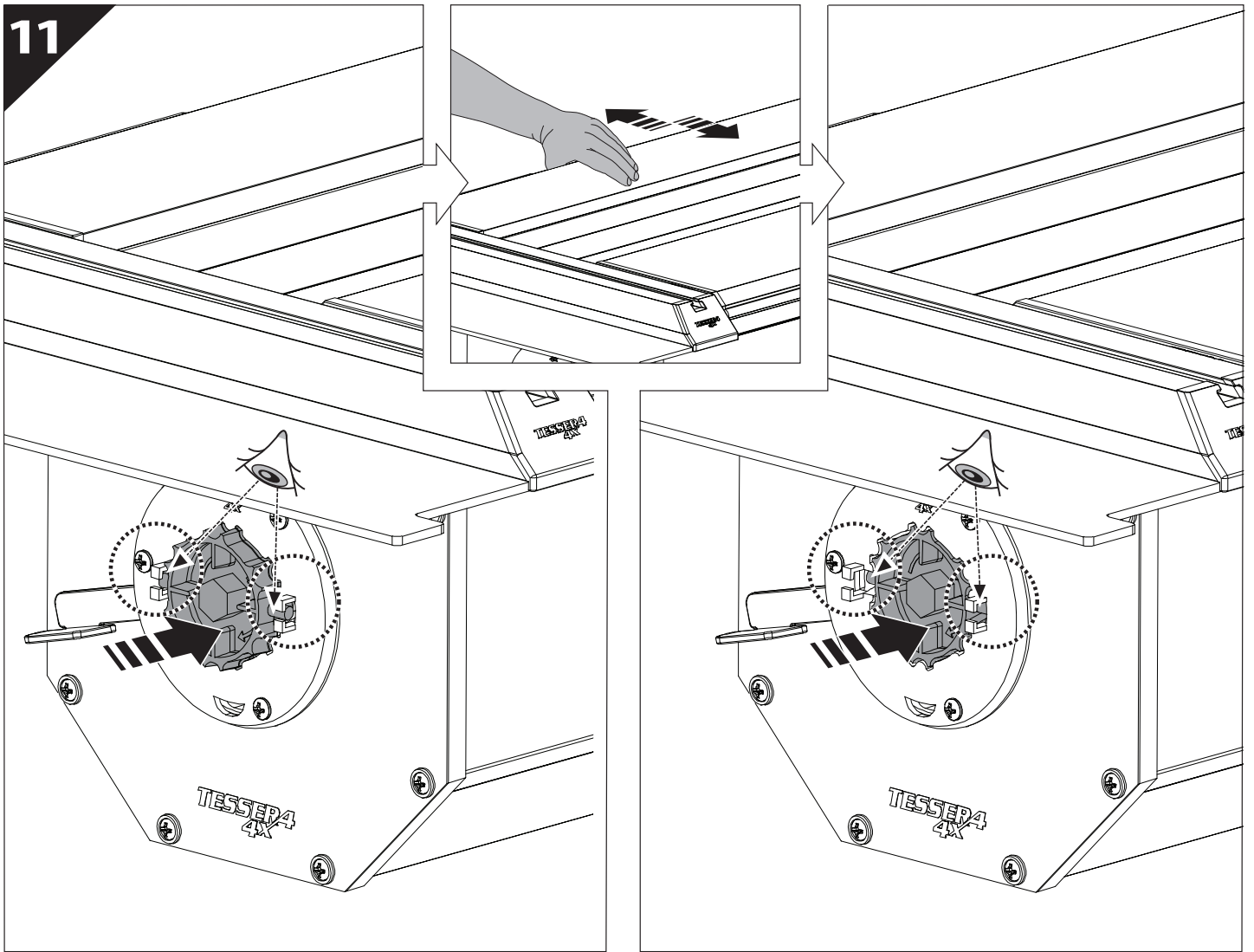




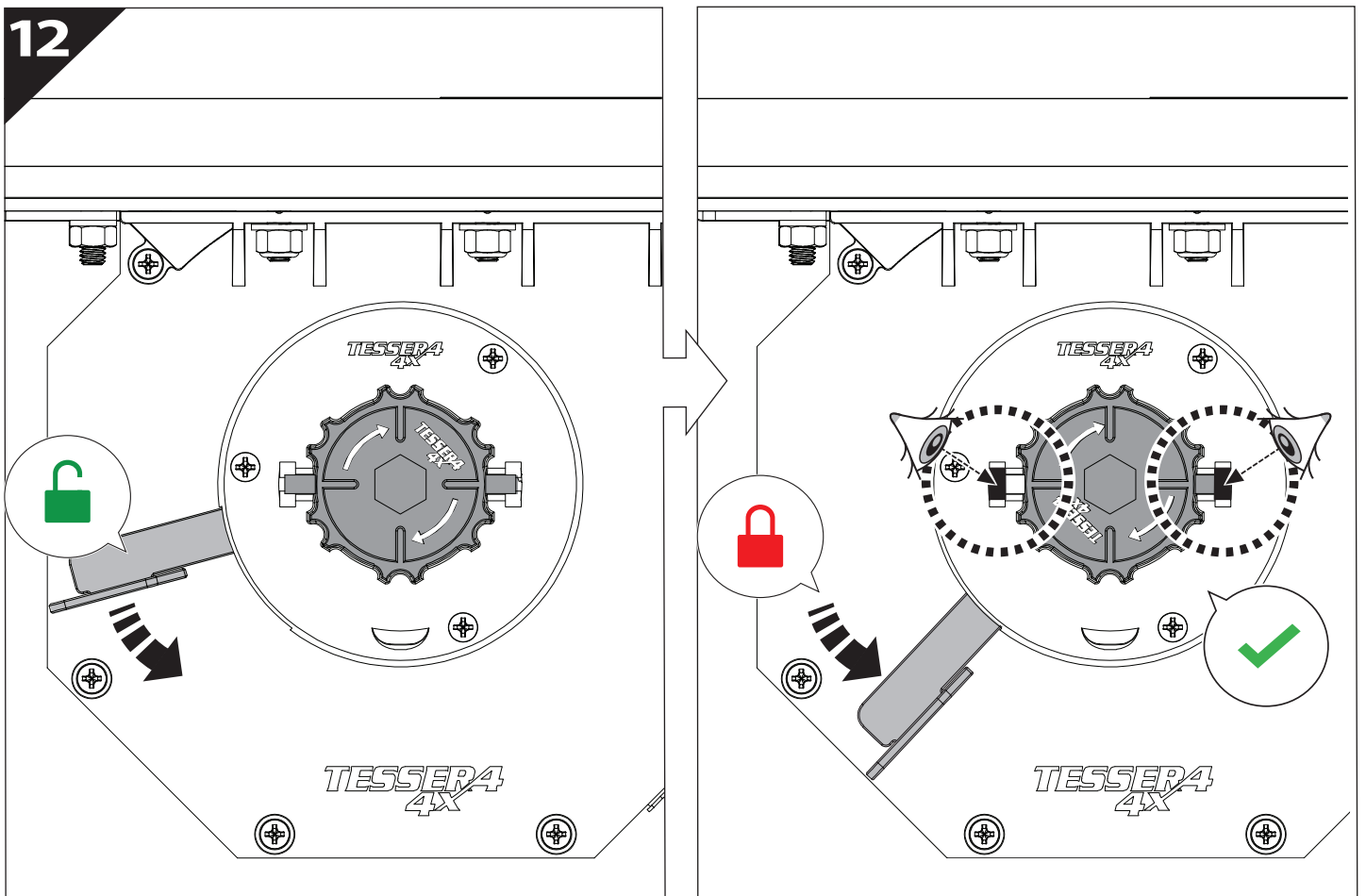
10



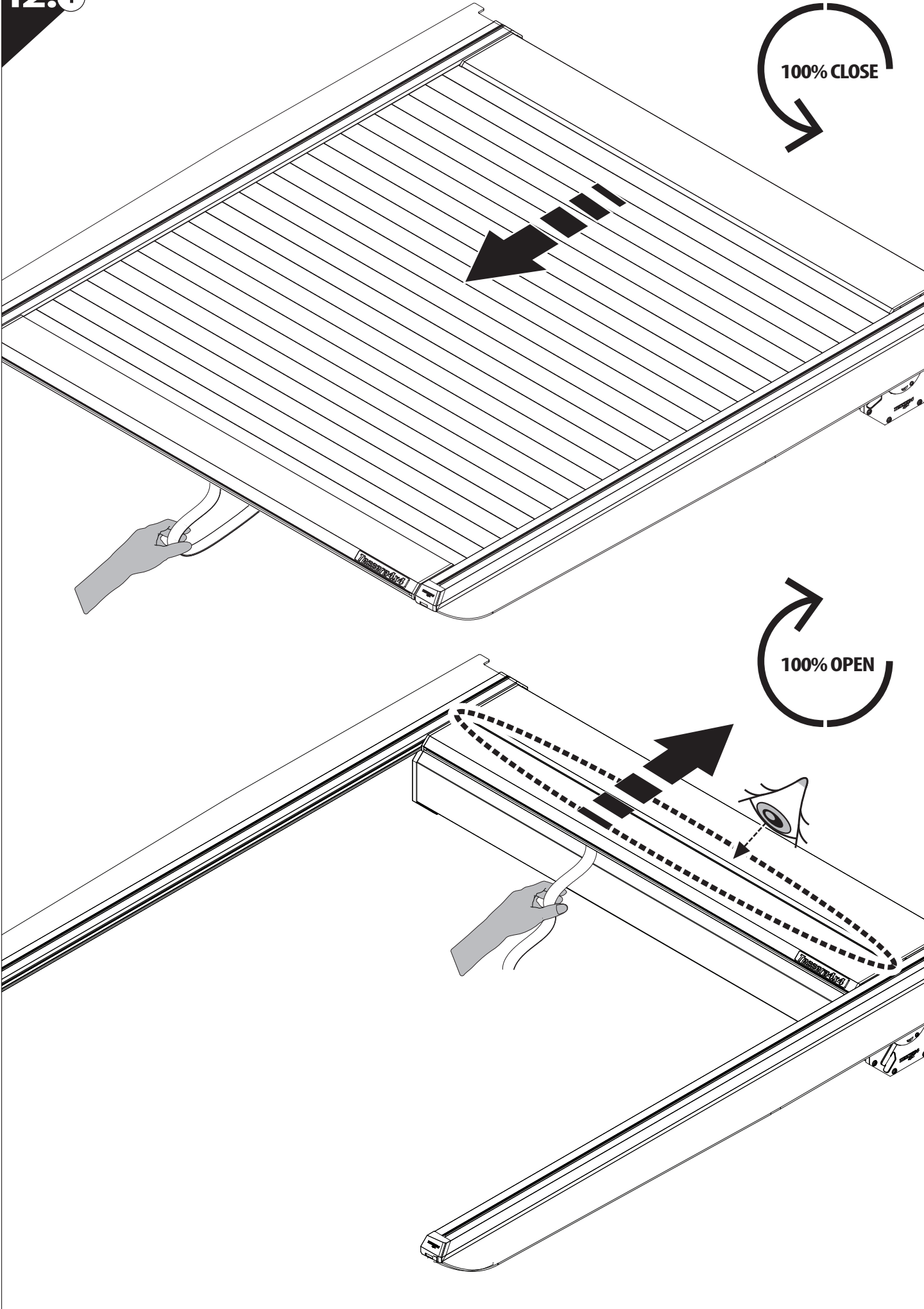
11

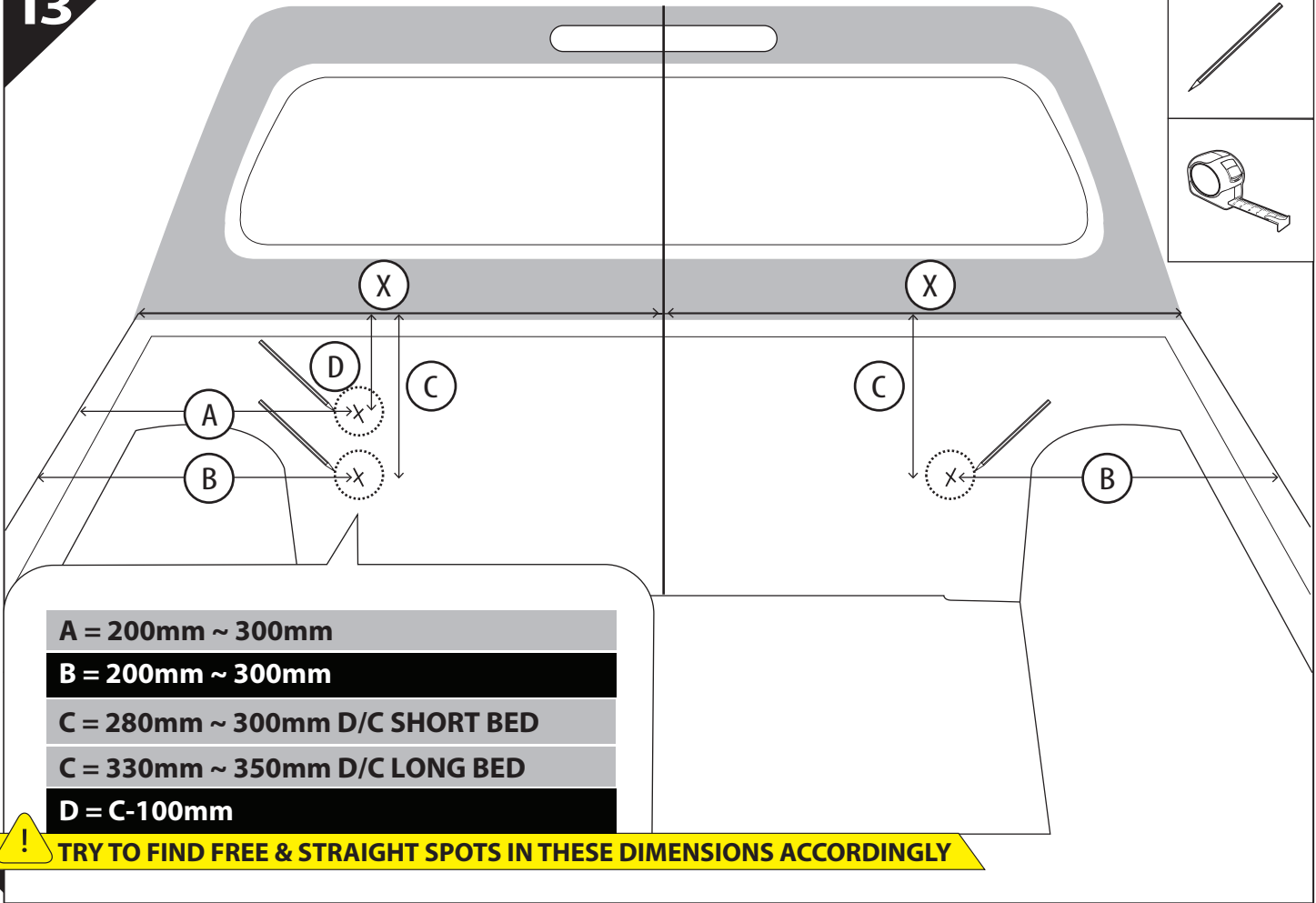
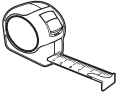


12

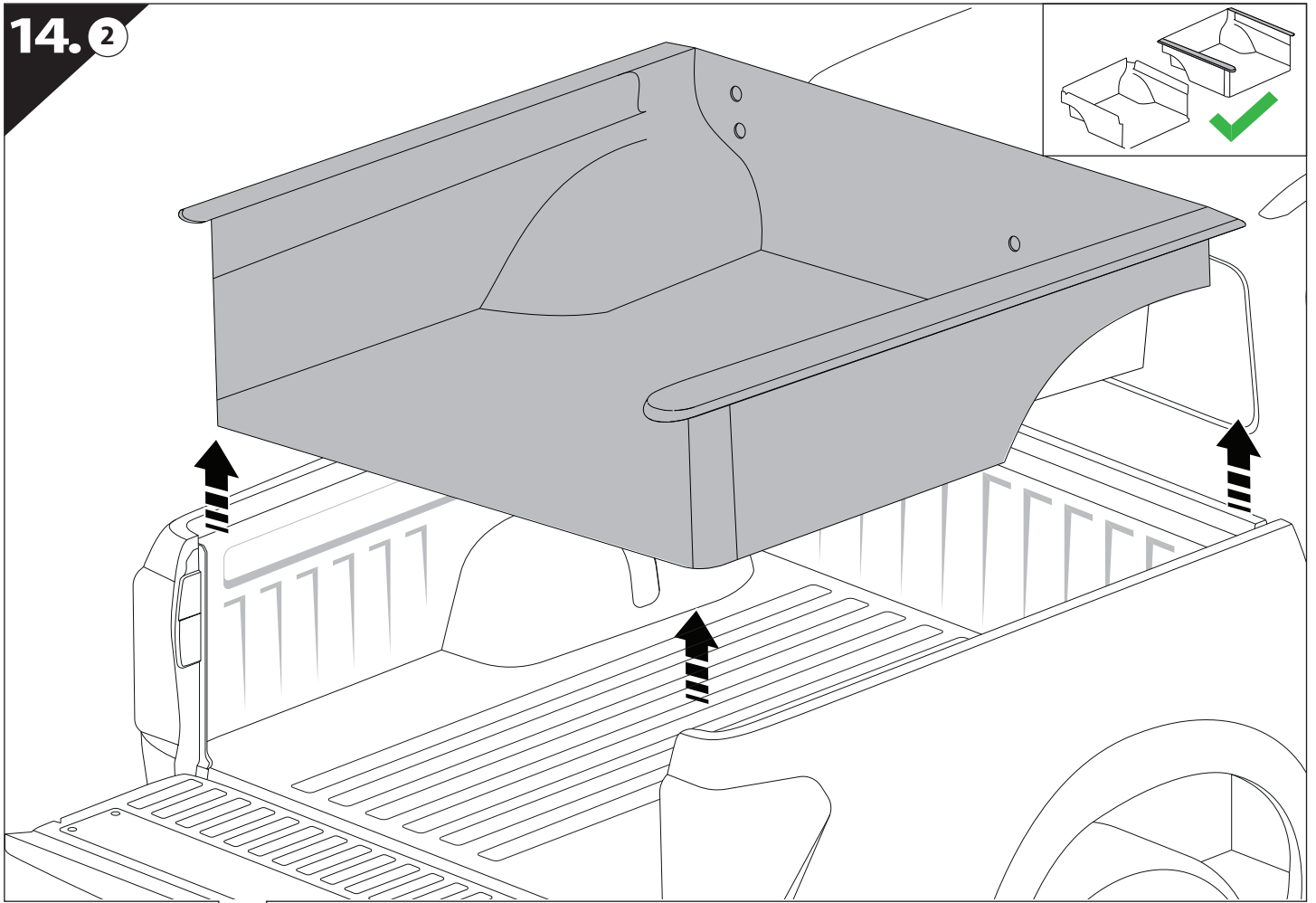


12.0

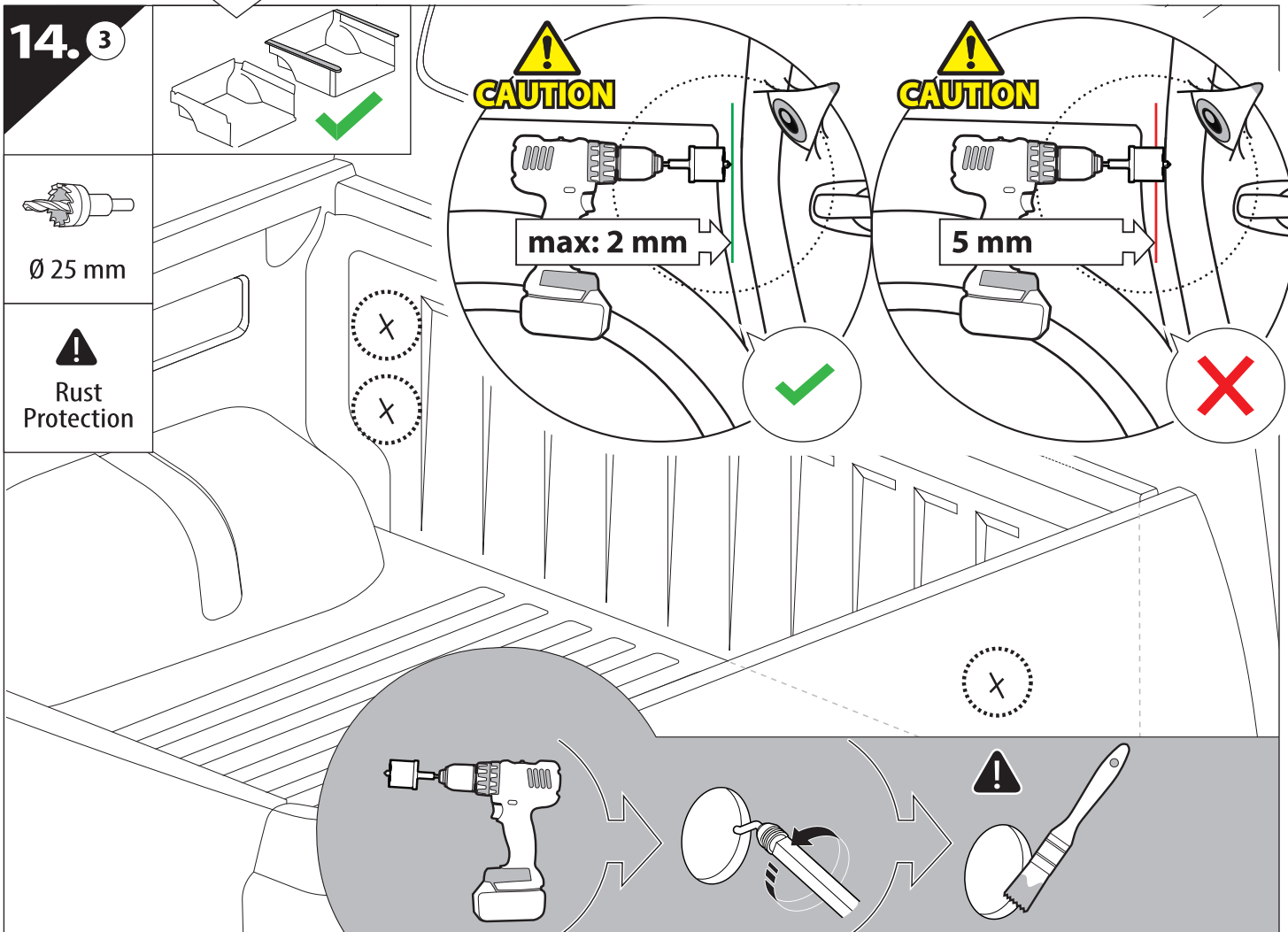




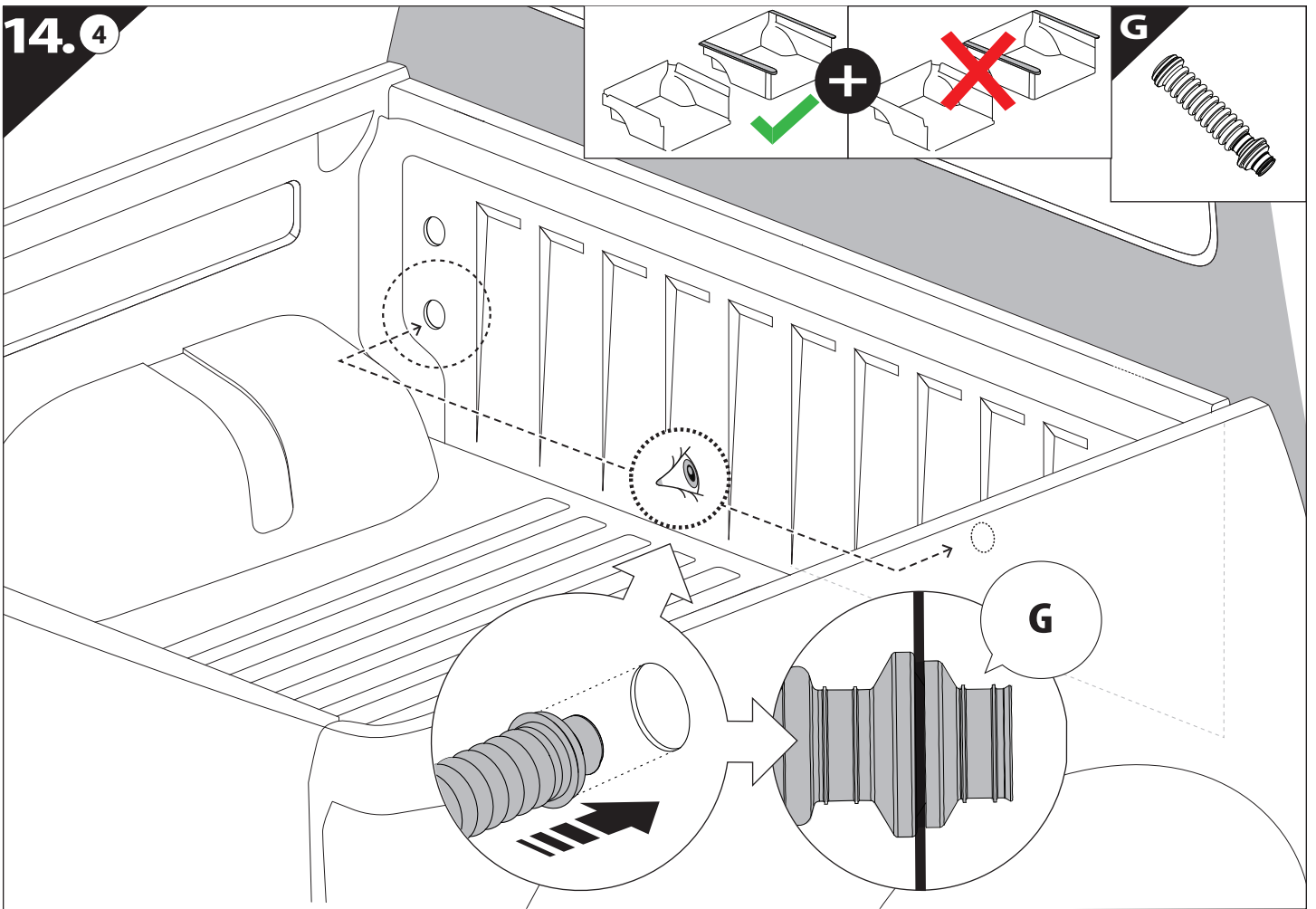
14.2



14.3

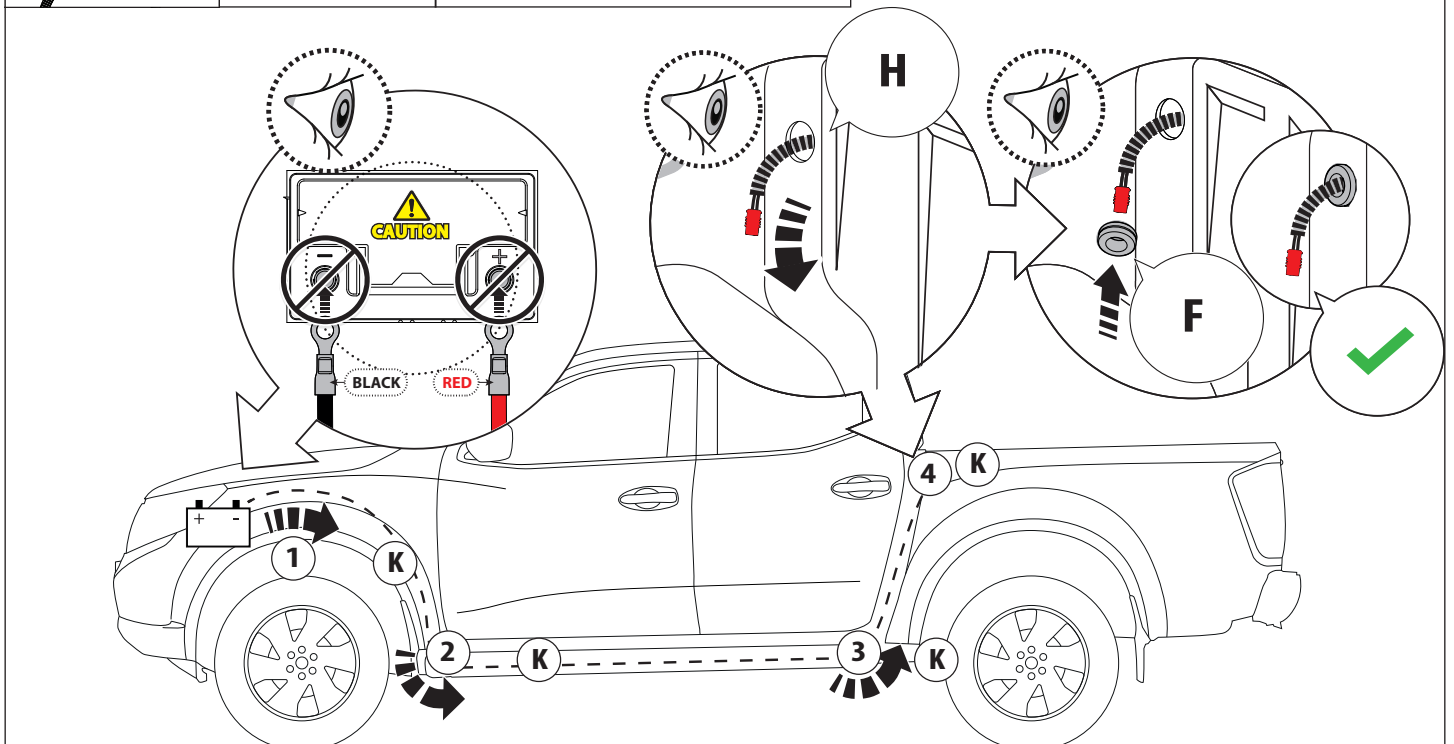
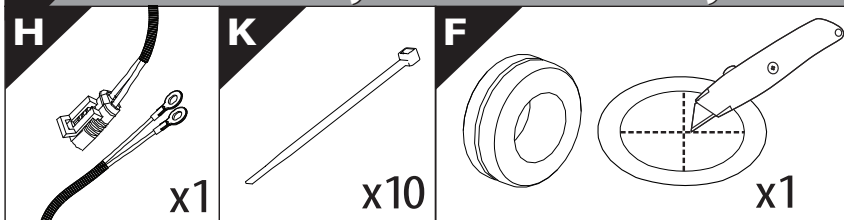


14.4

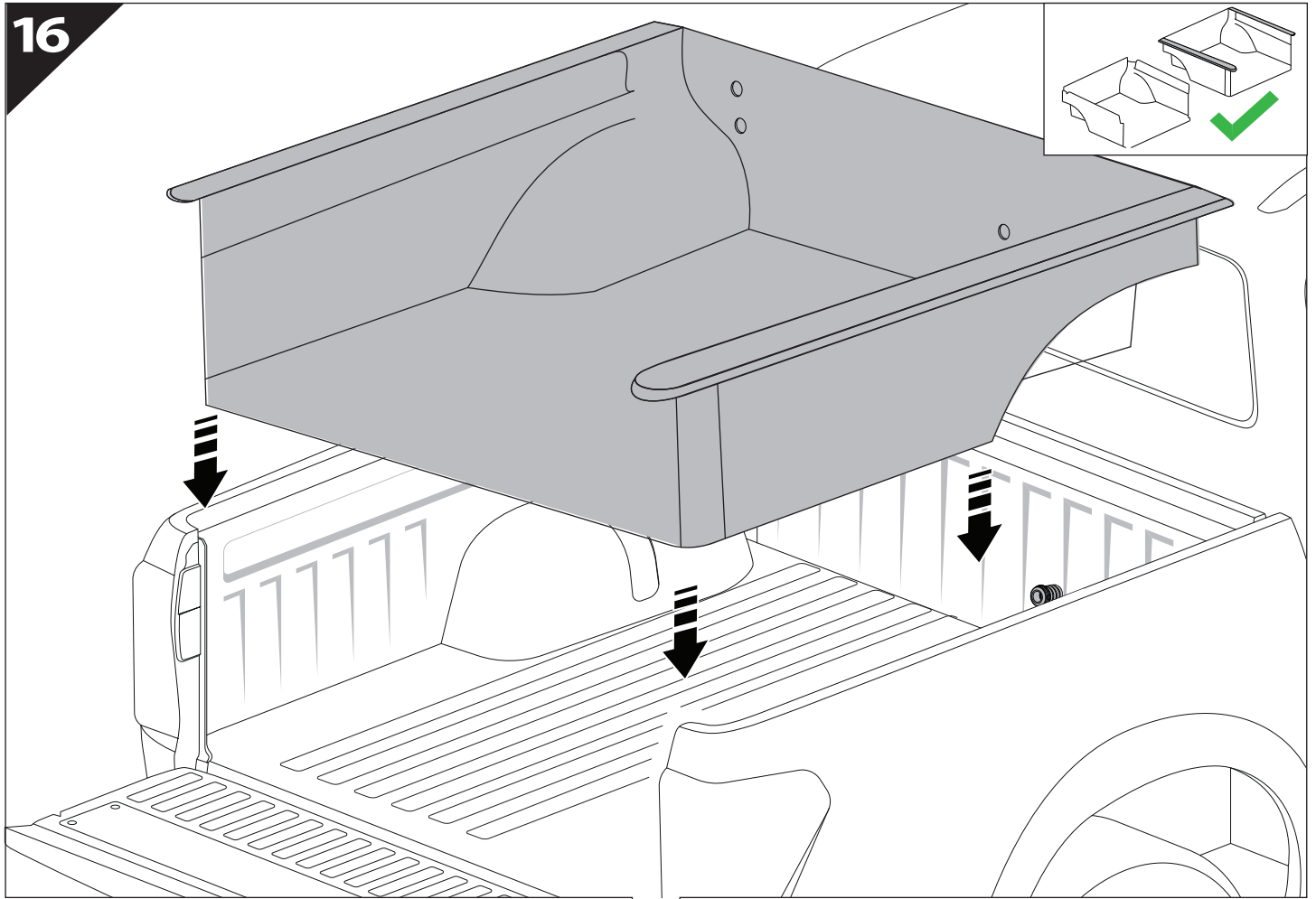


15

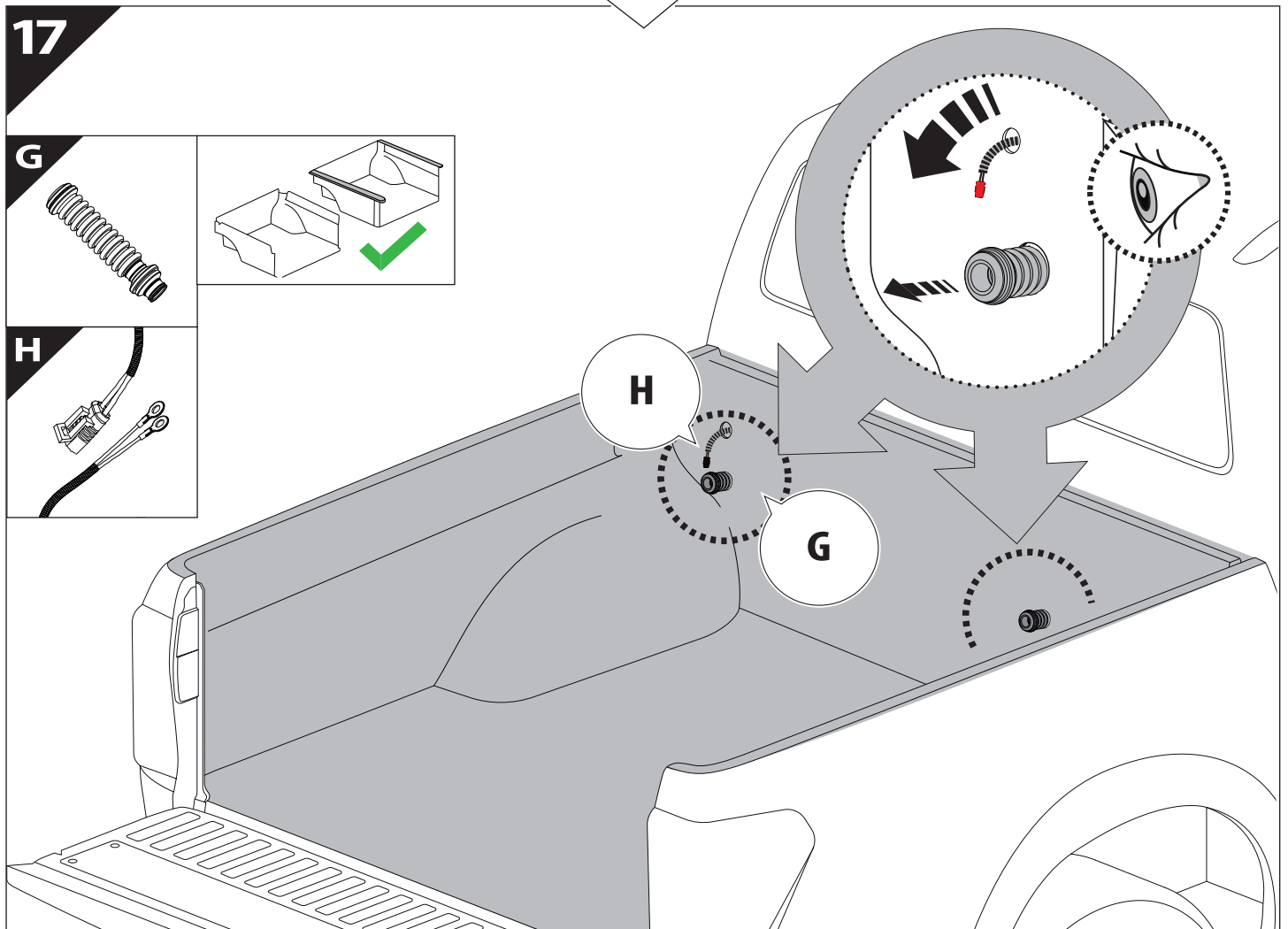
Only to be installed by authorized personnel

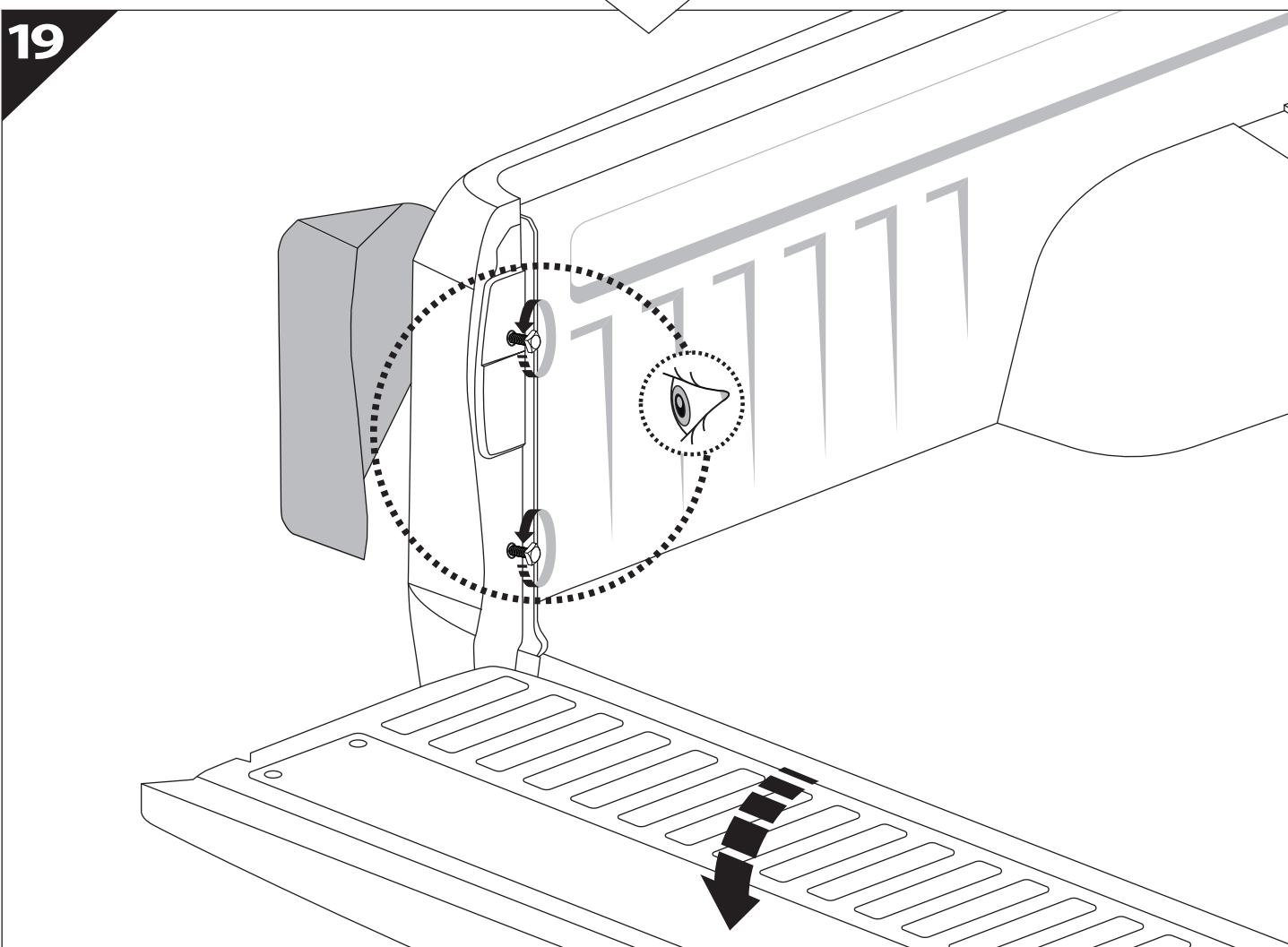
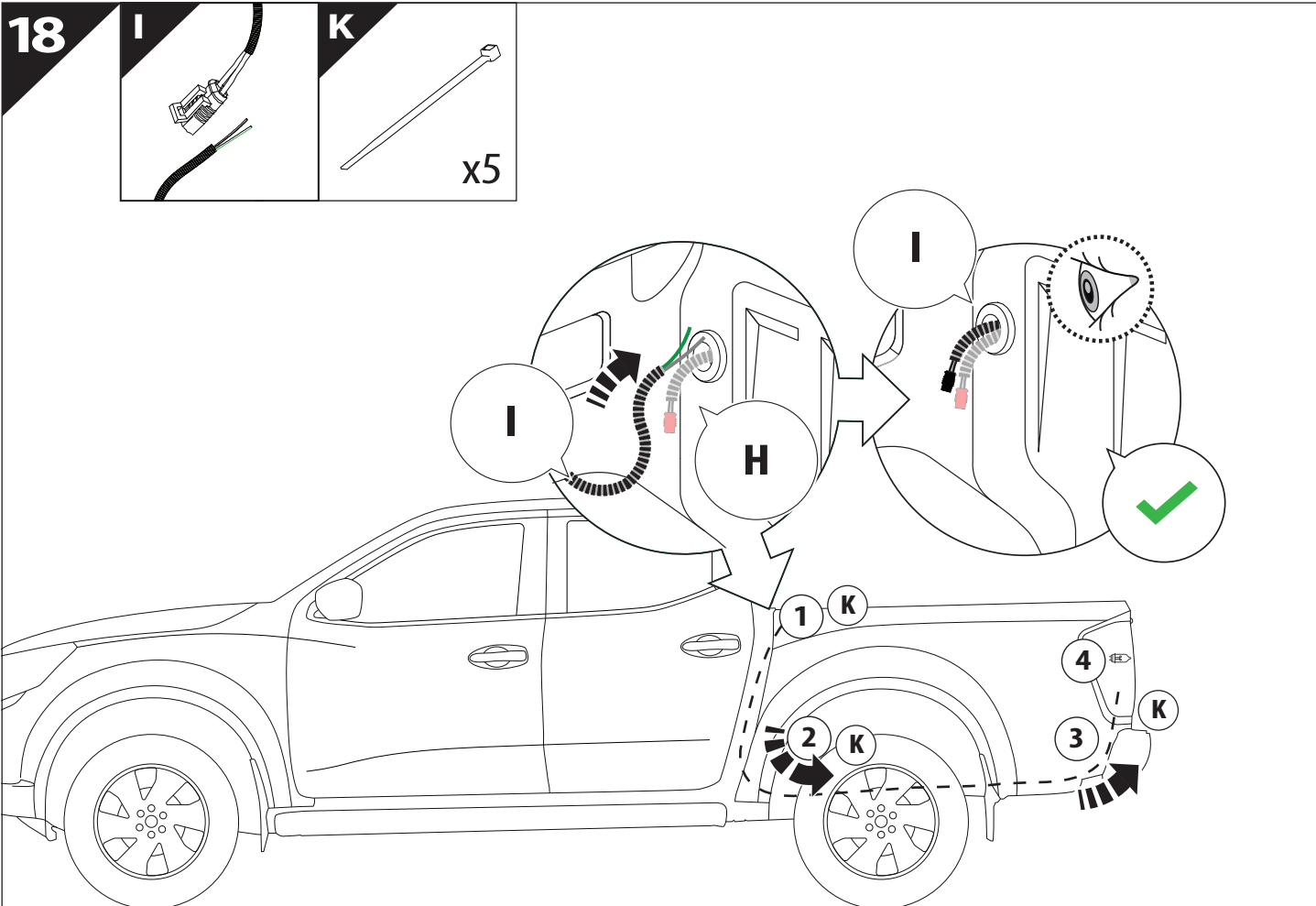


16

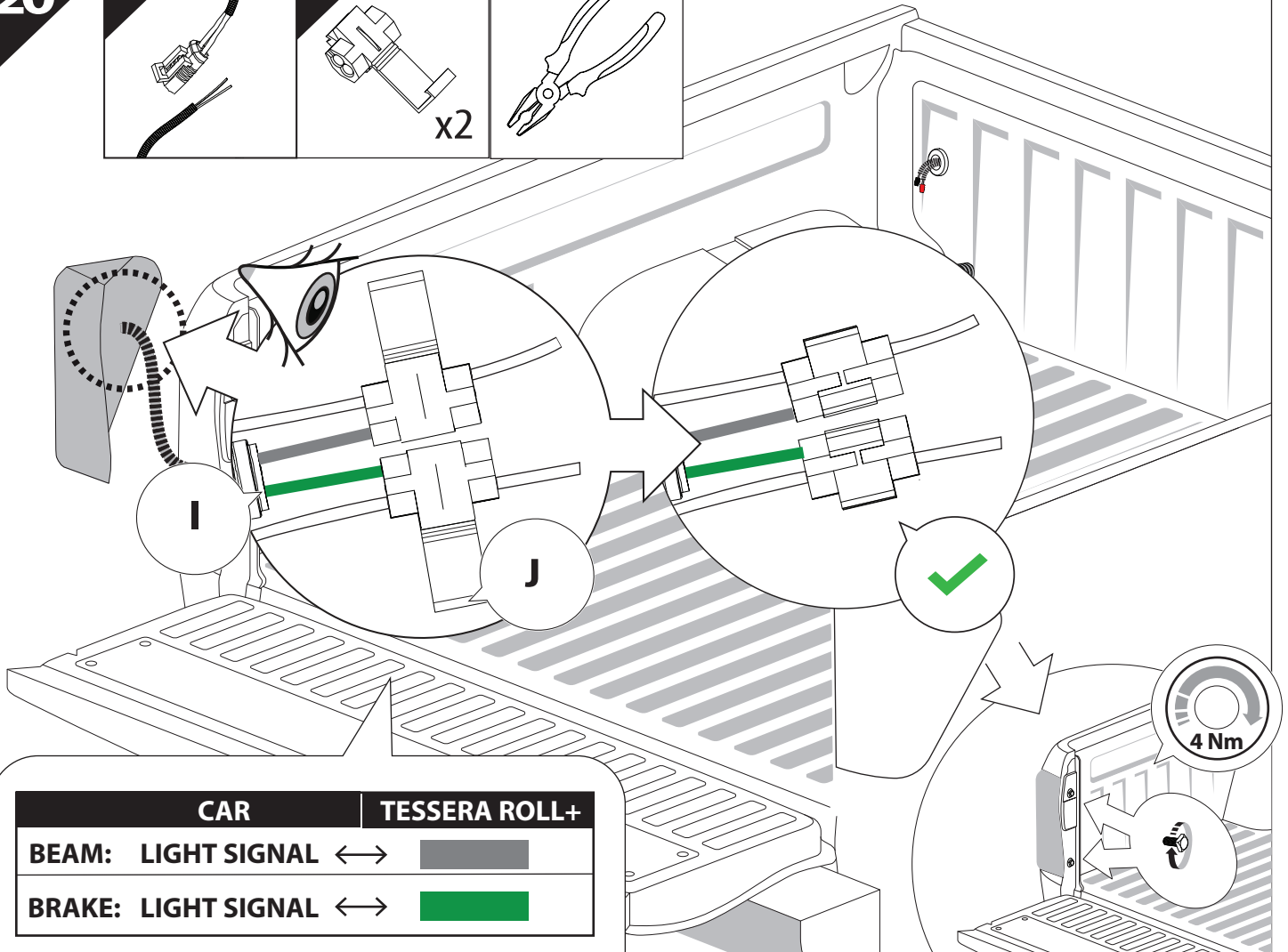
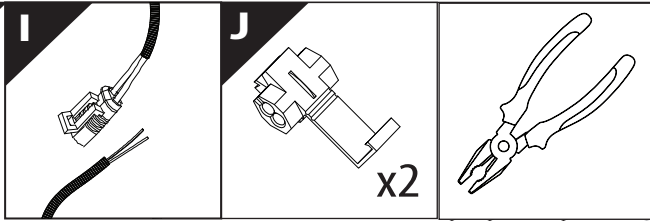


17





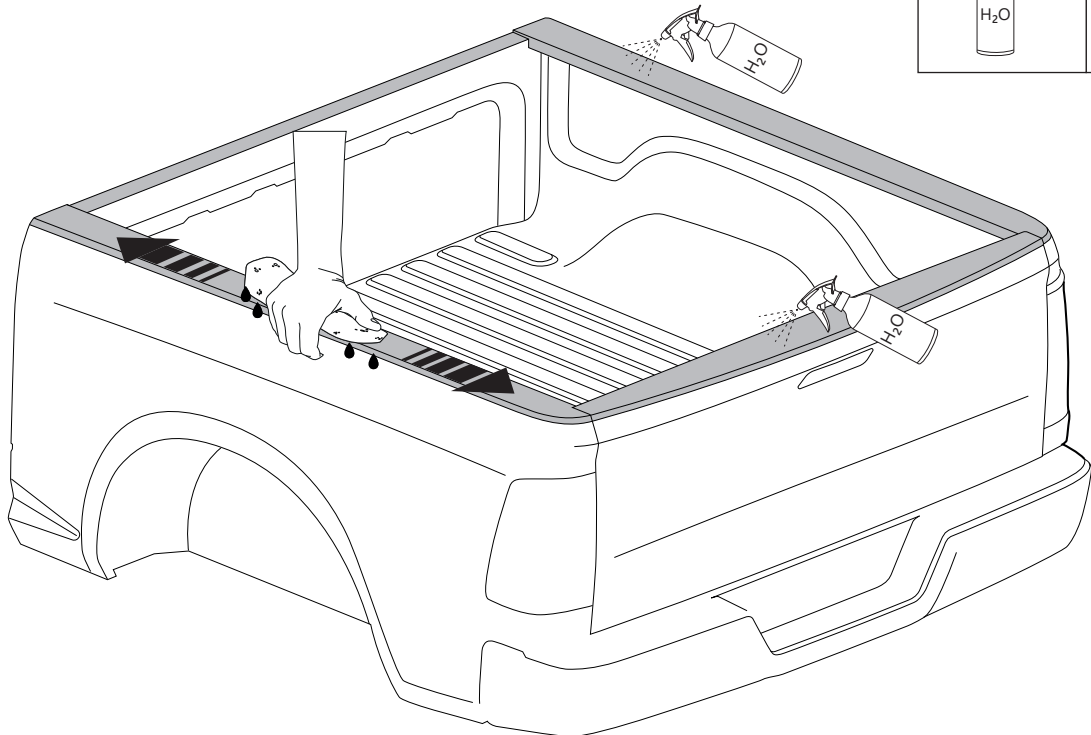
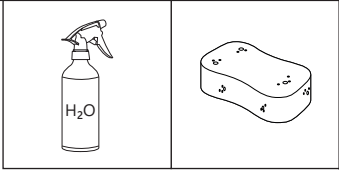
20

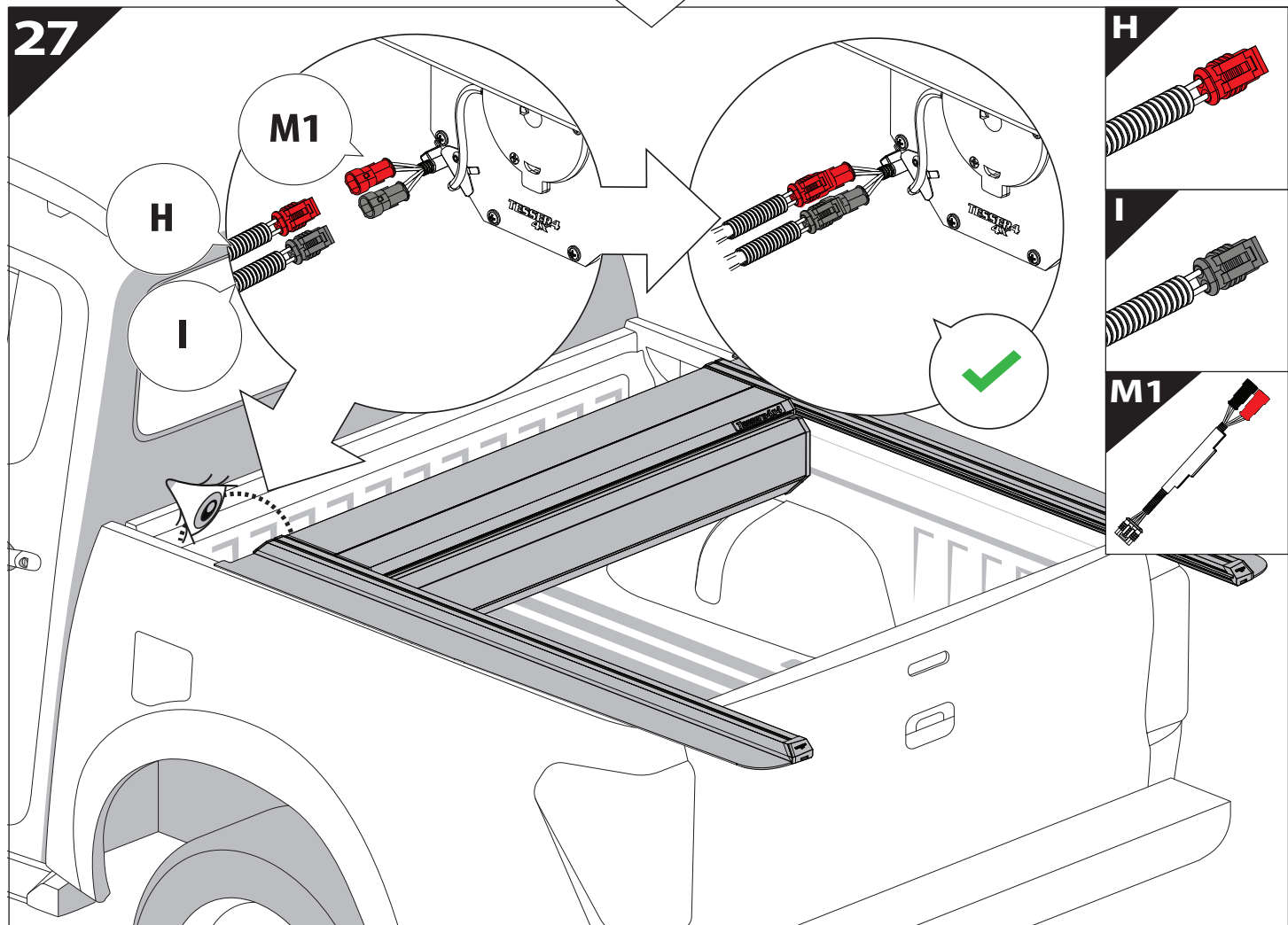
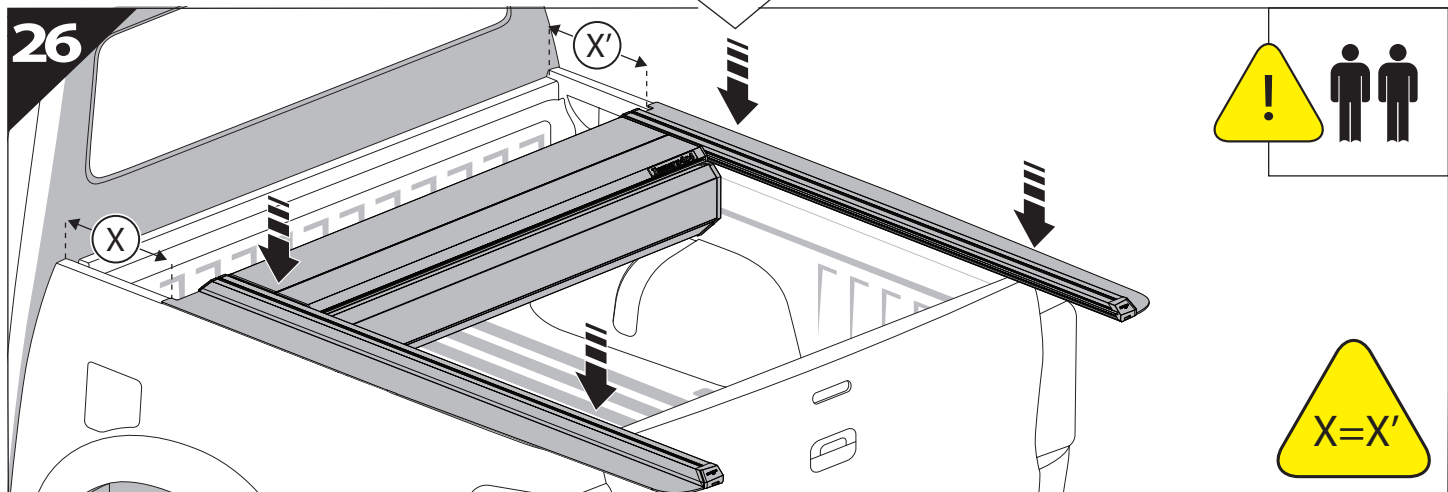
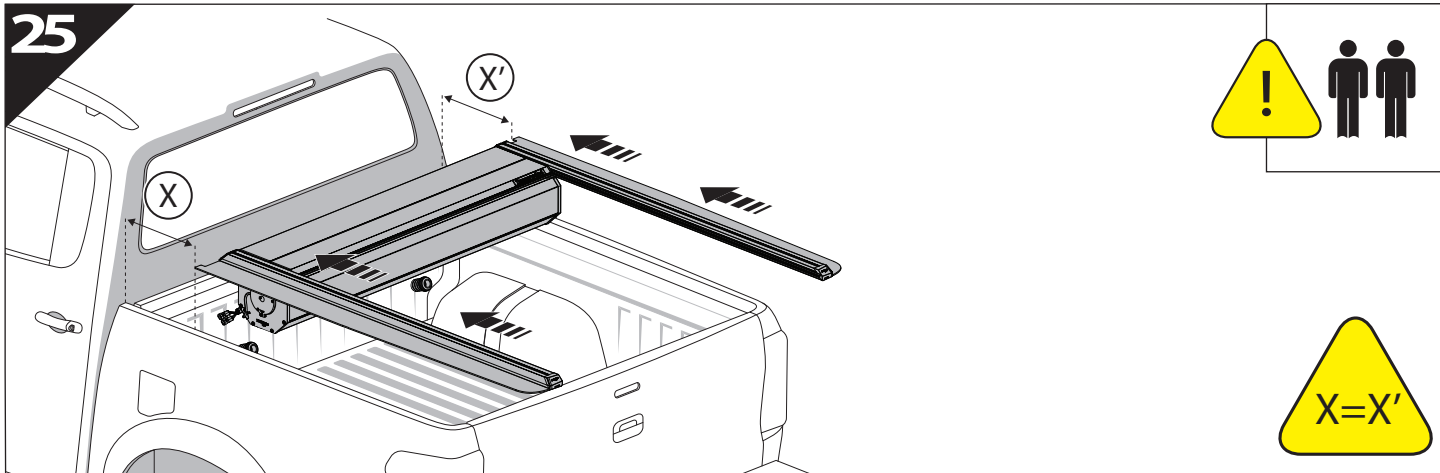


| CAR | TESSERA ROLL+ |
|-----------------------|---------------|
| BEAM: LIGHT SIGNAL ↔ | |
| BRAKE: LIGHT SIGNAL ↔ | |

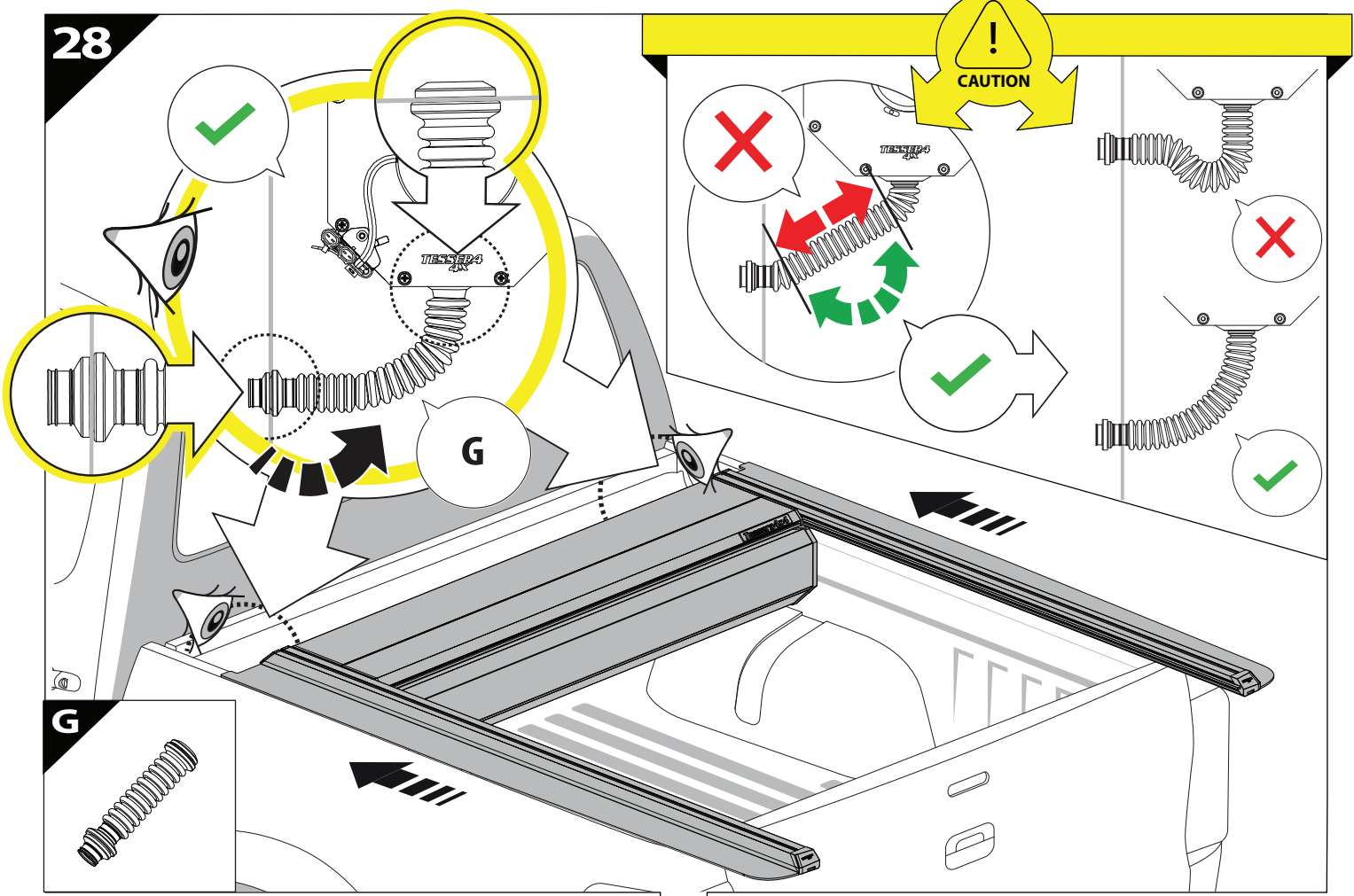
CAUTION: CONSULT A CERTIFIED AUTO MECHANIC OR AUTOMOTIVE ELECTRICIAN TO IDENTIFY THE CORRECT WIRING CABLES FOR BEAM AND BRAKE SIGNALS BEFORE MAKING ANY CONNECTIONS.

21



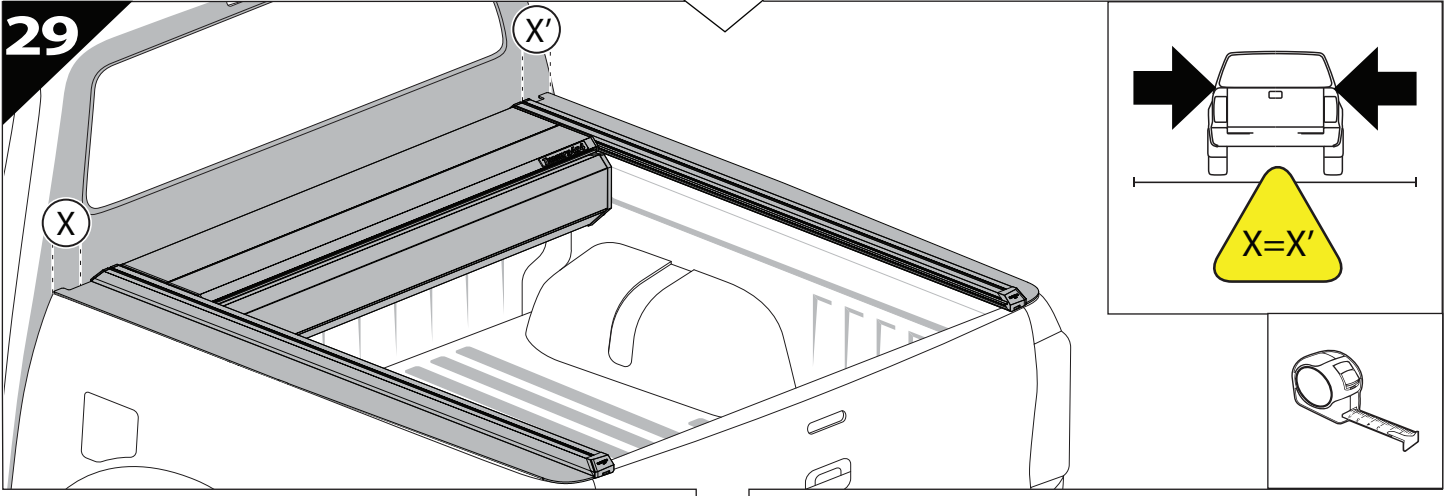


28

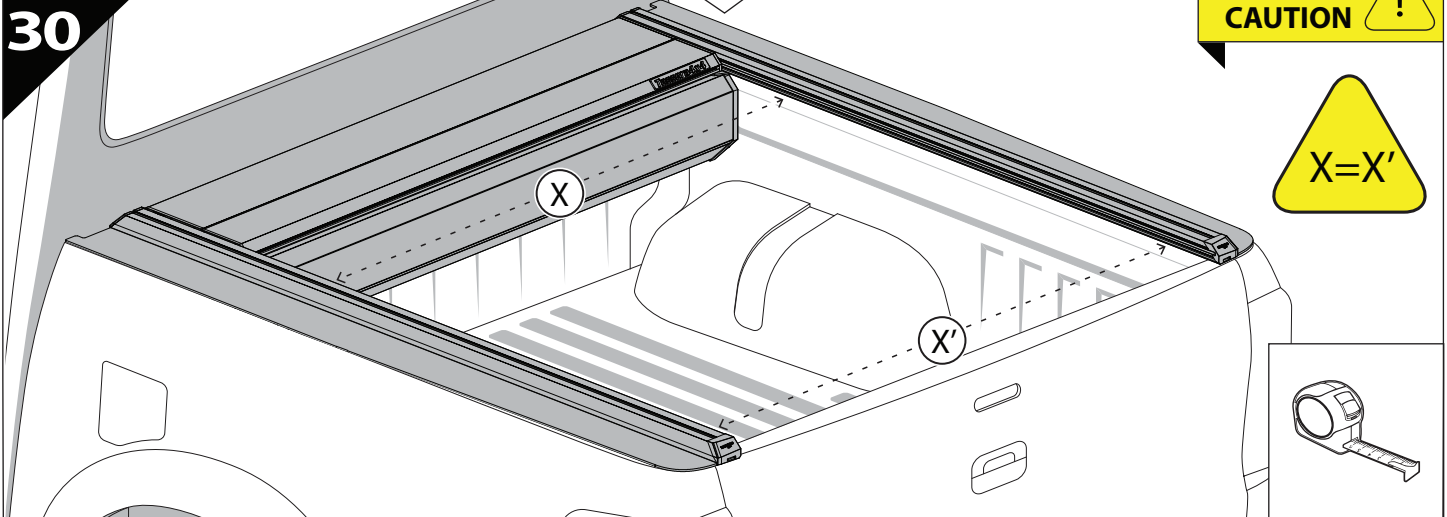


G

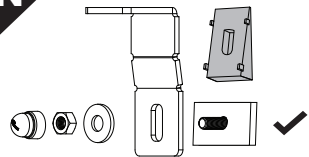
29



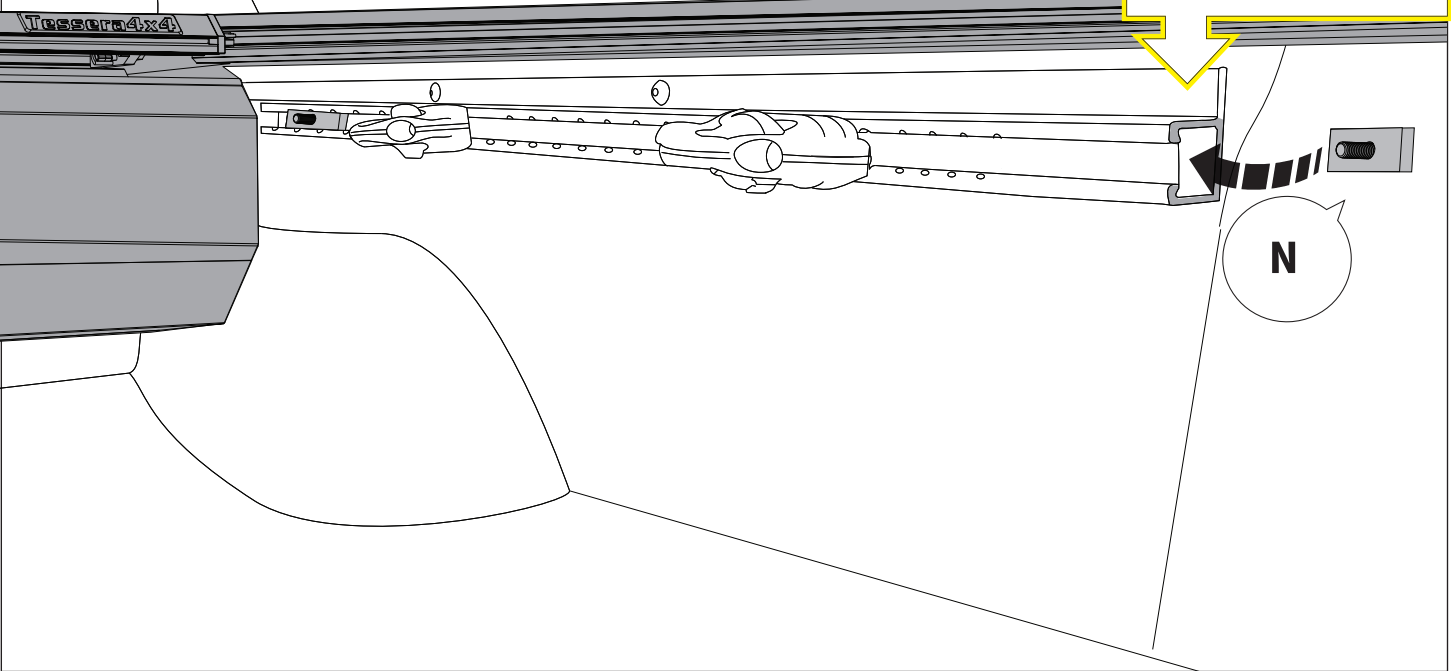
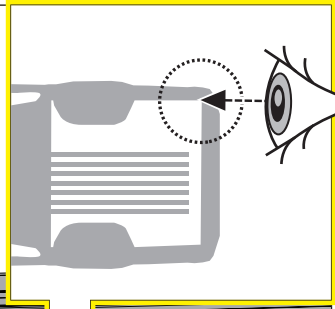
30



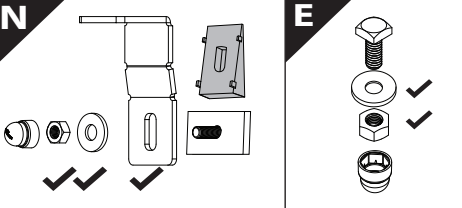
31 **N**



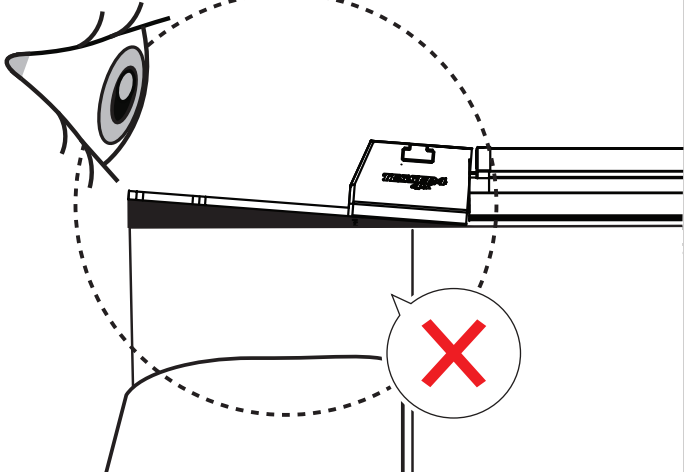
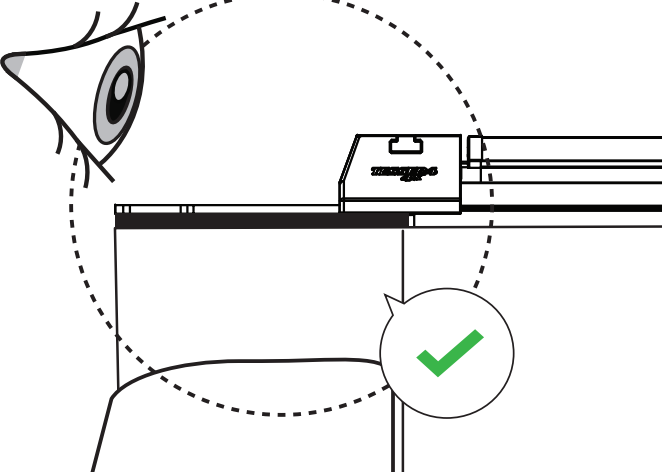
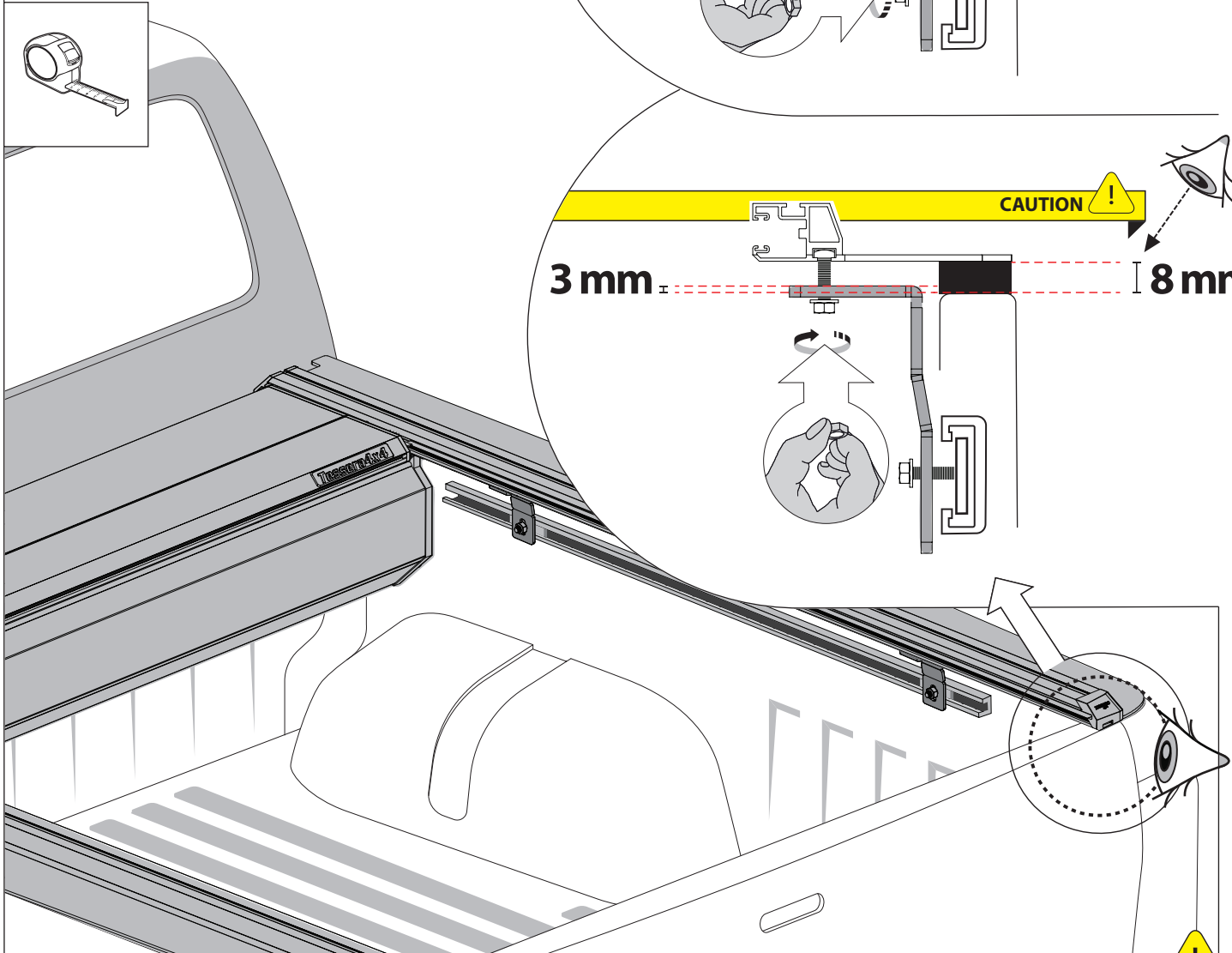
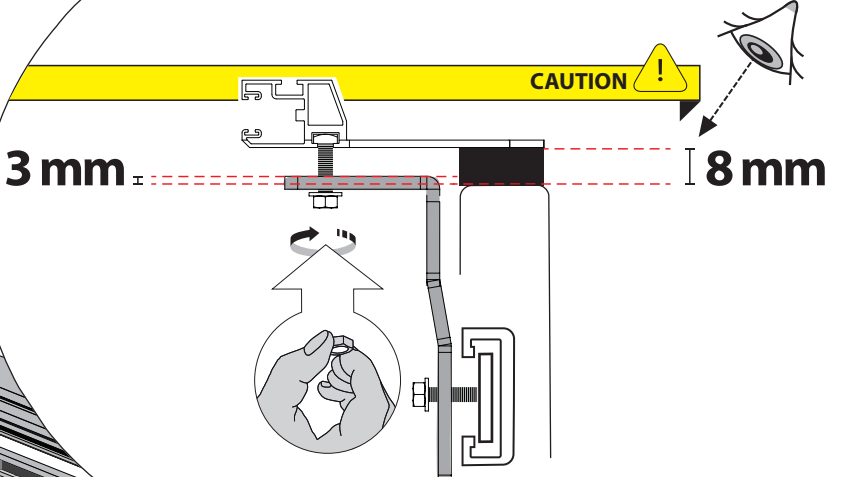
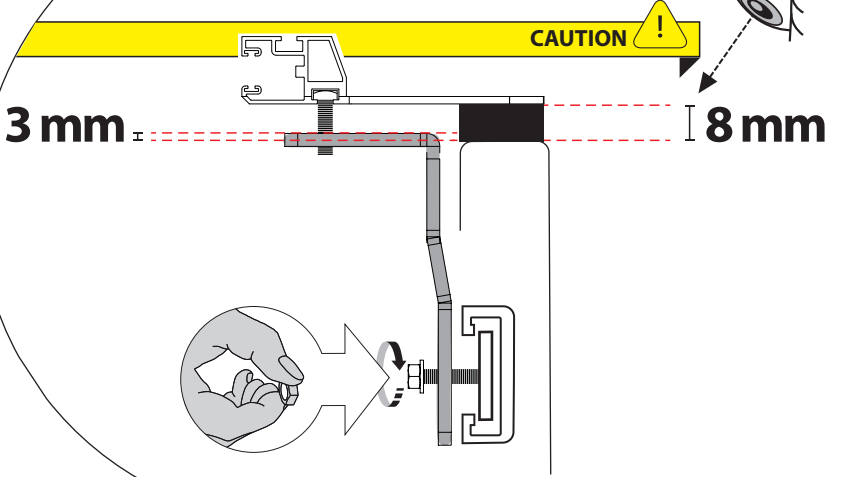
SHORT BED x4 / LONG BED x6

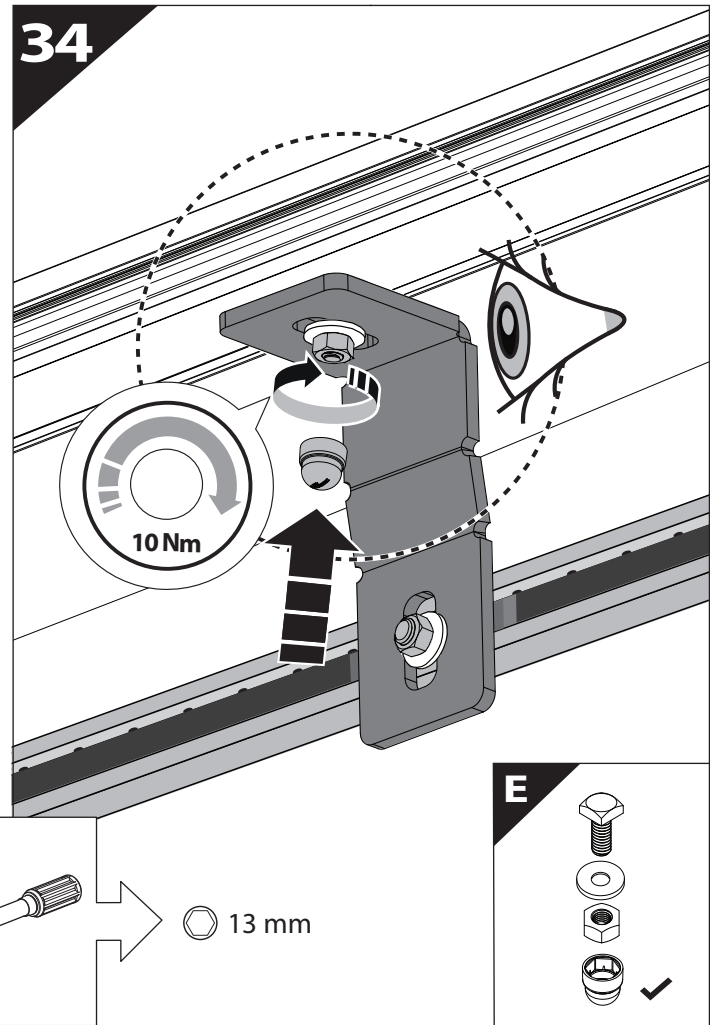
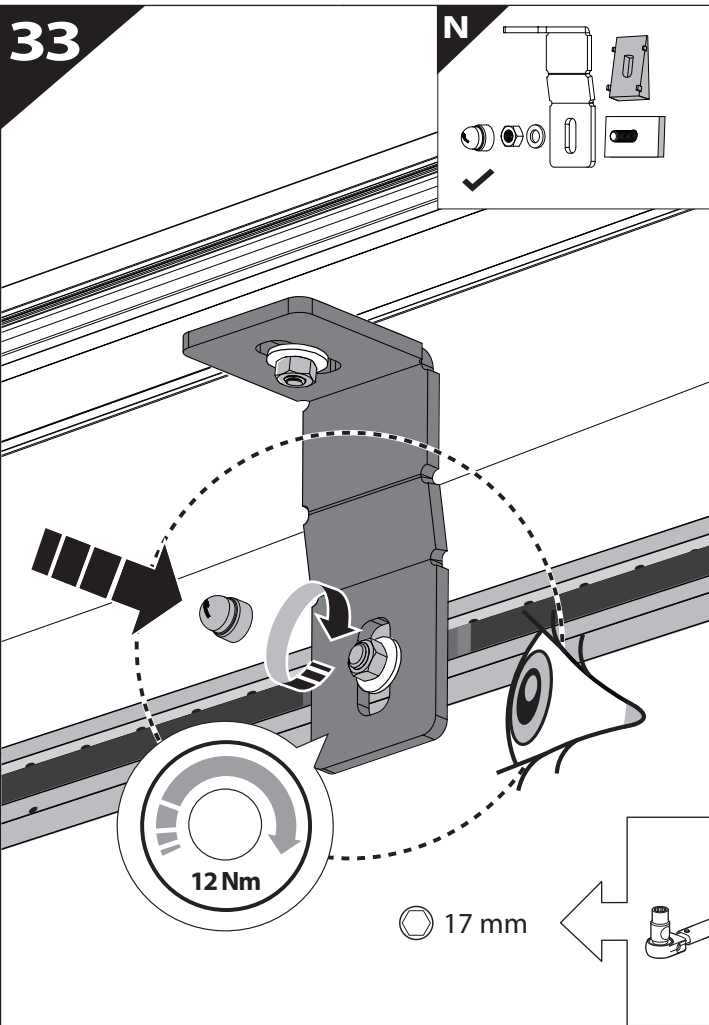


32

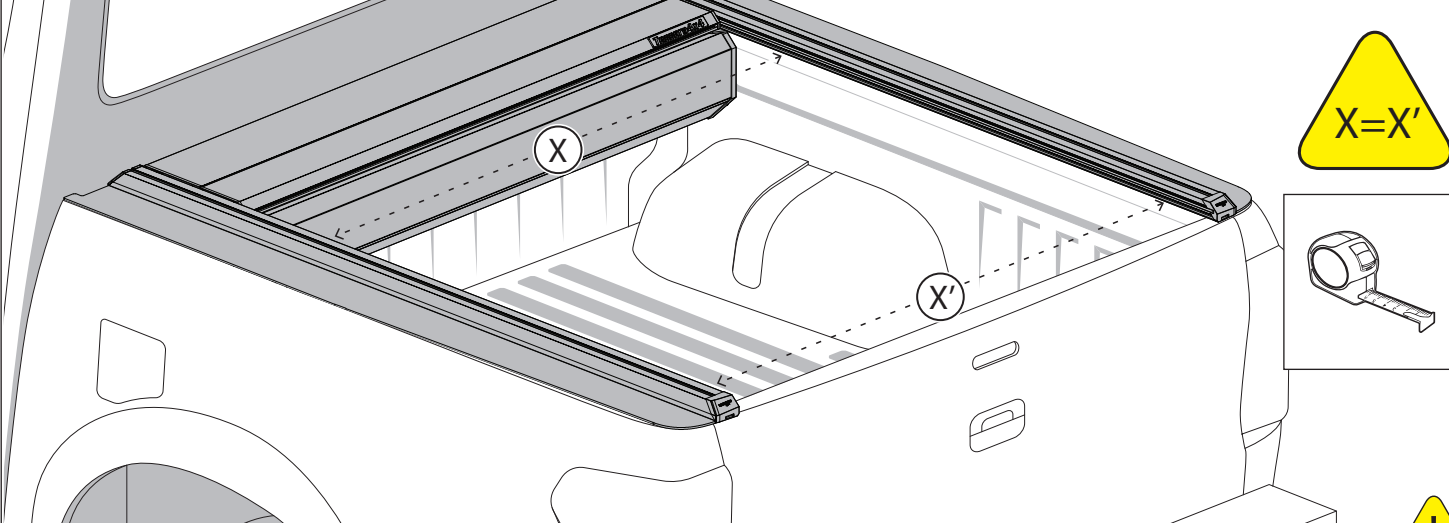


SHORT BED x4 / LONG BED x6

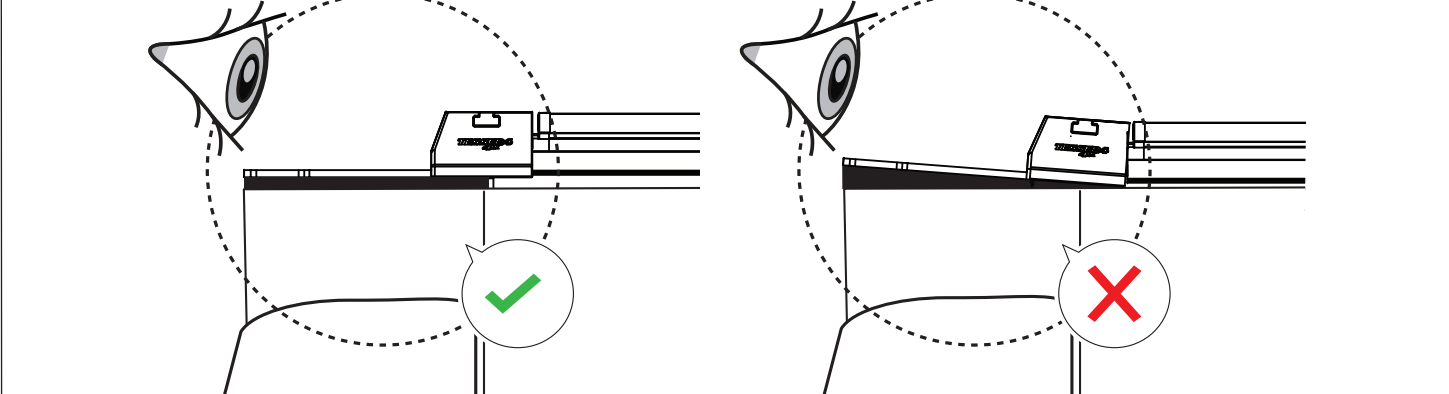




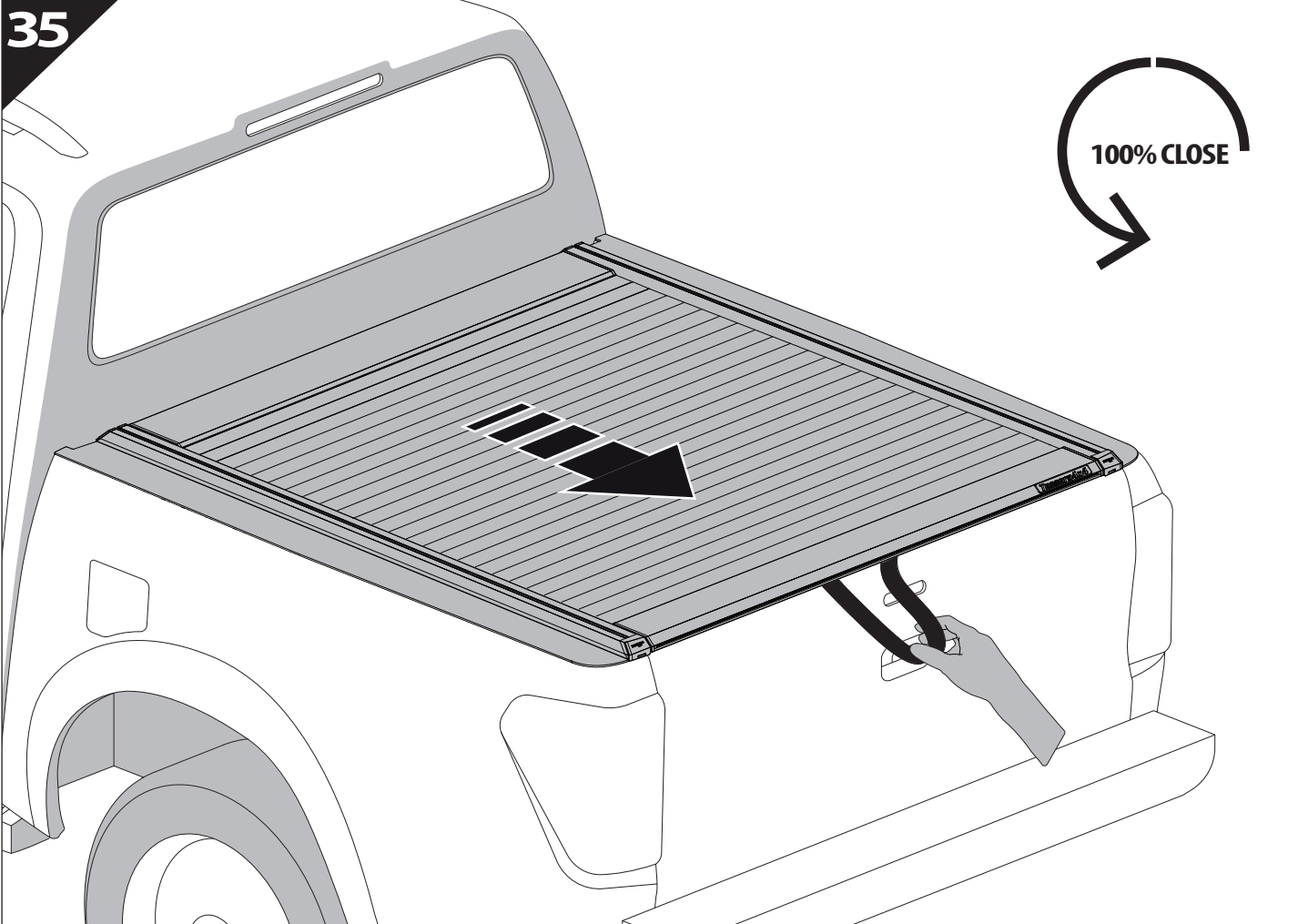
CAUTION !



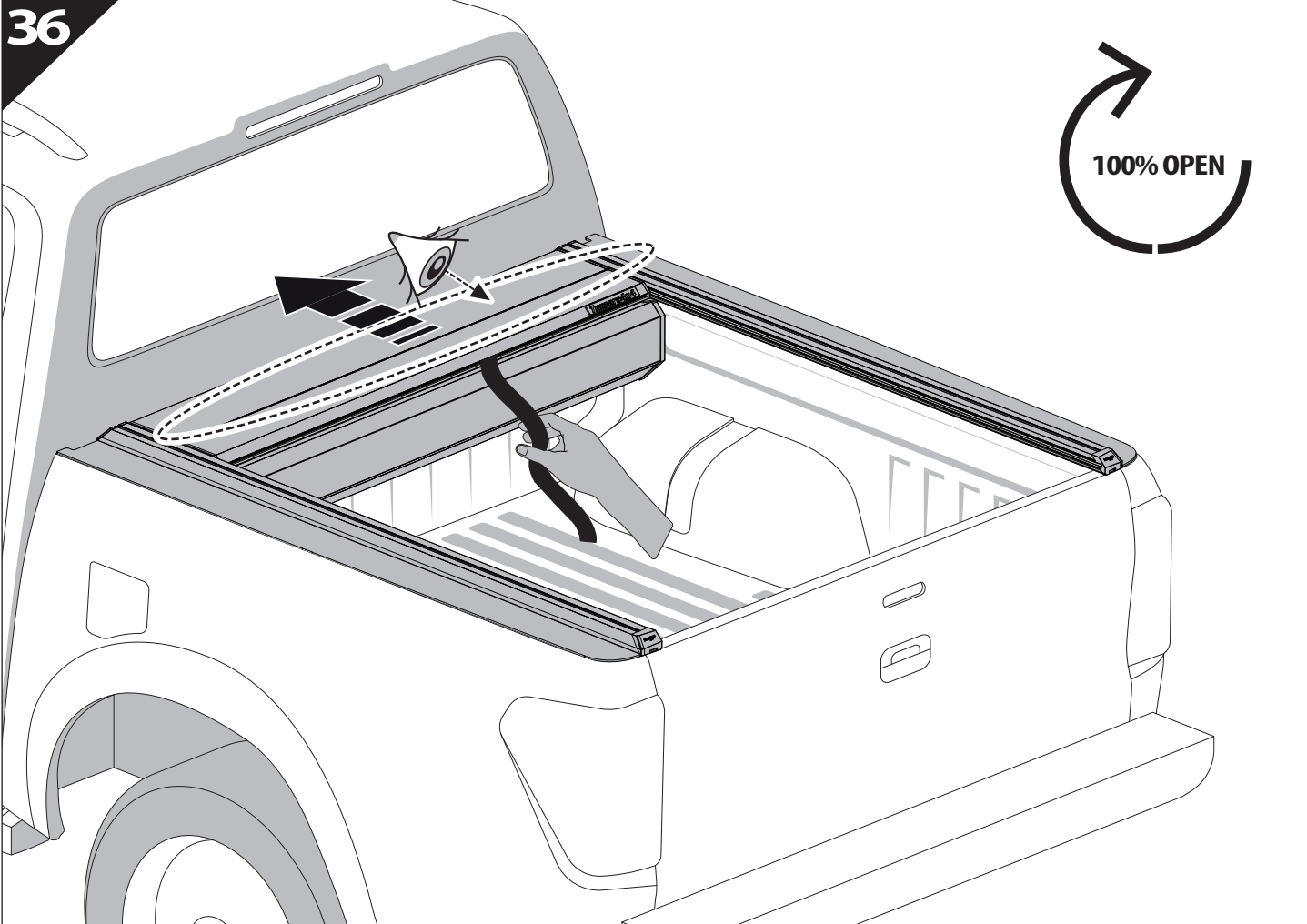
CAUTION !



35



36





GR: Οδηγίες Εγκατάστασης
GB: Installation manual
SF: Asennusohje
F: Notice de montage
PL: Instrukcja montażu
NL: Installatie-instructies
TR: Montaj Talimatı
S: Monteringsanvisning
E: Instrucciones de montaje

H: Szerelési utasítás
P: Instruções de instalação
RUS: Инструкция по установке
N: Monteringsveiledning
D: Einbauanleitung
CZ: Návod k instalaci
I: Istruzioni de montaggio
DK: Monteringsvejledning
RO: Instructiuni de instalare

Customer Service:

+30 (210) 5541161, +30 (210) 5541154 (08:00 - 16:00 EET)

Support department:

info@gianso.gr

Website:

www.tessera4x4.com

Address:

19.5 km of National road Athens-Korinthos (Elefsina) Greece, P.C: 19200