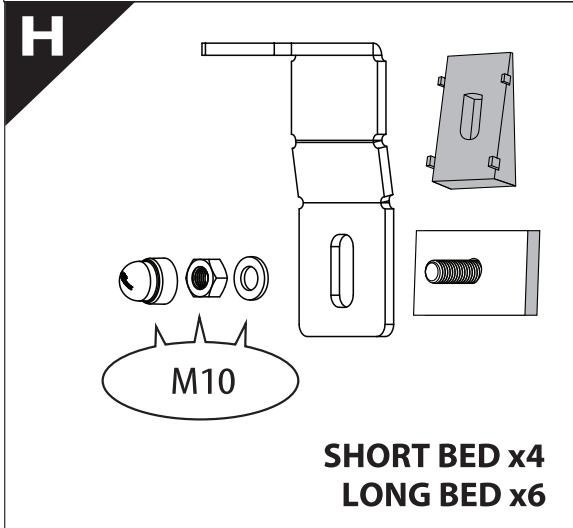
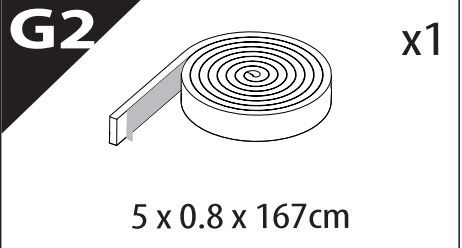
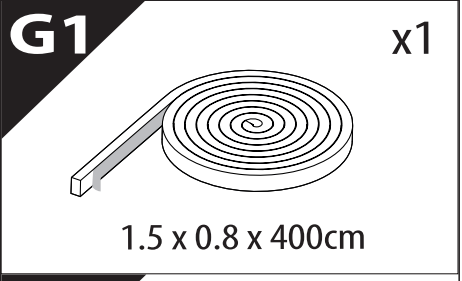
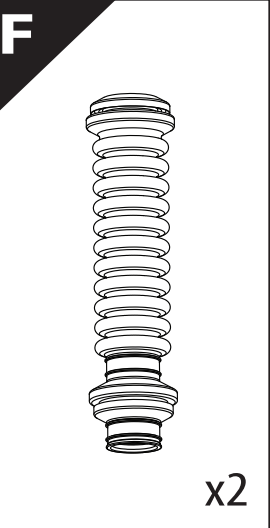
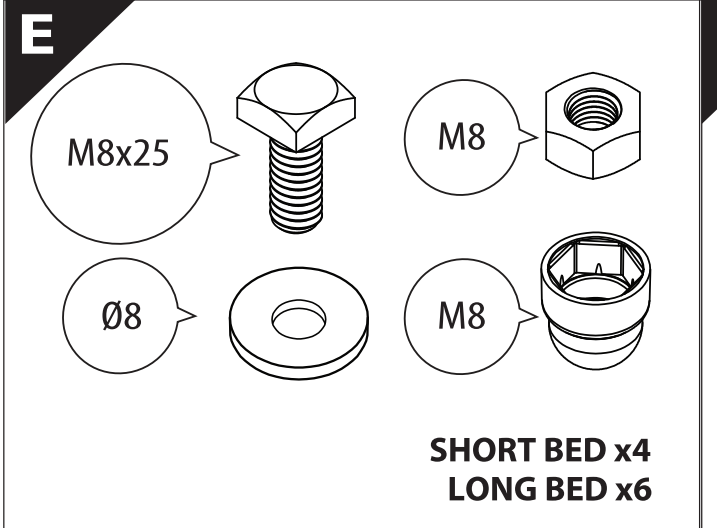
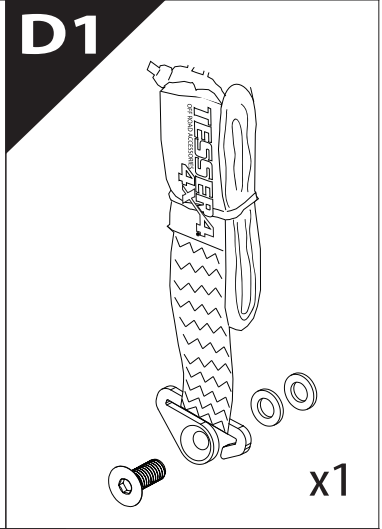
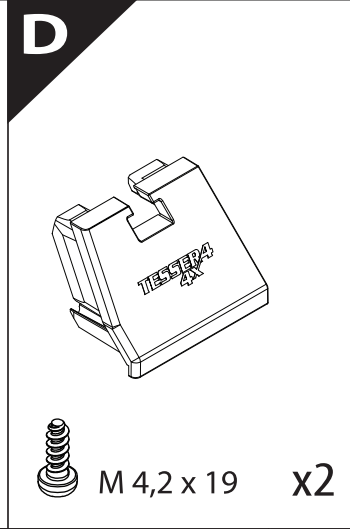
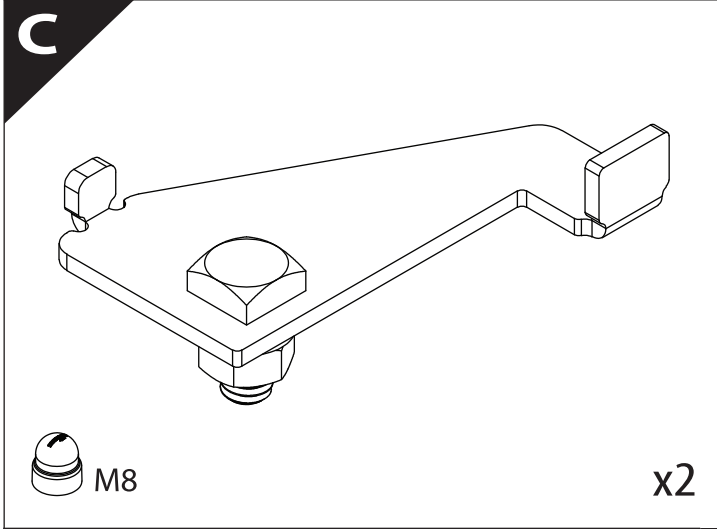
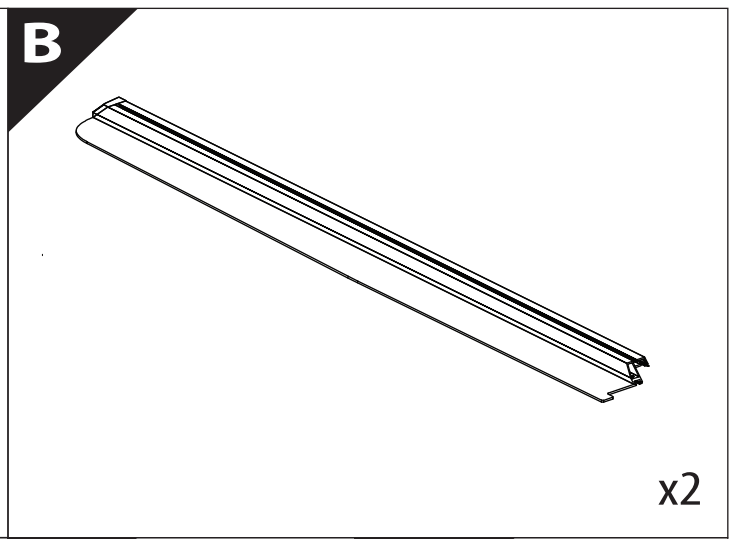
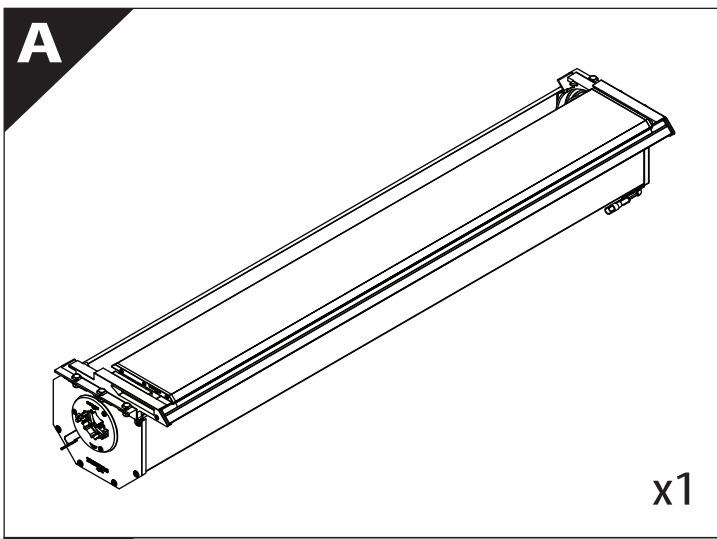
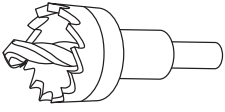


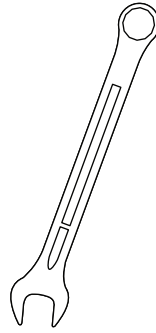
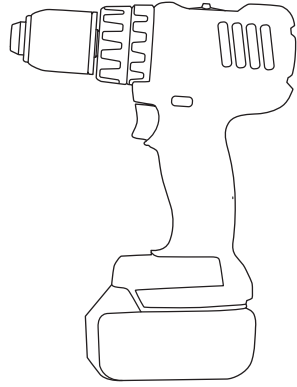
Installation Manual

PART NUMBER(S)	Model Year
TESS 15151 SE	Nissan Frontier 2023+ SHORT BED 5 FEET WITH C-CHANNELS
TESS 15152 SE	Nissan Frontier 2023+ LONG BED 6.1 FEET WITH C-CHANNELS
Cab(s)	Installation Time / Weight
Double Cab American Model	40-60 minutes / 53-57 kg

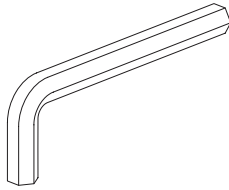
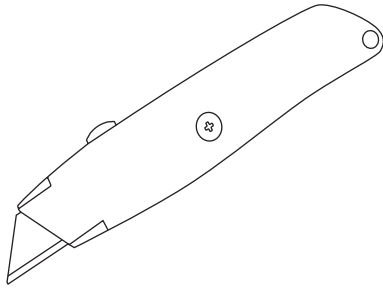
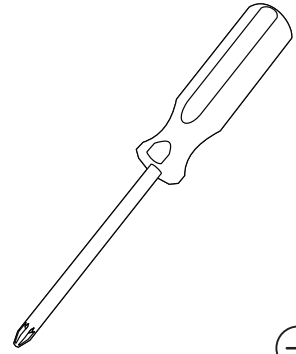




Ø 25 mm / Ø 40 mm

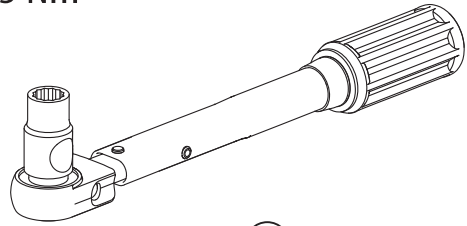


10 mm



4 mm

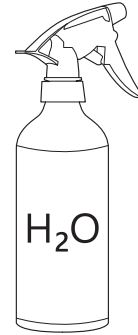
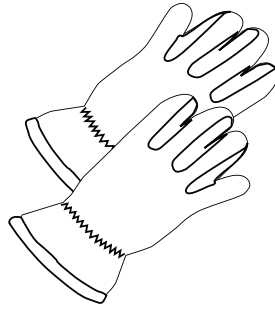
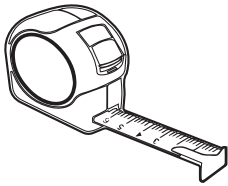
1 - 25 Nm



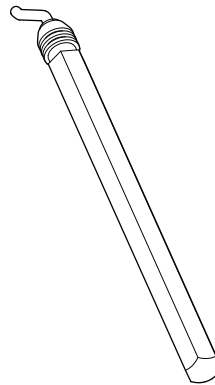
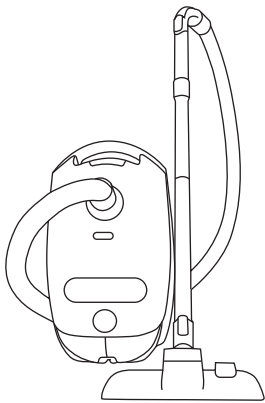
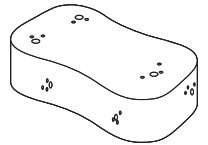
13, 17 mm



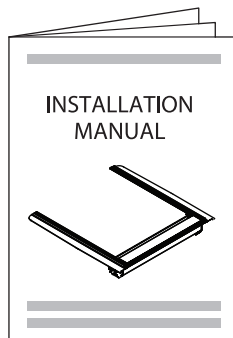
ACETONE



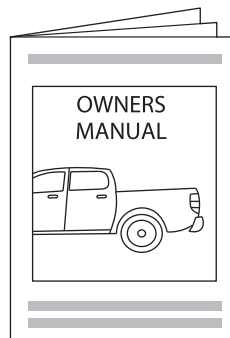
H₂O



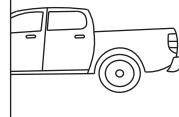
ANTI-RUST



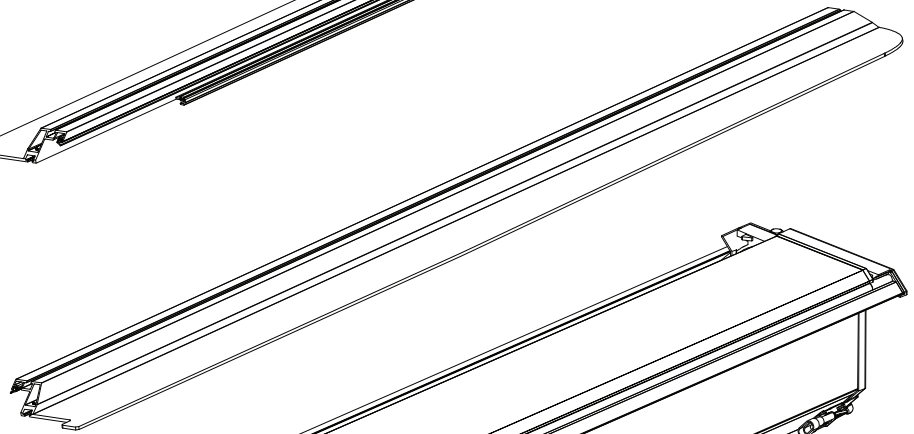
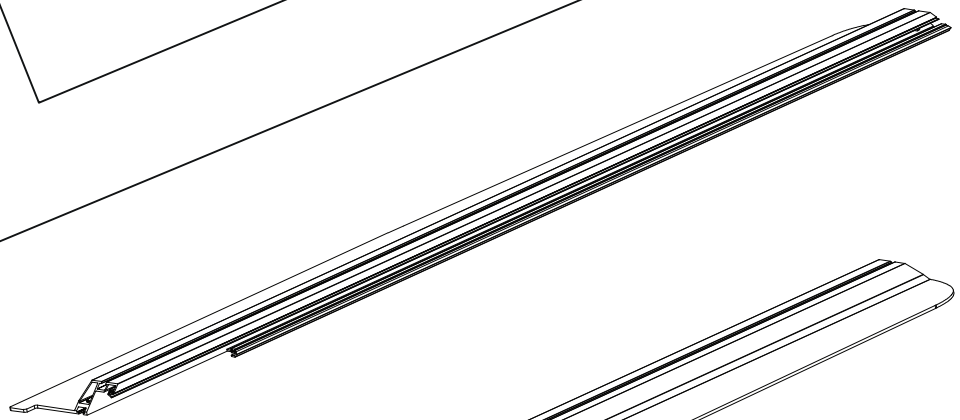
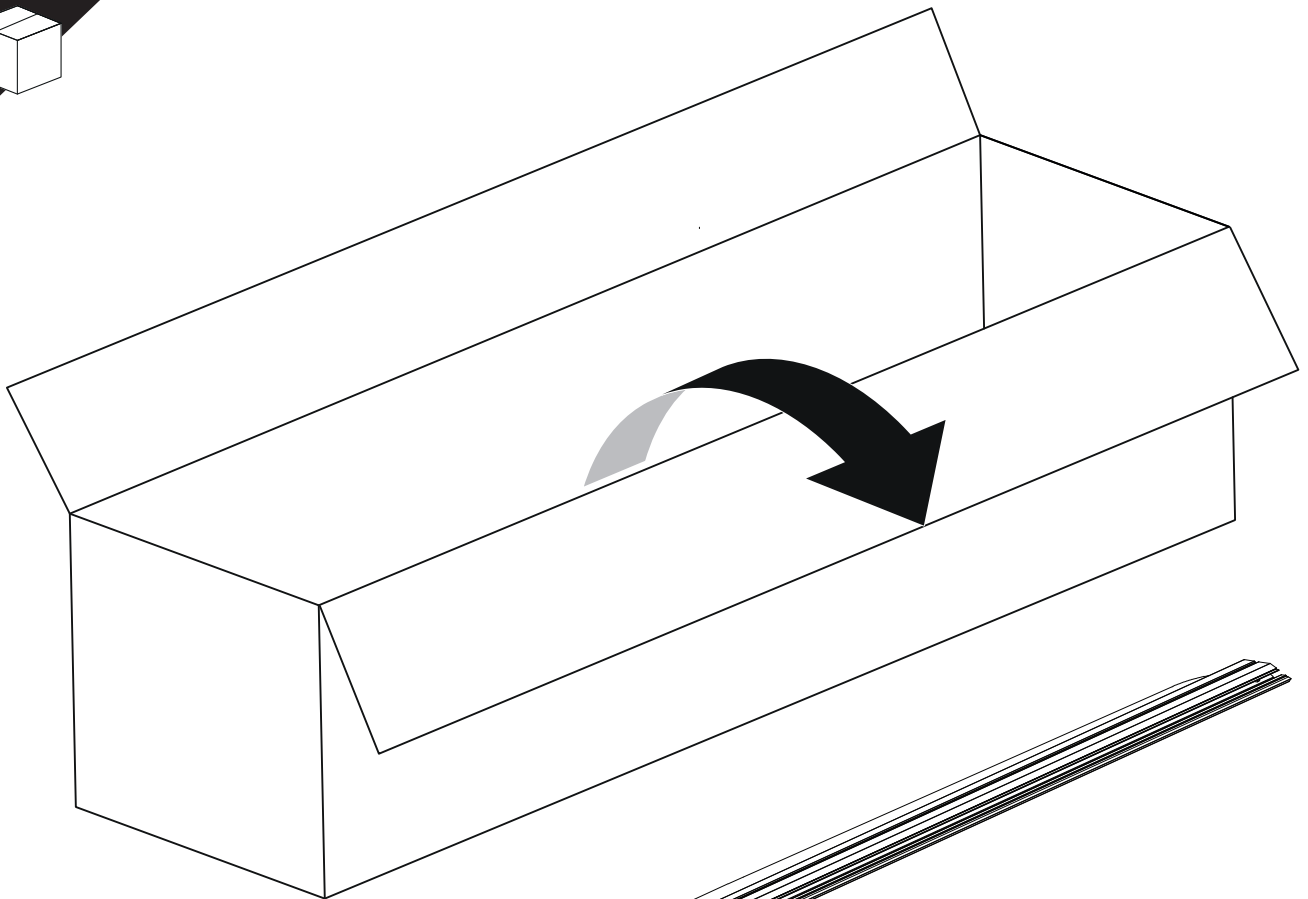
INSTALLATION
MANUAL



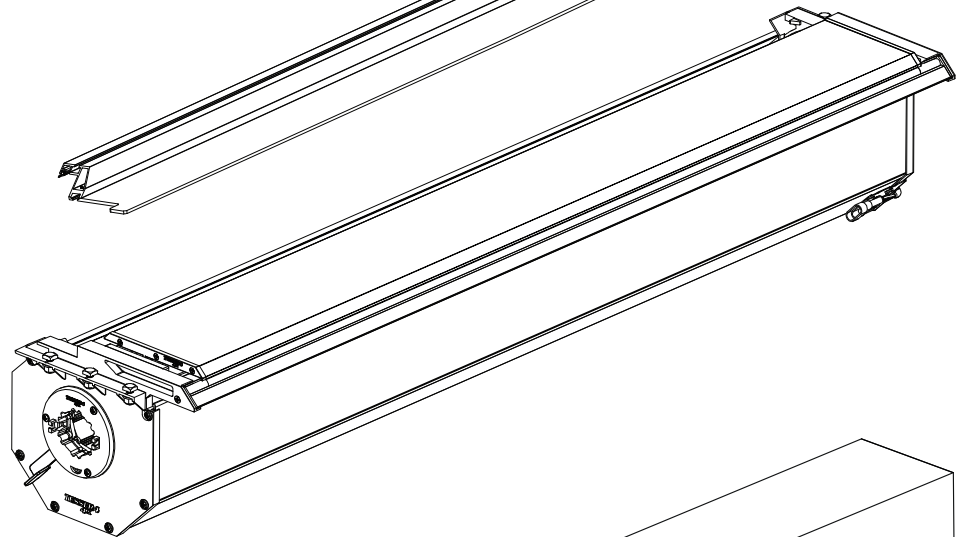
OWNERS
MANUAL



x1

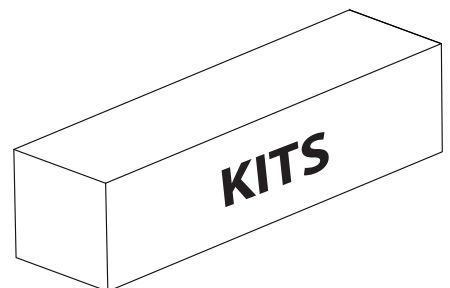


B

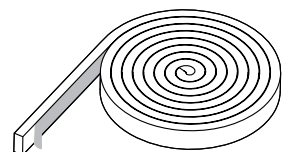


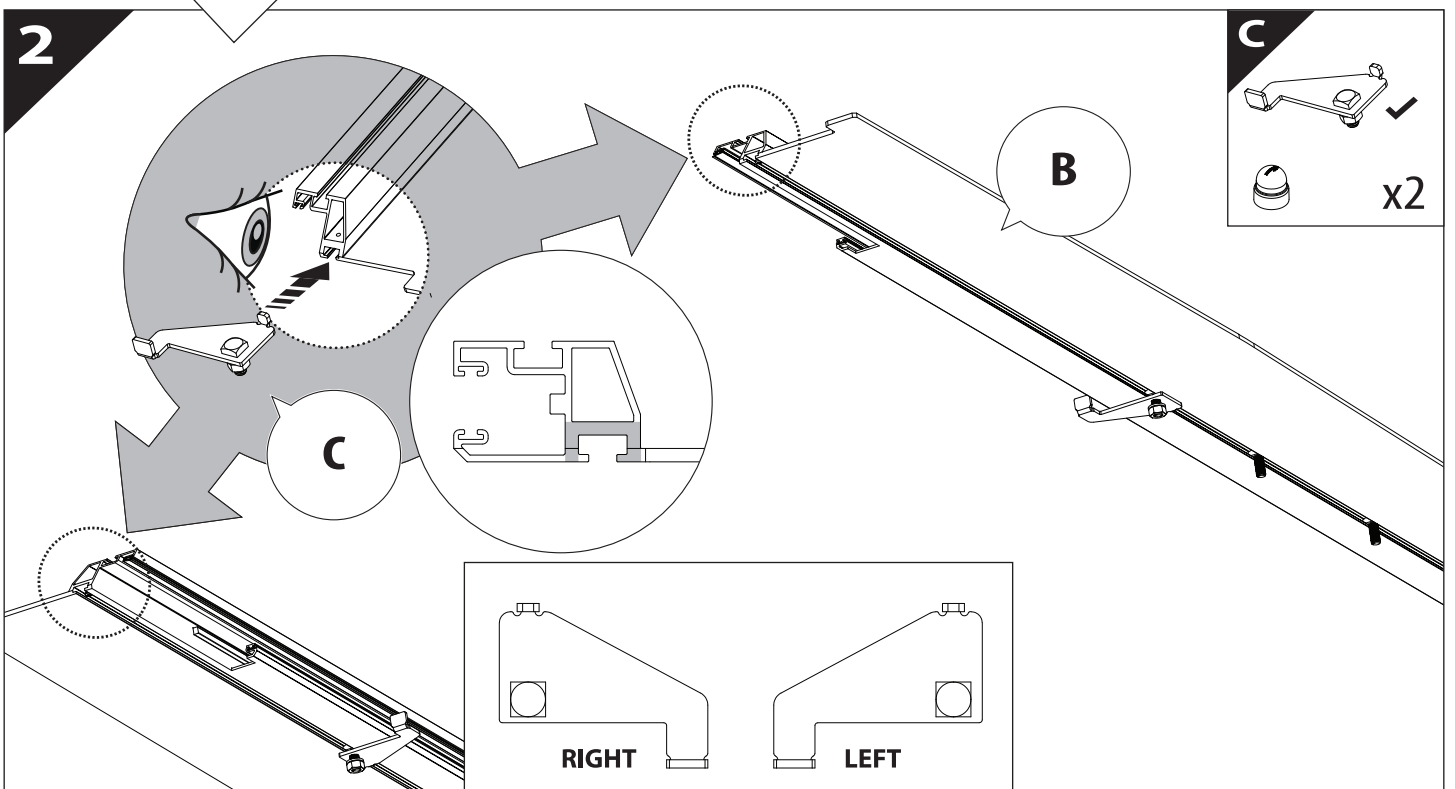
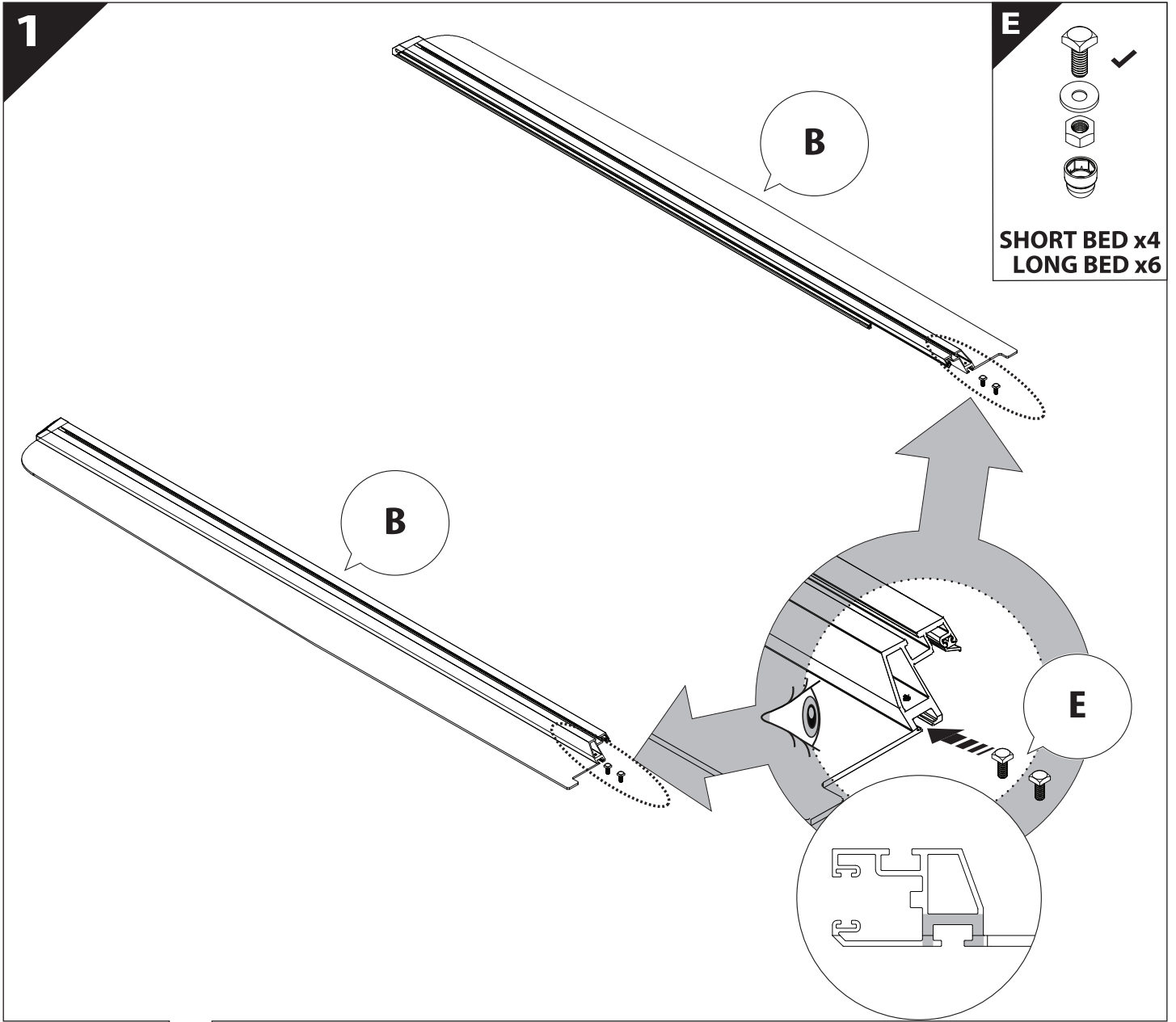
A

KITS

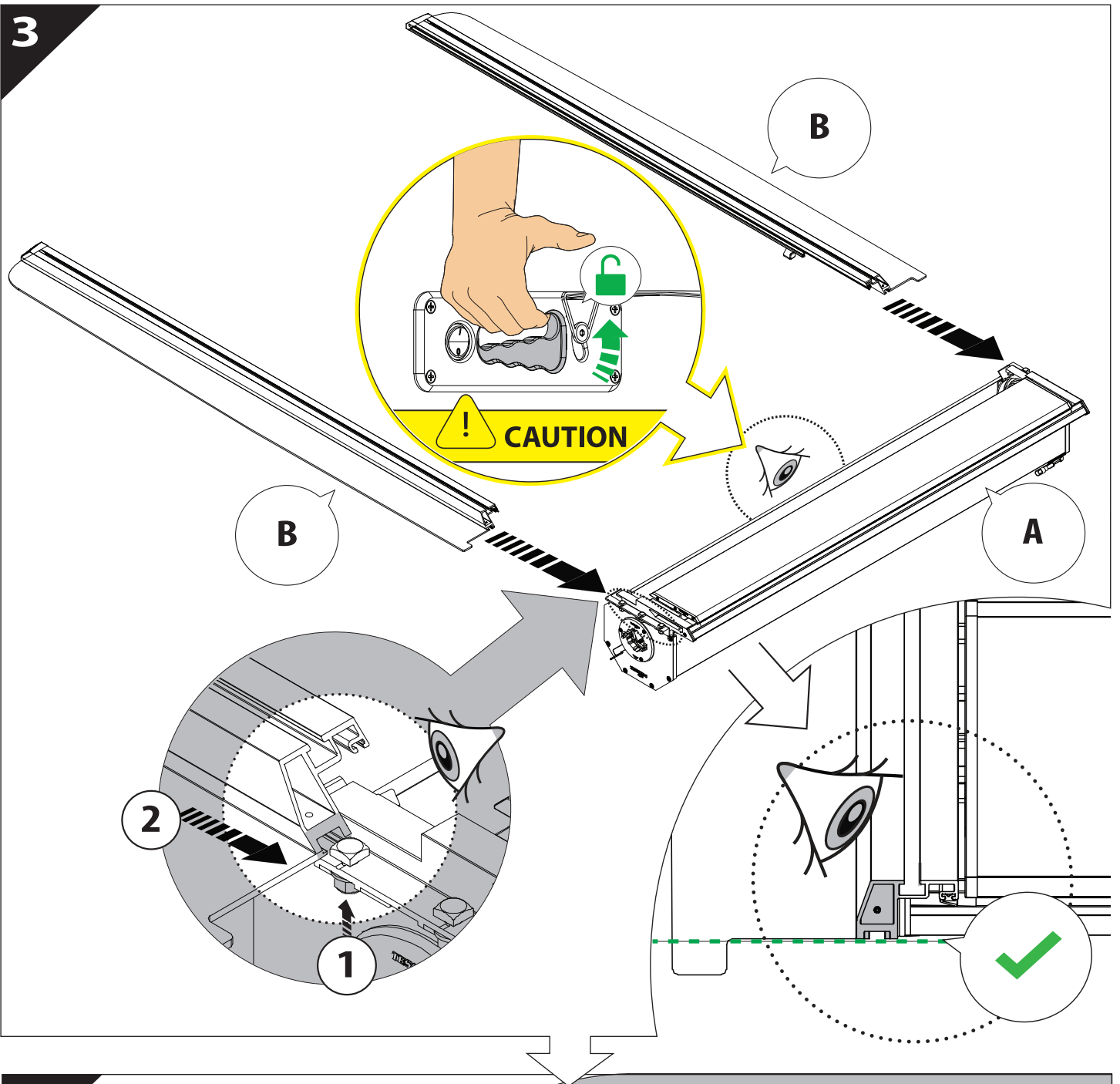


G

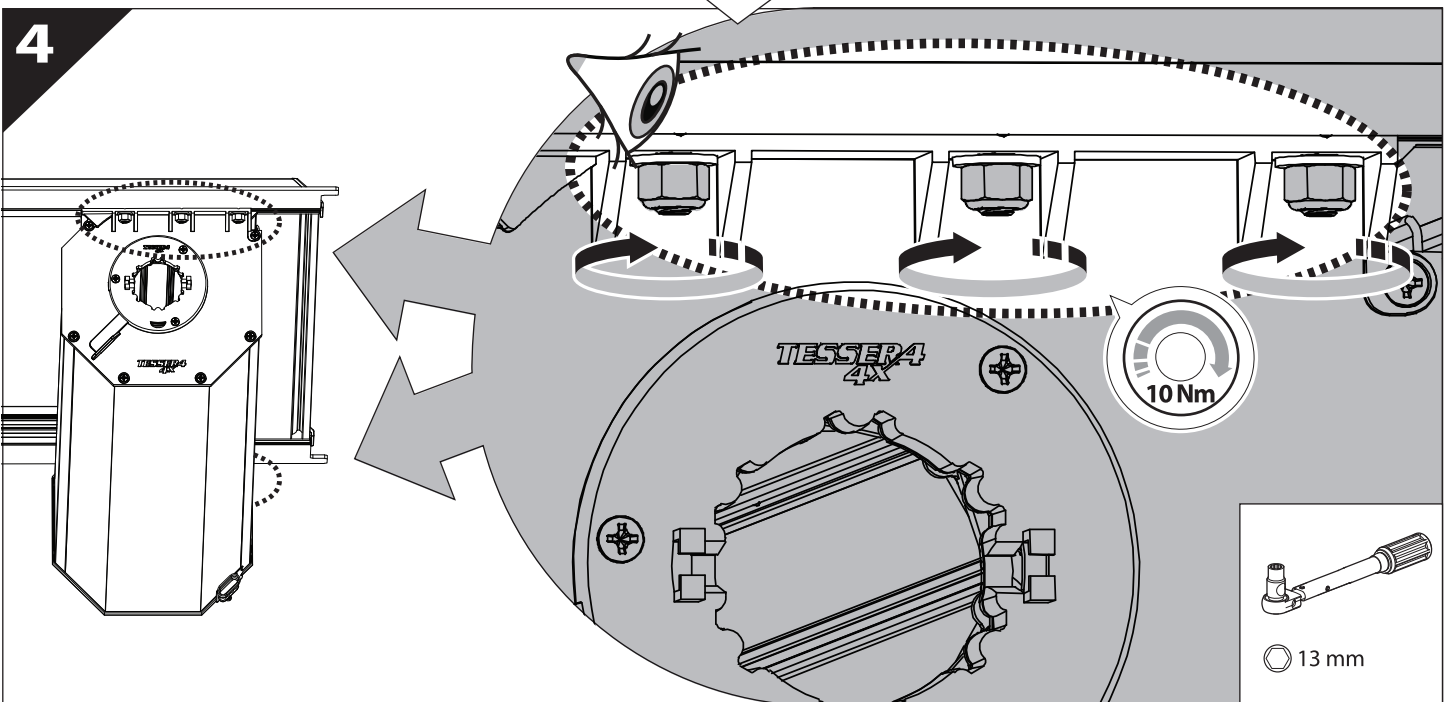


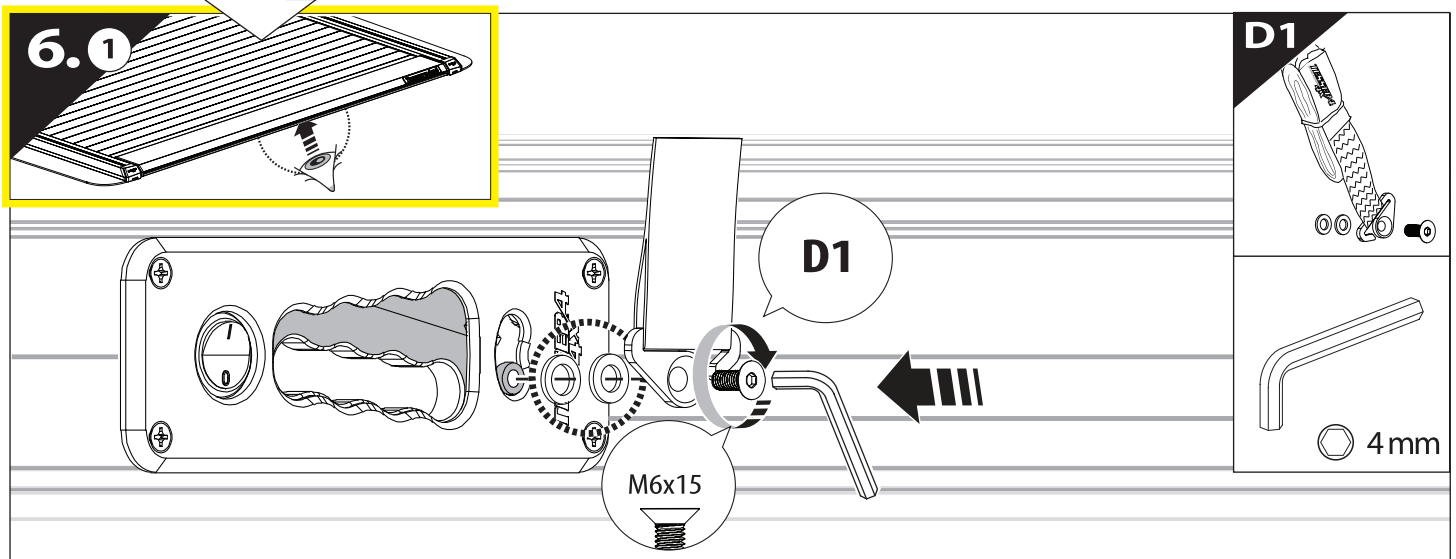
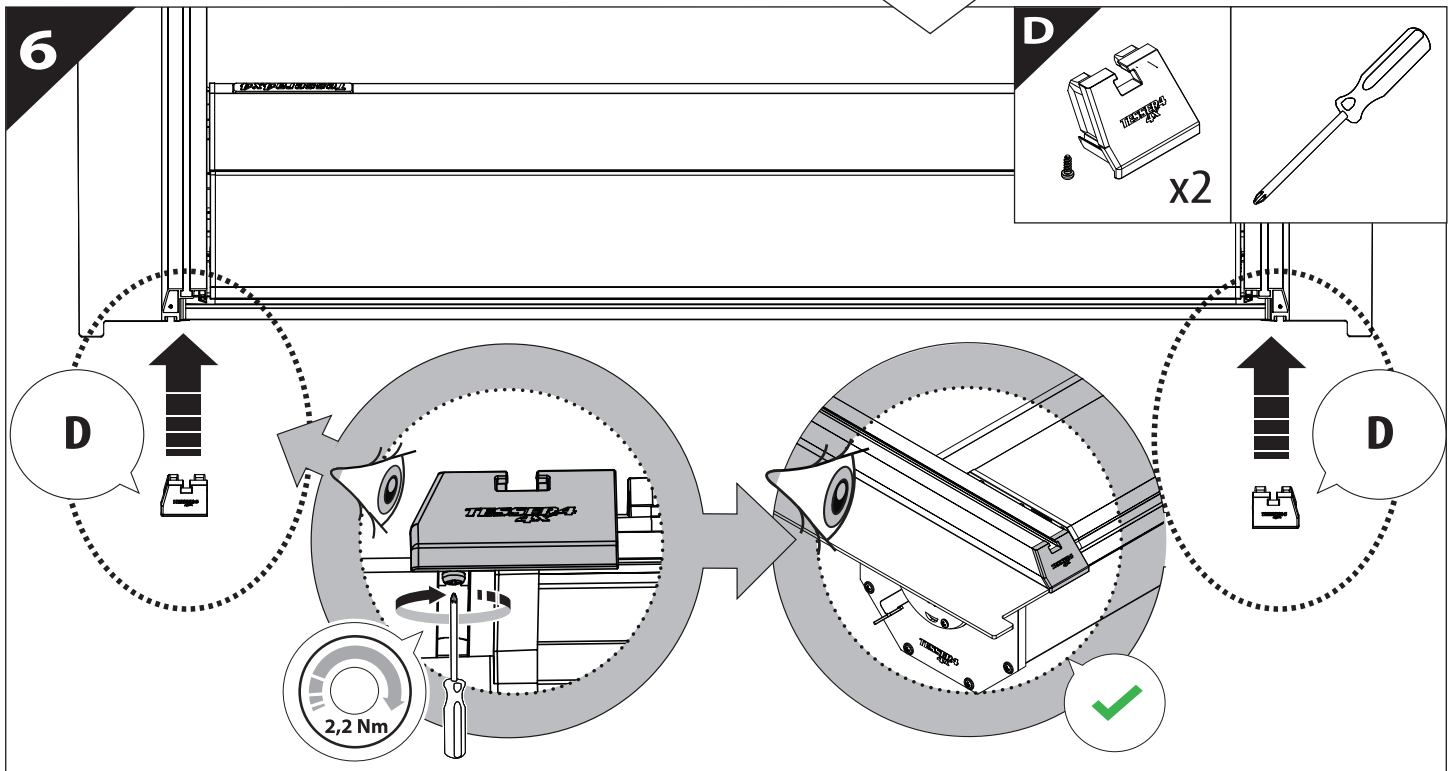
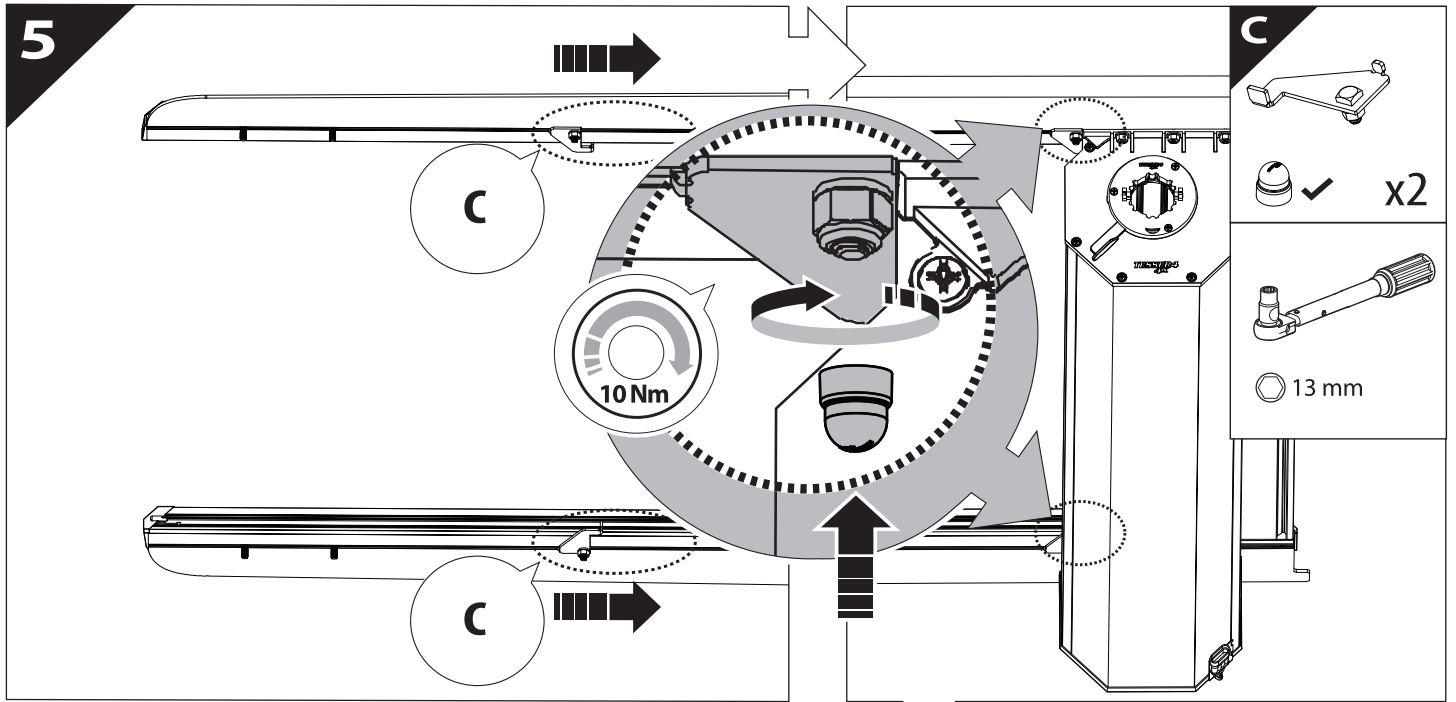


3

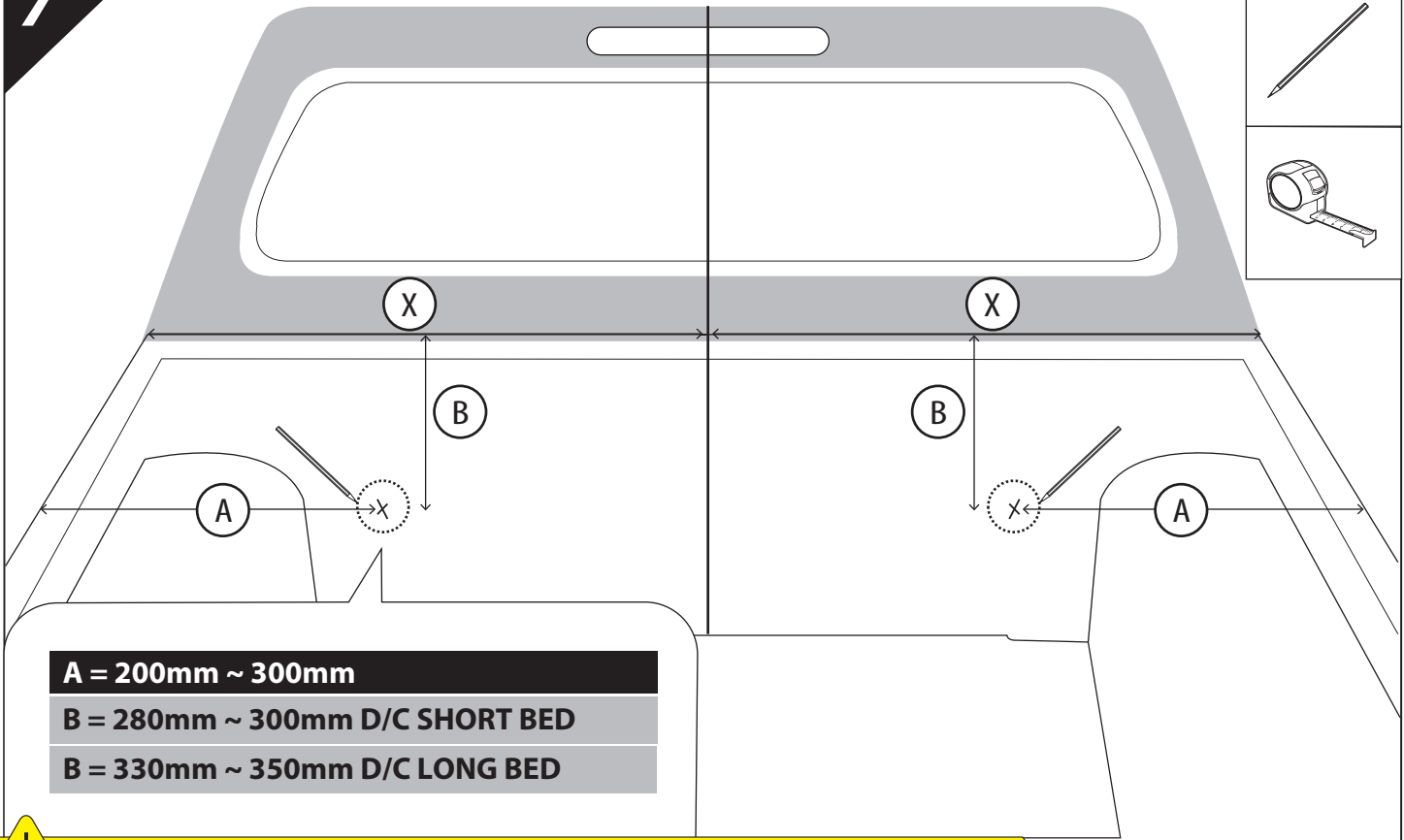
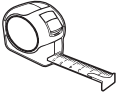


4



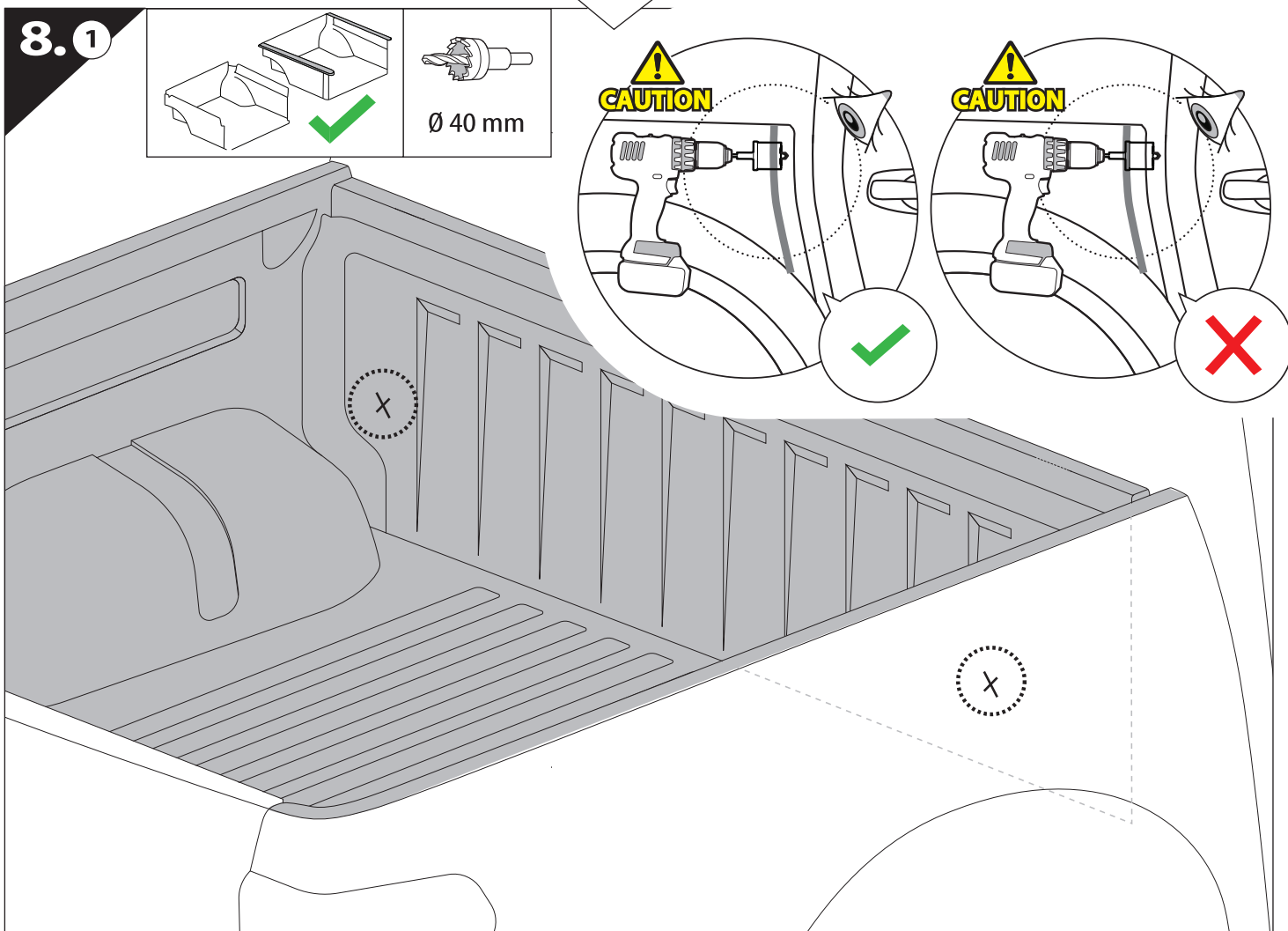
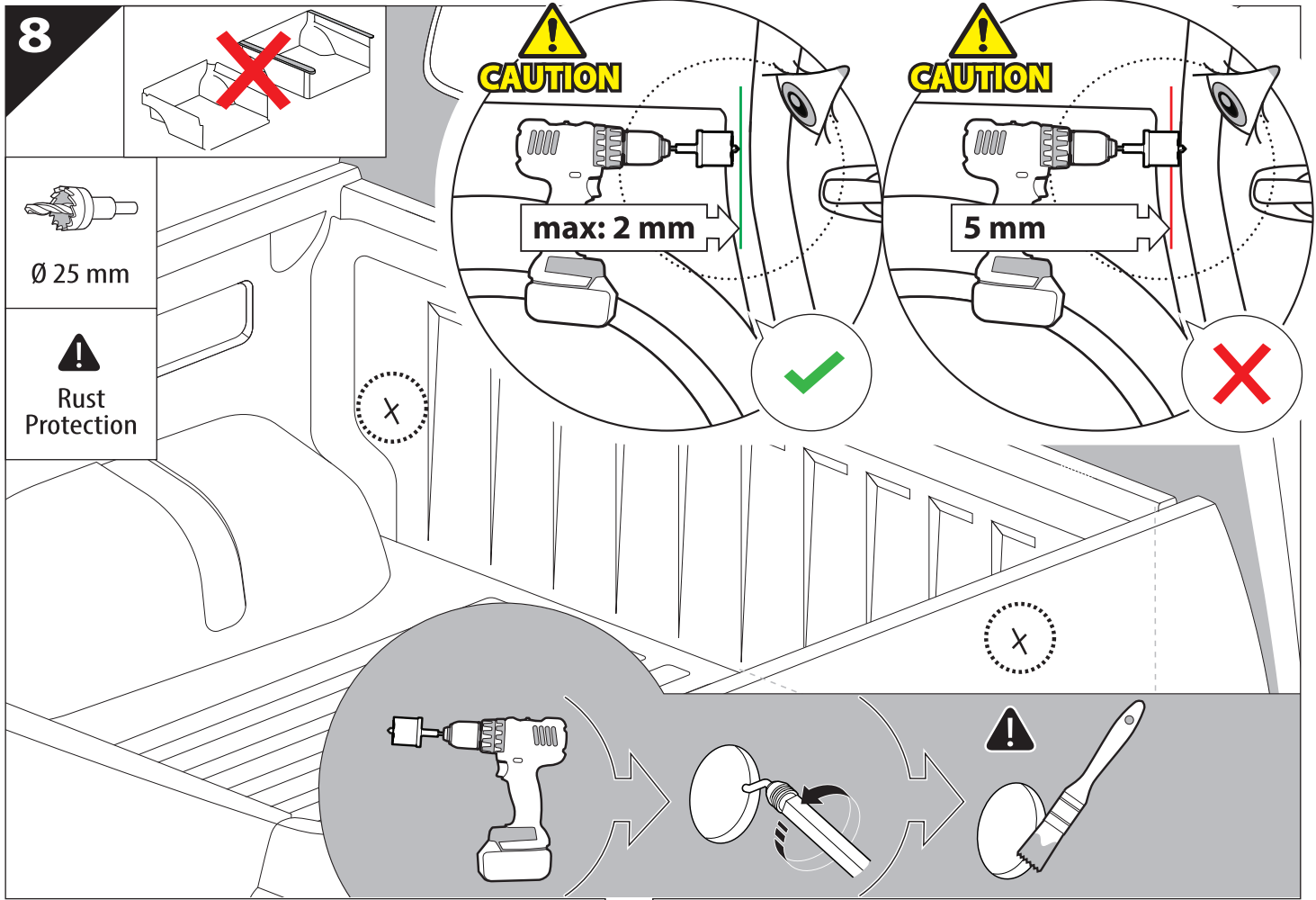


7

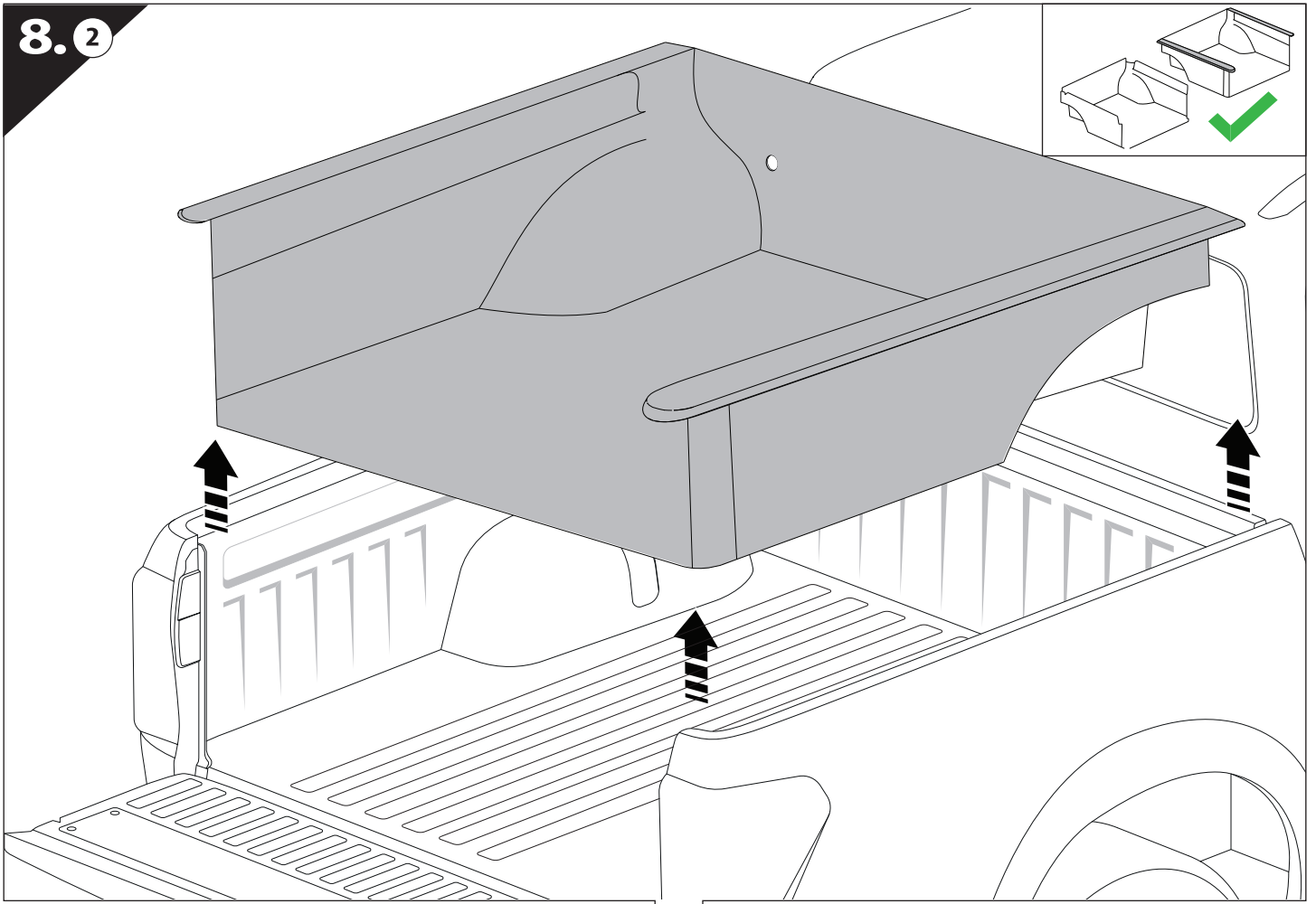


- A = 200mm ~ 300mm**
- B = 280mm ~ 300mm D/C SHORT BED**
- B = 330mm ~ 350mm D/C LONG BED**

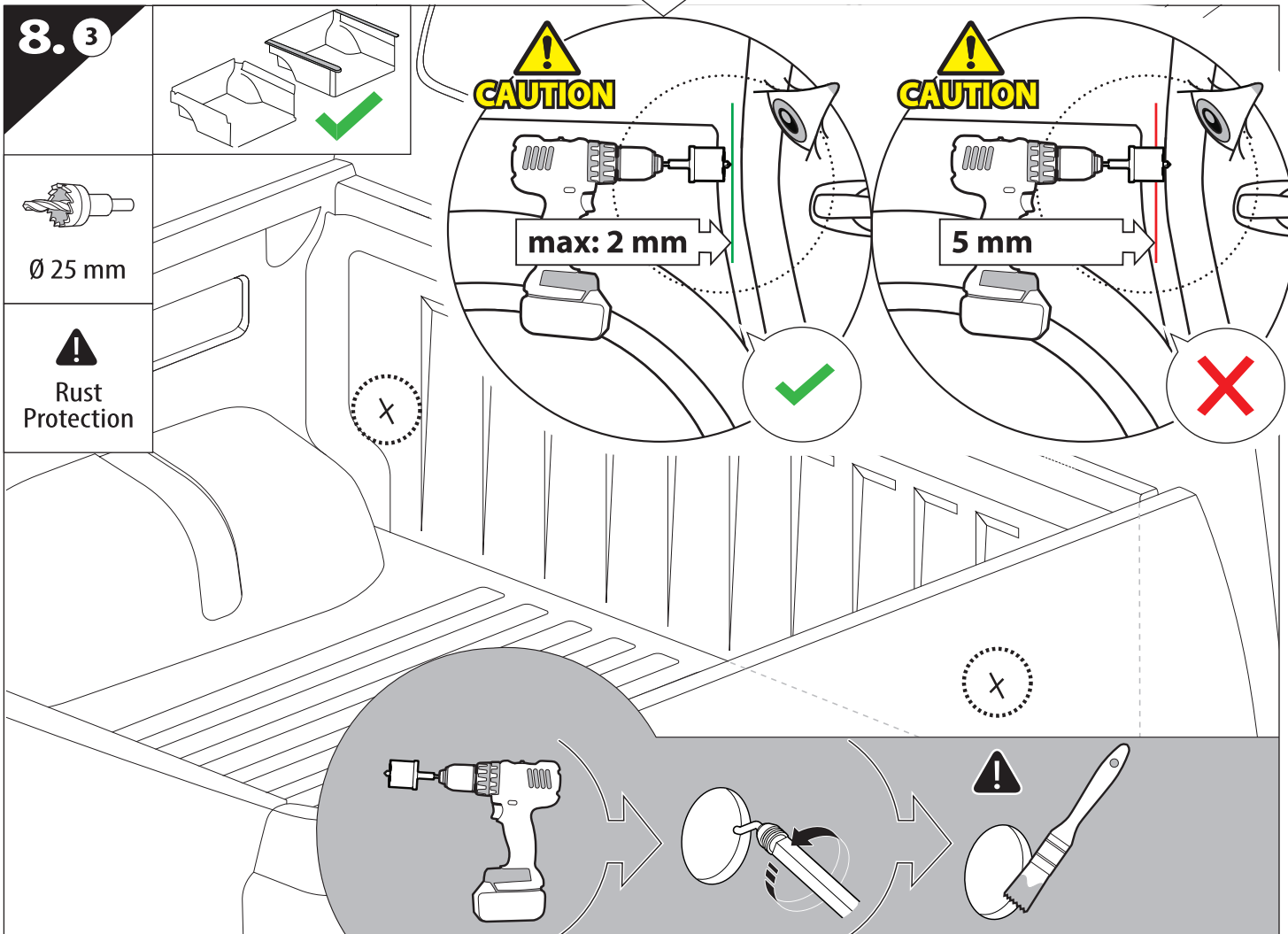
! TRY TO FIND FREE & STRAIGHT SPOTS IN THESE DIMENSIONS ACCORDINGLY



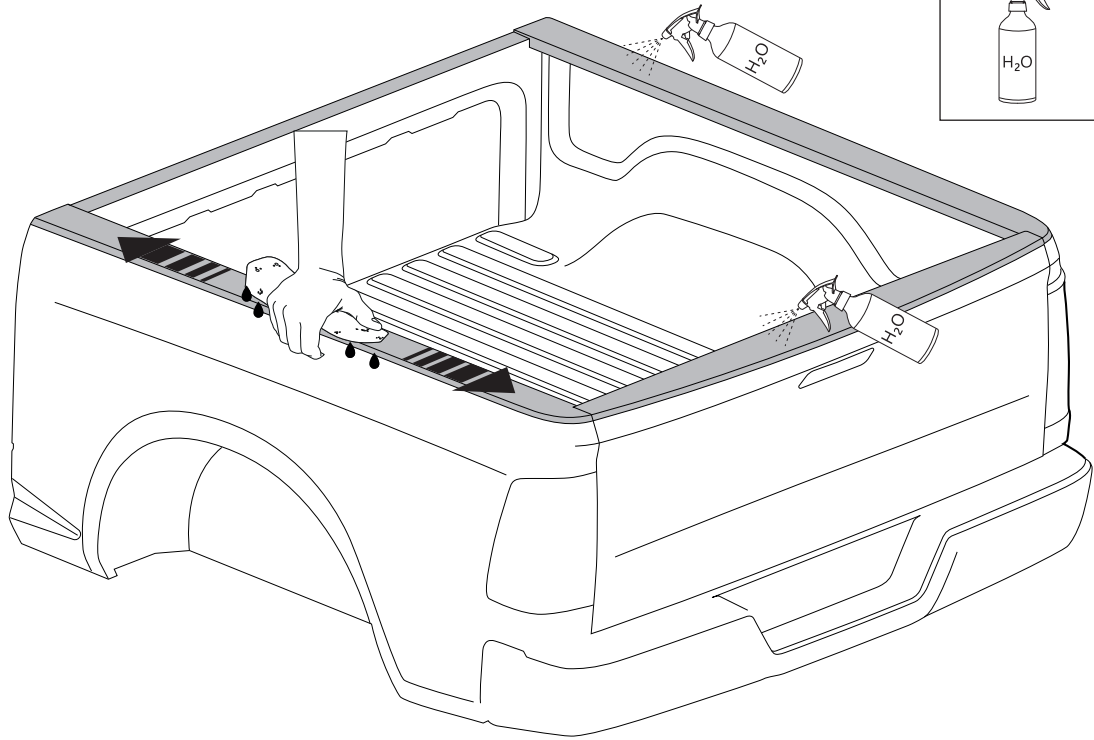
8.2



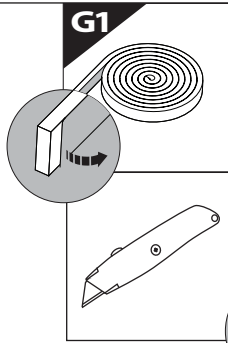
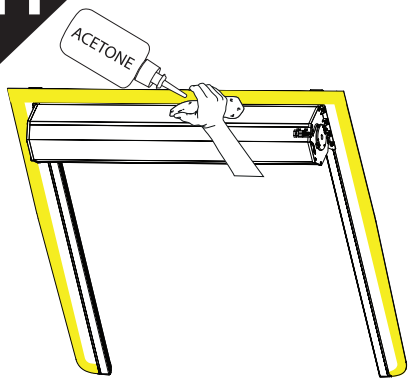
8.3



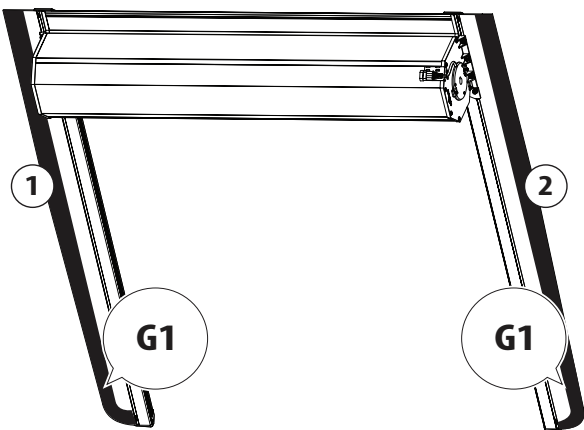
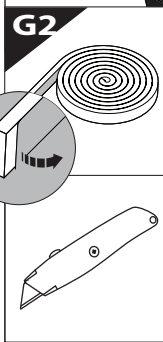
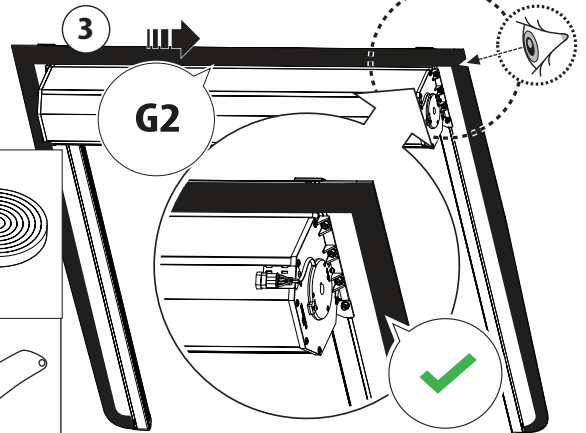
10

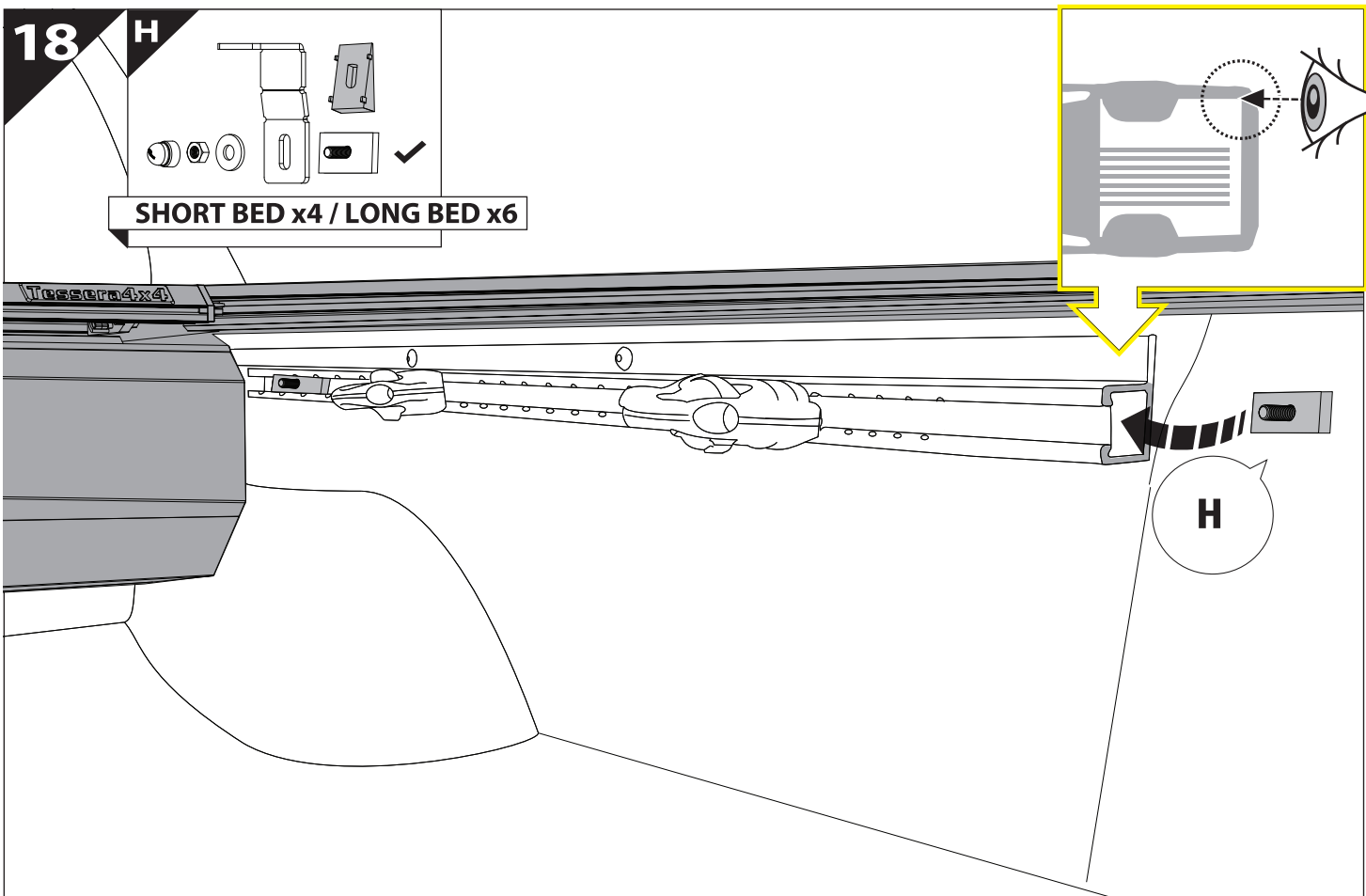
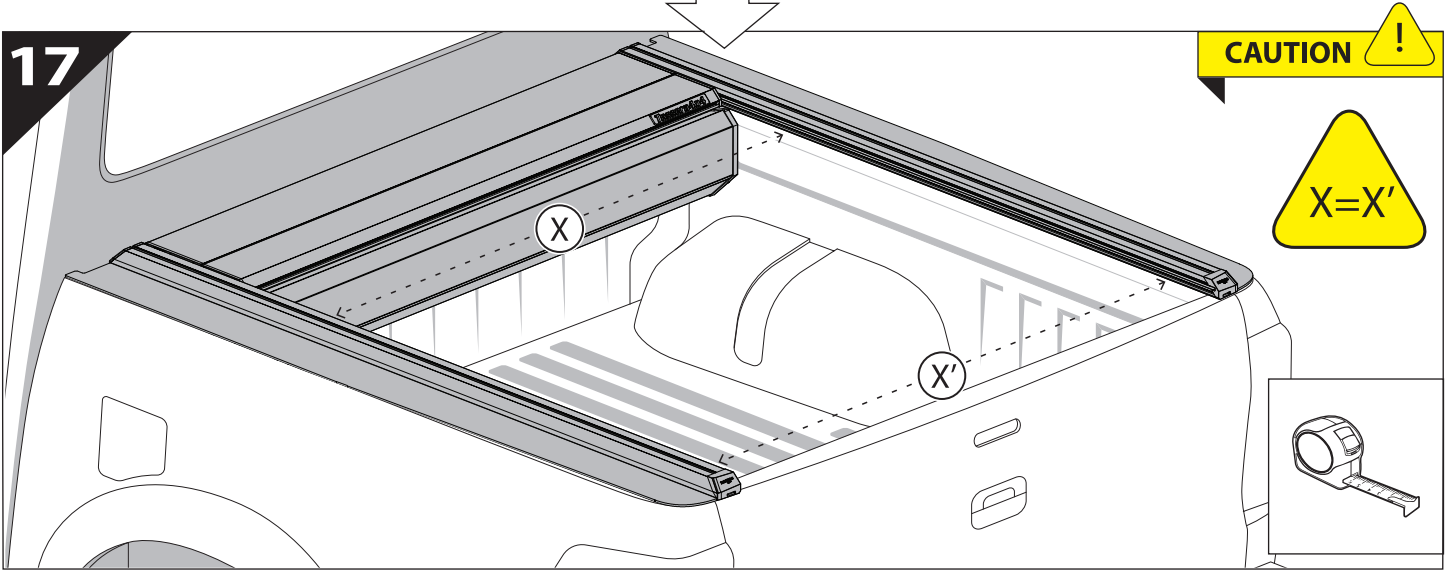
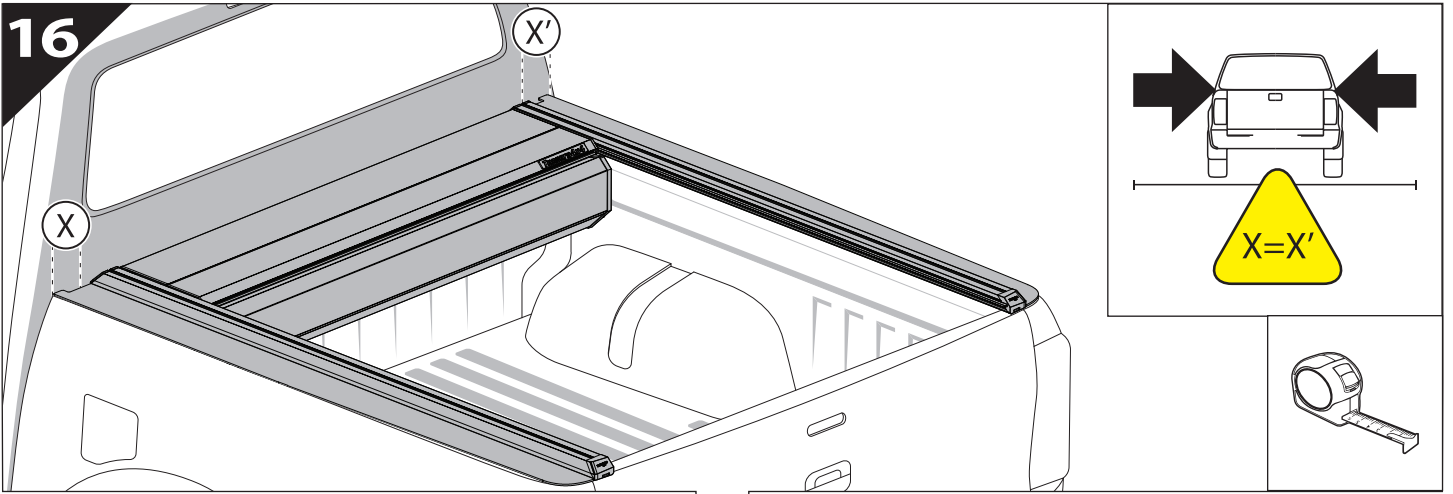


11



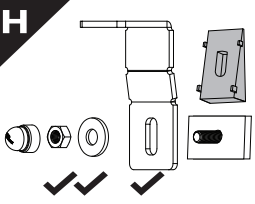
12



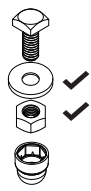


19

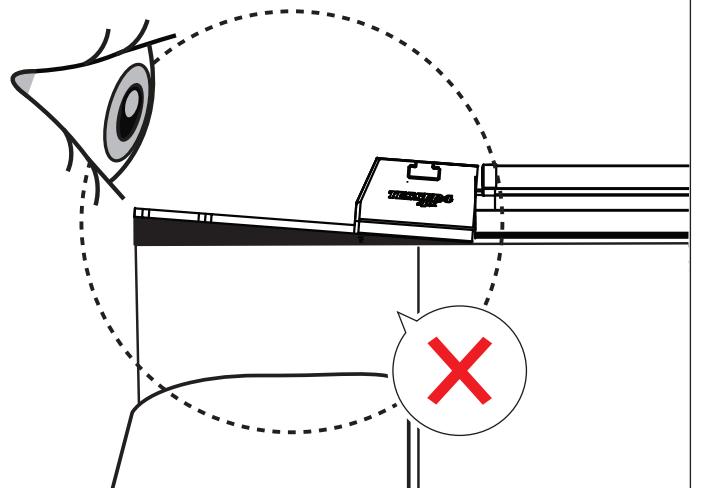
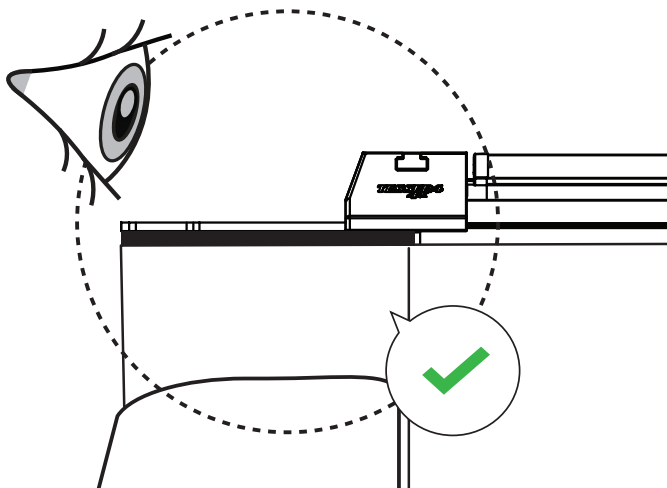
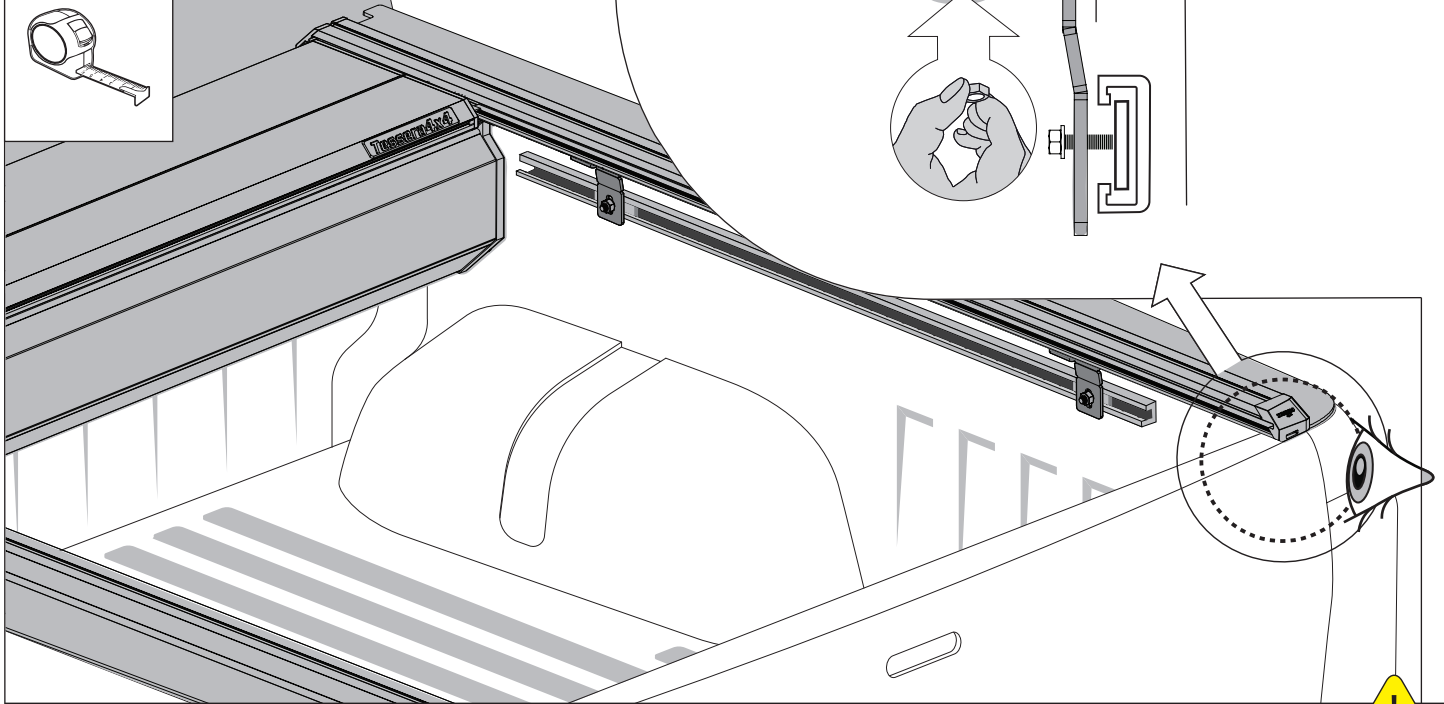
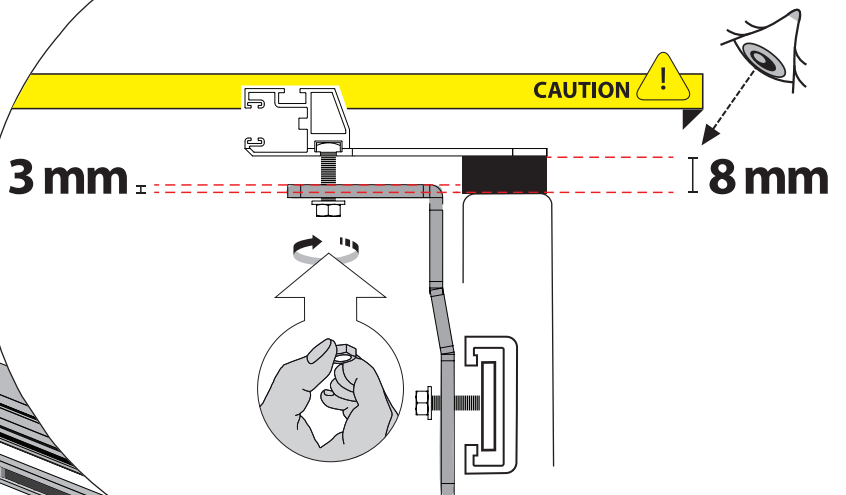
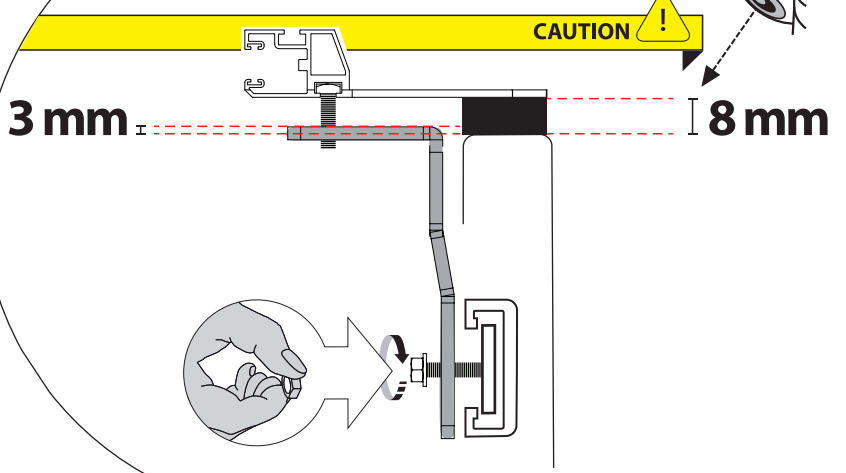
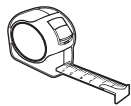
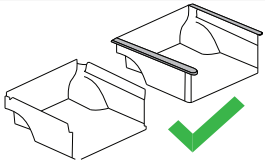
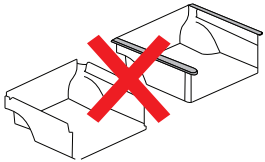
H

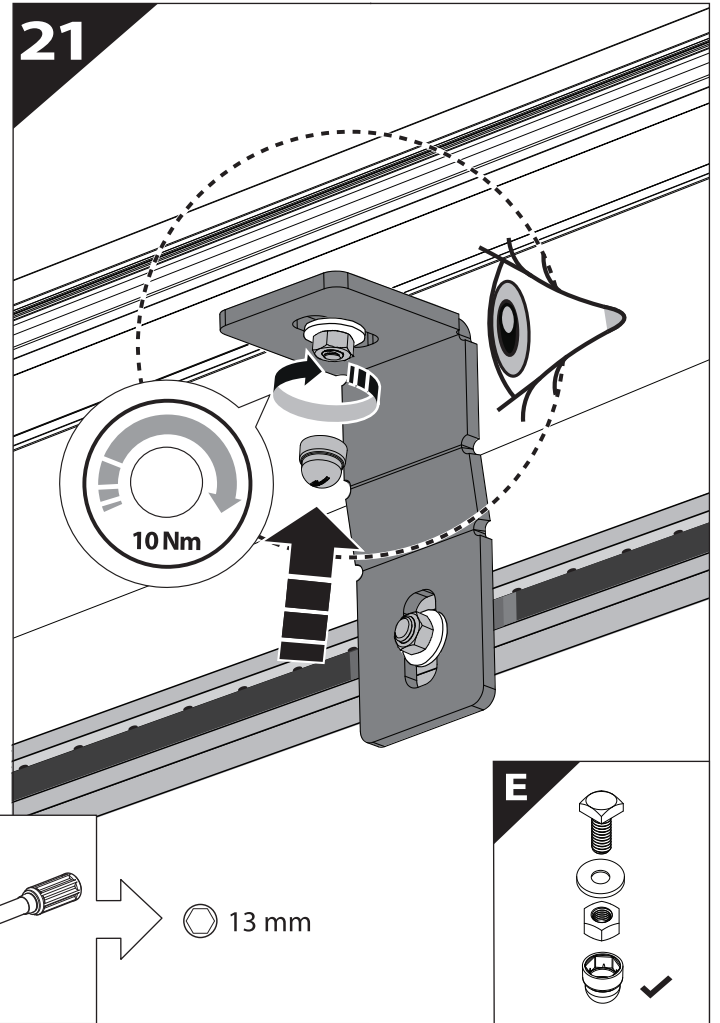
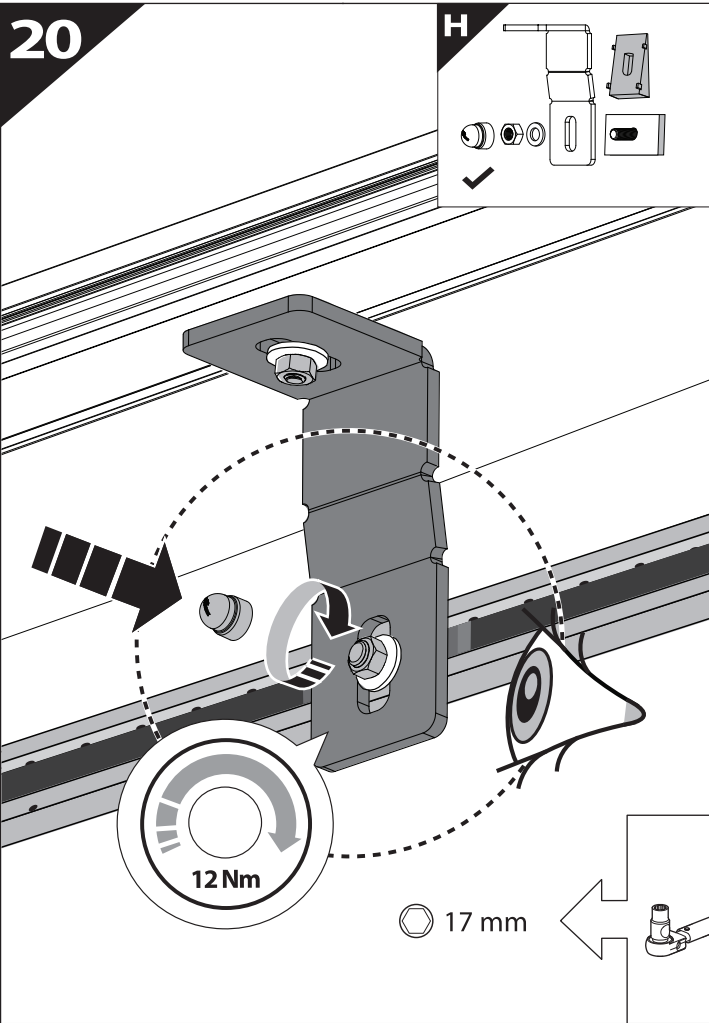


E

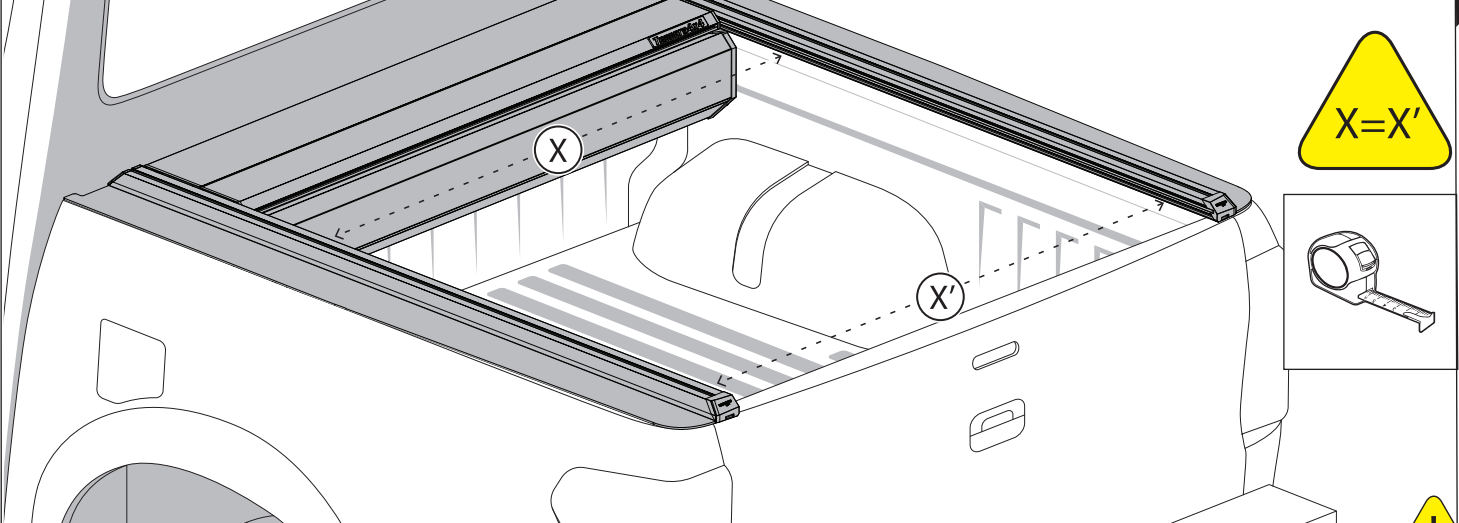


SHORT BED x4 / LONG BED x6

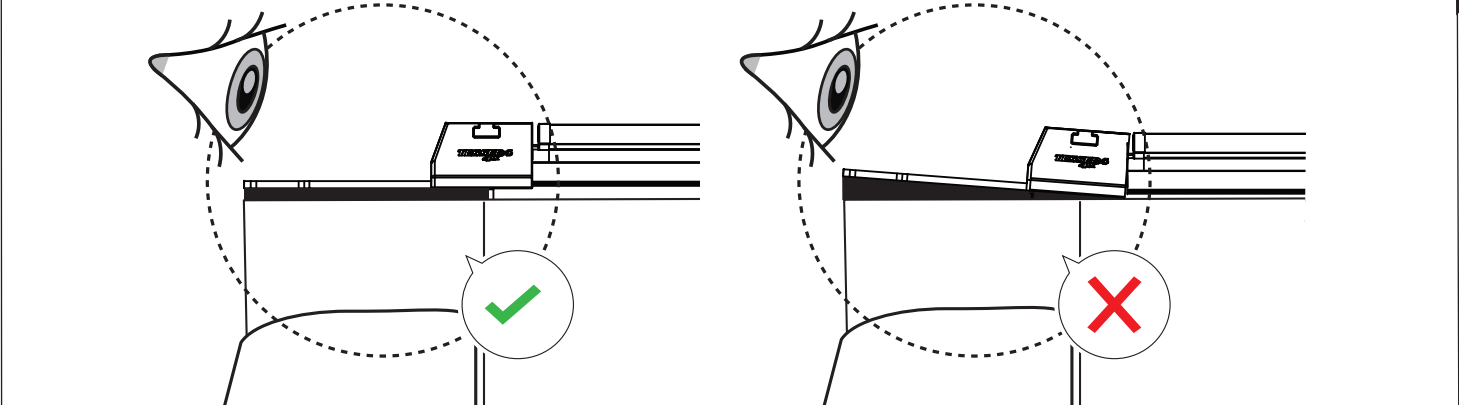




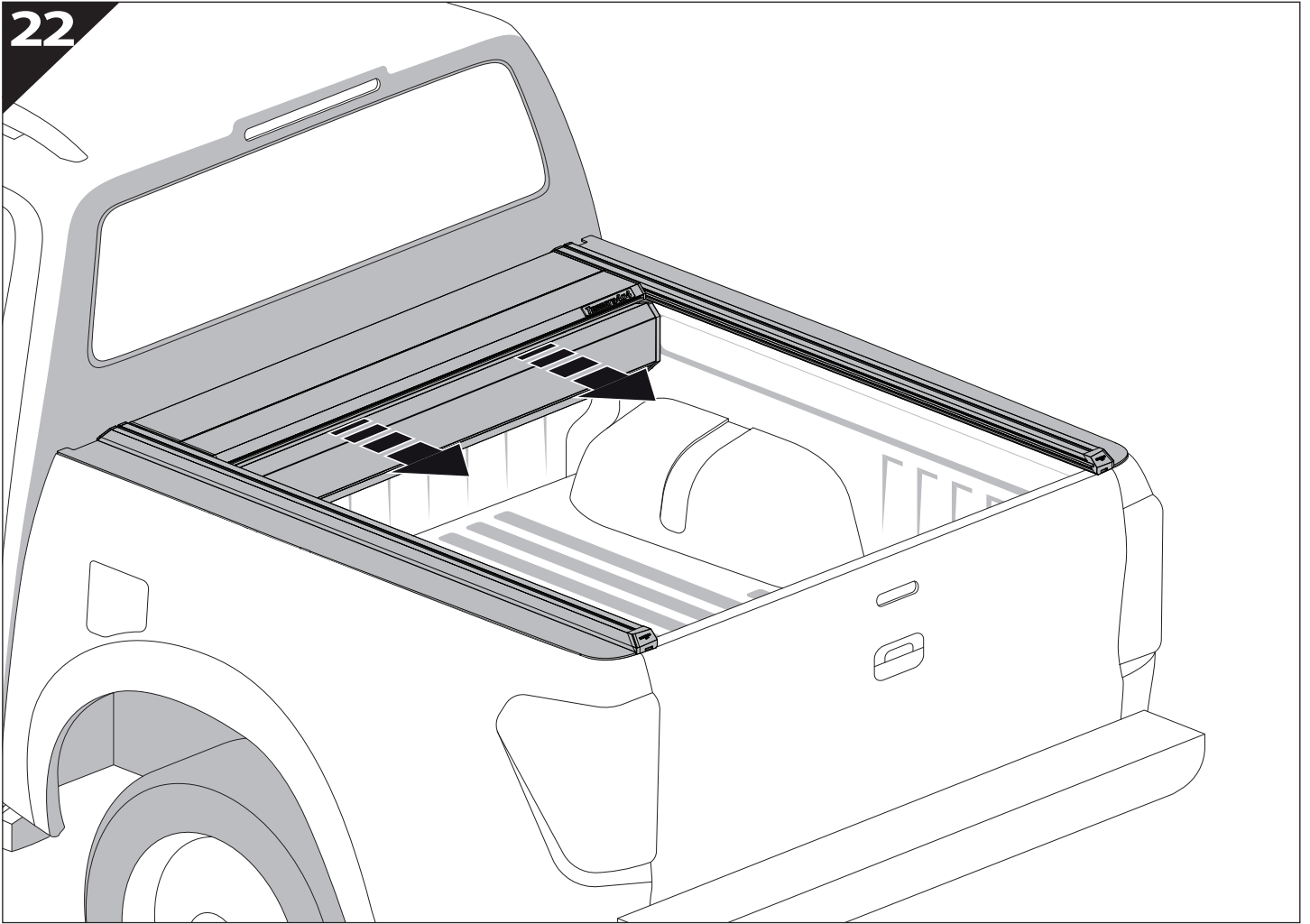
CAUTION !



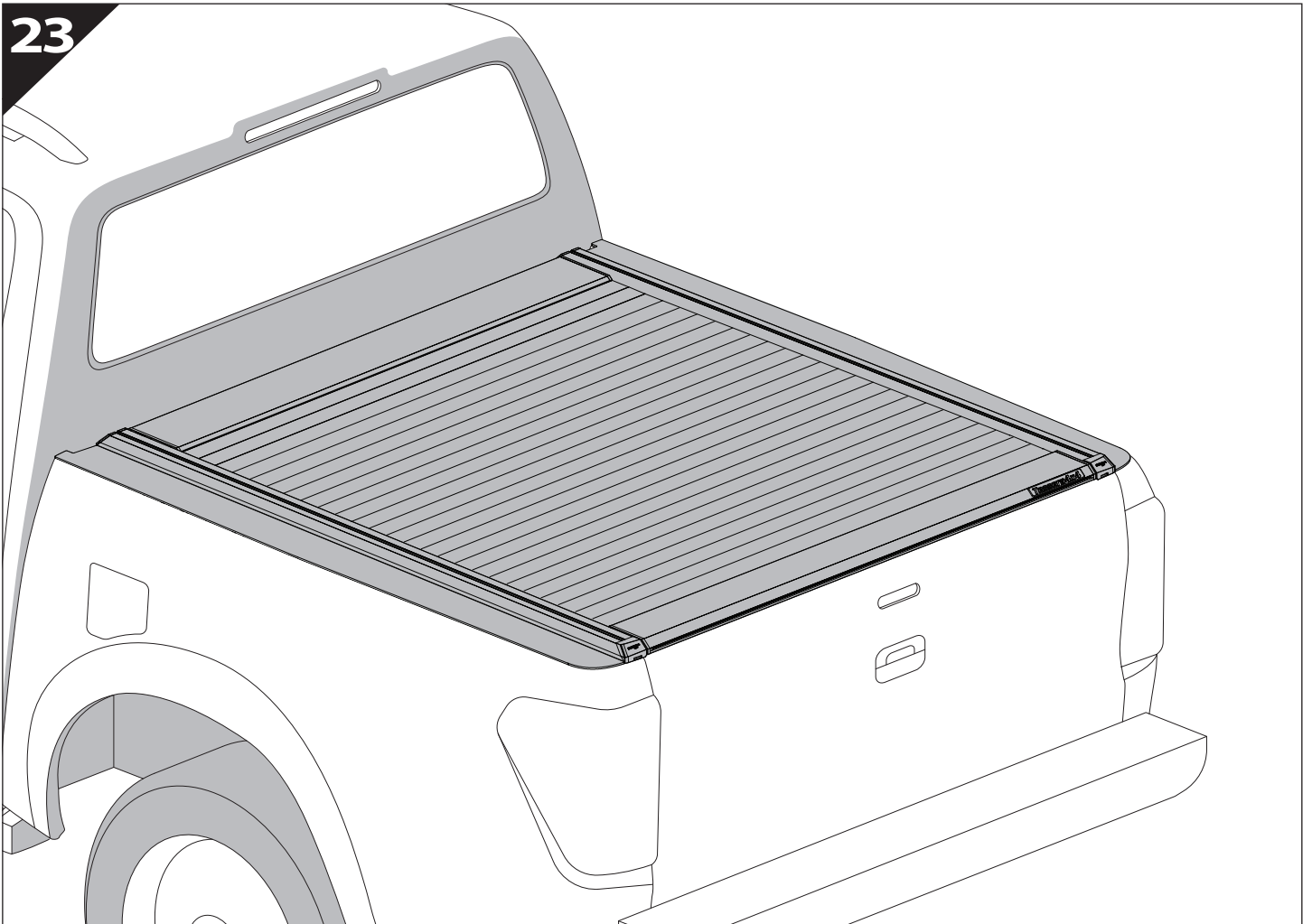
CAUTION !



22



23





GR: Οδηγίες Εγκατάστασης
GB: Installation manual
SF: Asennusohje
F: Notice de montage
PL: Instrukcja montażu
NL: Installatie-instructies
TR: Montaj Talimatı
S: Monteringsanvisning
E: Instrucciones de montaje

H: Szerelési utasítás
P: Instruções de instalação
RUS: Инструкция по установке
N: Monteringsveiledning
D: Einbauanleitung
CZ: Návod k instalaci
I: Istruzioni de montaggio
DK: Monteringsvejledning
RO: Instructiuni de instalare

Customer Service:

+30 (210) 5541161, +30 (210) 5541154 (08:00 - 16:00 EET)

Support department:

info@gianso.gr

Website:

www.tessera4x4.com

Address:

19.5 km of National road Athens-Korinthos (Elefsina) Greece, P.C: 19200