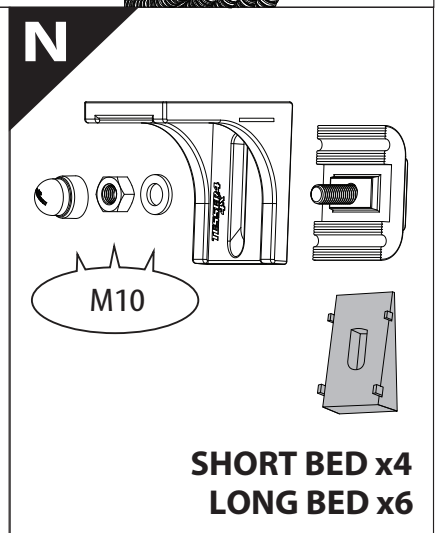
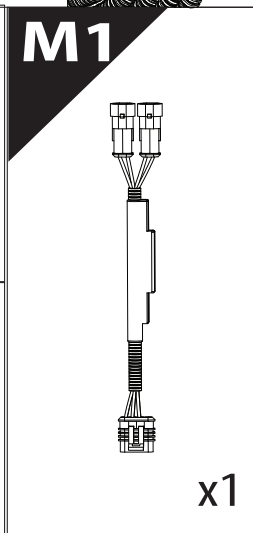
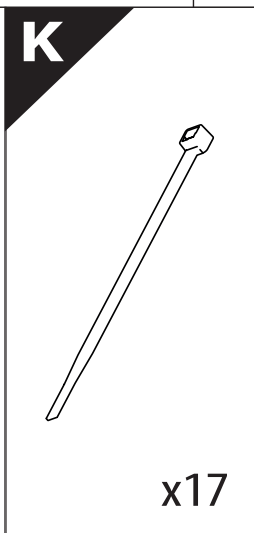
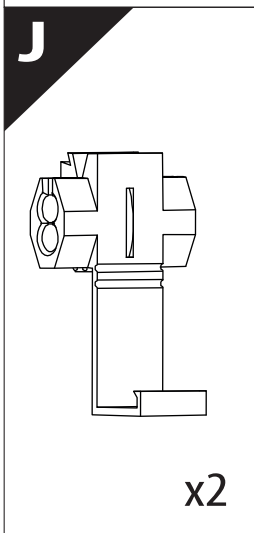
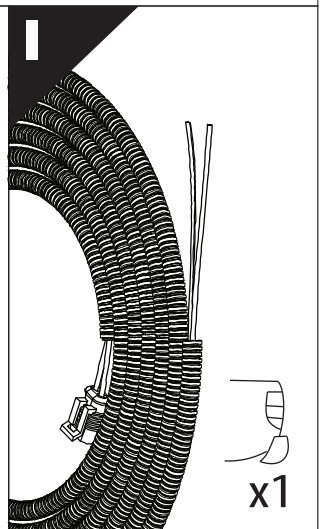
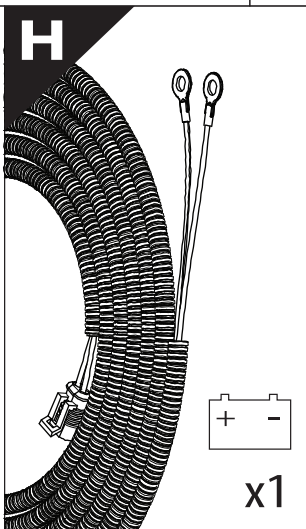
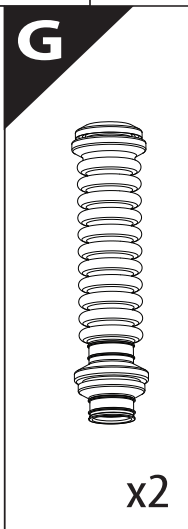
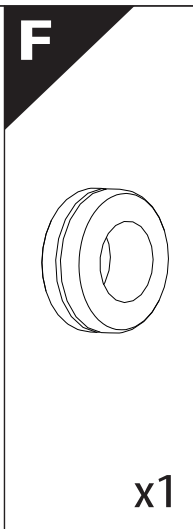
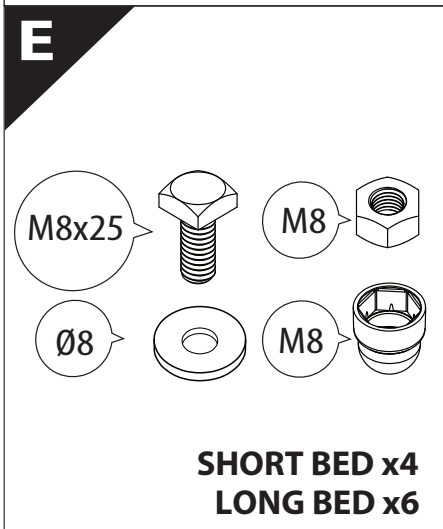
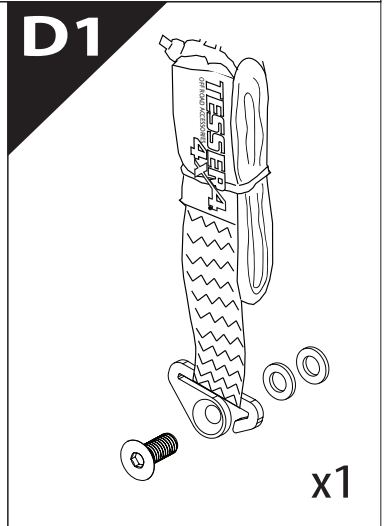
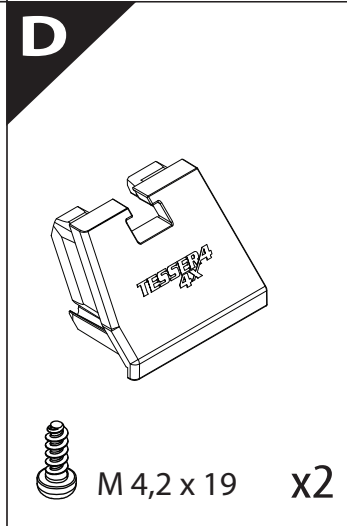
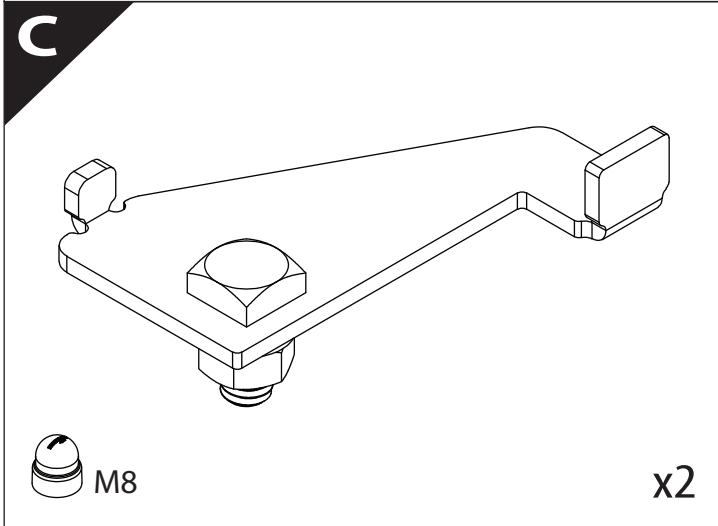
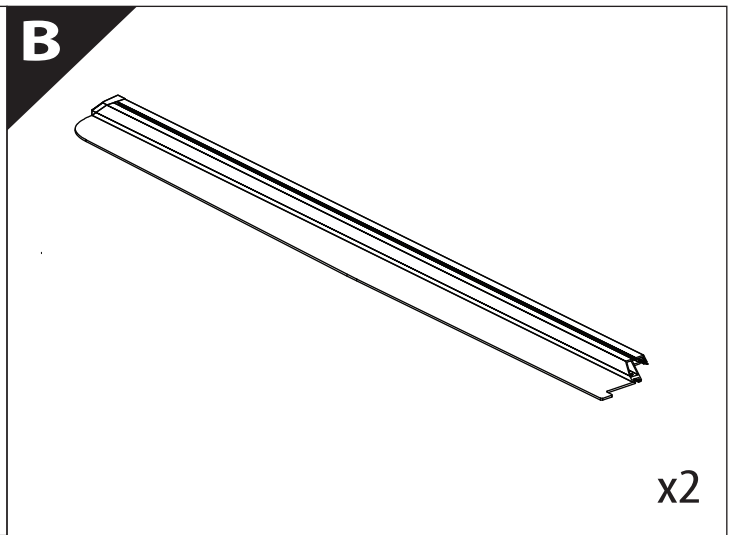
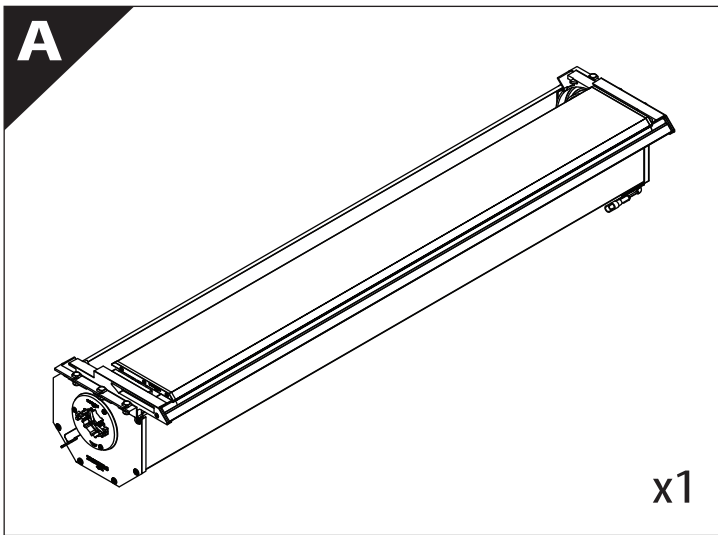
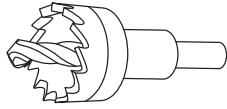


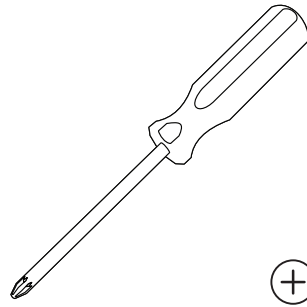
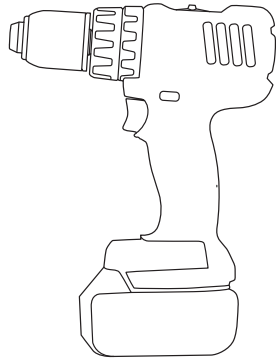
Installation Manual

PART NUMBER(S)	Model Year
TESS 14141 ROLL	Nissan Frontier 2023+ SHORT BED 5 FEET NO C-CHANNELS
TESS 14142 ROLL	Nissan Frontier 2023+ LONG BED 6.1 FEET NO C-CHANNELS
Cab(s)	Installation Time / Weight
Double Cab American Model	40-60 minutes / 53-57 kg

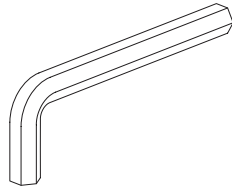
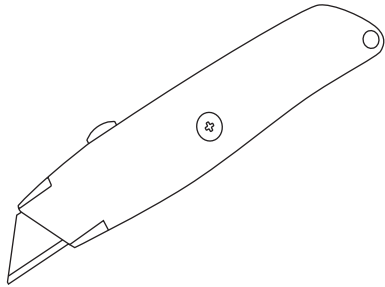
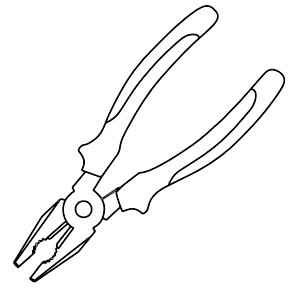




Ø 25 mm / 40 mm

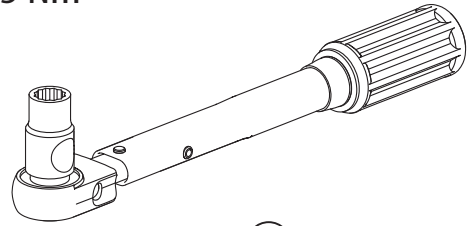


+



4 mm

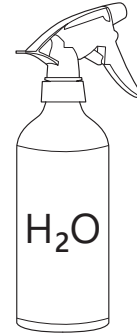
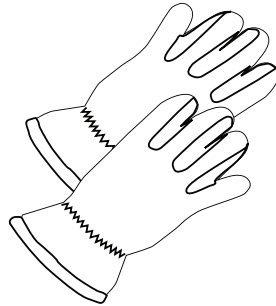
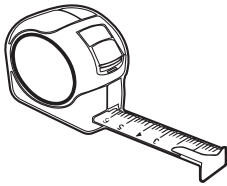
1 - 25 Nm



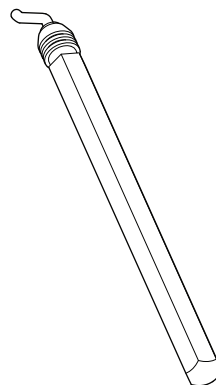
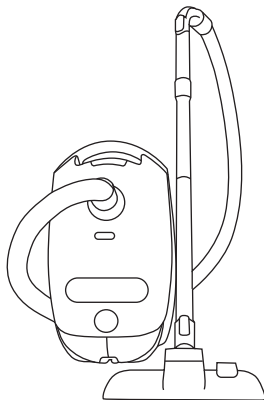
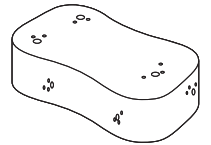
10, 12, 13, 17 mm



ACETONE



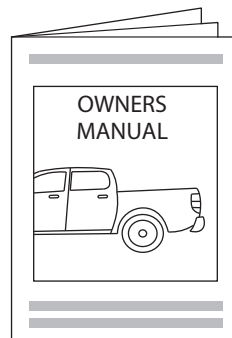
H₂O



ANTI-RUST

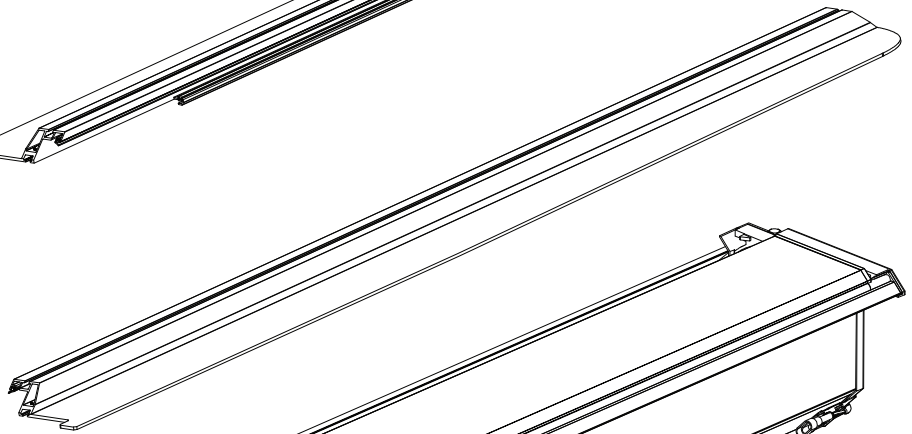
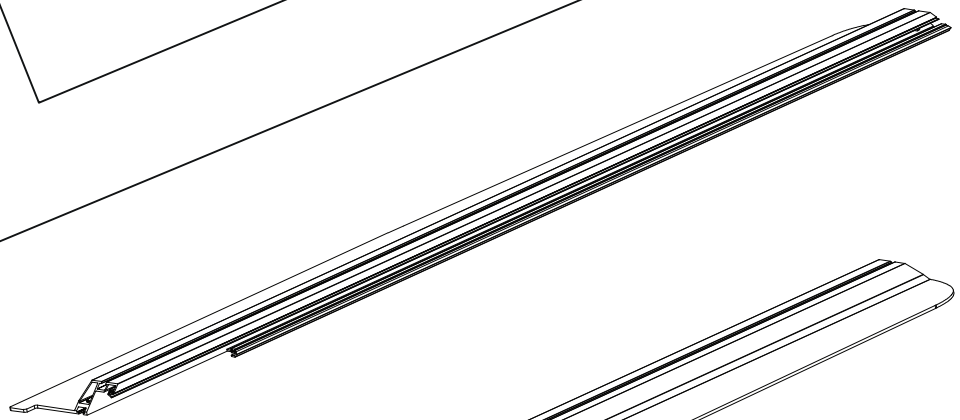
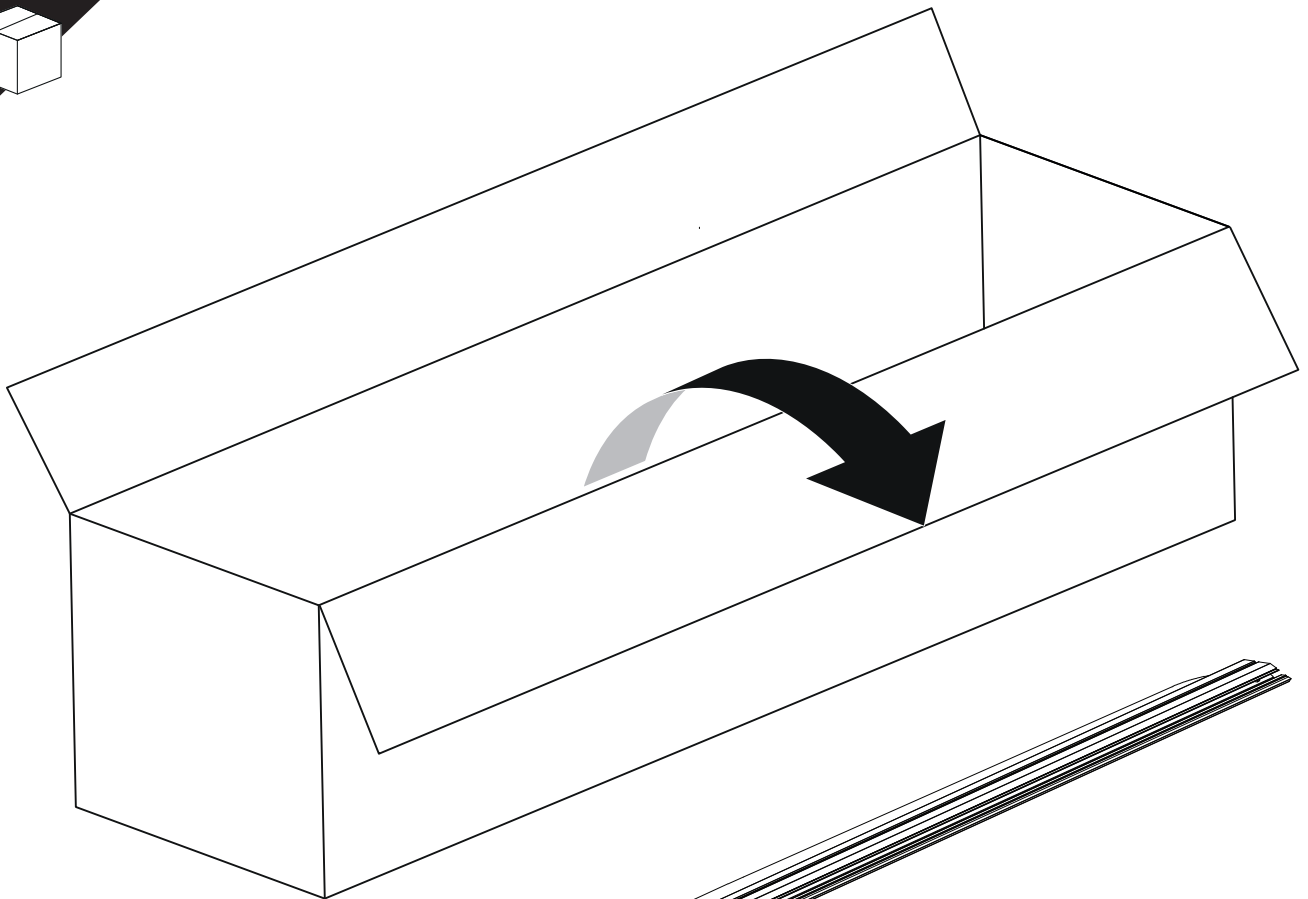


INSTALLATION
MANUAL

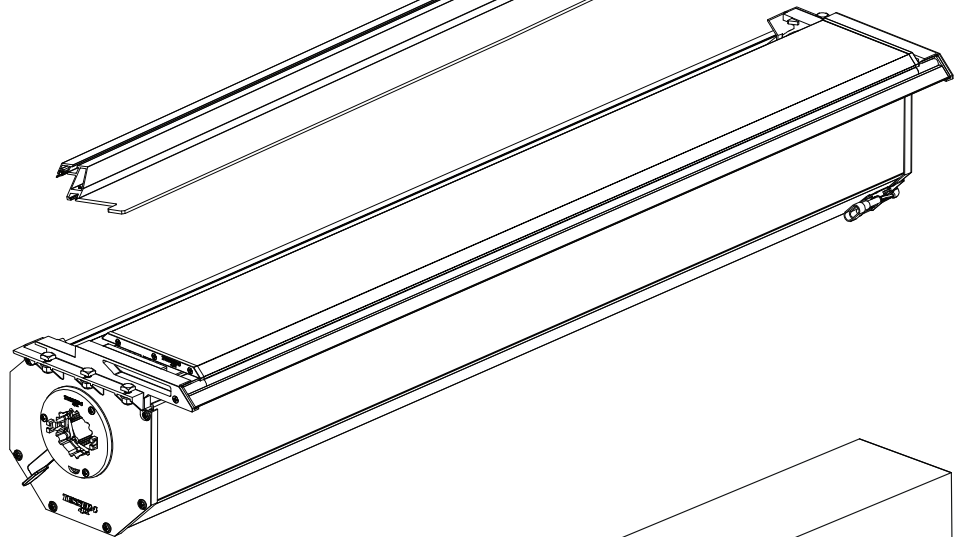


OWNERS
MANUAL

x1

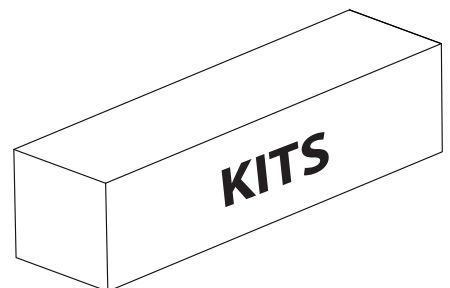


B

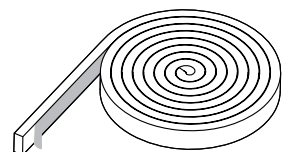


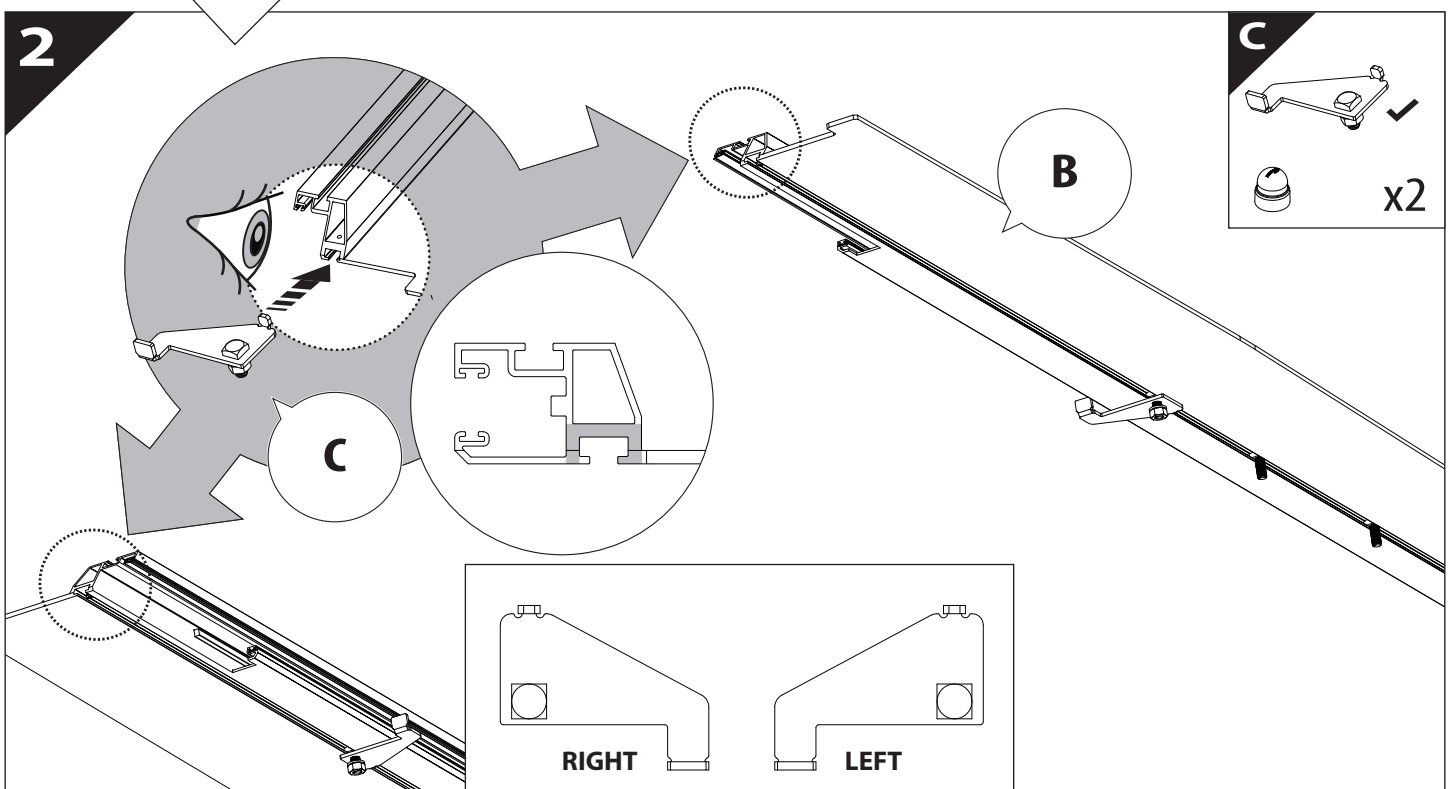
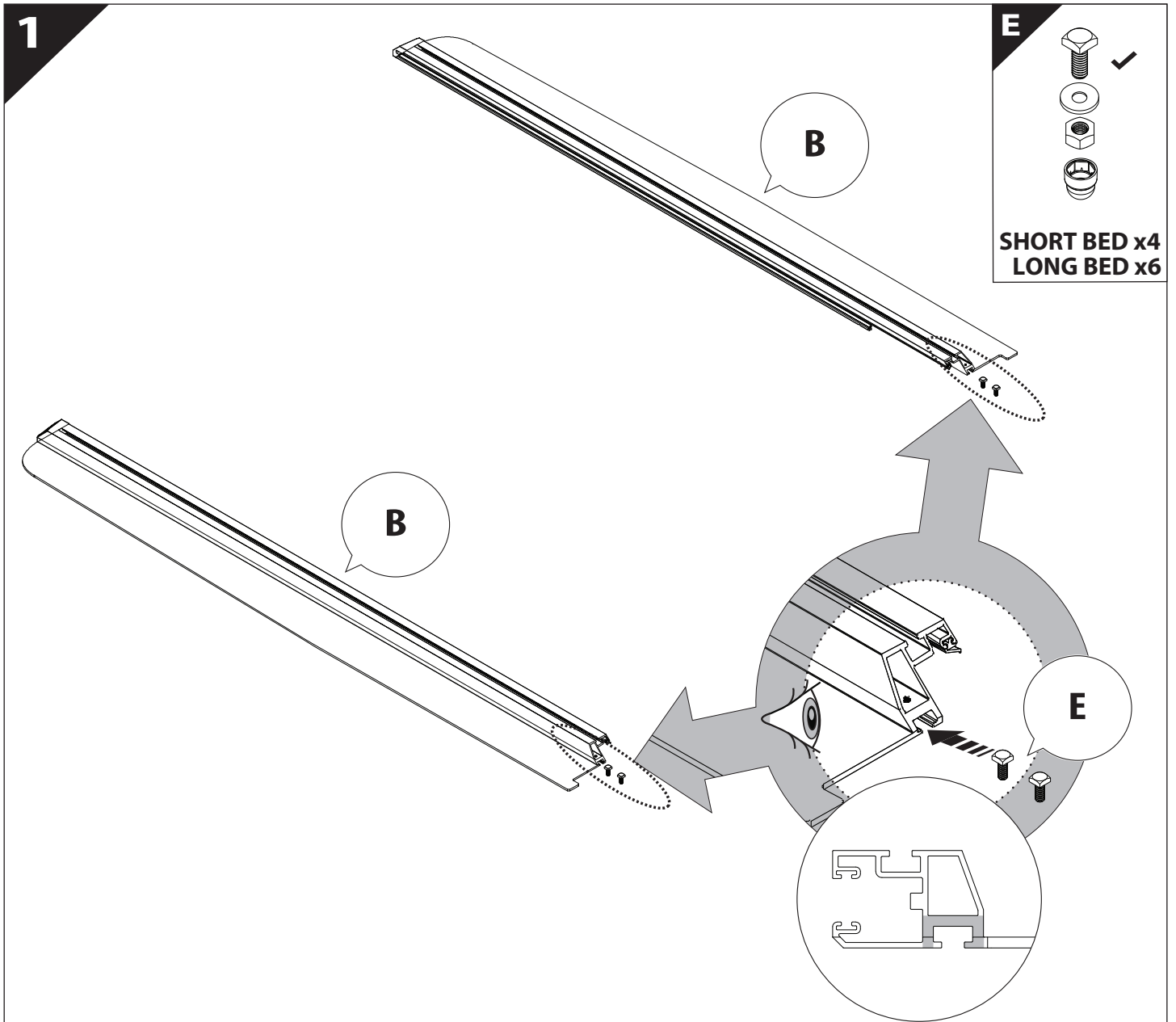
A

KITS

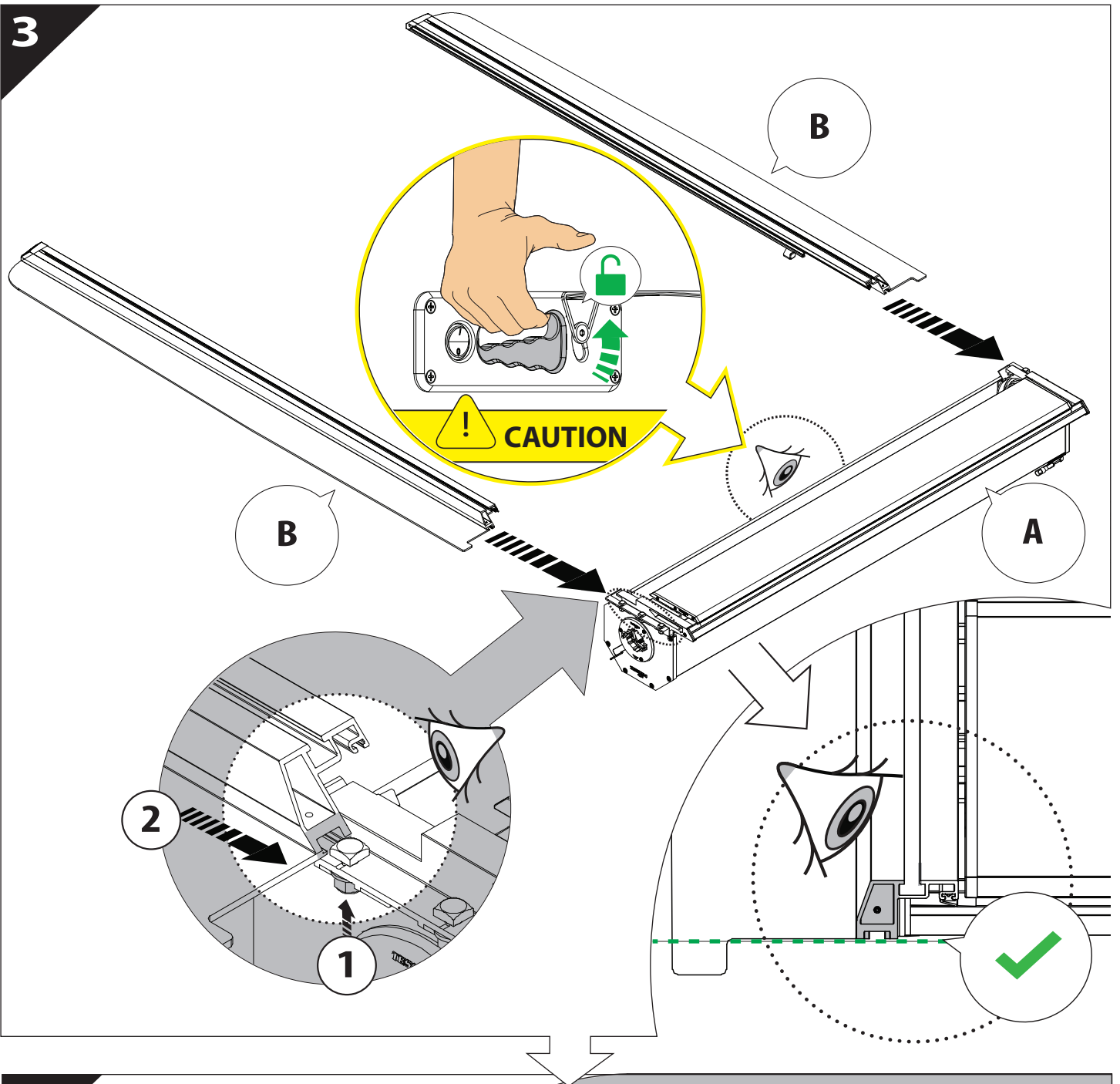


L

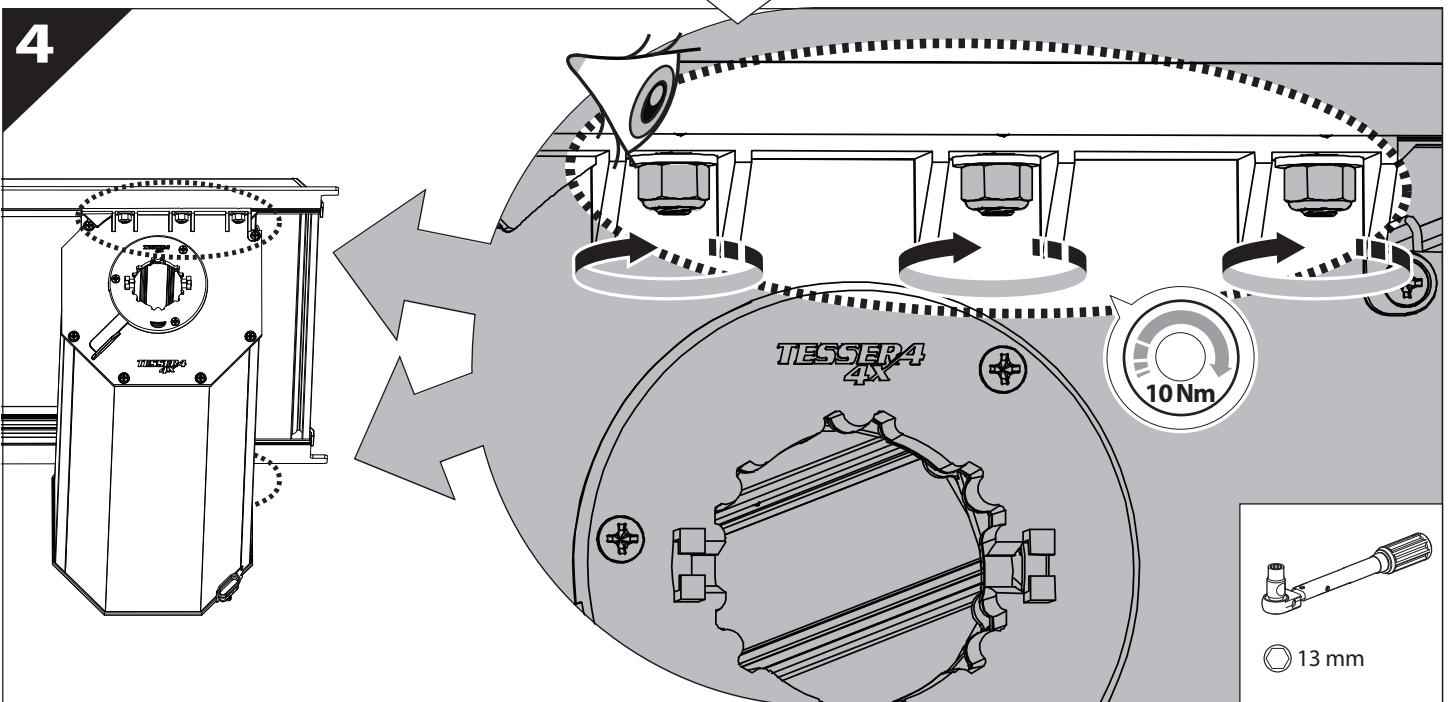


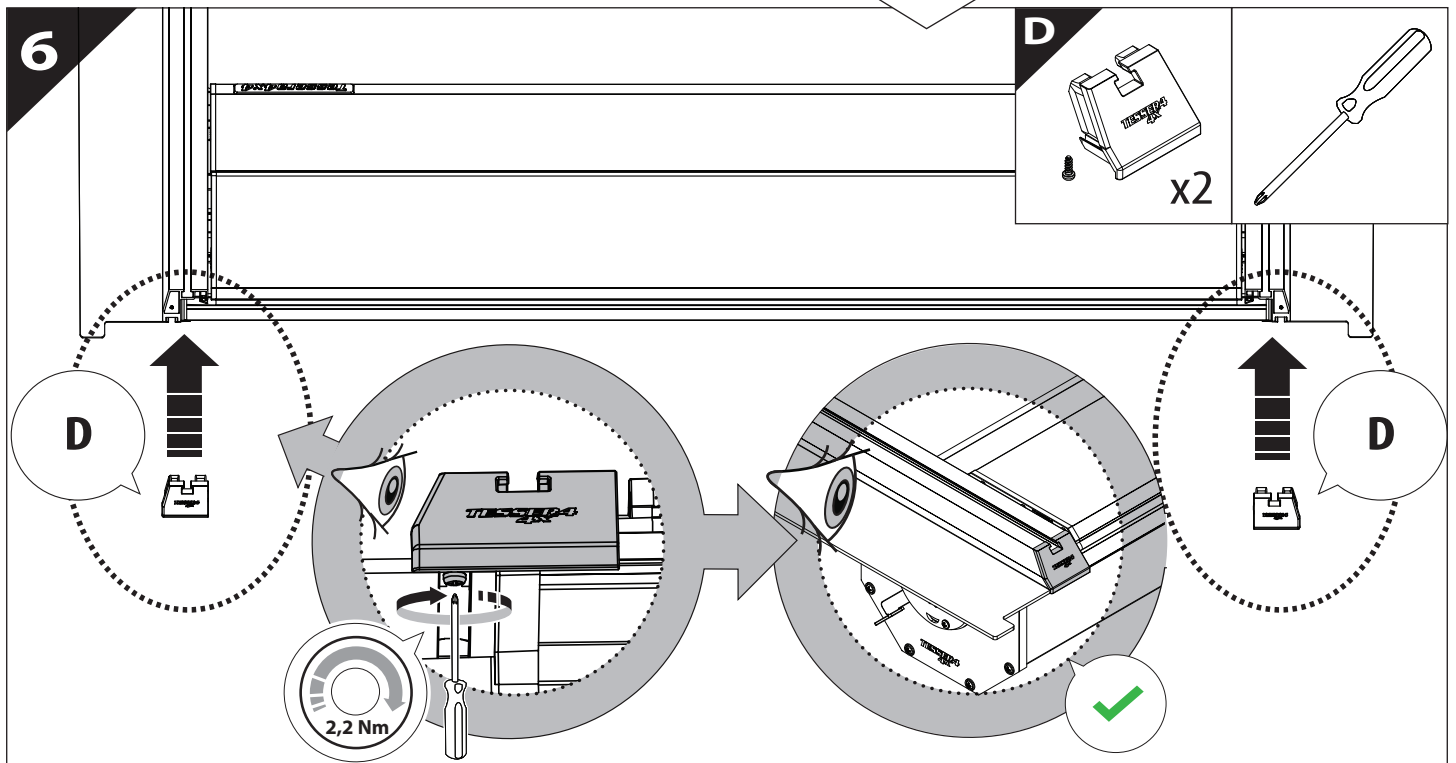
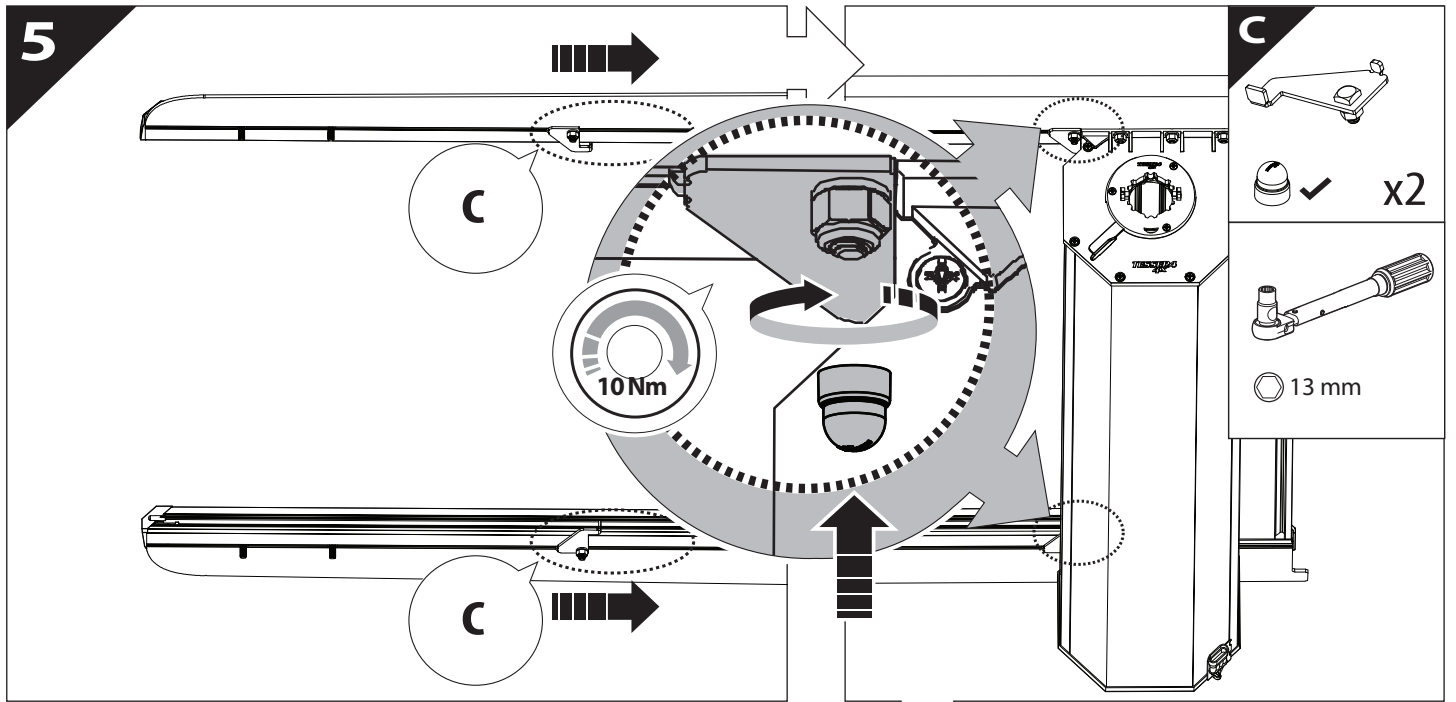


3

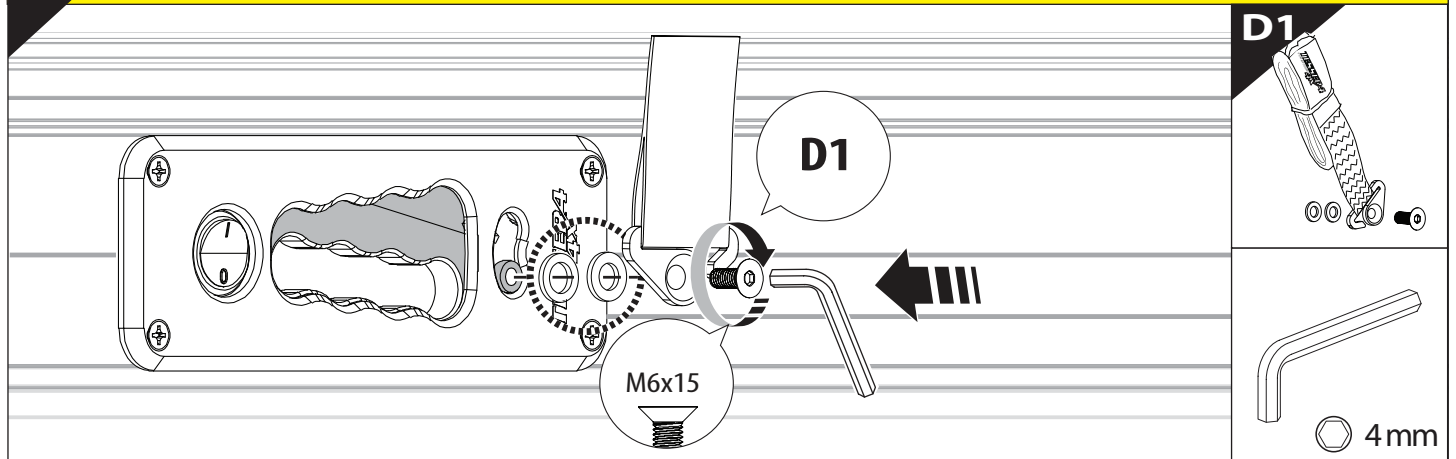


4

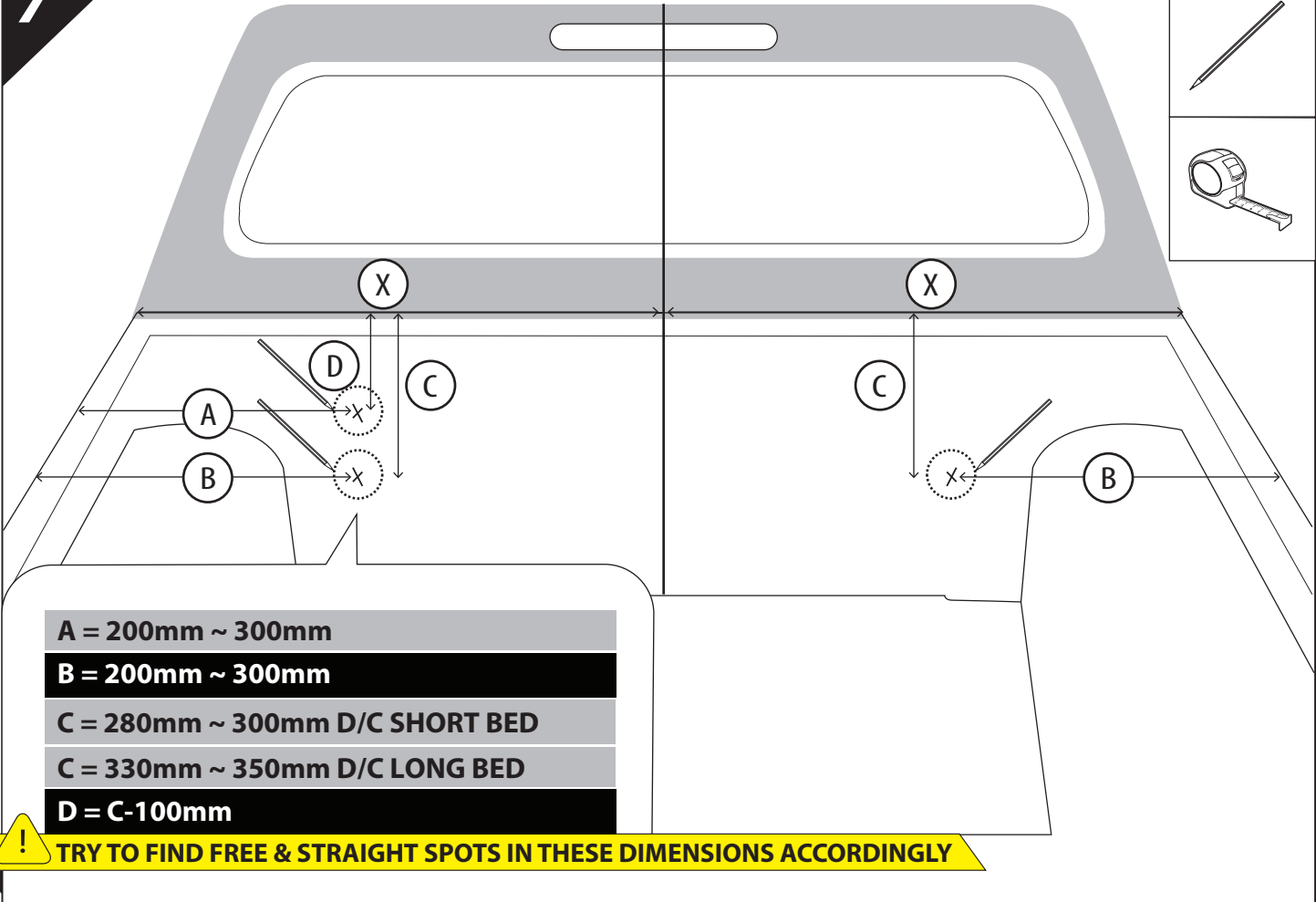
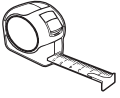




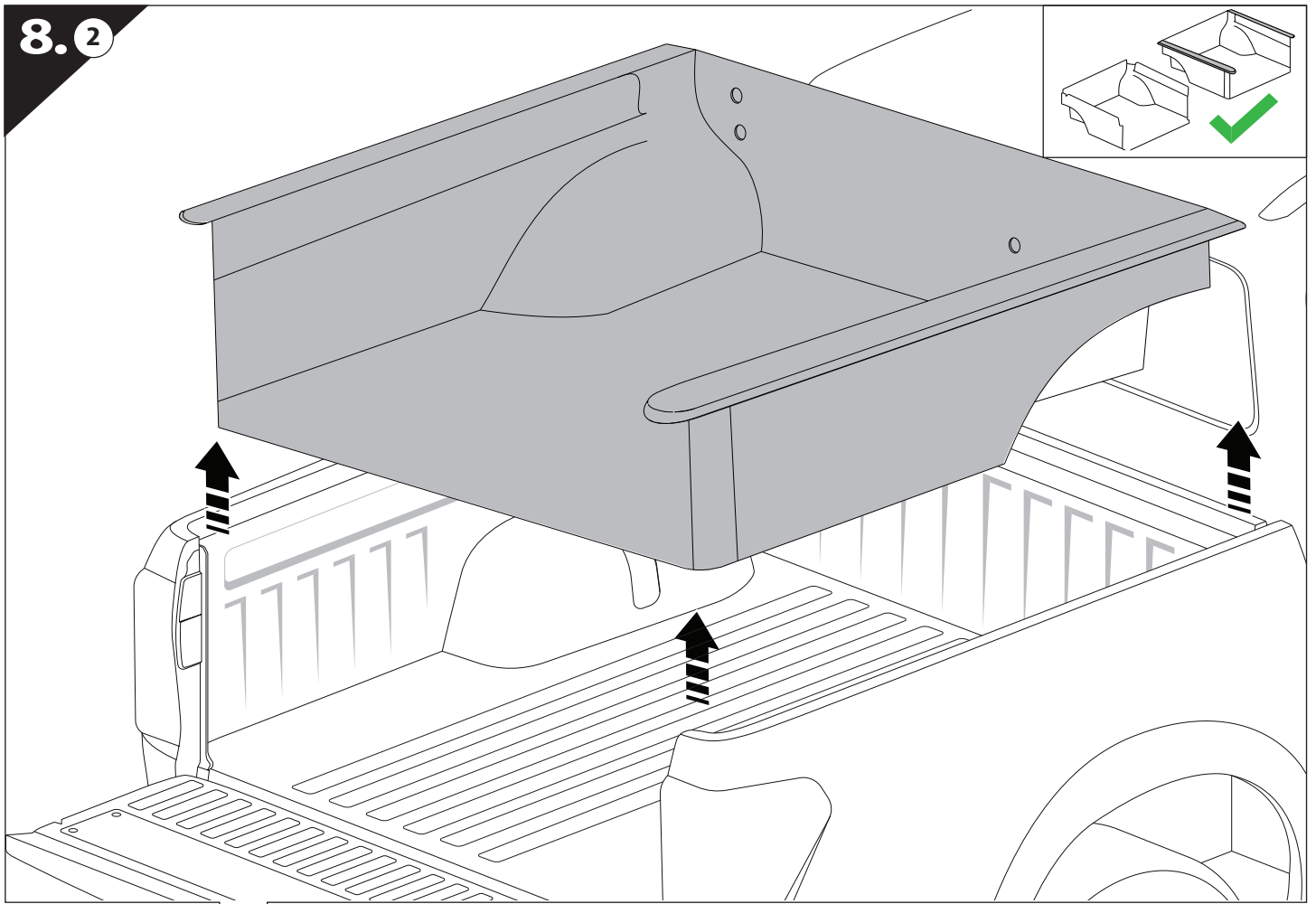
6.1 **CAUTION** Basic Version ✓ & Basic+S-KIT Version ✓



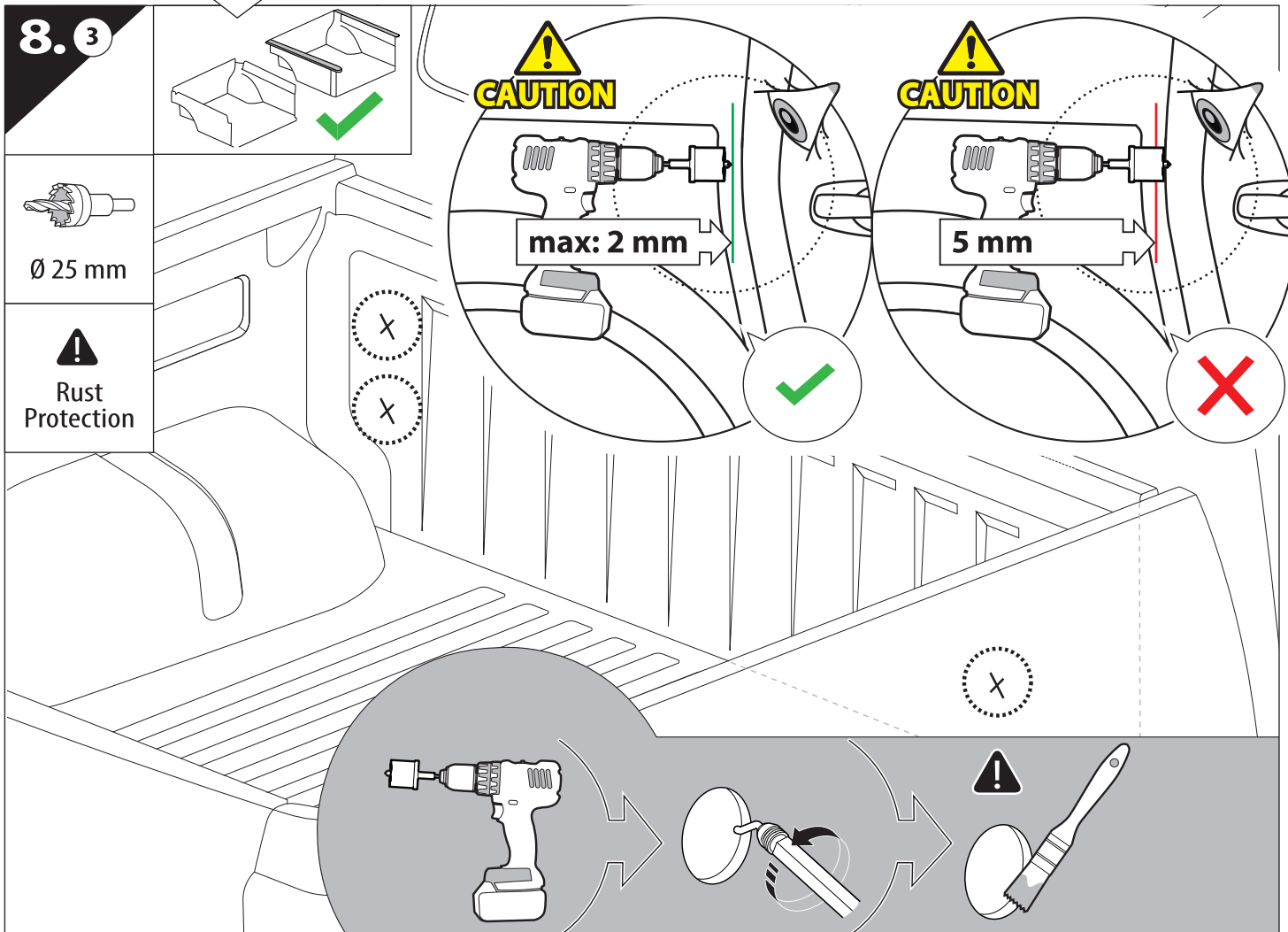
7



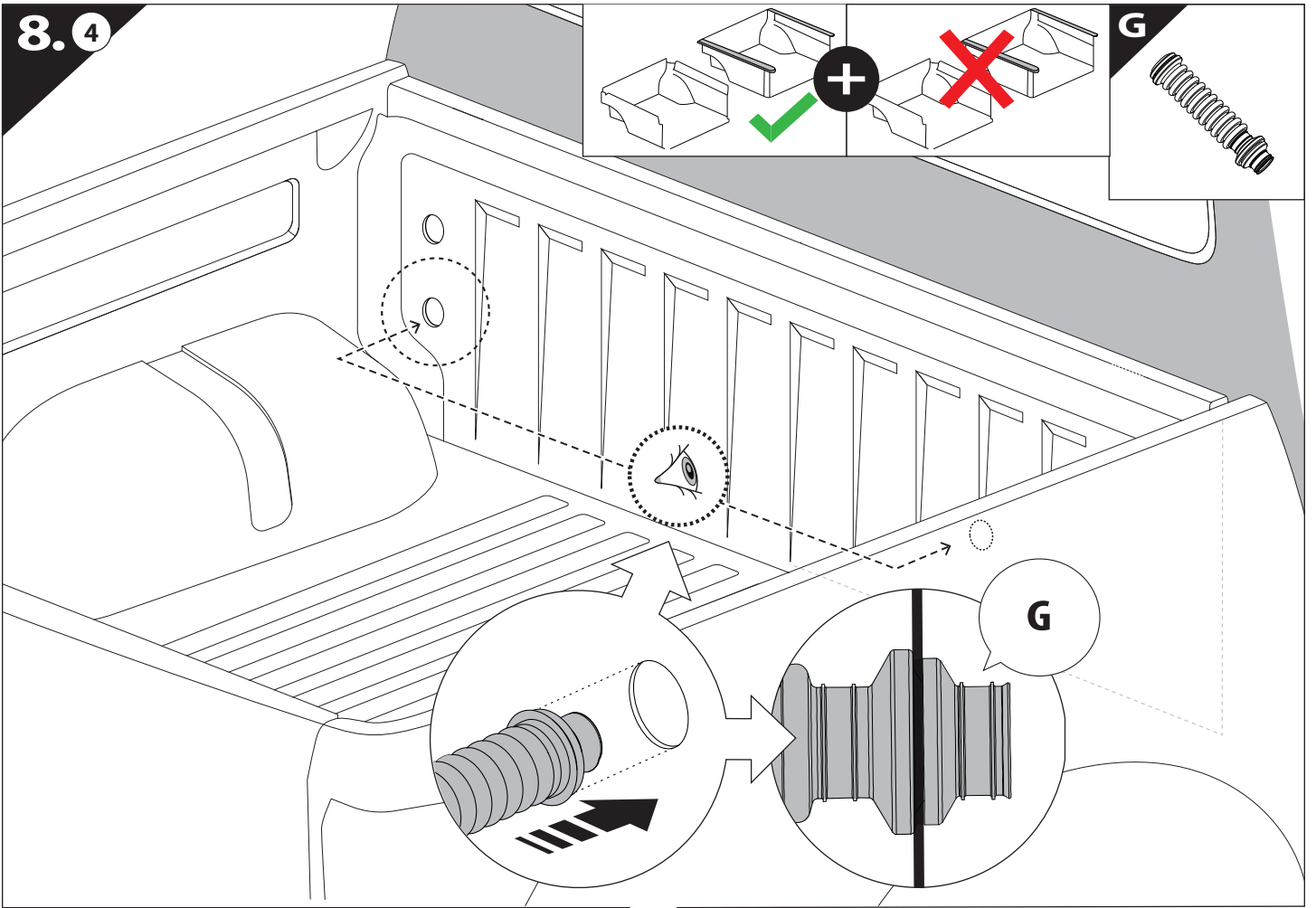
8.2



8.3

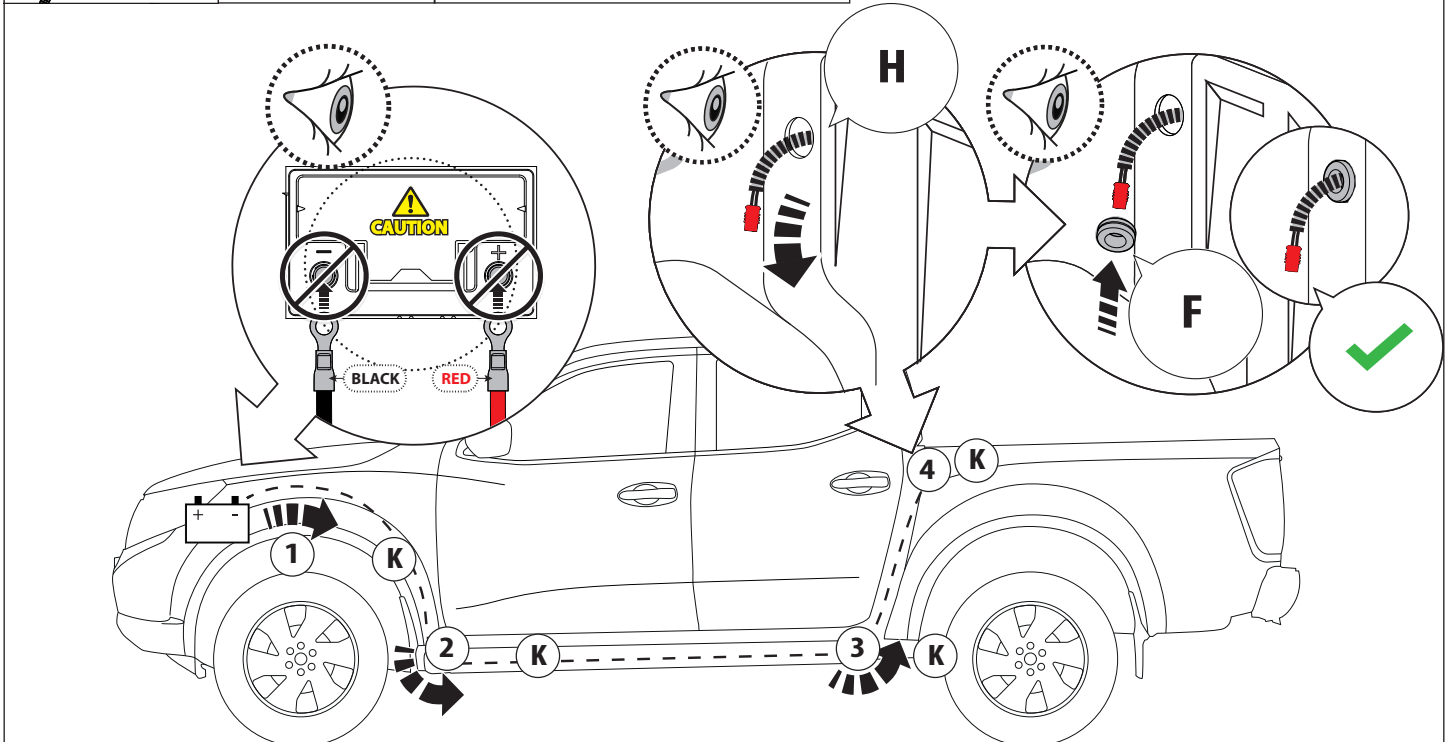
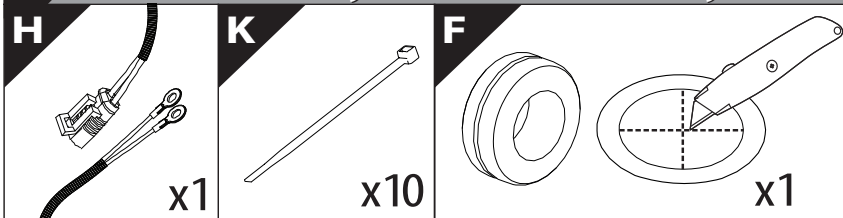


8.4

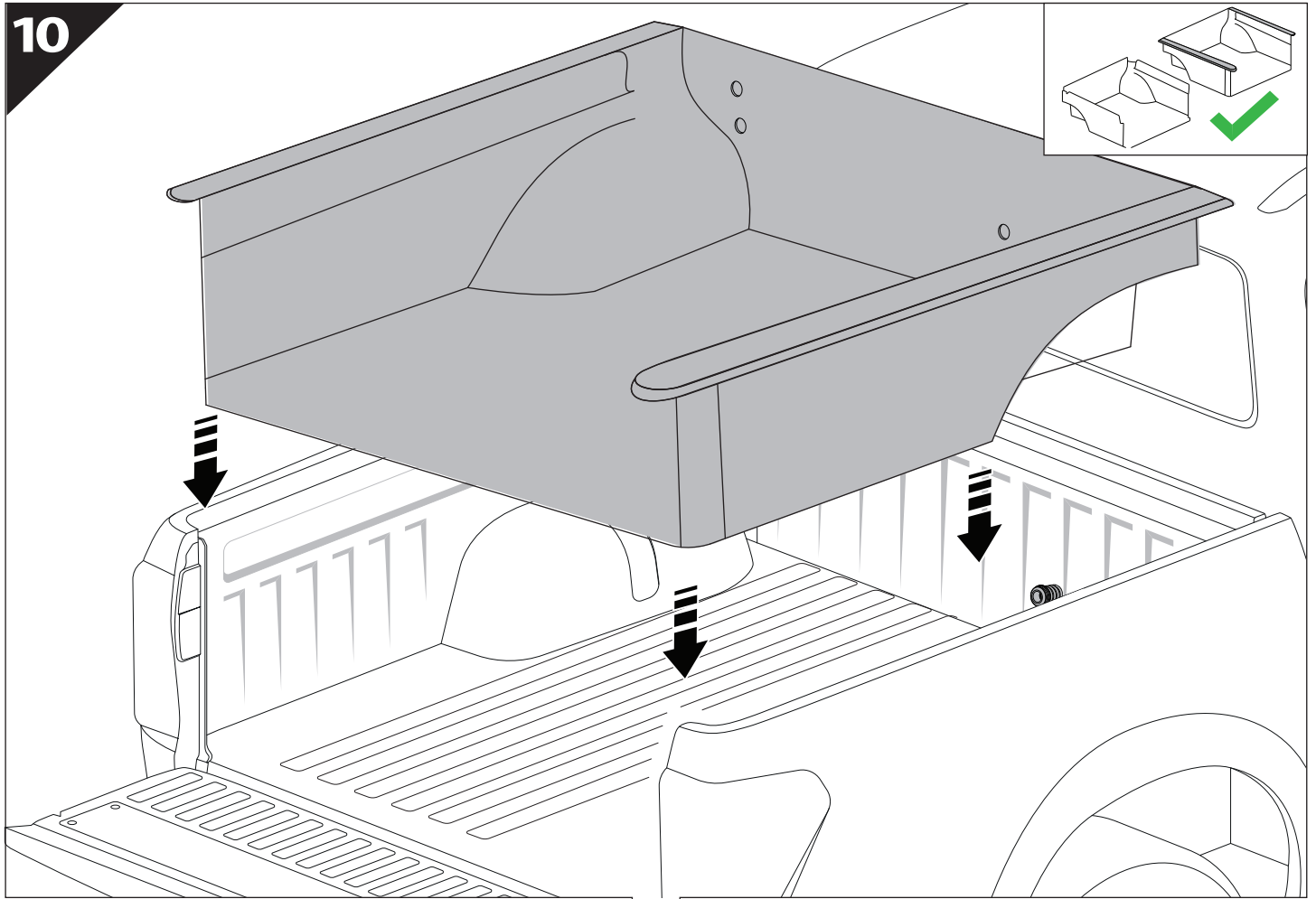


9

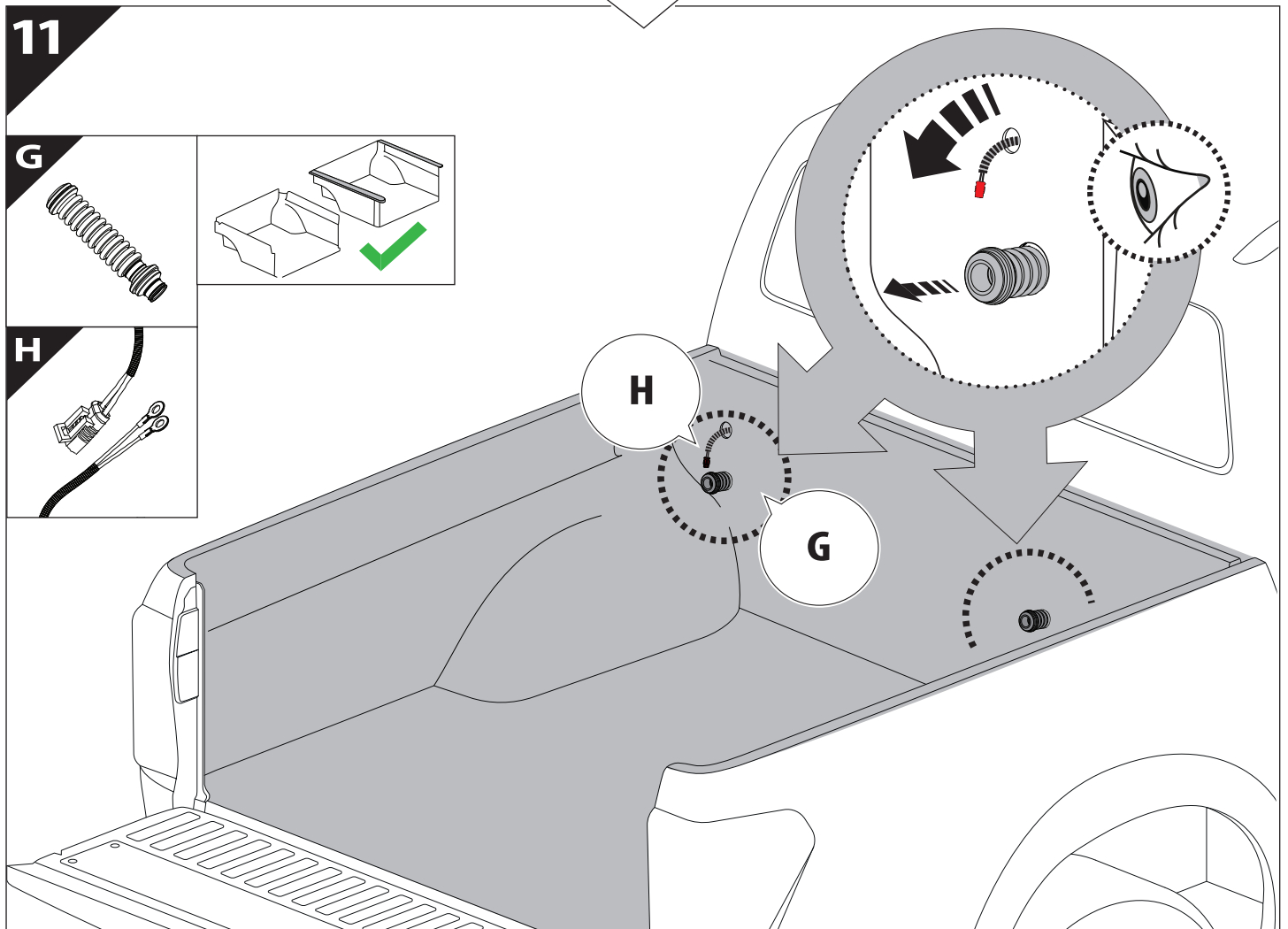
Only to be installed by authorized personnel



10

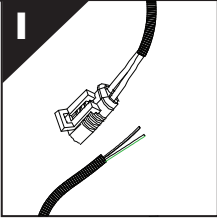


11

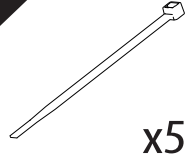


12

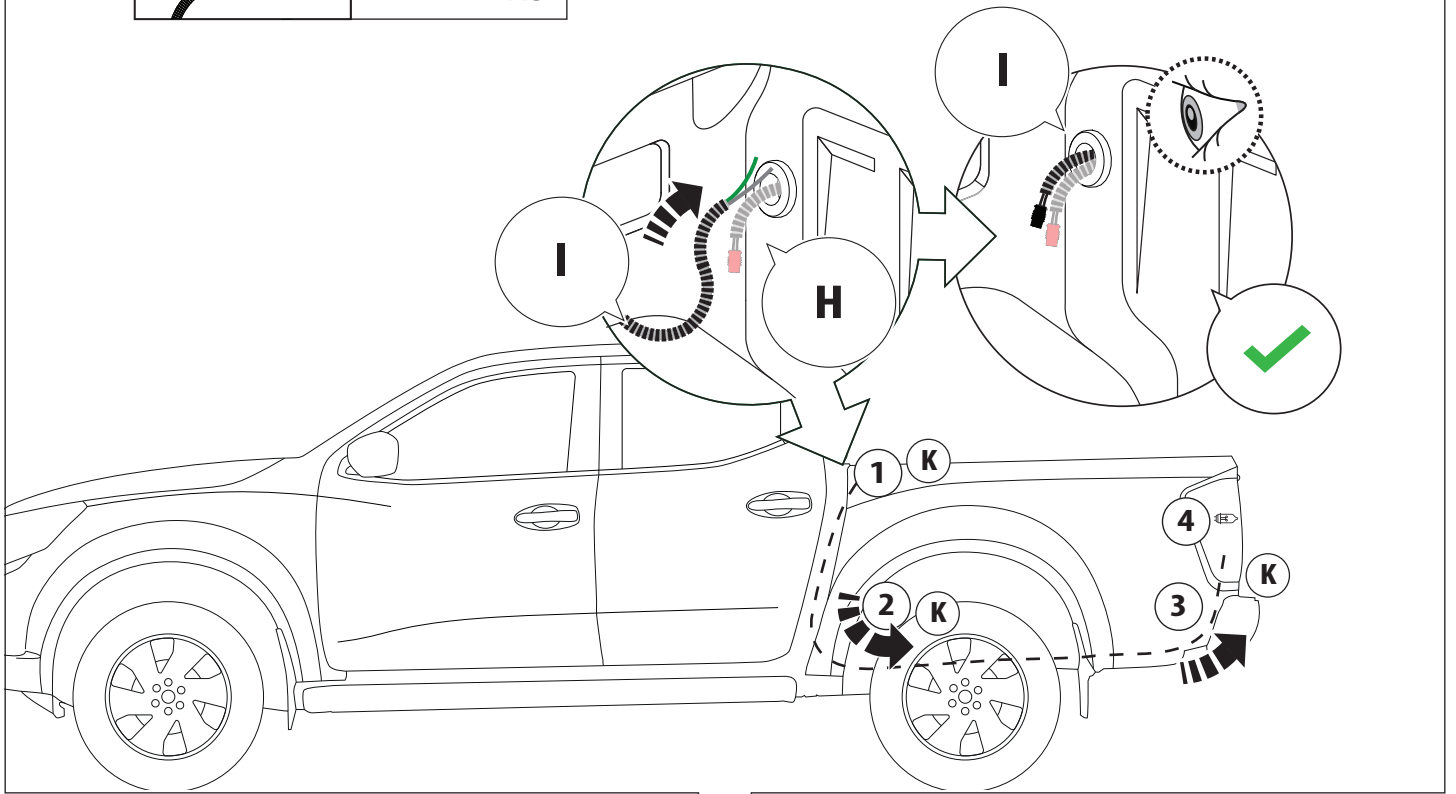
I



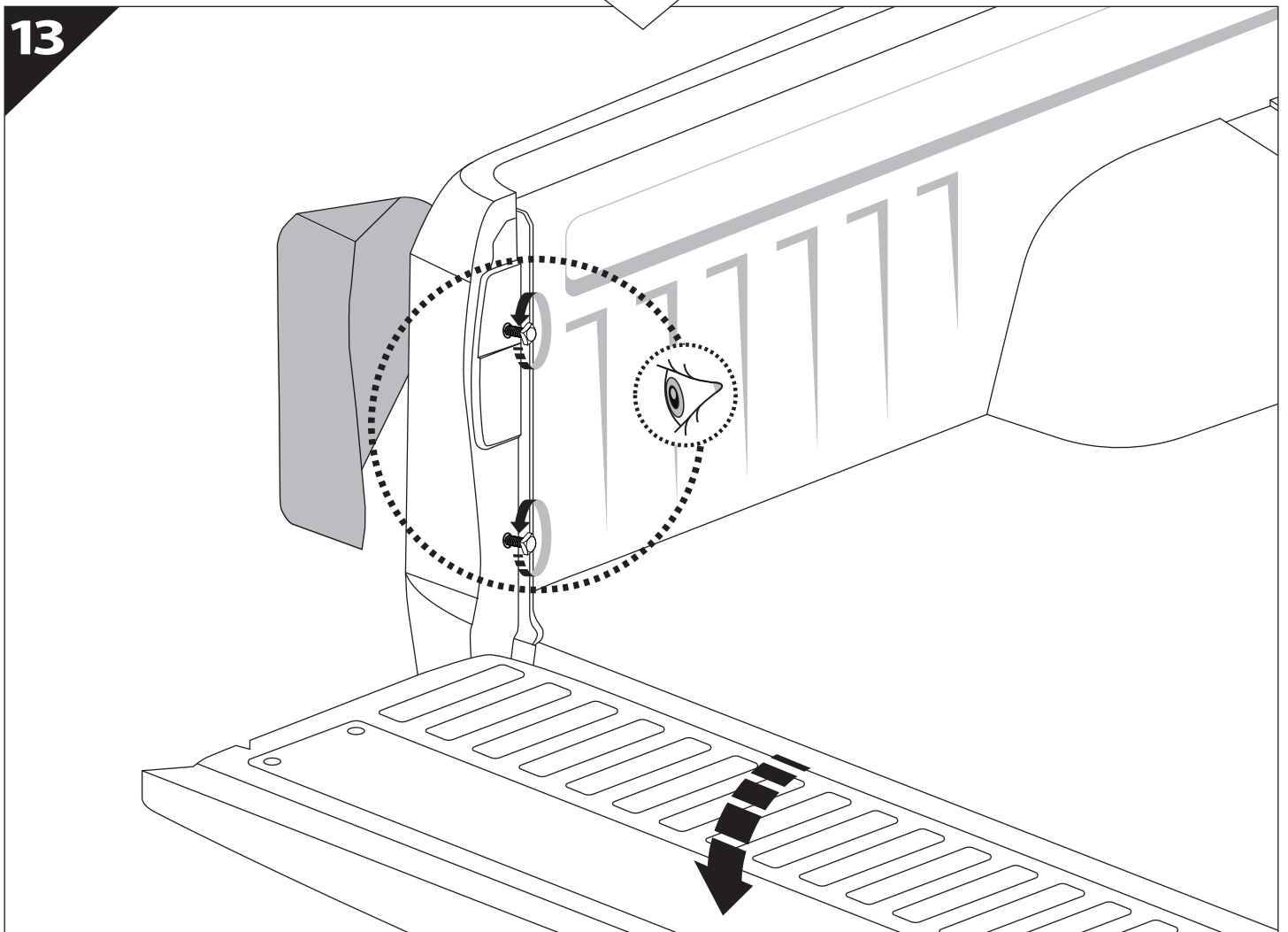
K



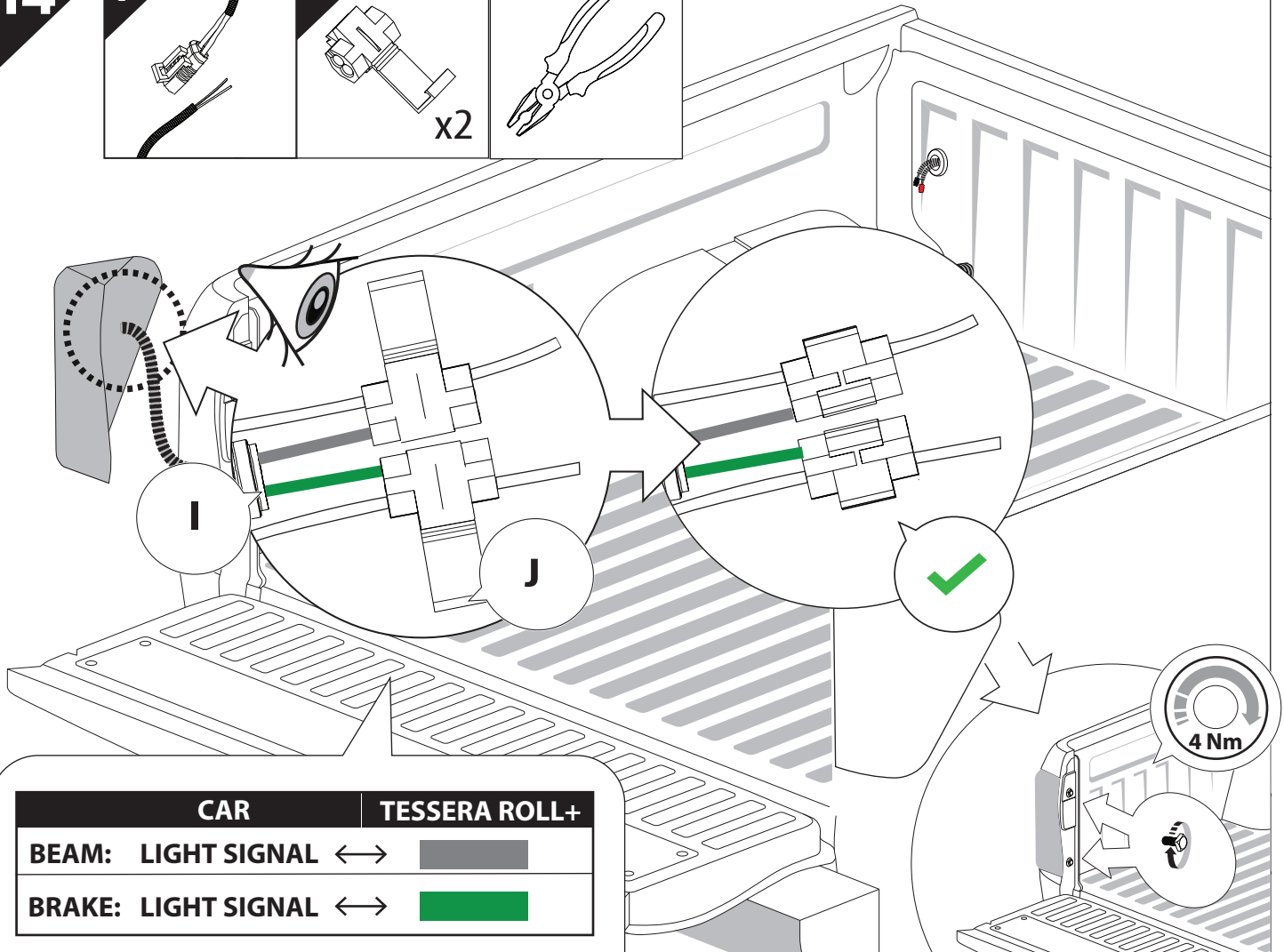
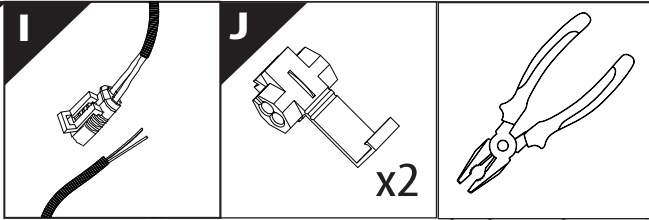
x5



13

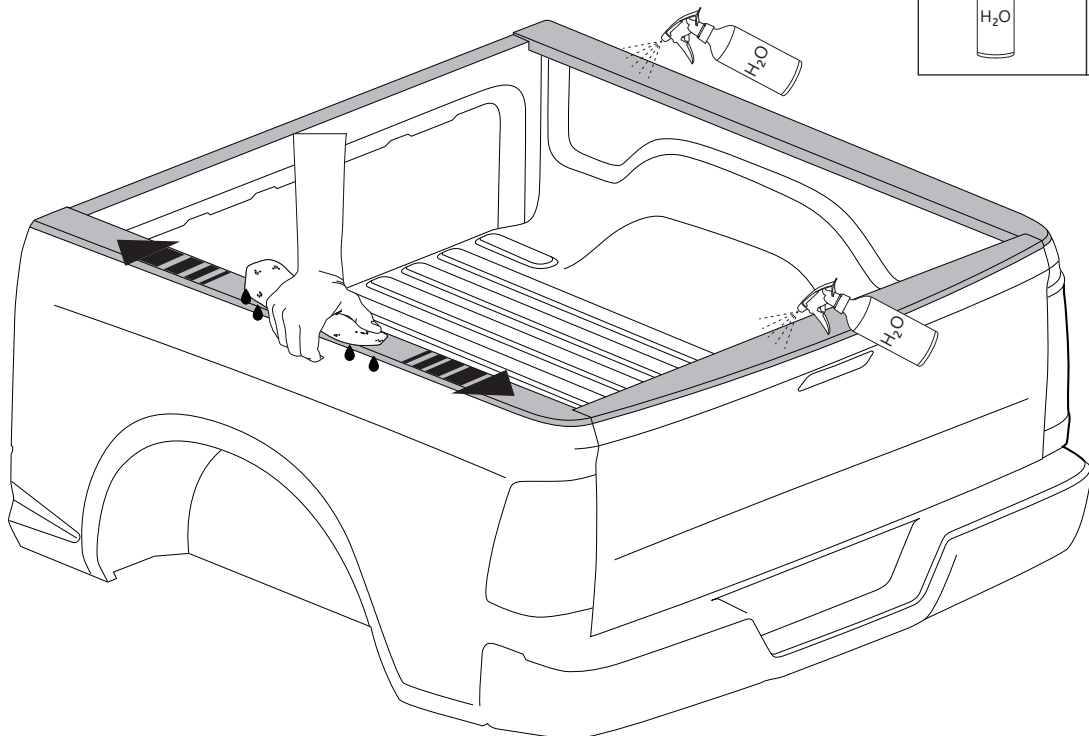
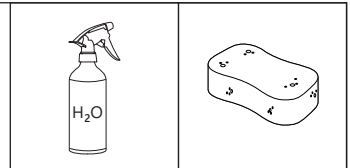


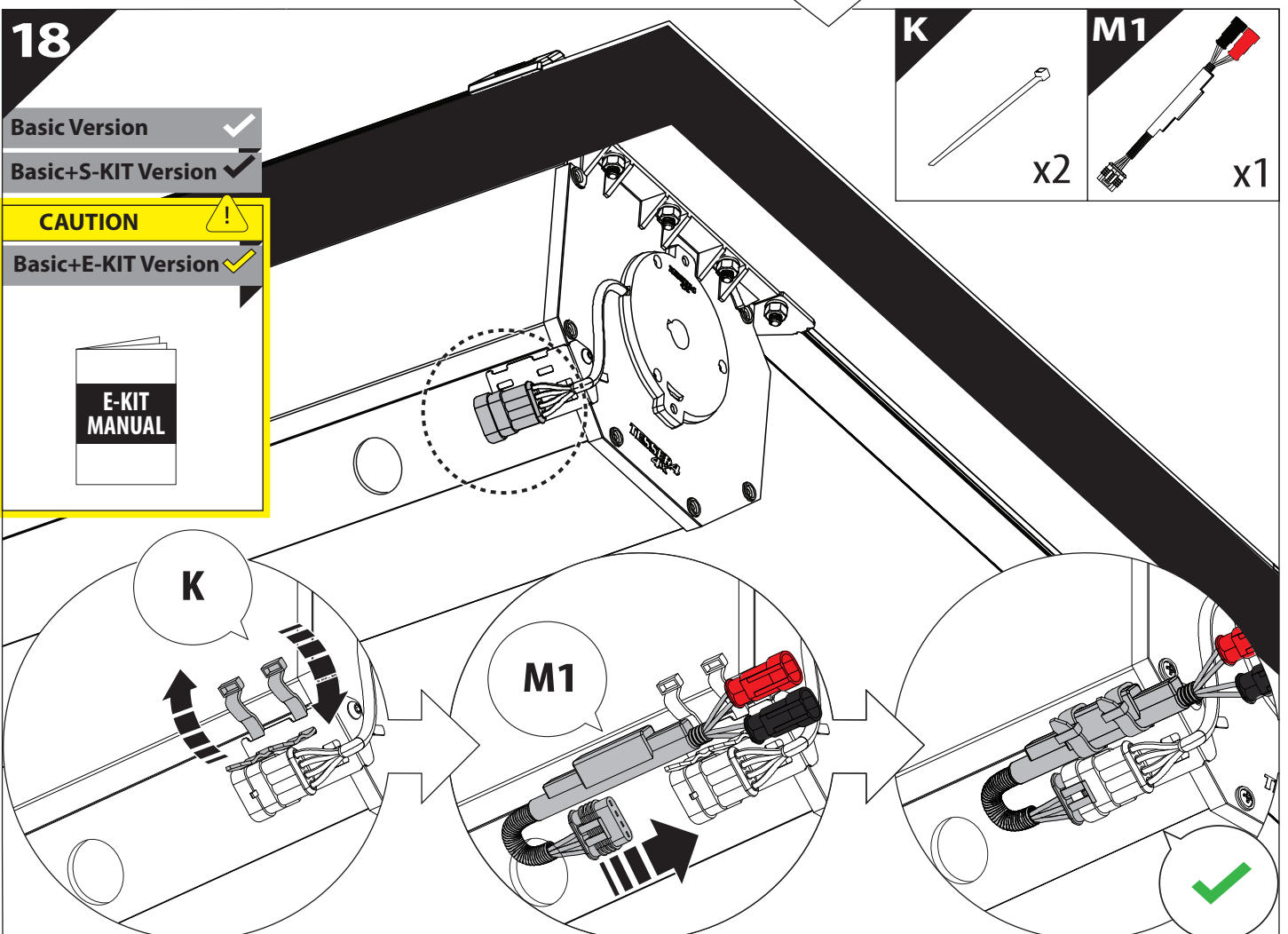
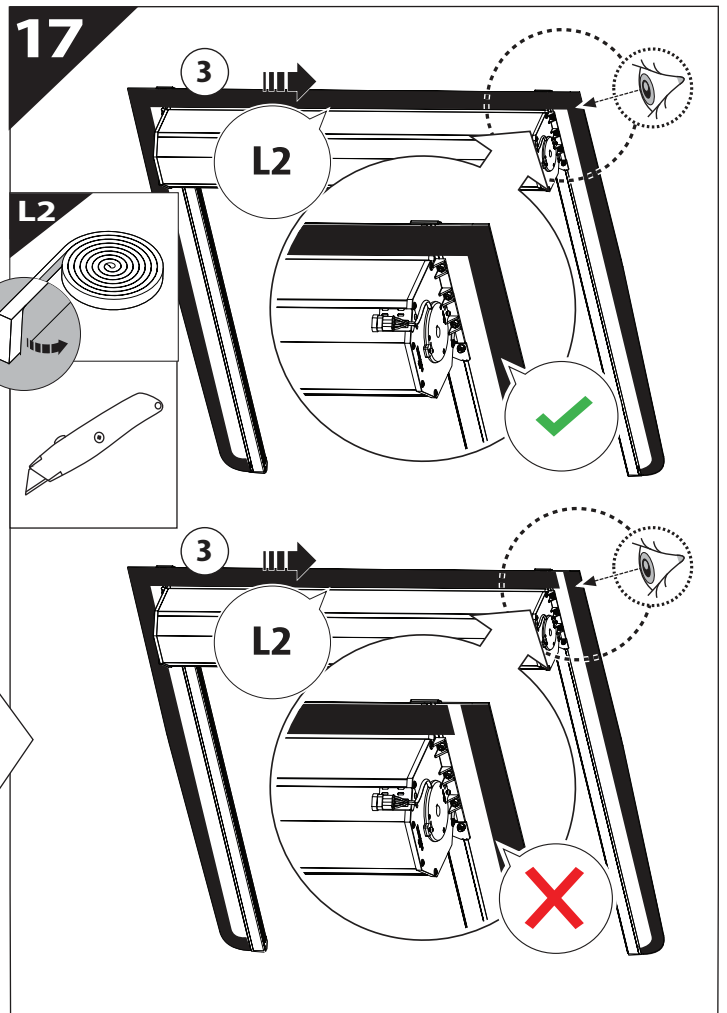
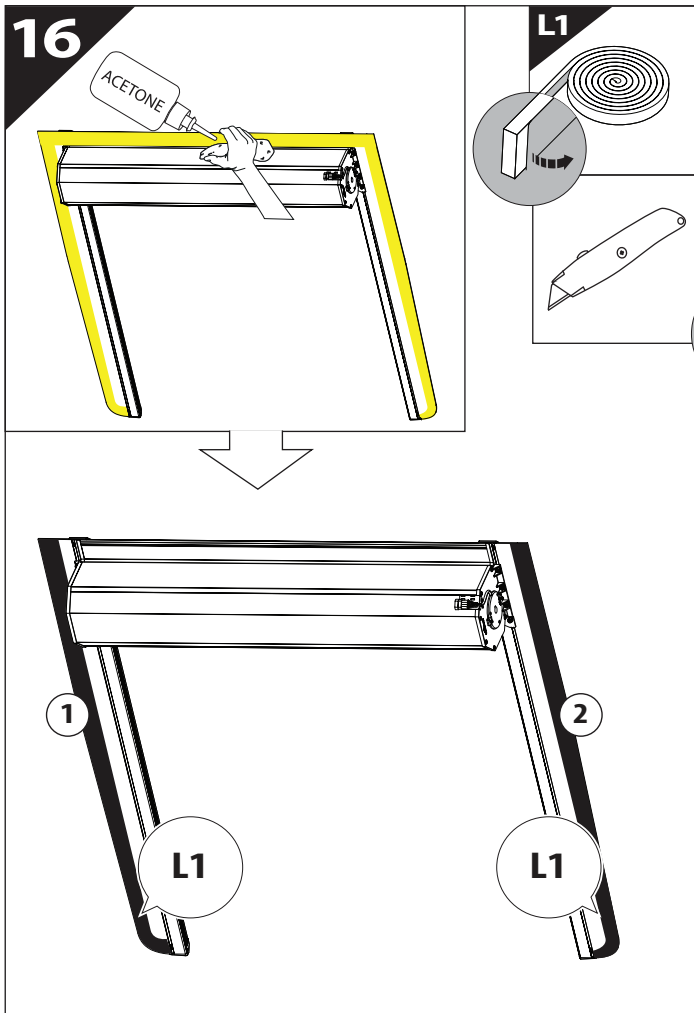
14

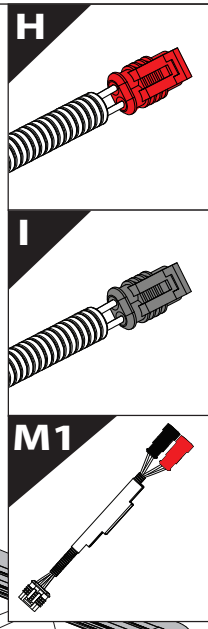
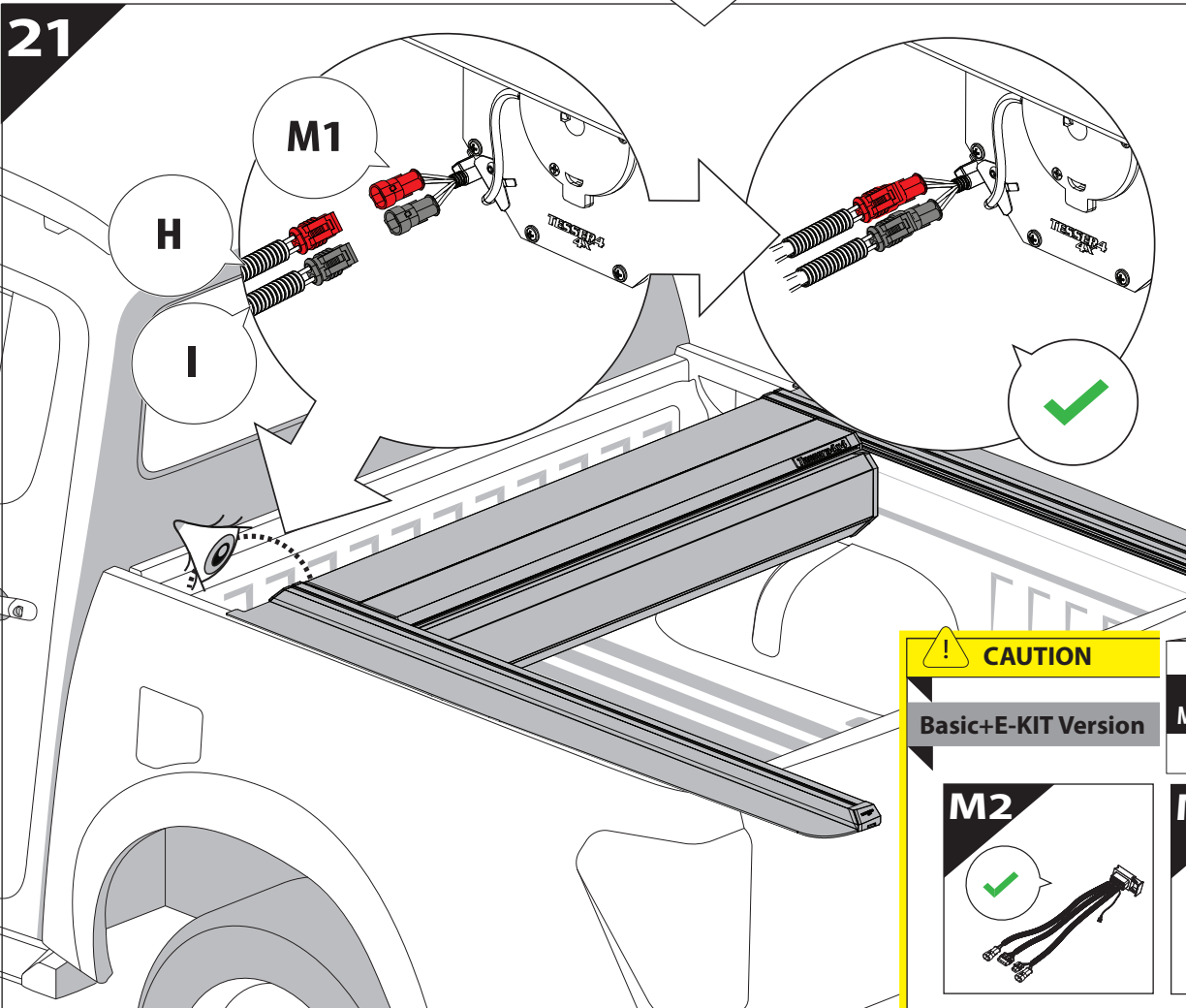
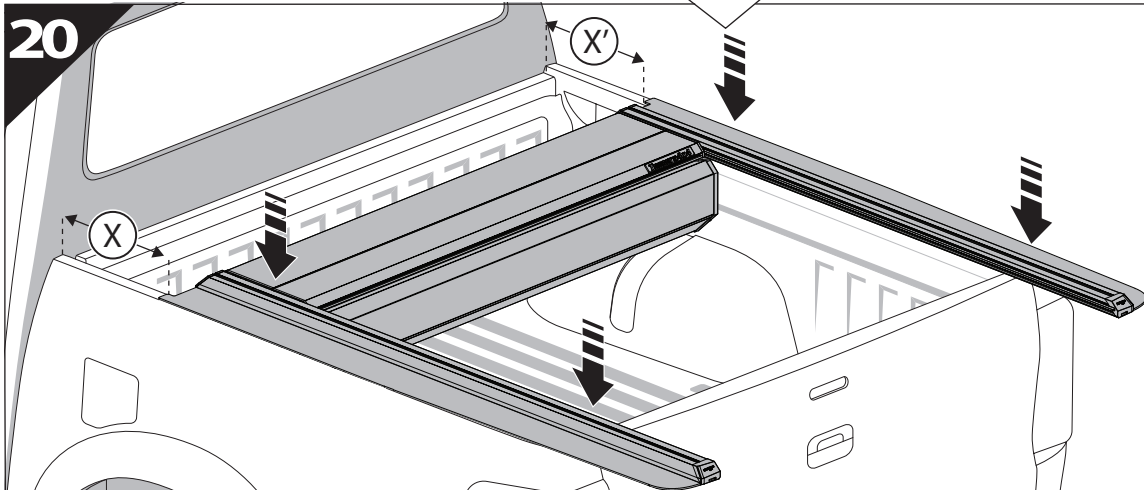
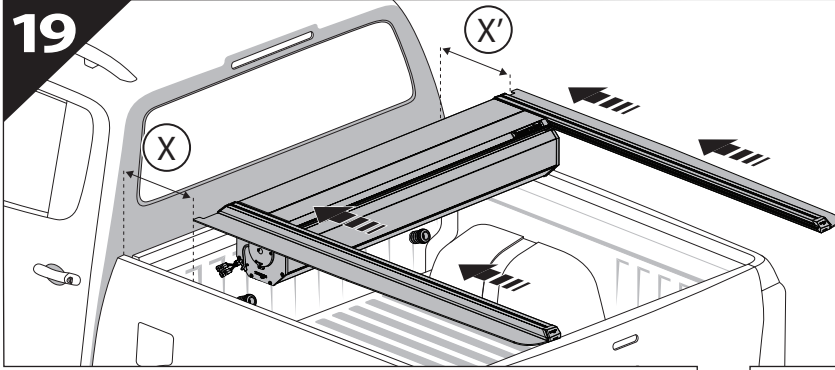





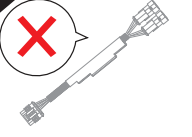
CAUTION: CONSULT A CERTIFIED AUTO MECHANIC OR AUTOMOTIVE ELECTRICIAN TO IDENTIFY THE CORRECT WIRING CABLES FOR BEAM AND BRAKE SIGNALS BEFORE MAKING ANY CONNECTIONS.

15

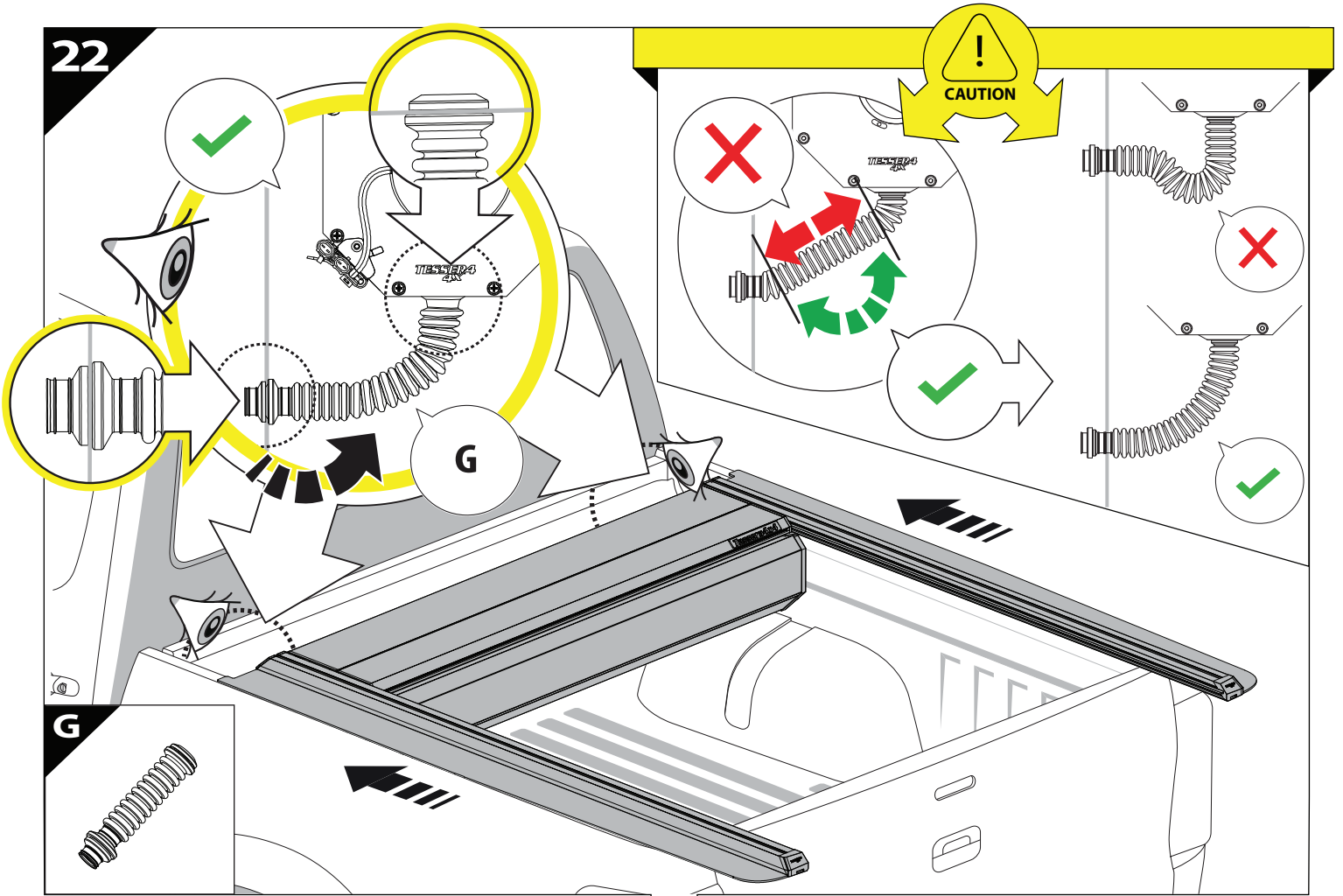




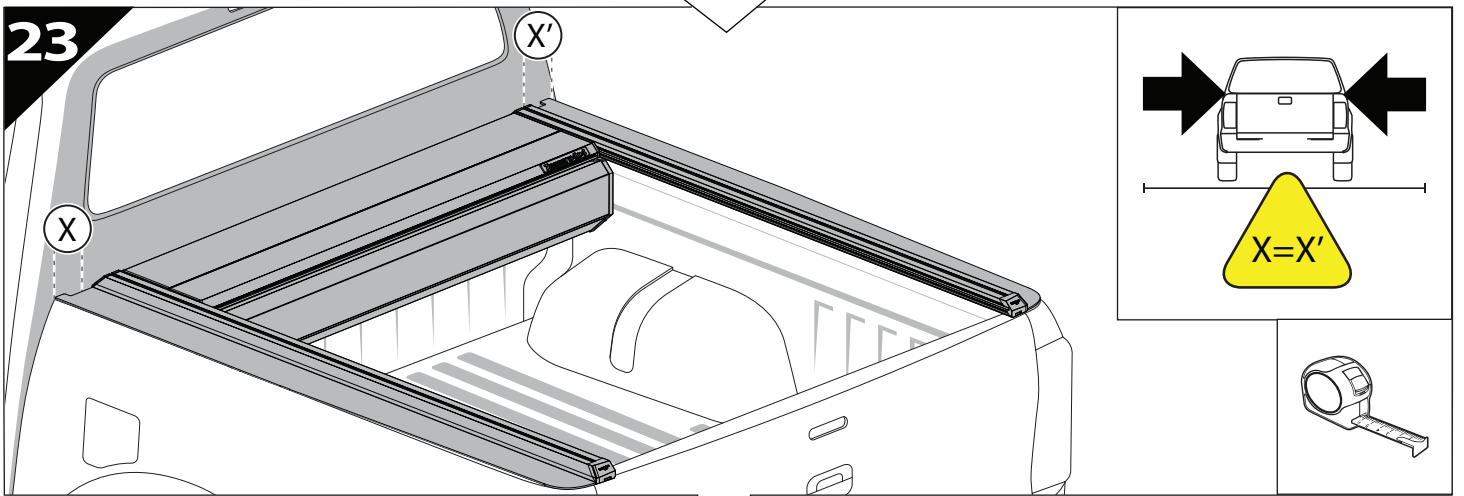


CAUTION	
Basic+E-KIT Version	
E-KIT MANUAL	
M2  	M1  

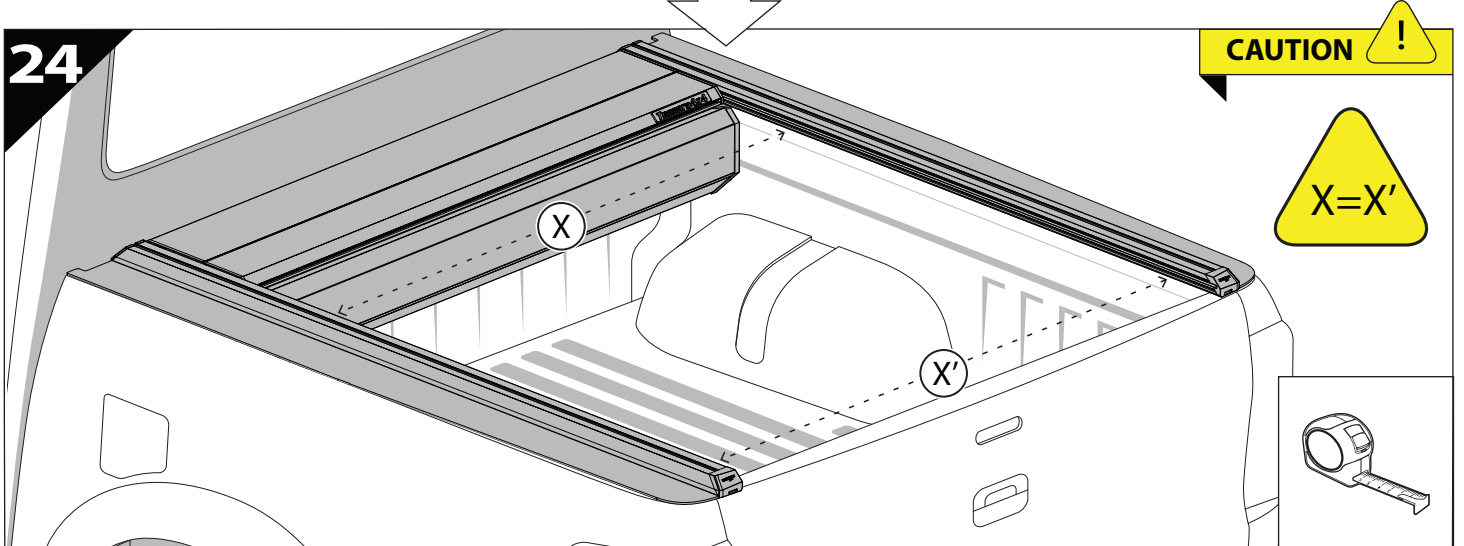
22



23

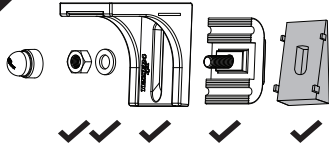


24

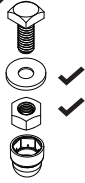


25

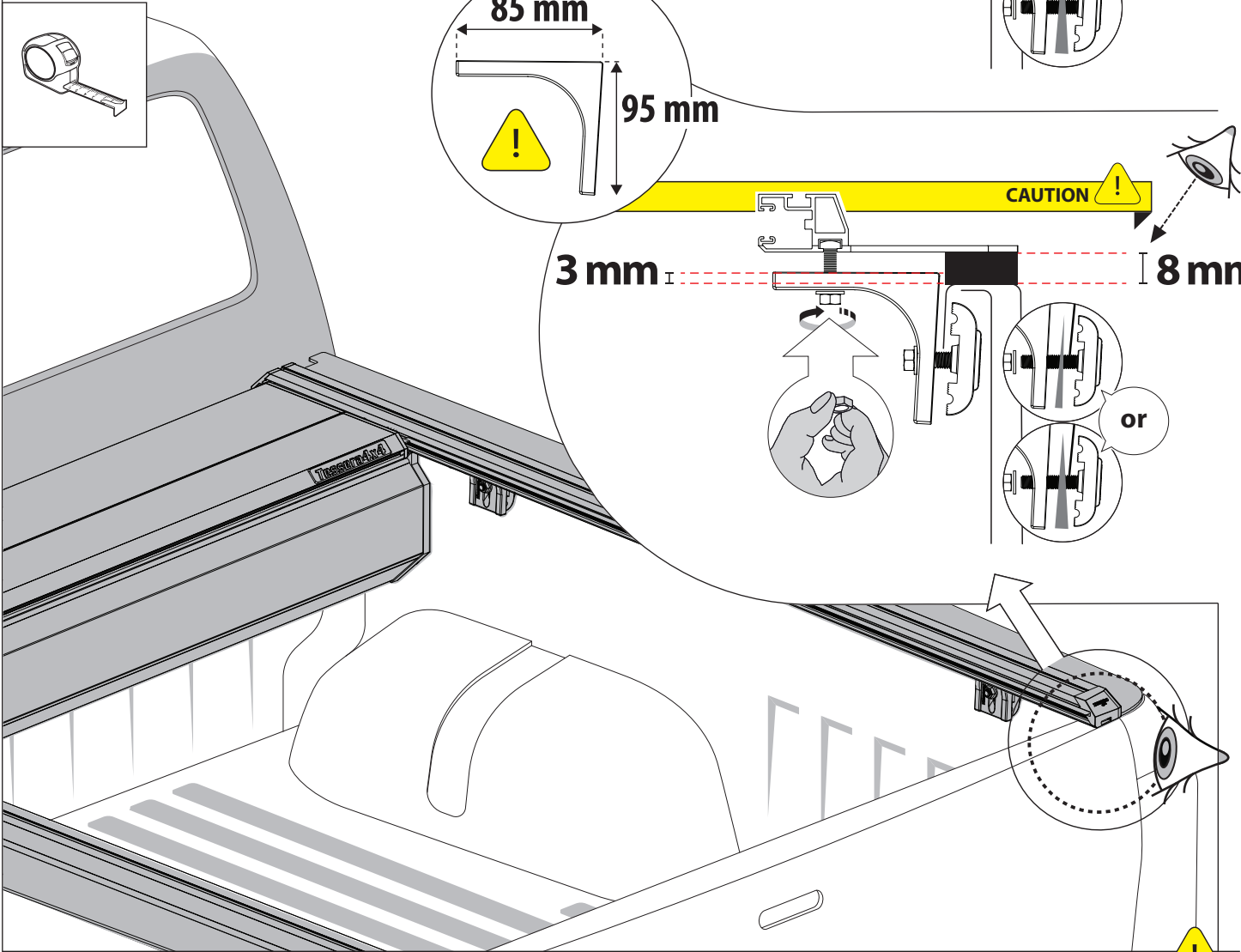
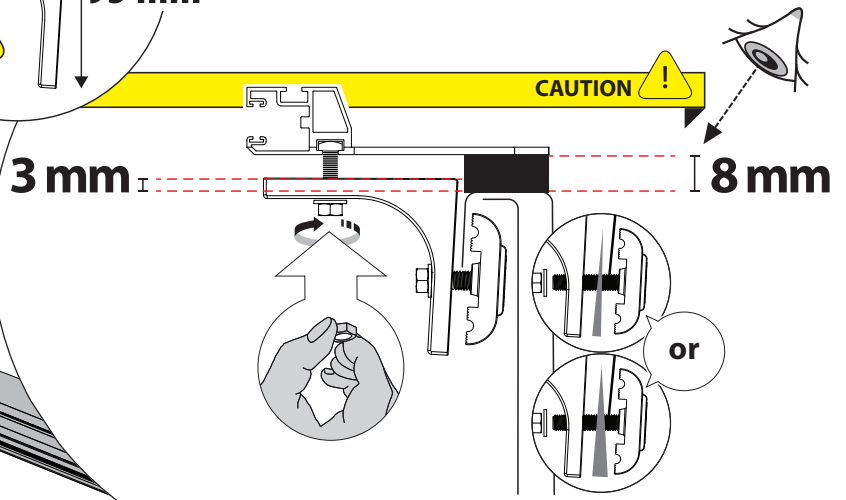
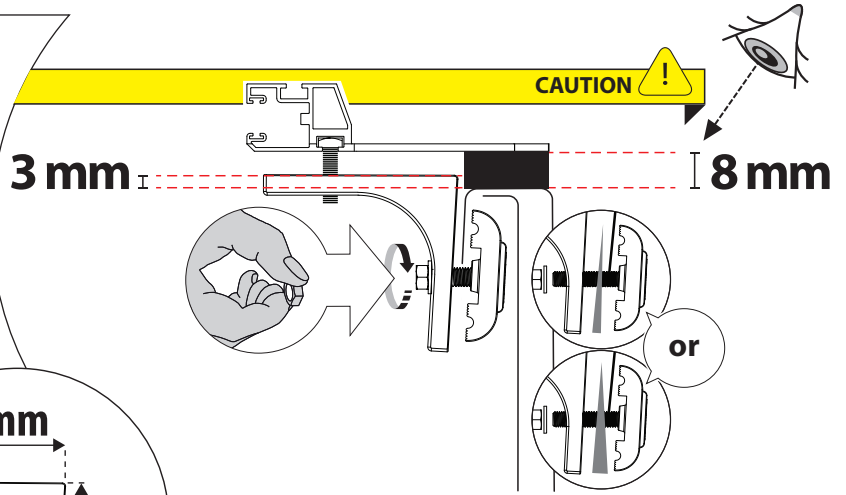
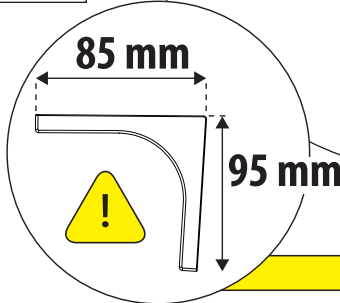
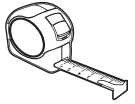
N



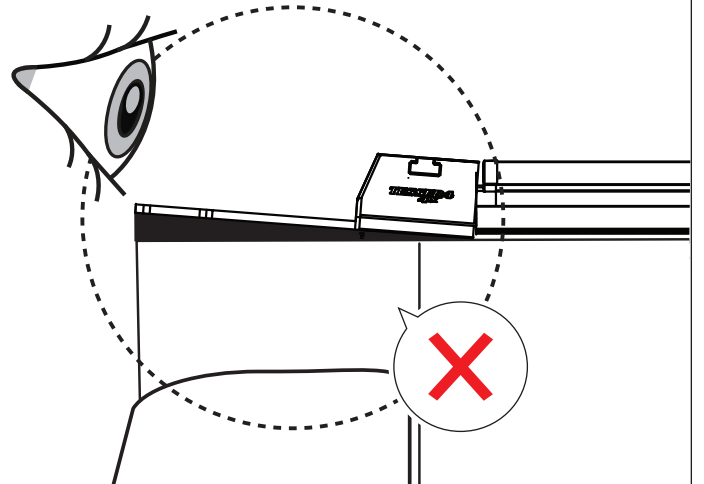
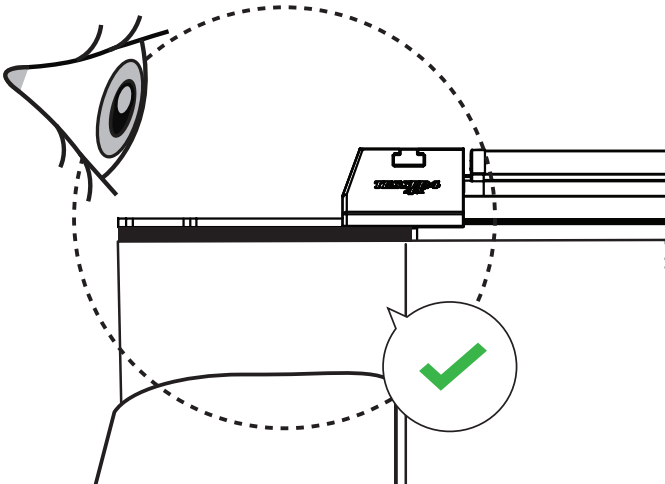
E

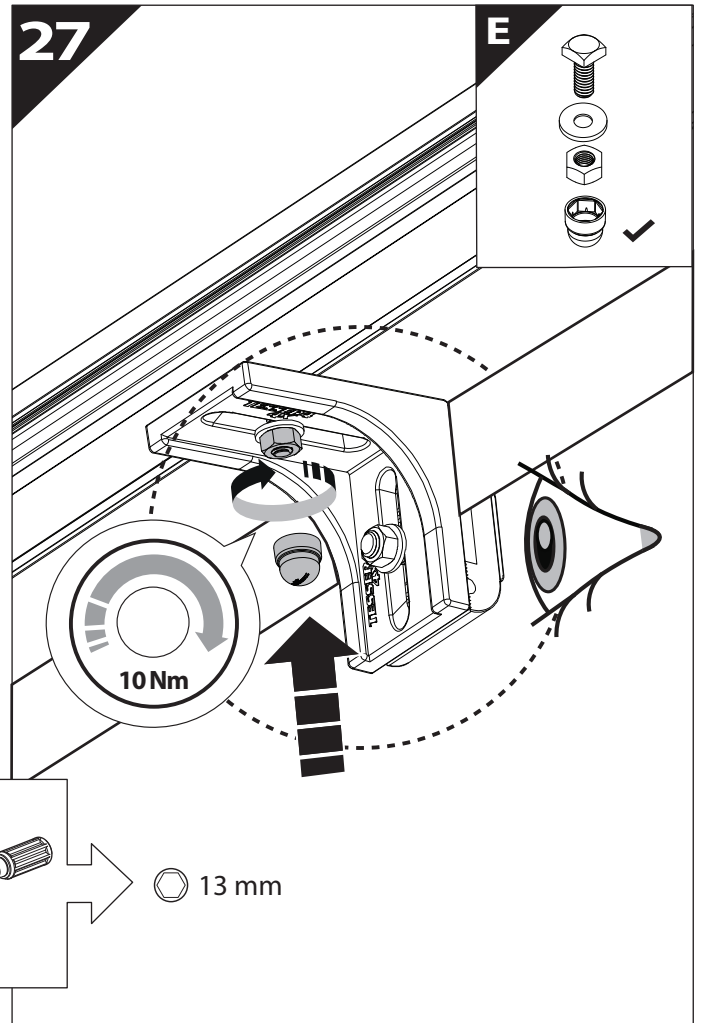
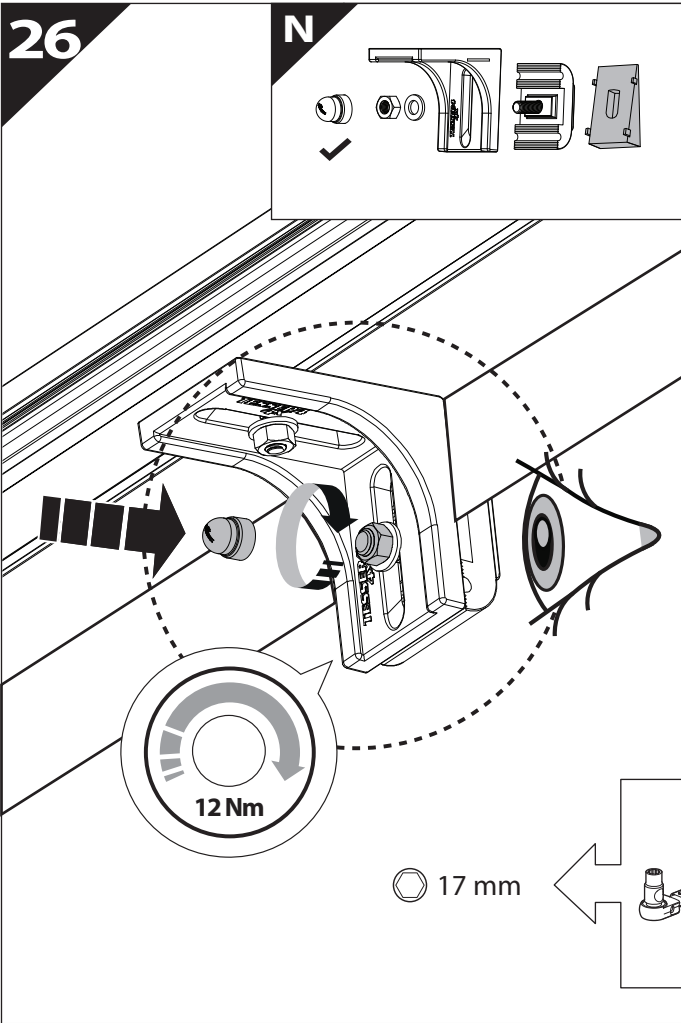


SHORT BED x4 / LONG BED x6

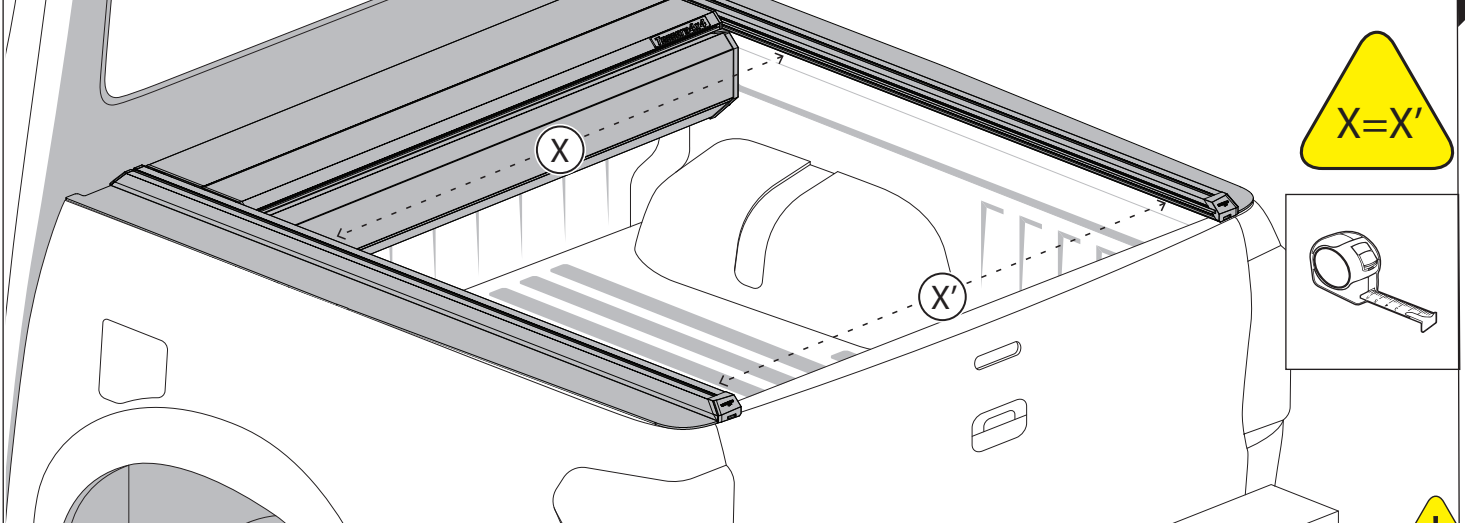


CAUTION !

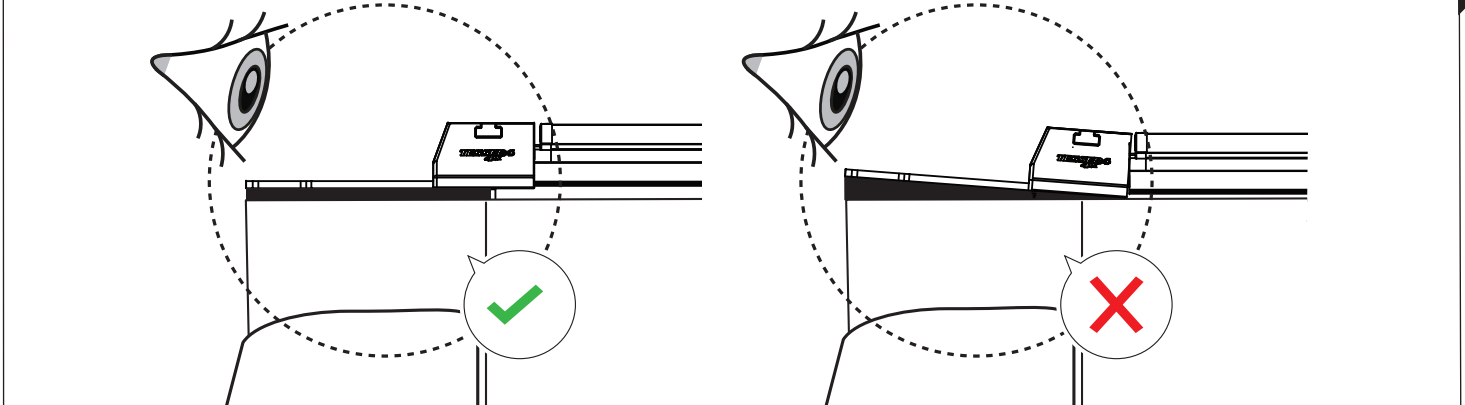




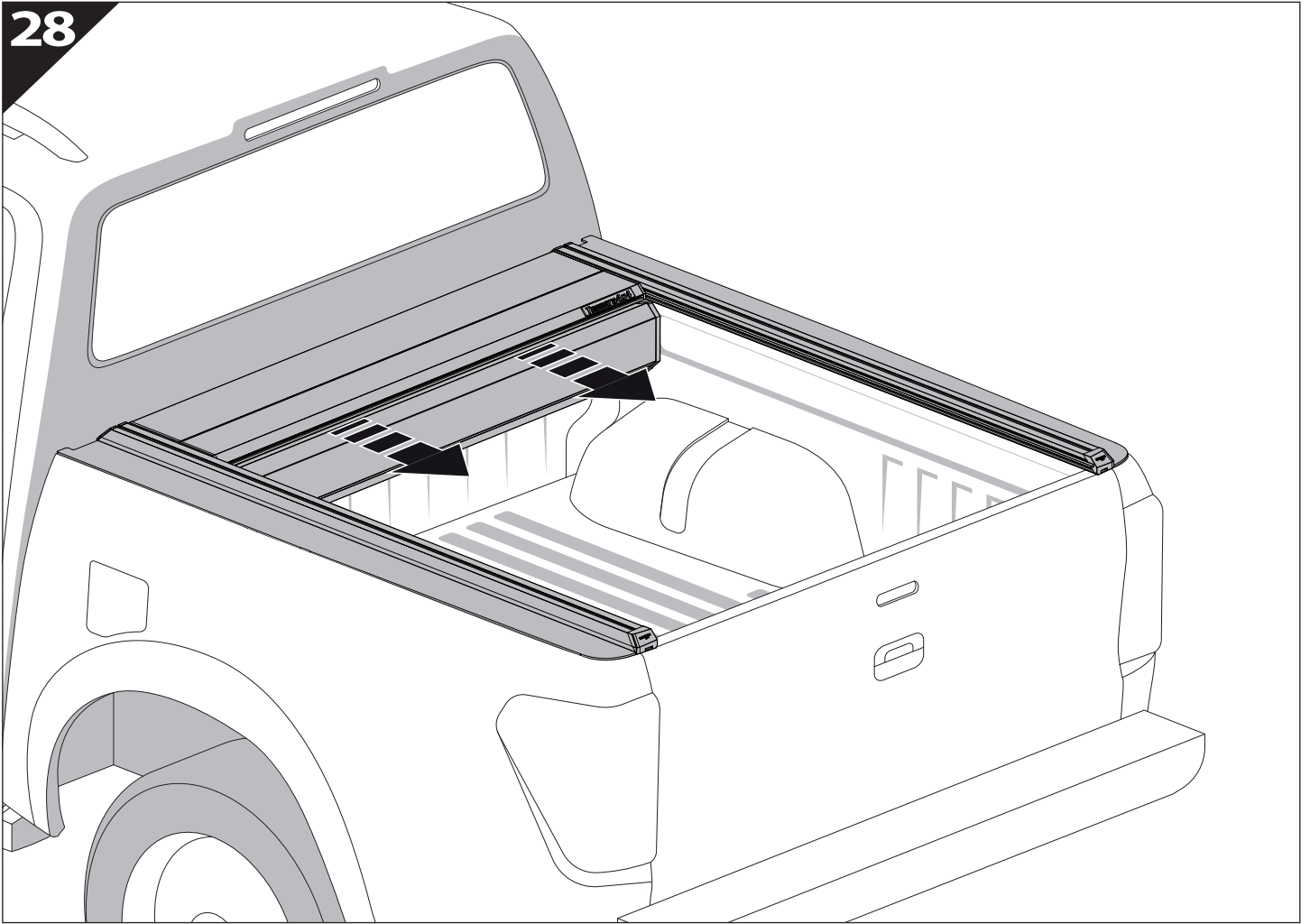
CAUTION !



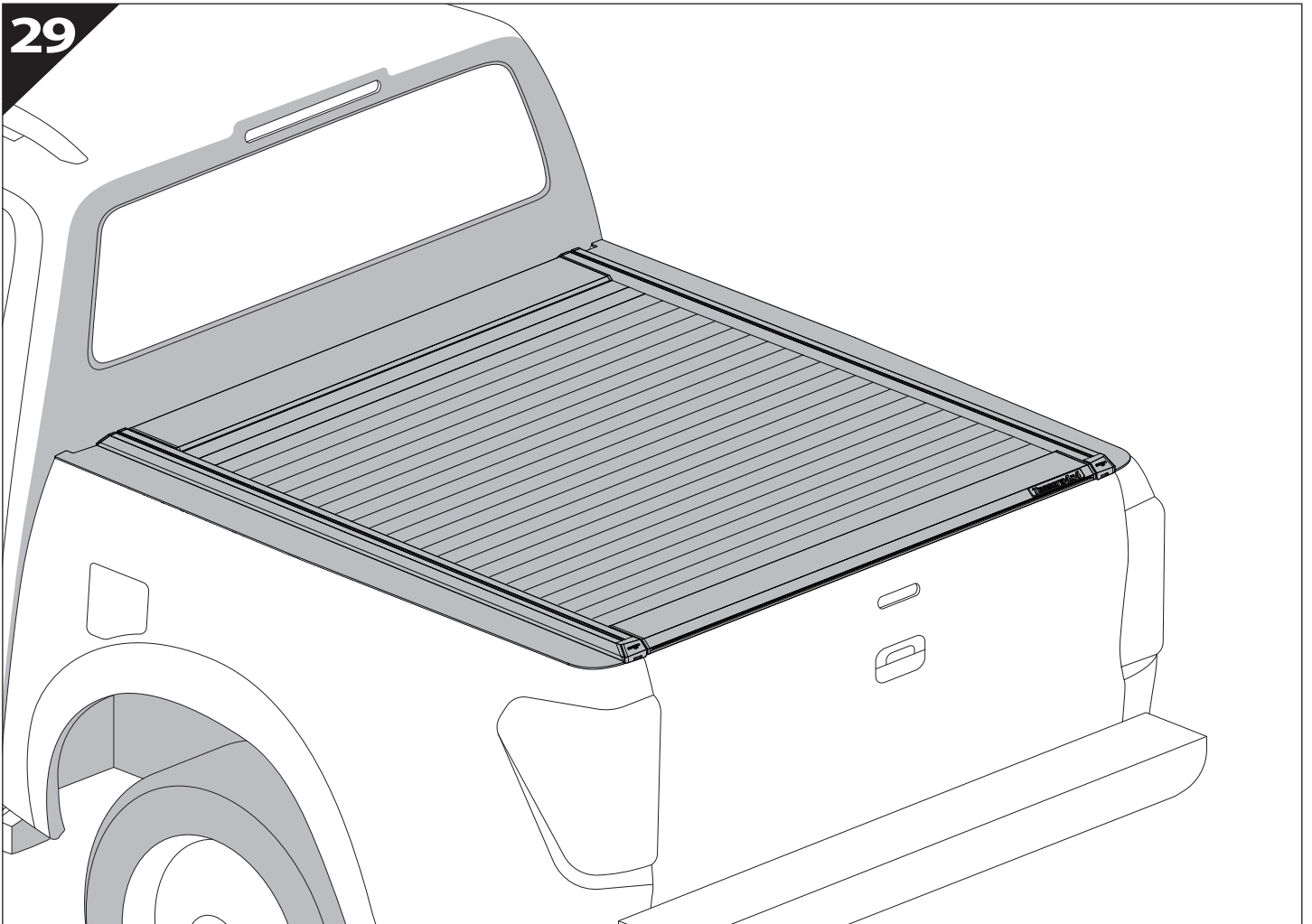
CAUTION !



28



29





GR: Οδηγίες Εγκατάστασης
GB: Installation manual
SF: Asennusohje
F: Notice de montage
PL: Instrukcja montażu
NL: Installatie-instructies
TR: Montaj Talimatı
S: Monteringsanvisning
E: Instrucciones de montaje

H: Szerelési utasítás
P: Instruções de instalação
RUS: Инструкция по установке
N: Monteringsveiledning
D: Einbauanleitung
CZ: Návod k instalaci
I: Istruzioni de montaggio
DK: Monteringsvejledning
RO: Instructiuni de instalare

Customer Service:

+30 (210) 5541161, +30 (210) 5541154 (08:00 - 16:00 EET)

Support department:

info@gianso.gr

Website:

www.tessera4x4.com

Address:

19.5 km of National road Athens-Korinthos (Elefsina) Greece, P.C: 19200