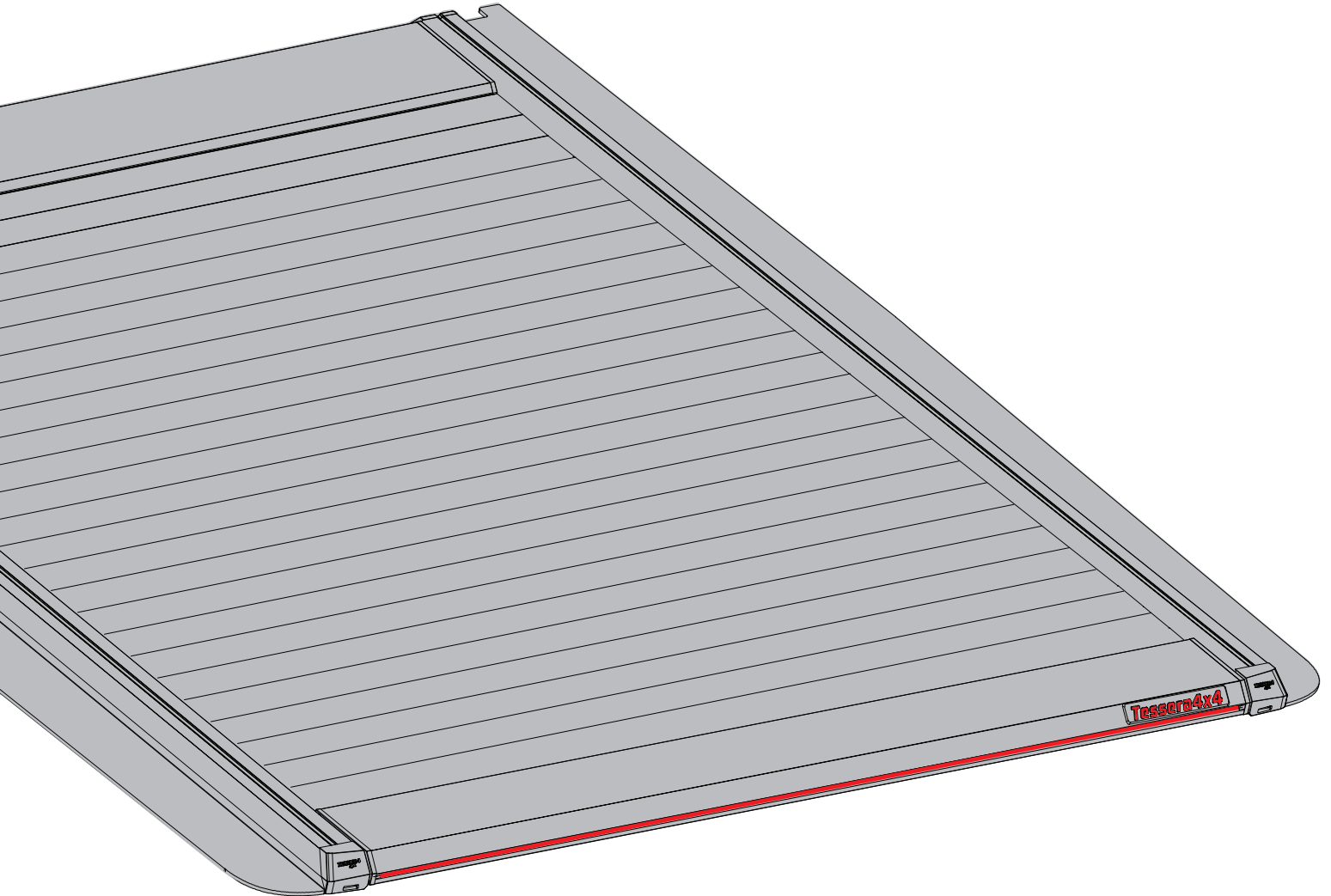


# Tessera Roll+

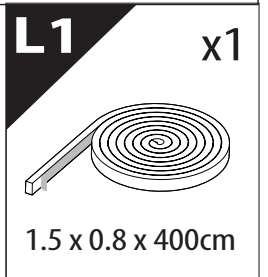
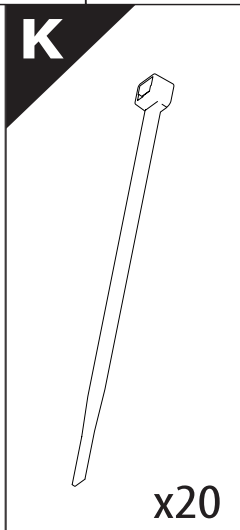
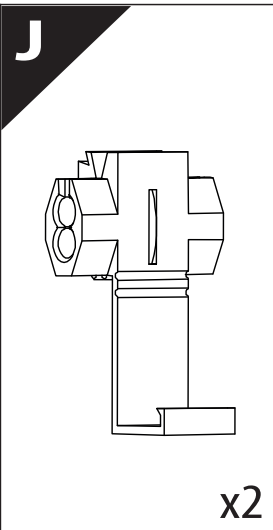
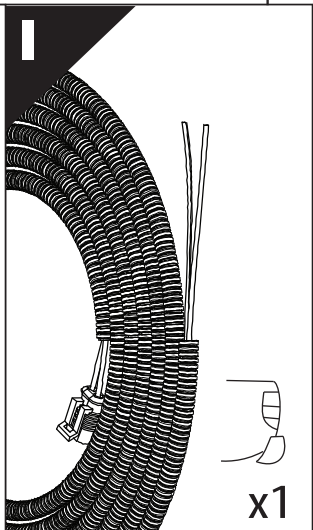
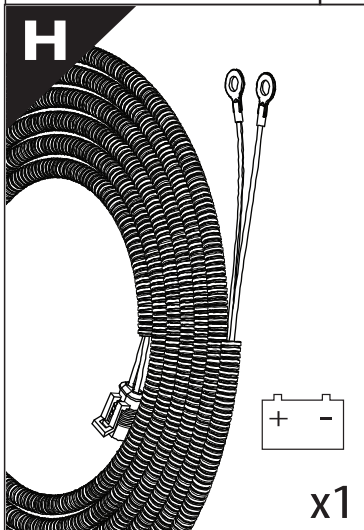
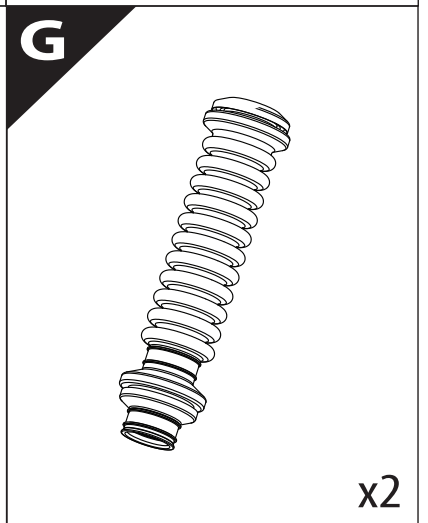
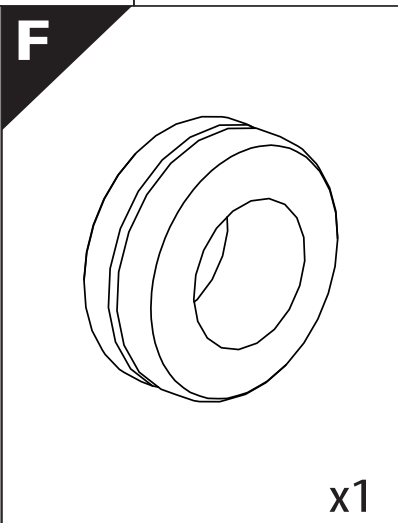
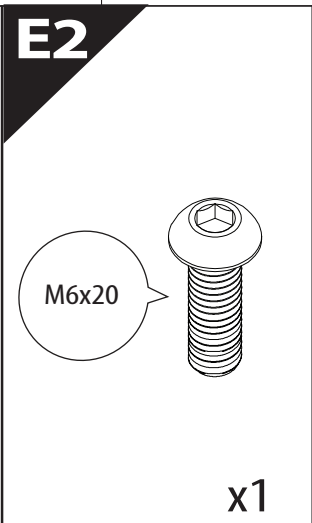
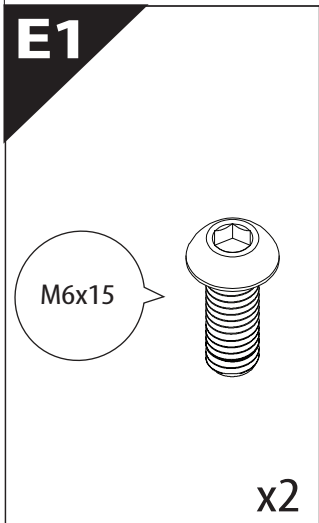
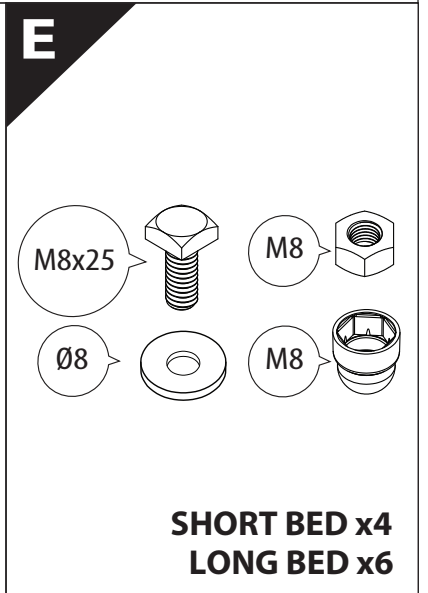
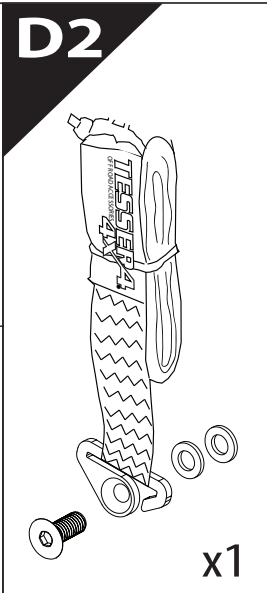
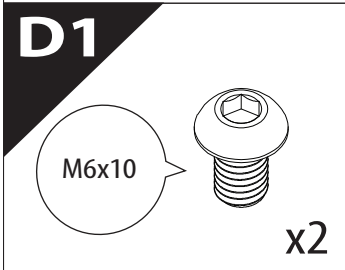
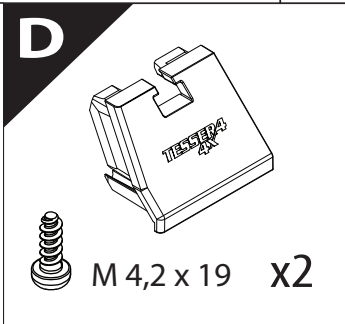
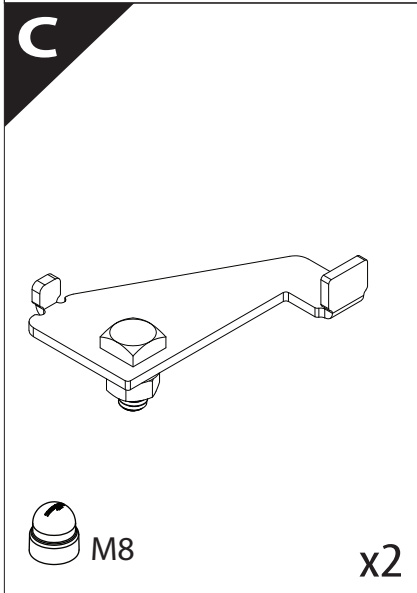
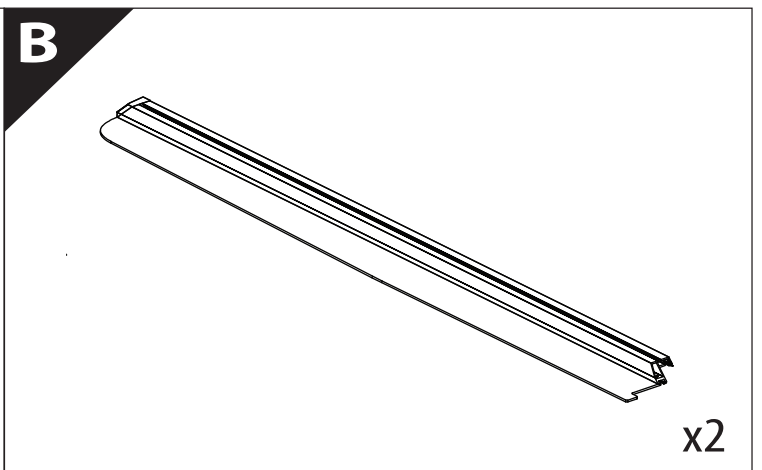
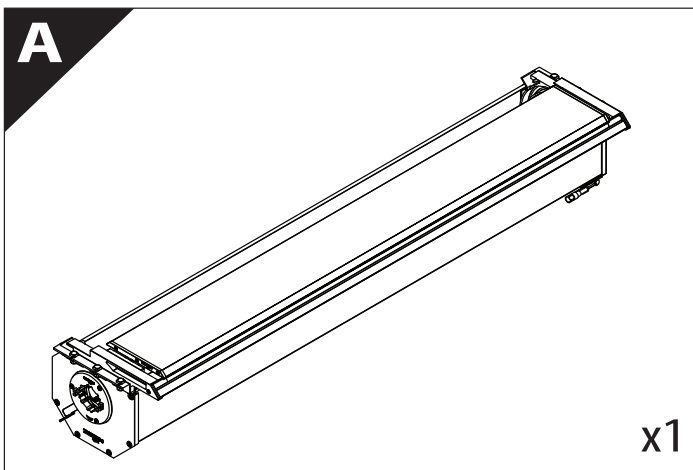
## Basic Version + ⚡ E-KIT

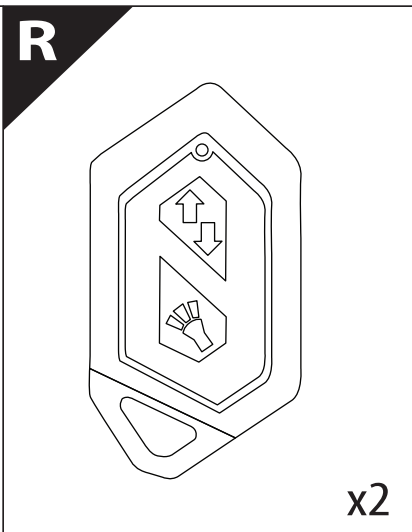
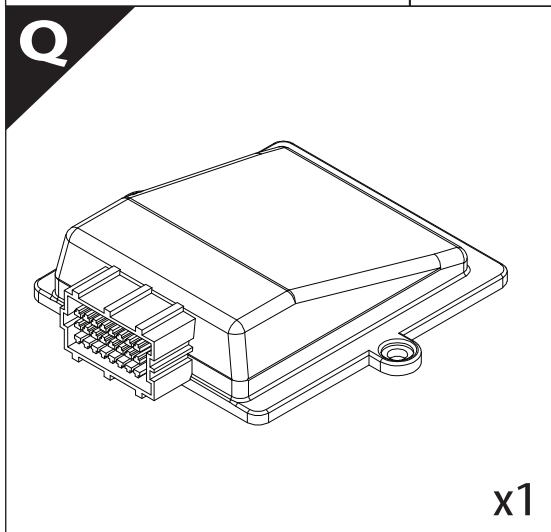
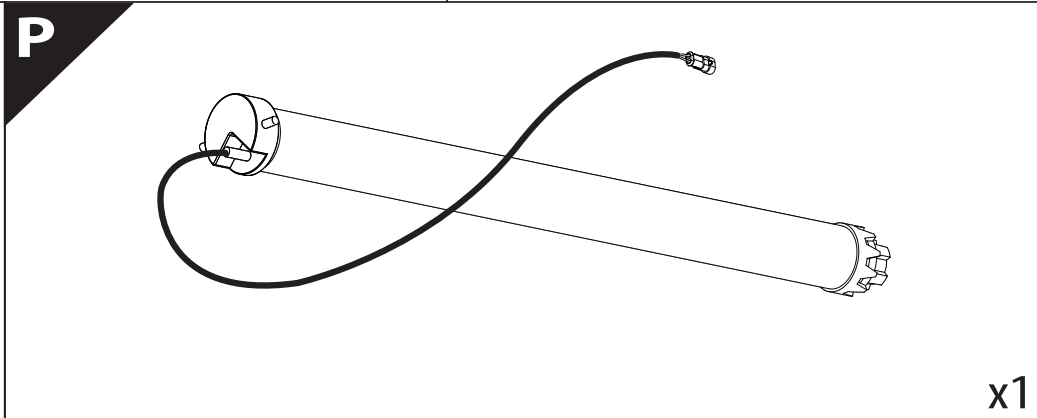
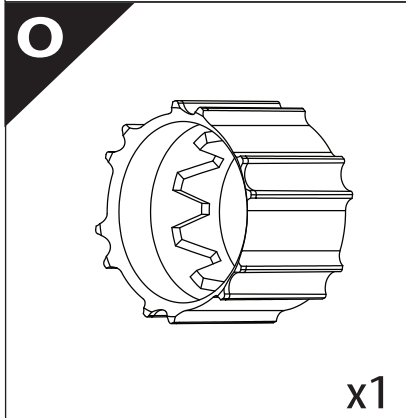
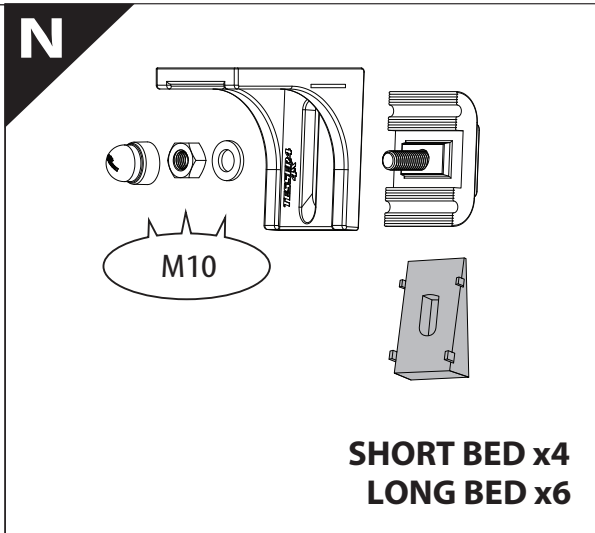
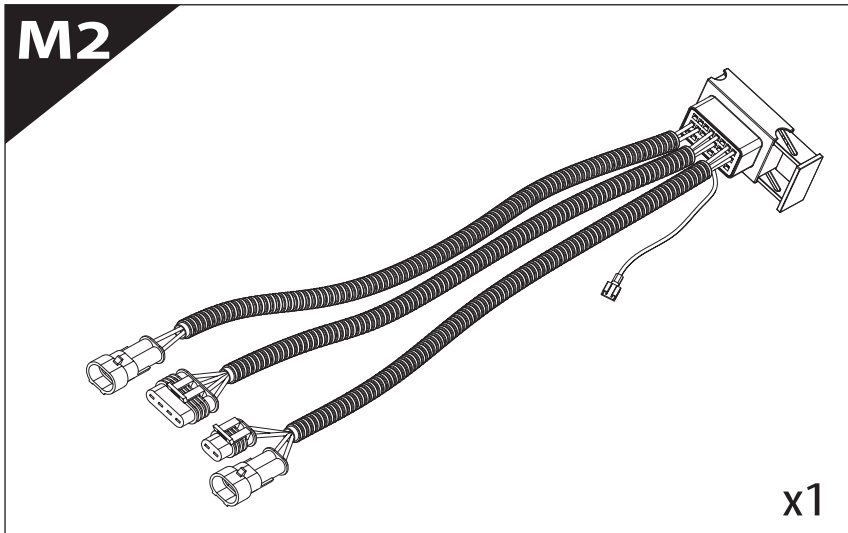


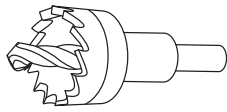
## Installation Manual

PART NUMBER(S)	Model Year
TESS 14141 ROLL+E-KIT	Nissan Frontier 2023+ SHORT BED 5 FEET NO C-CHANNELS
TESS 14142 ROLL+E-KIT	Nissan Frontier 2023+ LONG BED 6.1 FEET NO C-CHANNELS
Cab(s)	Installation Time / Weight
Double Cab American Model	40-60 minutes / 53-57 kg

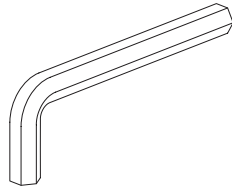
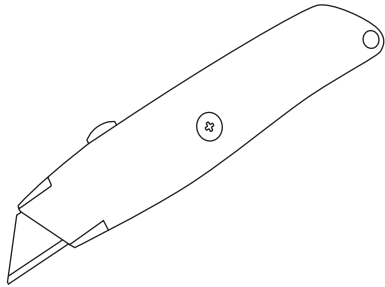
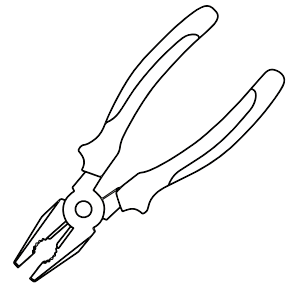
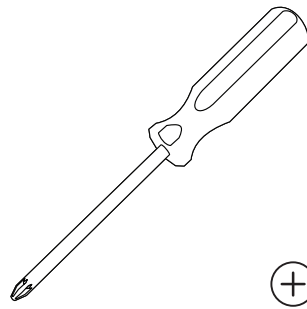
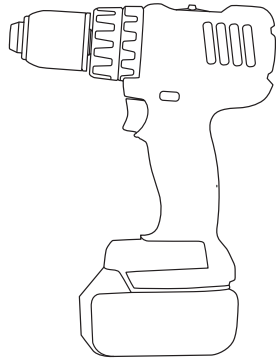






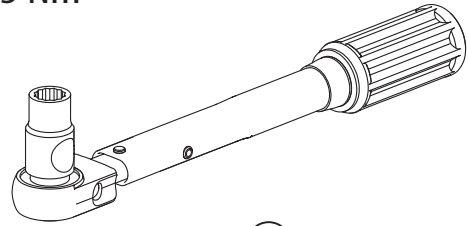


Ø 25 mm / 40 mm



4 mm

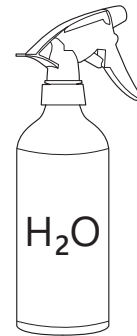
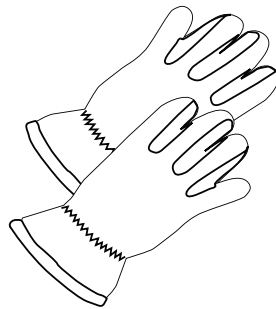
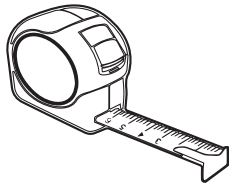
1 - 25 Nm



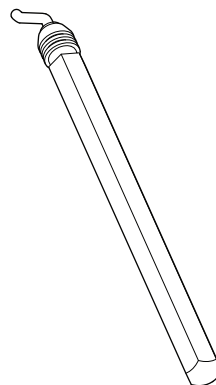
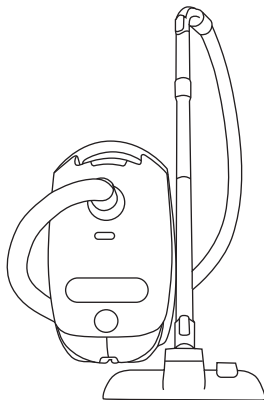
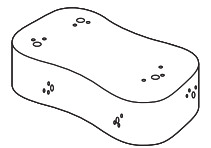
10, 12, 13, 17 mm



ACETONE



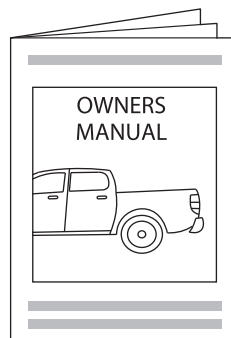
H<sub>2</sub>O



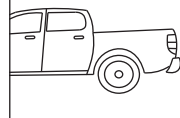
ANTI-RUST



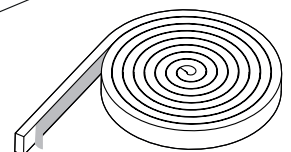
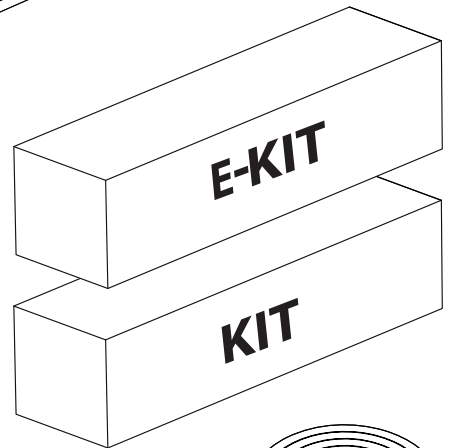
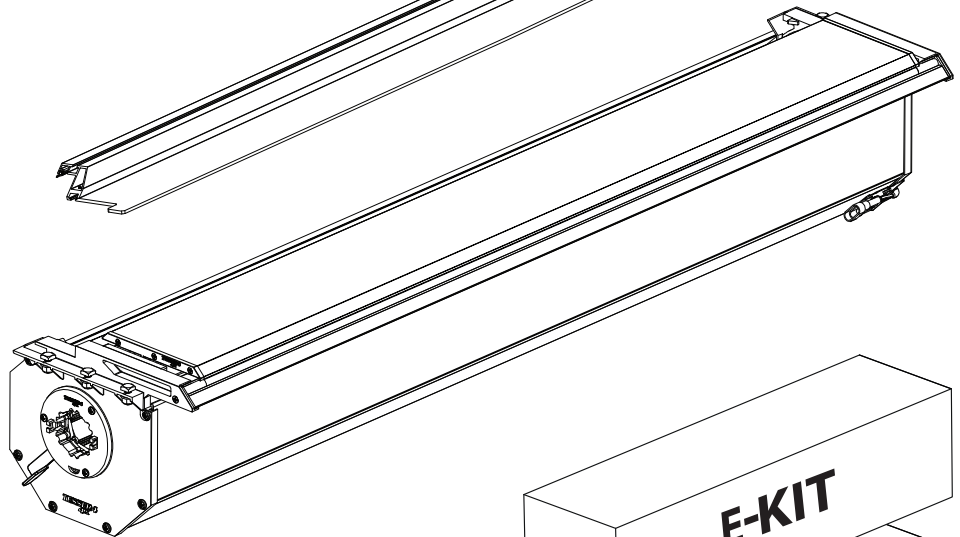
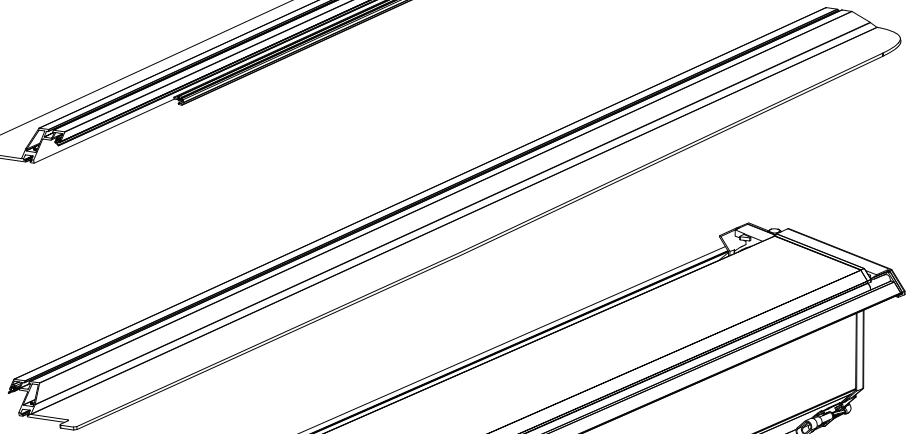
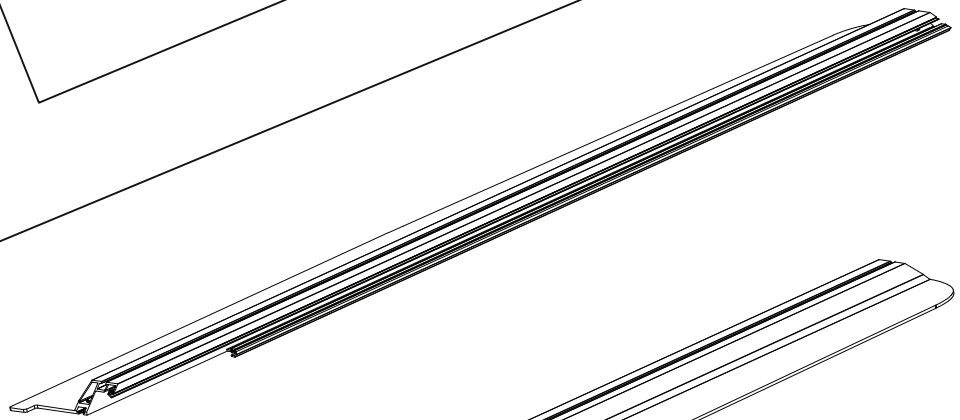
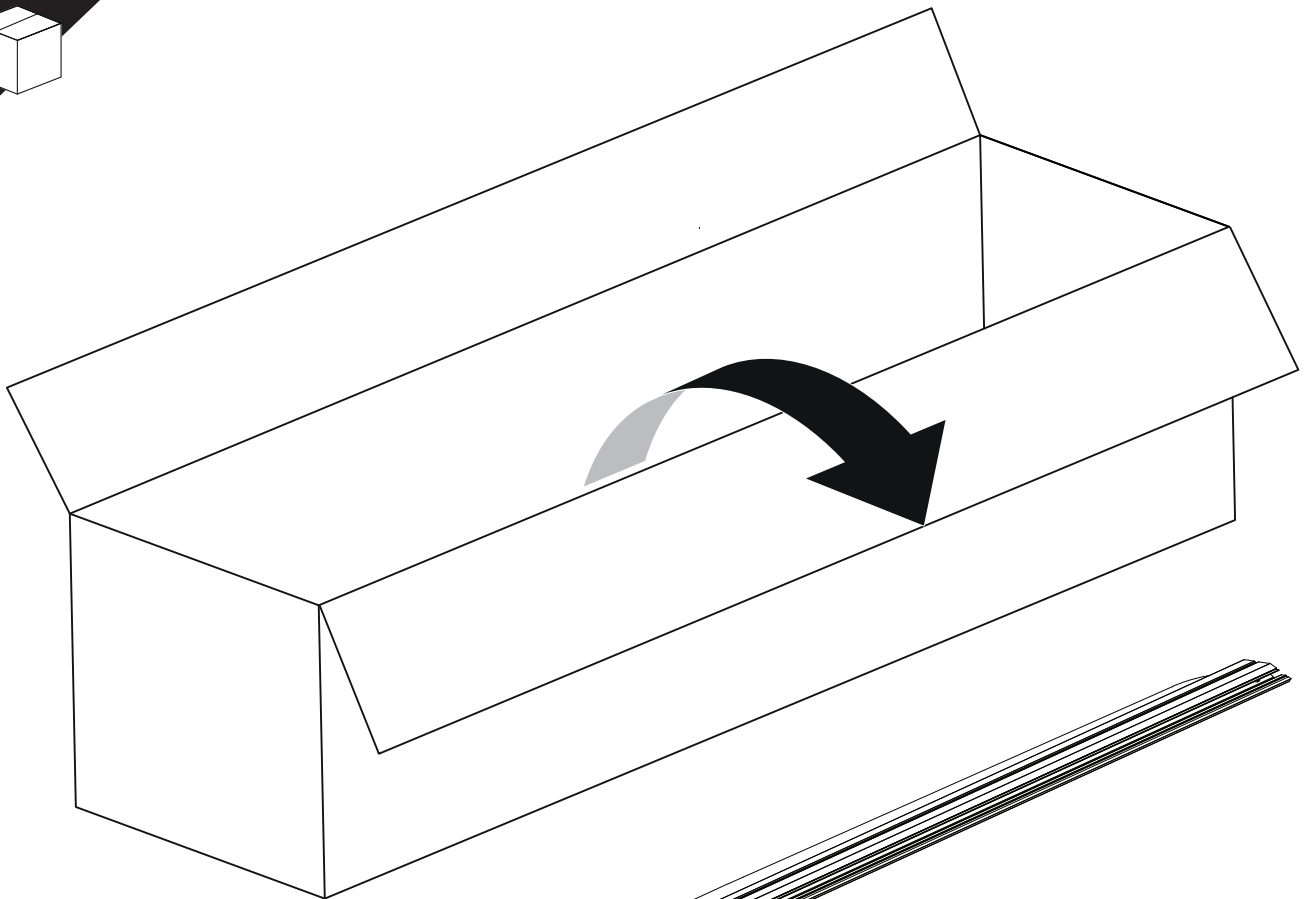
INSTALATION  
MANUAL  
+E-KIT



OWNERS  
MANUAL



x1

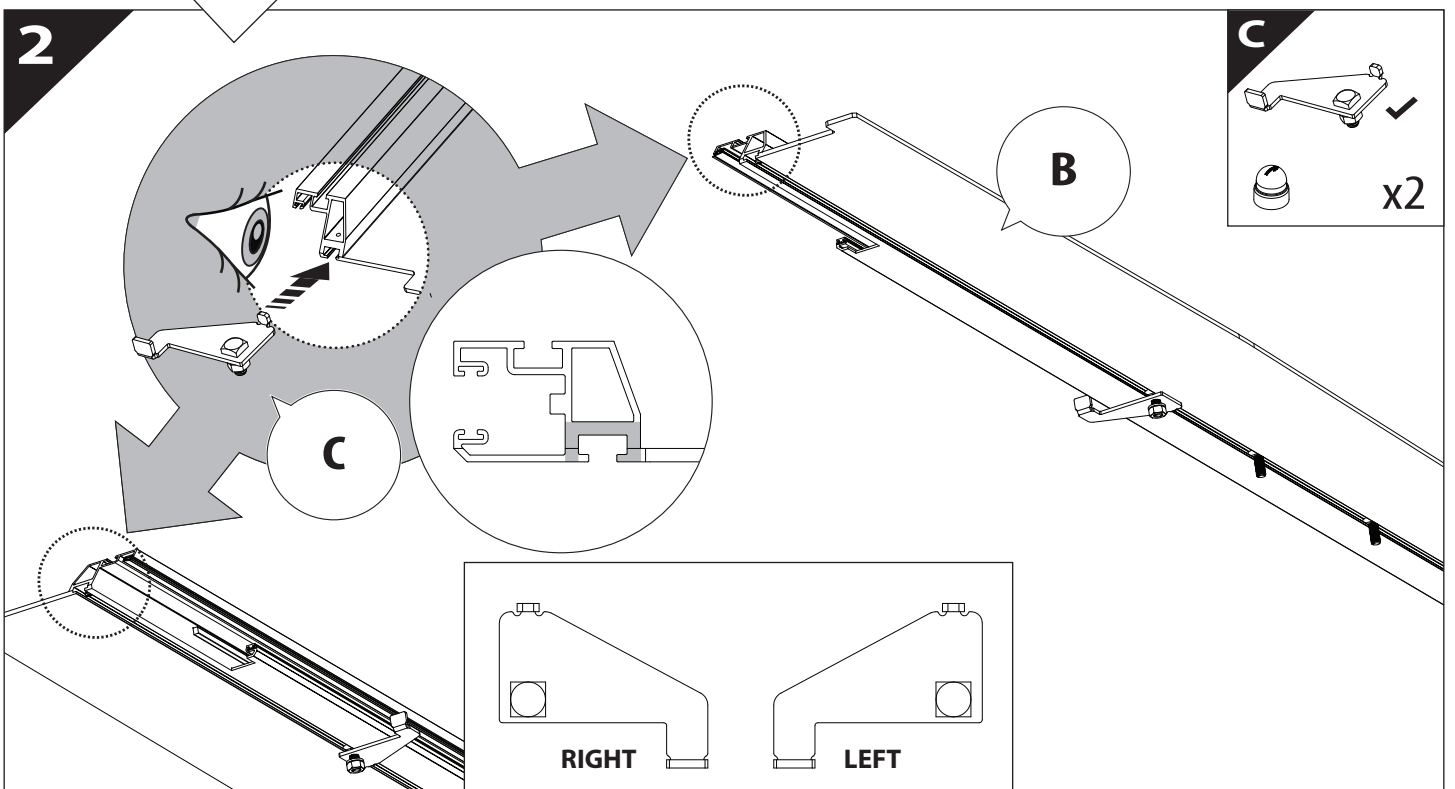
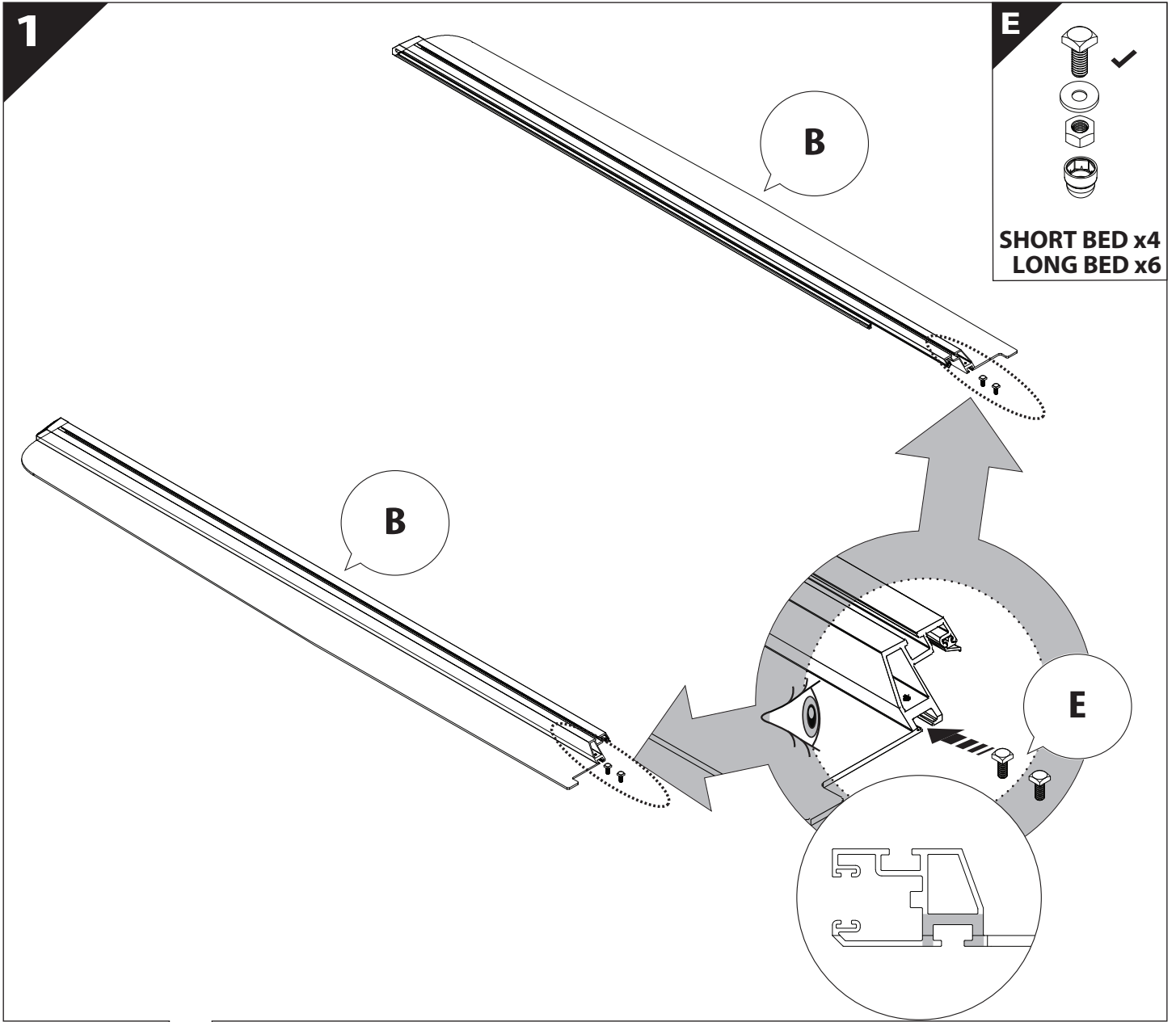


**B**

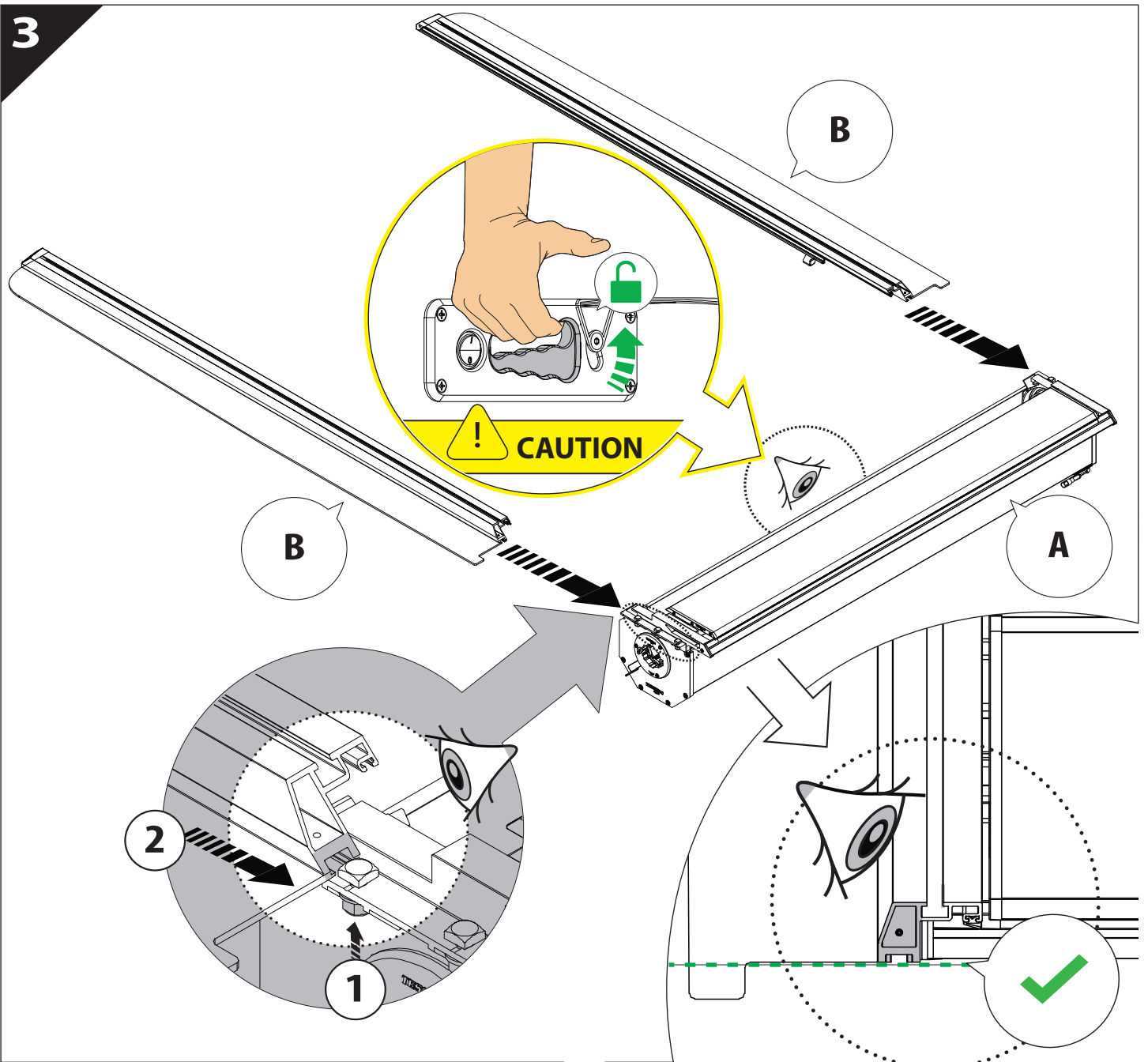
**A**

**KITS**

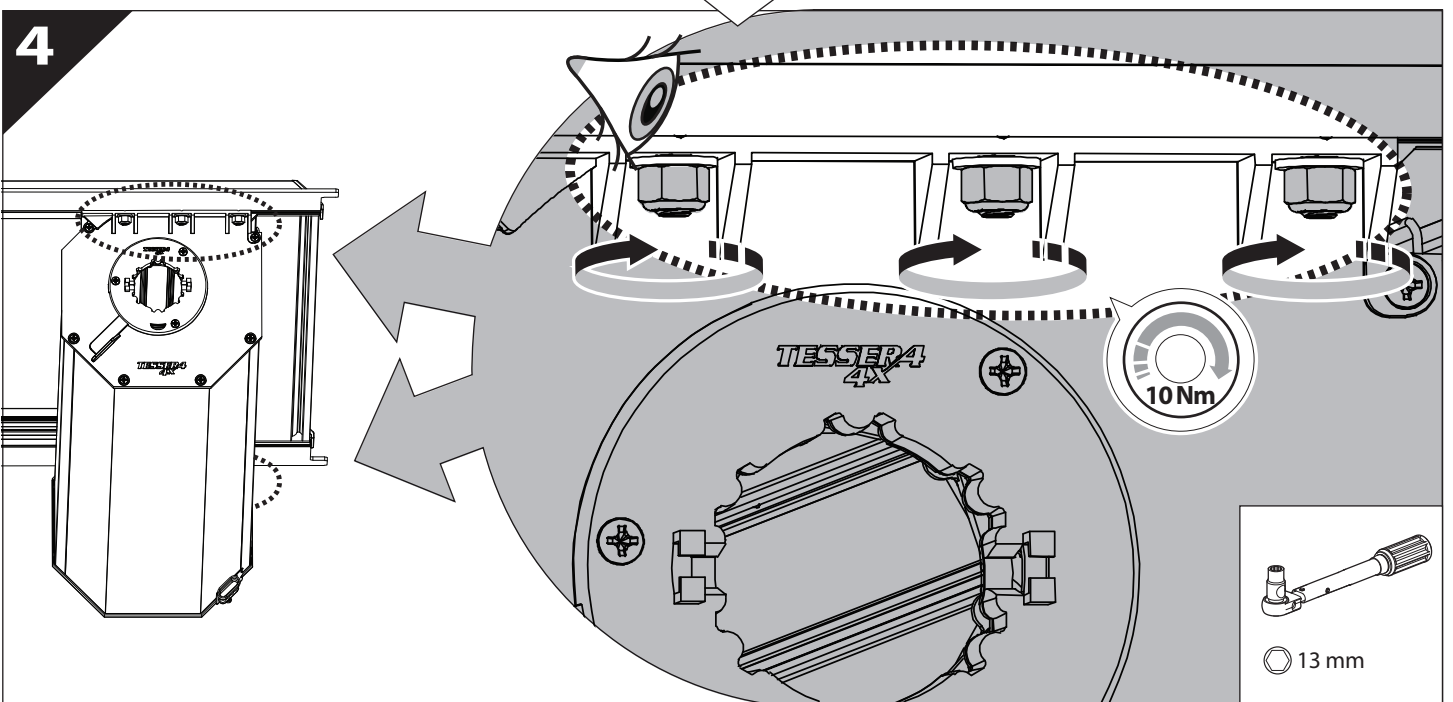
**L**

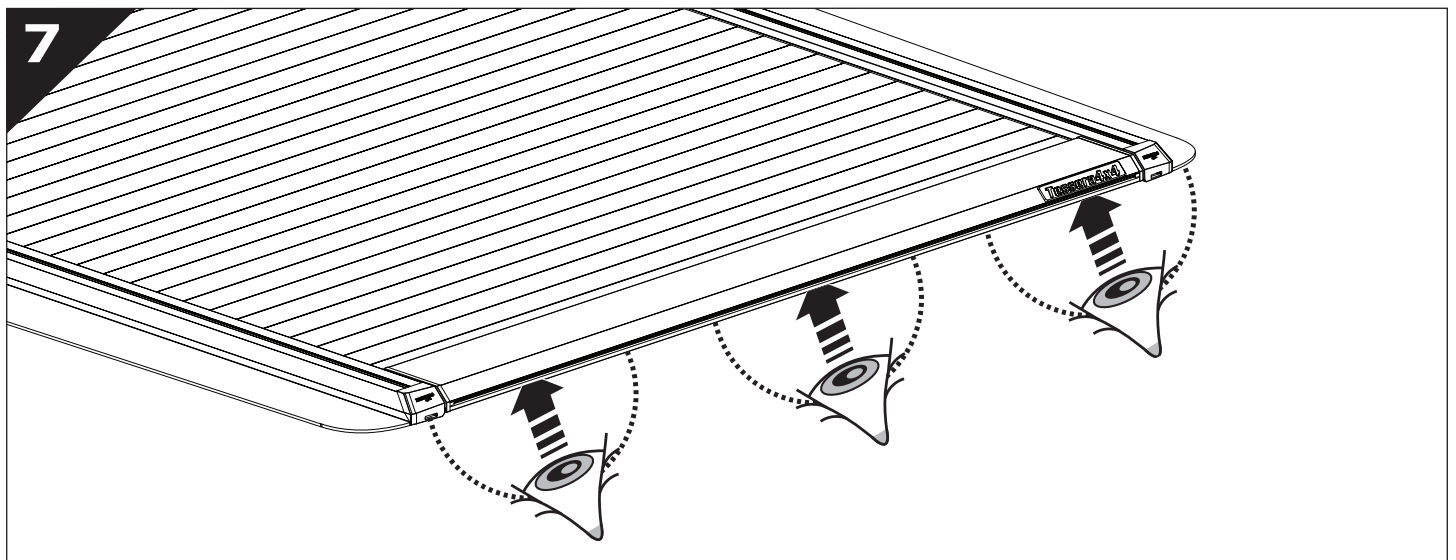
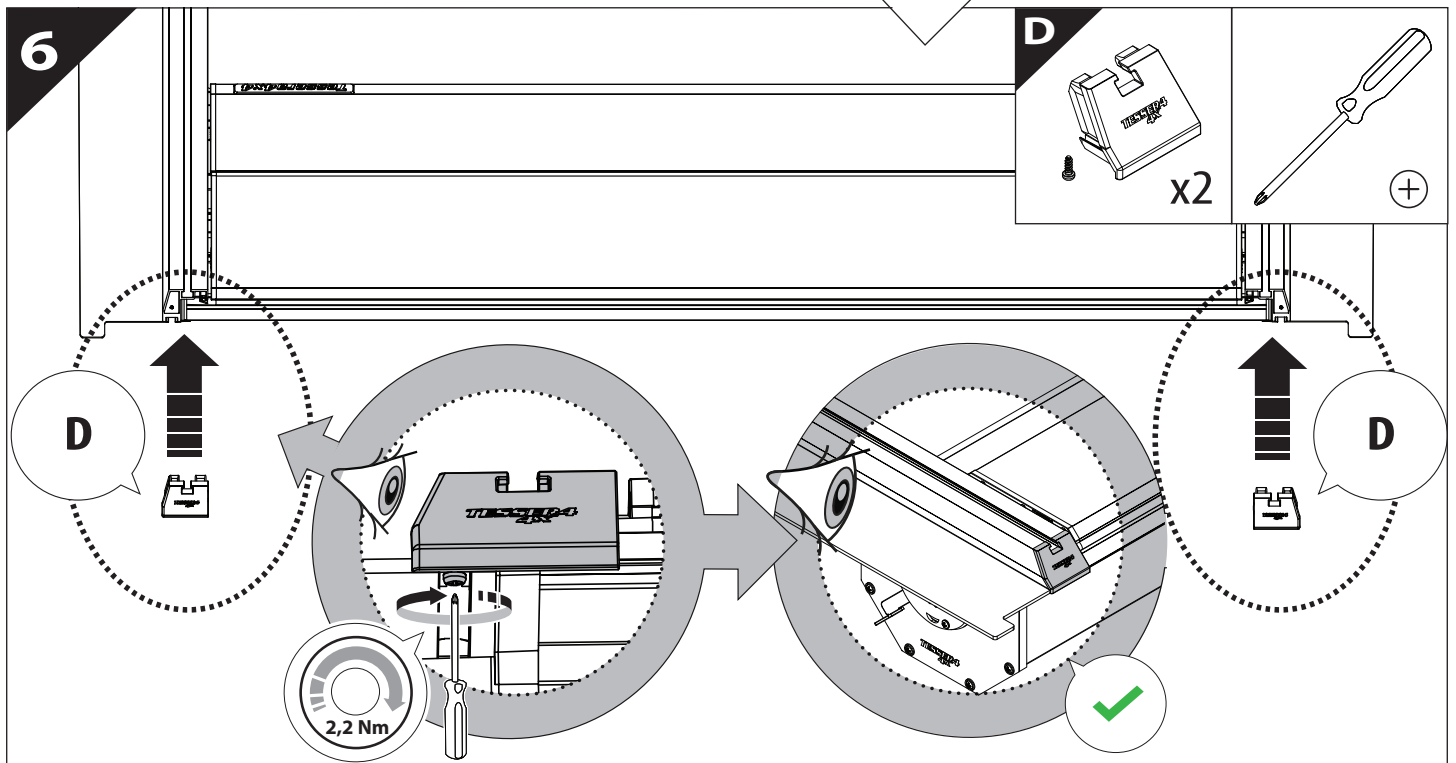
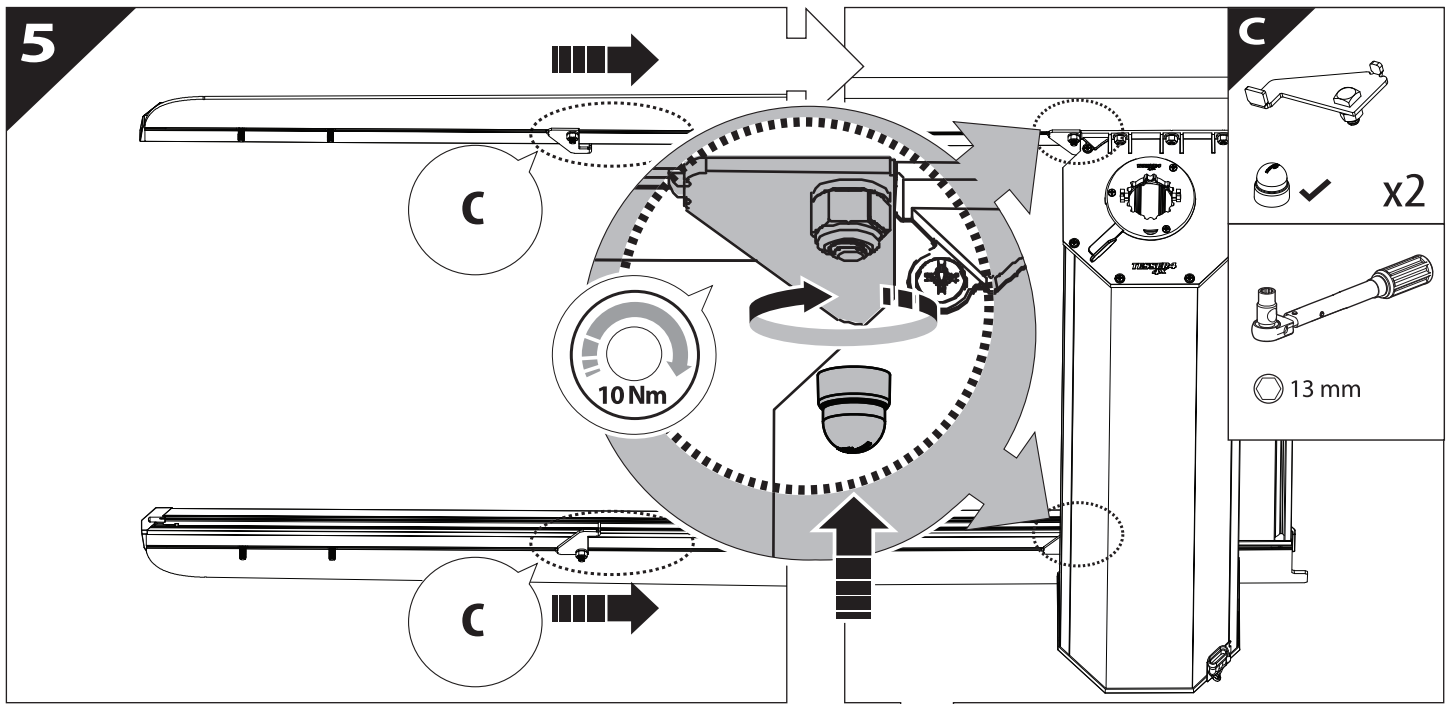


3



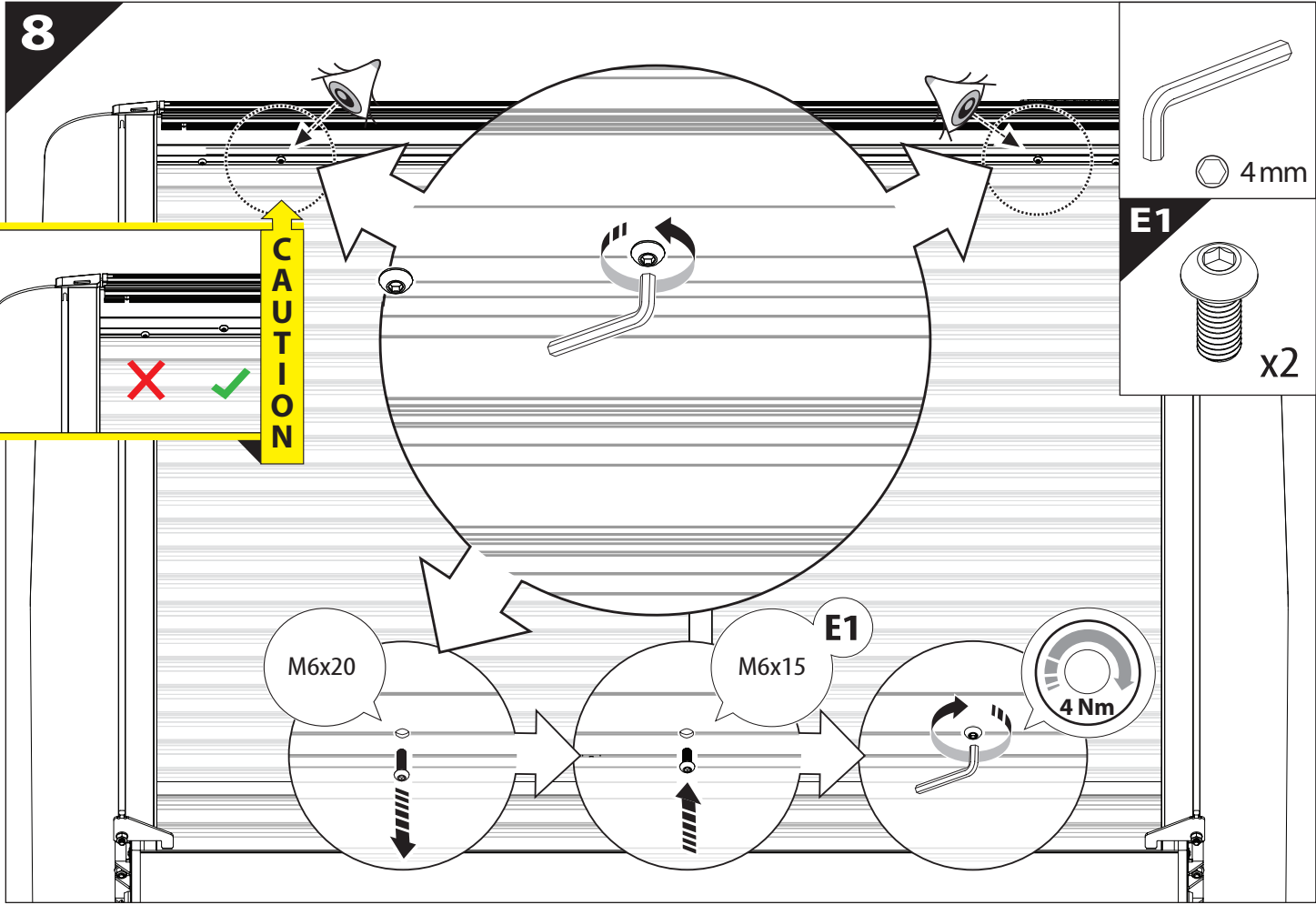
4





8

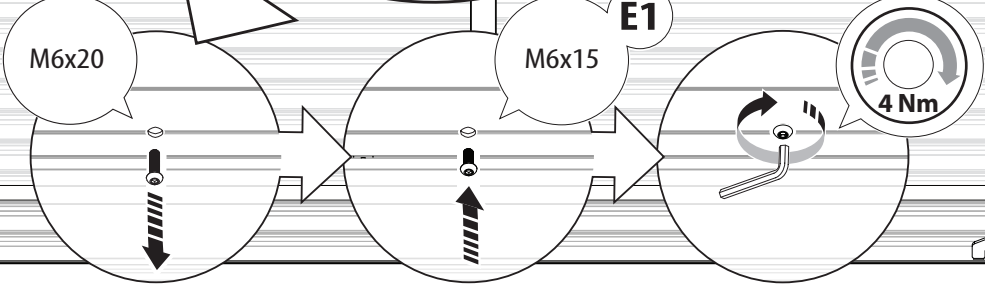
**CAUTION**



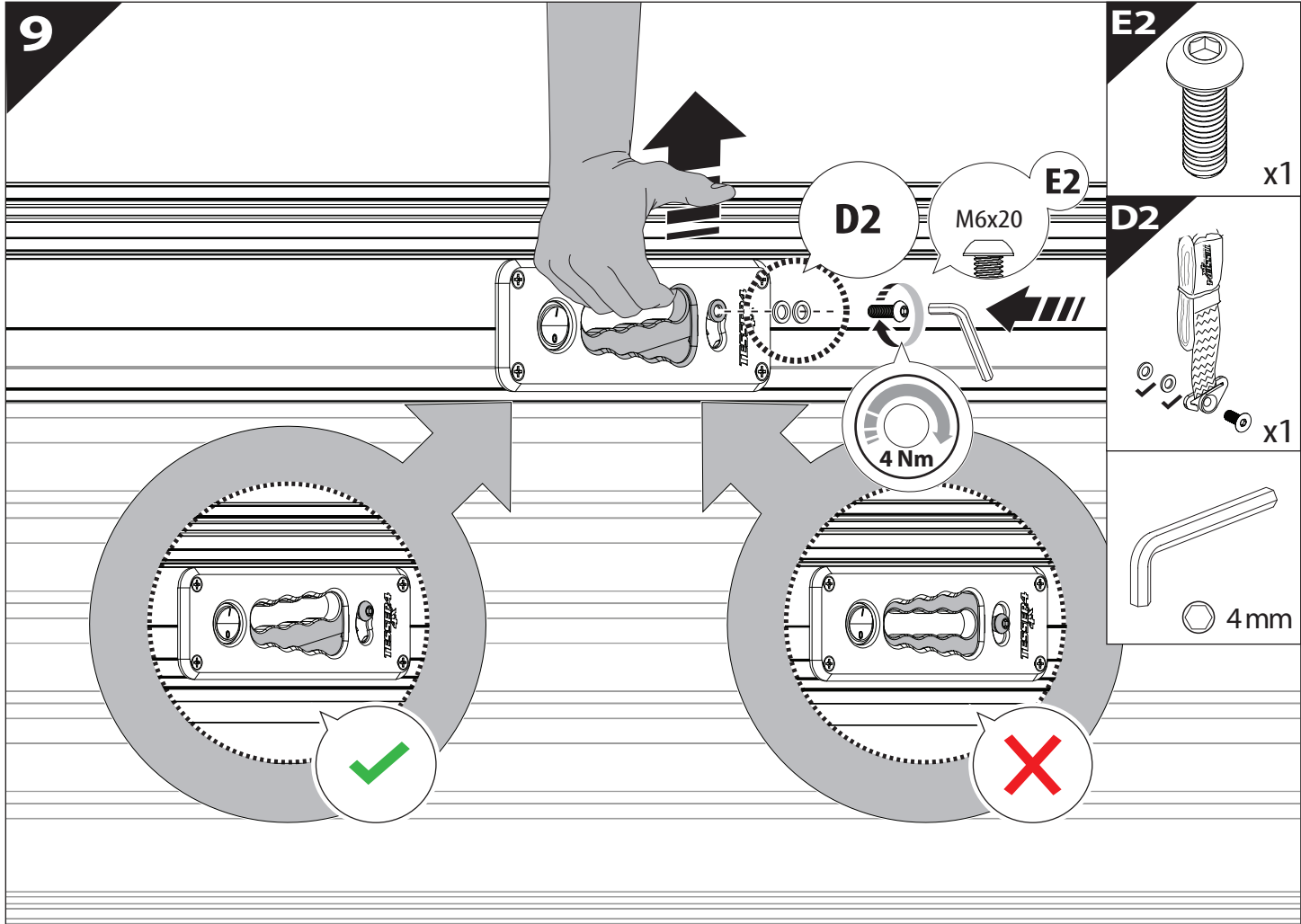
4mm

**E1**

x2



9



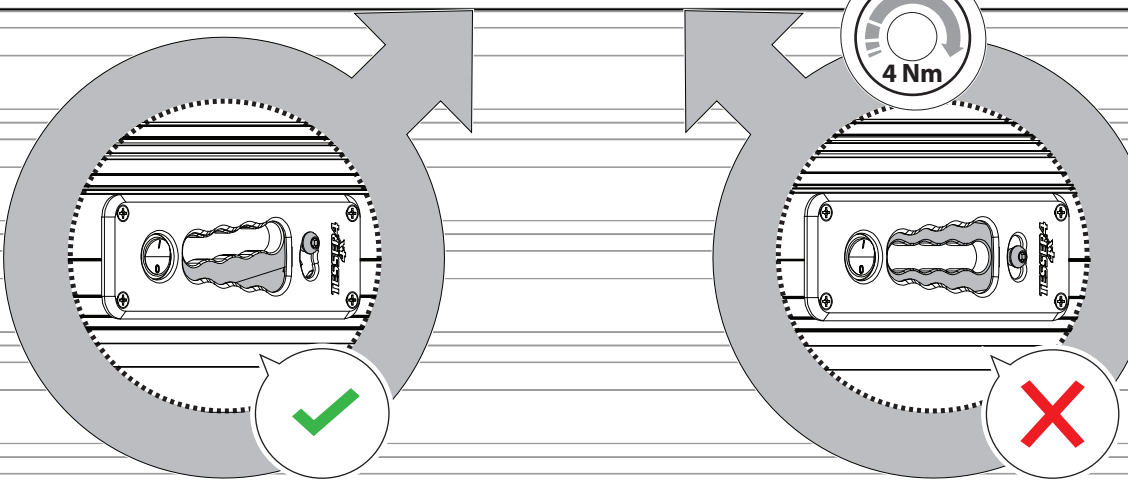
**E2**

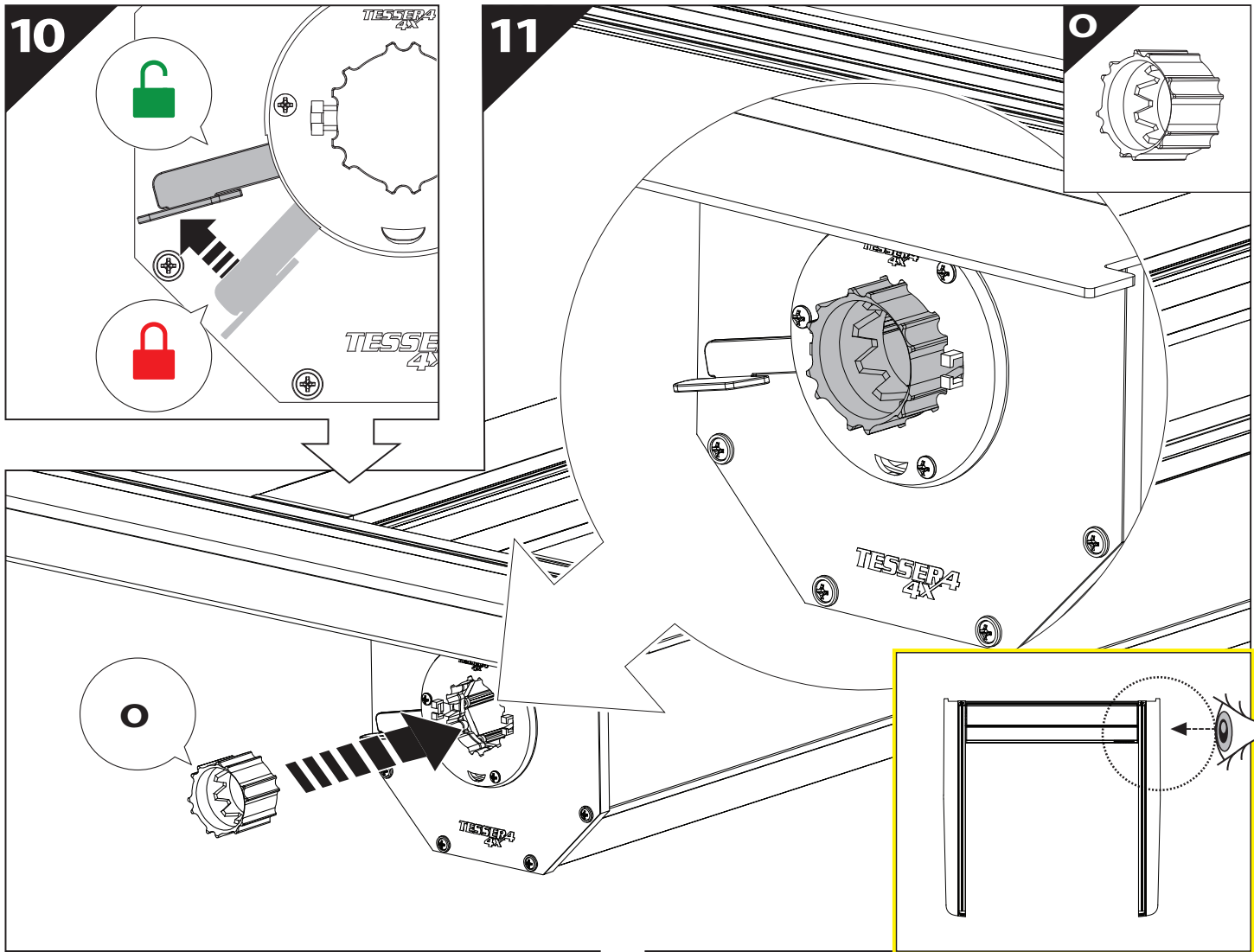
x1

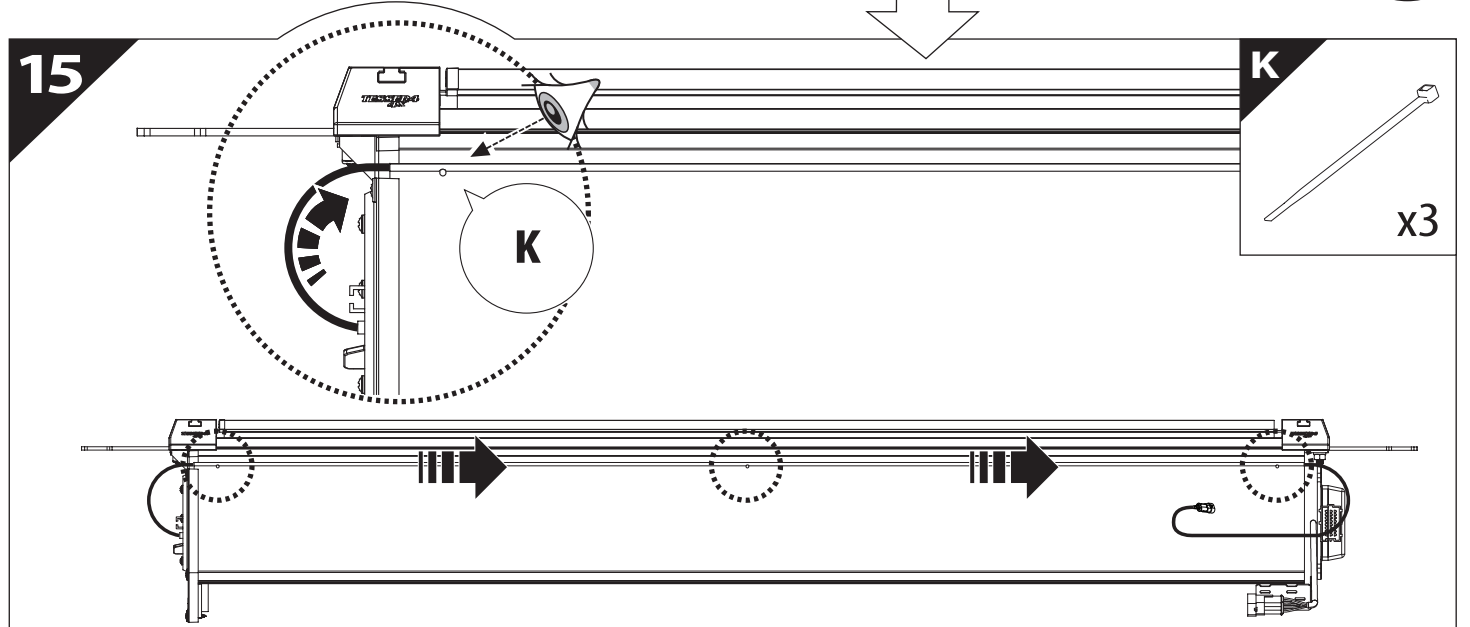
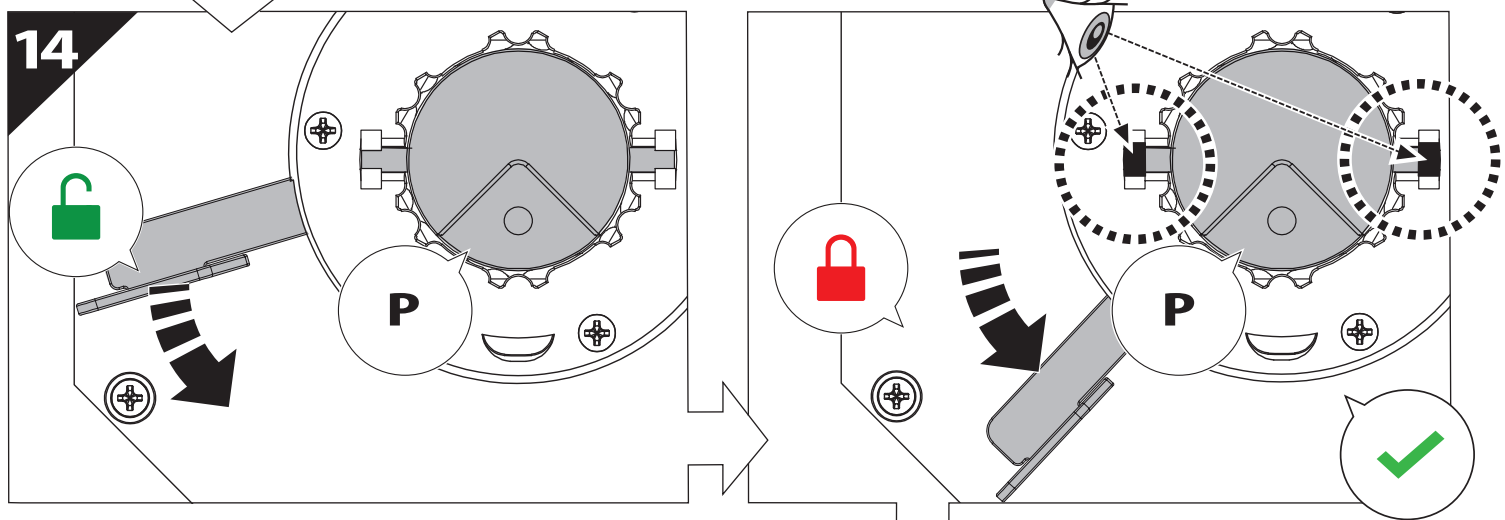
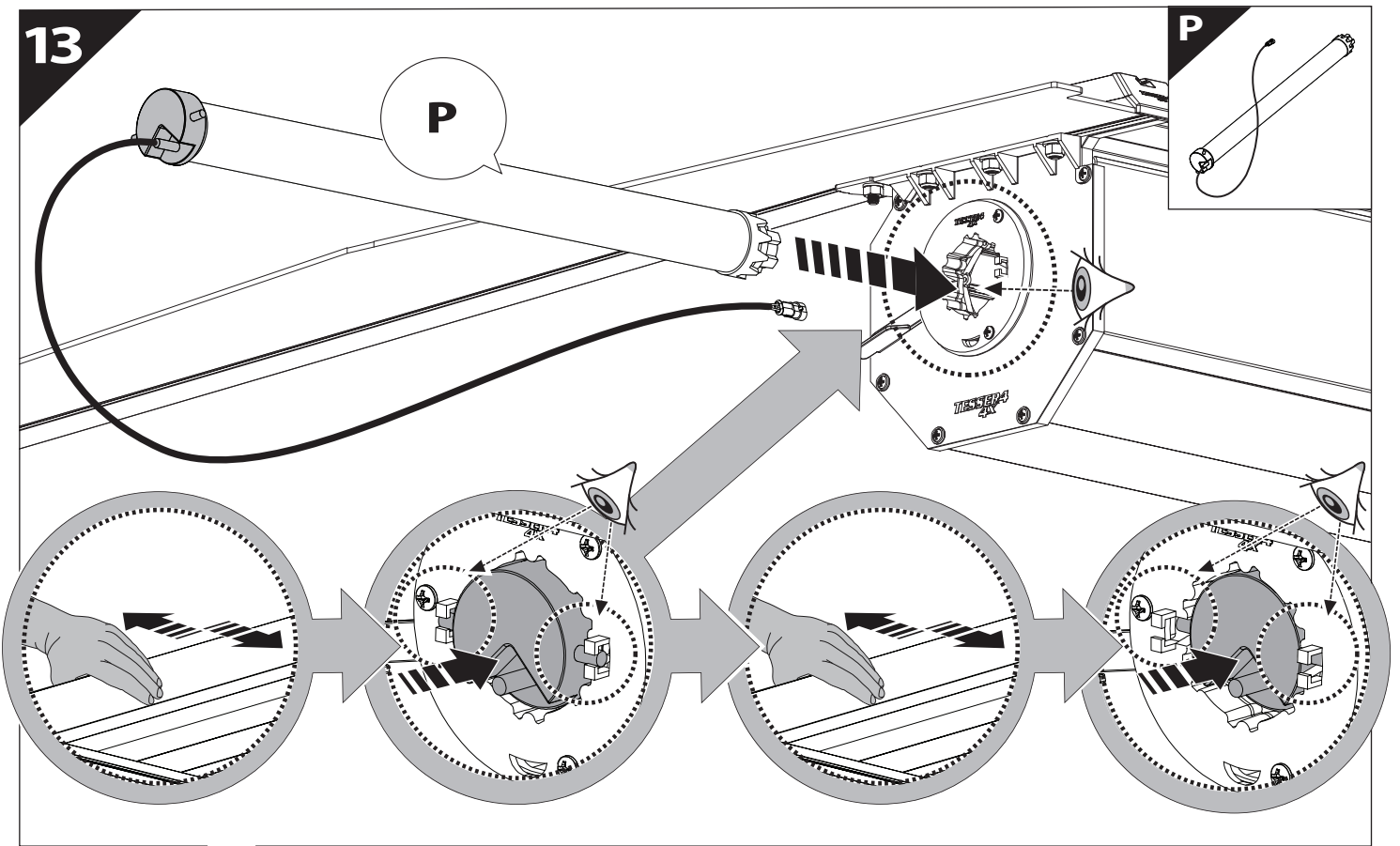
**D2**

x1

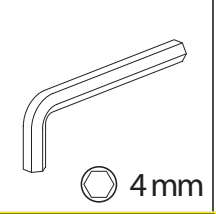
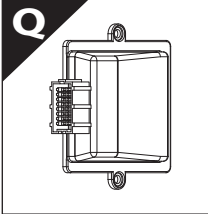
4mm





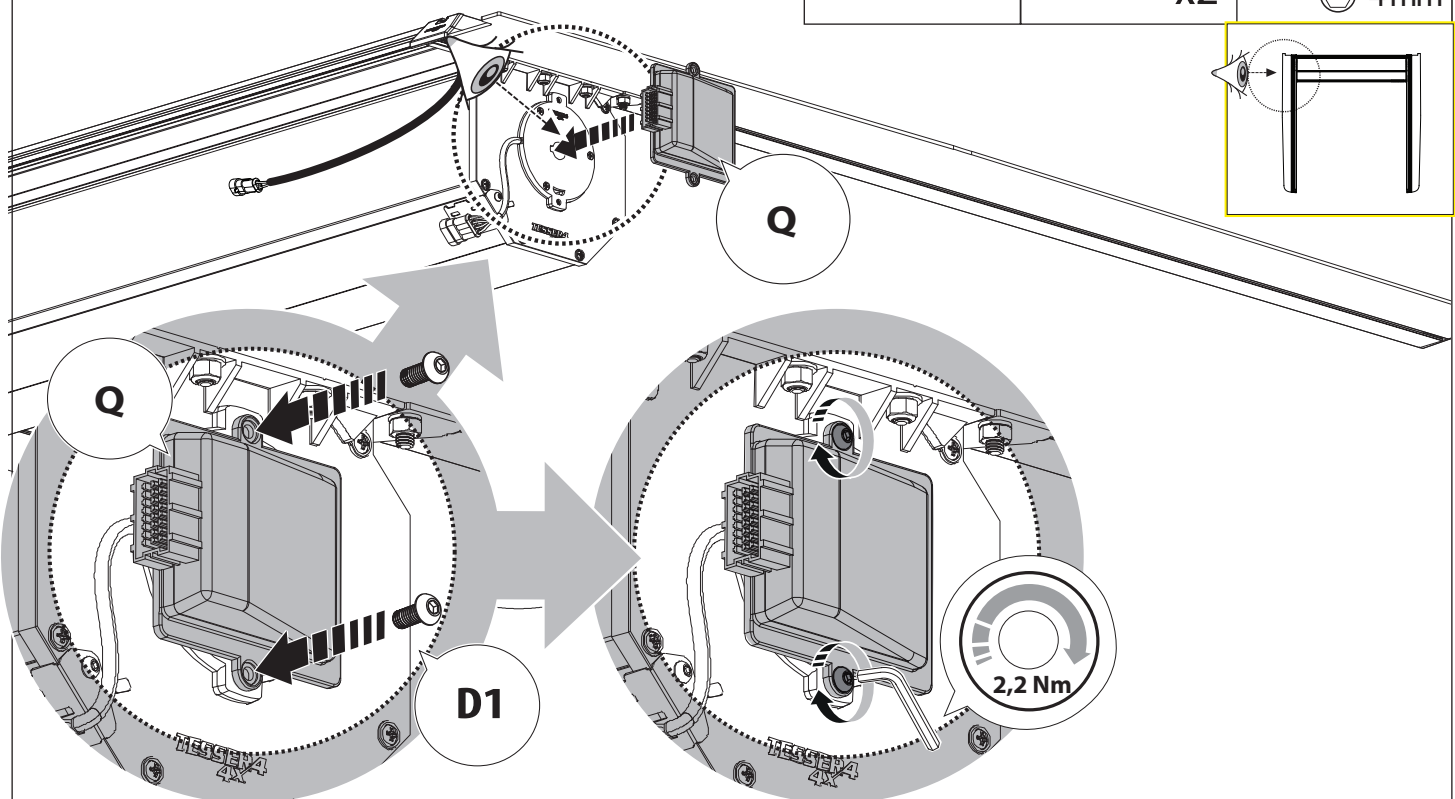
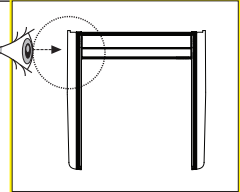


16

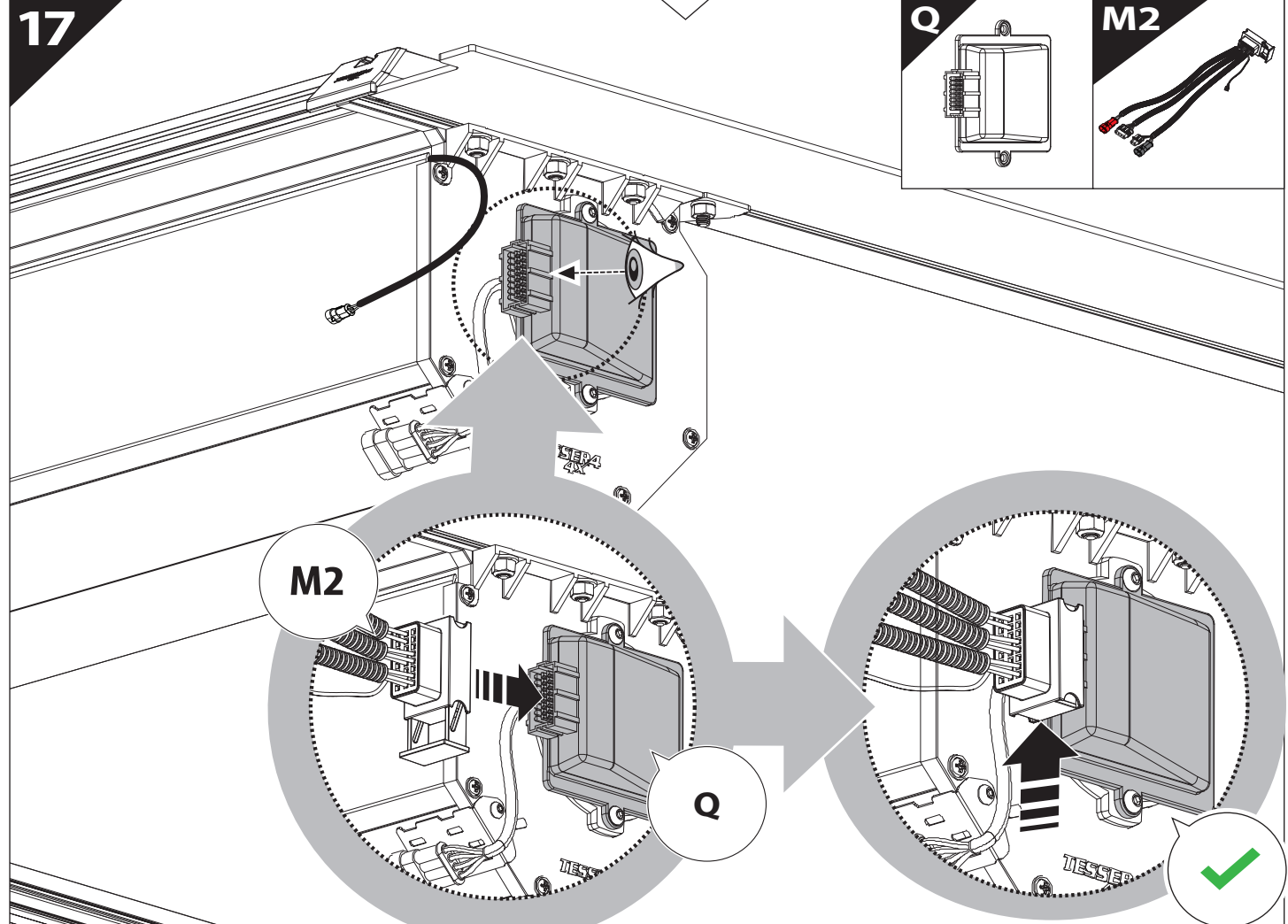
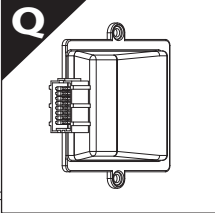


x2

4mm



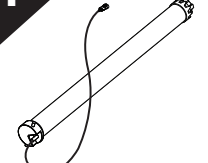
17



18

M2

P



P

1

2

M2

3

19

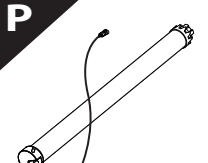
P

M2



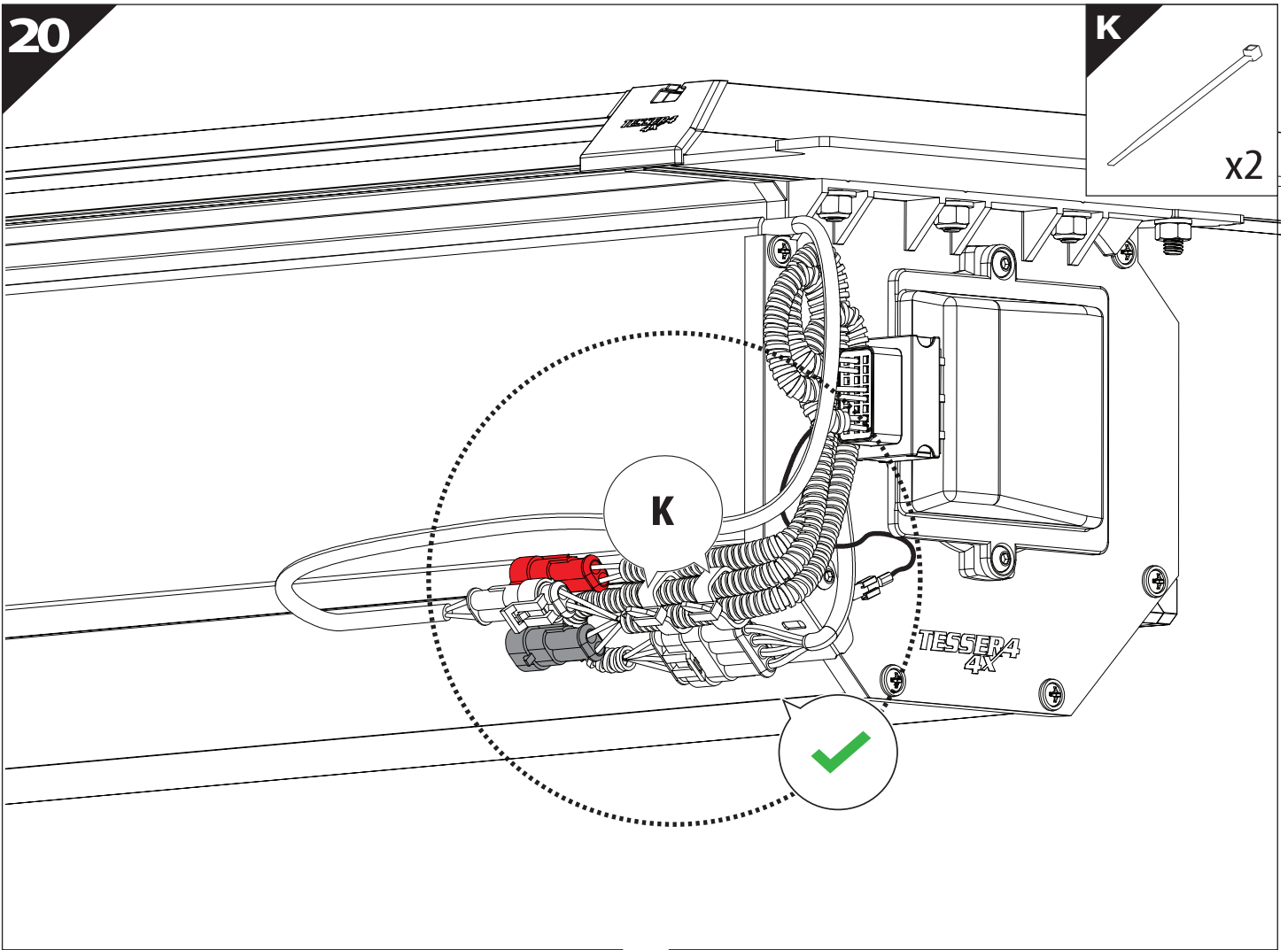
M2

P

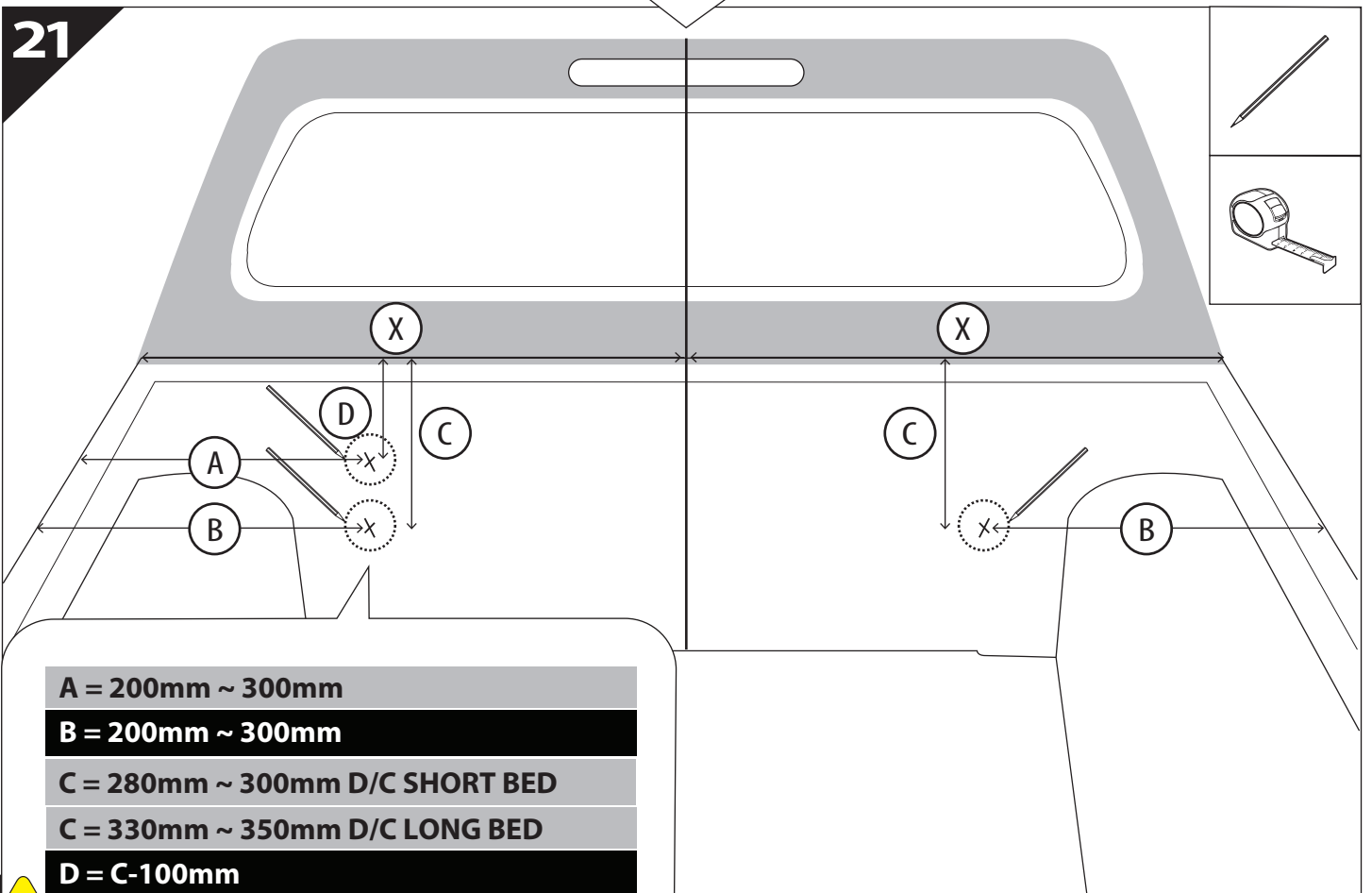


20

K



21

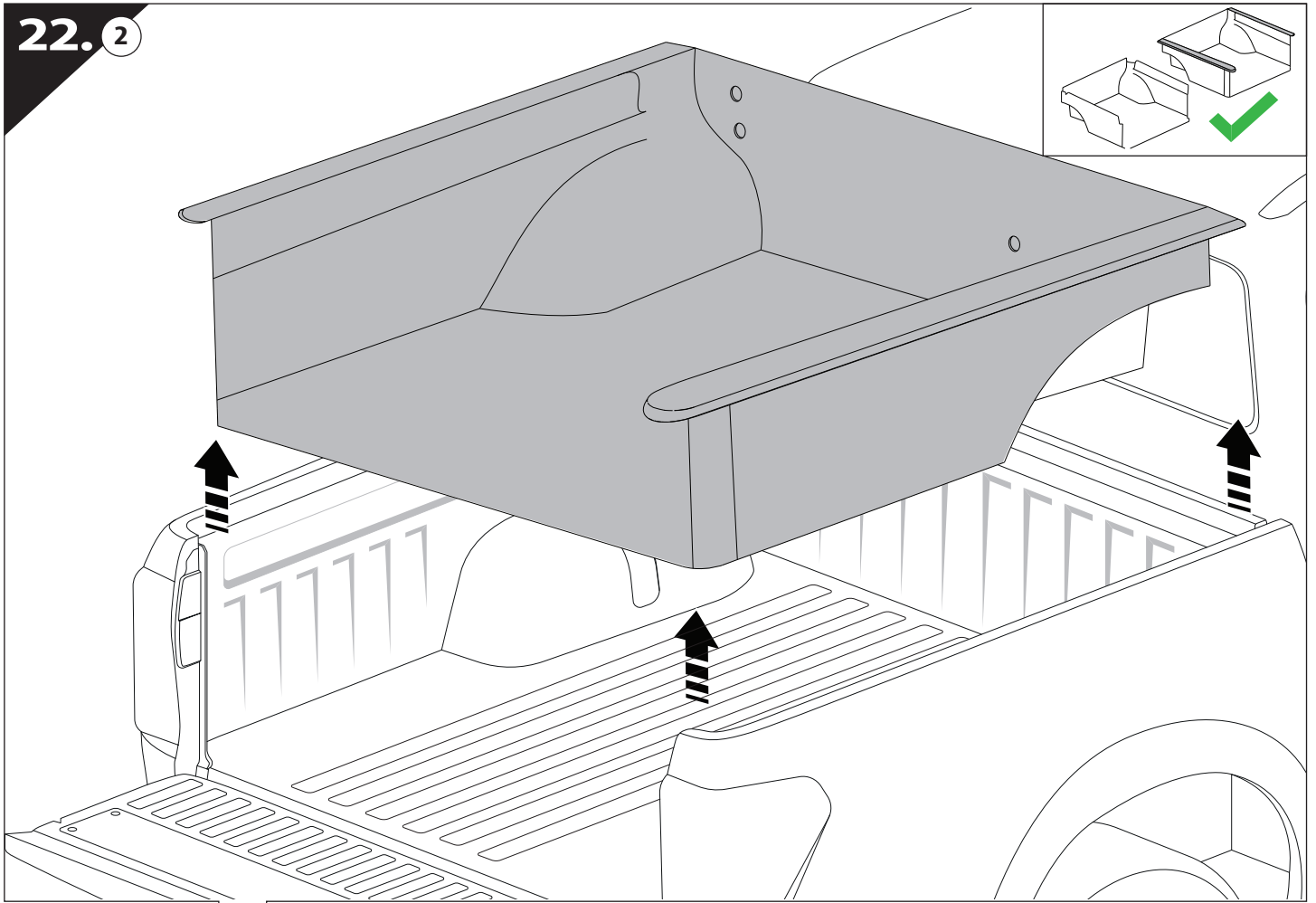


- A = 200mm ~ 300mm
- B = 200mm ~ 300mm
- C = 280mm ~ 300mm D/C SHORT BED
- C = 330mm ~ 350mm D/C LONG BED
- D = C-100mm

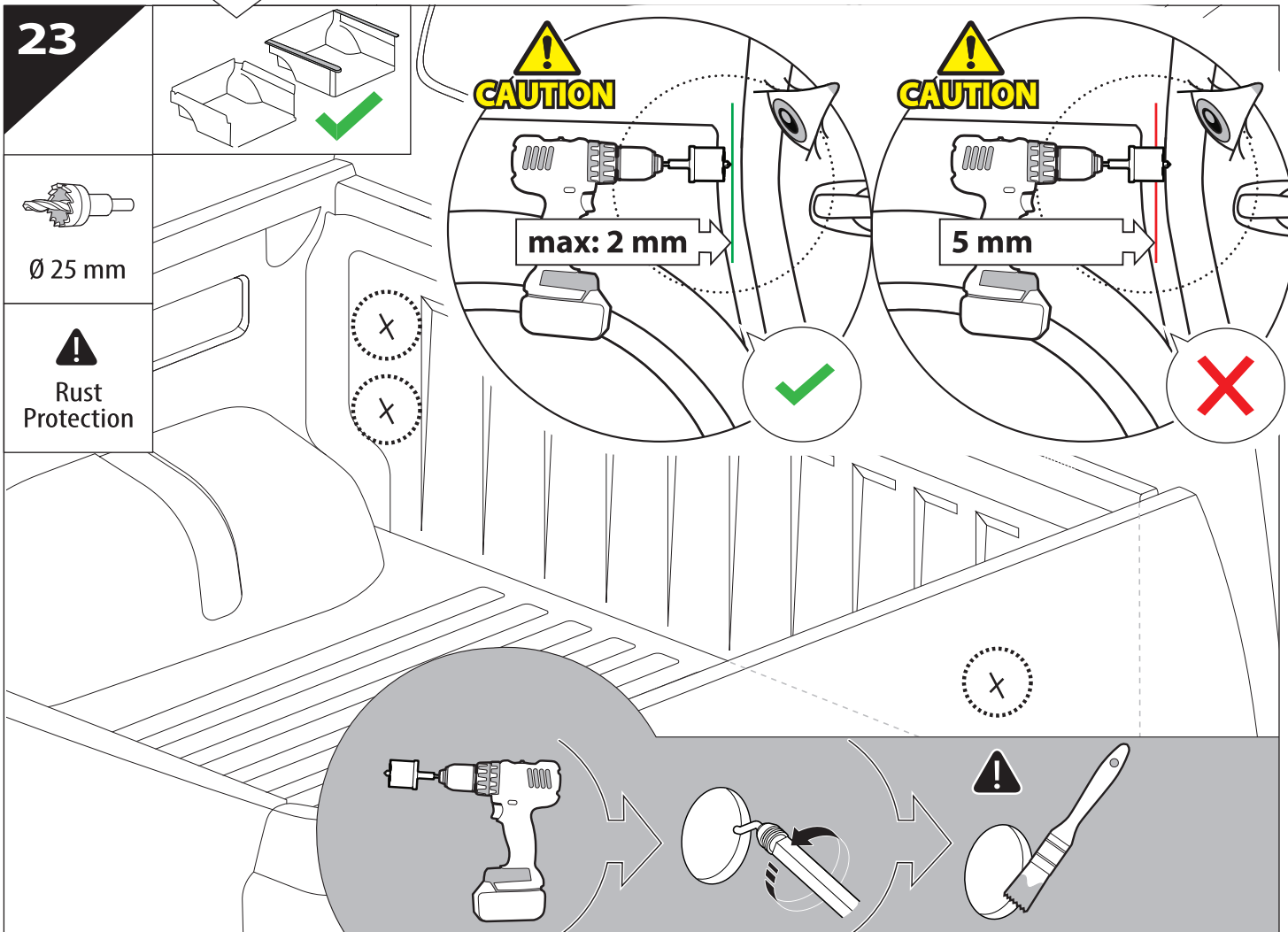
**! TRY TO FIND FREE & STRAIGHT SPOTS IN THESE DIMENSIONS ACCORDINGLY**



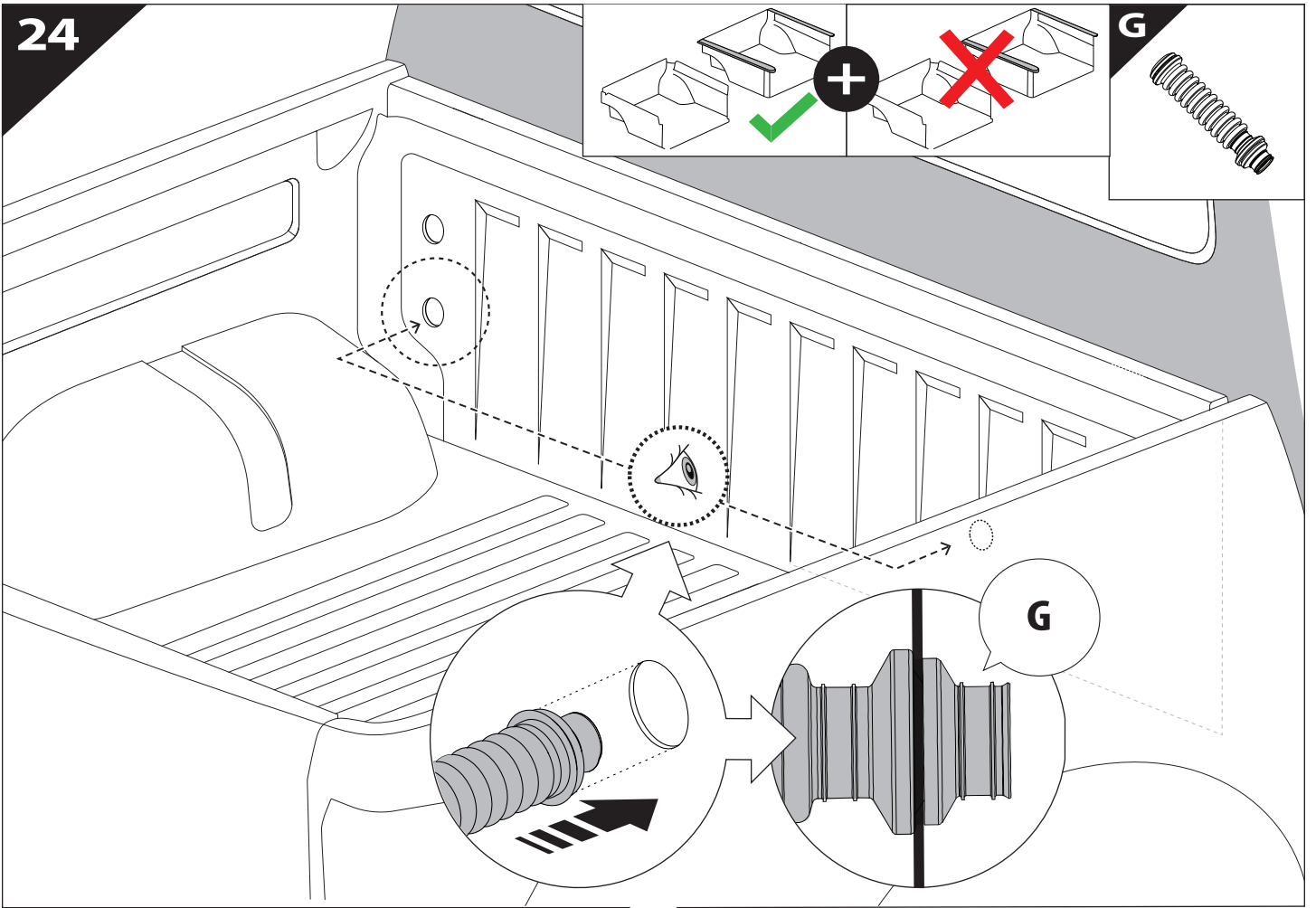
22. ②



23

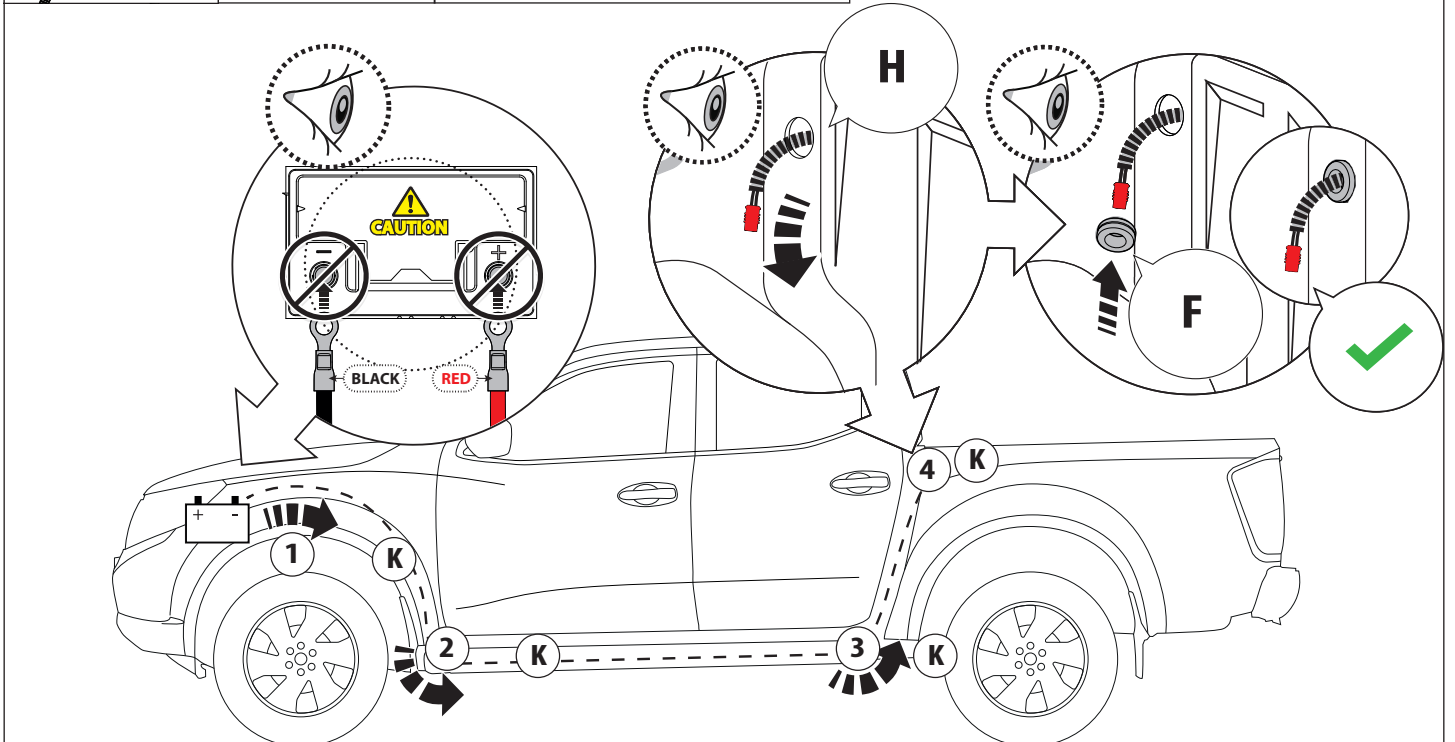
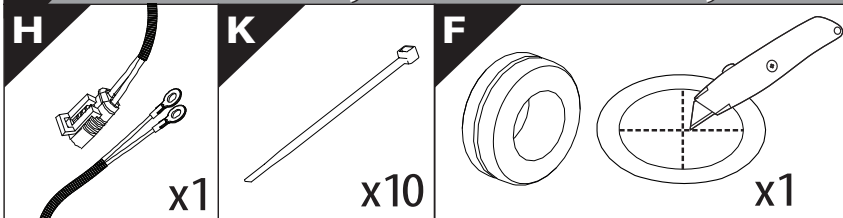


24

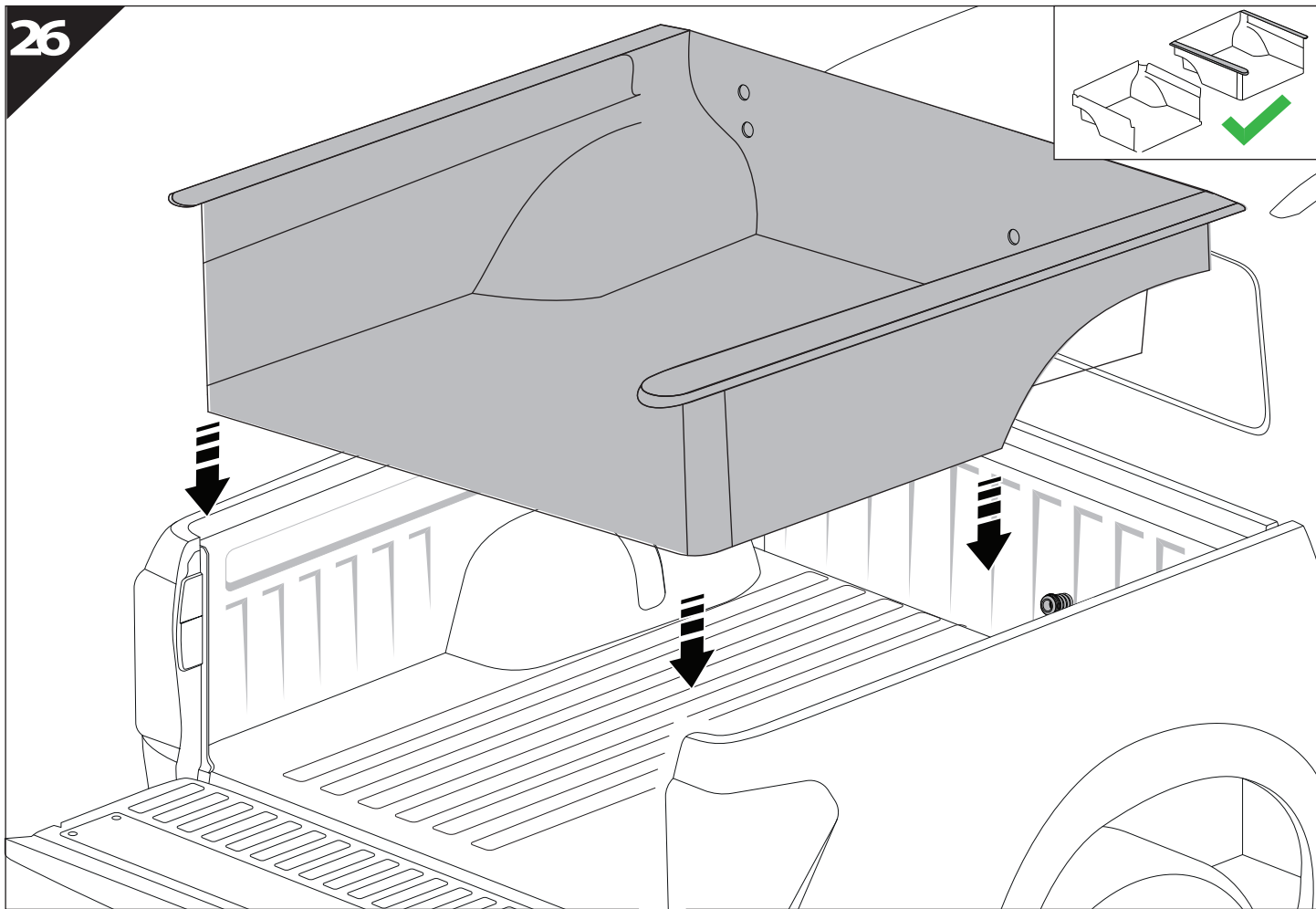


25

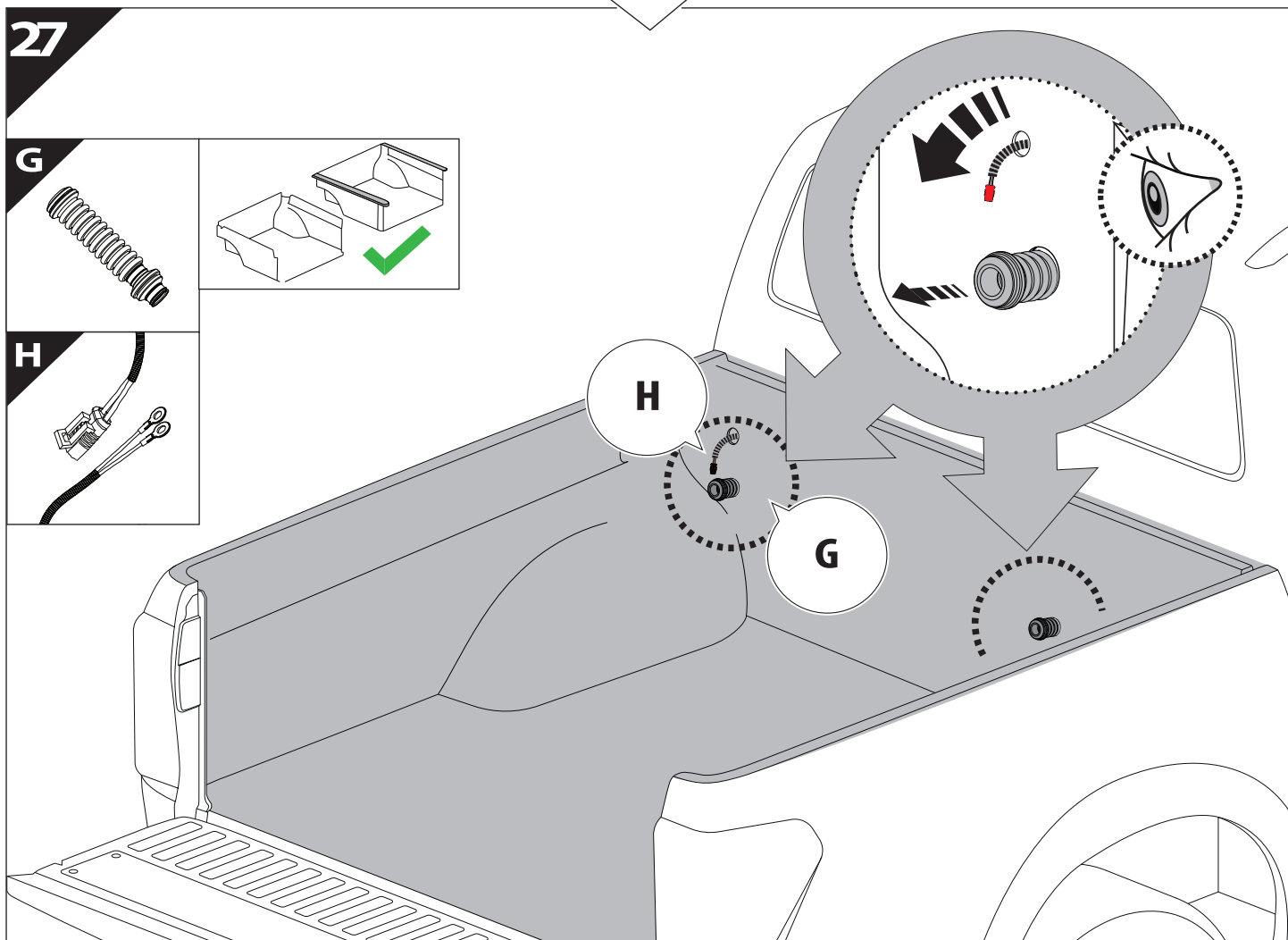
Only to be installed by authorized personnel



26

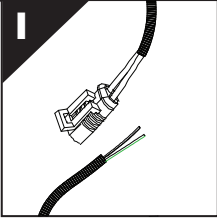


27

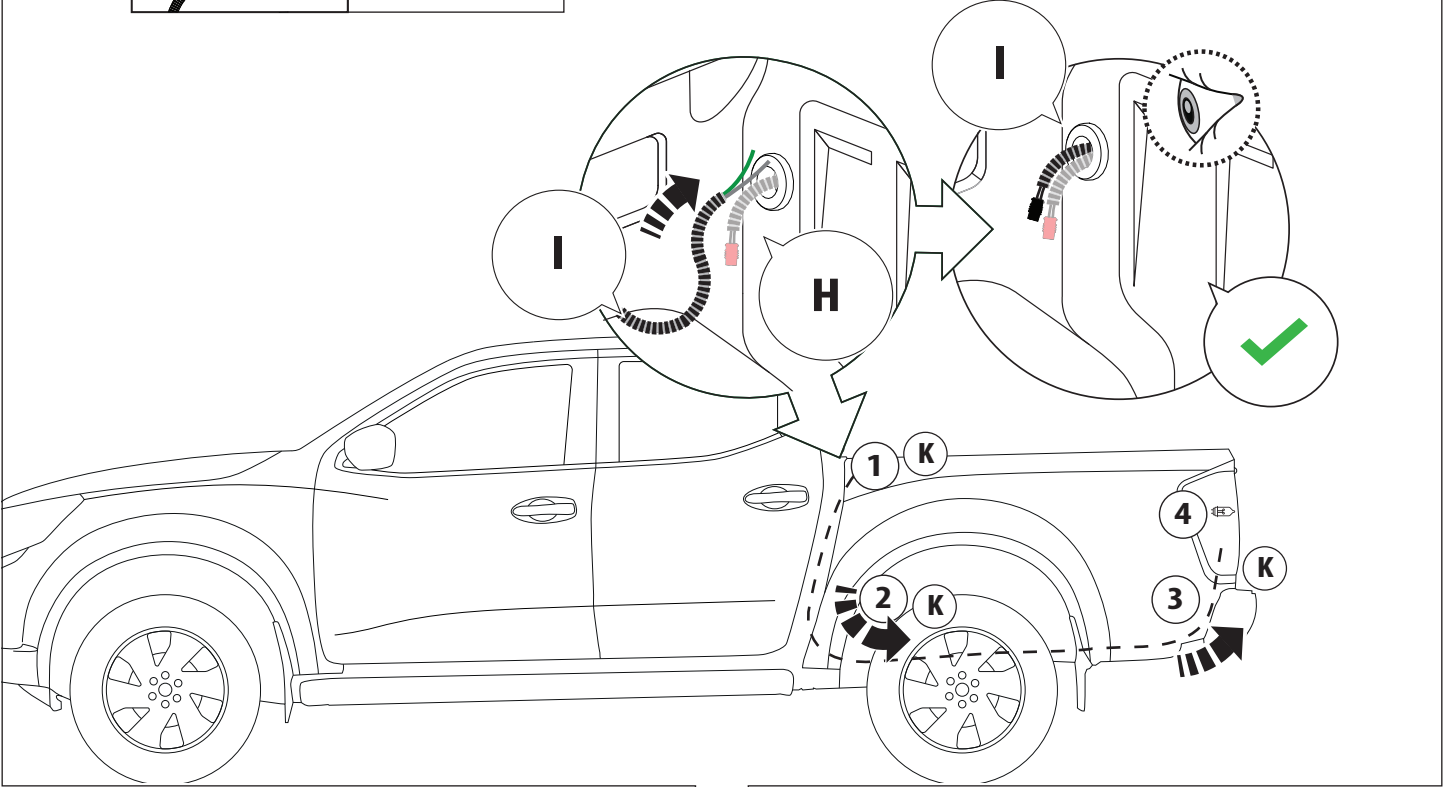
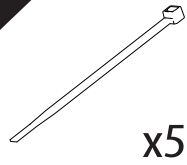


28

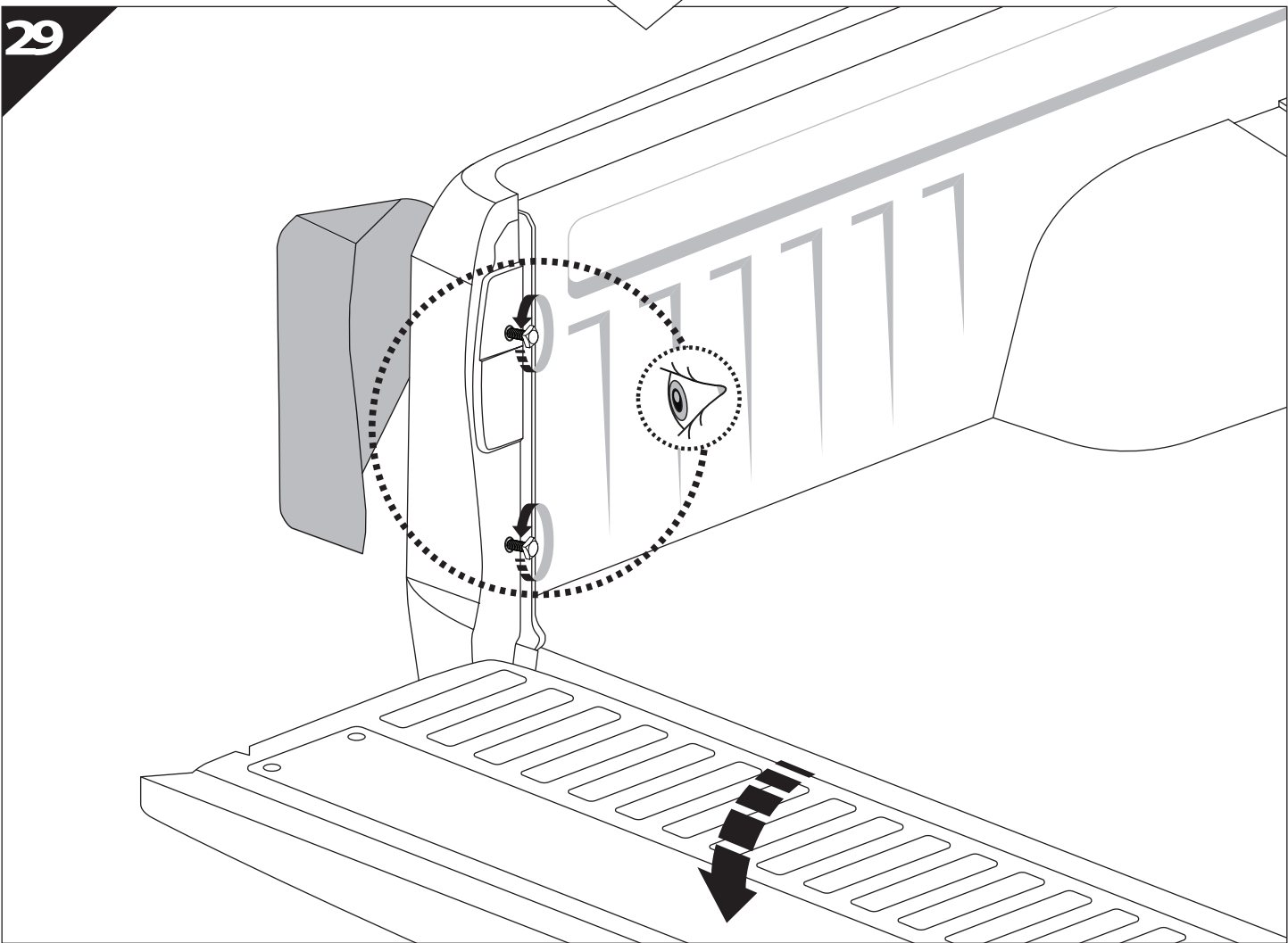
I



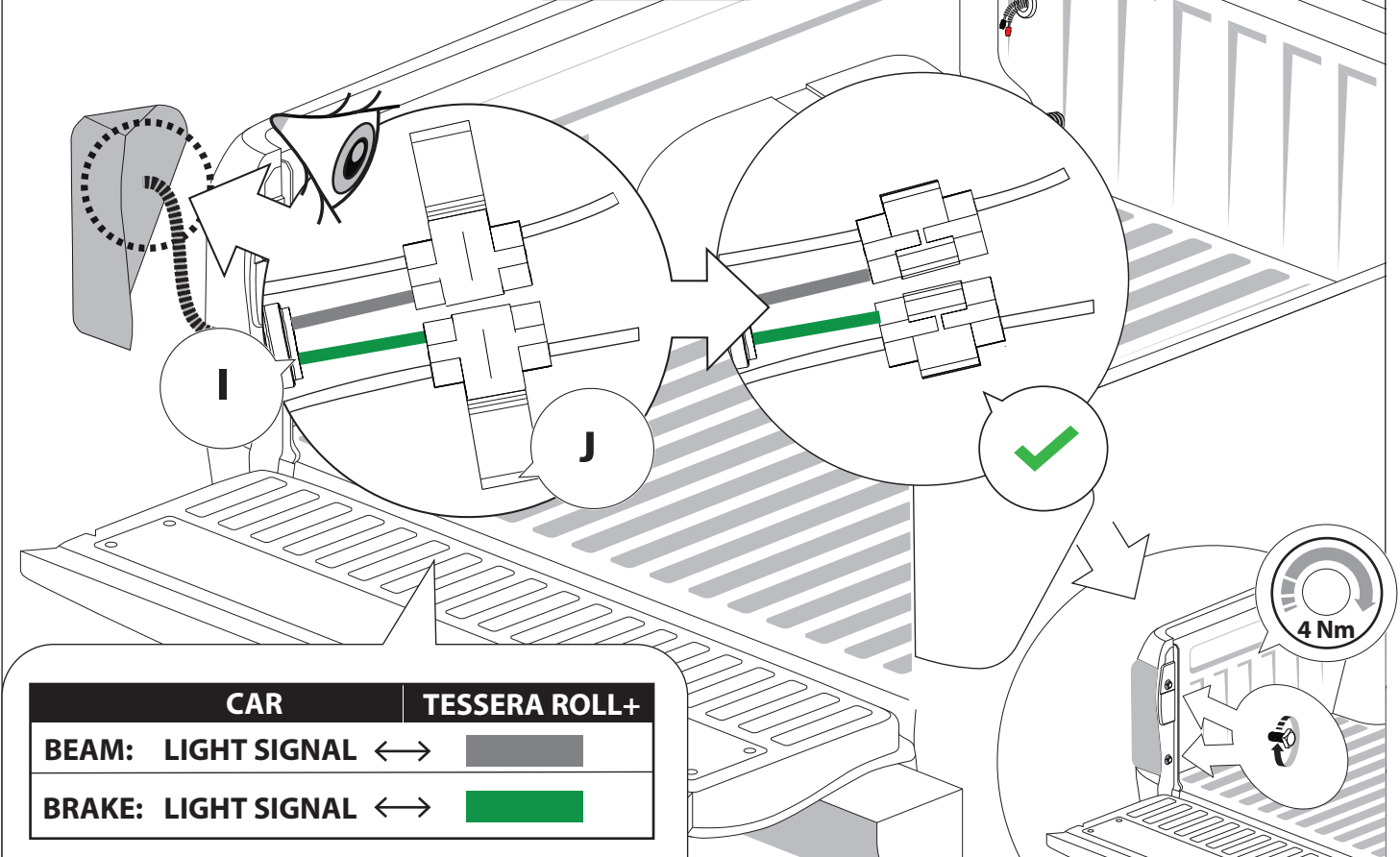
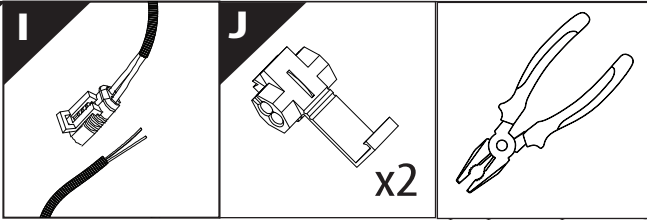
K



29



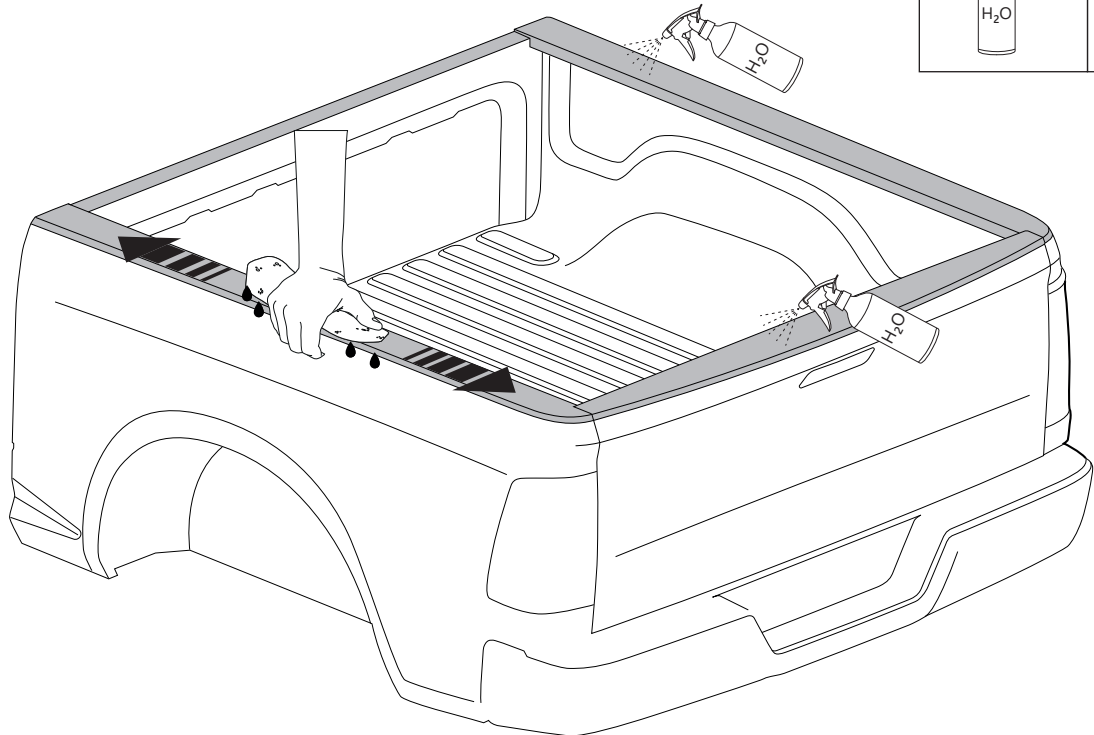
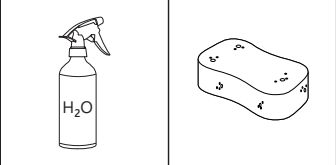
30

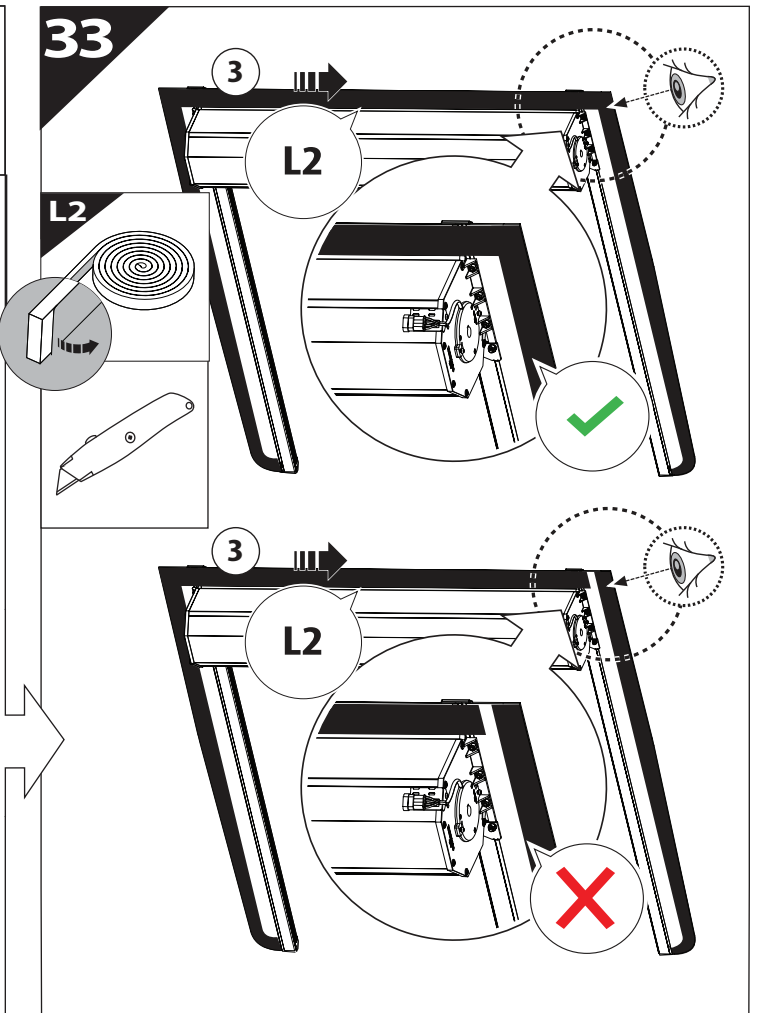
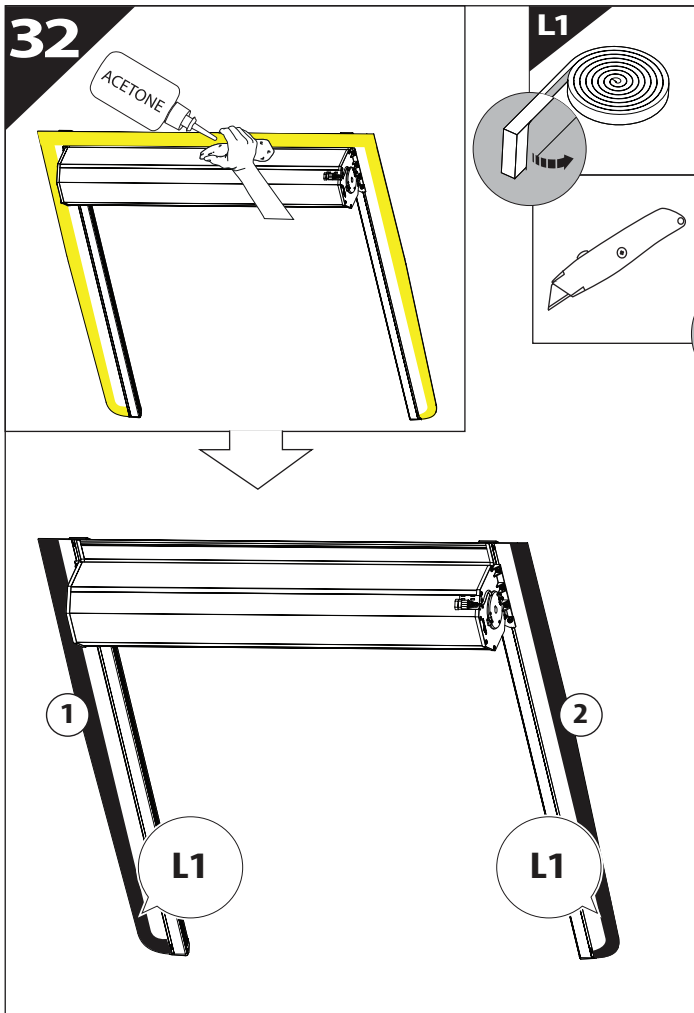


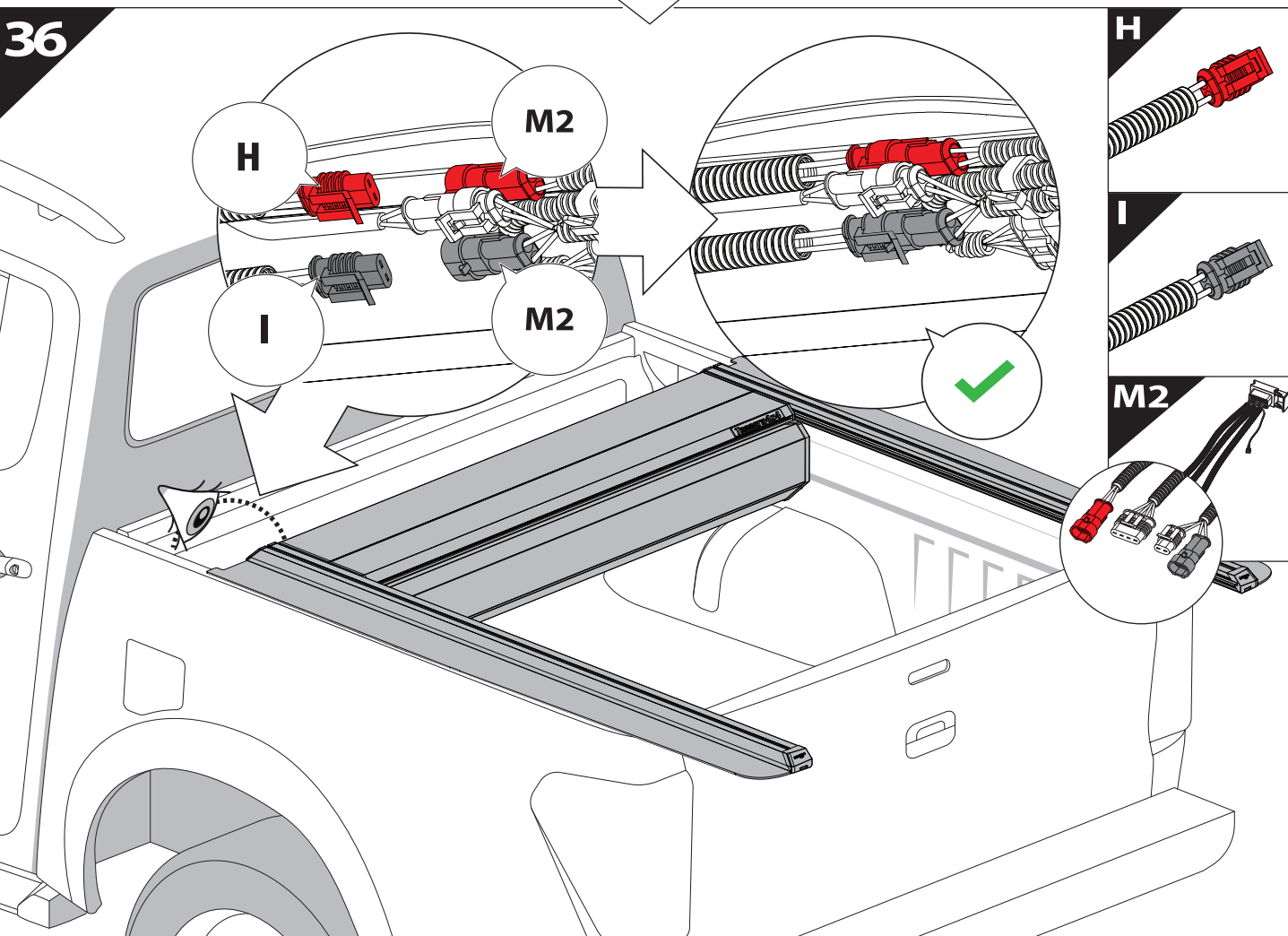
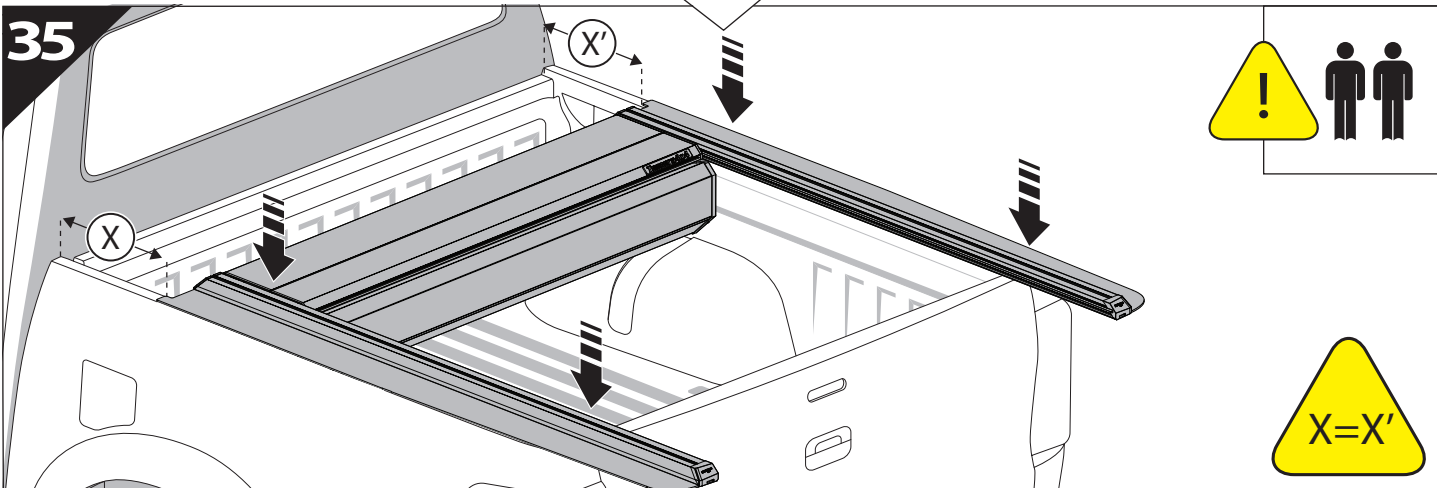
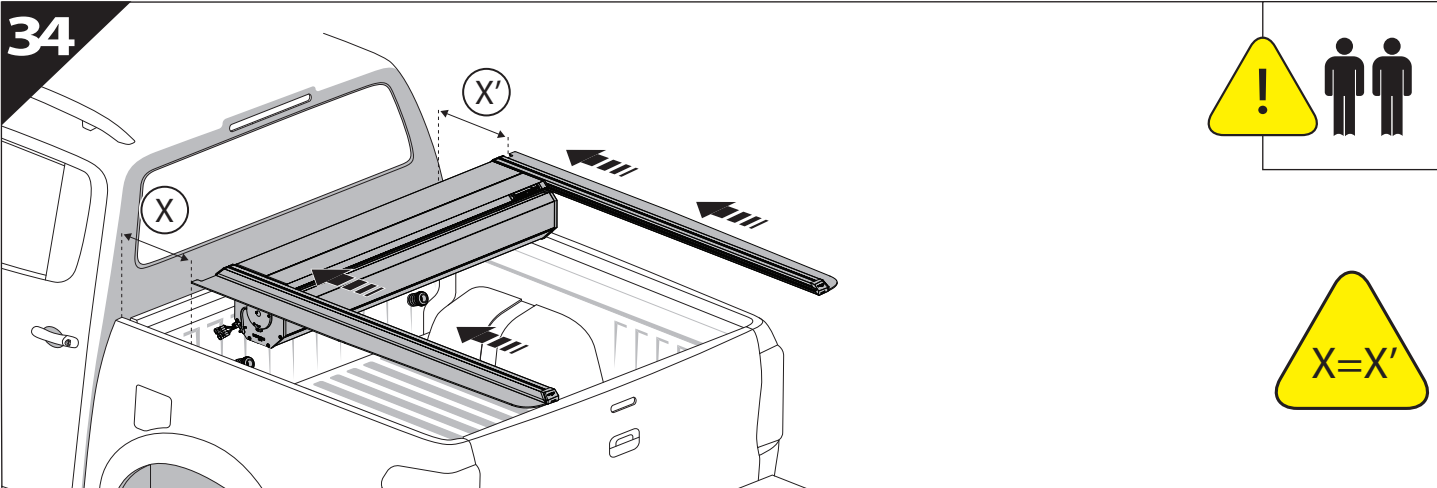
	CAR	TESSERA ROLL+
BEAM:	LIGHT SIGNAL ↔	
BRAKE:	LIGHT SIGNAL ↔	

**CAUTION: CONSULT A CERTIFIED AUTO MECHANIC OR AUTOMOTIVE ELECTRICIAN TO IDENTIFY THE CORRECT WIRING CABLES FOR BEAM AND BRAKE SIGNALS BEFORE MAKING ANY CONNECTIONS.**

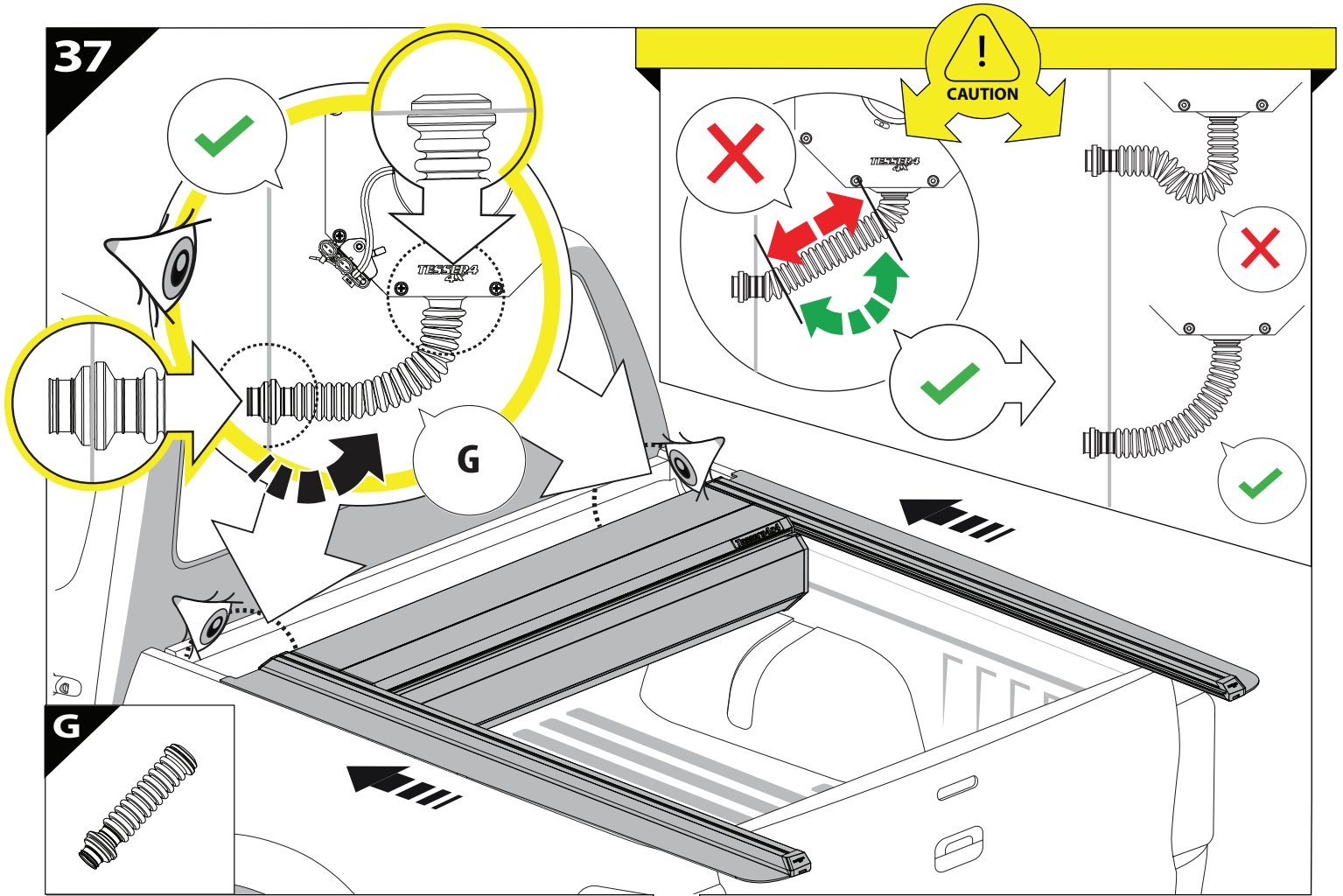
31





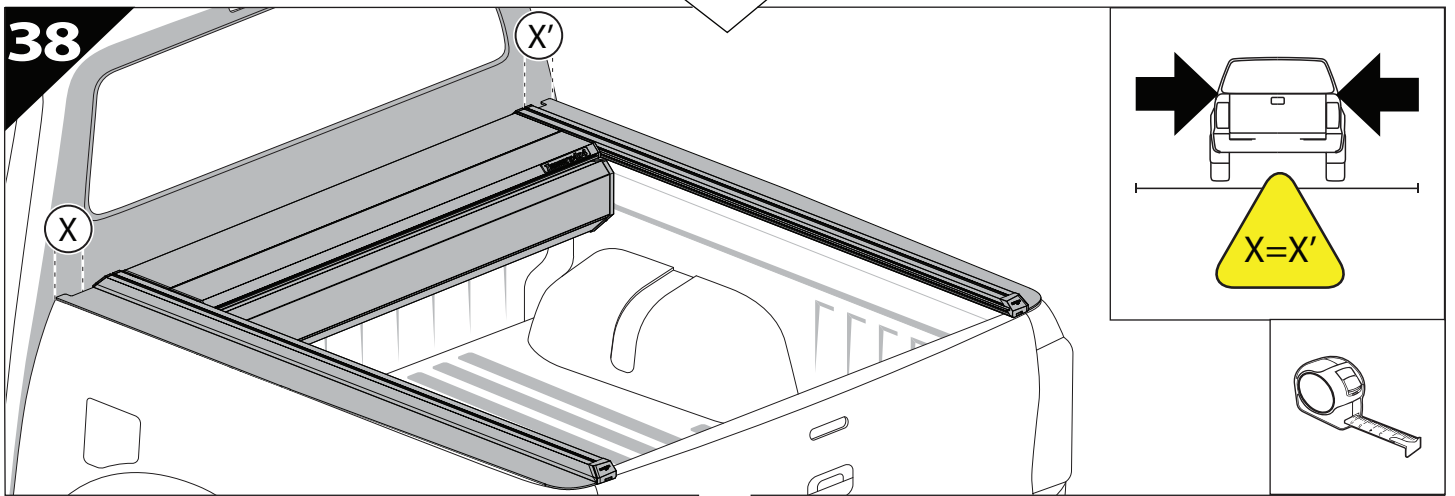


37

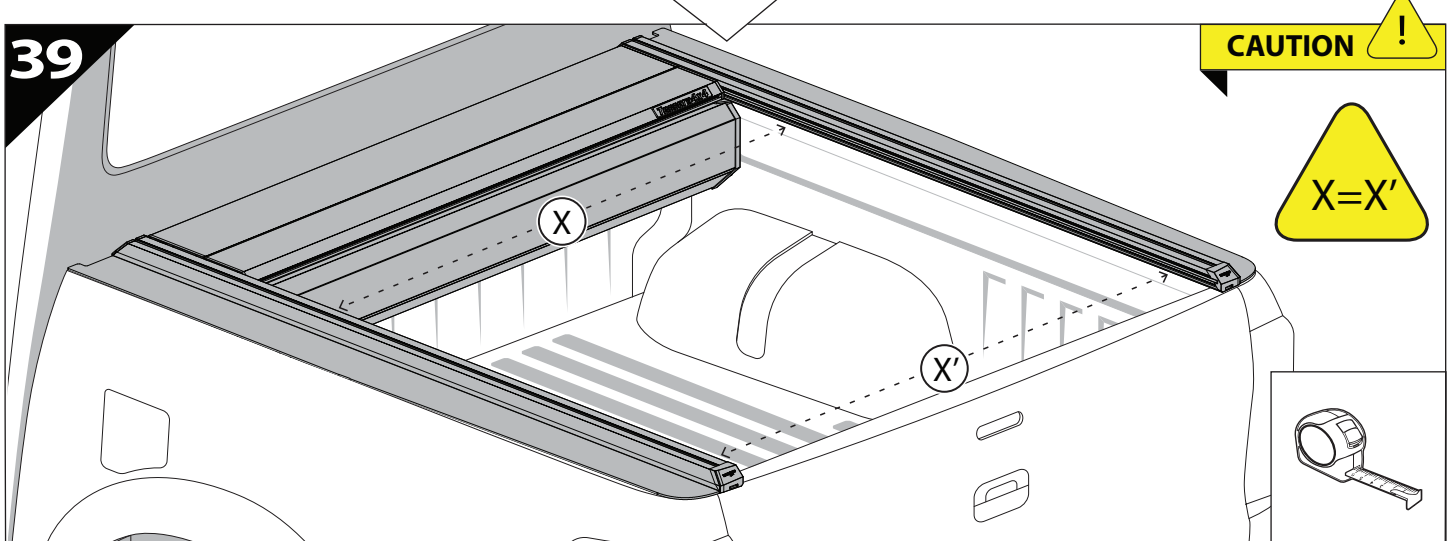


G

38

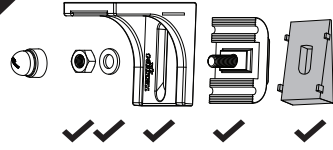


39

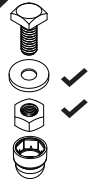


40

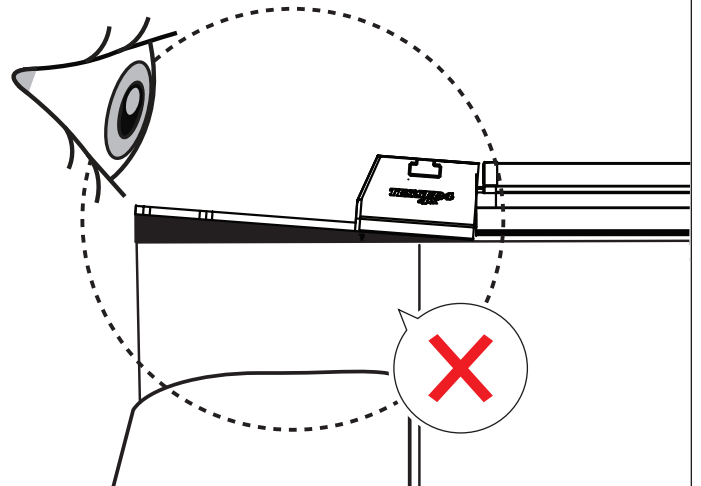
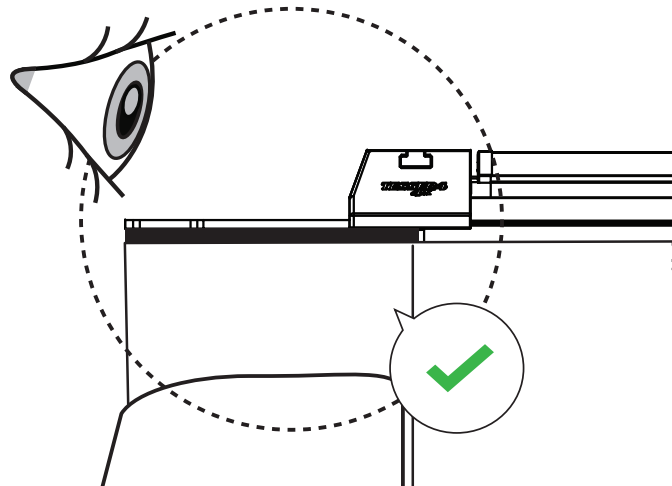
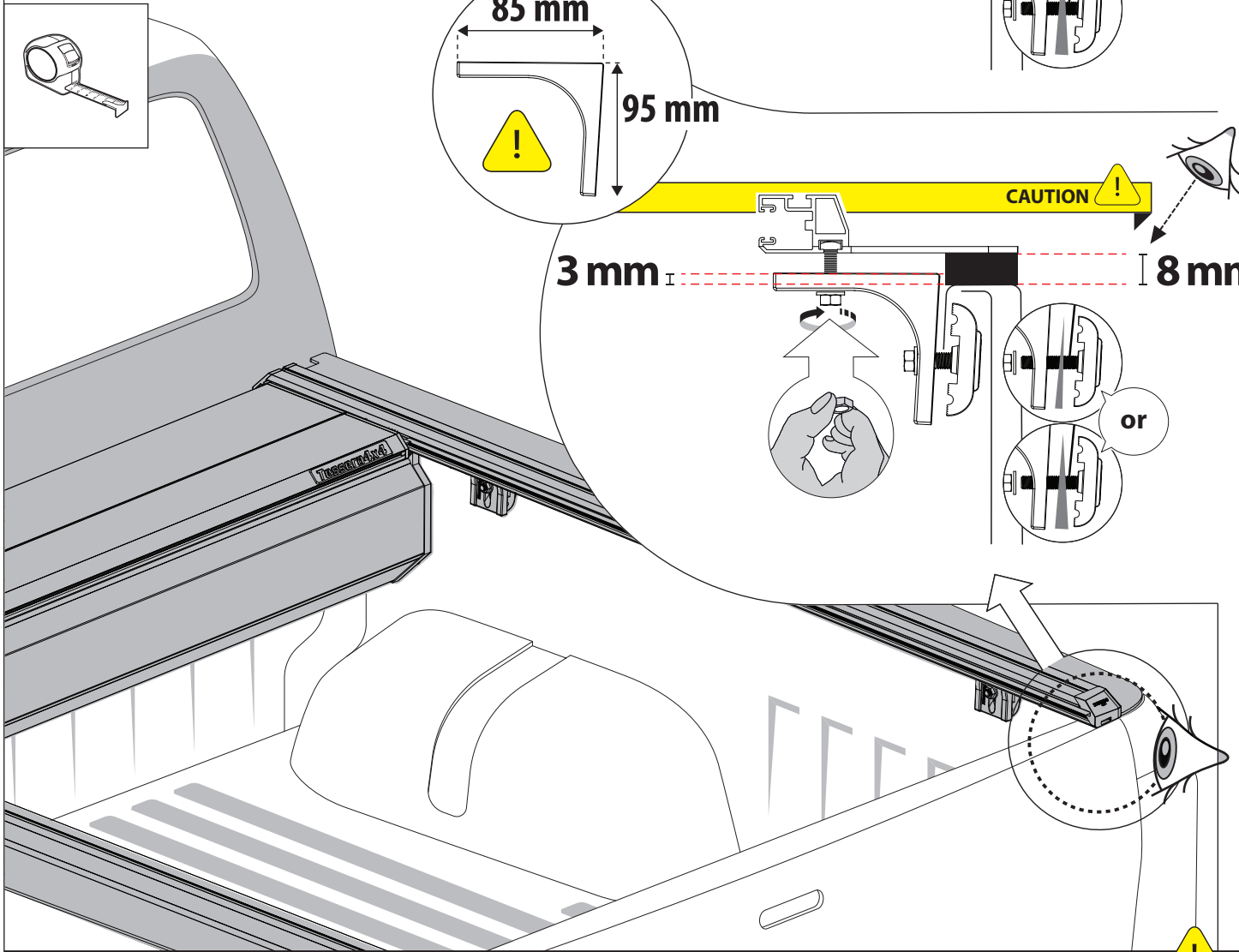
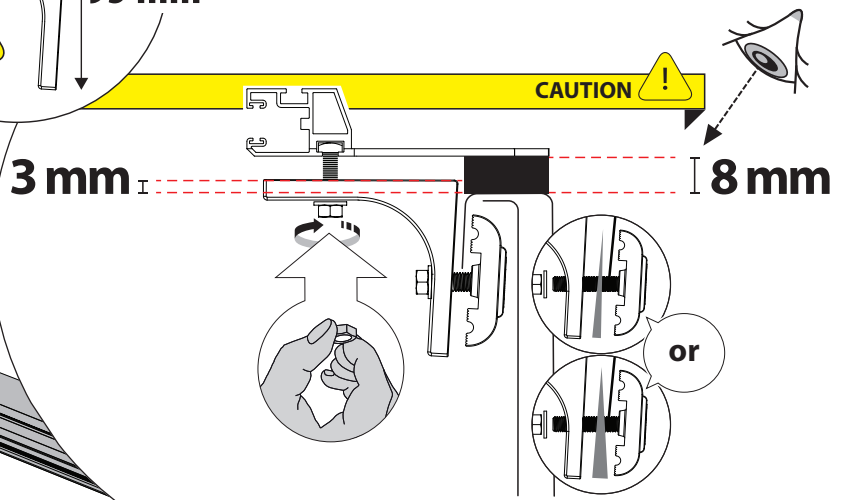
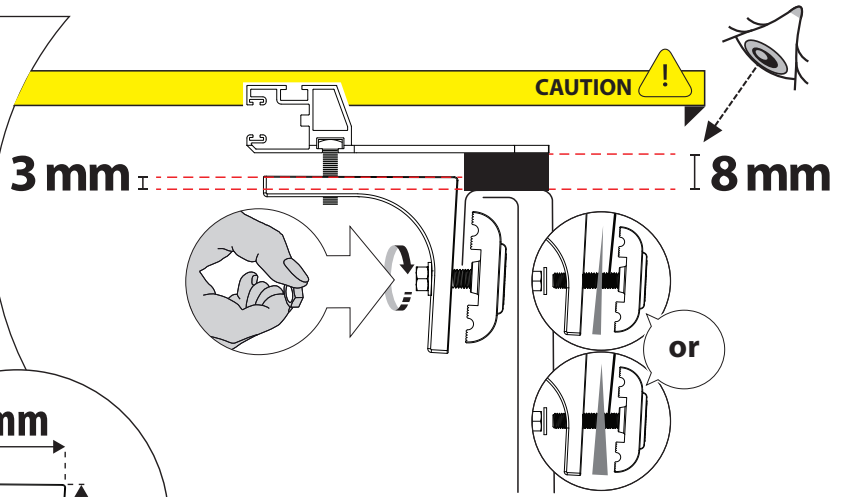
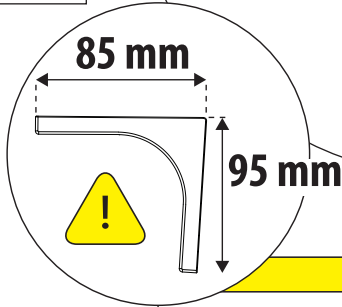
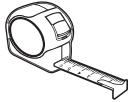
N

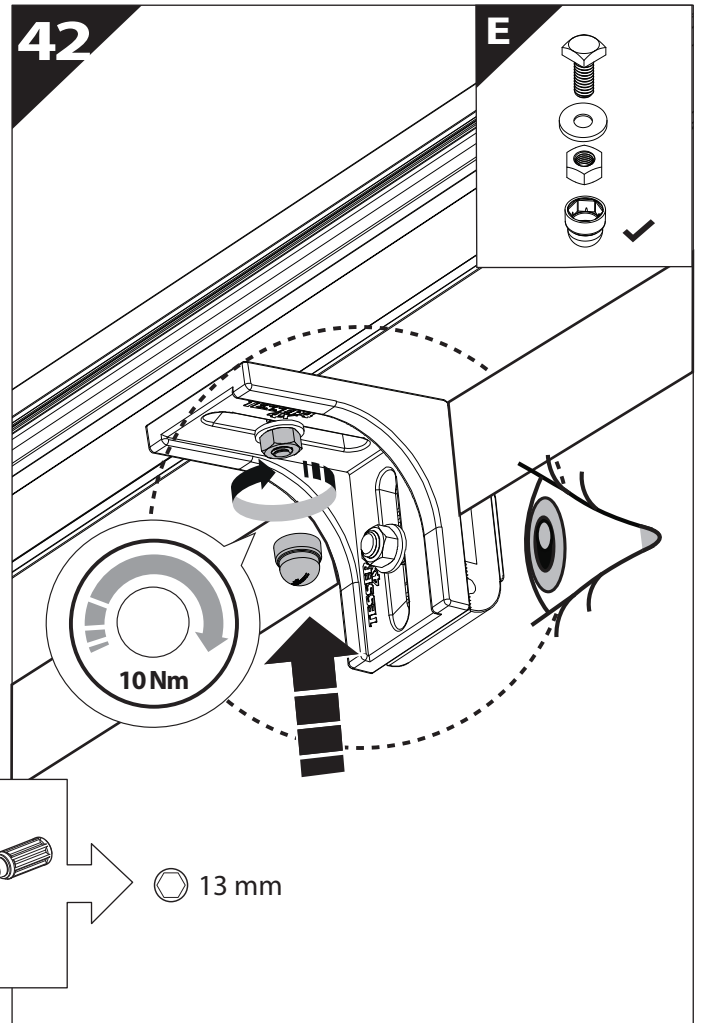
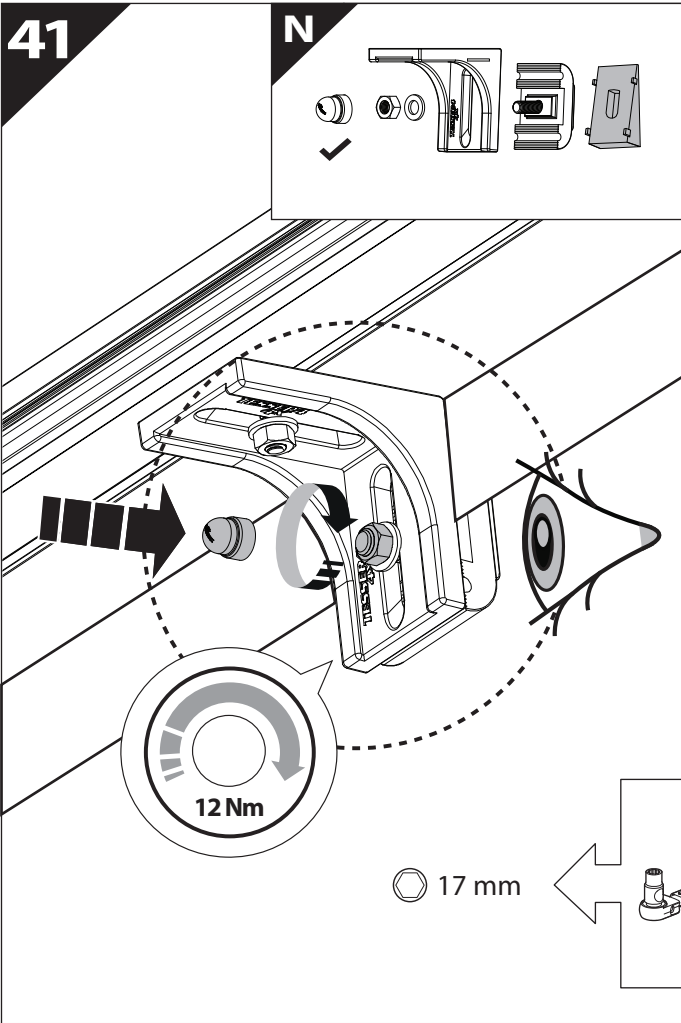


E

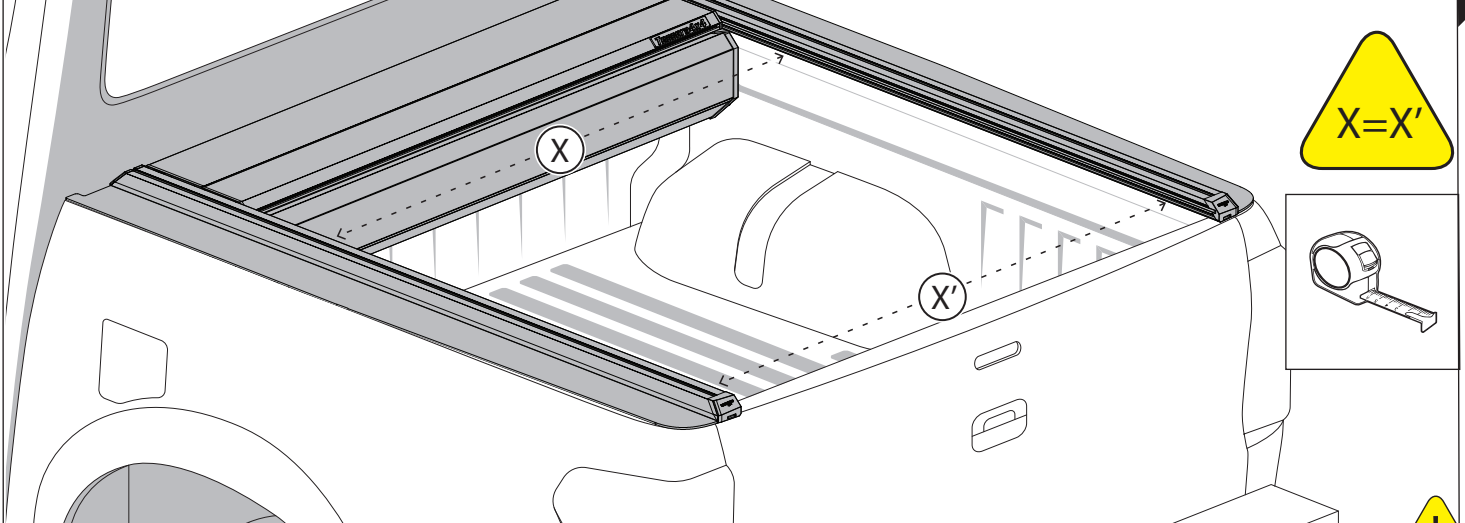


SHORT BED x4 / LONG BED x6

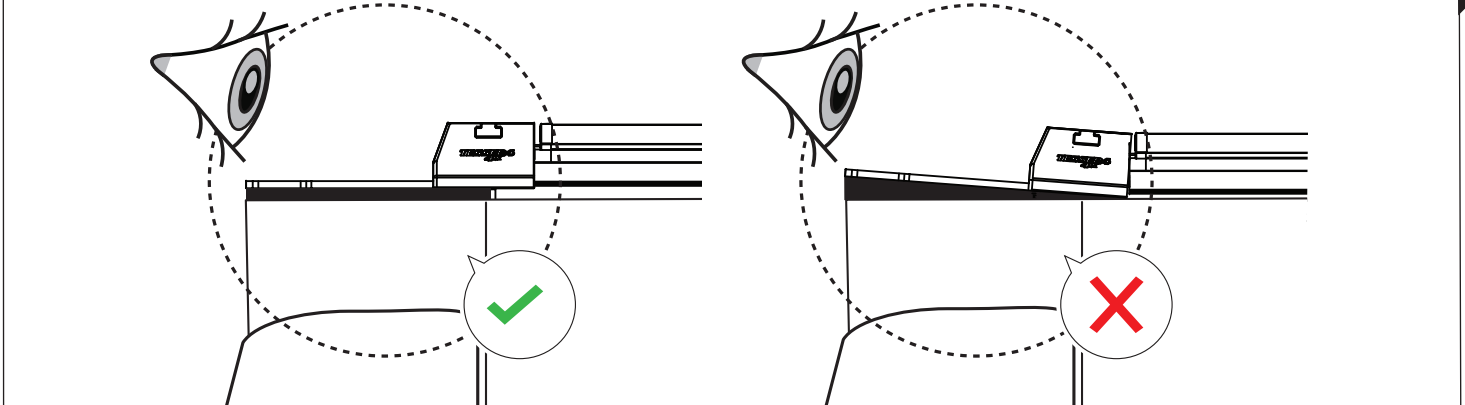




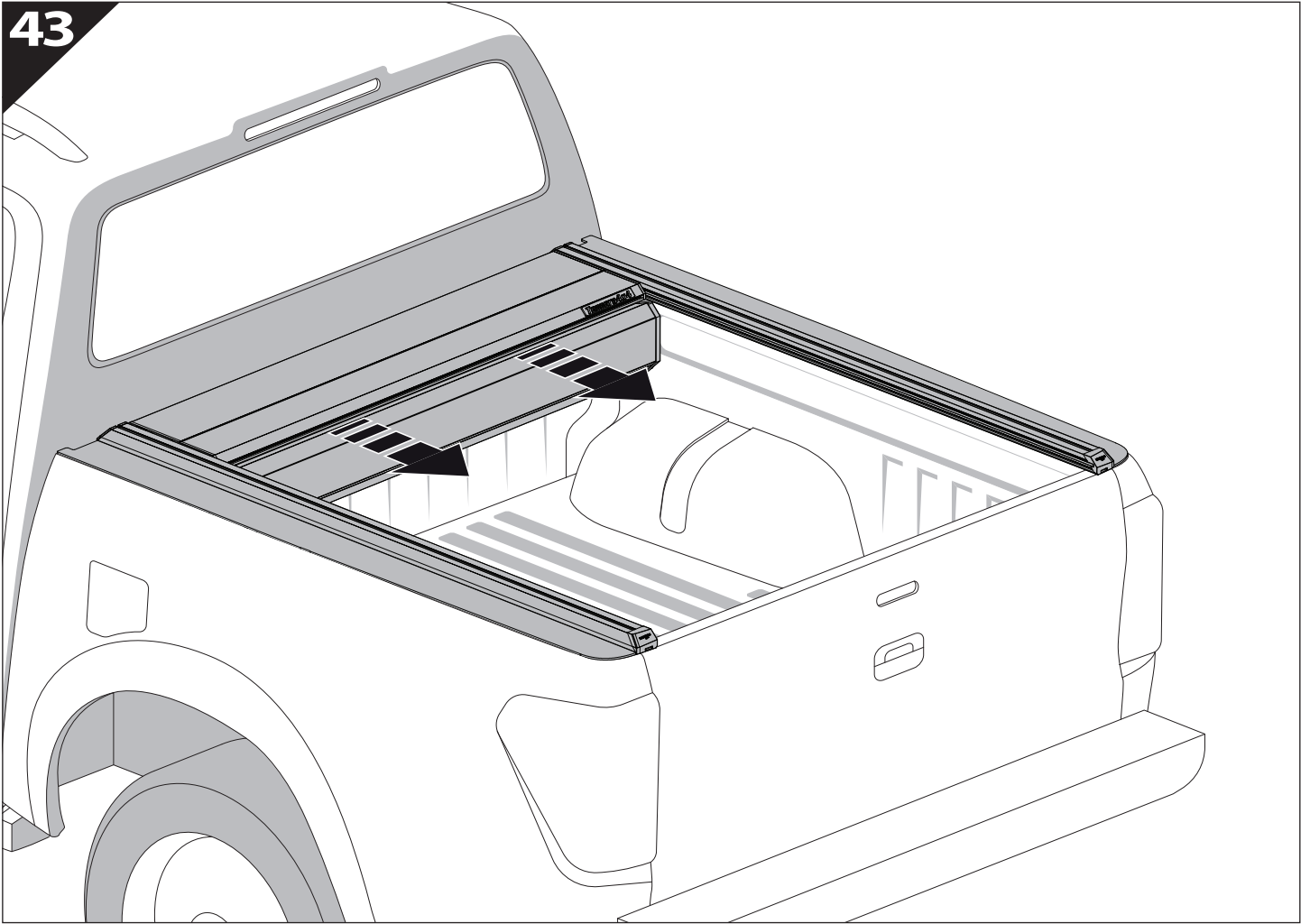
**CAUTION !**



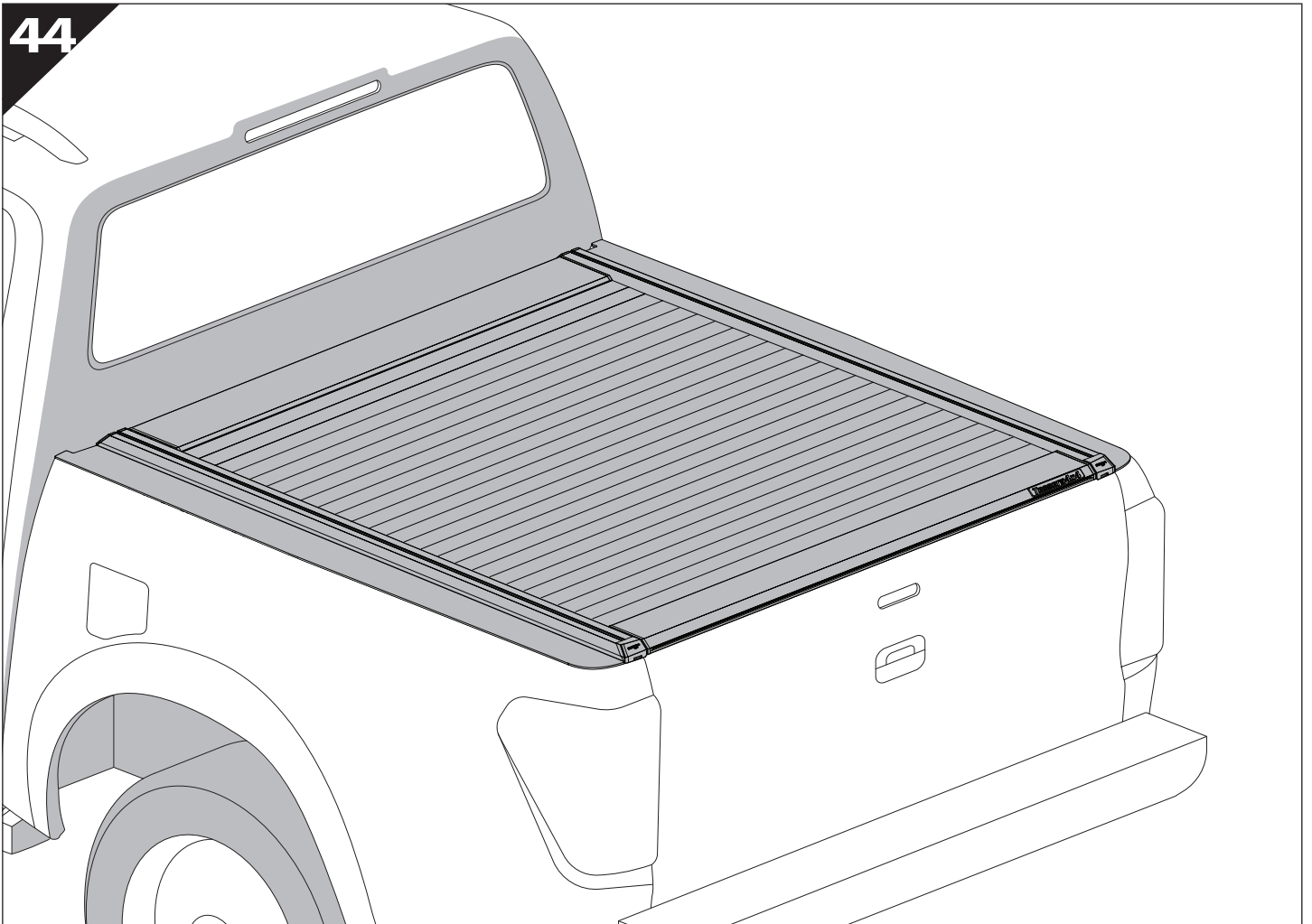
**CAUTION !**



43



44





**GR:** Οδηγίες Εγκατάστασης  
**GB:** Installation manual  
**SF:** Asennusohje  
**F:** Notice de montage  
**PL:** Instrukcja montażu  
**NL:** Installatie-instructies  
**TR:** Montaj Talimatı  
**S:** Monteringsanvisning  
**E:** Instrucciones de montaje

**H:** Szerelési utasítás  
**P:** Instruções de instalação  
**RUS:** Инструкция по установке  
**N:** Monteringsveiledning  
**D:** Einbauanleitung  
**CZ:** Návod k instalaci  
**I:** Istruzioni de montaggio  
**DK:** Monteringsvejledning  
**RO:** Instructiuni de instalare

Customer Service:

+30 (210) 5541161, +30 (210) 5541154 (08:00 - 16:00 EET)

Support department:

[info@gianso.gr](mailto:info@gianso.gr)

Website:

[www.tessera4x4.com](http://www.tessera4x4.com)

Address:

19.5 km of National road Athens-Korinthos (Elefsina) Greece, P.C: 19200