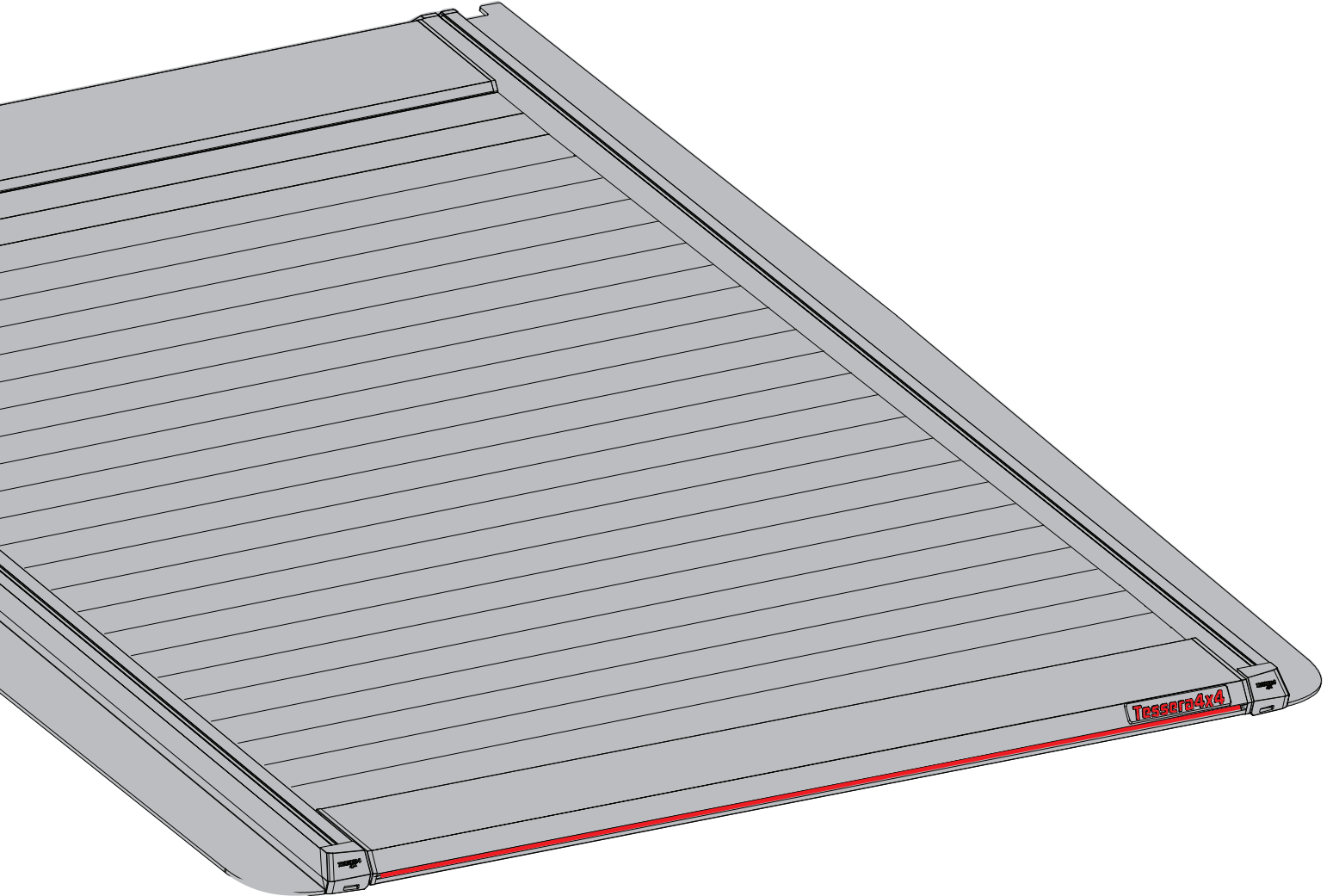


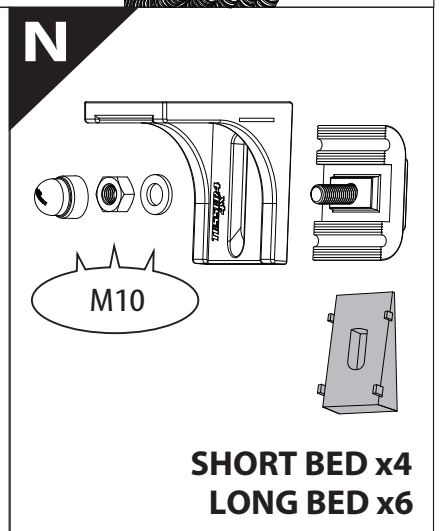
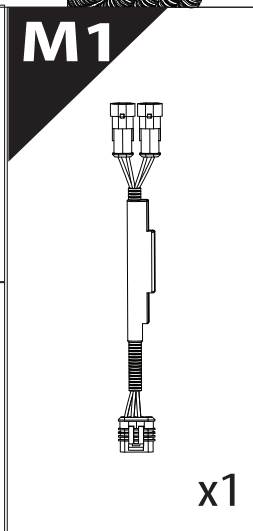
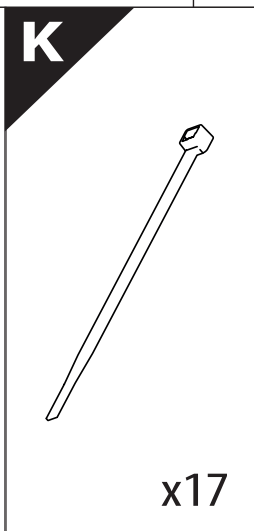
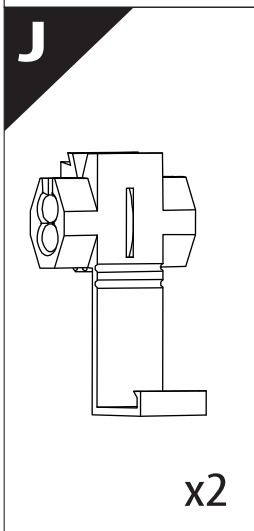
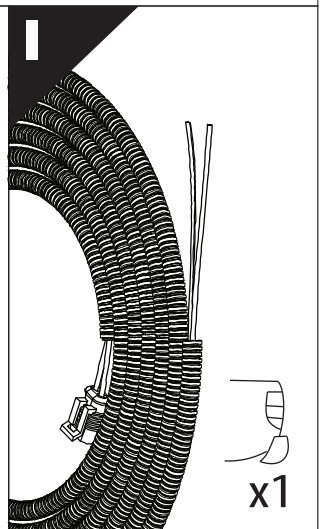
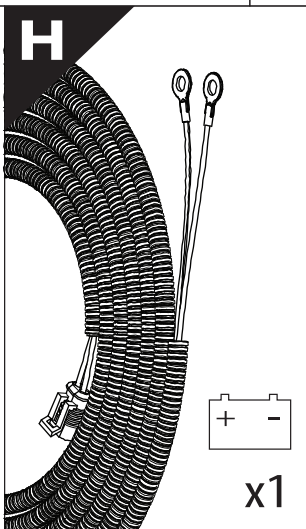
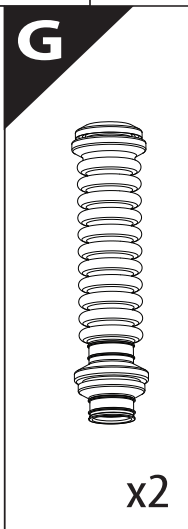
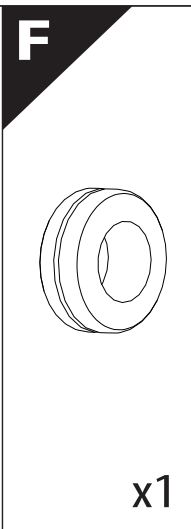
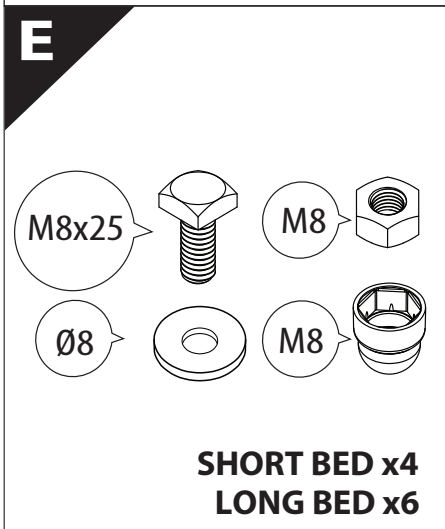
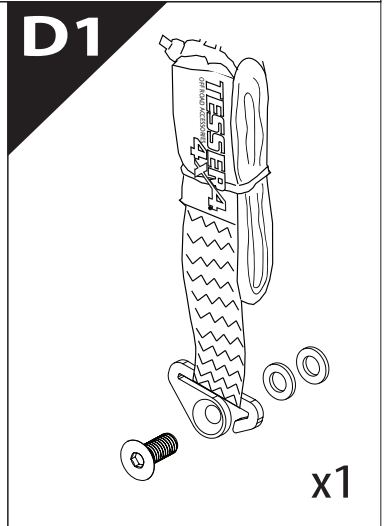
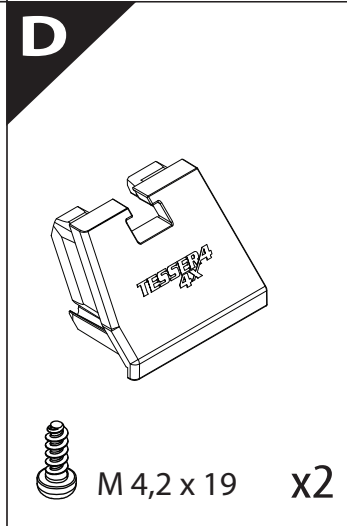
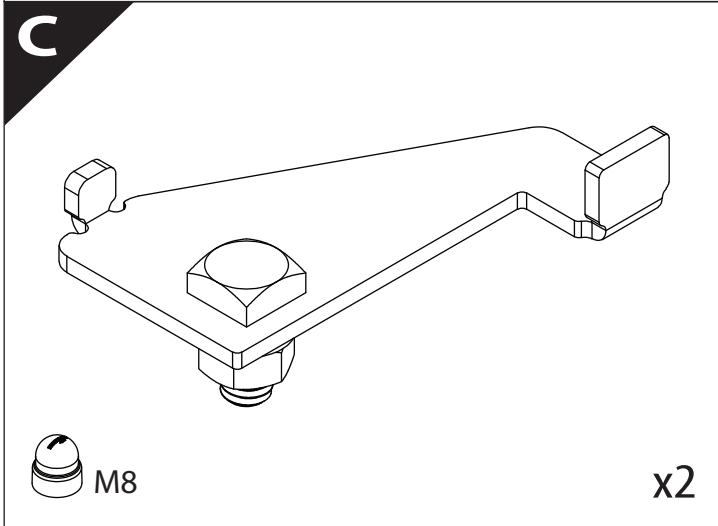
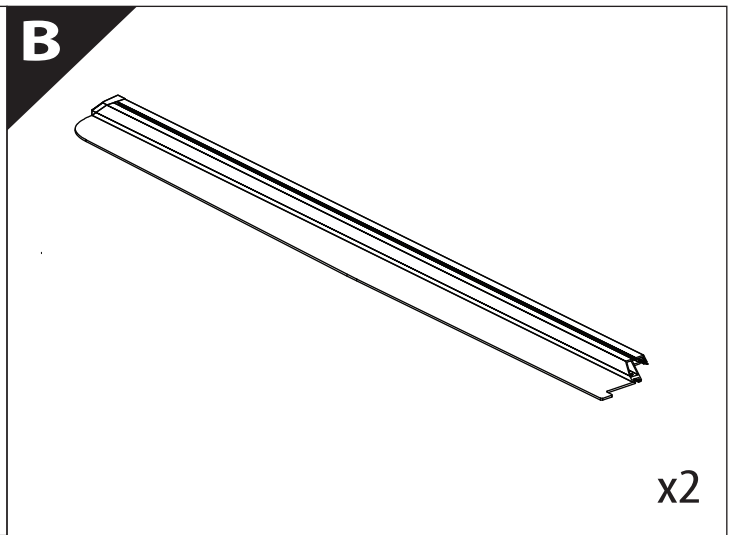
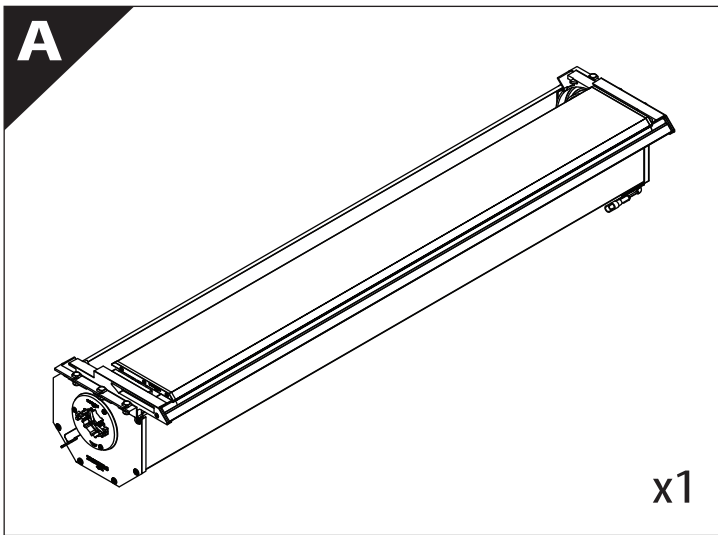
Tessera Roll+

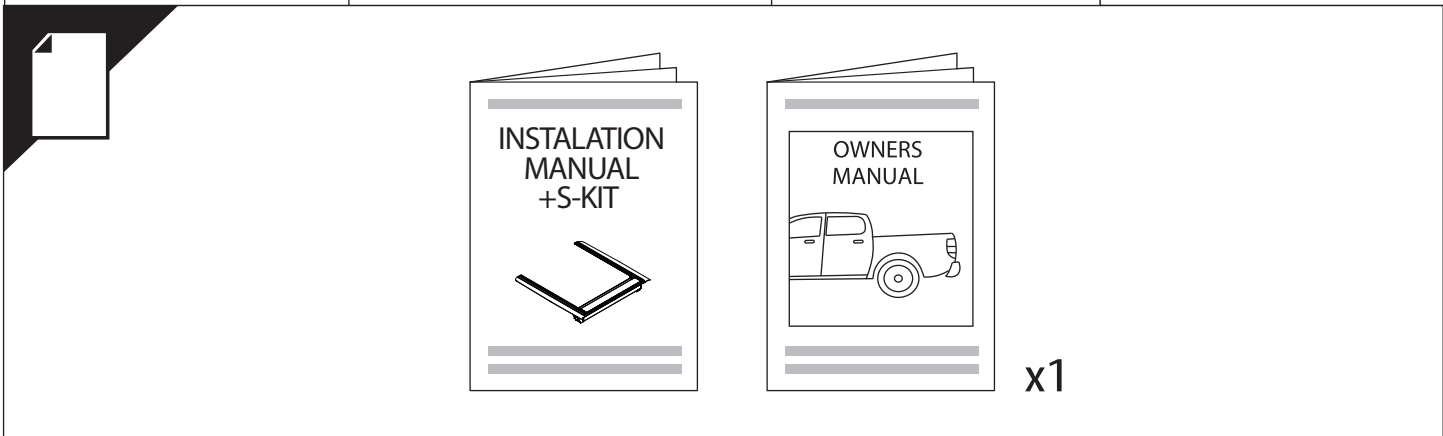
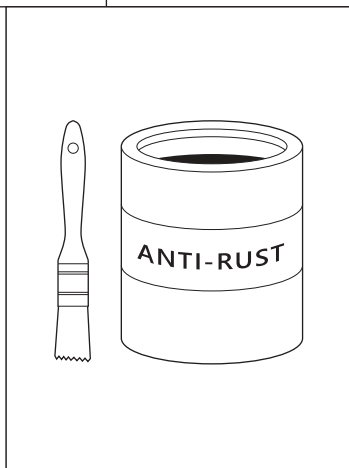
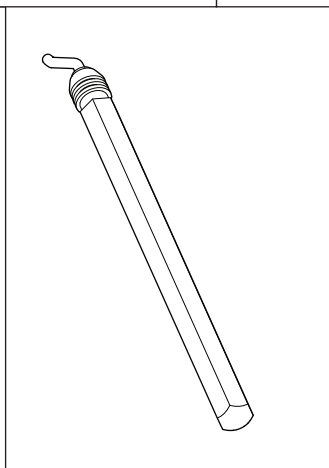
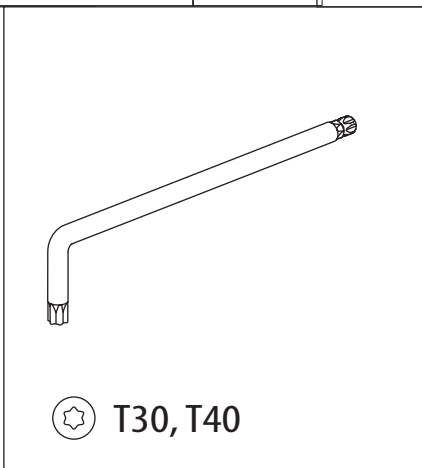
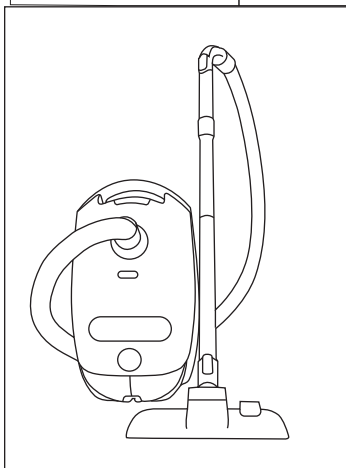
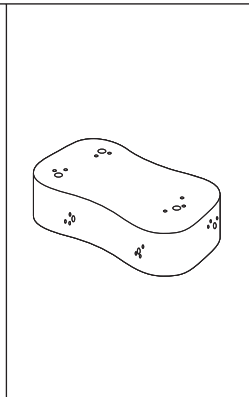
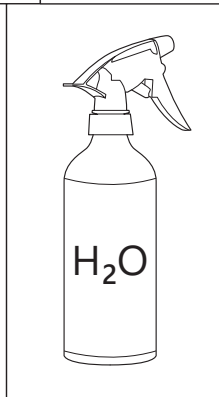
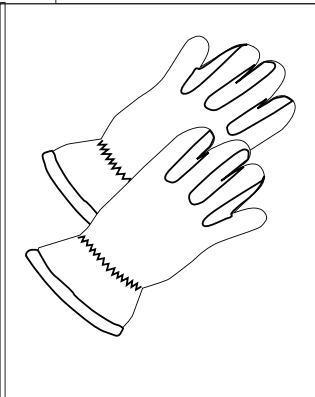
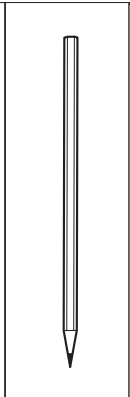
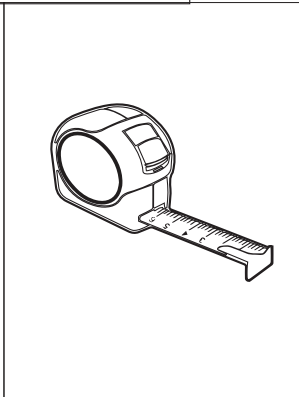
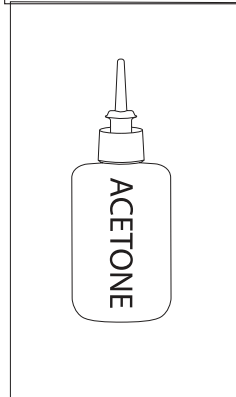
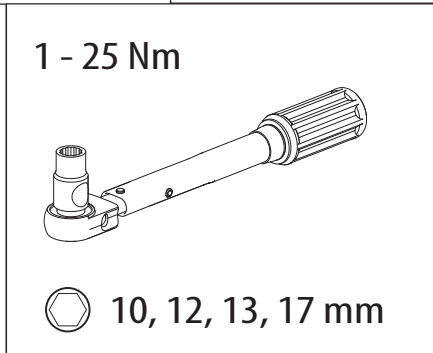
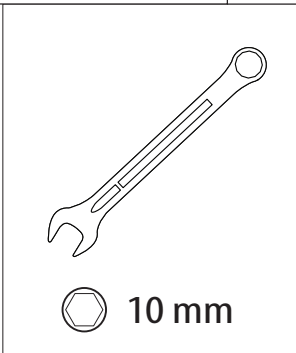
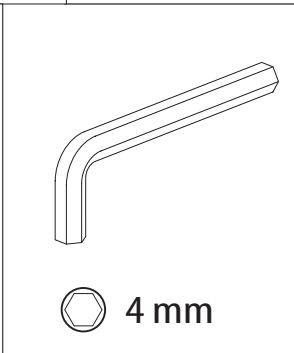
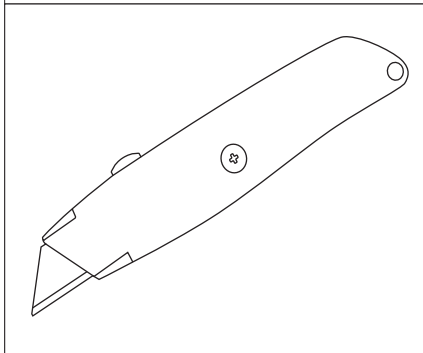
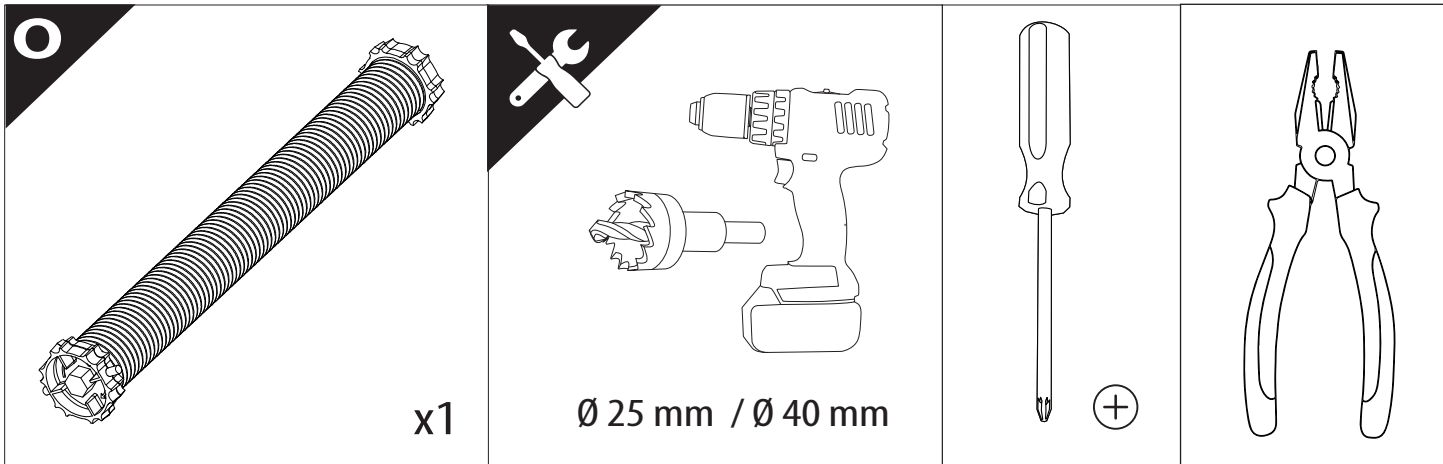
Basic Version + ⚙️ S-KIT

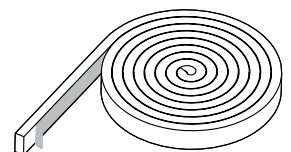
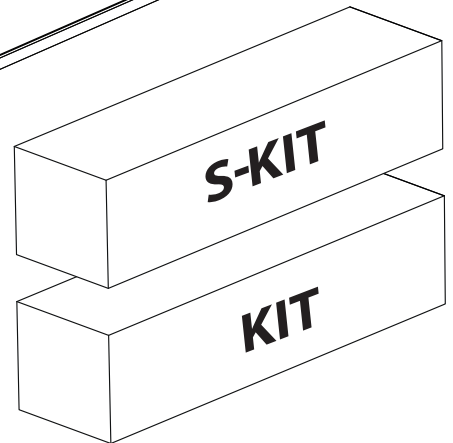
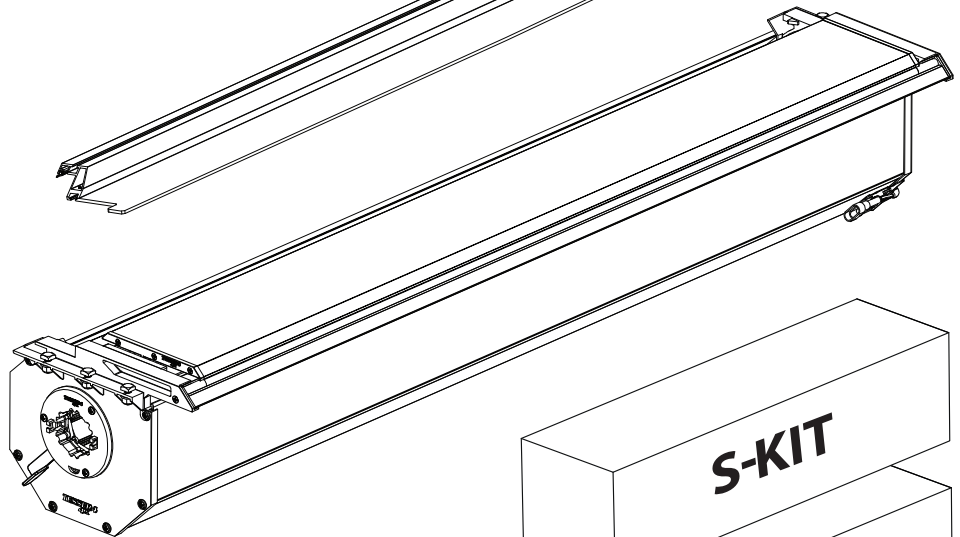
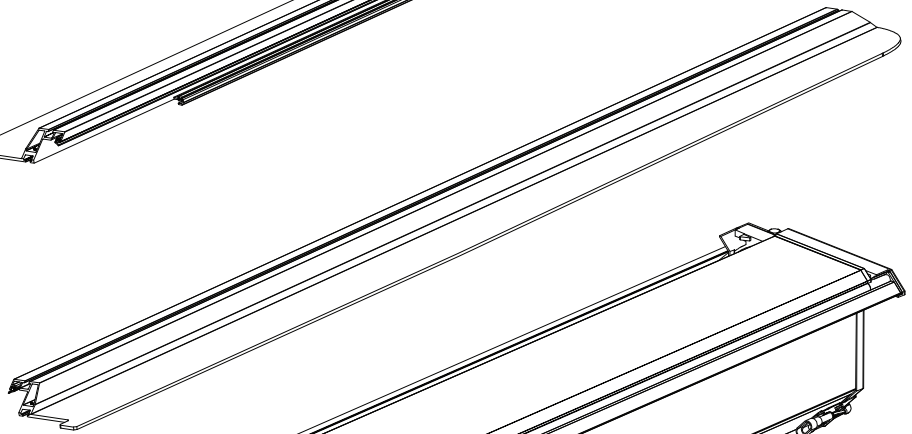
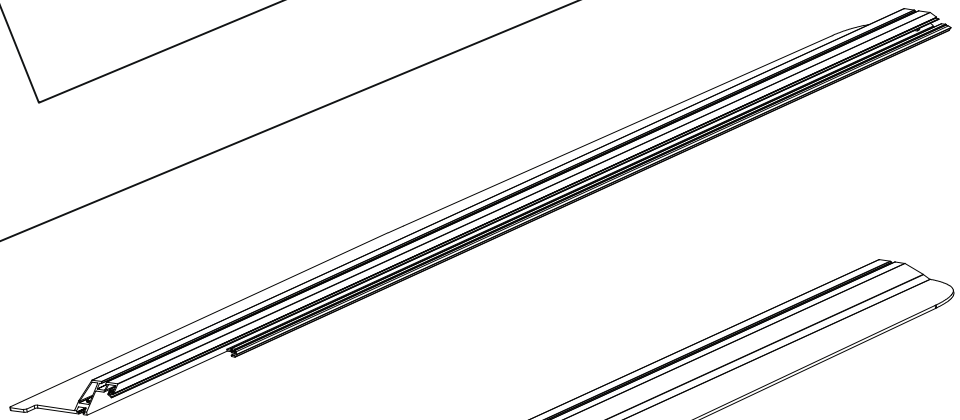
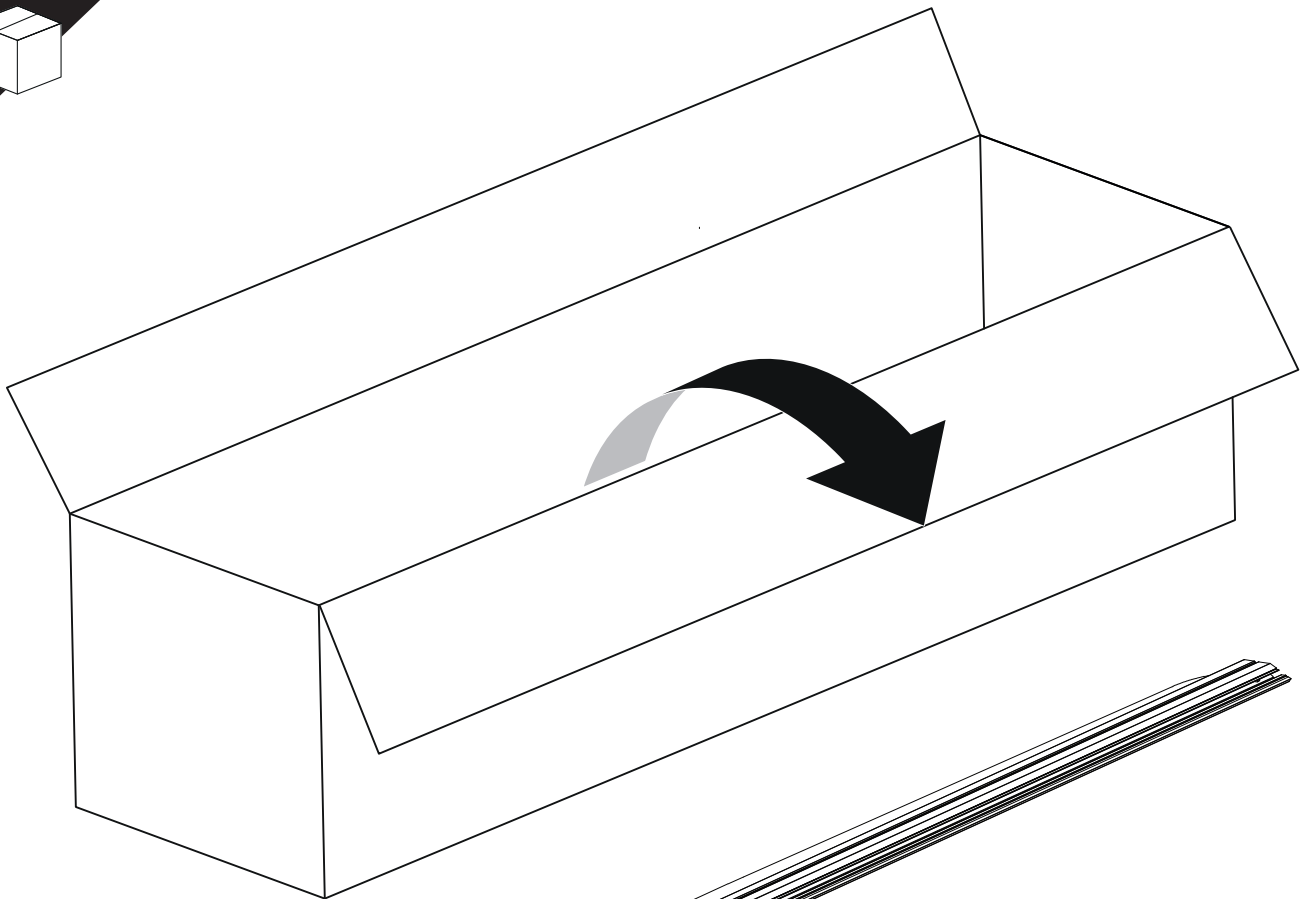


Installation Manual

PART NUMBER(S)	Model Year
TESS 14141 ROLL+ S-KIT	Nissan Frontier 2023+ SHORT BED 5 FEET NO C-CHANNELS
TESS 14142 ROLL+ S-KIT	Nissan Frontier 2023+ LONG BED 6.1 FEET NO C-CHANNELS
Cab(s)	Installation Time / Weight
Double Cab American Model	40-60 minutes / 53-57 kg





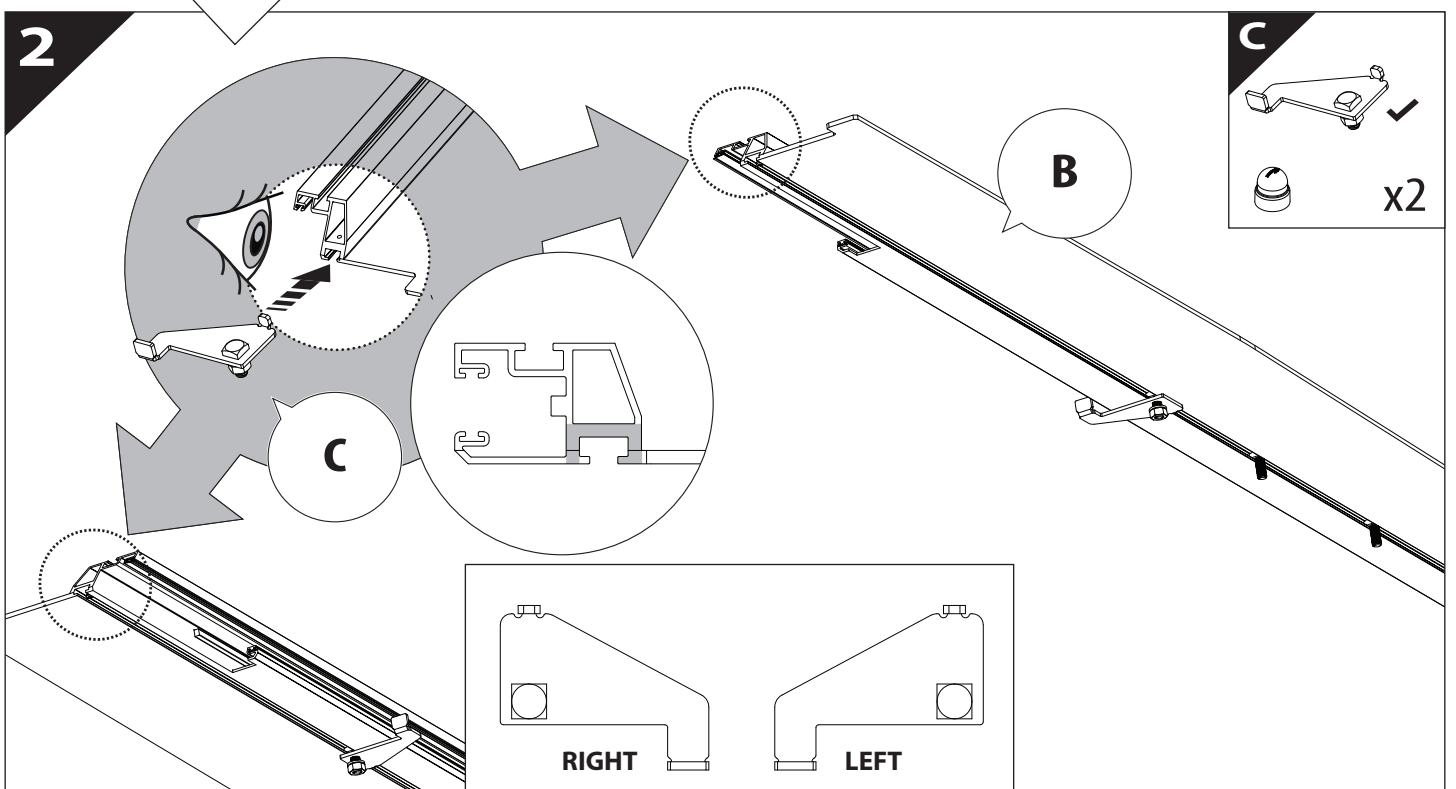
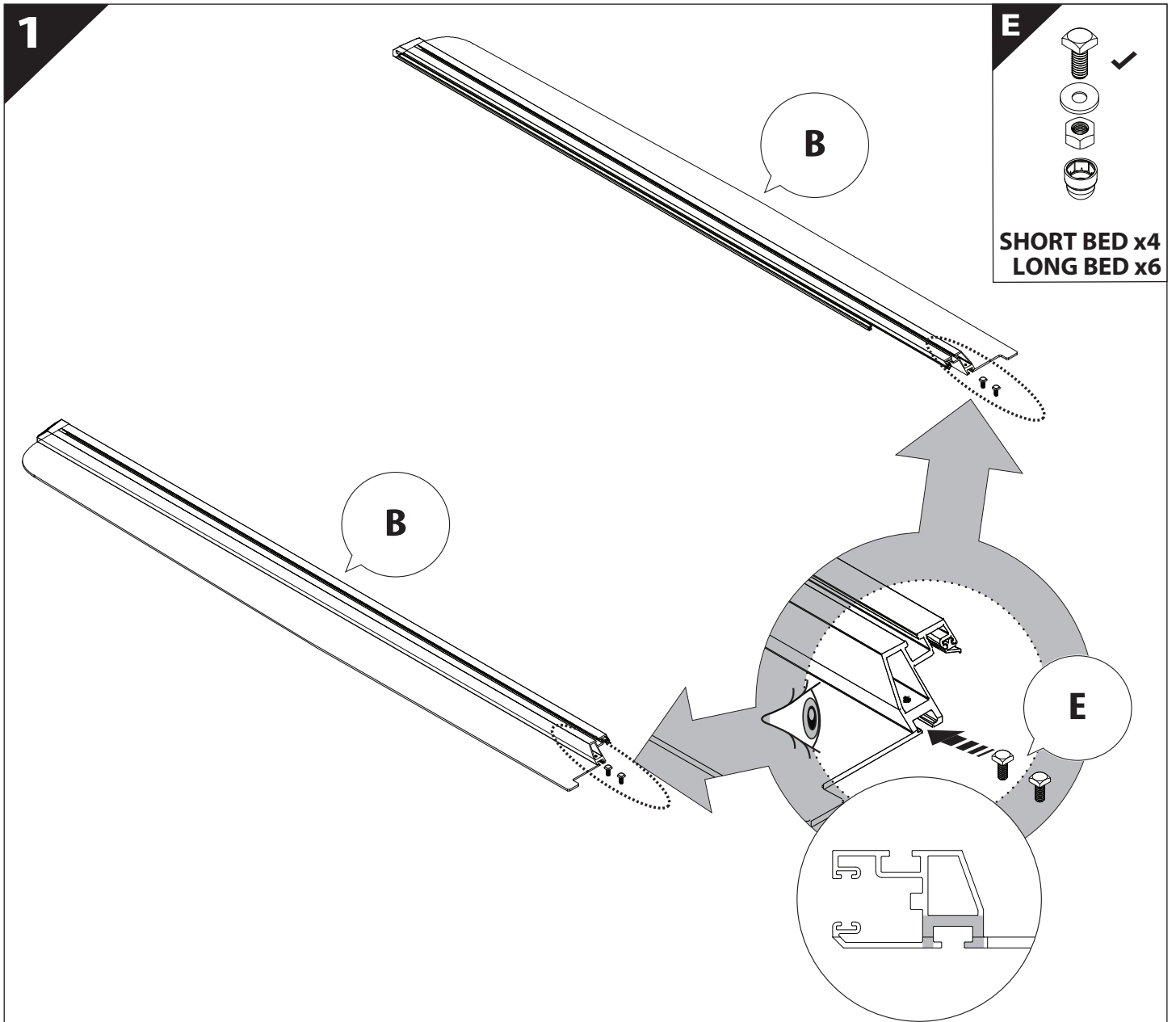


B

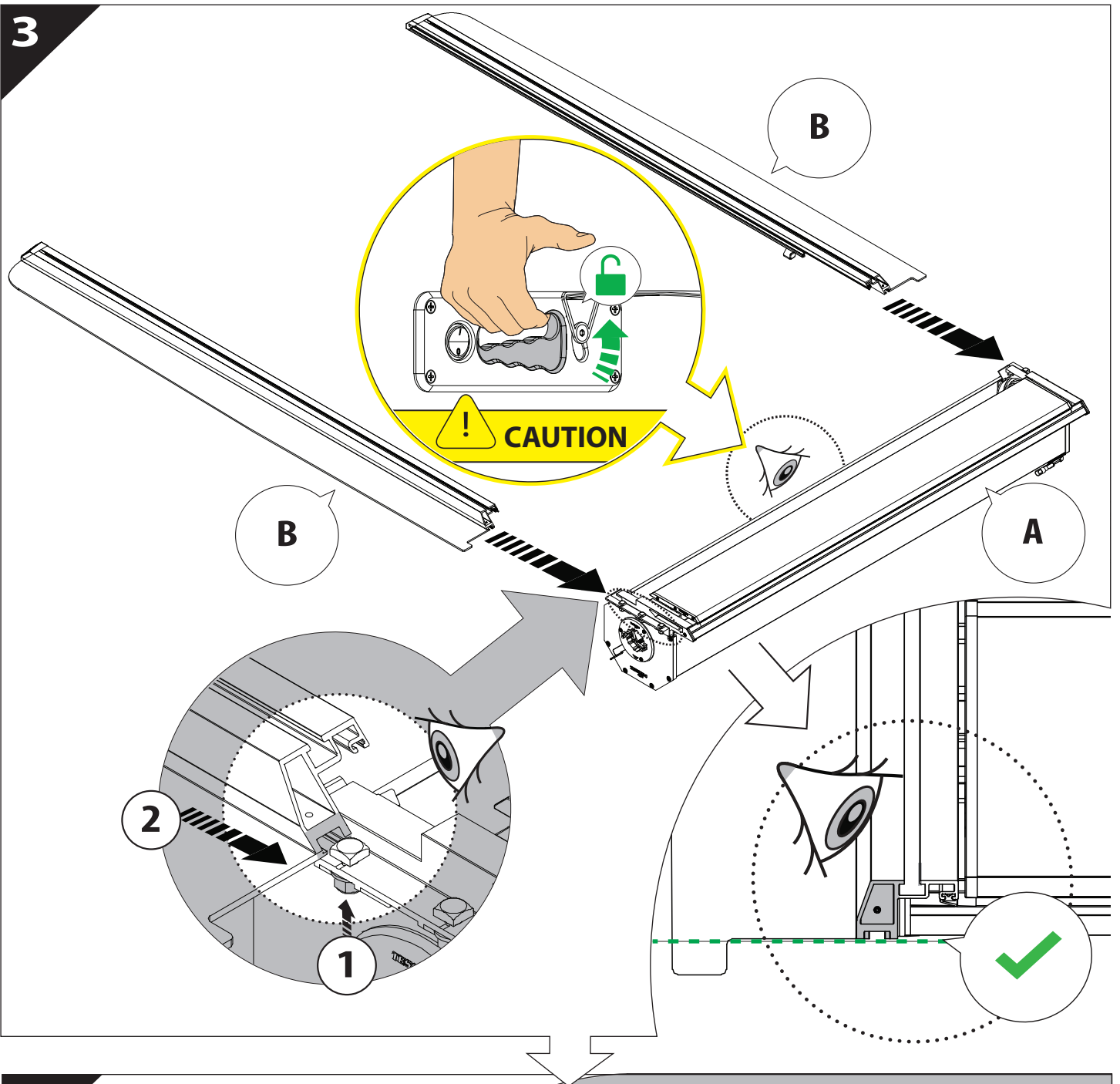
A

KITS

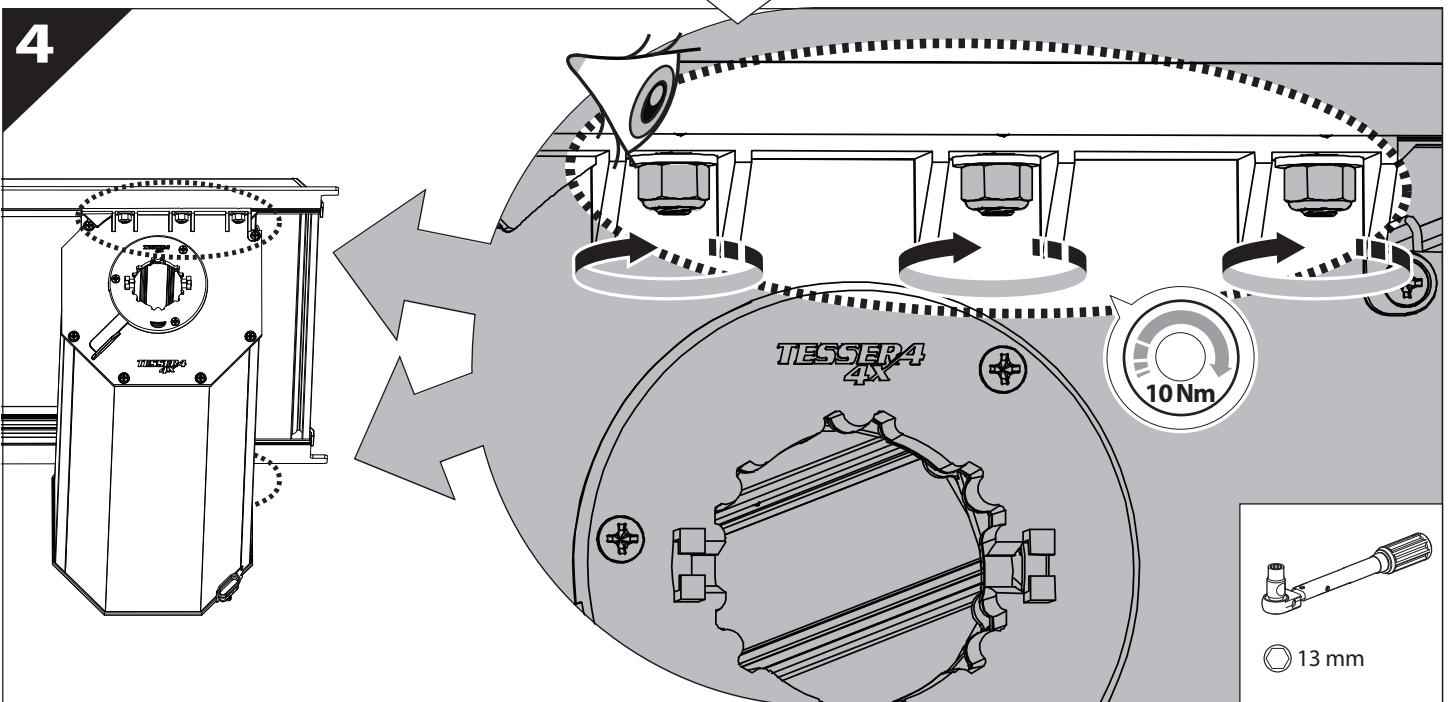
L

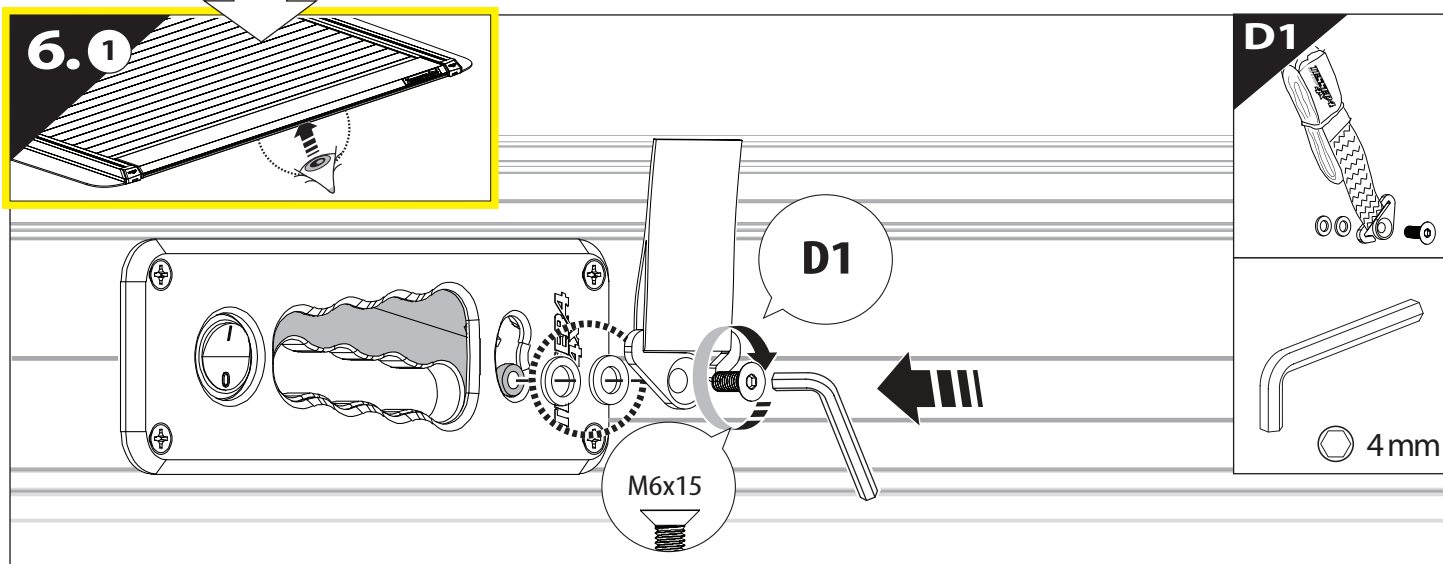
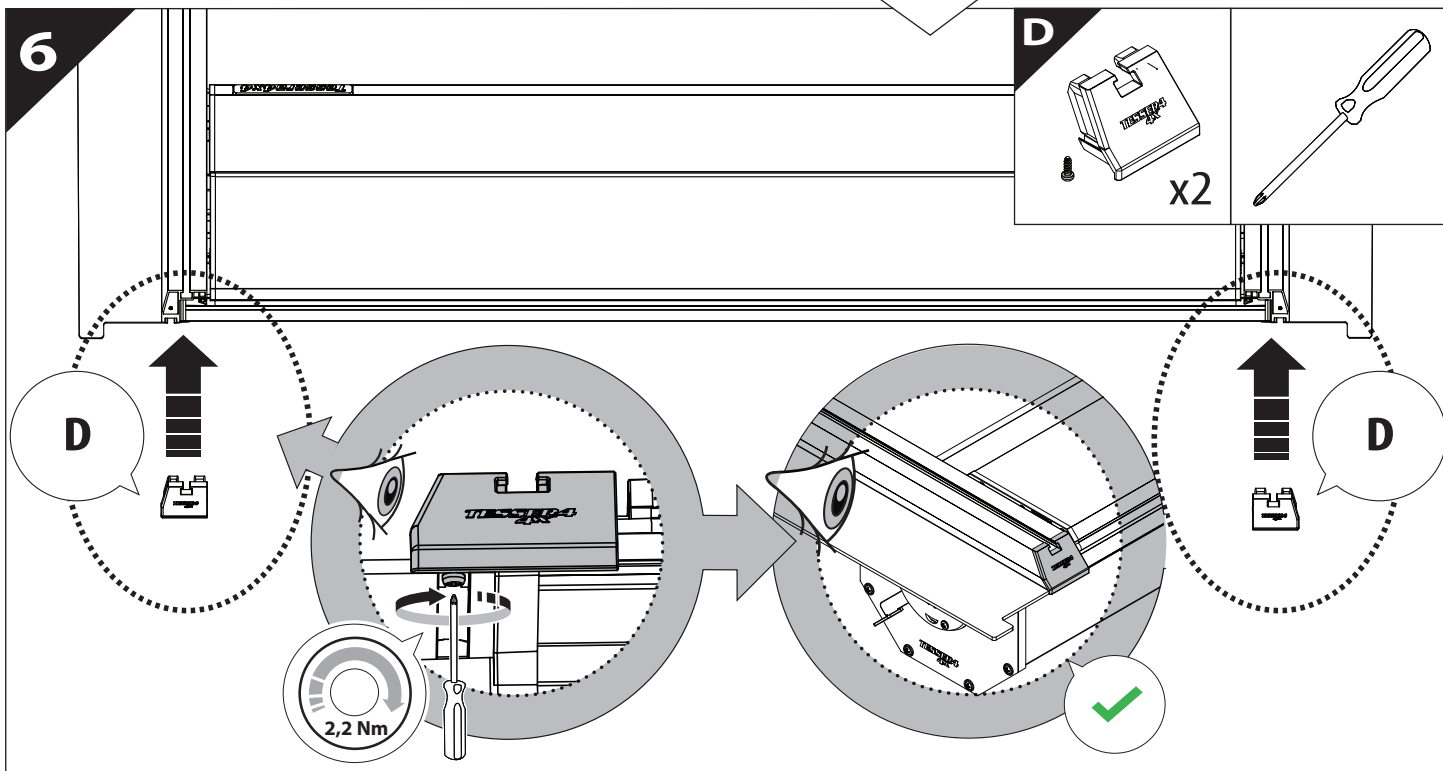
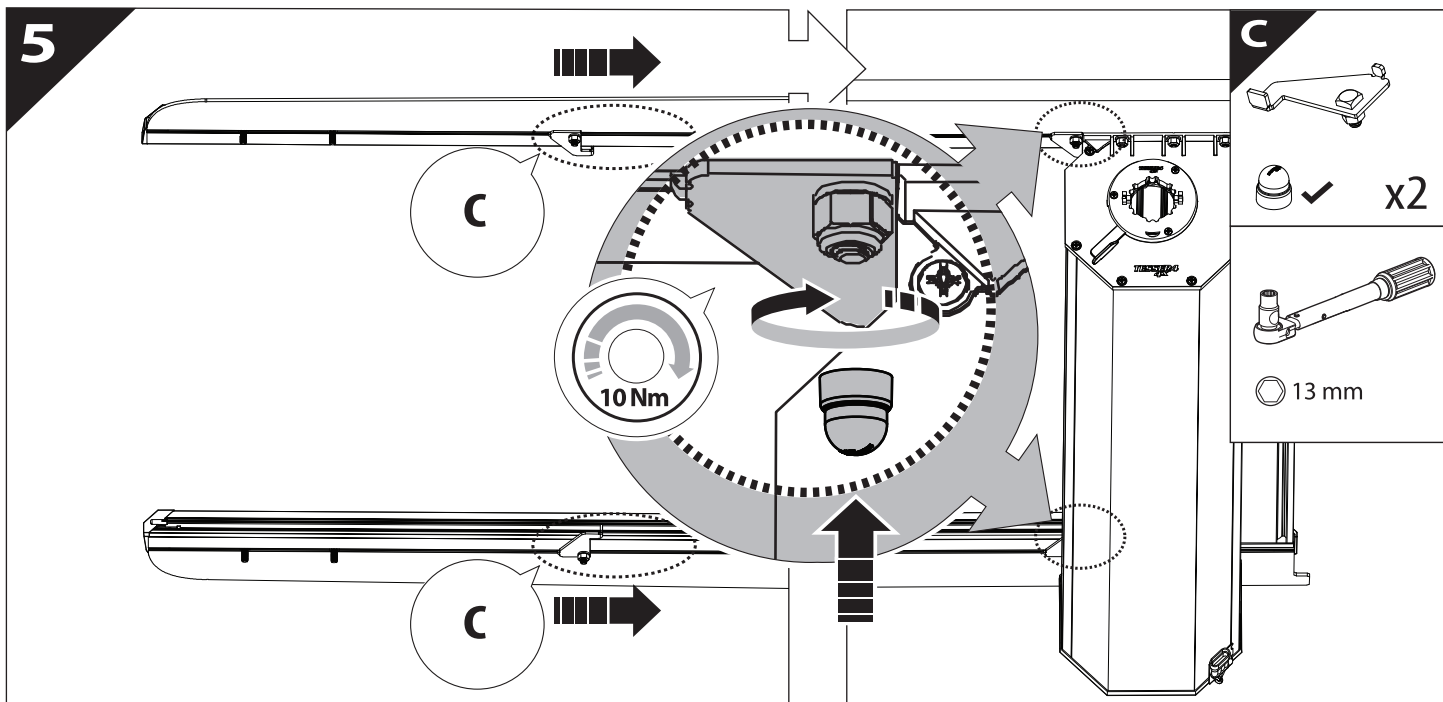


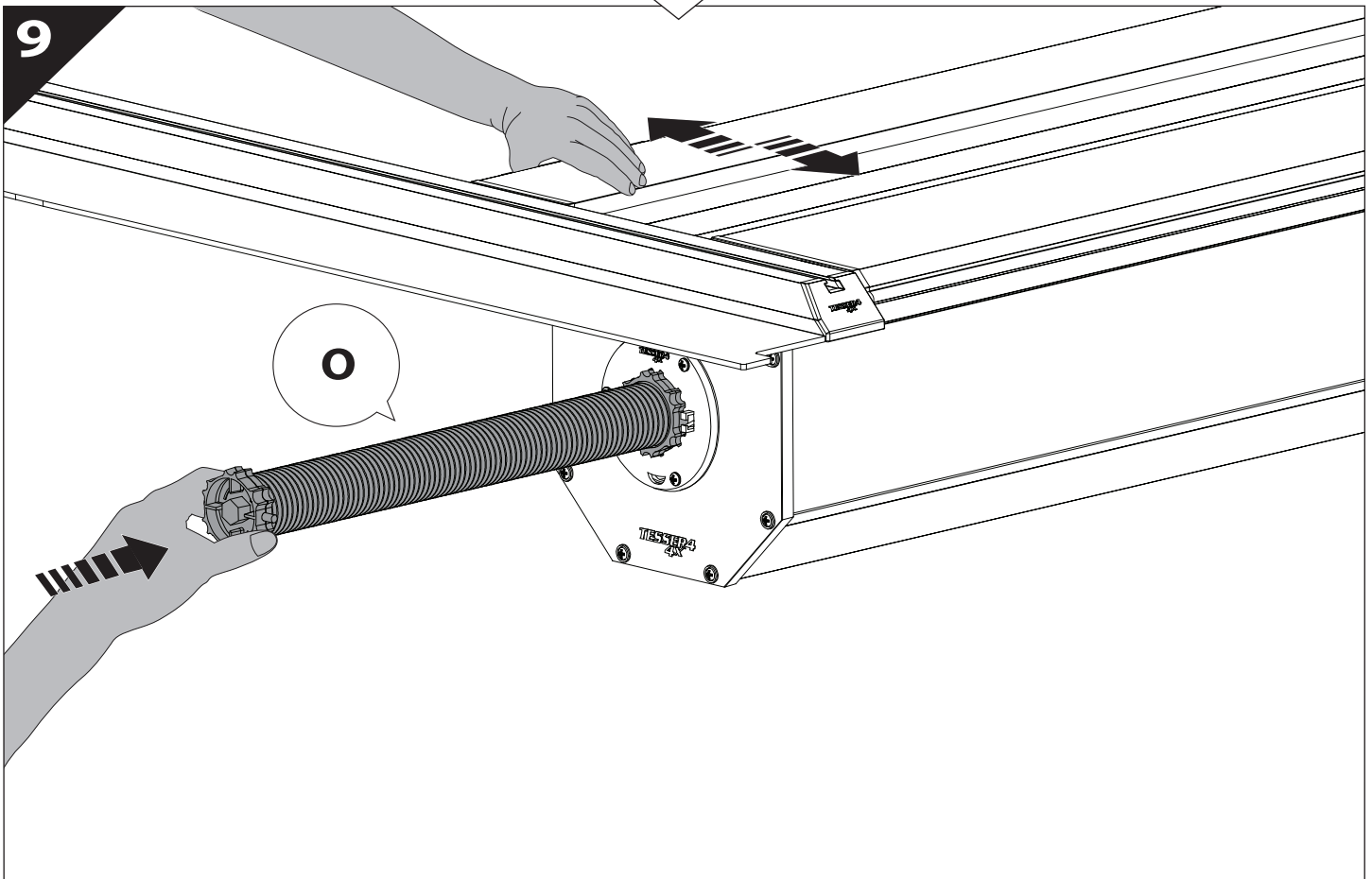
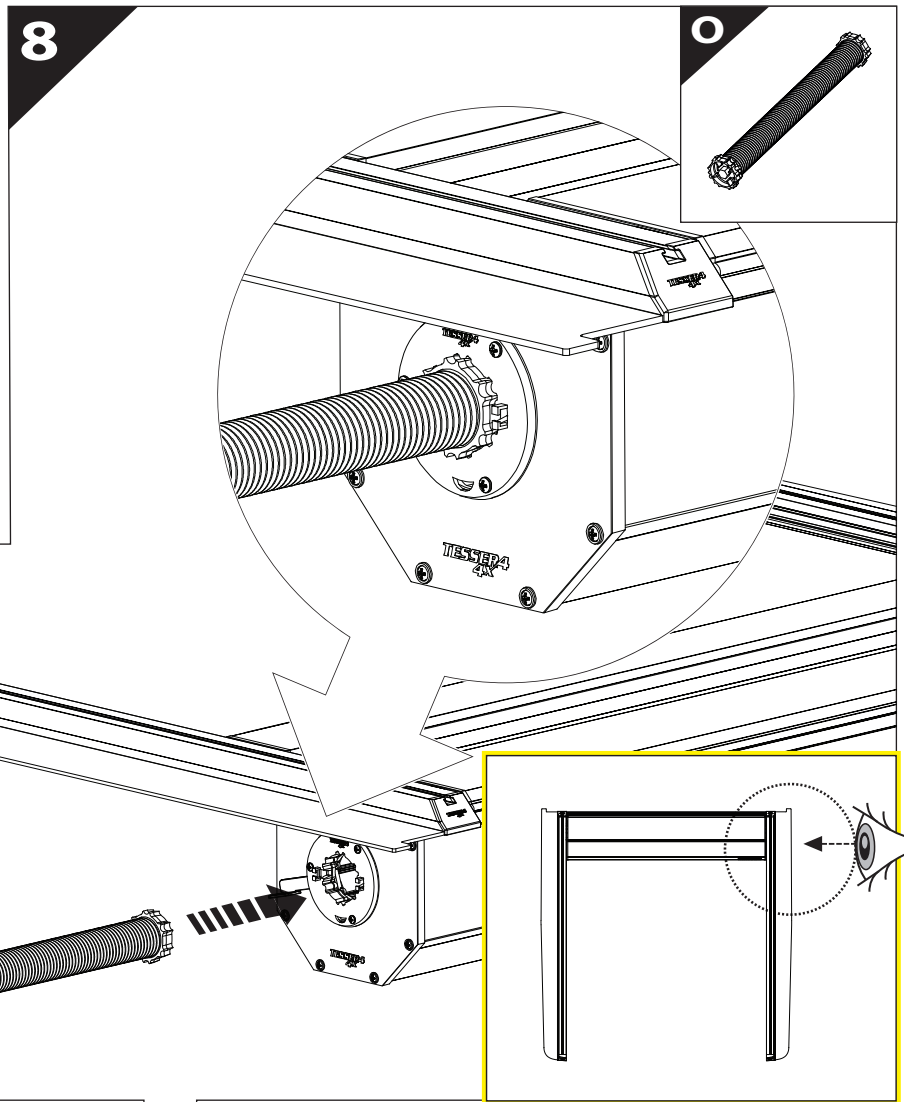
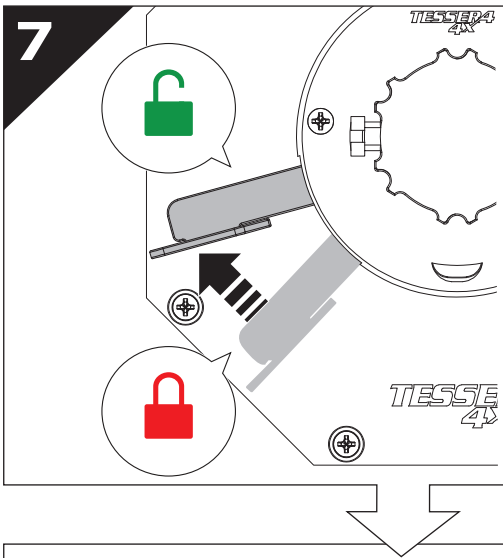
3



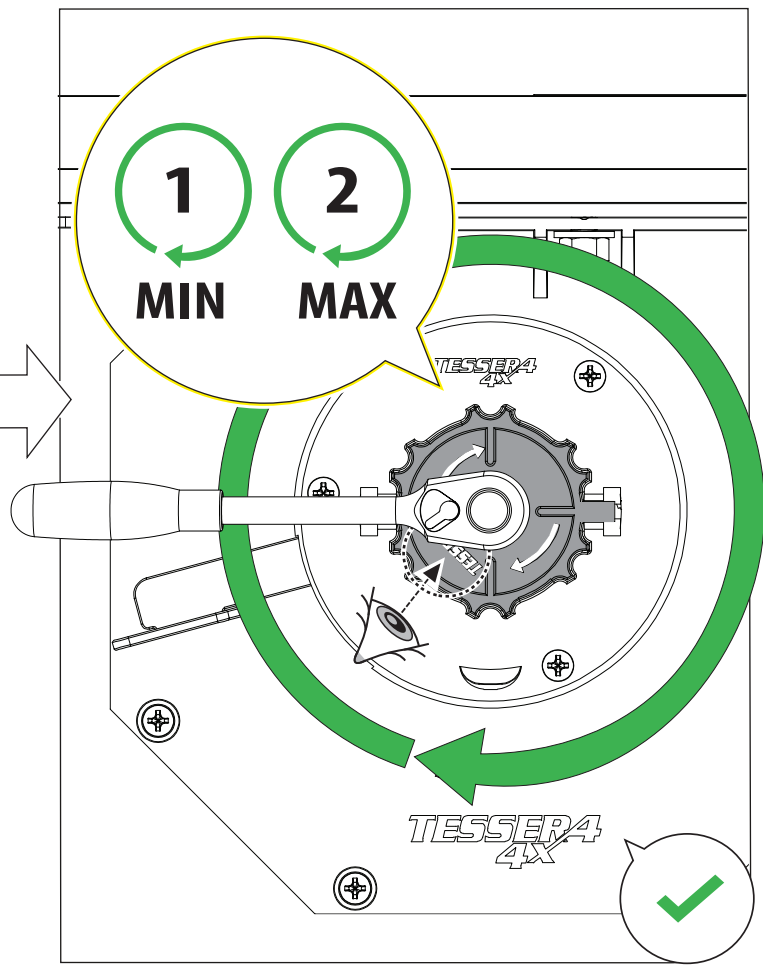
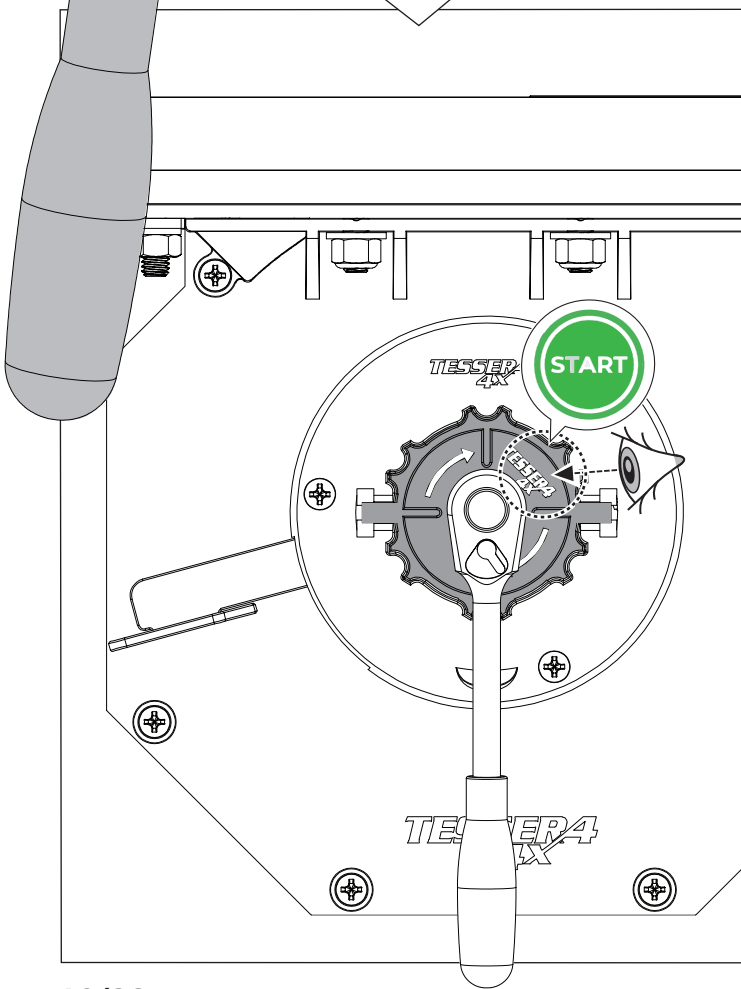
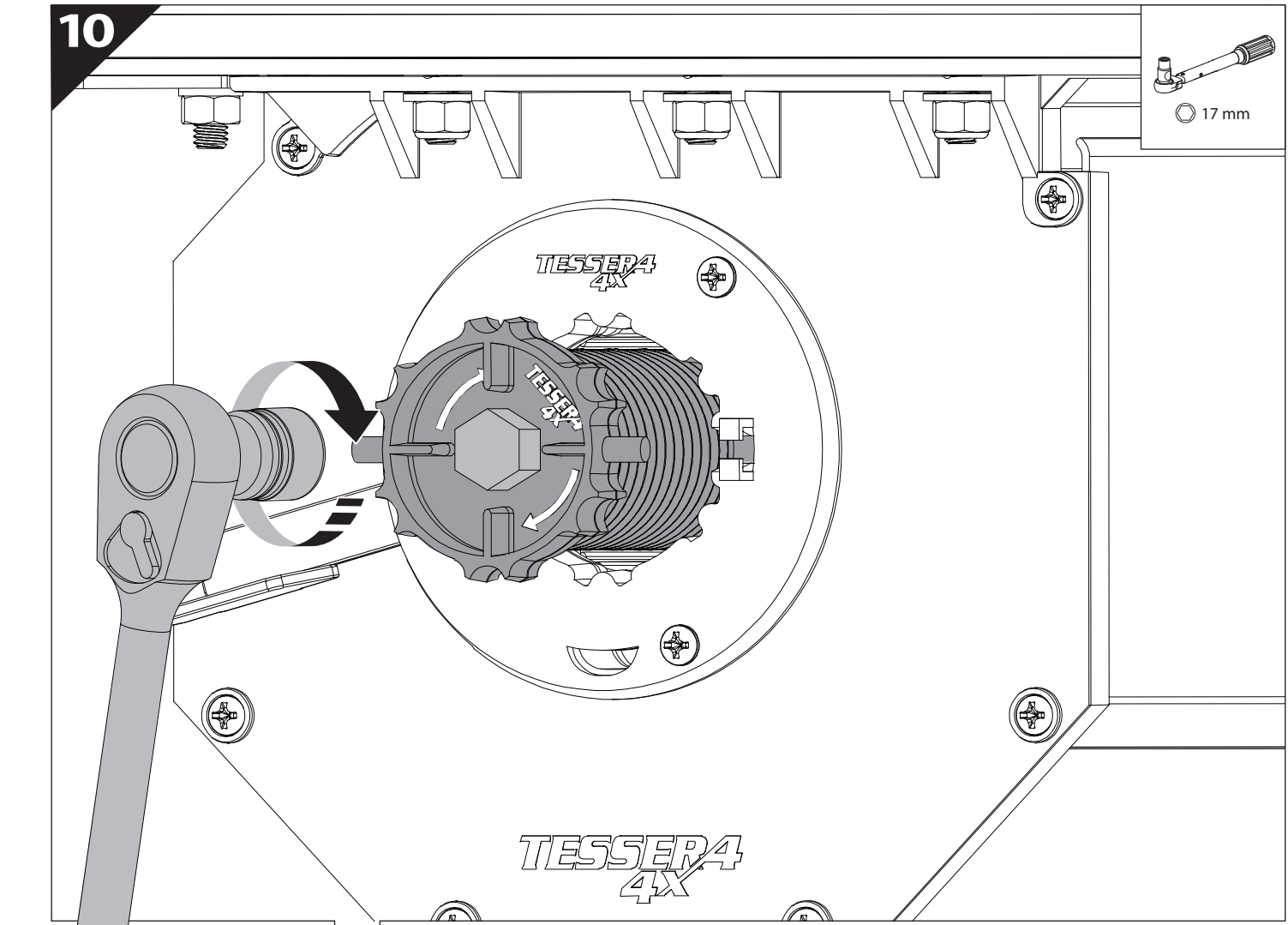
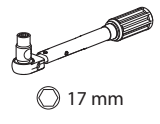
4



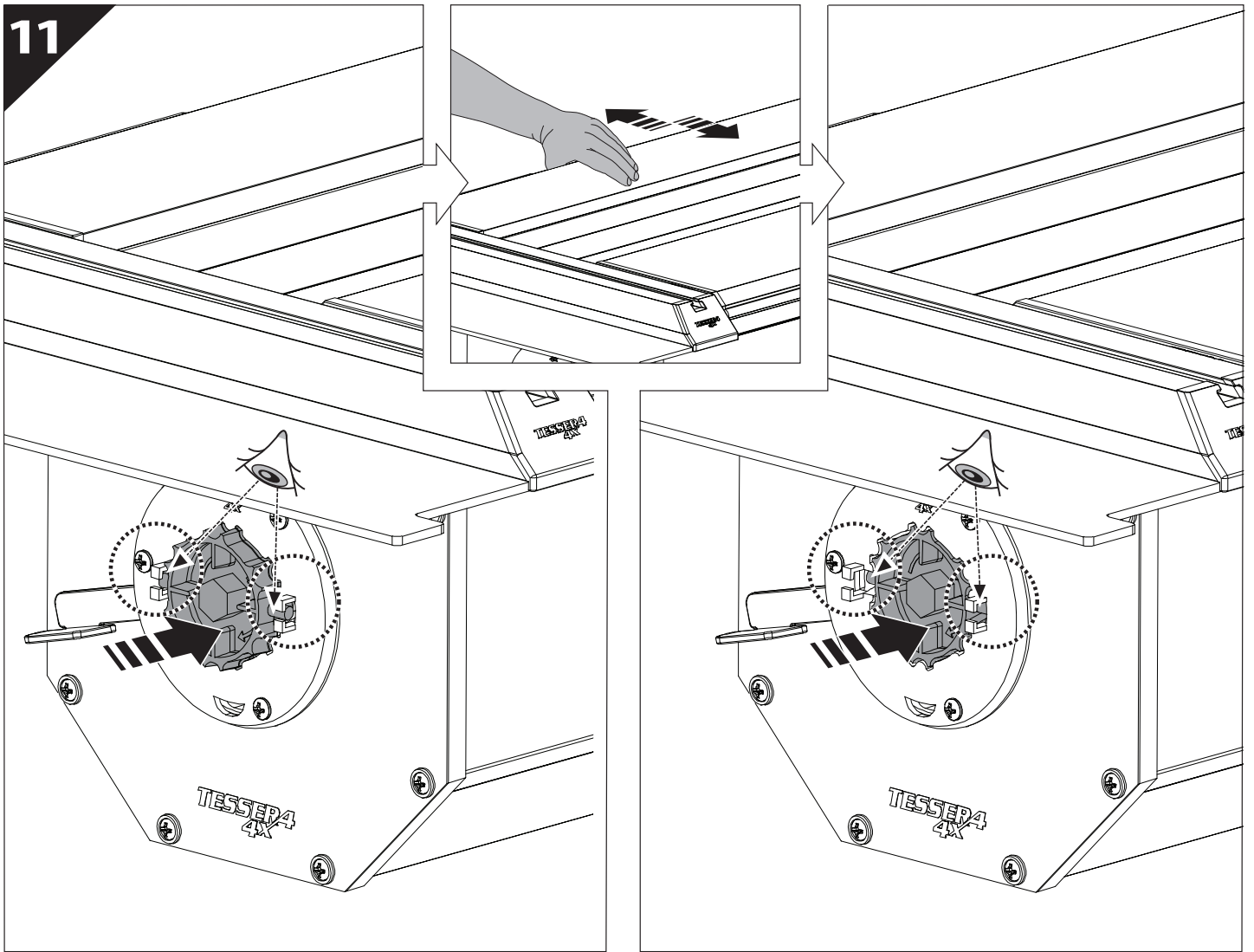




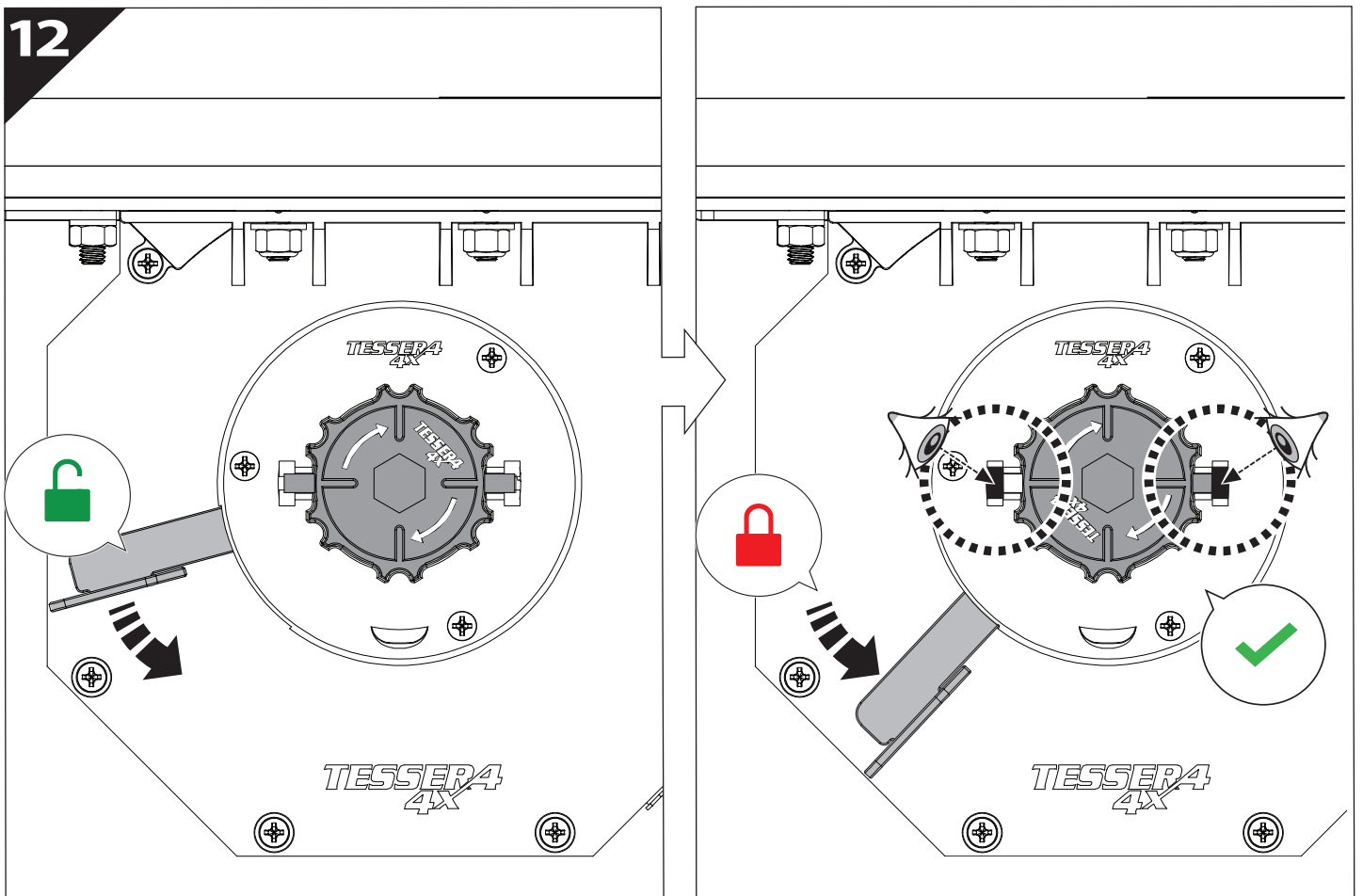
10



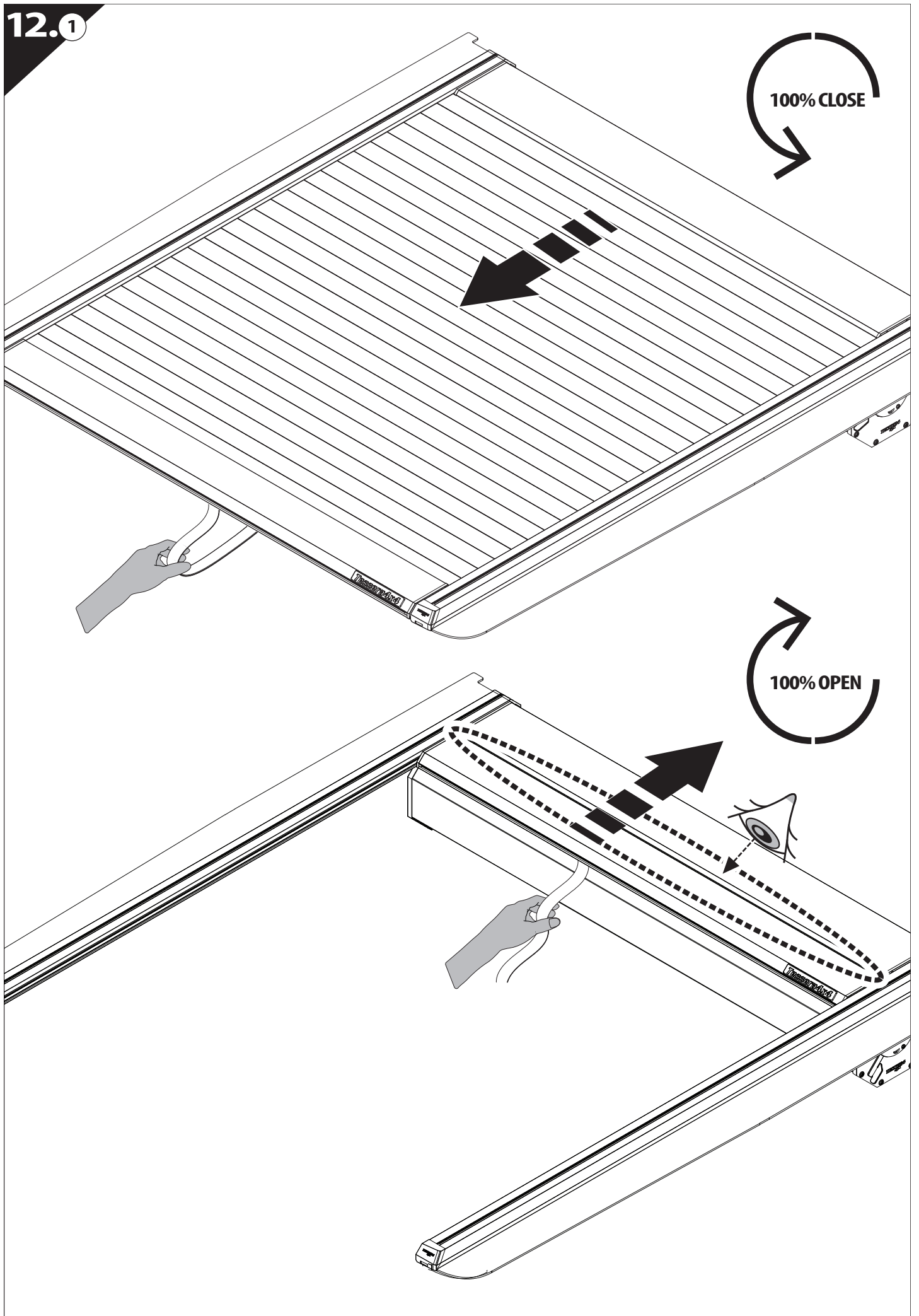
11

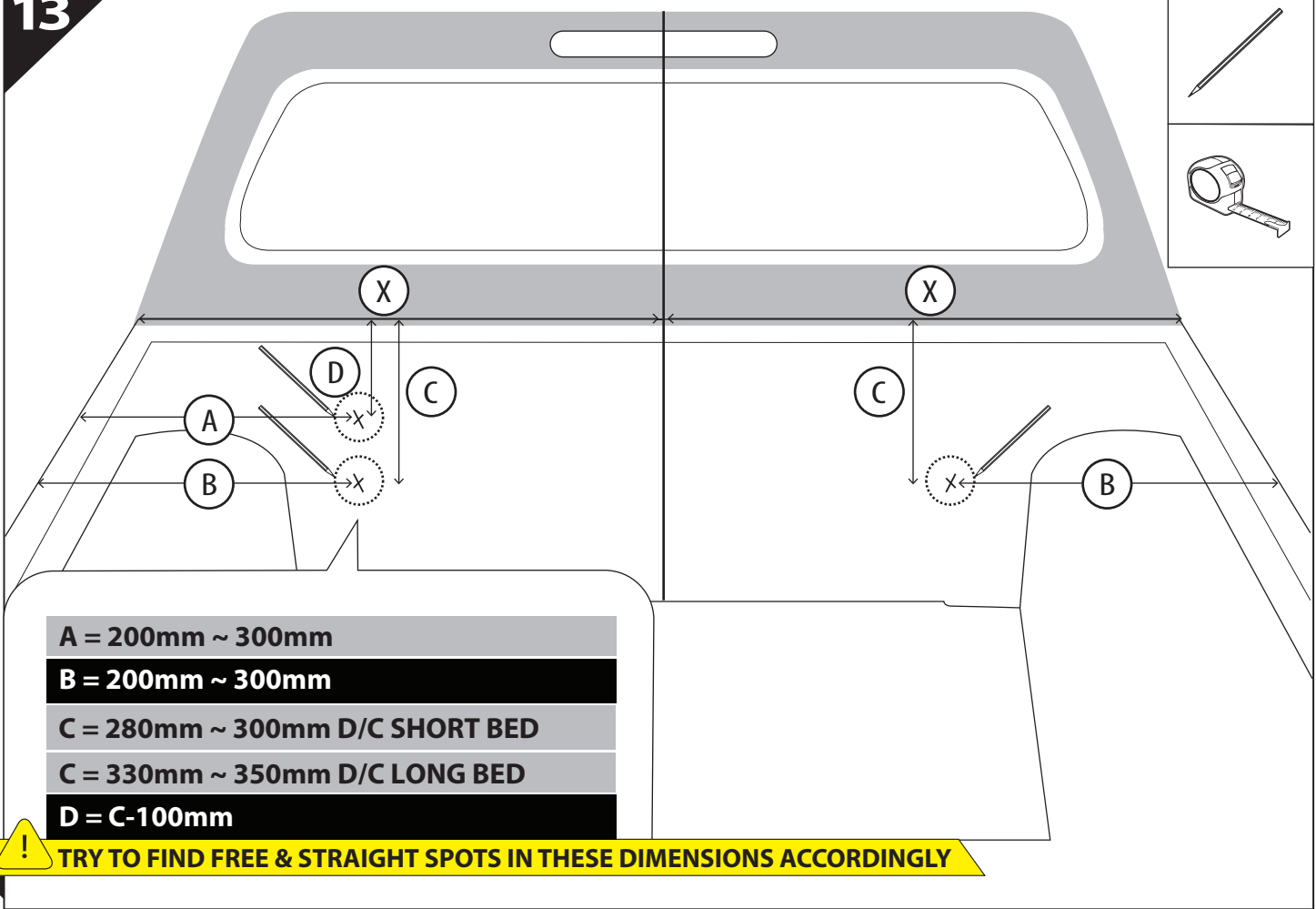
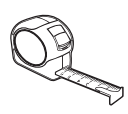


12



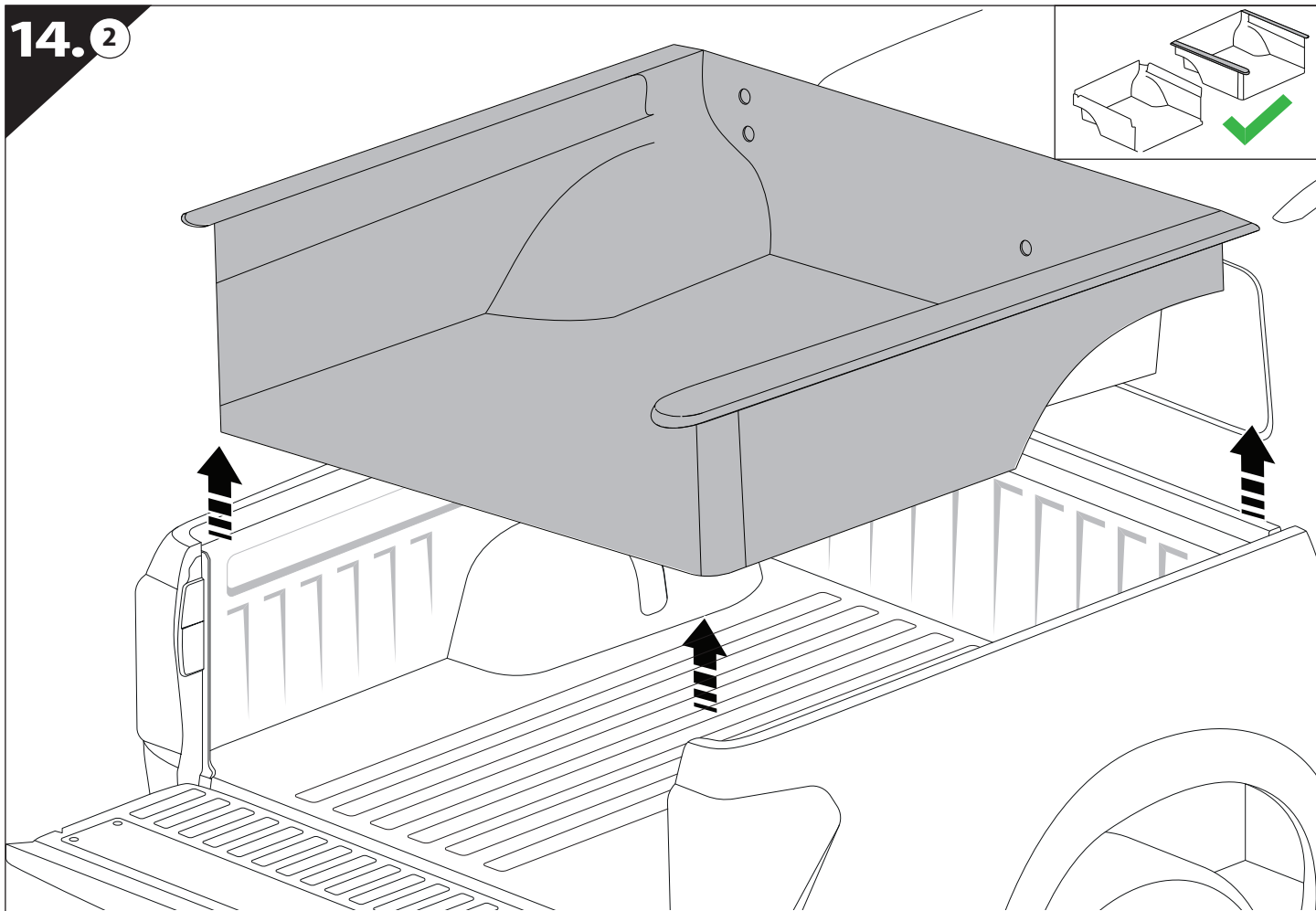
12.0



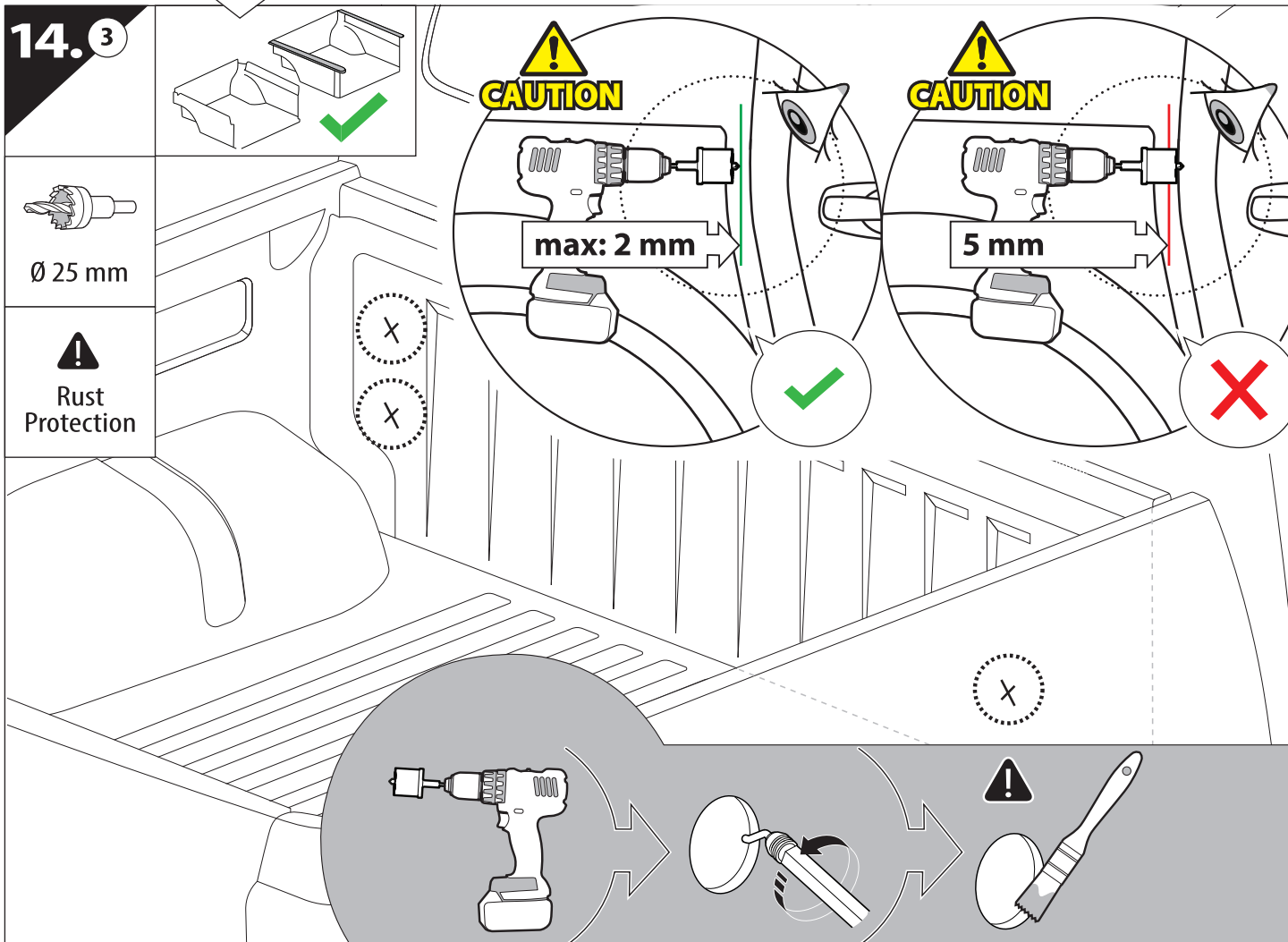


! TRY TO FIND FREE & STRAIGHT SPOTS IN THESE DIMENSIONS ACCORDINGLY

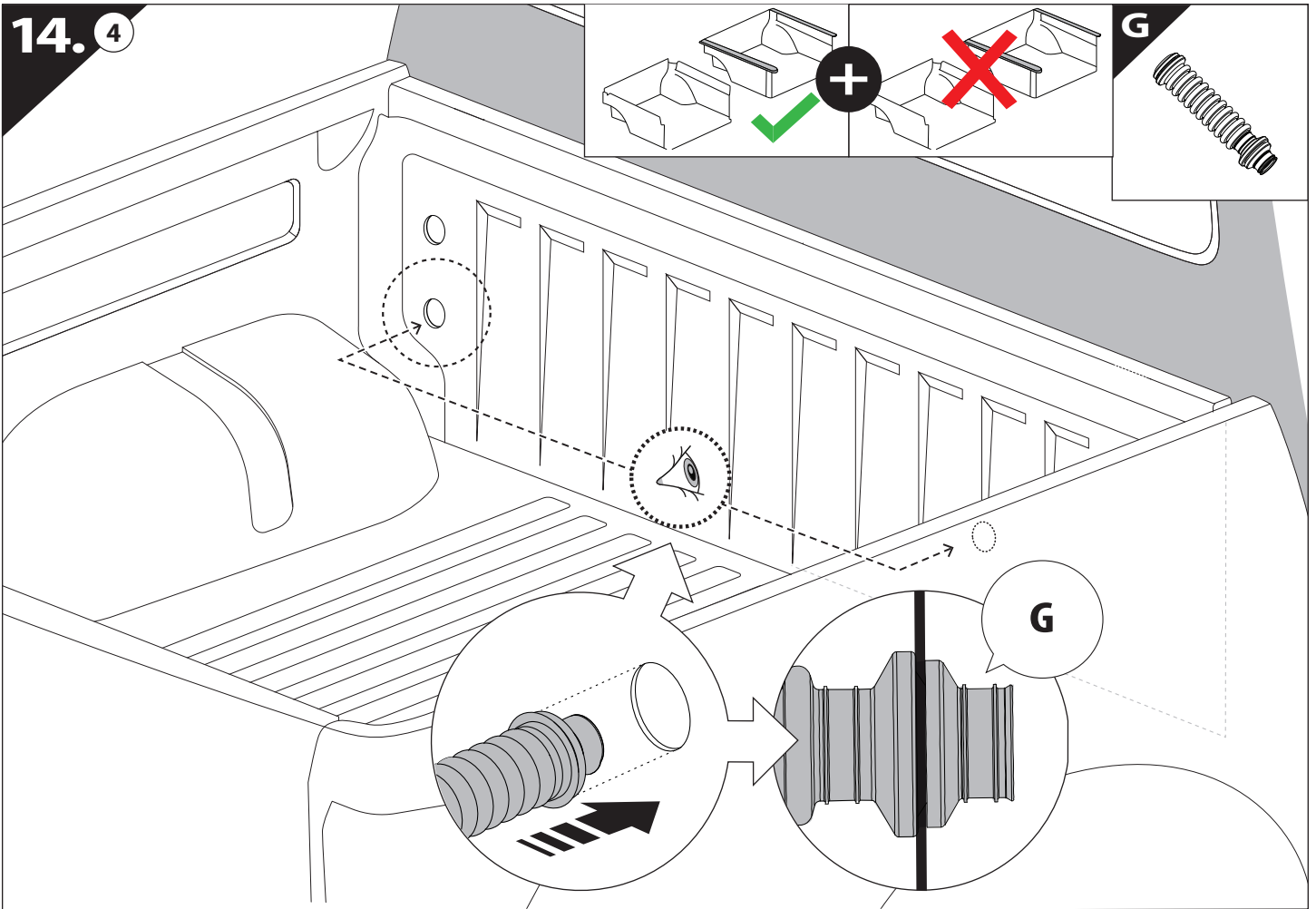
14.2



14.3

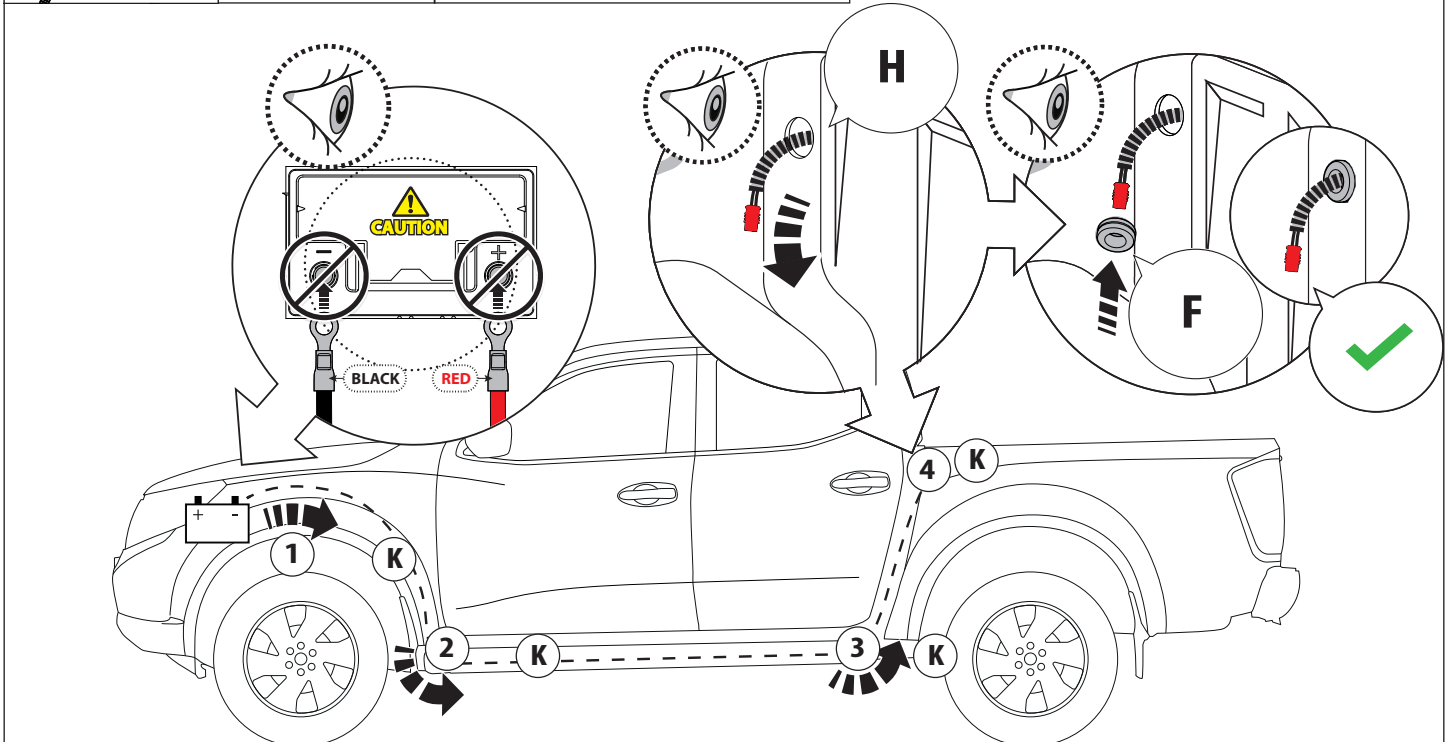
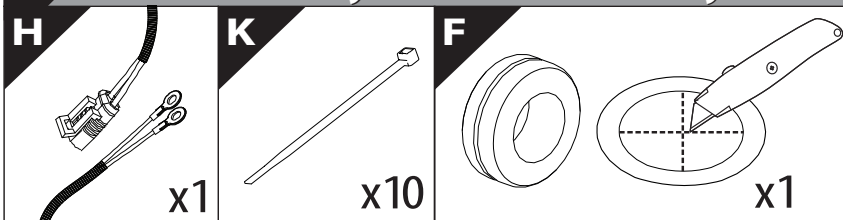


14. 4

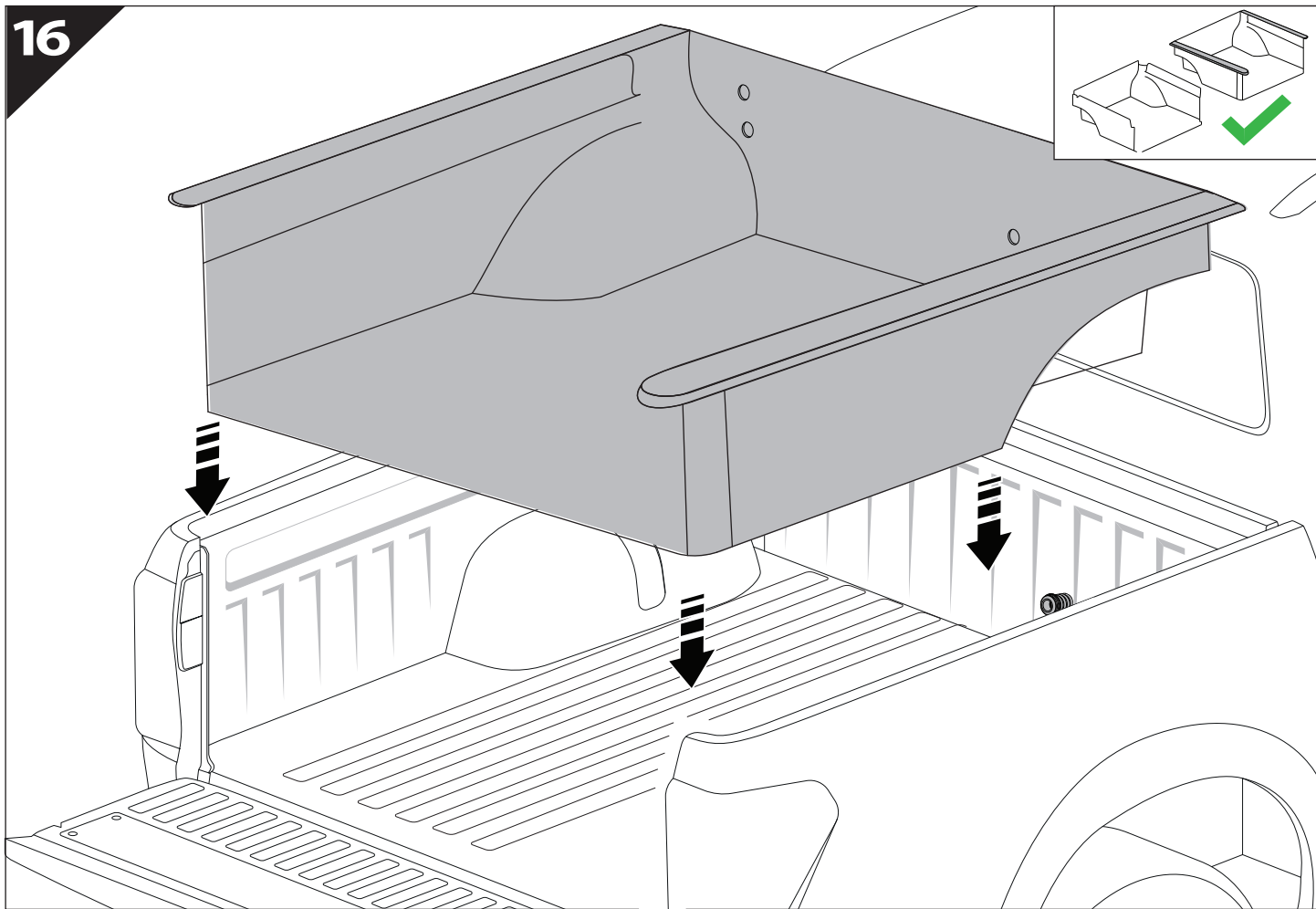


15

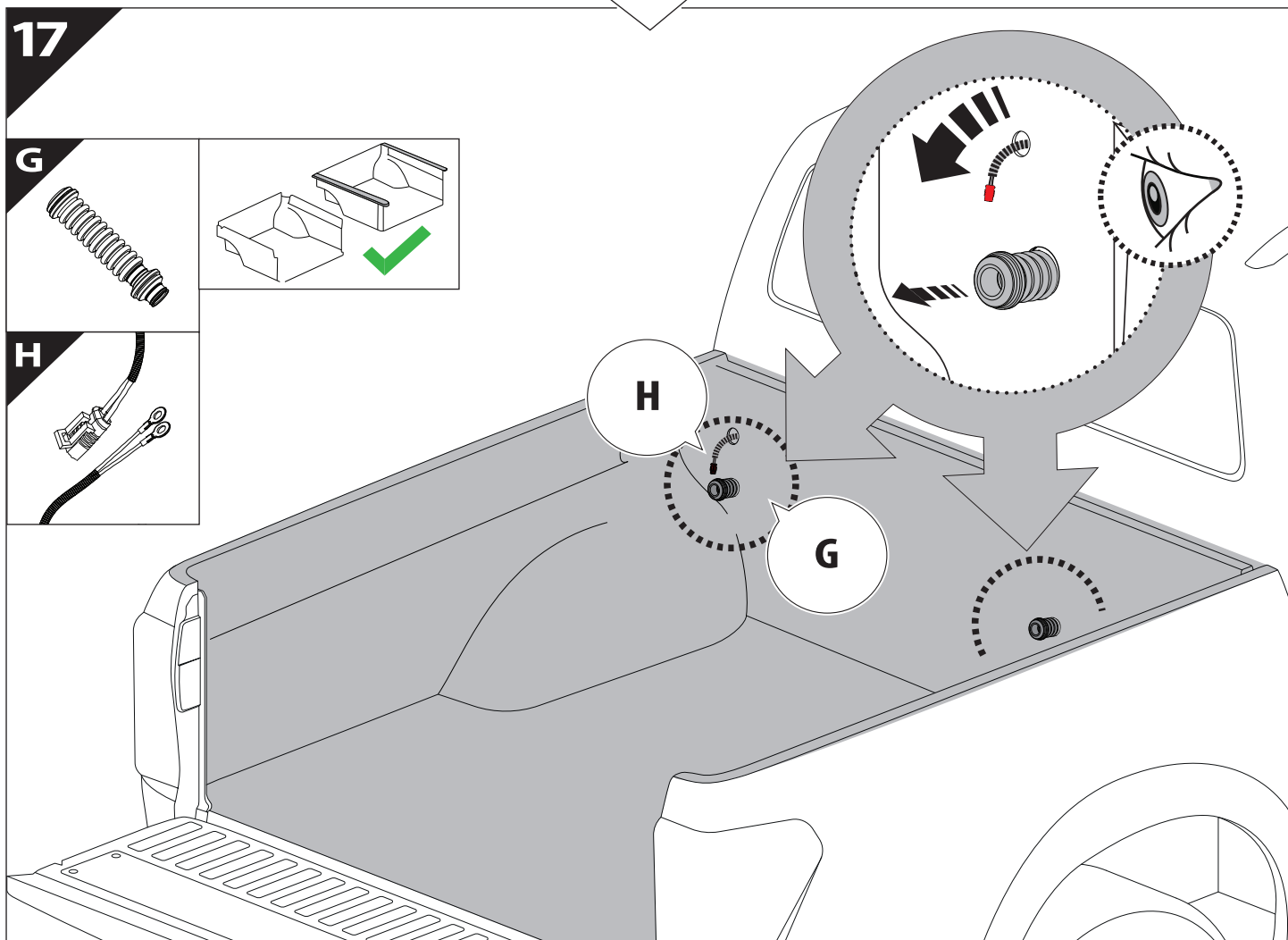
Only to be installed by authorized personnel



16

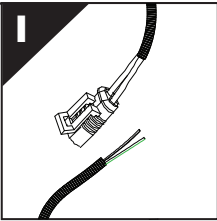


17

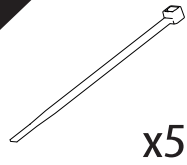


18

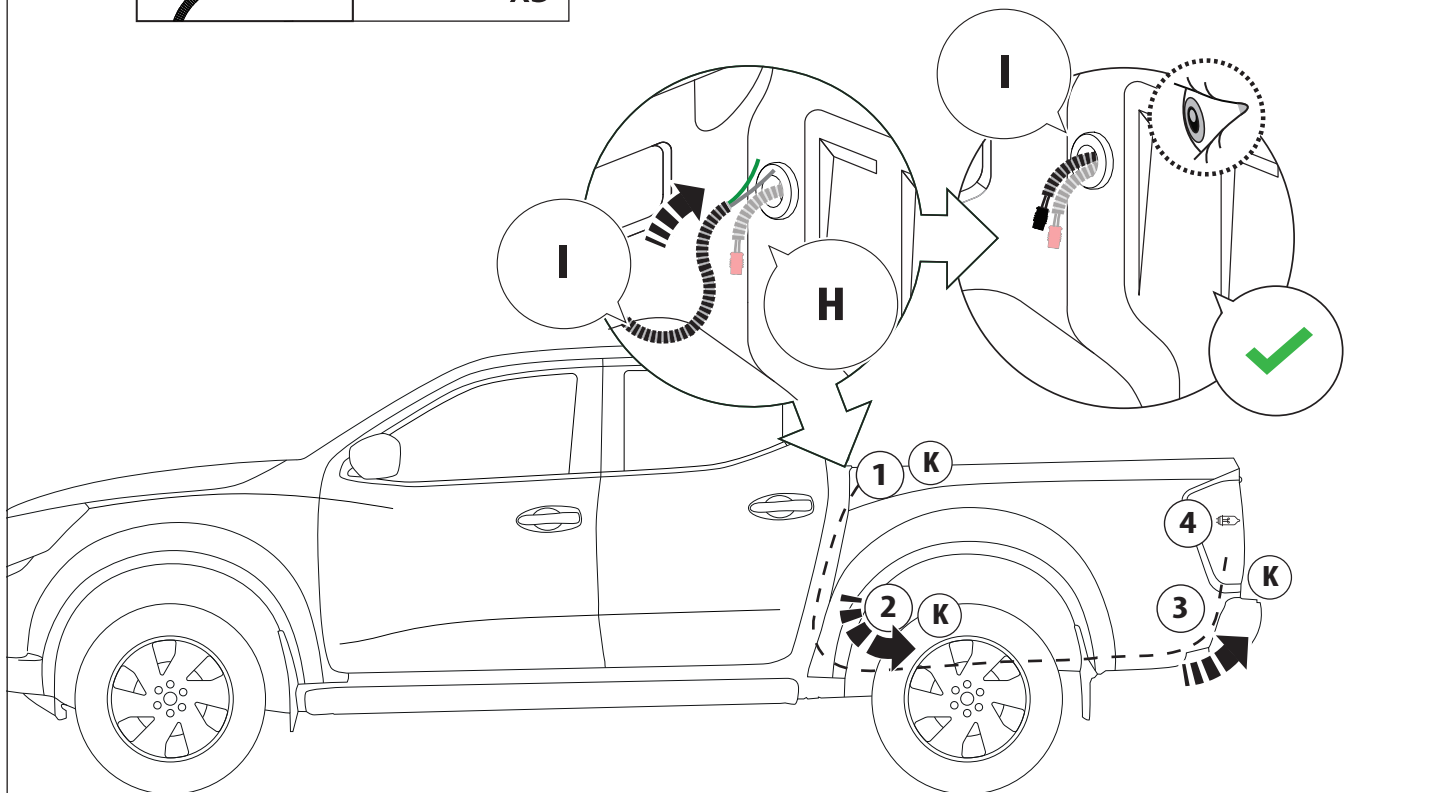
I



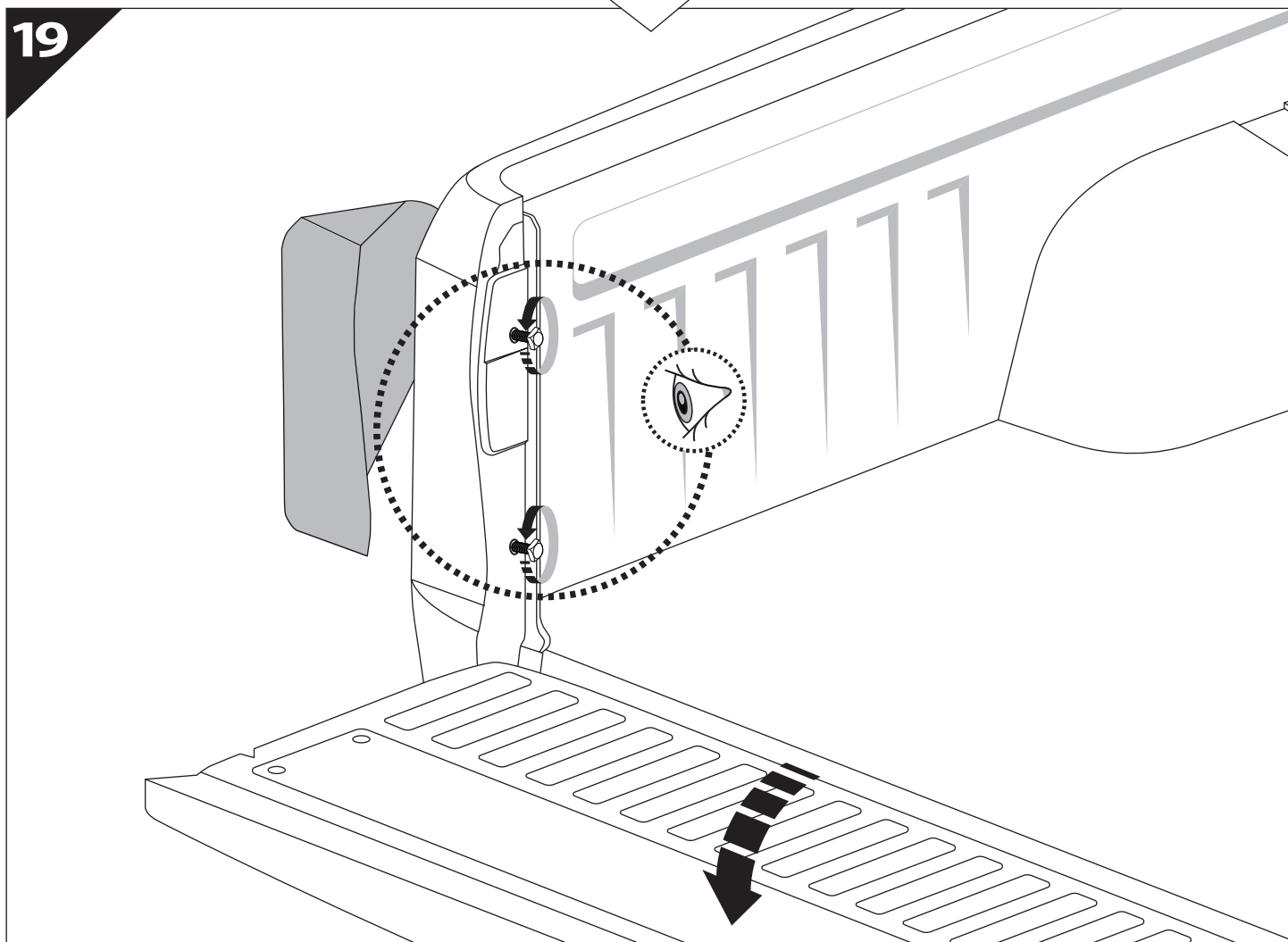
K

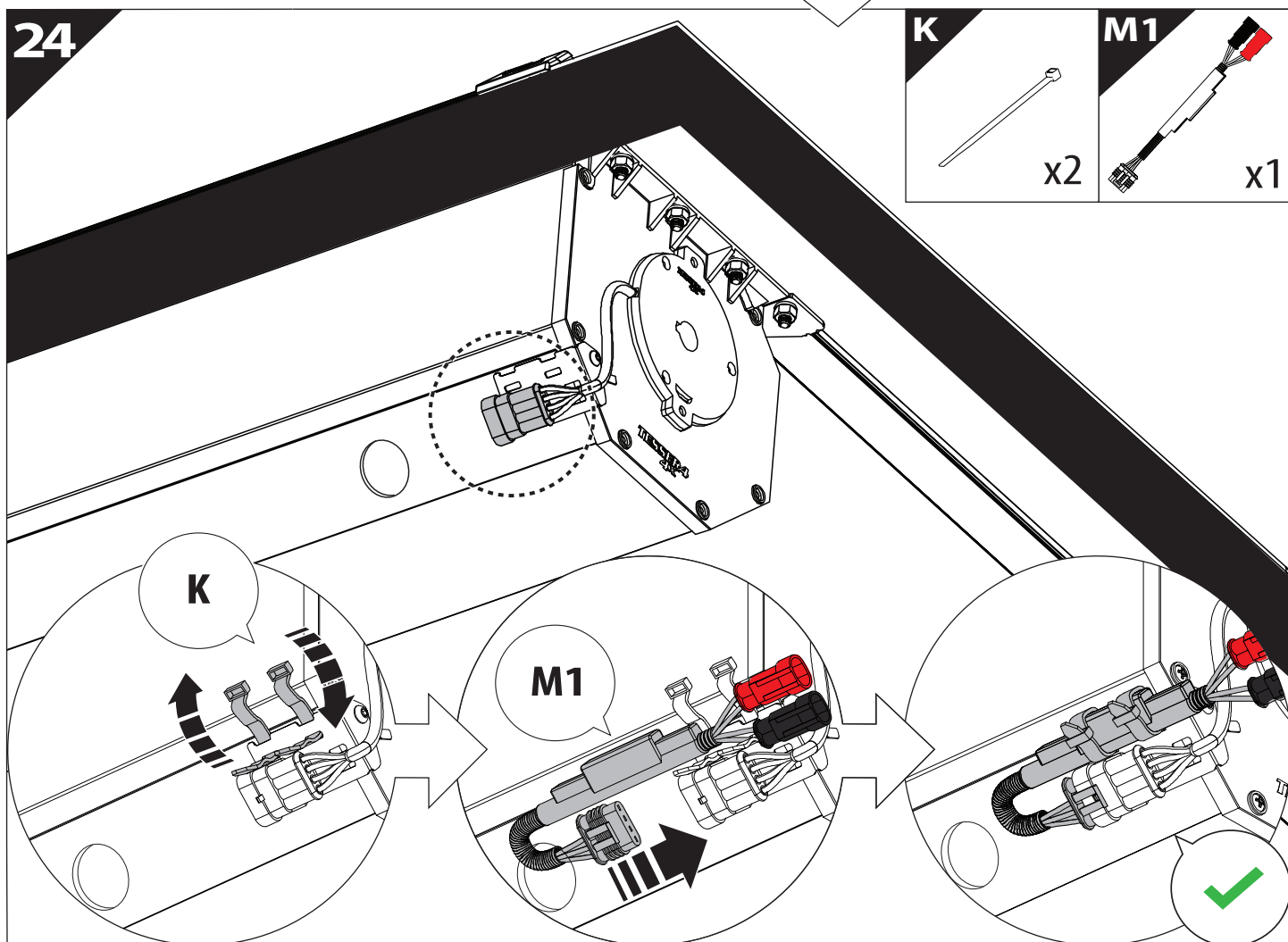
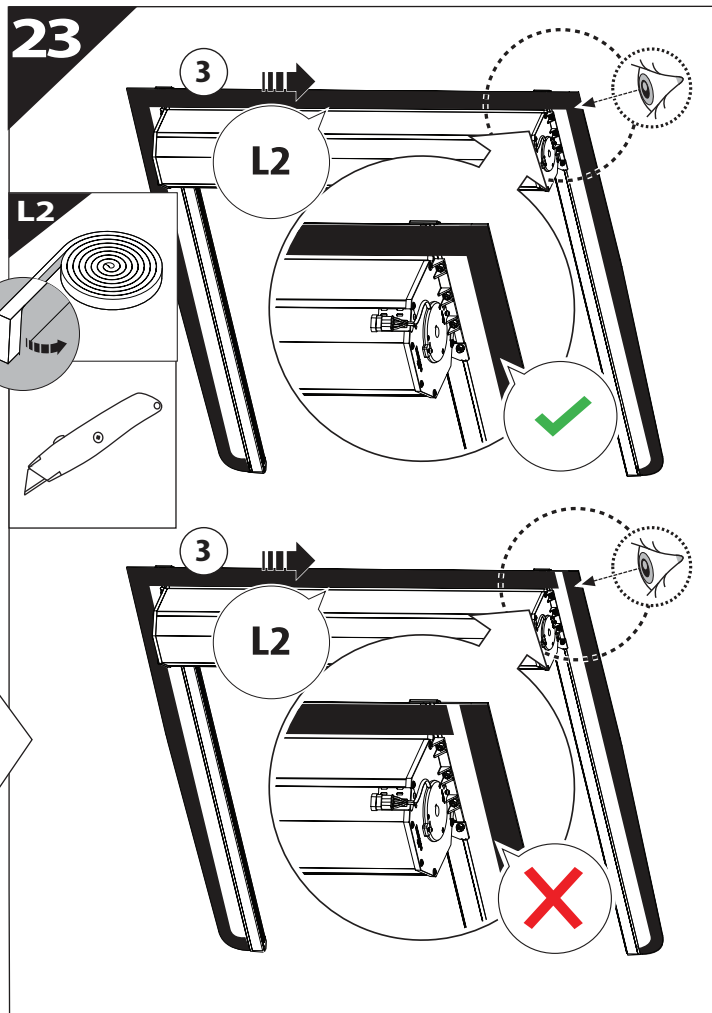
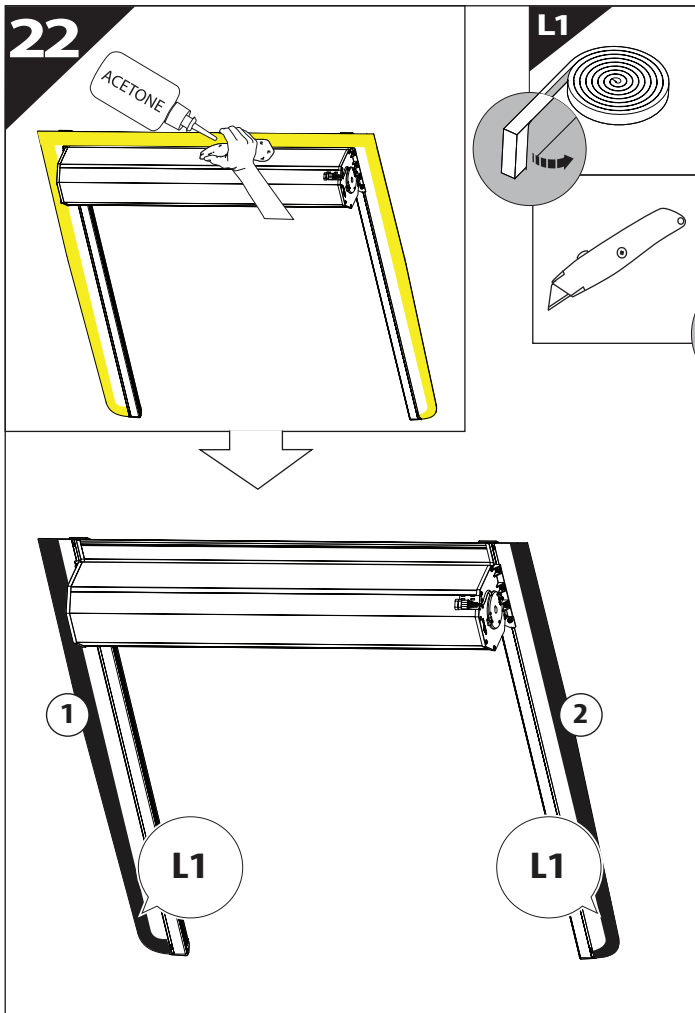


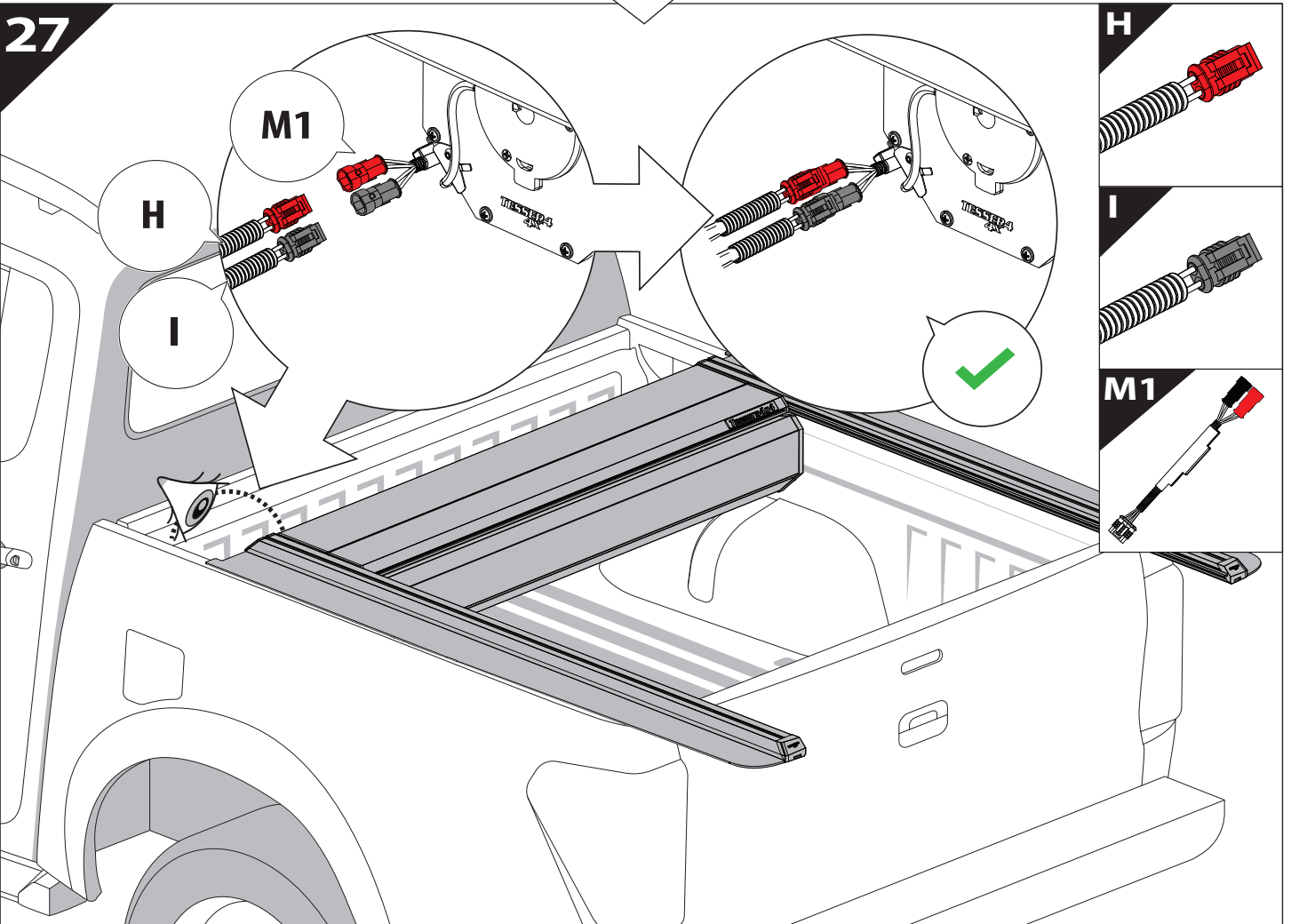
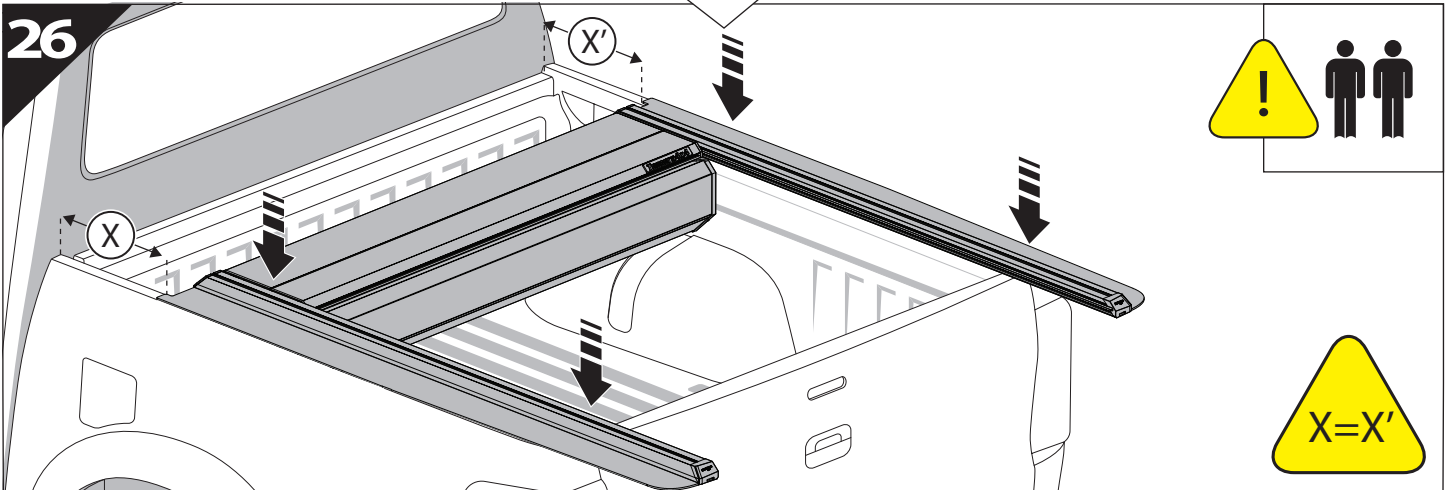
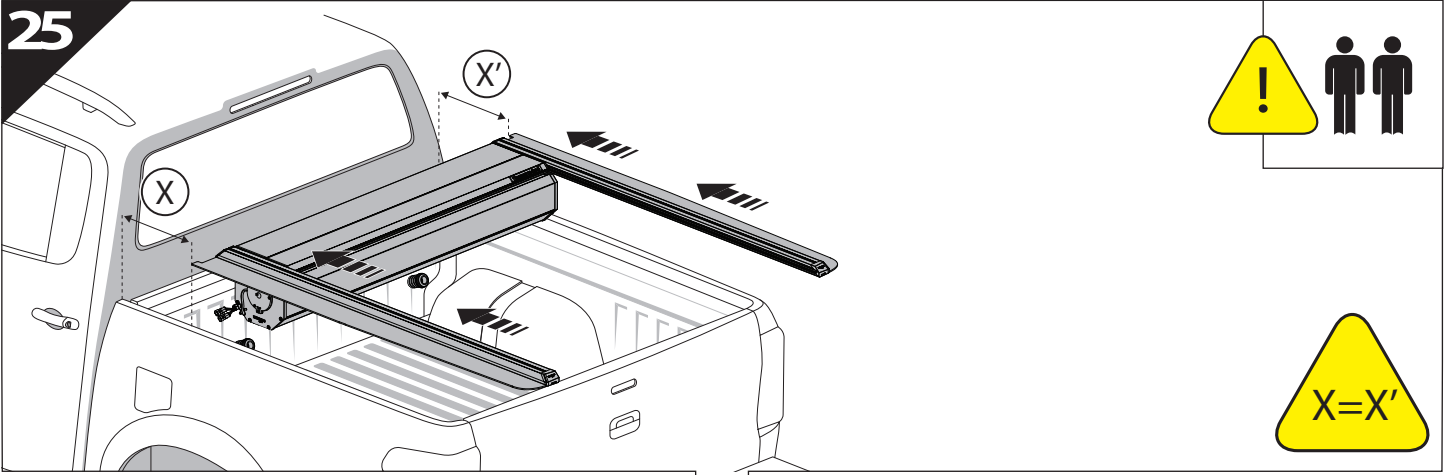
x5



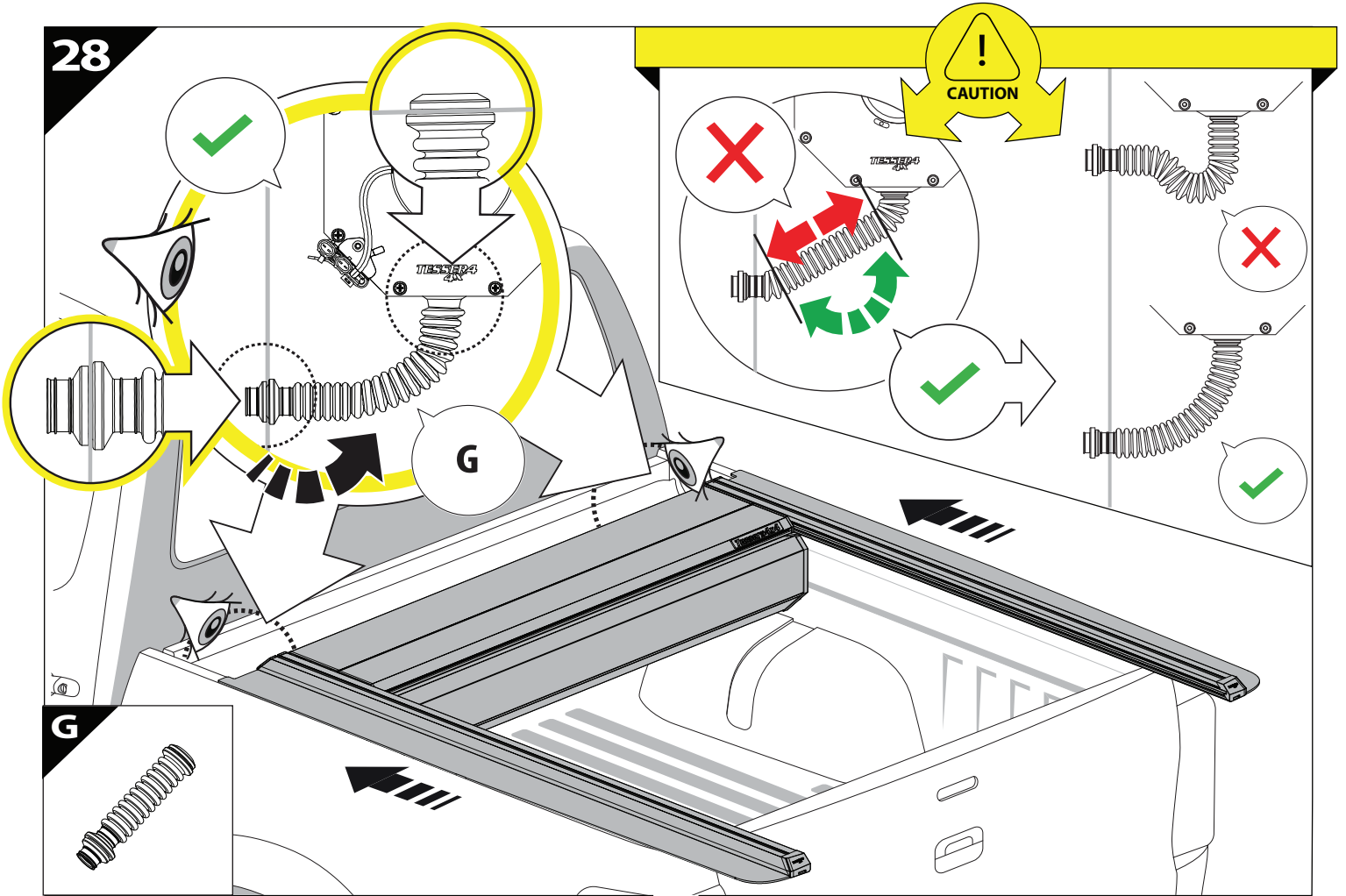
19



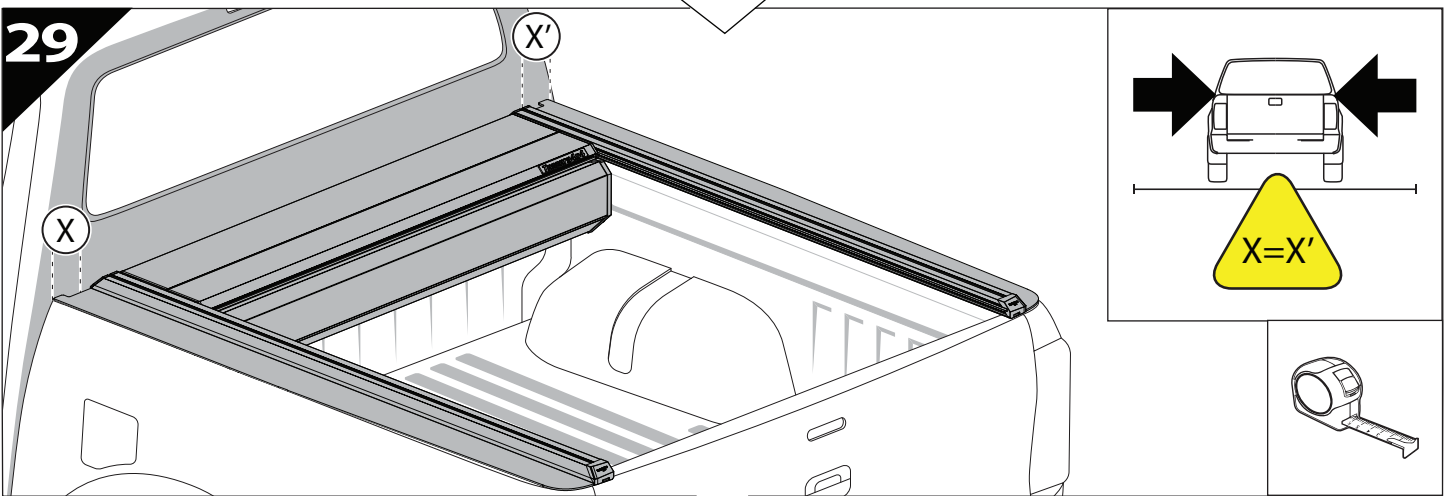




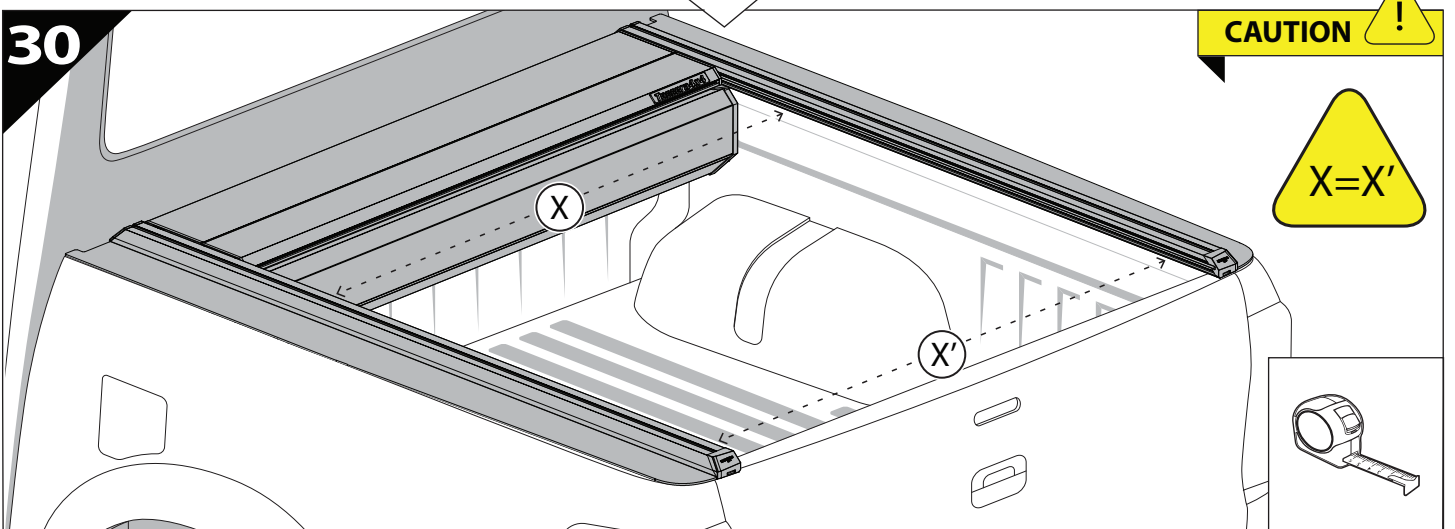
28



29

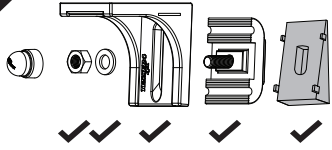


30

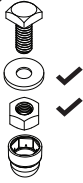


31

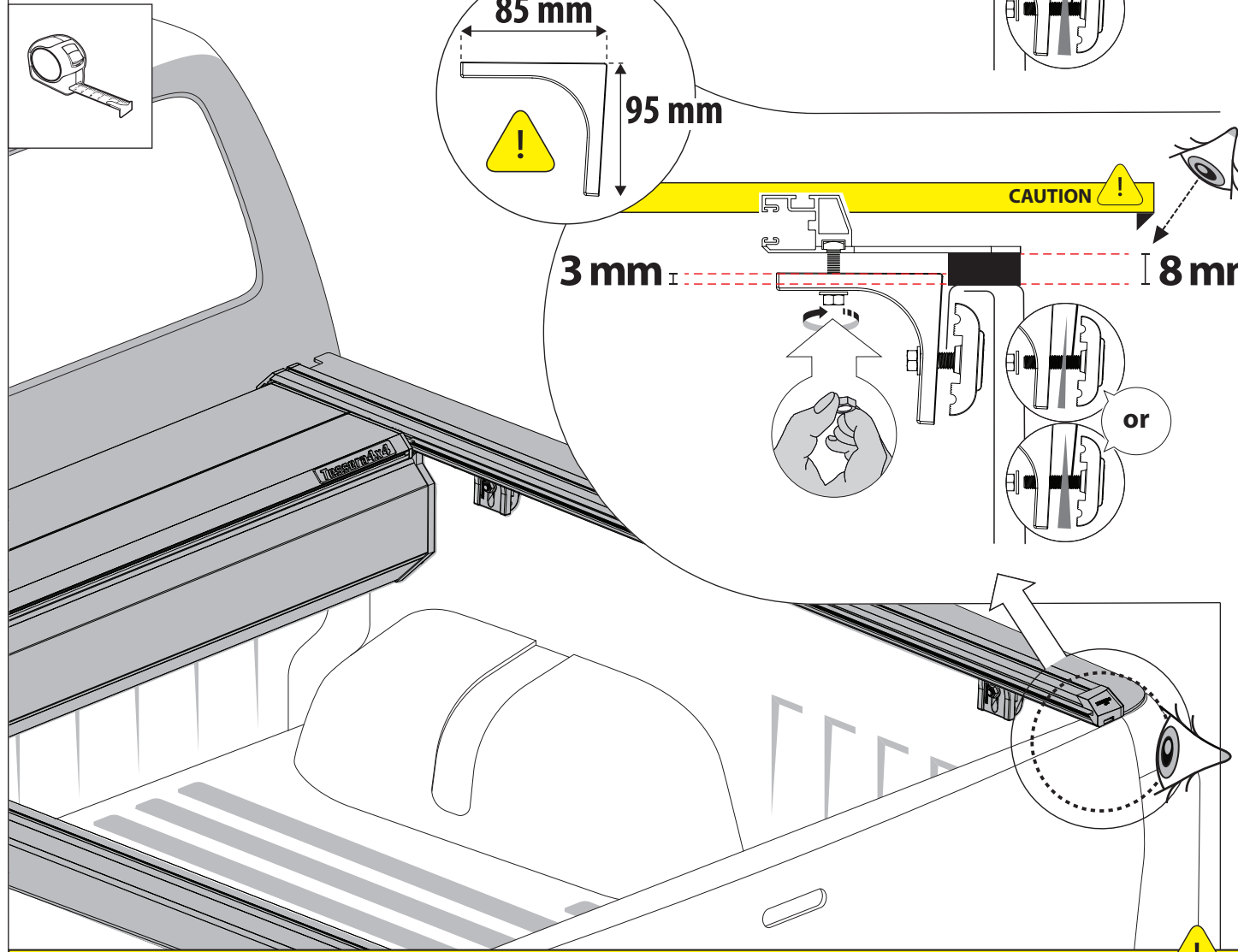
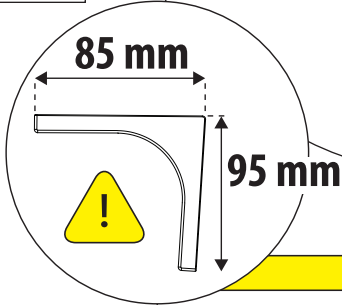
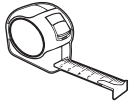
N



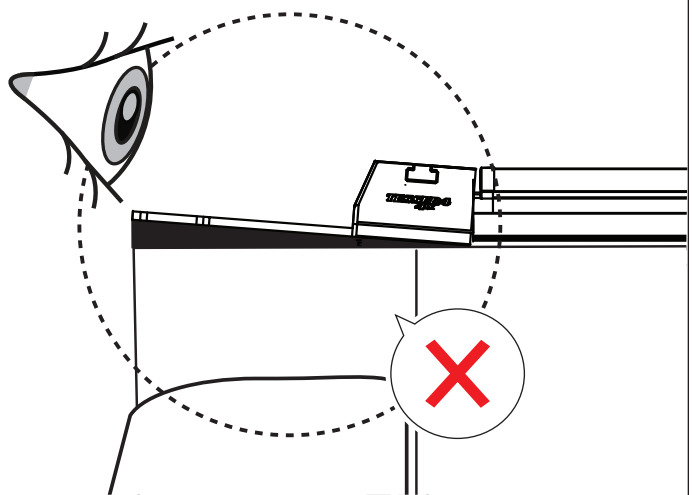
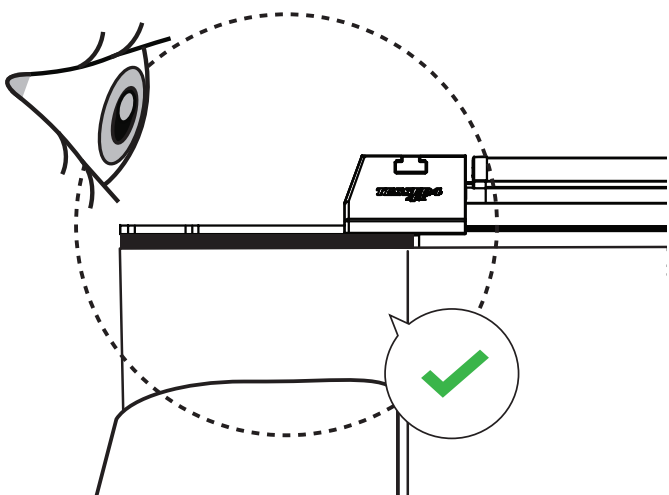
E

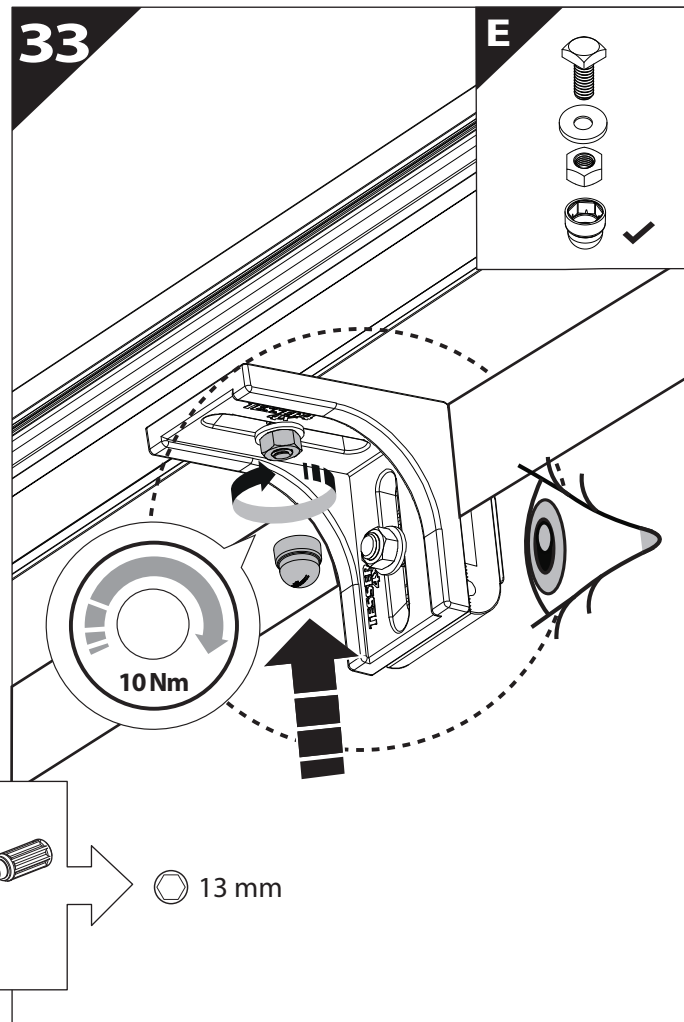
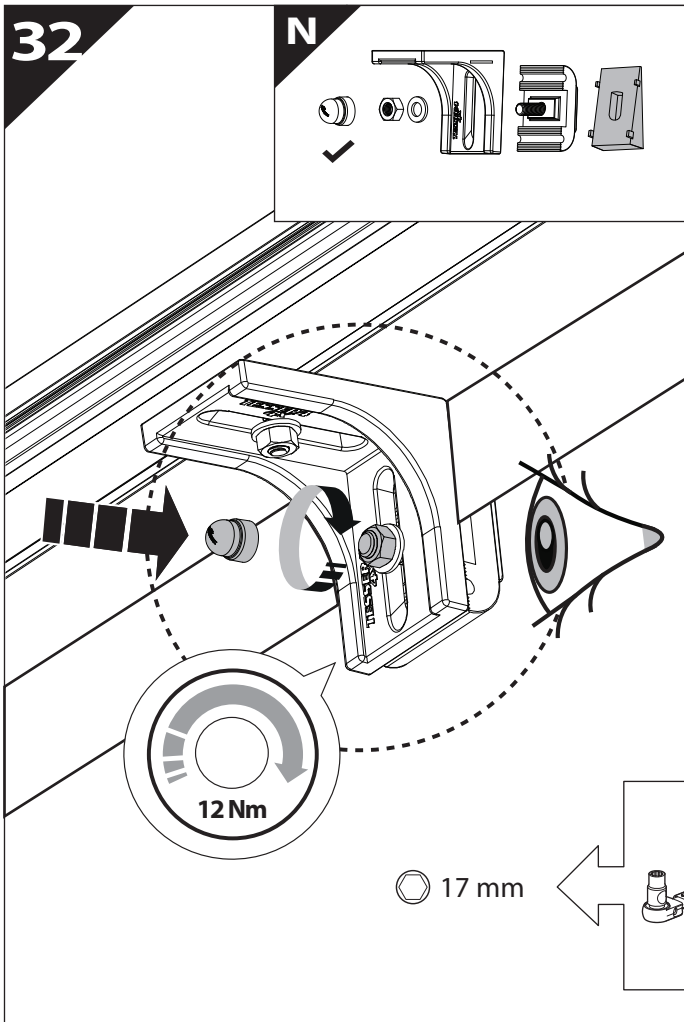


SHORT BED x4 / LONG BED x6

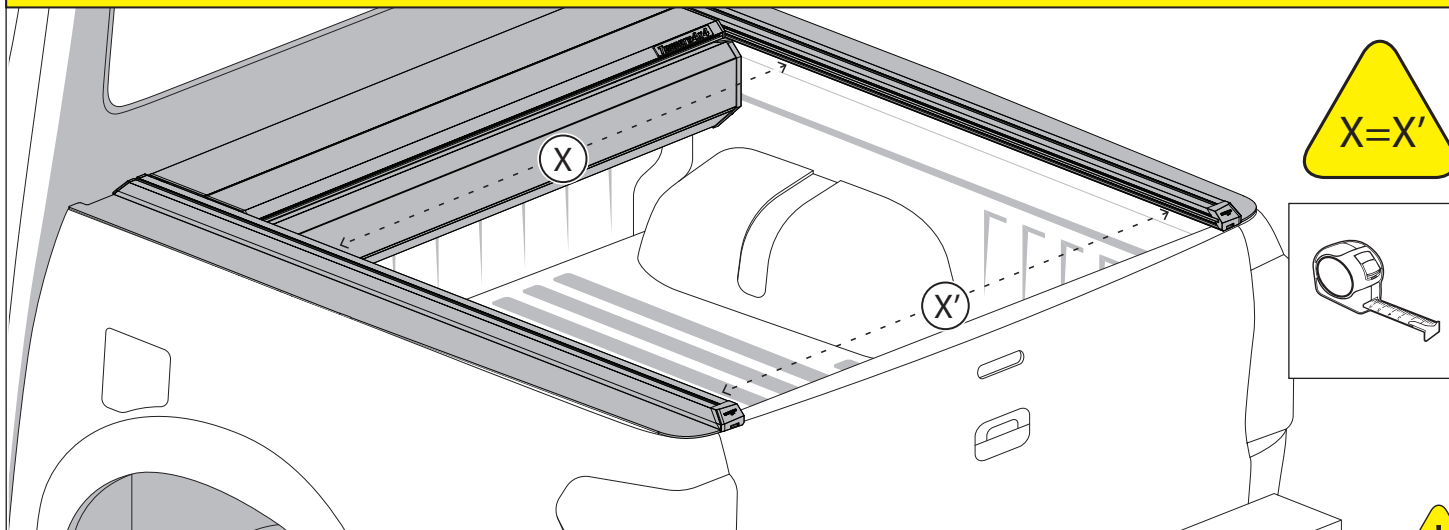


CAUTION !

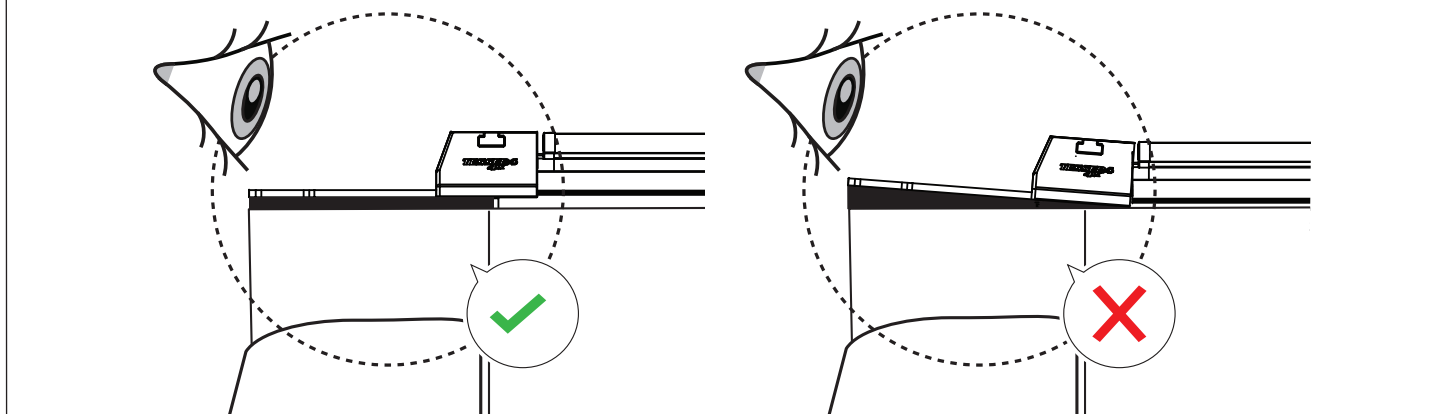




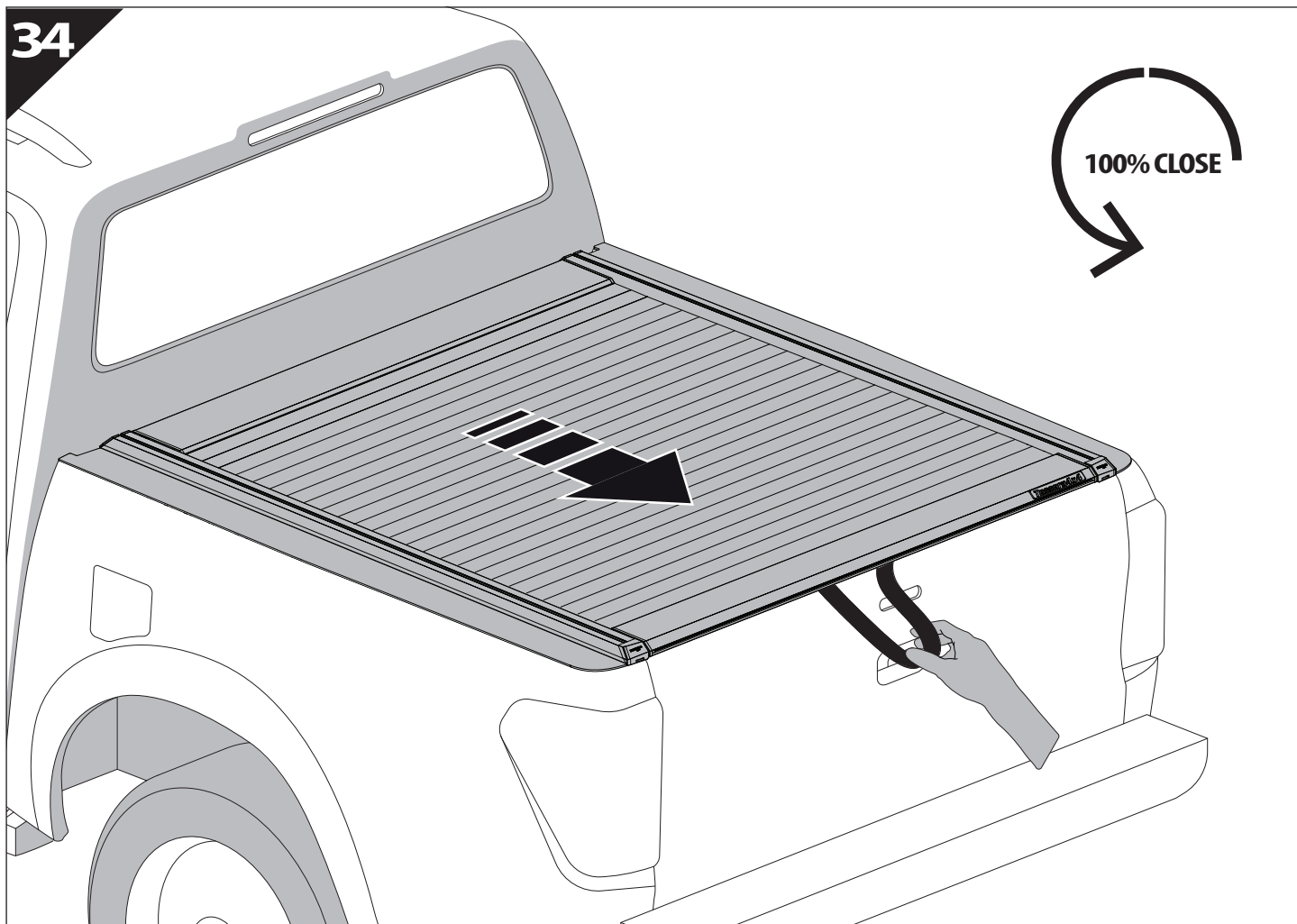
CAUTION !



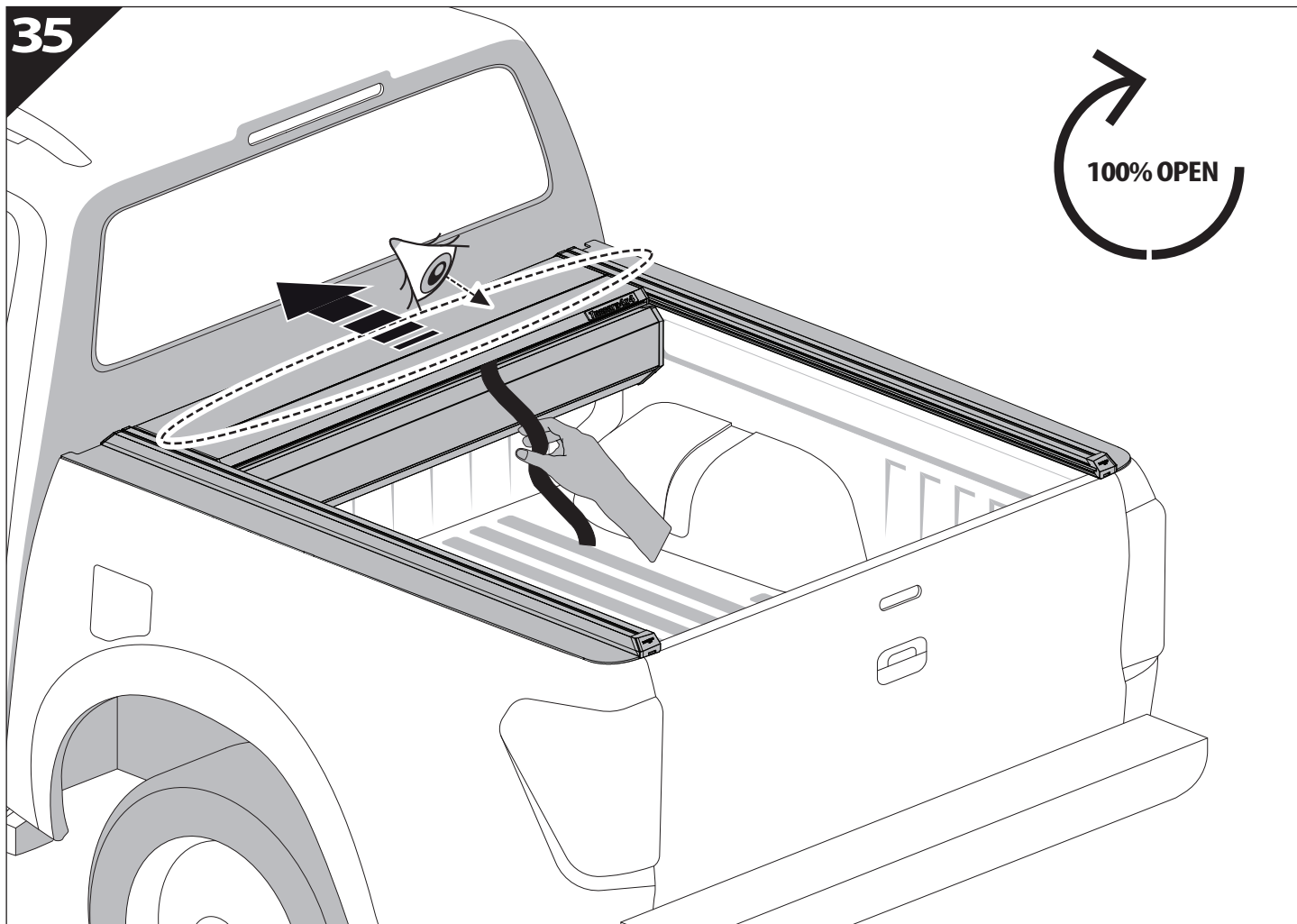
CAUTION !



34



35





GR: Οδηγίες Εγκατάστασης
GB: Installation manual
SF: Asennusohje
F: Notice de montage
PL: Instrukcja montażu
NL: Installatie-instructies
TR: Montaj Talimatı
S: Monteringsanvisning
E: Instrucciones de montaje

H: Szerelési utasítás
P: Instruções de instalação
RUS: Инструкция по установке
N: Monteringsveiledning
D: Einbauanleitung
CZ: Návod k instalaci
I: Istruzioni de montaggio
DK: Monteringsvejledning
RO: Instructiuni de instalare

Customer Service:

+30 (210) 5541161, +30 (210) 5541154 (08:00 - 16:00 EET)

Support department:

info@gianso.gr

Website:

www.tessera4x4.com

Address:

19.5 km of National road Athens-Korinthos (Elefsina) Greece, P.C: 19200