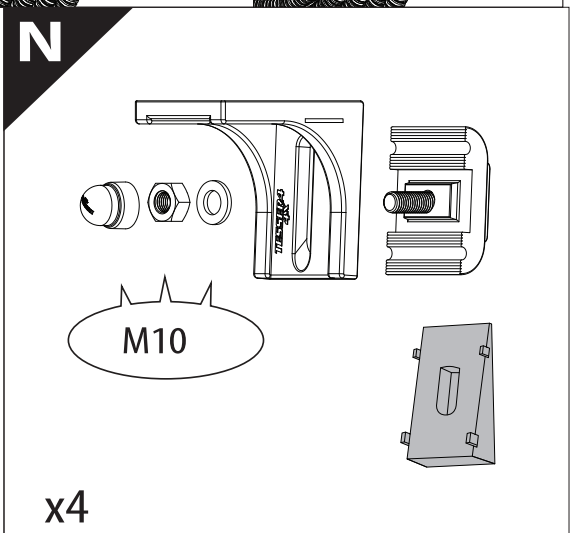
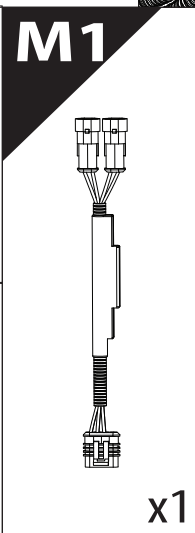
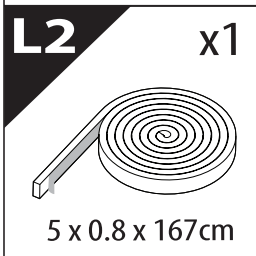
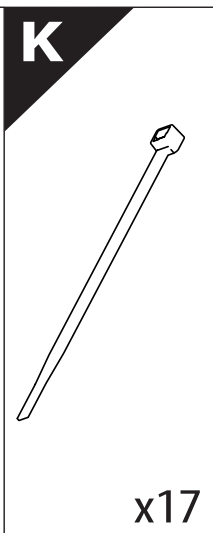
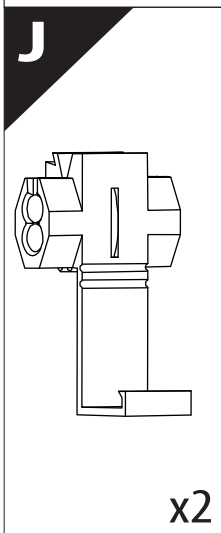
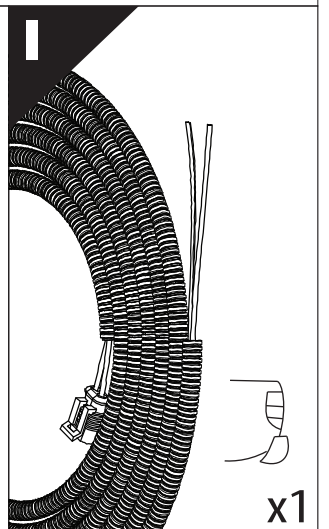
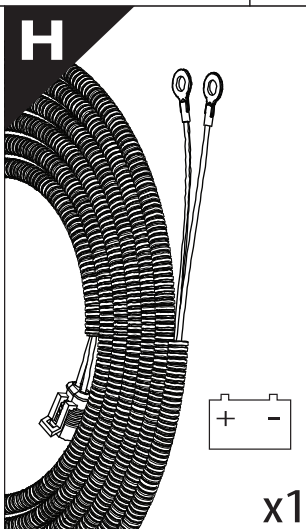
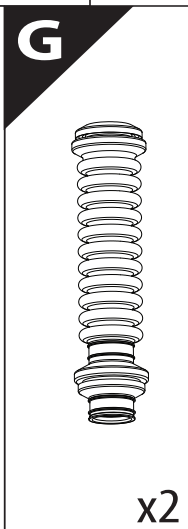
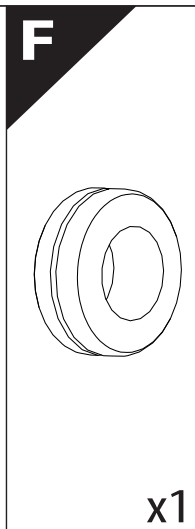
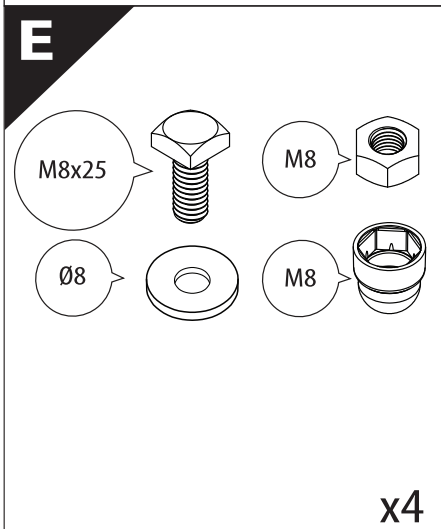
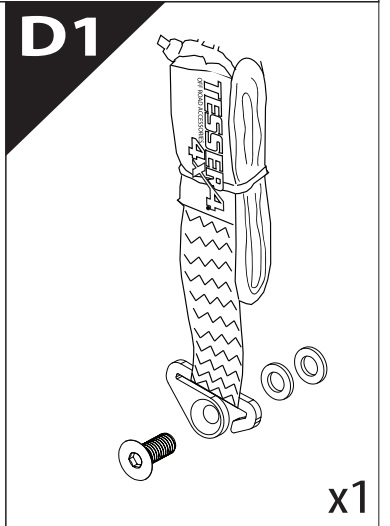
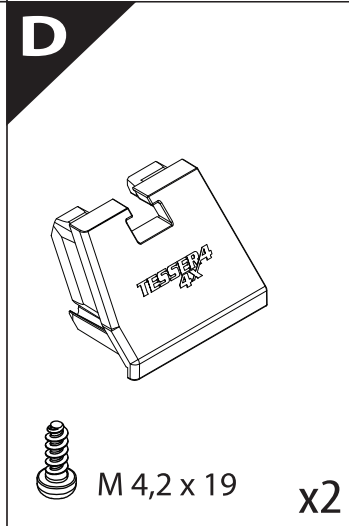
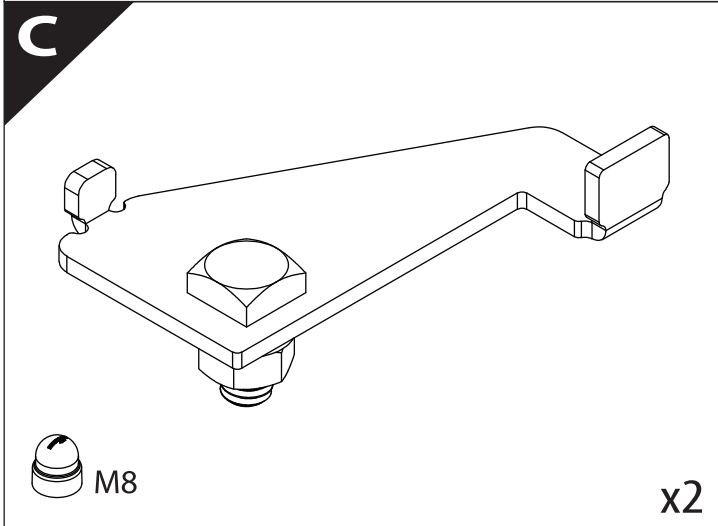
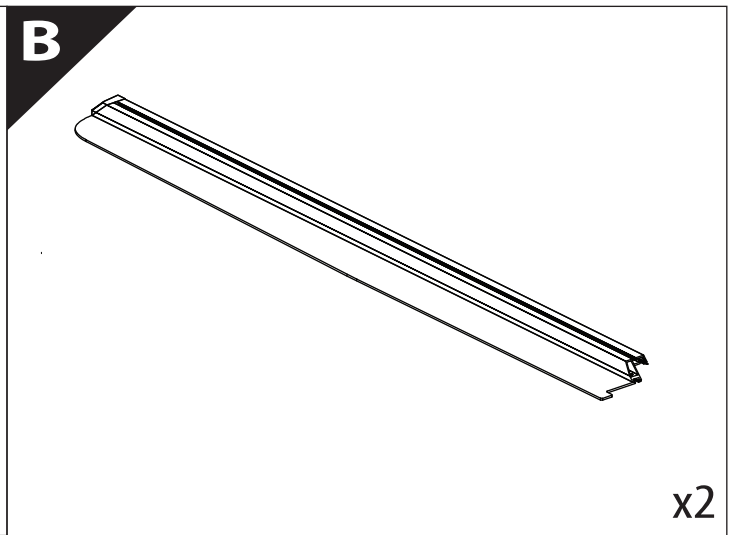
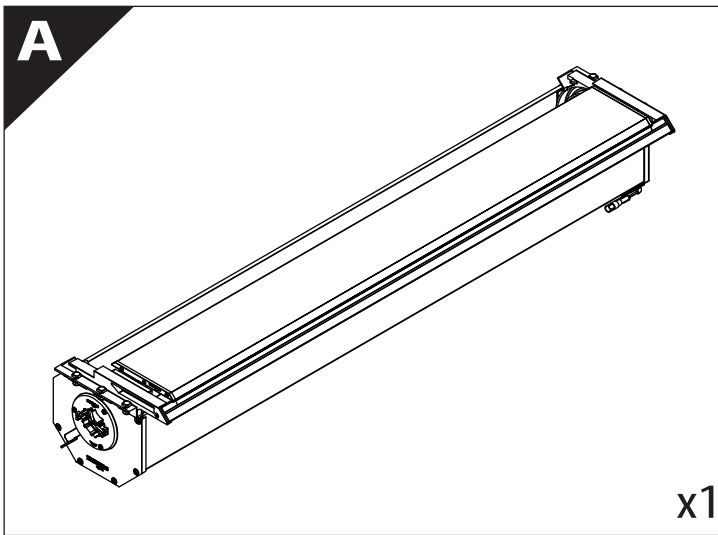
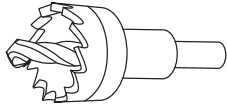




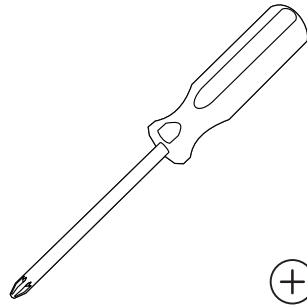
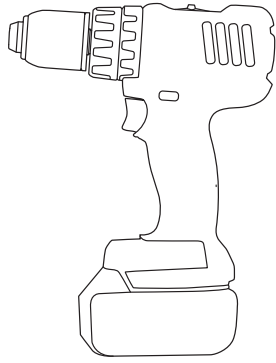
Installation Manual

| PART NUMBER(S) | Model Year |
|-----------------------|---|
| TESS 1423 ROLL | EVO Cross 4 / Jac T8 Pro / Dr PK 8 |
| Cab(s) | Installation Time / Weight |
| Double Cab | 40-60 minutes / 53-57 kg |

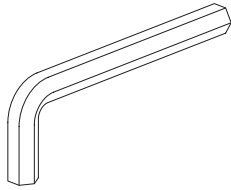
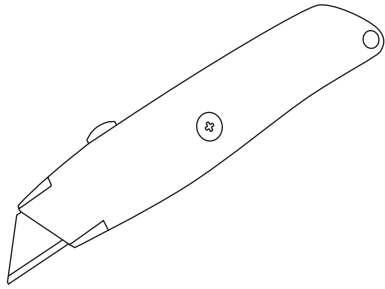
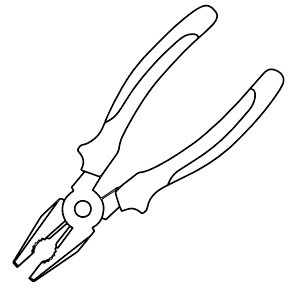




Ø 25 mm / Ø 40 mm

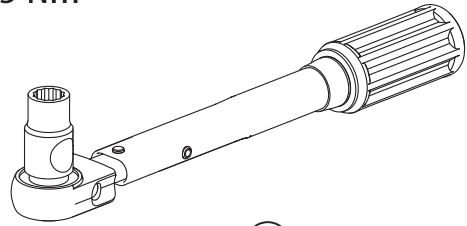


+



4 mm

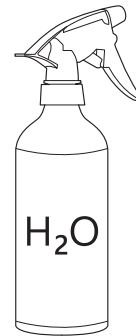
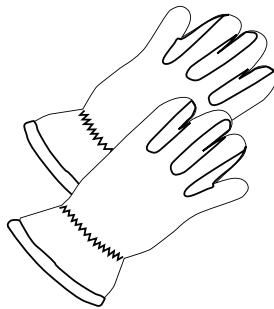
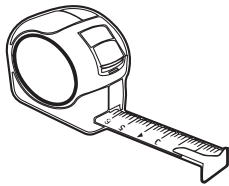
1 - 25 Nm



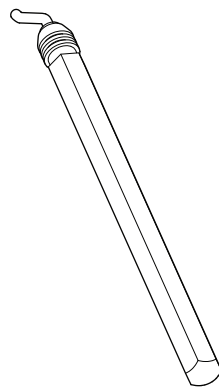
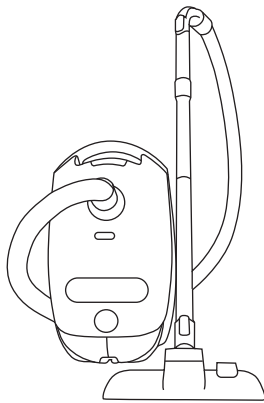
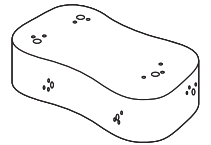
12, 13, 17 mm



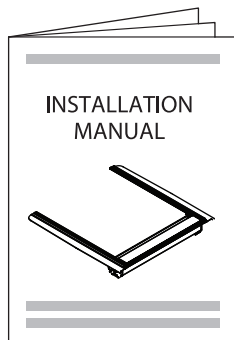
ACETONE



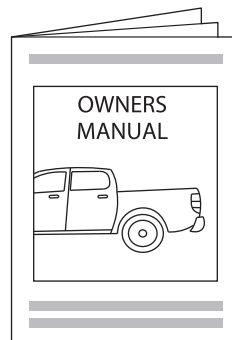
H₂O



ANTI-RUST



INSTALLATION
MANUAL

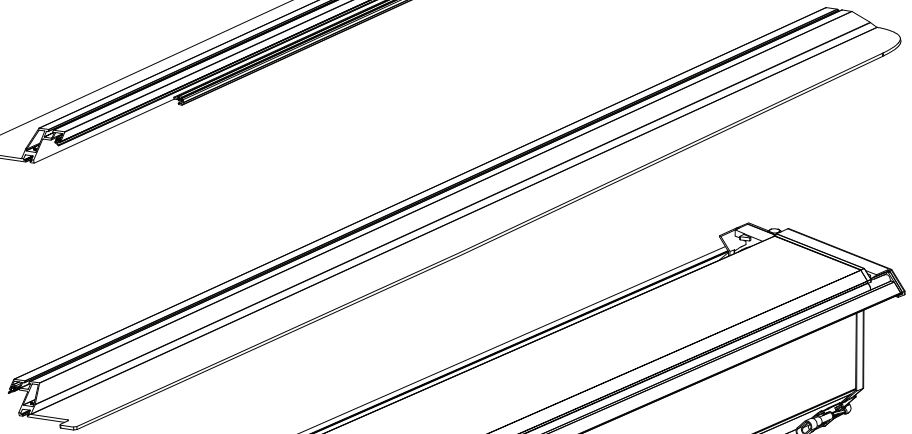


OWNERS
MANUAL

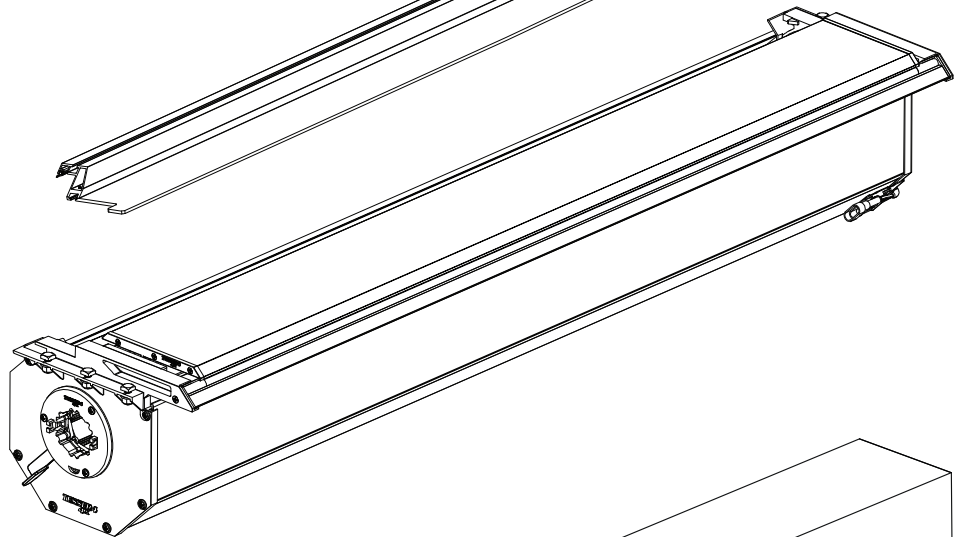
x1



B



A

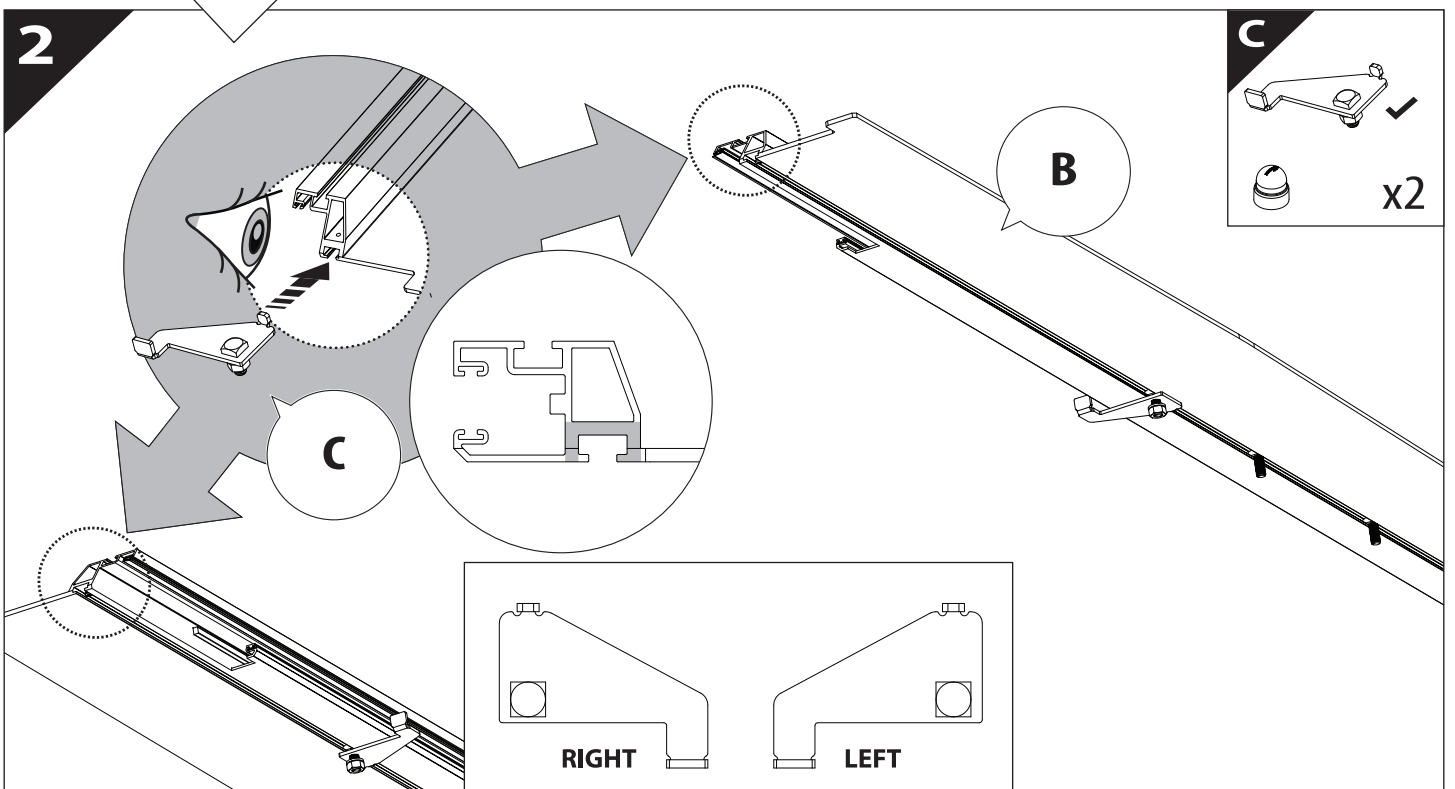
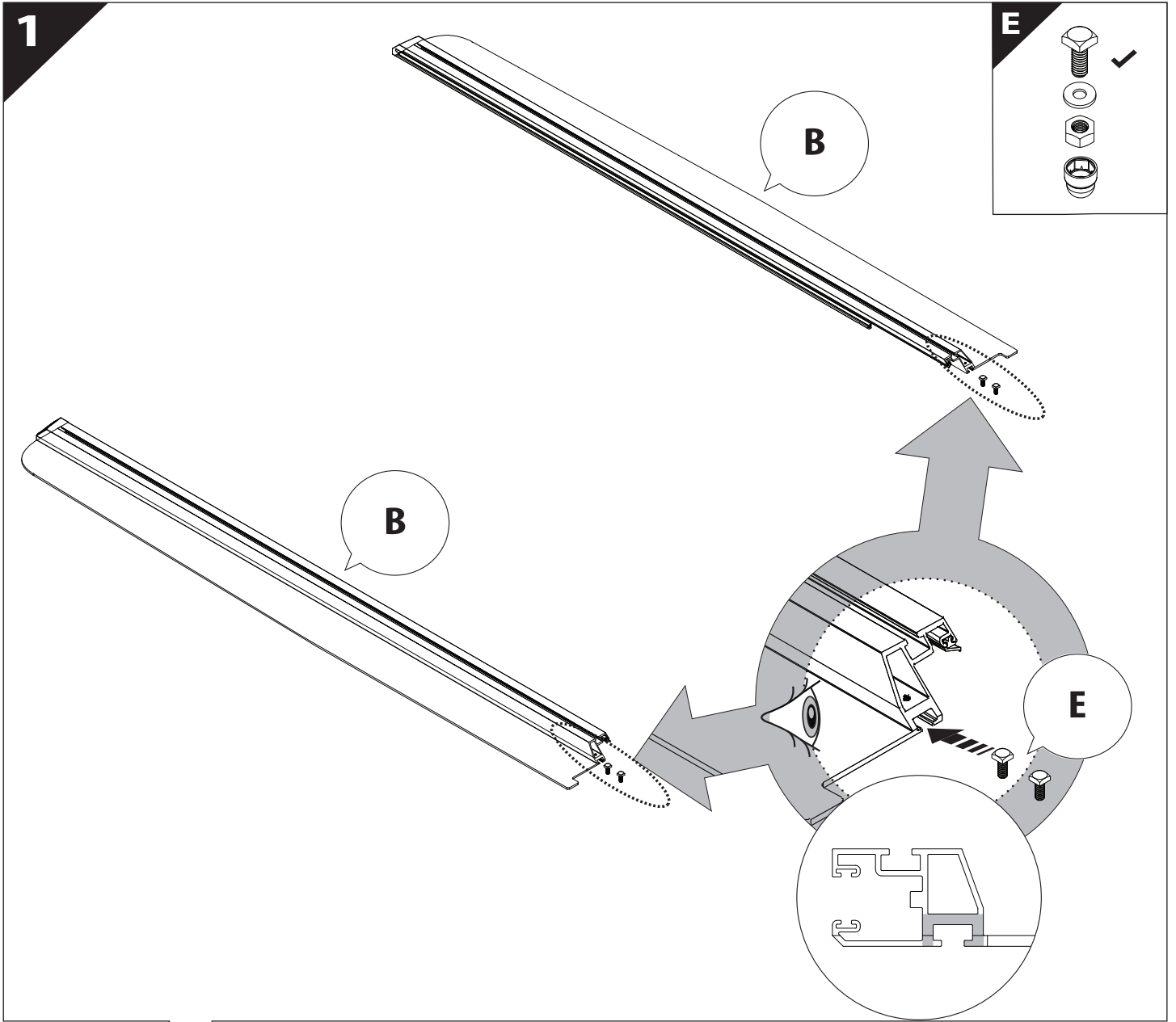


KITS

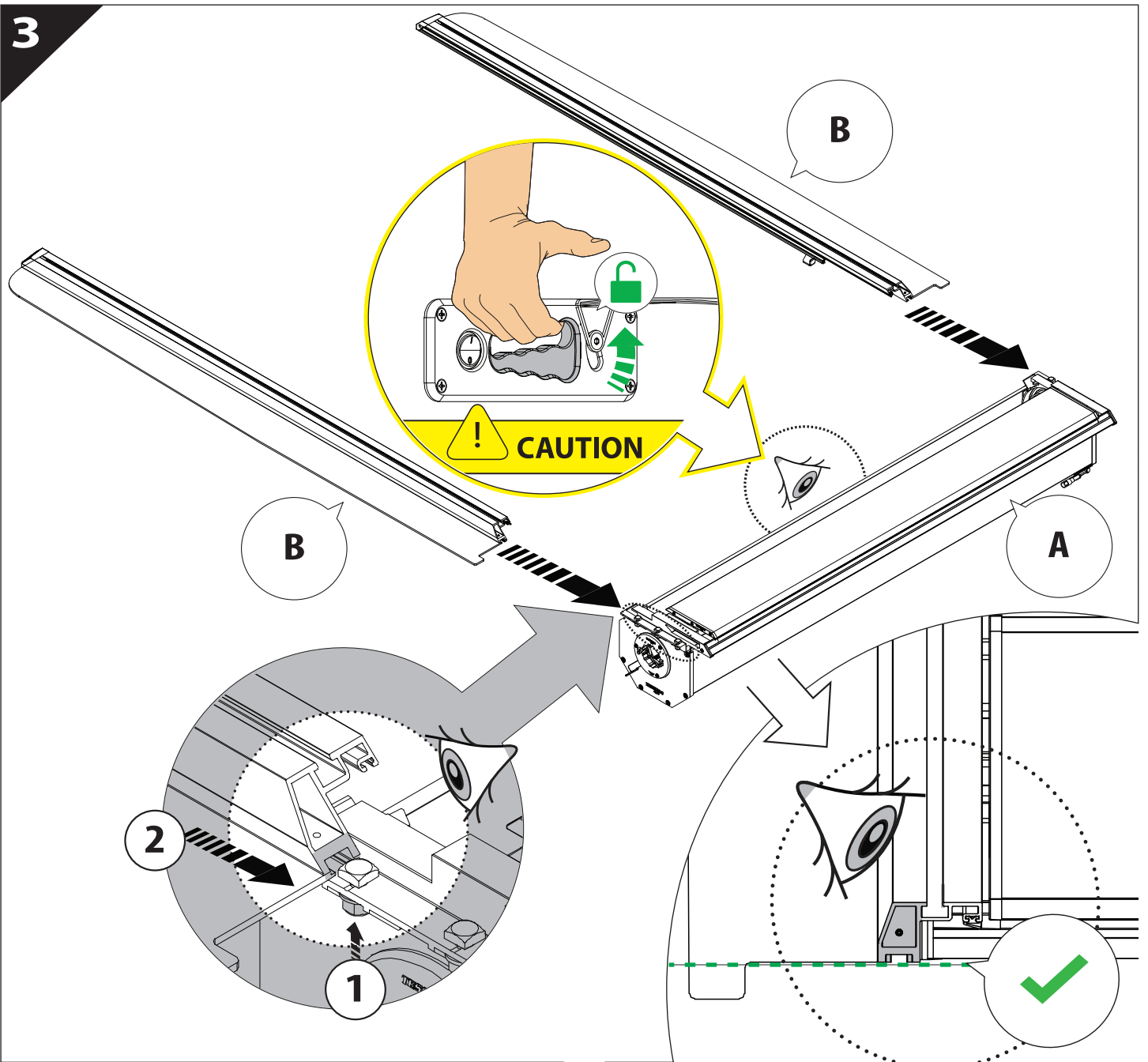


L

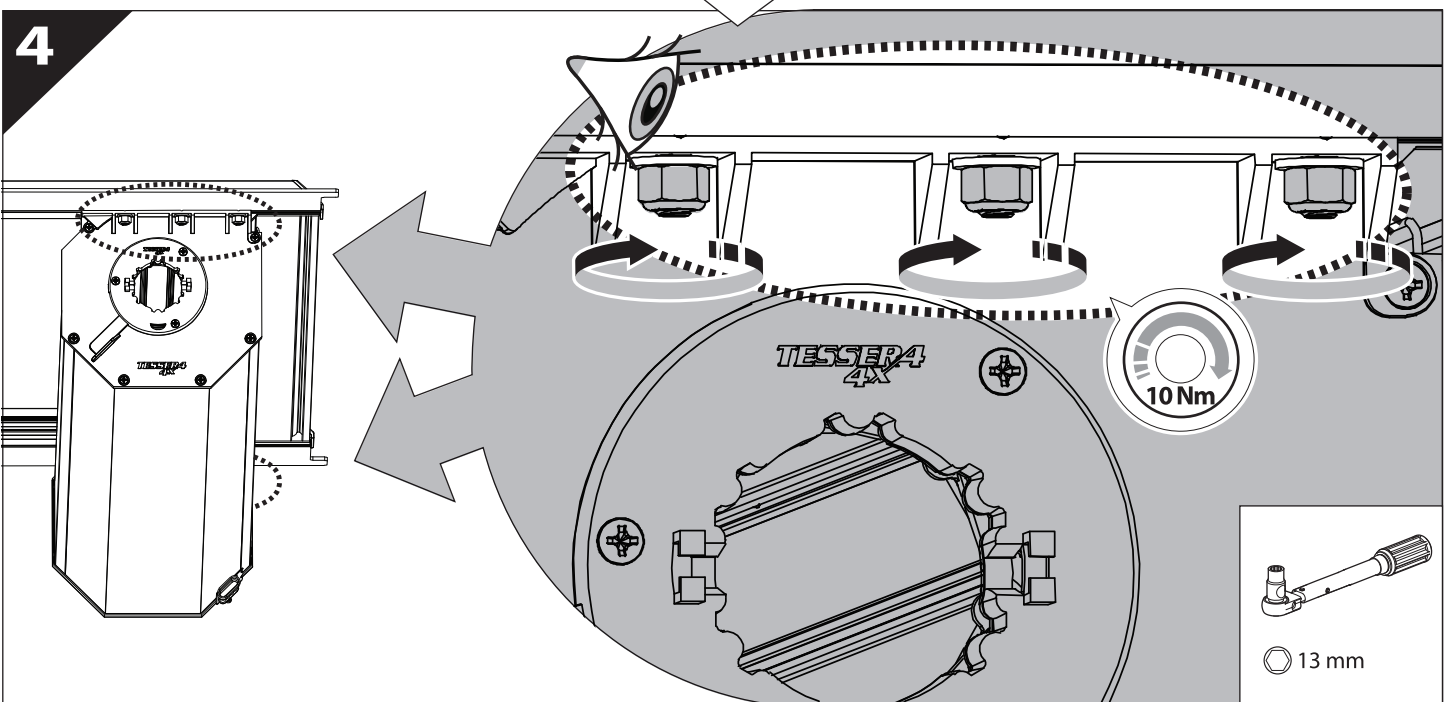


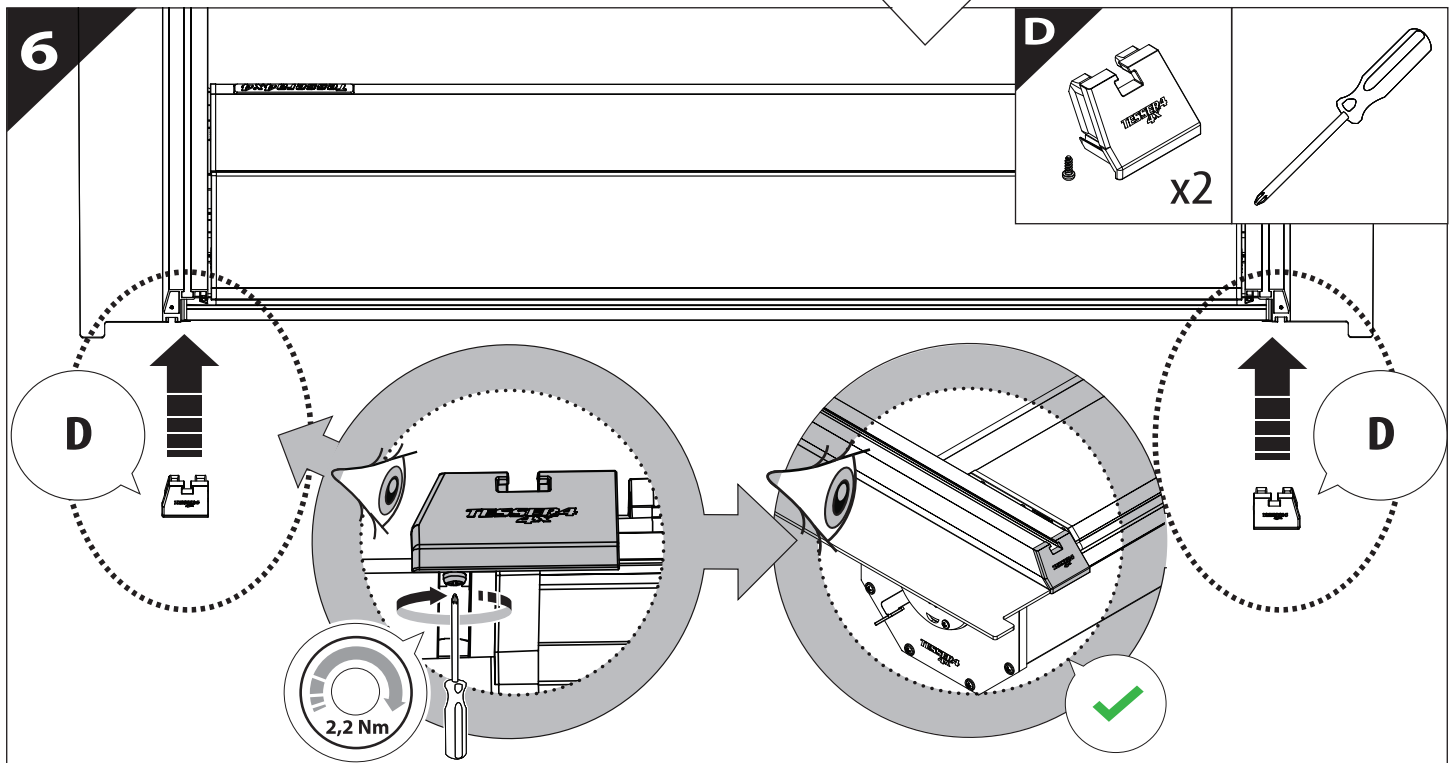
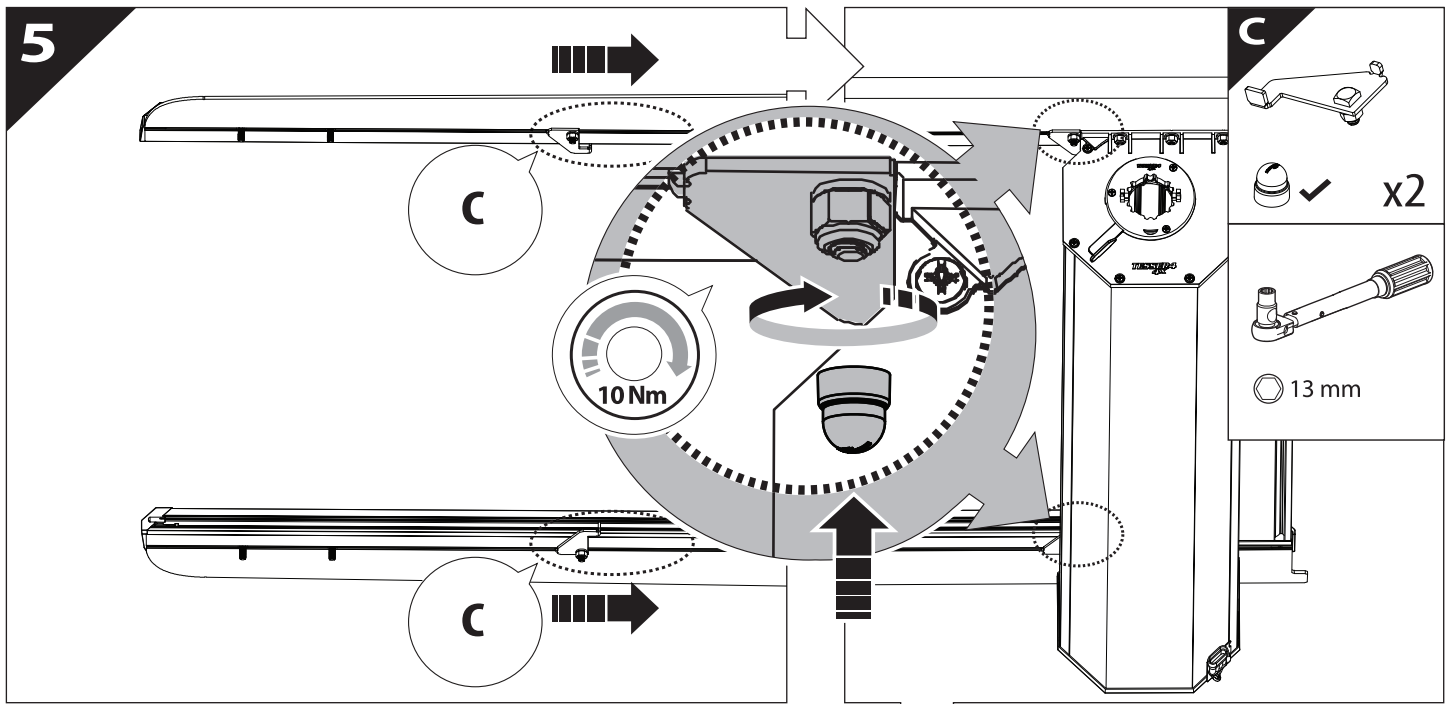


3

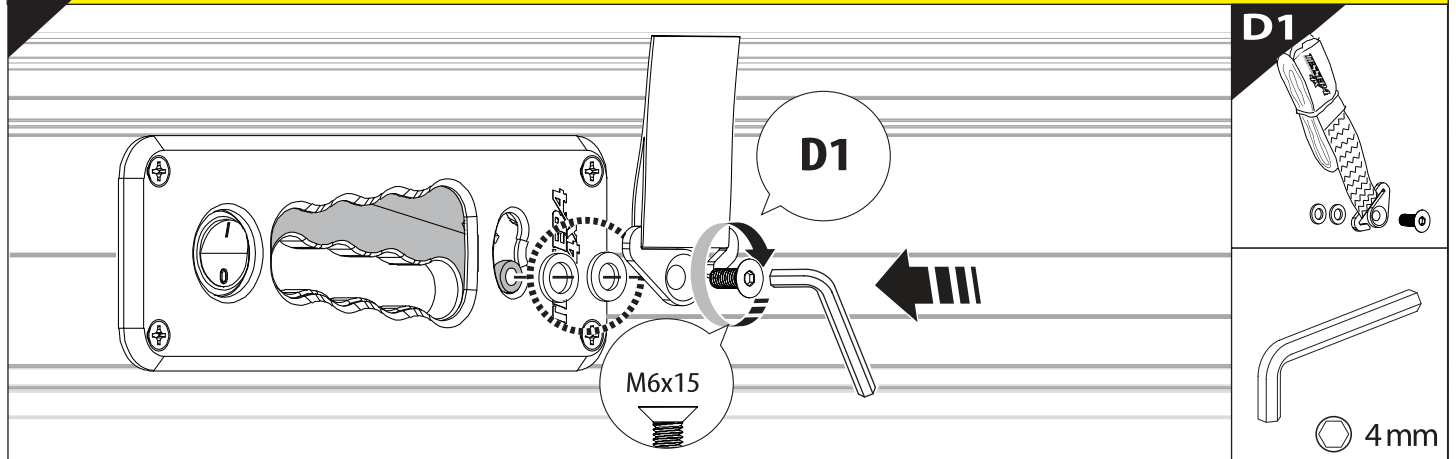


4

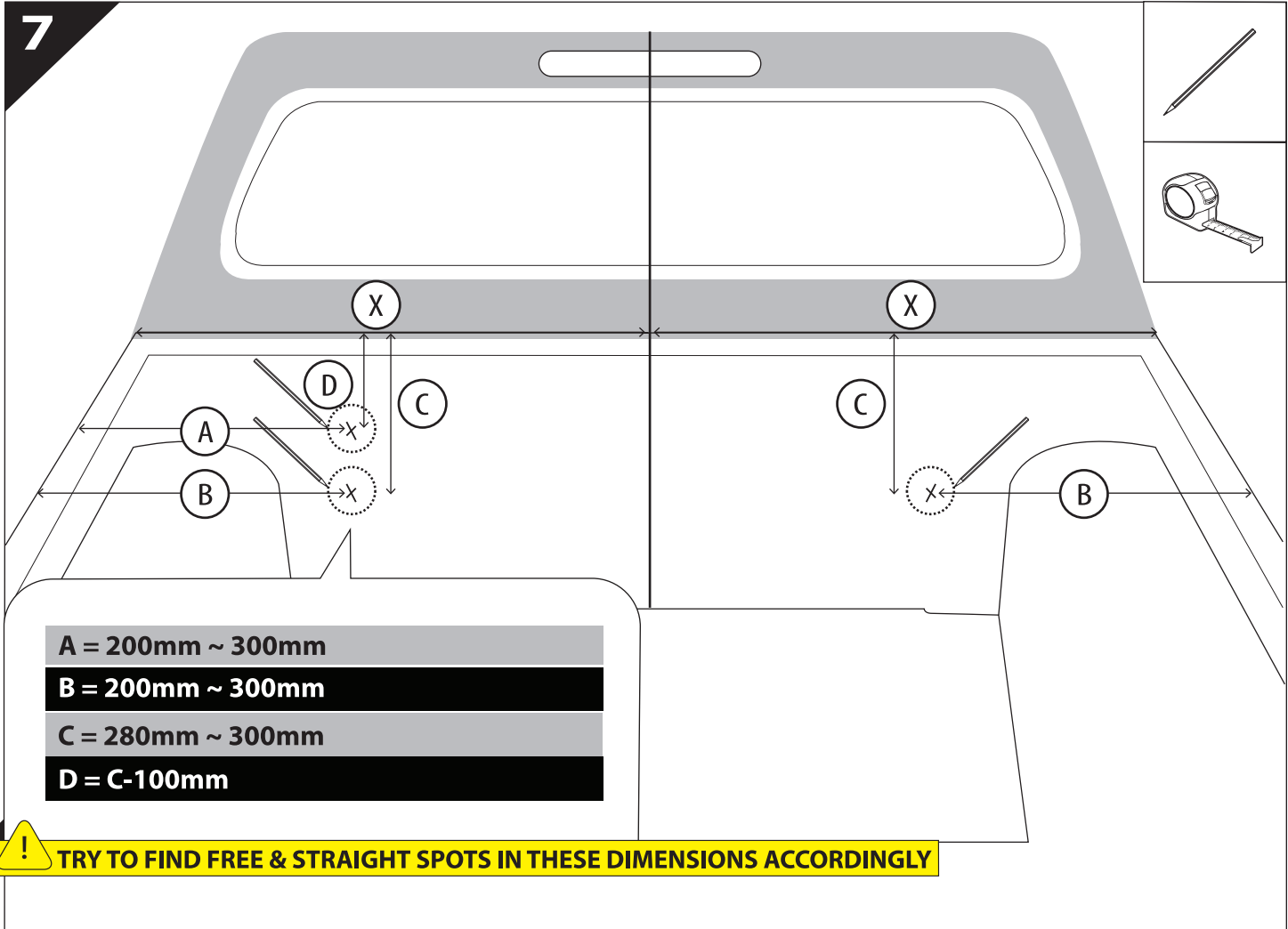
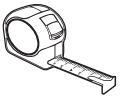




6.1 **CAUTION** Basic Version ✓ & Basic+S-KIT Version ✓



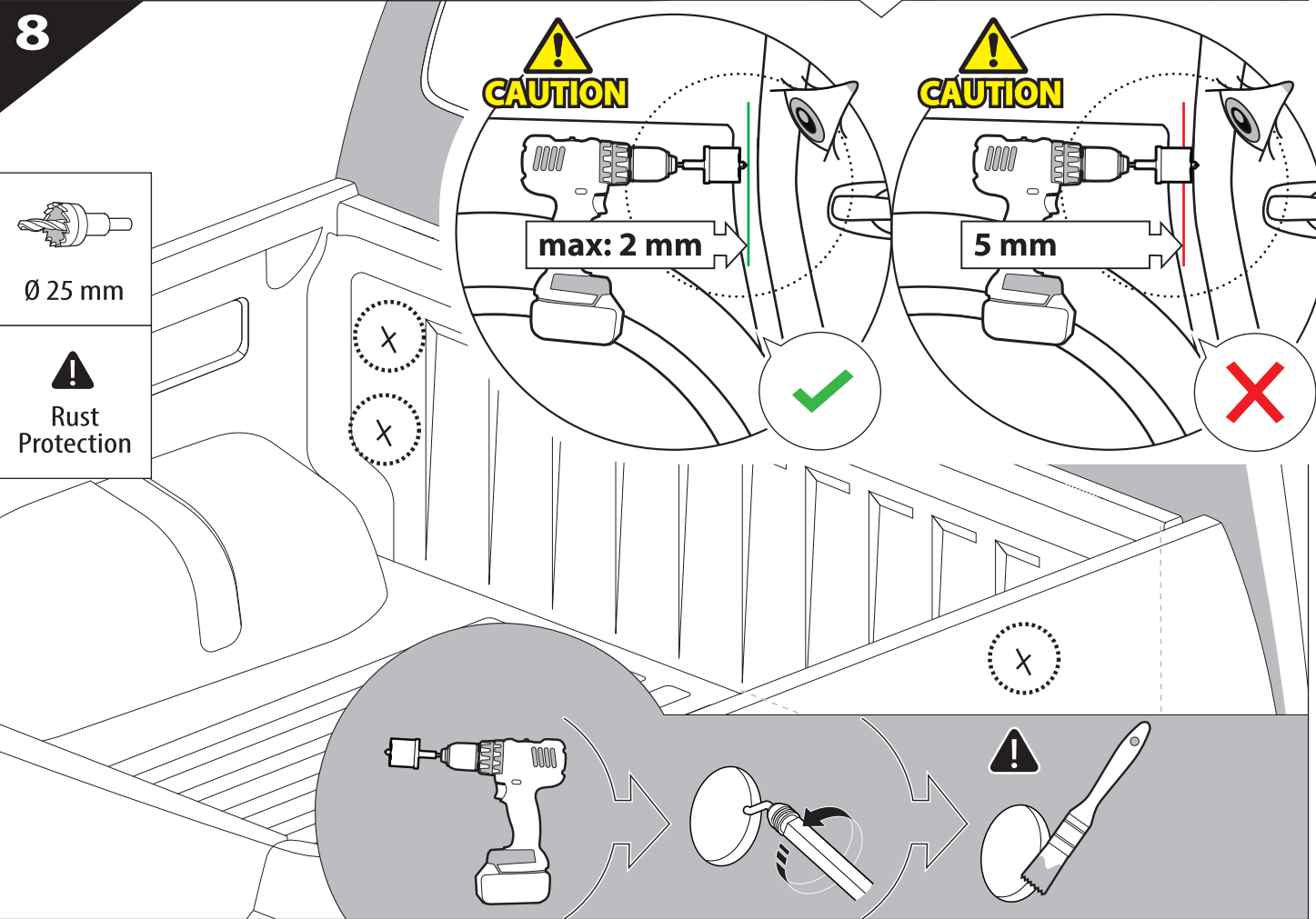
7

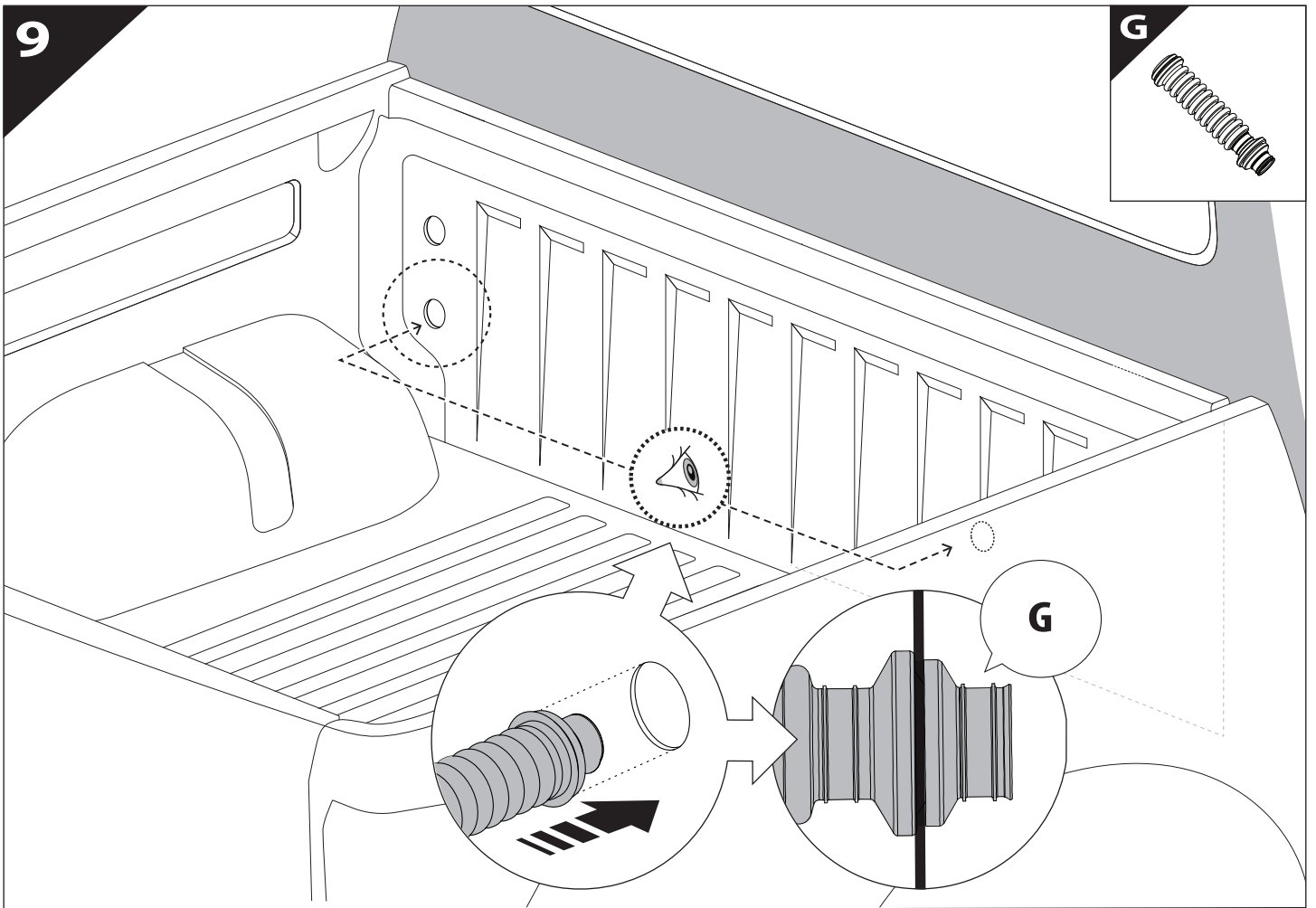


- A = 200mm ~ 300mm
- B = 200mm ~ 300mm
- C = 280mm ~ 300mm
- D = C-100mm

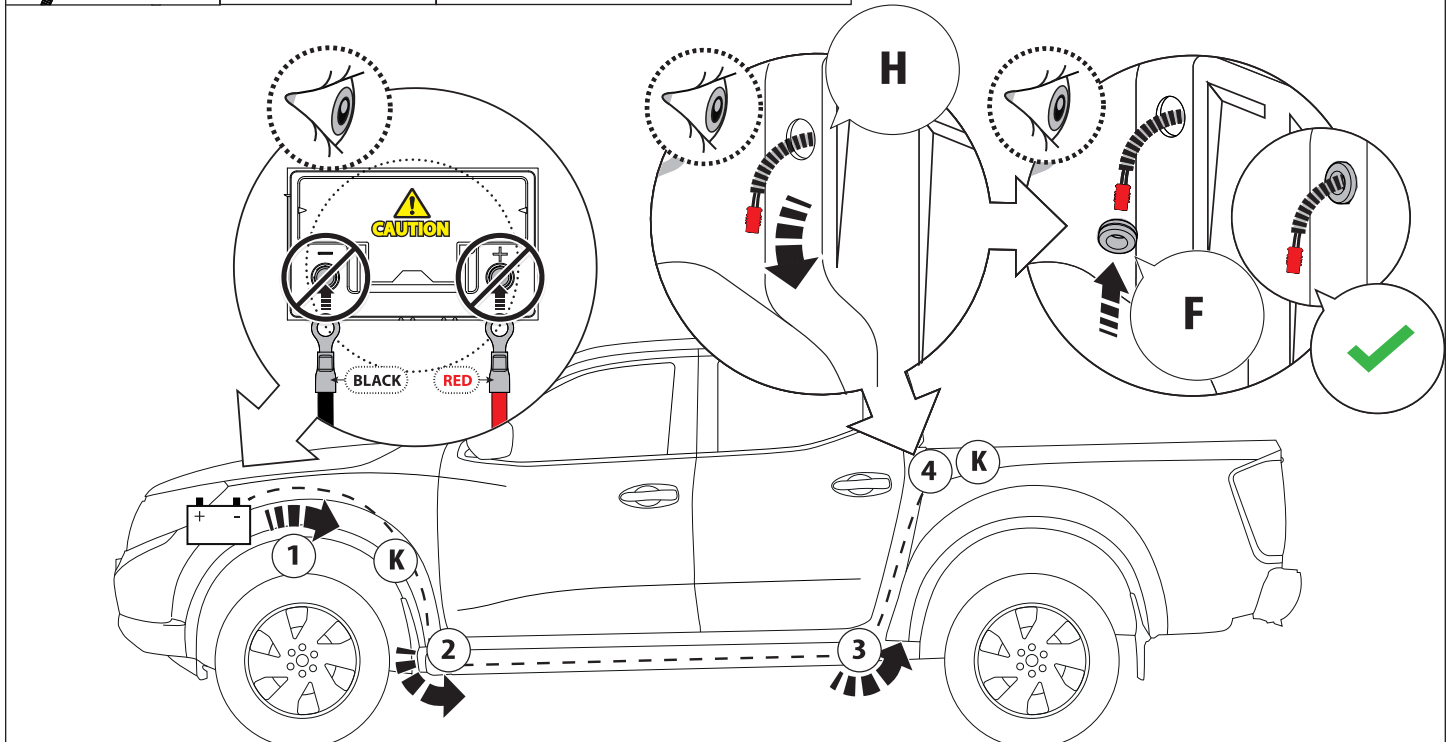
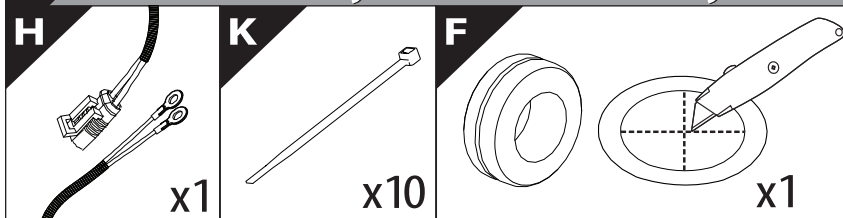
! TRY TO FIND FREE & STRAIGHT SPOTS IN THESE DIMENSIONS ACCORDINGLY

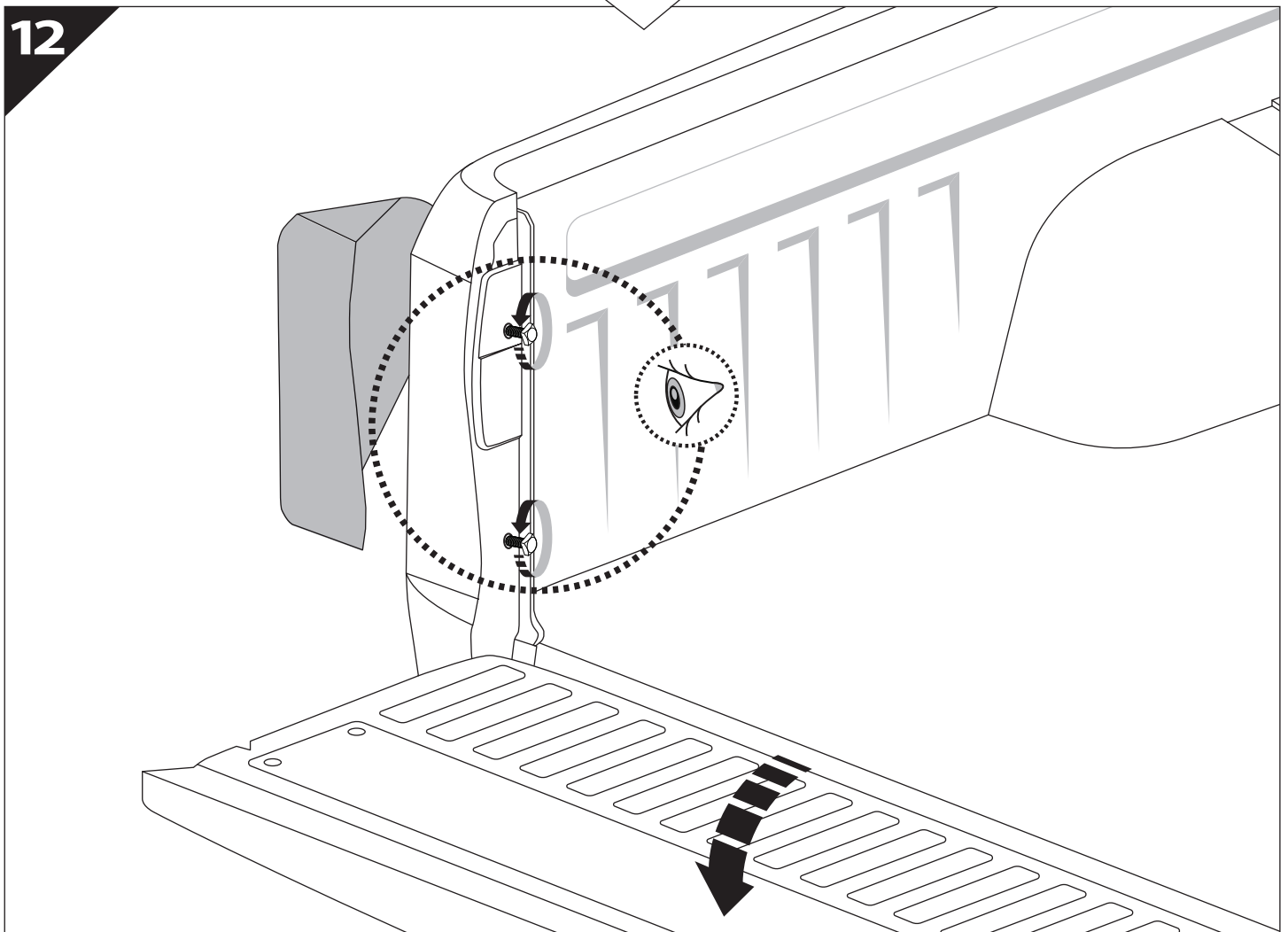
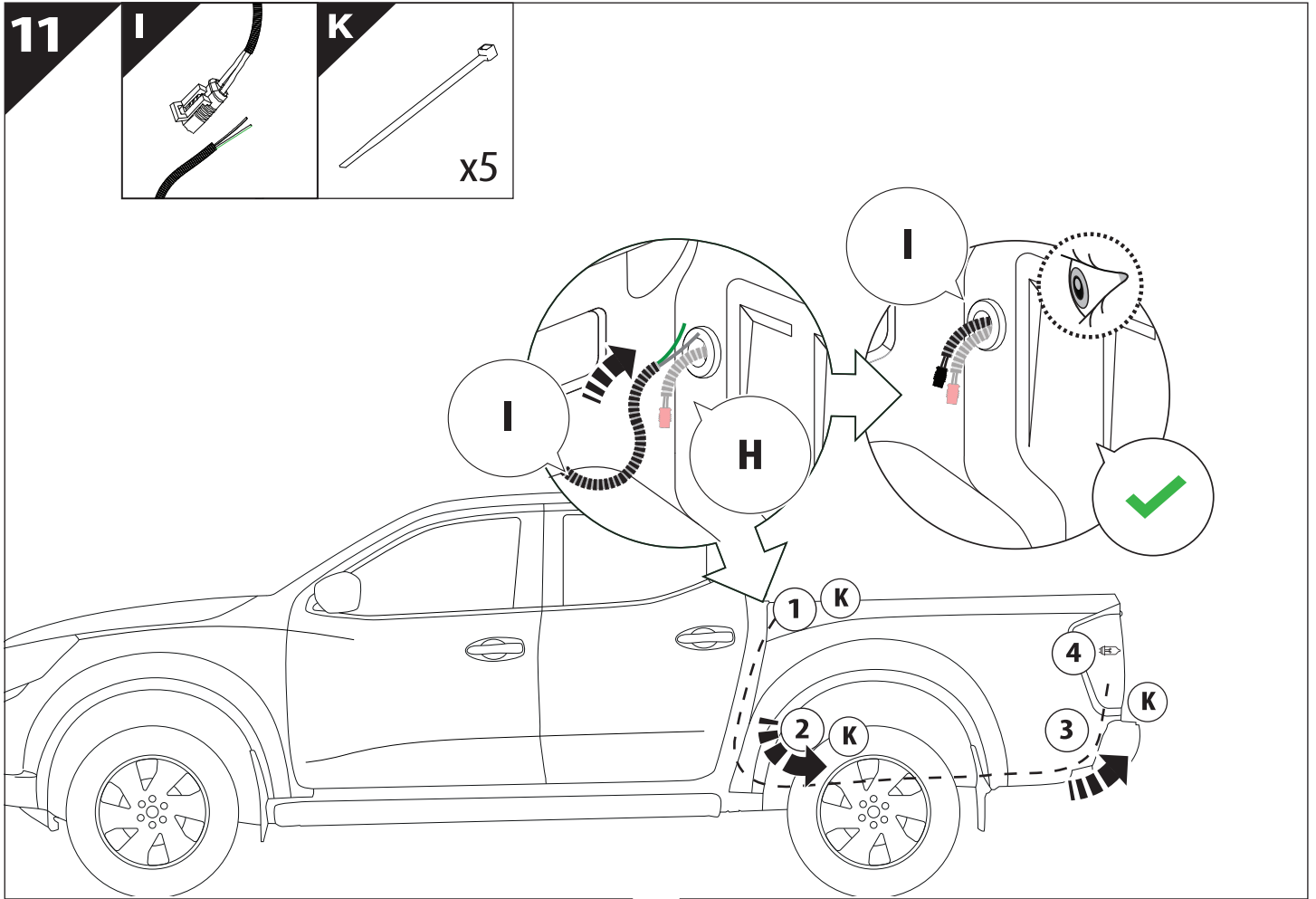
8



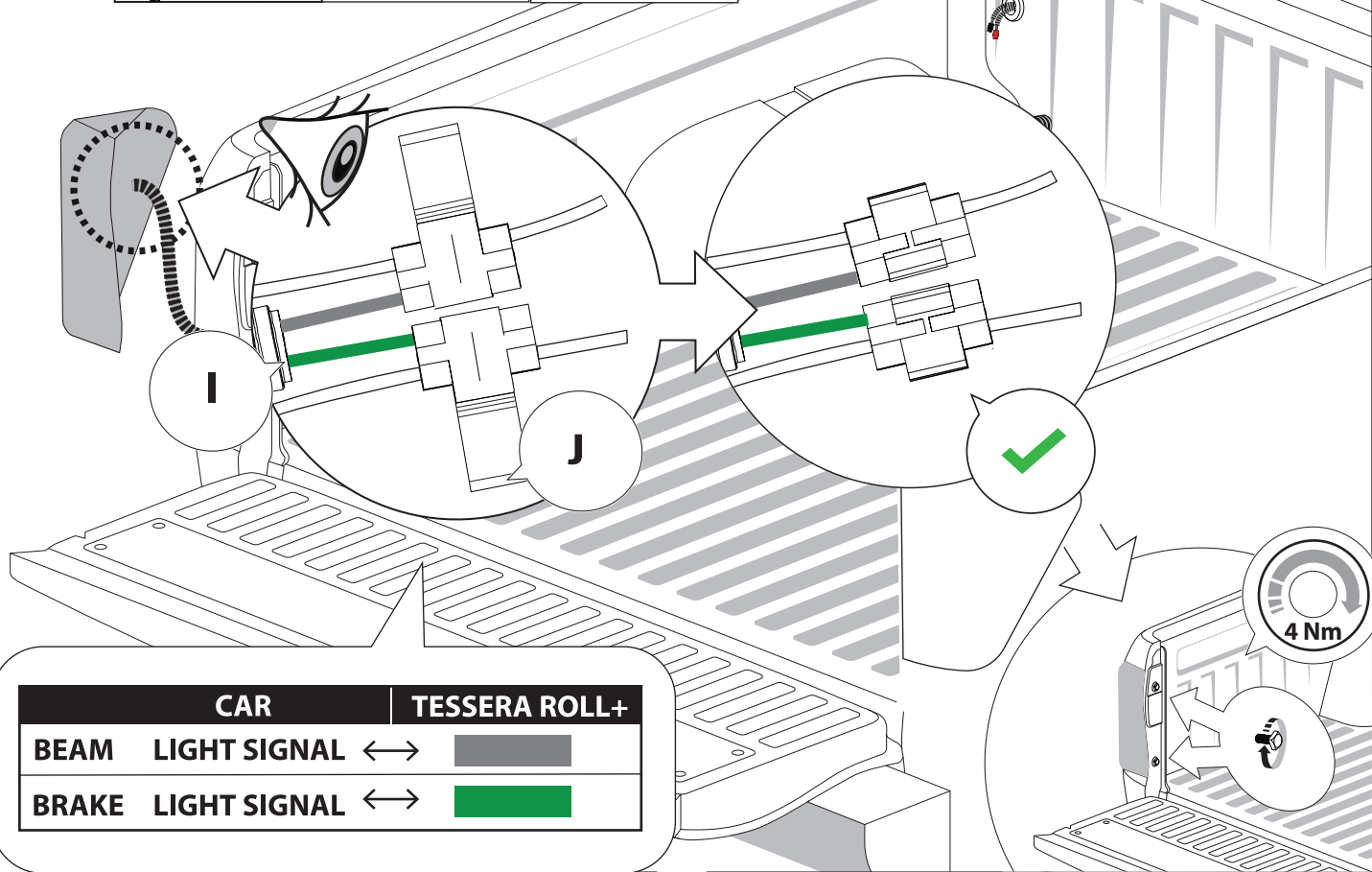
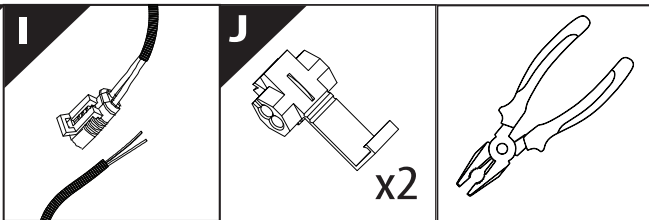


10 Only to be installed by authorized personnel

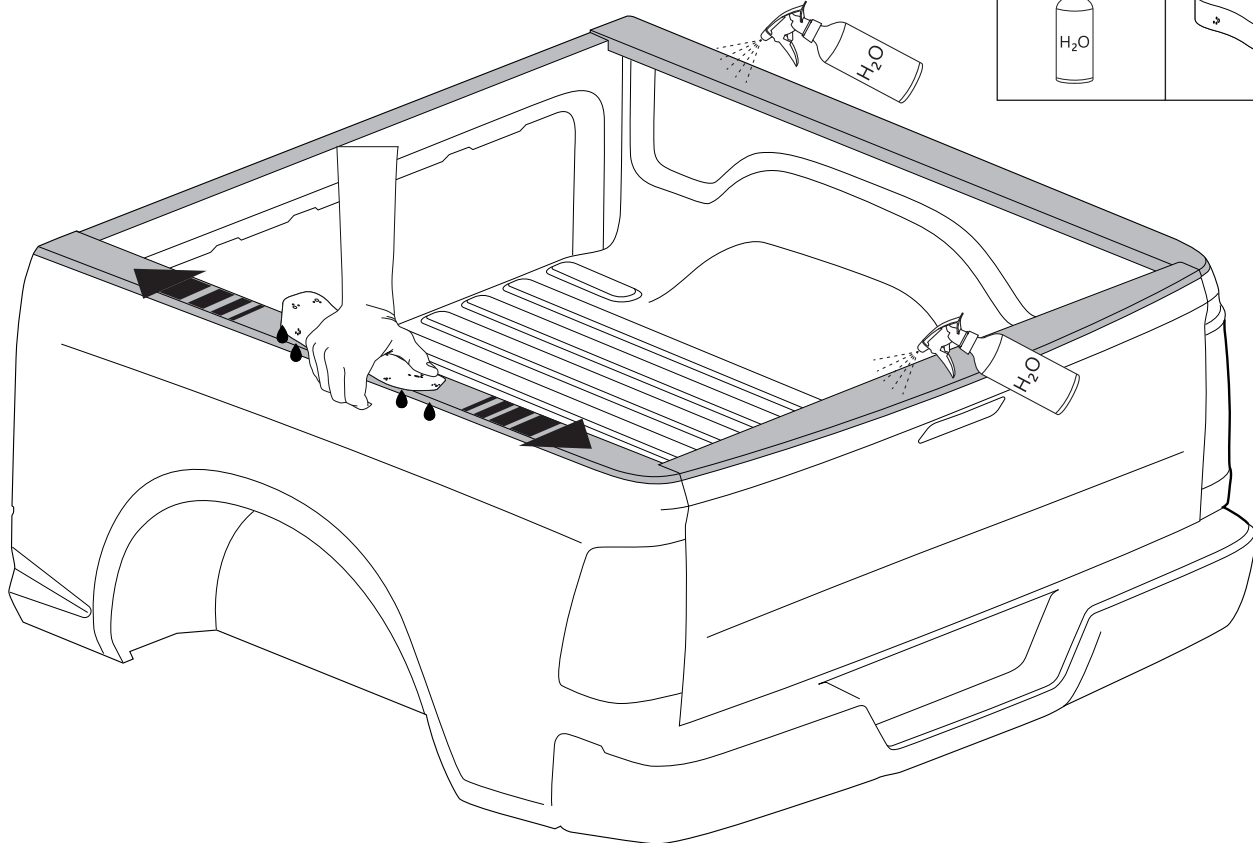
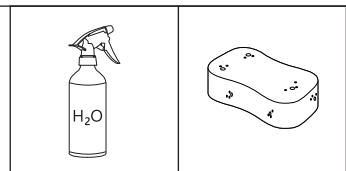


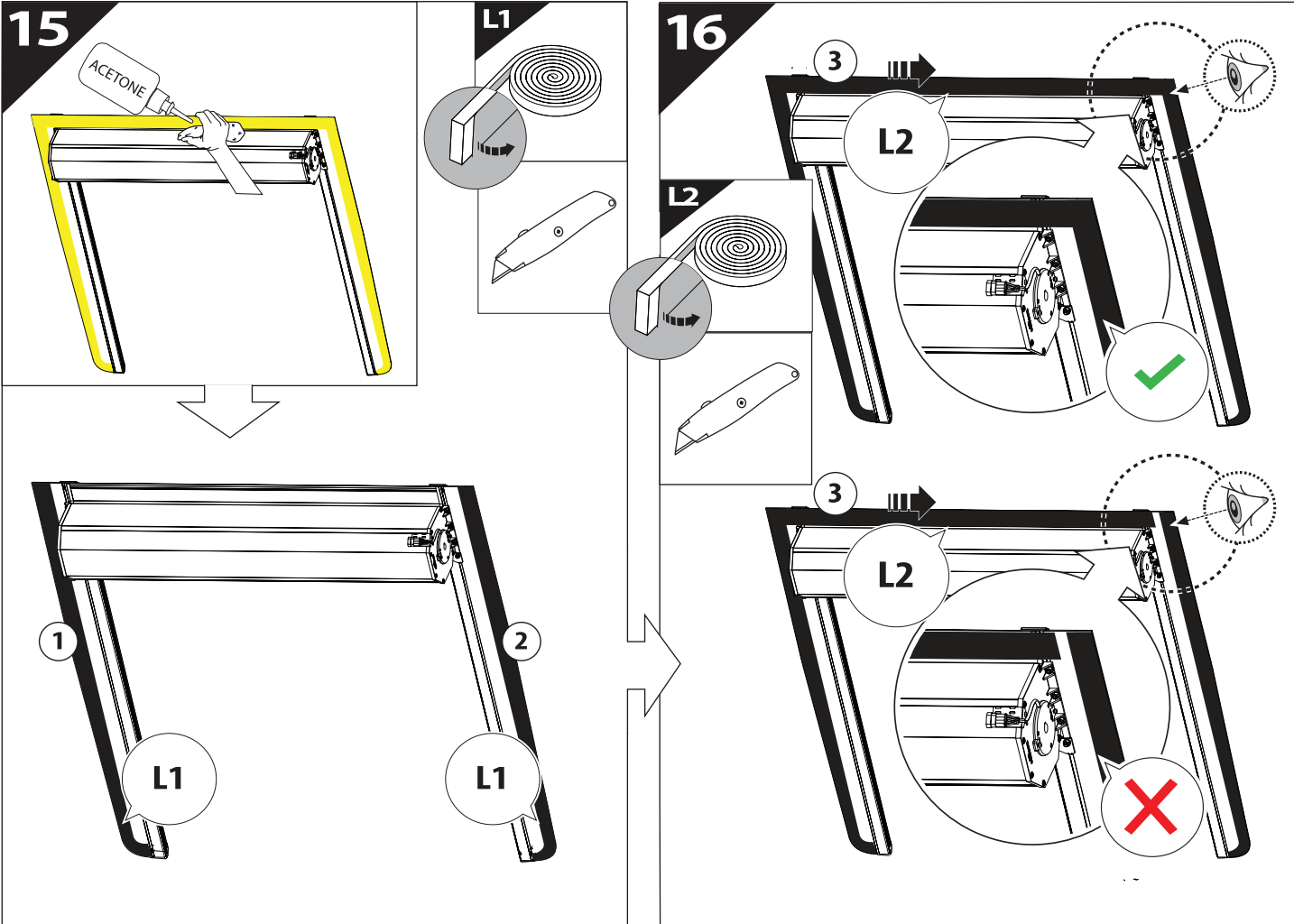


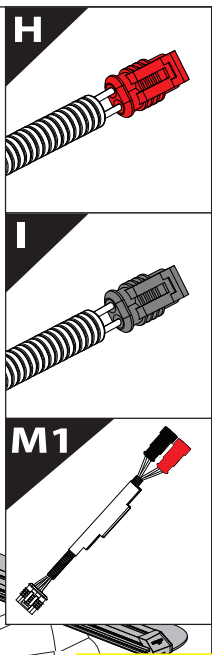
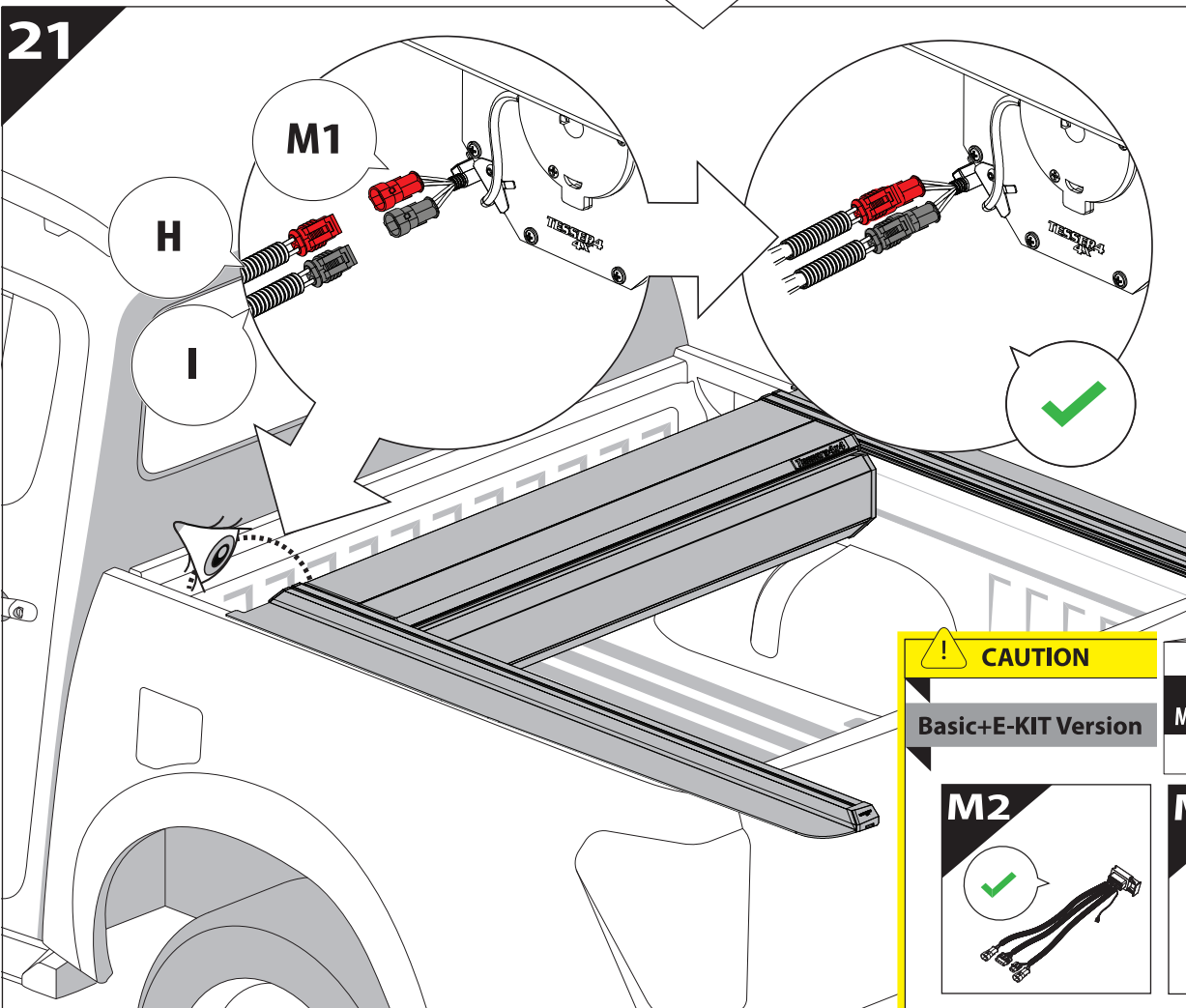
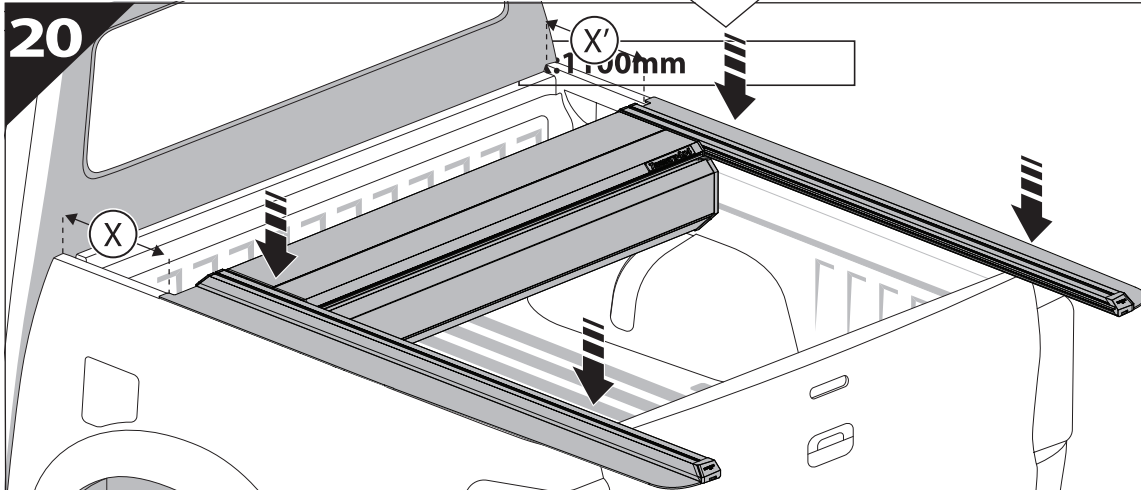
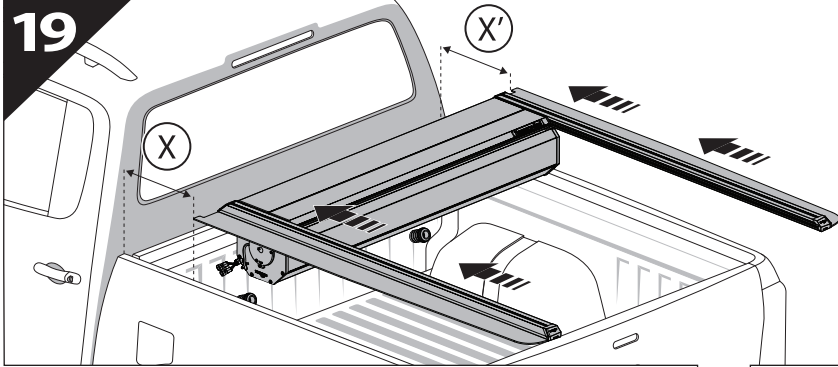
13



14



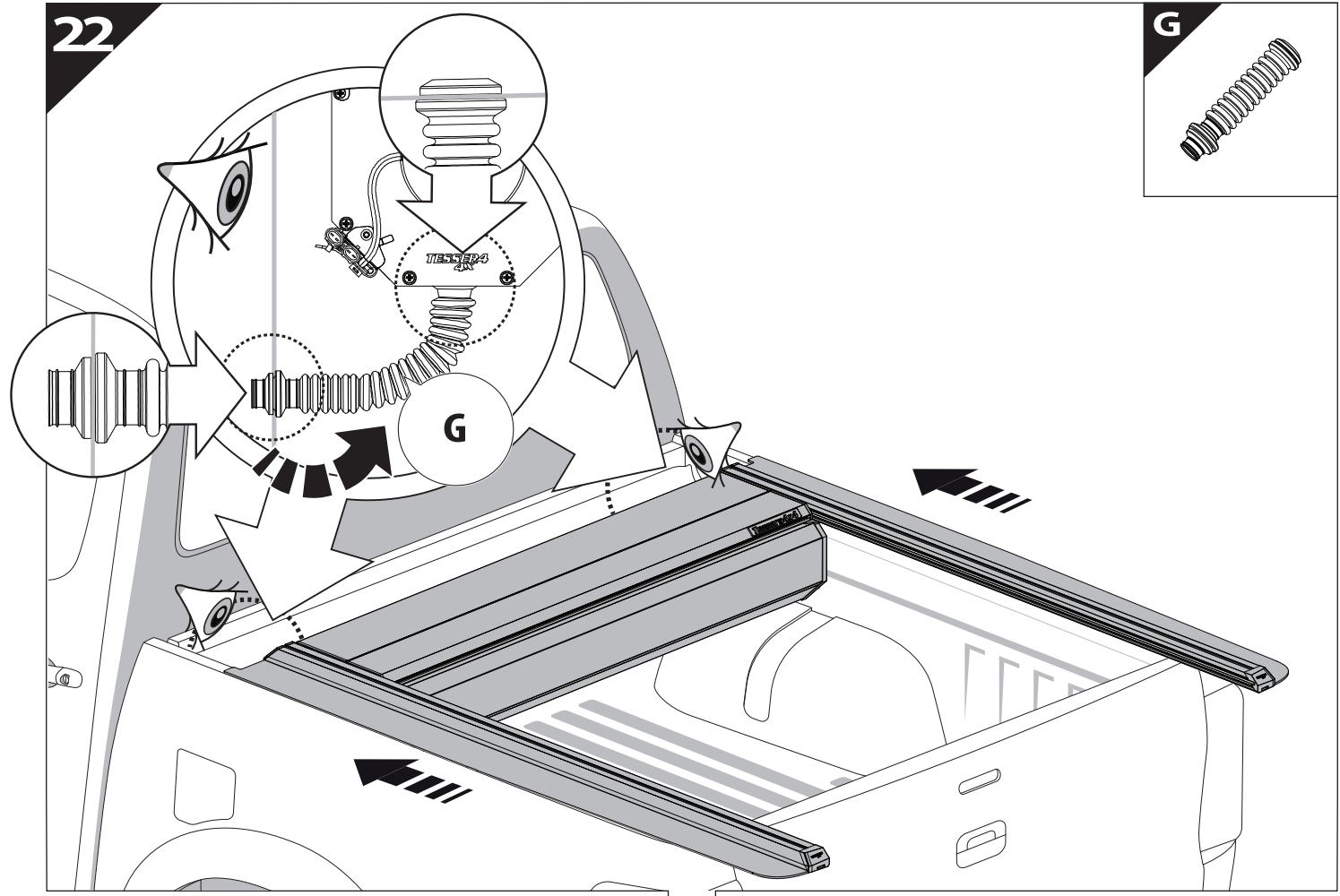




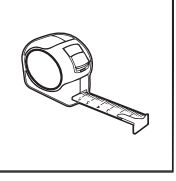
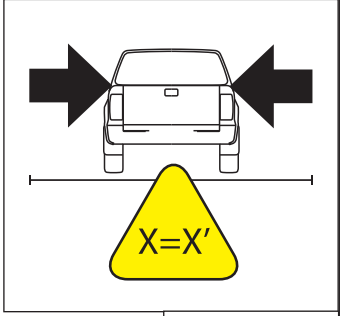
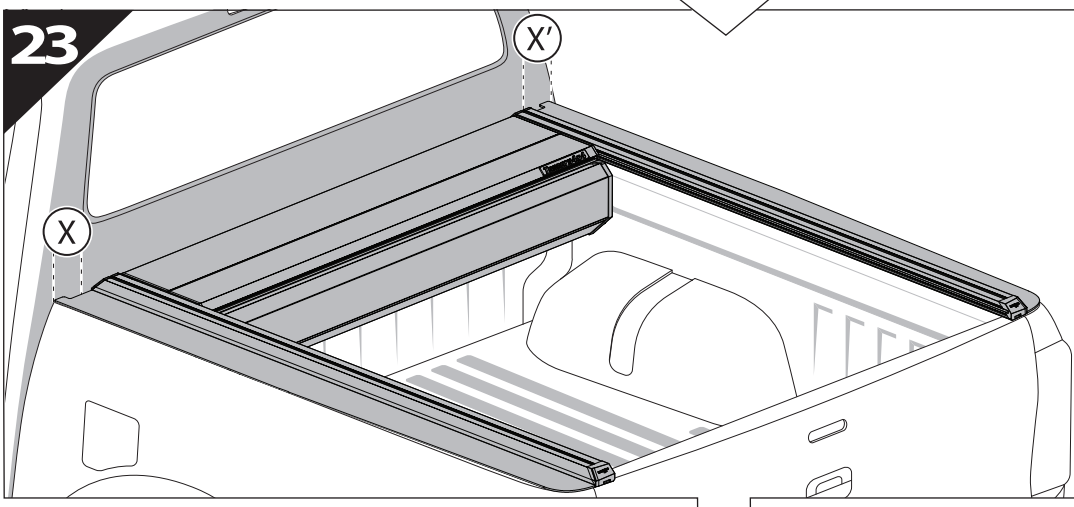
| | |
|---------------------|---------------|
| CAUTION | |
| Basic+E-KIT Version | |
| E-KIT MANUAL | |
| M2 | M1 |

22

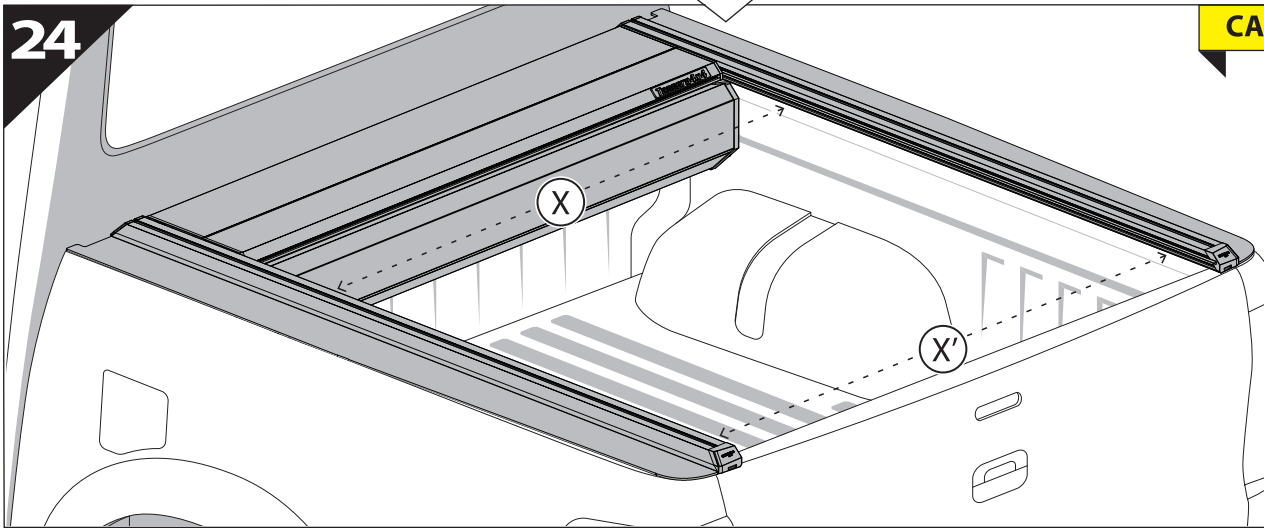
G



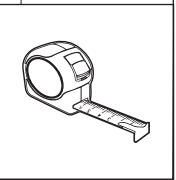
23



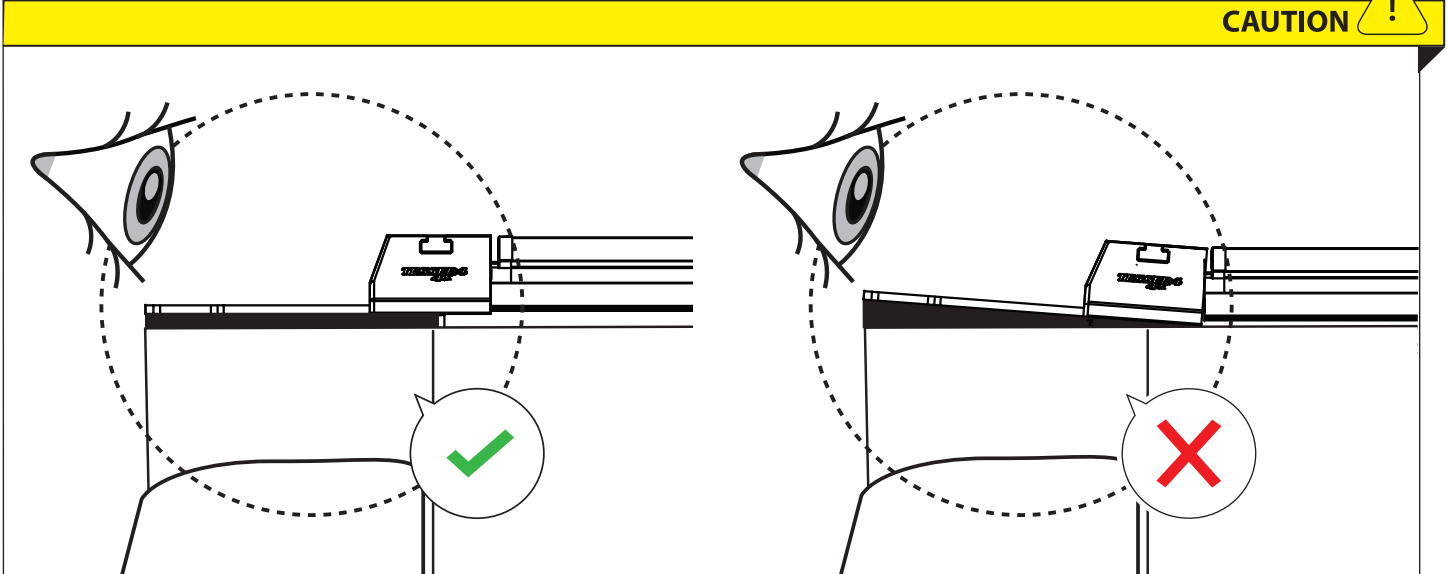
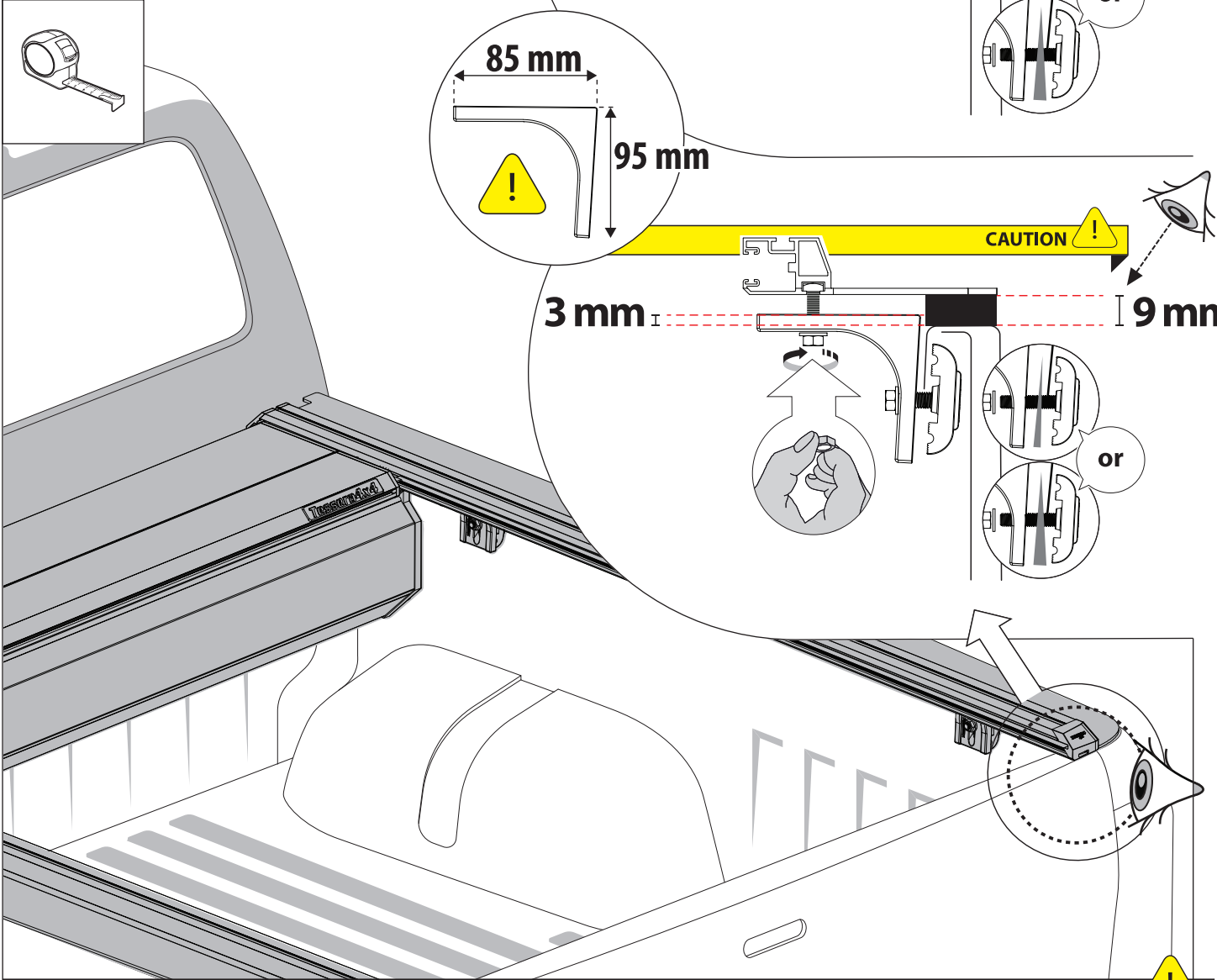
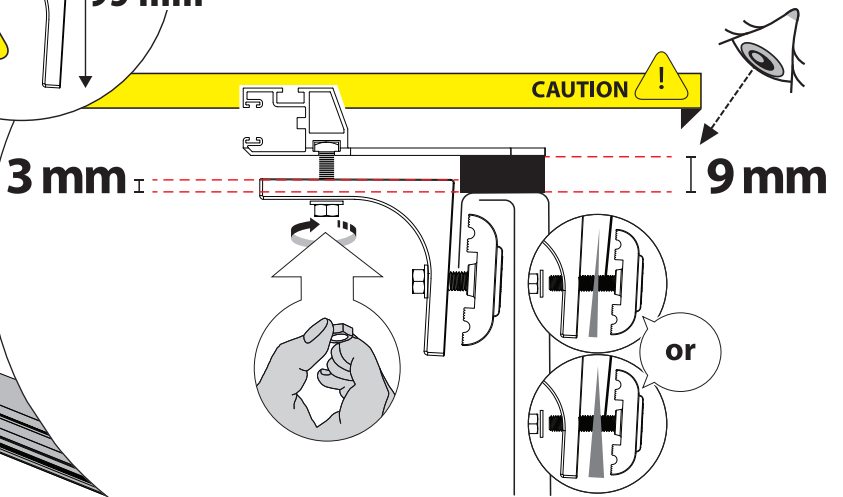
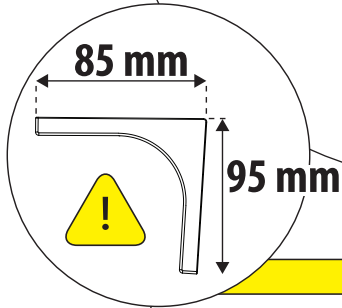
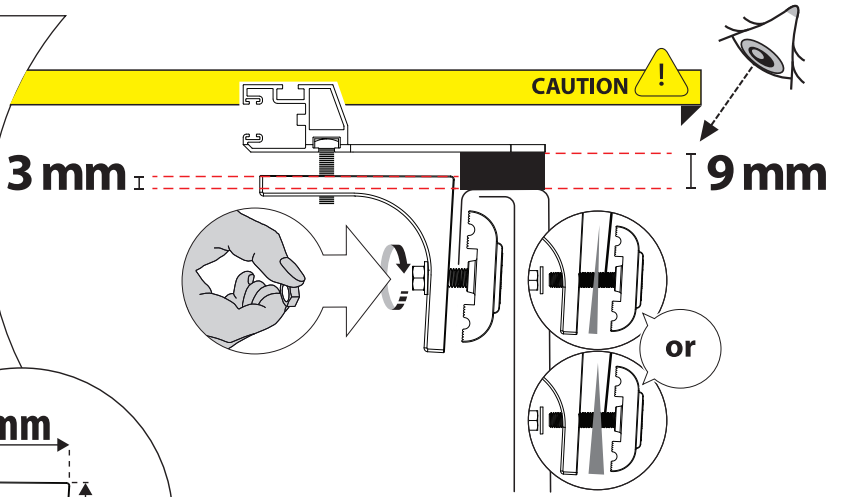
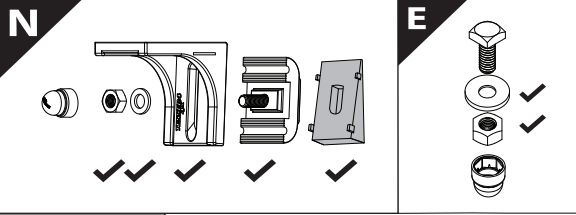
24

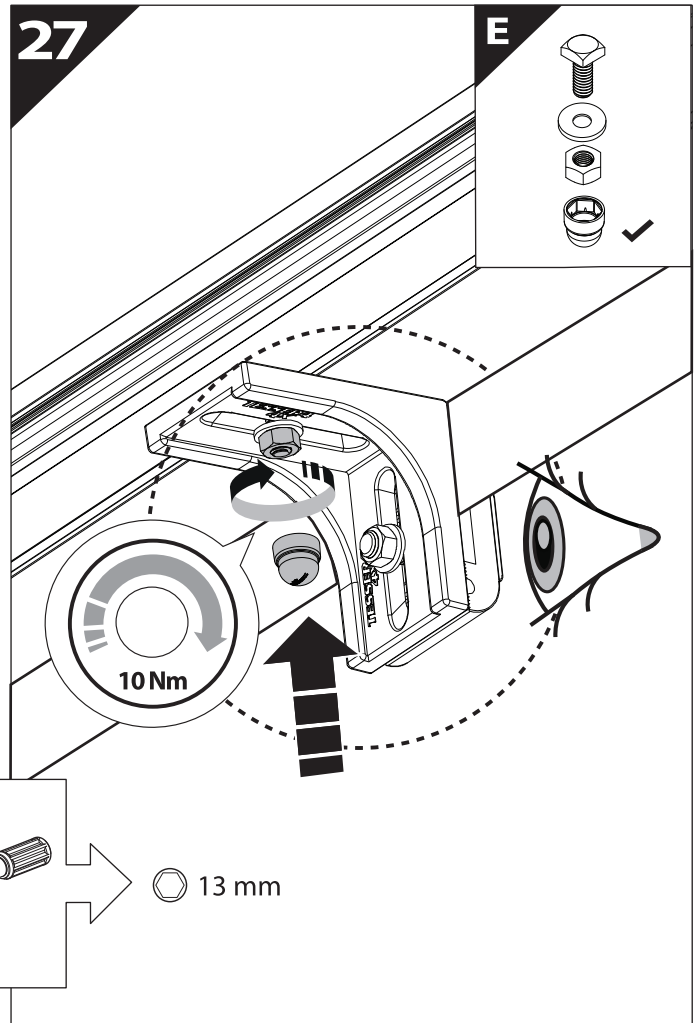
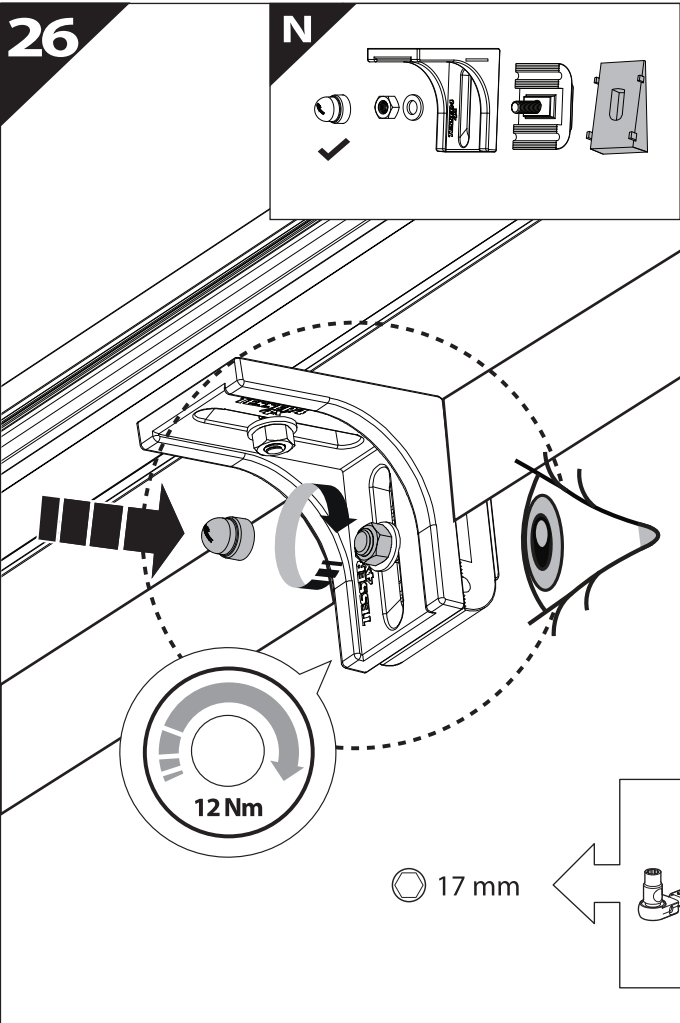


CAUTION !

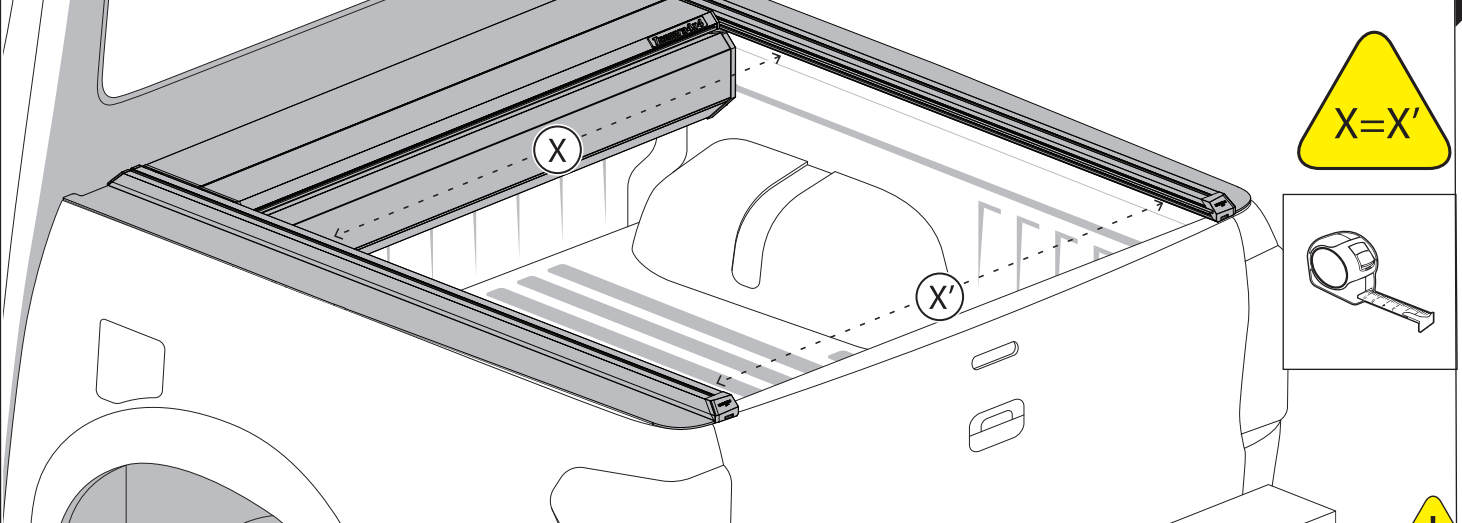


25

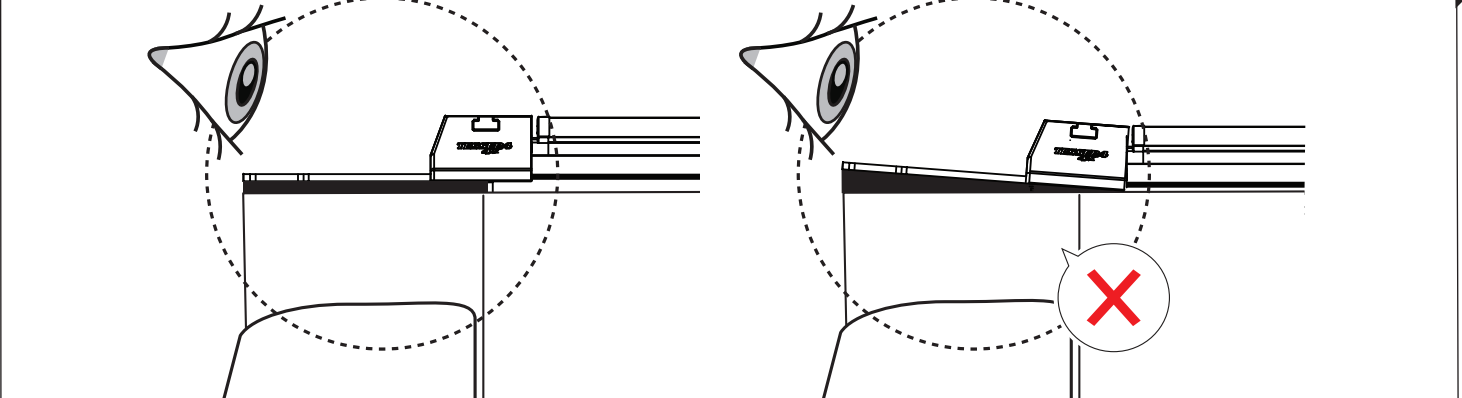




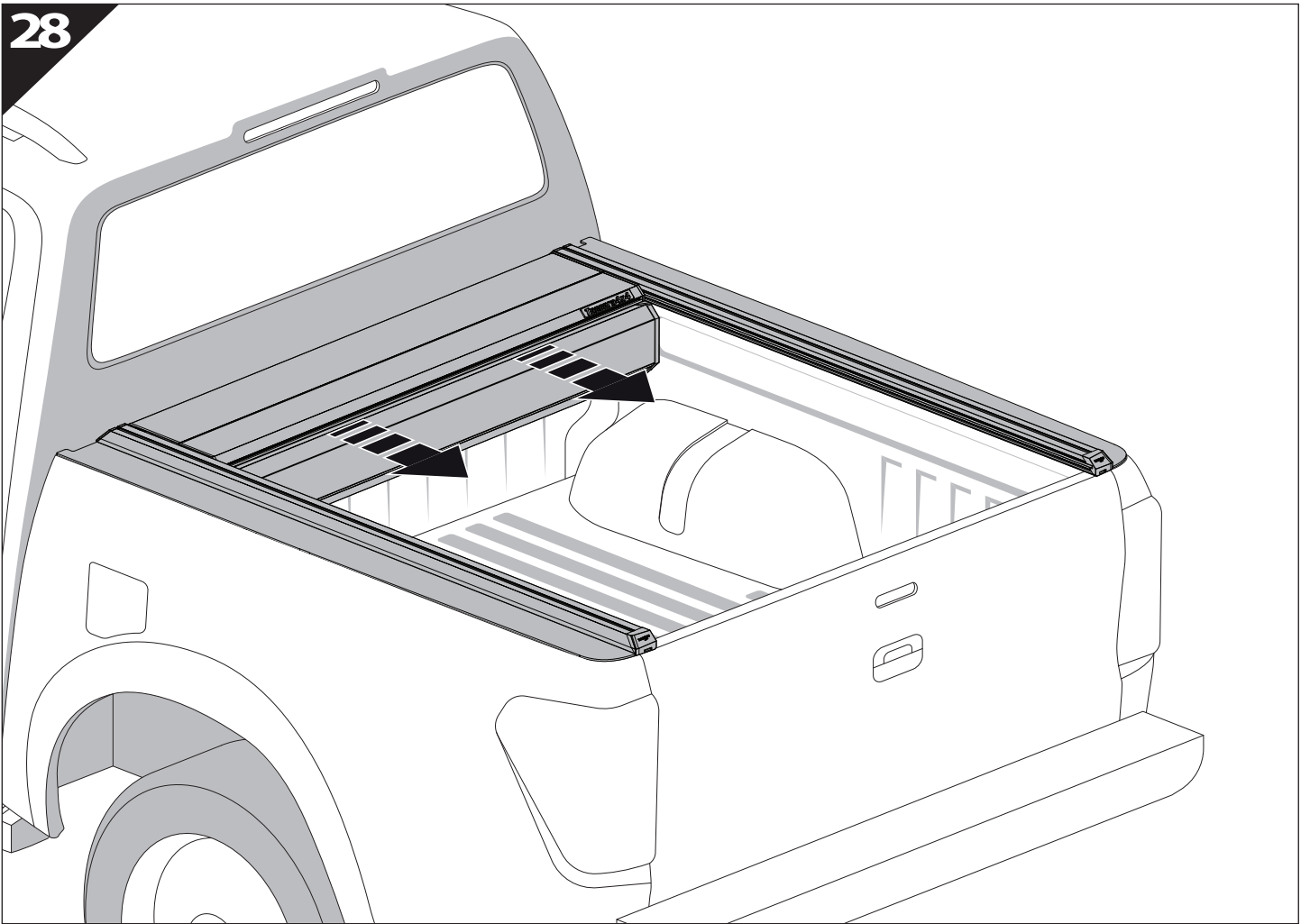
CAUTION !



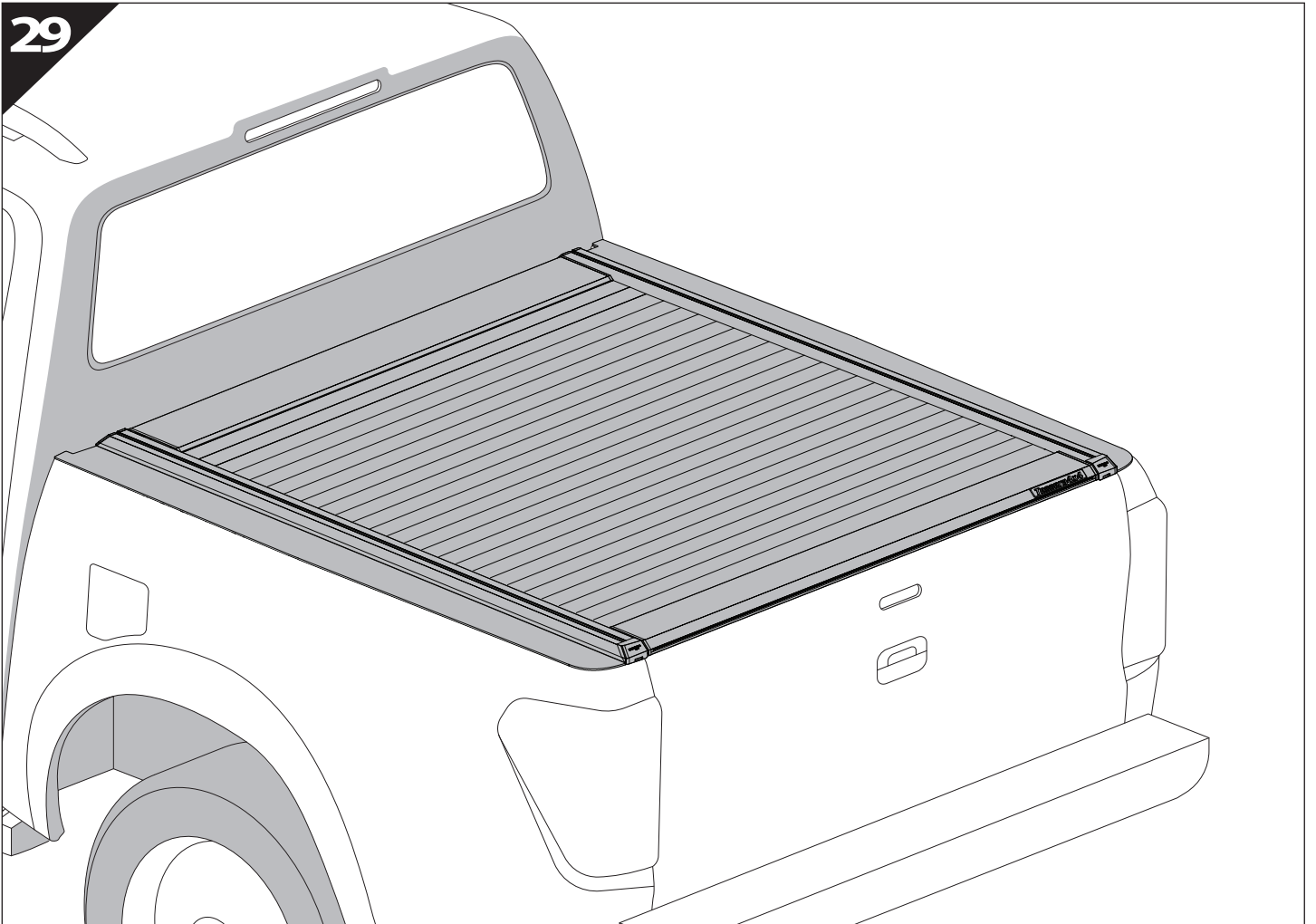
CAUTION !



28



29





GR: Οδηγίες Εγκατάστασης
GB: Installation manual
SF: Asennusohje
F: Notice de montage
PL: Instrukcja montażu
NL: Installatie-instructies
TR: Montaj Talimatı
S: Monteringsanvisning
E: Instrucciones de montaje

H: Szerelési utasítás
P: Instruções de instalação
RUS: Инструкция по установке
N: Monteringsveiledning
D: Einbauanleitung
CZ: Návod k instalaci
I: Istruzioni de montaggio
DK: Monteringsvejledning
RO: Instructiuni de instalare

Customer Service:

+30 (210) 5541161, +30 (210) 5541154 (08:00 - 16:00 EET)

Support department:

info@gianso.gr

Website:

www.tessera4x4.com

Address:

19.5 km of National road Athens-Korinthos (Elefsina) Greece, P.C: 19200