

# Tessera Roll+

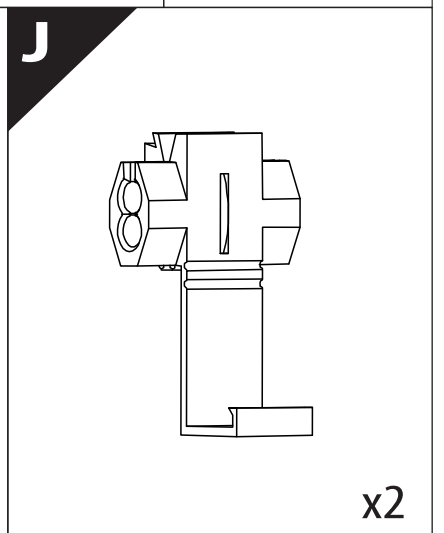
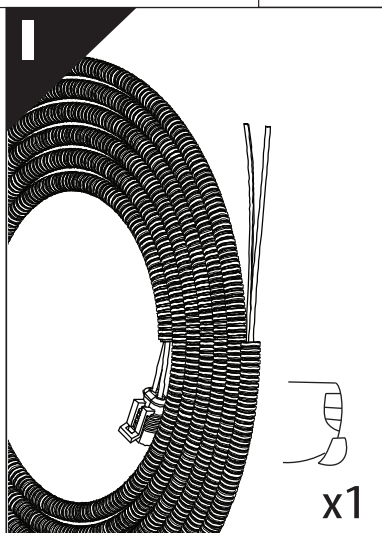
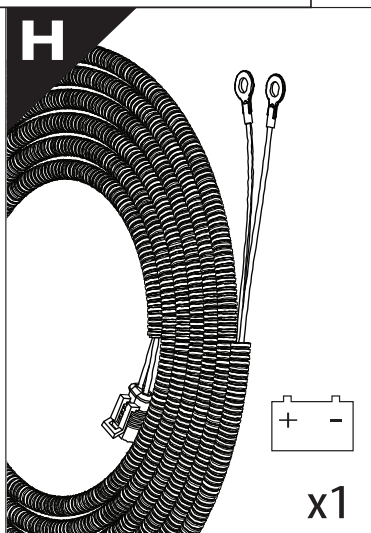
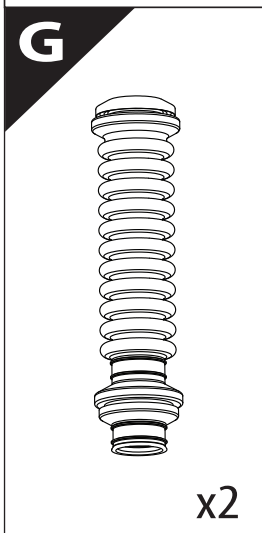
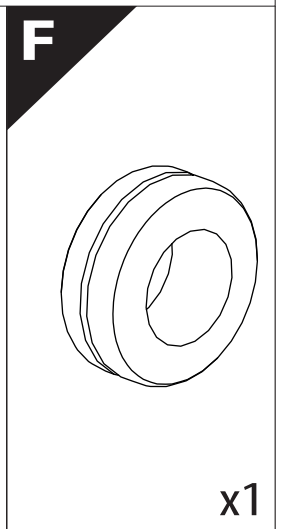
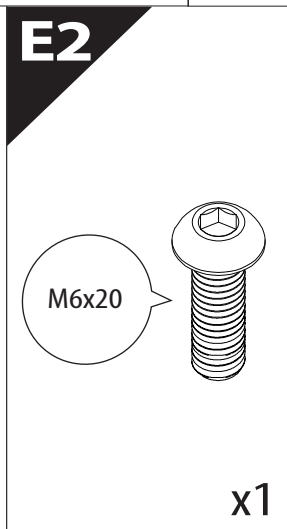
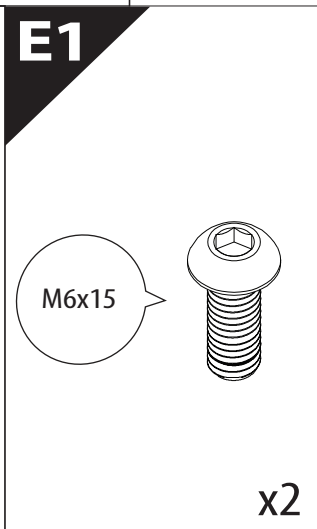
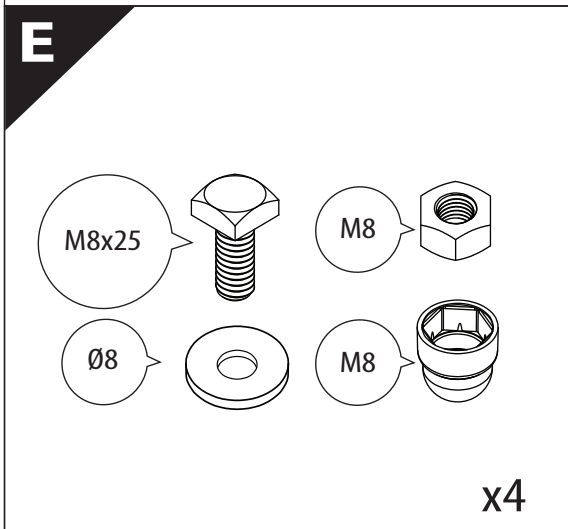
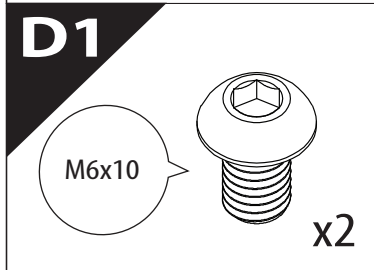
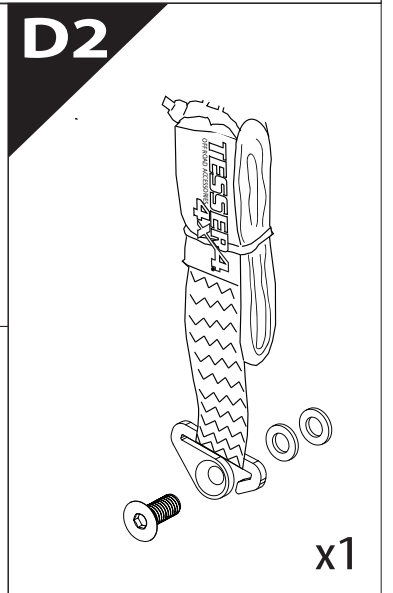
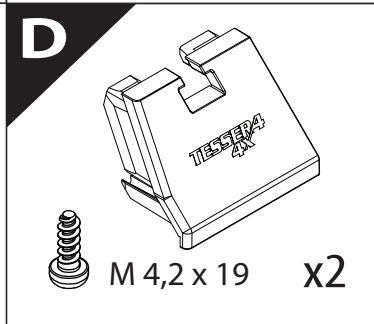
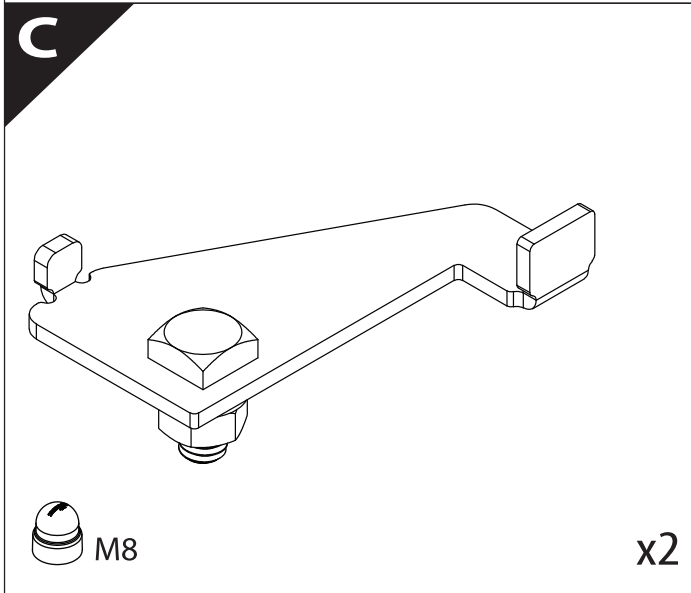
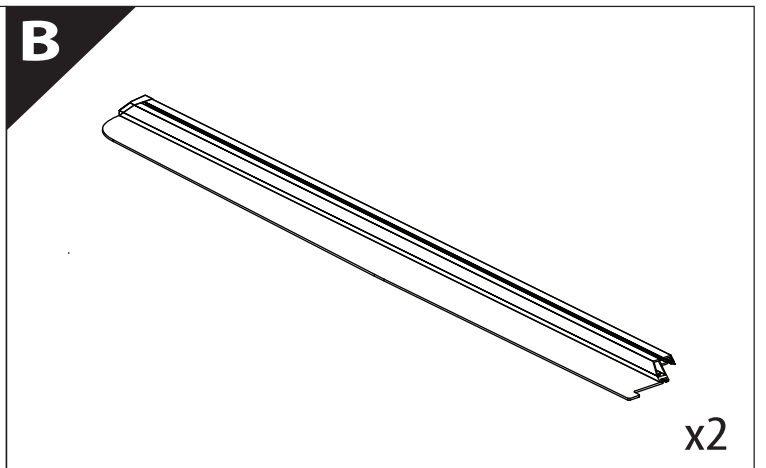
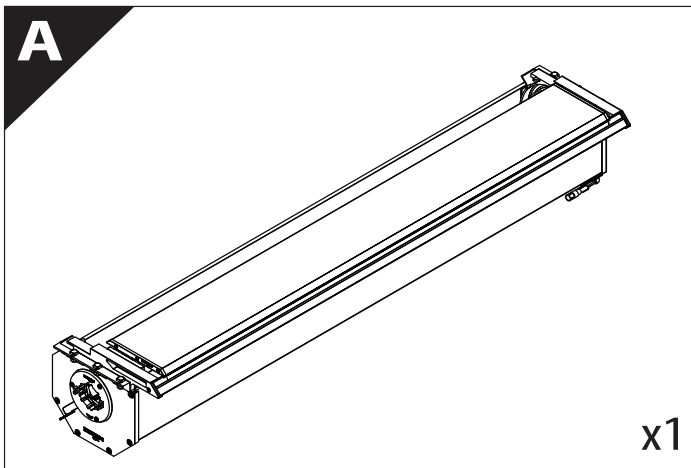
## Basic Version + ⚡ E-KIT

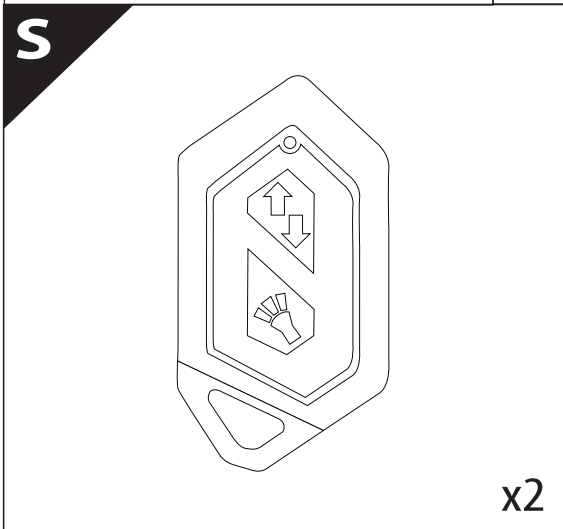
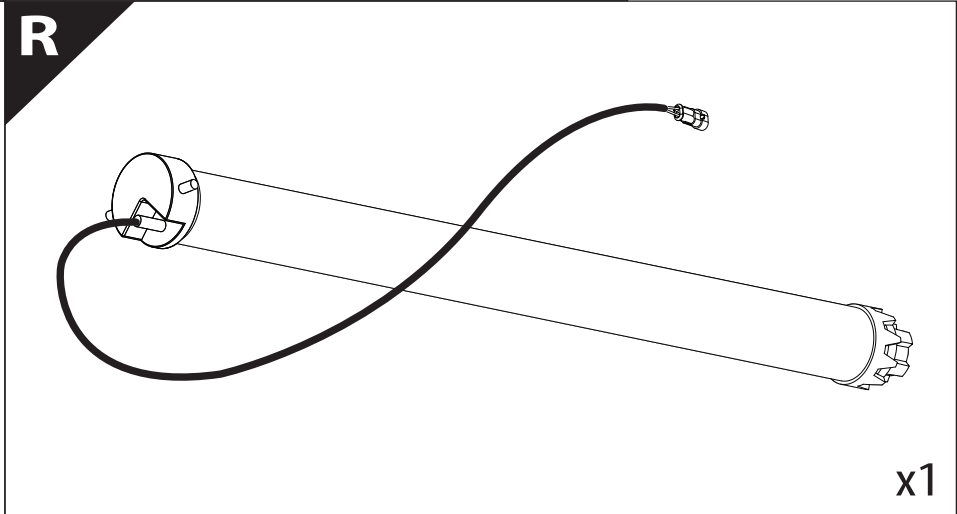
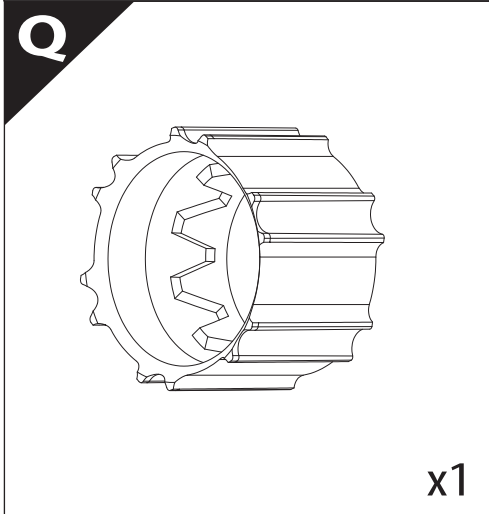
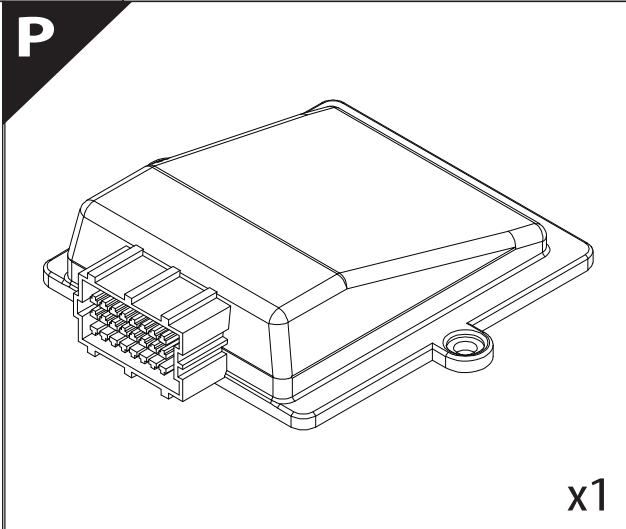
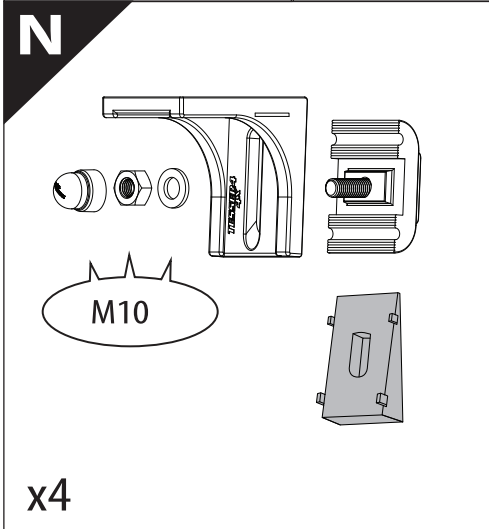
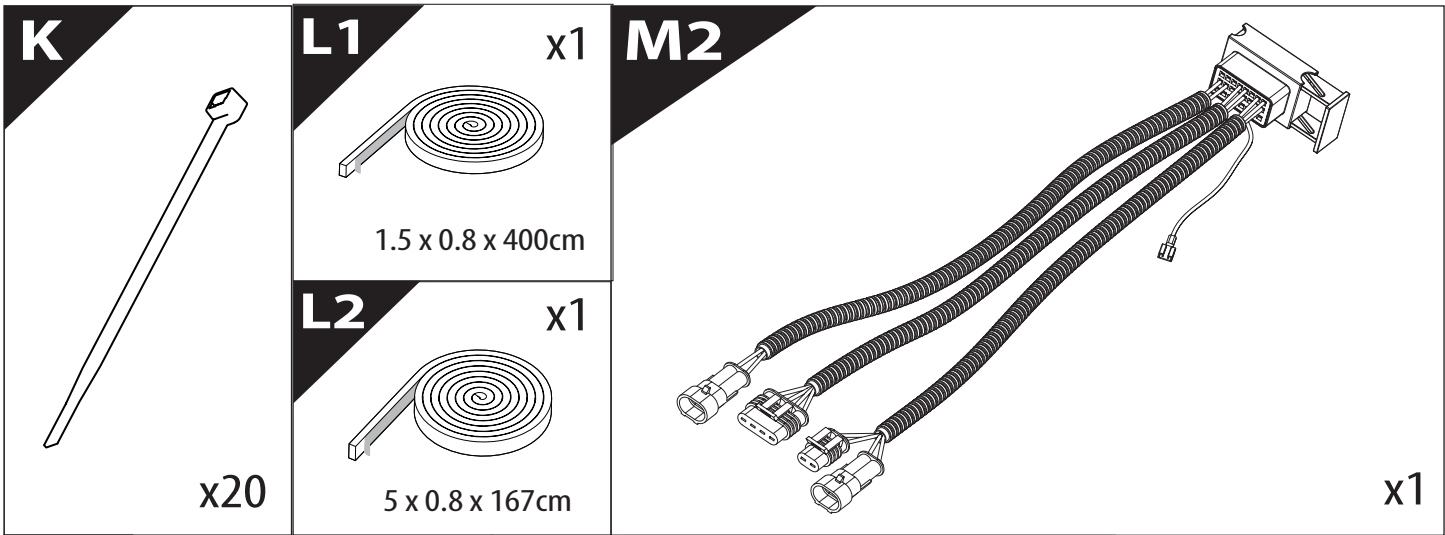


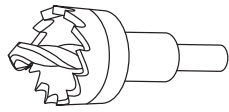
## Installation Manual

PART NUMBER(S)	Model Year
TESS-1440 ROLL+ E-KIT	FOTON TUNLAND G7 2019+
Cab(s)	Installation Time / Weight
Double Cab	40-60 minutes / 53-57 kg

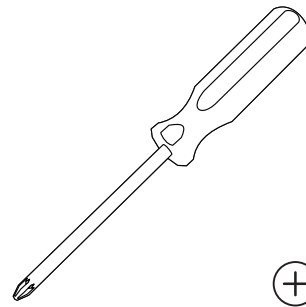
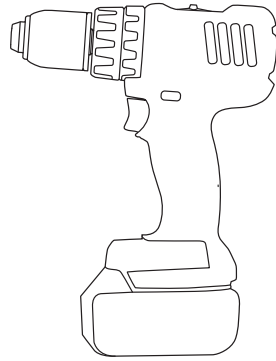




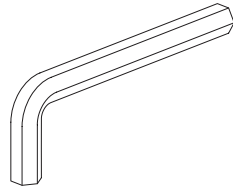
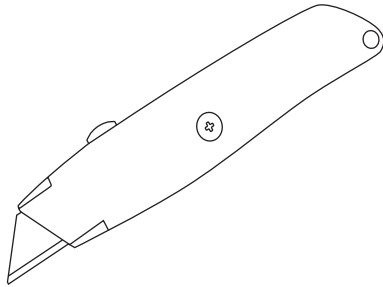
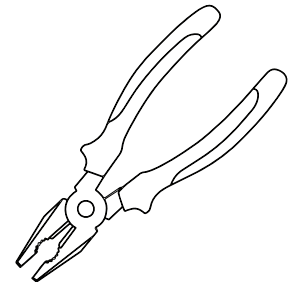




Ø 25 mm

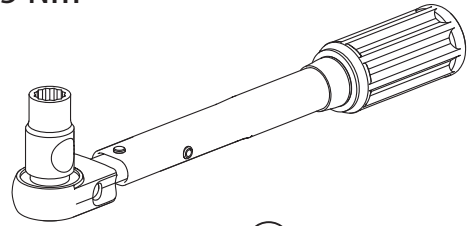


+



4 mm

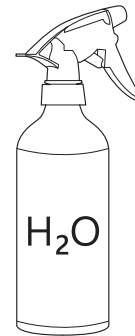
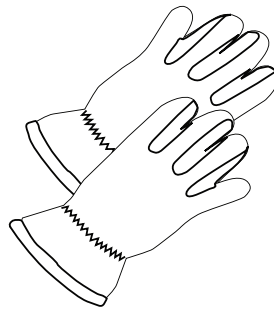
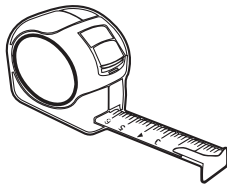
1 - 25 Nm



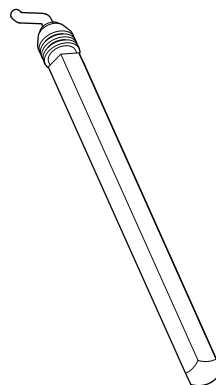
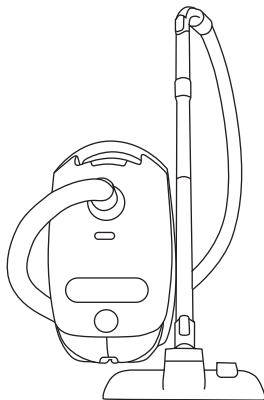
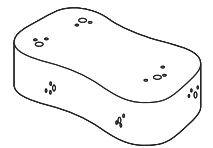
13, 17 mm



ACETONE



H<sub>2</sub>O



ANTI-RUST



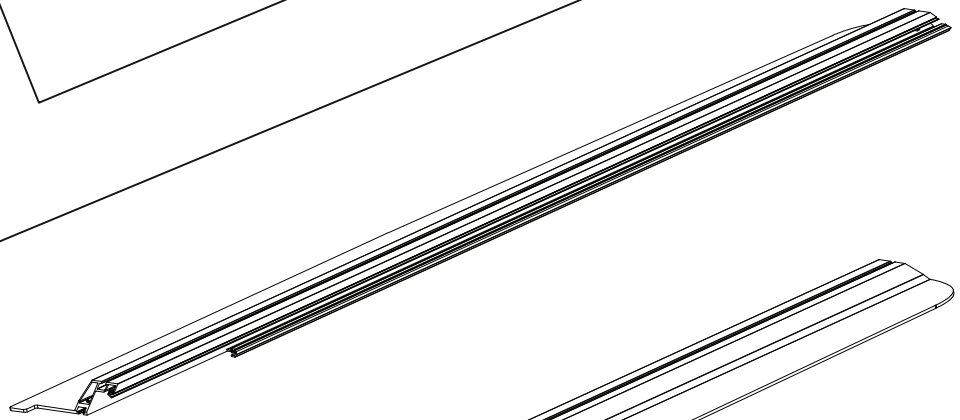
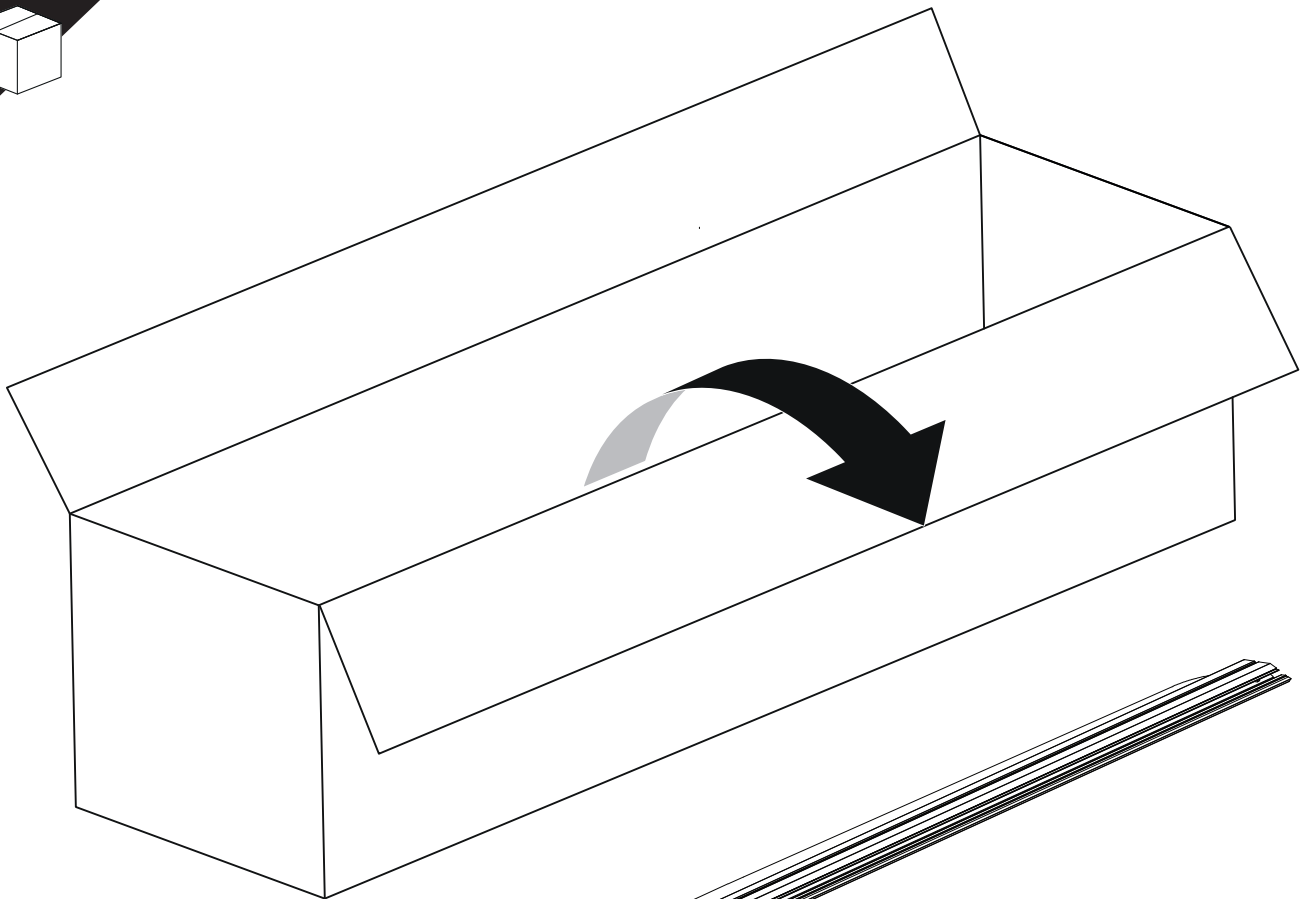
INSTALATION  
MANUAL  
+E-KIT



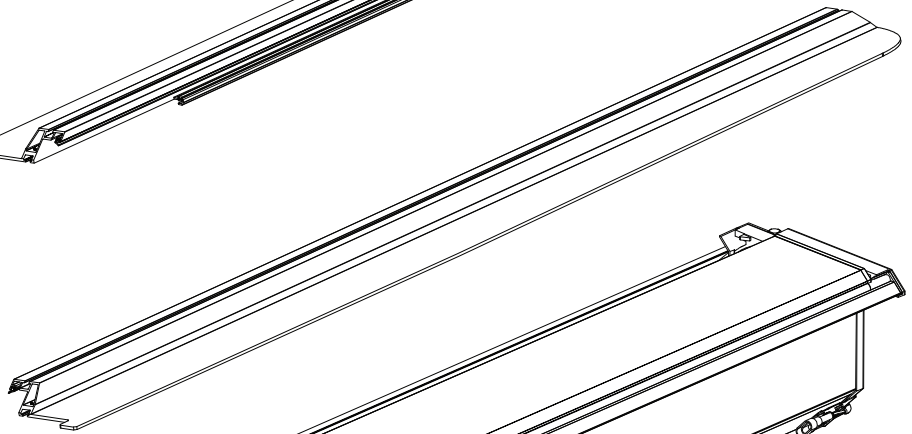
OWNERS  
MANUAL



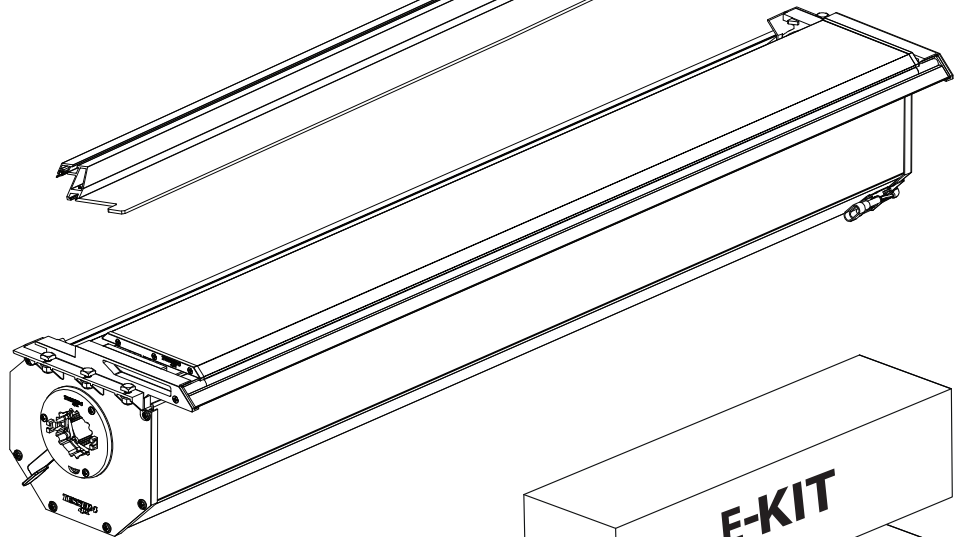
x1



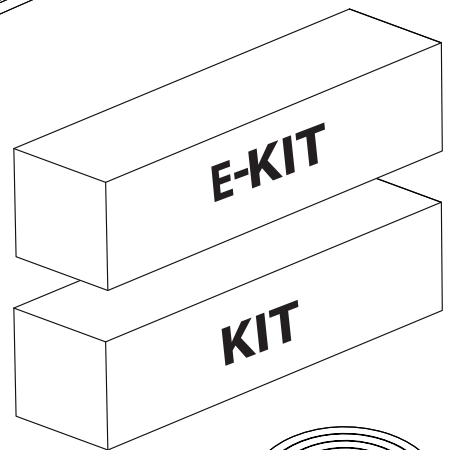
**B**



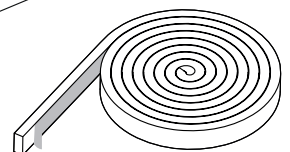
**A**

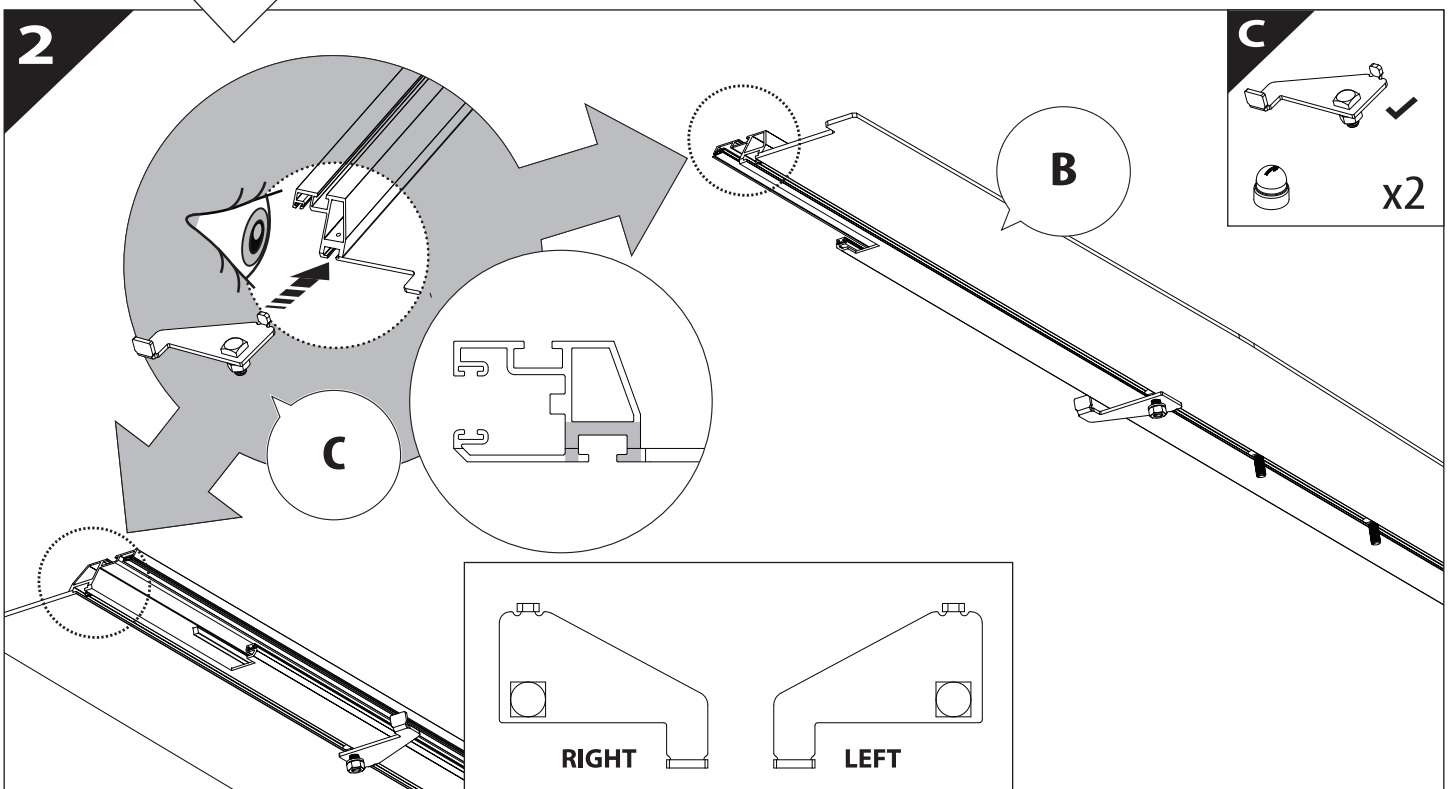
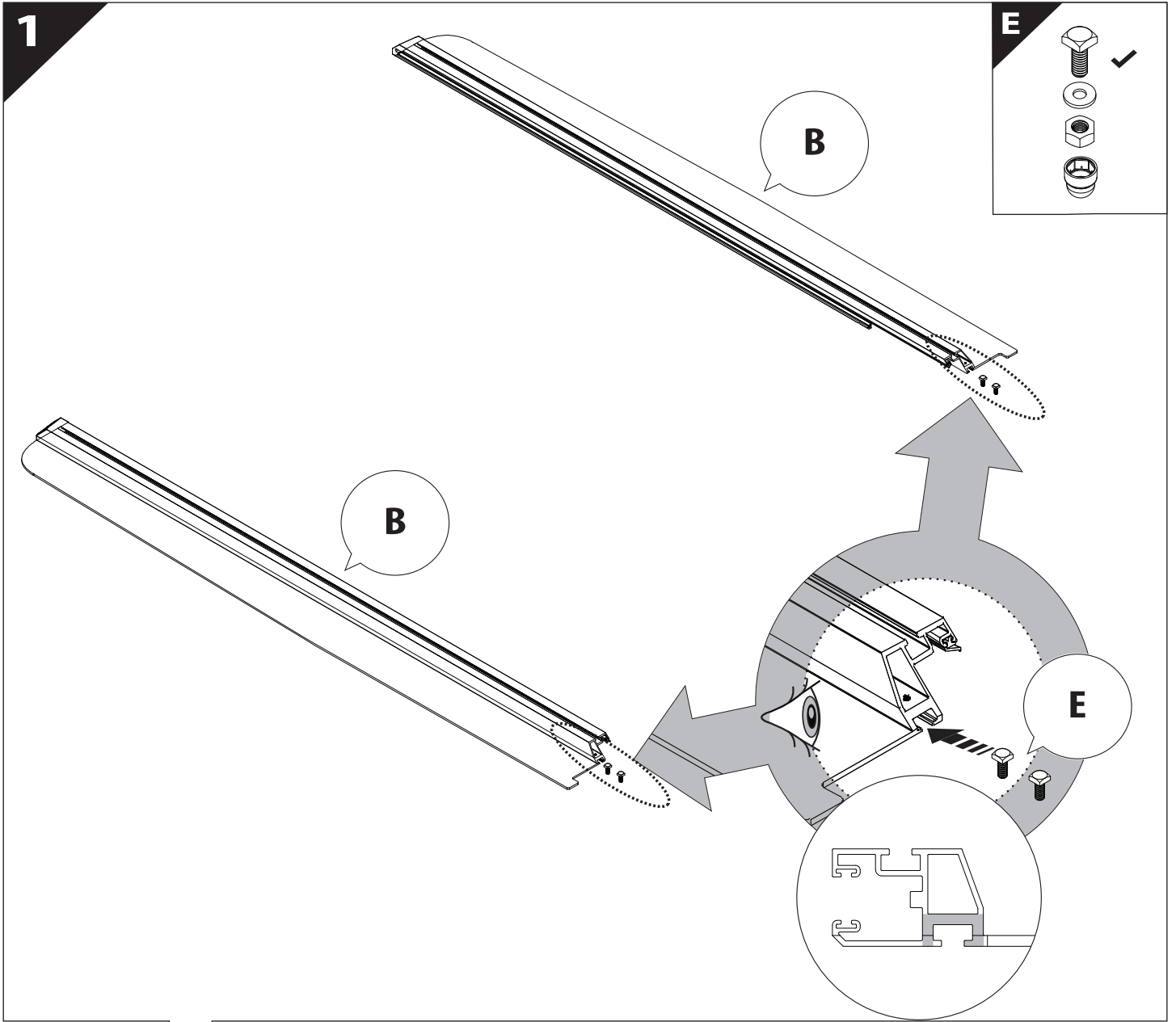


**KITS**

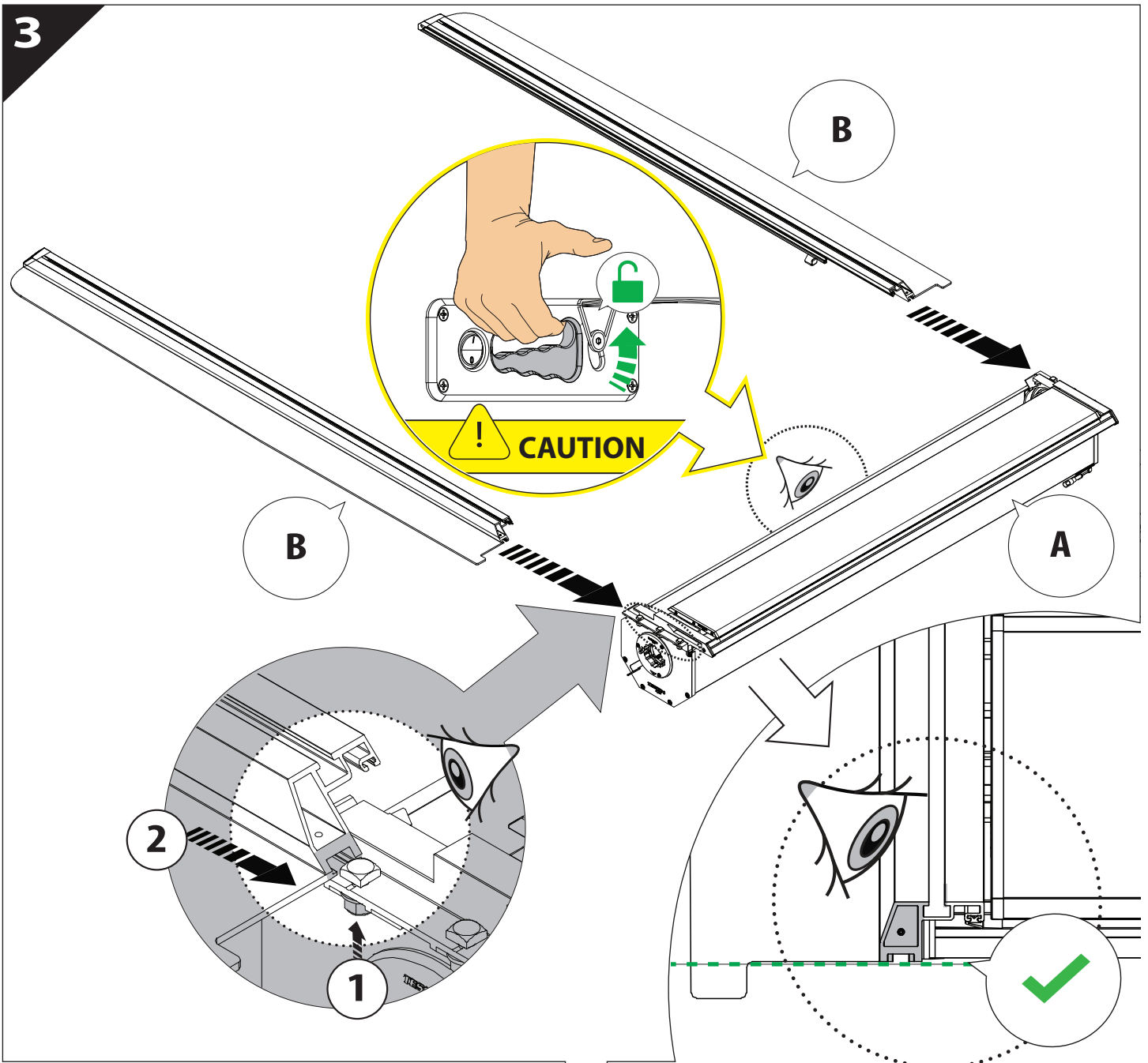


**L**

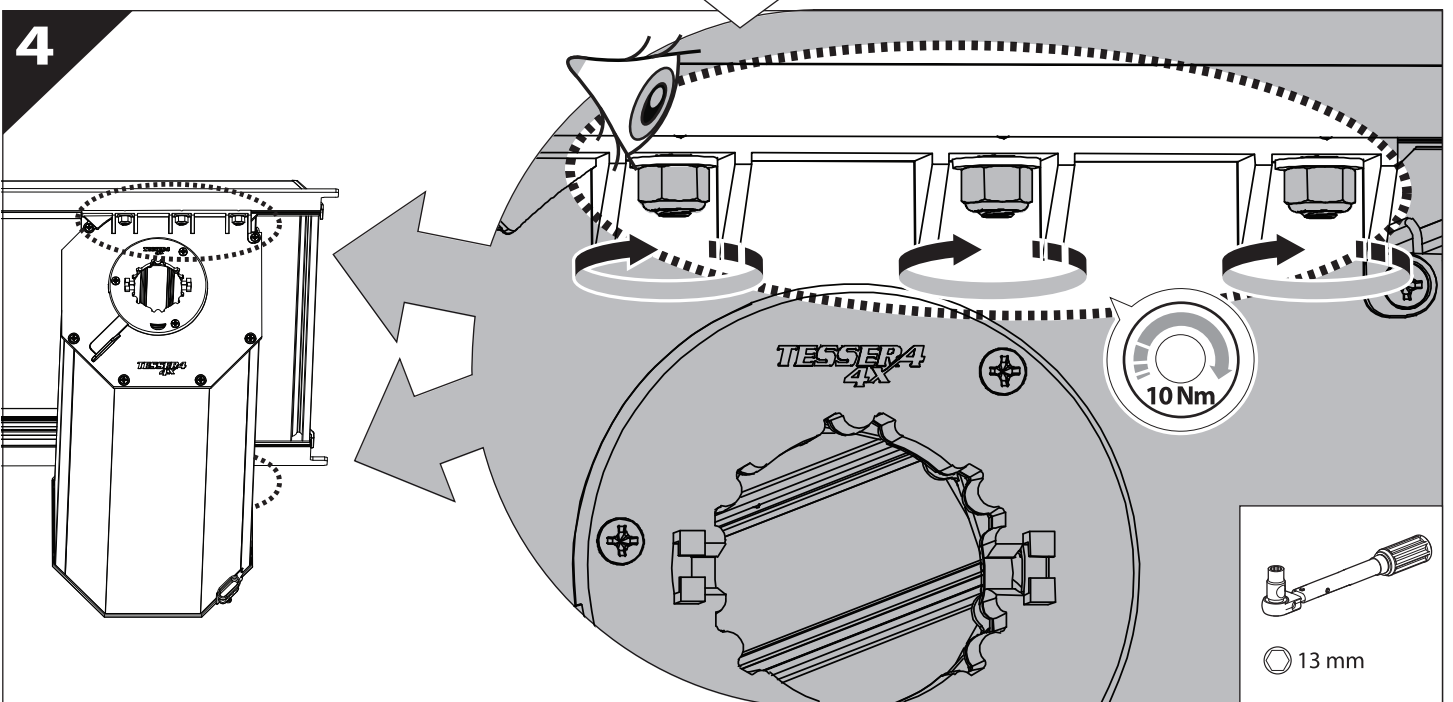


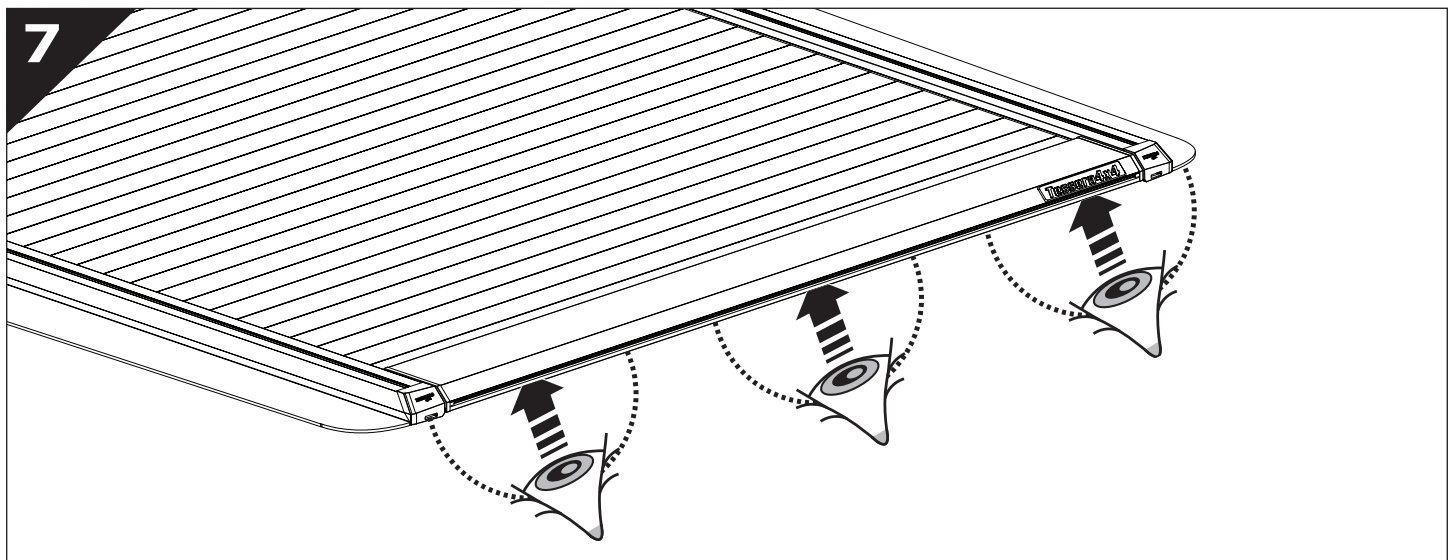
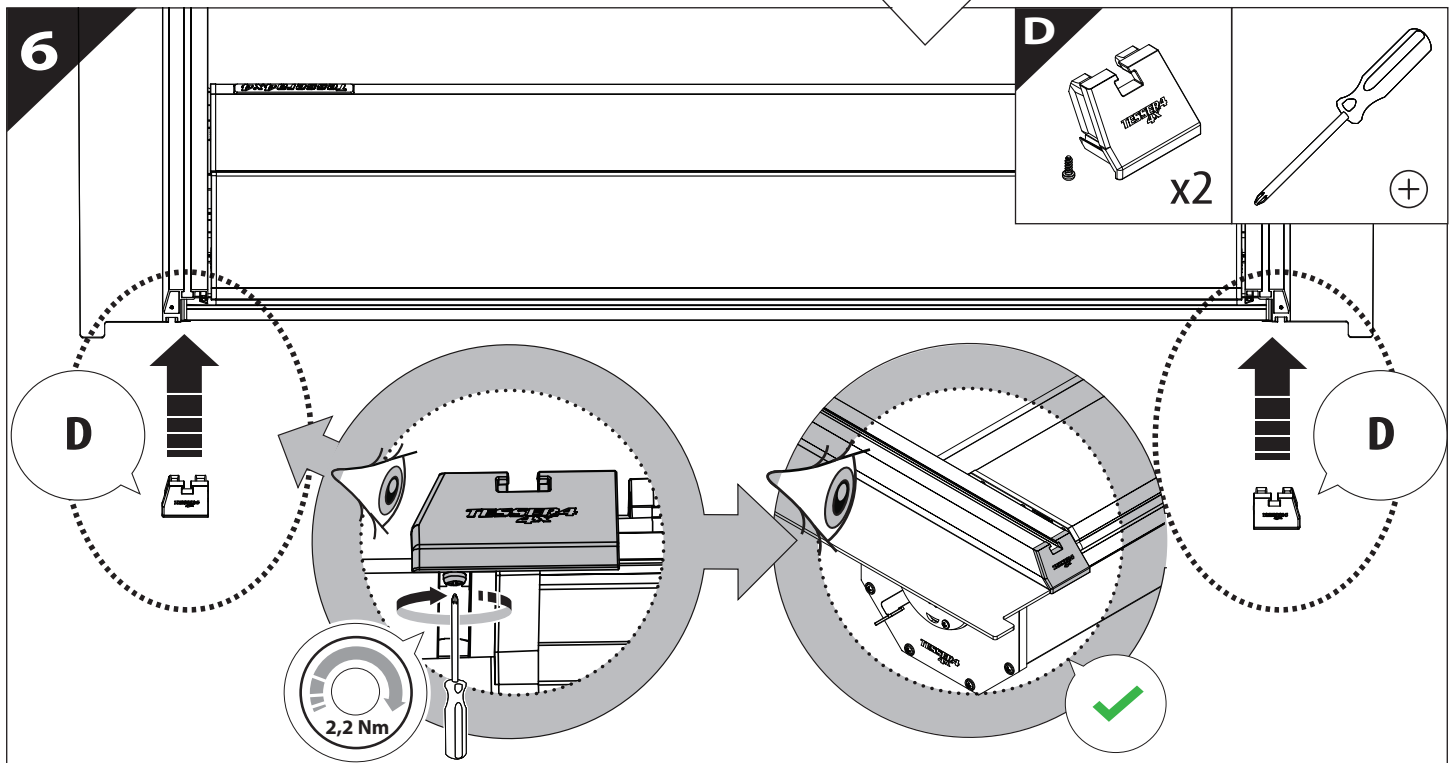
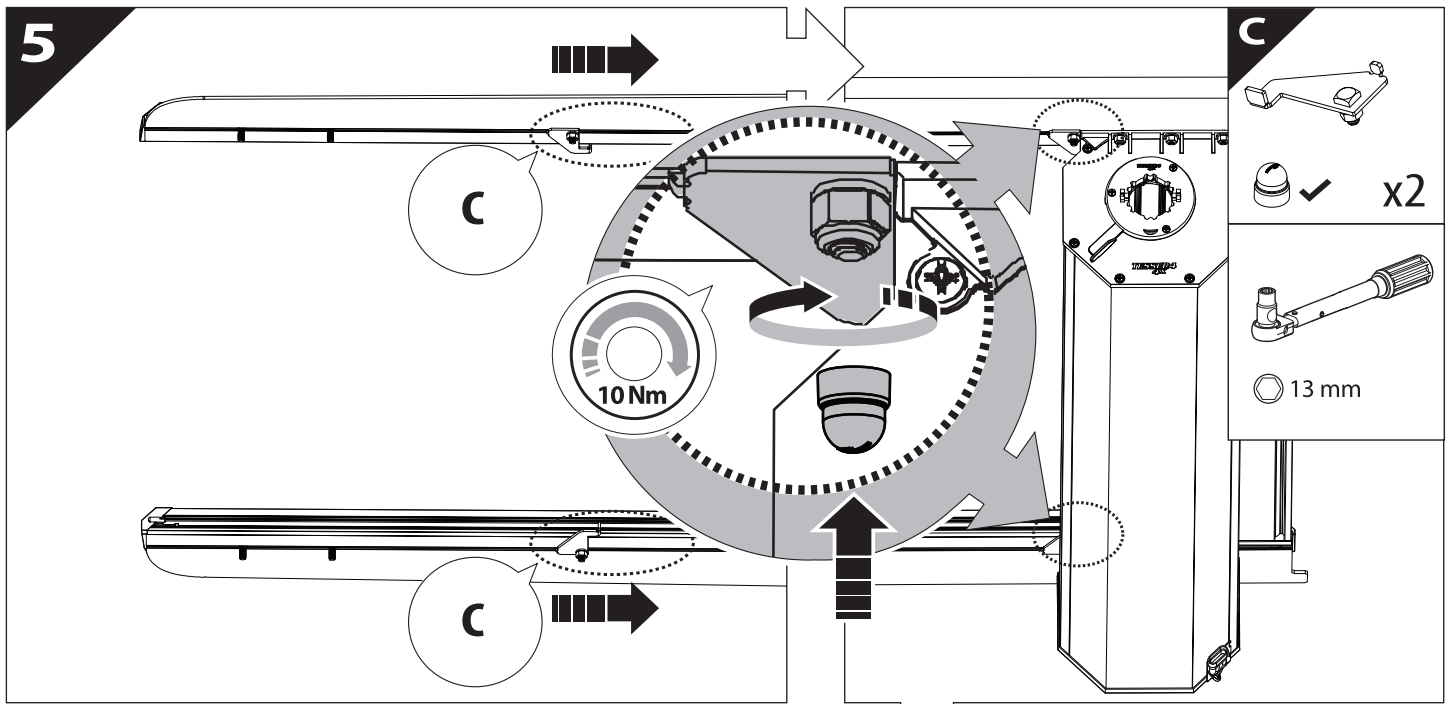


3

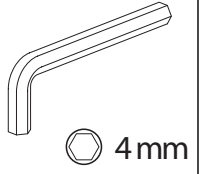
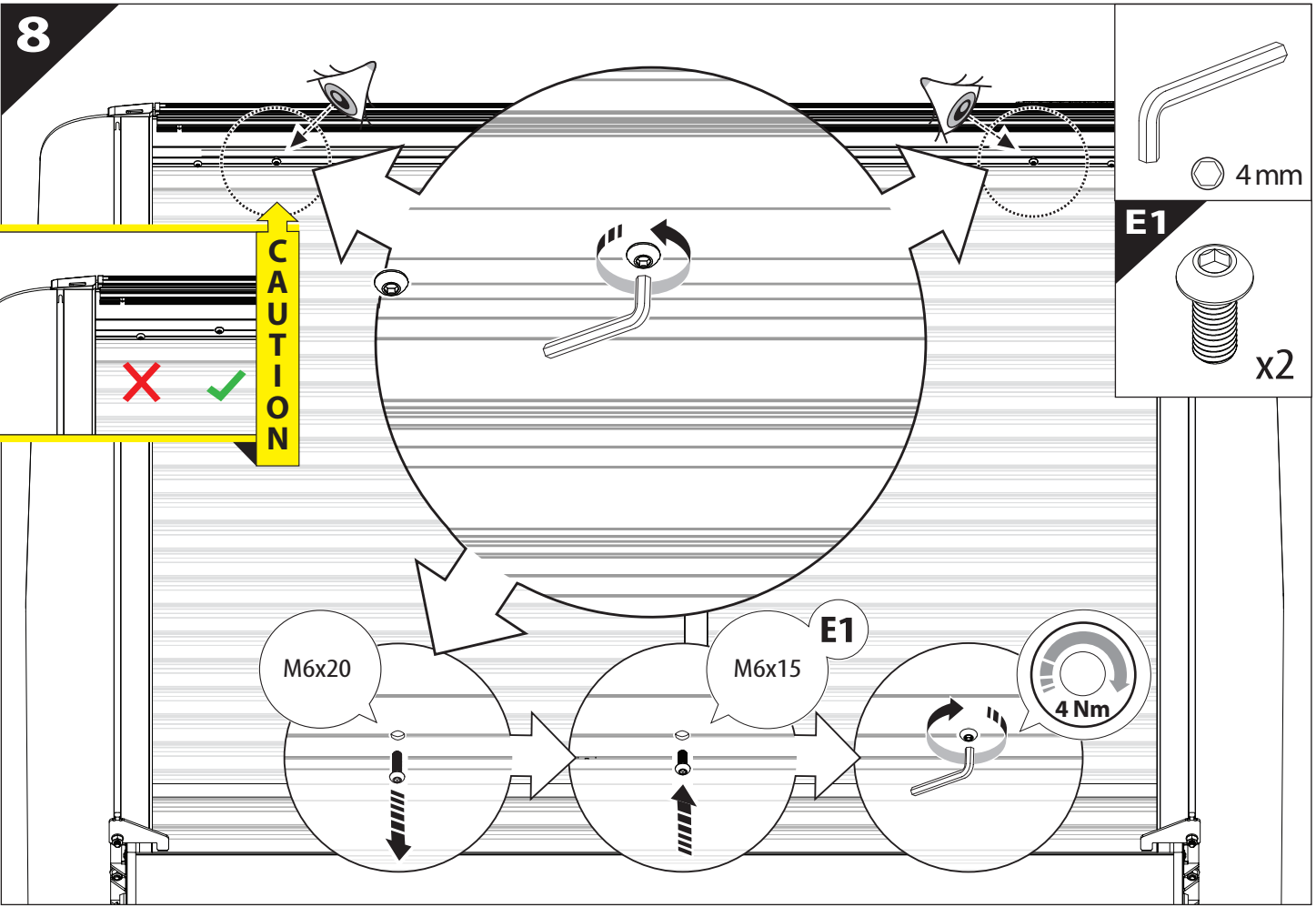
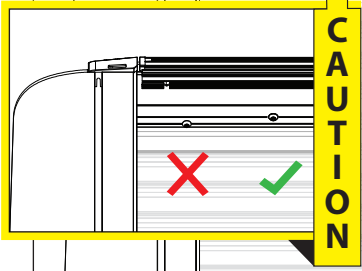


4

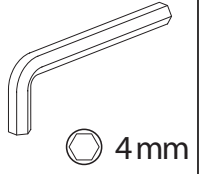
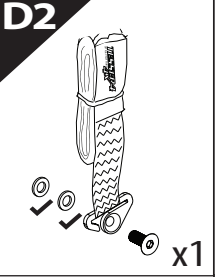
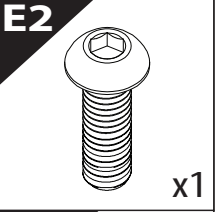
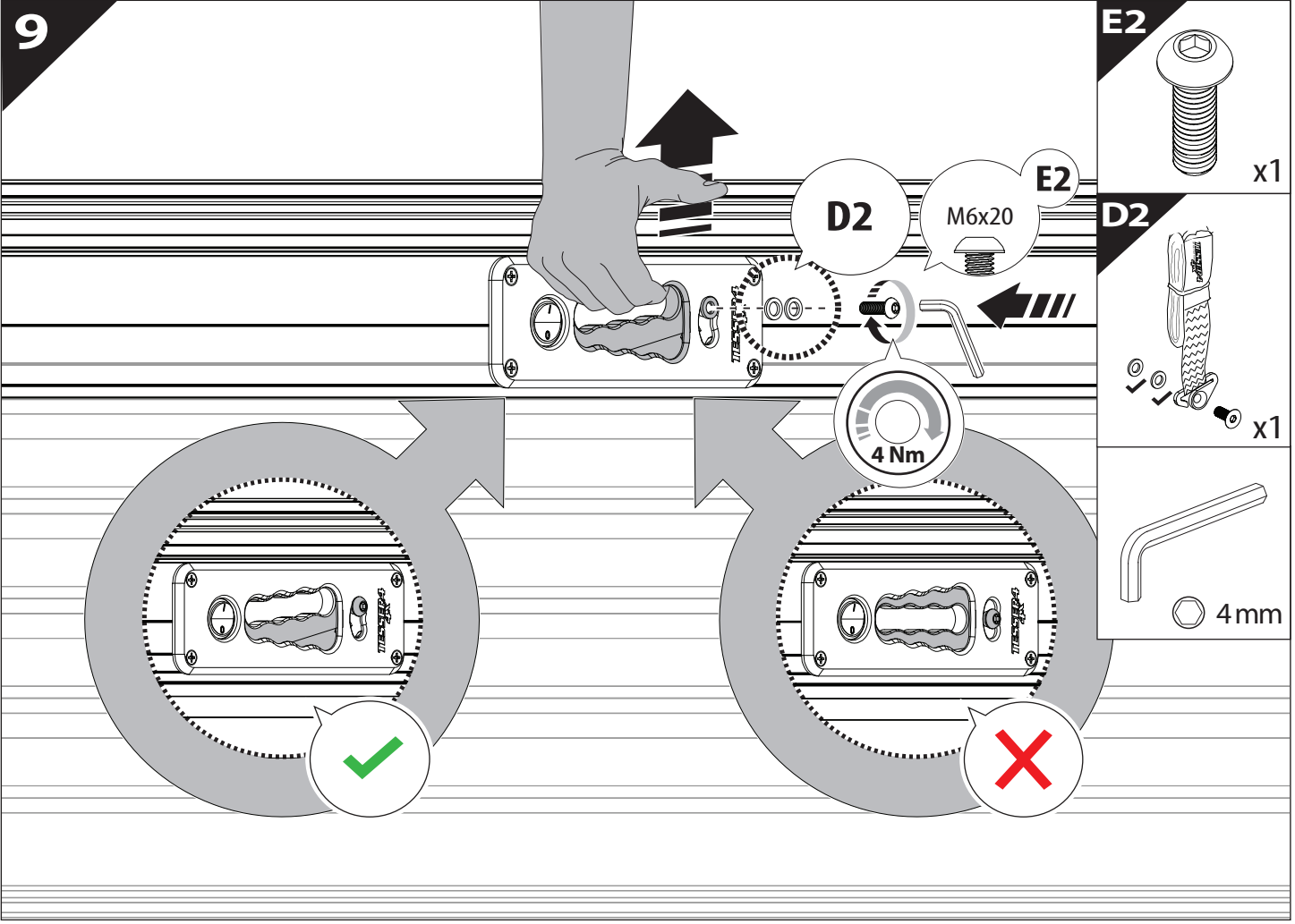


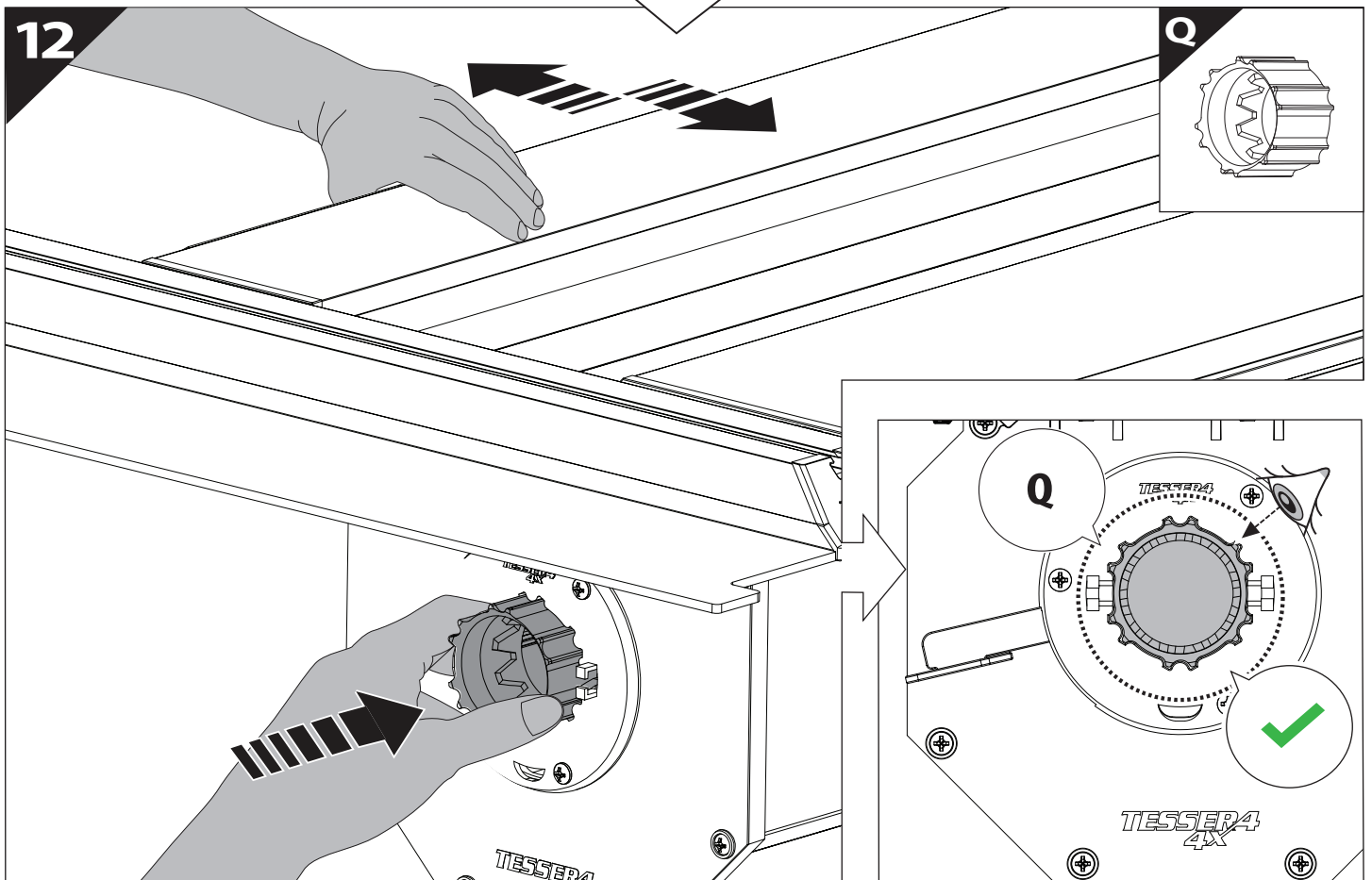
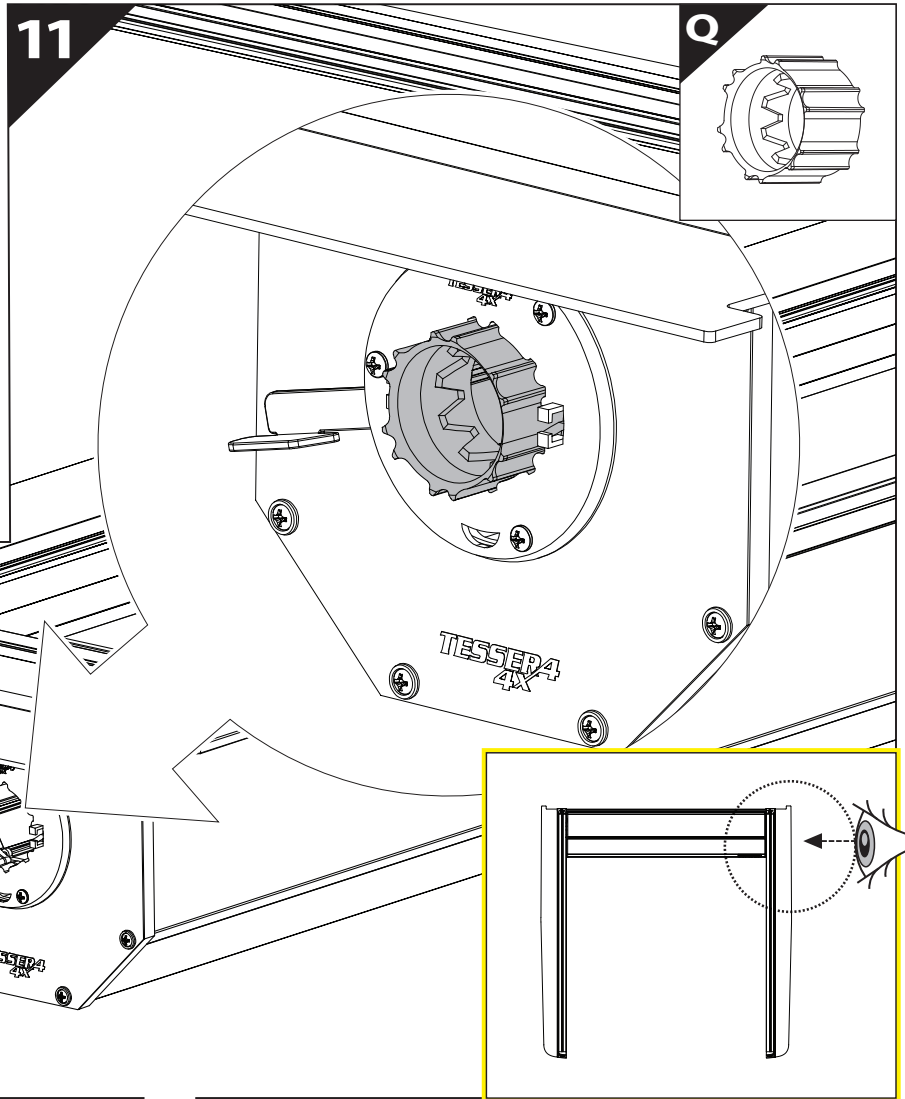
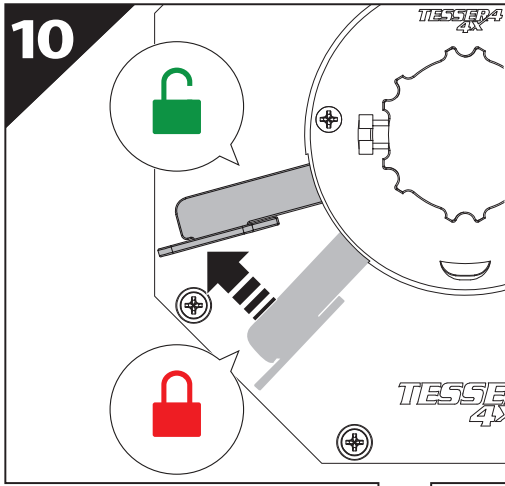


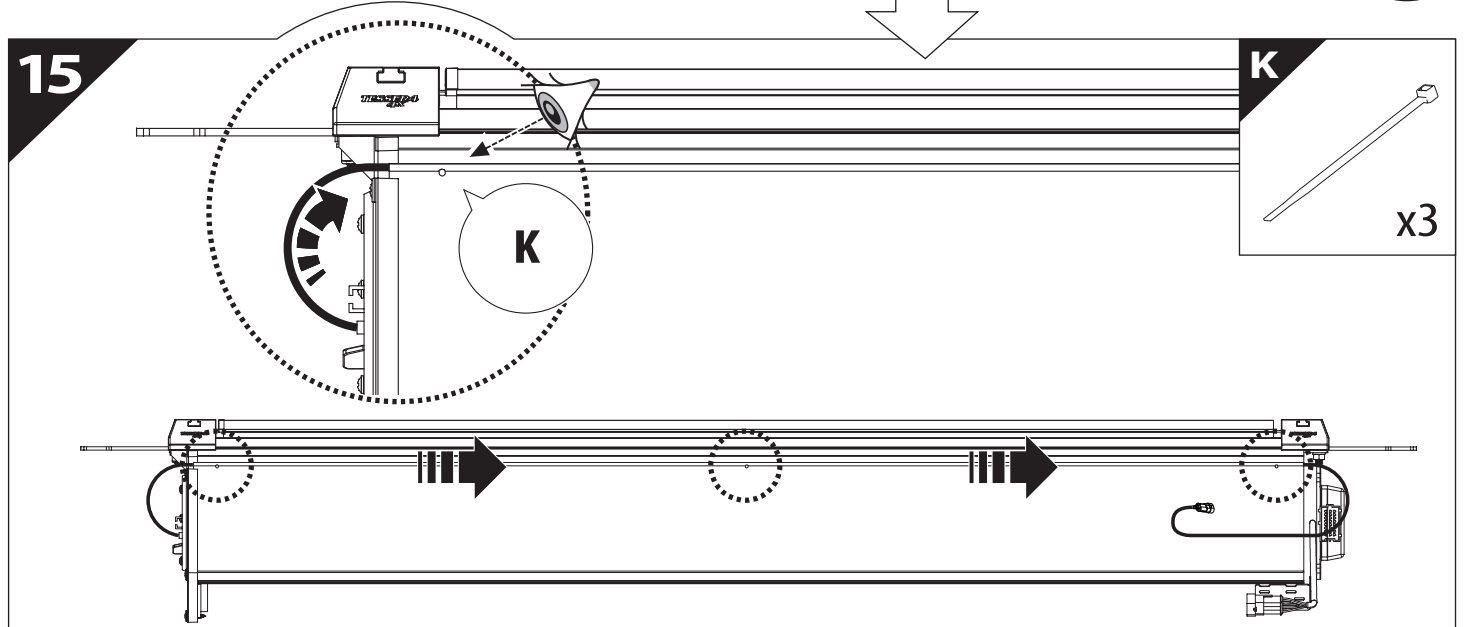
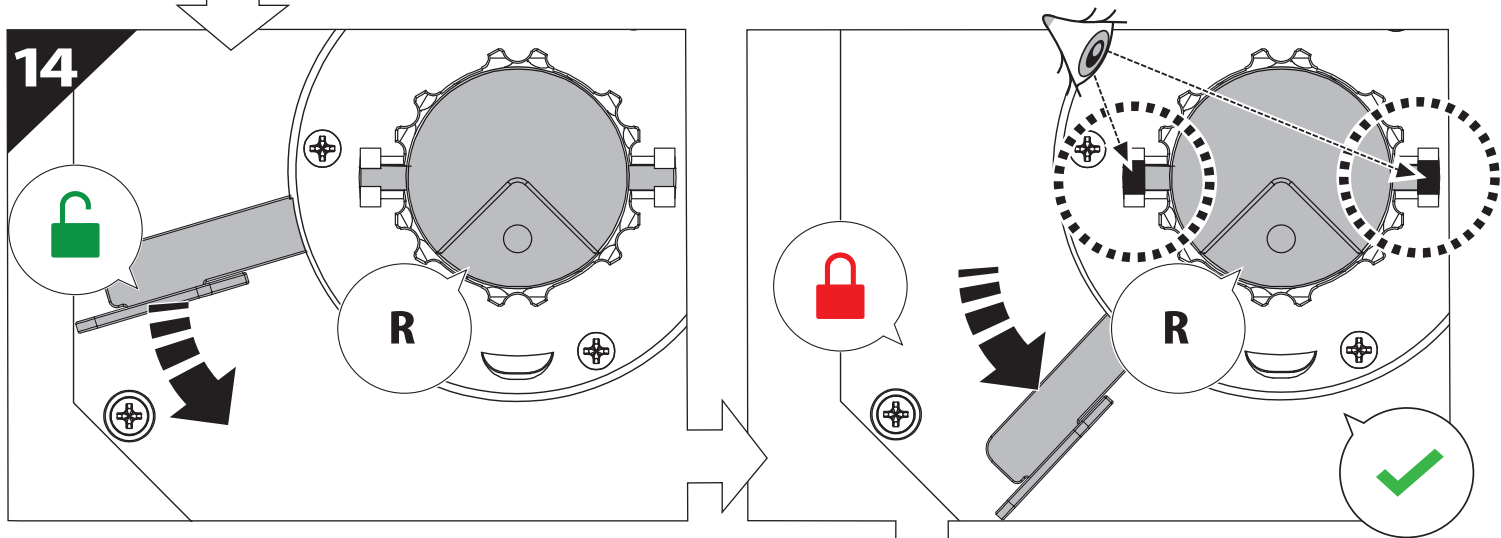
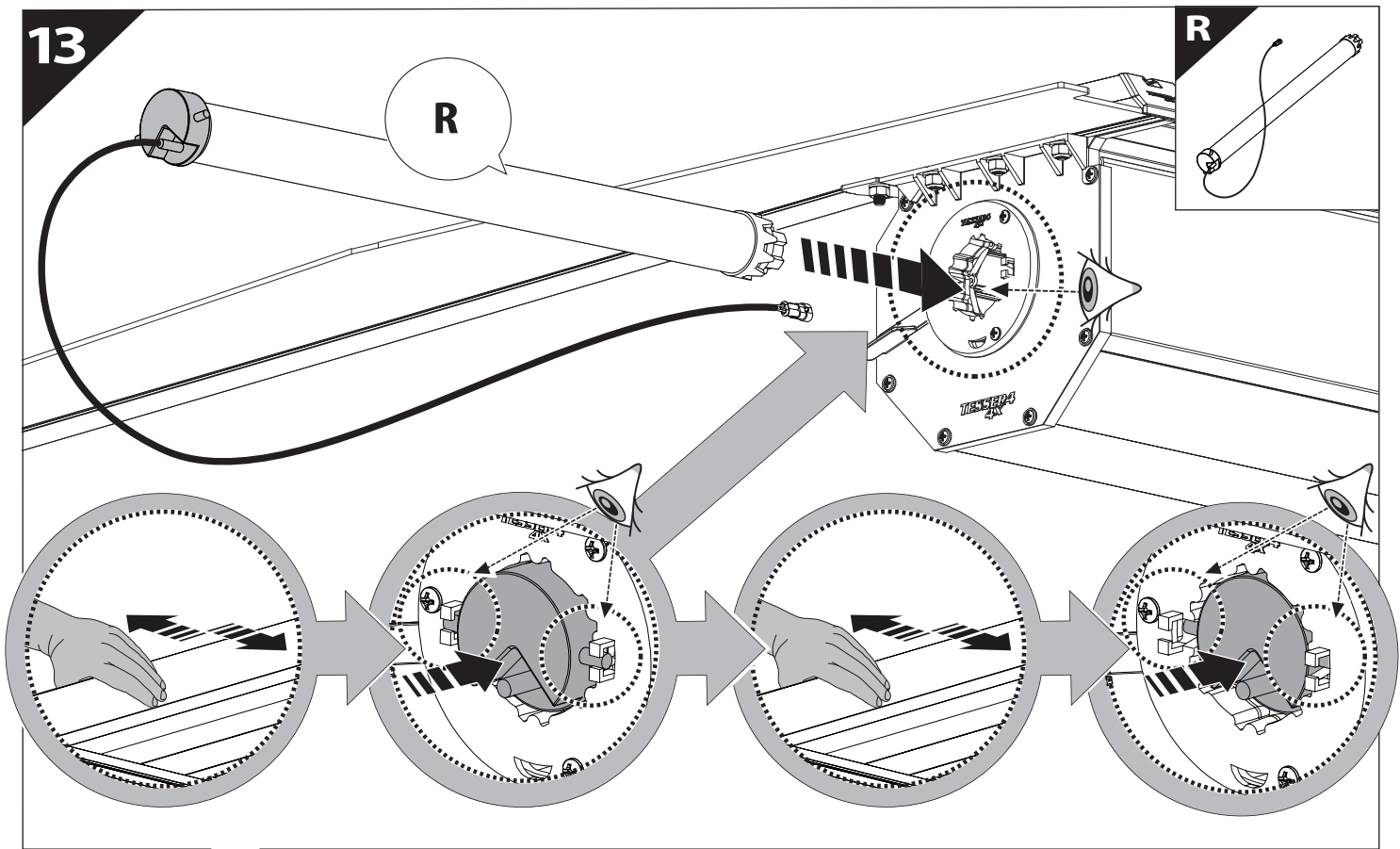
8



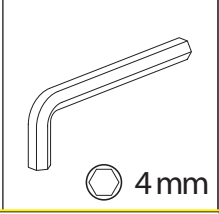
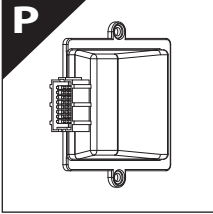
9





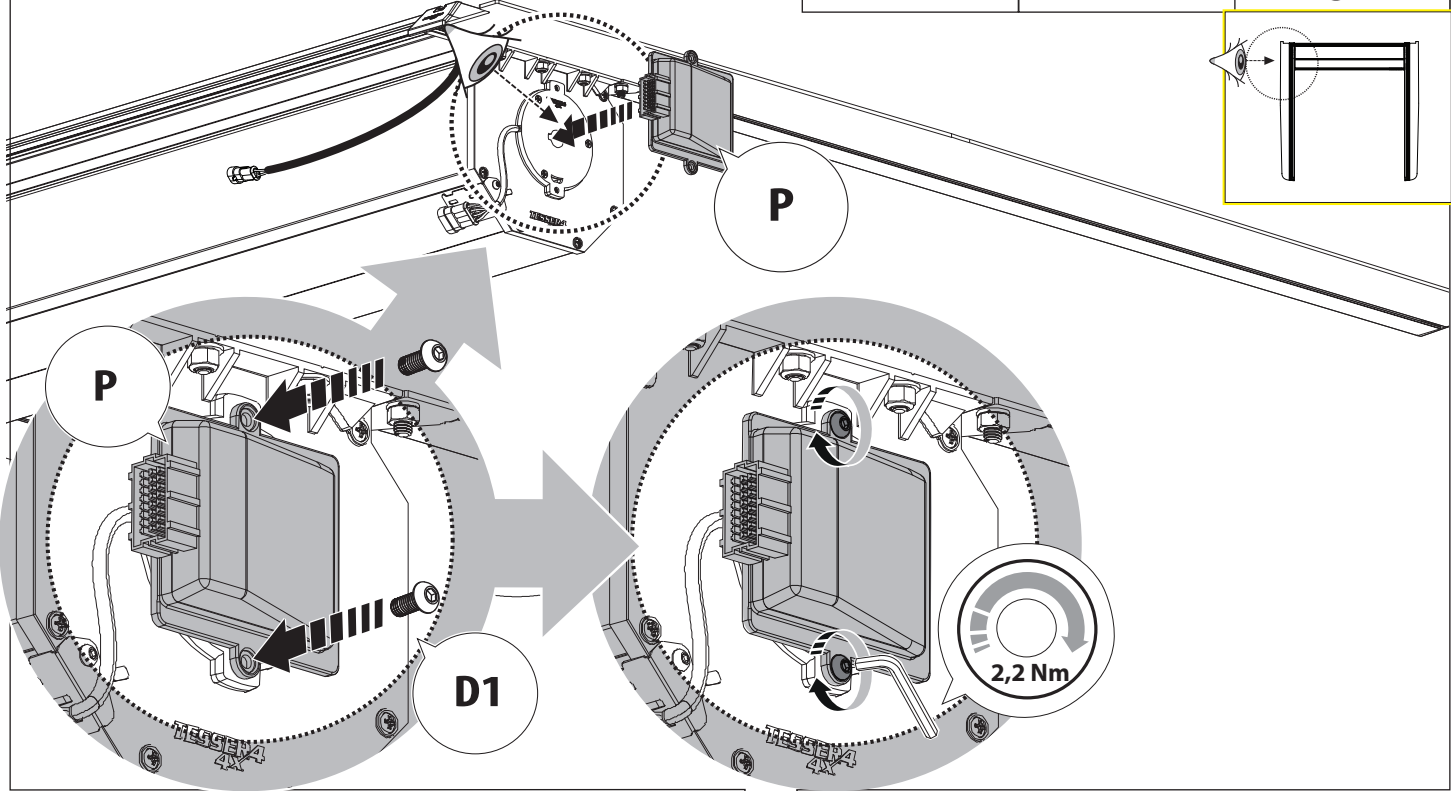
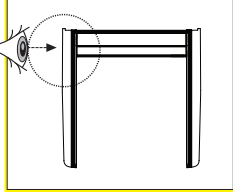


16

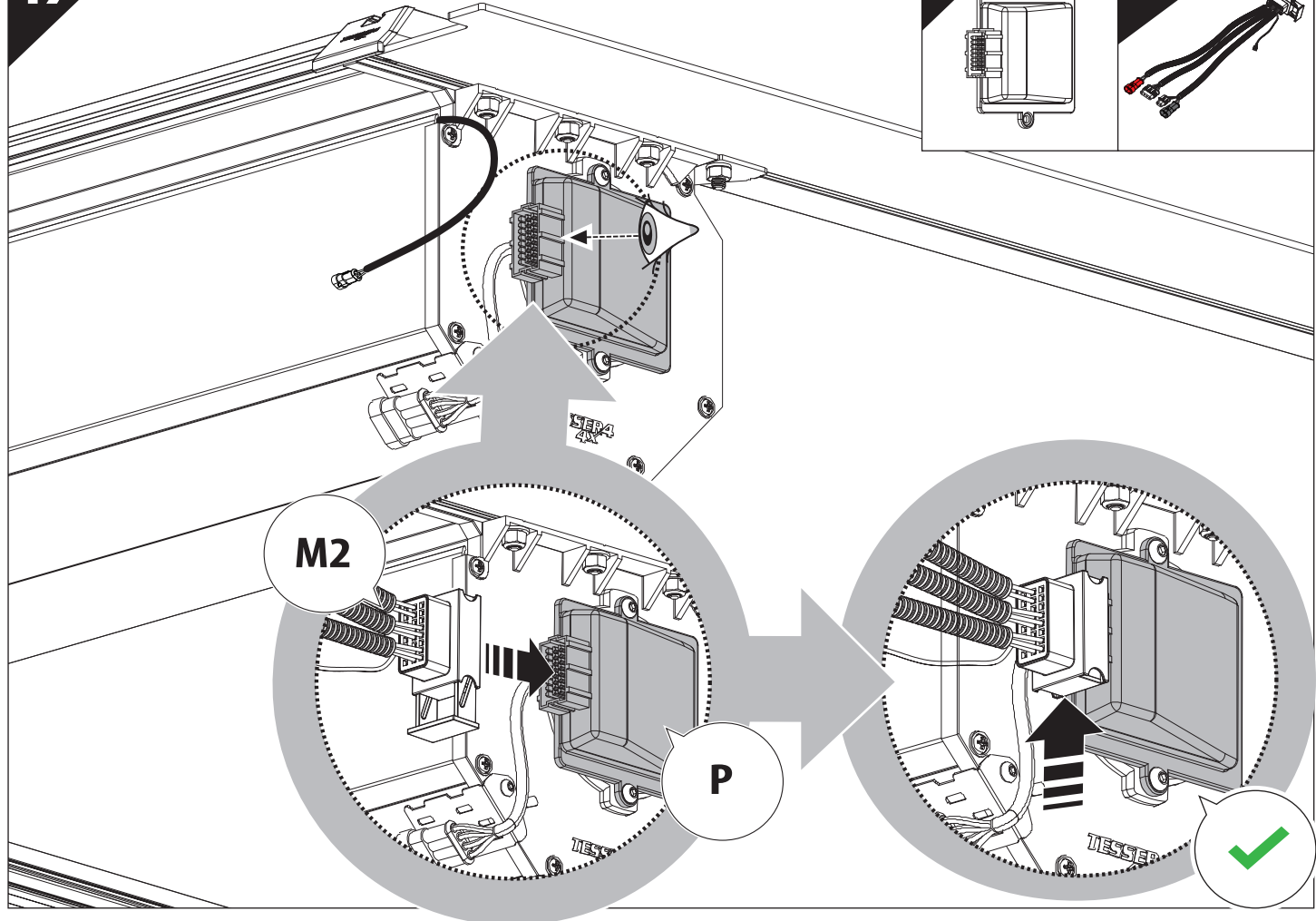
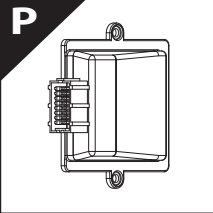


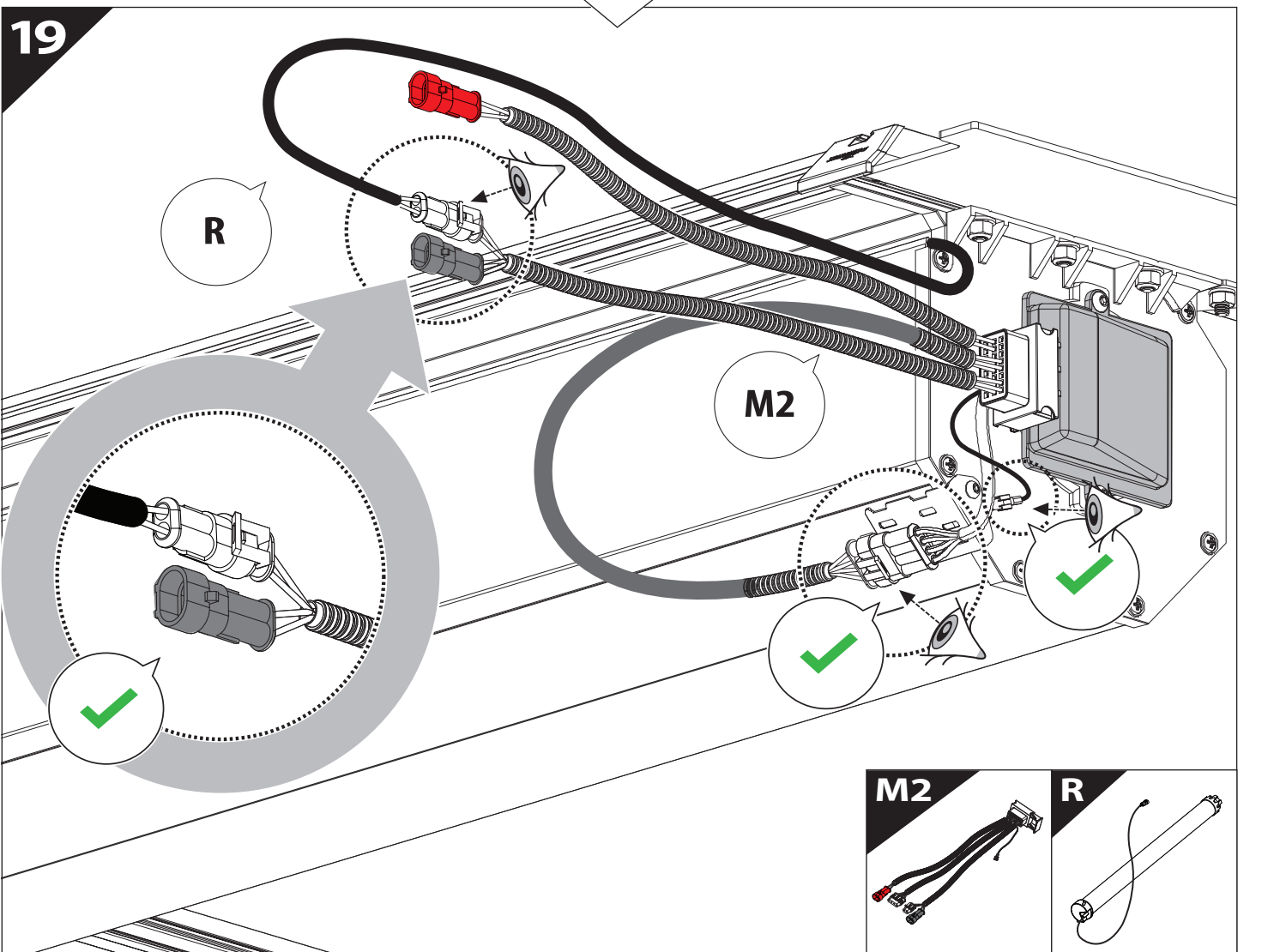
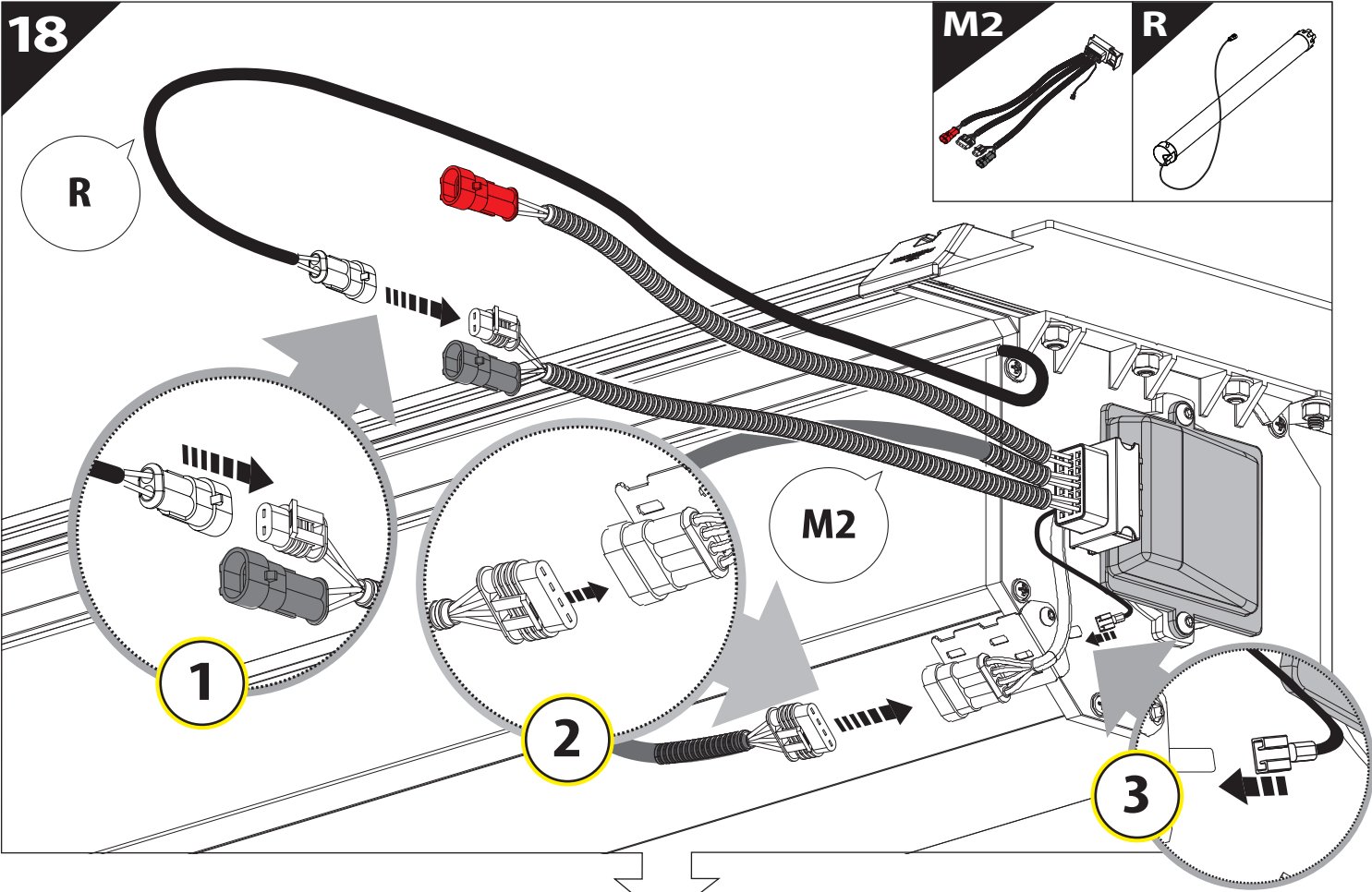
x2

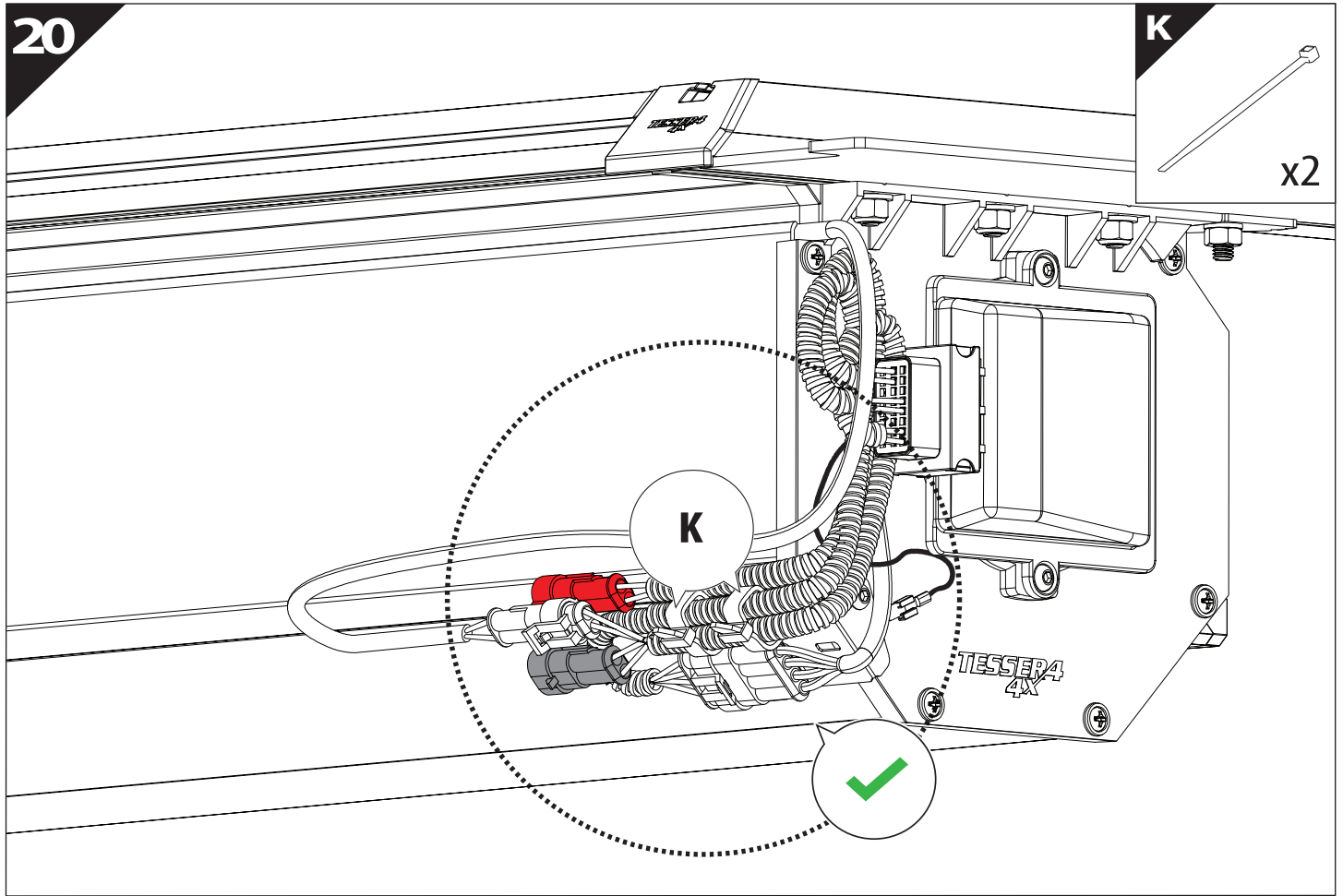
4mm



17



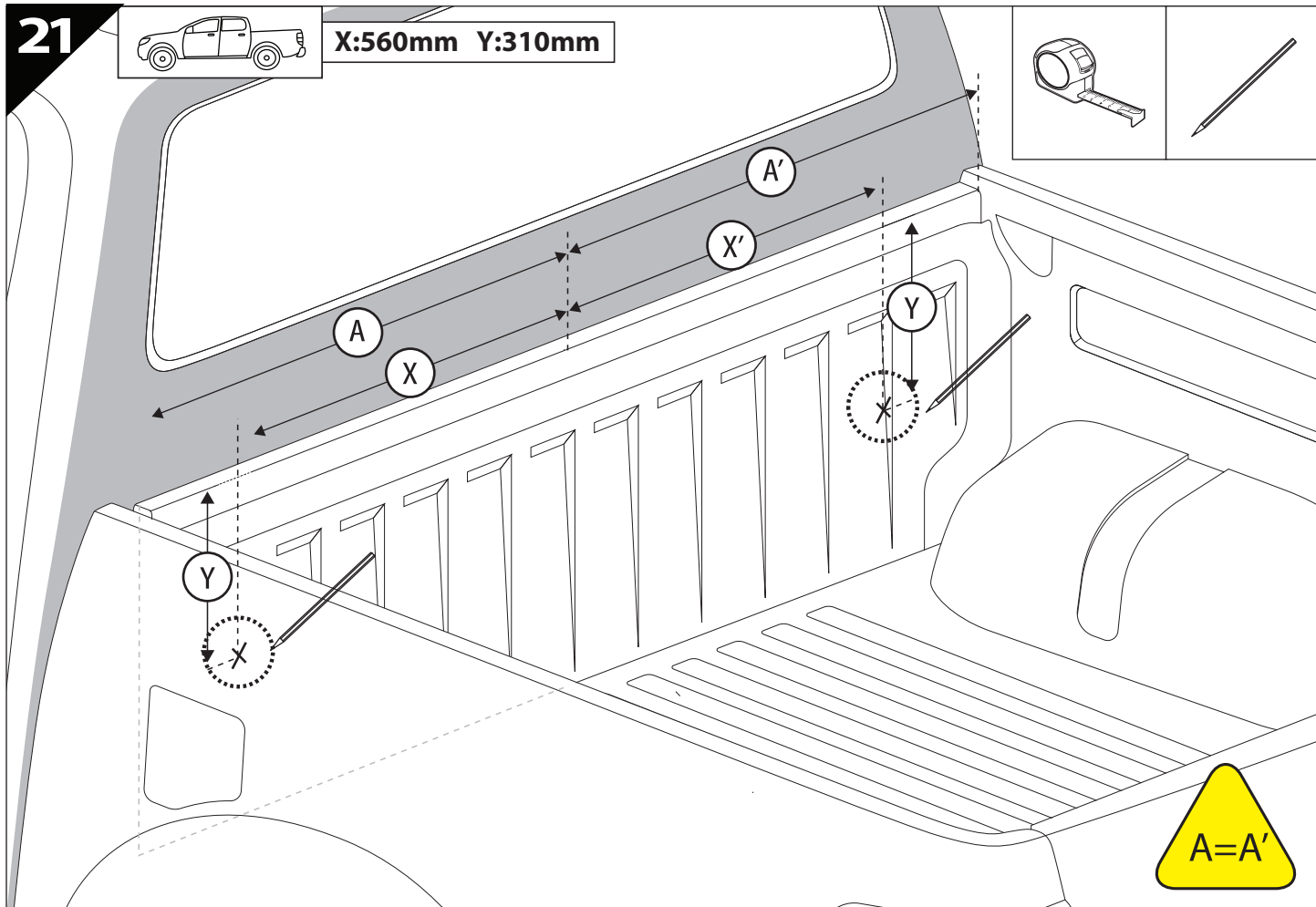
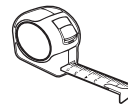




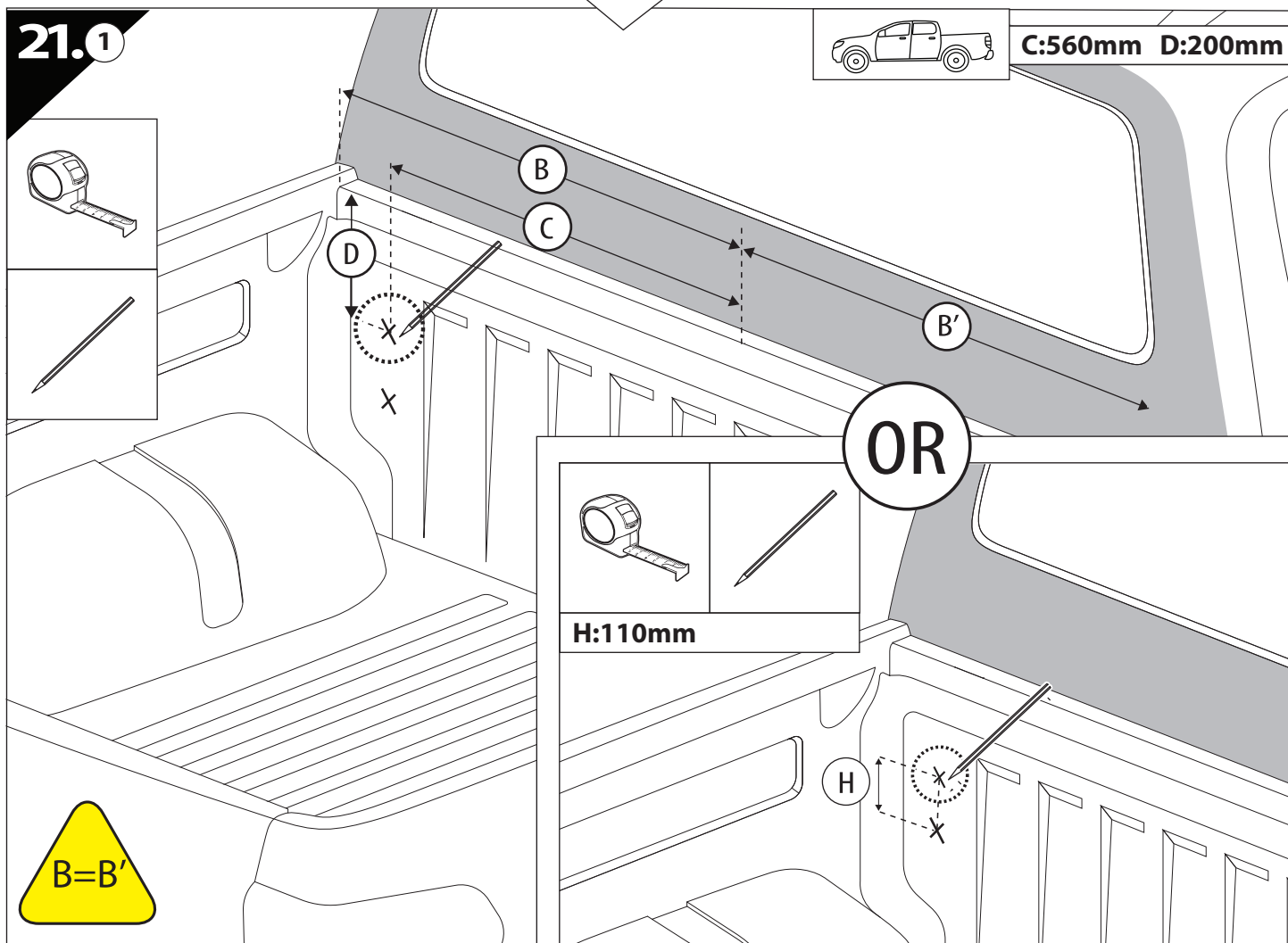
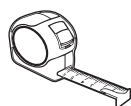
21



X:560mm Y:310mm



C:560mm D:200mm






Ø 25 mm




Rust Protection


**CAUTION**






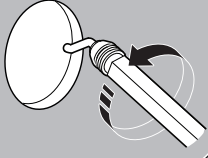

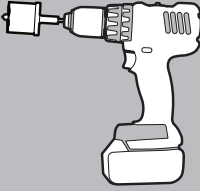

max: 2 mm



**CAUTION**

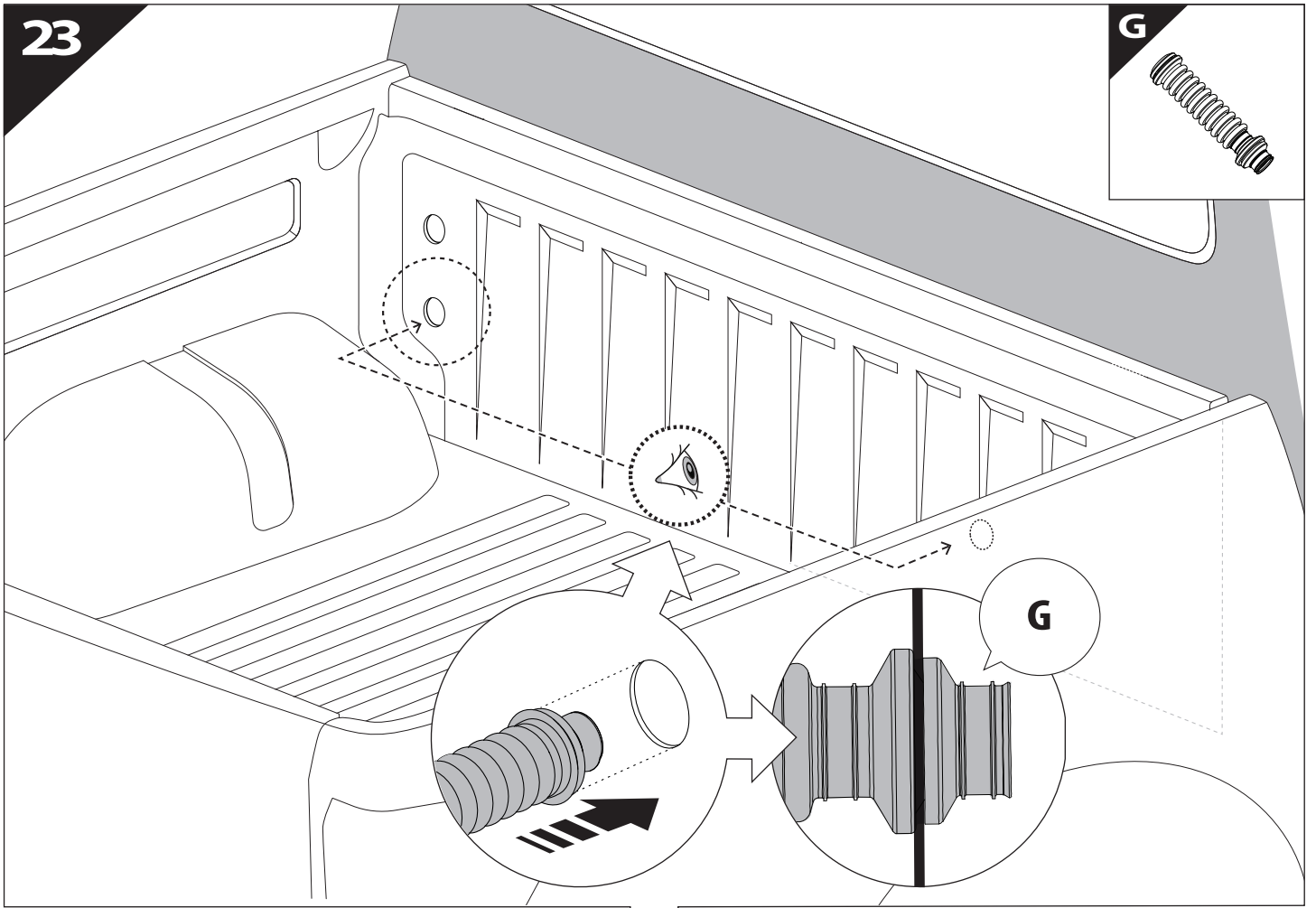


5 mm



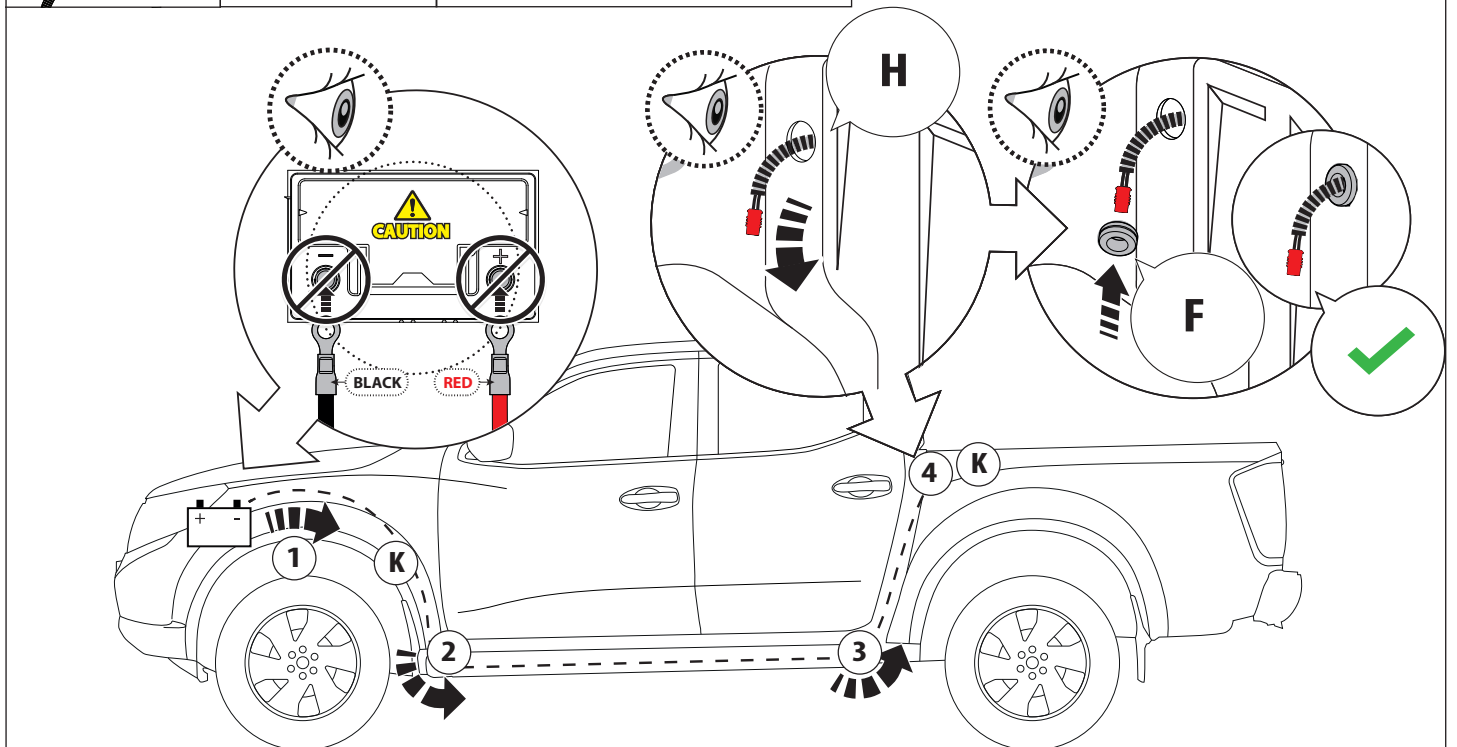
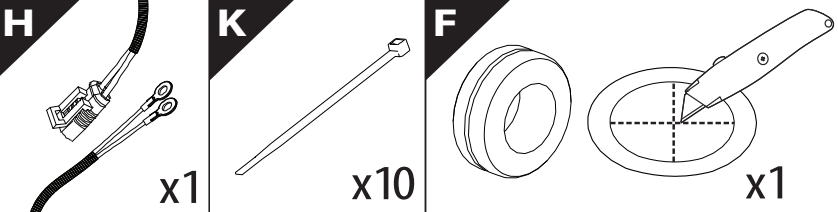
23

G

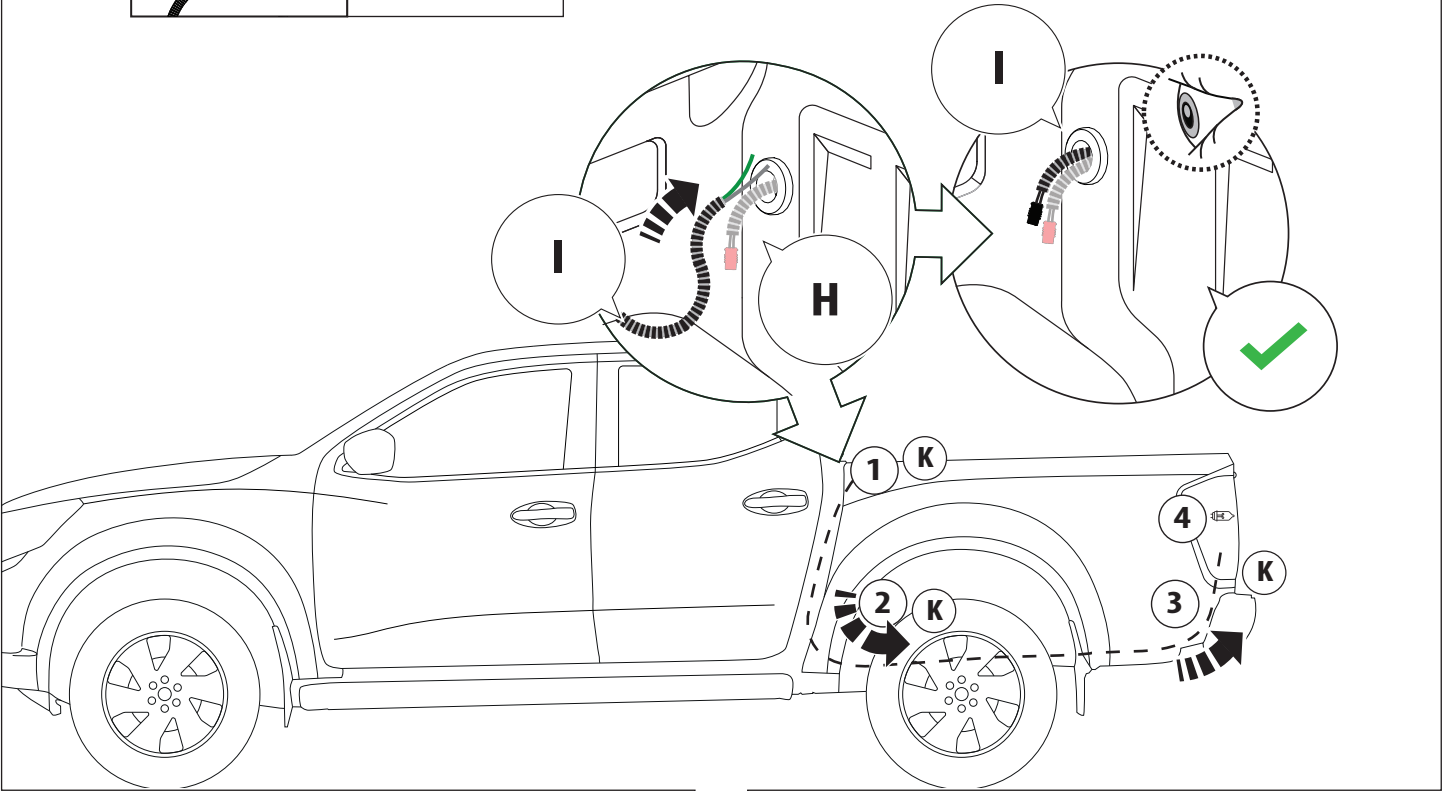
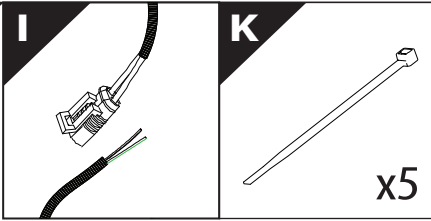


24

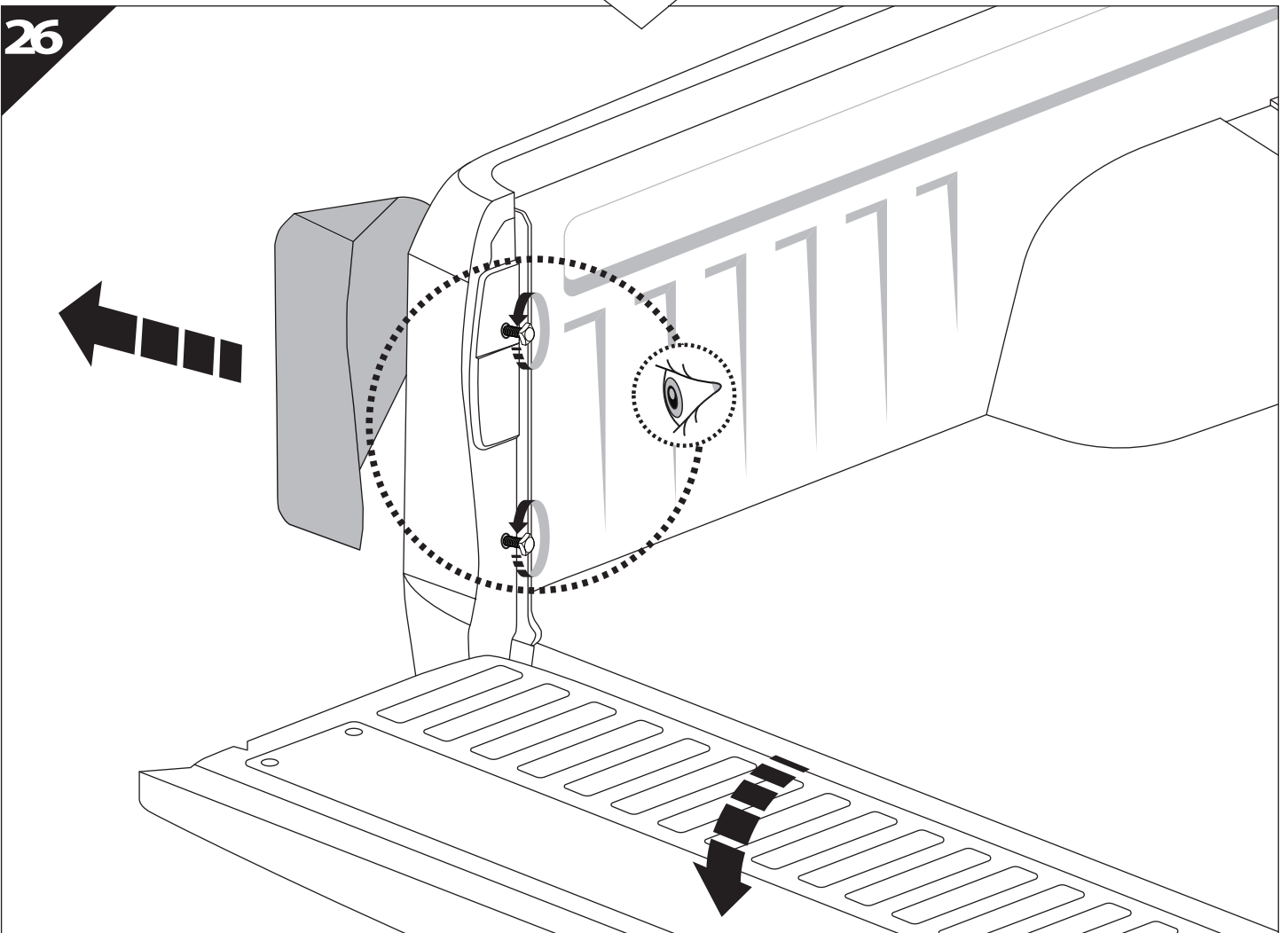
Only to be installed by authorized personnel



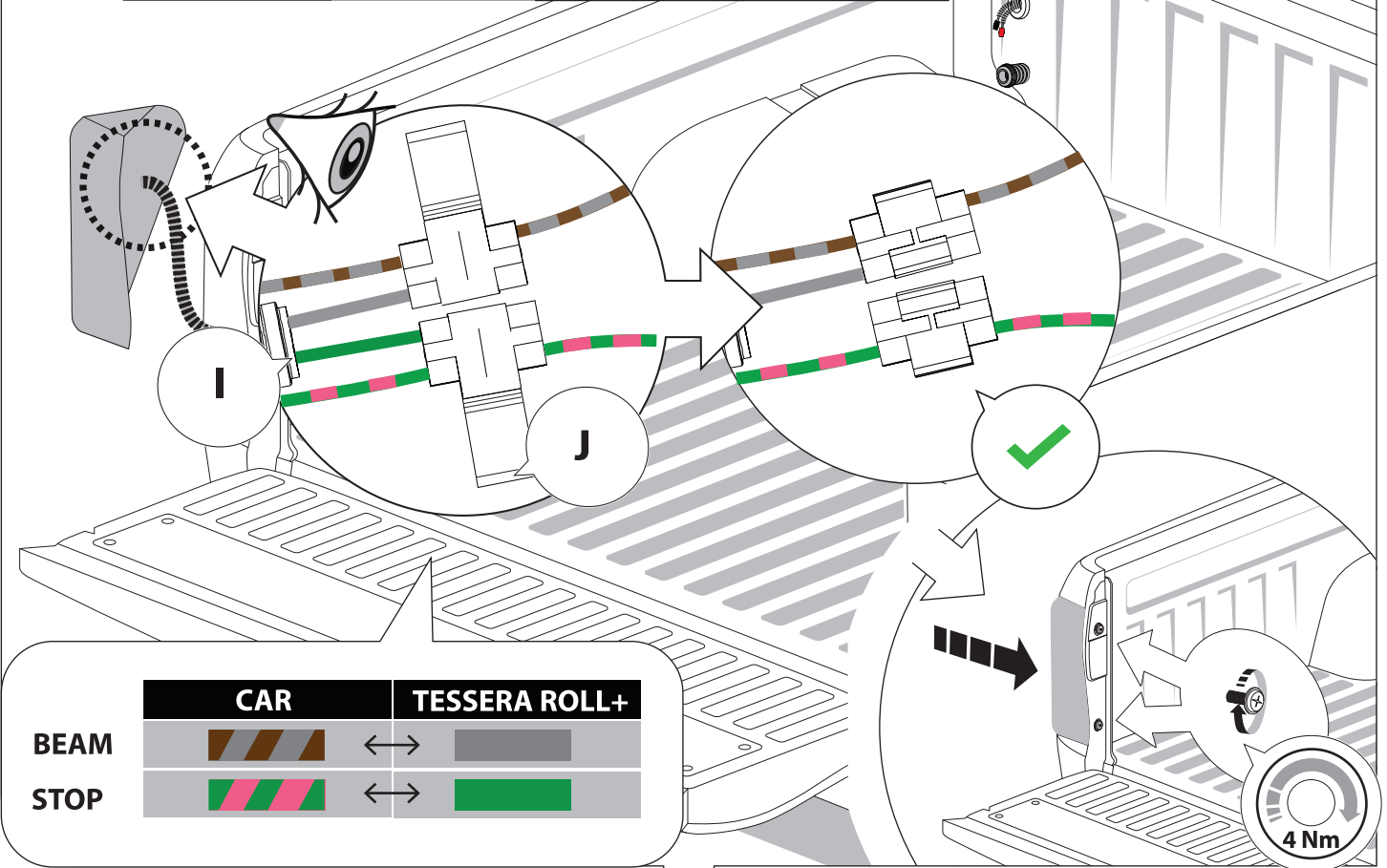
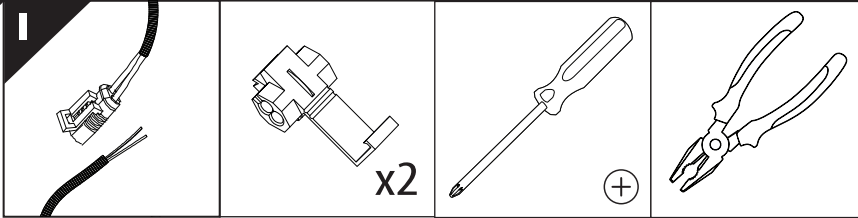
25



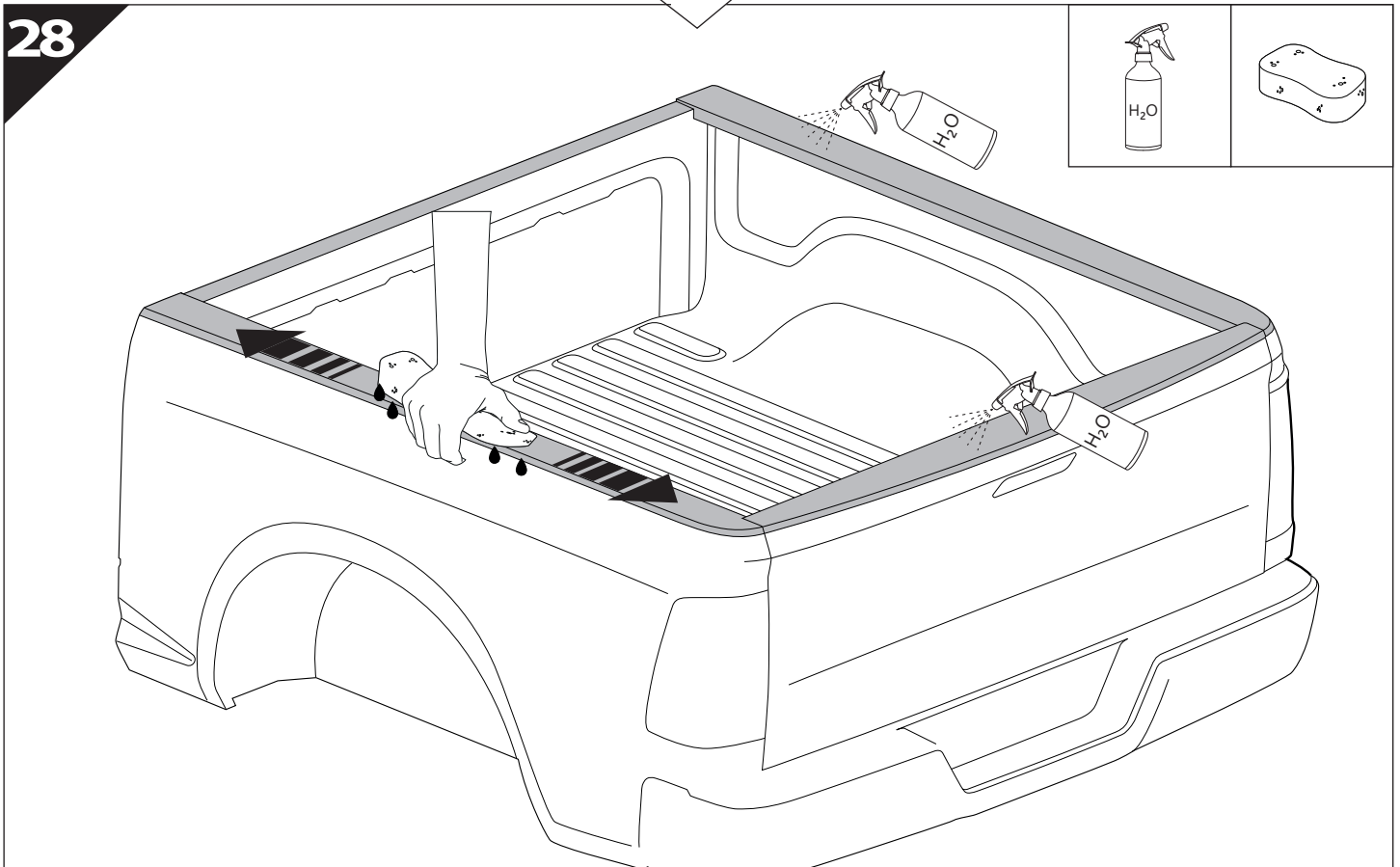
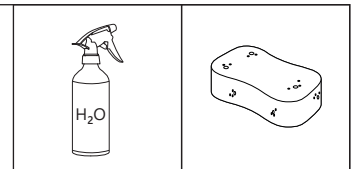
26



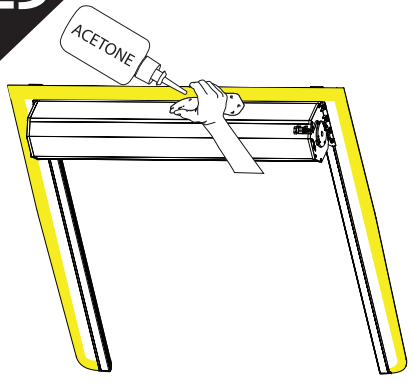
27



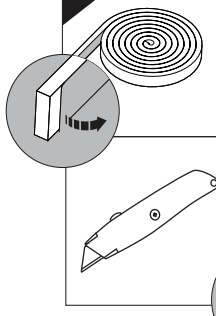
28



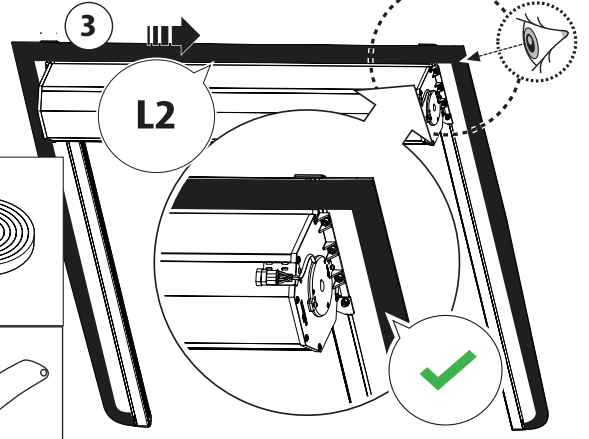
29



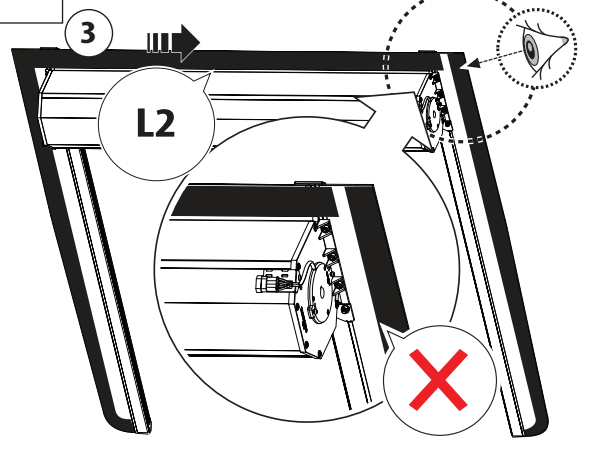
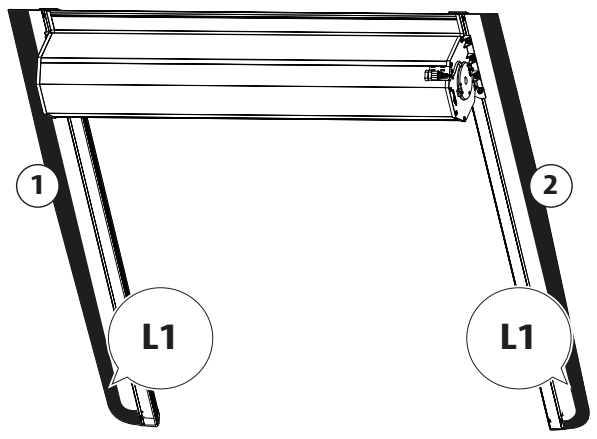
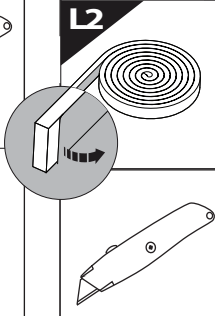
L1

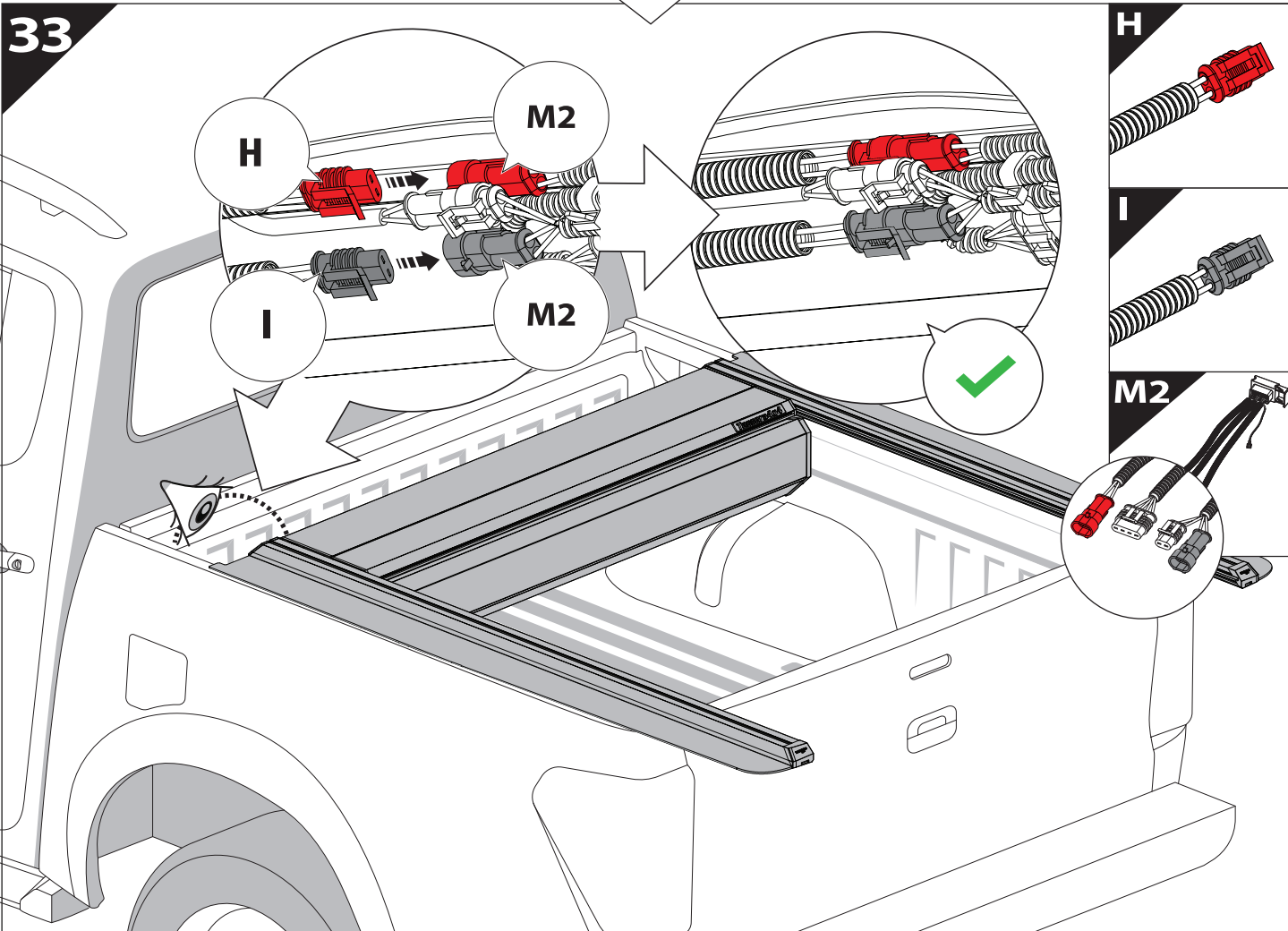
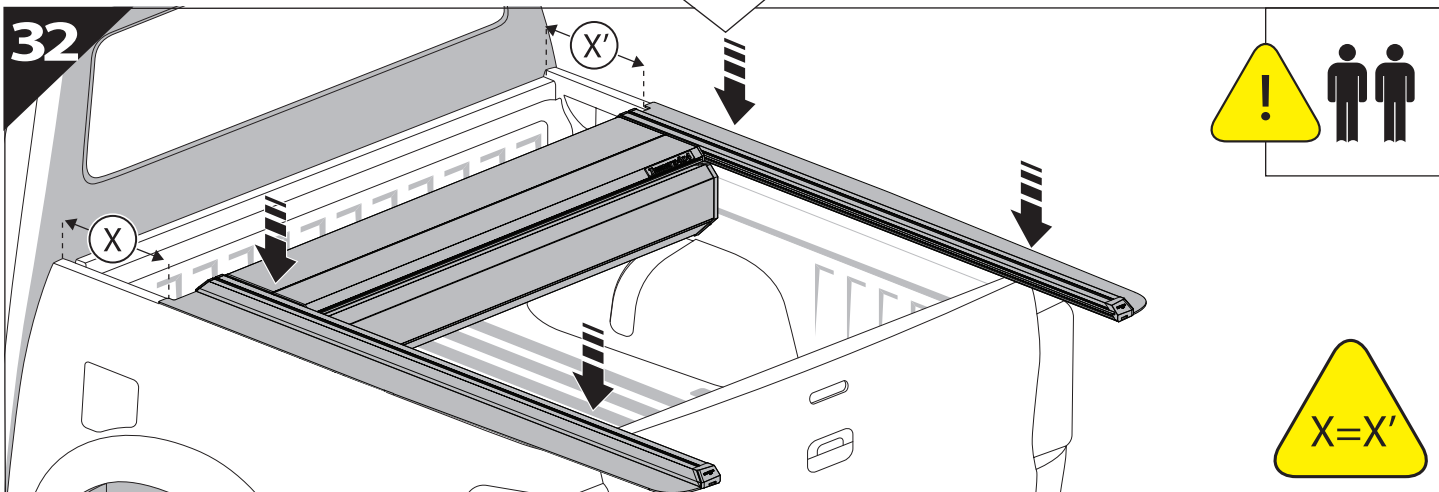
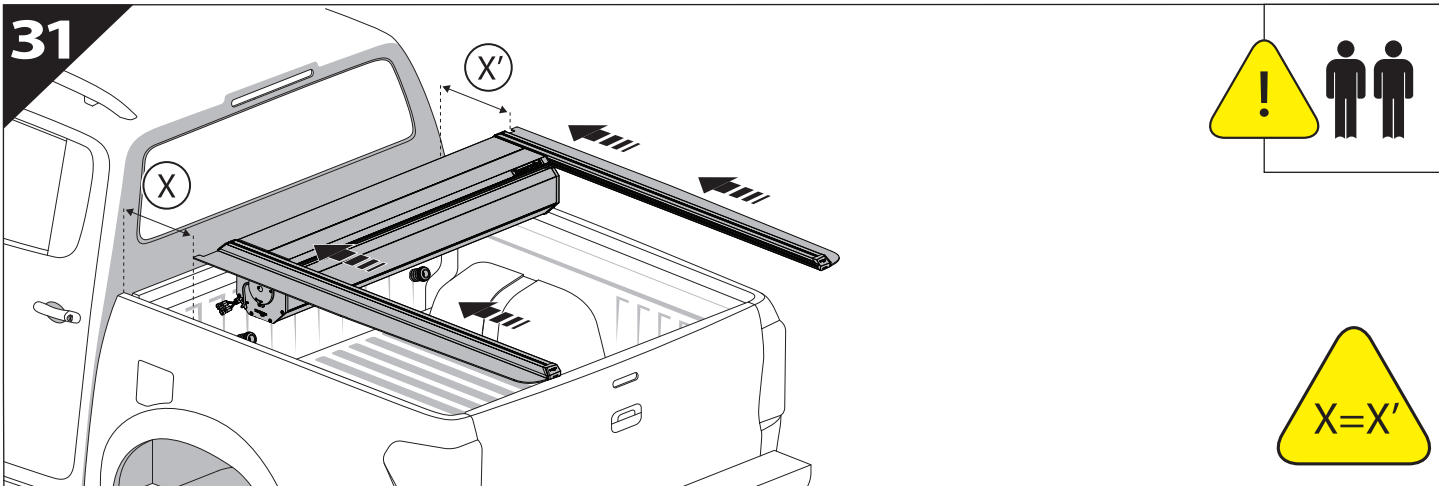


30



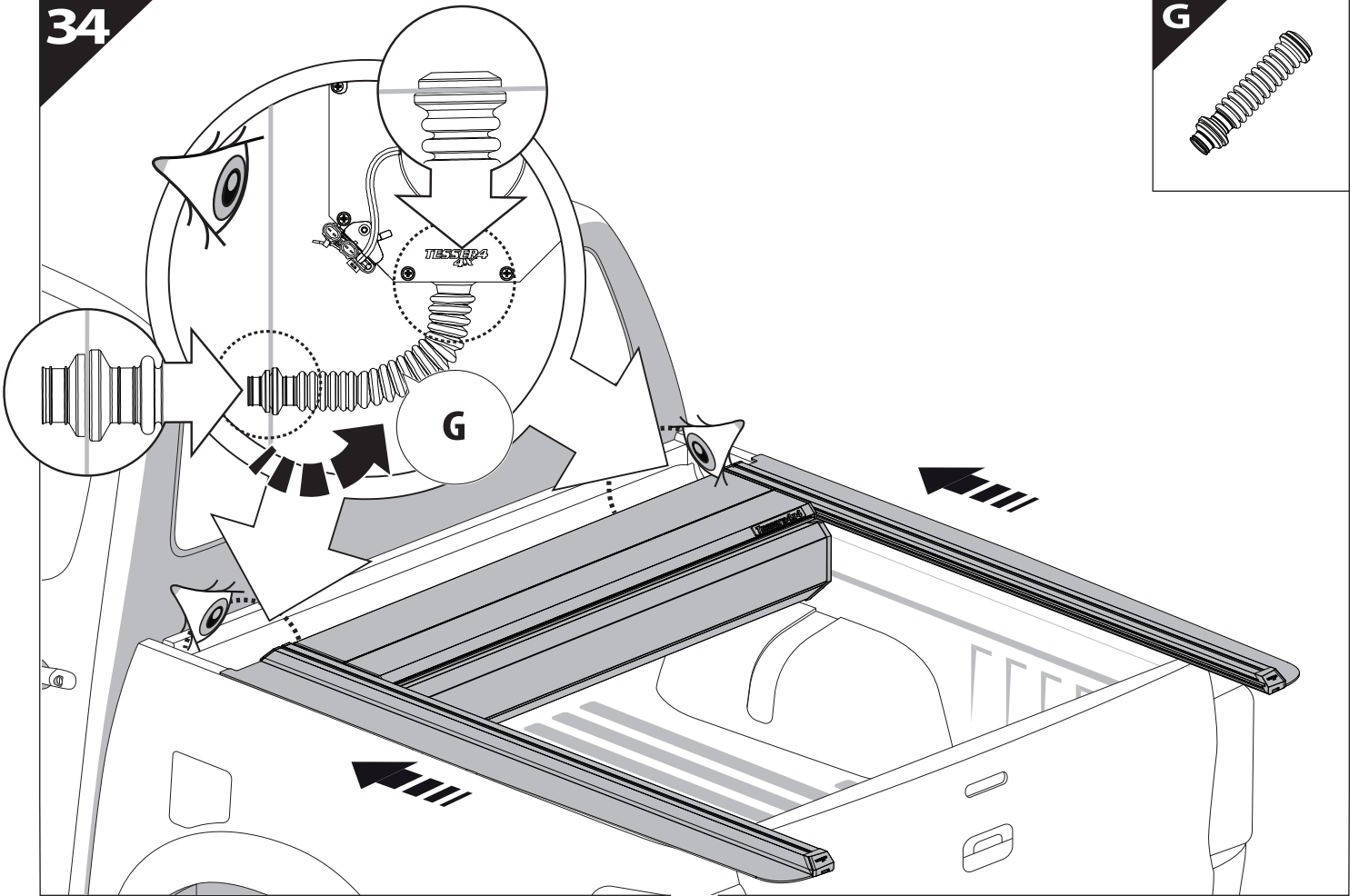
L2



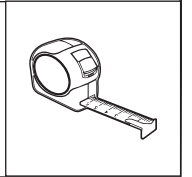
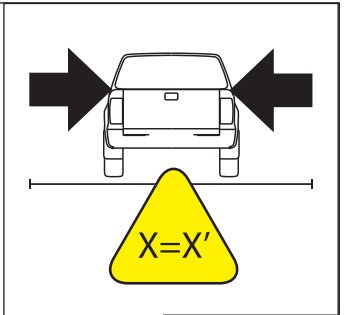
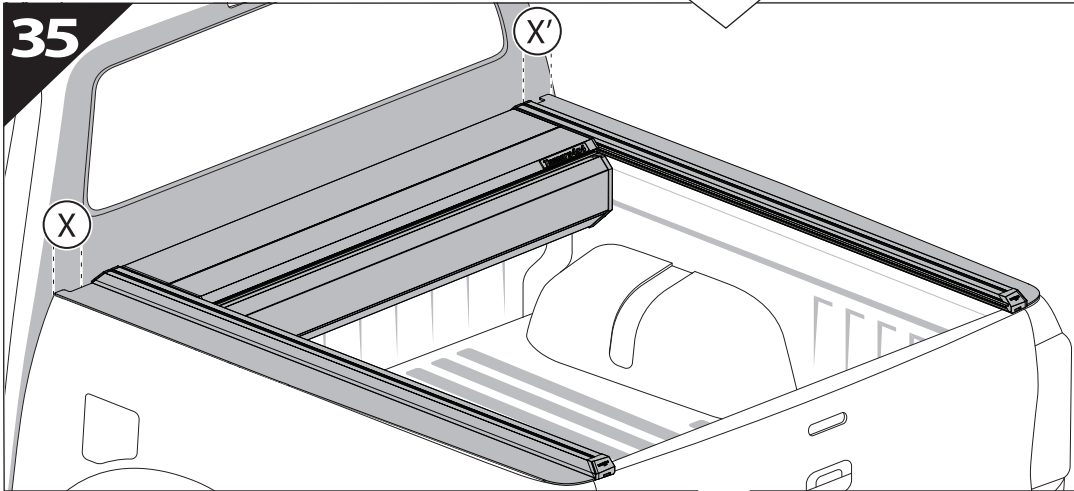


34

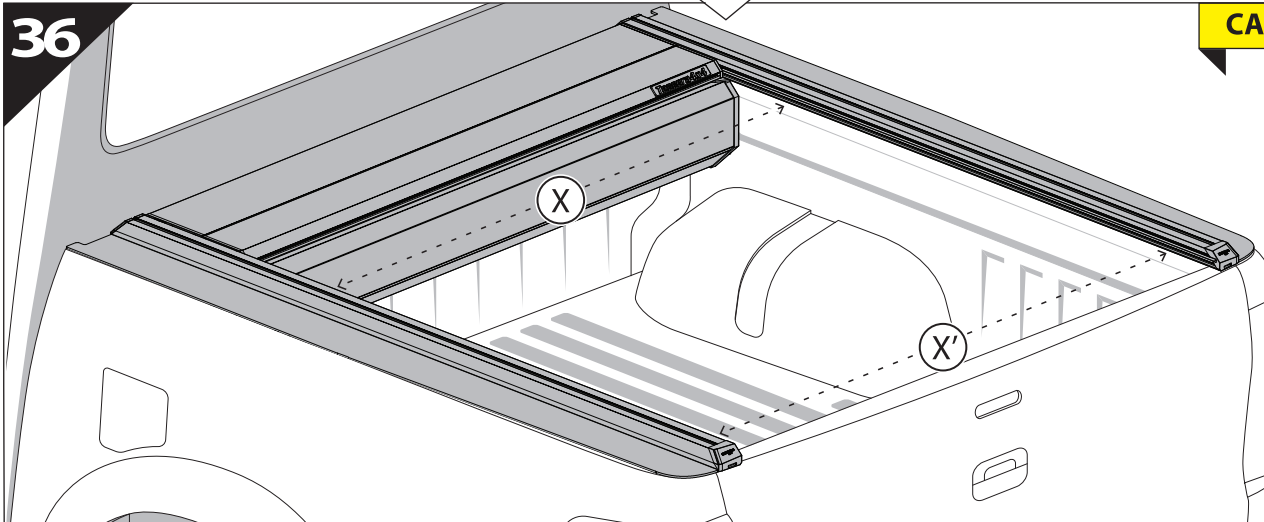
G



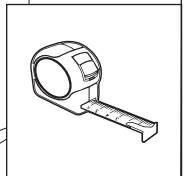
35



36

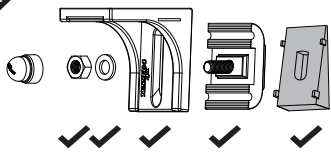


CAUTION !

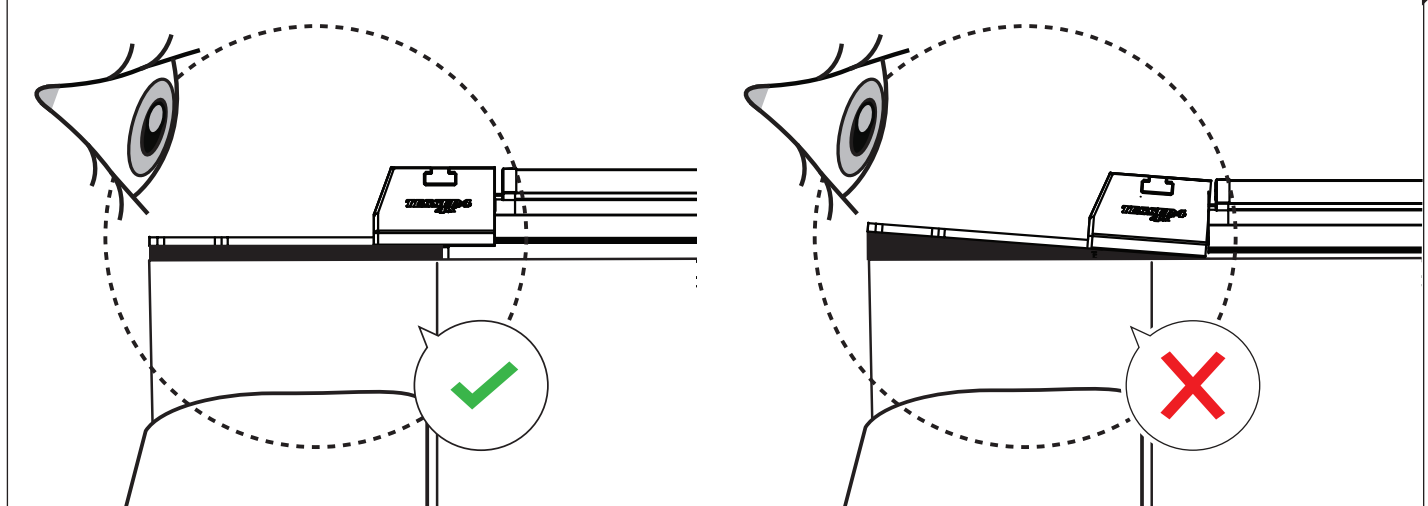
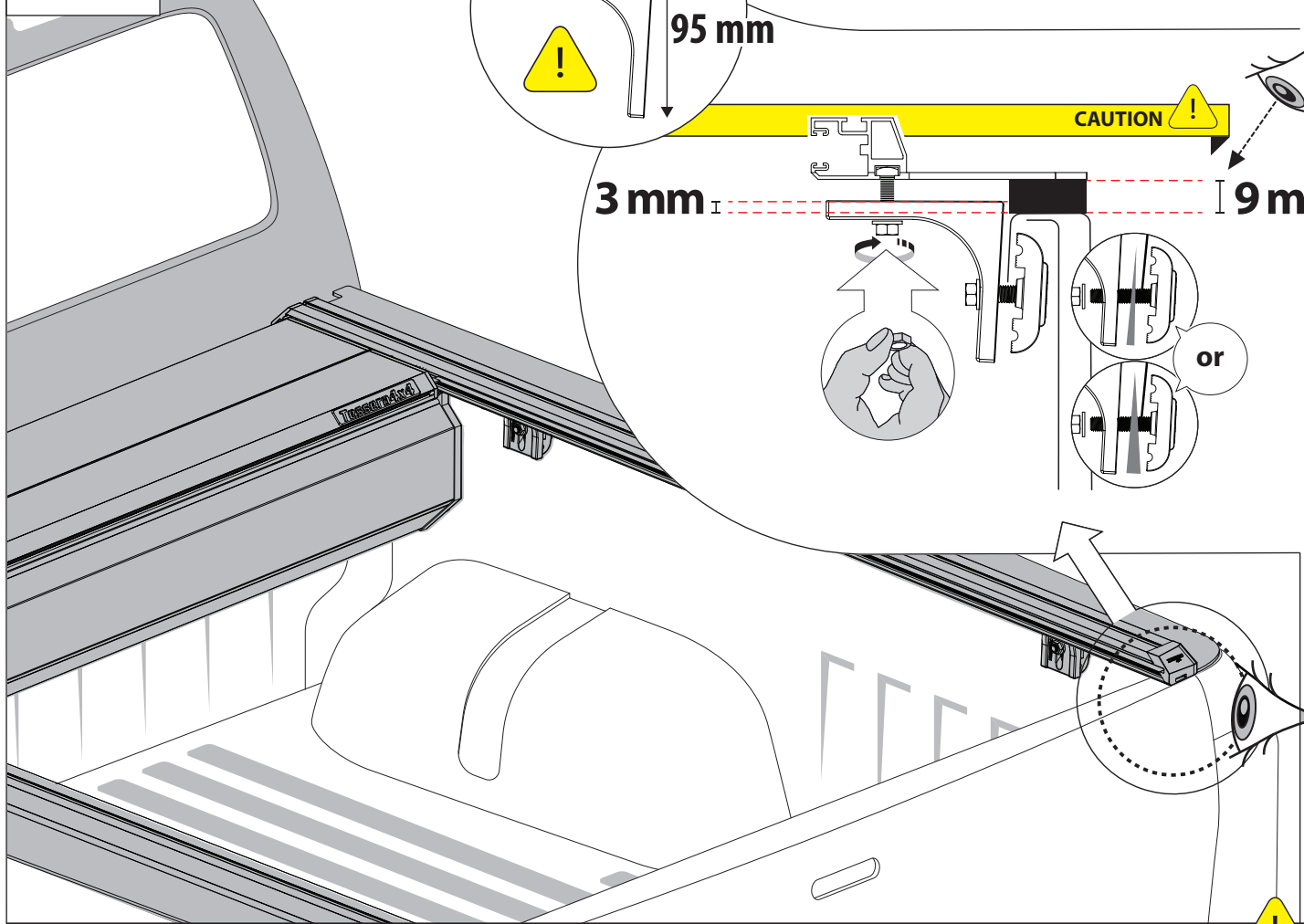
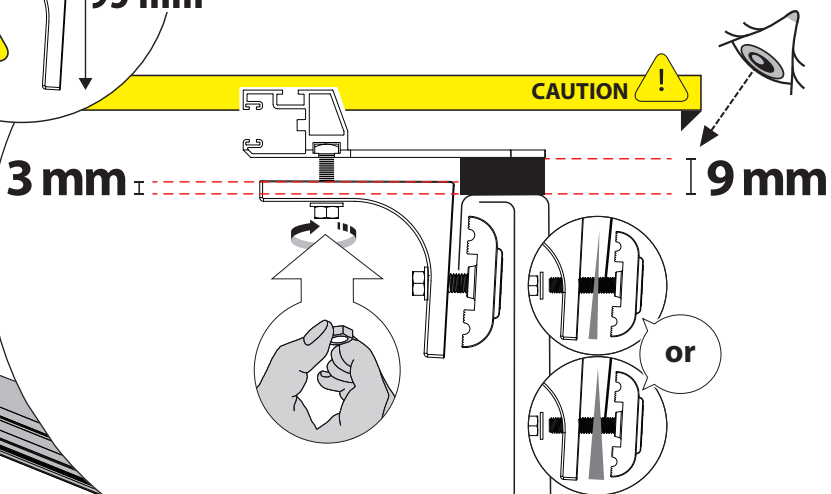
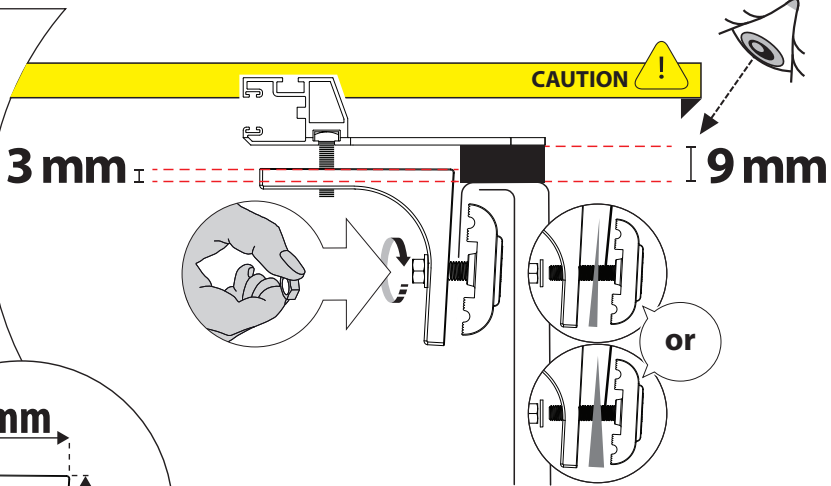
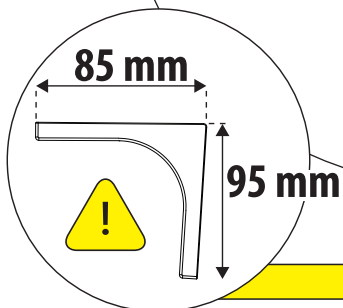
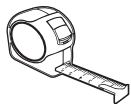
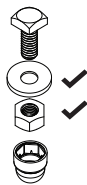


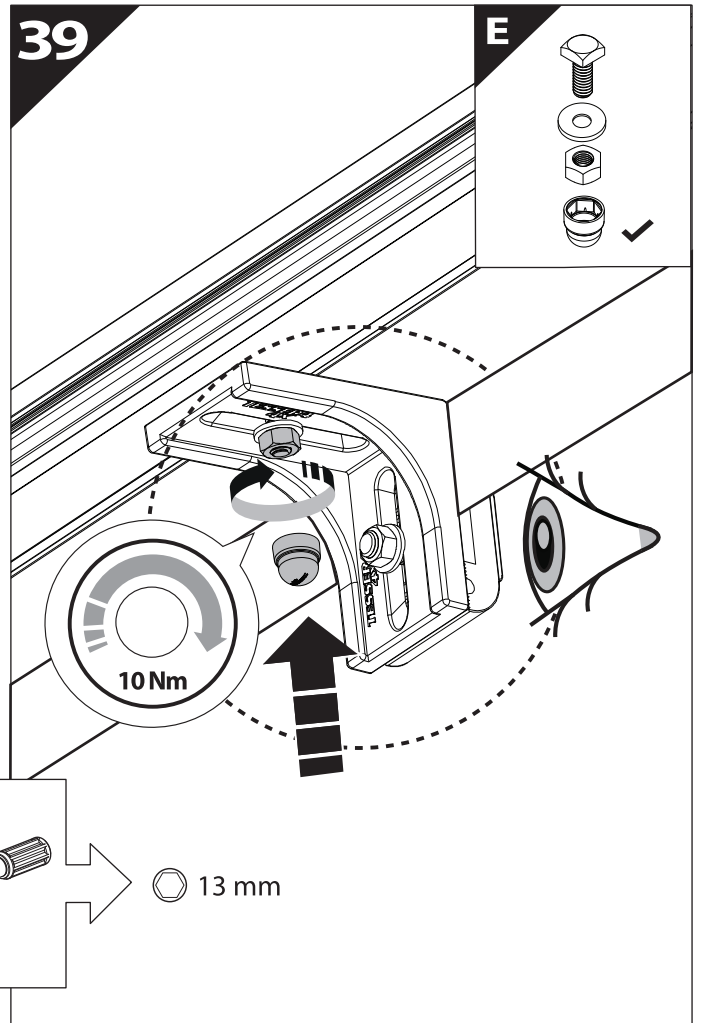
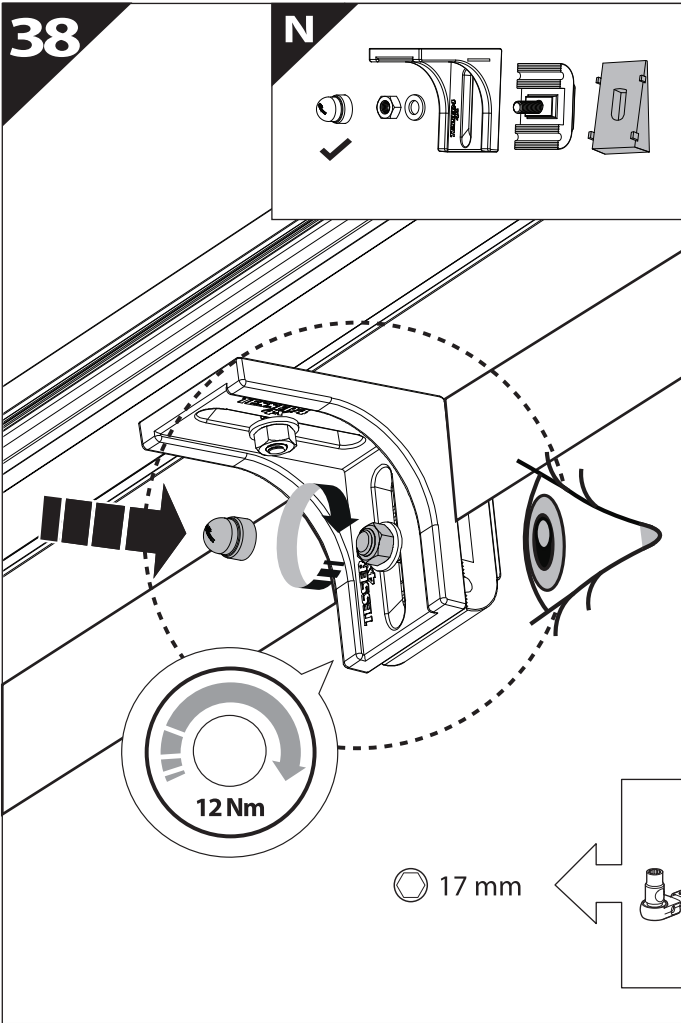
37

N

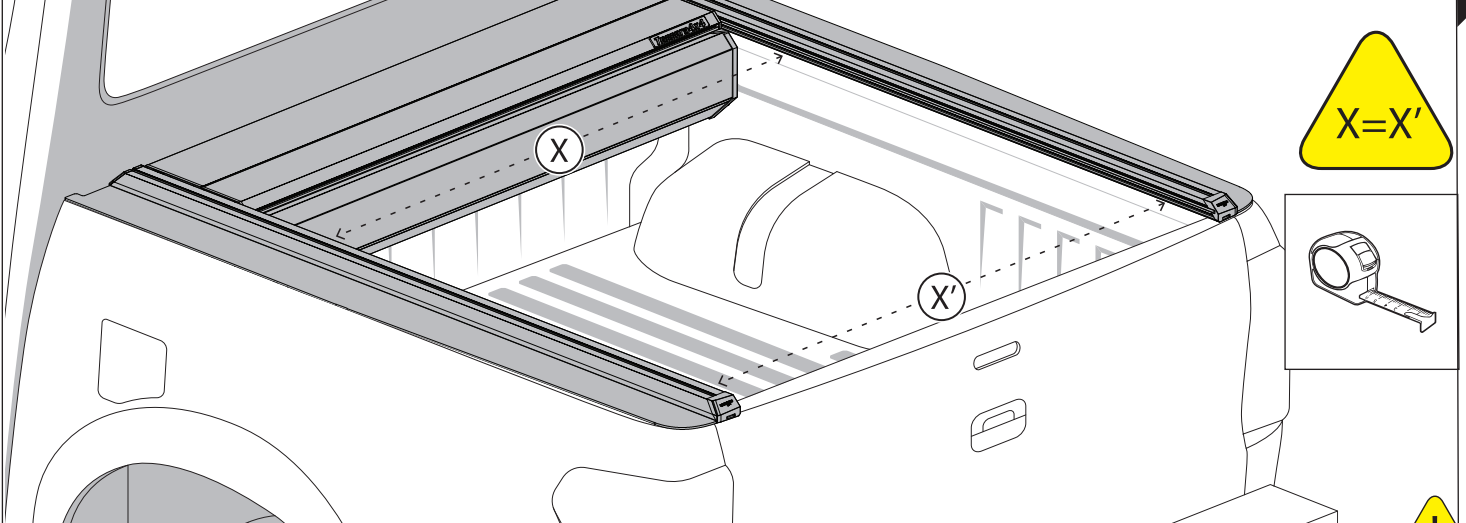


E

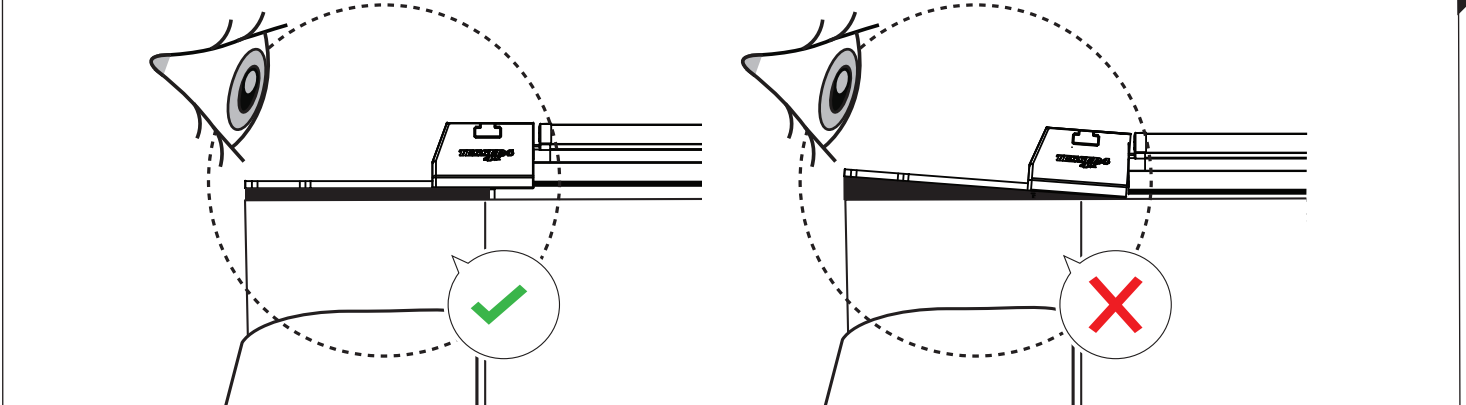




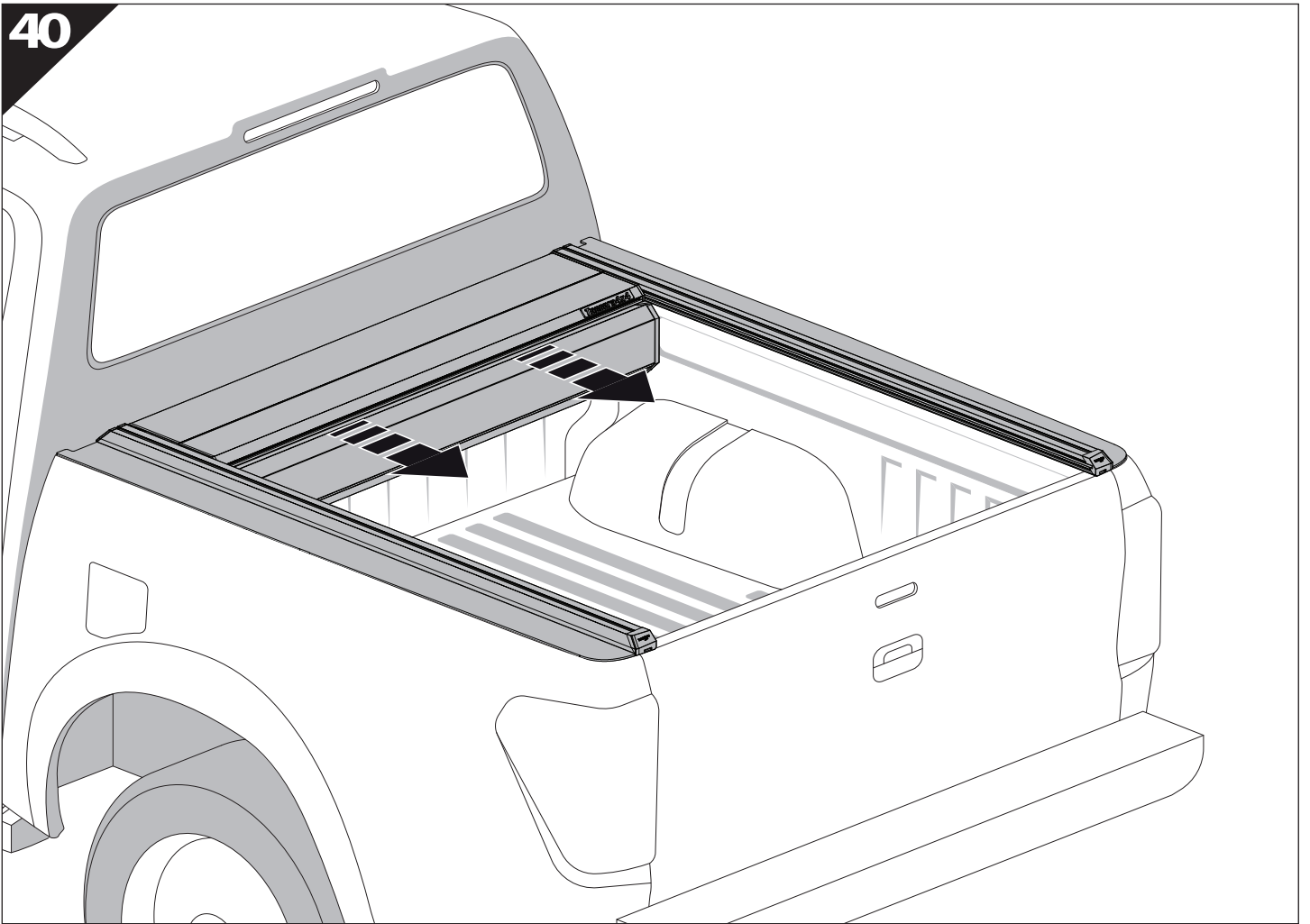
**CAUTION** !



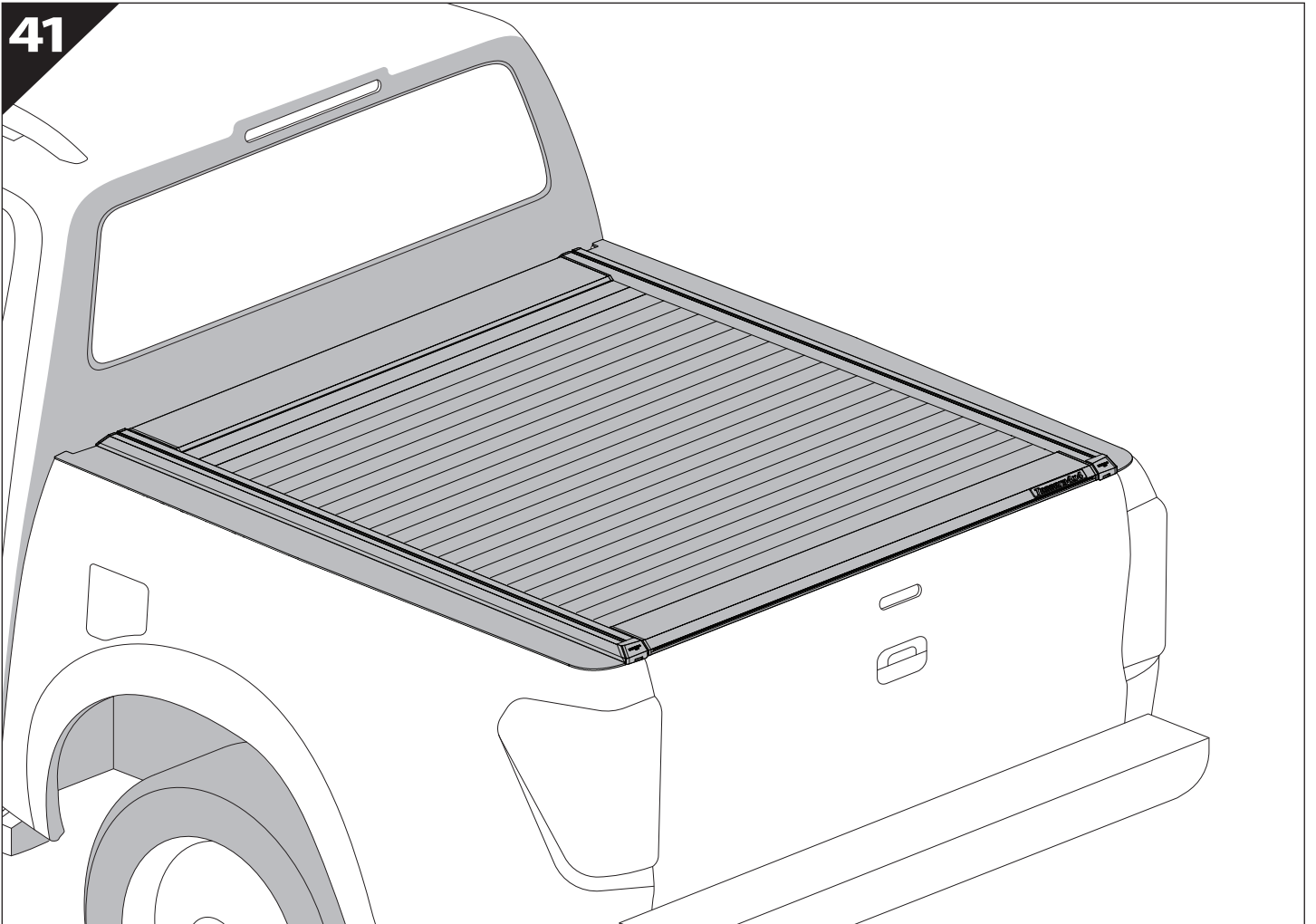
**CAUTION** !



40



41





**GR:** Οδηγίες Εγκατάστασης  
**GB:** Installation manual  
**SF:** Asennusohje  
**F:** Notice de montage  
**PL:** Instrukcja montażu  
**NL:** Installatie-instructies  
**TR:** Montaj Talimatı  
**S:** Monteringsanvisning  
**E:** Instrucciones de montaje

**H:** Szerelési utasítás  
**P:** Instruções de instalação  
**RUS:** Инструкция по установке  
**N:** Monteringsveiledning  
**D:** Einbauanleitung  
**CZ:** Návod k instalaci  
**I:** Istruzioni de montaggio  
**DK:** Monteringsvejledning  
**RO:** Instructiuni de instalare

Customer Service:

+30 (210) 5541161, +30 (210) 5541154 (08:00 - 16:00 EET)

Support department:

[info@gianso.gr](mailto:info@gianso.gr)

Website:

[www.tessera4x4.com](http://www.tessera4x4.com)

Address:

19.5 km of National road Athens-Korinthos (Elefsina) Greece, P.C: 19200