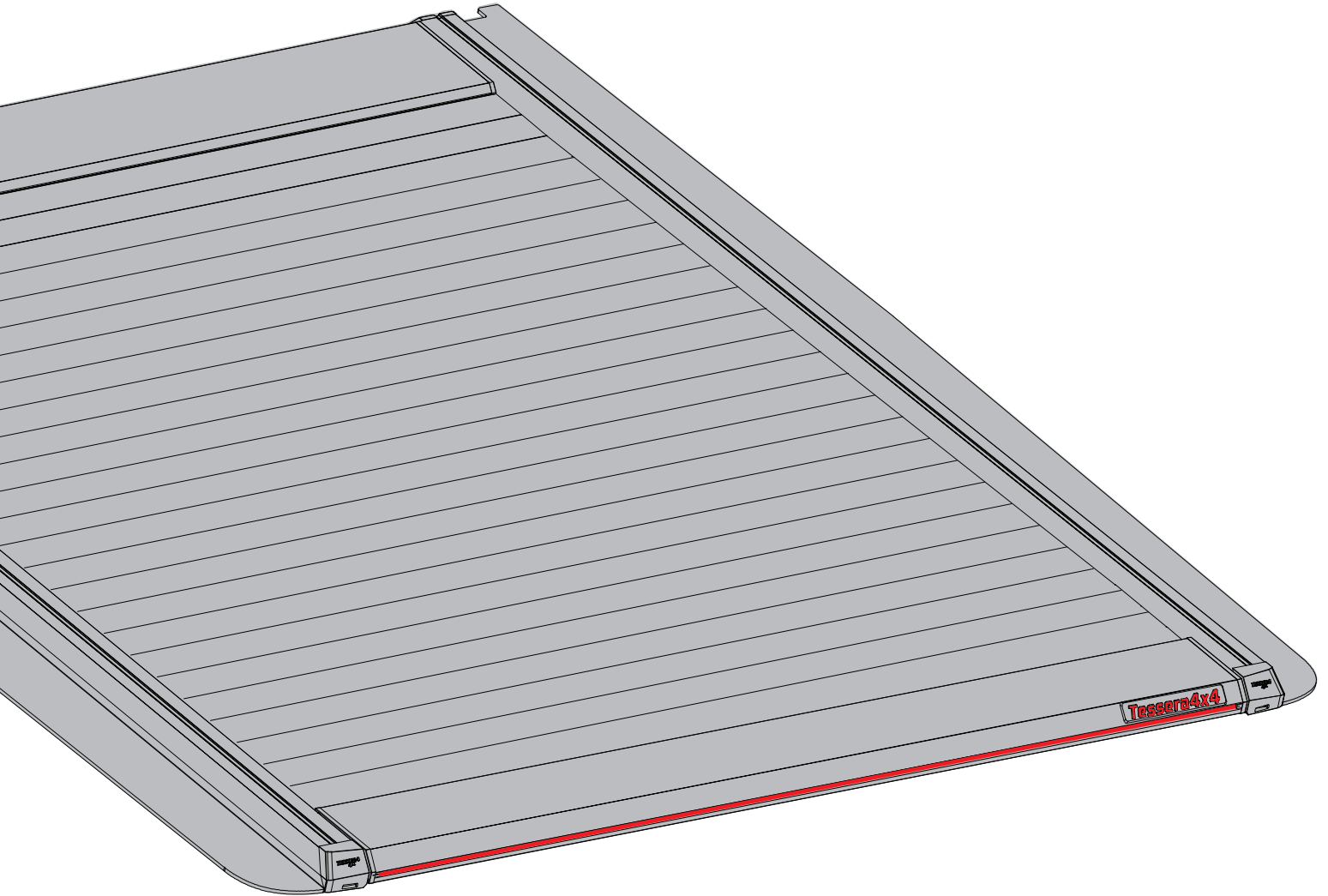


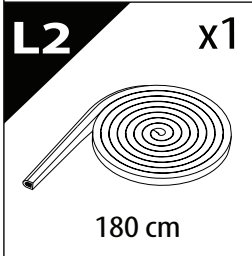
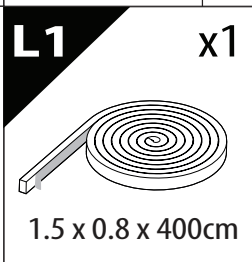
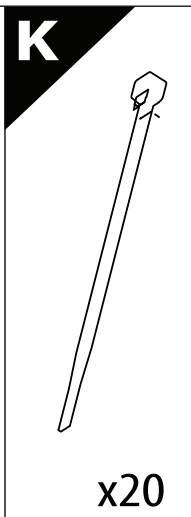
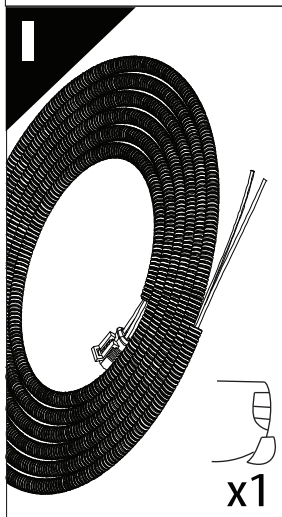
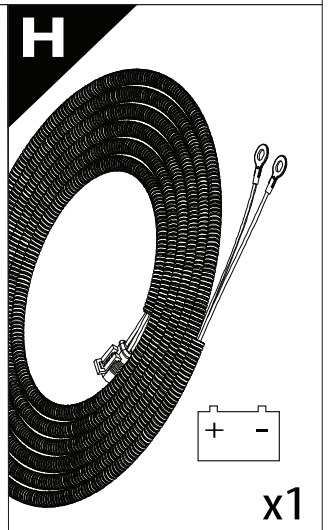
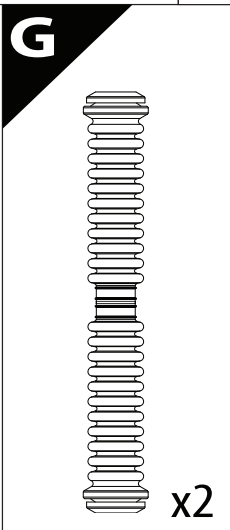
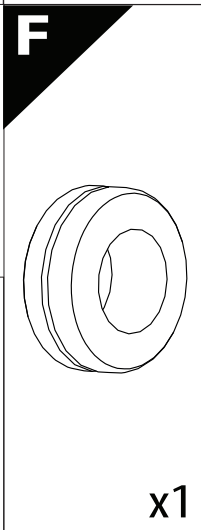
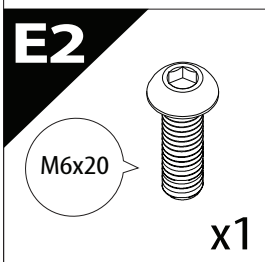
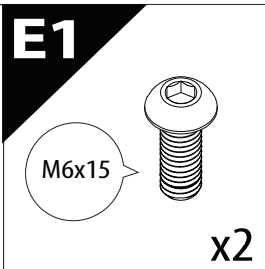
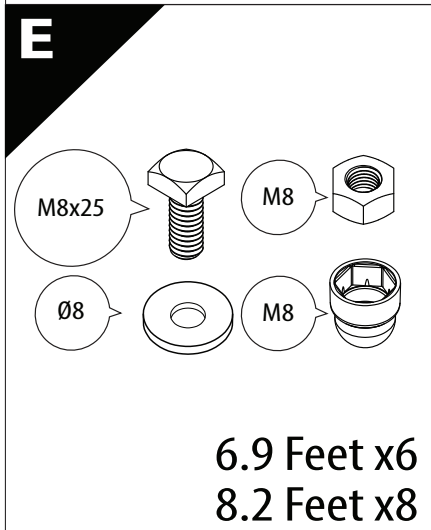
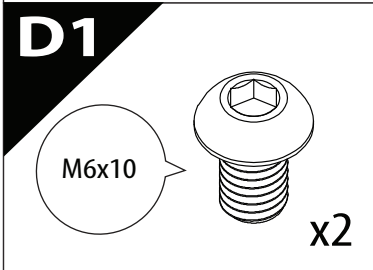
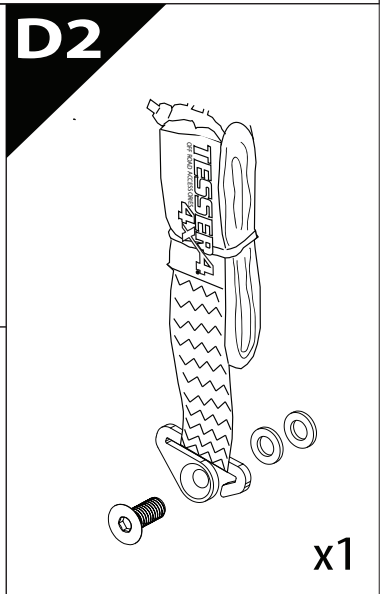
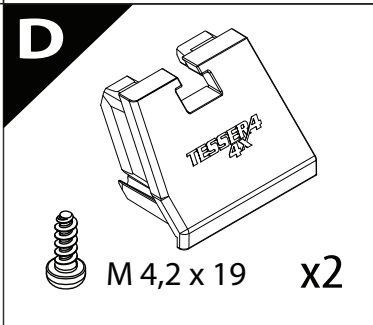
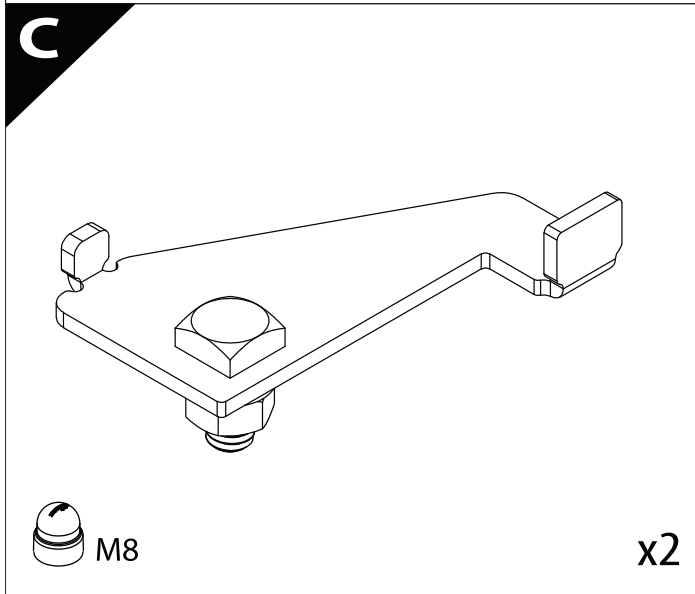
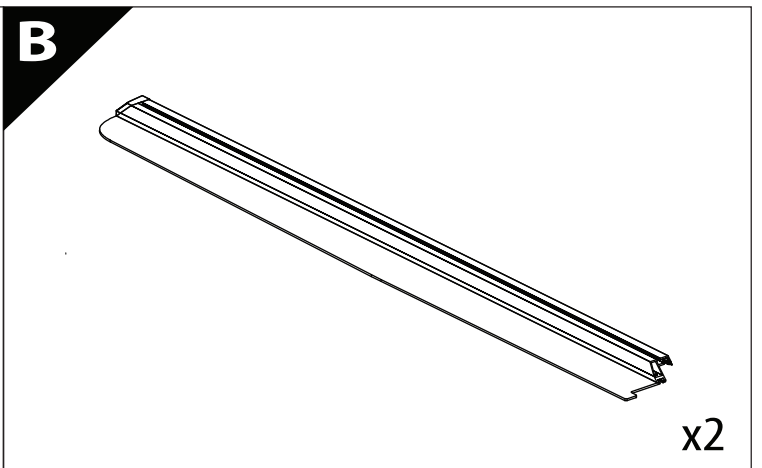
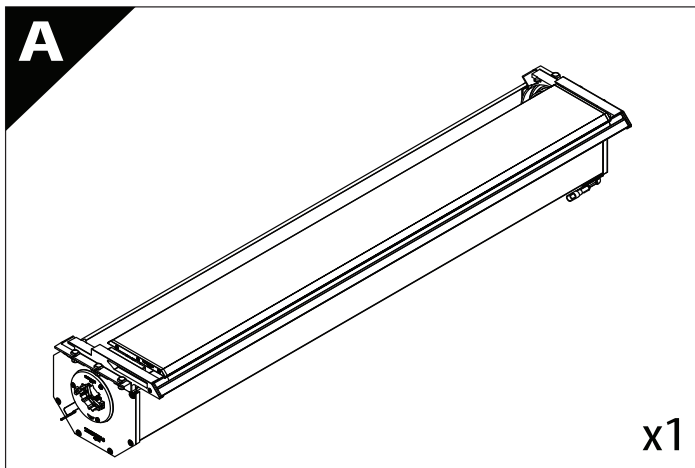
# Tessera Roll+

## Basic Version + ⚡ E-KIT

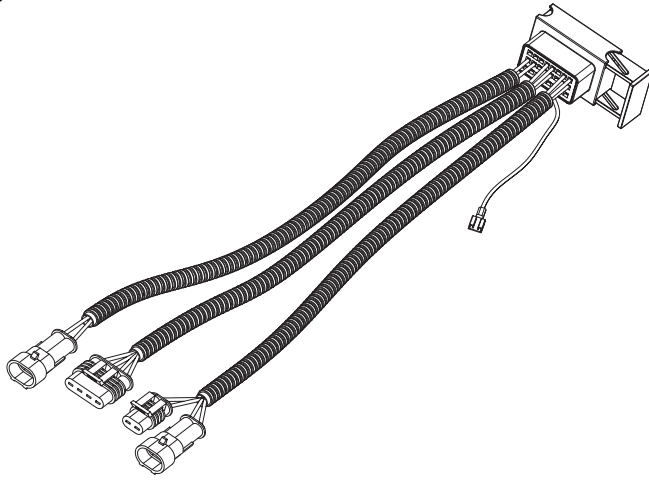


## Installation Manual

PART NUMBER(S)	Model Year
TESS 1436 ROLL+E-KIT	Chevrolet Silverado / GMC Sierra 2500 / 3500 2020+
TESS 14361 ROLL+E-KIT	
Feet	Installation Time / Weight
6.9 Feet & 8.2 Feet	40-60 minutes / 53-57 kg

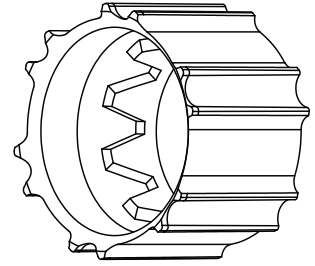


**M2**



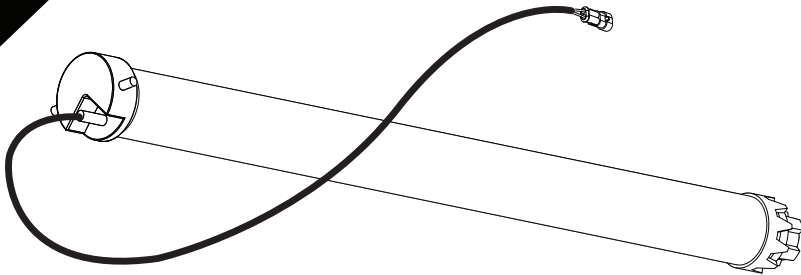
x1

**N**



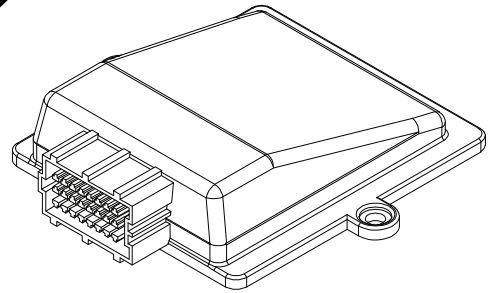
x1

**O**



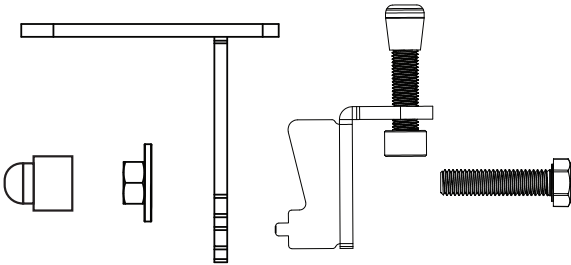
x1

**P**



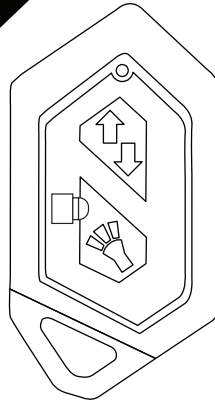
x1

**Q**



6.9 Feet x6  
8.2 Feet x8

**R**

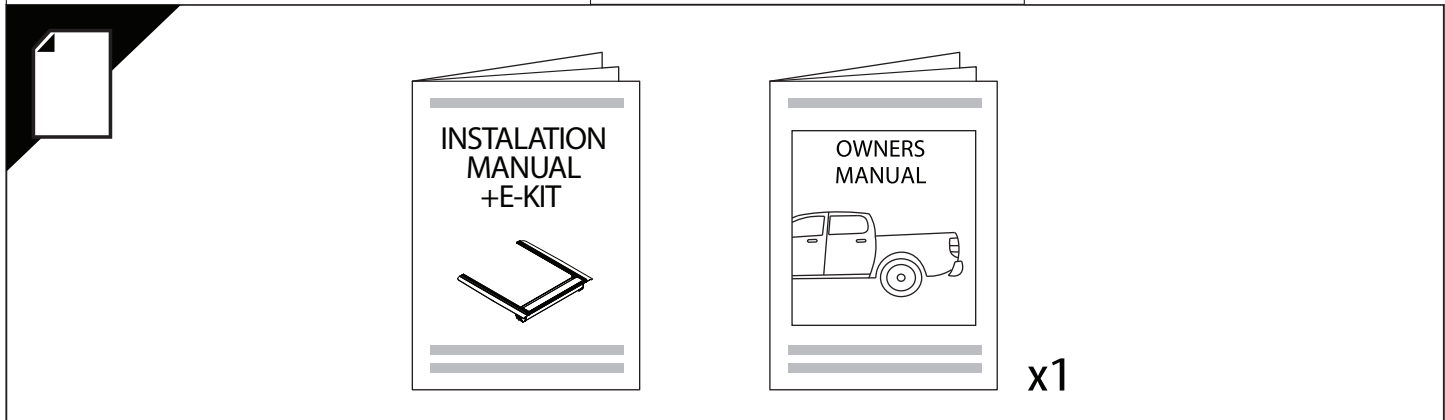
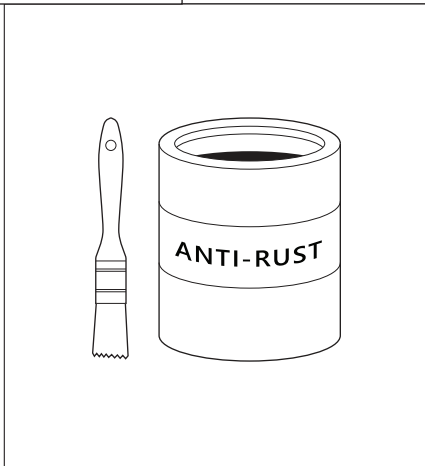
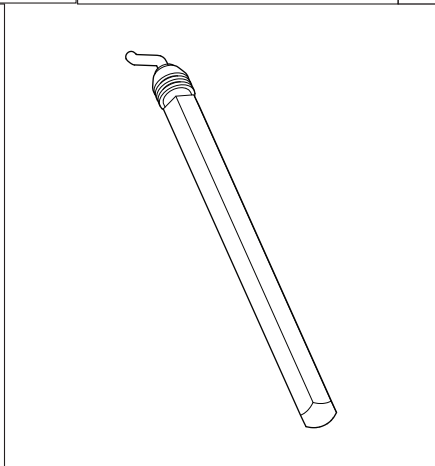
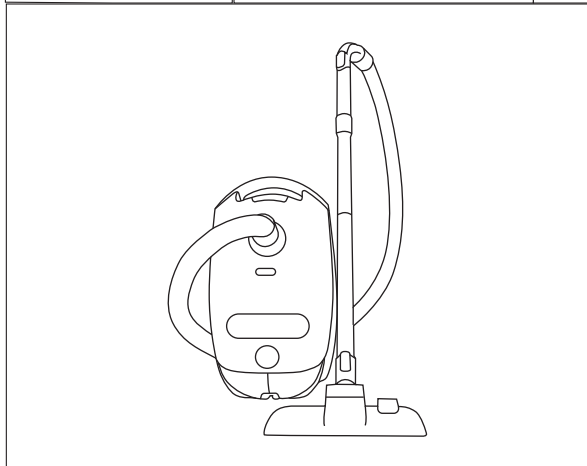
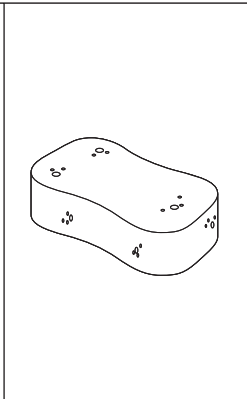
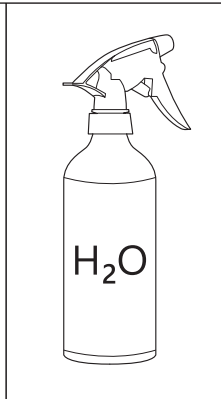
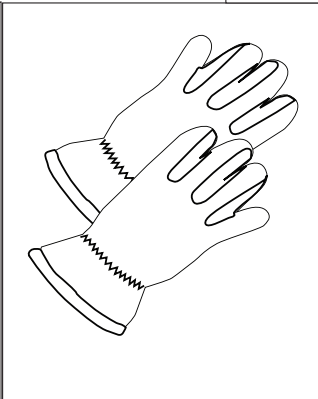
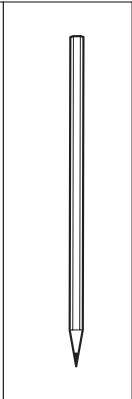
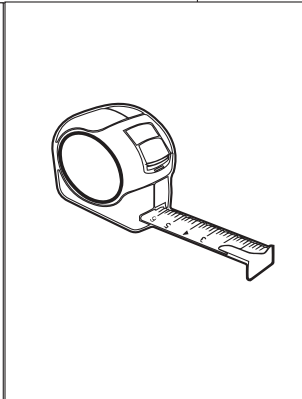
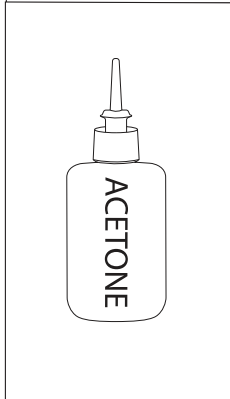
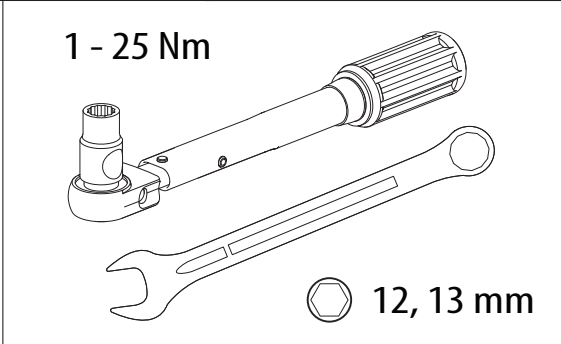
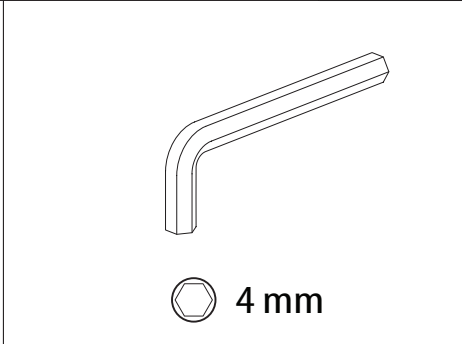
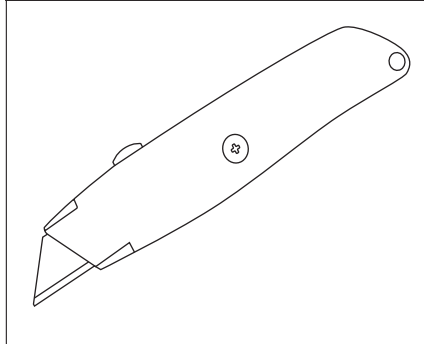
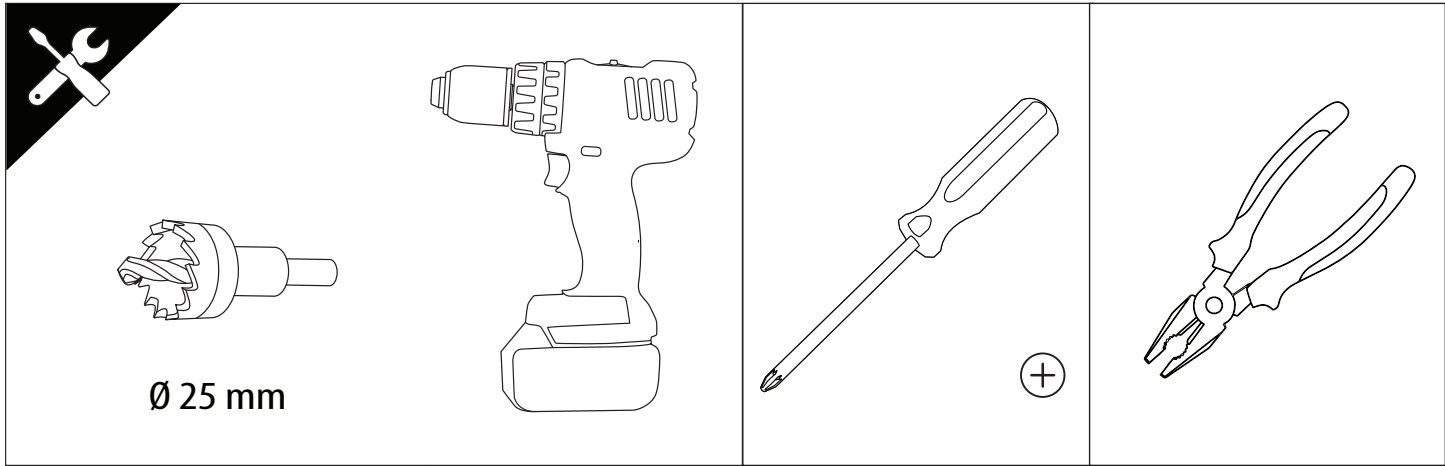


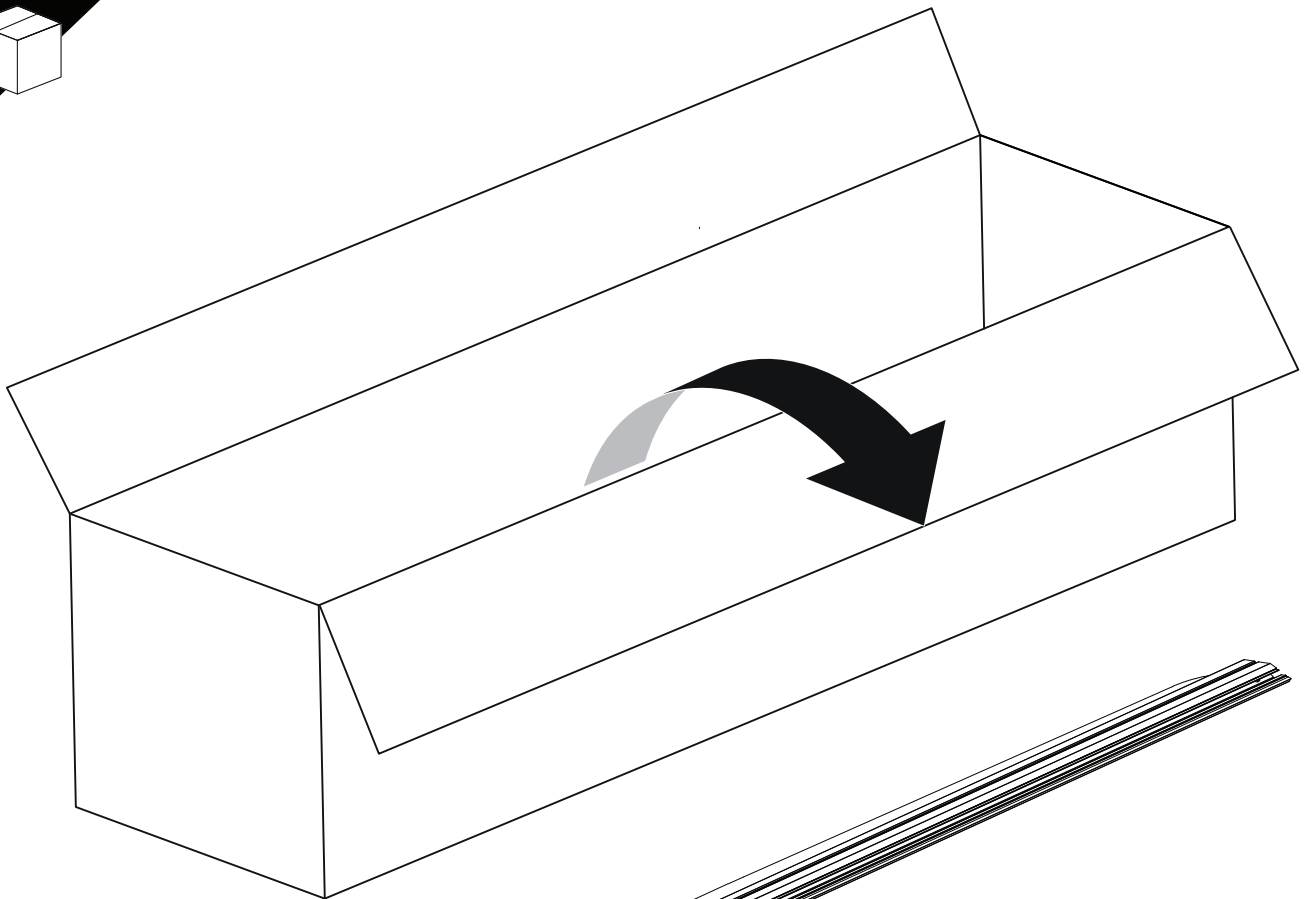
x2

**S**

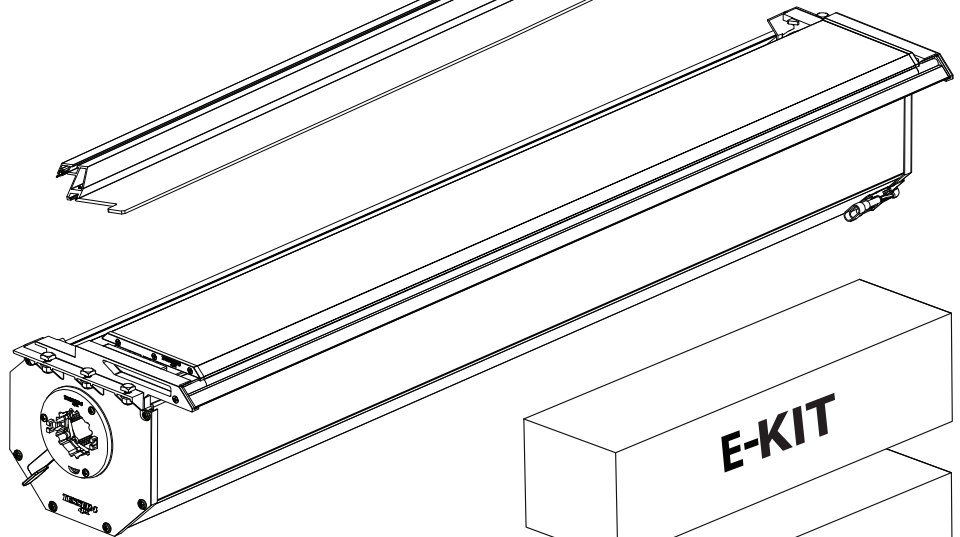


x2

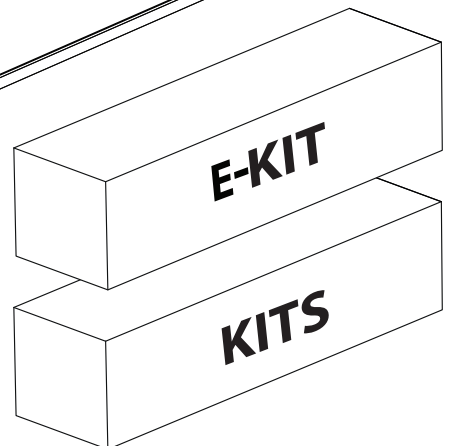




**B**



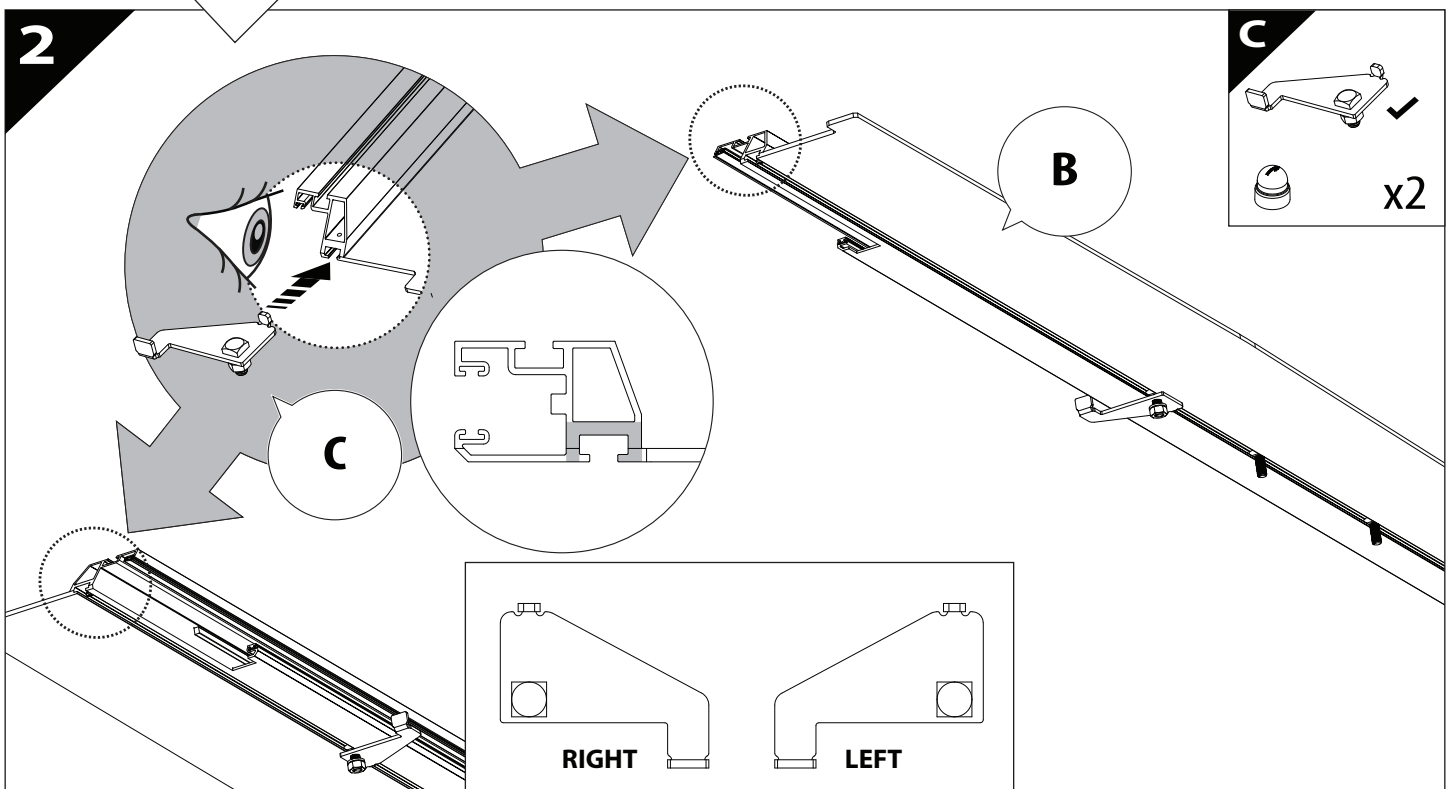
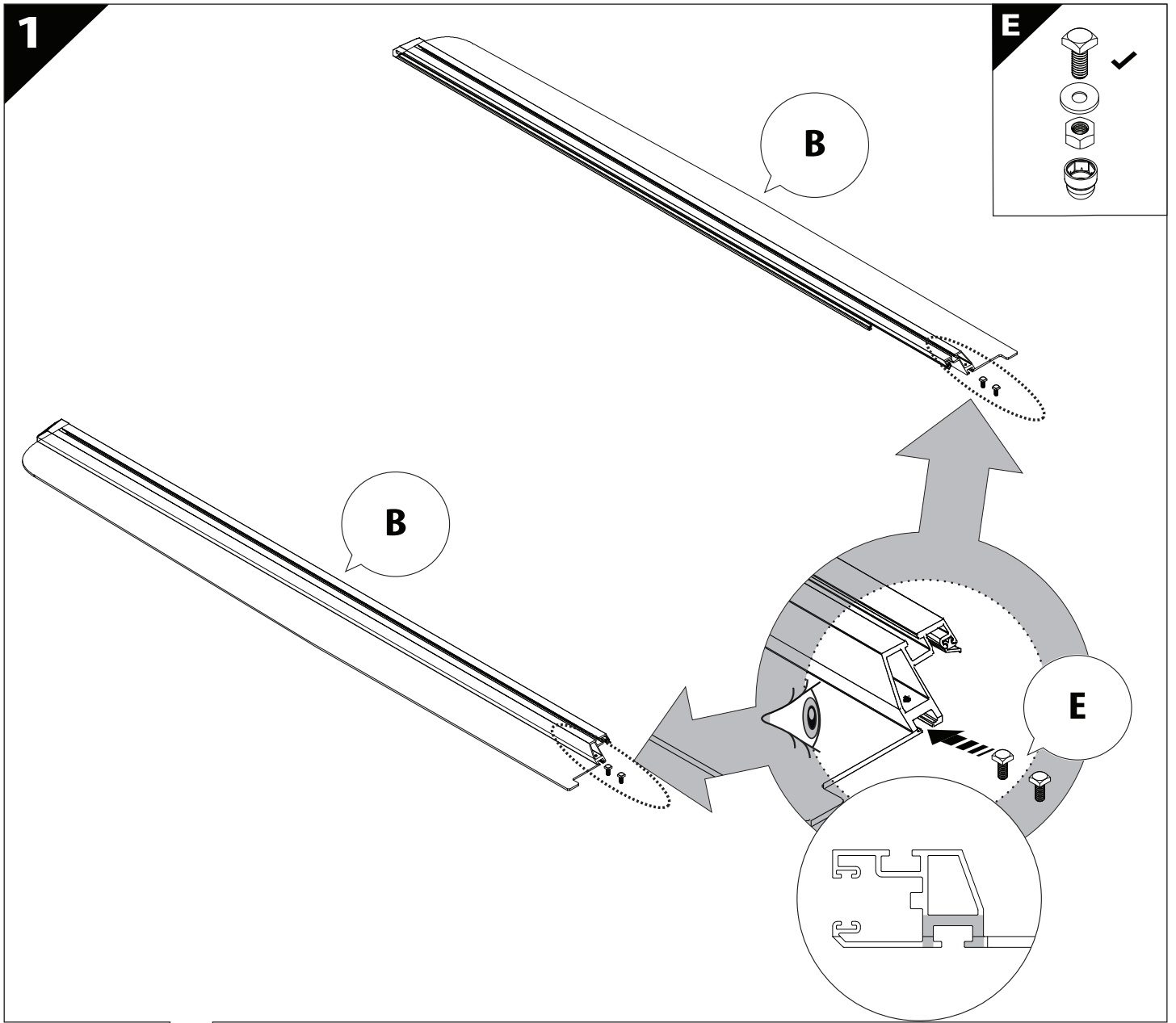
**A**



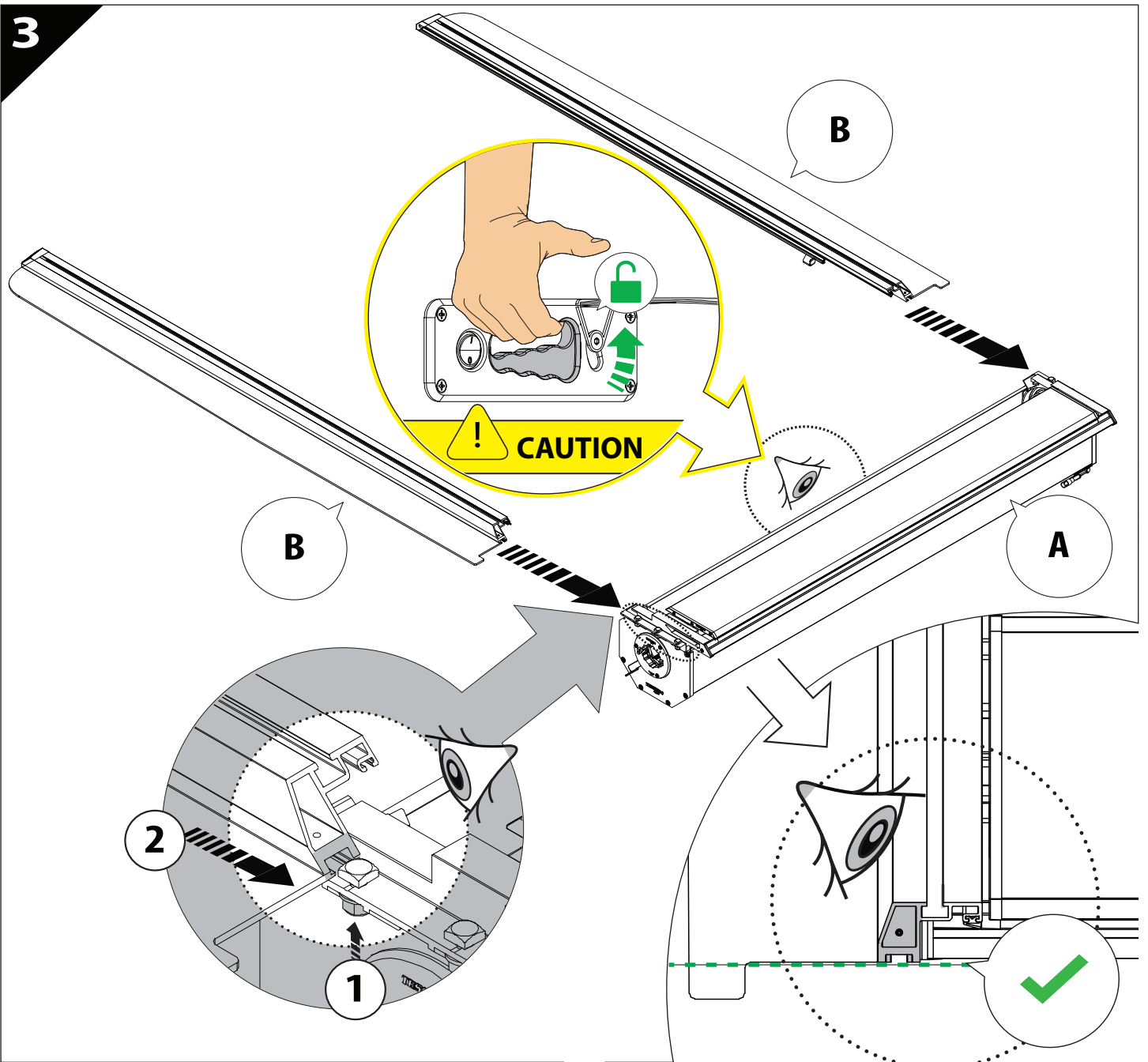
**KITS**

**L**

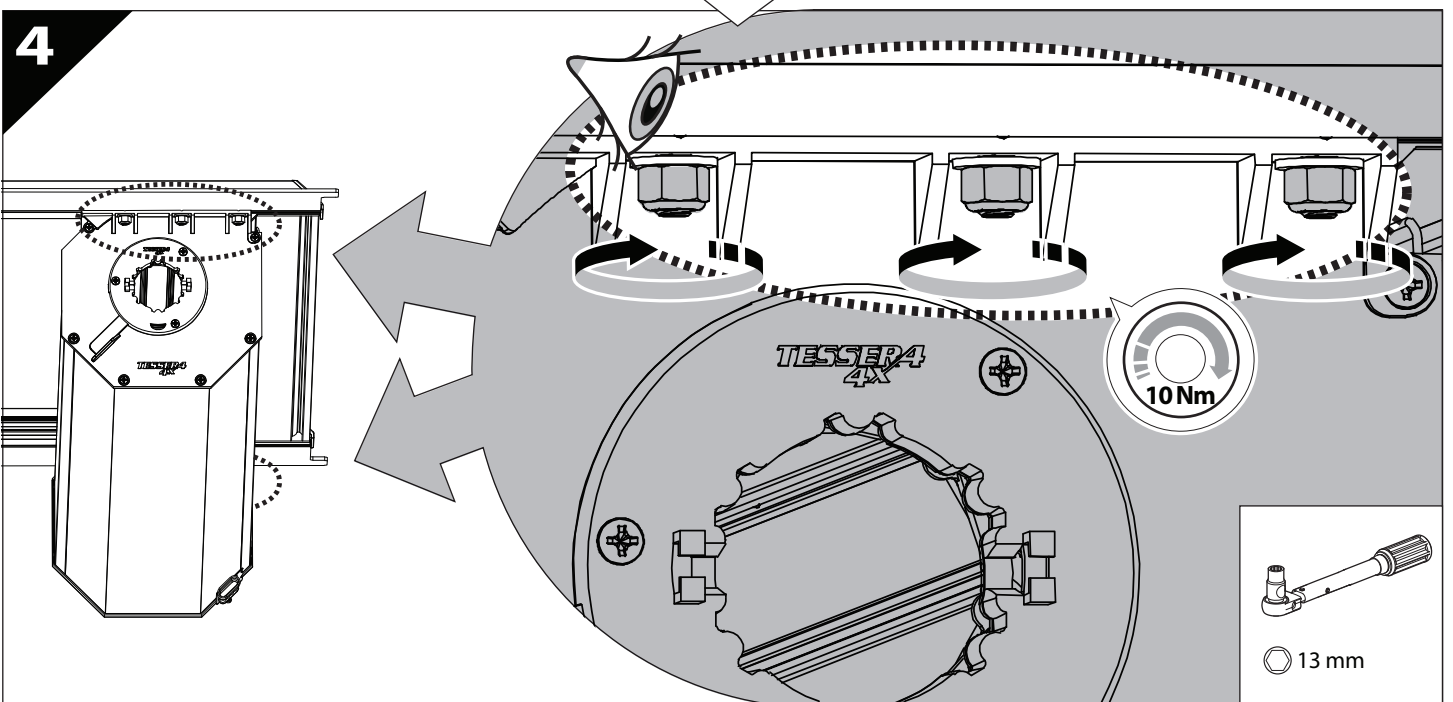


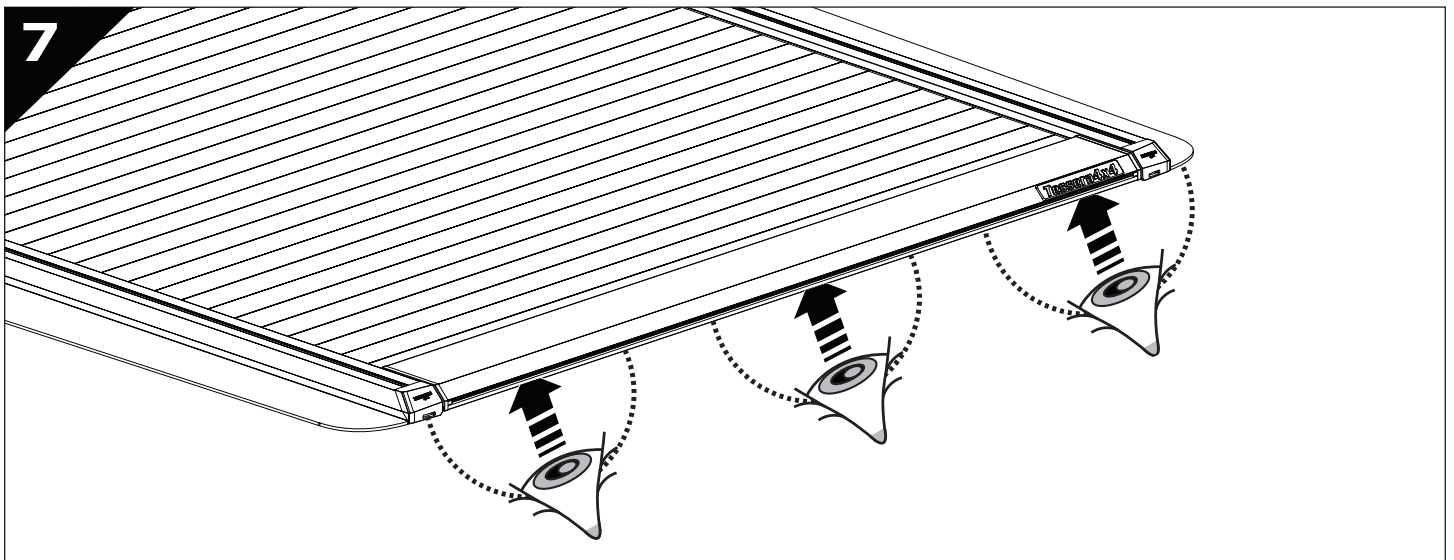
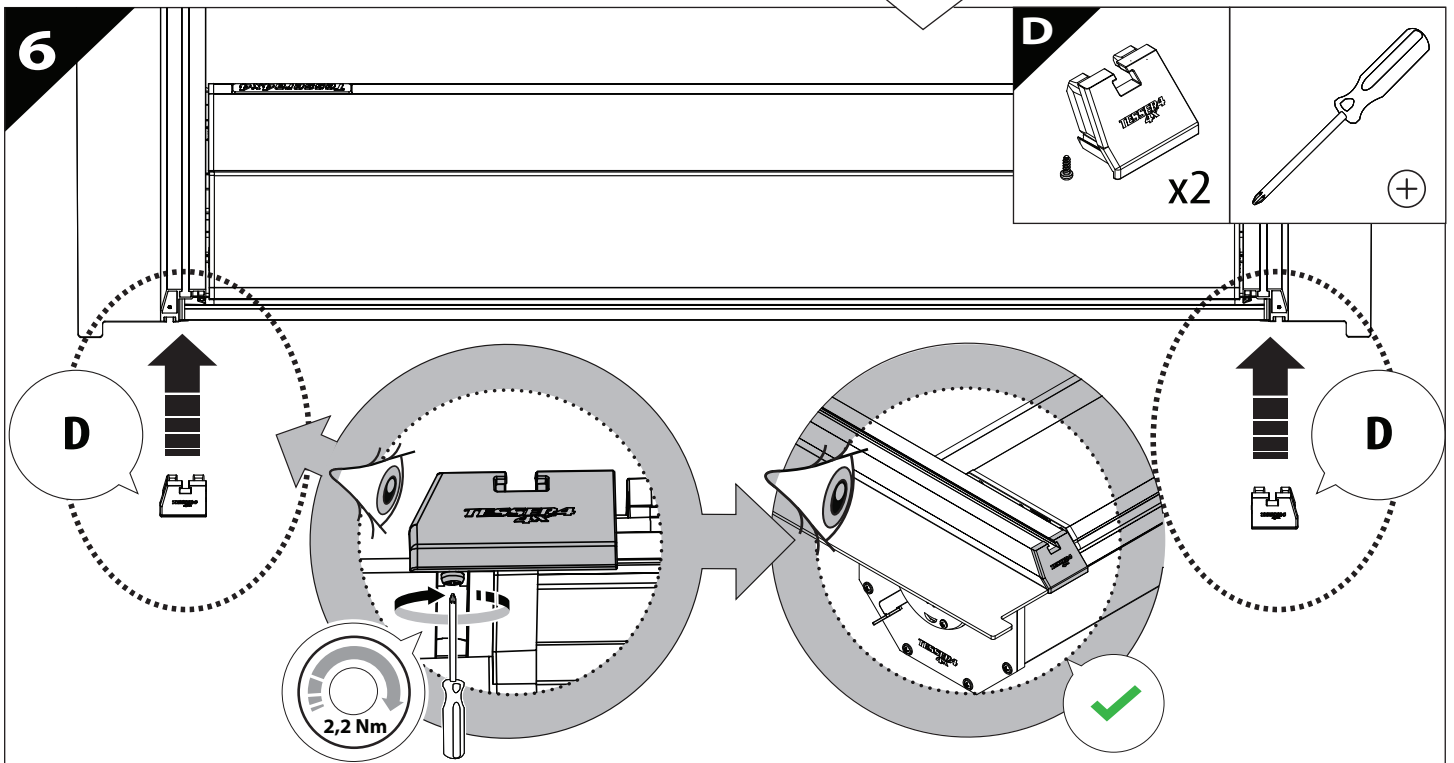
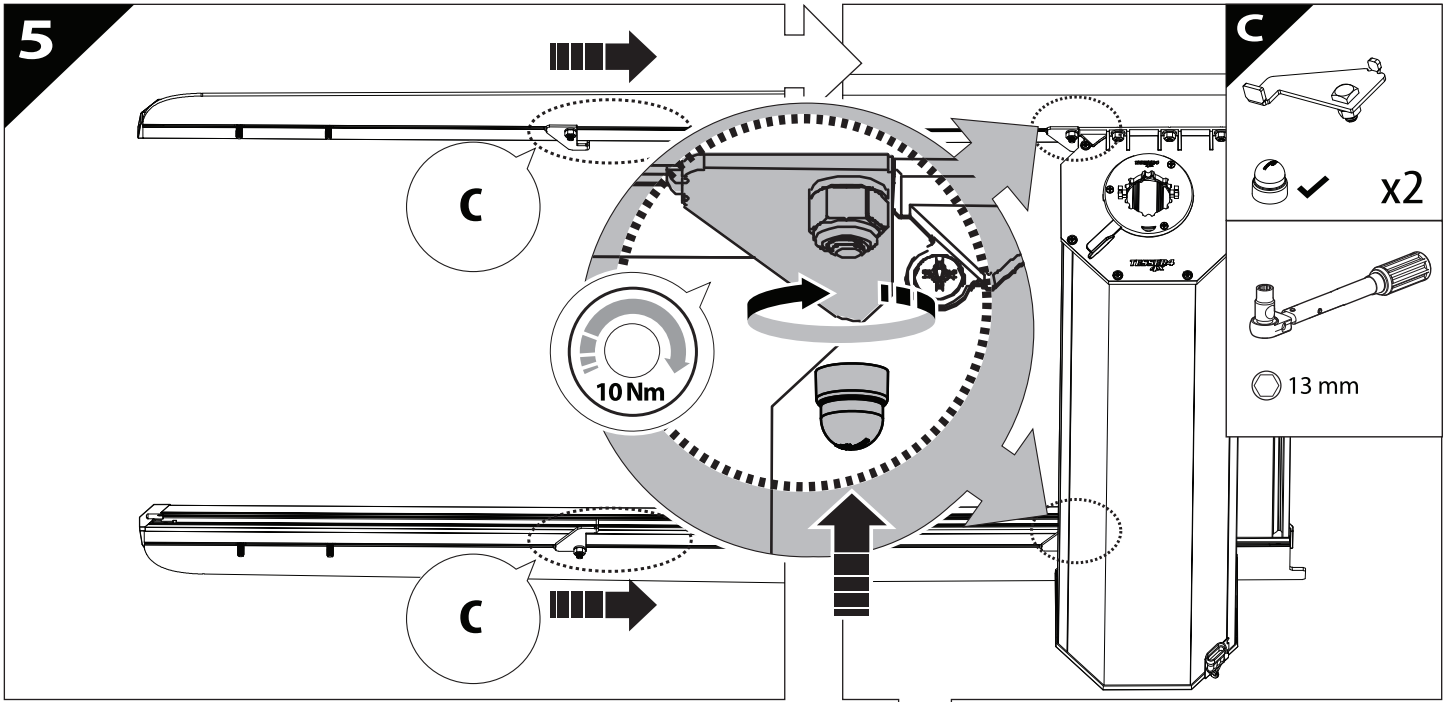


3



4

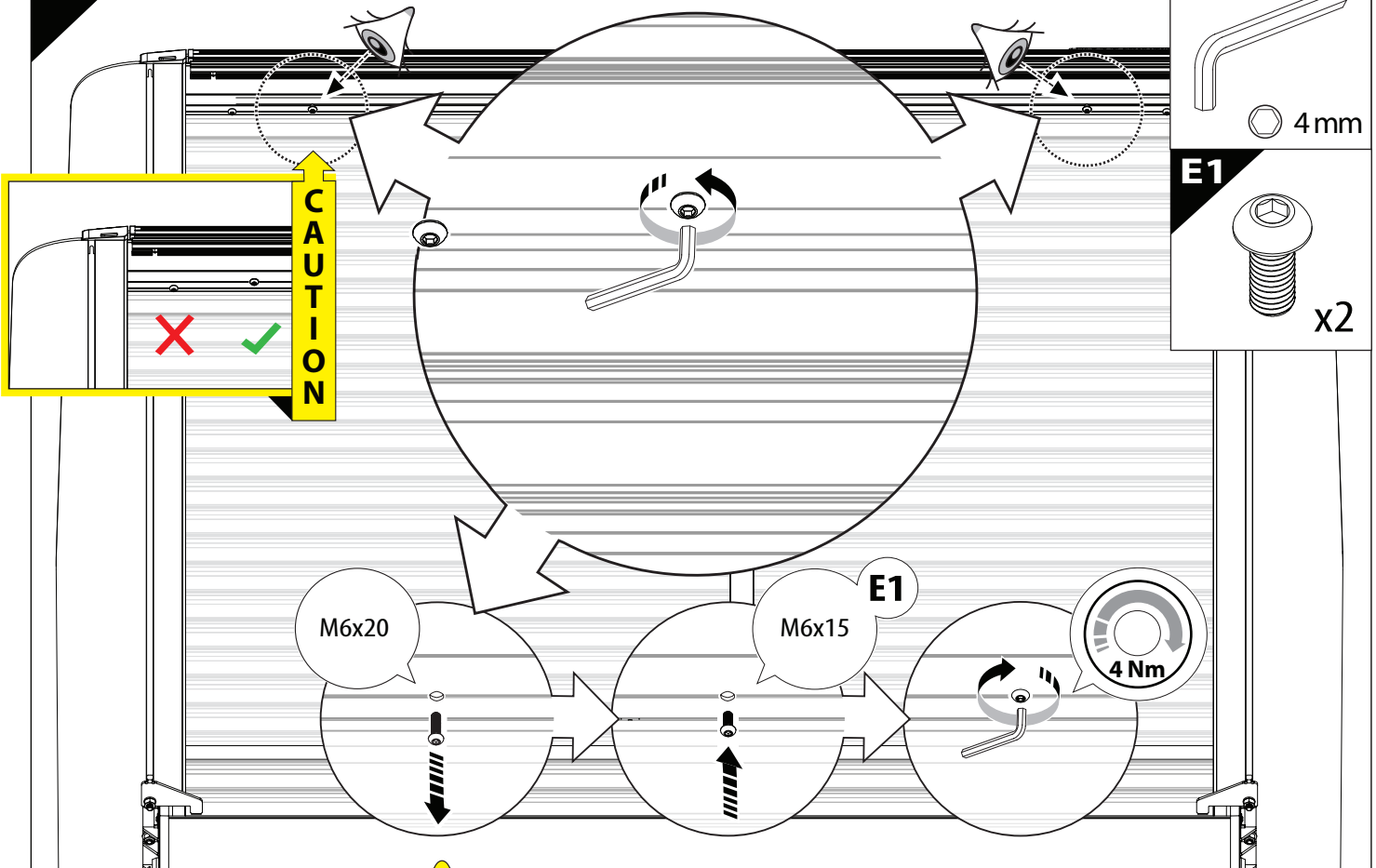






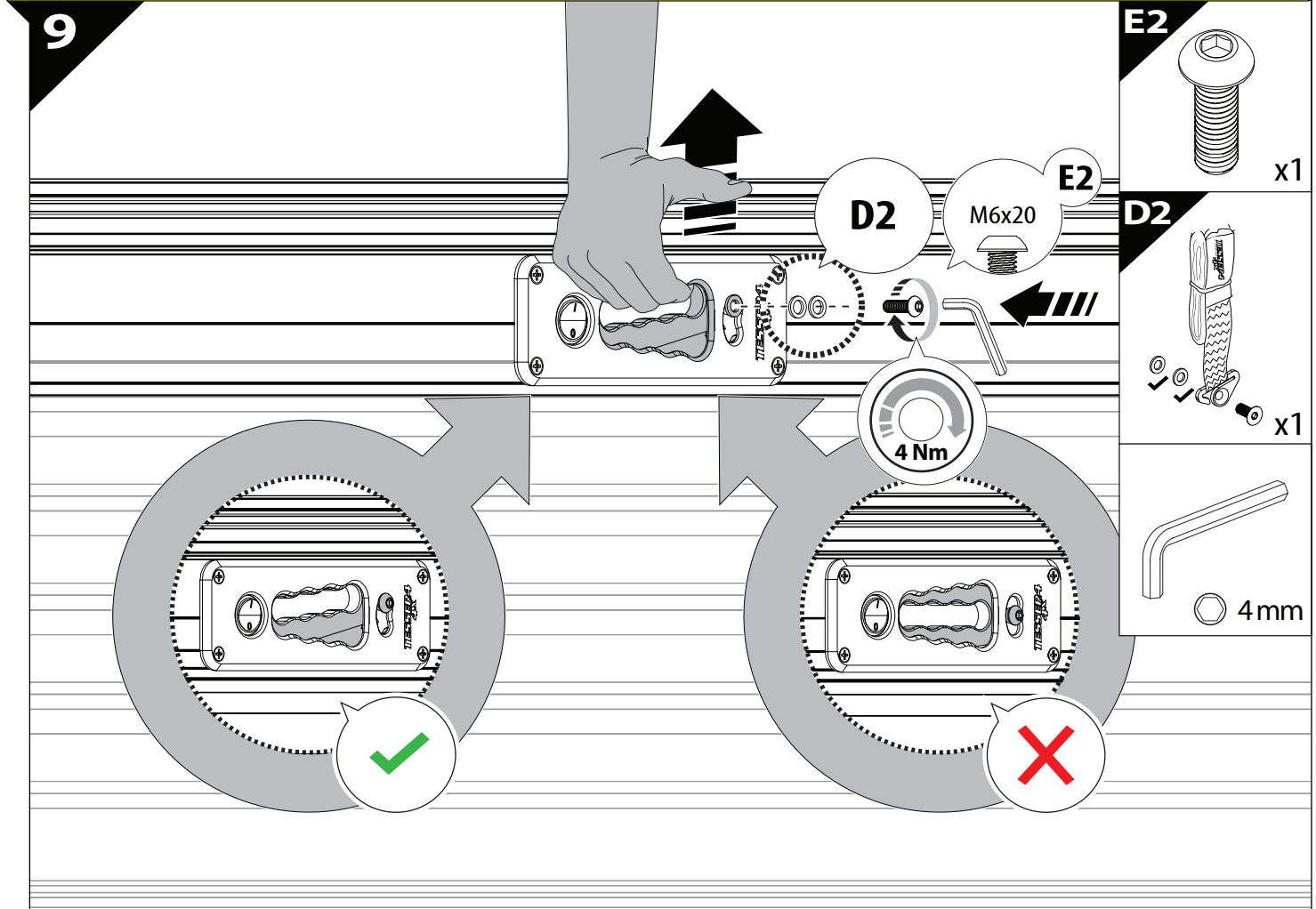
**CAUTION ONE - TOUCH ACTIVATION**

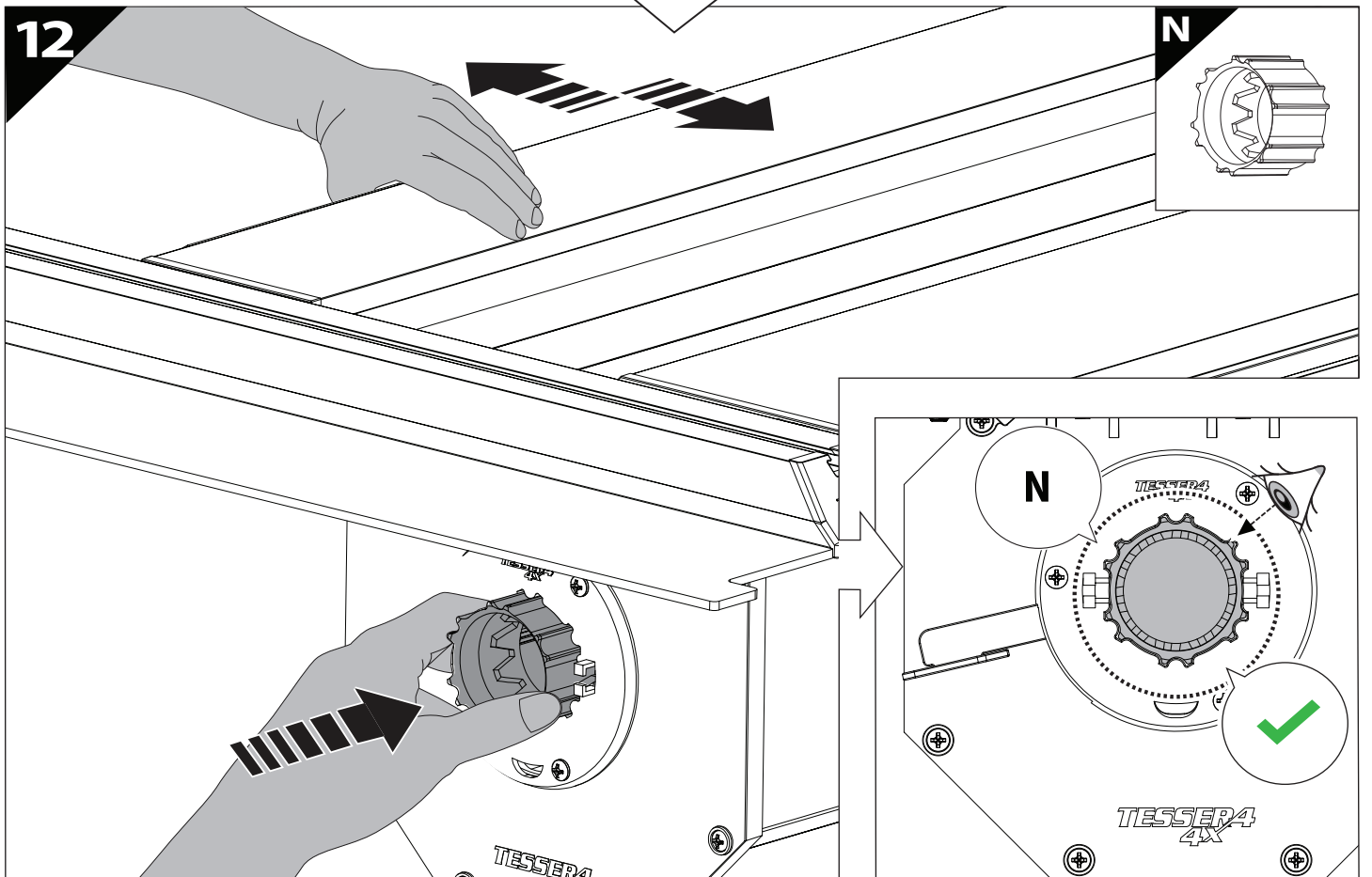
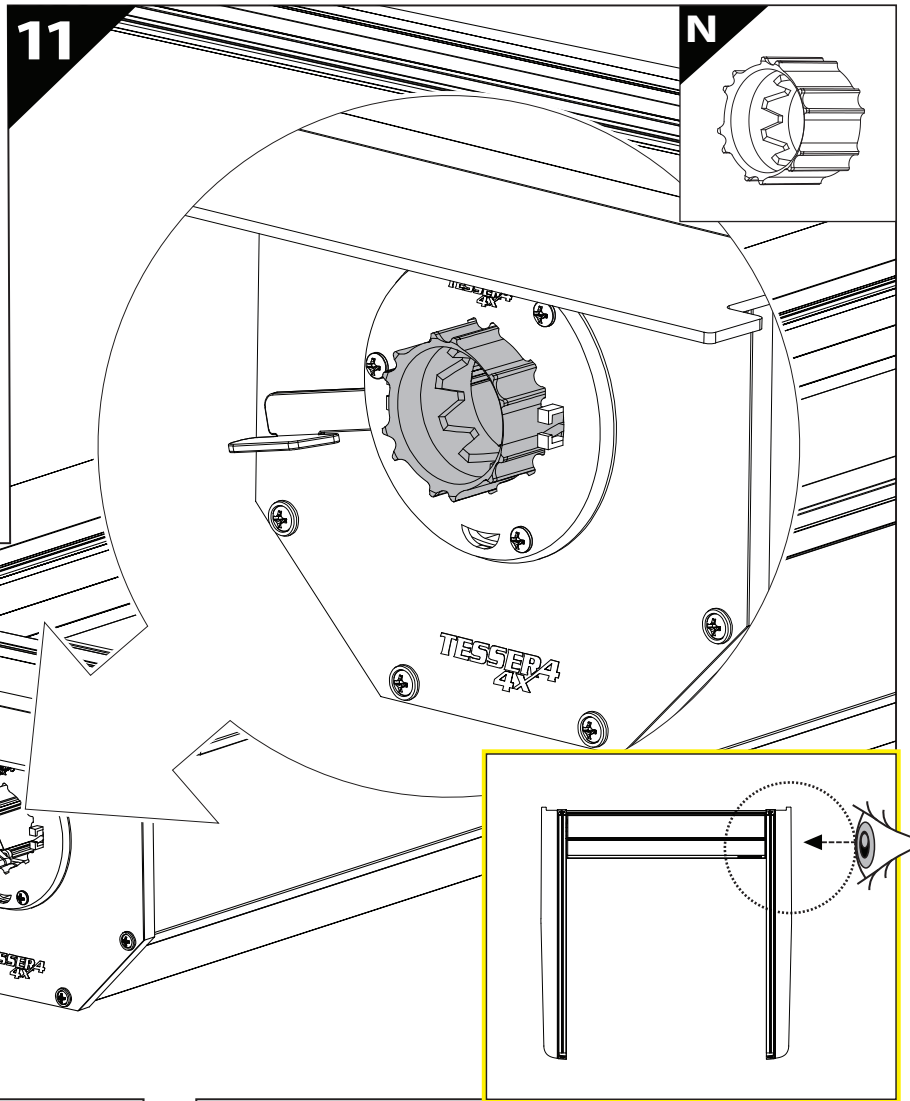
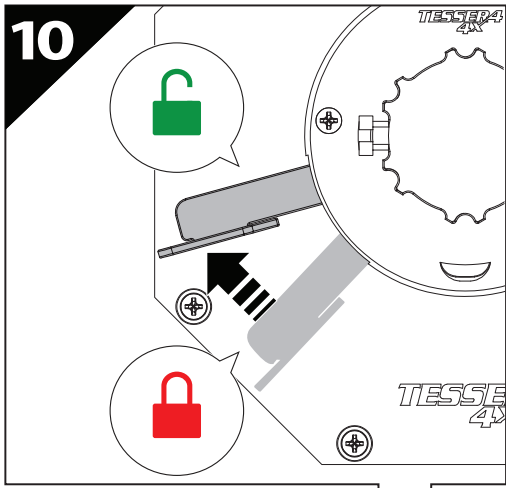
**8**

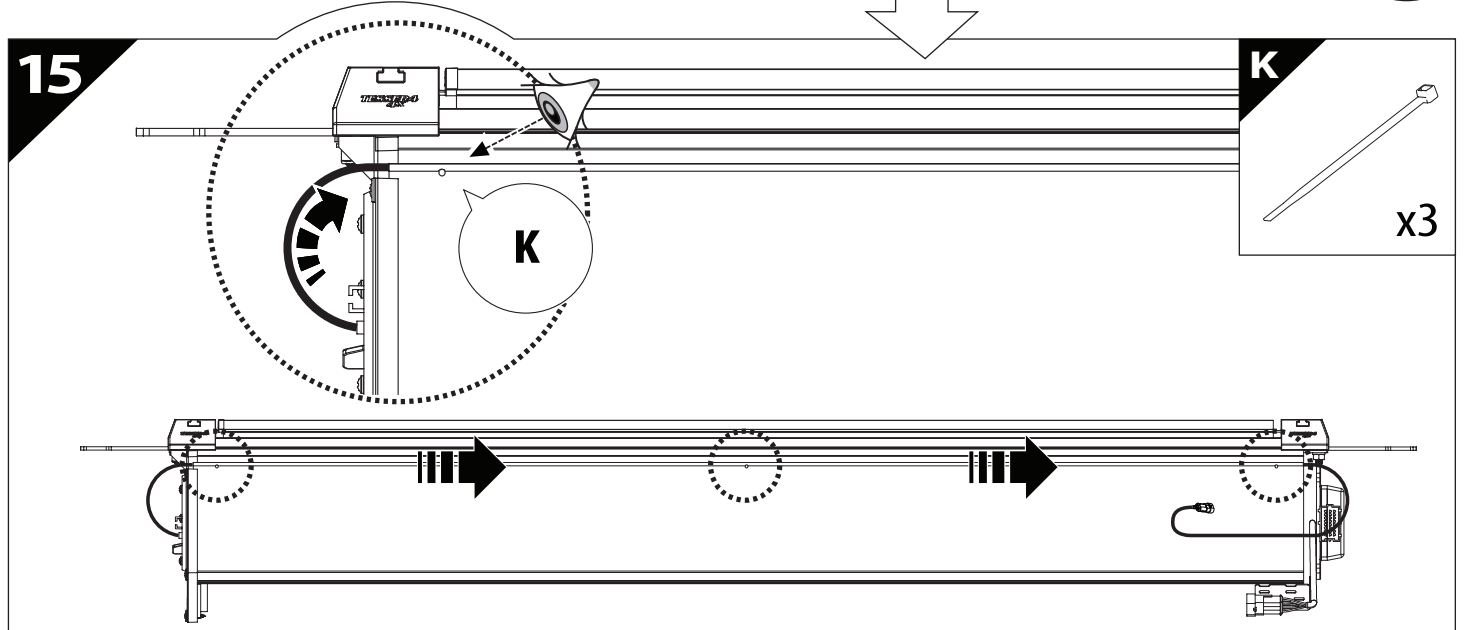
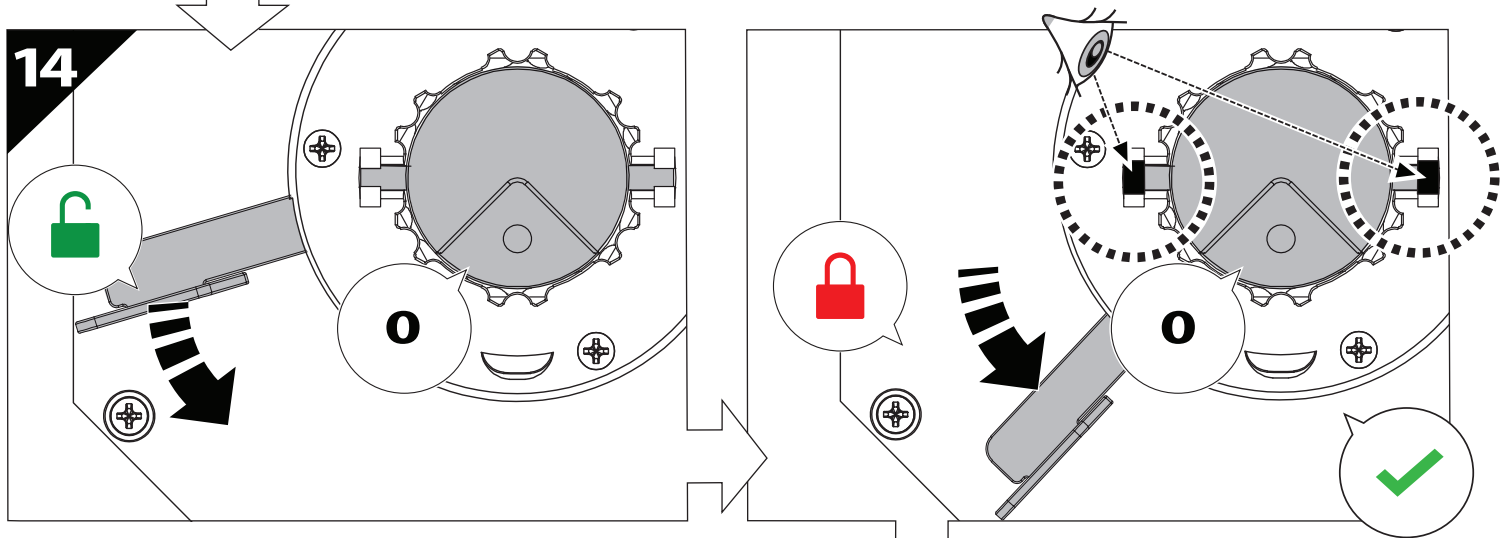
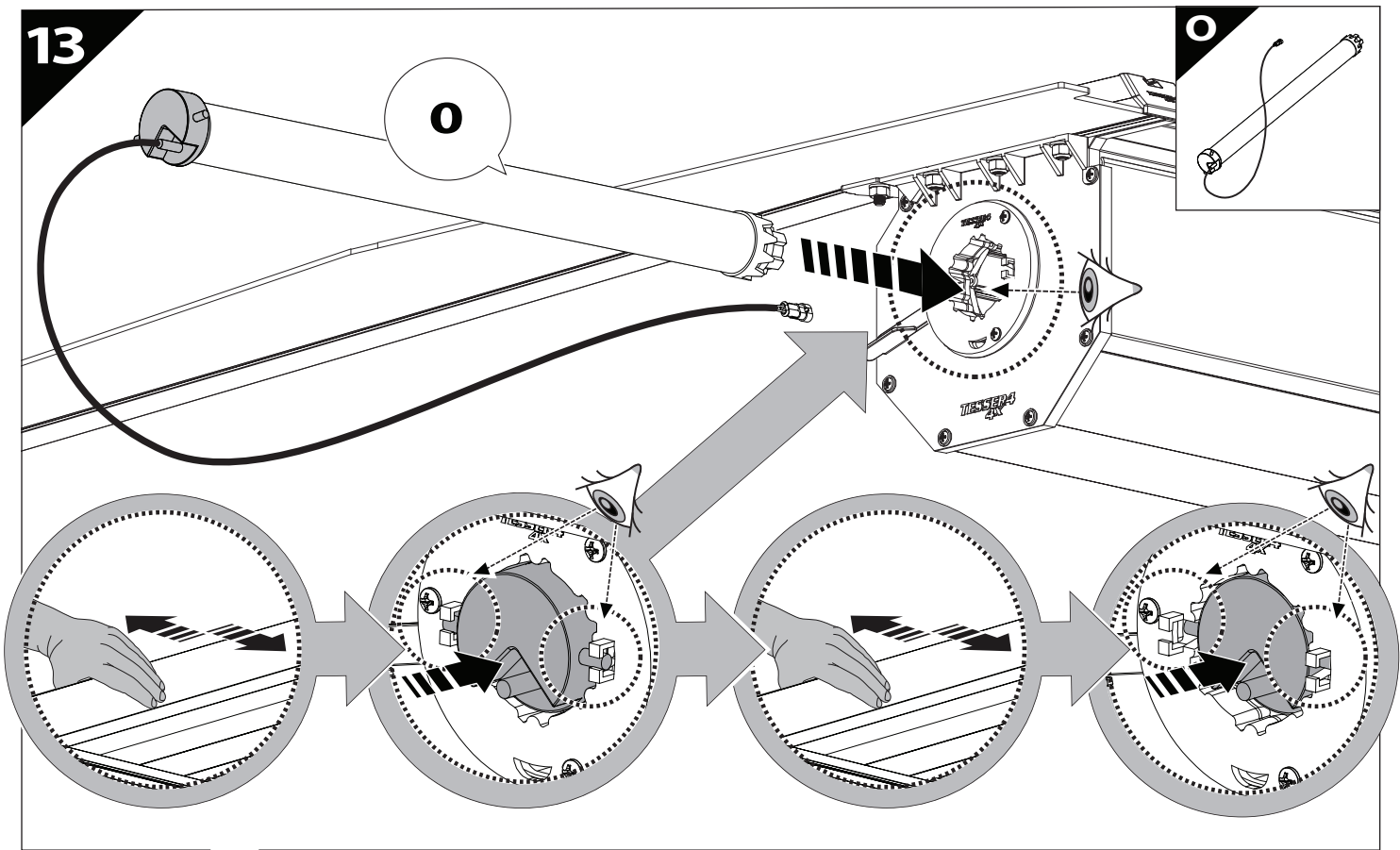


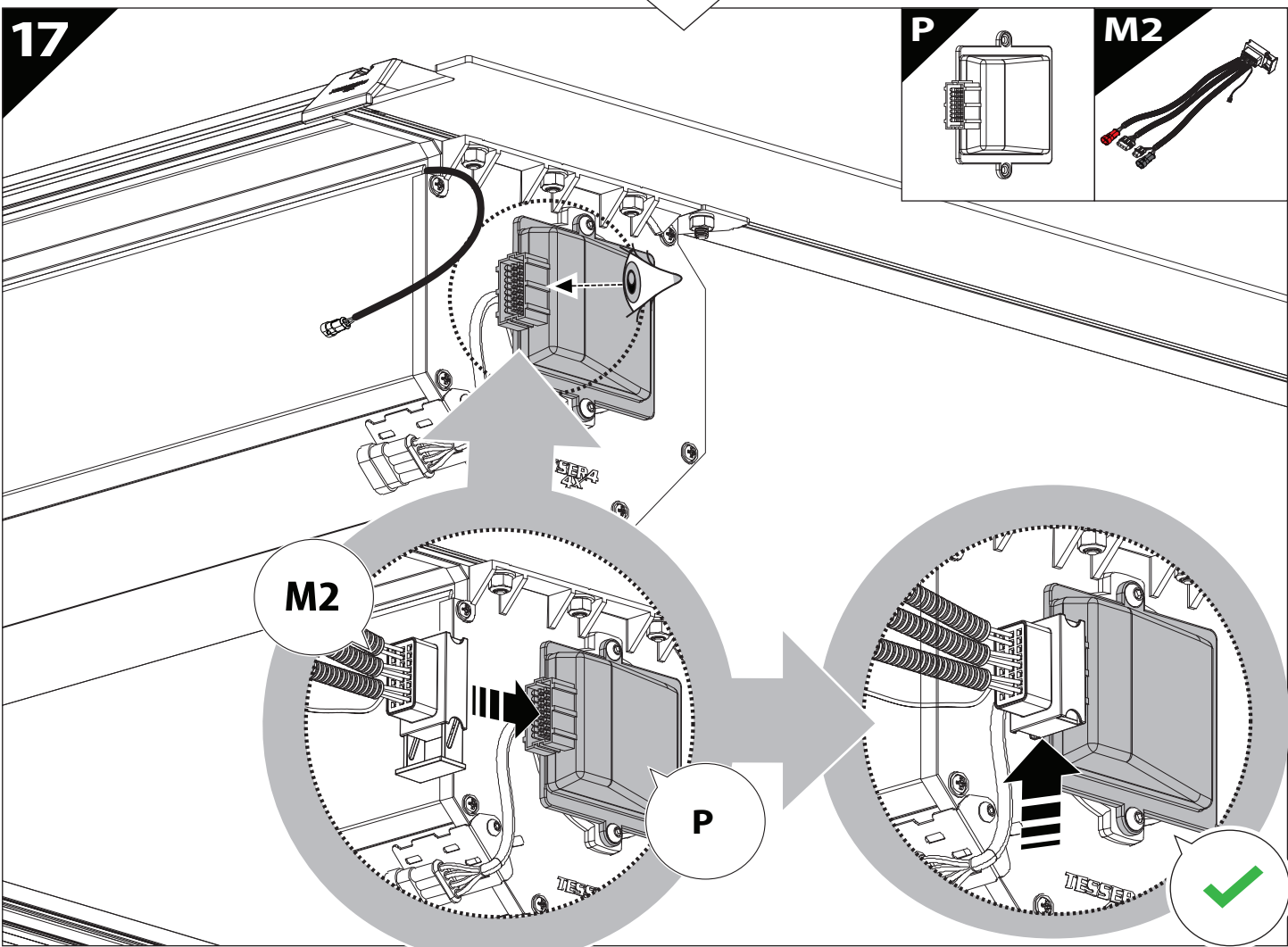
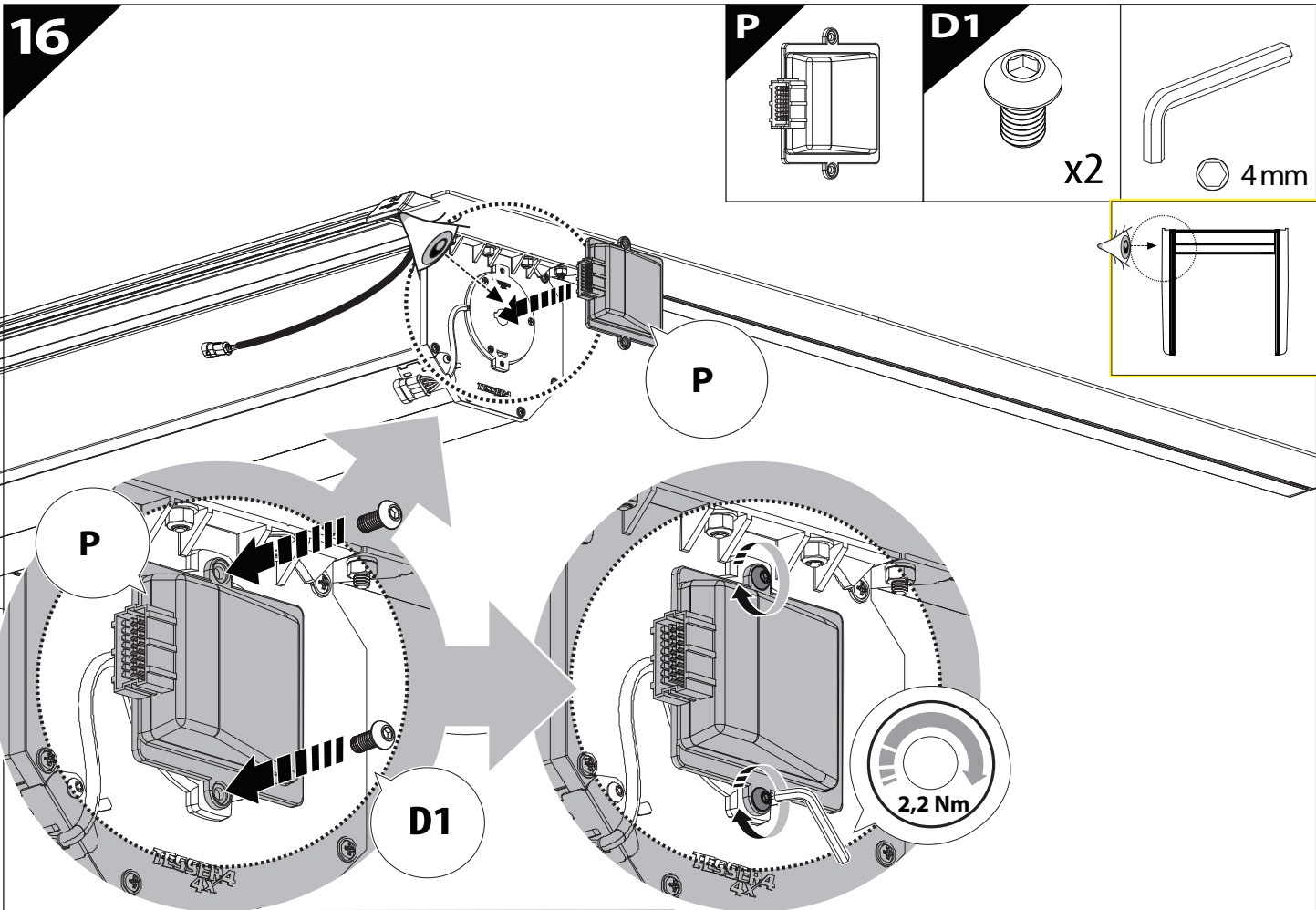
**CAUTION ONE - TOUCH ACTIVATION**

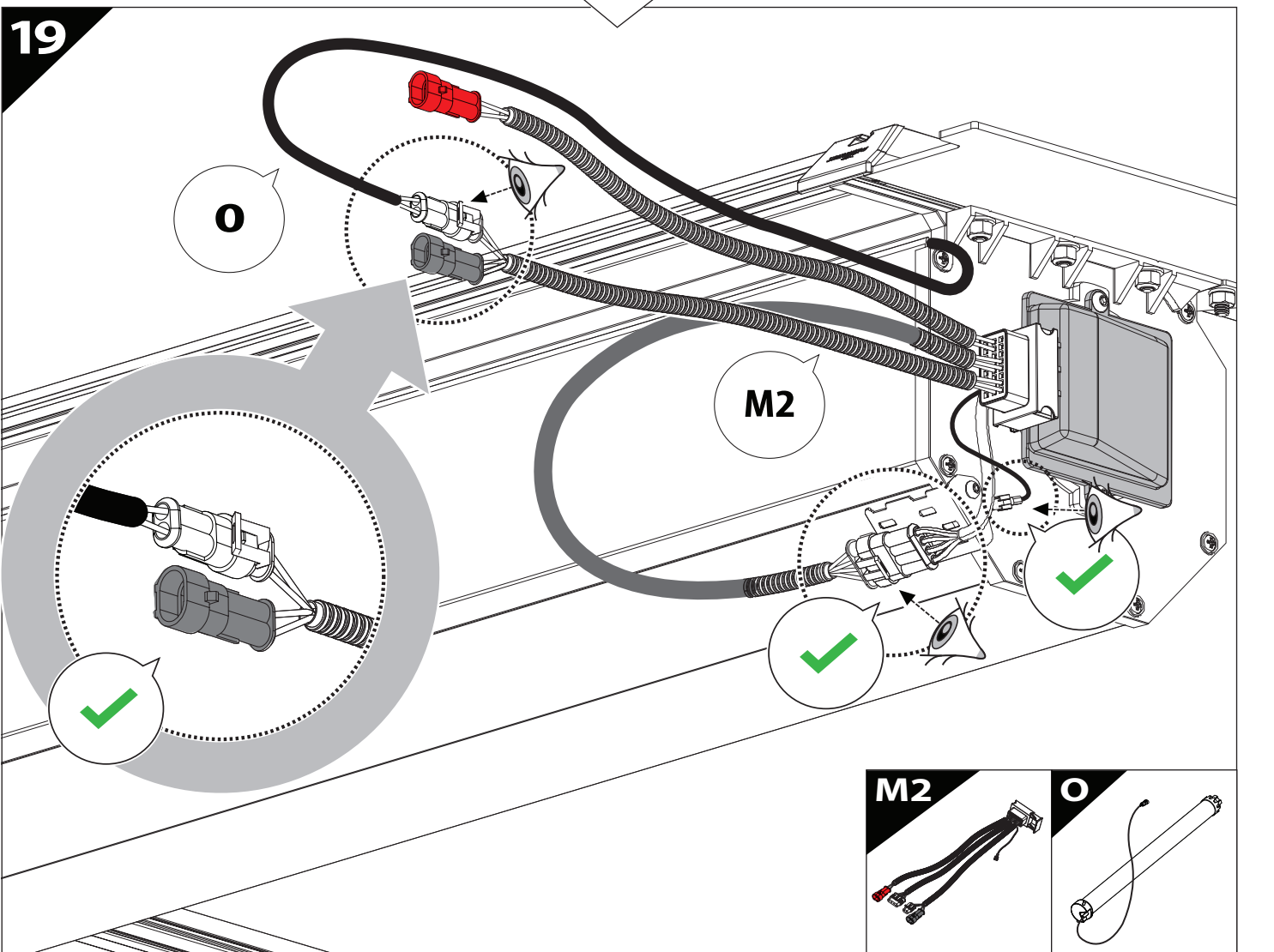
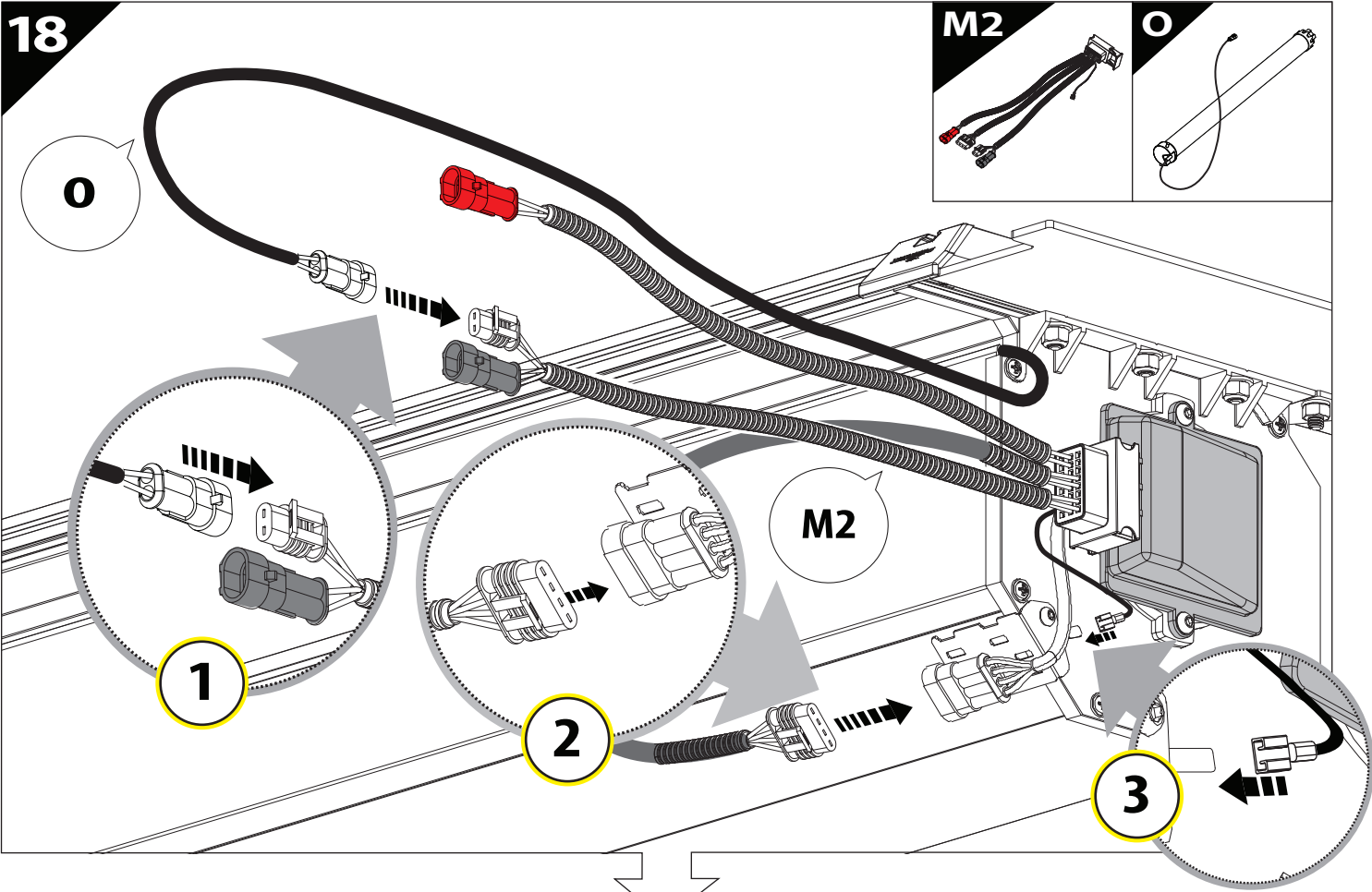
**9**

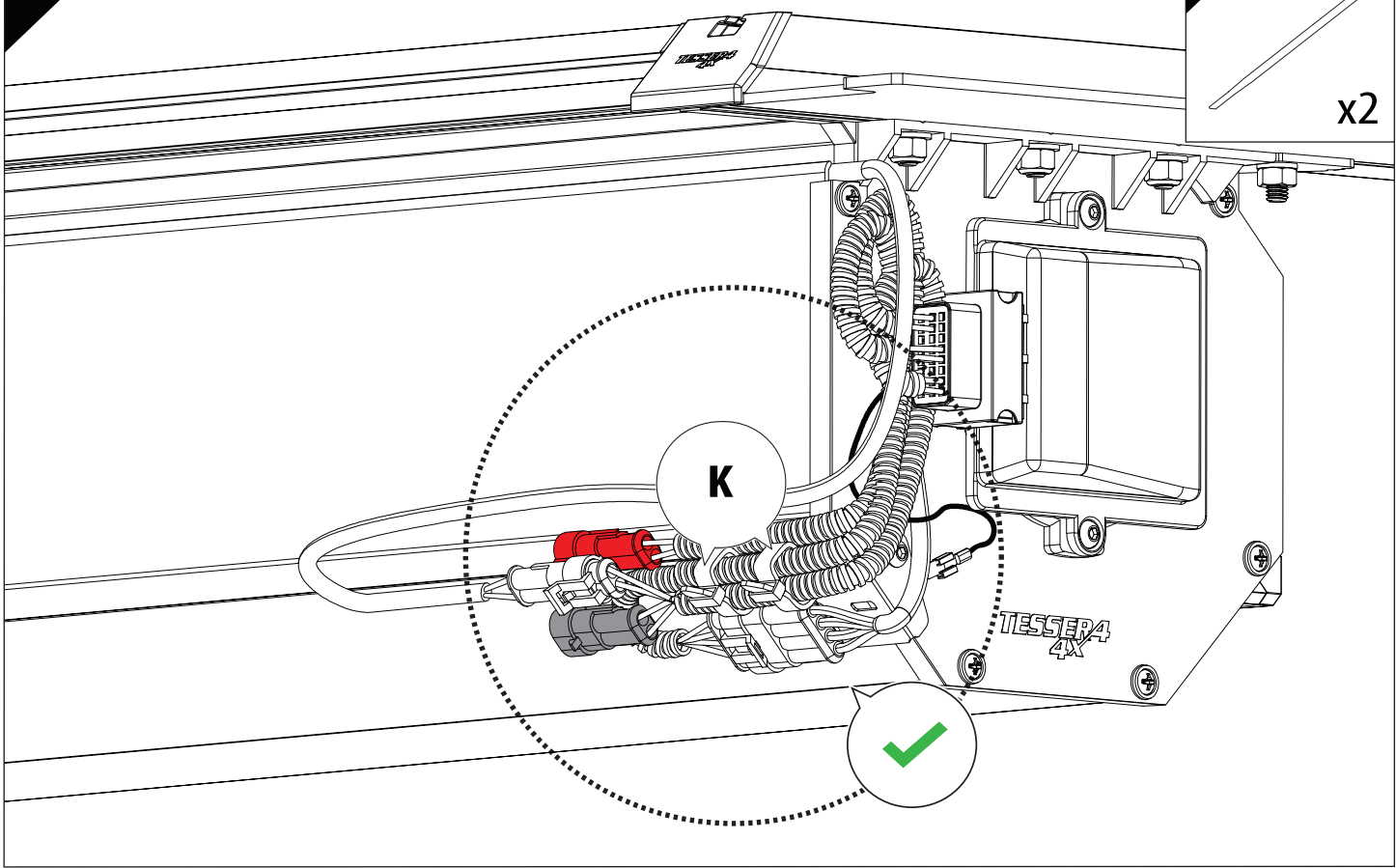




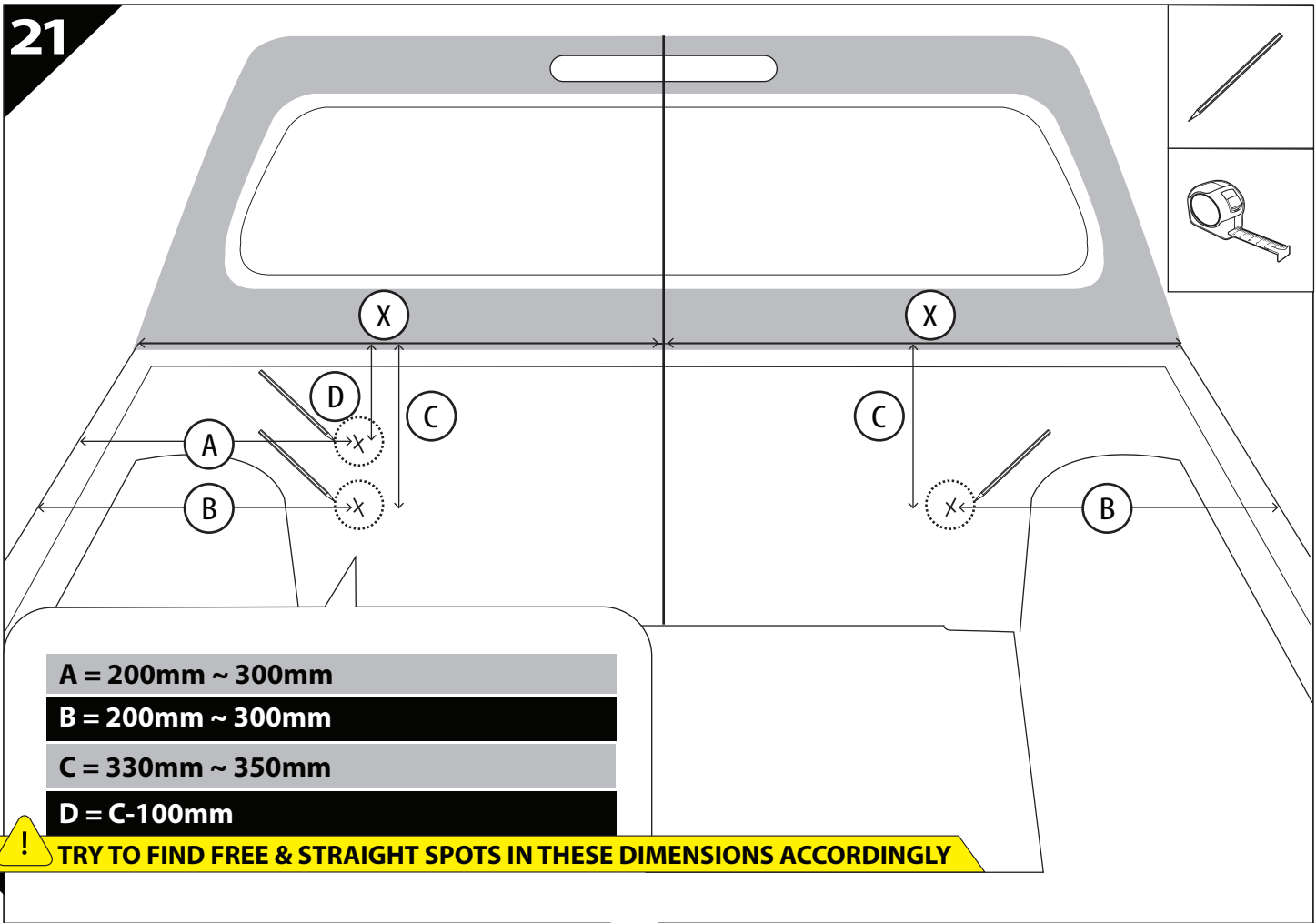




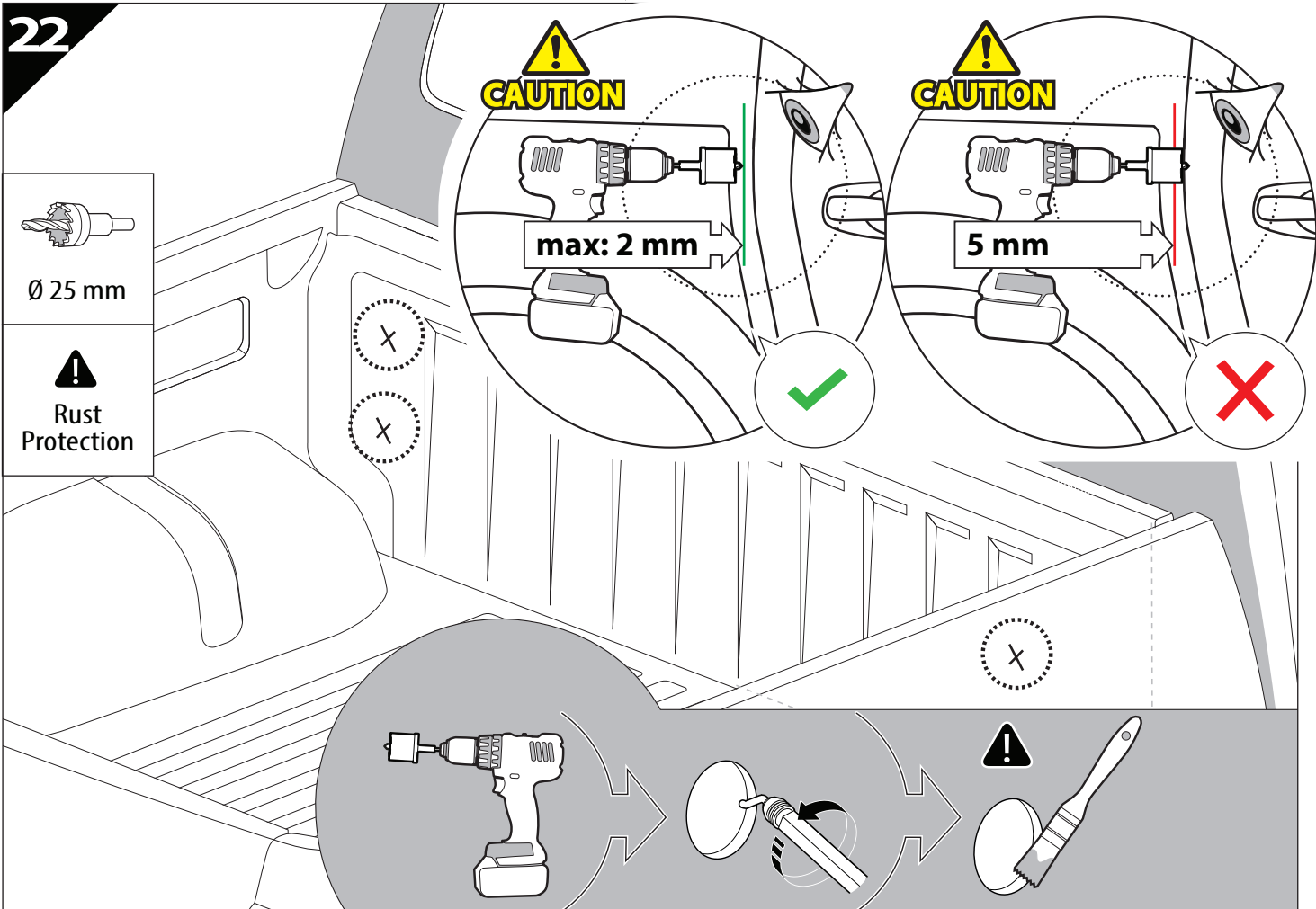




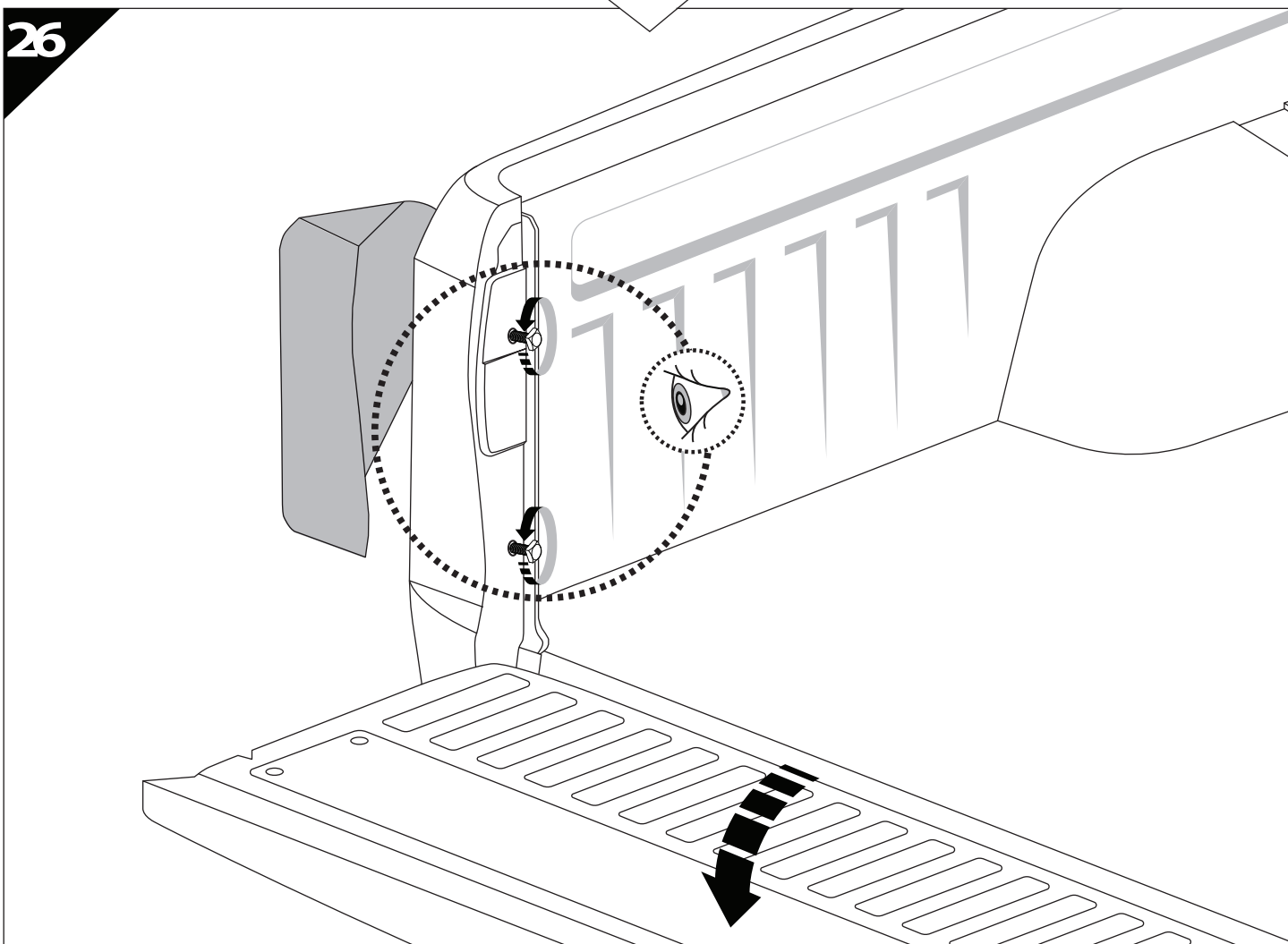
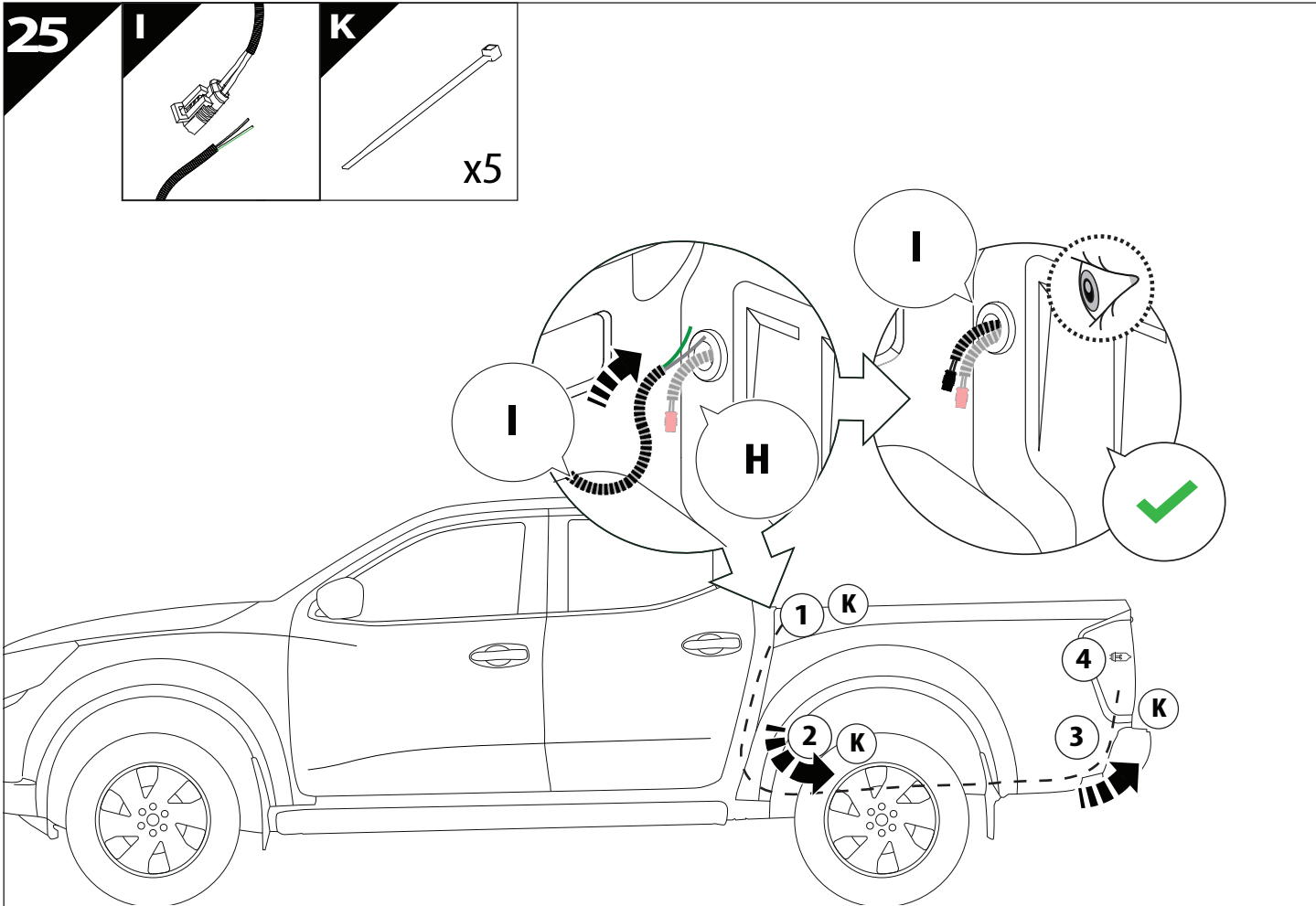
21



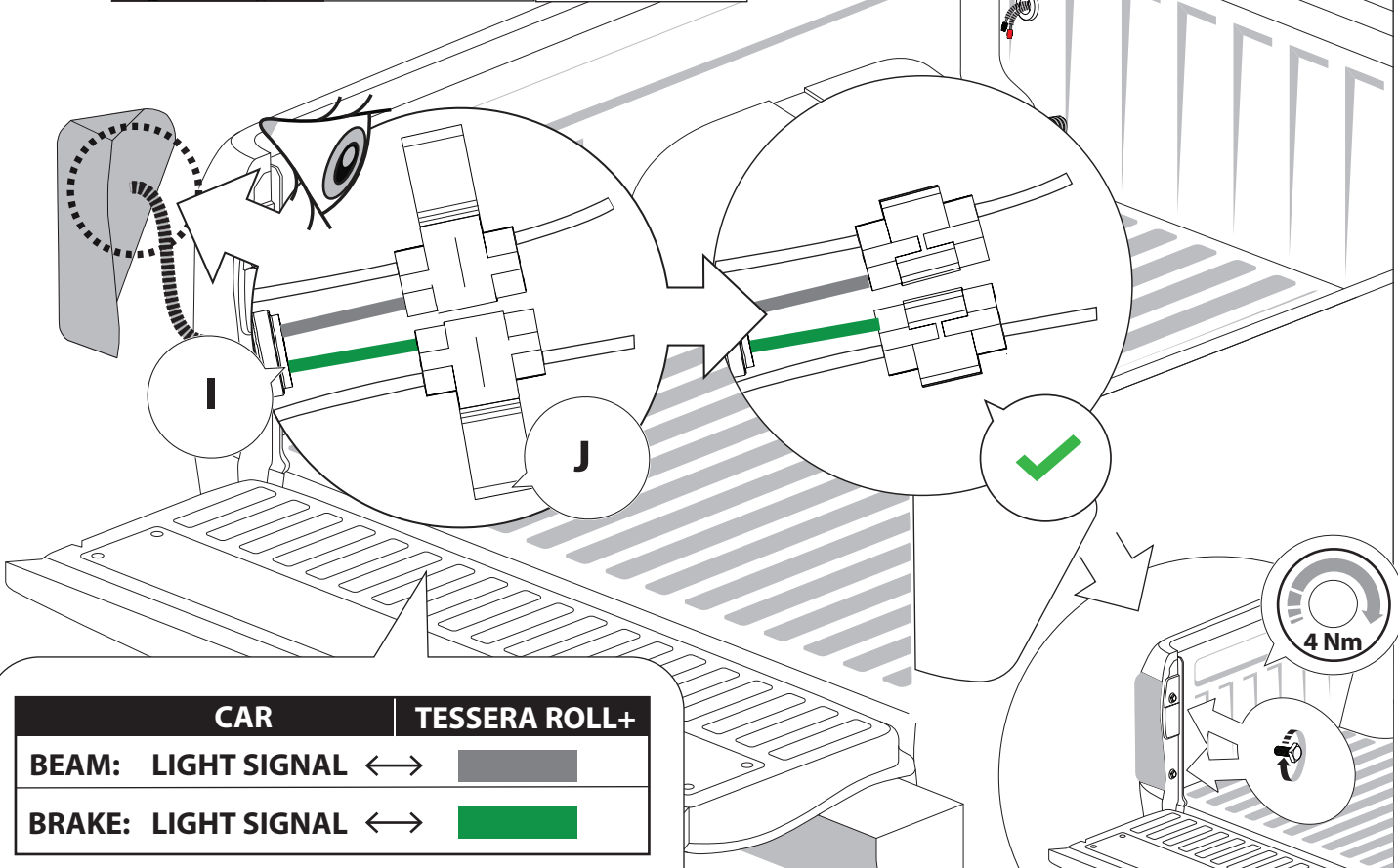
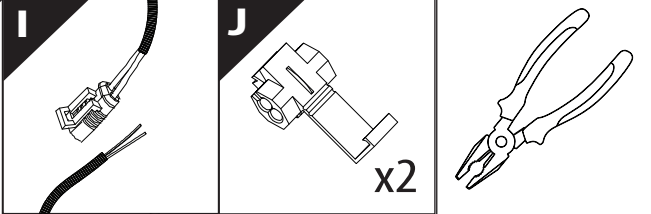
22







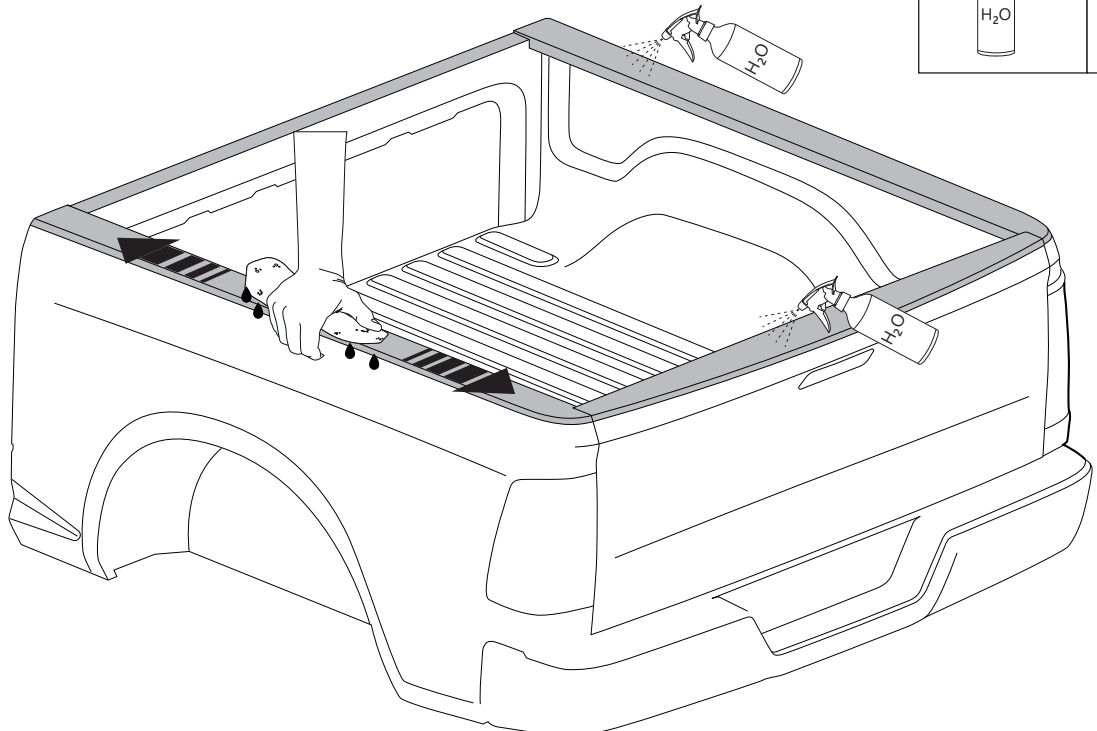
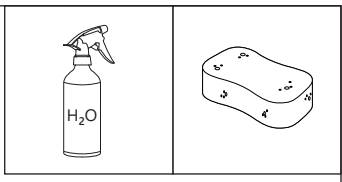
27

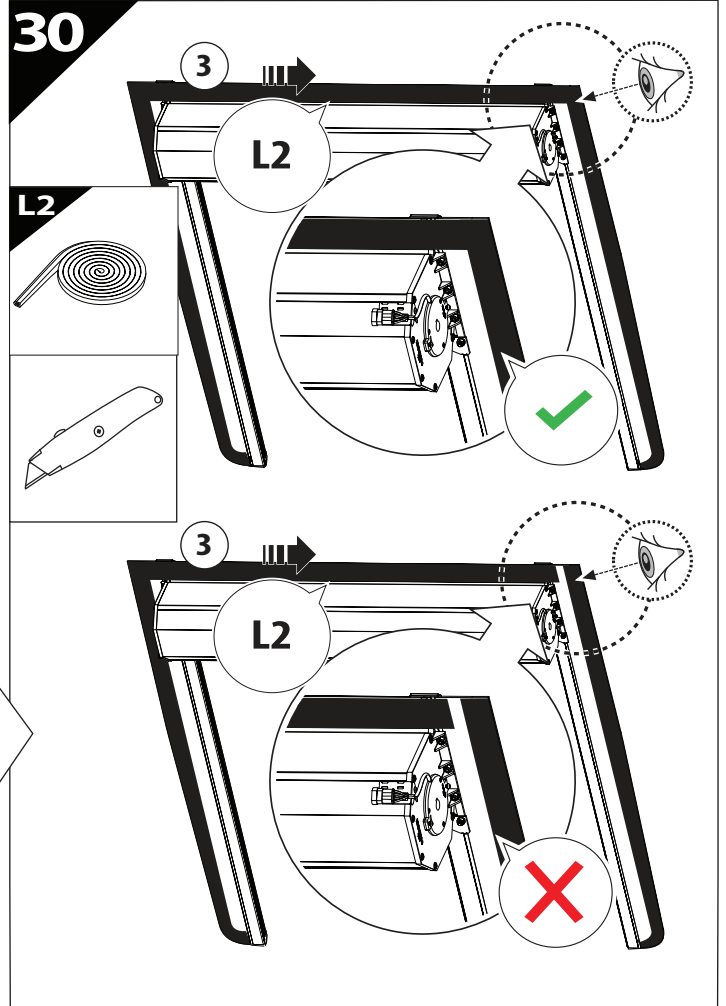
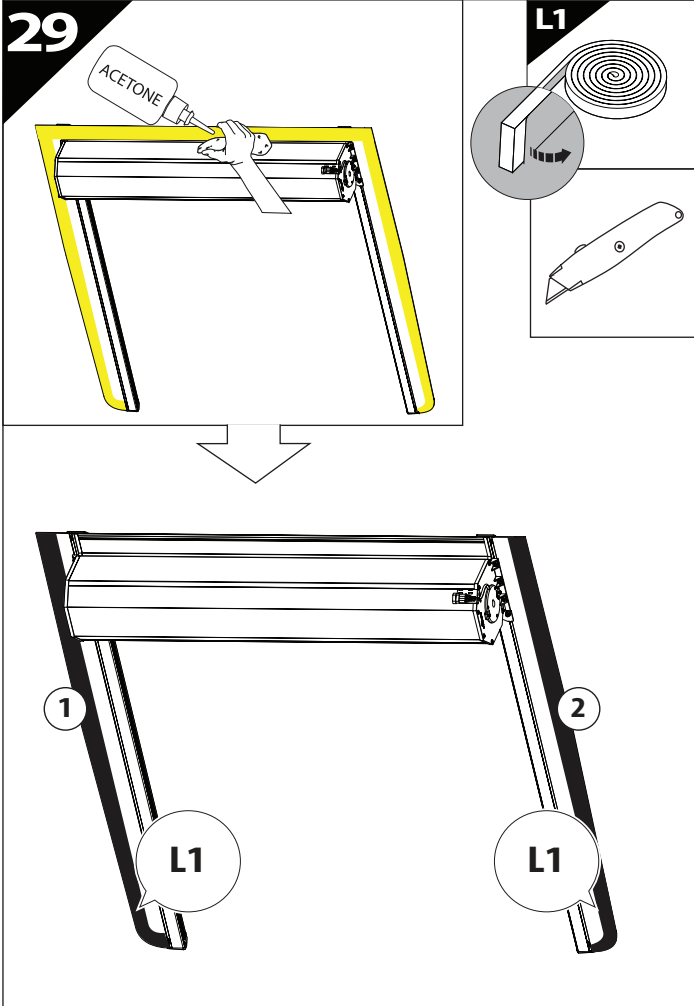


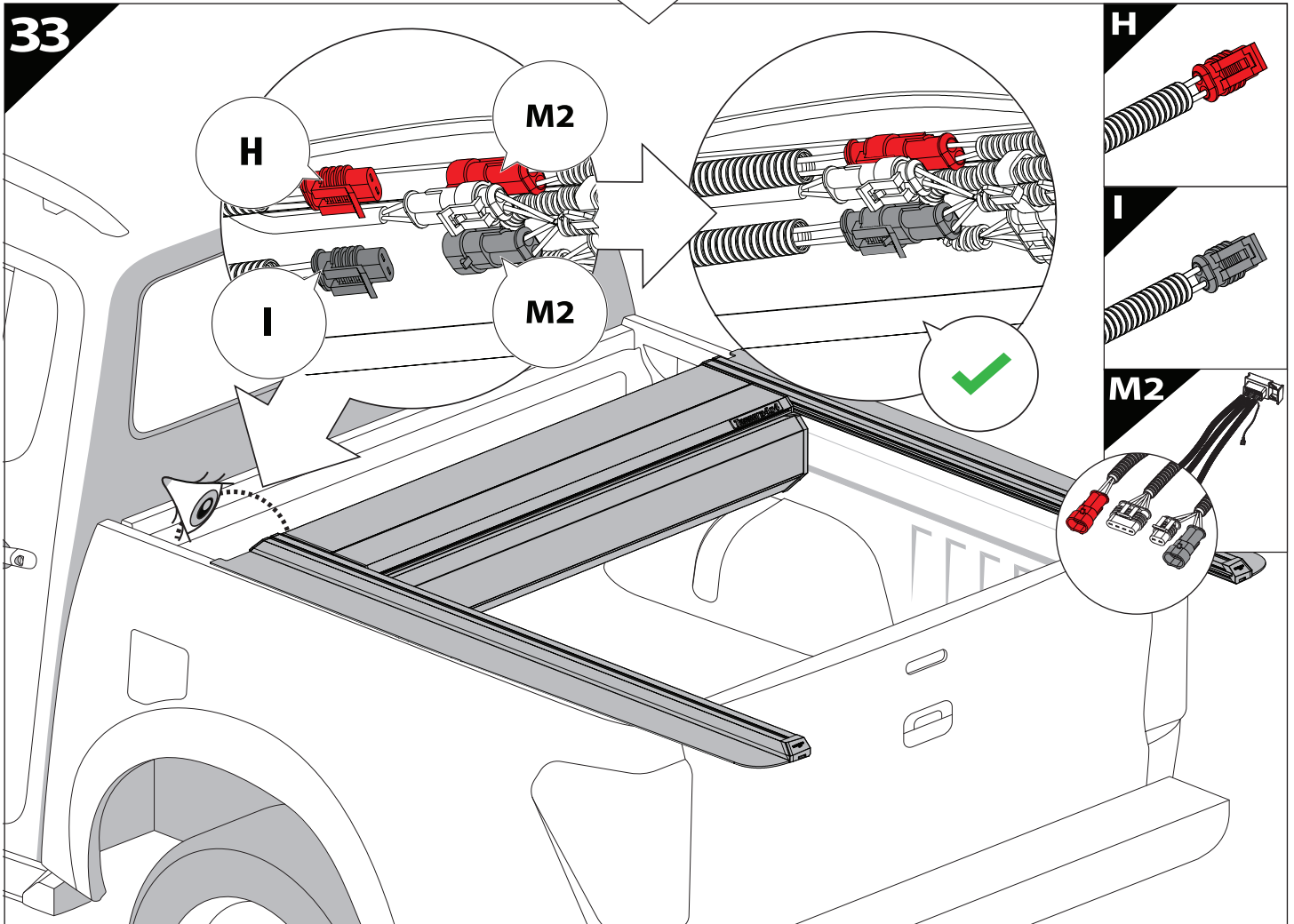
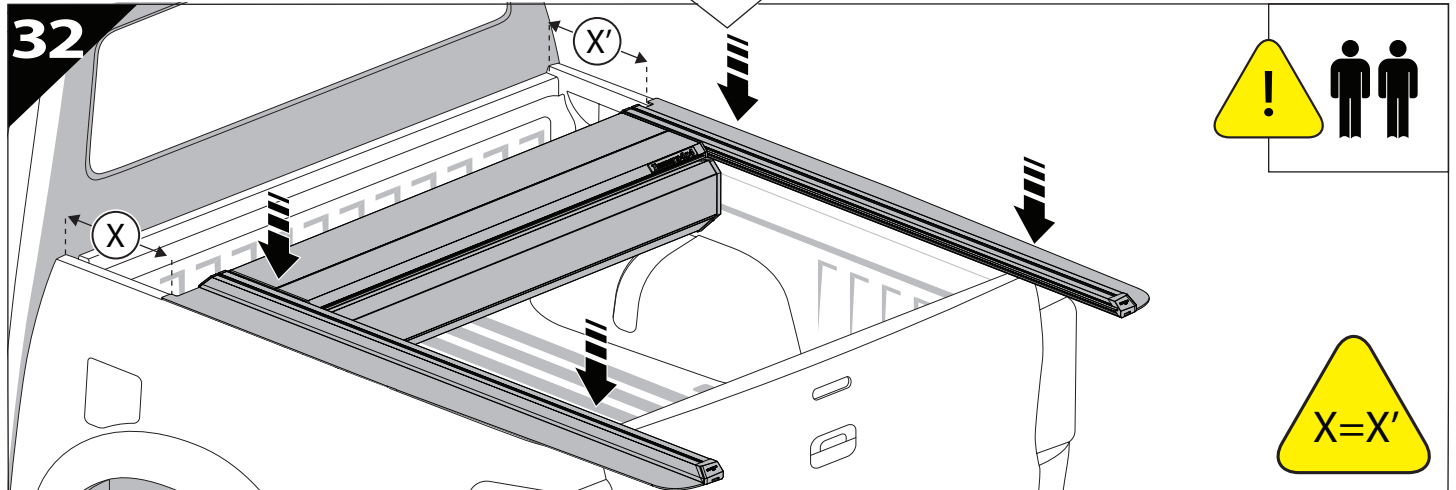
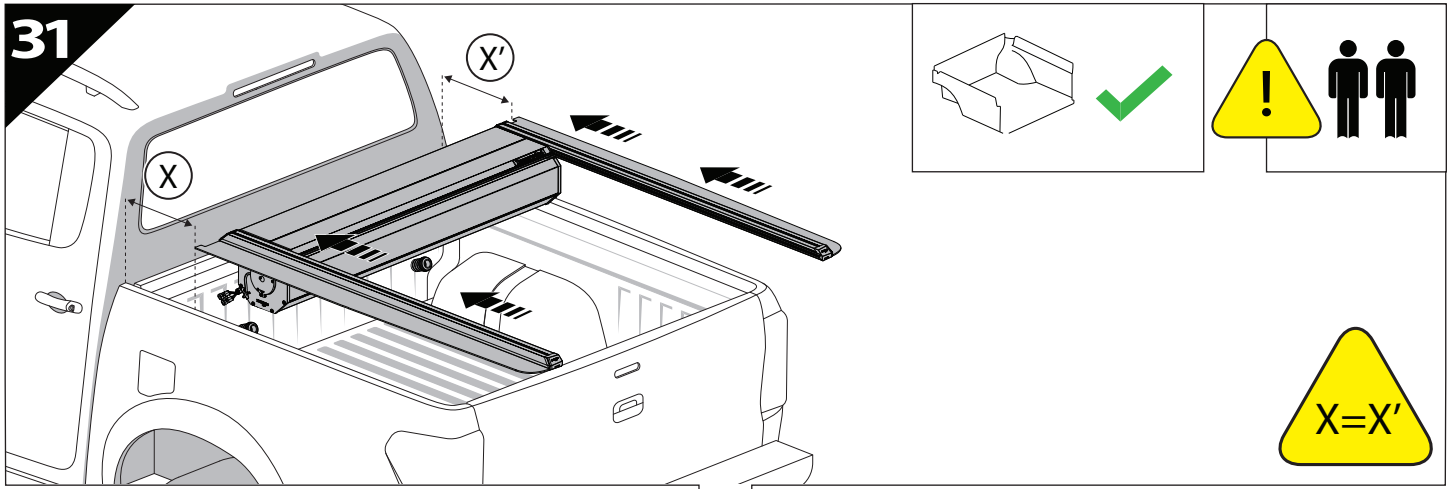
CAR	TESSERA ROLL+
BEAM: LIGHT SIGNAL ↔	
BRAKE: LIGHT SIGNAL ↔	

**CAUTION: CONSULT A CERTIFIED AUTO MECHANIC OR AUTOMOTIVE ELECTRICIAN TO IDENTIFY THE CORRECT WIRING CABLES FOR BEAM AND BRAKE SIGNALS BEFORE MAKING ANY CONNECTIONS.**

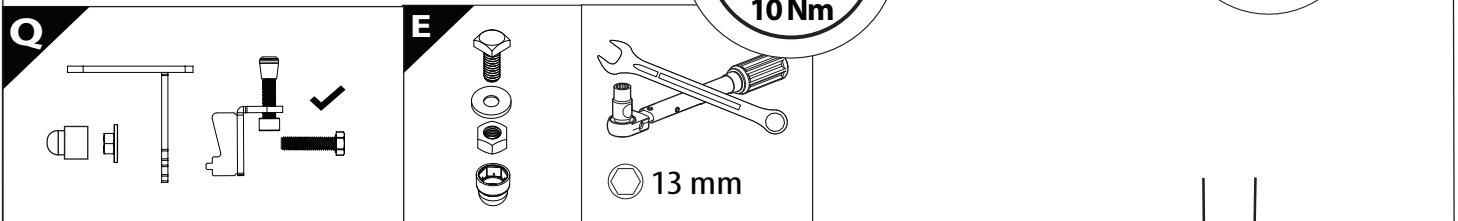
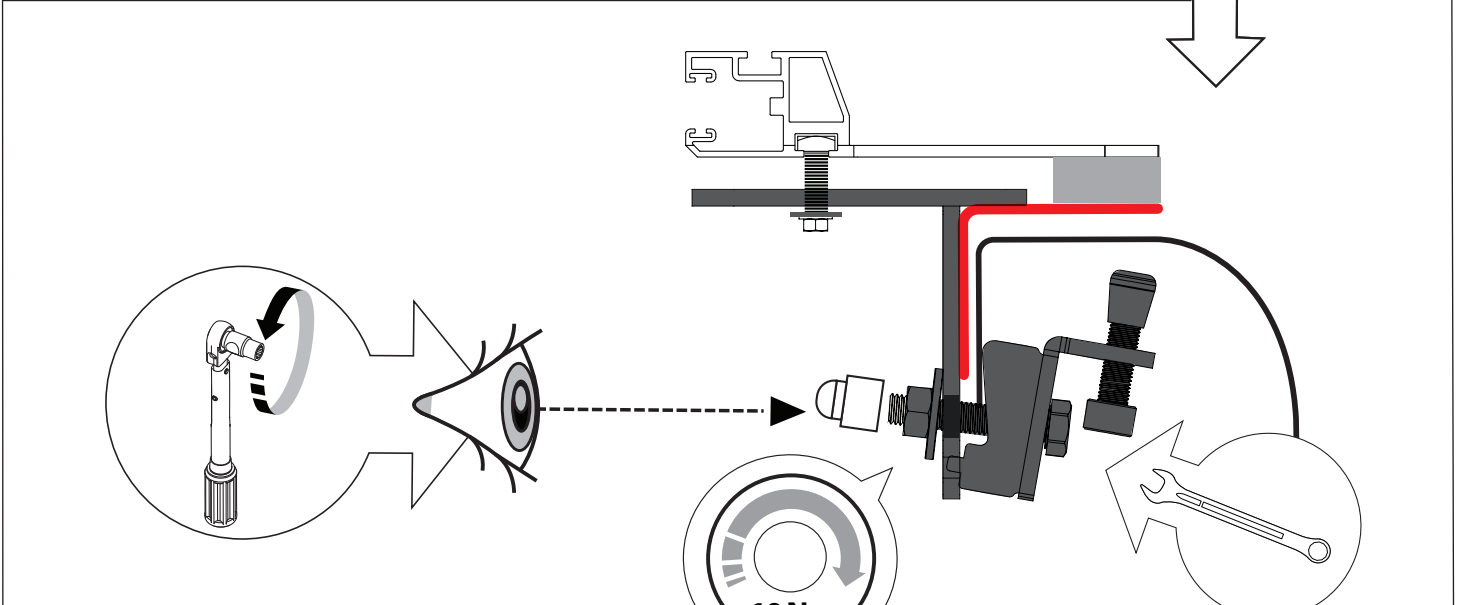
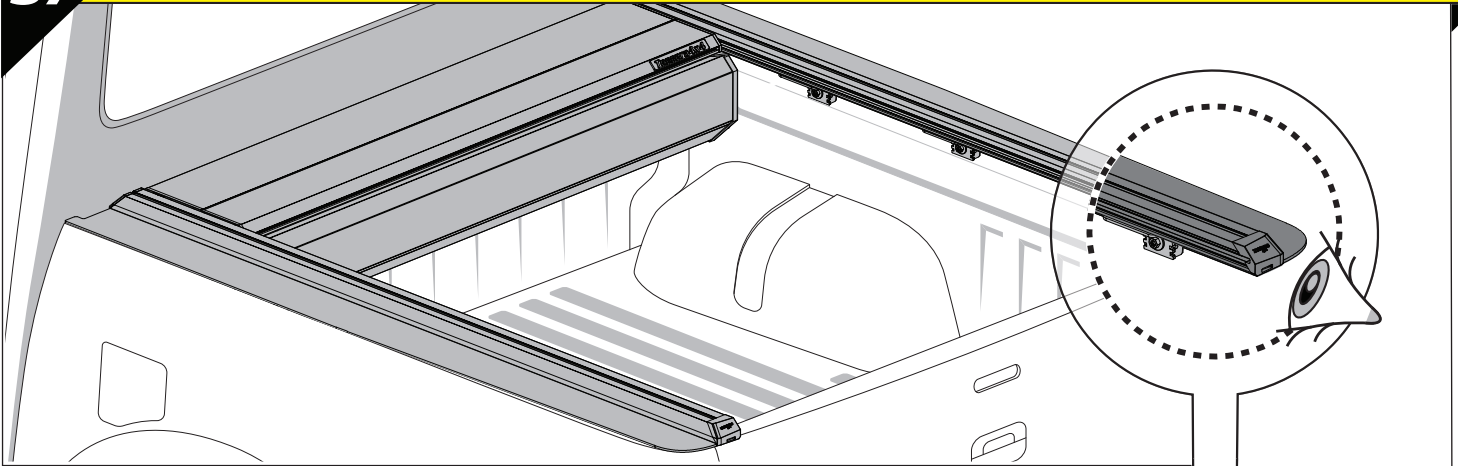
28



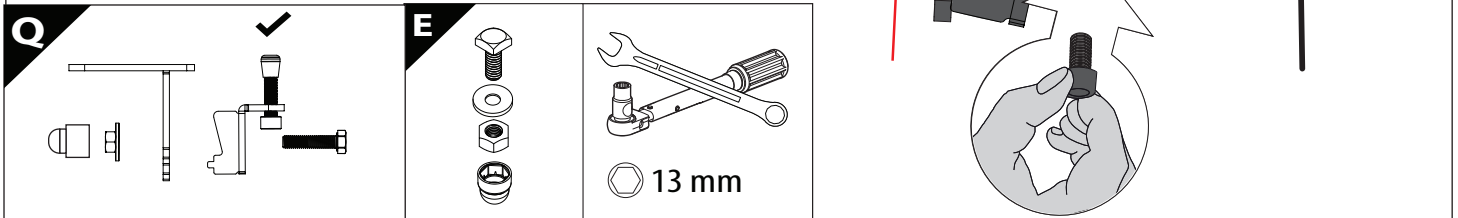
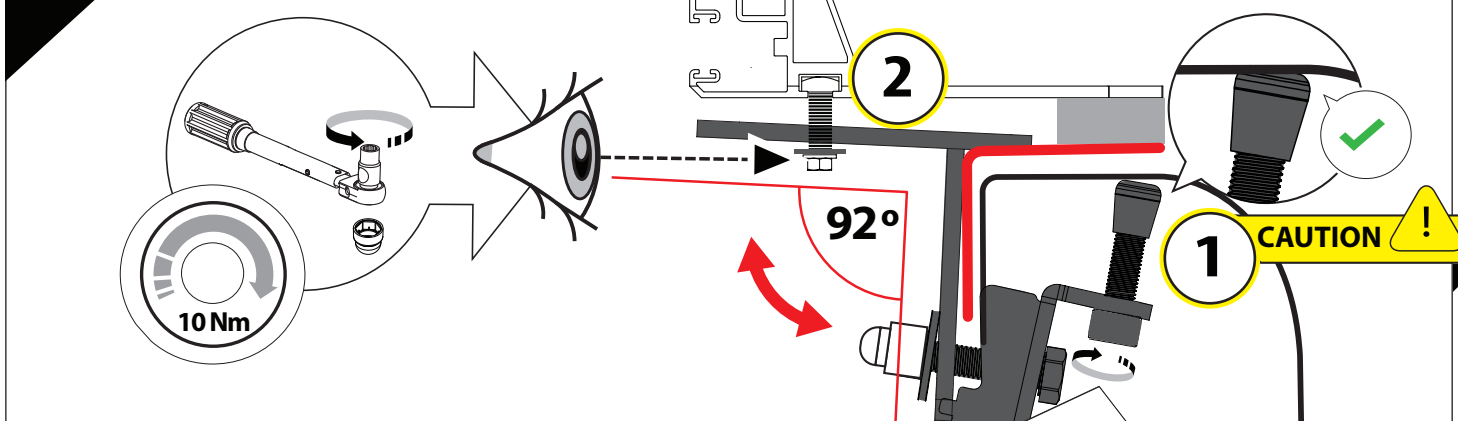


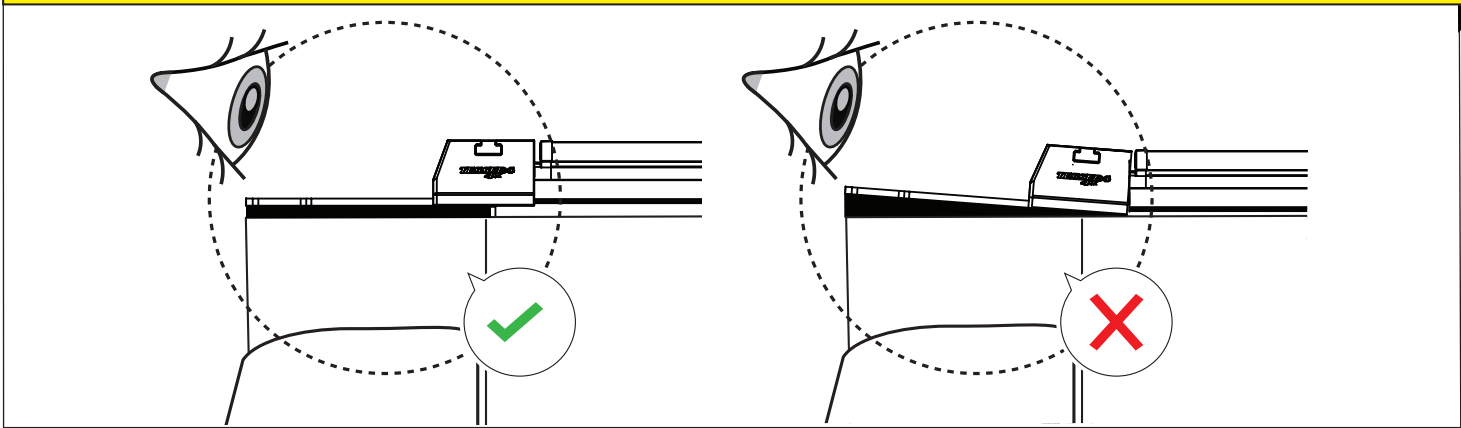
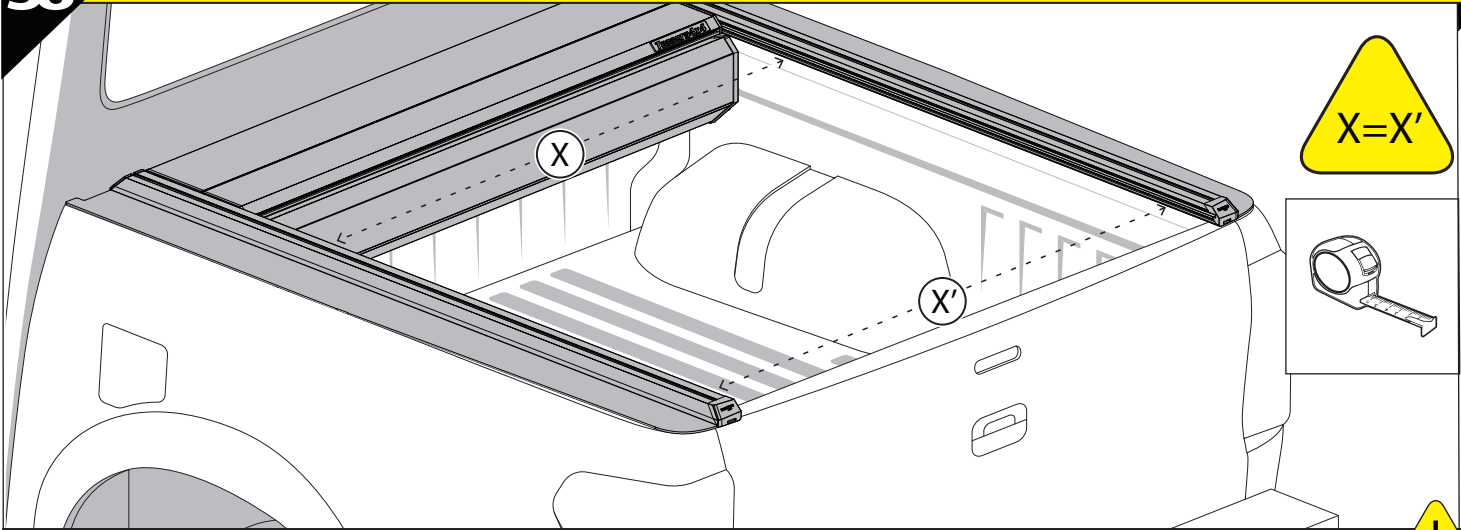


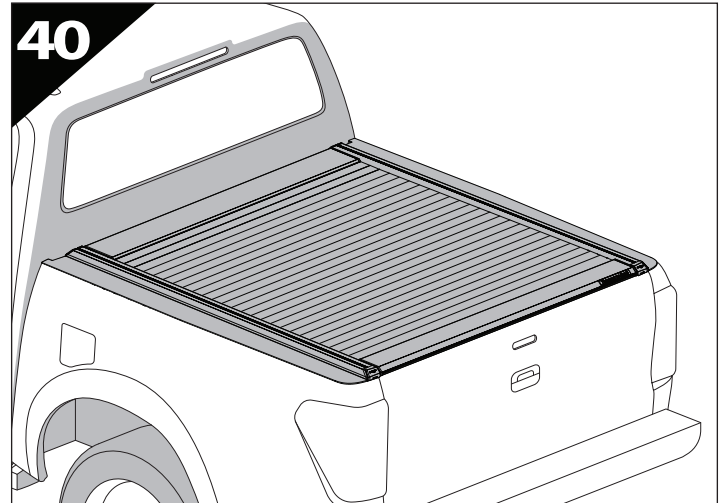
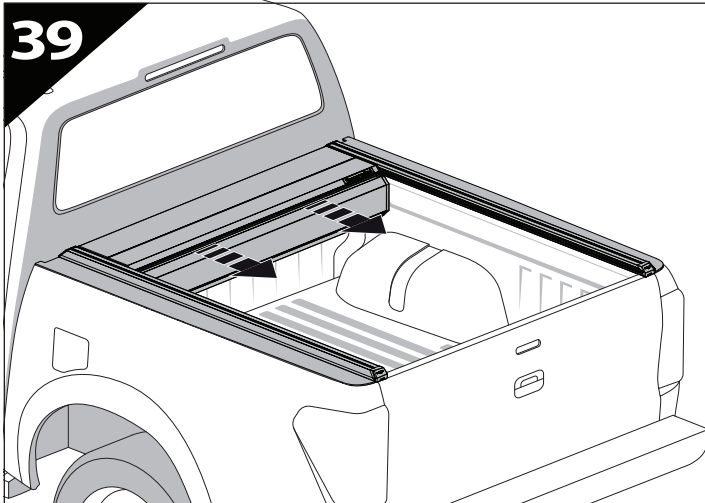




37.1







**GR:** Οδηγίες Εγκατάστασης  
**GB:** Installation manual  
**SF:** Asennusohje  
**F:** Notice de montage  
**PL:** Instrukcja montażu  
**NL:** Installatie-instructies  
**TR:** Montaj Talimatı  
**S:** Monteringsanvisning  
**E:** Instrucciones de montaje

**H:** Szerelési utasítás  
**P:** Instruções de instalação  
**RUS:** Инструкция по установке  
**N:** Monteringsveiledning  
**D:** Einbauanleitung  
**CZ:** Návod k instalaci  
**I:** Istruzioni de montaggio  
**DK:** Monteringsvejledning  
**RO:** Instructiuni de instalare

Customer Service:

+30 (210) 5541161, +30 (210) 5541154 (08:00 - 16:00 EET)

Support department:

info@gianso.gr

Website:

www.tessera4x4.com

Address:

19.5 km of National road Athens-Korinthos (Elefsina) Greece, P.C: 19200