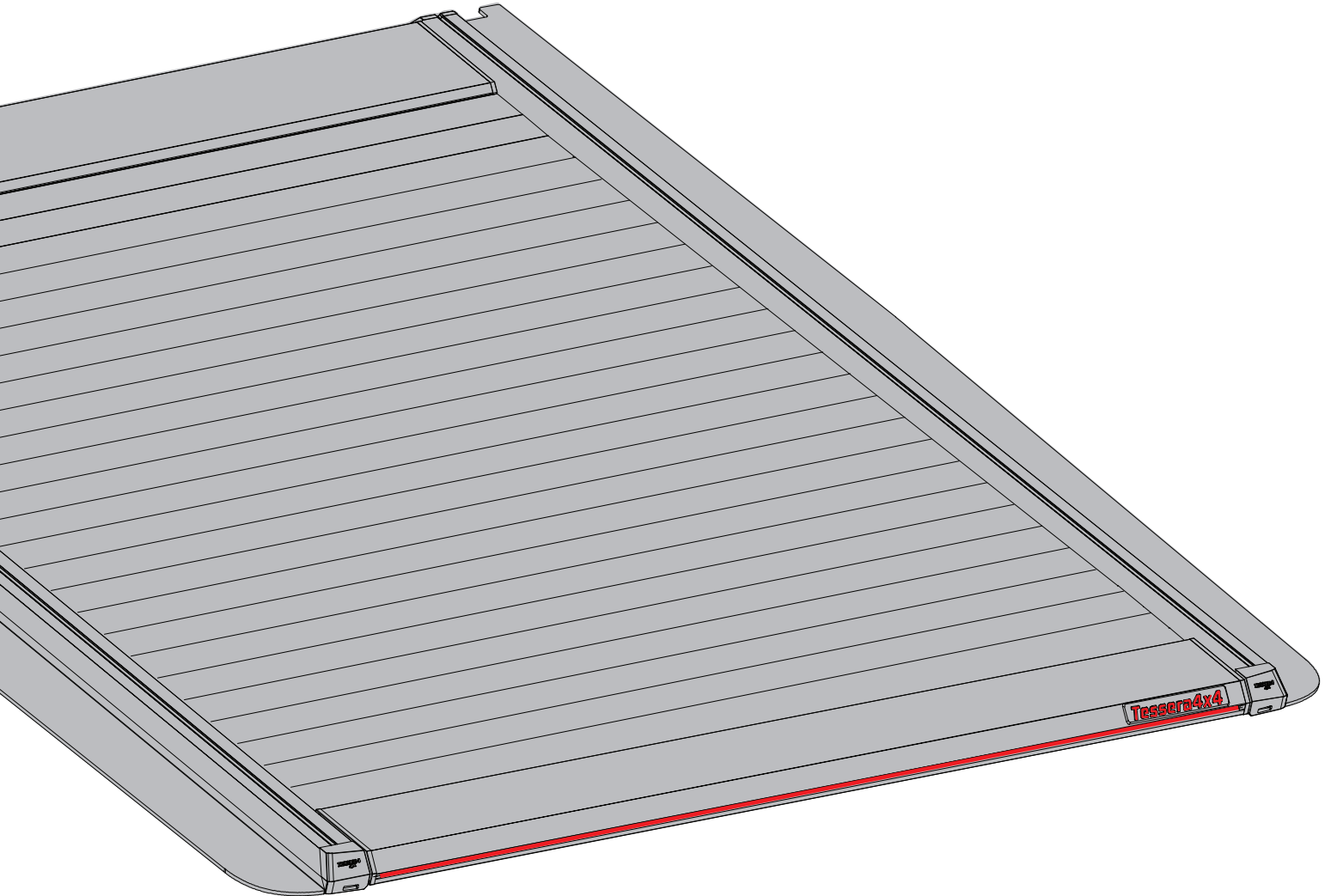


# Tessera Roll+

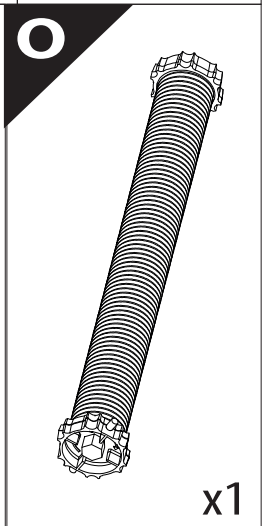
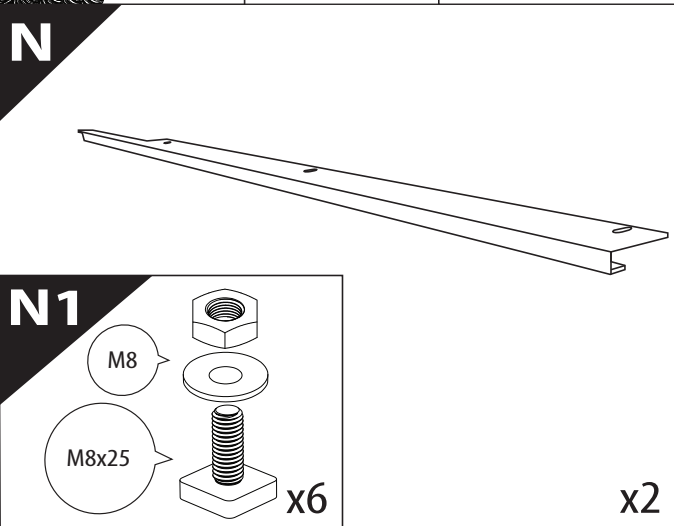
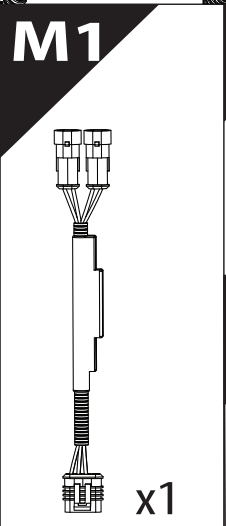
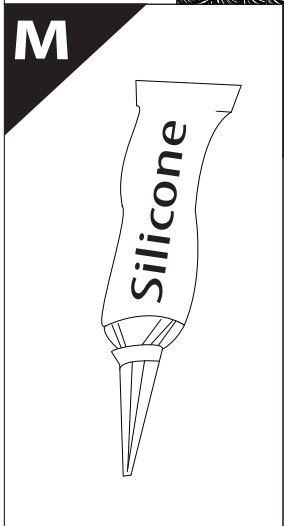
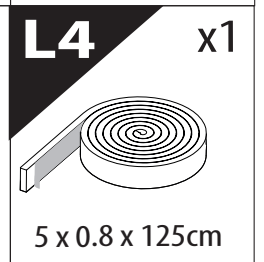
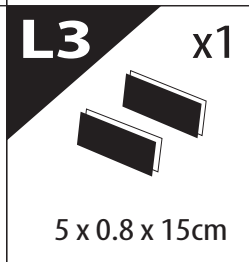
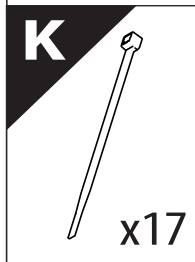
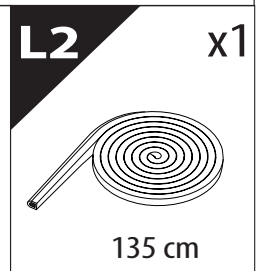
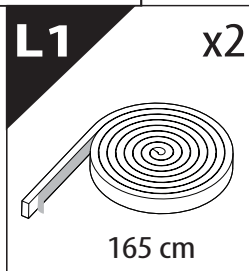
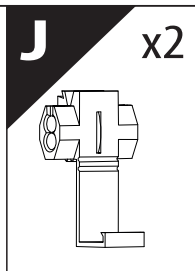
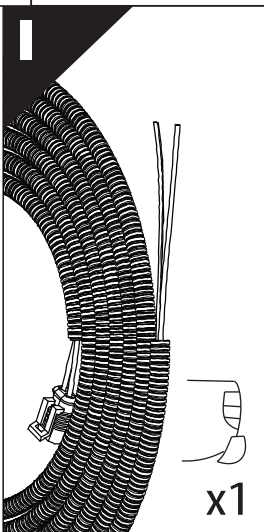
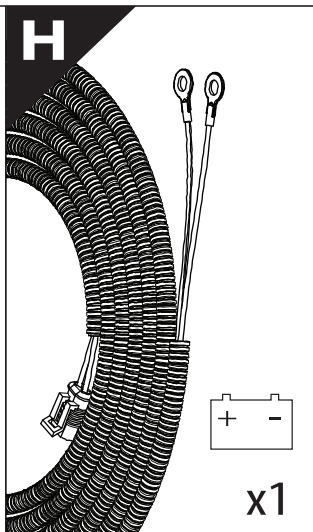
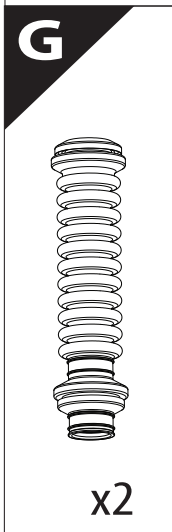
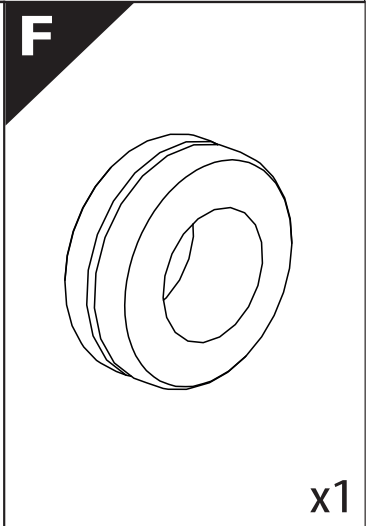
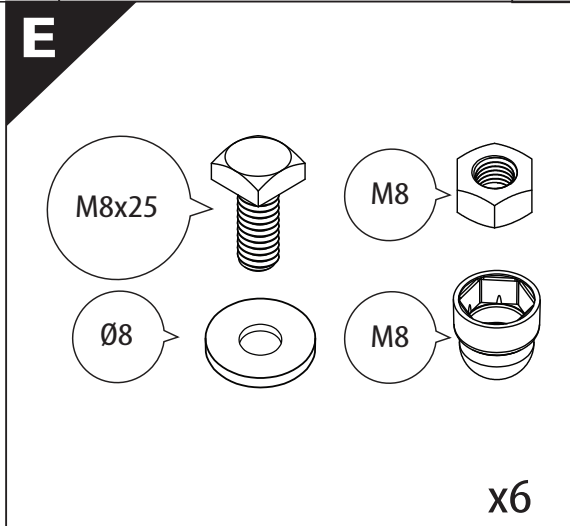
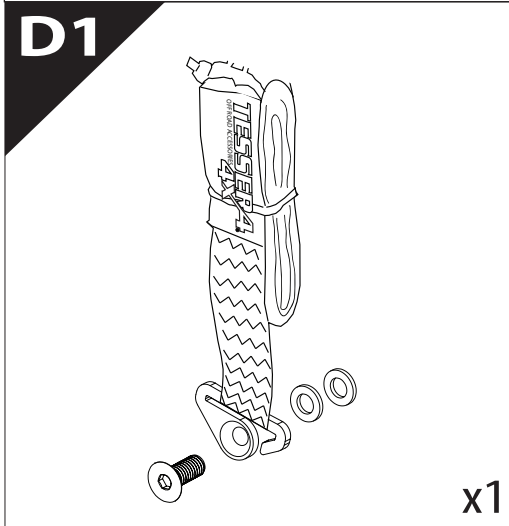
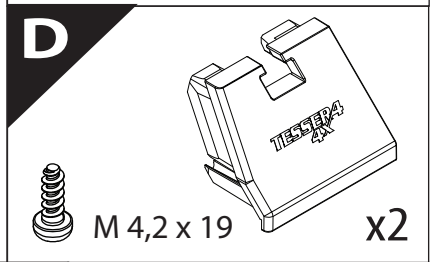
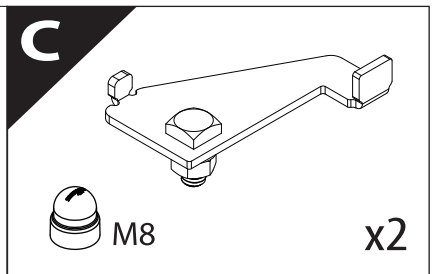
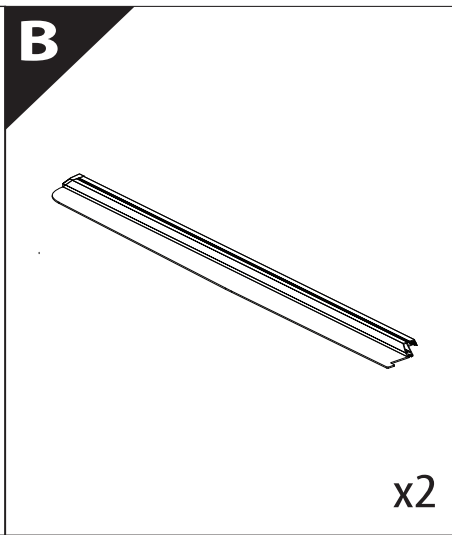
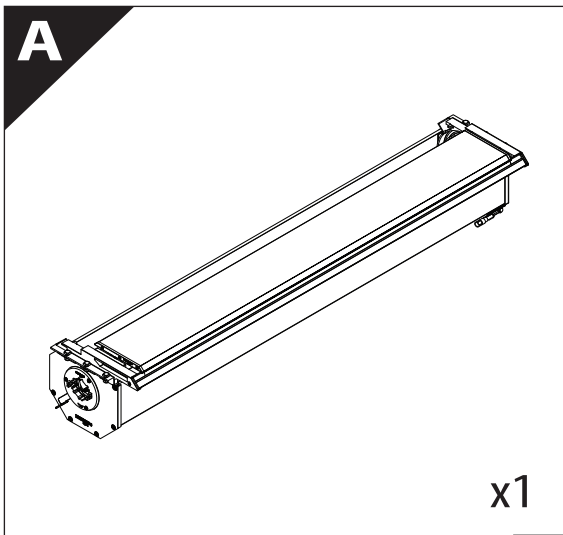
## Basic Version + ⚙️ S-KIT

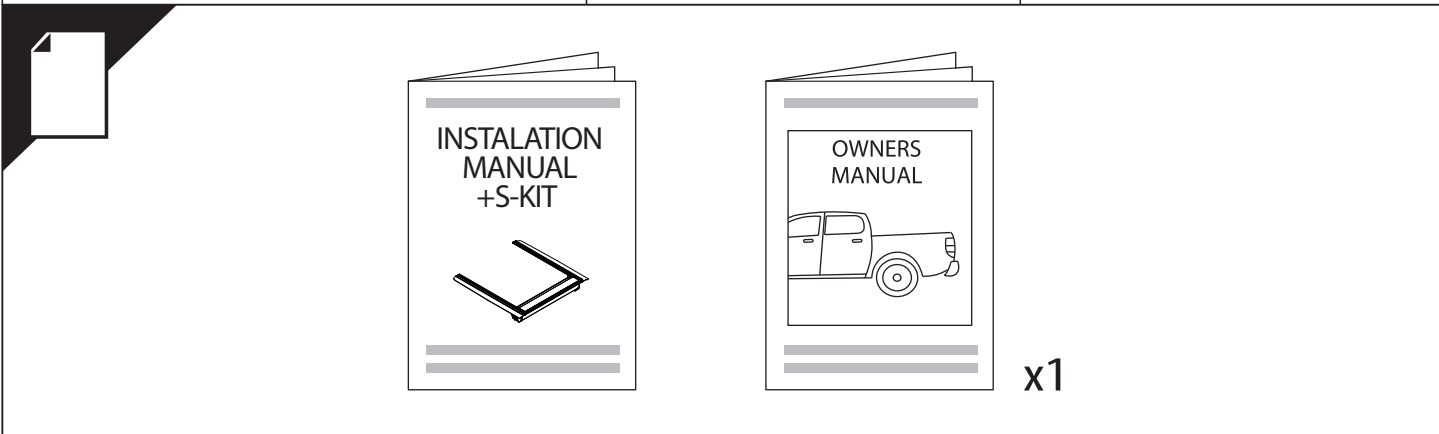
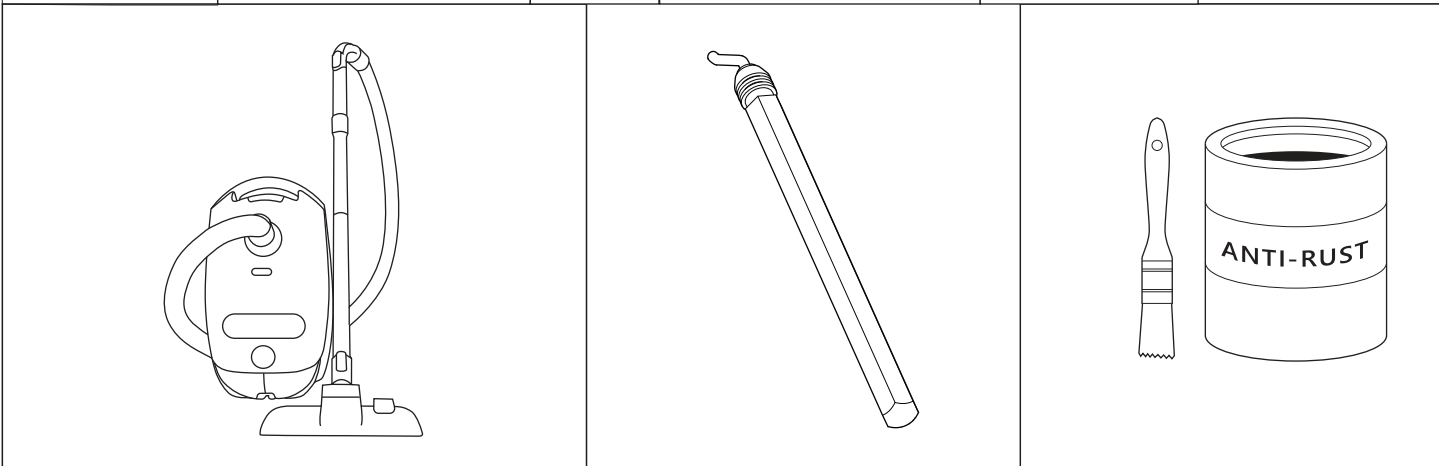
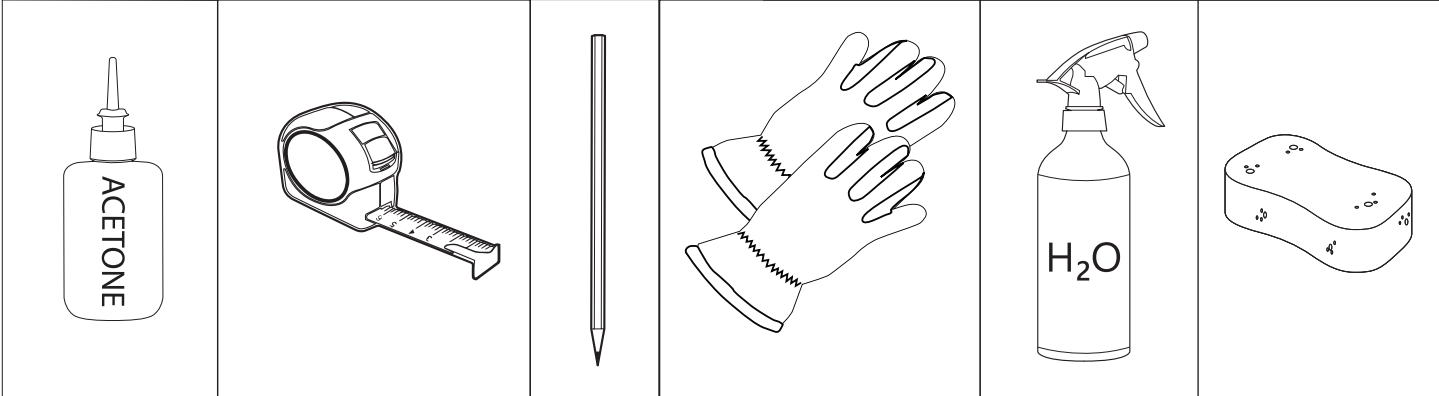
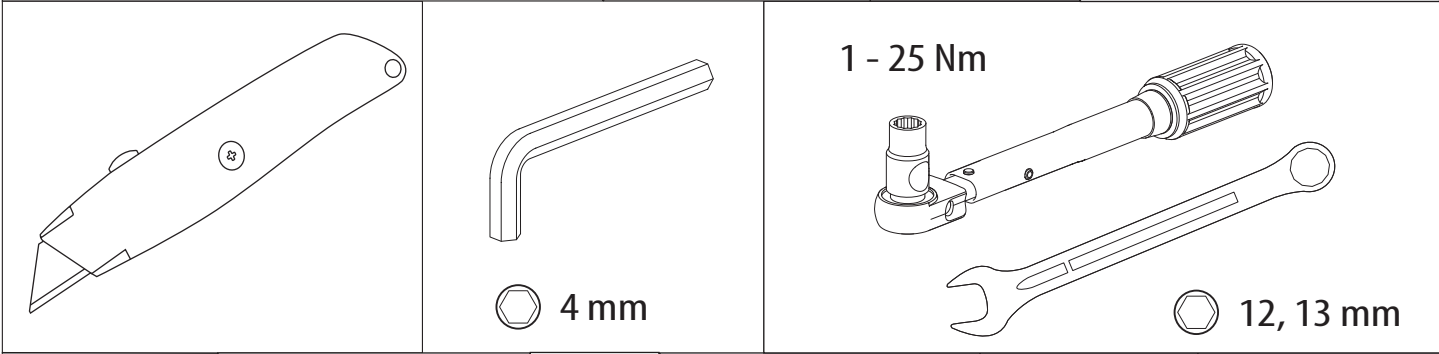
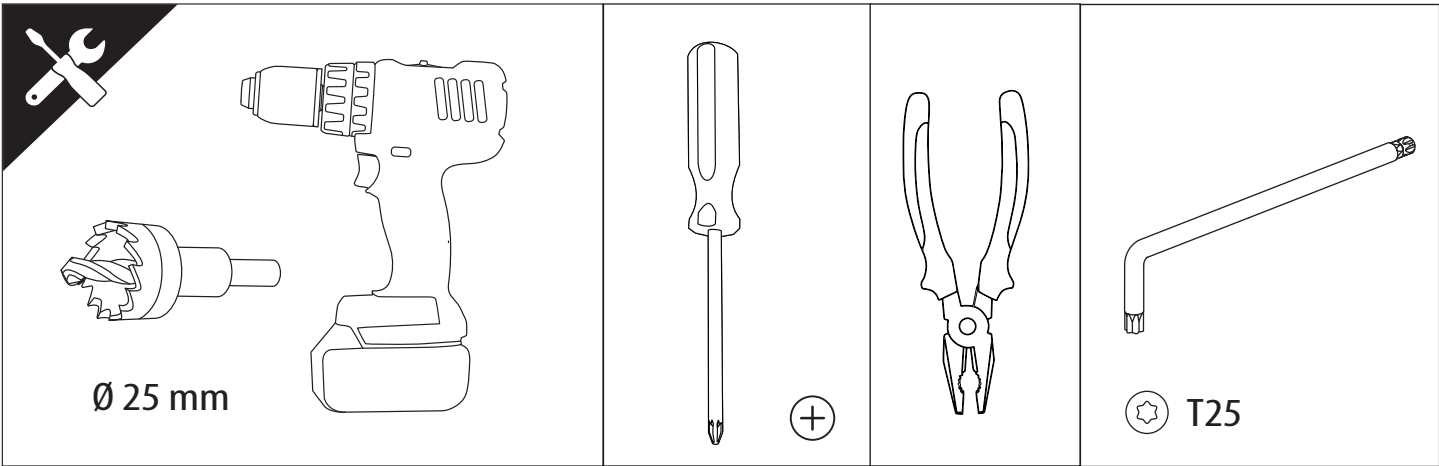


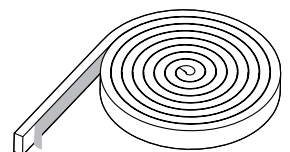
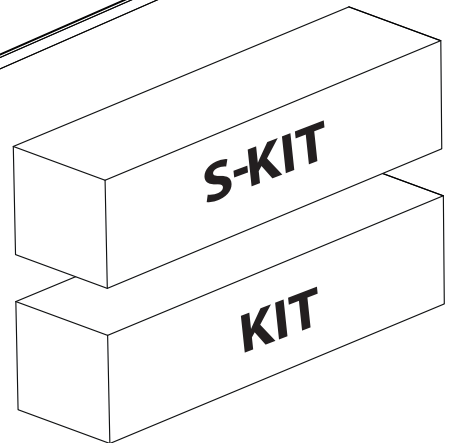
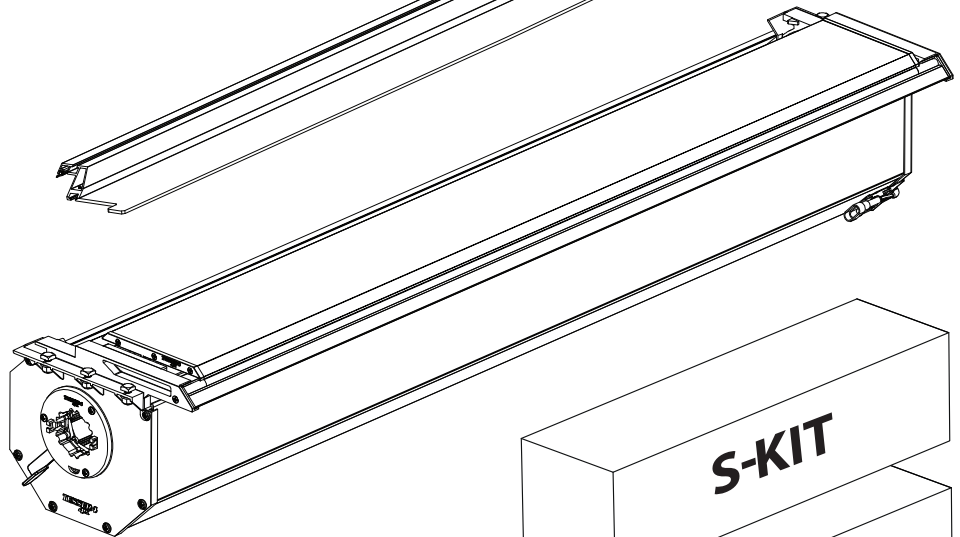
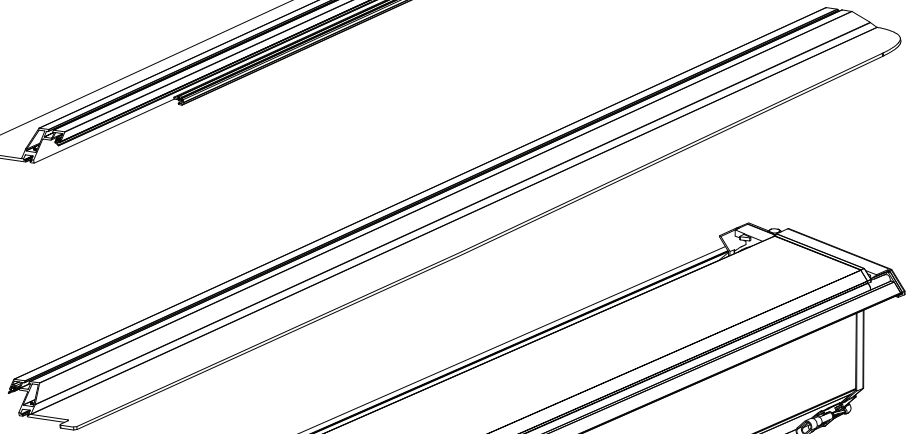
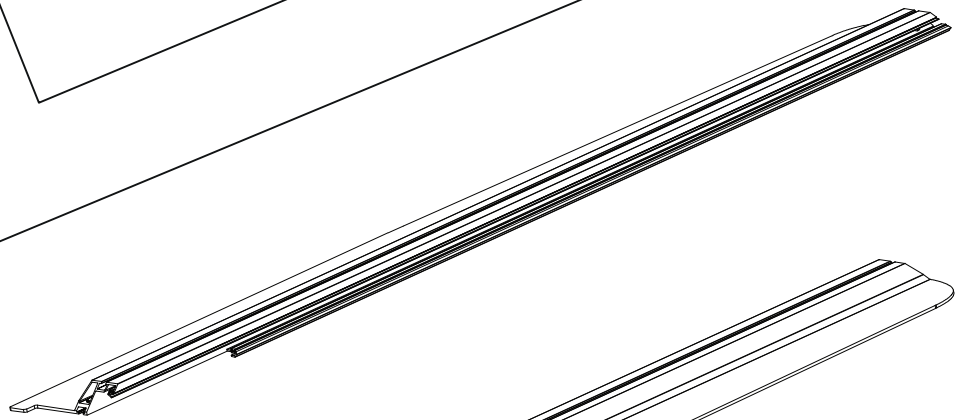
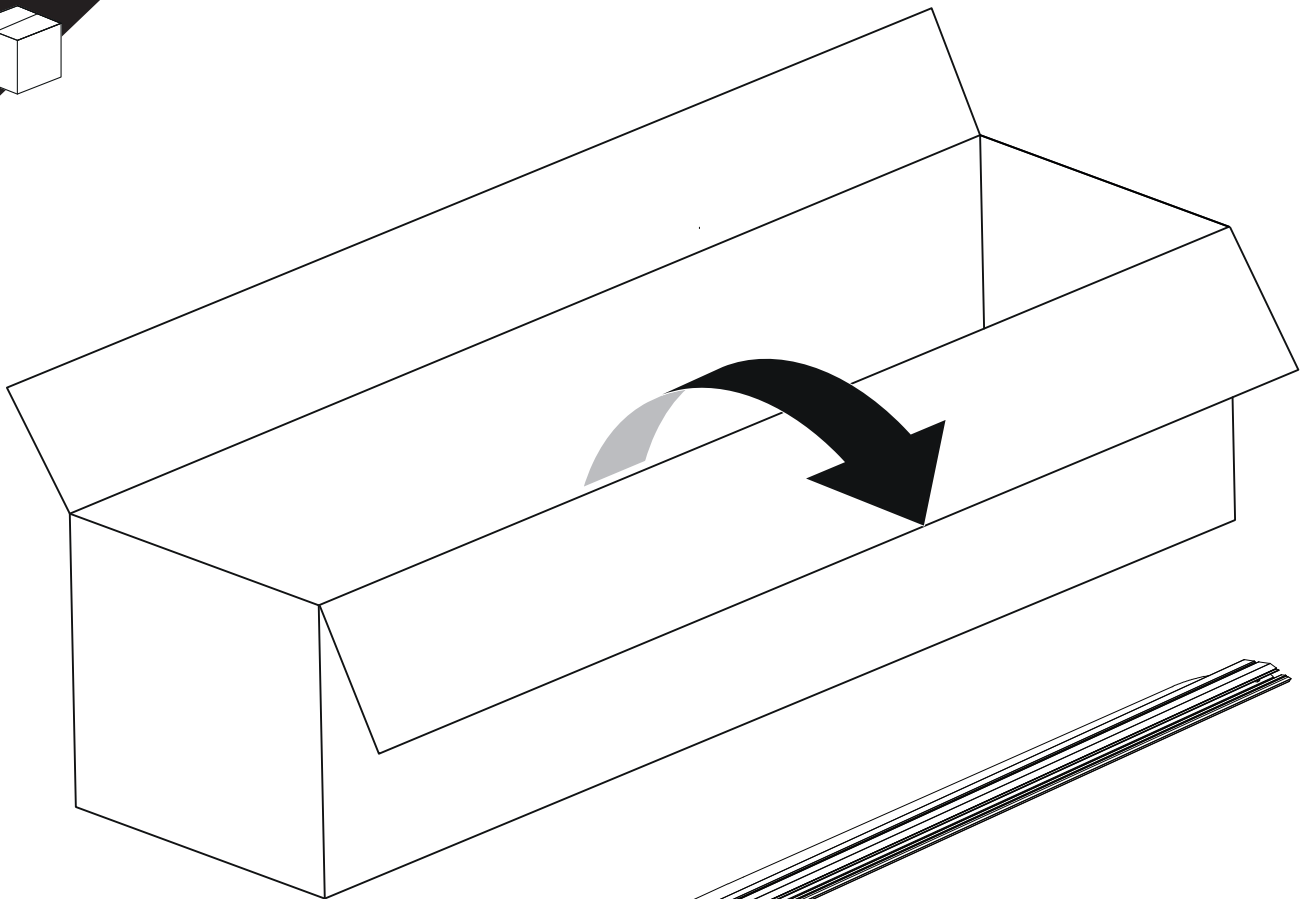
## Installation Manual

<b>PART NUMBER(S)</b>	<b>Model Year</b>
<b>TESS 14240 ROLL+S-KIT</b>	<b>Dodge Ram RamBox 1500 2019+</b>
<b>Cab(s)</b>	<b>Installation Time / Weight</b>
<b>Double Cab</b>	<b>40-60 minutes / 53-57 kg</b>







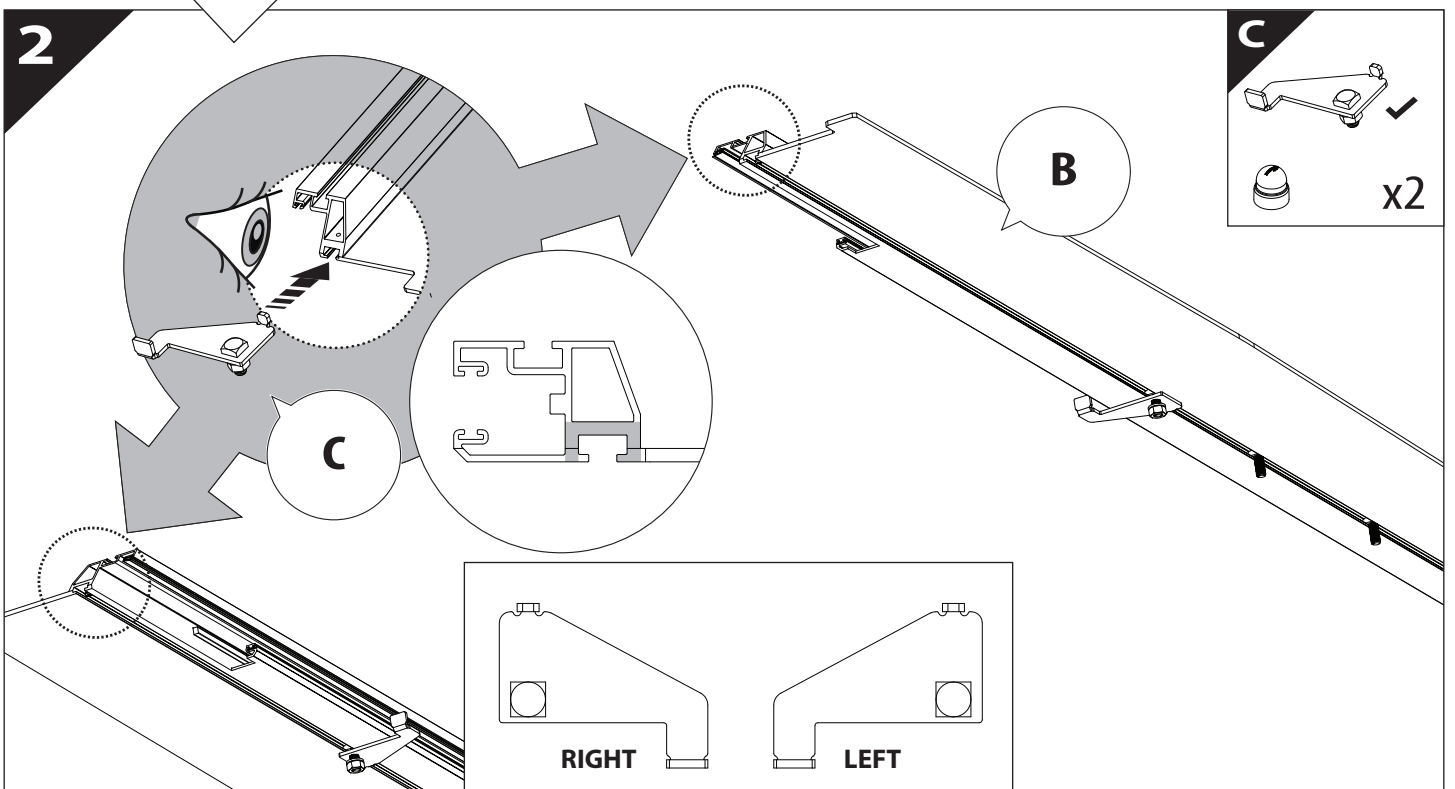
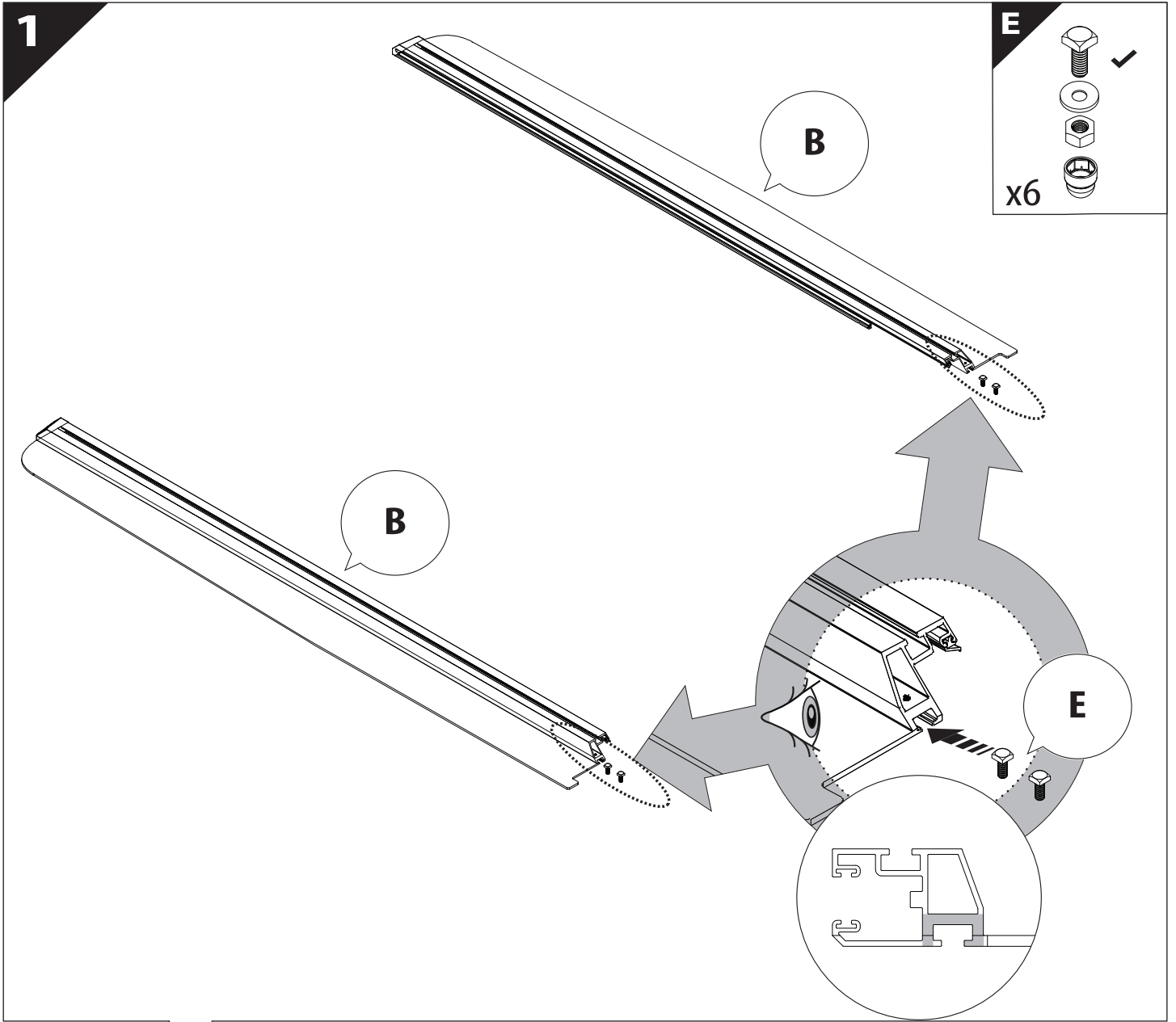


**B**

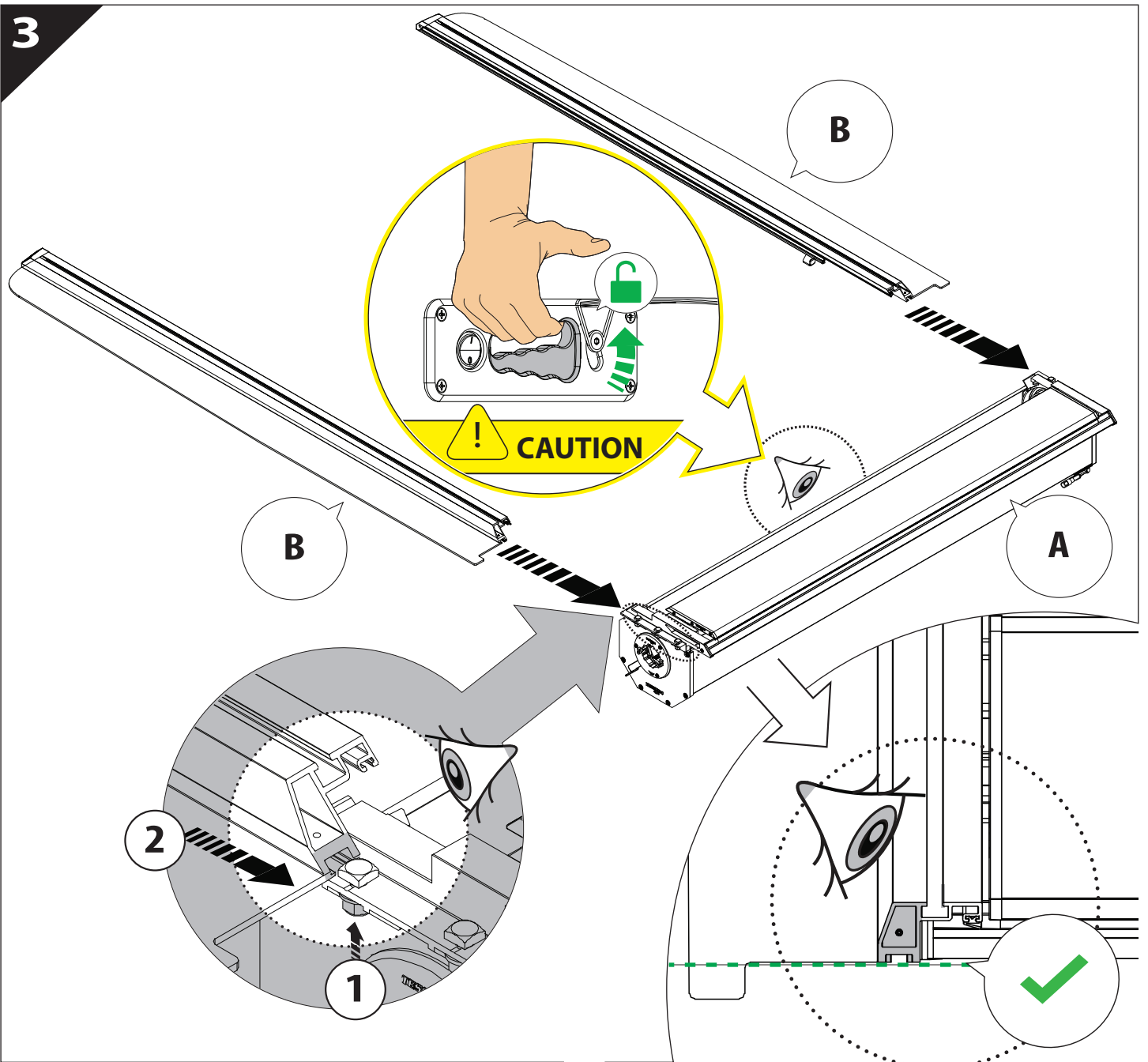
**A**

**KITS**

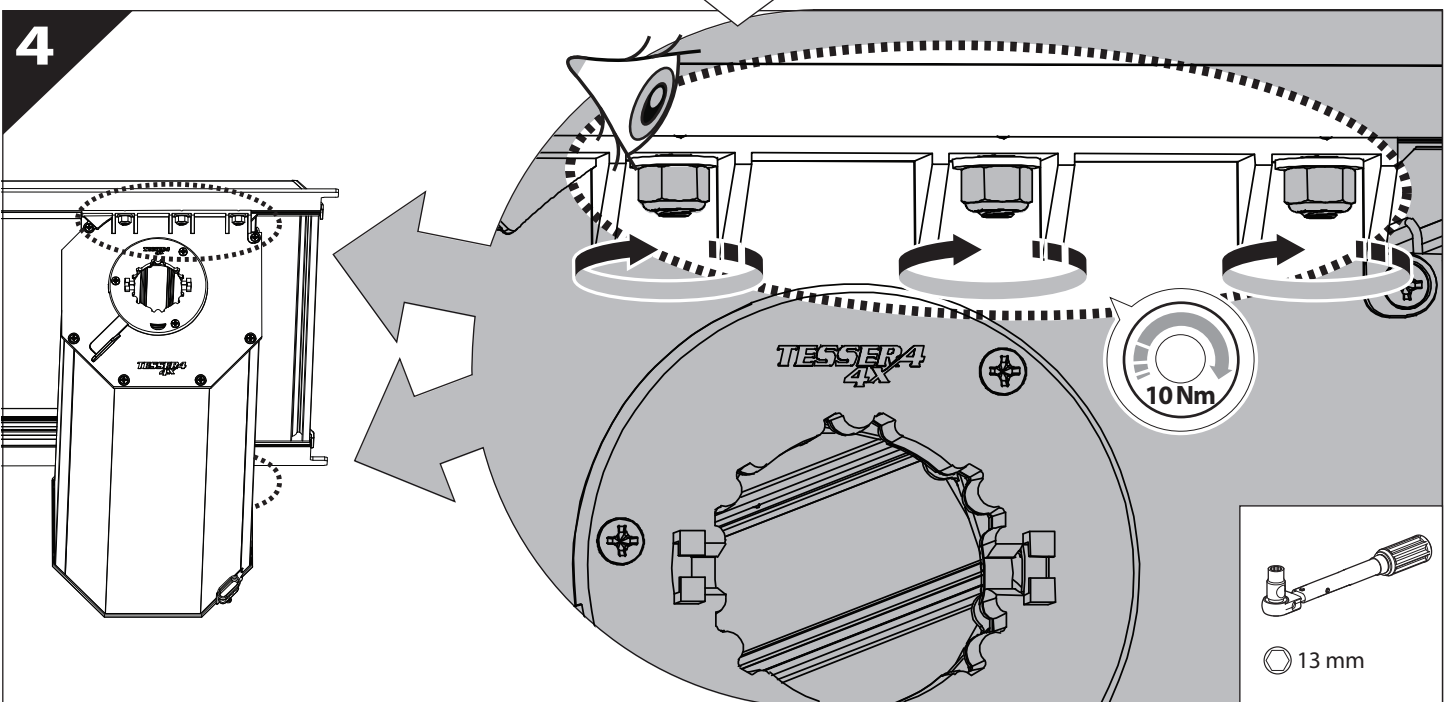
**L**

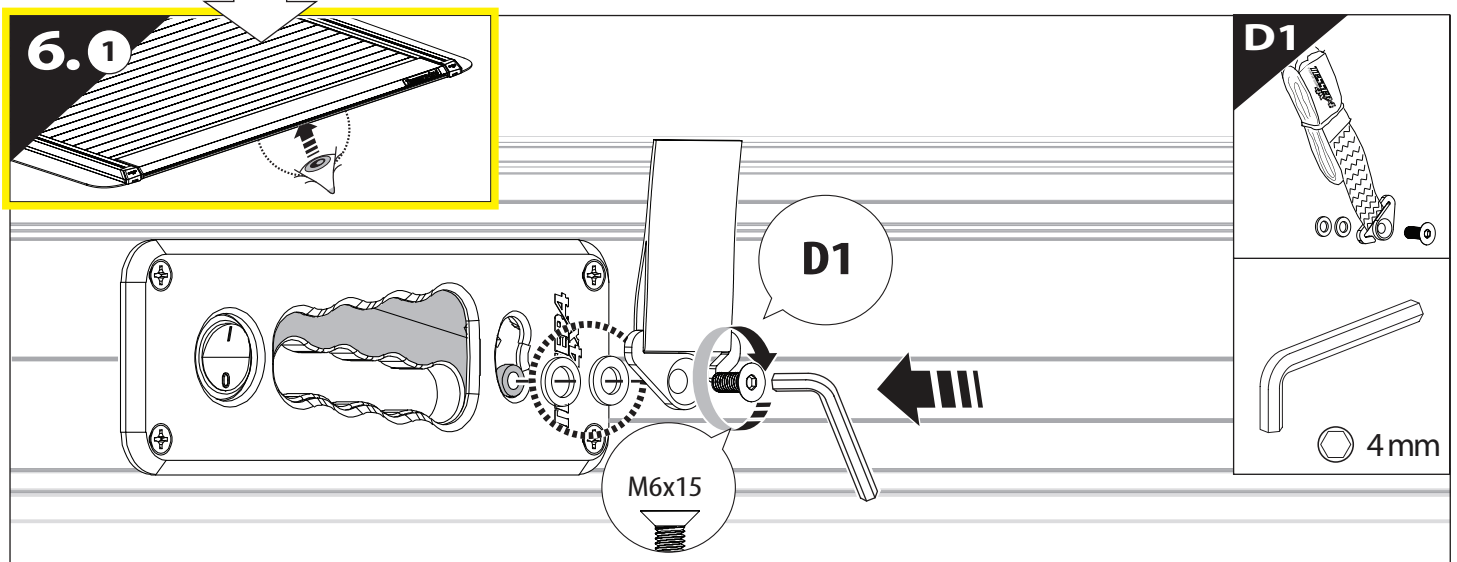
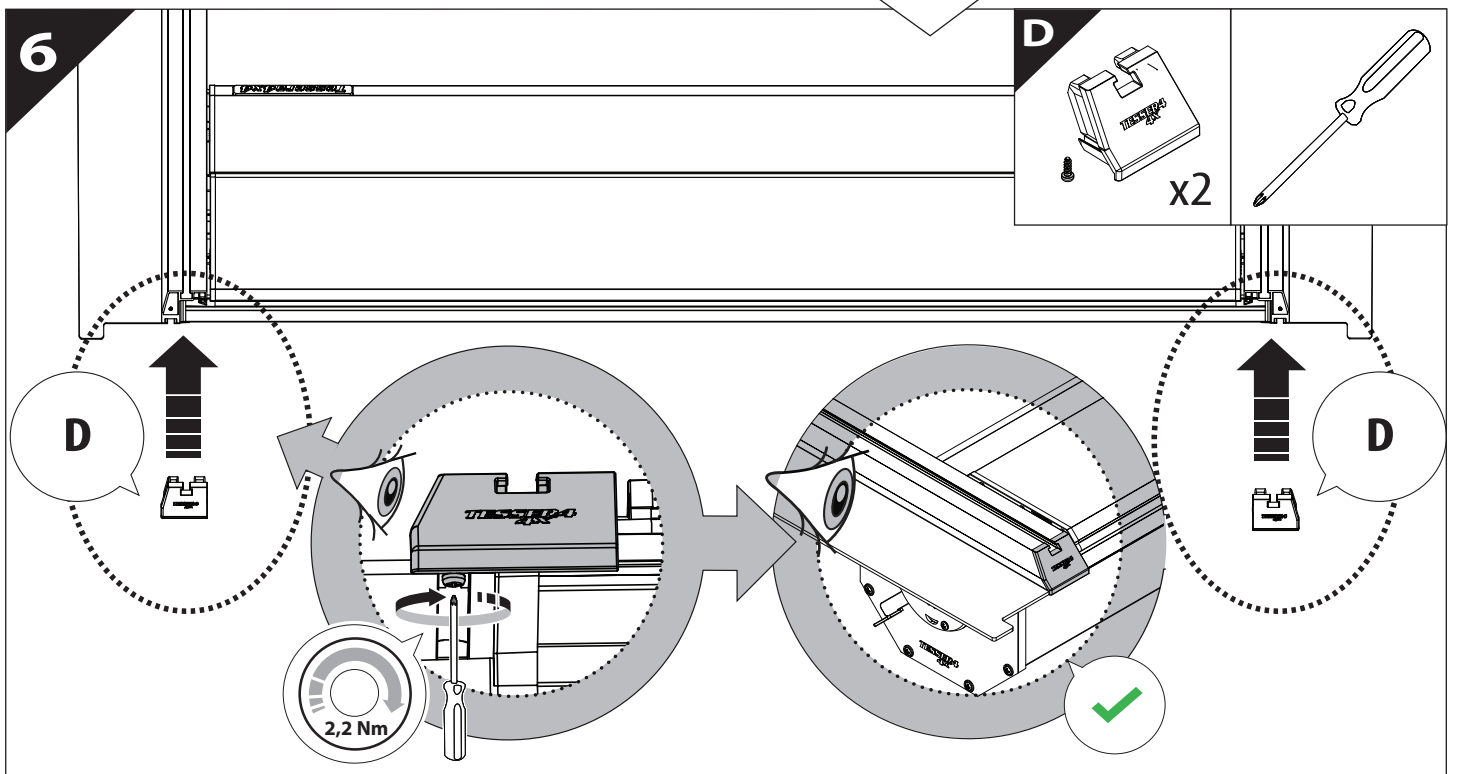
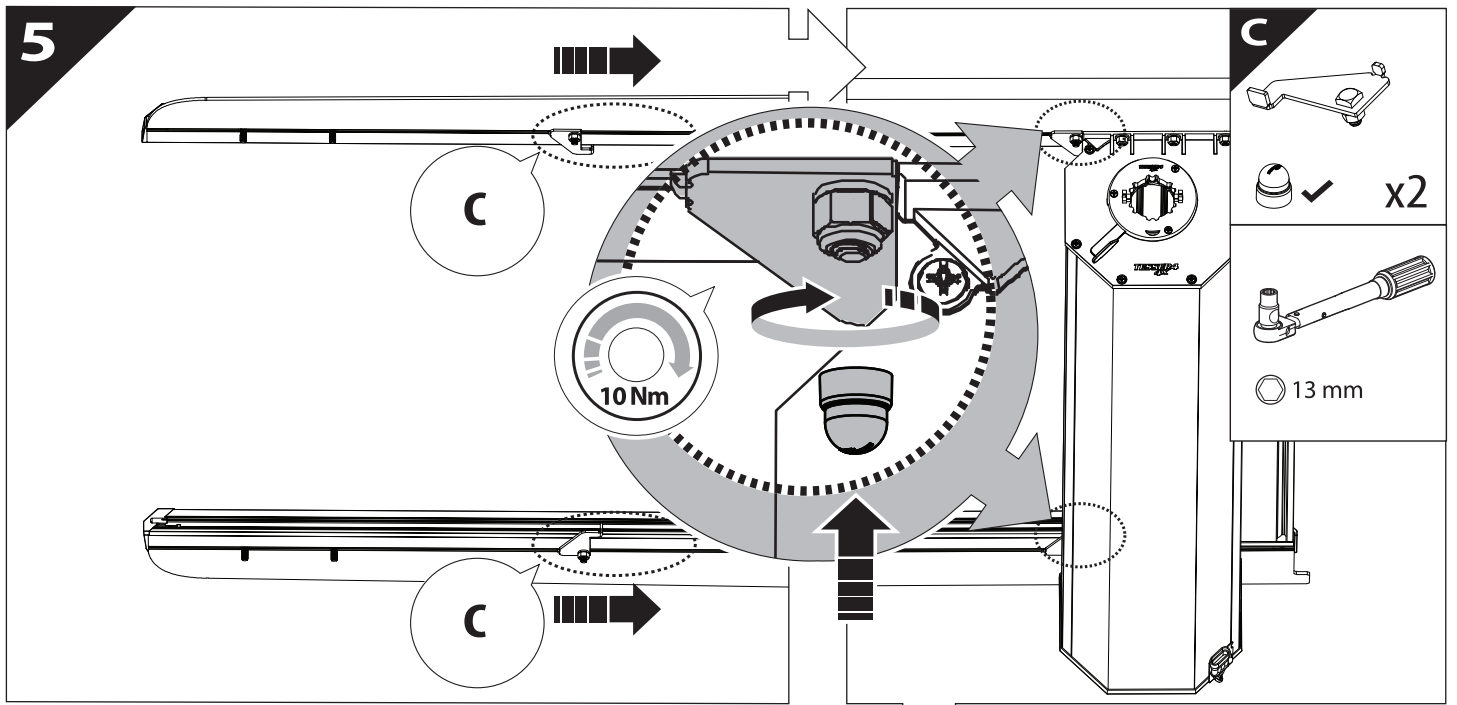


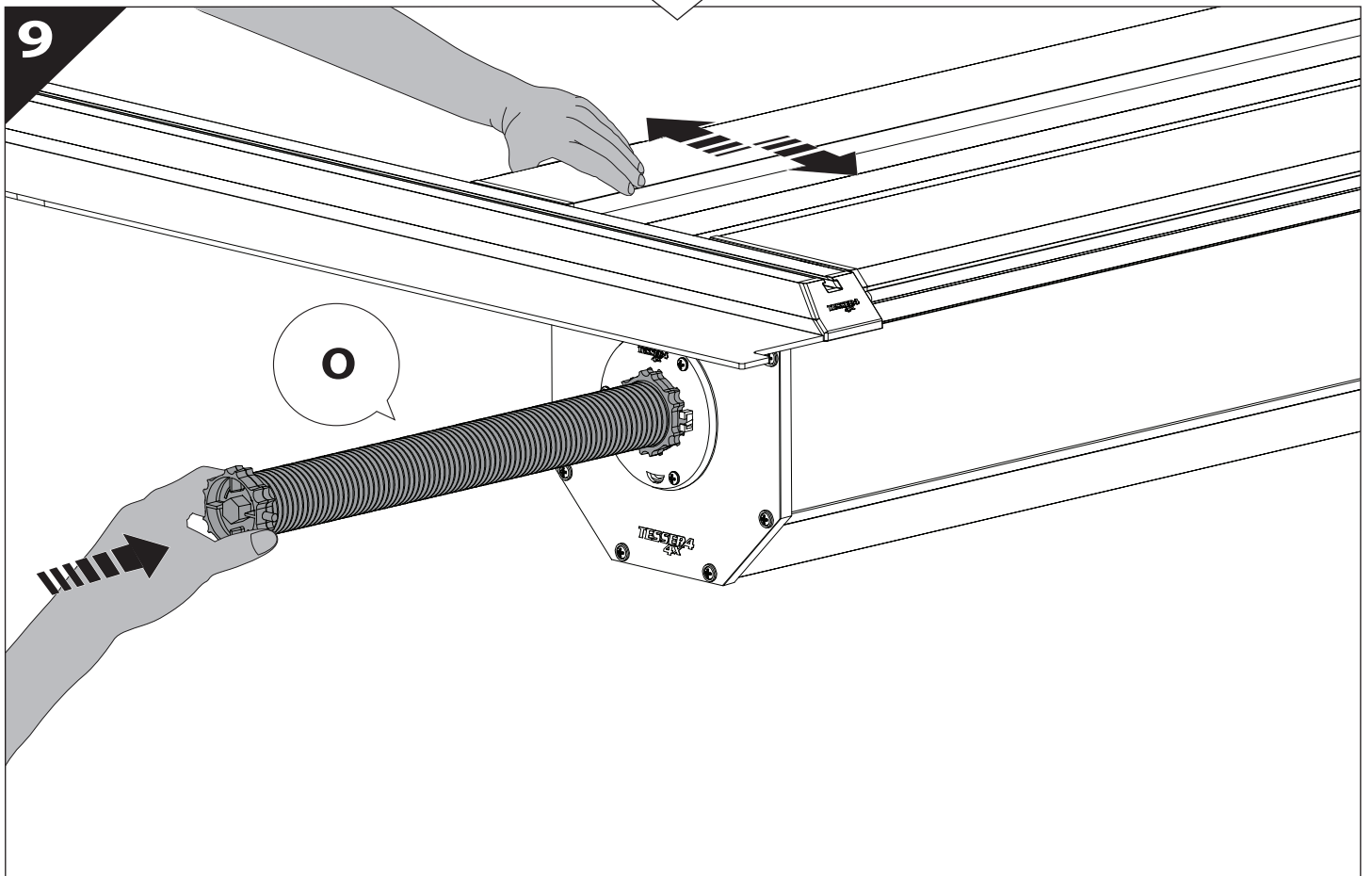
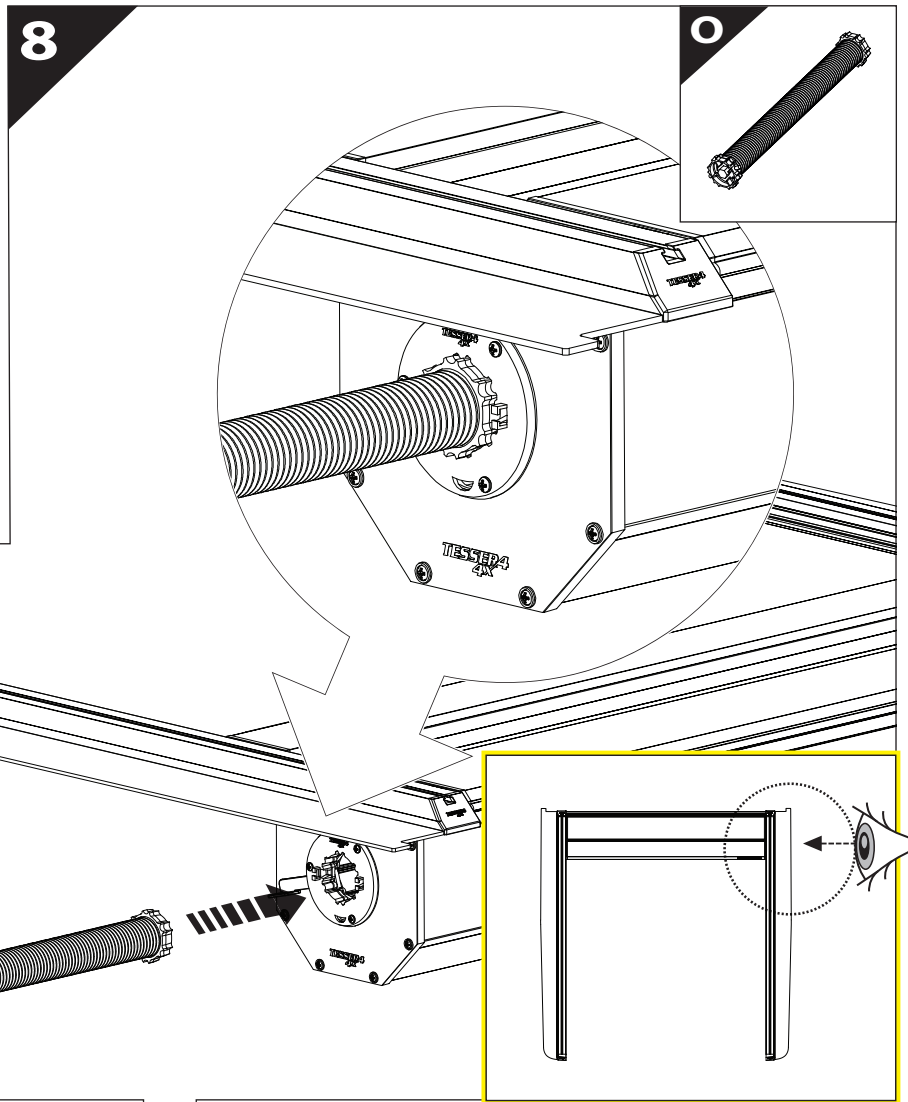
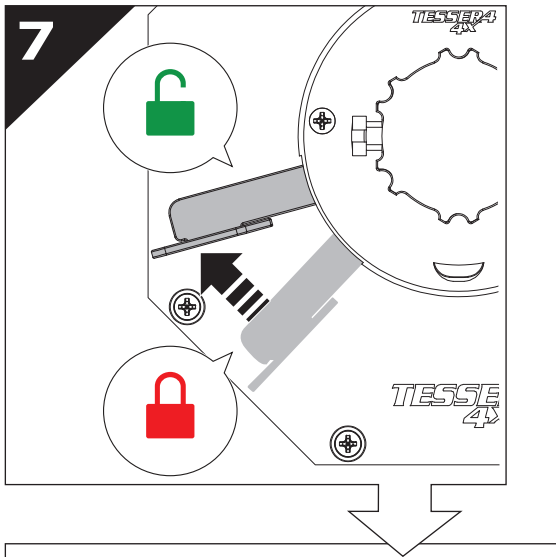
3

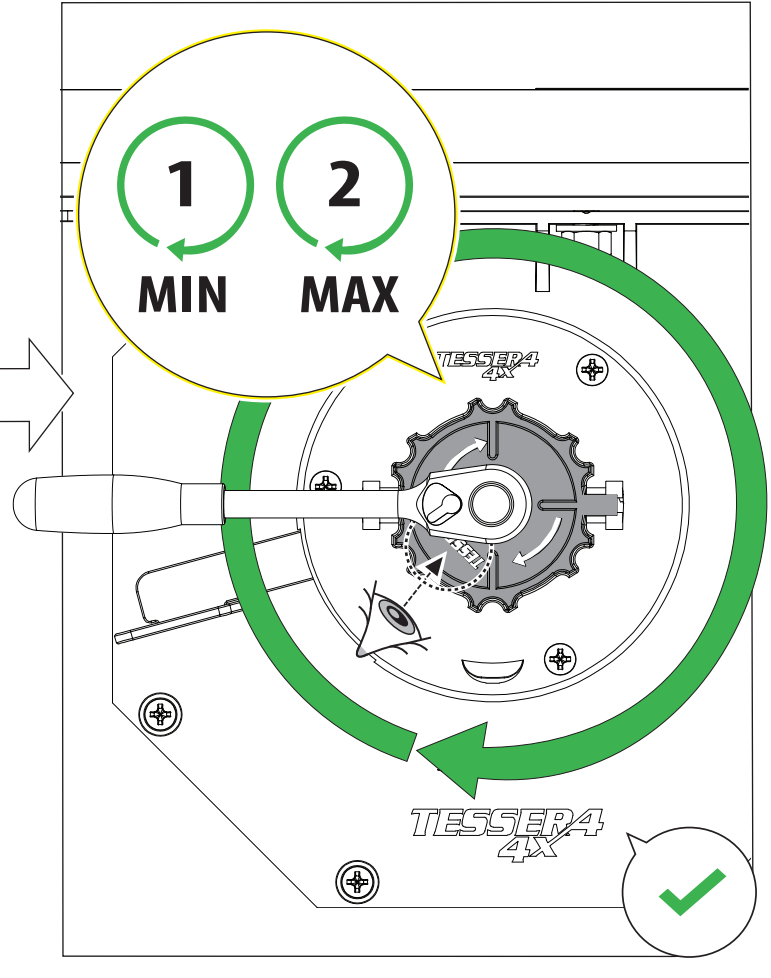
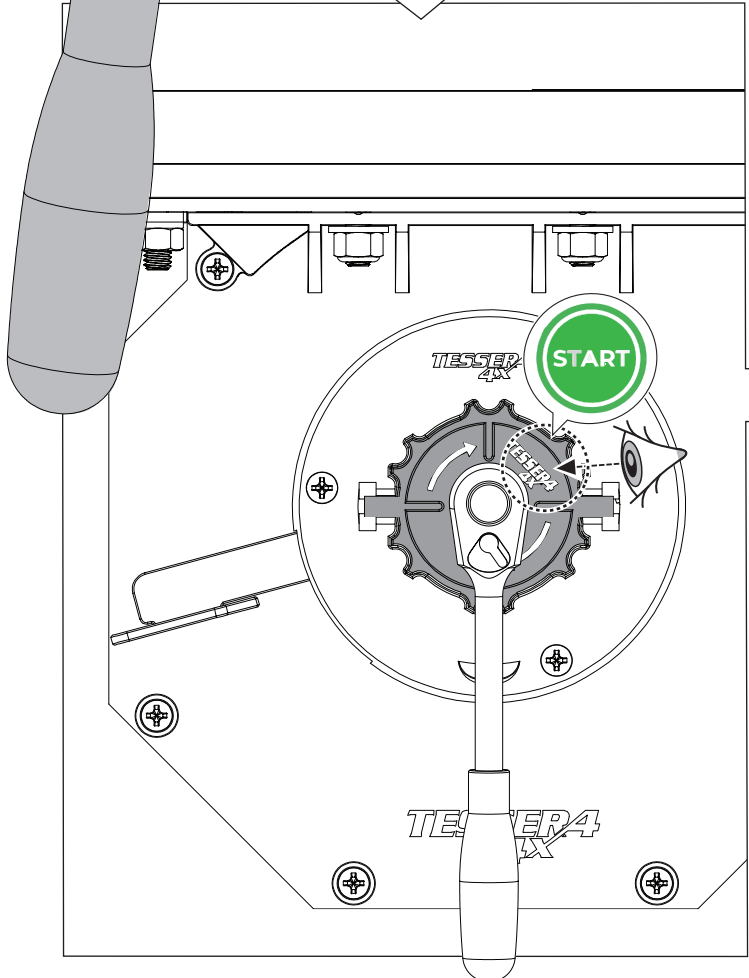
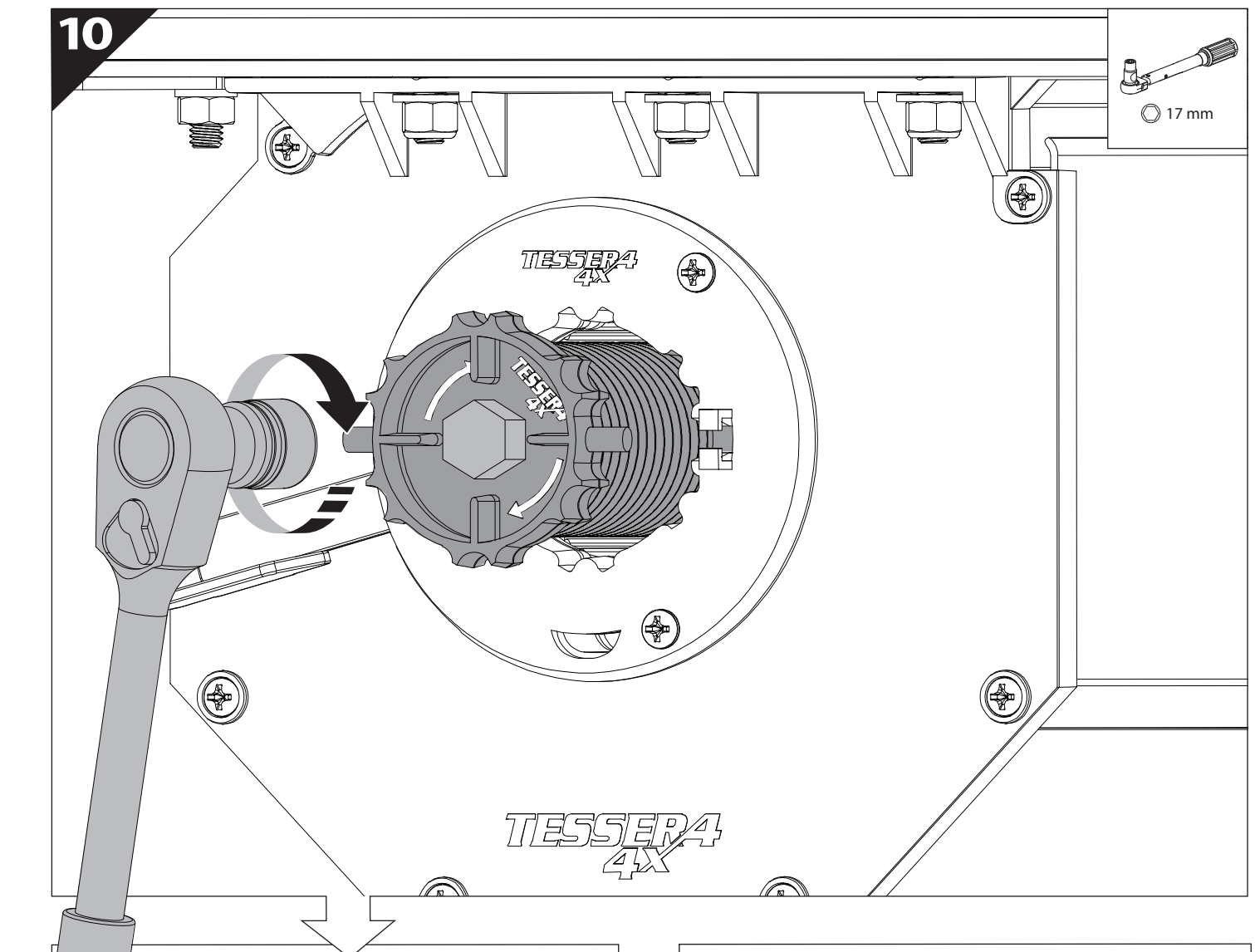
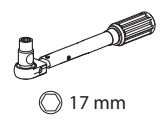


4

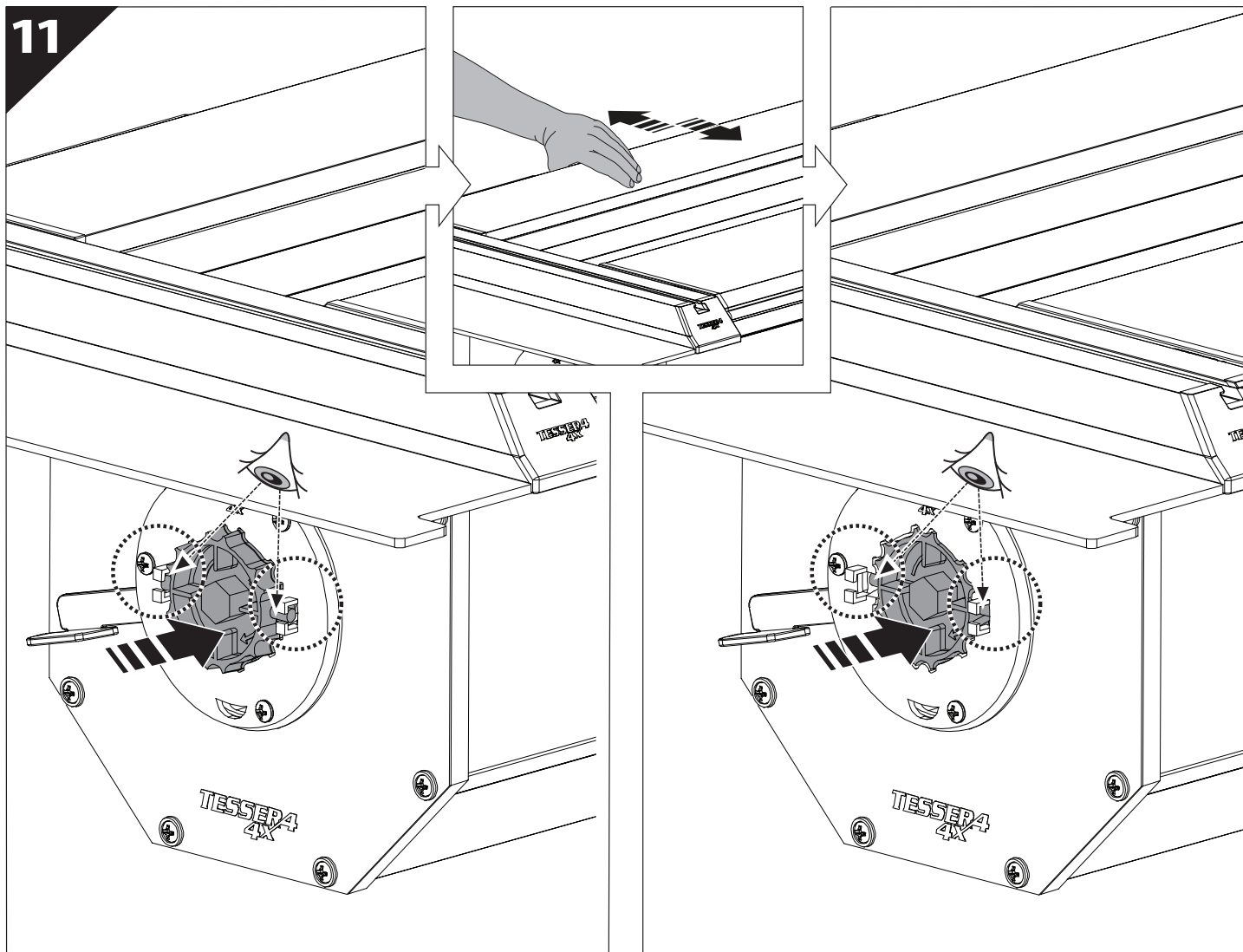




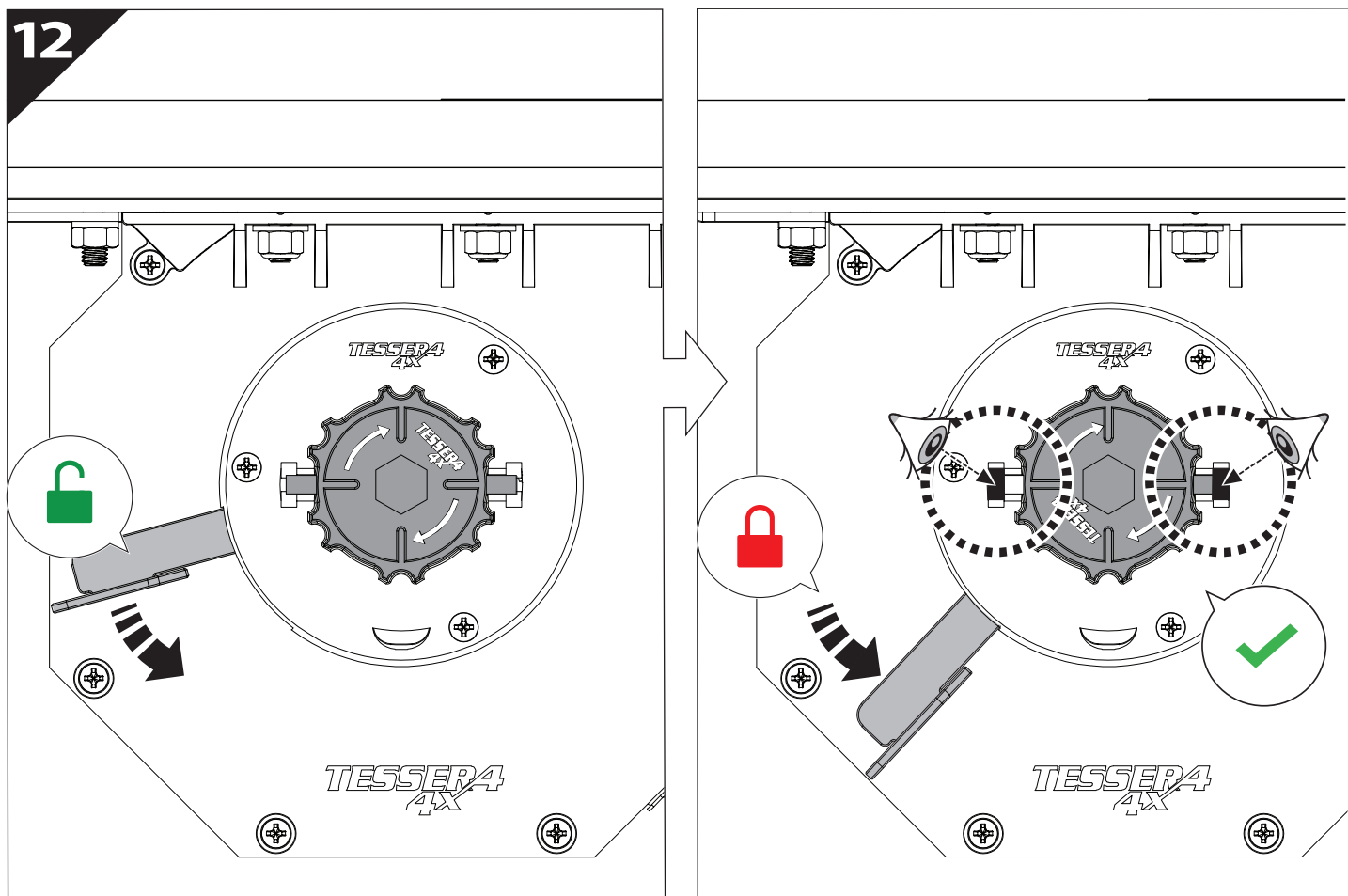




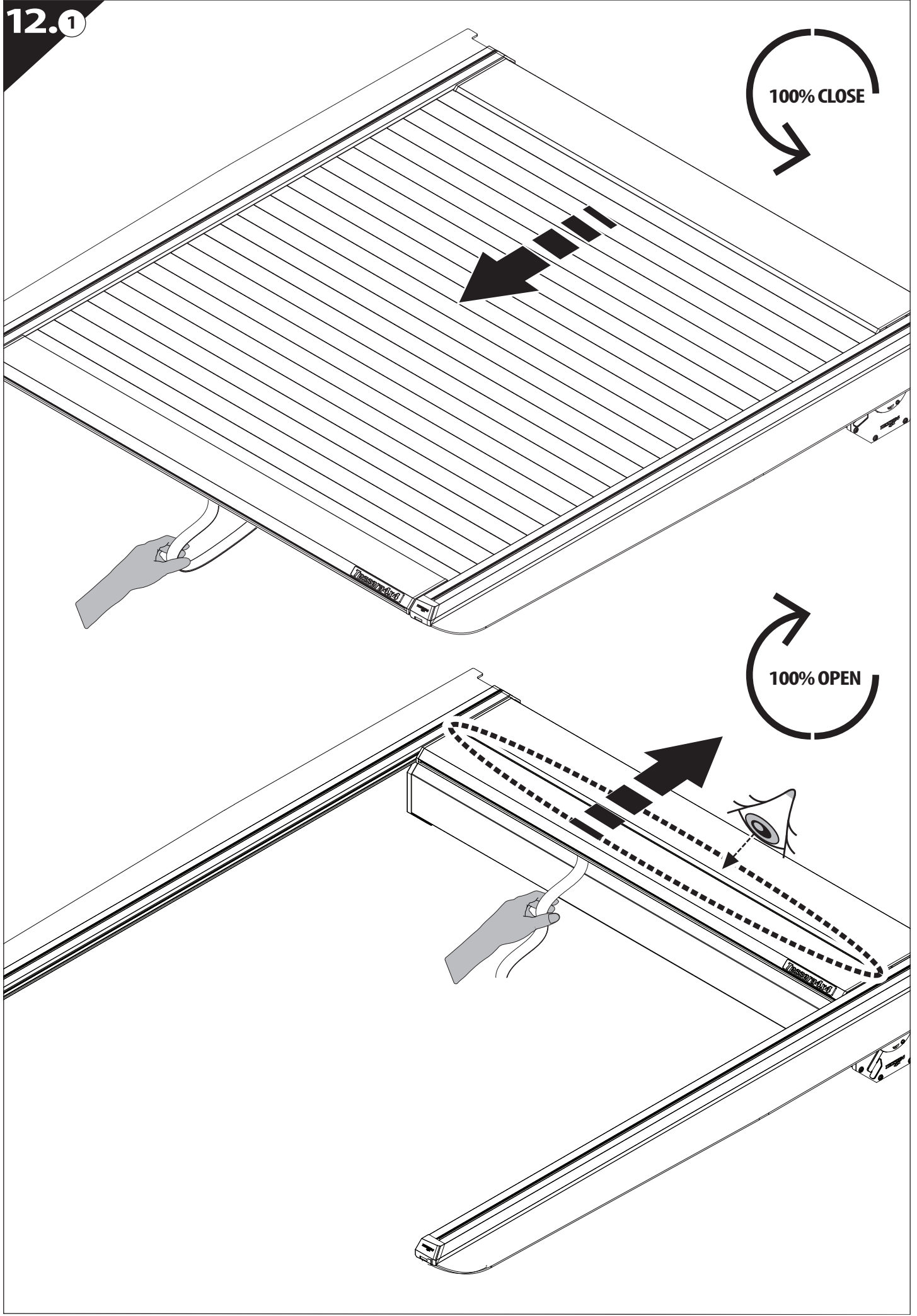
11



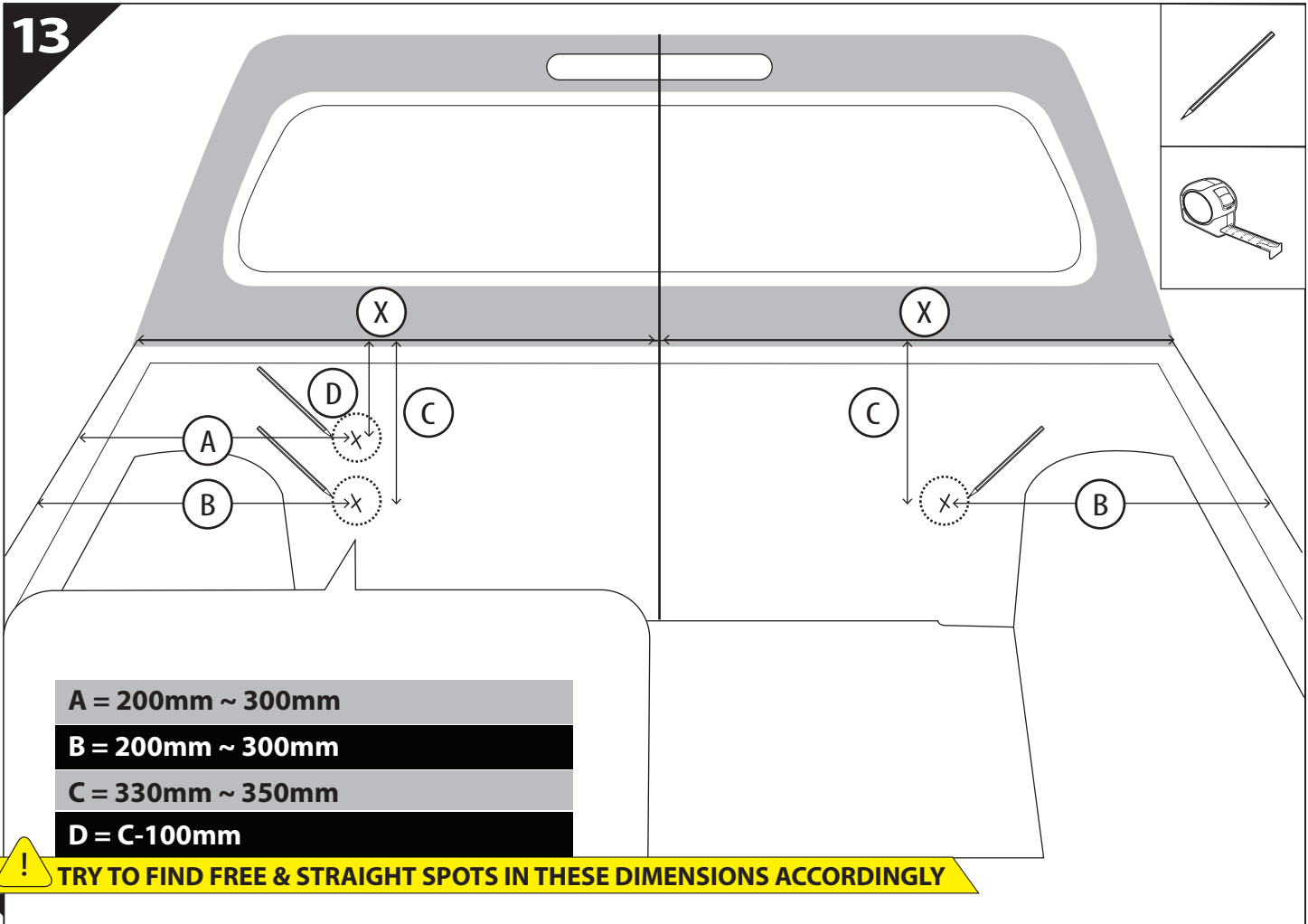
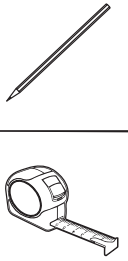
12



12.0



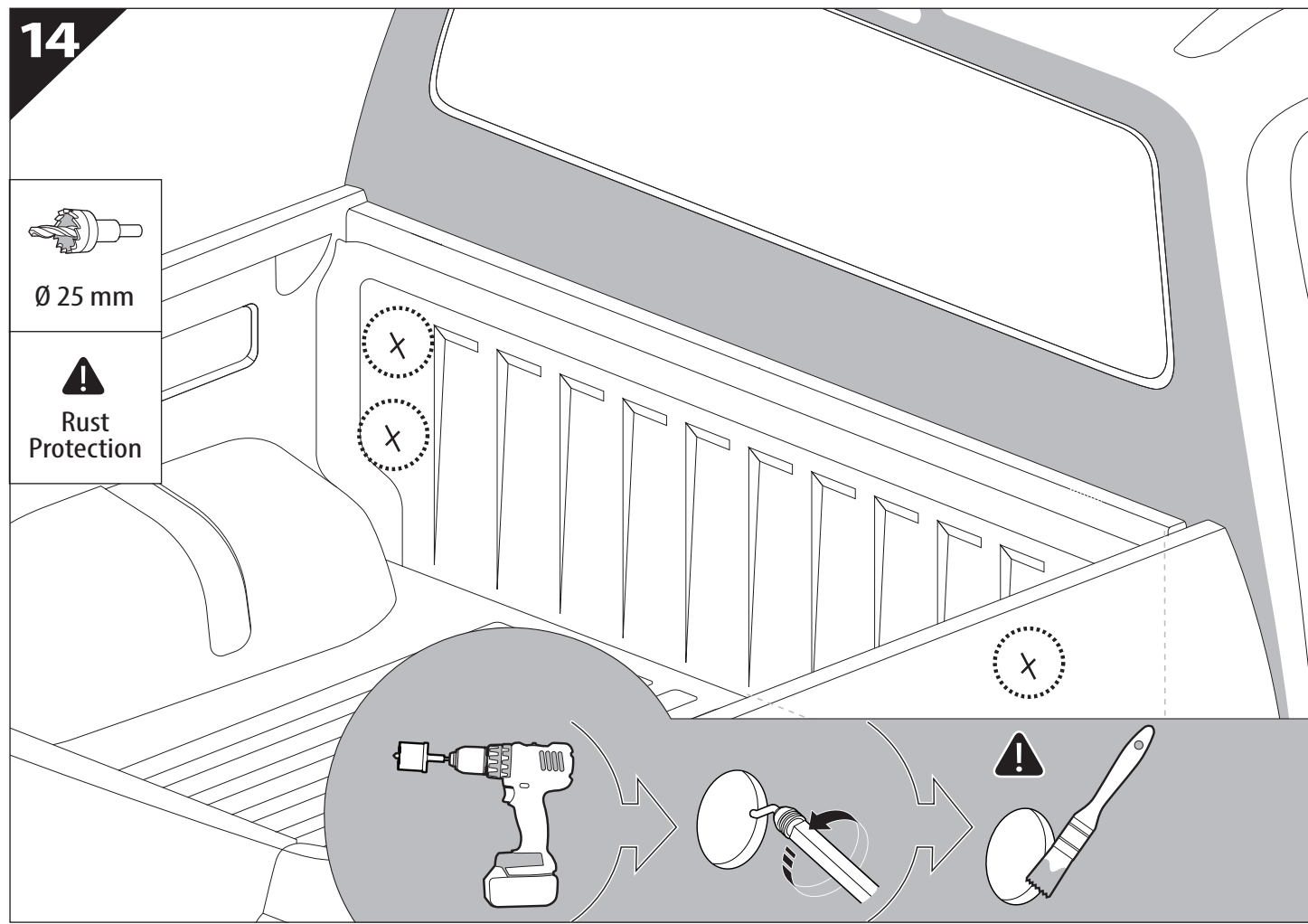
13



14

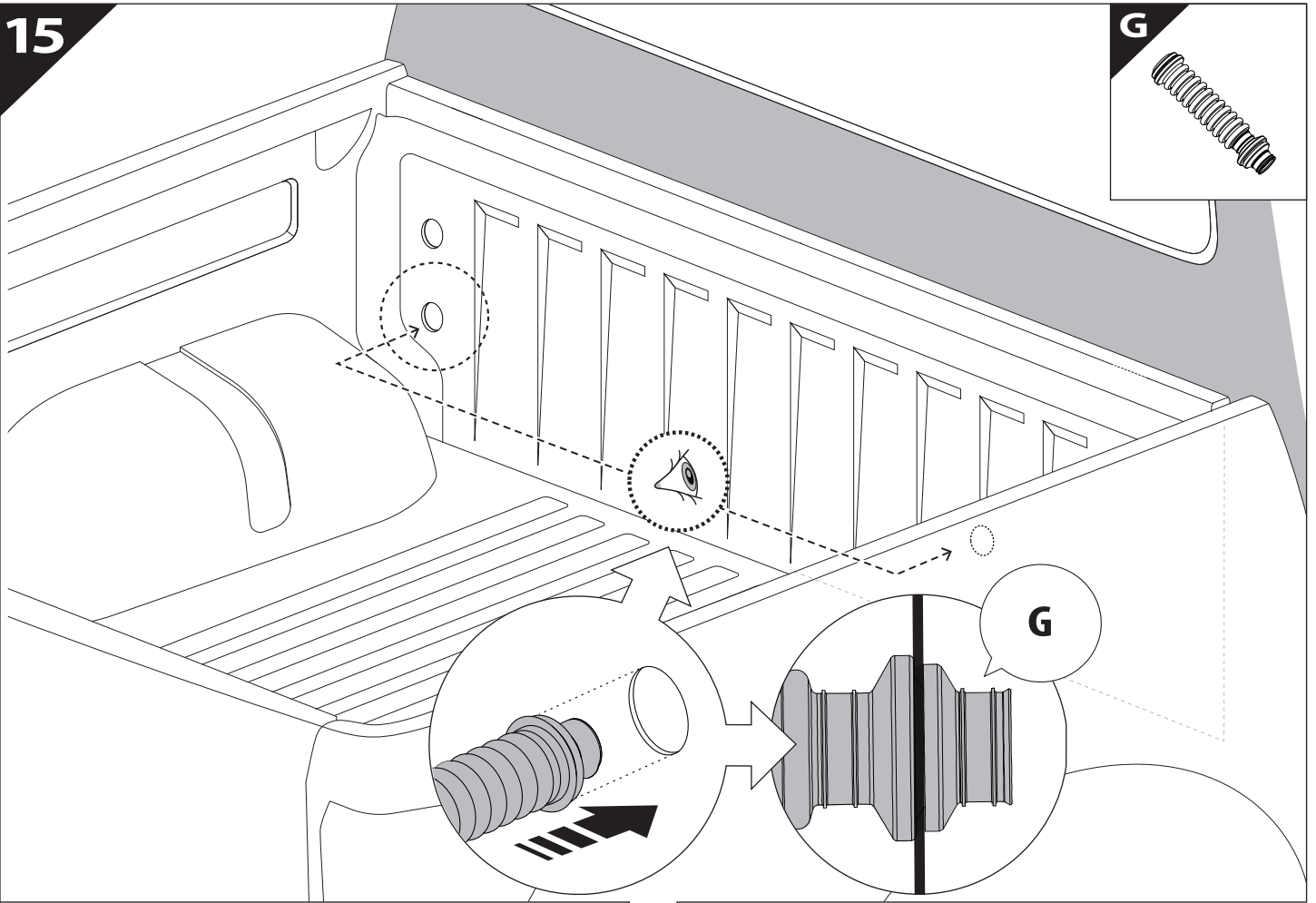
Ø 25 mm

Rust Protection



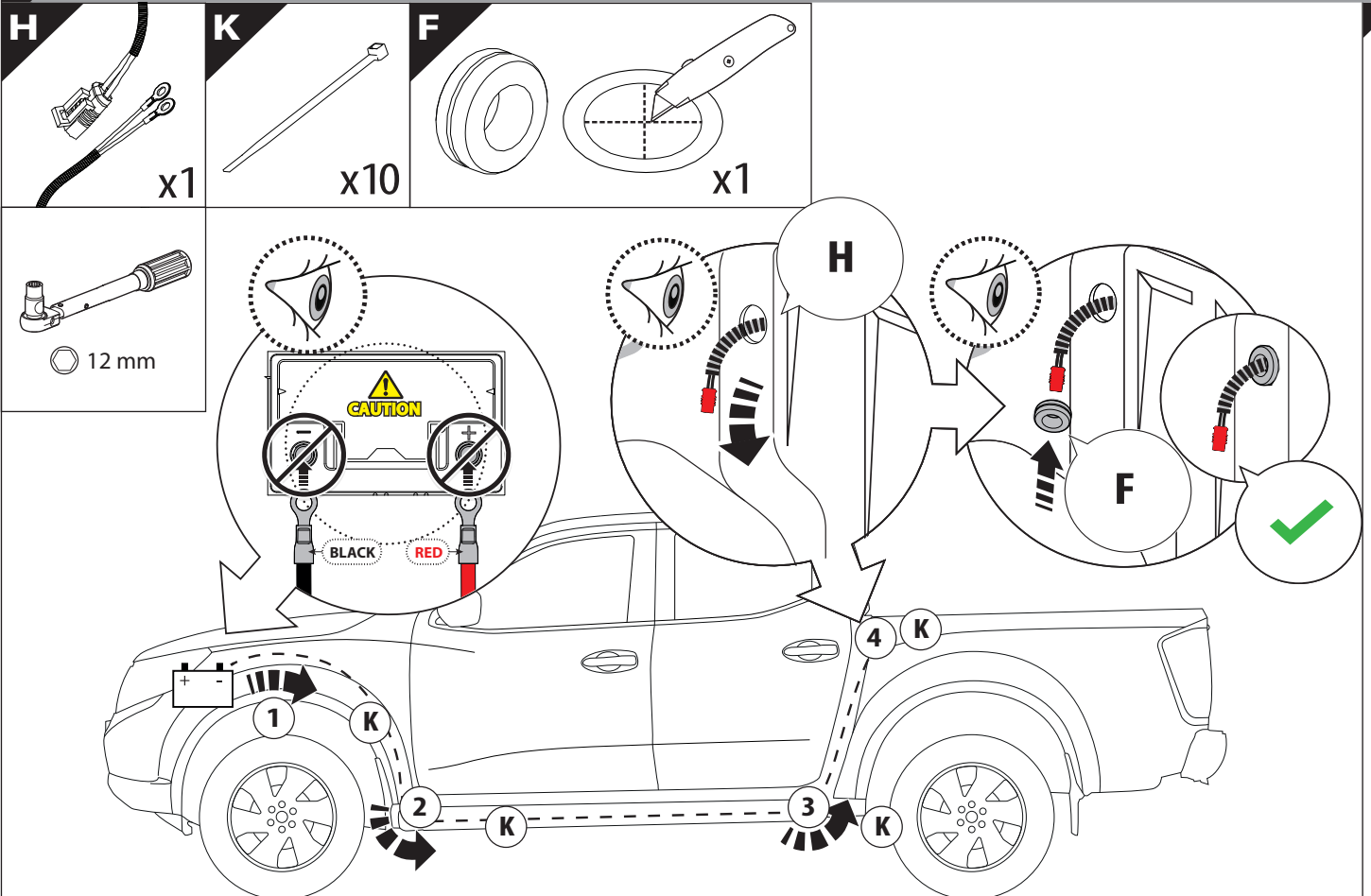
15

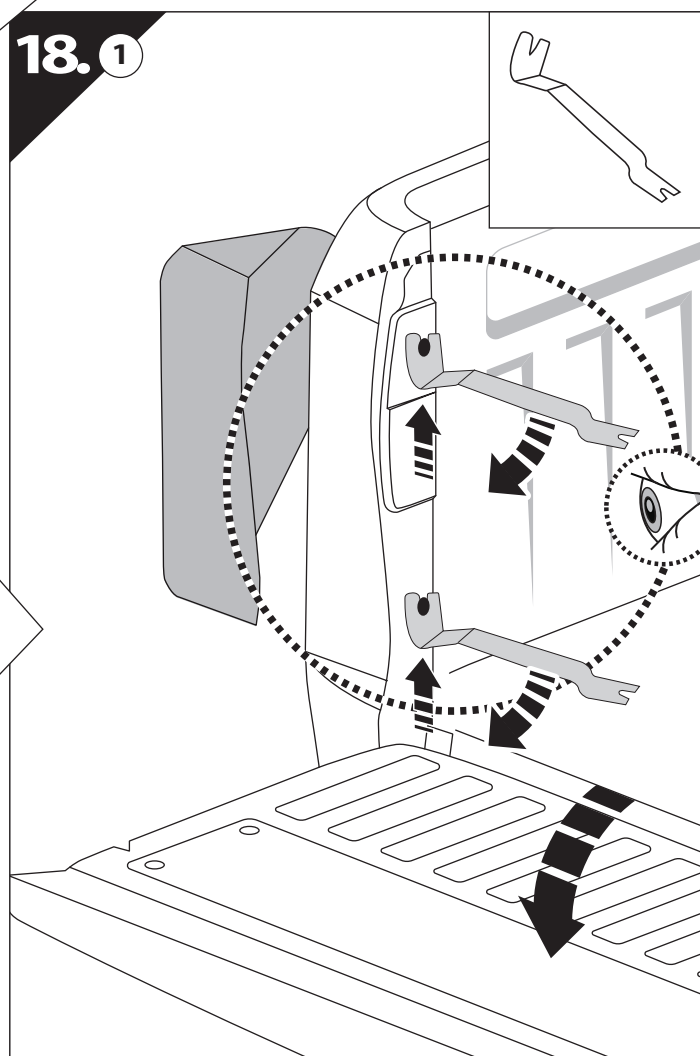
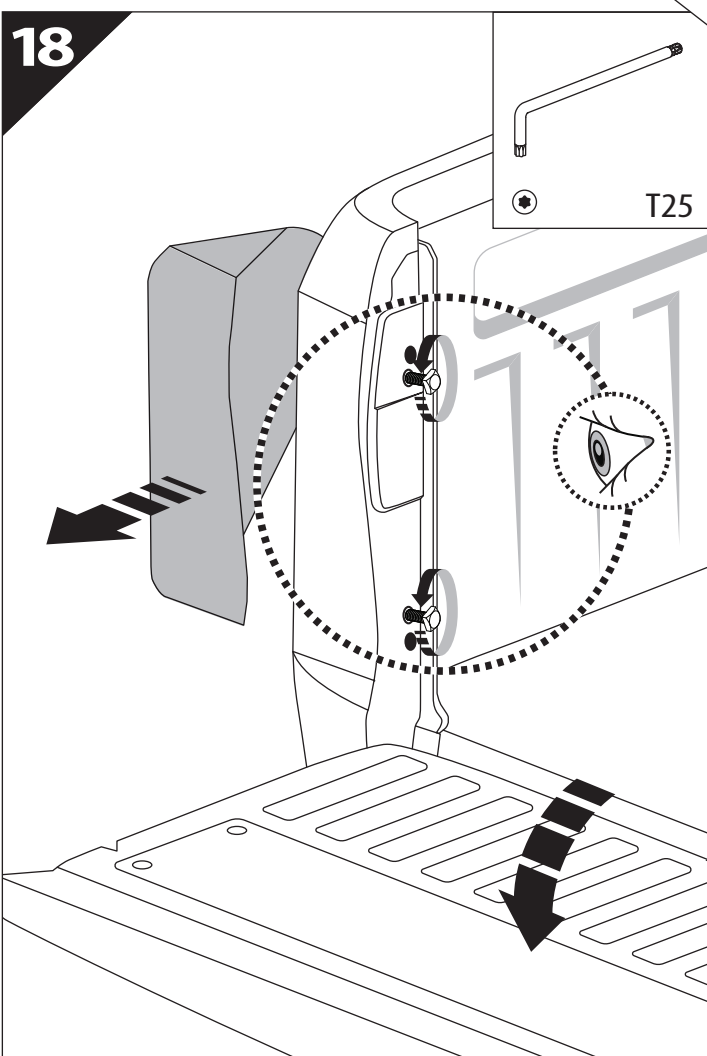
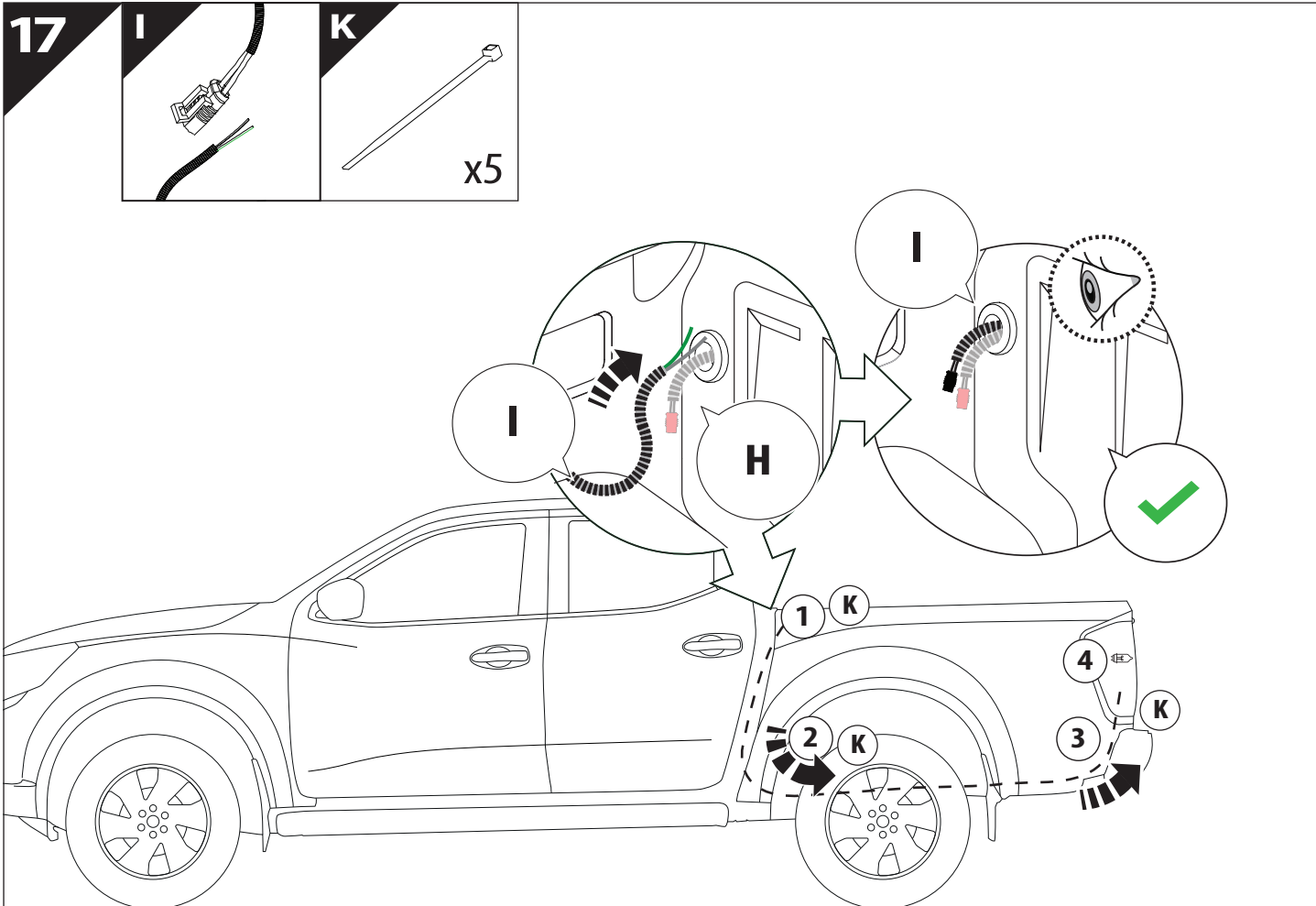
G

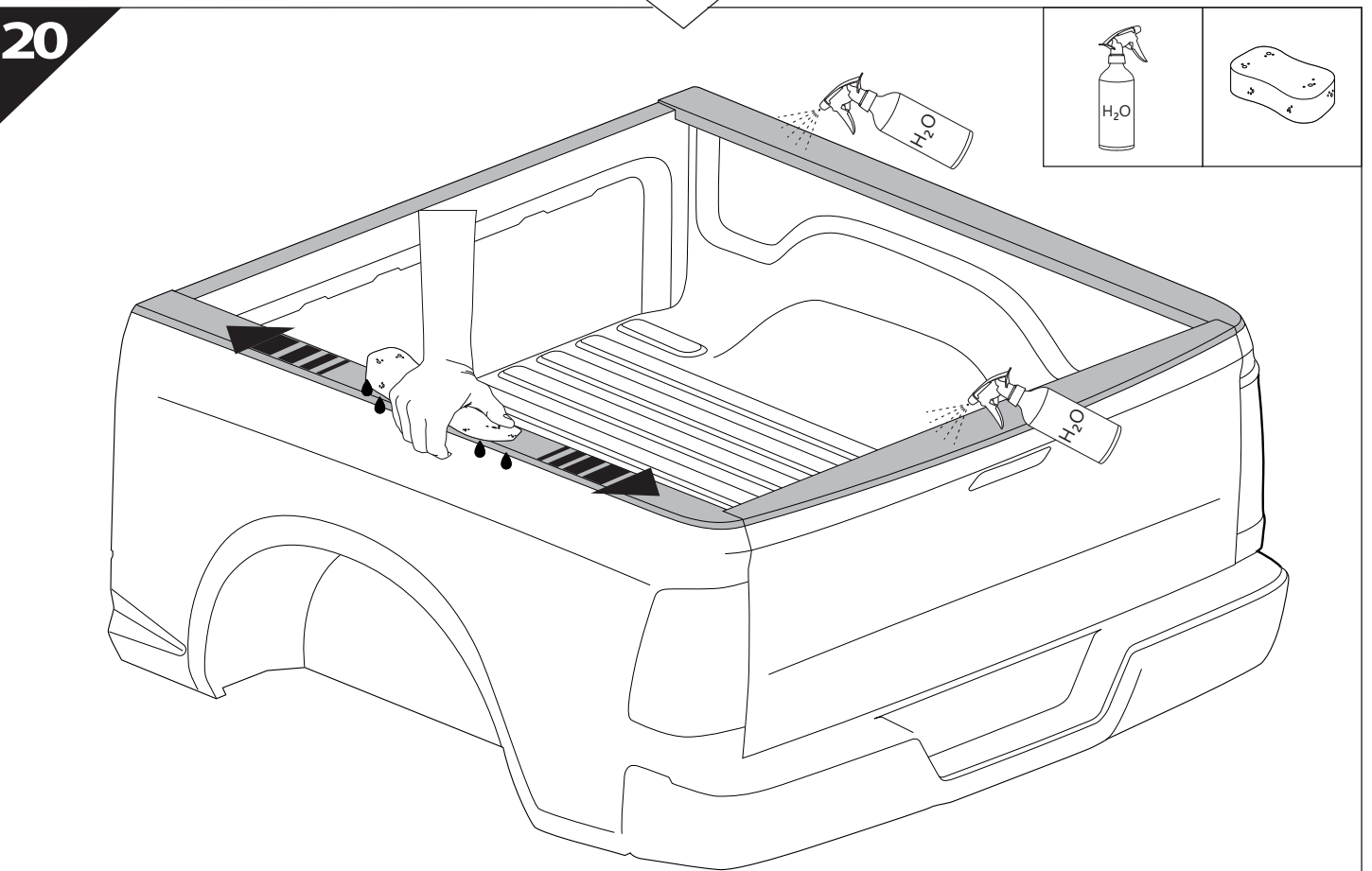
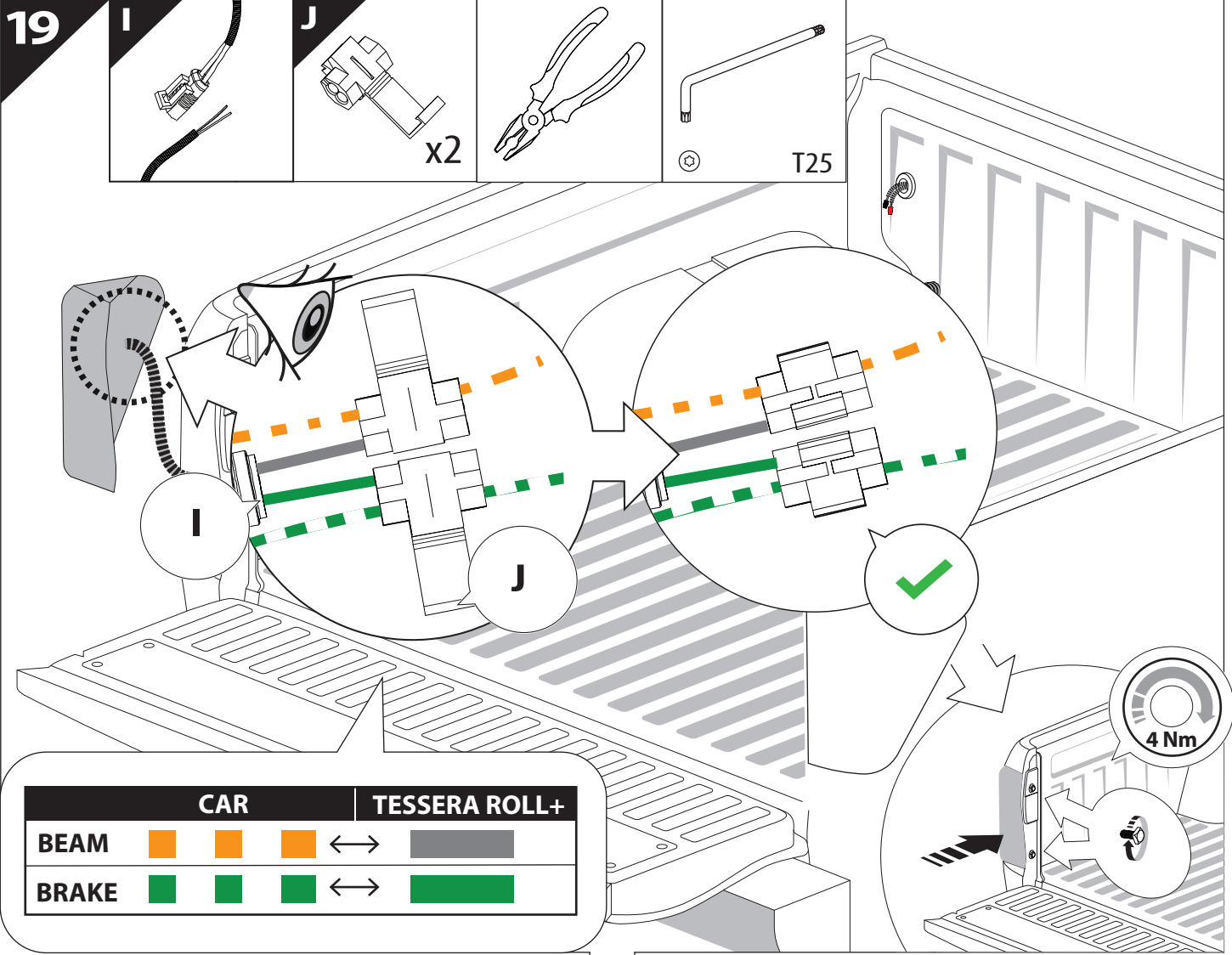


16

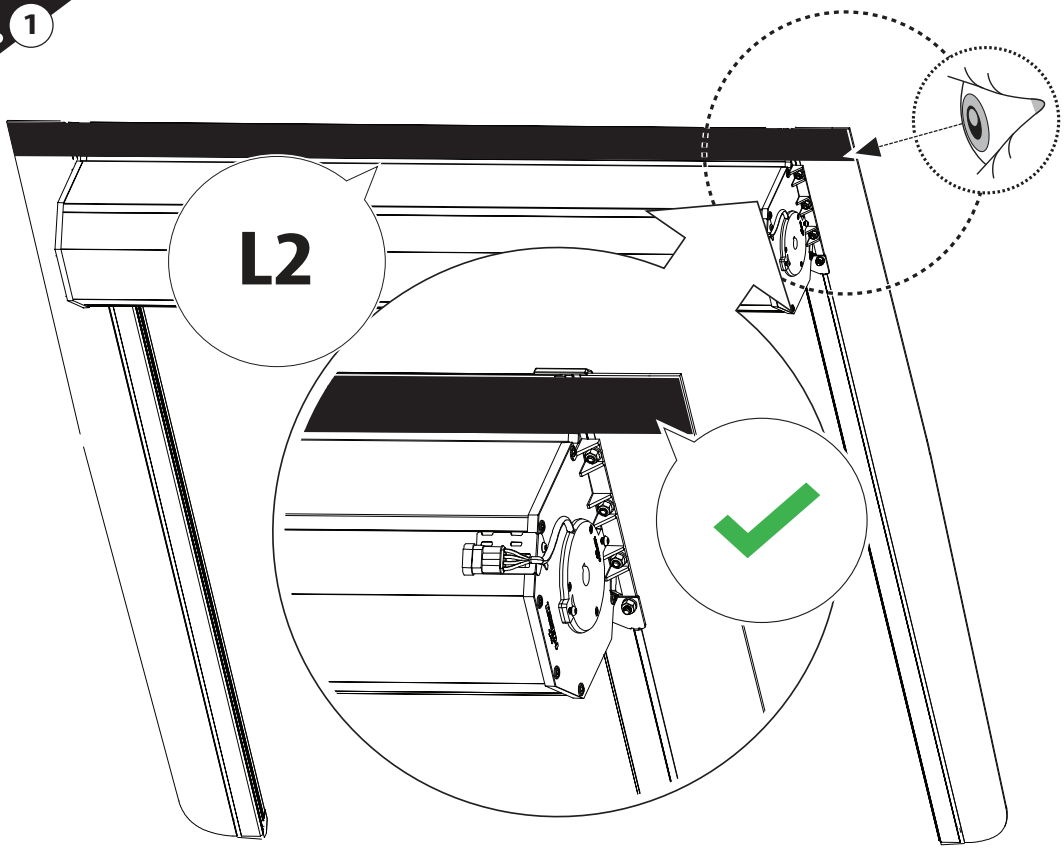
Only to be installed by authorized personnel



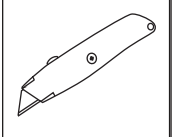




20.1

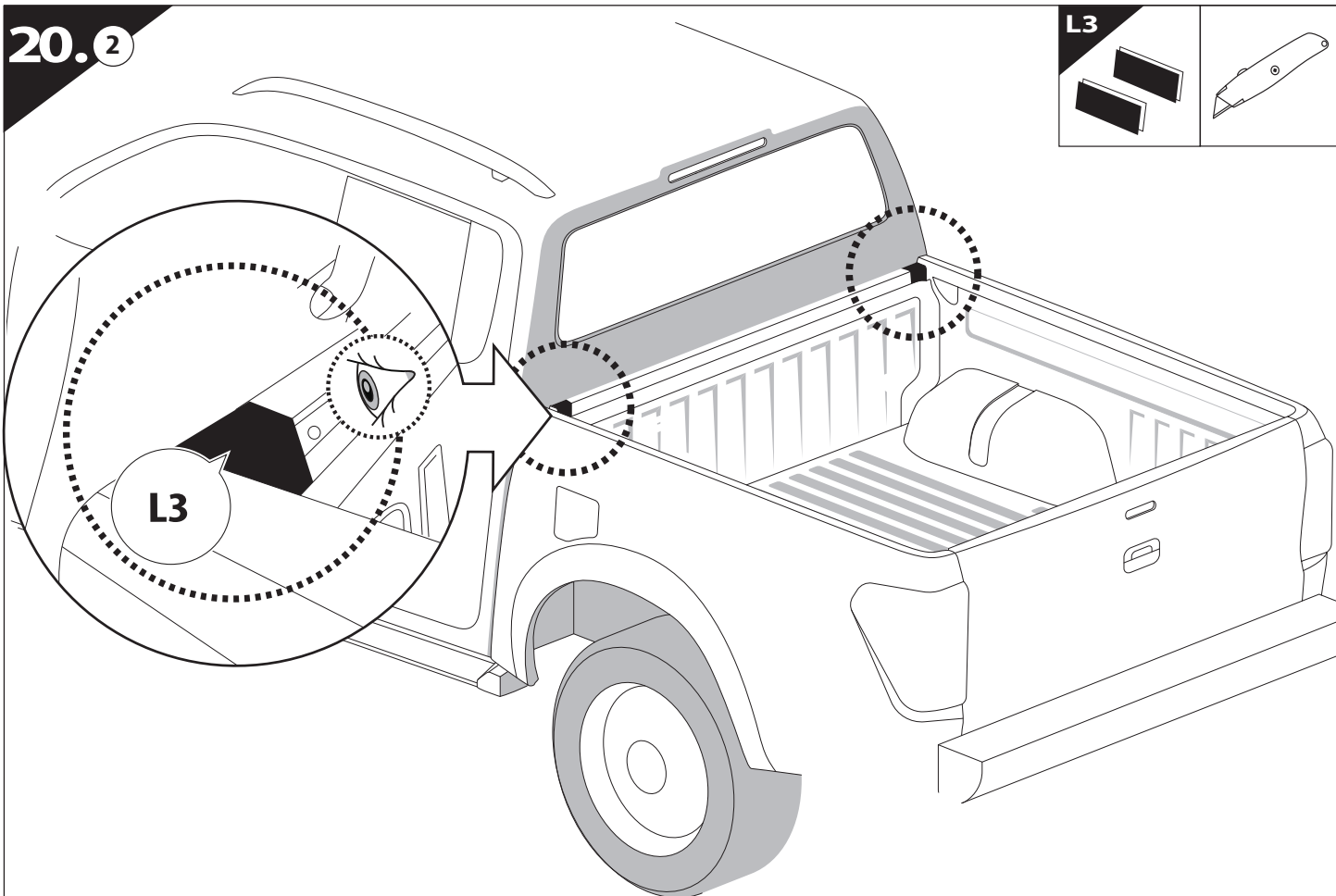


L2



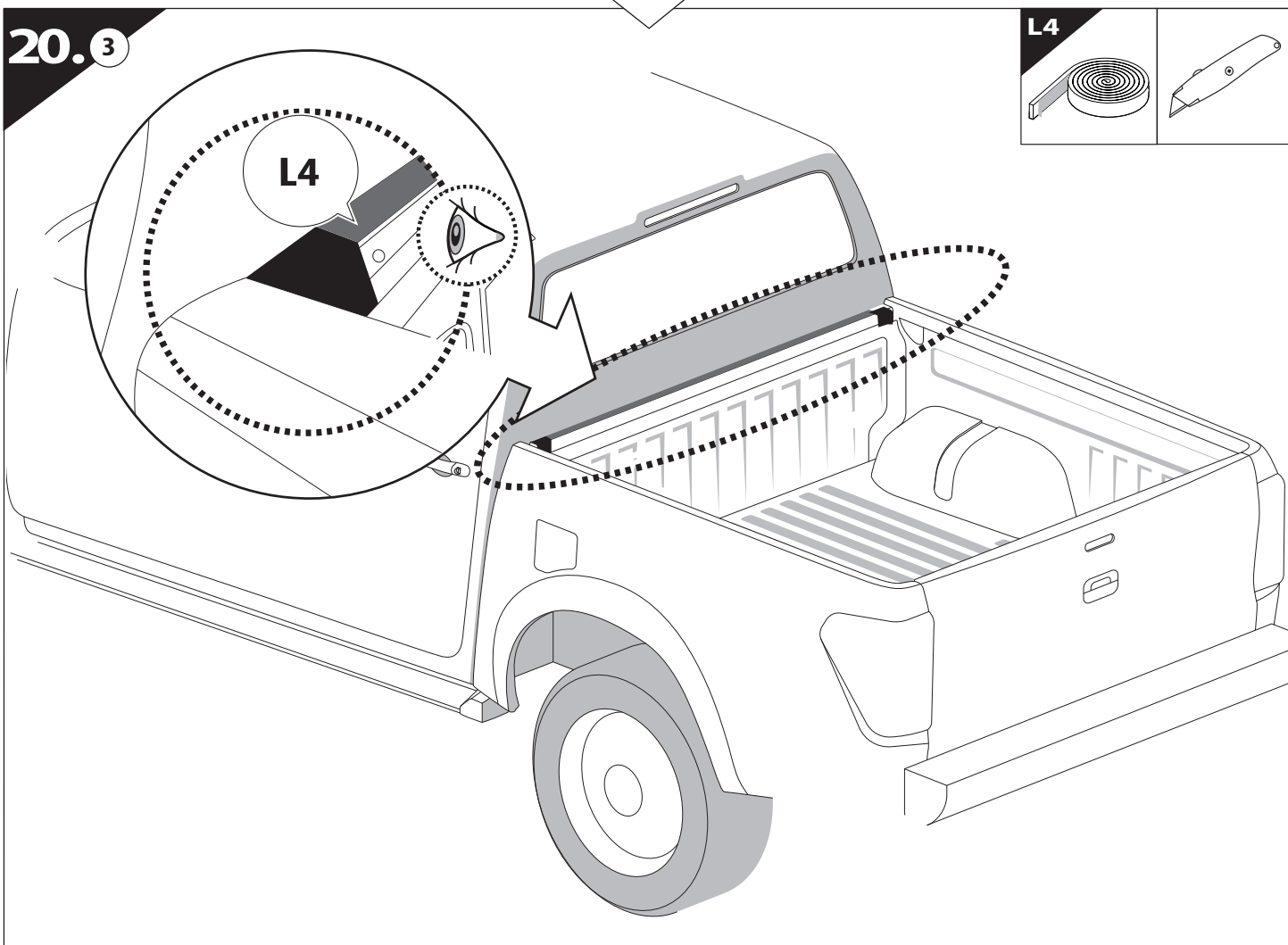
20.2

L3



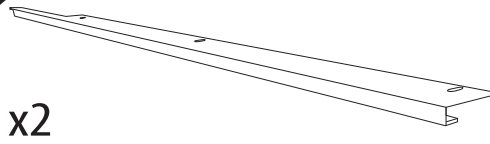
20.3

L4

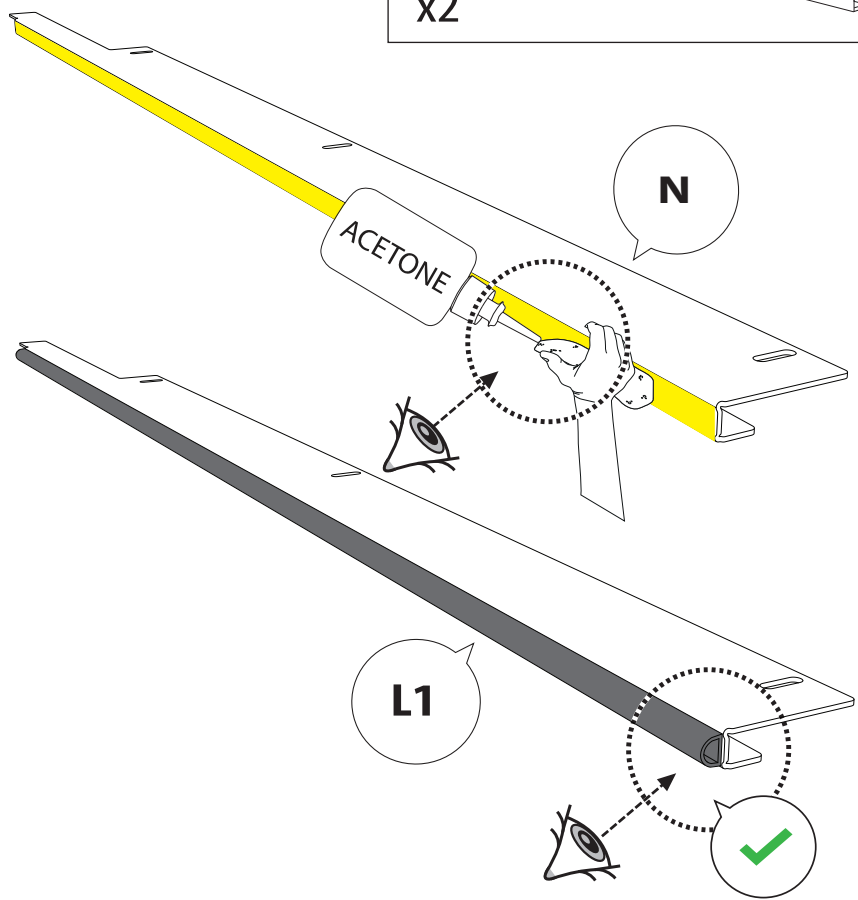


21

N

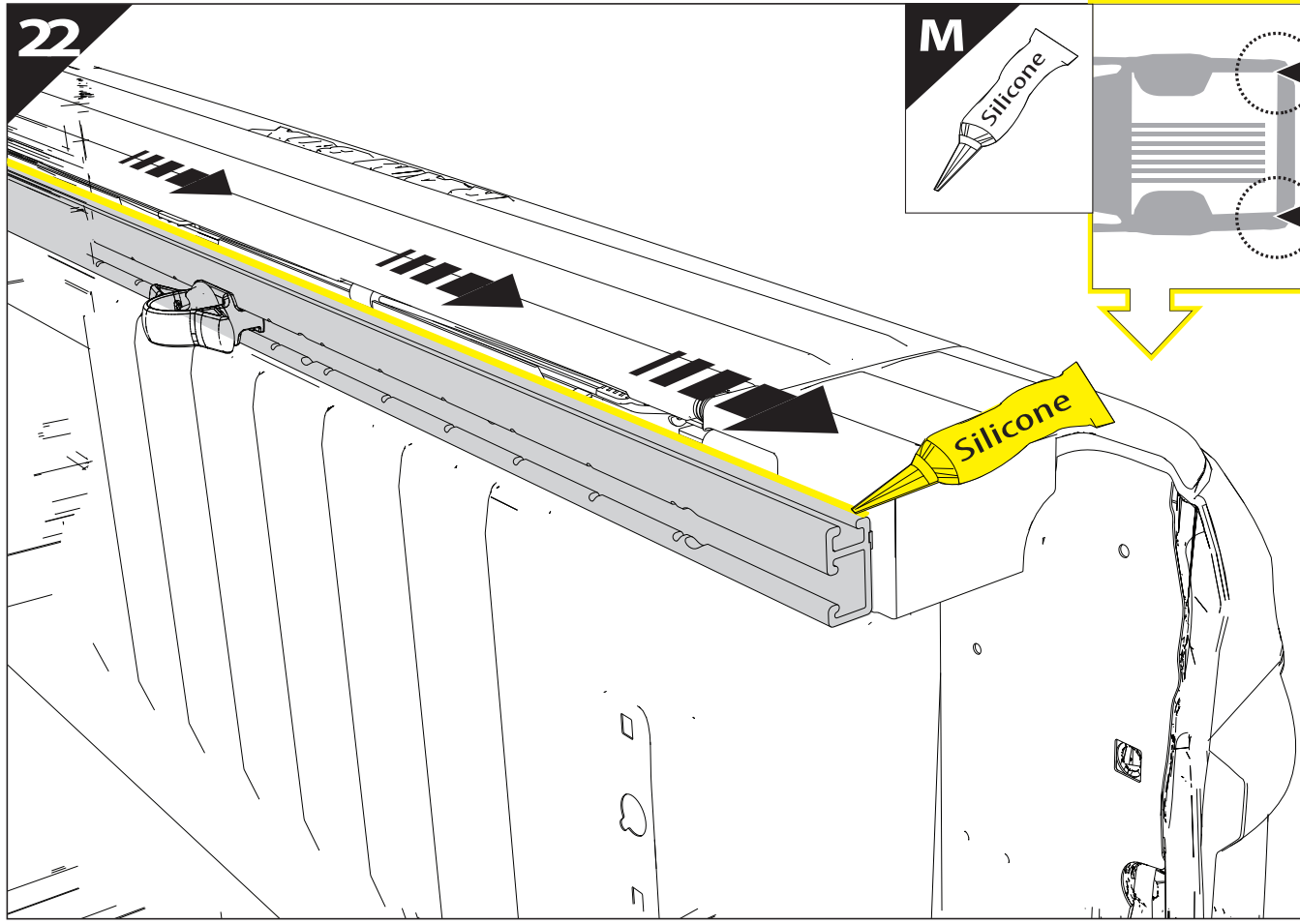
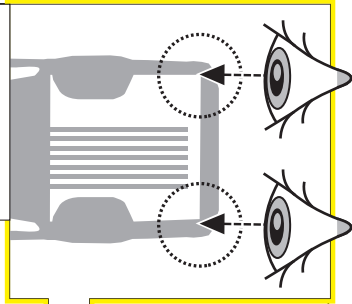


L1



22

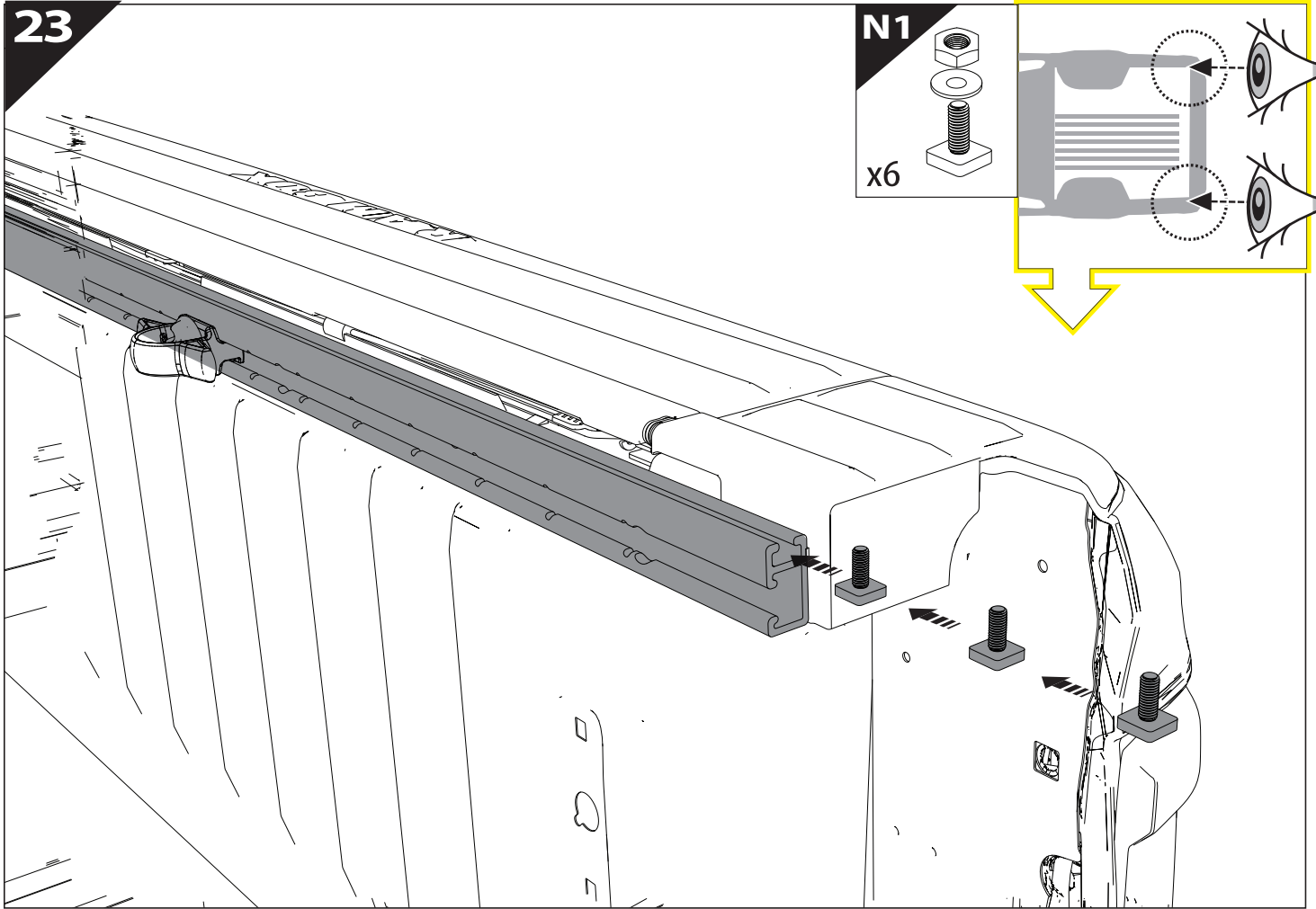
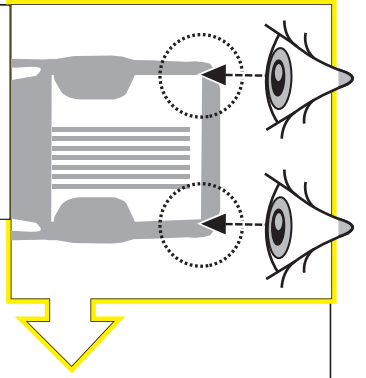
M



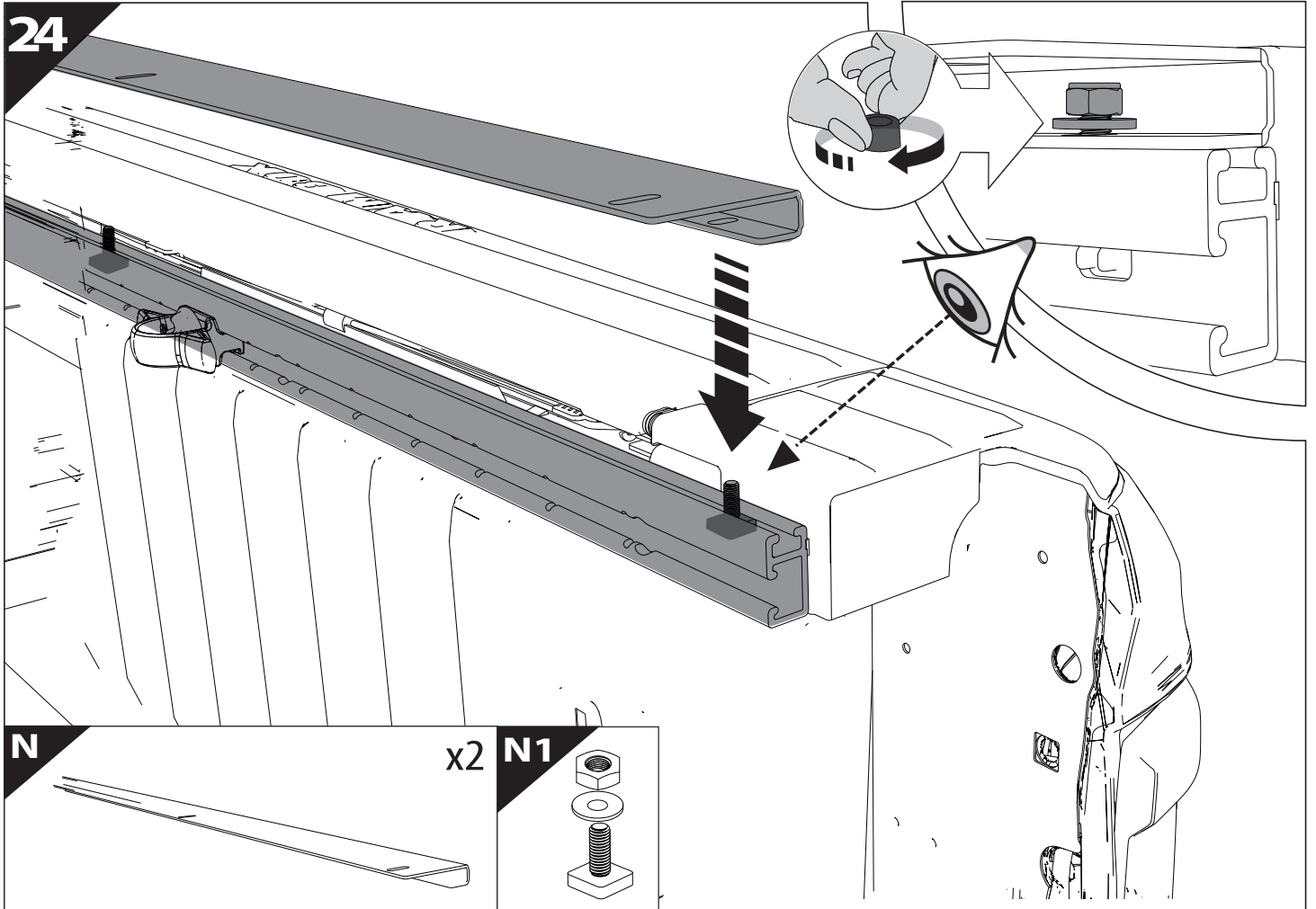
23

N1

x6



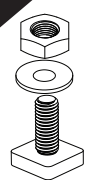
24

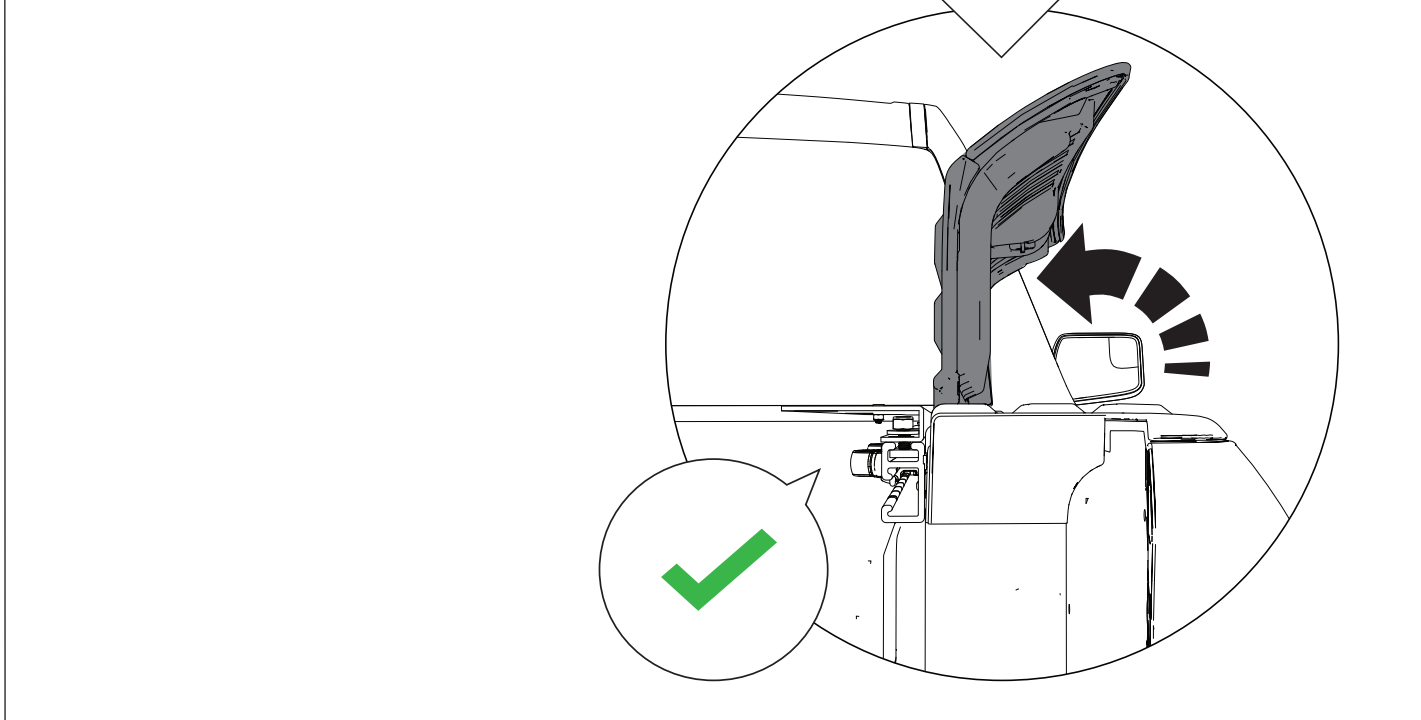
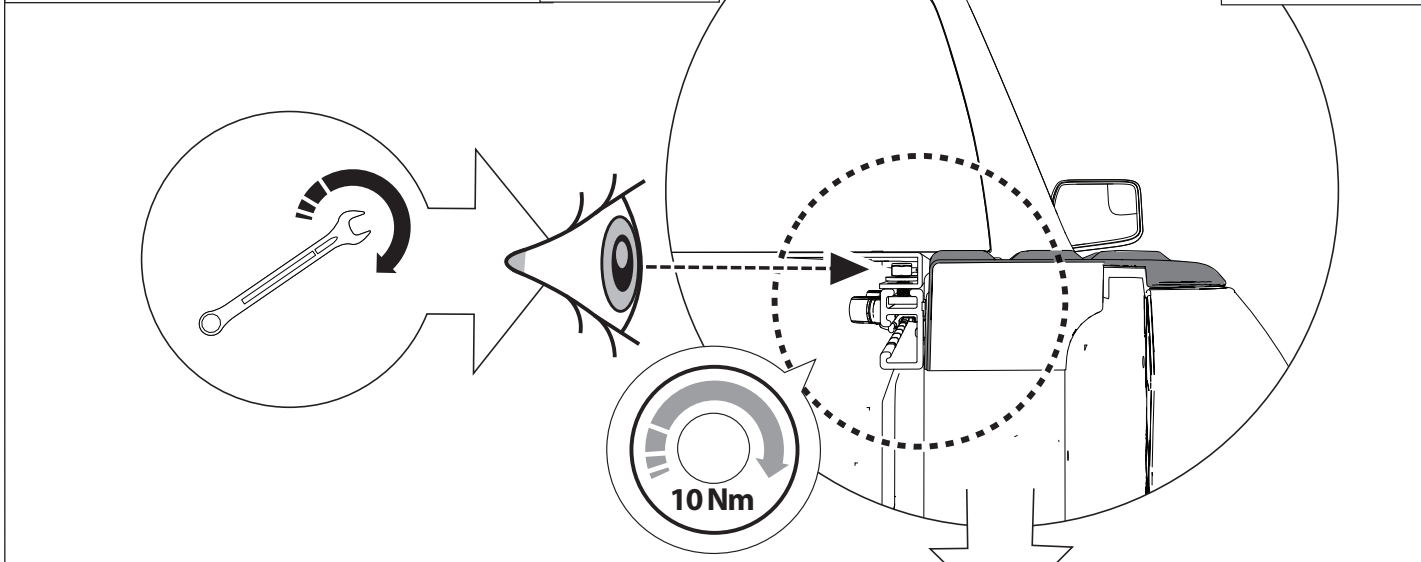
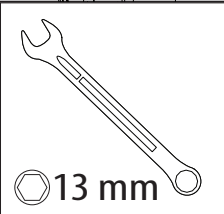
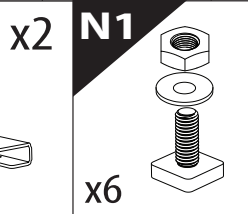
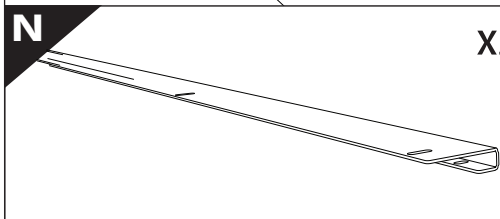
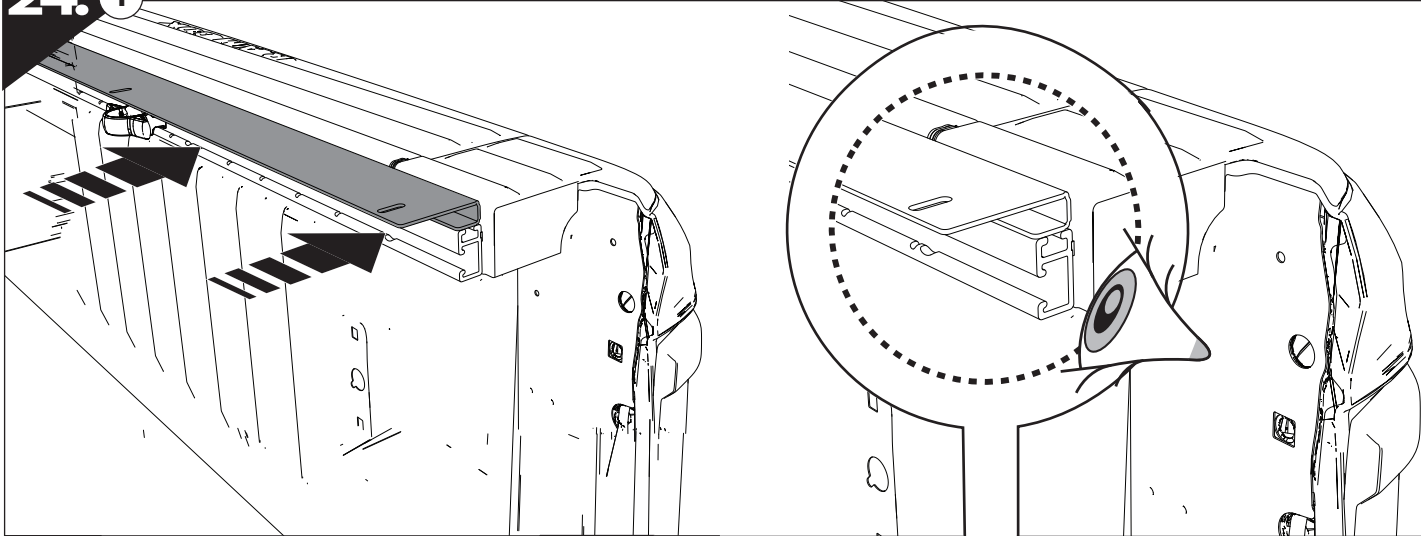


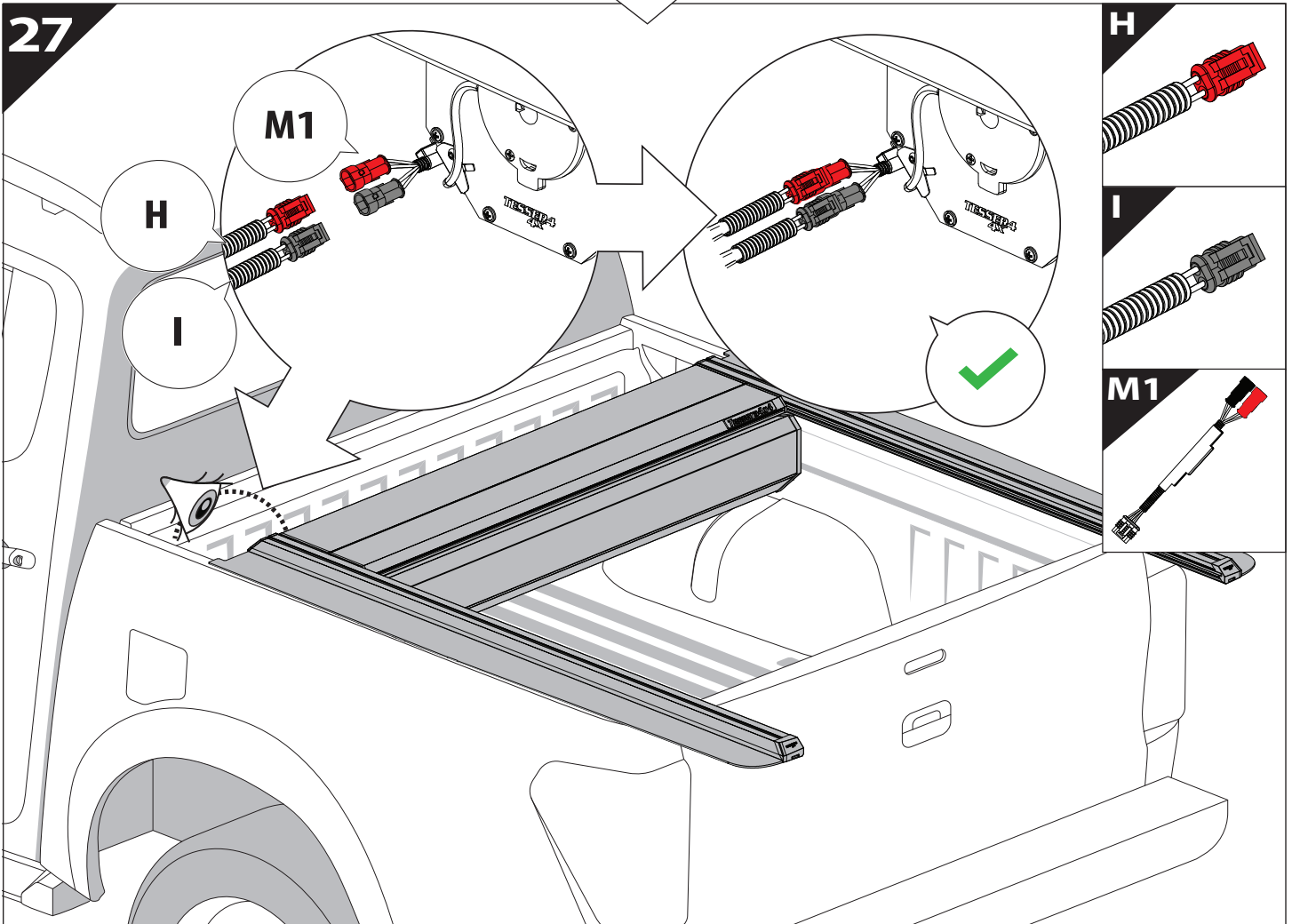
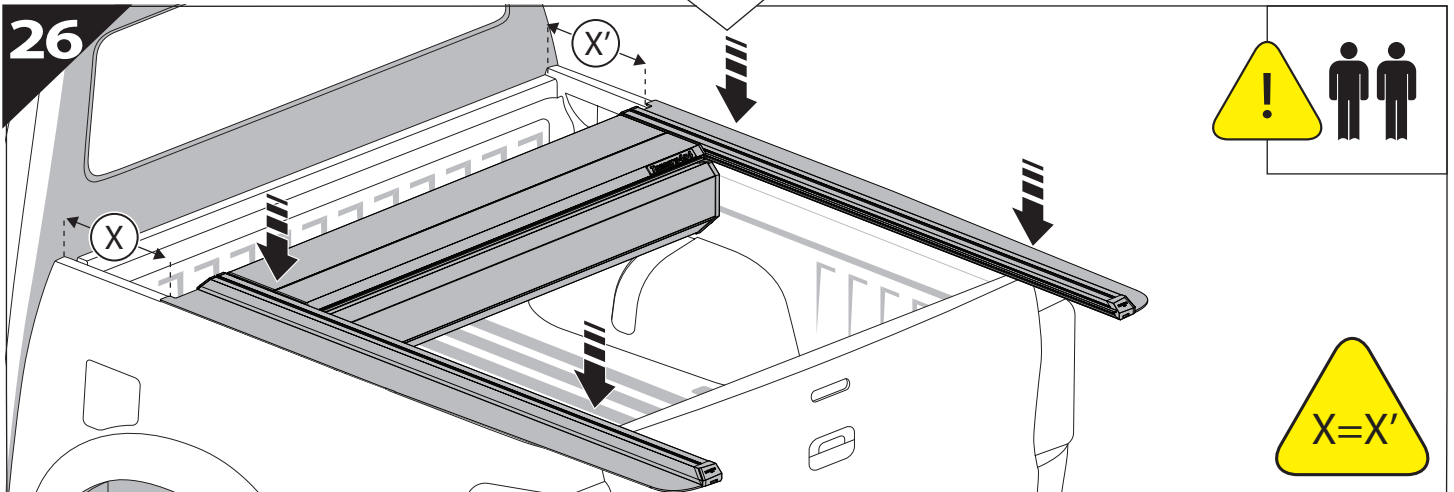
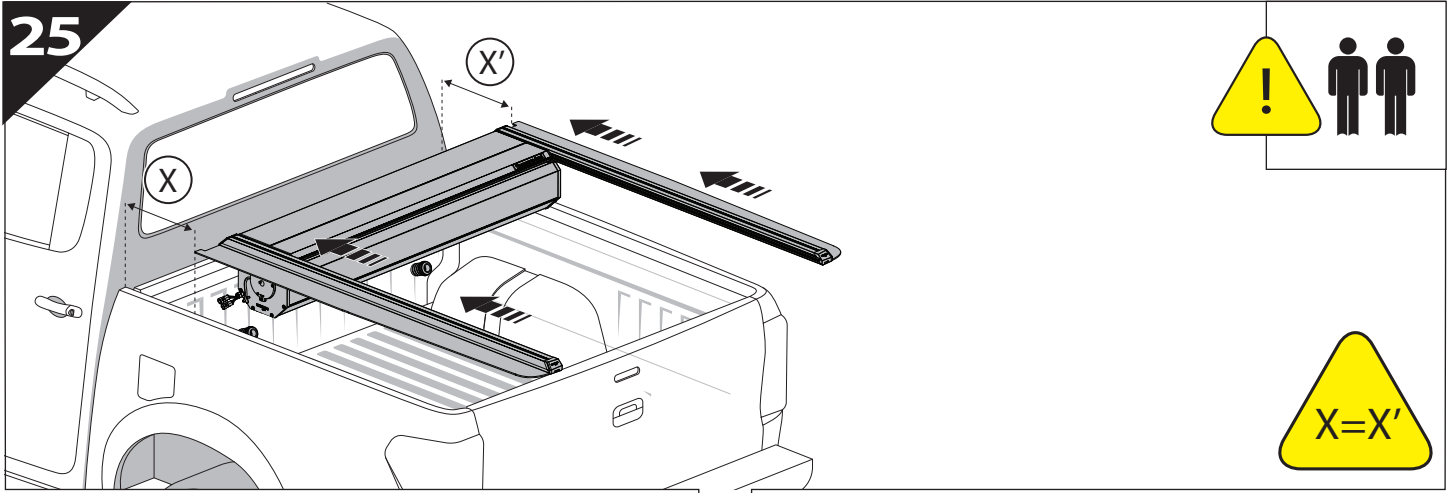
N

x2

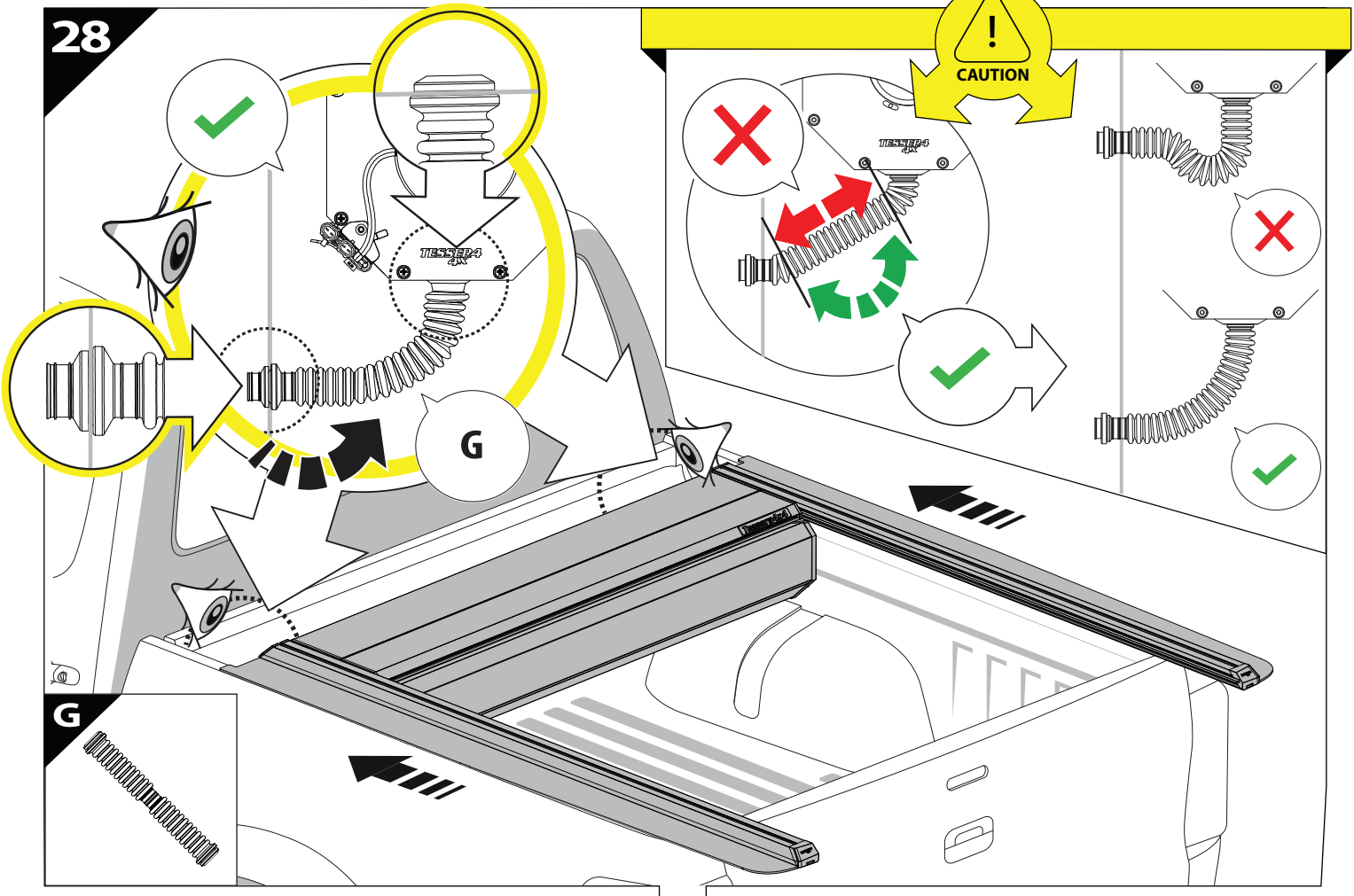
N1



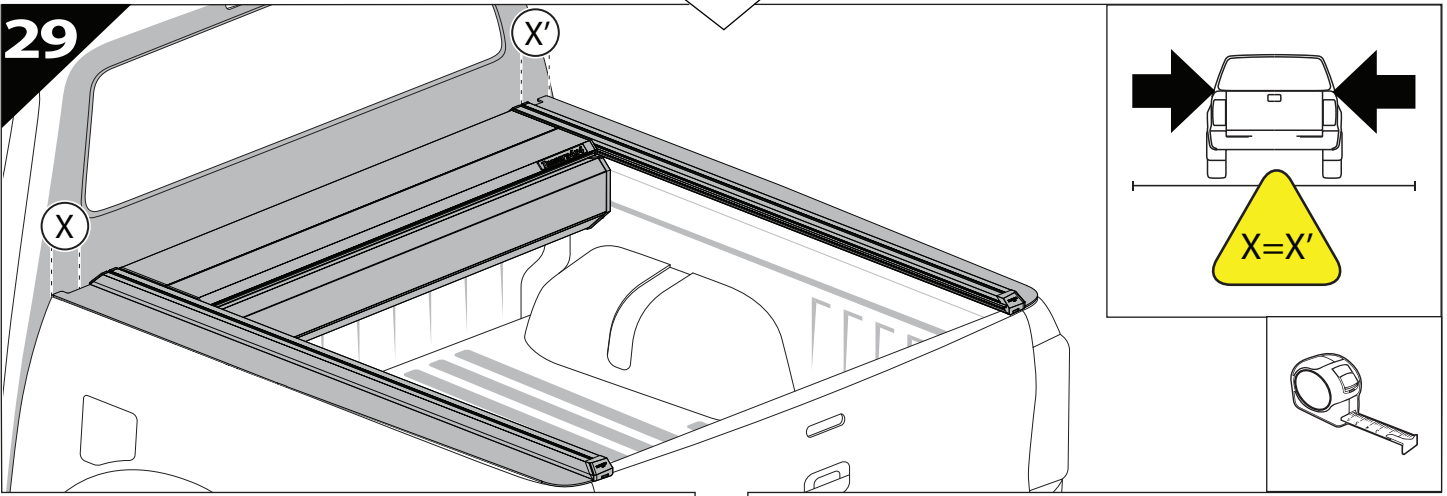




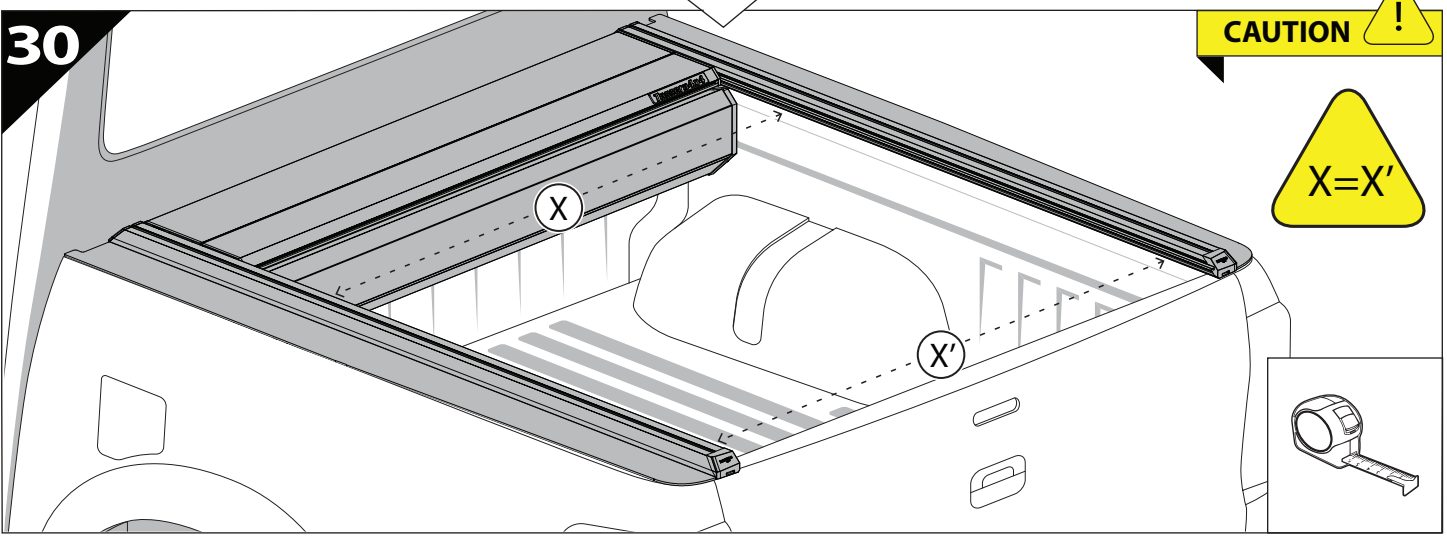
28



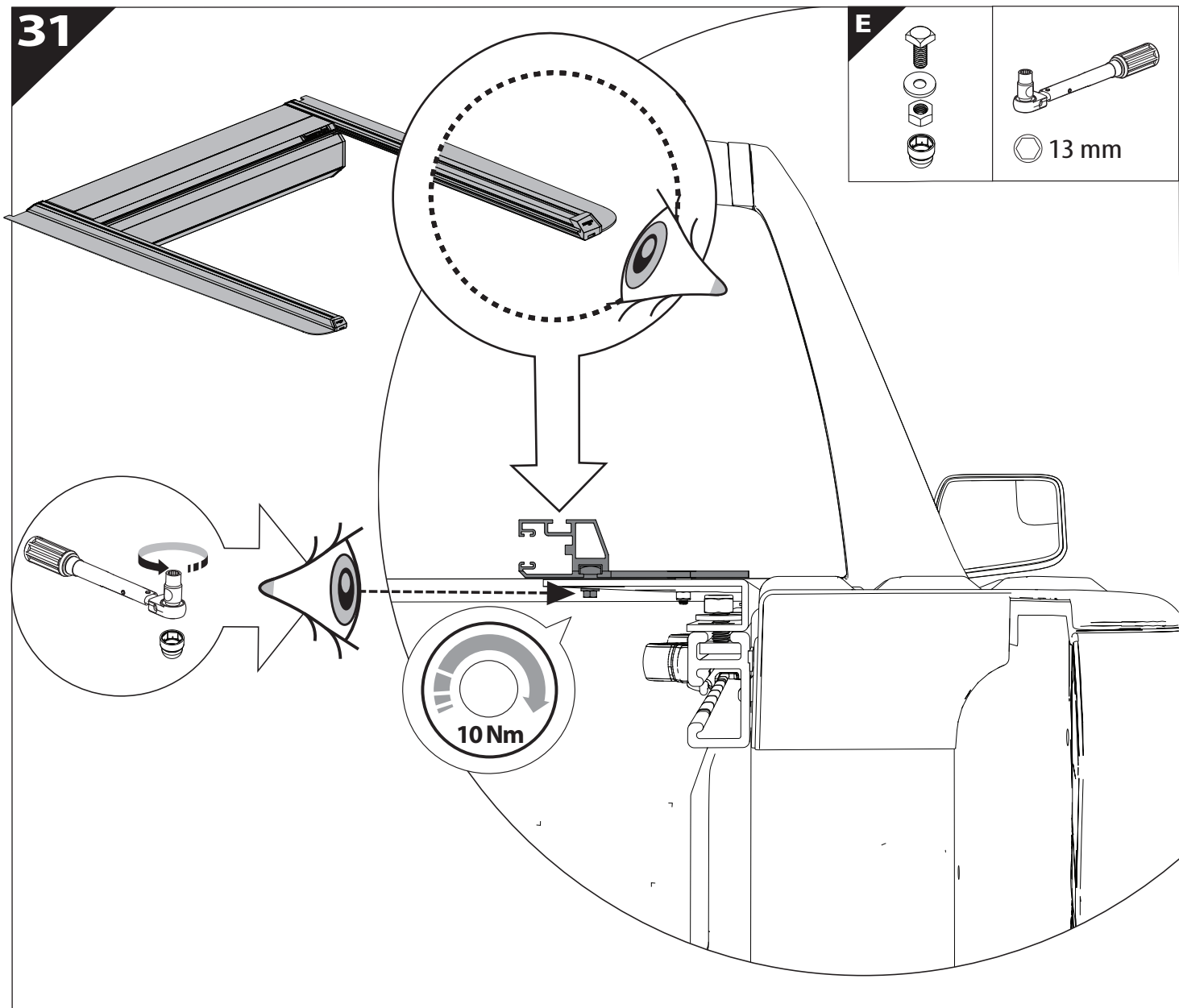
29

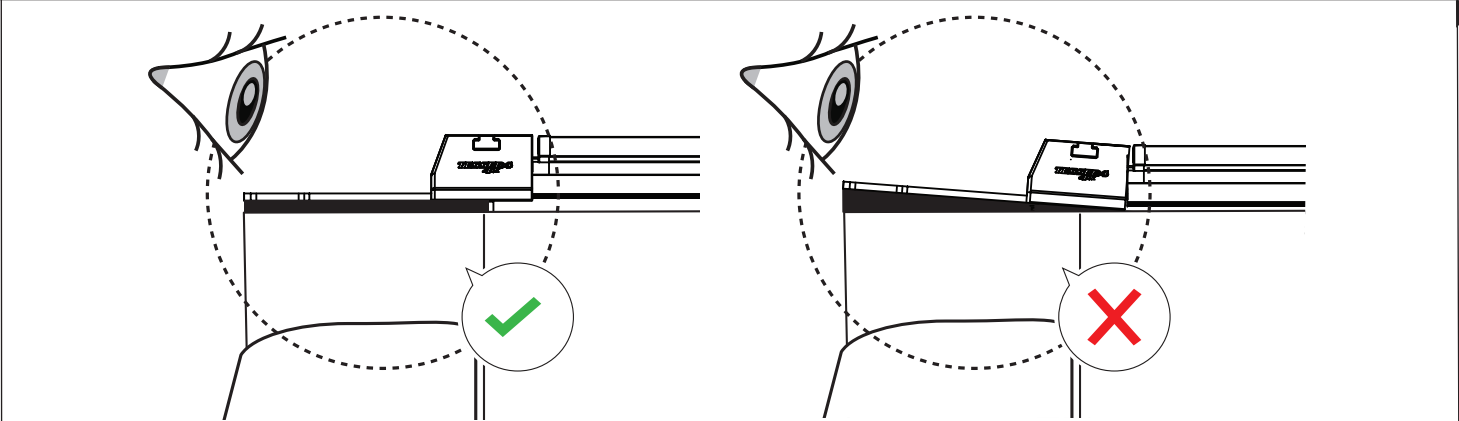
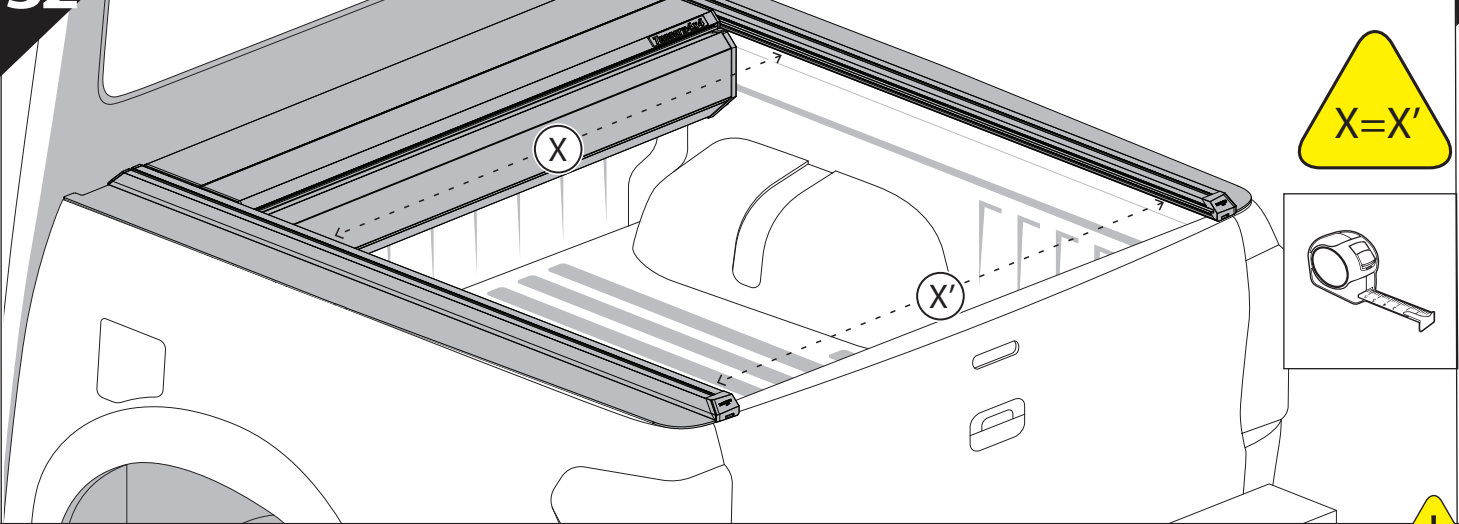


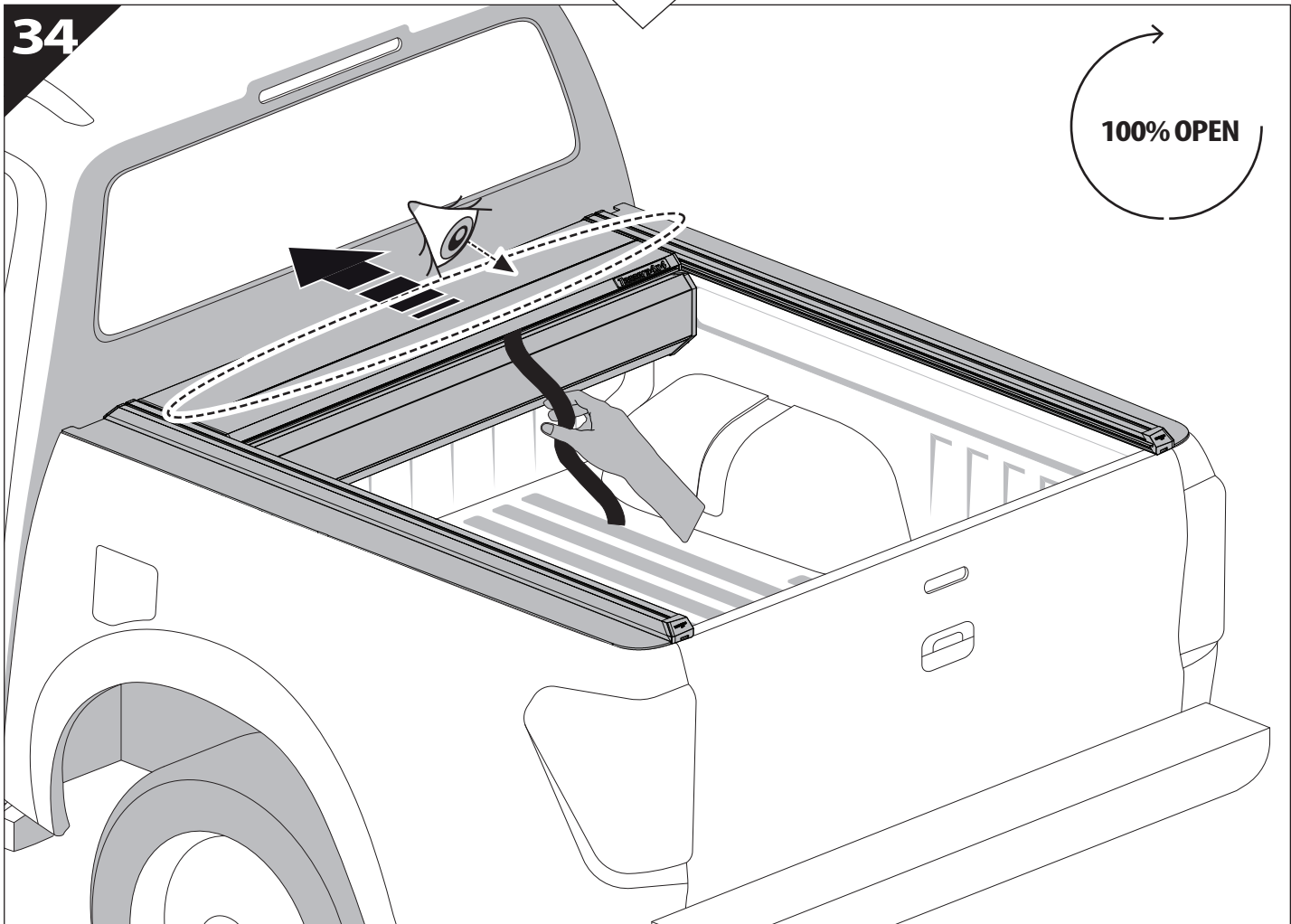
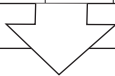
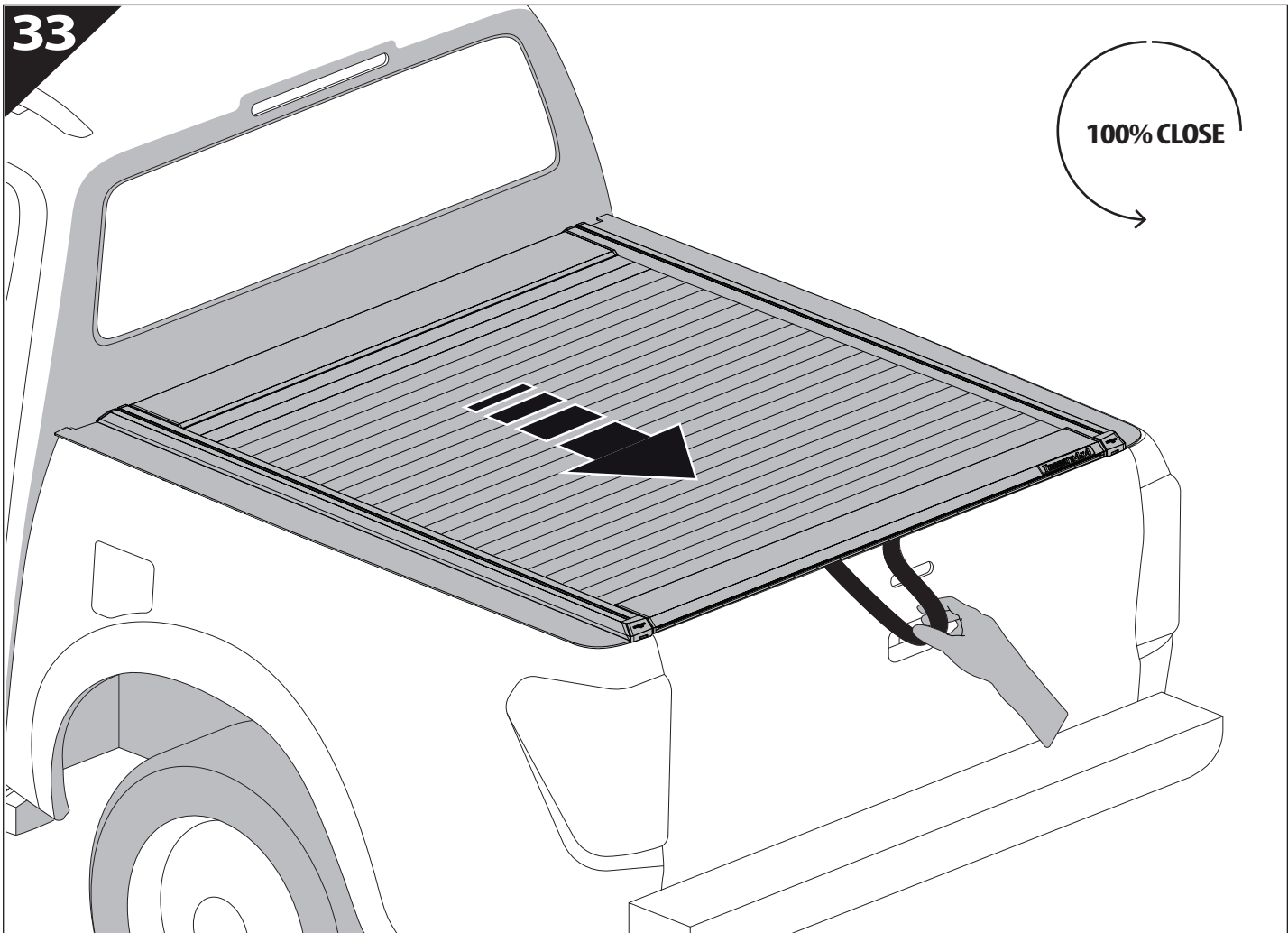
30



31











**GR:** Οδηγίες Εγκατάστασης  
**GB:** Installation manual  
**SF:** Asennusohje  
**F:** Notice de montage  
**PL:** Instrukcja montażu  
**NL:** Installatie-instructies  
**TR:** Montaj Talimatı  
**S:** Monteringsanvisning  
**E:** Instrucciones de montaje

**H:** Szerelési utasítás  
**P:** Instruções de instalação  
**RUS:** Инструкция по установке  
**N:** Monteringsveiledning  
**D:** Einbauanleitung  
**CZ:** Návod k instalaci  
**I:** Istruzioni de montaggio  
**DK:** Monteringsvejledning  
**RO:** Instructiuni de instalare

Customer Service:

+30 (210) 5541161, +30 (210) 5541154 (08:00 - 16:00 EET)

Support department:

[info@gianso.gr](mailto:info@gianso.gr)

Website:

[www.tessera4x4.com](http://www.tessera4x4.com)

Address:

19.5 km of National road Athens-Korinthos (Elefsina) Greece, P.C: 19240