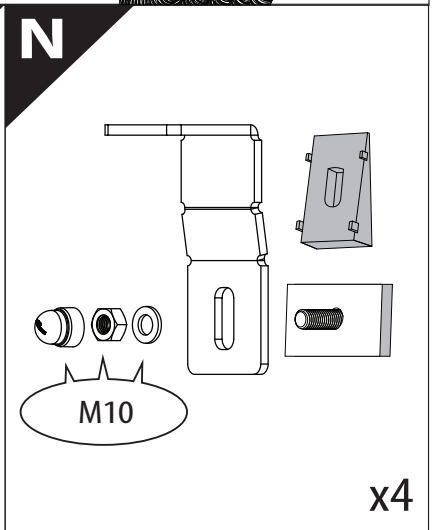
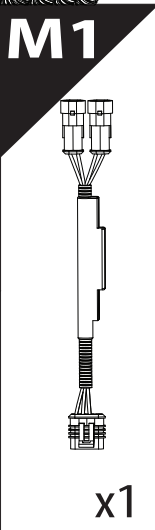
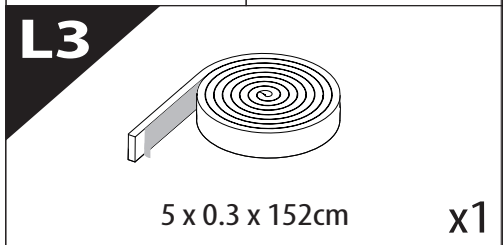
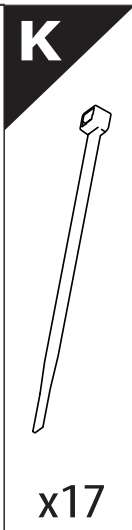
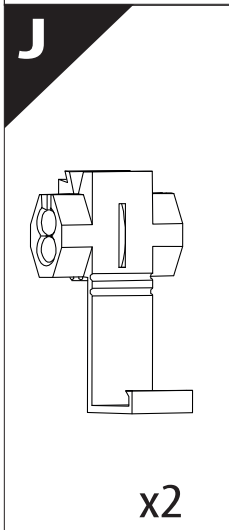
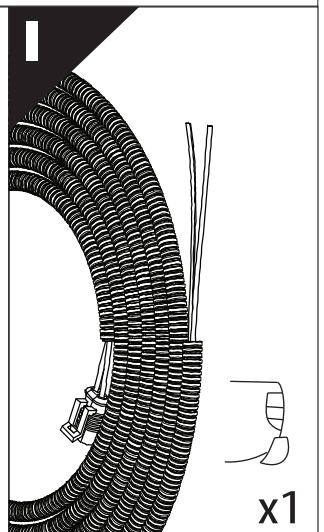
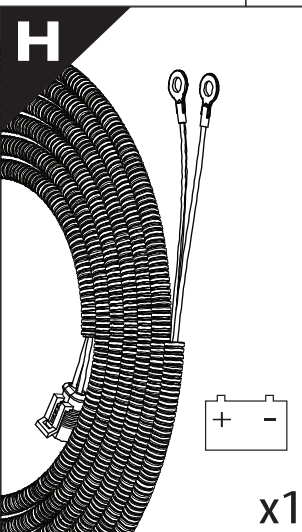
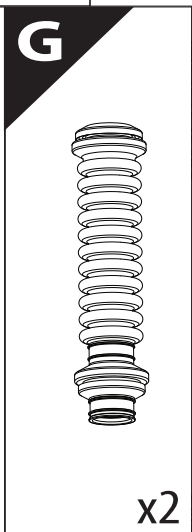
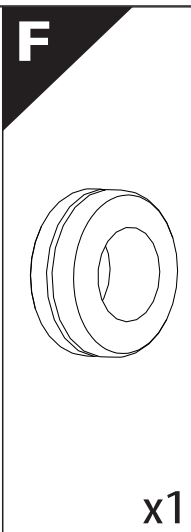
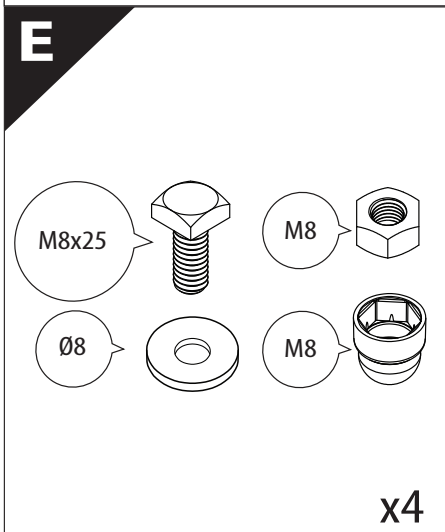
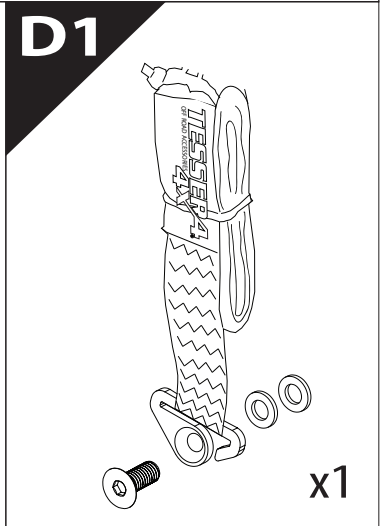
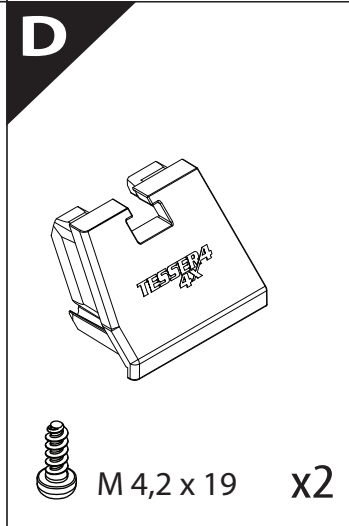
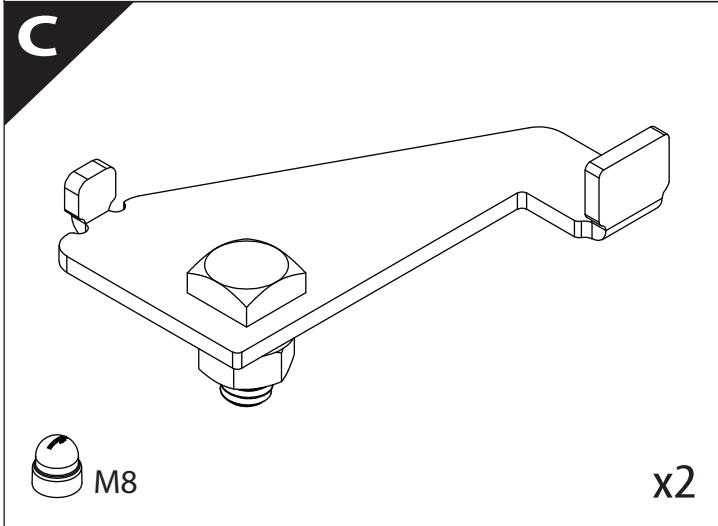
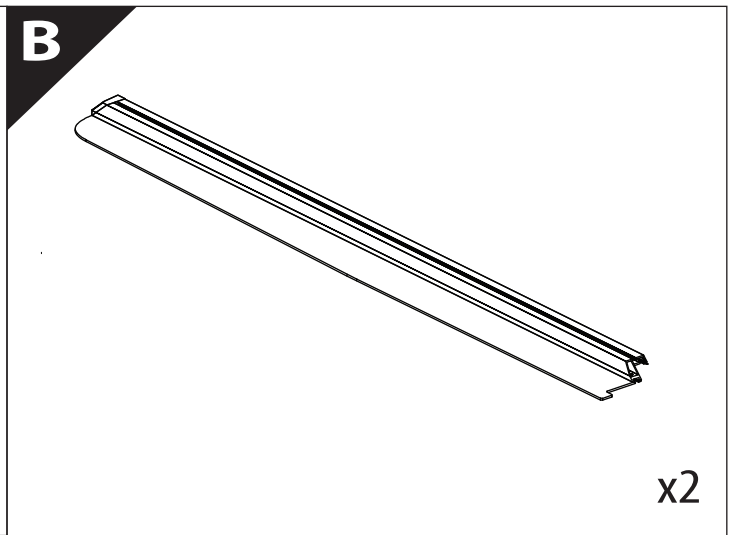
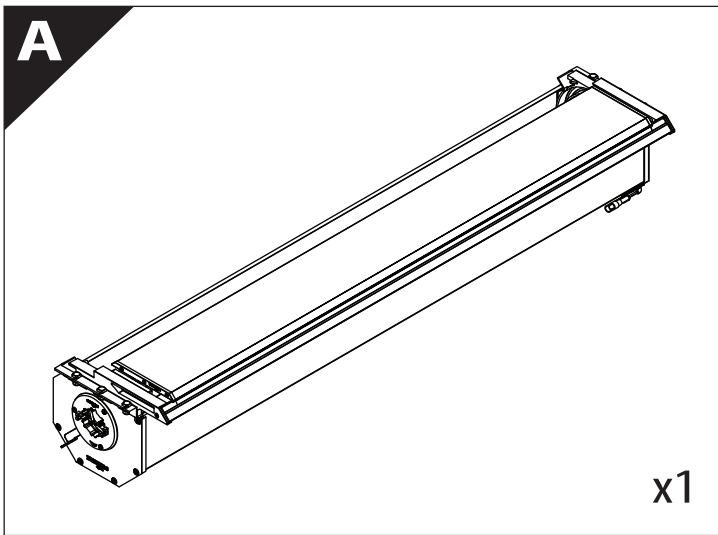


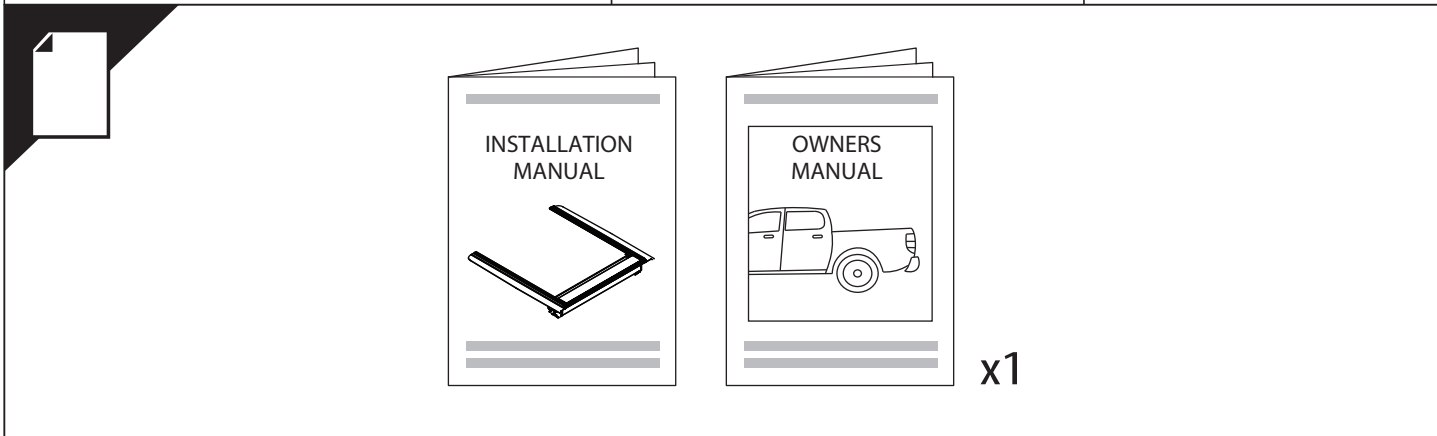
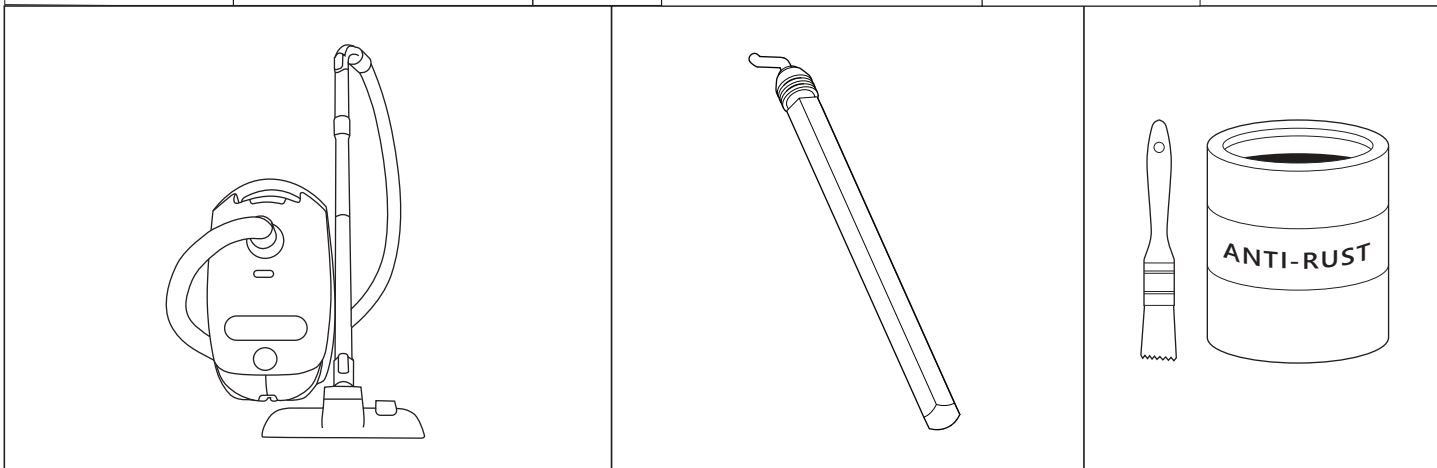
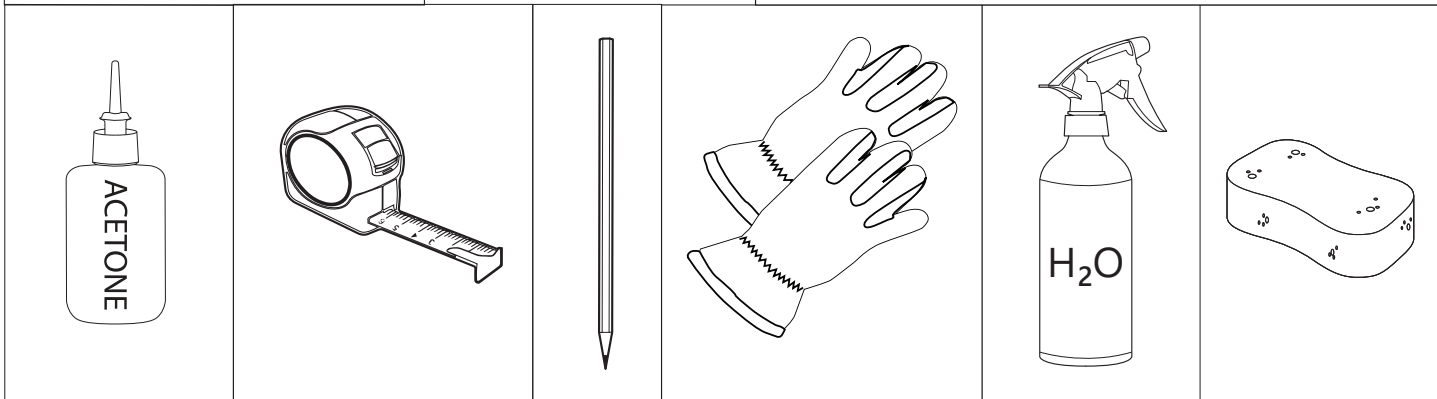
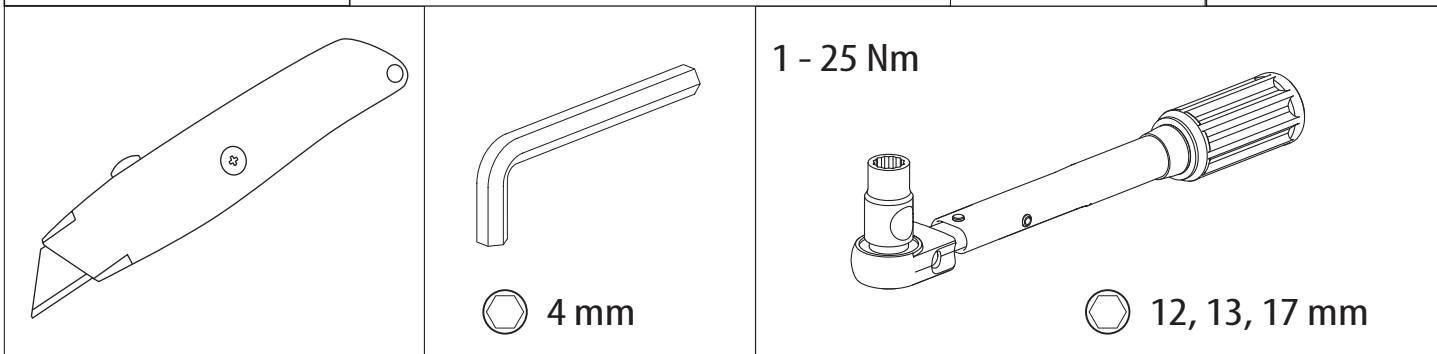
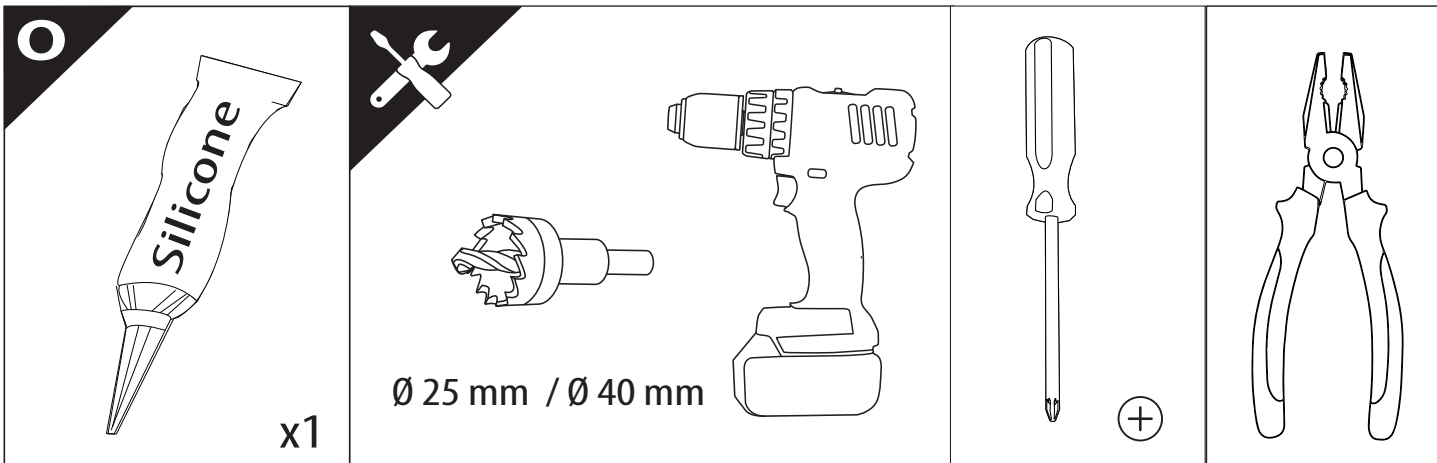


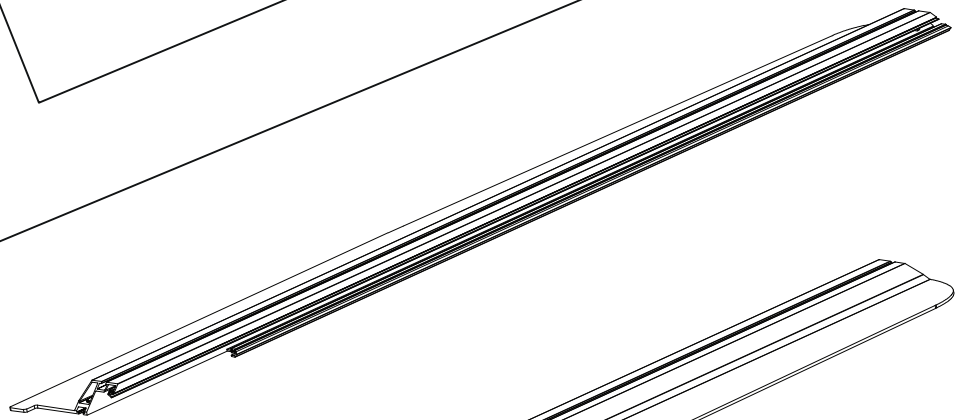
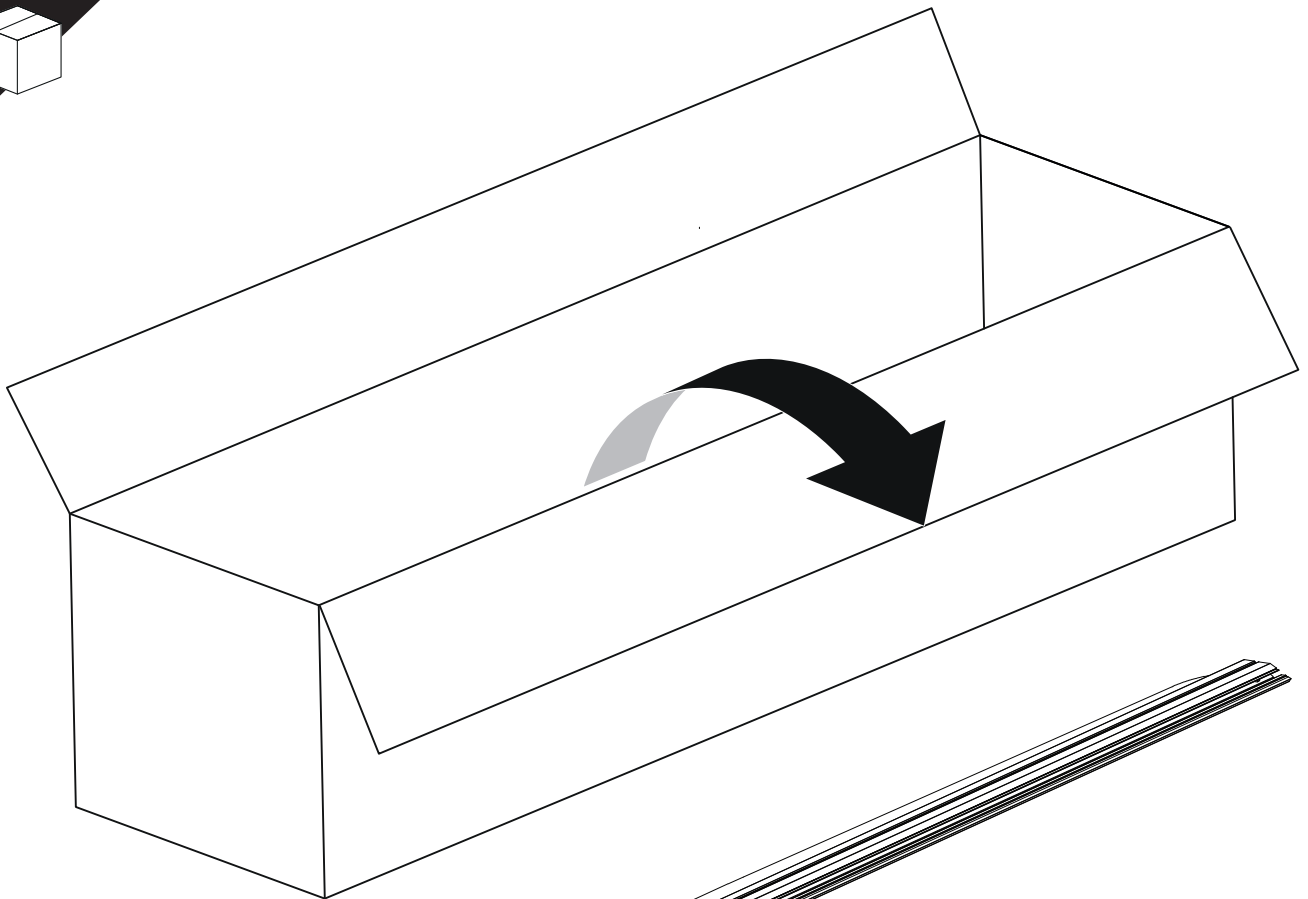
## Installation Manual

<b>PART NUMBER(S)</b>	<b>Model Year</b>
<b>TESS 1420 ROLL</b>	<b>Renault Alaskan</b>
<b>Cab(s)</b>	<b>Installation Time / Weight</b>
<b>Double Cab</b>	<b>40-60 minutes / 53-57 kg</b>

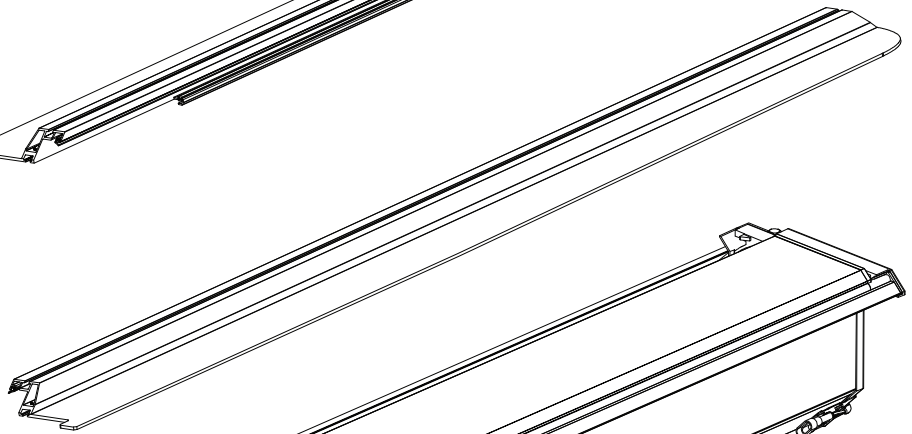




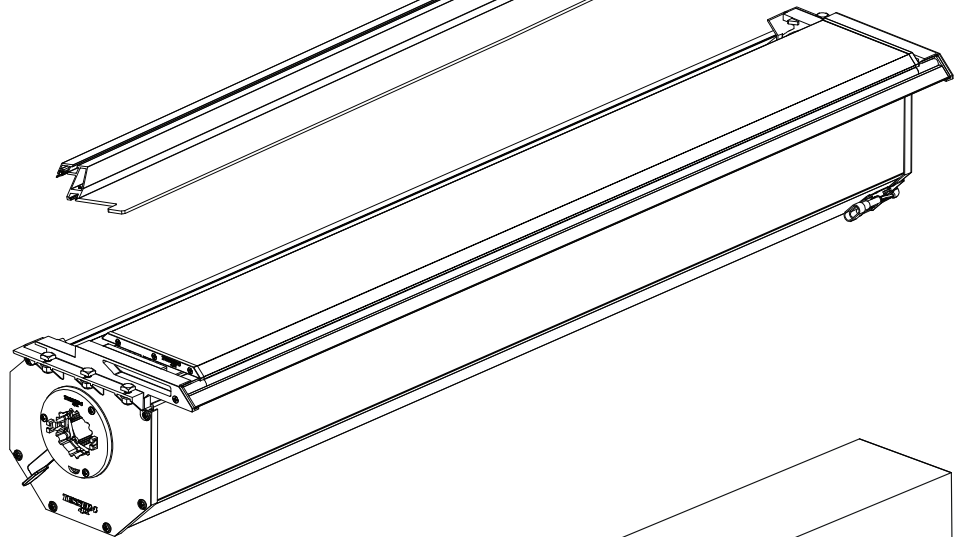




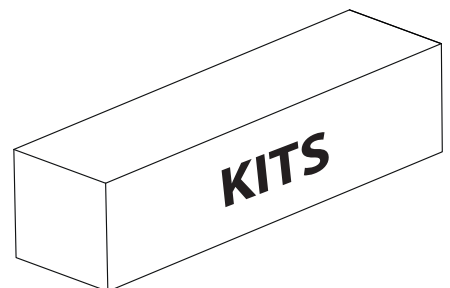
**B**



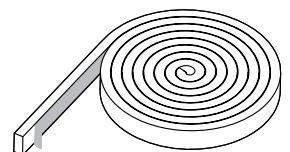
**A**

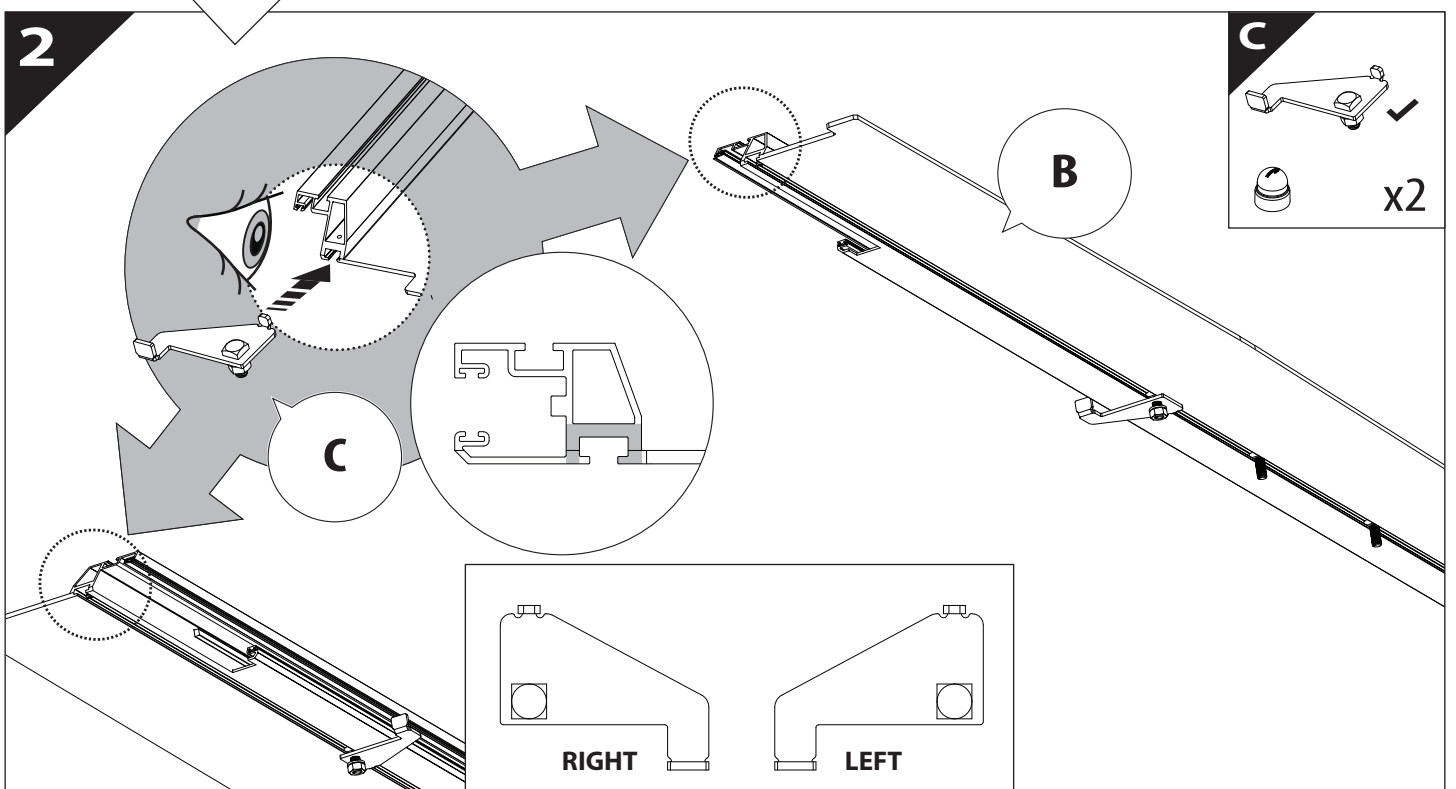
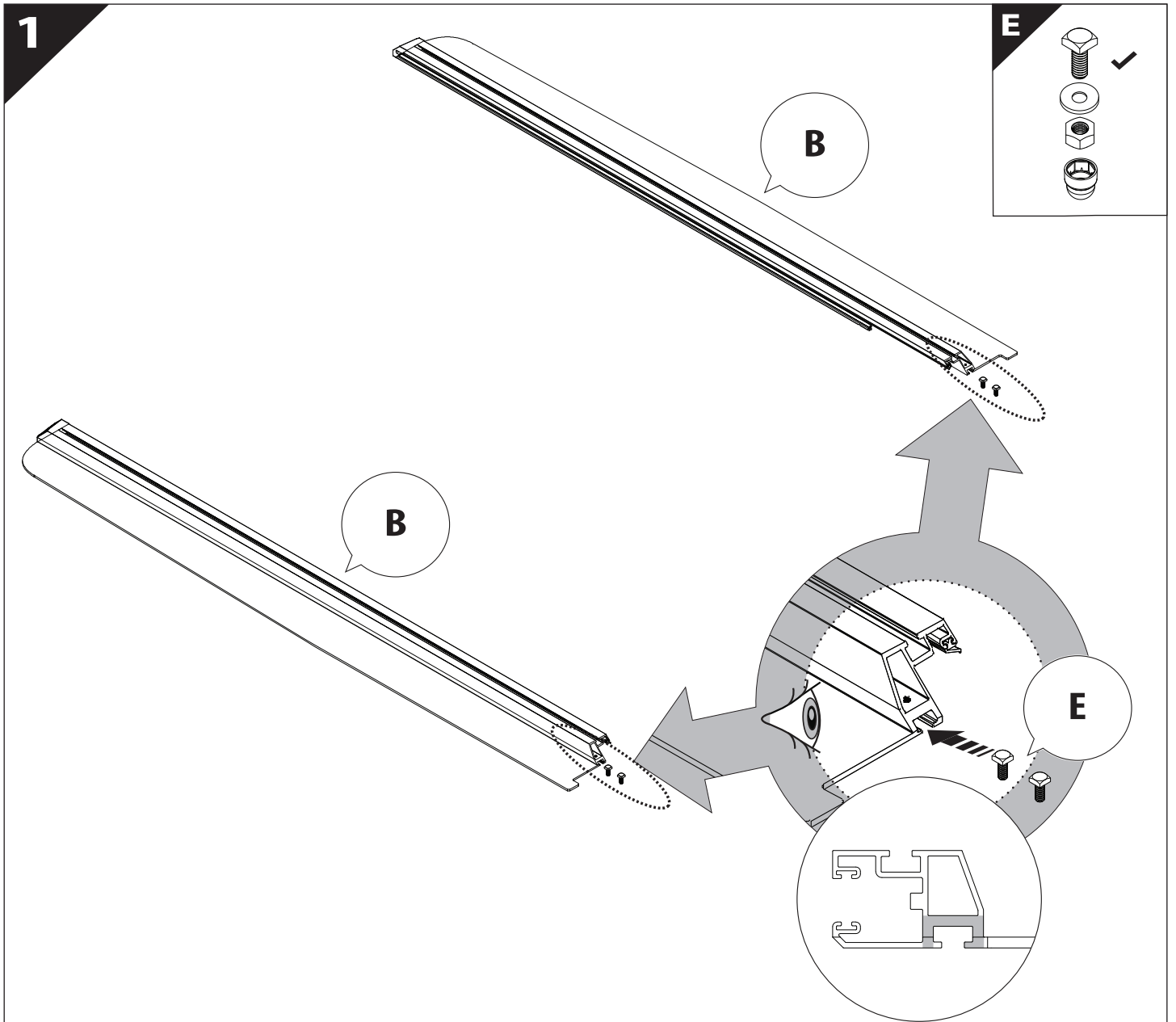


**KITS**

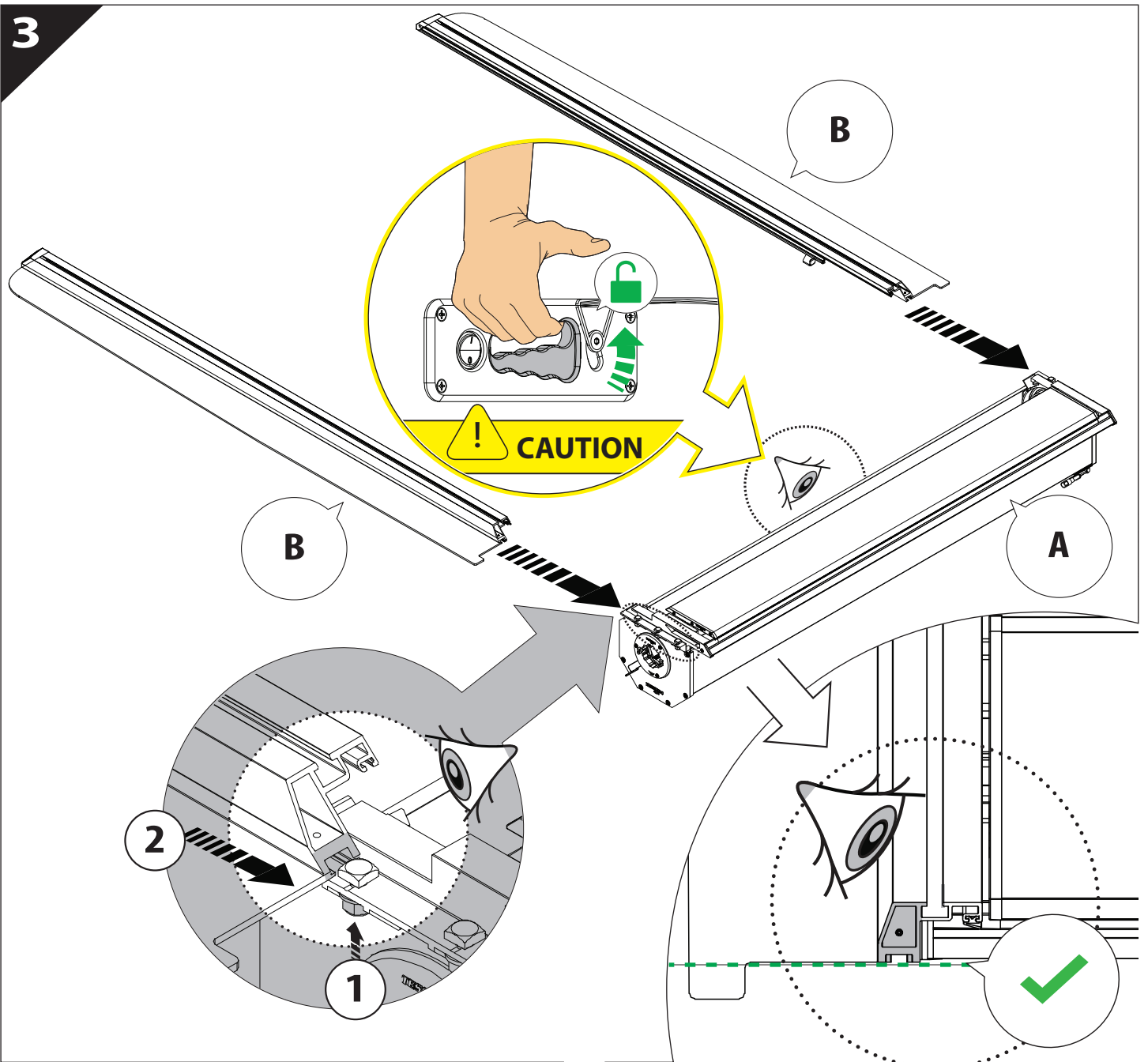


**L**

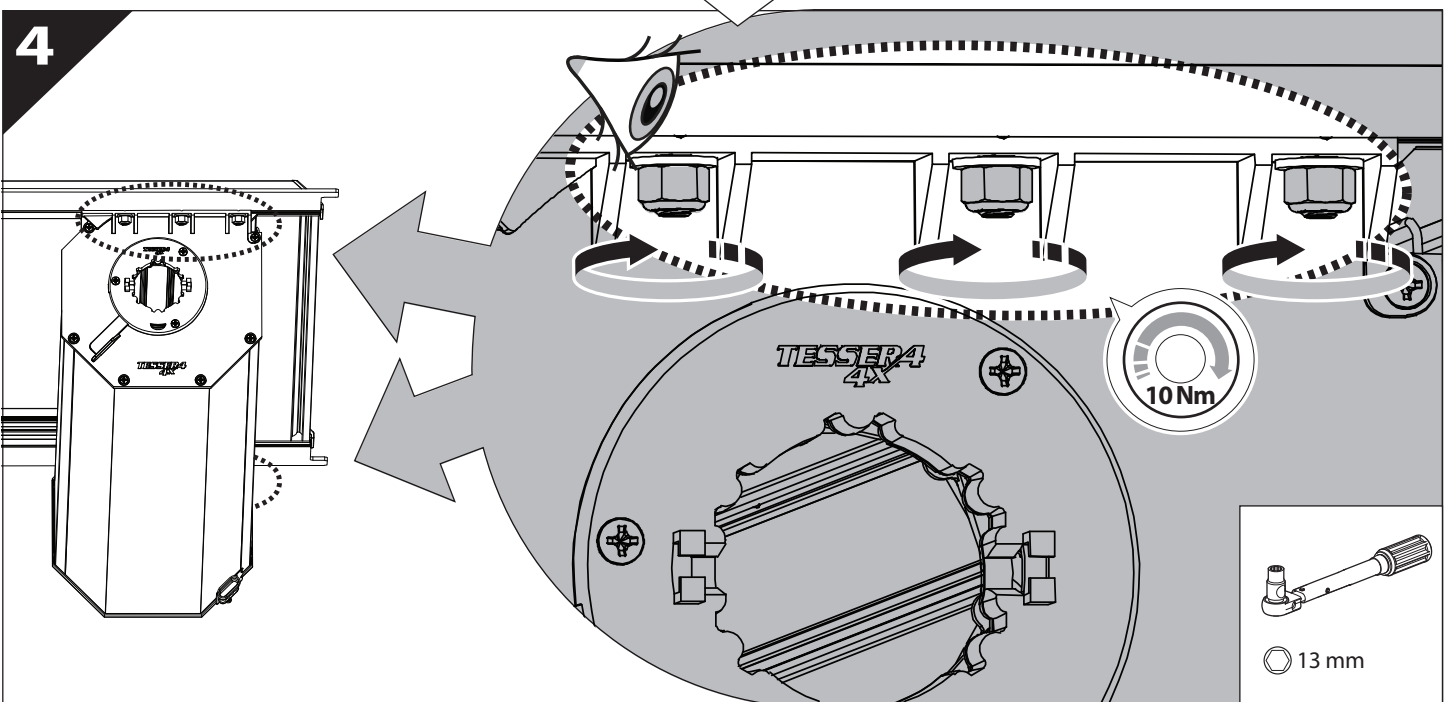


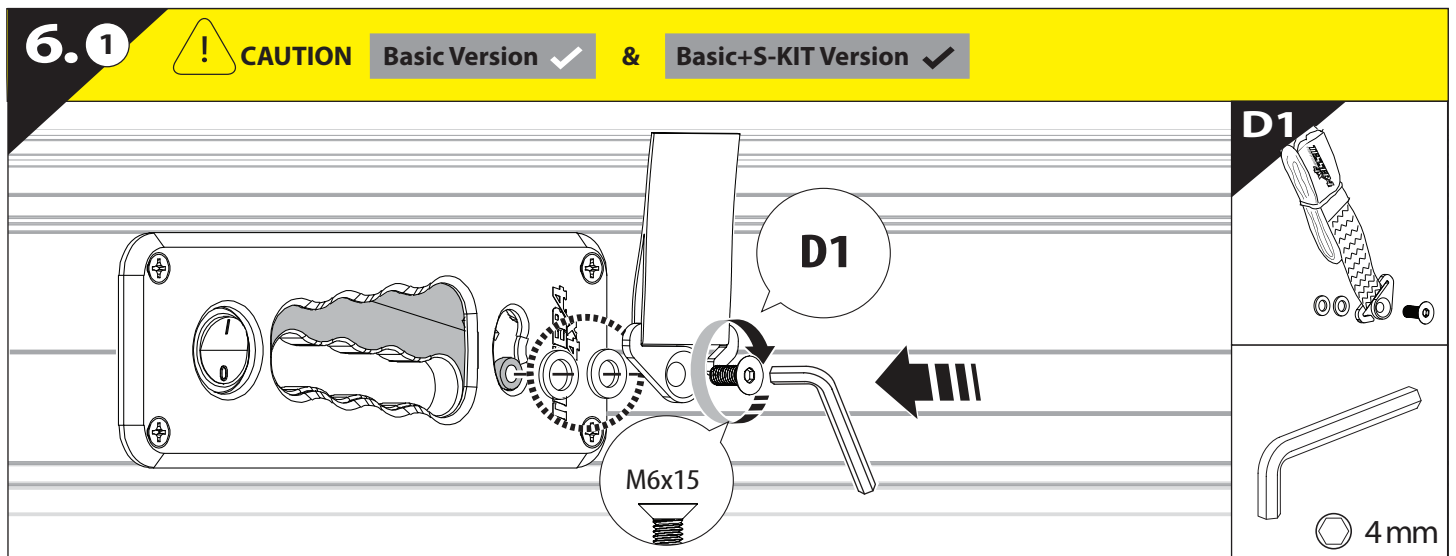
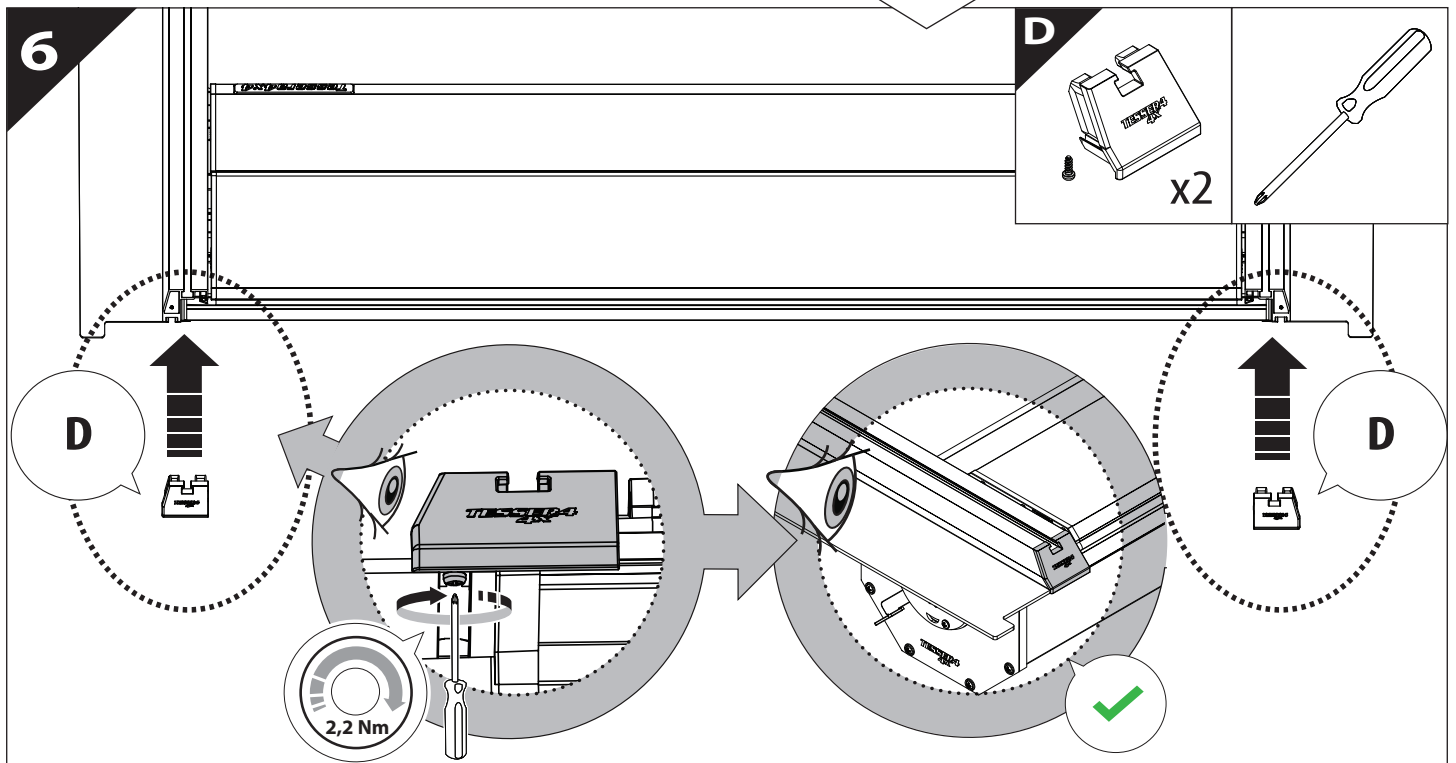
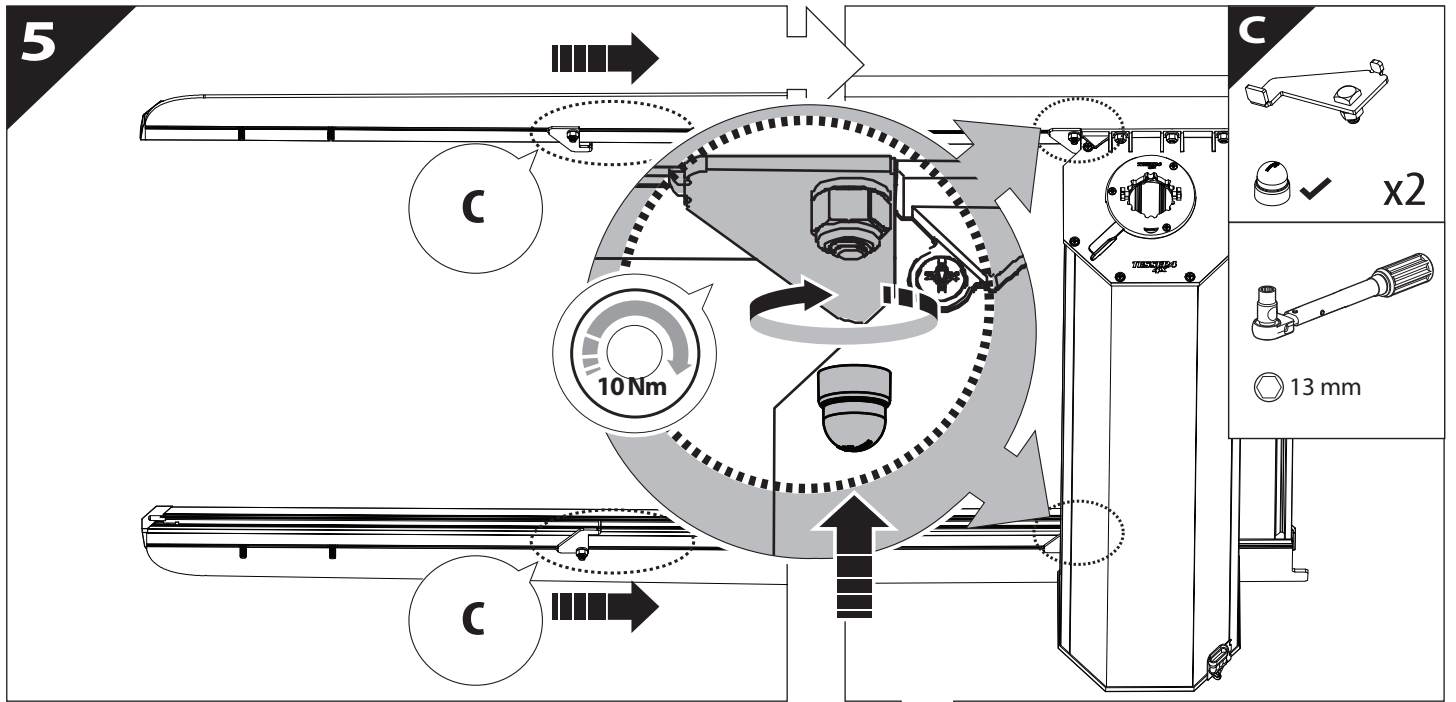


3

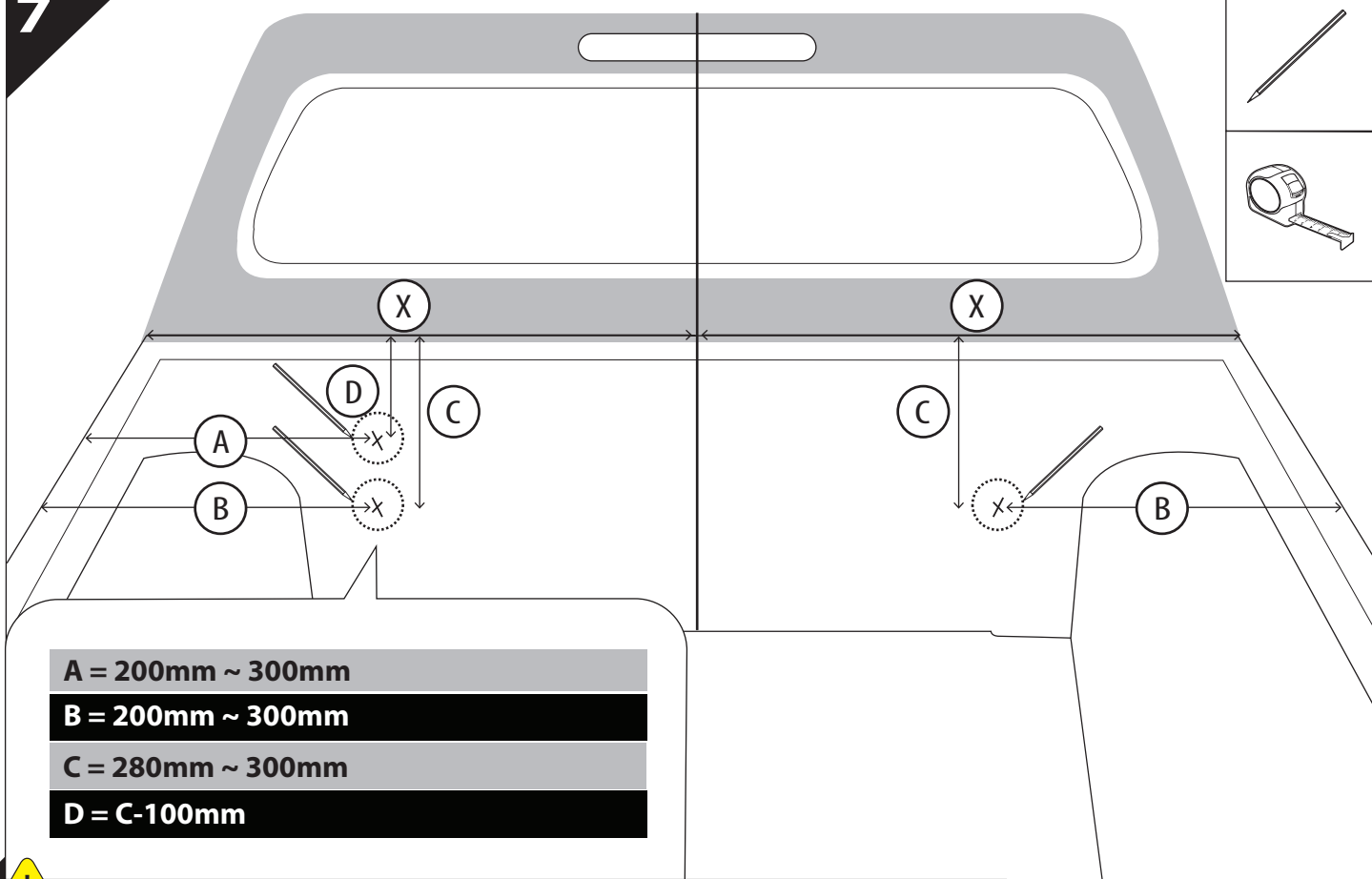
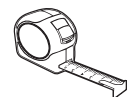


4



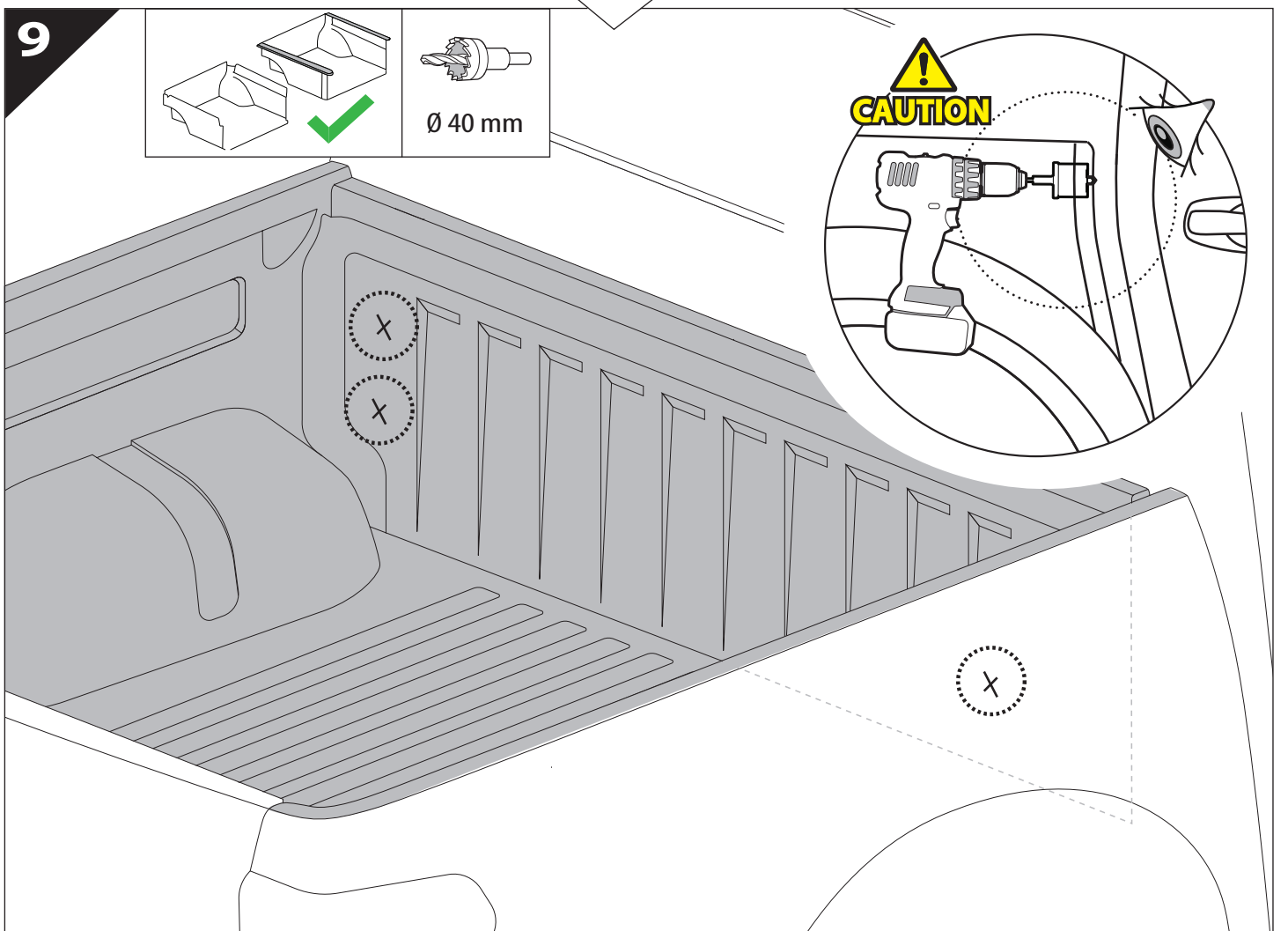
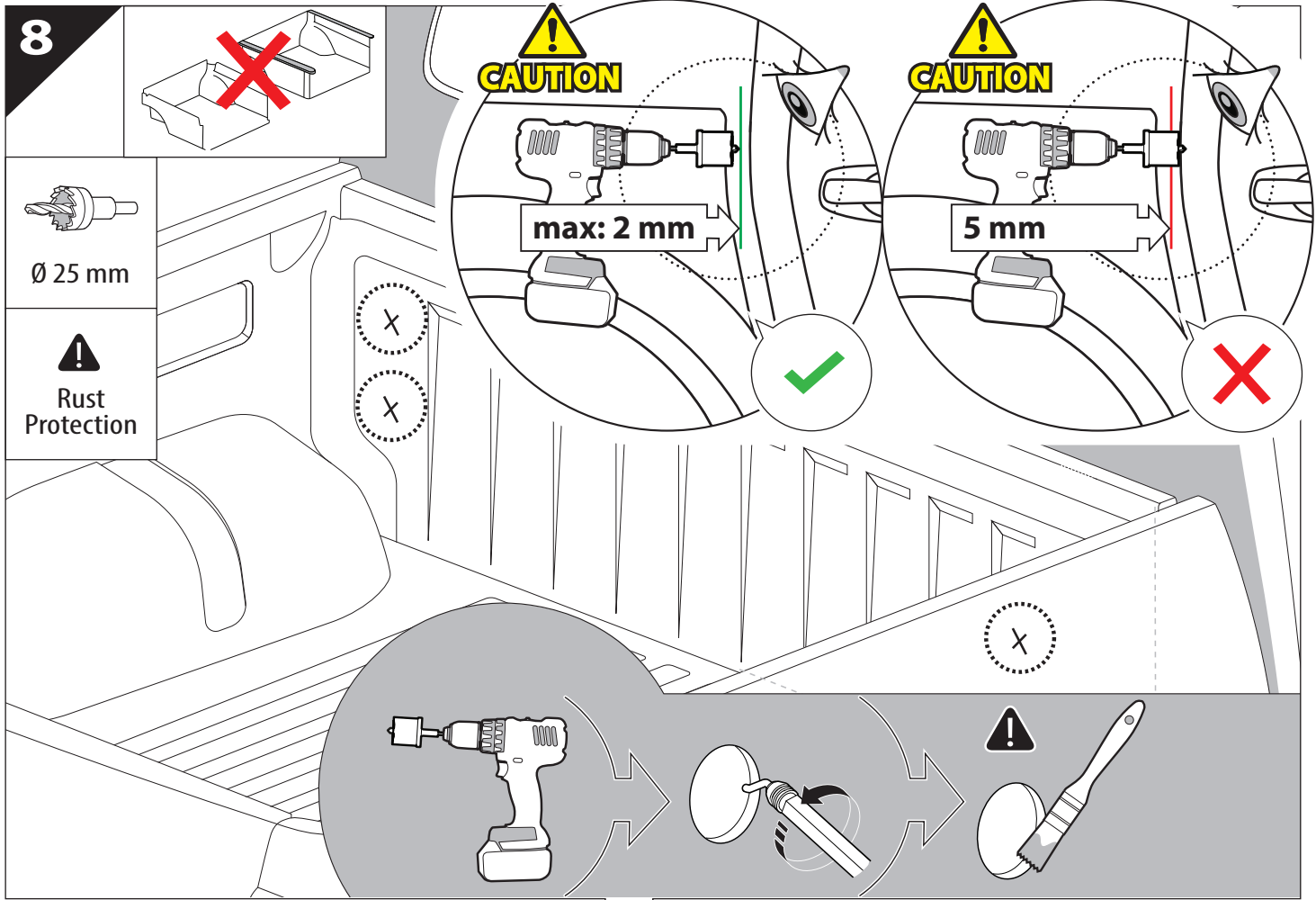


7

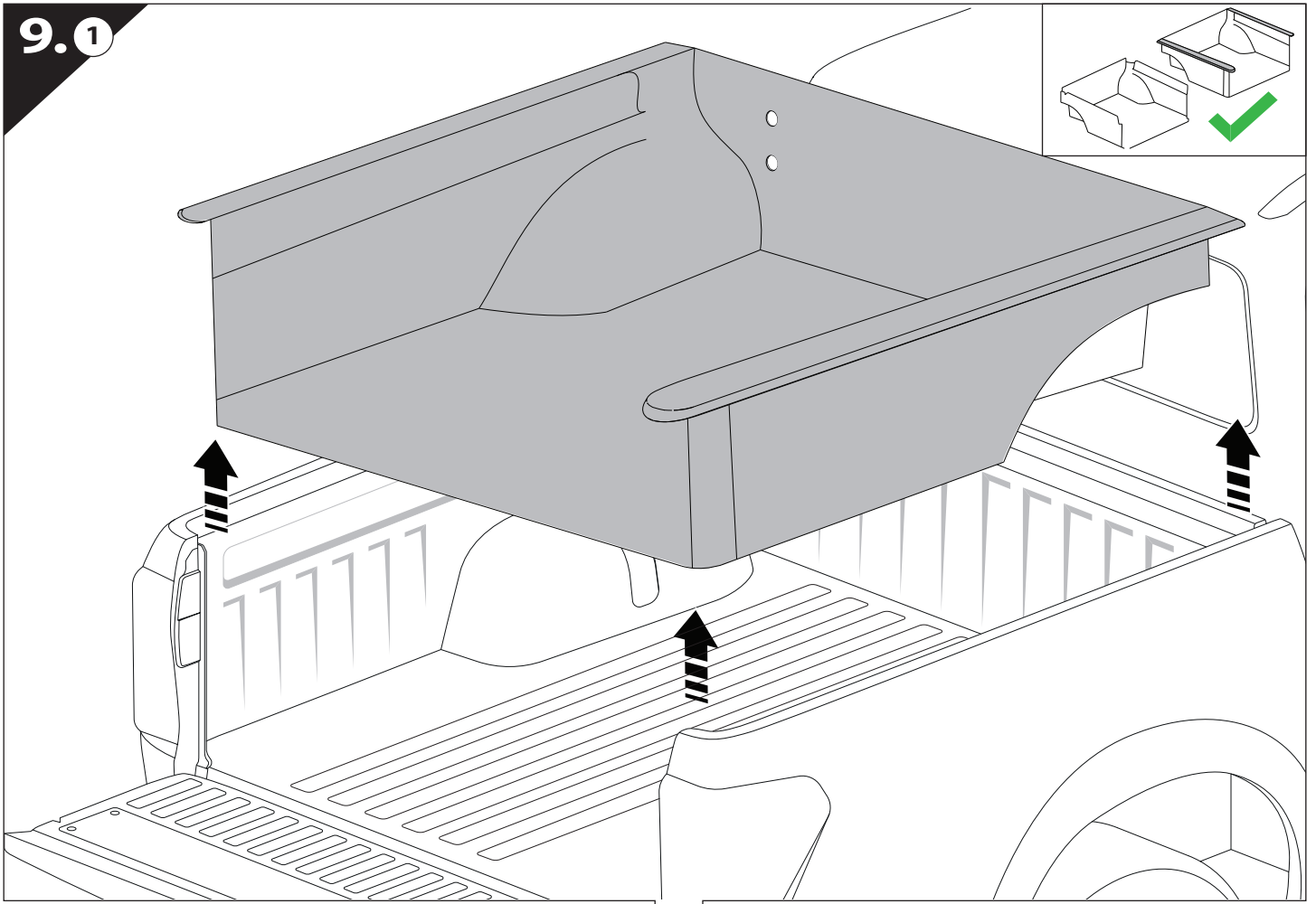


**A = 200mm ~ 300mm**  
**B = 200mm ~ 300mm**  
**C = 280mm ~ 300mm**  
**D = C-100mm**

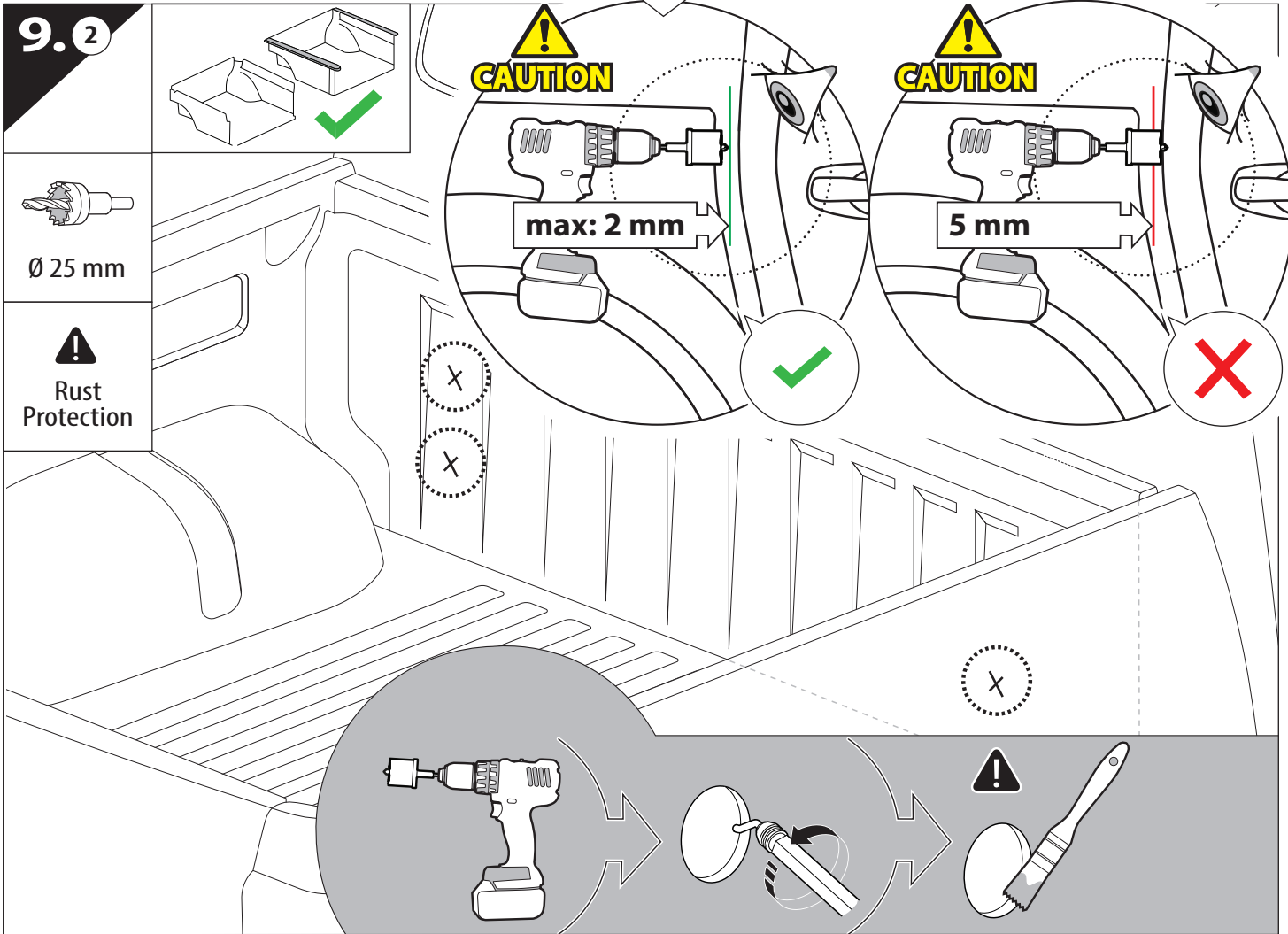
**! TRY TO FIND FREE & STRAIGHT SPOTS IN THESE DIMENSIONS ACCORDINGLY**

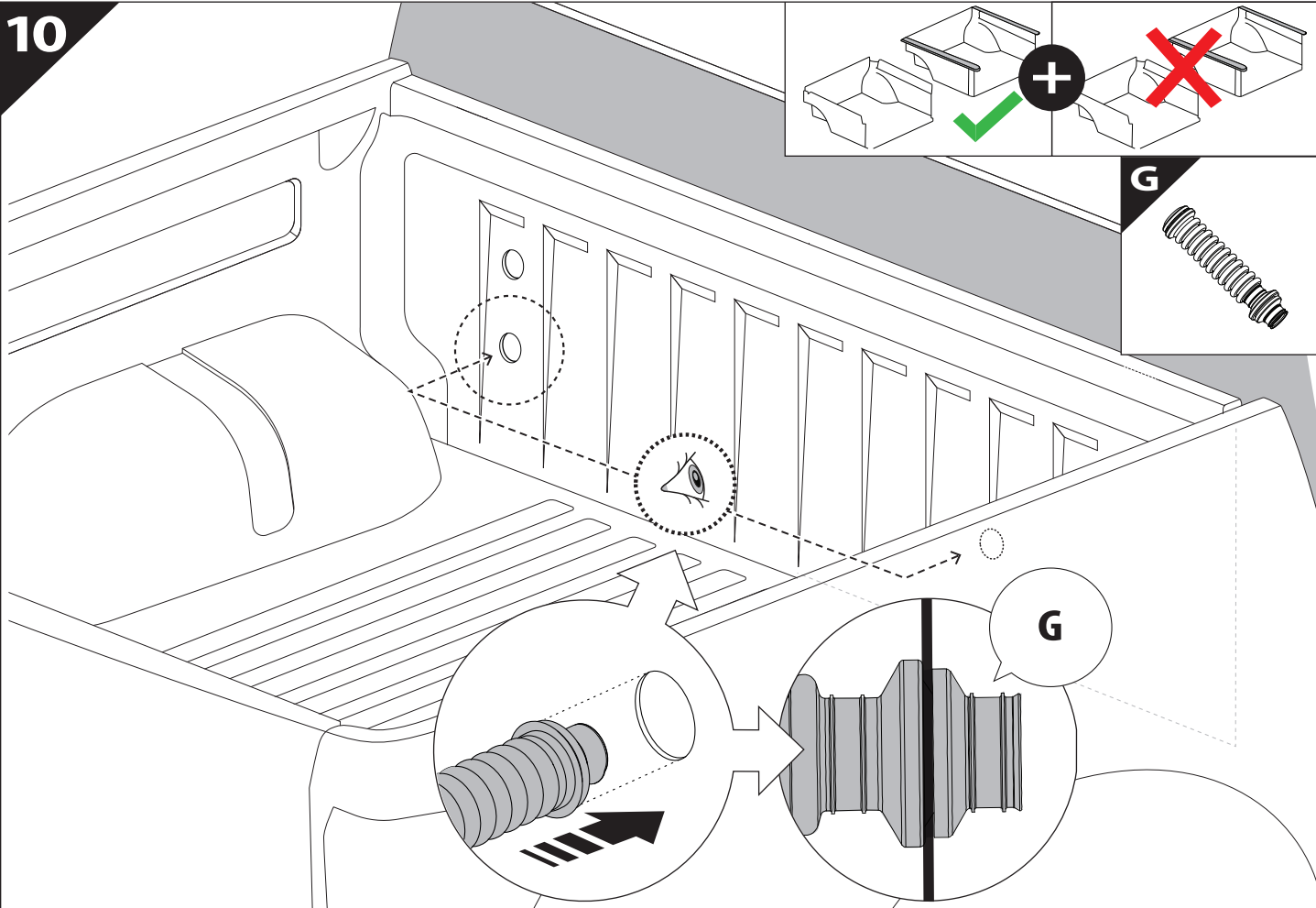


9.1

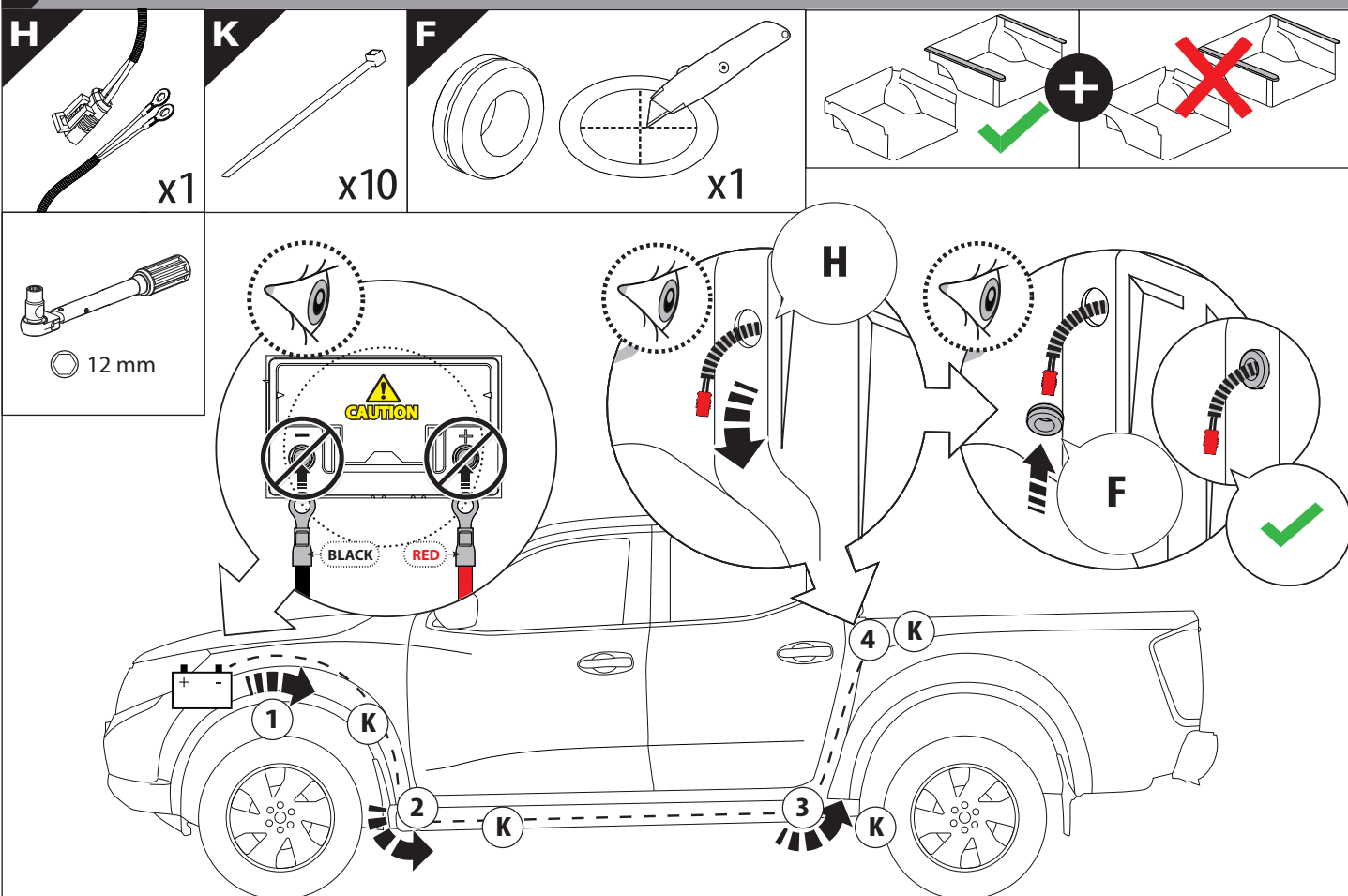


9.2

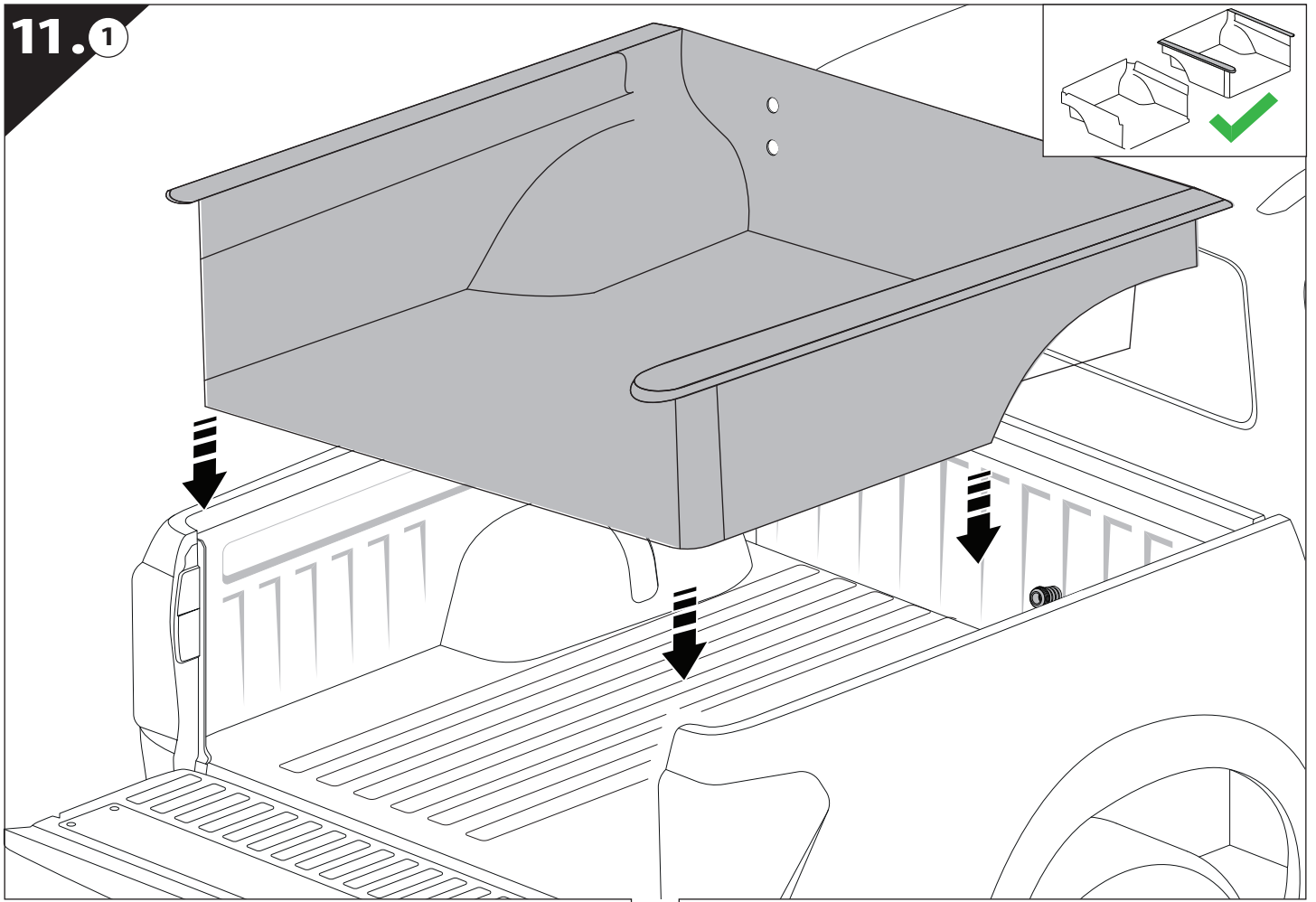




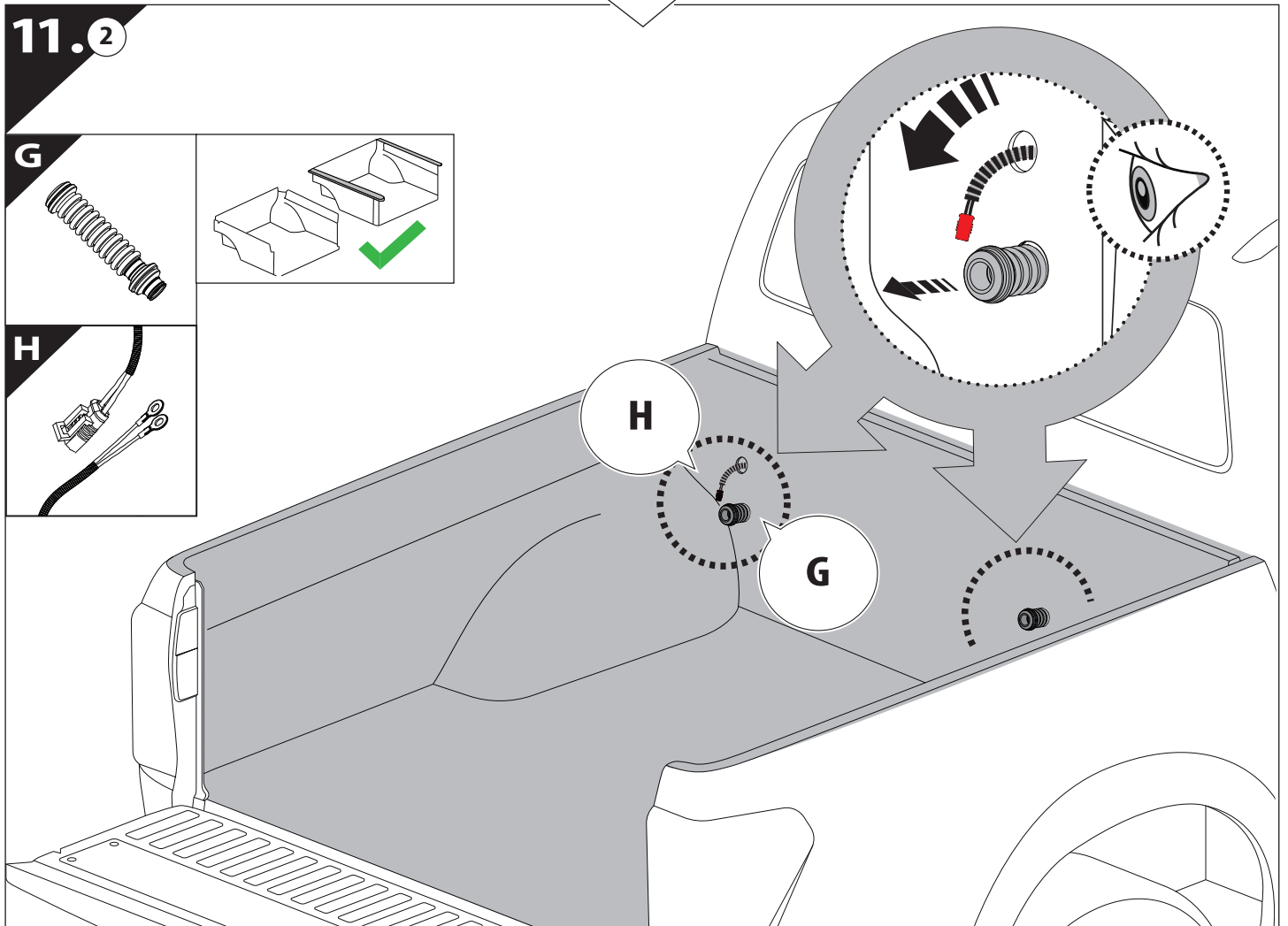
**11** Only to be installed by authorized personnel

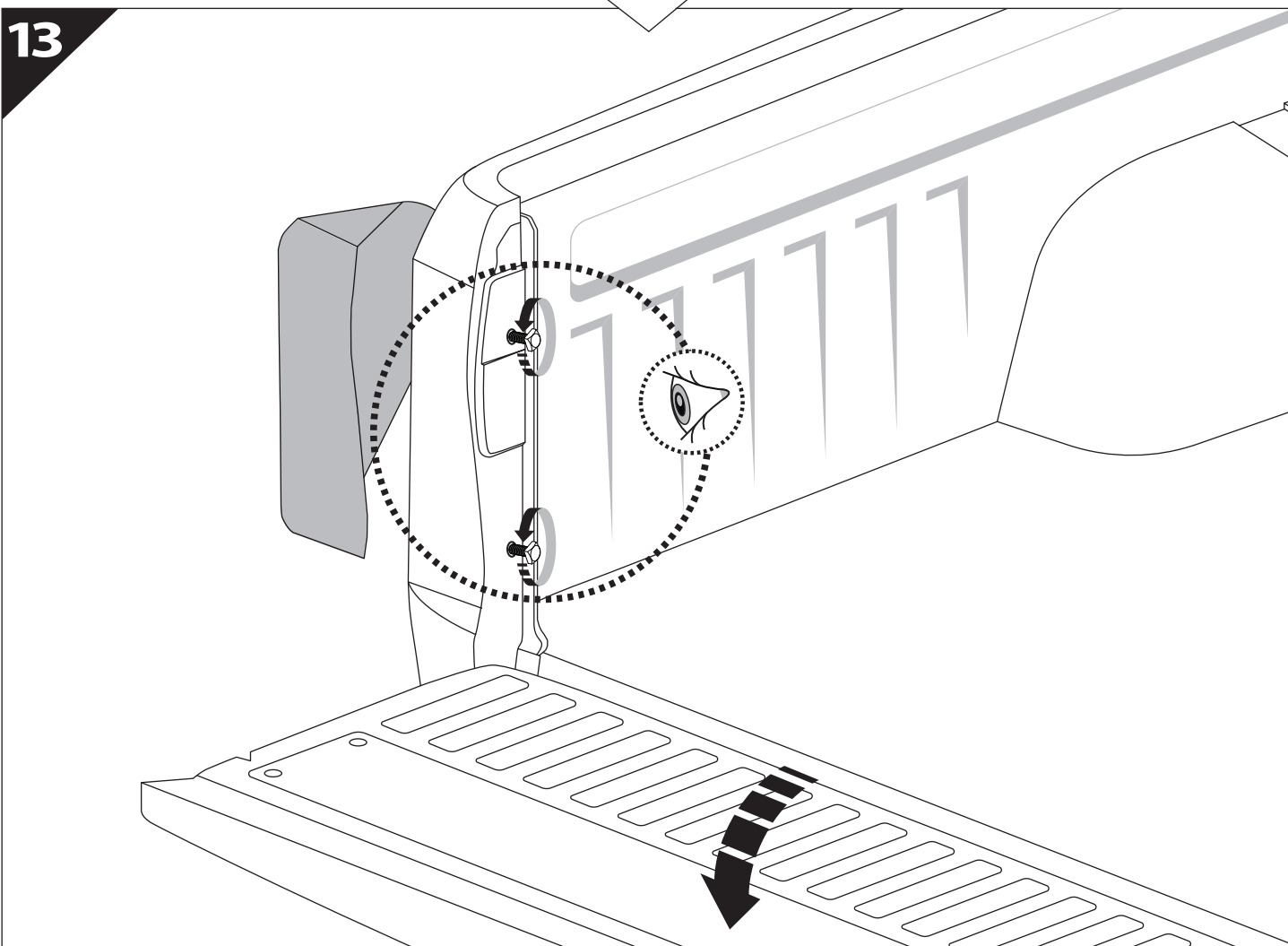
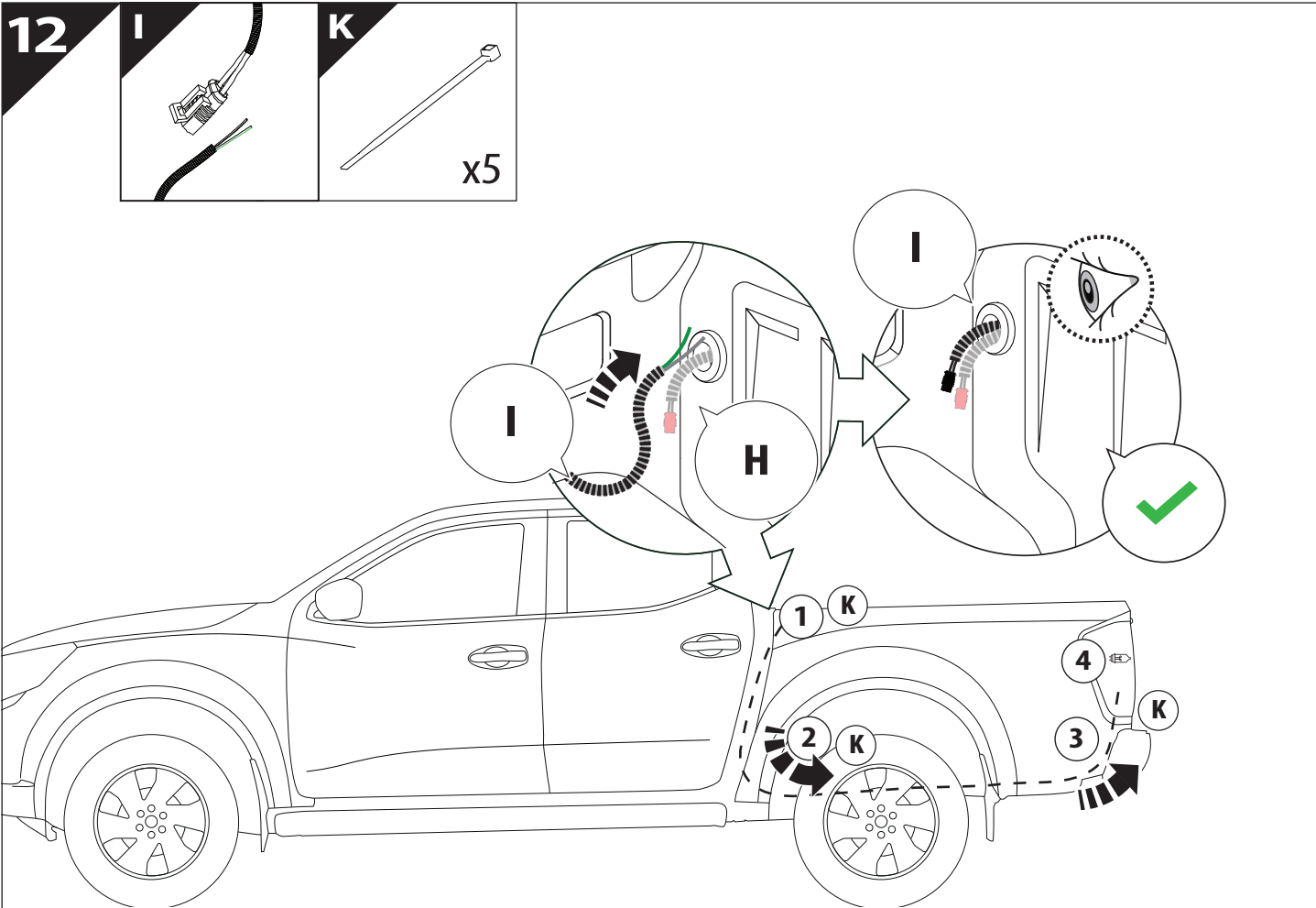


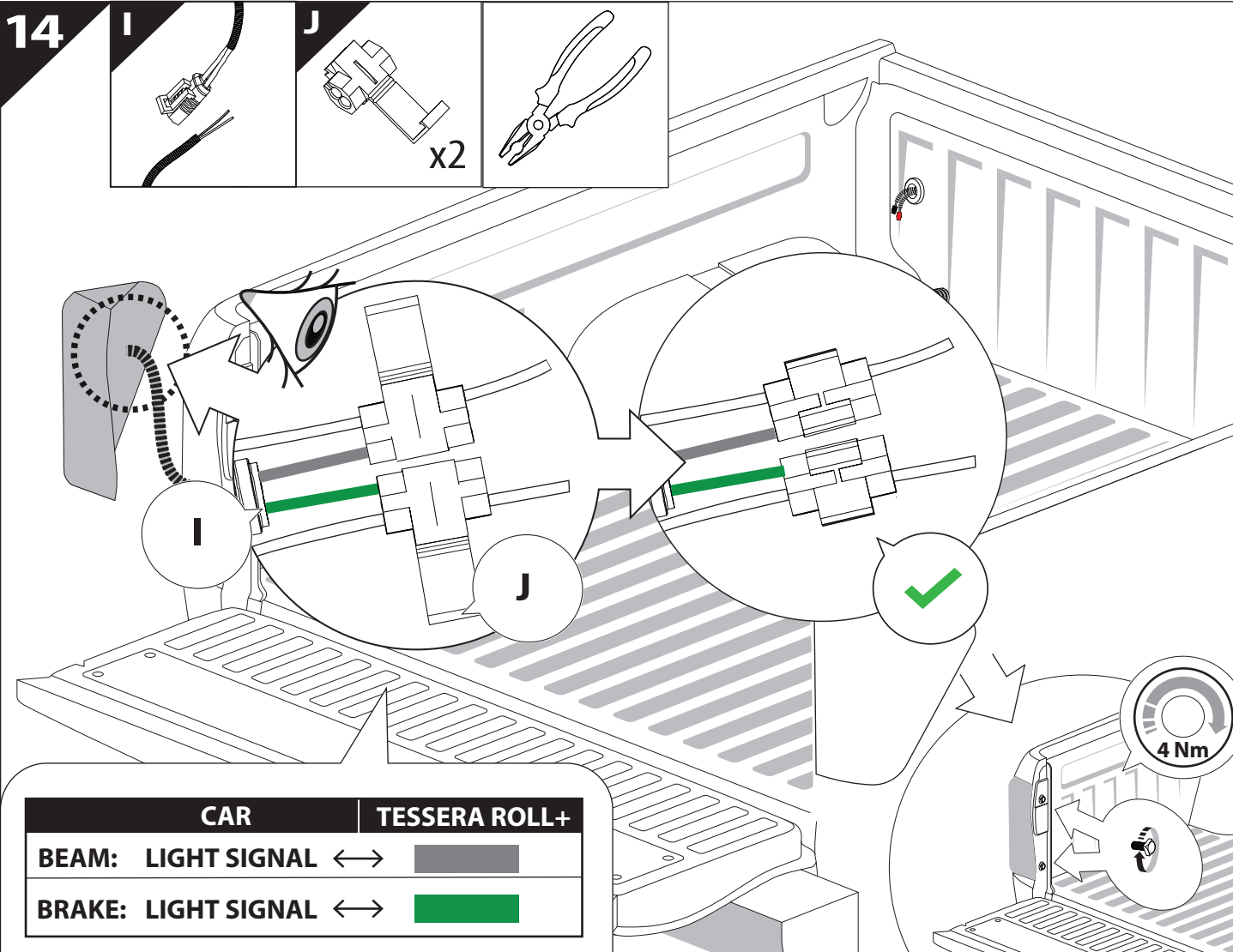
11.1



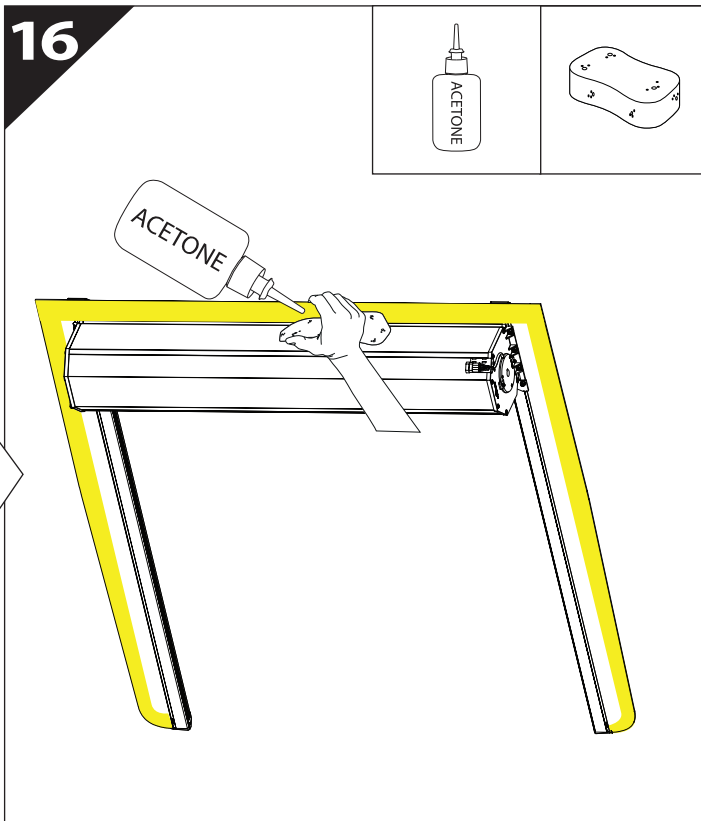
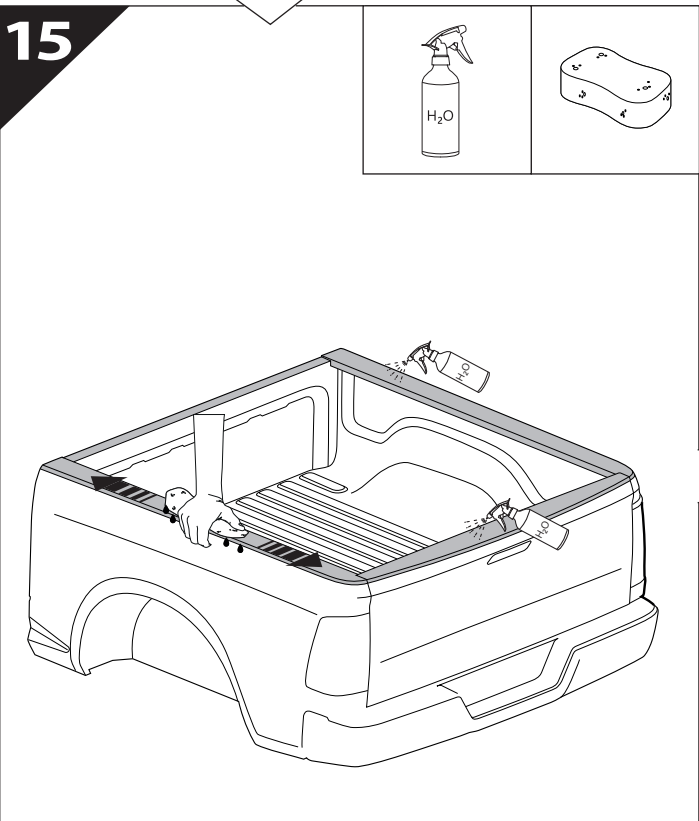
11.2





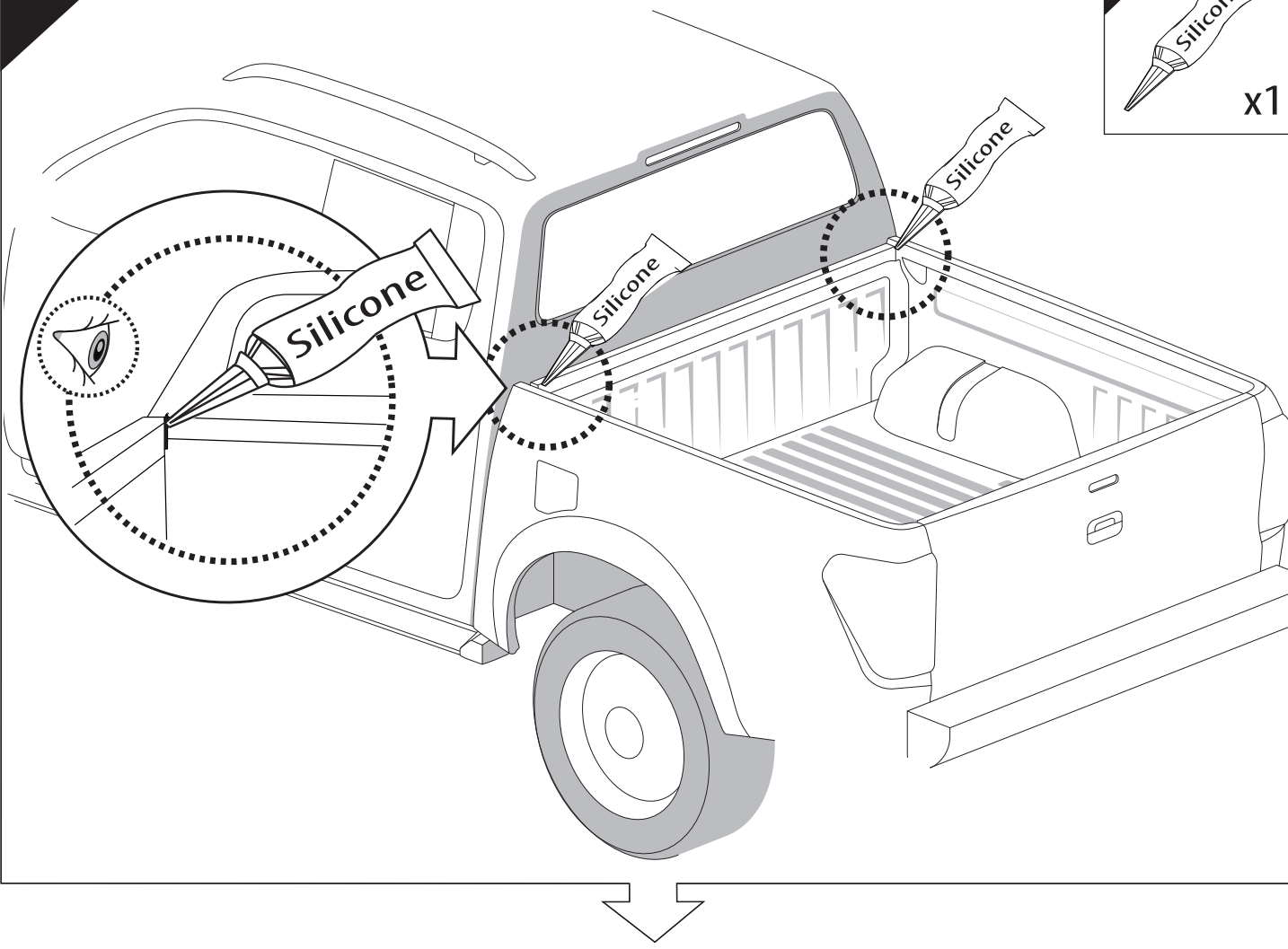


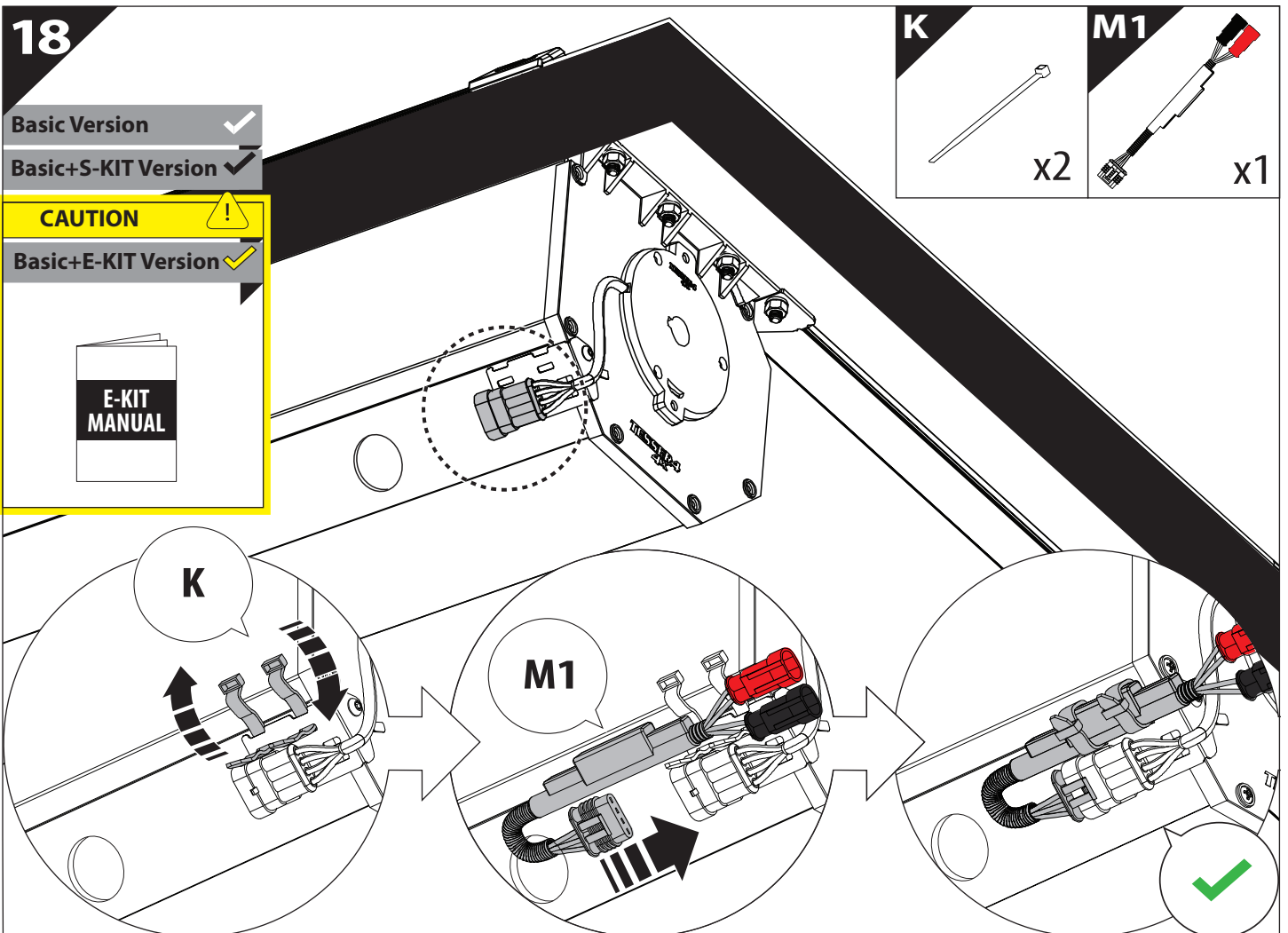
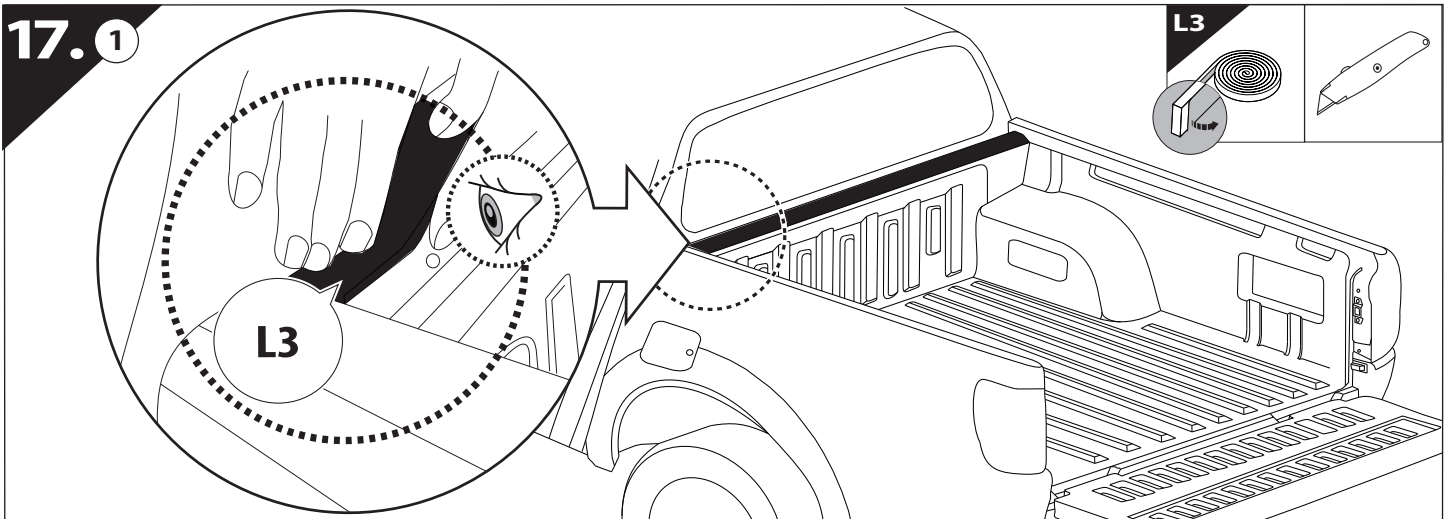
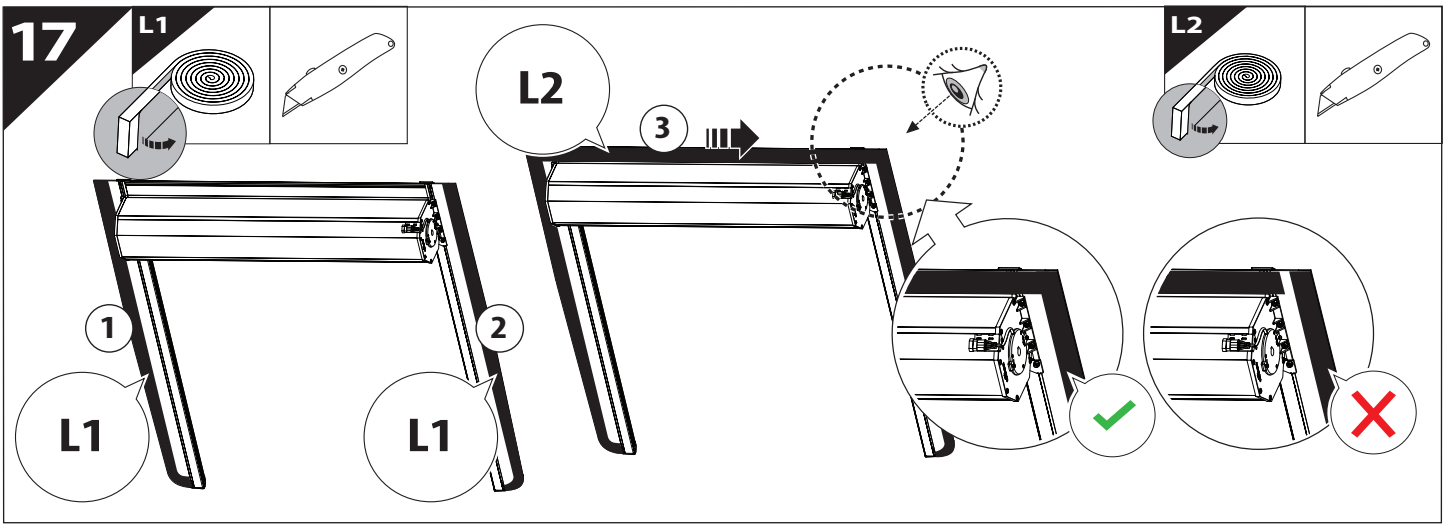
**CAUTION: CONSULT A CERTIFIED AUTO MECHANIC OR AUTOMOTIVE ELECTRICIAN TO IDENTIFY THE CORRECT WIRING CABLES FOR BEAM AND BRAKE SIGNALS BEFORE MAKING ANY CONNECTIONS.**

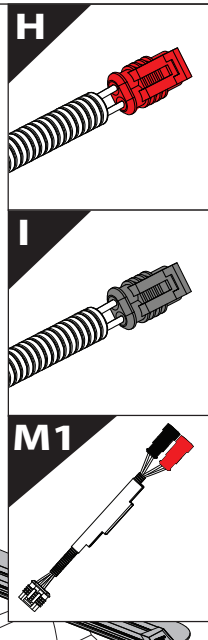
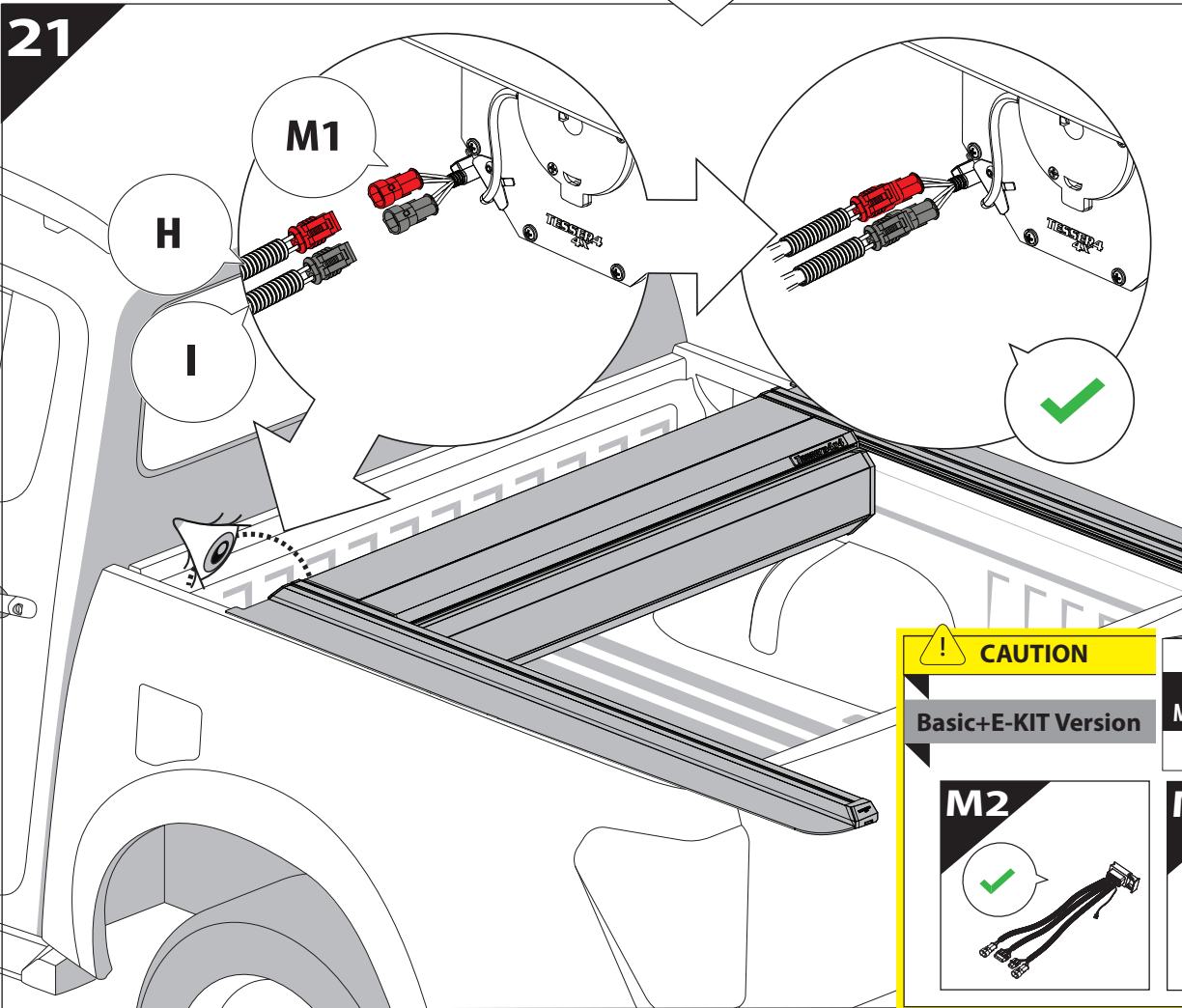
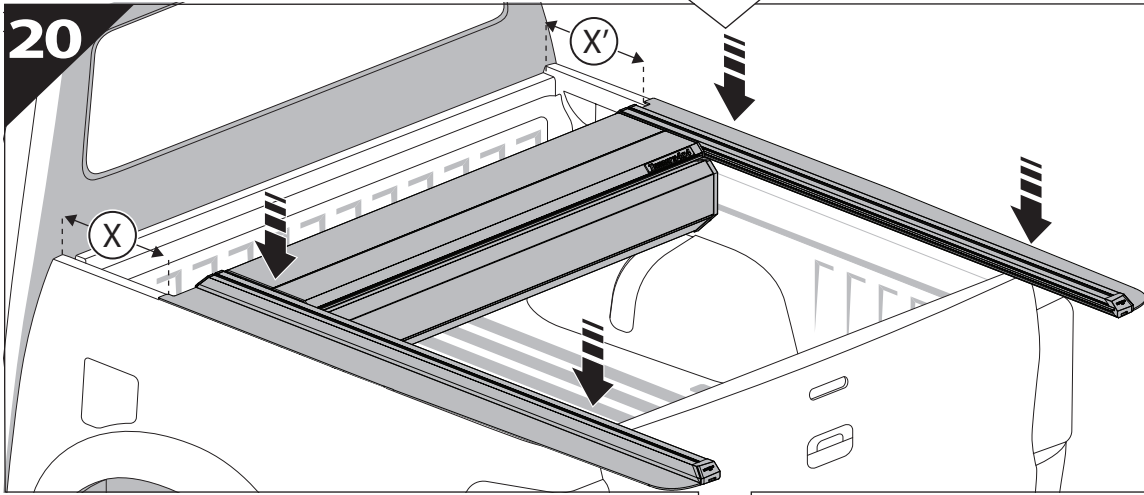
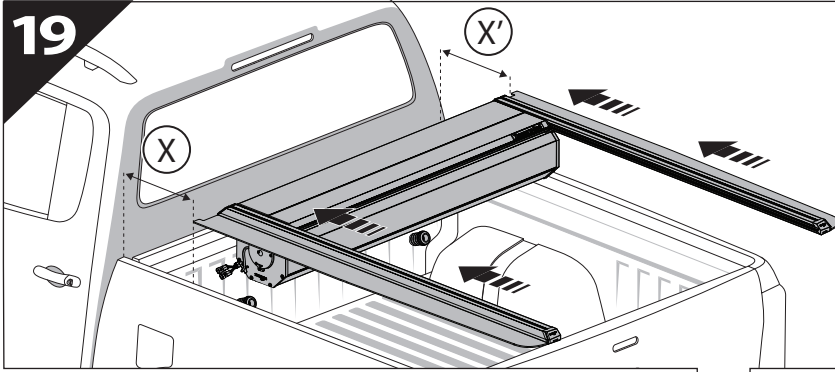


16. ①

○  
Silicone  
x1

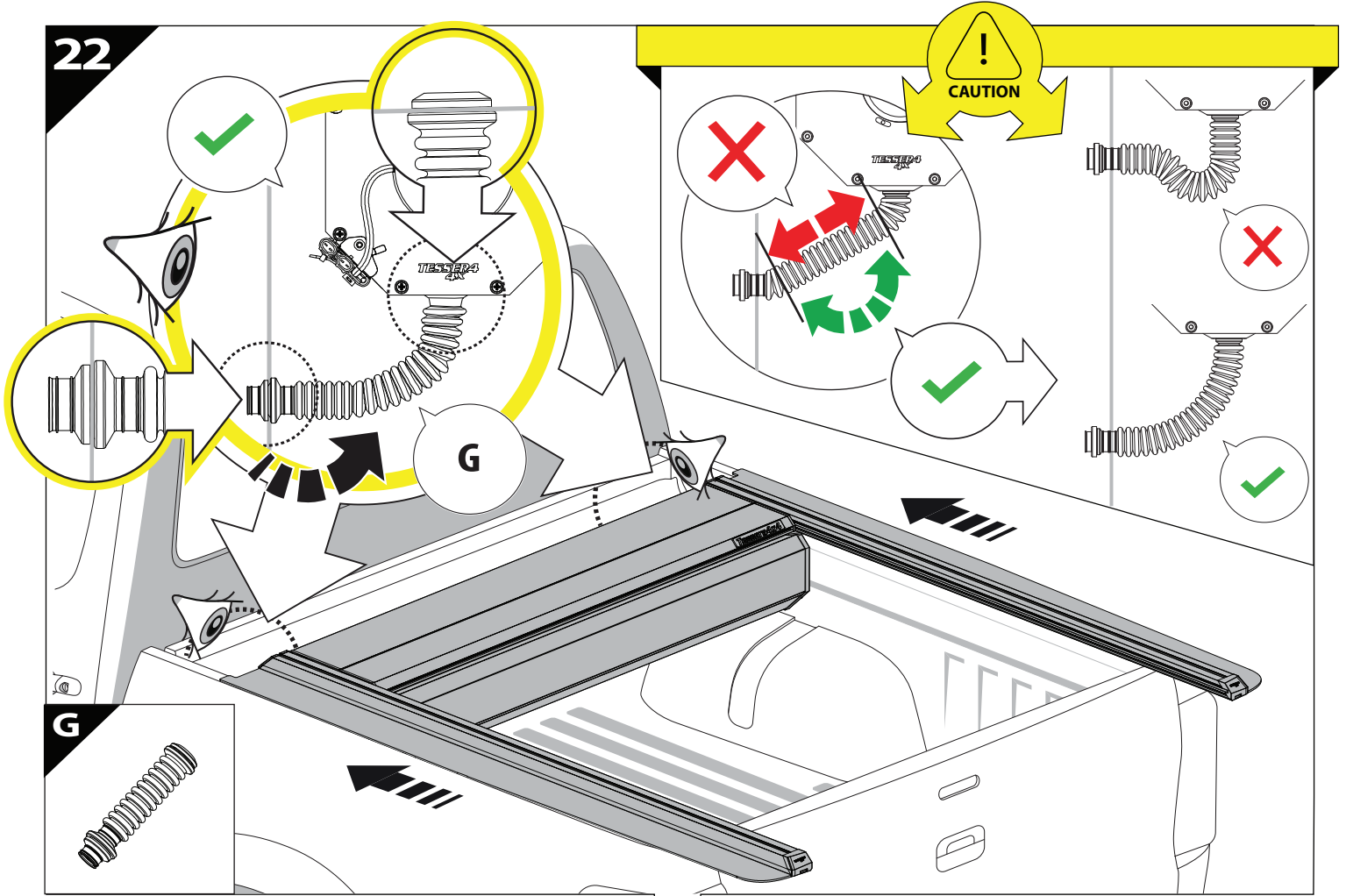




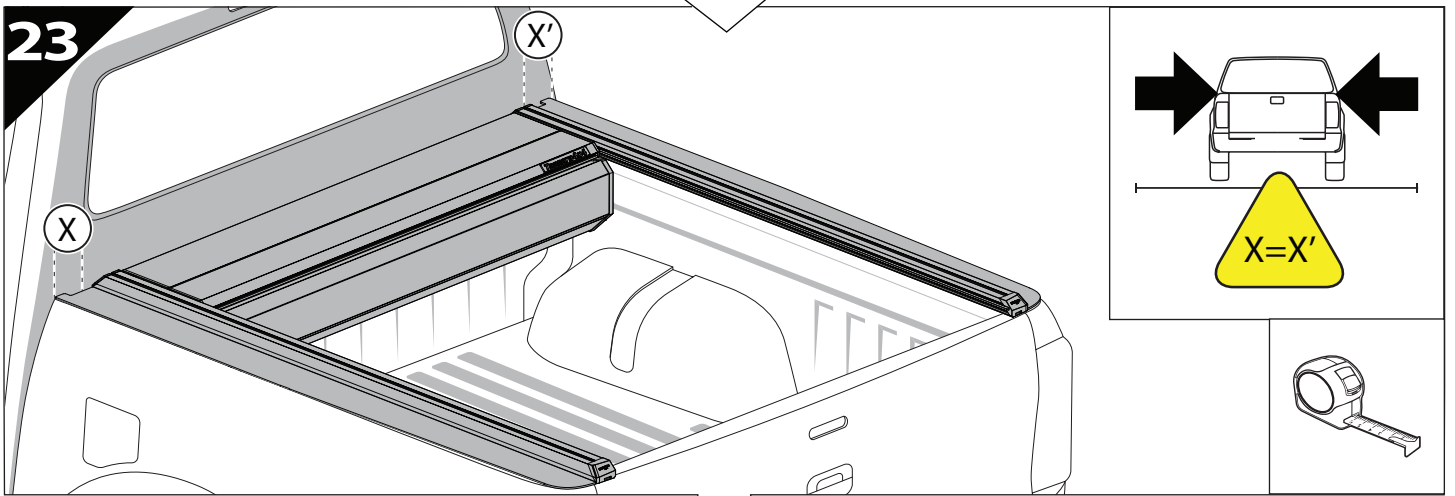


<b>CAUTION</b>	
Basic+E-KIT Version	
E-KIT MANUAL	
M2 ✓ 	M1 ✗ 

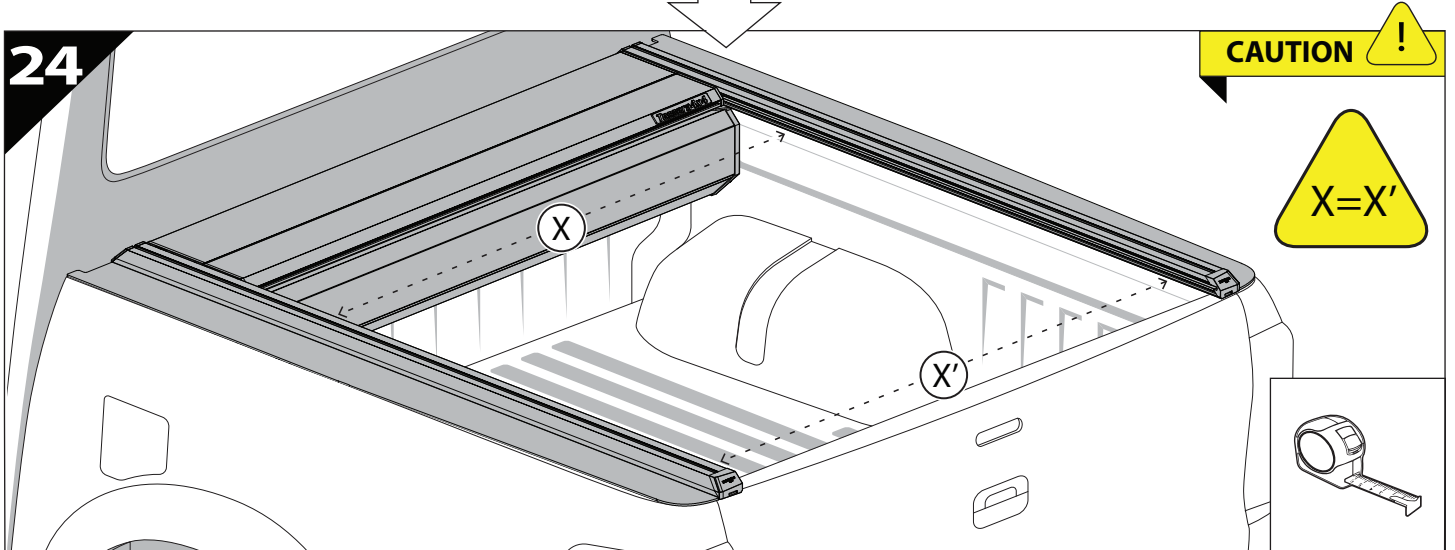
22

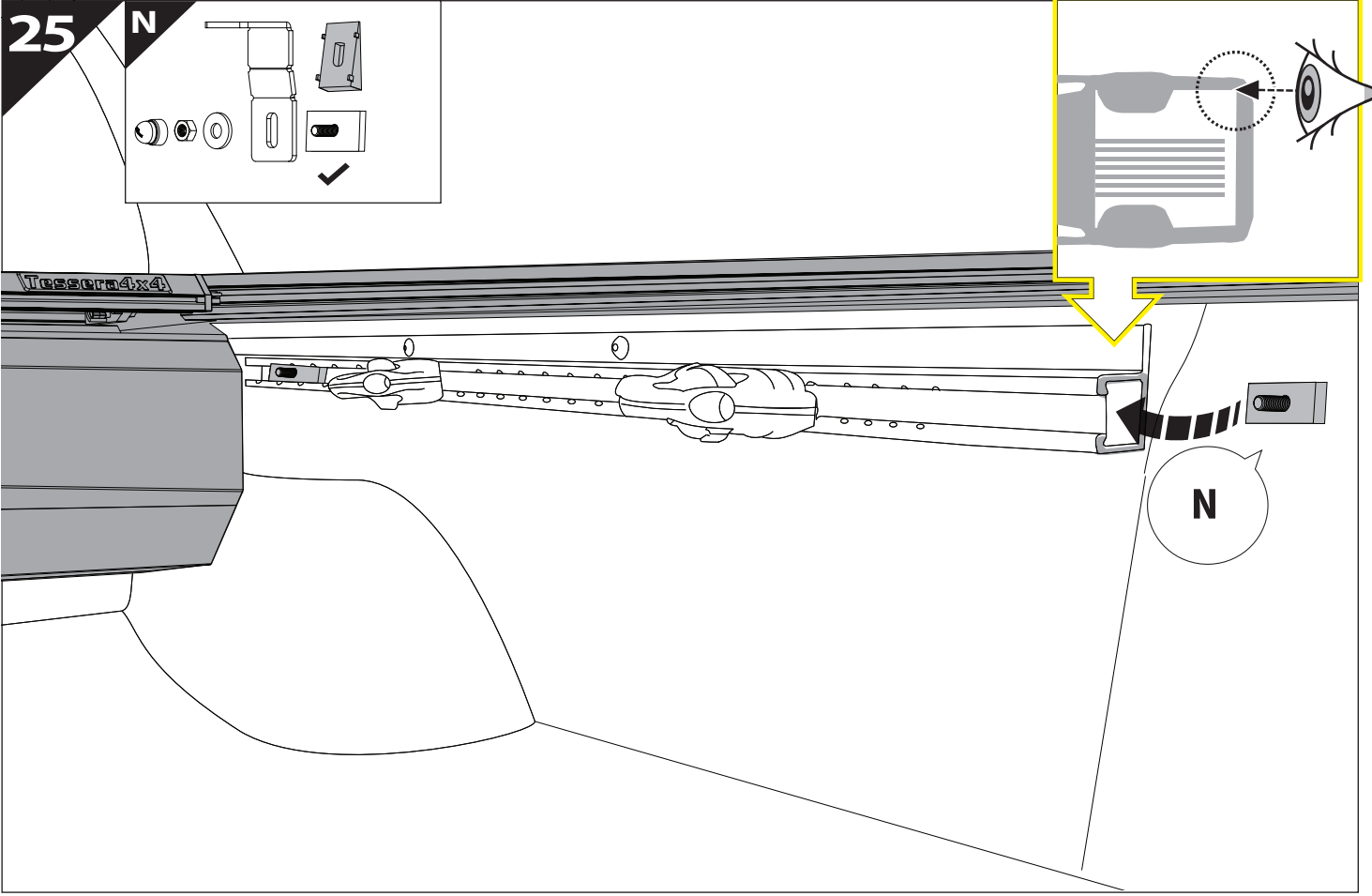


23

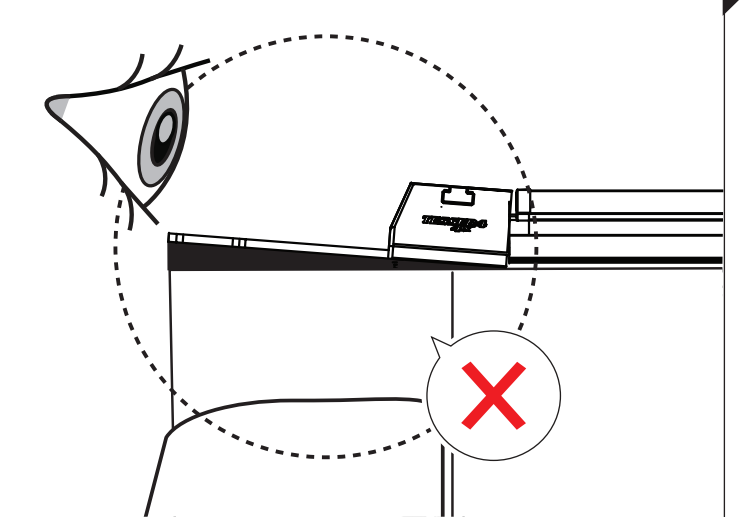
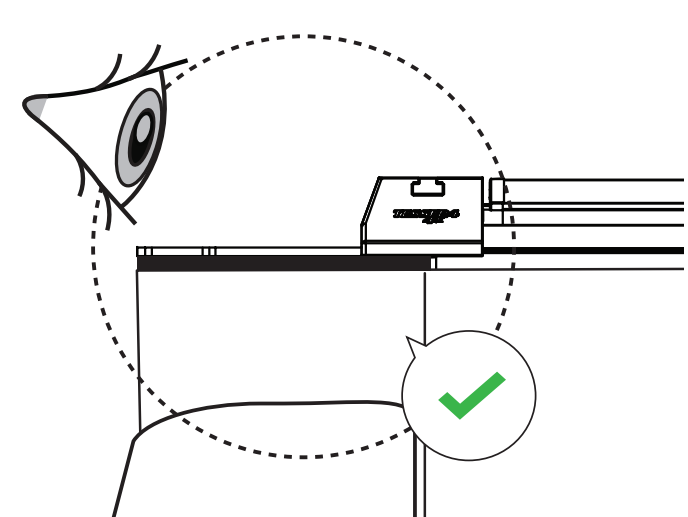
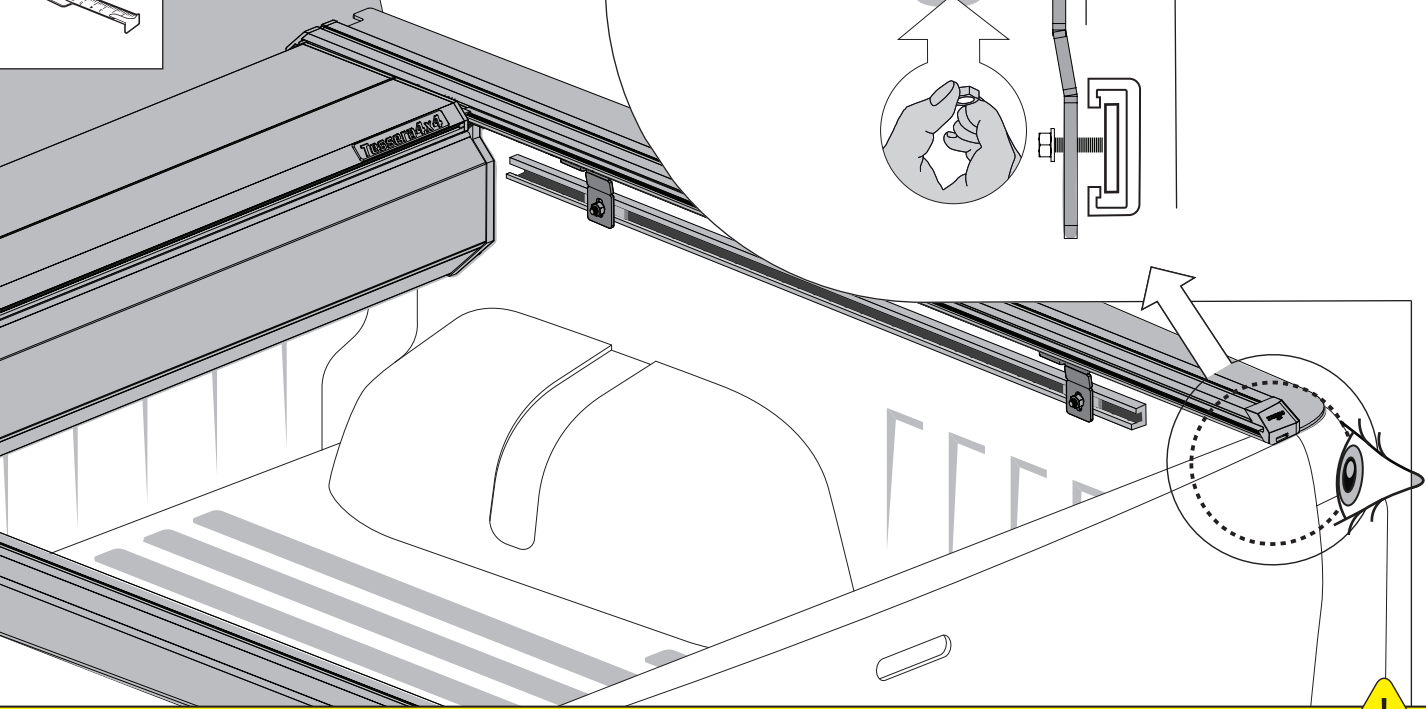
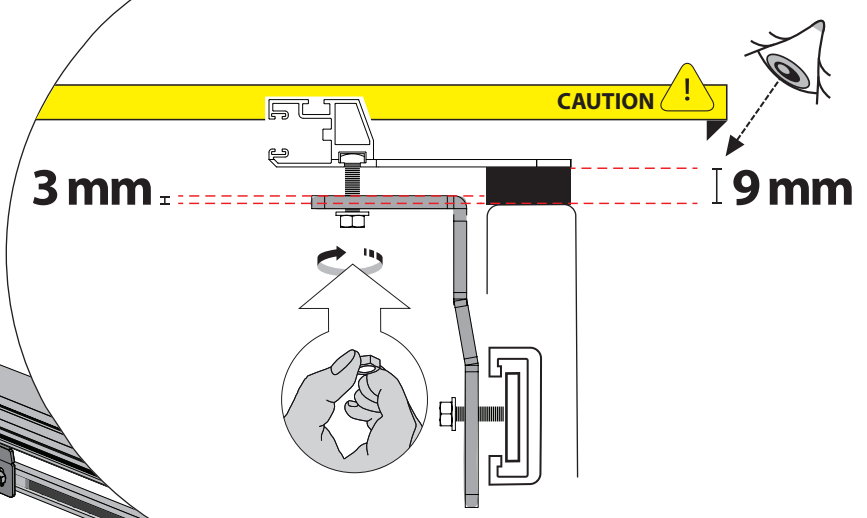
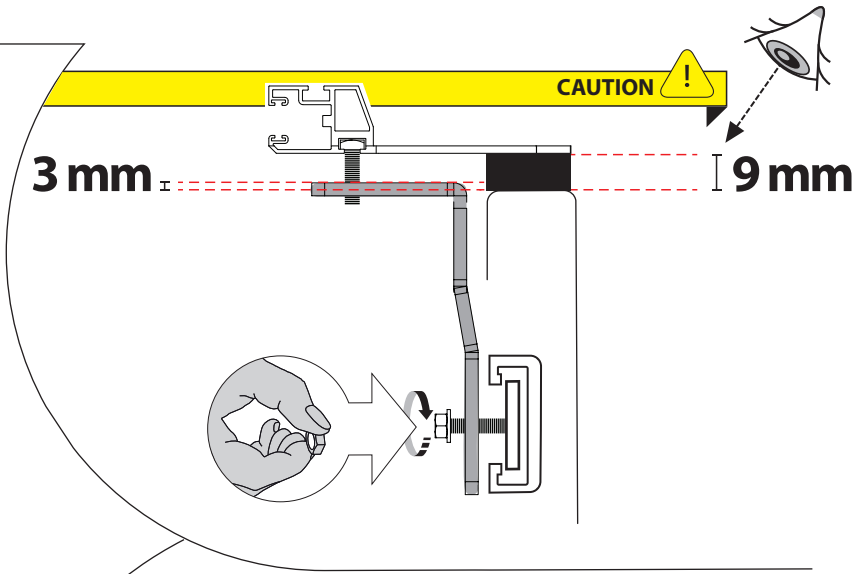
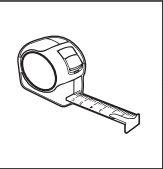
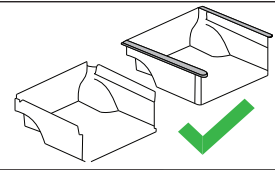
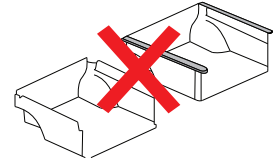
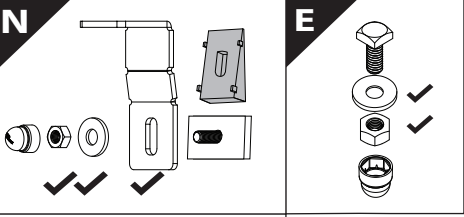


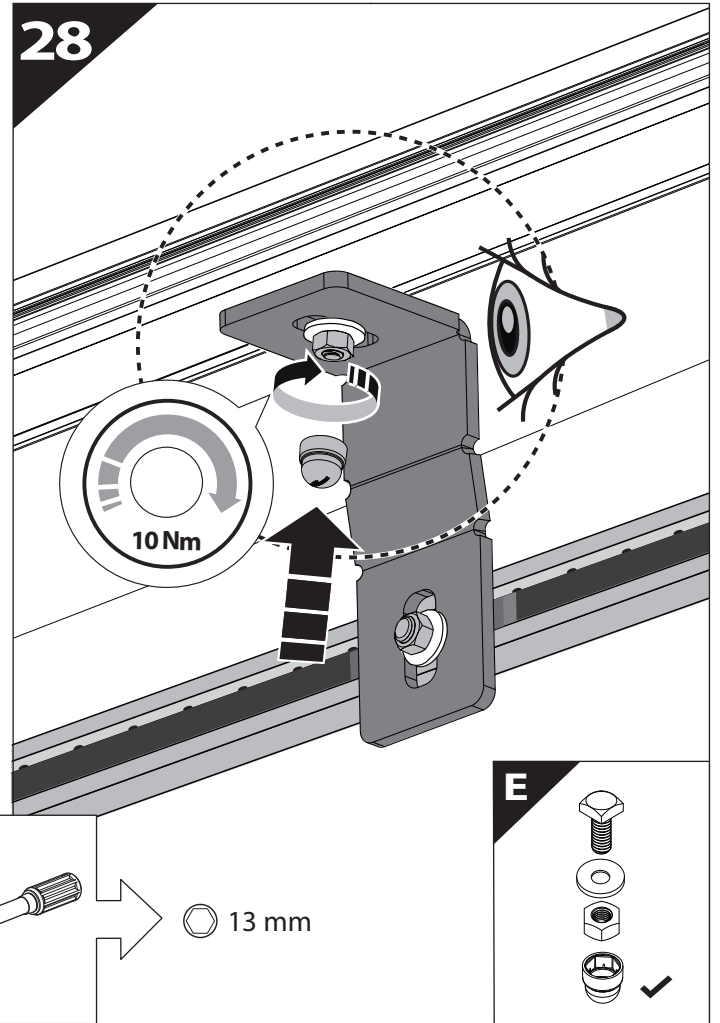
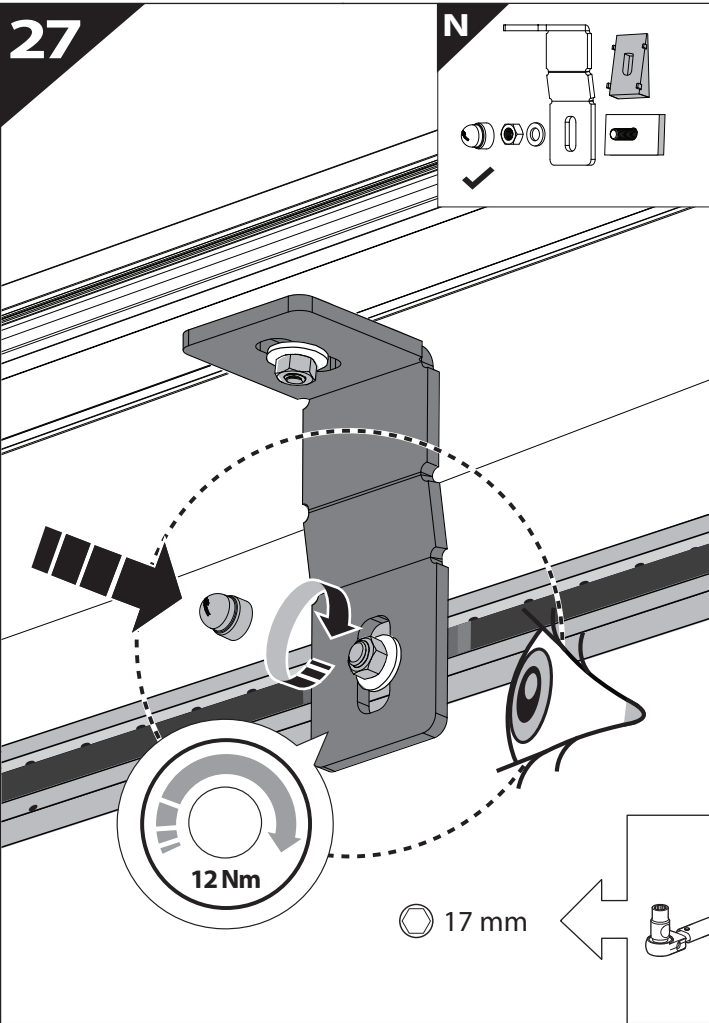
24



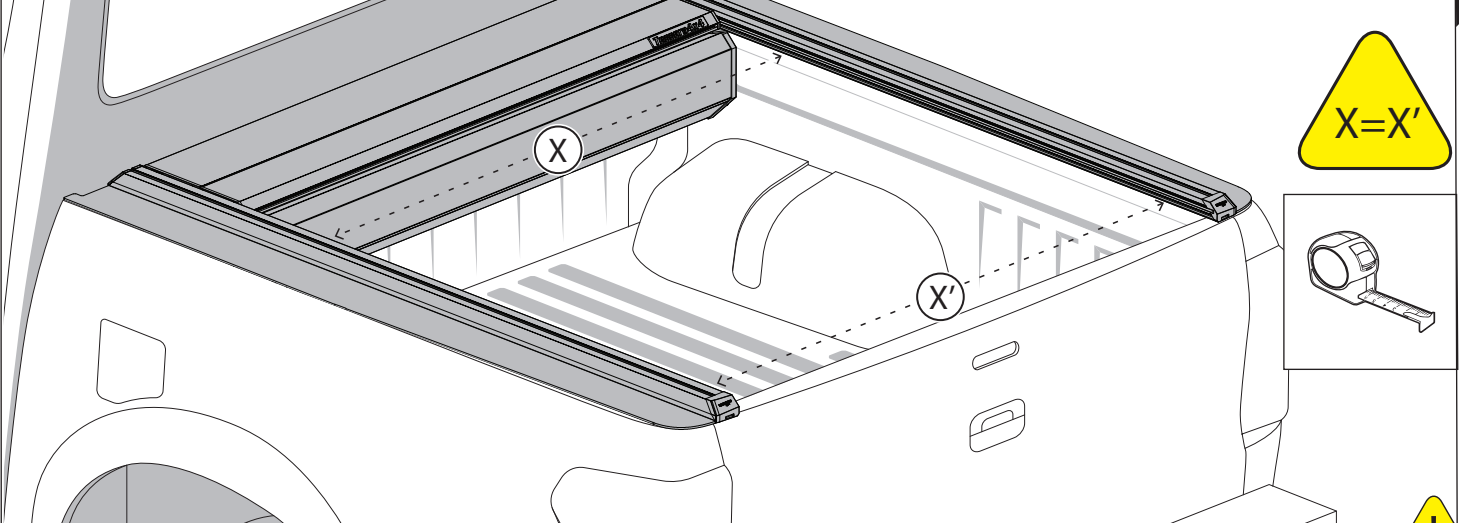


26

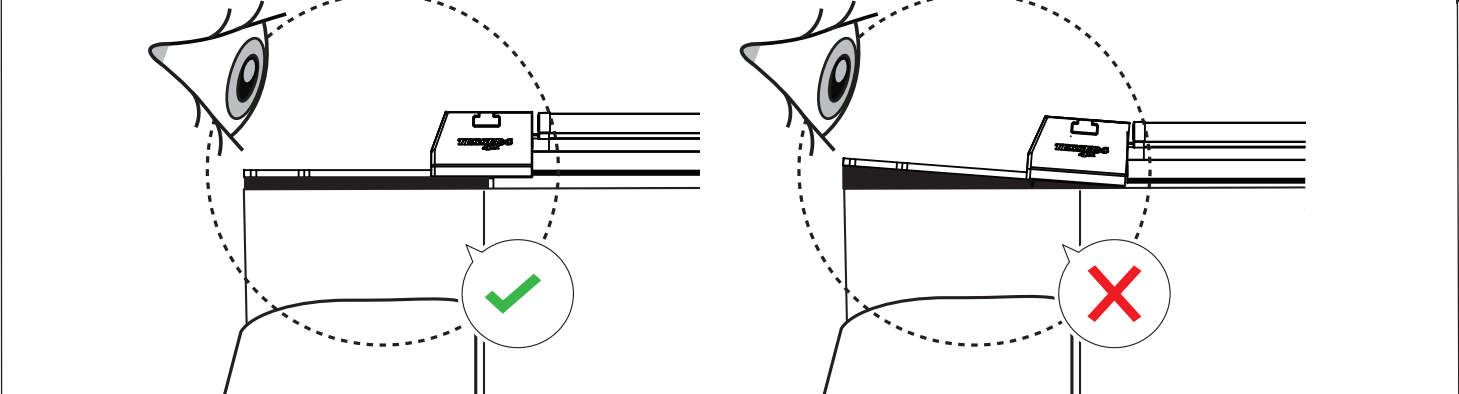




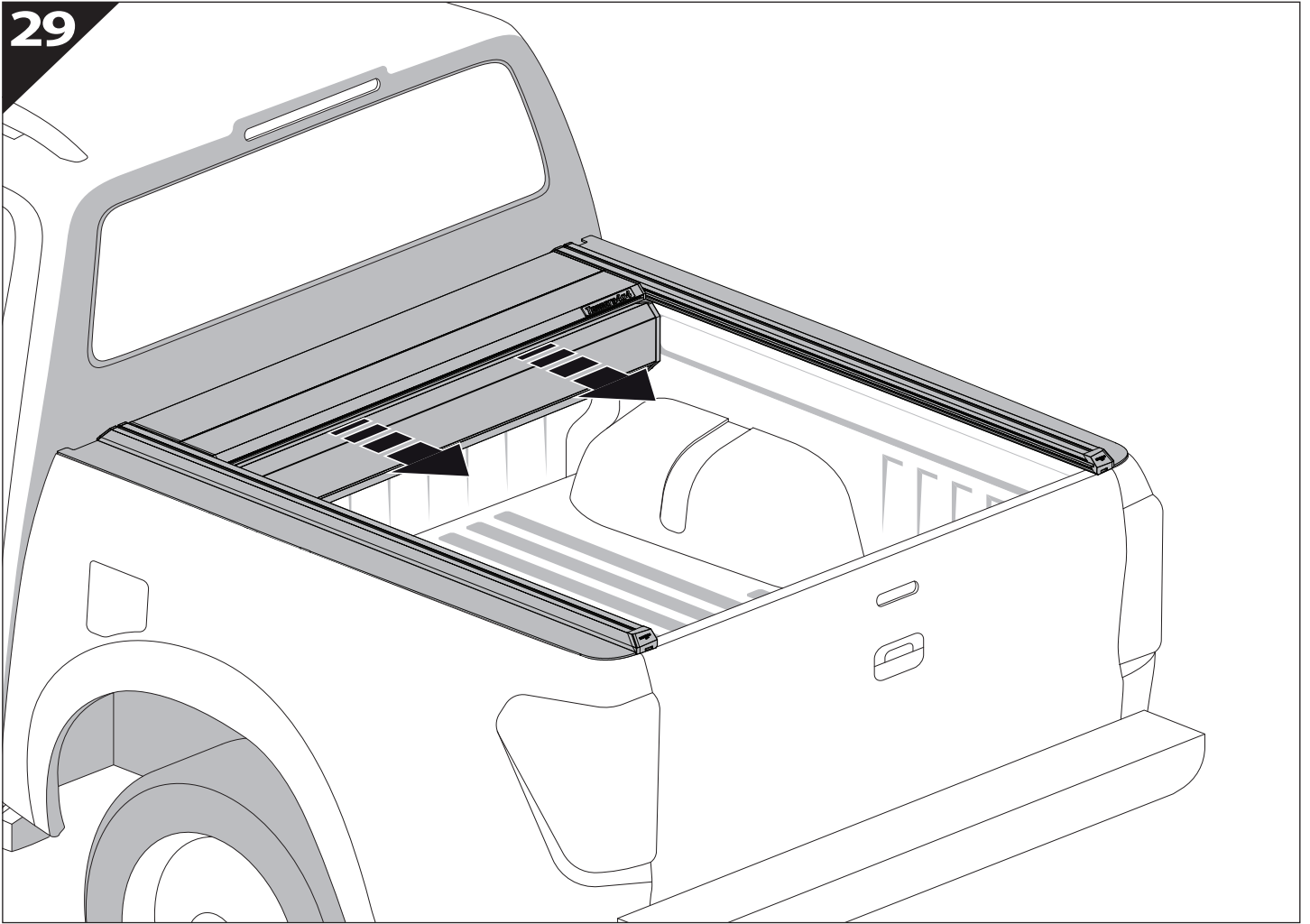
**CAUTION !**



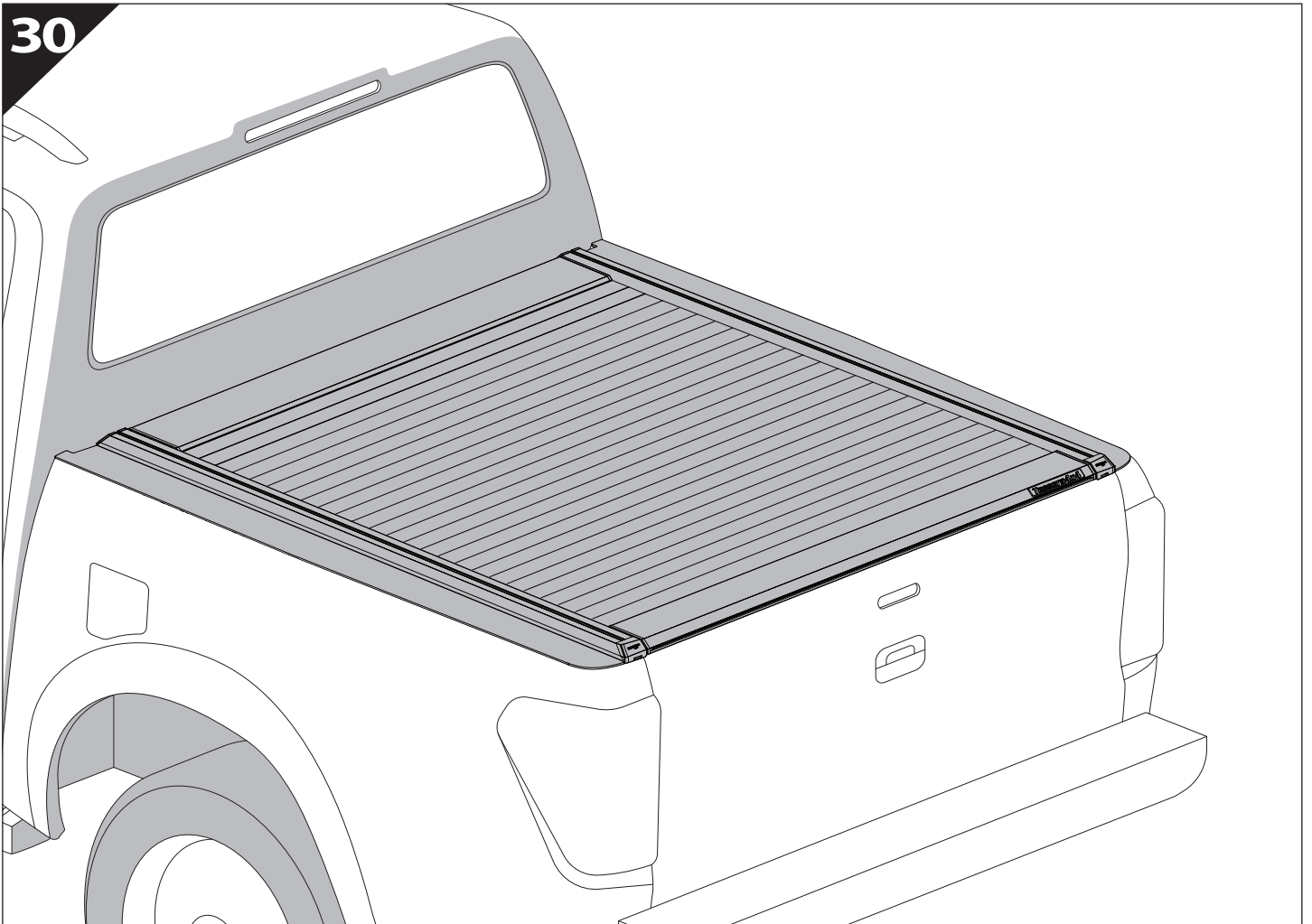
**CAUTION !**



29



30





**GR:** Οδηγίες Εγκατάστασης  
**GB:** Installation manual  
**SF:** Asennusohje  
**F:** Notice de montage  
**PL:** Instrukcja montażu  
**NL:** Installatie-instructies  
**TR:** Montaj Talimatı  
**S:** Monteringsanvisning  
**E:** Instrucciones de montaje

**H:** Szerelési utasítás  
**P:** Instruções de instalação  
**RUS:** Инструкция по установке  
**N:** Monteringsveiledning  
**D:** Einbauanleitung  
**CZ:** Návod k instalaci  
**I:** Istruzioni de montaggio  
**DK:** Monteringsvejledning  
**RO:** Instructiuni de instalare

Customer Service:

+30 (210) 5541161, +30 (210) 5541154 (08:00 - 16:00 EET)

Support department:

[info@gianso.gr](mailto:info@gianso.gr)

Website:

[www.tessera4x4.com](http://www.tessera4x4.com)

Address:

19.5 km of National road Athens-Korinthos (Elefsina) Greece, P.C: 19200