

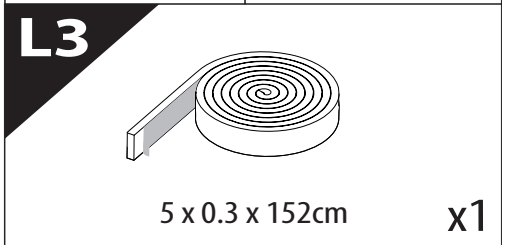
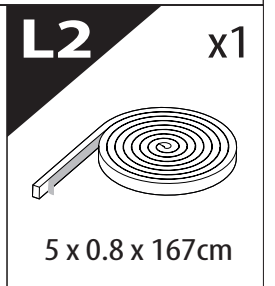
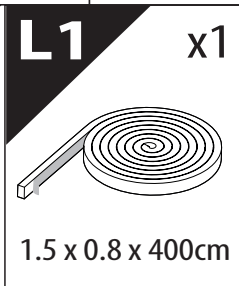
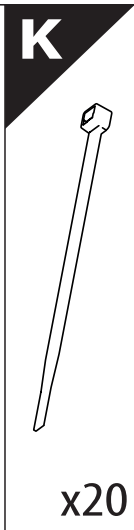
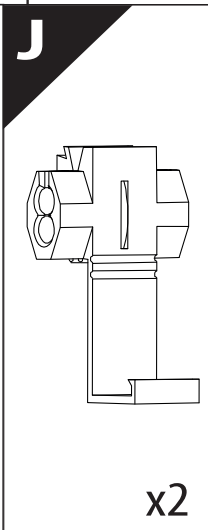
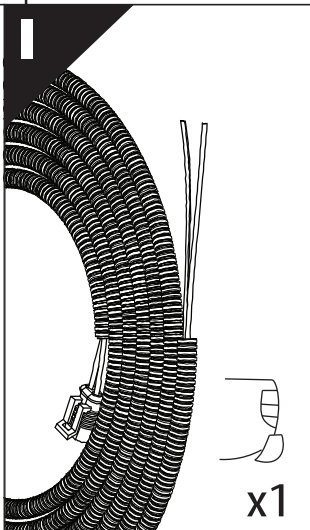
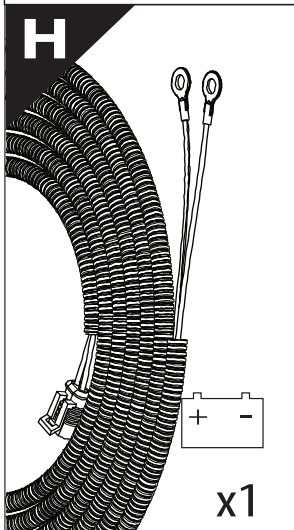
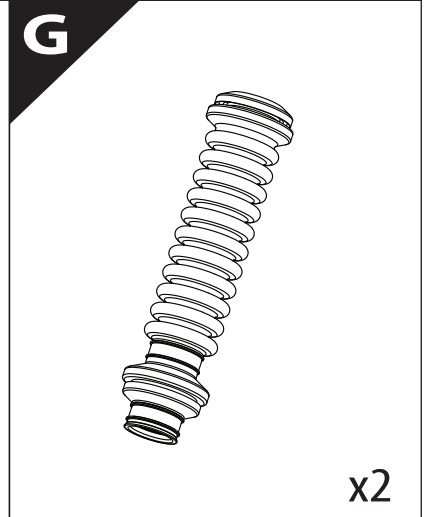
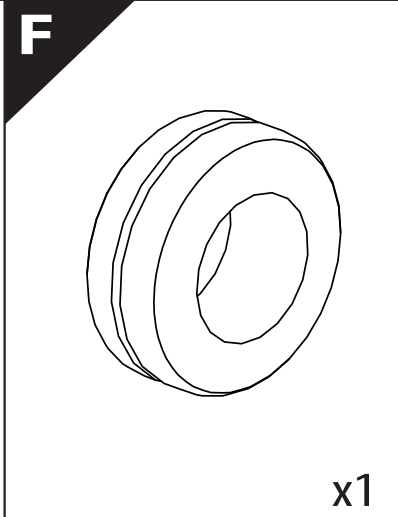
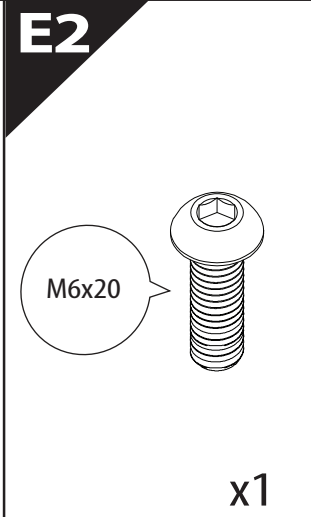
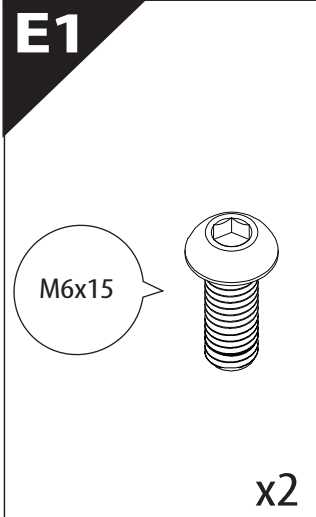
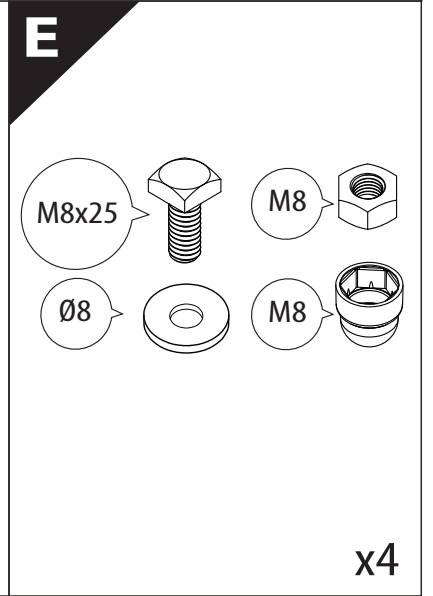
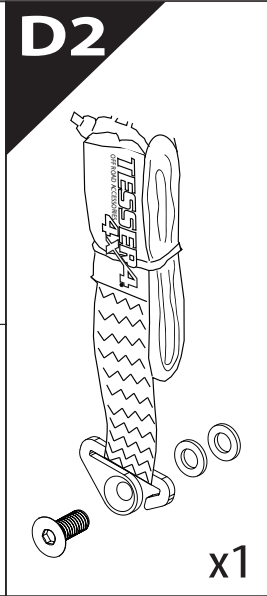
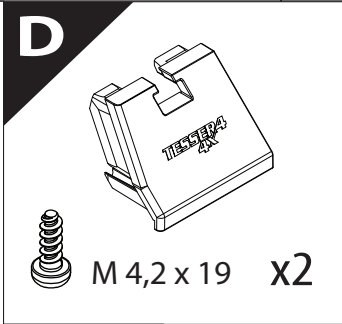
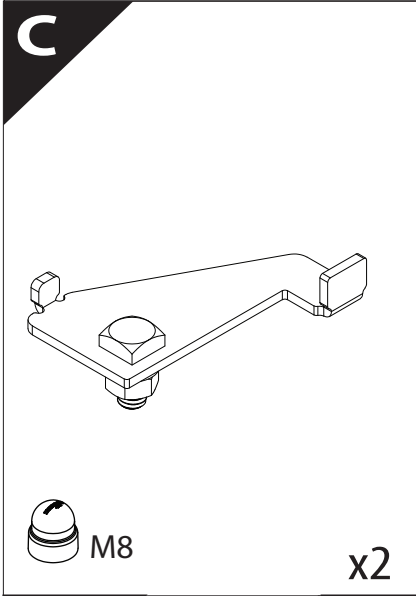
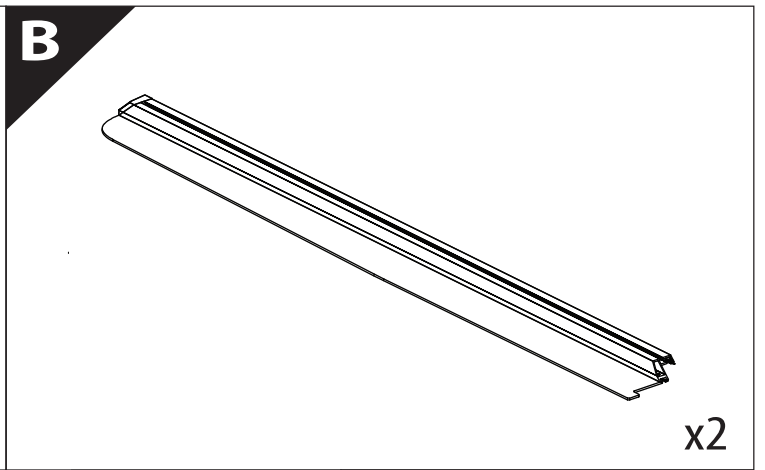
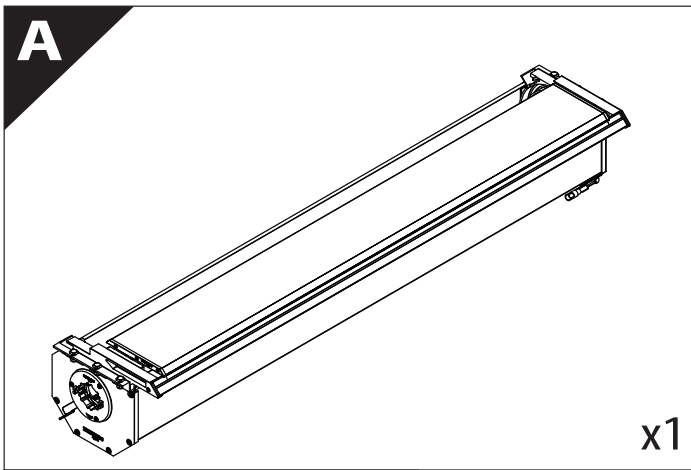
Tessera Roll+

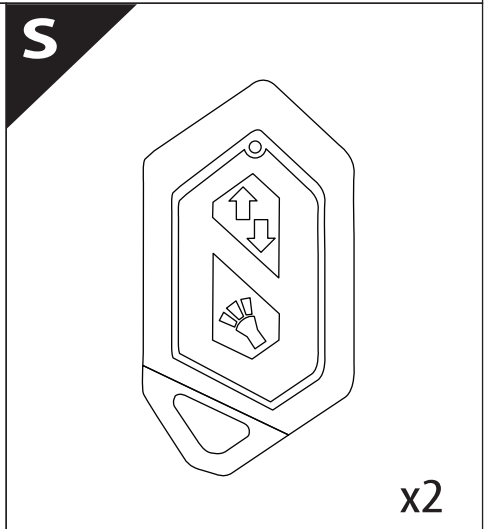
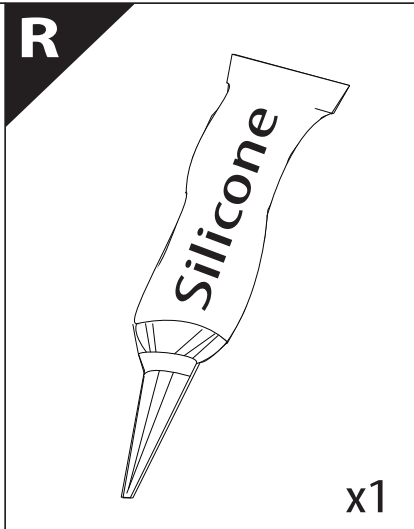
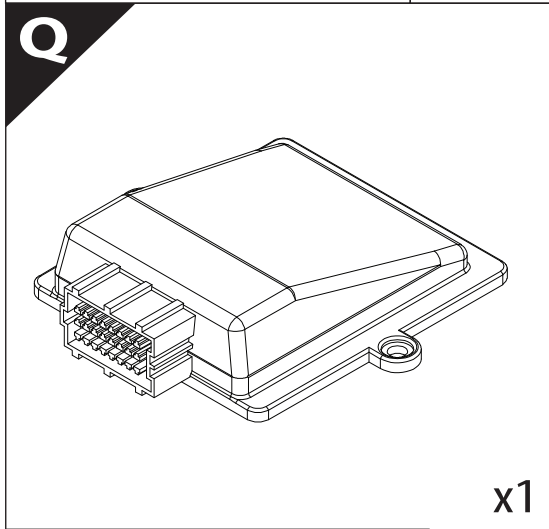
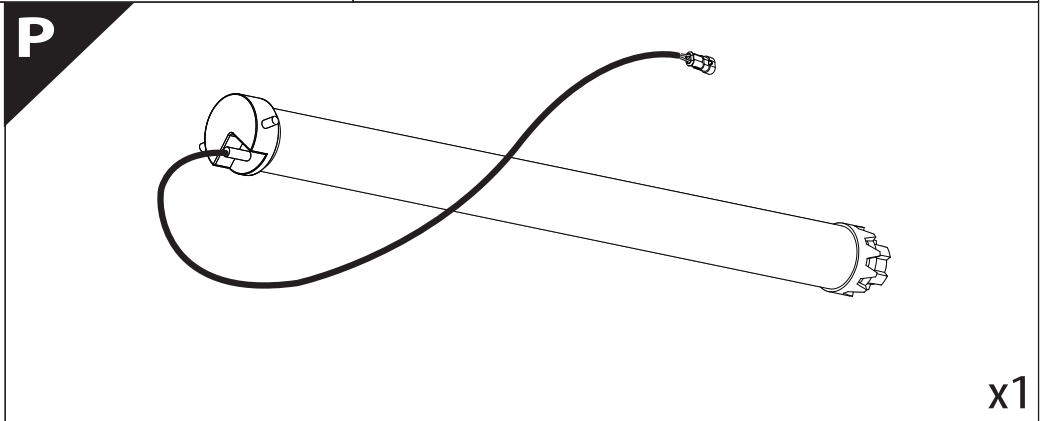
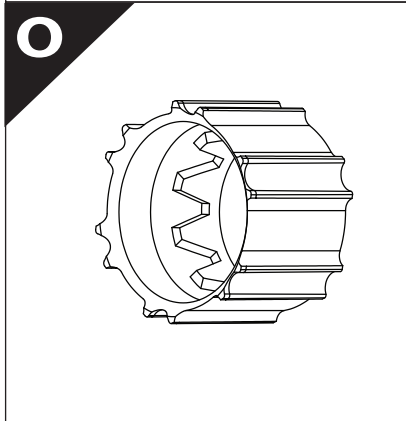
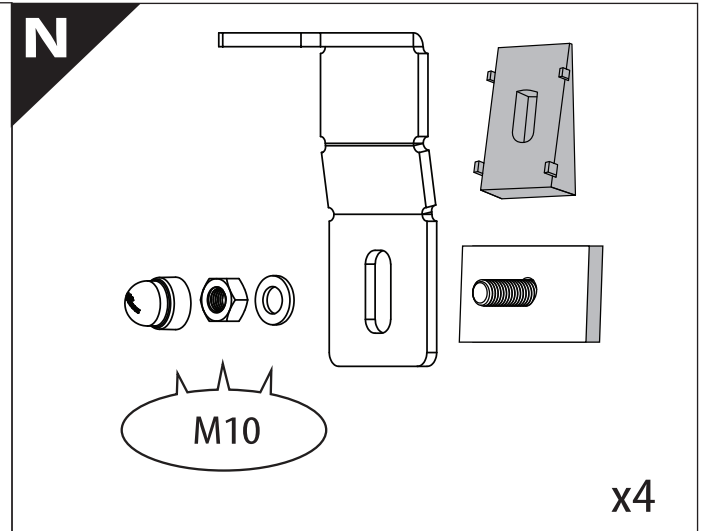
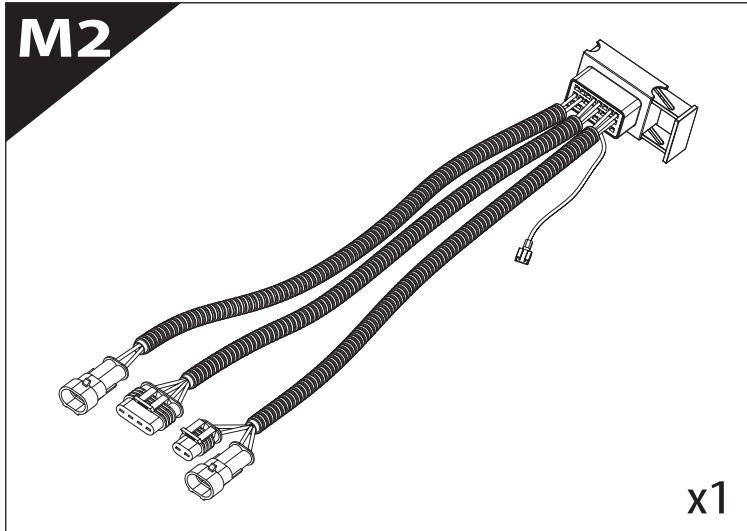
Basic Version + ⚡ E-KIT

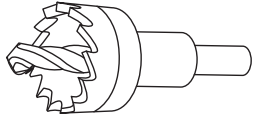


Installation Manual

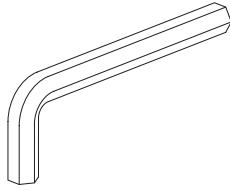
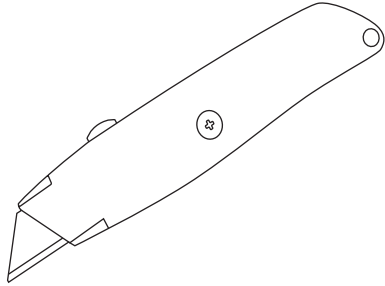
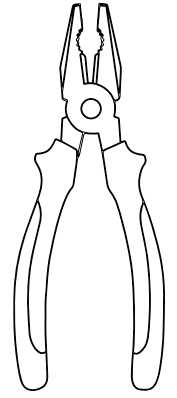
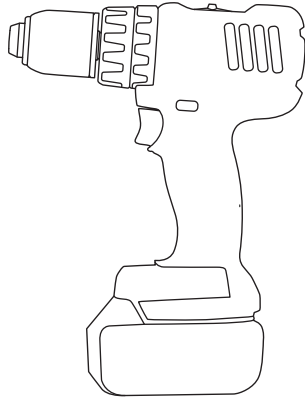
PART NUMBER(S)	Model Year
TESS 1420 ROLL+E-KIT	Renault Alaskan
Cab(s)	Installation Time / Weight
Double Cab	40-60 minutes / 53-57 kg





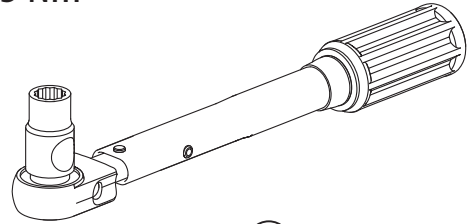


Ø 25 mm / Ø 40 mm

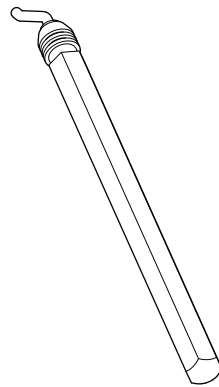
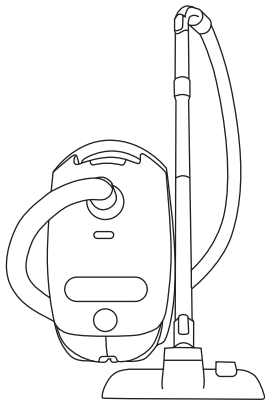
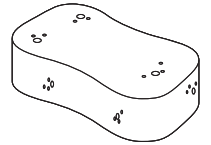
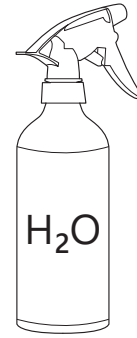
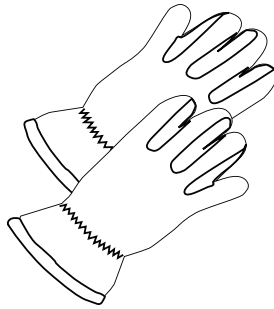
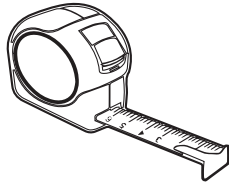


4 mm

1 - 25 Nm



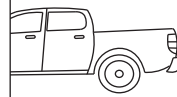
12, 13, 17 mm



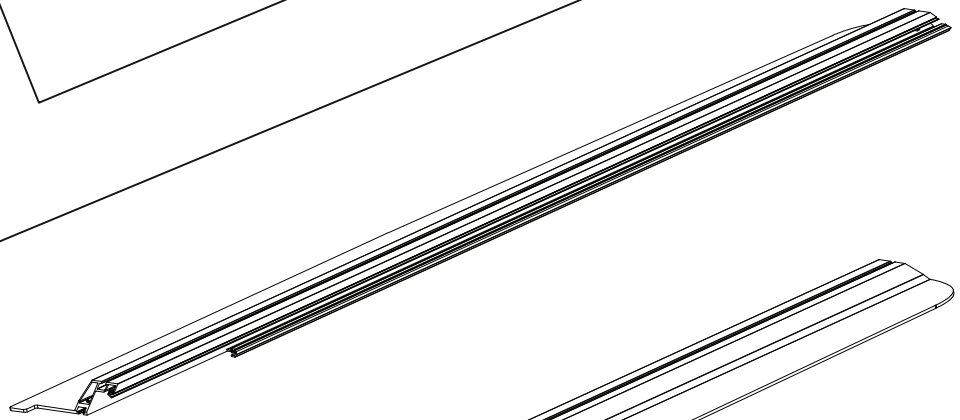
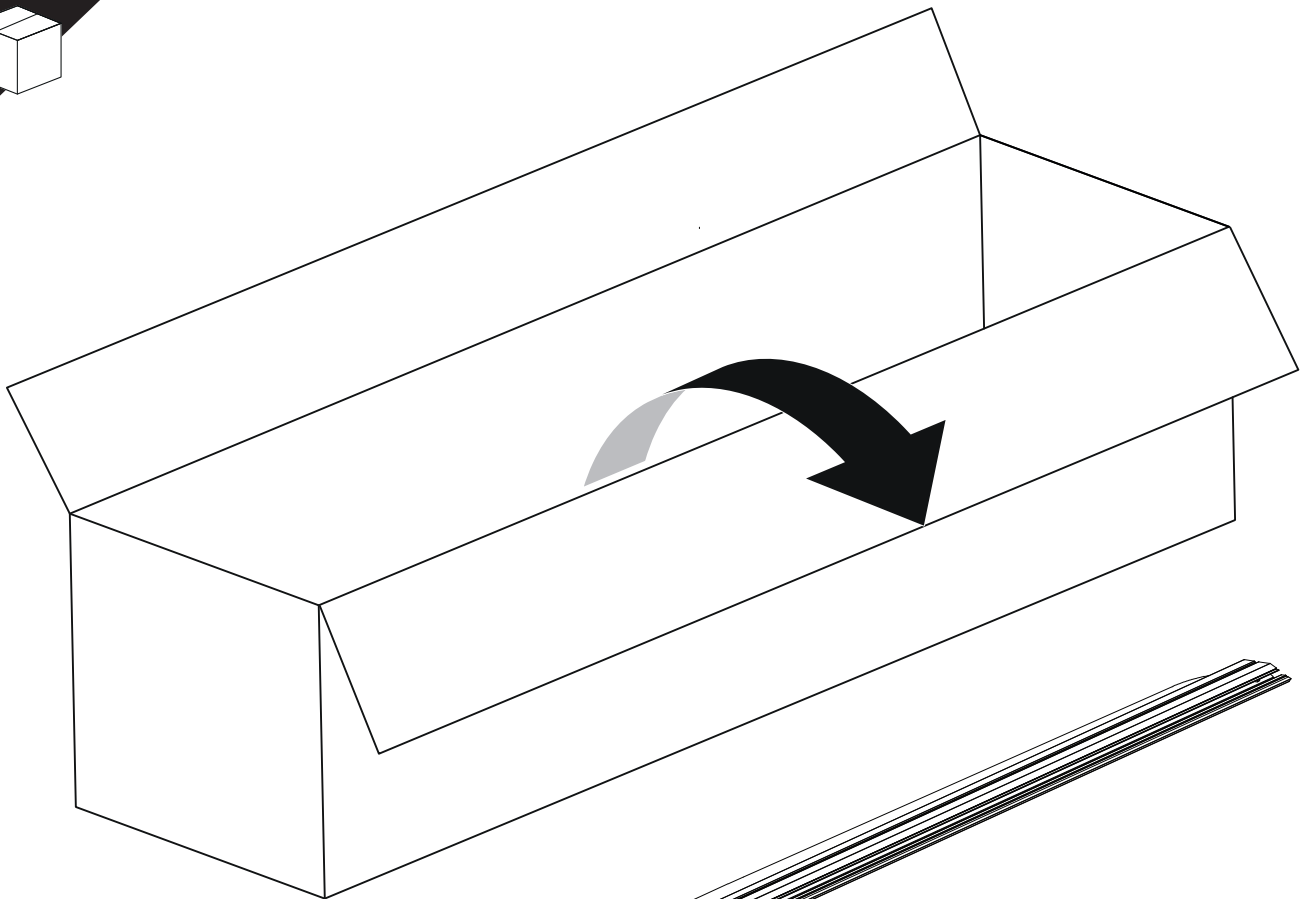
INSTALLATION
MANUAL
+E-KIT



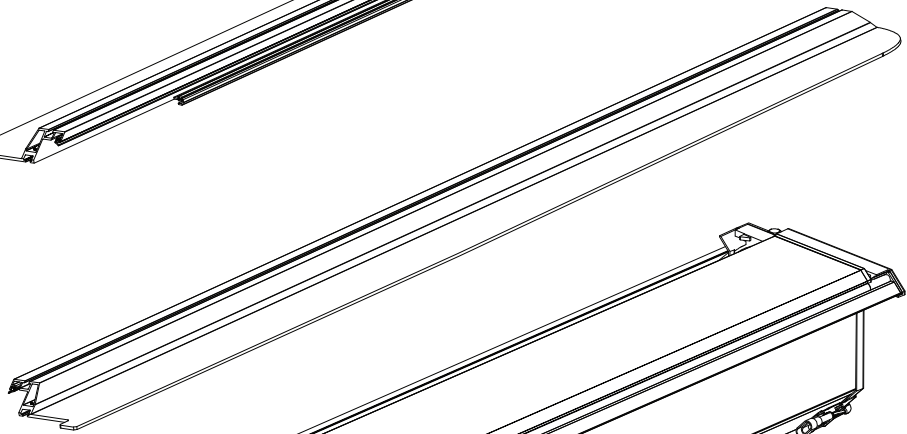
OWNERS
MANUAL



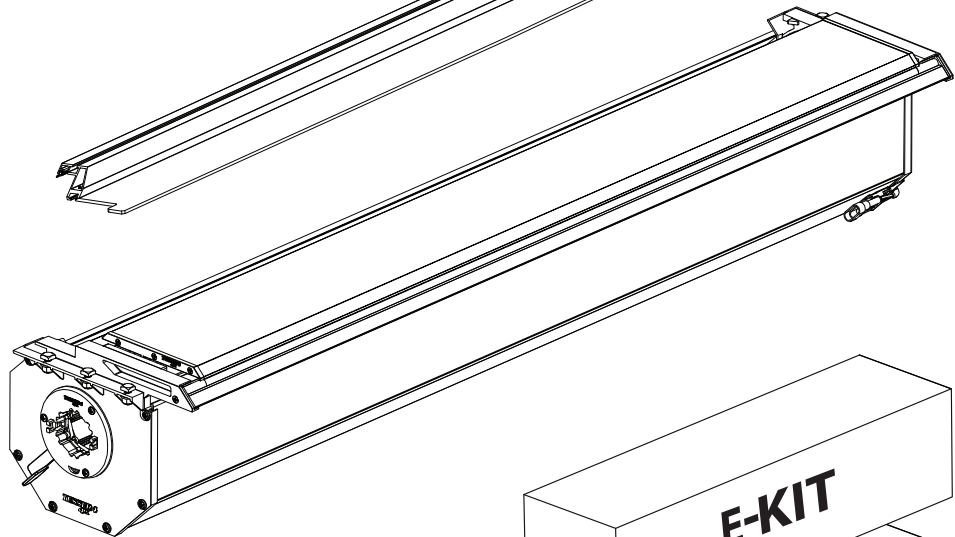
x1



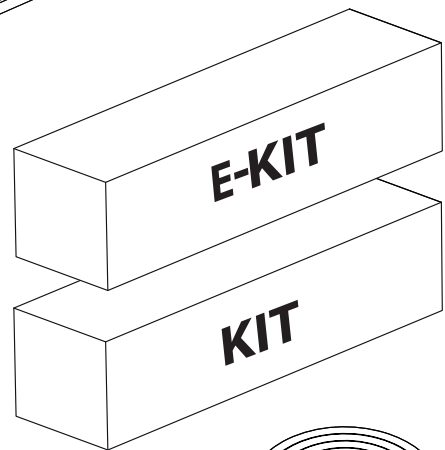
B



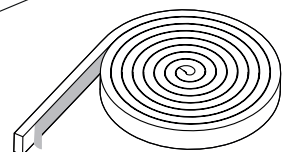
A

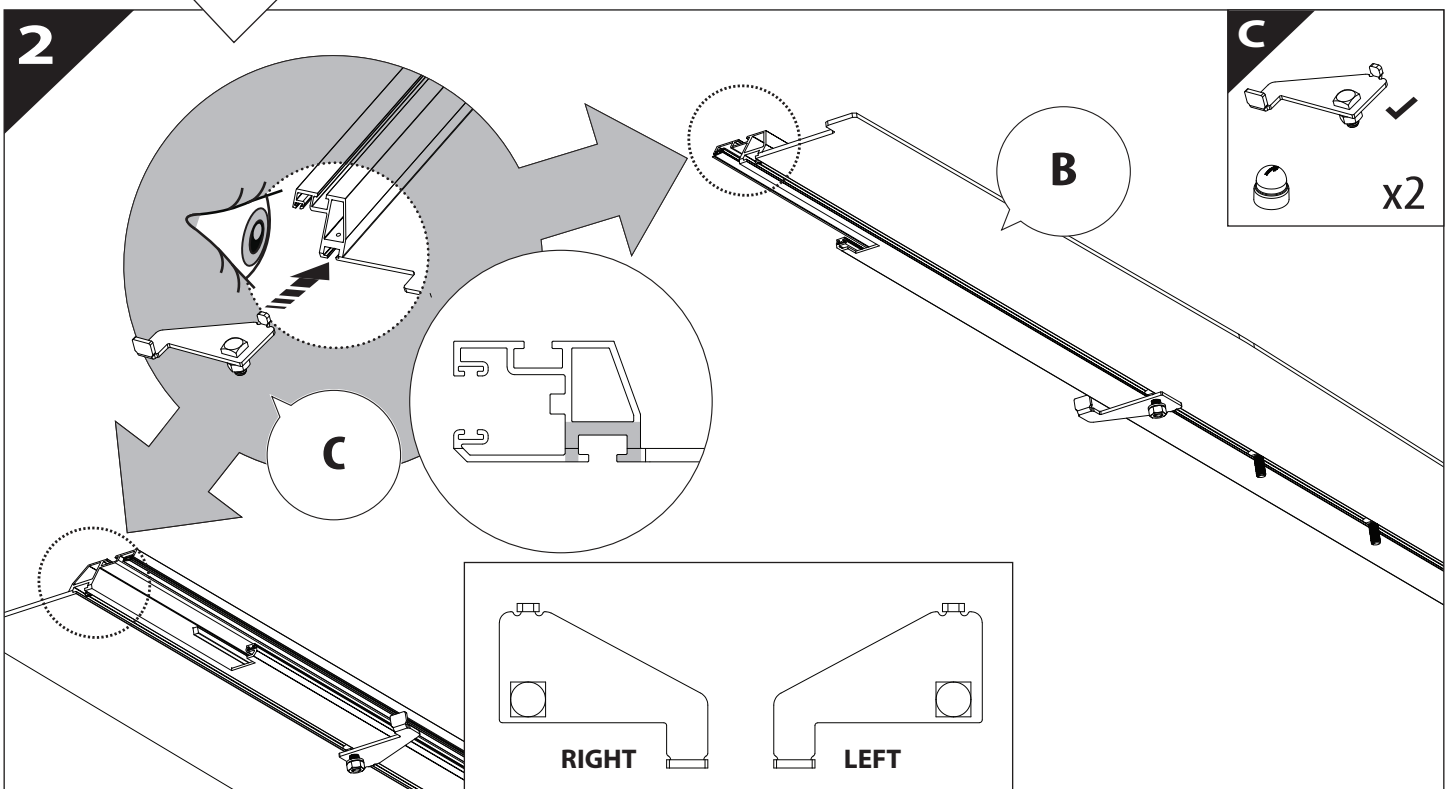
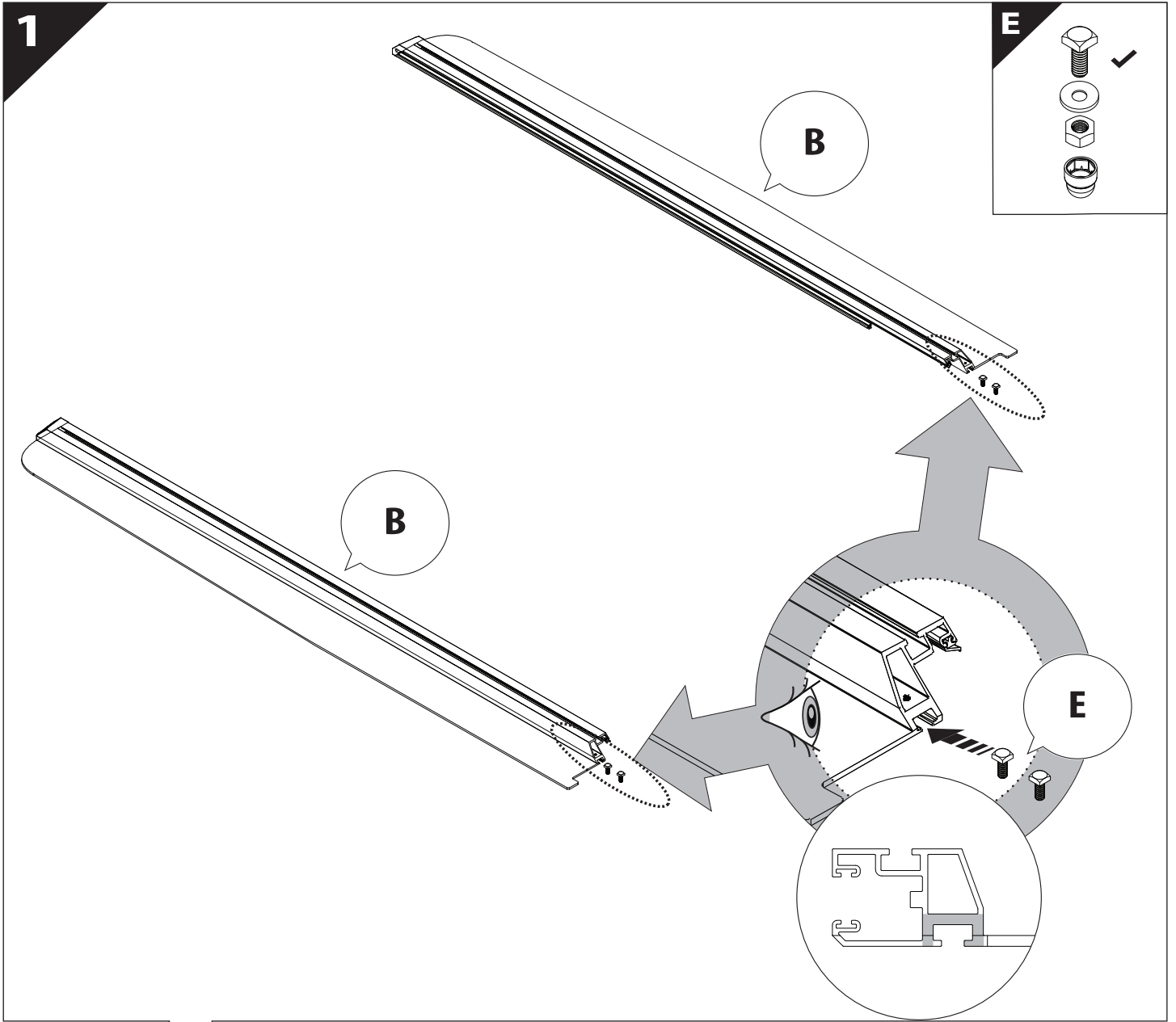


KITS

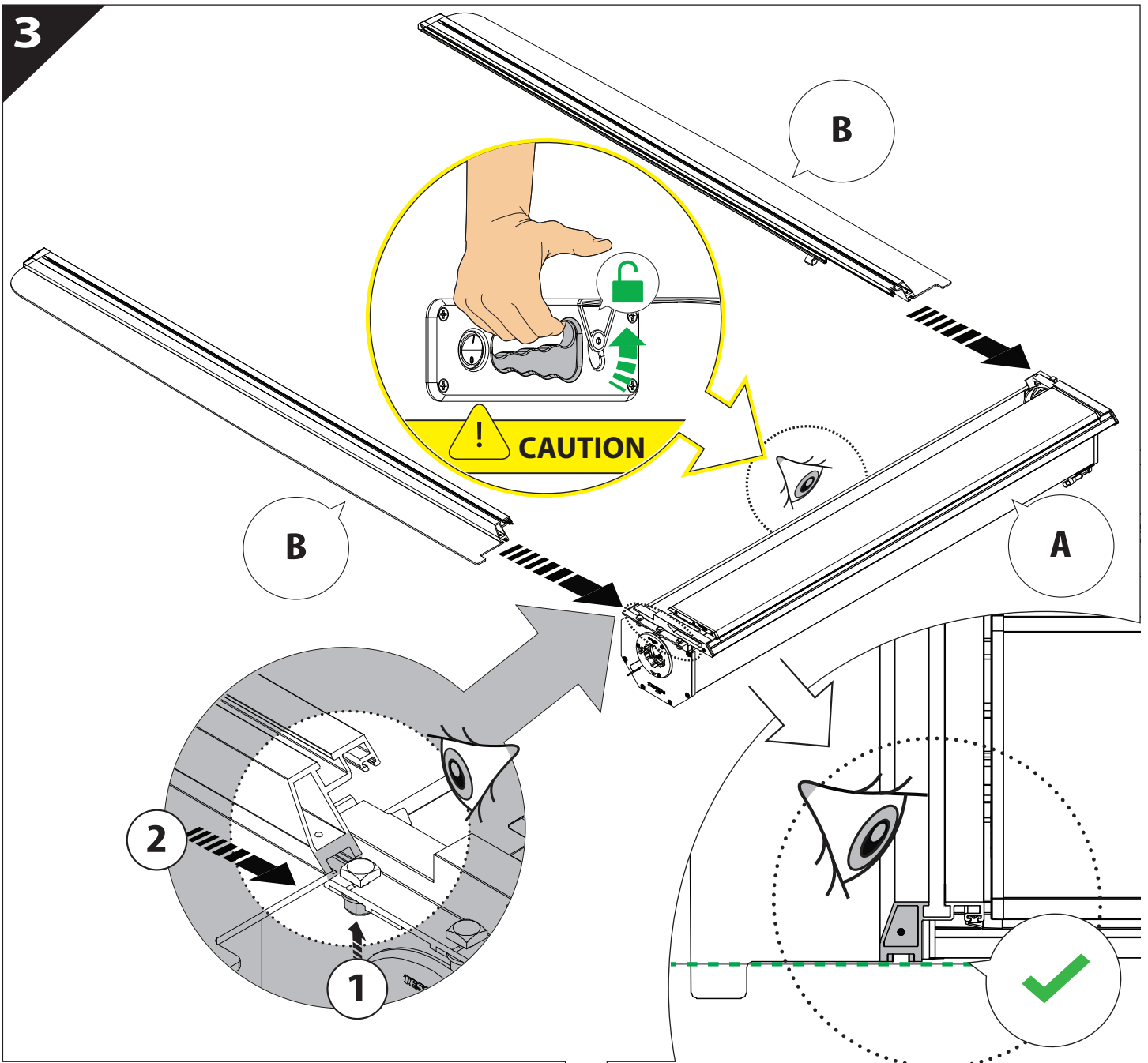


L

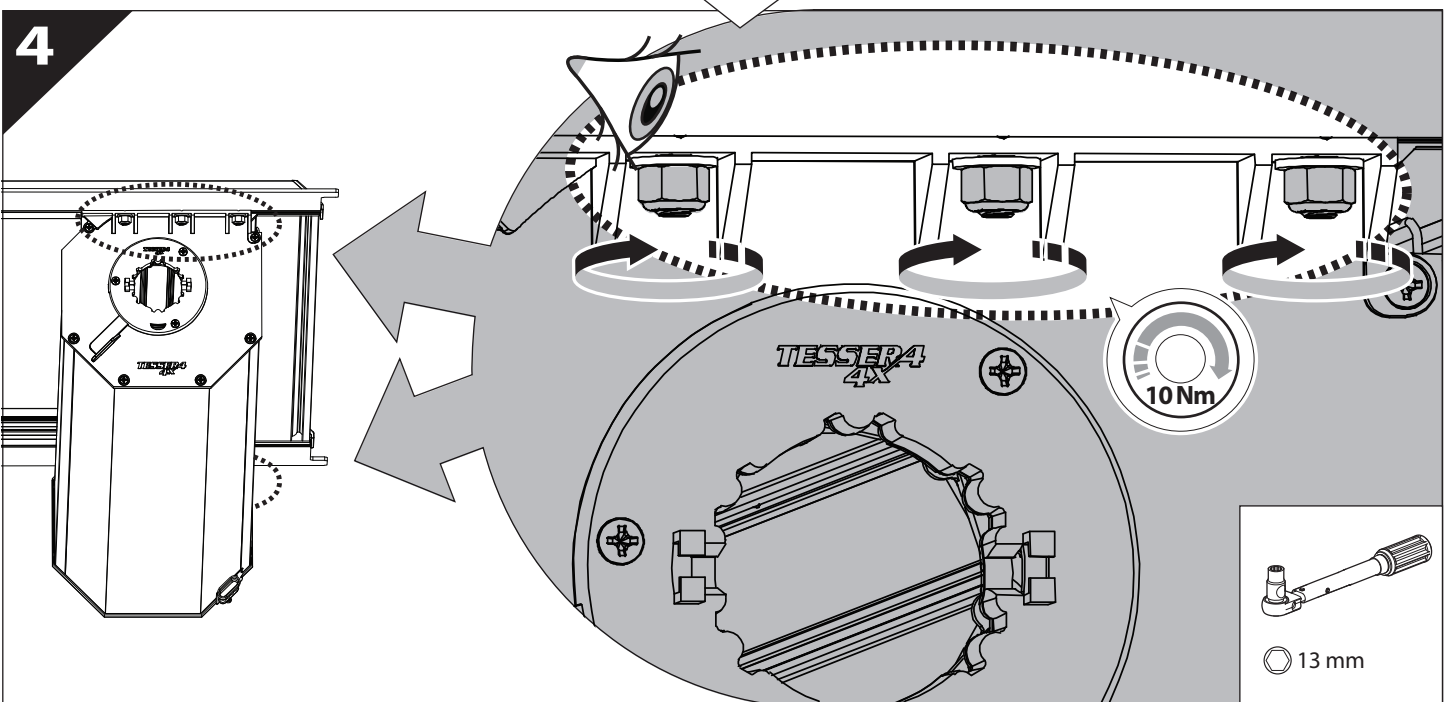


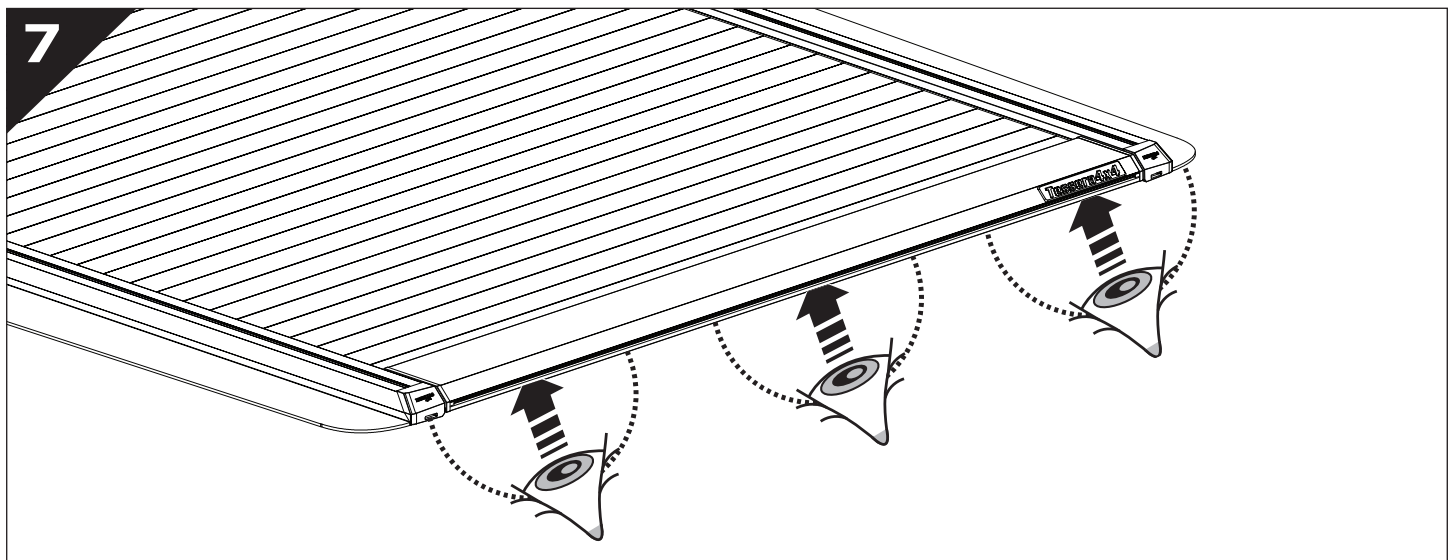
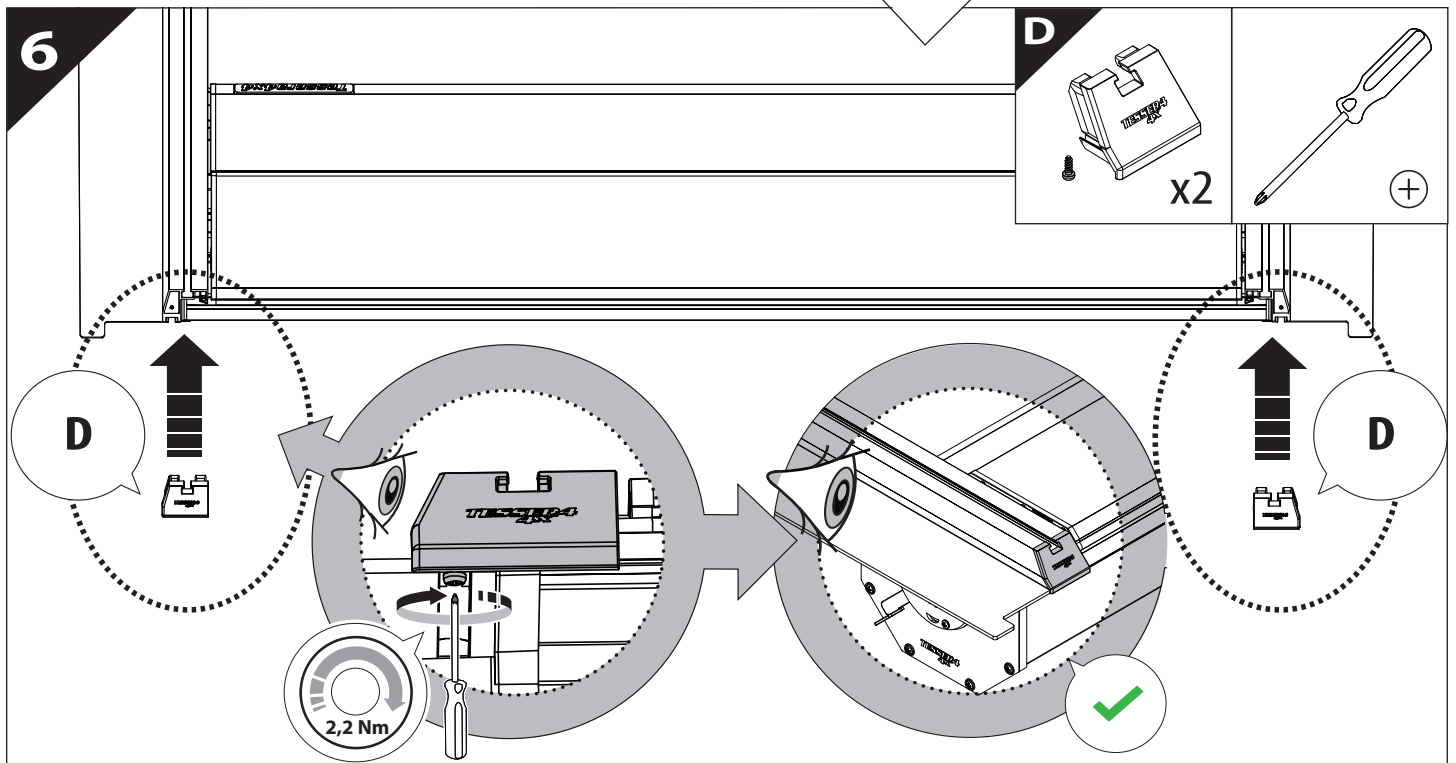
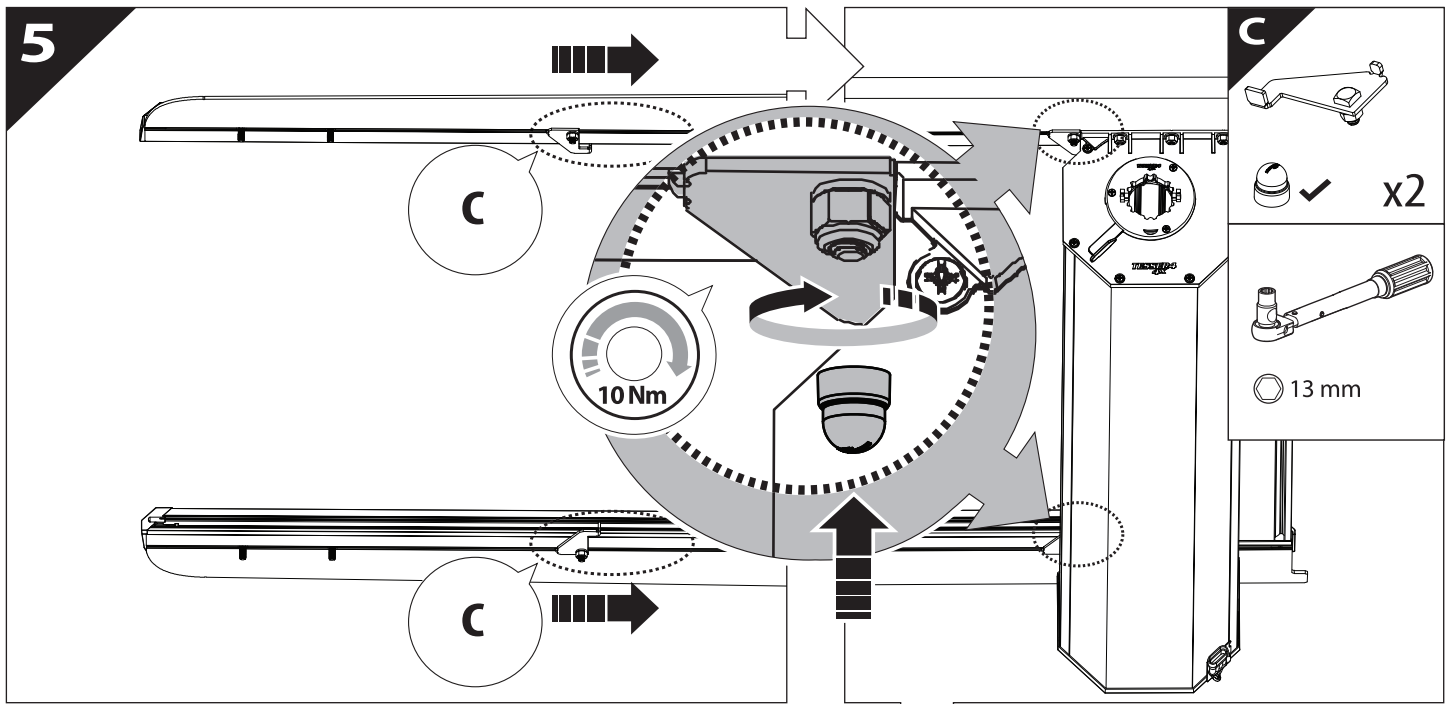


3

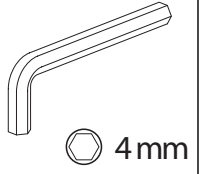
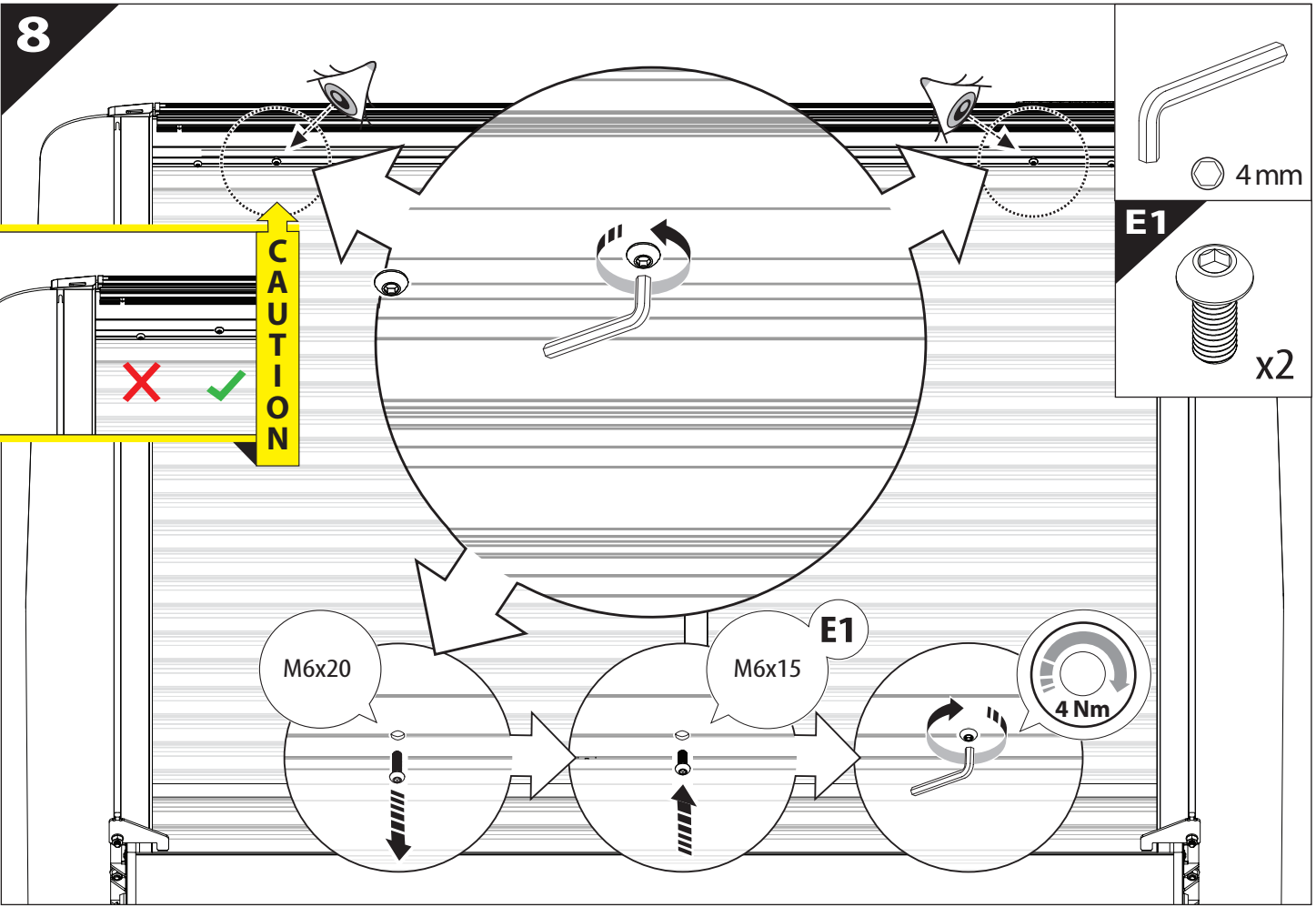
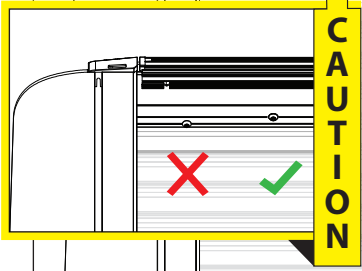


4





8



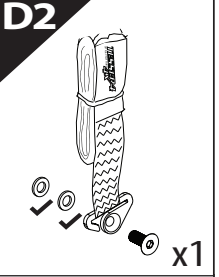
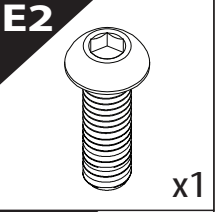
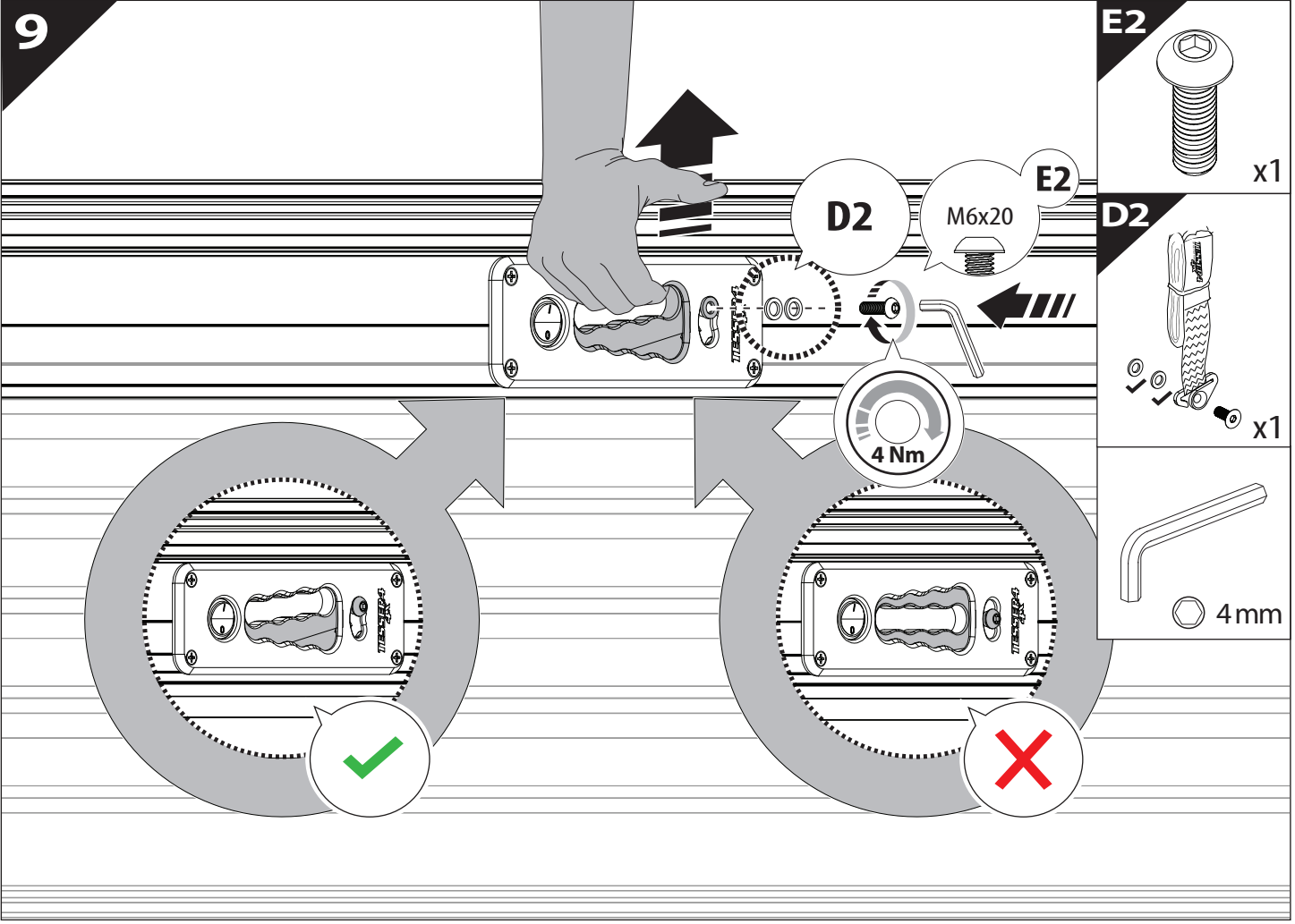
M6x20

M6x15

E1

4 Nm

9

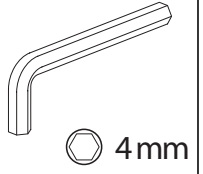


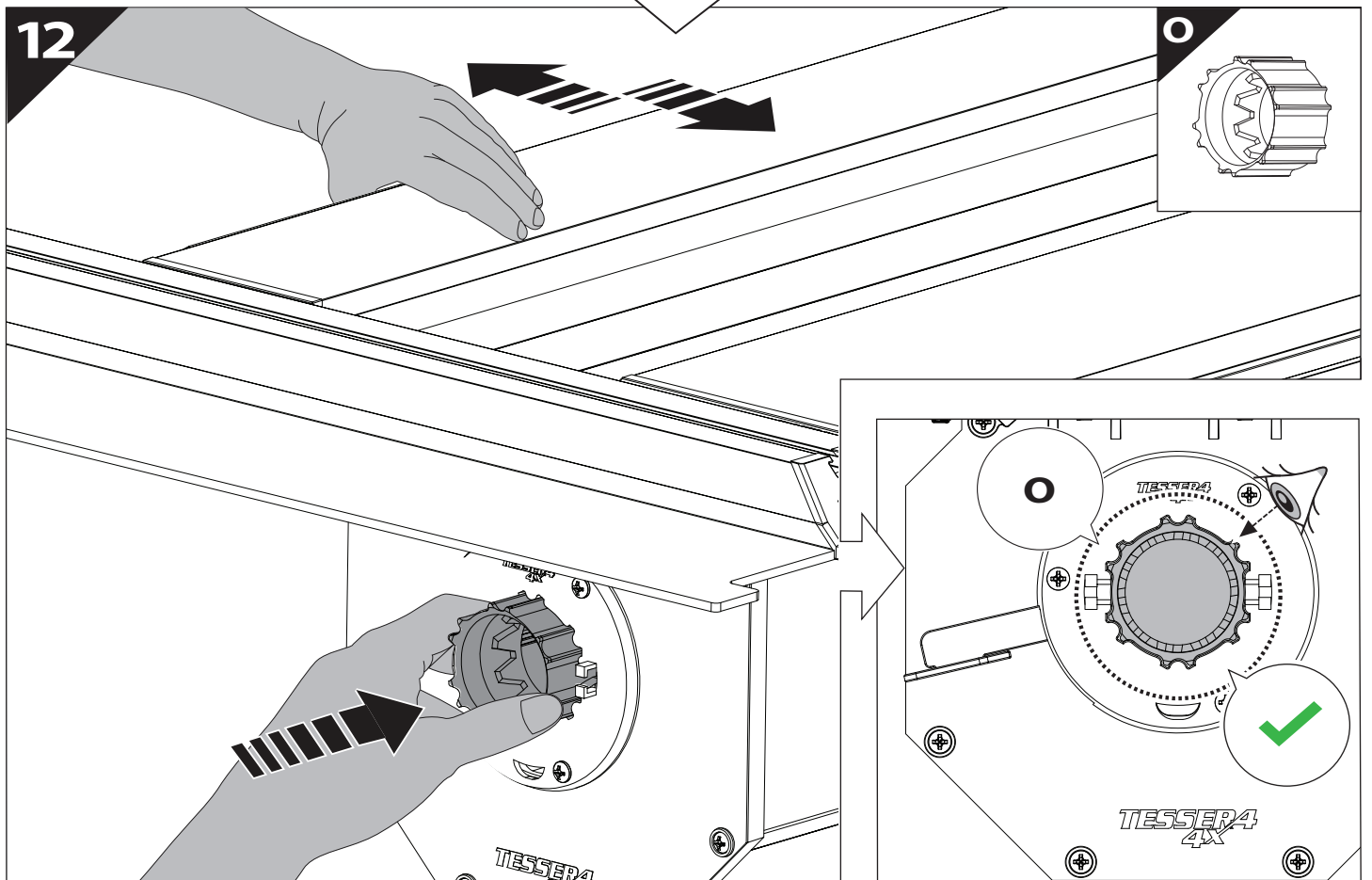
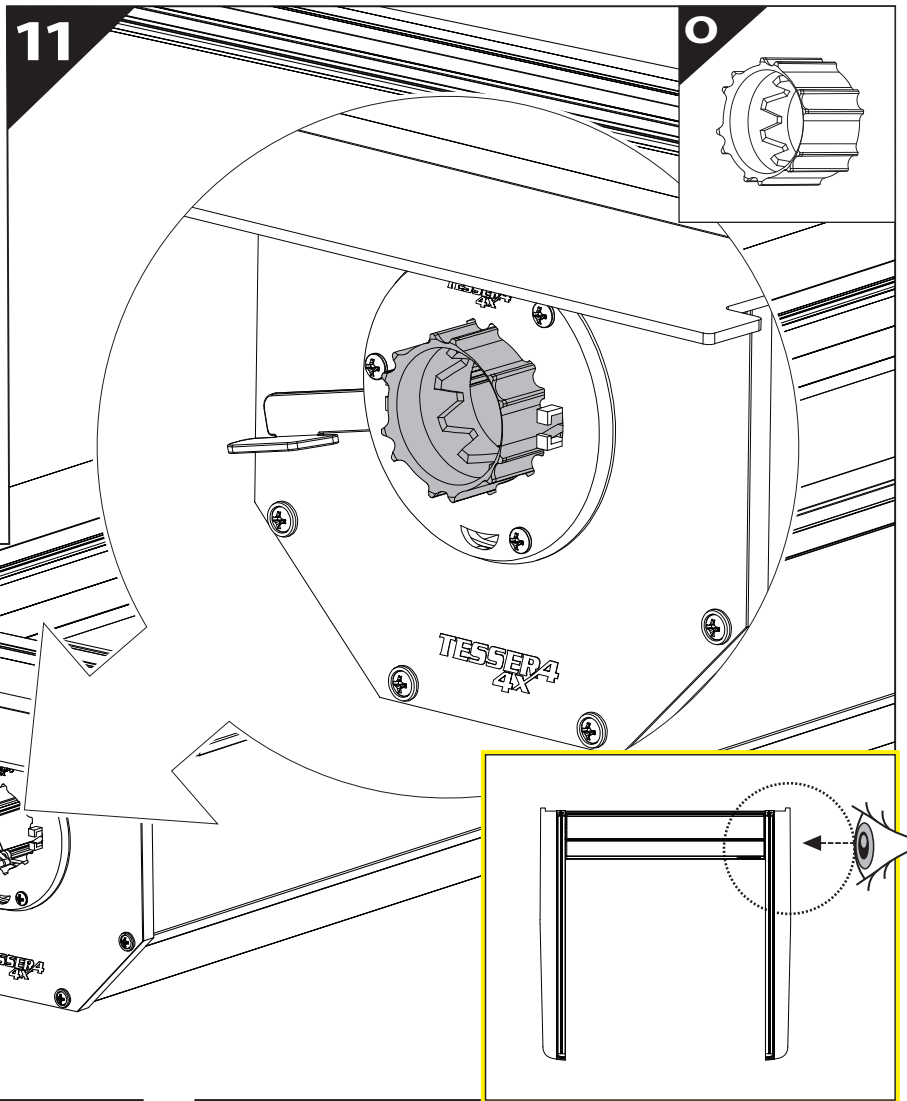
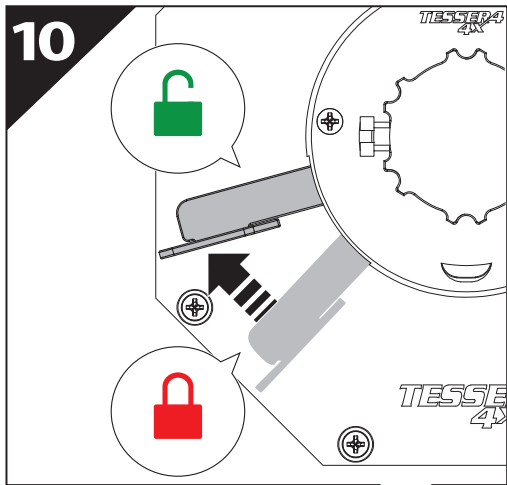
D2

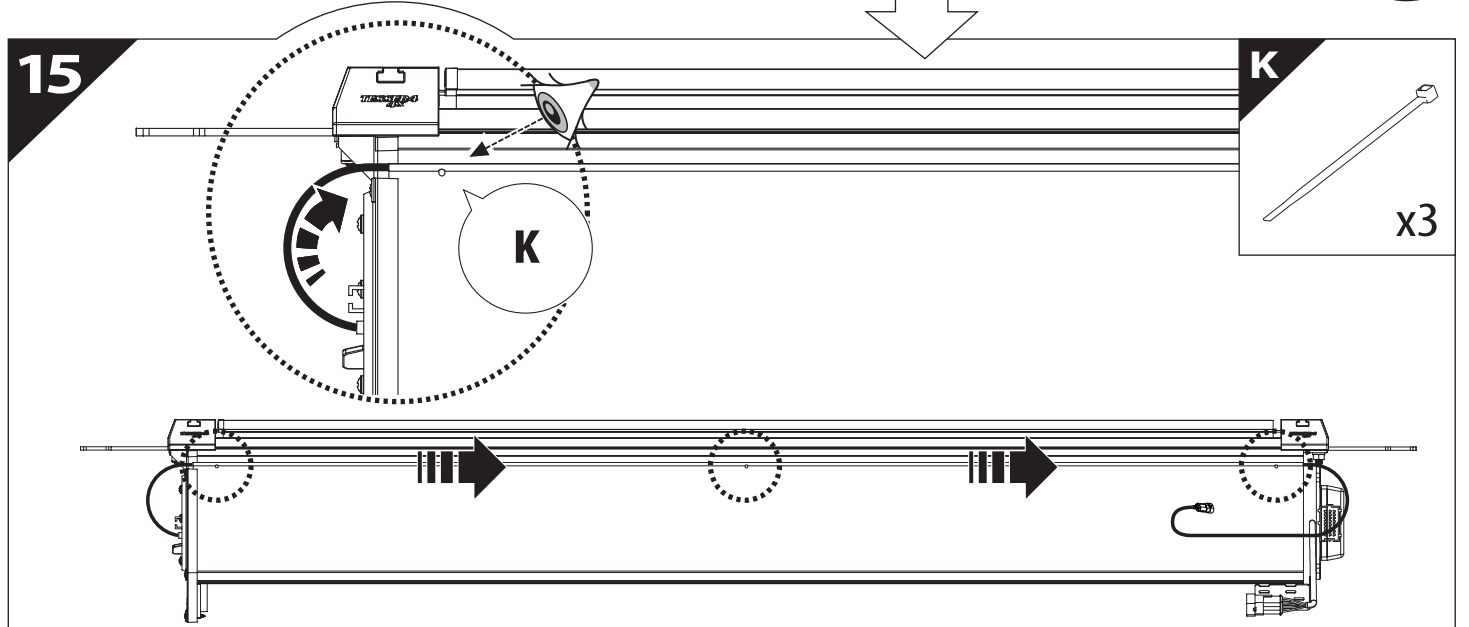
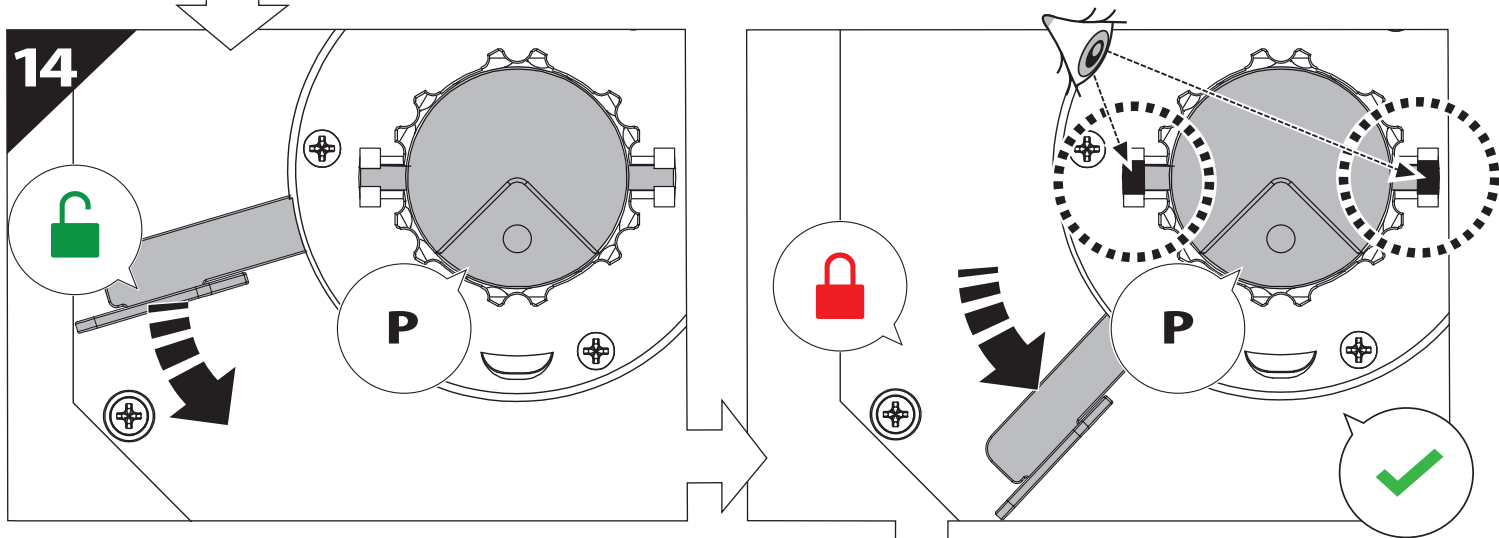
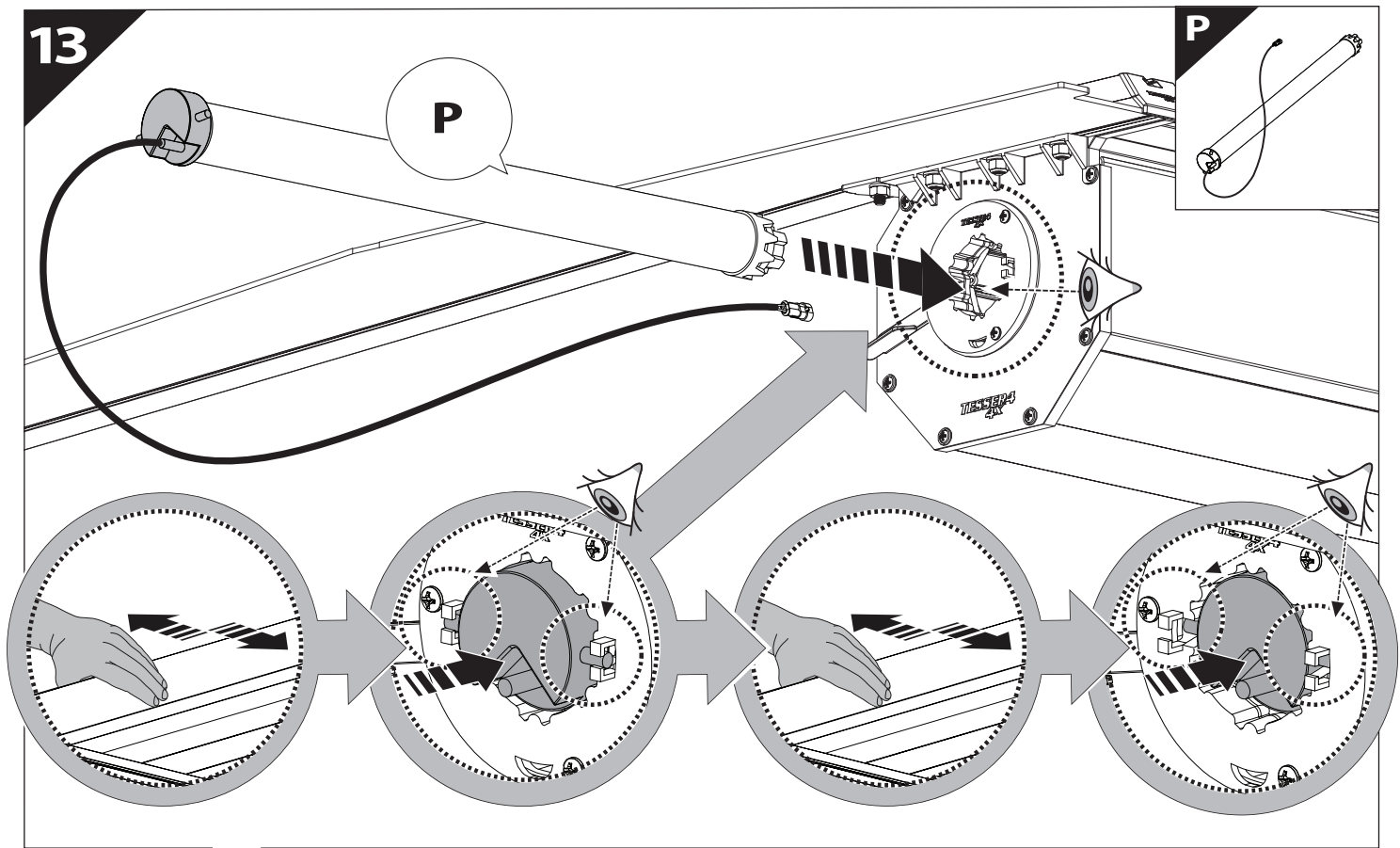
M6x20

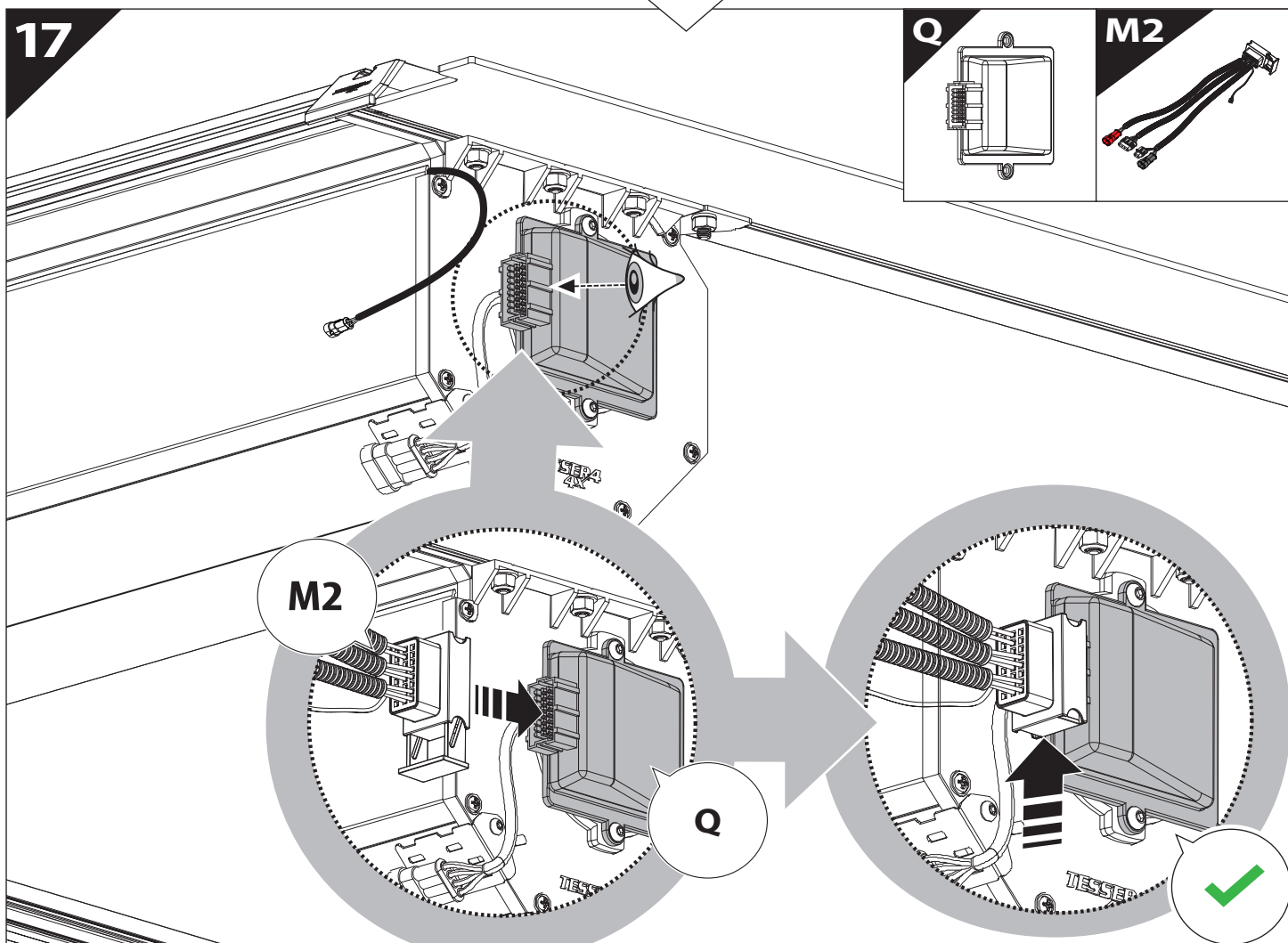
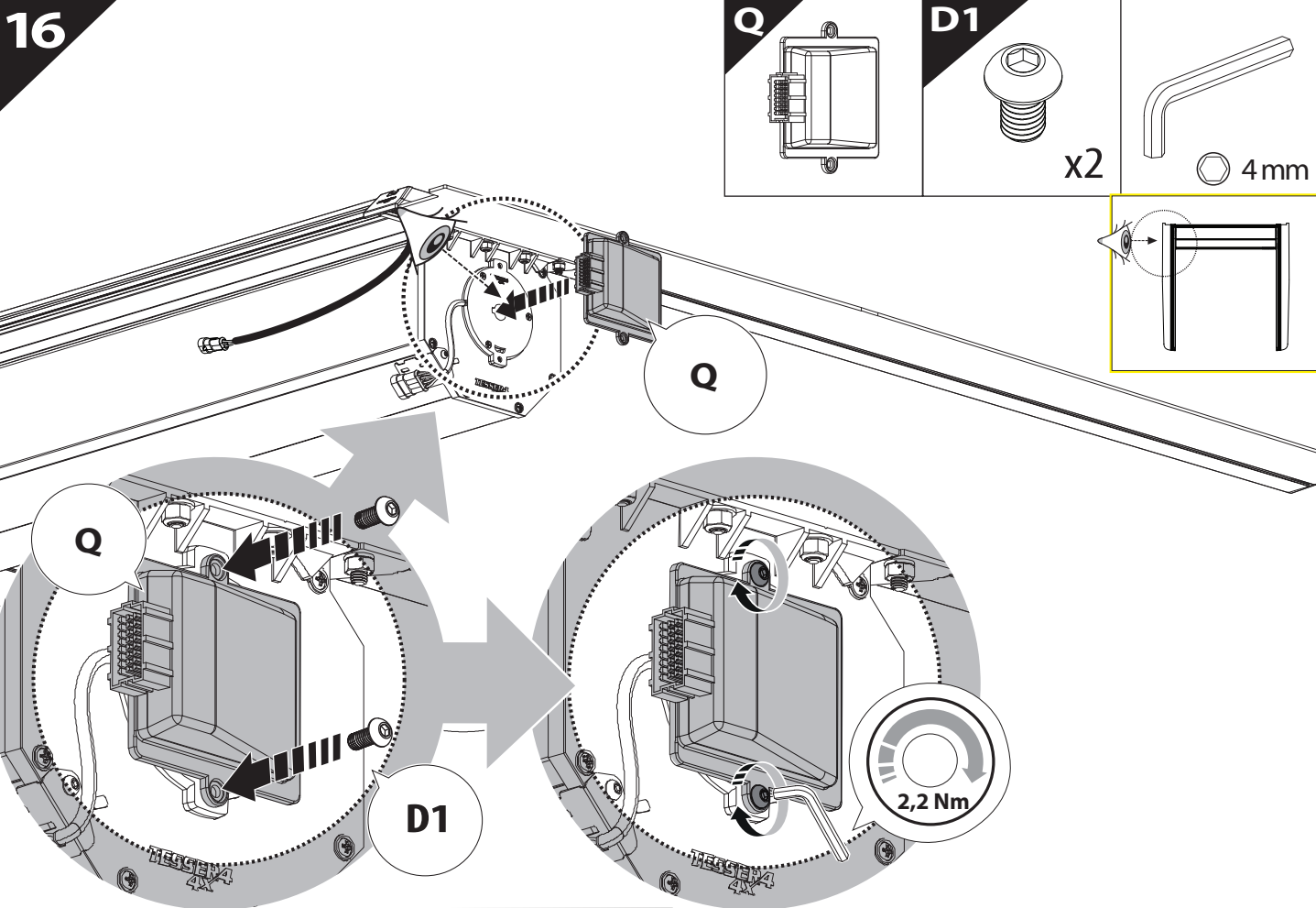
E2

4 Nm

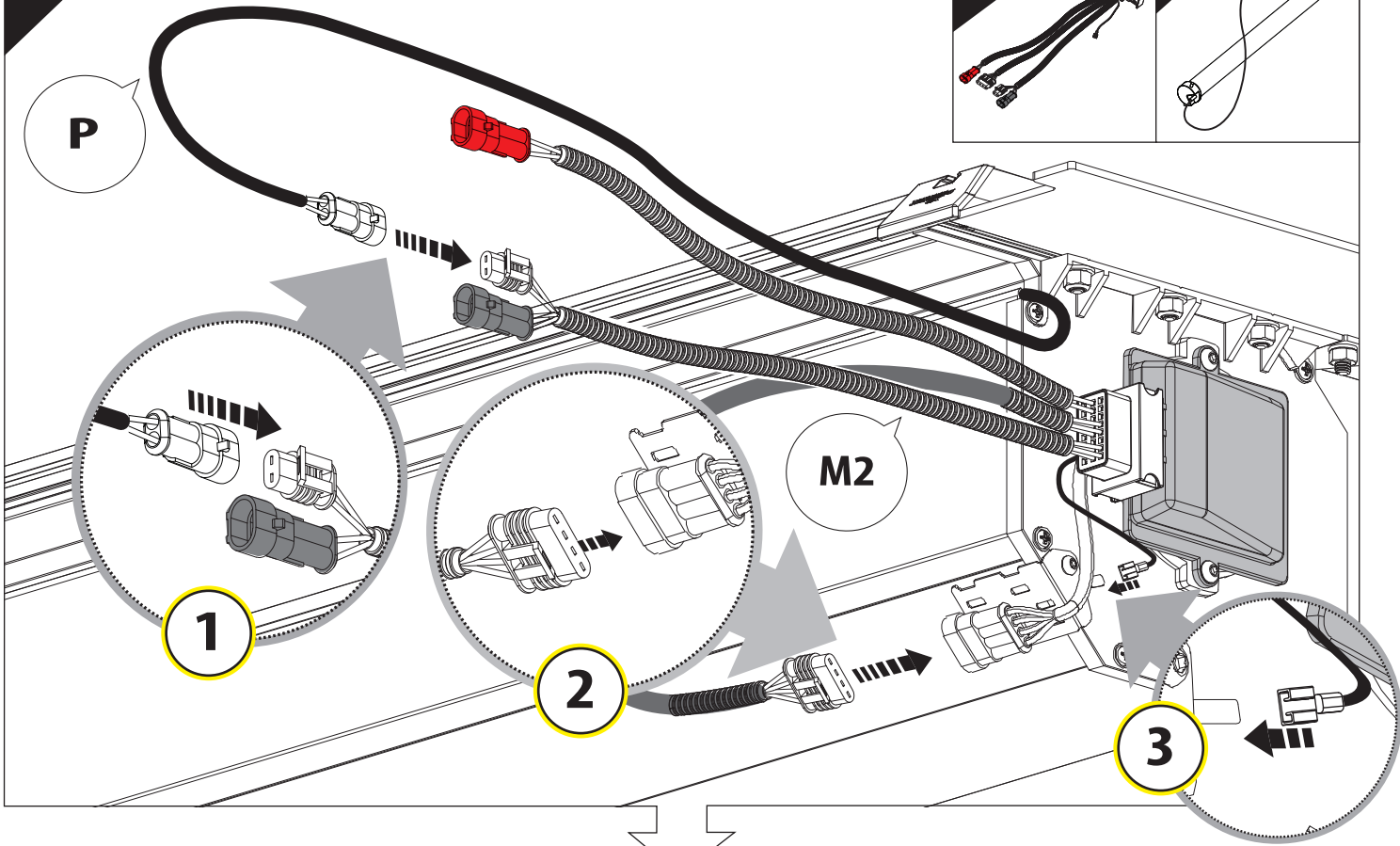
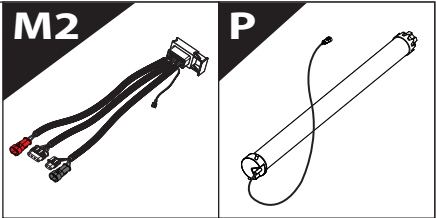




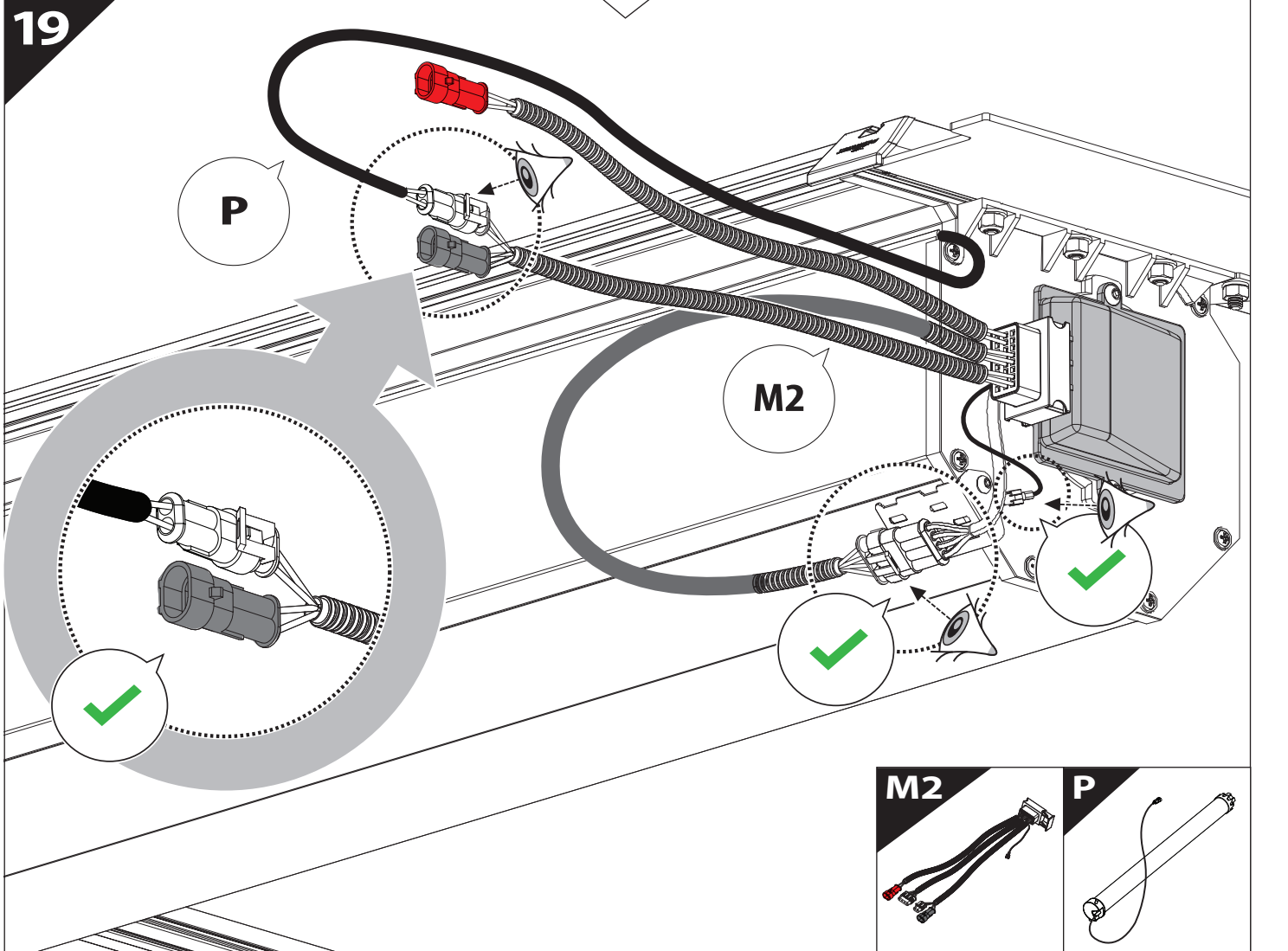
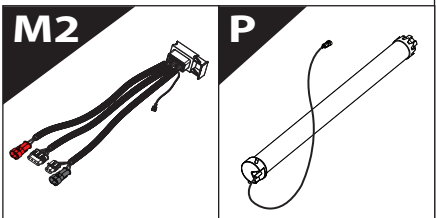




18

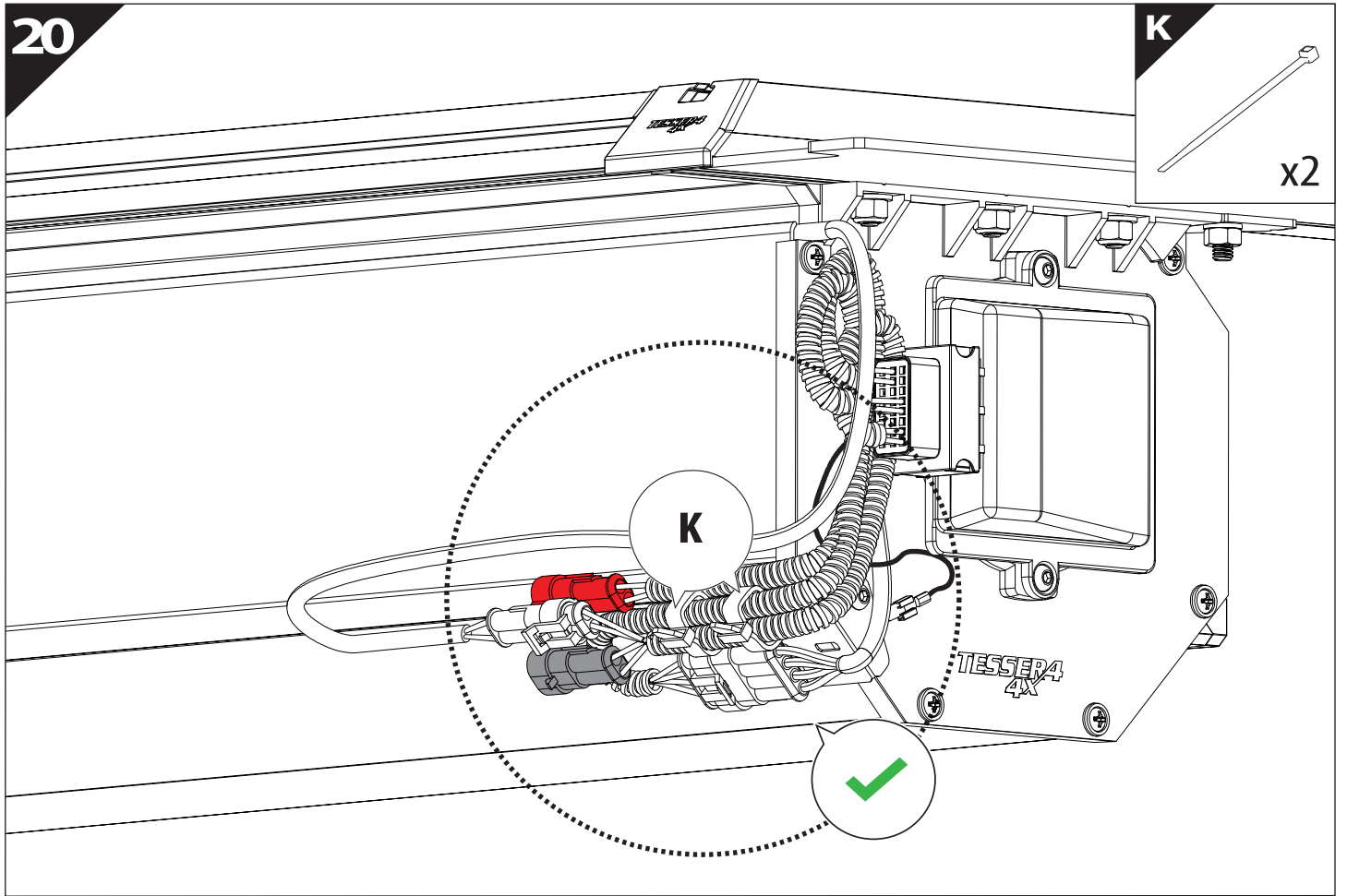


19



20

K

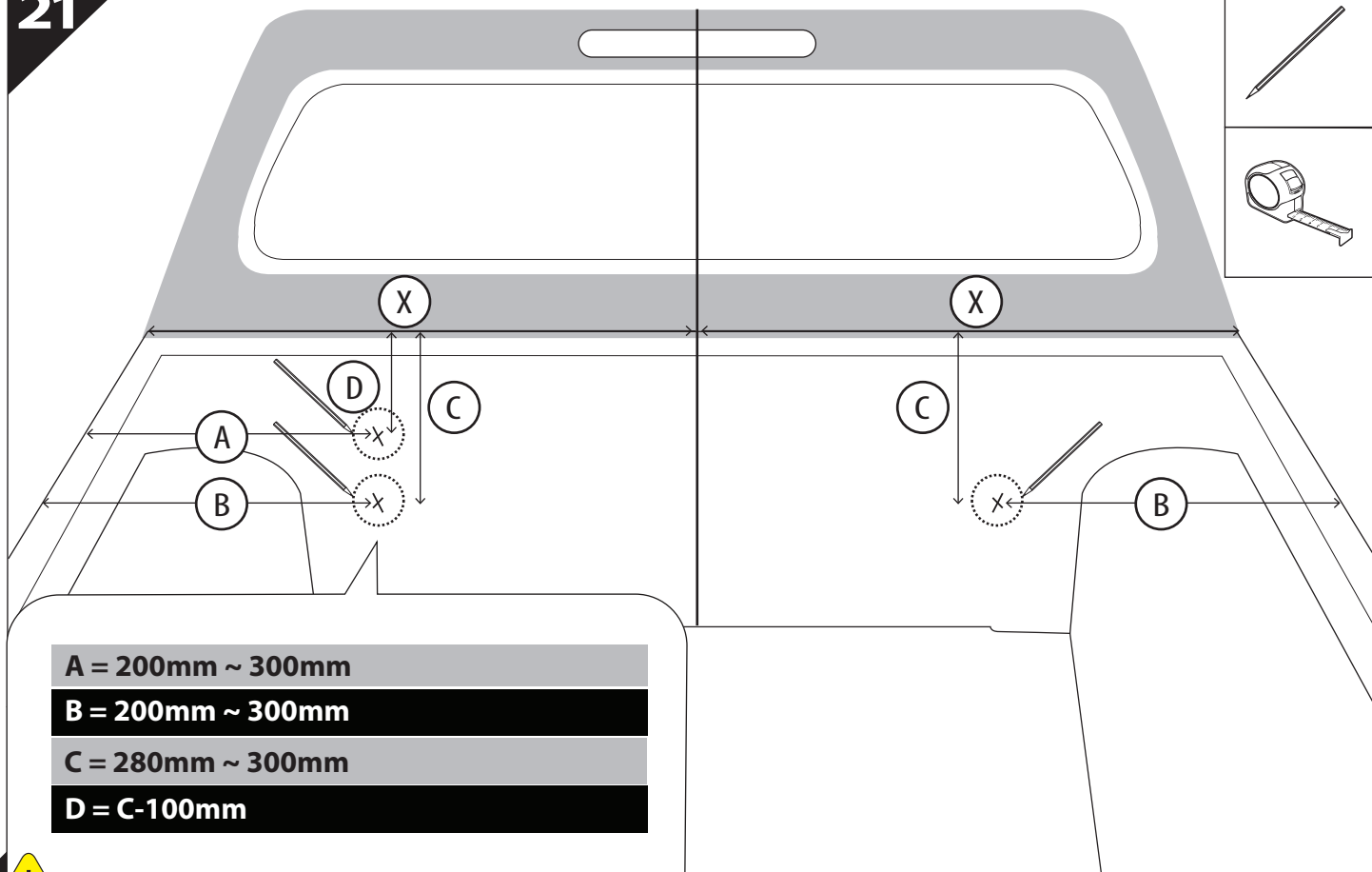
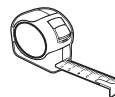


x2

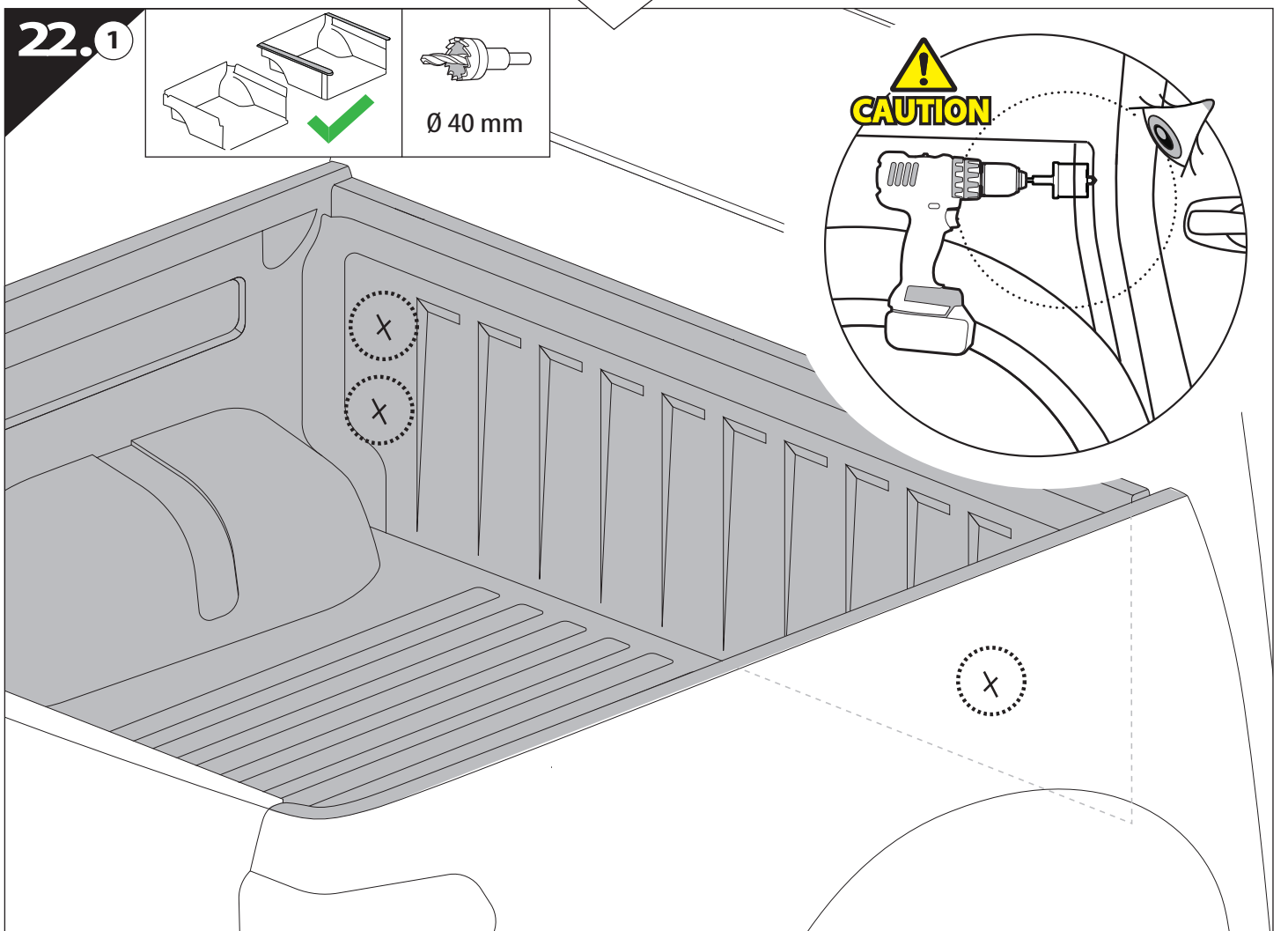
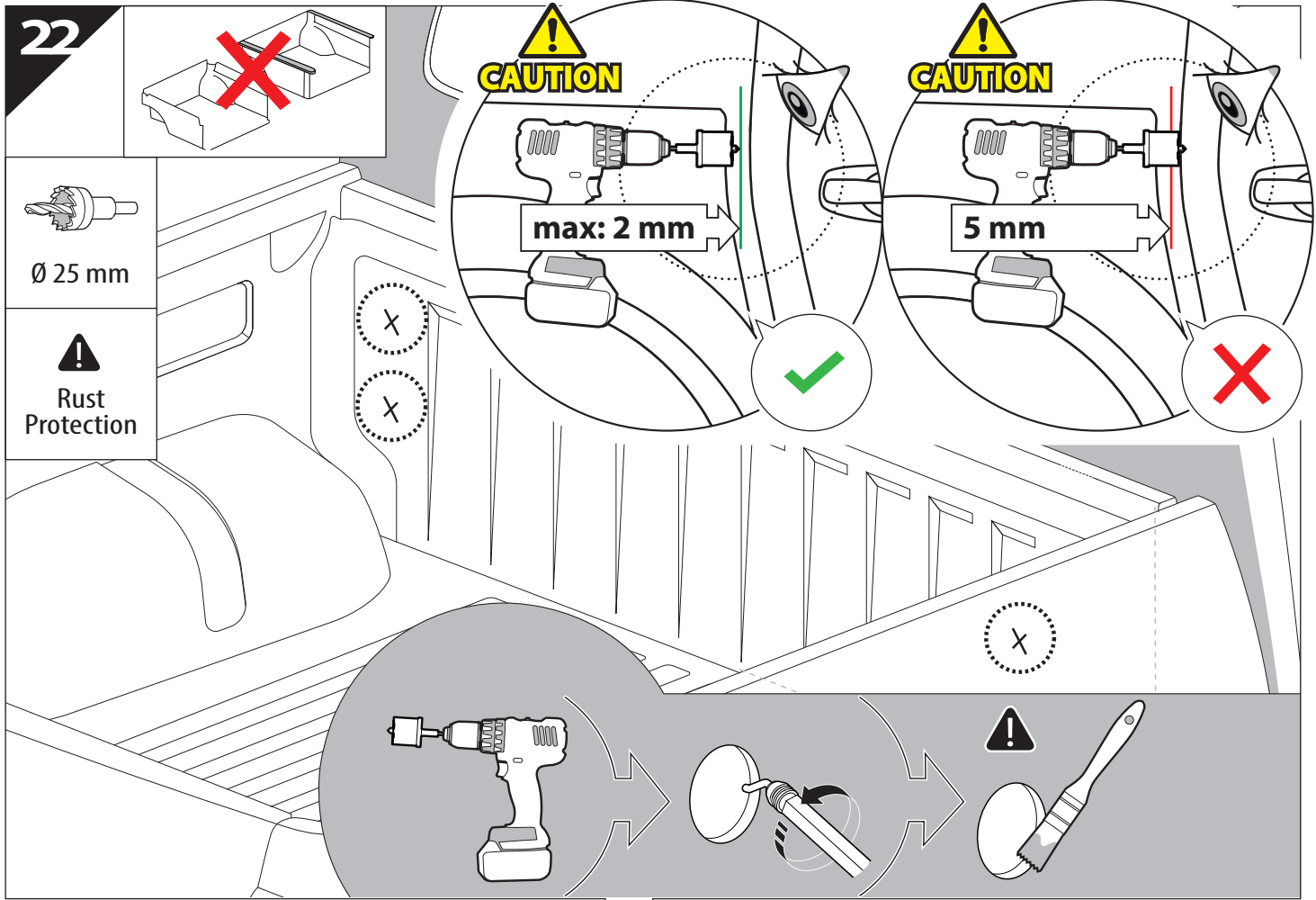
K

TESSERA
4X

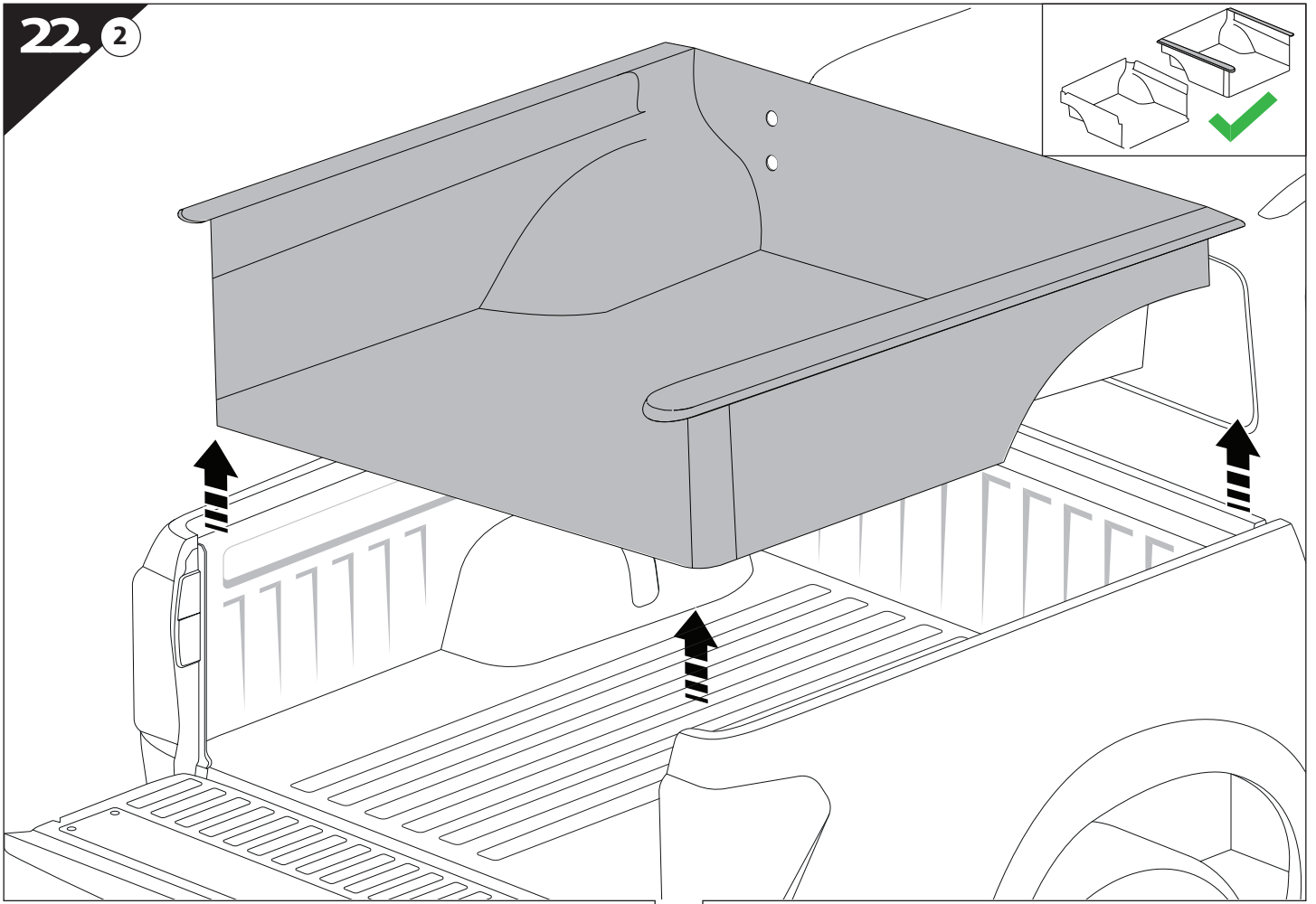




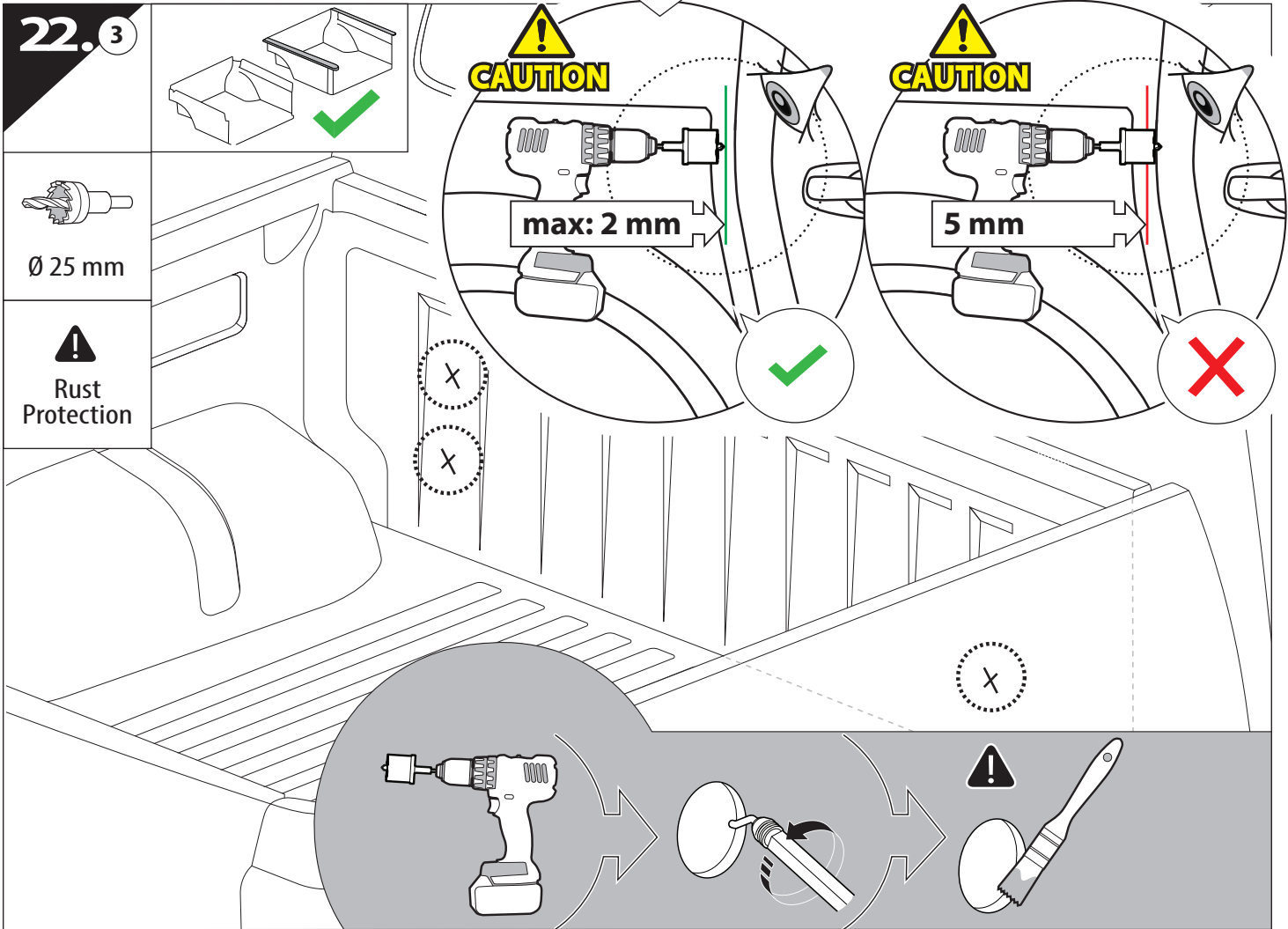
! TRY TO FIND FREE & STRAIGHT SPOTS IN THESE DIMENSIONS ACCORDINGLY

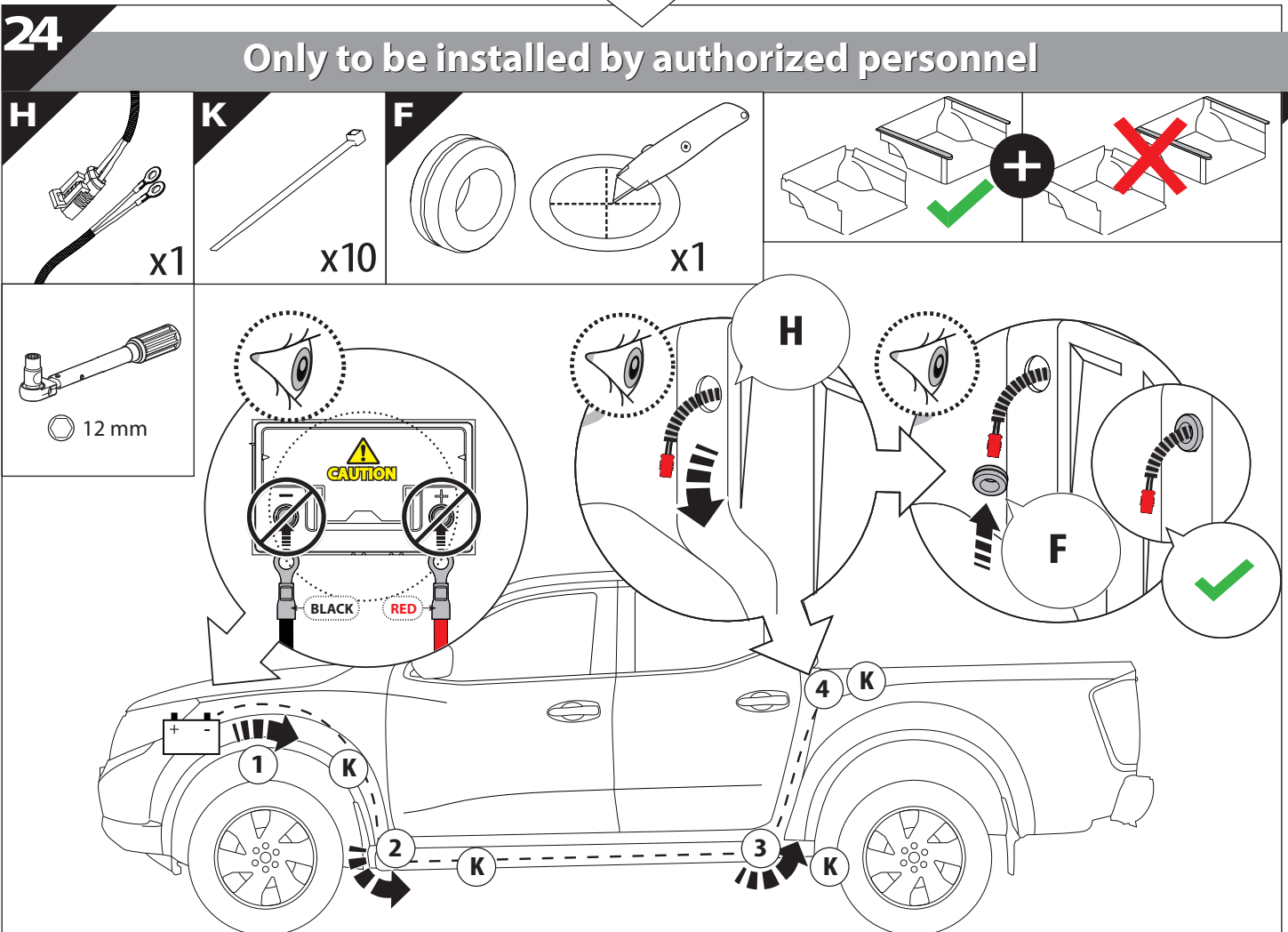
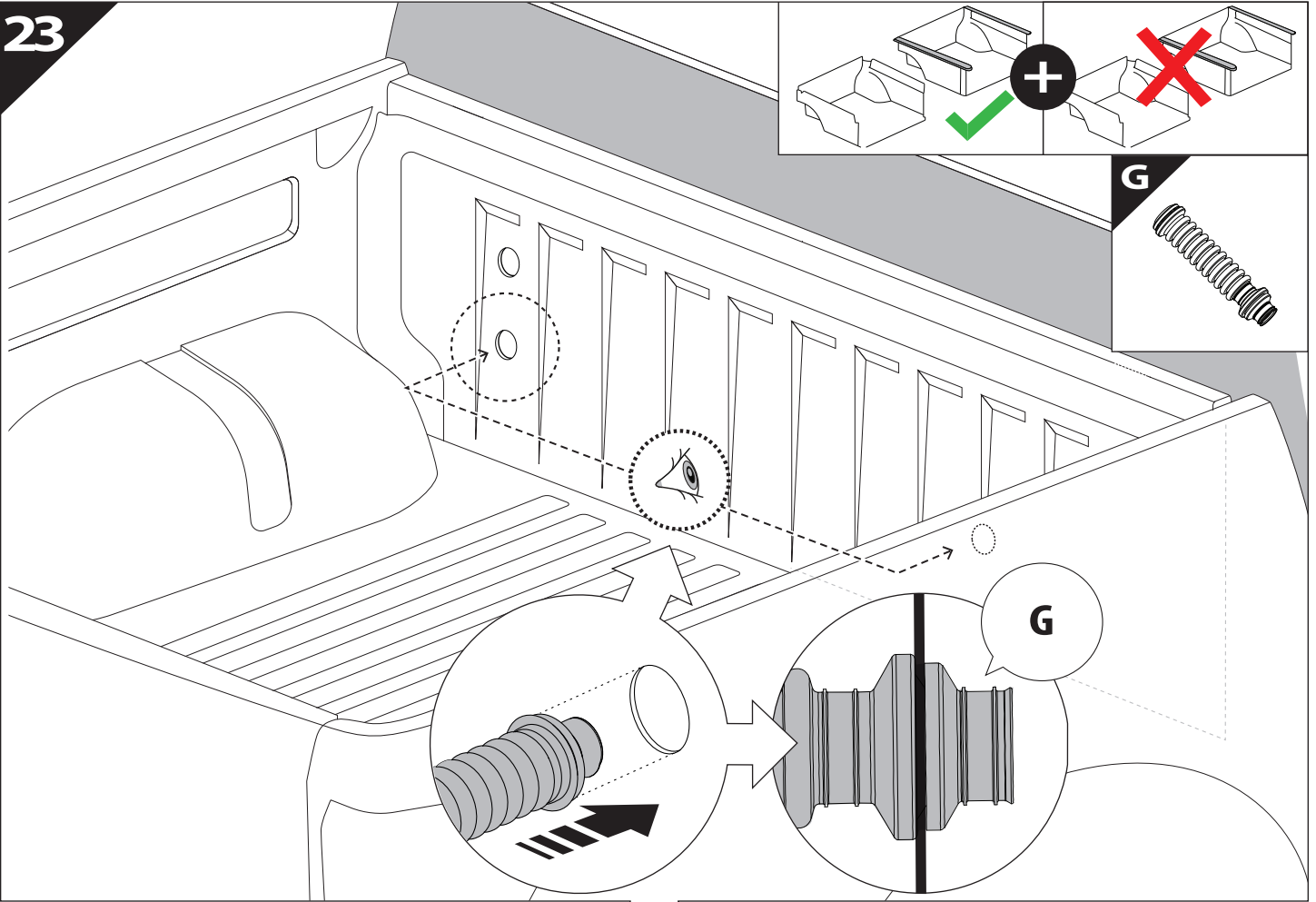


22.2

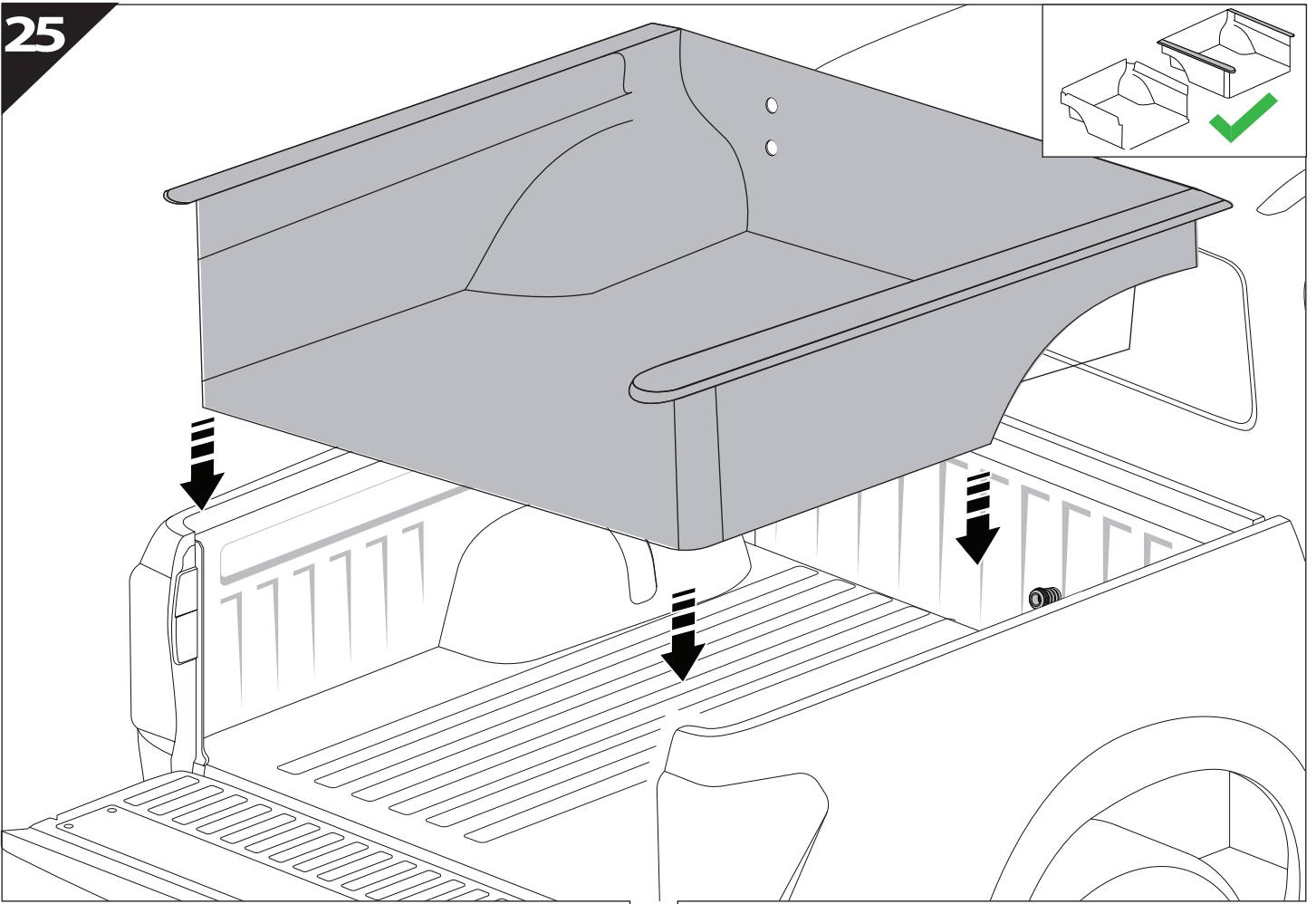


22.3

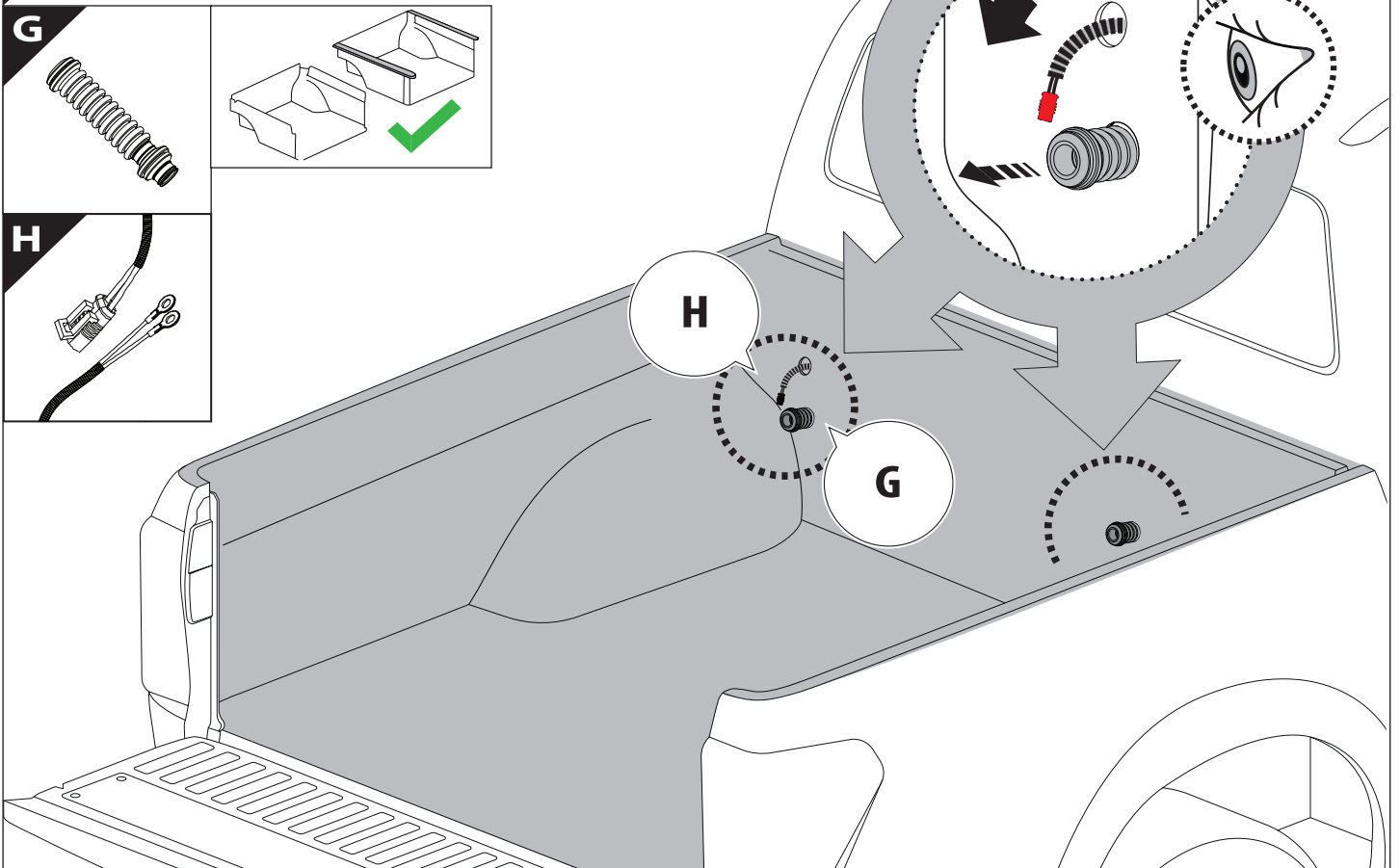




25

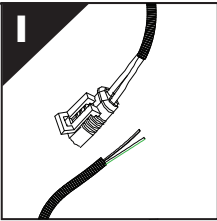


25.1

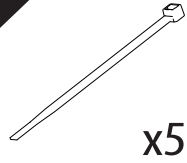


26

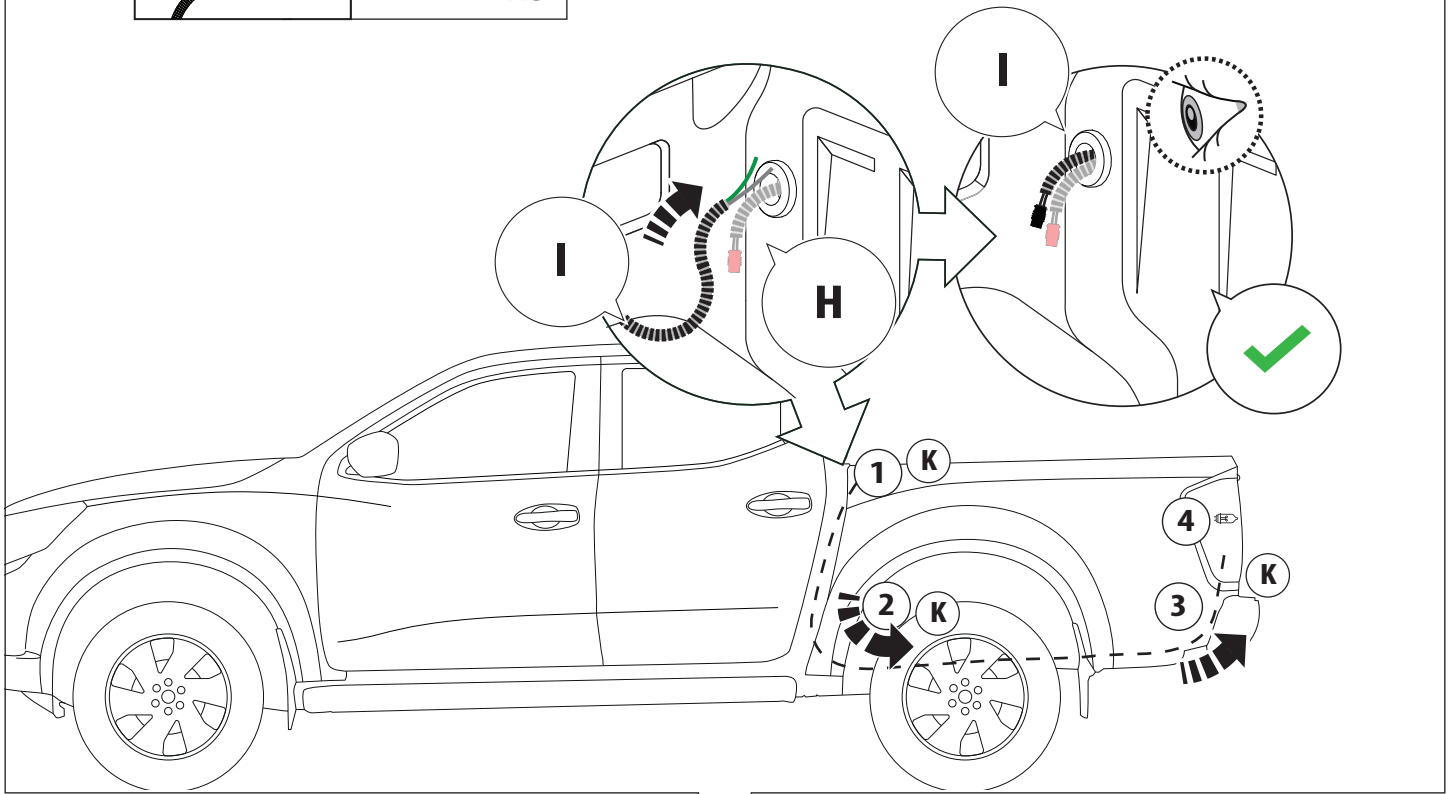
I



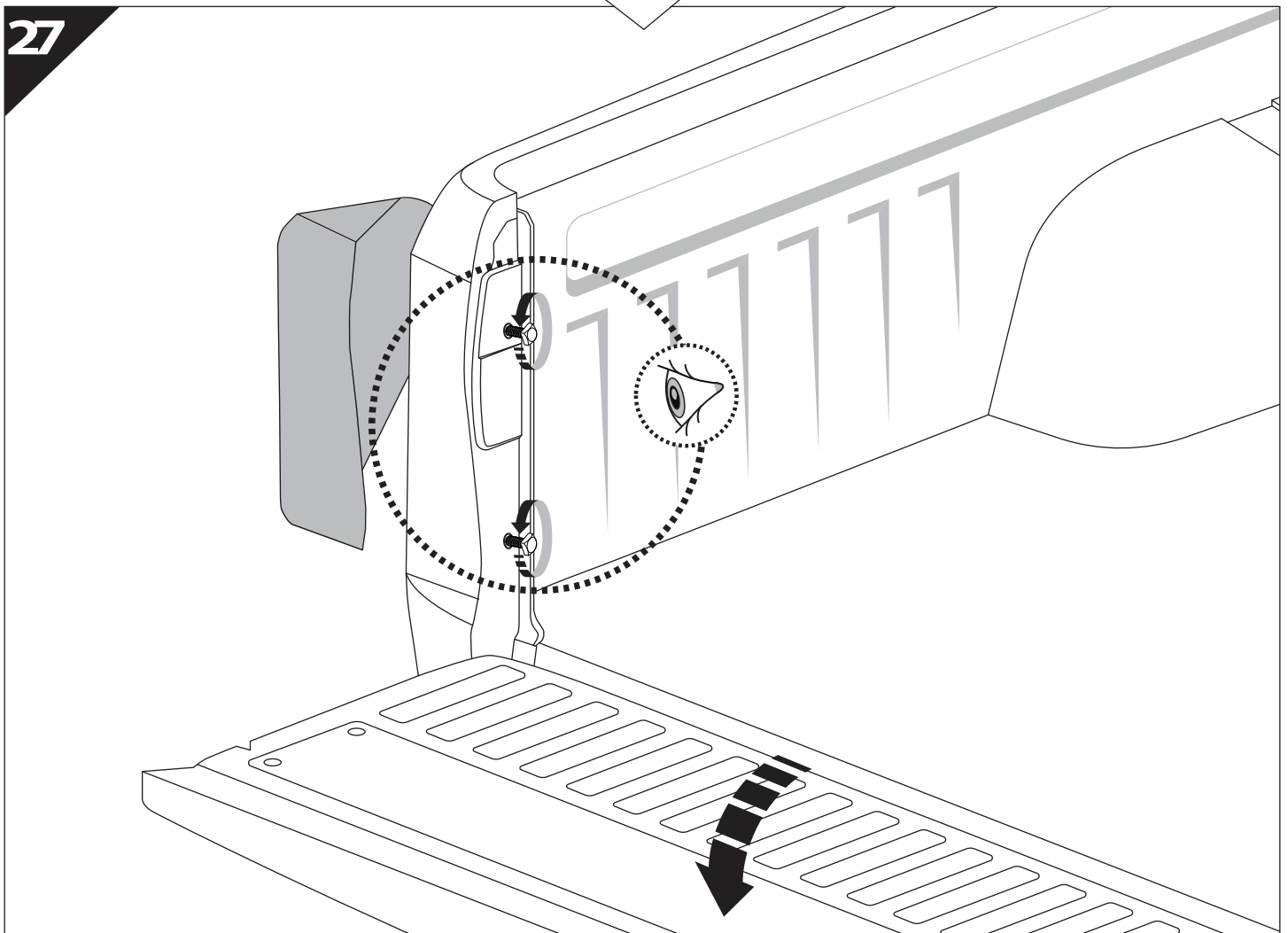
K

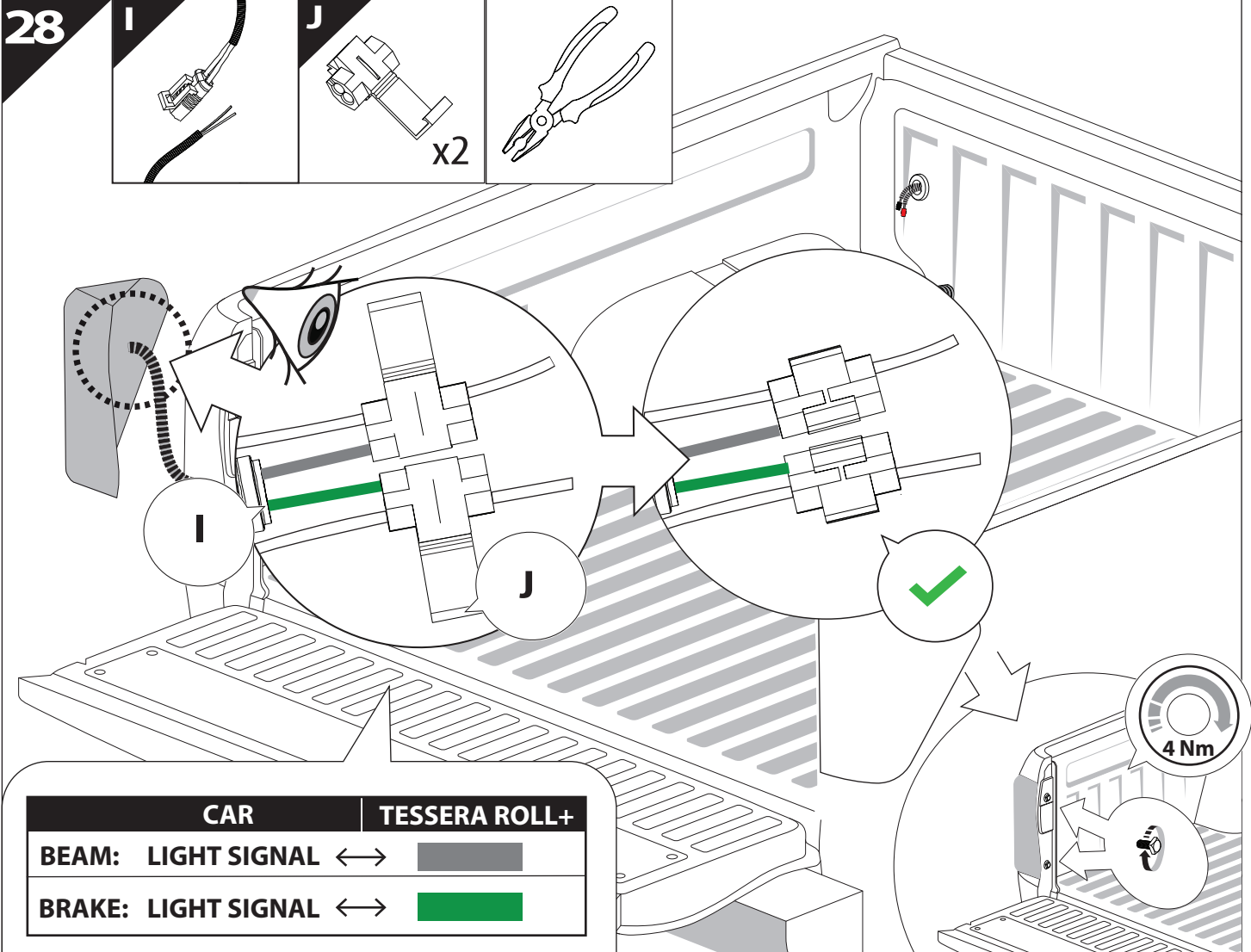


x5

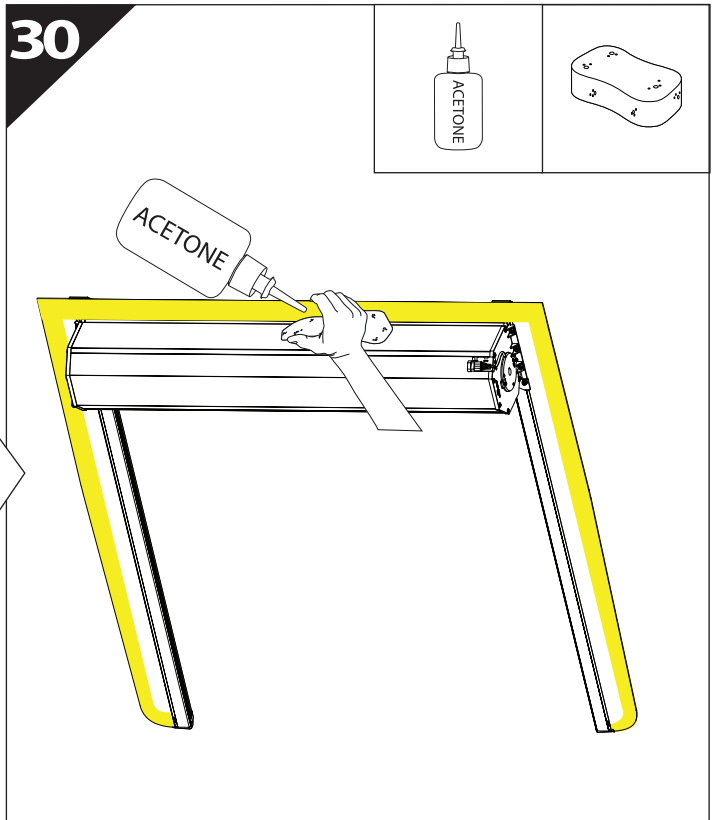
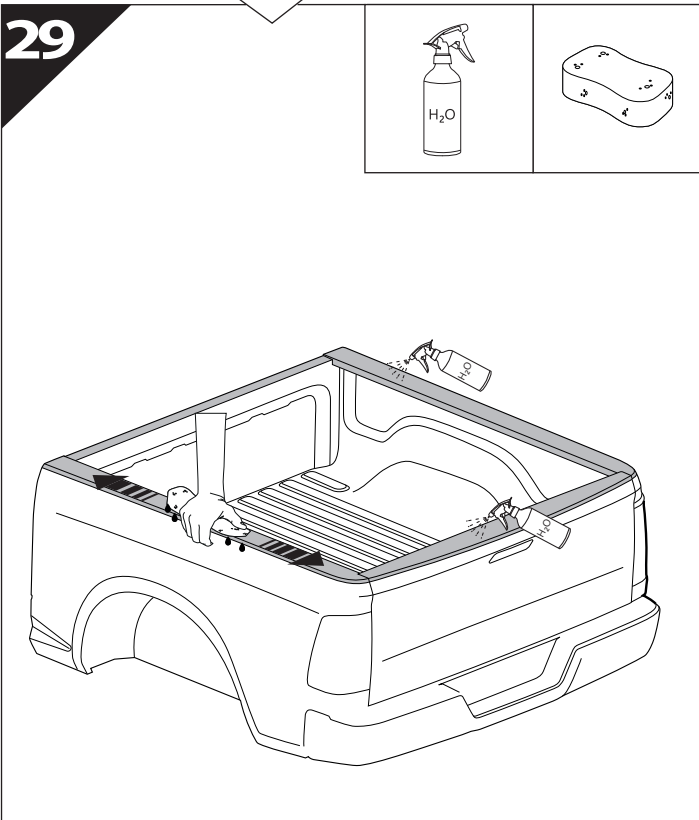


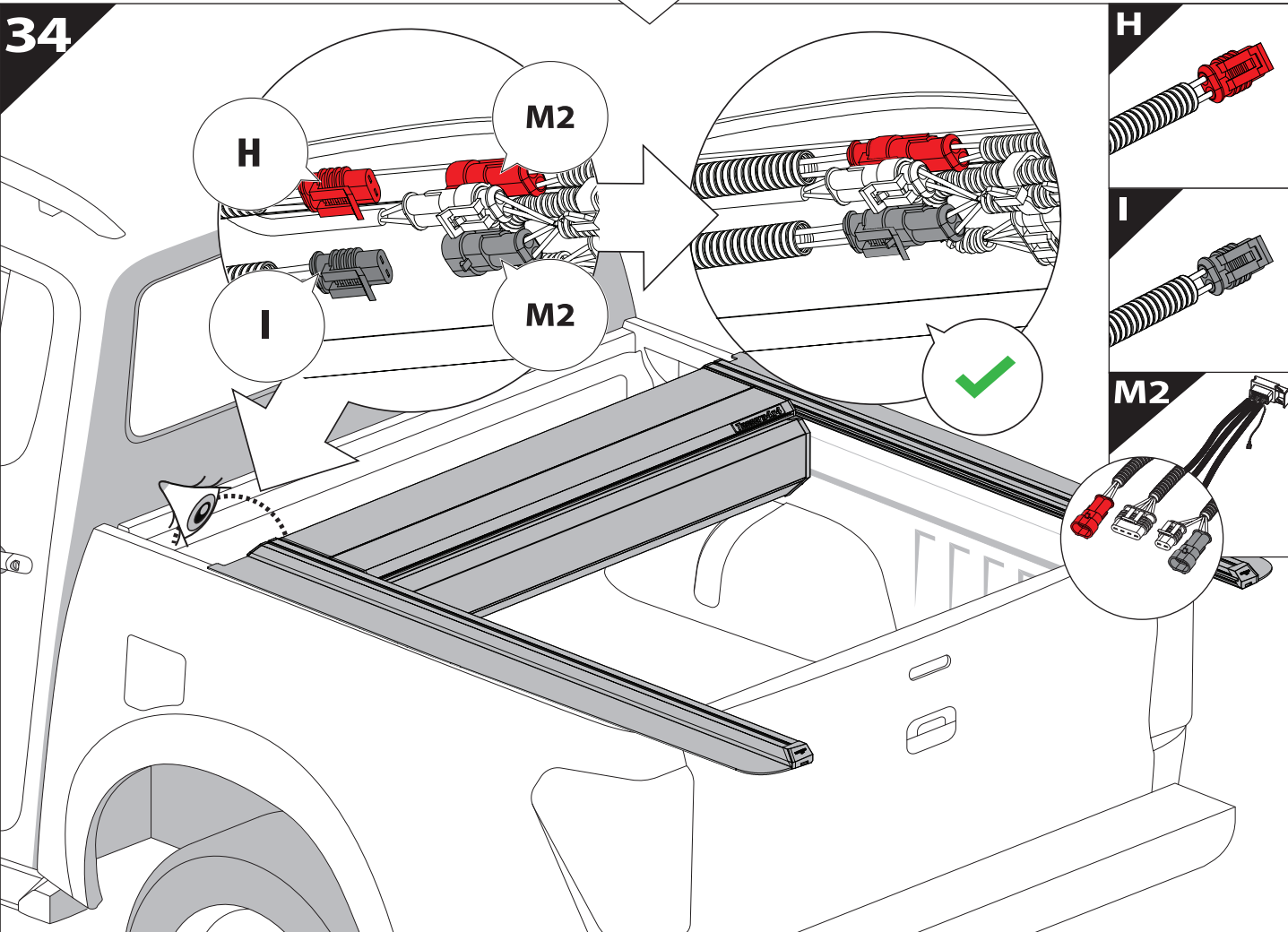
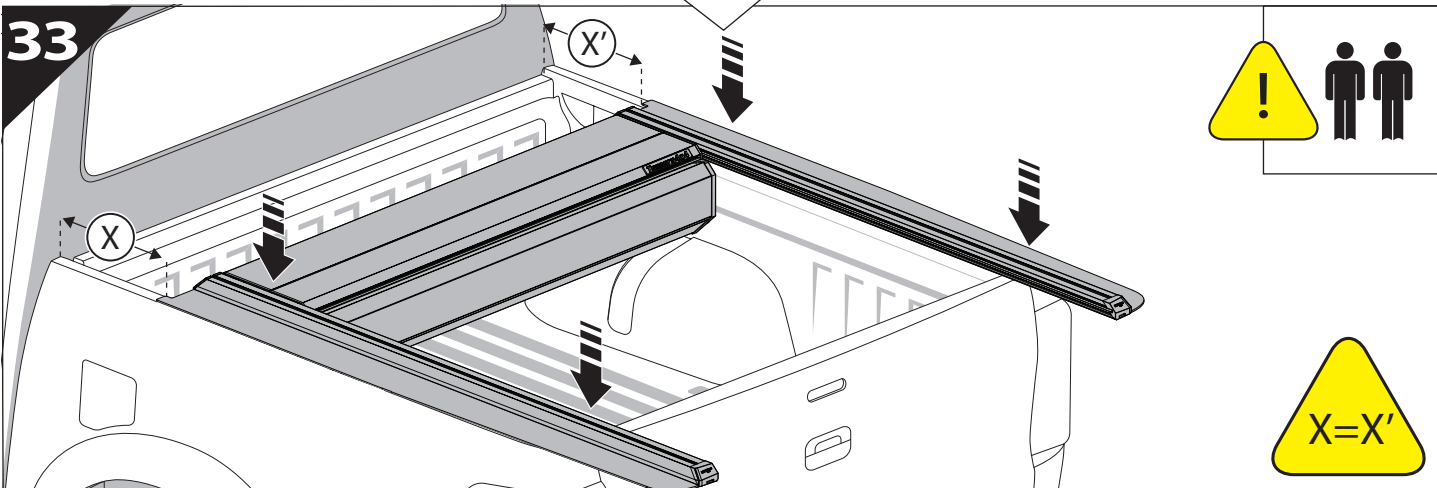
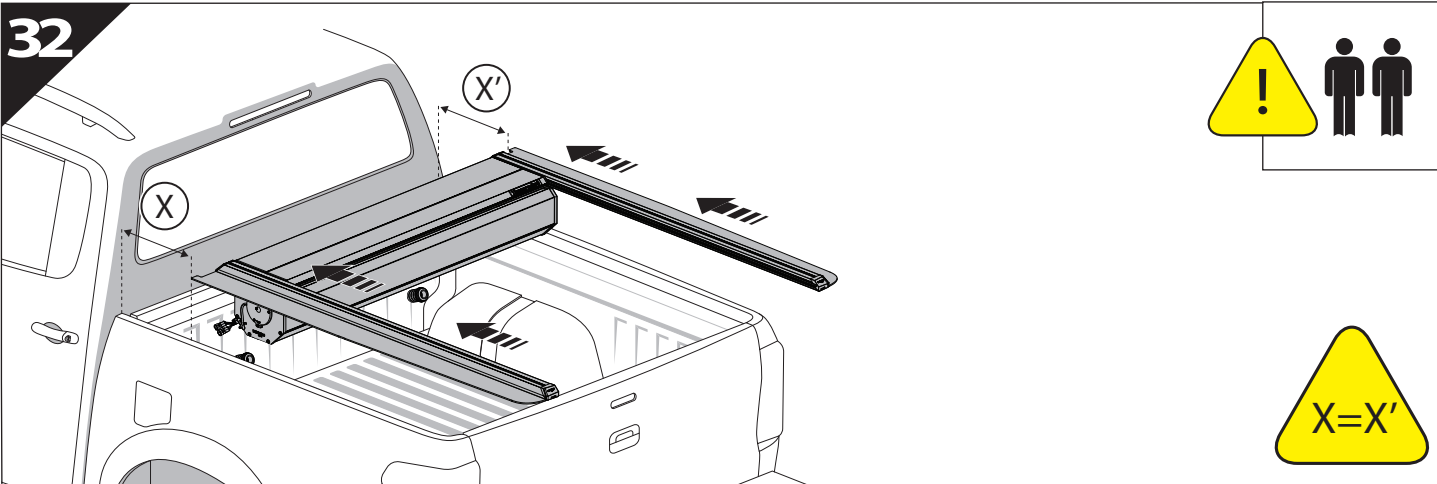
27



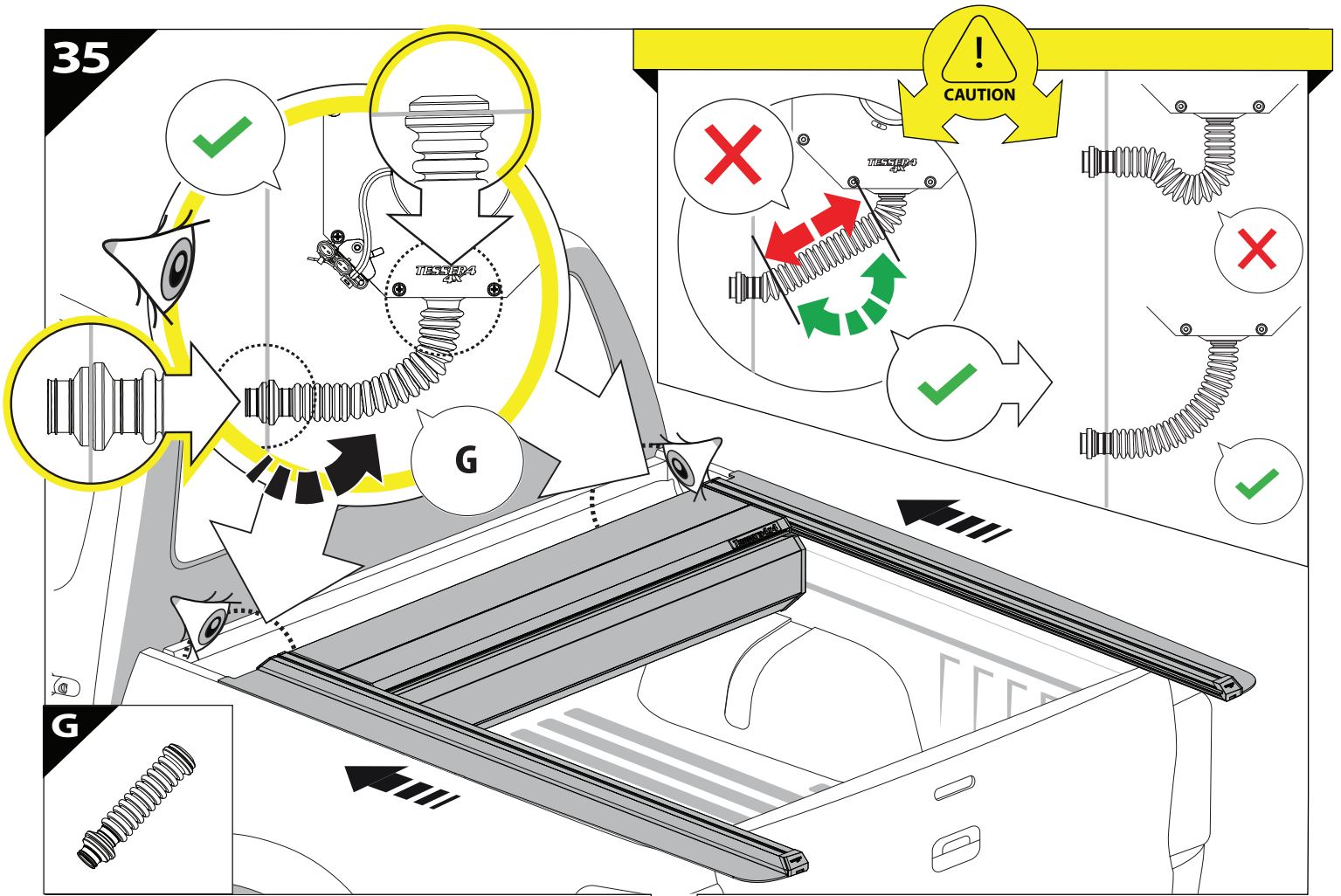


CAUTION: CONSULT A CERTIFIED AUTO MECHANIC OR AUTOMOTIVE ELECTRICIAN TO IDENTIFY THE CORRECT WIRING CABLES FOR BEAM AND BRAKE SIGNALS BEFORE MAKING ANY CONNECTIONS.



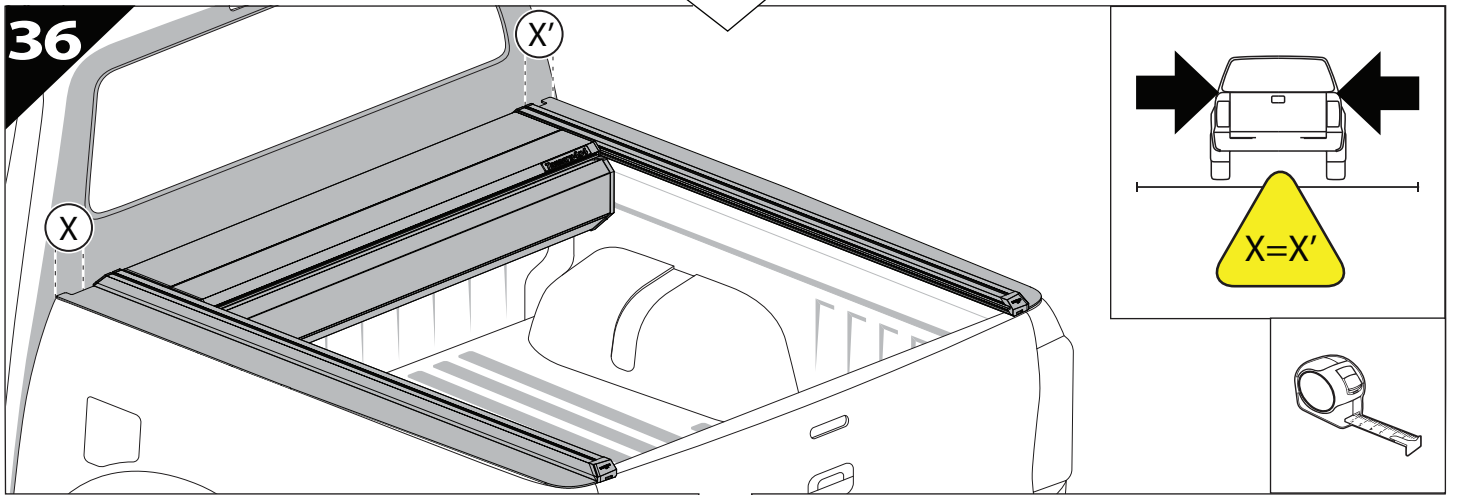


35

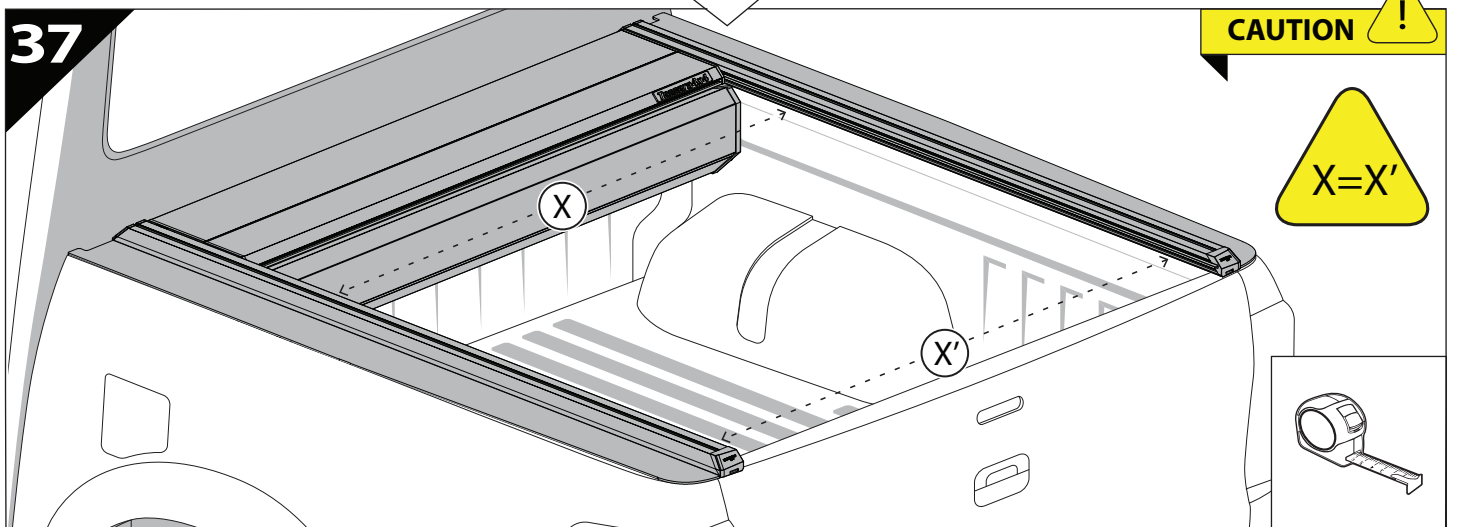


G

36

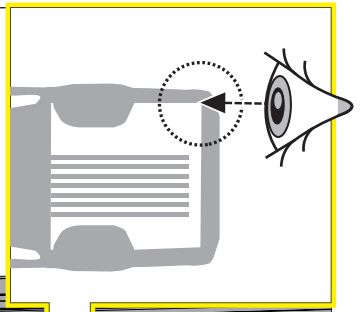
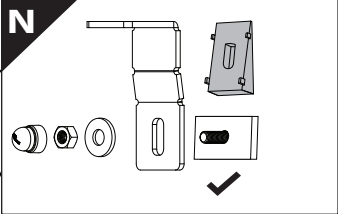


37

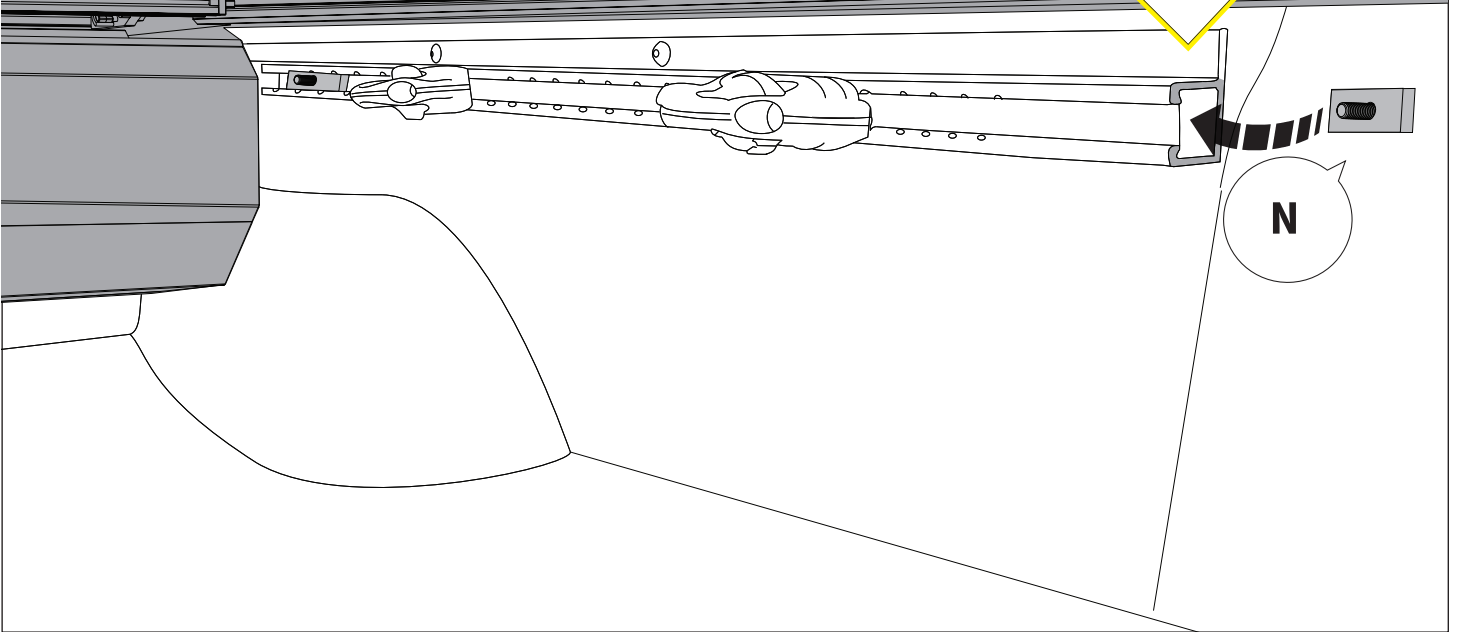


38

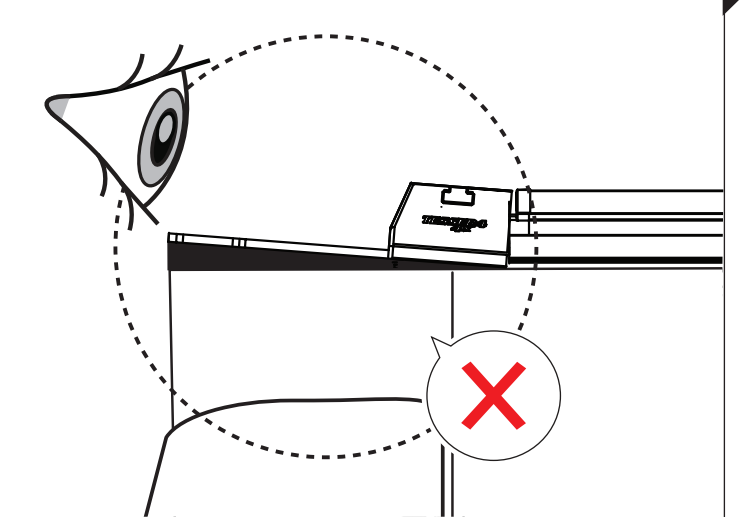
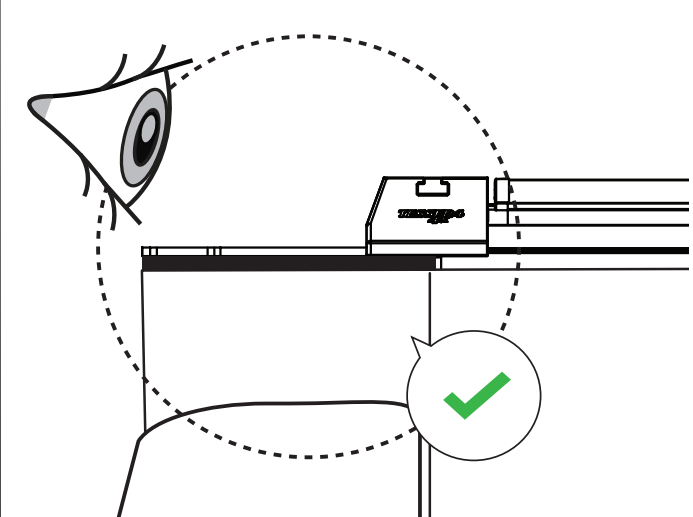
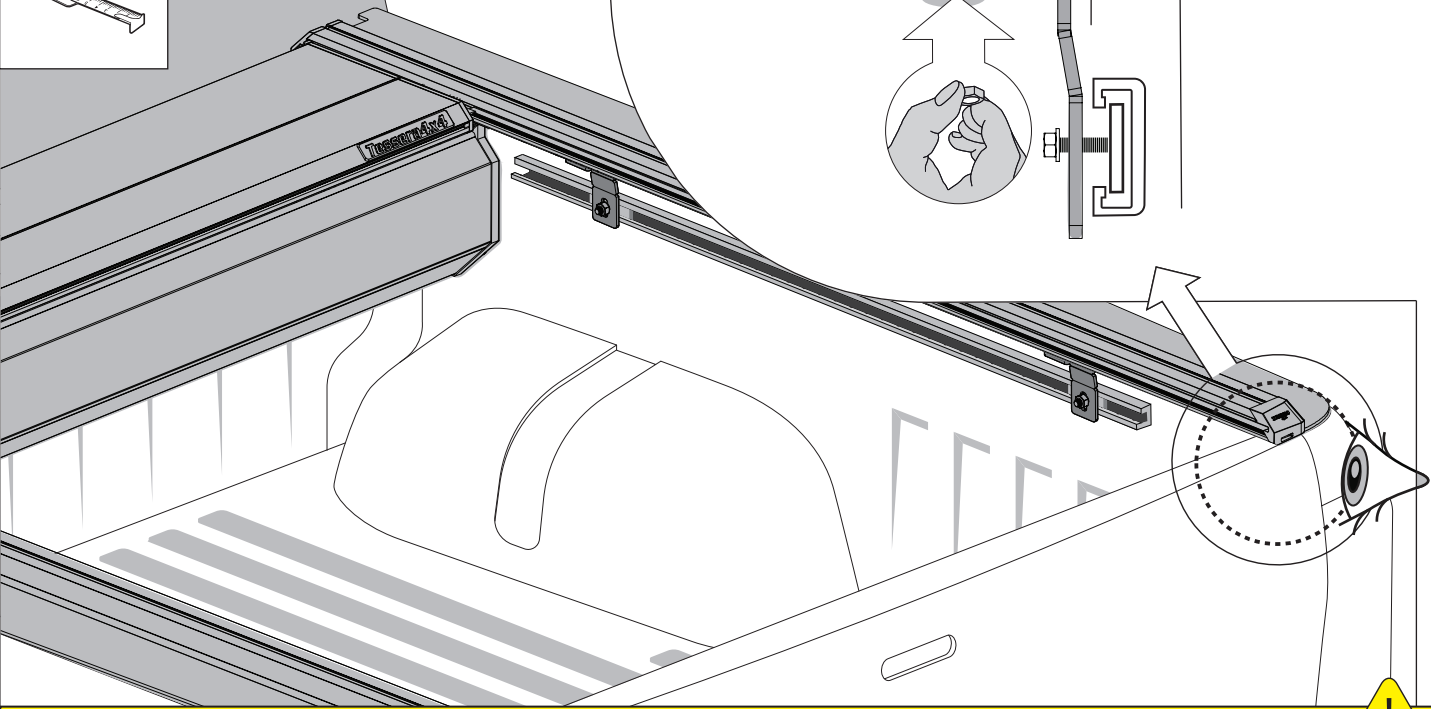
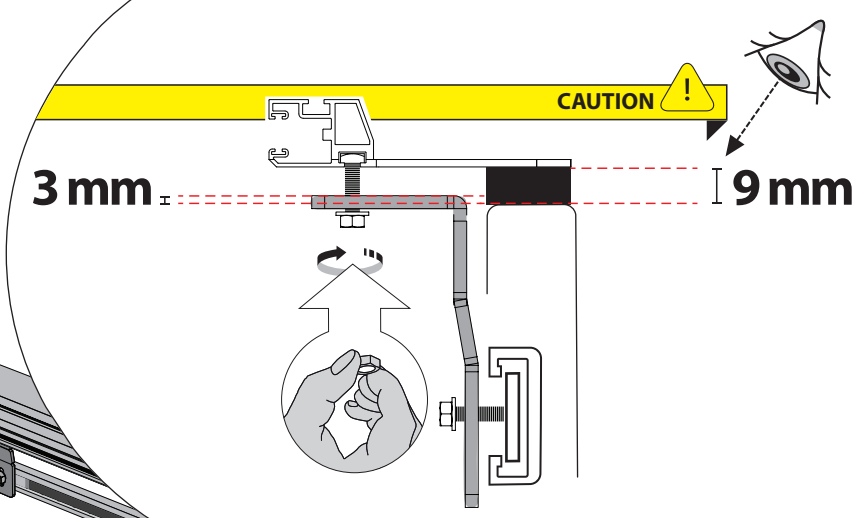
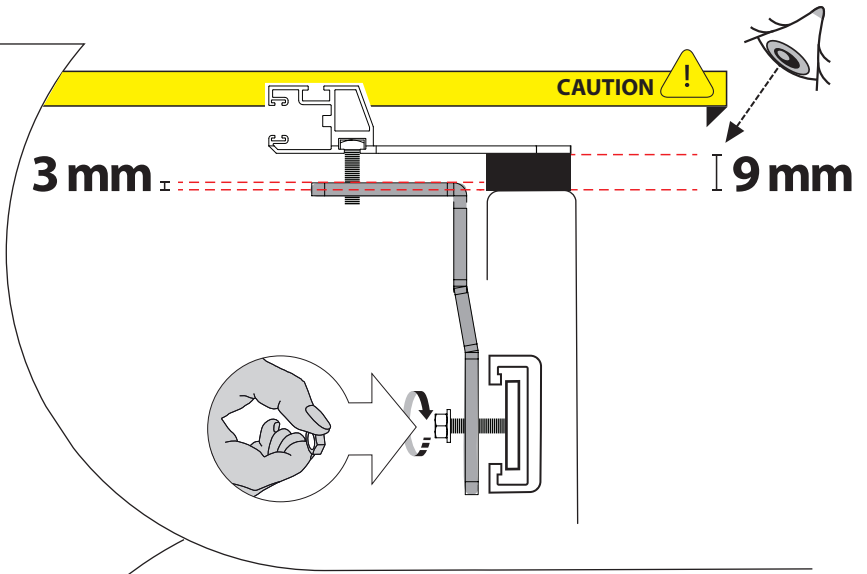
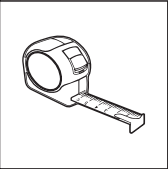
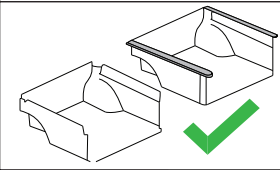
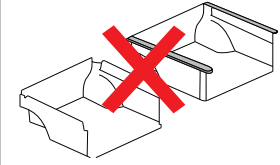
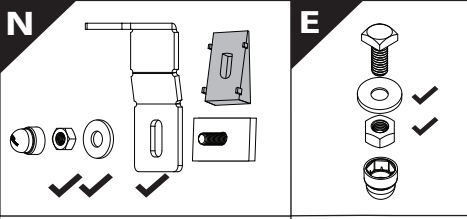
N

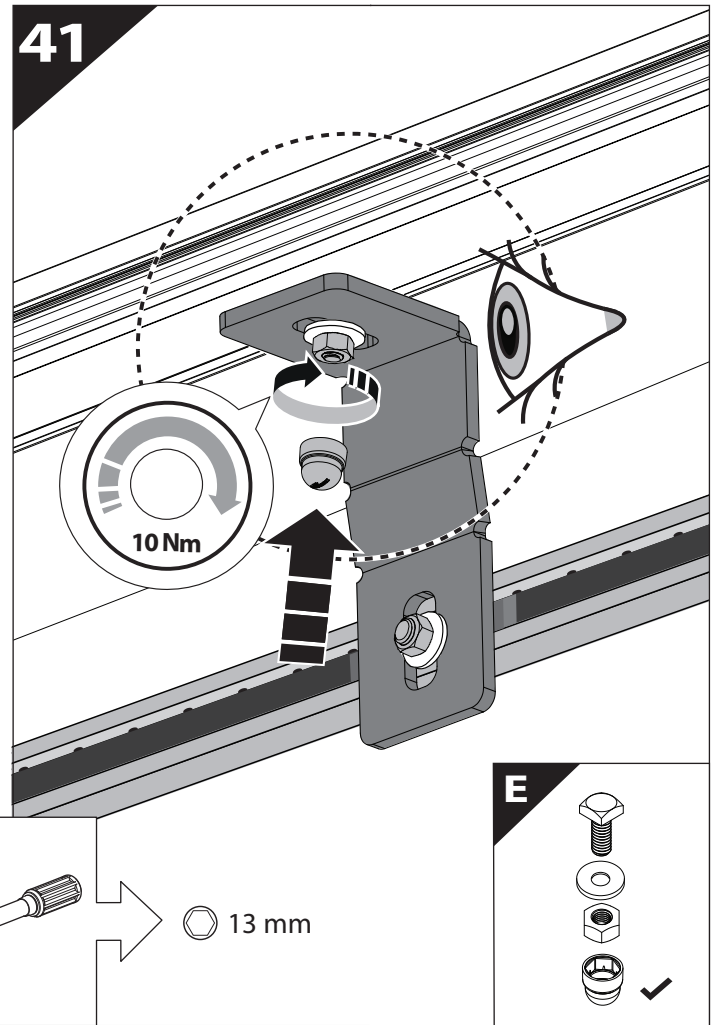
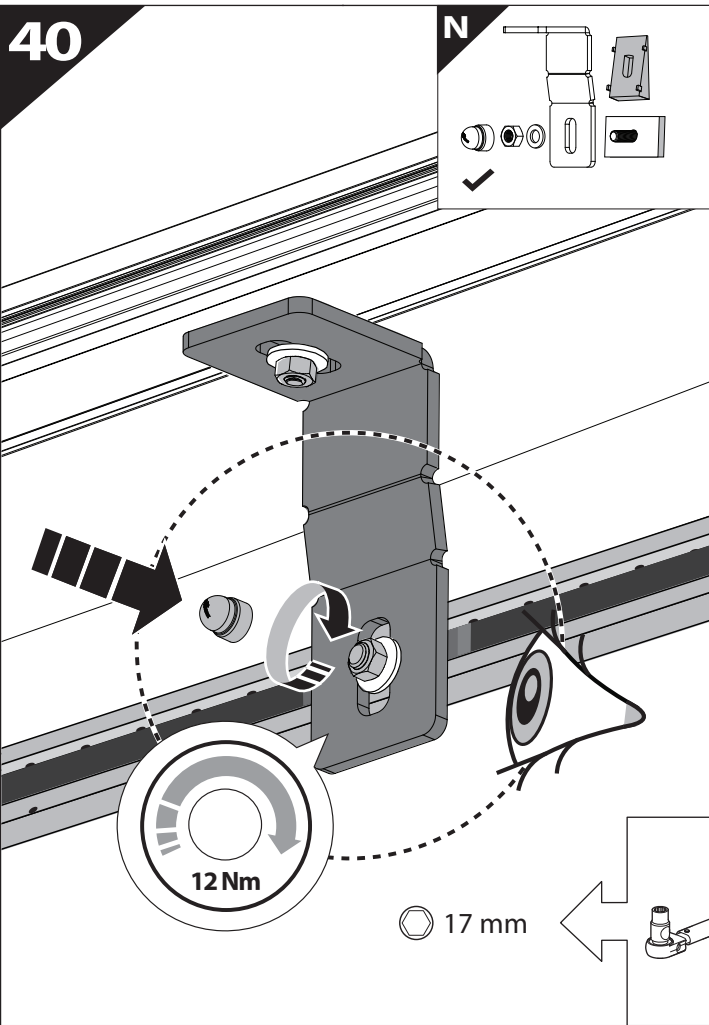


Tessera4x4

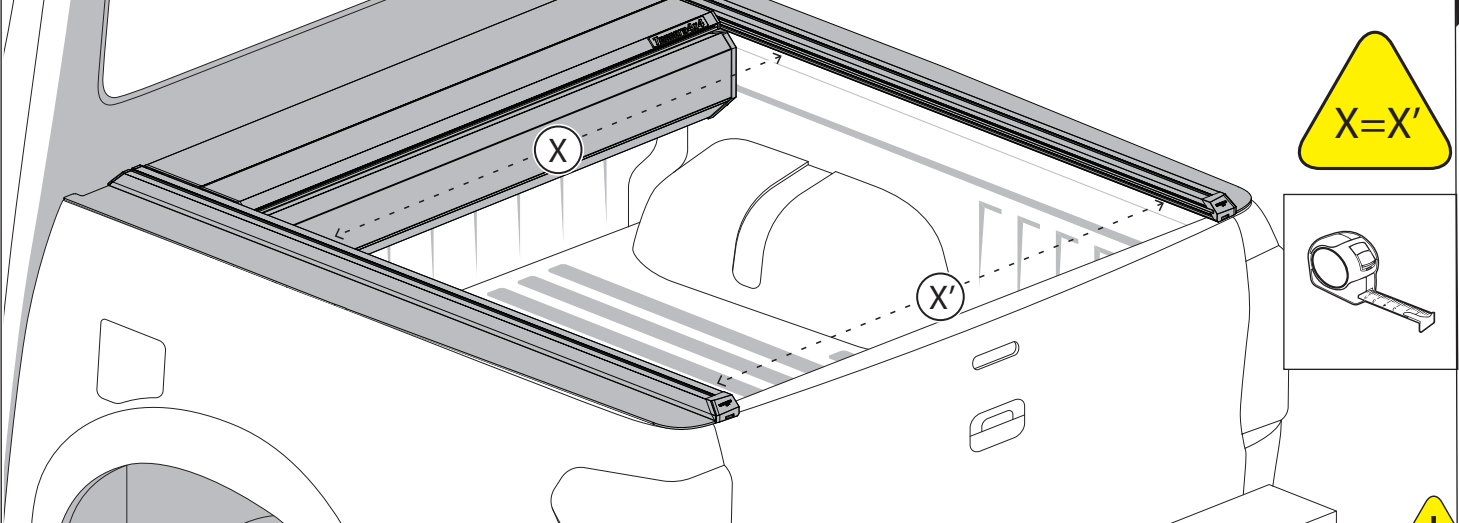


39

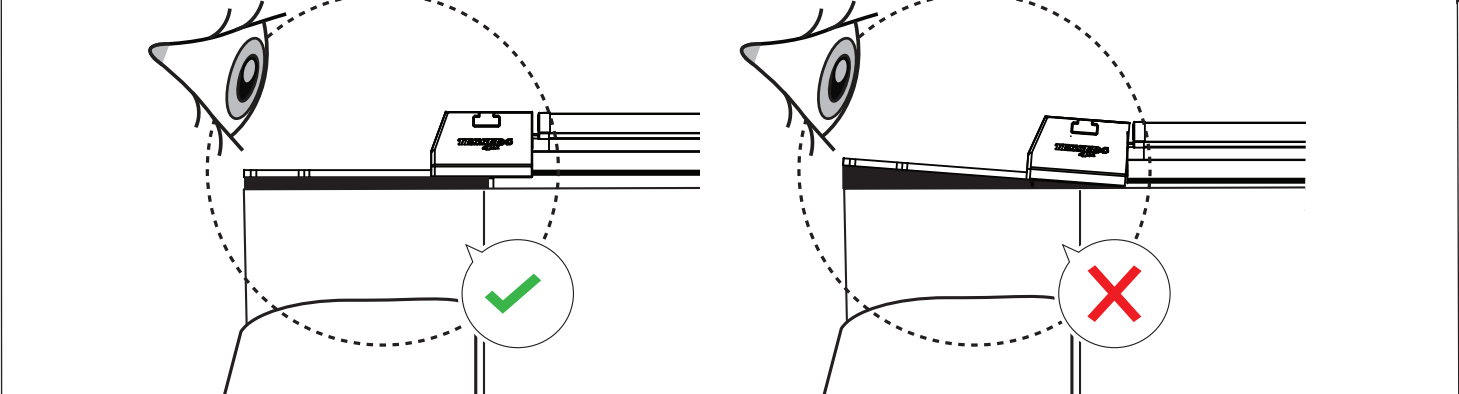




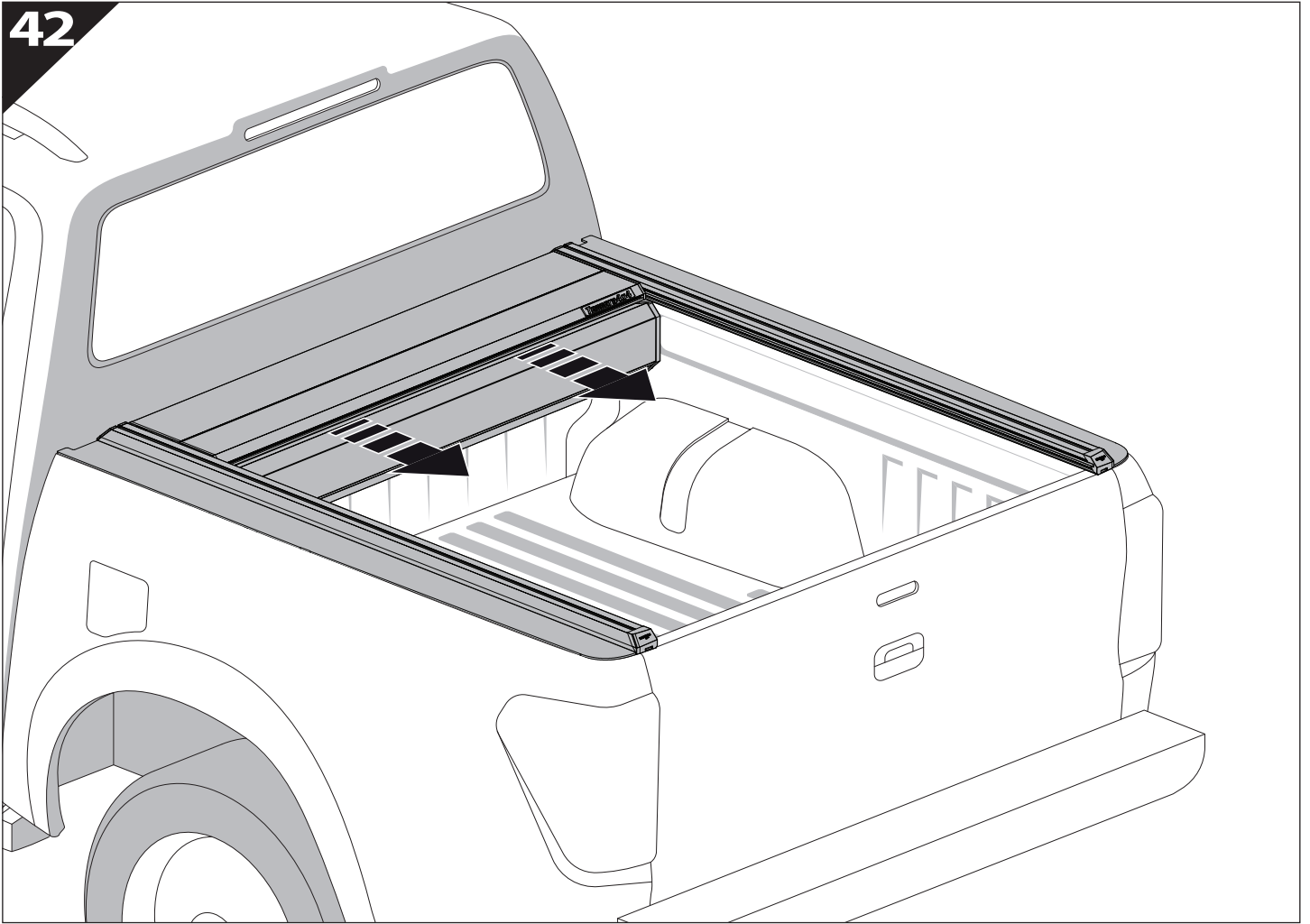
CAUTION !



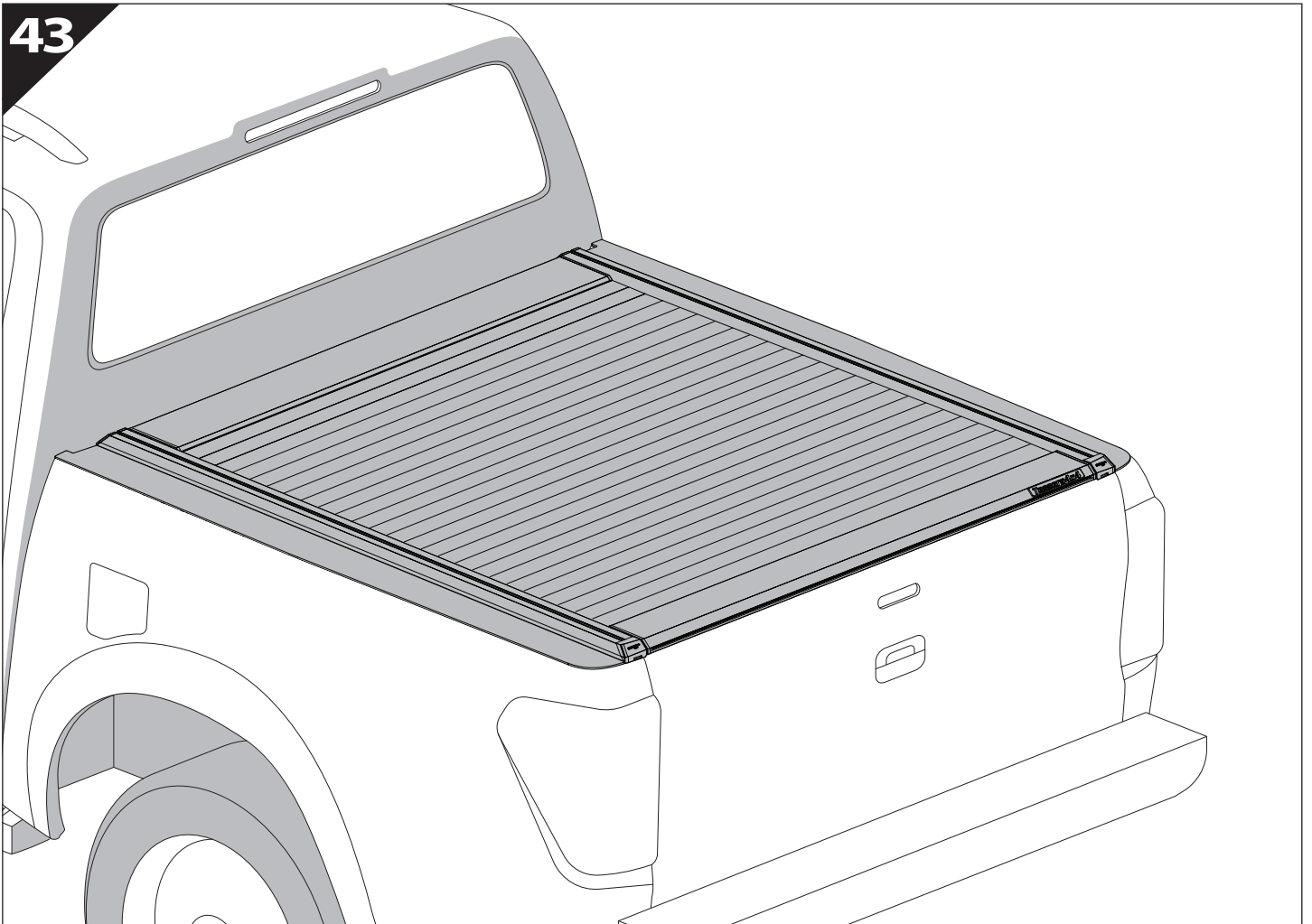
CAUTION !



42



43





GR: Οδηγίες Εγκατάστασης
GB: Installation manual
SF: Asennusohje
F: Notice de montage
PL: Instrukcja montażu
NL: Installatie-instructies
TR: Montaj Talimatı
S: Monteringsanvisning
E: Instrucciones de montaje

H: Szerelési utasítás
P: Instruções de instalação
RUS: Инструкция по установке
N: Monteringsveiledning
D: Einbauanleitung
CZ: Návod k instalaci
I: Istruzioni de montaggio
DK: Monteringsvejledning
RO: Instructiuni de instalare

Customer Service:

+30 (210) 5541161, +30 (210) 5541154 (08:00 - 16:00 EET)

Support department:

info@gianso.gr

Website:

www.tessera4x4.com

Address:

19.5 km of National road Athens-Korinthos (Elefsina) Greece, P.C: 19200