

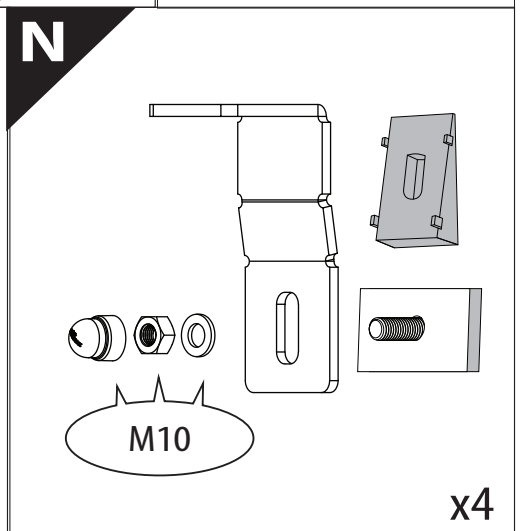
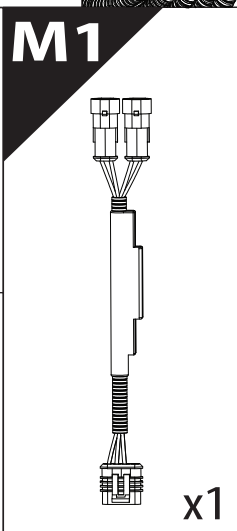
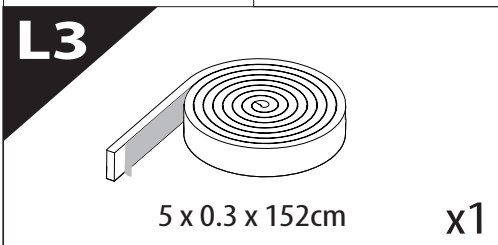
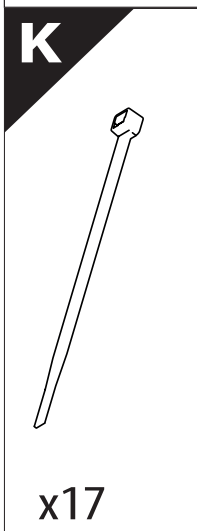
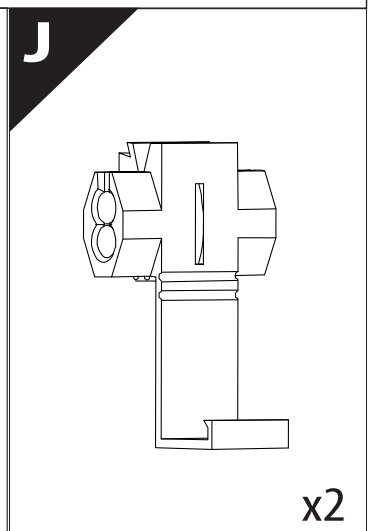
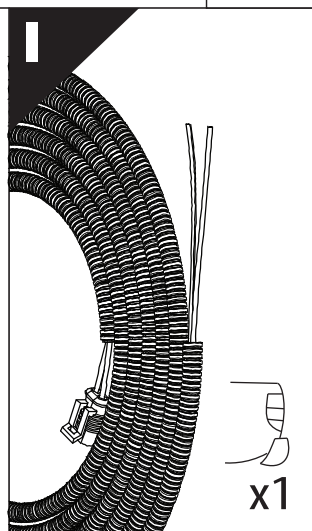
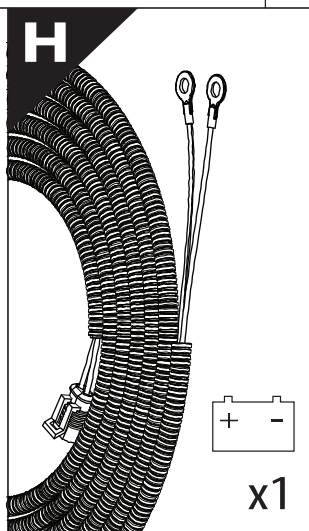
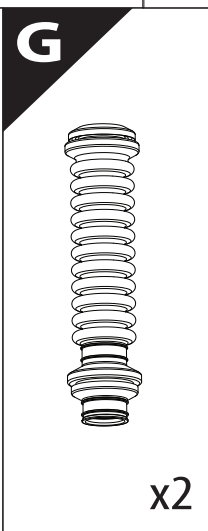
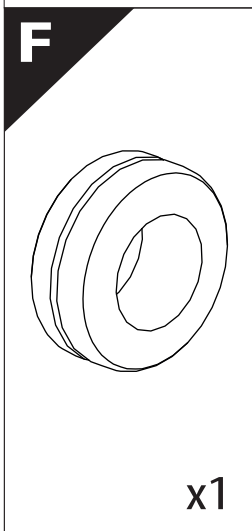
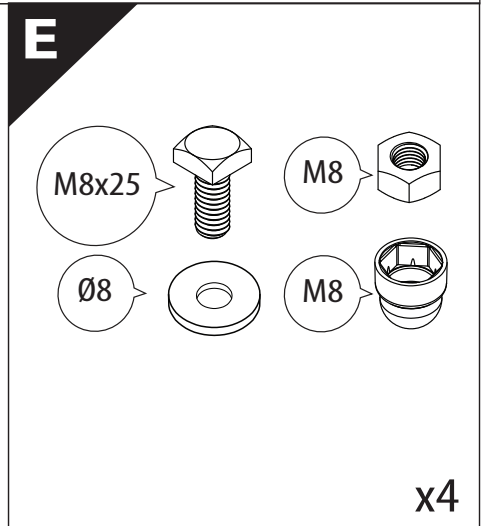
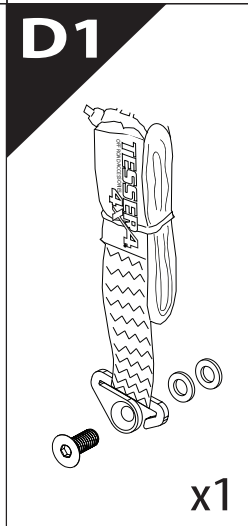
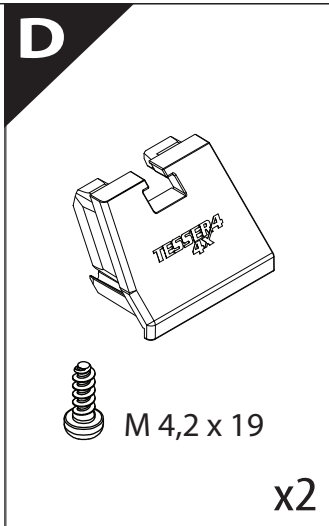
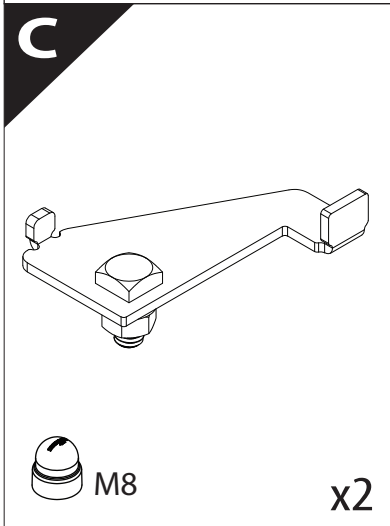
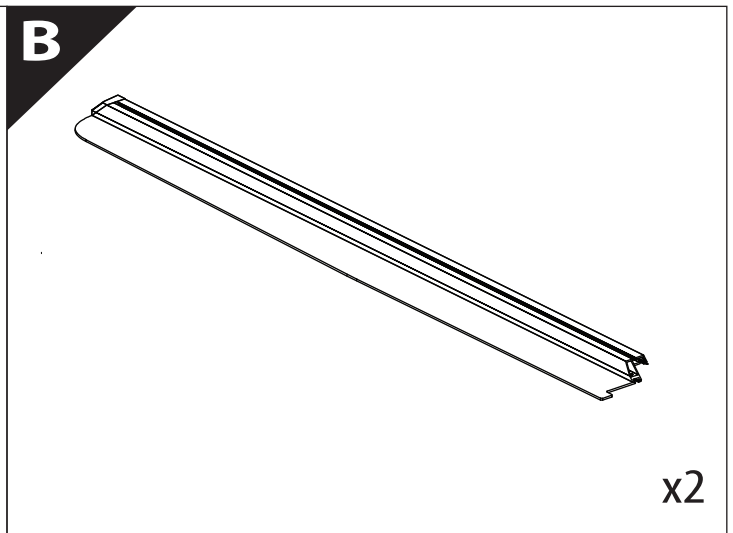
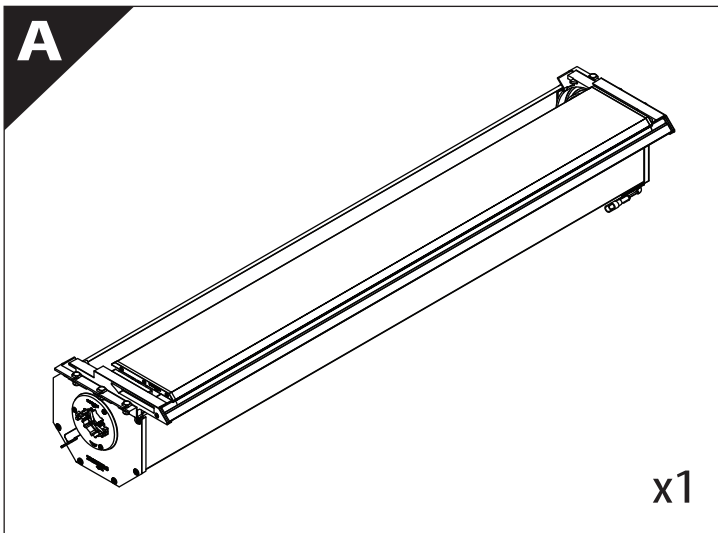
Tessera Roll+

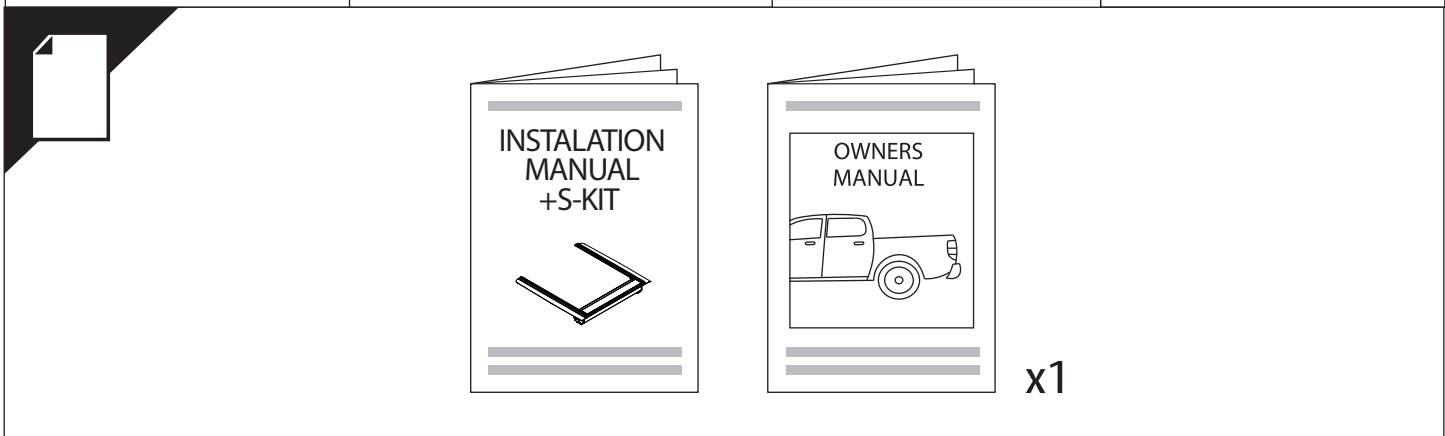
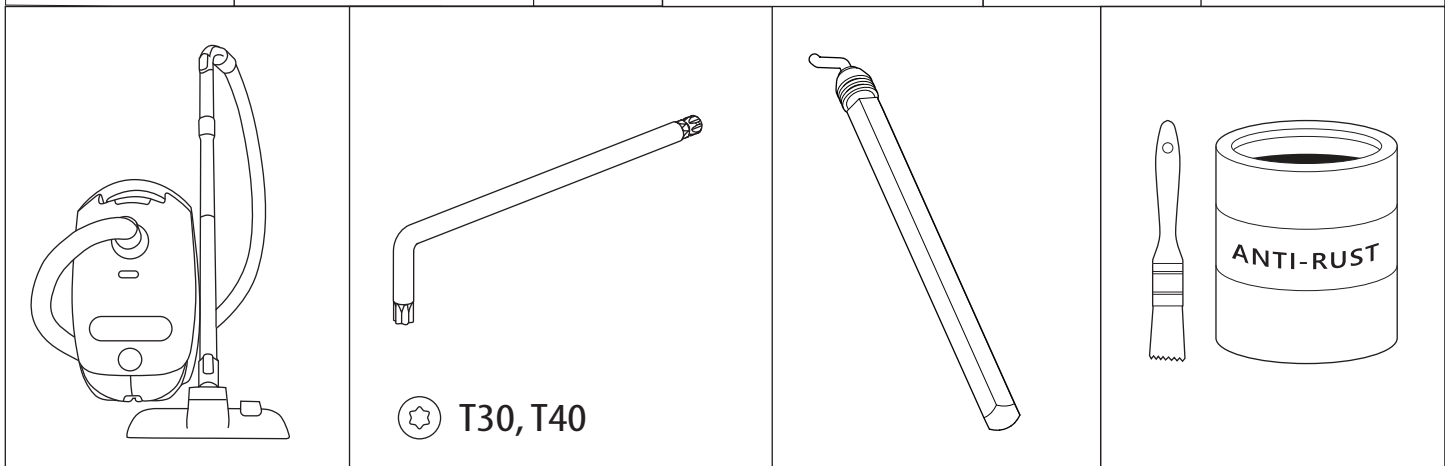
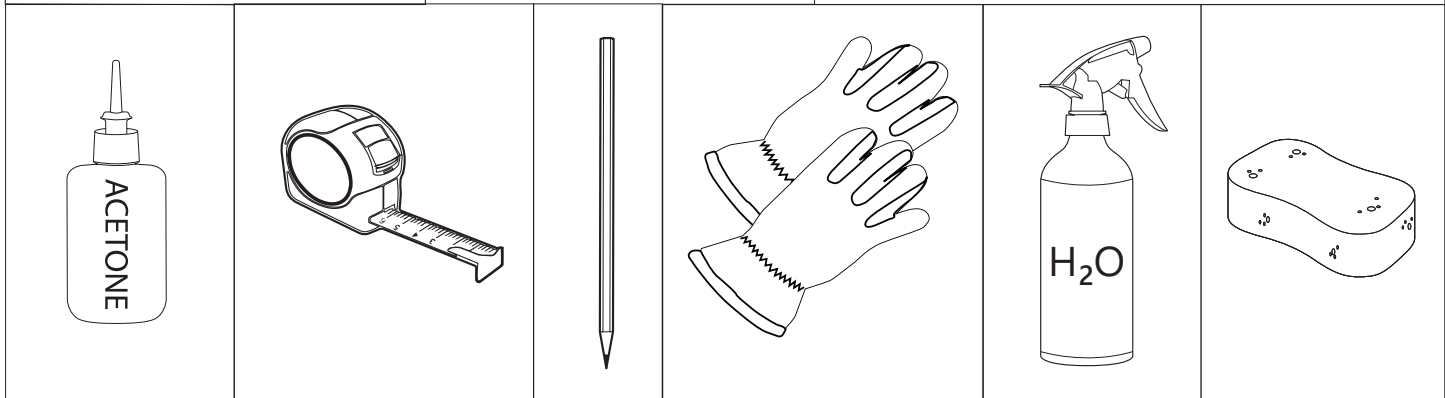
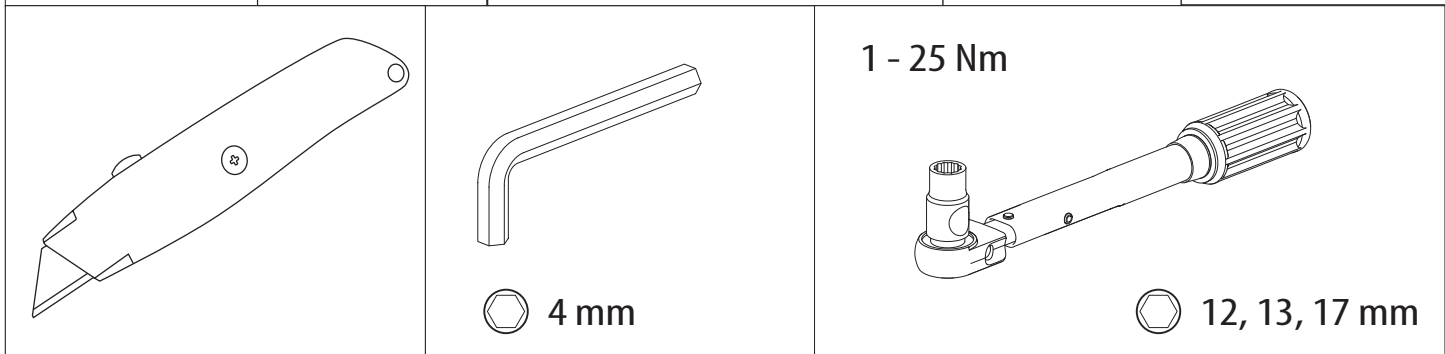
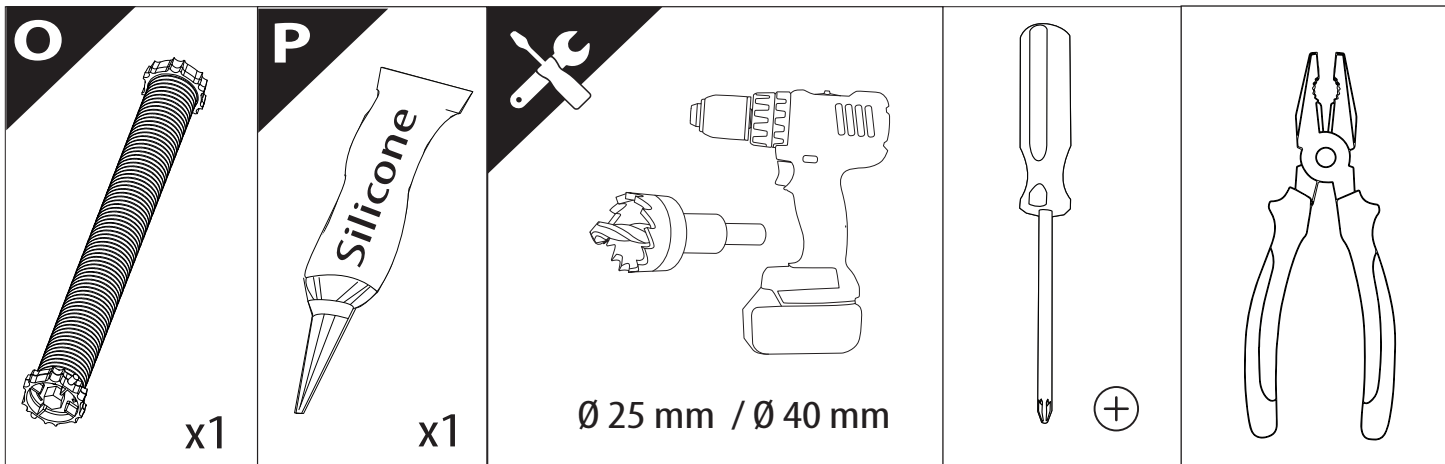
Basic Version + ⚙️ S-KIT

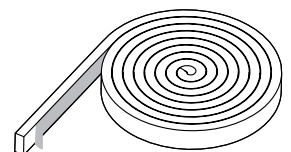
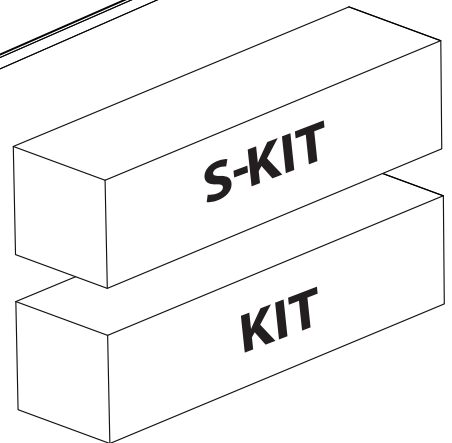
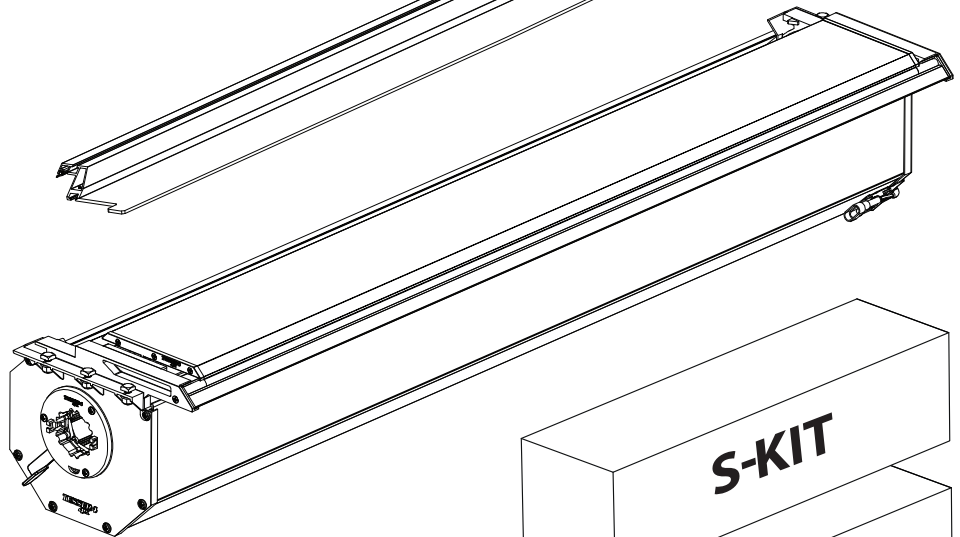


Installation Manual

PART NUMBER(S)	Model Year
TESS 1420 ROLL+S-KIT	Renault Alaskan
Cab(s)	Installation Time / Weight
Double Cab	40-60 minutes / 53-57 kg





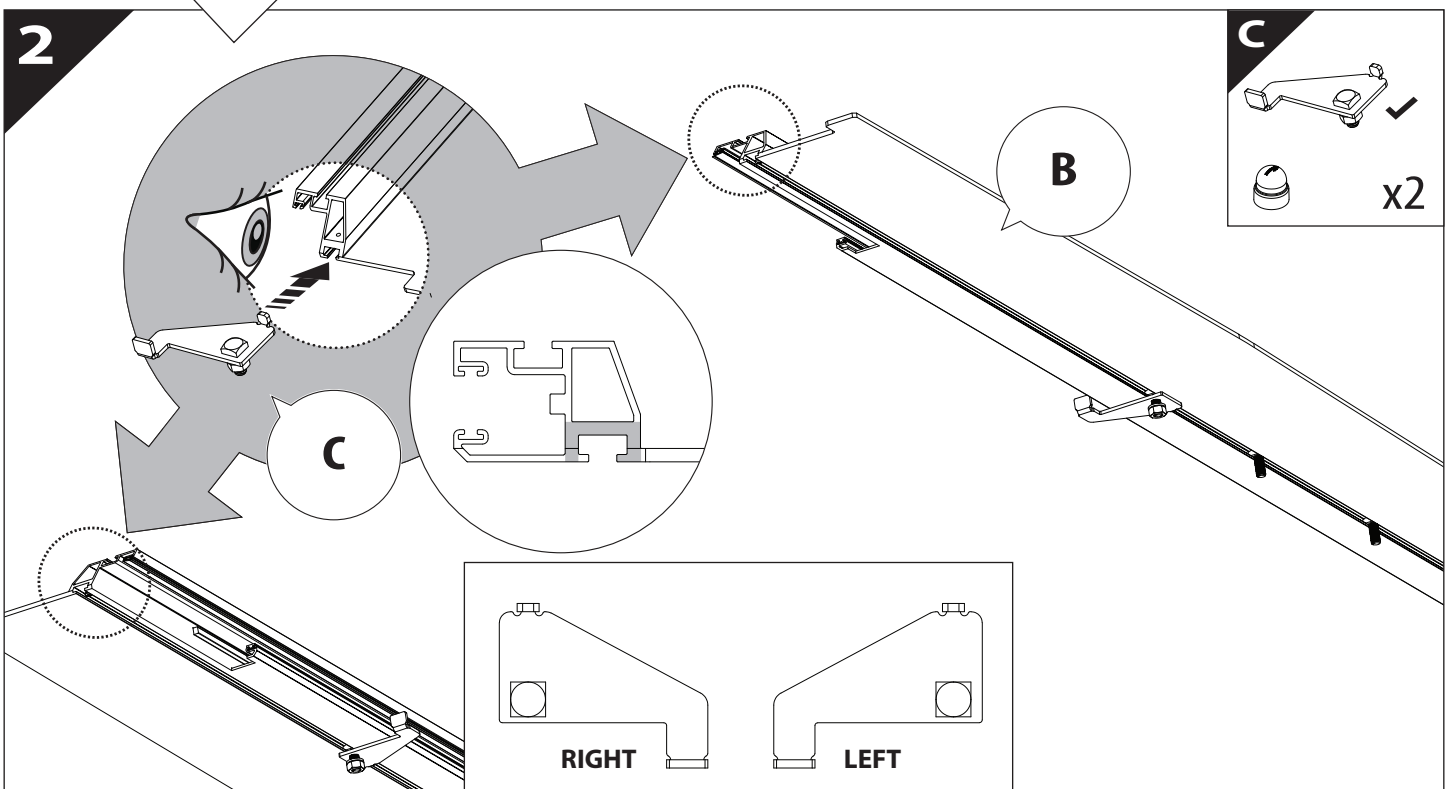
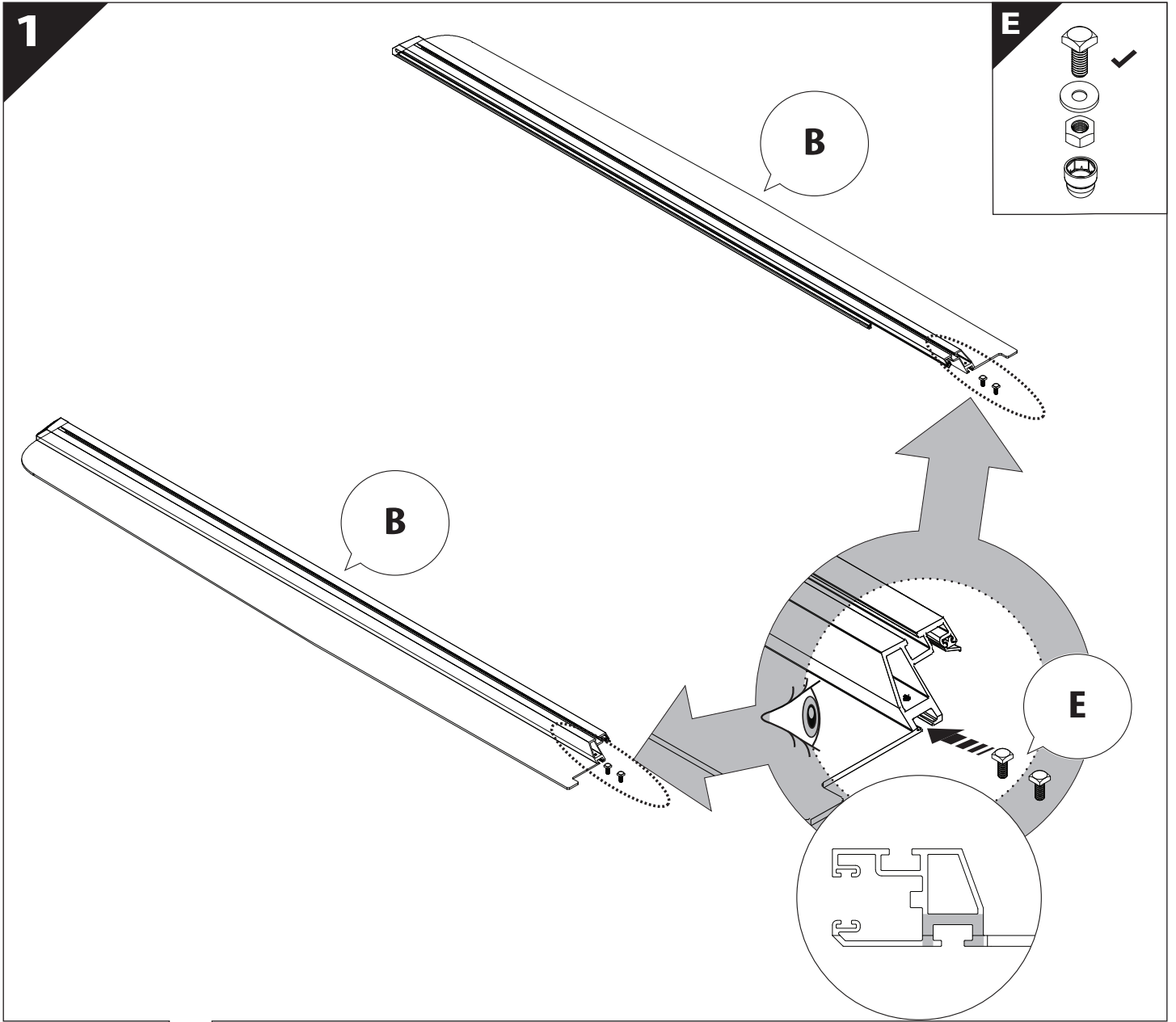


B

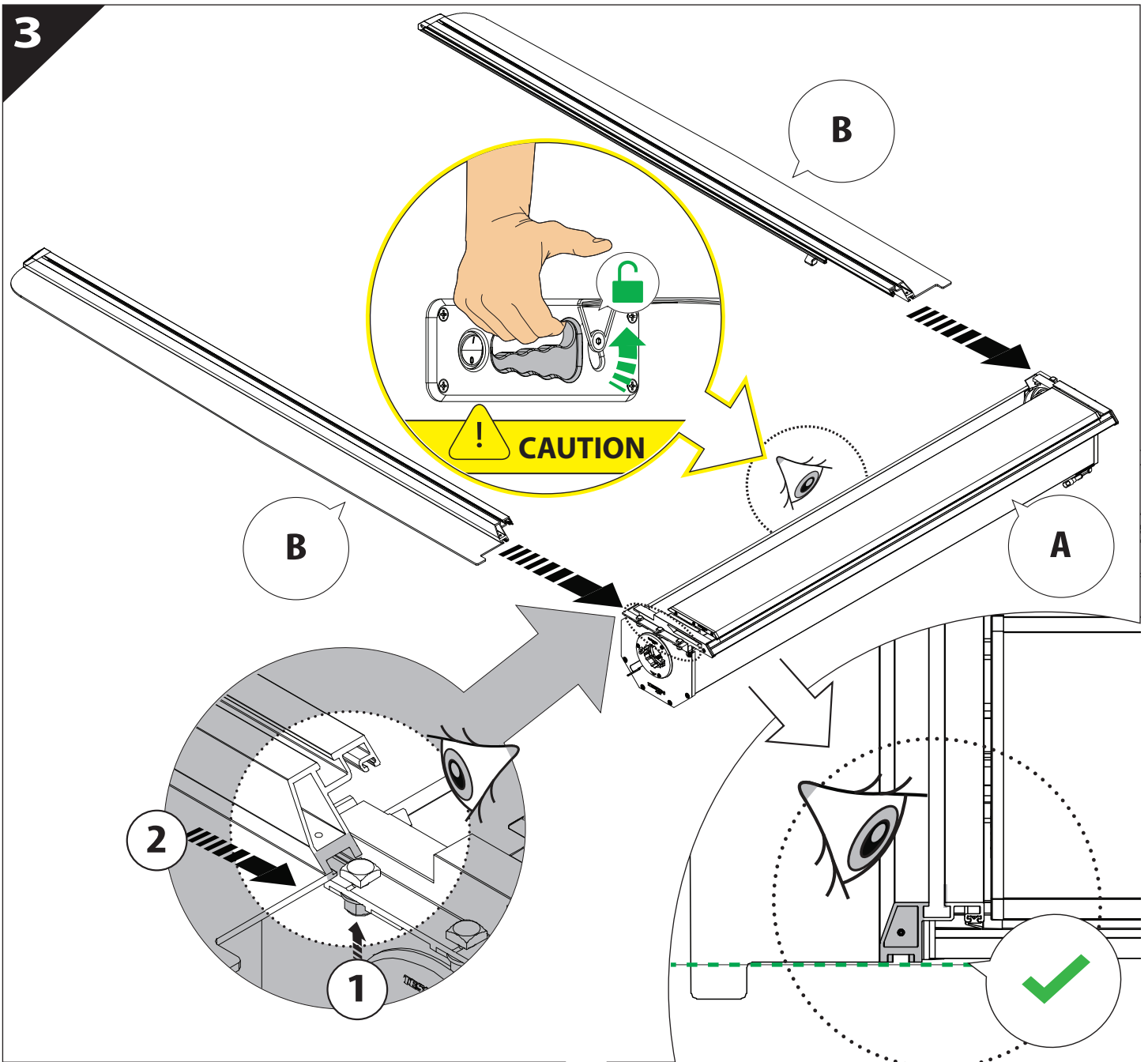
A

KITS

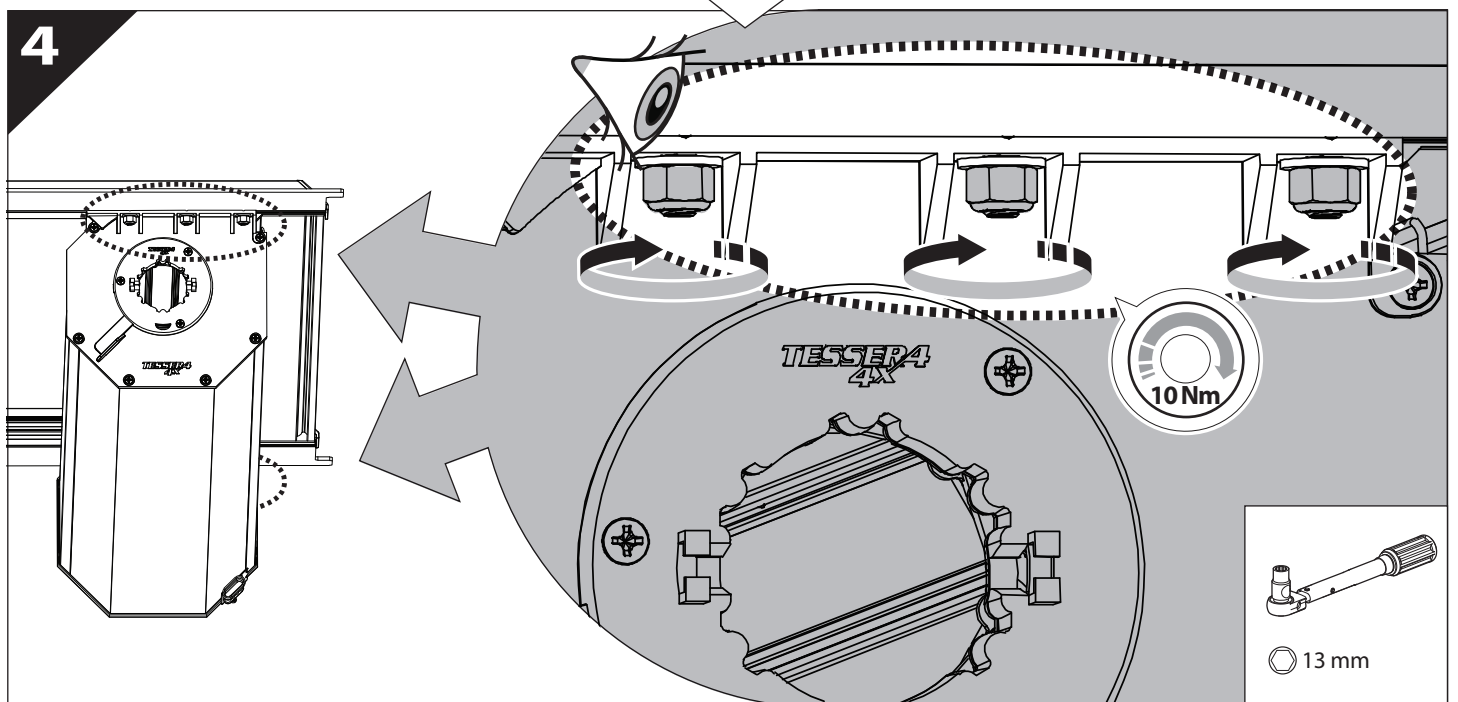
L

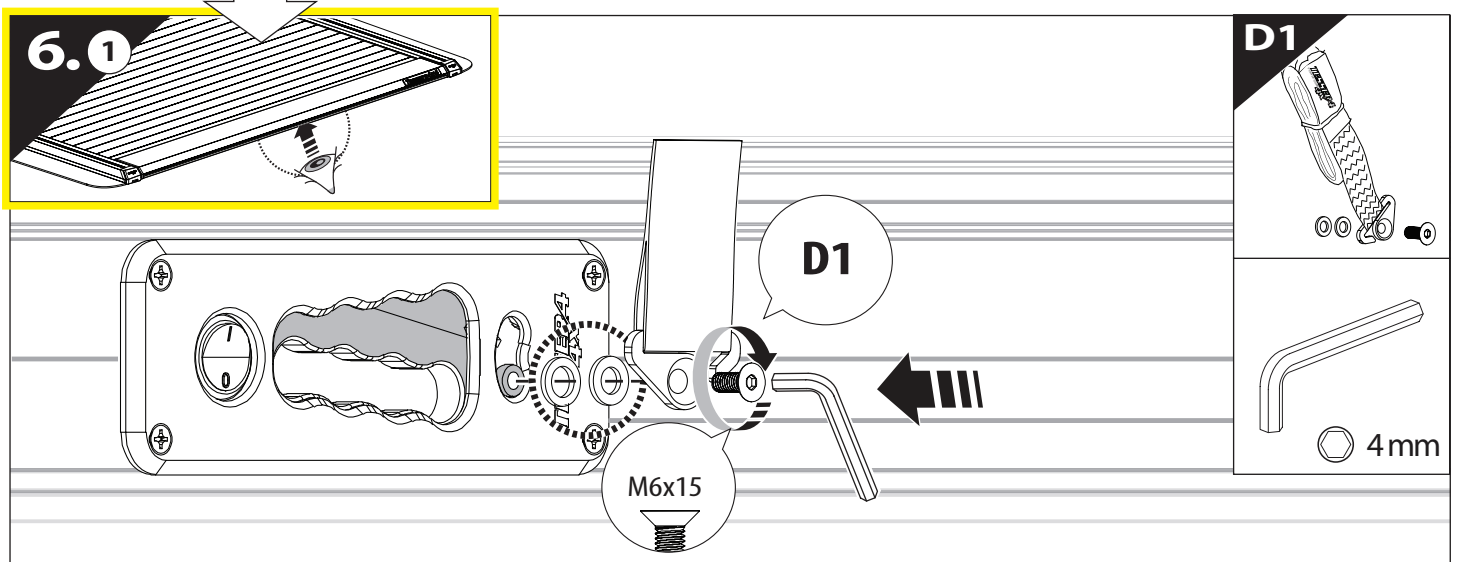
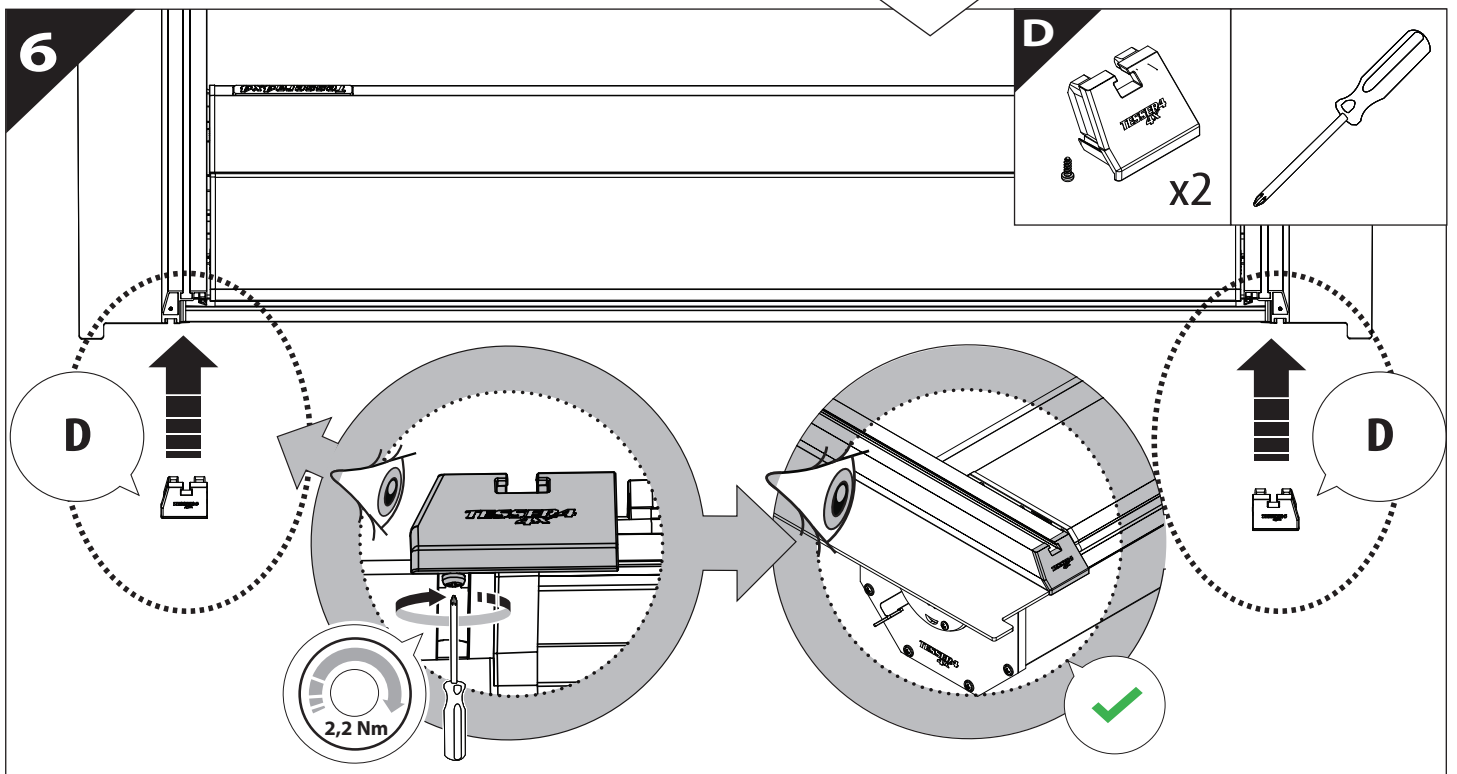
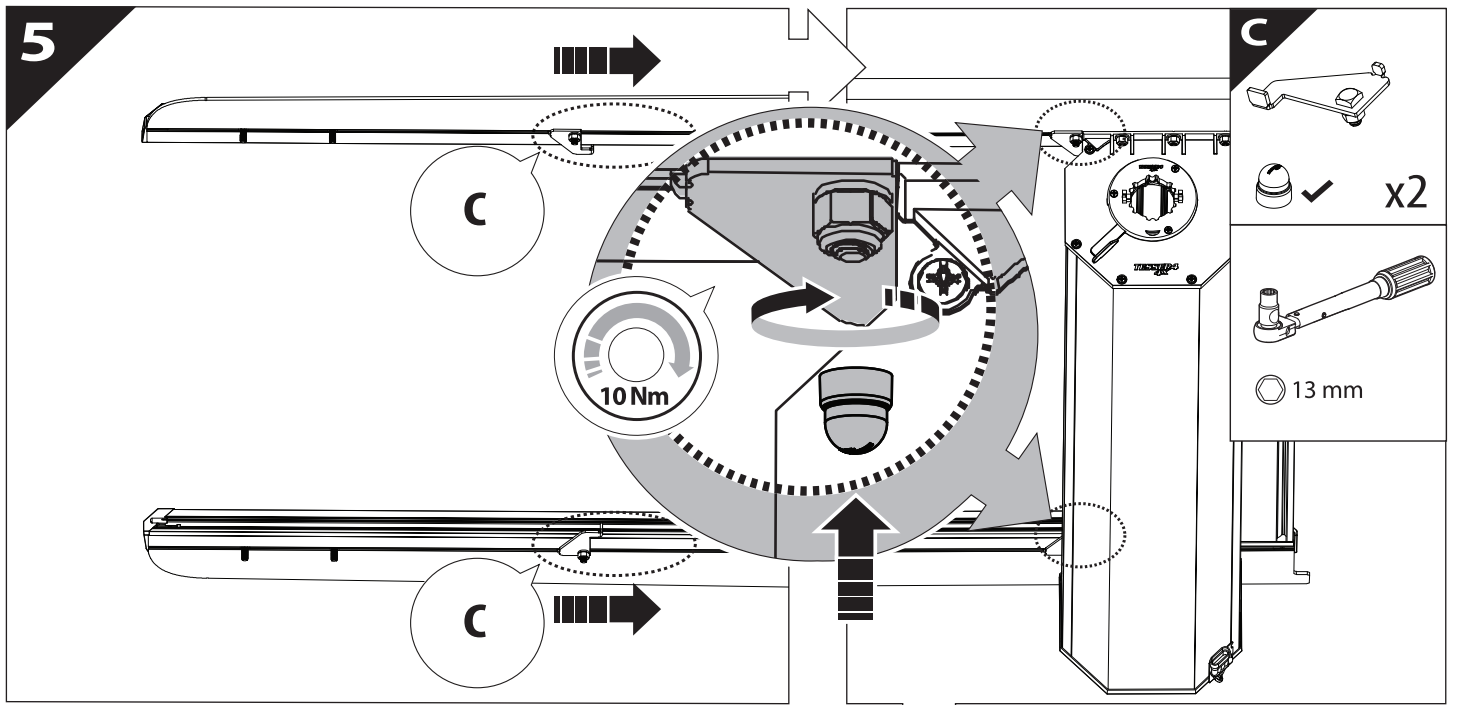


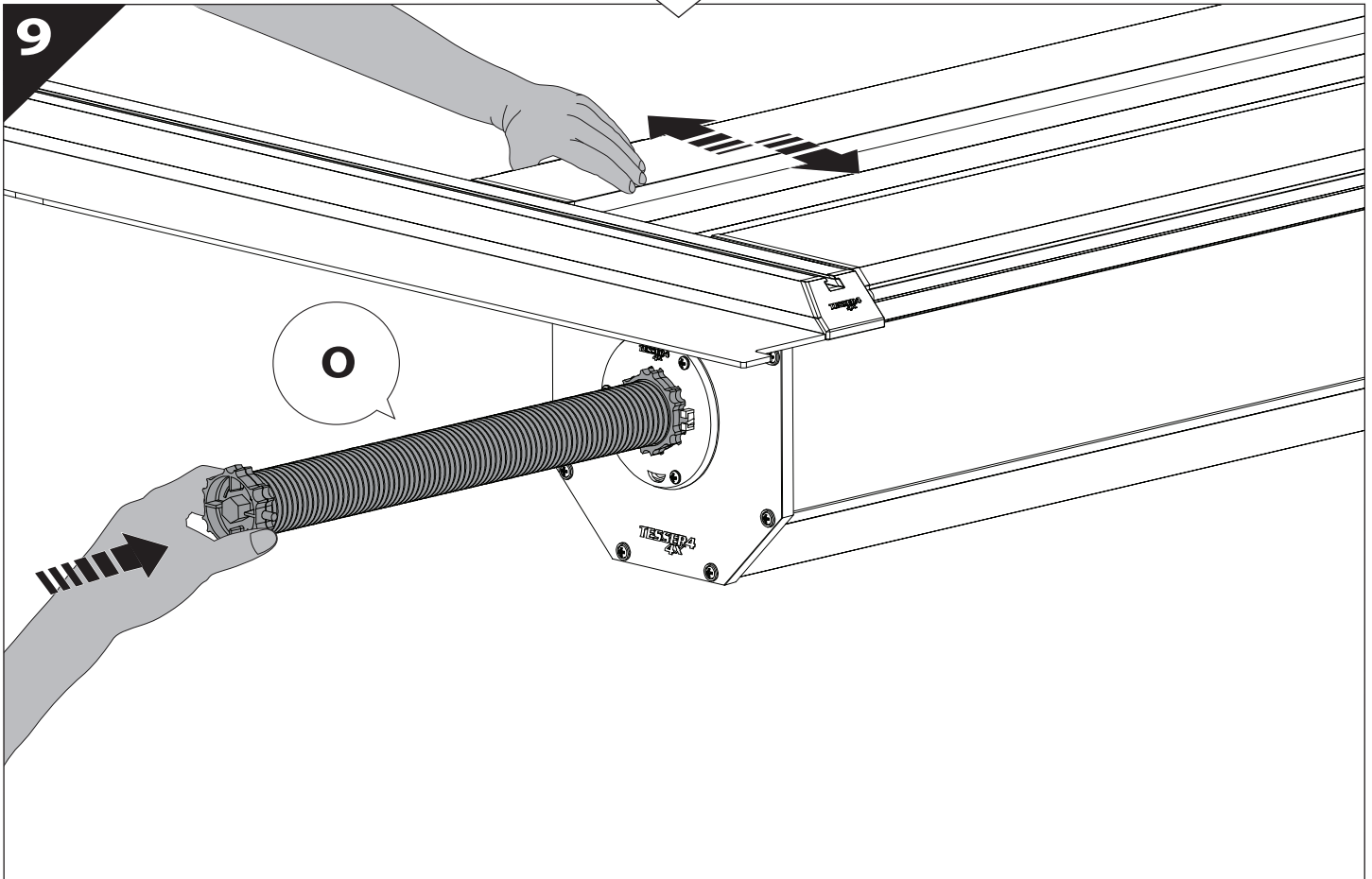
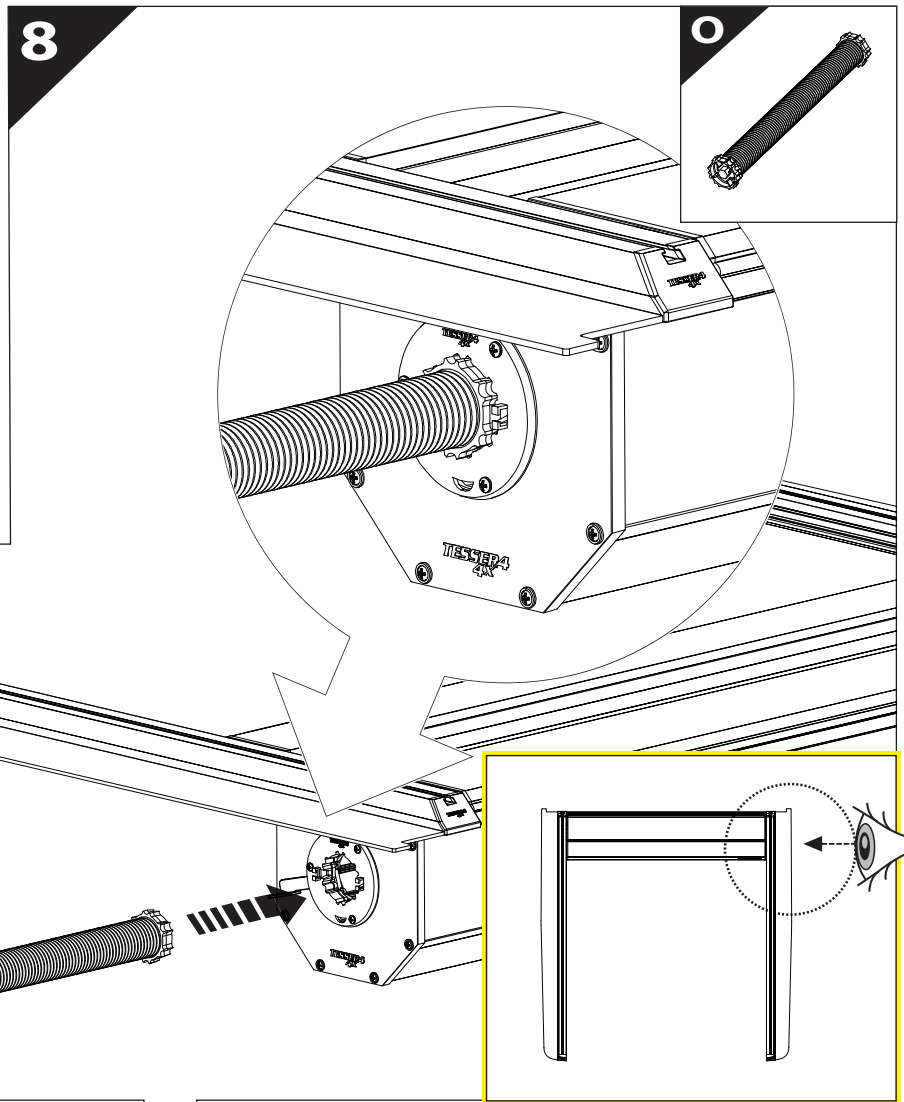
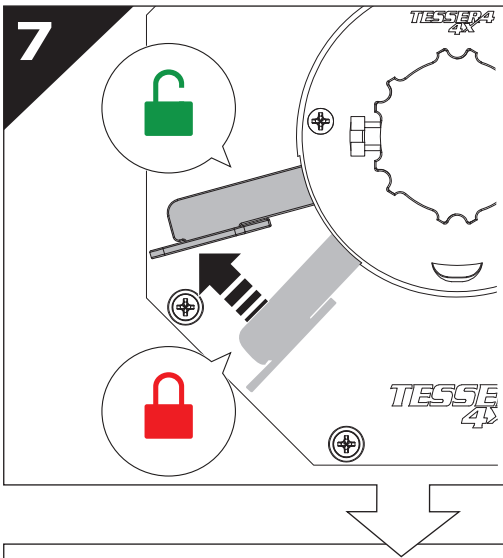
3



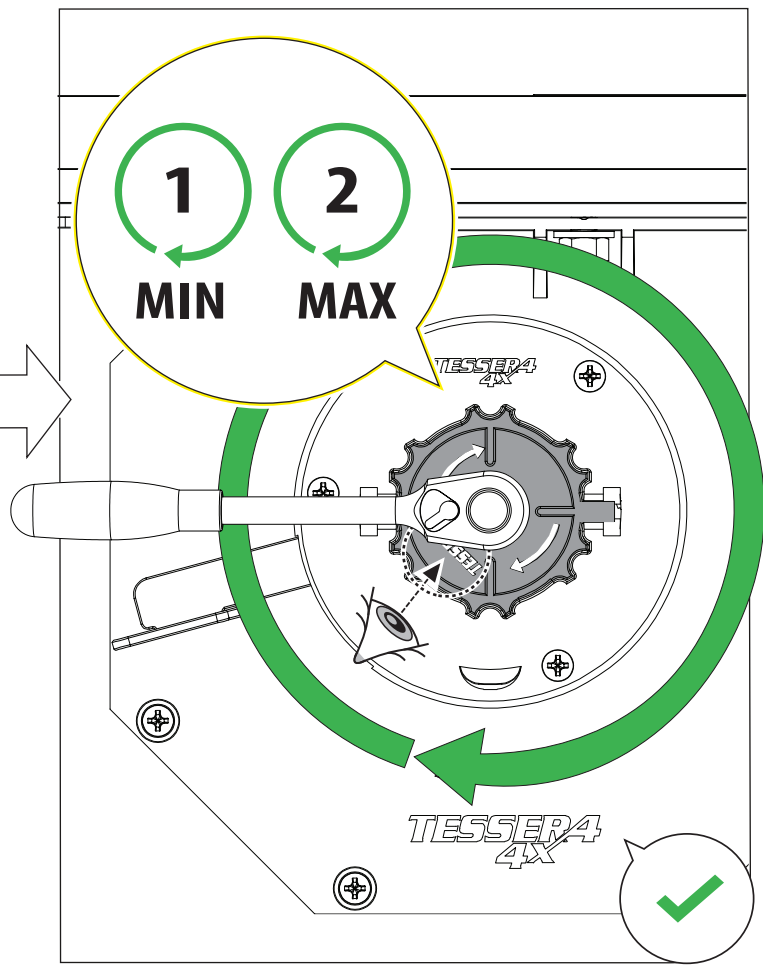
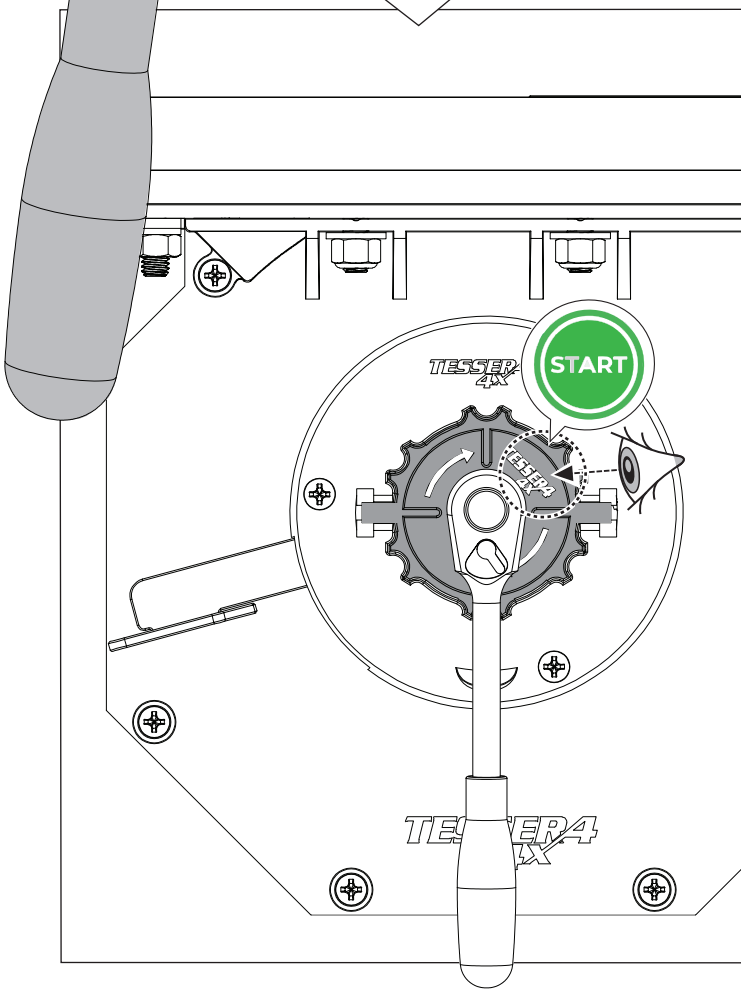
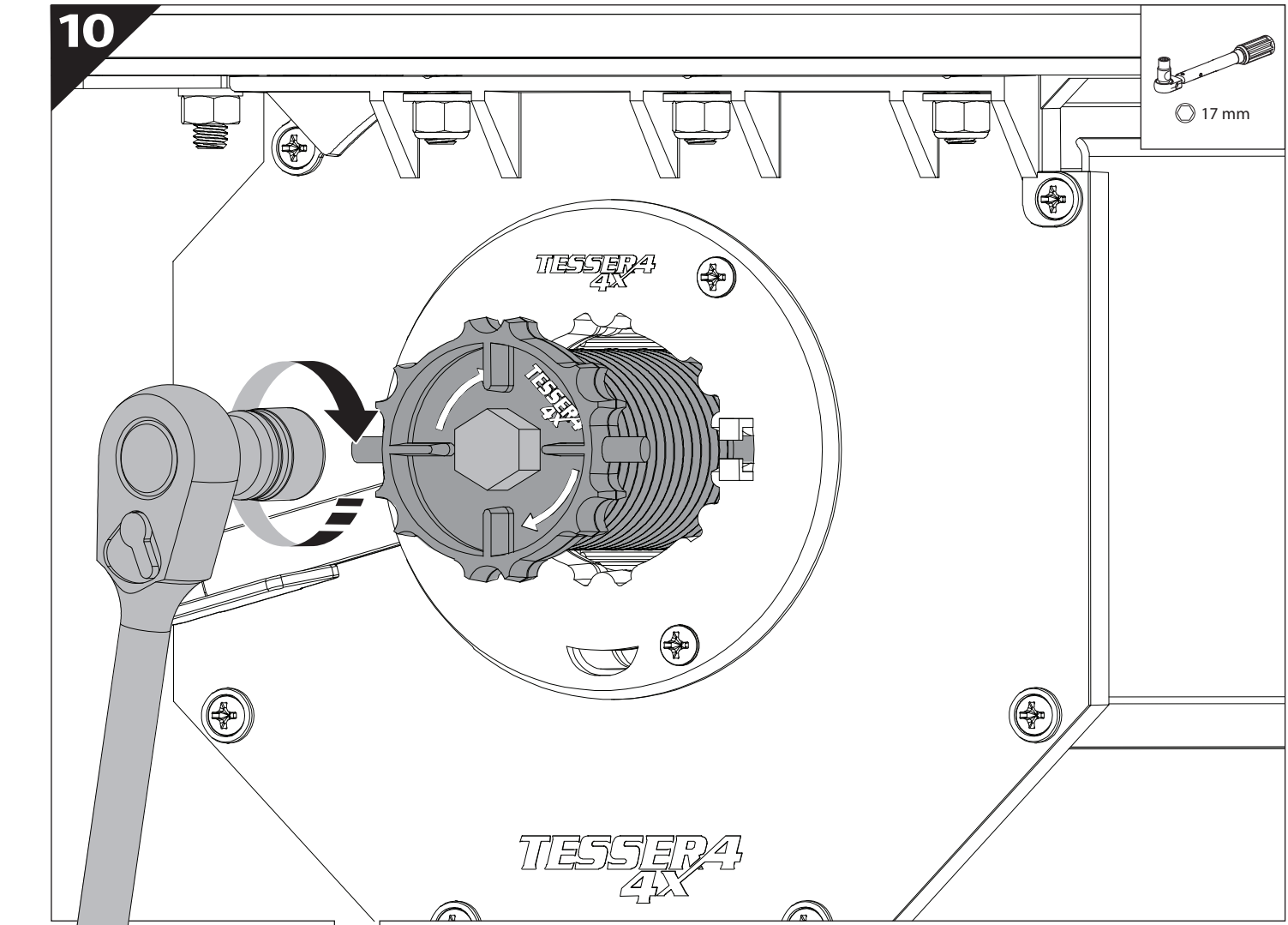
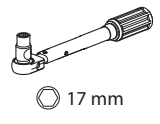
4



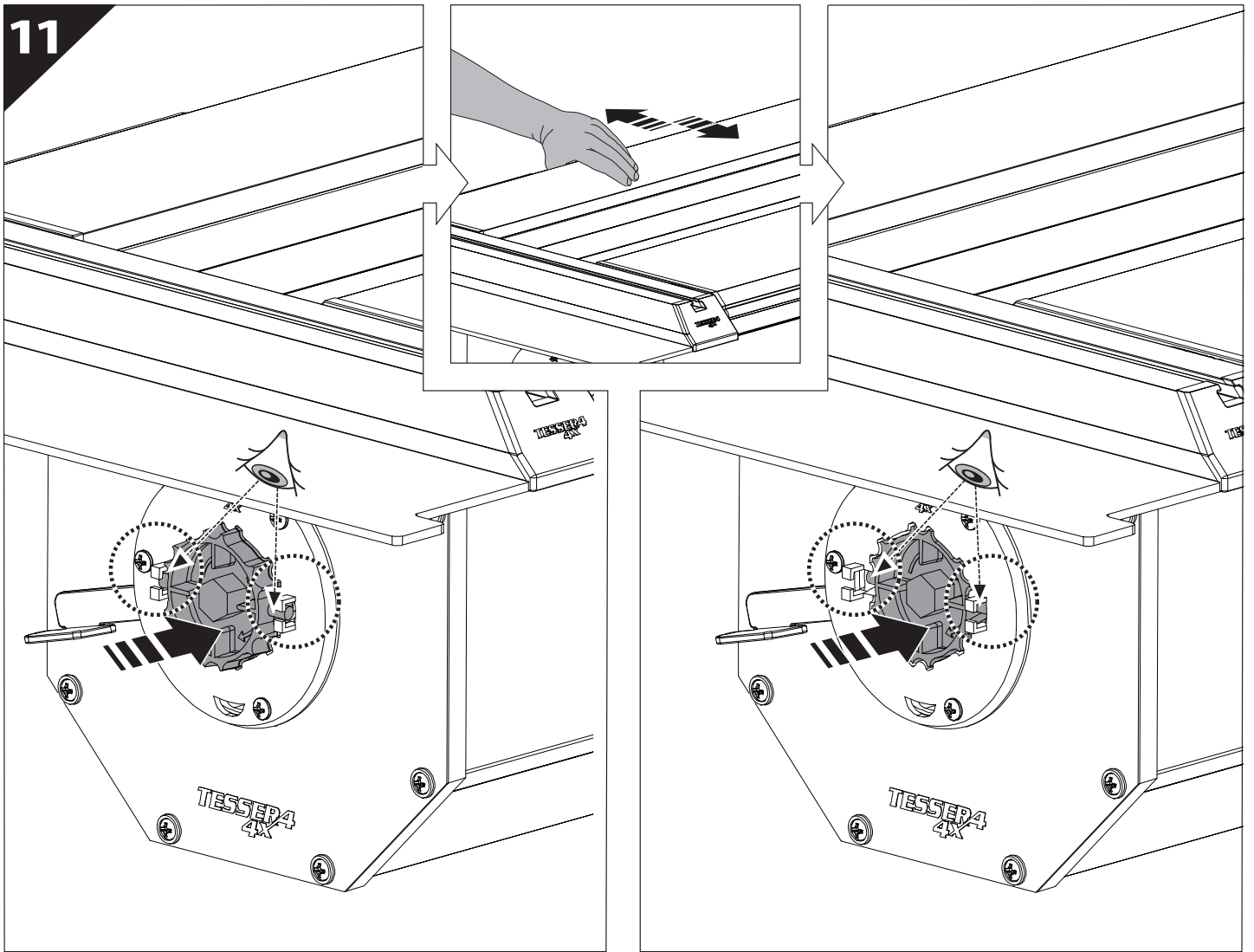




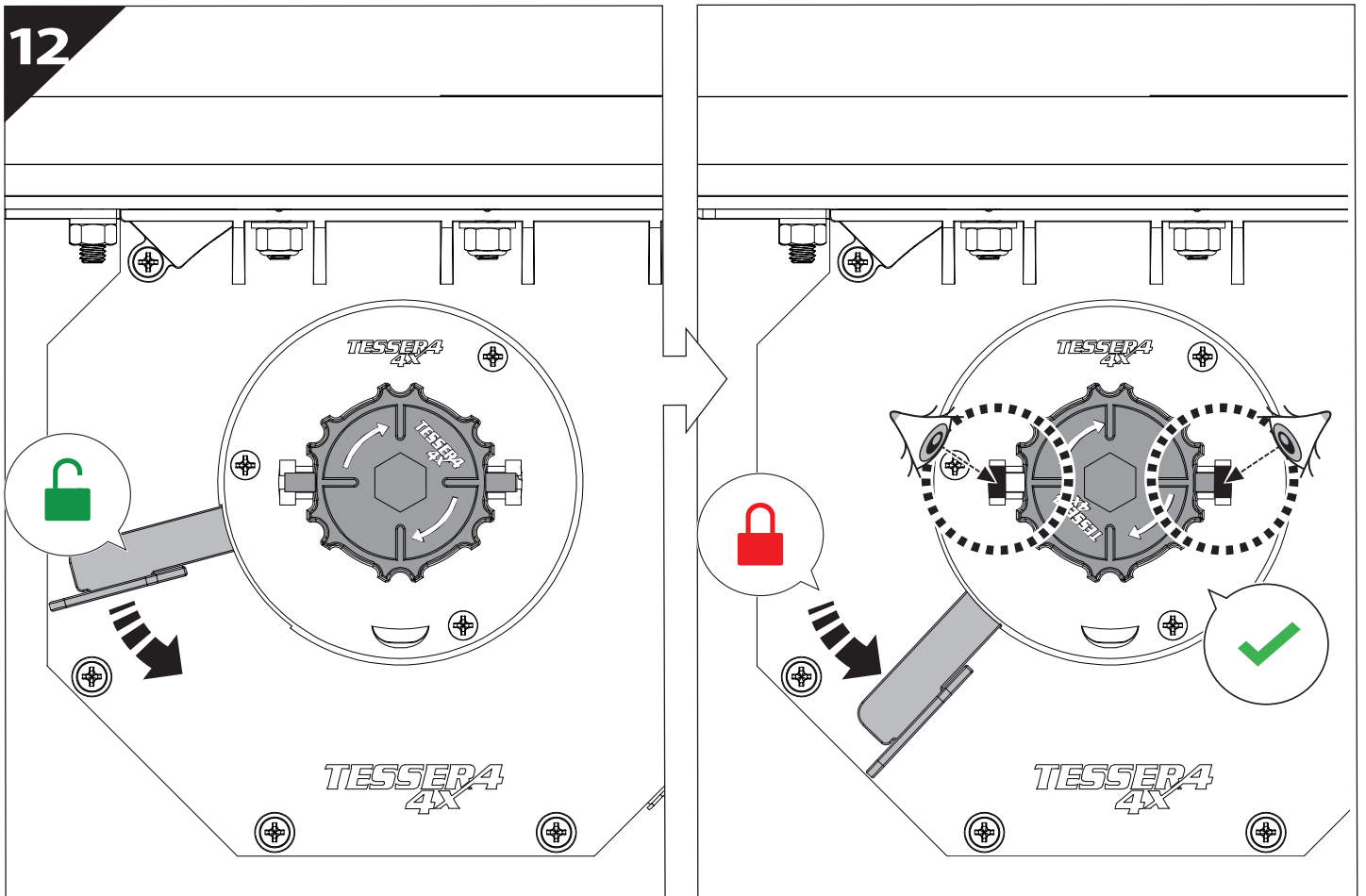
10



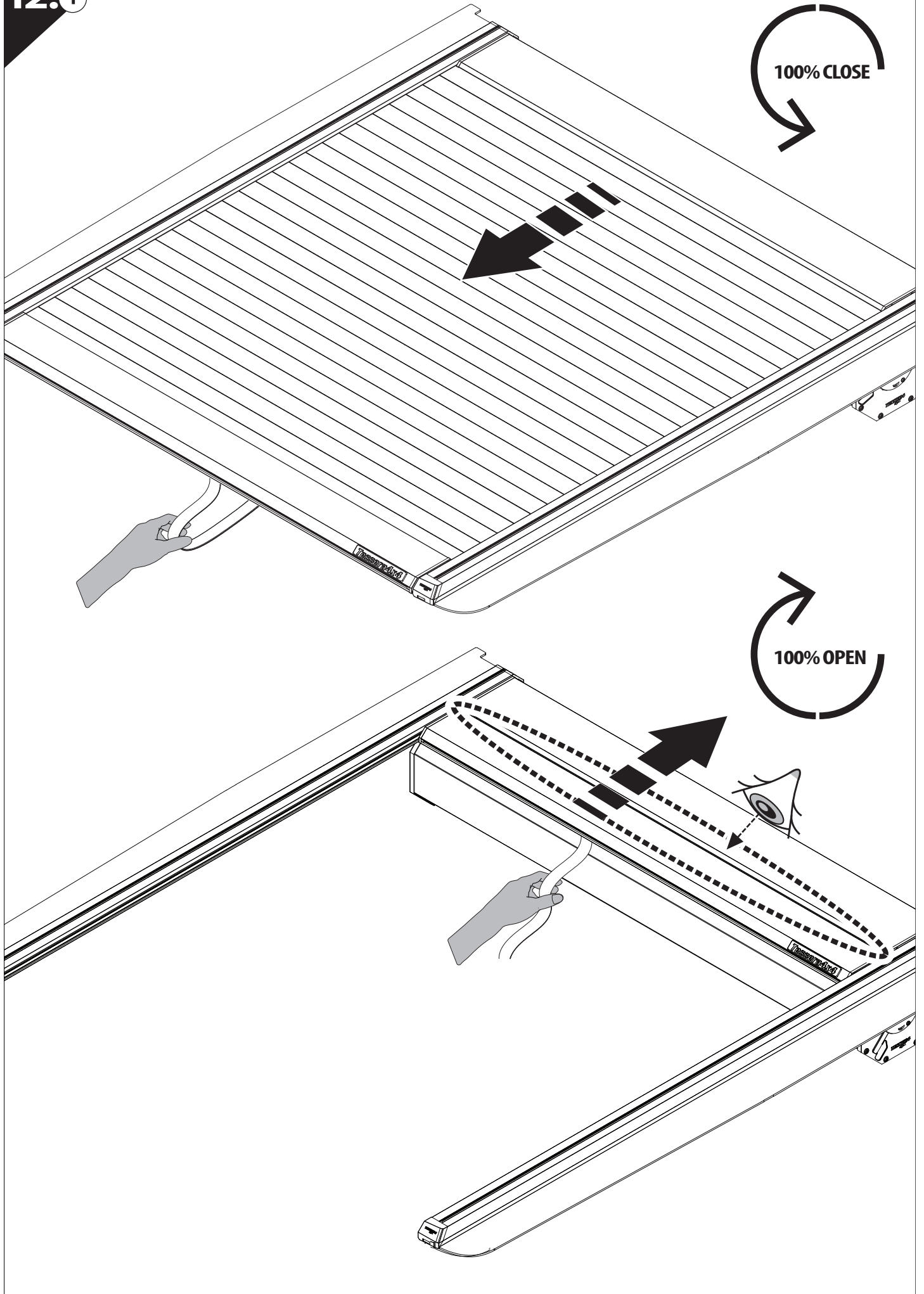
11

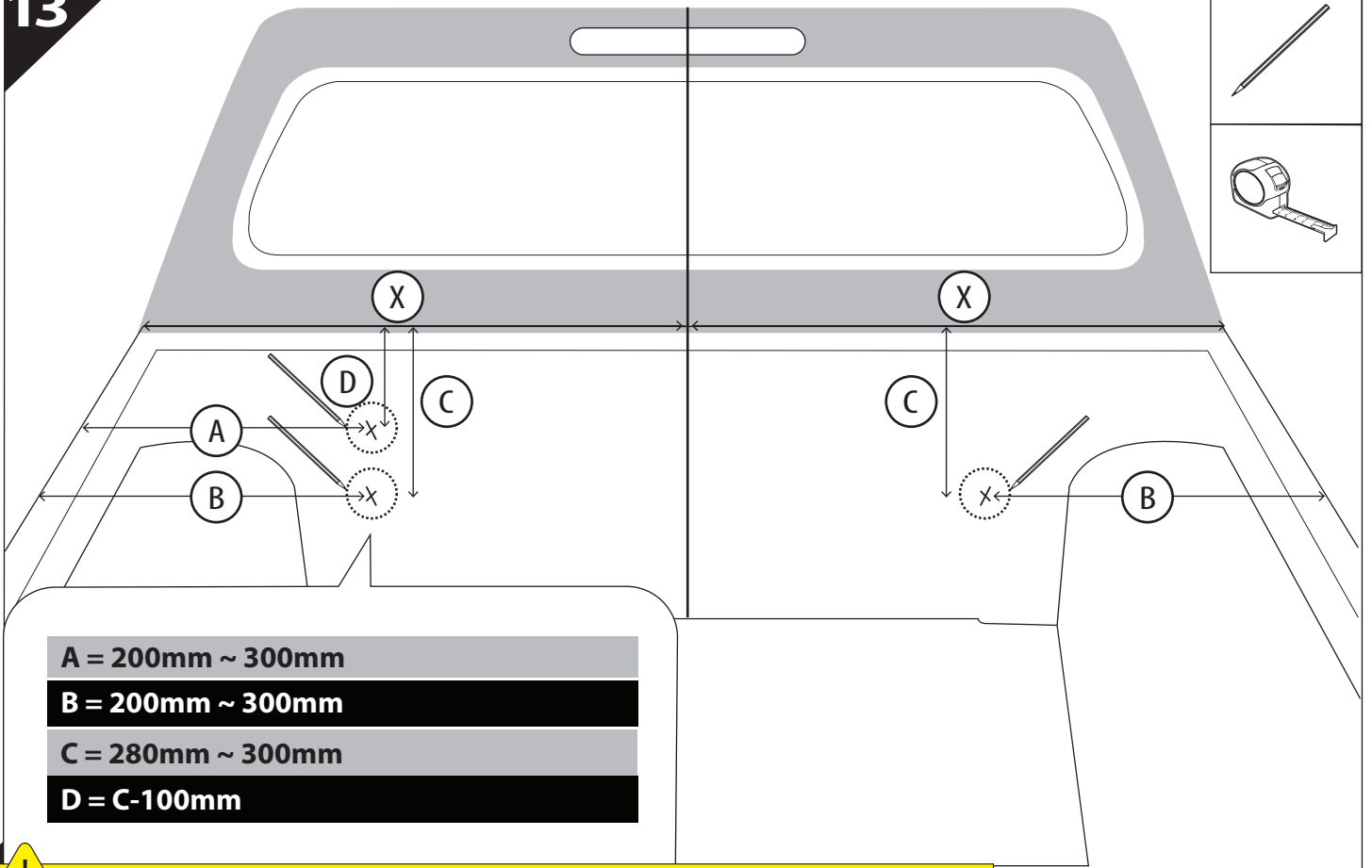
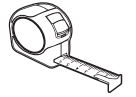


12

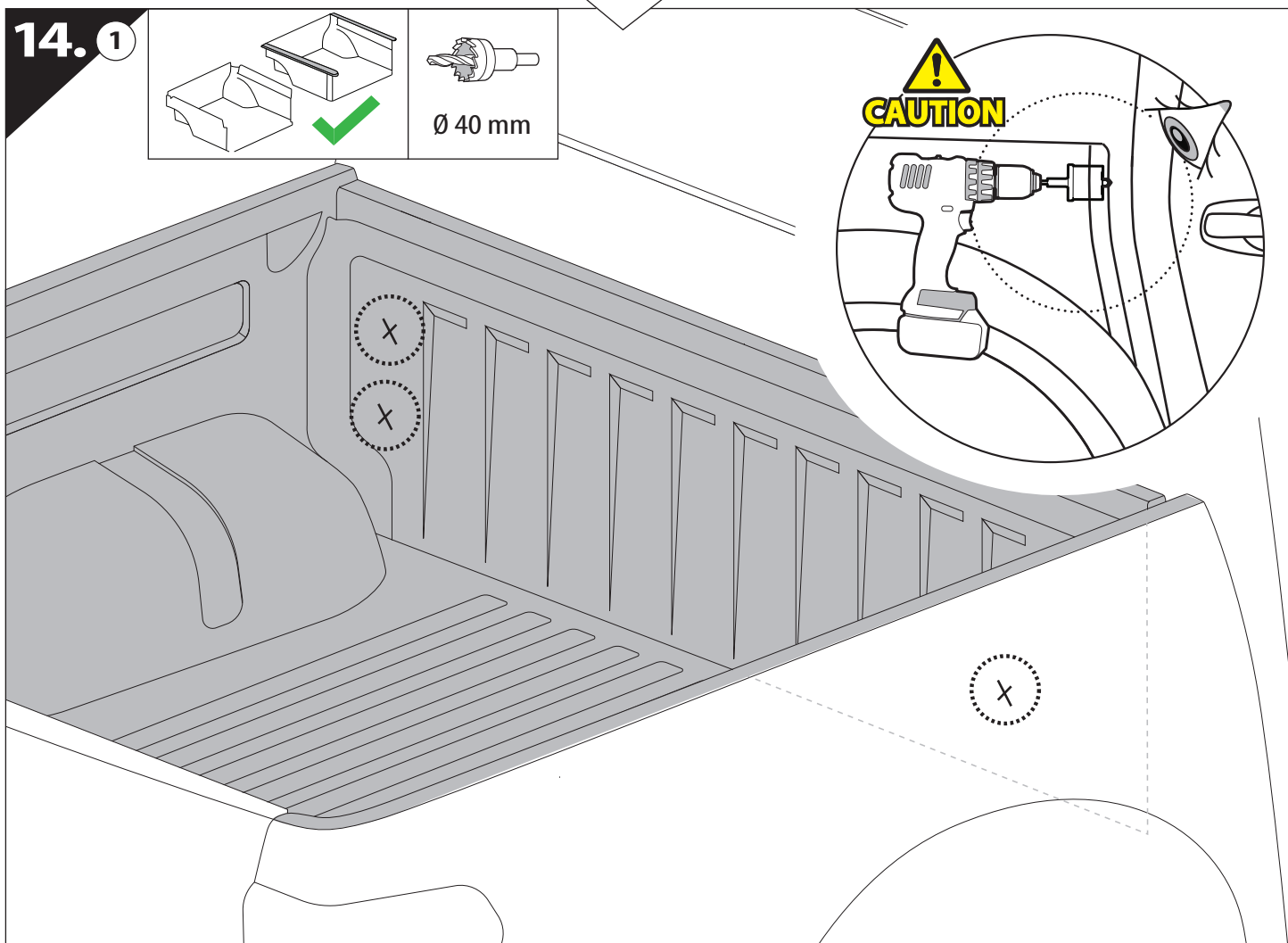
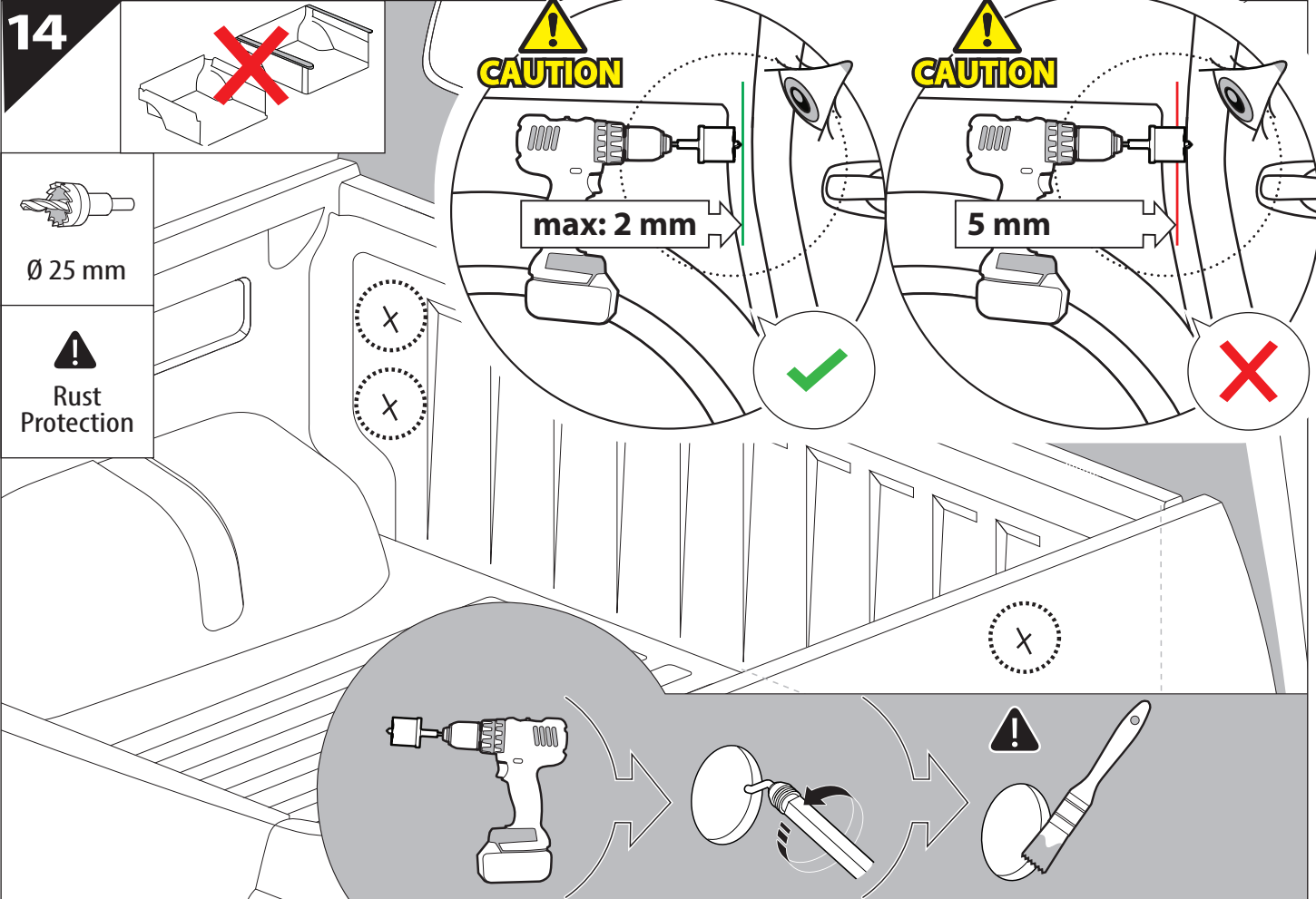


12.0

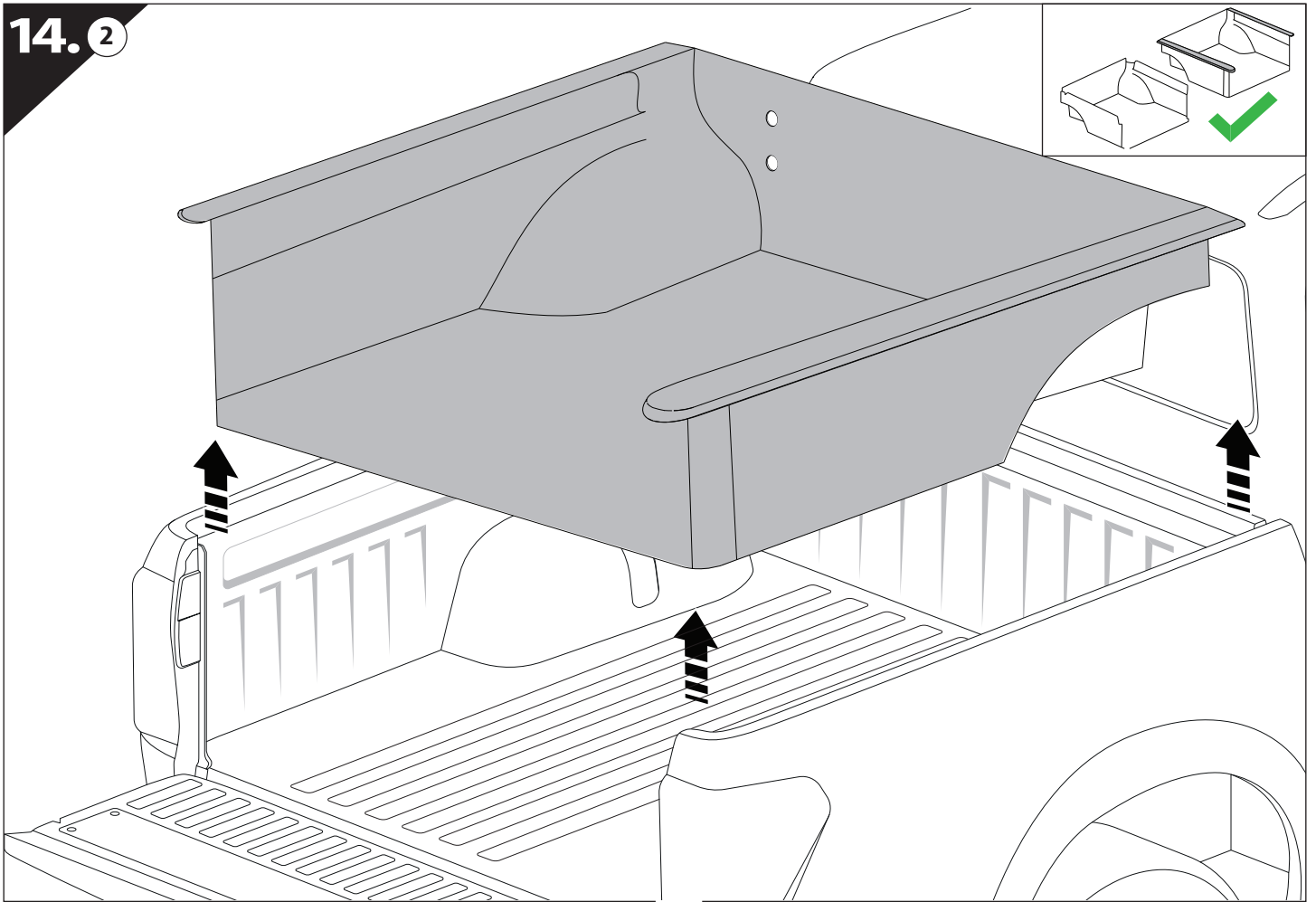




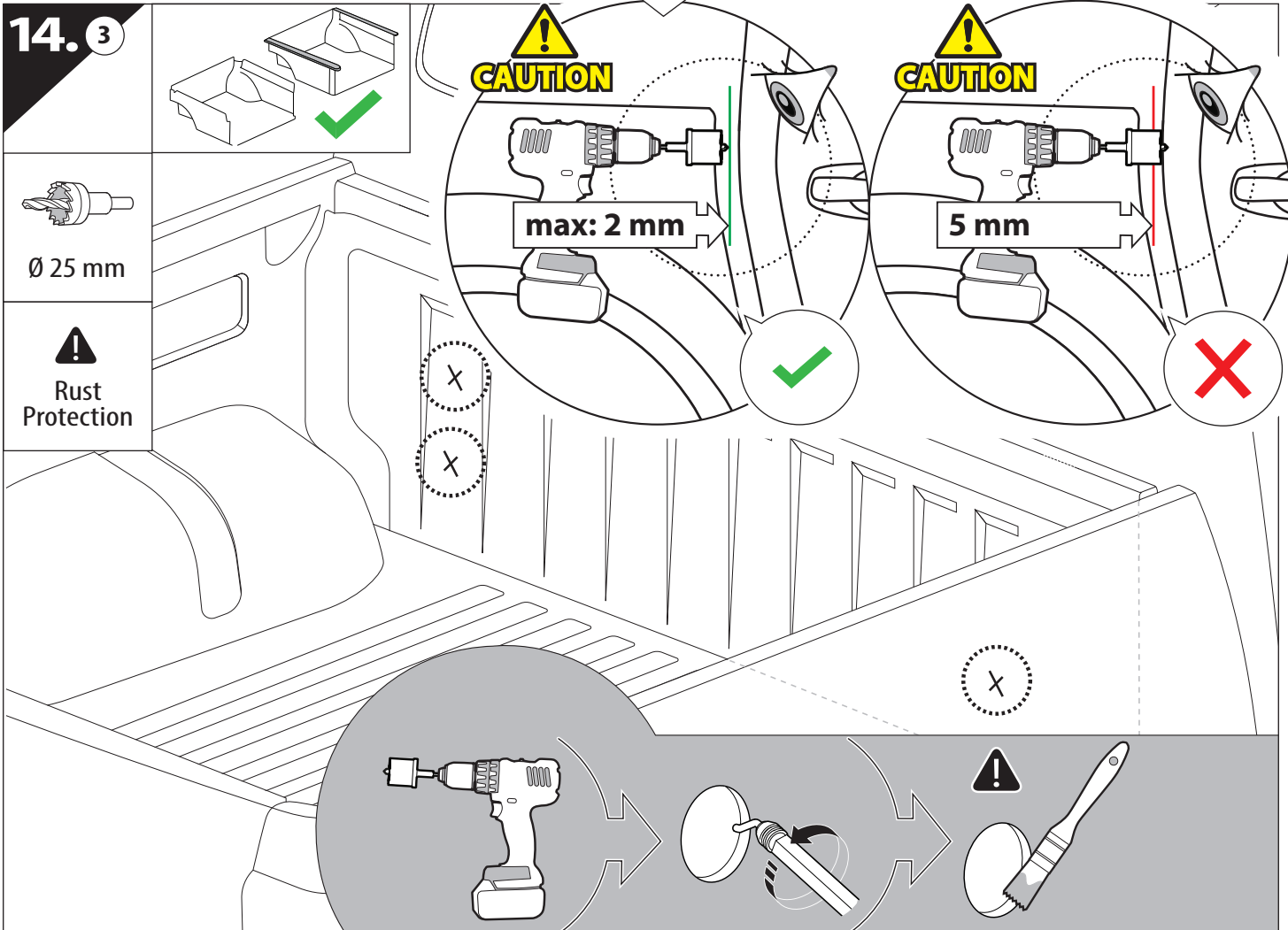
! TRY TO FIND FREE & STRAIGHT SPOTS IN THESE DIMENSIONS ACCORDINGLY



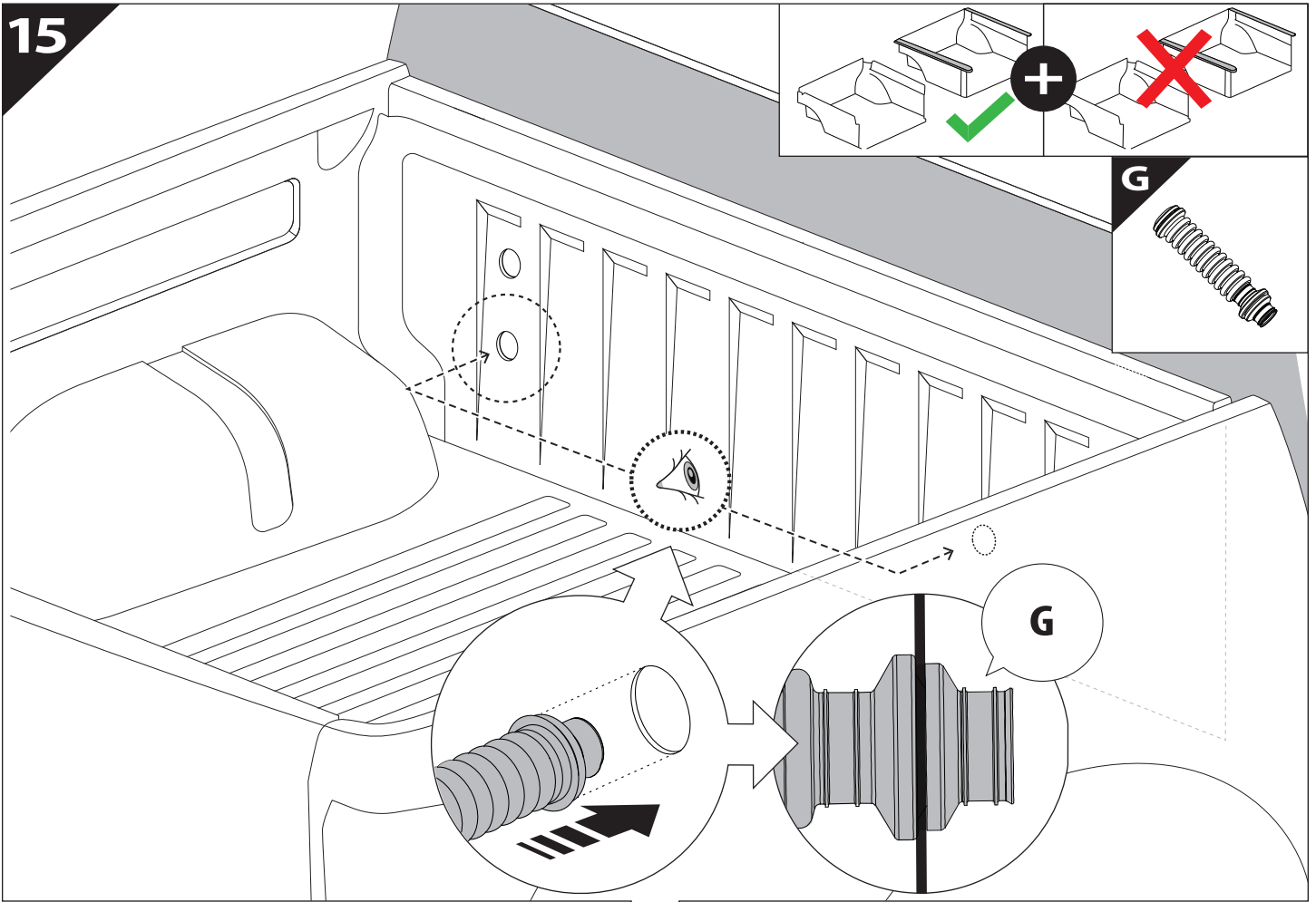
14.2



14.3

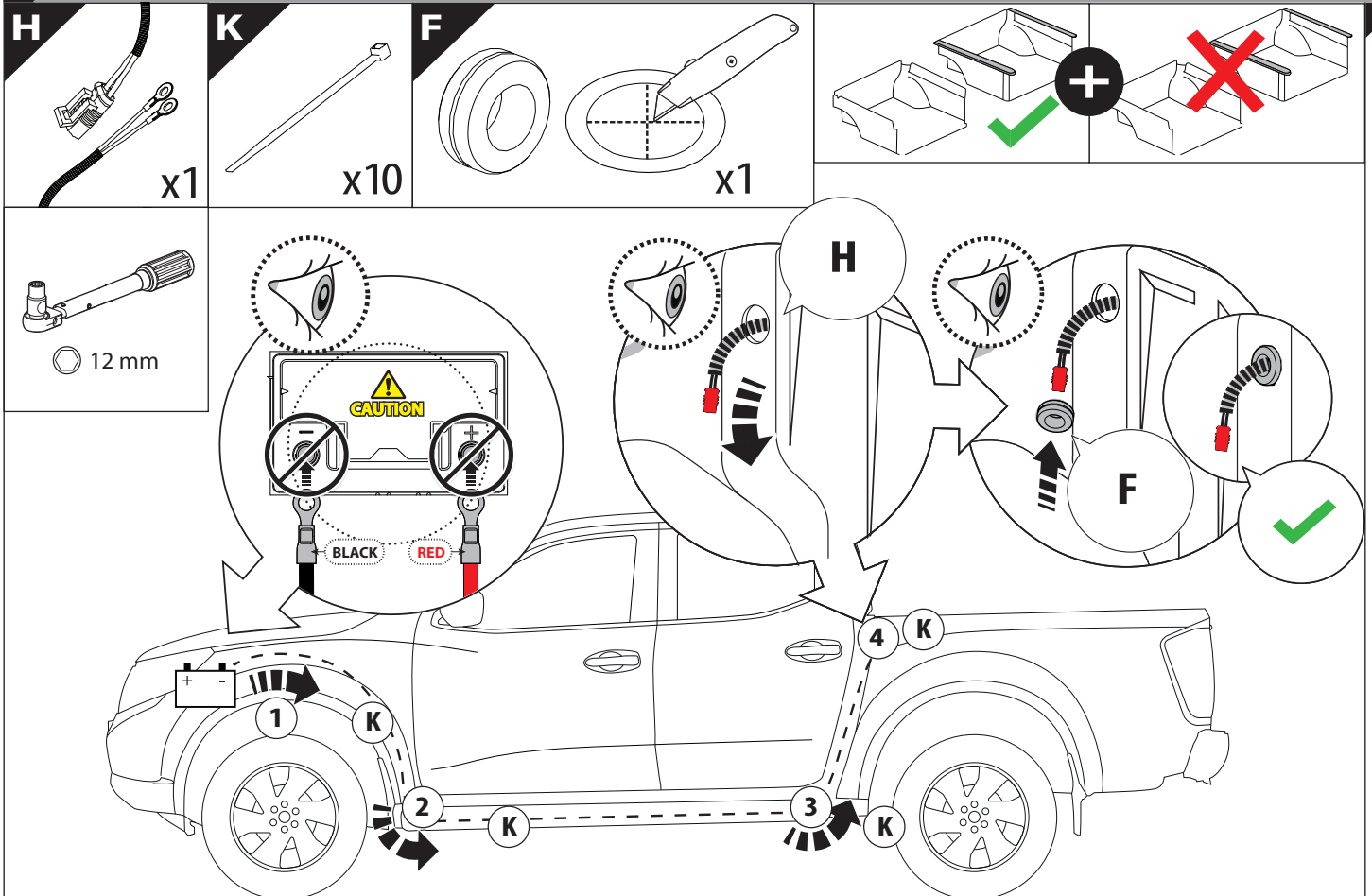


15

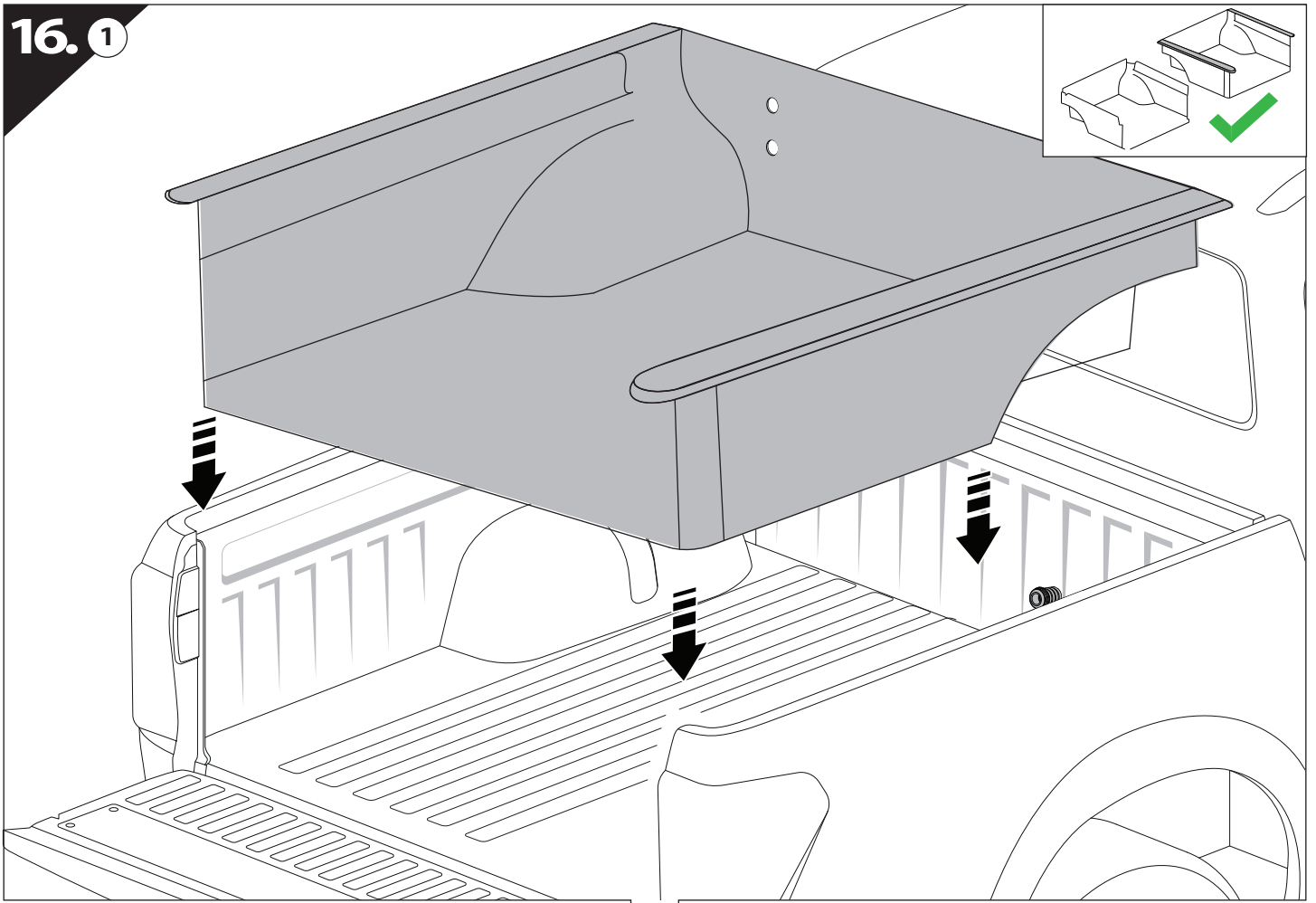


16

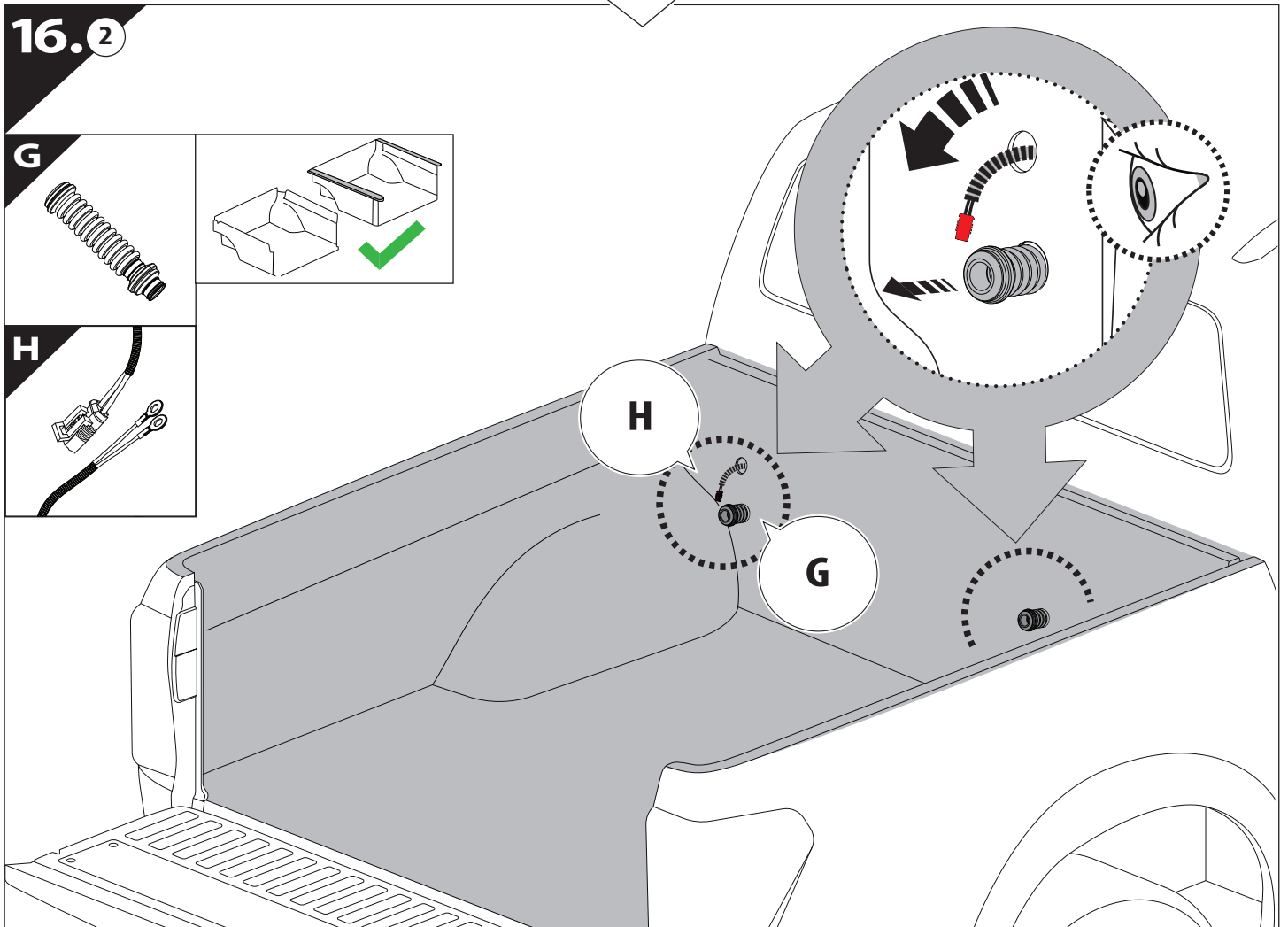
Only to be installed by authorized personnel

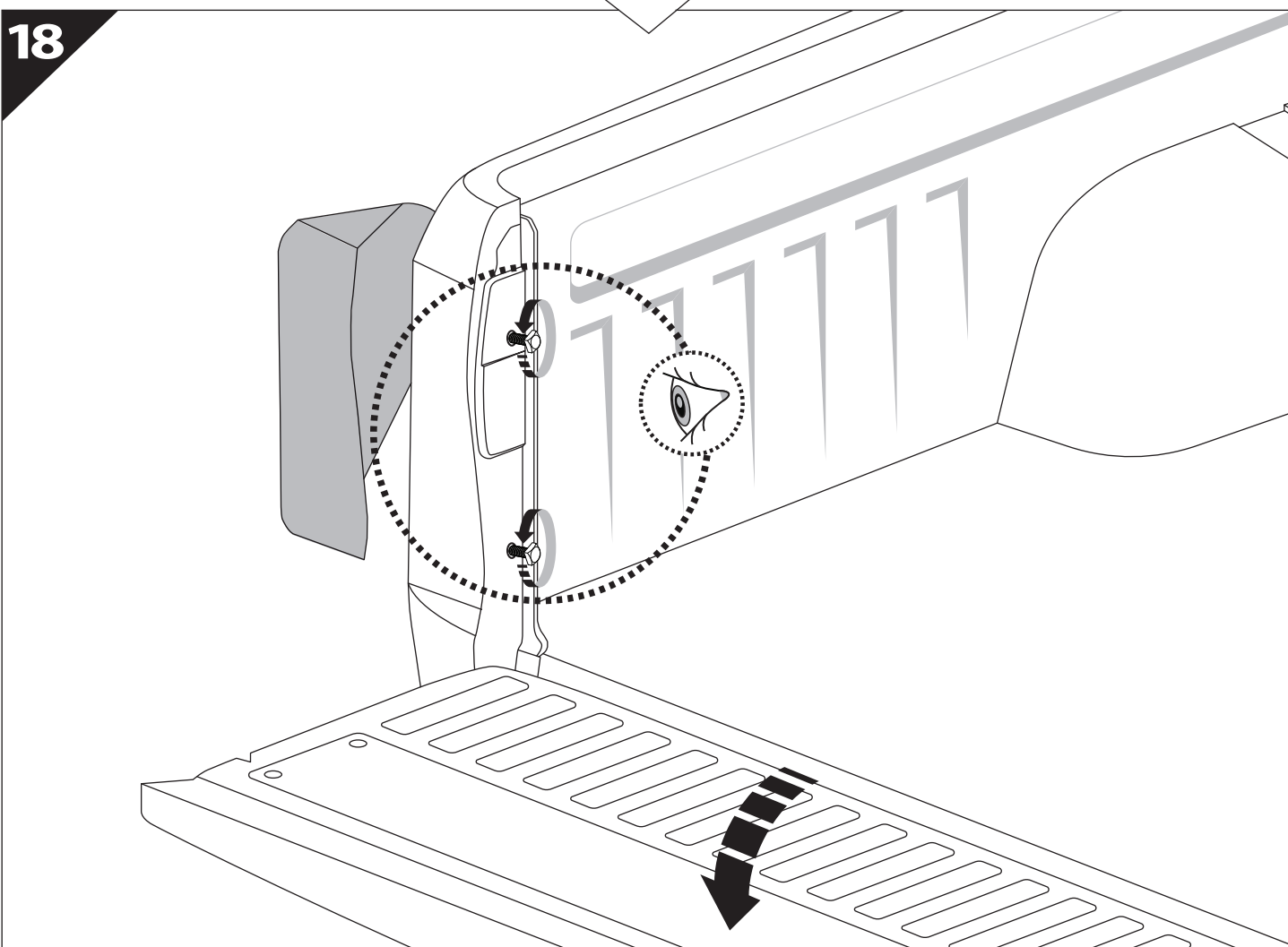
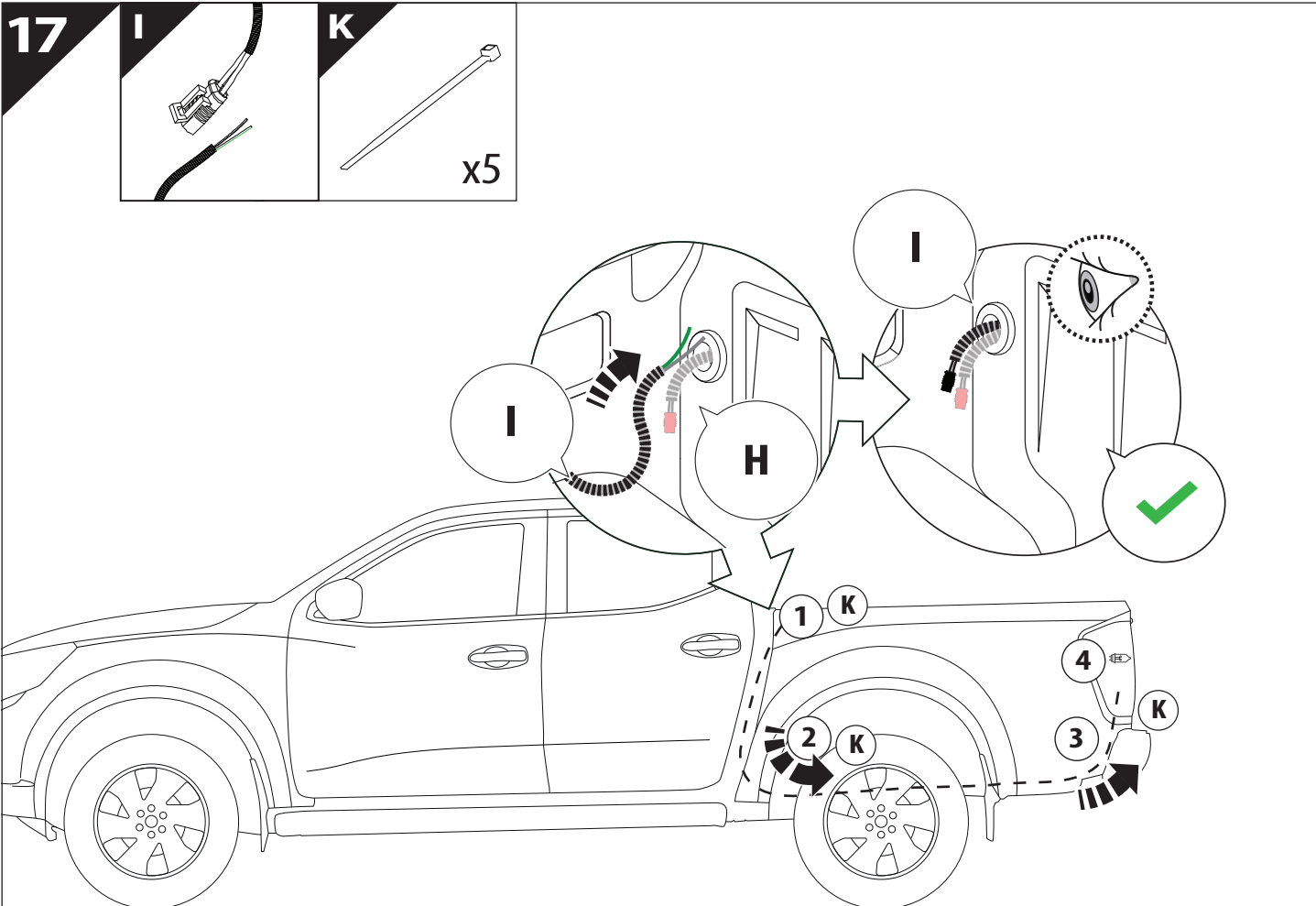


16.1

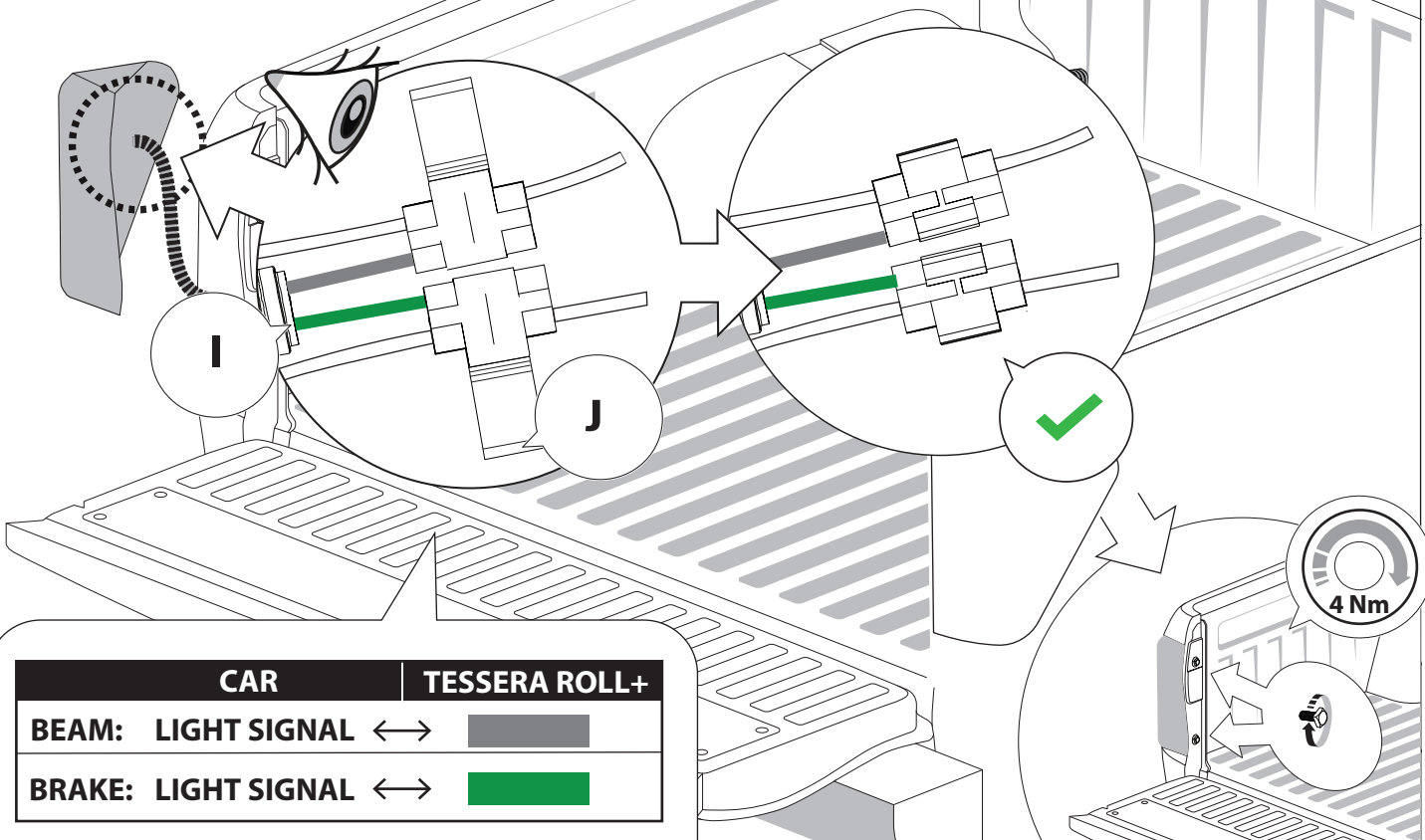
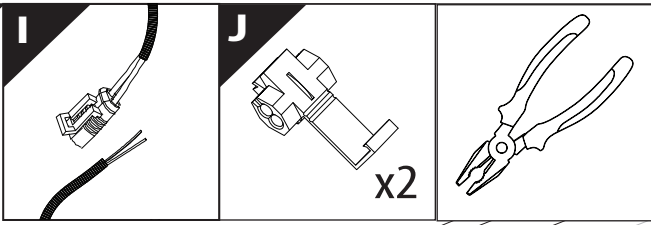


16.2





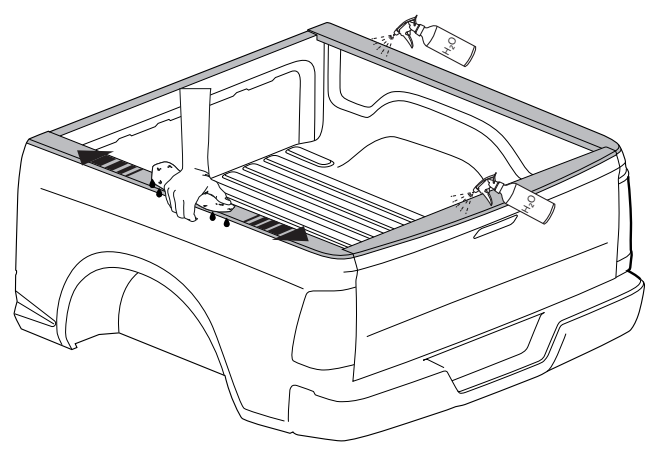
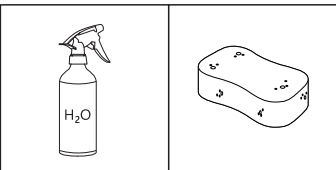
19



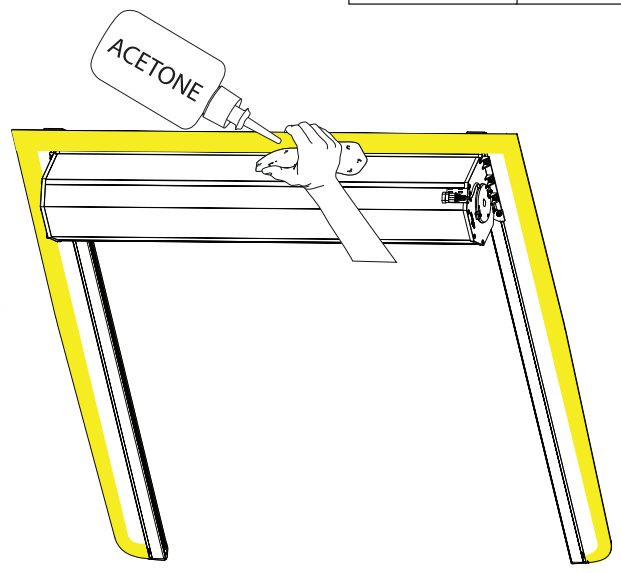
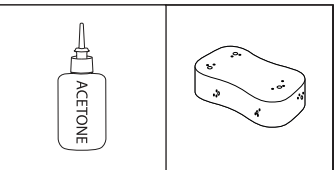
CAR	TESSERA ROLL+
BEAM: LIGHT SIGNAL ↔	
BRAKE: LIGHT SIGNAL ↔	

CAUTION: CONSULT A CERTIFIED AUTO MECHANIC OR AUTOMOTIVE ELECTRICIAN TO IDENTIFY THE CORRECT WIRING CABLES FOR BEAM AND BRAKE SIGNALS BEFORE MAKING ANY CONNECTIONS.

20

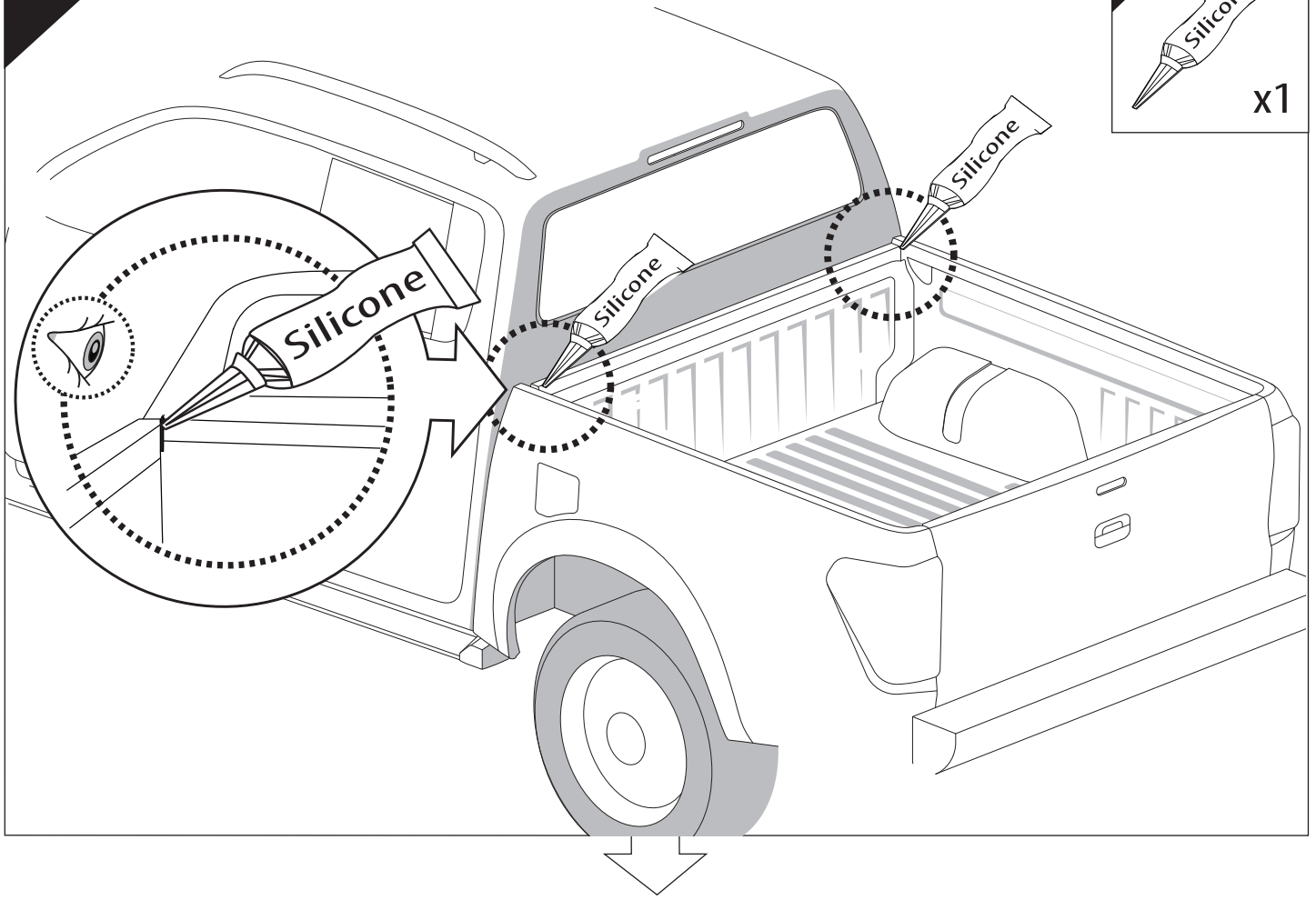


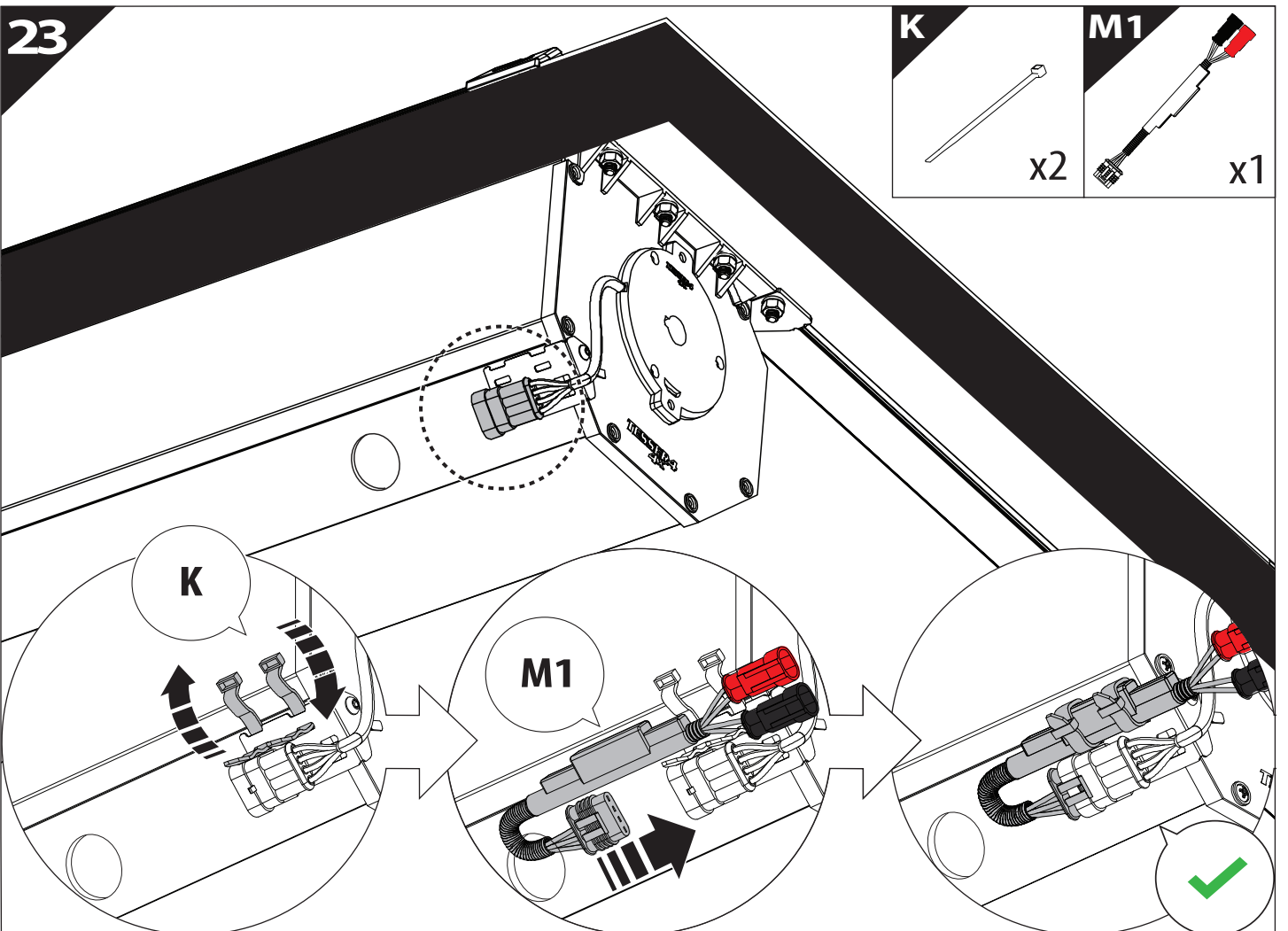
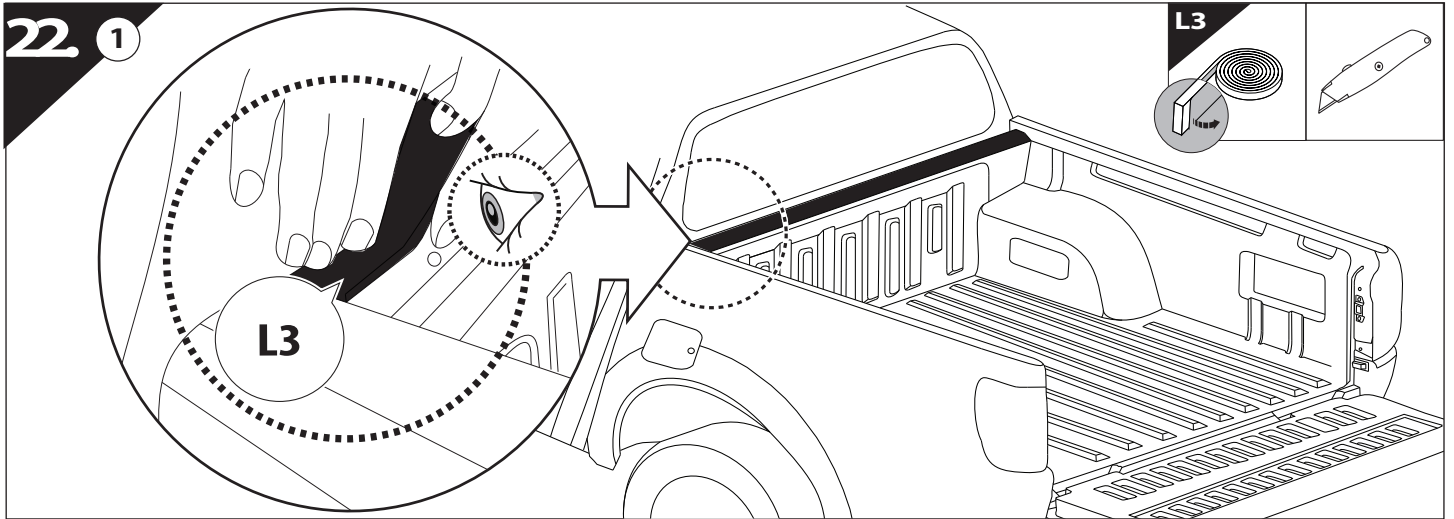
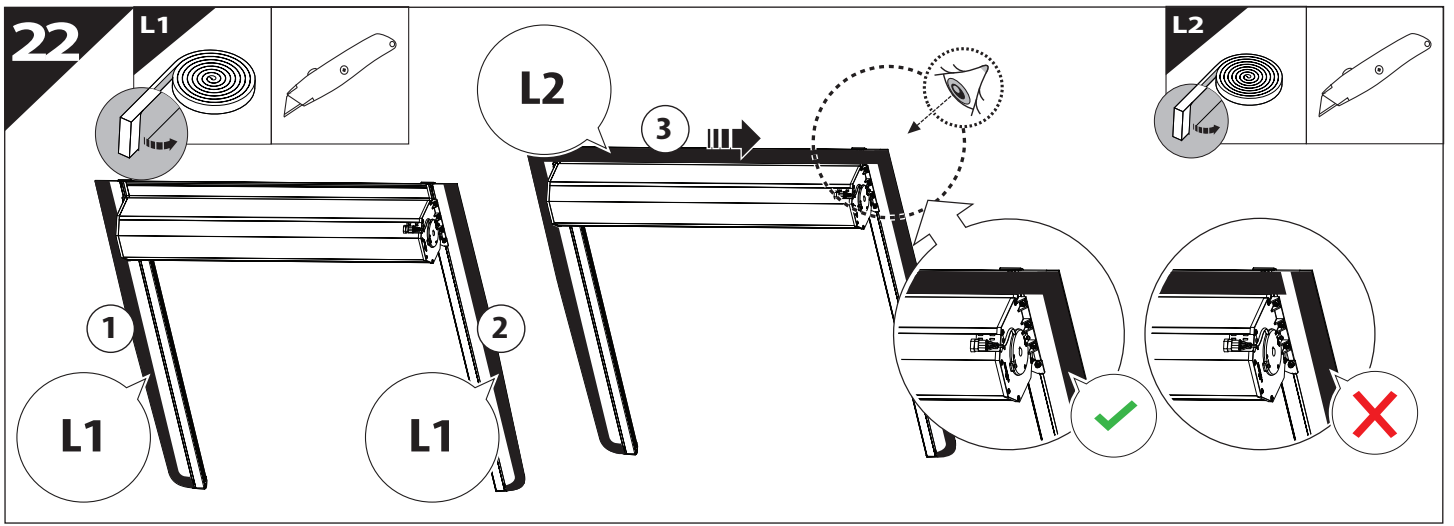
21

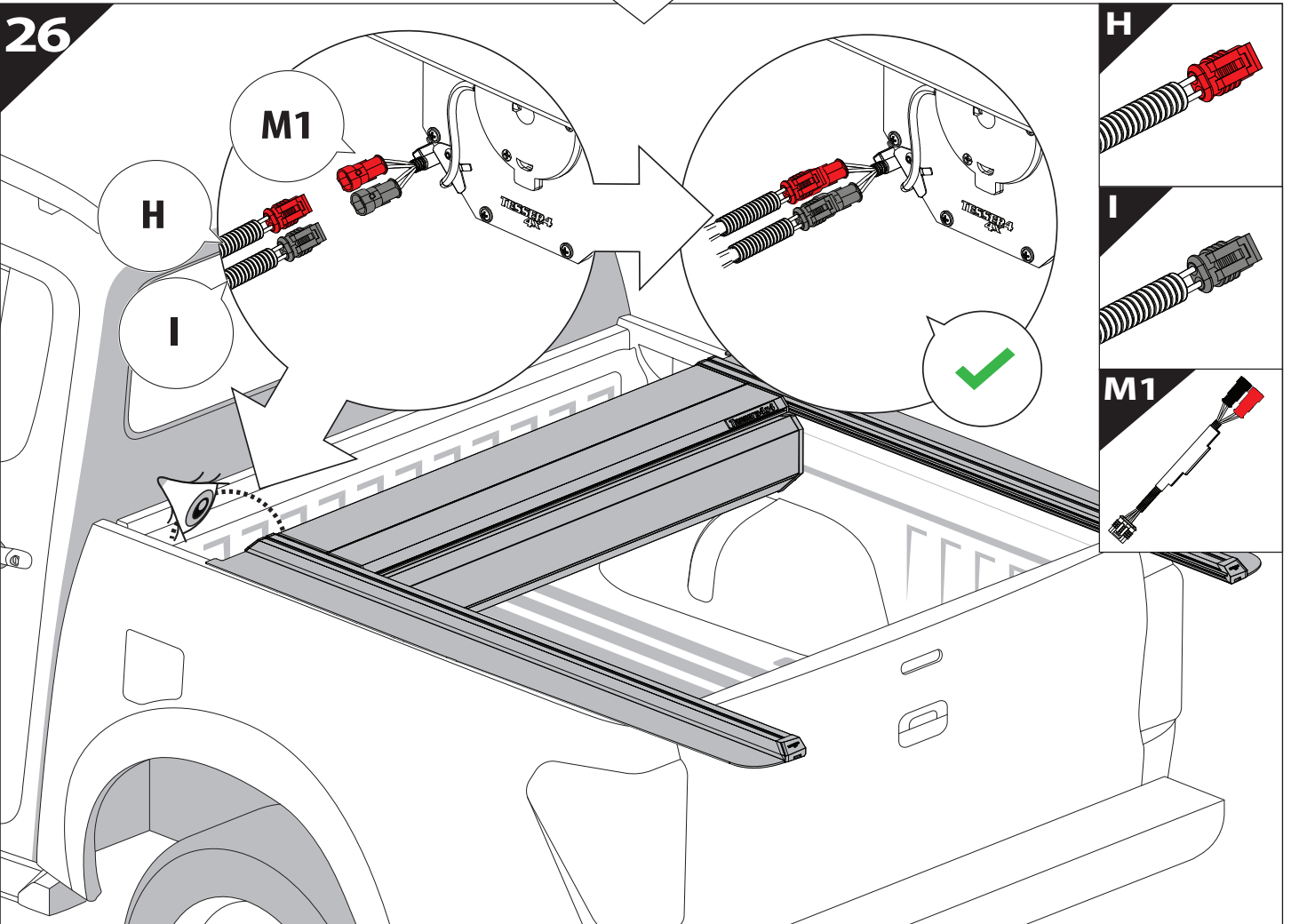
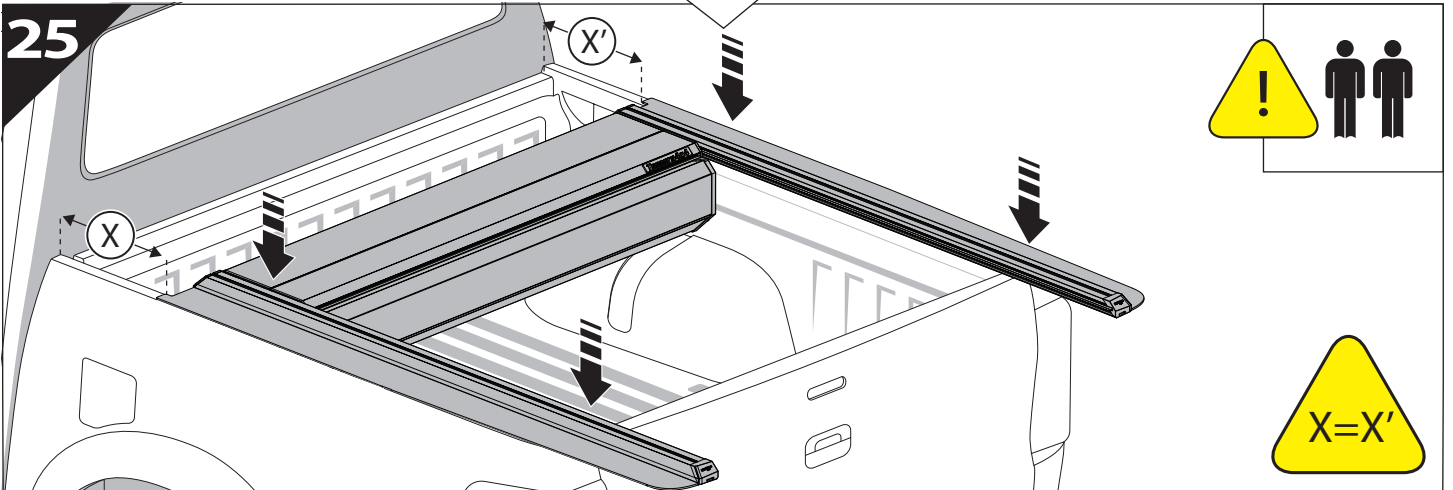
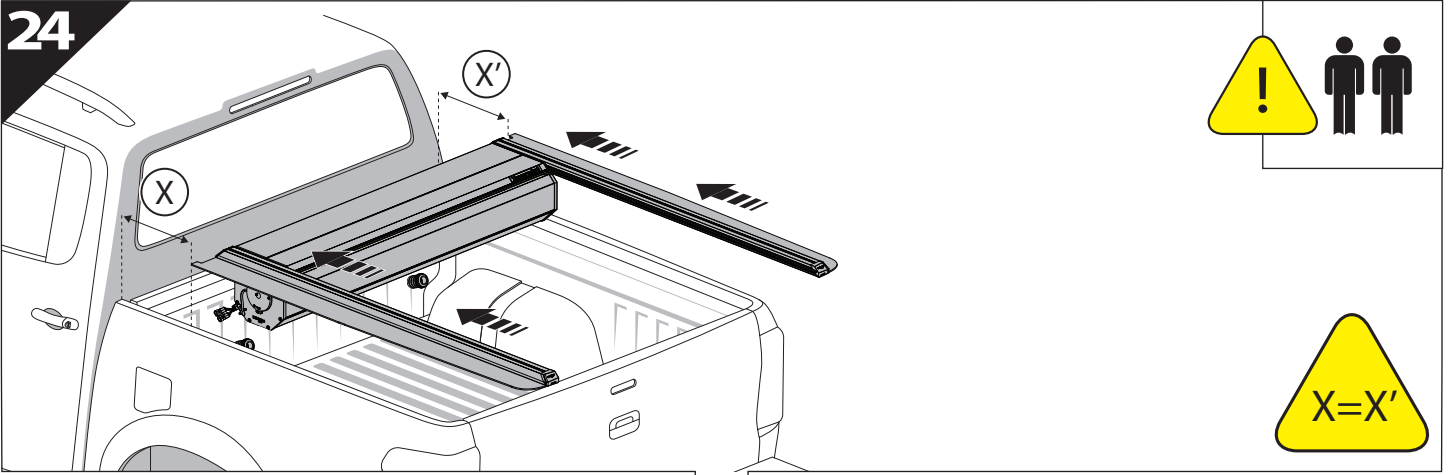


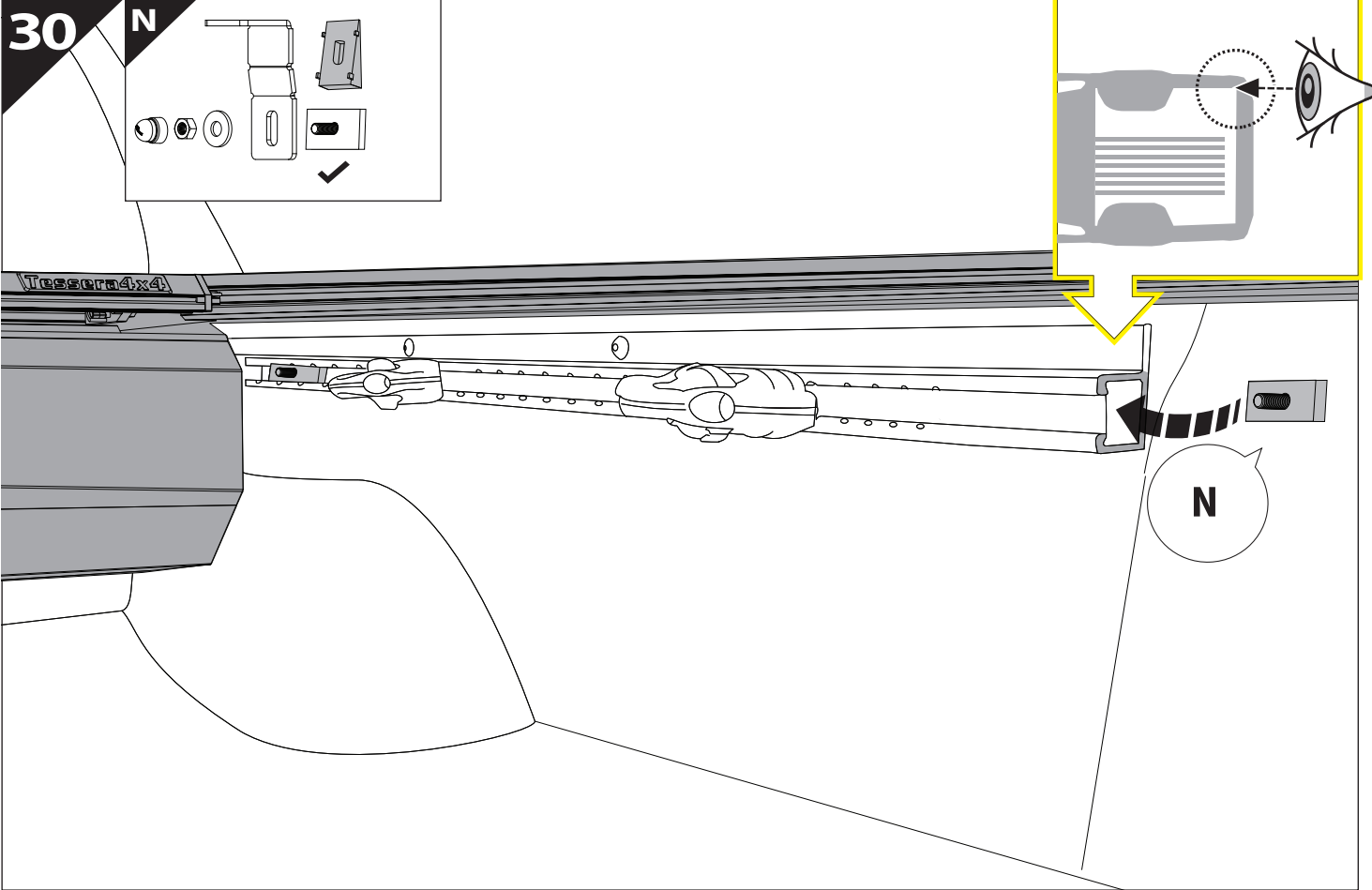
21.1

P

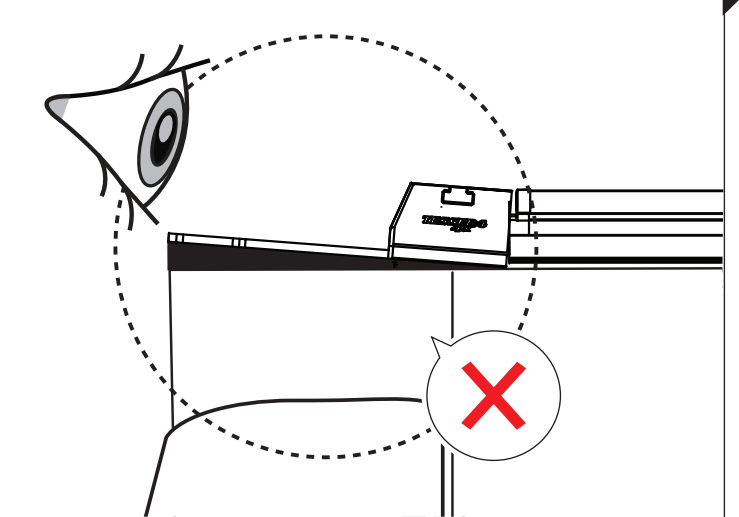
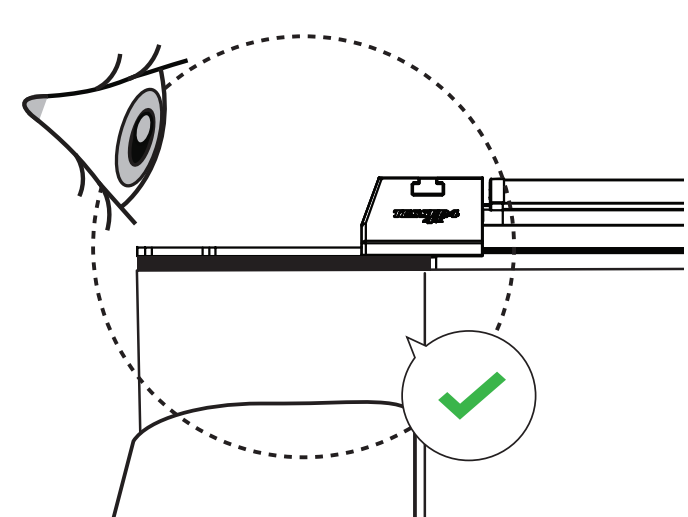
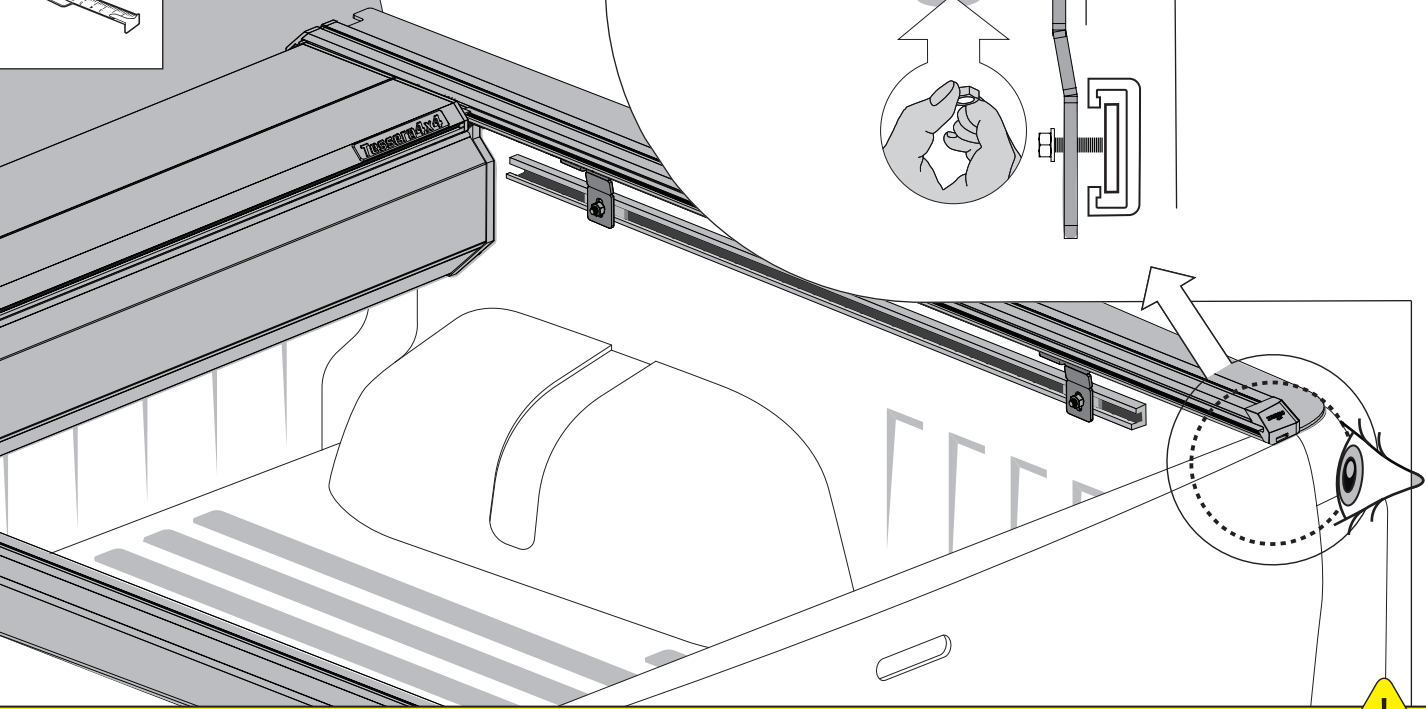
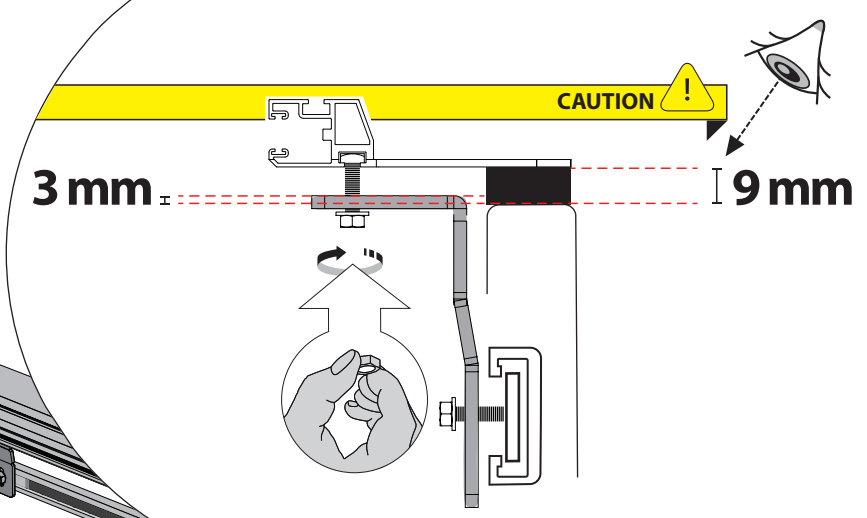
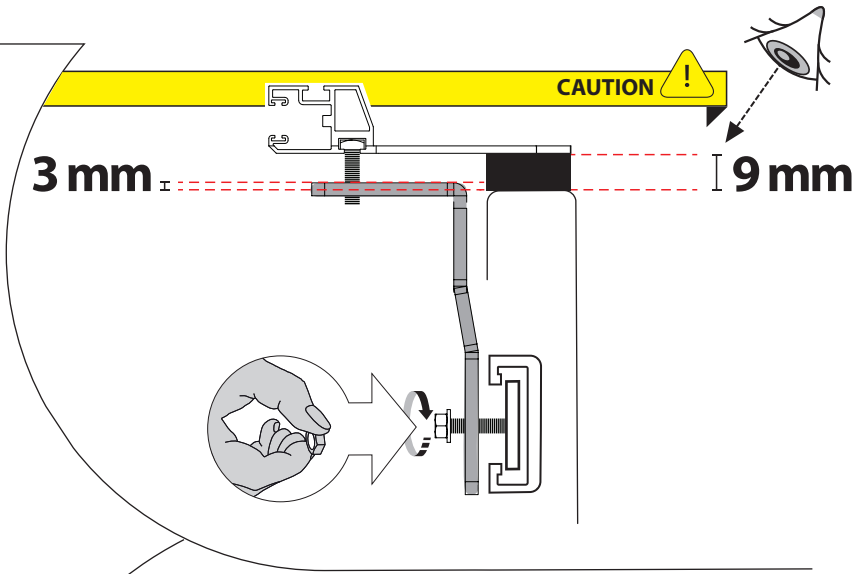
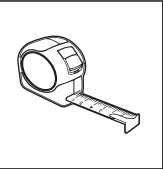
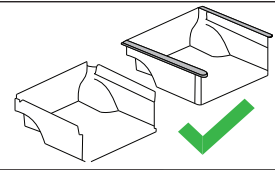
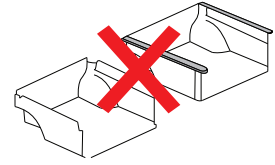
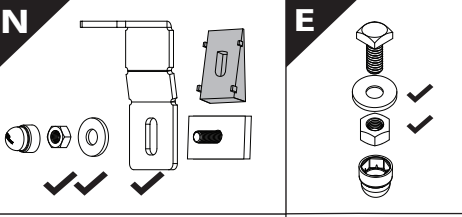


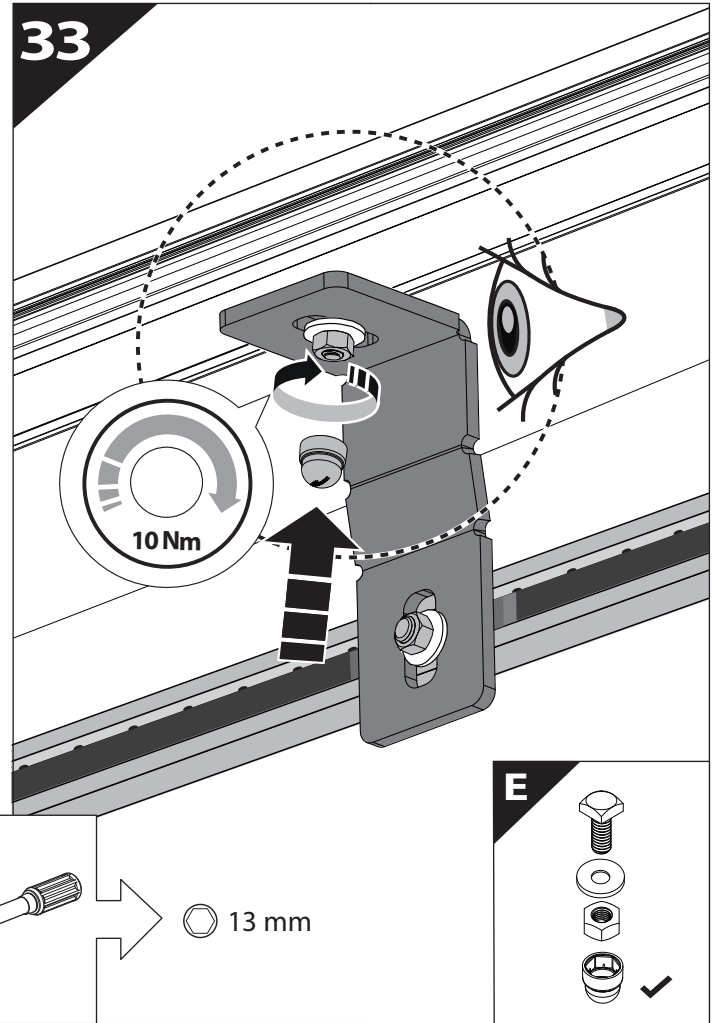
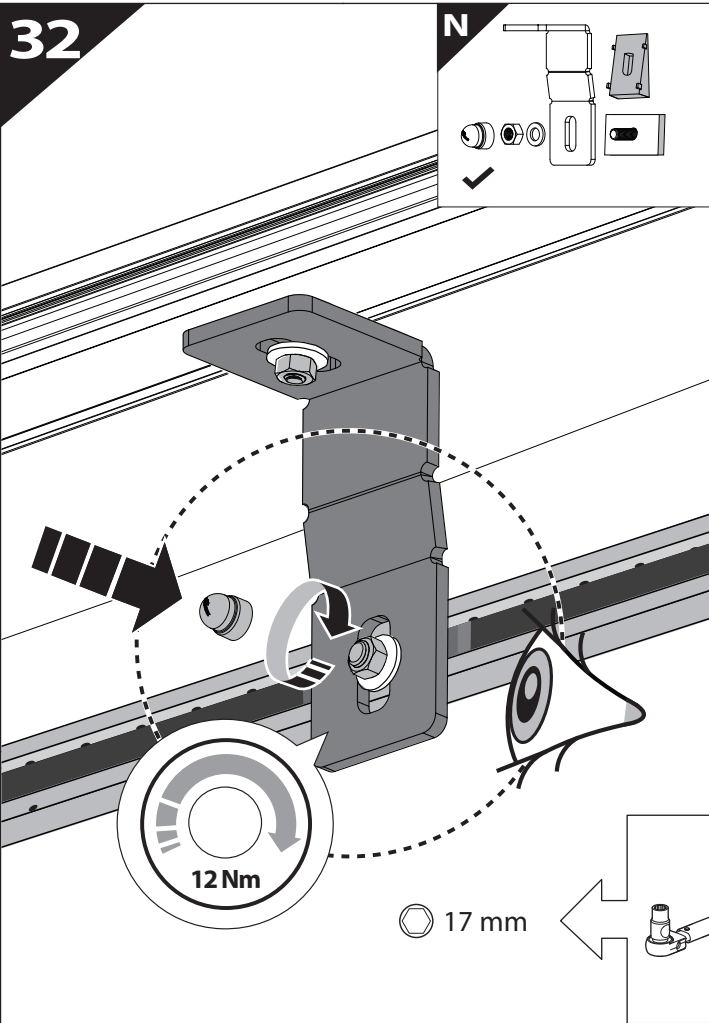




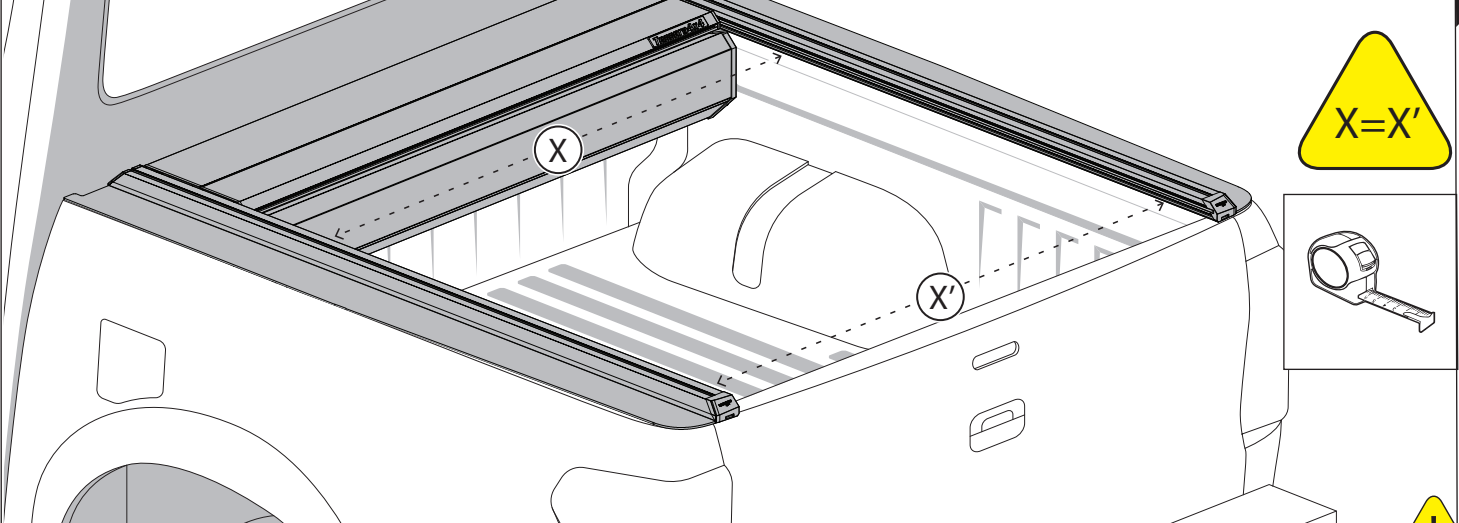


31

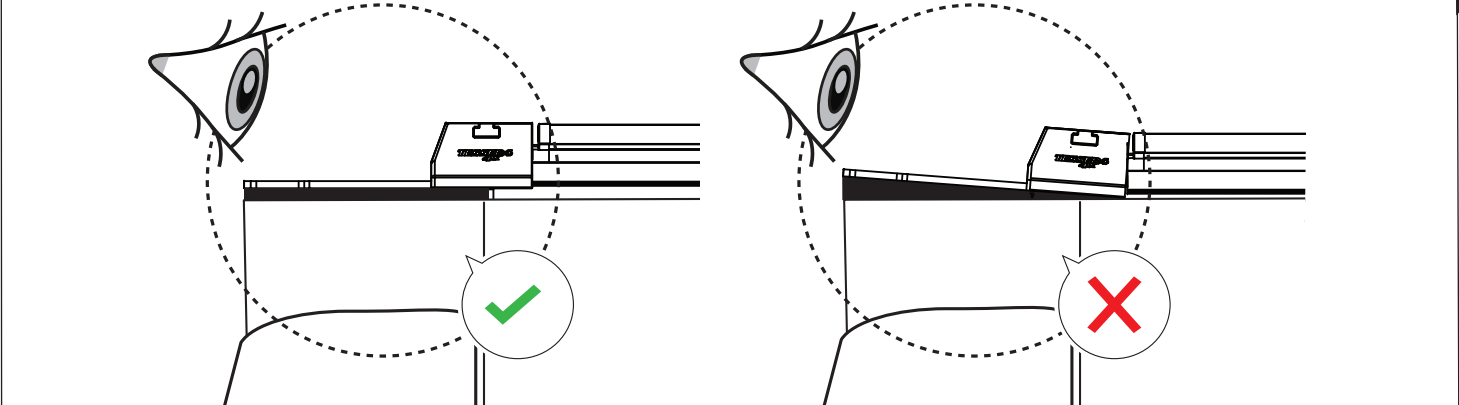




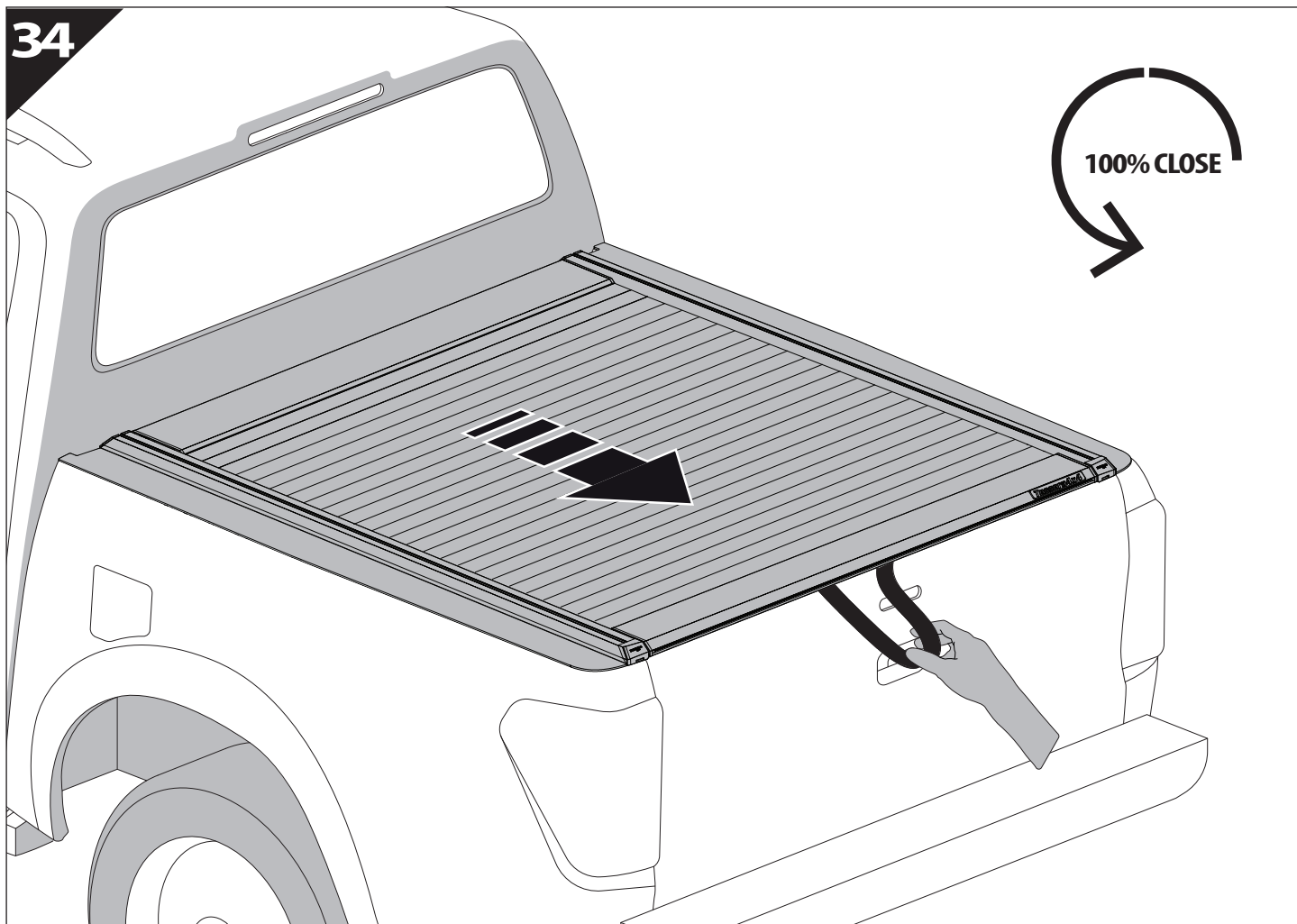
CAUTION !



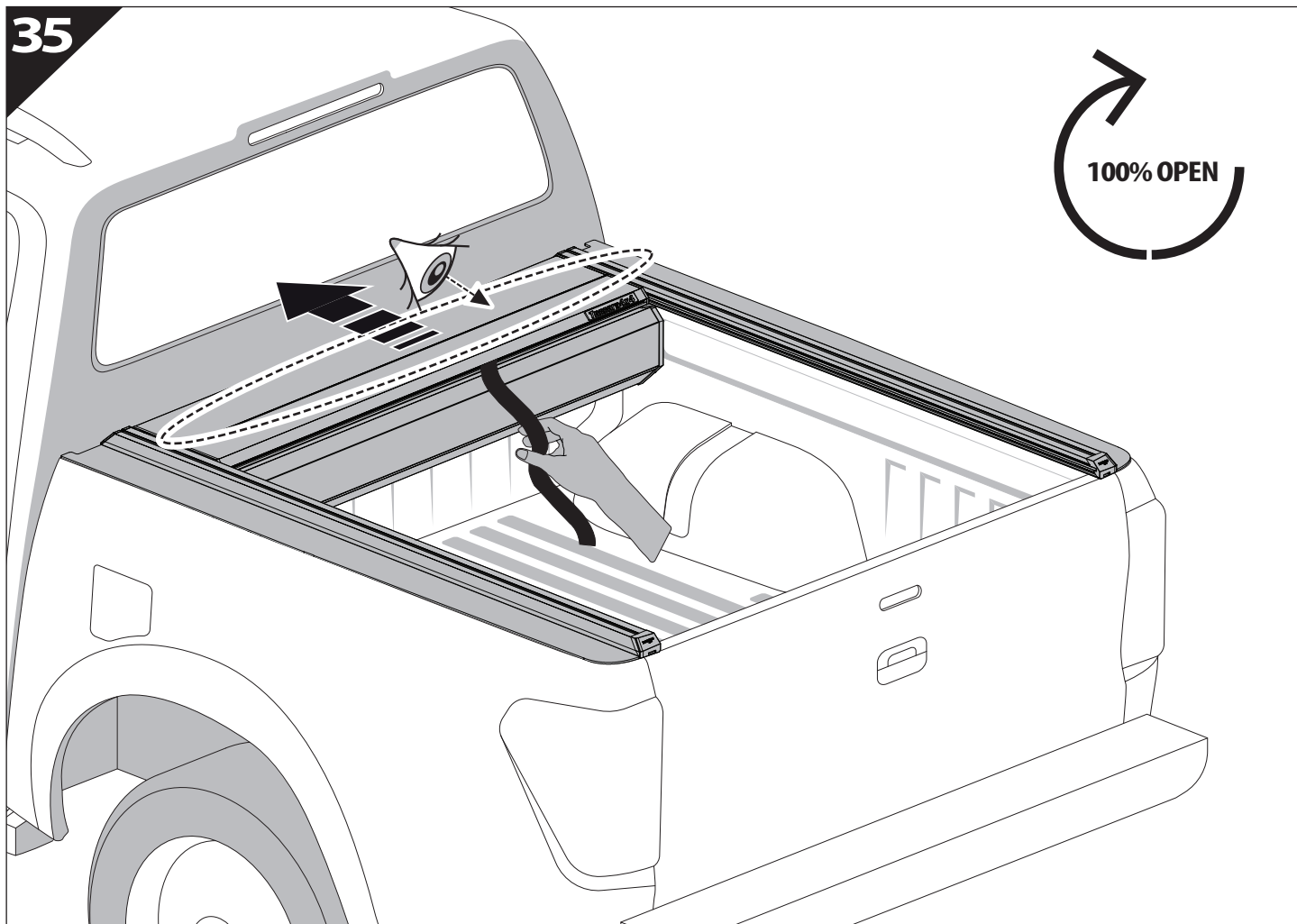
CAUTION !



34



35





GR: Οδηγίες Εγκατάστασης
GB: Installation manual
SF: Asennusohje
F: Notice de montage
PL: Instrukcja montażu
NL: Installatie-instructies
TR: Montaj Talimatı
S: Monteringsanvisning
E: Instrucciones de montaje

H: Szerelési utasítás
P: Instruções de instalação
RUS: Инструкция по установке
N: Monteringsveiledning
D: Einbauanleitung
CZ: Návod k instalaci
I: Istruzioni de montaggio
DK: Monteringsvejledning
RO: Instructiuni de instalare

Customer Service:

+30 (210) 5541161, +30 (210) 5541154 (08:00 - 16:00 EET)

Support department:

info@gianso.gr

Website:

www.tessera4x4.com

Address:

19.5 km of National road Athens-Korinthos (Elefsina) Greece, P.C: 19200