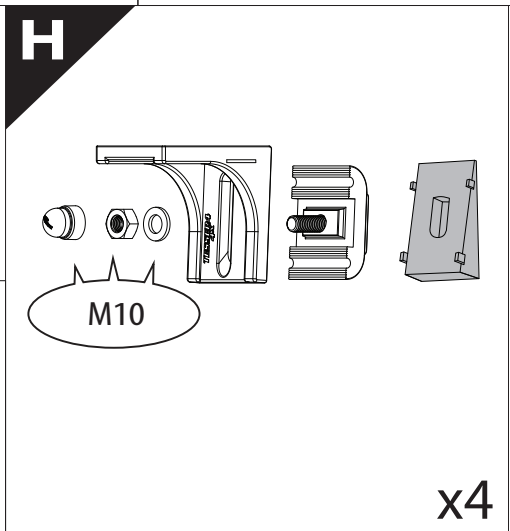
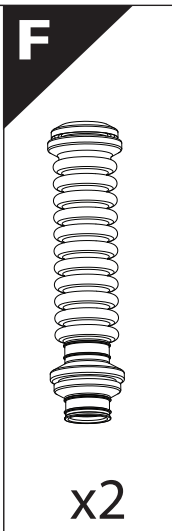
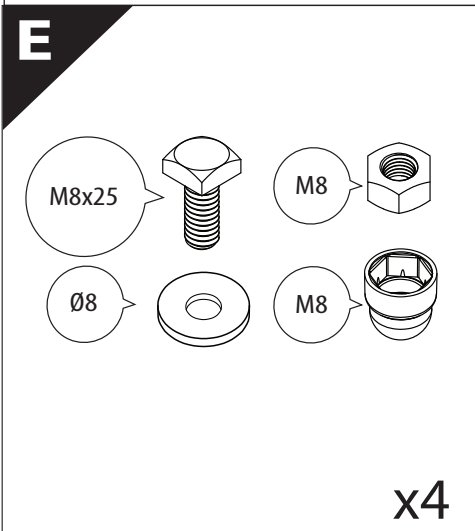
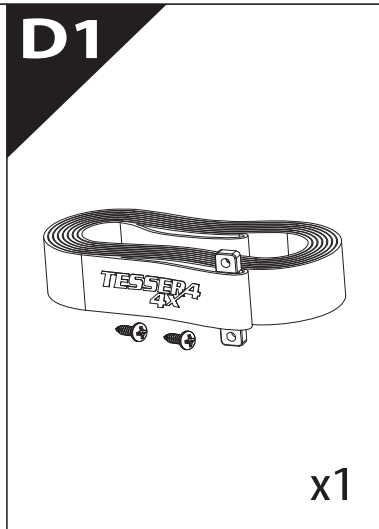
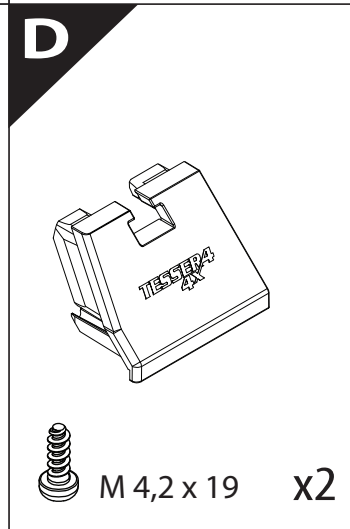
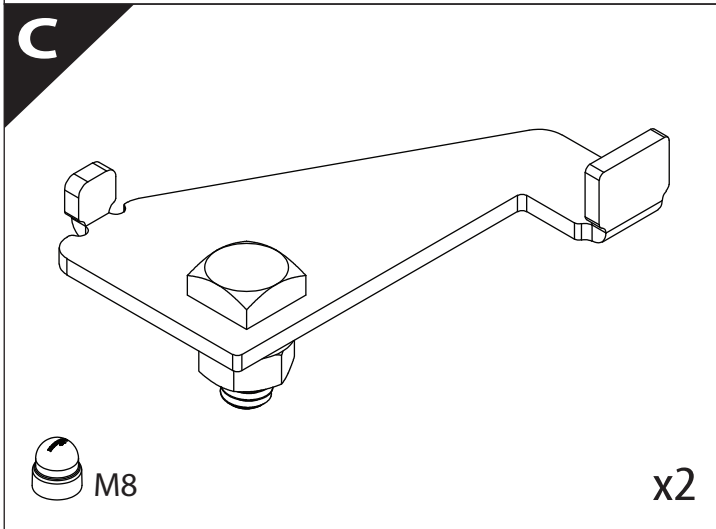
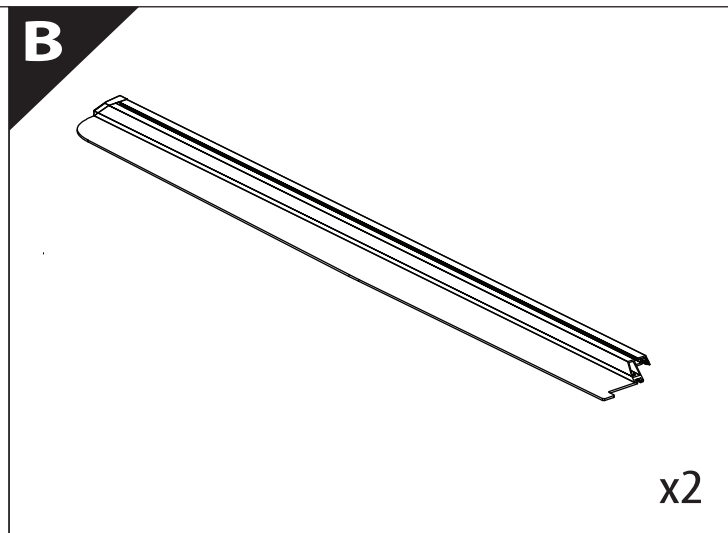
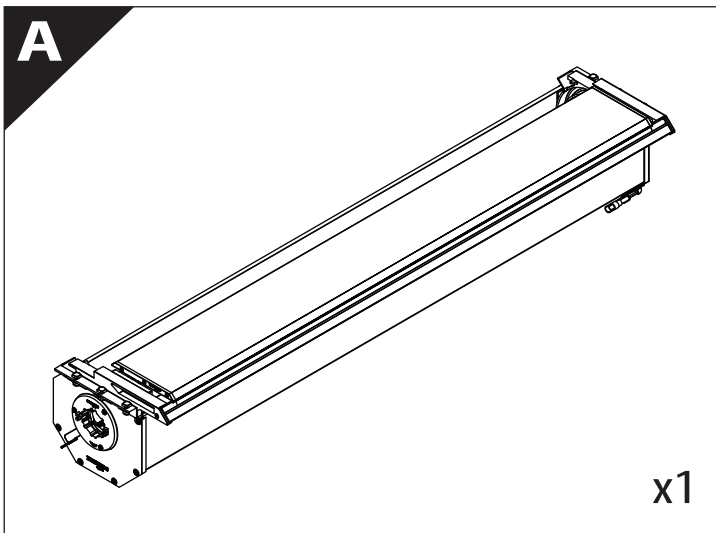
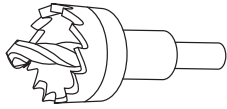


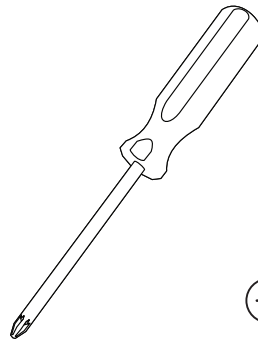
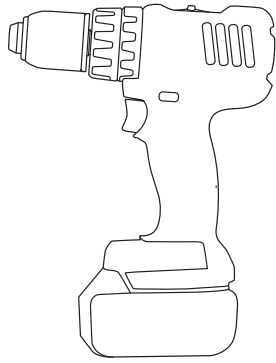
Installation Manual

PART NUMBER(S)	Model Year
TESS 150 -1 SE	Ford Ranger 2007-2011
Cab(s)	Installation Time / Weight
Double Cab	40-60 minutes / 53-57 kg

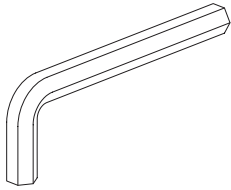
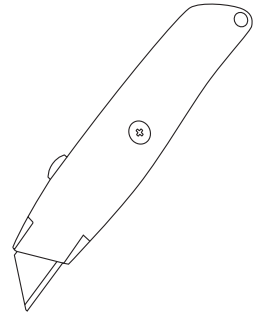




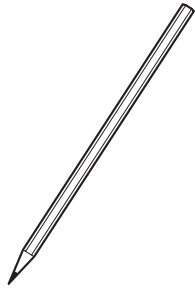
Ø 25 mm / Ø 40 mm



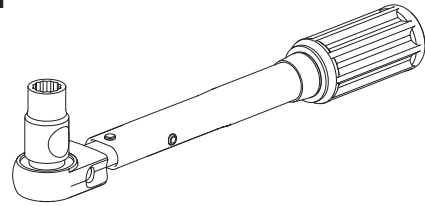
+



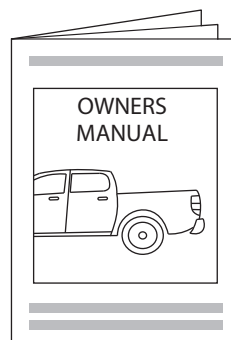
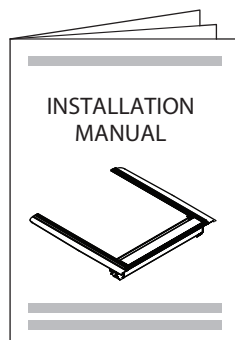
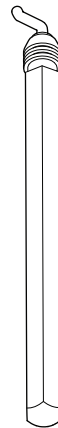
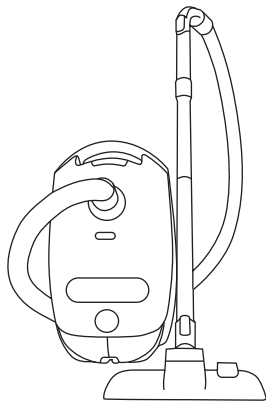
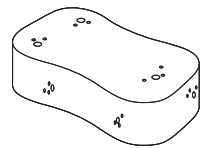
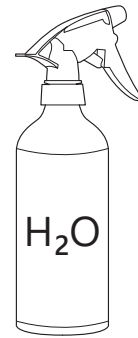
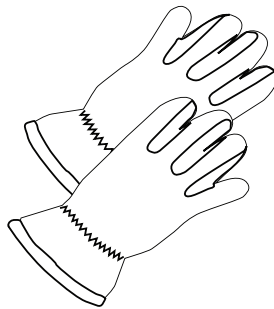
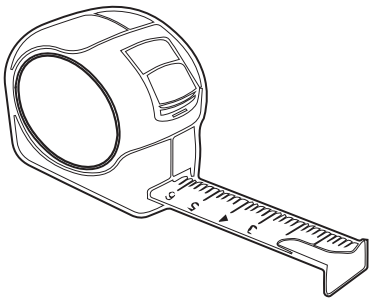
4 mm



1 - 25 Nm



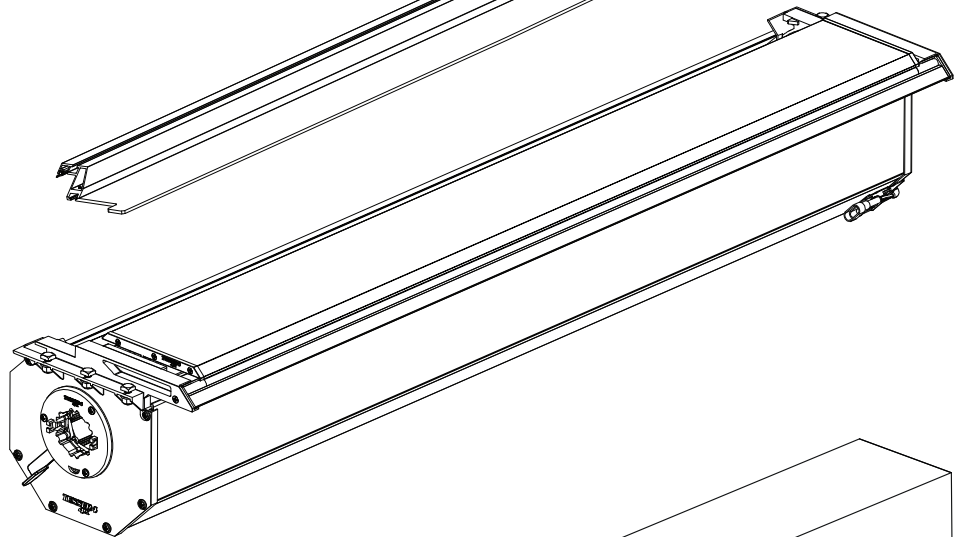
13, 17 mm



x1



B



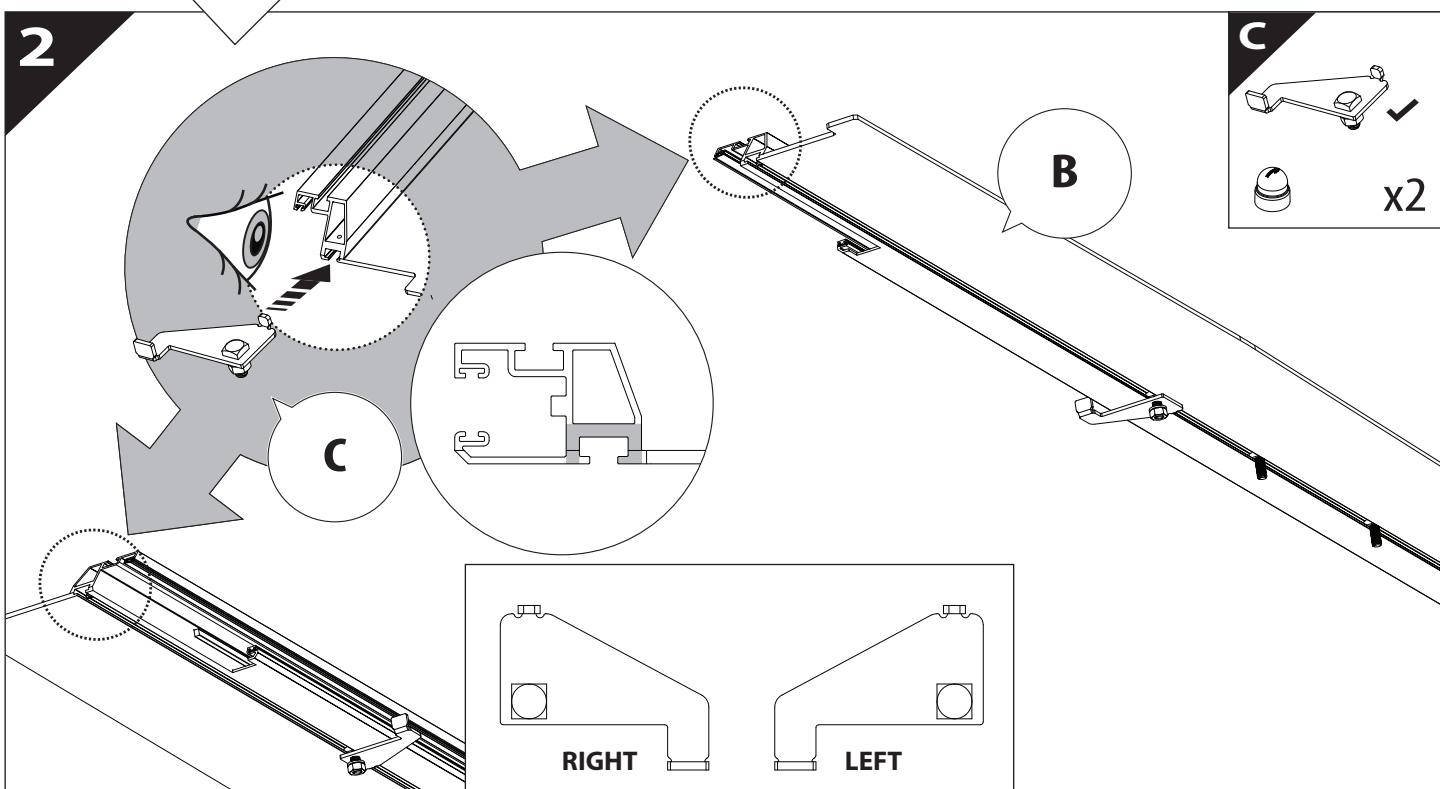
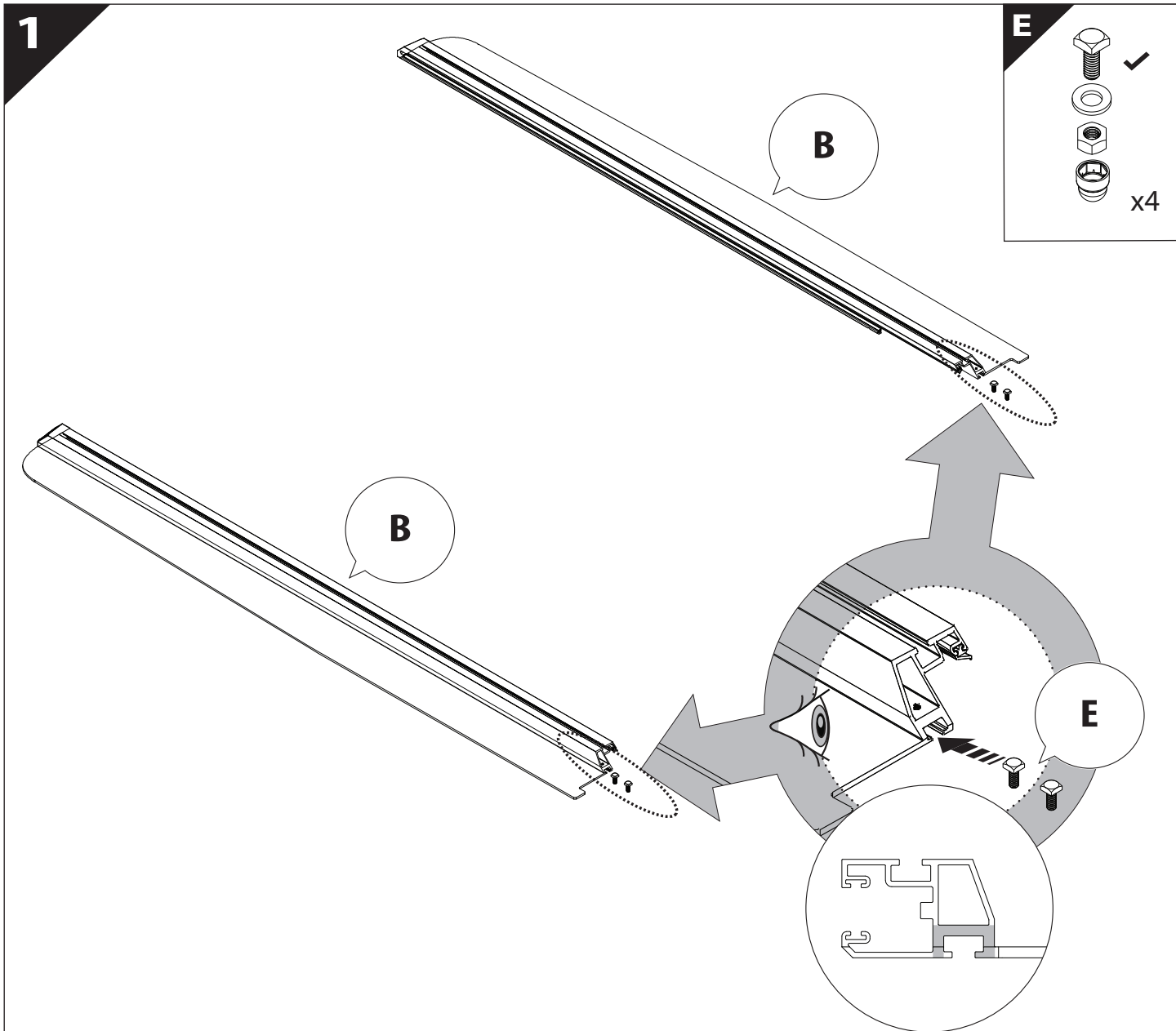
A

KITS

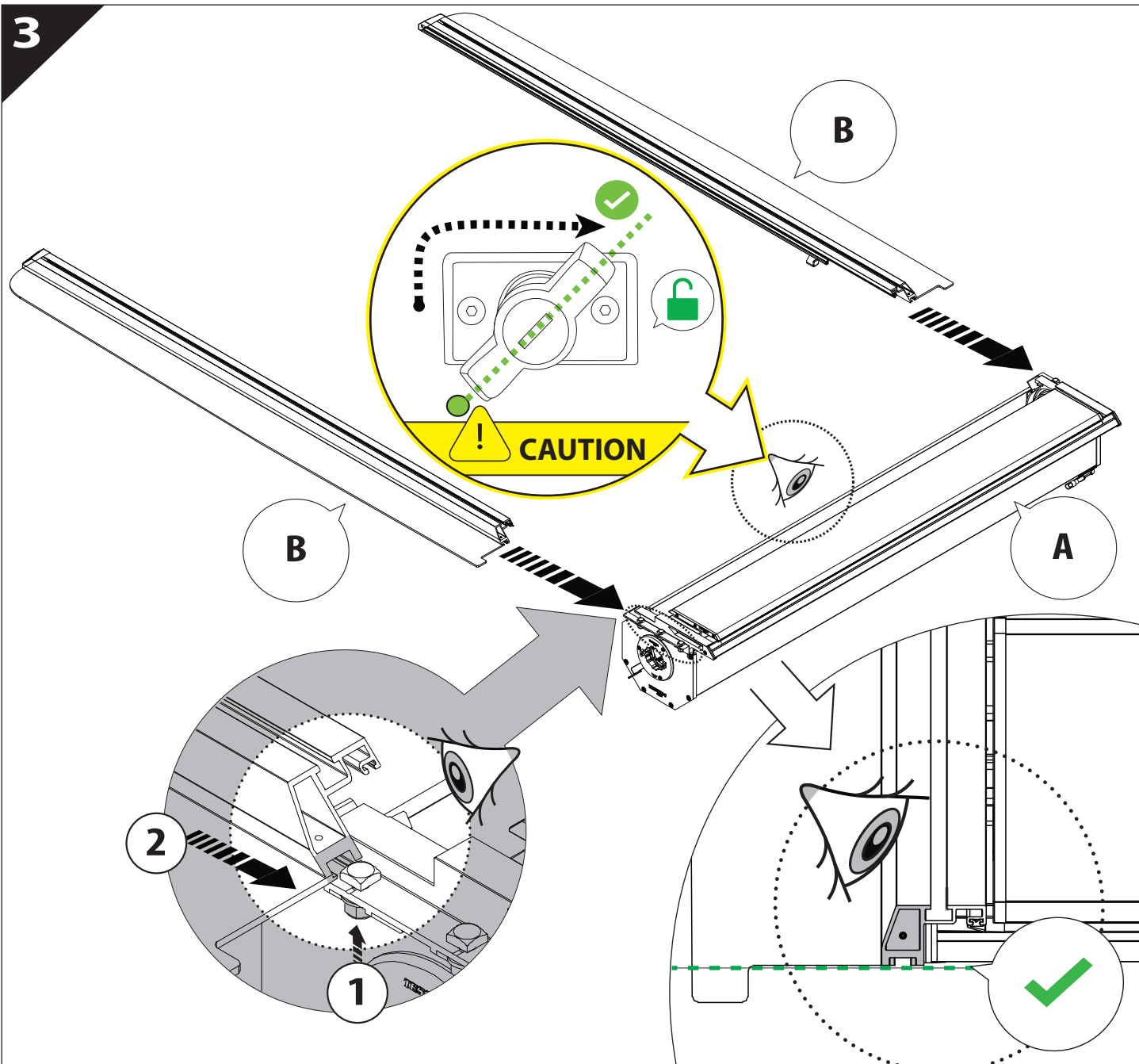


G

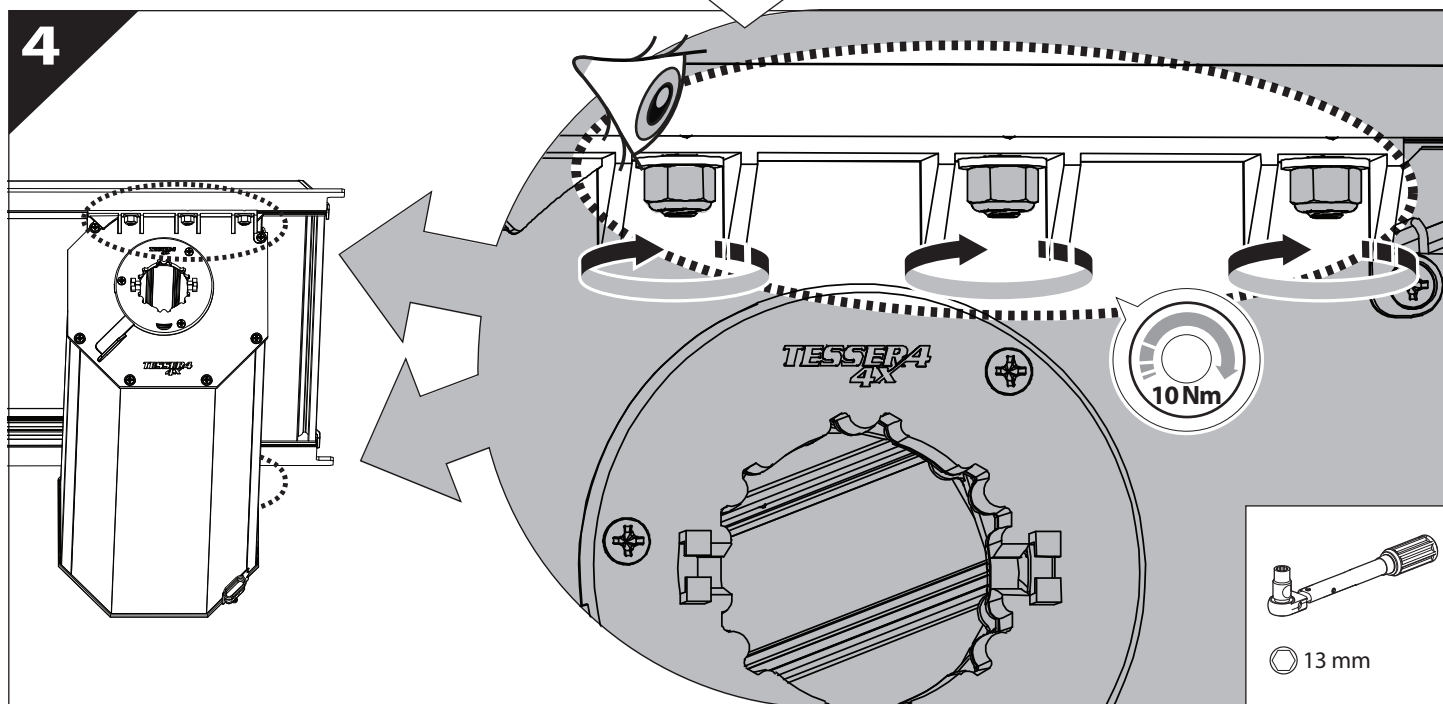


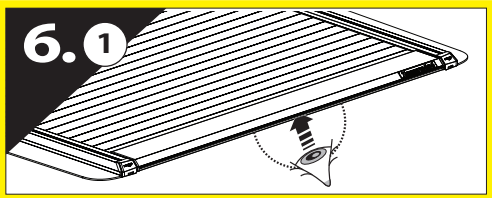


3



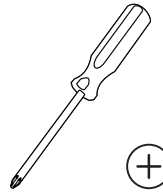
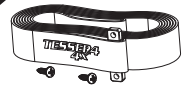
4



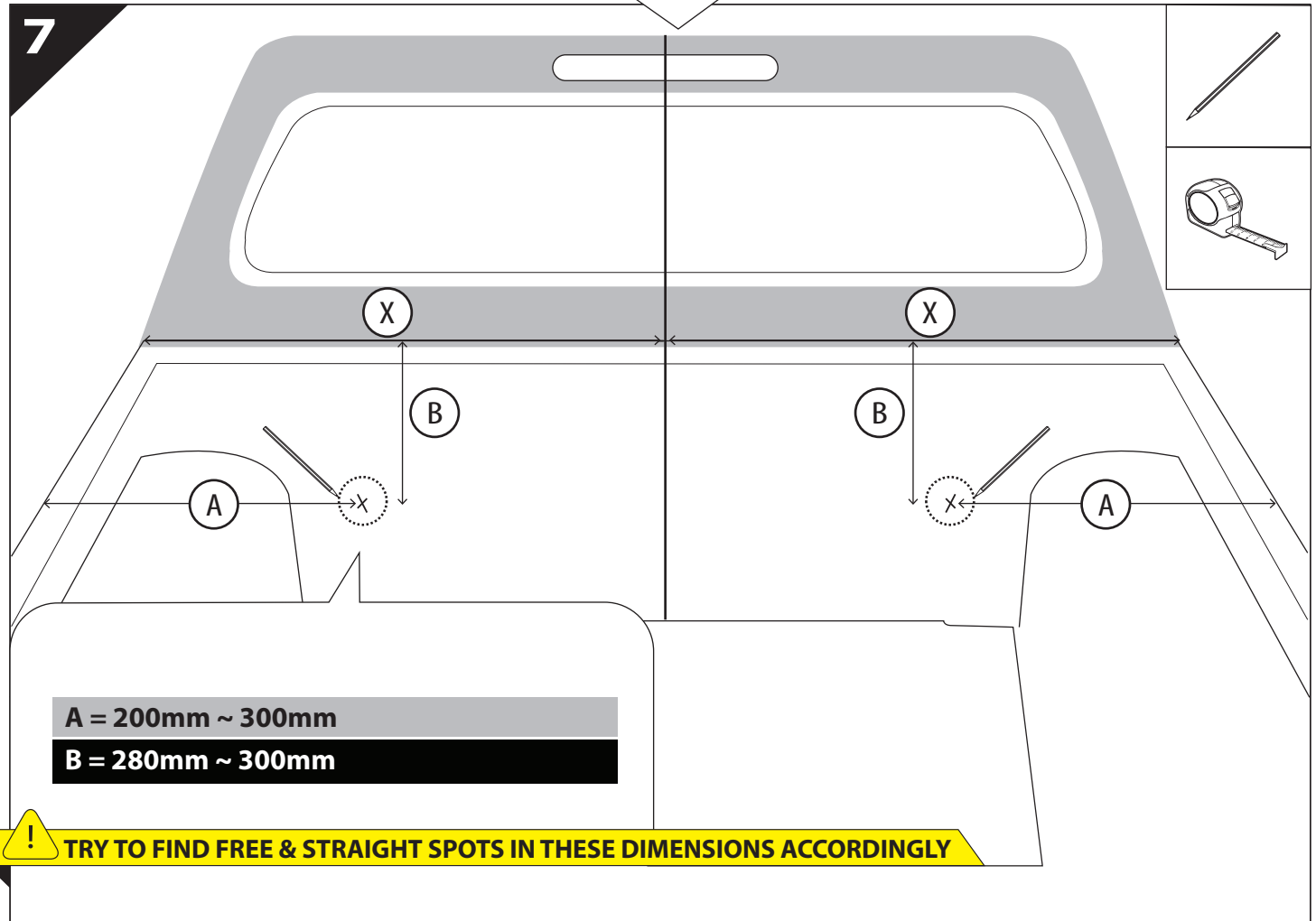
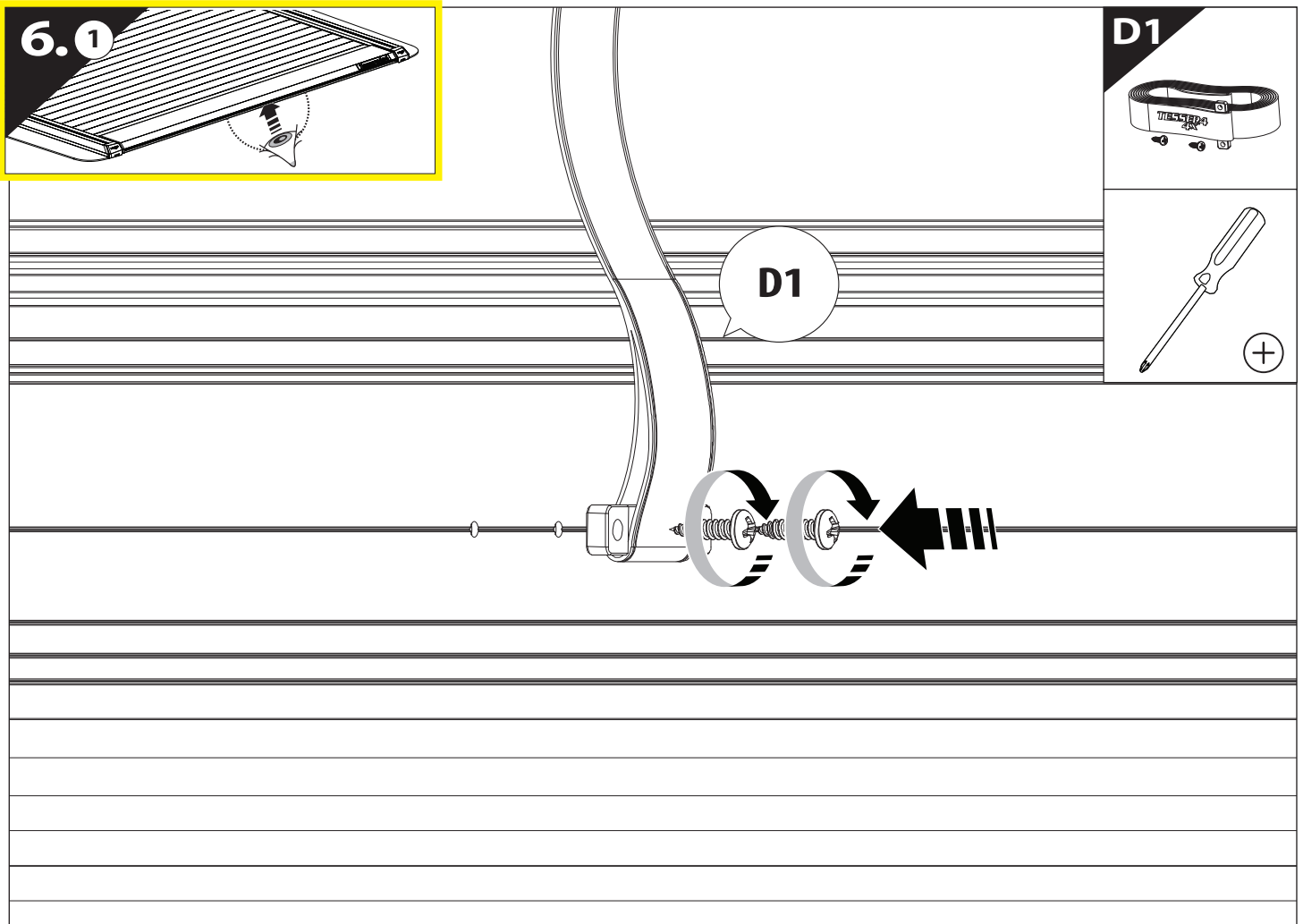


6.1

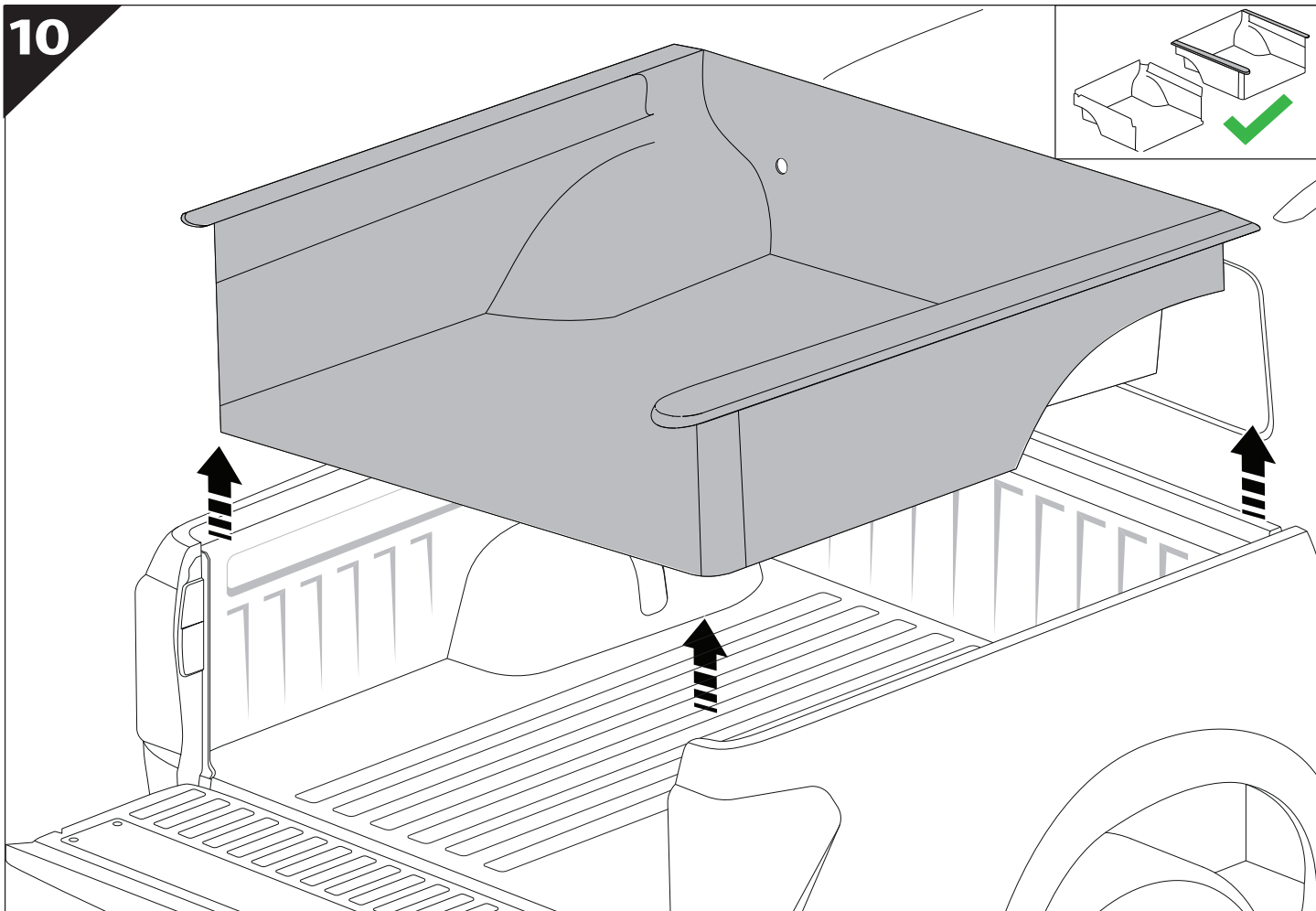
D1



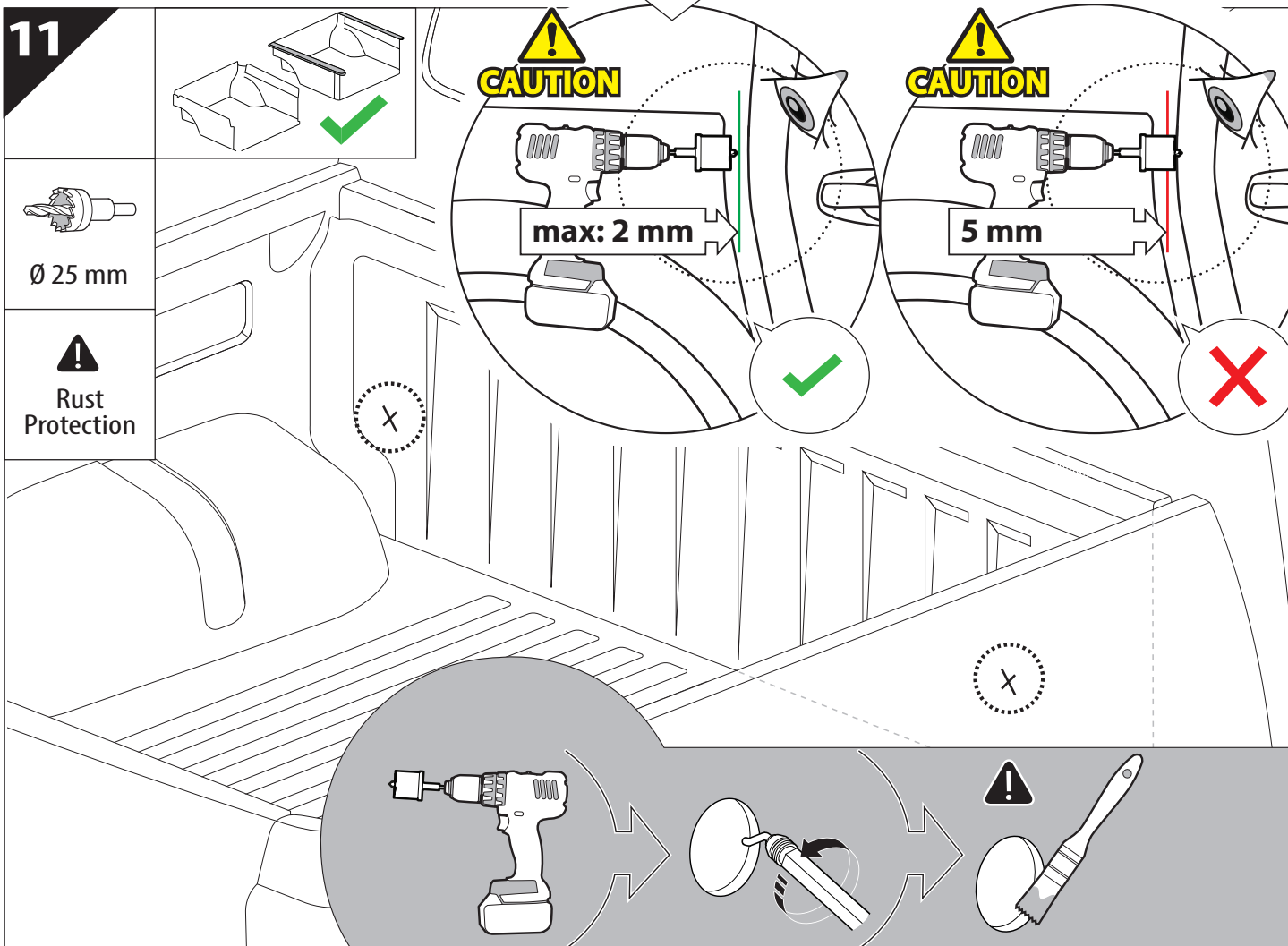
D1



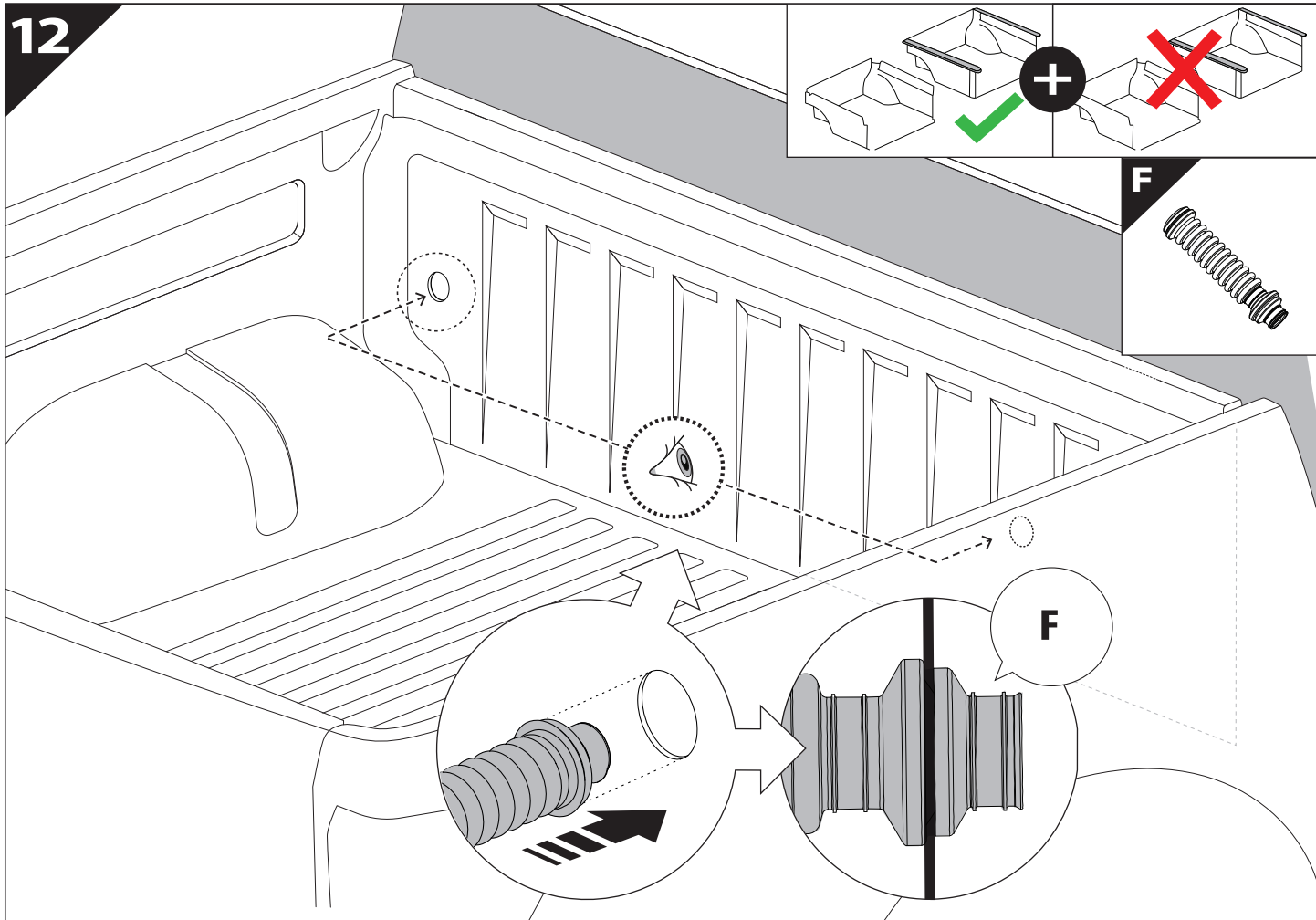
10



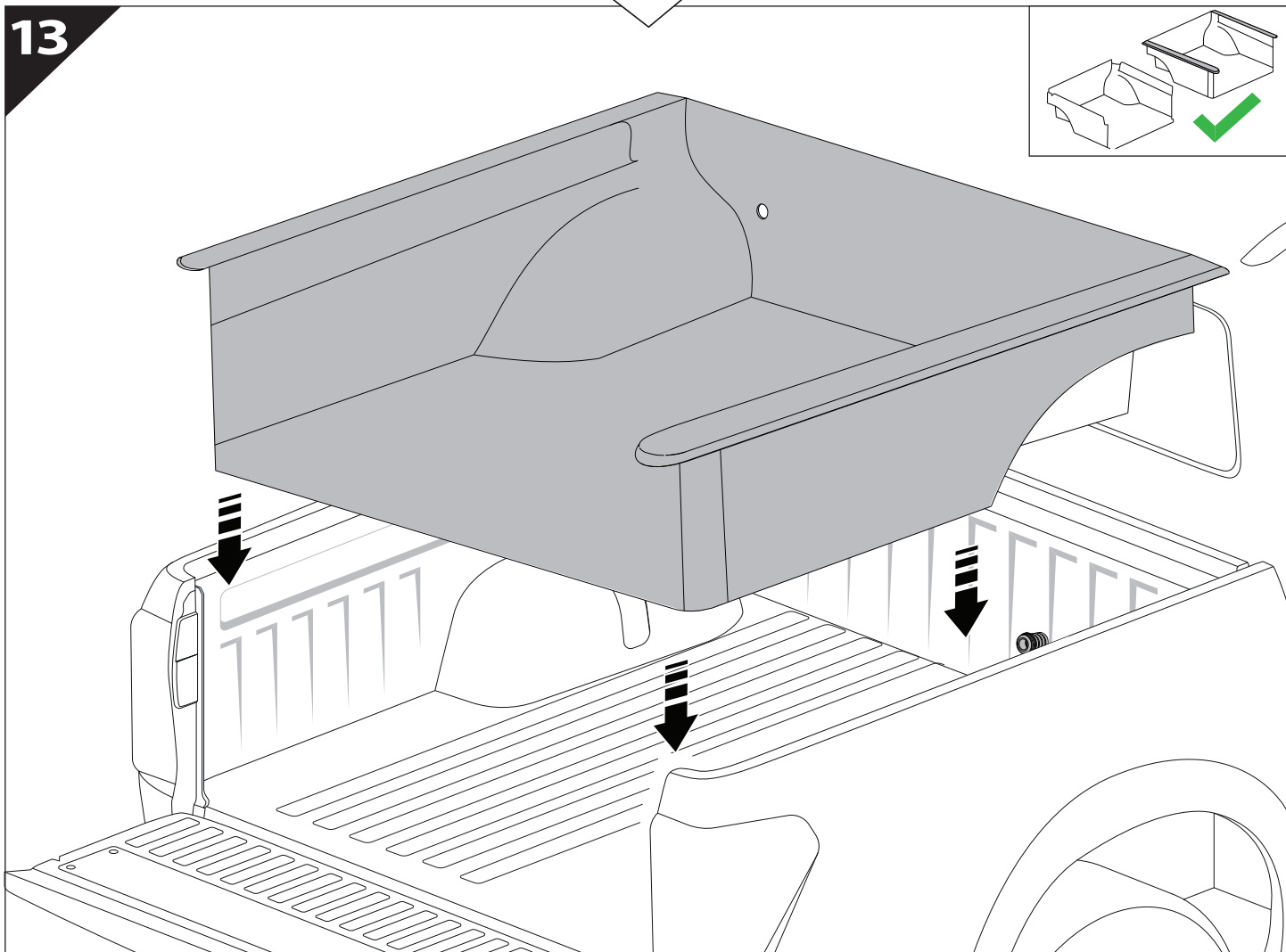
11



12

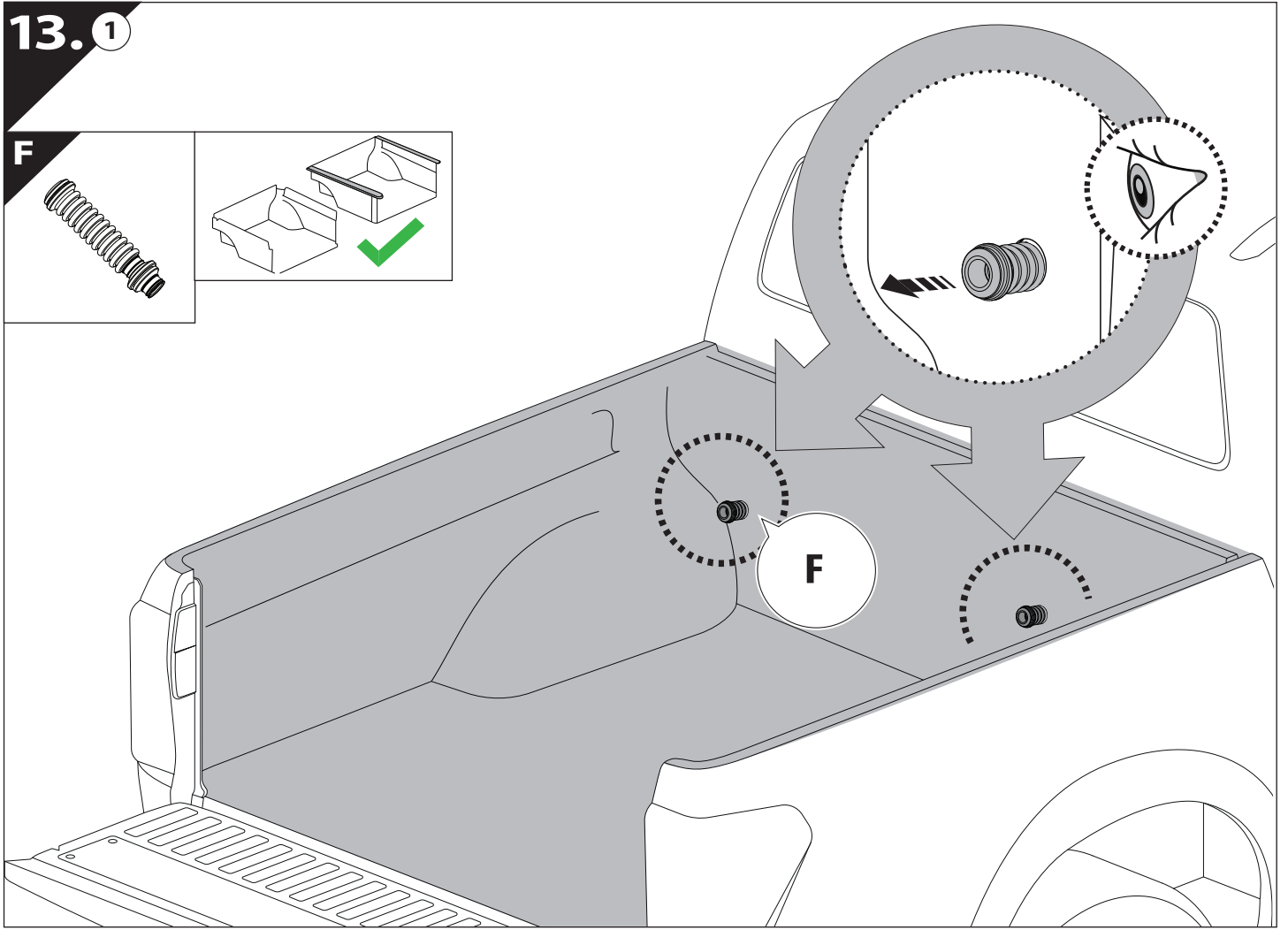
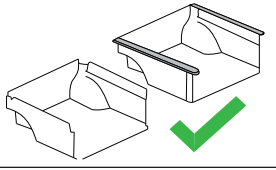


13

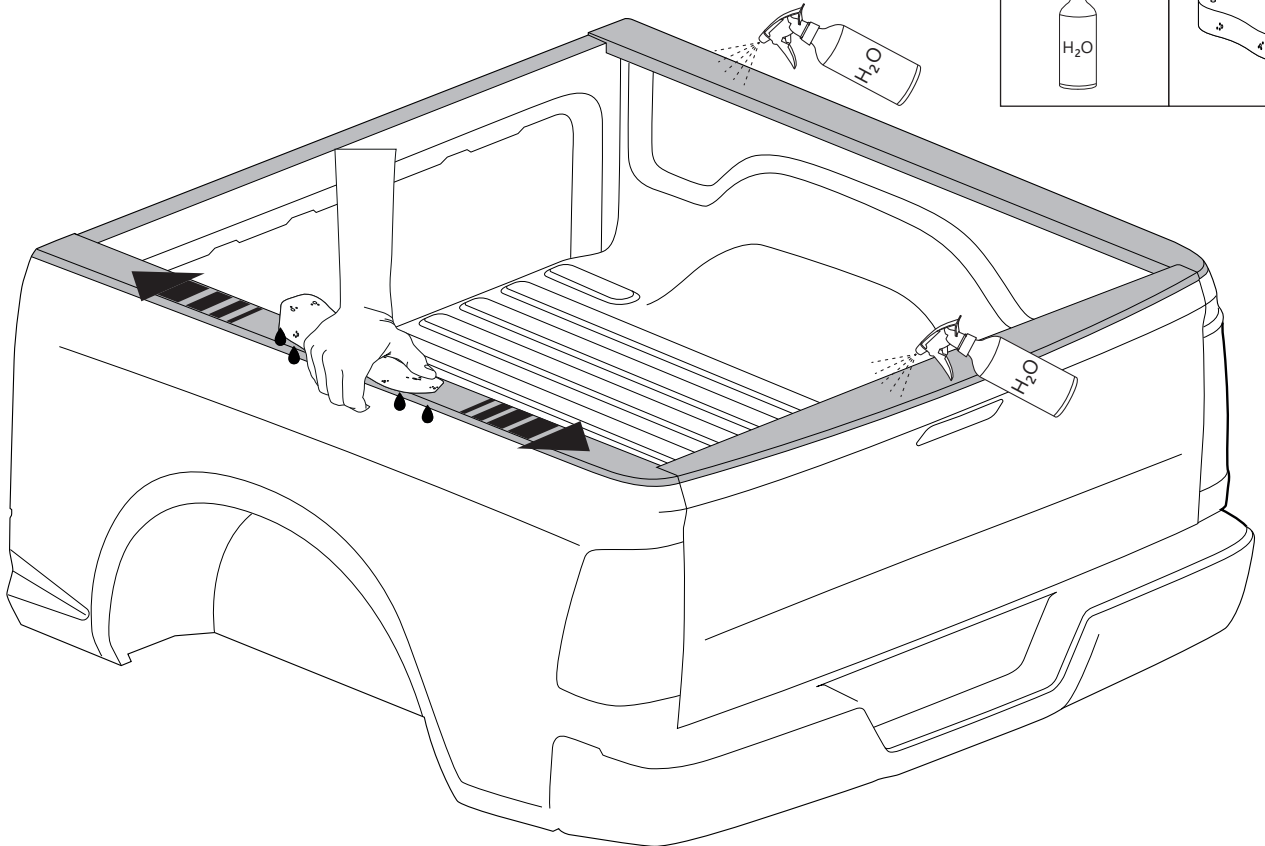
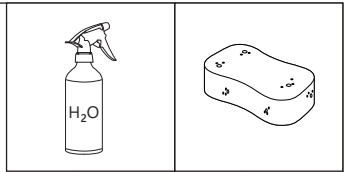


13.0

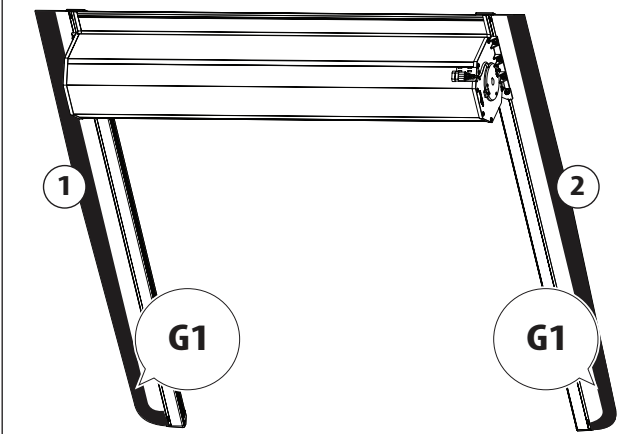
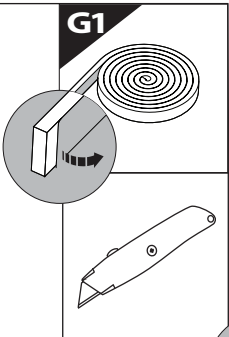
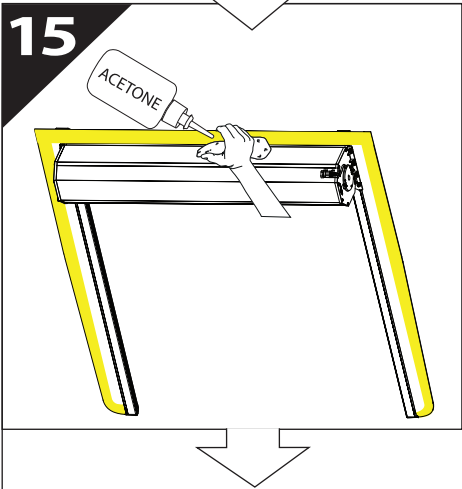
F



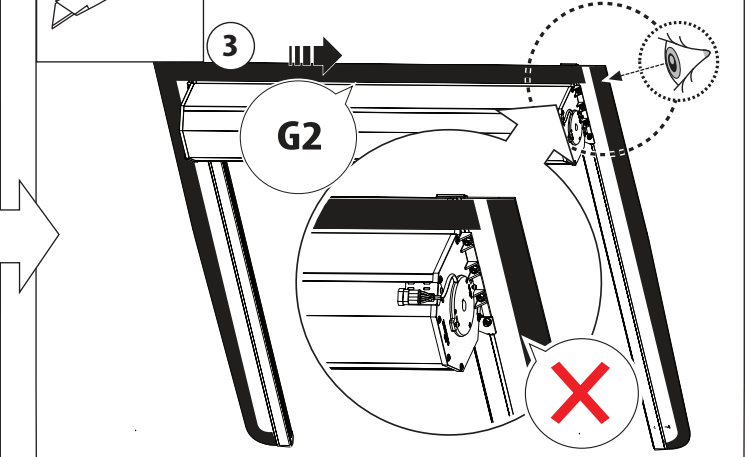
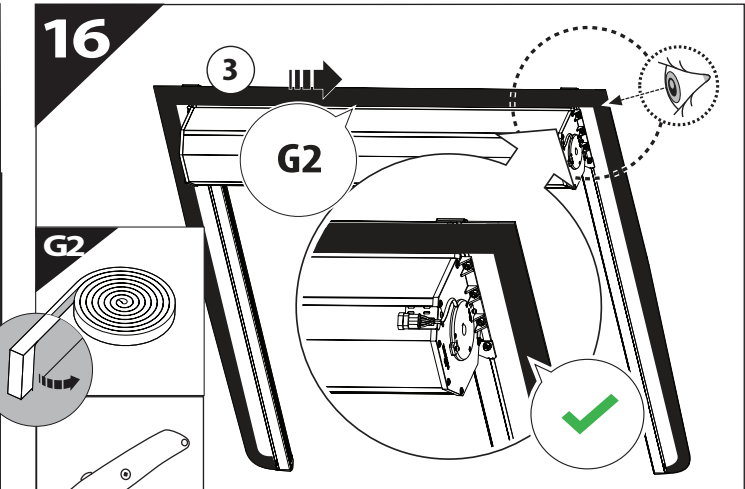
14

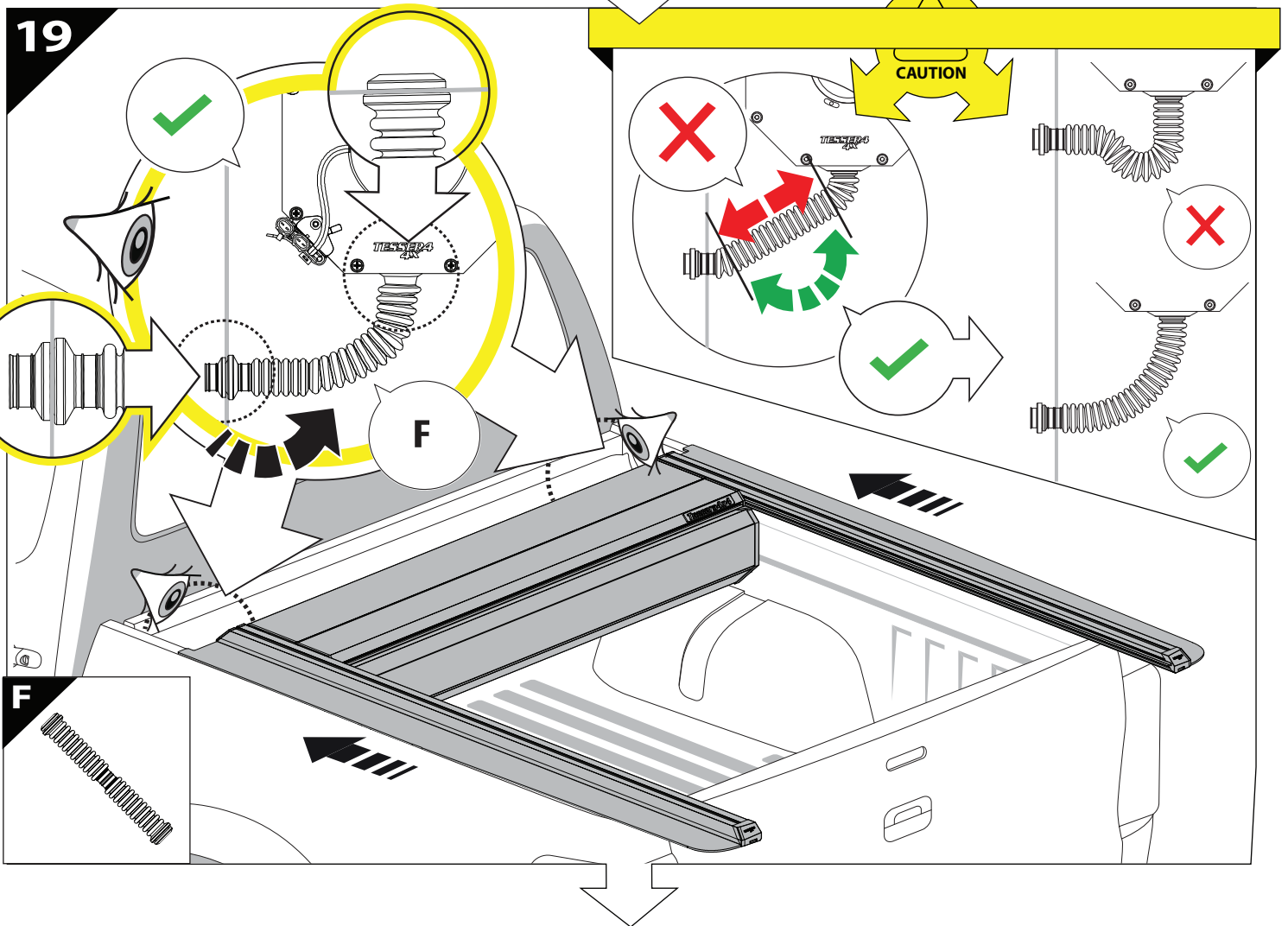
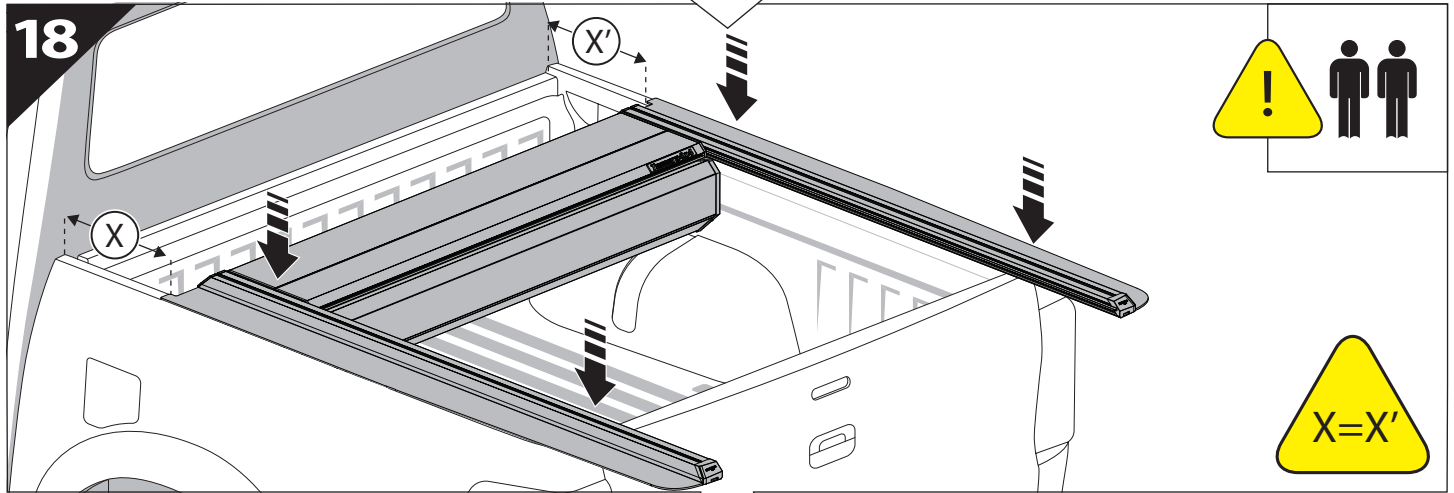
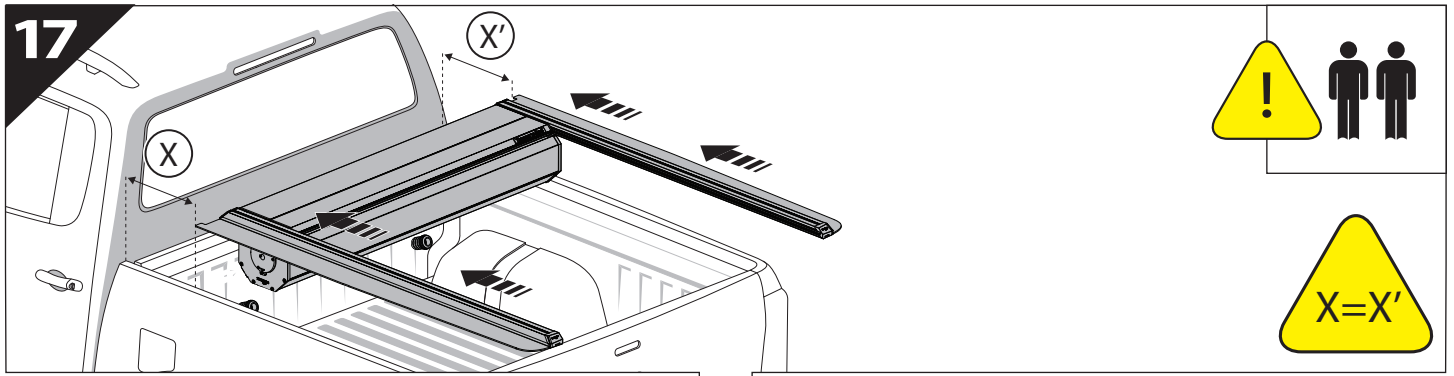


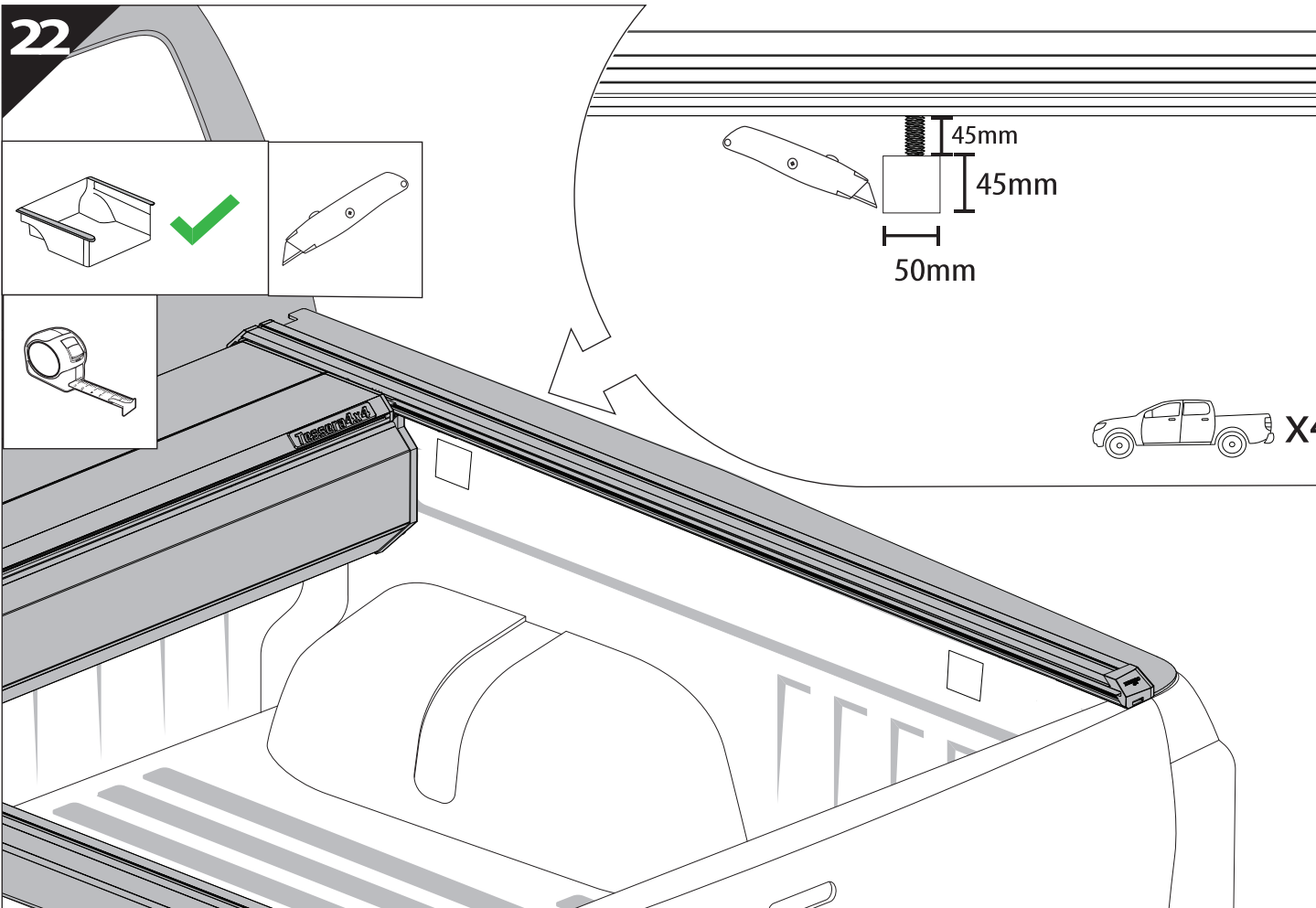
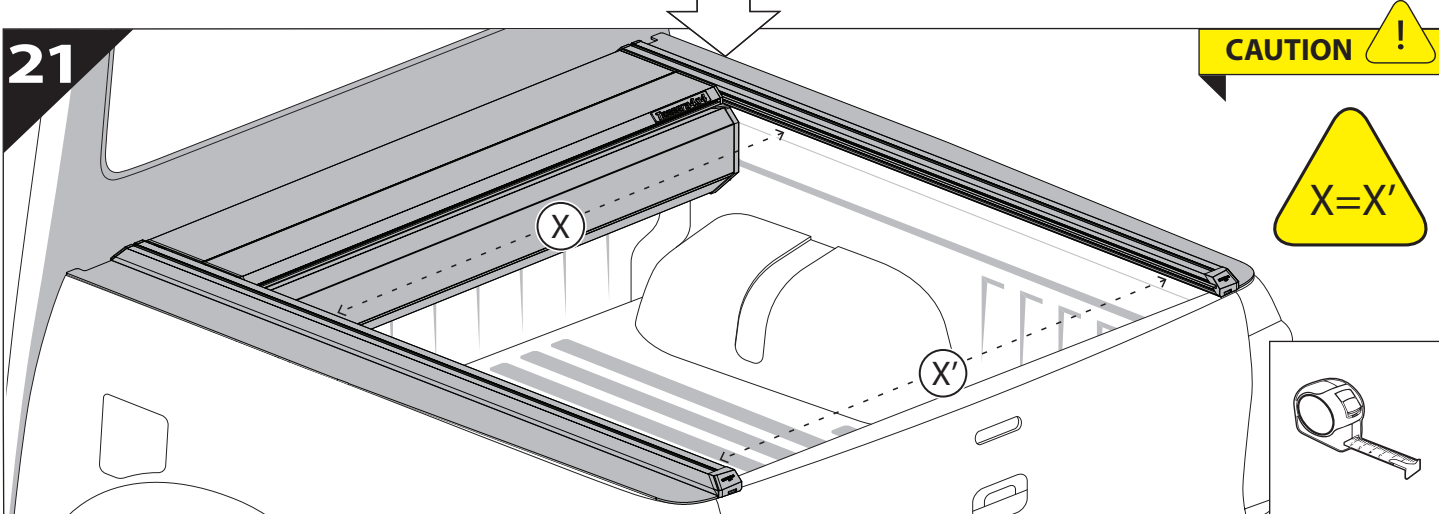
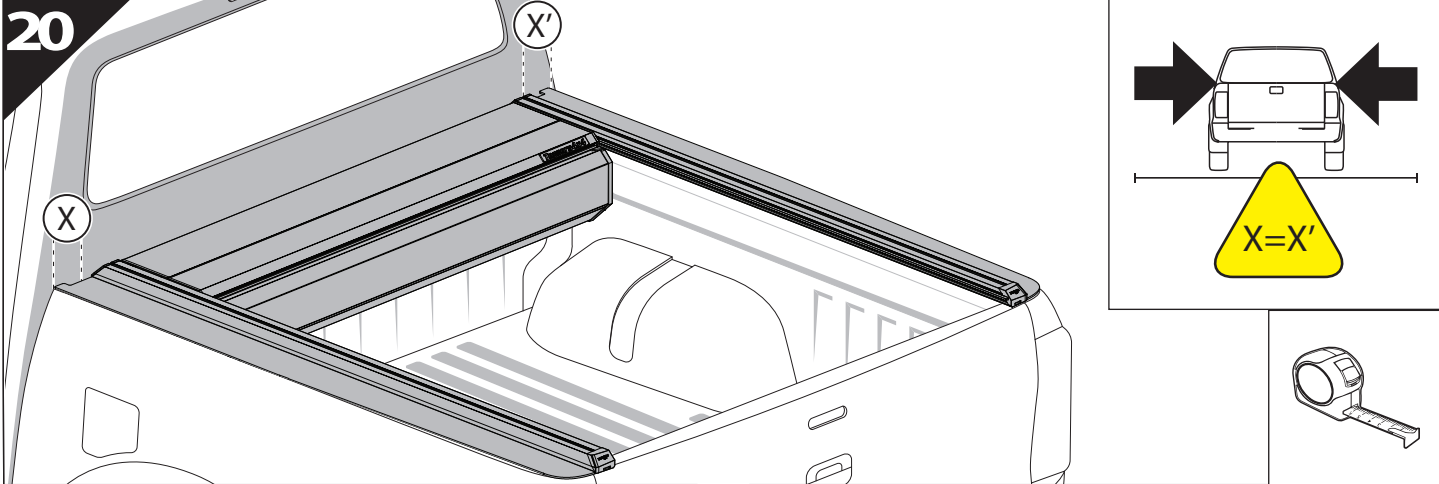
15



16



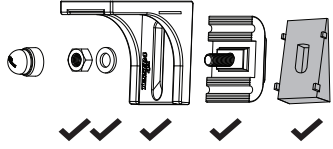




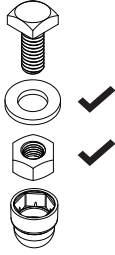
23

H

E



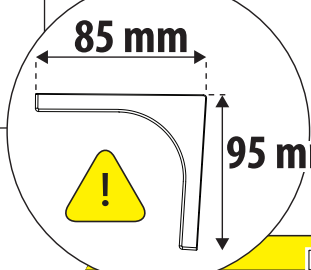
x4



3 mm

8 mm

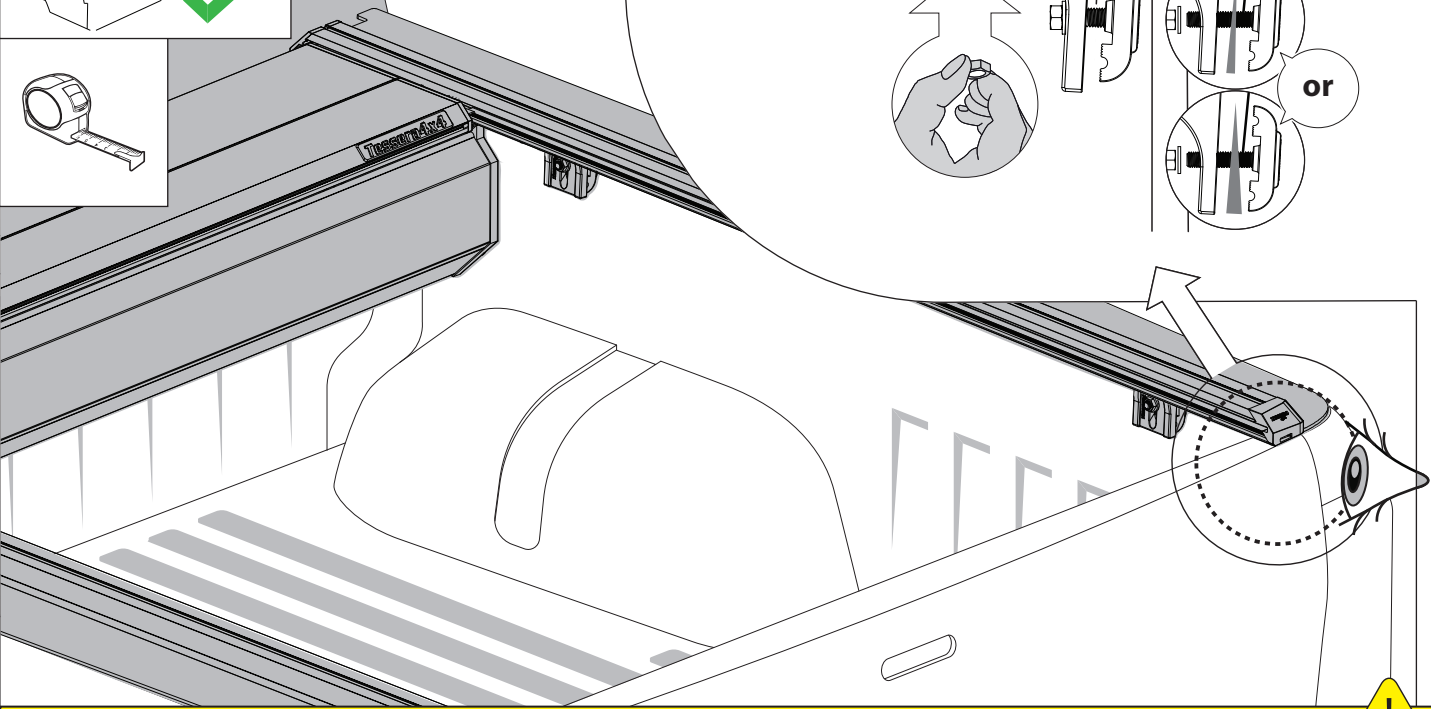
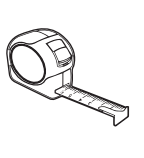
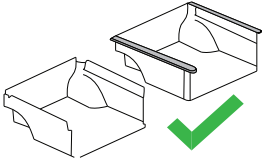
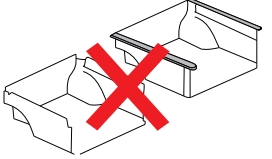
CAUTION !



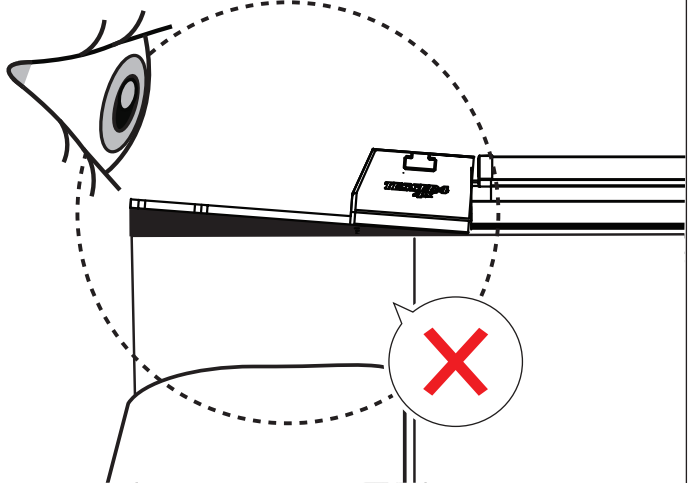
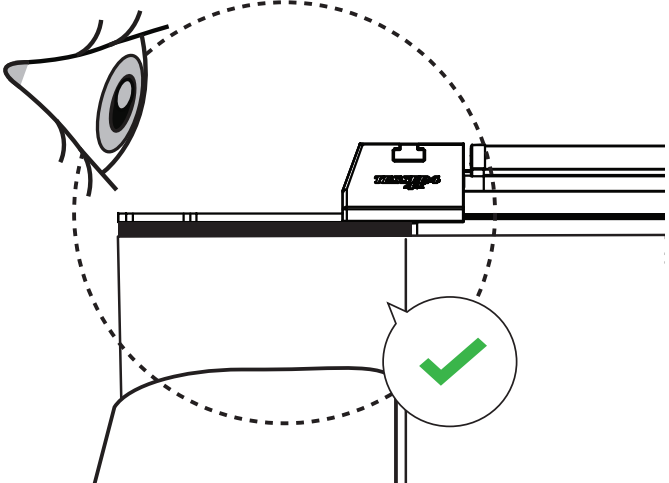
3 mm

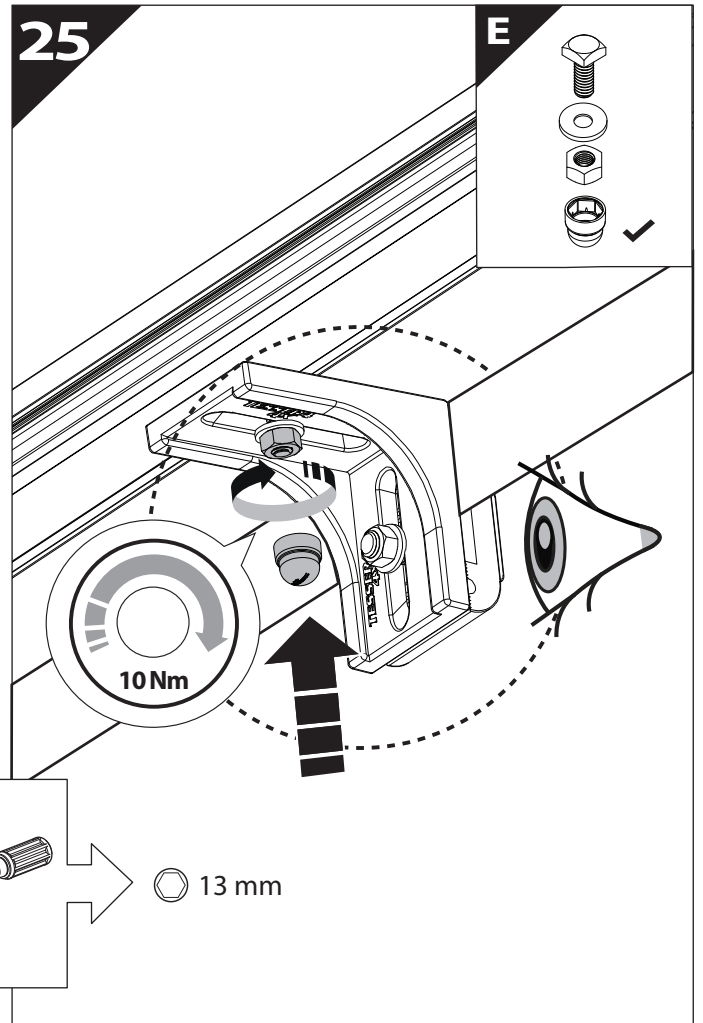
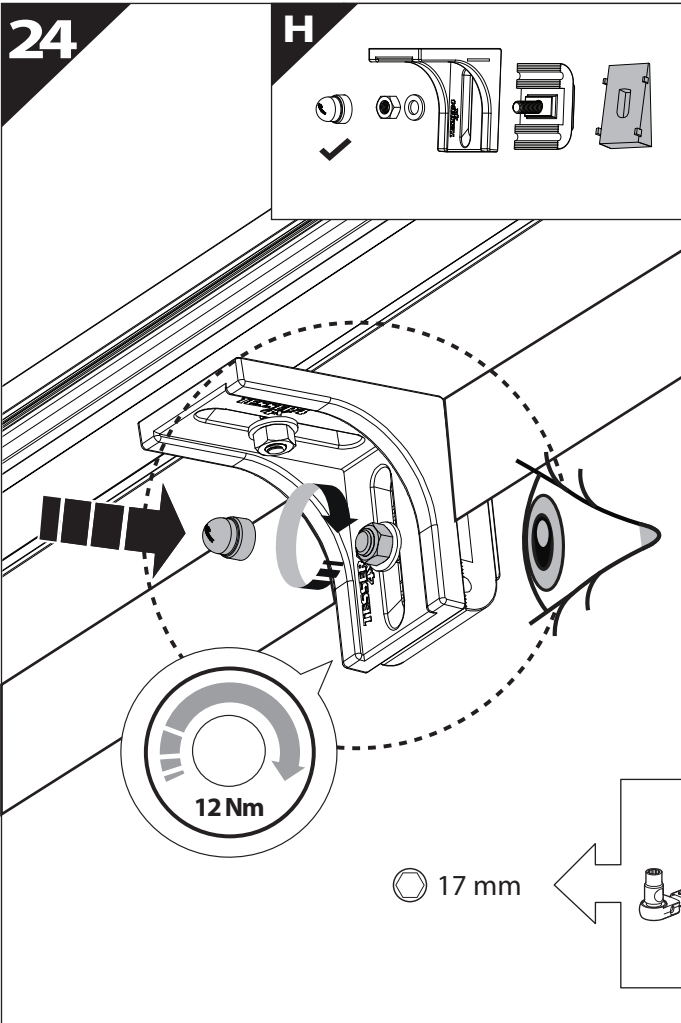
8 mm

CAUTION !

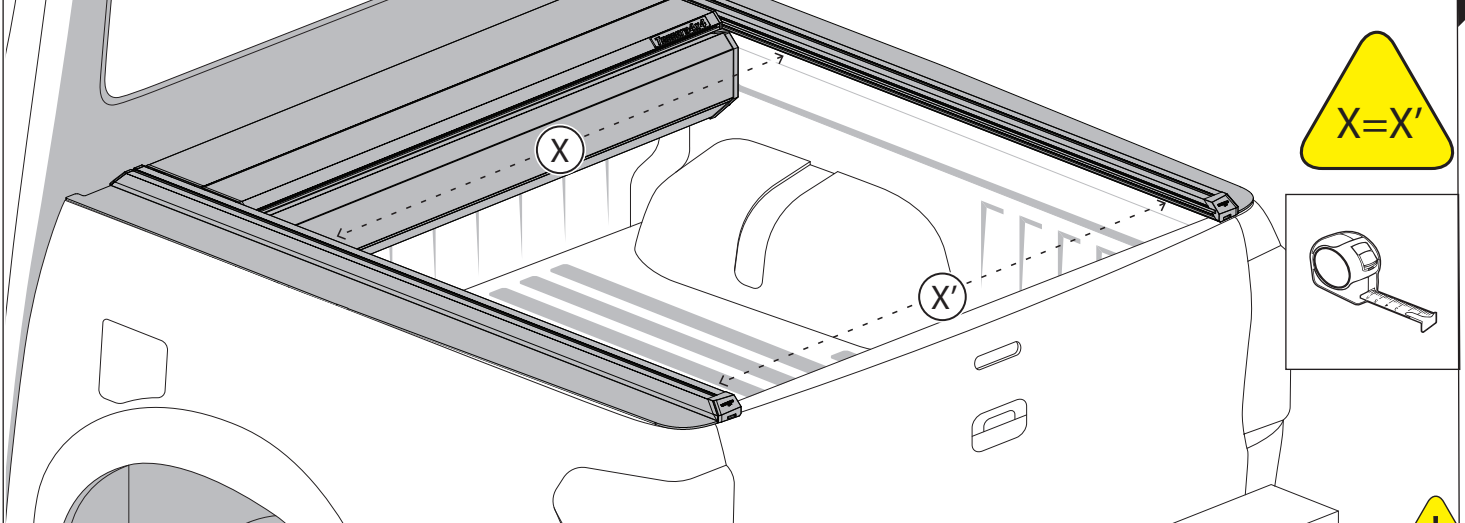


CAUTION !

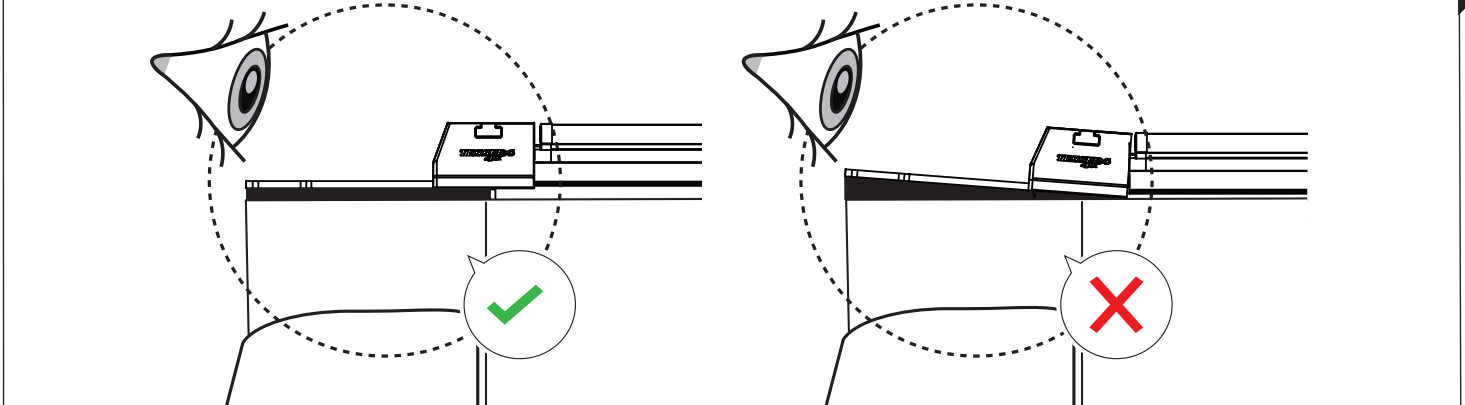




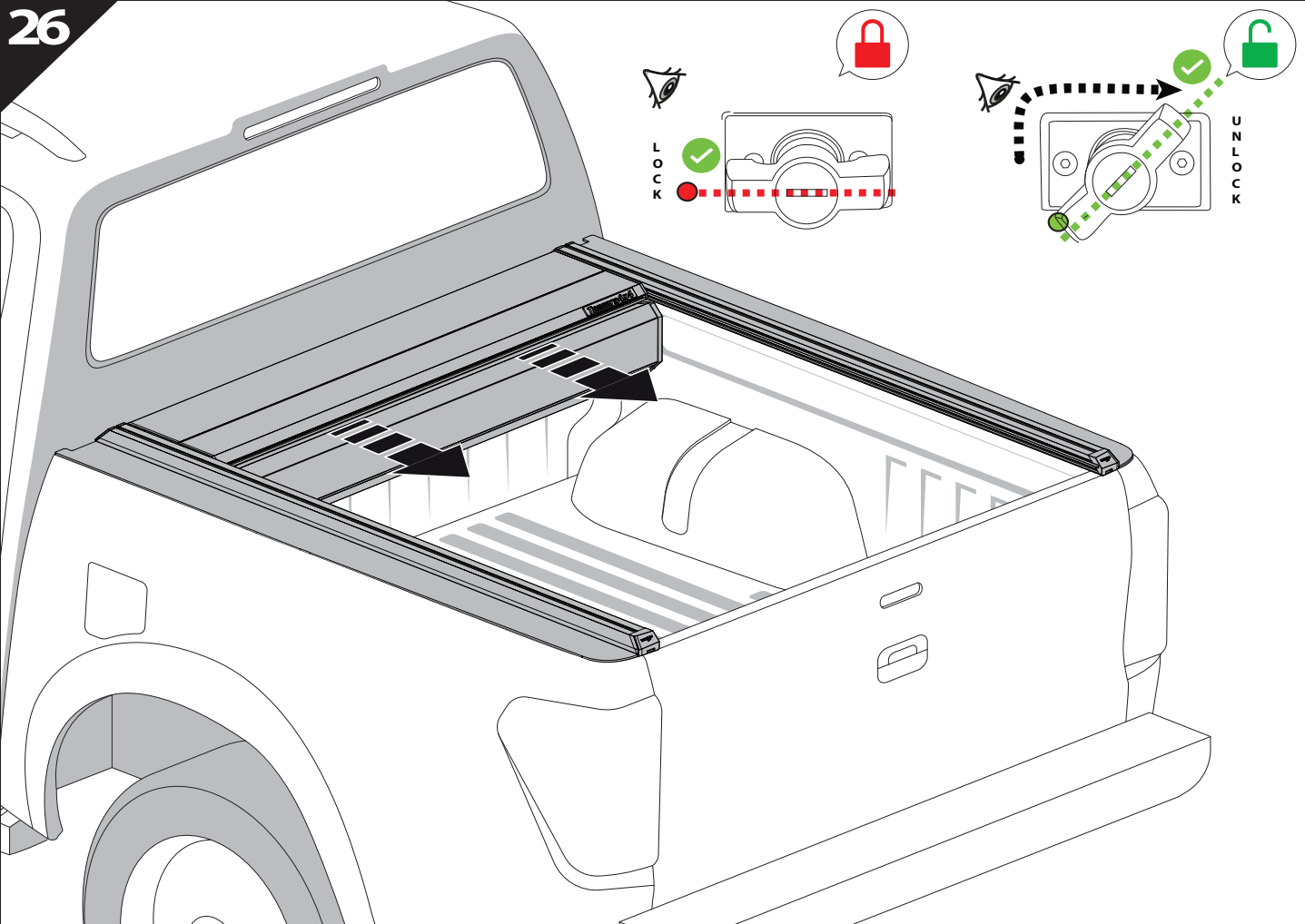
CAUTION !



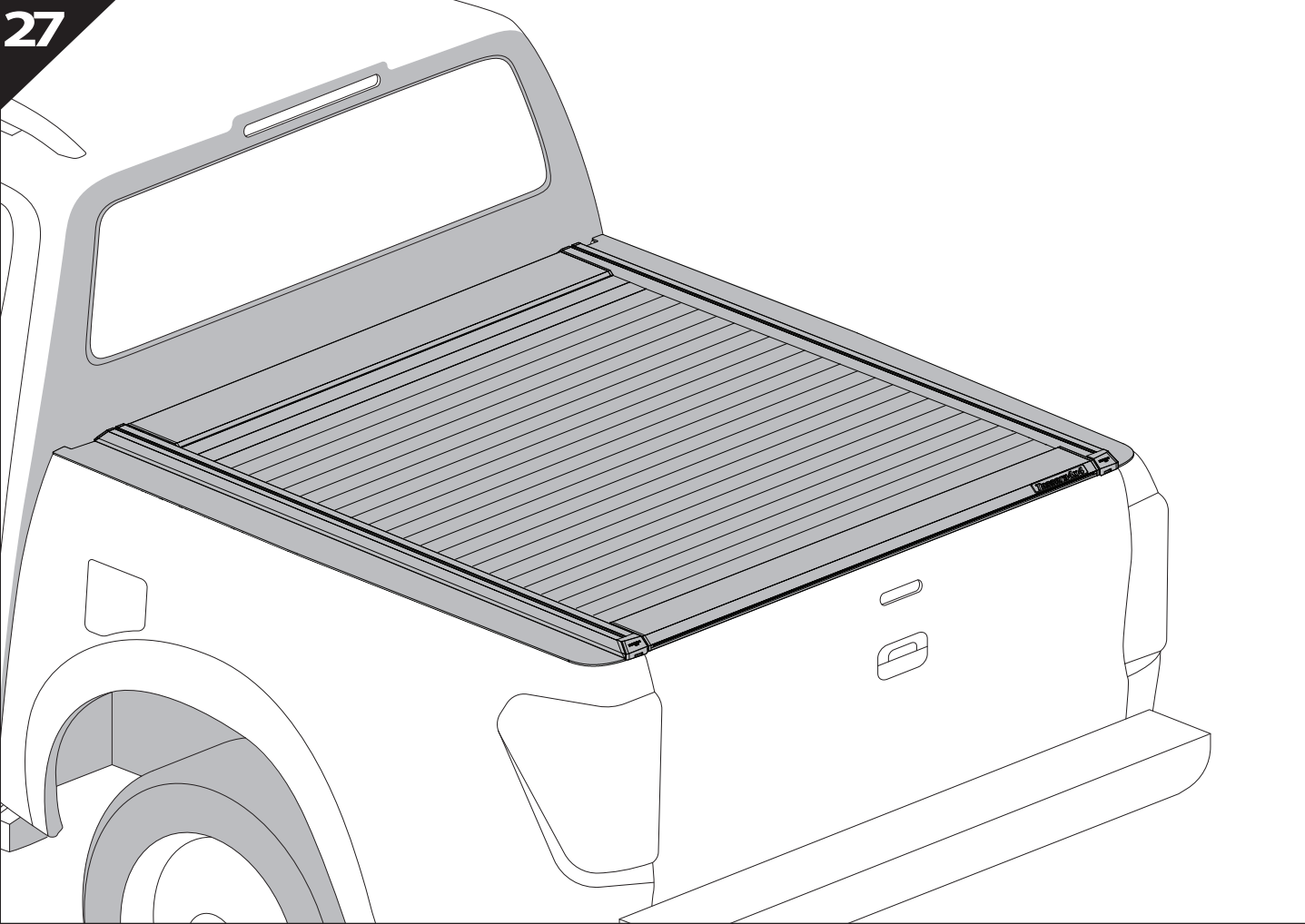
CAUTION !



26



27





GR: Οδηγίες Εγκατάστασης
GB: Installation manual
SF: Asennusohje
F: Notice de montage
PL: Instrukcja montażu
NL: Installatie-instructies
TR: Montaj Talimatı
S: Monteringsanvisning
E: Instrucciones de montaje

H: Szerelési utasítás
P: Instruções de instalação
RUS: Инструкция по установке
N: Monteringsveiledning
D: Einbauanleitung
CZ: Návod k instalaci
I: Istruzioni de montaggio
DK: Monteringsvejledning
RO: Instructiuni de instalare

Customer Service:

+30 (210) 5541161, +30 (210) 5541154 (08:00 - 16:00 EET)

Support department:

info@gianso.gr

Website:

www.tessera4x4.com

Address:

19.5 km of National road Athens-Korinthos (Elefsina) Greece, P.C: 19200