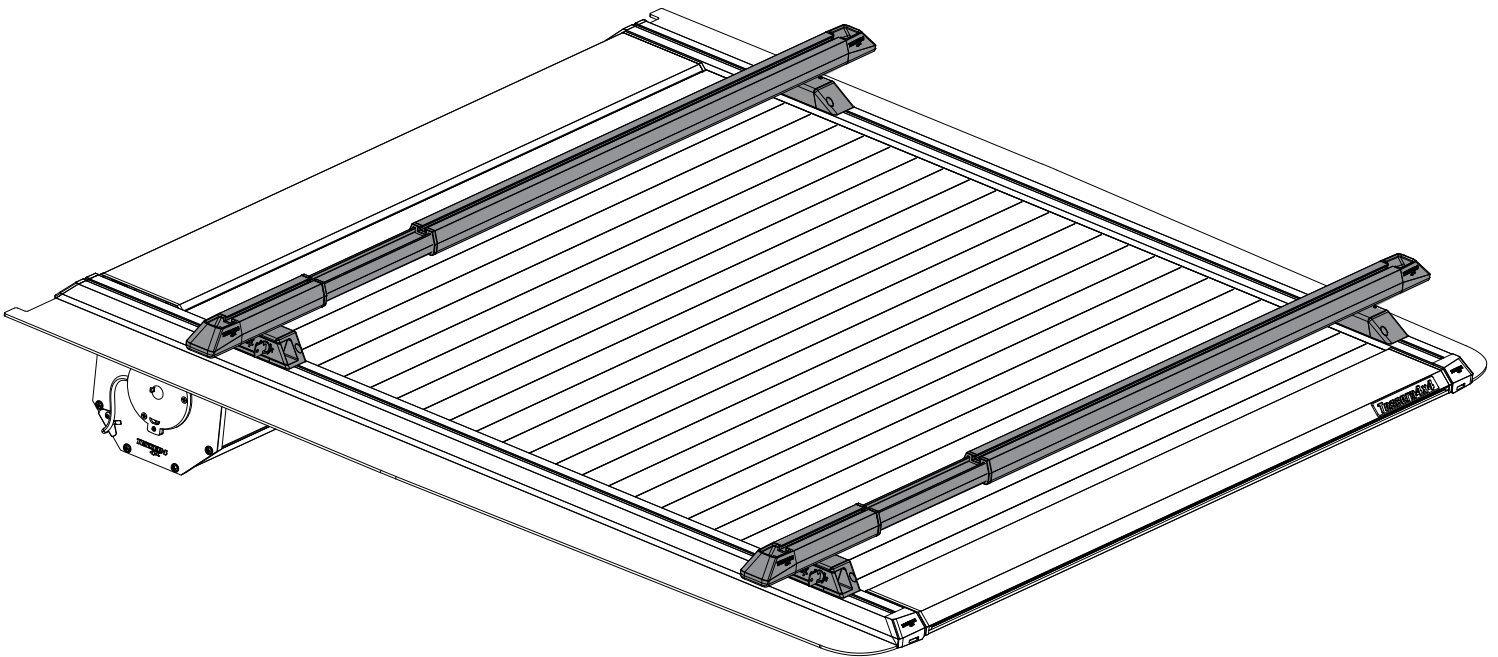


# Tessera Bar+

2 in 1

Cross Bars to Side Bars  
Owner's Manual



Installation Date:

/ /



Activate your  
WARRANTY



**CAUTION: !!! Keep it in safe place (glove box)**

**SERIAL NUMBER: Tessera Bar+**

SERIAL NUMBER  
Tessera Bar+

Dear Customer,

Thank you for choosing **Tessera Bar+**!

We are delighted to welcome you to the **Tessera4x4 accessories family** and appreciate your trust in our premium 4x4 solutions. Your **Tessera Bar+** is designed to provide unparalleled versatility, durability, and functionality for your adventures.

### Get Started with Your Tessera Bar+

If you haven't started using it yet, here are a few essential things to know:

- **First Telescopic Crossbars with Modular Design (2-in-1) Globally** – Your **Tessera Bar+** is the **first telescopic crossbar** worldwide that can easily transform from a **crossbar** to **sidebars**, adapting to your needs without requiring additional tools.
- **Telescopic Functionality** – Adjustable length for a universal fit, making installation seamless across different vehicle models.
- **Heavy-Duty Performance** – Made with premium materials to withstand extreme conditions and heavy loads.
- **Easy Installation** – Designed for a quick and hassle-free setup, with all necessary components included.

### Need Help?

We want you to have the best experience with your **Tessera Bar+**. If you have any questions or need assistance, feel free to reach out to us at mailto: [info@gianso.gr](mailto:info@gianso.gr). Our team is always happy to help!

### Stay Connected!

We'd love to hear your feedback and see your **Tessera Bar+** in action! Tag us on social media and share your setup:

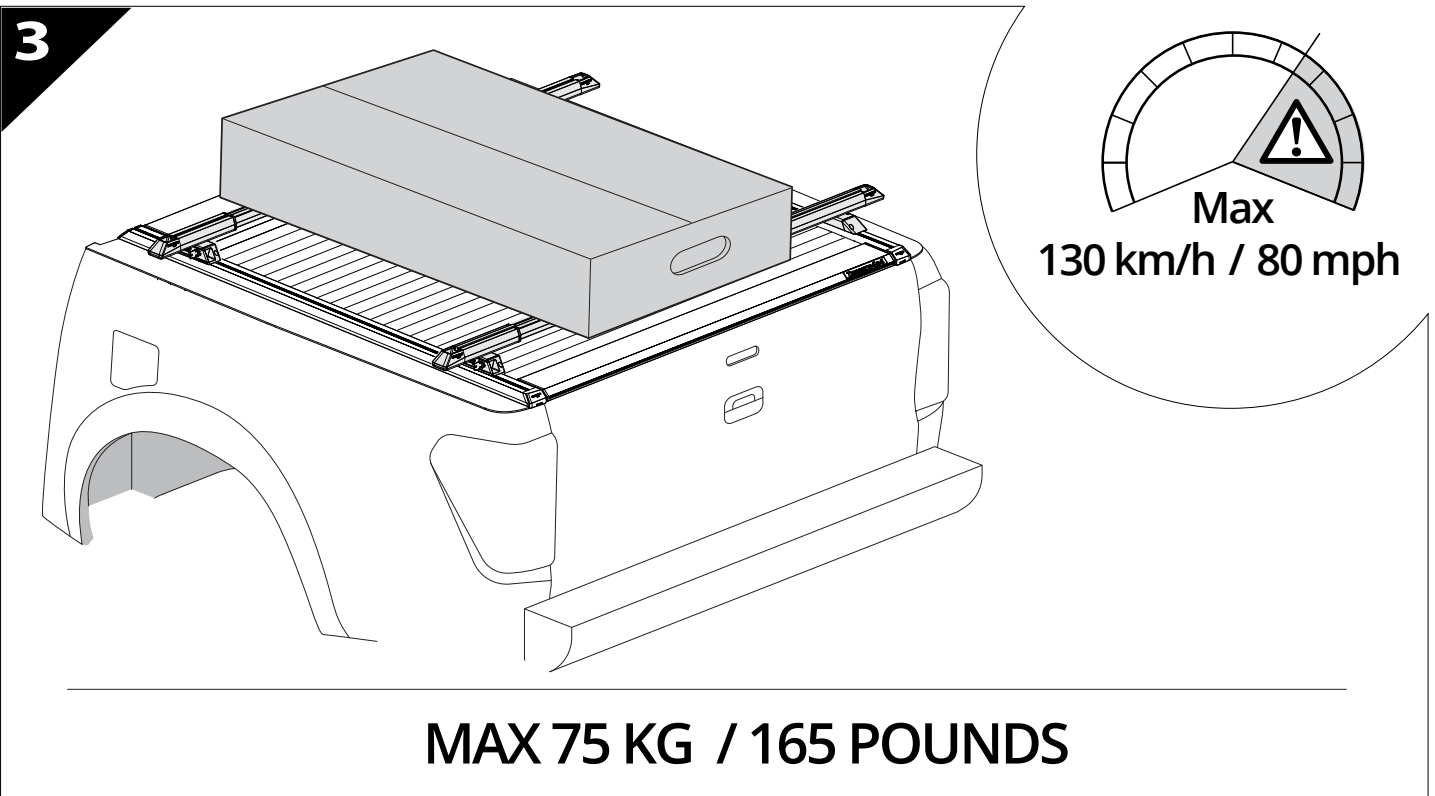
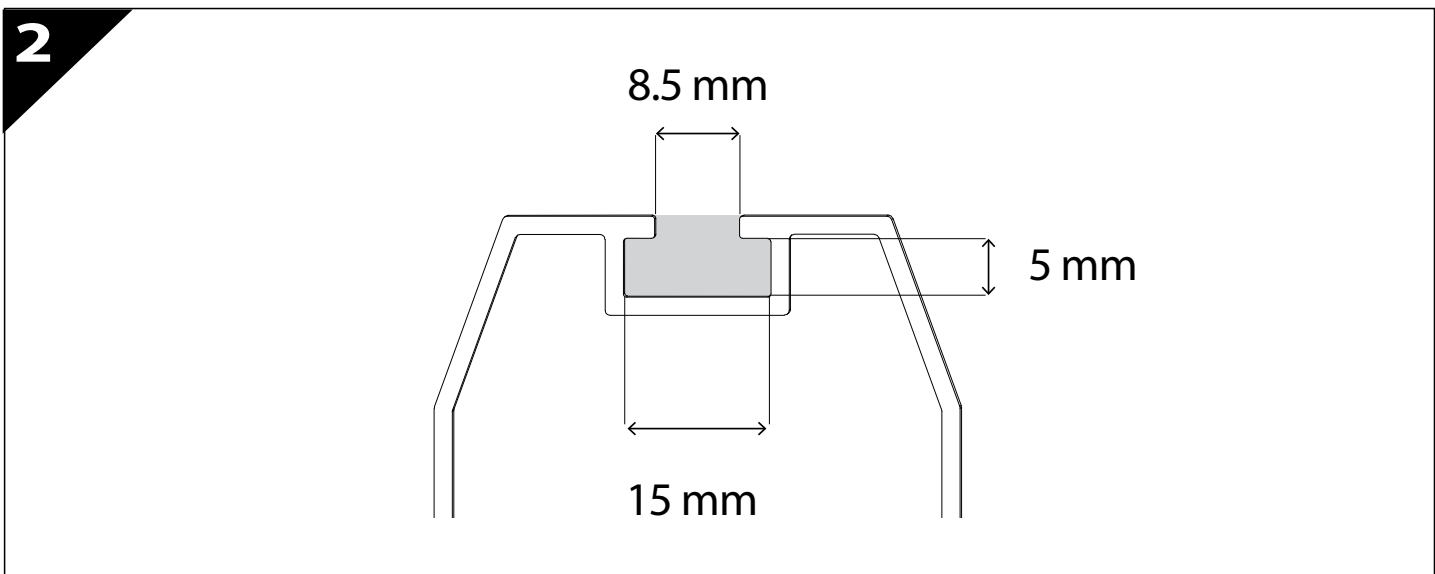
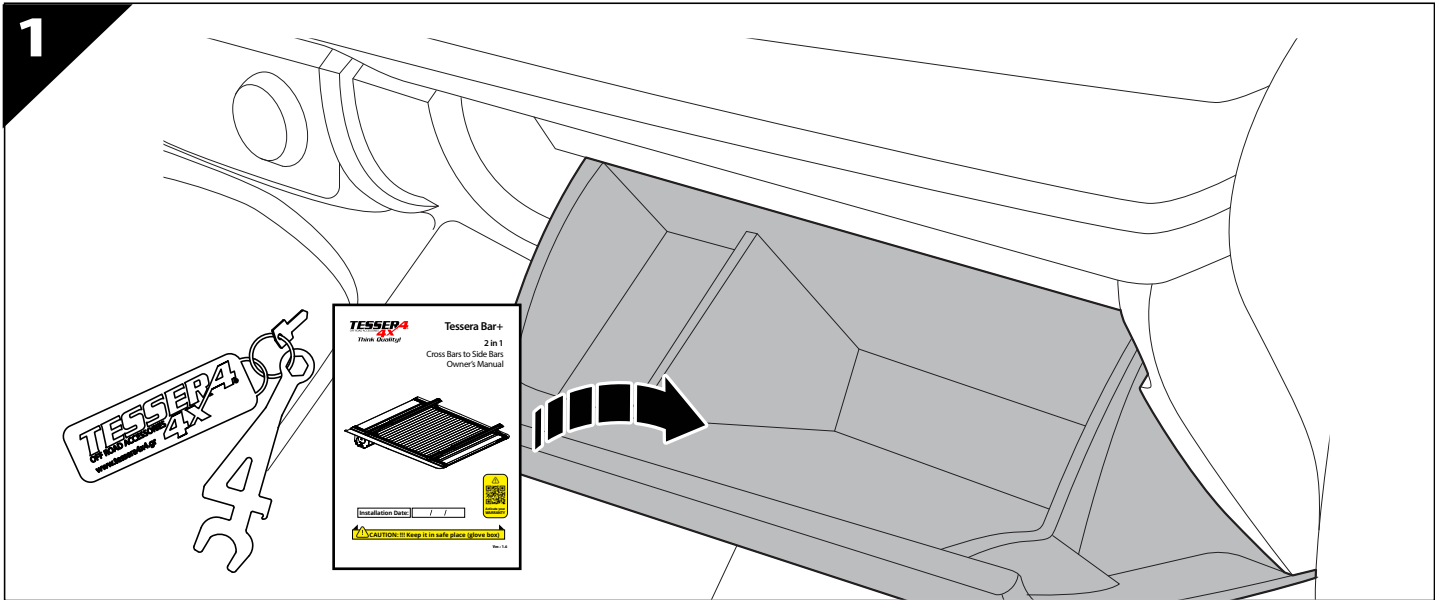
- **Website:** <https://www.tessera4x4.com>
- **Instagram:** [https://www.instagram.com/Tessera4x4\\_Accessories/](https://www.instagram.com/Tessera4x4_Accessories/)
- **Facebook:** <https://www.facebook.com/Tessera4x4.Accessories.Tessera4x4Rolls>
- **TikTok:** <https://www.tiktok.com/@tessera4x4>



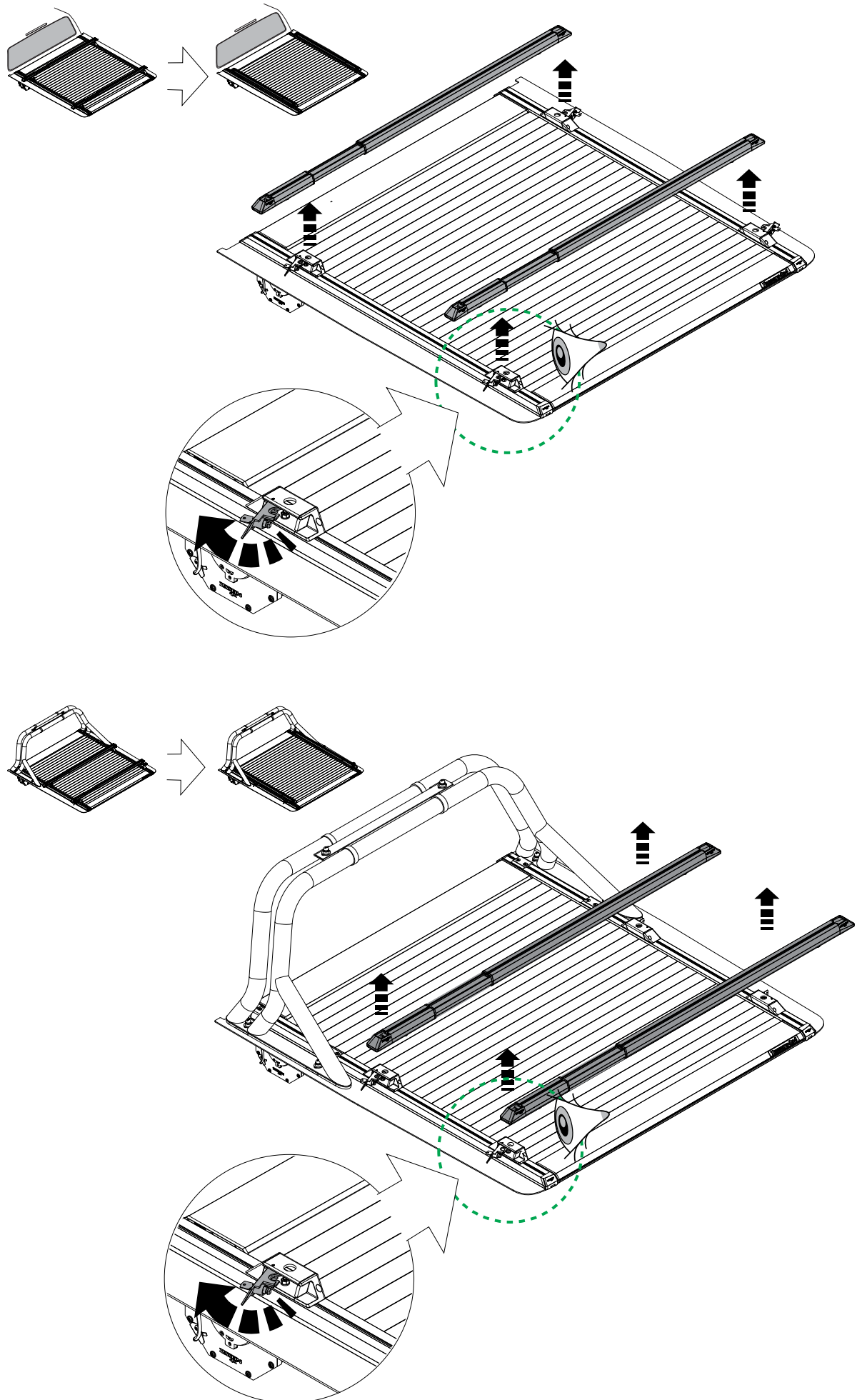
Thank you once again for your purchase. We hope your **Tessera Bar+** enhances your driving experience and adventure possibilities.

Best regards,

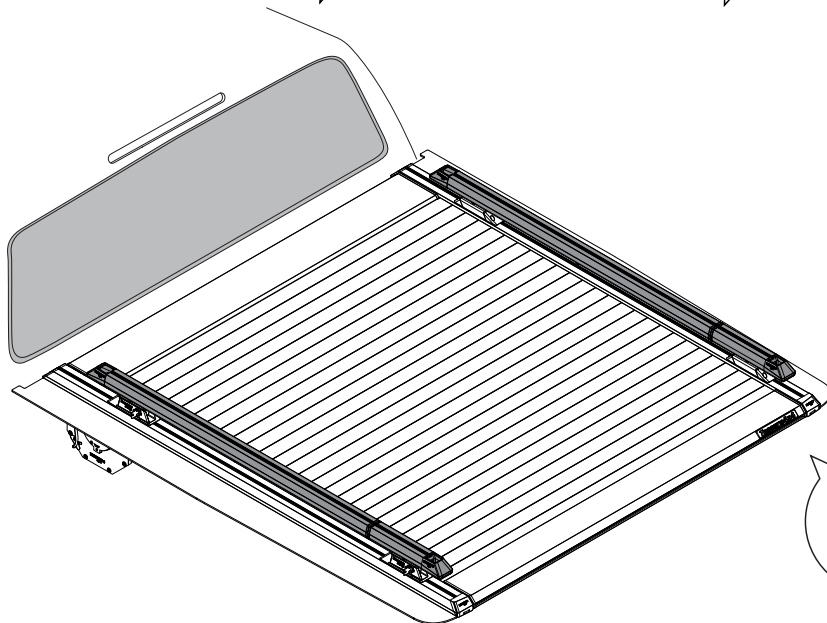
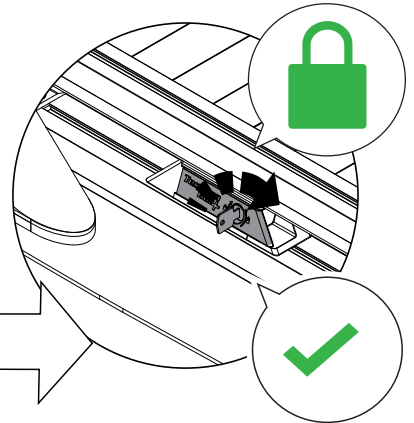
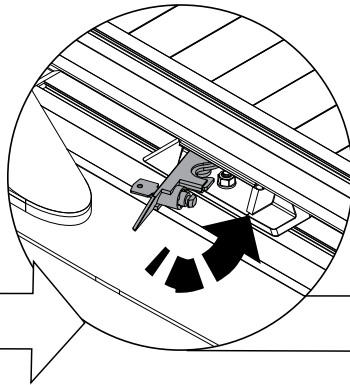
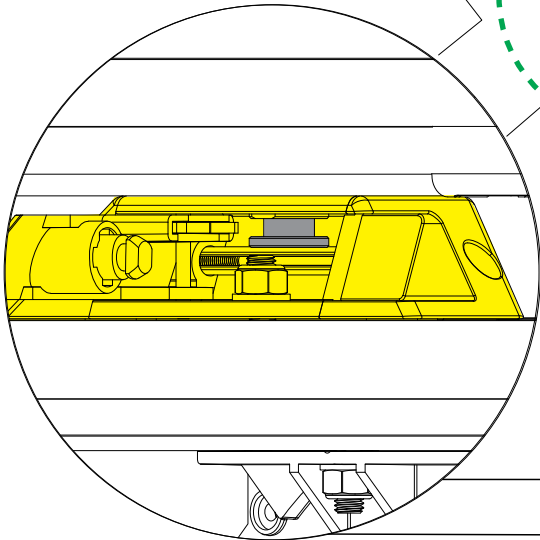
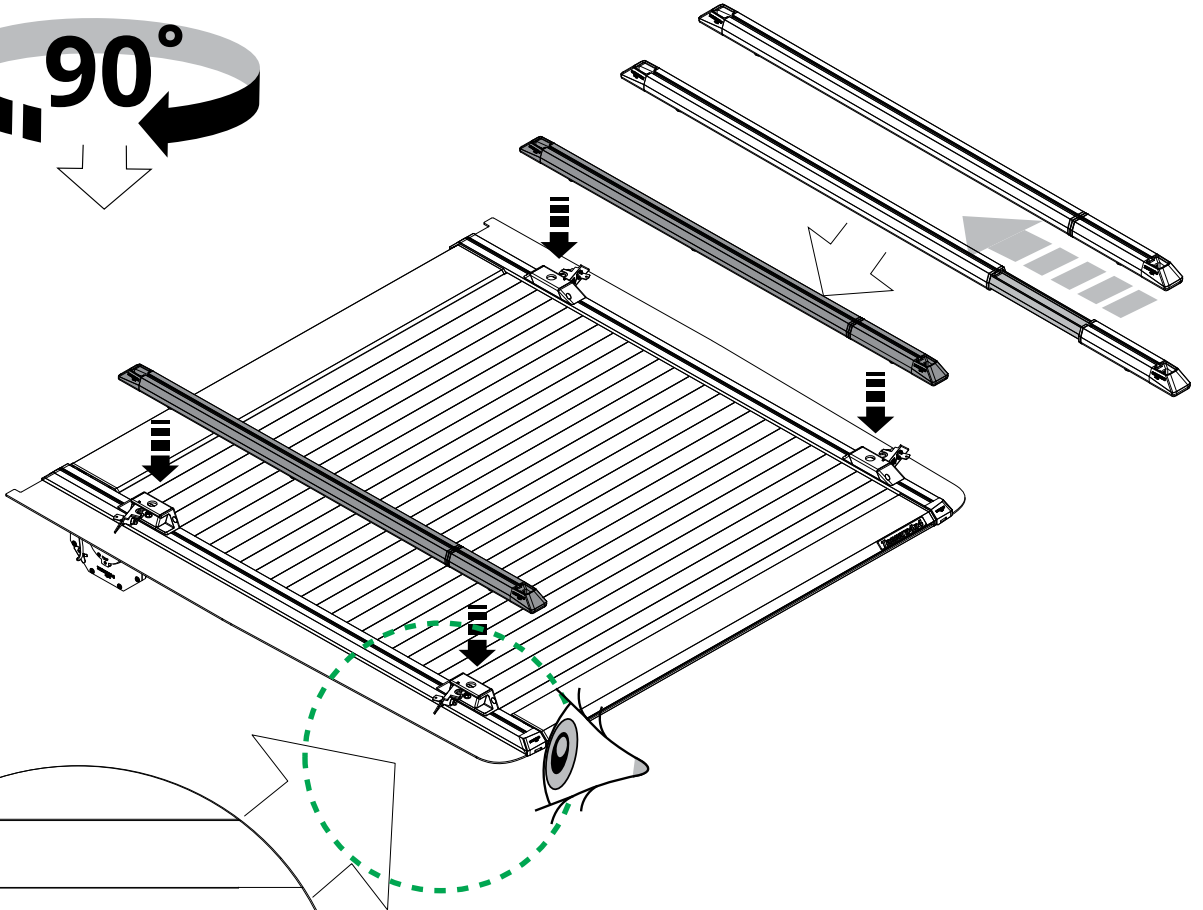
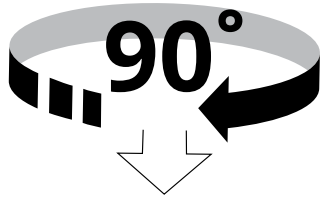
**Tessera4x4 Accessories Team**



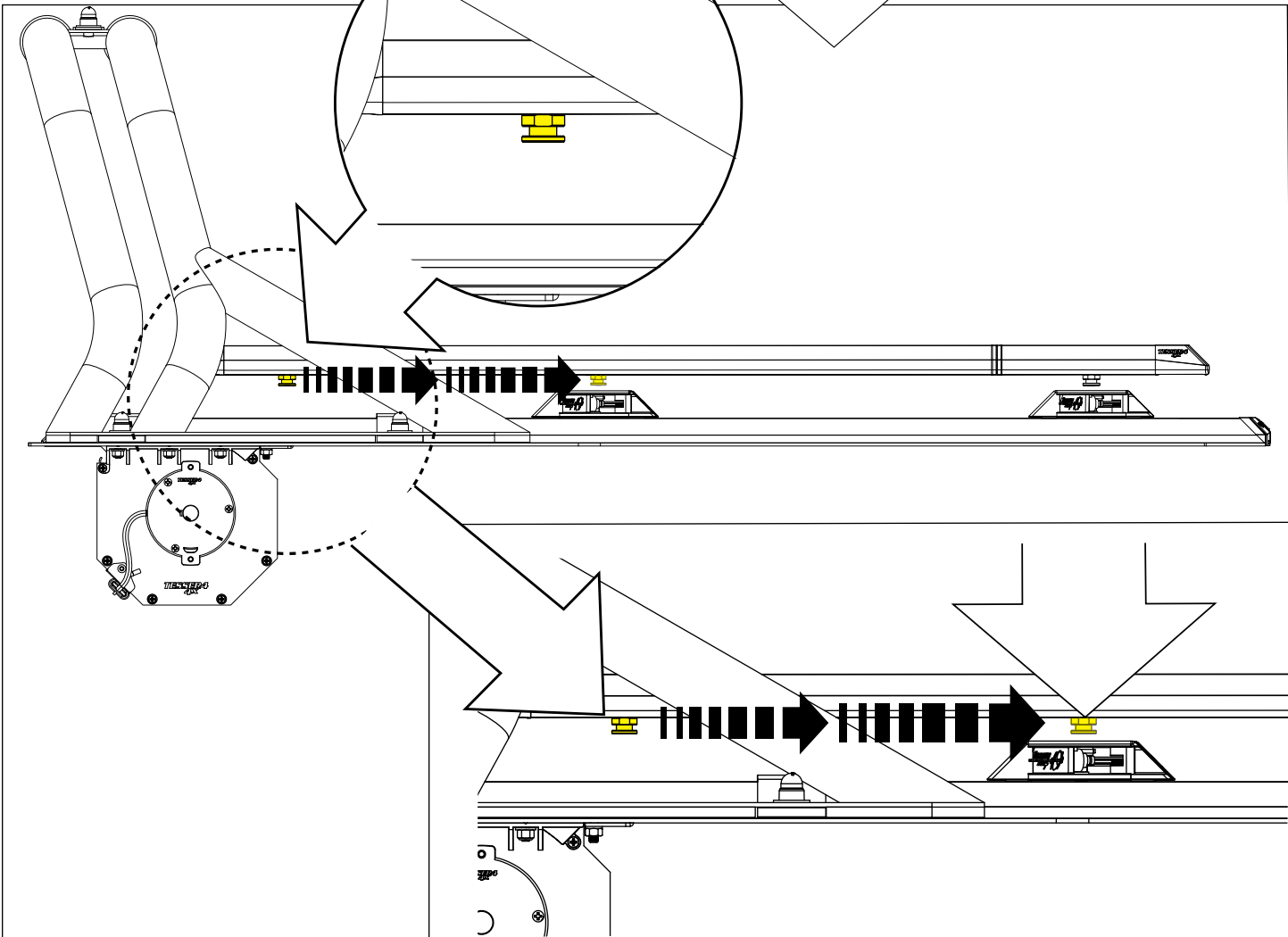
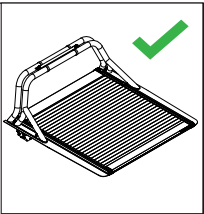
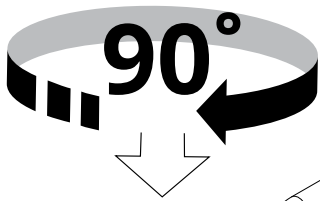
4



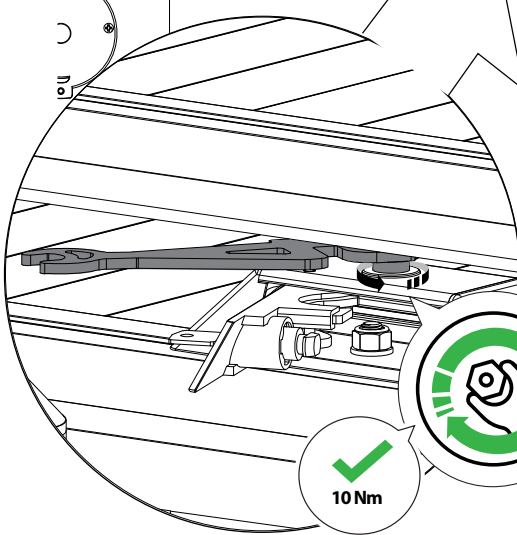
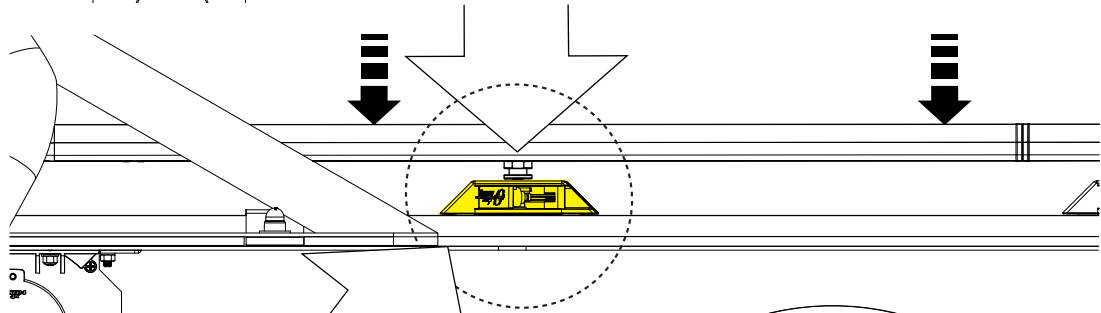
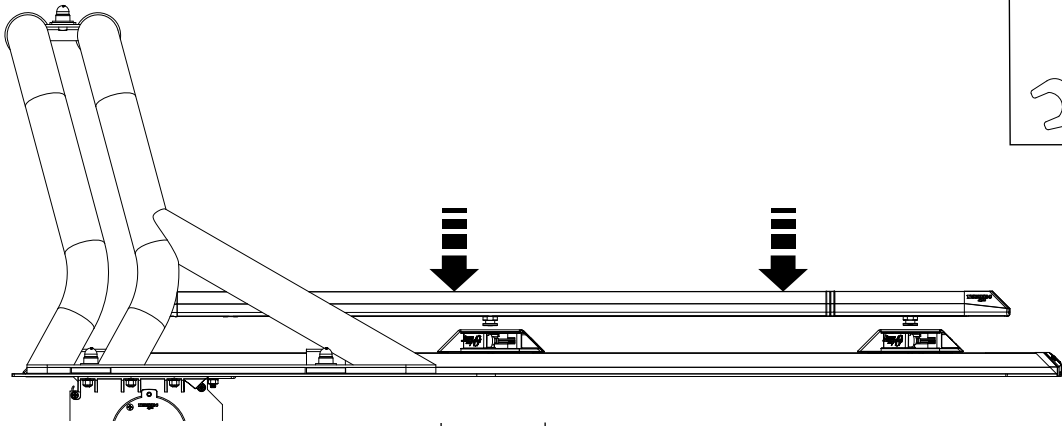
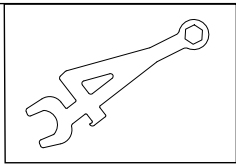
4A



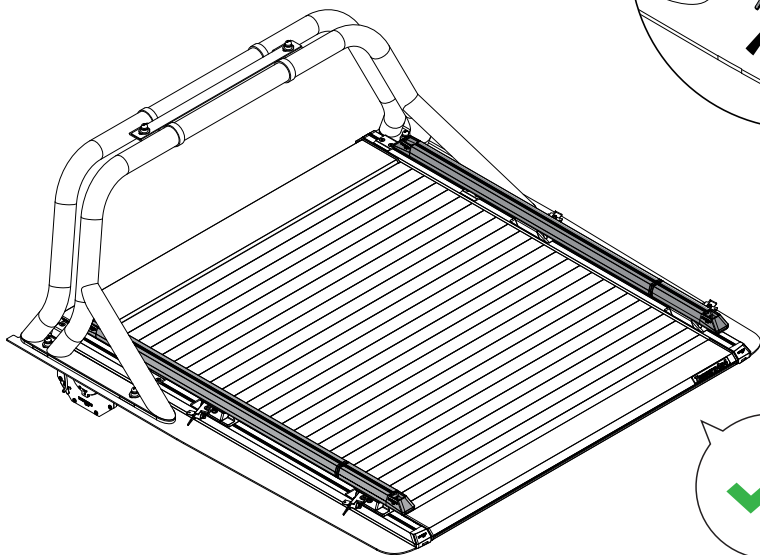
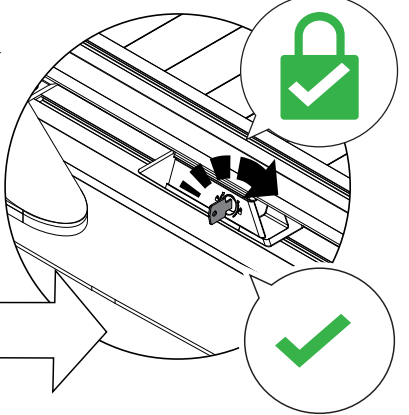
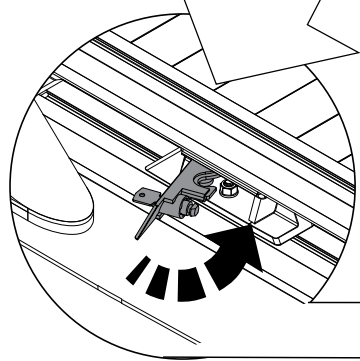
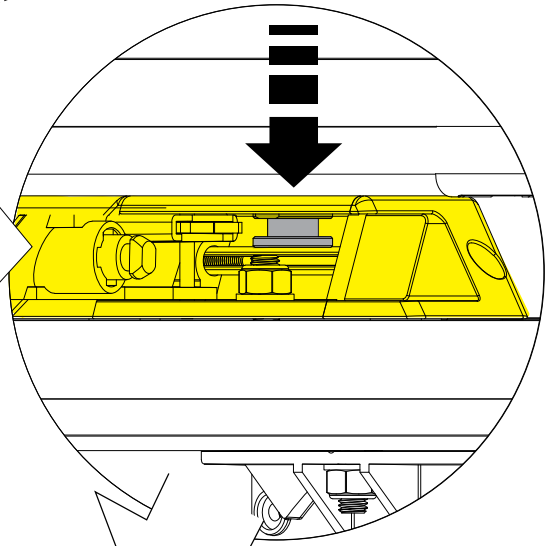
4B.0



4B.2



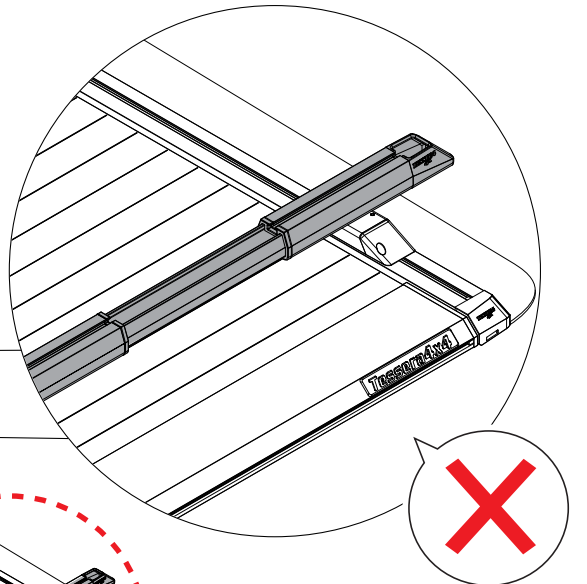
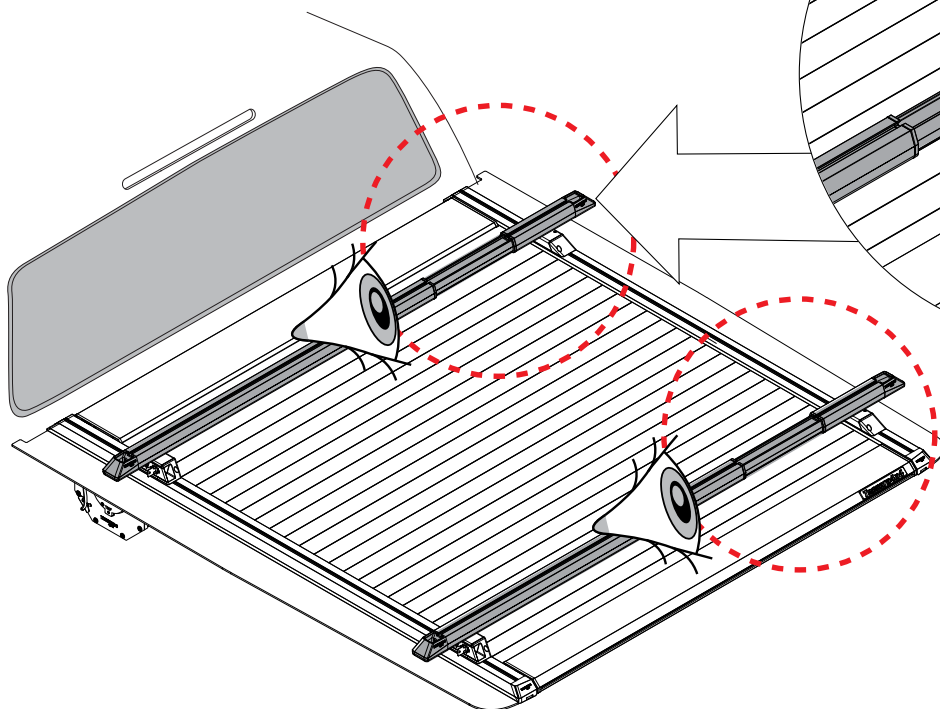
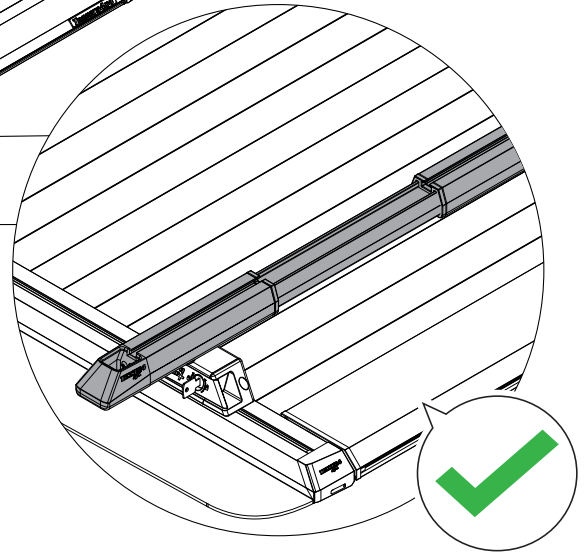
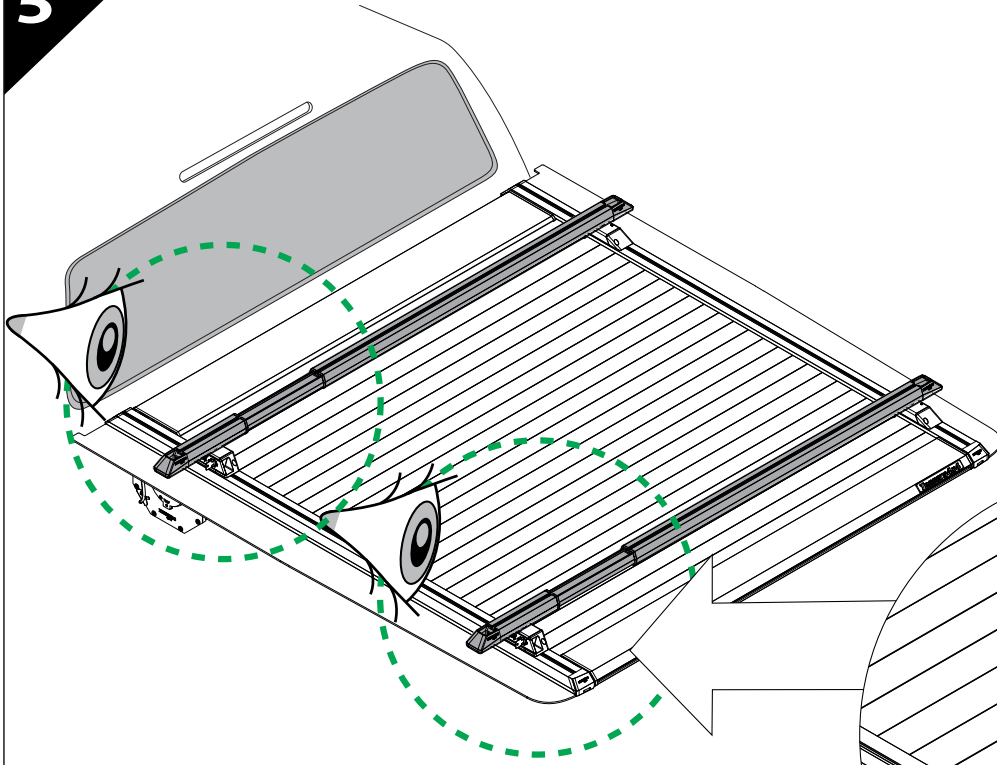
✓  
10 Nm



5



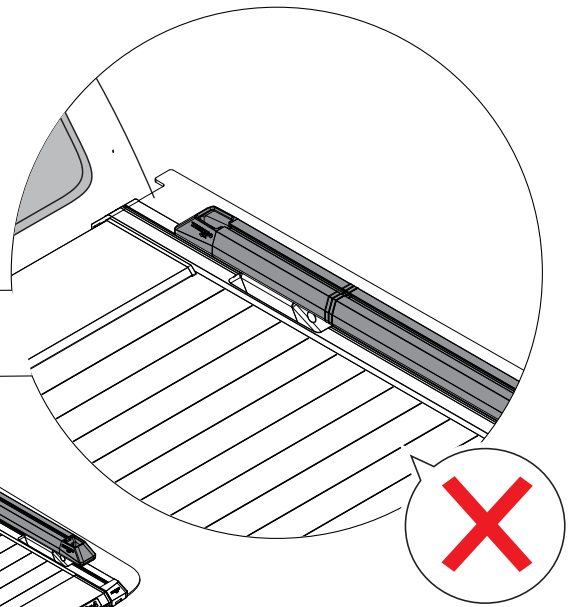
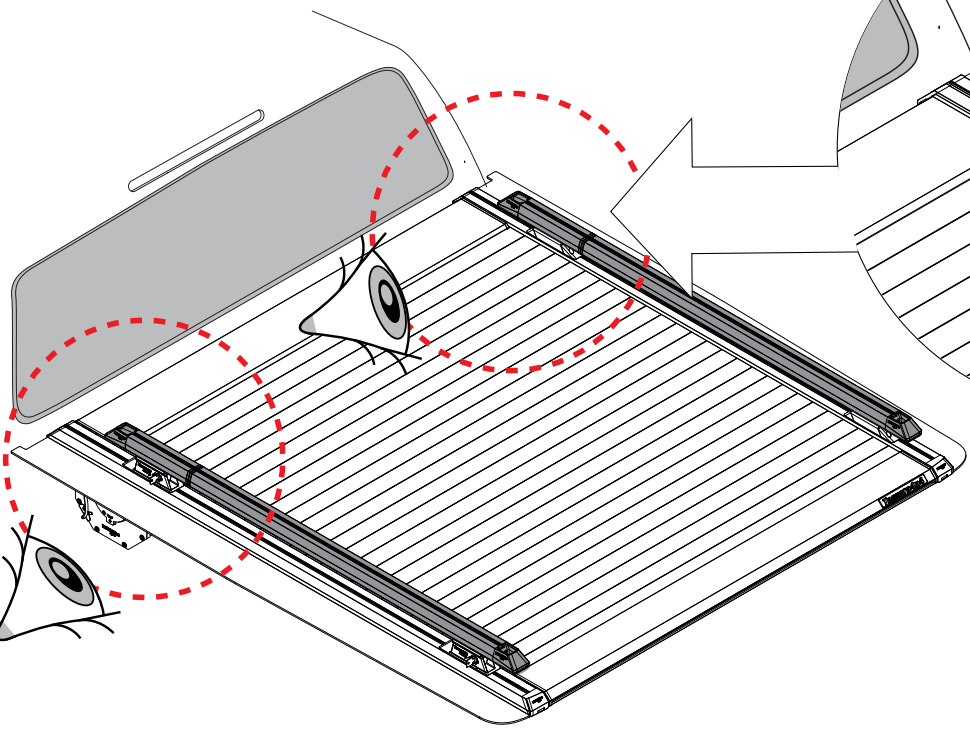
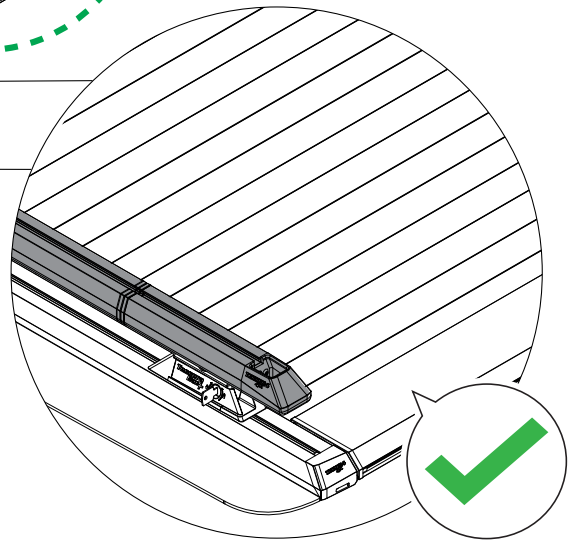
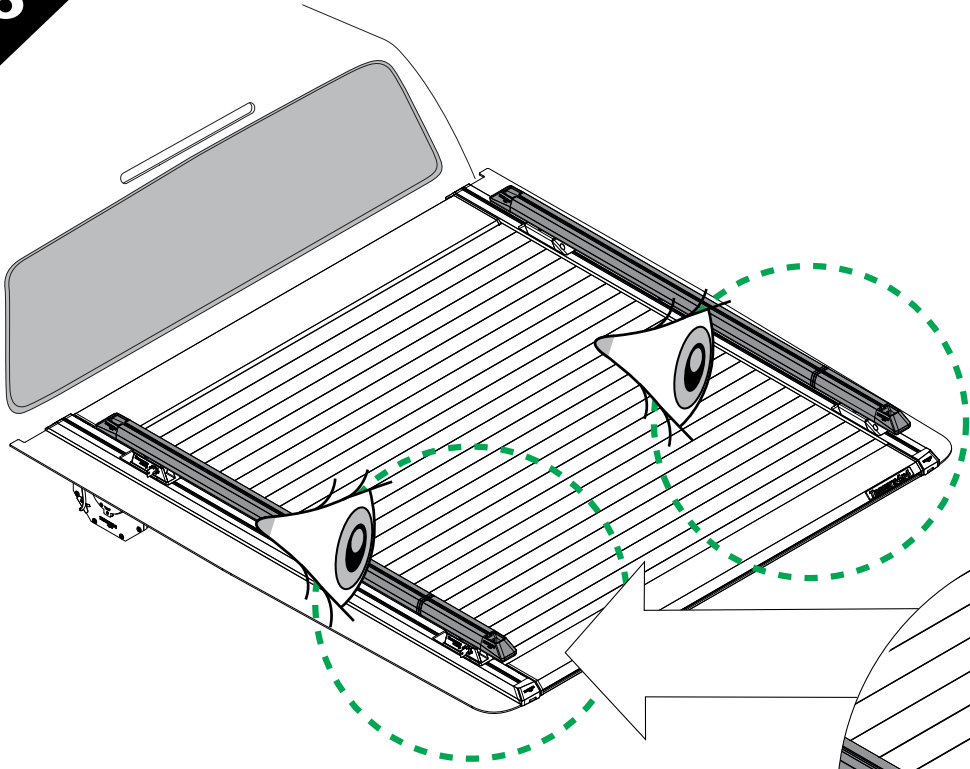
CAUTION



6



CAUTION

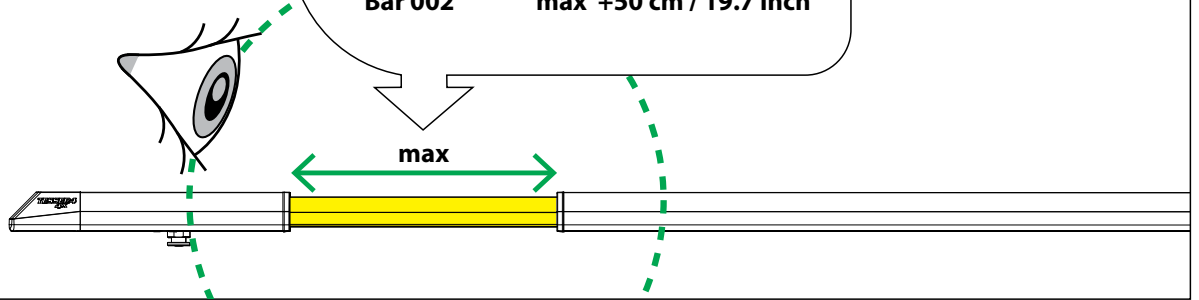


7

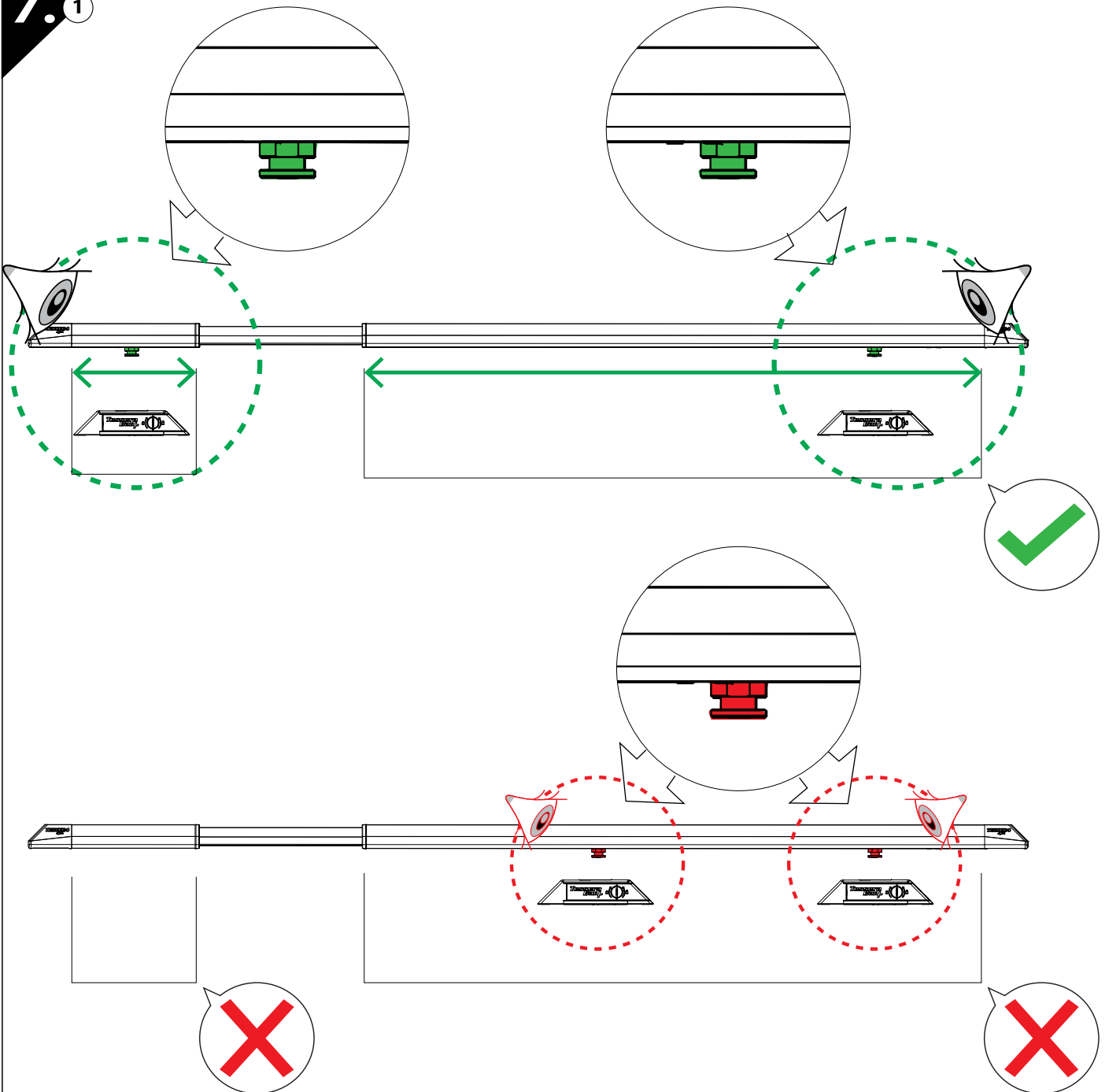
Bar 001 Wild max +30 cm / 11.8 inch

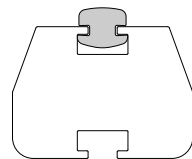
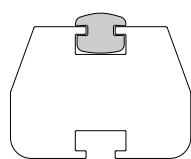
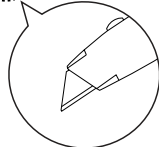
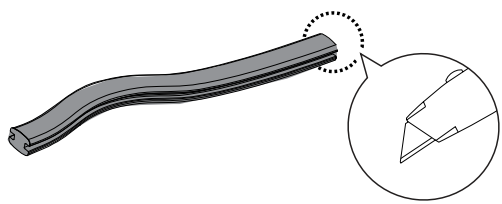
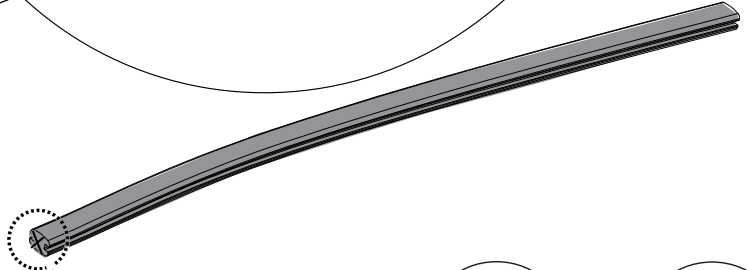
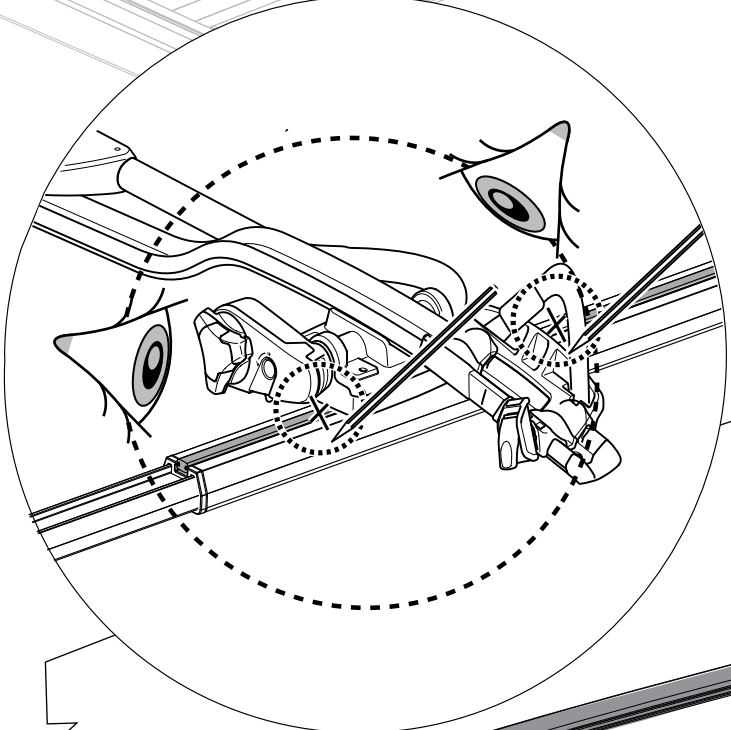
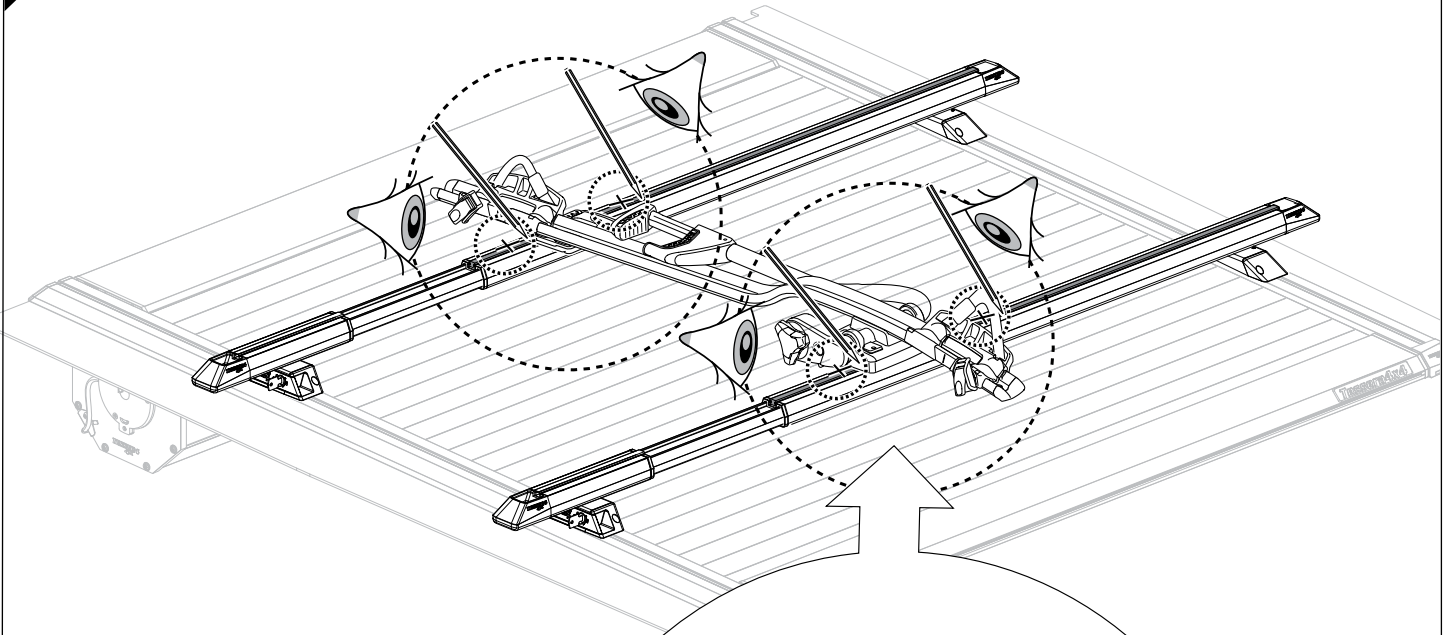
Bar 001 max +40 cm / 15.8 inch



Bar 002 max +50 cm / 19.7 inch



7.1

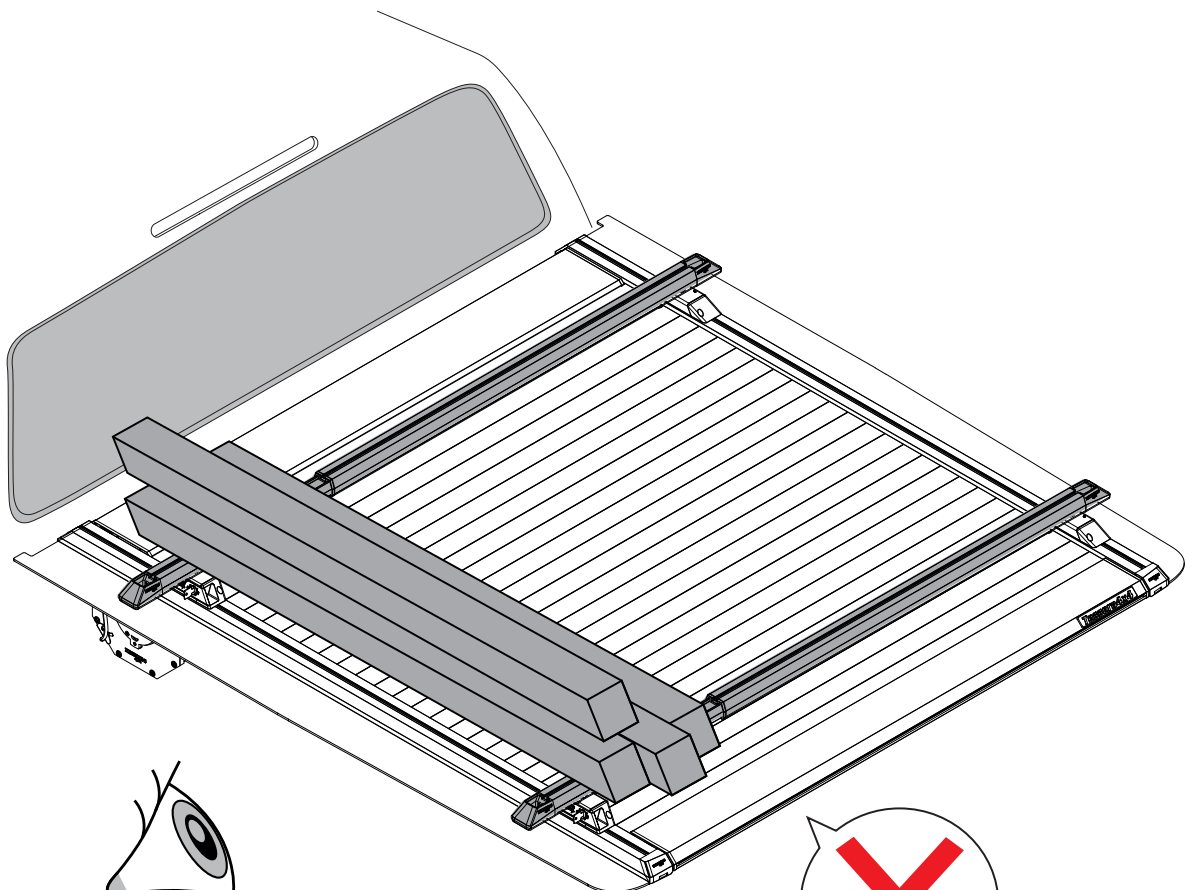
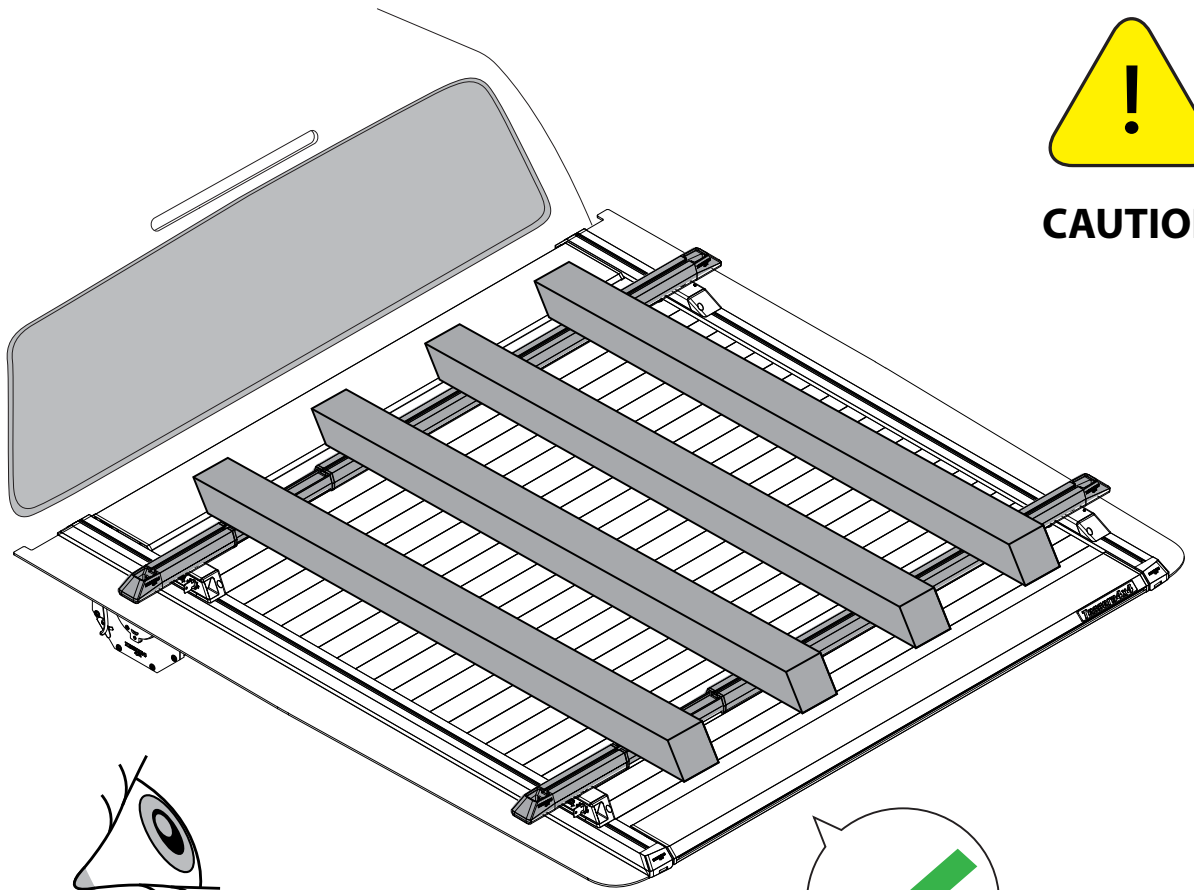




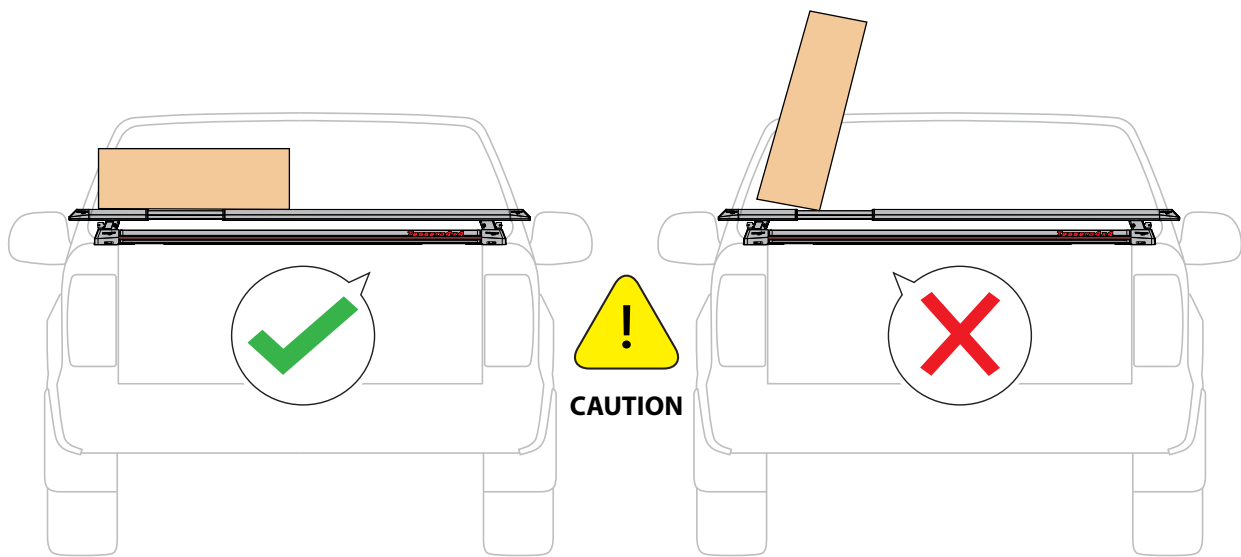
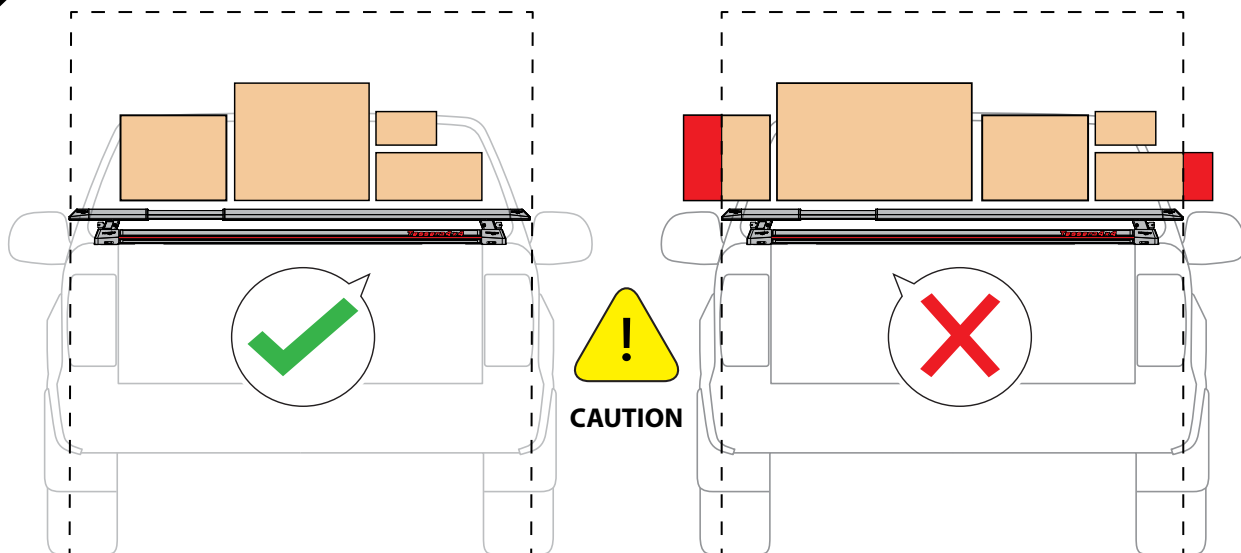
 **KEEP IN SAFE PLACE**  **BAG**



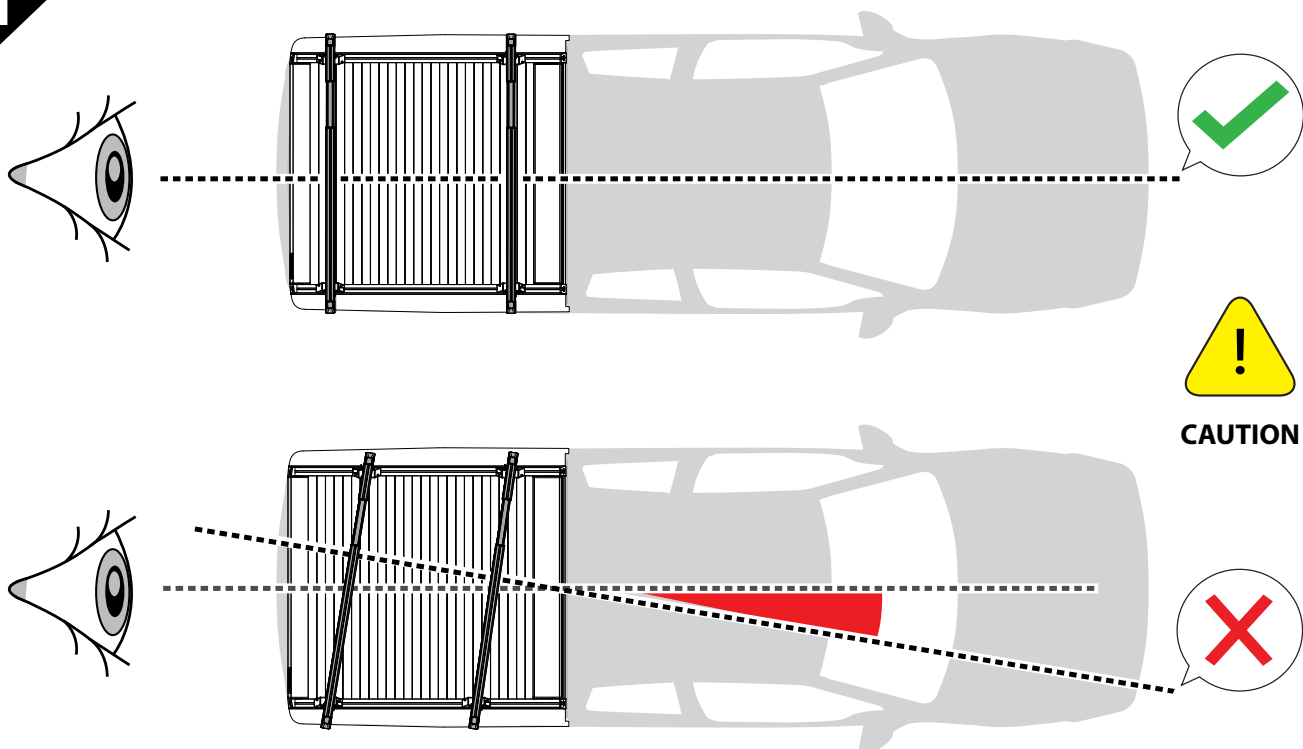
CAUTION

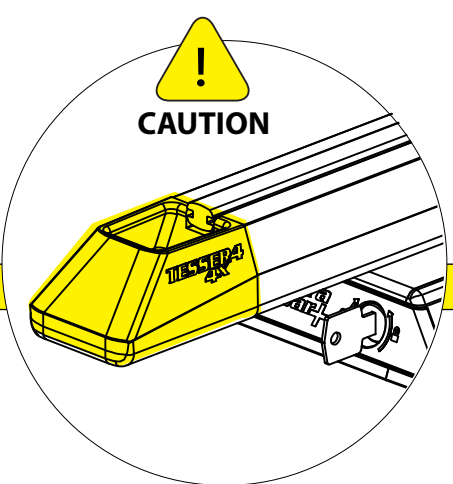
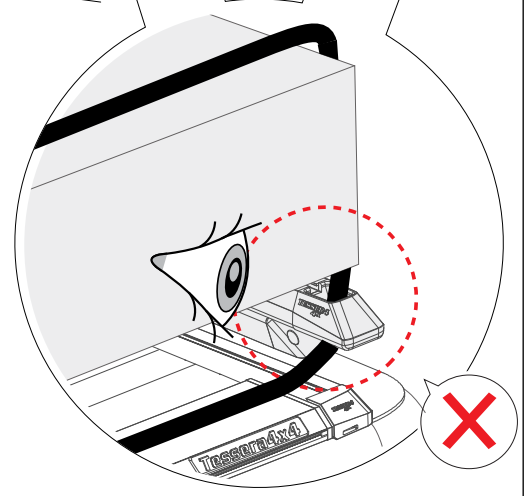
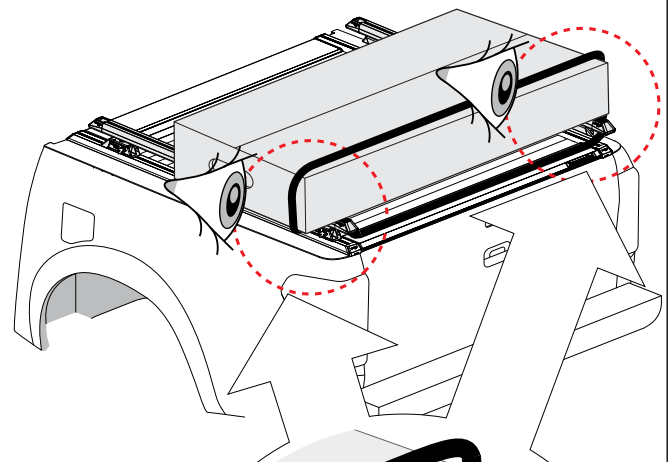
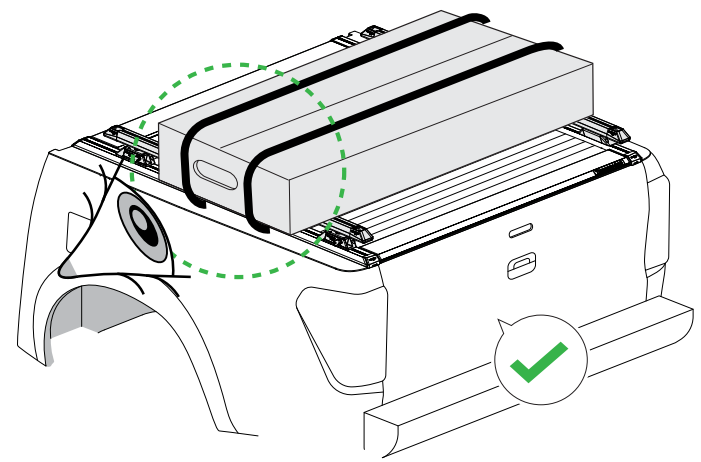
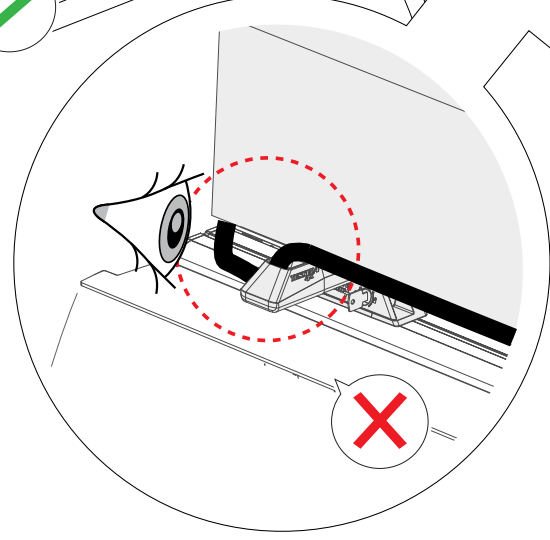
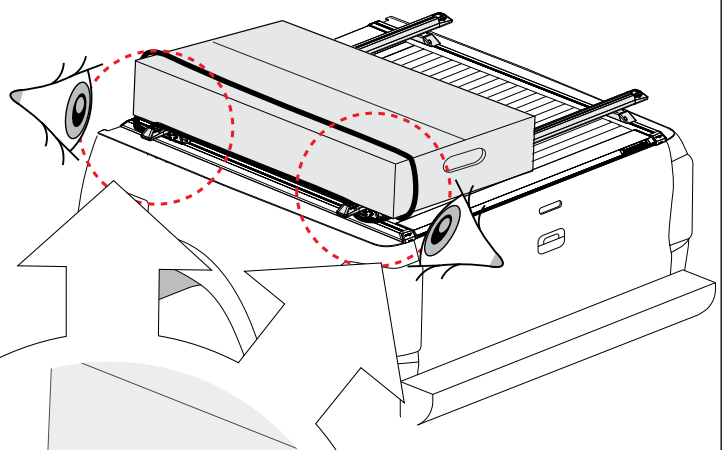
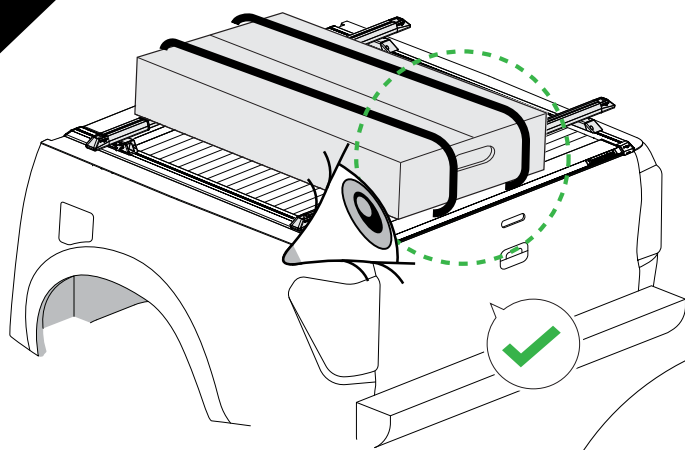


10



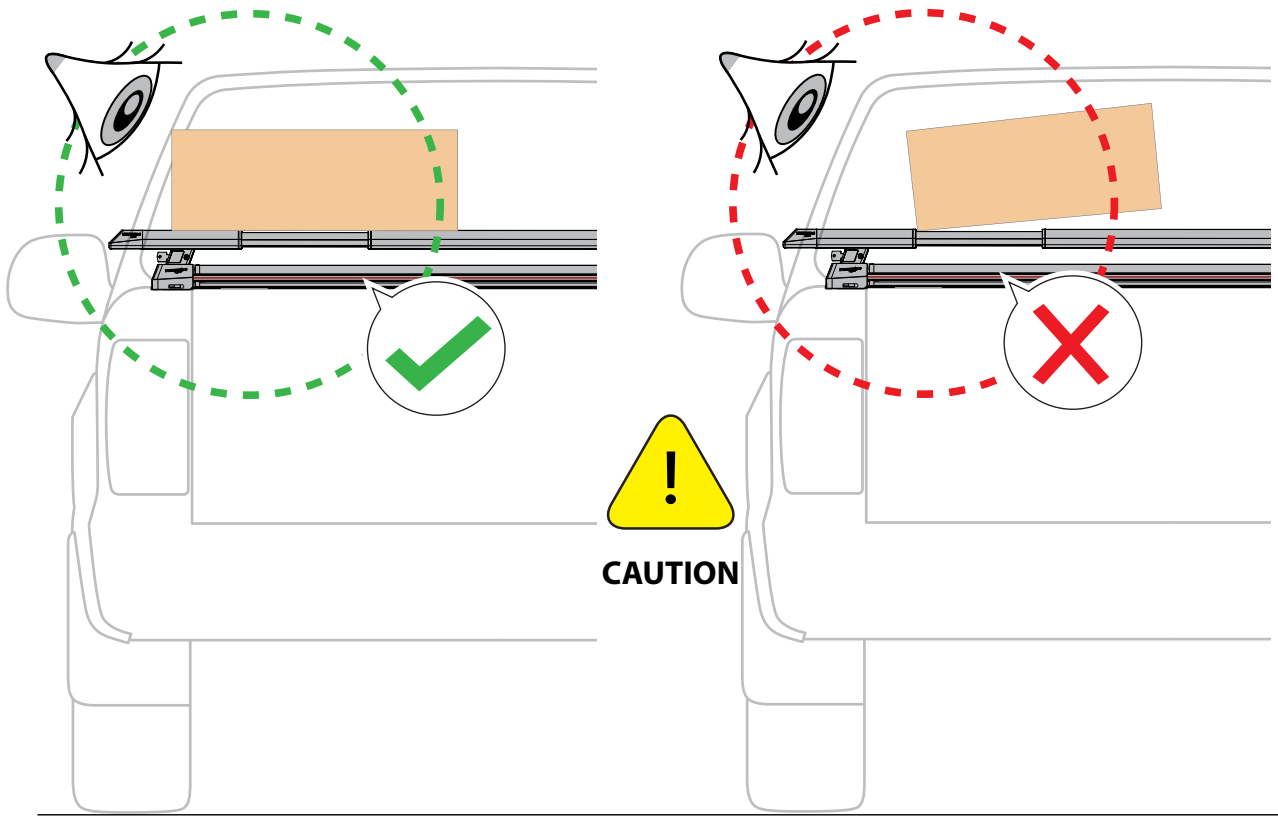
11





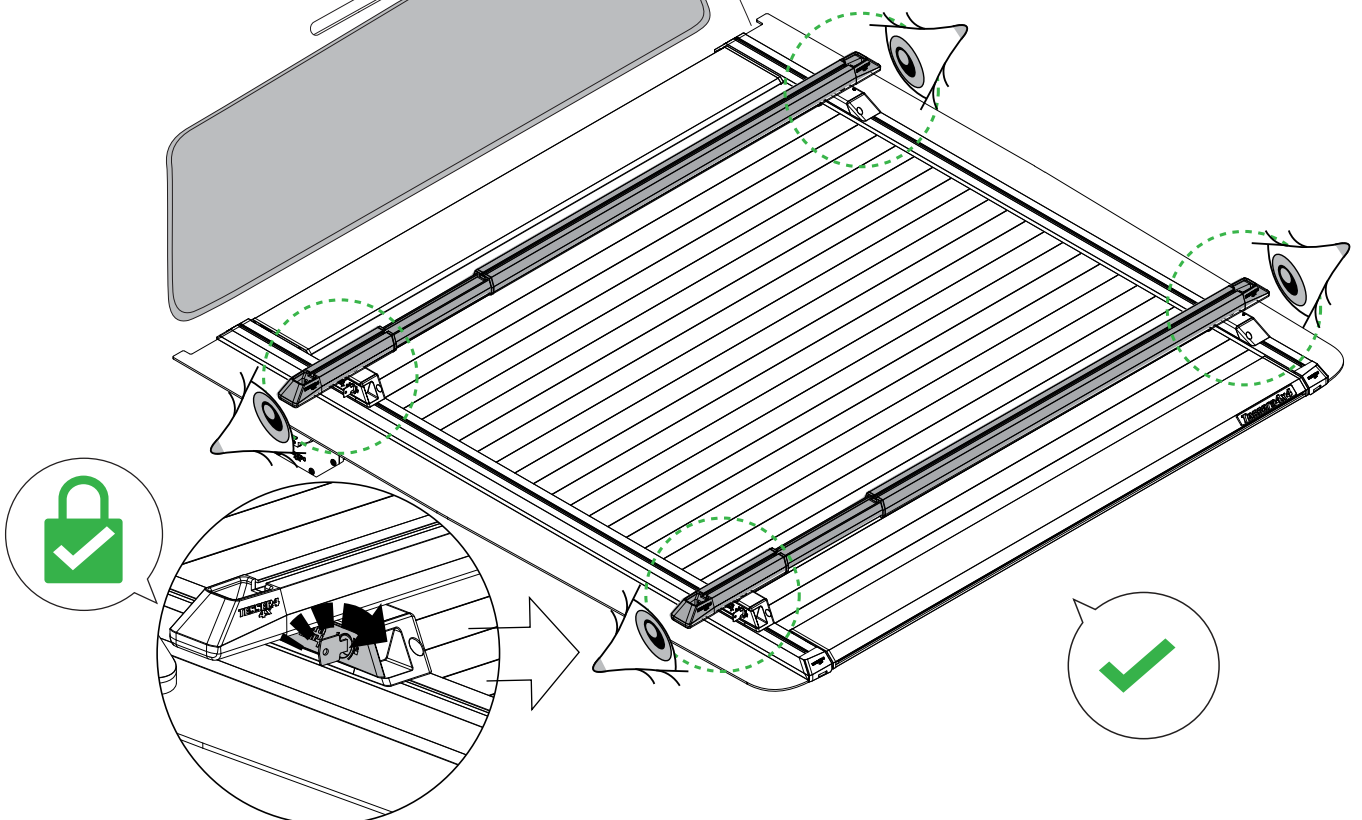
**LIGHT WEIGHT**

13

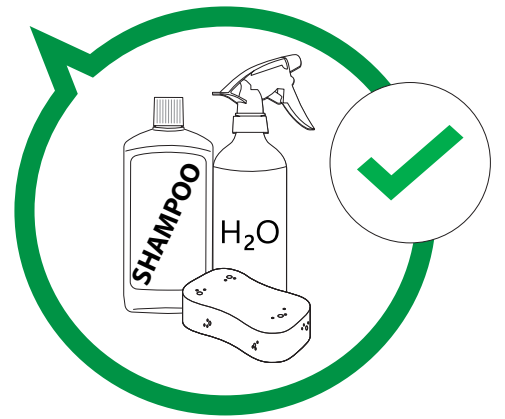
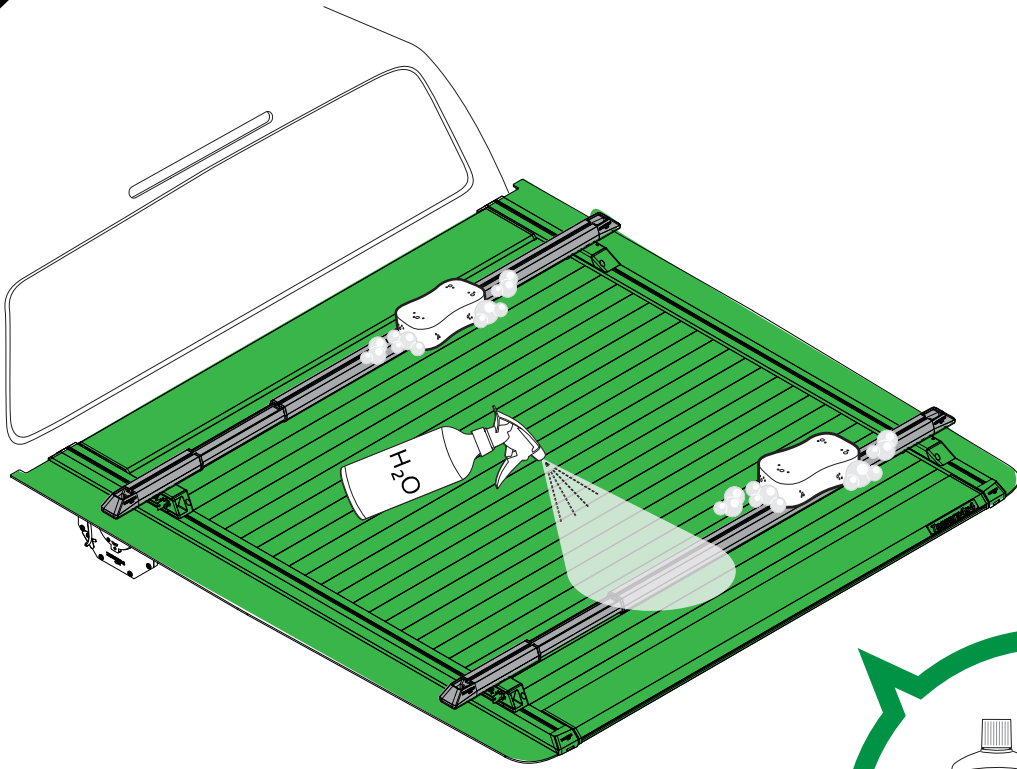


14

**! CAUTION**  **Lock Before Driving** 



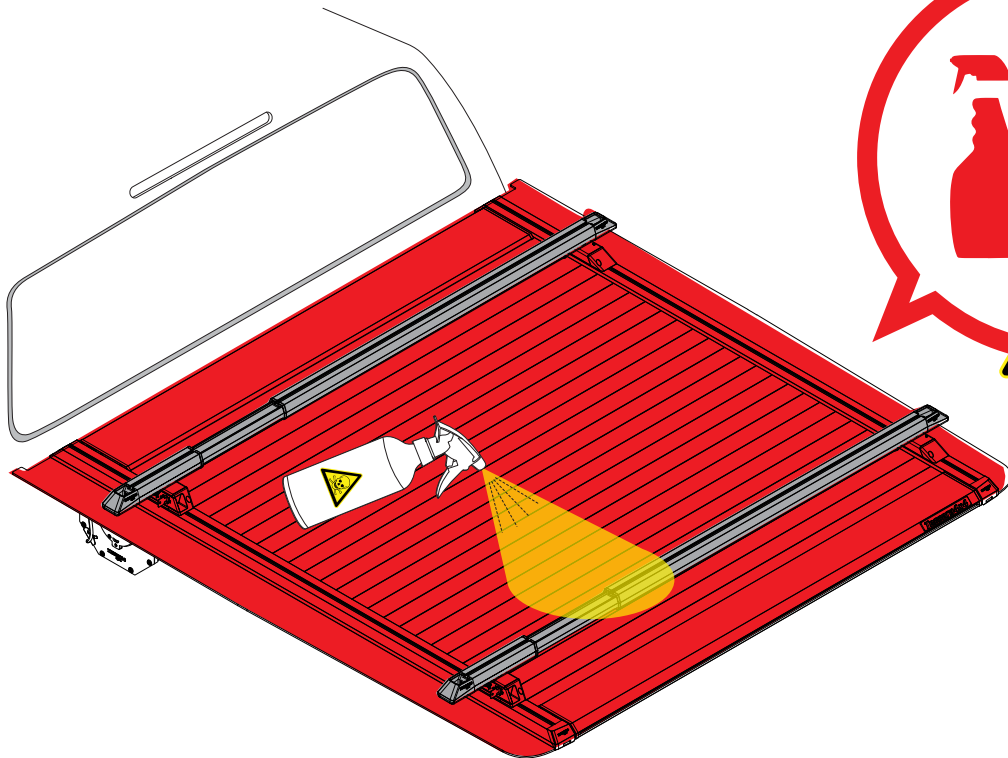
15



**CAUTION**



**No Acid Liquids**

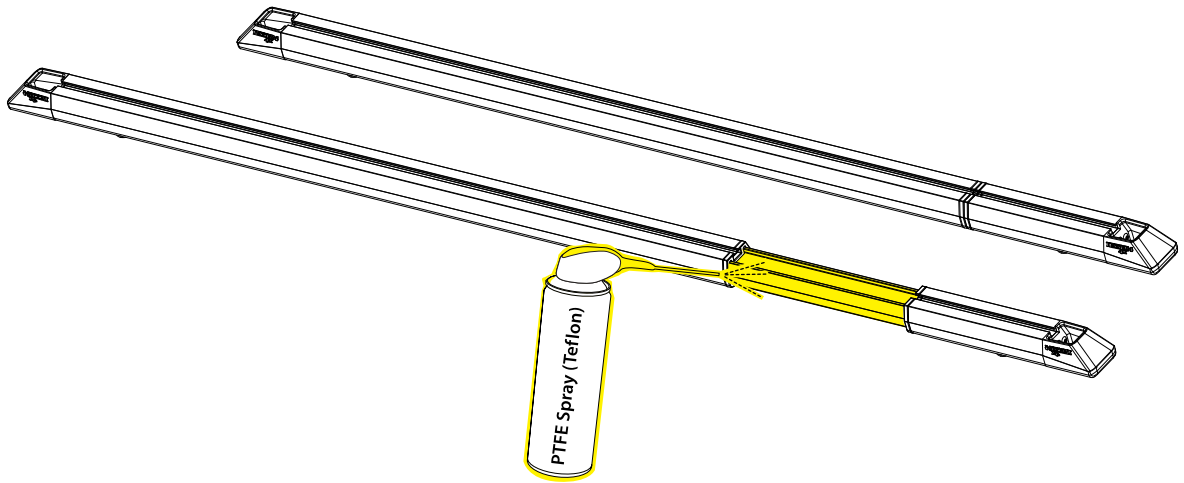


16



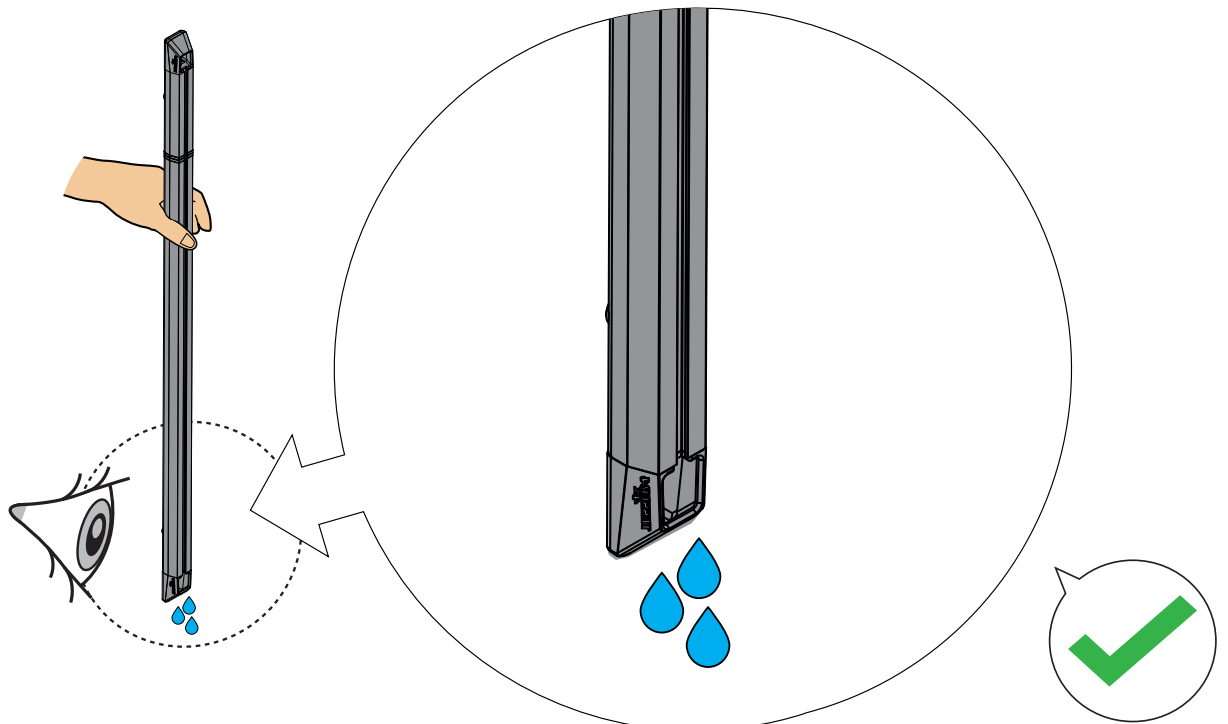
17

Every 6 Months

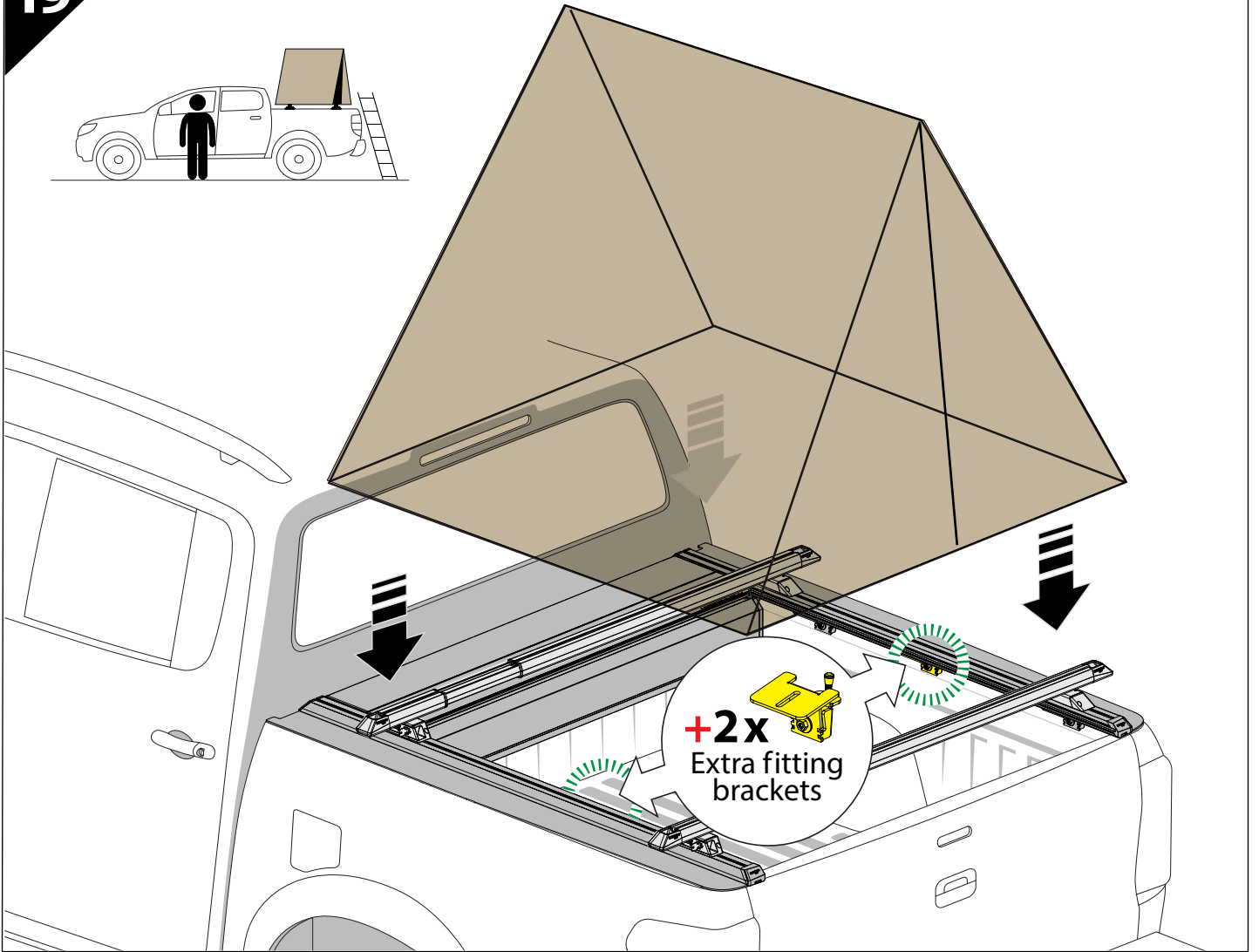
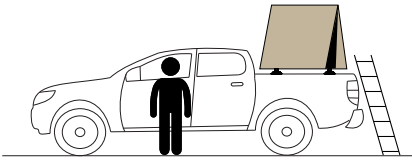


18

Every 6 Months

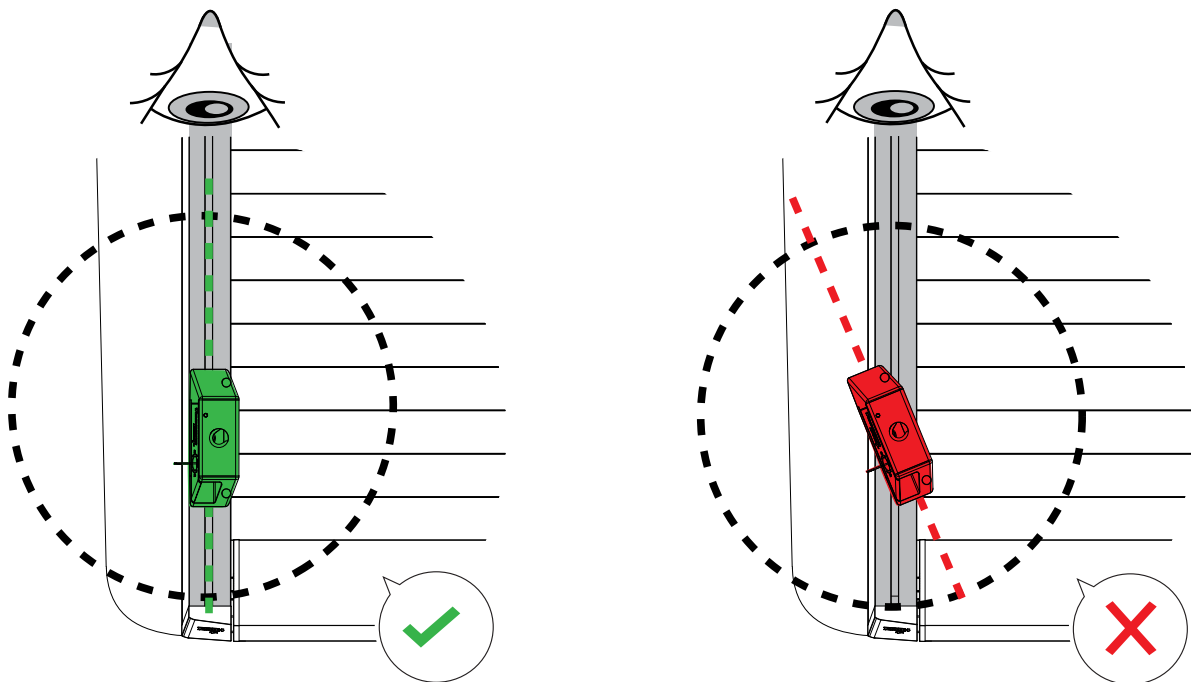


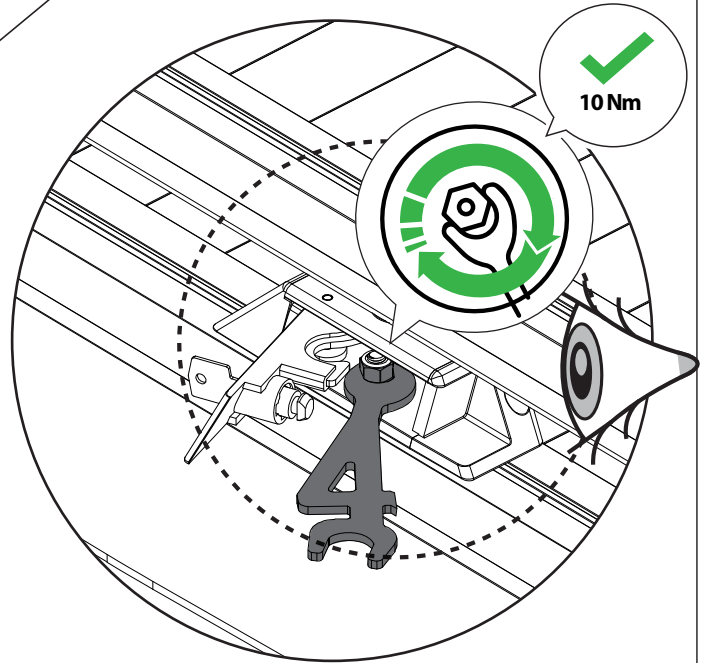
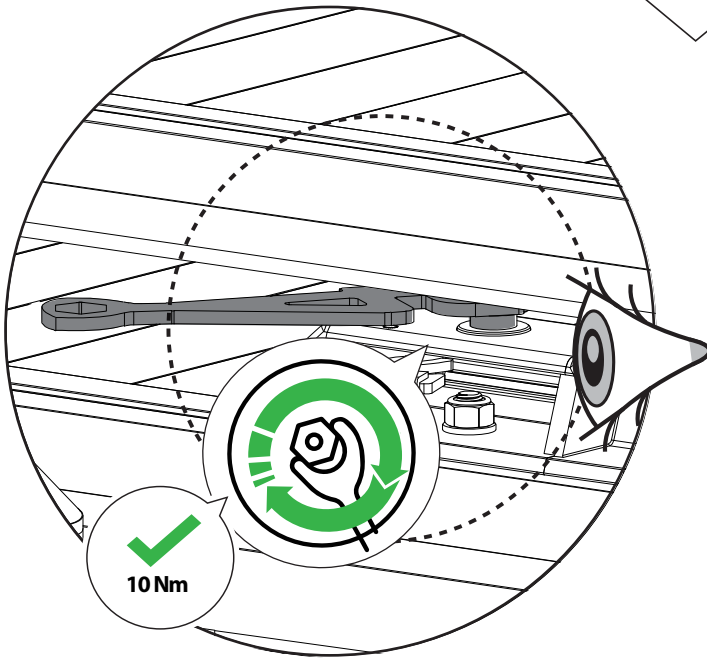
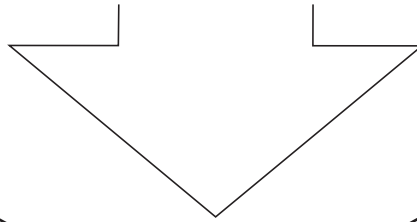
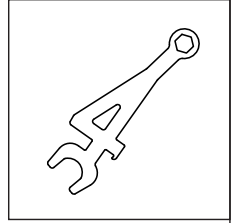
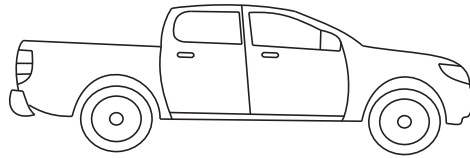
19



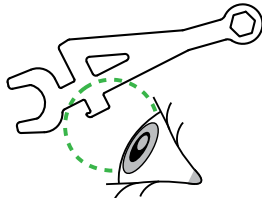
20

Every 6 Months

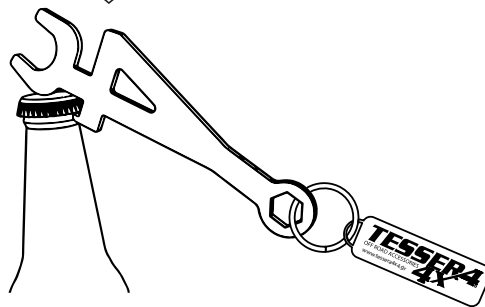
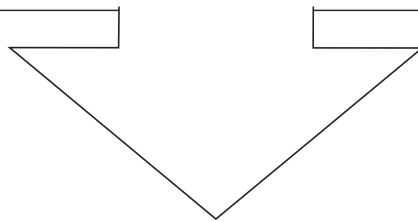
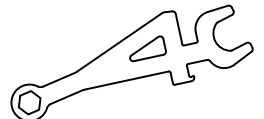




20 mm



13 mm



Enjoy!









**GR:** Εγχειρίδιο χρήσης  
**GB:** Owners Manual  
**SF:** Manuaalinen  
**F:** Manuel d'utilisation  
**PL:** Instrukcja obsługi  
**NL:** Handleiding  
**TR:** Kullanıcı kılavuzu  
**S:** Bruksanvisning  
**E:** Manual de usuario

**H:** Használati utasítás  
**P:** Manual de utilização  
**RUS:** Руководство пользователя  
**N:** Brukerveiledning  
**D:** Gebrauchsanleitung  
**CZ:** Návod k použití  
**I:** Manuale d'uso  
**DEN:** Monteringsvejledning  
**RO:** Manual de utilizare

Customer Service: +30 (210) 5541161, +30 (210) 5541154 (08:00 - 16:00 EET)

---

Support department: info@gianso.gr

---

Website: www.tessera4x4.com

---

Address: 19.5 km of National road Athens-Korinthos (Elefsina) Greece, P.C: 19200