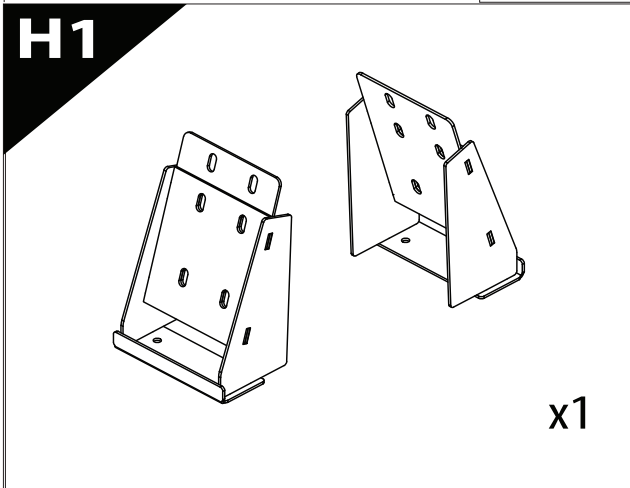
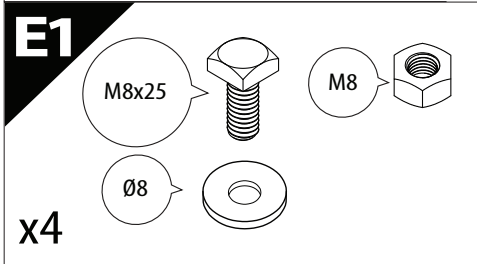
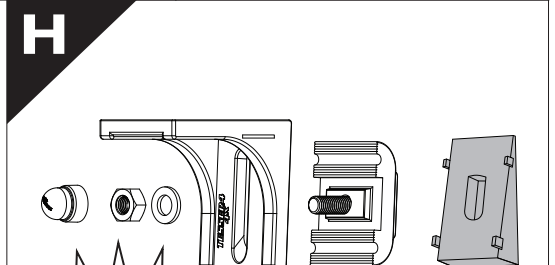
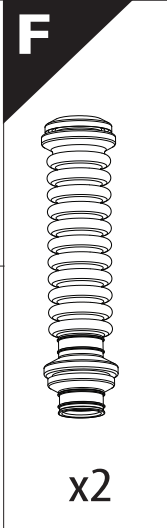
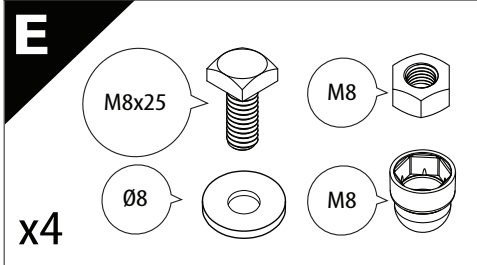
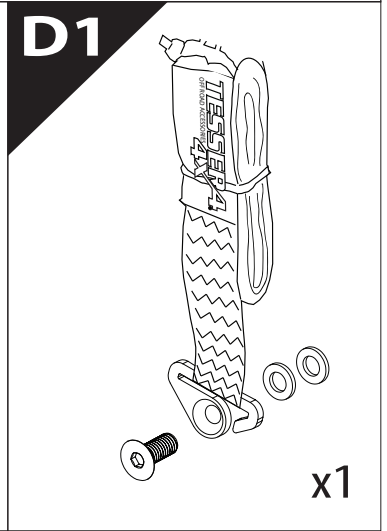
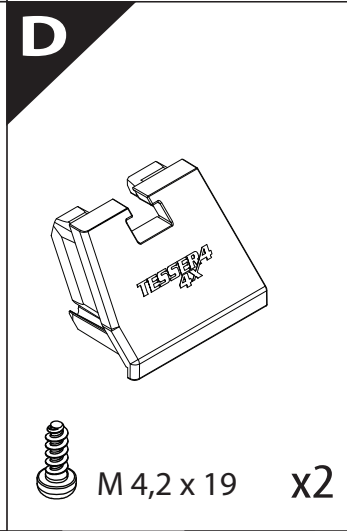
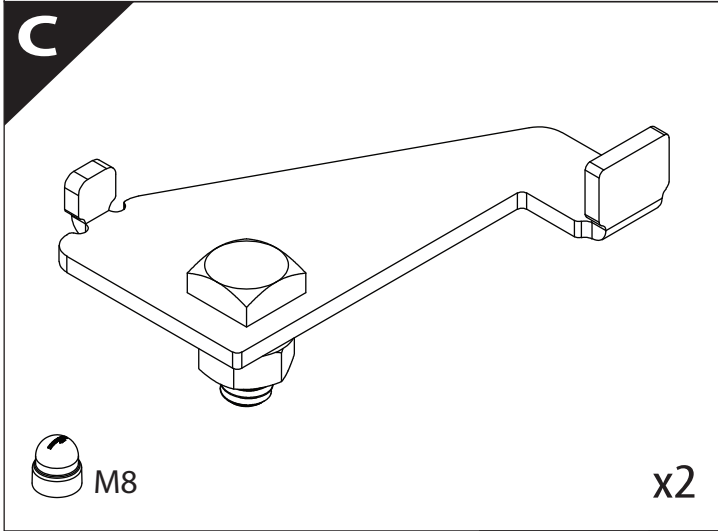
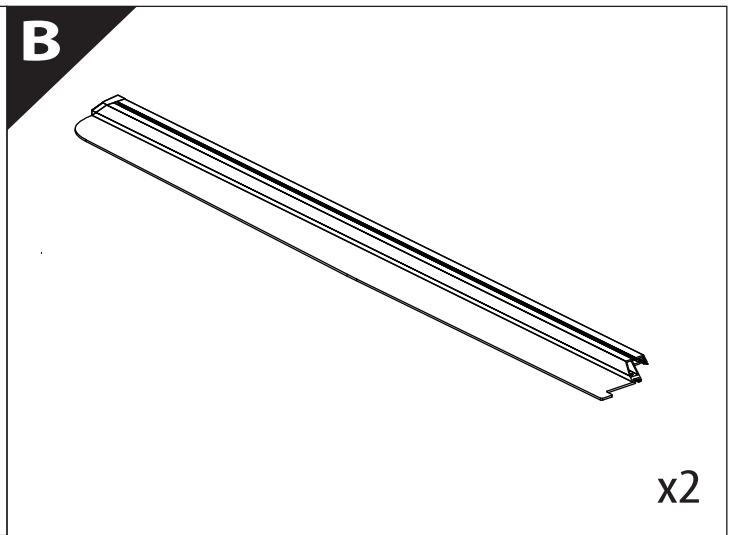
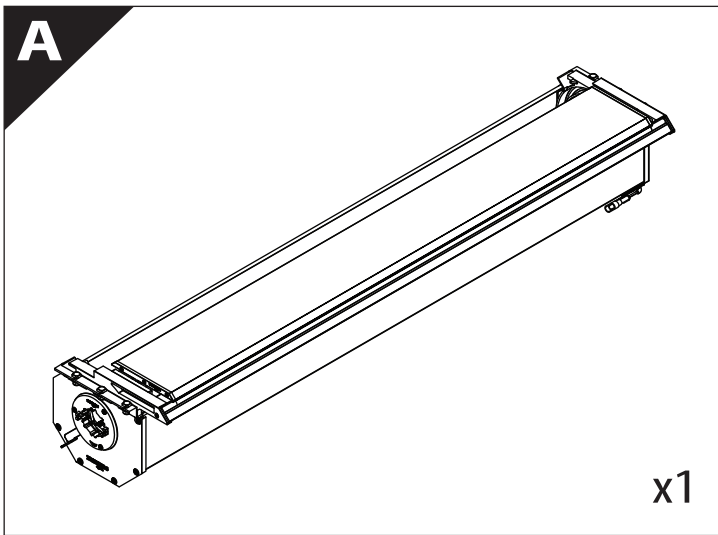
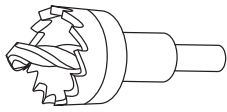


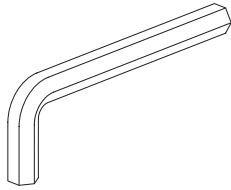
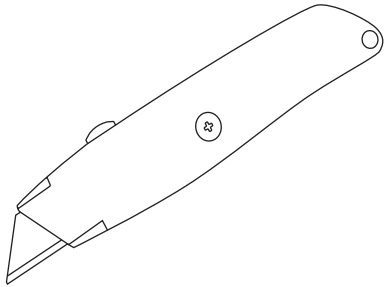
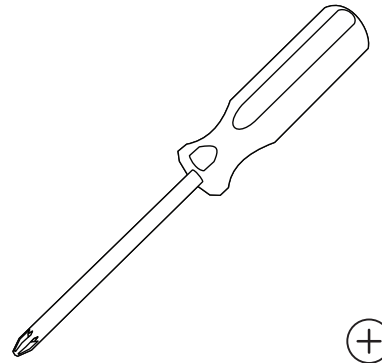
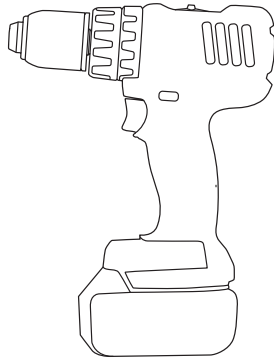
## Installation Manual

<b>PART NUMBER(S)</b>	<b>Model Year</b>
<b>TESS 15162 SE</b>	<b>Toyota Hilux Revo GR 2025+</b>
<b>Cab(s)</b>	<b>Installation Time / Weight</b>
<b>Double Cab</b>	<b>40-60 minutes / 53-57 kg</b>



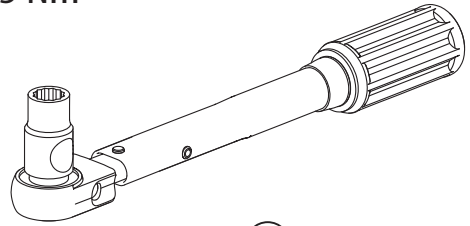


Ø 25 mm



4 mm

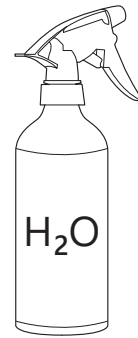
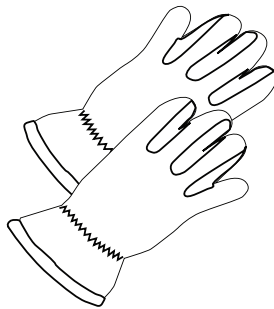
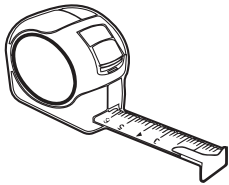
1 - 25 Nm



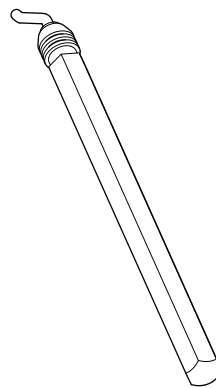
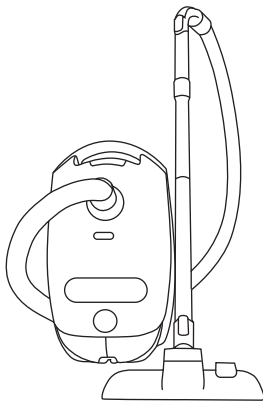
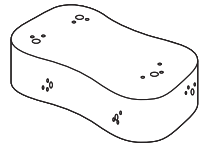
13, 17 mm



ACETONE



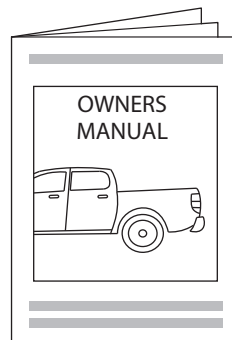
H<sub>2</sub>O



ANTI-RUST

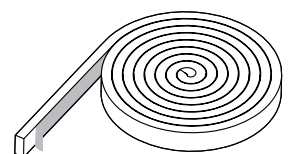
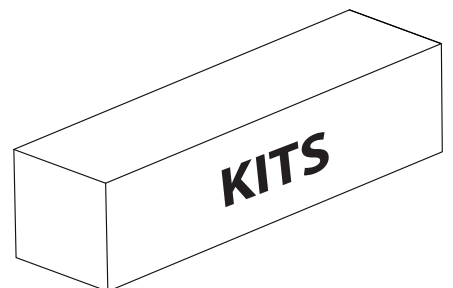
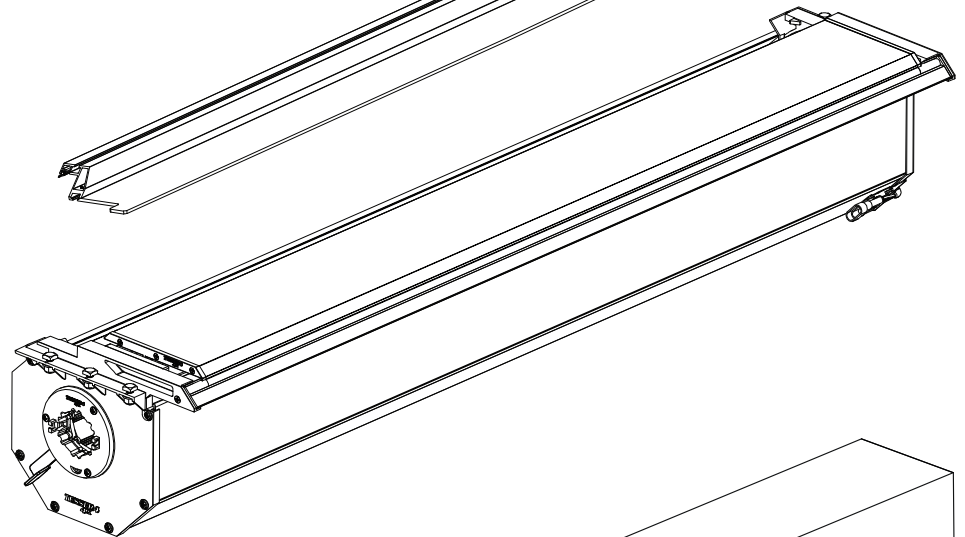
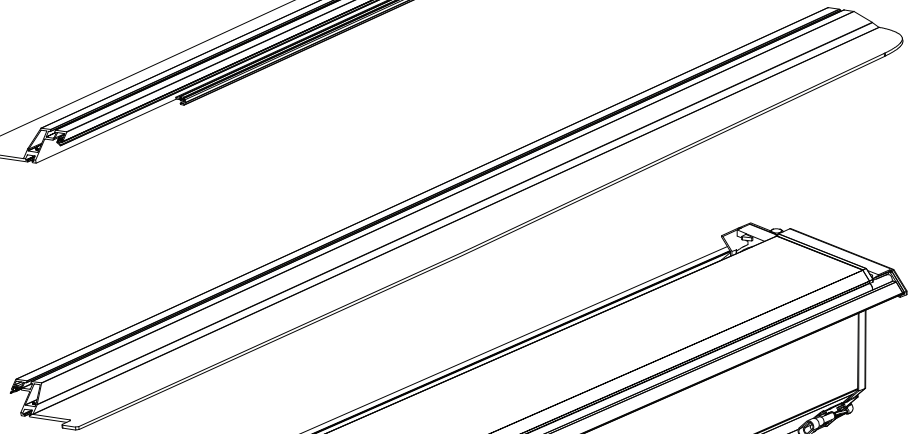
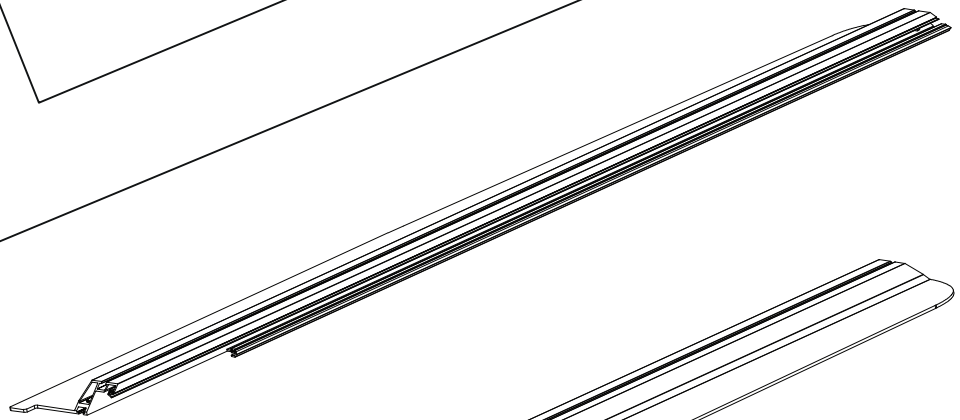
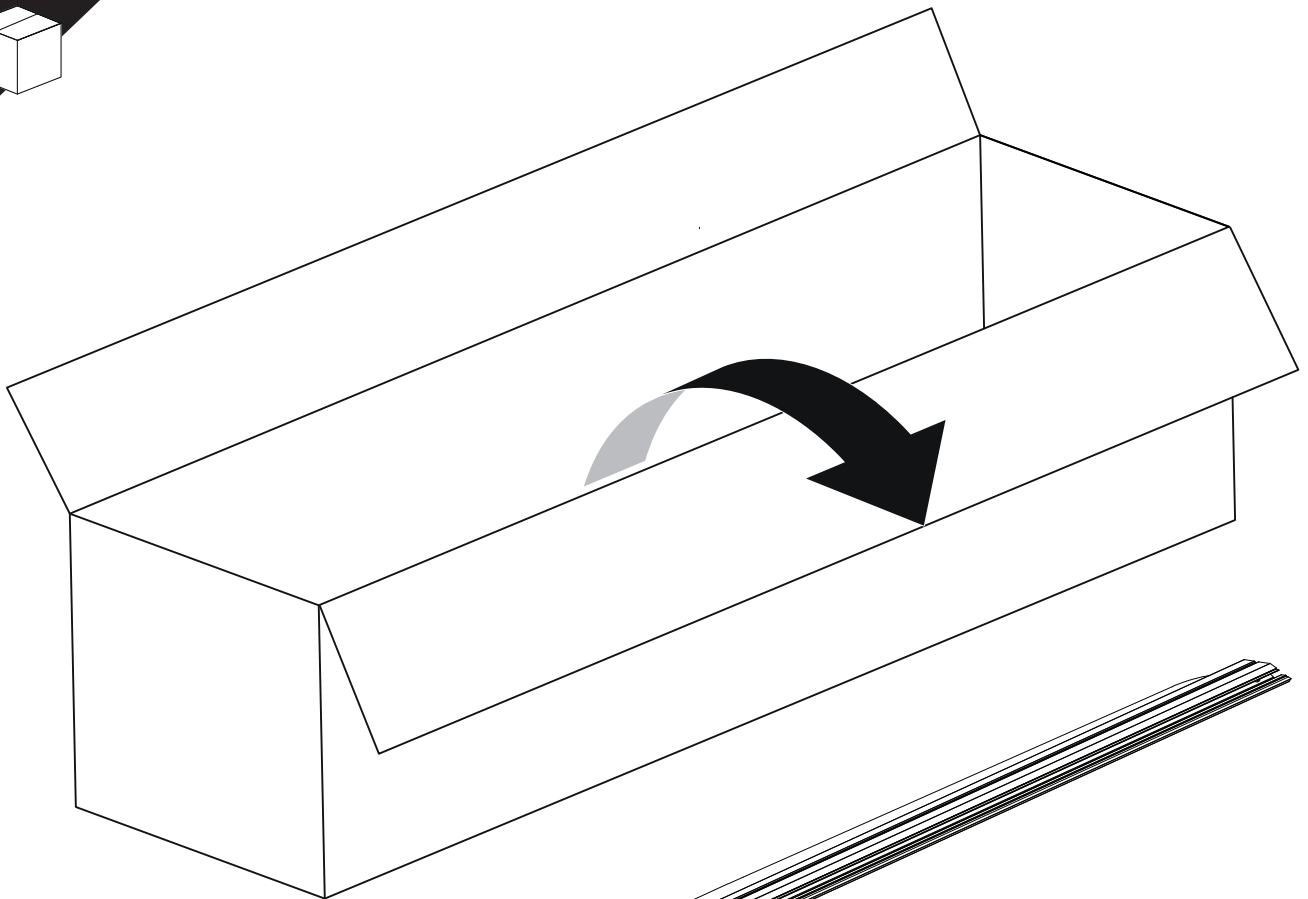


INSTALLATION  
MANUAL



OWNERS  
MANUAL

x1

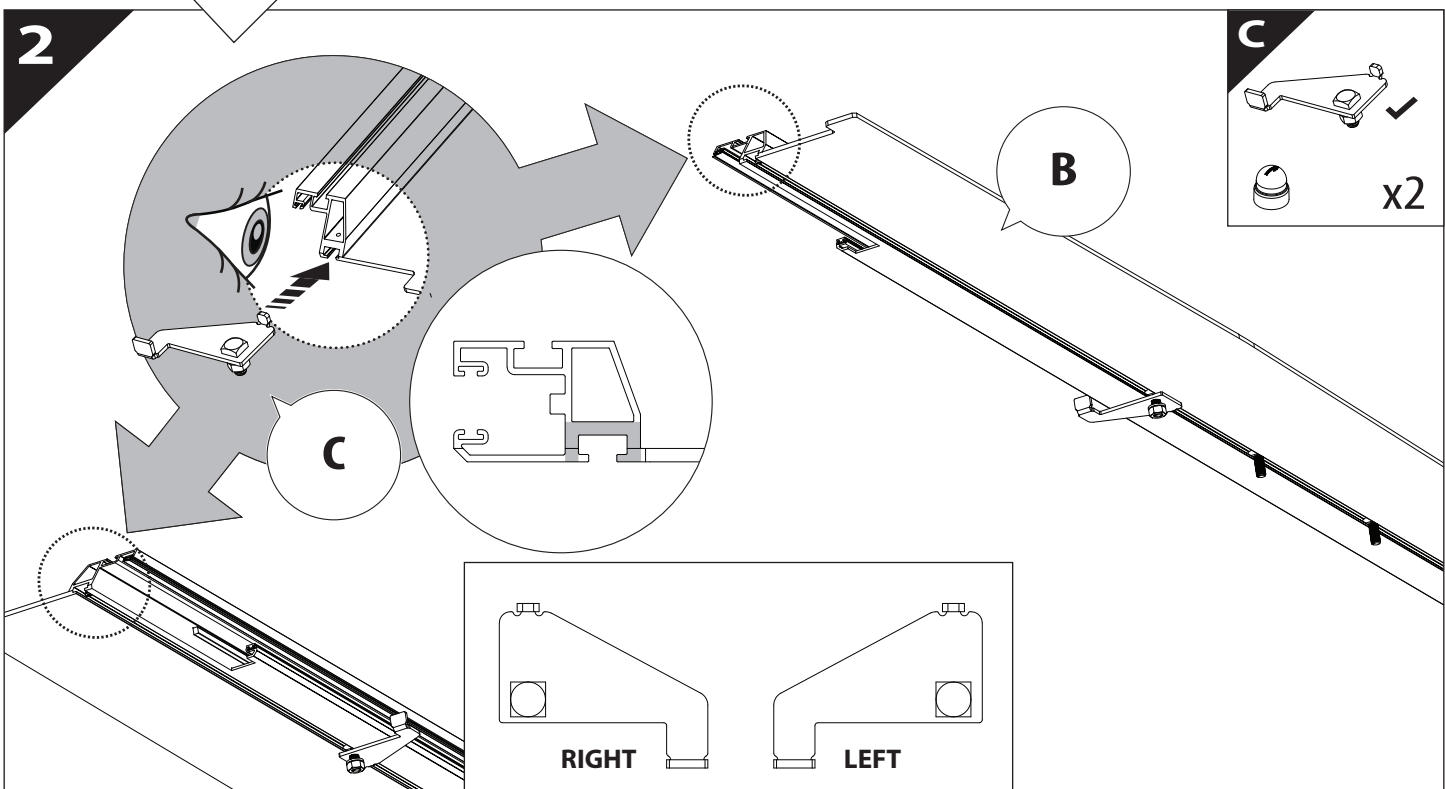
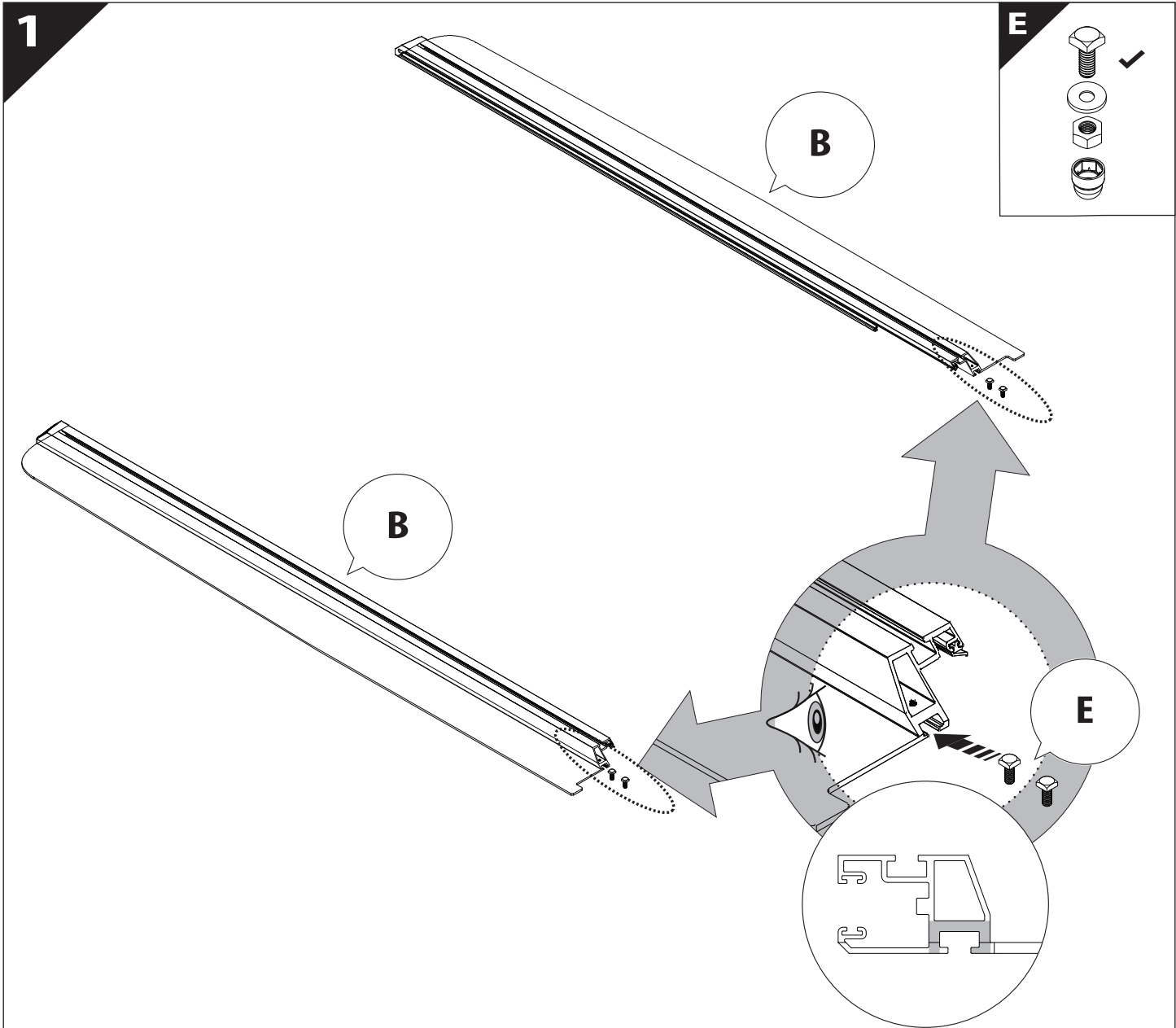


**B**

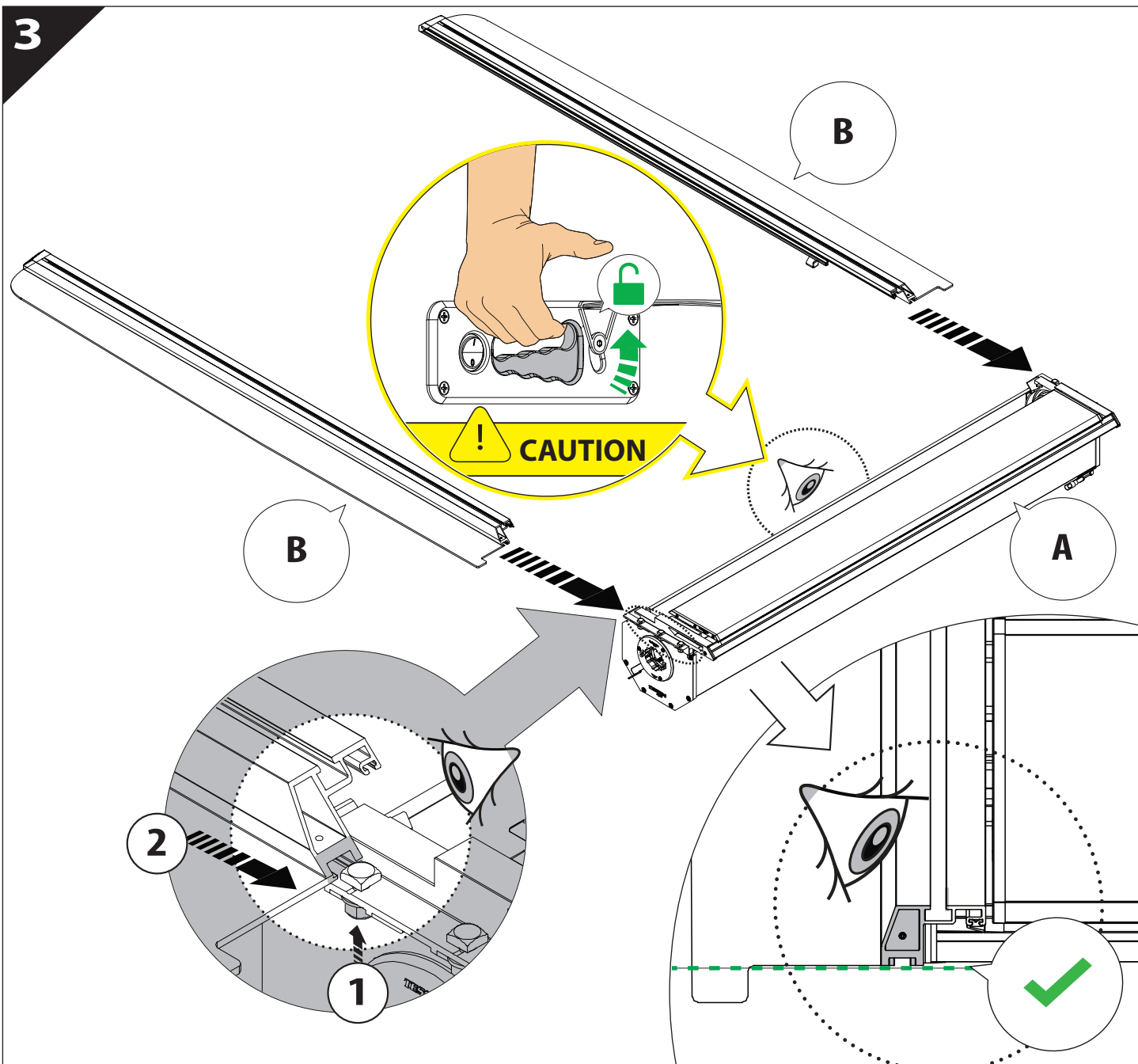
**A**

**KITS**

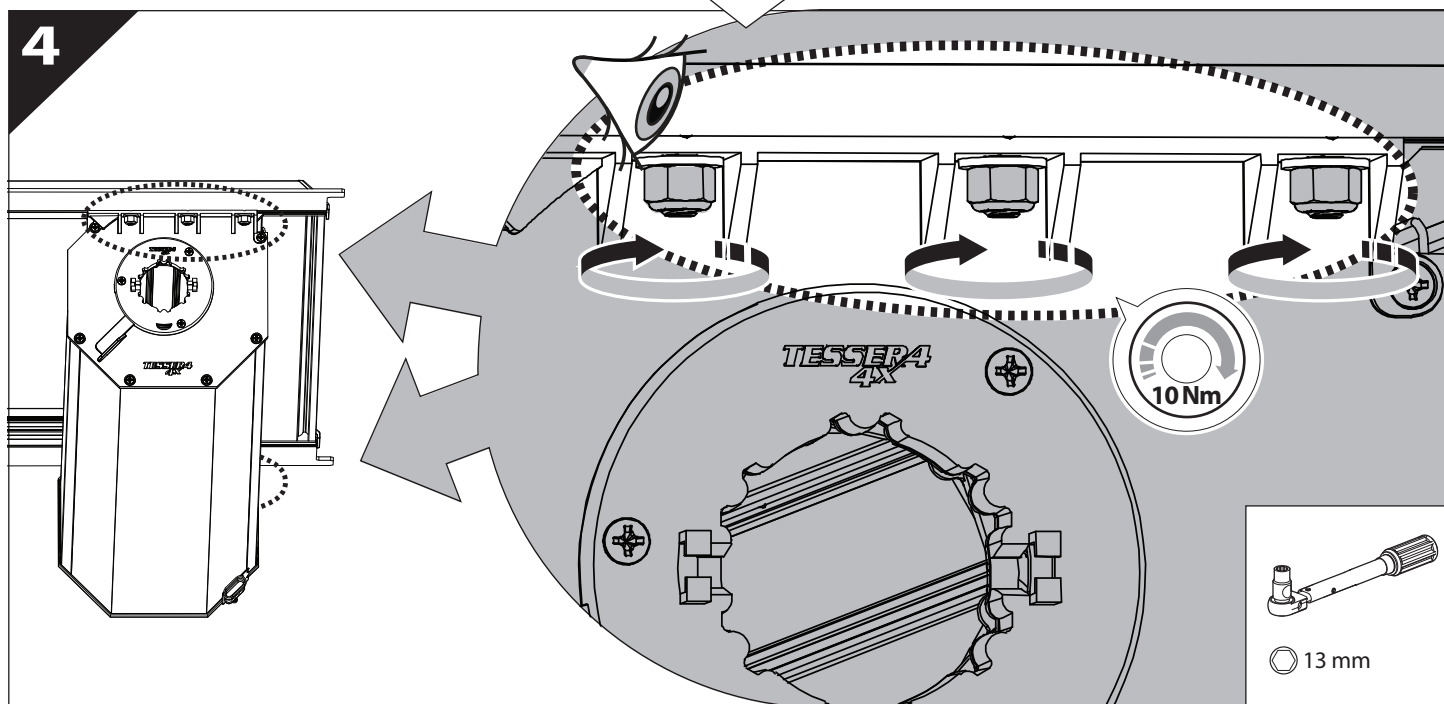
**G**



3

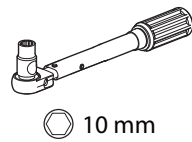
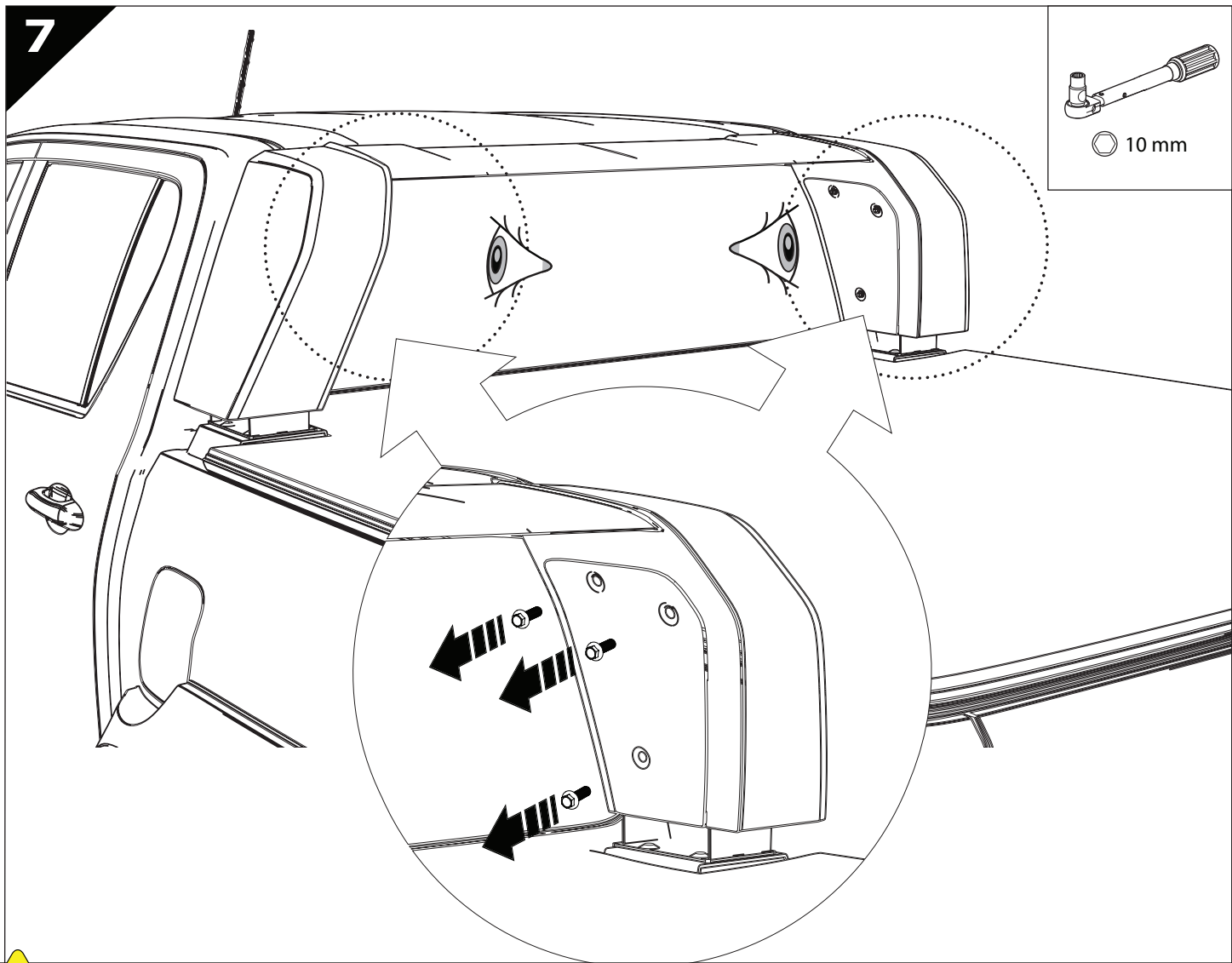


4







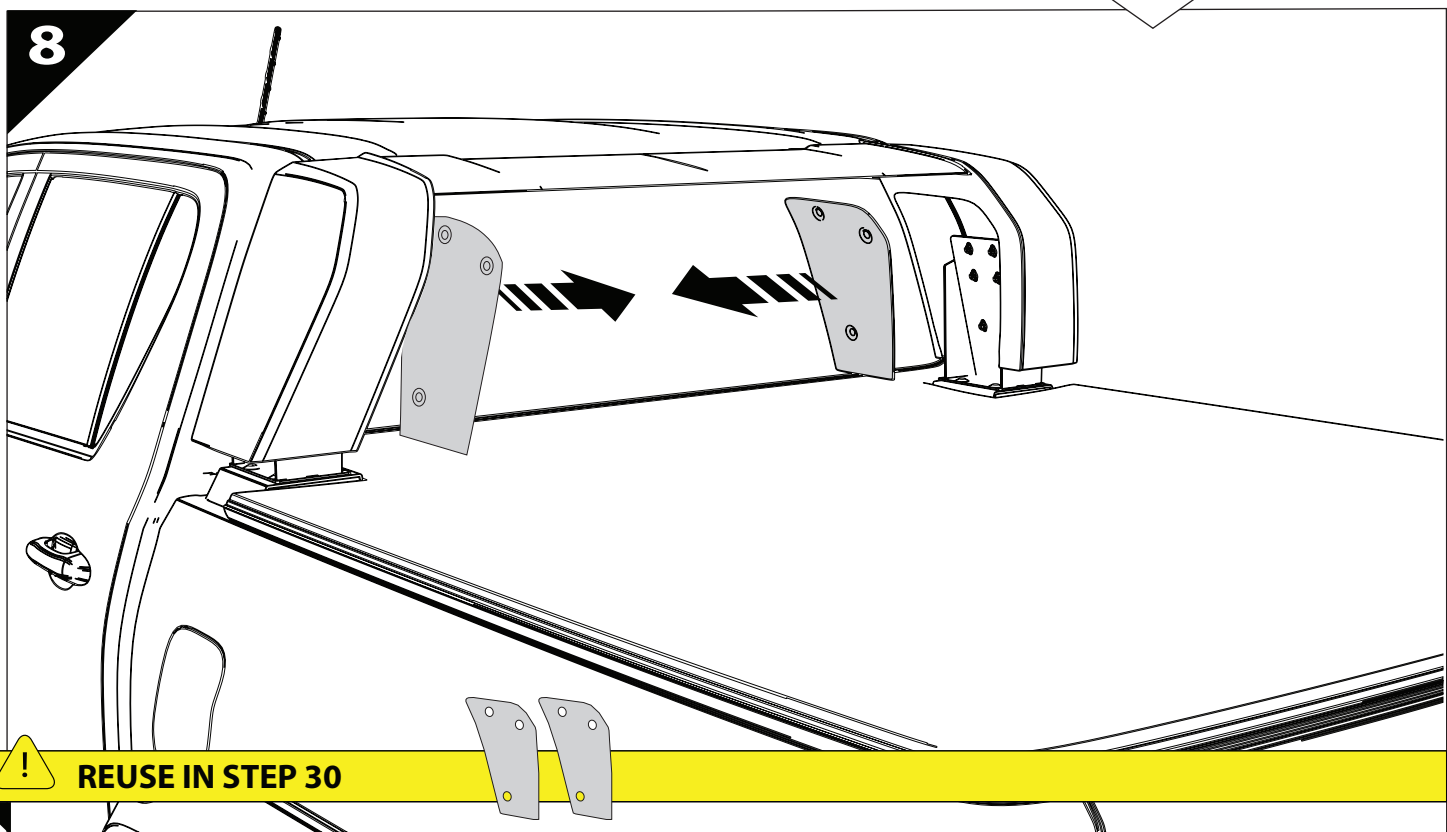
7



10 mm

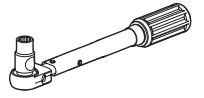
 **REUSE IN STEP 31** 

8

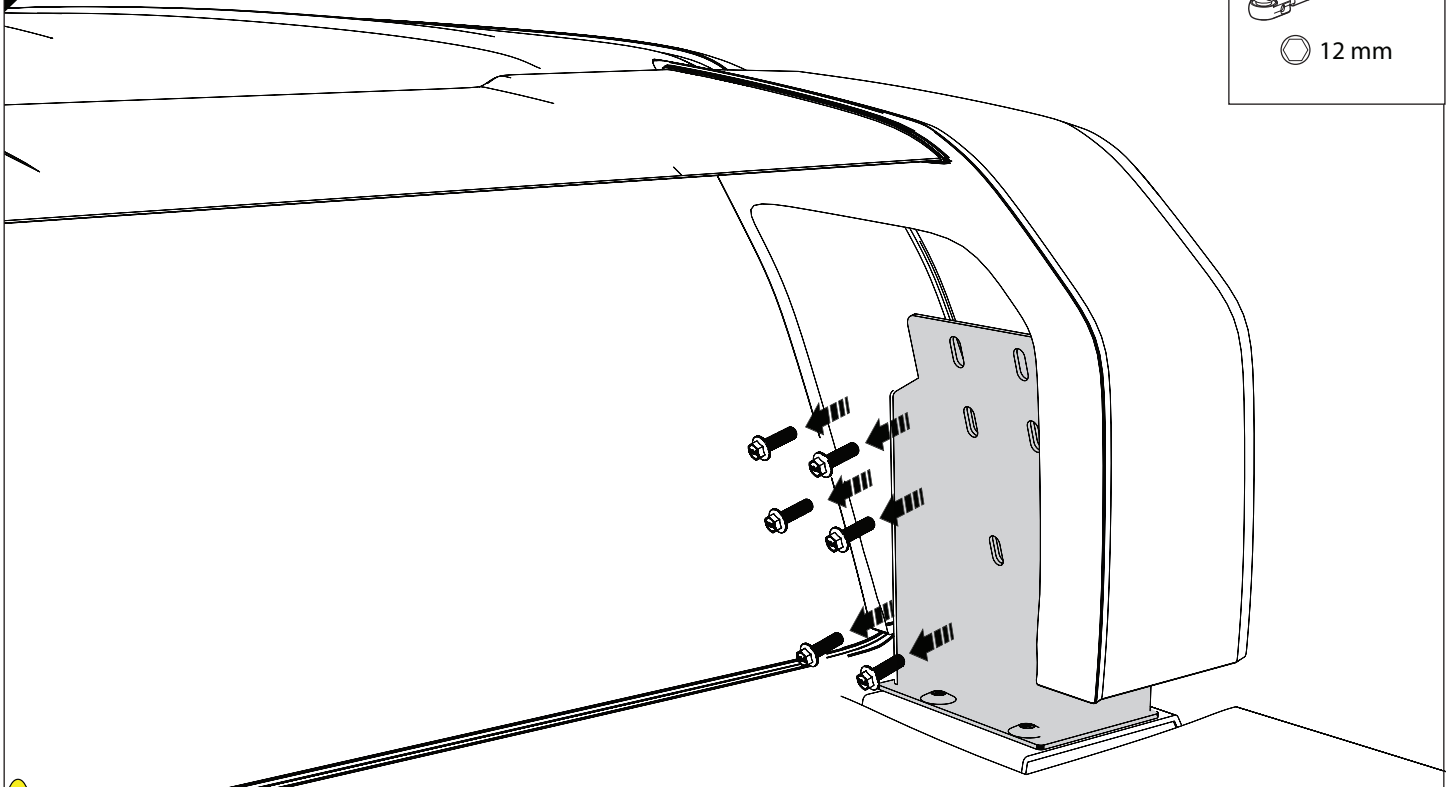



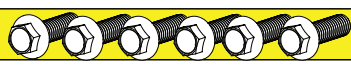
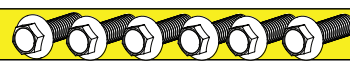
 **REUSE IN STEP 30** 

9

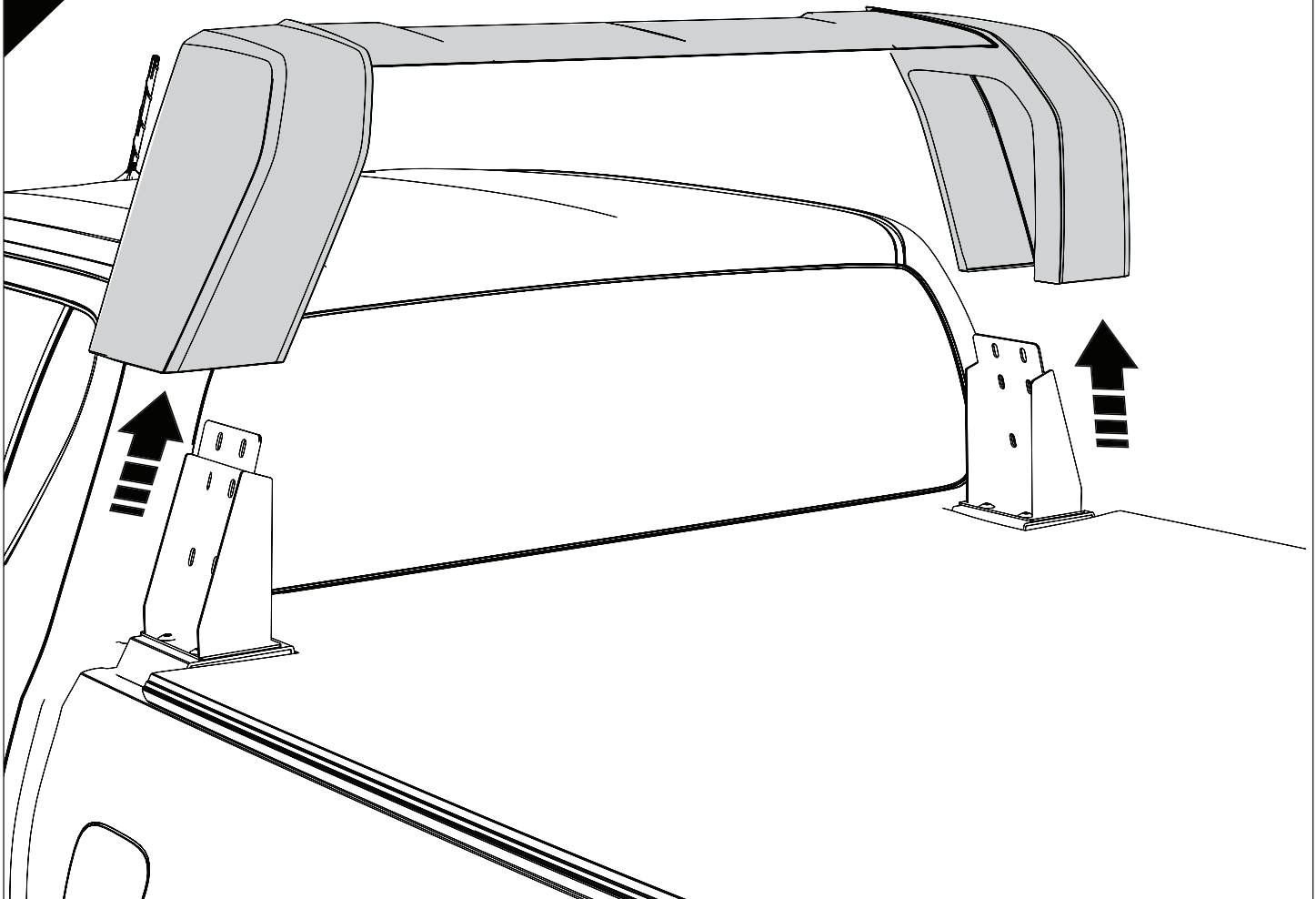


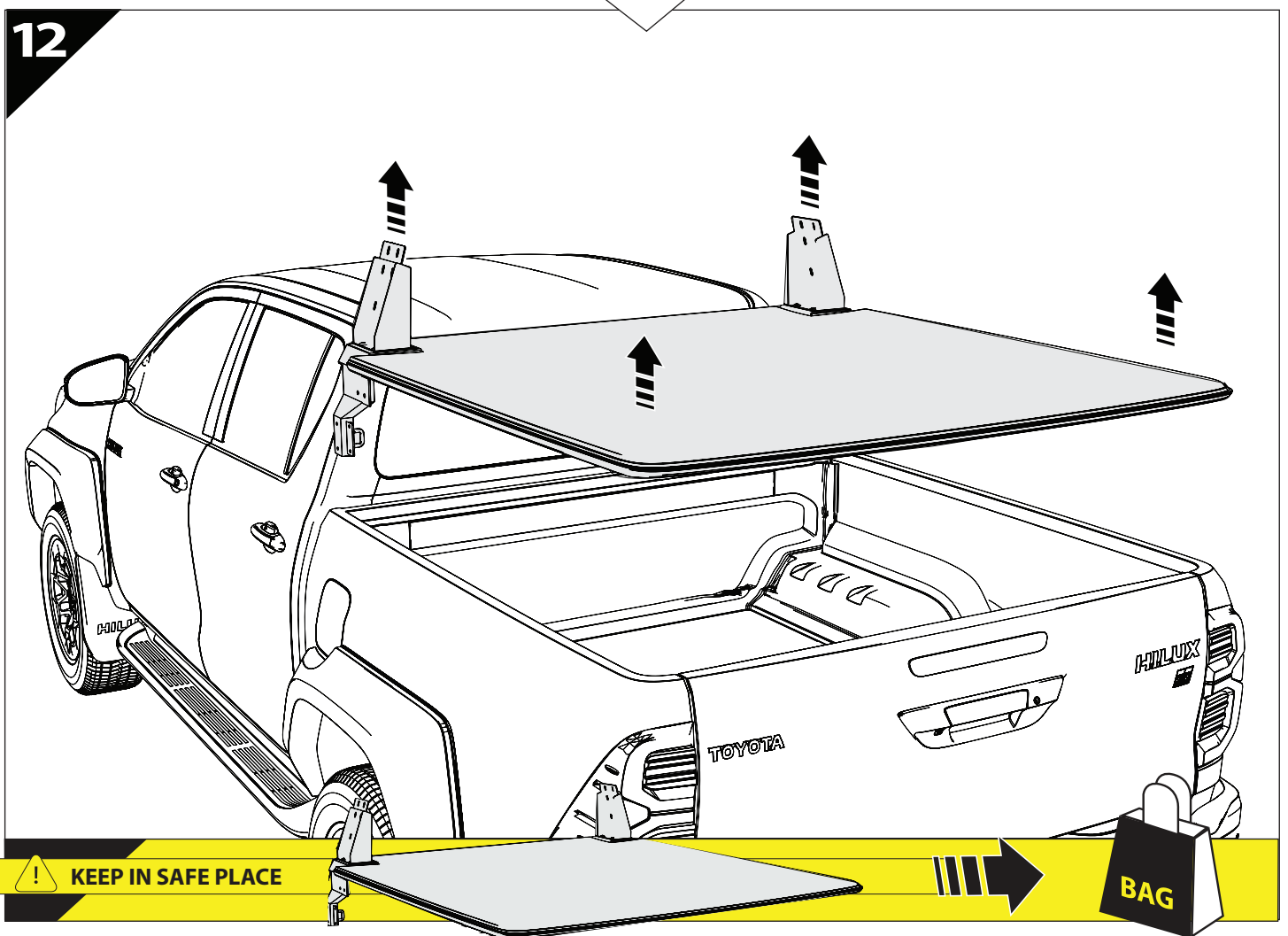
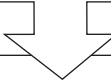
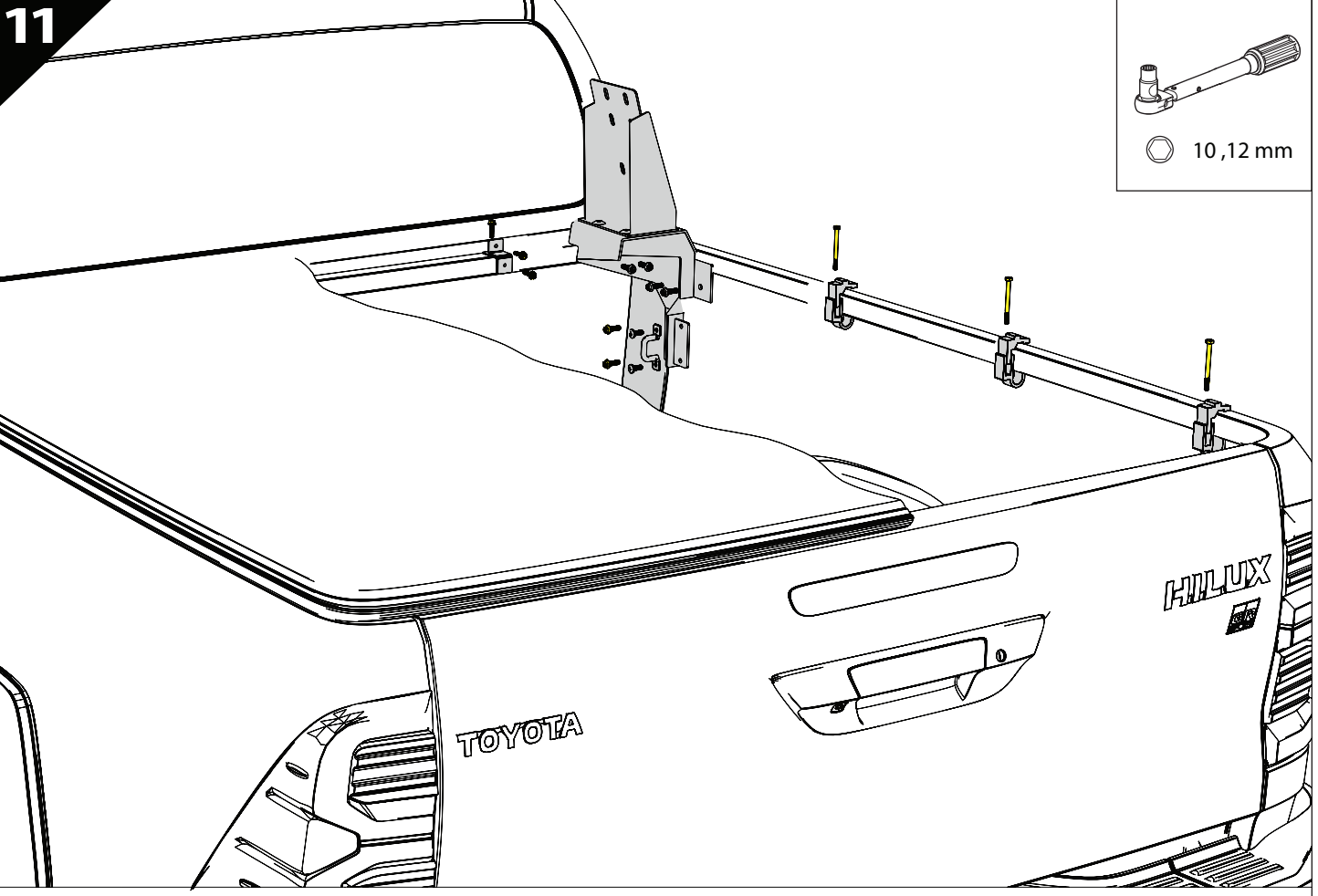
12 mm

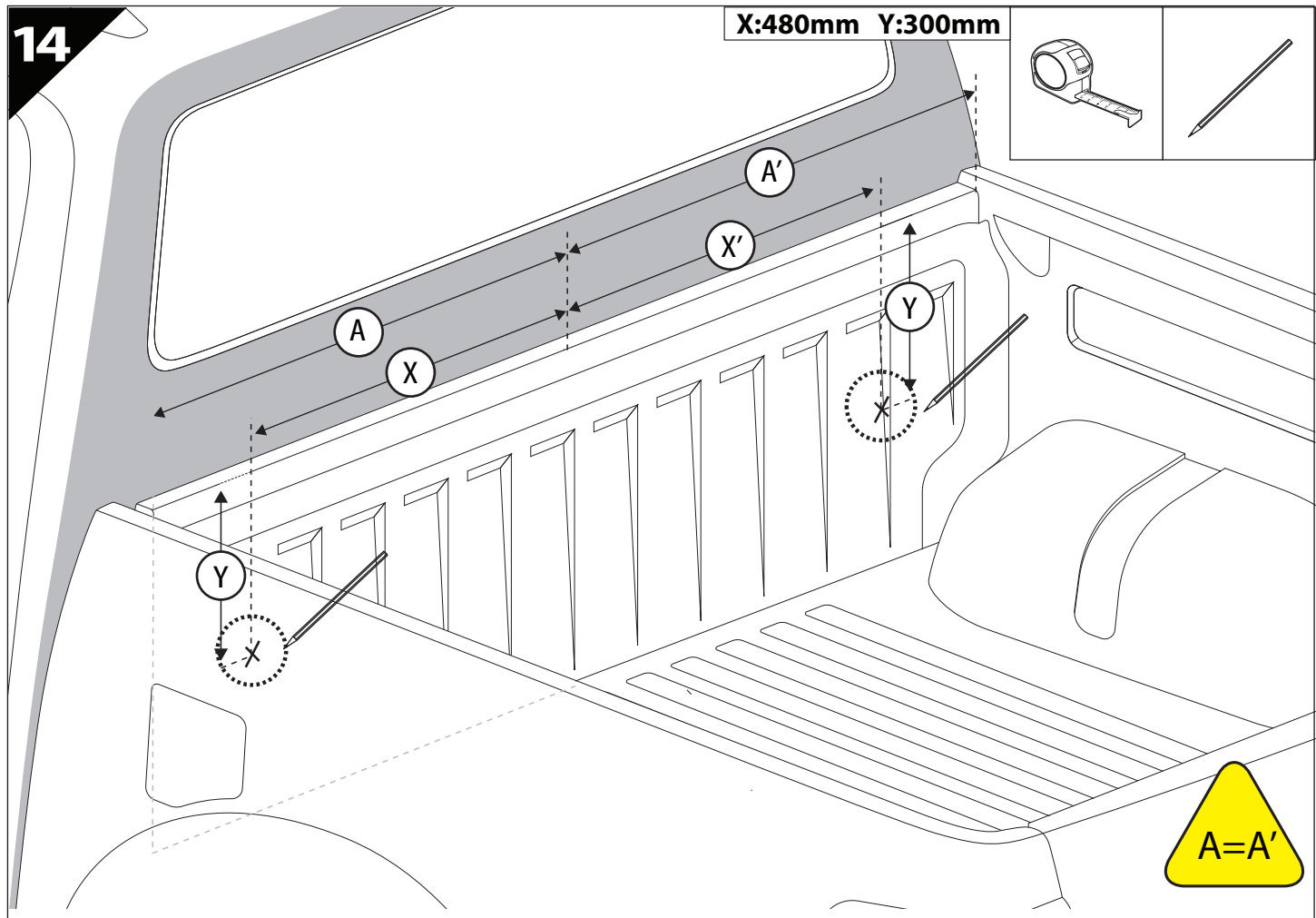
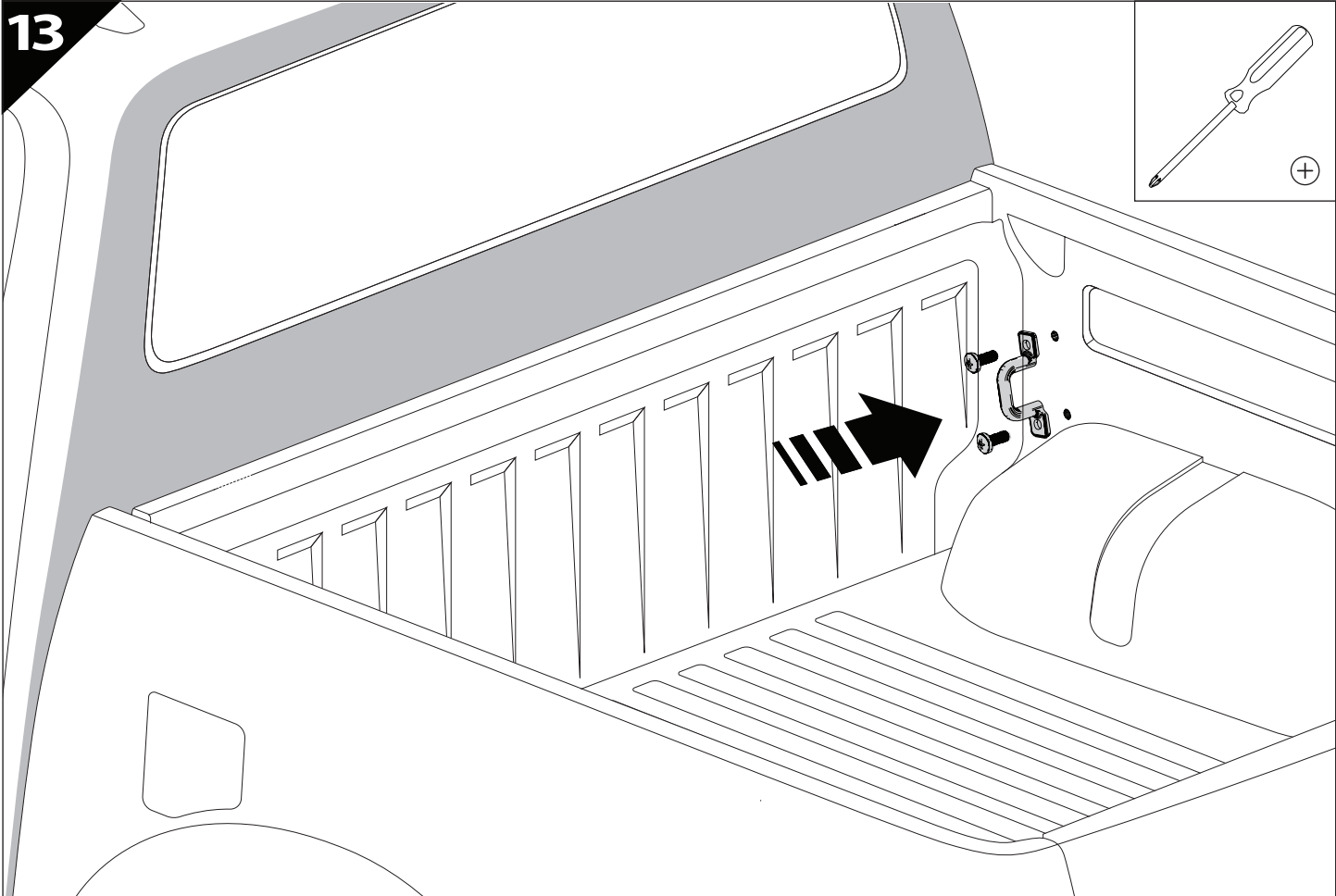


 **REUSE IN STEP 29**  

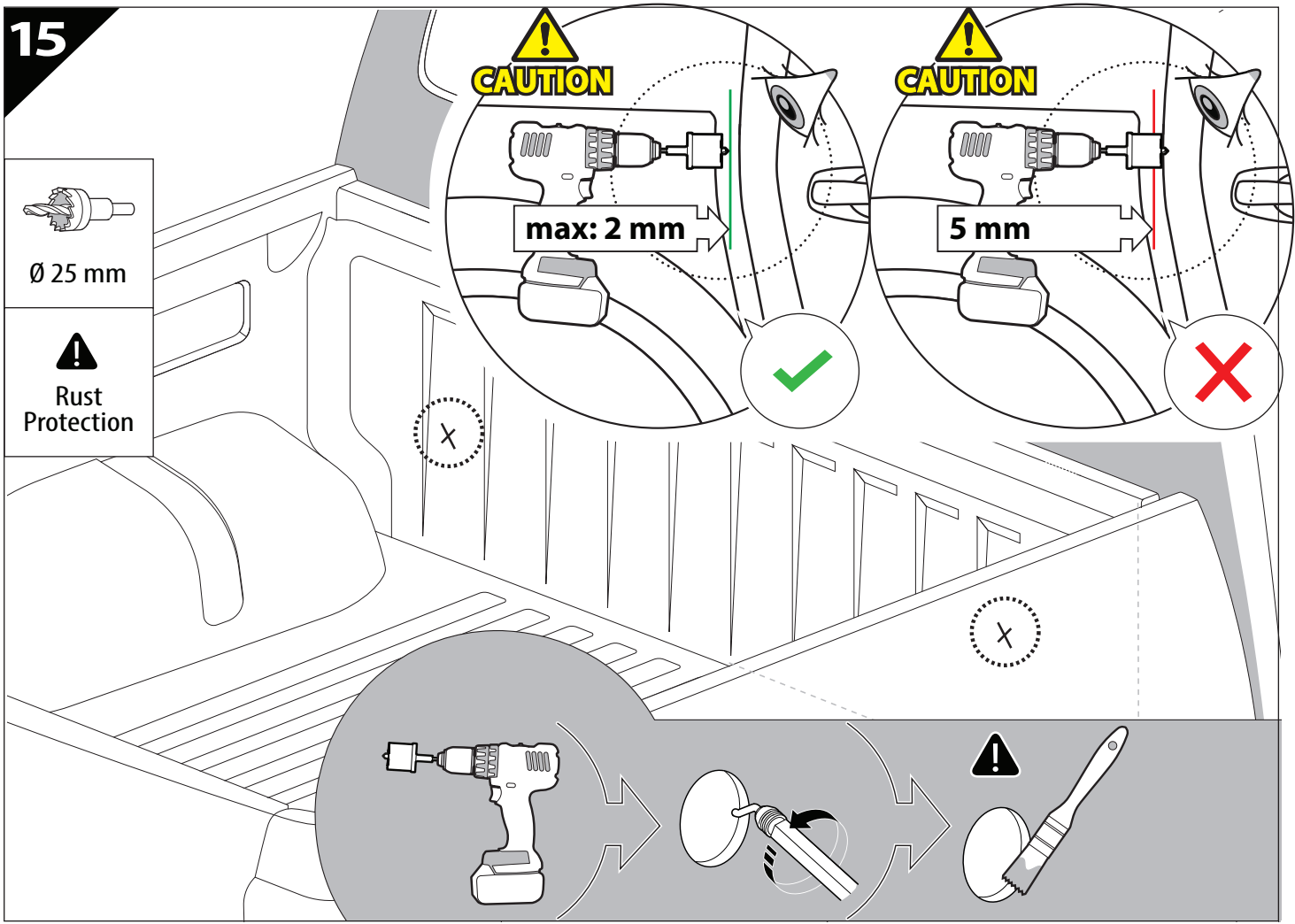
10



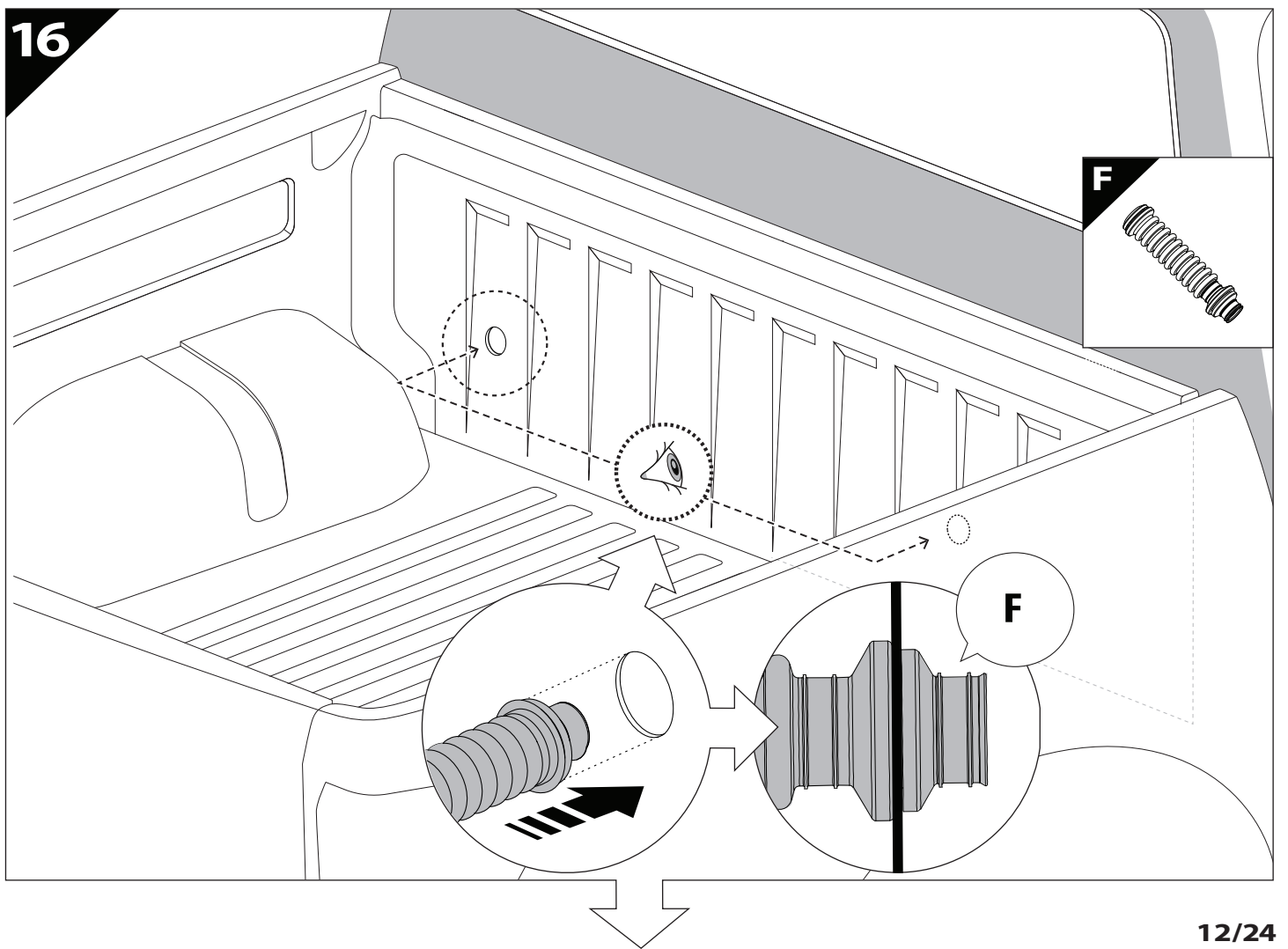




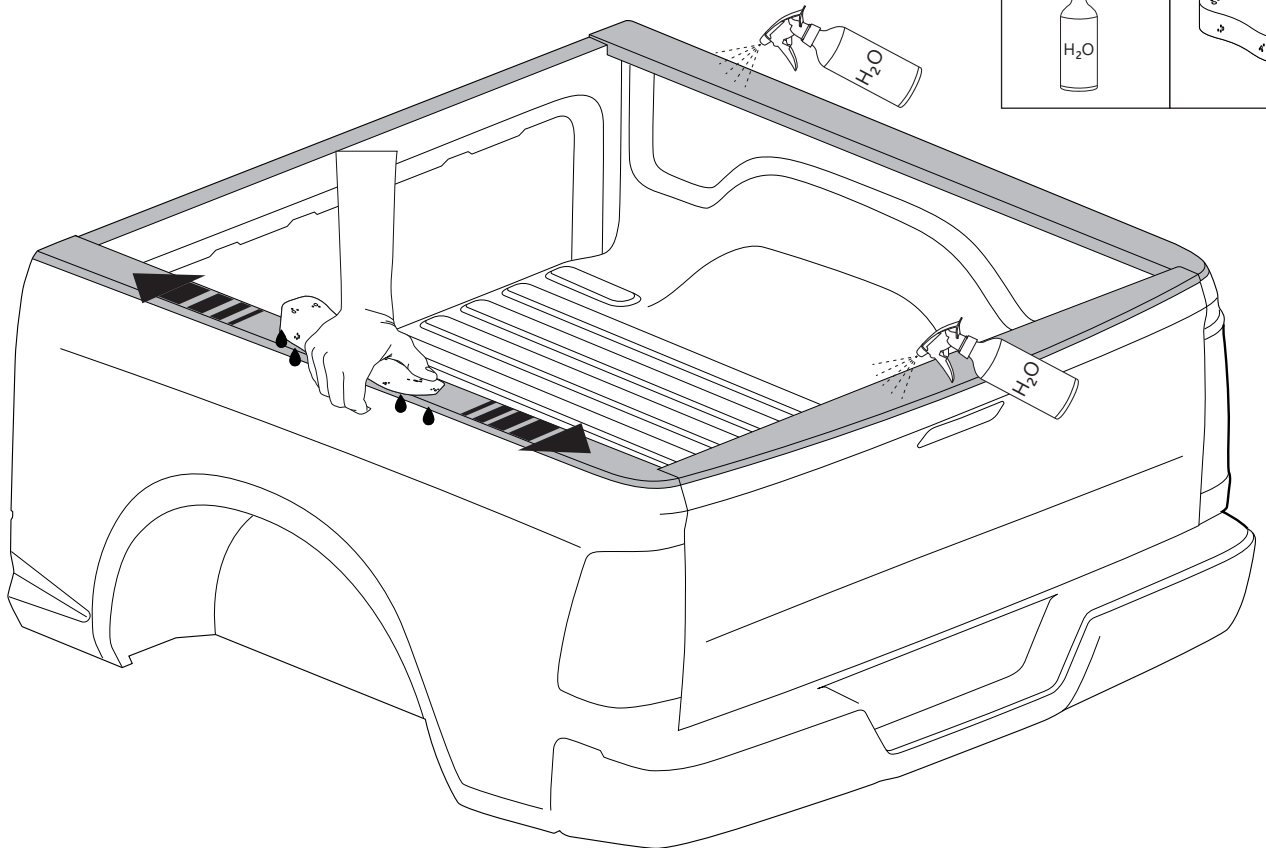
15



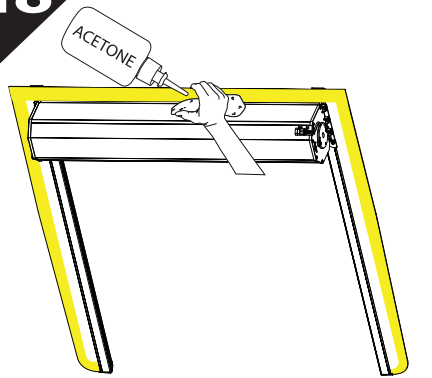
16



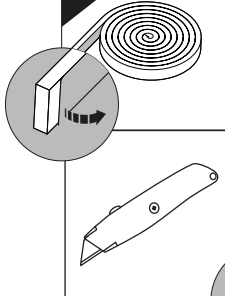
17



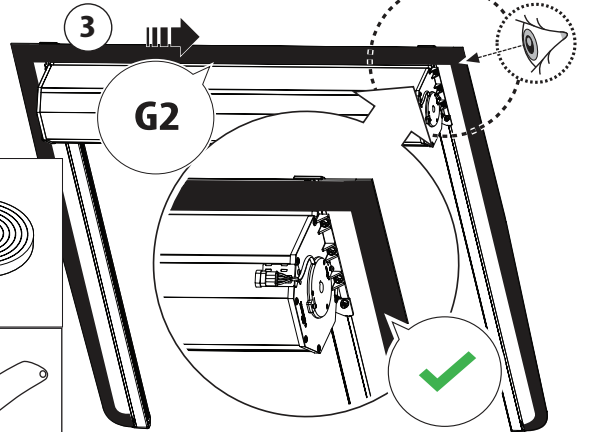
18



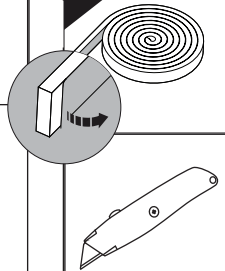
G1



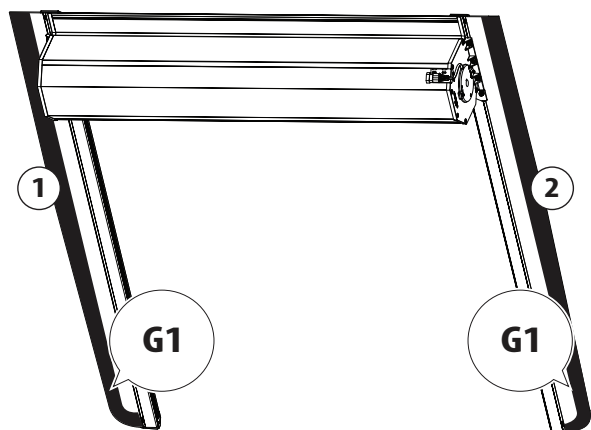
19



G2



1

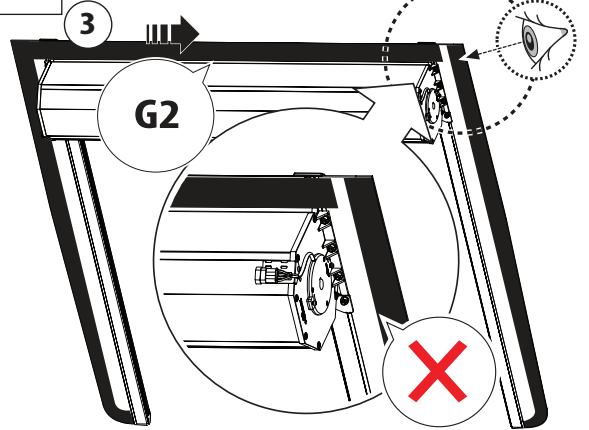


2

G1

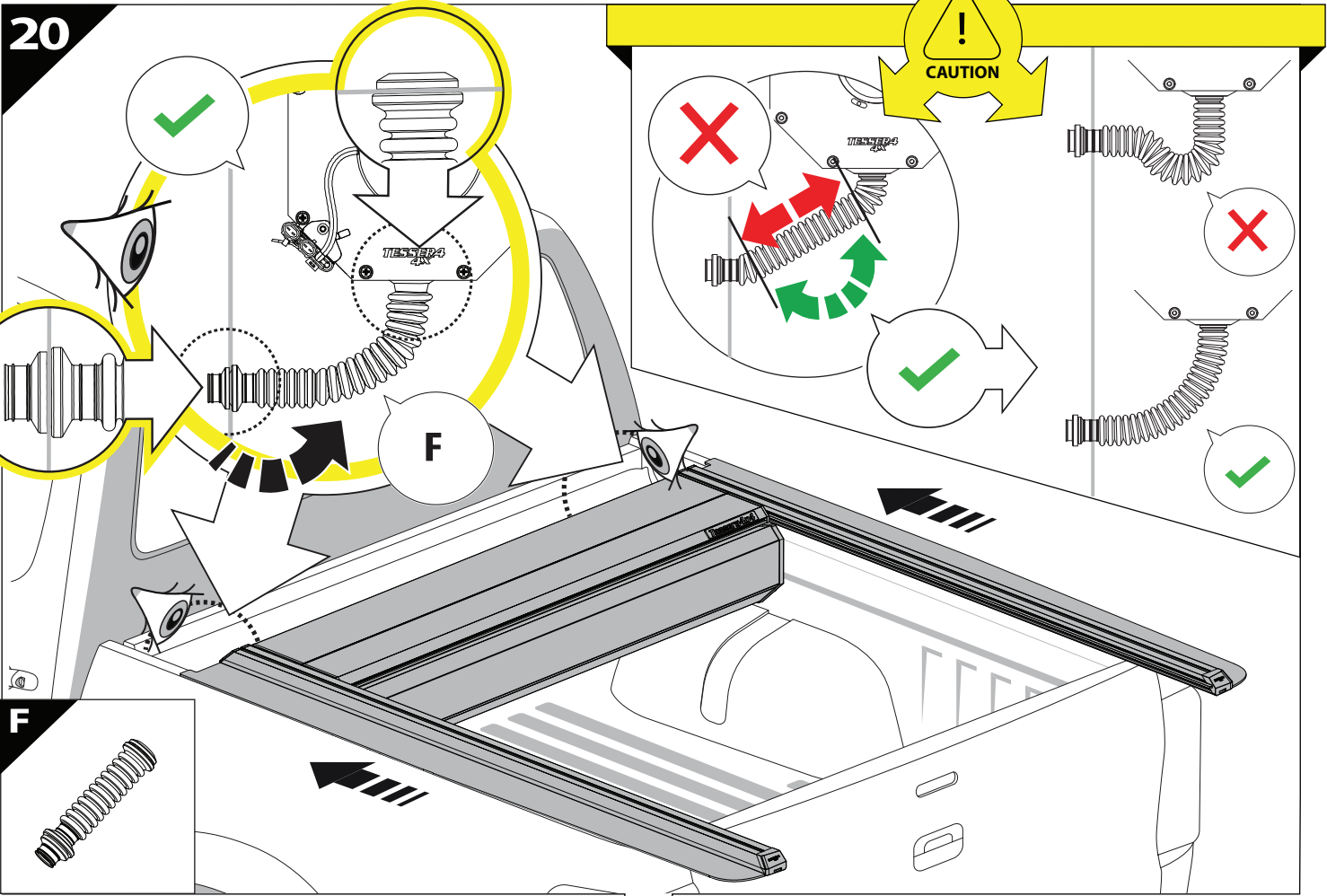
G1

3

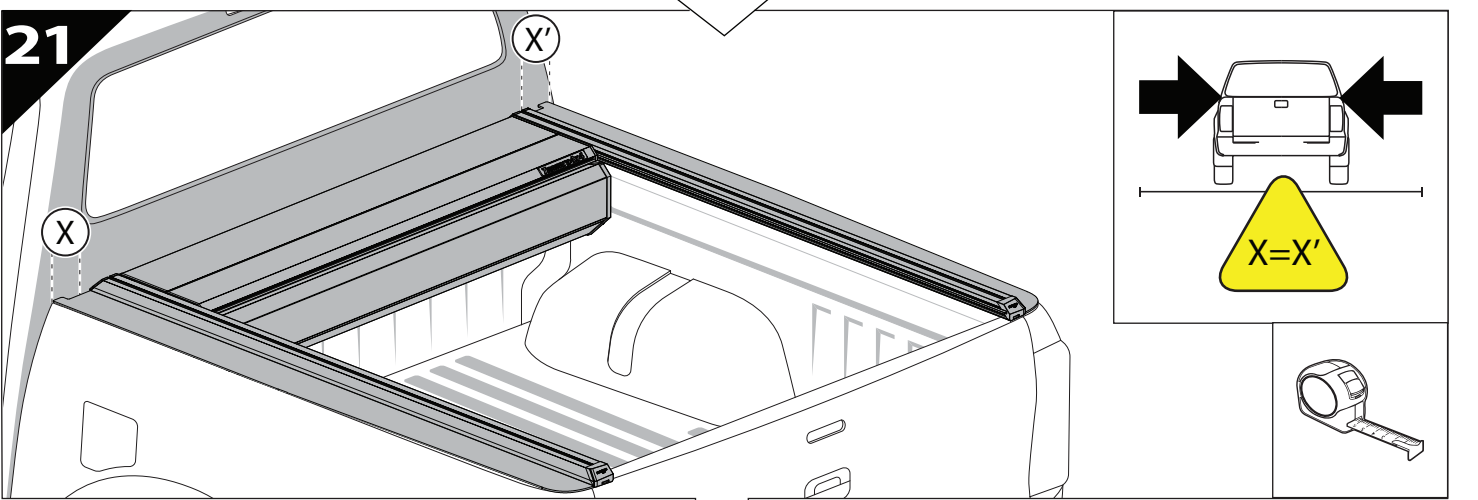


G2

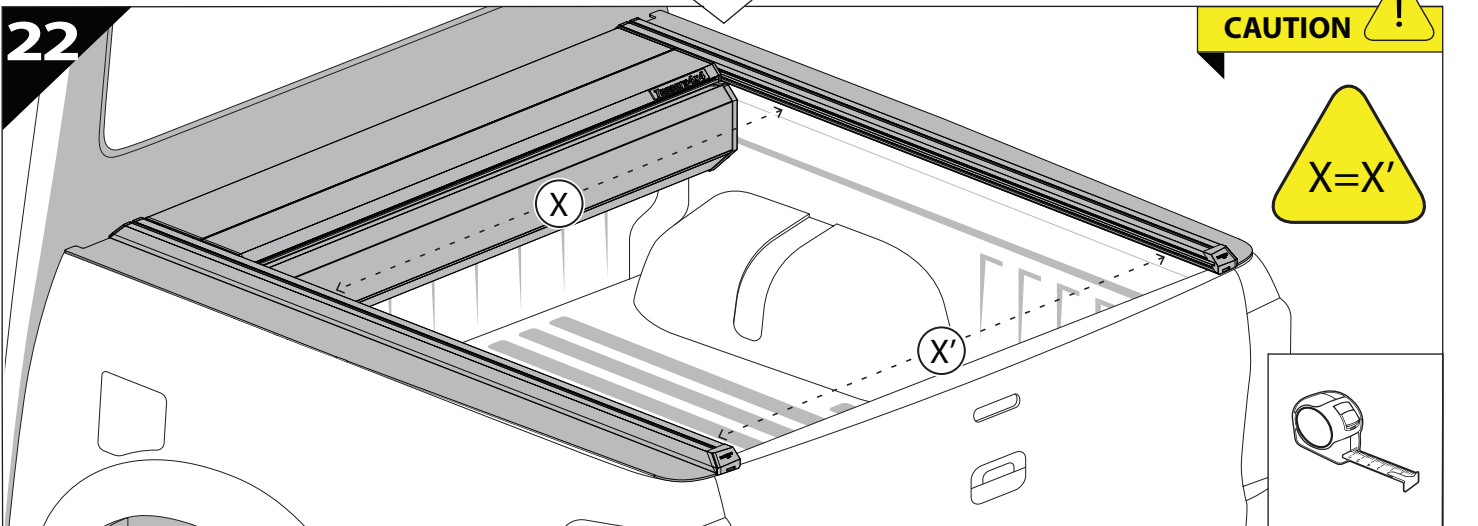
20



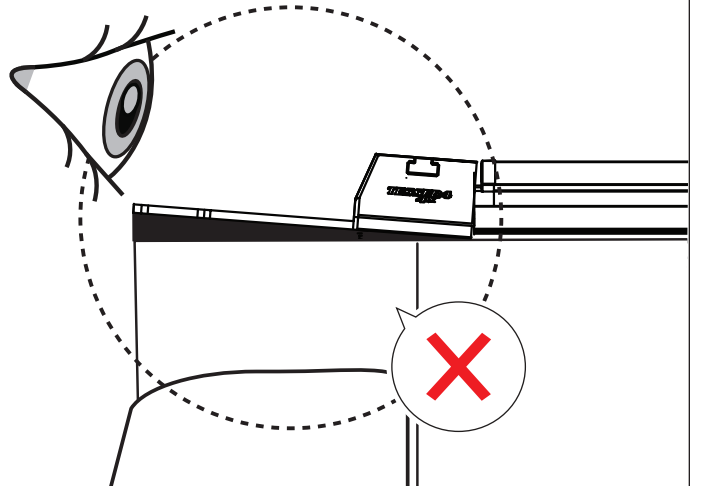
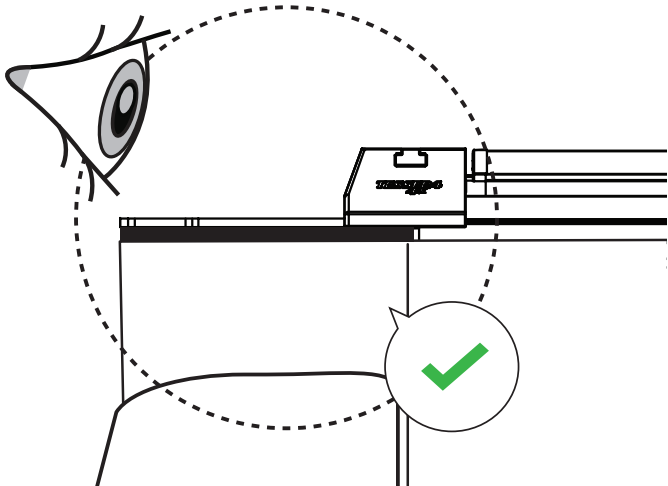
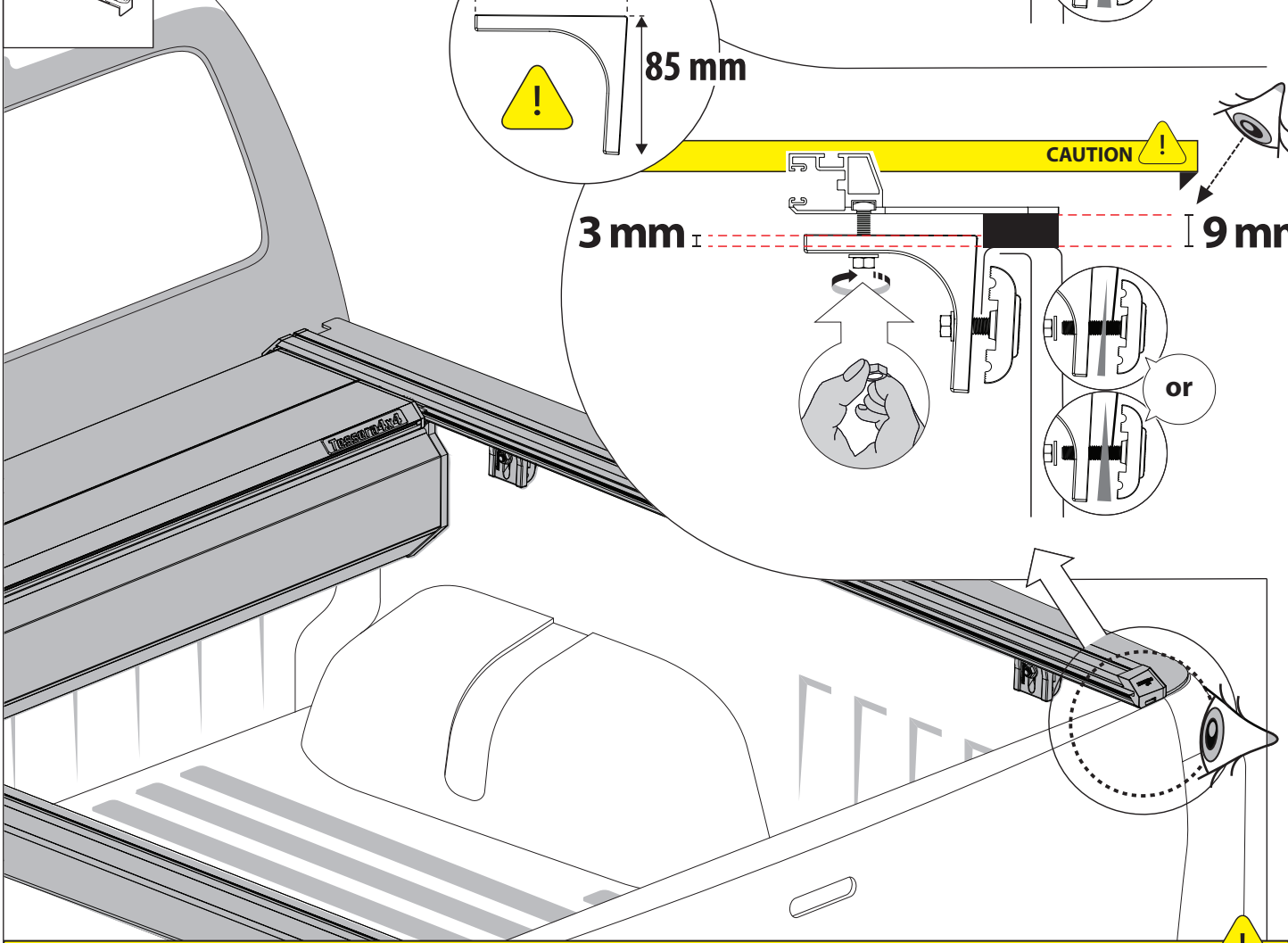
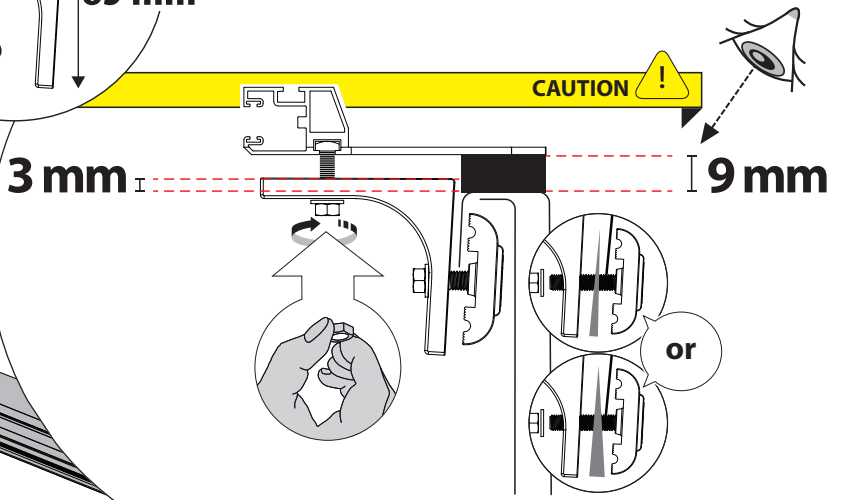
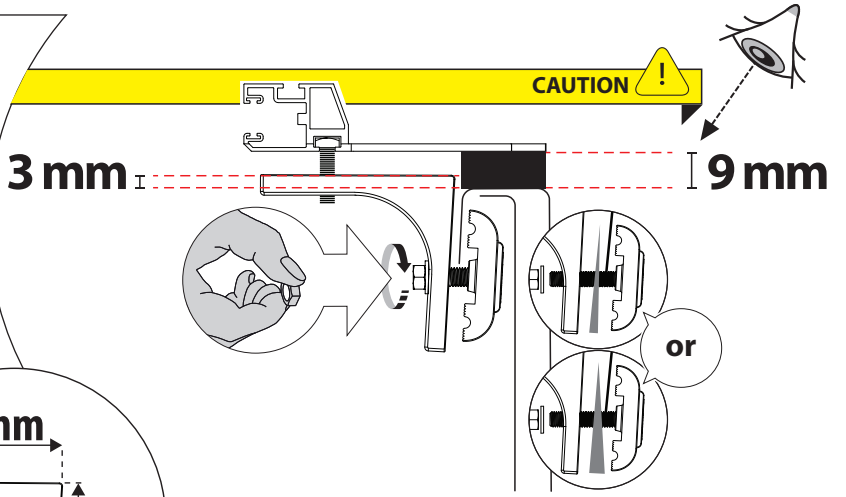
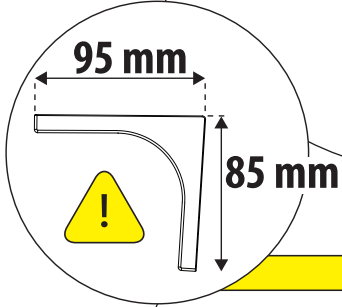
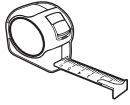
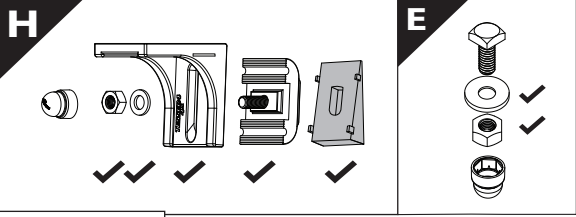
21

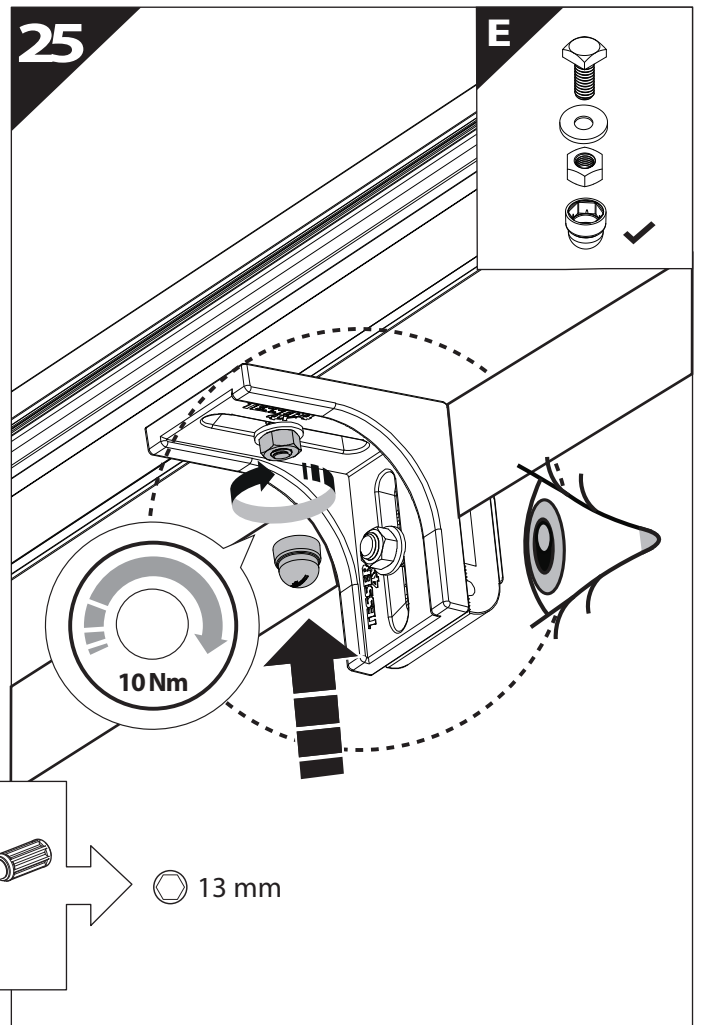
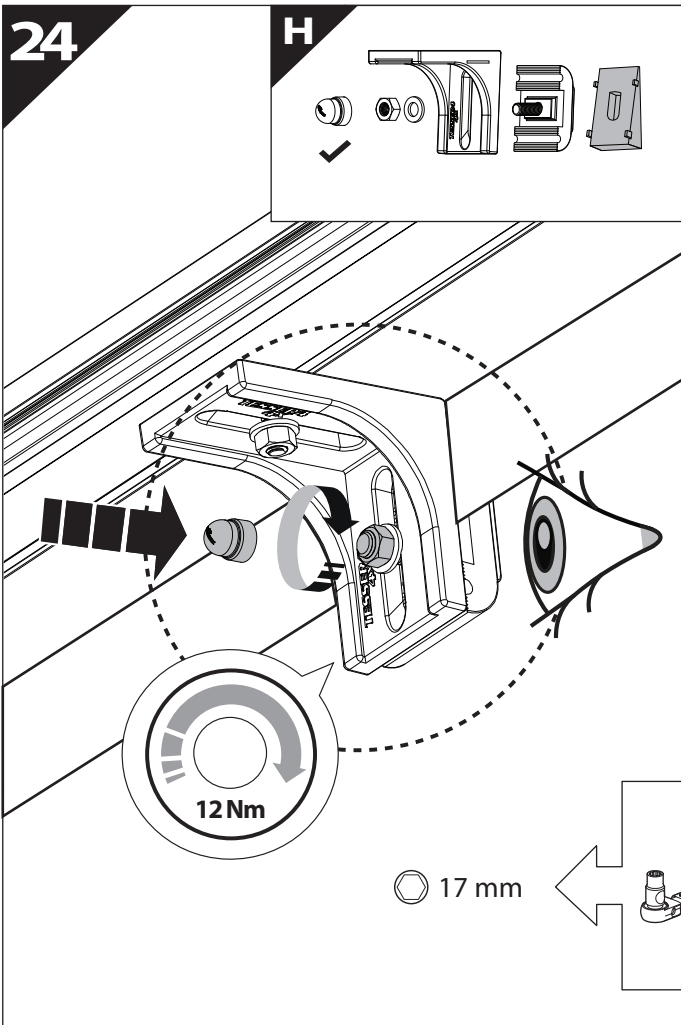


22

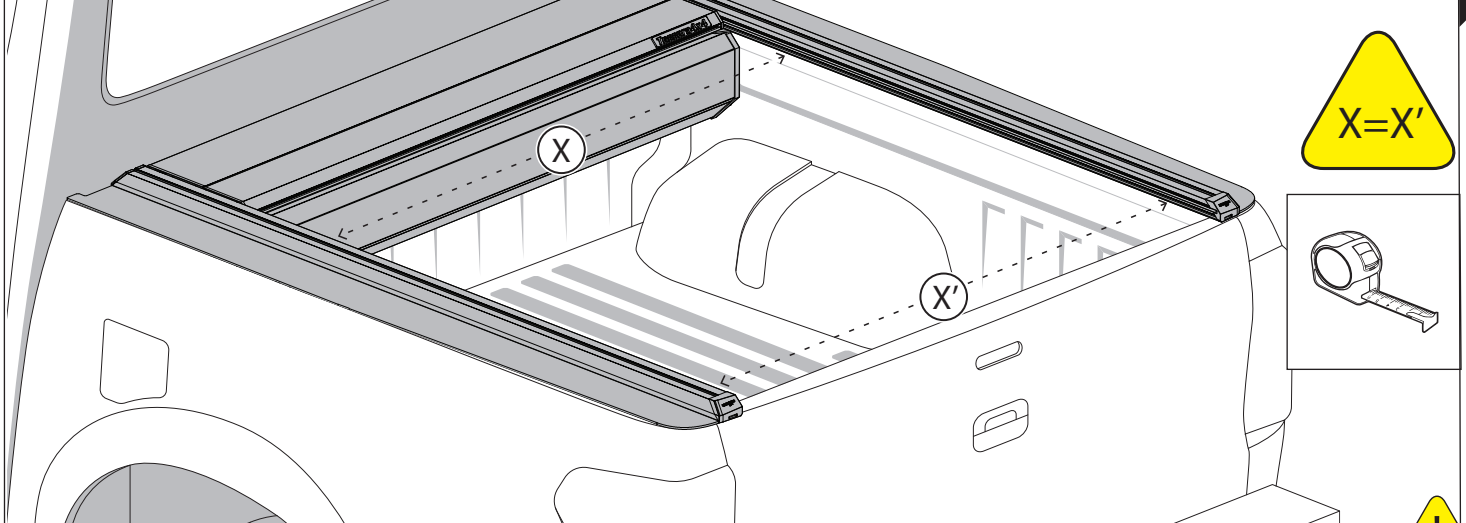


23

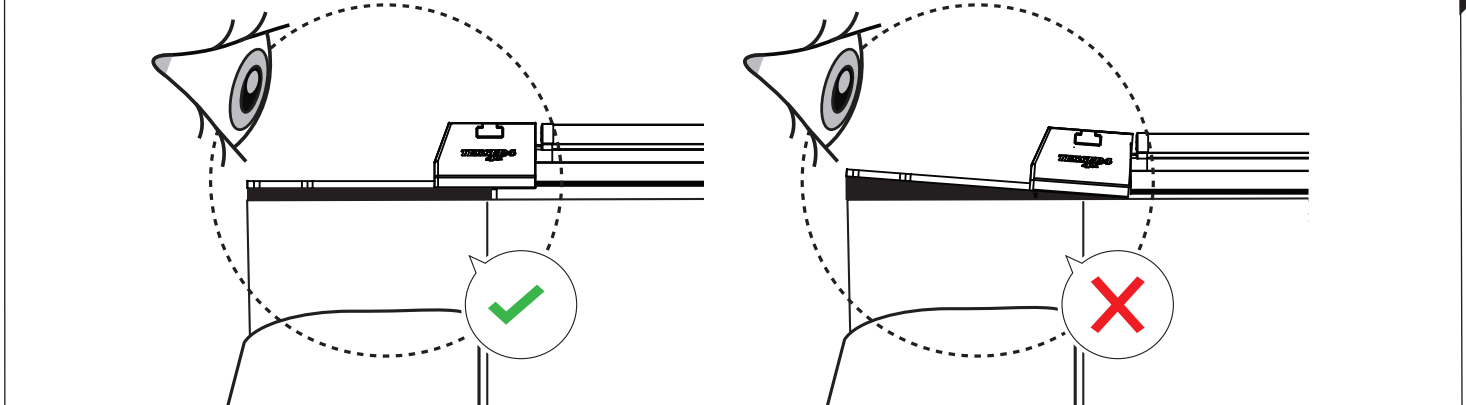




**CAUTION** !

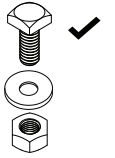


**CAUTION** !

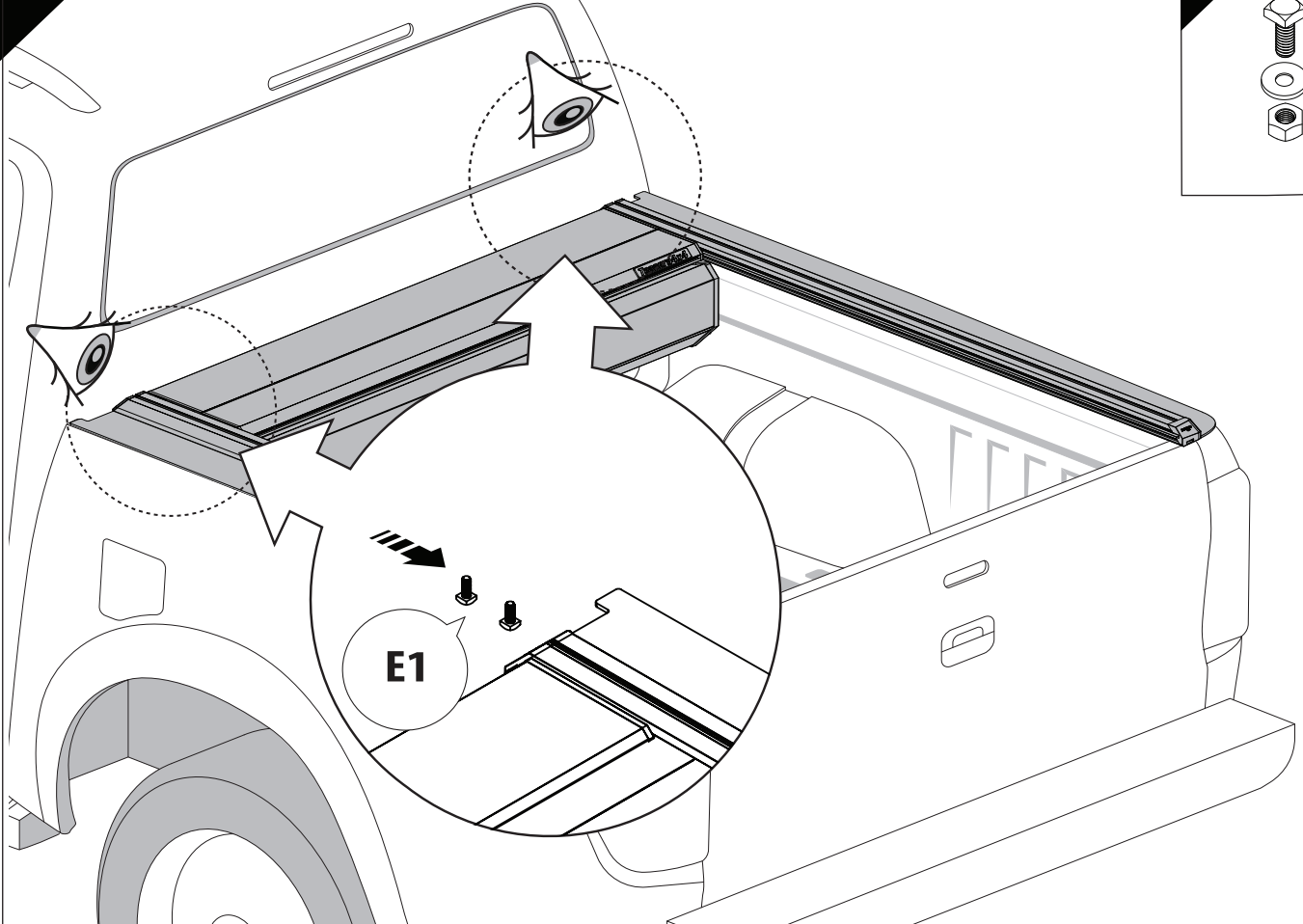


26

E1



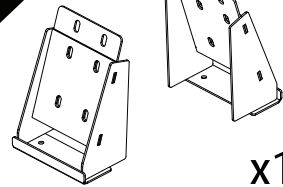
x4



27

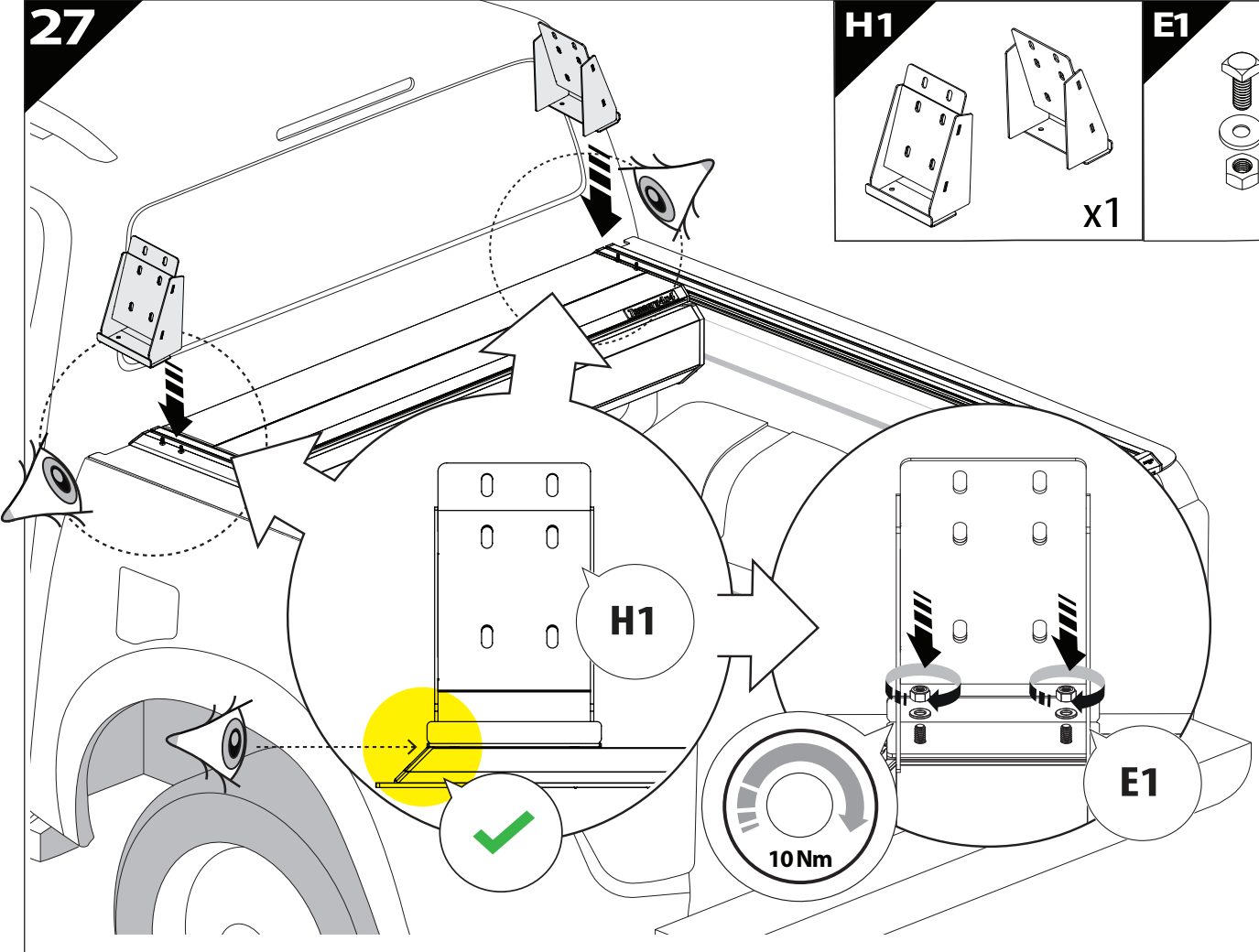
H1

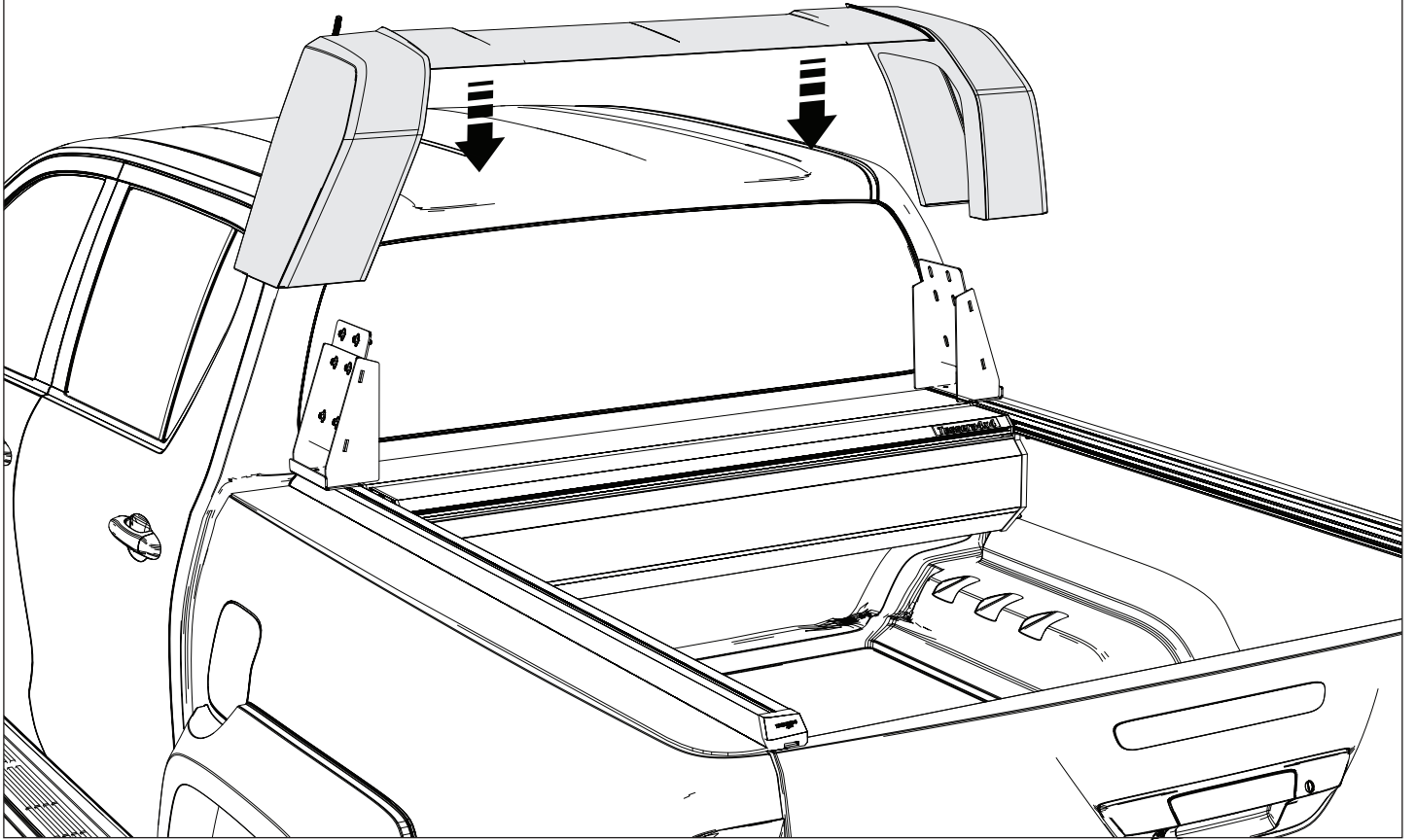
E1



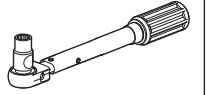
x1

x4

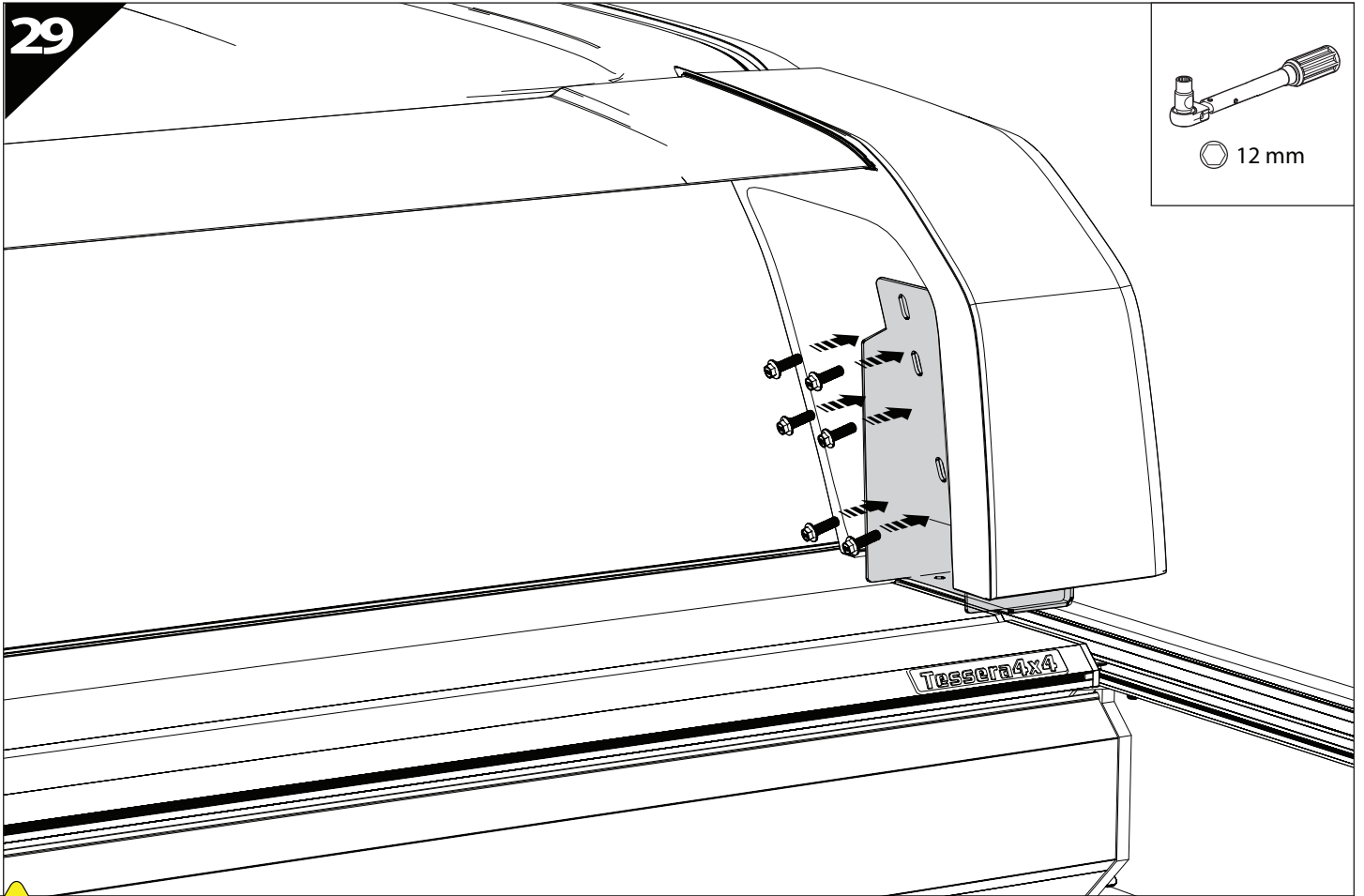




29



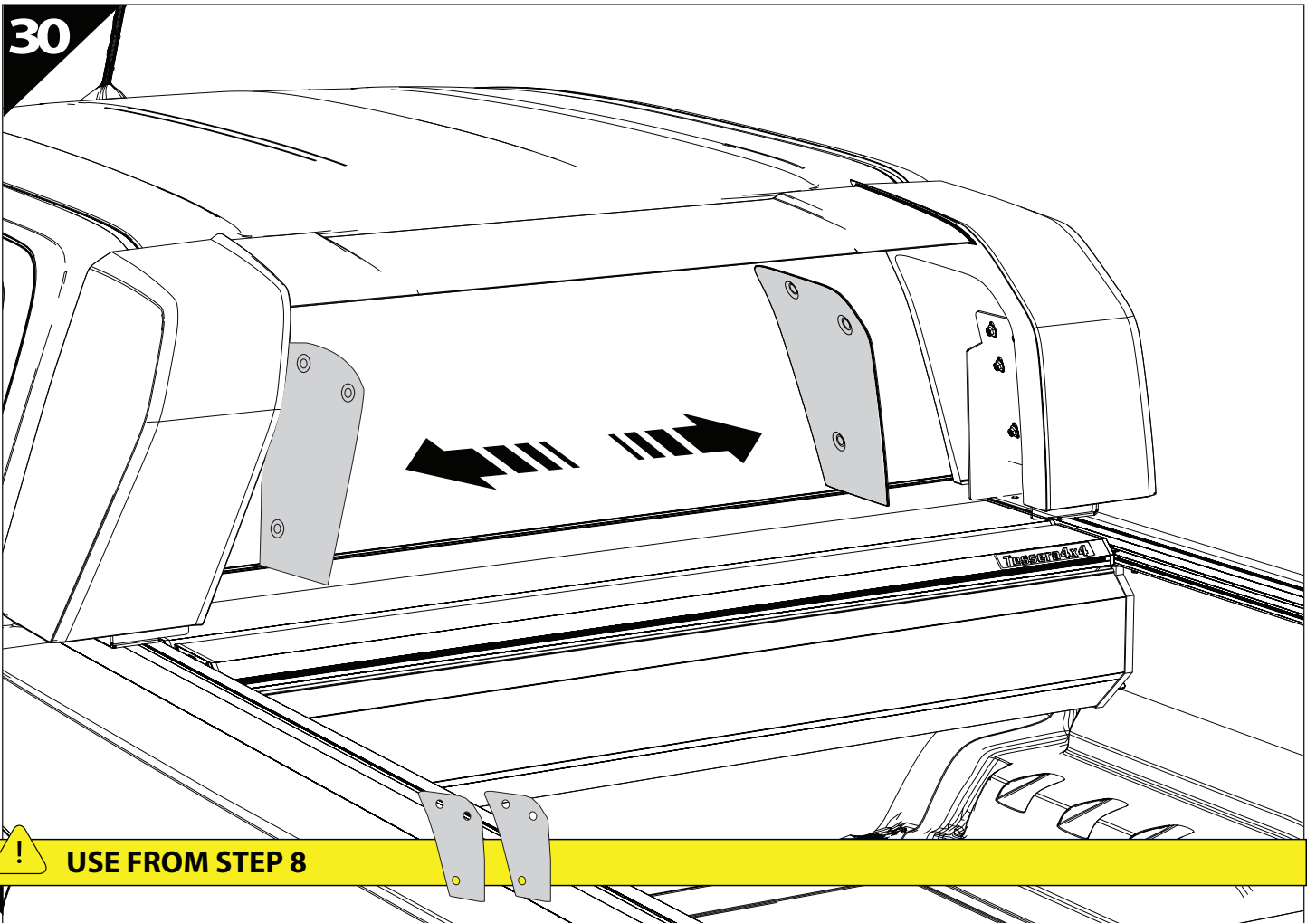
12 mm



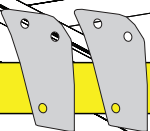
USE FROM STEP 9



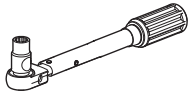
30



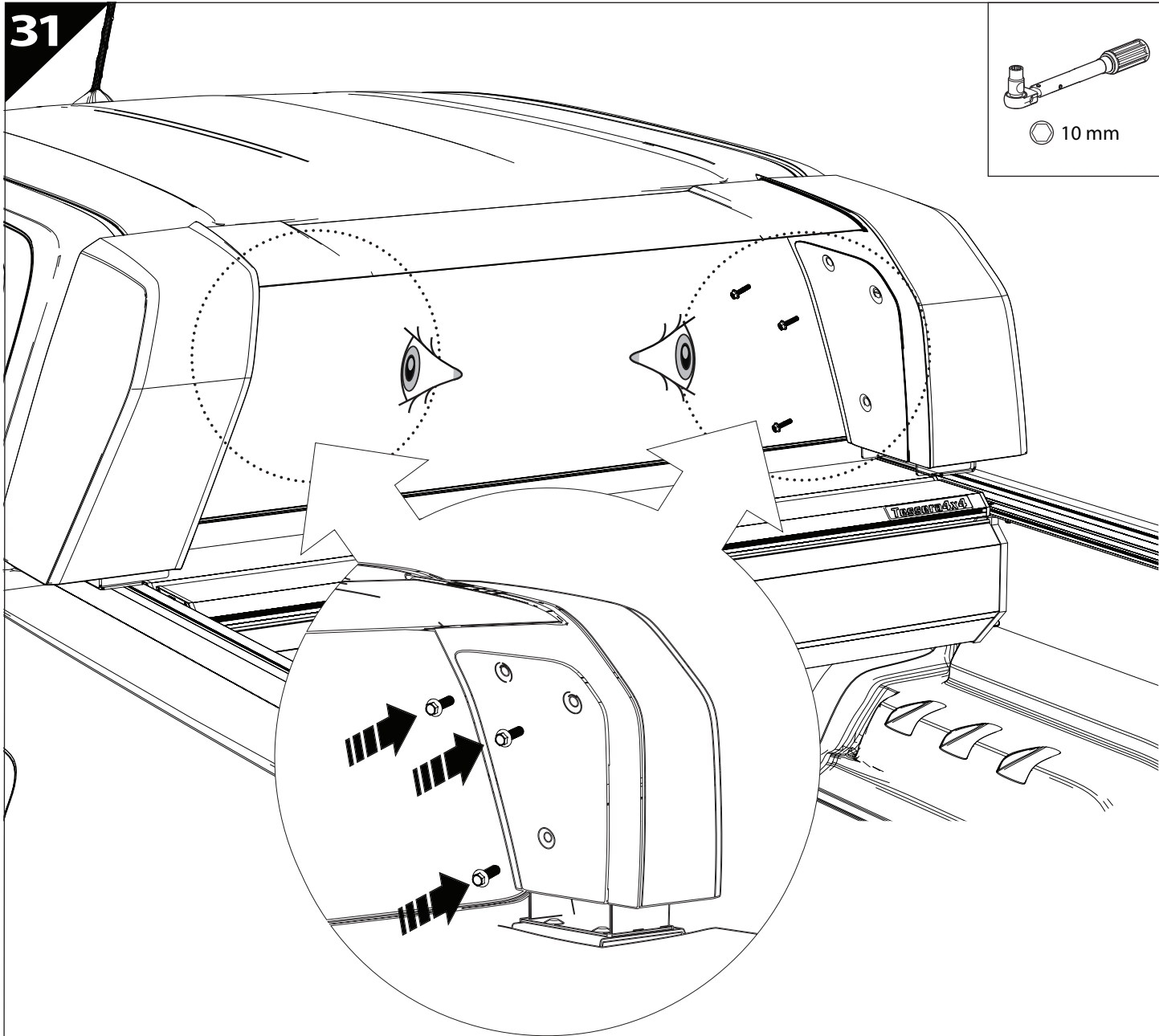
USE FROM STEP 8



31



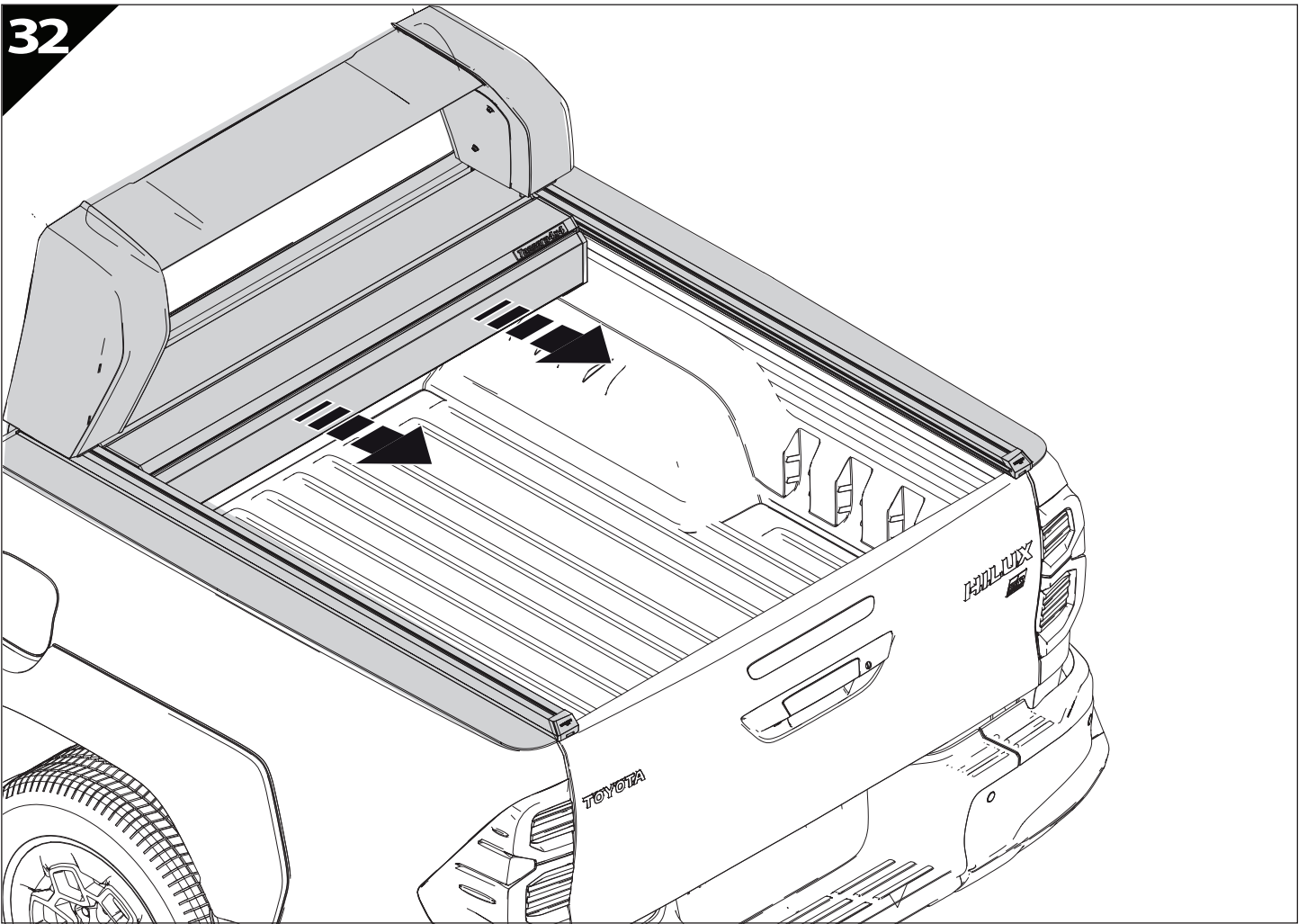
10 mm



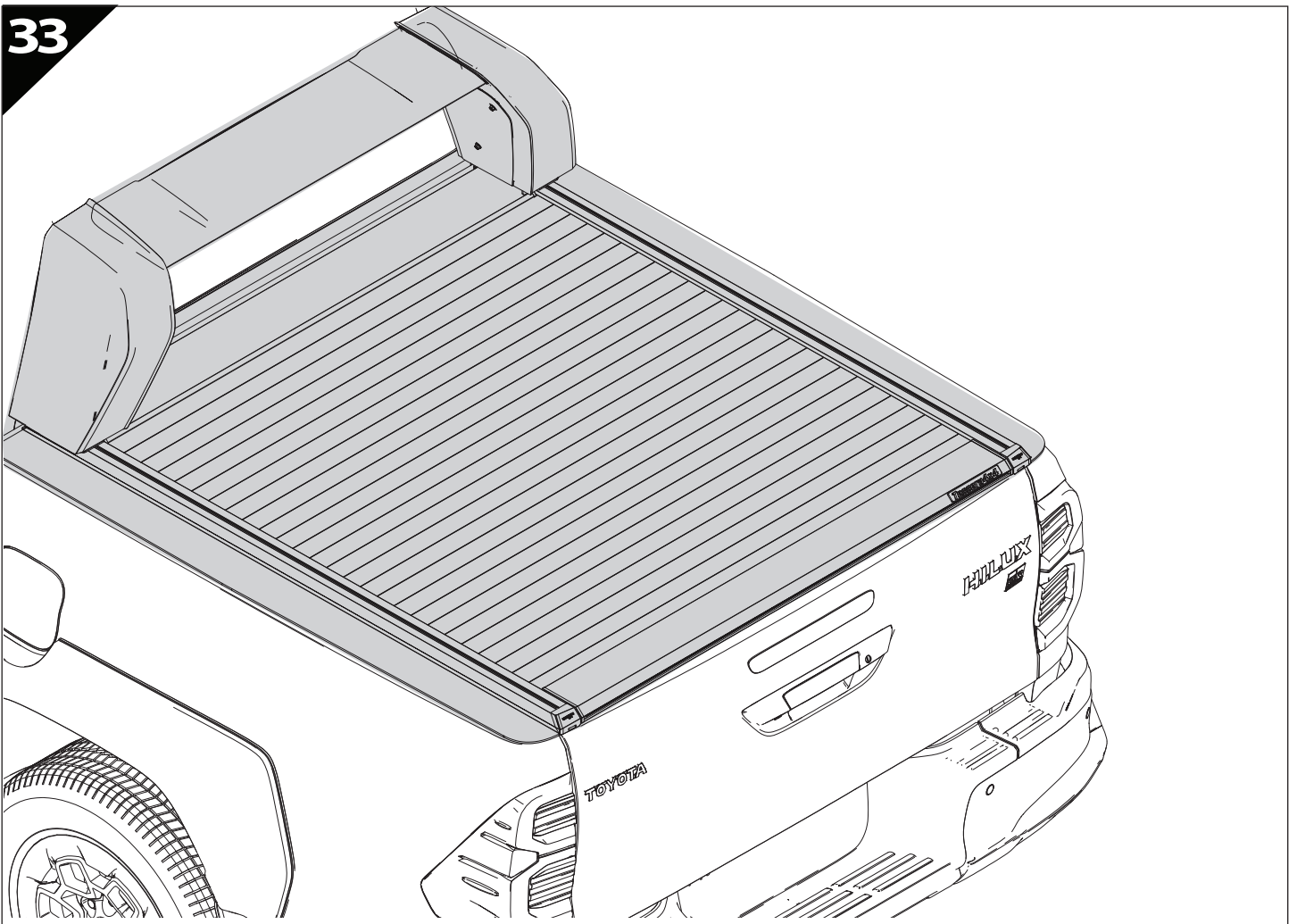
USE FROM STEP 7



32



33









**GR:** Οδηγίες Εγκατάστασης  
**GB:** Installation manual  
**SF:** Asennusohje  
**F:** Notice de montage  
**PL:** Instrukcja montażu  
**NL:** Installatie-instructies  
**TR:** Montaj Talimatı  
**S:** Monteringsanvisning  
**E:** Instrucciones de montaje

**H:** Szerelési utasítás  
**P:** Instruções de instalação  
**RUS:** Инструкция по установке  
**N:** Monteringsveiledning  
**D:** Einbauanleitung  
**CZ:** Návod k instalaci  
**I:** Istruzioni de montaggio  
**DK:** Monteringsvejledning  
**RO:** Instructiuni de instalare

Customer Service:

+30 (210) 5541161, +30 (210) 5541154 (08:00 - 16:00 EET)

Support department:

[info@gianso.gr](mailto:info@gianso.gr)

Website:

[www.tessera4x4.com](http://www.tessera4x4.com)

Address:

19.5 km of National road Athens-Korinthos (Elefsina) Greece, P.C: 19200