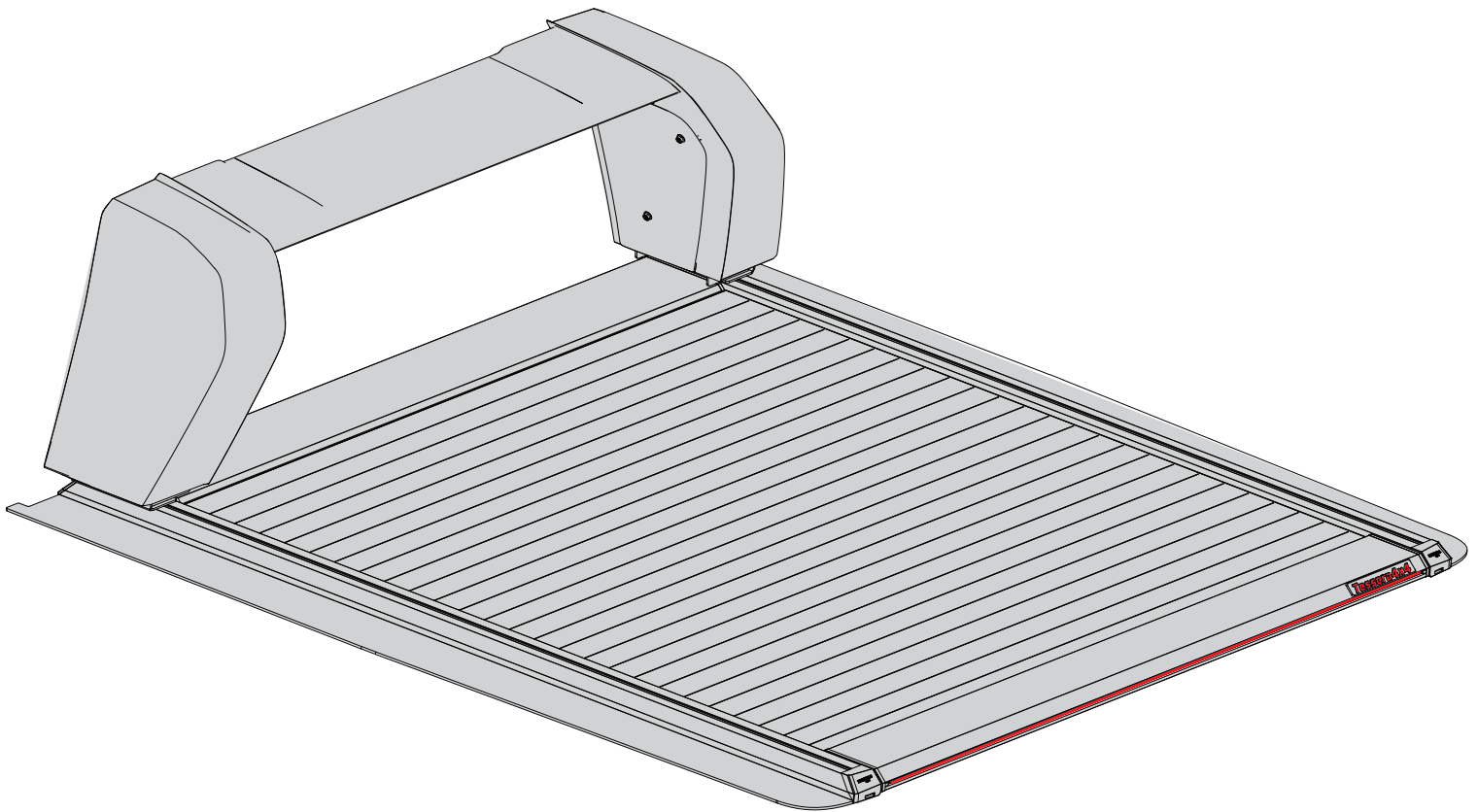


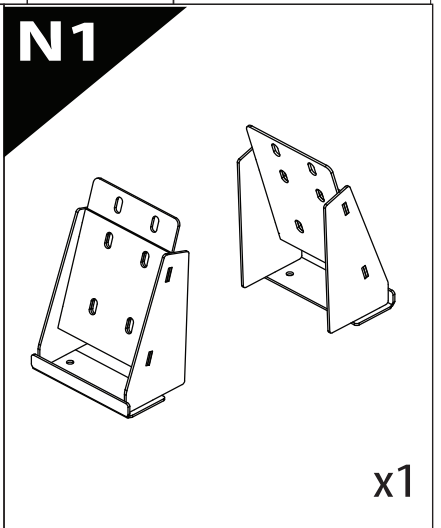
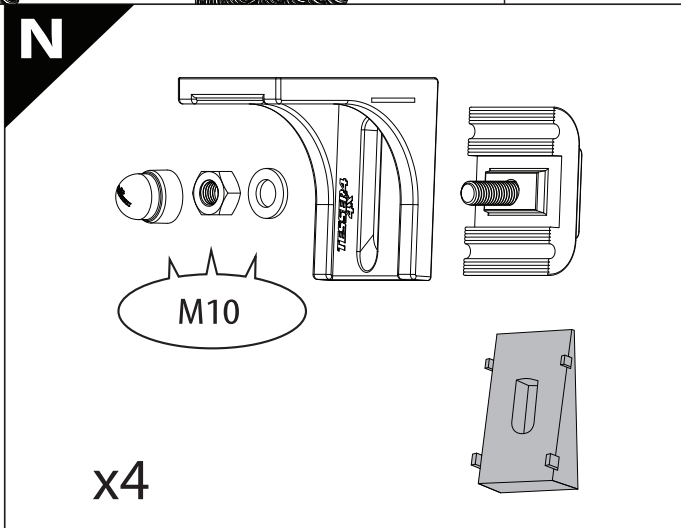
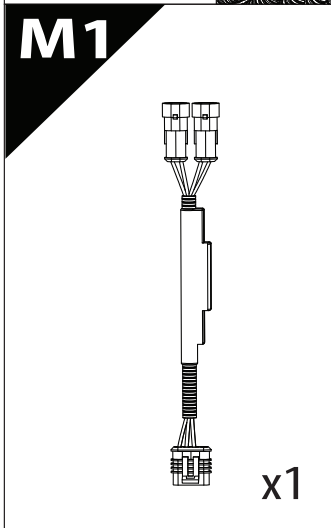
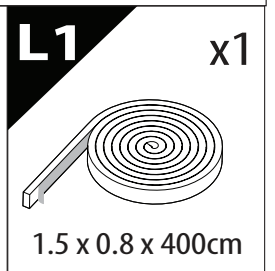
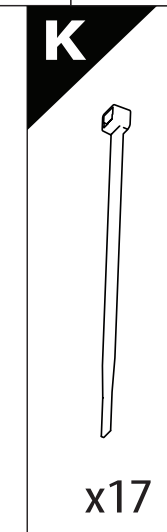
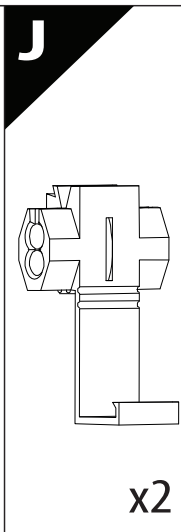
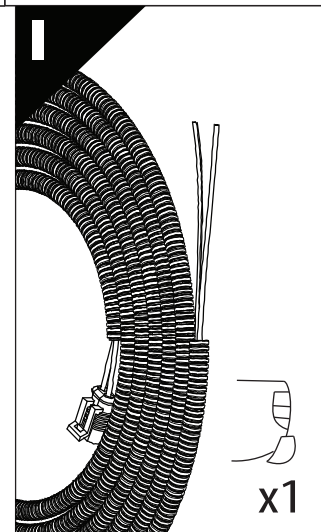
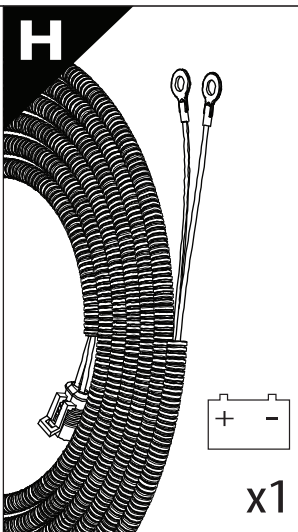
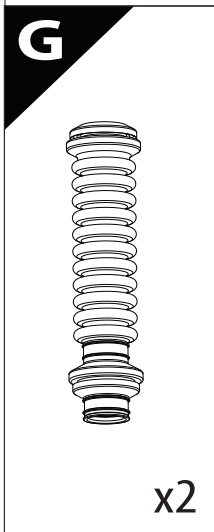
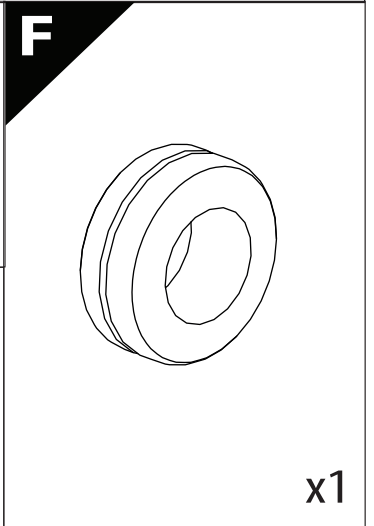
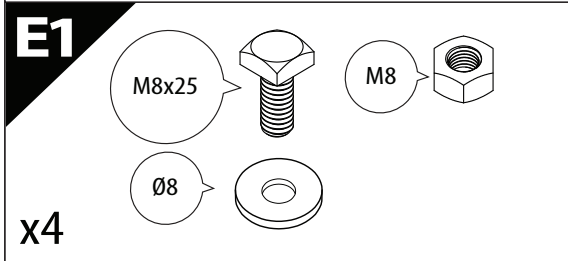
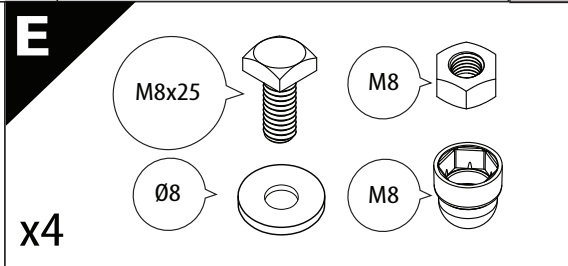
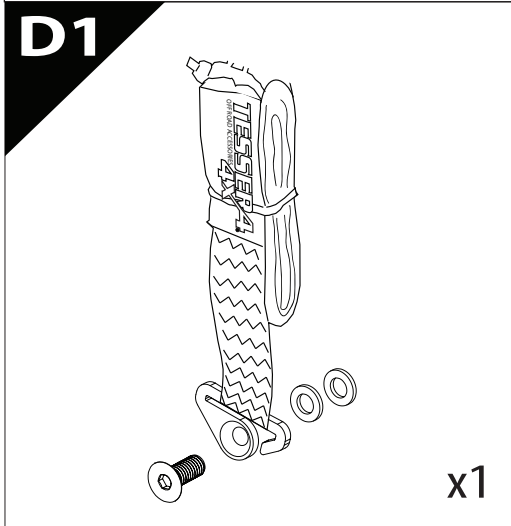
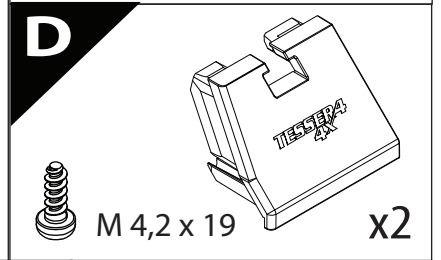
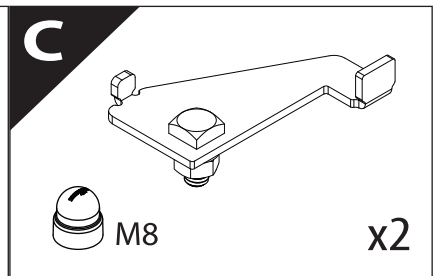
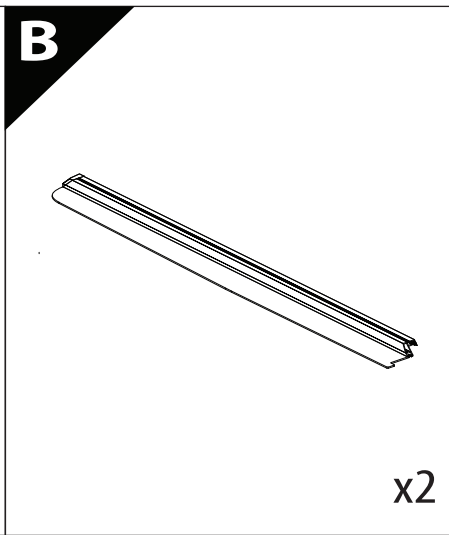
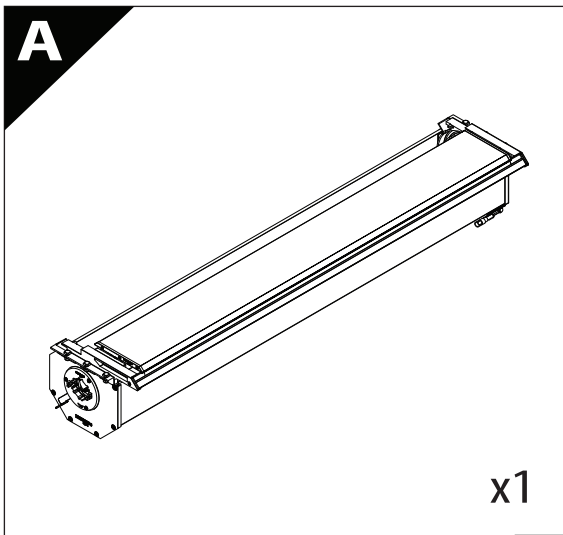
Tessera Roll+

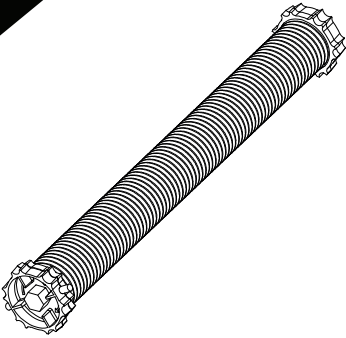

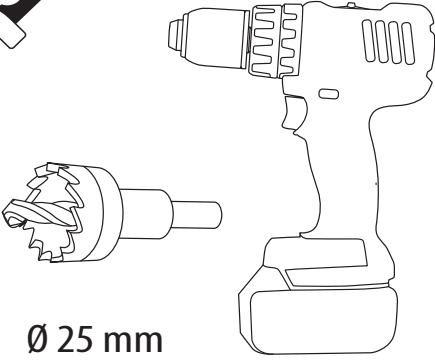

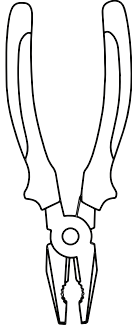
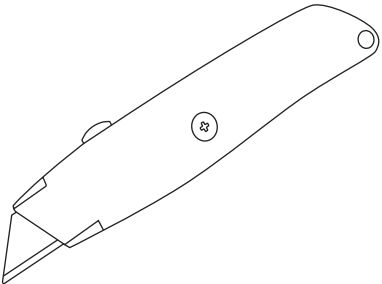
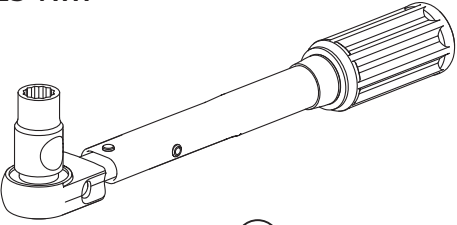

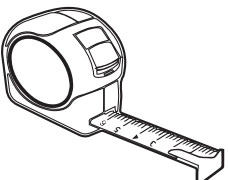

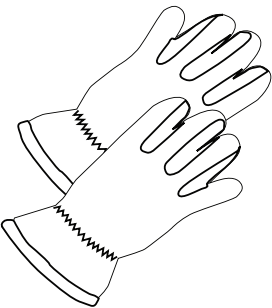

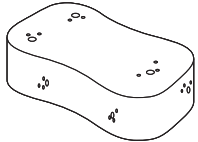
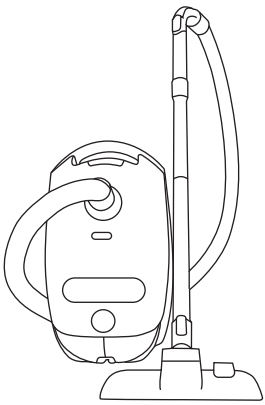
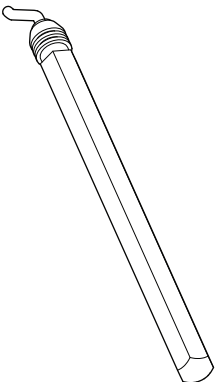



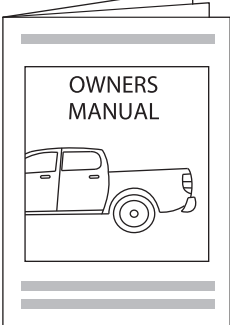
Basic Version + ⚙️ S-KIT

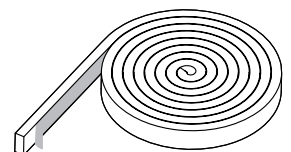
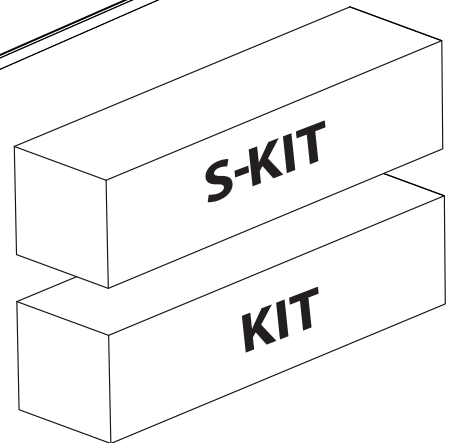
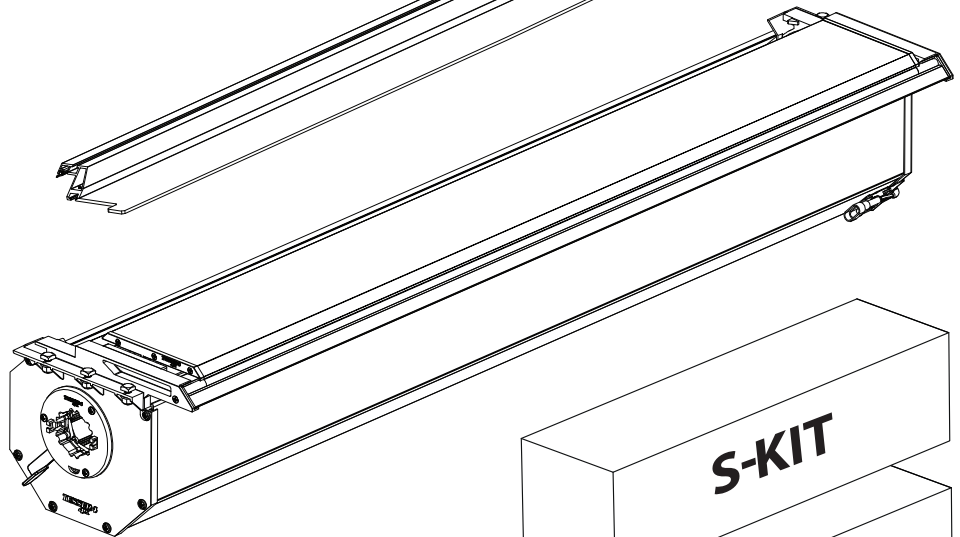
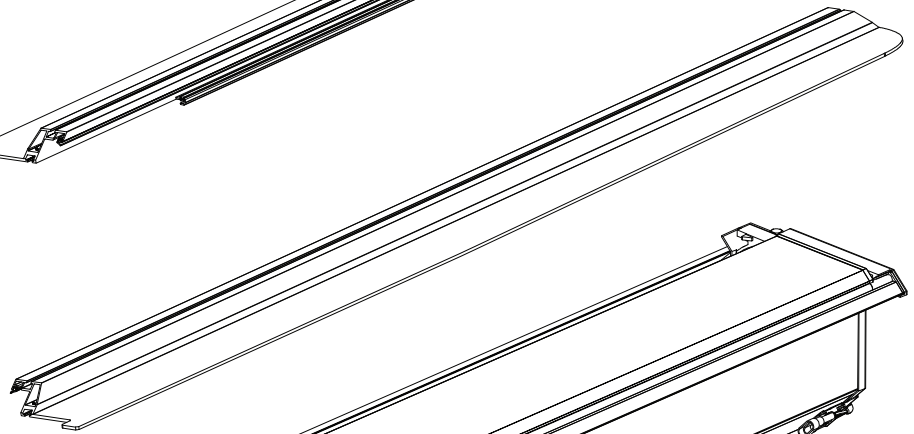
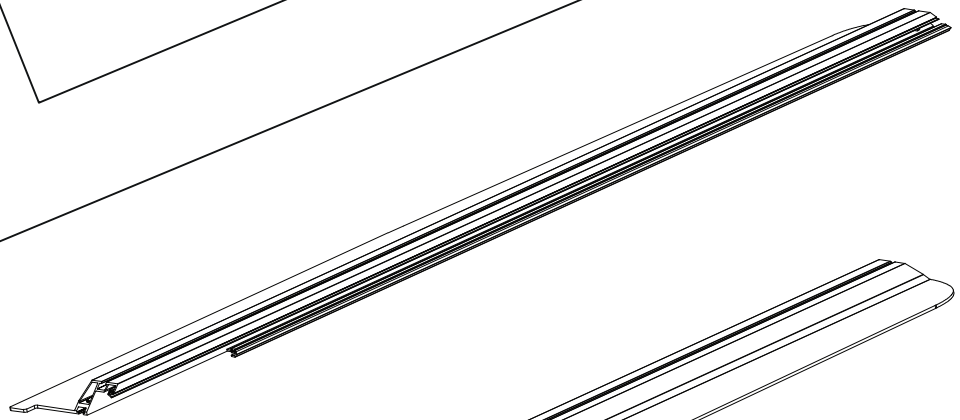
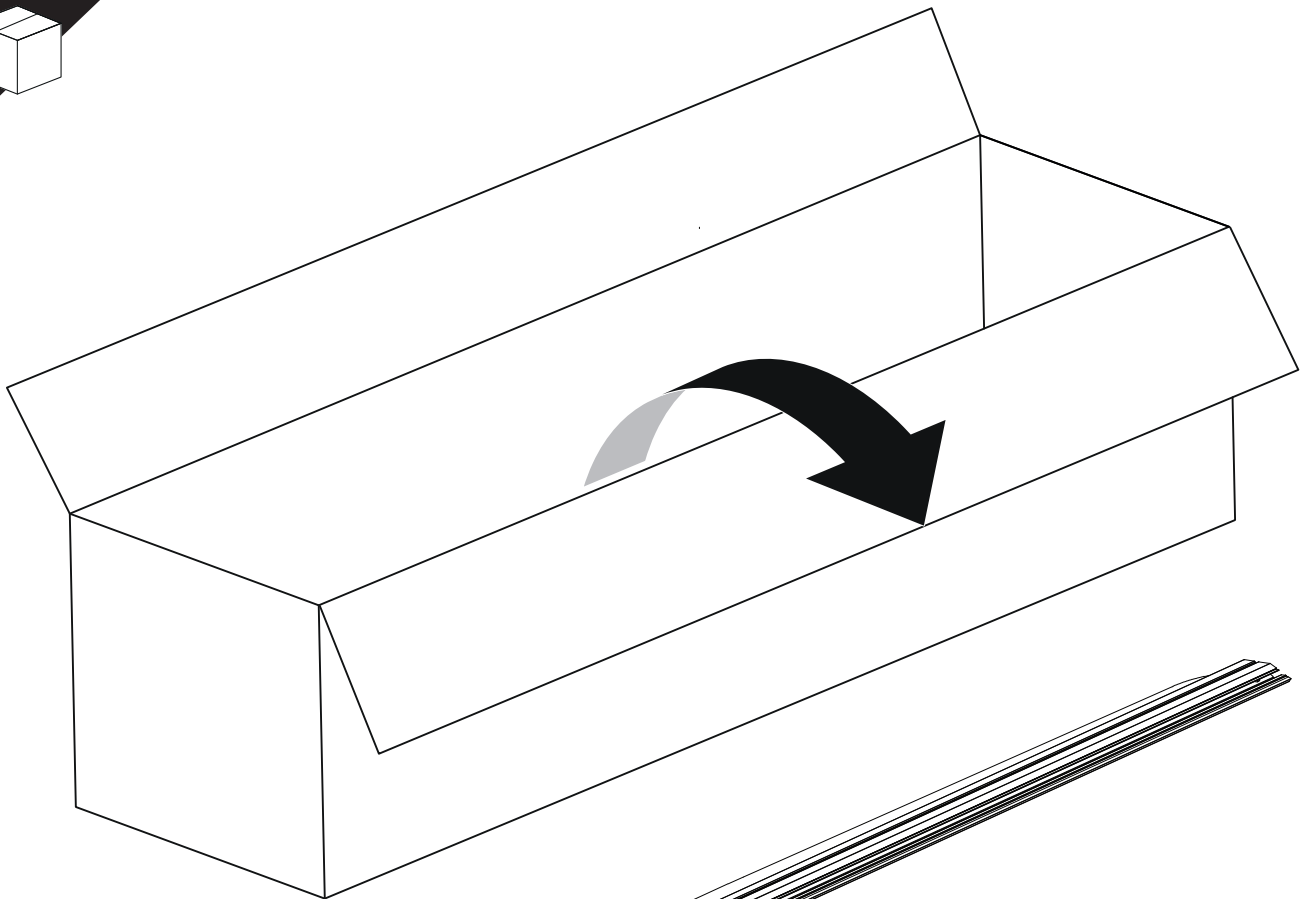


Installation Manual

PART NUMBER(S)	Model Year
TESS 14162 ROLL + S-KIT	Toyota Hilux Revo GR 2025+
Cab(s)	Installation Time / Weight
Double Cab	40-60 minutes / 53-57 kg



 <p>x1</p>	  <p>Ø 25 mm</p>	 <p>+</p>			
	 <p>4 mm</p>	<p>1 - 25 Nm</p>  <p>12, 13, 17 mm</p>			
 <p>ACETONE</p>				 <p>H₂O</p>	
		 <p>ANTI-RUST</p>			
	 <p>INSTALATION MANUAL +S-KIT</p>	 <p>OWNERS MANUAL</p>	<p>x1</p>		

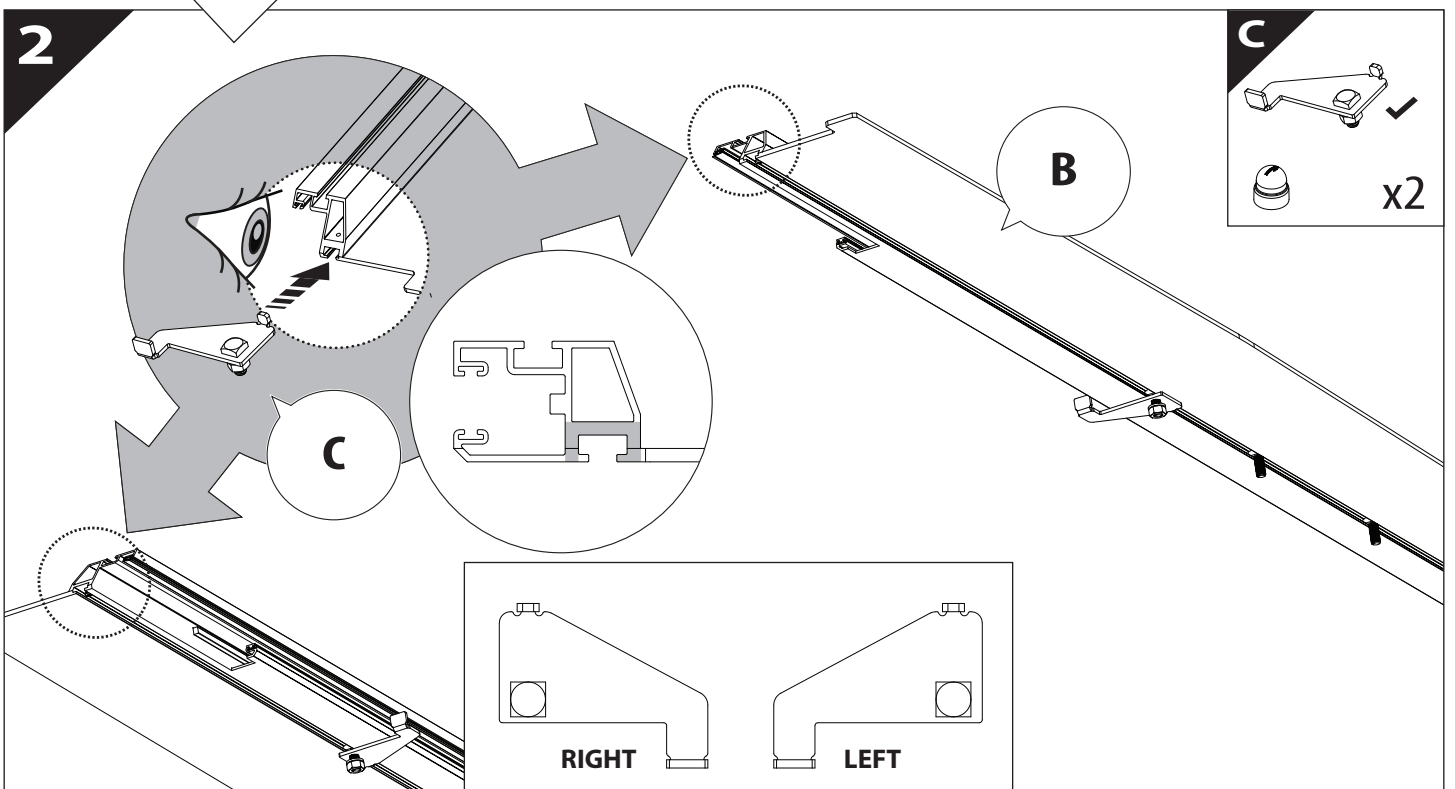
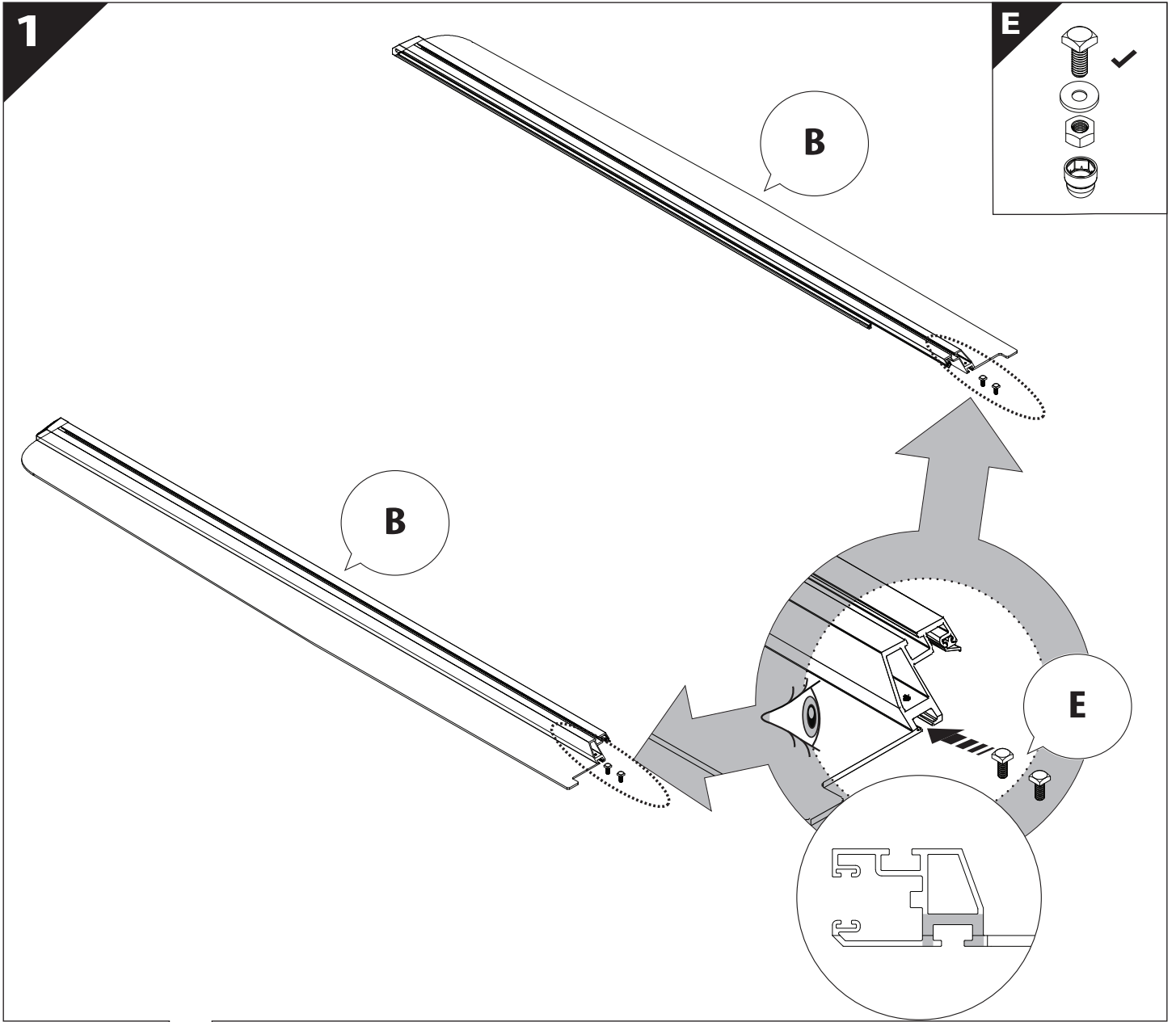


B

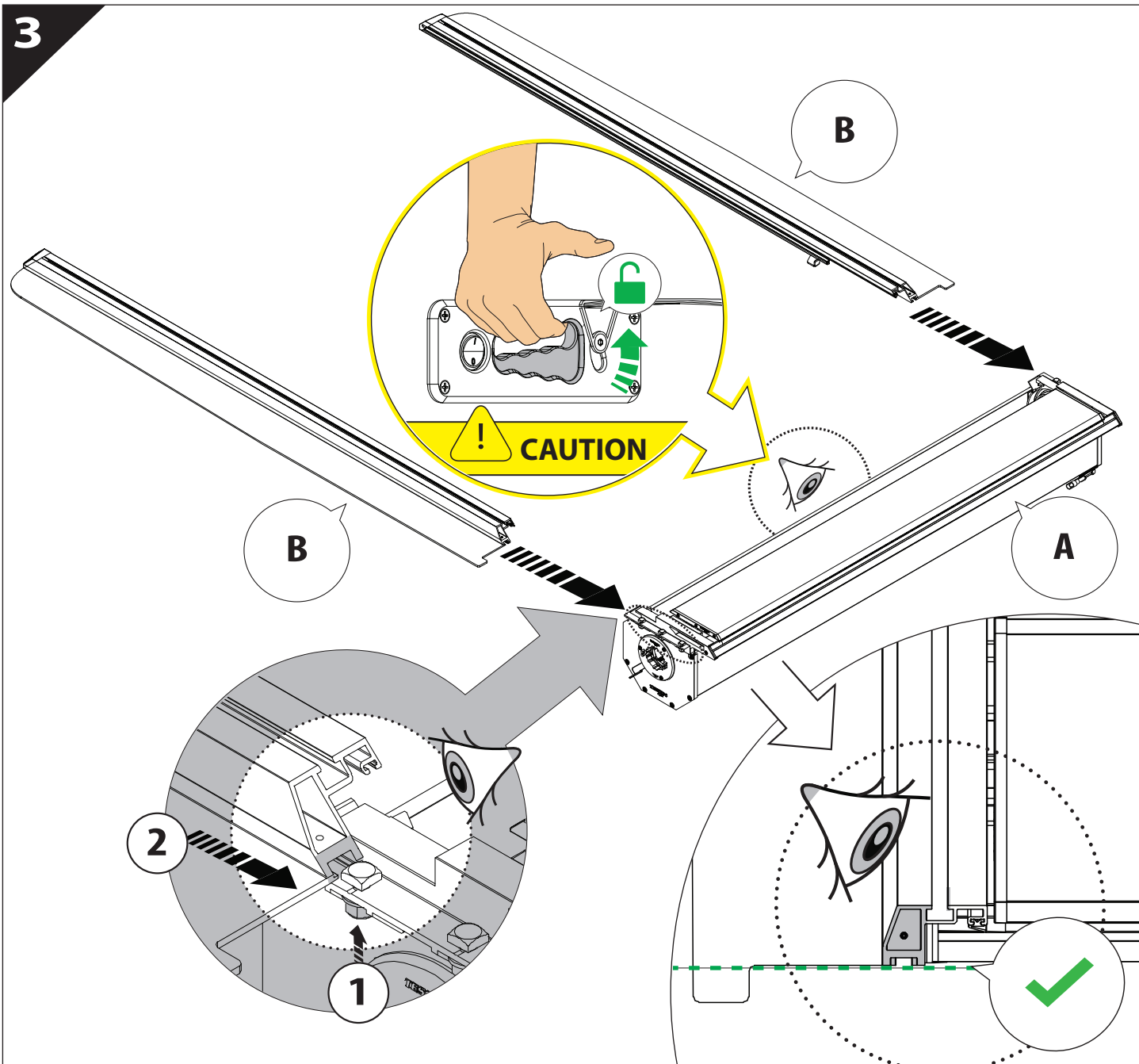
A

KITS

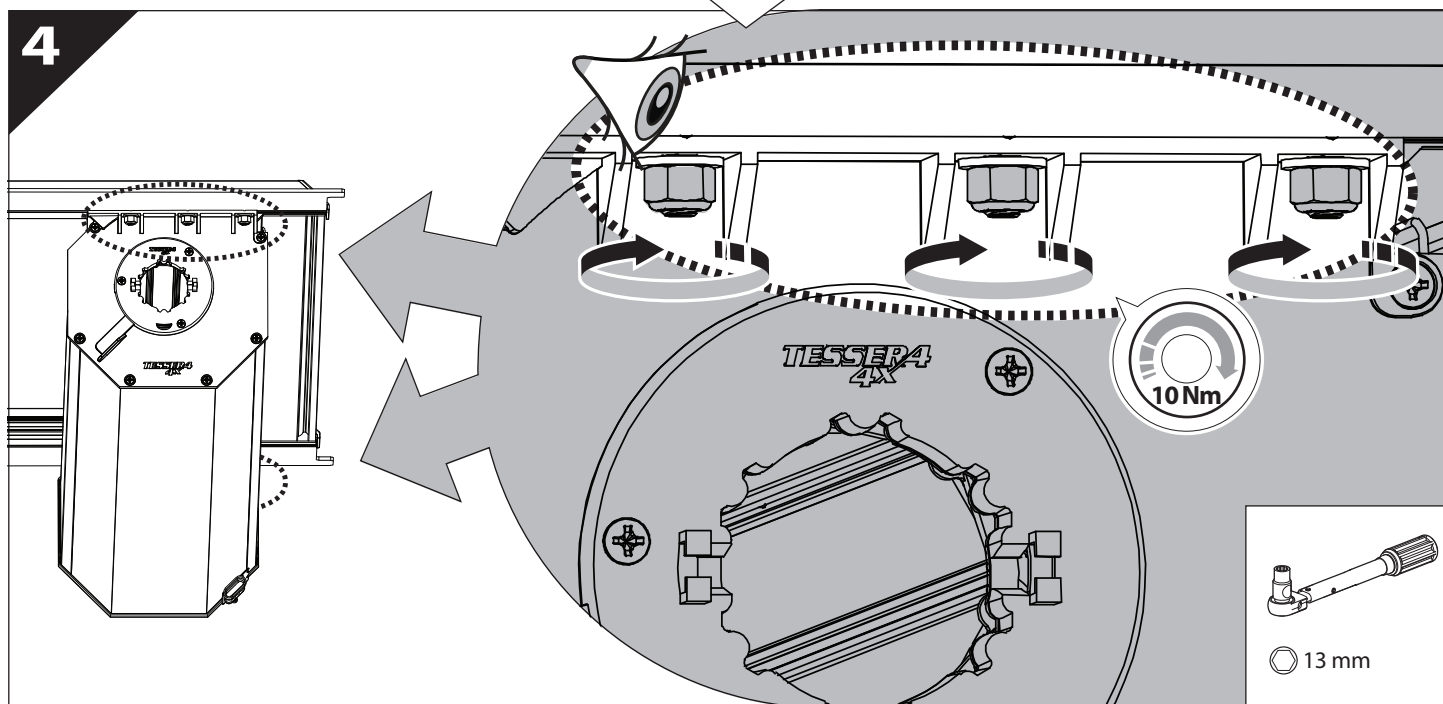
L

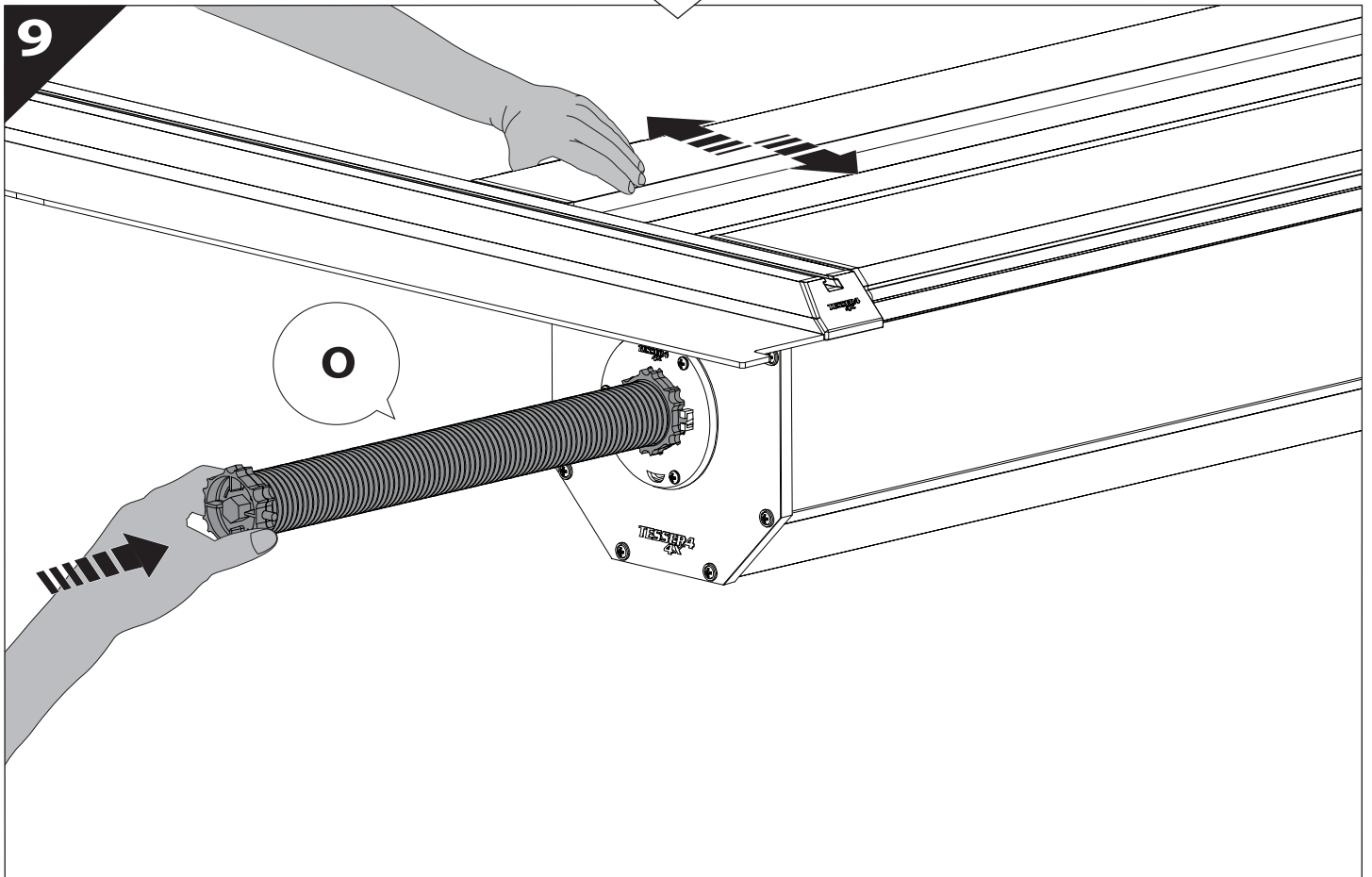
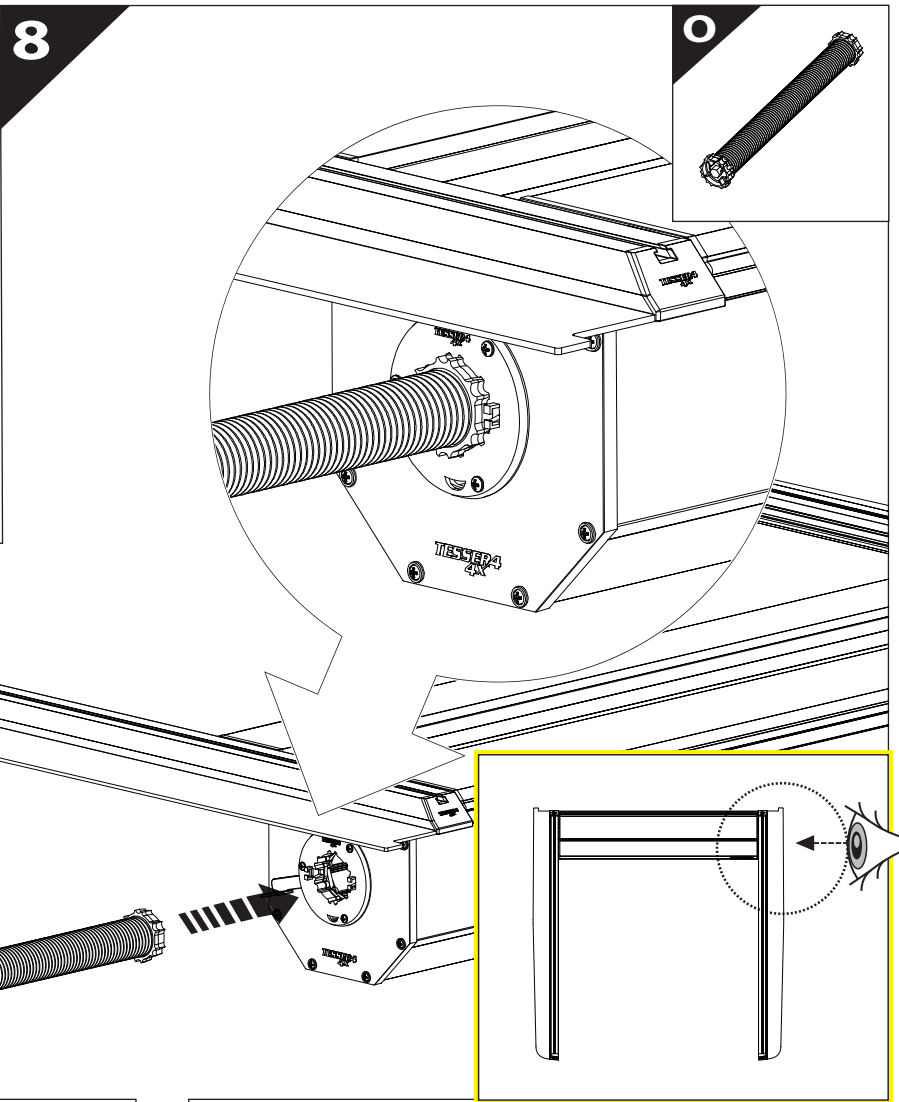
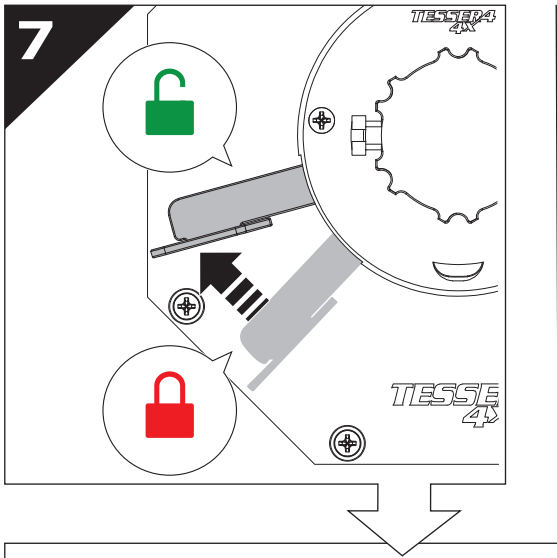


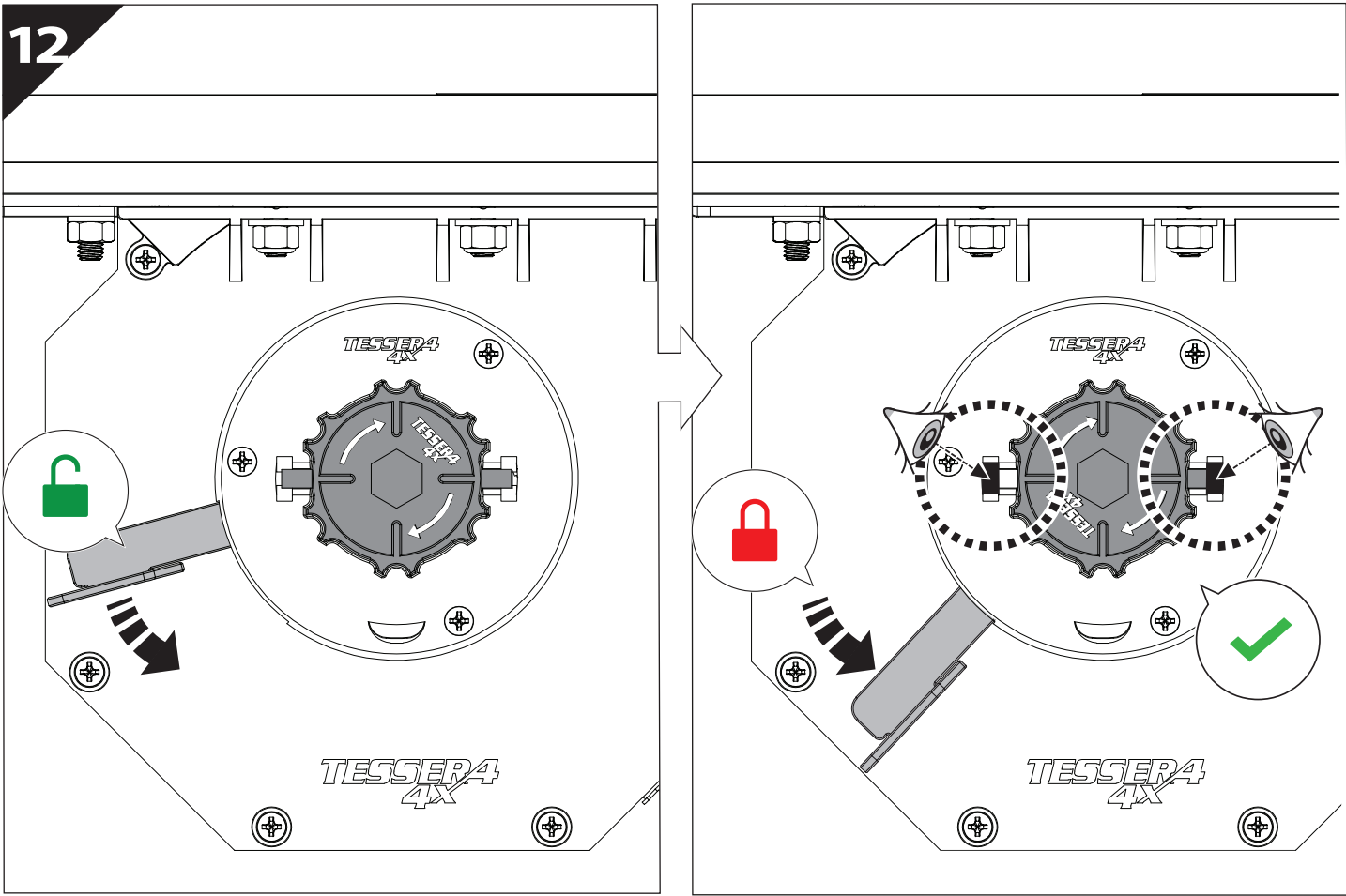
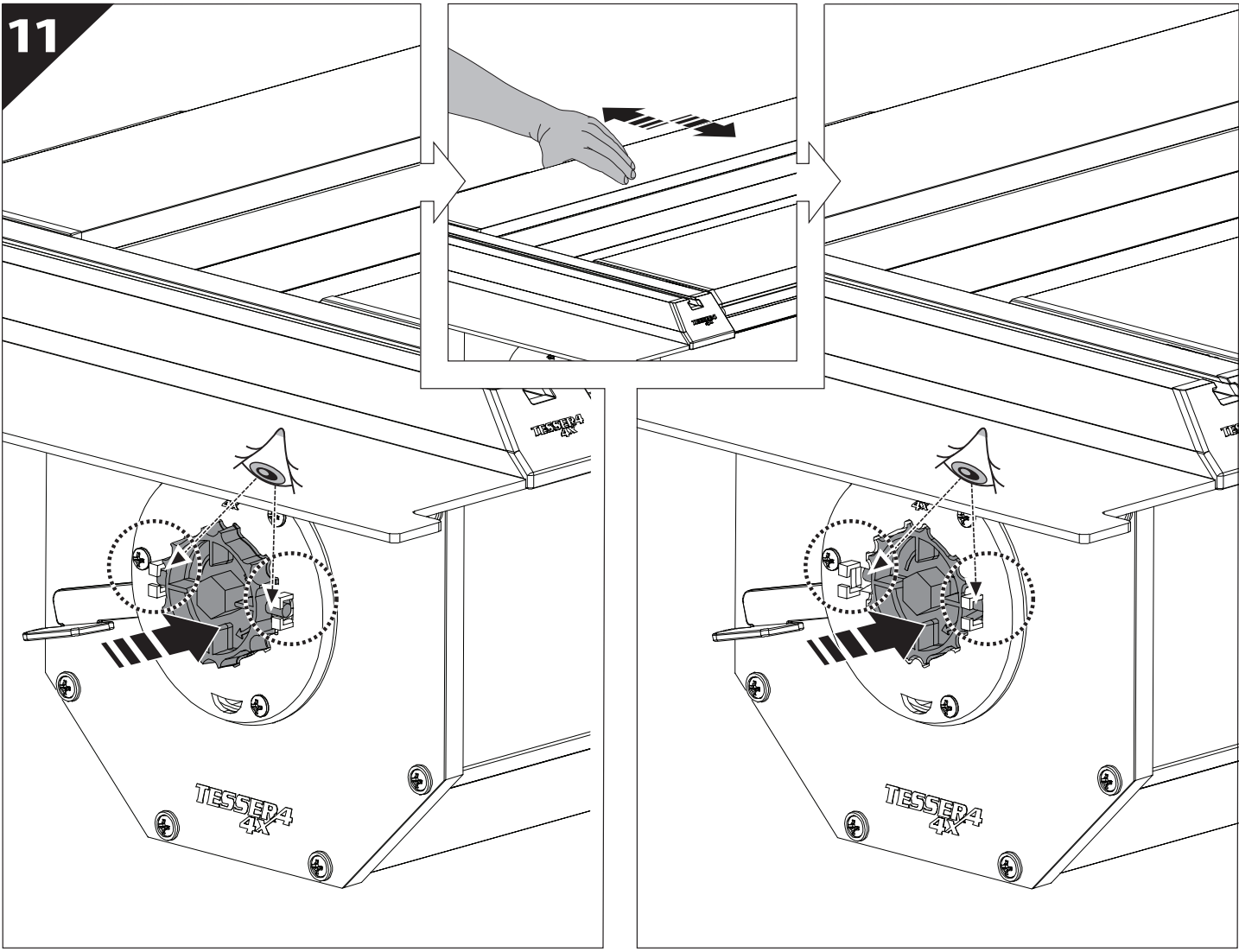
3

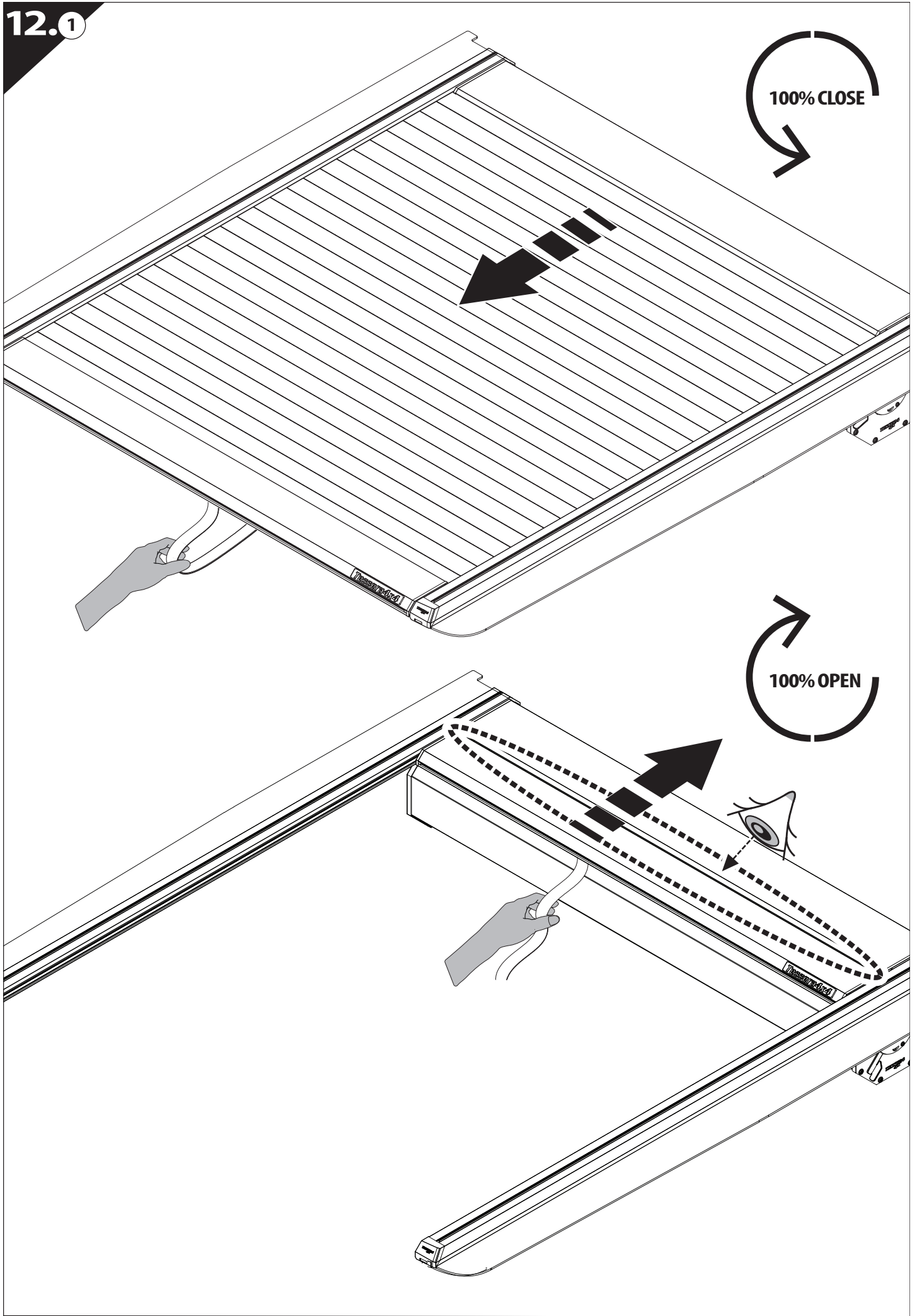


4

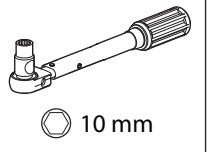
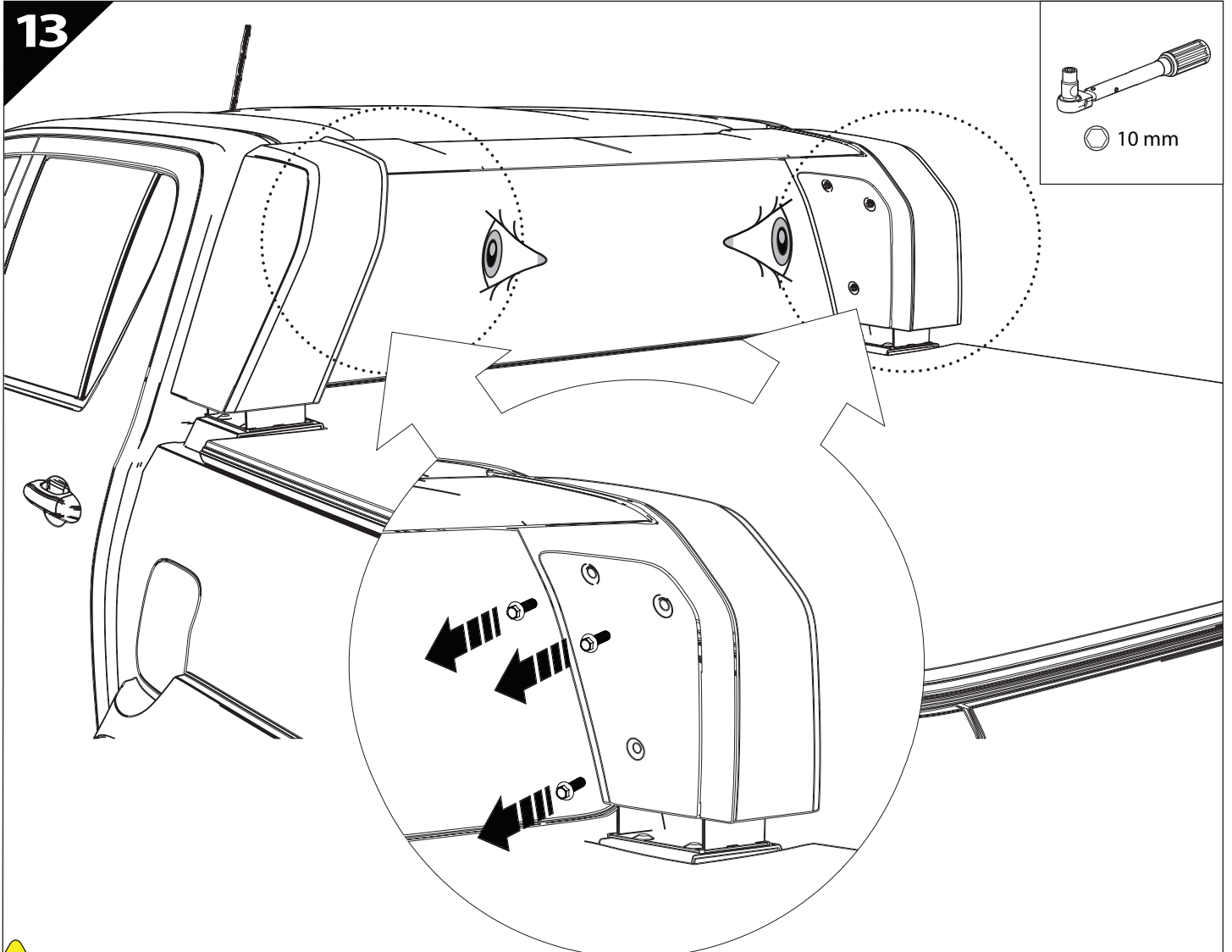



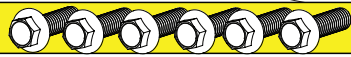




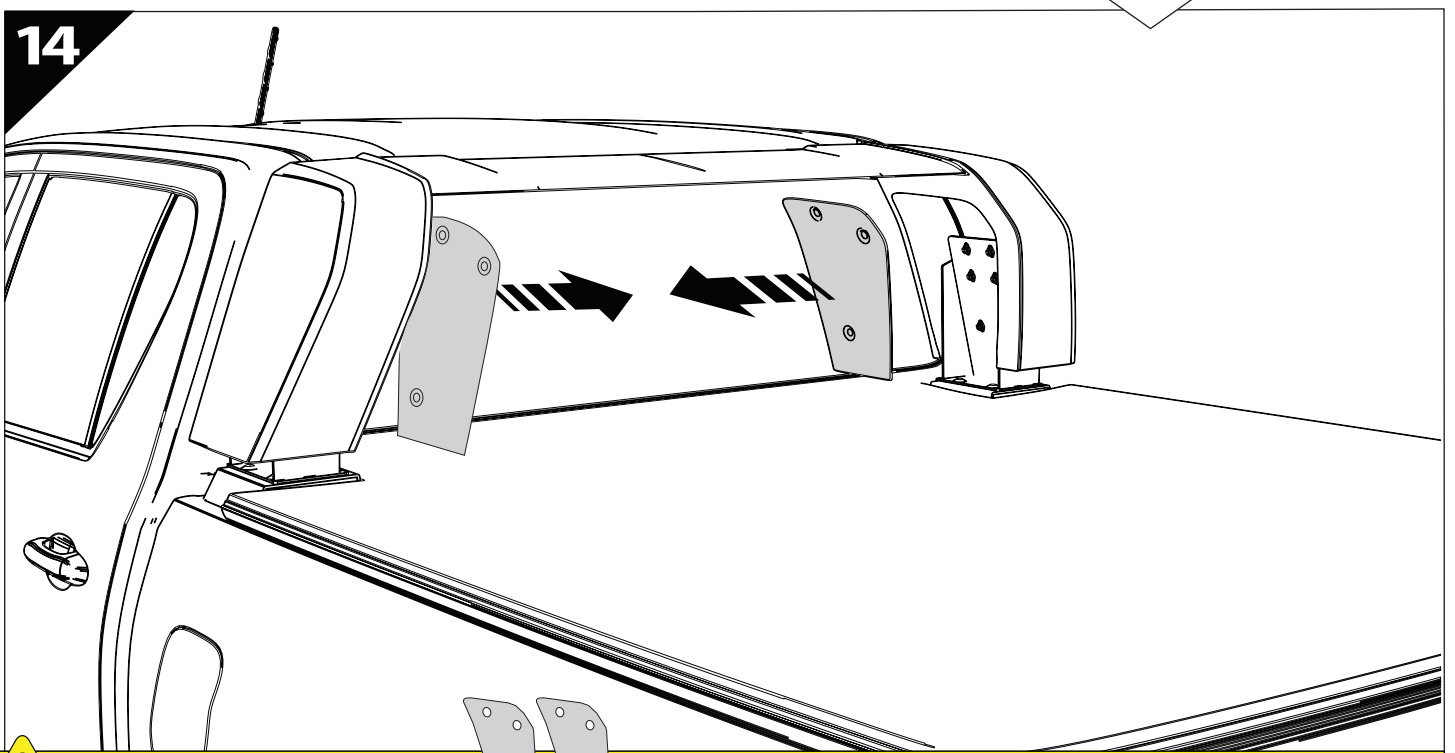



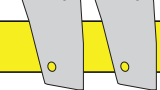
13



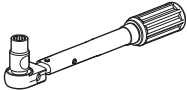
 REUSE IN STEP 45 

14

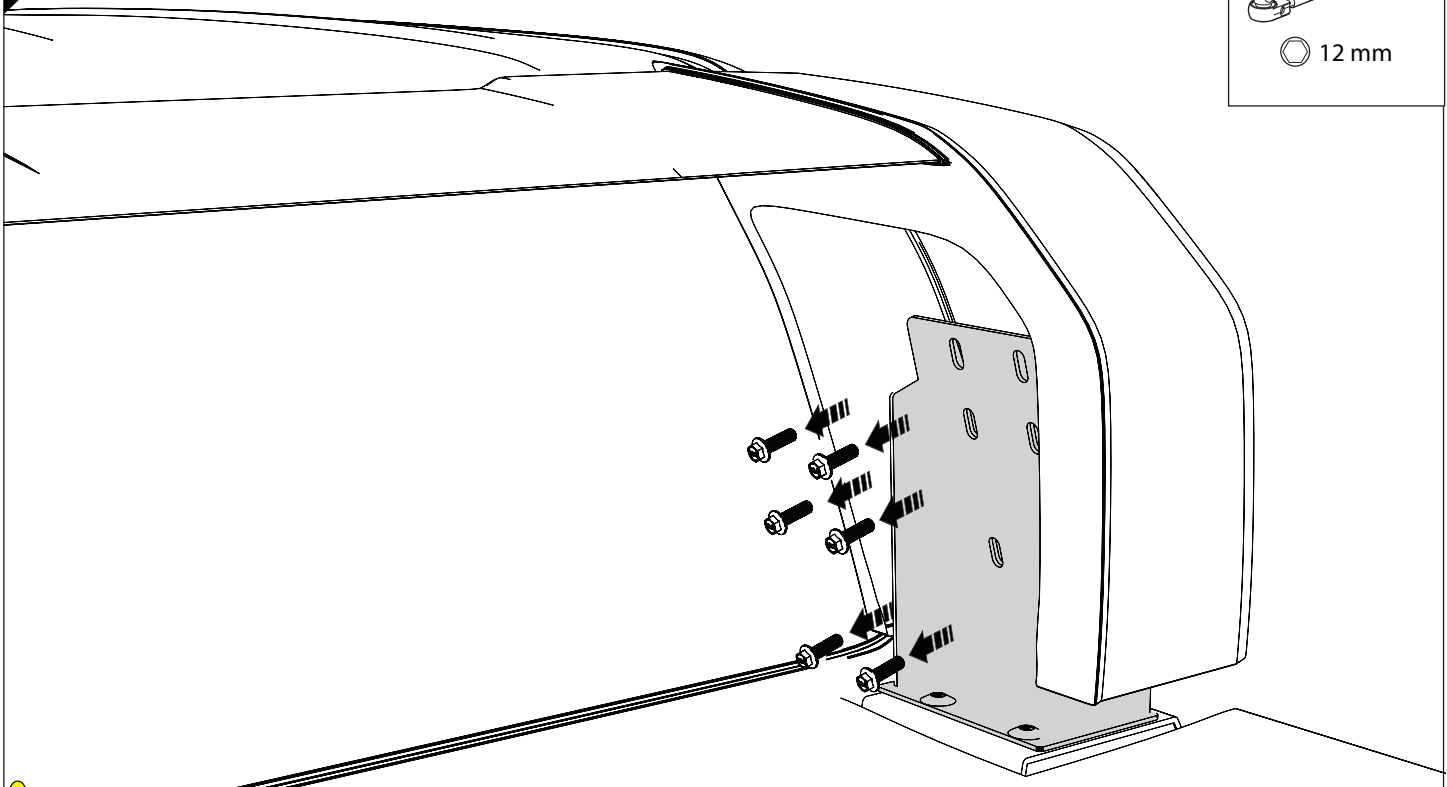



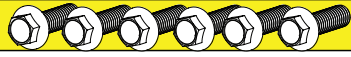
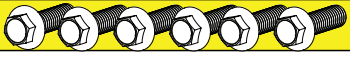
 REUSE IN STEP 44 

15

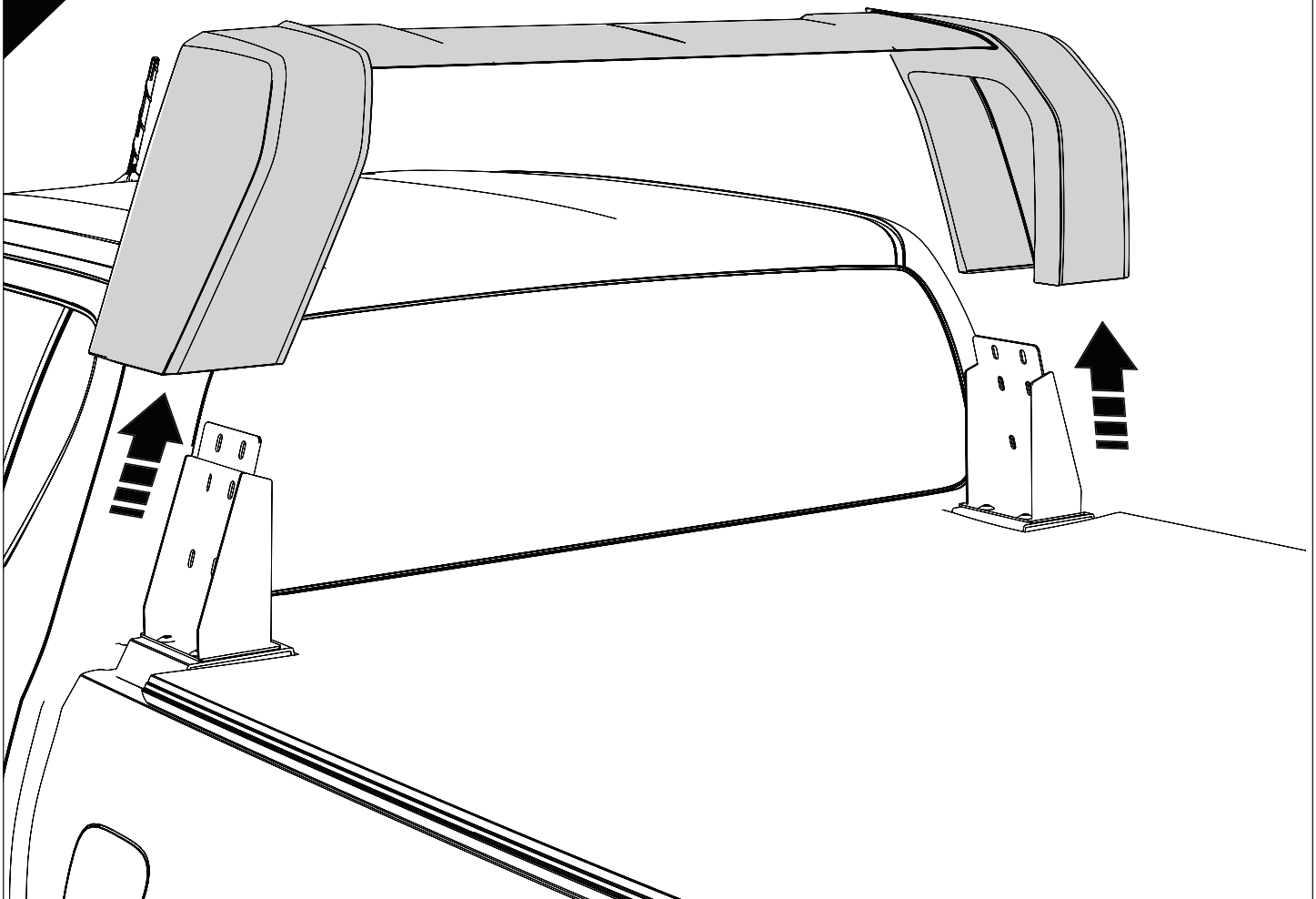


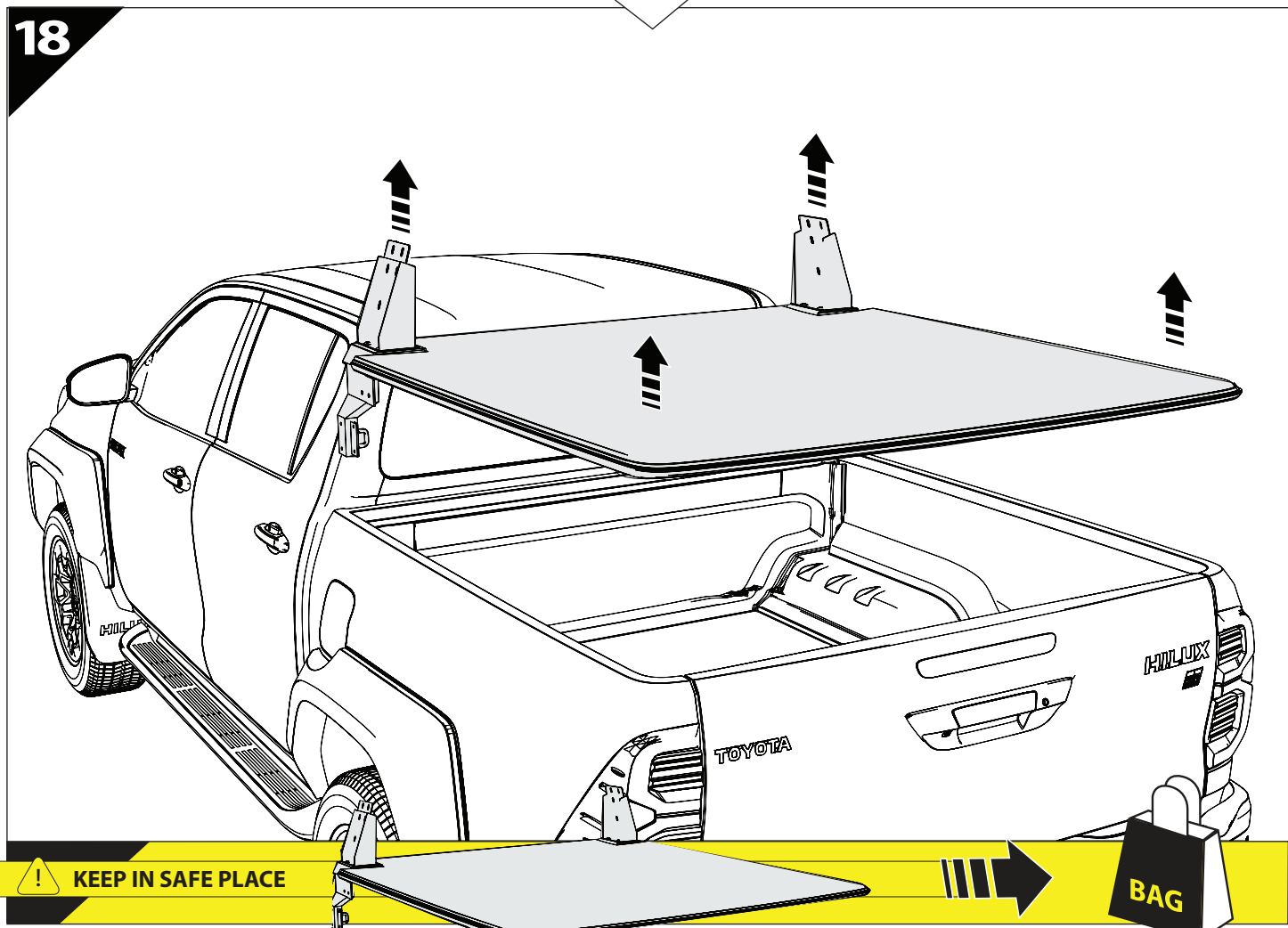
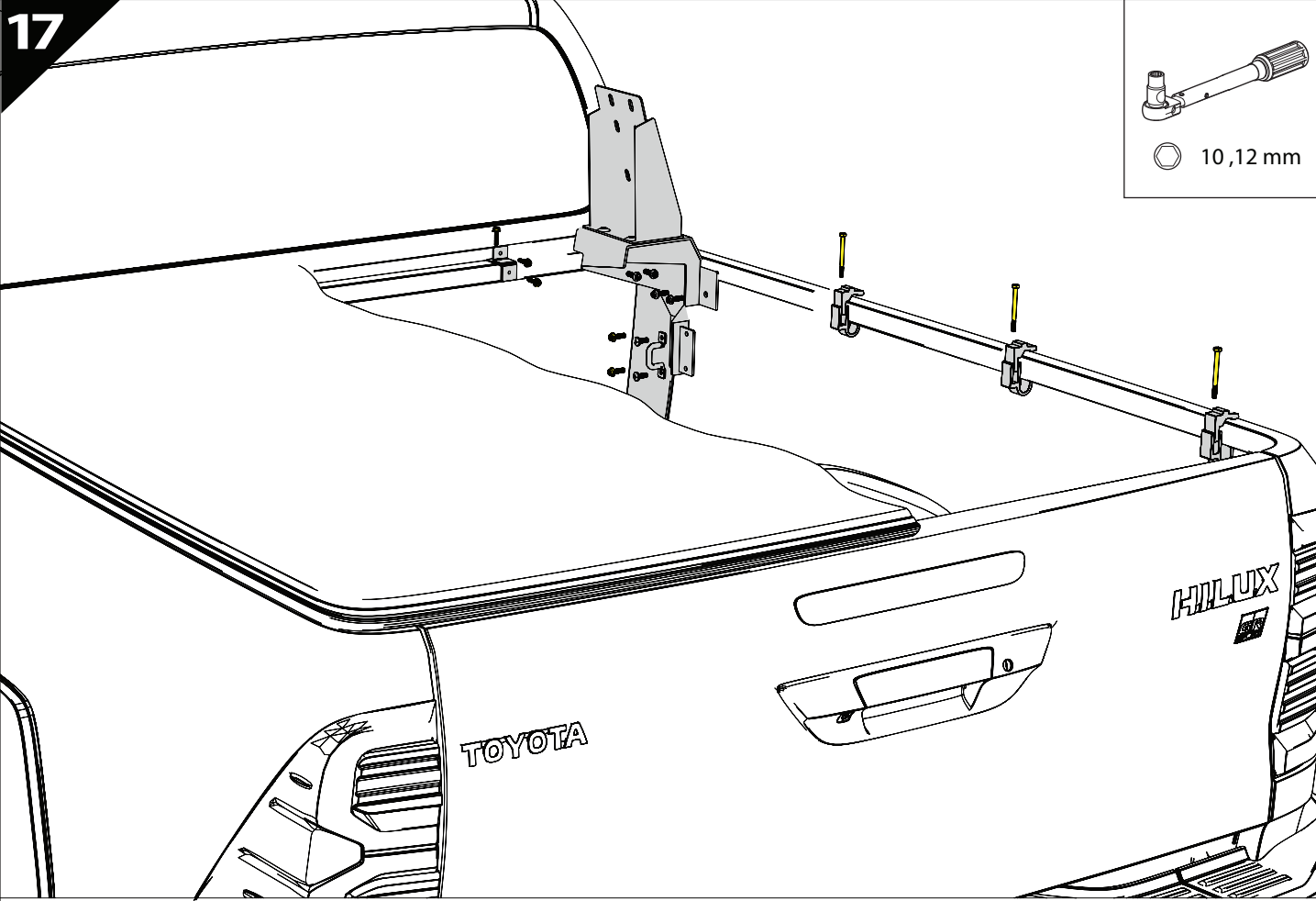
12 mm



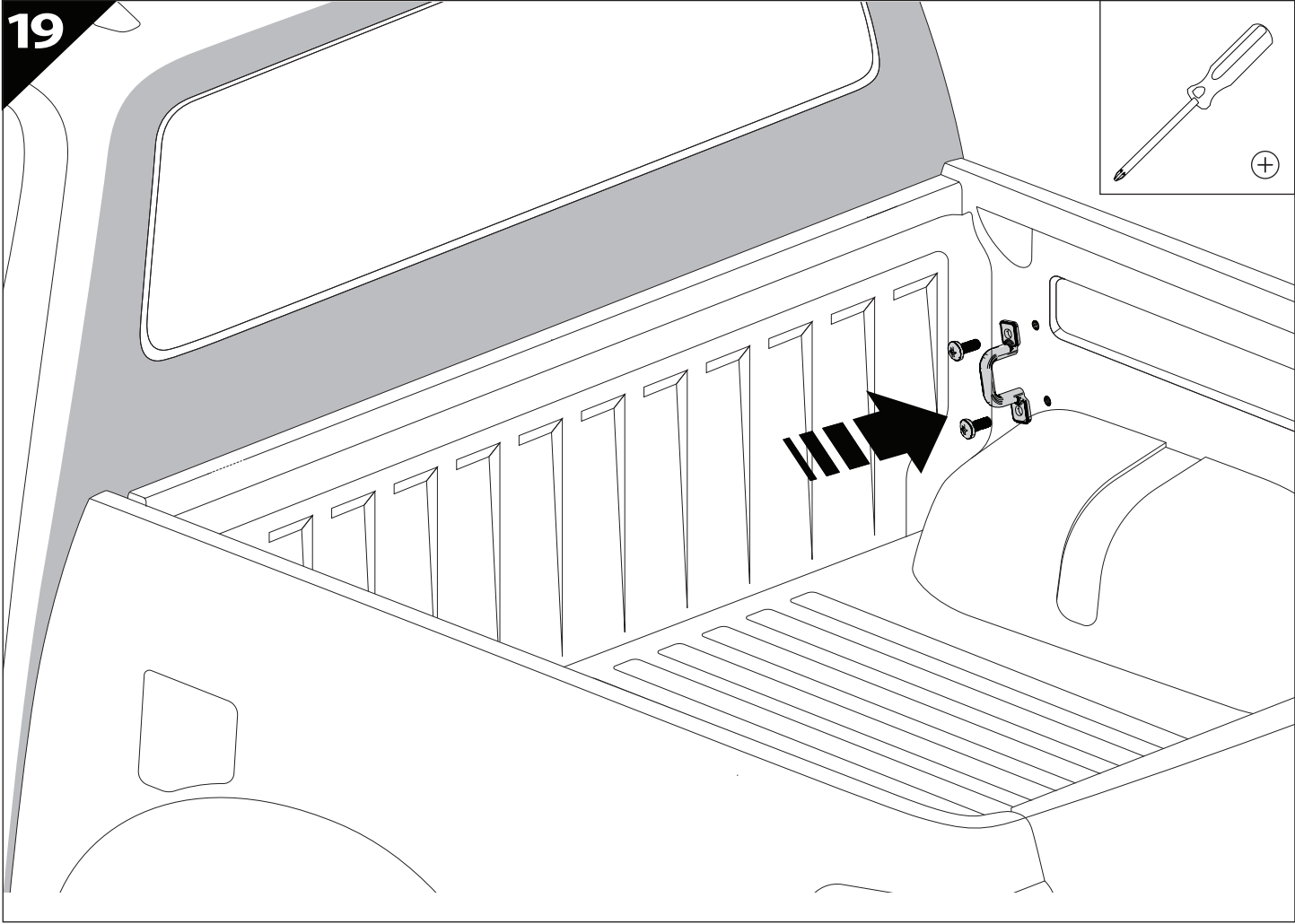
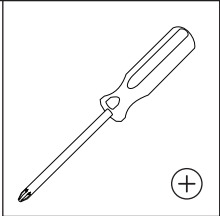
 REUSE IN STEP 43  

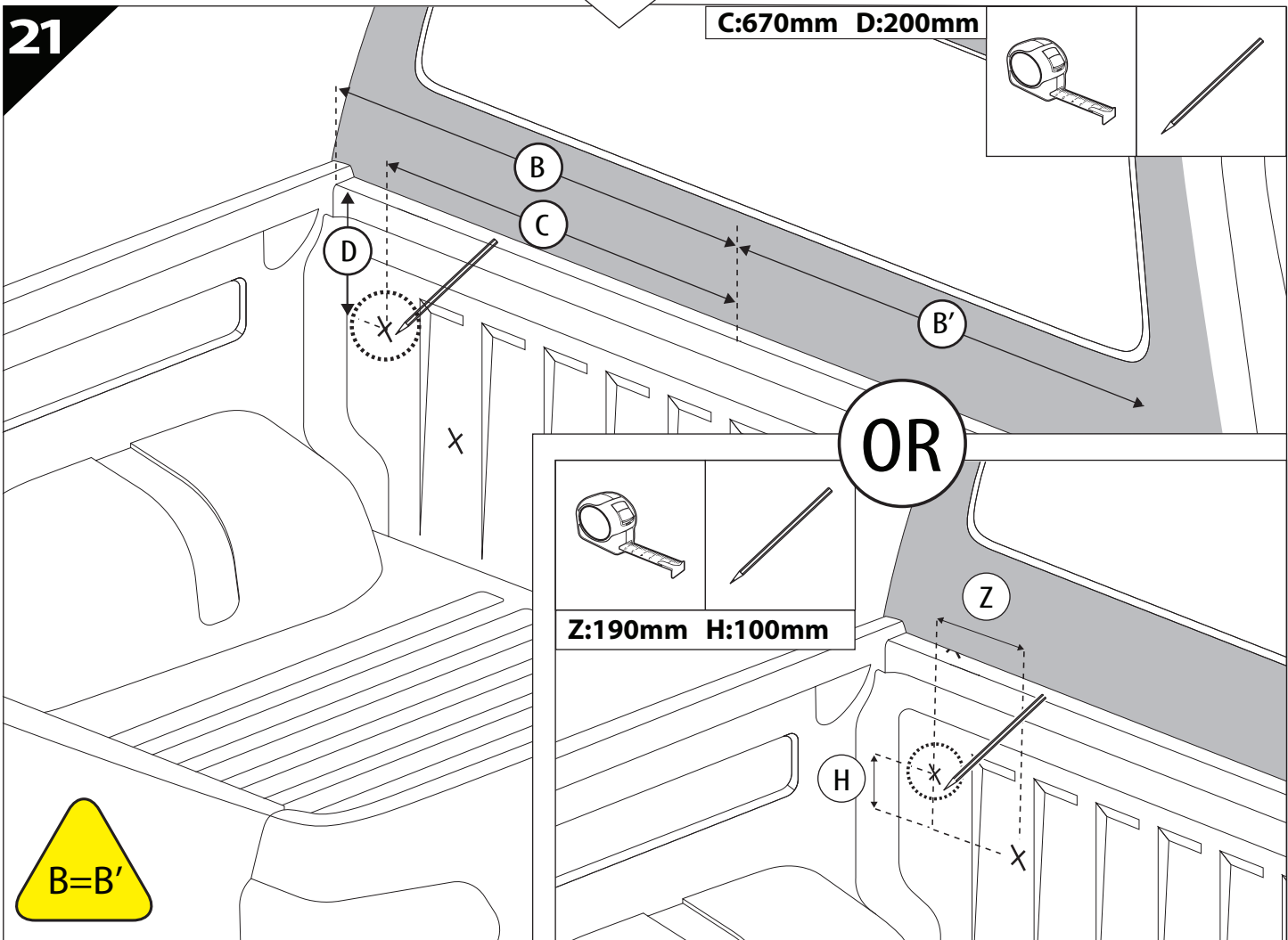
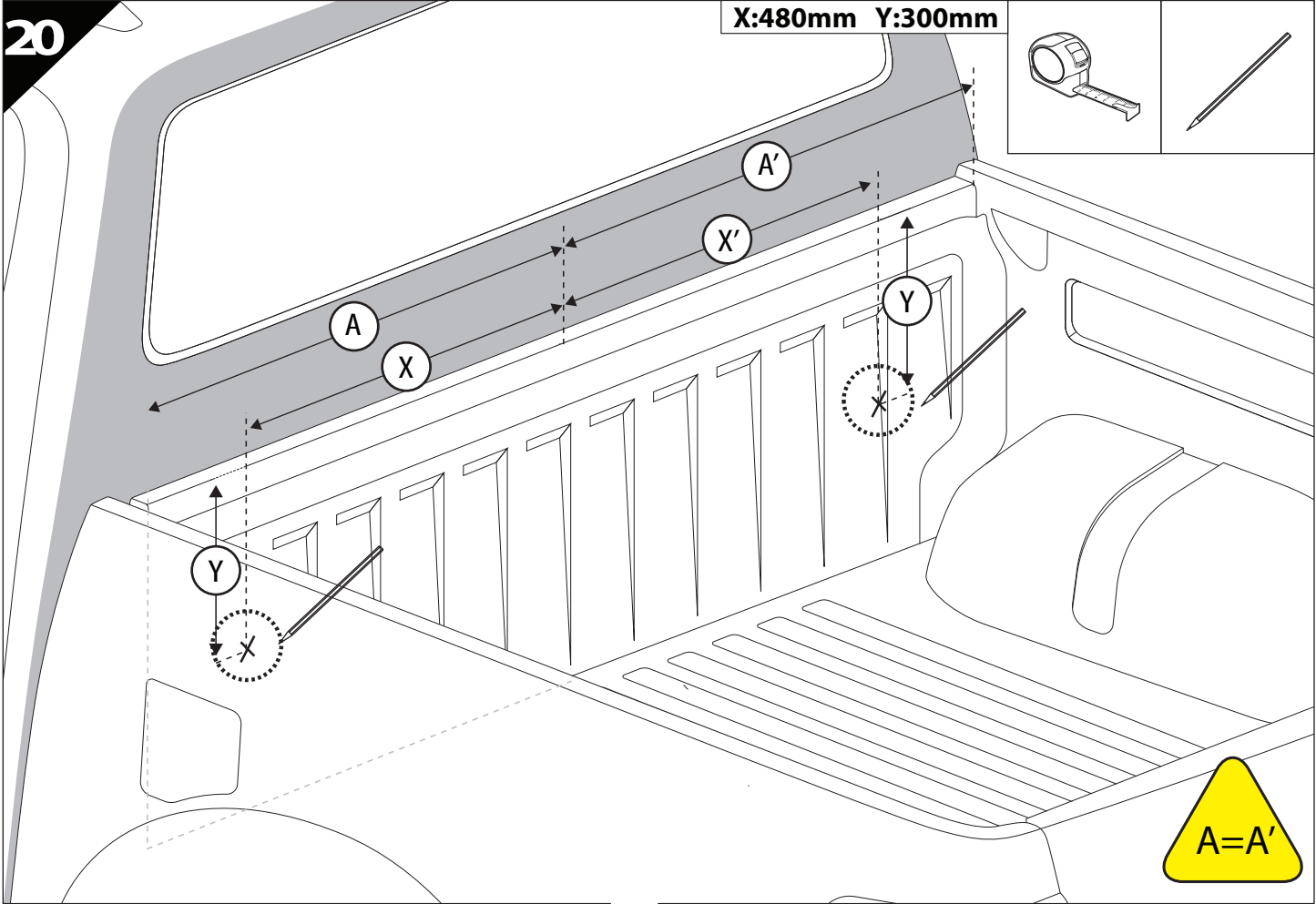
16

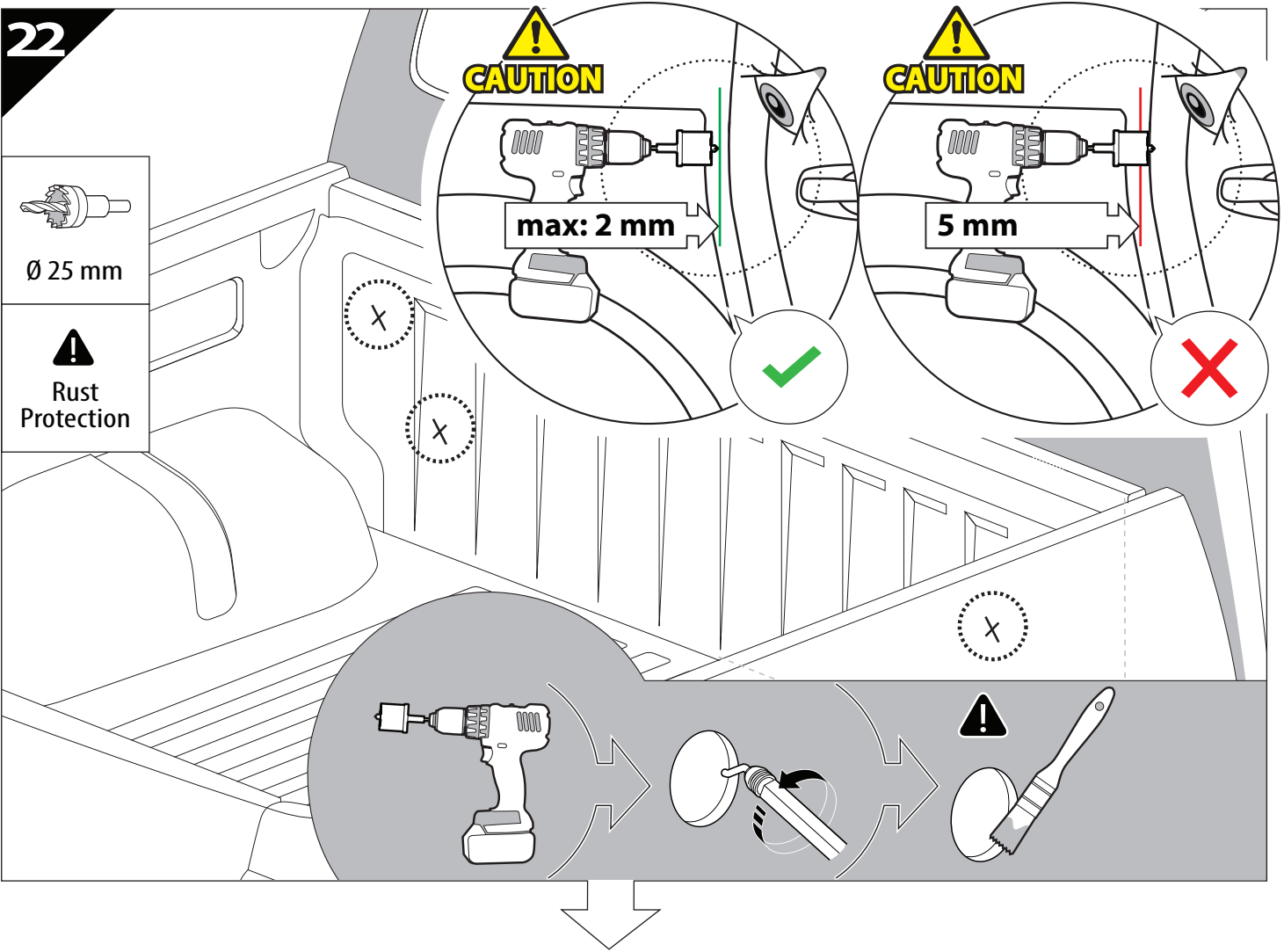




19

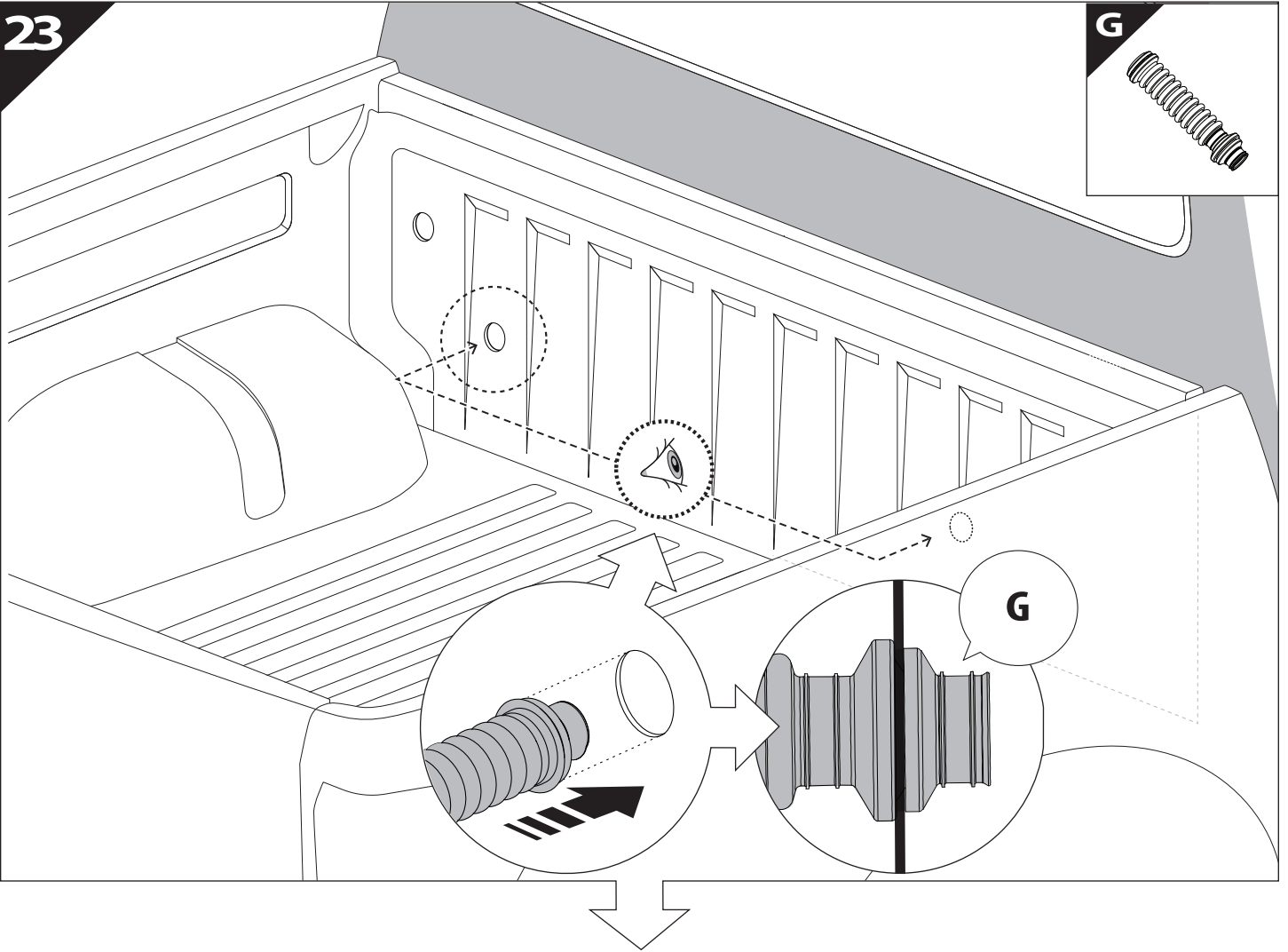






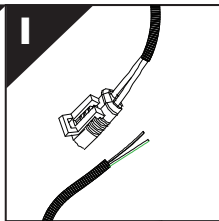
23

G

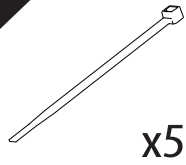


24

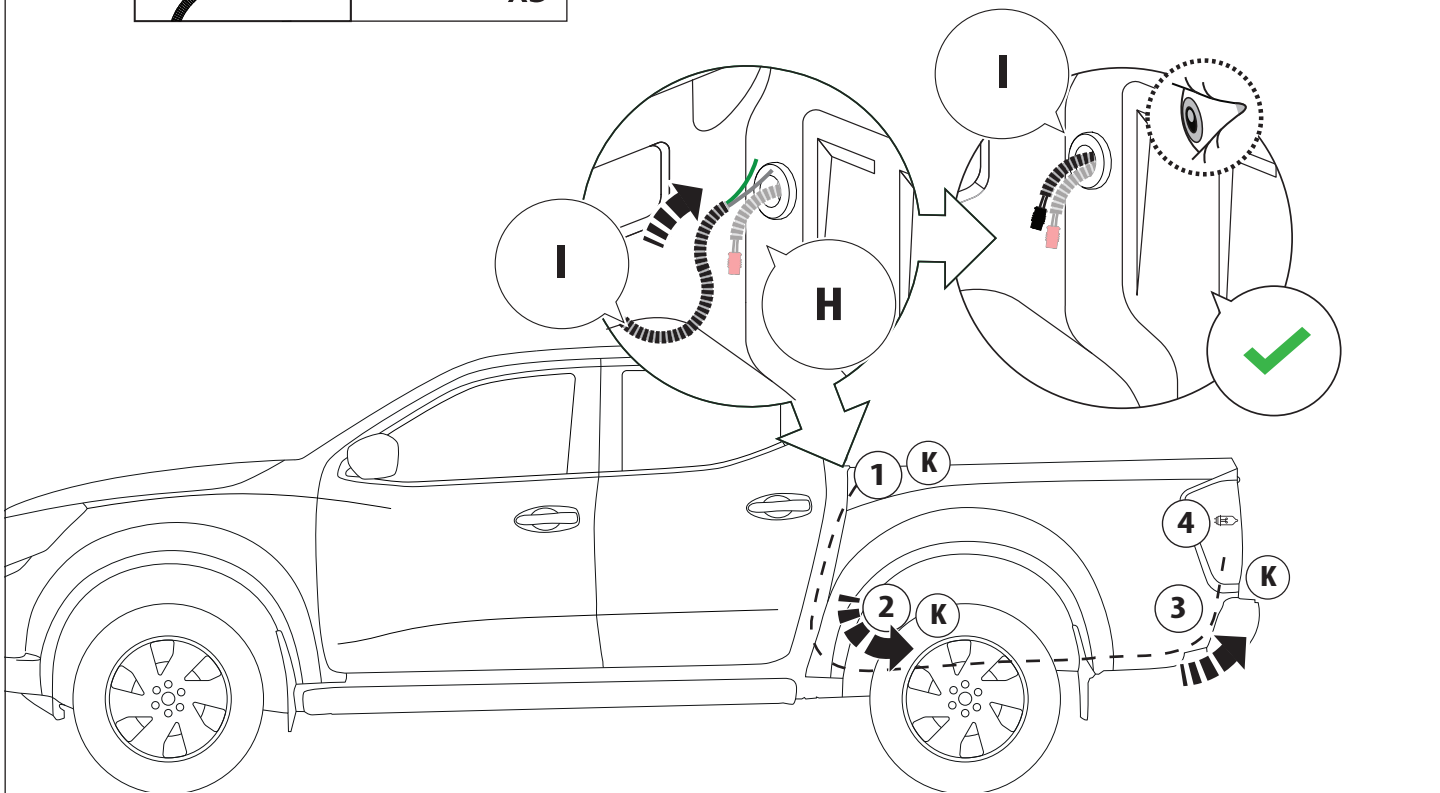
I



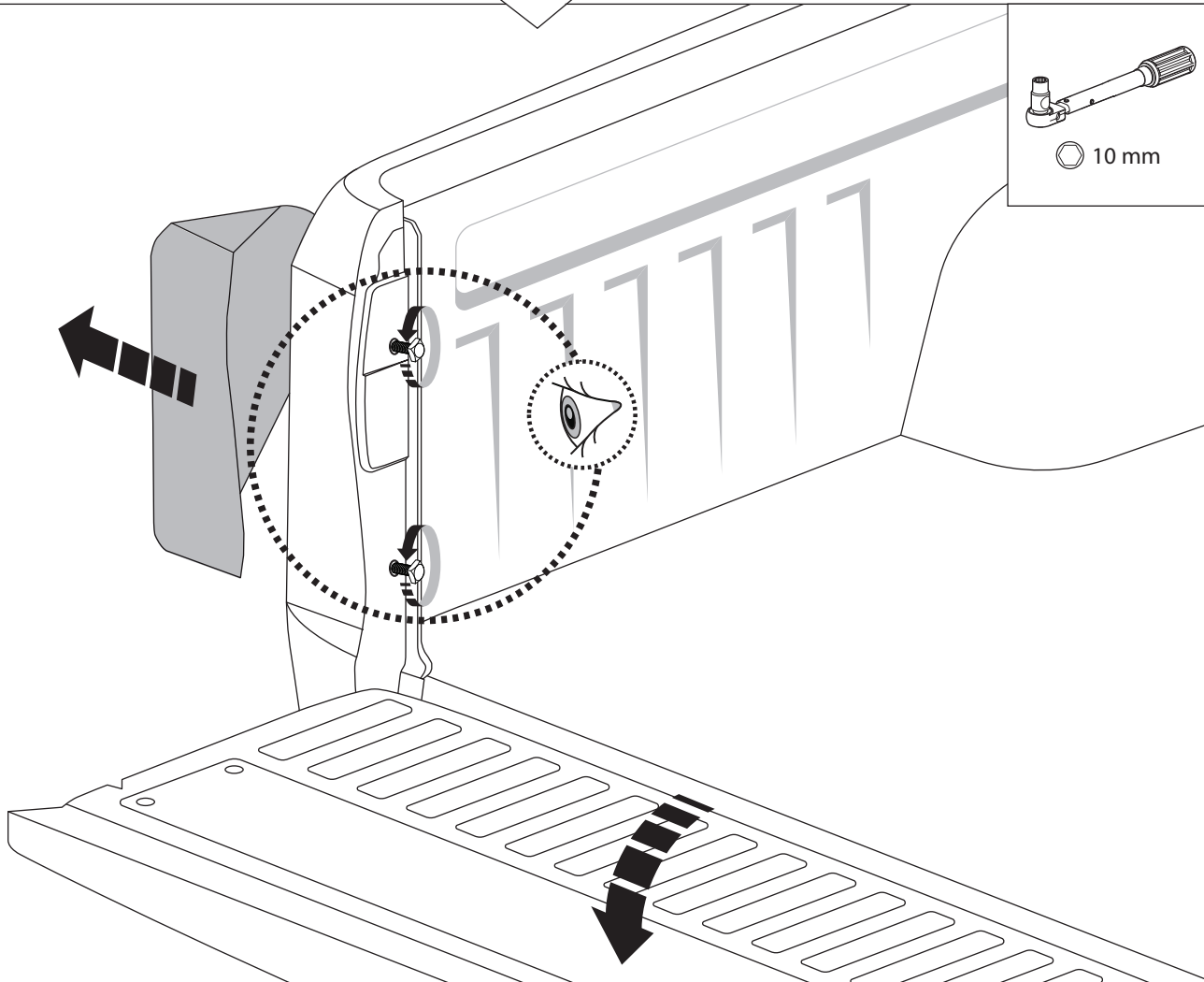
K



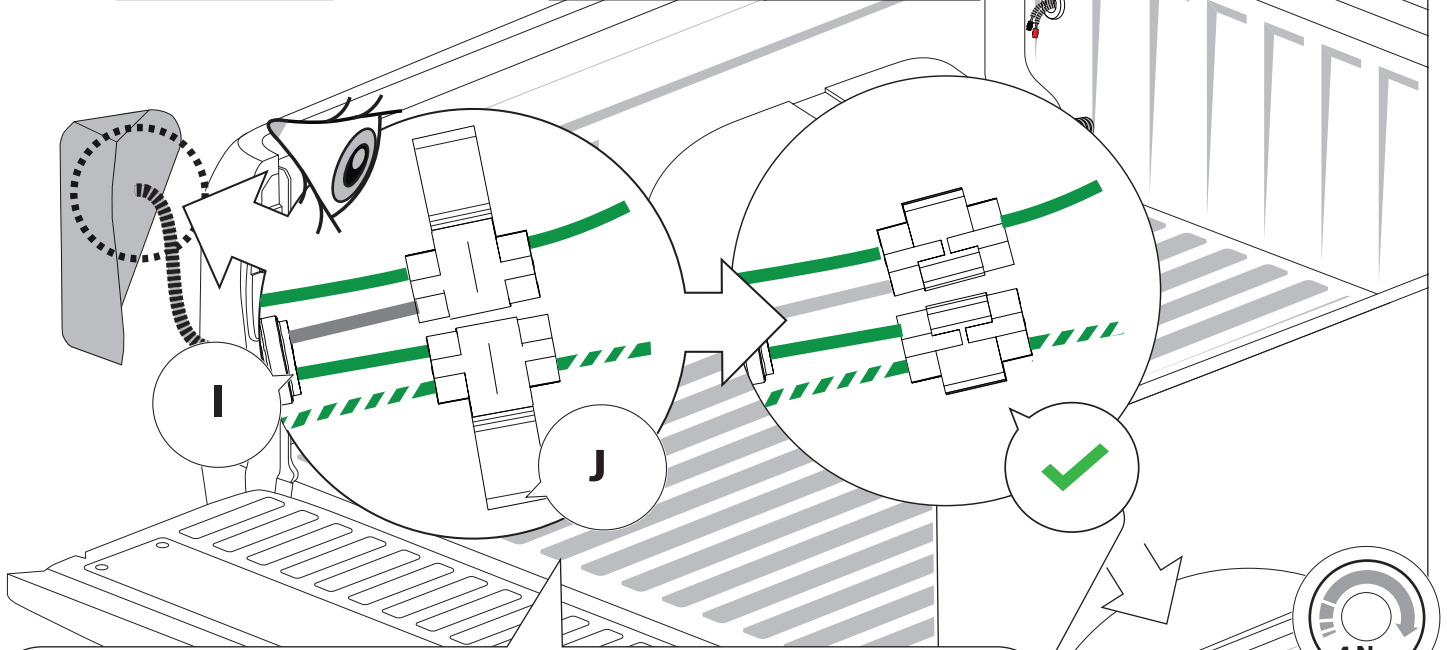
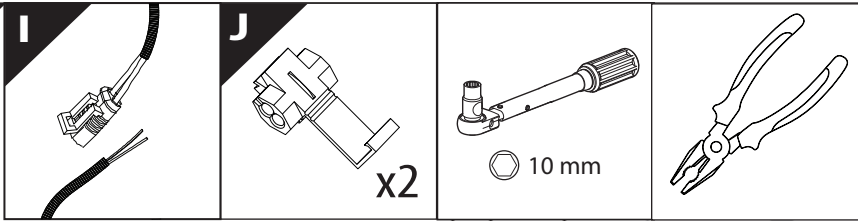
x5



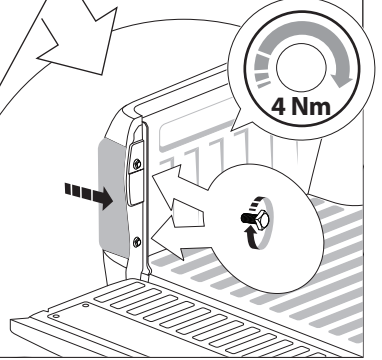
25



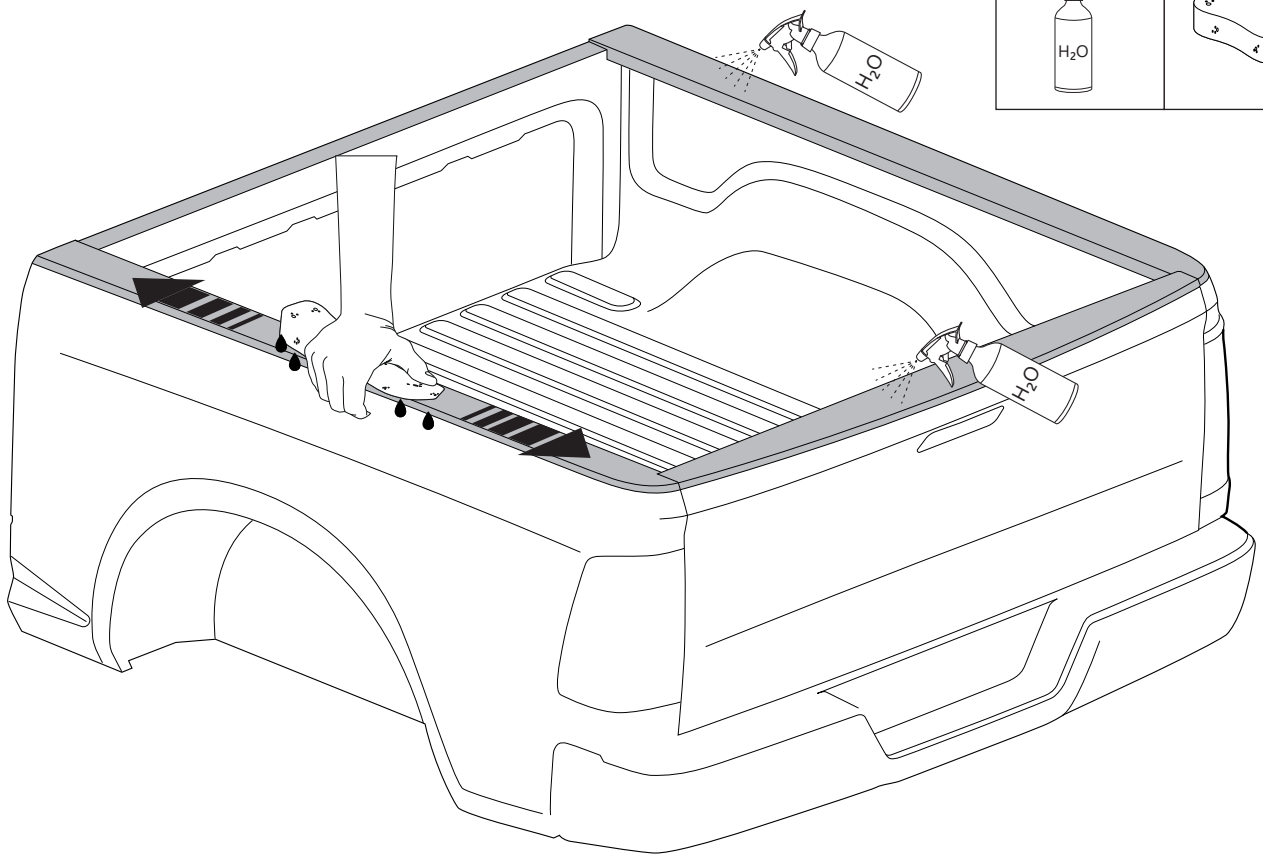
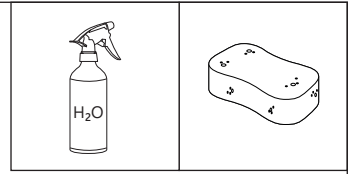
26

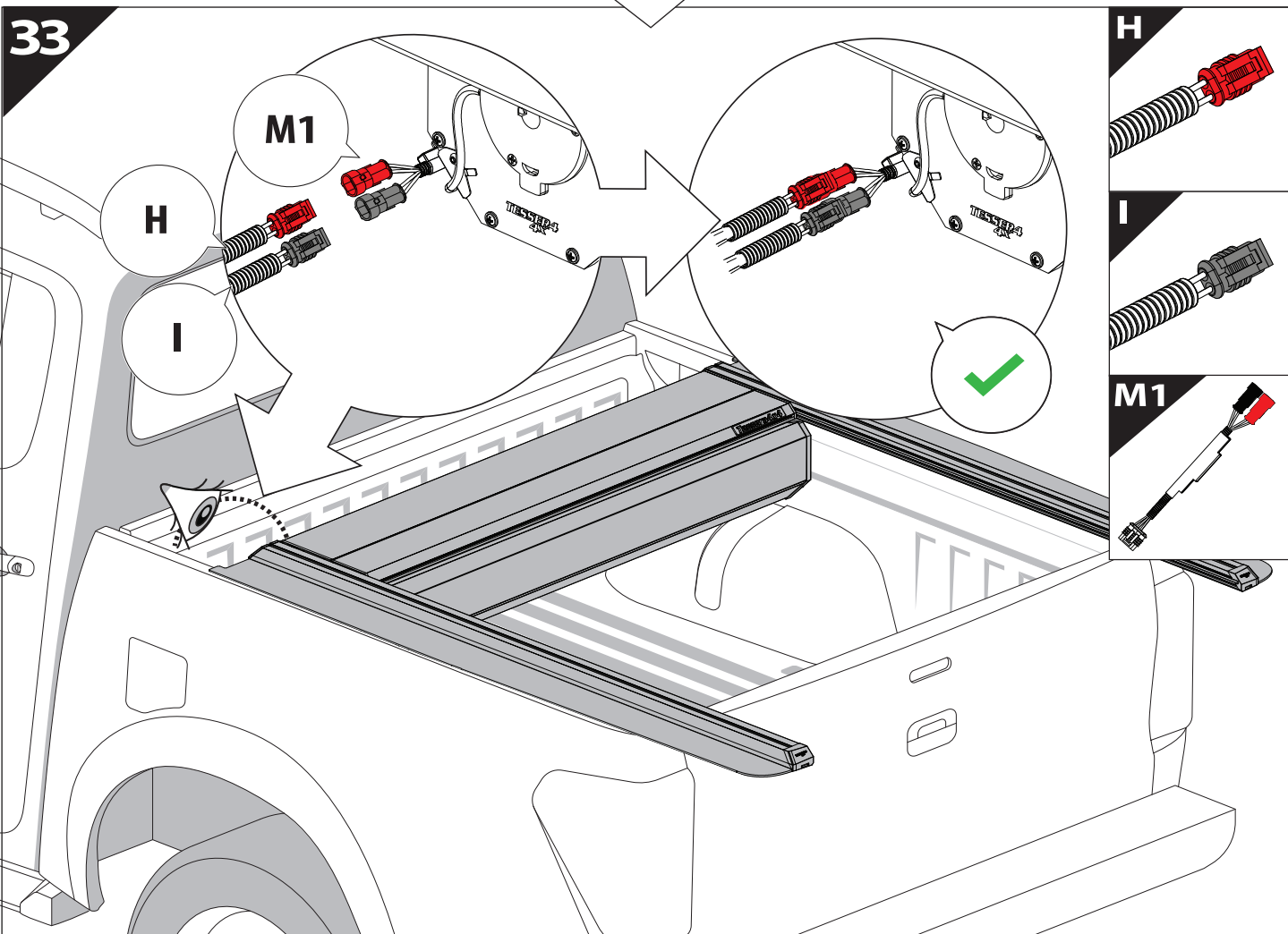
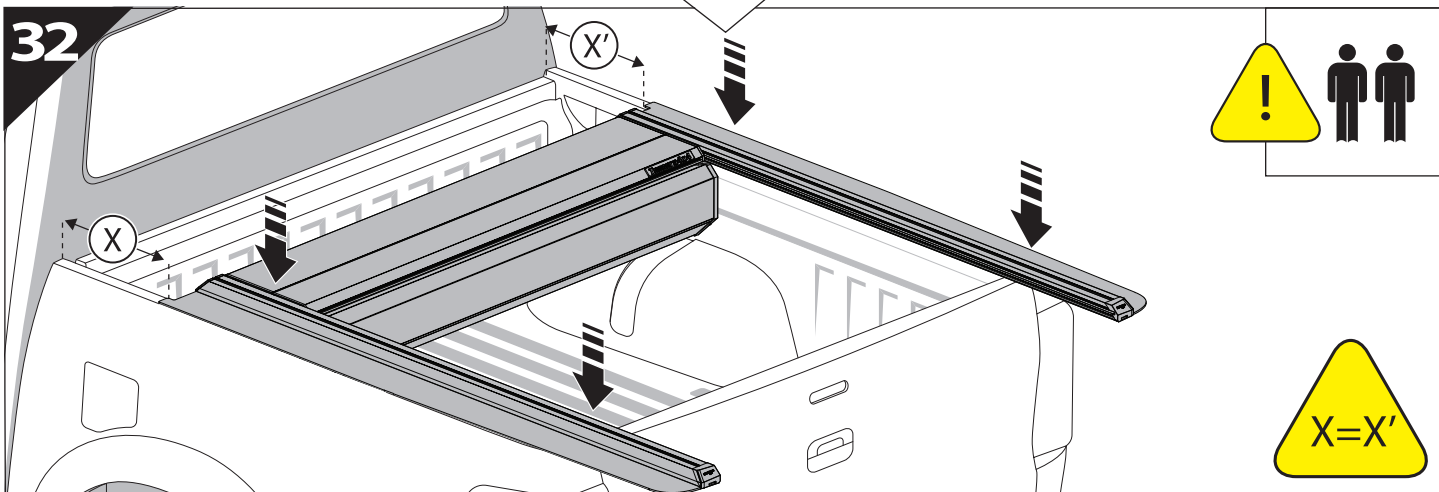
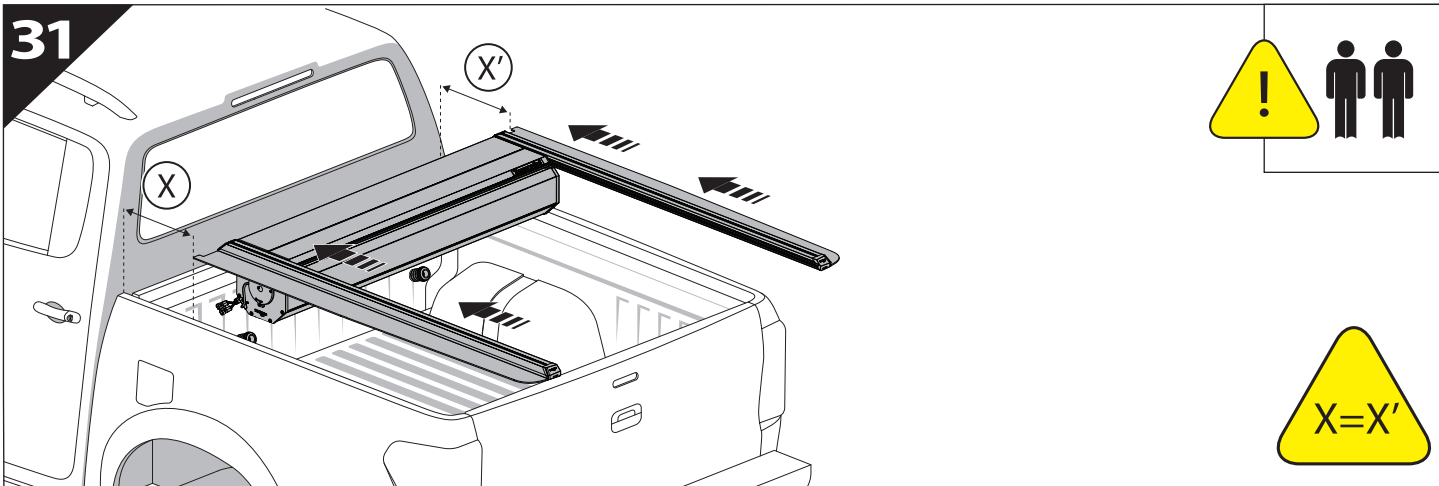


MODEL YEAR	LIGHTS	CAR	TESSERA ROLL+
HILUX 2016+/2021+	BEAM		
HILUX 2016+	STOP		
HILUX 2021+	STOP		

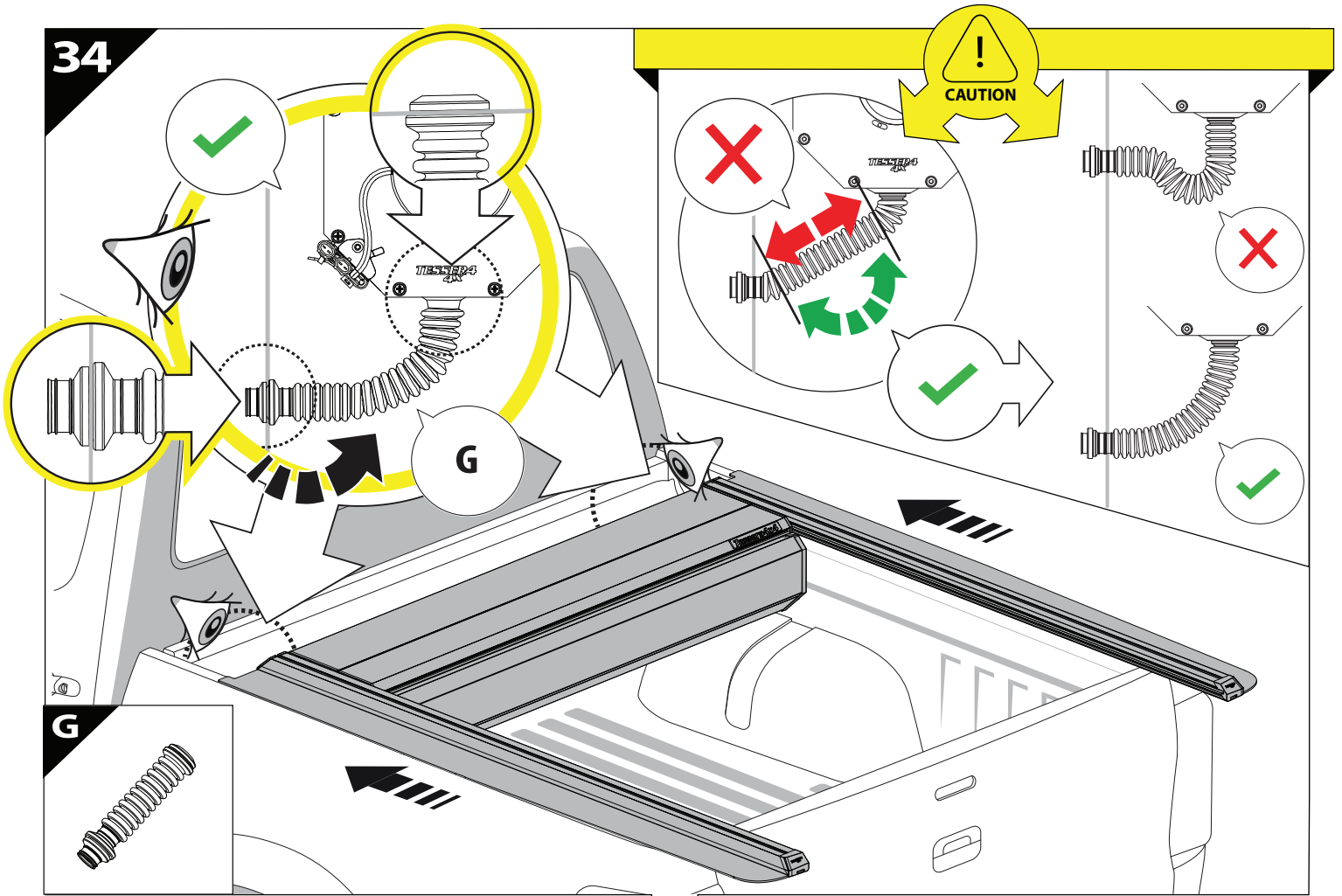


27

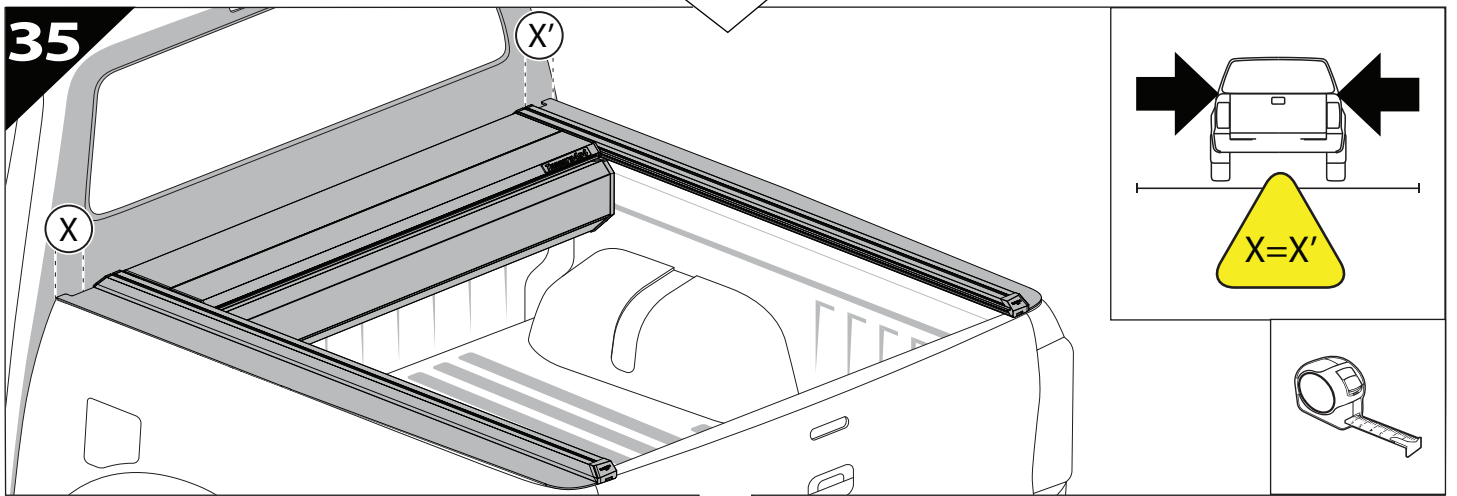




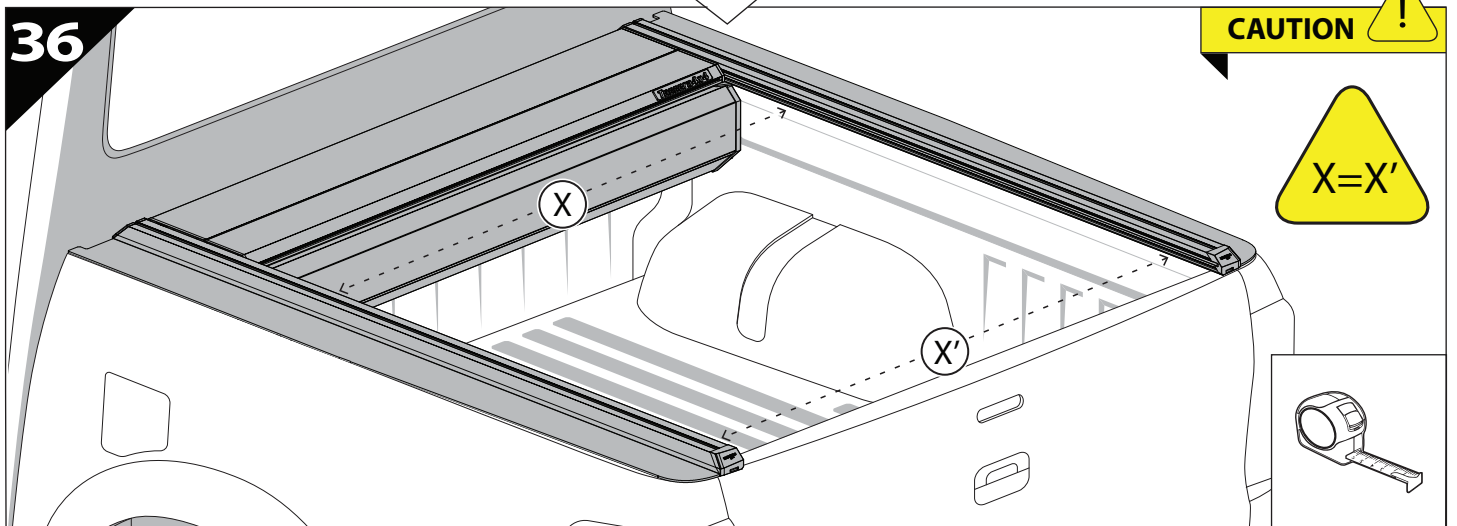
34



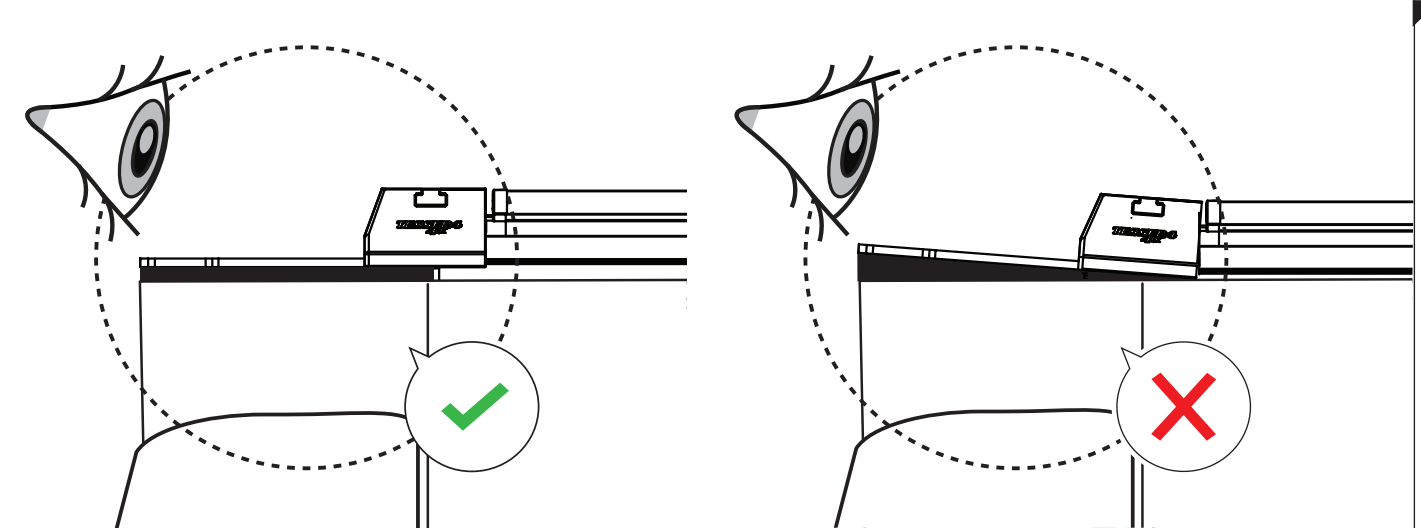
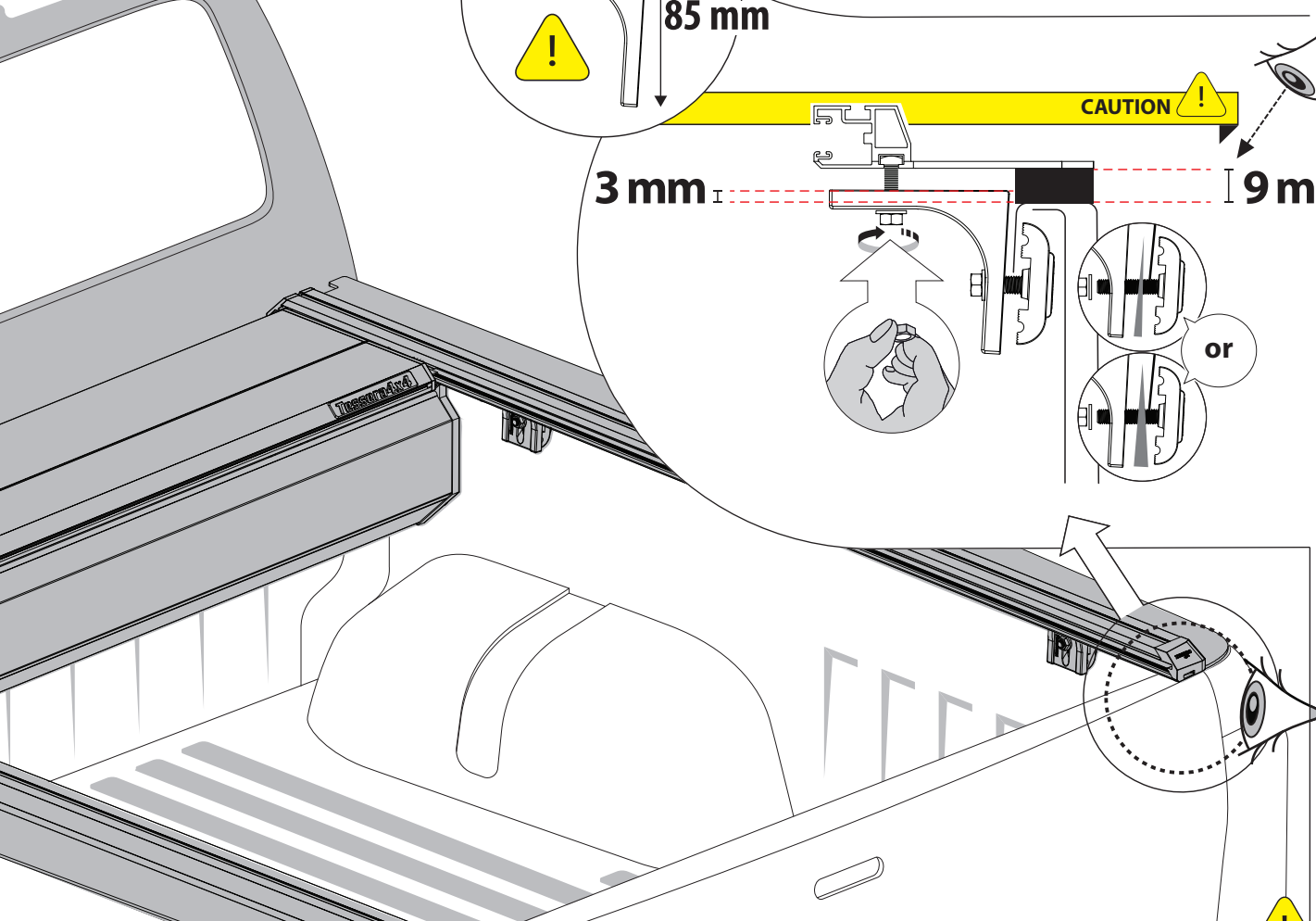
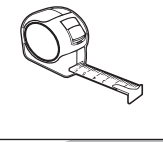
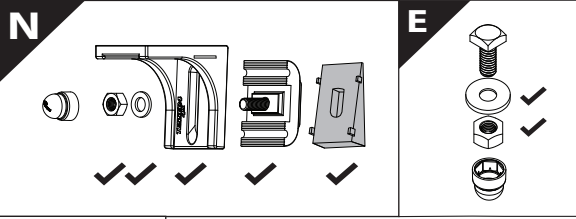
35

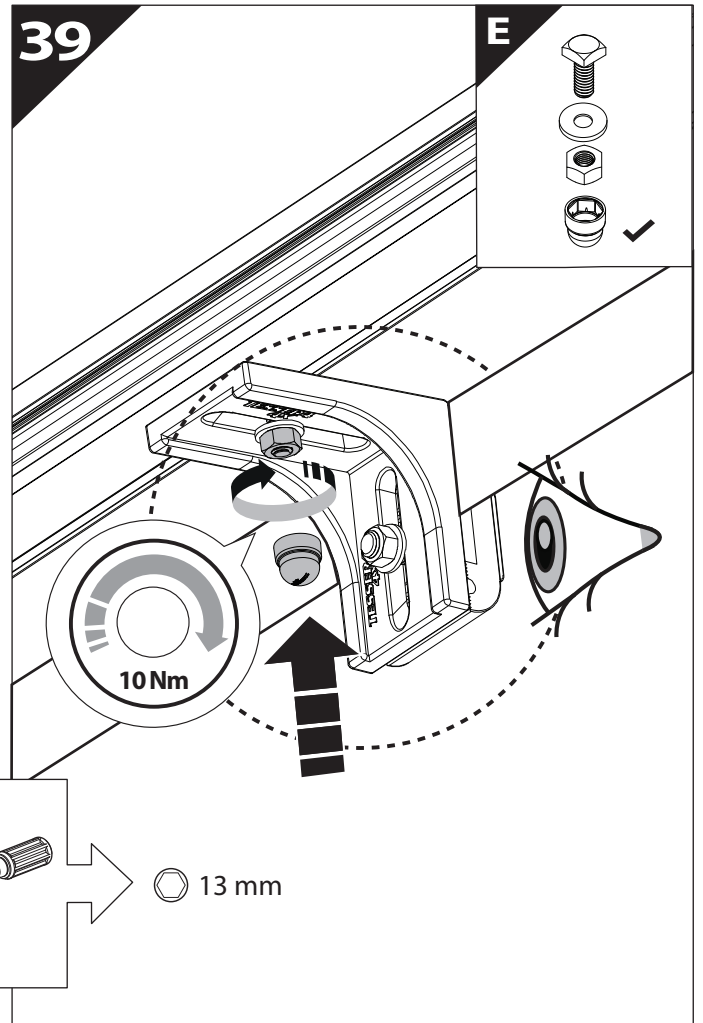
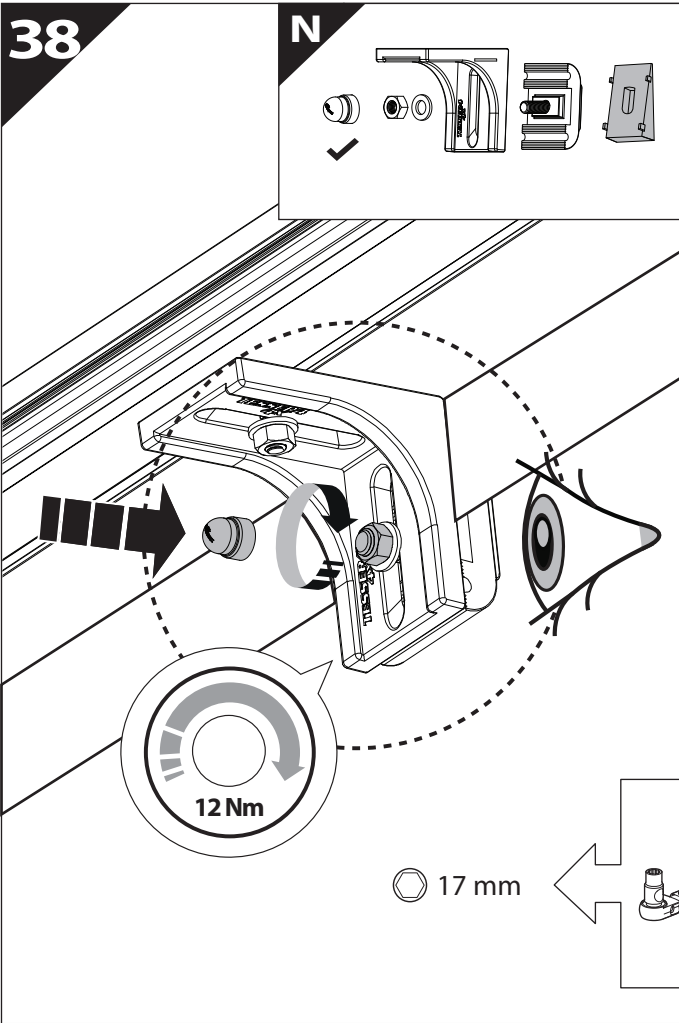


36

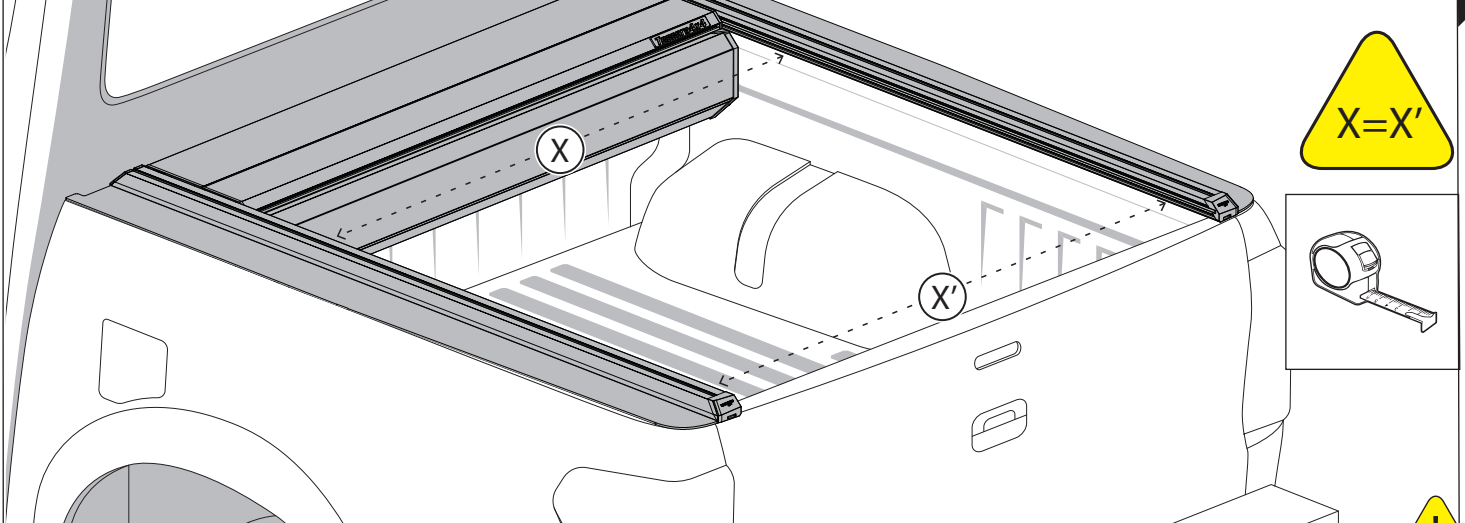


37

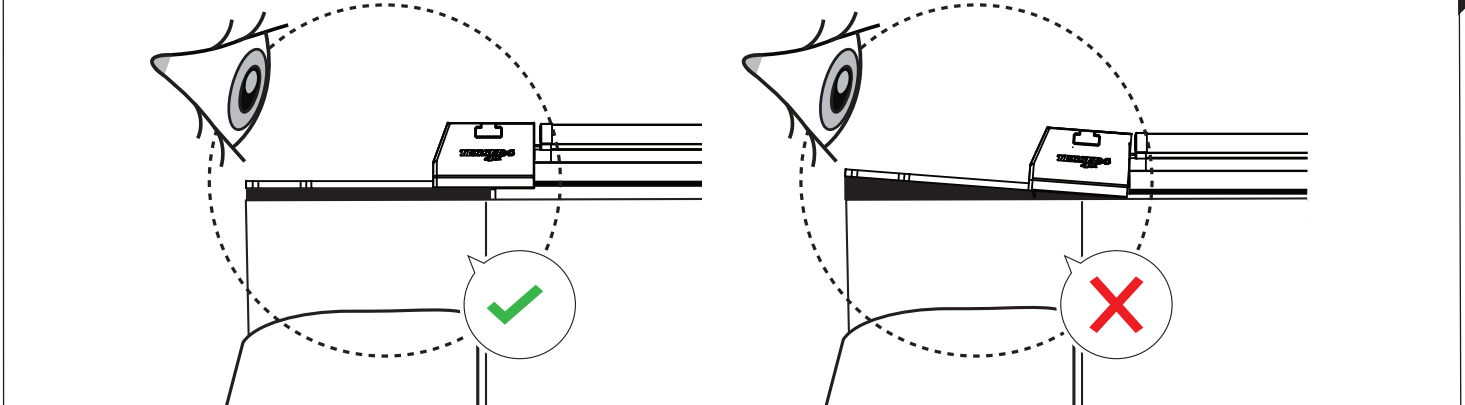




CAUTION !

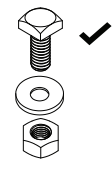


CAUTION !

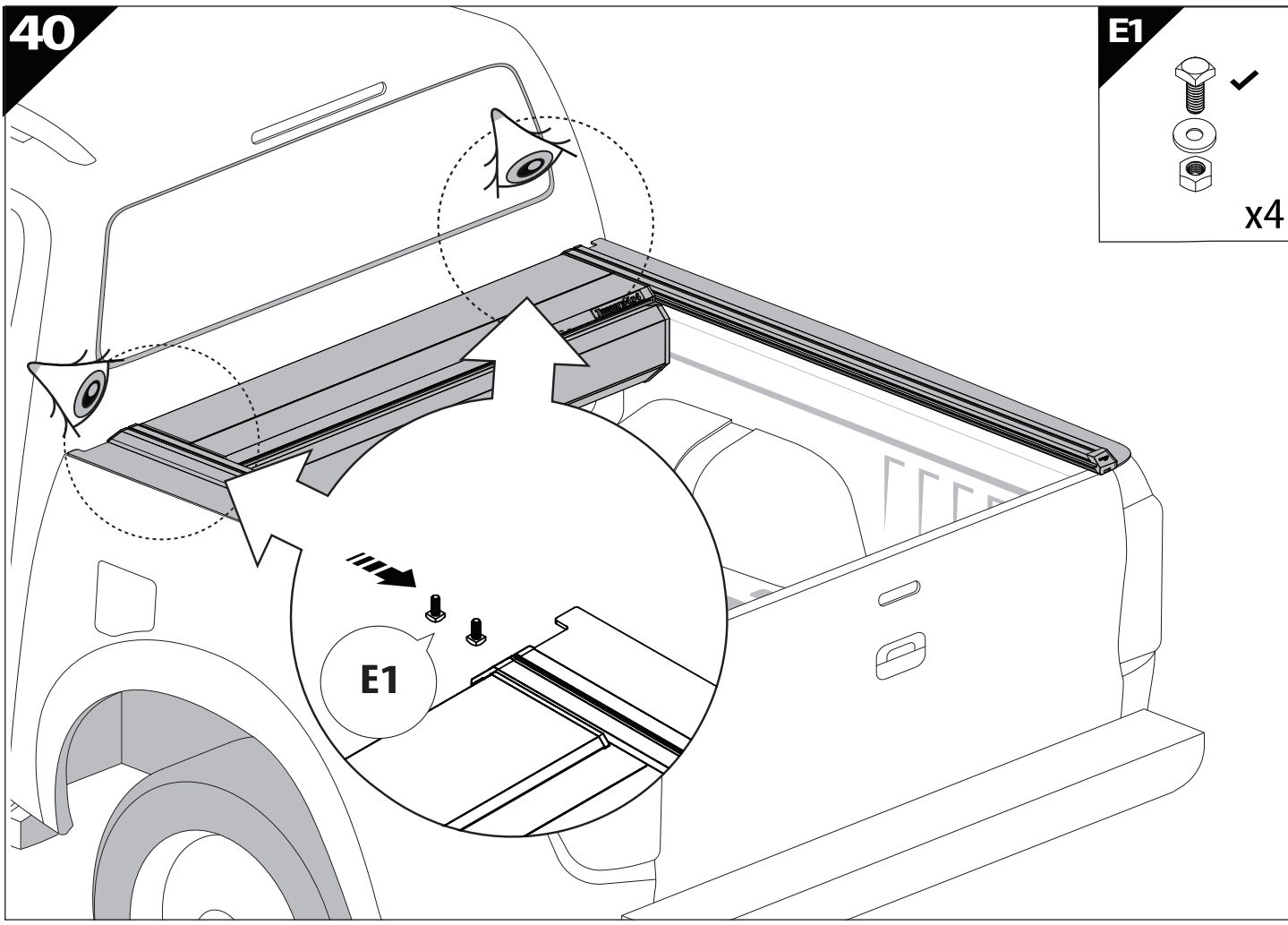


40

E1



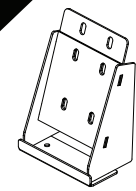
x4



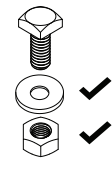
41

N1

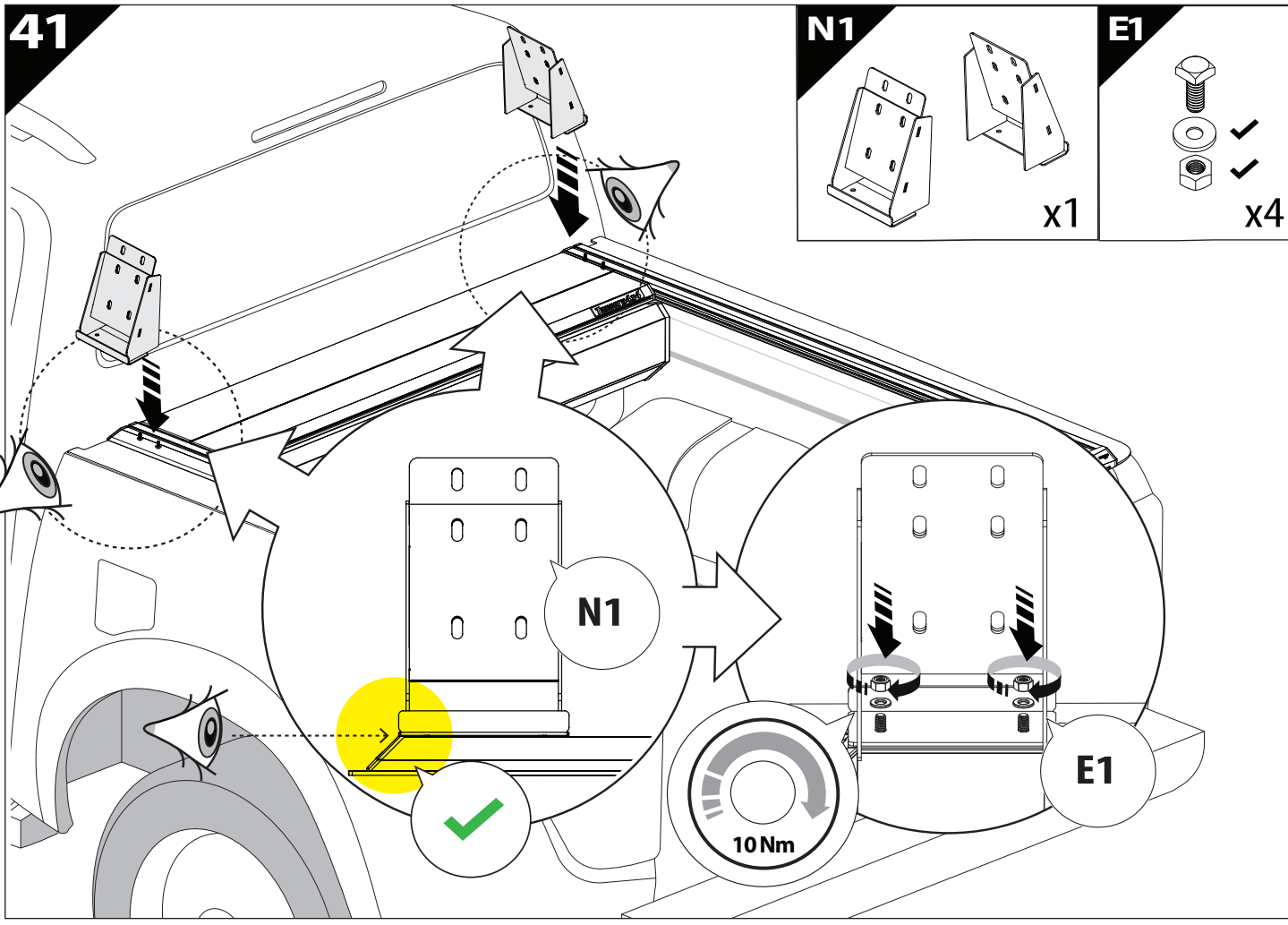
E1

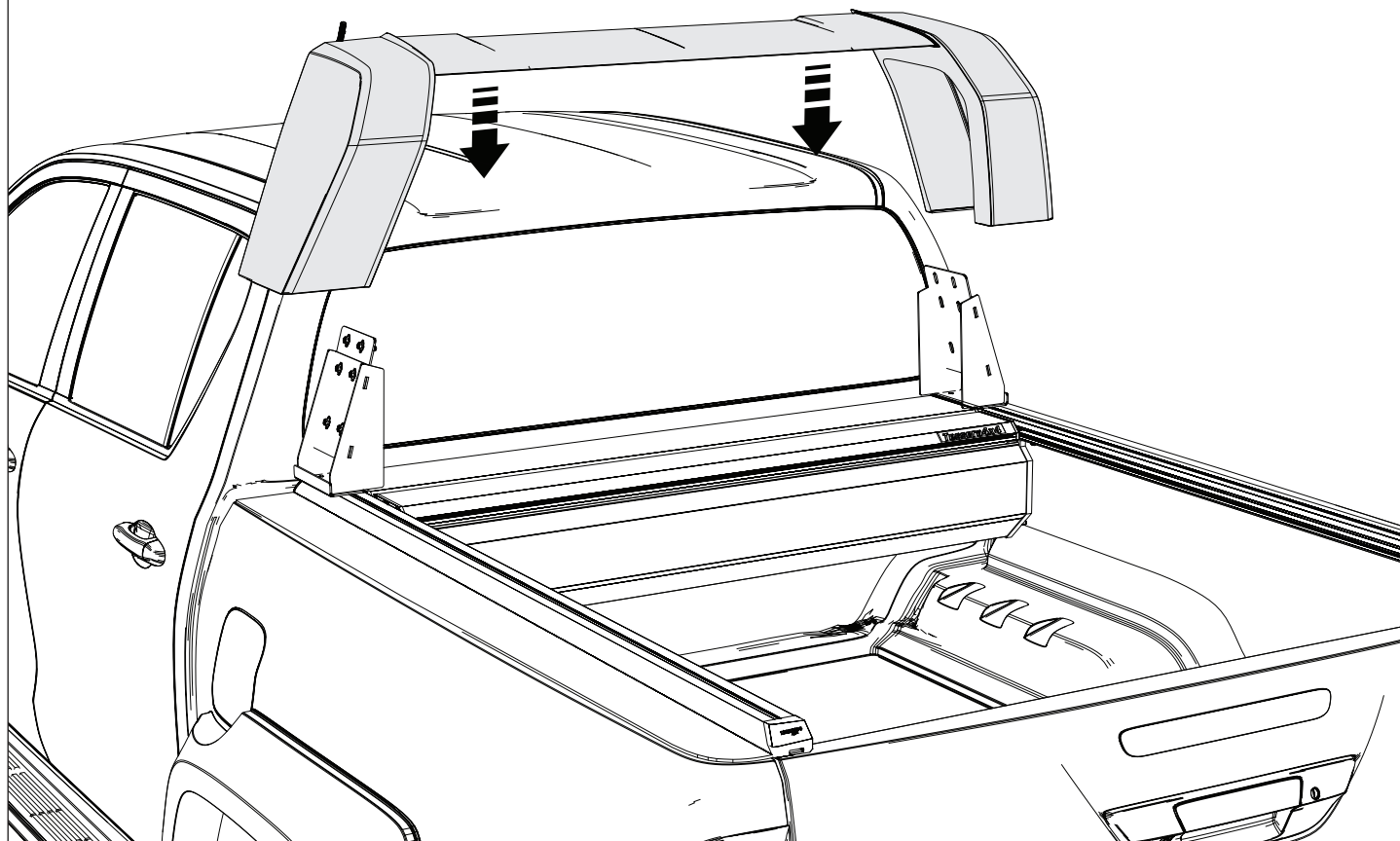


x1

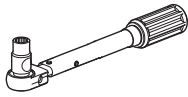


x4

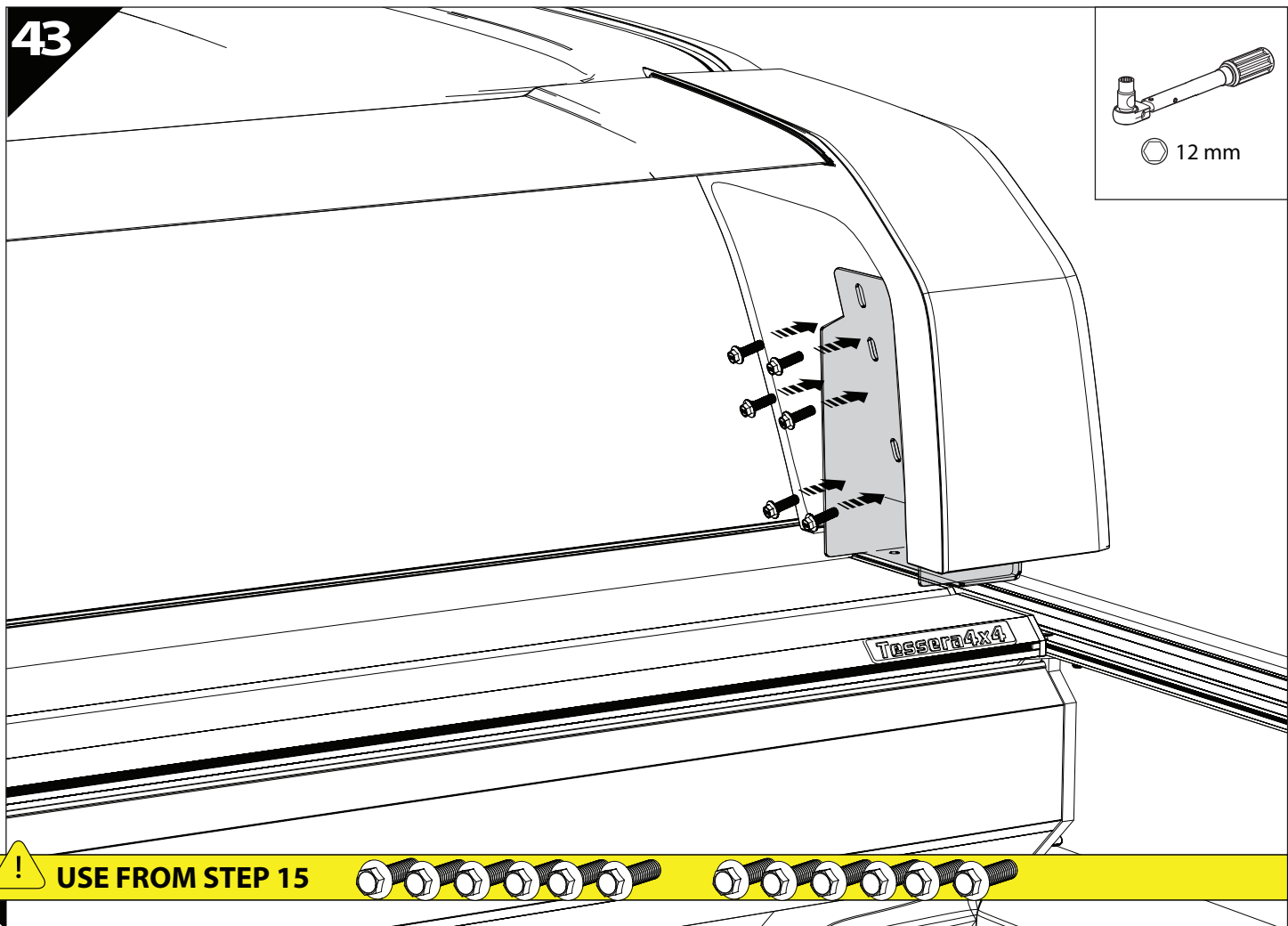




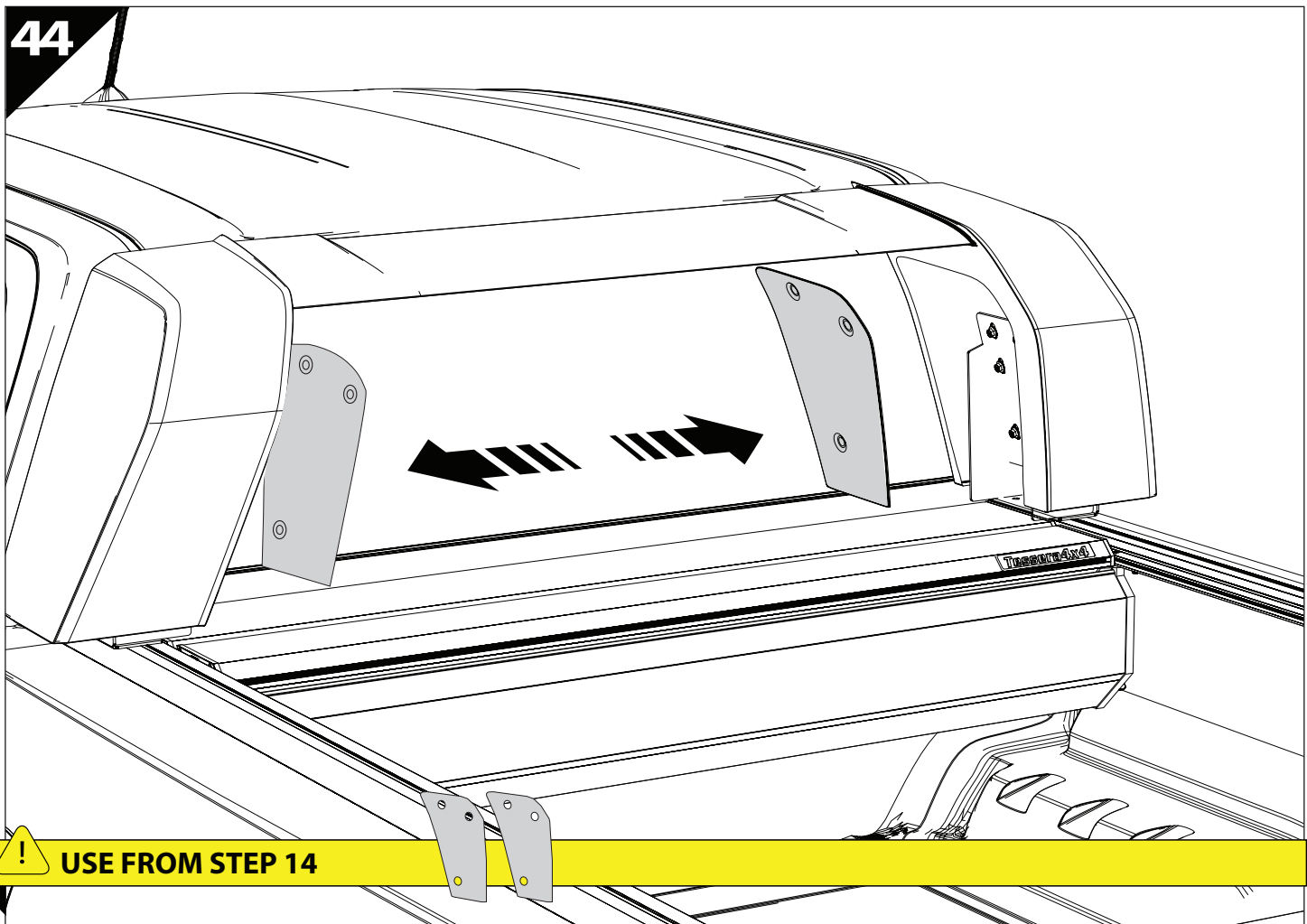
43



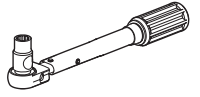
12 mm



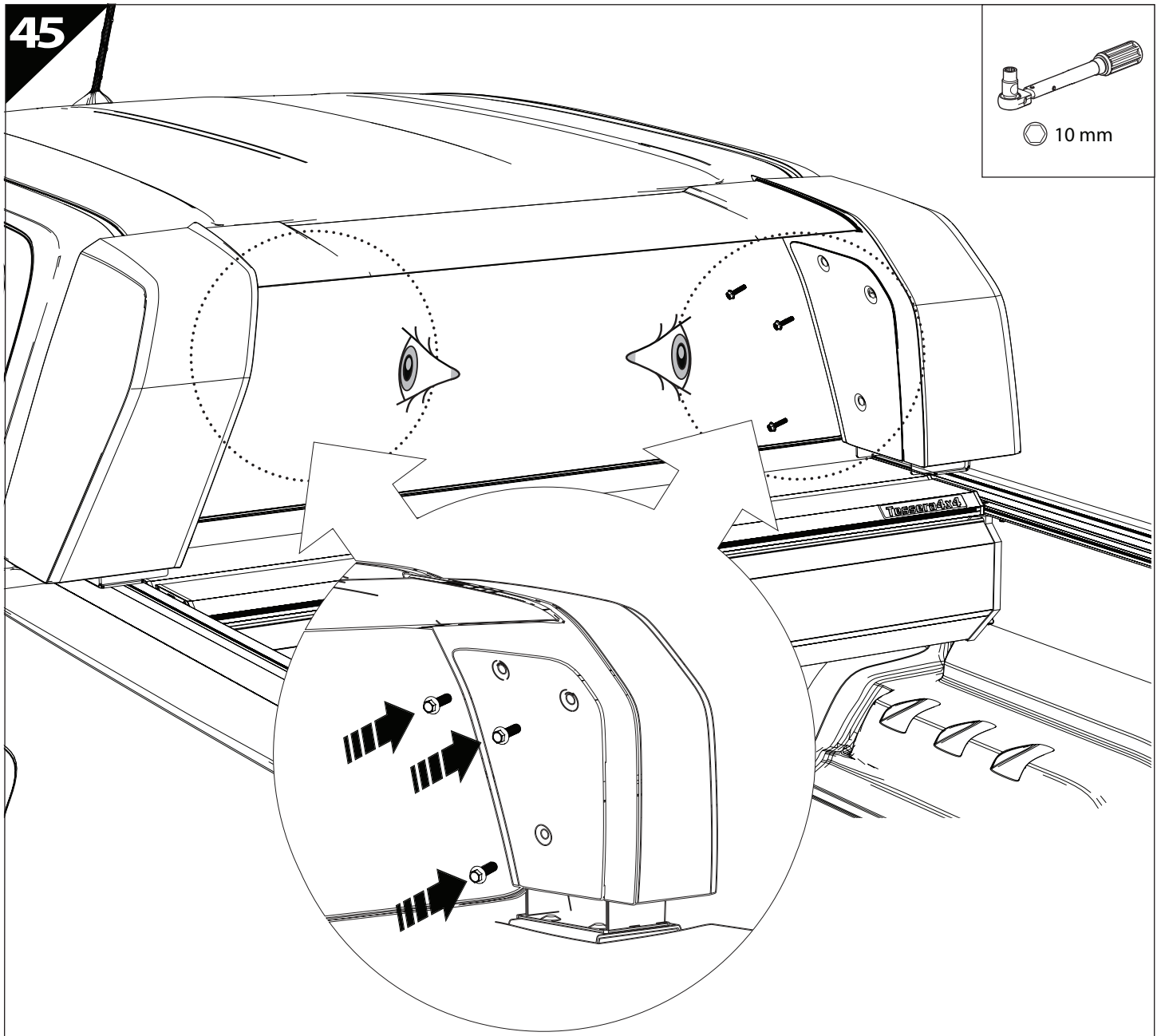
44



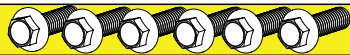
45



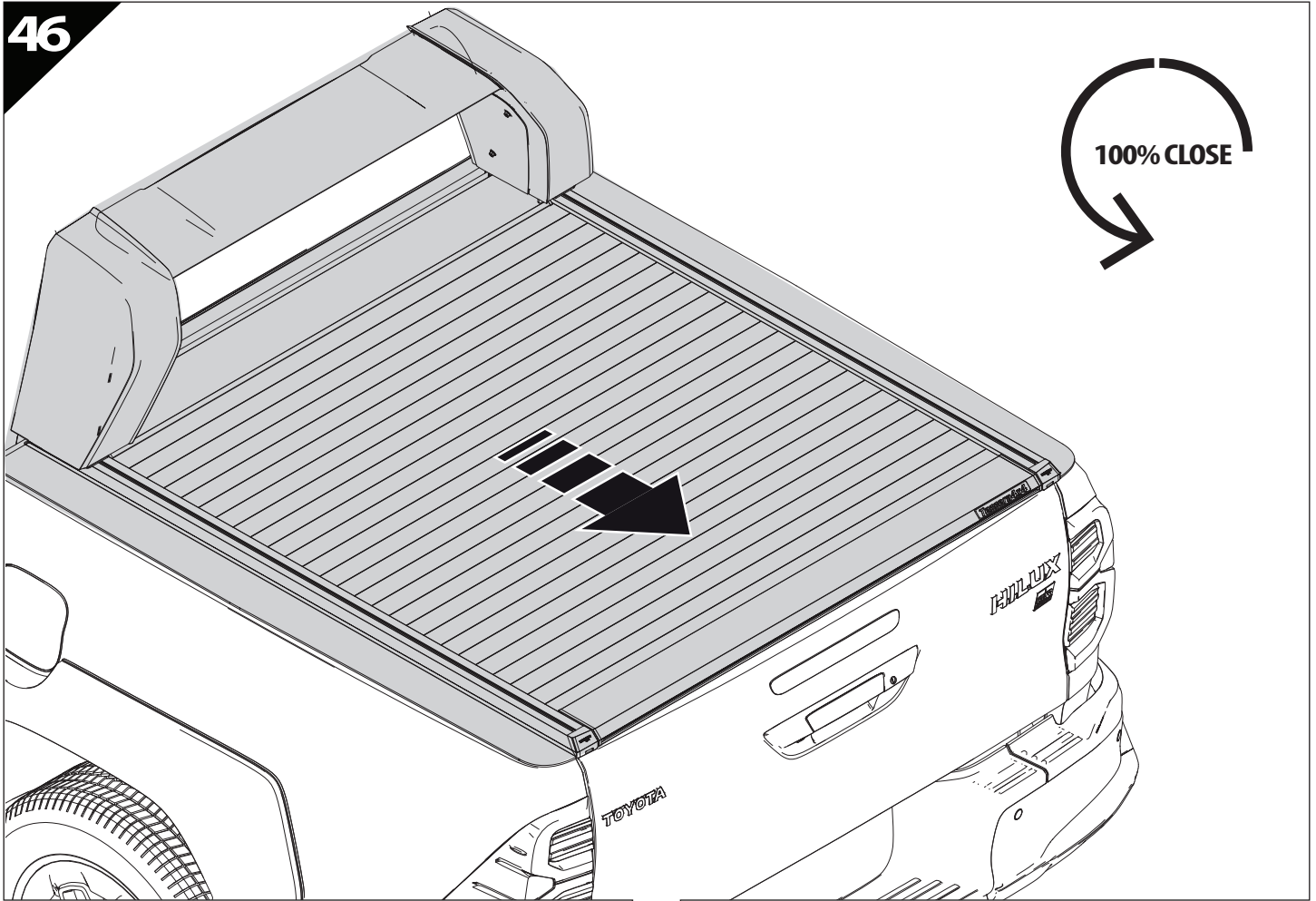
10 mm



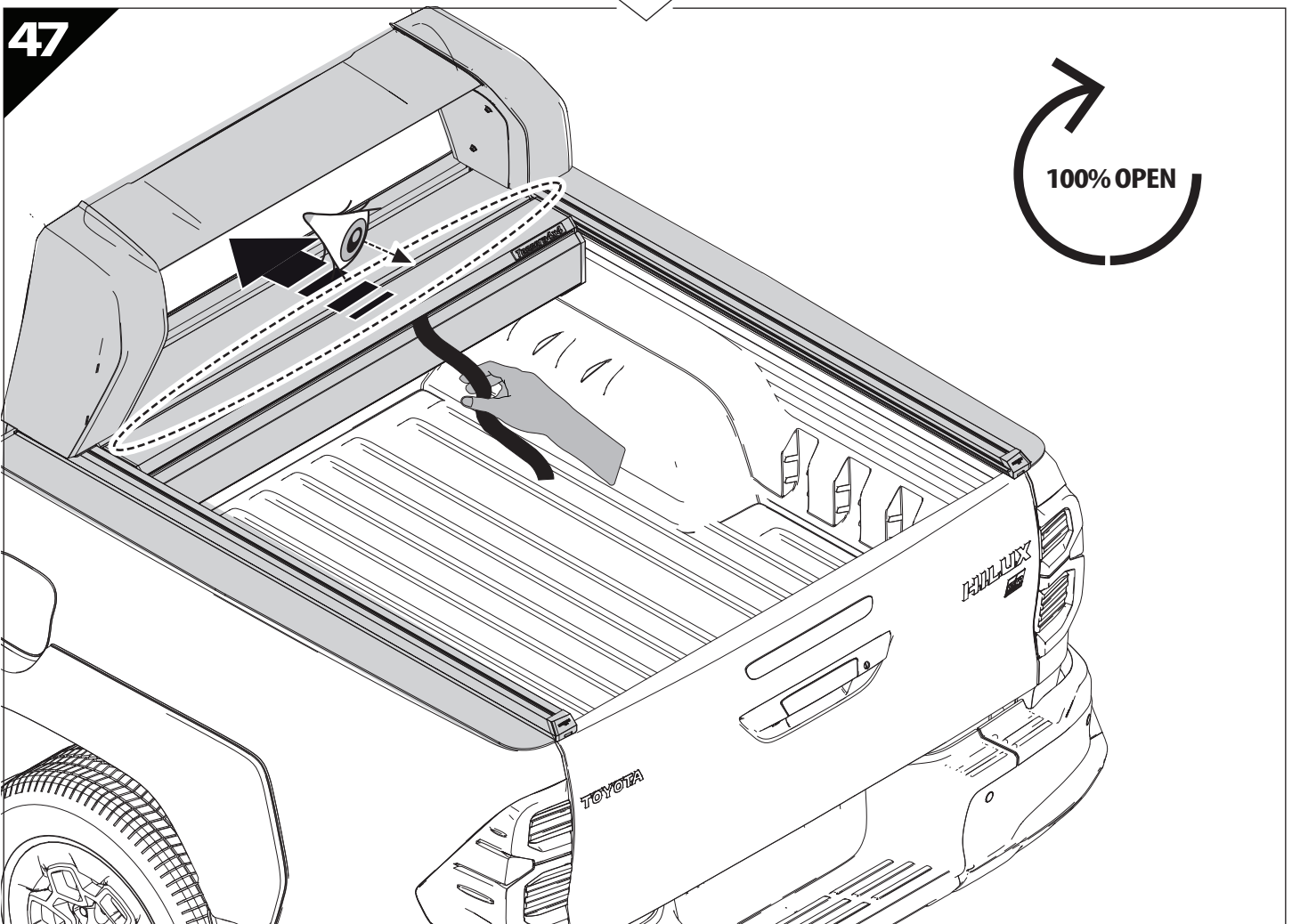
USE FROM STEP 13



46



47





GR: Οδηγίες Εγκατάστασης
GB: Installation manual
SF: Asennusohje
F: Notice de montage
PL: Instrukcja montażu
NL: Installatie-instructies
TR: Montaj Talimatı
S: Monteringsanvisning
E: Instrucciones de montaje

H: Szerelési utasítás
P: Instruções de instalação
RUS: Инструкция по установке
N: Monteringsveiledning
D: Einbauanleitung
CZ: Návod k instalaci
I: Istruzioni de montaggio
DK: Monteringsvejledning
RO: Instructiuni de instalare

Customer Service:

+30 (210) 5541161, +30 (210) 5541154 (08:00 - 16:00 EET)

Support department:

info@gianso.gr

Website:

www.tessera4x4.com

Address:

19.5 km of National road Athens-Korinthos (Elefsina) Greece, P.C: 19200