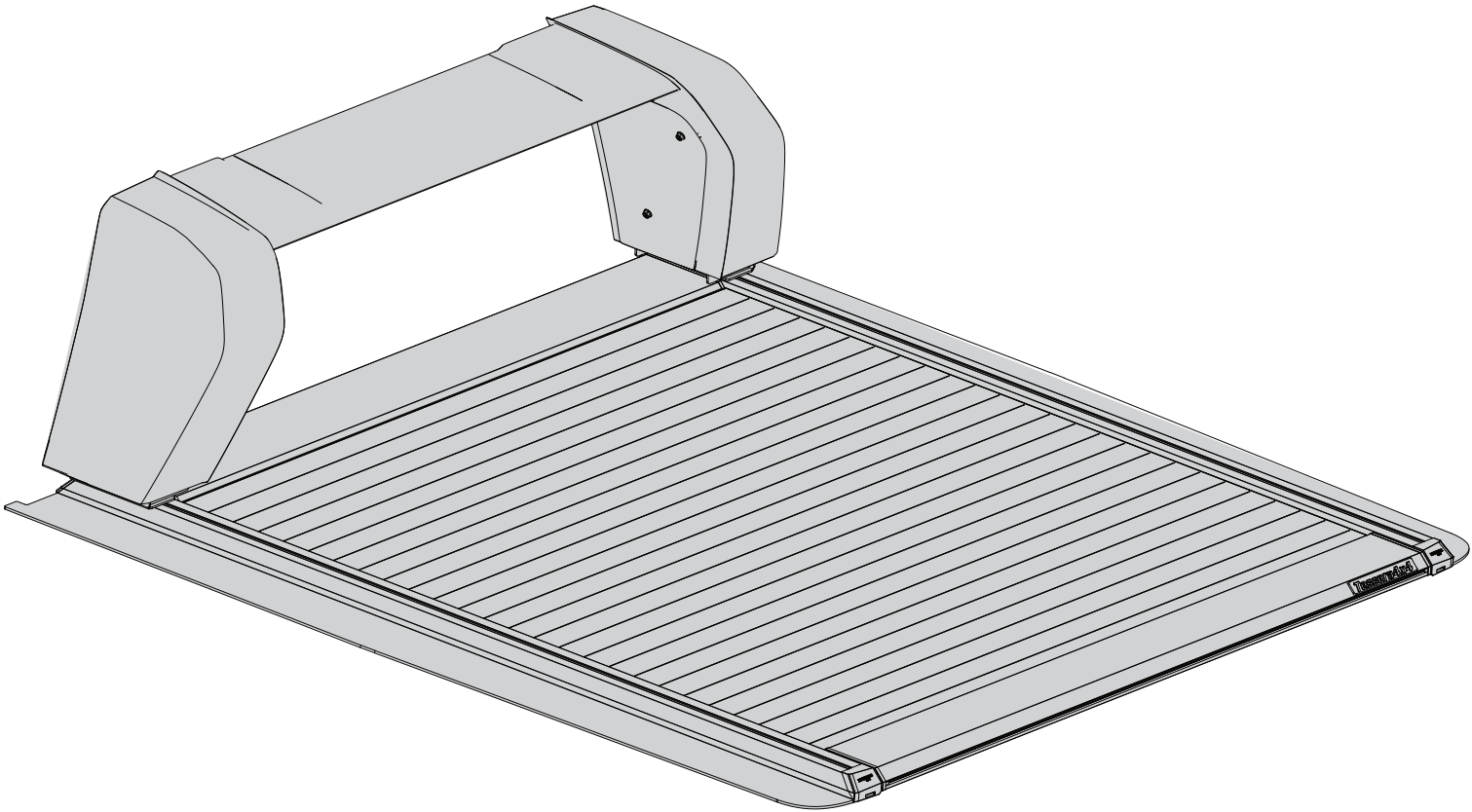


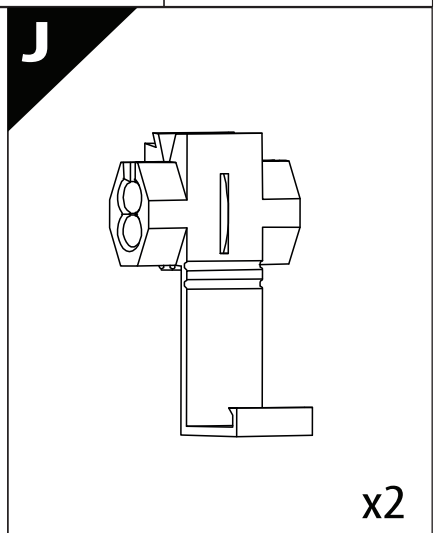
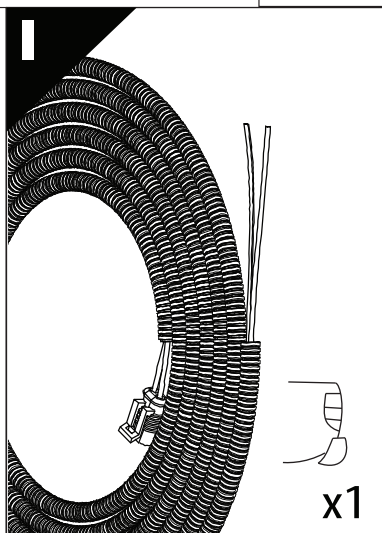
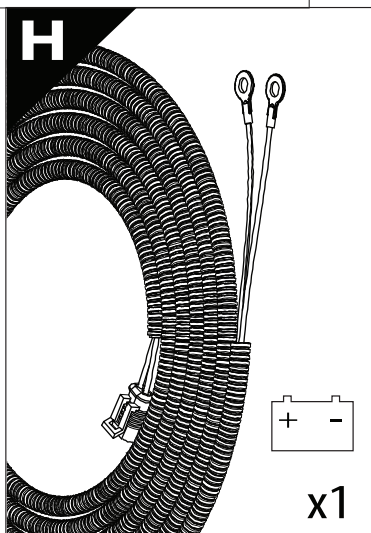
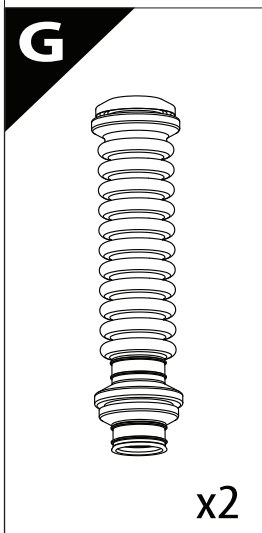
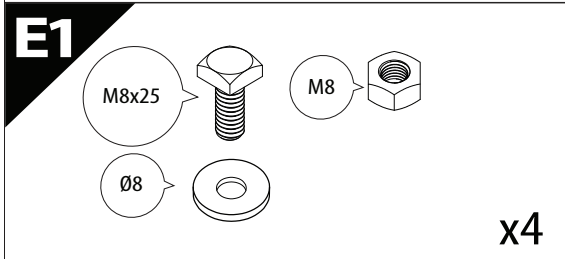
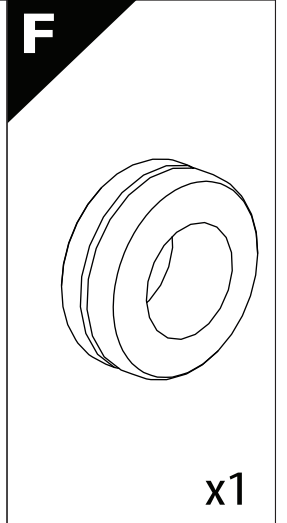
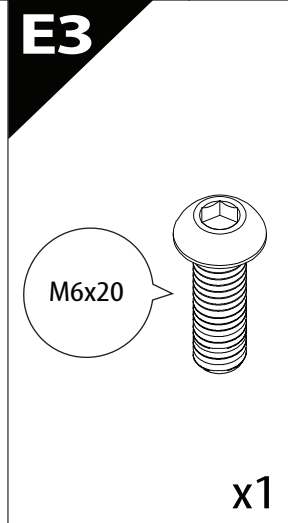
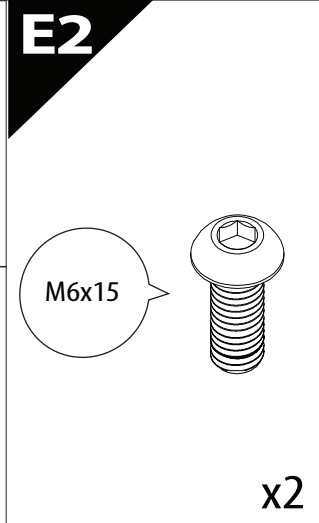
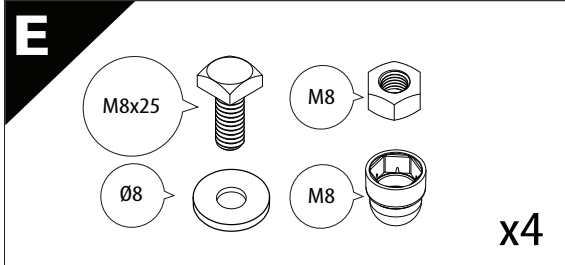
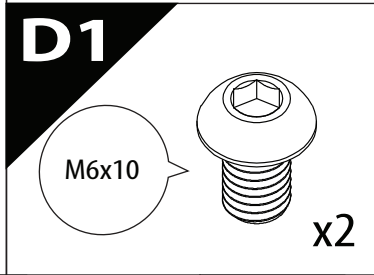
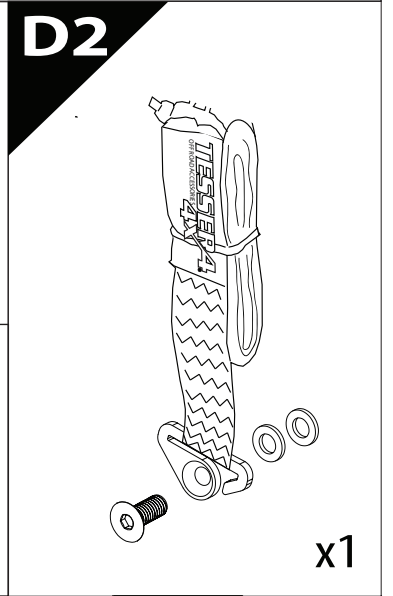
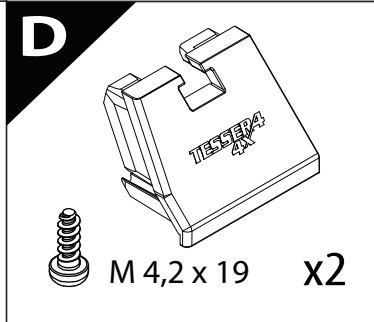
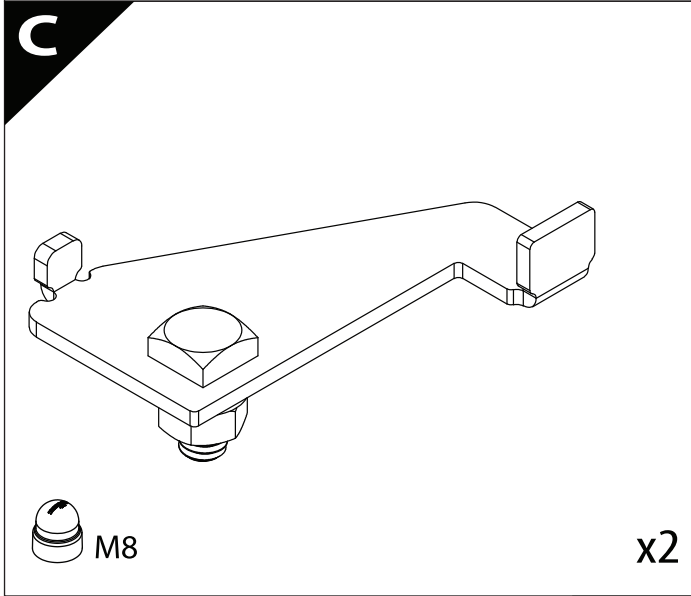
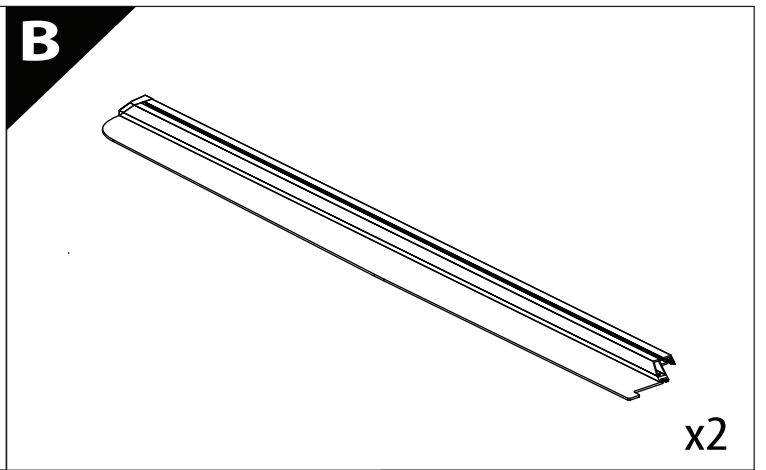
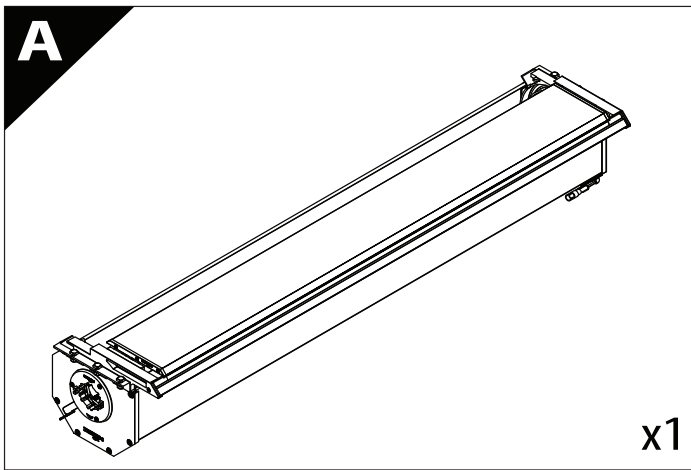
Tessera Roll+

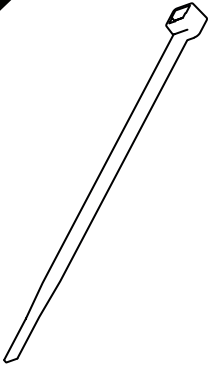
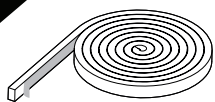
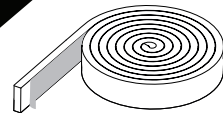
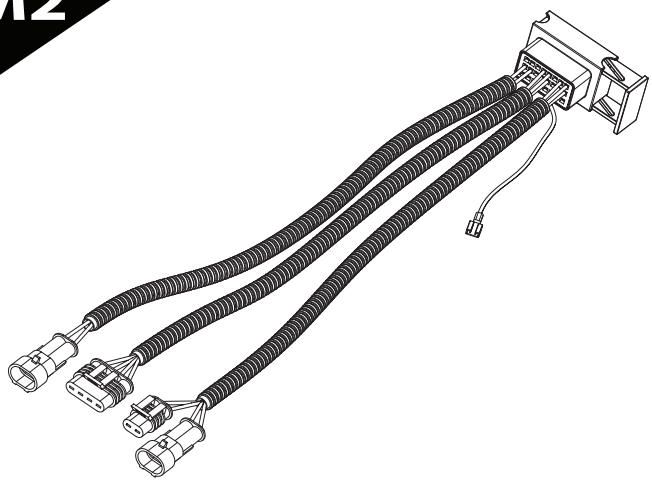
Basic Version + ⚡ E-KIT

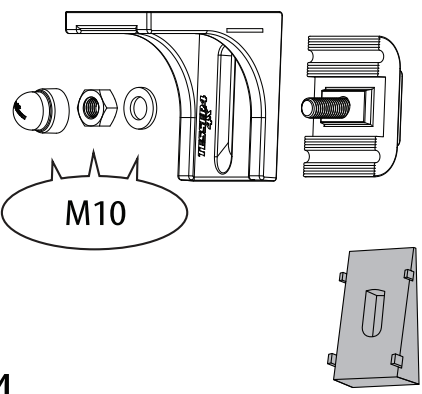
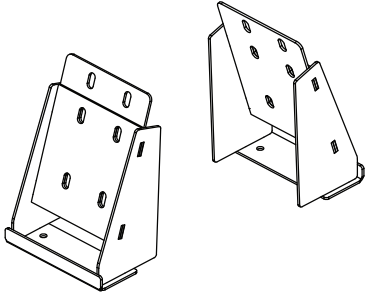
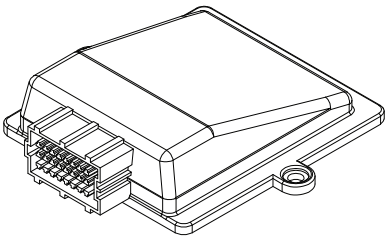


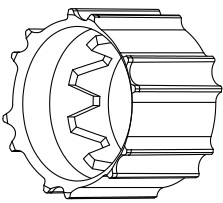
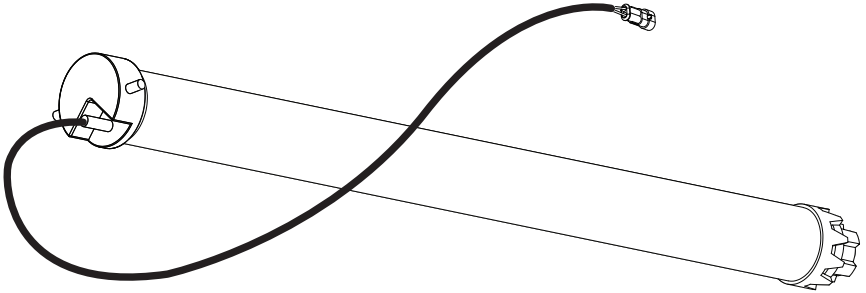
Installation Manual

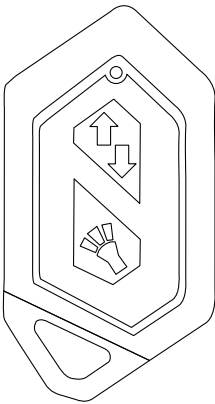

PART NUMBER(S)	Model Year
TESS 14162 ROLL + E-KIT	Toyota Hilux Revo GR 2025+
Cab(s)	Installation Time / Weight
Double Cab	40-60 minutes / 53-57 kg

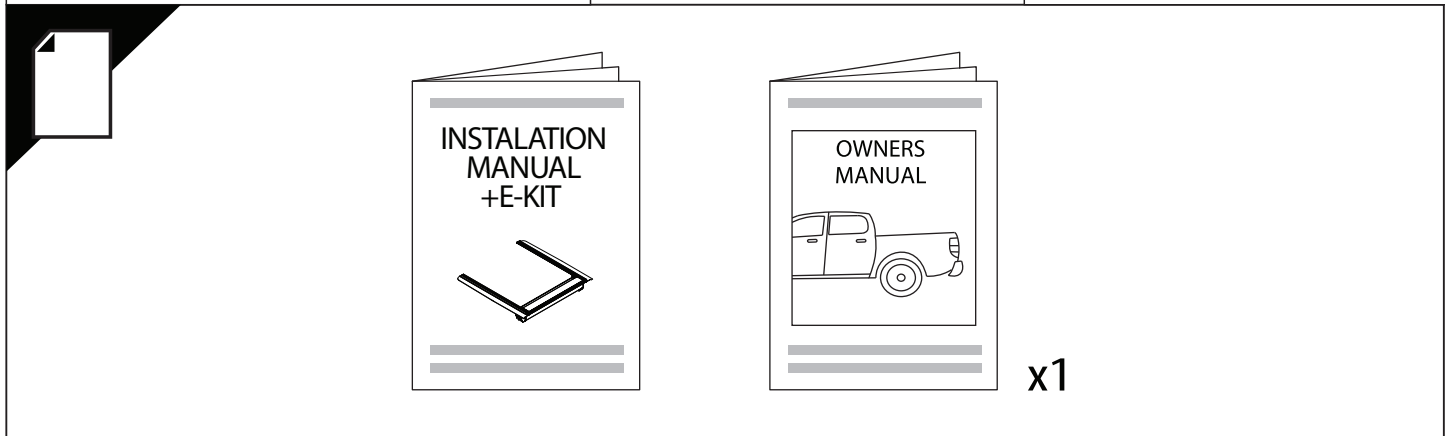
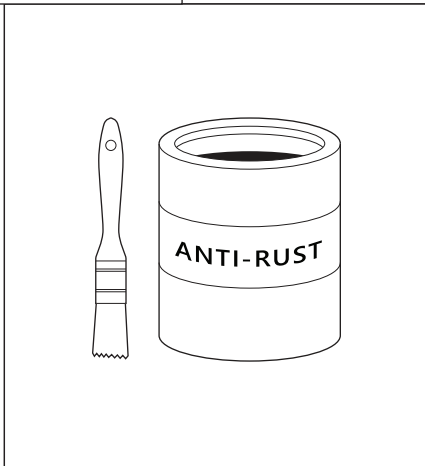
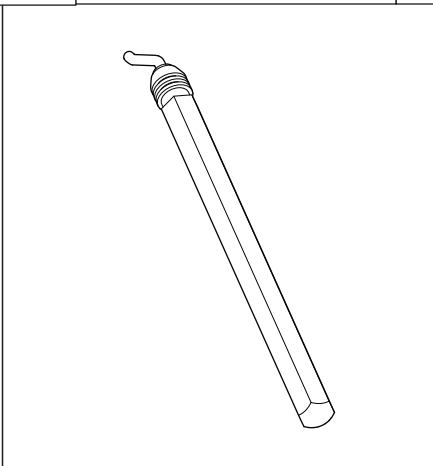
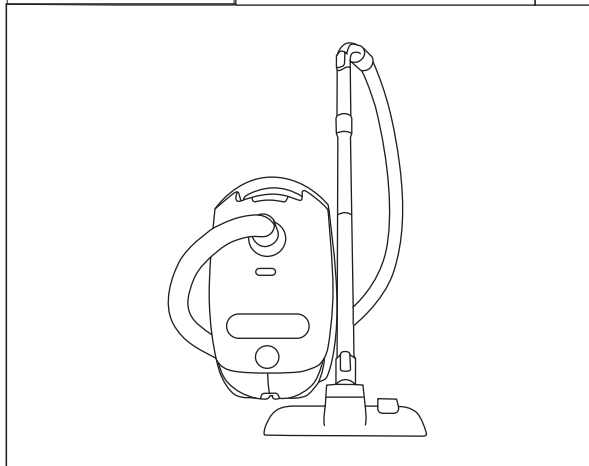
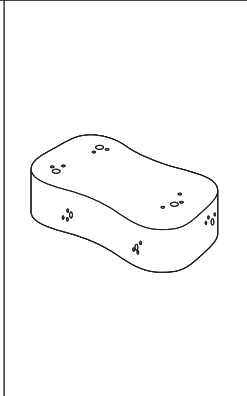
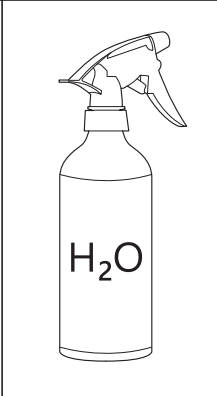
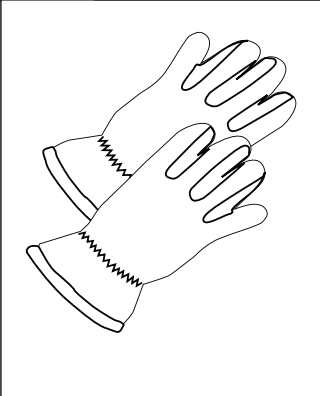
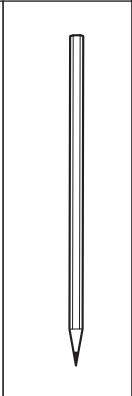
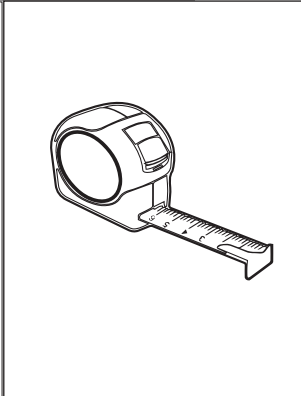
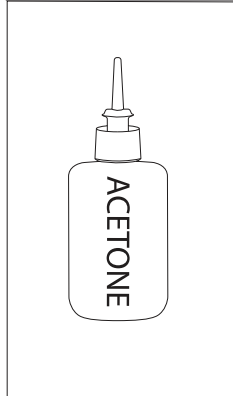
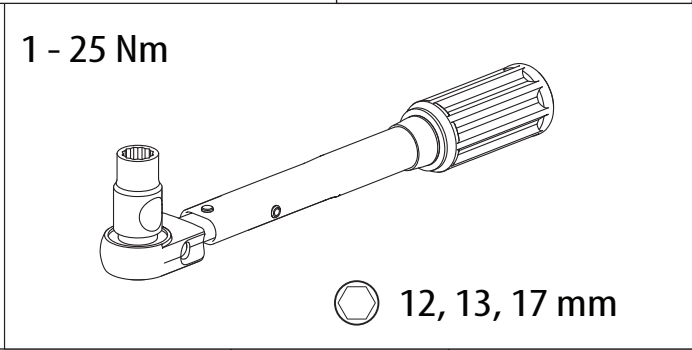
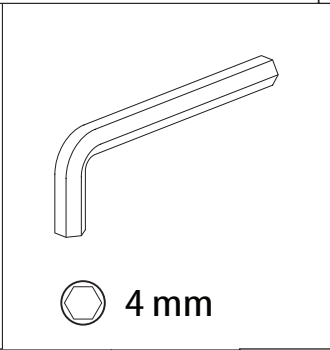
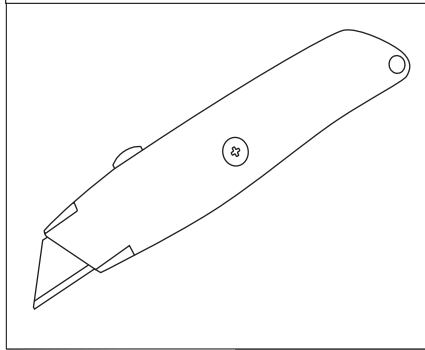
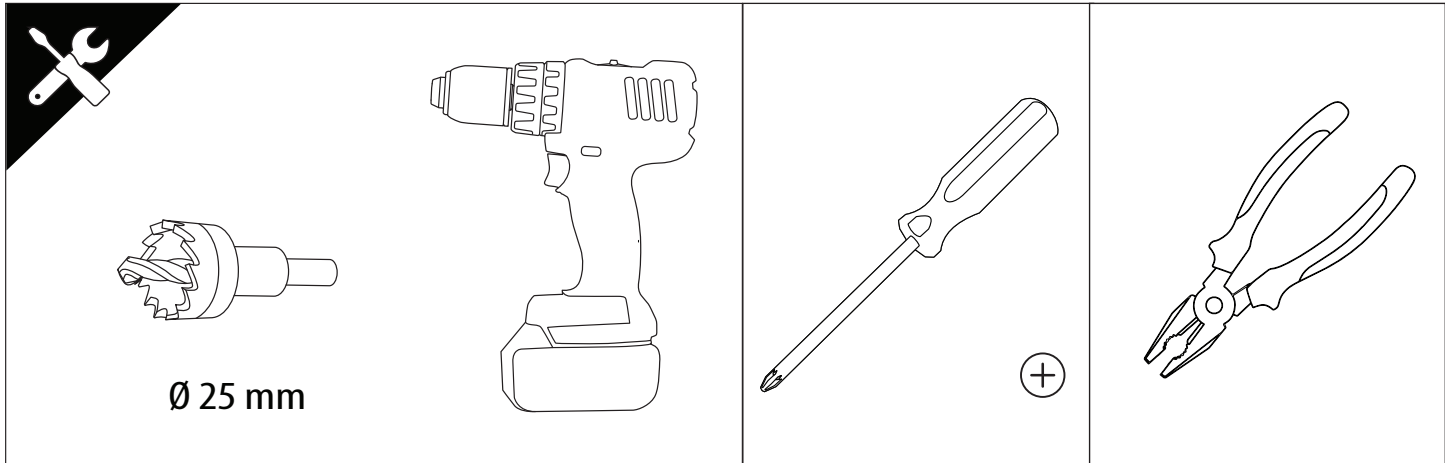


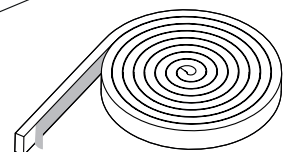
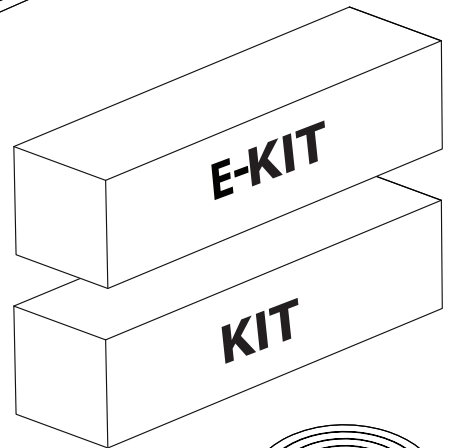
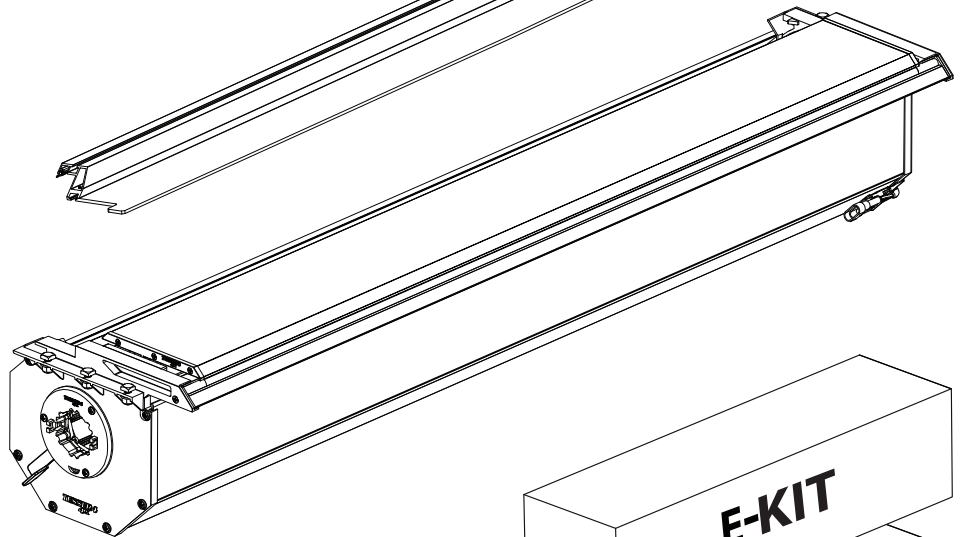
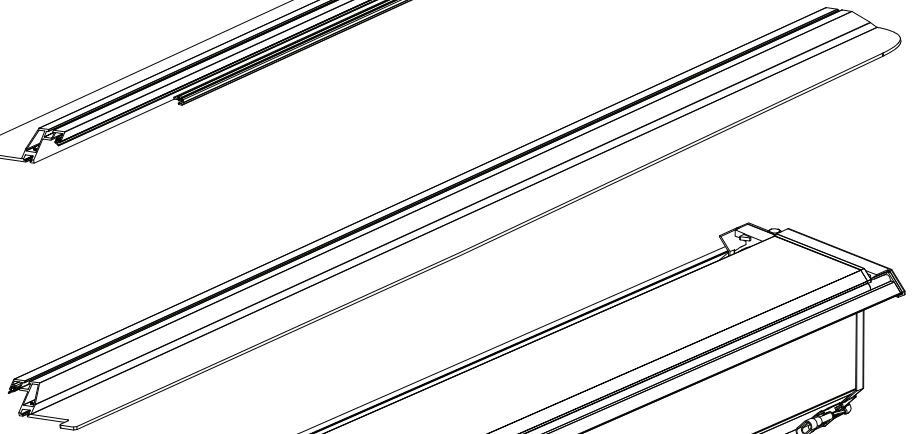
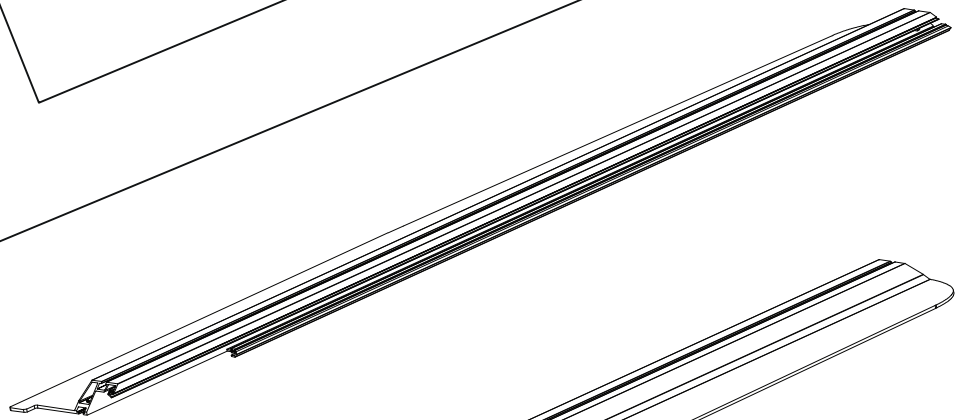
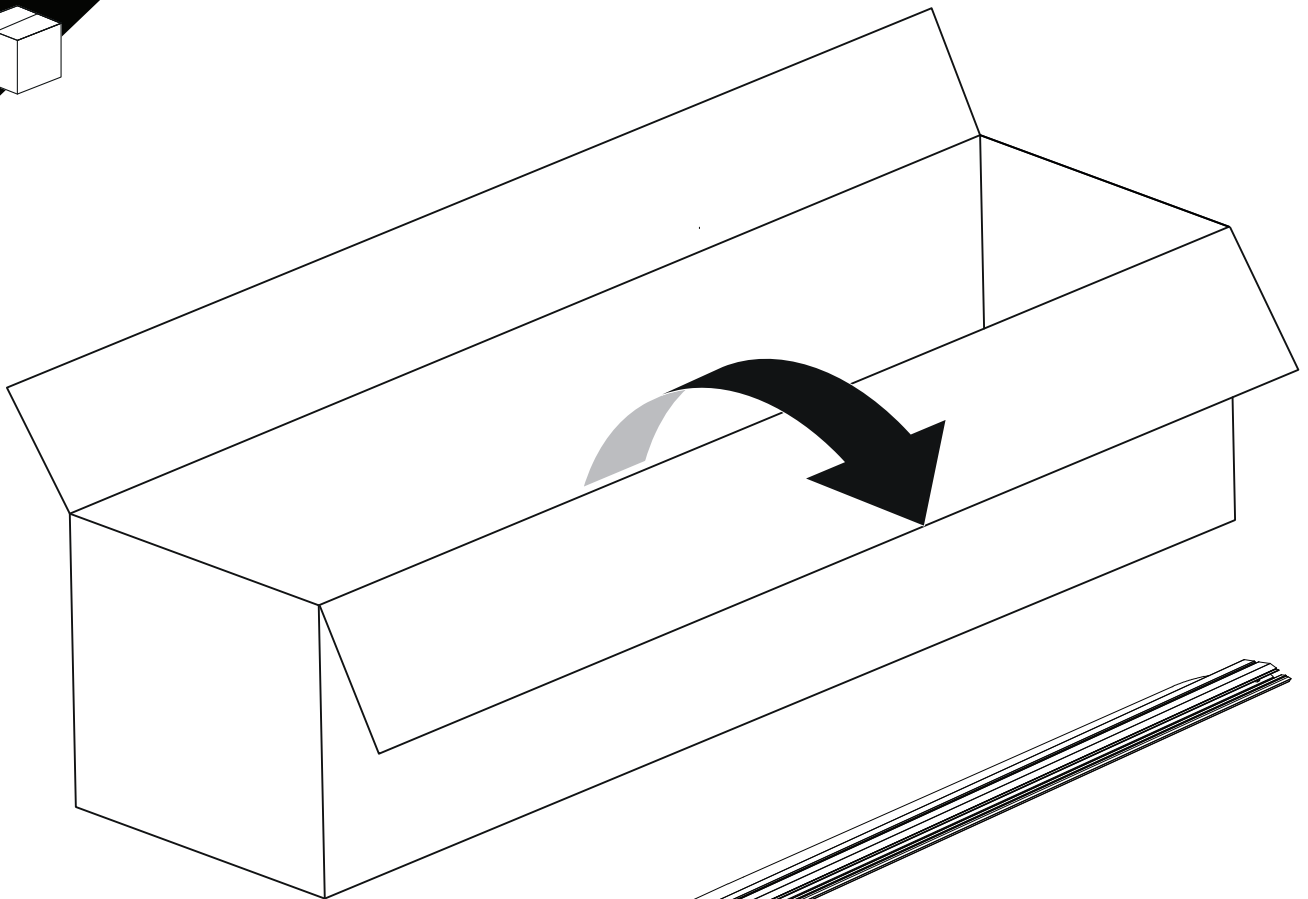
<p>K</p>  <p>x20</p>	<p>L1 x1</p>  <p>1.5 x 0.8 x 400cm</p> <p>L2 x1</p>  <p>5 x 0.8 x 167cm</p>	<p>M2</p>  <p>x1</p>
--	---	---

<p>N</p>  <p>M10</p> <p>x4</p>	<p>N1</p>  <p>x1</p>	<p>O</p>  <p>x1</p>
---	---	---

<p>P</p>  <p>x1</p>	<p>Q</p>  <p>x1</p>
---	--

<p>R</p>  <p>x2</p>	<p>S</p>  <p>x2</p>
---	--



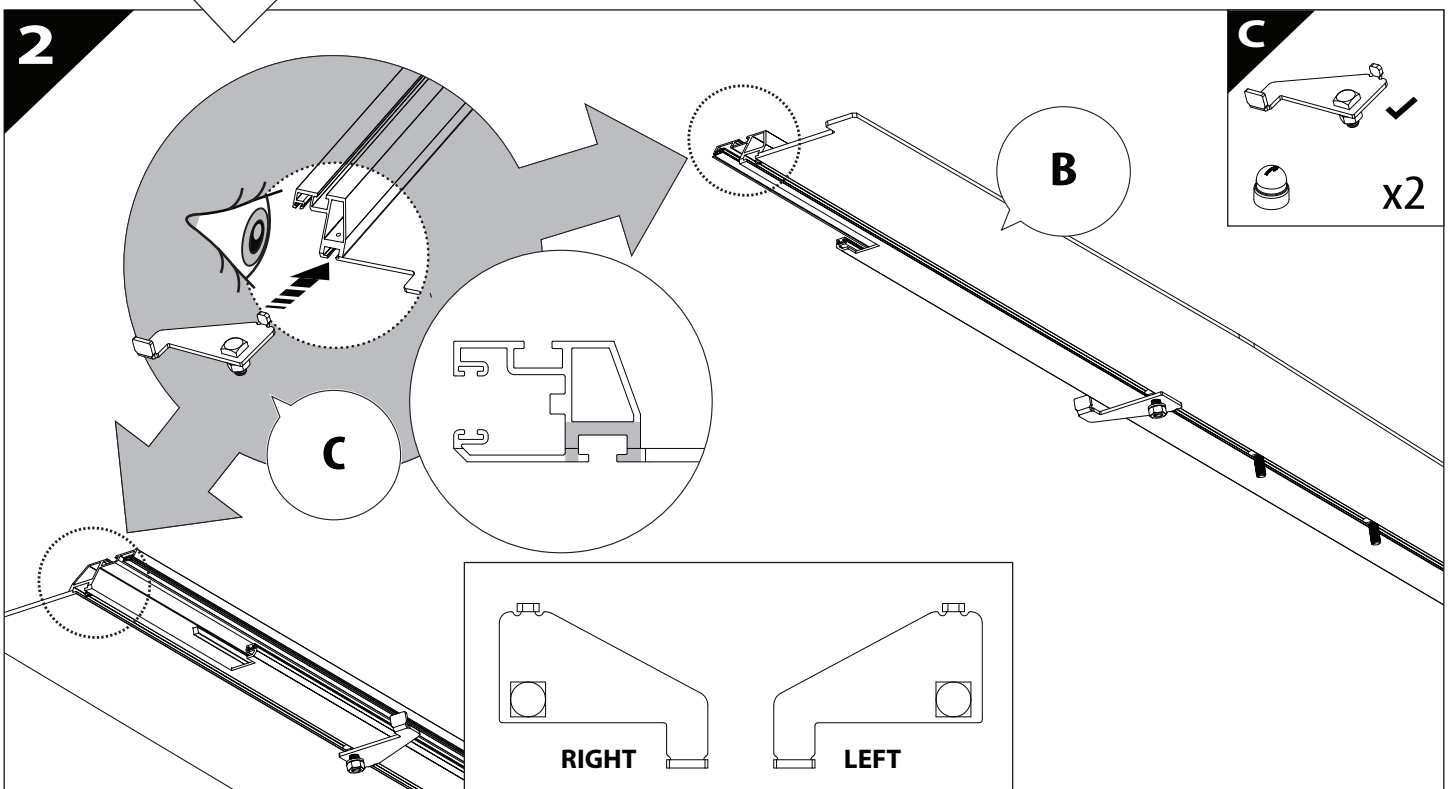
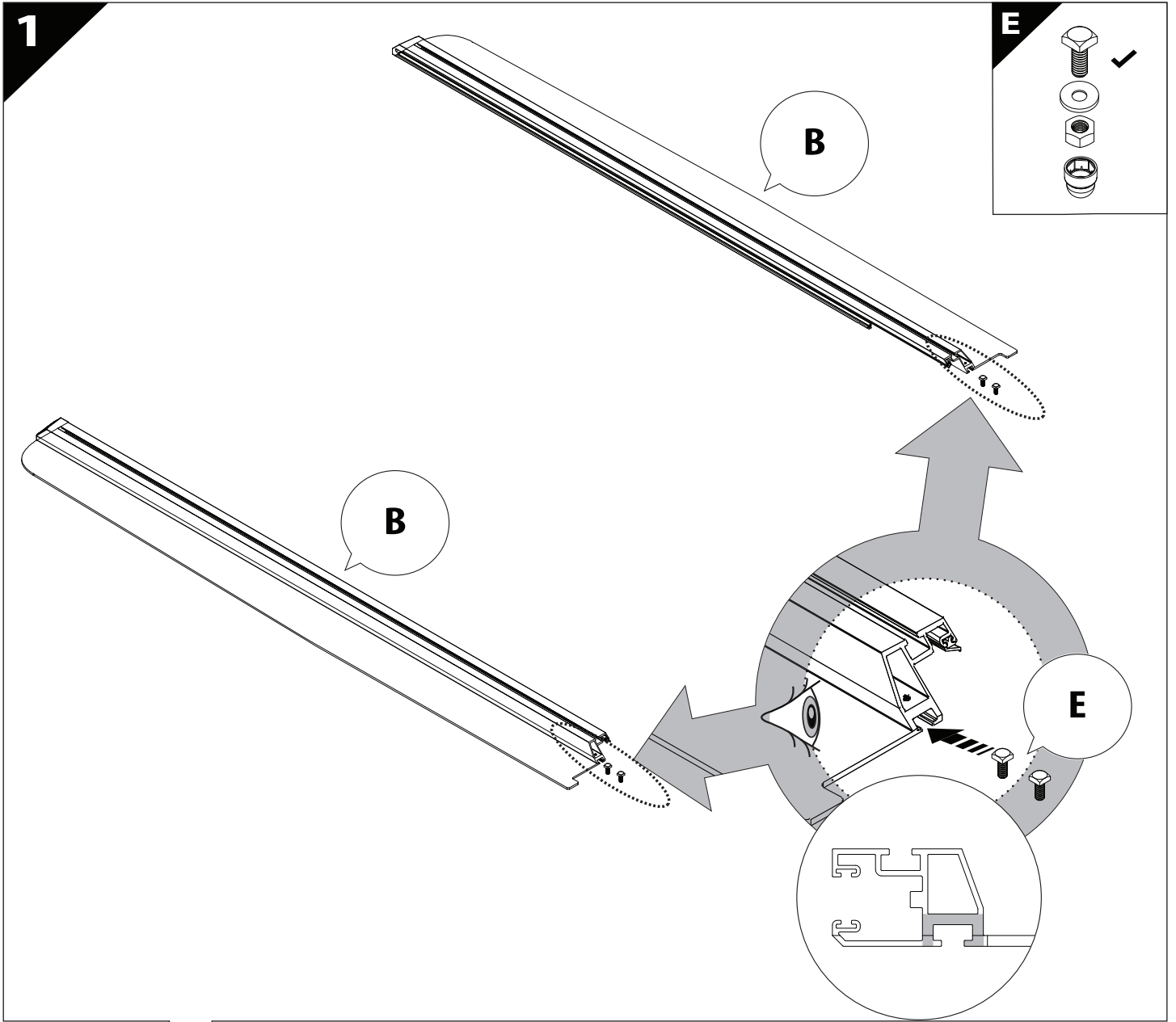


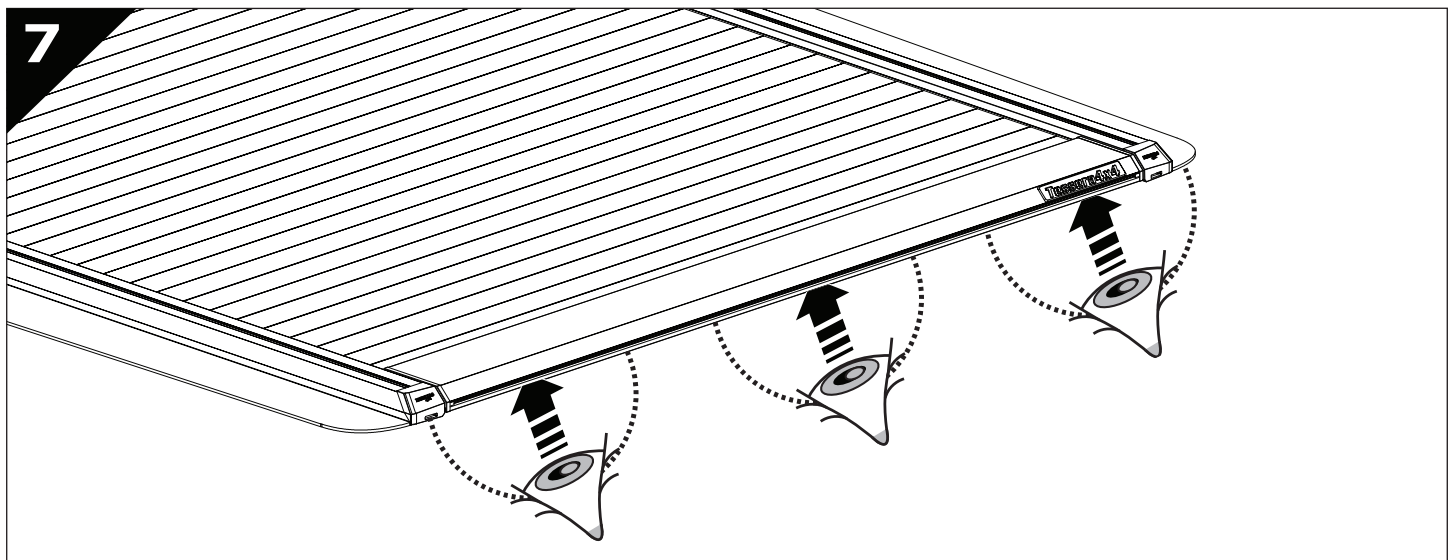
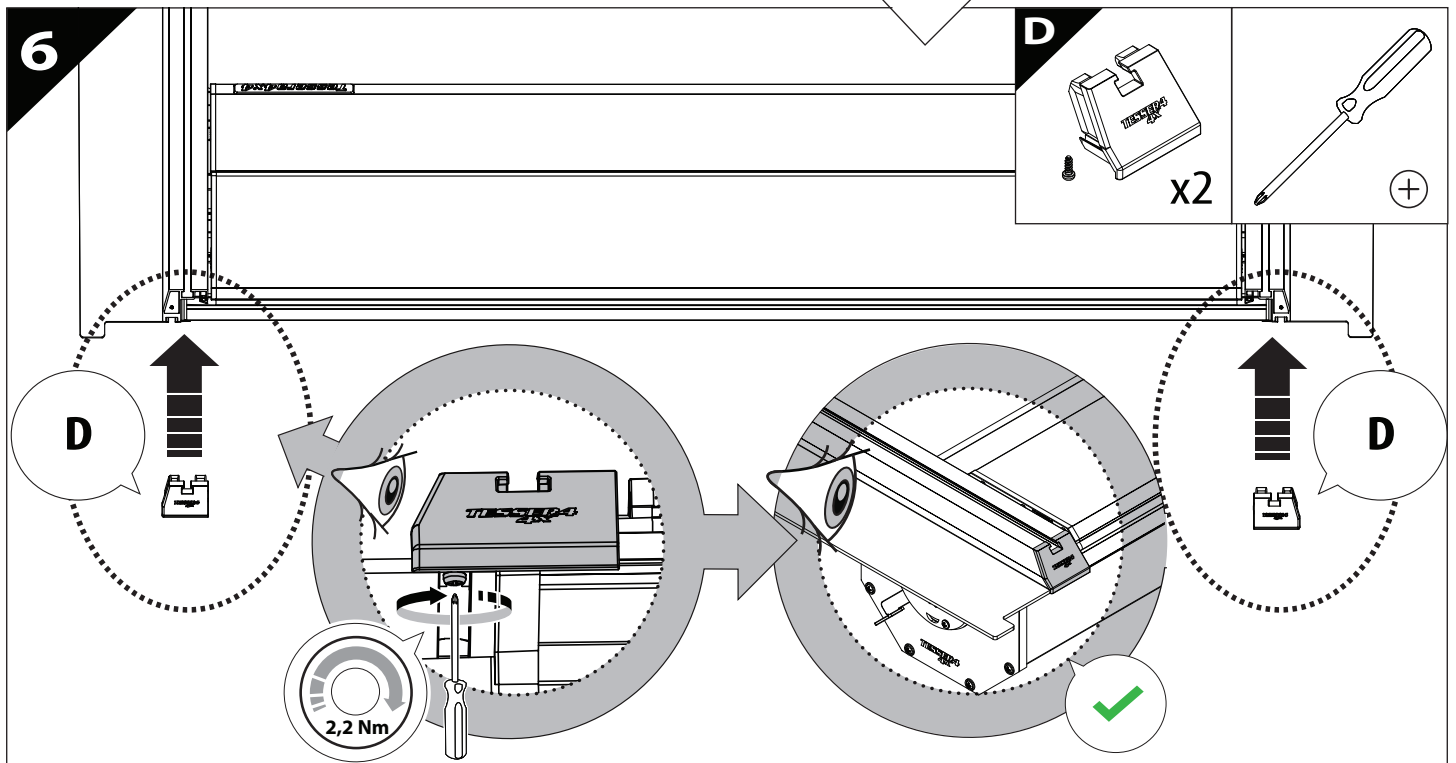
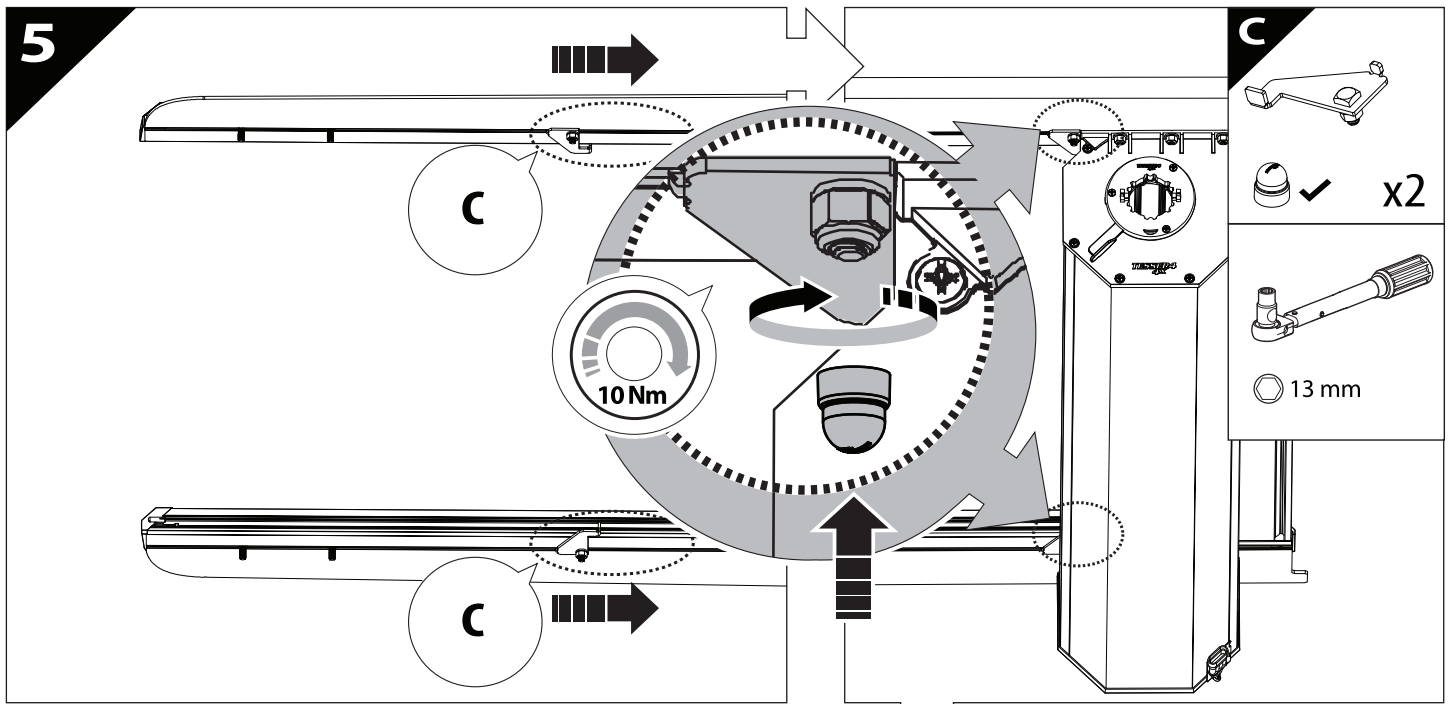
B

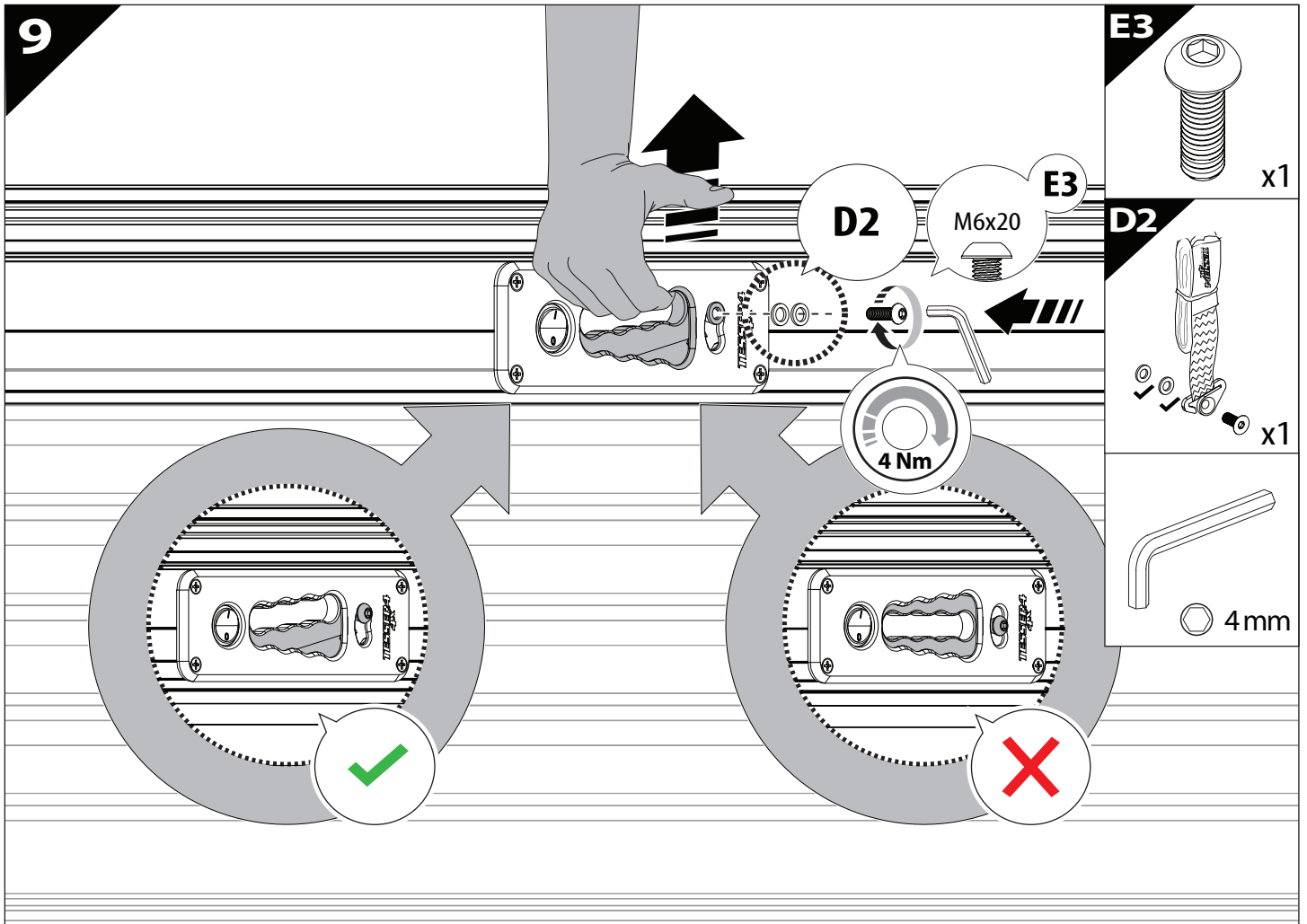
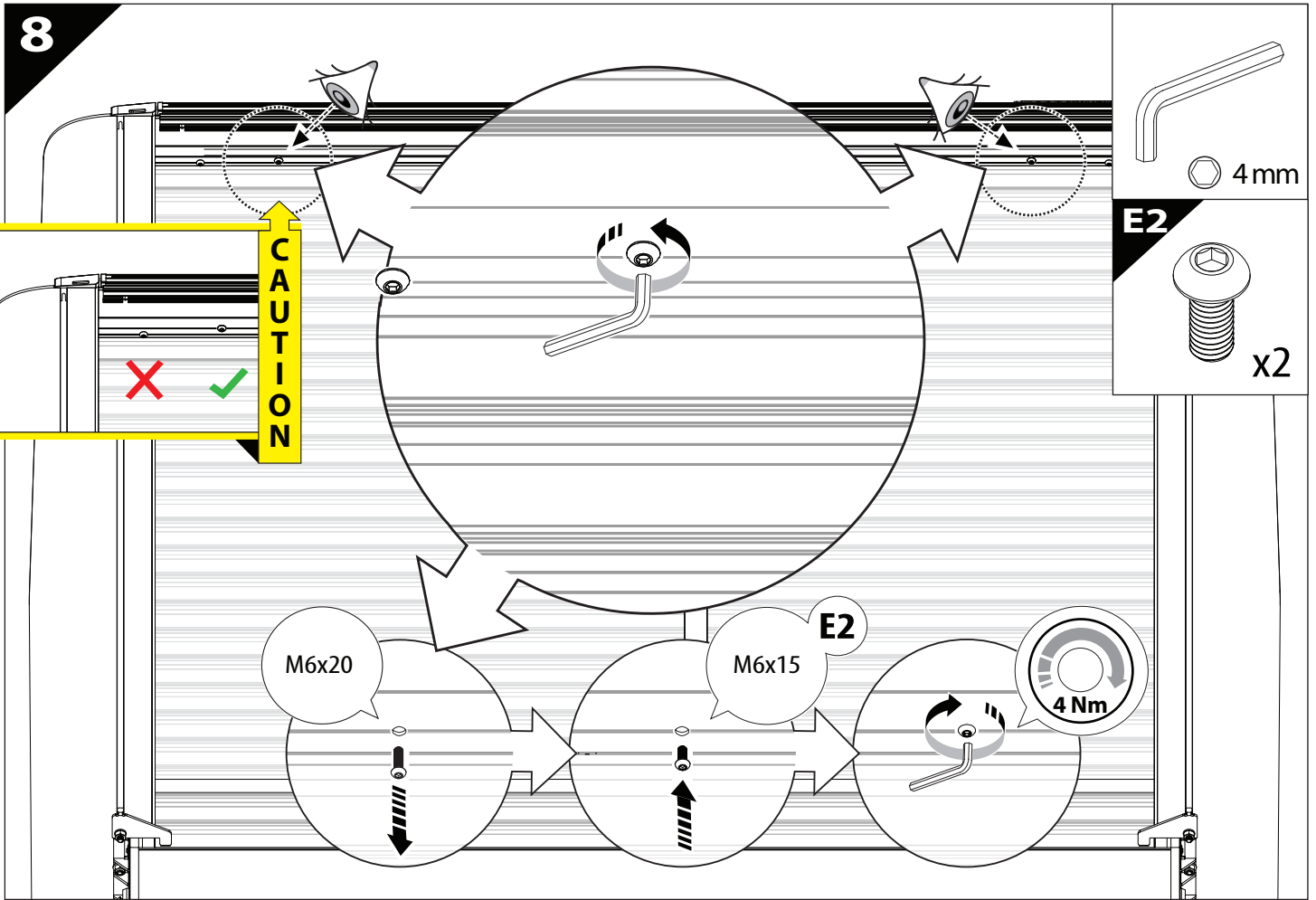
A

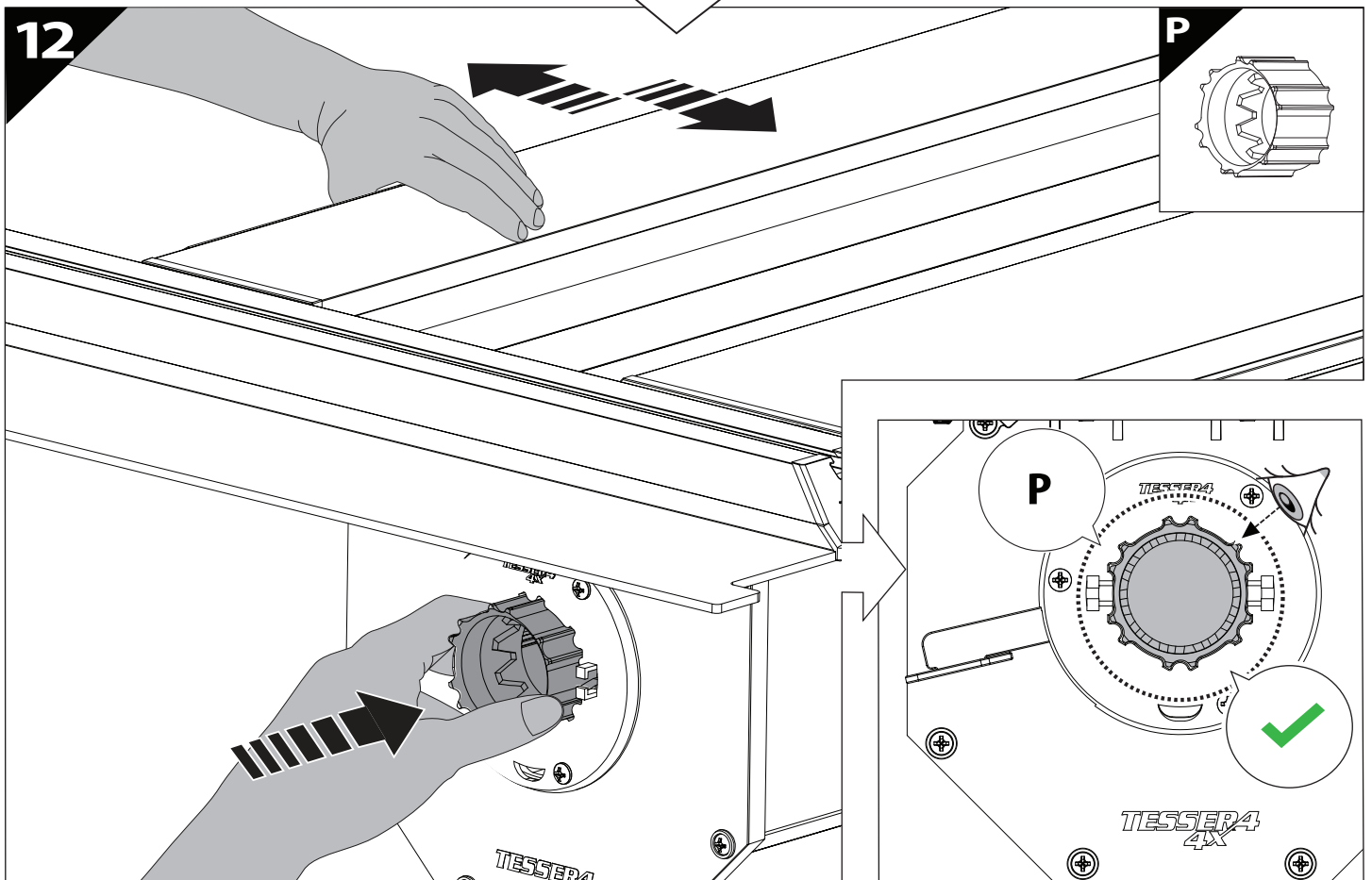
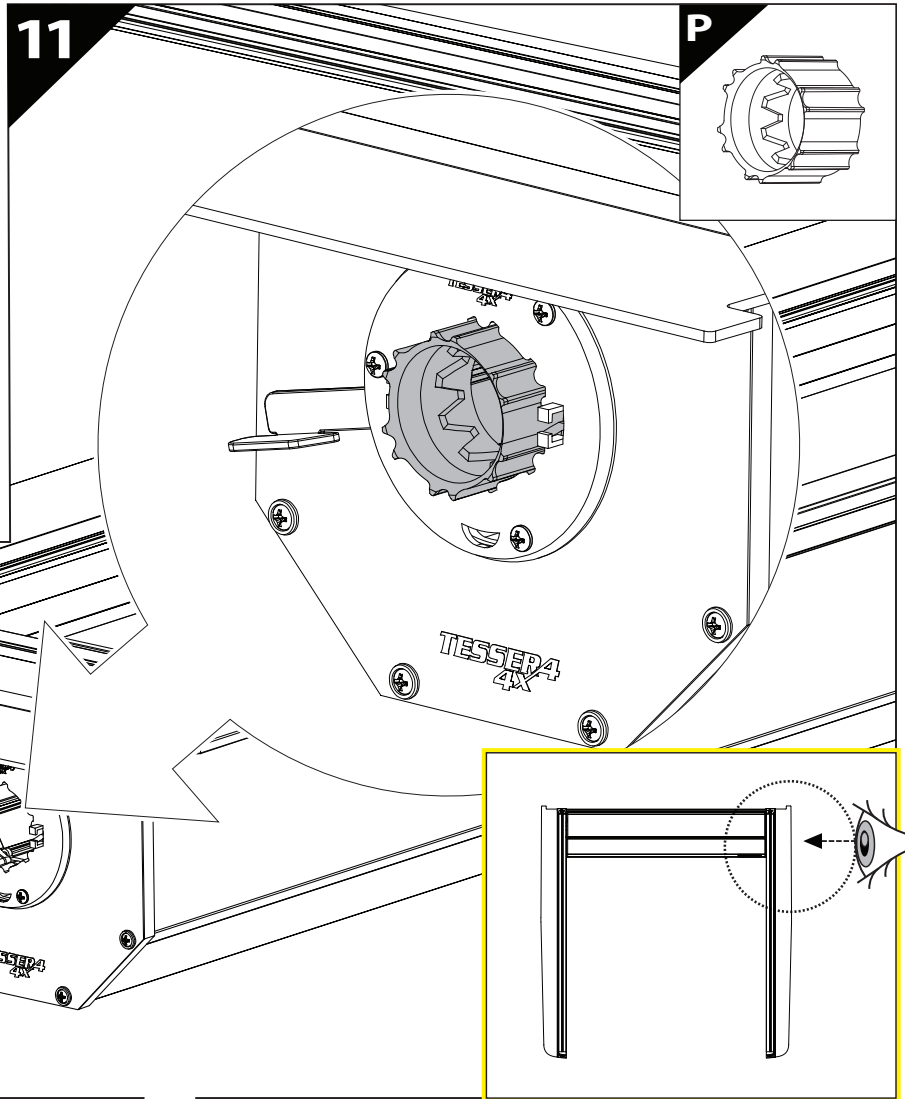
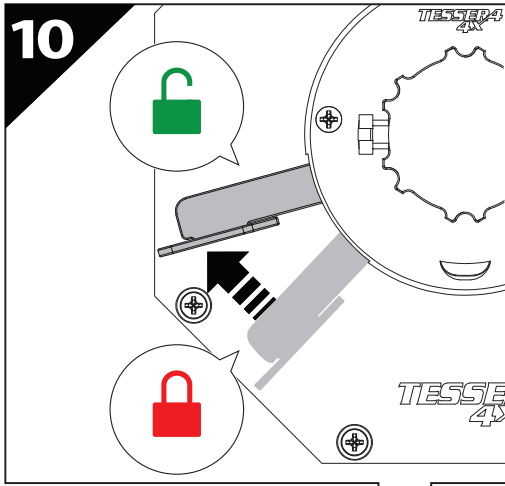
KITS

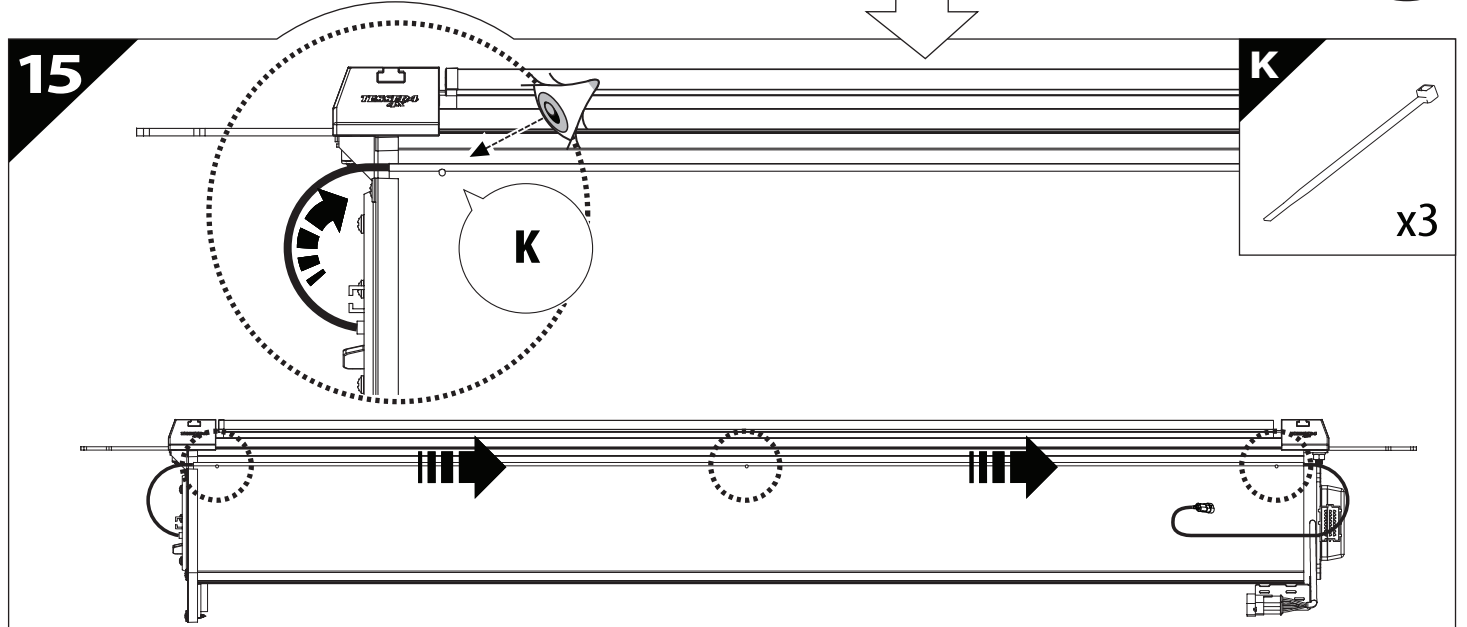
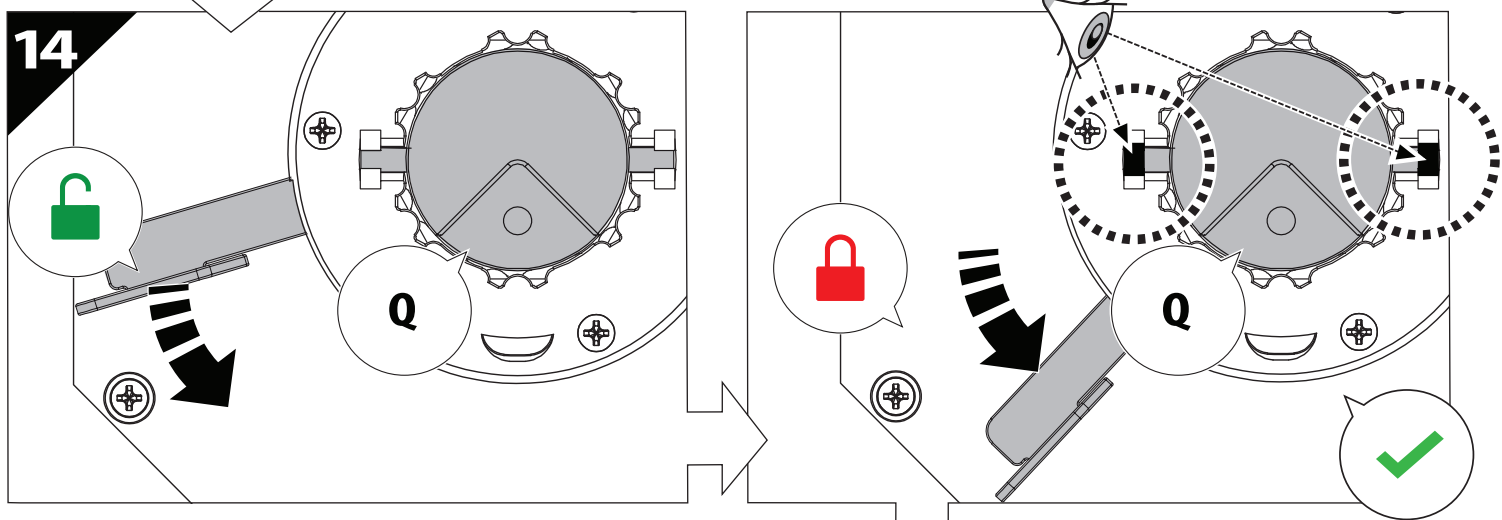
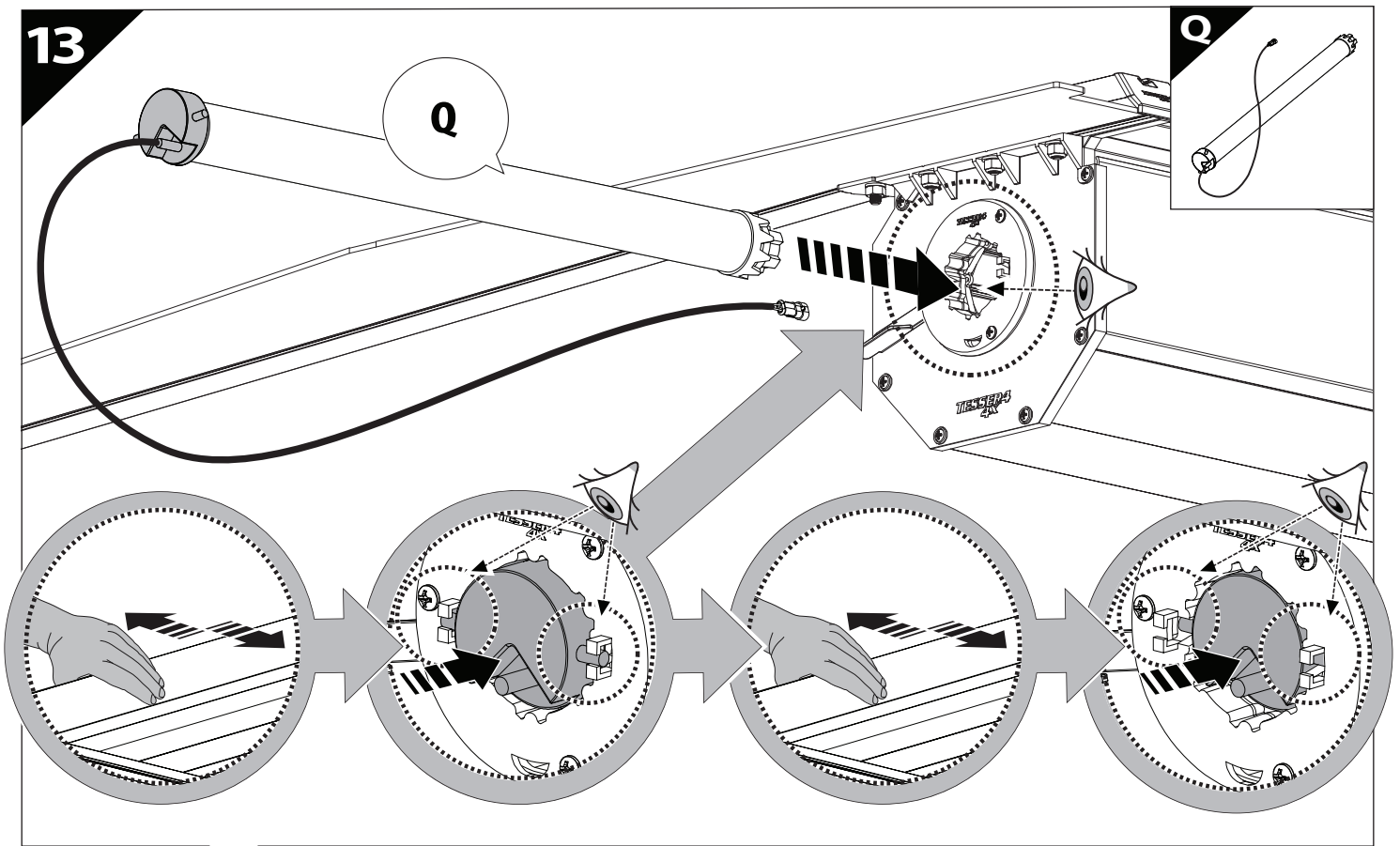
L



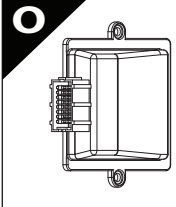




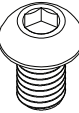




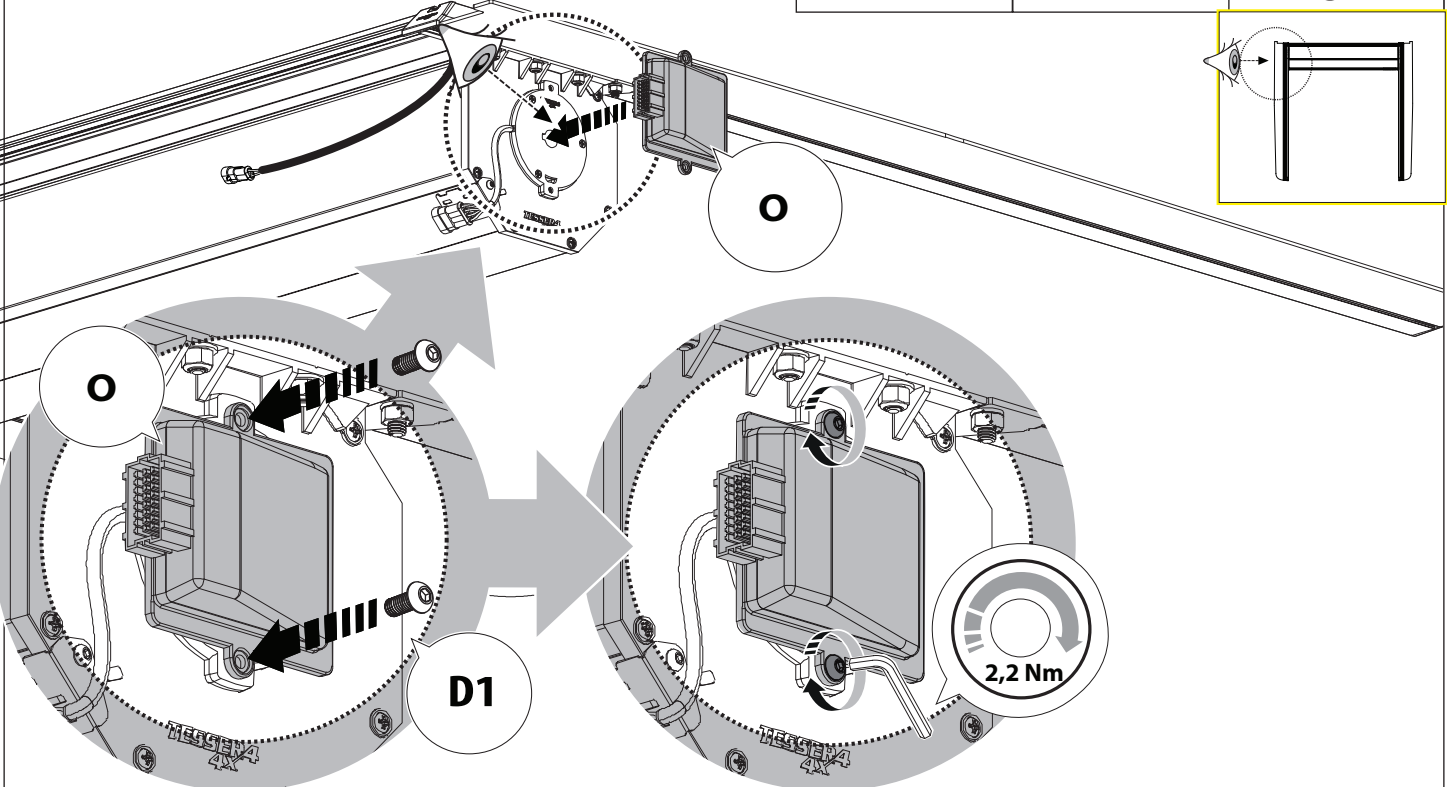
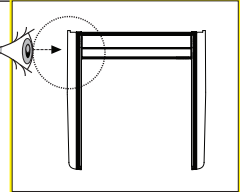
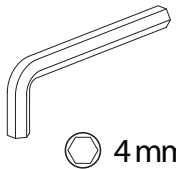
16



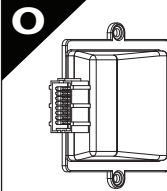
D1



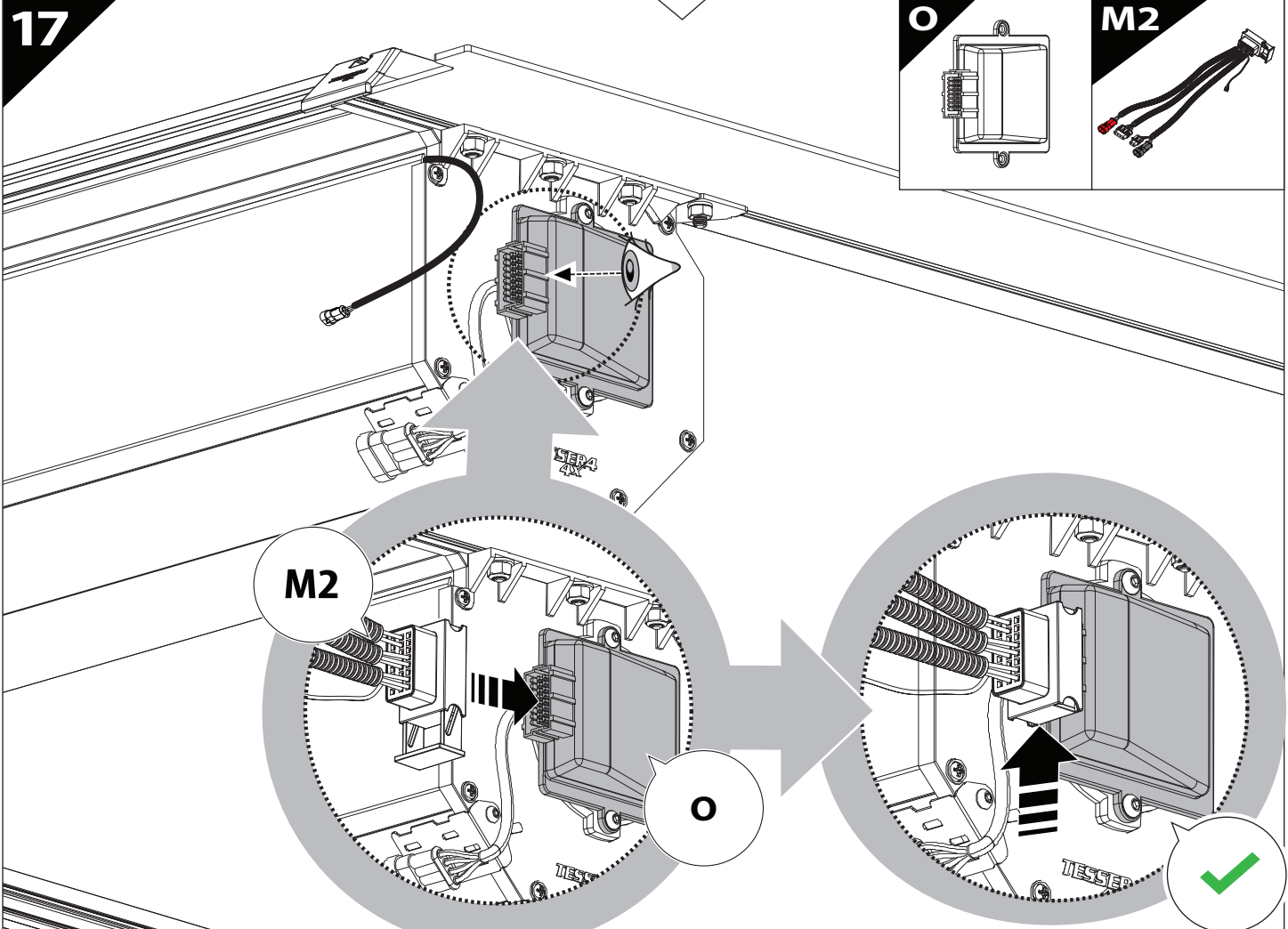
x2

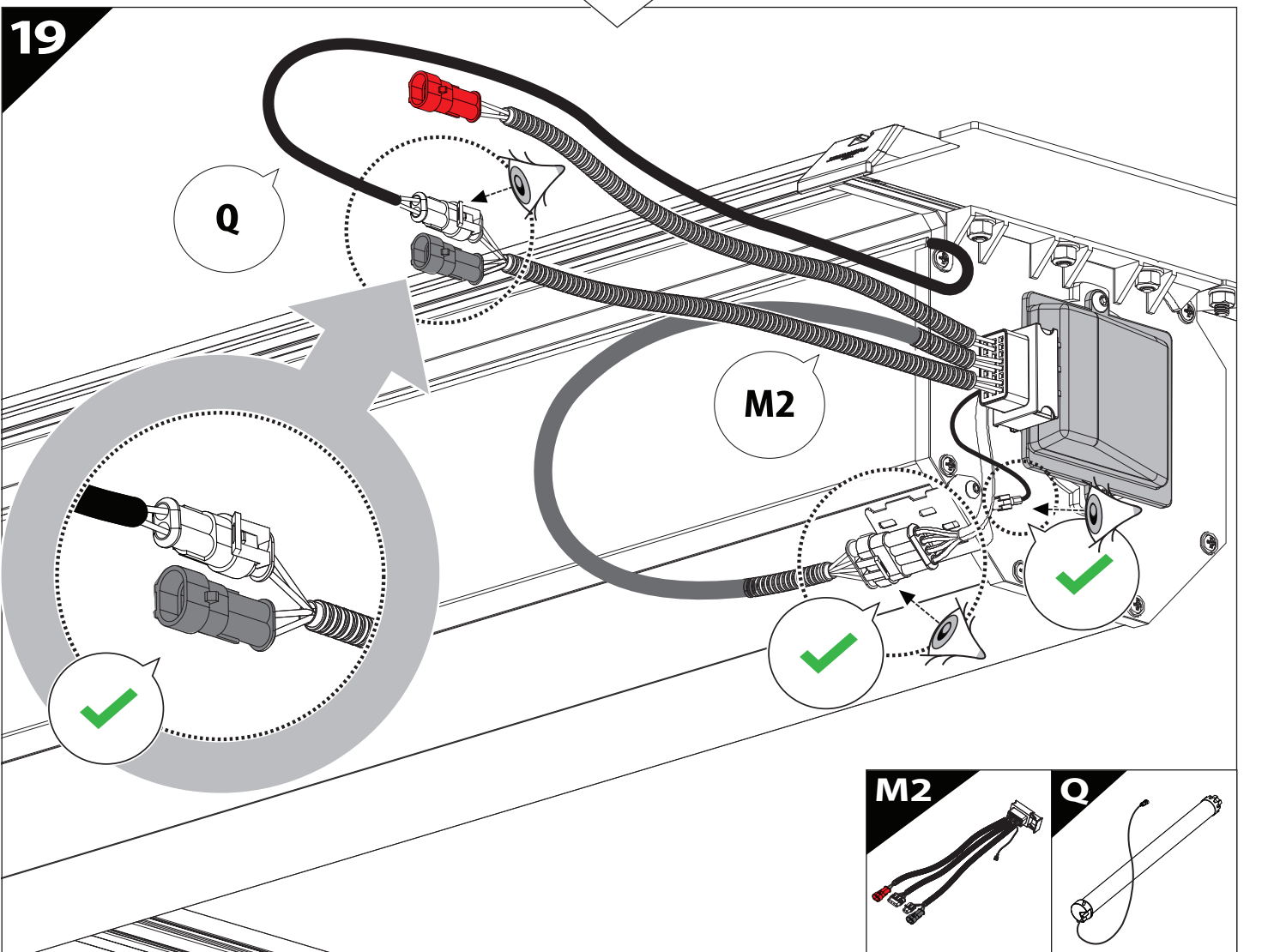
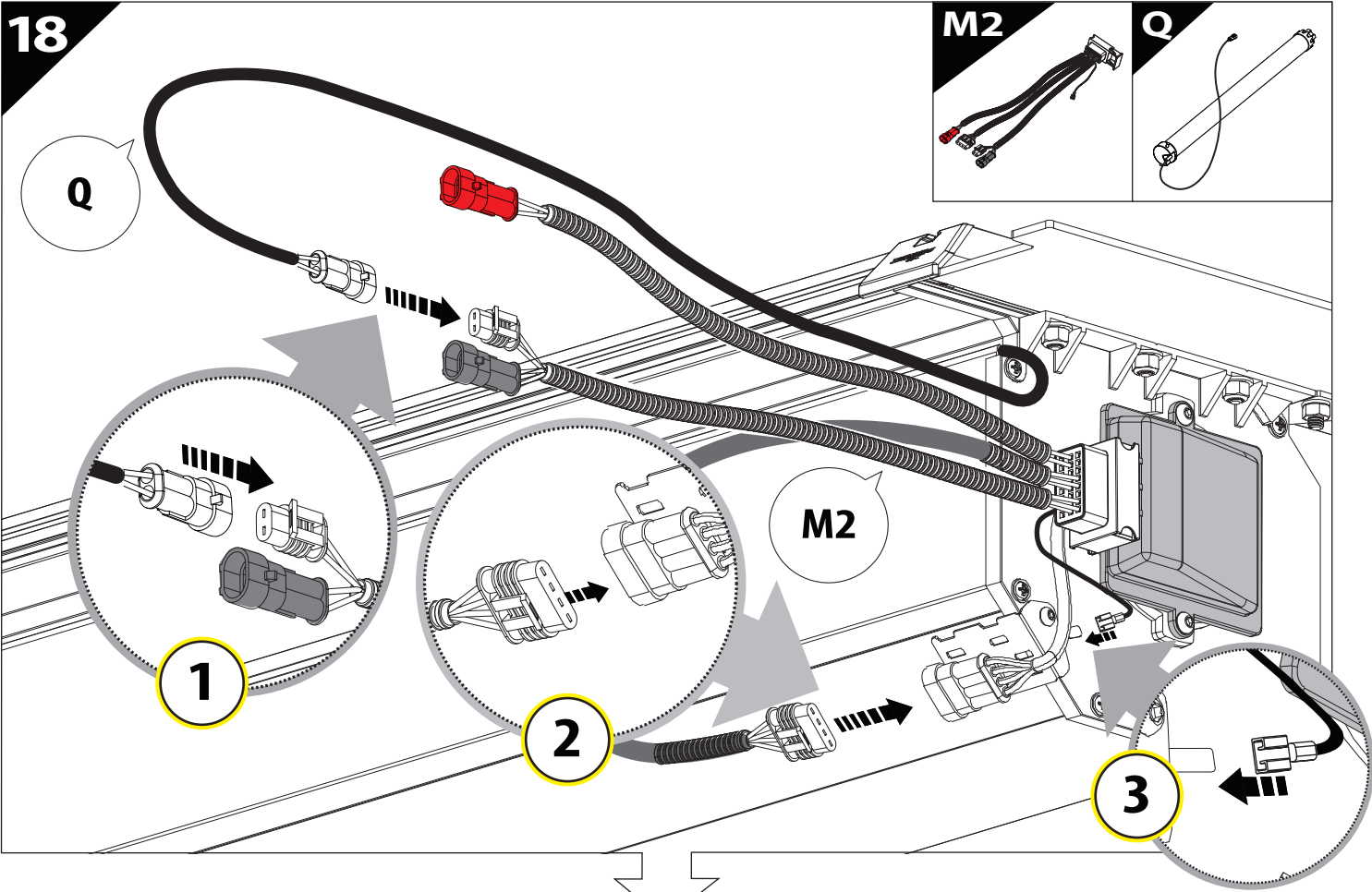


17



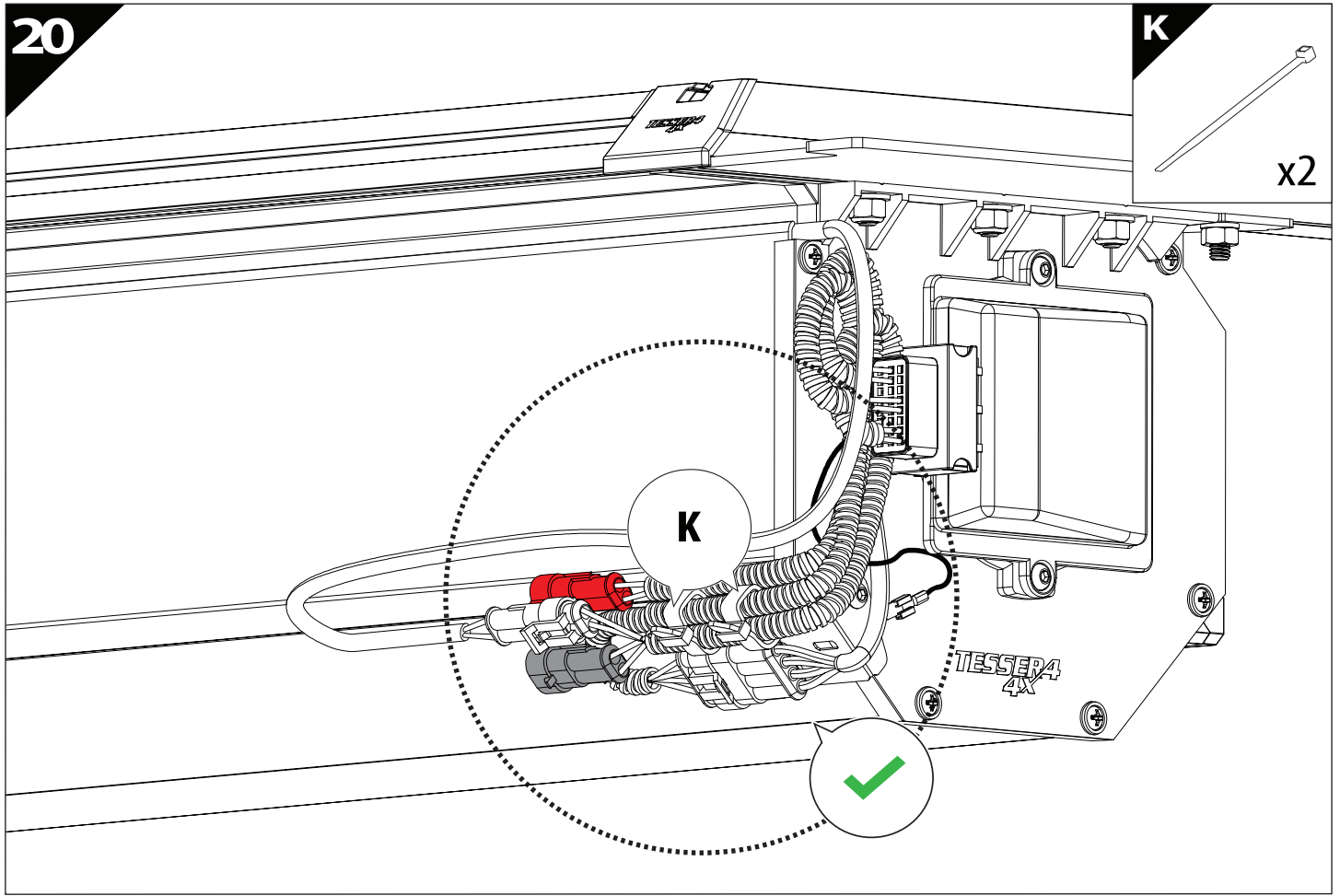
M2



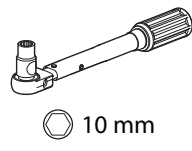
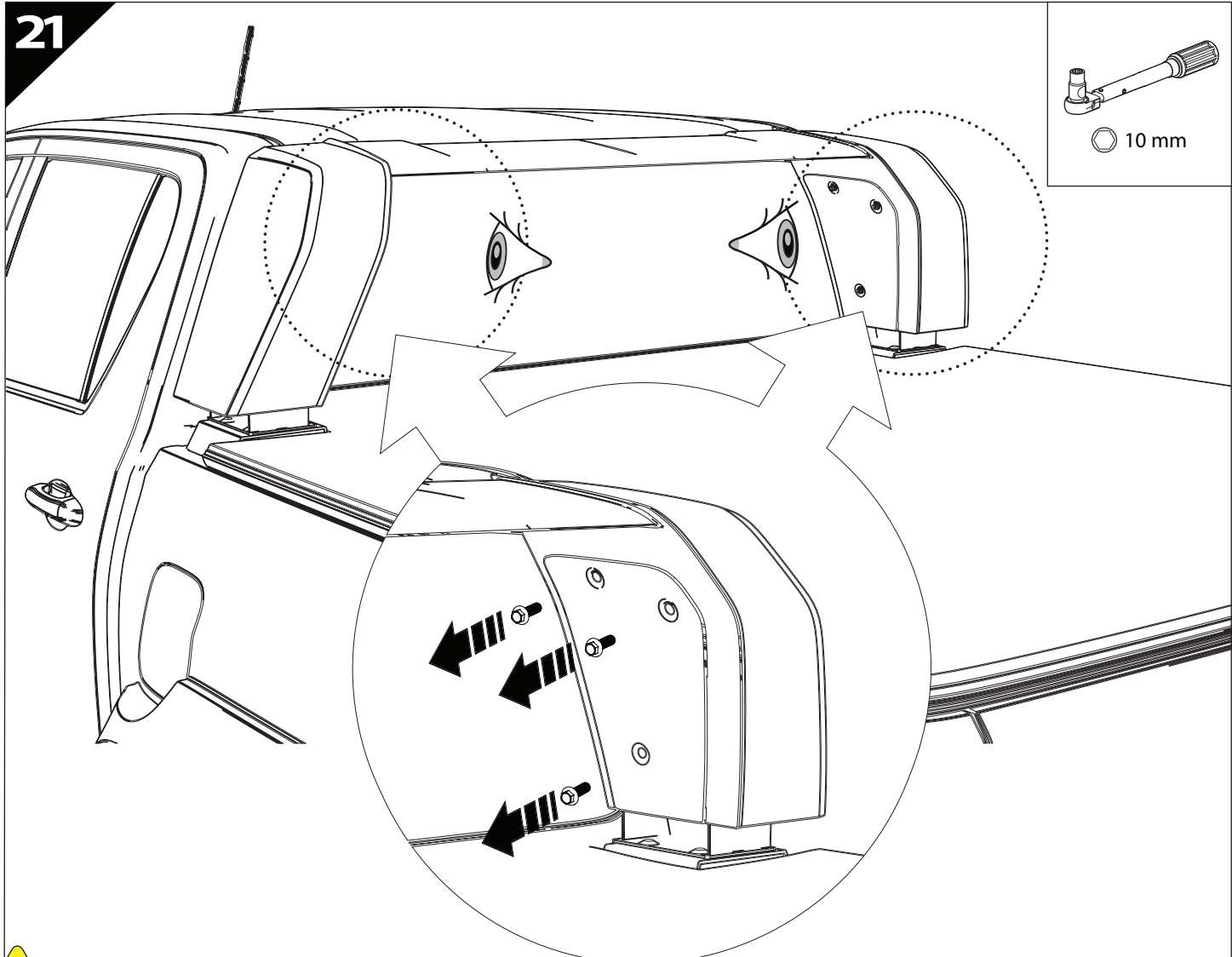



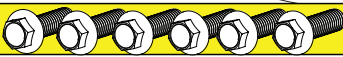
20

K

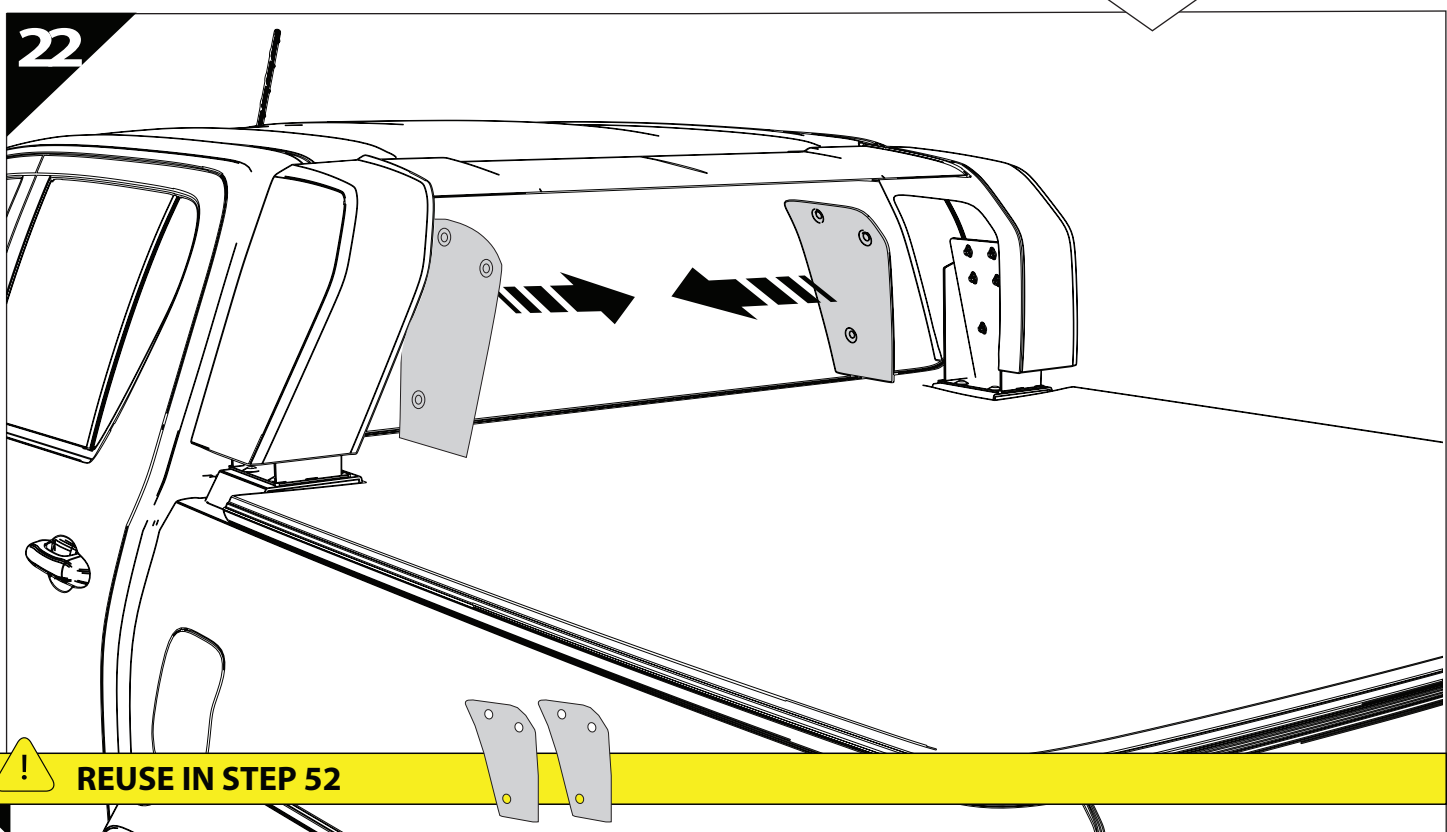




21



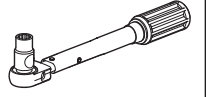
 REUSE IN STEP 53 

22

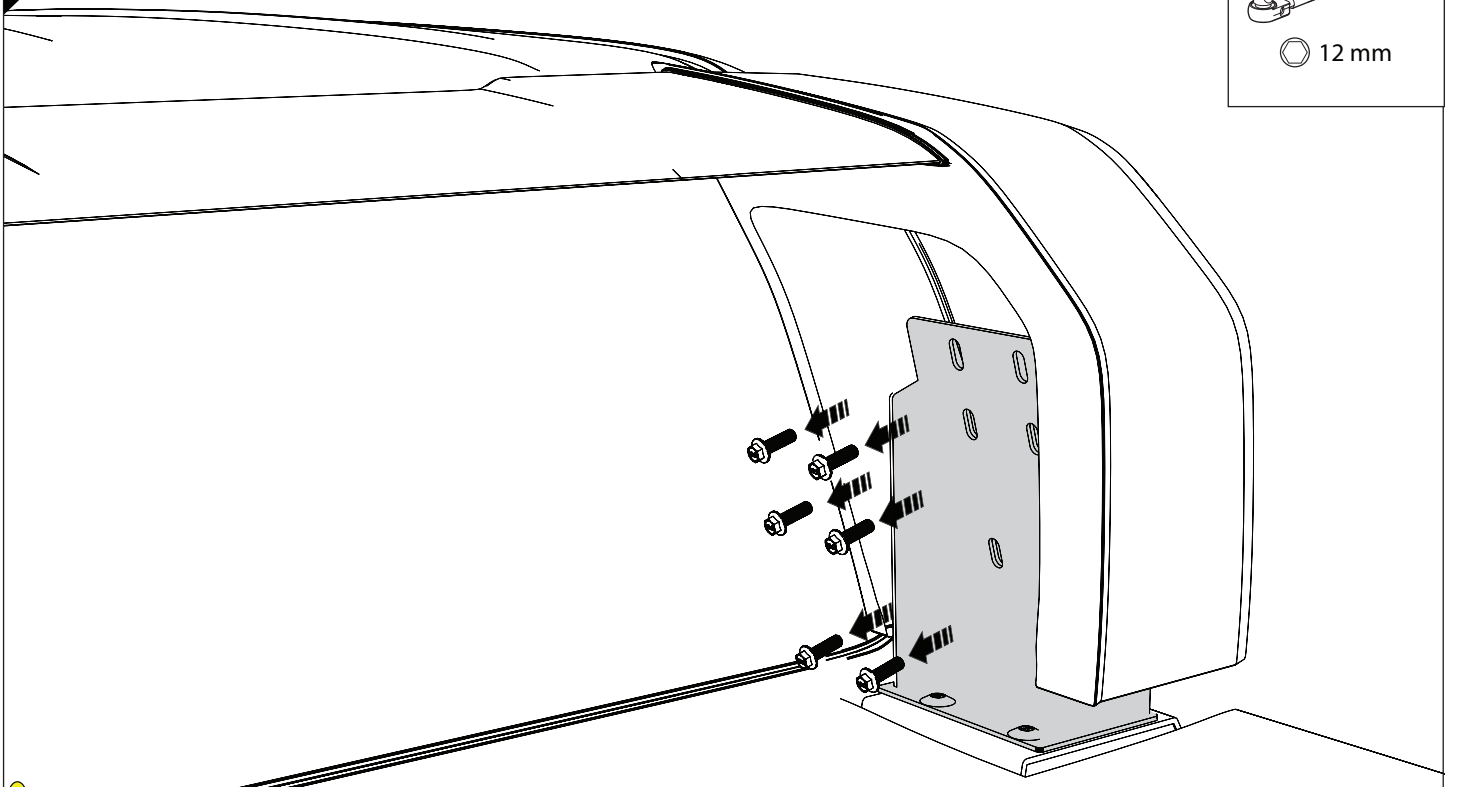


 REUSE IN STEP 52 

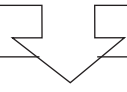
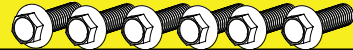
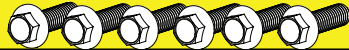
23



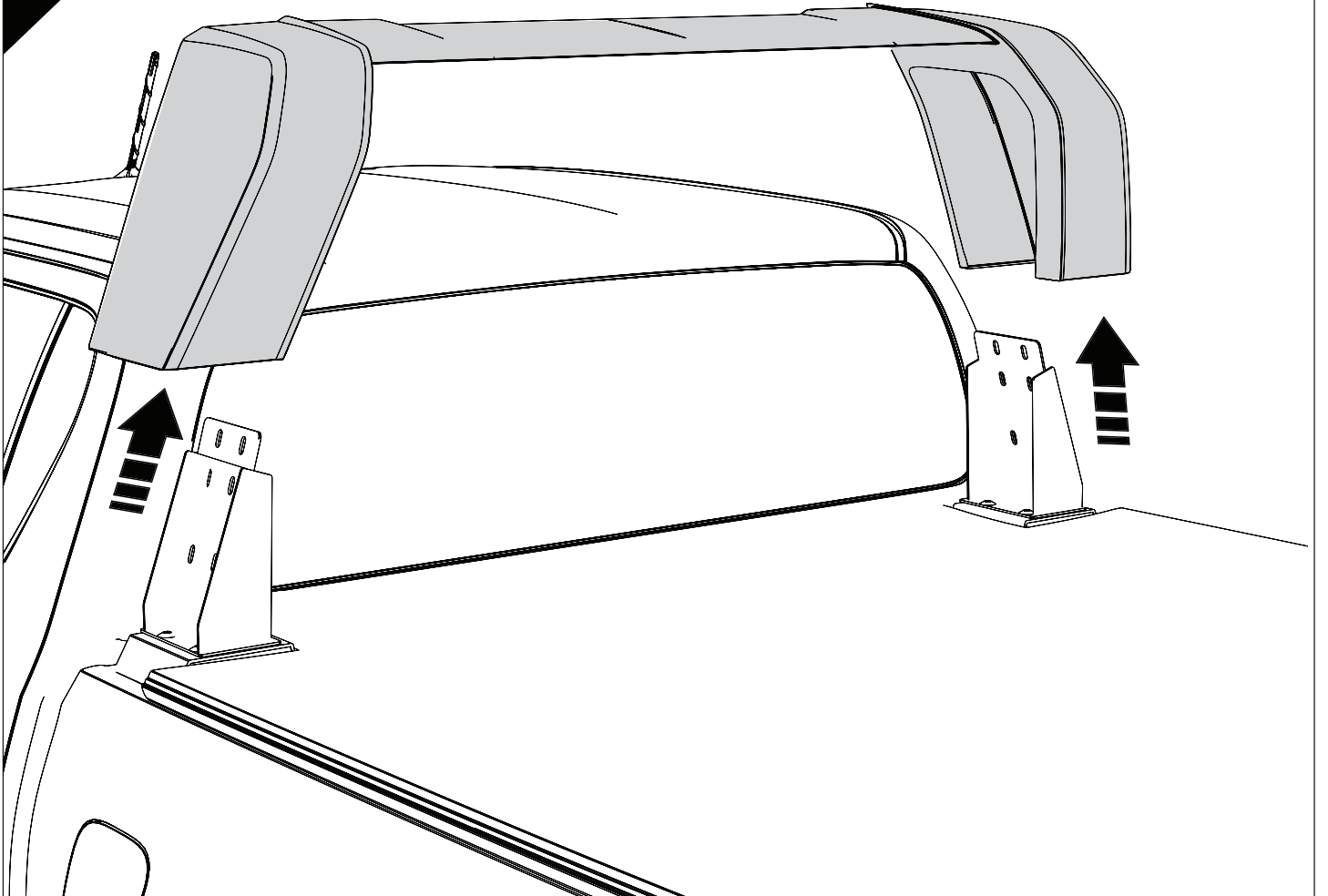
12 mm

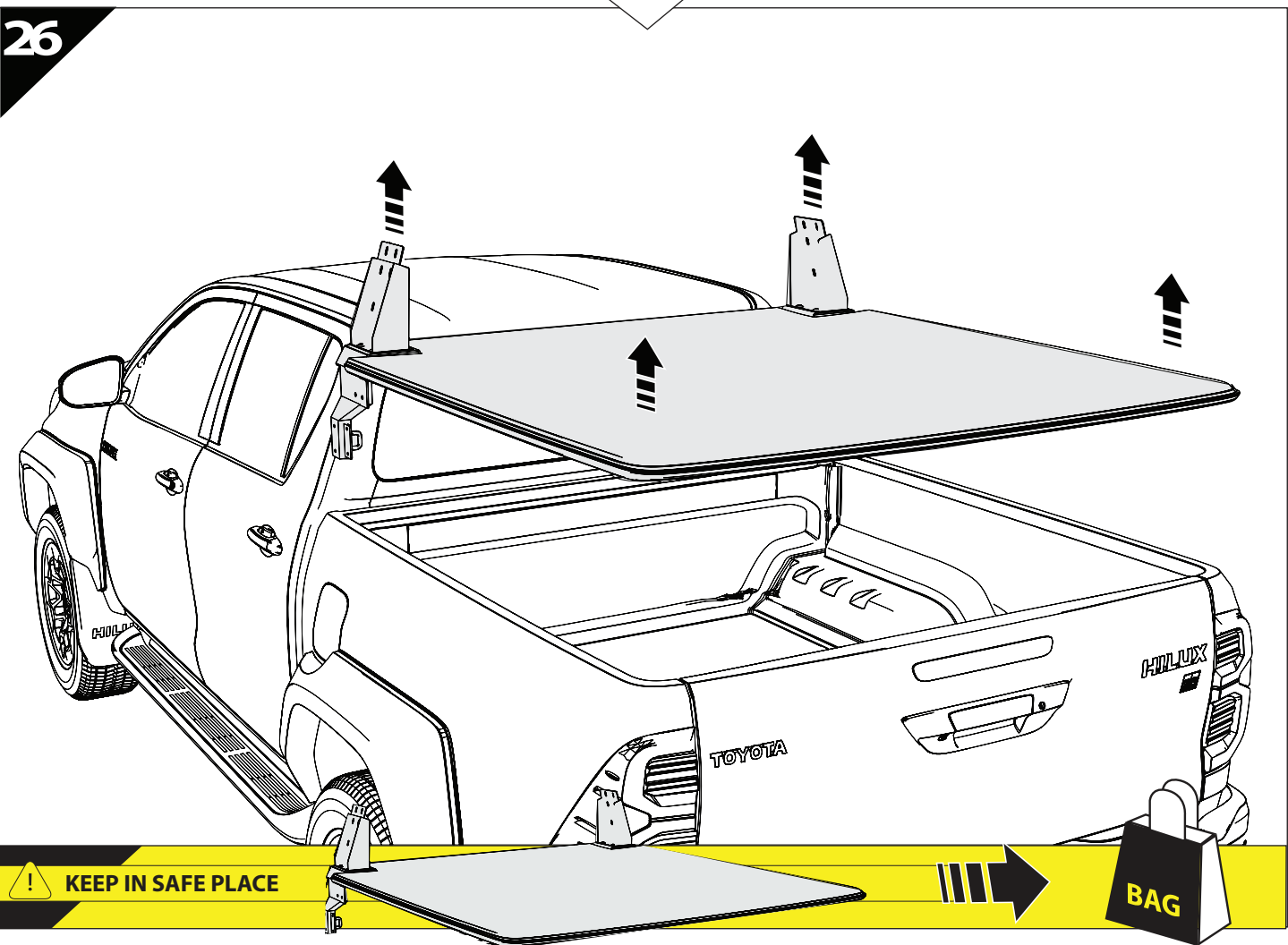
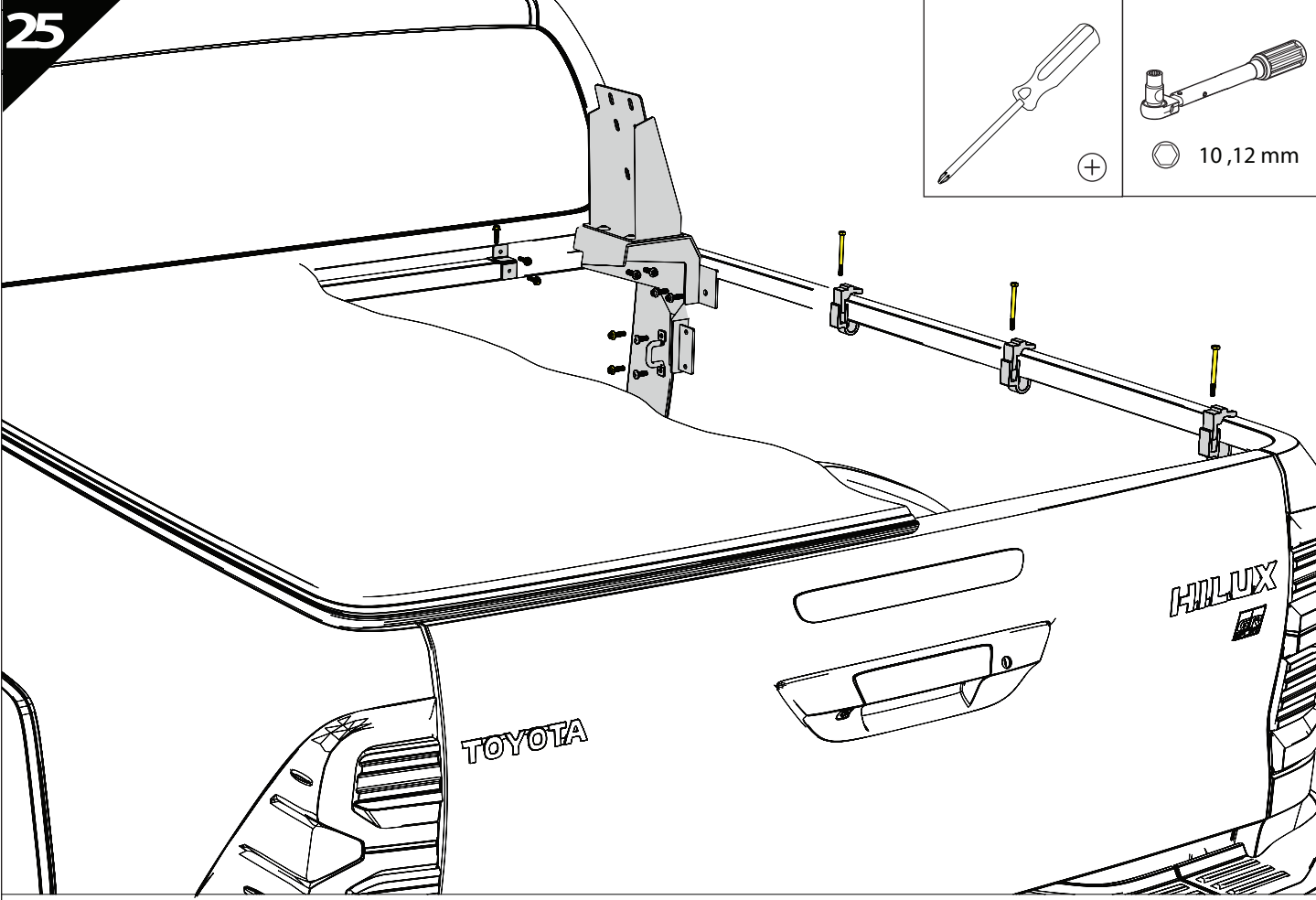


REUSE IN STEP 51

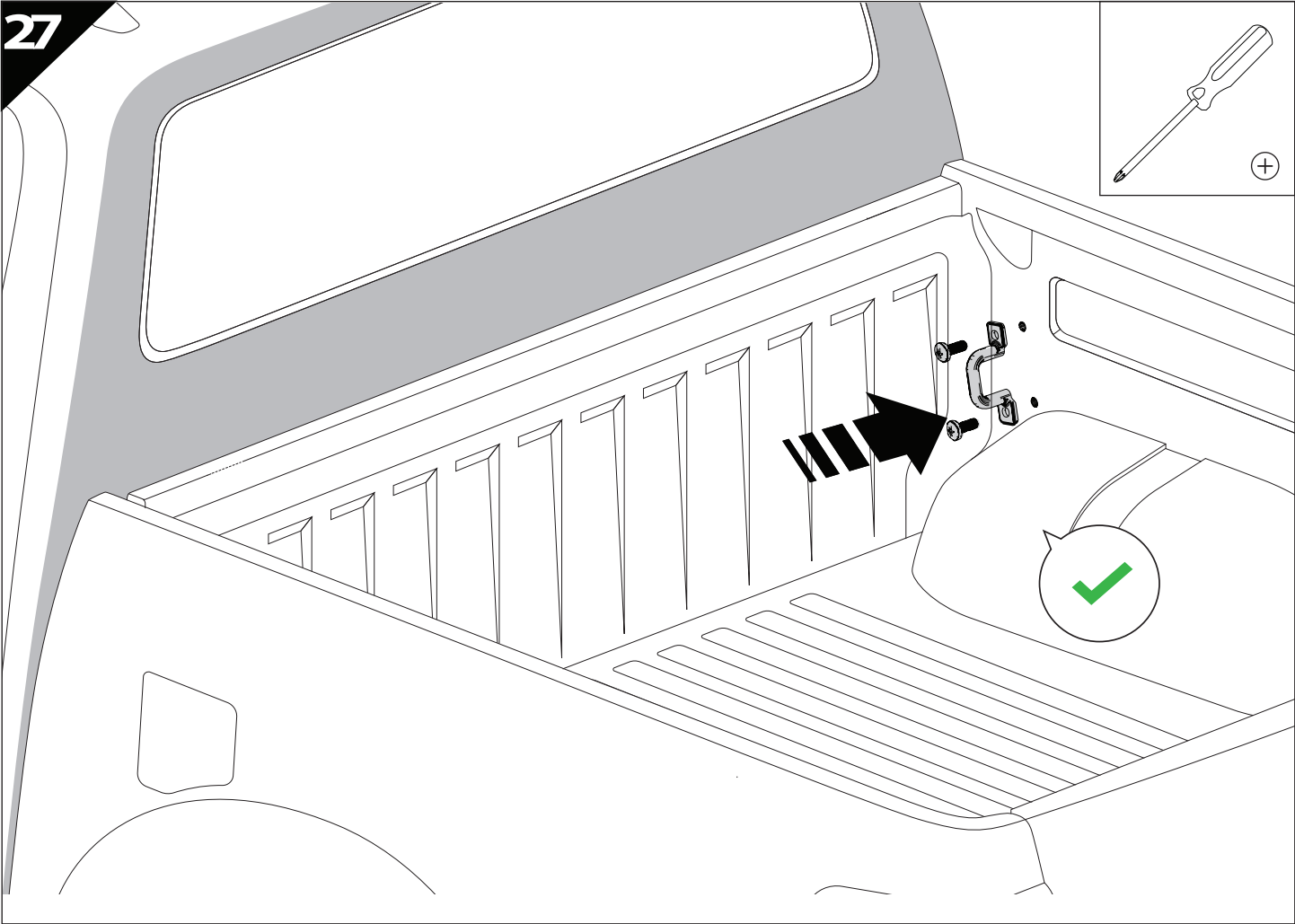
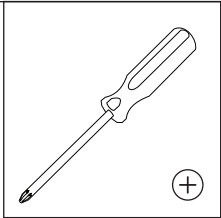


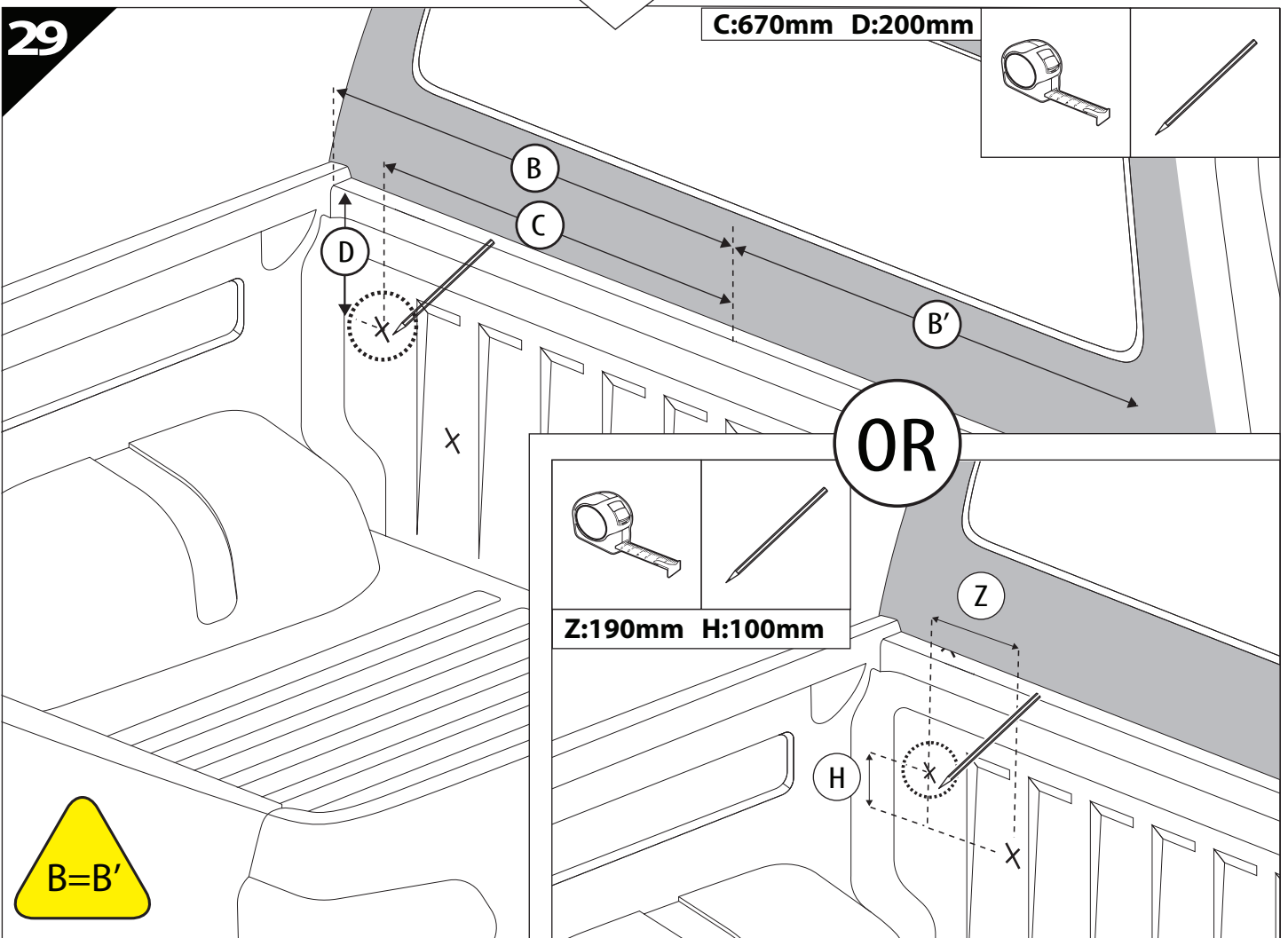
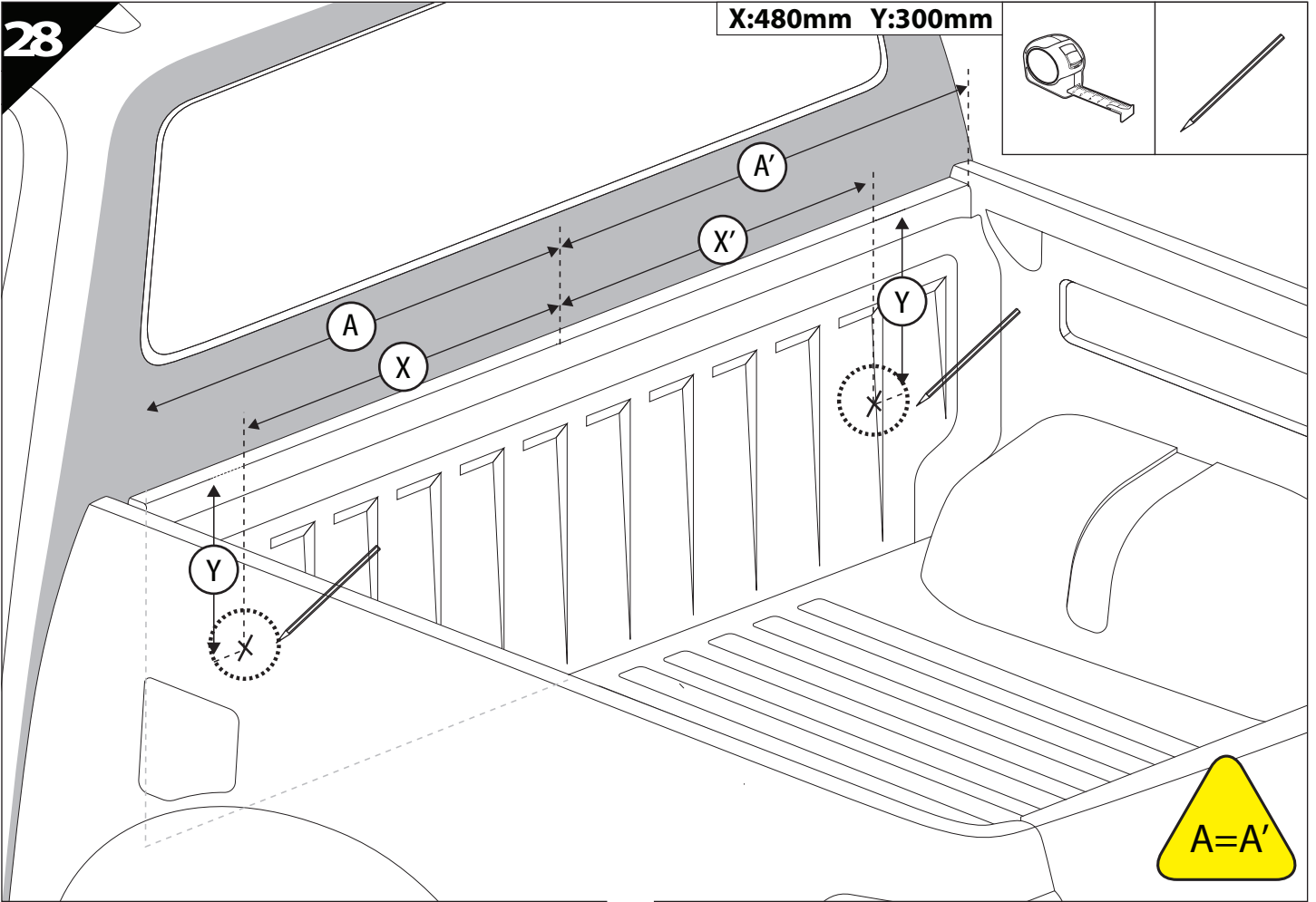
24



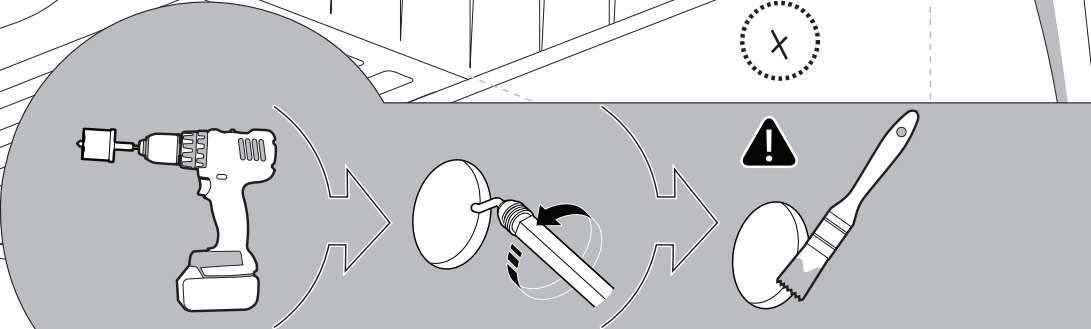
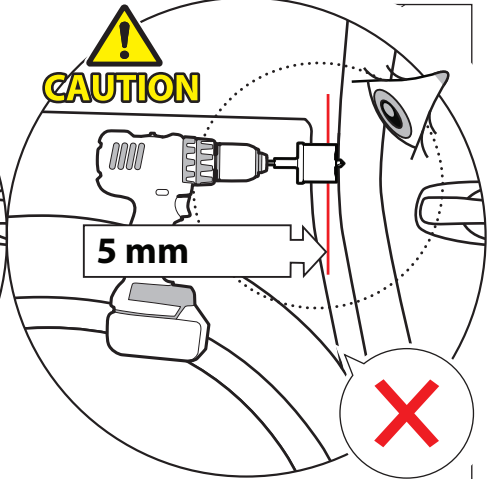
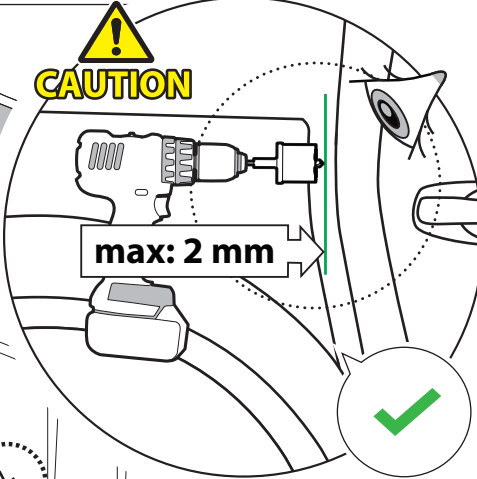
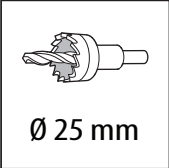


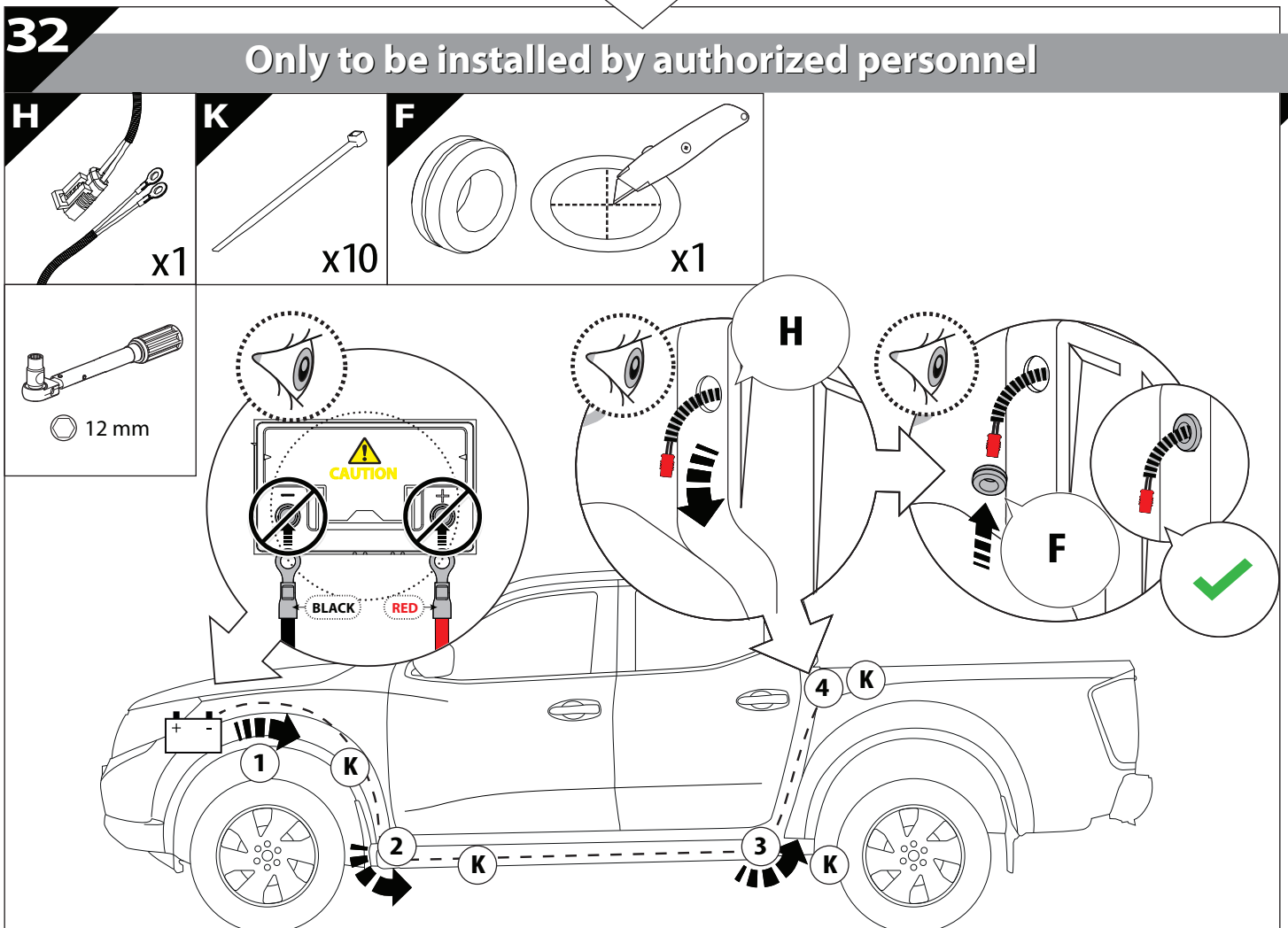
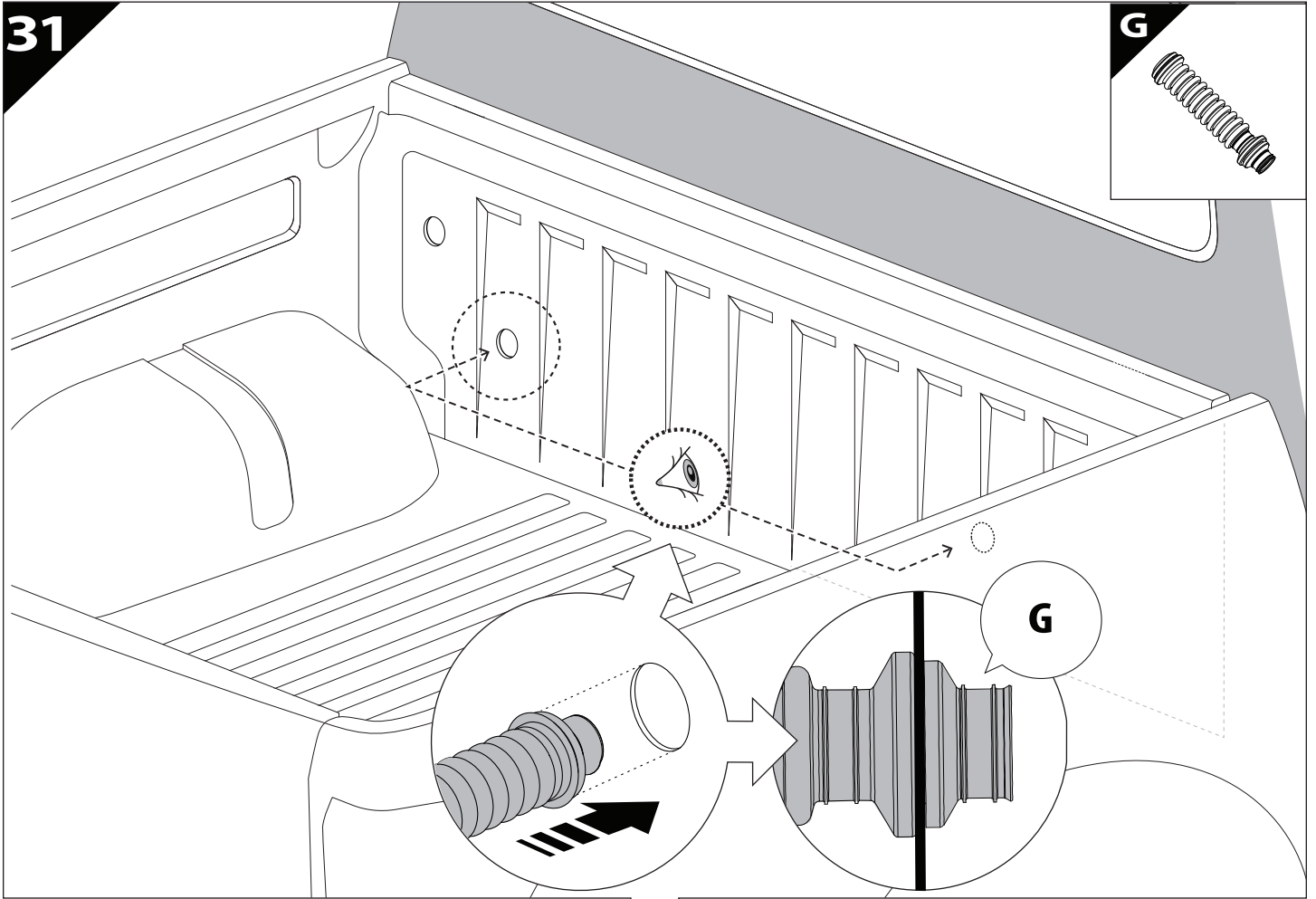
27





30





35

I

J

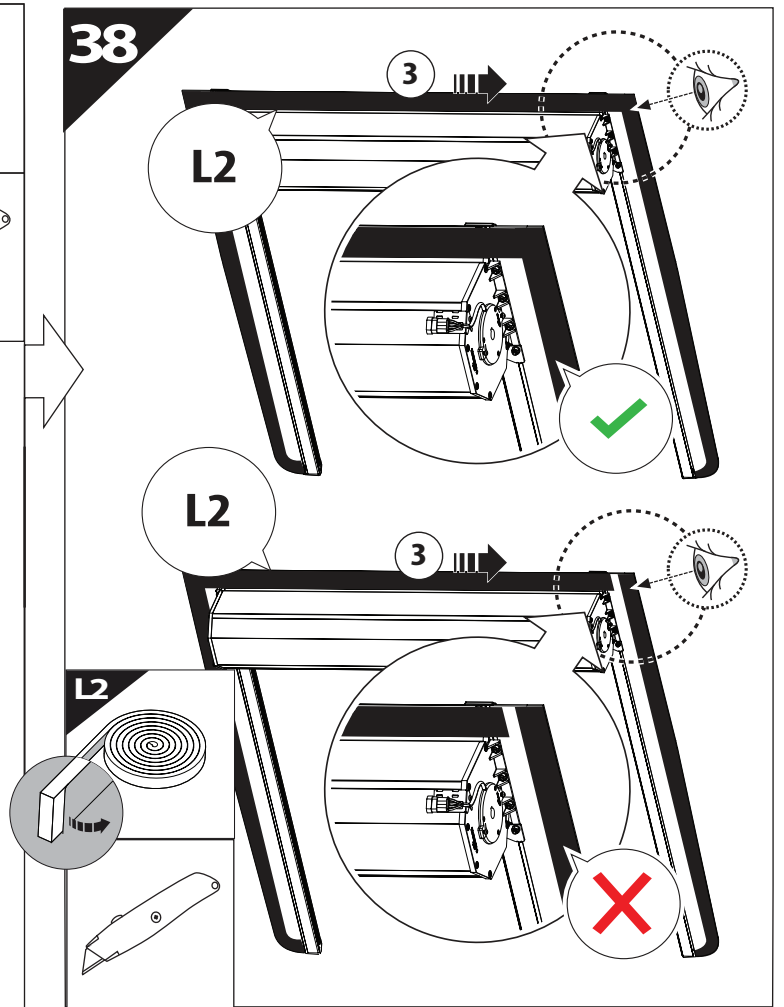
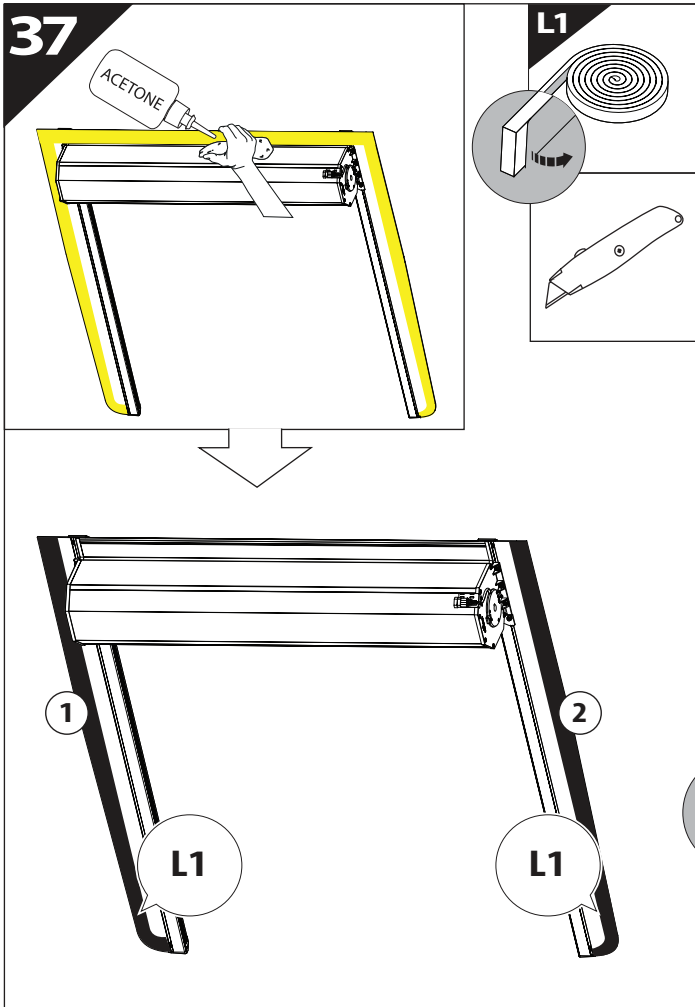
10 mm

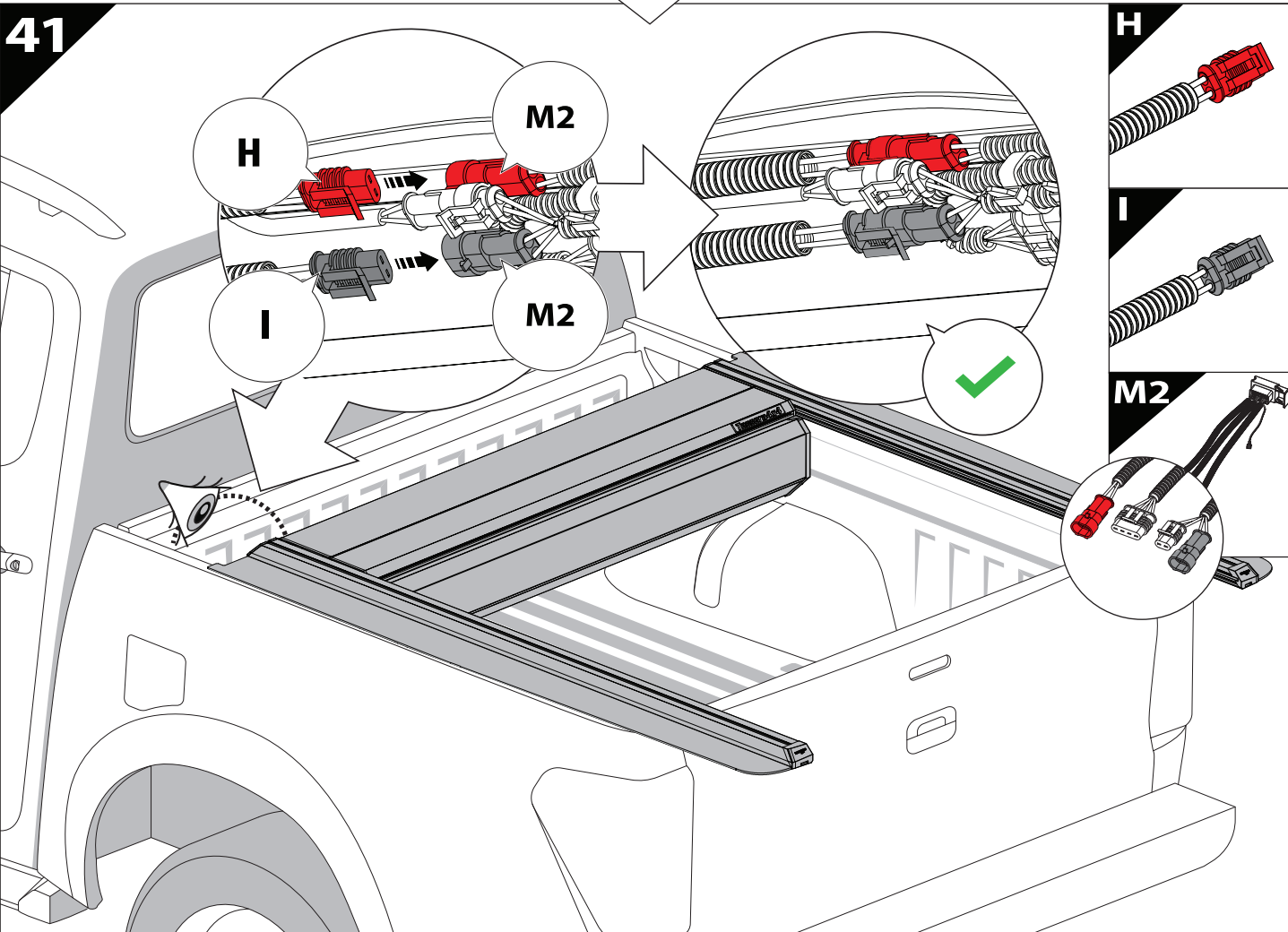
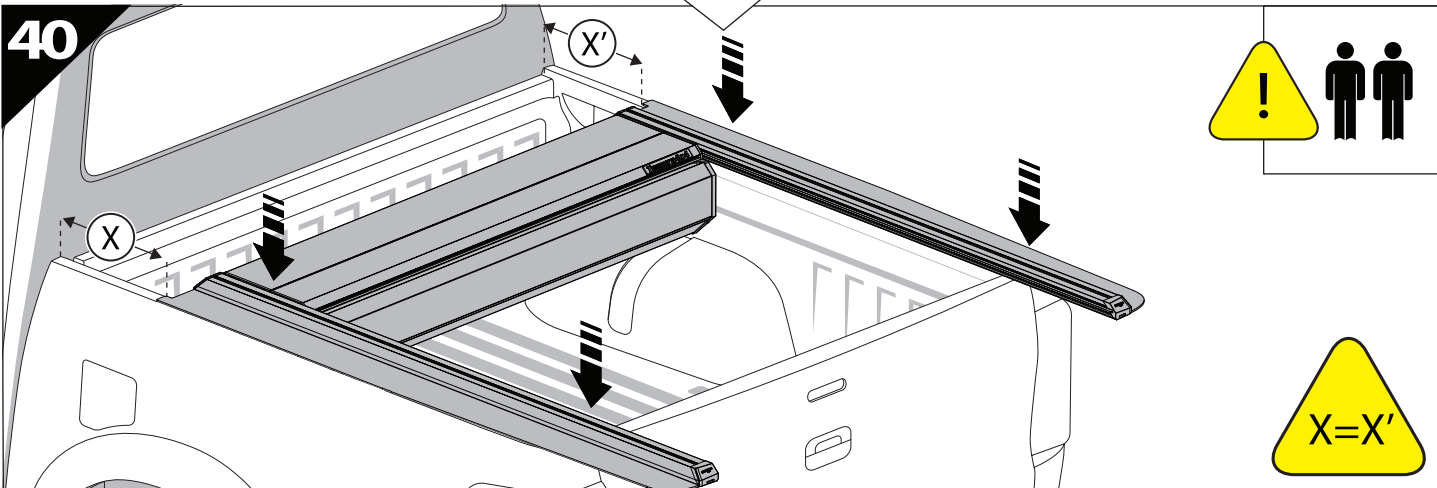
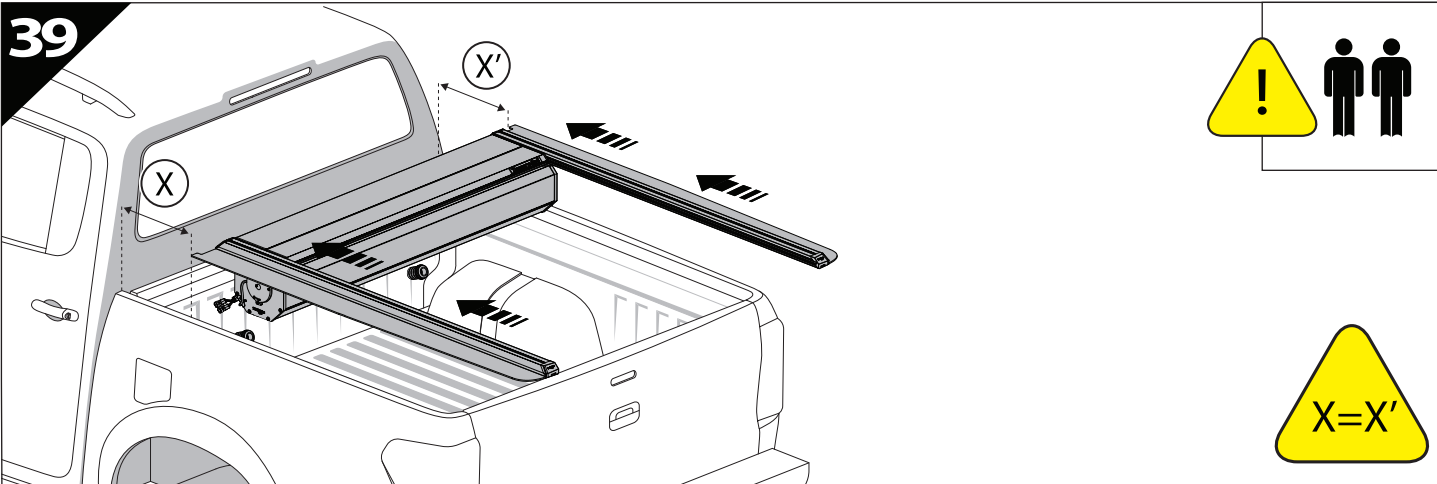
x2

MODEL YEAR	LIGHTS	CAR	TESSERA ROLL+
HILUX 2016+/2021+	BEAM		
HILUX 2016+	STOP		
HILUX 2021+	STOP	NEAR	

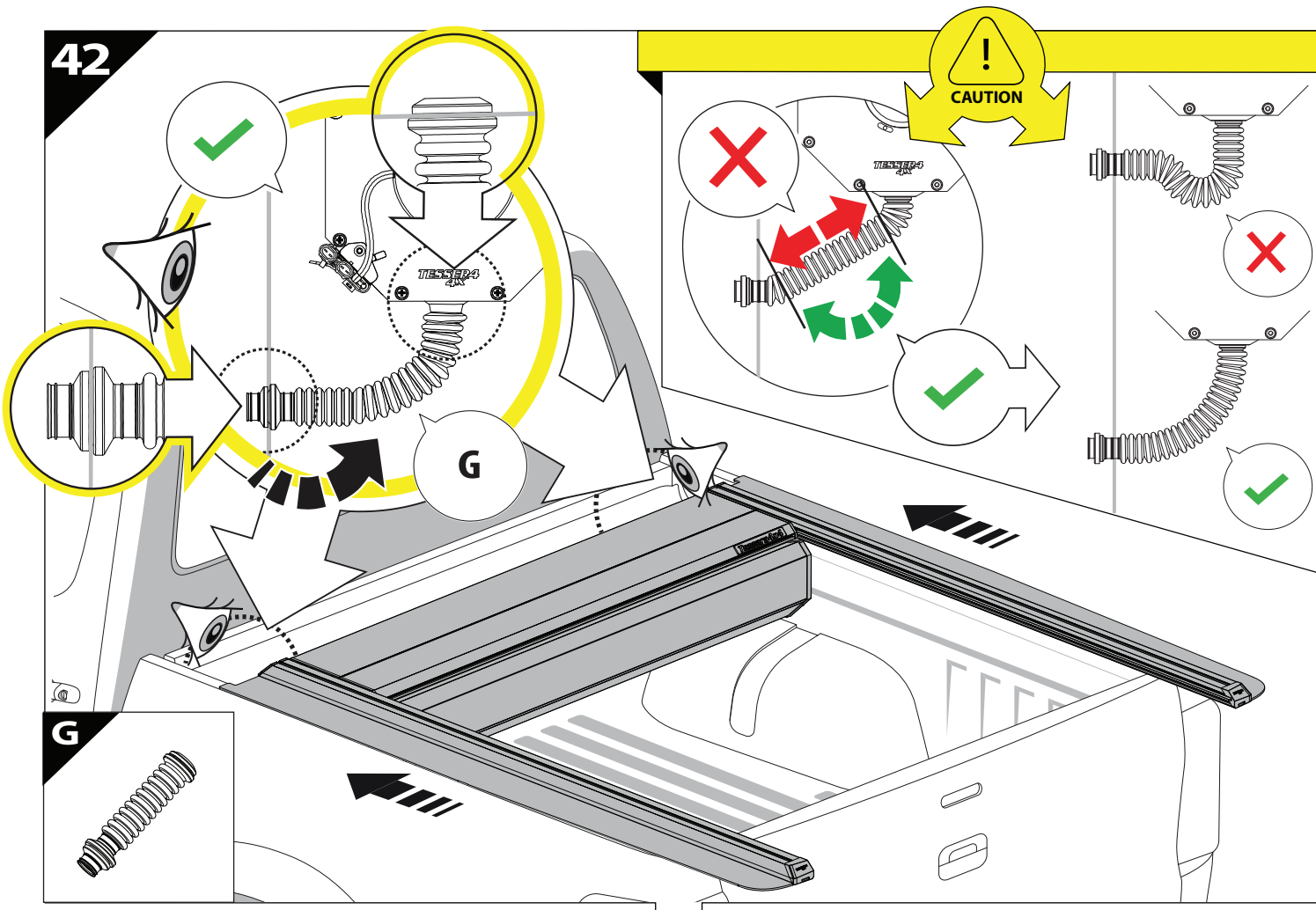
36

H₂O

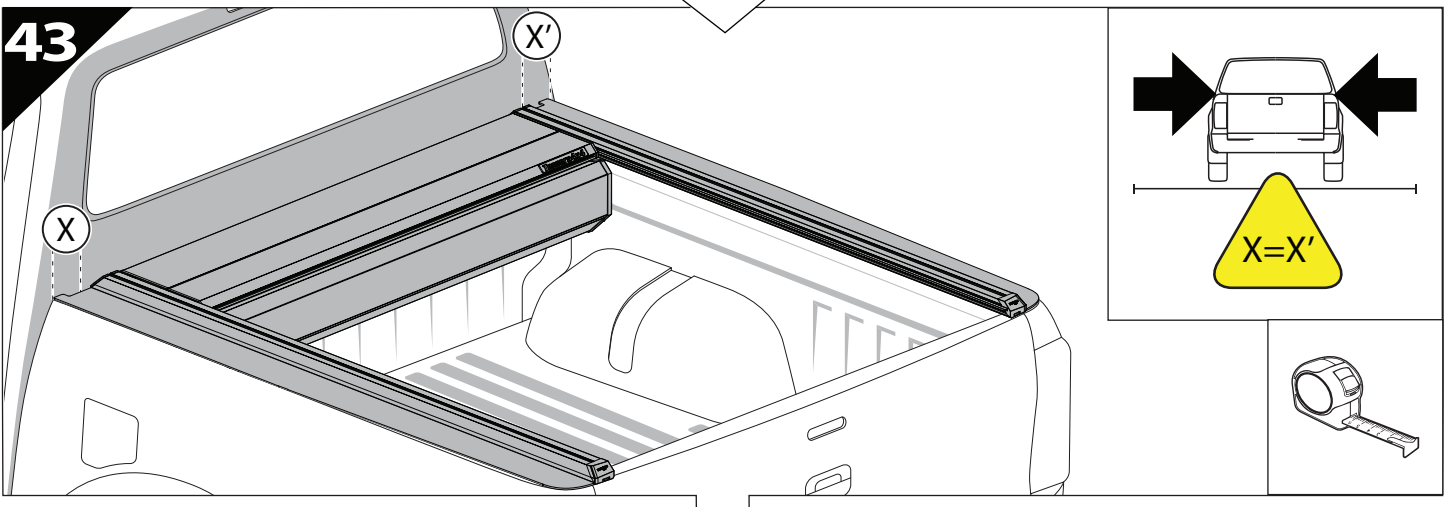




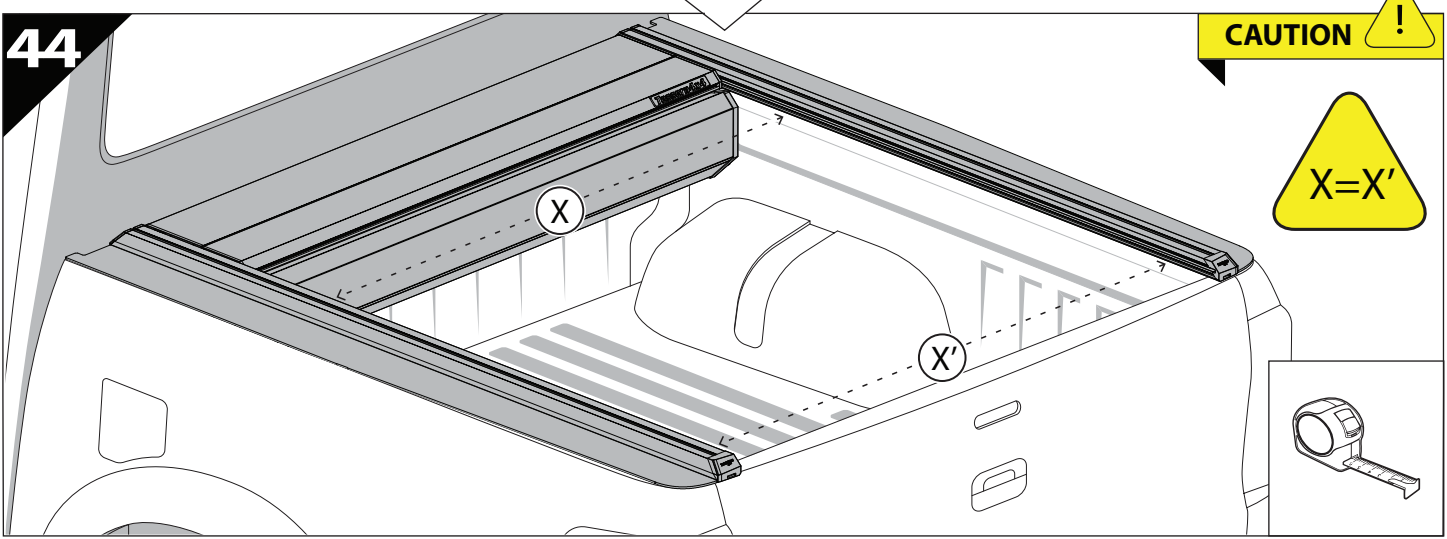
42



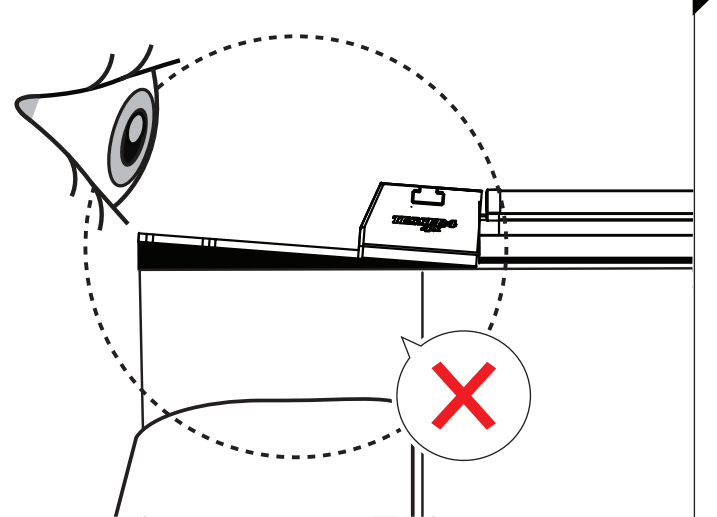
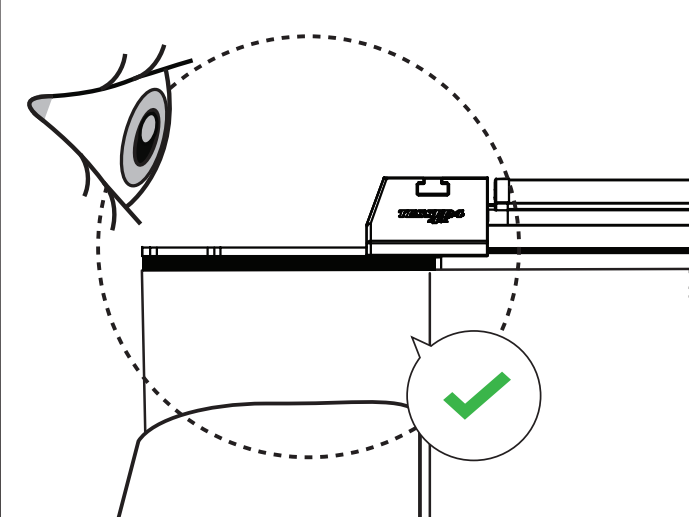
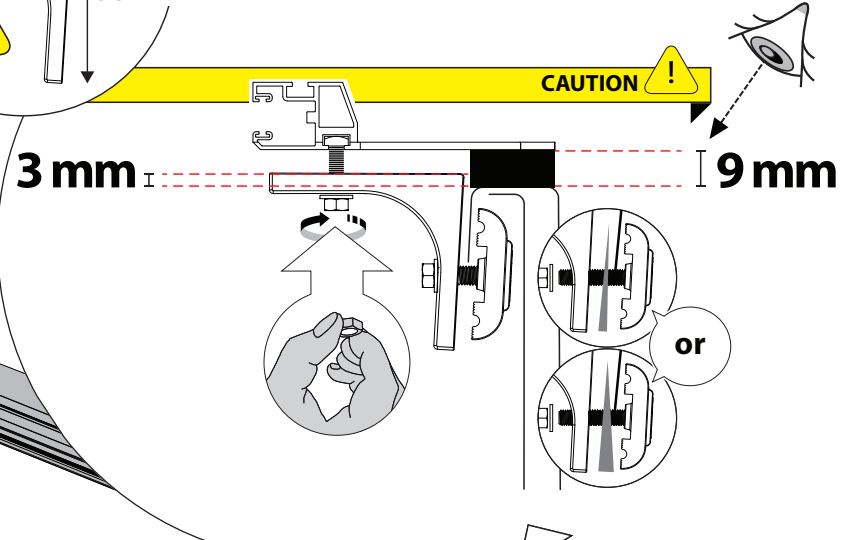
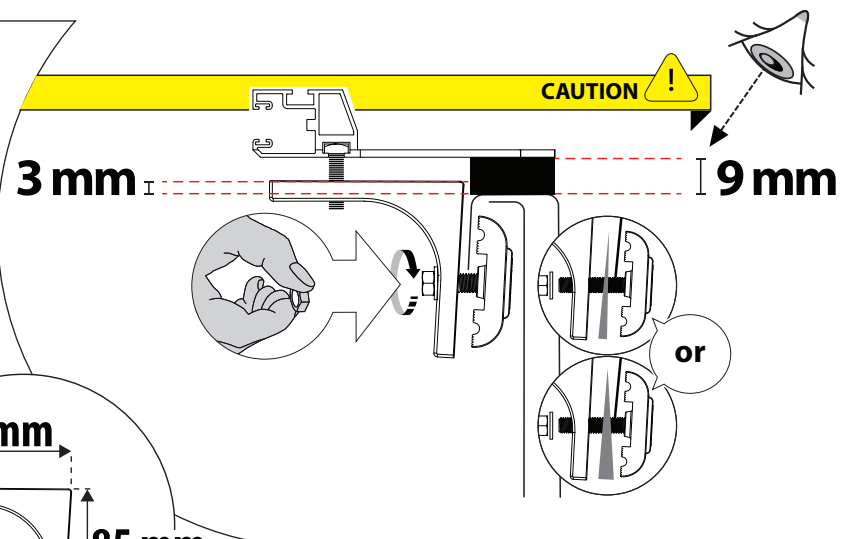
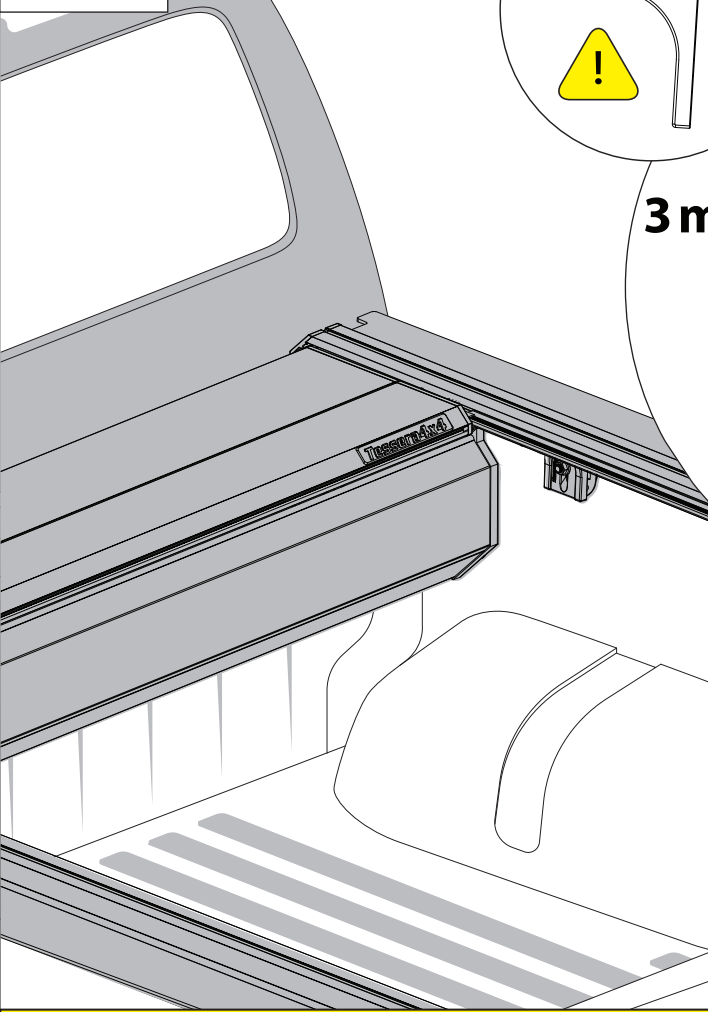
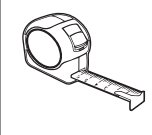
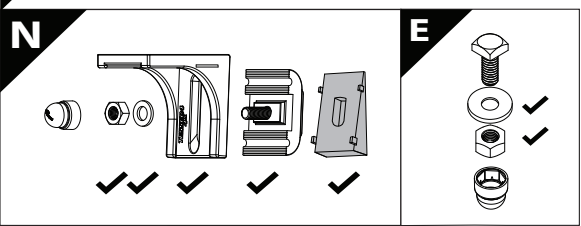
43

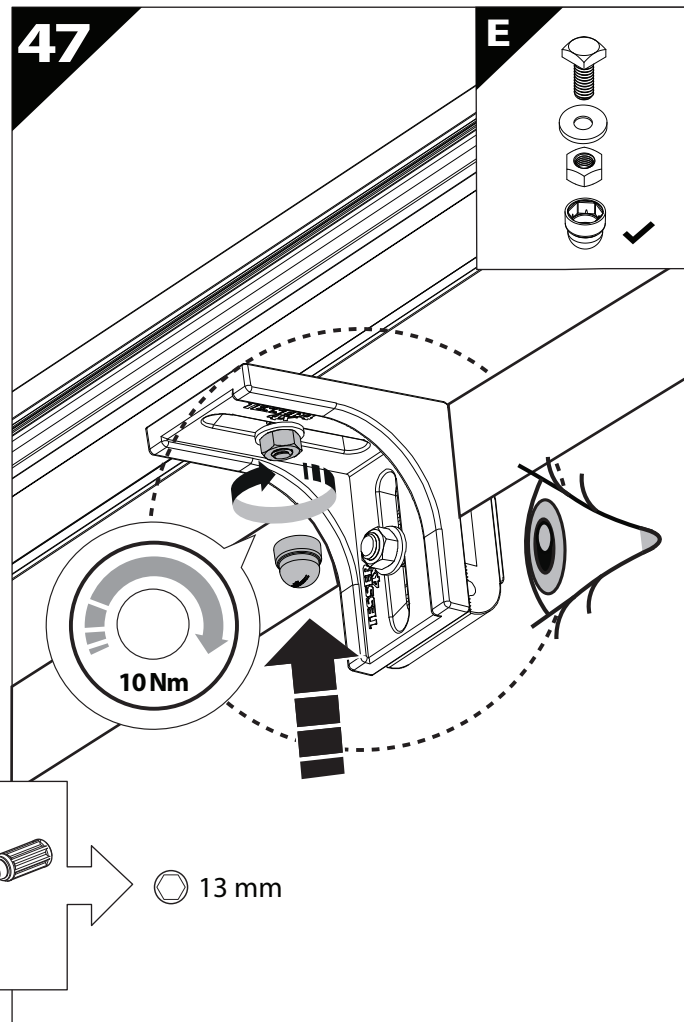
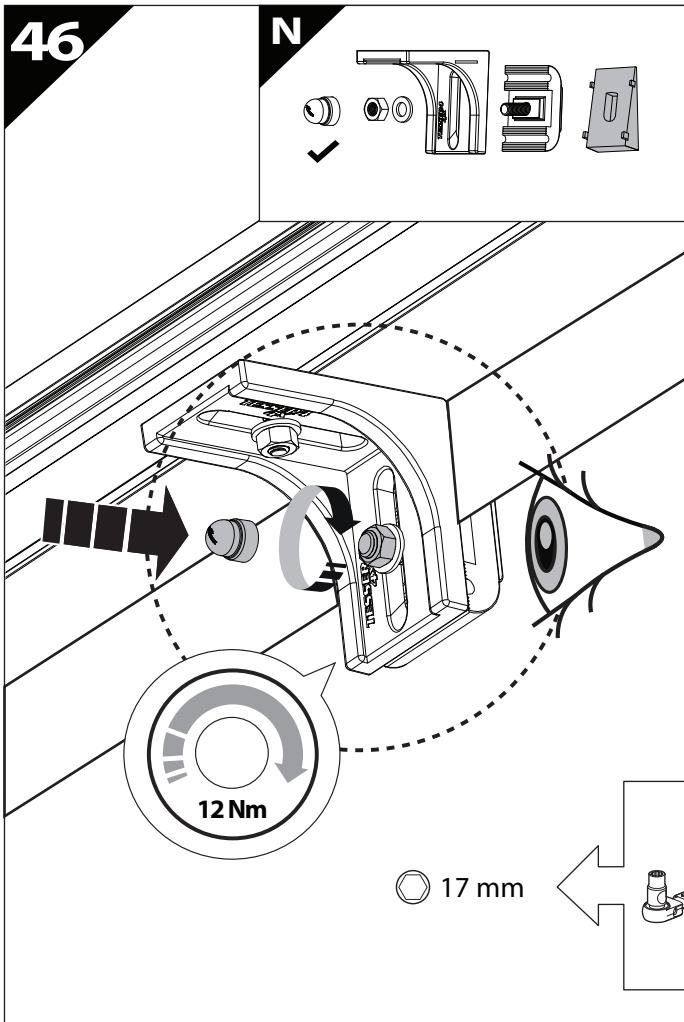


44

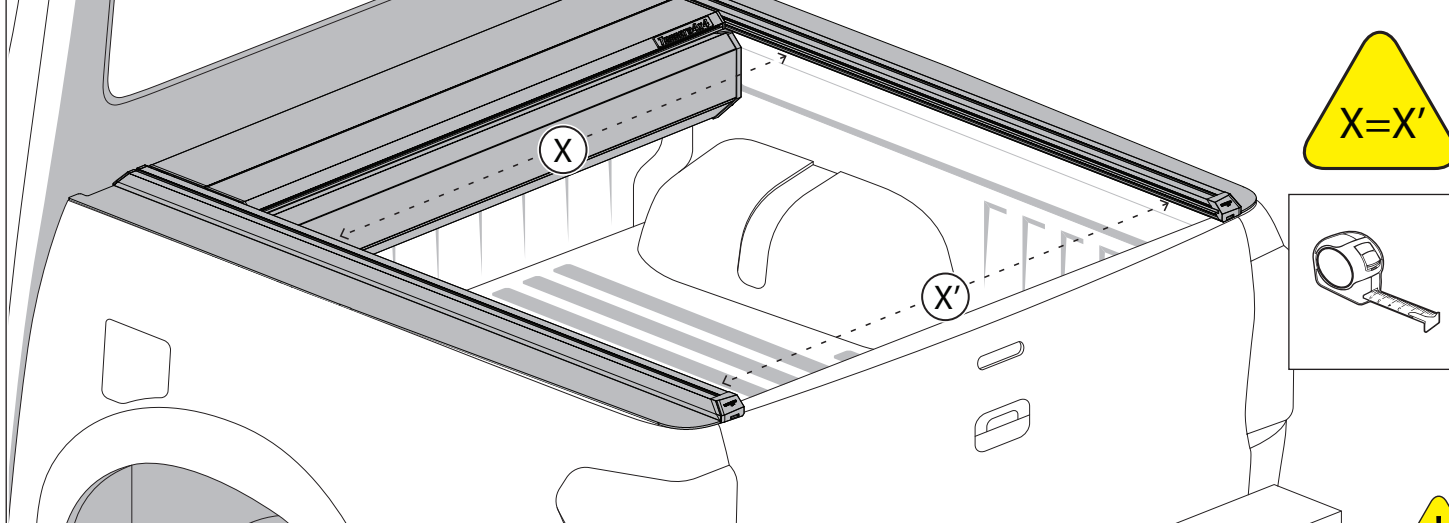


45

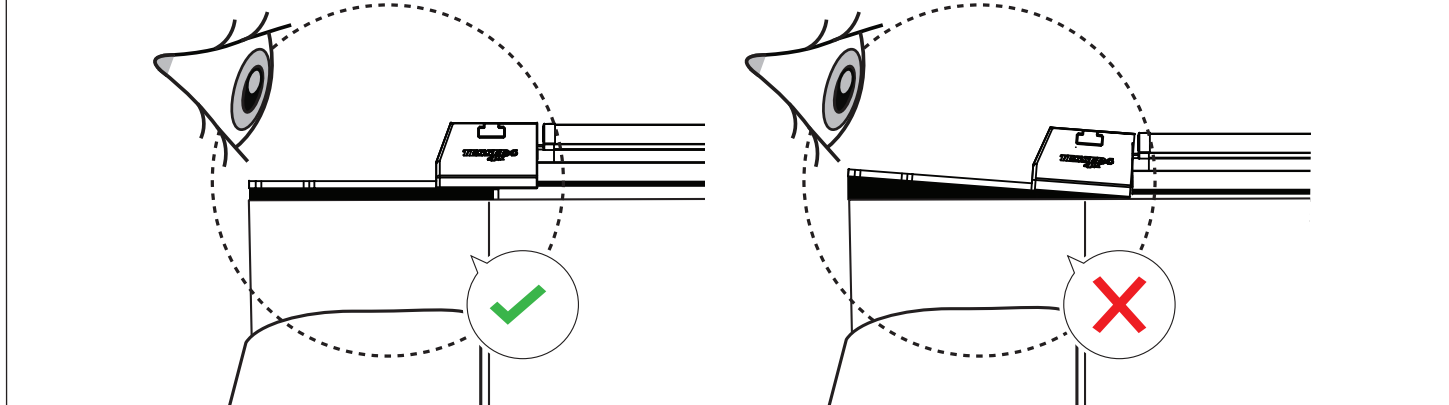




CAUTION !

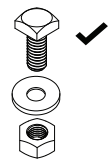


CAUTION !

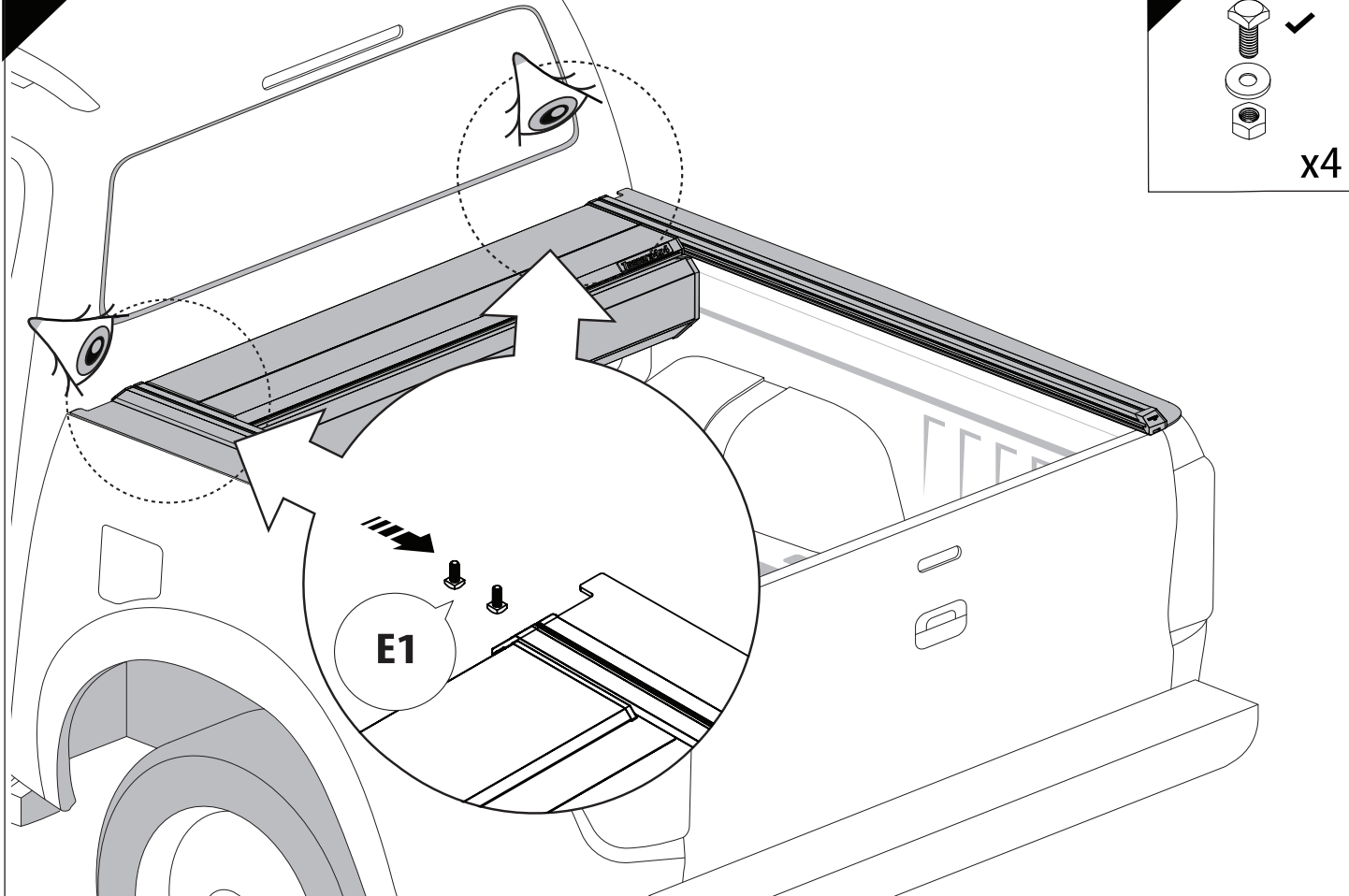


48

E1



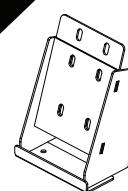
x4



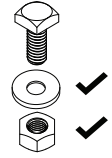
49

N1

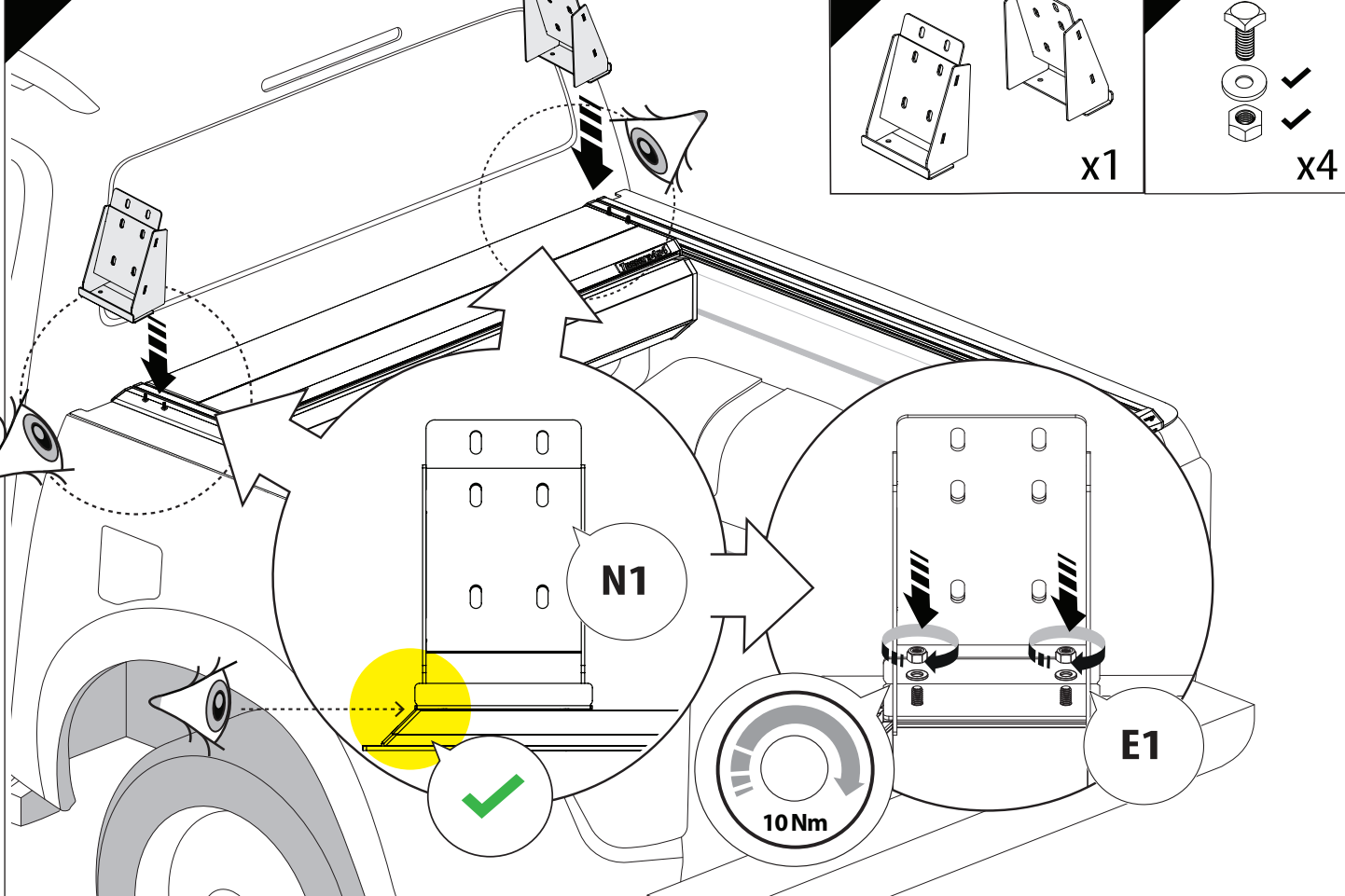
E1

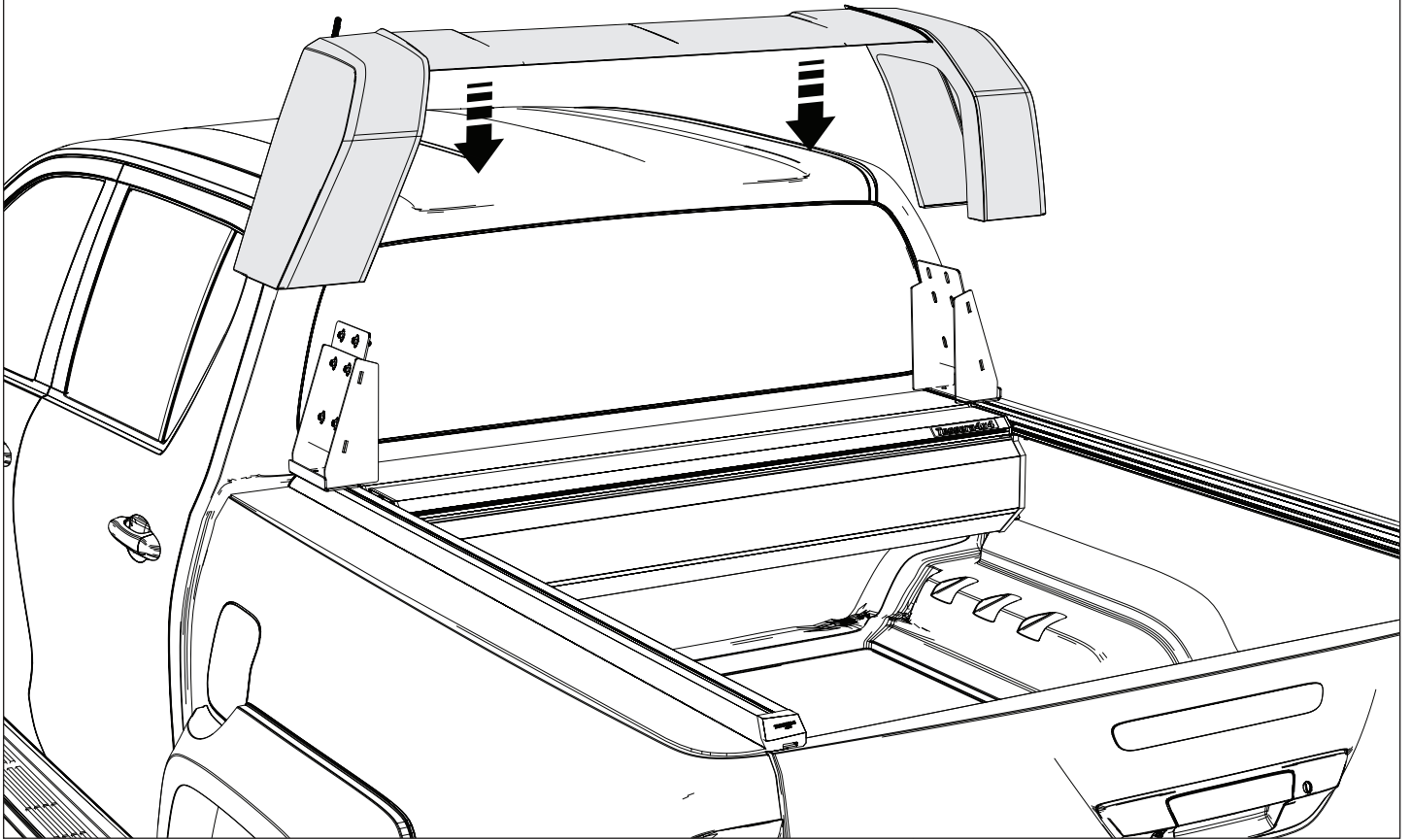


x1

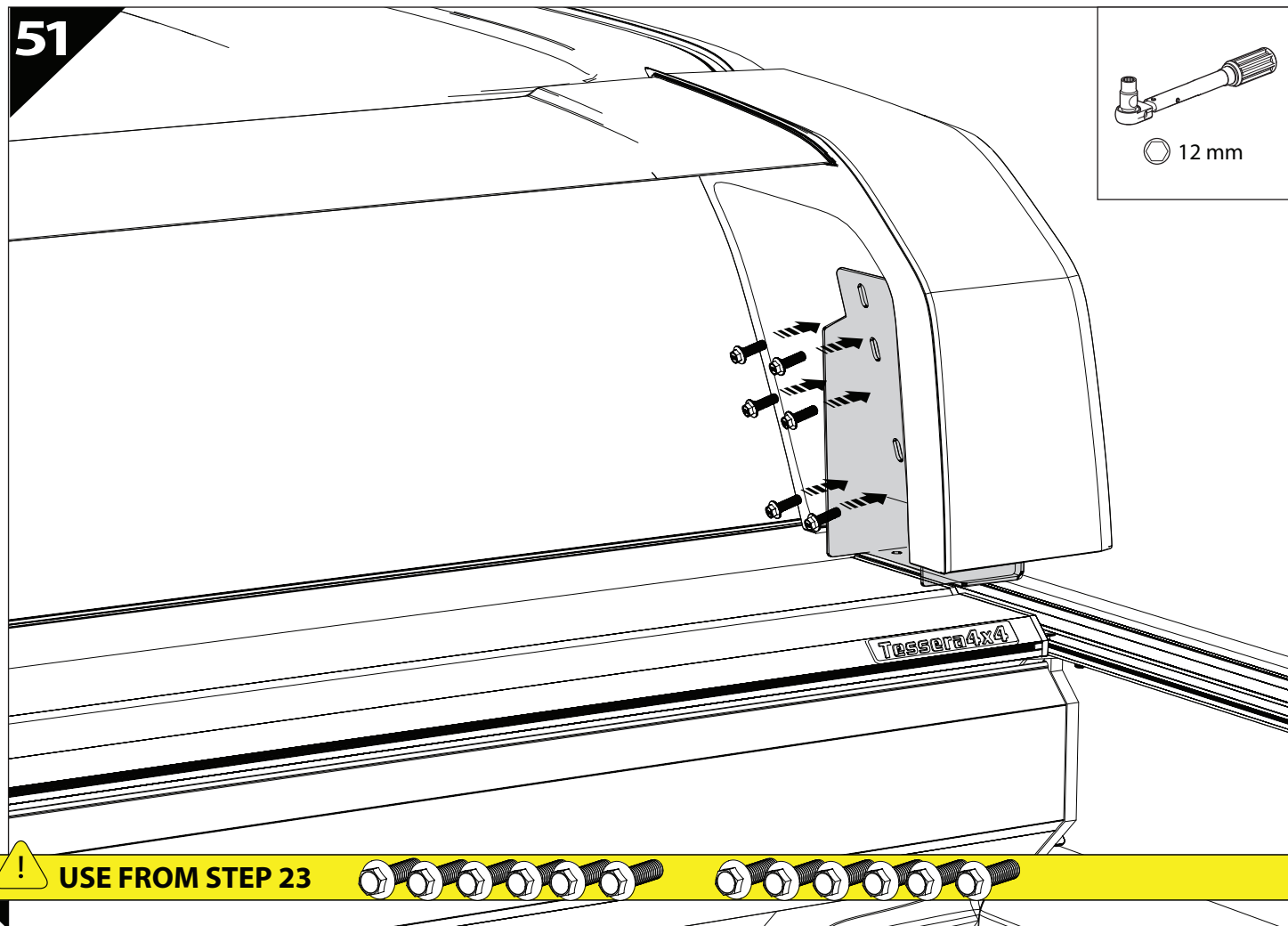
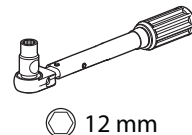


x4





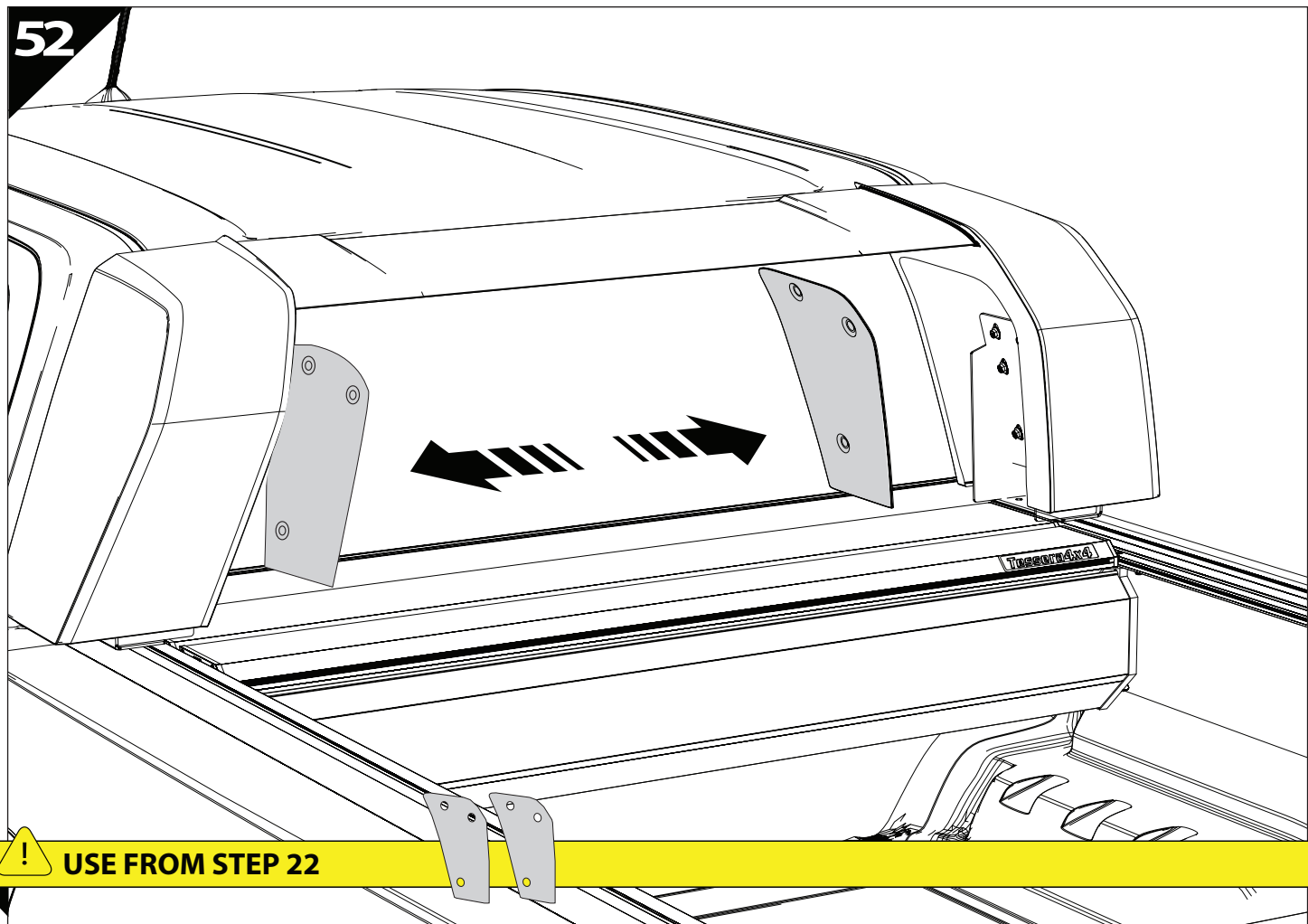
51



USE FROM STEP 23

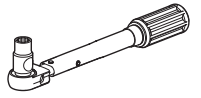


52

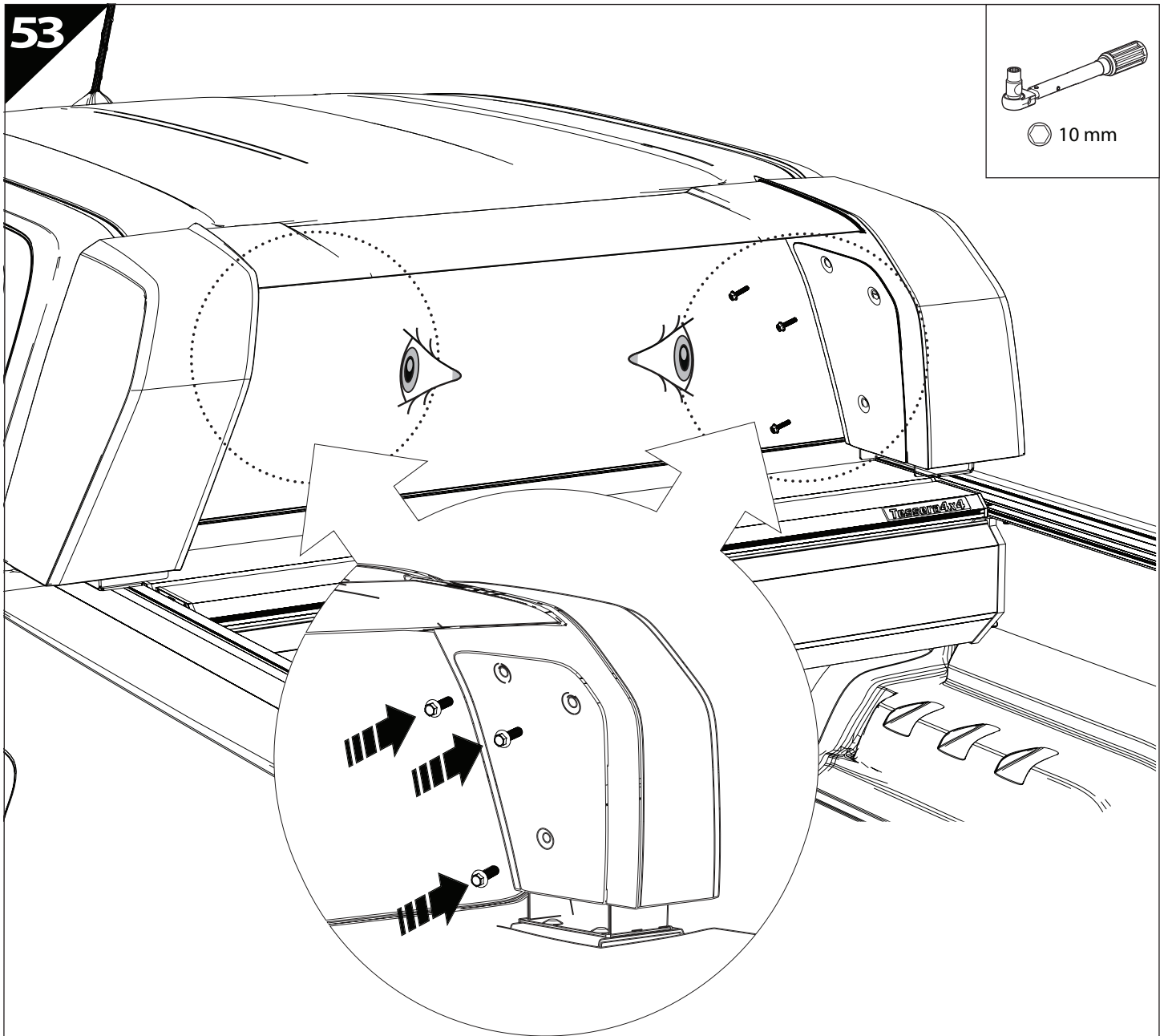


USE FROM STEP 22

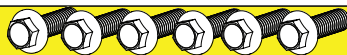
53



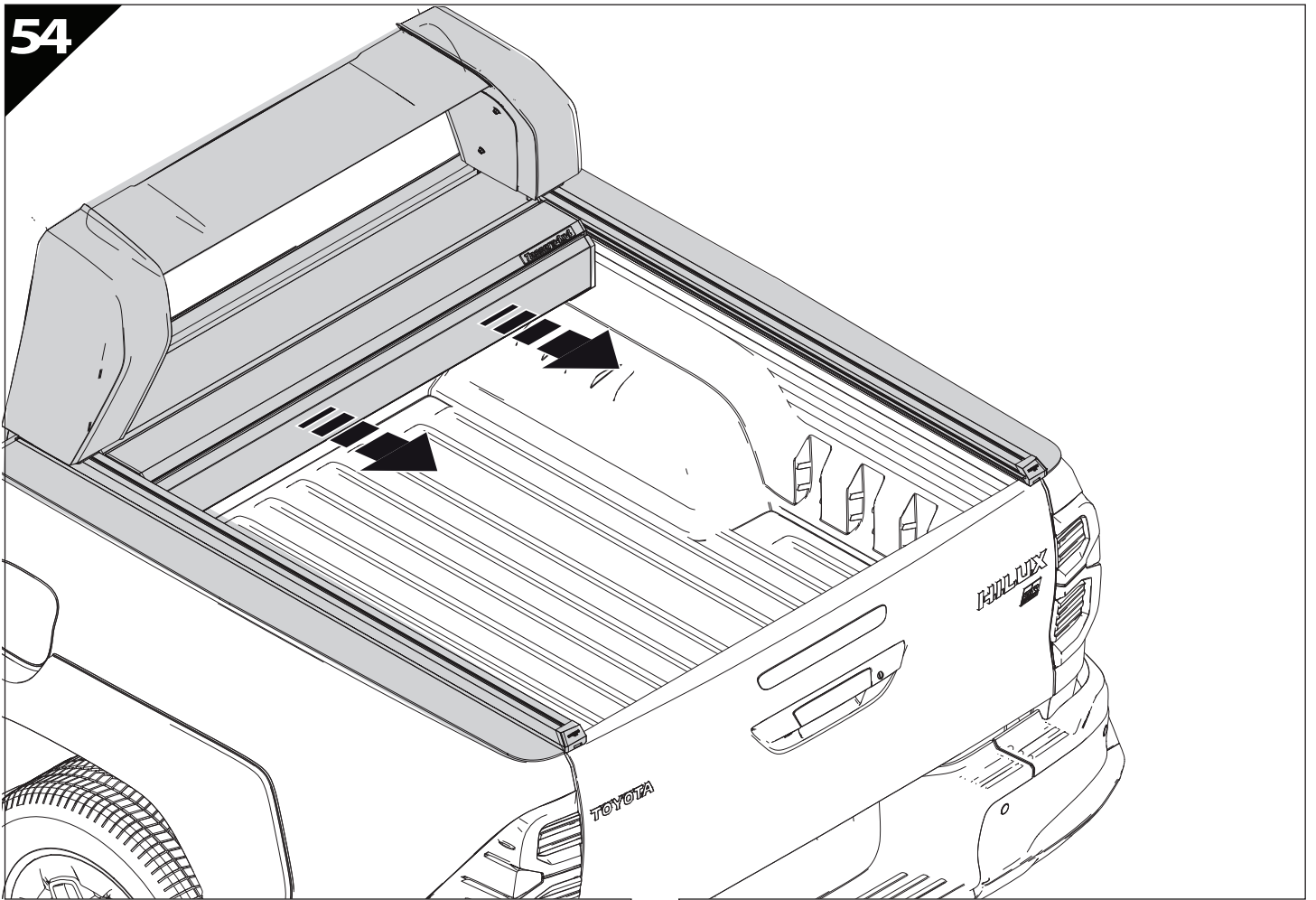
10 mm



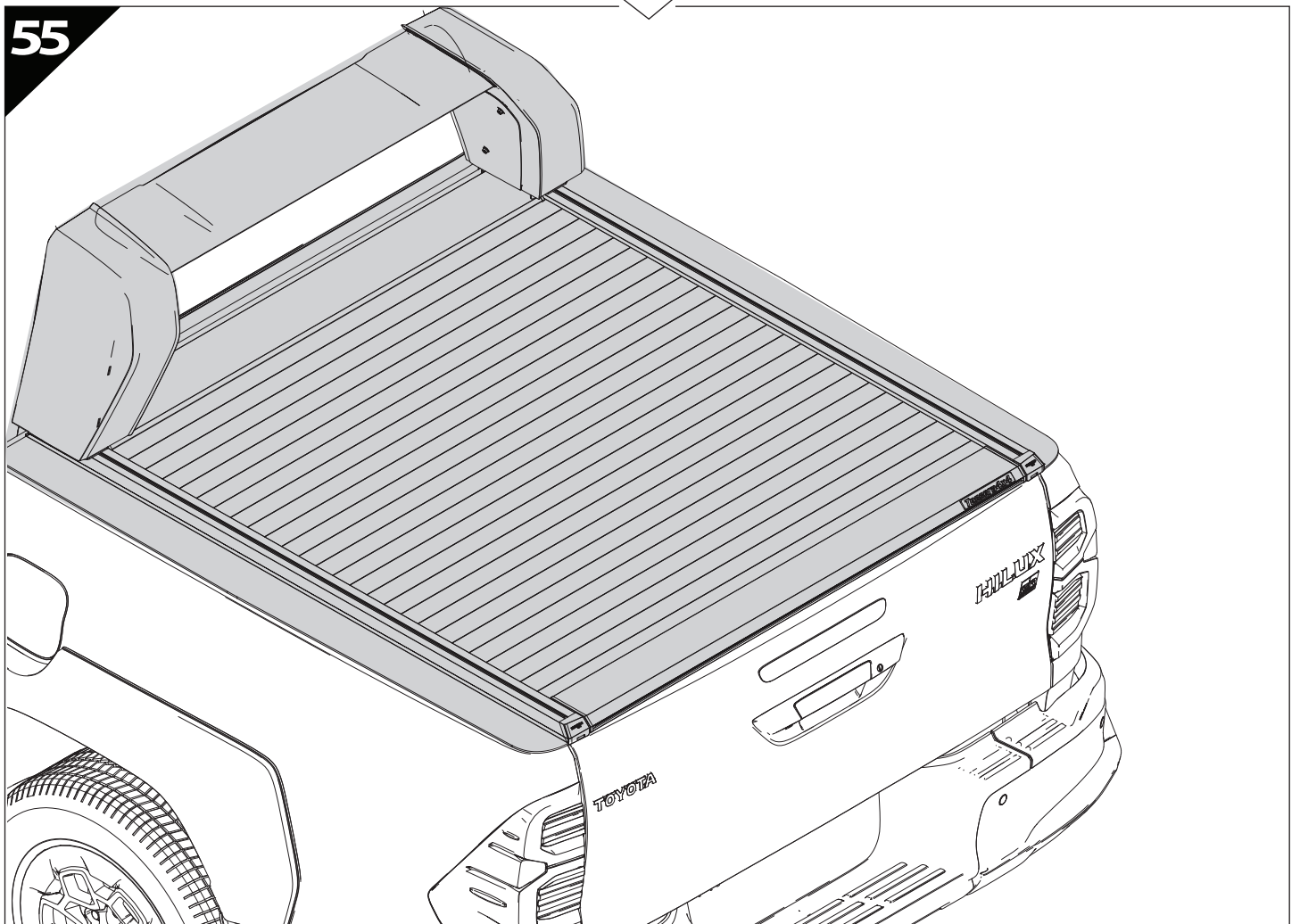
USE FROM STEP 21



54



55





GR: Οδηγίες Εγκατάστασης
GB: Installation manual
SF: Asennusohje
F: Notice de montage
PL: Instrukcja montażu
NL: Installatie-instructies
TR: Montaj Talimatı
S: Monteringsanvisning
E: Instrucciones de montaje

H: Szerelési utasítás
P: Instruções de instalação
RUS: Инструкция по установке
N: Monteringsveiledning
D: Einbauanleitung
CZ: Návod k instalaci
I: Istruzioni de montaggio
DK: Monteringsvejledning
RO: Instructiuni de instalare

Customer Service:

+30 (210) 5541161, +30 (210) 5541154 (08:00 - 16:00 EET)

Support department:

info@gianso.gr

Website:

www.tessera4x4.com

Address:

19.5 km of National road Athens-Korinthos (Elefsina) Greece, P.C: 19200