

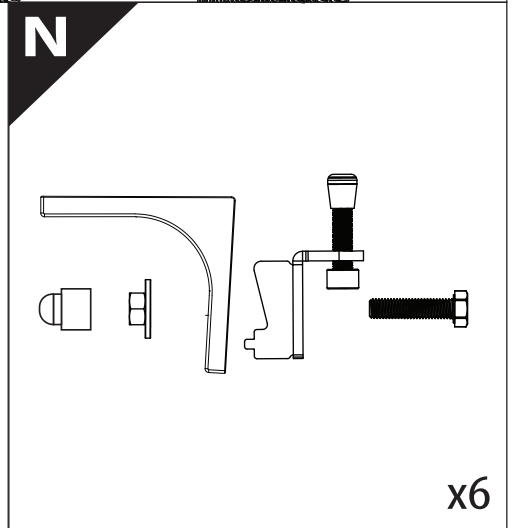
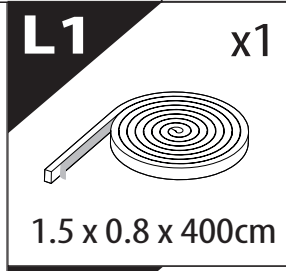
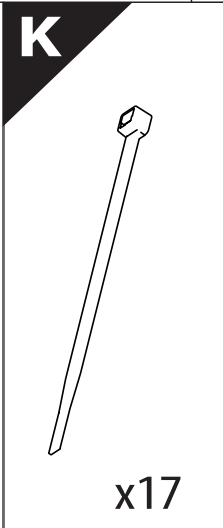
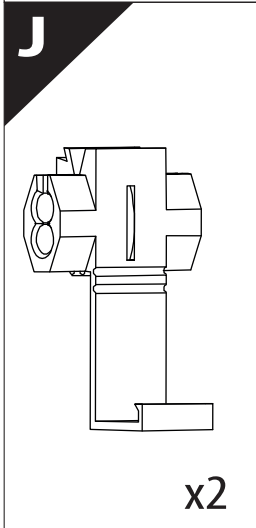
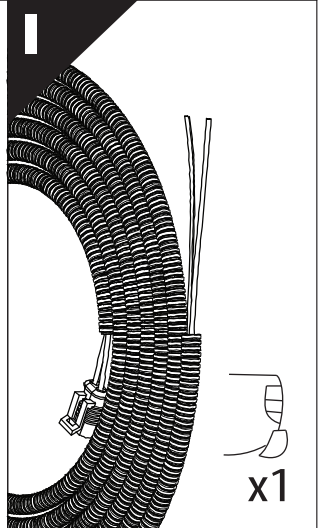
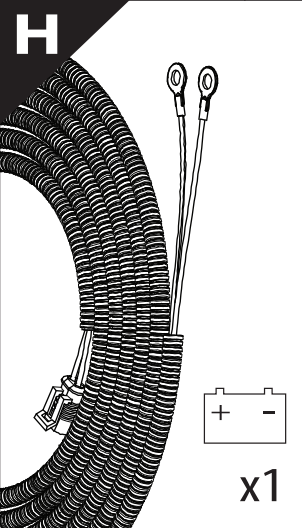
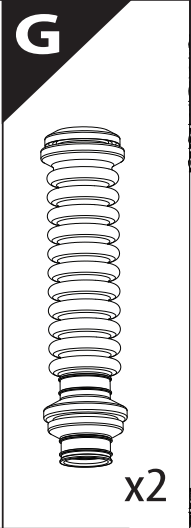
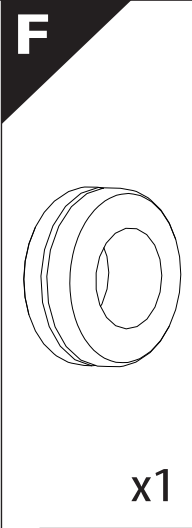
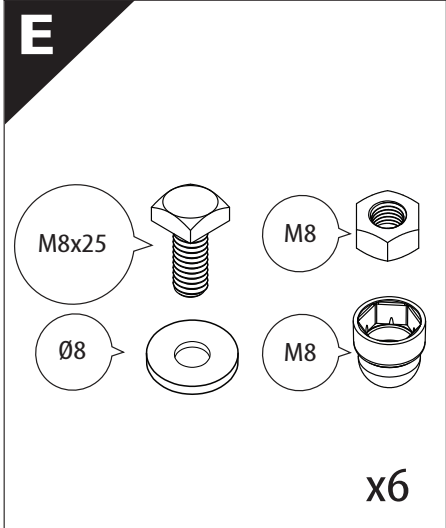
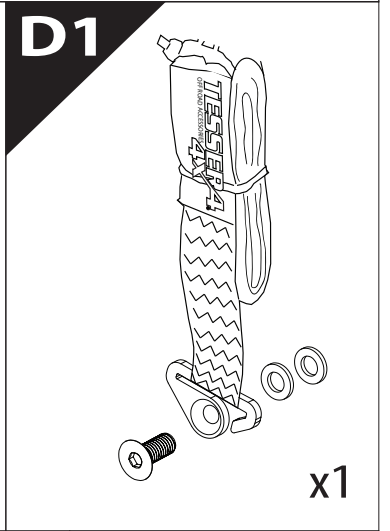
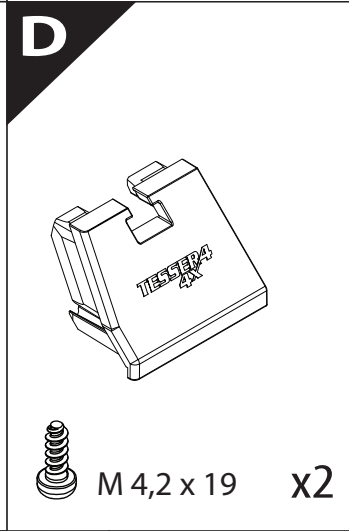
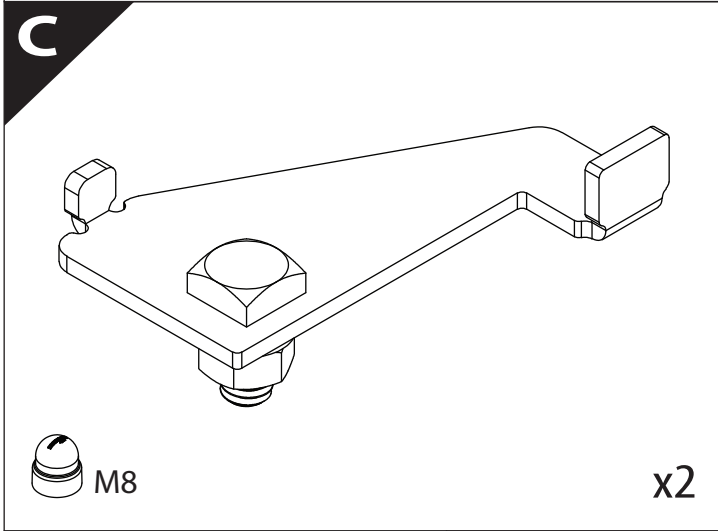
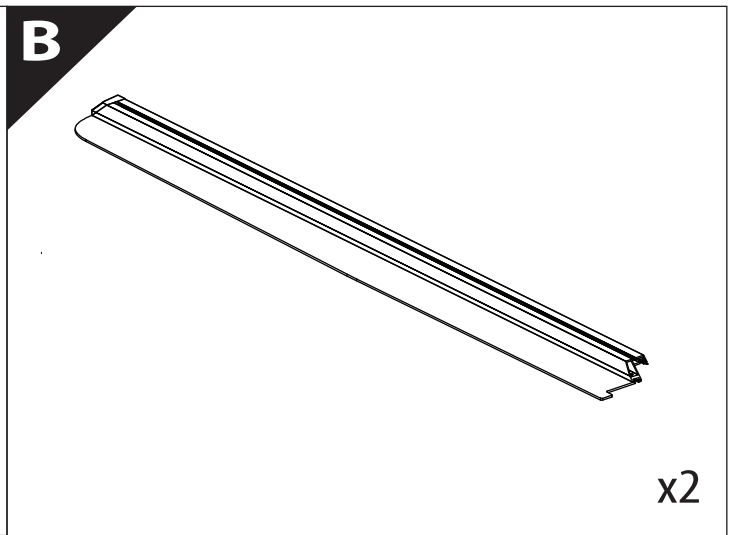
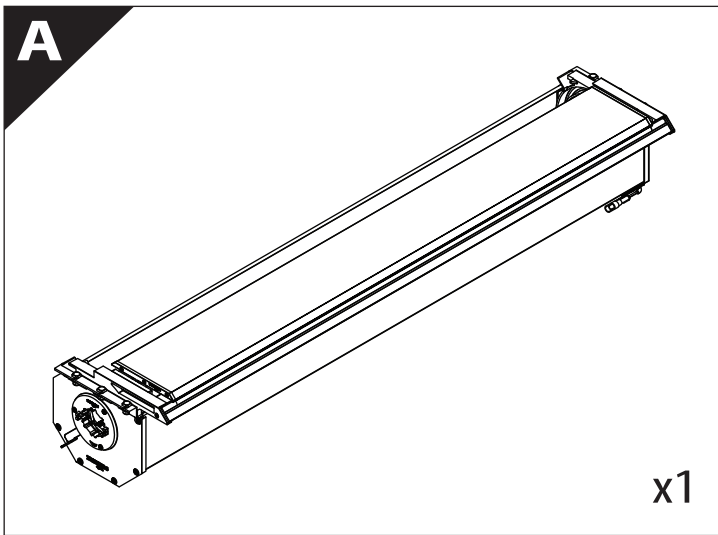
Tessera Roll+

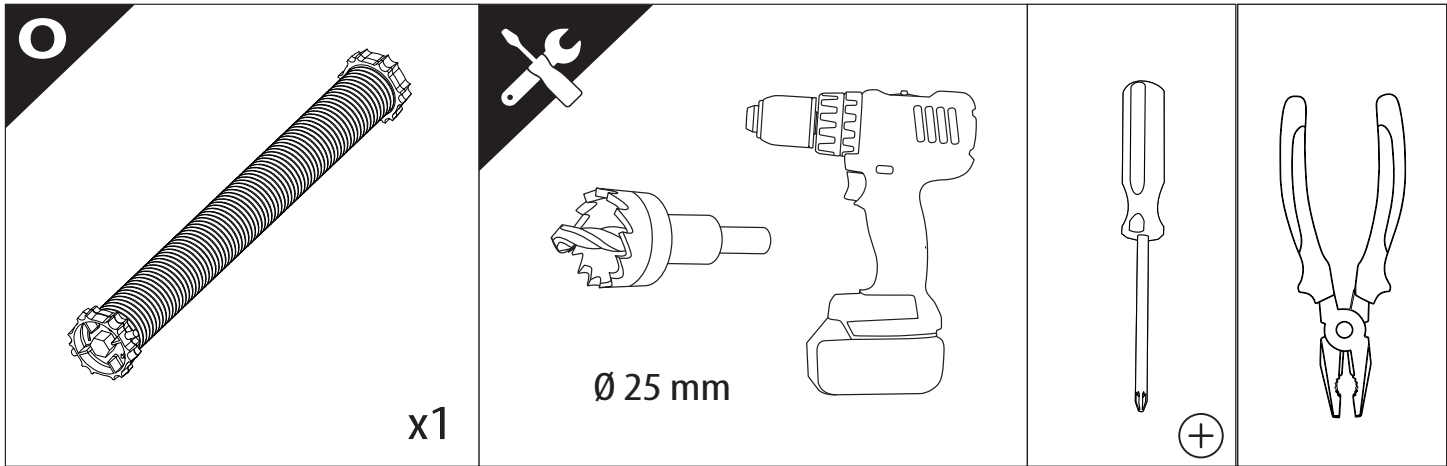
Basic Version + ⚙️ S-KIT



Installation Manual

PART NUMBER(S)	Model Year
TESS 1443 ROLL+S-KIT	Foton Tunland V9 2024+
Cab(s)	Installation Time / Weight
Double Cab	40-60 minutes / 53-57 kg

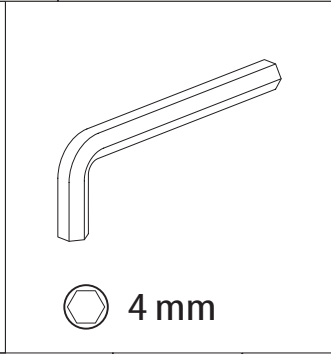
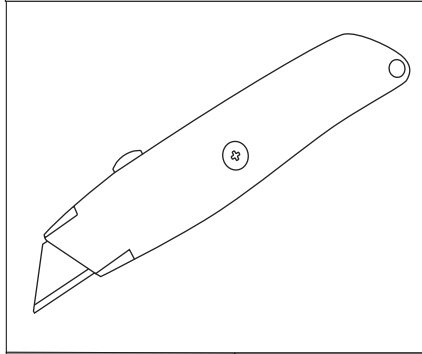




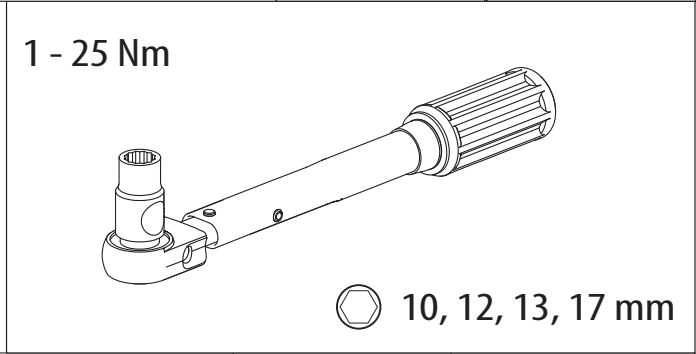
x1

Ø 25 mm

+

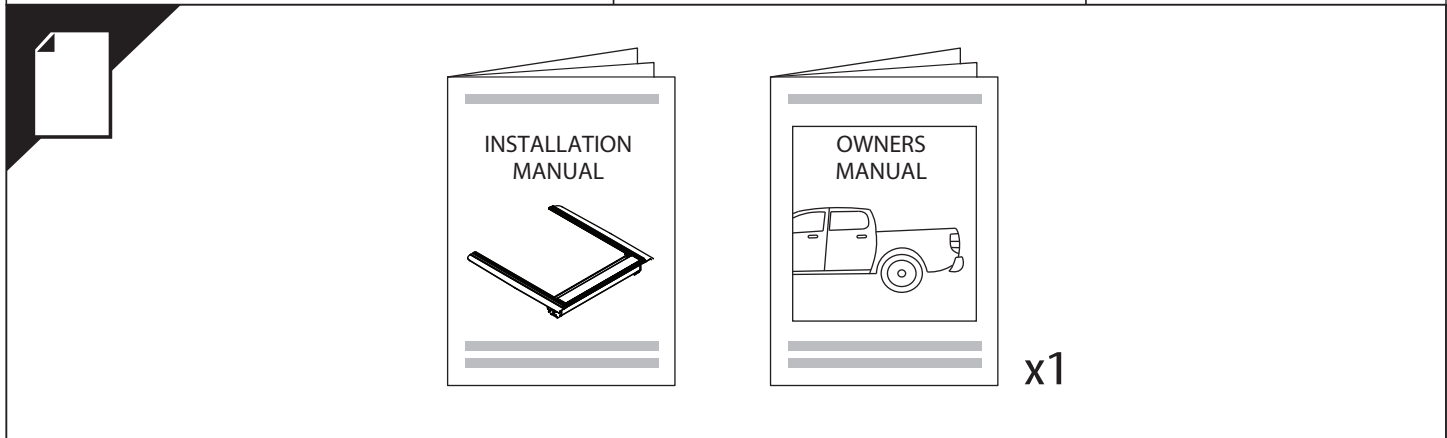
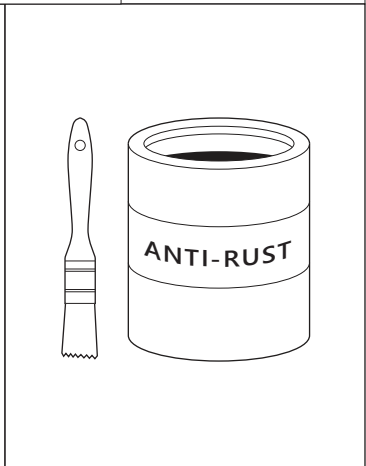
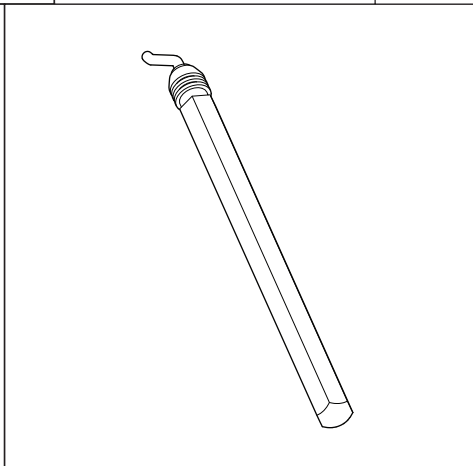
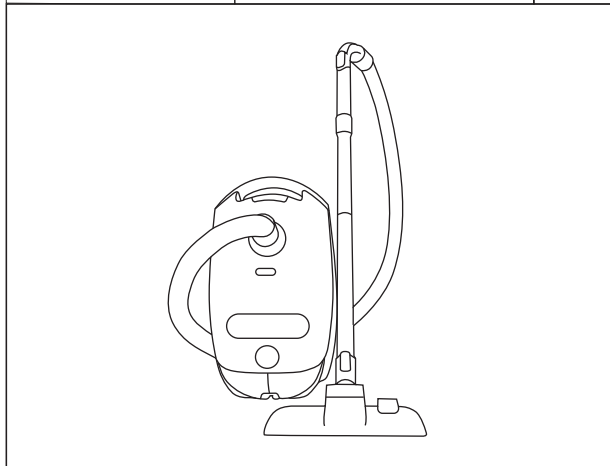
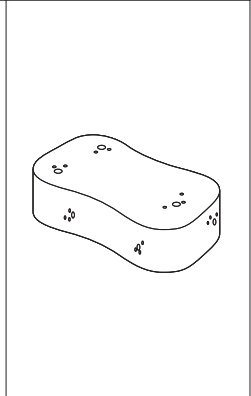
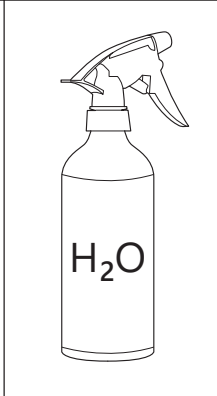
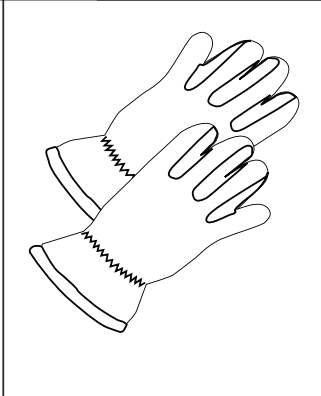
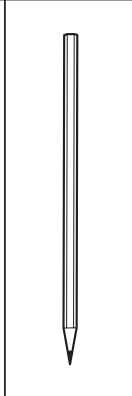
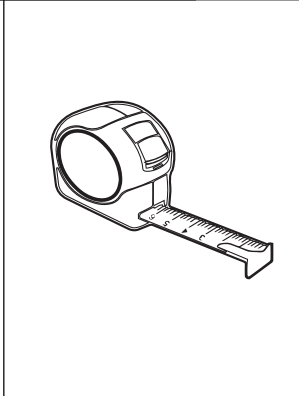
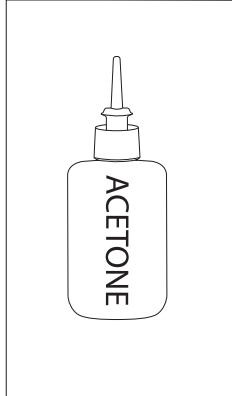


4 mm

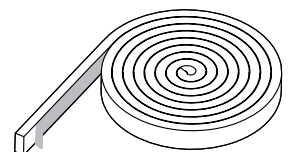
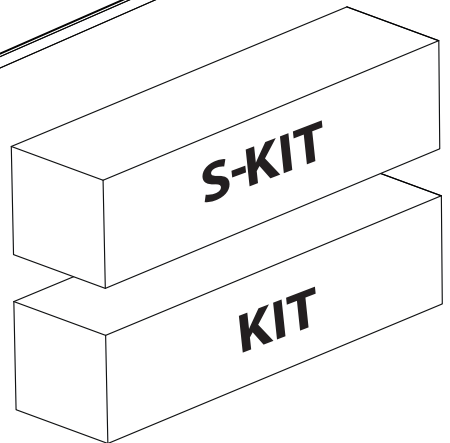
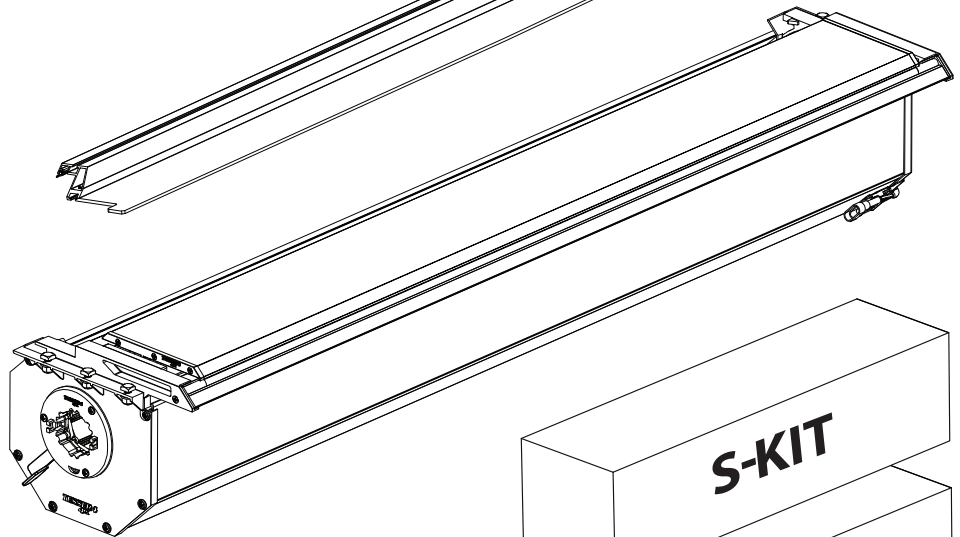
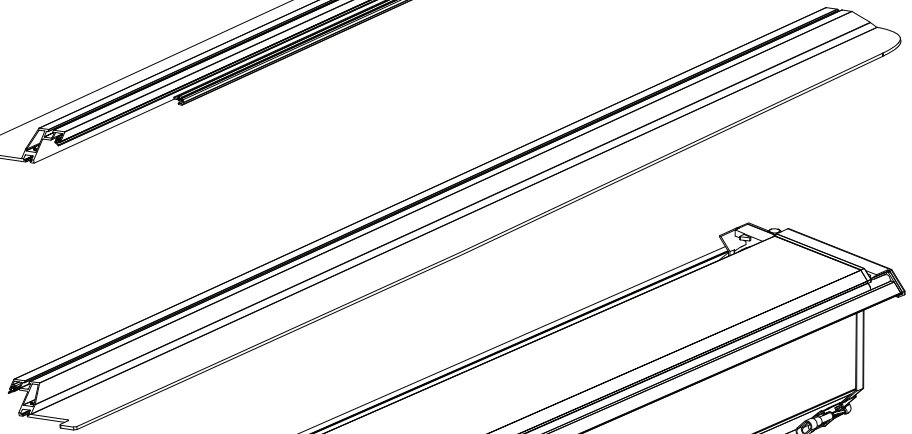
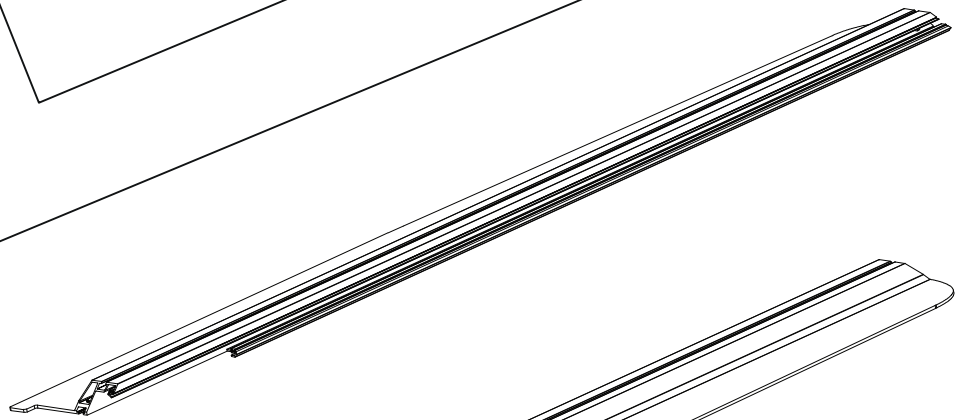
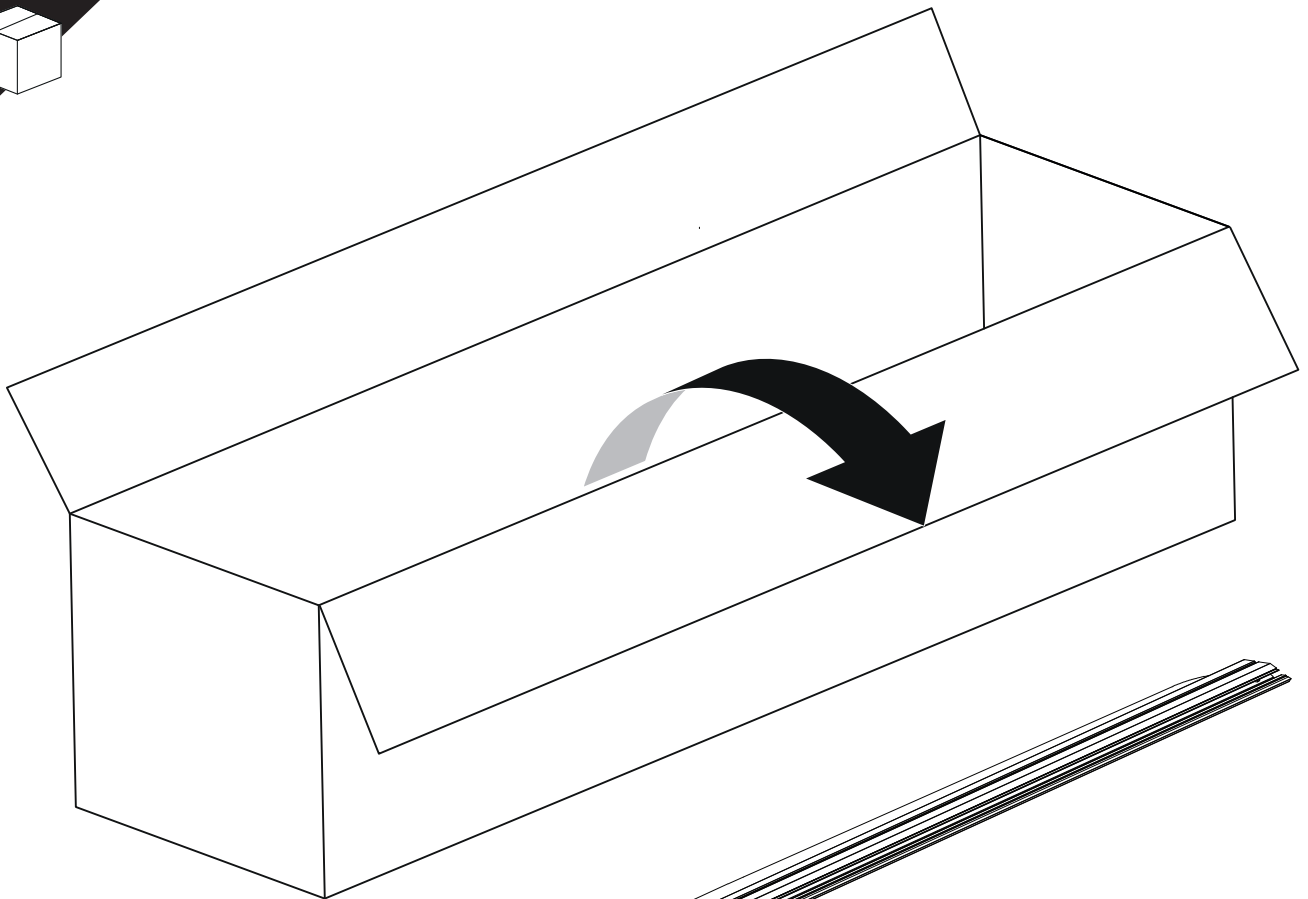


1 - 25 Nm

10, 12, 13, 17 mm



x1

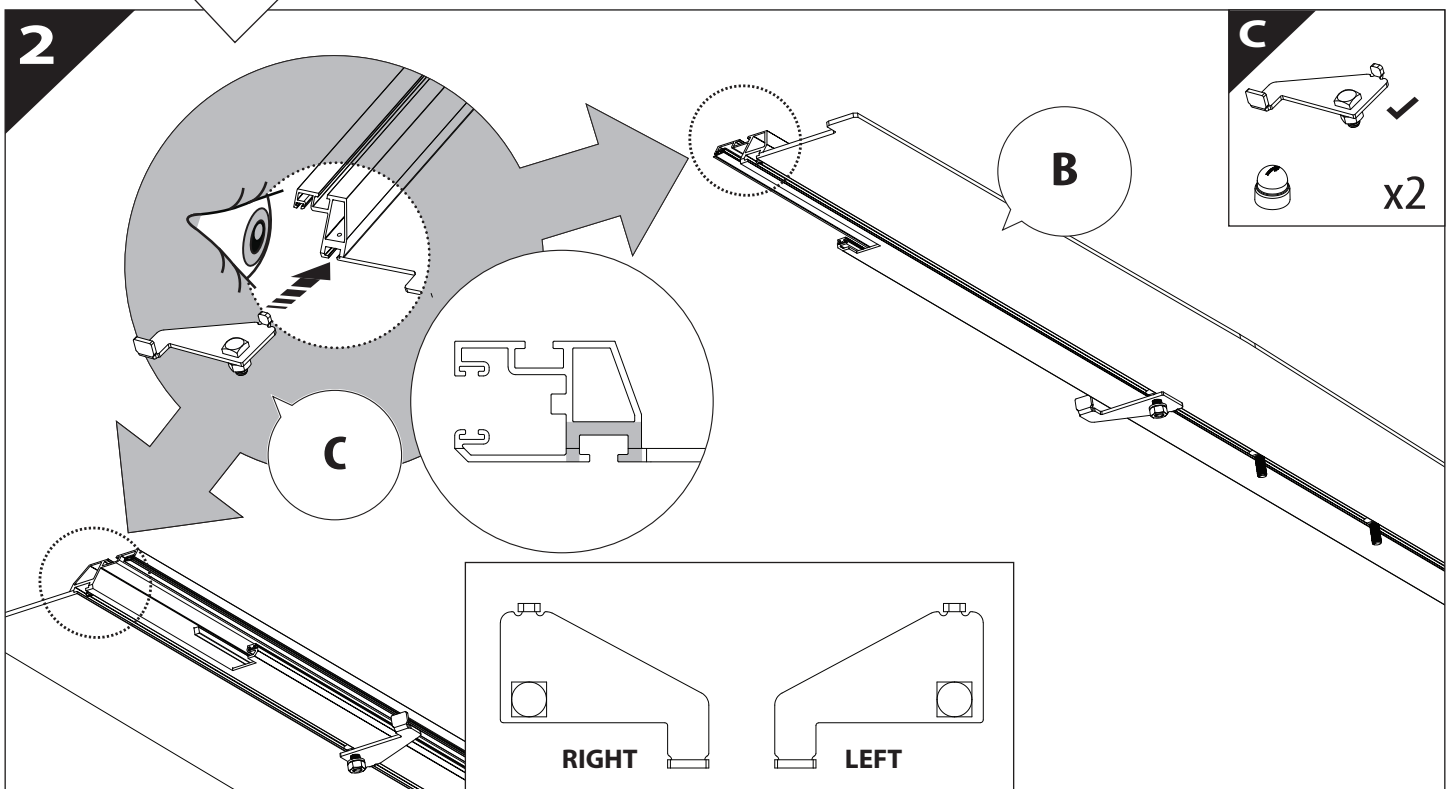
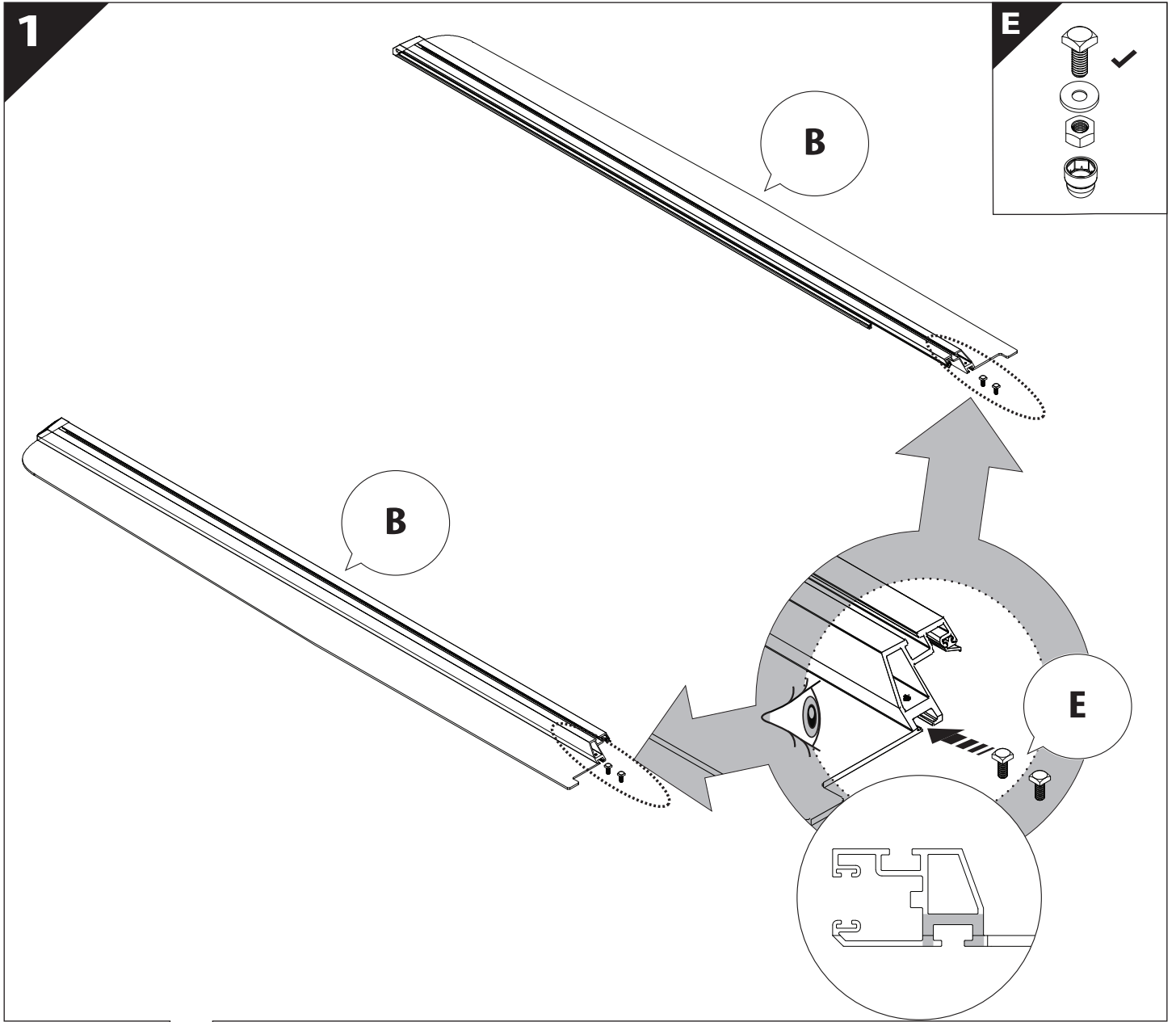


B

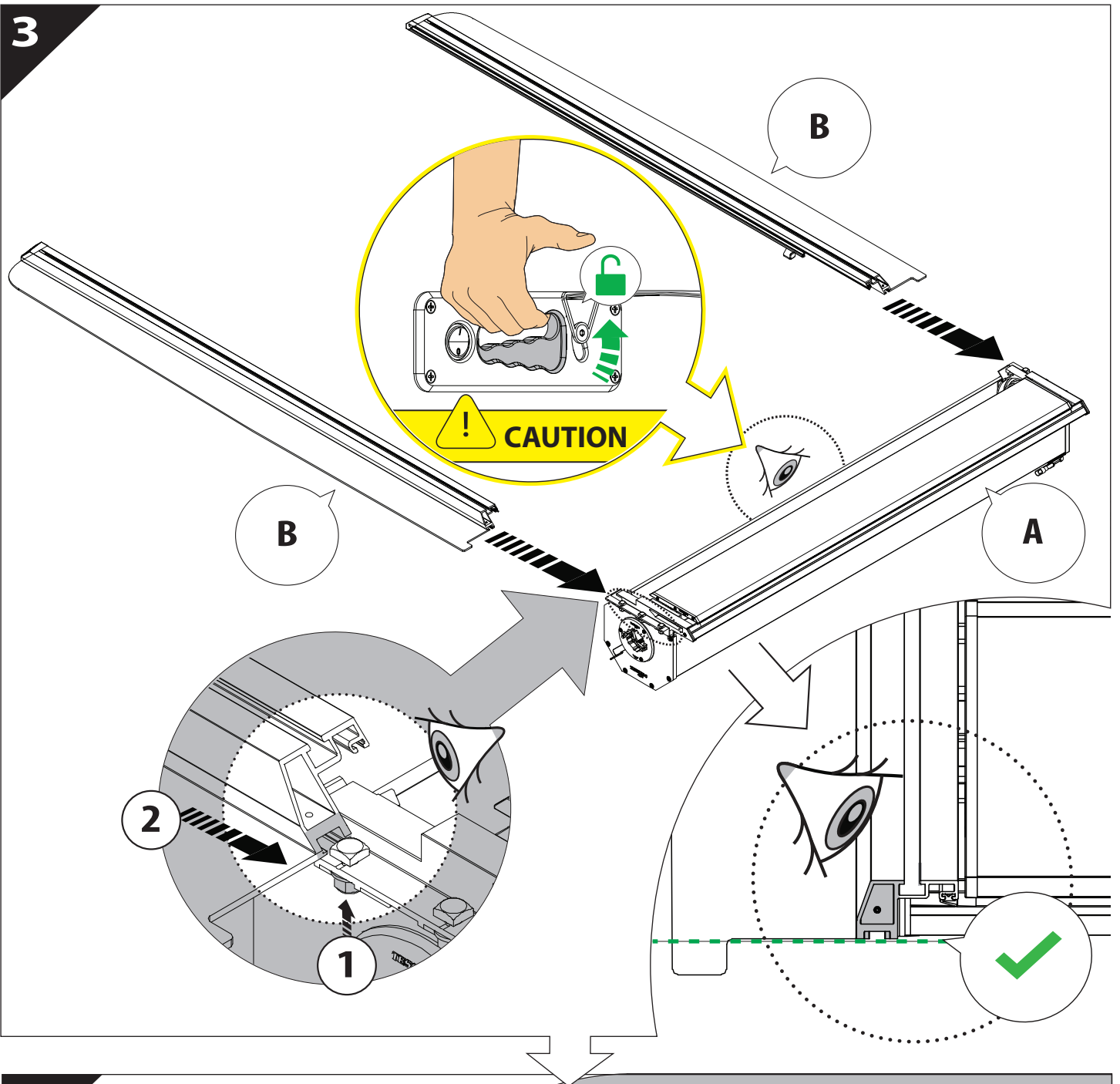
A

KITS

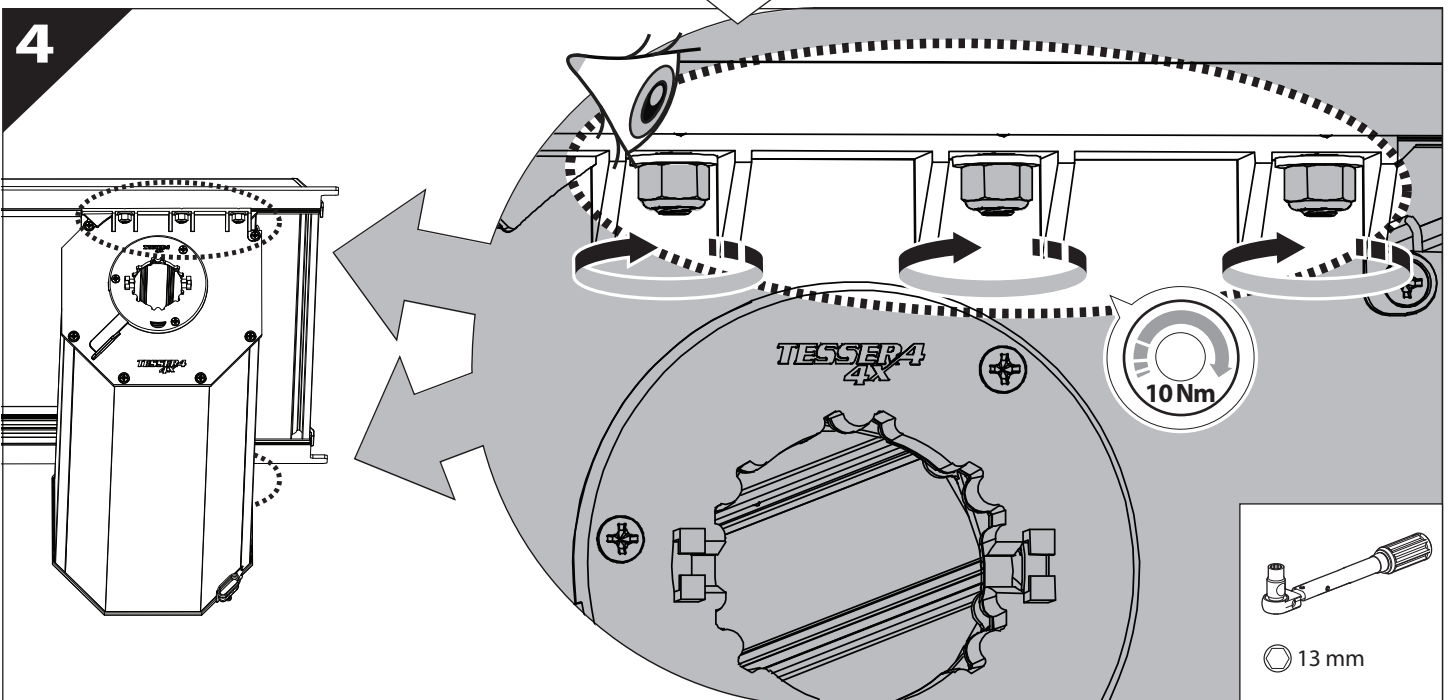
L

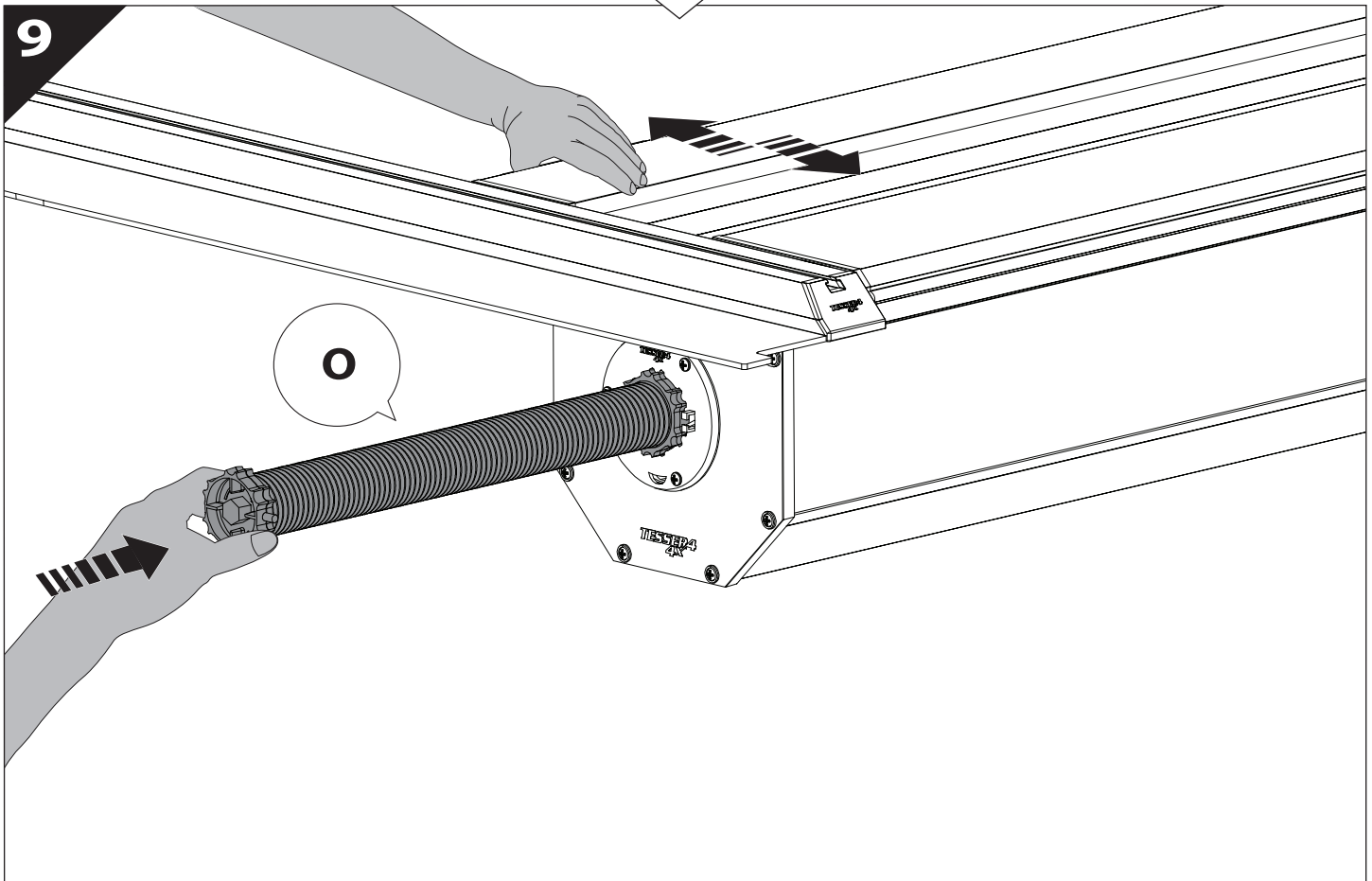
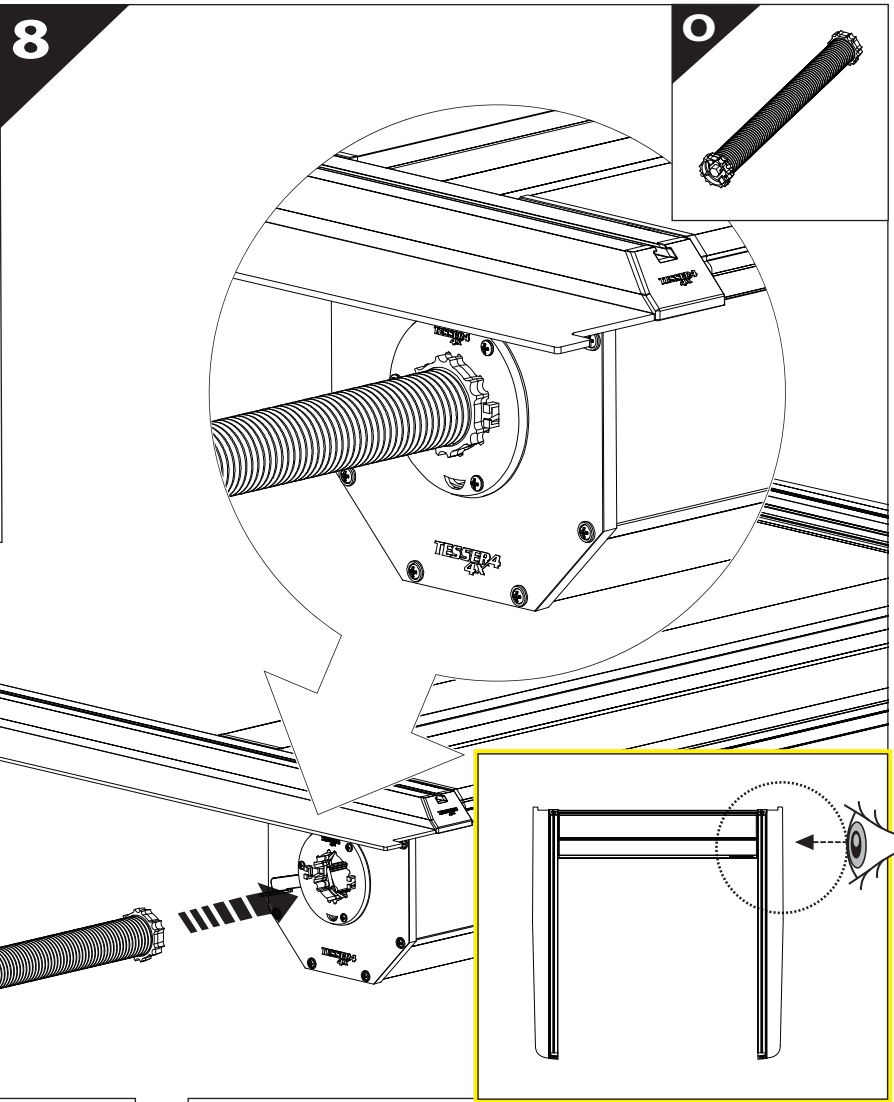
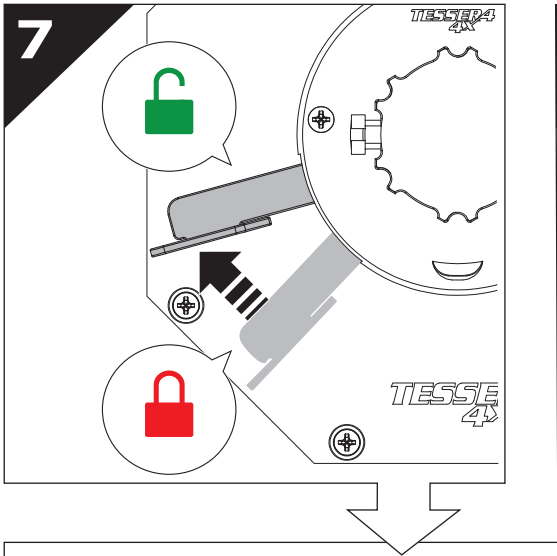


3

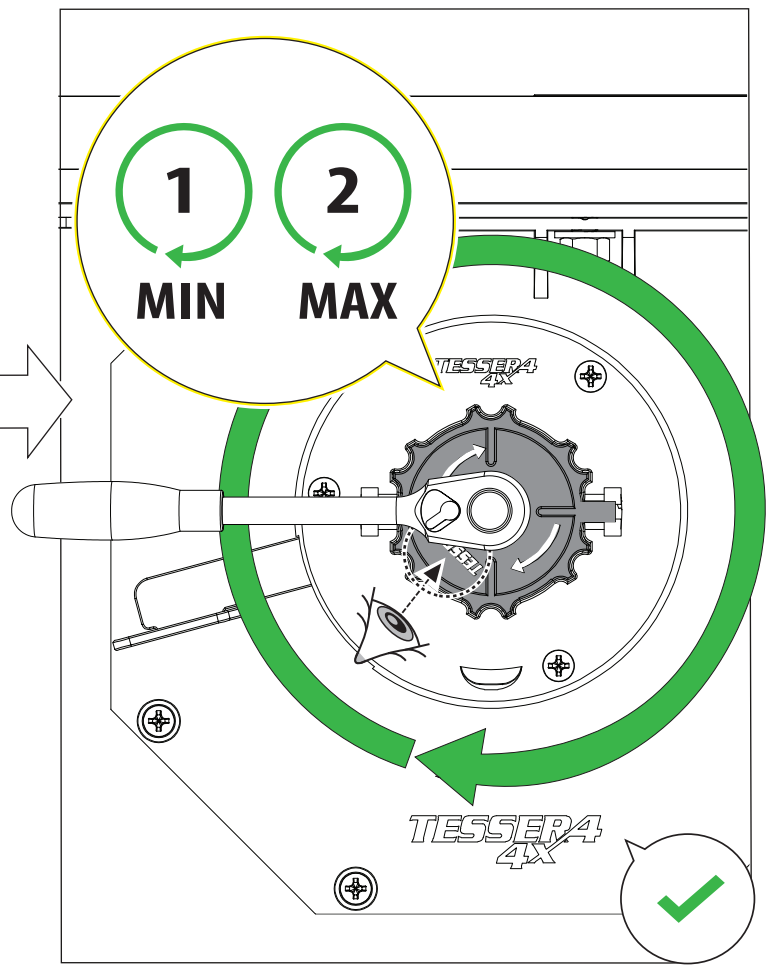
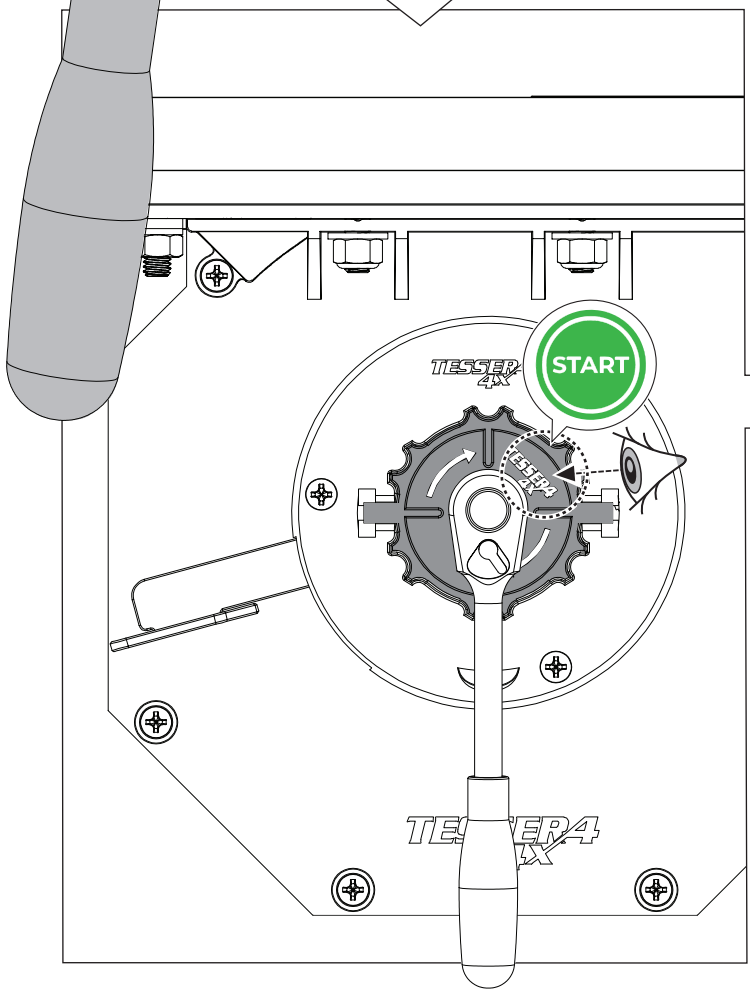
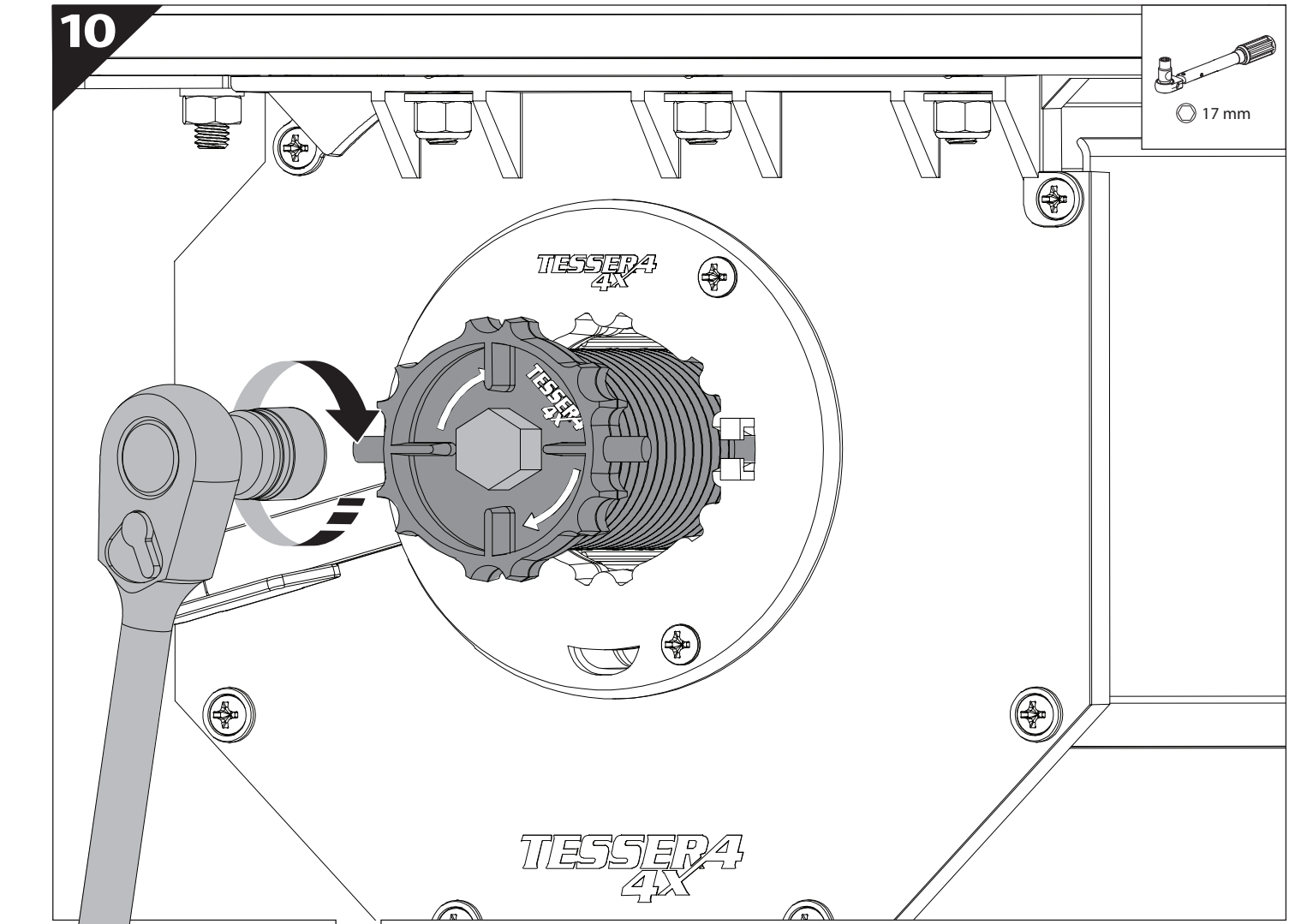
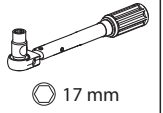


4

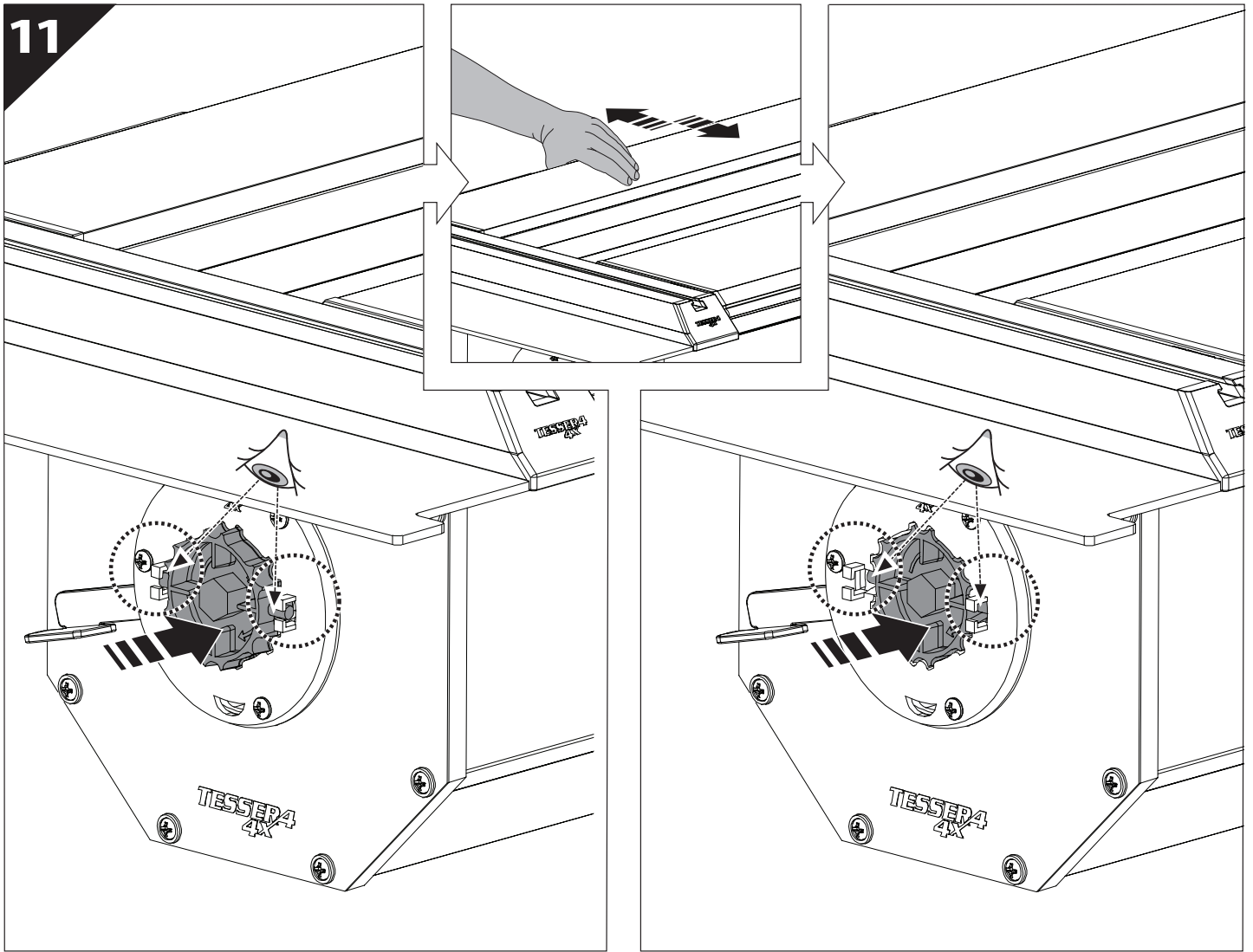




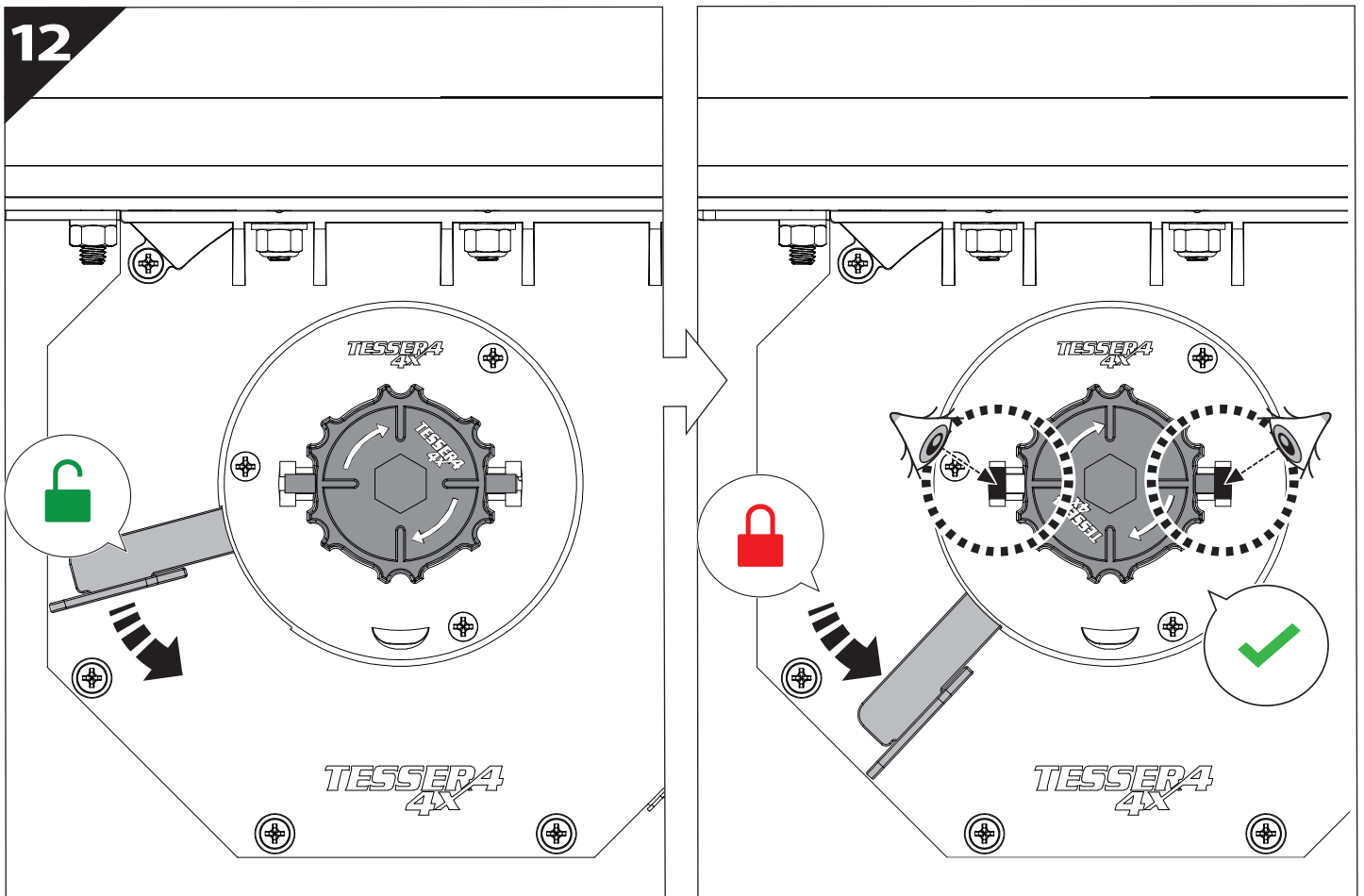
10



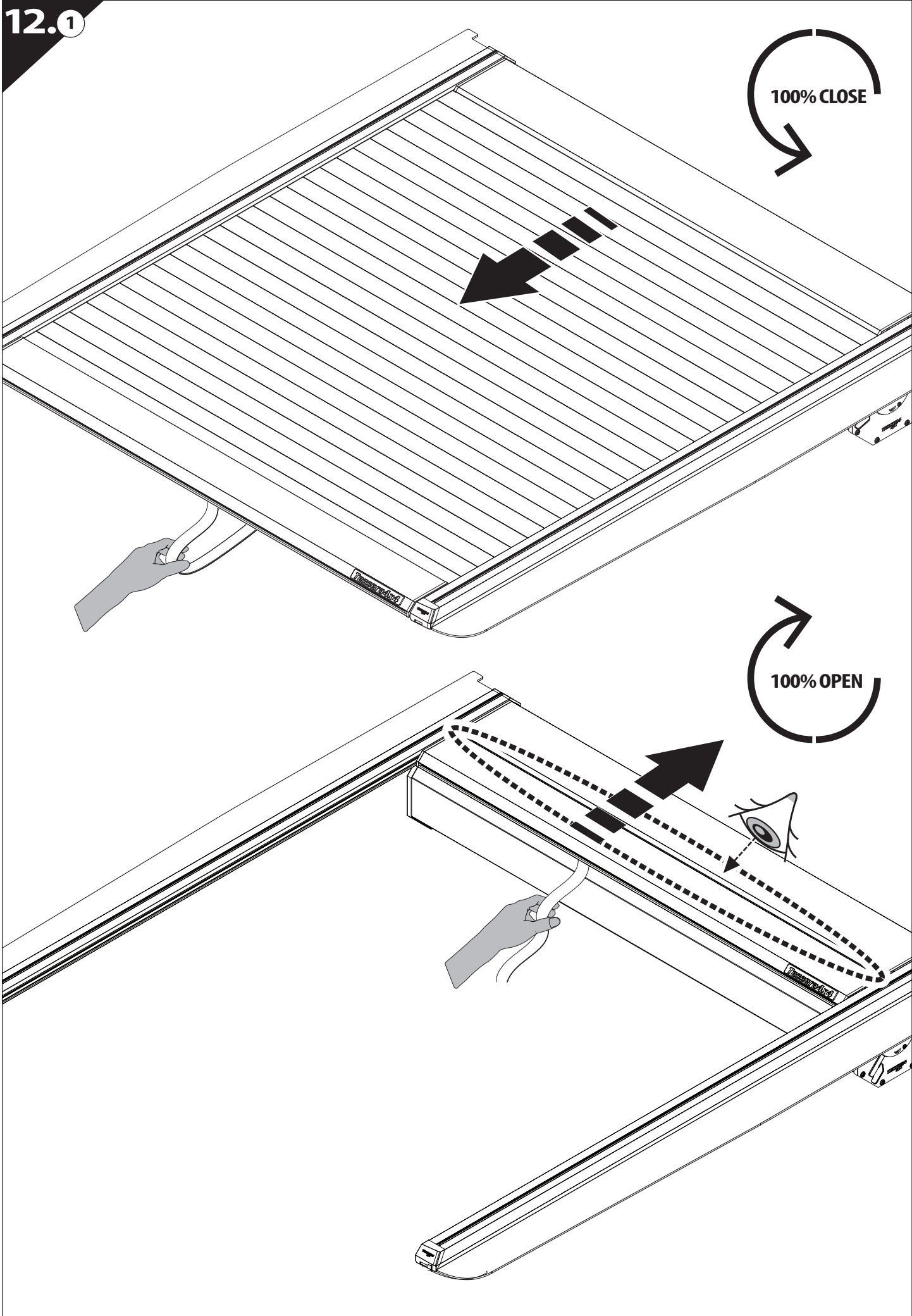
11



12

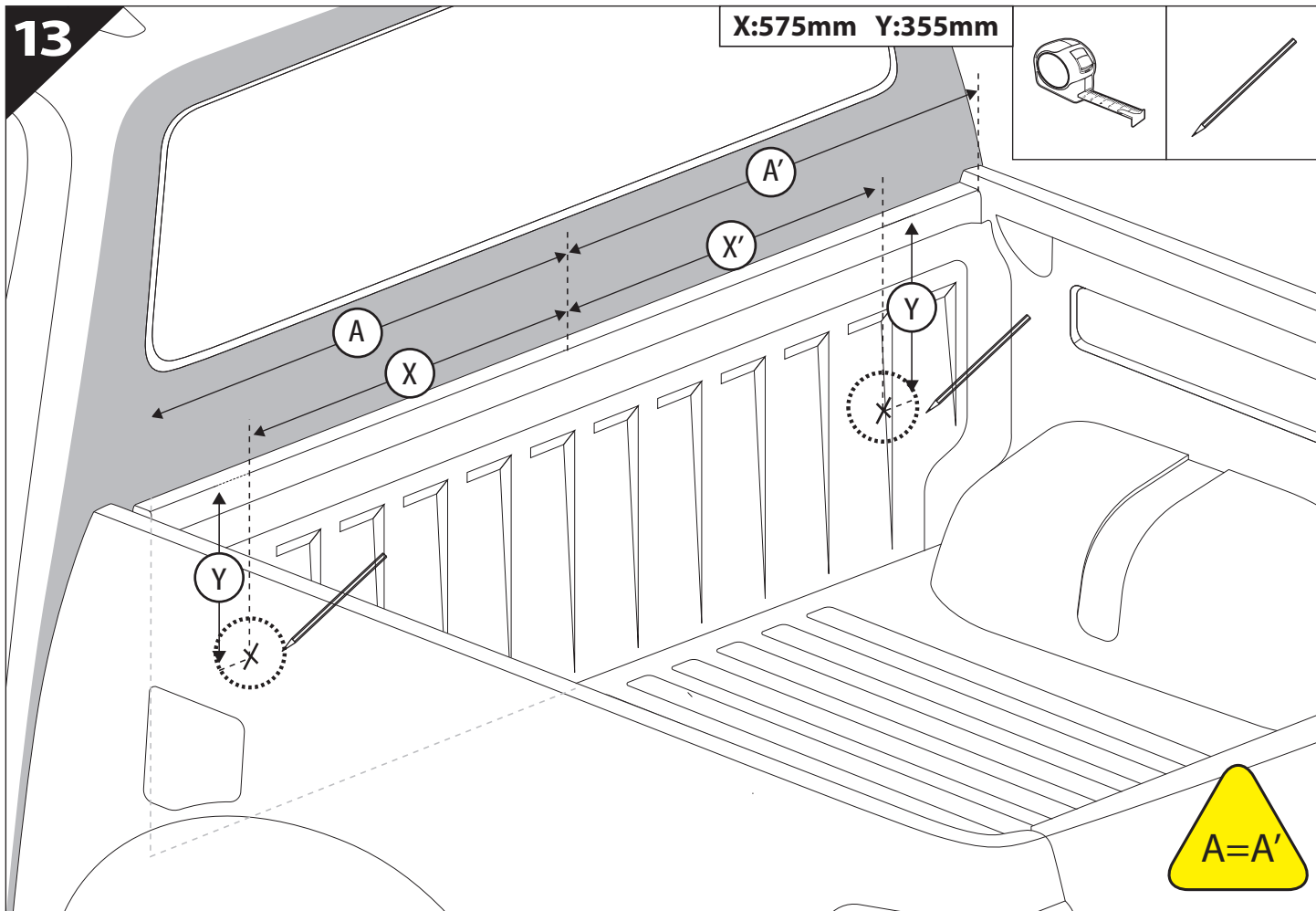
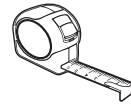


12.0



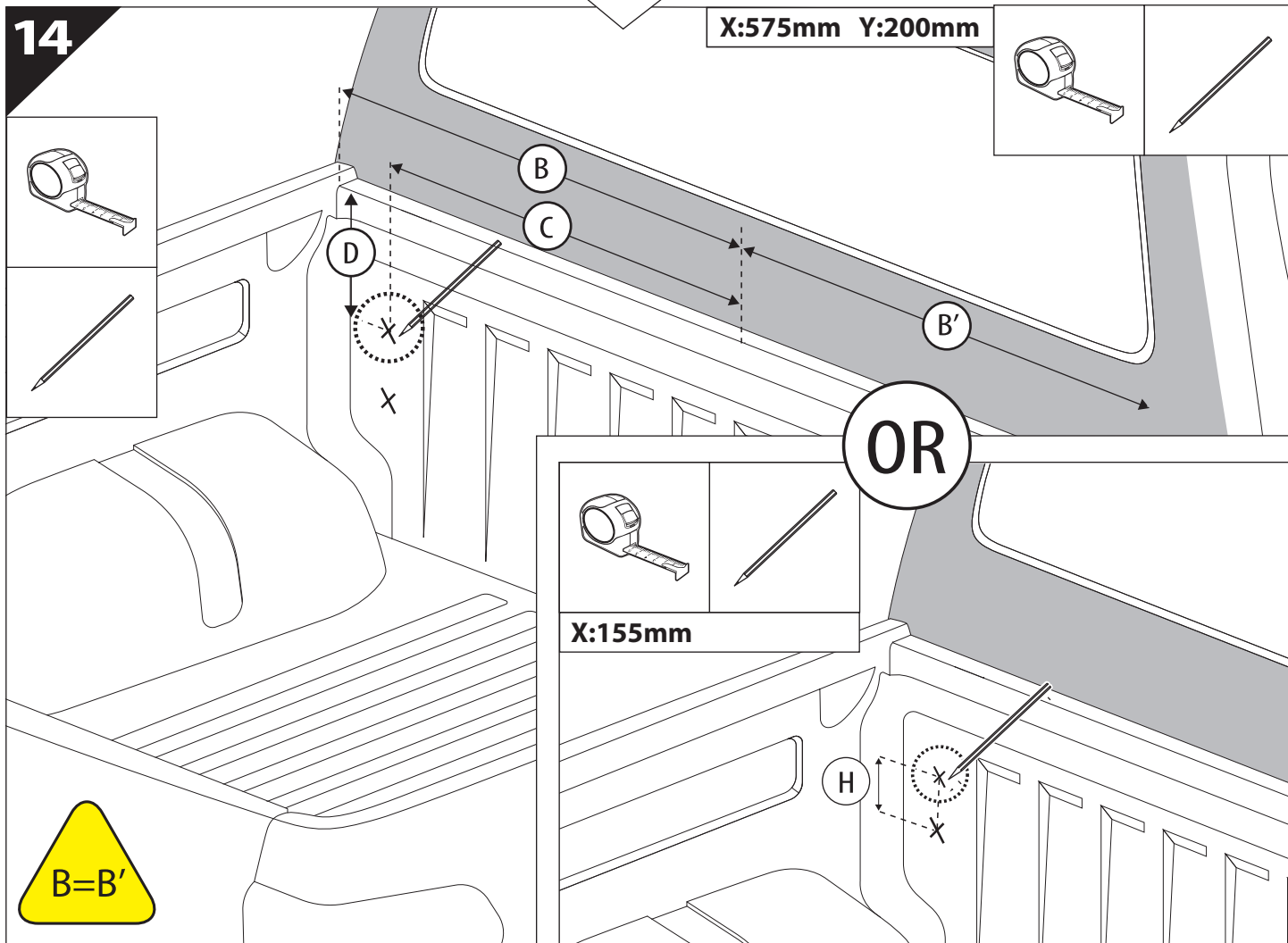
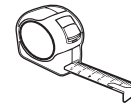
13

X:575mm Y:355mm




14


X:575mm Y:200mm



15

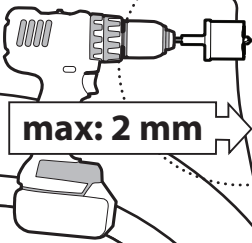


Ø 25 mm




Rust Protection

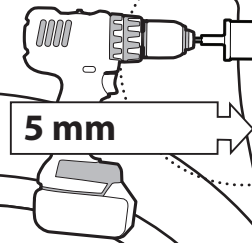
CAUTION



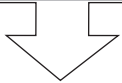


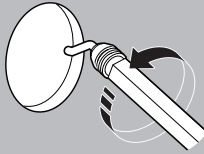
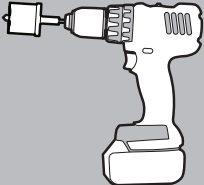

max: 2 mm



CAUTION

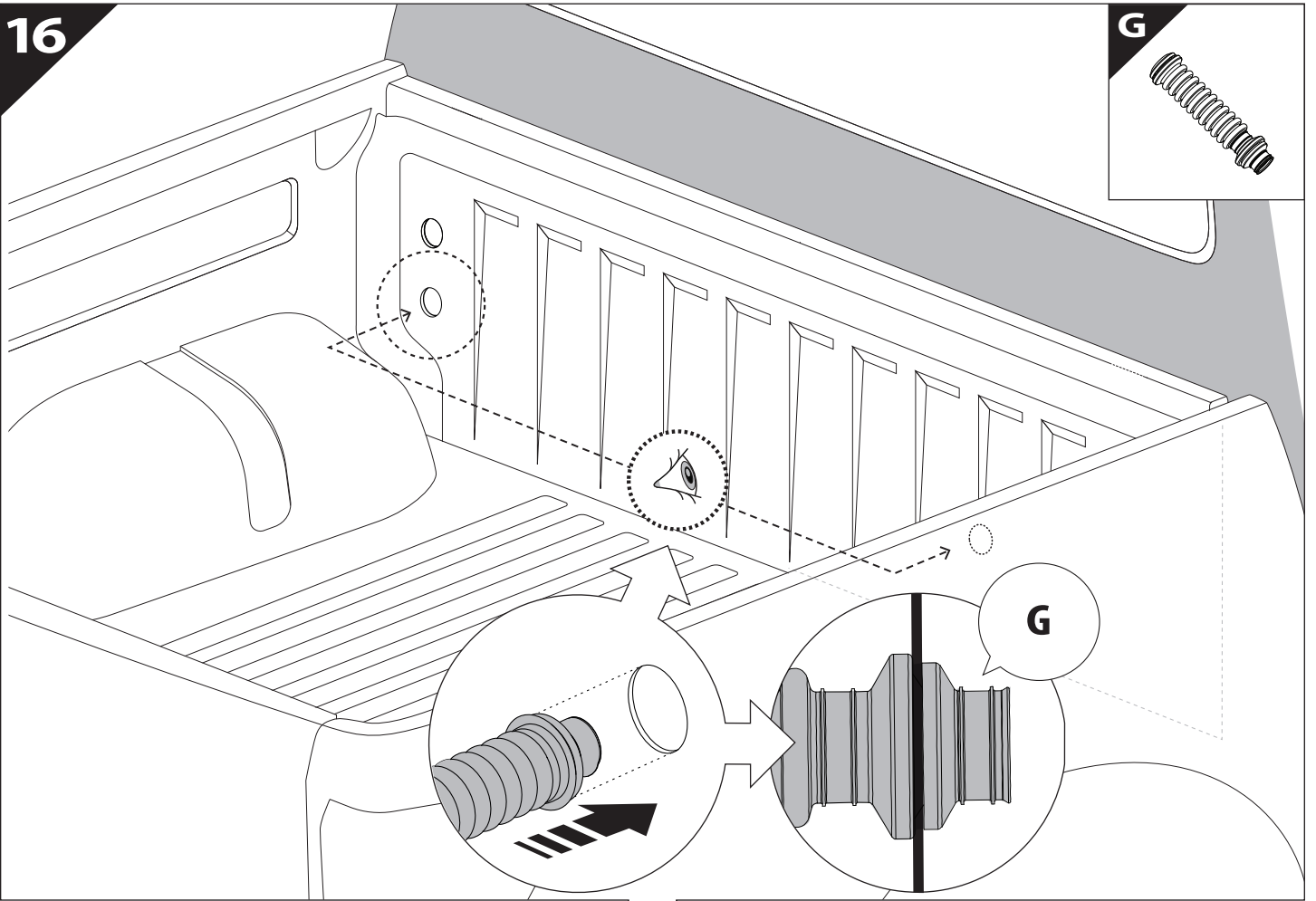


5 mm



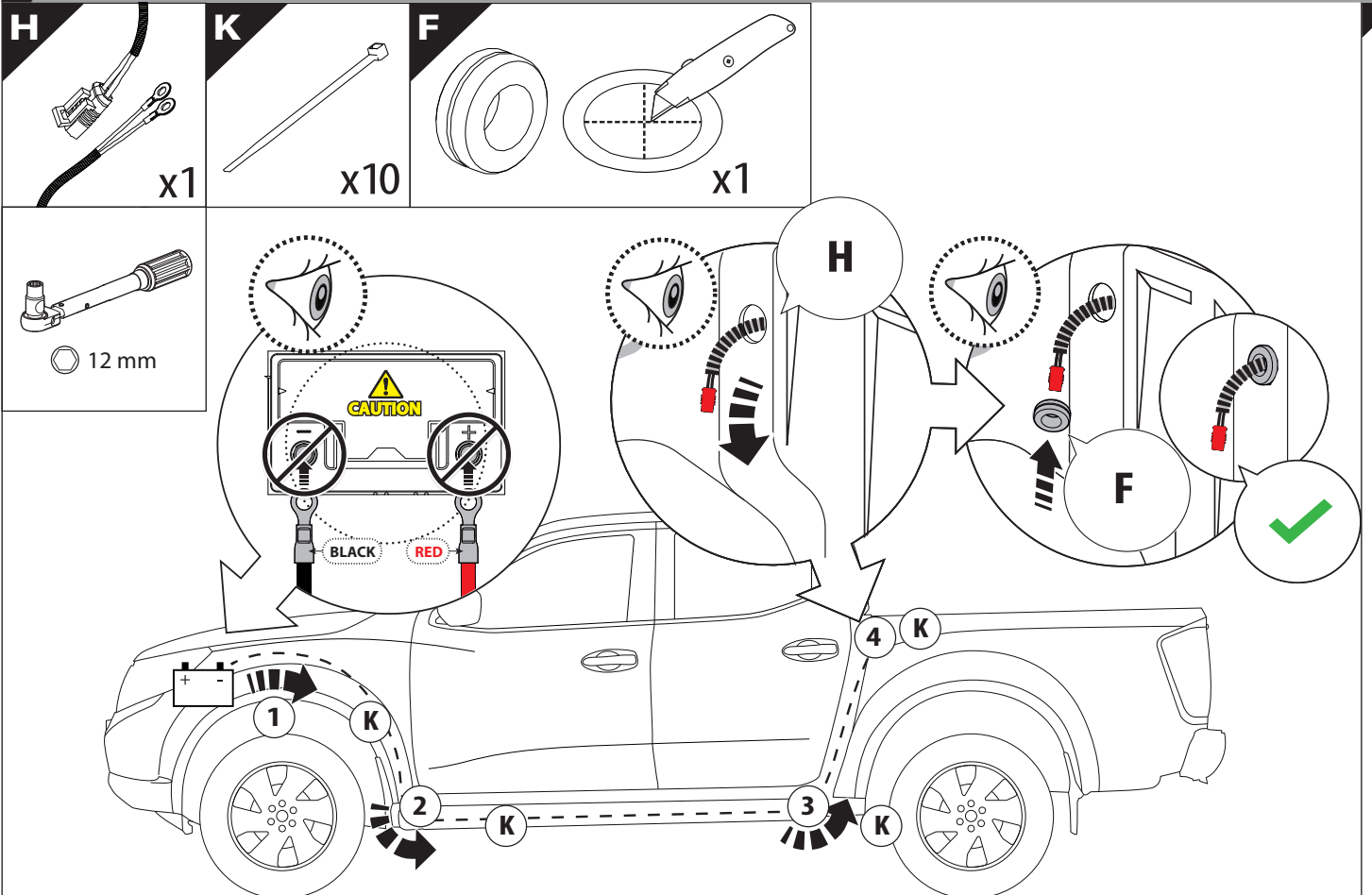
16

G



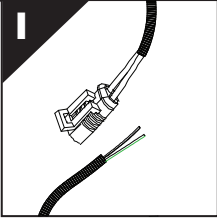
17

Only to be installed by authorized personnel

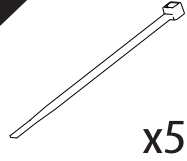


18

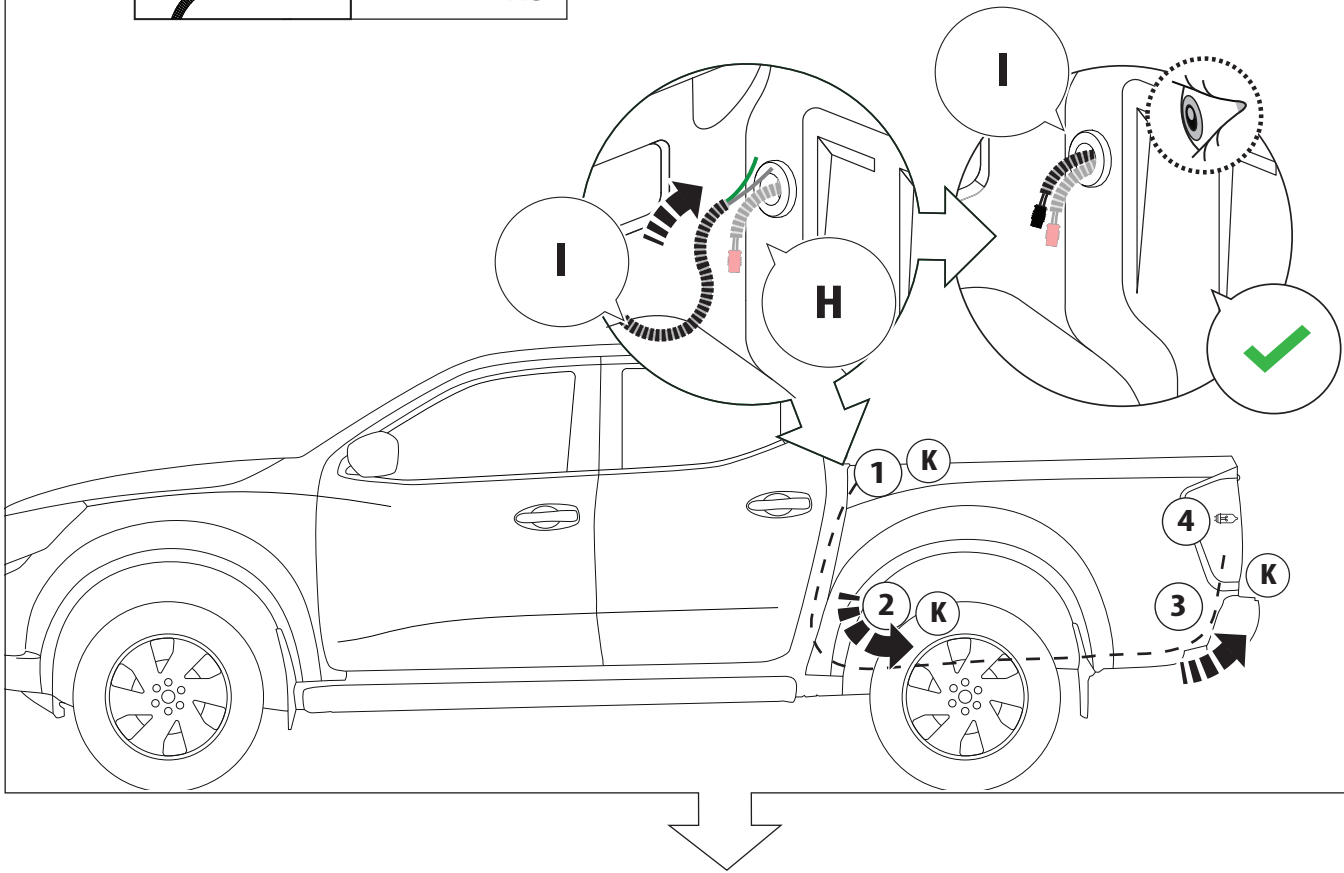
I



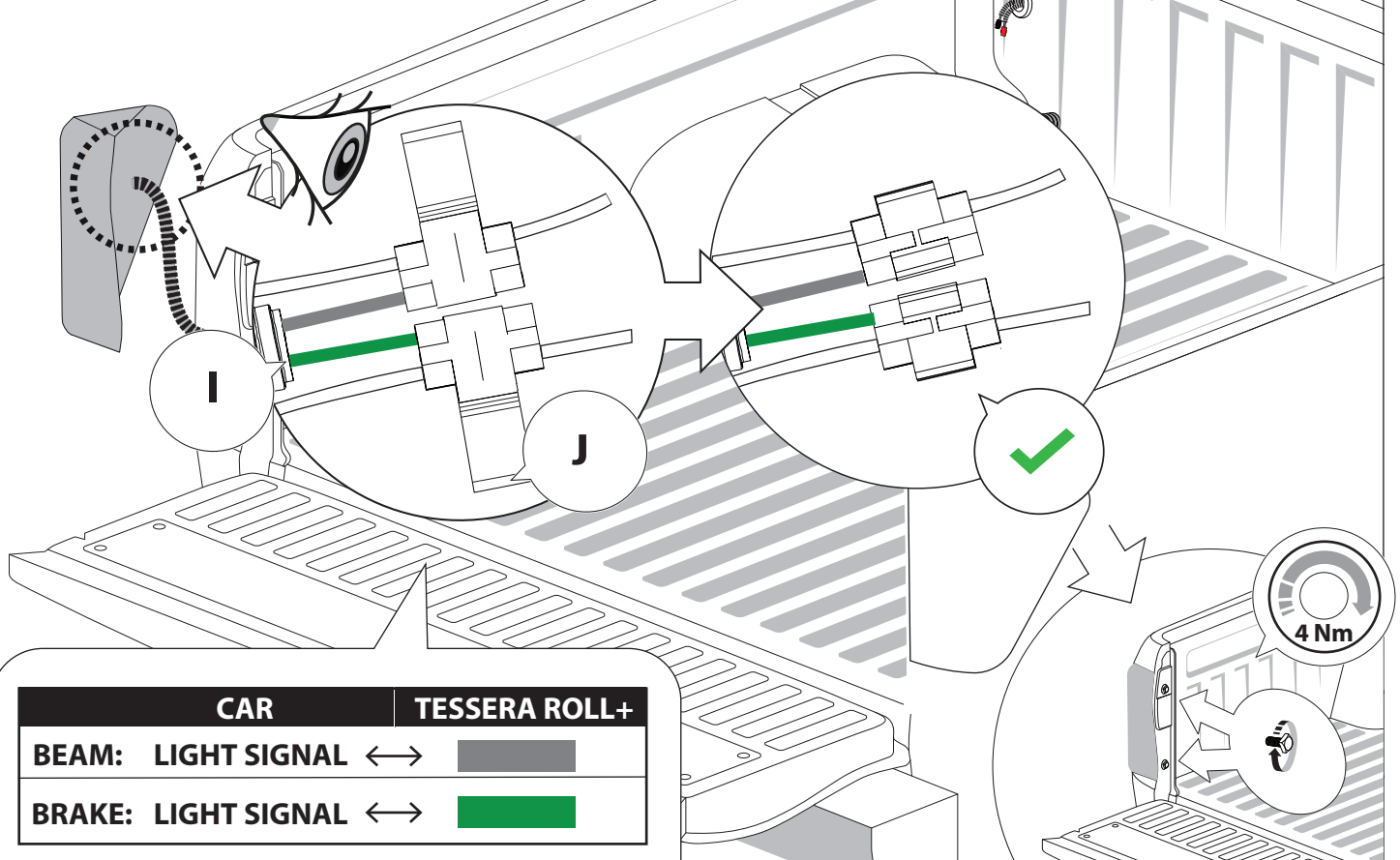
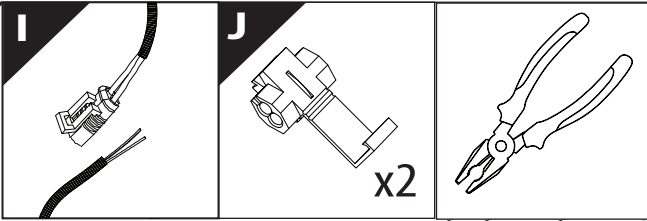
K



x5



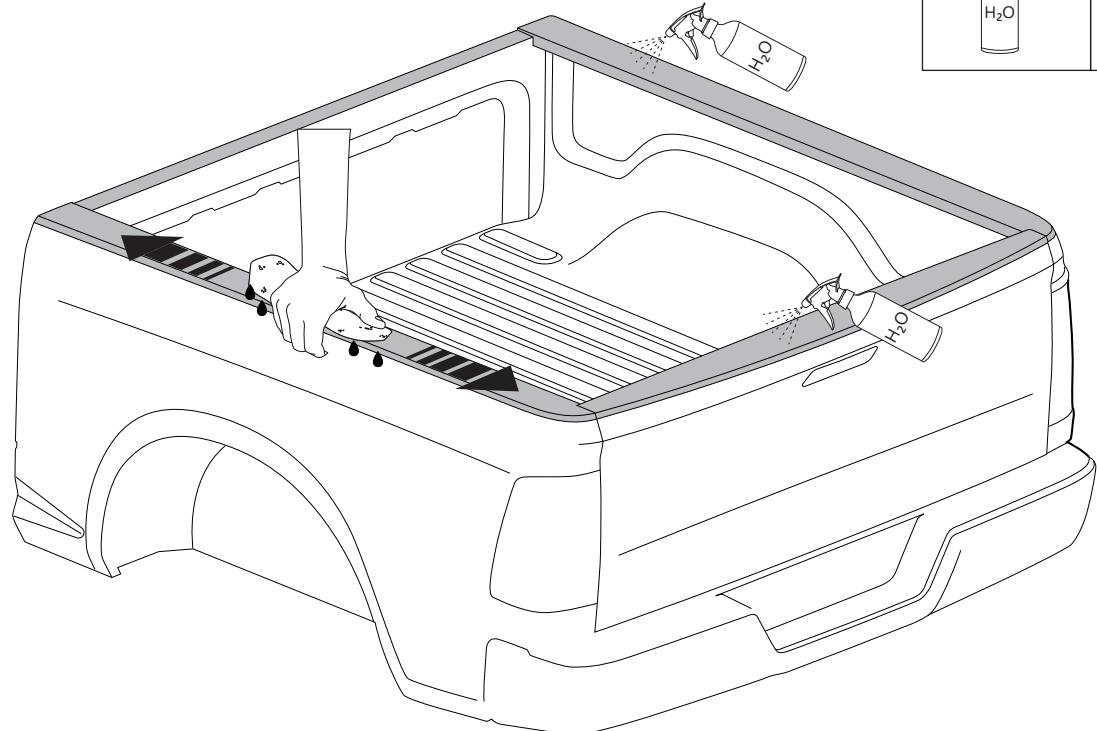
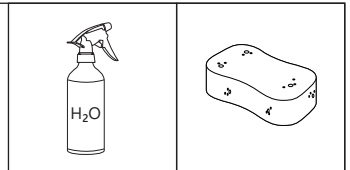
19

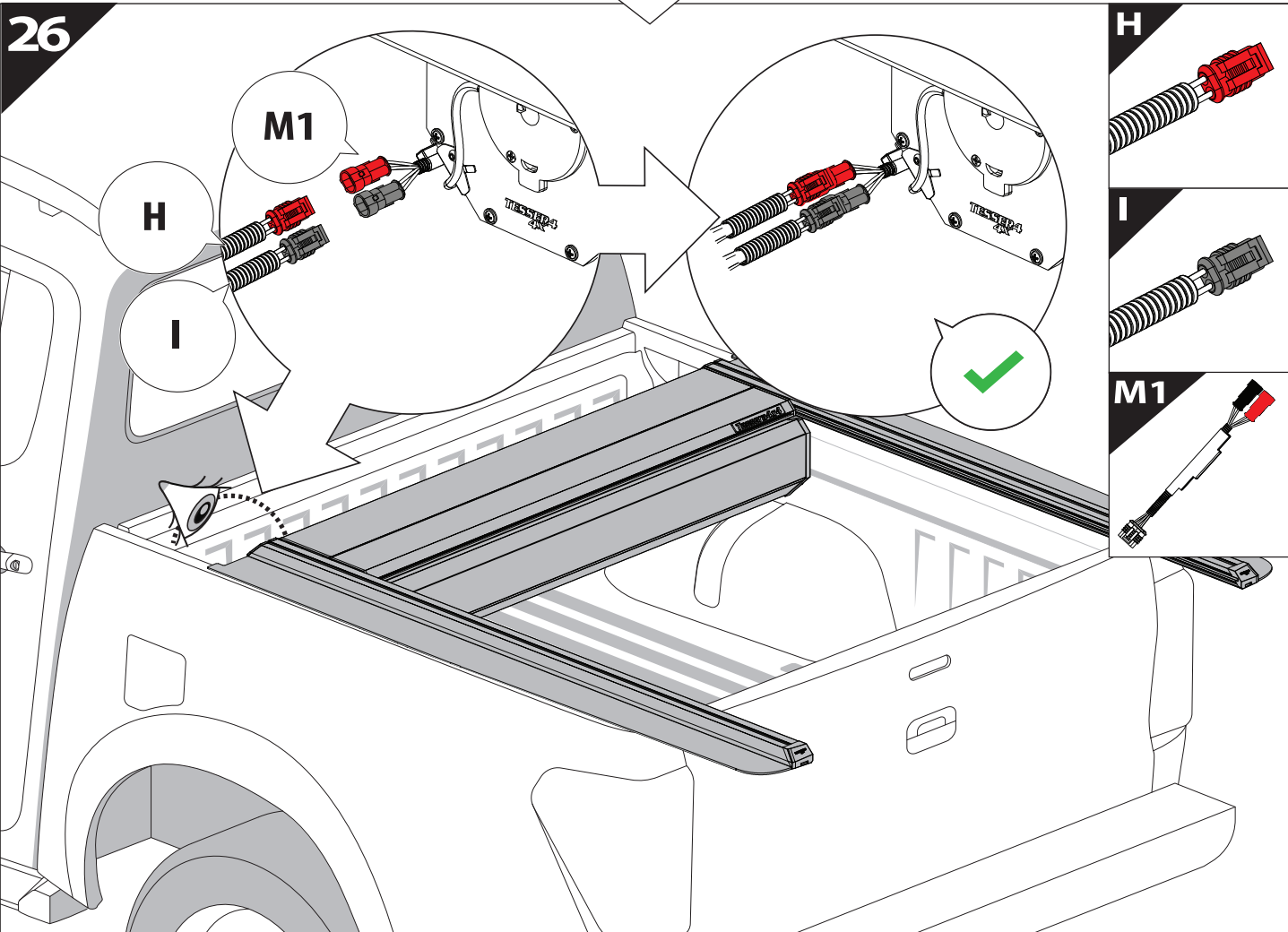
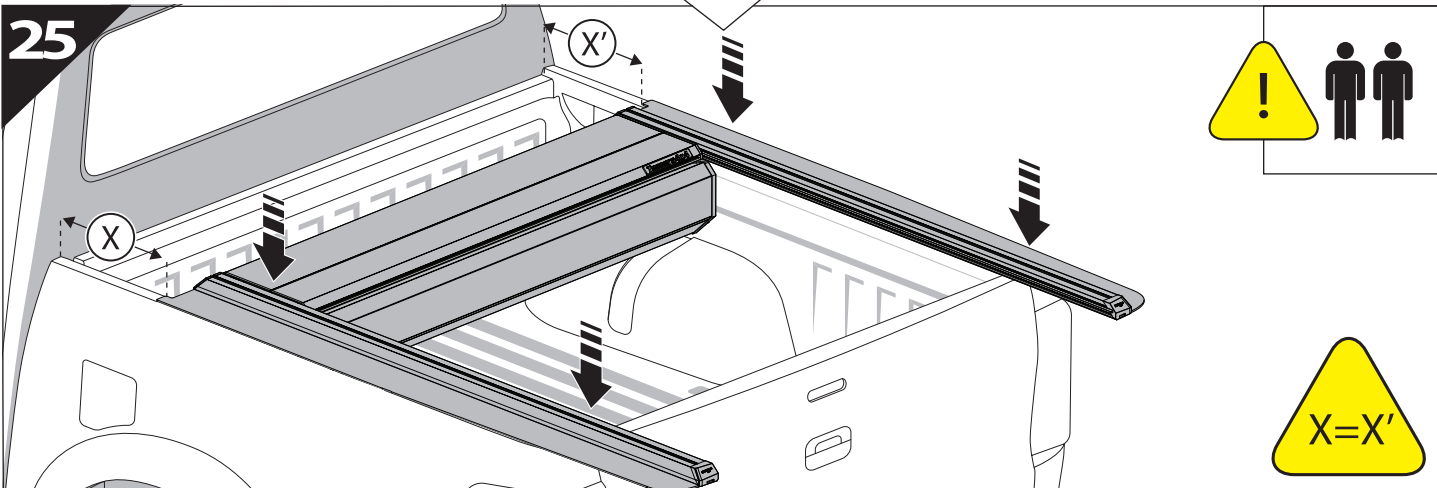
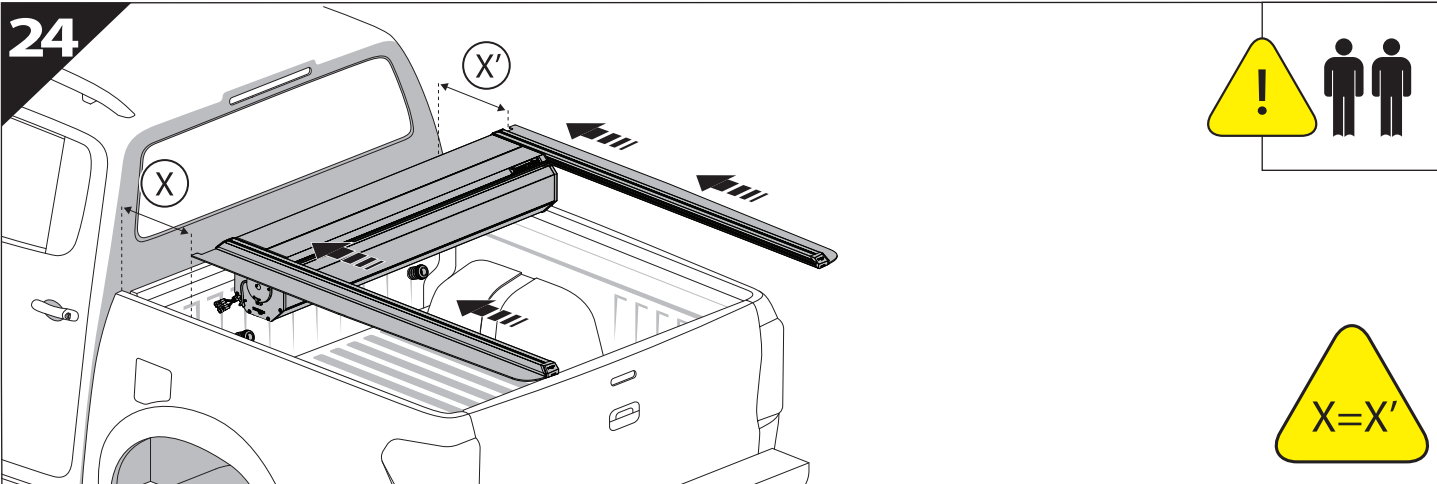


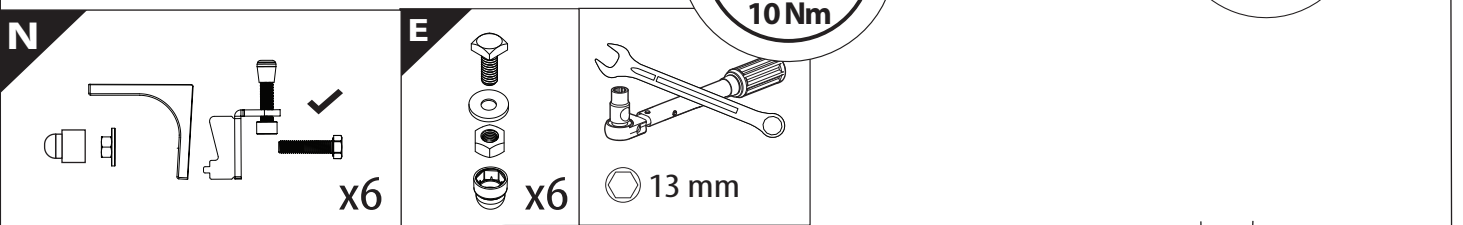
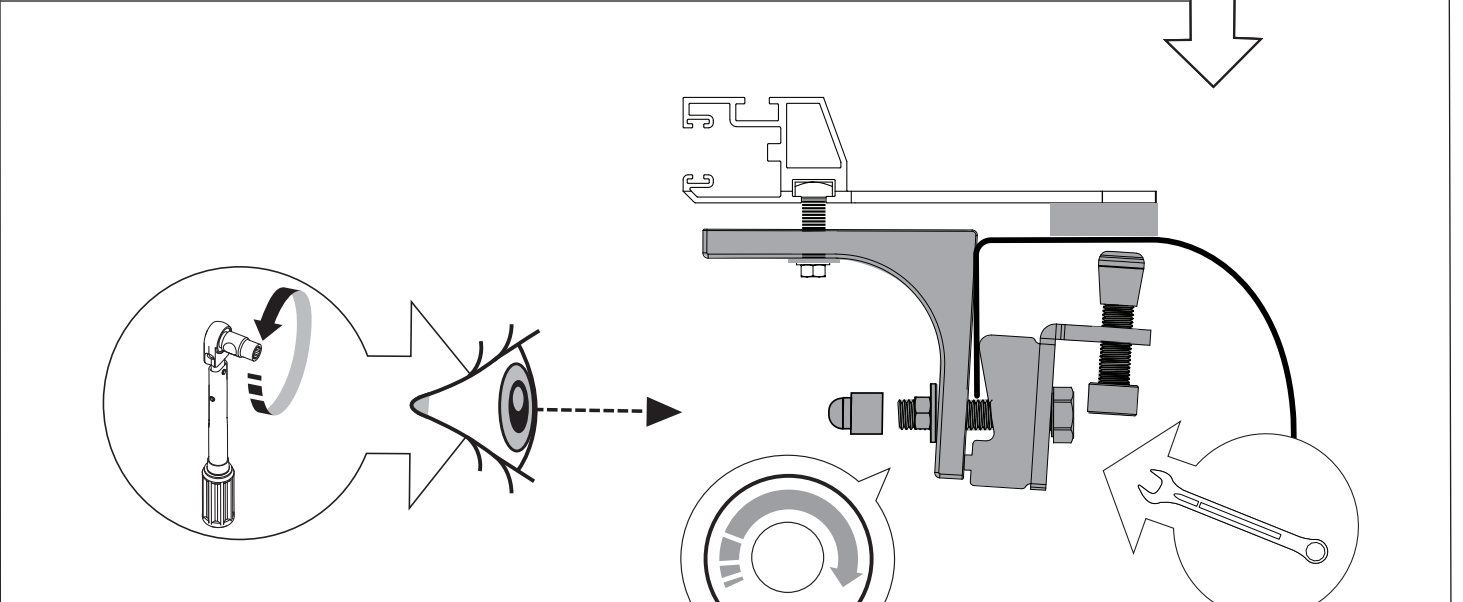
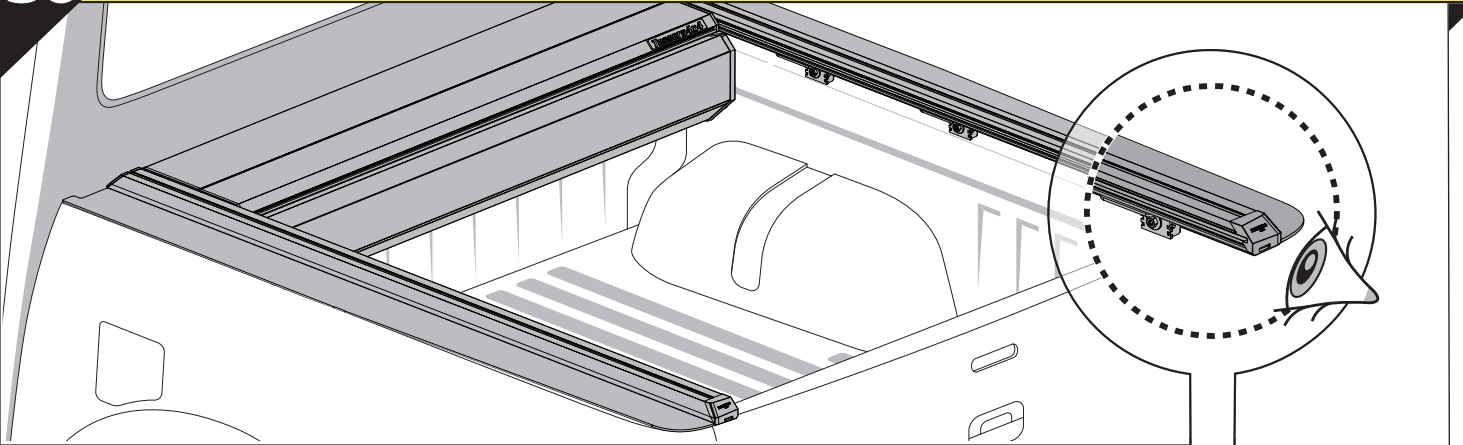
CAR	TESSERA ROLL+
BEAM: LIGHT SIGNAL ↔	
BRAKE: LIGHT SIGNAL ↔	

CAUTION: CONSULT A CERTIFIED AUTO MECHANIC OR AUTOMOTIVE ELECTRICIAN TO IDENTIFY THE CORRECT WIRING CABLES FOR BEAM AND BRAKE SIGNALS BEFORE MAKING ANY CONNECTIONS.

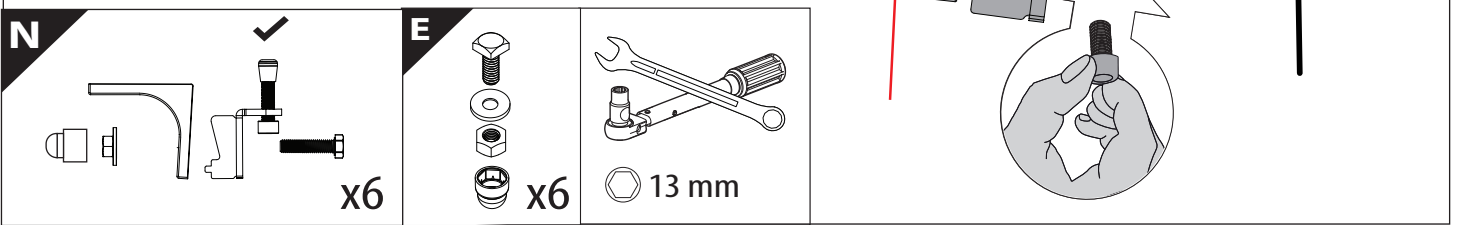
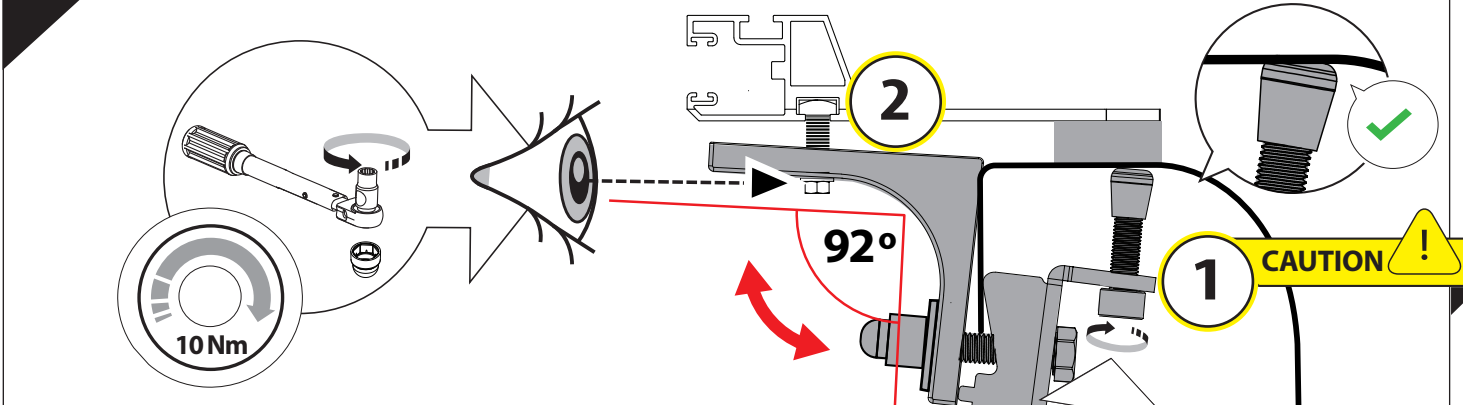
20



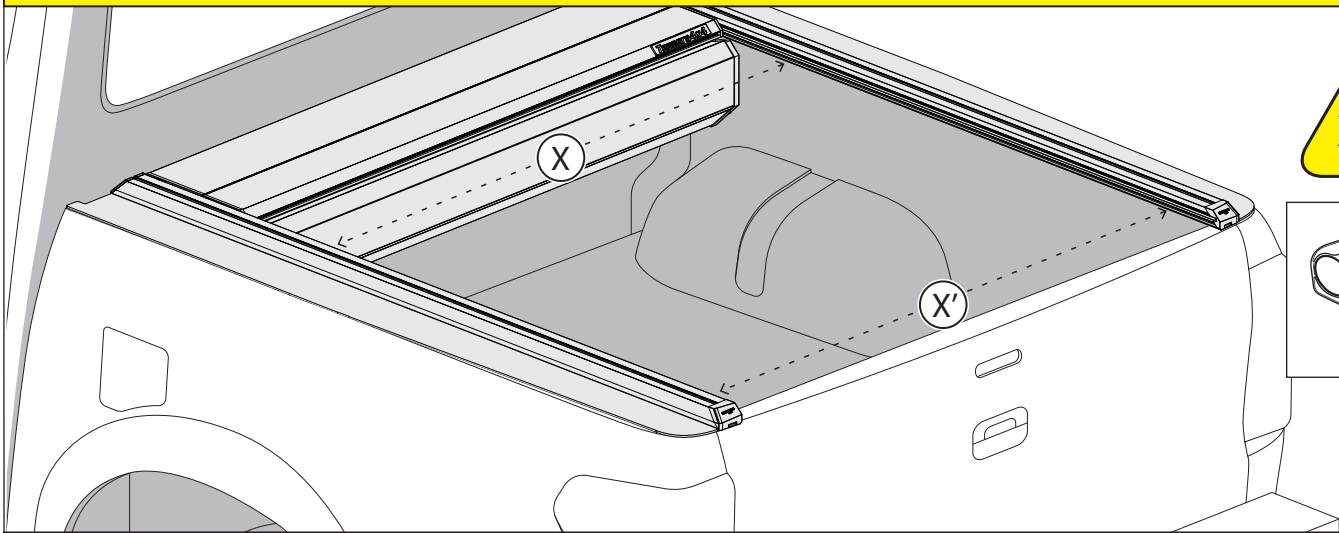




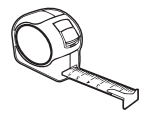
30.0



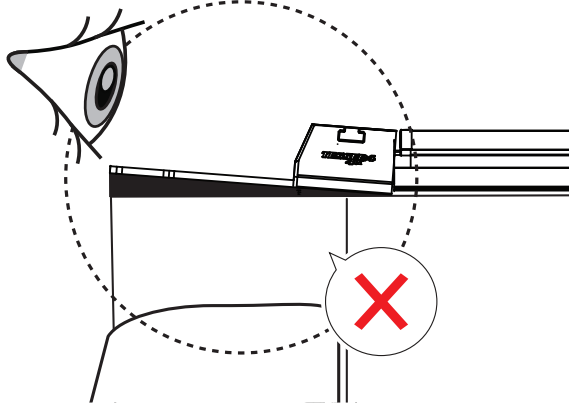
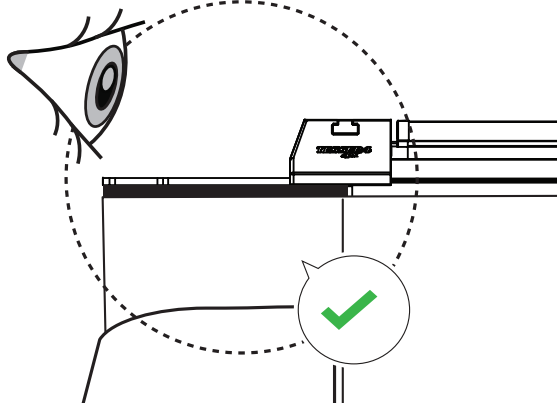
CAUTION

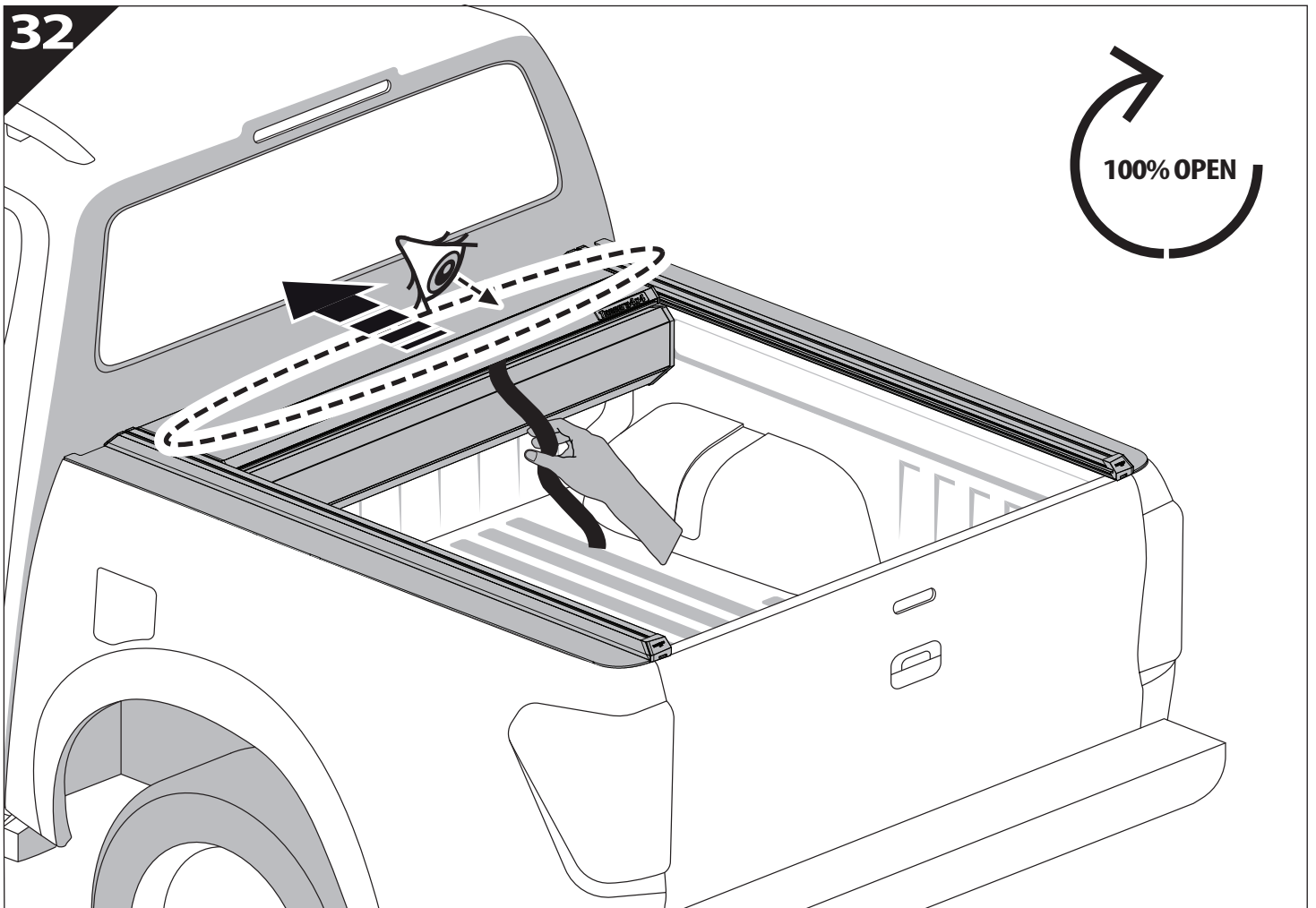
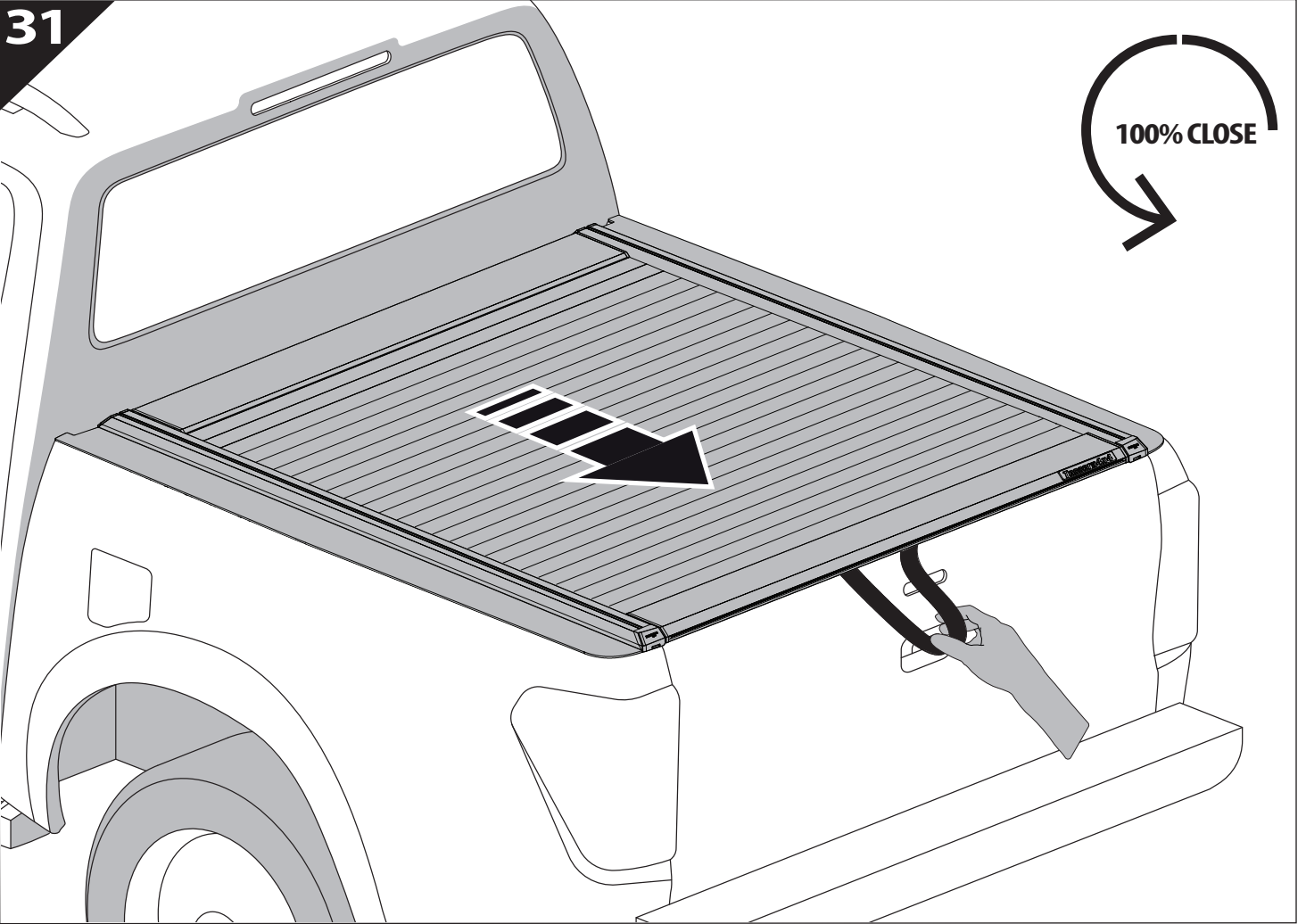


X=X'



CAUTION







GR: Οδηγίες Εγκατάστασης
GB: Installation manual
SF: Asennusohje
F: Notice de montage
PL: Instrukcja montażu
NL: Installatie-instructies
TR: Montaj Talimatı
S: Monteringsanvisning
E: Instrucciones de montaje

H: Szerelési utasítás
P: Instruções de instalação
RUS: Инструкция по установке
N: Monteringsveiledning
D: Einbauanleitung
CZ: Návod k instalaci
I: Istruzioni de montaggio
DK: Monteringsvejledning
RO: Instructiuni de instalare

Customer Service:

+30 (210) 5541161, +30 (210) 5541154 (08:00 - 16:00 EET)

Support department:

info@gianso.gr

Website:

www.tessera4x4.com

Address:

19.5 km of National road Athens-Korinthos (Elefsina) Greece, P.C: 19200