

# Tessera Roll+

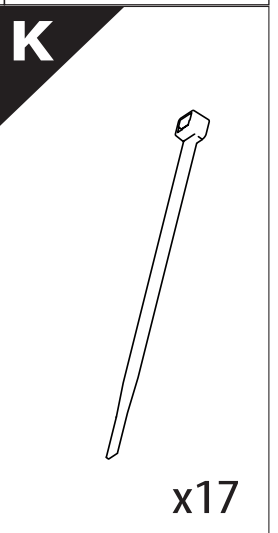
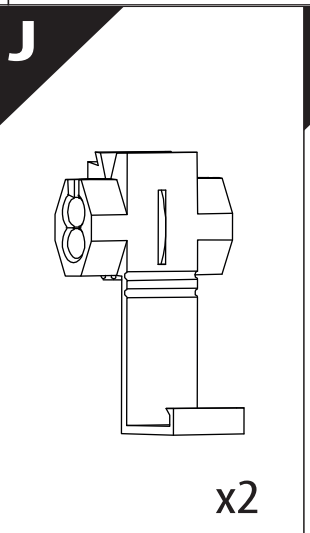
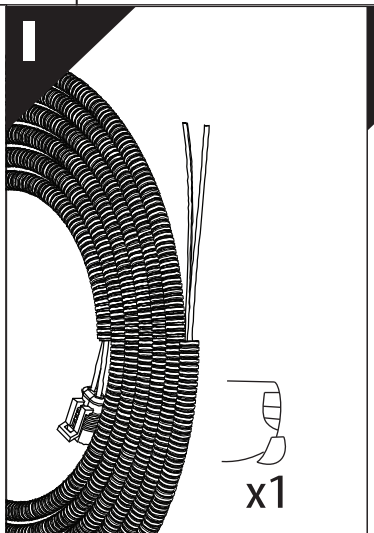
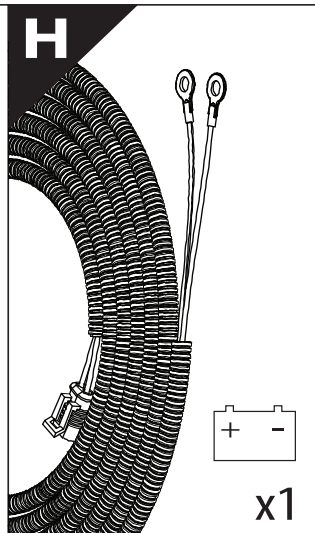
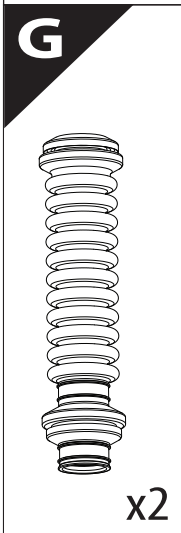
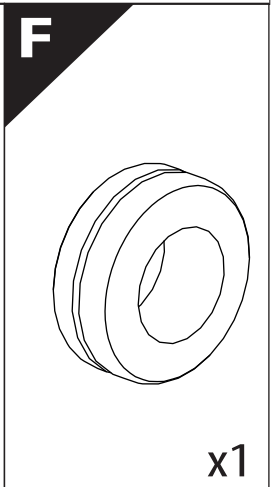
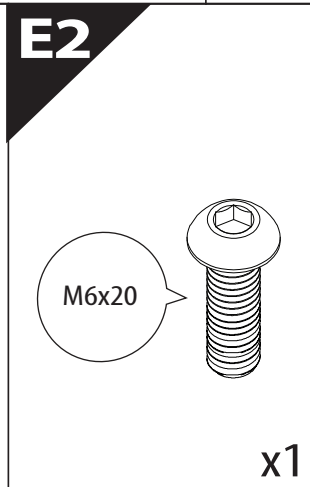
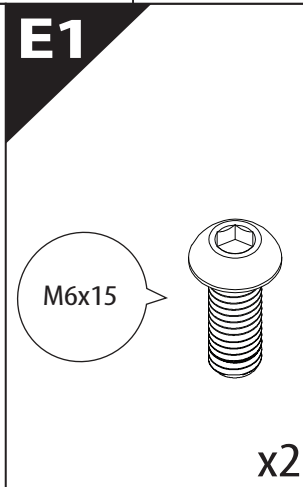
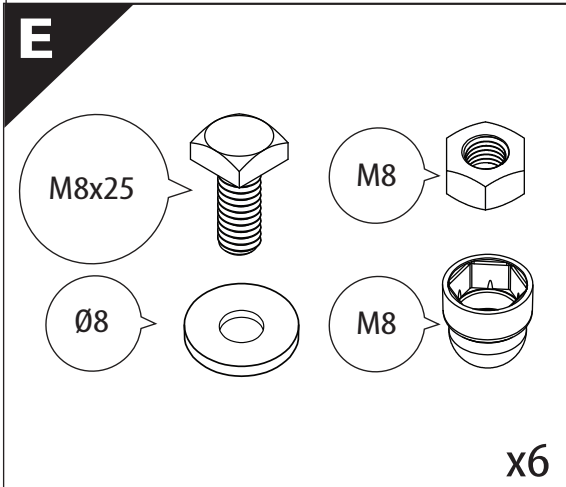
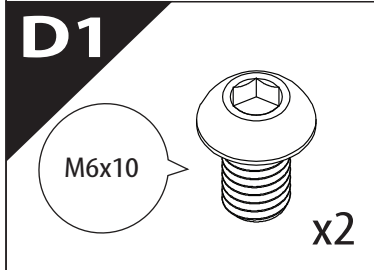
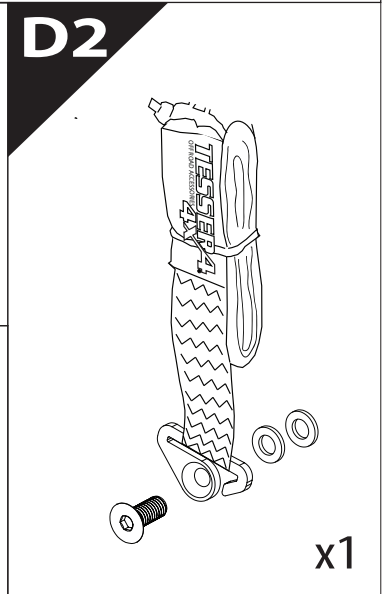
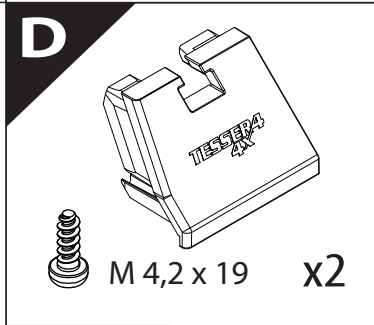
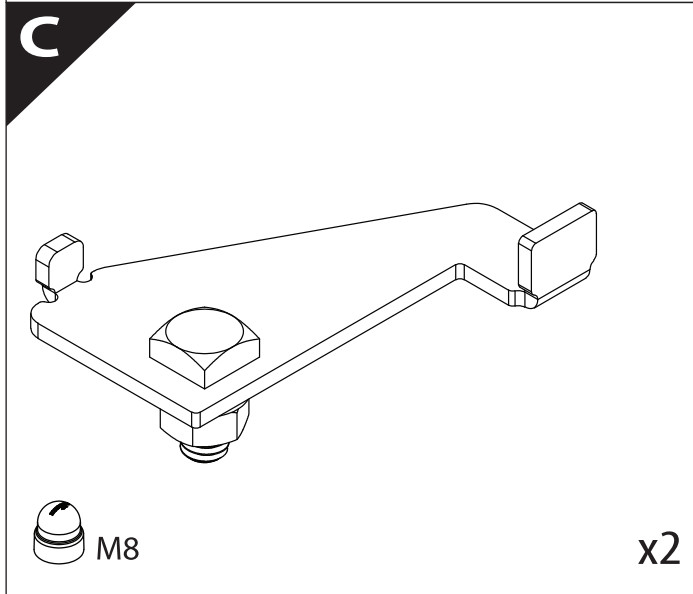
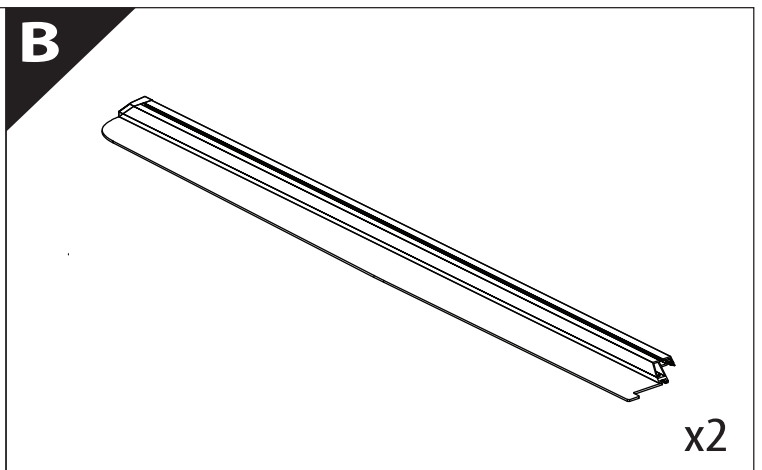
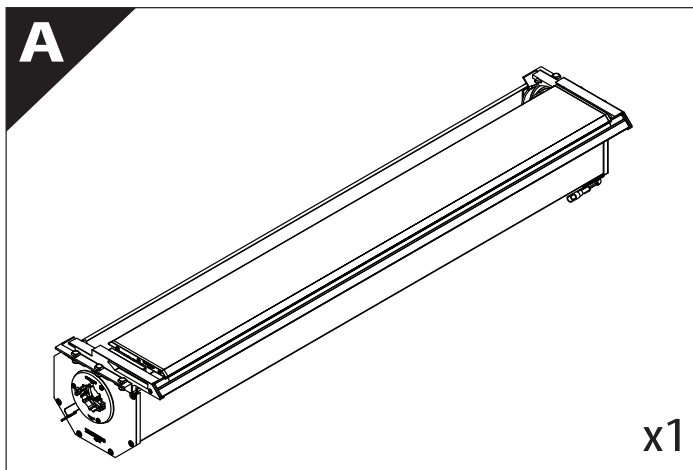
Basic Version + ⚡ E-KIT



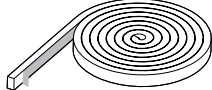
## Installation Manual

<b>PART NUMBER(S)</b>	<b>Model Year</b>
<b>TESS 1443 ROLL+ E-KIT</b>	<b>Foton Tunland V9 2024+</b>
<b>Cab(s)</b>	<b>Installation Time / Weight</b>
<b>Double Cab</b>	<b>40-60 minutes / 53-57 kg</b>



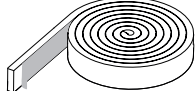


**L1** x1



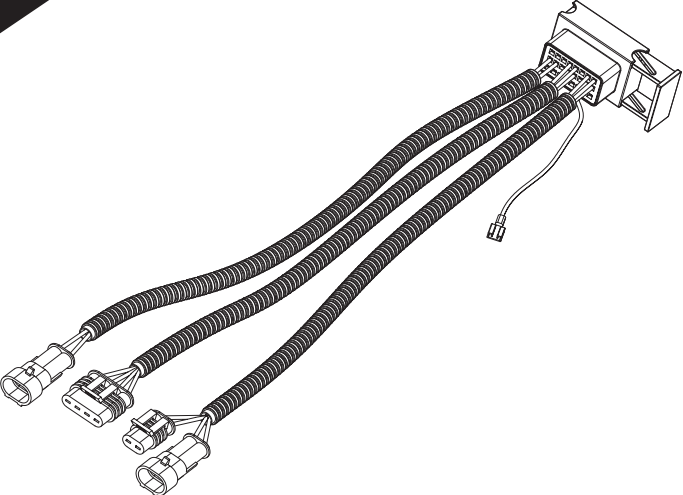
1.5 x 0.8 x 400cm

**L2** x1



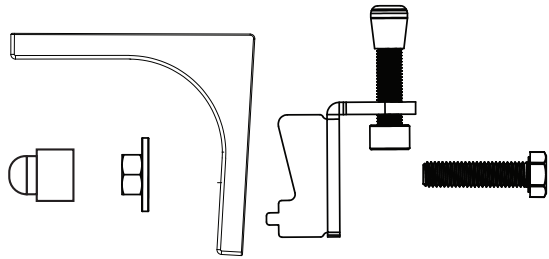
5 x 0.8 x 167cm

**M2**



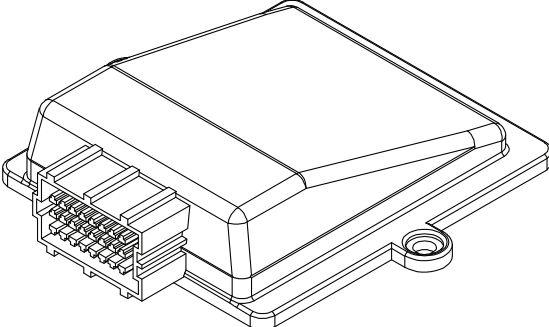
x1

**N**



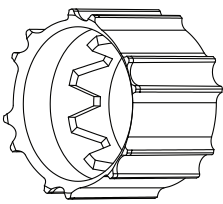
x6

**O**



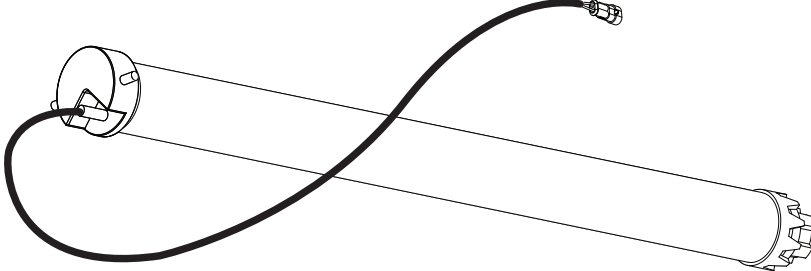
x1

**P**



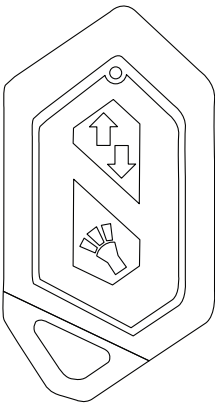
x1

**Q**



x1

**R**

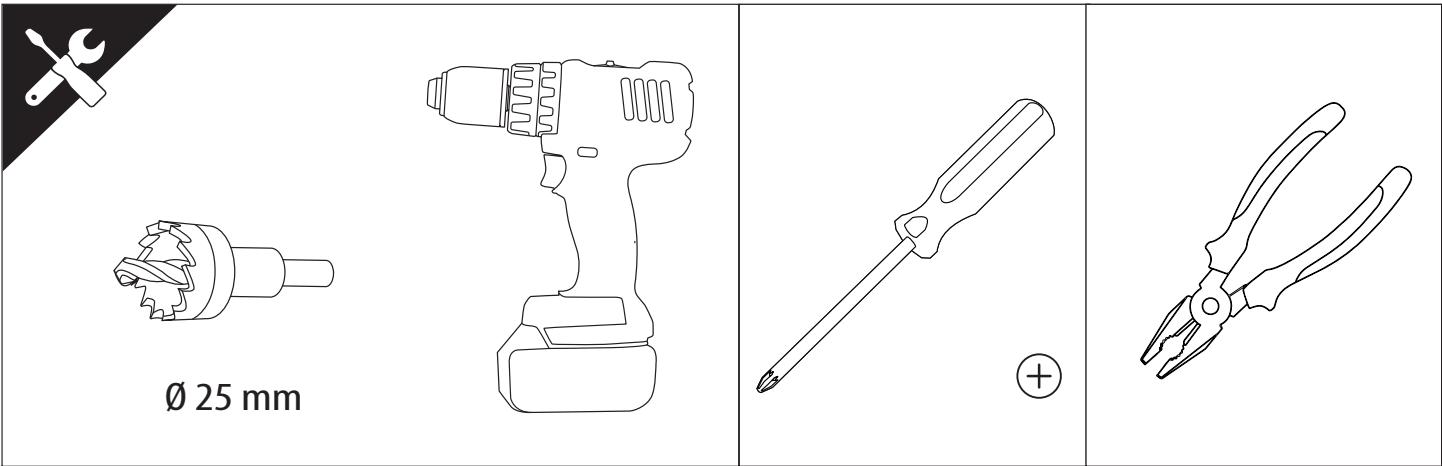


x2

**S**

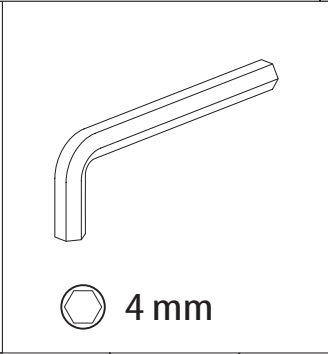
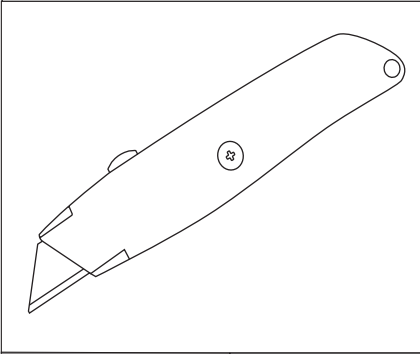


x2

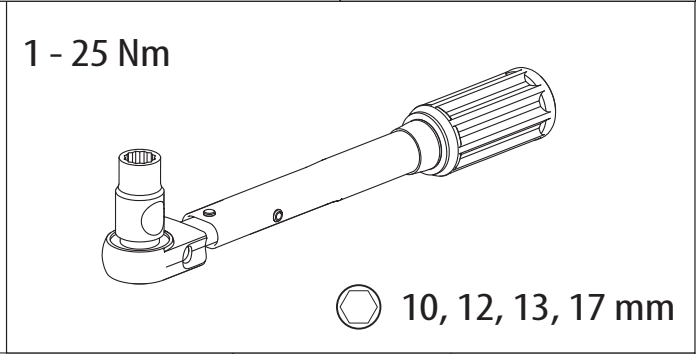


Ø 25 mm

+

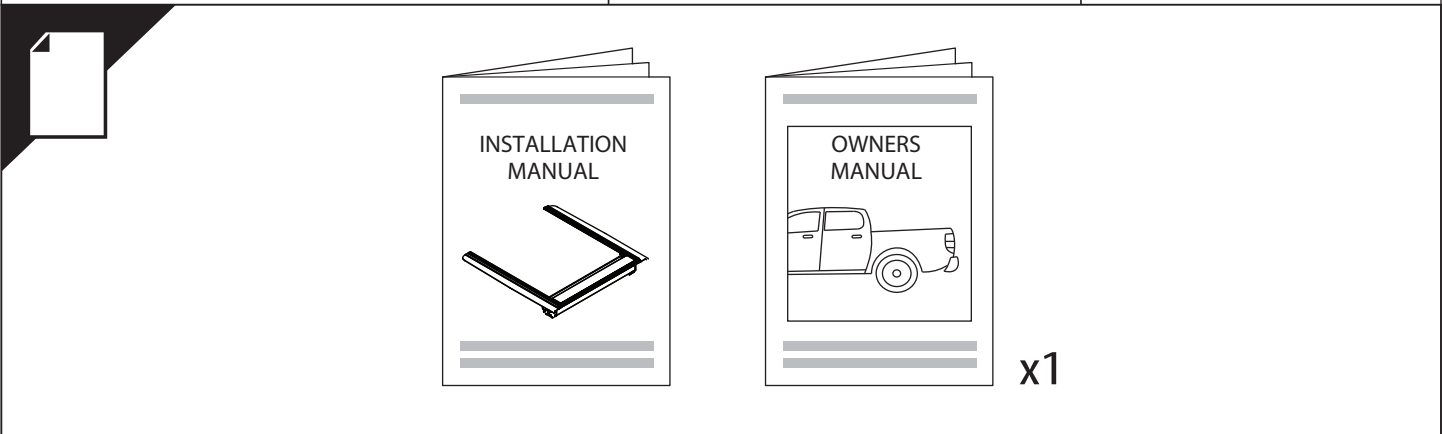
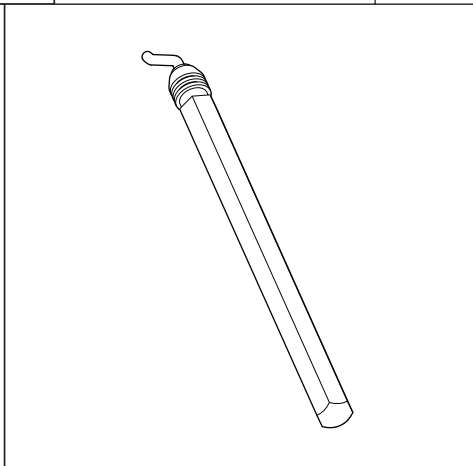
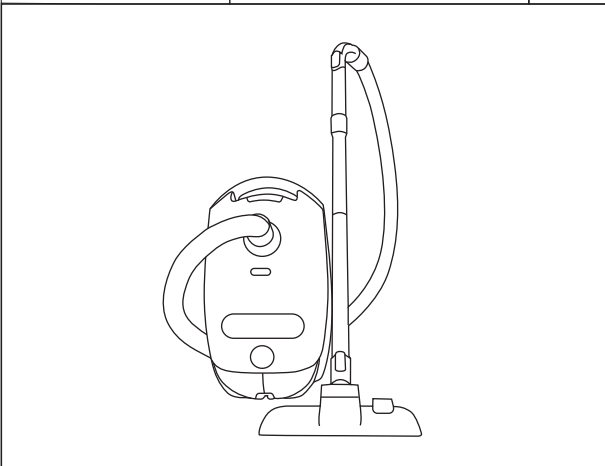
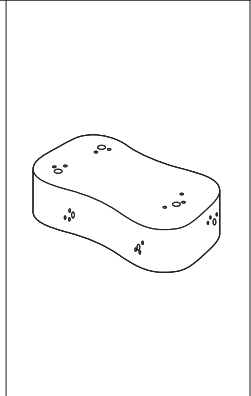
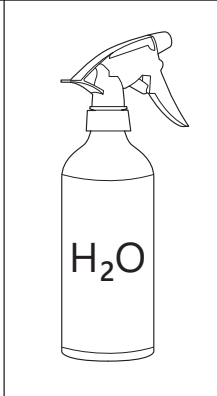
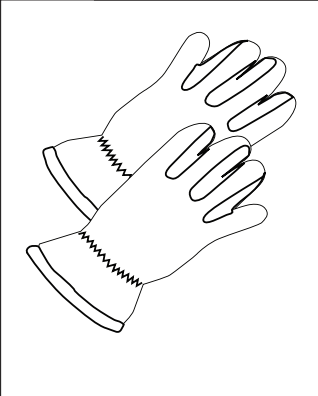
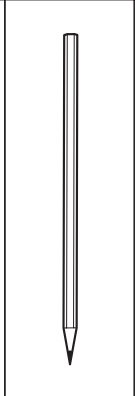
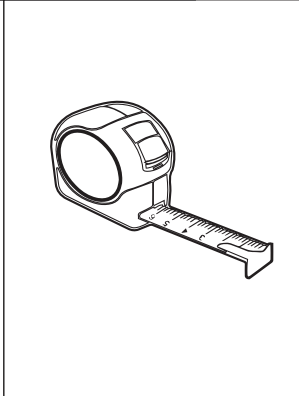


4 mm



1 - 25 Nm

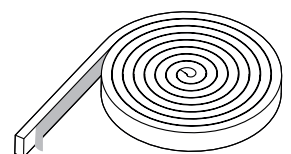
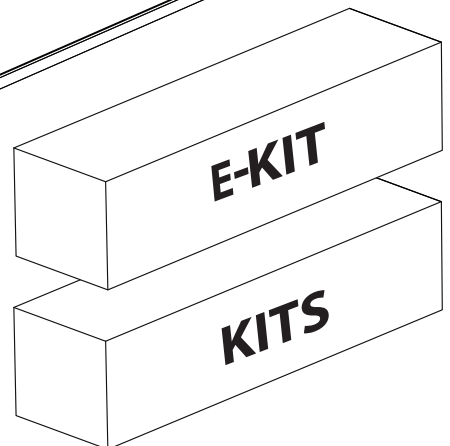
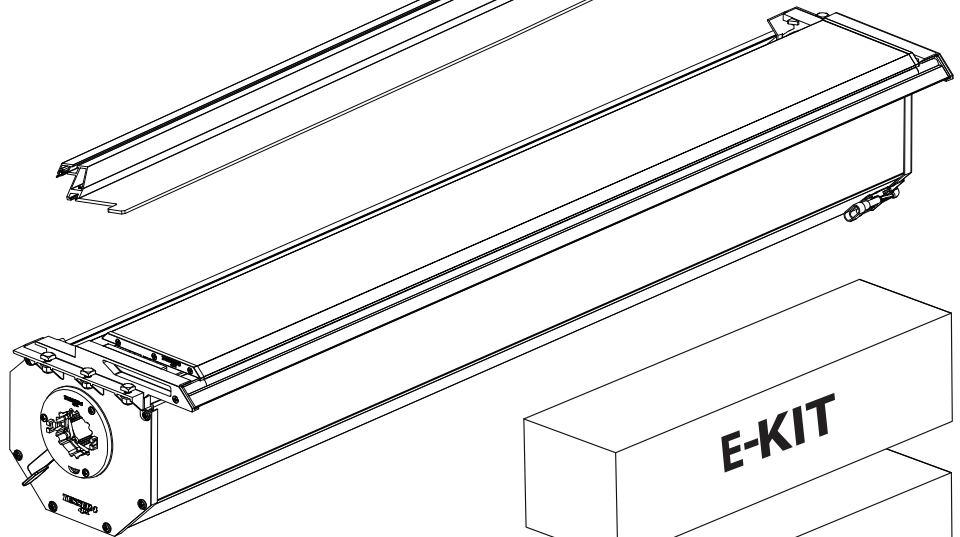
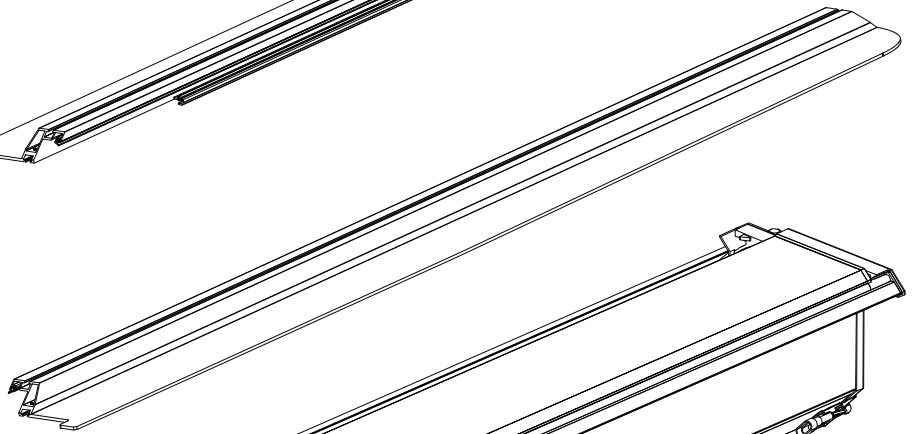
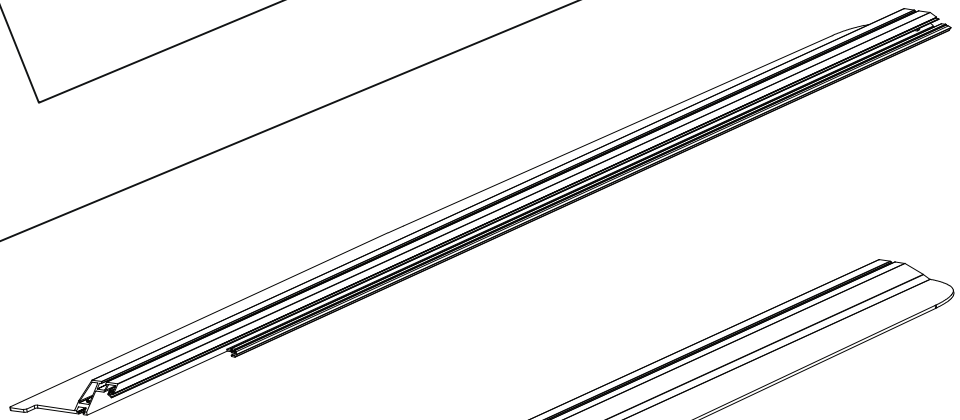
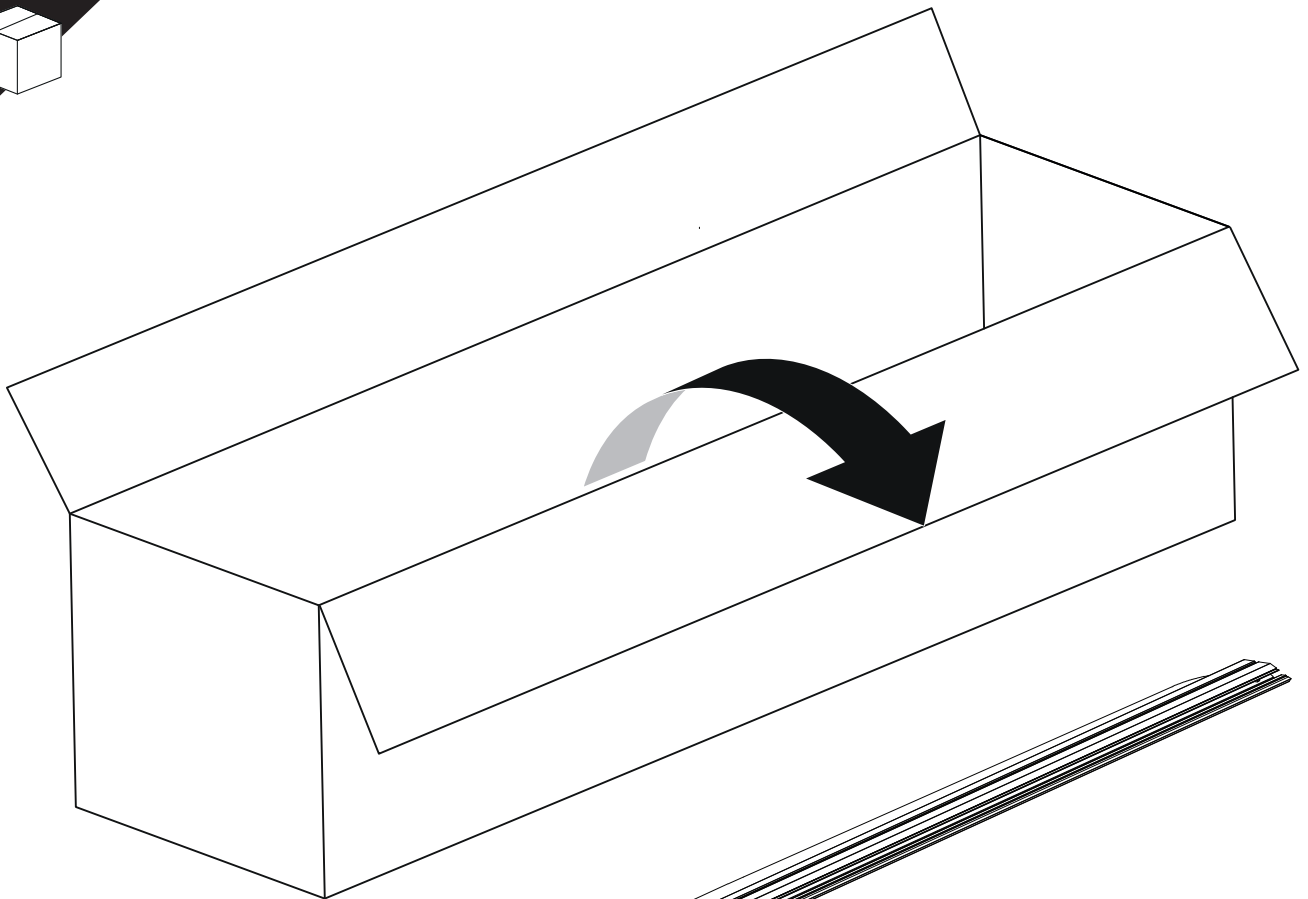
10, 12, 13, 17 mm



INSTALLATION MANUAL

OWNERS MANUAL

x1

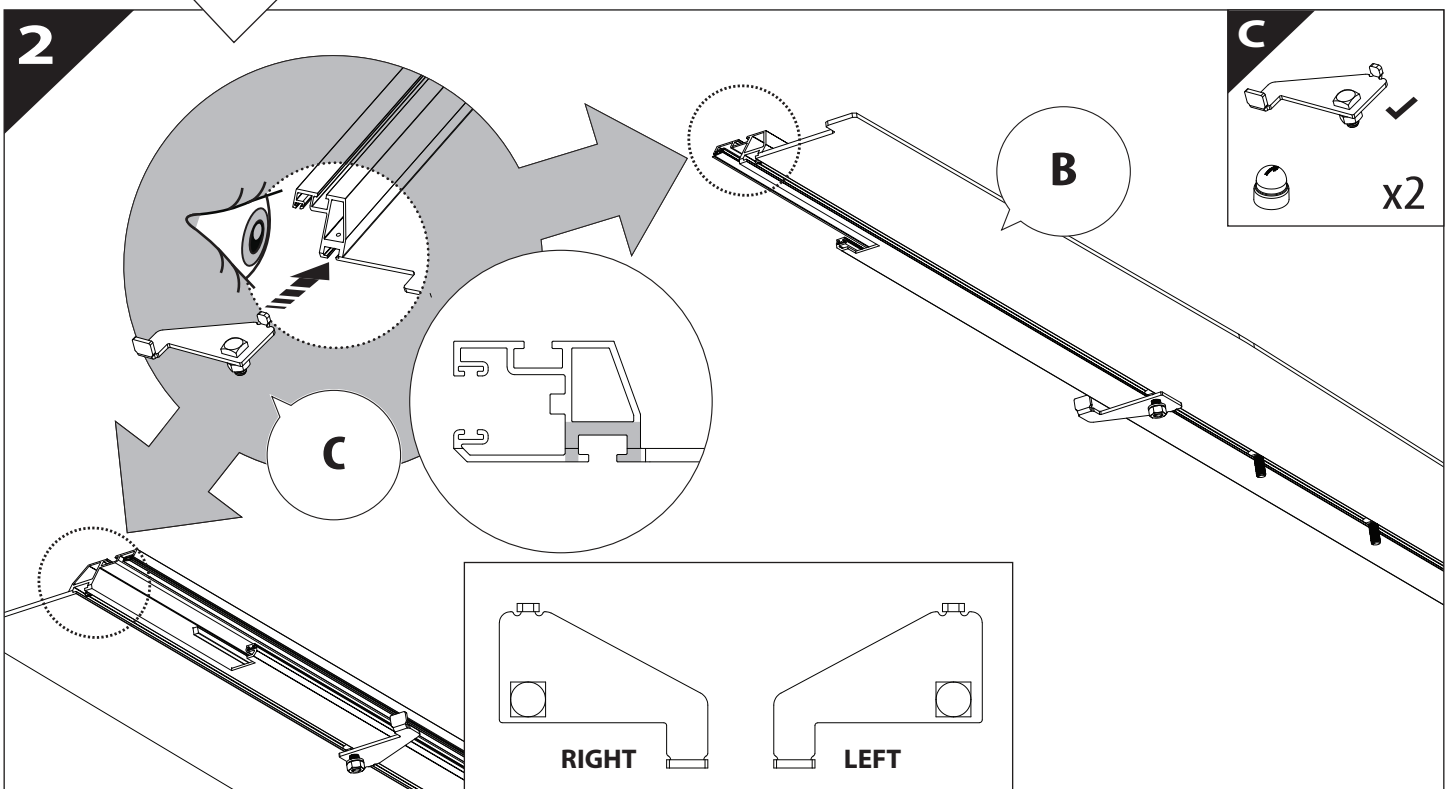
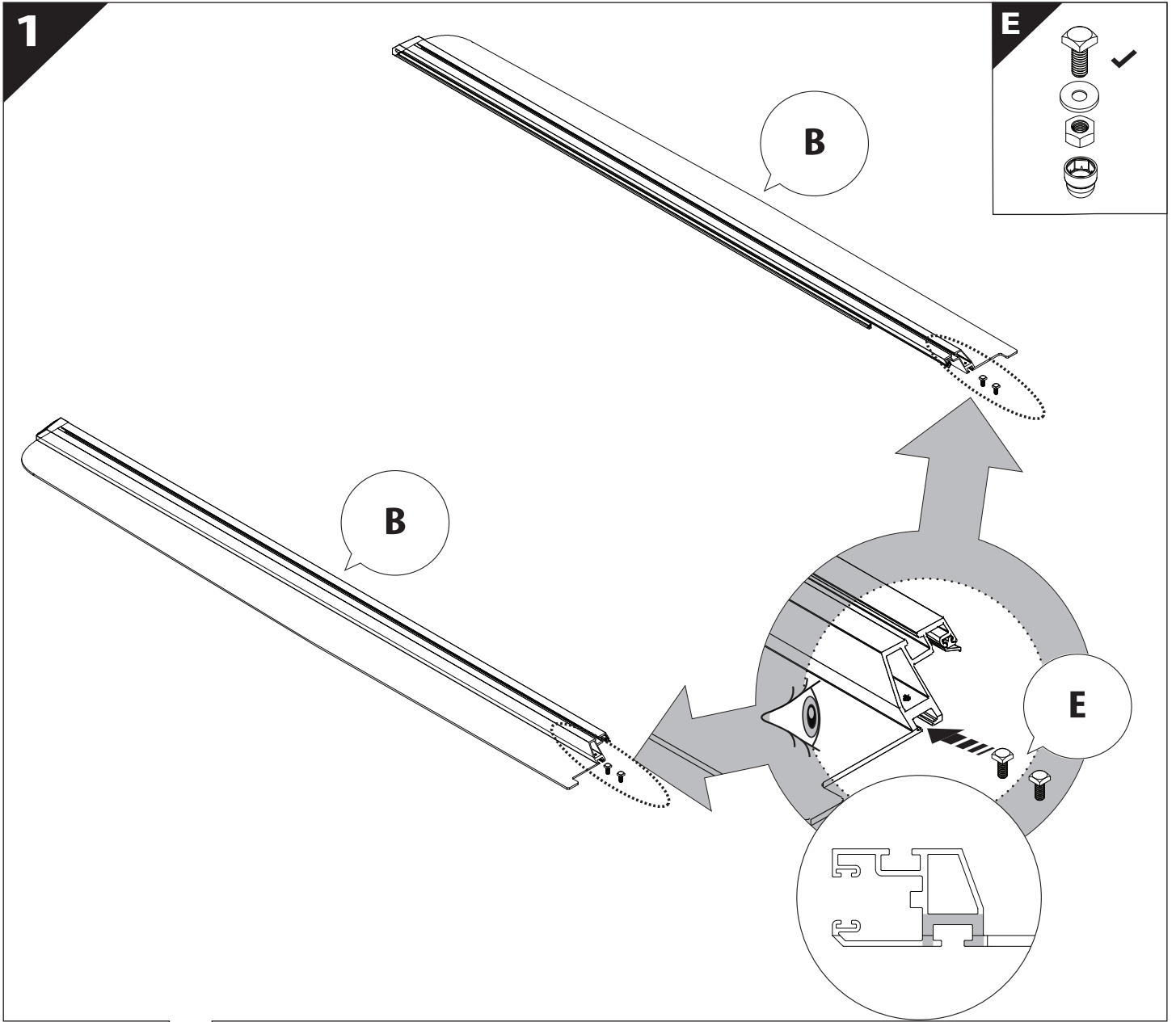


**B**

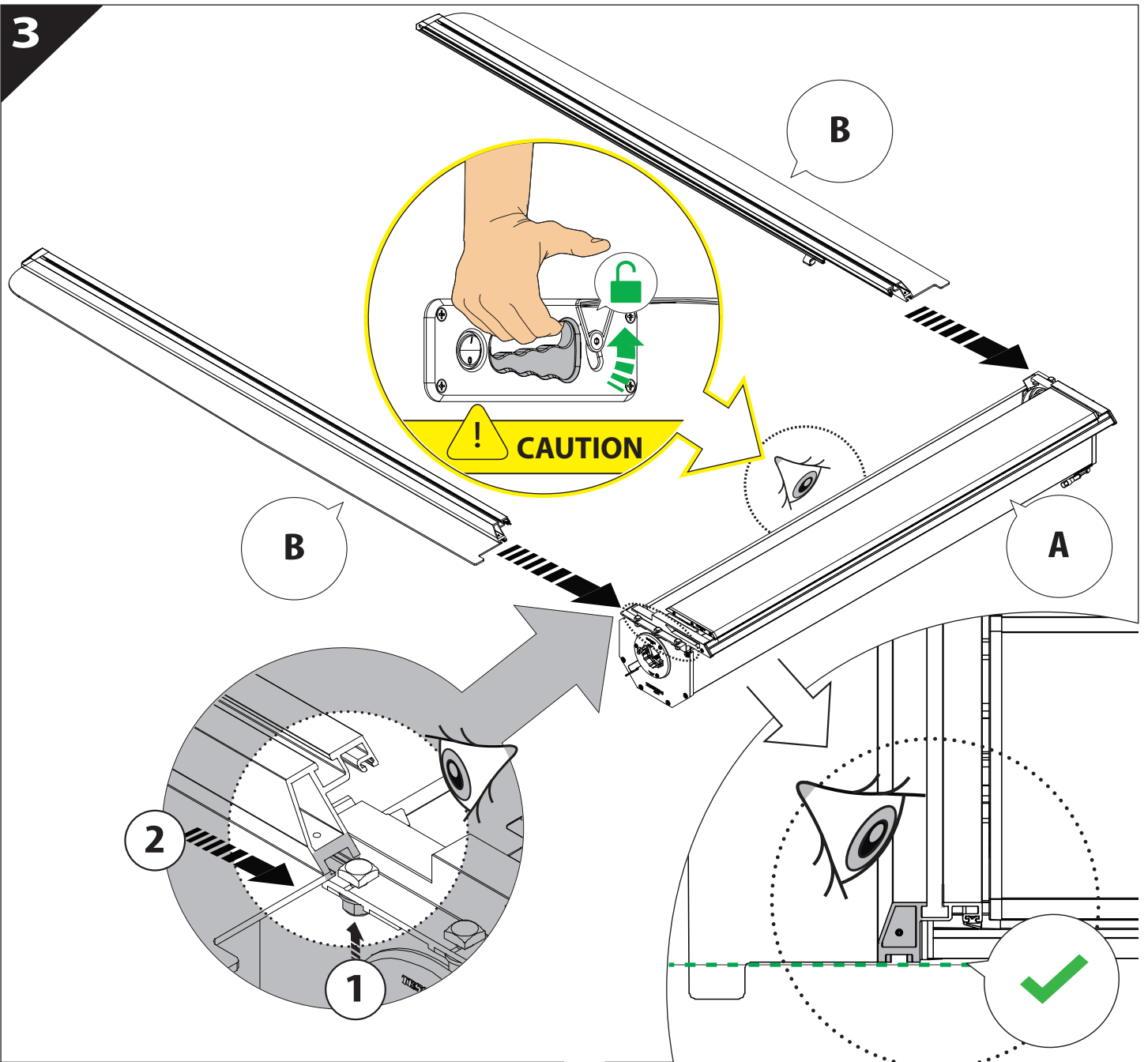
**A**

**KITS**

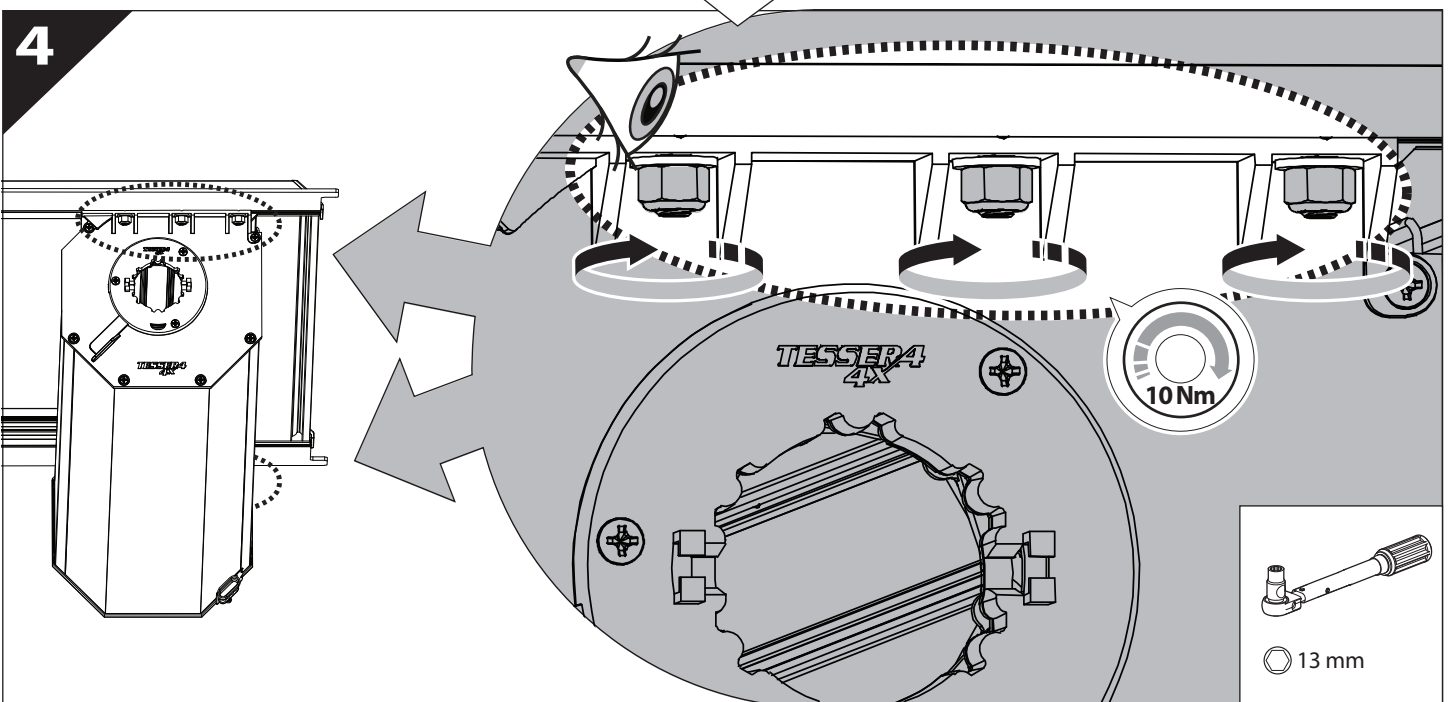
**L**

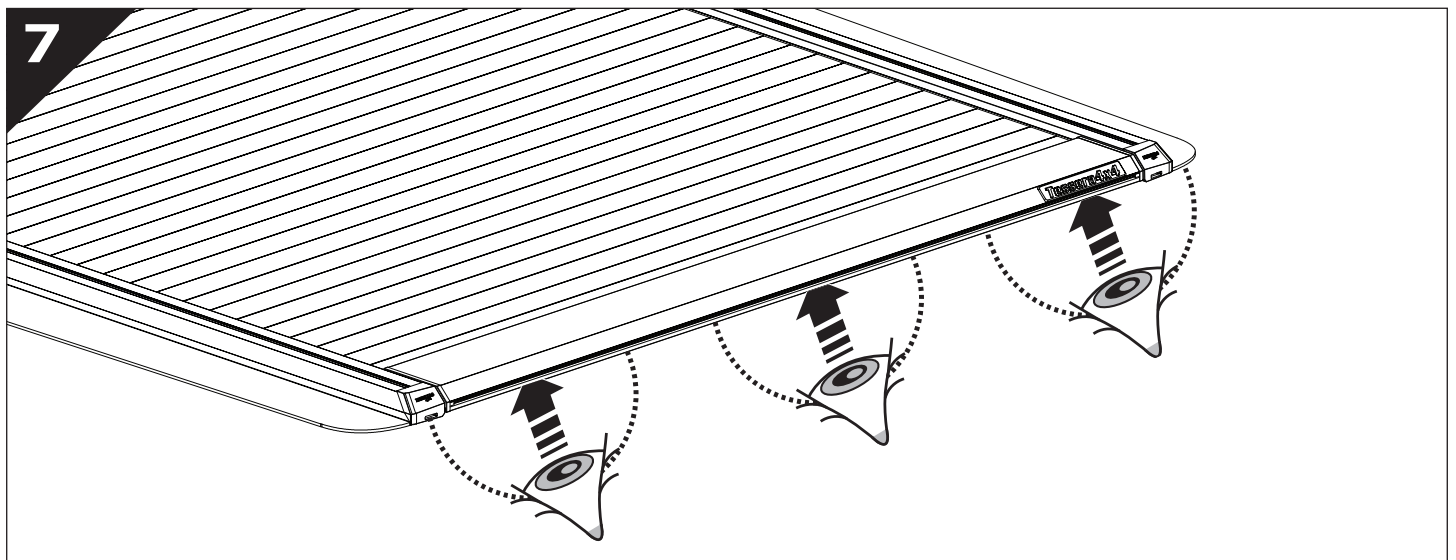
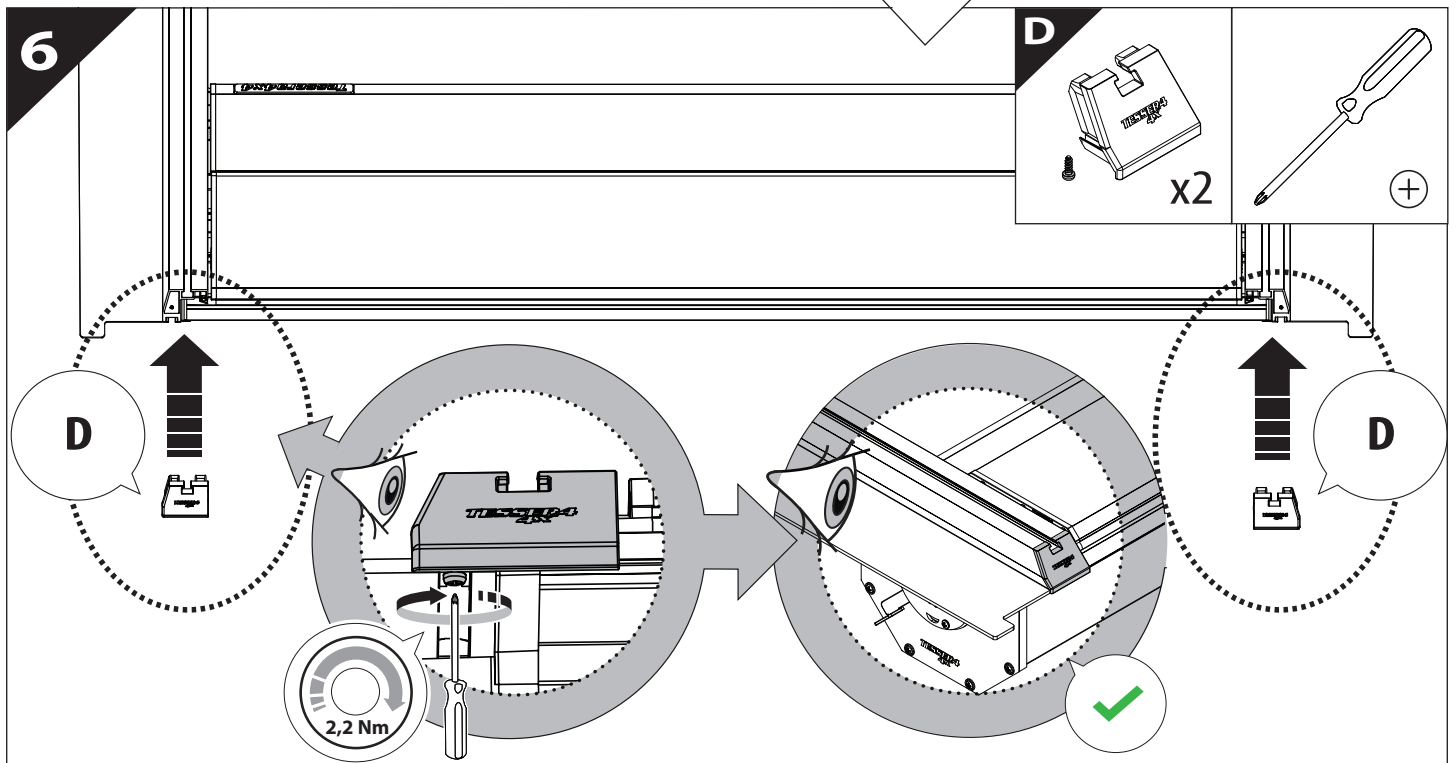
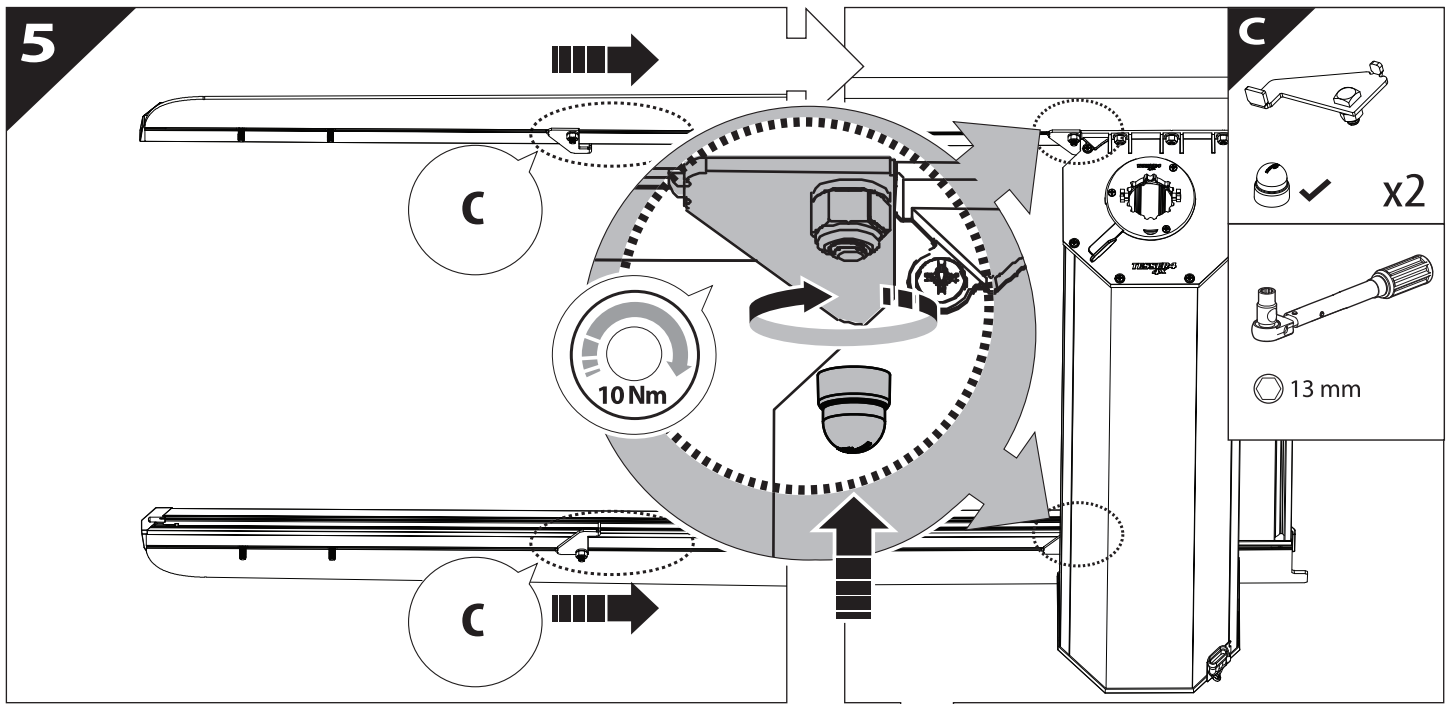


3

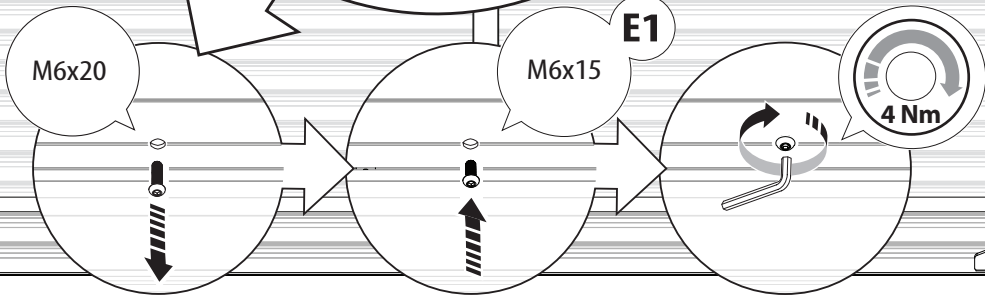
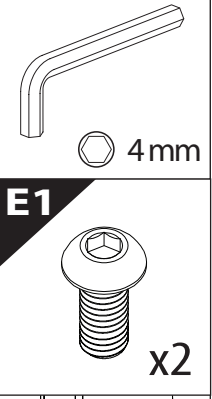
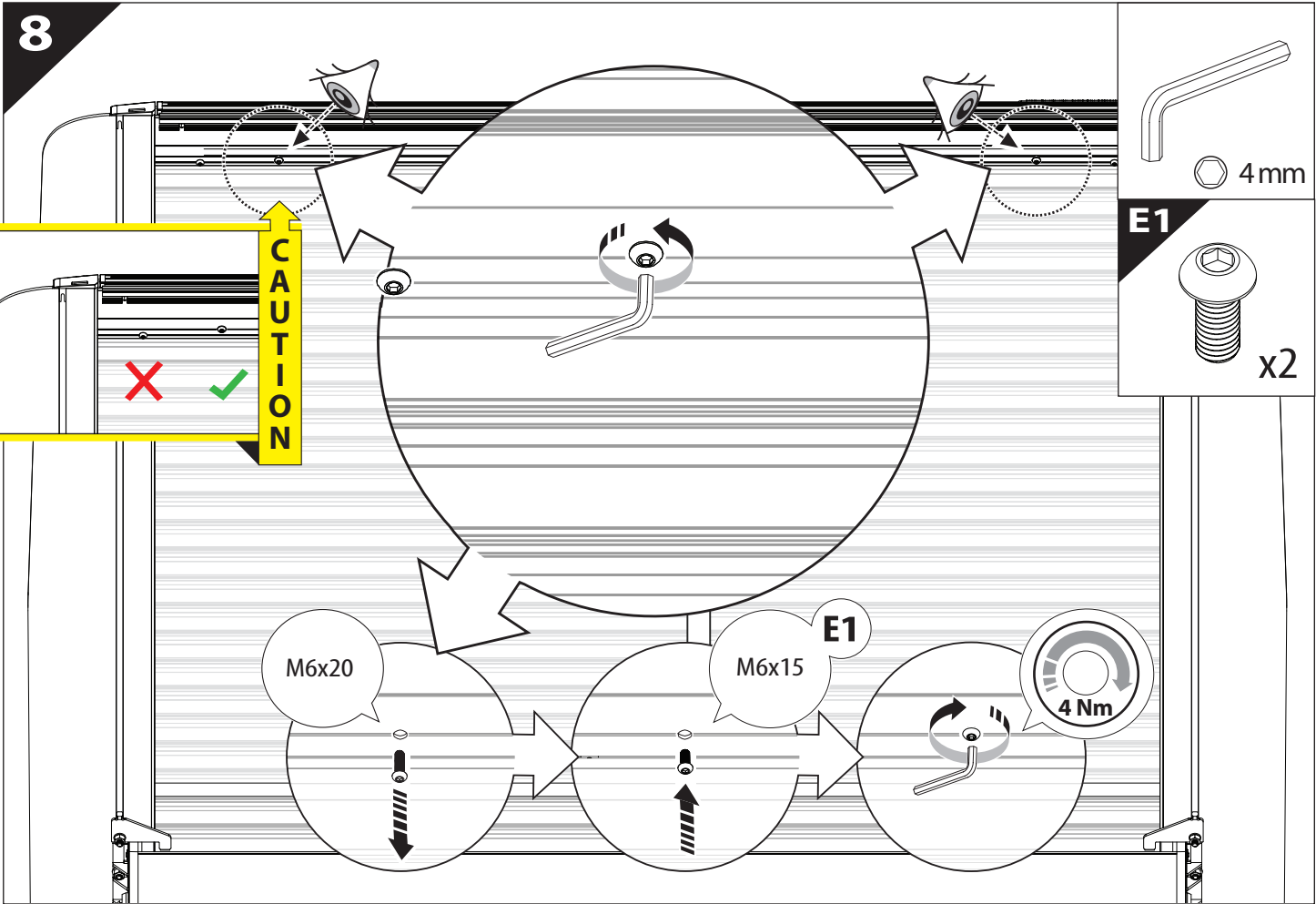
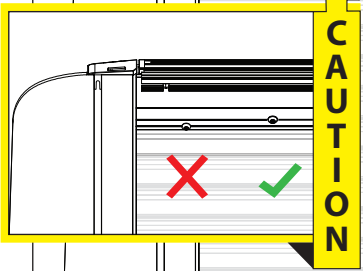


4

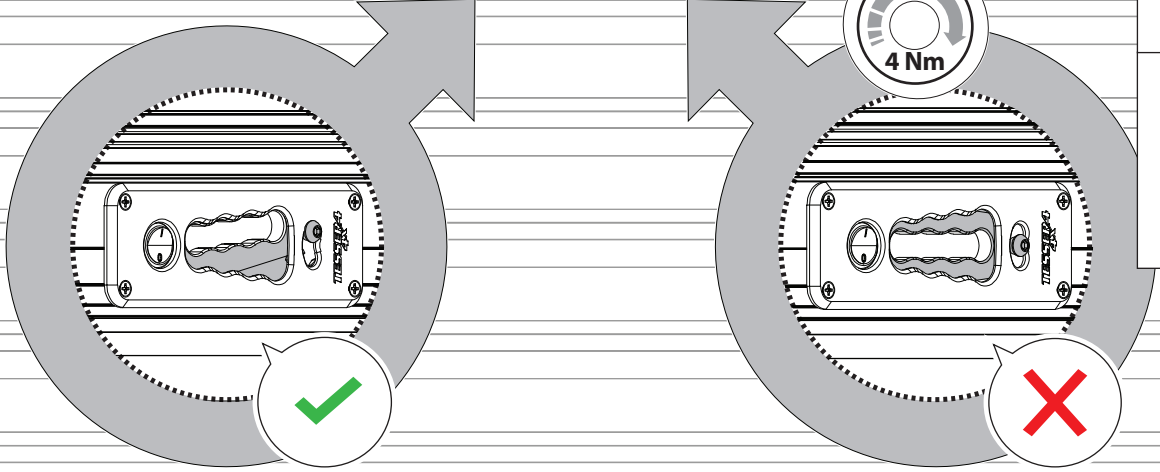
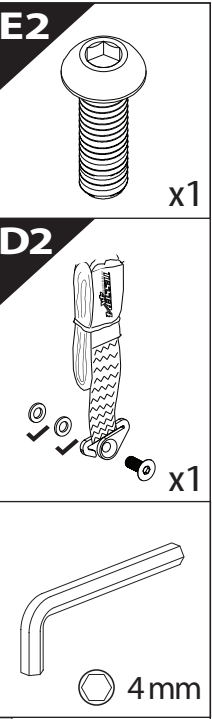
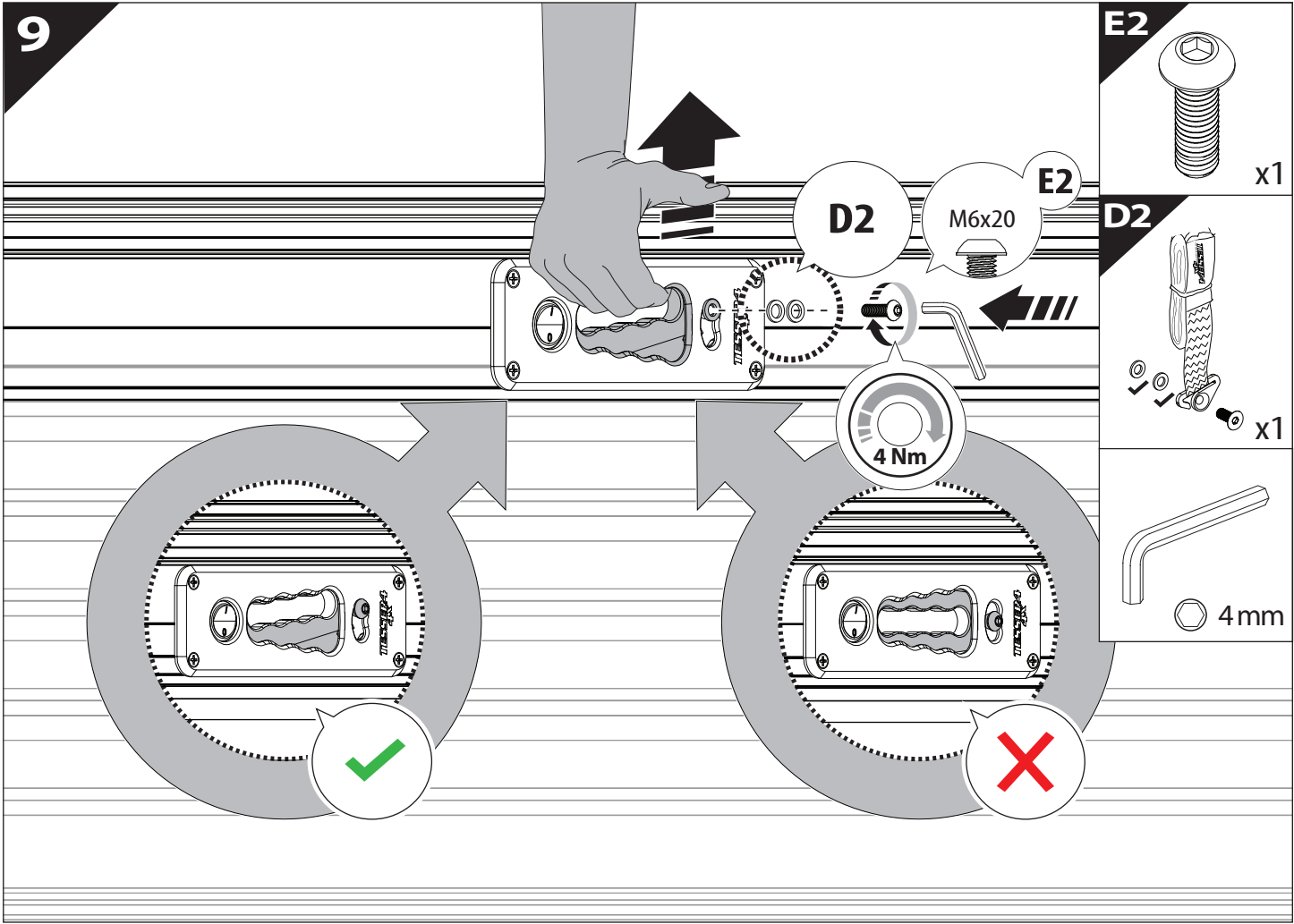


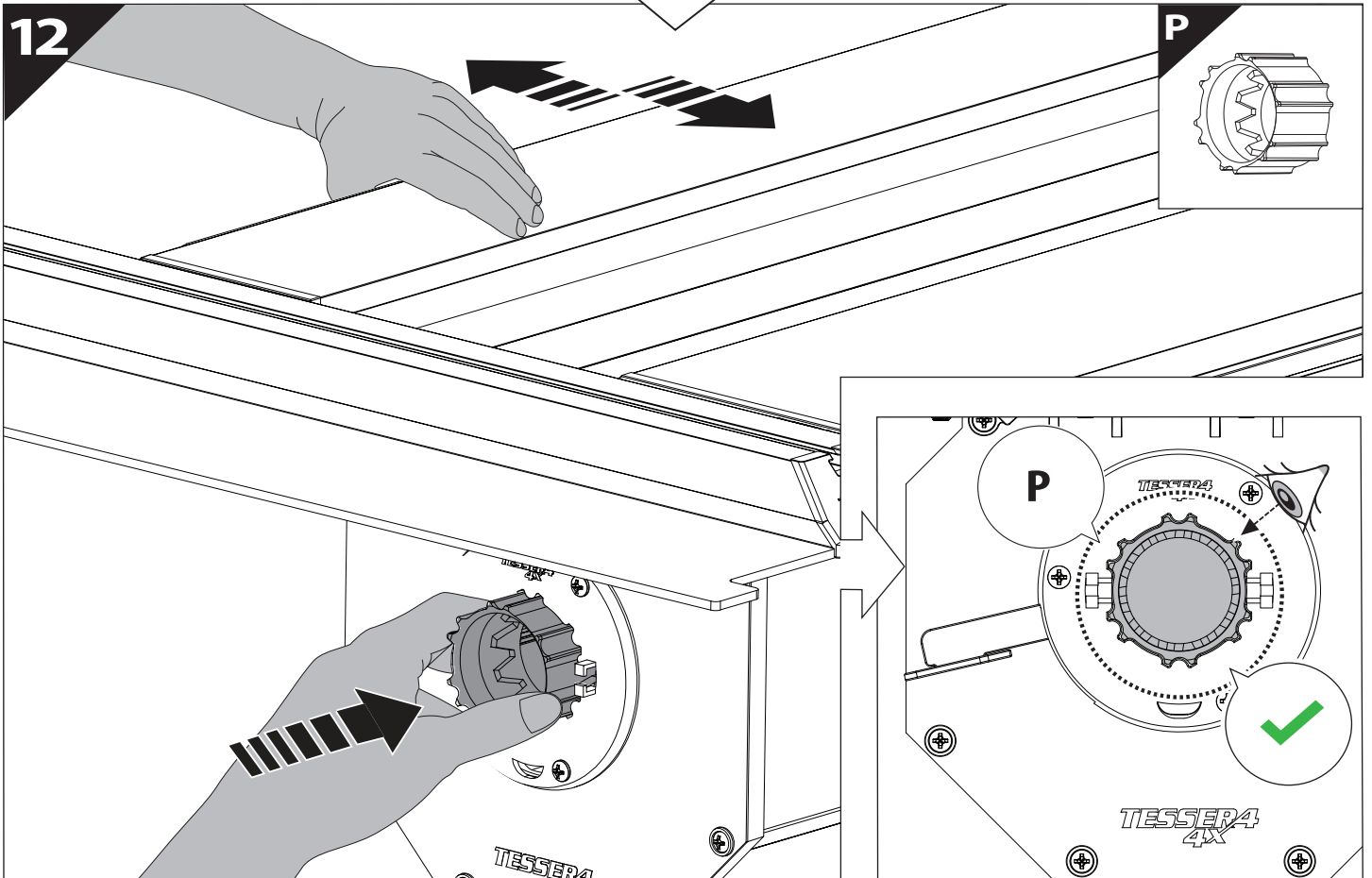
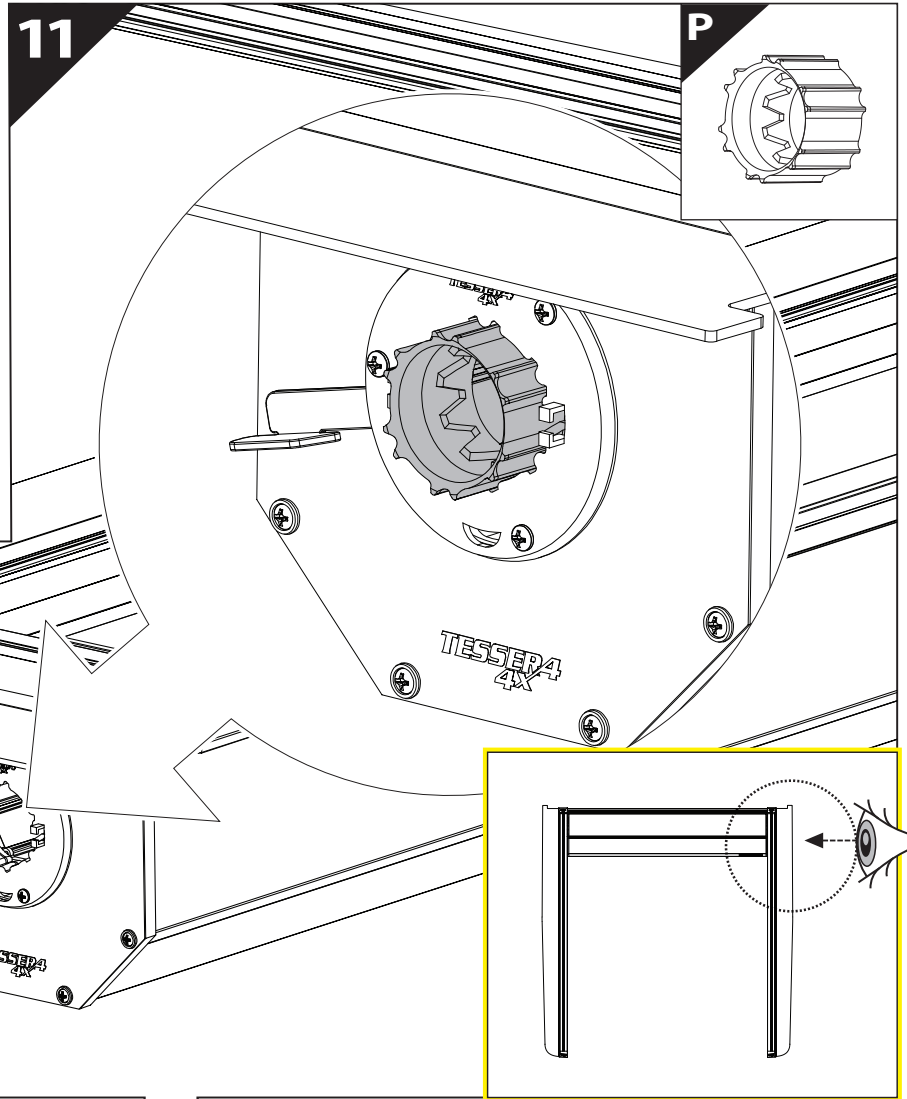
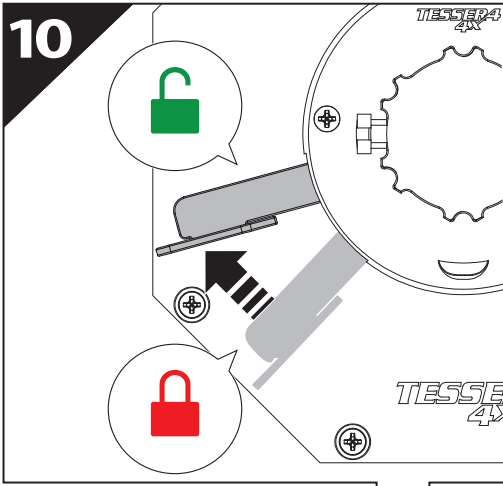


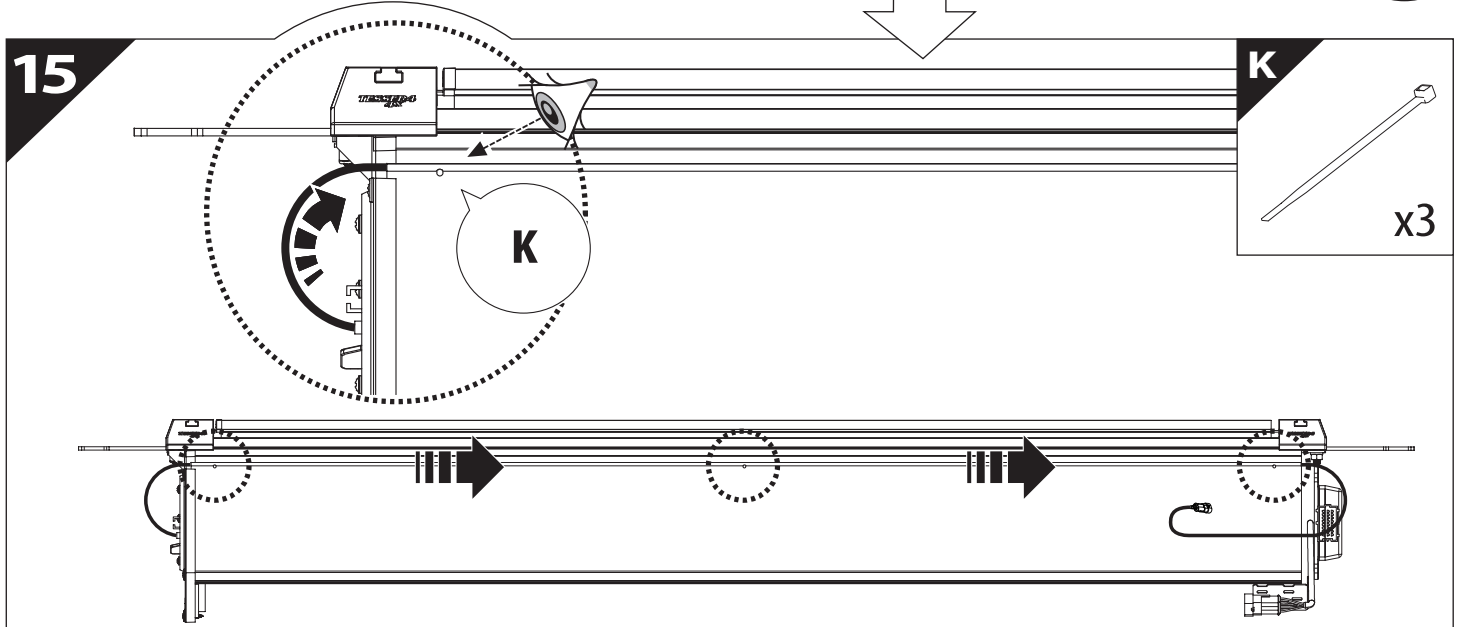
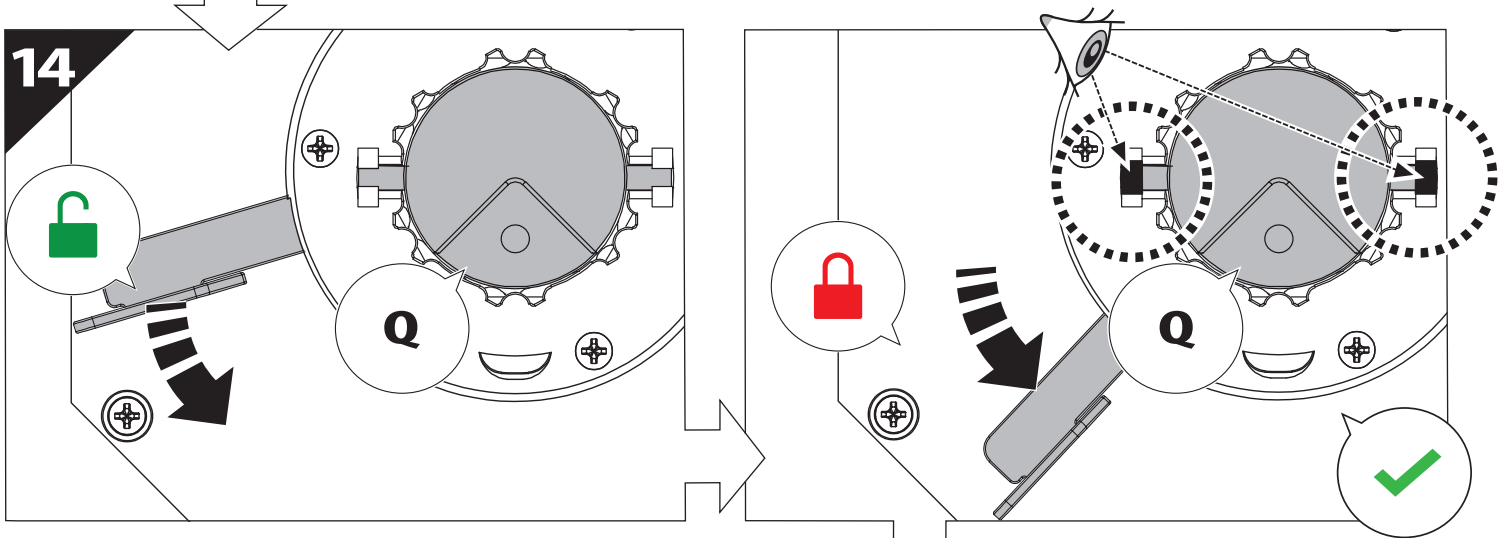
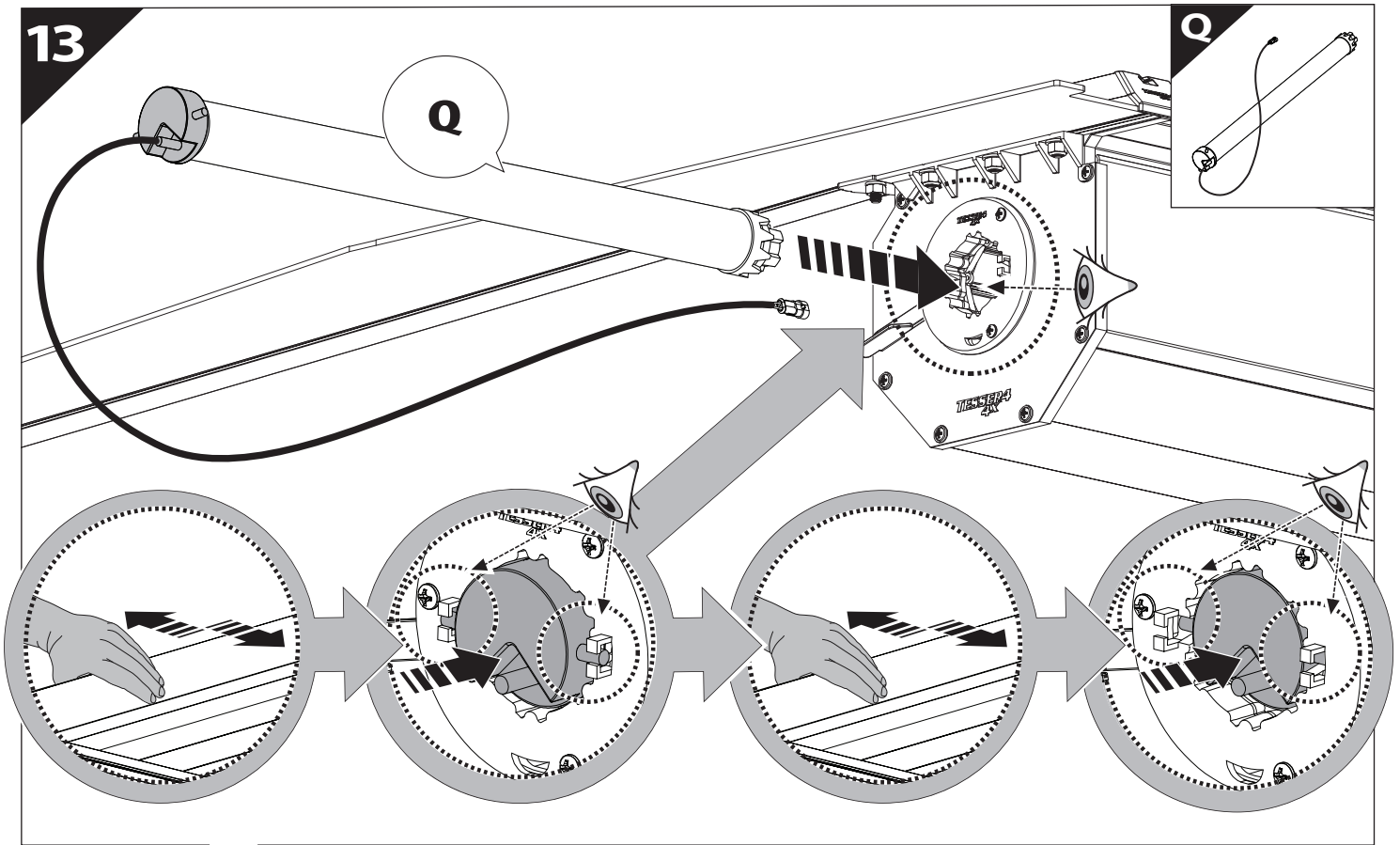
8

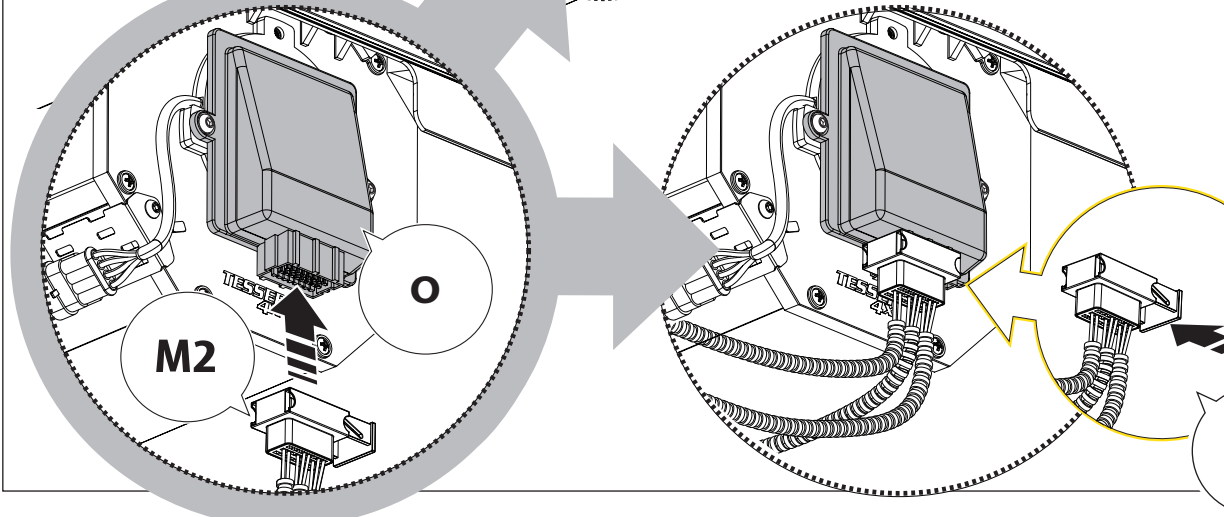
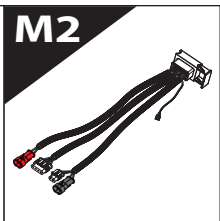
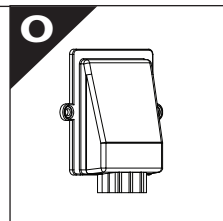
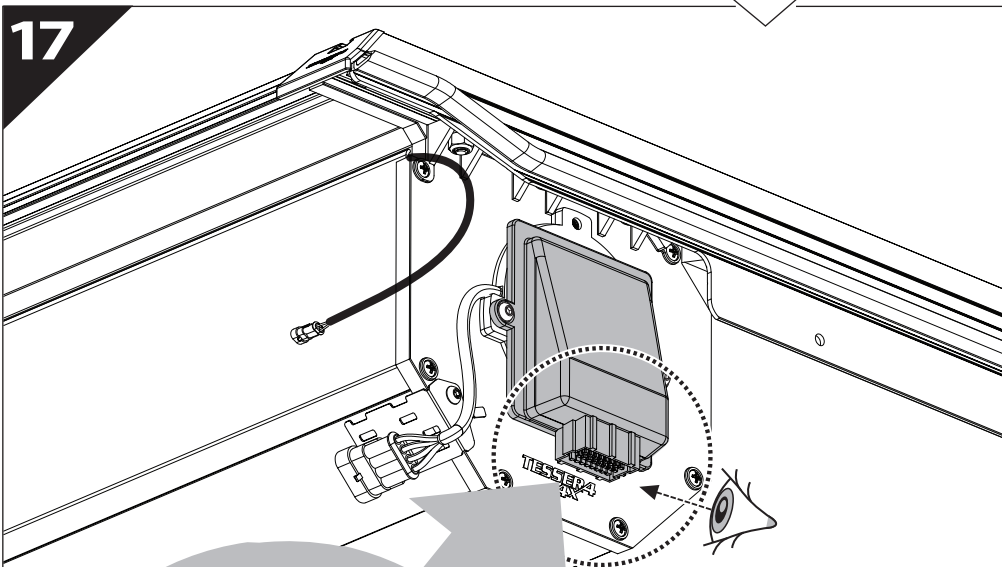
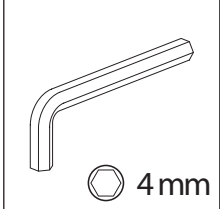
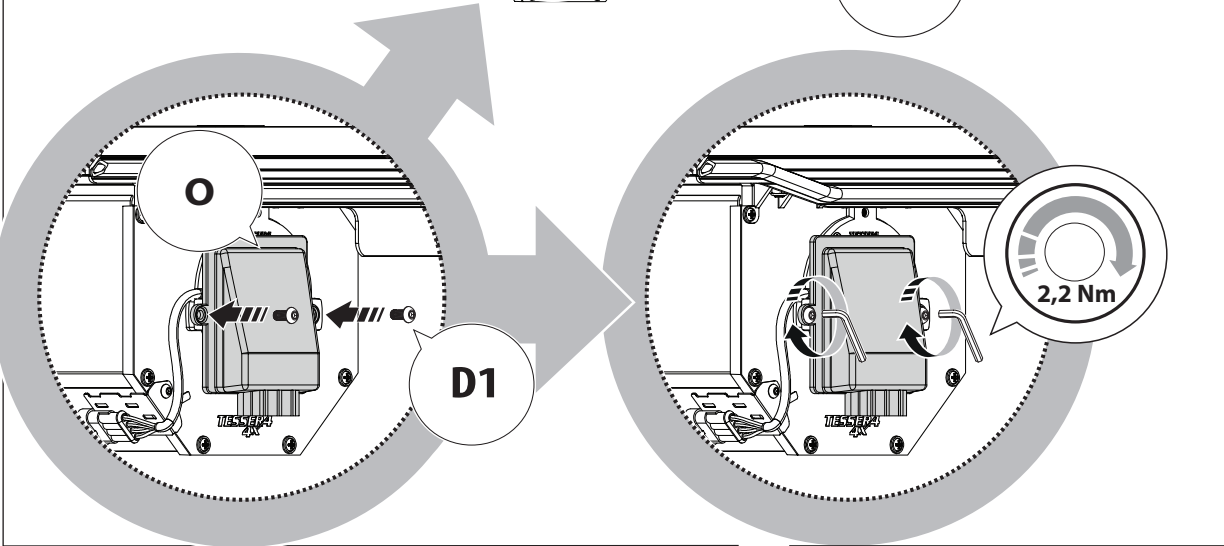
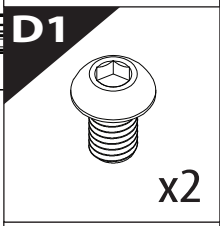
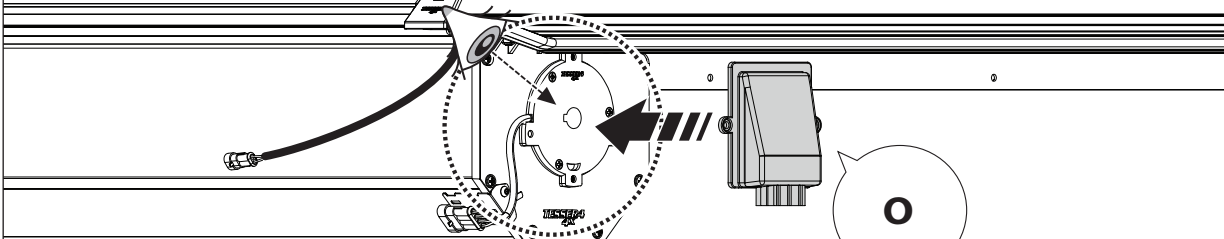
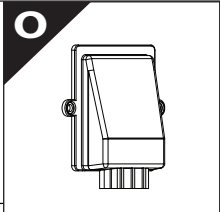
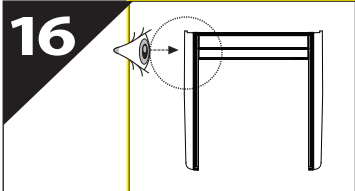


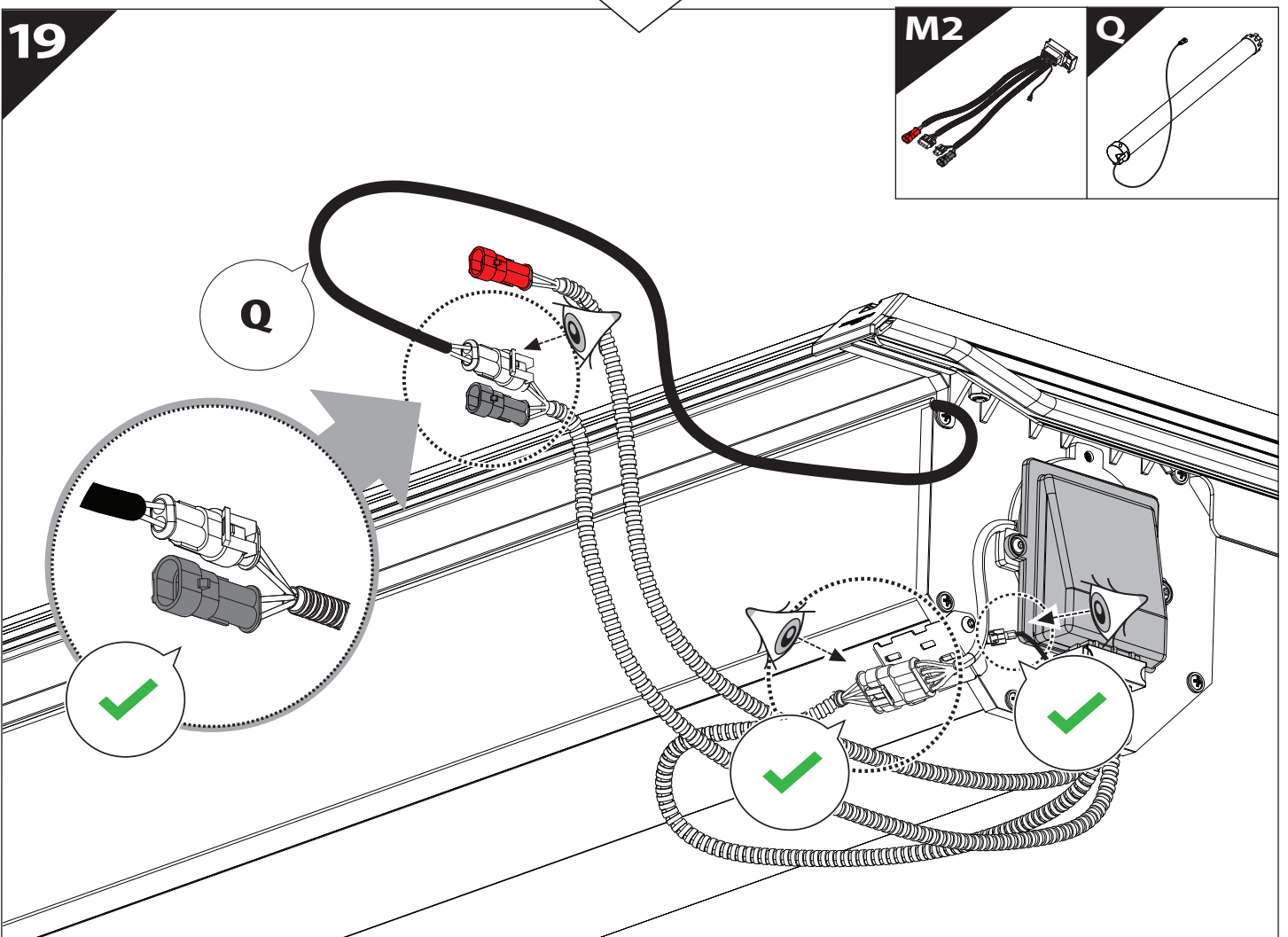
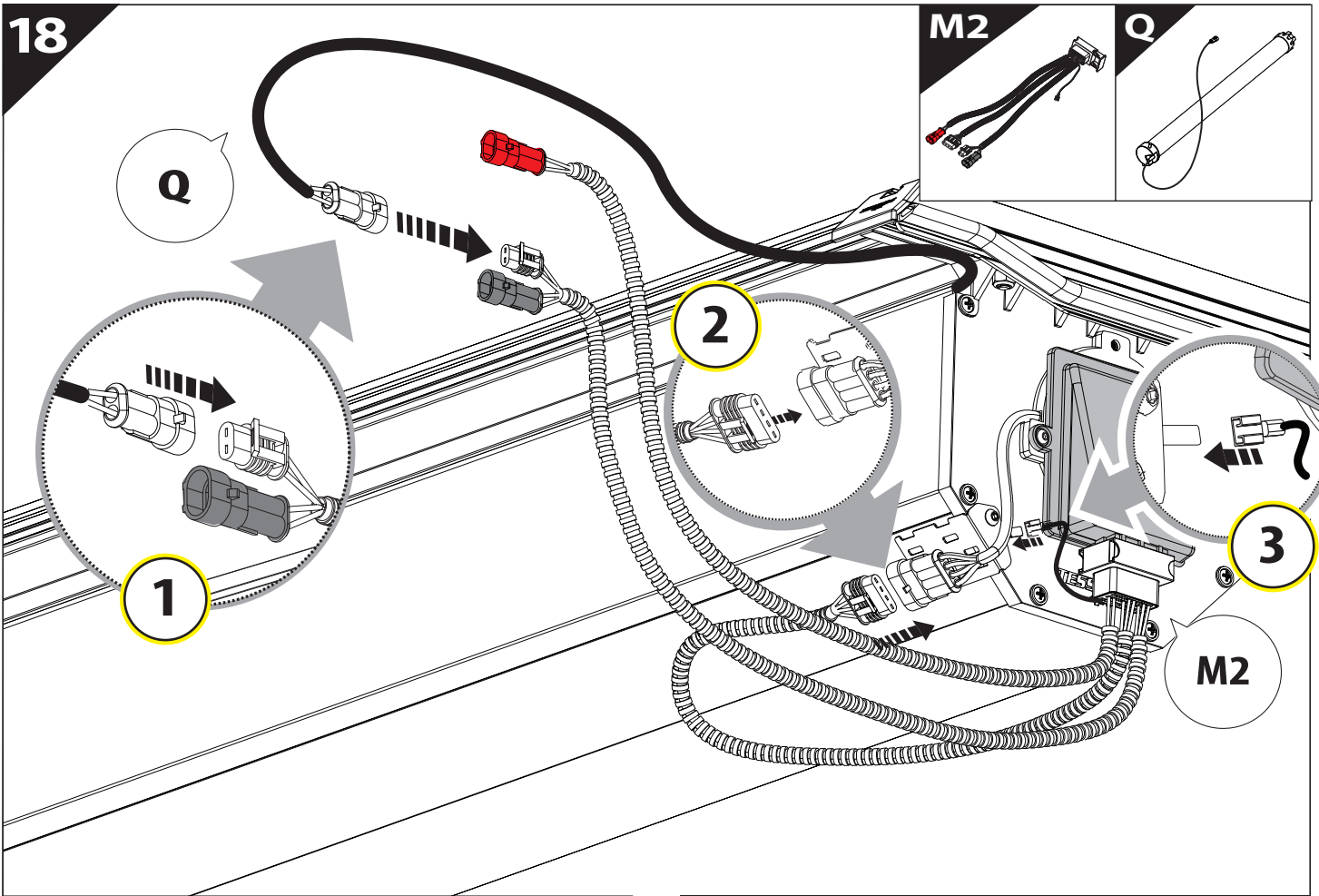
9

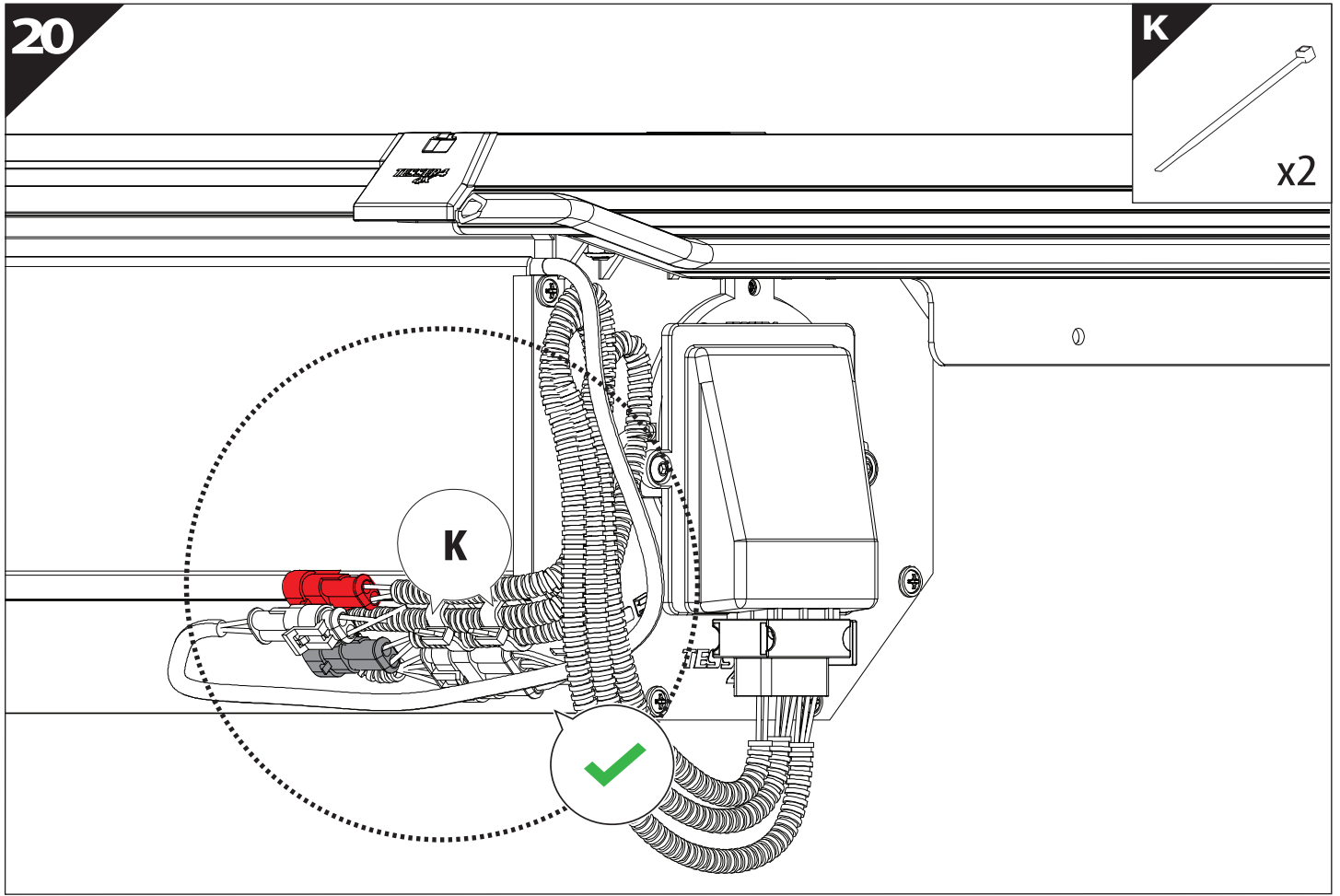
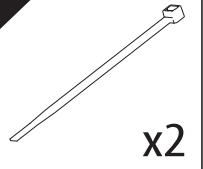


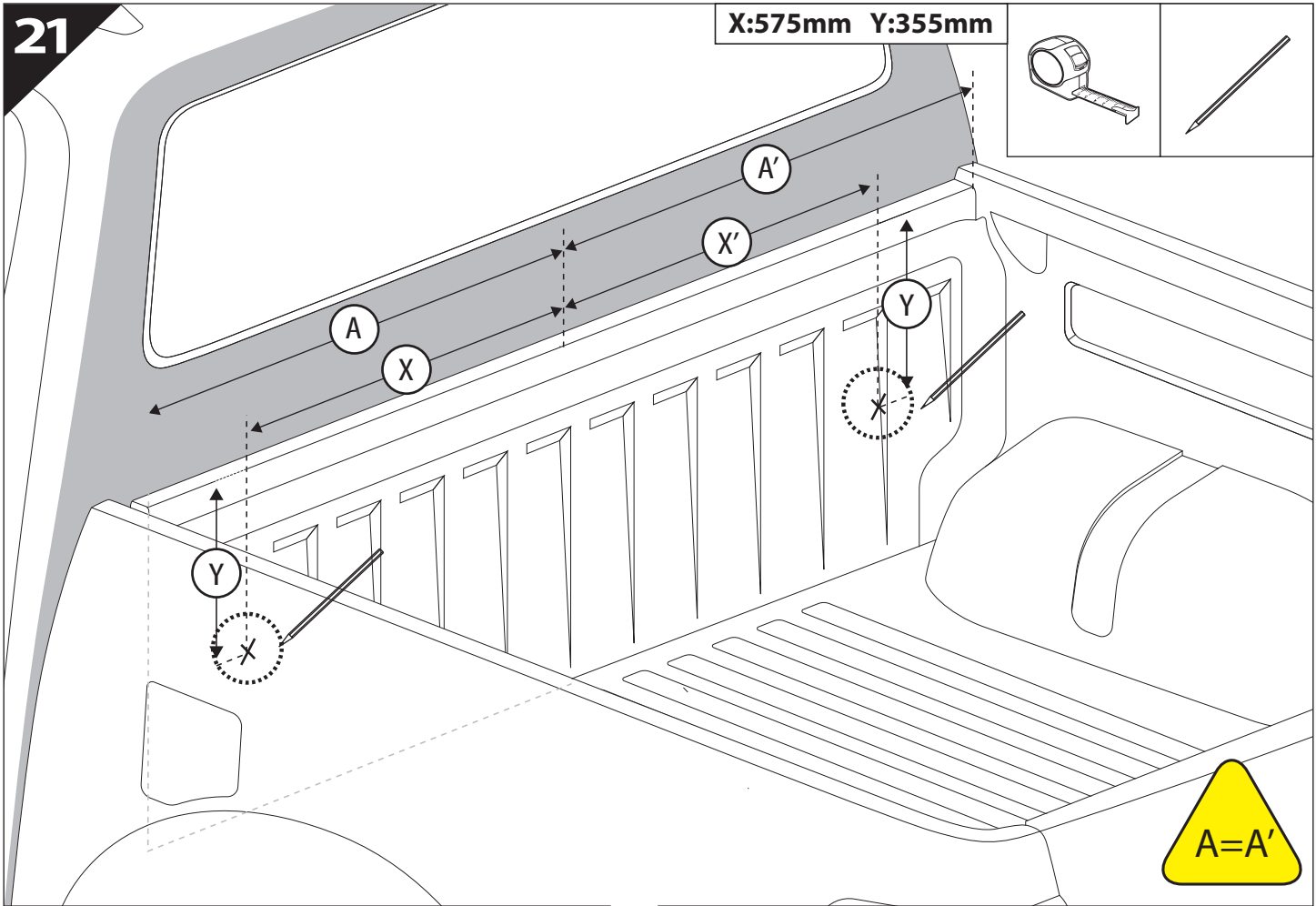












23

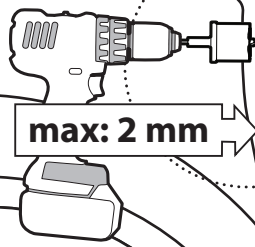


Ø 25 mm




Rust Protection

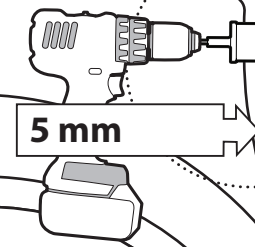
**CAUTION**



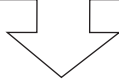
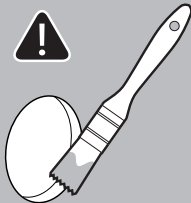


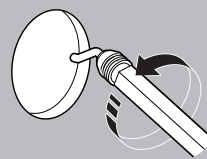

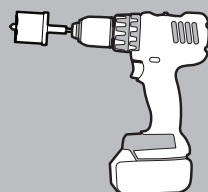

max: 2 mm



**CAUTION**



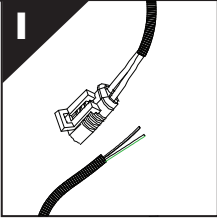
5 mm



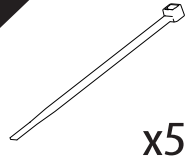


26

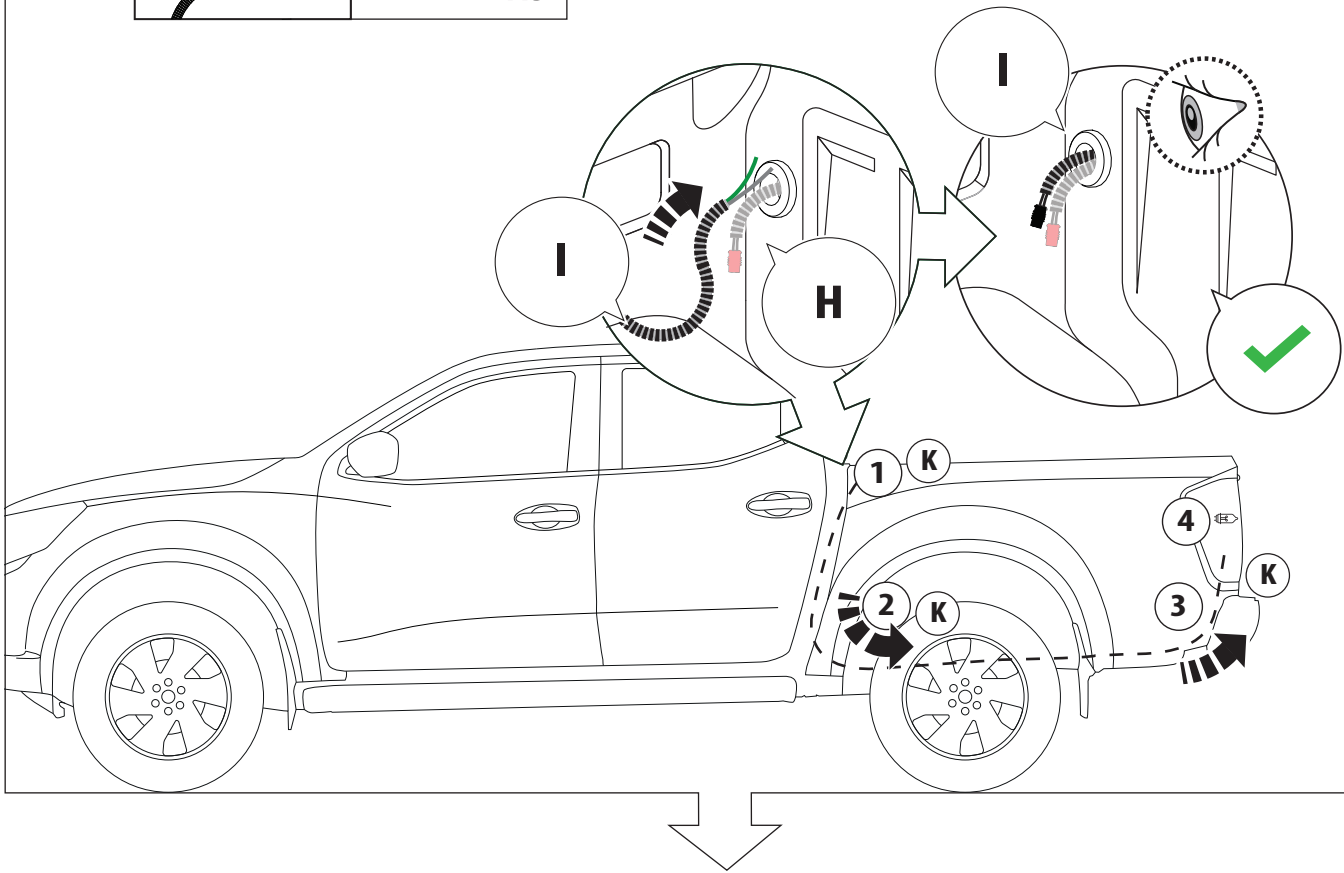
I



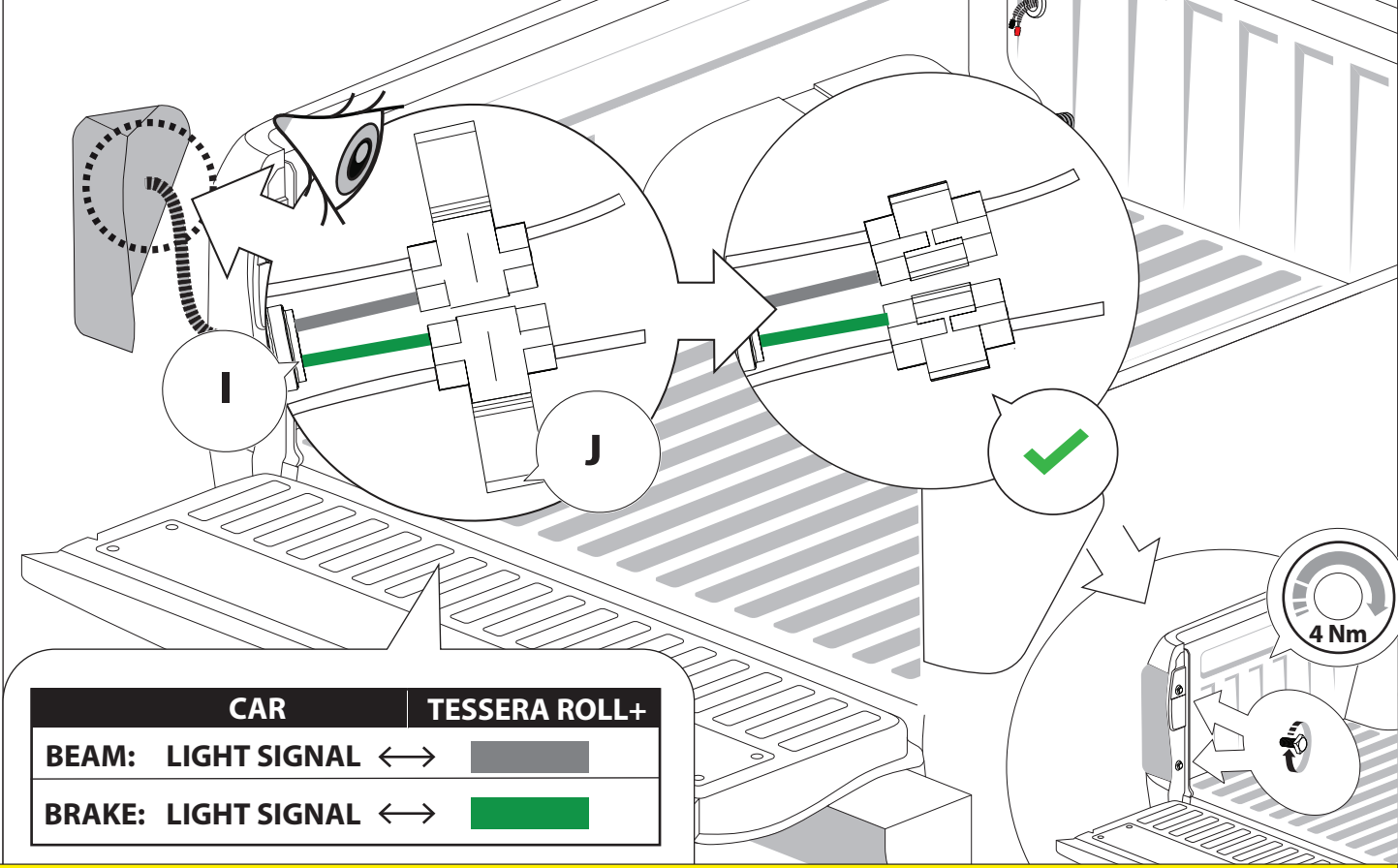
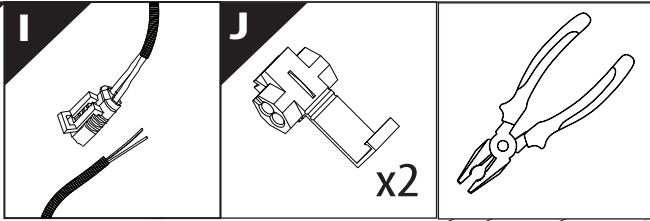
K



x5

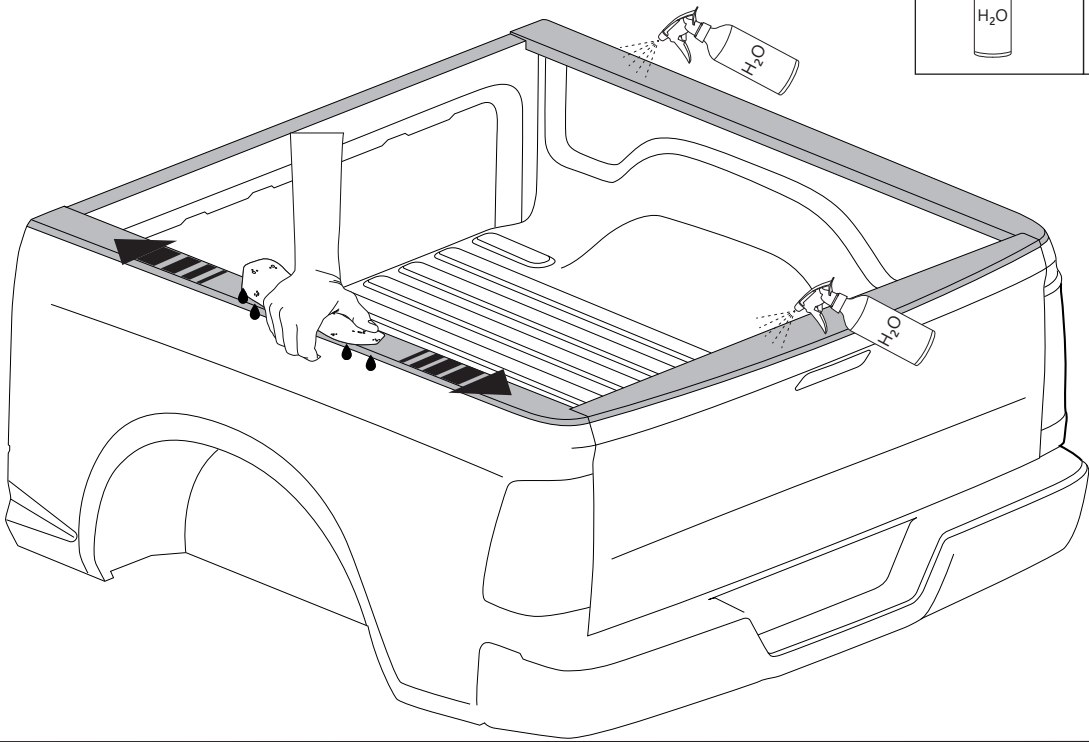
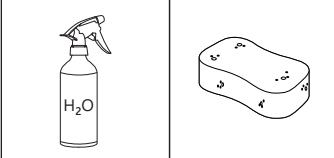


27



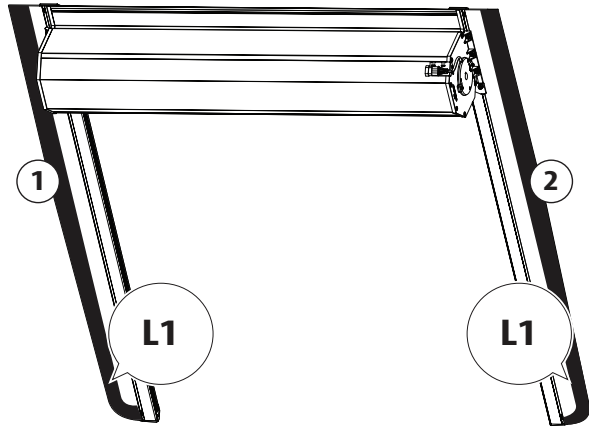
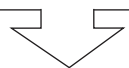
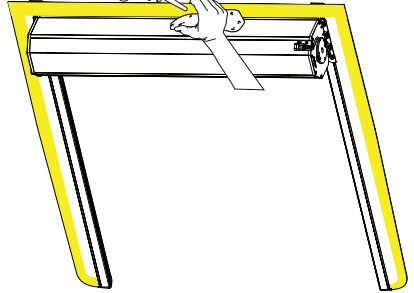
**CAUTION: CONSULT A CERTIFIED AUTO MECHANIC OR AUTOMOTIVE ELECTRICIAN TO IDENTIFY THE CORRECT WIRING CABLES FOR BEAM AND BRAKE SIGNALS BEFORE MAKING ANY CONNECTIONS.**

28

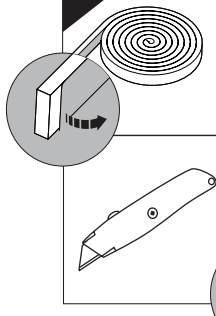


29

ACETONE

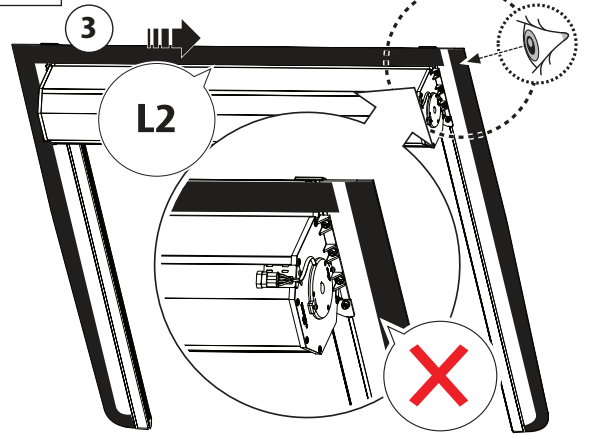
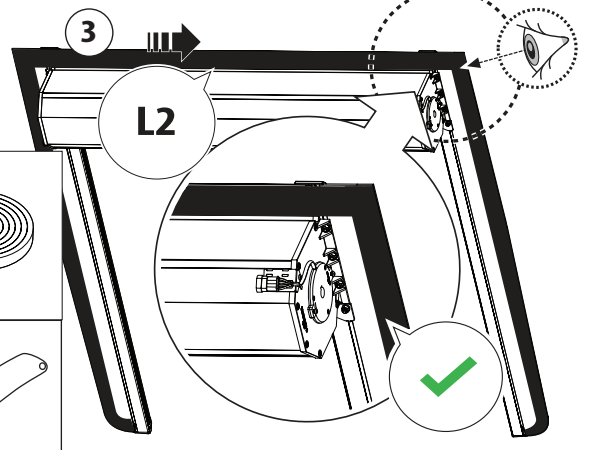
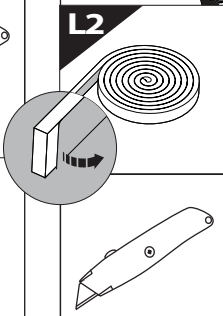


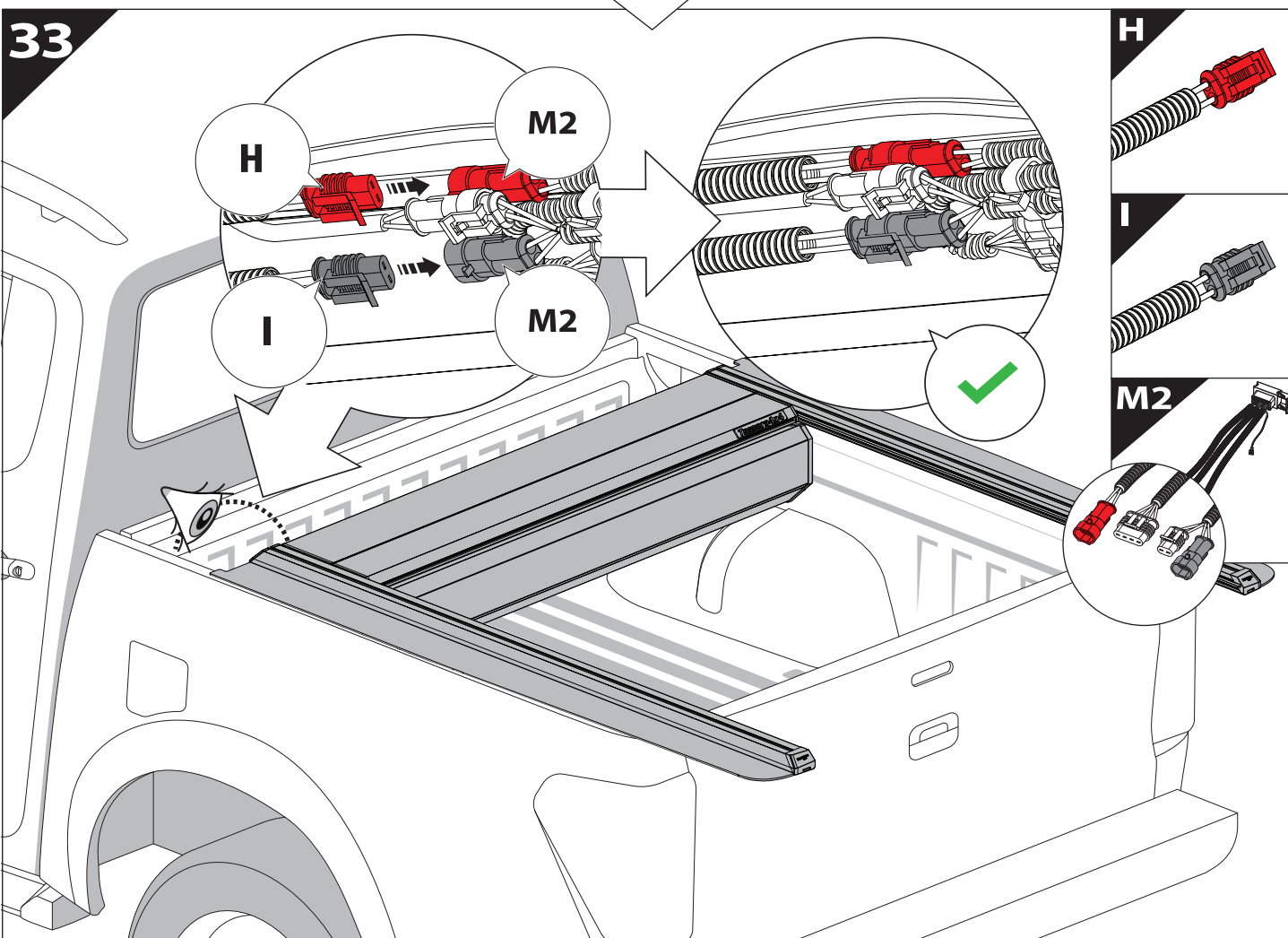
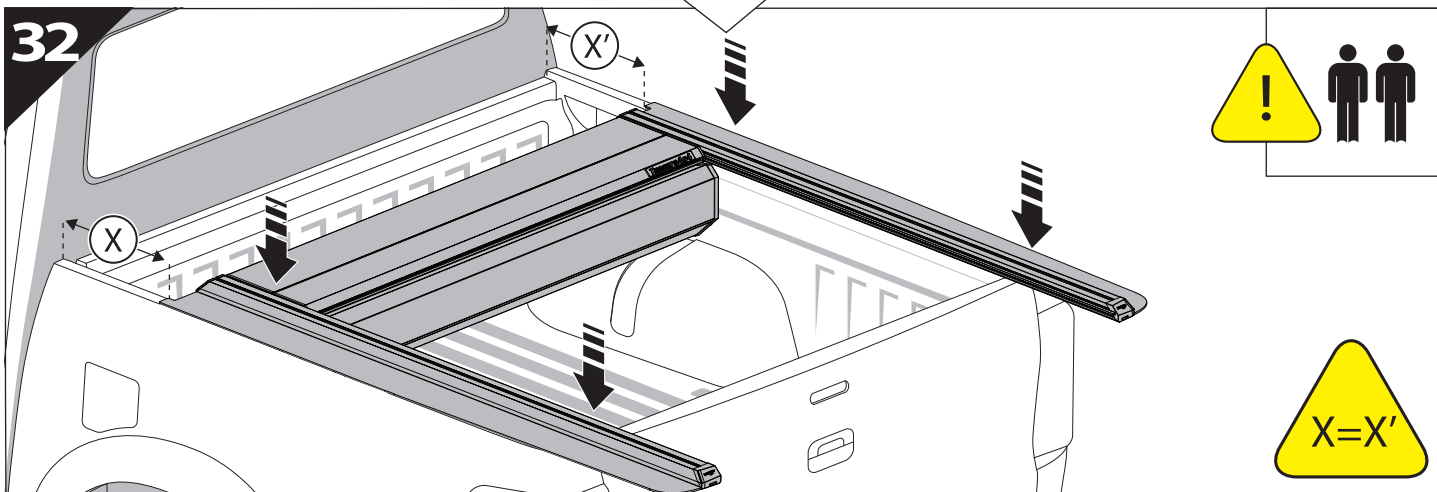
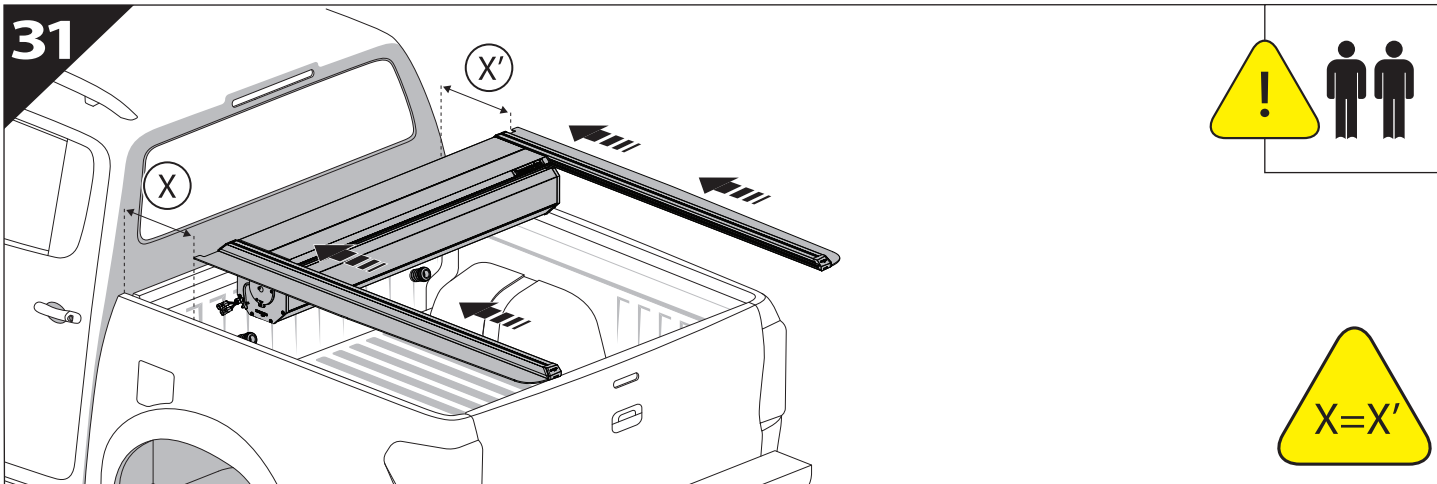
L1



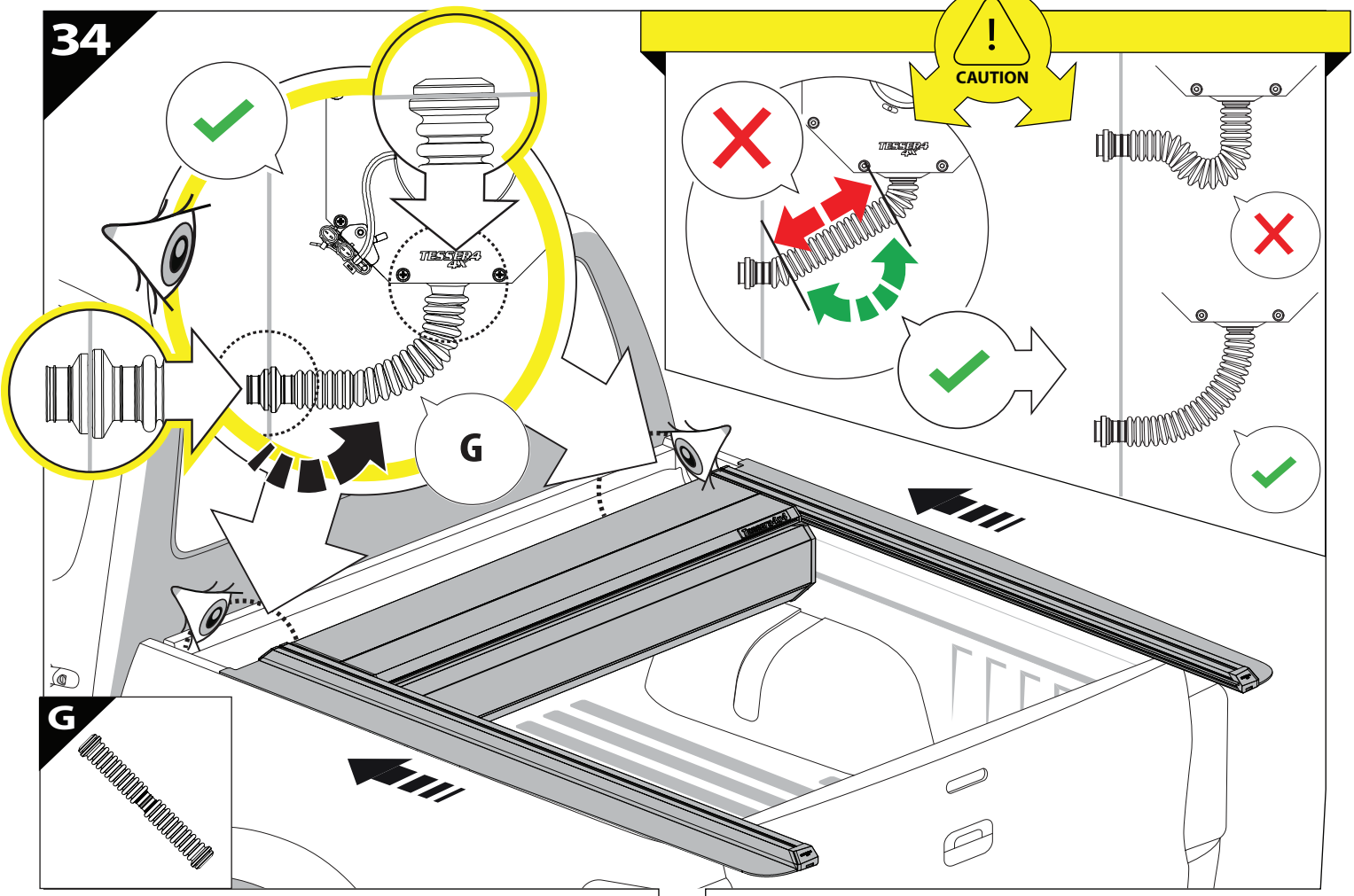
30

L2

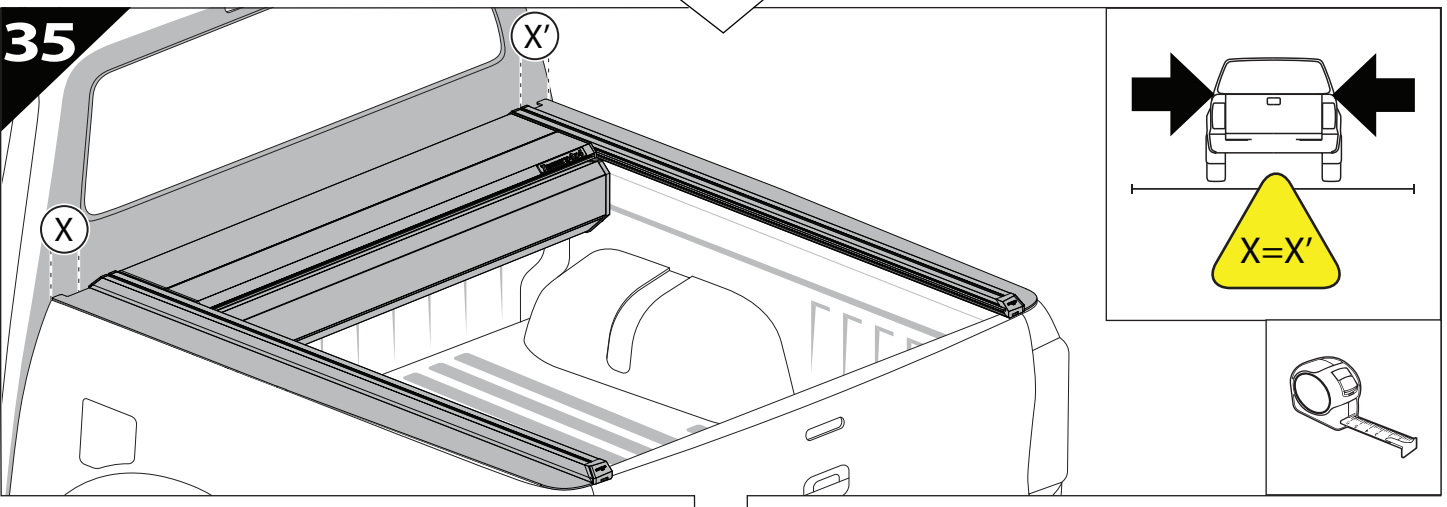




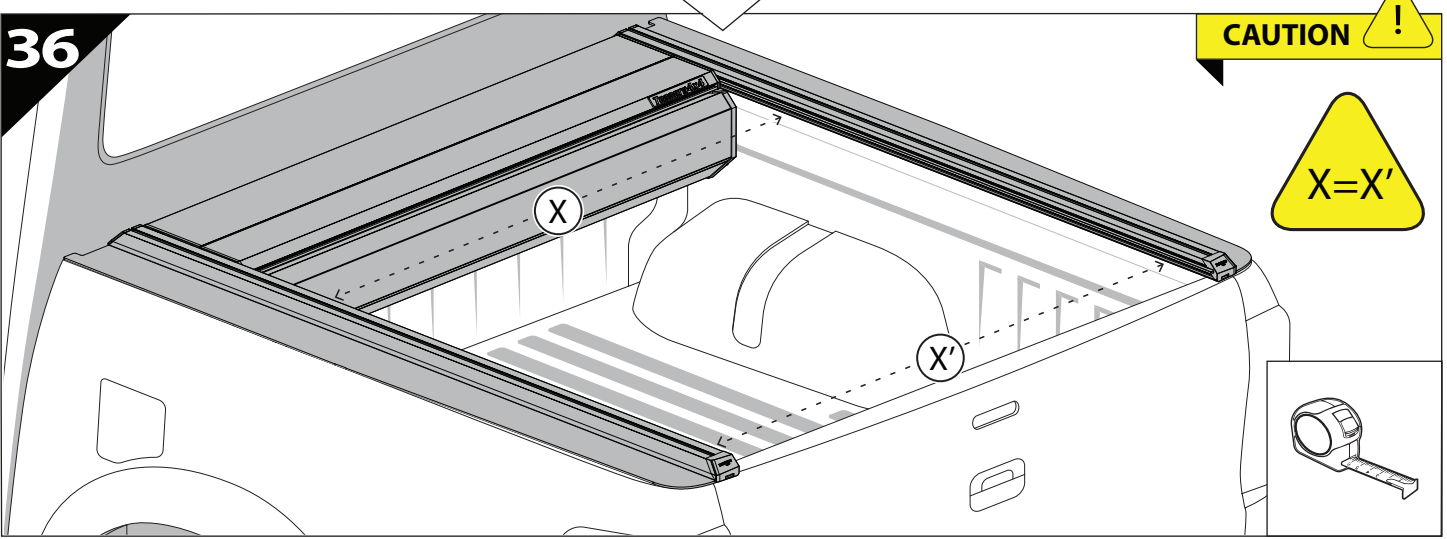
34

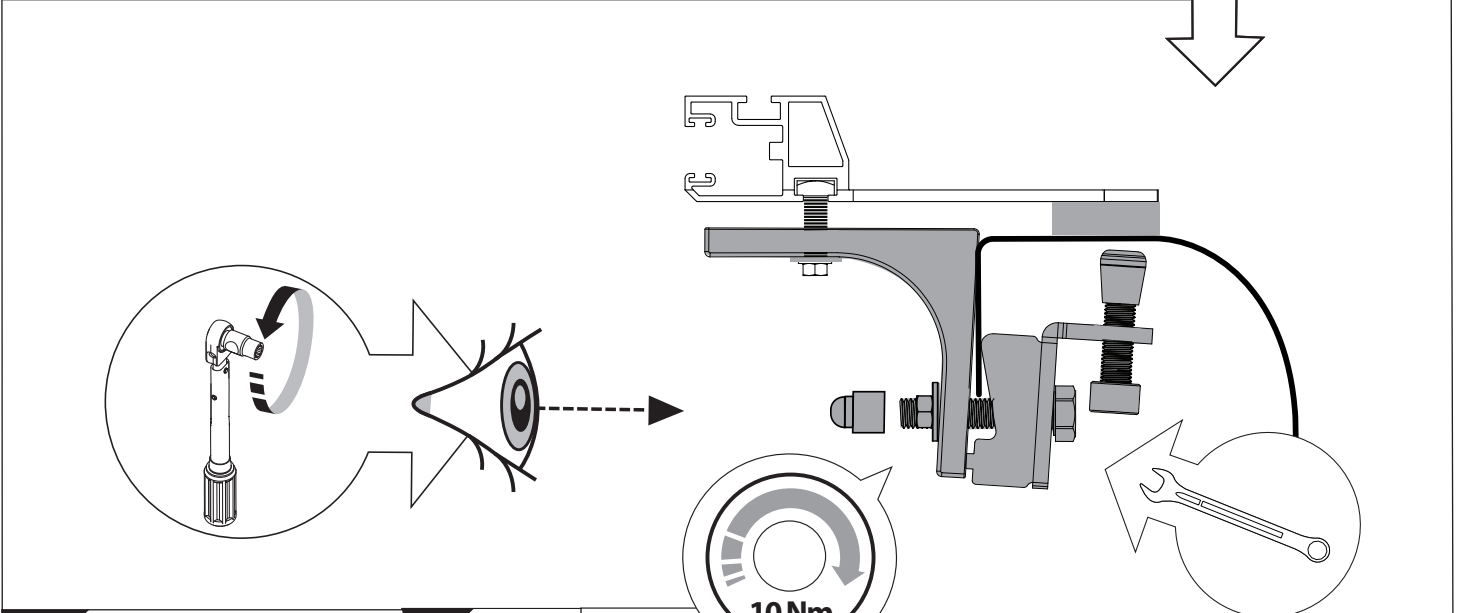
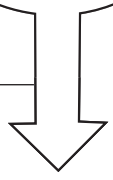
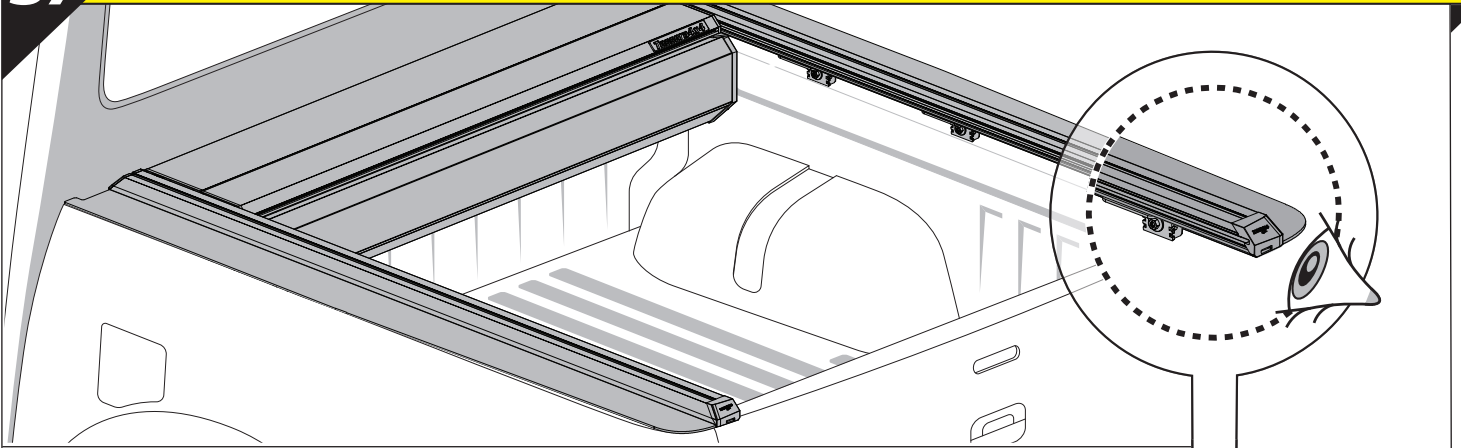


35

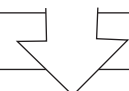


36



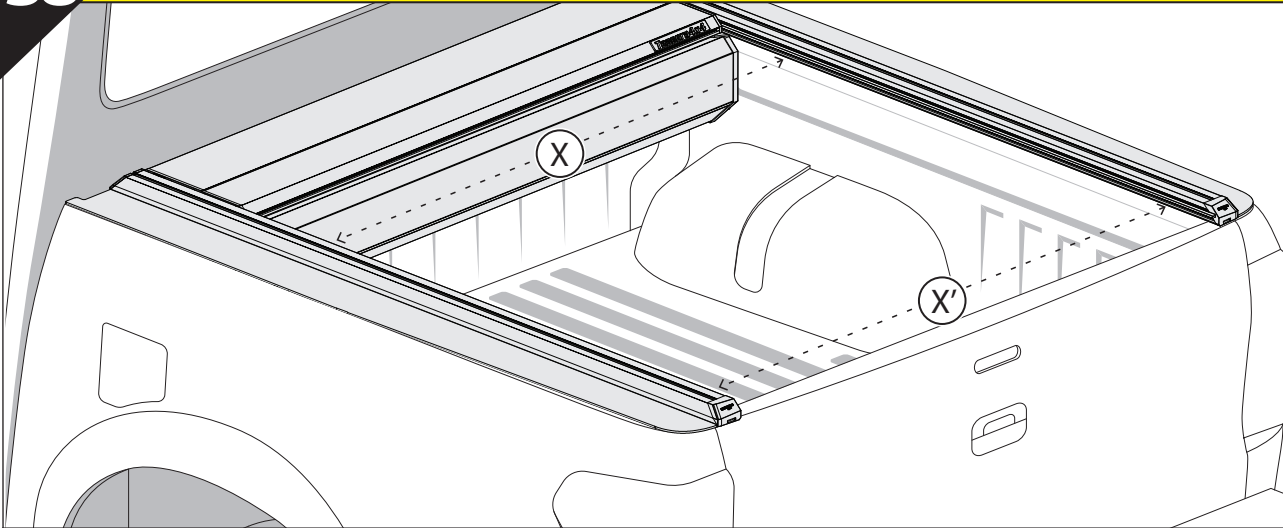


<p><b>N</b></p> <p>x6</p>	<p><b>E</b></p> <p>x6</p>	<p>13 mm</p>	<p>10Nm</p>
---------------------------	---------------------------	--------------	-------------

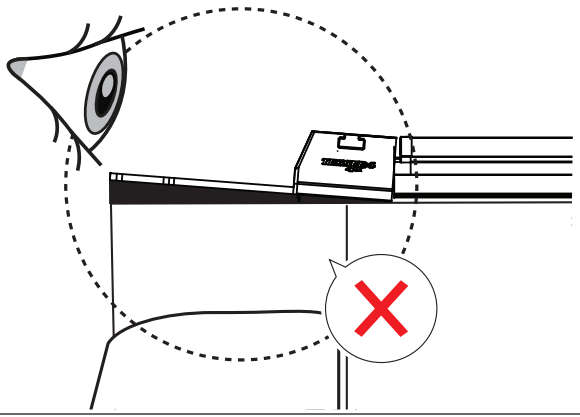
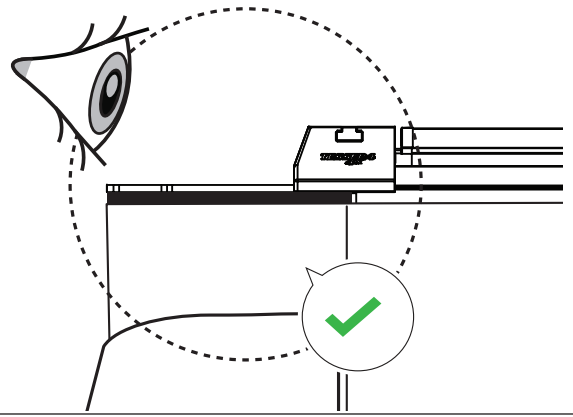
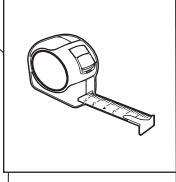


37.1

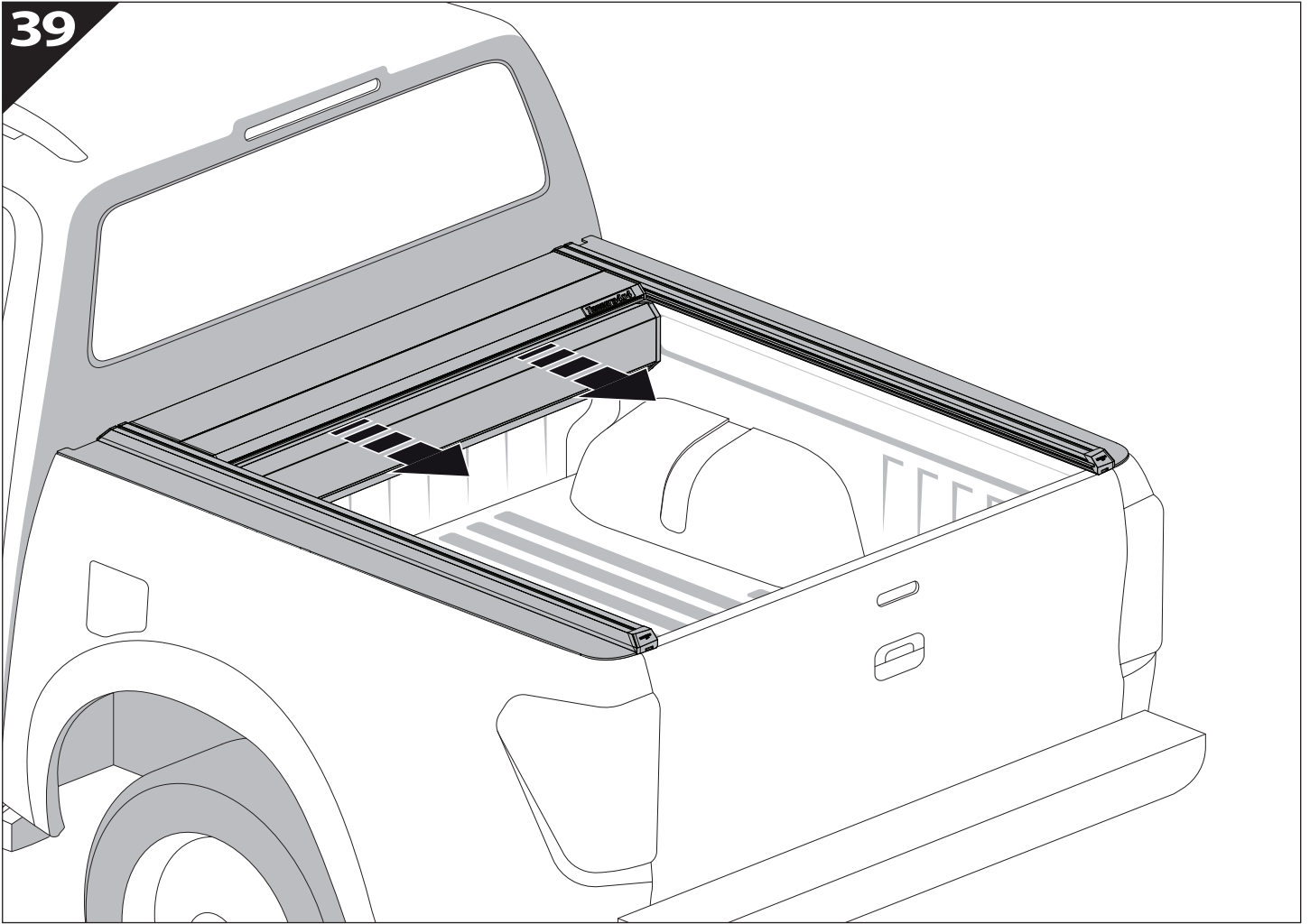
<p><b>N</b></p> <p>x6</p>	<p><b>E</b></p> <p>x6</p>	<p>13 mm</p>	<p>92°</p> <p>1 CAUTION</p> <p>2</p>
---------------------------	---------------------------	--------------	--------------------------------------



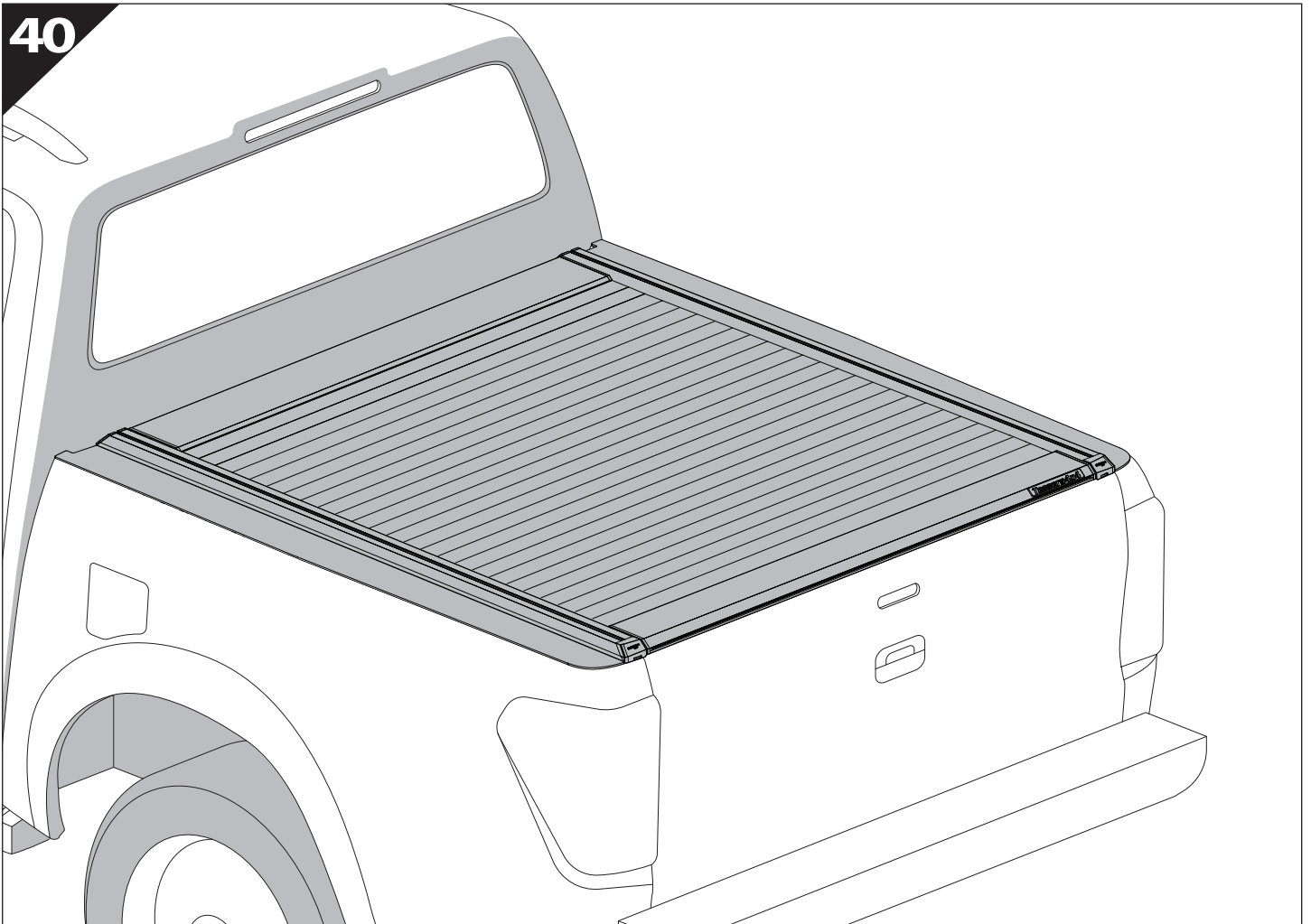
X=X'



39



40







**GR:** Οδηγίες Εγκατάστασης  
**GB:** Installation manual  
**SF:** Asennusohje  
**F:** Notice de montage  
**PL:** Instrukcja montażu  
**NL:** Installatie-instructies  
**TR:** Montaj Talimatı  
**S:** Monteringsanvisning  
**E:** Instrucciones de montaje

**H:** Szerelési utasítás  
**P:** Instruções de instalação  
**RUS:** Инструкция по установке  
**N:** Monteringsveiledning  
**D:** Einbauanleitung  
**CZ:** Návod k instalaci  
**I:** Istruzioni de montaggio  
**DK:** Monteringsvejledning  
**RO:** Instructiuni de instalare

Customer Service:

+30 (210) 5541161, +30 (210) 5541154 (08:00 - 16:00 EET)

Support department:

[info@gianso.gr](mailto:info@gianso.gr)

Website:

[www.tessera4x4.com](http://www.tessera4x4.com)

Address:

19.5 km of National road Athens-Korinthos (Elefsina) Greece, P.C: 19200