

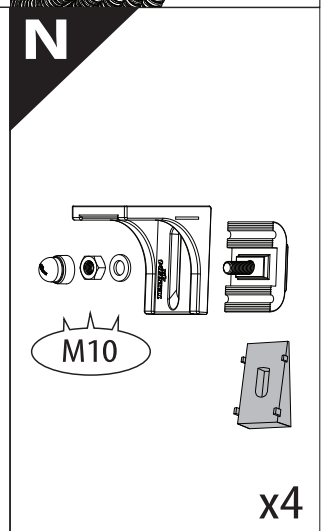
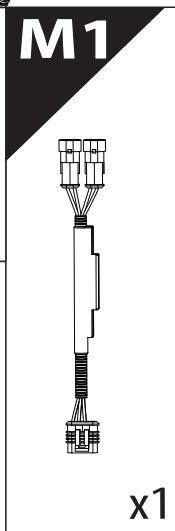
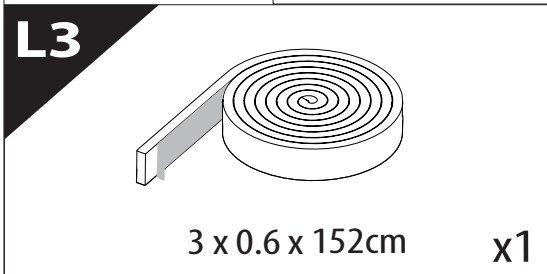
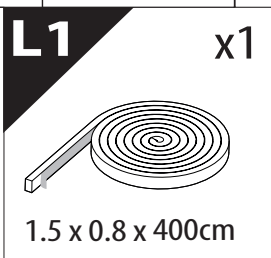
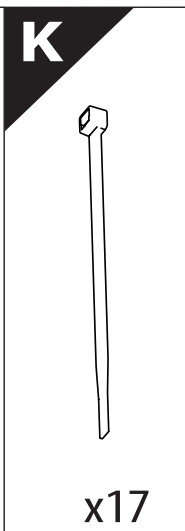
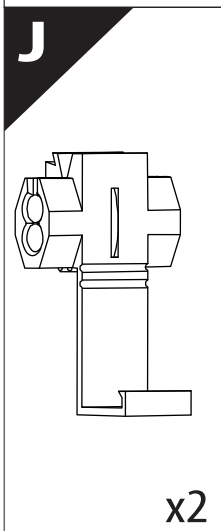
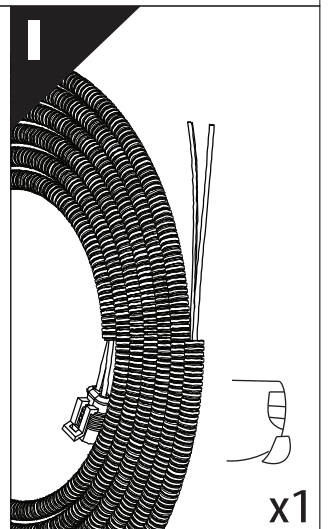
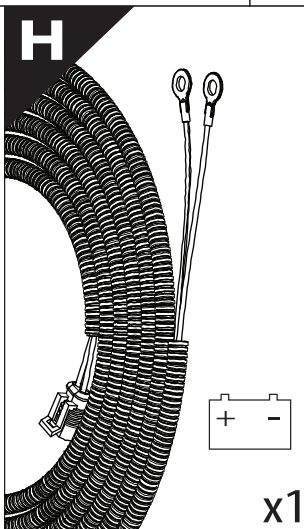
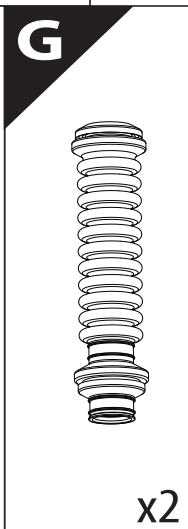
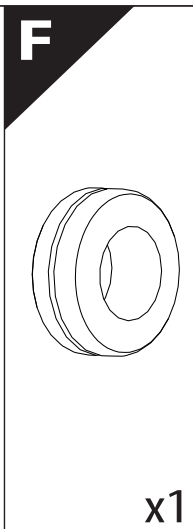
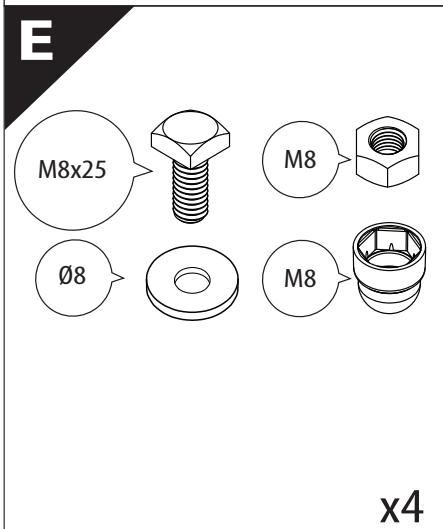
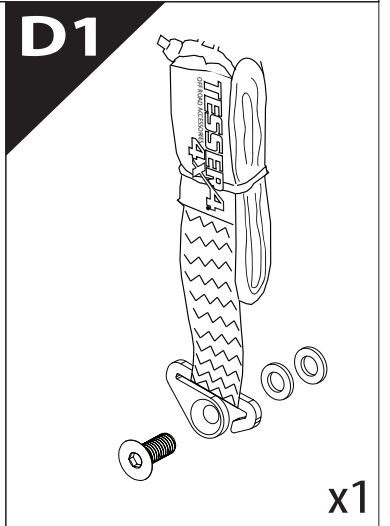
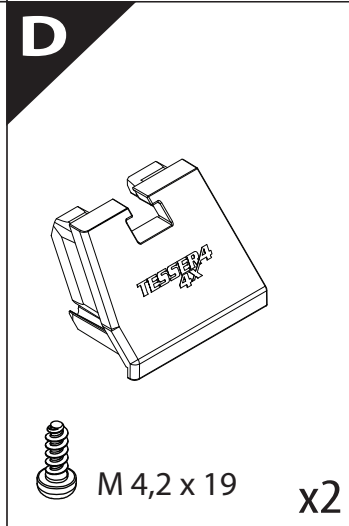
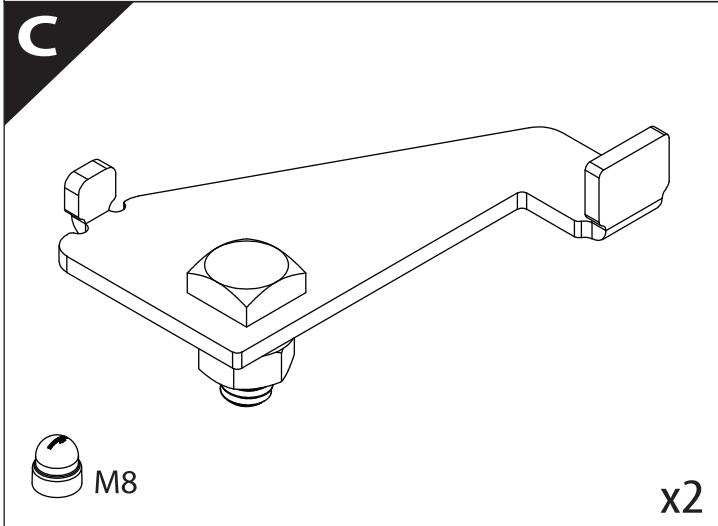
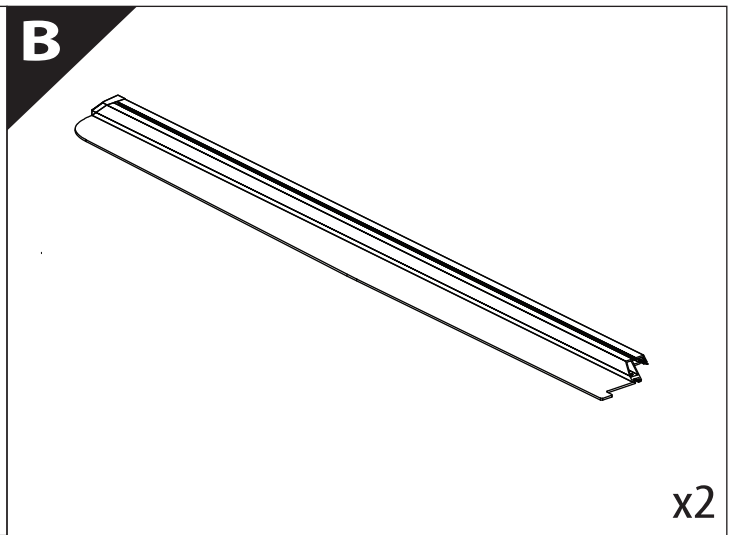
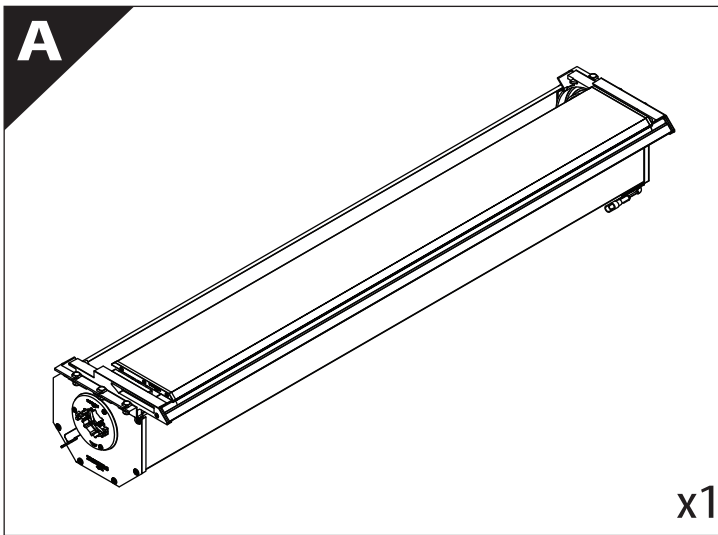
Tessera Roll+

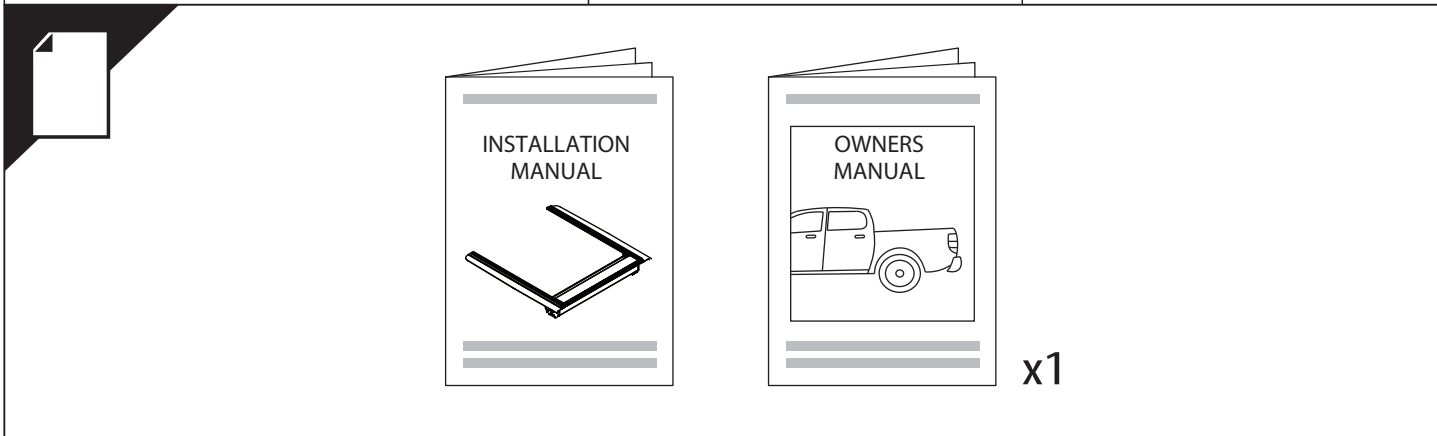
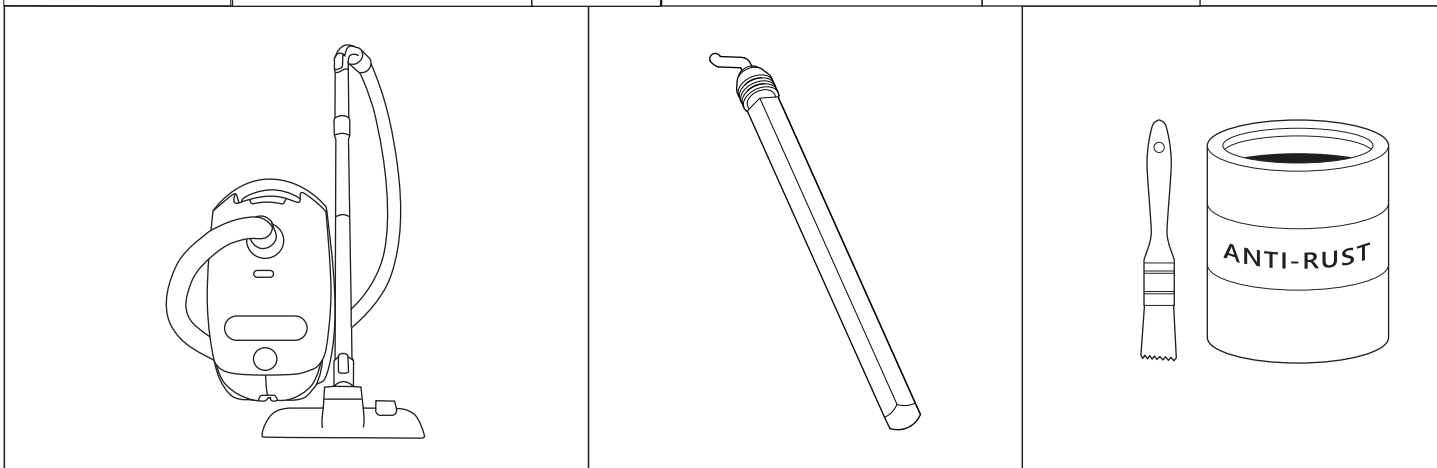
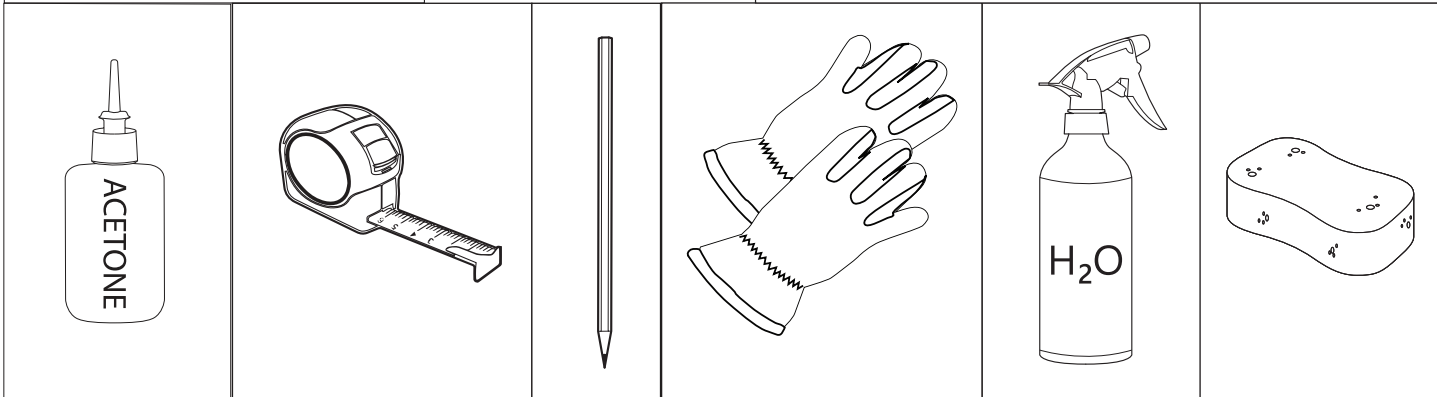
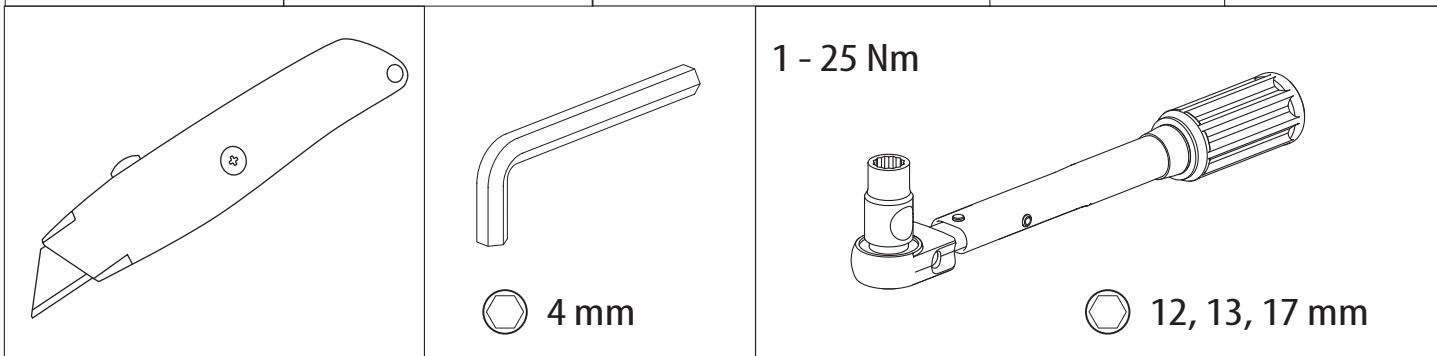
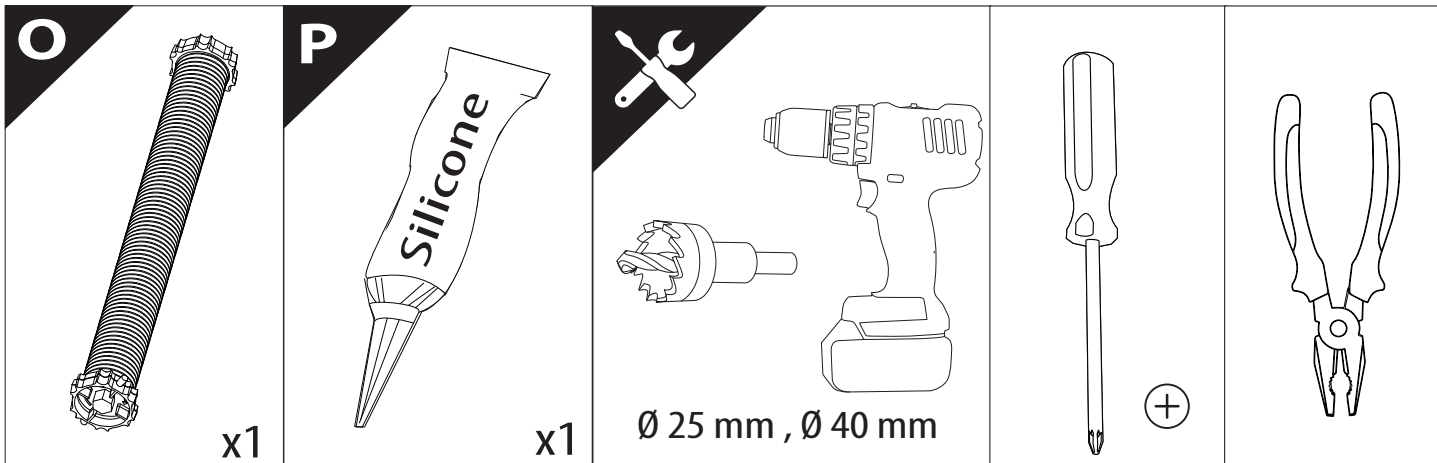
Basic Version + ⚙️ S-KIT

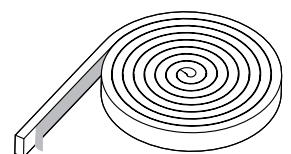
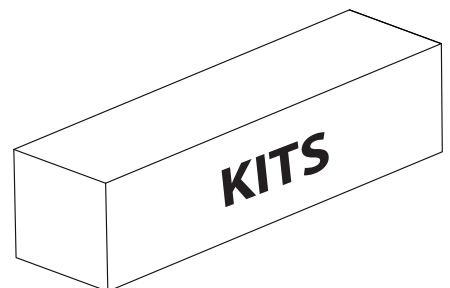
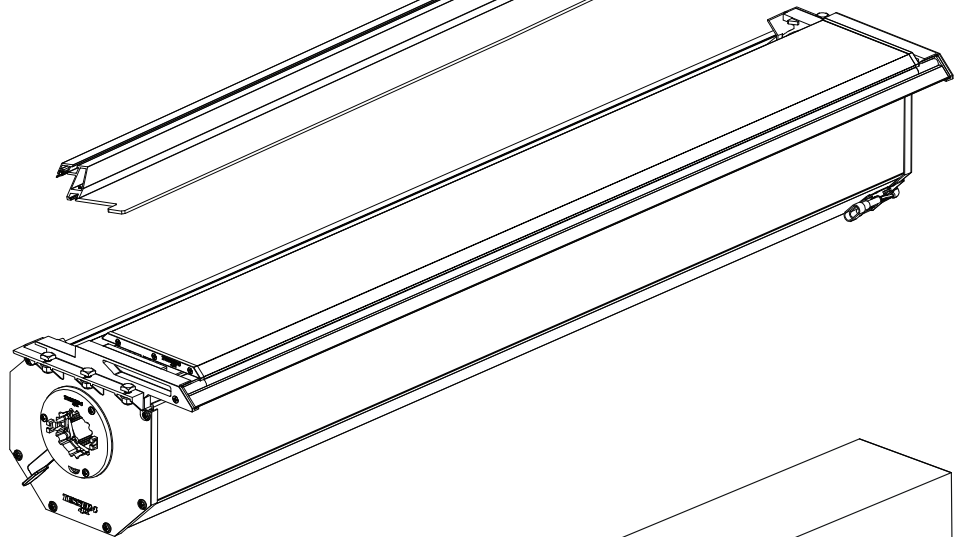
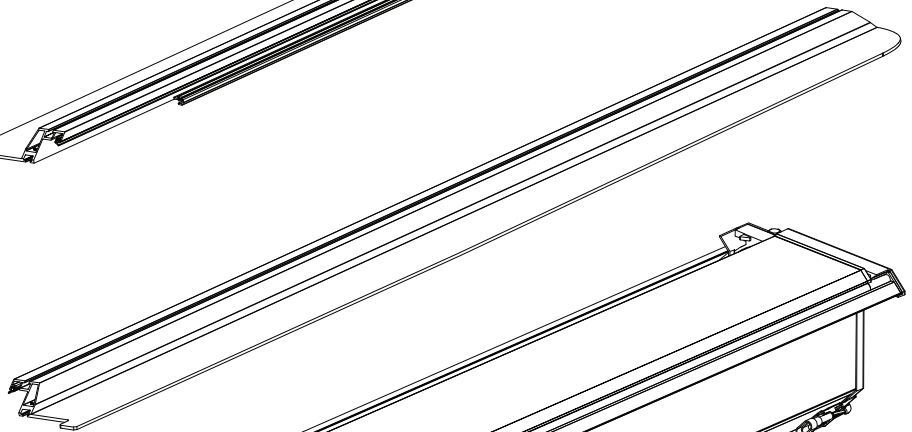
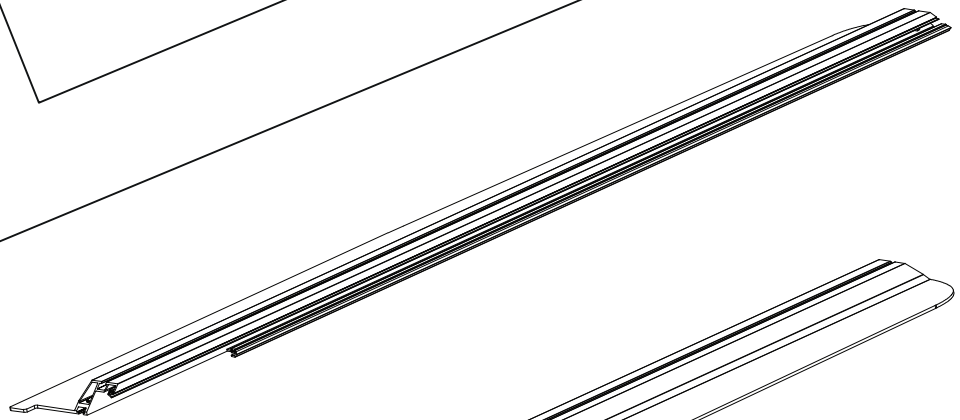
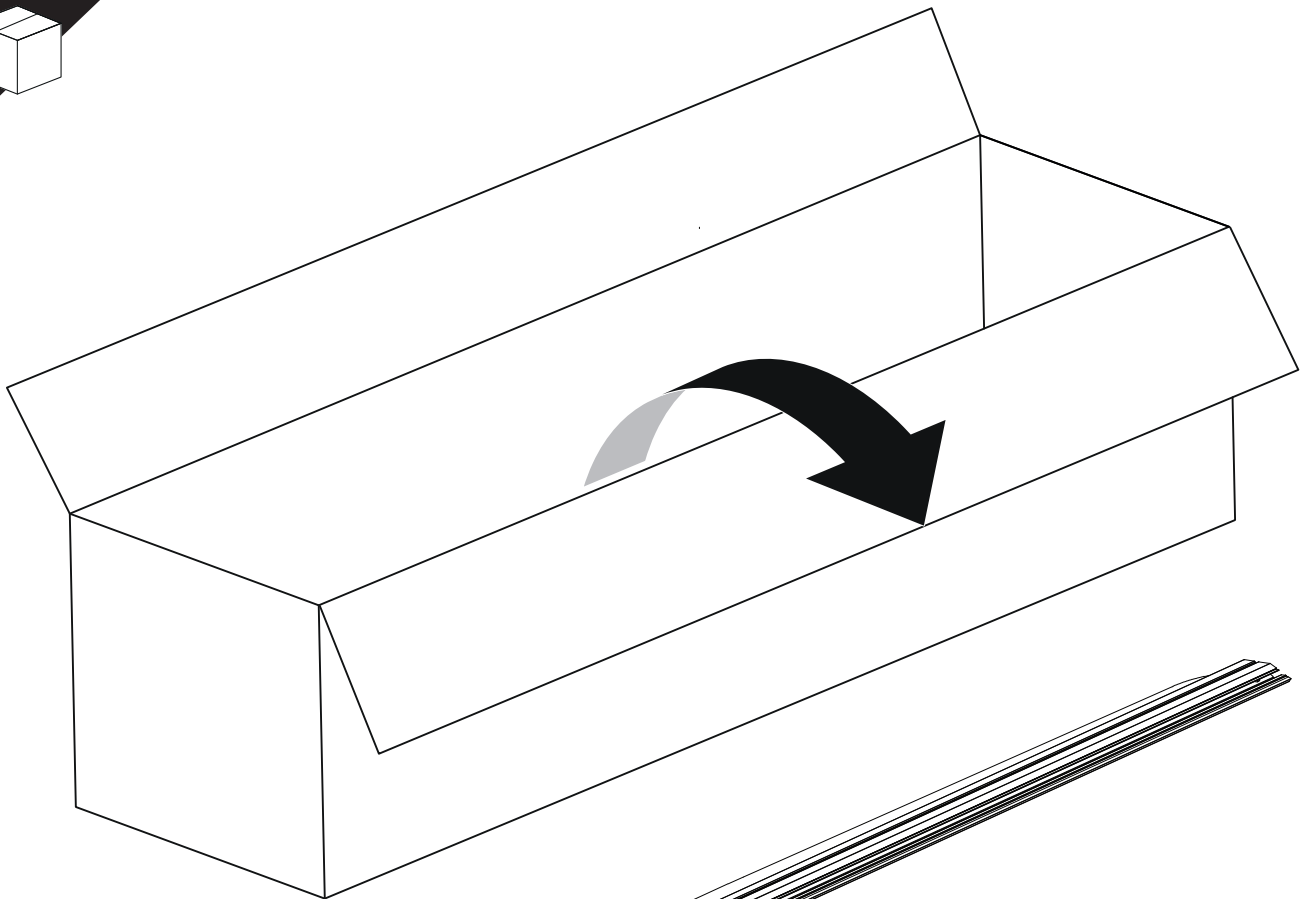


Installation Manual

PART NUMBER(S)	Model Year
TESS 1445 ROLL+S-KIT	Maxus T60 / T90EV 2023+
Cab(s)	Installation Time / Weight
Double Cab	40-60 minutes / 53-57 kg





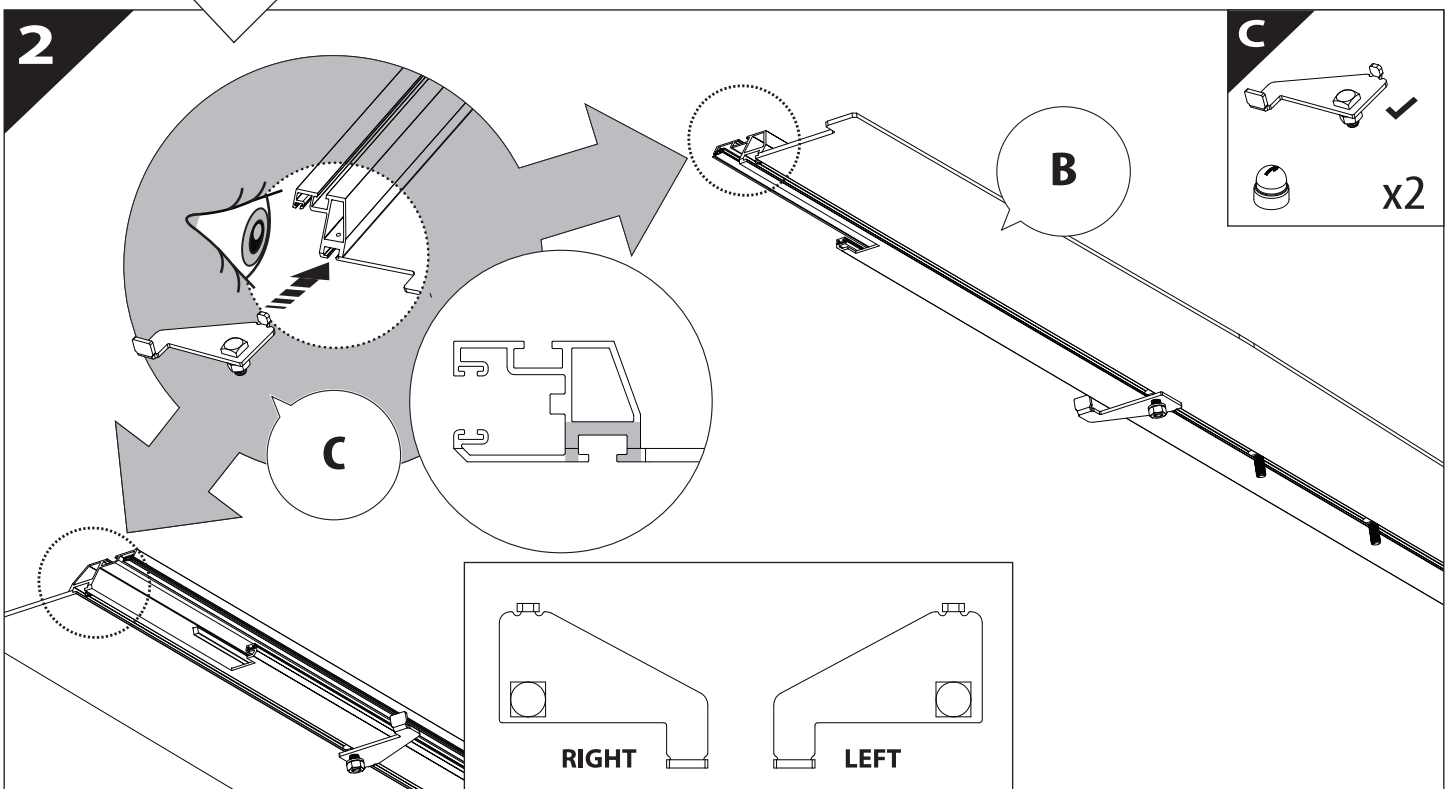
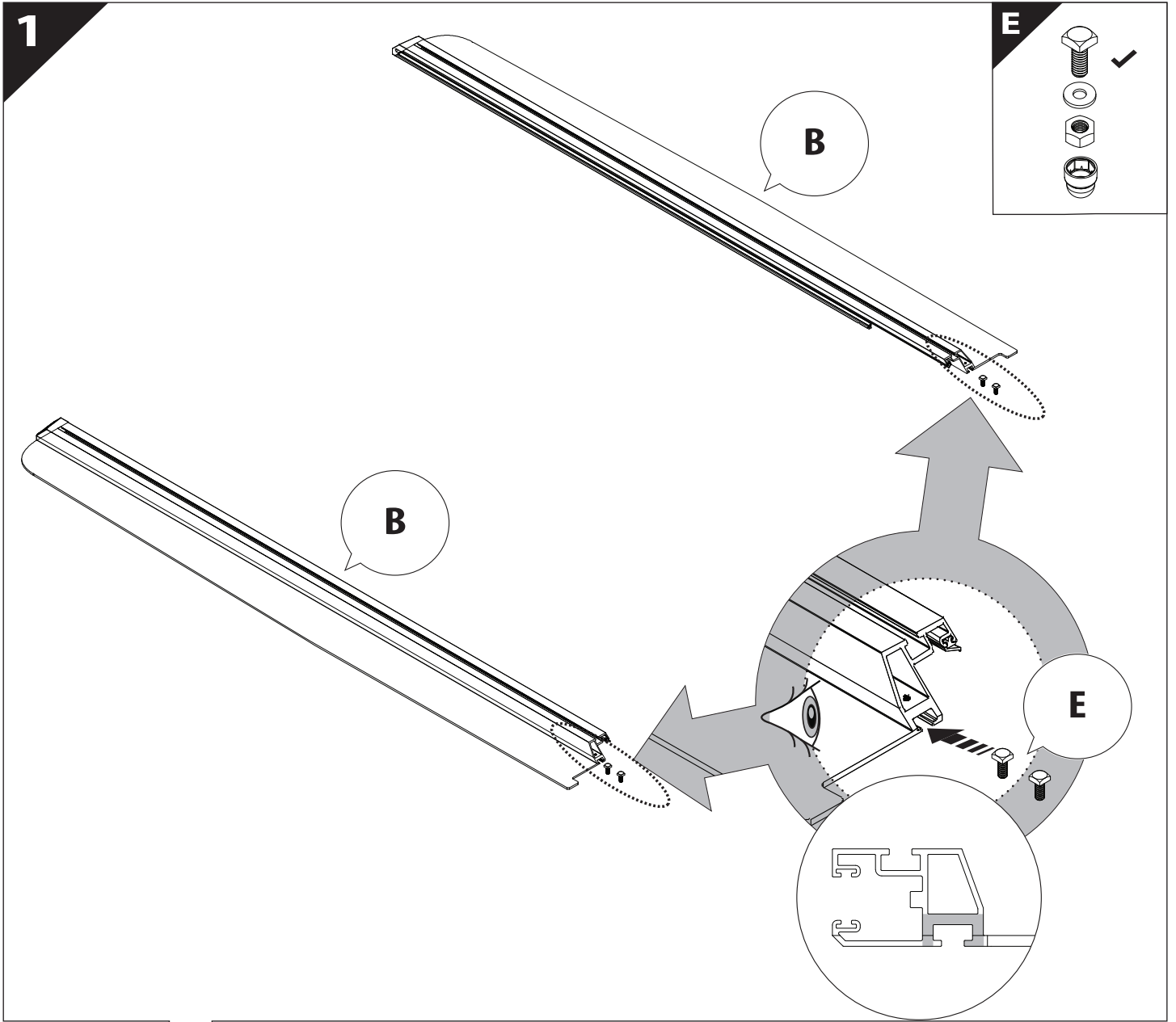


B

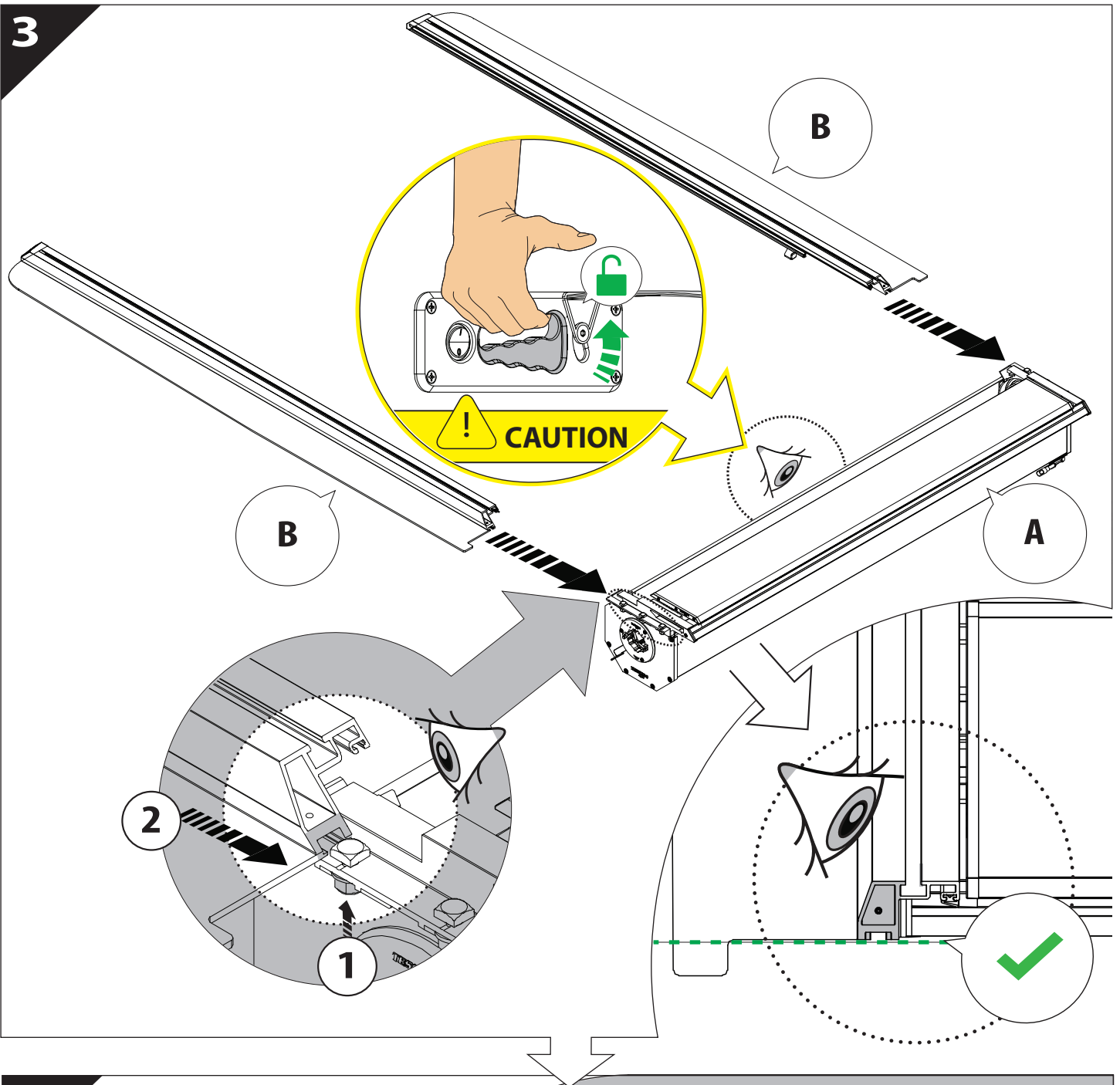
A

KITS

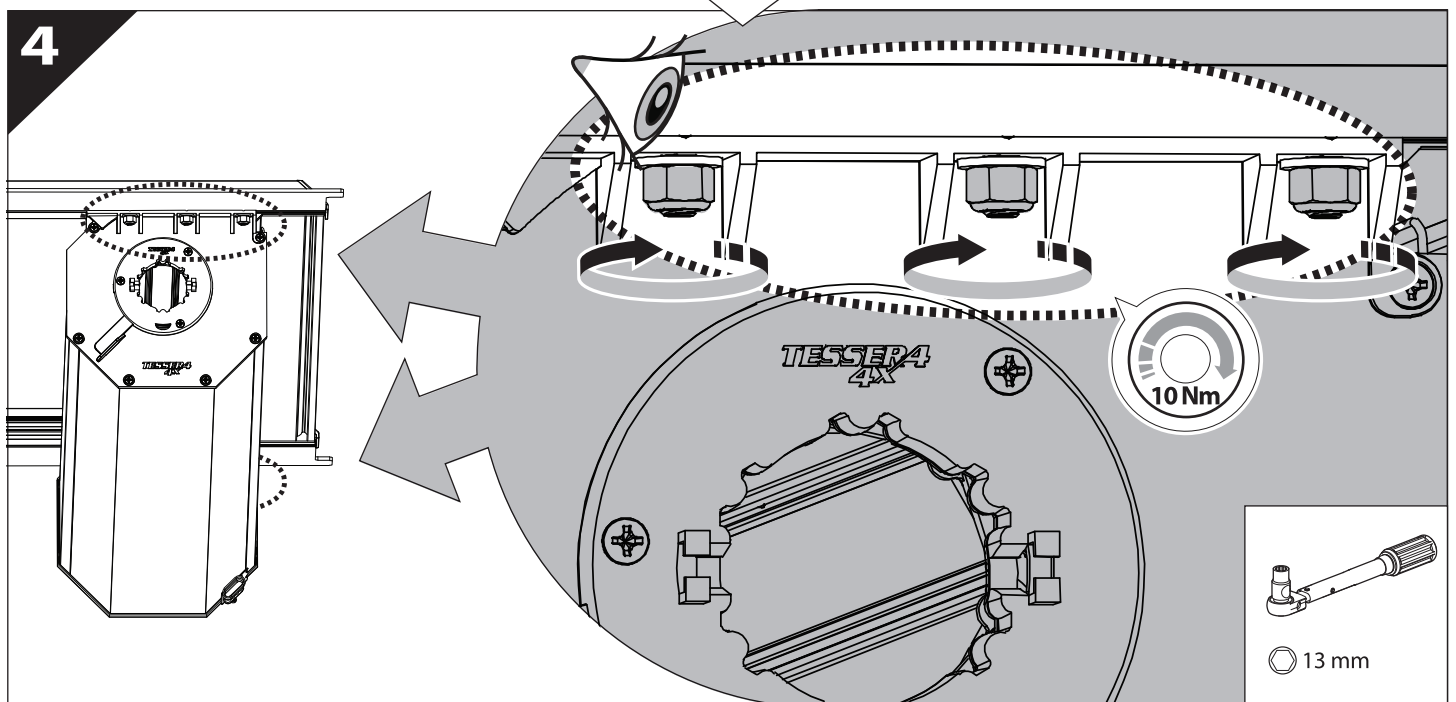
L

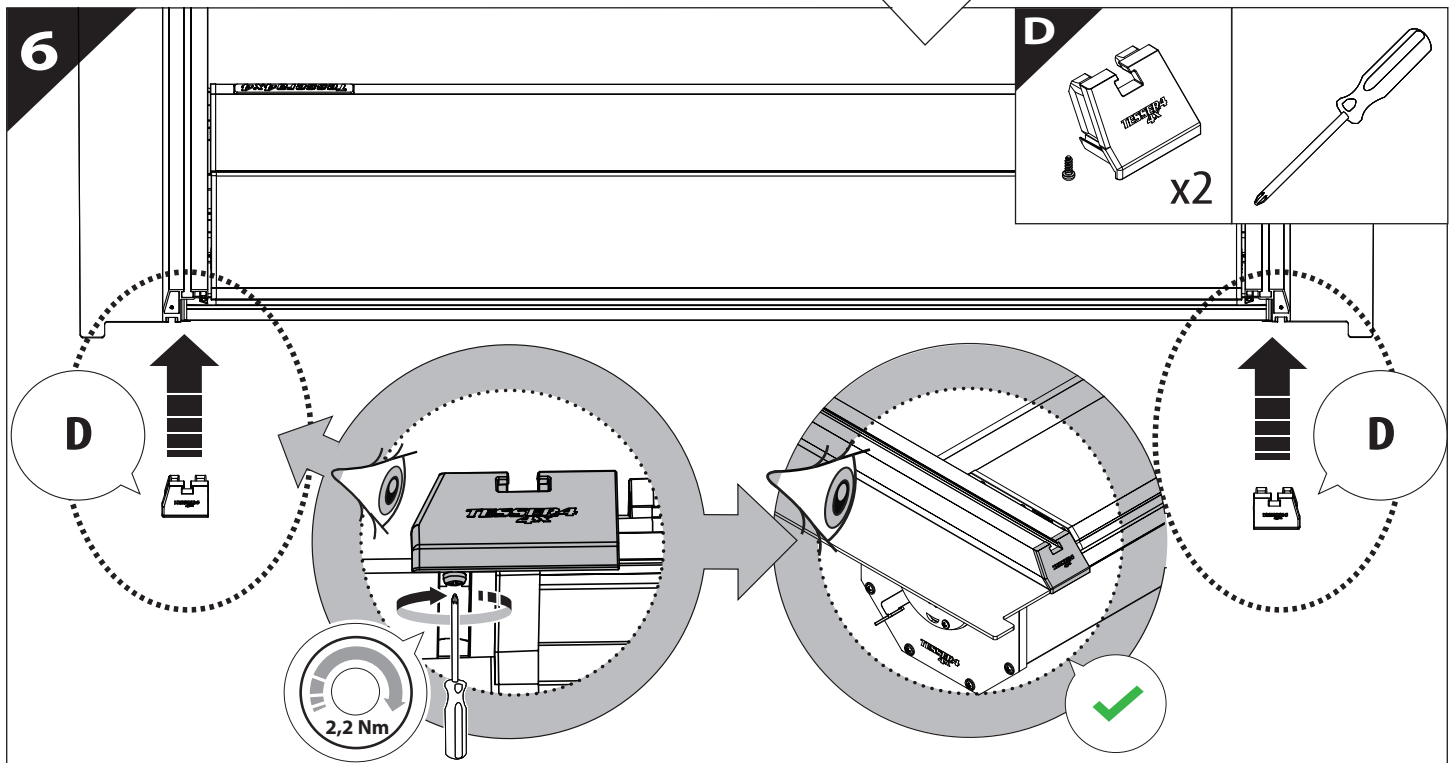
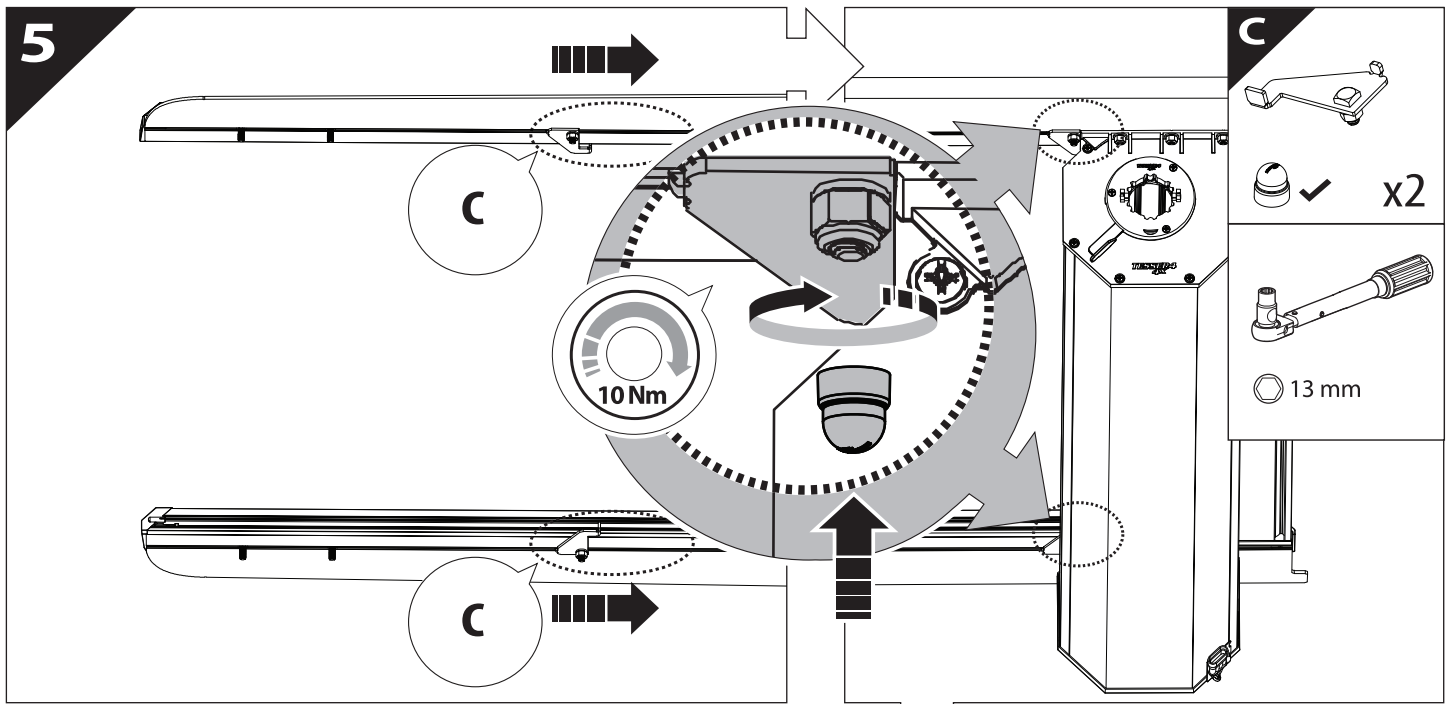


3

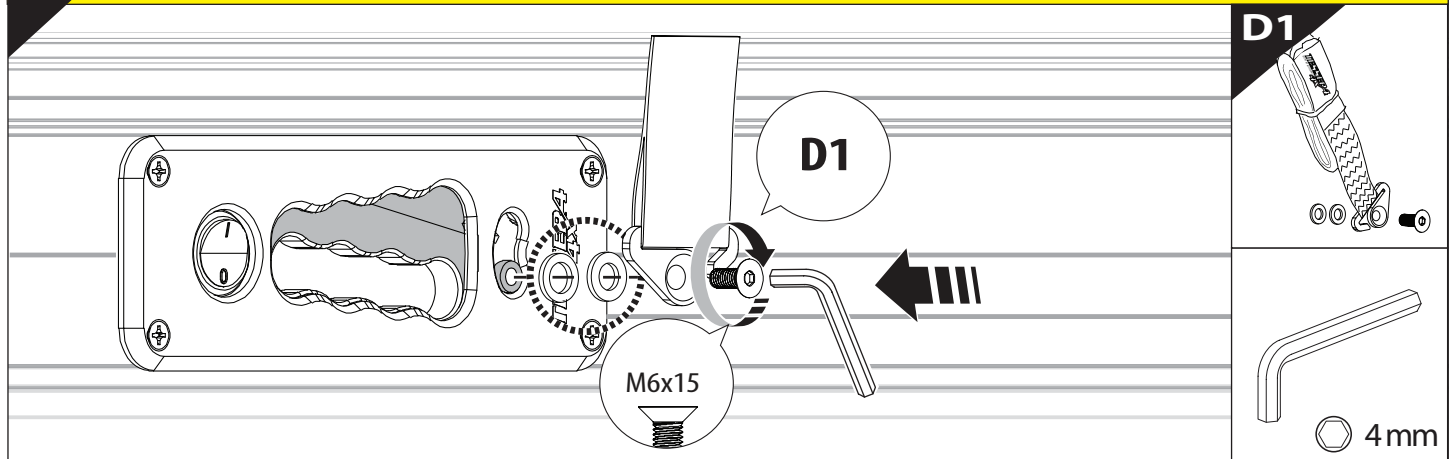


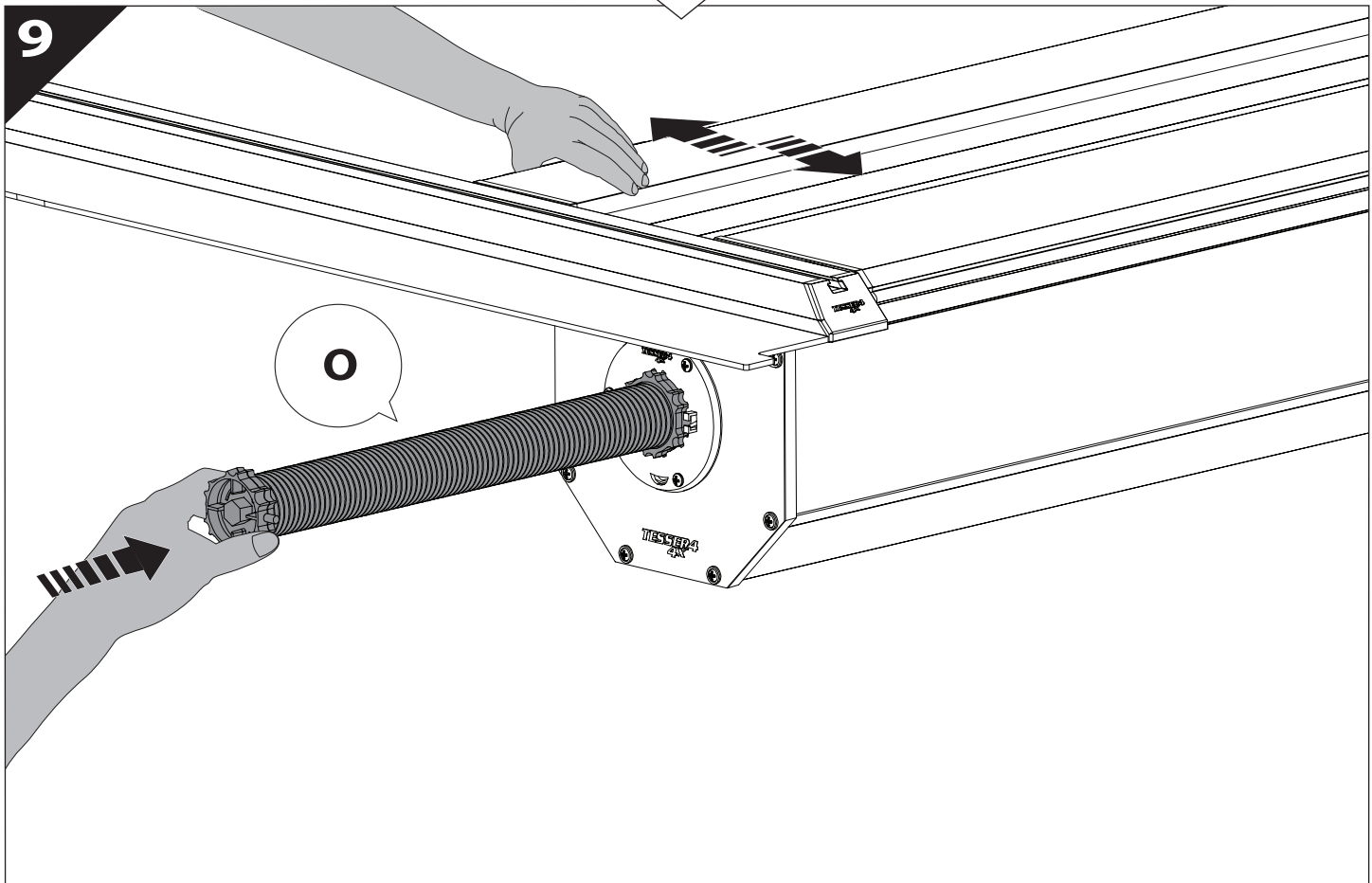
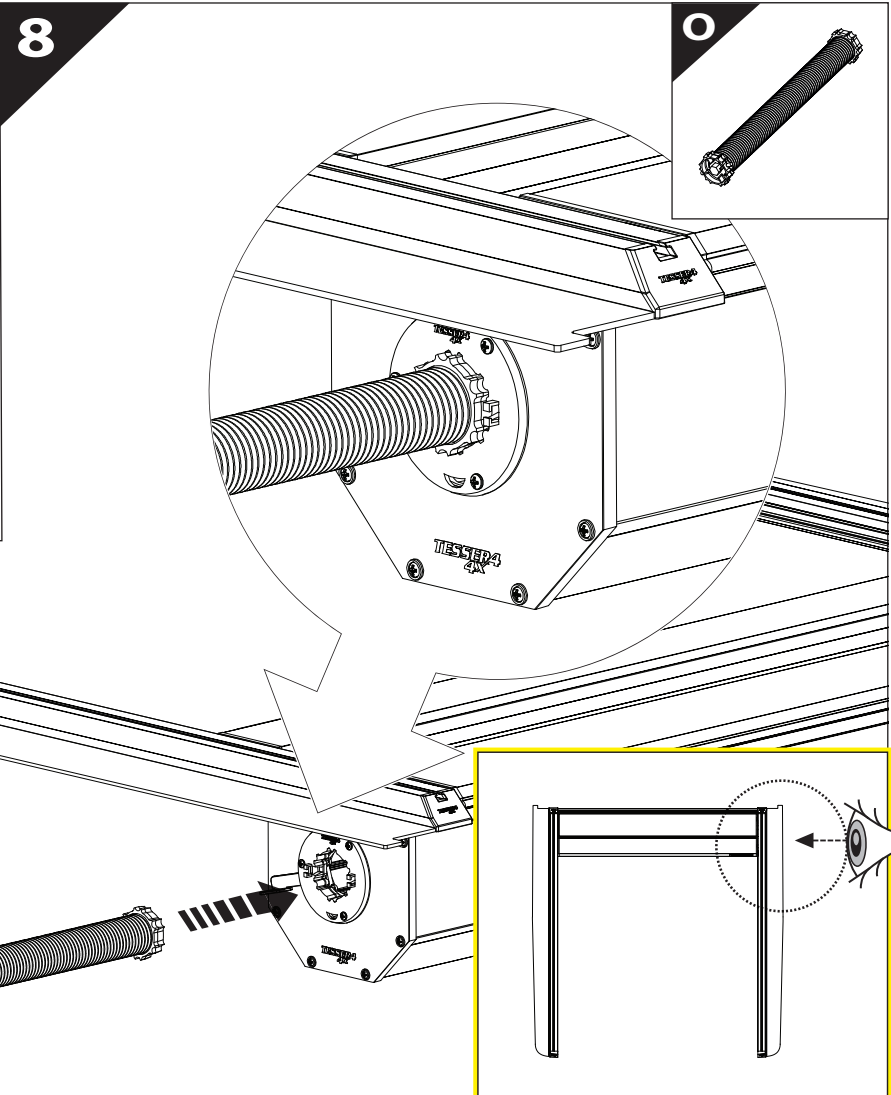
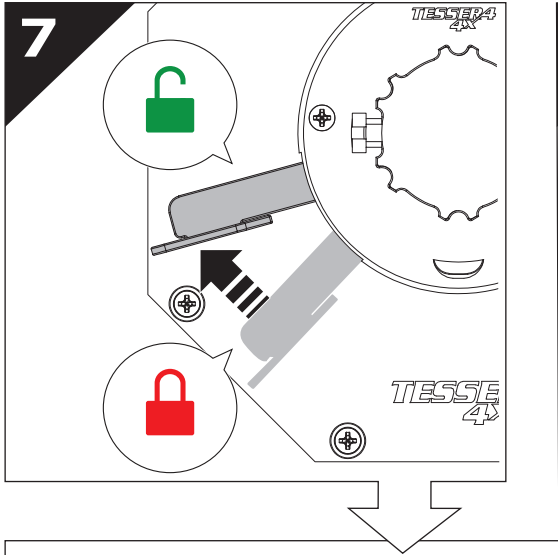
4

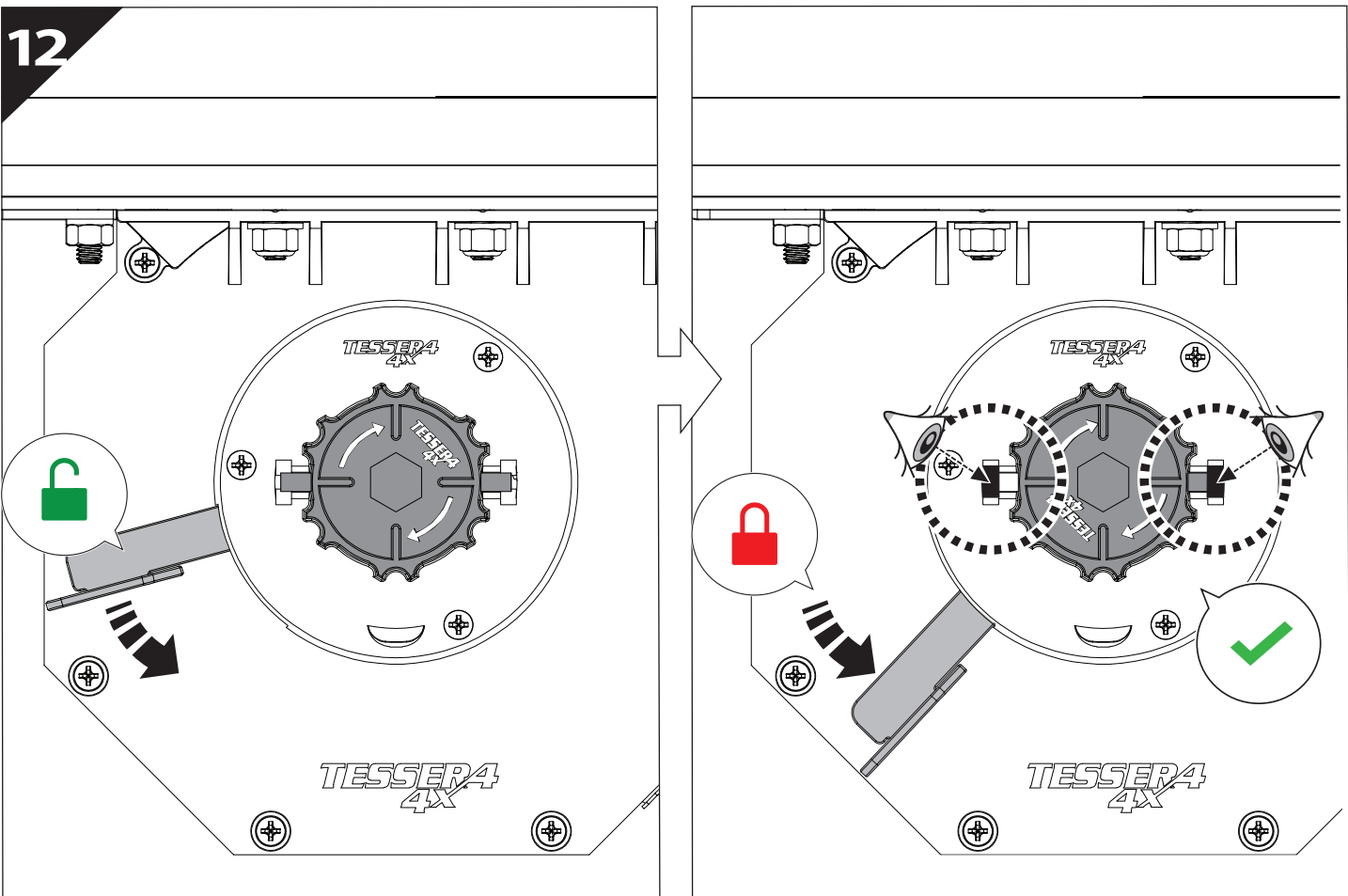
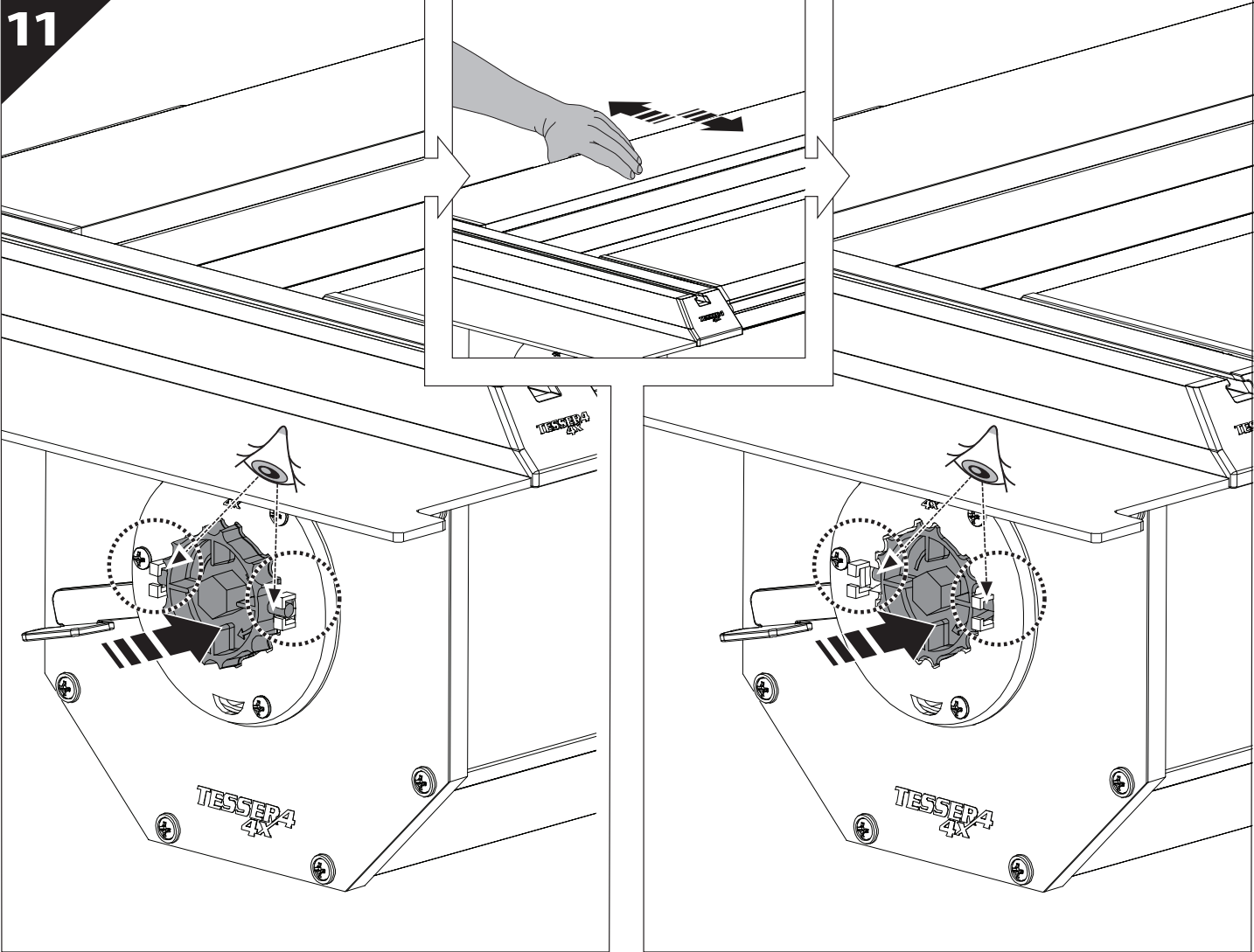




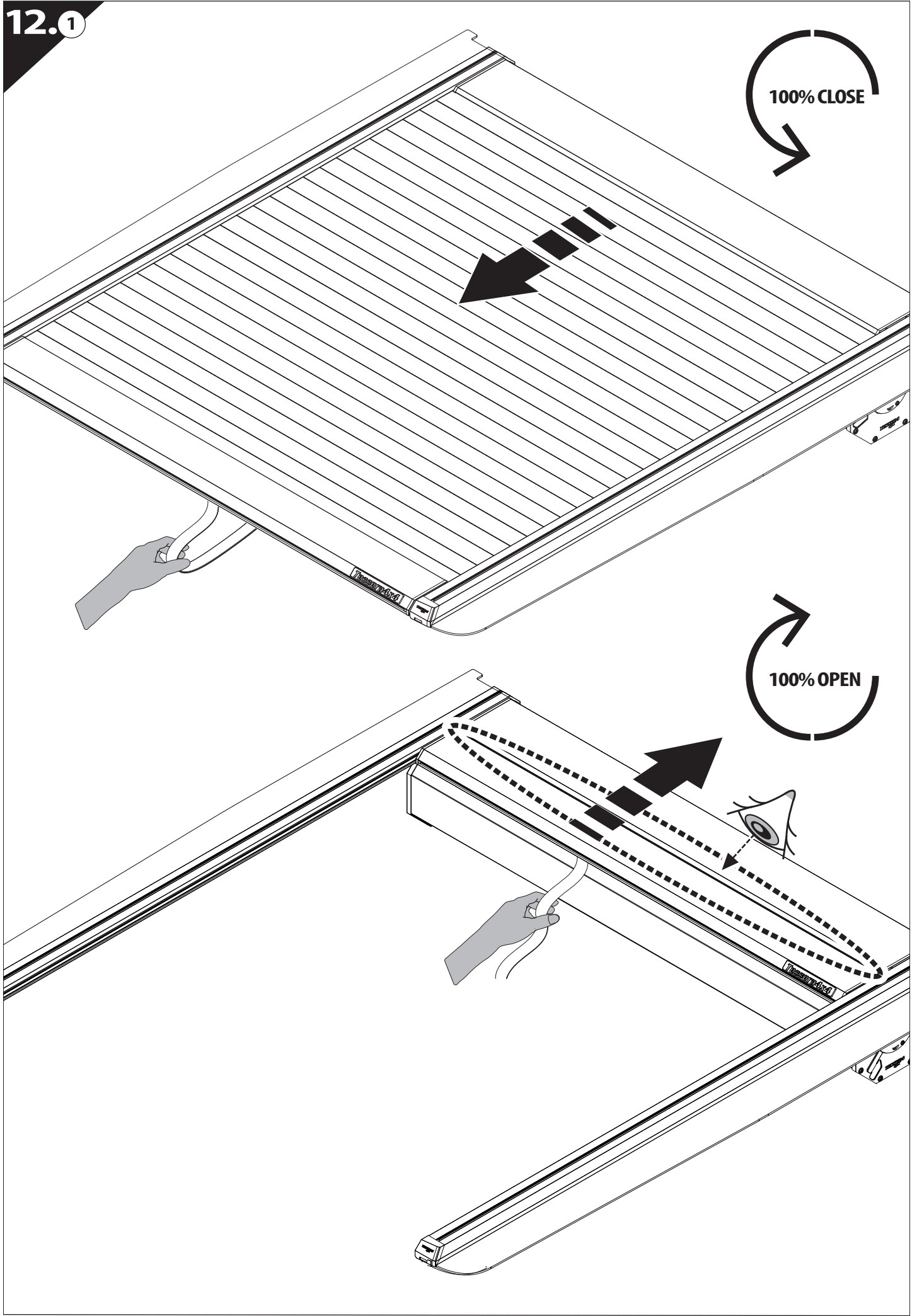
6.1 **CAUTION** Basic Version ✓ & Basic+S-KIT Version ✓



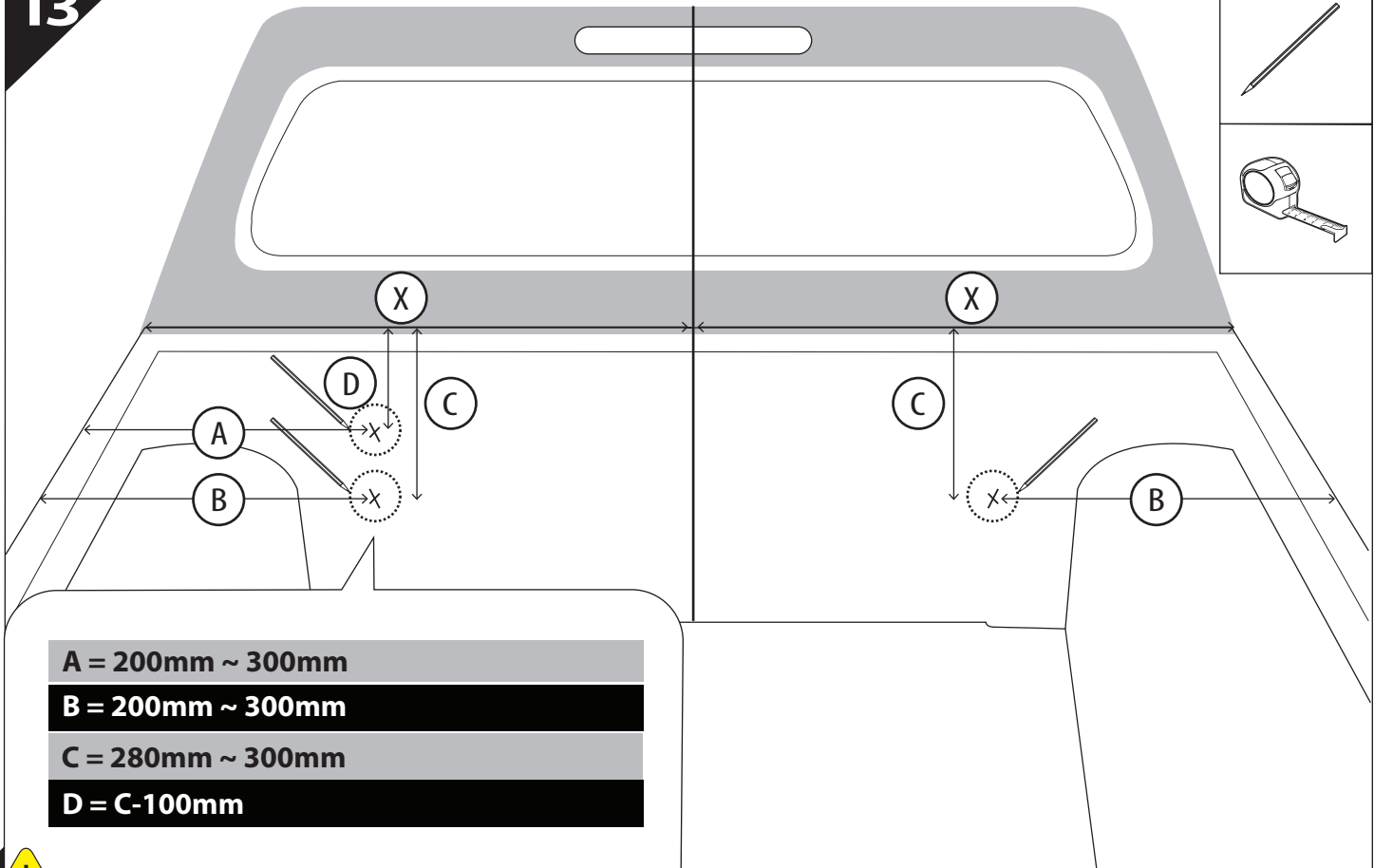
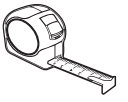




12.0



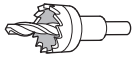
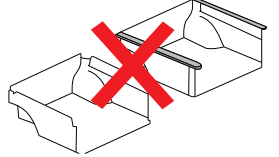
13



- A = 200mm ~ 300mm
- B = 200mm ~ 300mm
- C = 280mm ~ 300mm
- D = C-100mm

! TRY TO FIND FREE & STRAIGHT SPOTS IN THESE DIMENSIONS ACCORDINGLY

14

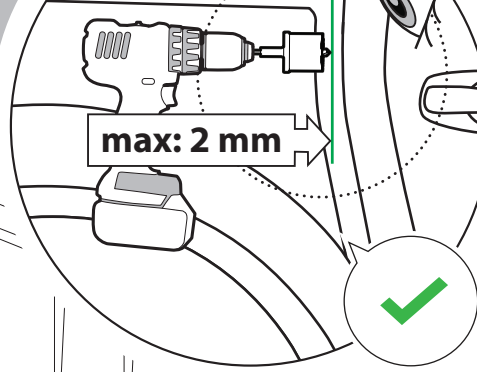


Ø 25 mm

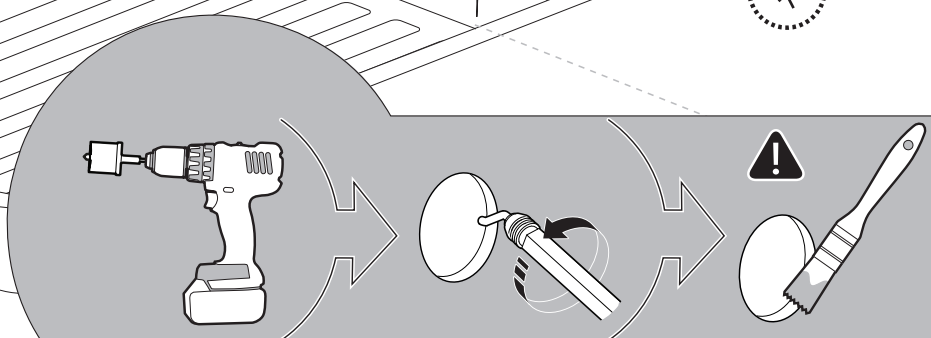
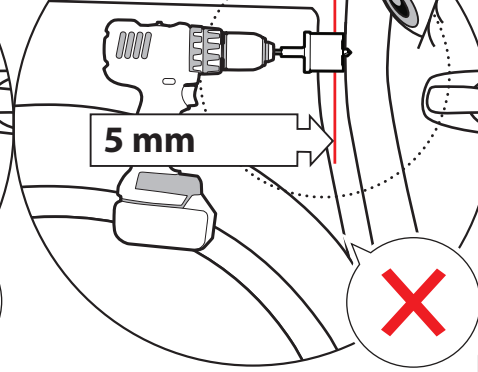


Rust Protection

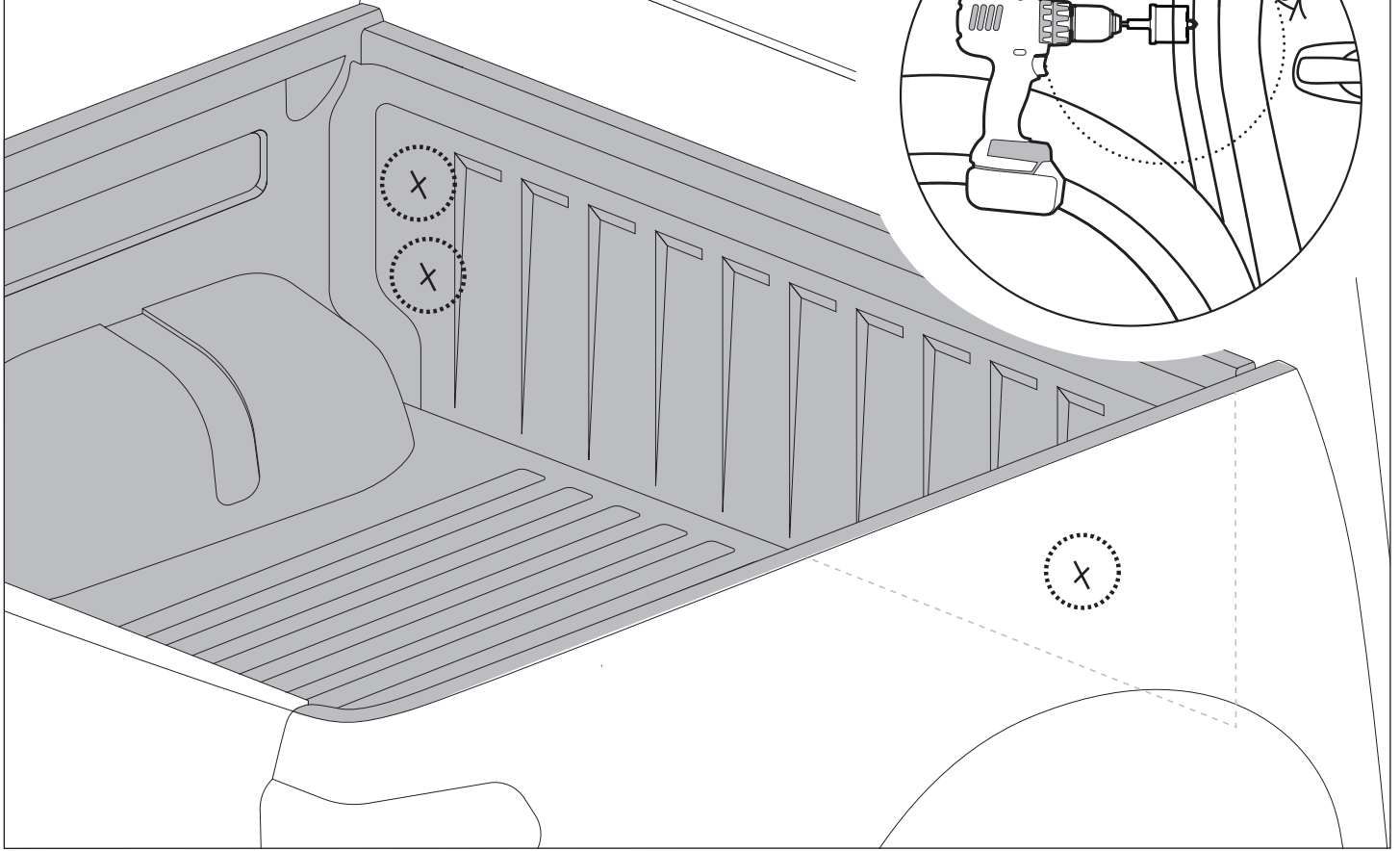
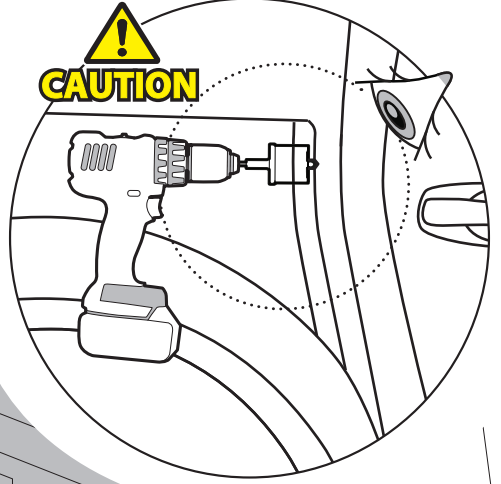
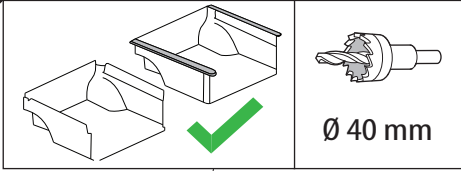
!
CAUTION



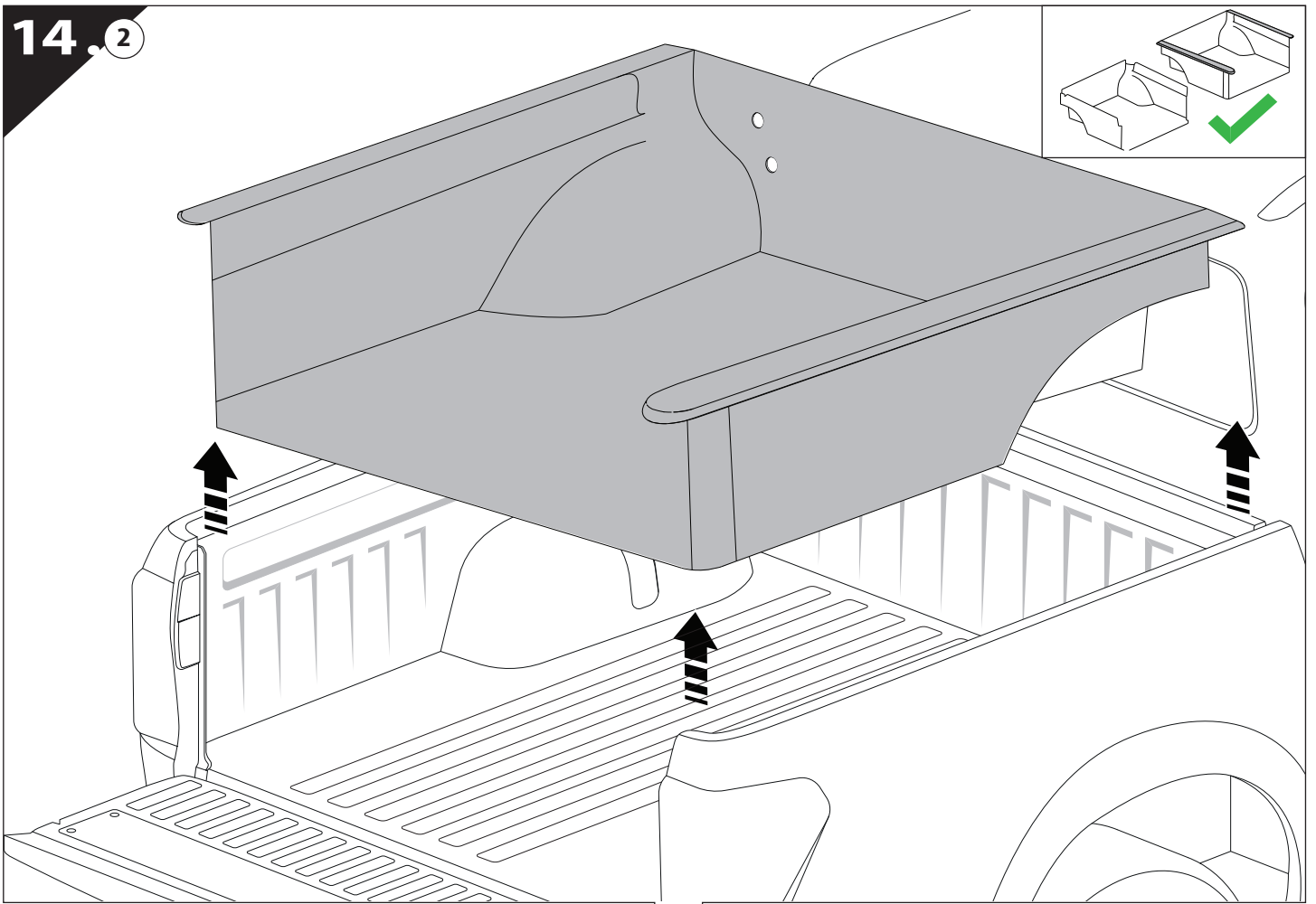
!
CAUTION



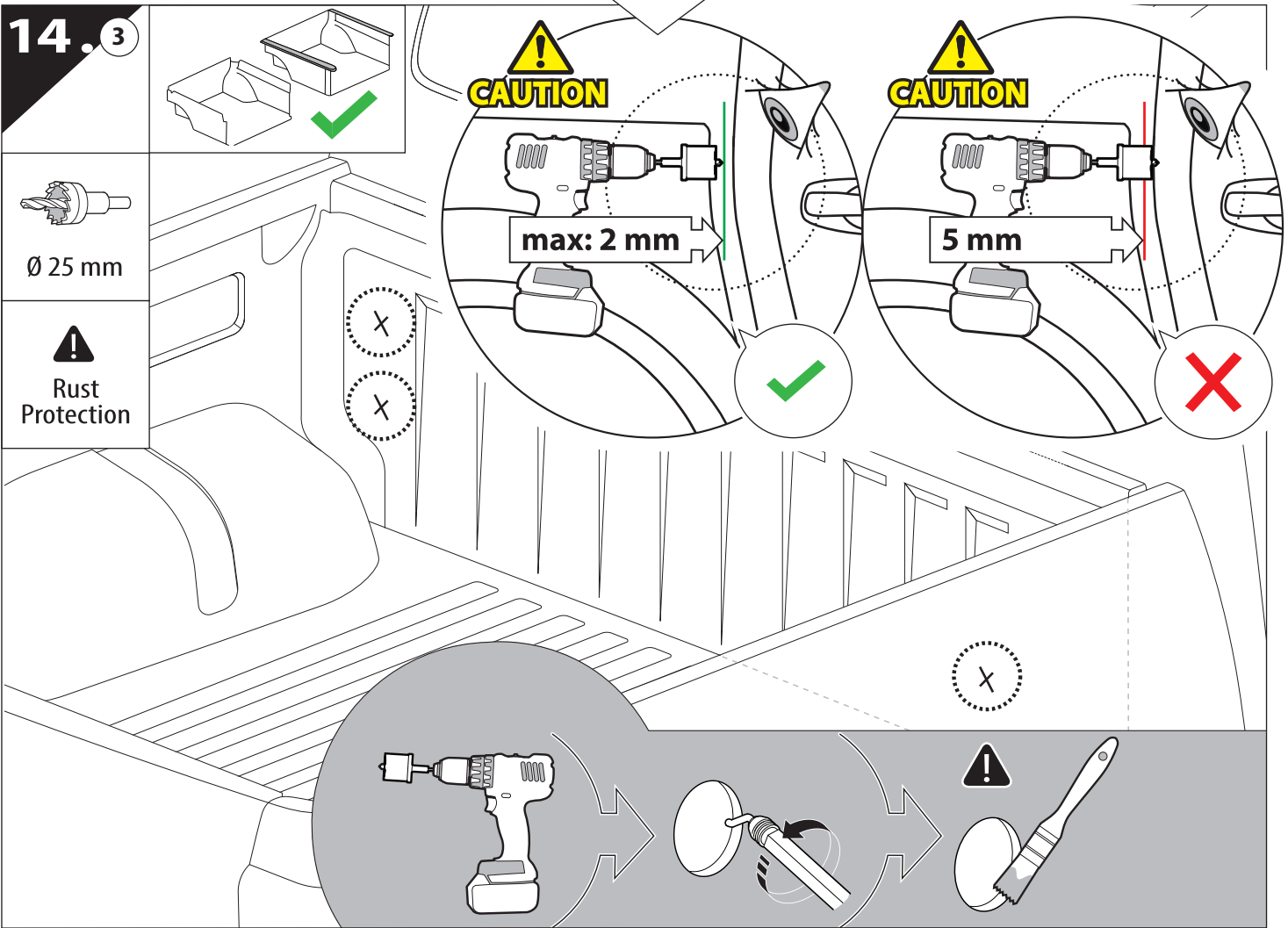
14. 1

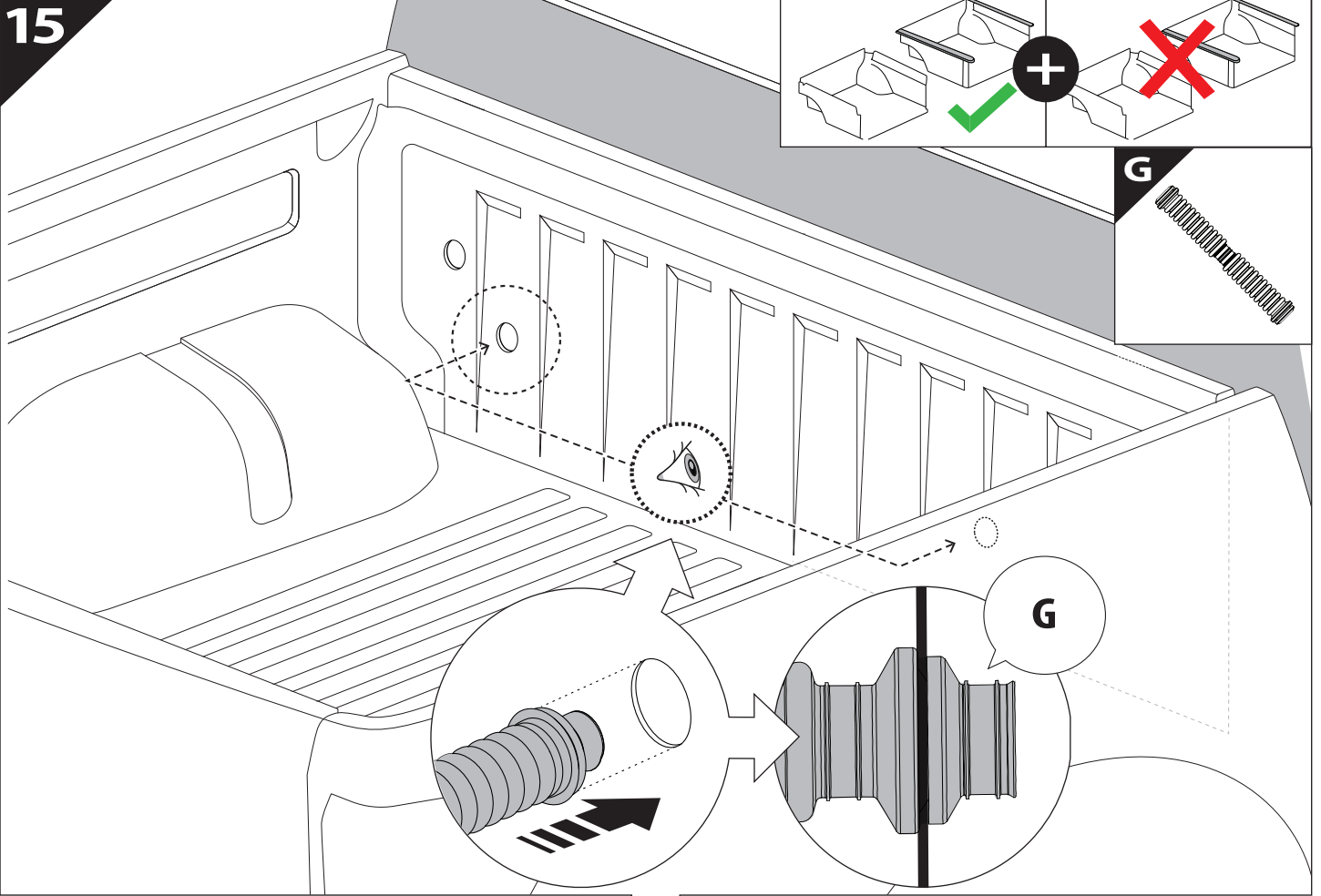


14.2

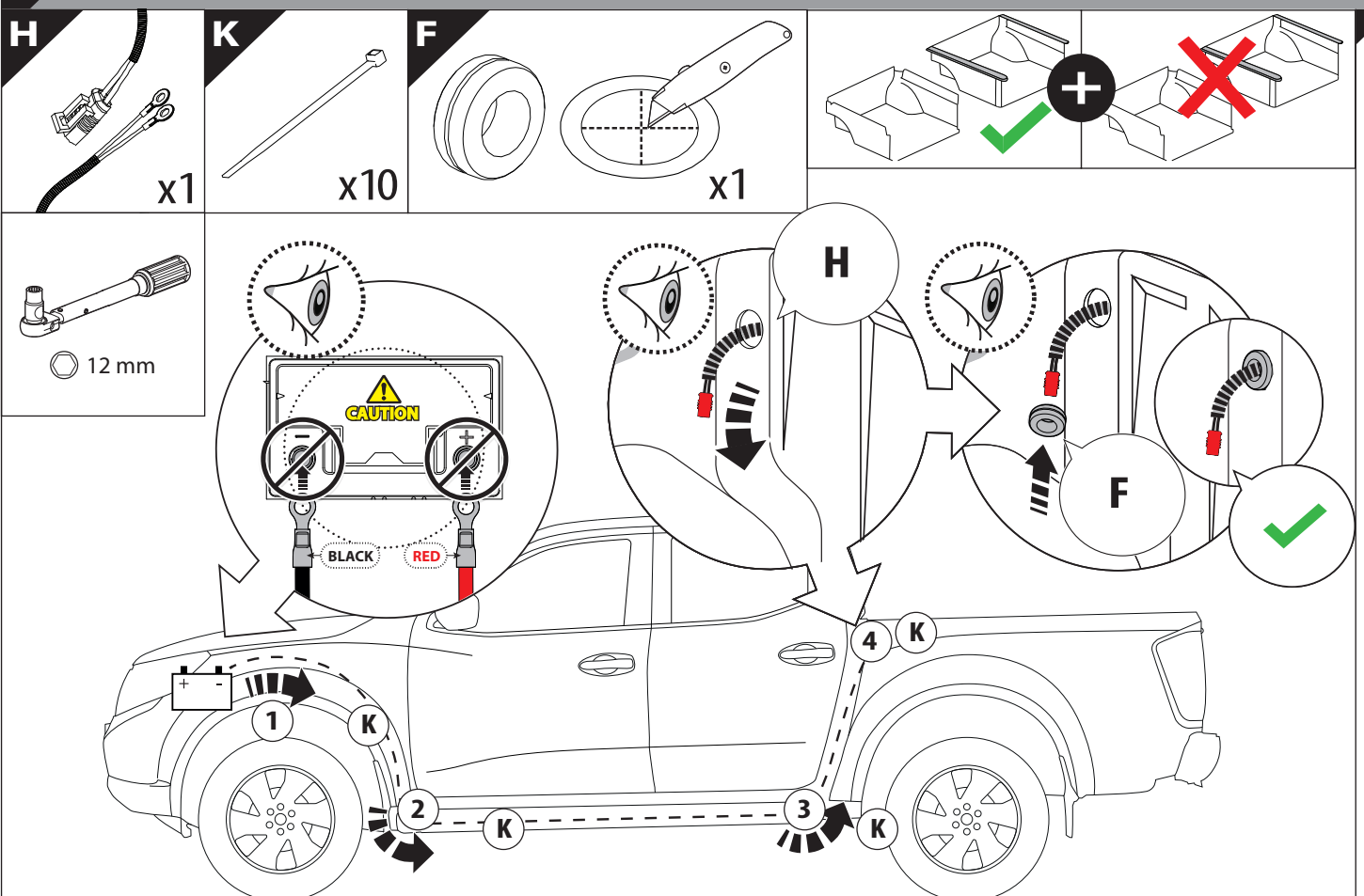


14.3

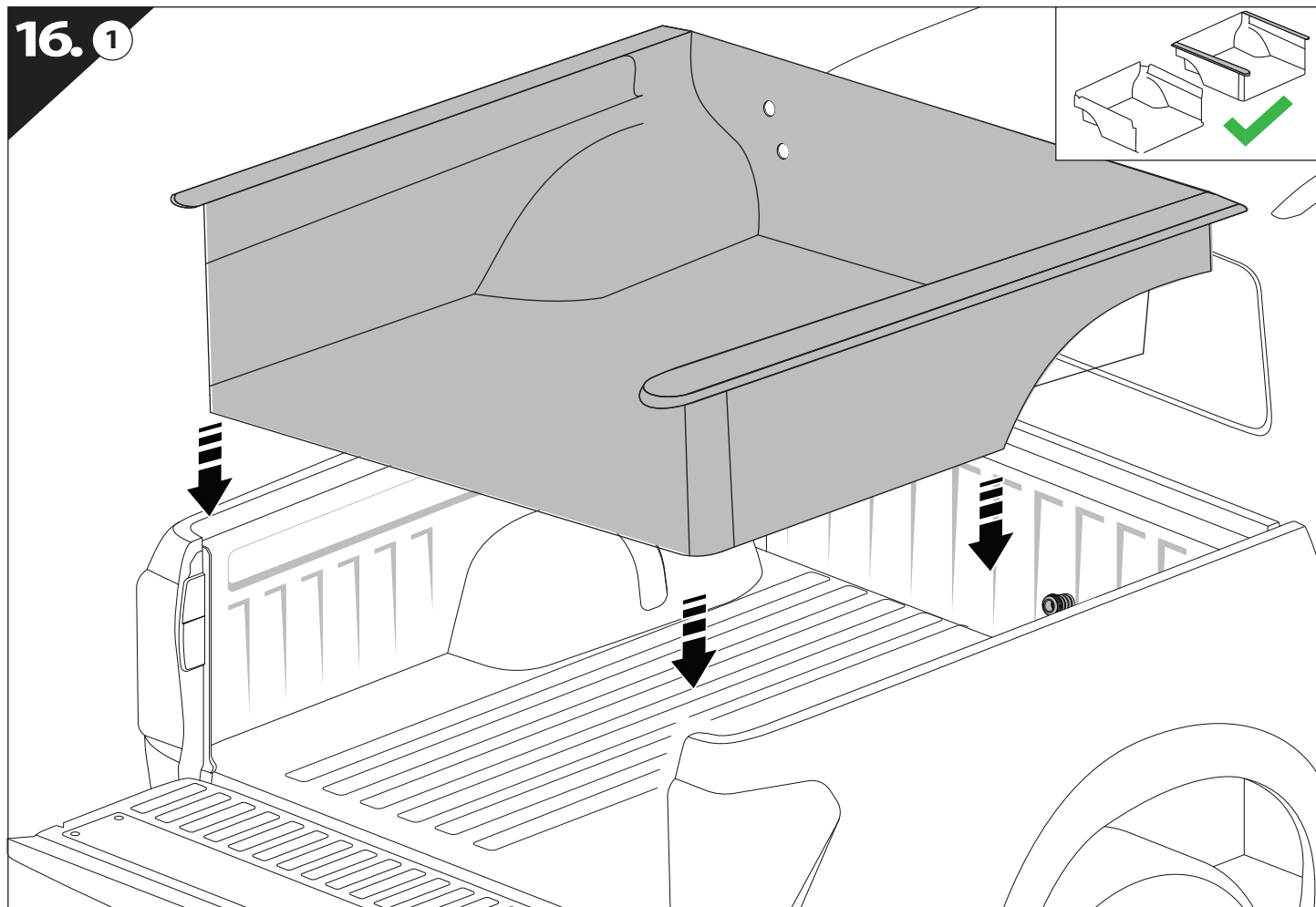




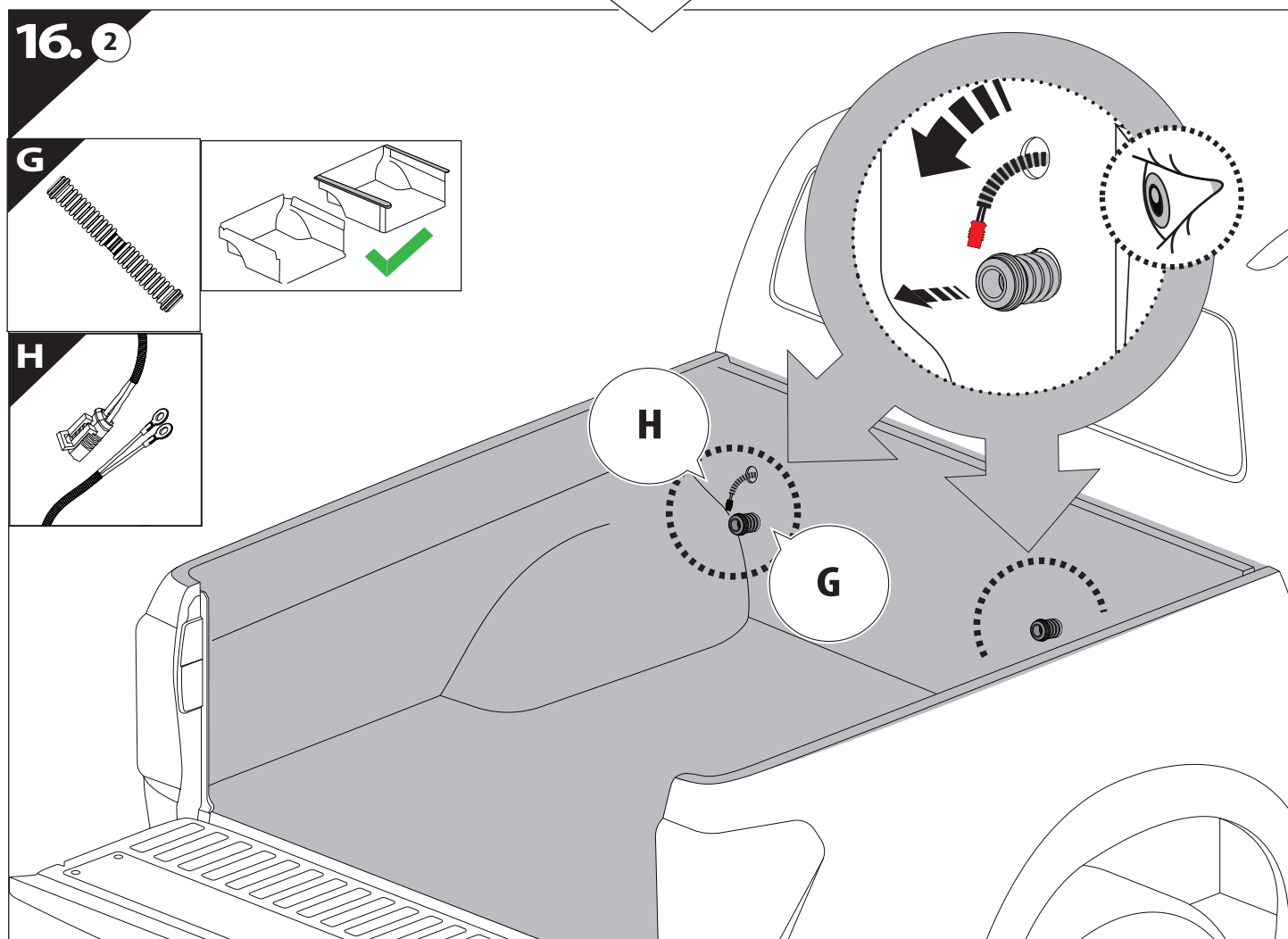
16 Only to be installed by authorized personnel

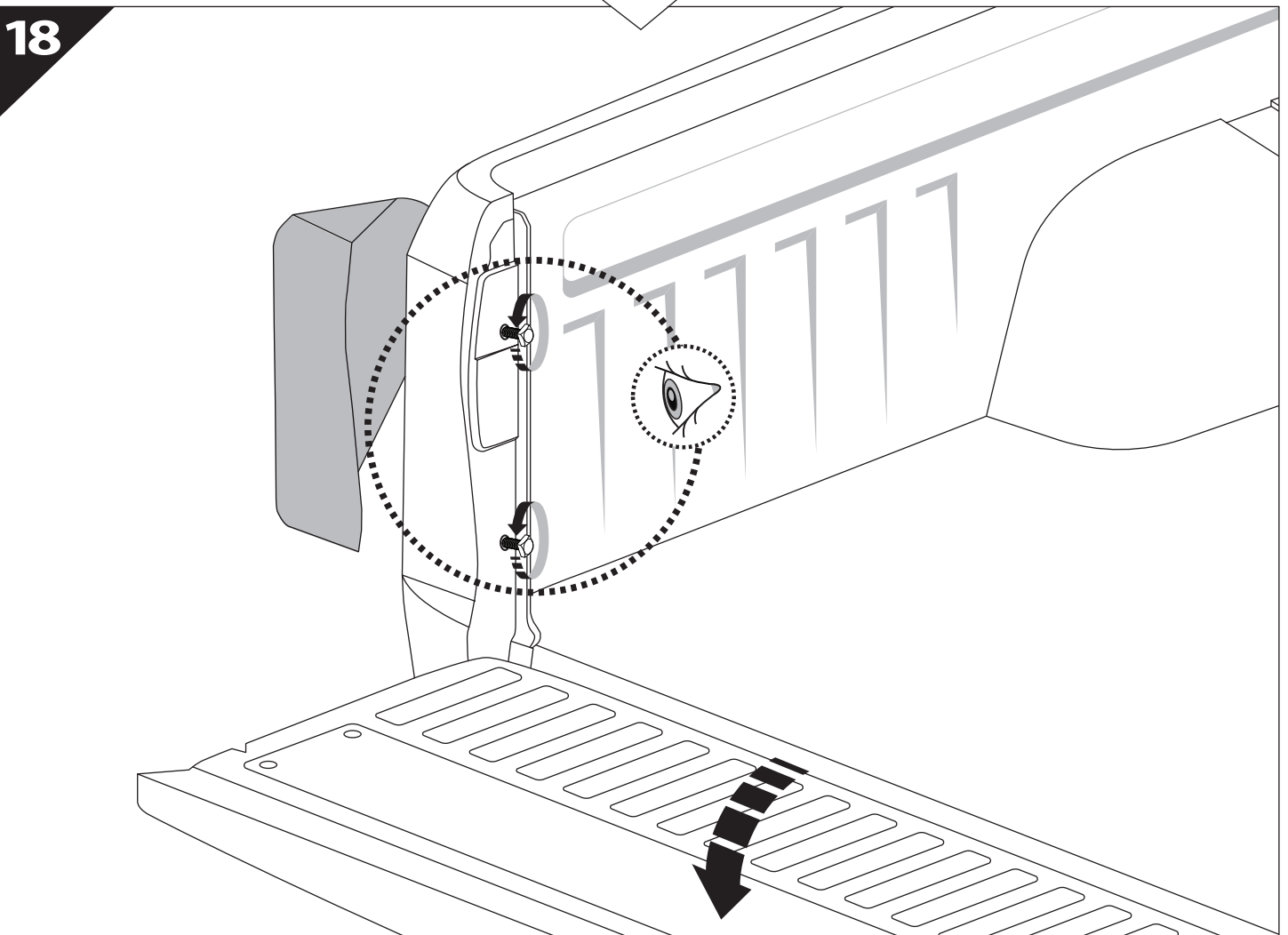
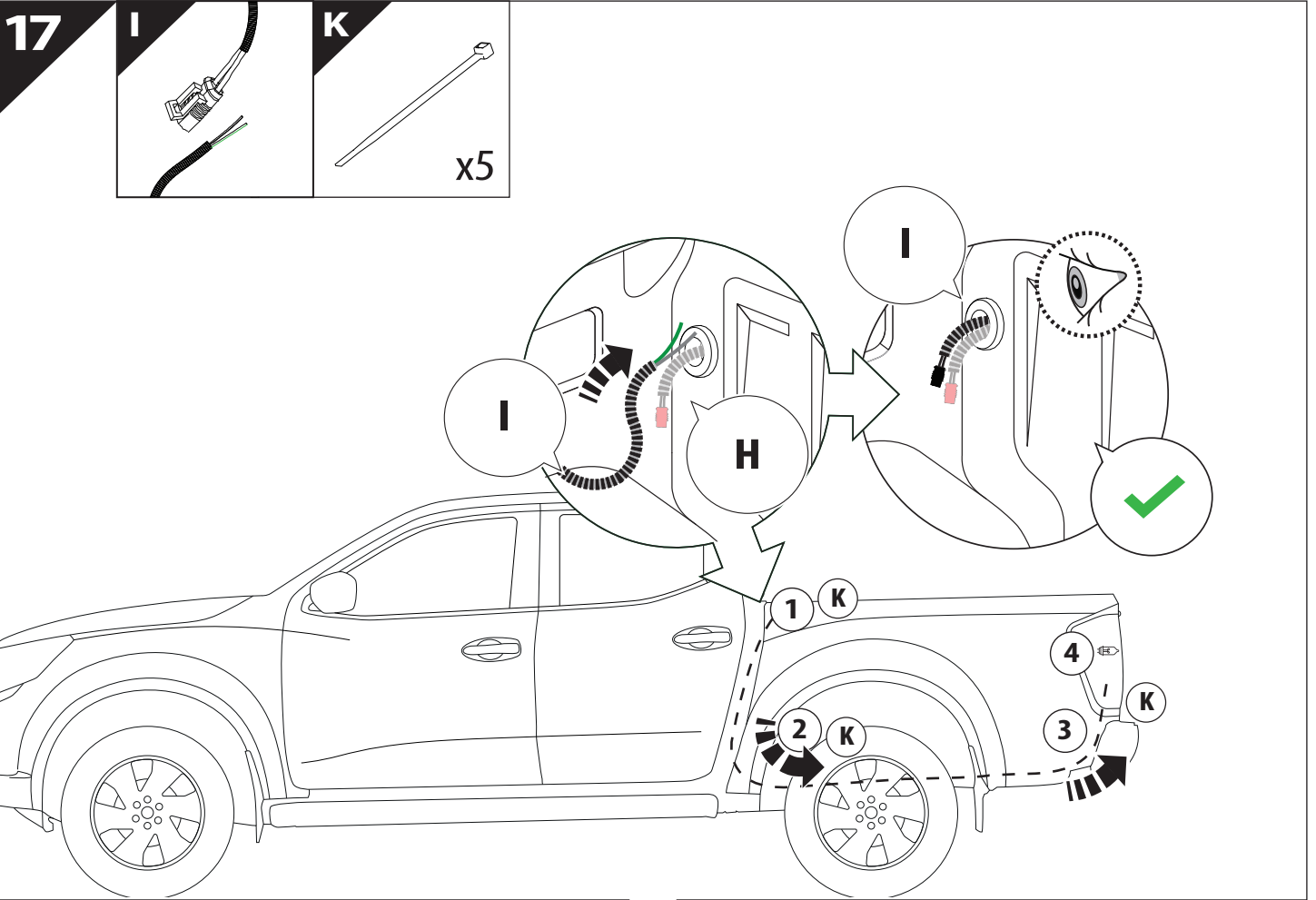


16. ①

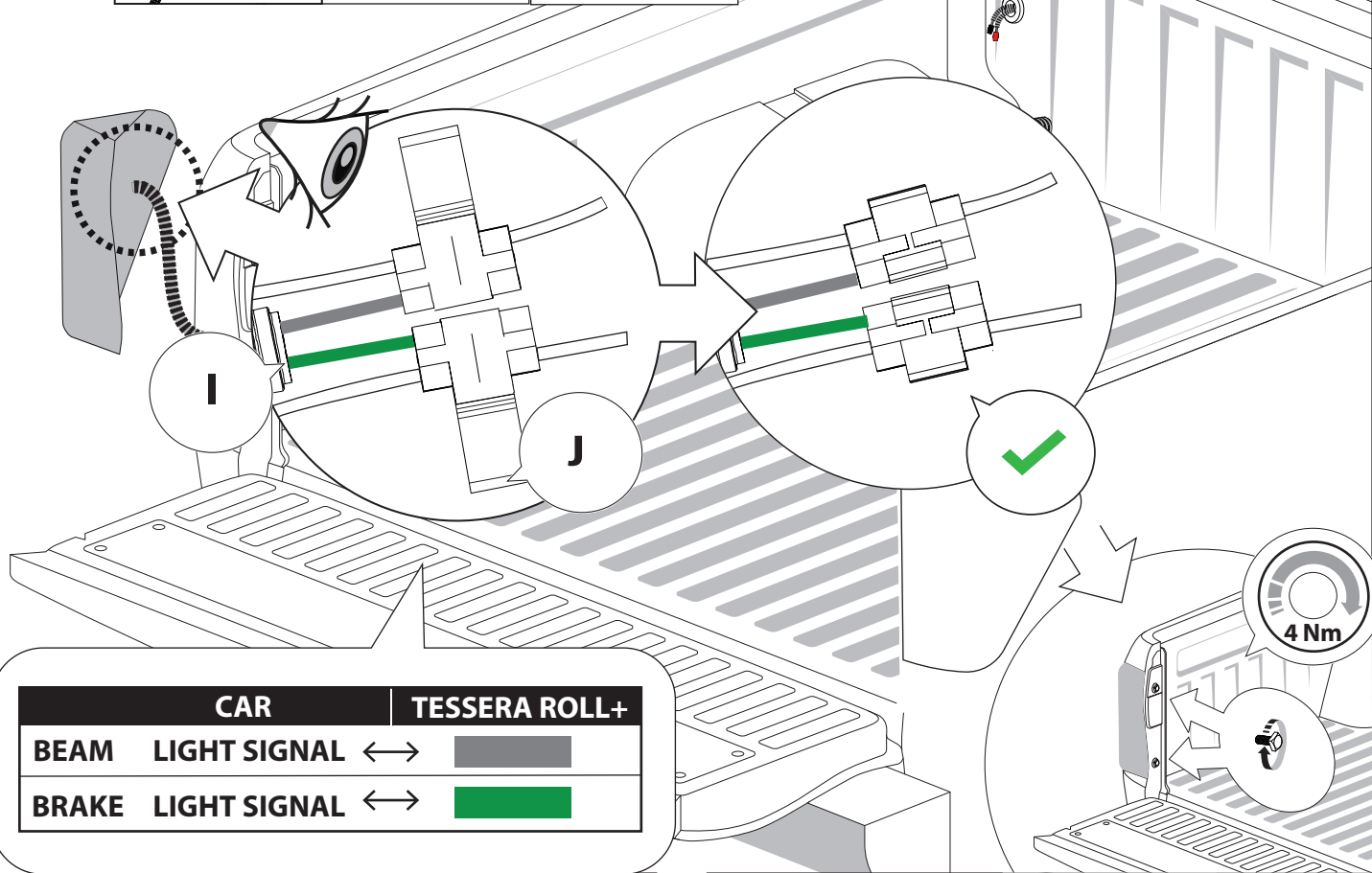
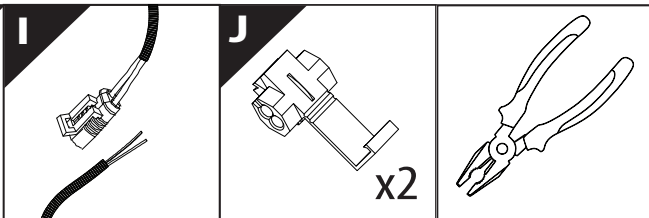


16. ②



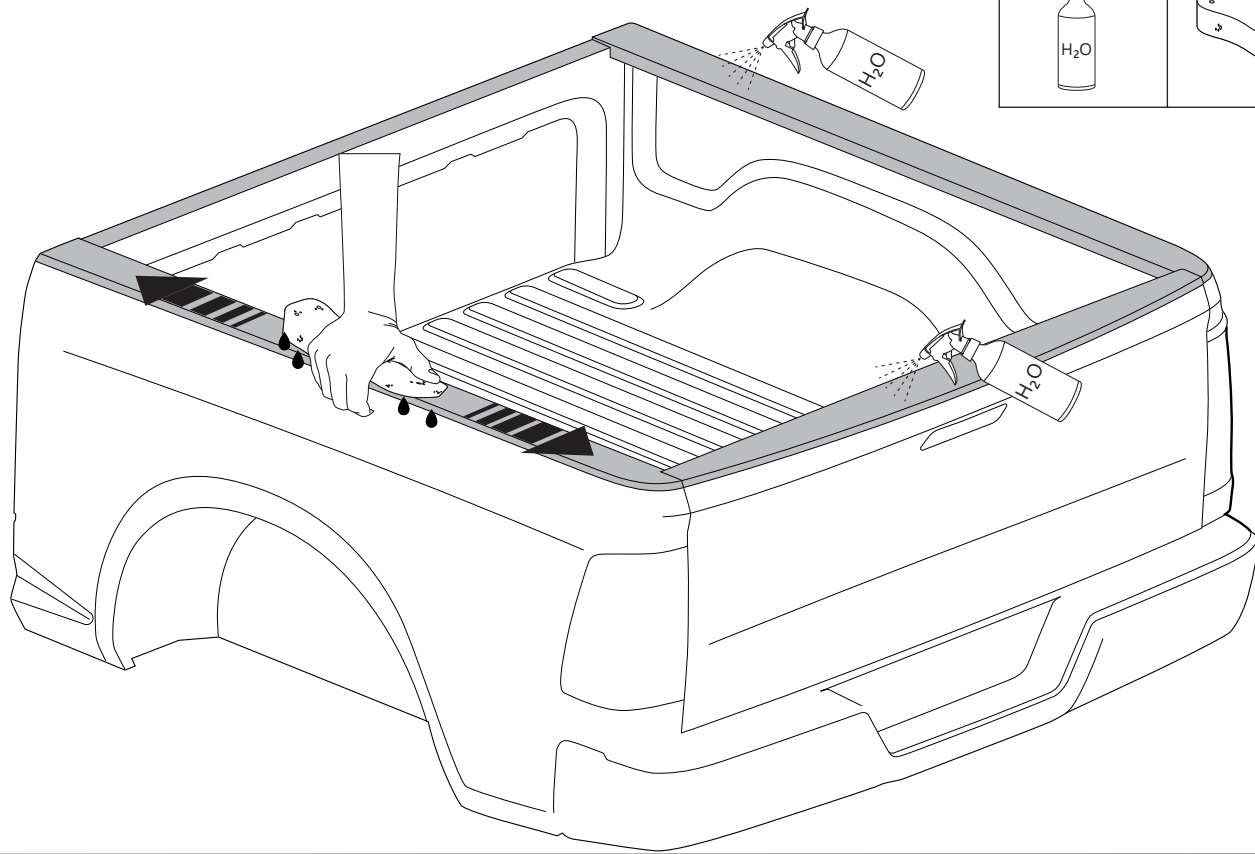
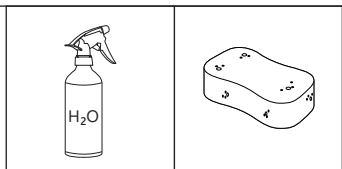


19



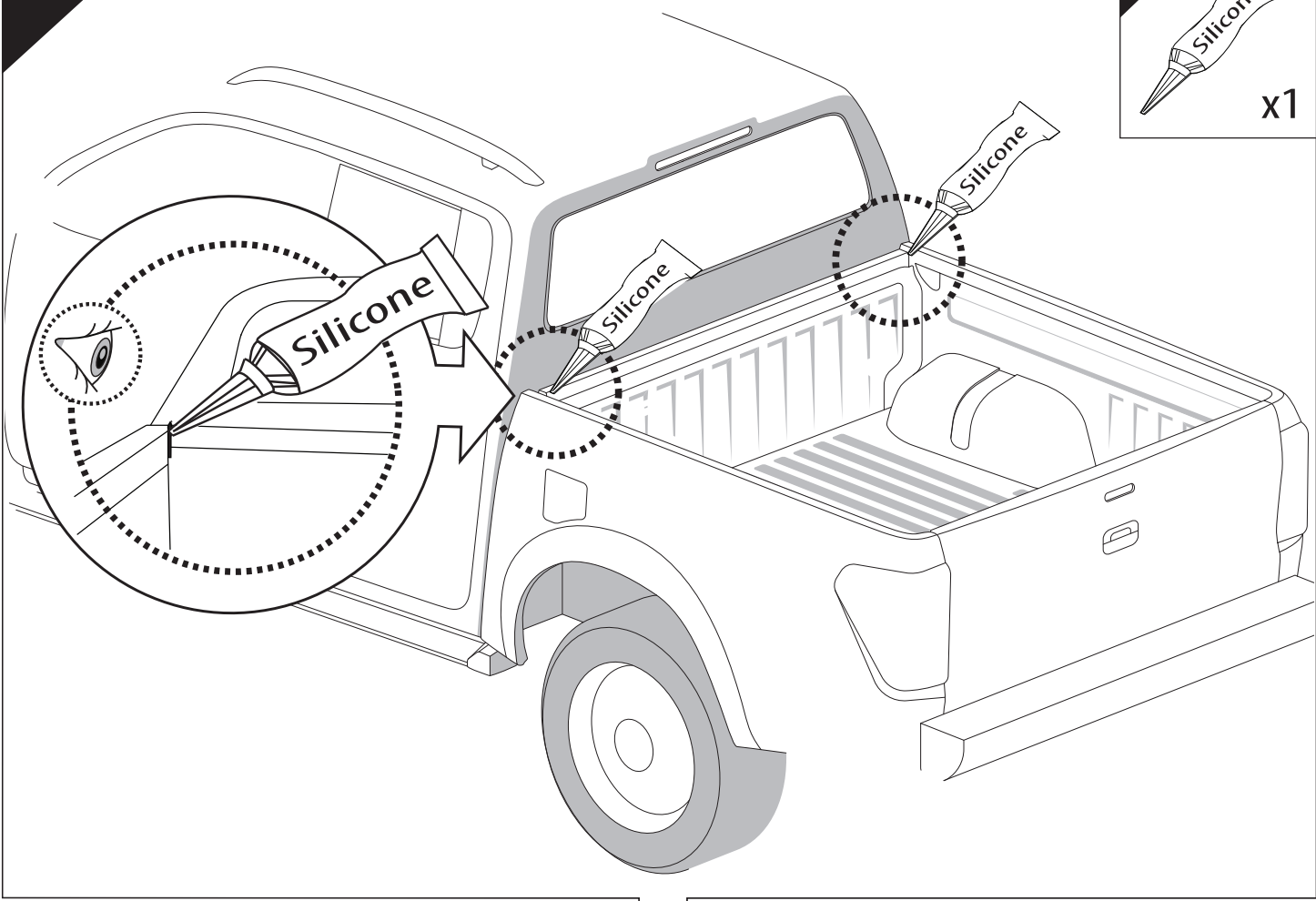
	CAR		TESSERA ROLL+
BEAM	LIGHT SIGNAL	↔	■
BRAKE	LIGHT SIGNAL	↔	■

20



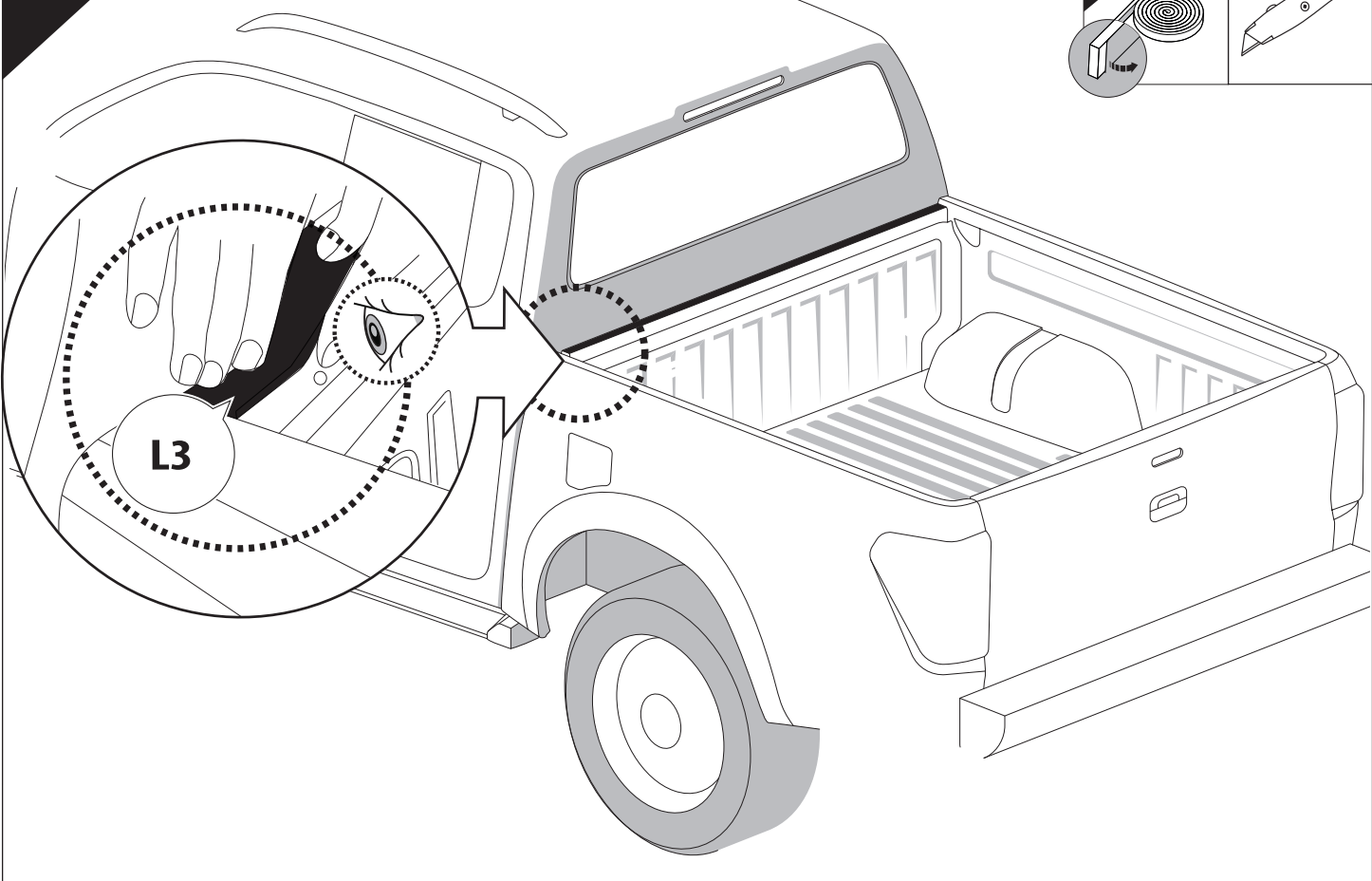
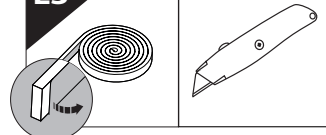
20.1

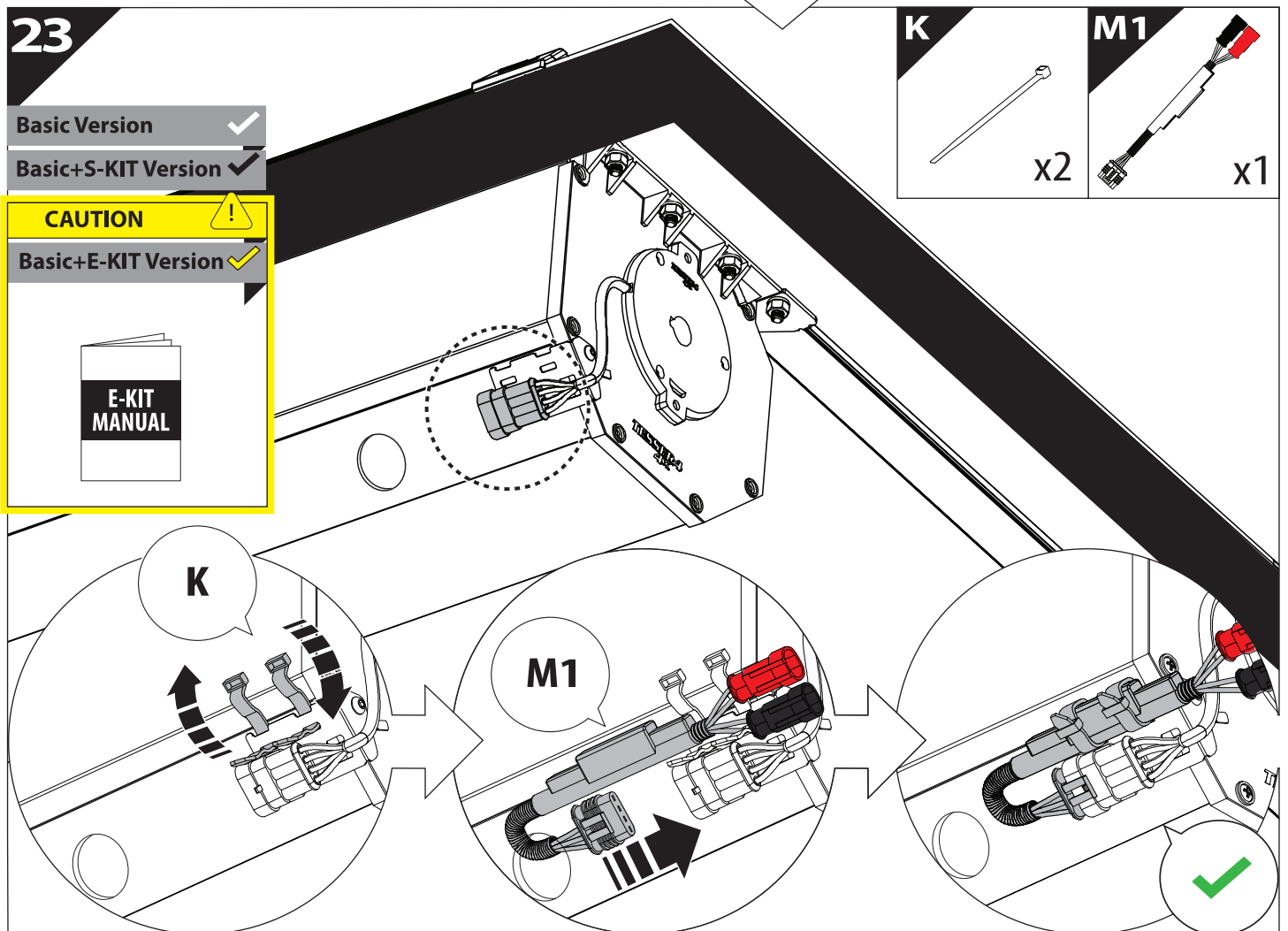
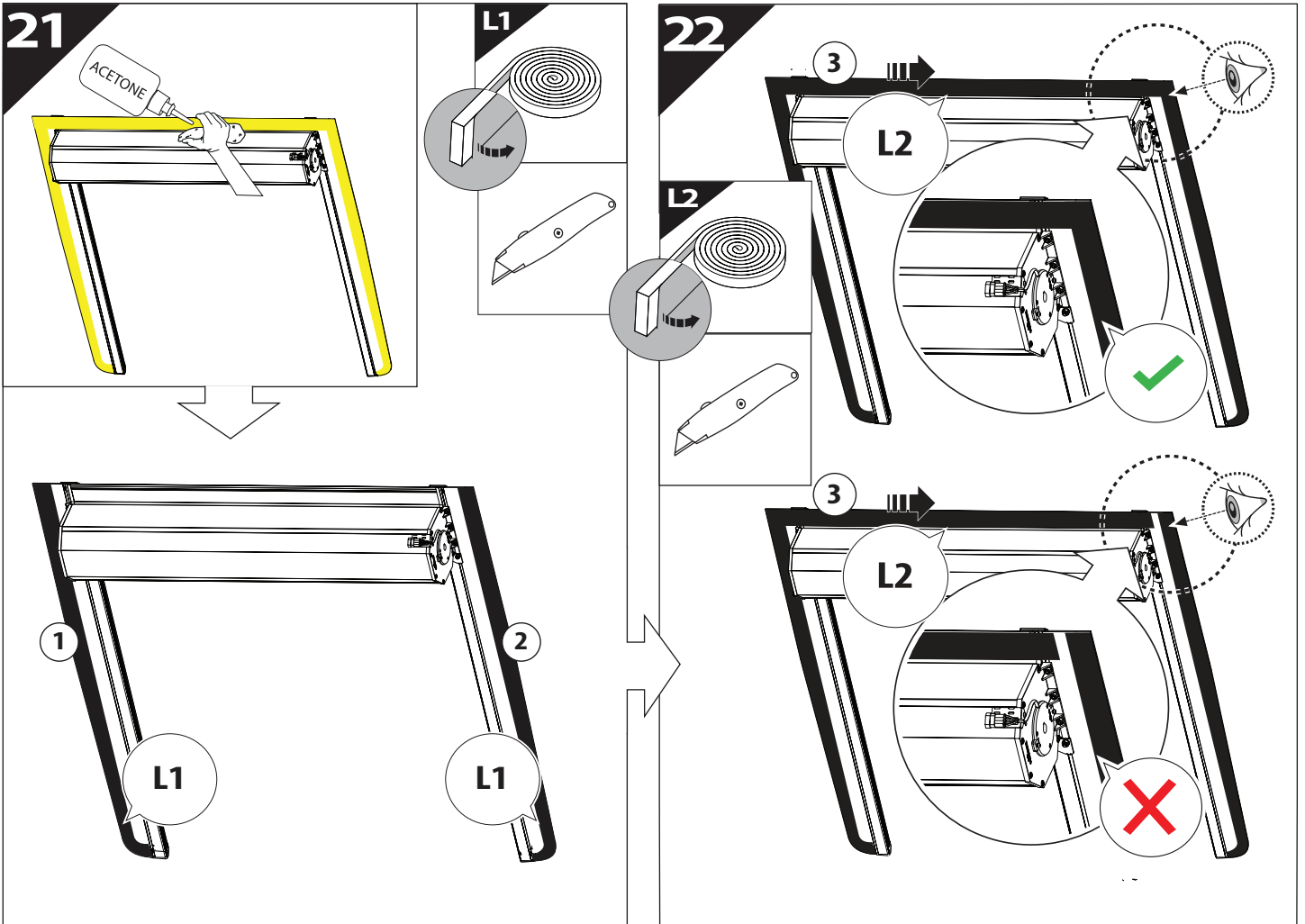
P

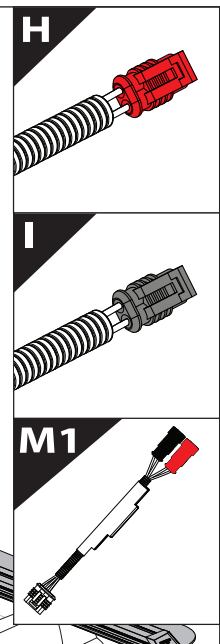
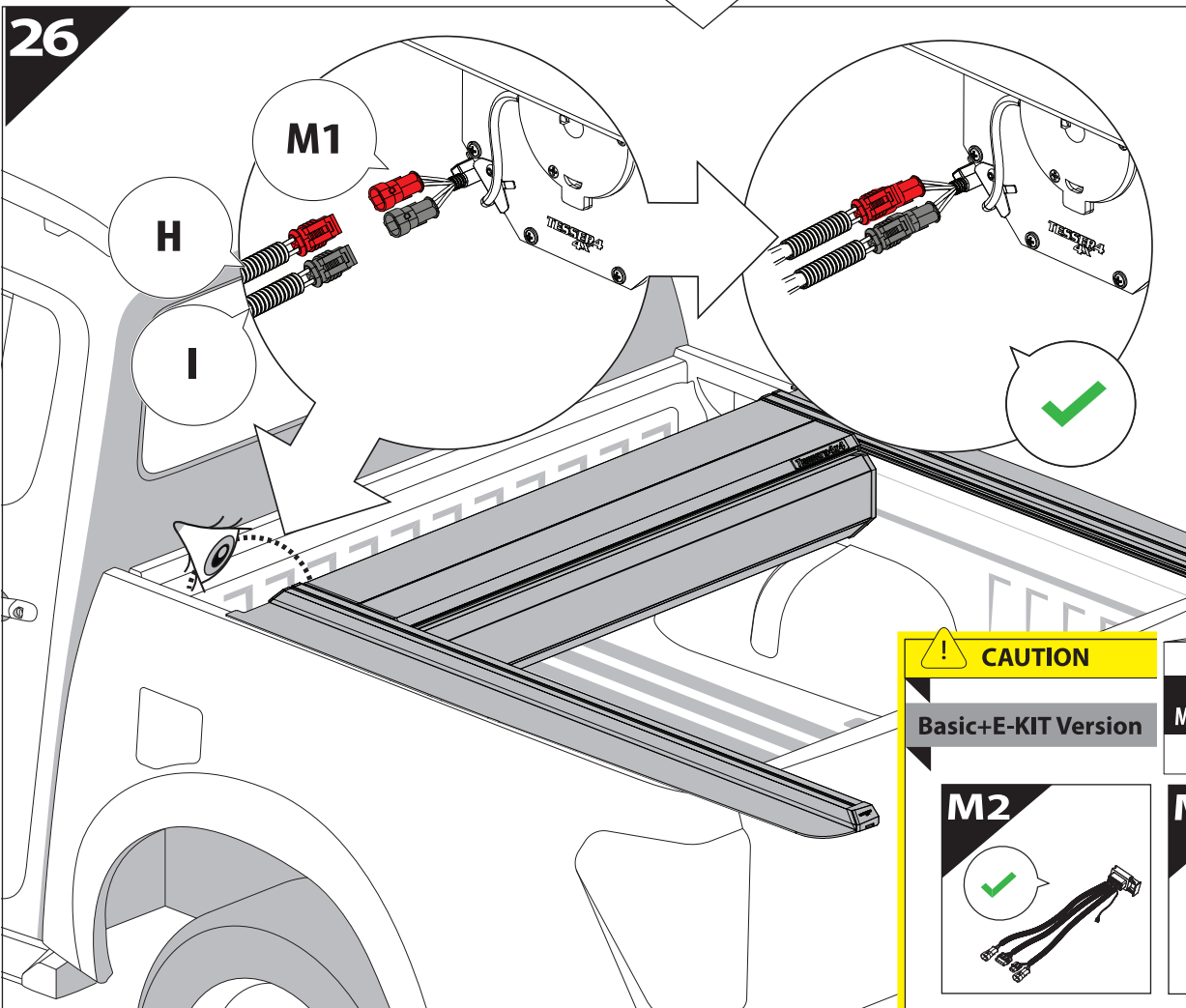
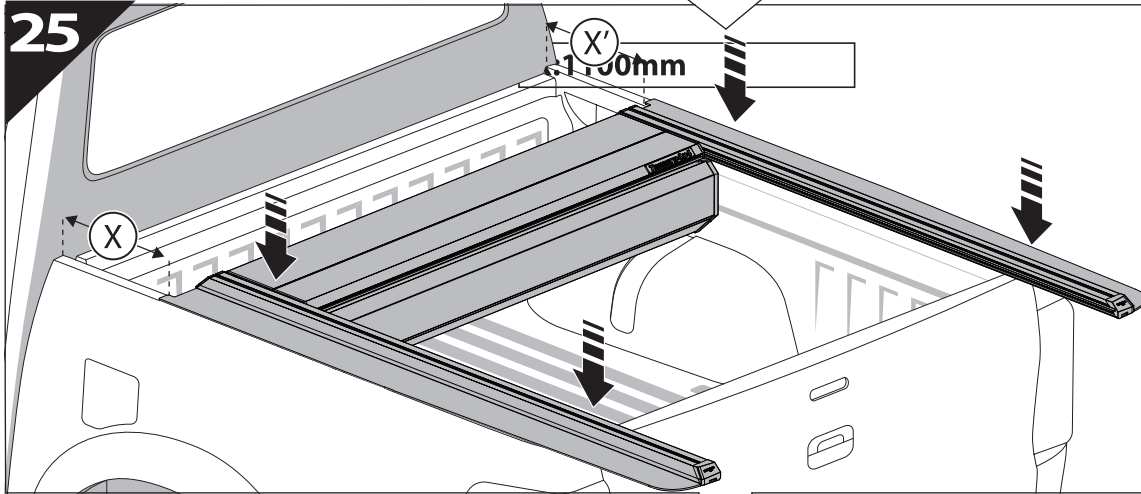
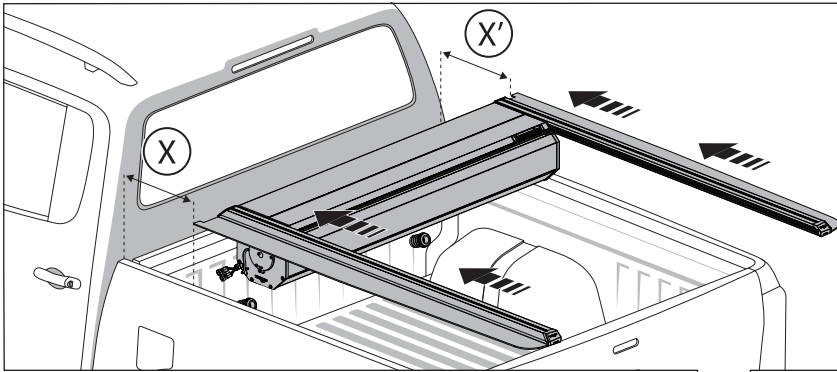


20.2

L3



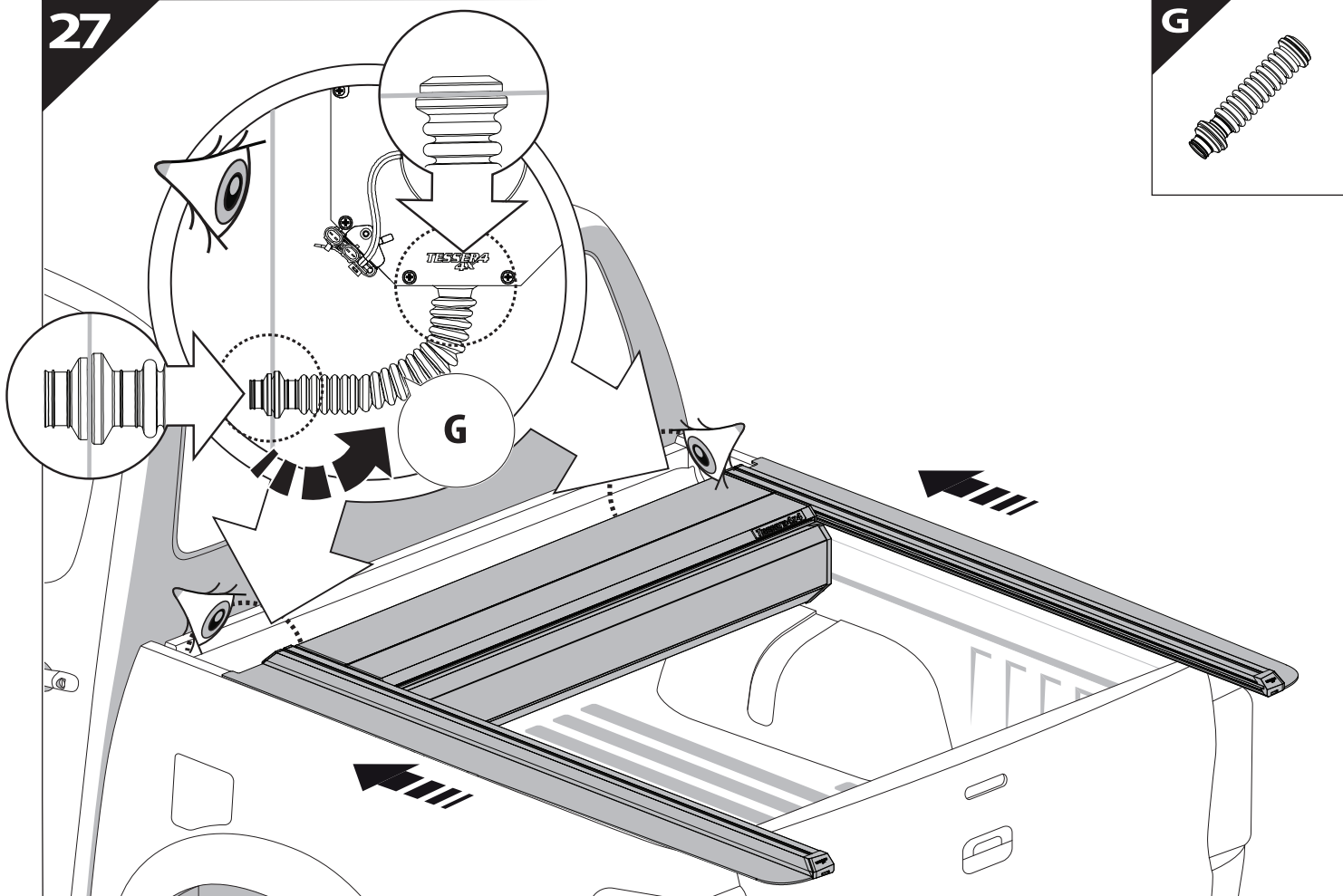




CAUTION	
Basic+E-KIT Version	
E-KIT MANUAL	
M2 	M1

27

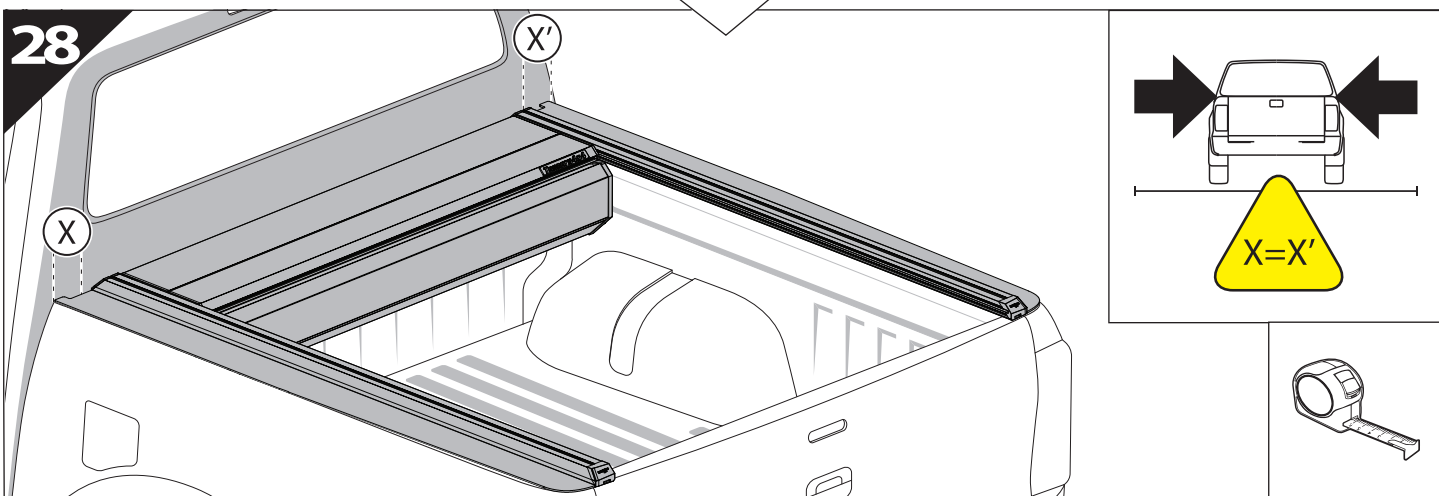
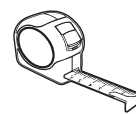
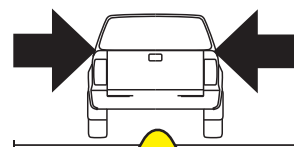
G



28

X'

X



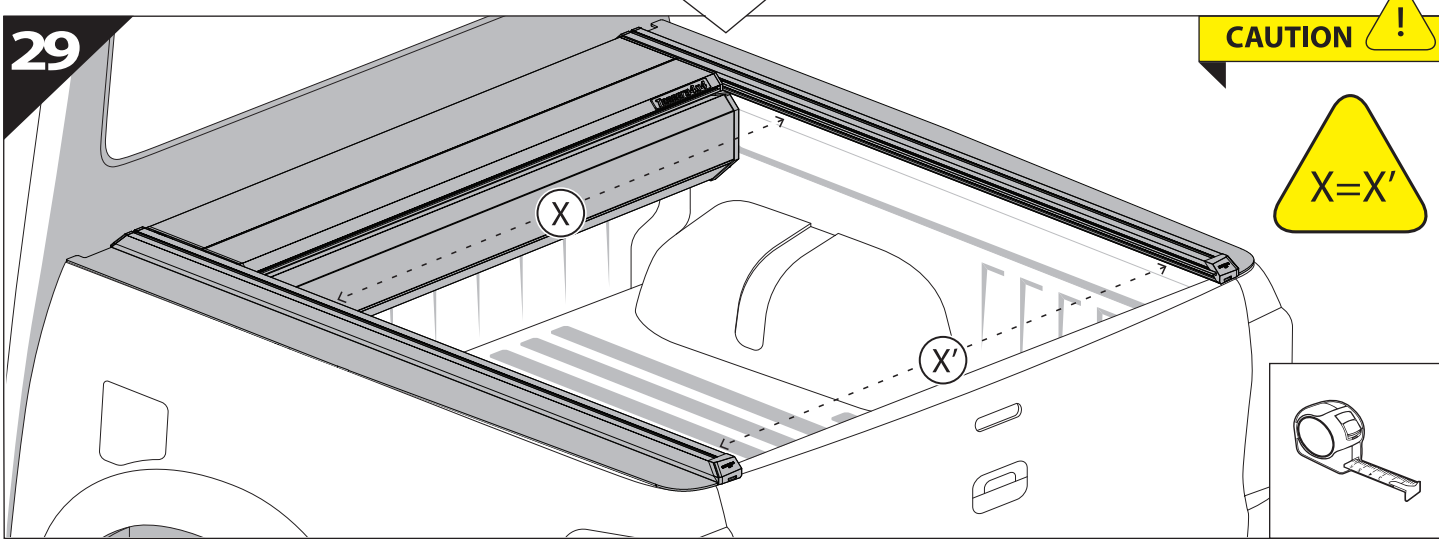
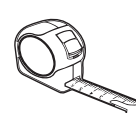
29

CAUTION !

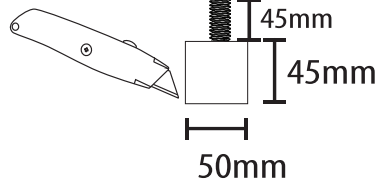
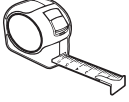
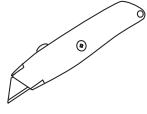
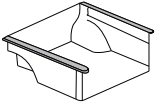


X

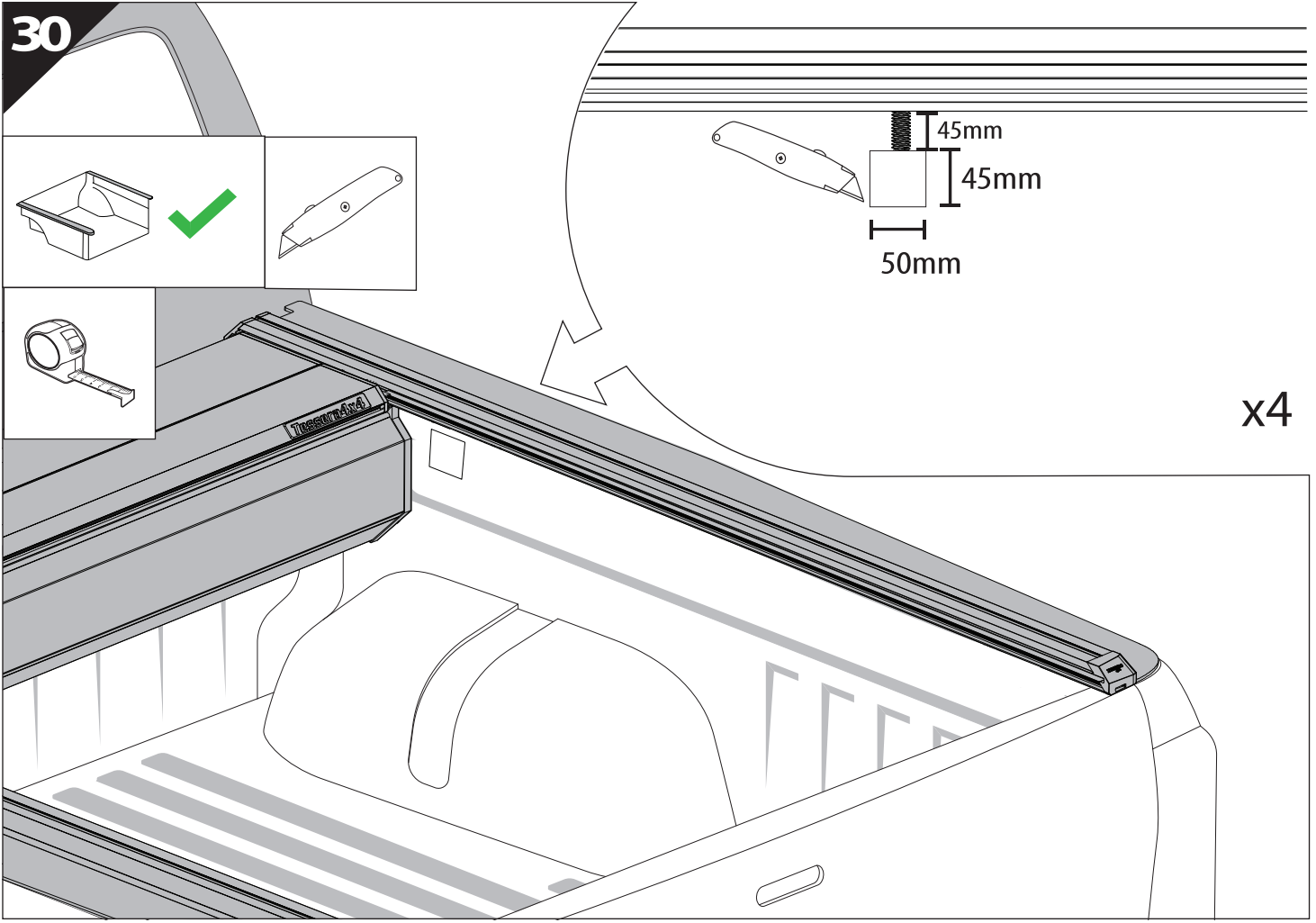
X'



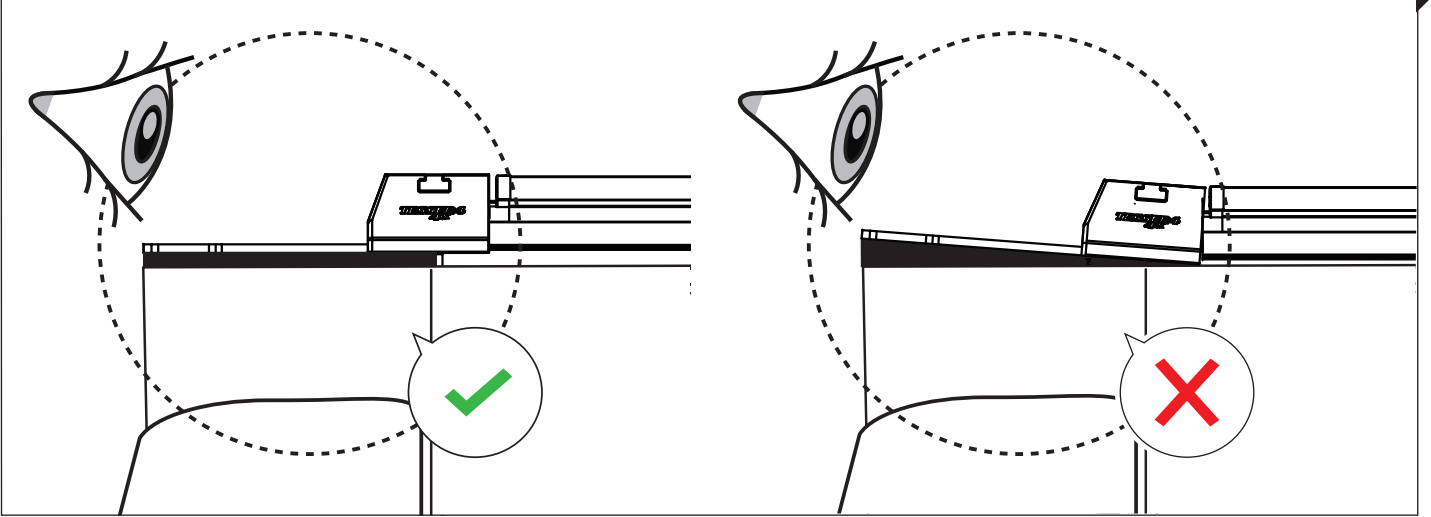
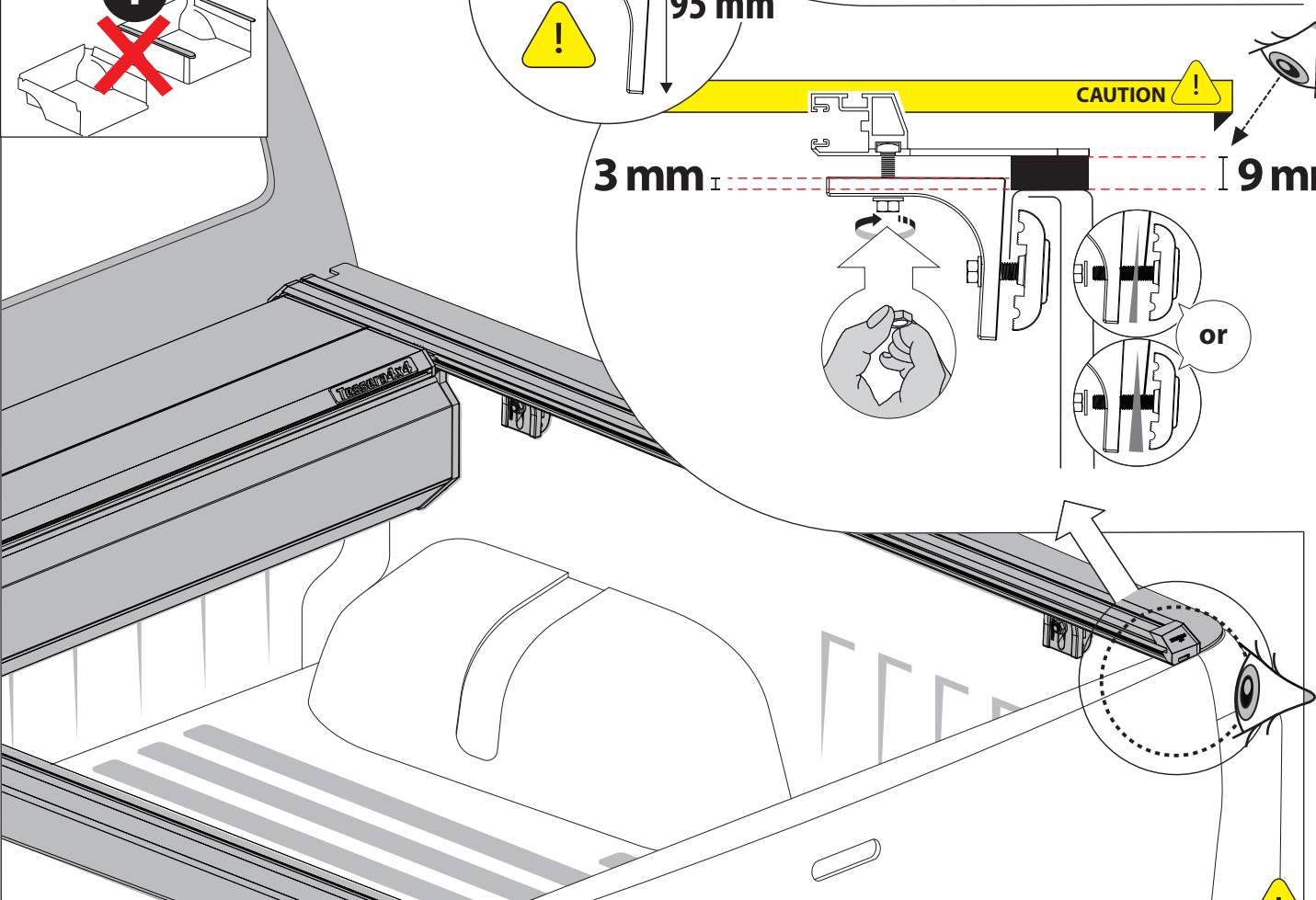
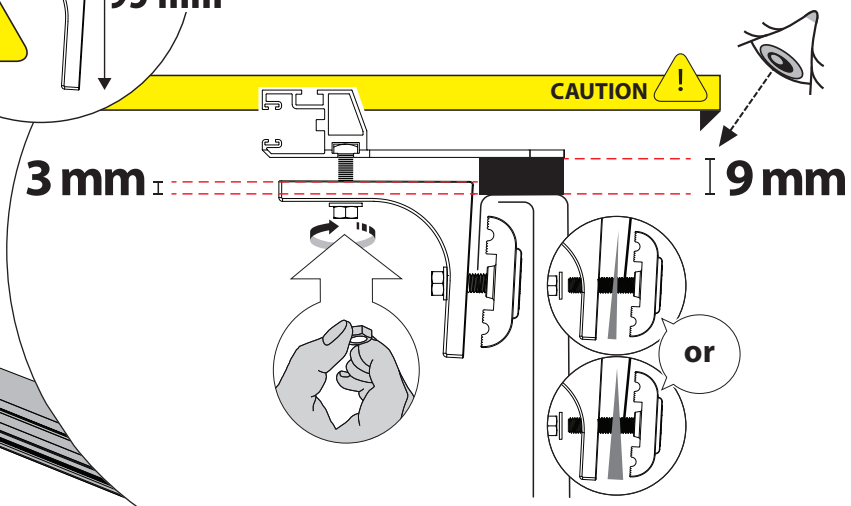
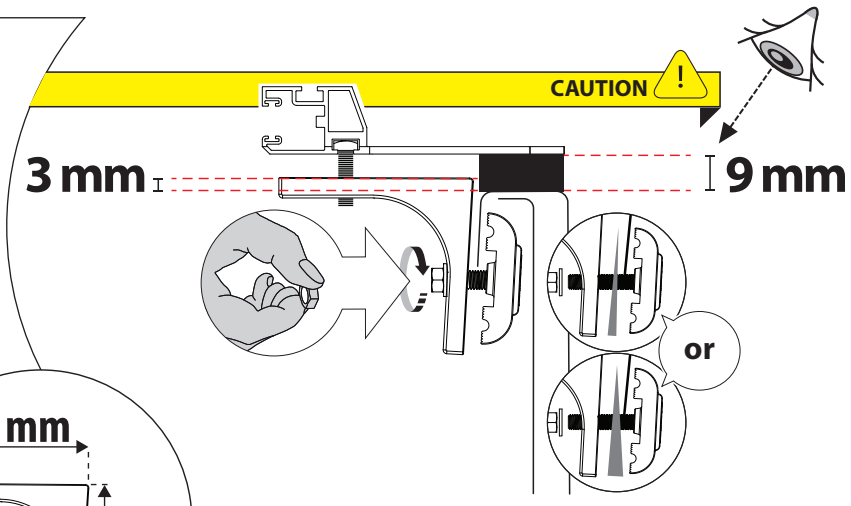
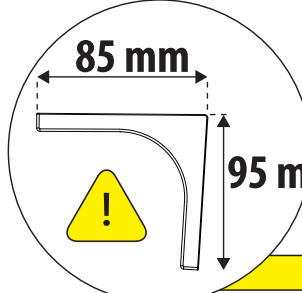
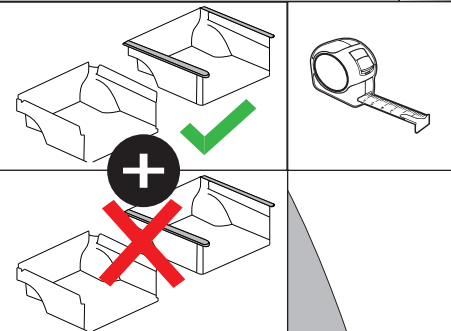
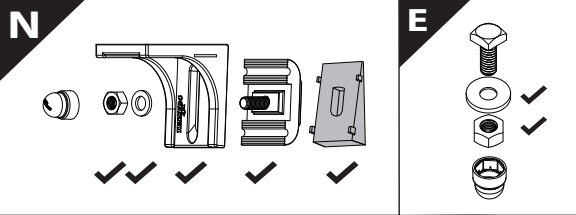
30

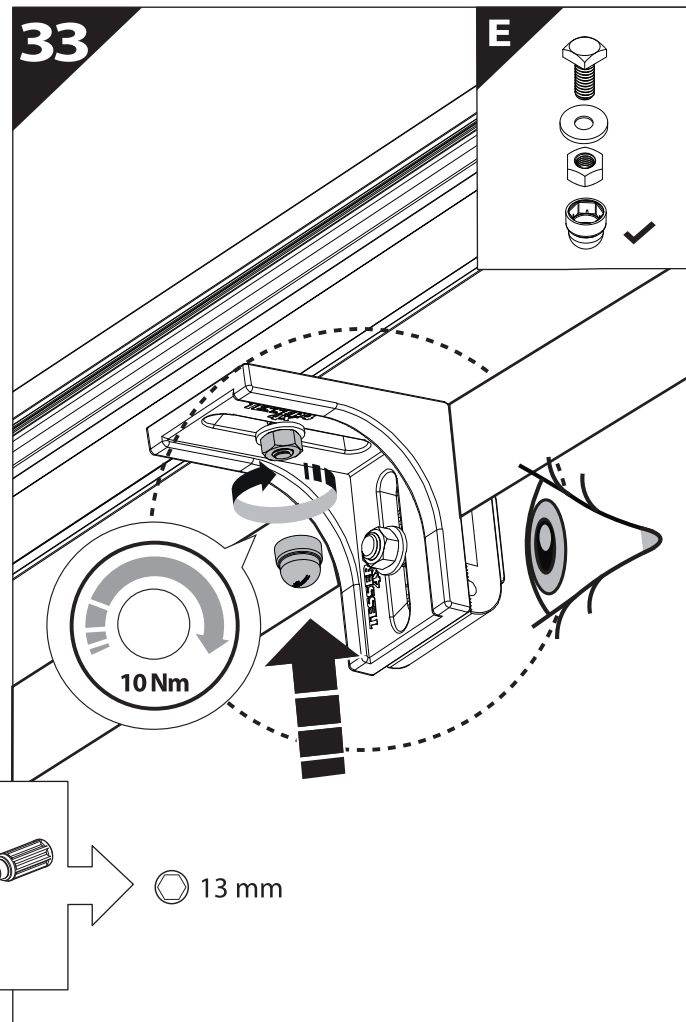
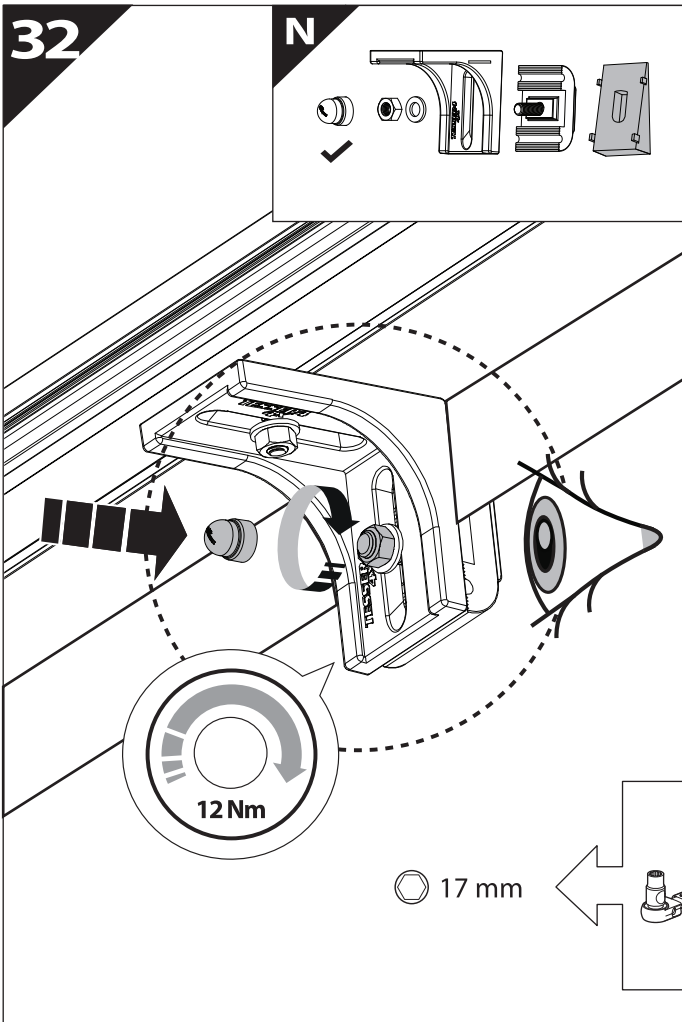


x4

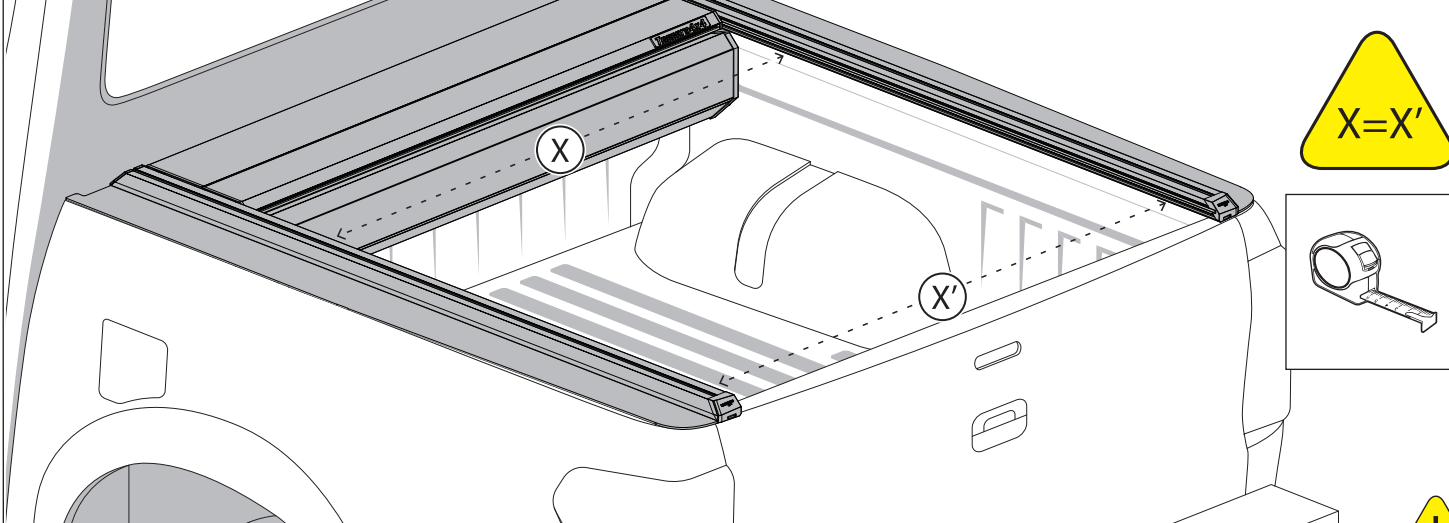


31

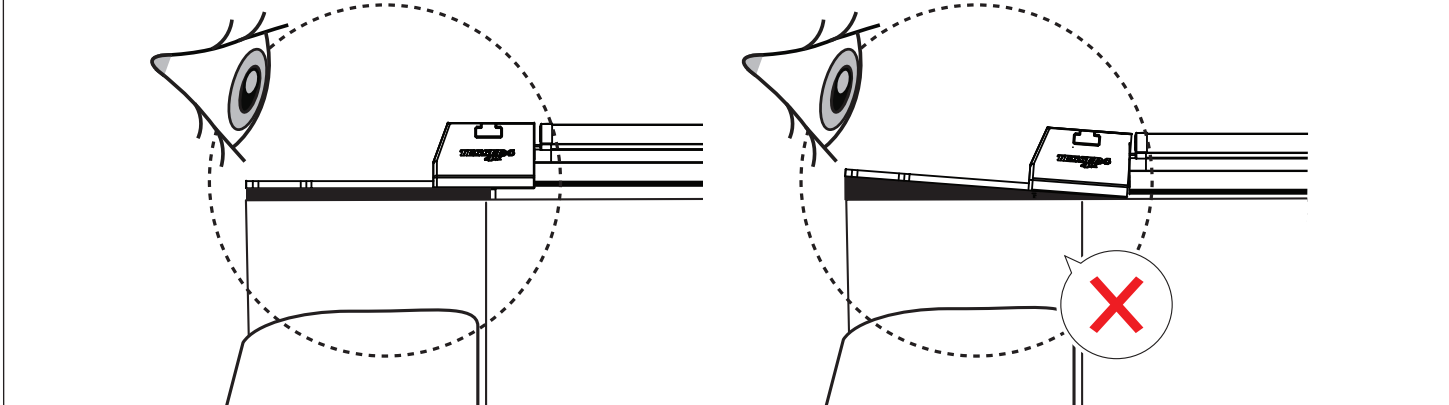




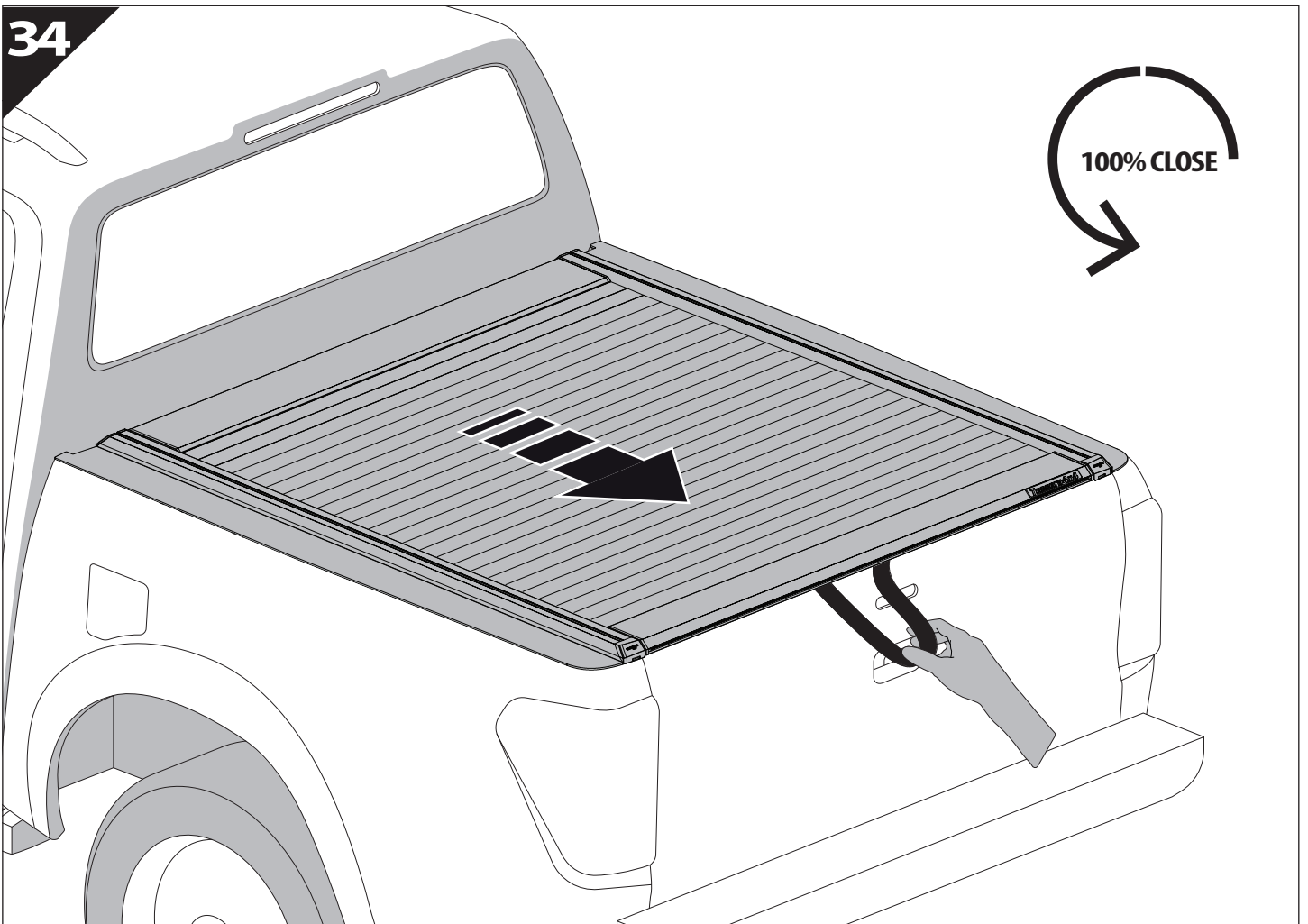
CAUTION !



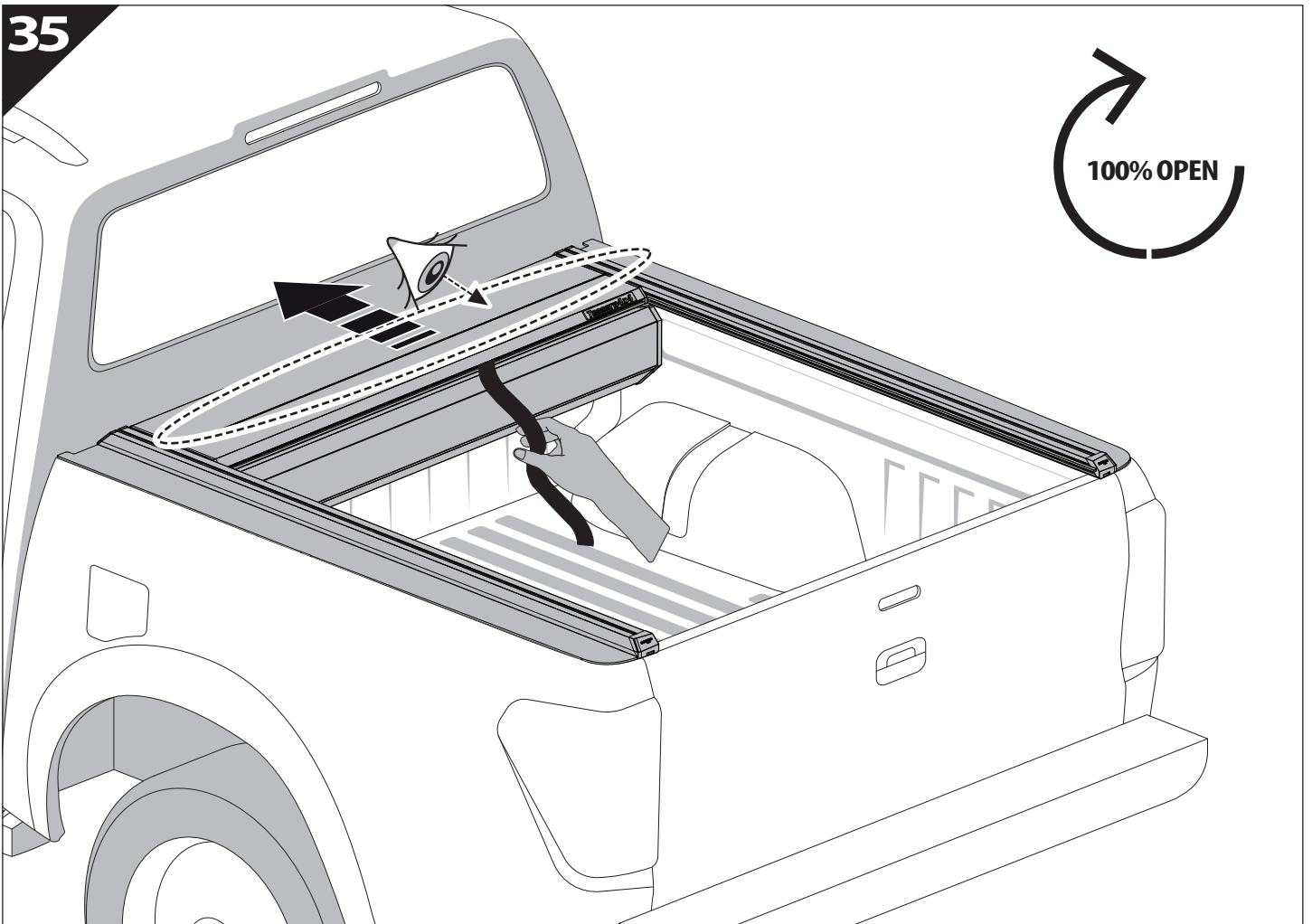
CAUTION !



34



35





GR: Οδηγίες Εγκατάστασης
GB: Installation manual
SF: Asennusohje
F: Notice de montage
PL: Instrukcja montażu
NL: Installatie-instructies
TR: Montaj Talimatı
S: Monteringsanvisning
E: Instrucciones de montaje

H: Szerelési utasítás
P: Instruções de instalação
RUS: Инструкция по установке
N: Monteringsveiledning
D: Einbauanleitung
CZ: Návod k instalaci
I: Istruzioni de montaggio
DK: Monteringsvejledning
RO: Instructiuni de instalare

Customer Service:

+30 (210) 5541161, +30 (210) 5541154 (08:00 - 16:00 EET)

Support department:

info@gianso.gr

Website:

www.tessera4x4.com

Address:

19.5 km of National road Athens-Korinthos (Elefsina) Greece, P.C: 19200