

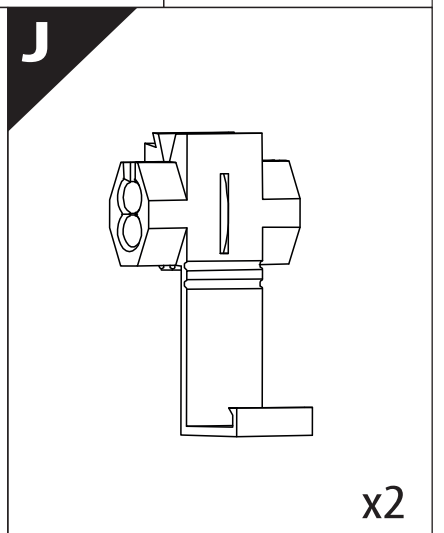
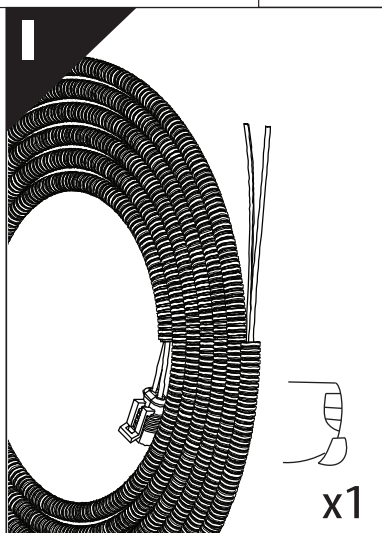
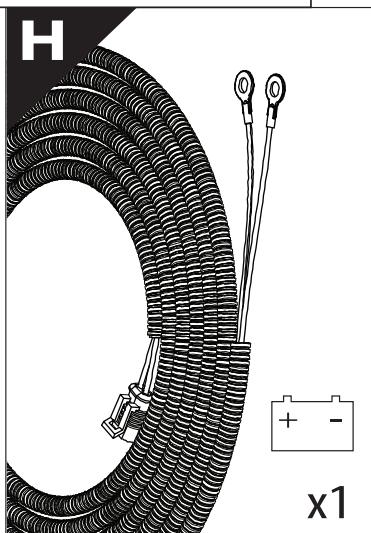
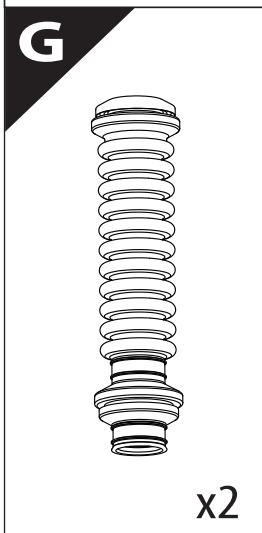
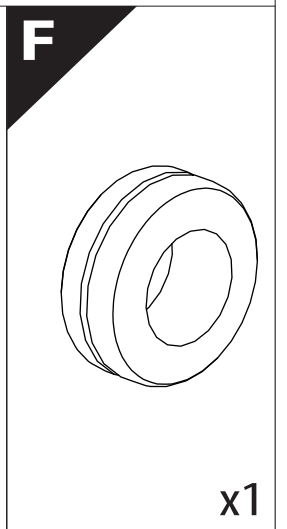
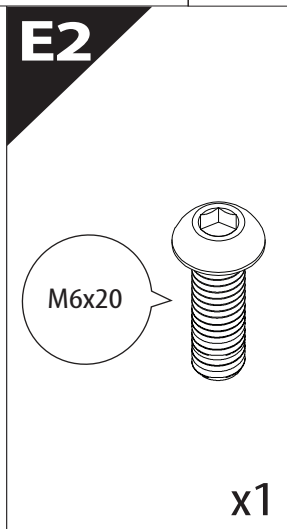
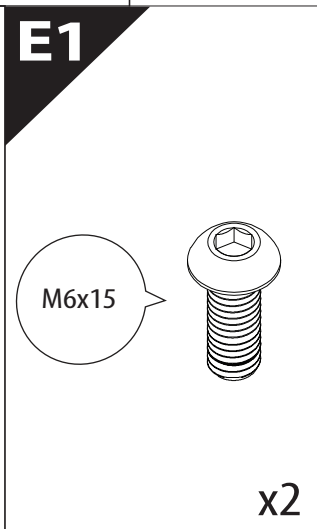
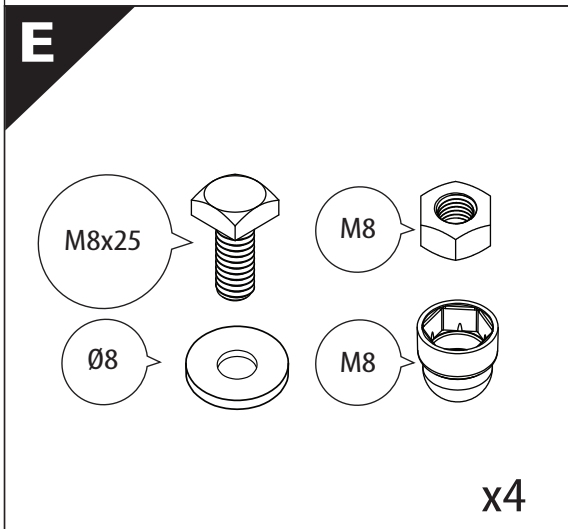
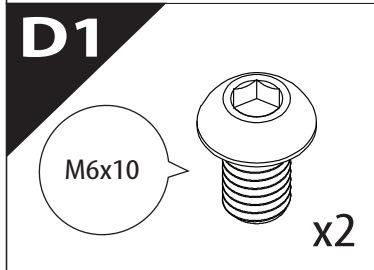
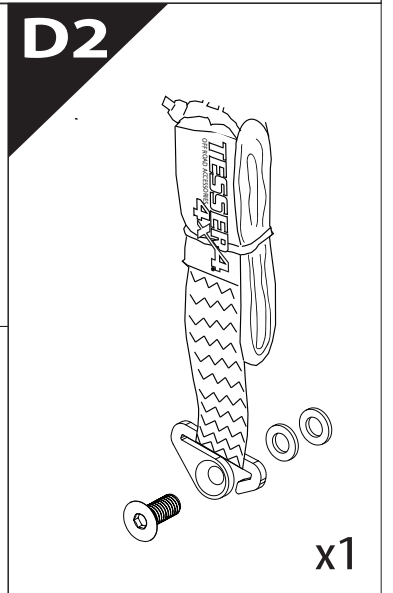
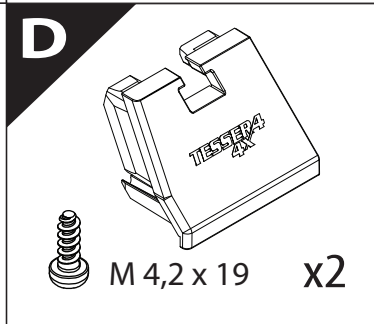
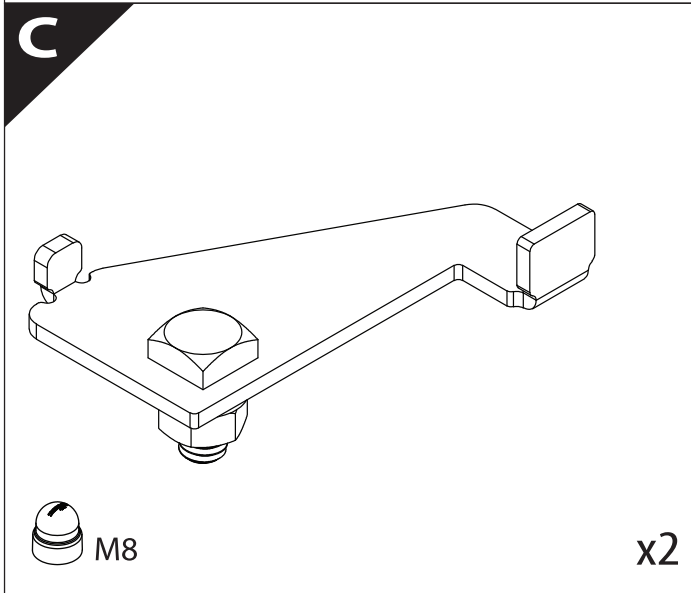
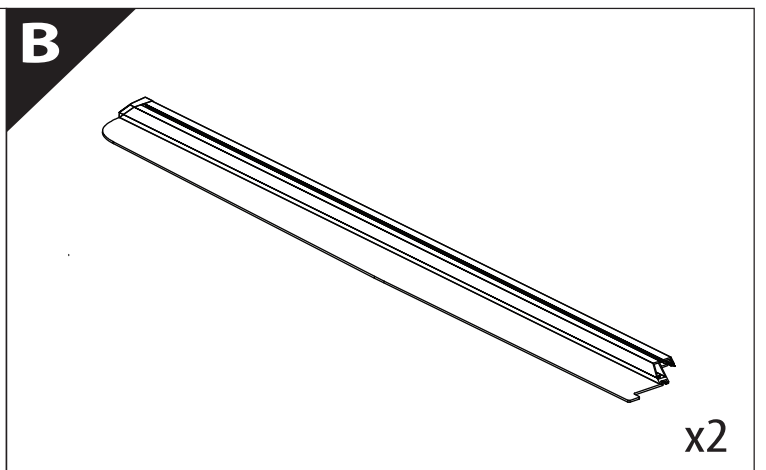
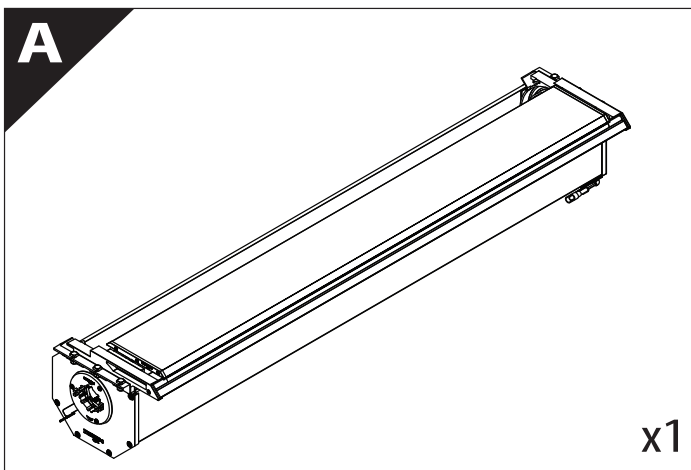
Tessera Roll+

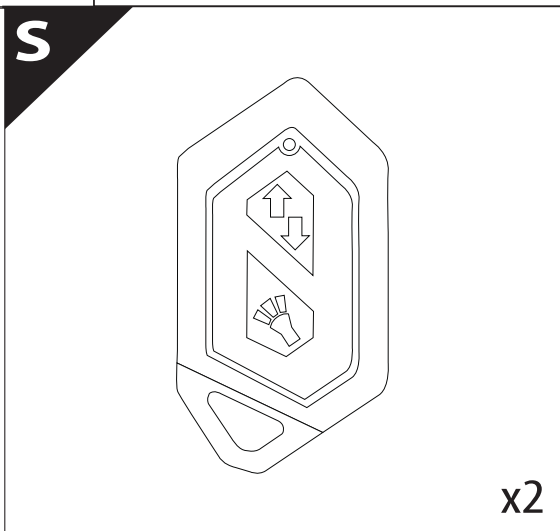
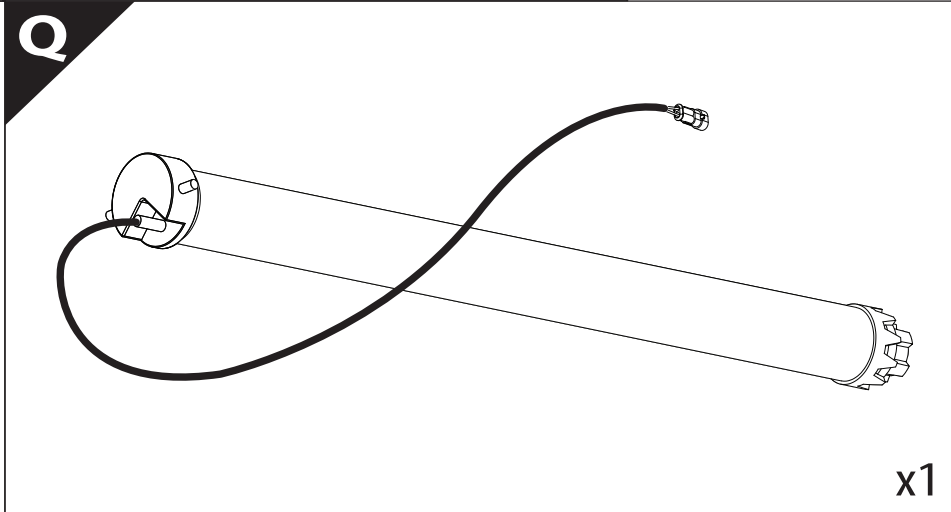
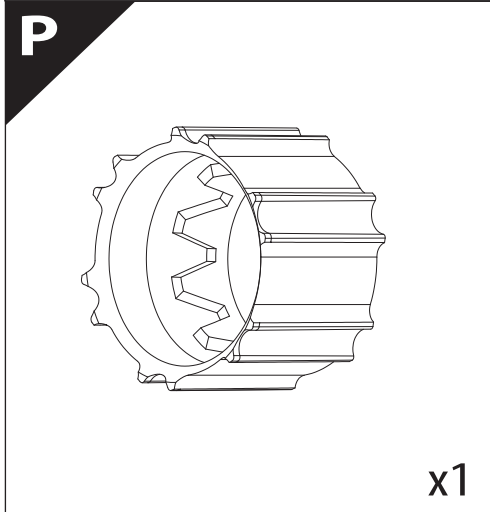
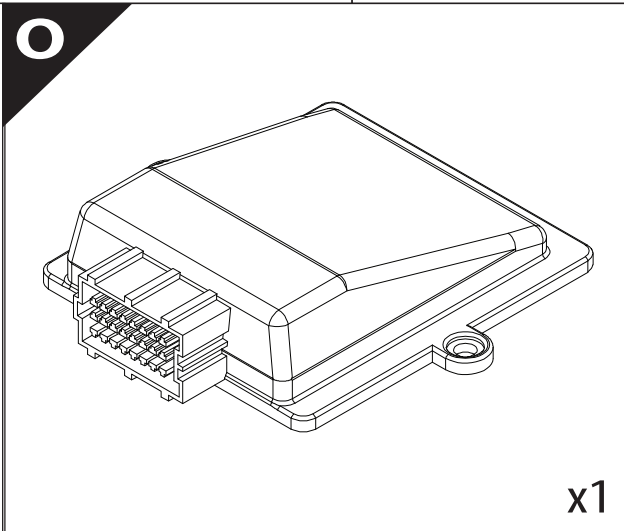
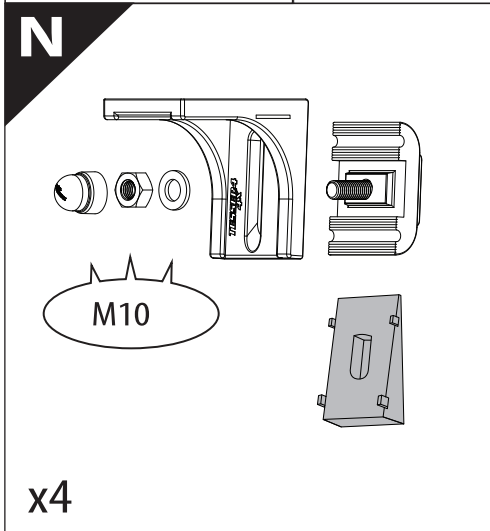
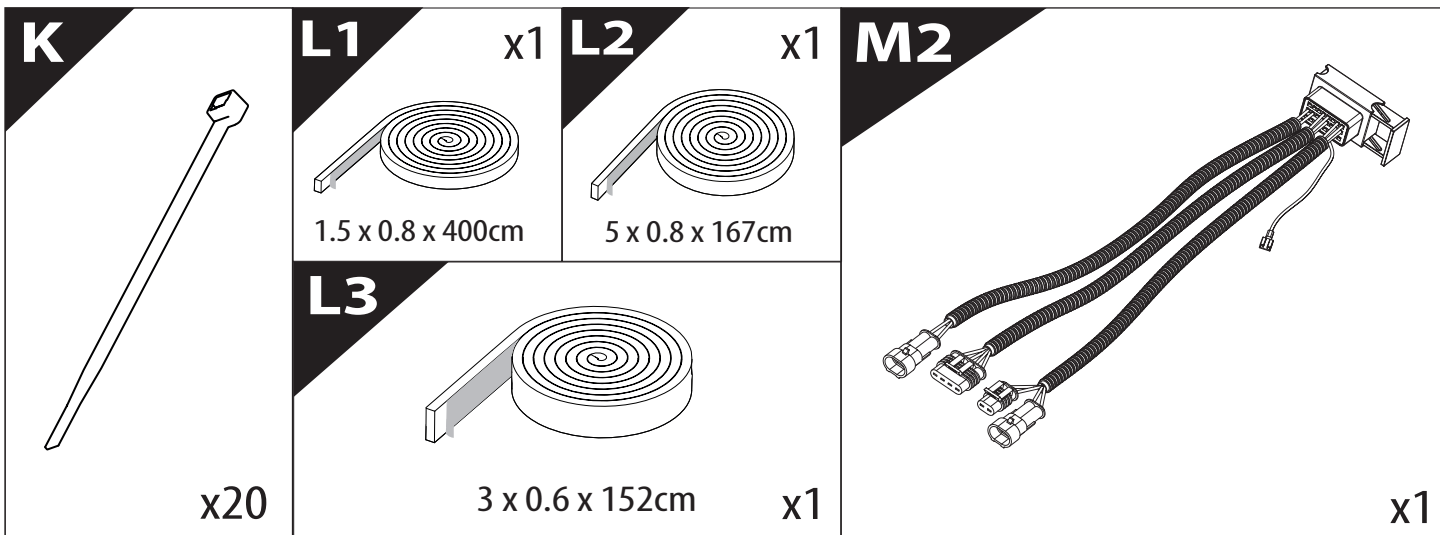
Basic Version + ⚡ E-KIT

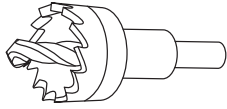


Installation Manual

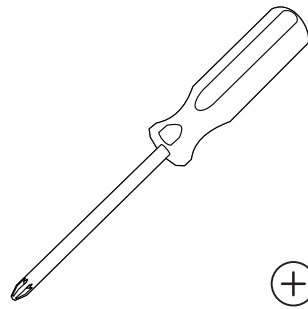
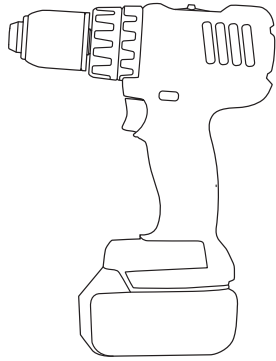
PART NUMBER(S)	Model Year
TESS 1445 ROLL + E-KIT	Maxus T60 / T90EV 2023+
Cab(s)	Installation Time / Weight
Double Cab	40-60 minutes / 53-57 kg



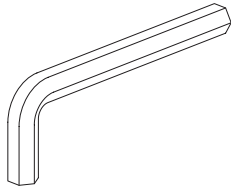
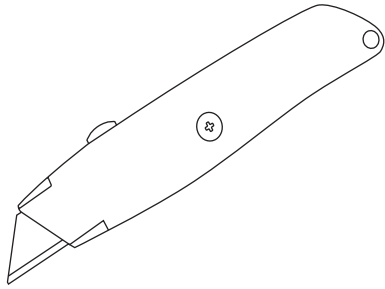
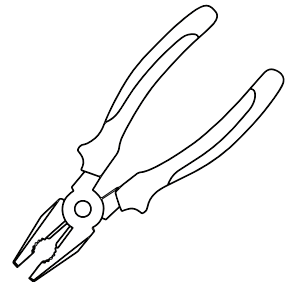




Ø 25 mm / Ø 40 mm

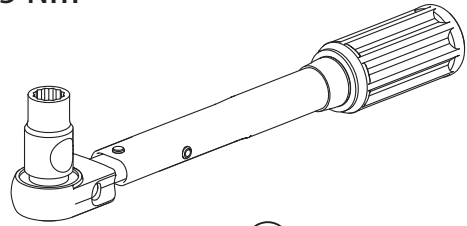


+



4 mm

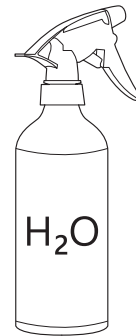
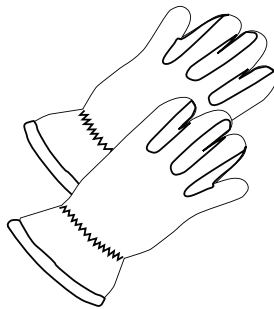
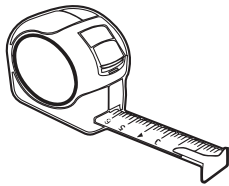
1 - 25 Nm



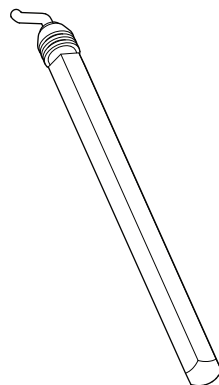
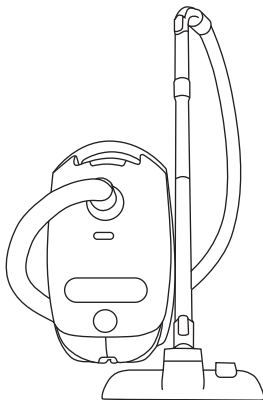
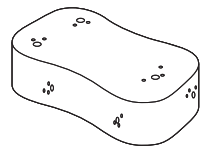
12, 13, 17 mm



ACETONE



H₂O



ANTI-RUST



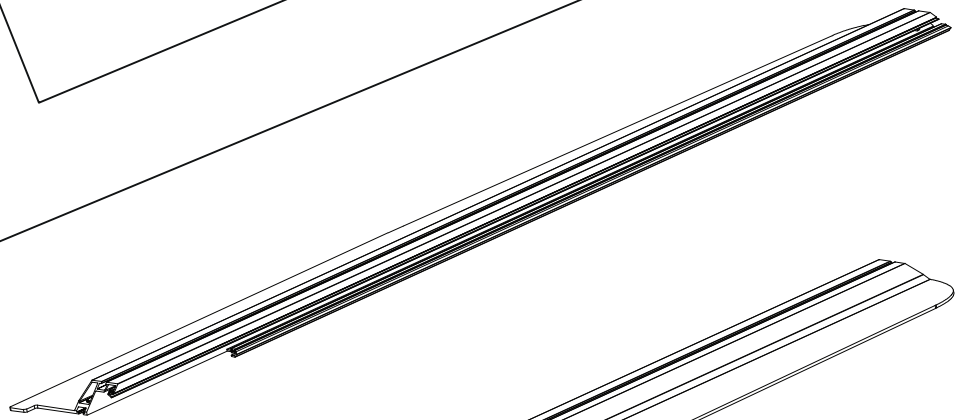
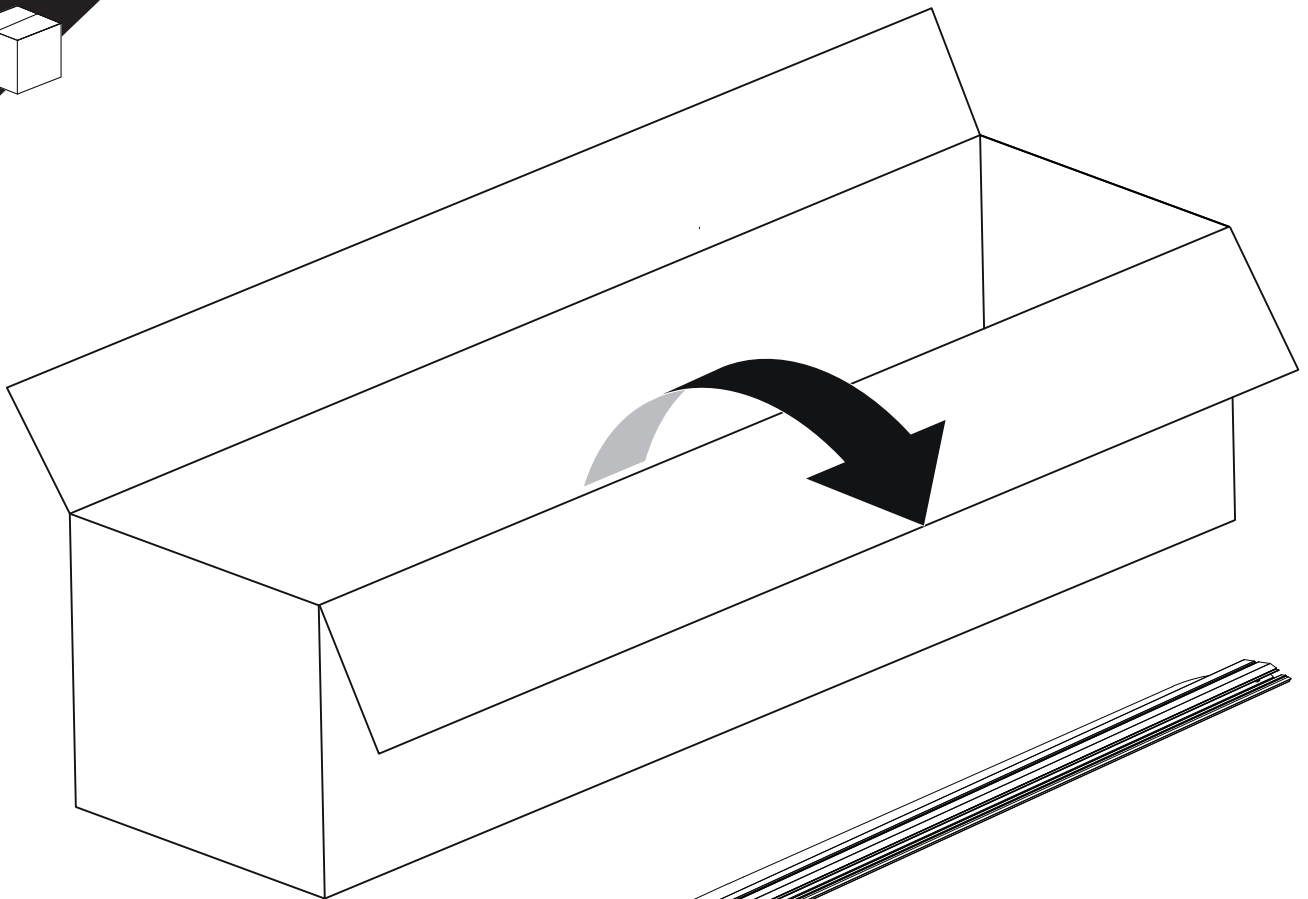
INSTALATION
MANUAL
+E-KIT



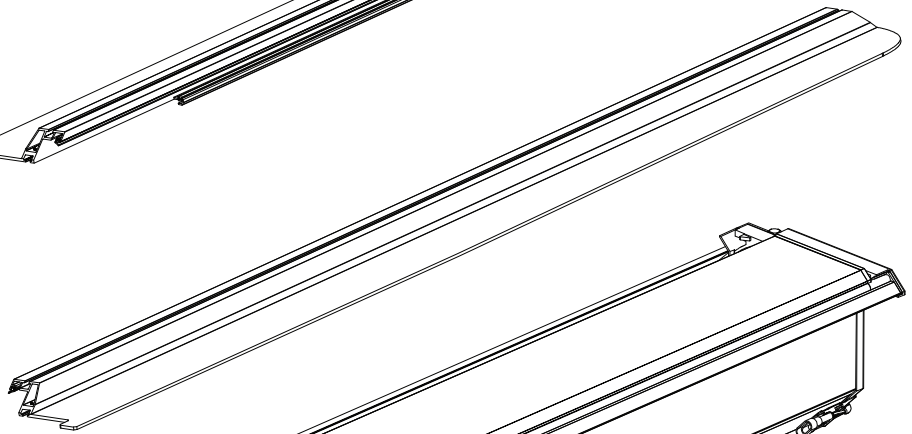
OWNERS
MANUAL



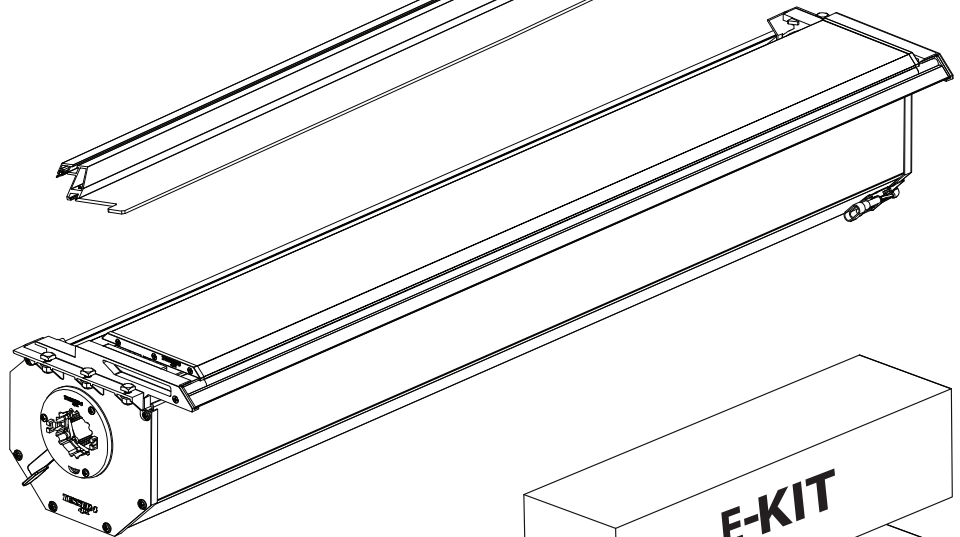
x1



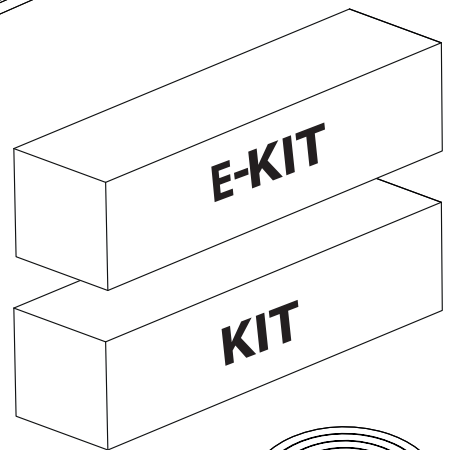
B



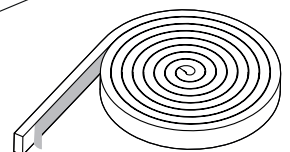
A

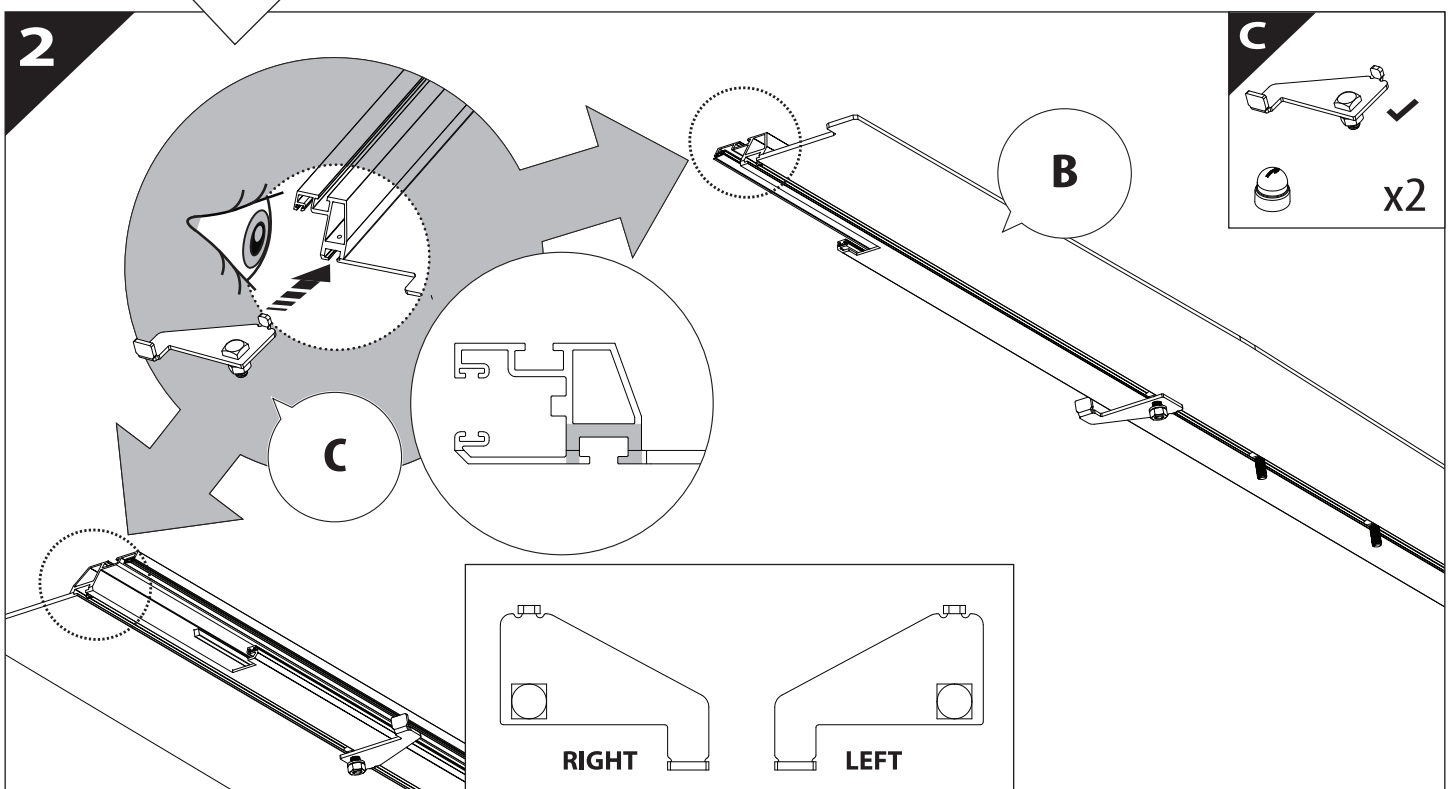
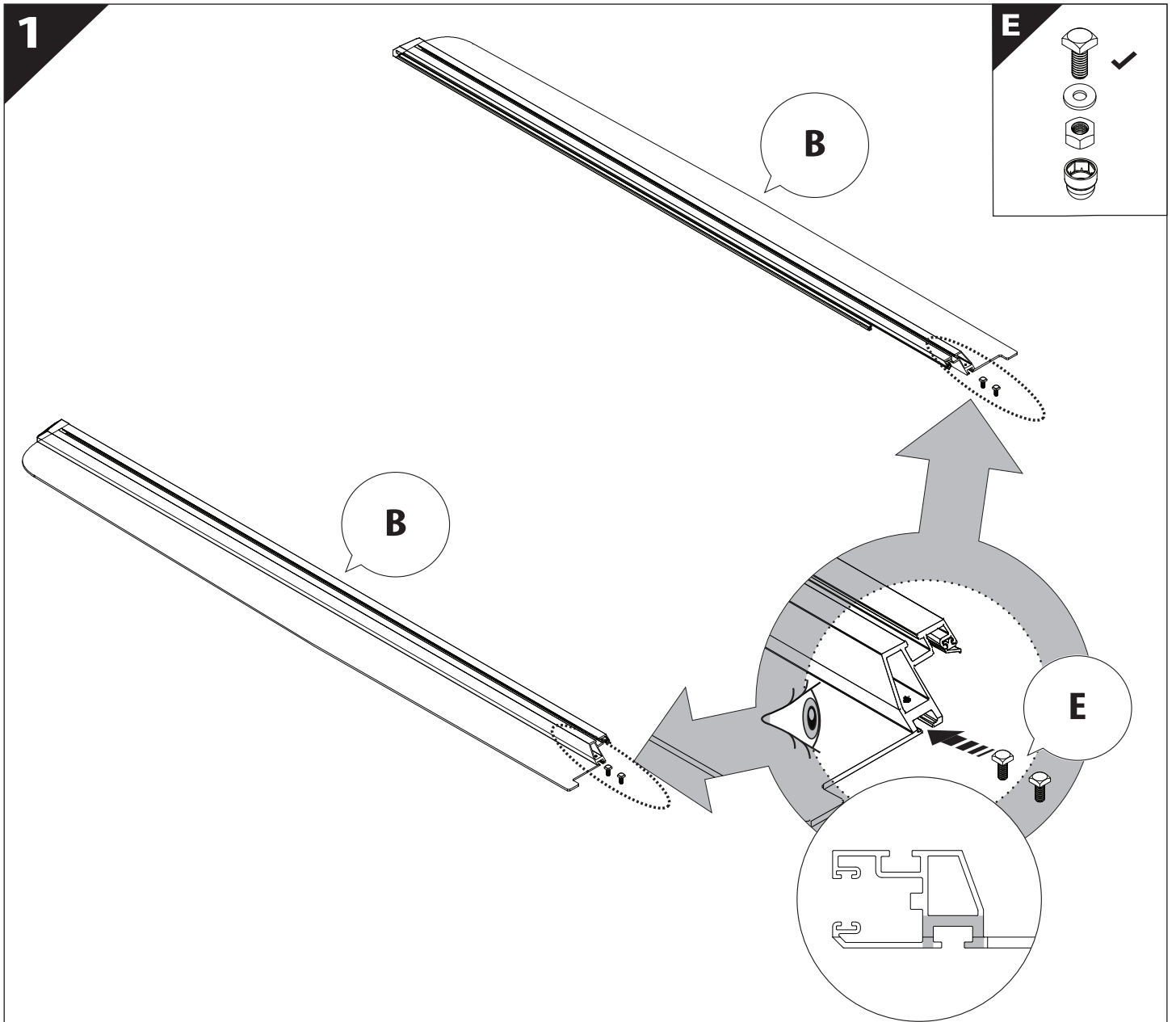


KITS

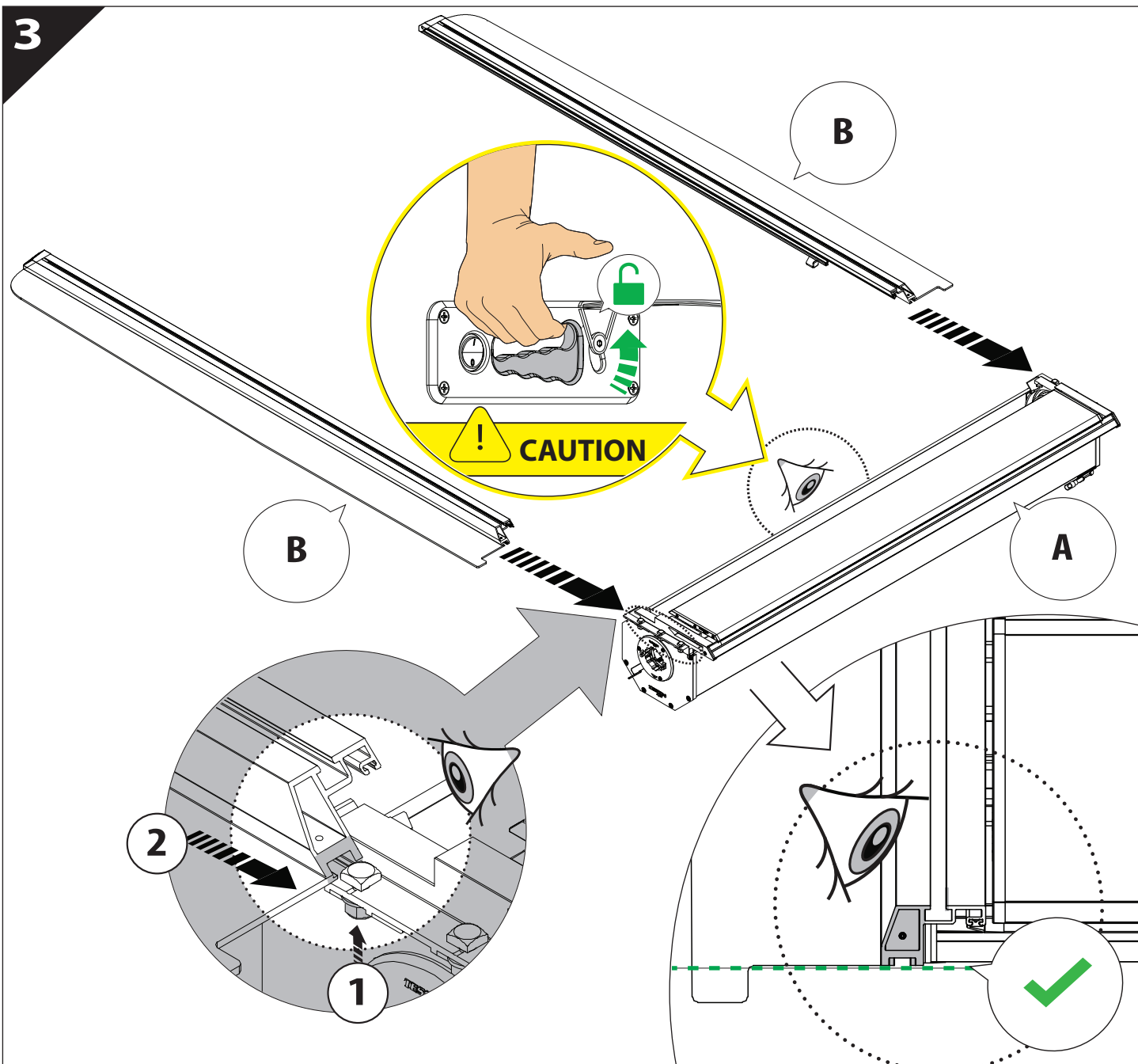


L

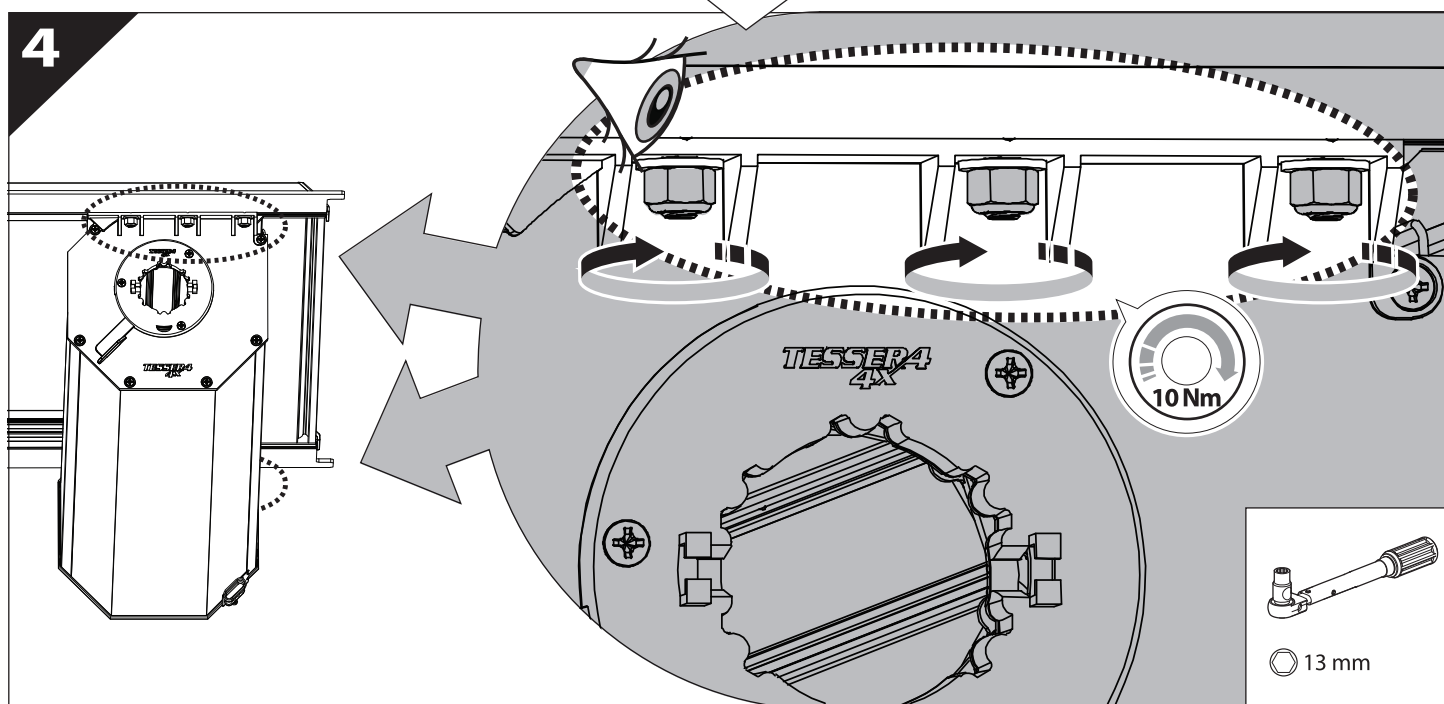


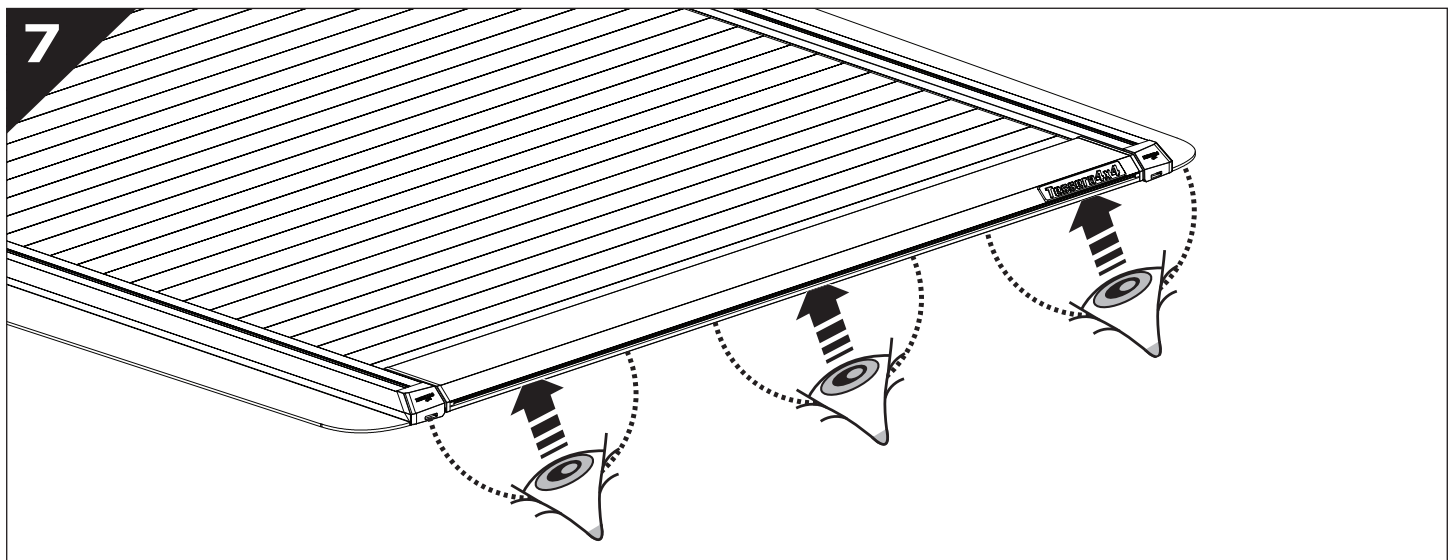
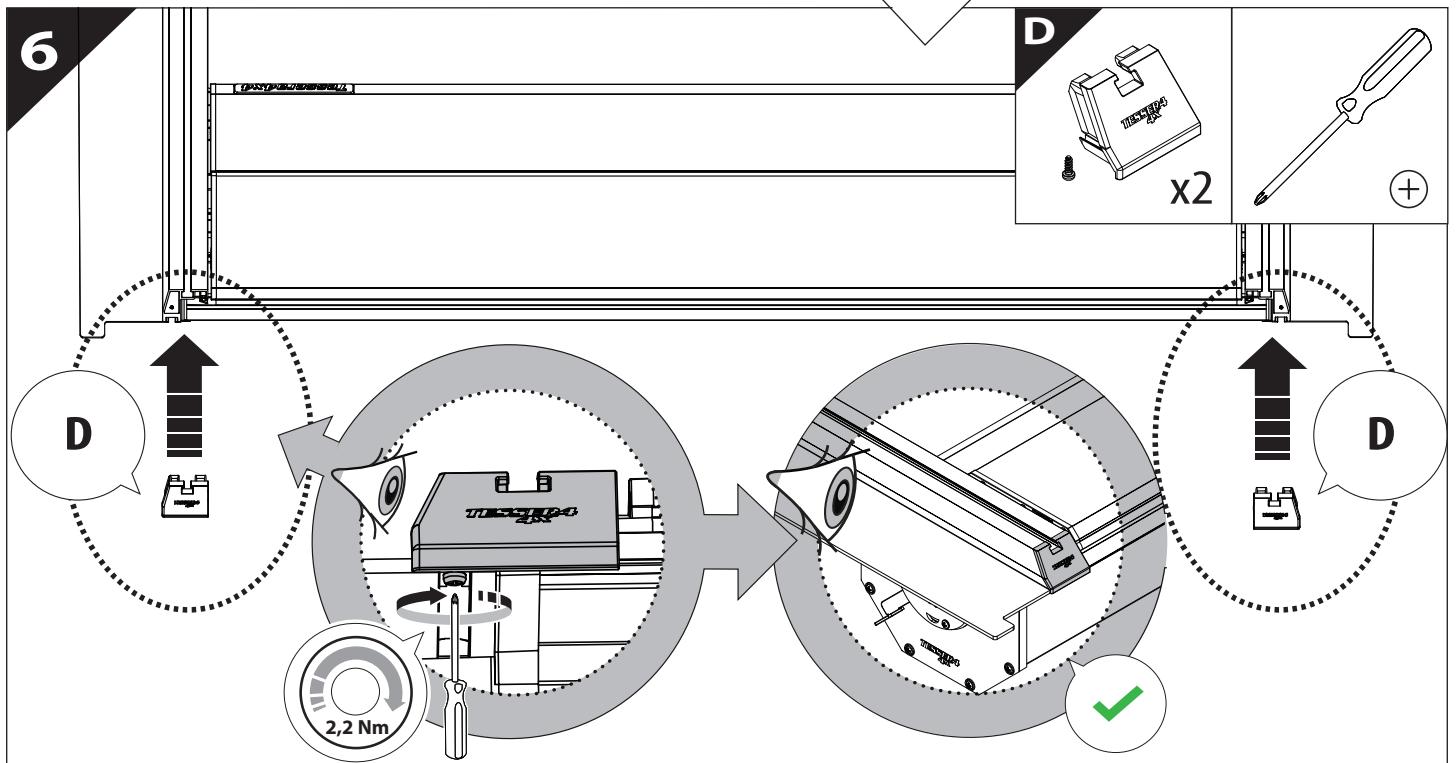
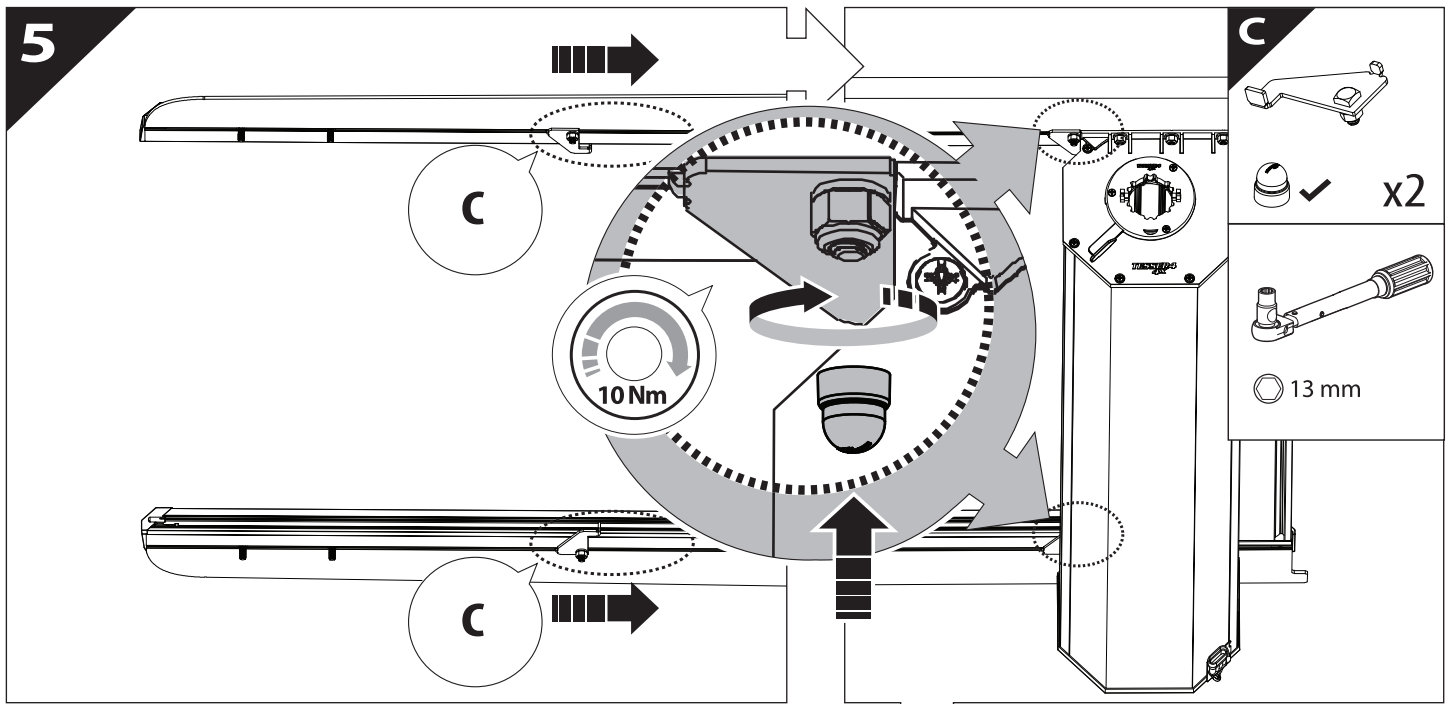


3

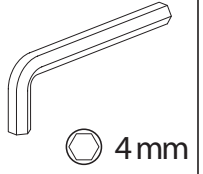
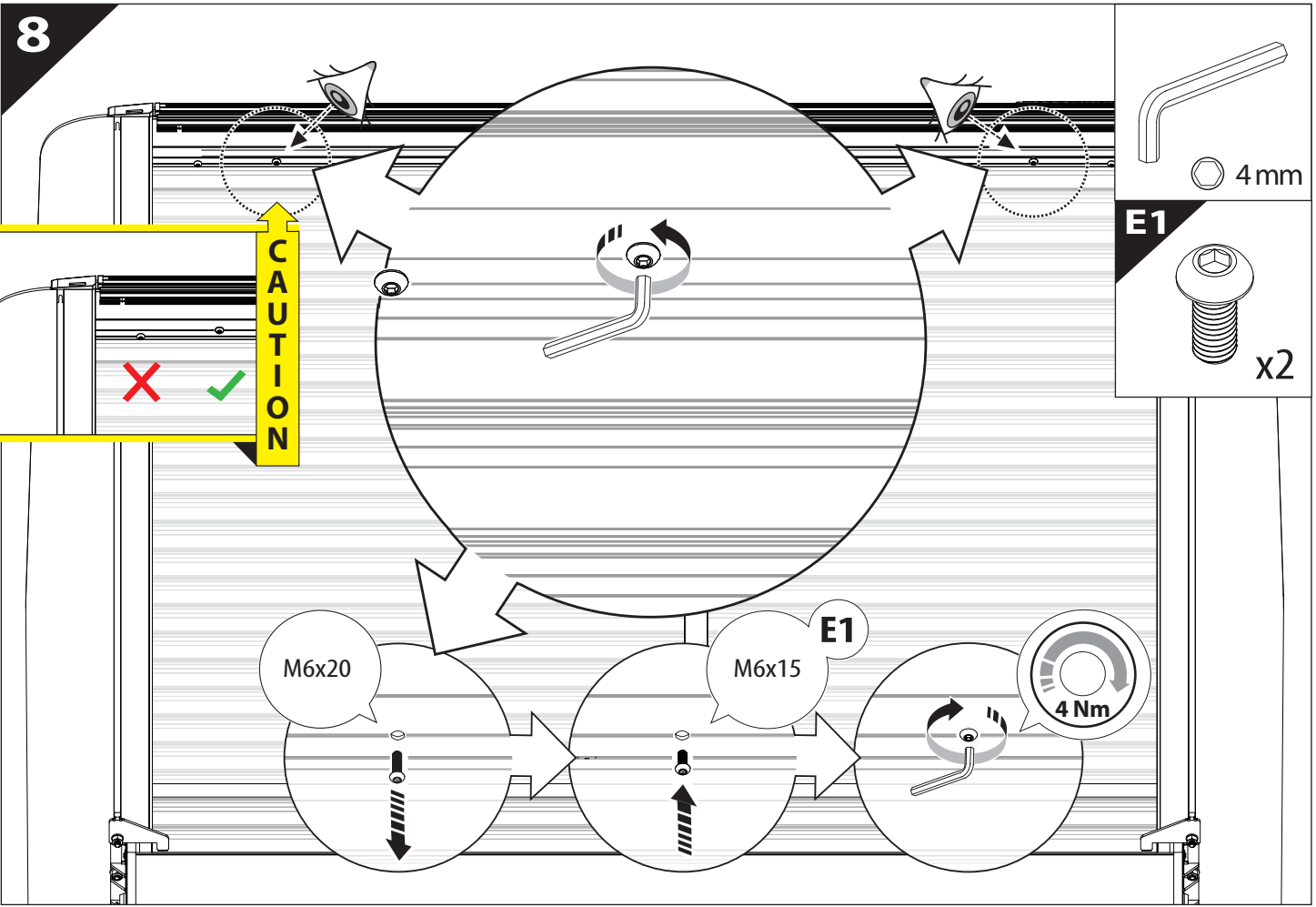
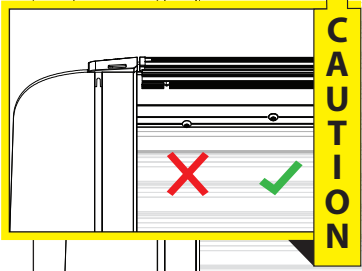


4





8



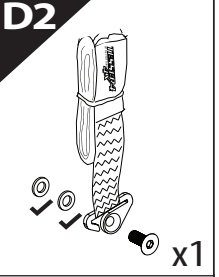
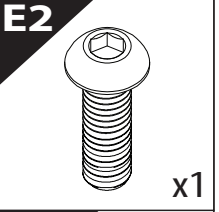
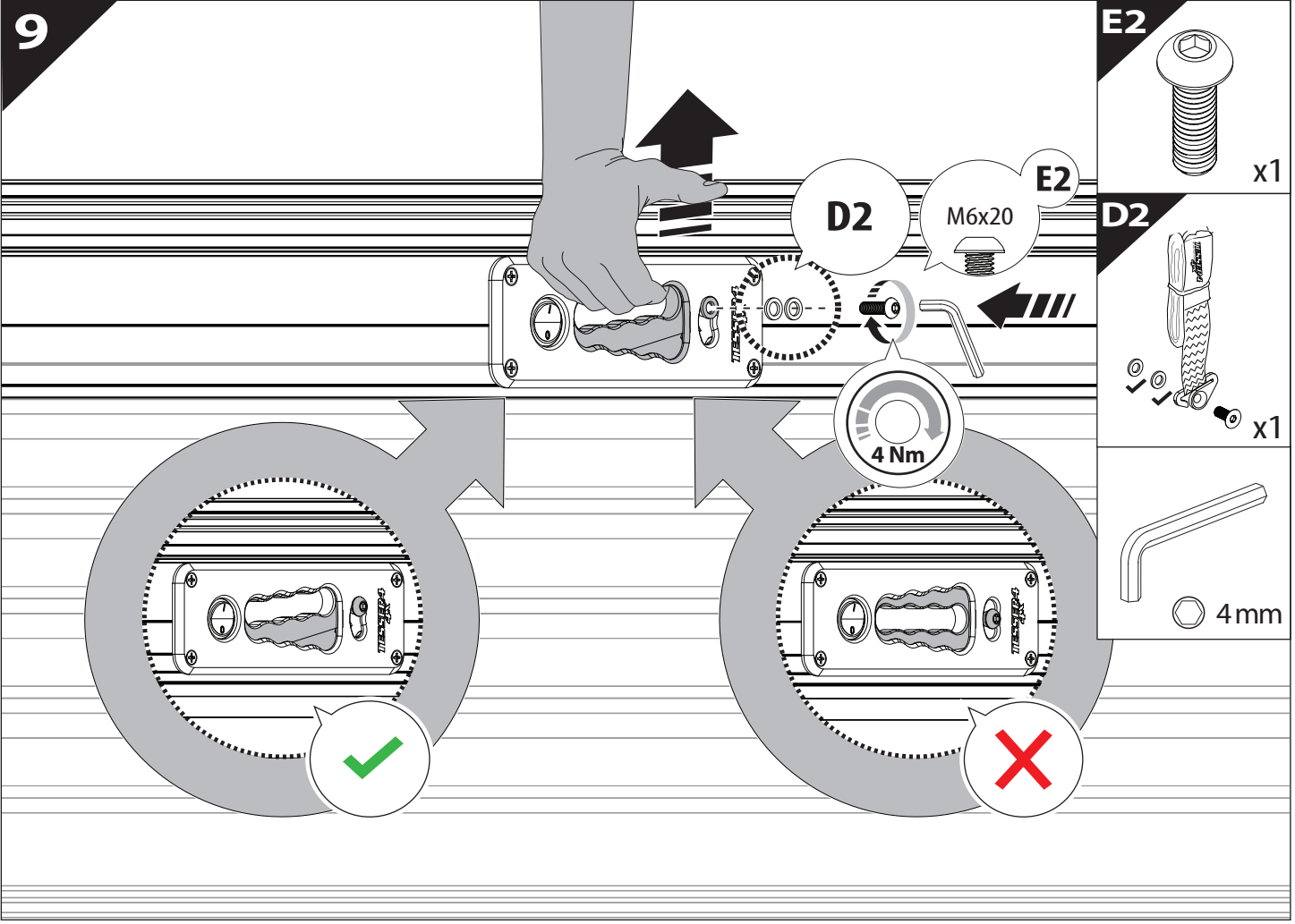
M6x20

M6x15

E1

4 Nm

9

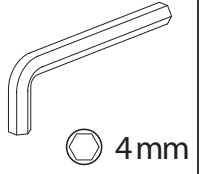


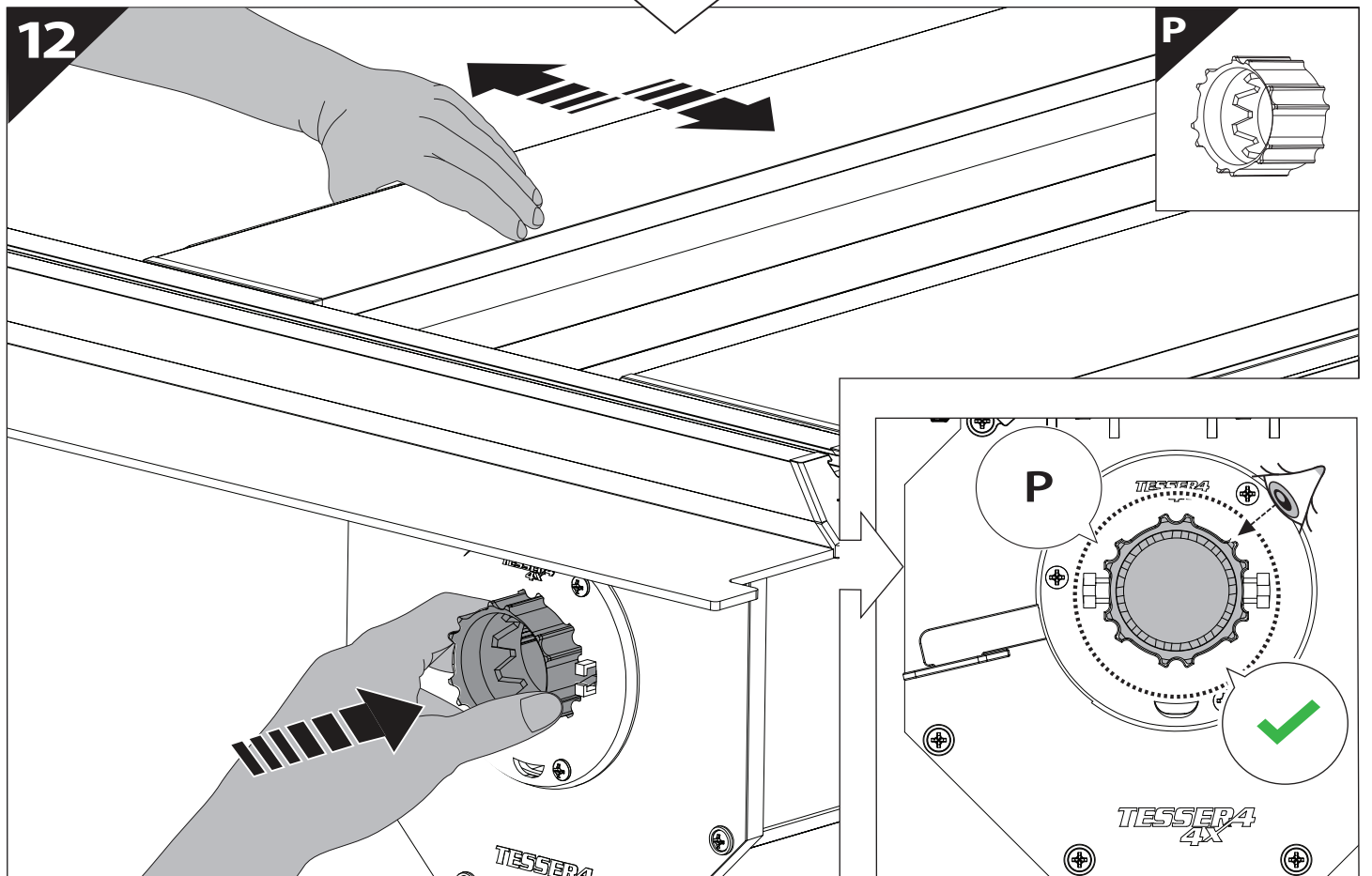
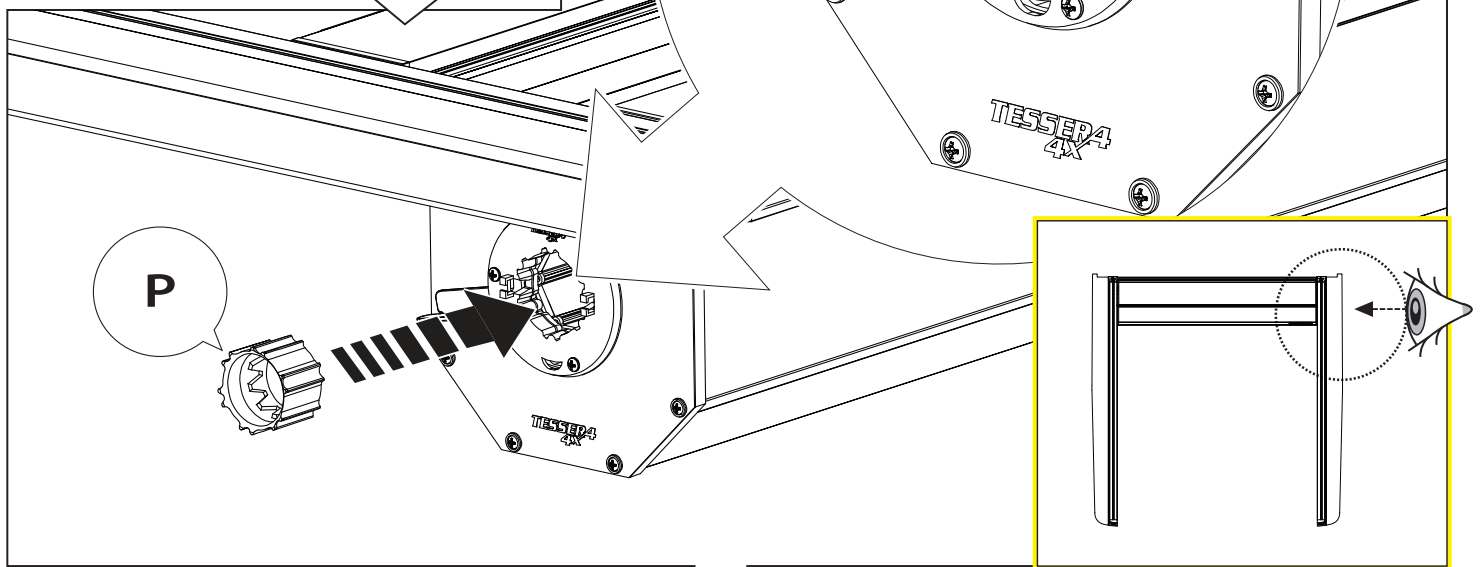
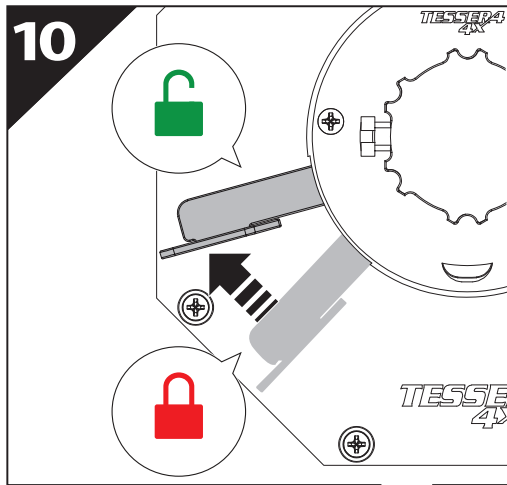
D2

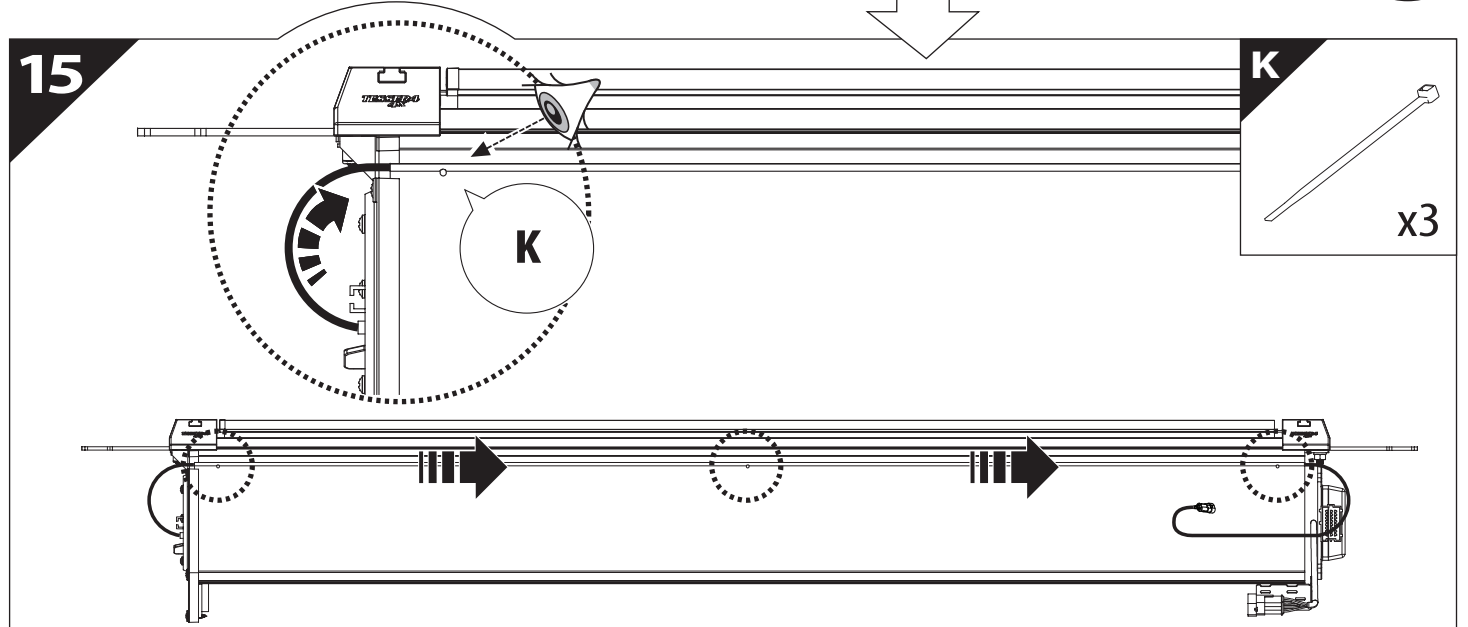
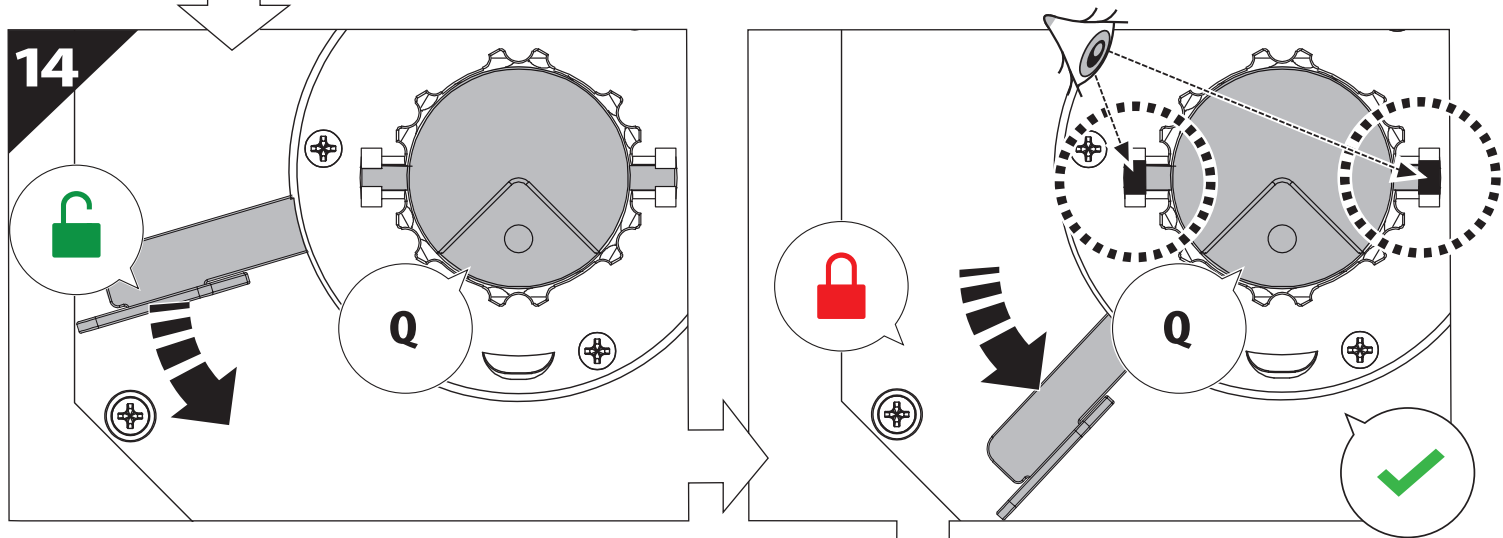
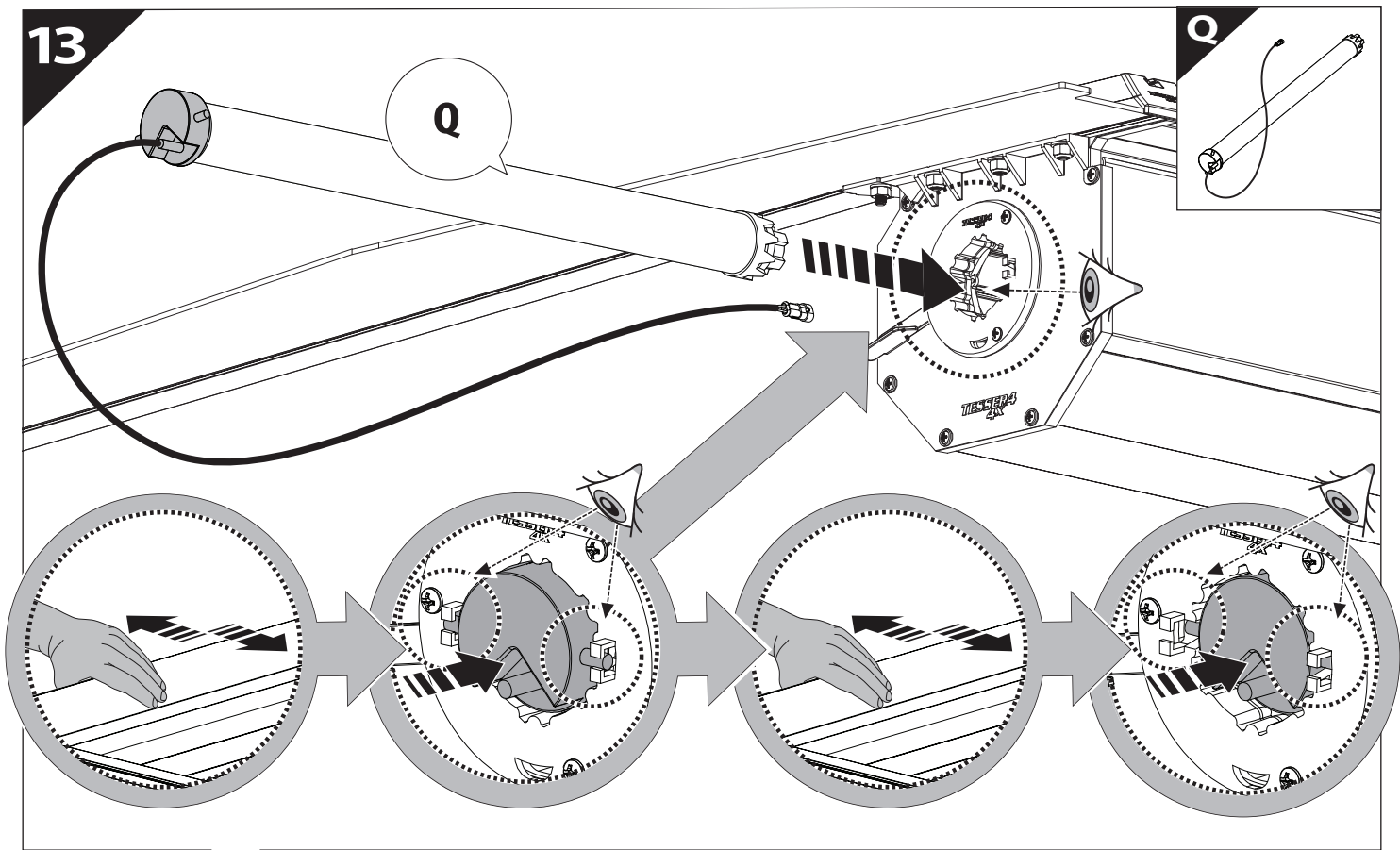
M6x20

E2

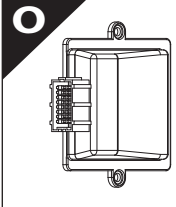
4 Nm







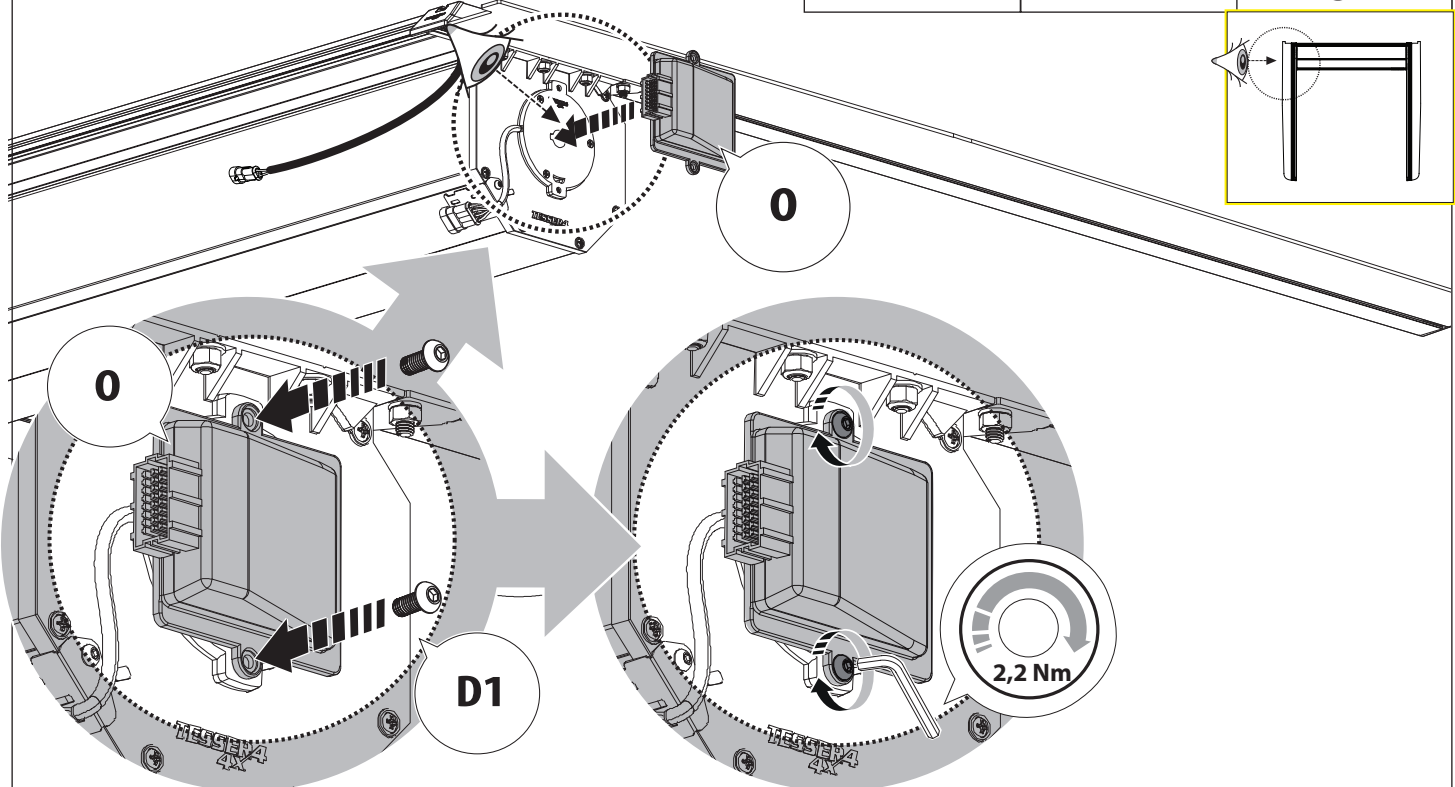
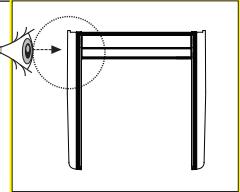
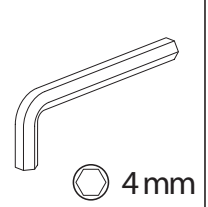
16



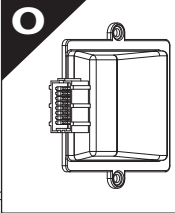
D1



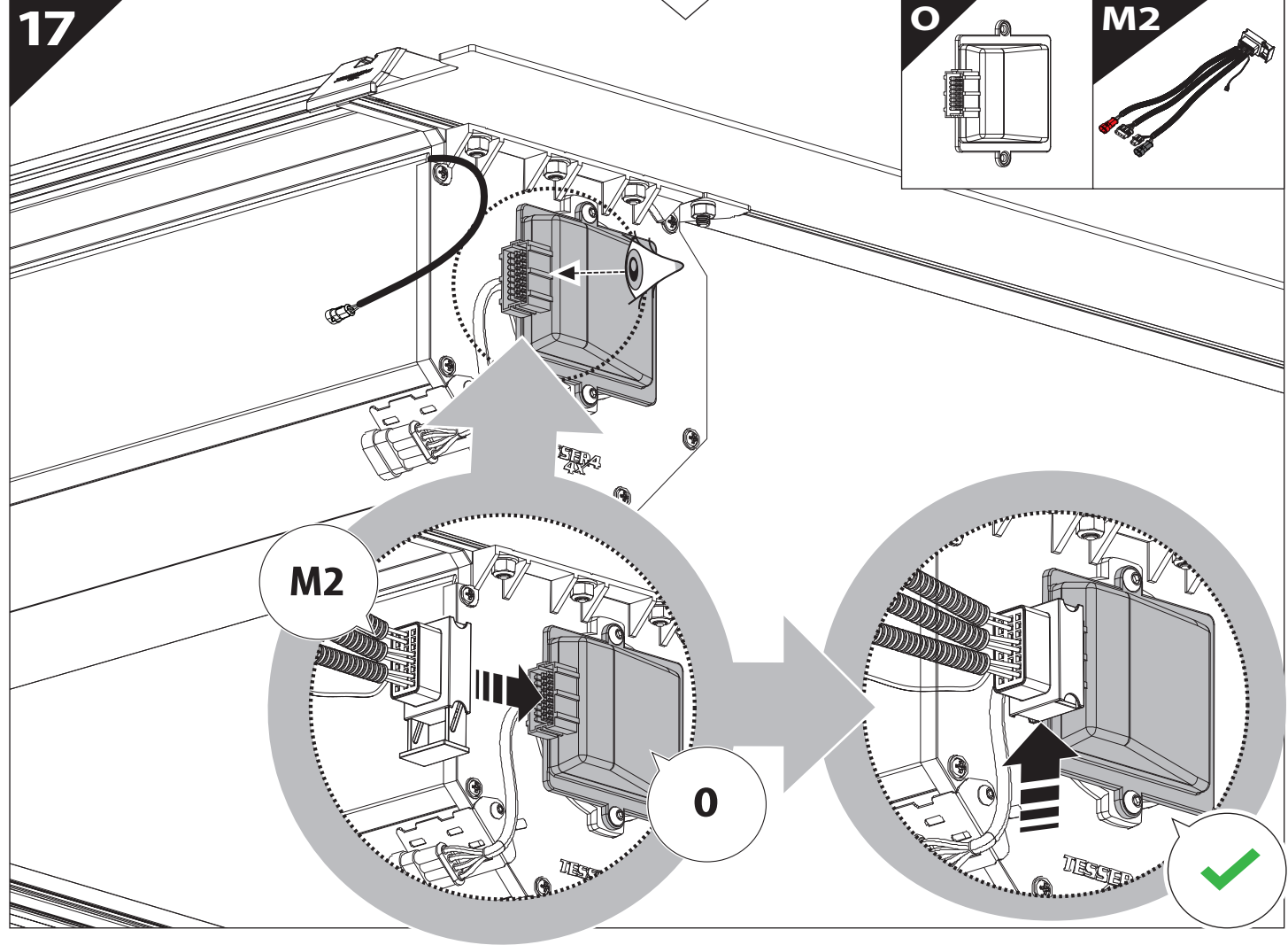
x2

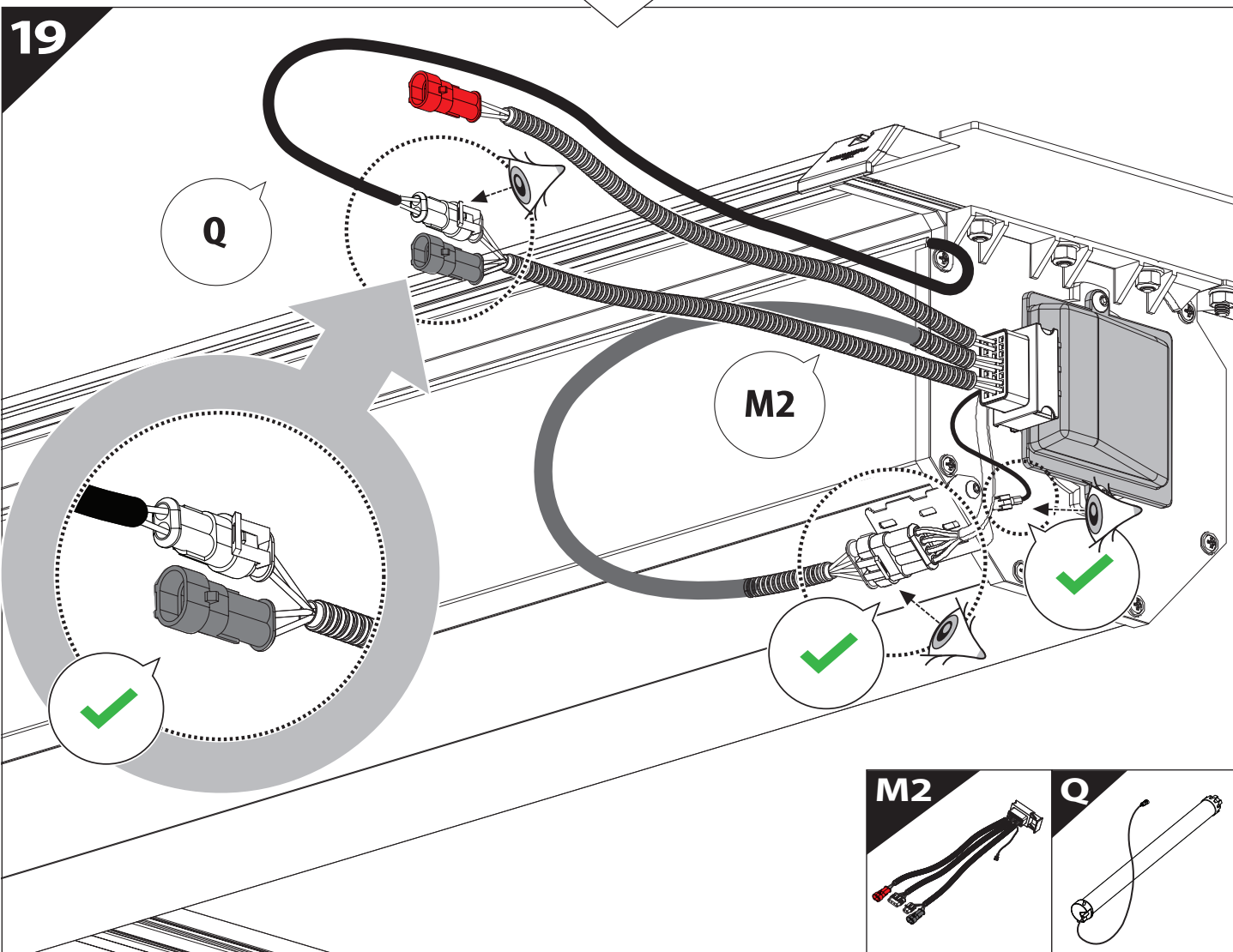
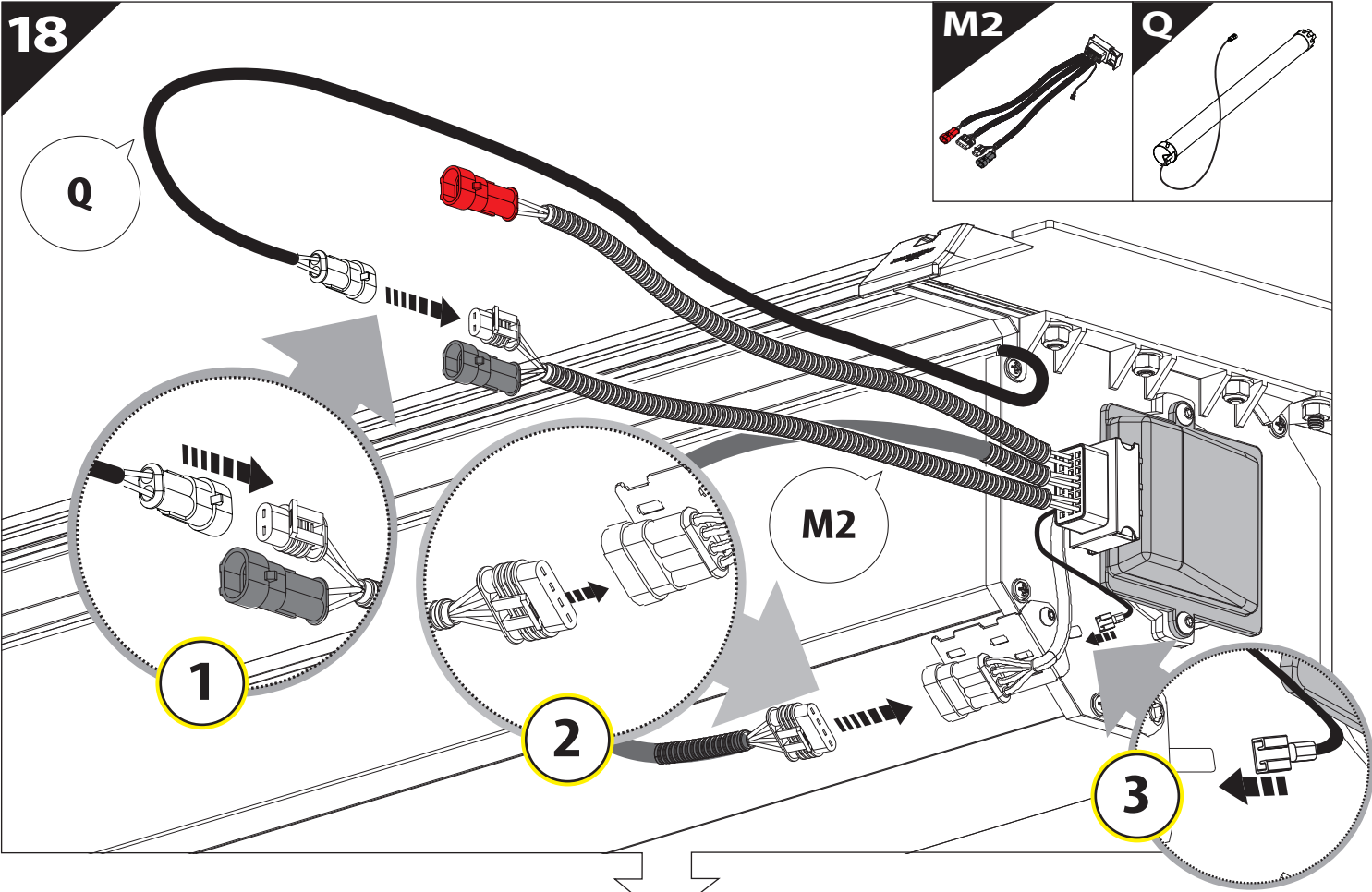


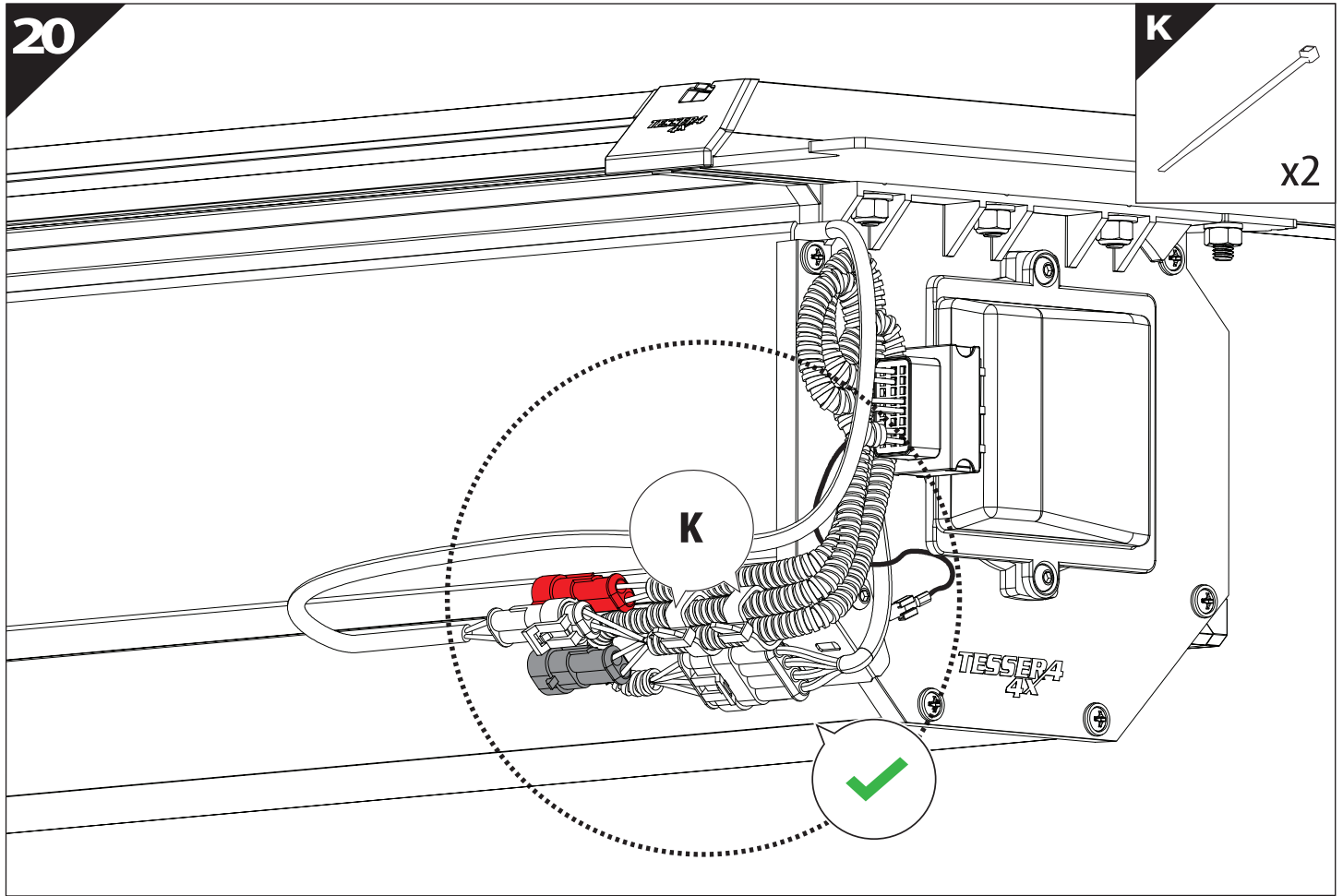
17



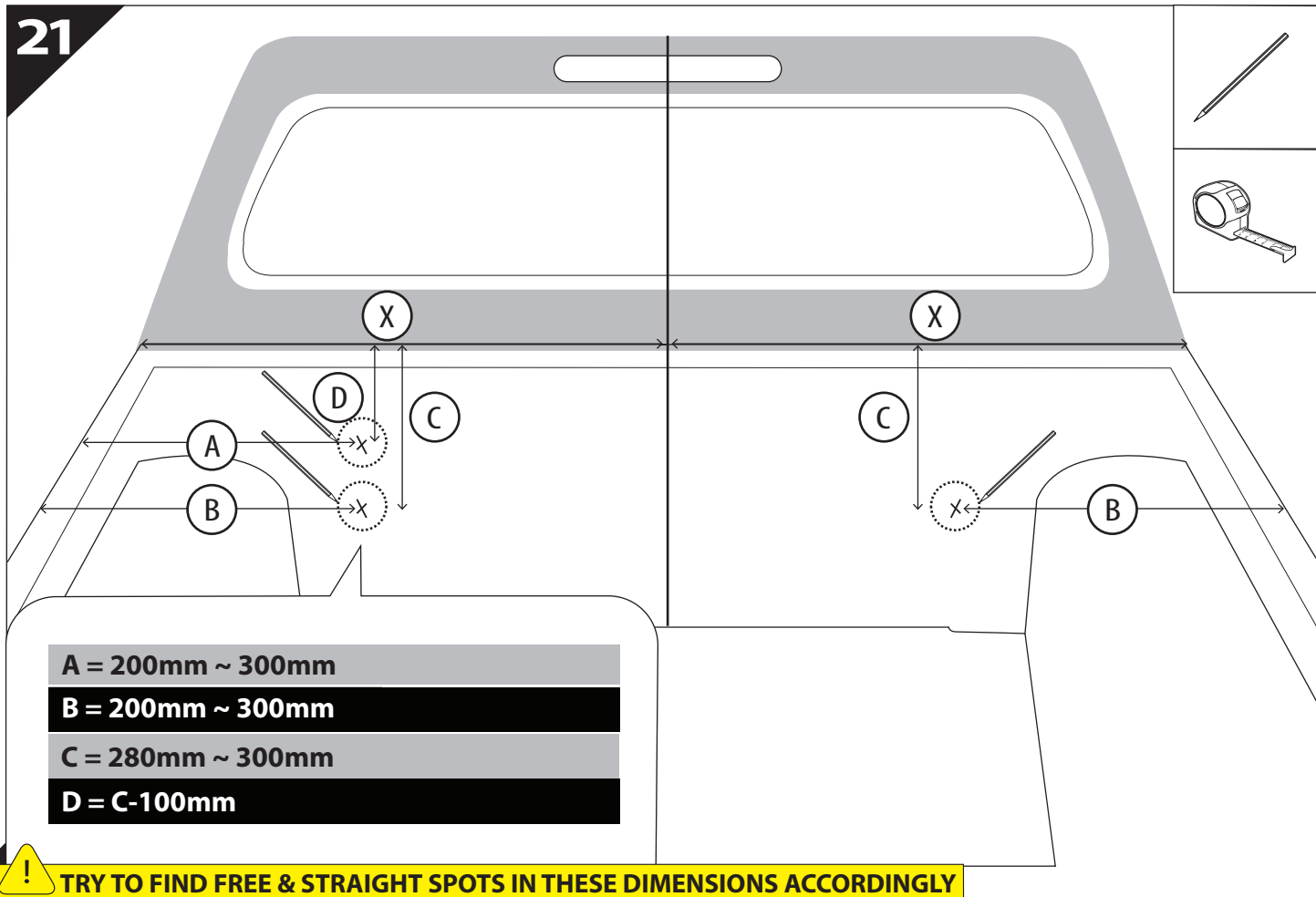
M2







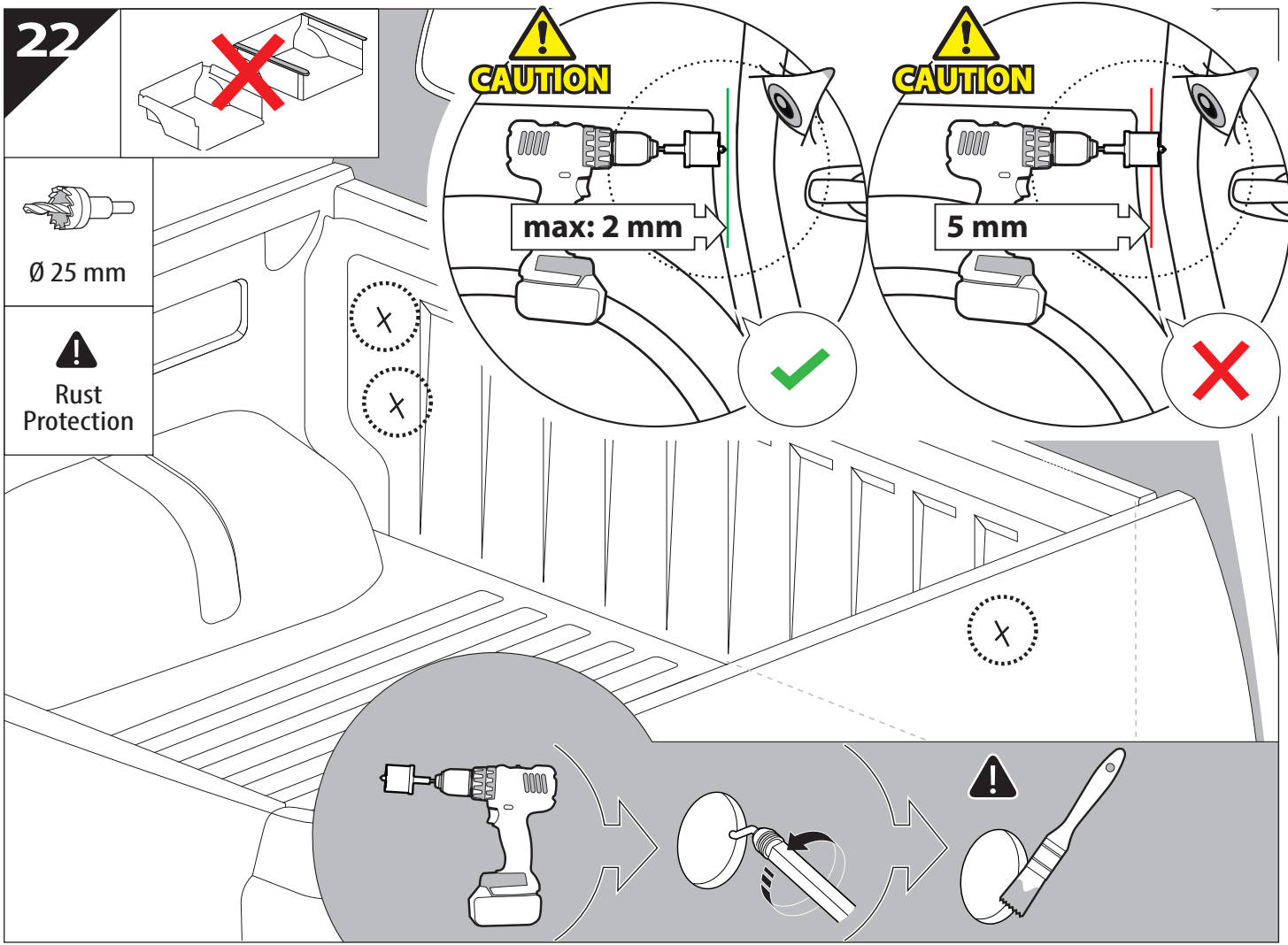
21



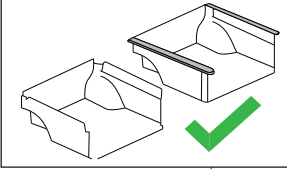
- A = 200mm ~ 300mm
- B = 200mm ~ 300mm
- C = 280mm ~ 300mm
- D = C-100mm

! TRY TO FIND FREE & STRAIGHT SPOTS IN THESE DIMENSIONS ACCORDINGLY

22

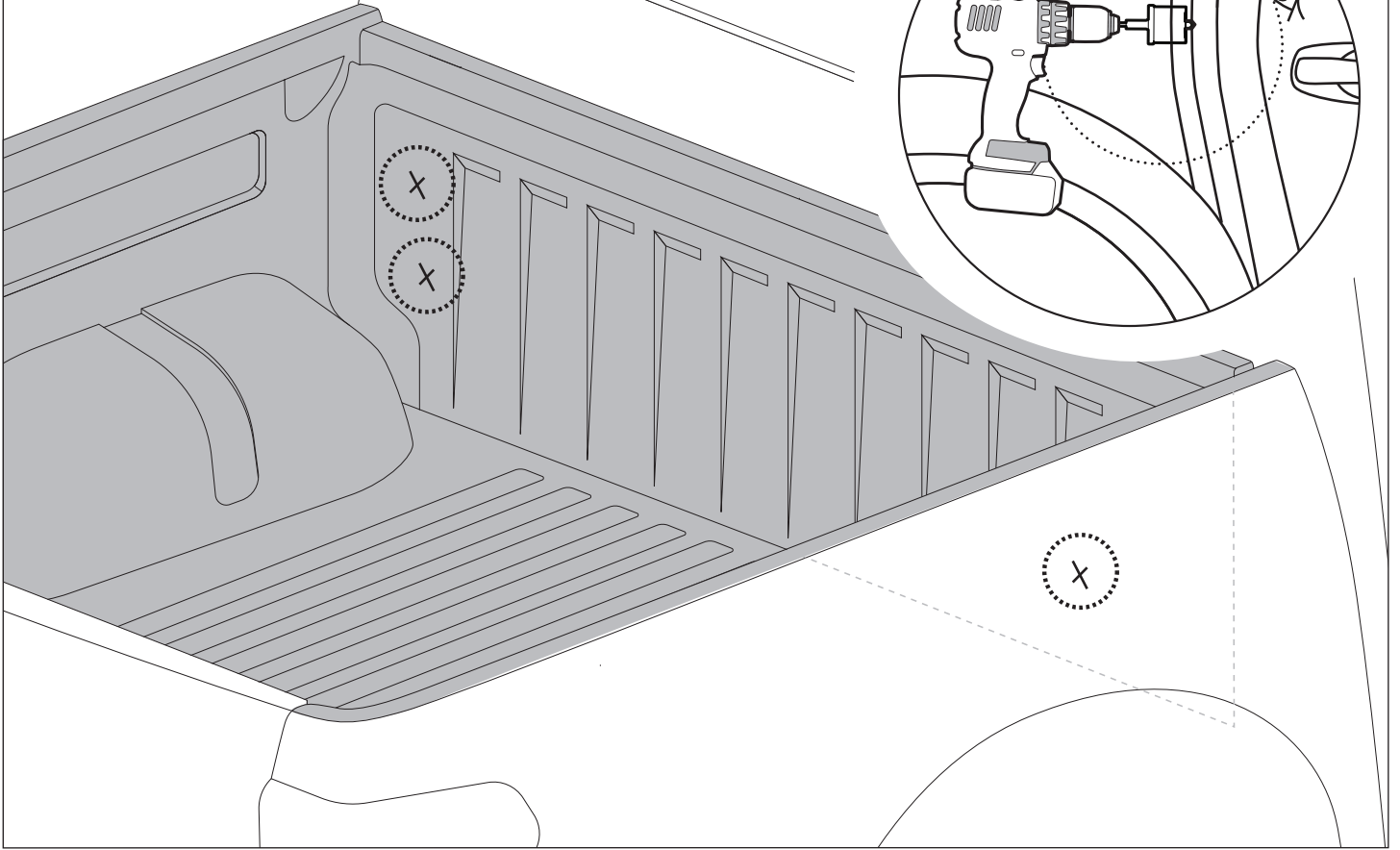
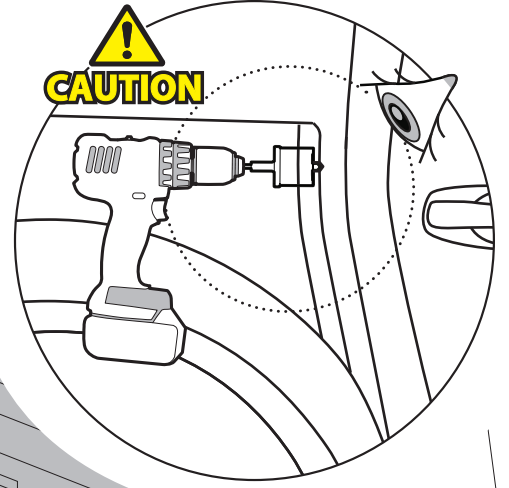


22.1

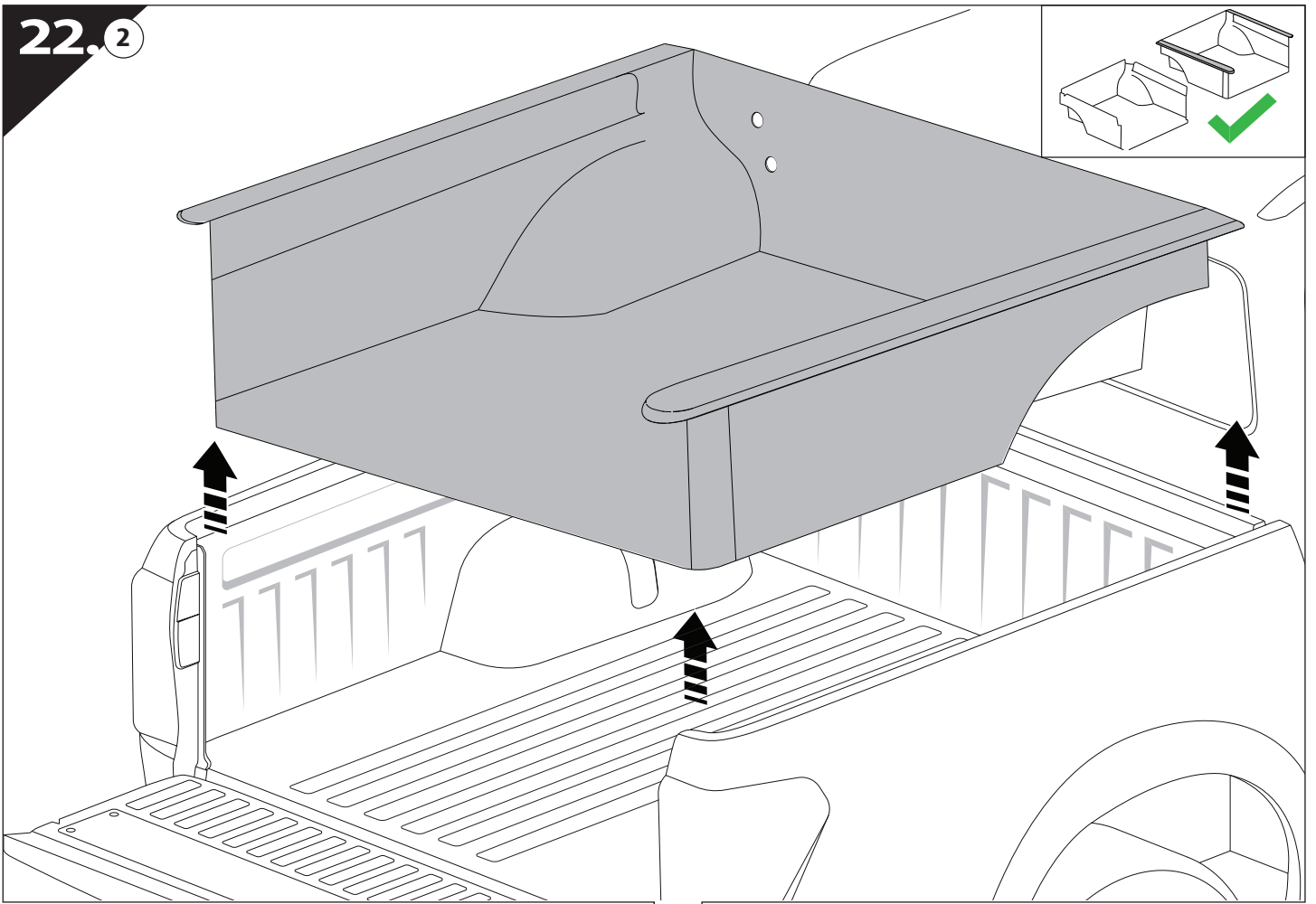


Ø 40 mm

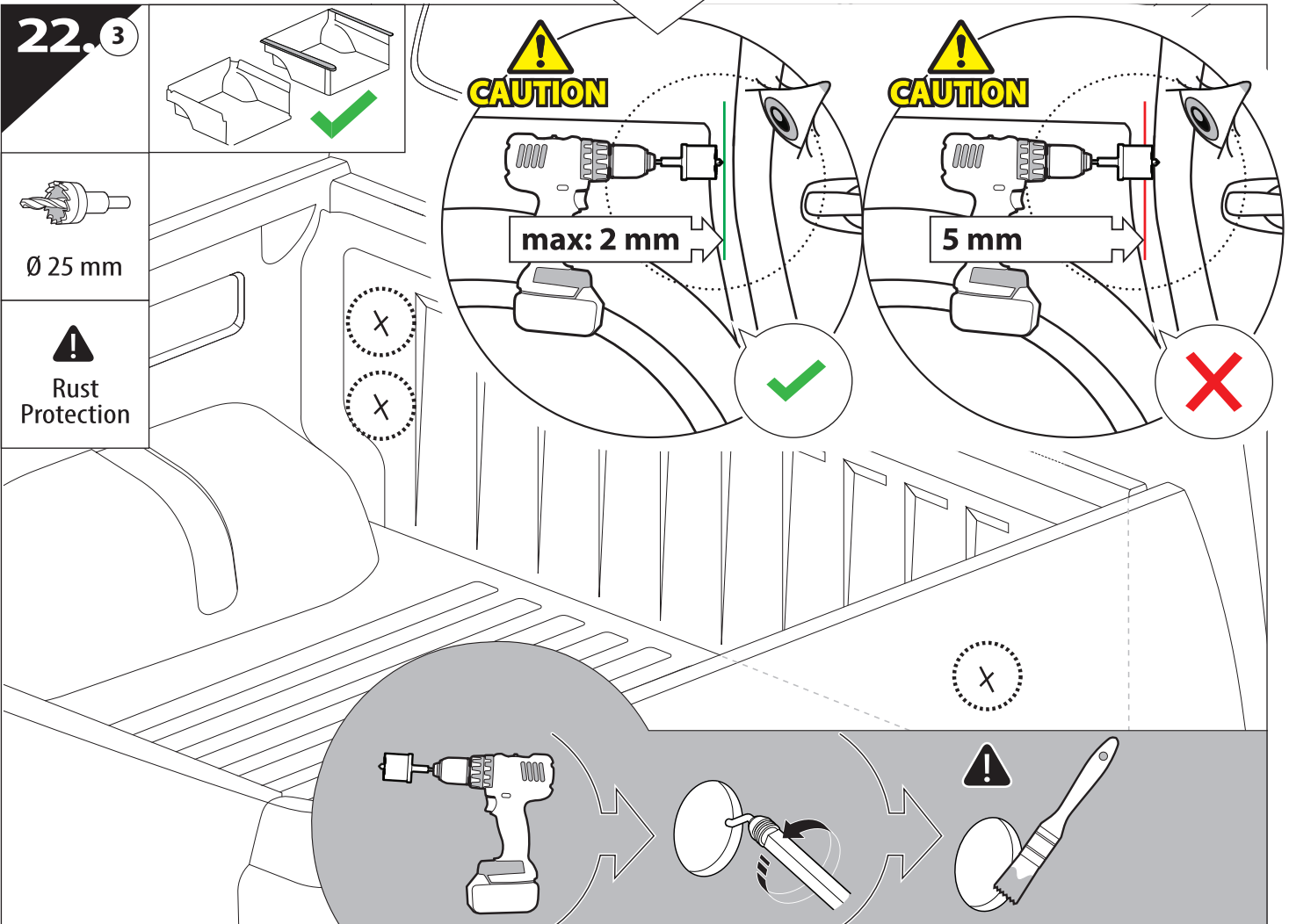

CAUTION

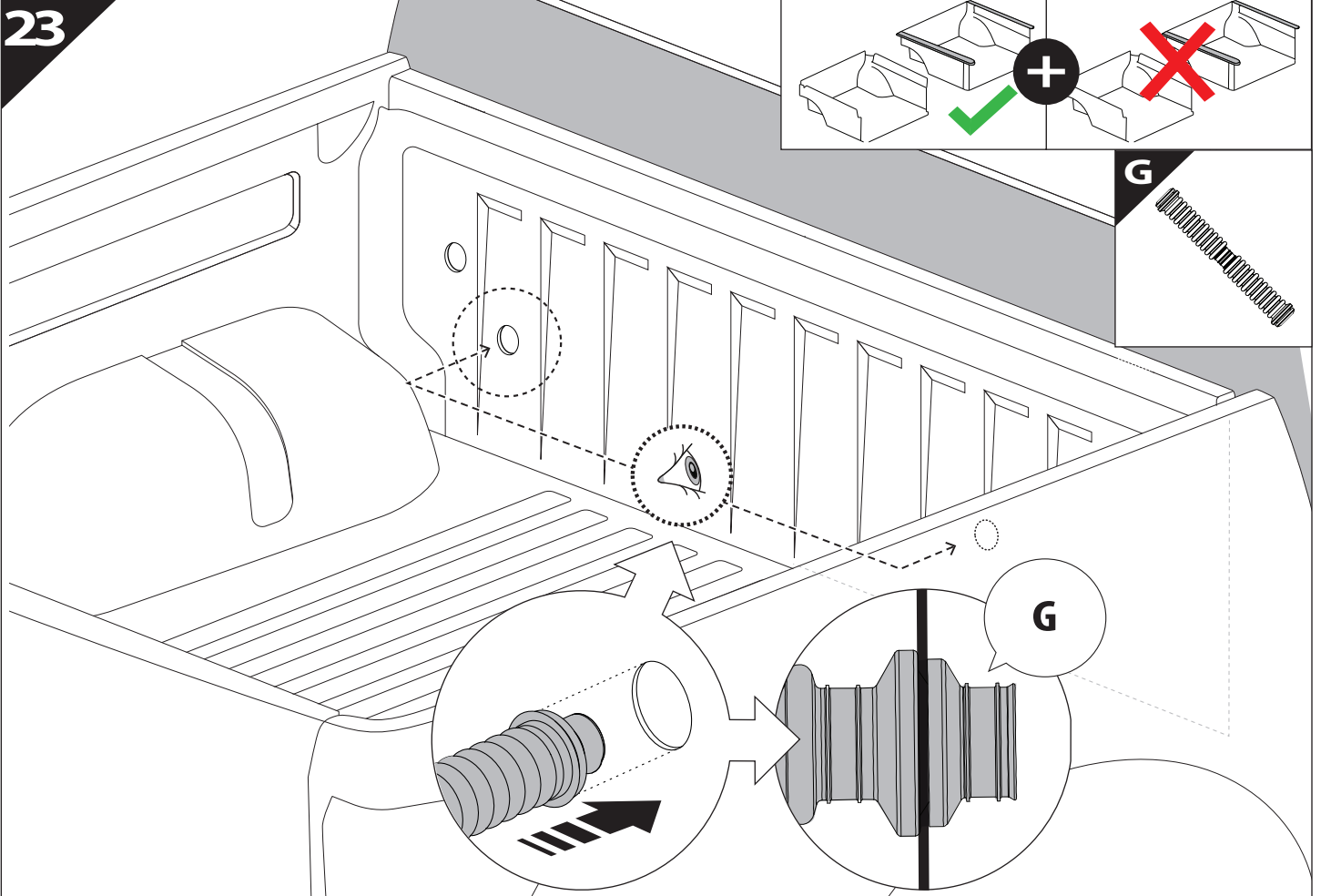


22.2

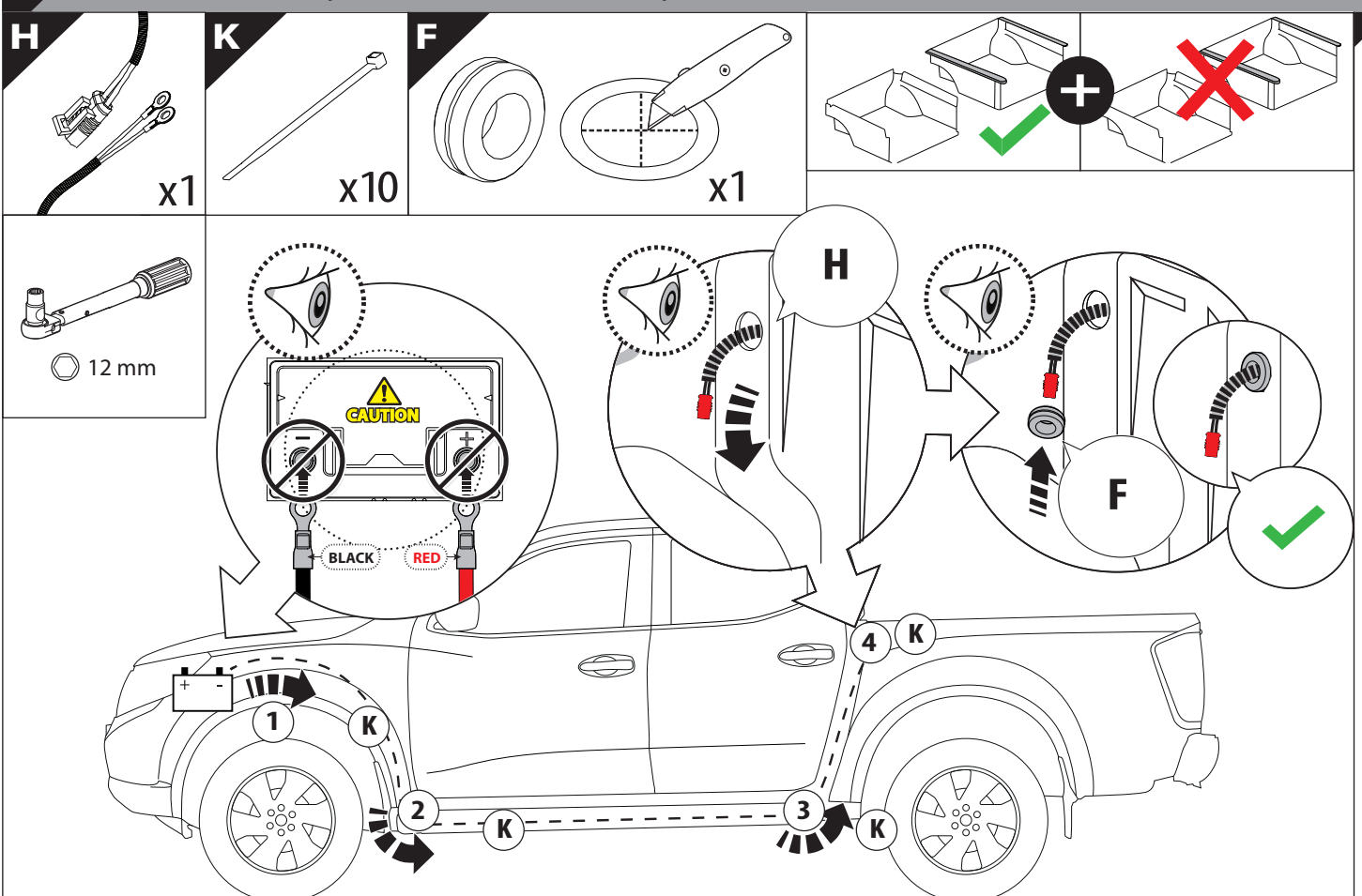


22.3

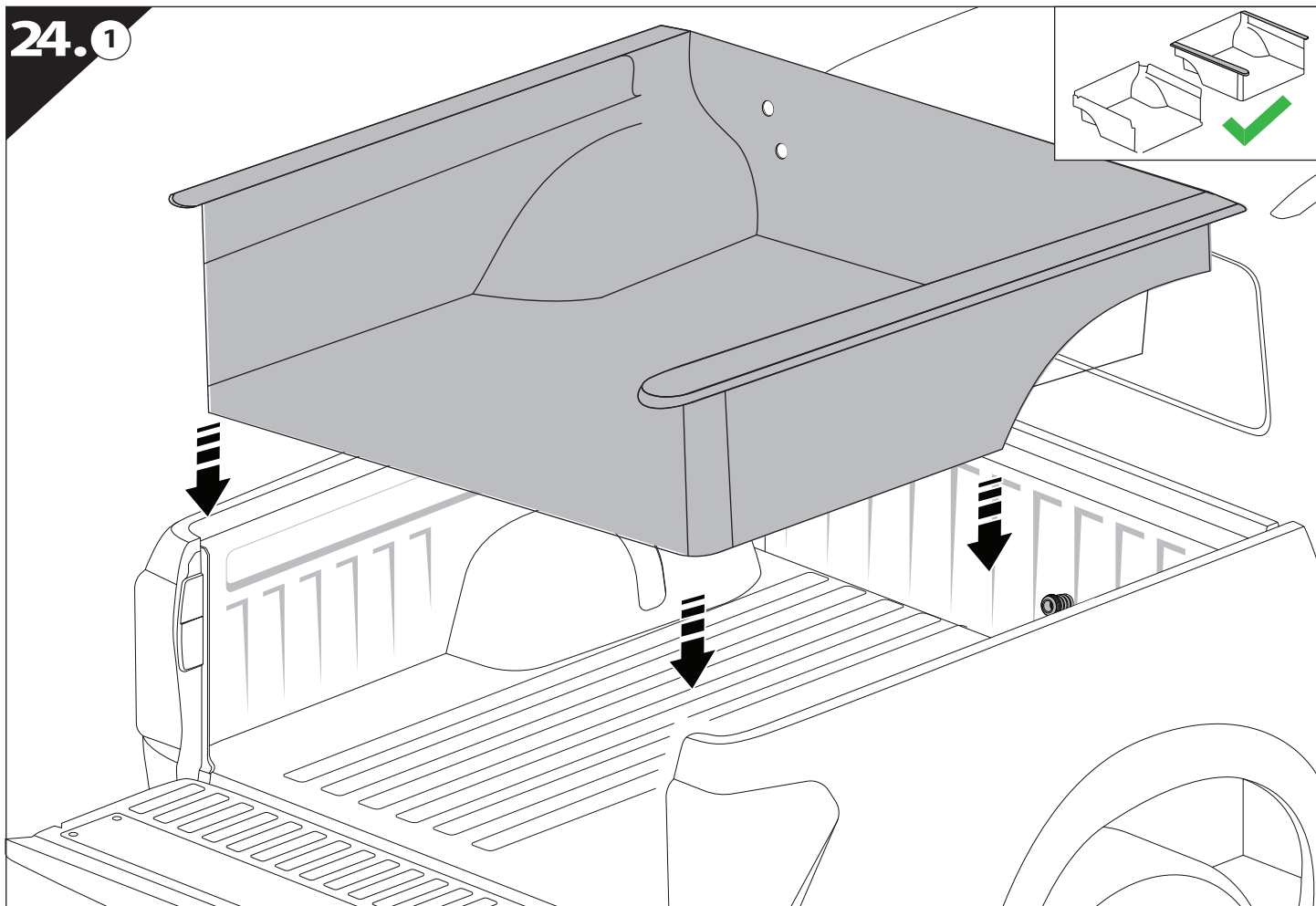




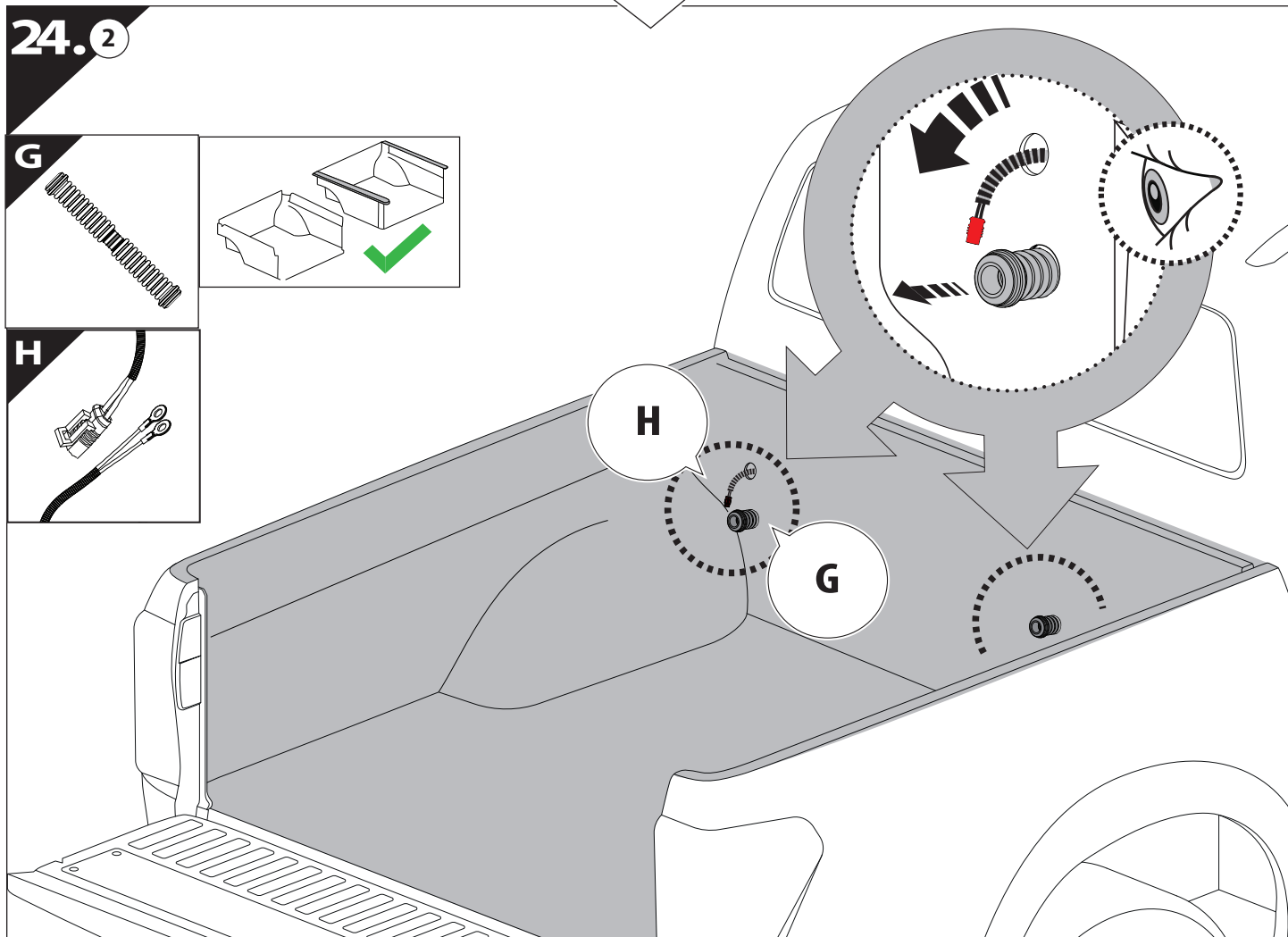
24 Only to be installed by authorized personnel

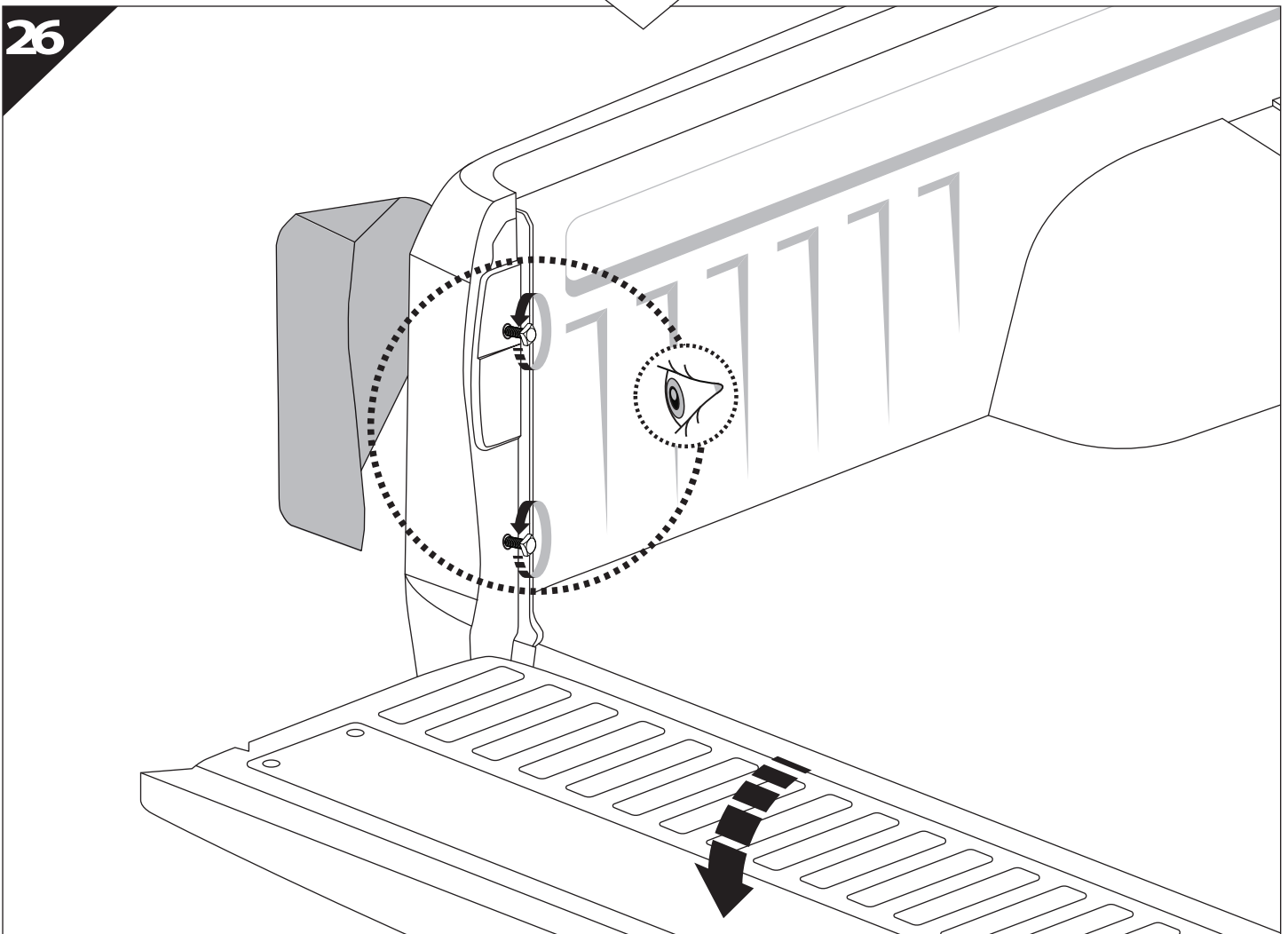
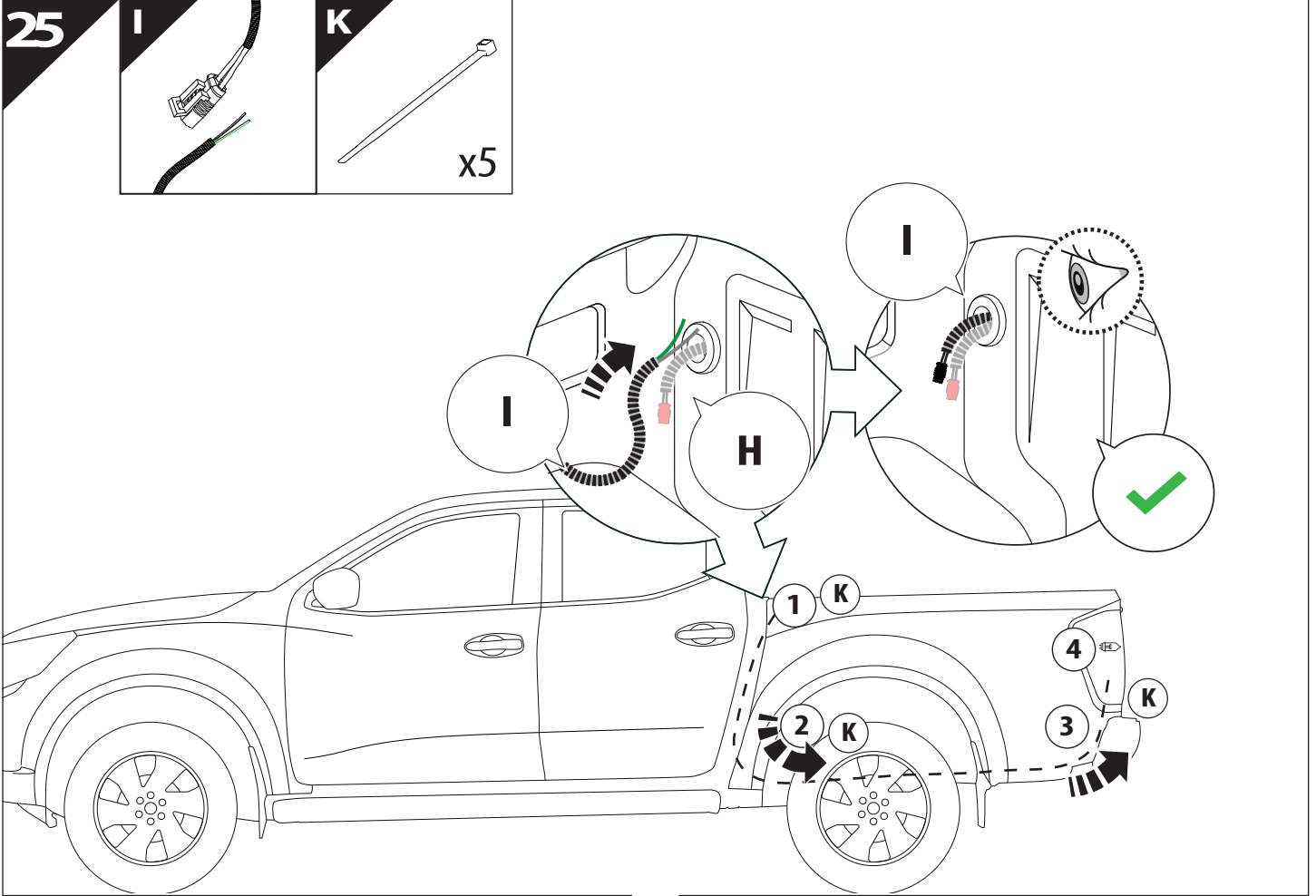


24.1

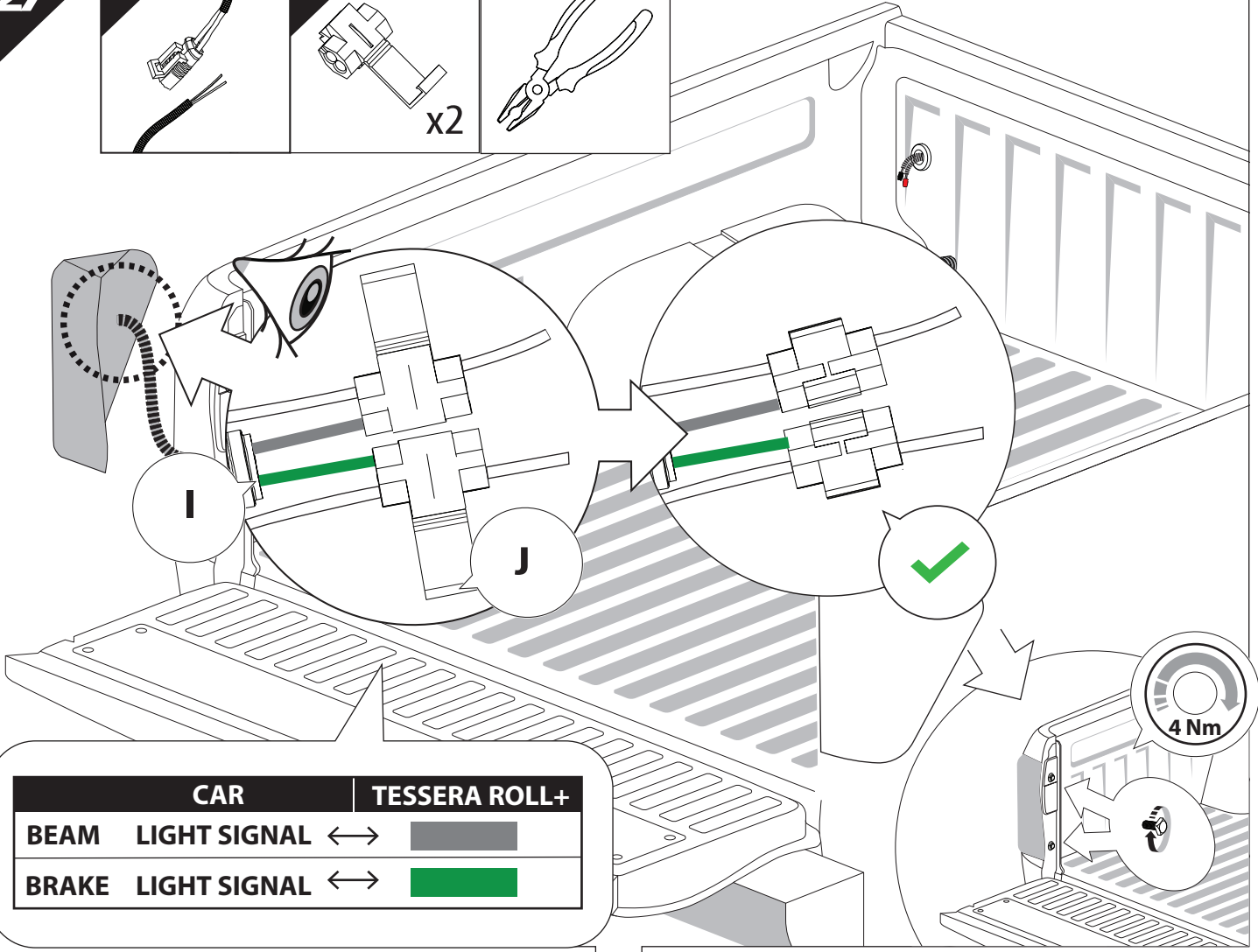
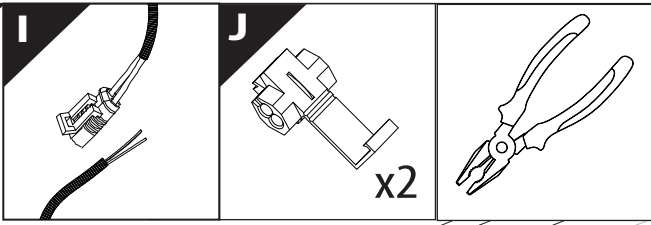


24.2





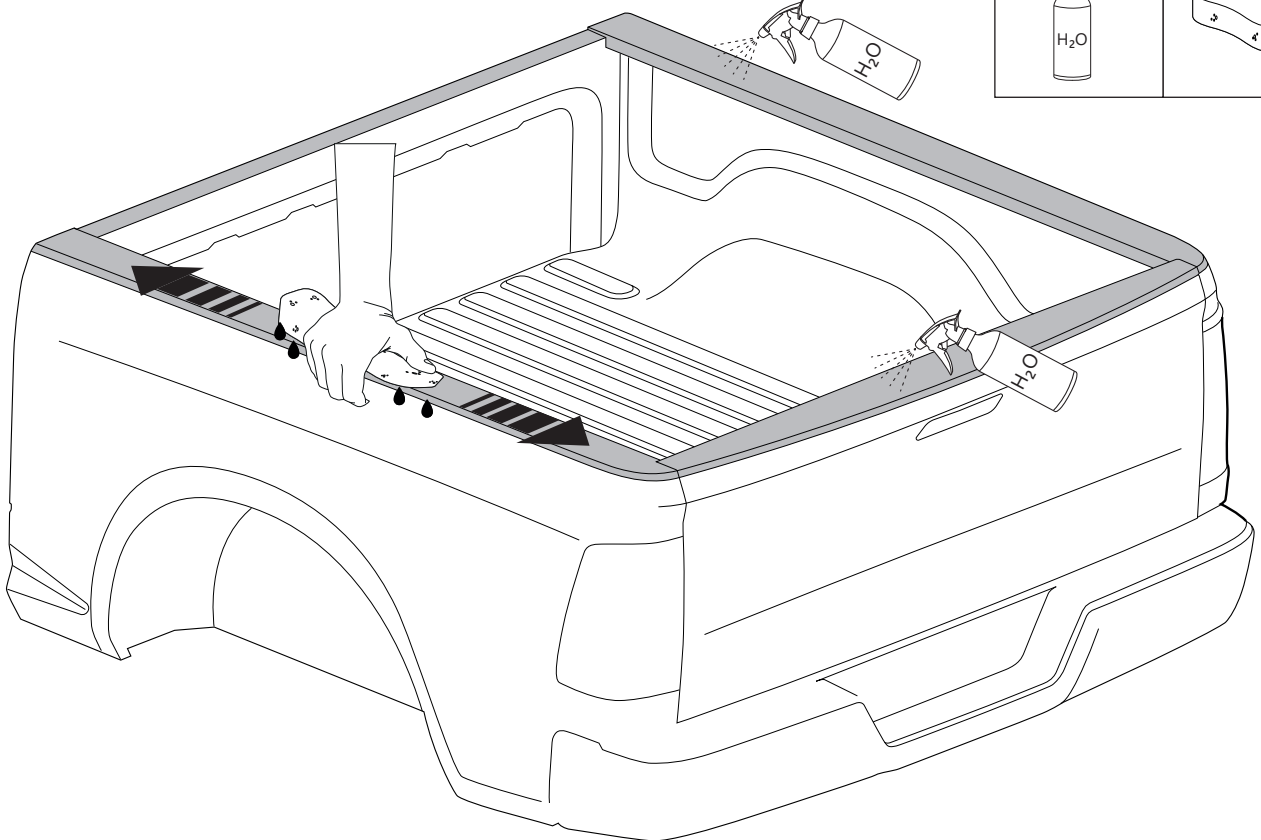
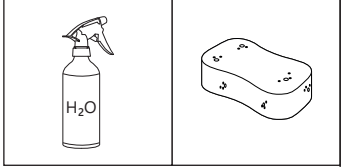
27



	CAR	TESSERA ROLL+
BEAM	LIGHT SIGNAL ↔	
BRAKE	LIGHT SIGNAL ↔	

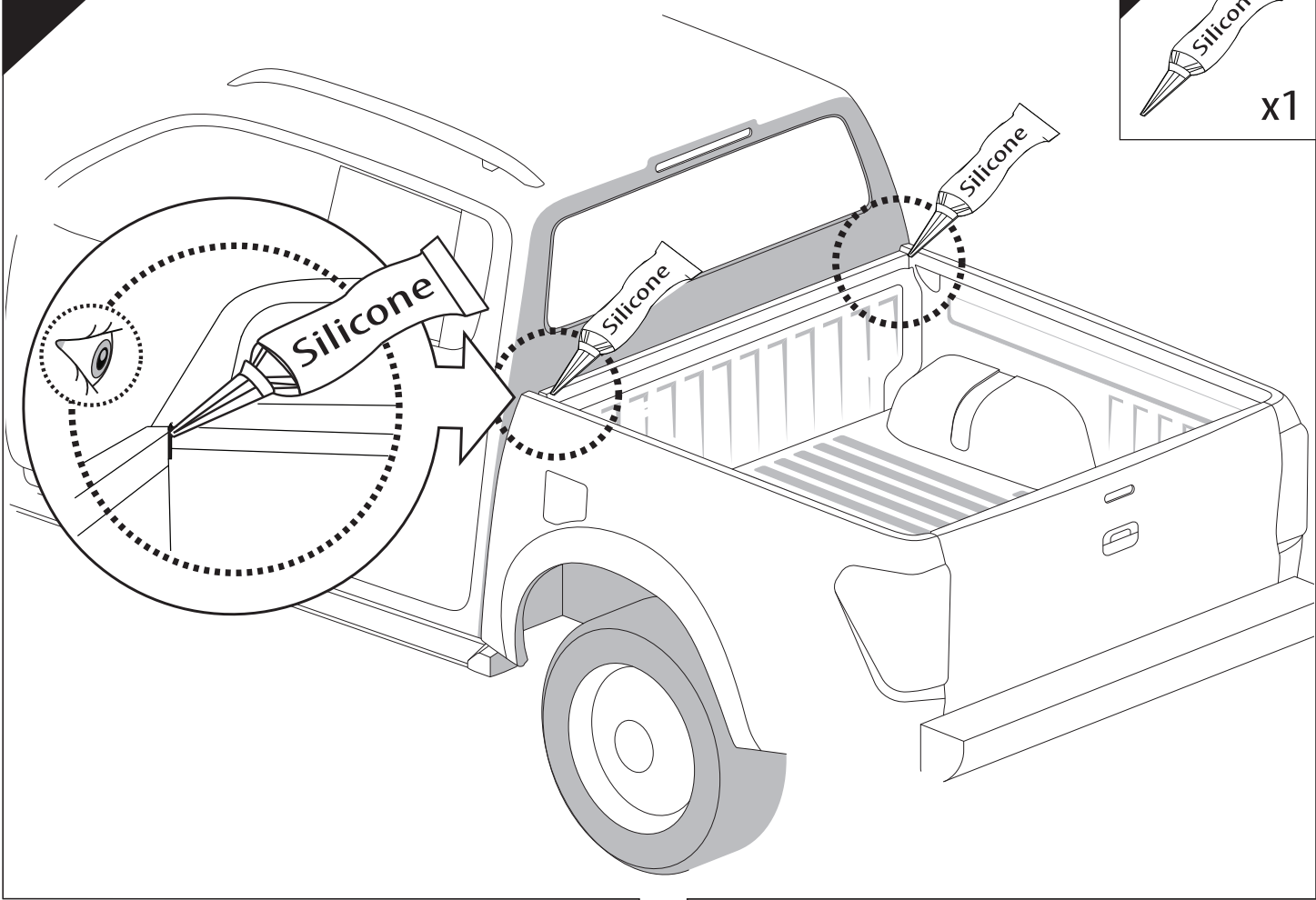


28



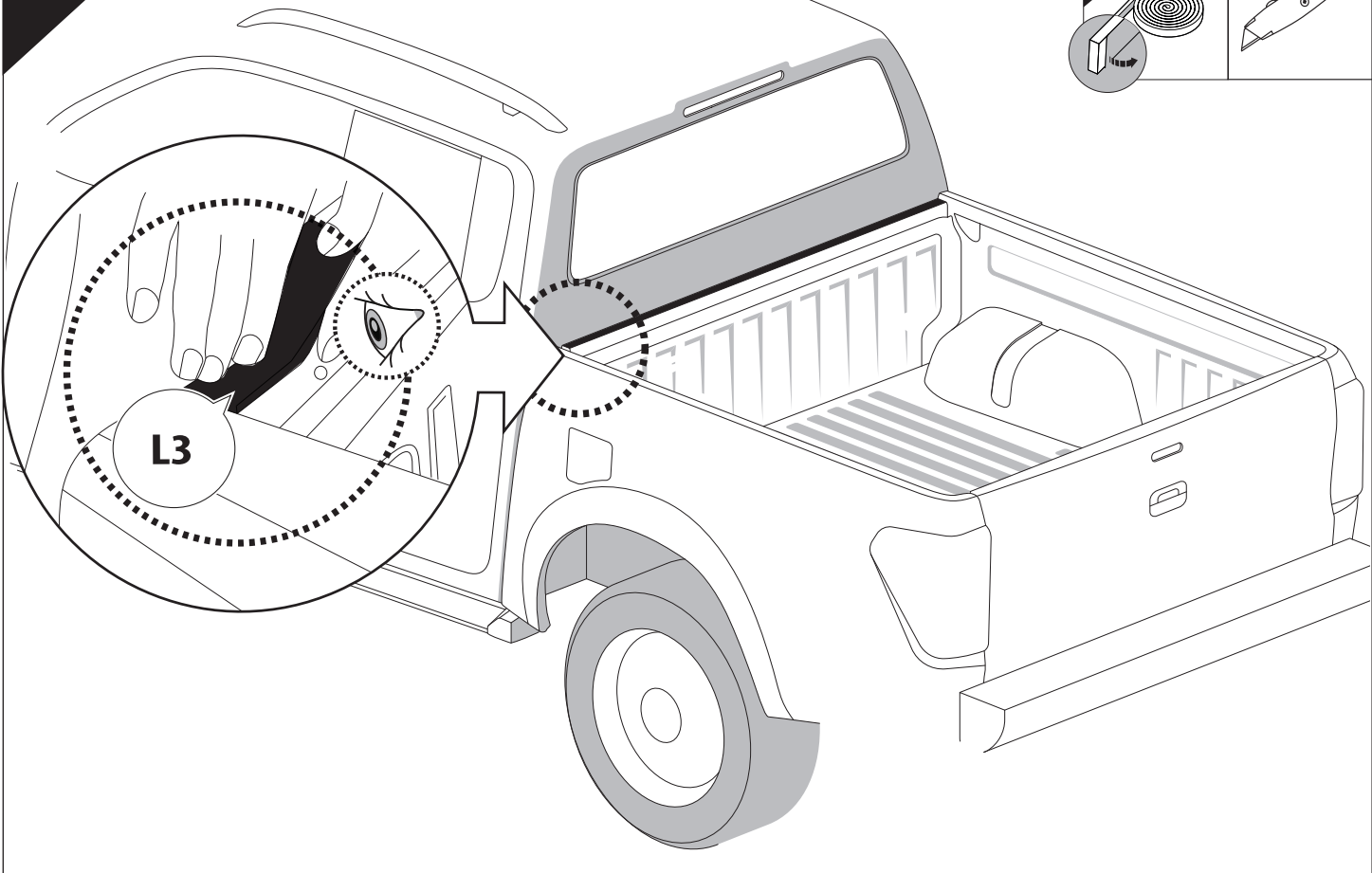
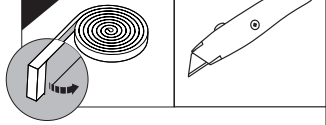
28.0

R



28.0

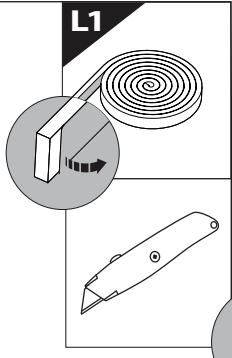
L3



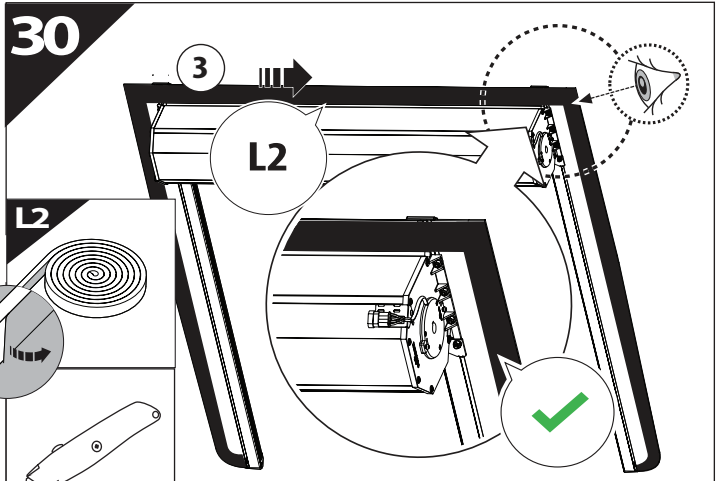
29



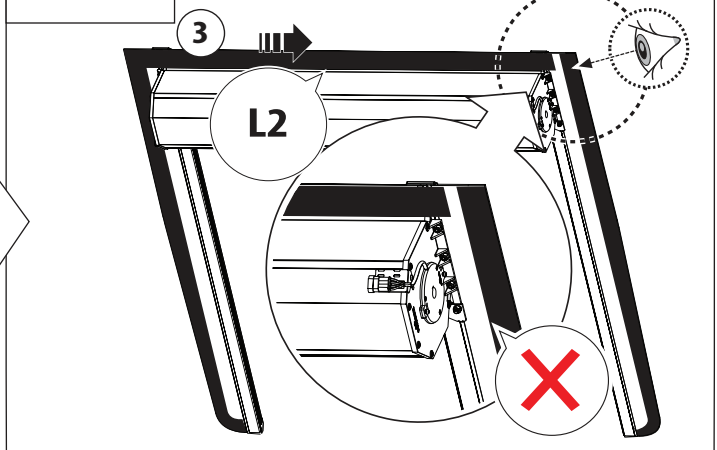
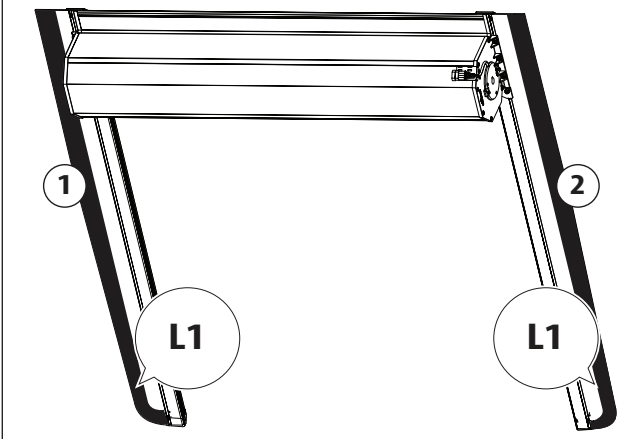
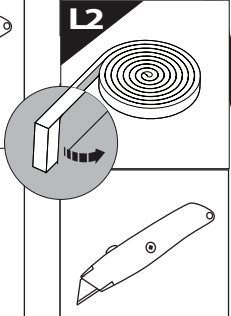
L1

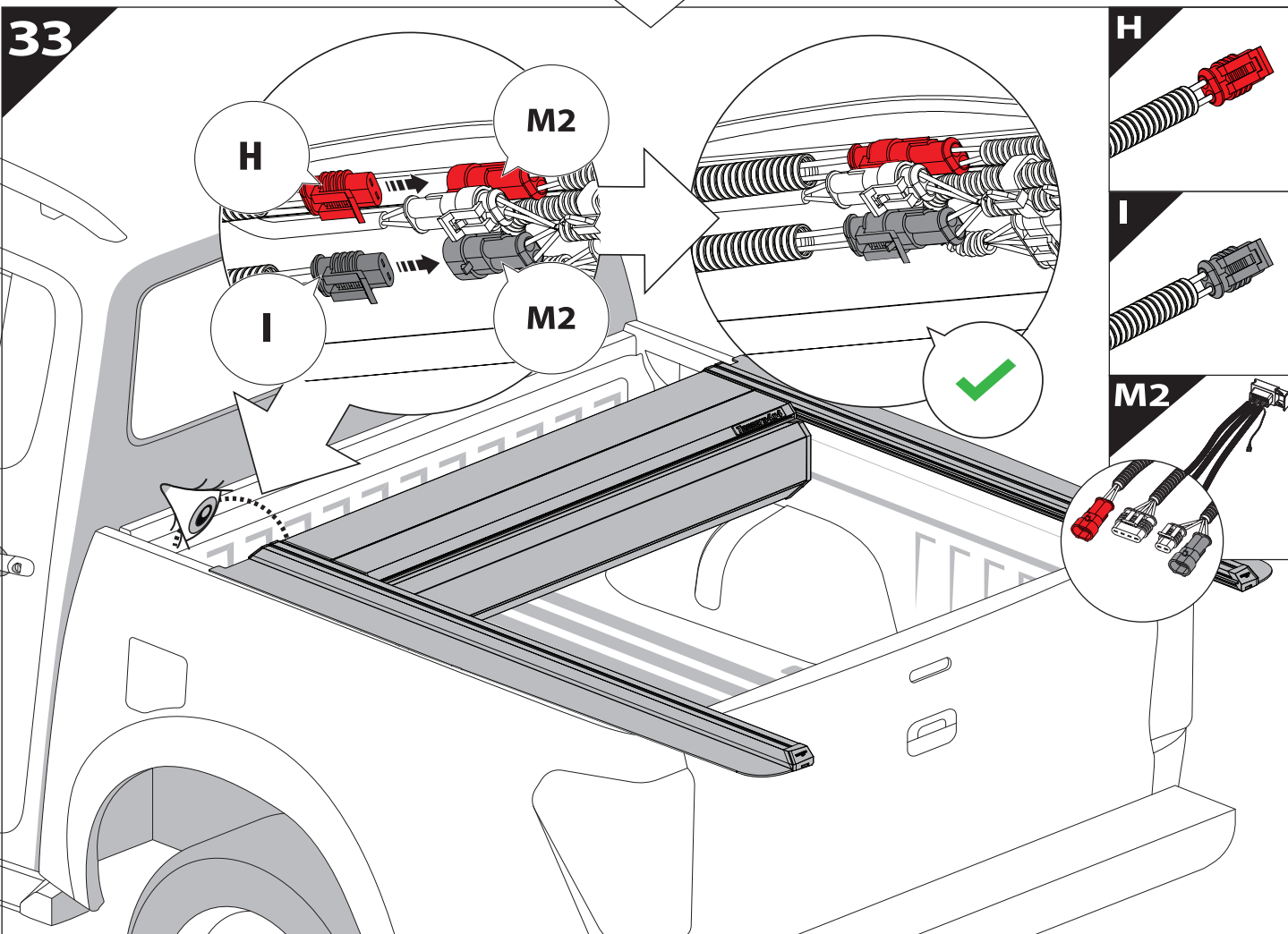
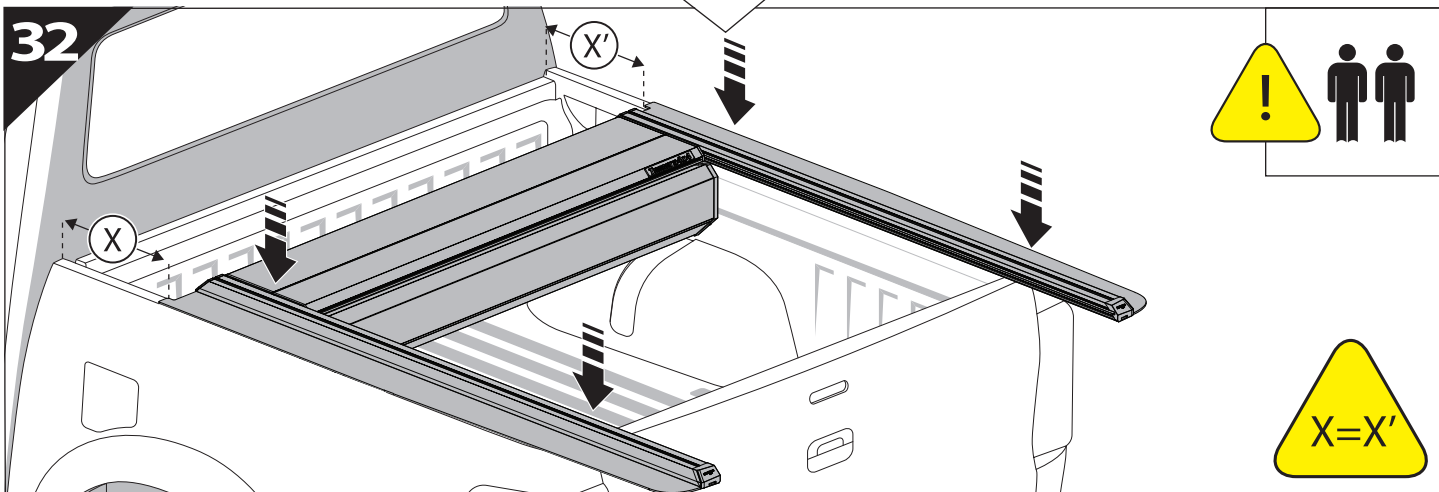
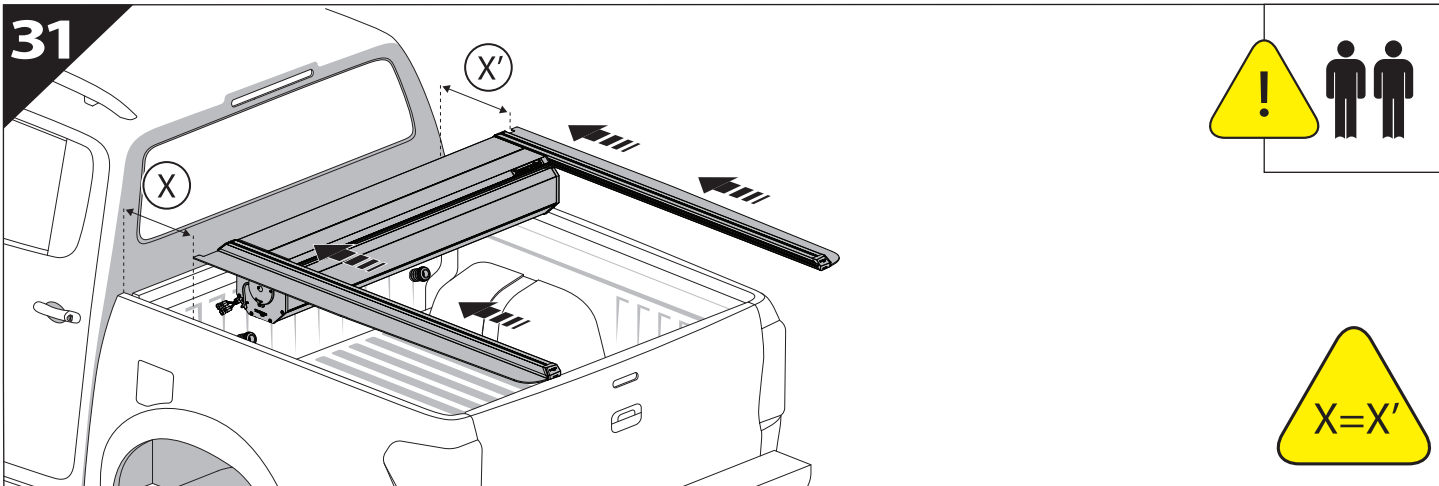


30



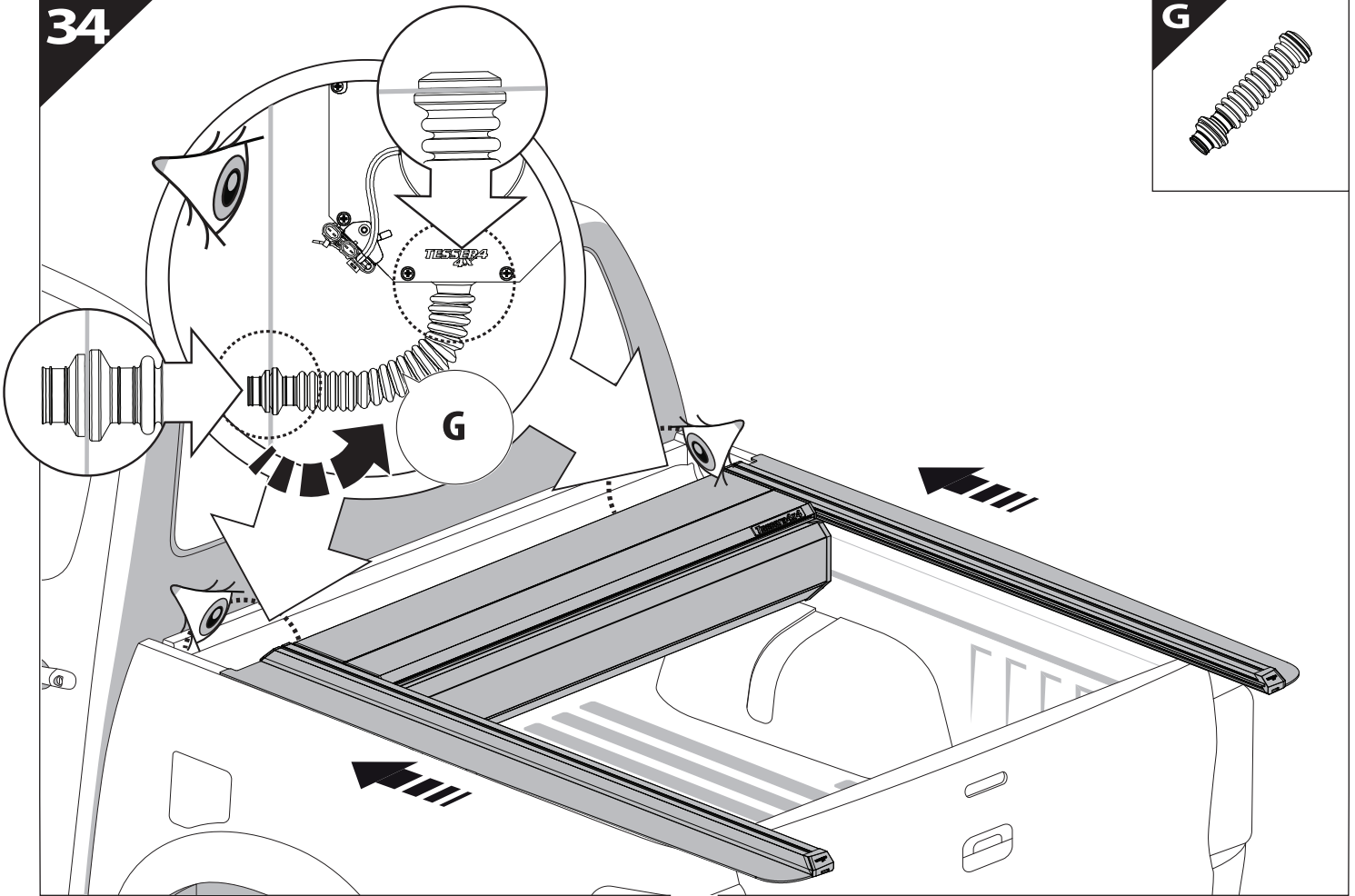
L2



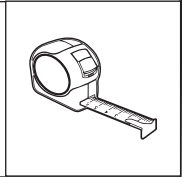
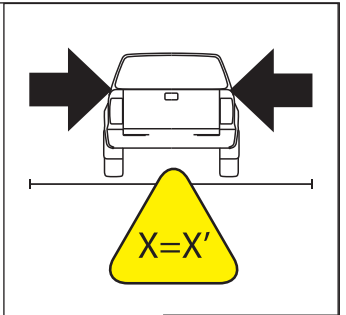
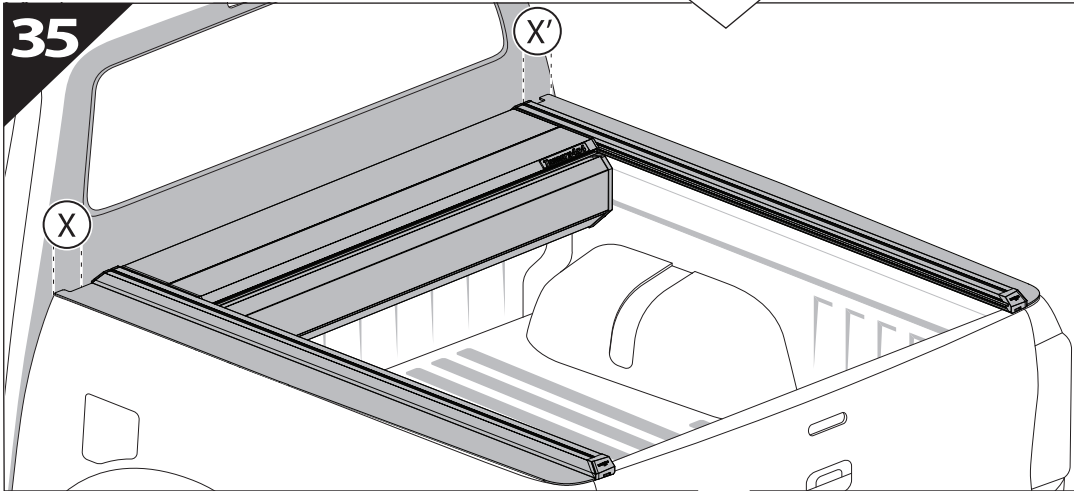


34

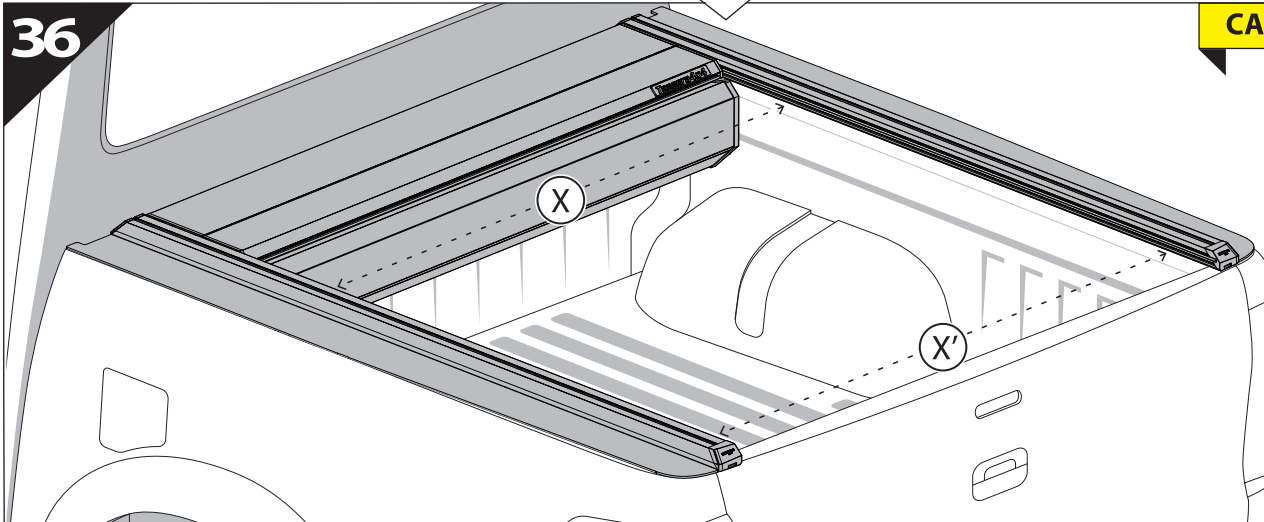
G



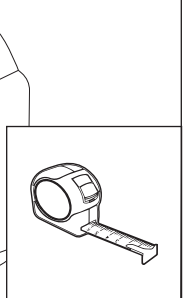
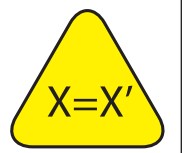
35



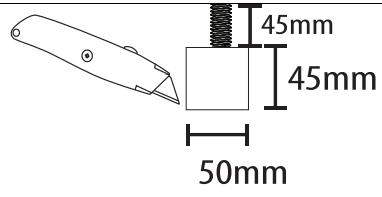
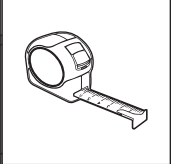
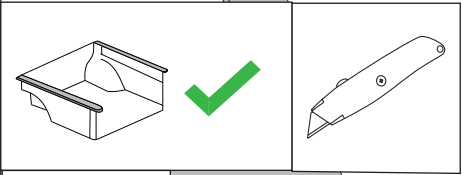
36



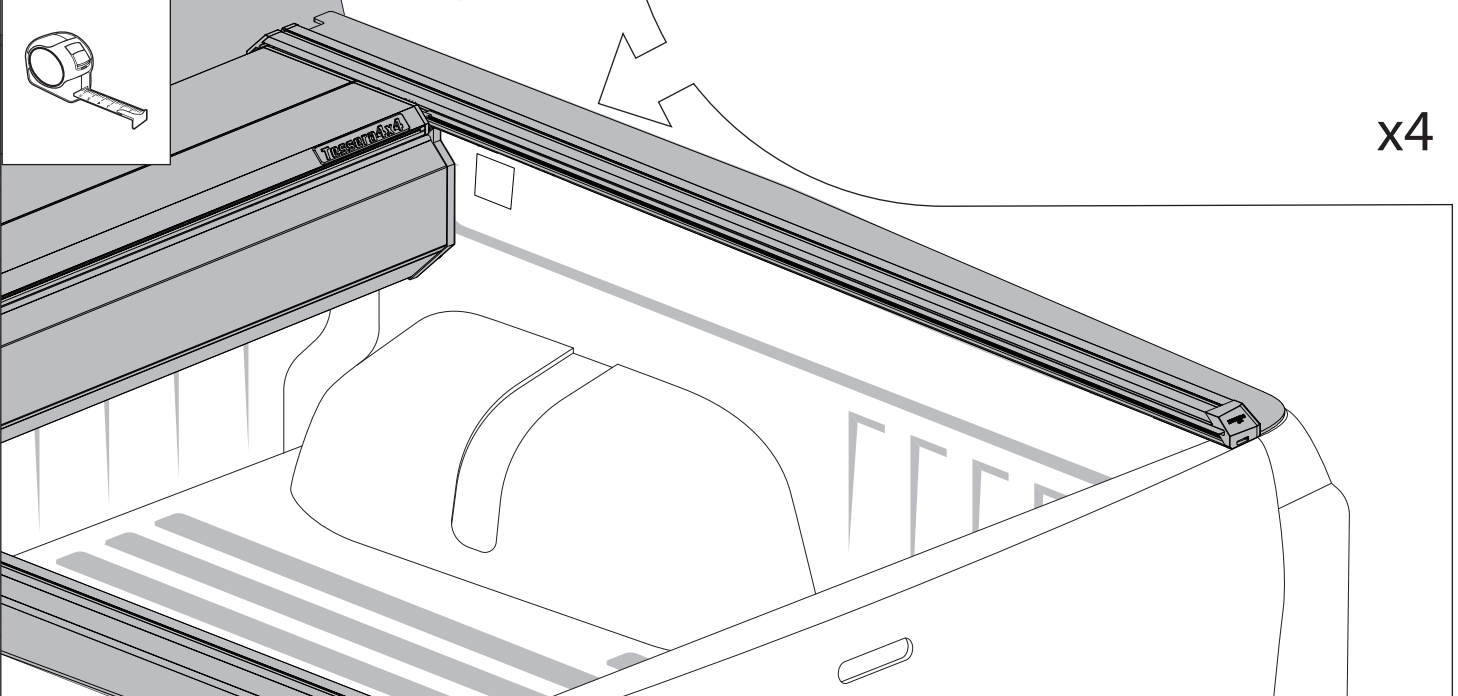
CAUTION !



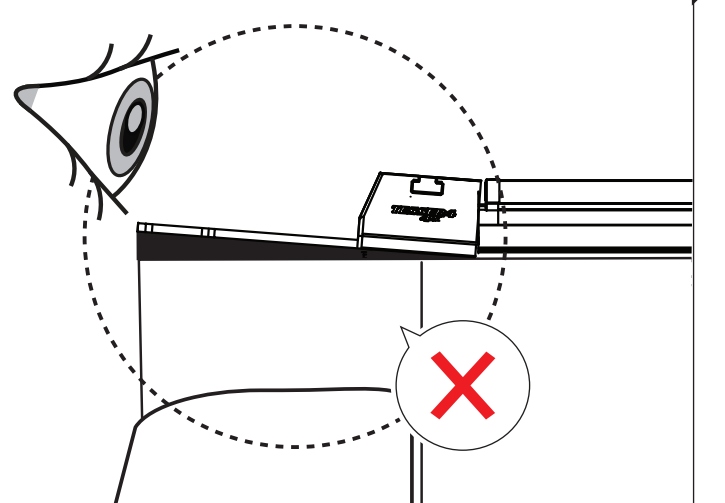
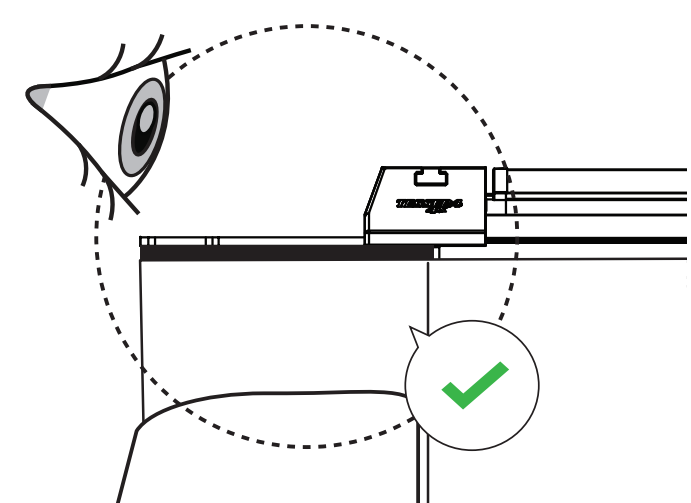
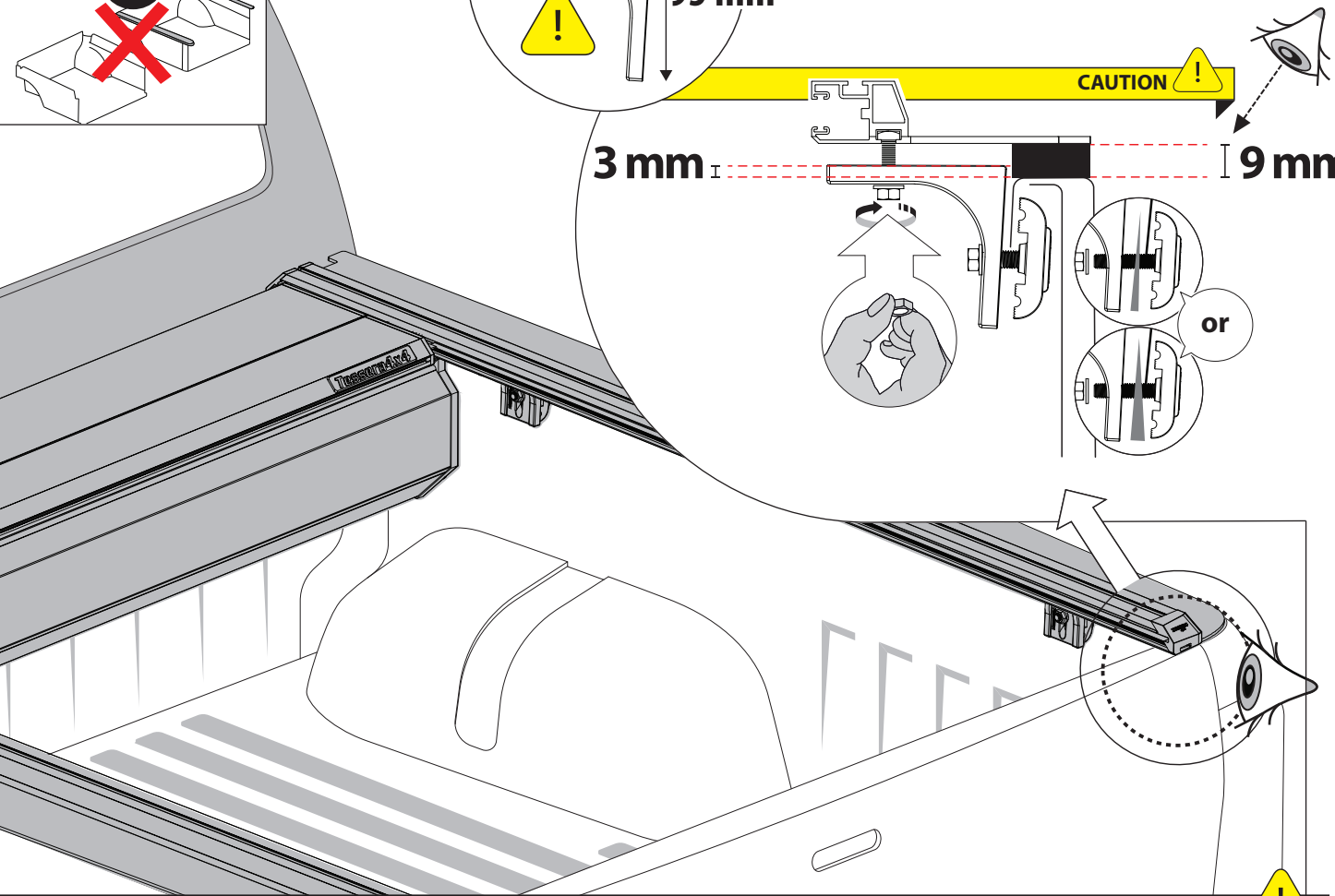
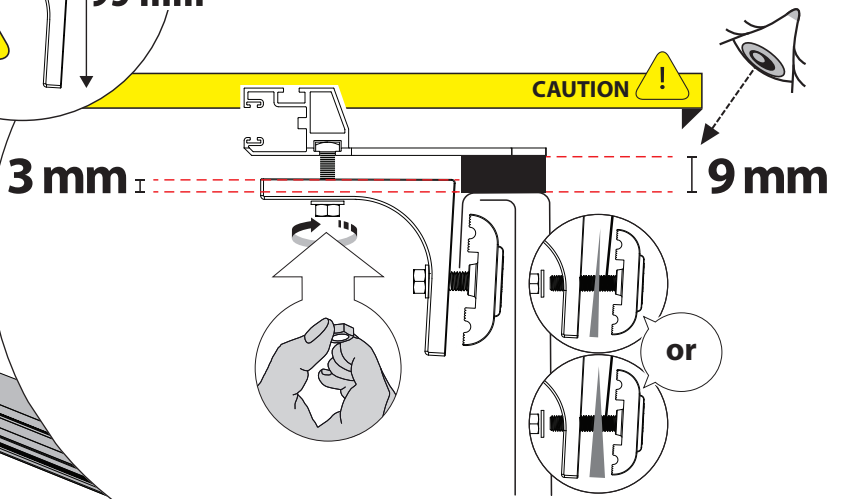
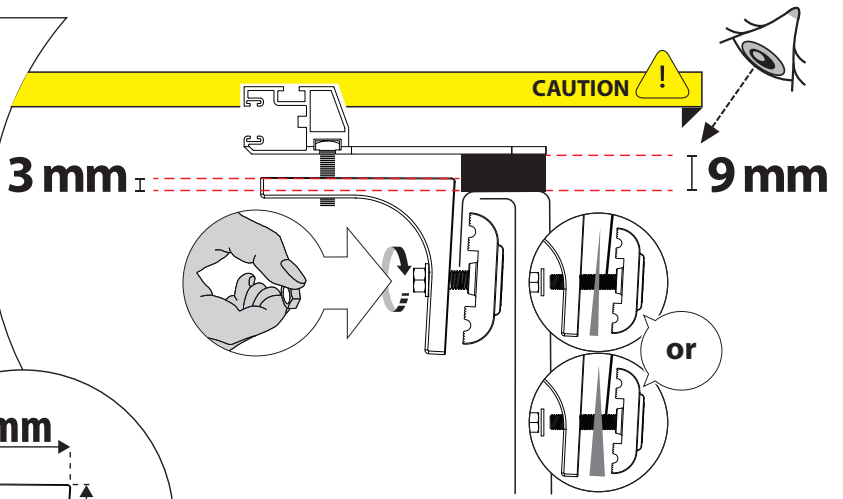
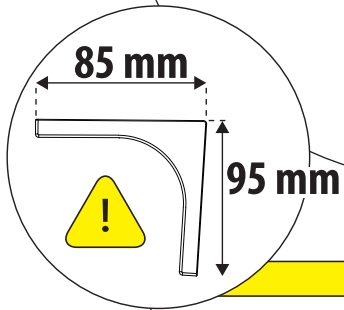
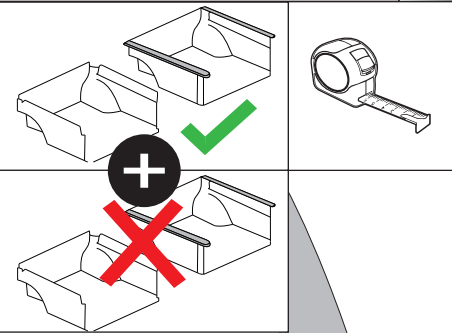
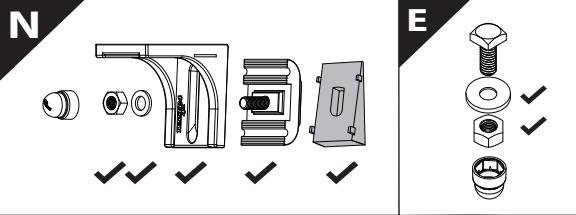
37

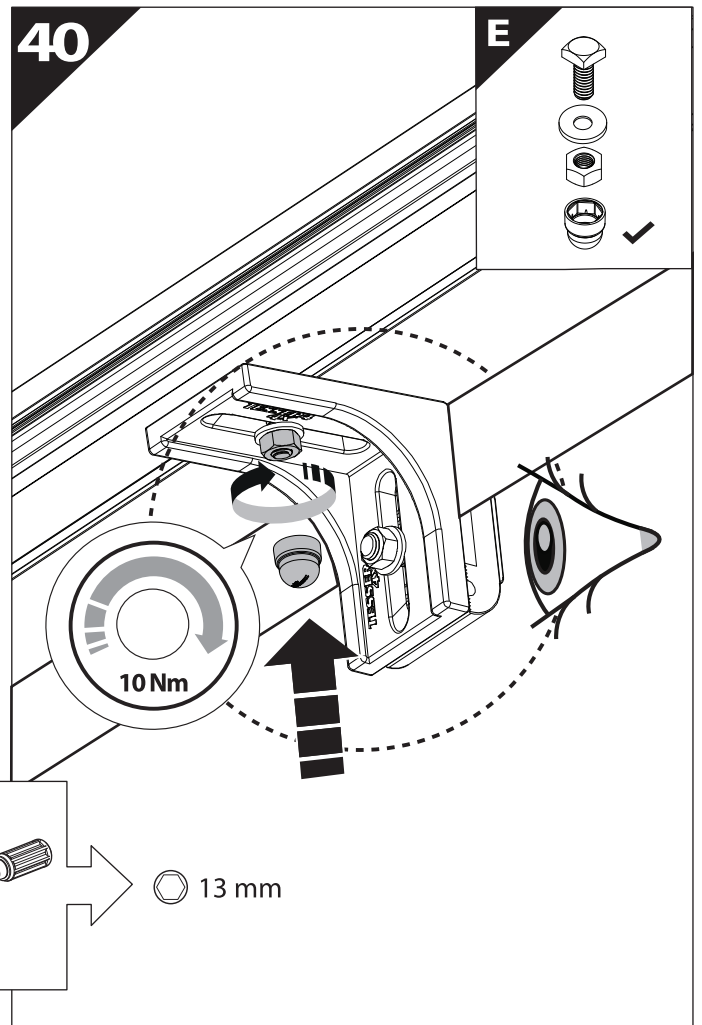
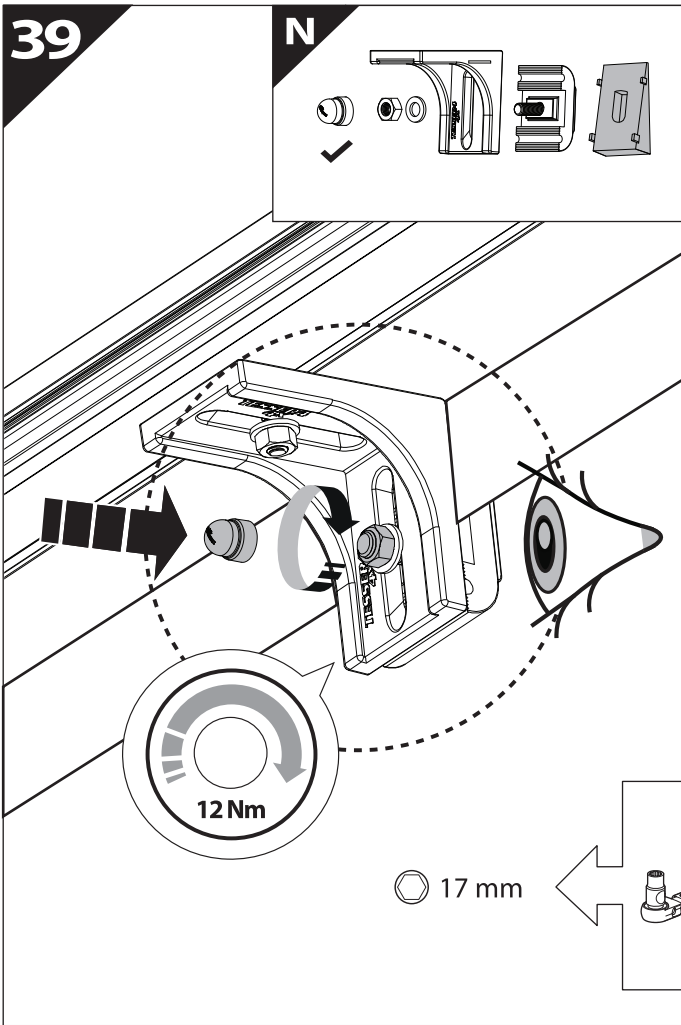


x4

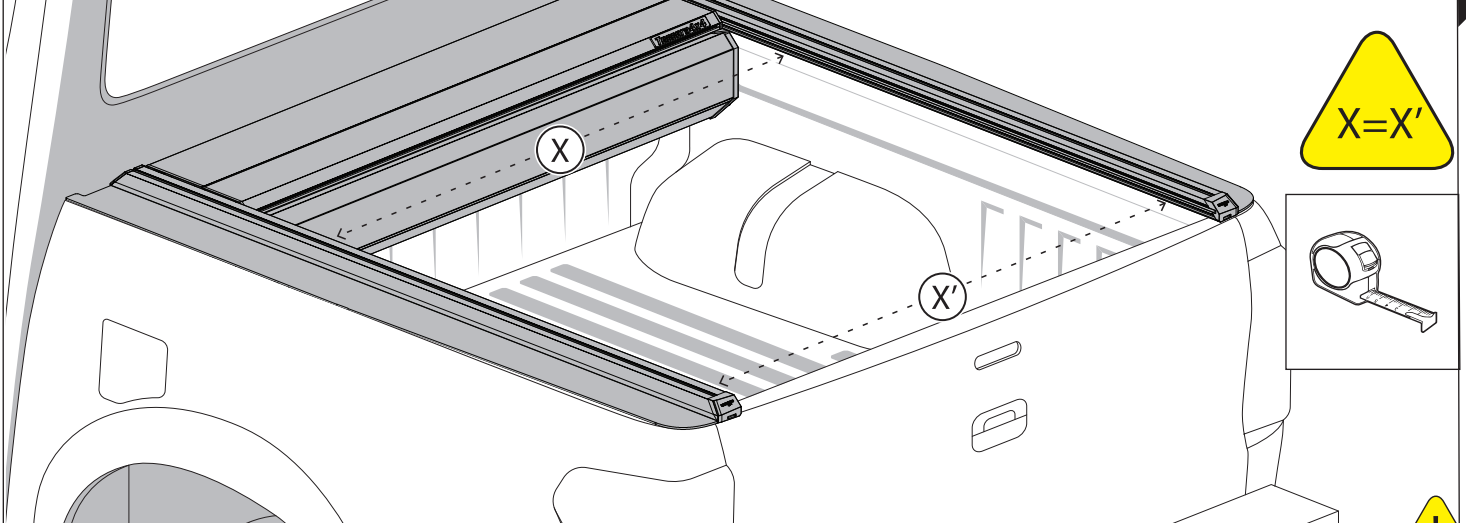


38

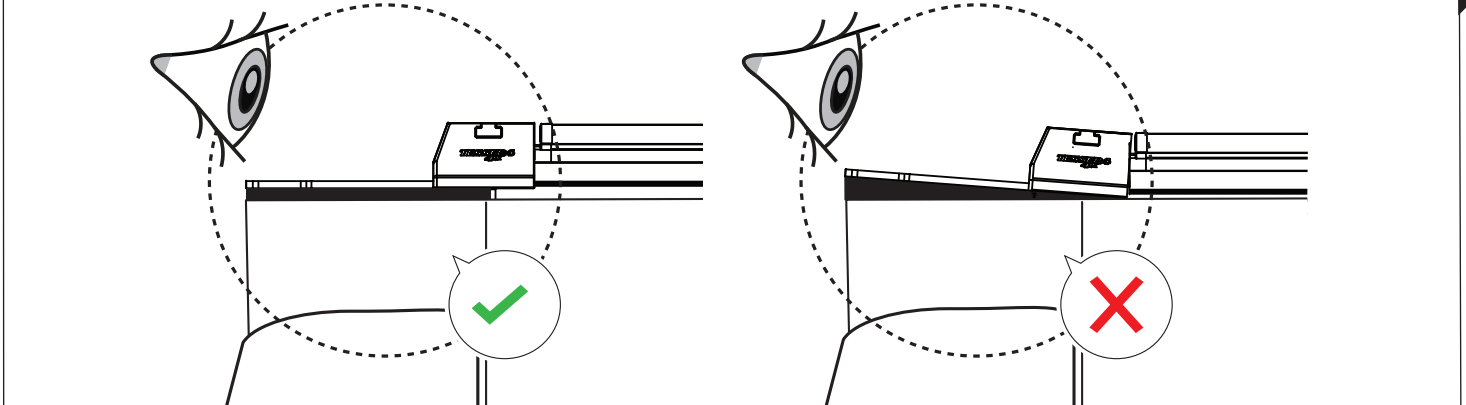




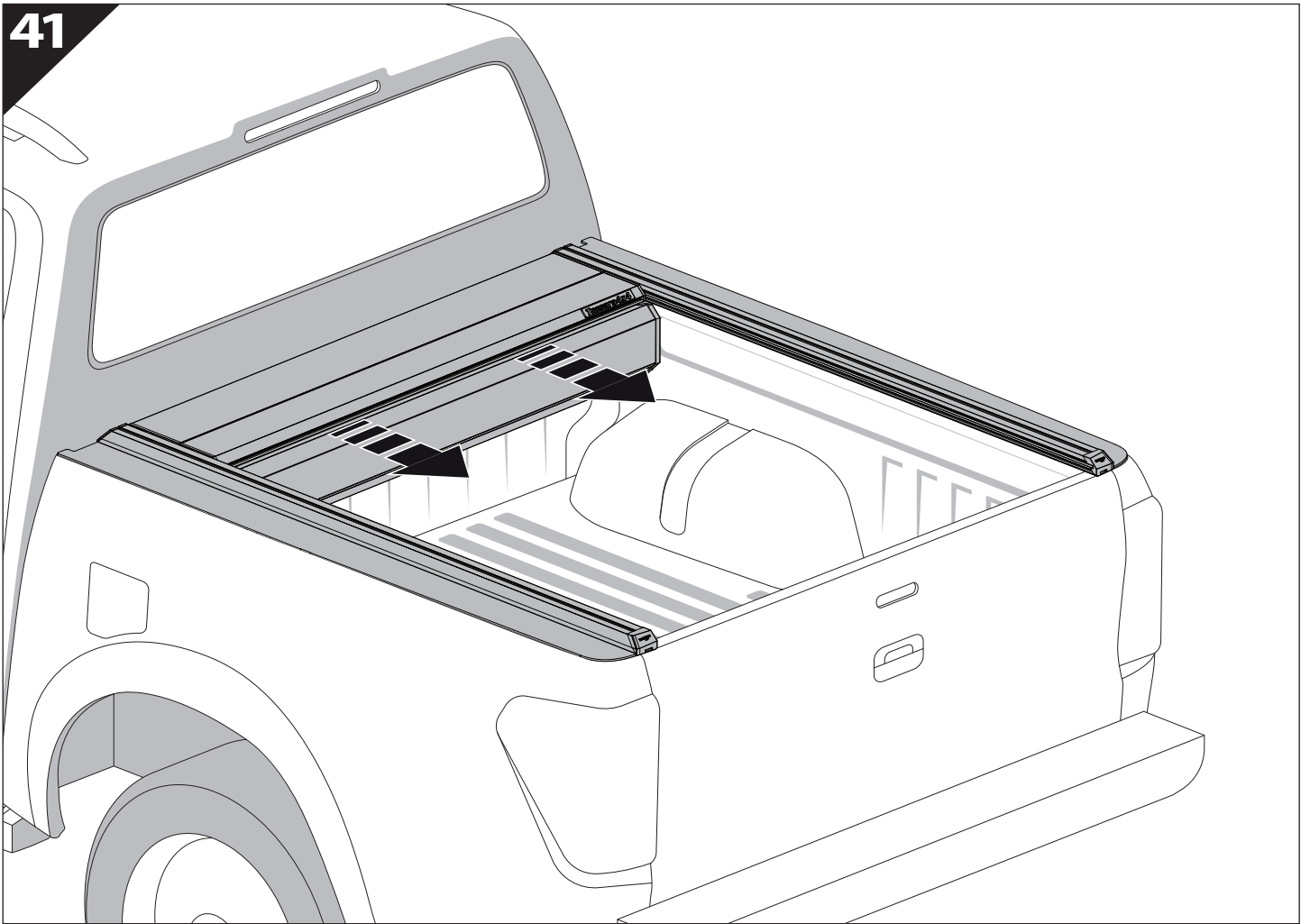
CAUTION !



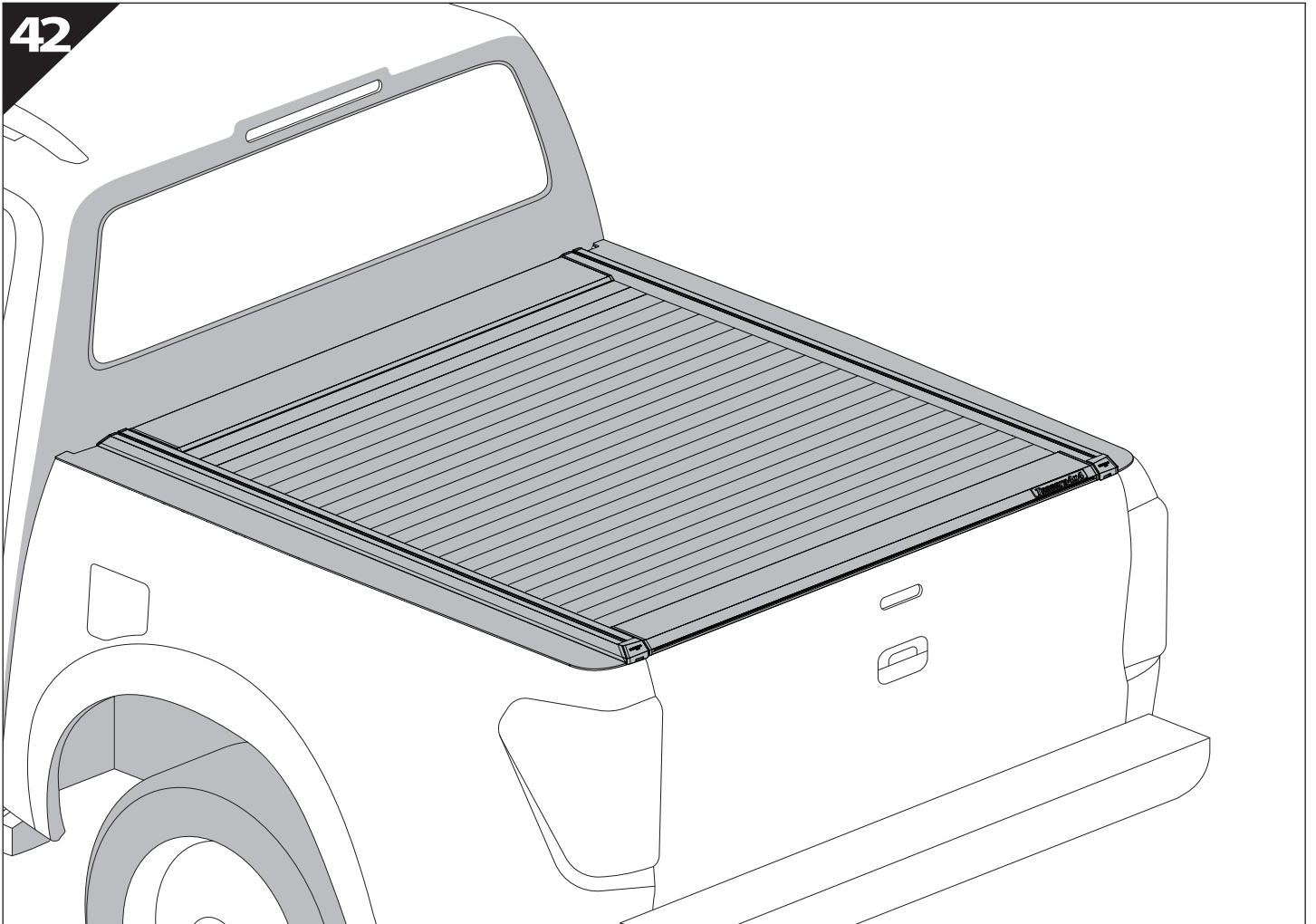
CAUTION !



41



42



GR: Οδηγίες Εγκατάστασης
GB: Installation manual
SF: Asennusohje
F: Notice de montage
PL: Instrukcja montażu
NL: Installatie-instructies
TR: Montaj Talimatı
S: Monteringsanvisning
E: Instrucciones de montaje

H: Szerelési utasítás
P: Instruções de instalação
RUS: Инструкция по установке
N: Monteringsveiledning
D: Einbauanleitung
CZ: Návod k instalaci
I: Istruzioni de montaggio
DK: Monteringsvejledning
RO: Instructiuni de instalare

Customer Service:

+30 (210) 5541161, +30 (210) 5541154 (08:00 - 16:00 EET)

Support department:

info@gianso.gr

Website:

www.tessera4x4.com

Address:

19.5 km of National road Athens-Korinthos (Elefsina) Greece, P.C: 19200