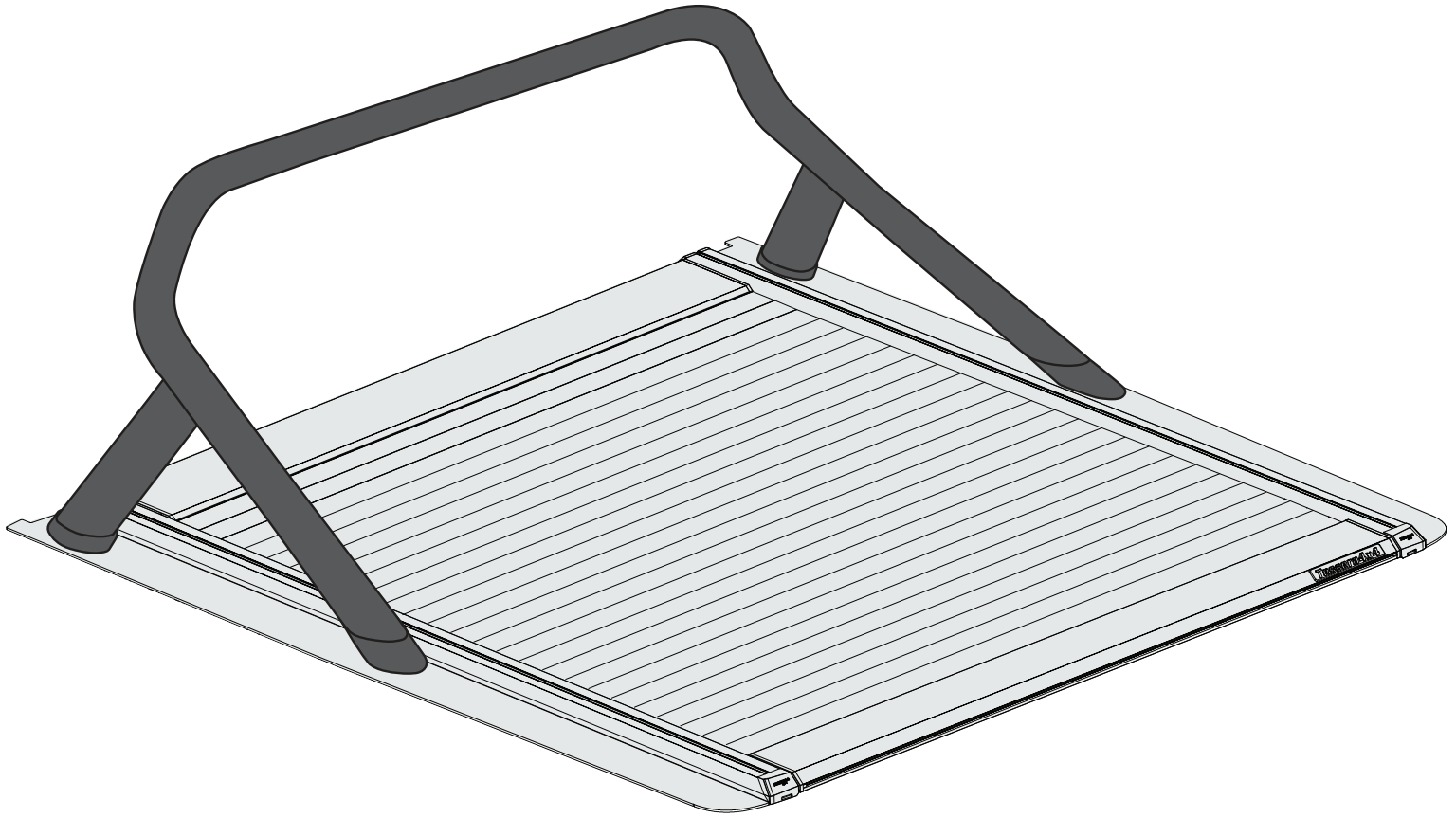


# Tessera Roll+

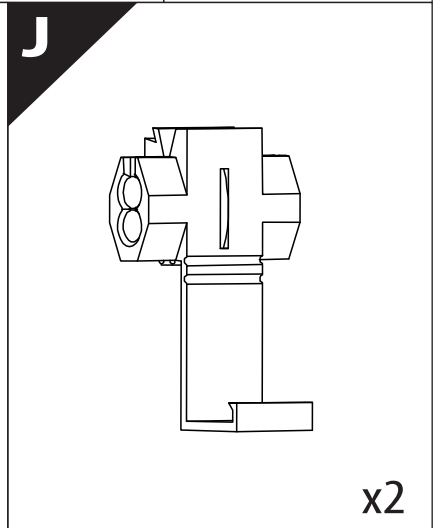
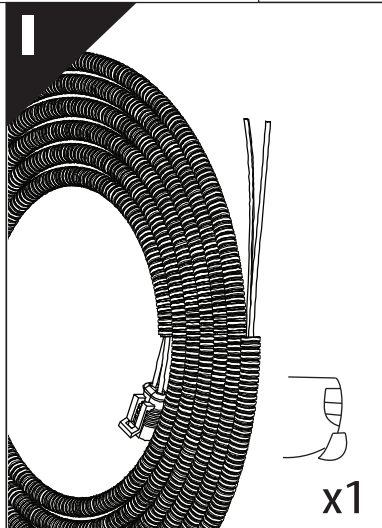
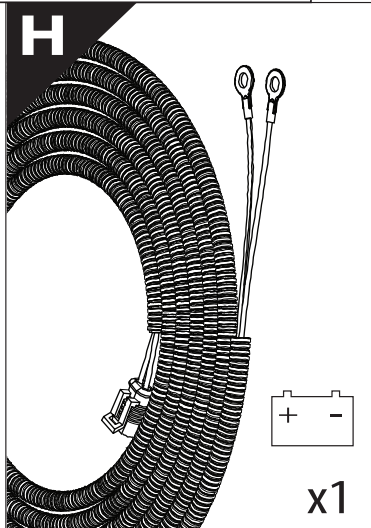
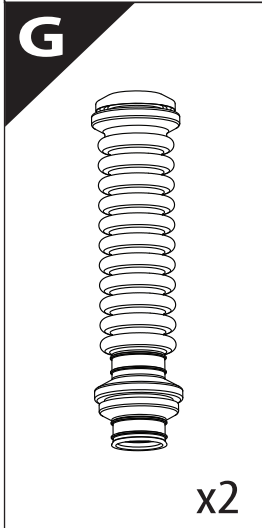
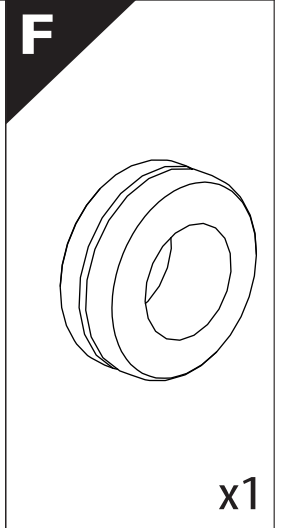
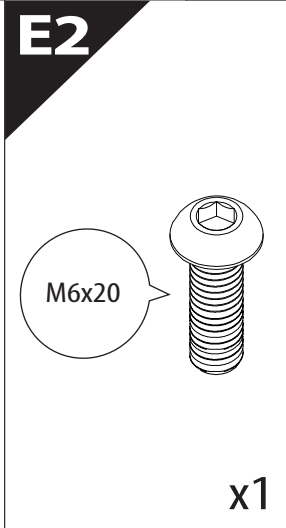
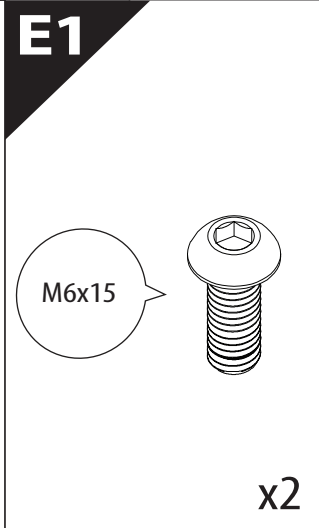
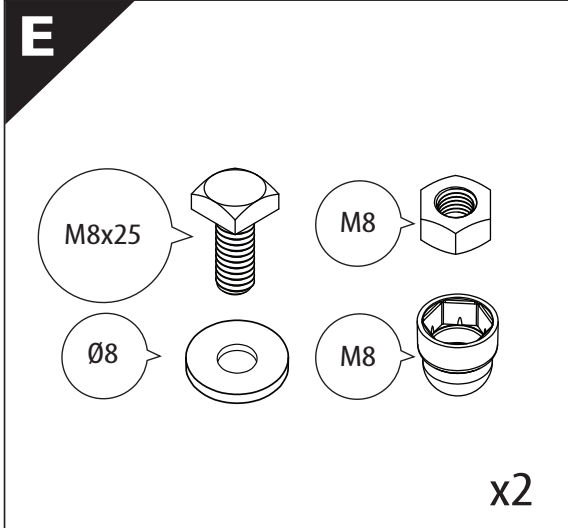
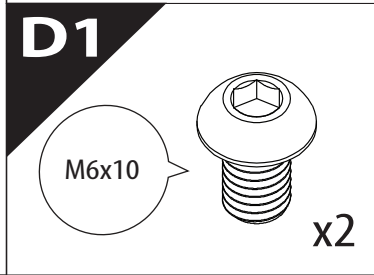
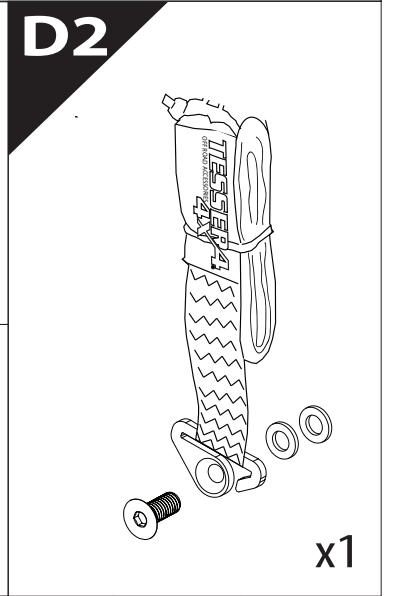
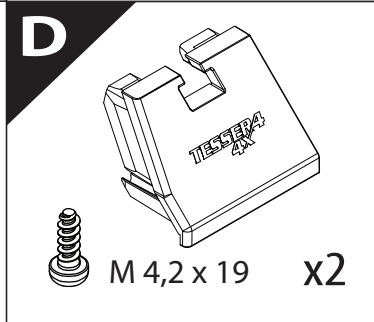
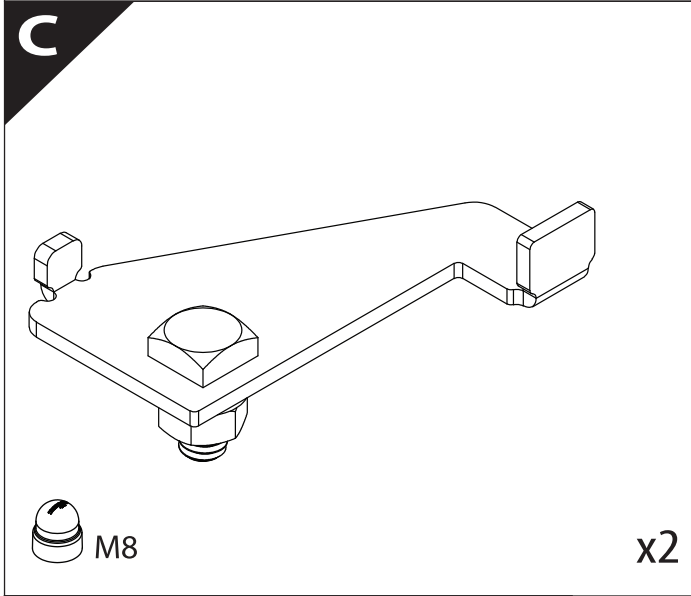
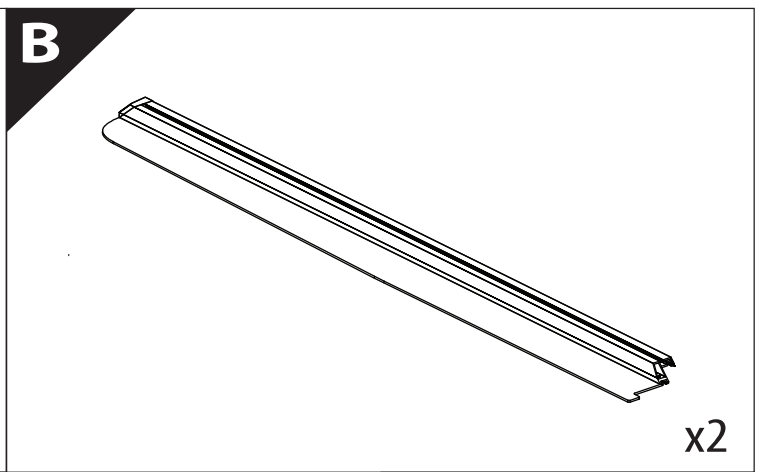
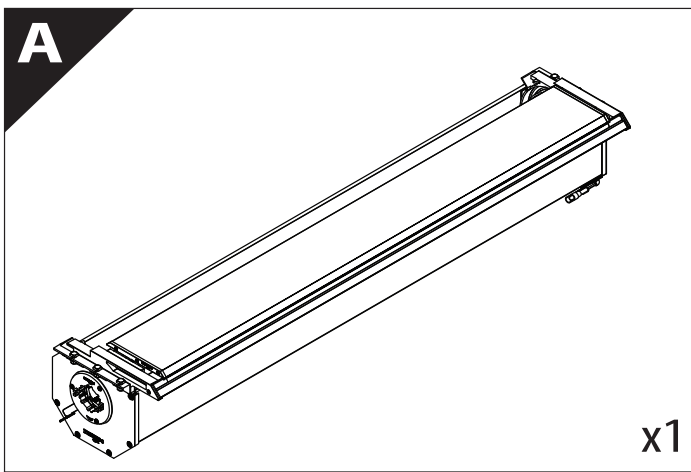
Basic Version + ⚡ E-KIT

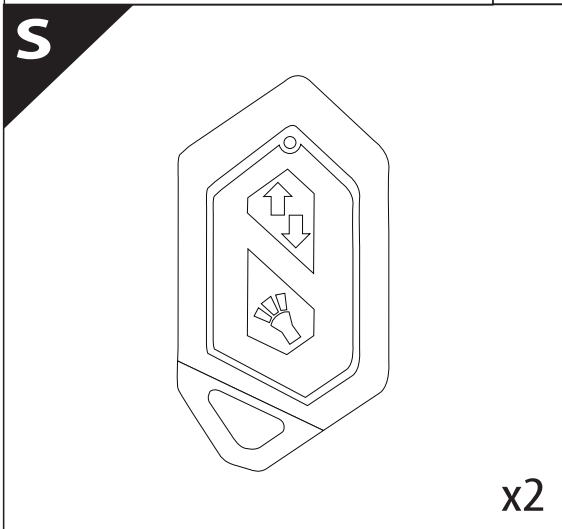
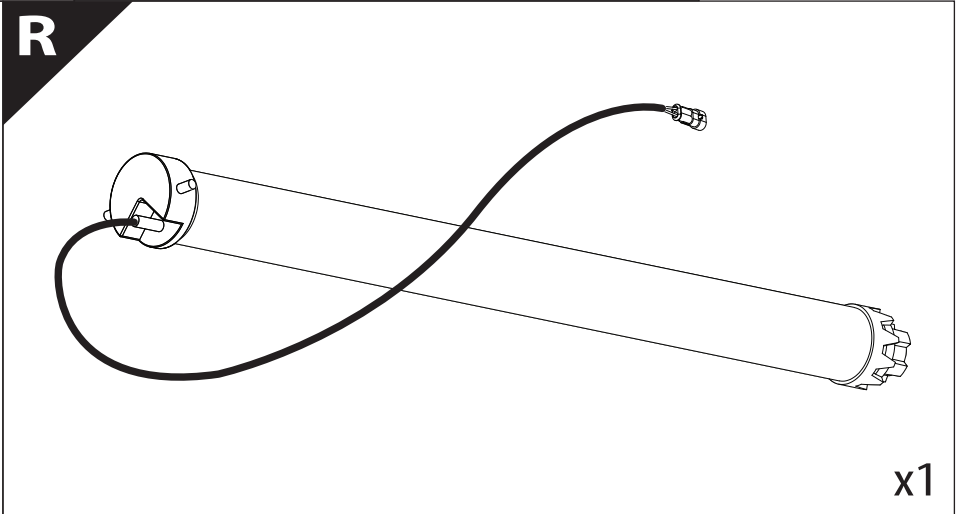
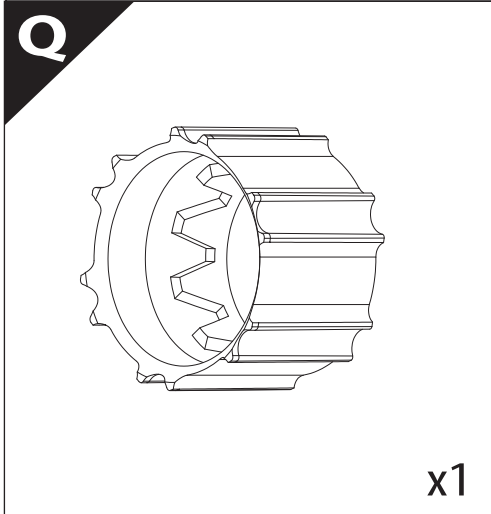
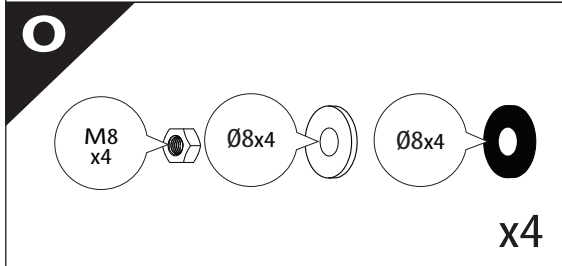
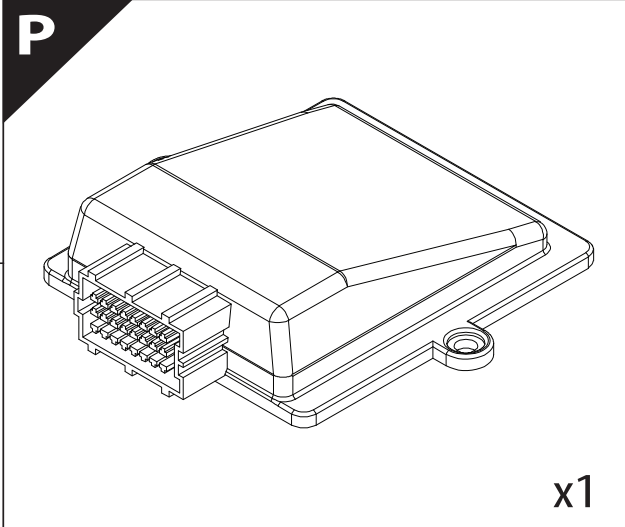
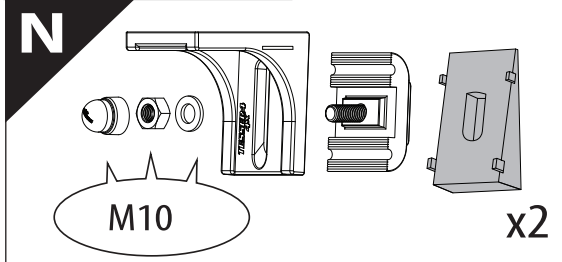
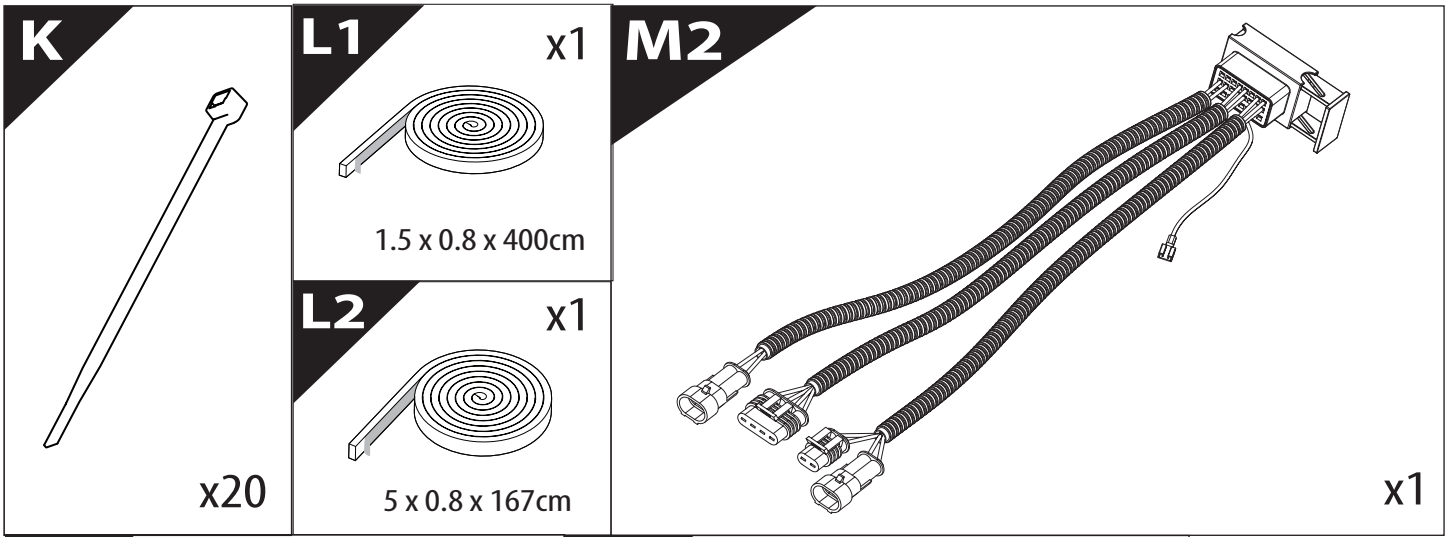


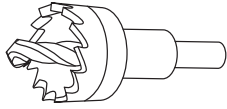
## Installation Manual

<b>PART NUMBER(S)</b>	<b>Model Year</b>
<b>TESS 14401 ROLL+ E-KIT</b>	<b>FOTON TUNLAND G7 2019+ OEM RB</b>
<b>Cab(s)</b>	<b>Installation Time / Weight</b>
<b>Double Cab</b>	<b>40-60 minutes / 53-57 kg</b>

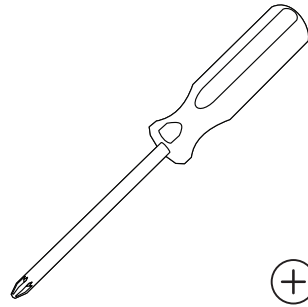
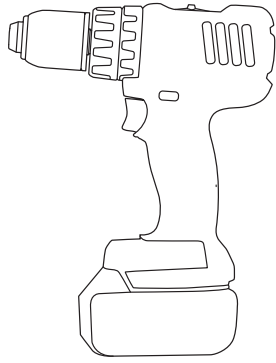




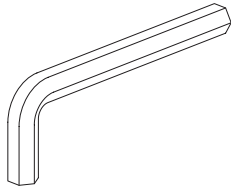
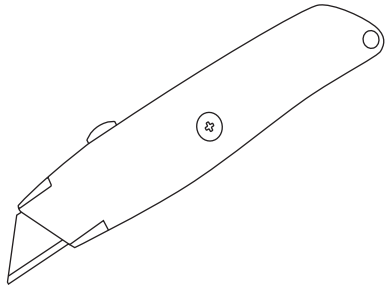
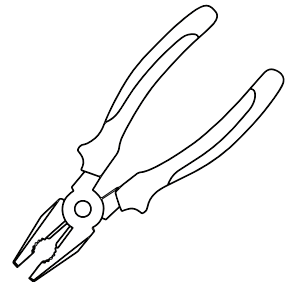




Ø 25 mm

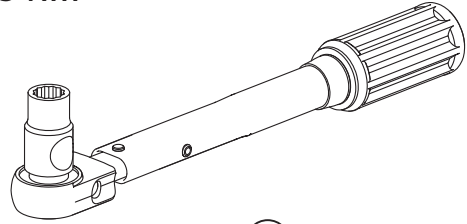


+



4 mm

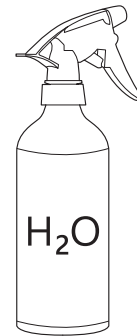
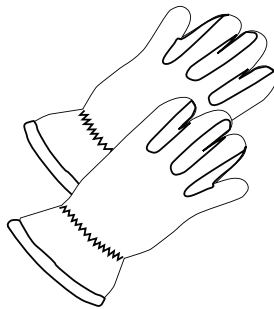
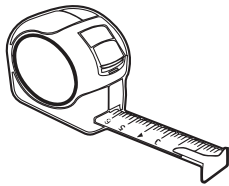
1 - 25 Nm



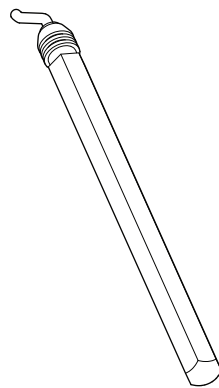
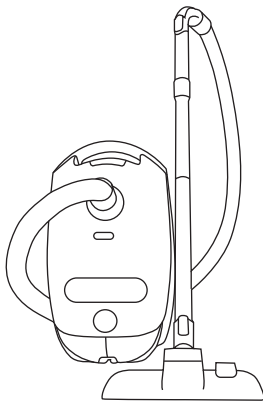
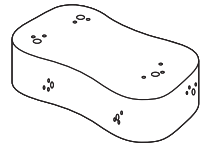
8, 12, 13, 17 mm



ACETONE



H<sub>2</sub>O



ANTI-RUST



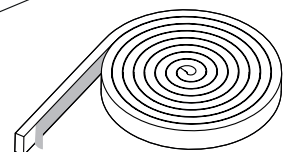
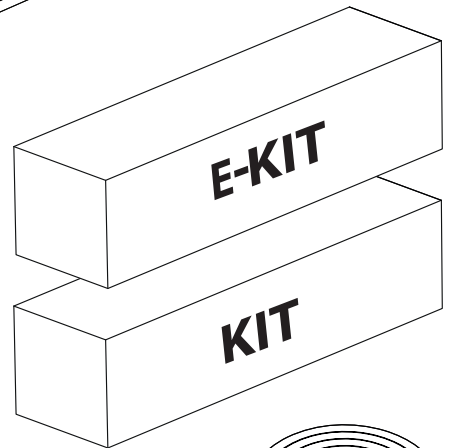
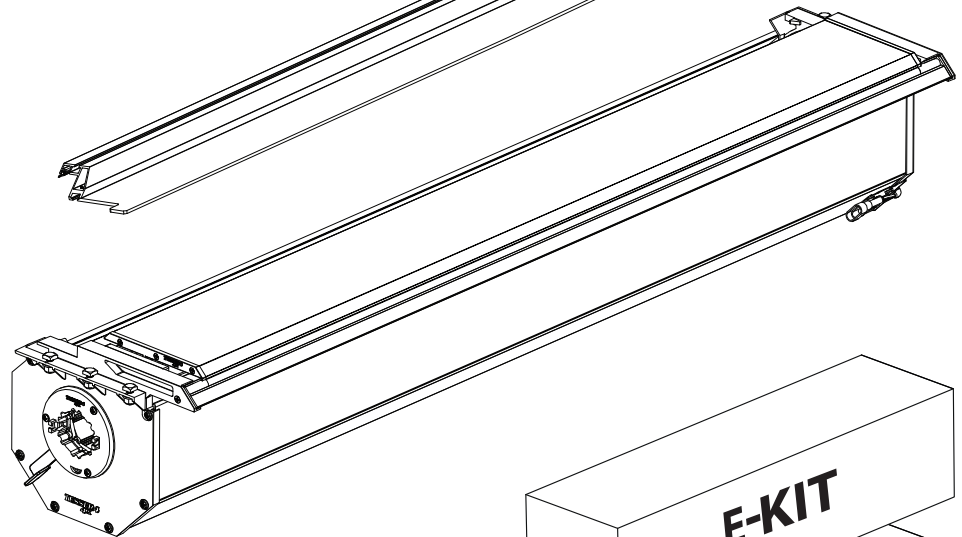
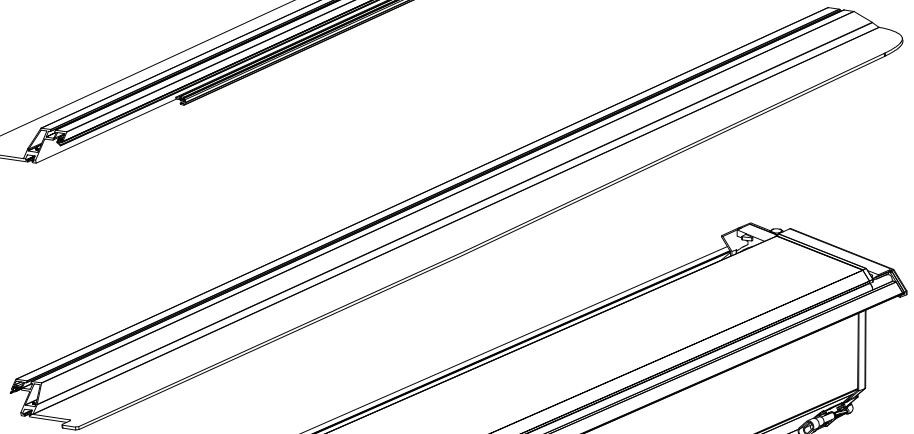
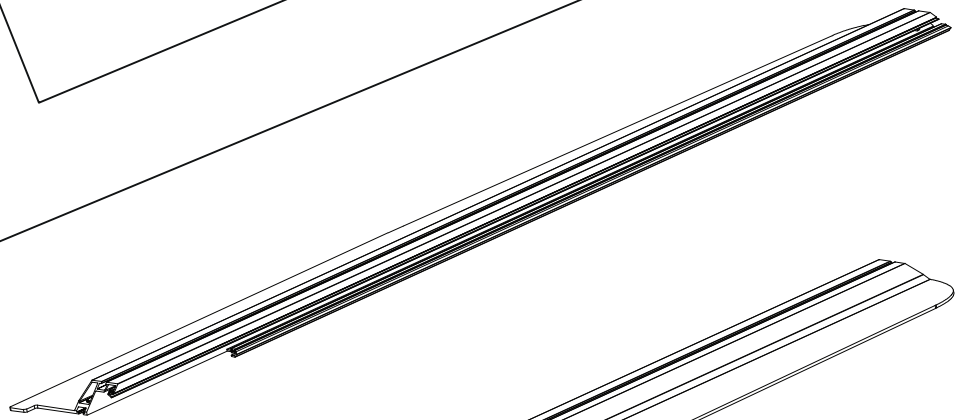
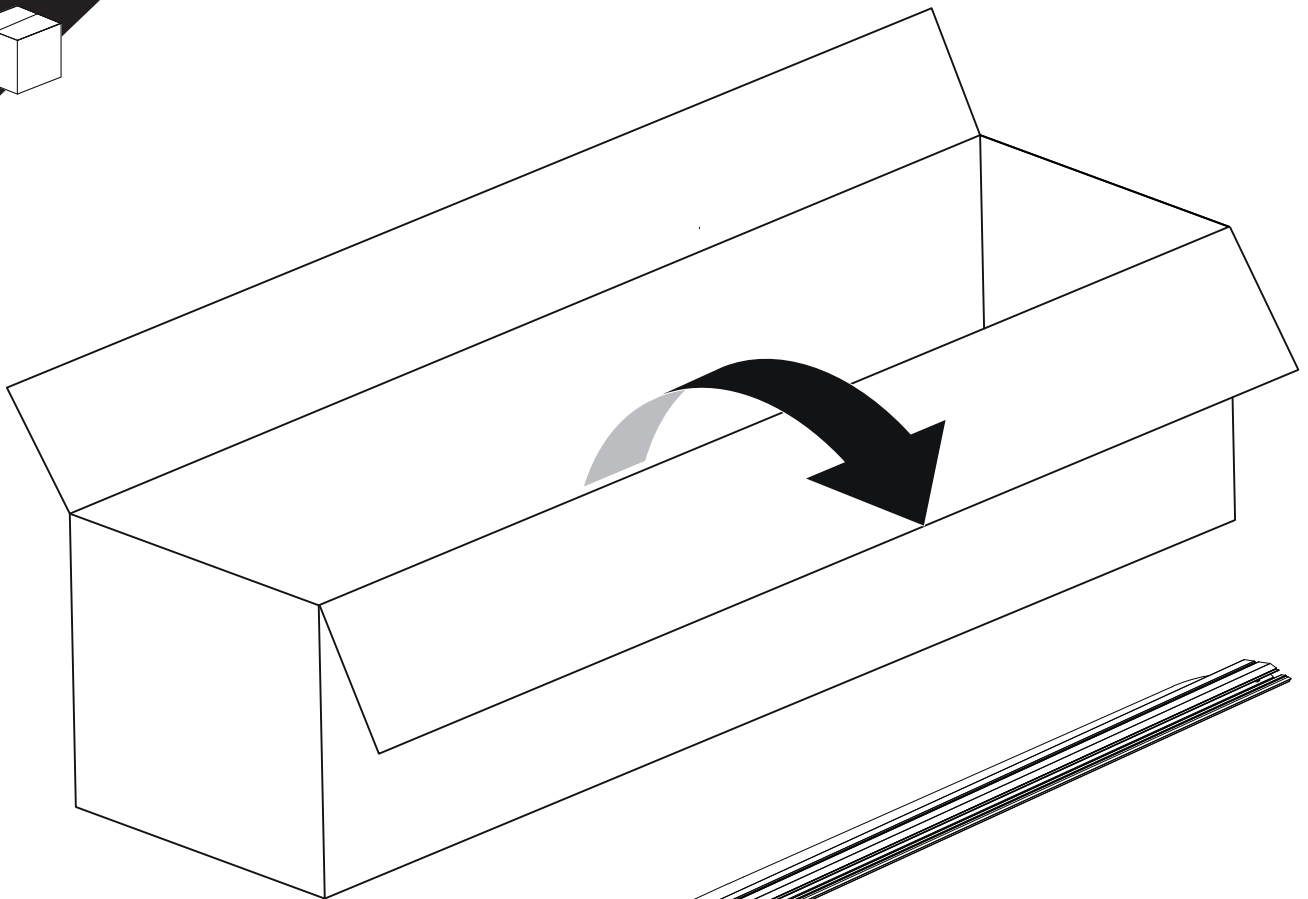
INSTALLATION  
MANUAL  
+E-KIT



OWNERS  
MANUAL



x1

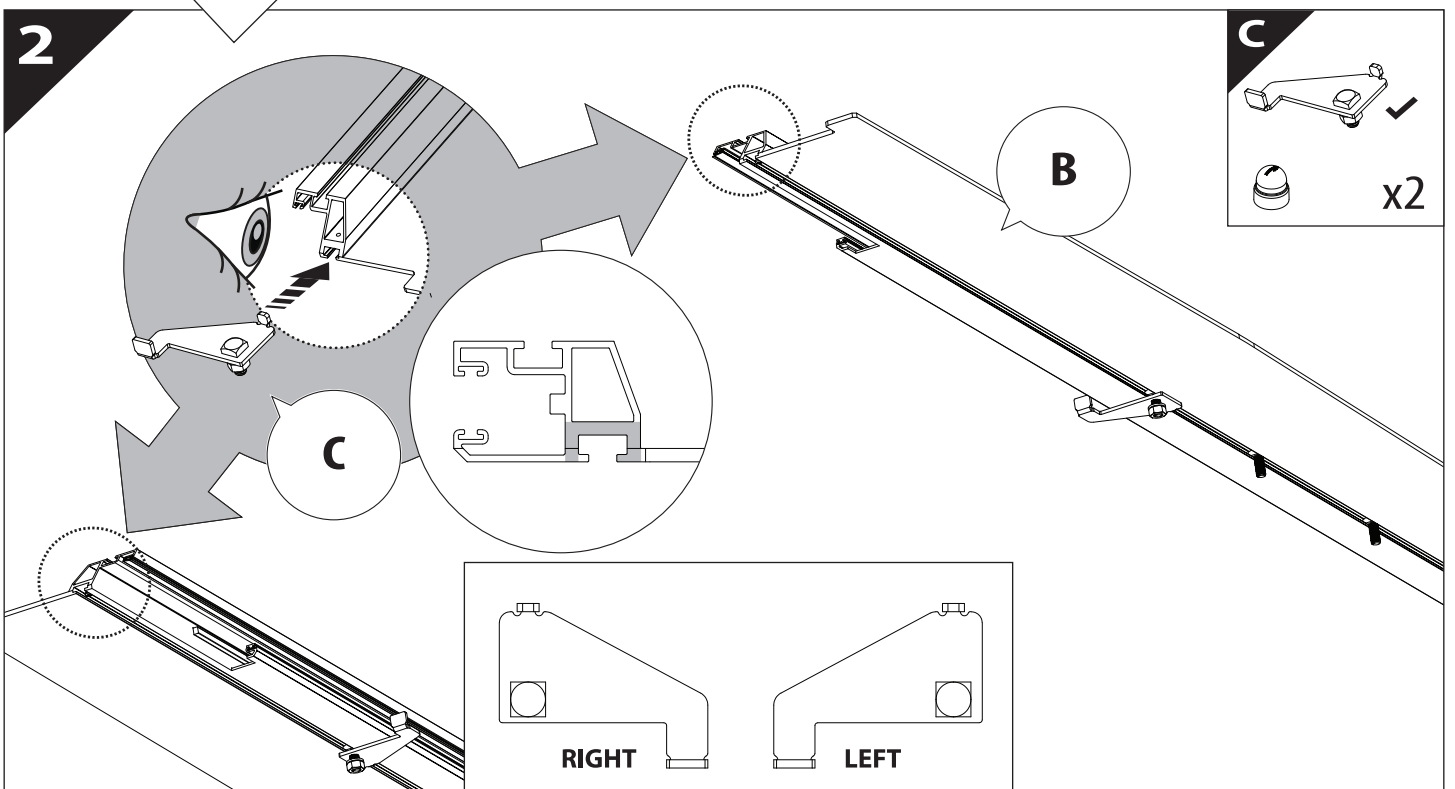
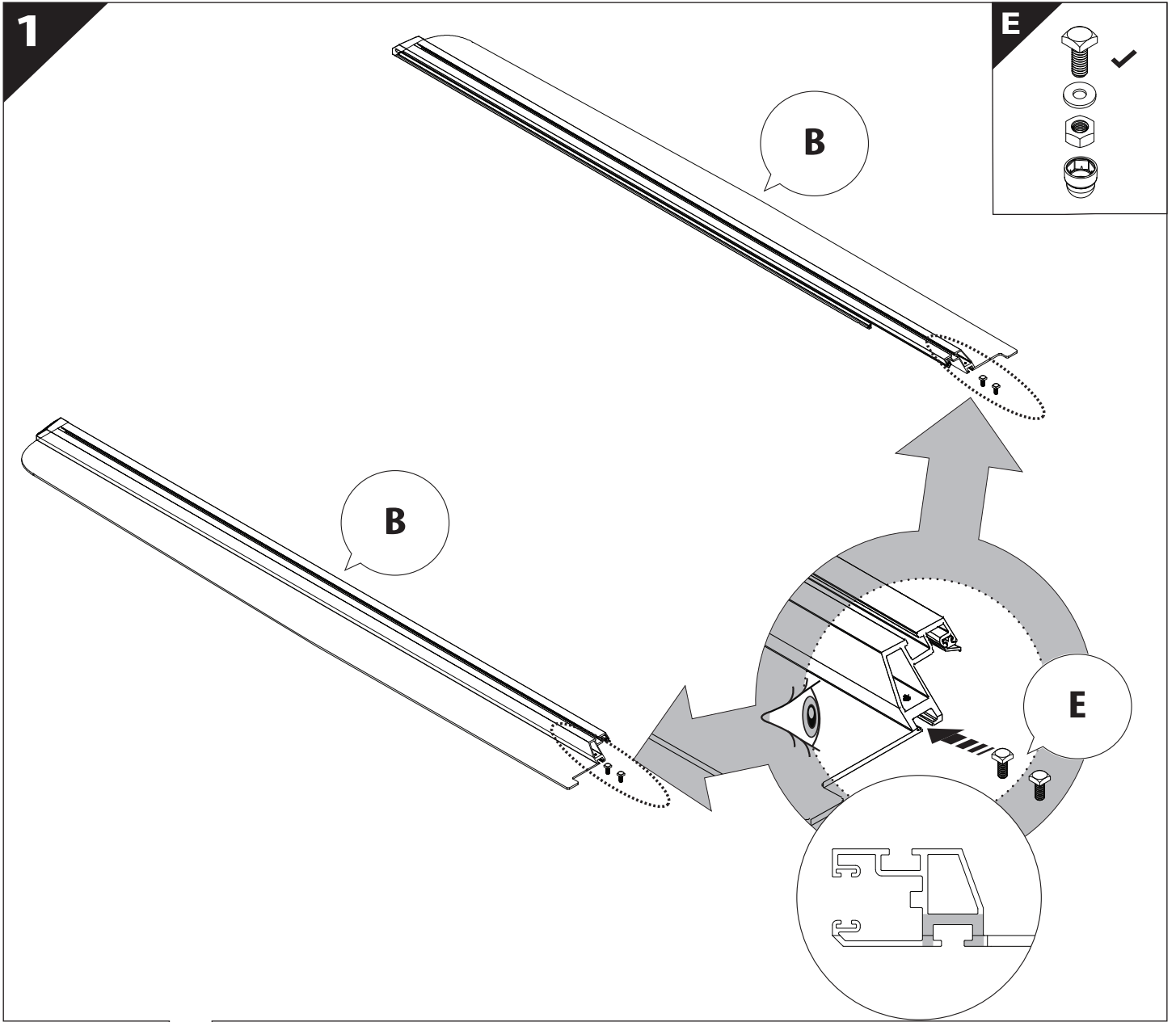


**B**

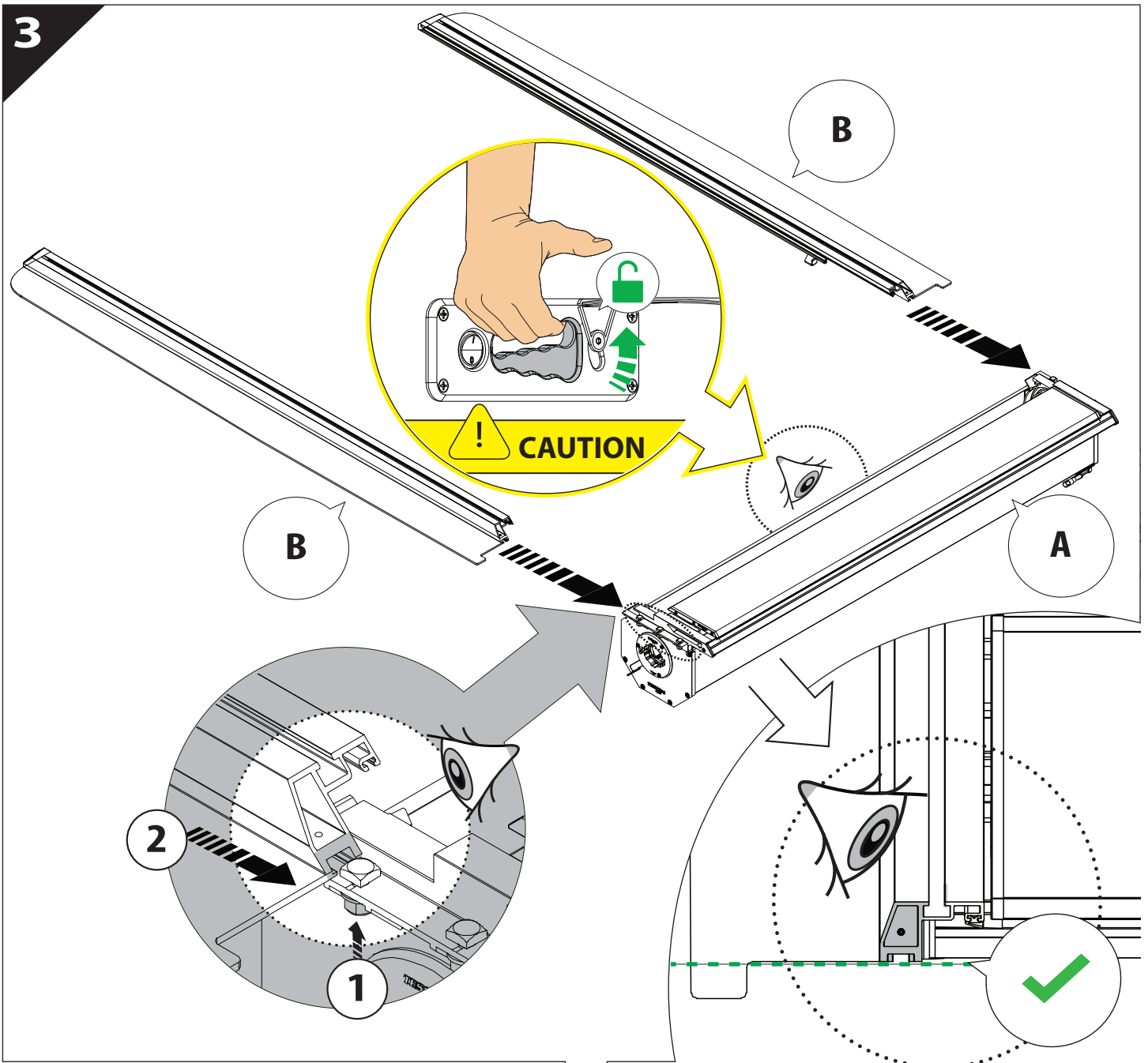
**A**

**KITS**

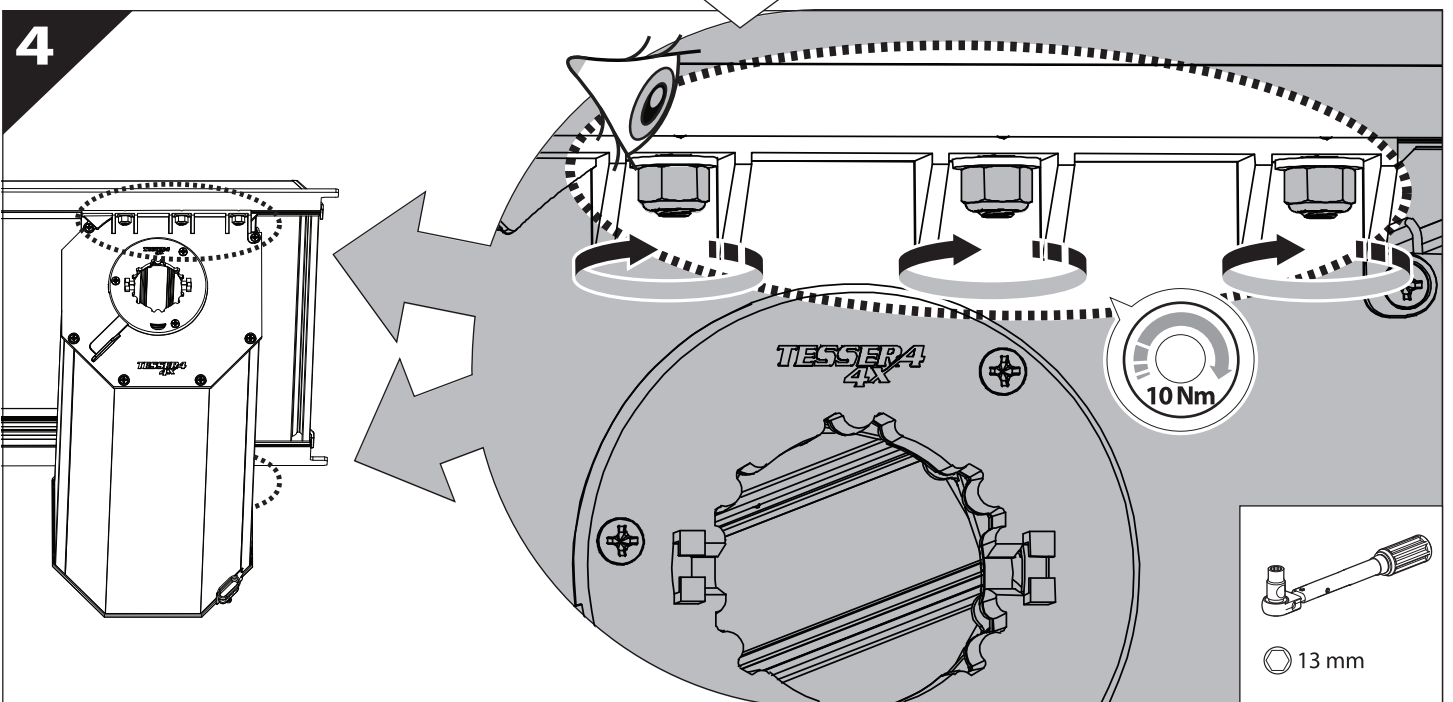
**L**

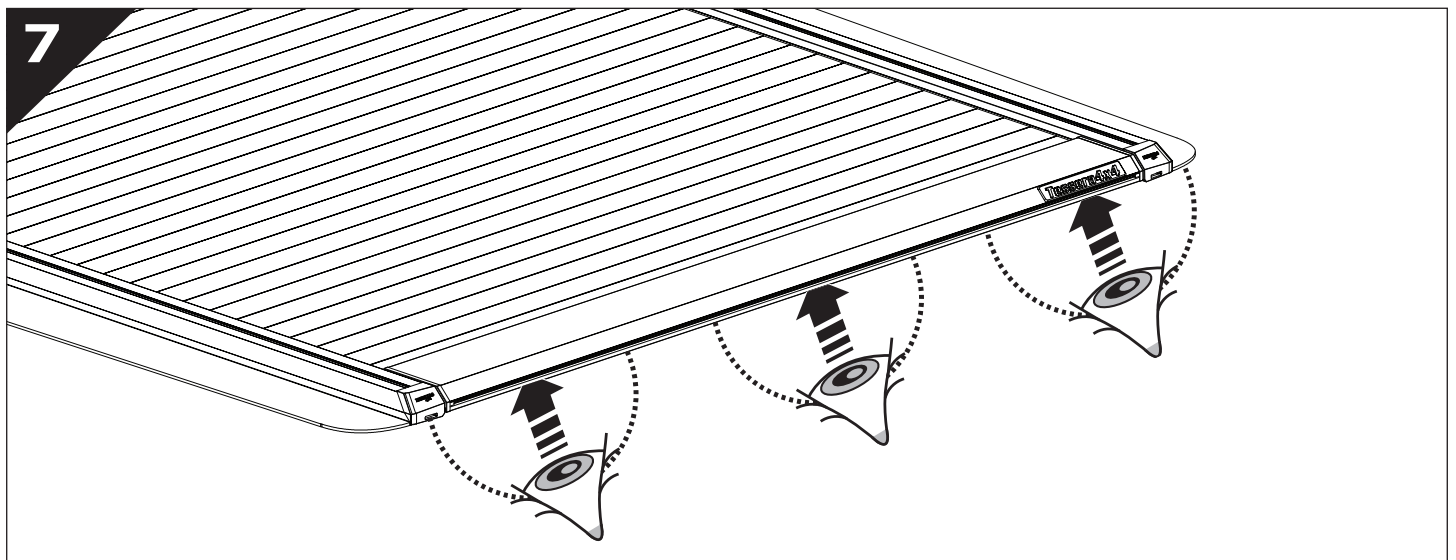
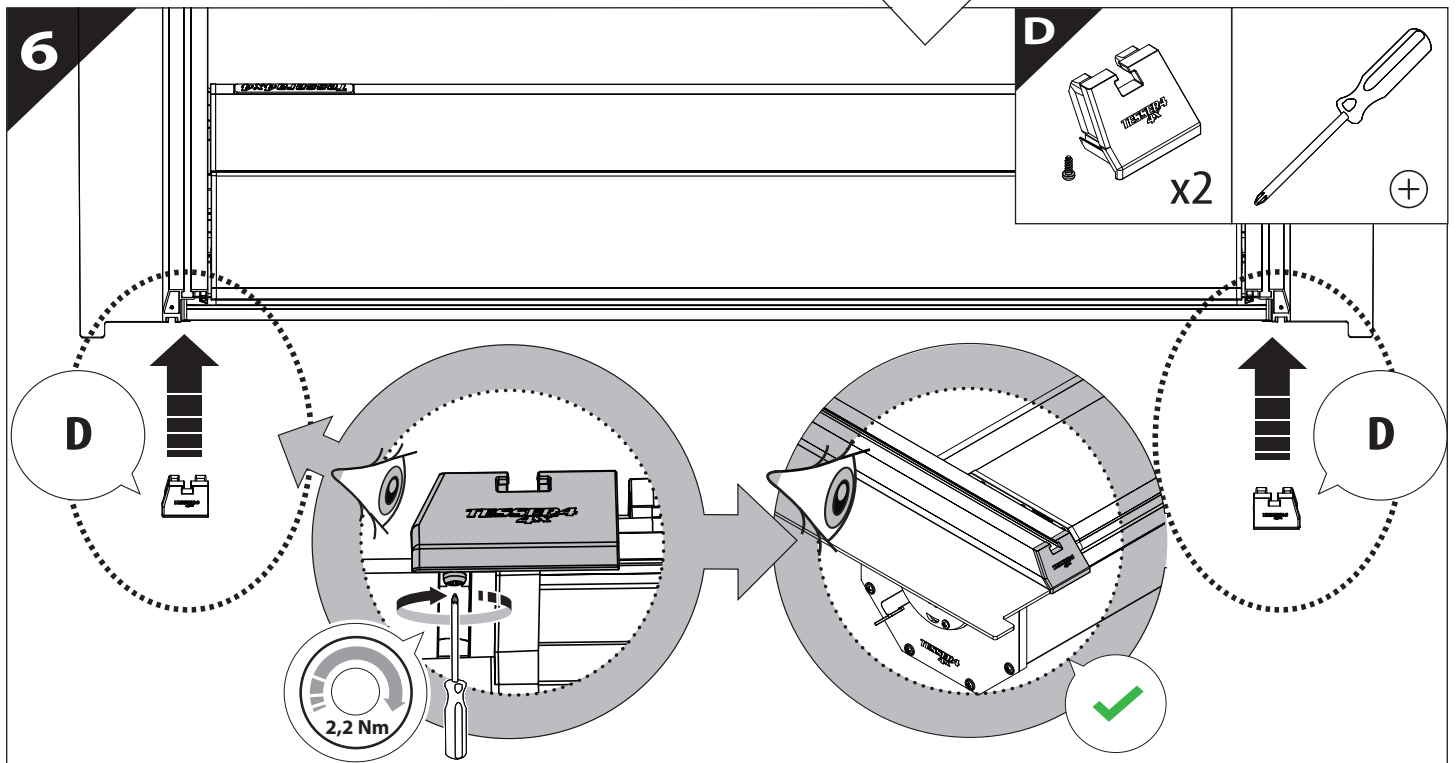
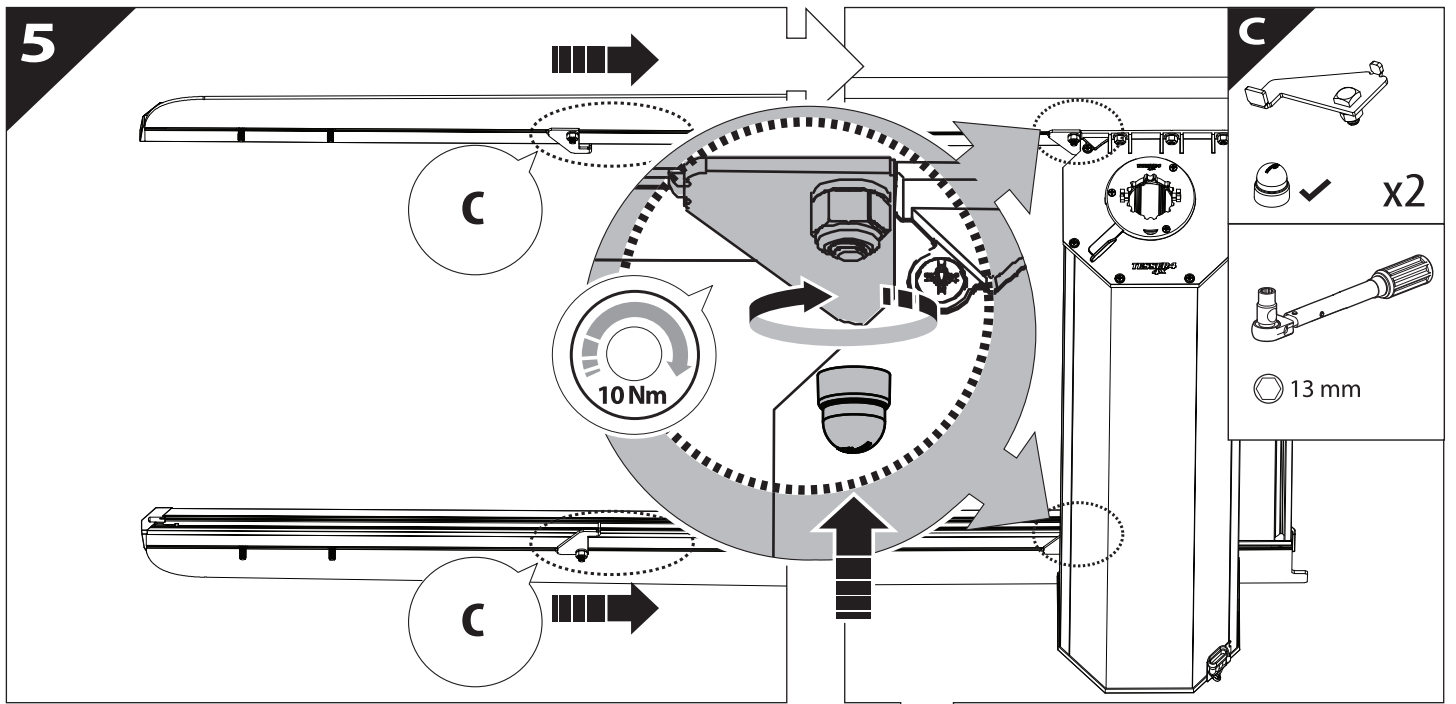


3

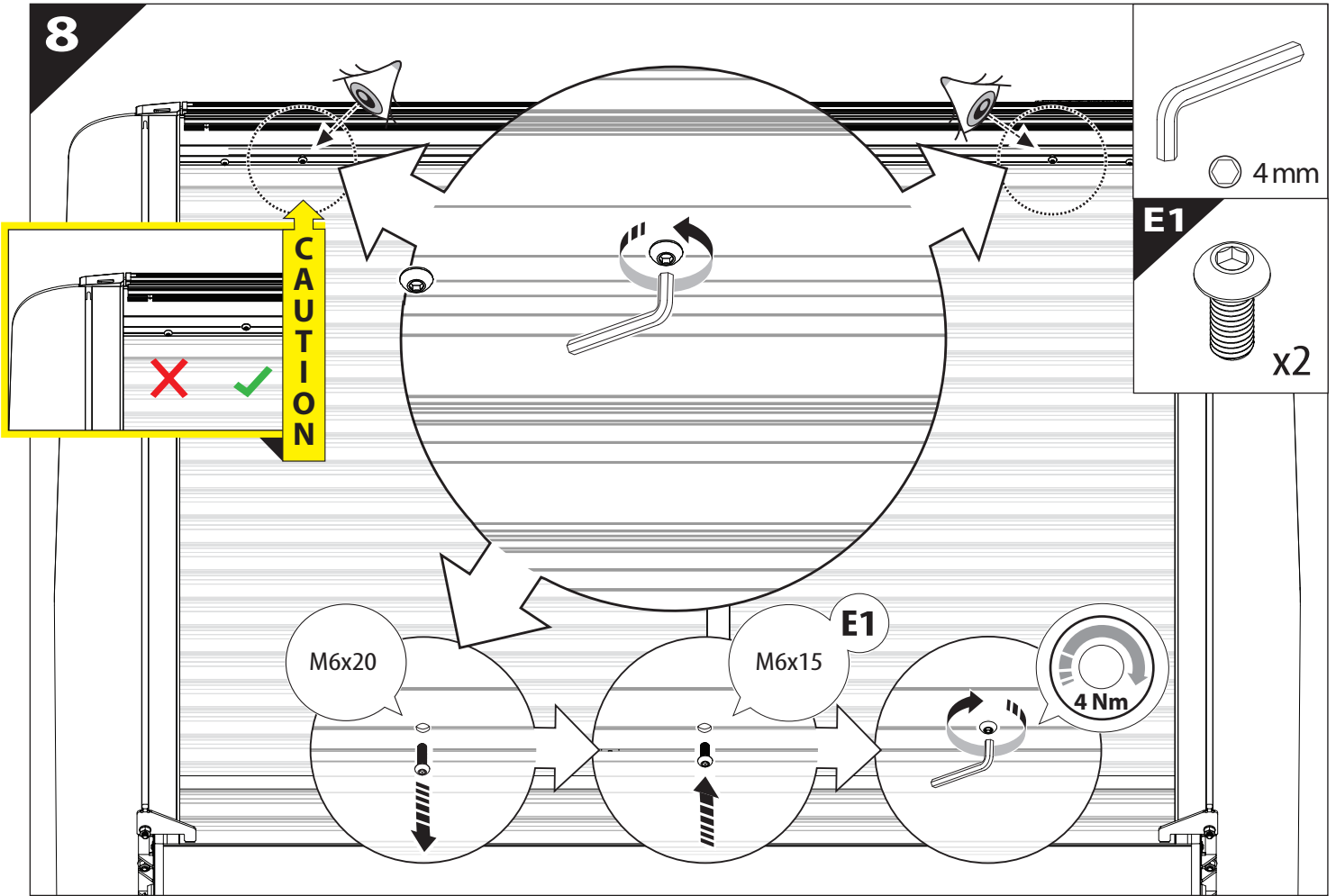


4

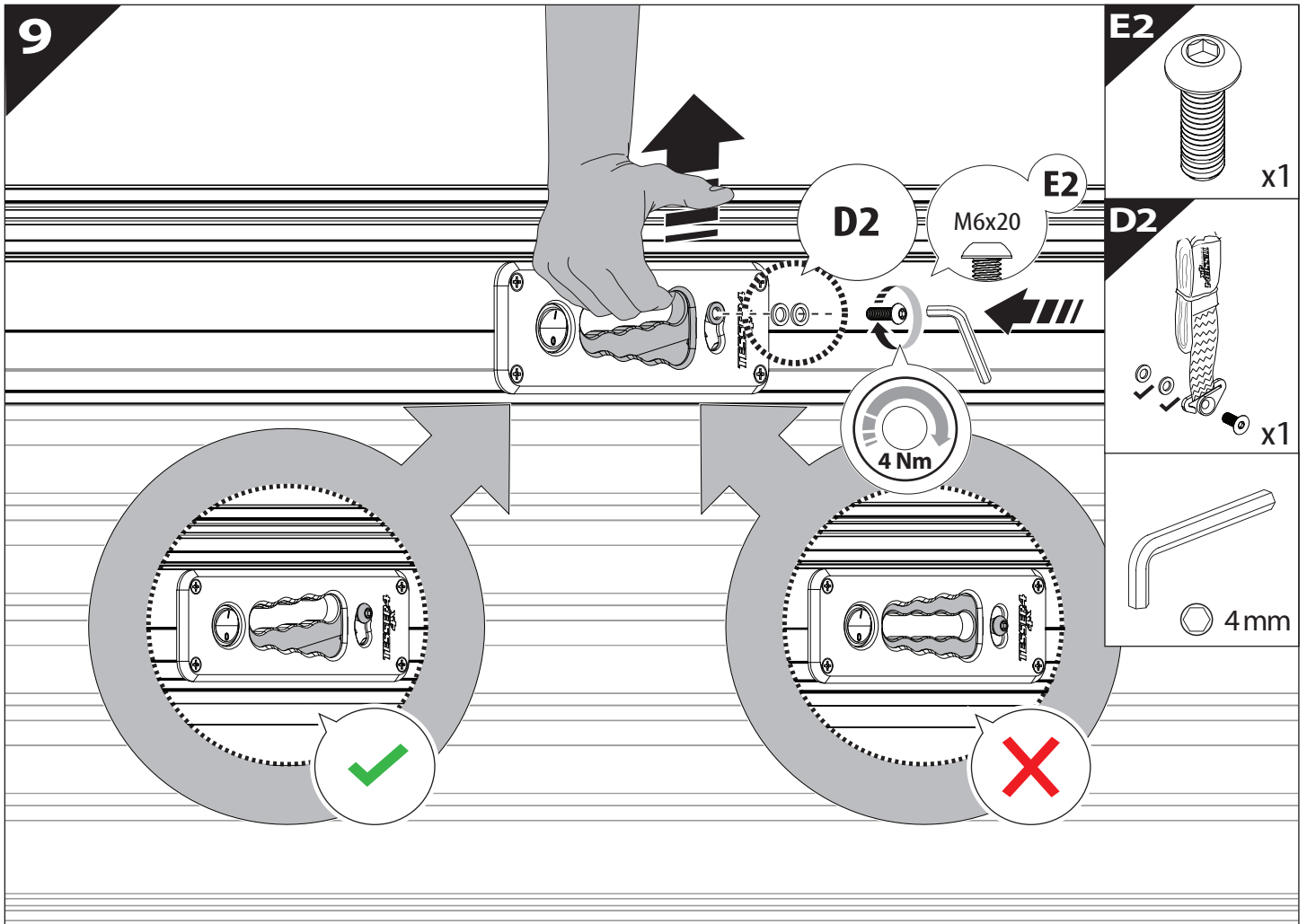


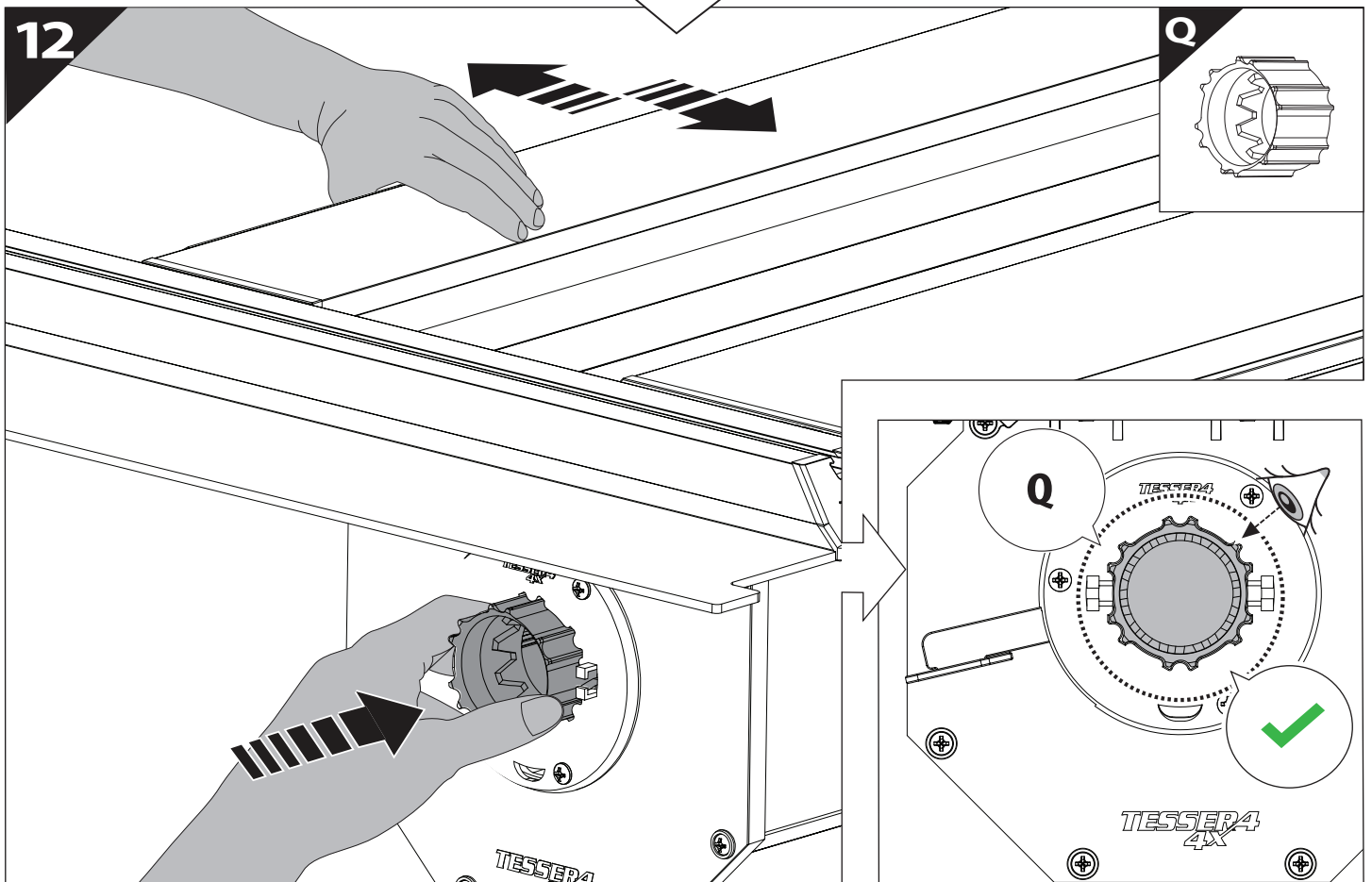
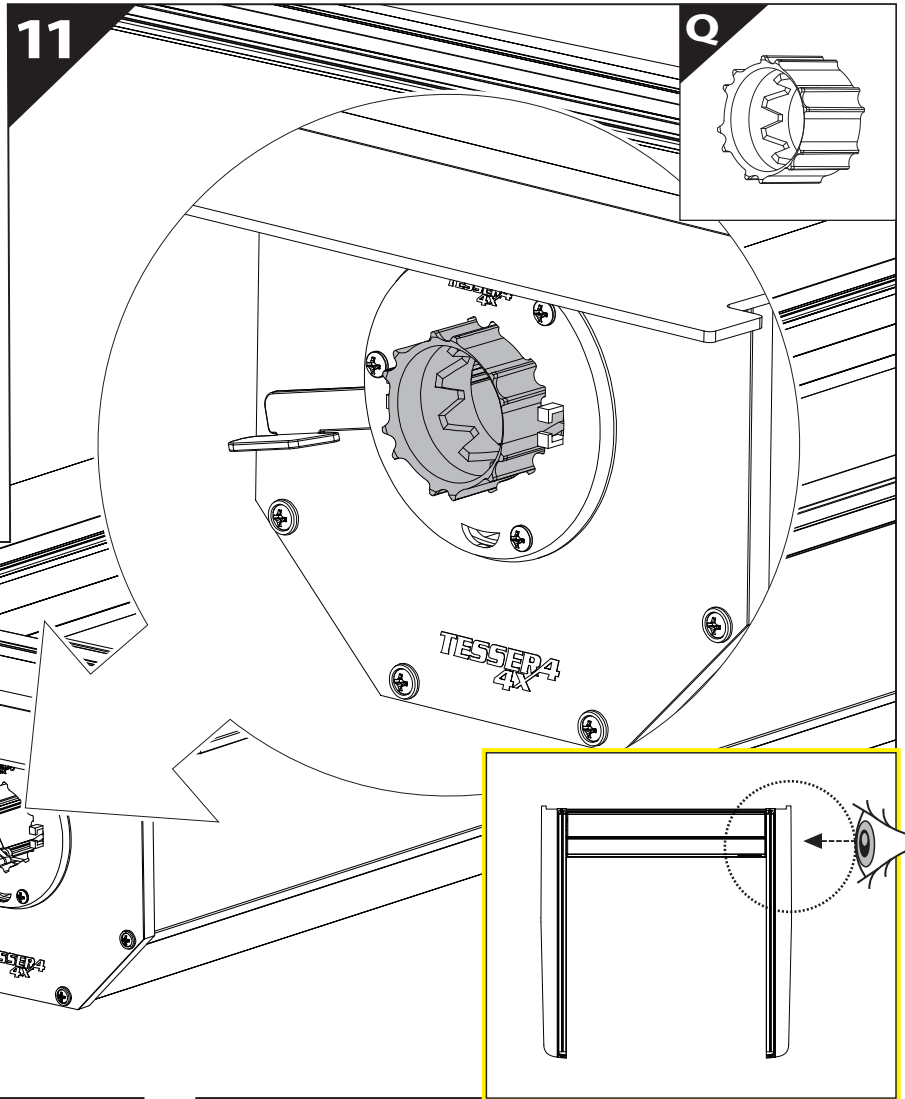
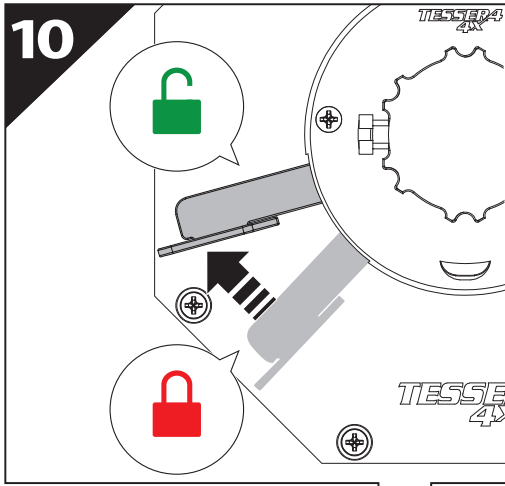


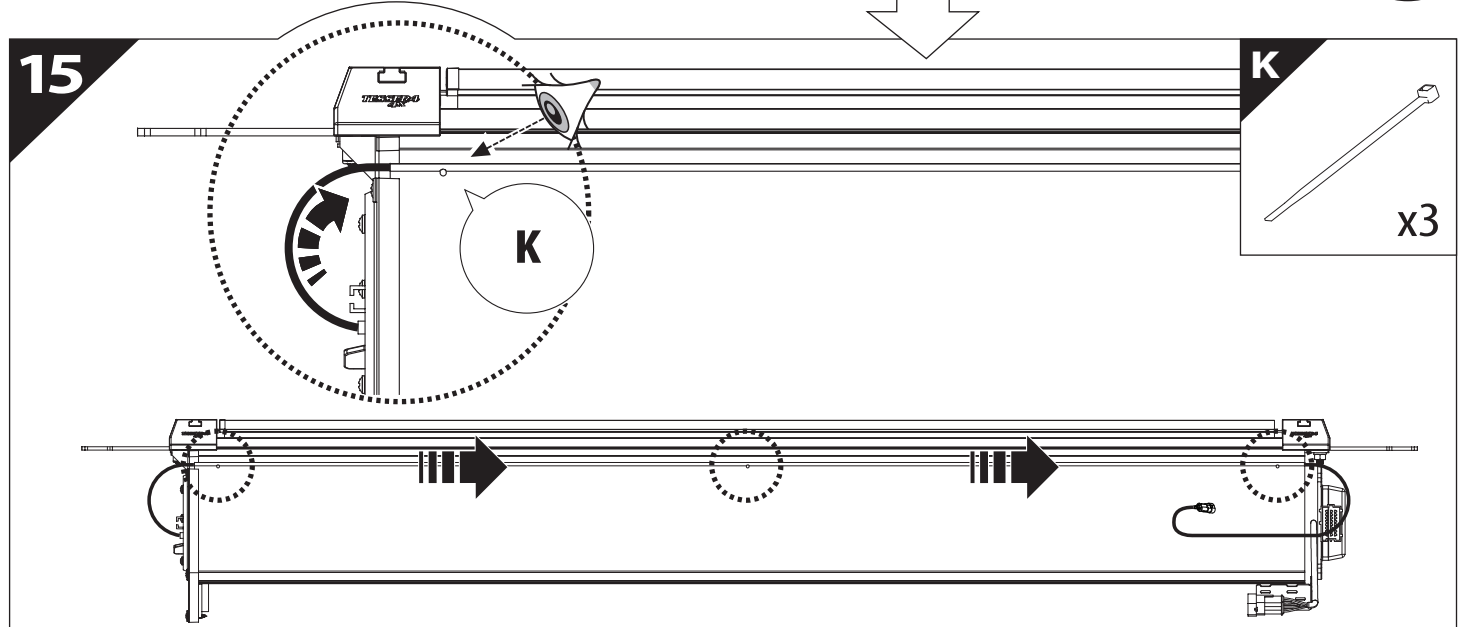
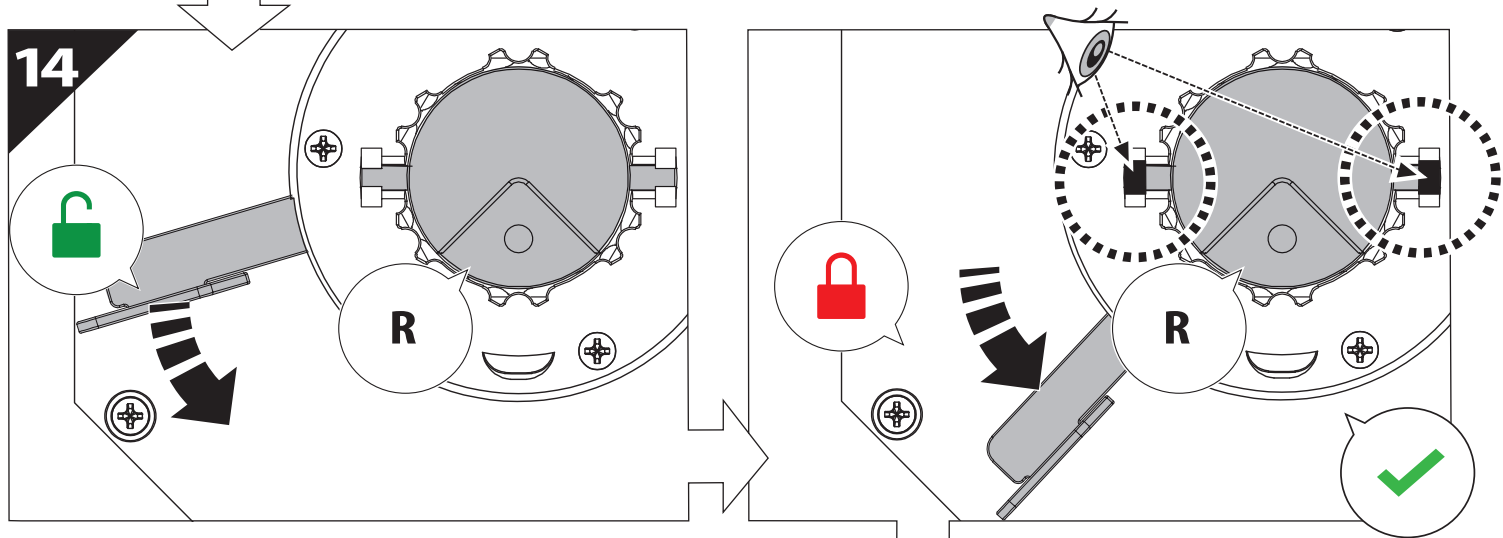
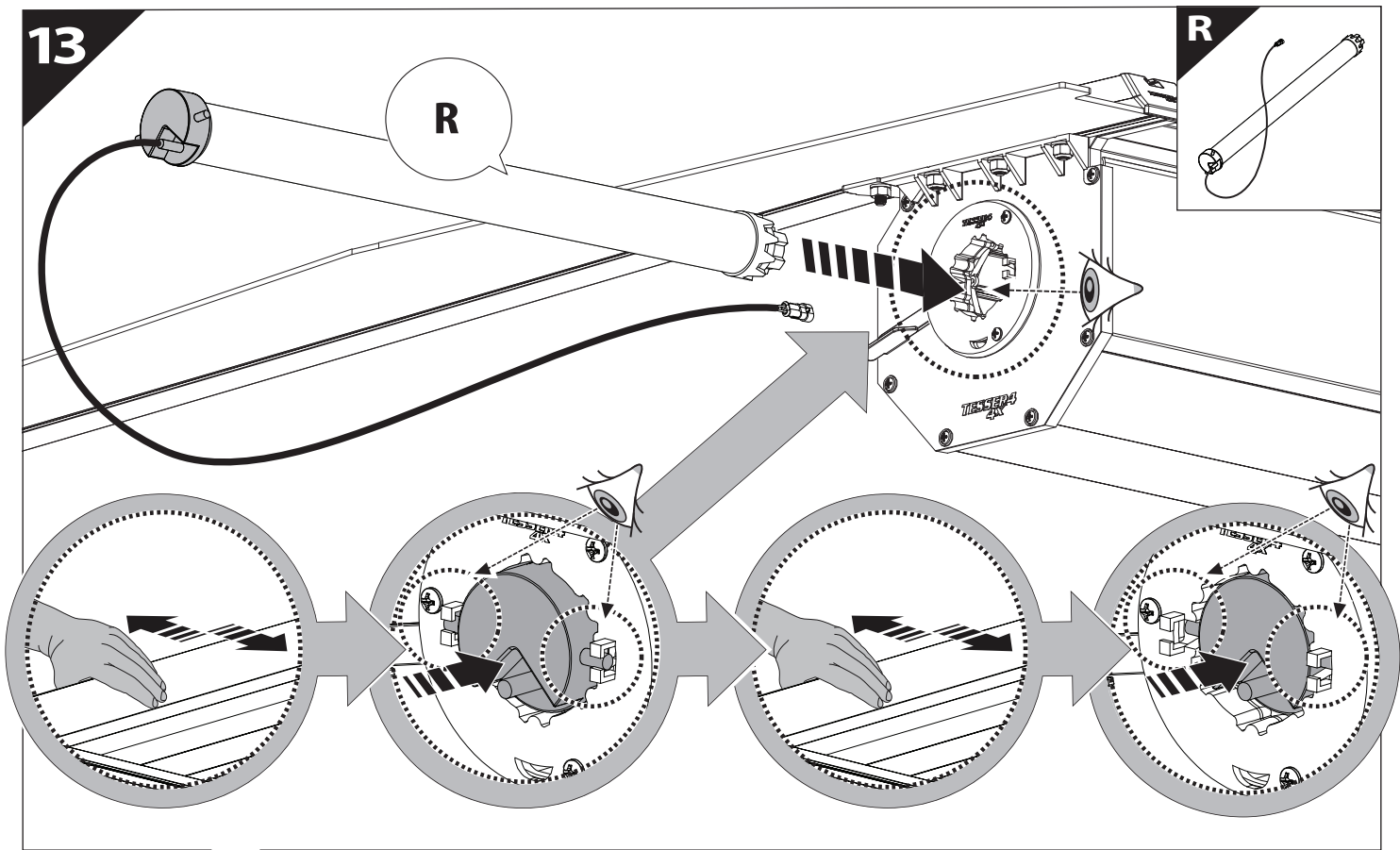
8



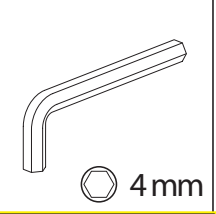
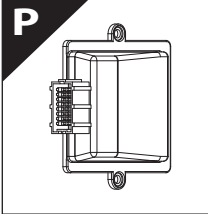
9





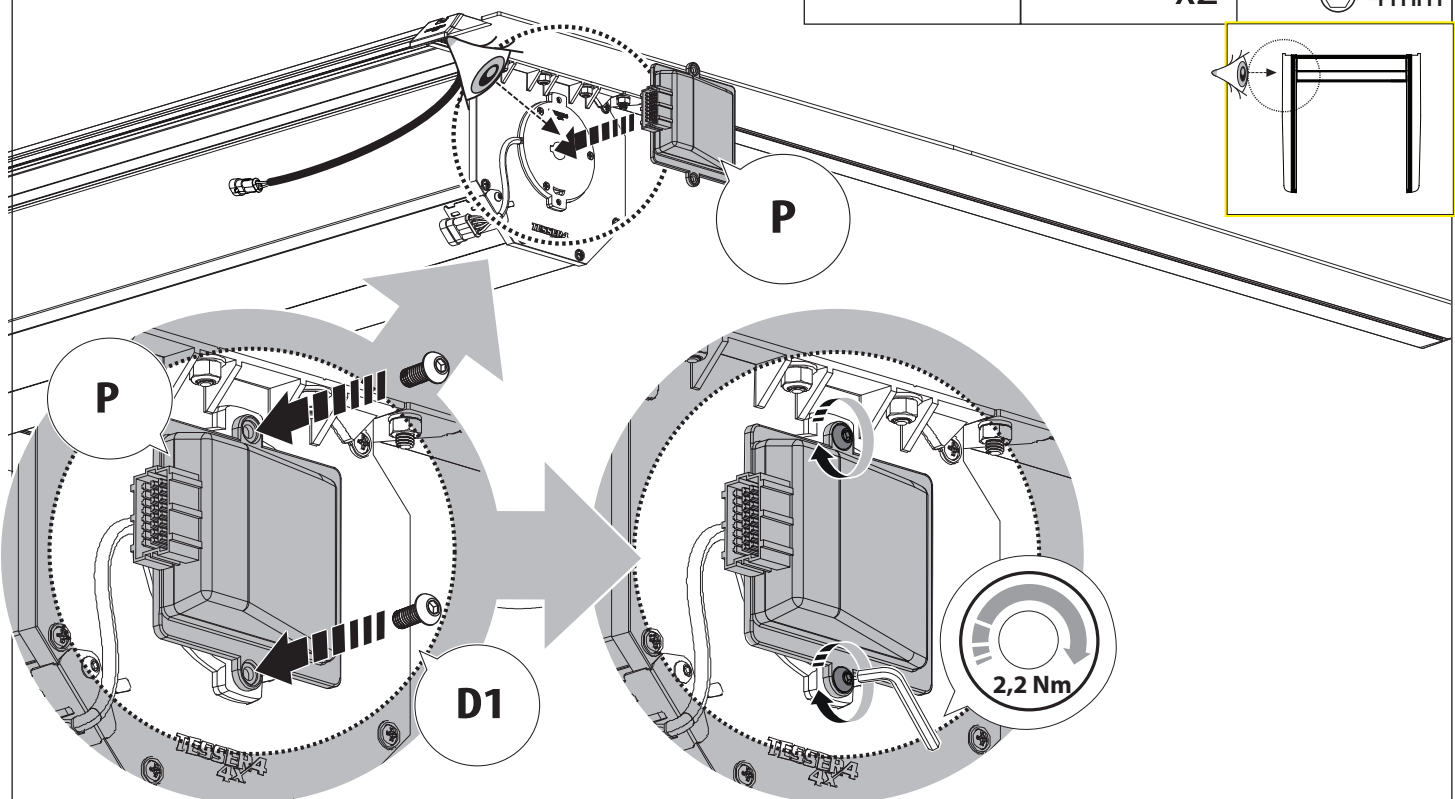
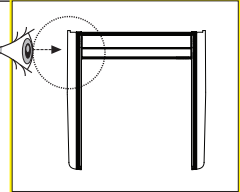


16

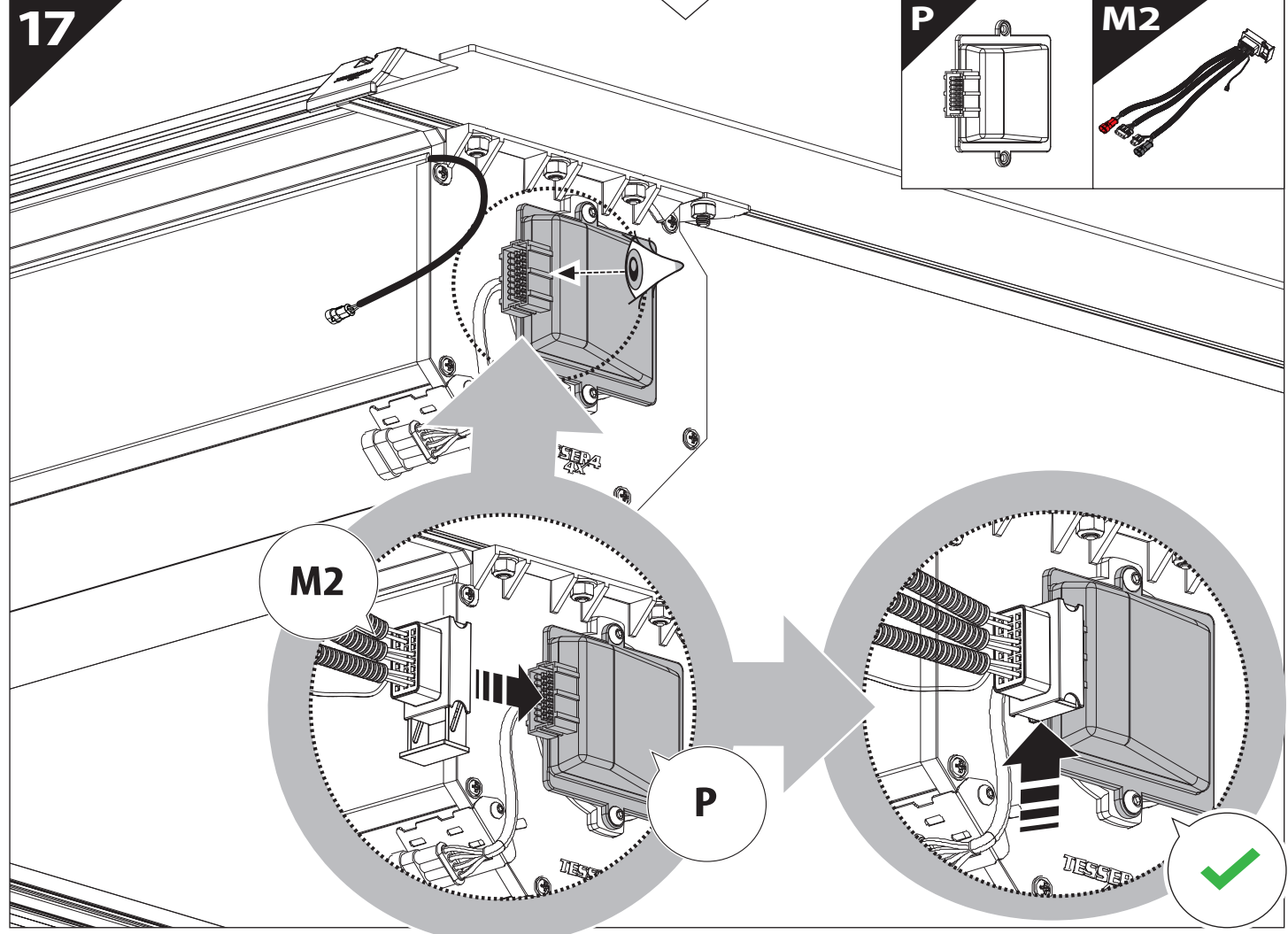
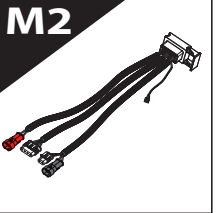
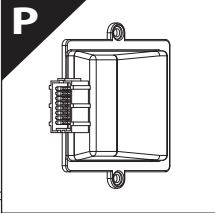


x2

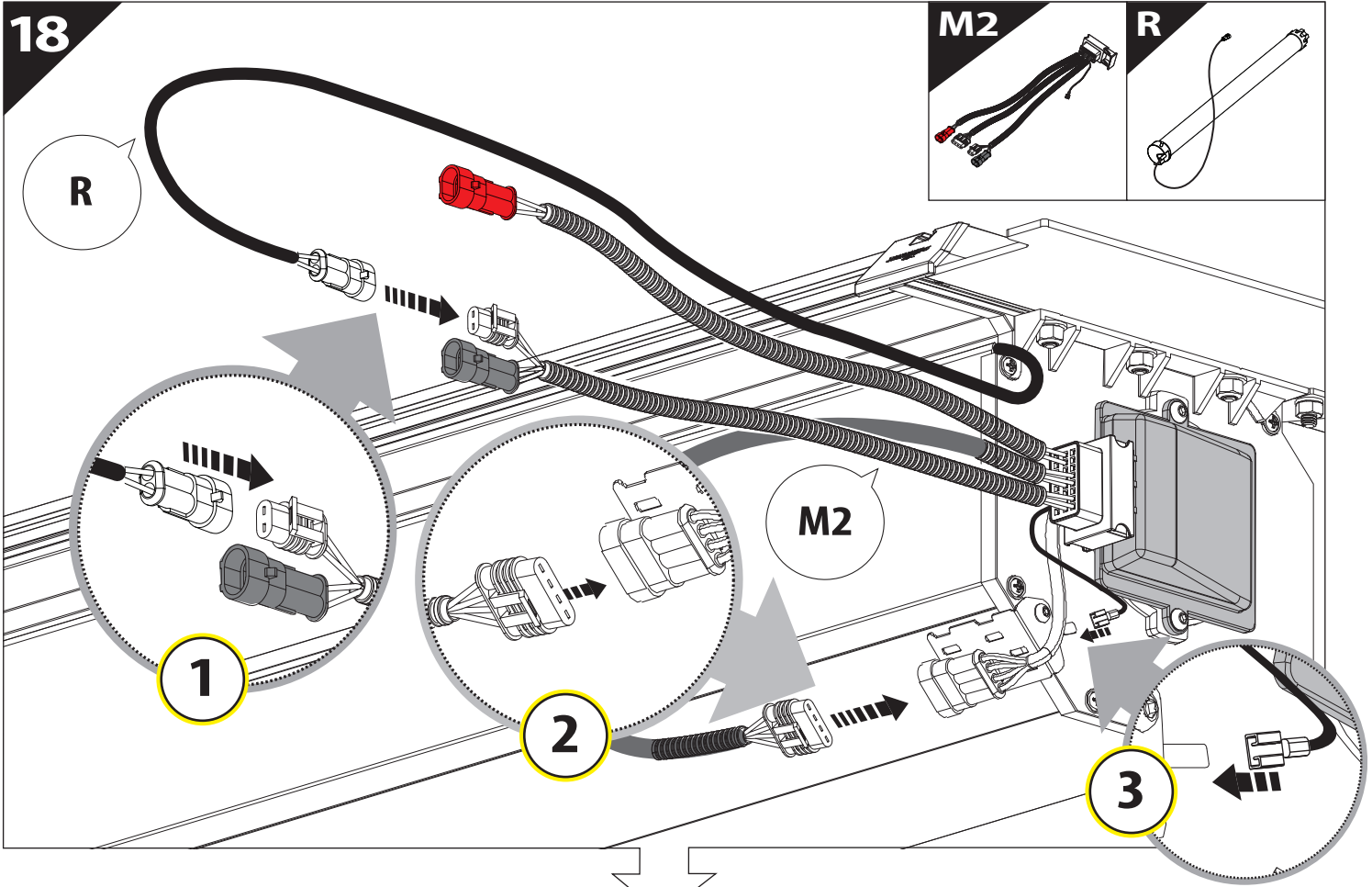
4mm



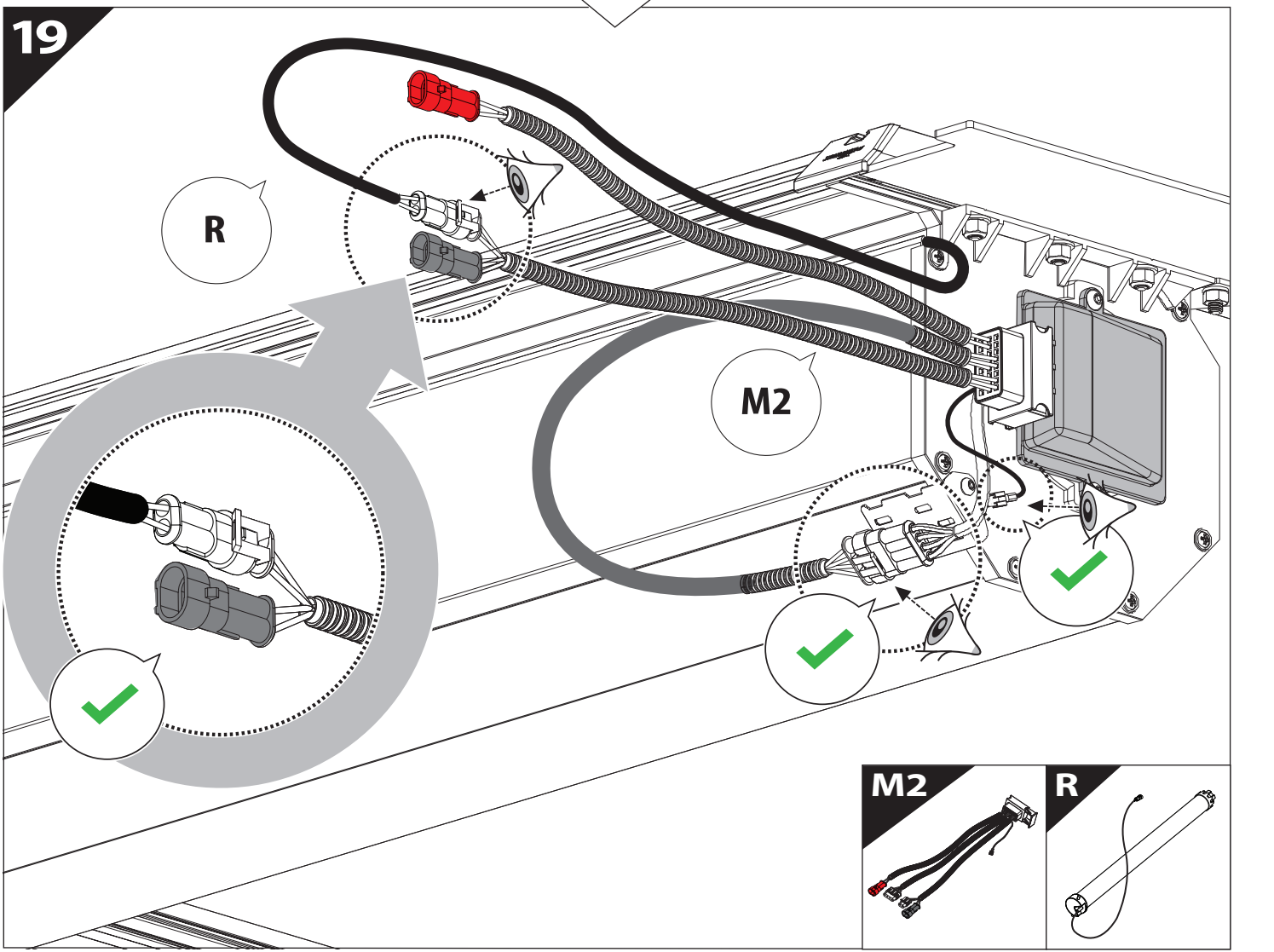
17

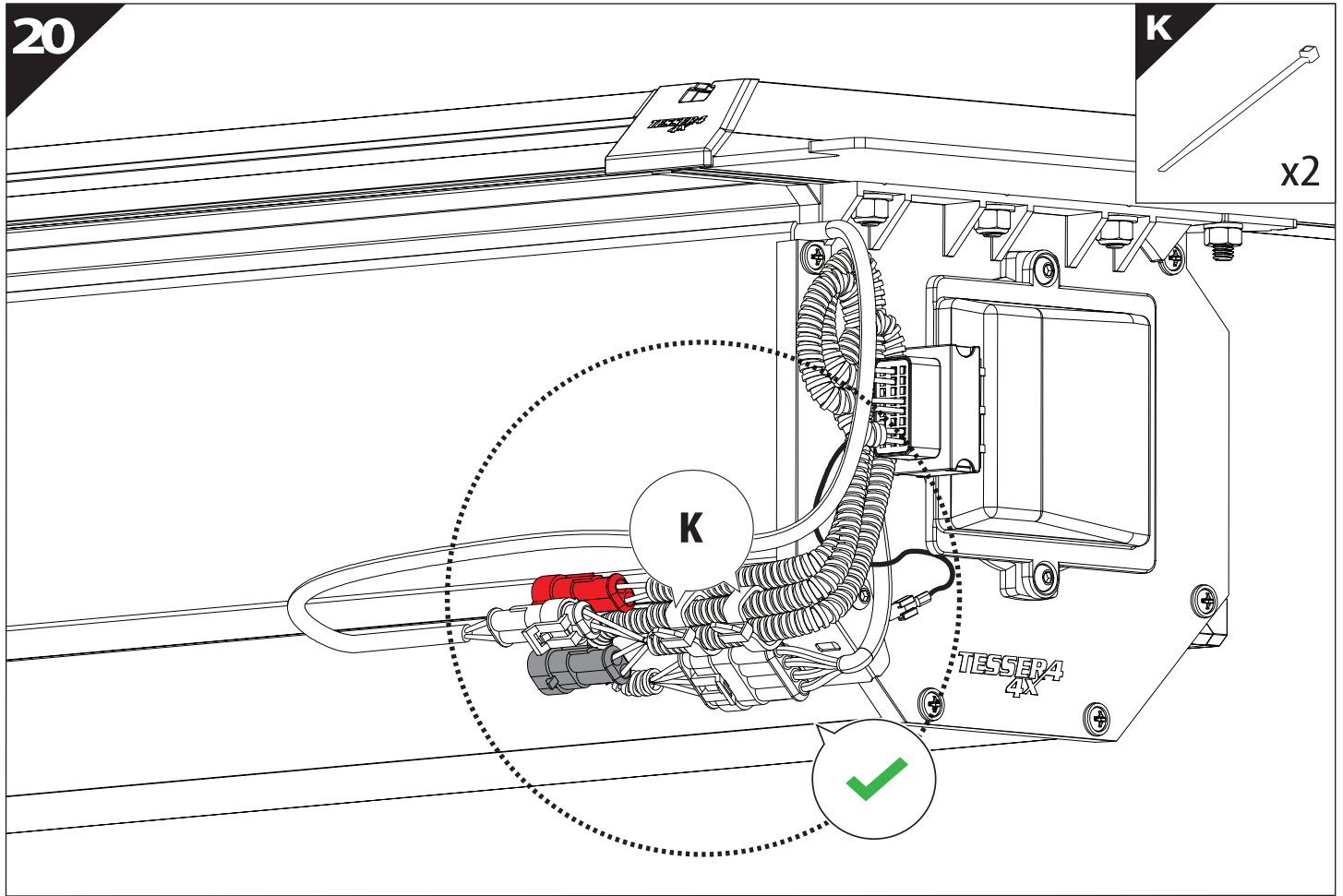


18

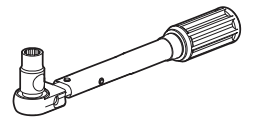


19

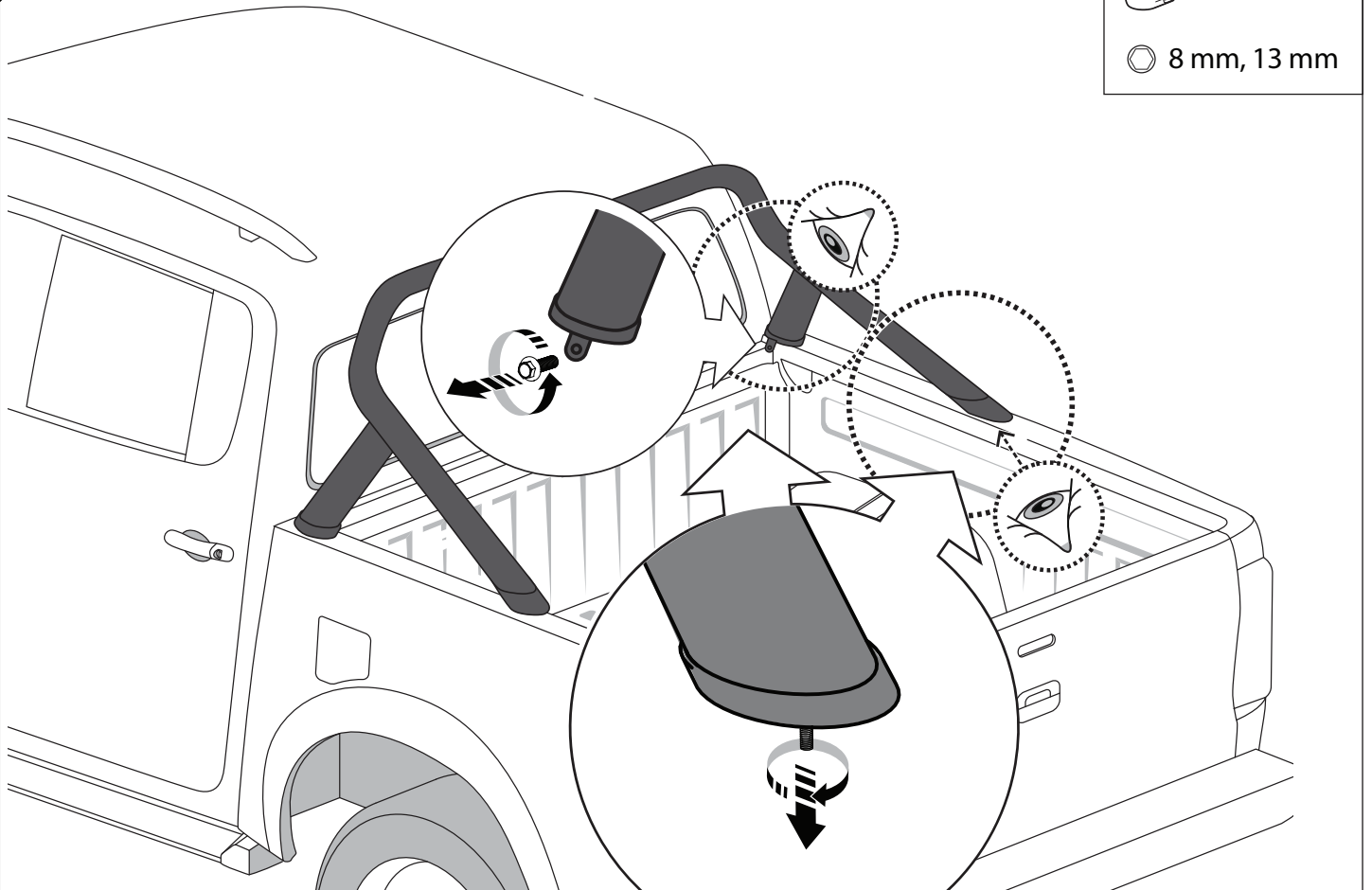




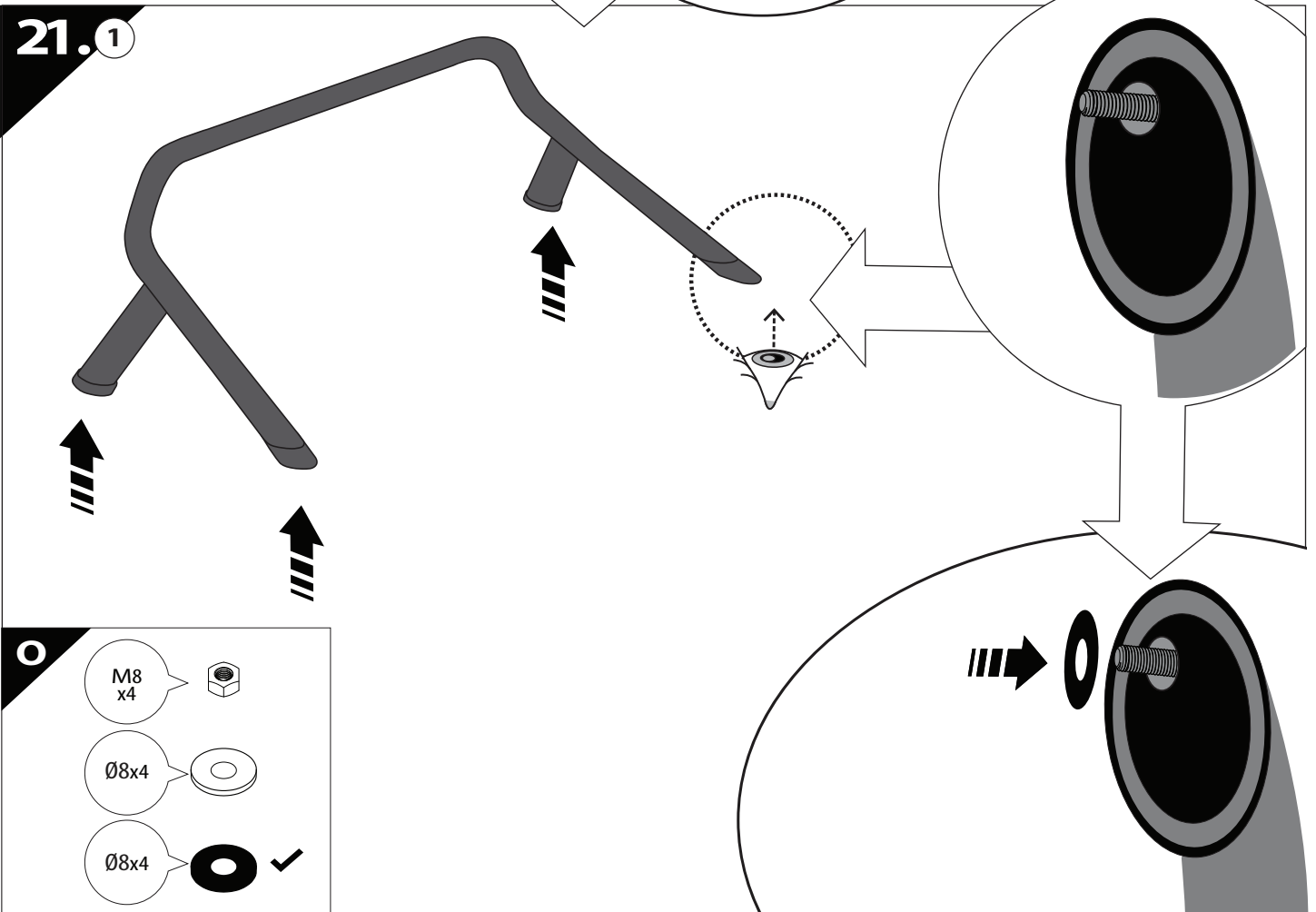
21



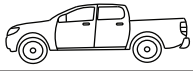
○ 8 mm, 13 mm



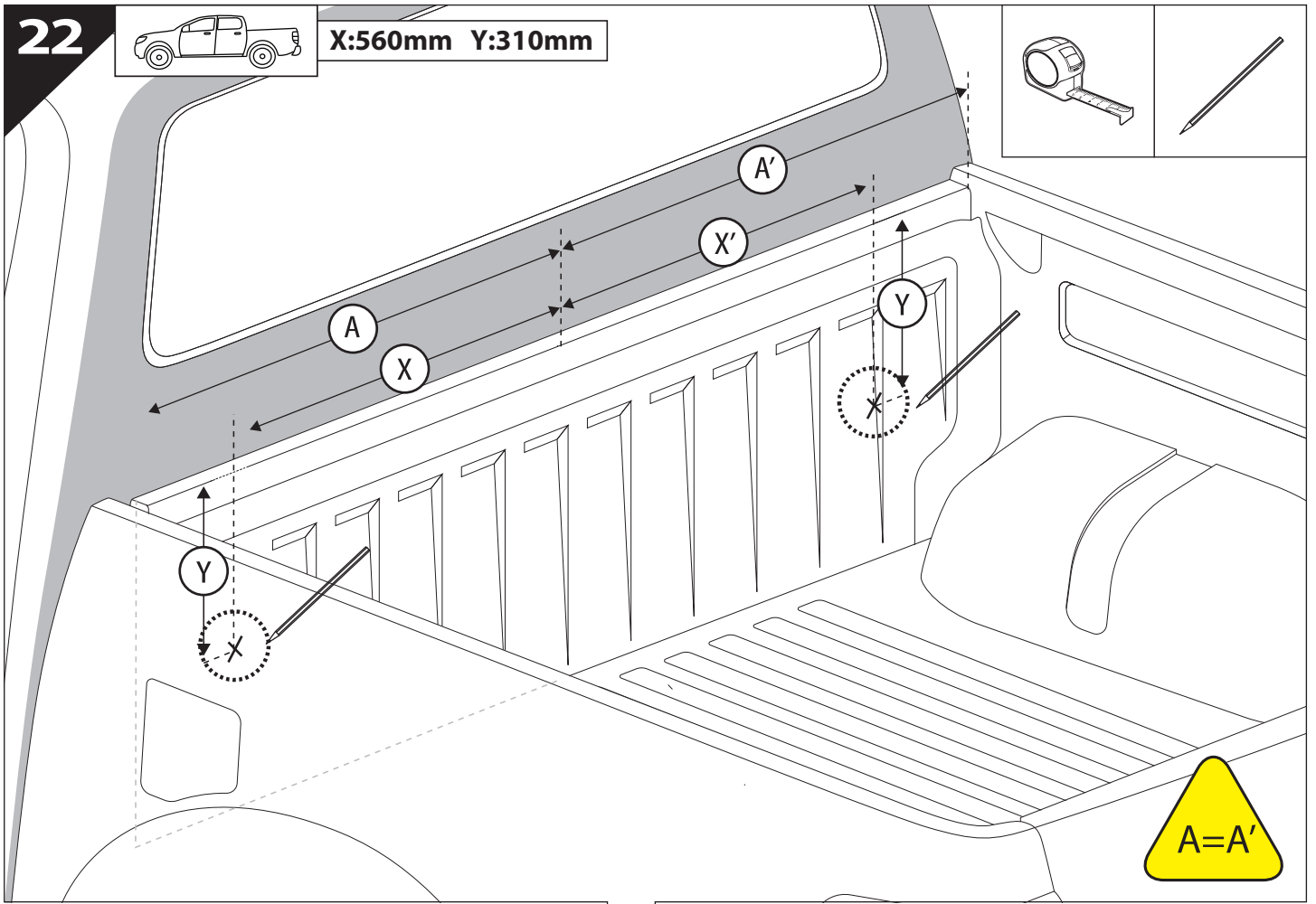
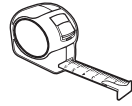
21.1



22



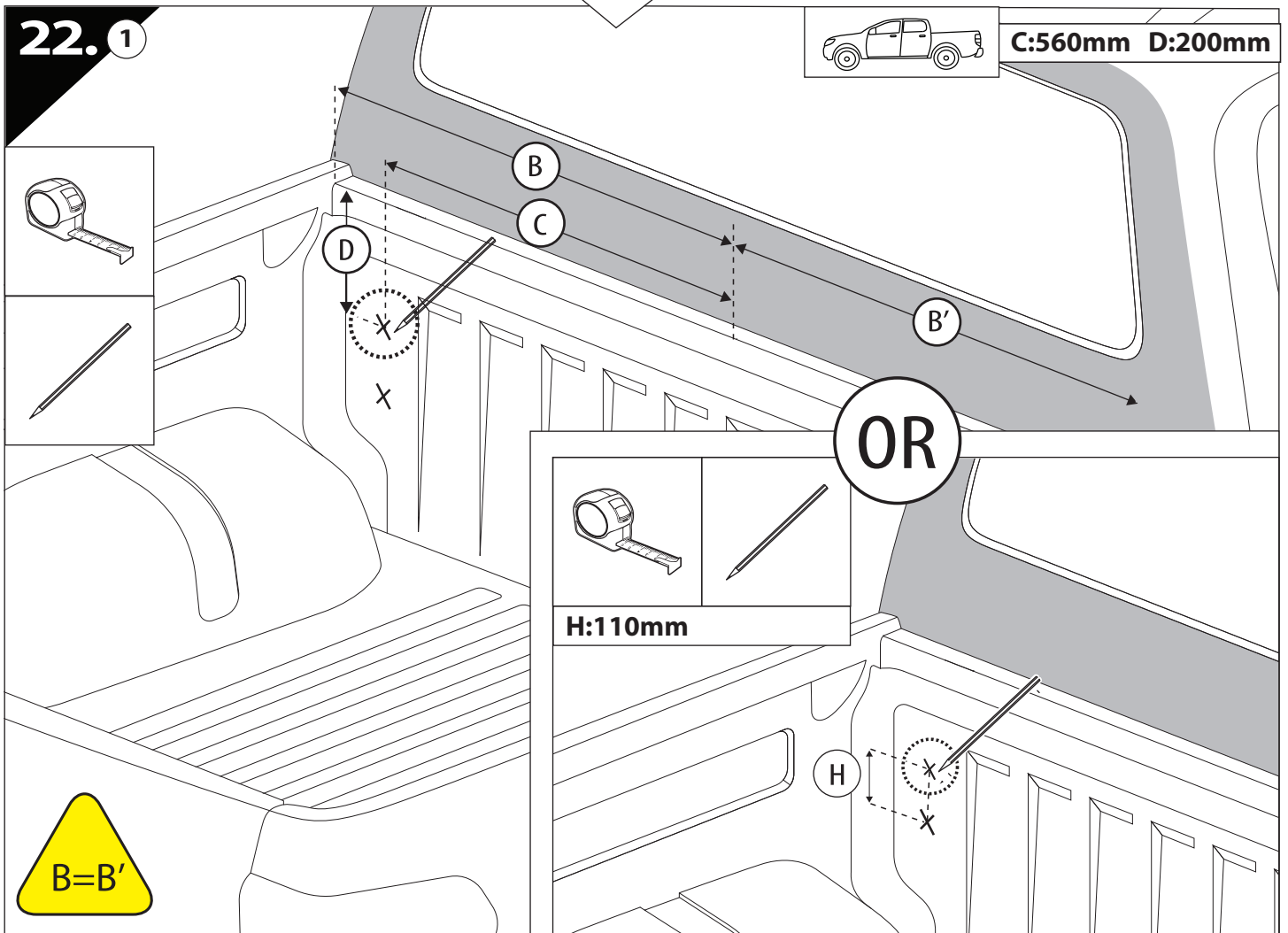
X:560mm Y:310mm




22.1




C:560mm D:200mm



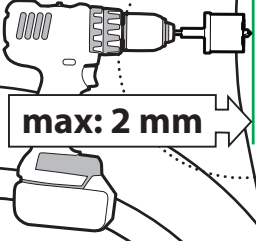


Ø 25 mm




Rust Protection

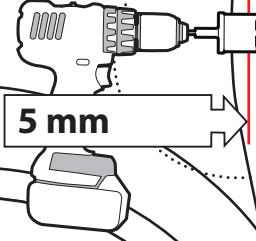
**CAUTION**






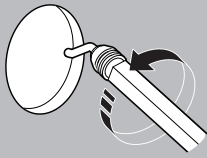

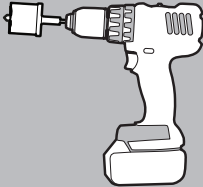

max: 2 mm



**CAUTION**

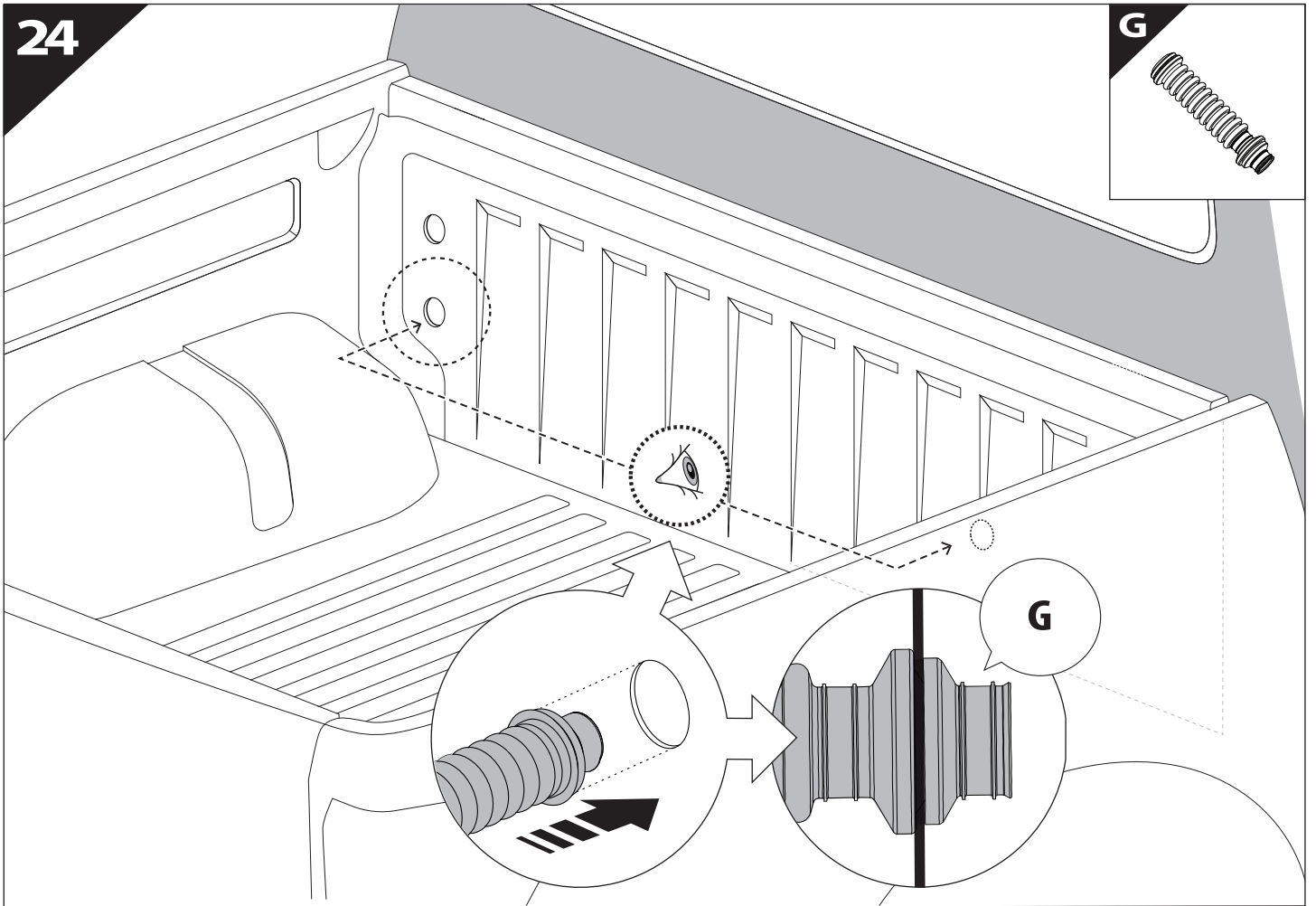


5 mm



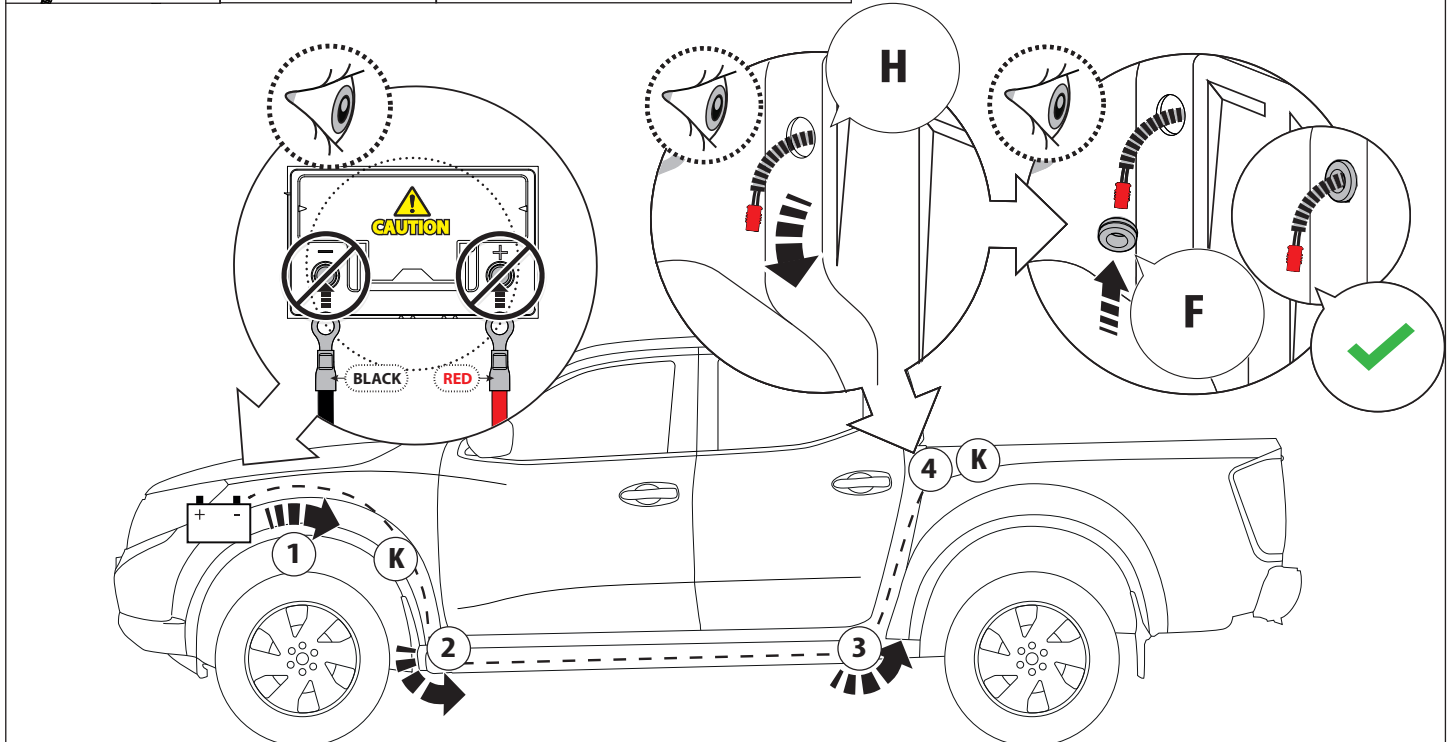
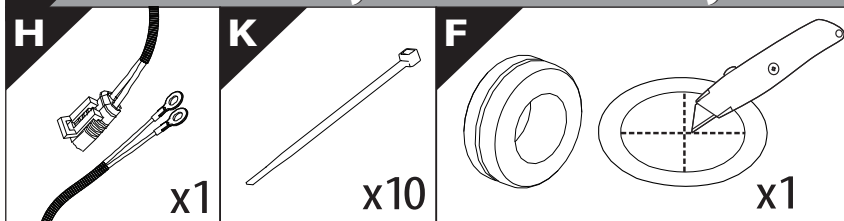
24

G

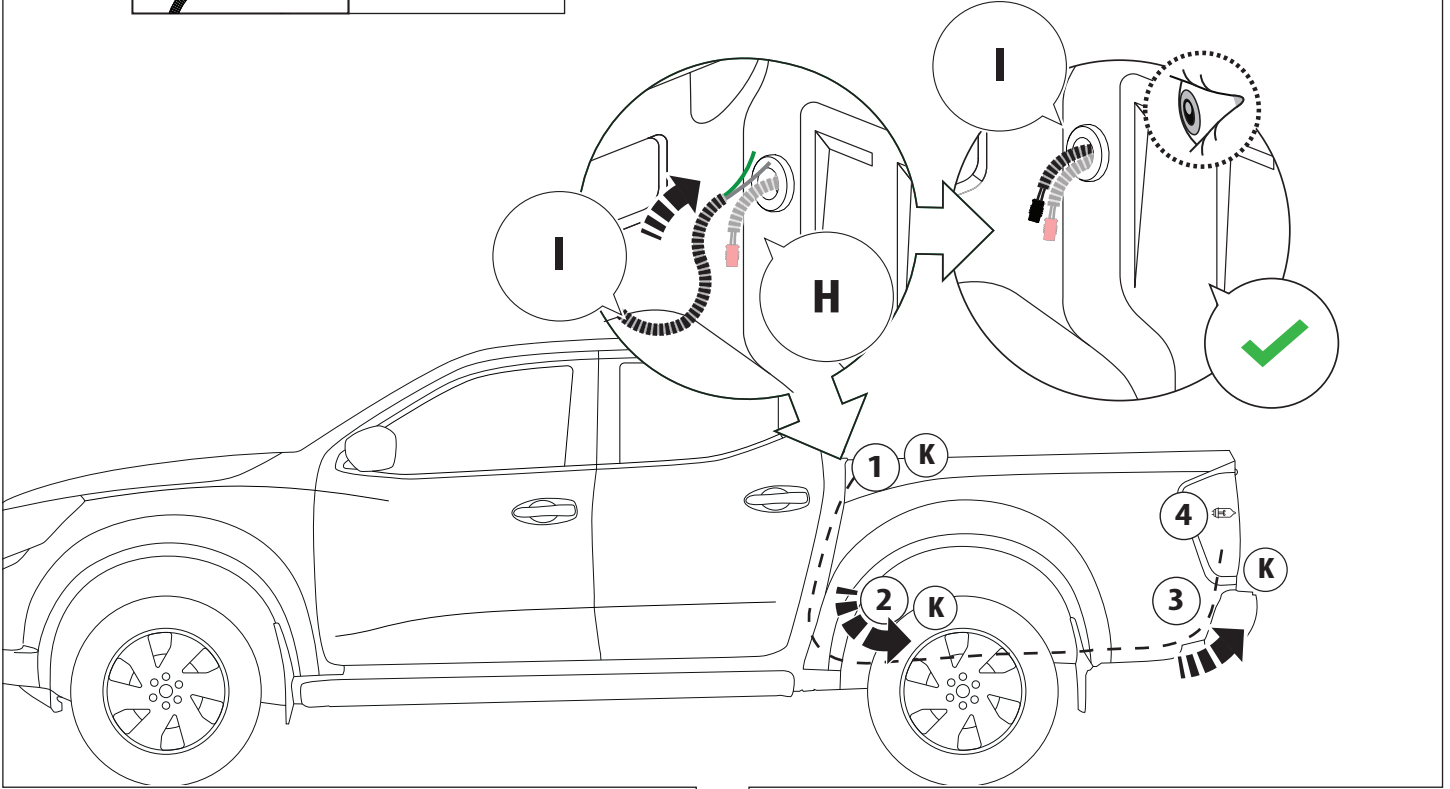
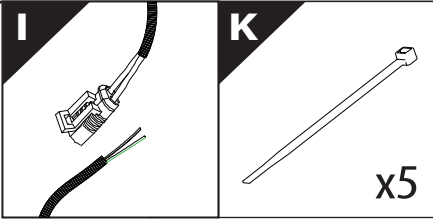


25

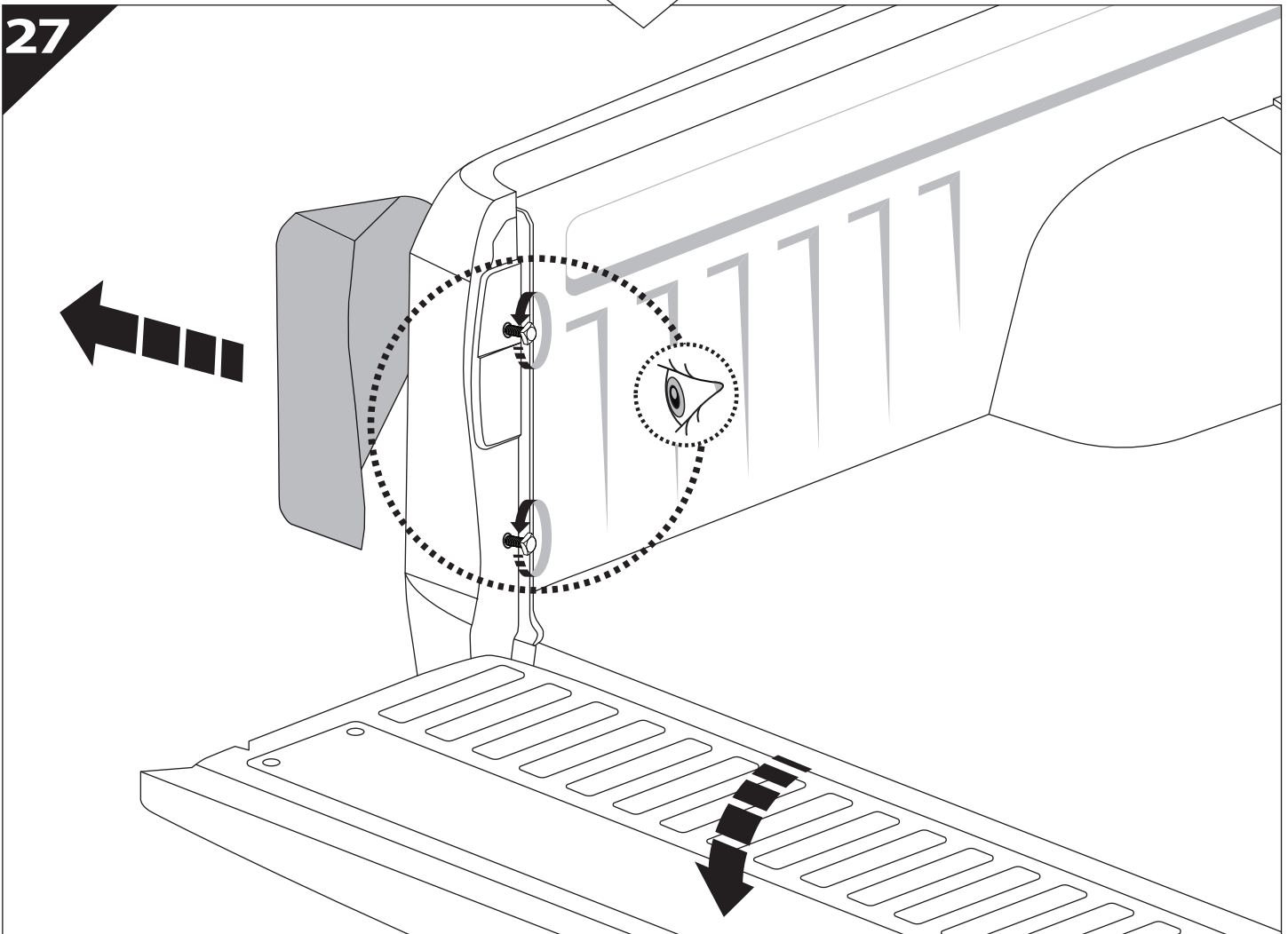
Only to be installed by authorized personnel



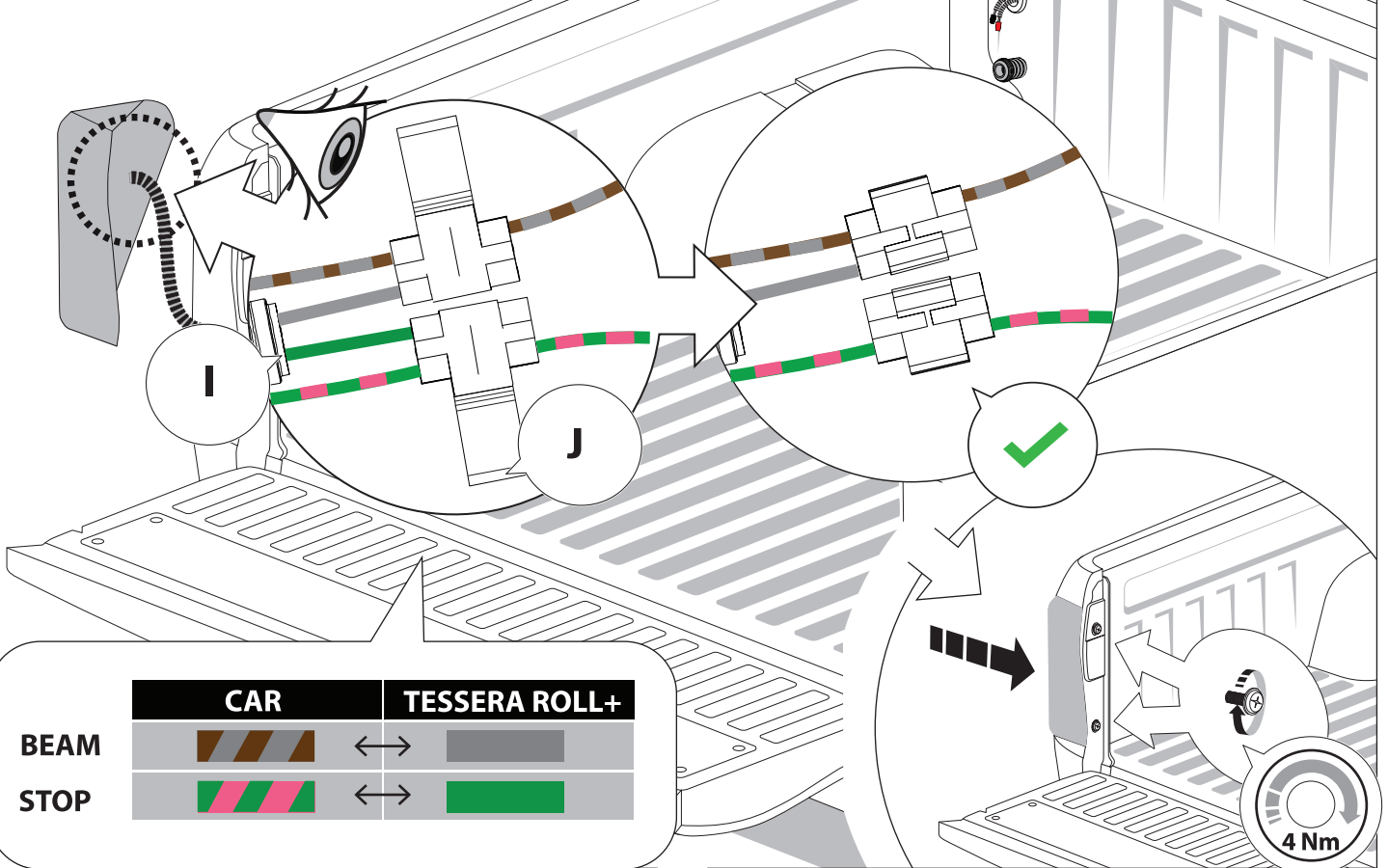
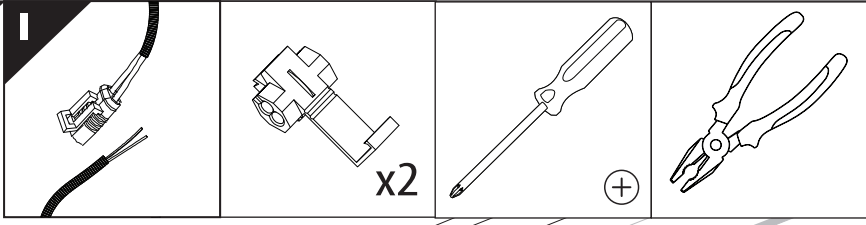
26



27

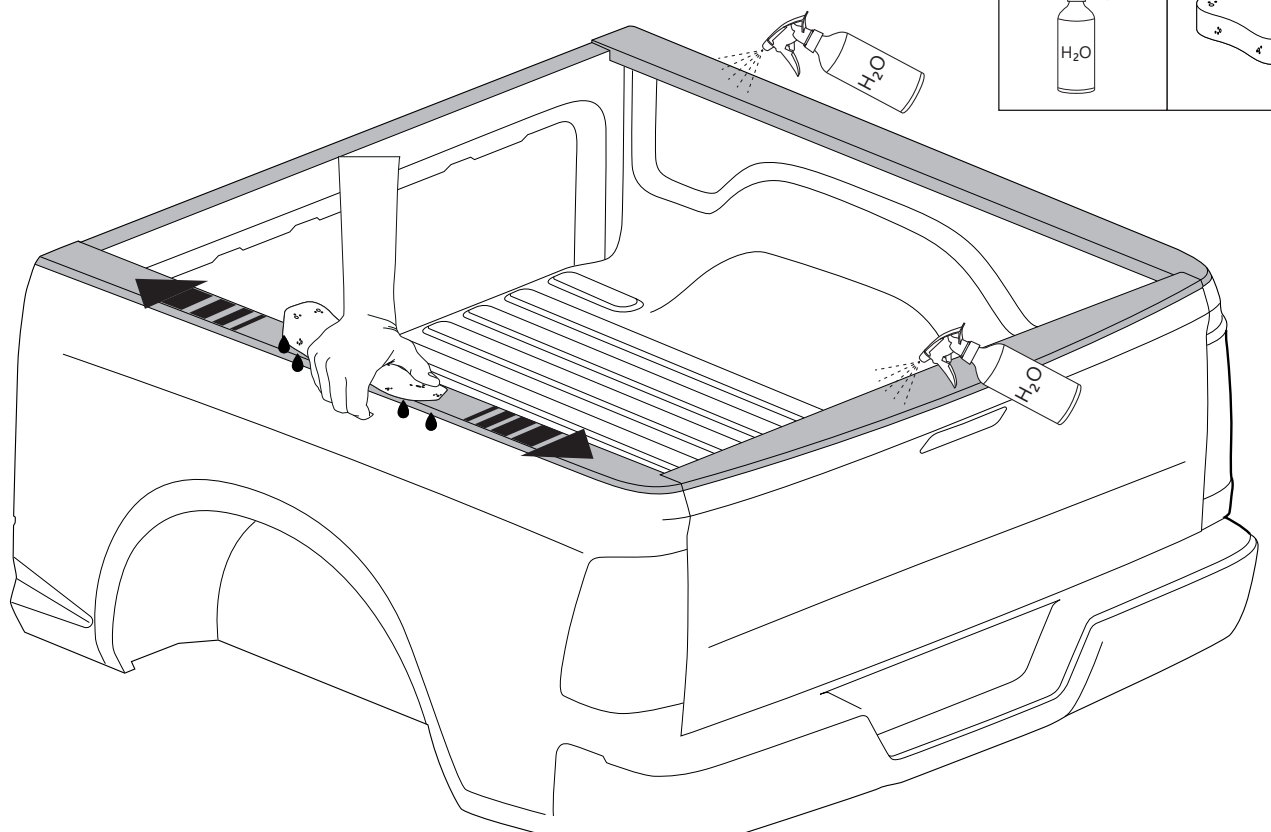
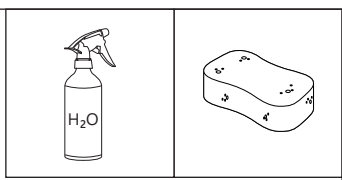


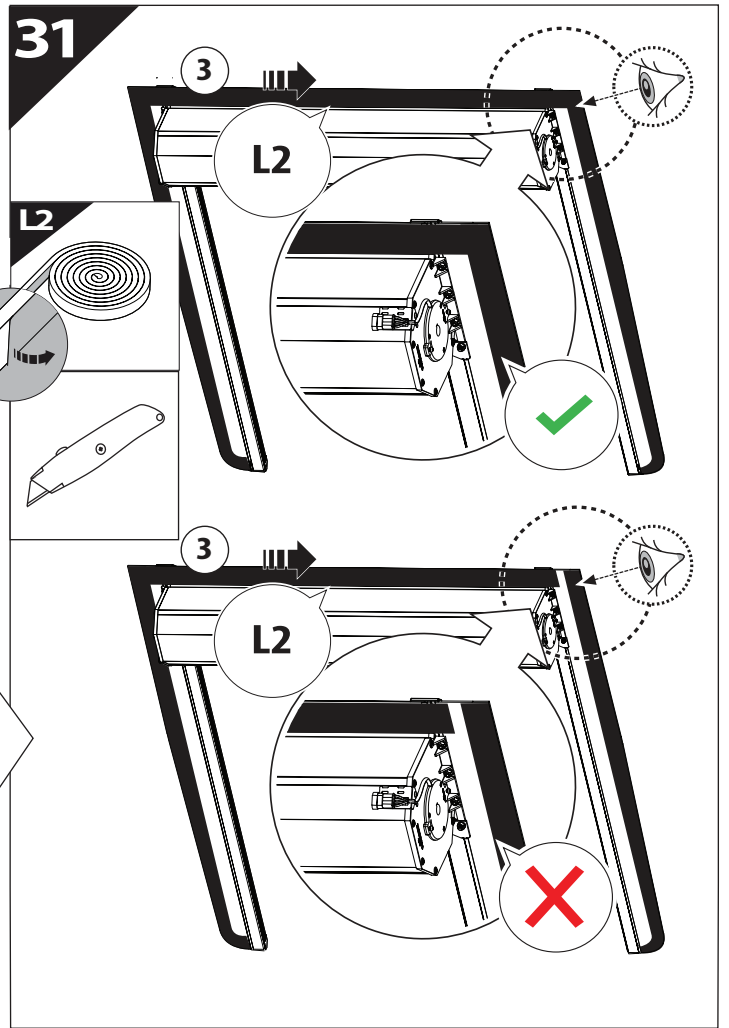
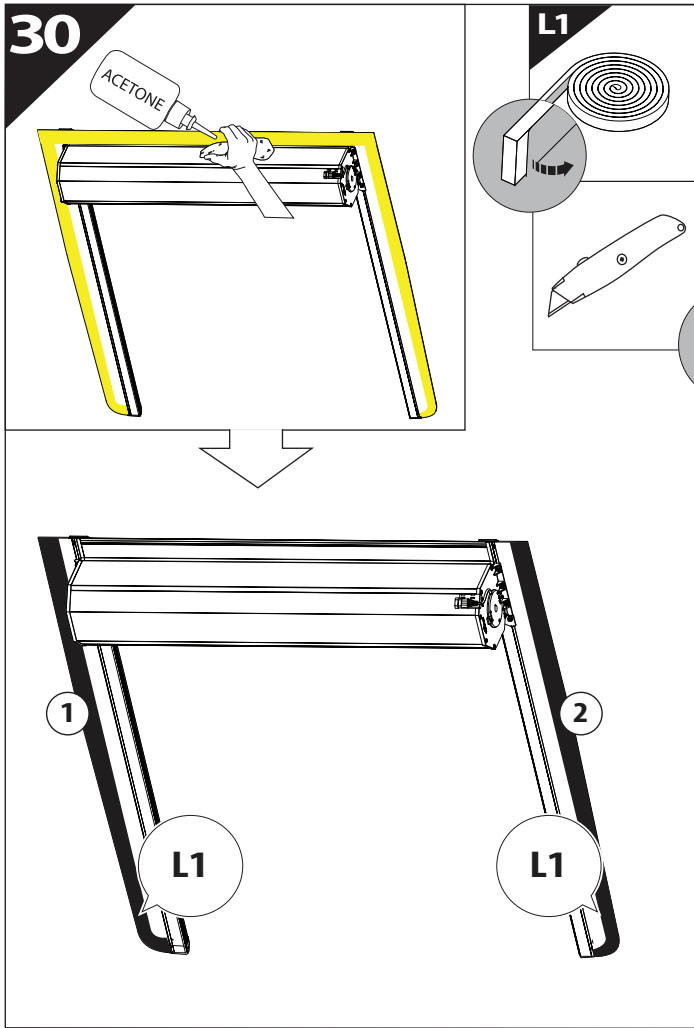
28

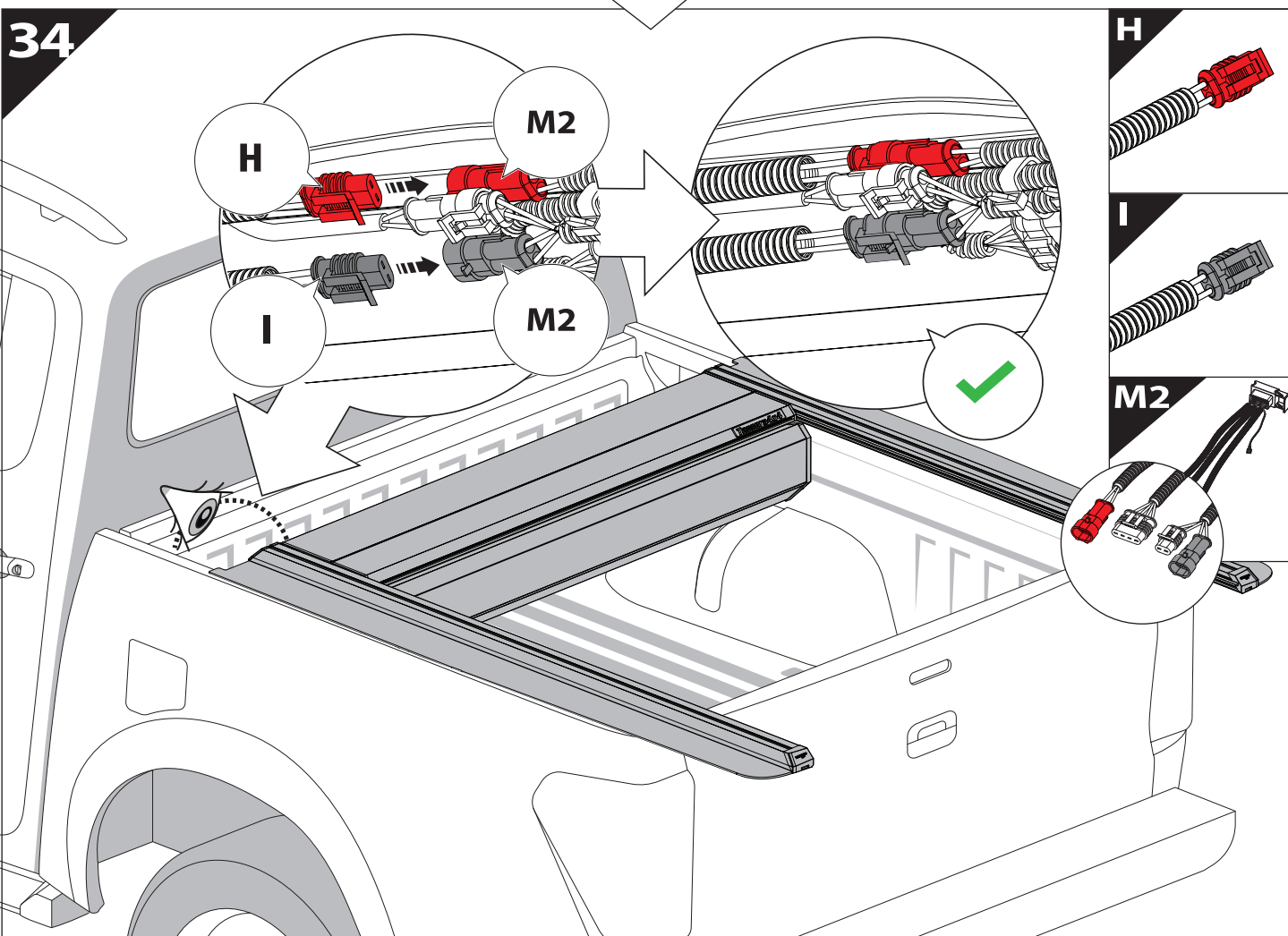
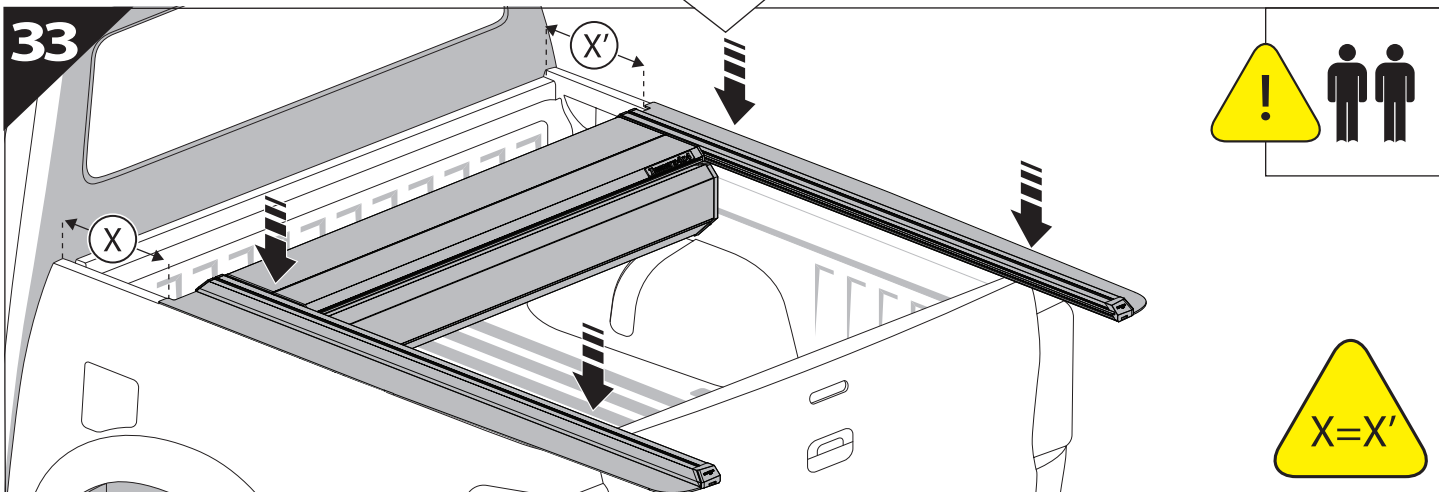
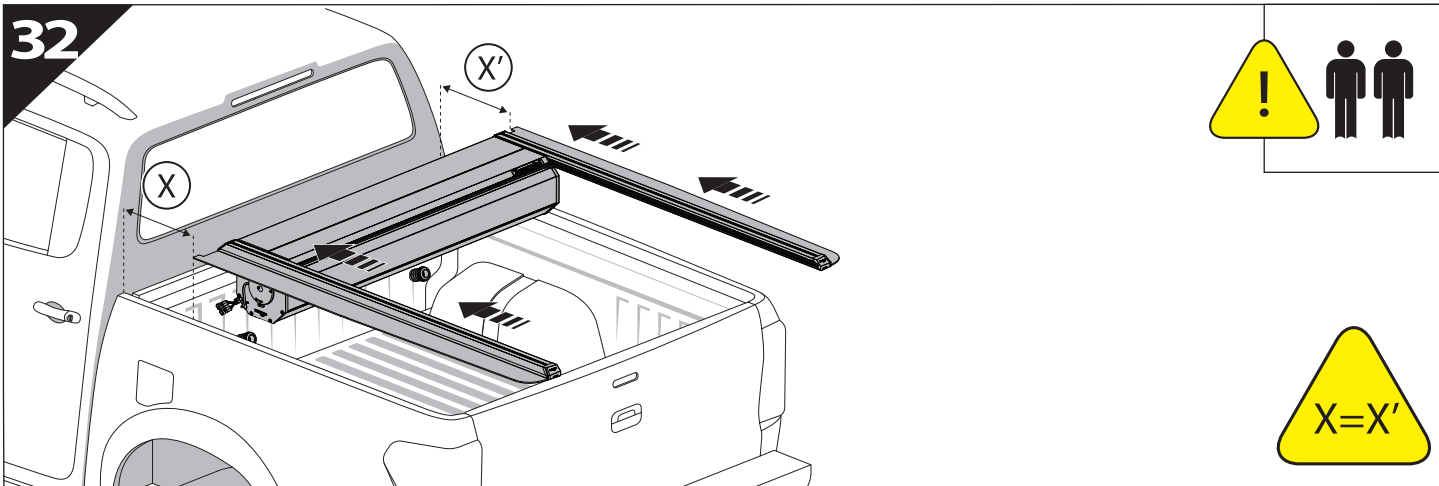


	CAR		TESSERA ROLL+
BEAM		↔	
STOP		↔	

29

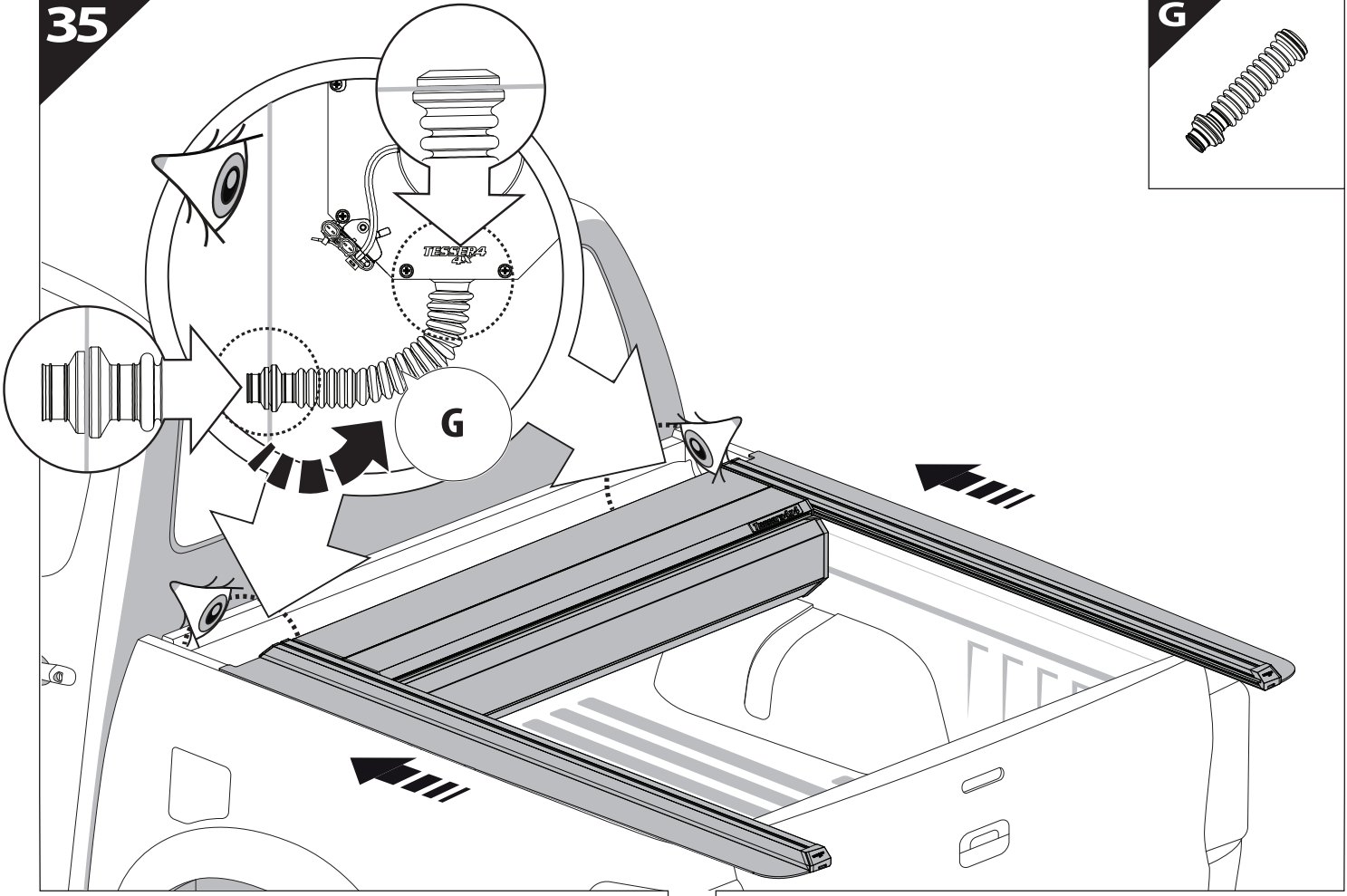




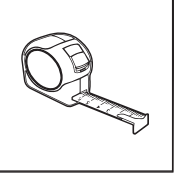
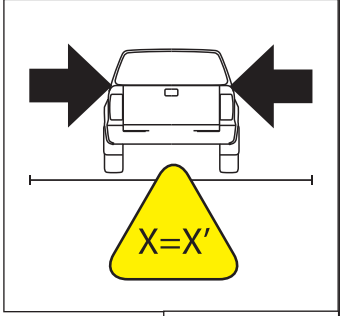
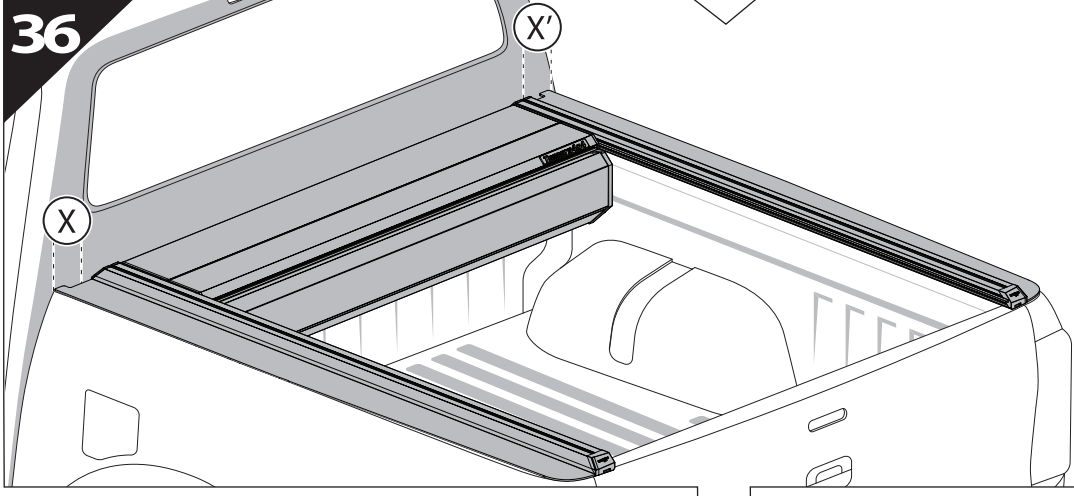


35

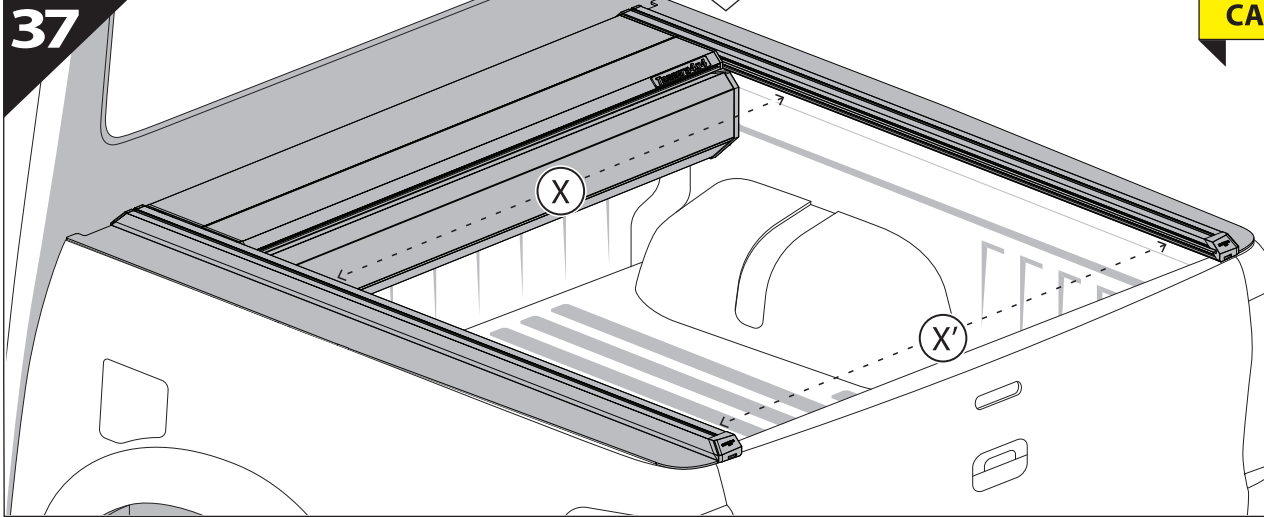
G



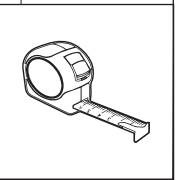
36

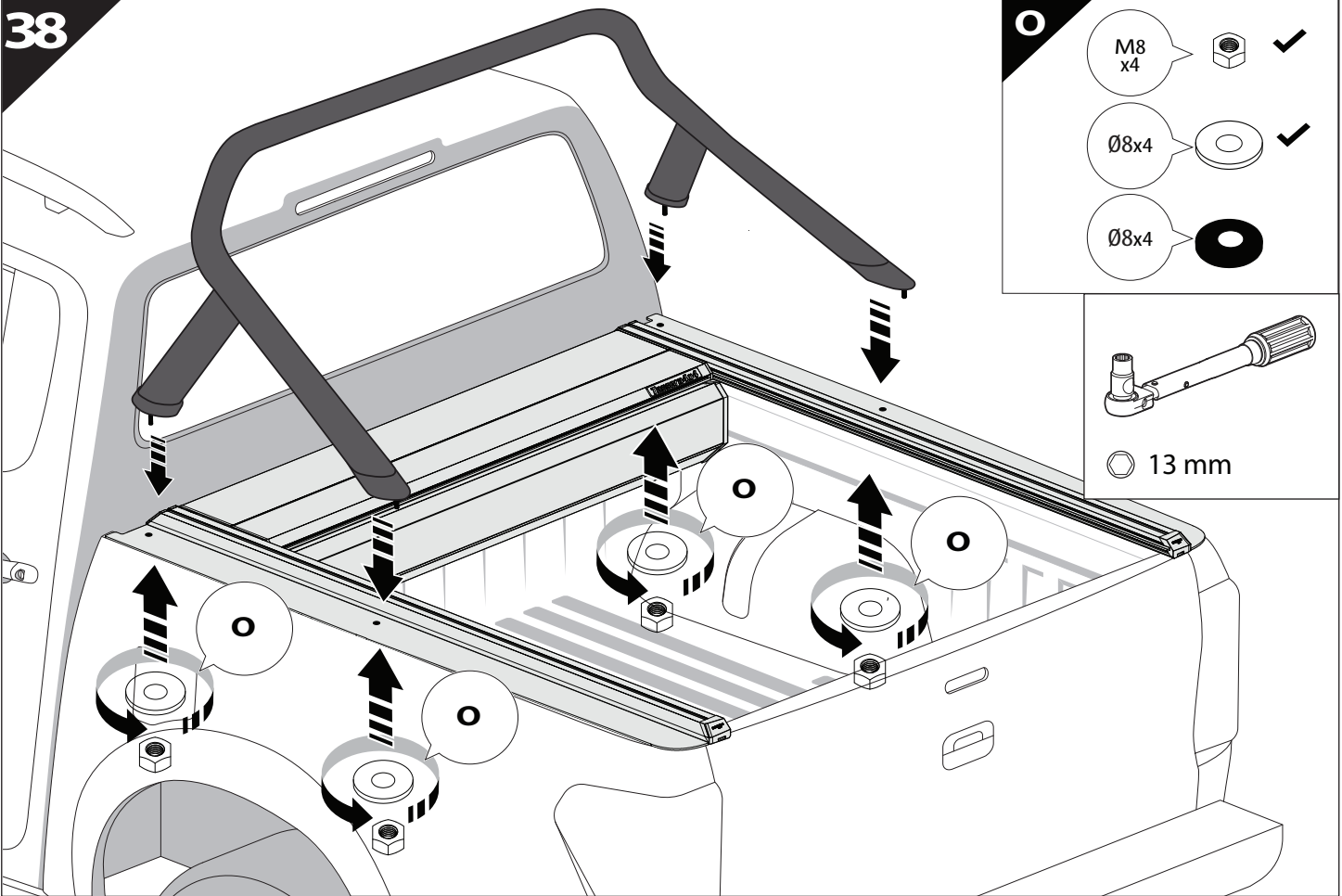


37



CAUTION !

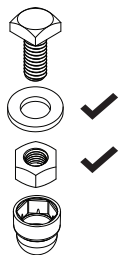
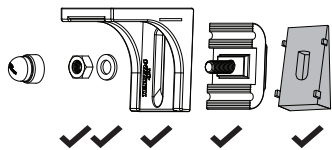




39

N

E



x2

3 mm

8 mm

CAUTION !

85 mm

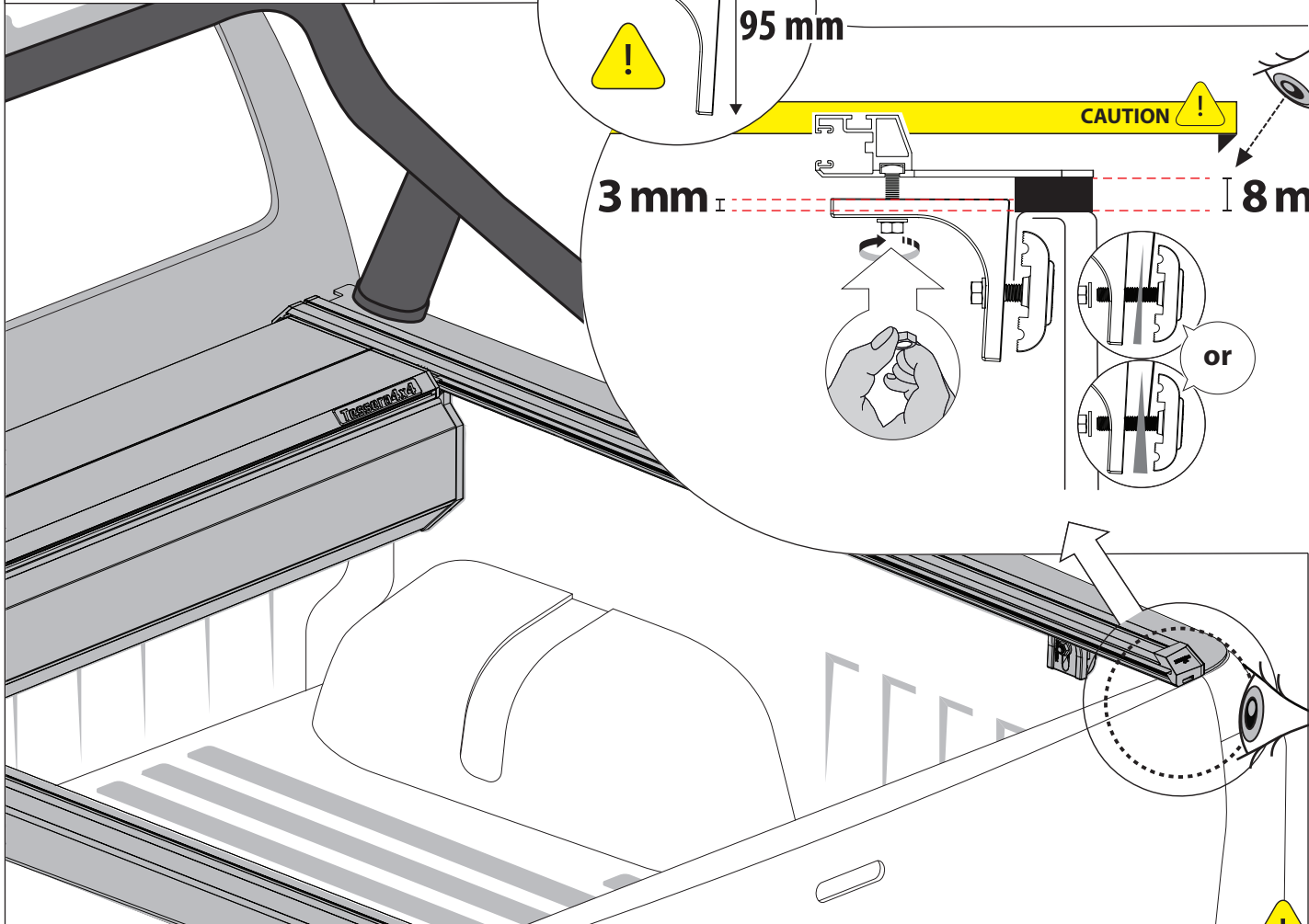
95 mm



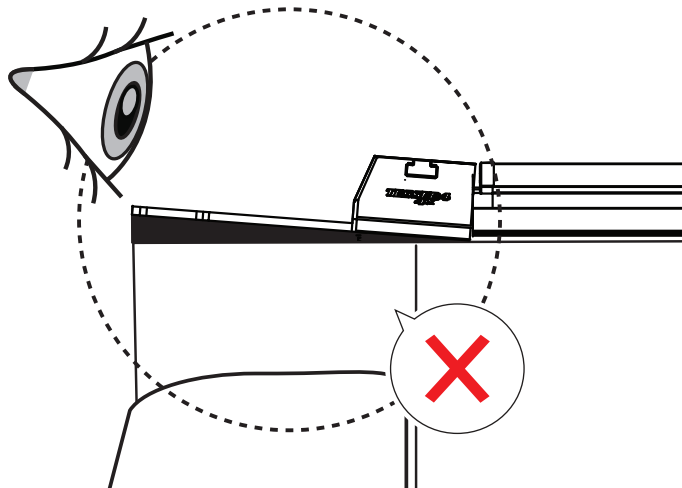
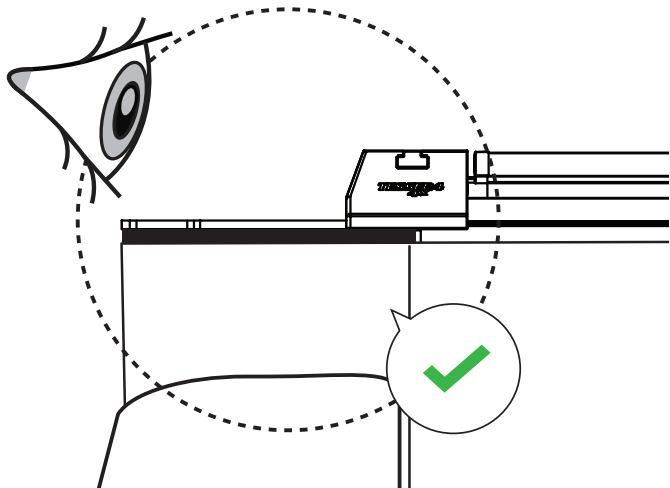
CAUTION !

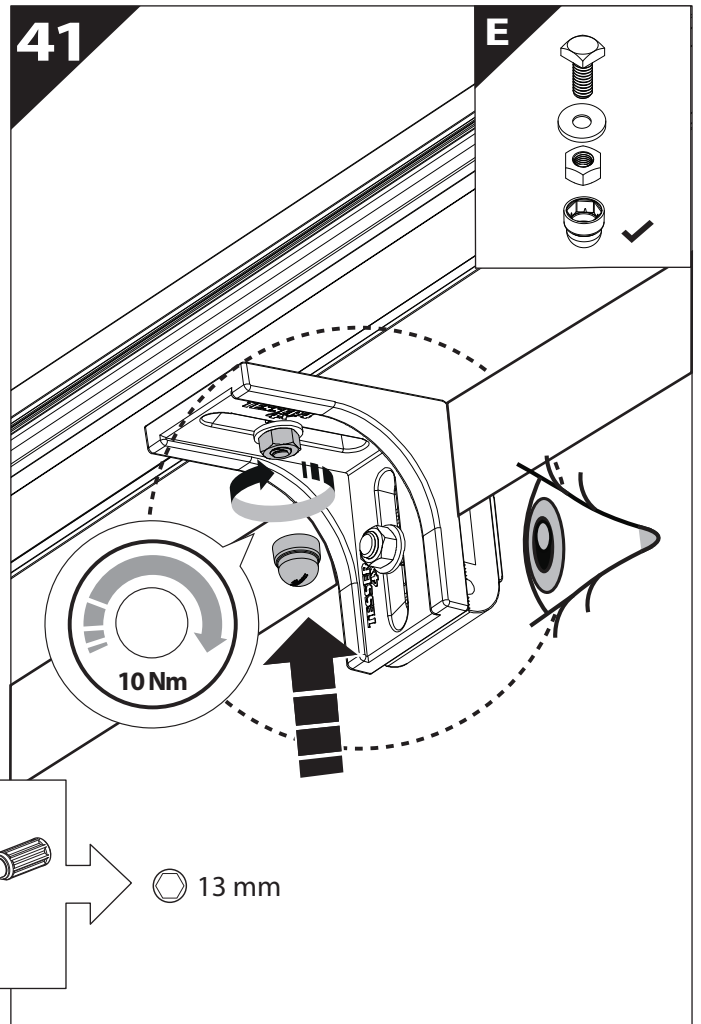
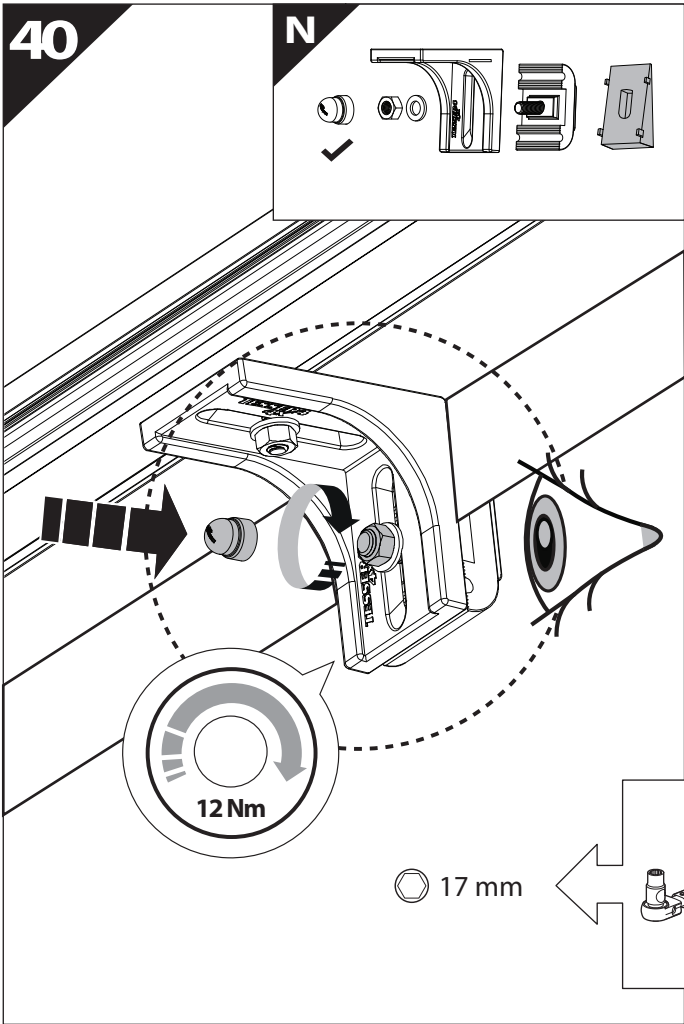
3 mm

8 mm

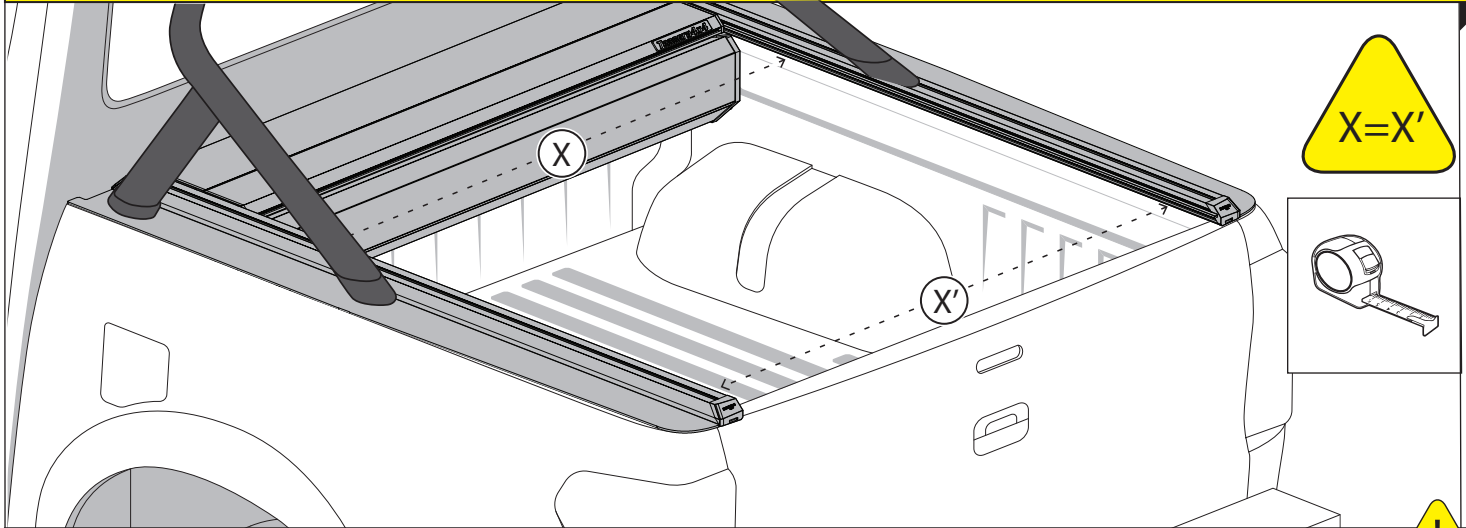


CAUTION !

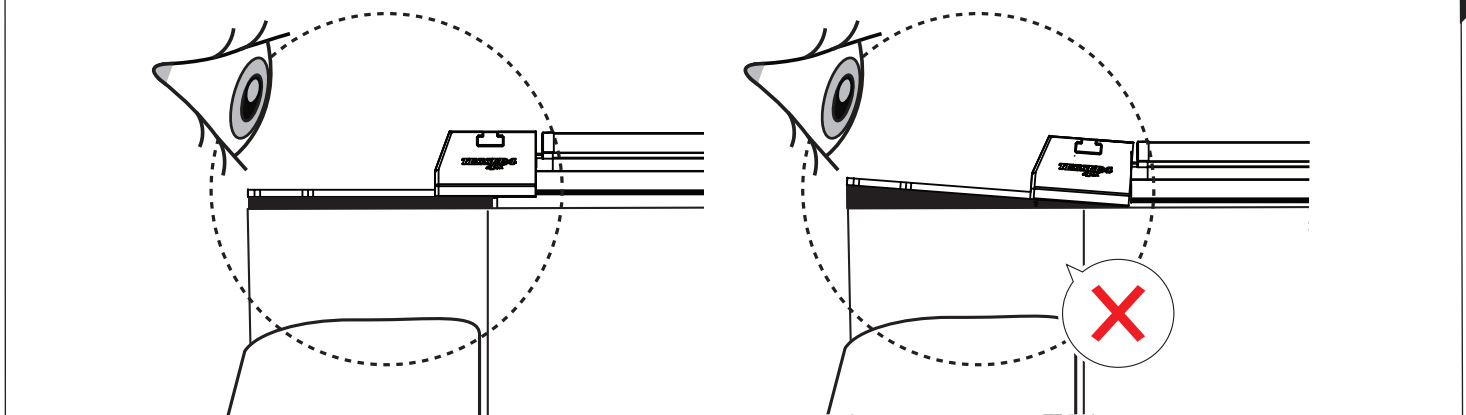


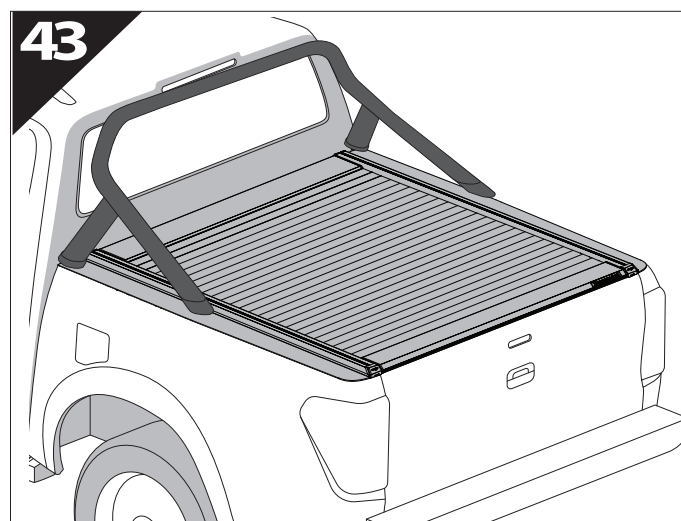
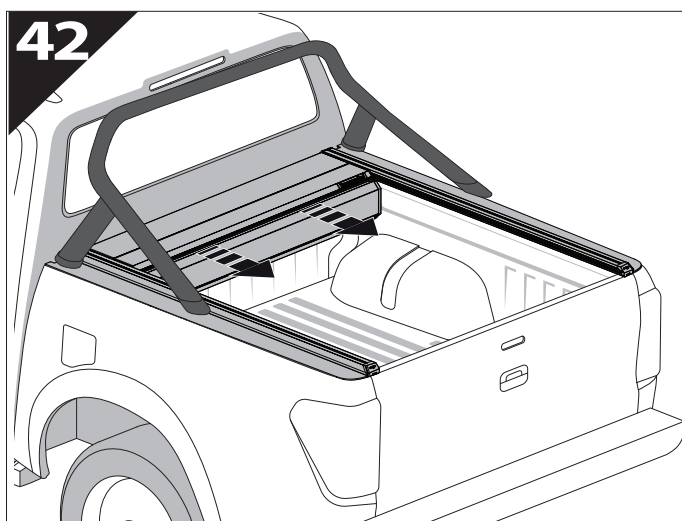


**CAUTION** !



**CAUTION** !





**GR:** Οδηγίες Εγκατάστασης  
**GB:** Installation manual  
**SF:** Asennusohje  
**F:** Notice de montage  
**PL:** Instrukcja montażu  
**NL:** Installatie-instructies  
**TR:** Montaj Talimatı  
**S:** Monteringsanvisning  
**E:** Instrucciones de montaje

**H:** Szerelési utasítás  
**P:** Instruções de instalação  
**RUS:** Инструкция по установке  
**N:** Monteringsveiledning  
**D:** Einbauanleitung  
**CZ:** Návod k instalaci  
**I:** Istruzioni de montaggio  
**DK:** Monteringsvejledning  
**RO:** Instructiuni de instalare

Customer Service:

+30 (210) 5541161, +30 (210) 5541154 (08:00 - 16:00 EET)

Support department:

info@gianso.gr

Website:

www.tessera4x4.com

Address:

19.5 km of National road Athens-Korinthos (Elefsina) Greece, P.C: 19200