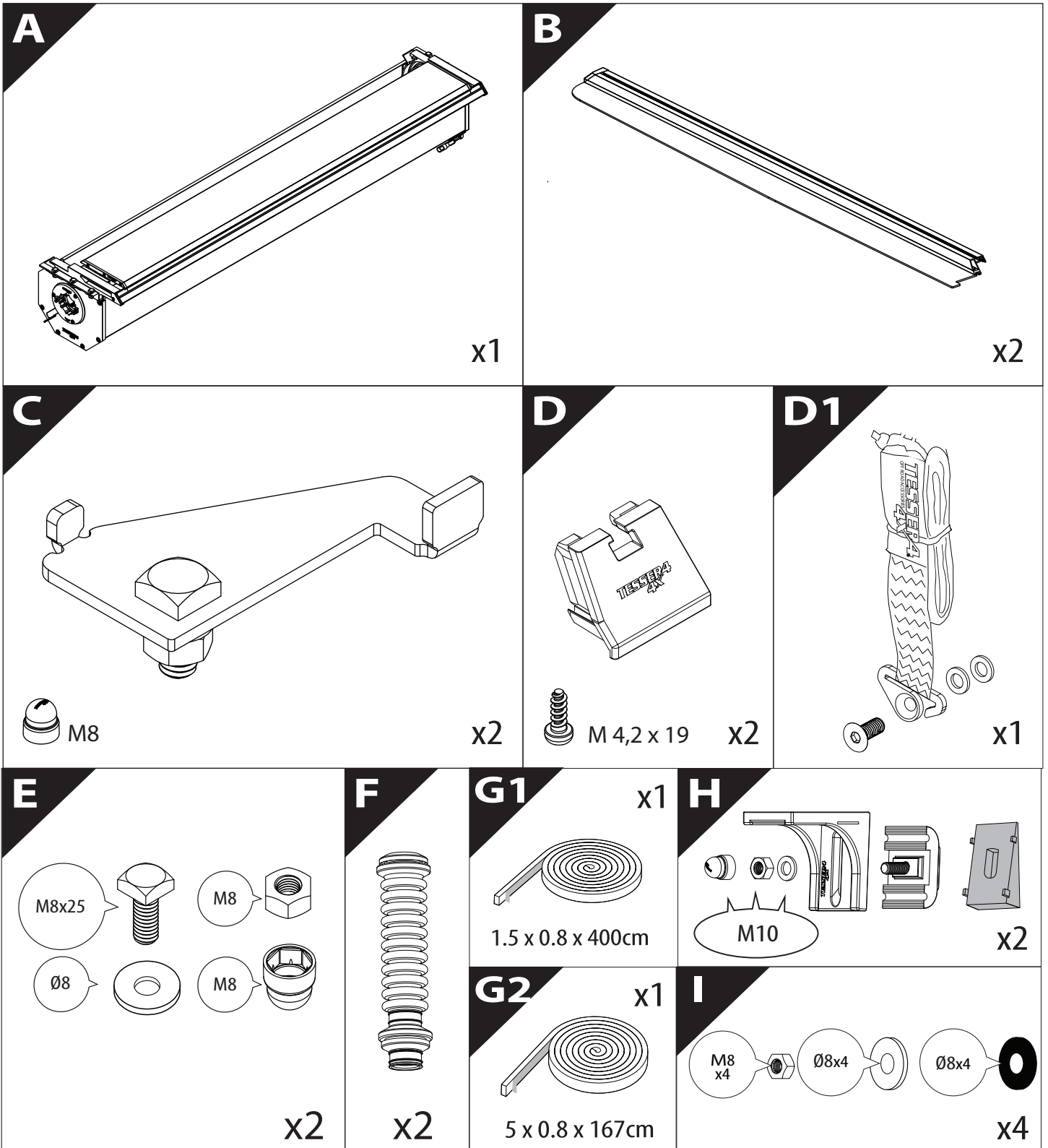
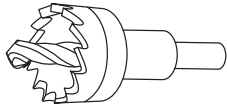


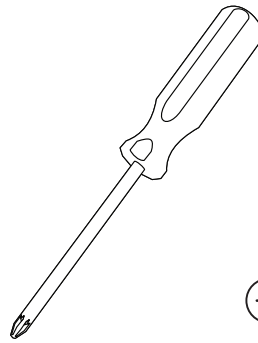
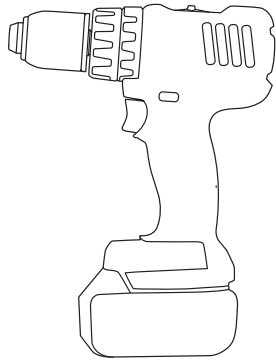
## Installation Manual

<b>PART NUMBER(S)</b>	<b>Model Year</b>
<b>TESS 15401 SE</b>	<b>FOTON TUNLAND G7 2019+ OEM RB</b>
<b>Cab(s)</b>	<b>Installation Time / Weight</b>
<b>Double Cab</b>	<b>40-60 minutes / 53-57 kg</b>

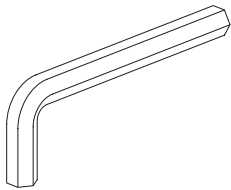
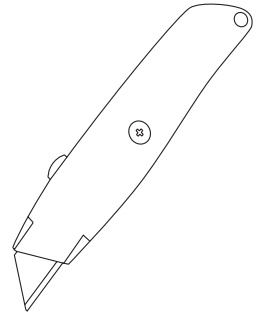




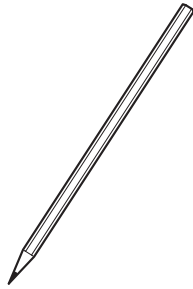
Ø 25 mm



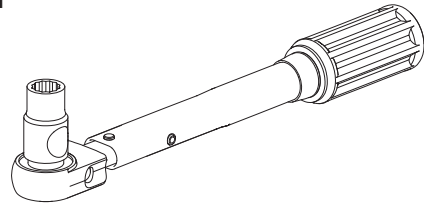
+



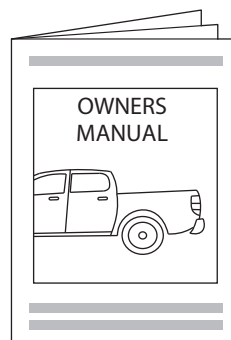
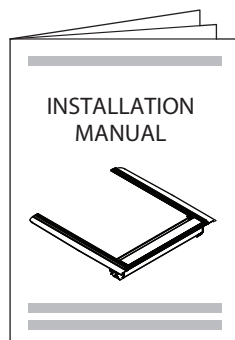
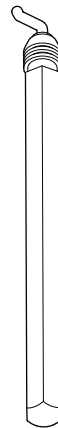
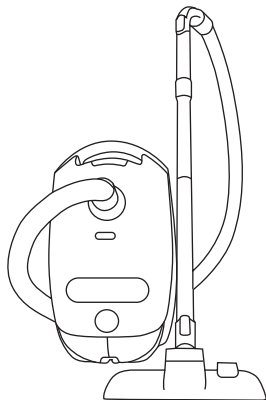
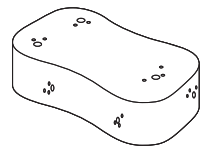
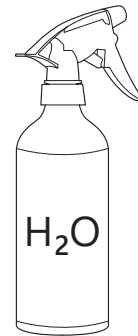
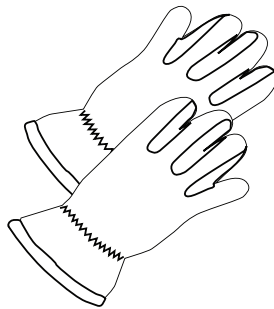
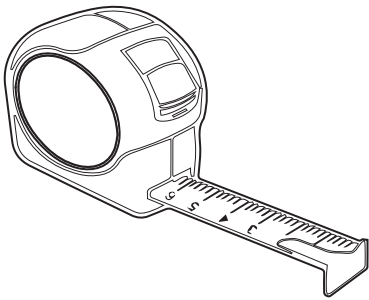
4 mm



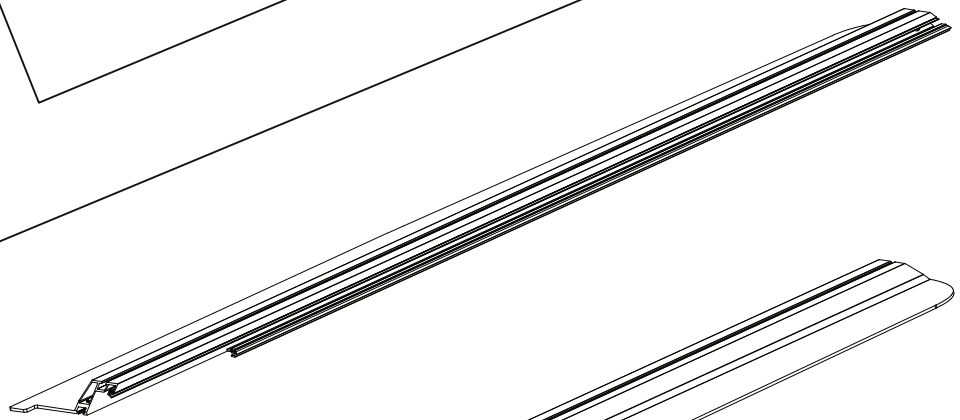
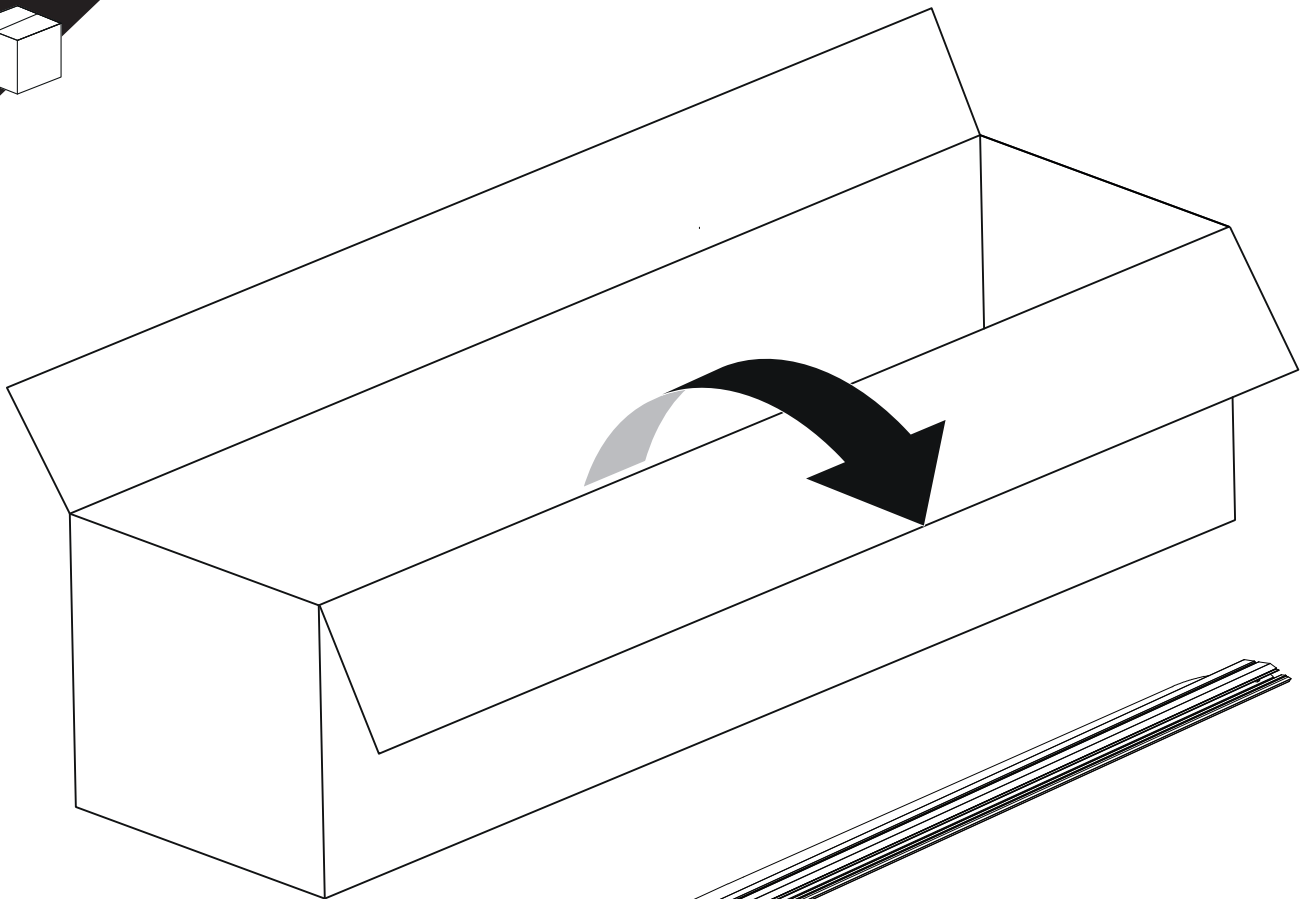
1 - 25 Nm



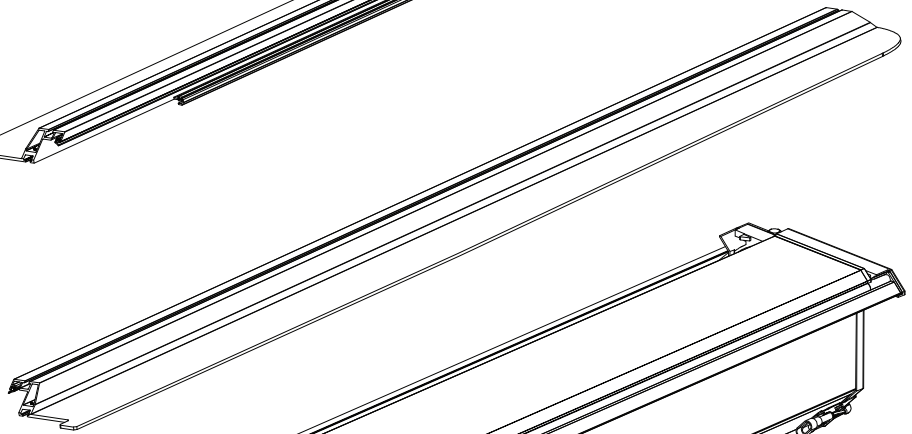
8, 13, 17 mm



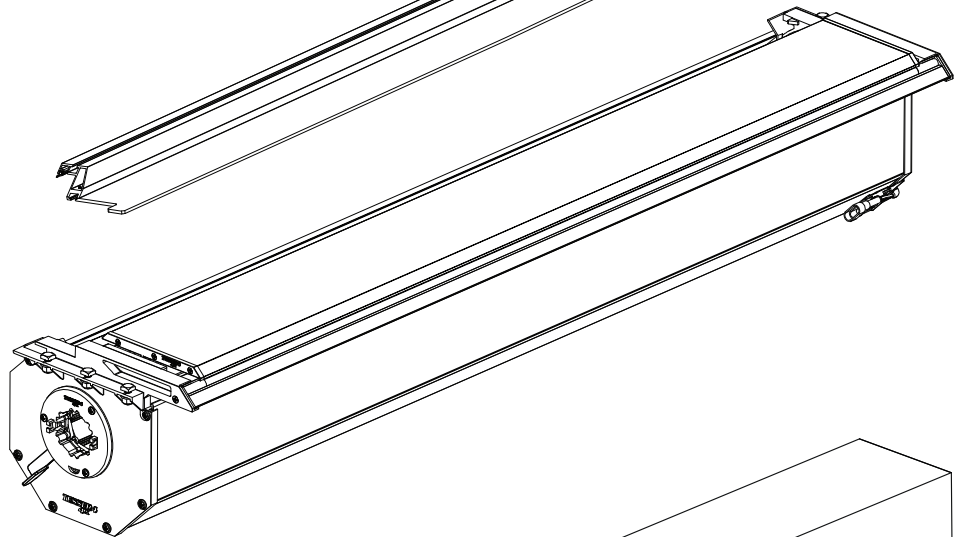
x1



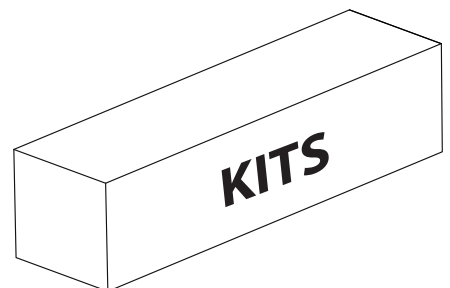
**B**



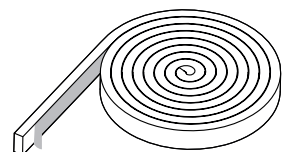
**A**

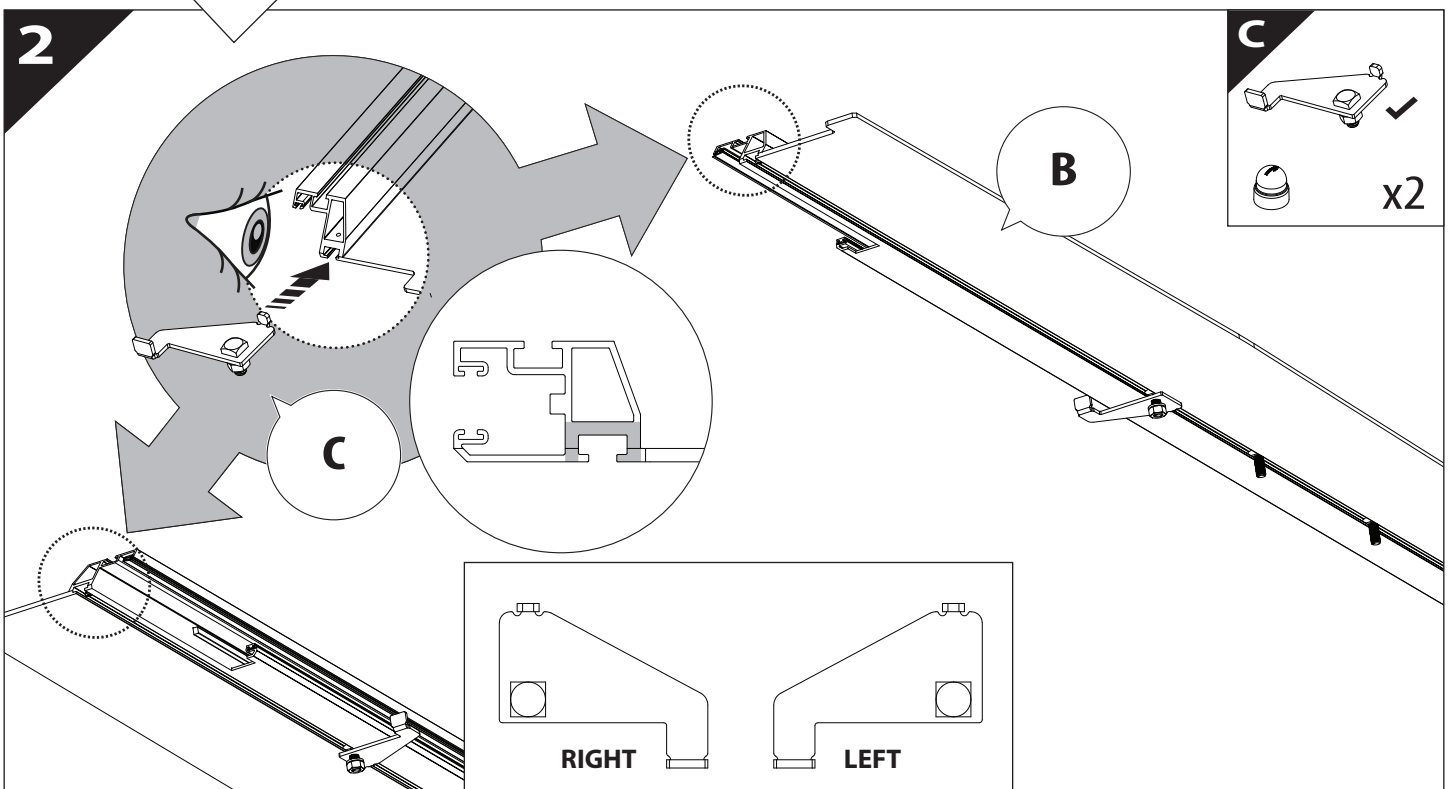
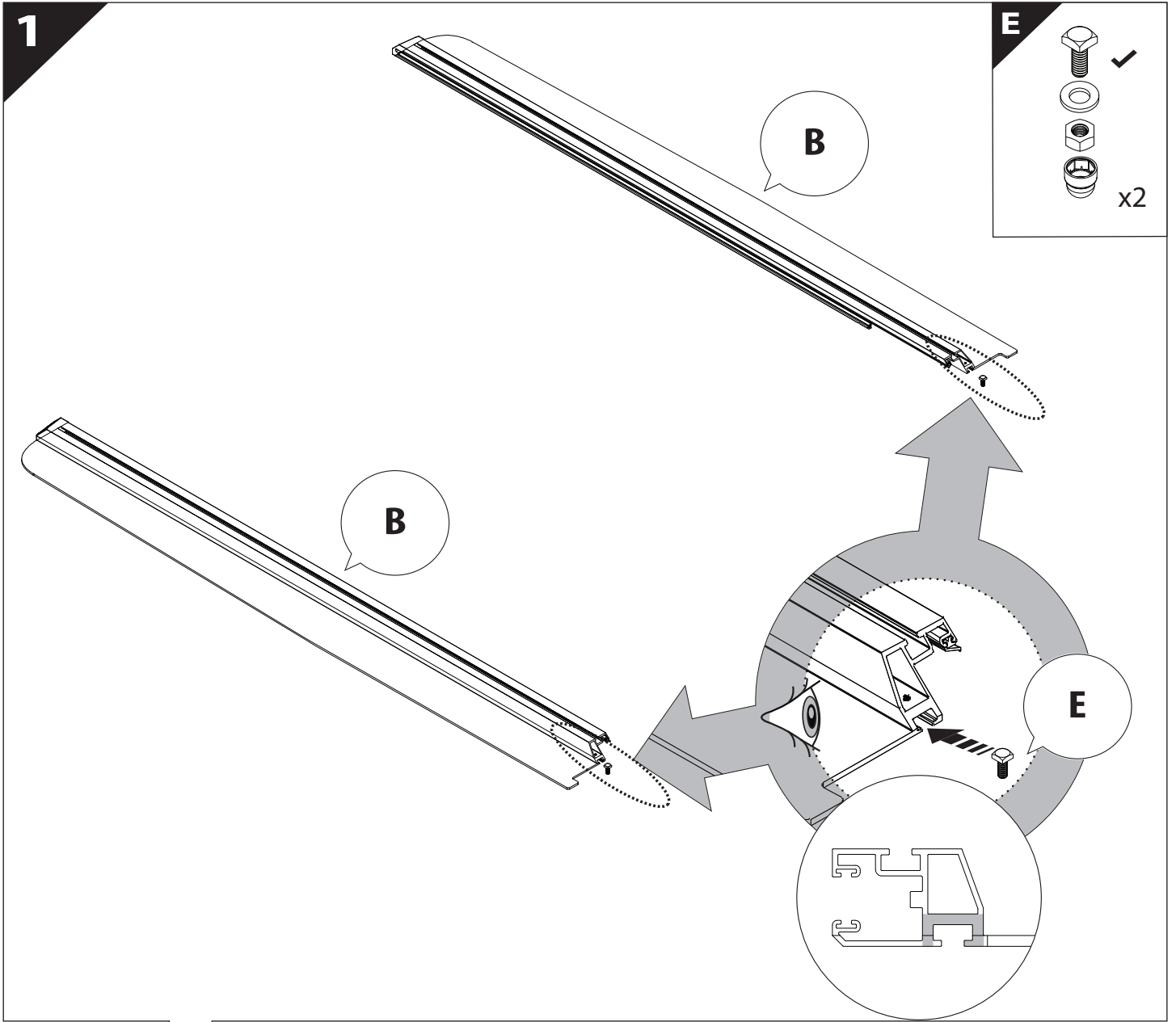


**KITS**

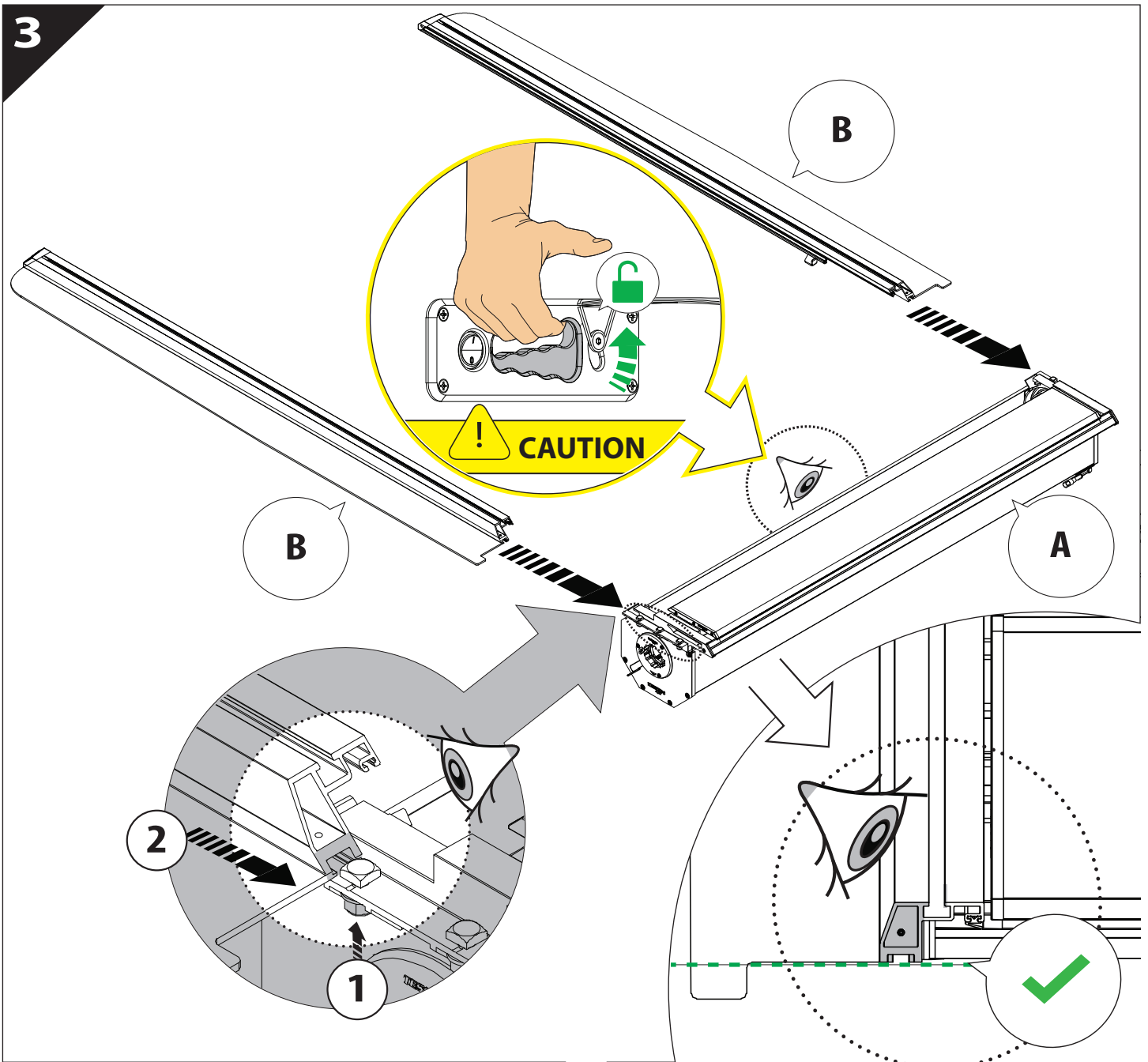


**G**

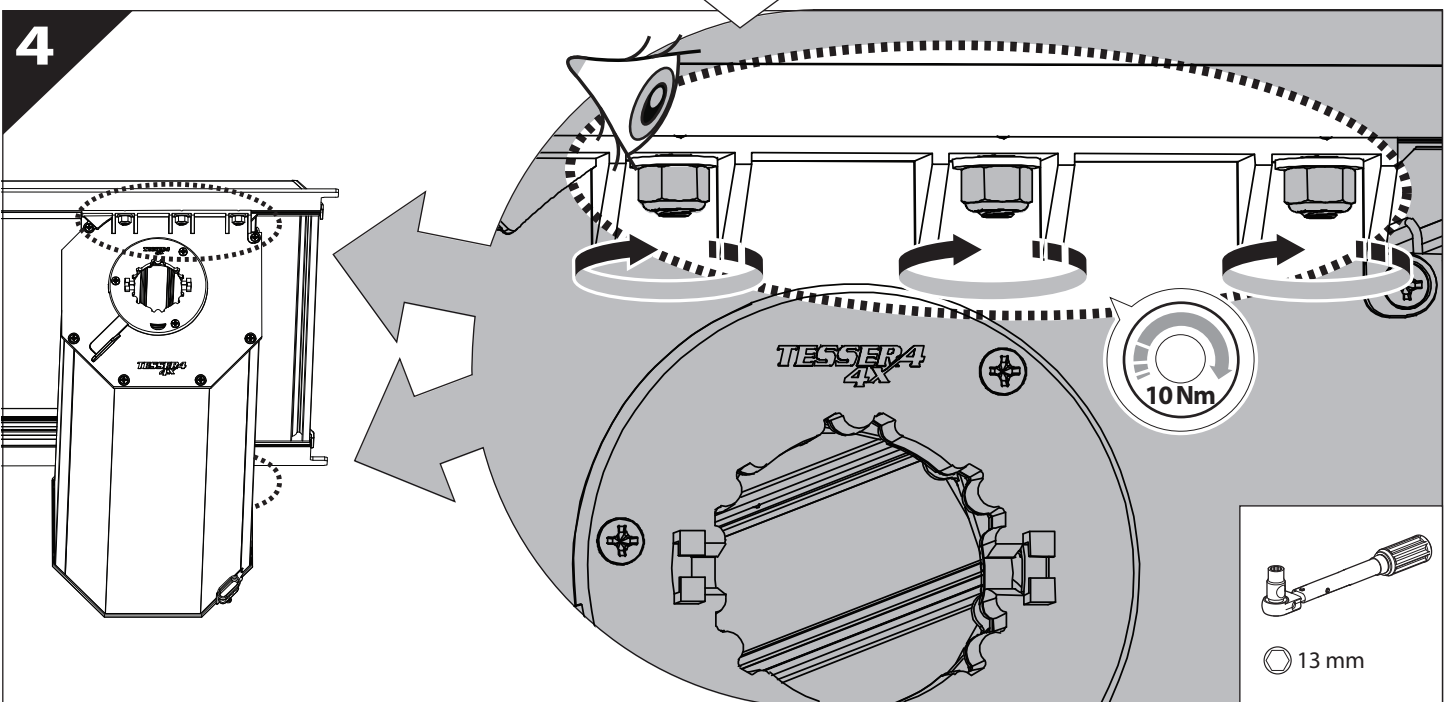


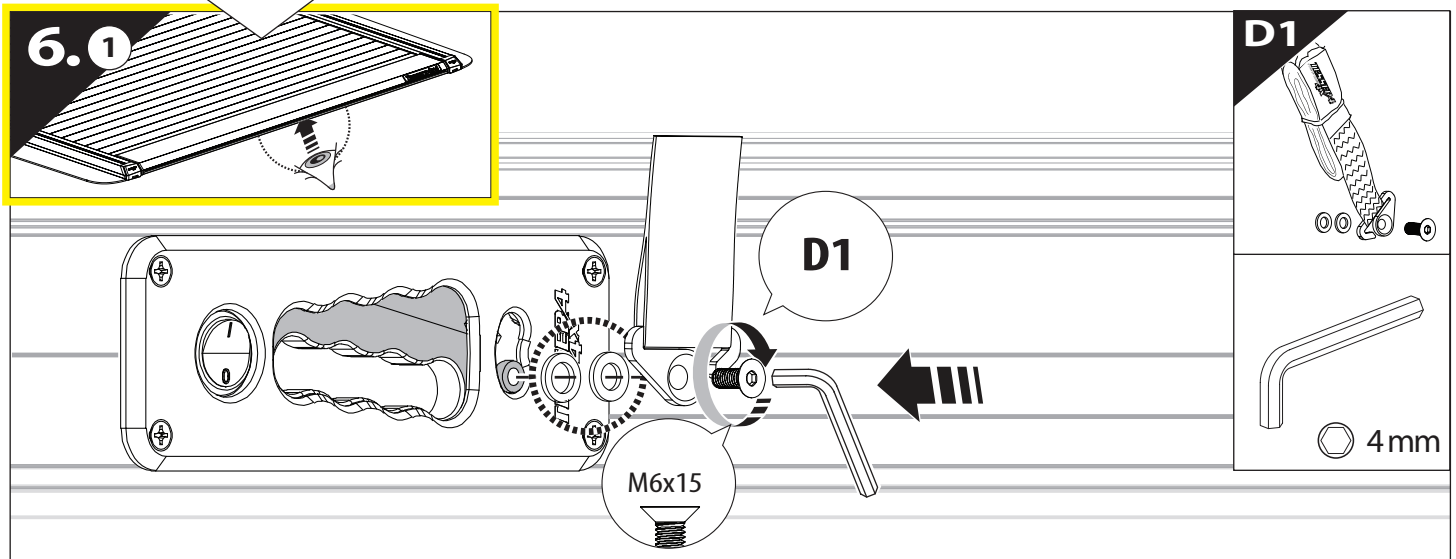
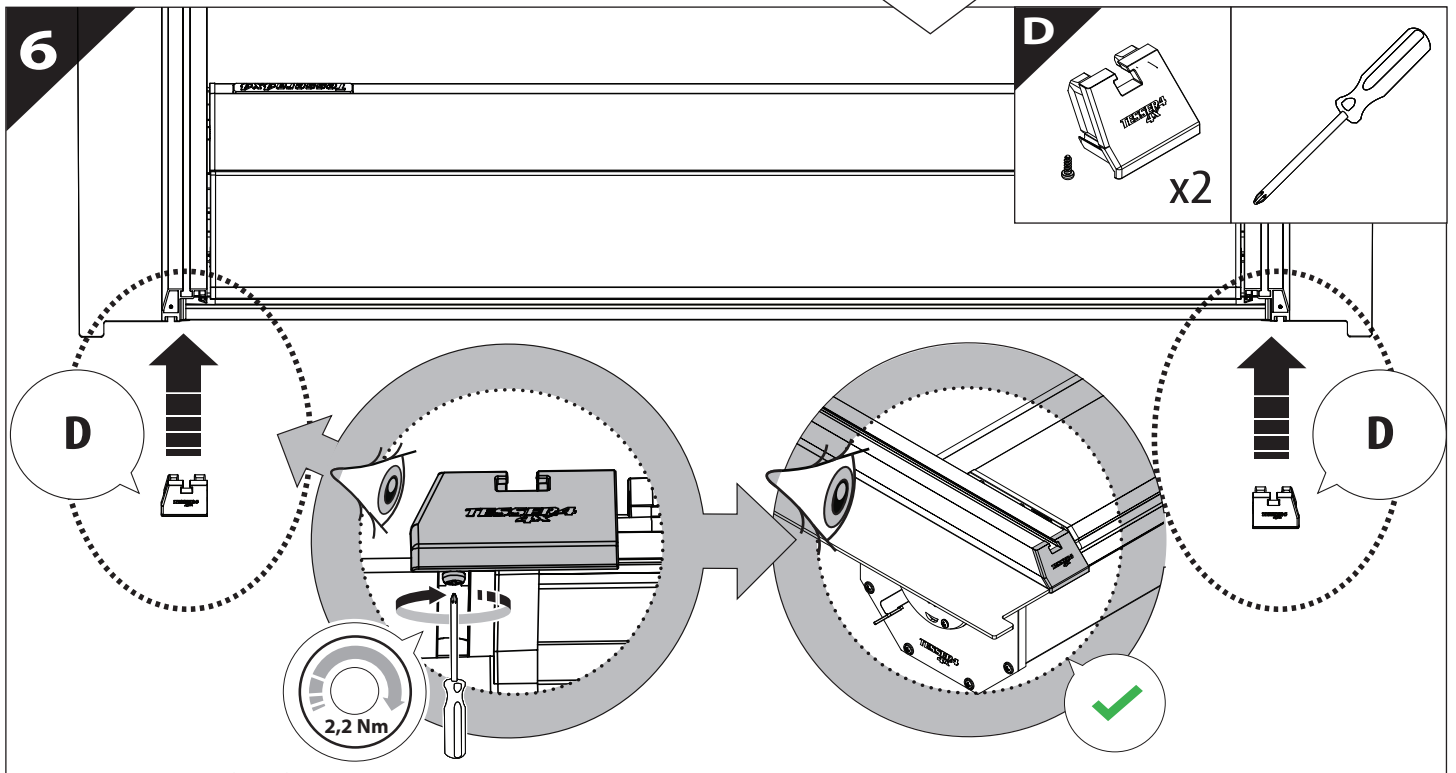
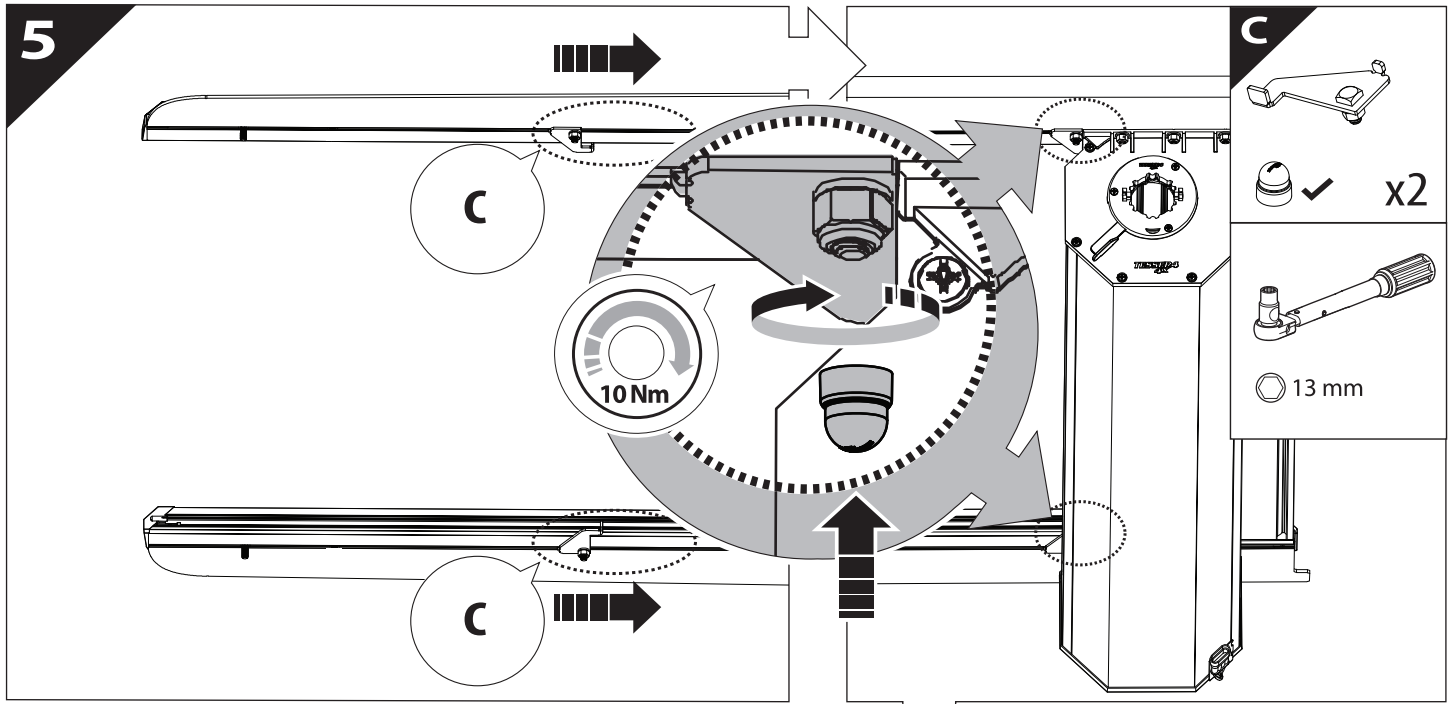


3

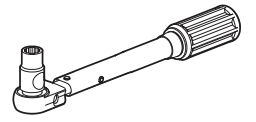


4

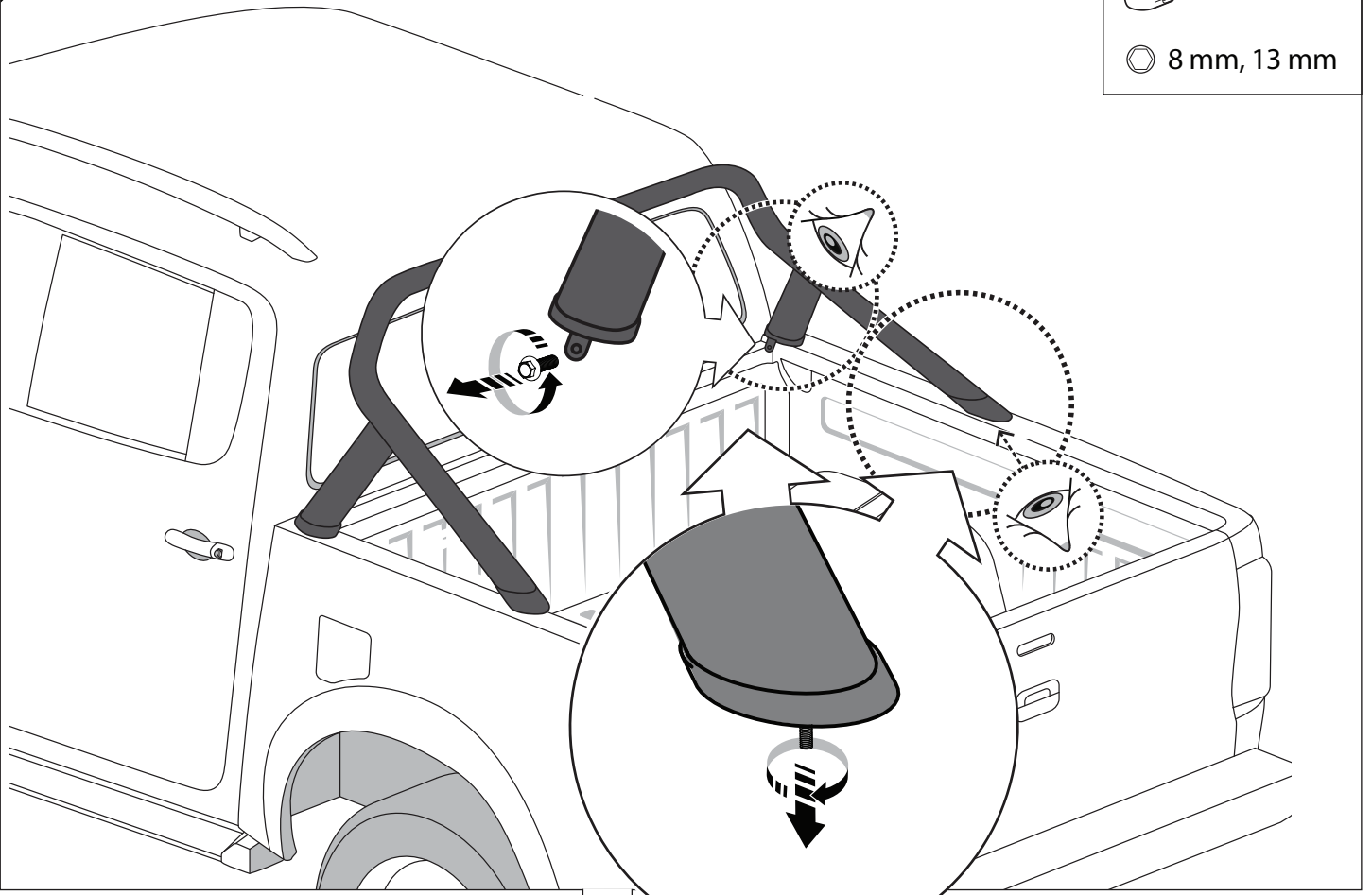




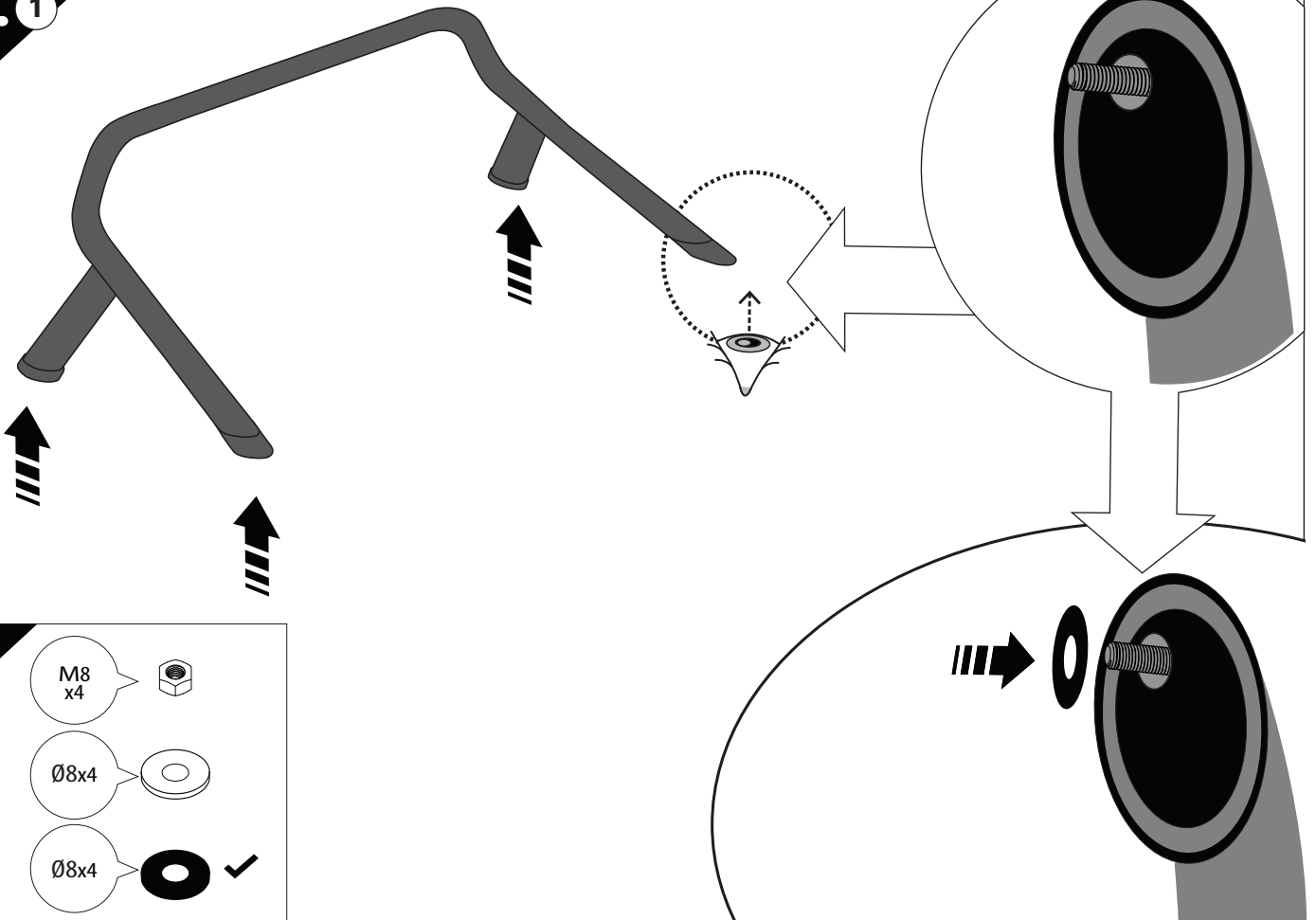
7



8 mm, 13 mm



7.1



M8 x4



Ø8x4

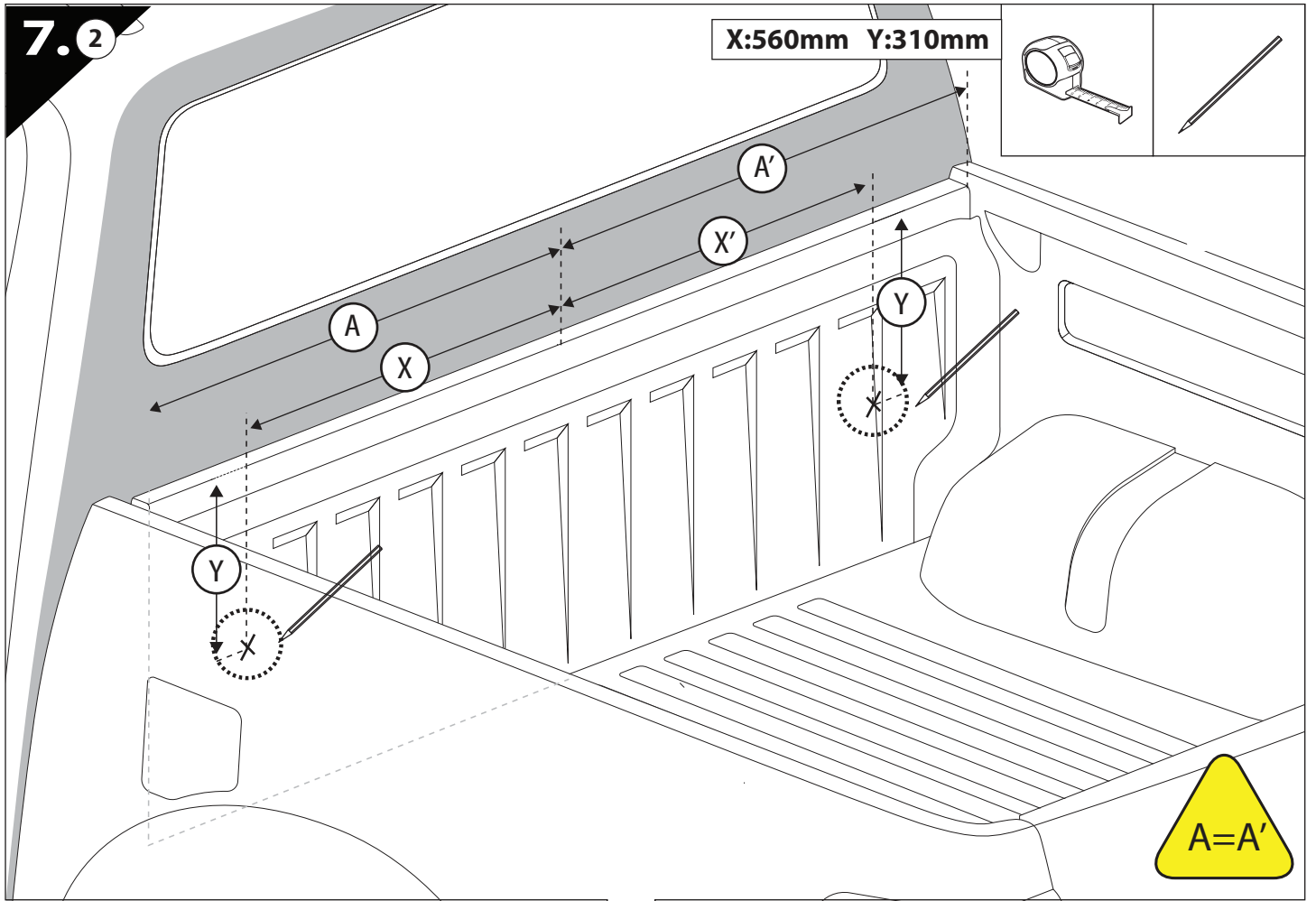
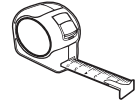


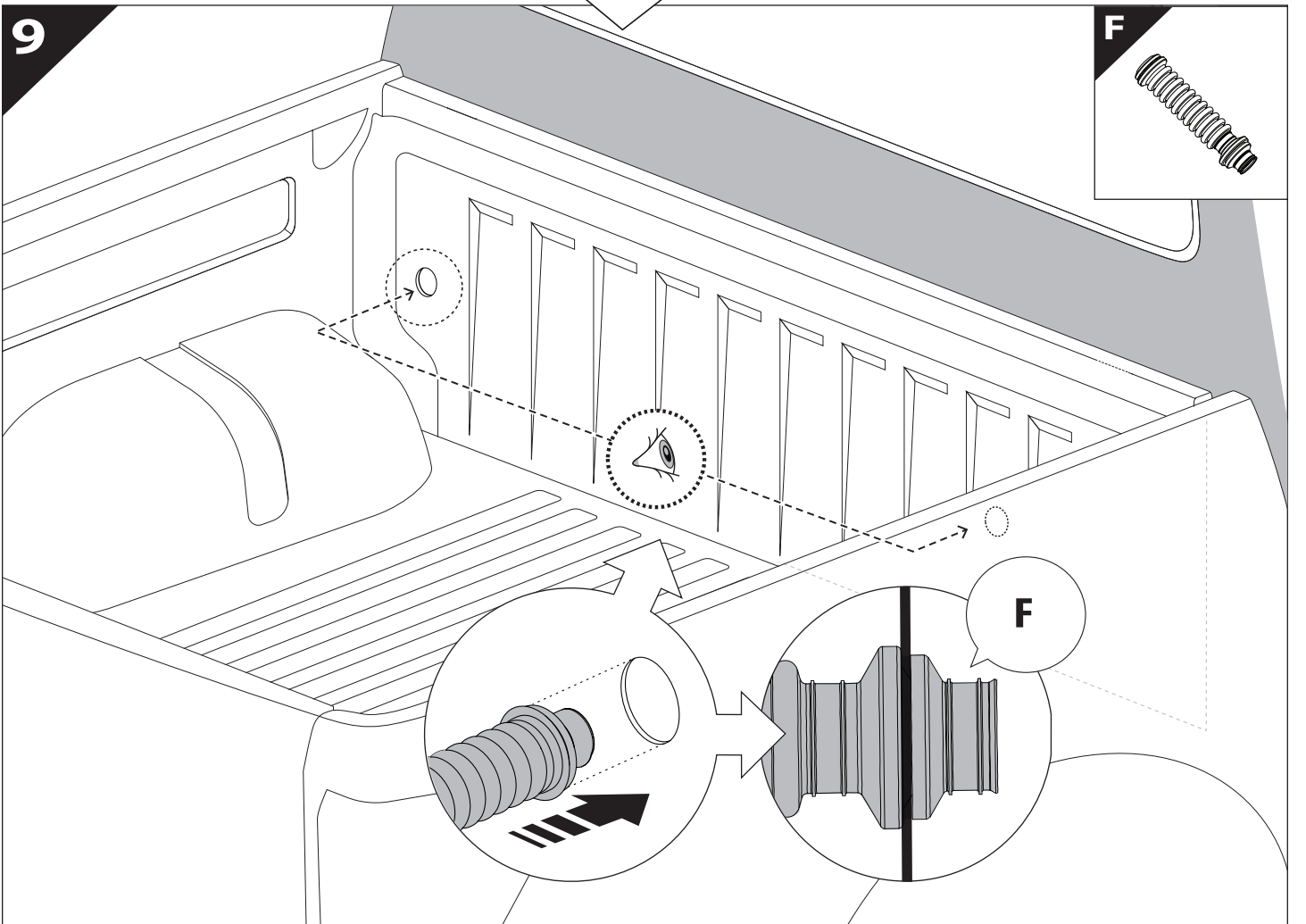
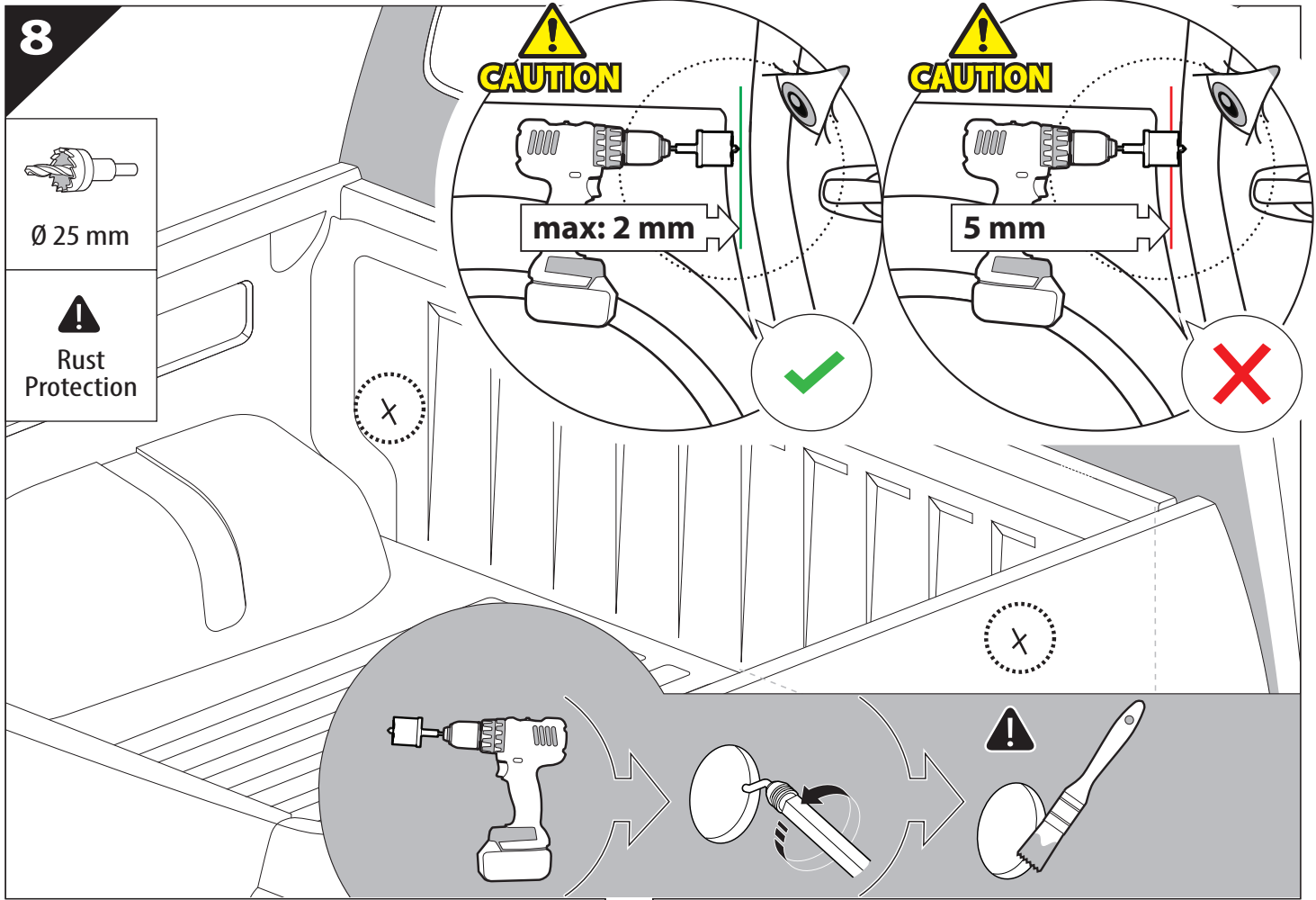
Ø8x4



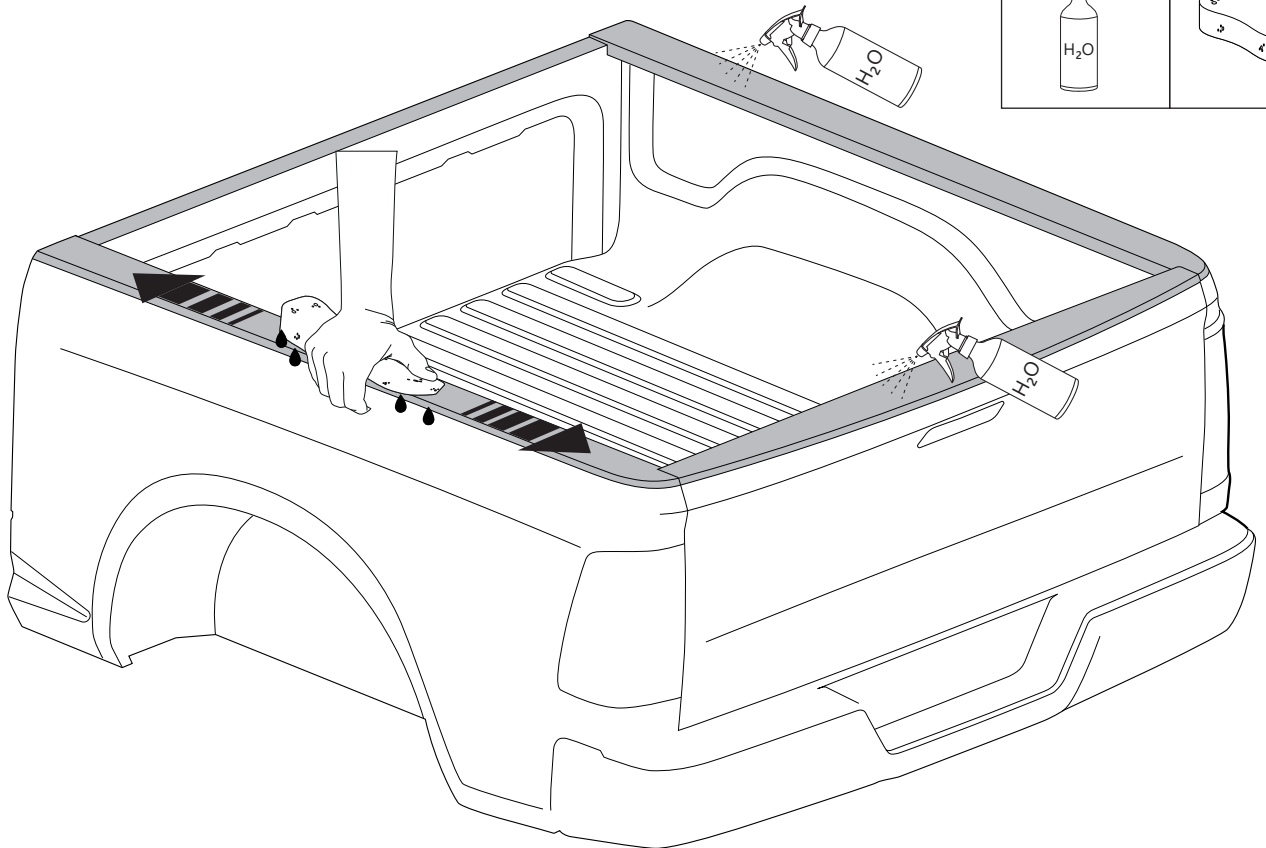
7.2

X:560mm Y:310mm

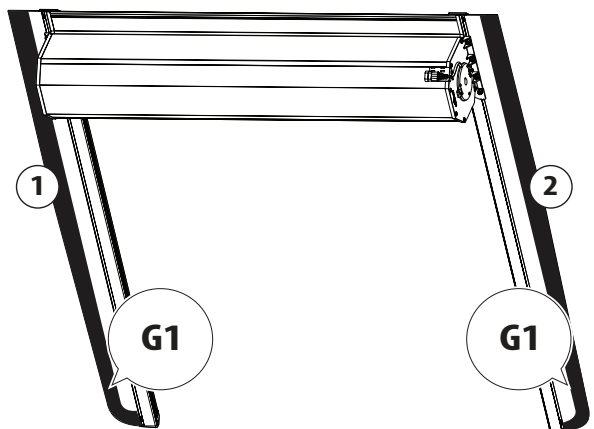
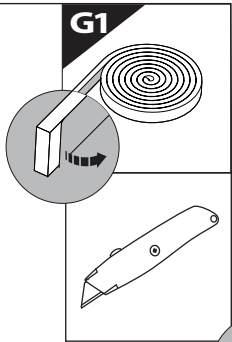
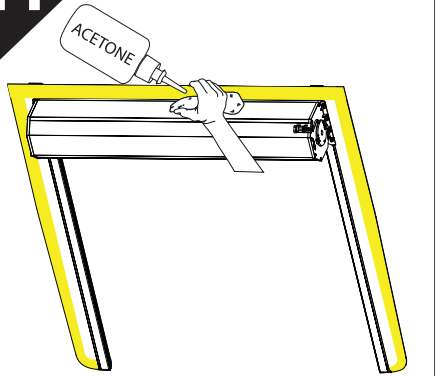




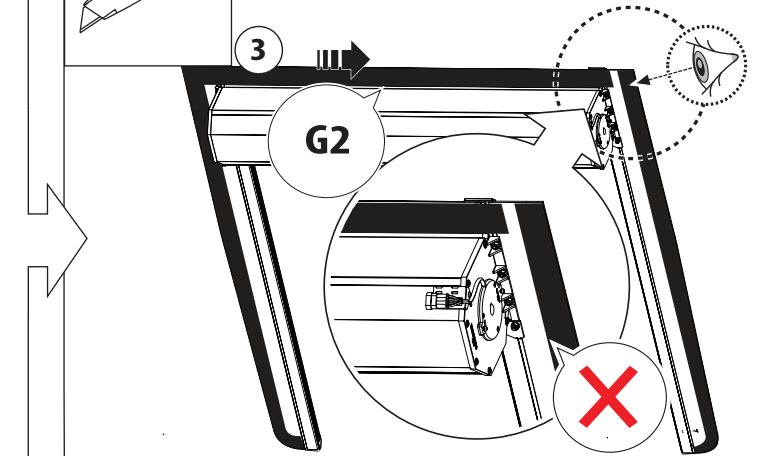
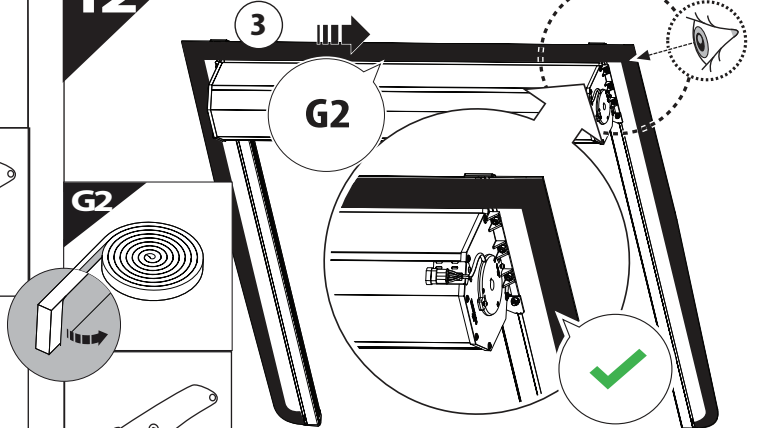
10

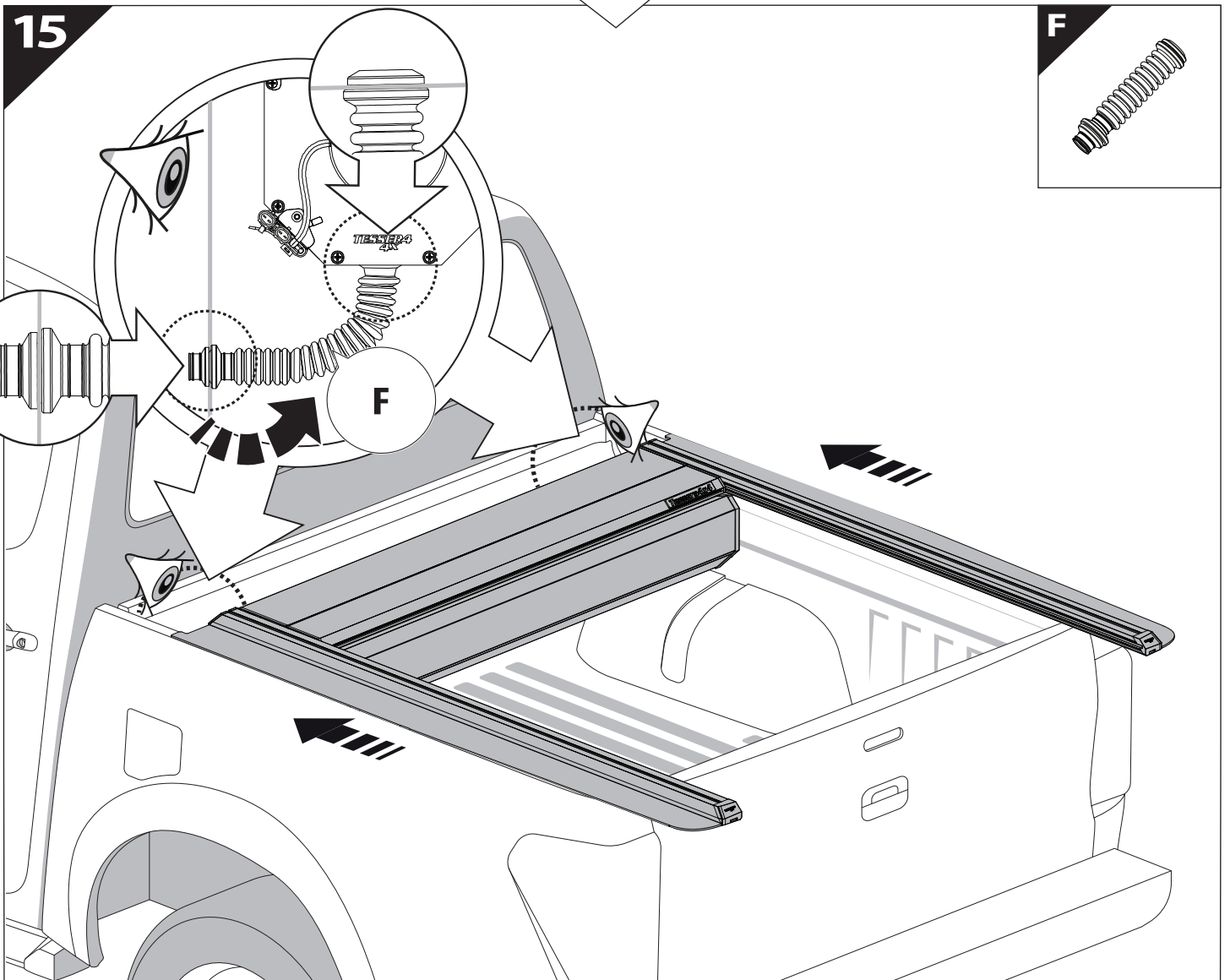
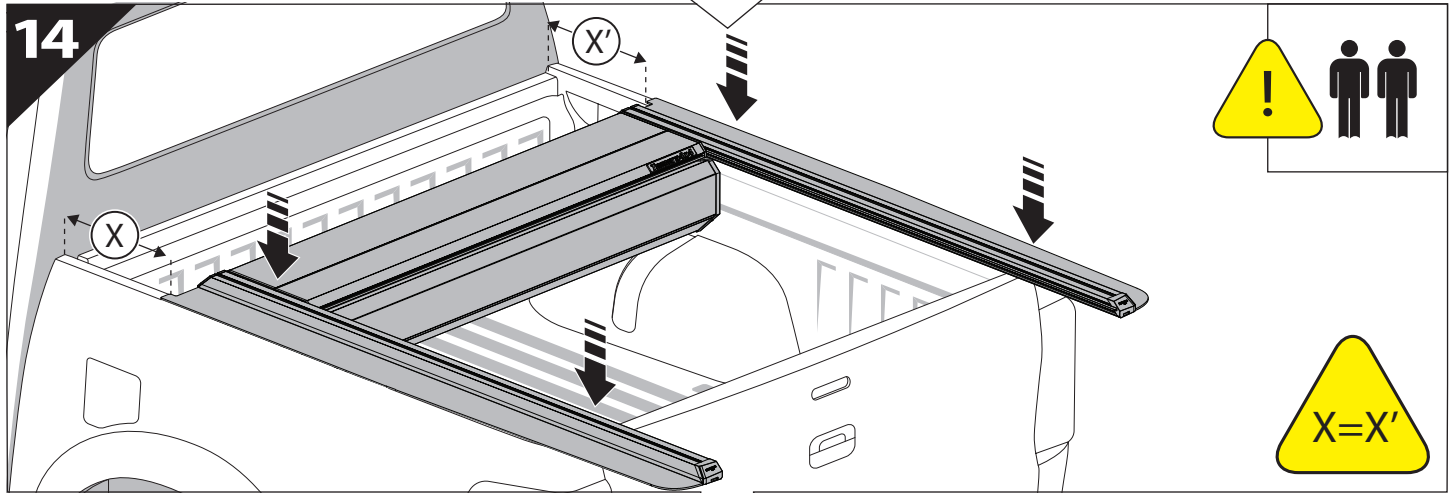
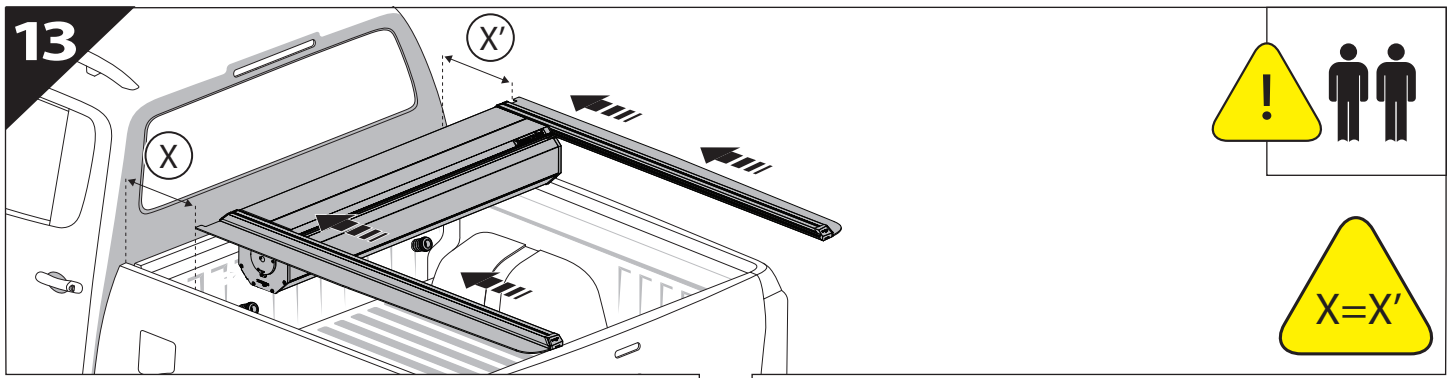


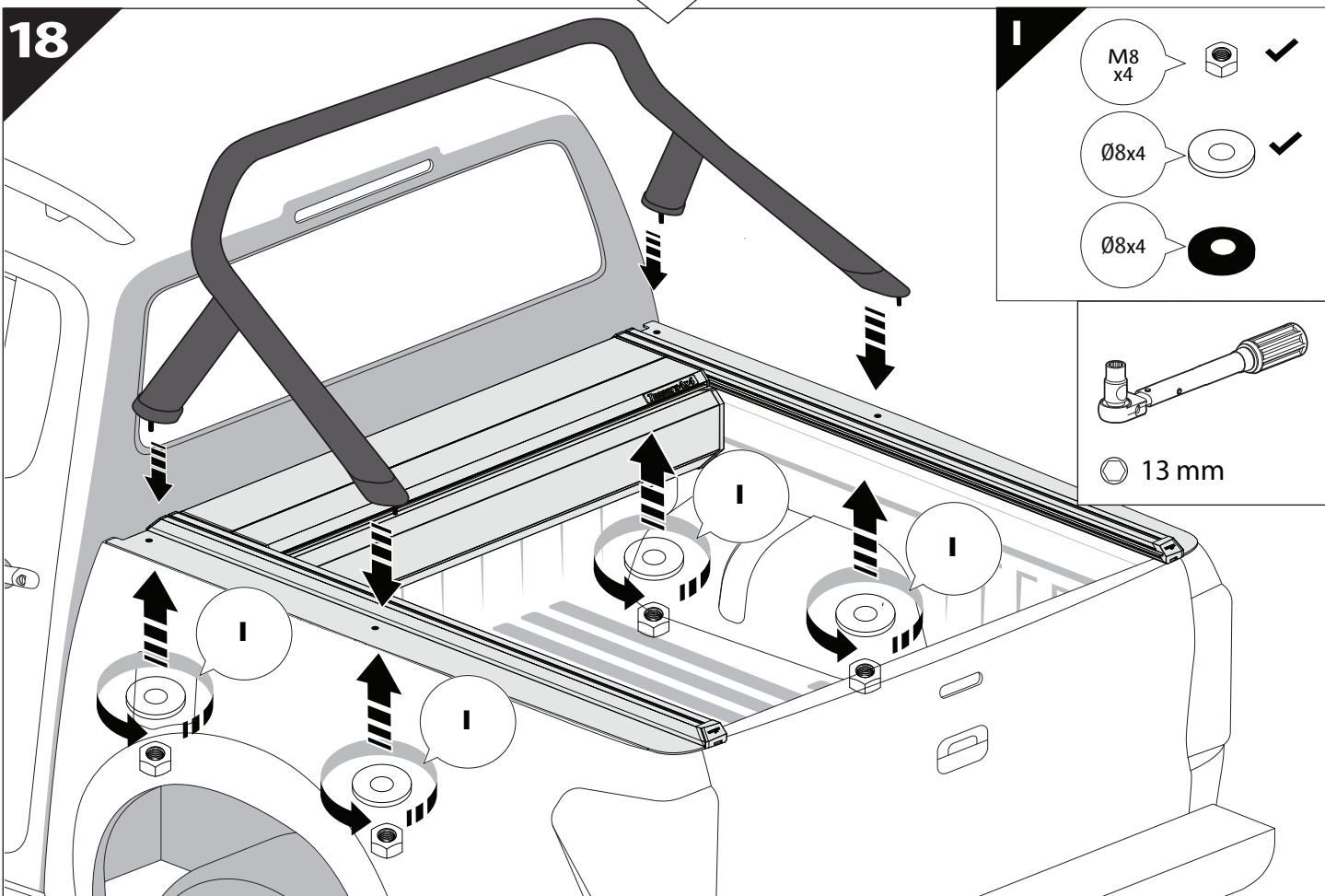
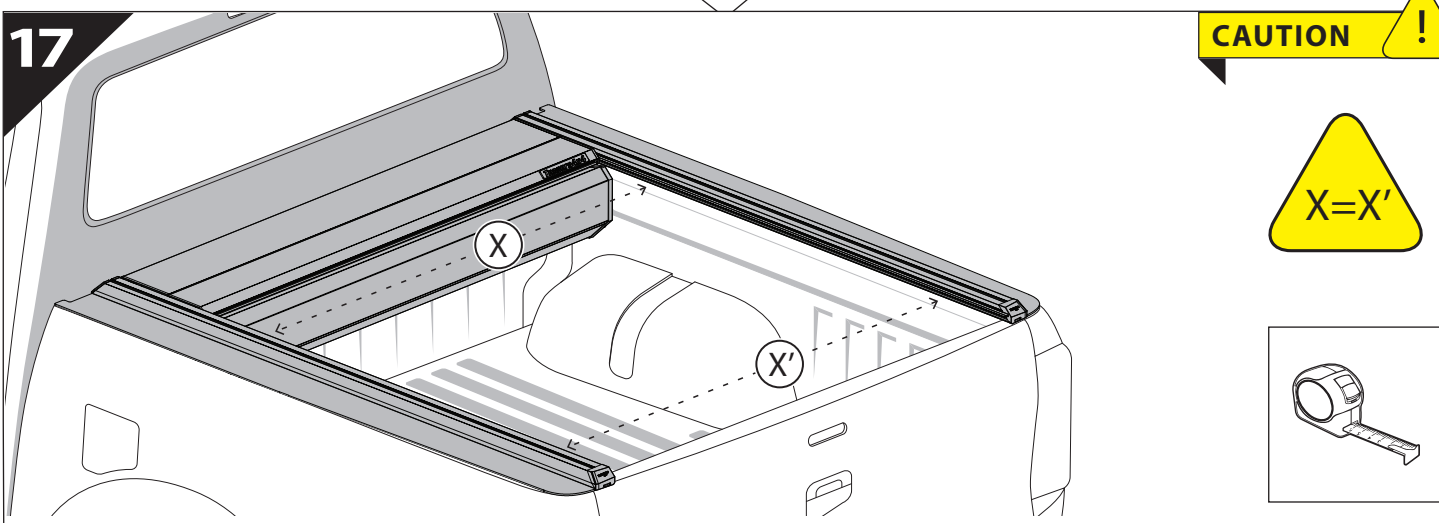
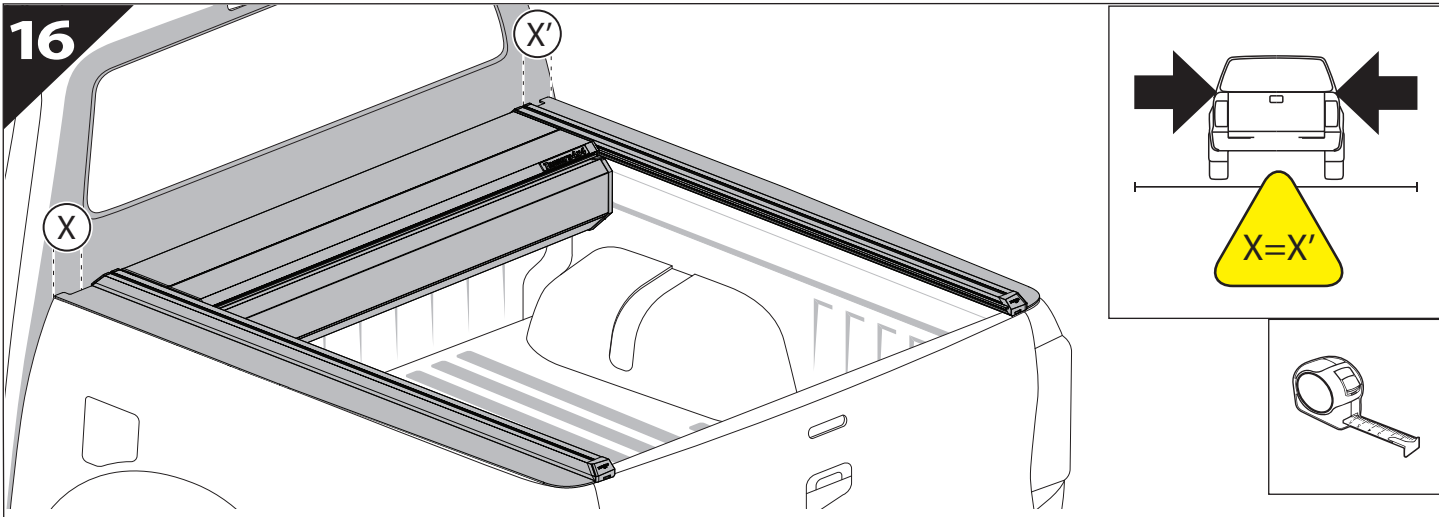
11



12

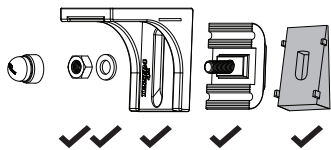




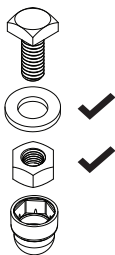


19

H



E



x2

3 mm

8 mm

CAUTION !

85 mm

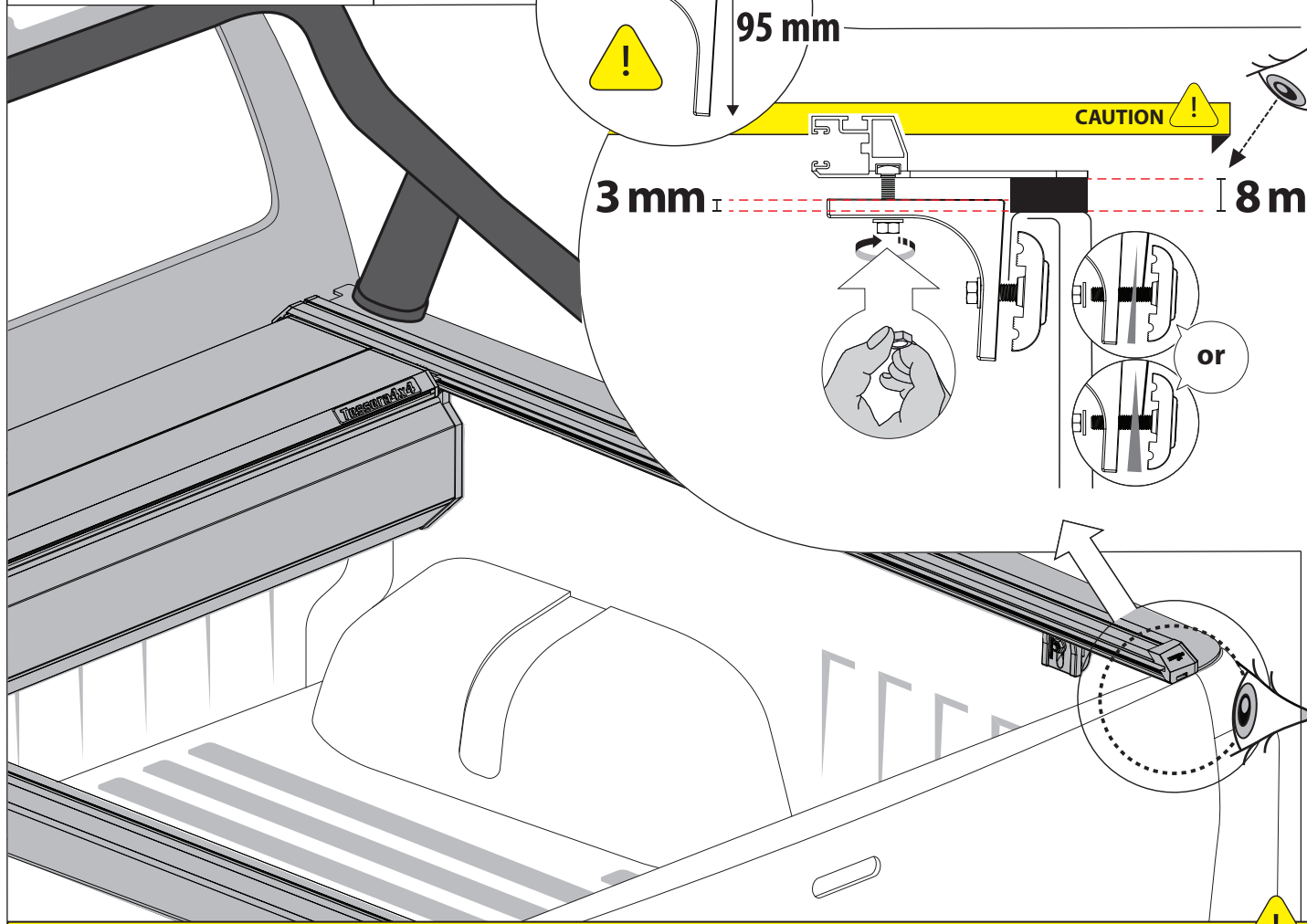
95 mm



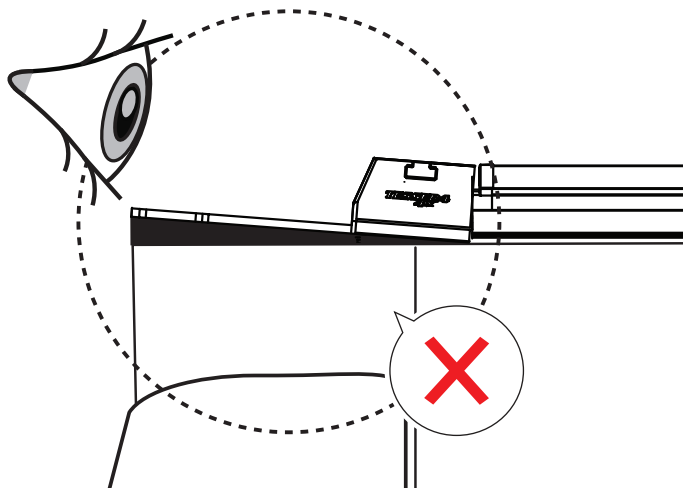
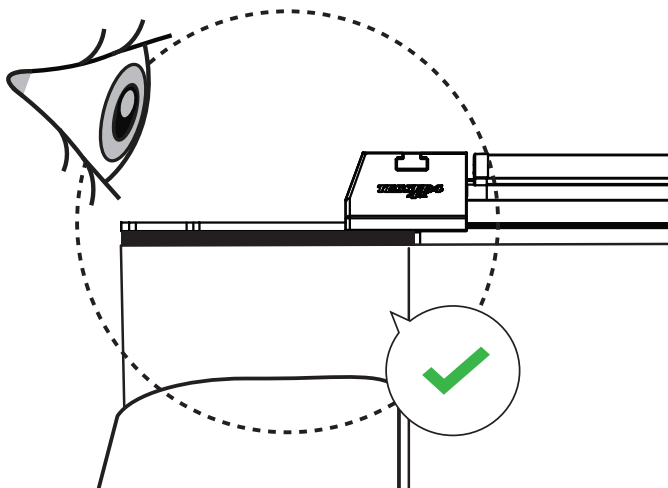
CAUTION !

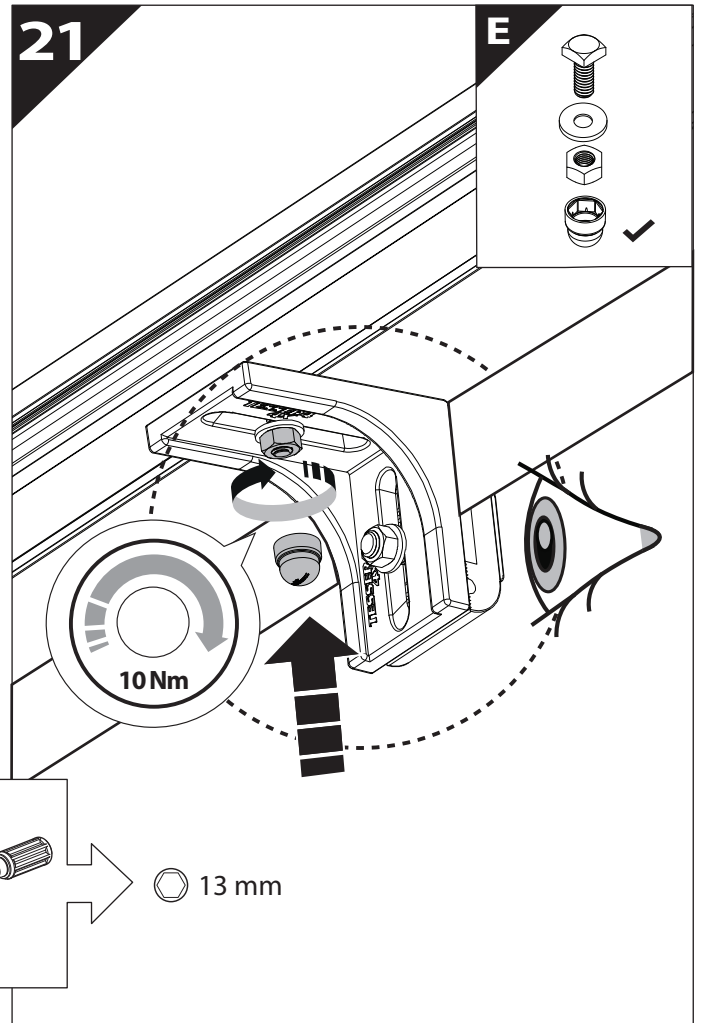
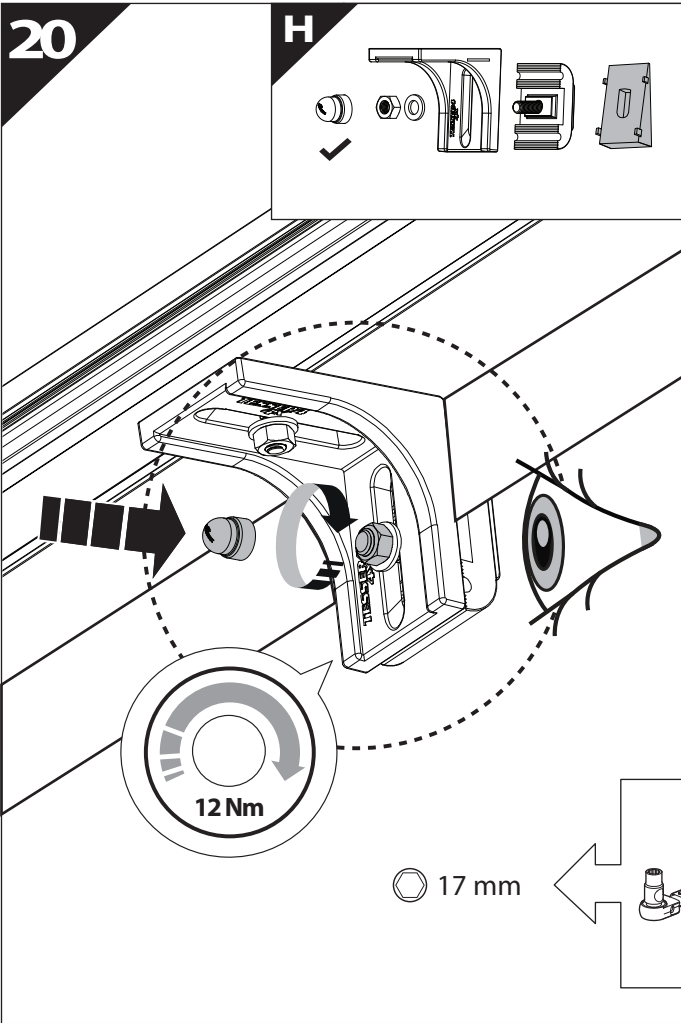
3 mm

8 mm

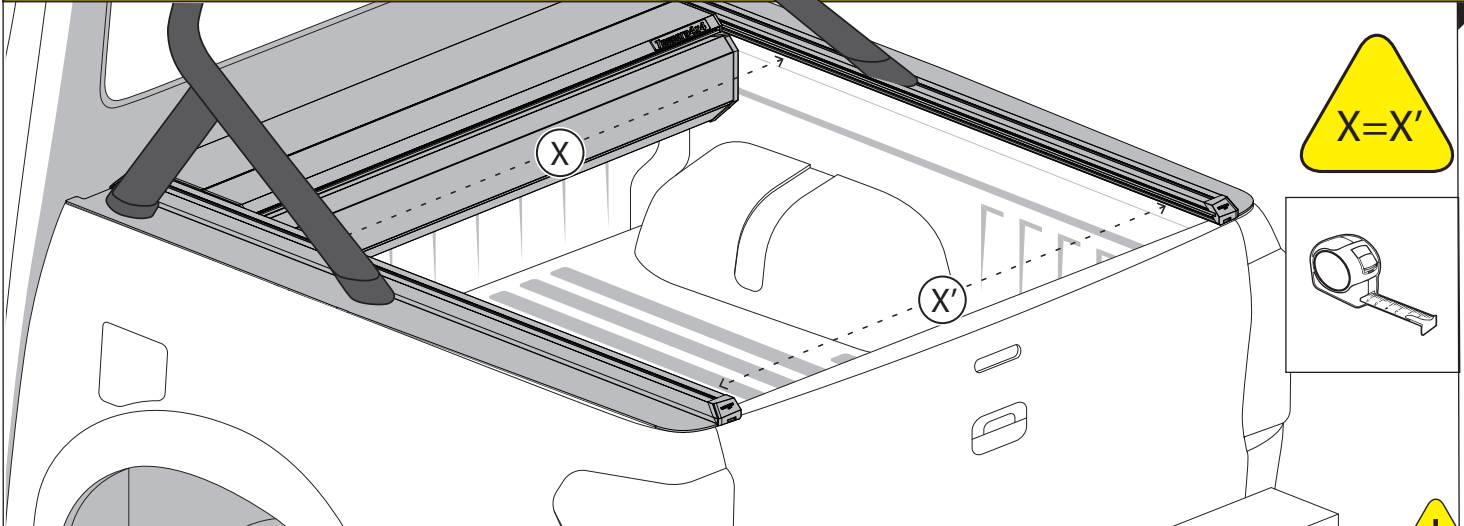


CAUTION !

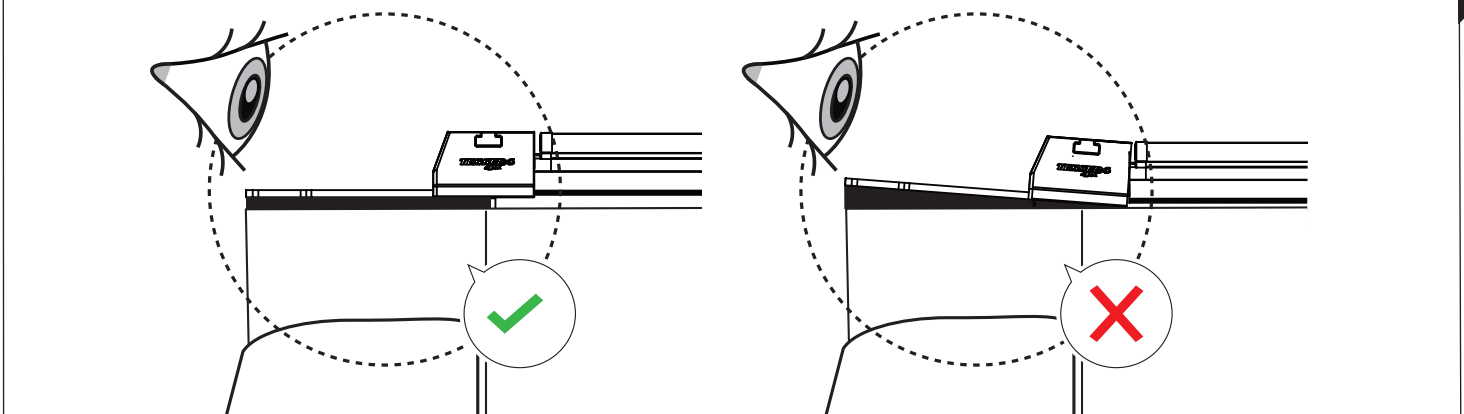


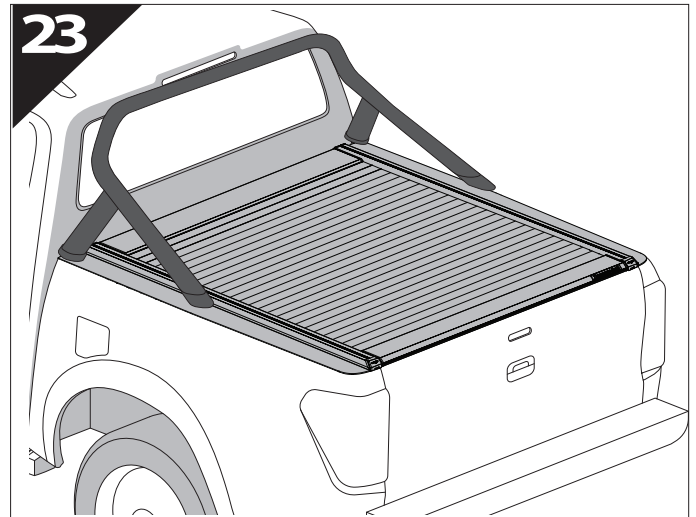
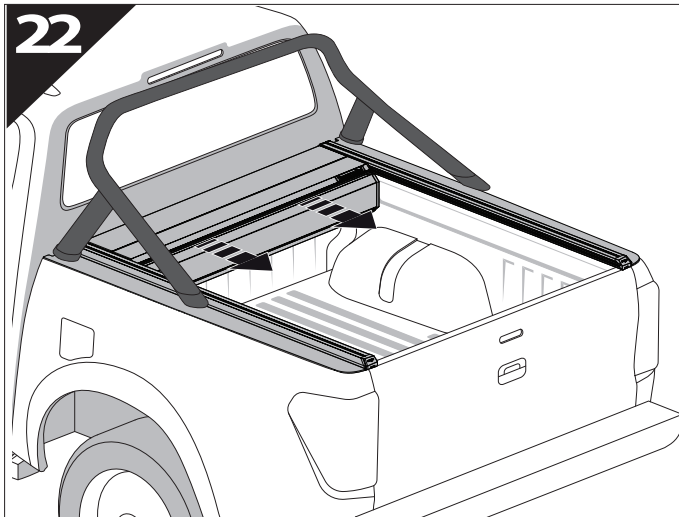


**CAUTION** !



**CAUTION** !





**GR:** Οδηγίες Εγκατάστασης  
**GB:** Installation manual  
**SF:** Asennusohje  
**F:** Notice de montage  
**PL:** Instrukcja montażu  
**NL:** Installatie-instructies  
**TR:** Montaj Talimatı  
**S:** Monteringsanvisning  
**E:** Instrucciones de montaje

**H:** Szerelési utasítás  
**P:** Instruções de instalação  
**RUS:** Инструкция по установке  
**N:** Monteringsveiledning  
**D:** Einbauanleitung  
**CZ:** Návod k instalaci  
**I:** Istruzioni de montaggio  
**DK:** Monteringsvejledning  
**RO:** Instructiuni de instalare

Customer Service:

+30 (210) 5541161, +30 (210) 5541154 (08:00 - 16:00 EET)

Support department:

info@gianso.gr

Website:

www.tessera4x4.com

Address:

19.5 km of National road Athens-Korinthos (Elefsina) Greece, P.C: 19200