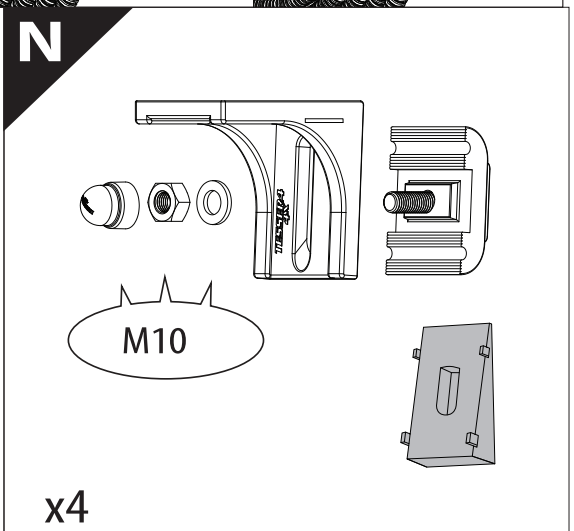
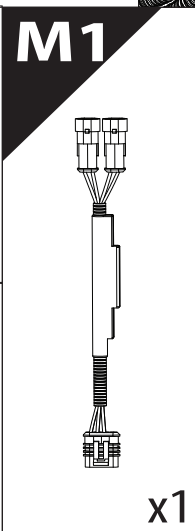
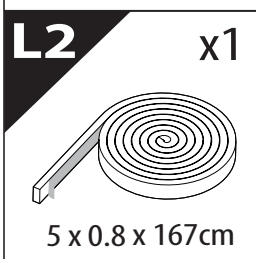
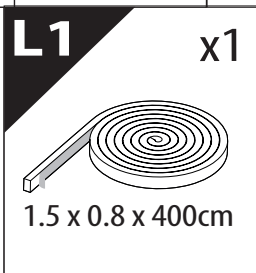
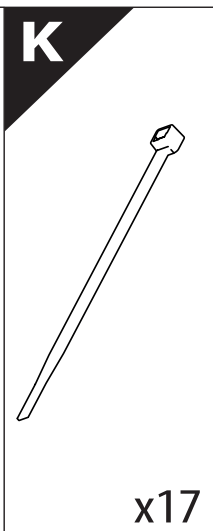
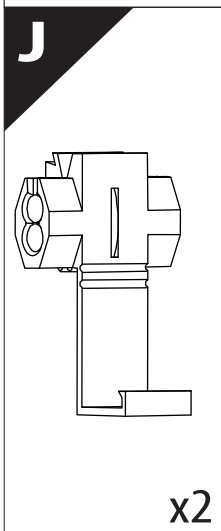
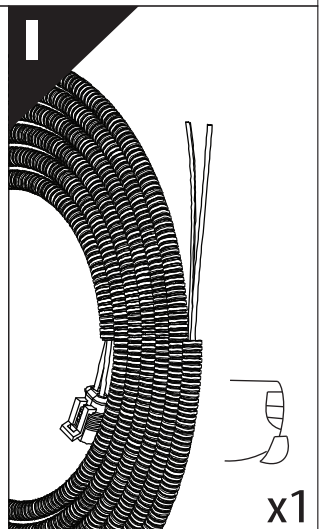
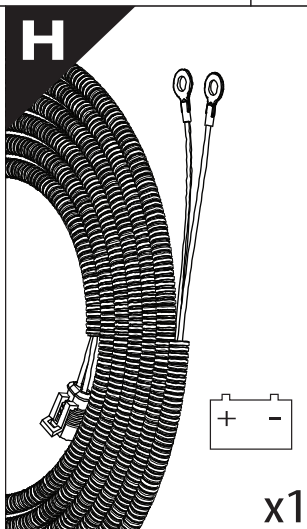
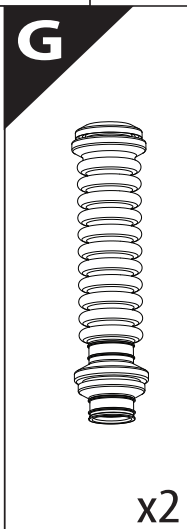
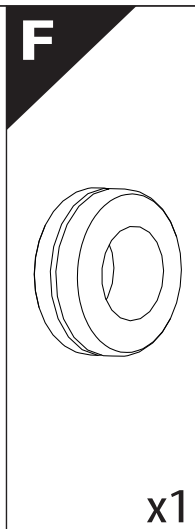
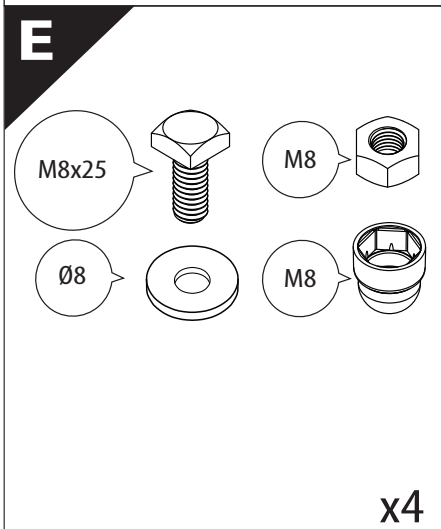
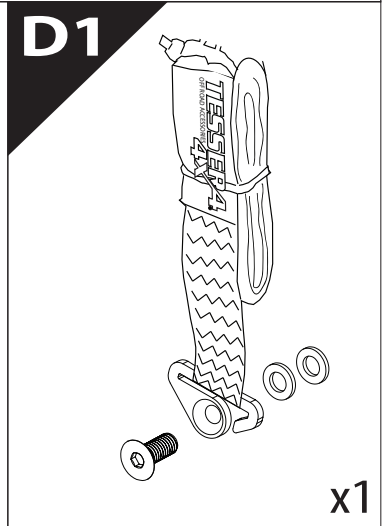
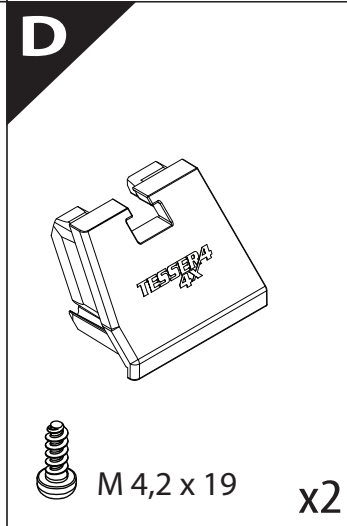
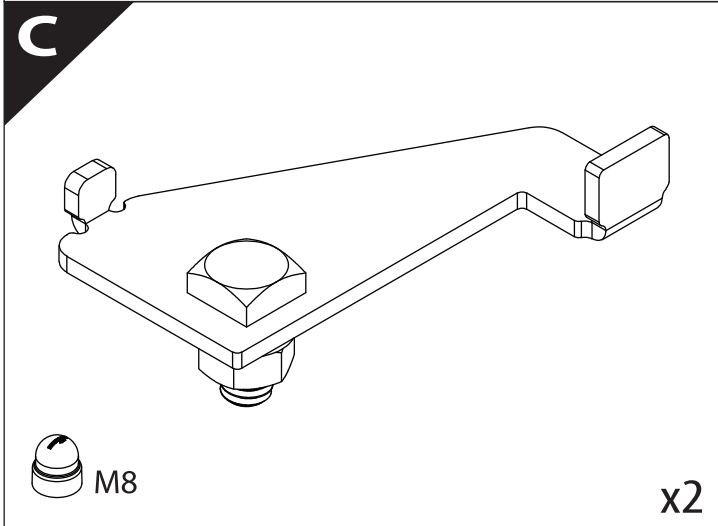
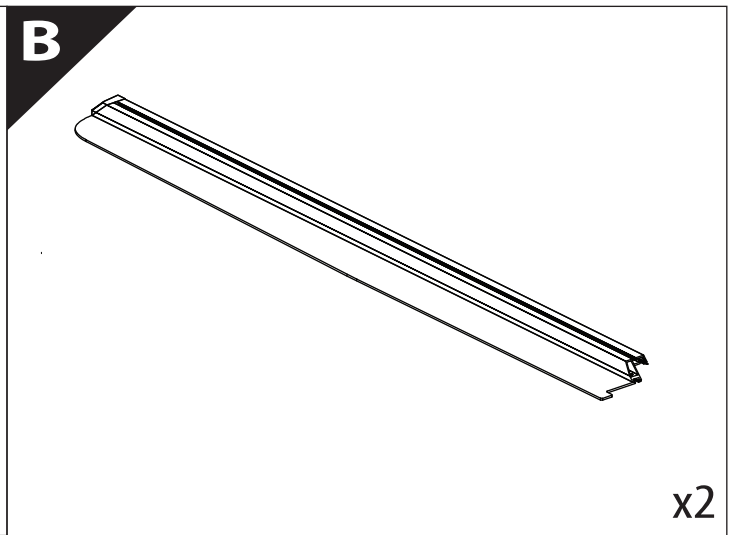
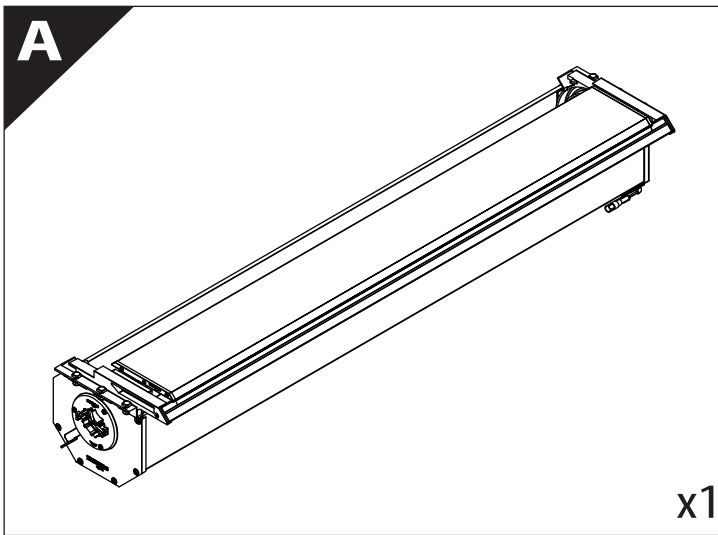
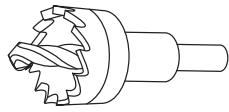




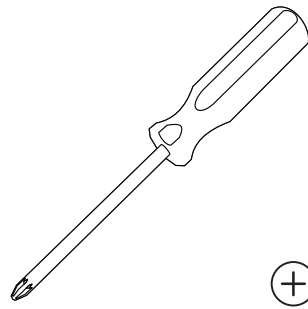
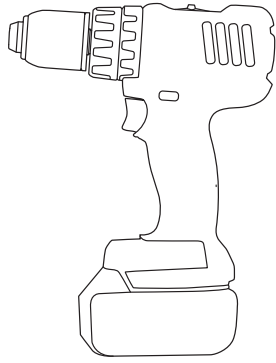
Installation Manual

PART NUMBER(S)	Model Year
TESS 1446 ROLL	DongFeng Rich 6 2021+
Cab(s)	Installation Time / Weight
Double Cab	40-60 minutes / 53-57 kg

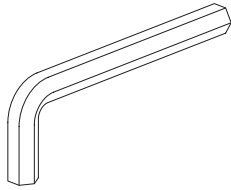
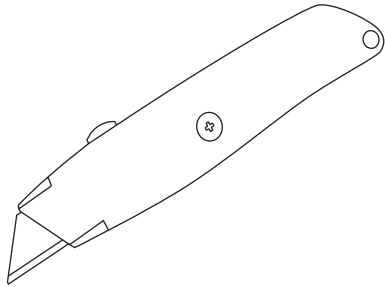
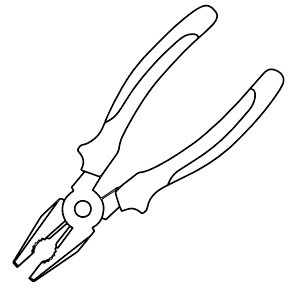




Ø 25 mm

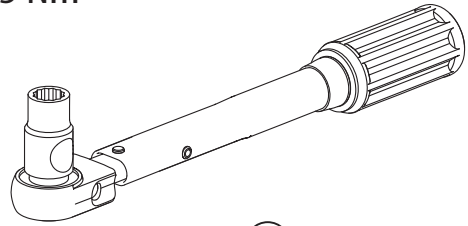


+



4 mm

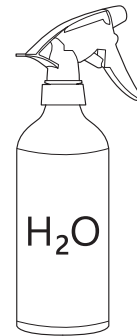
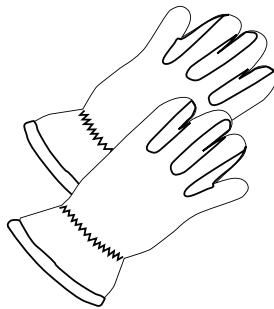
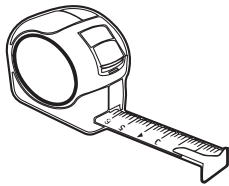
1 - 25 Nm



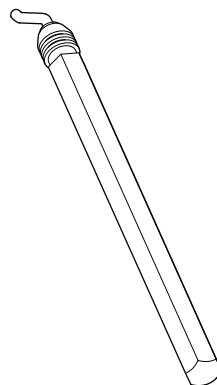
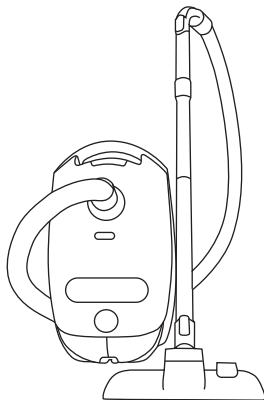
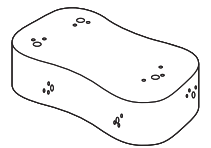
13, 17 mm



ACETONE



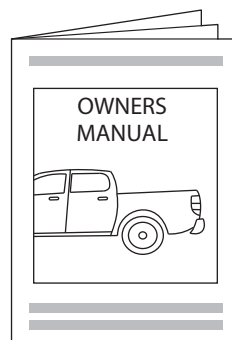
H₂O



ANTI-RUST

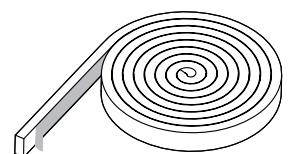
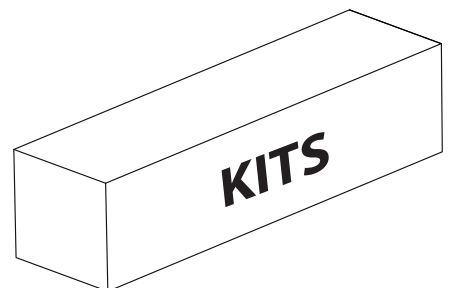
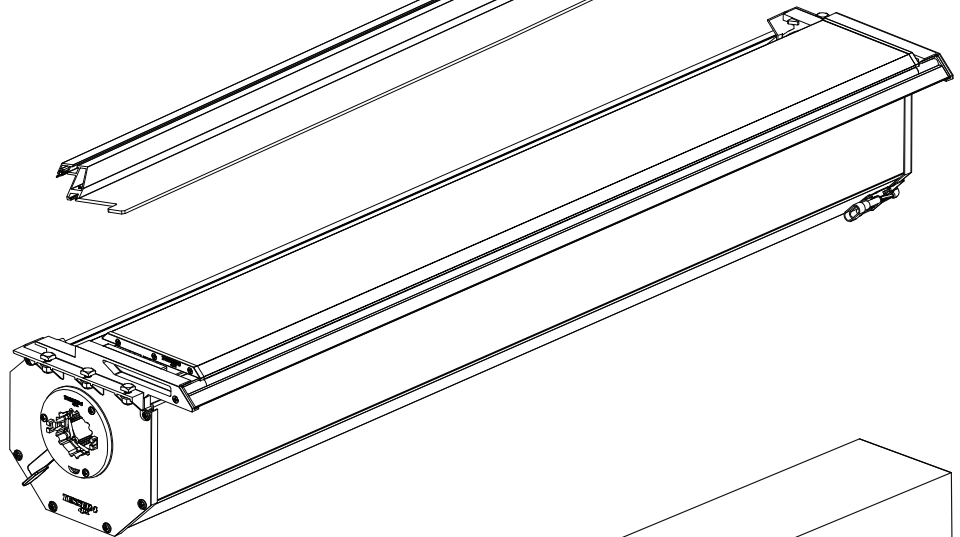


INSTALLATION
MANUAL



OWNERS
MANUAL

x1

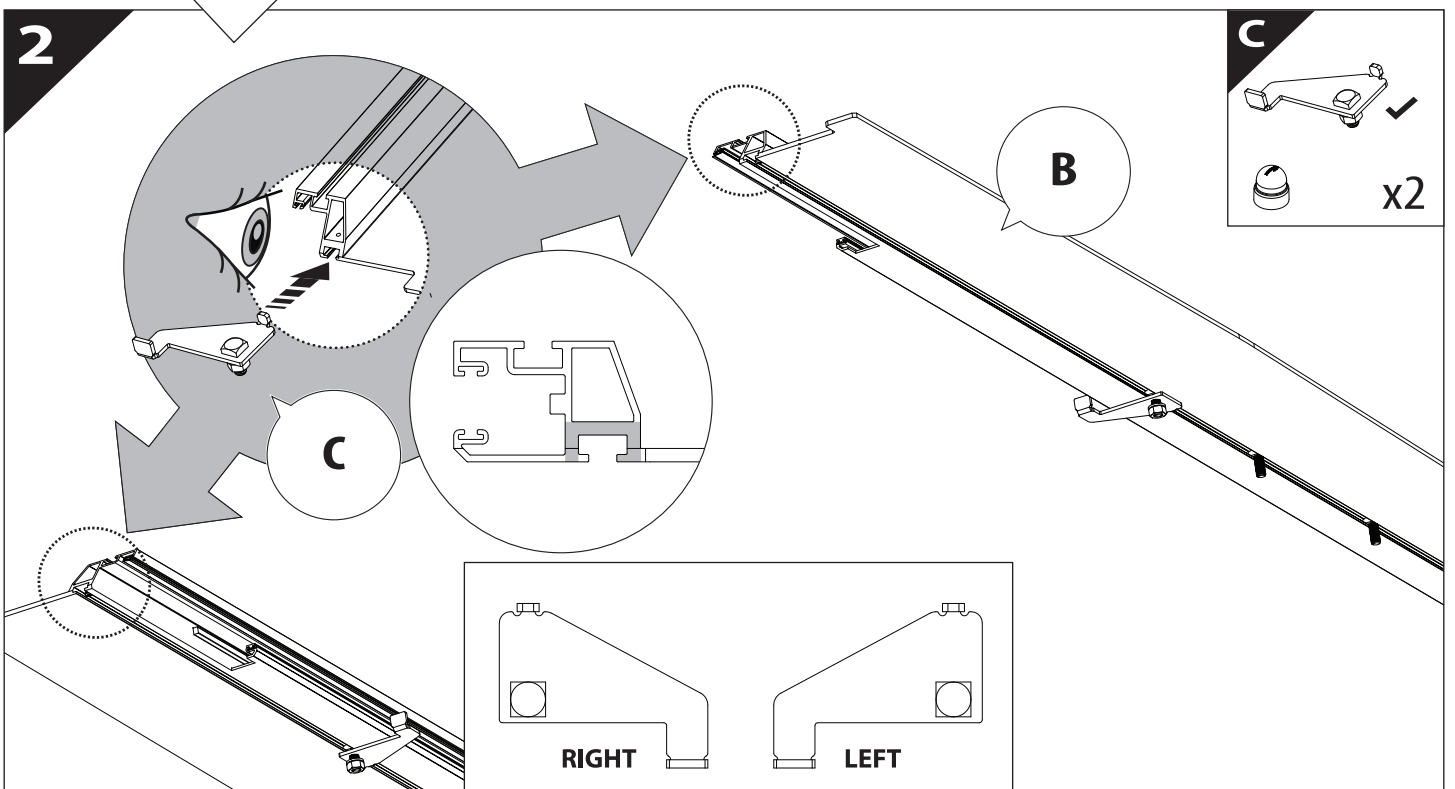
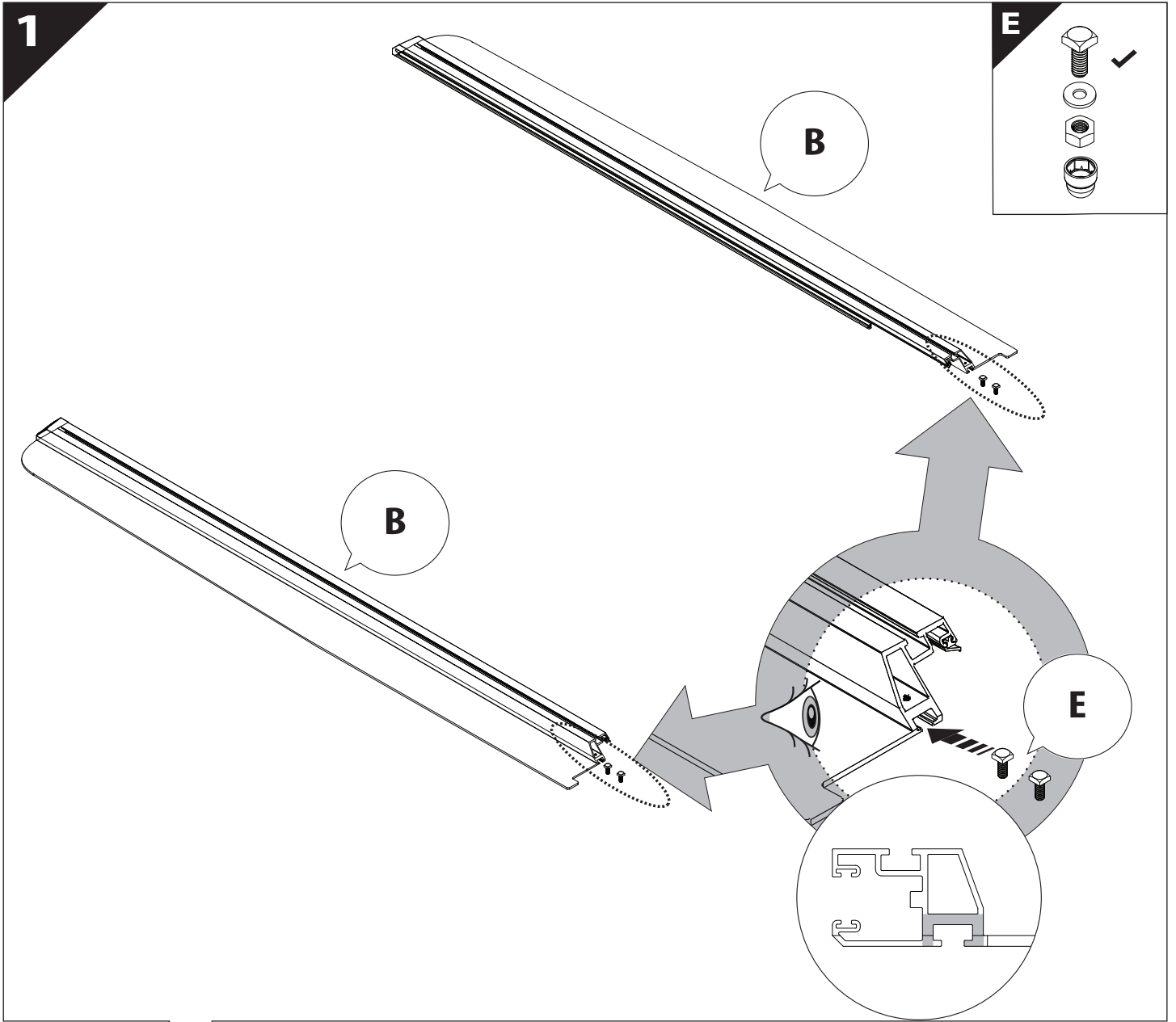


B

A

KITS

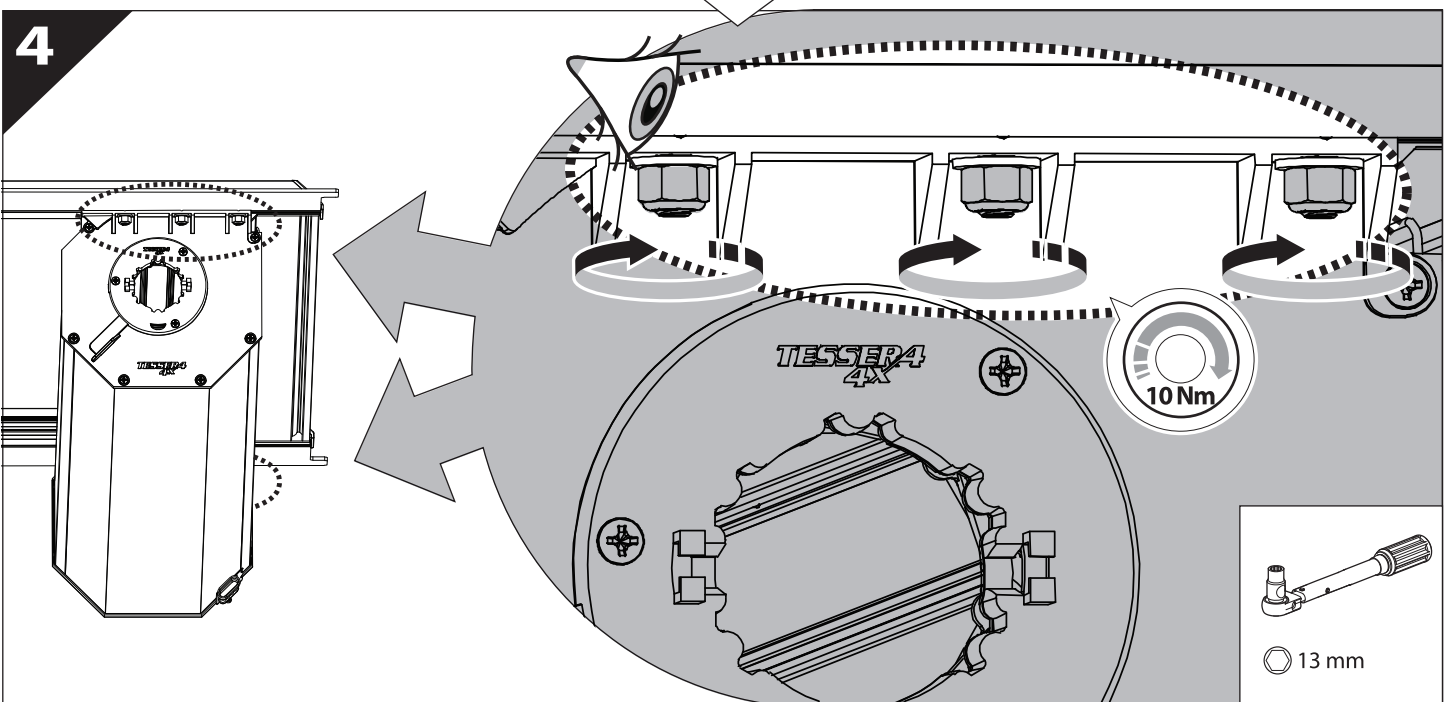
L

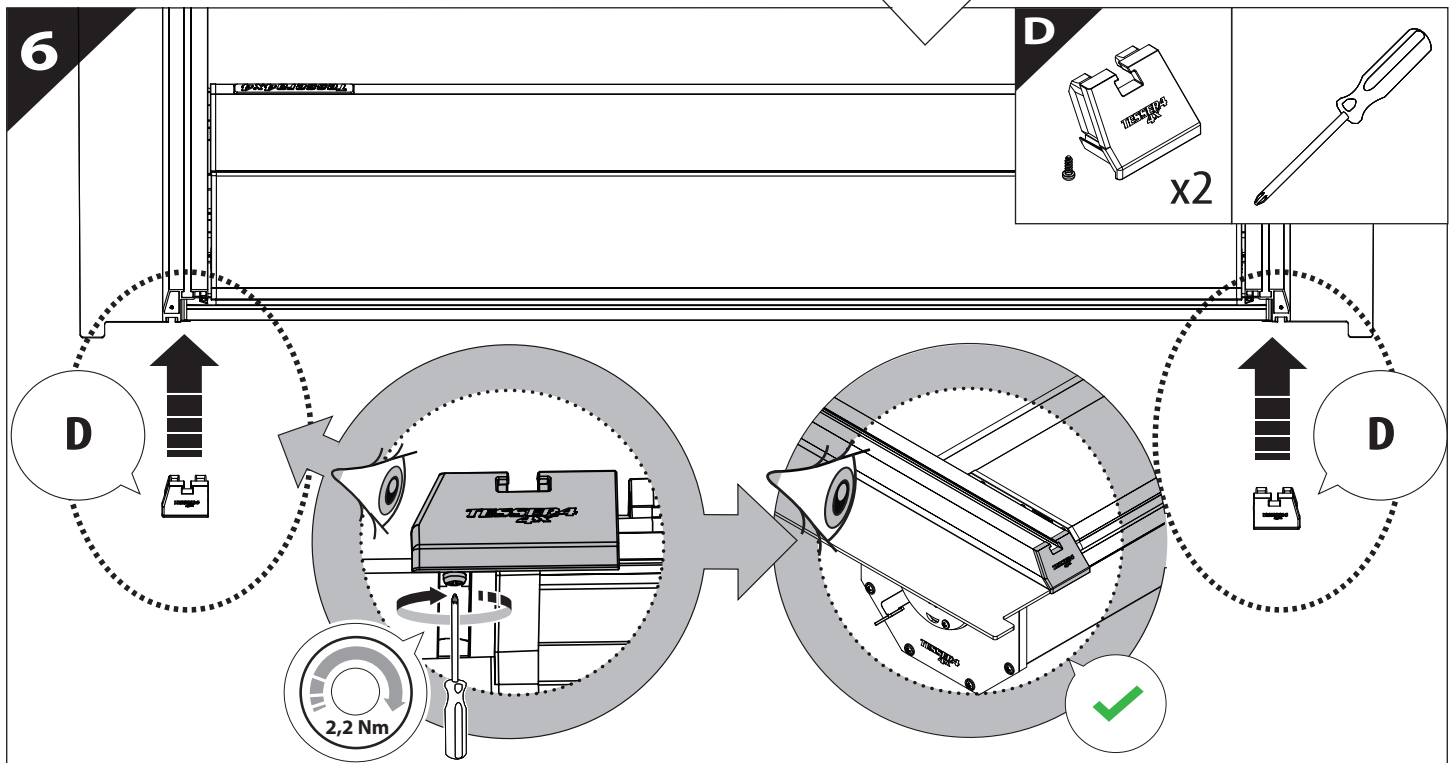
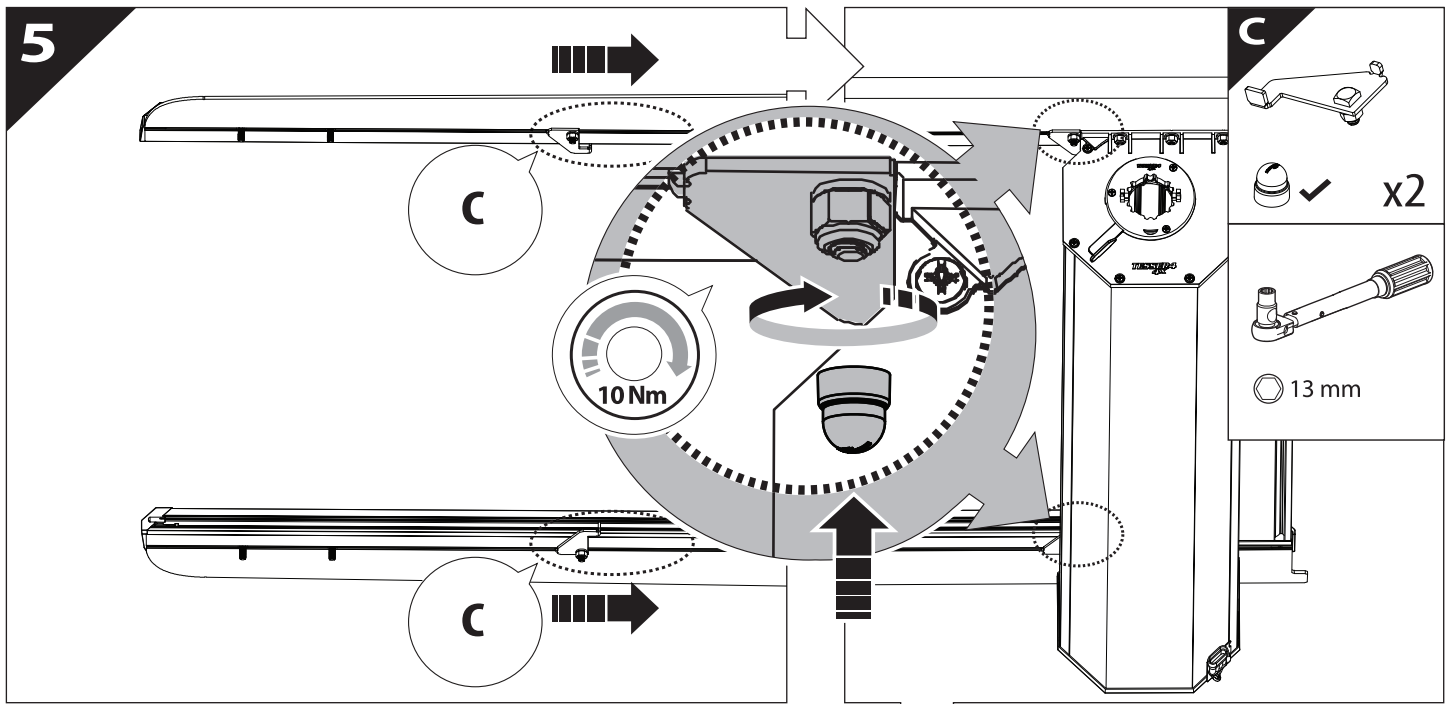


3

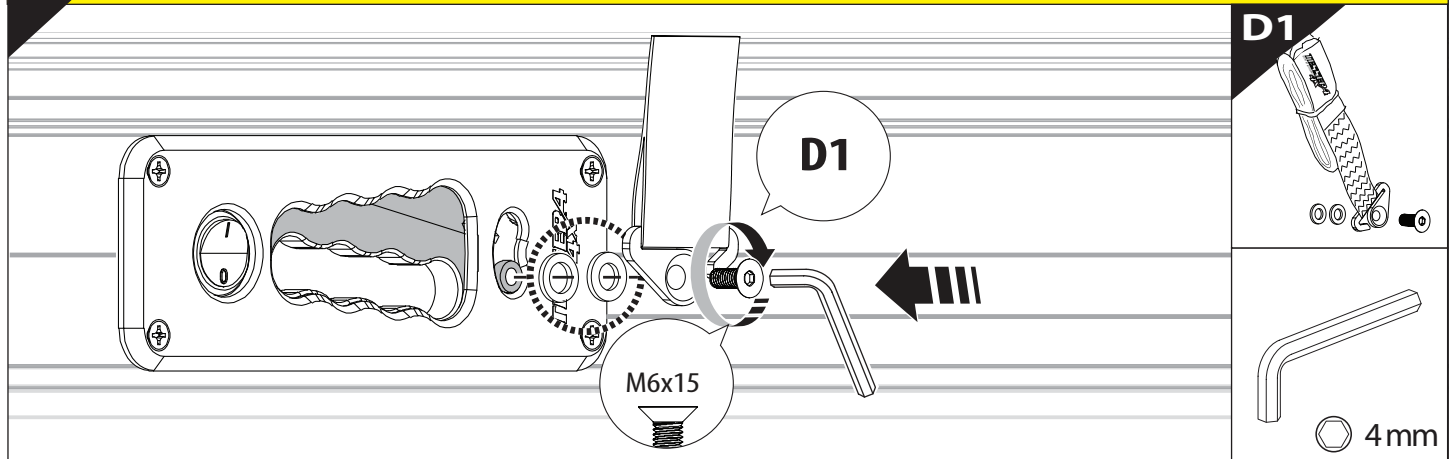


4

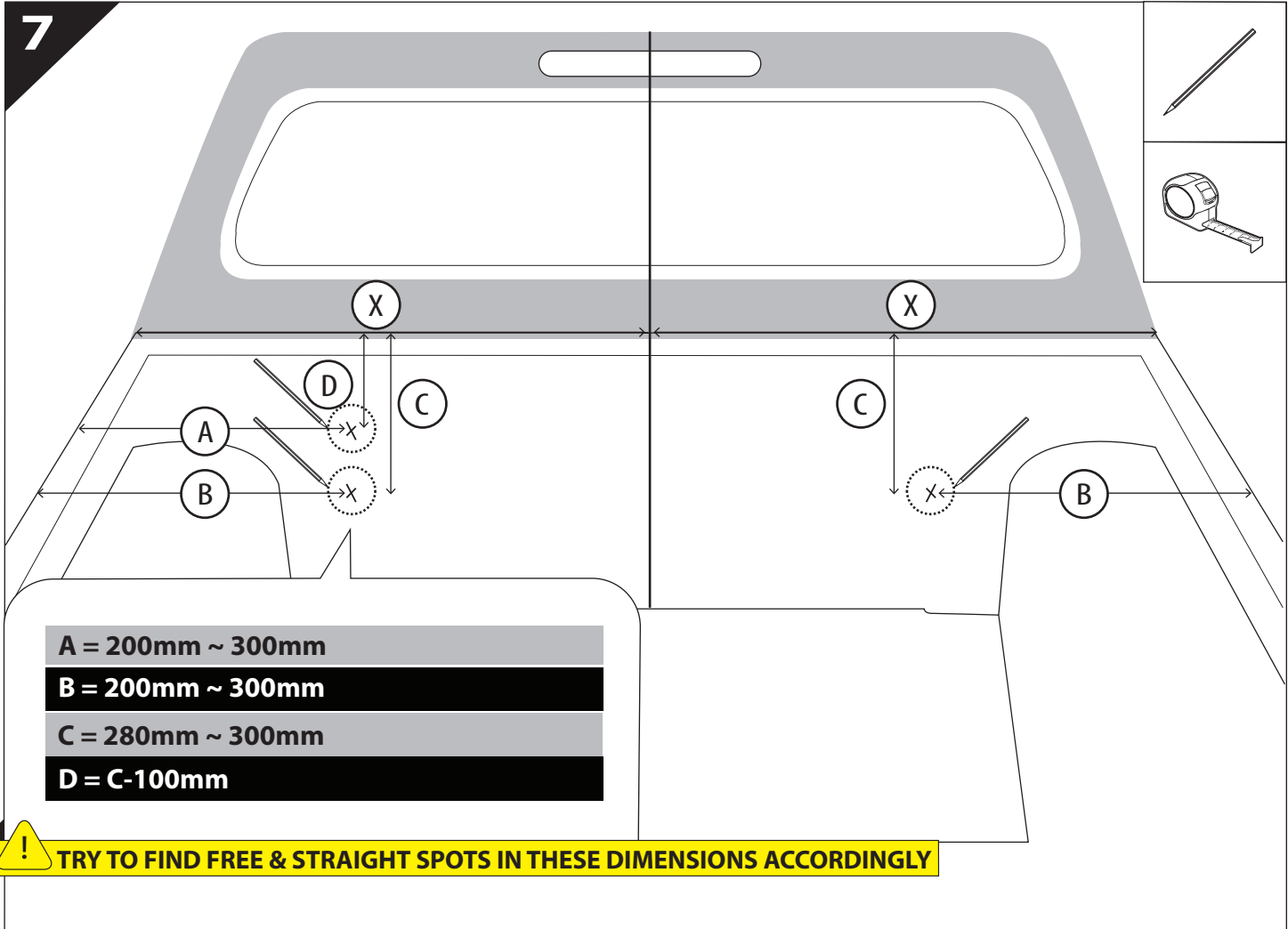
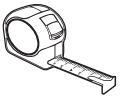




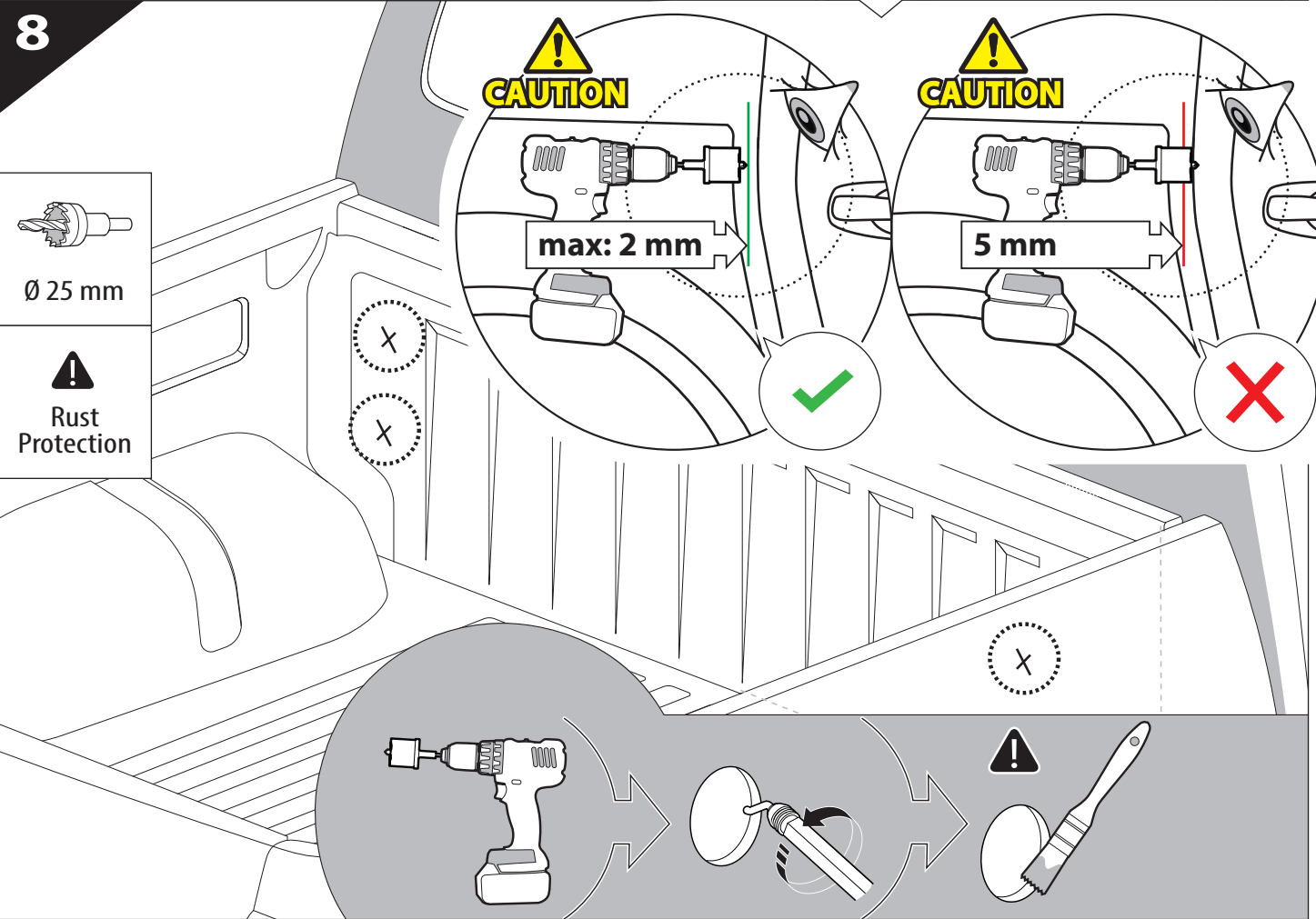
6.1 **CAUTION** Basic Version ✓ & Basic+S-KIT Version ✓

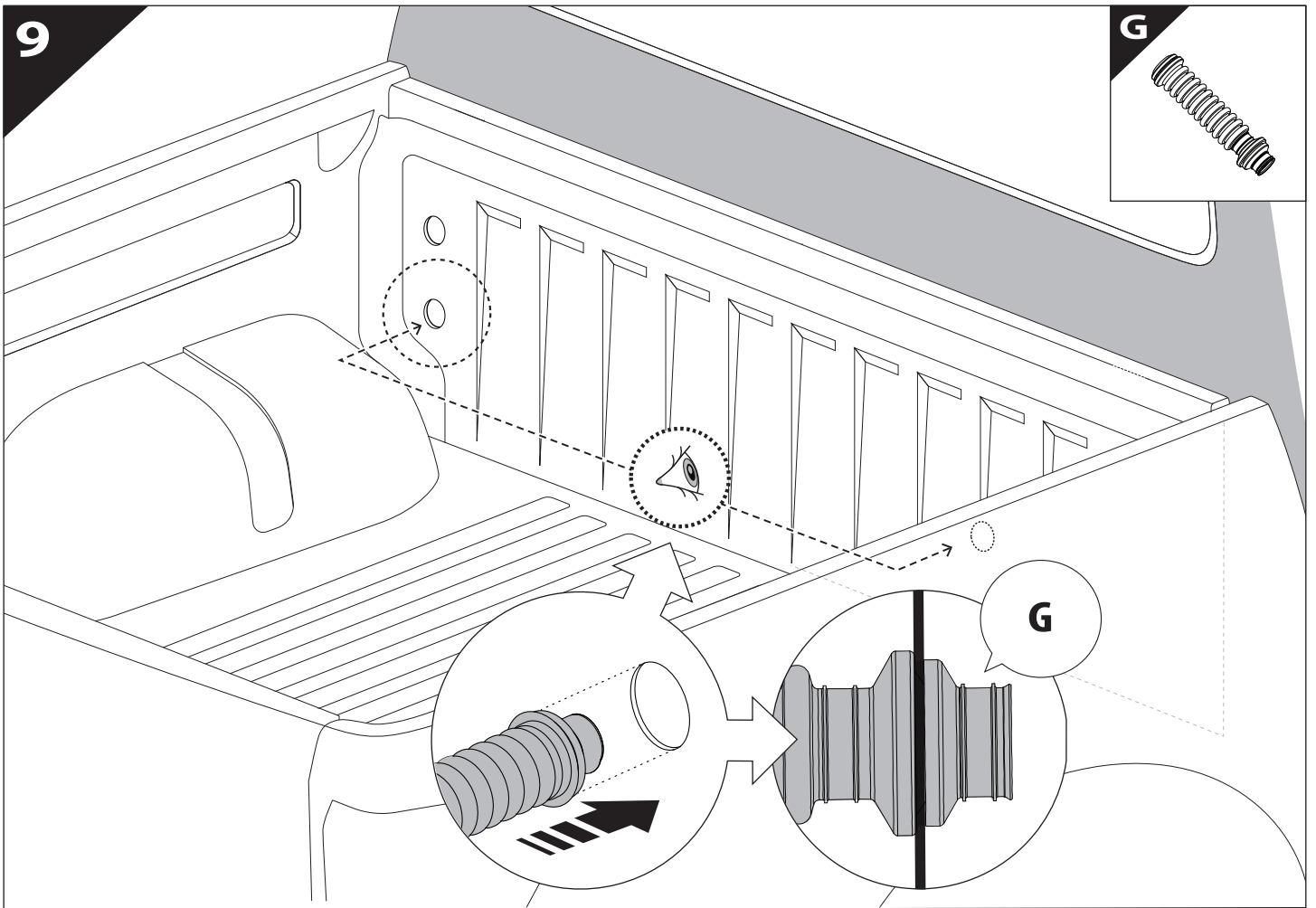


7

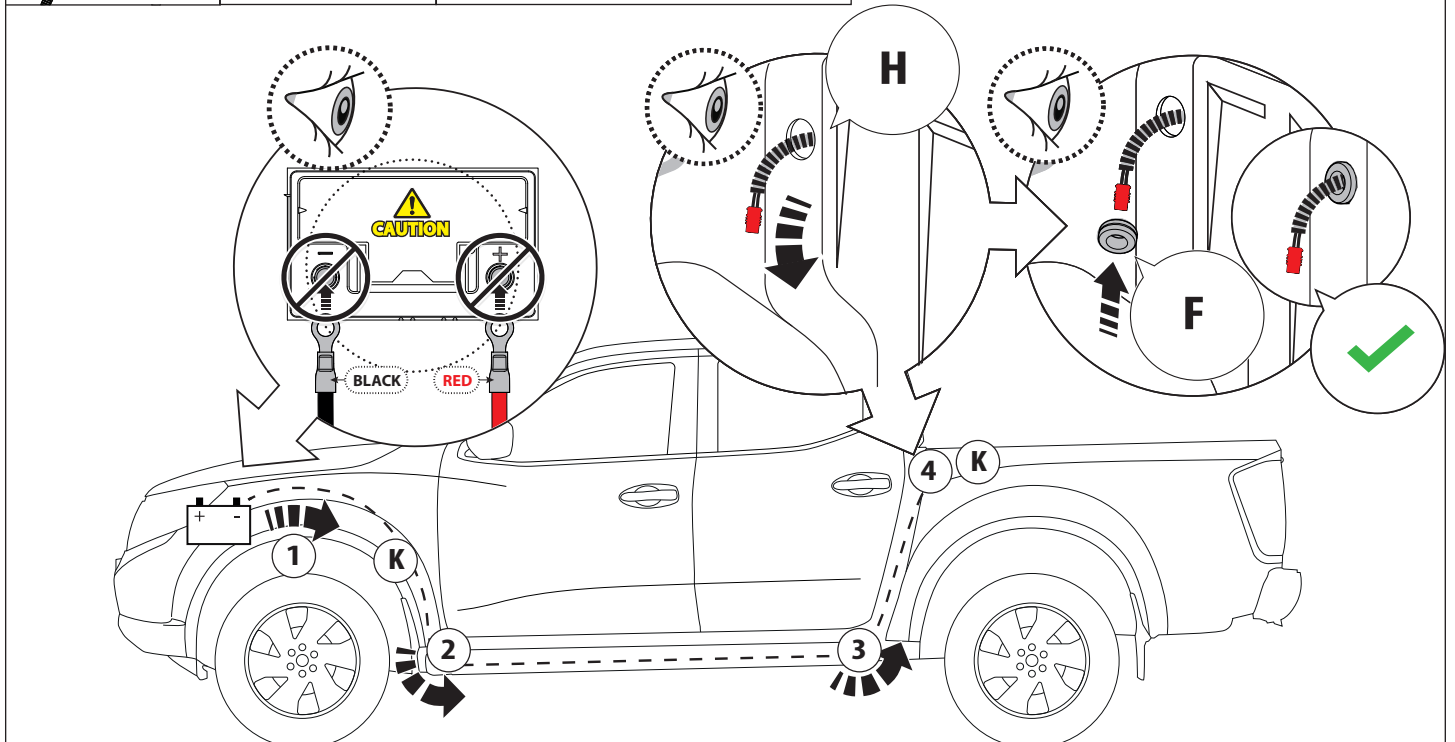
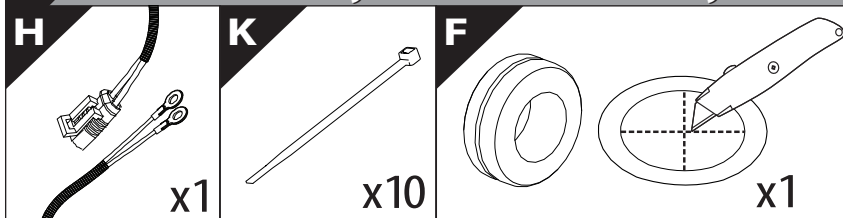


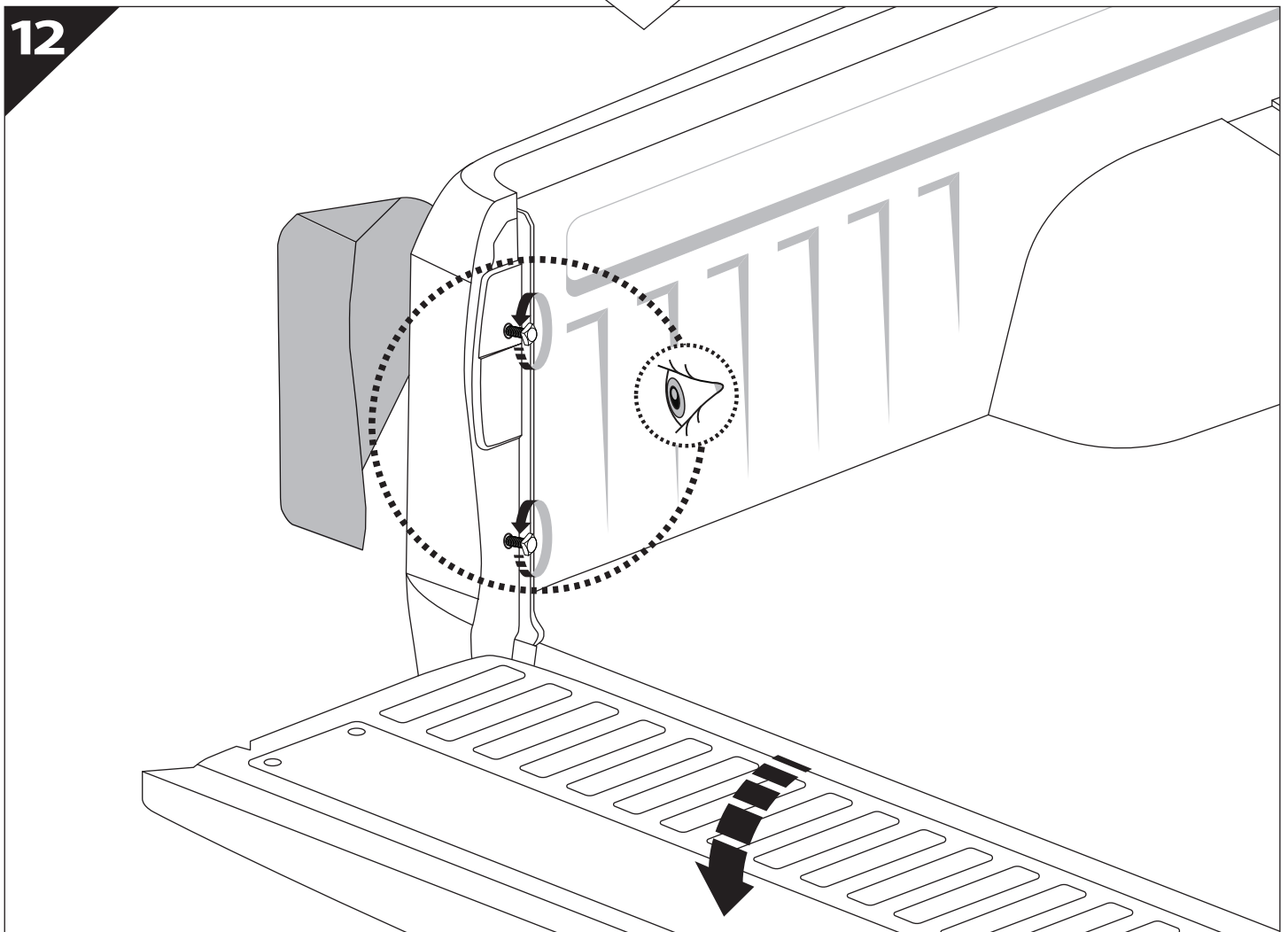
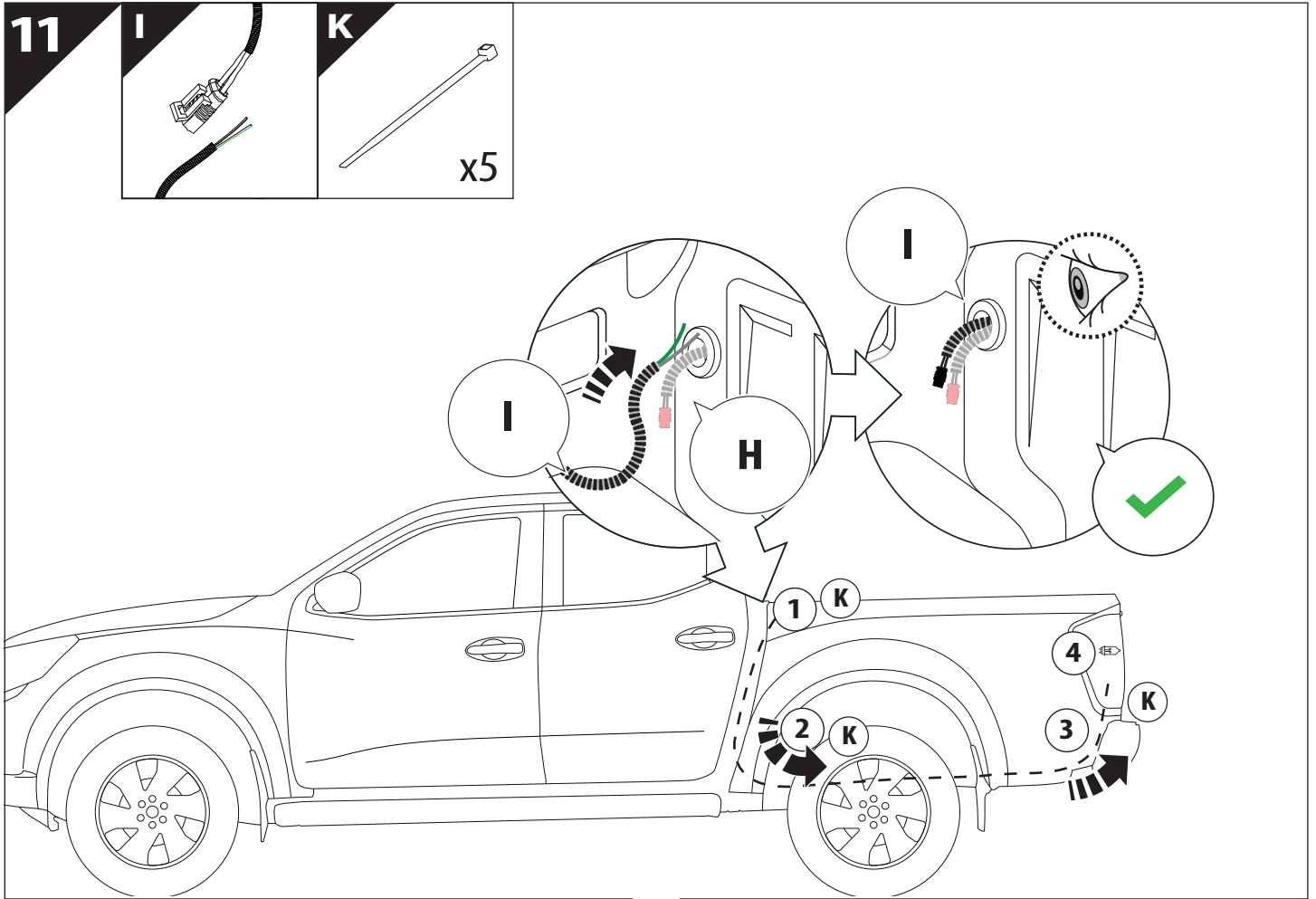
8



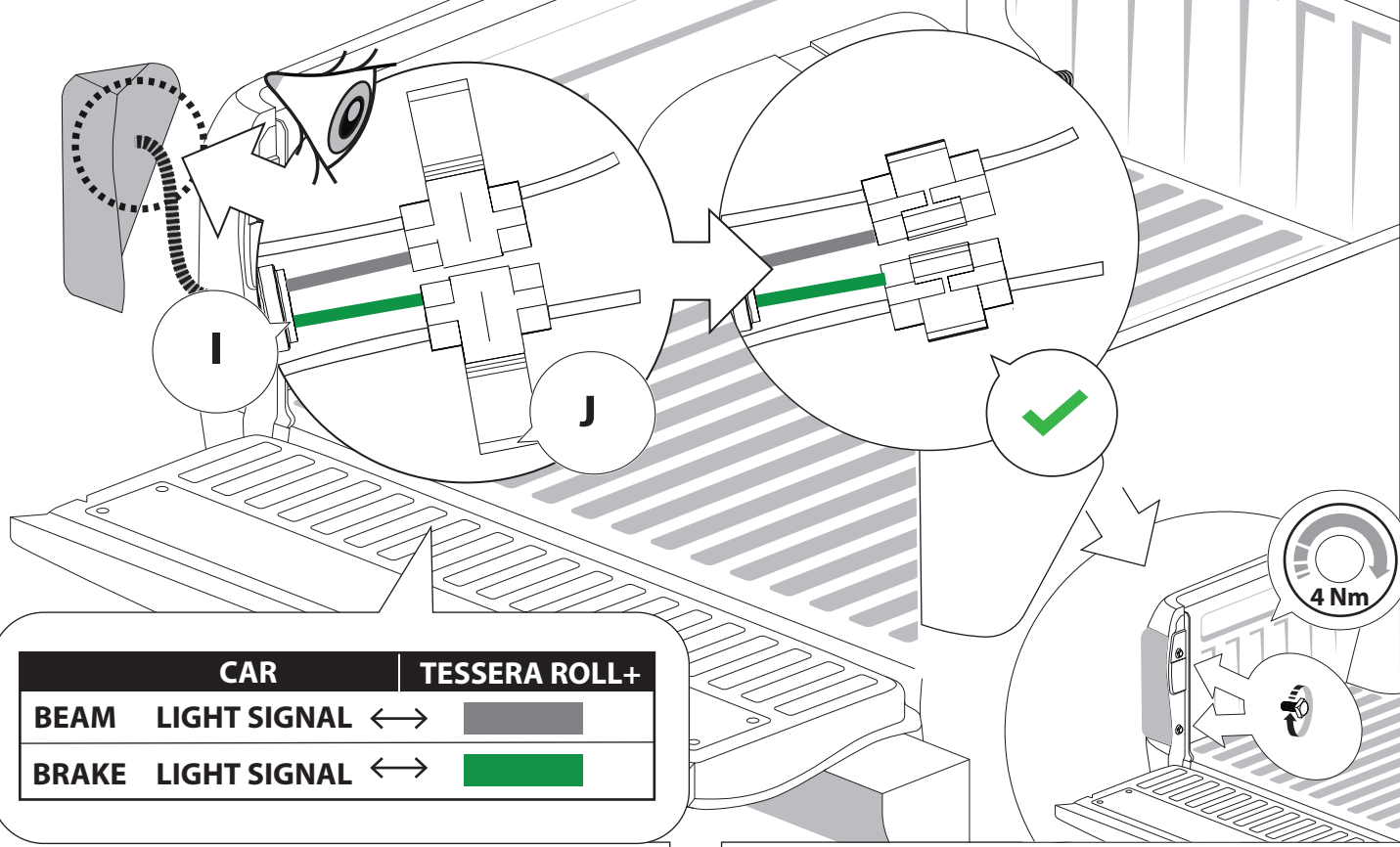
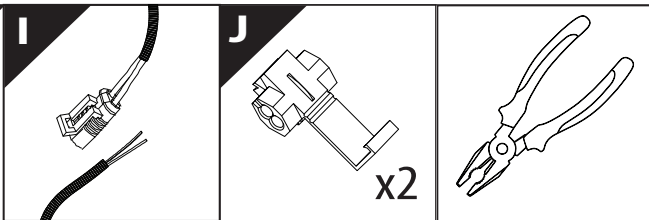


10 Only to be installed by authorized personnel

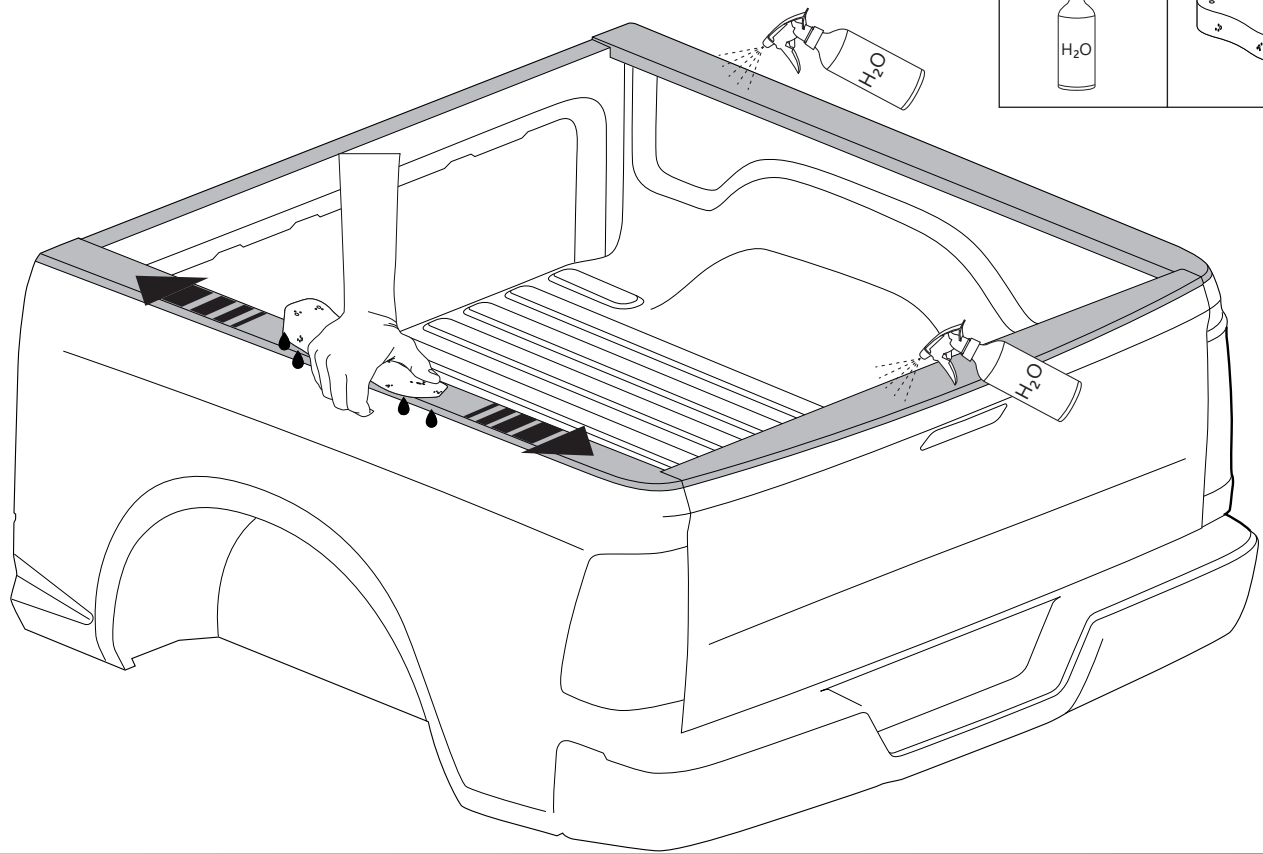
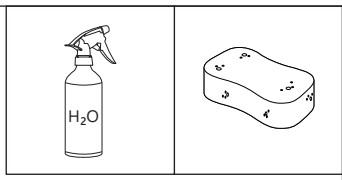


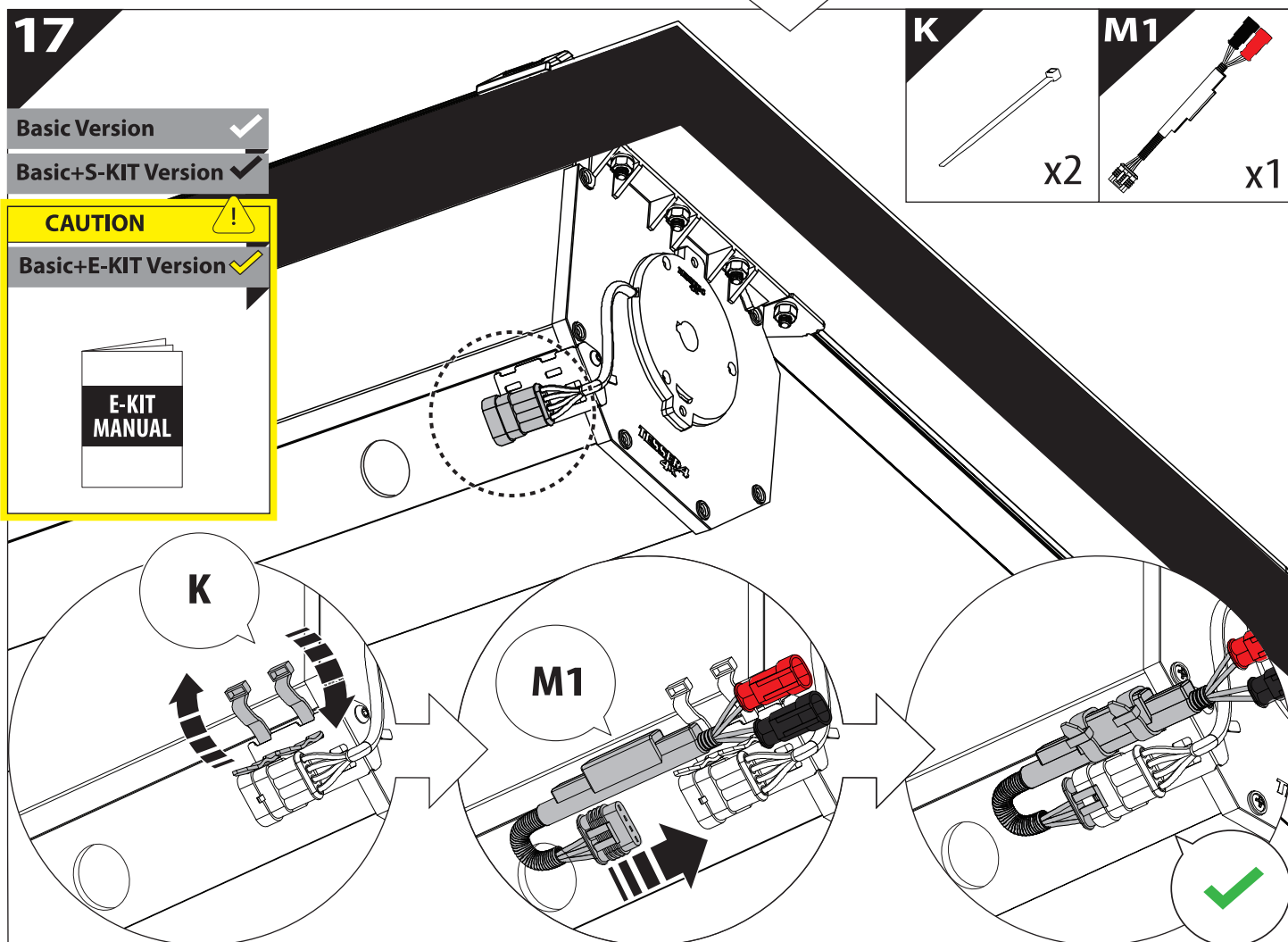
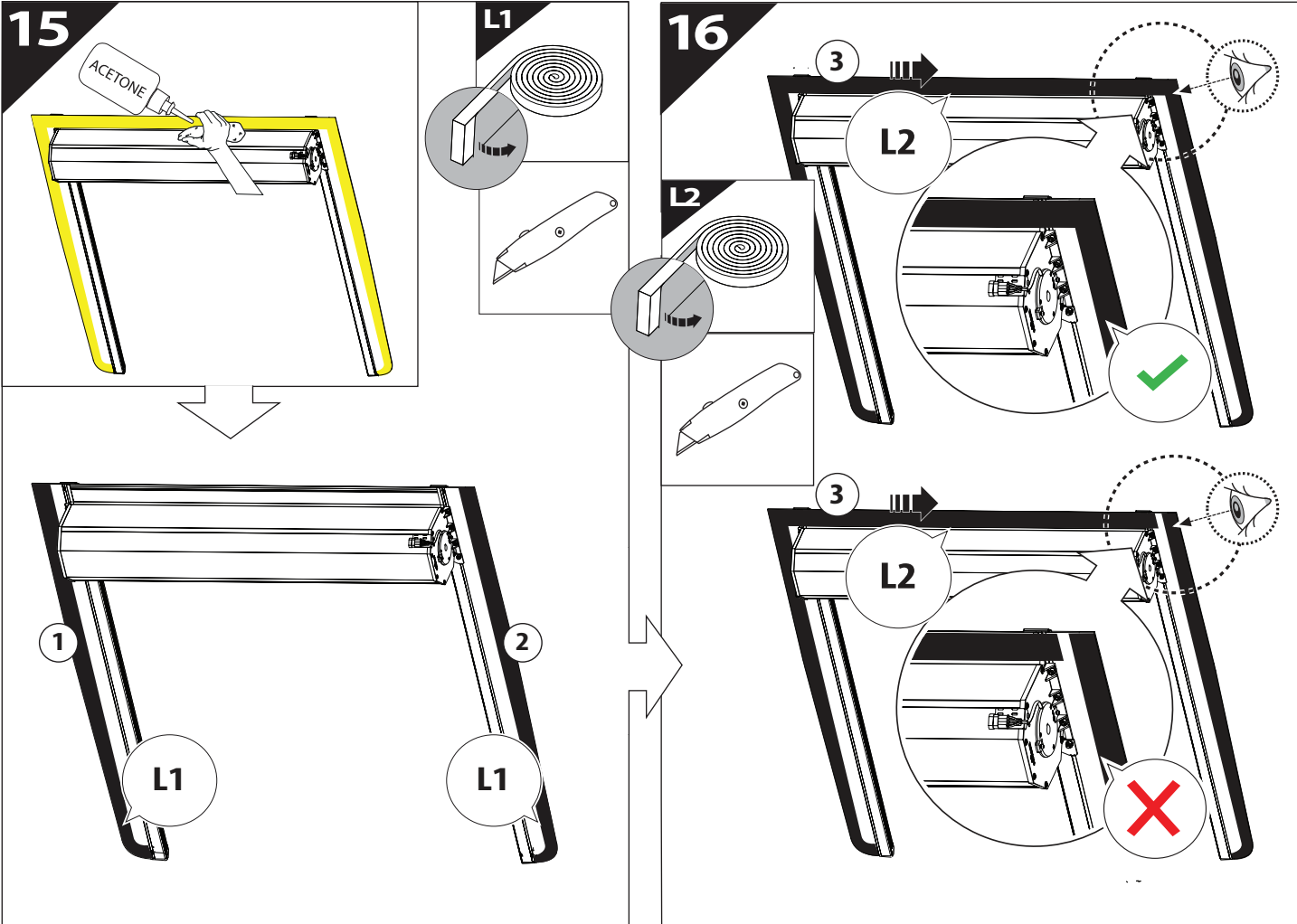


13

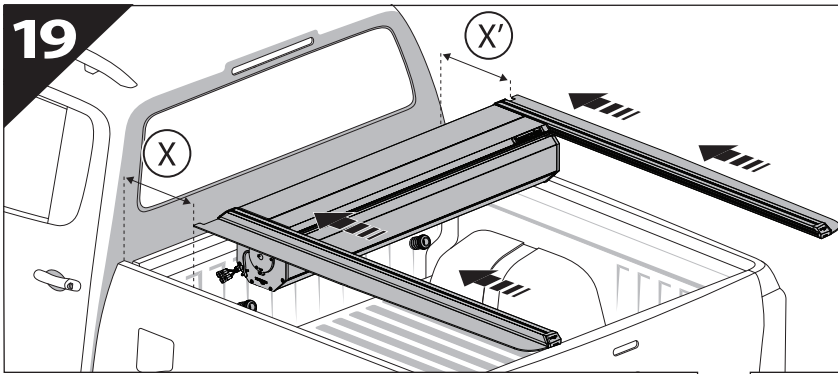


14

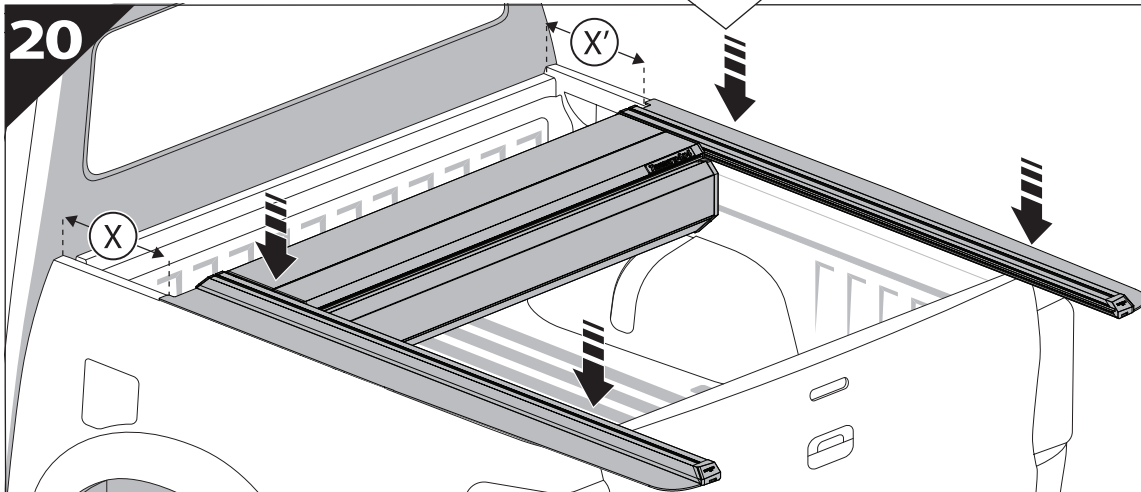




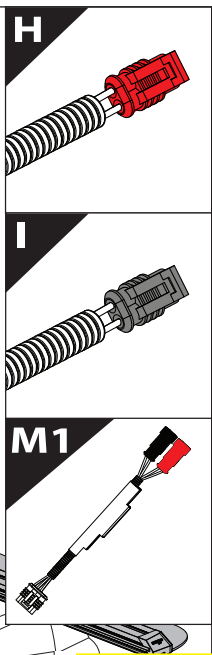
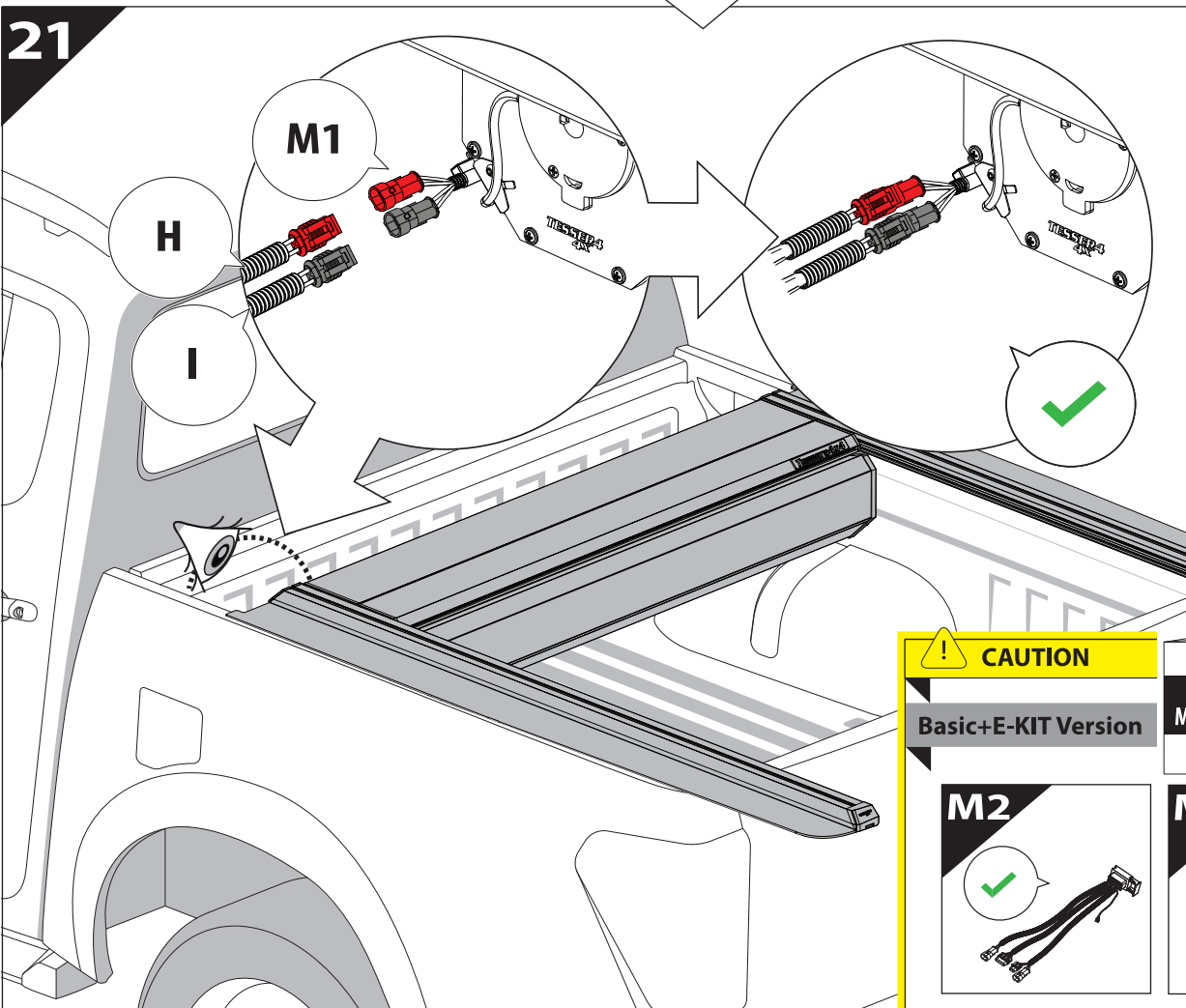
19



20



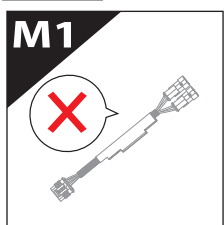
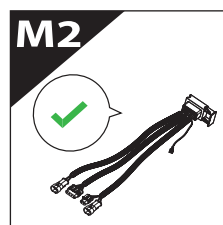
21



CAUTION

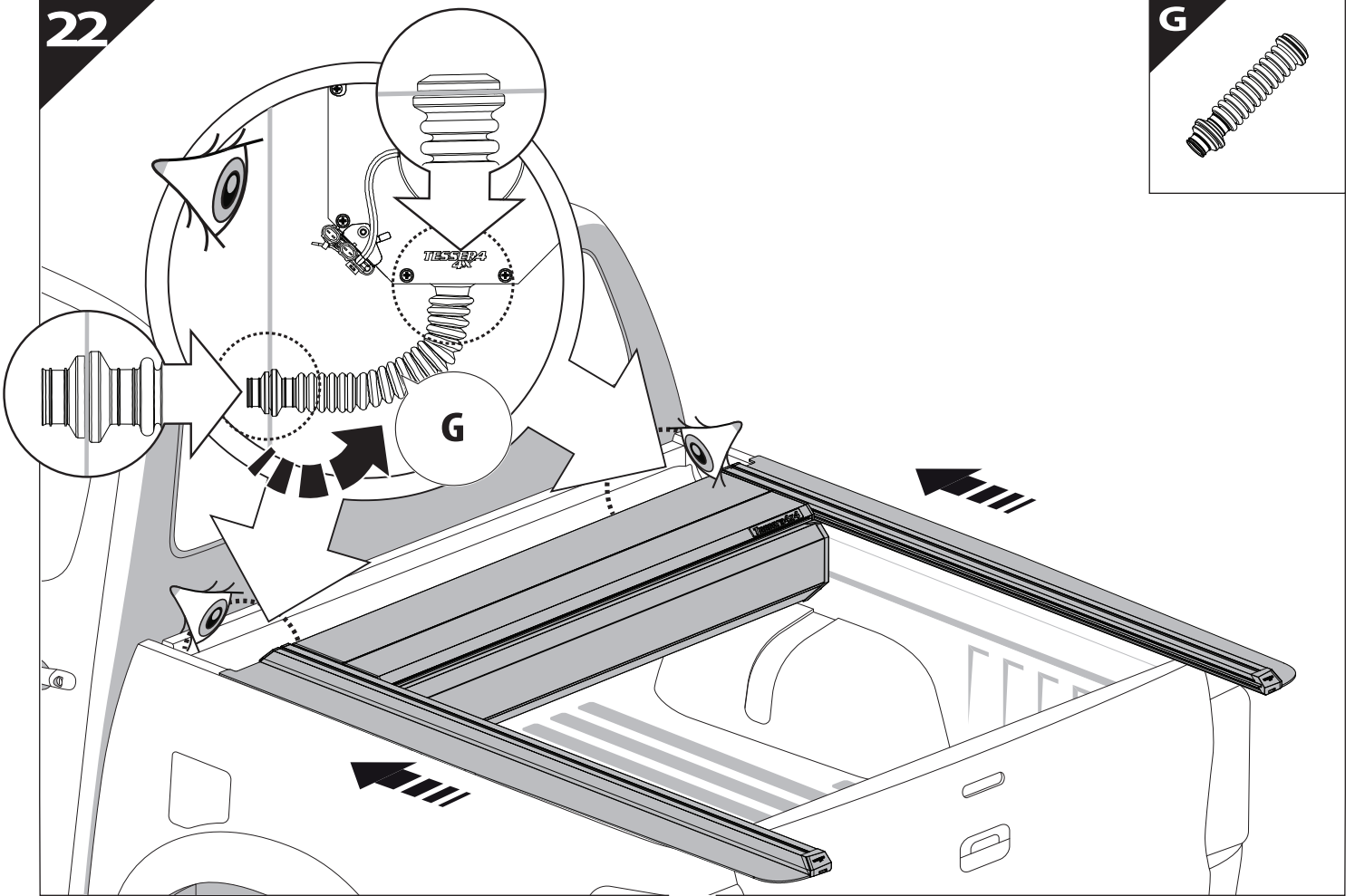
Basic+E-KIT Version

E-KIT
MANUAL

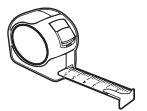
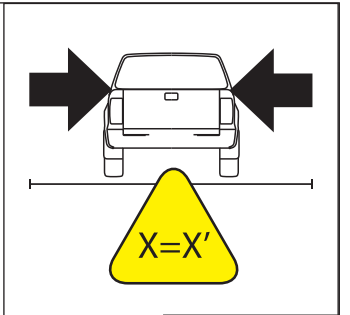
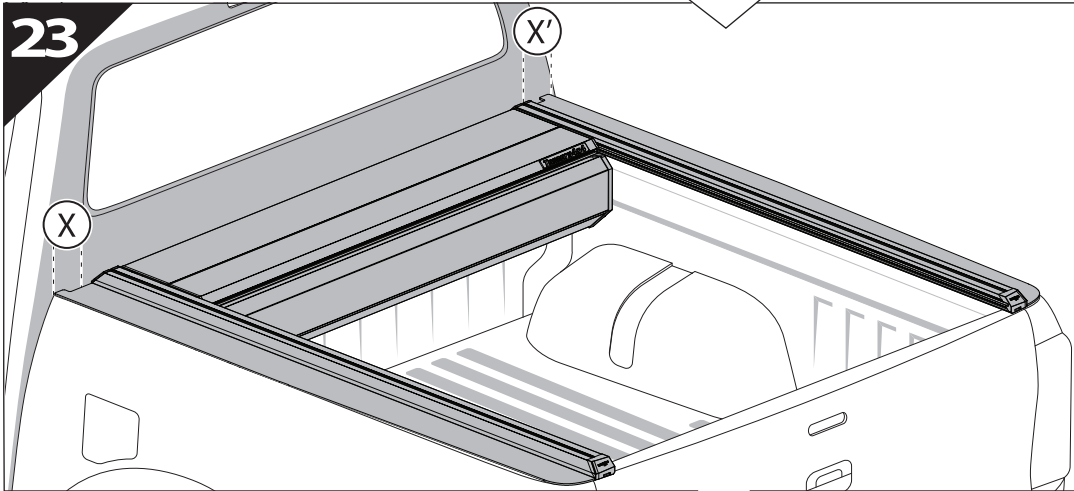


22

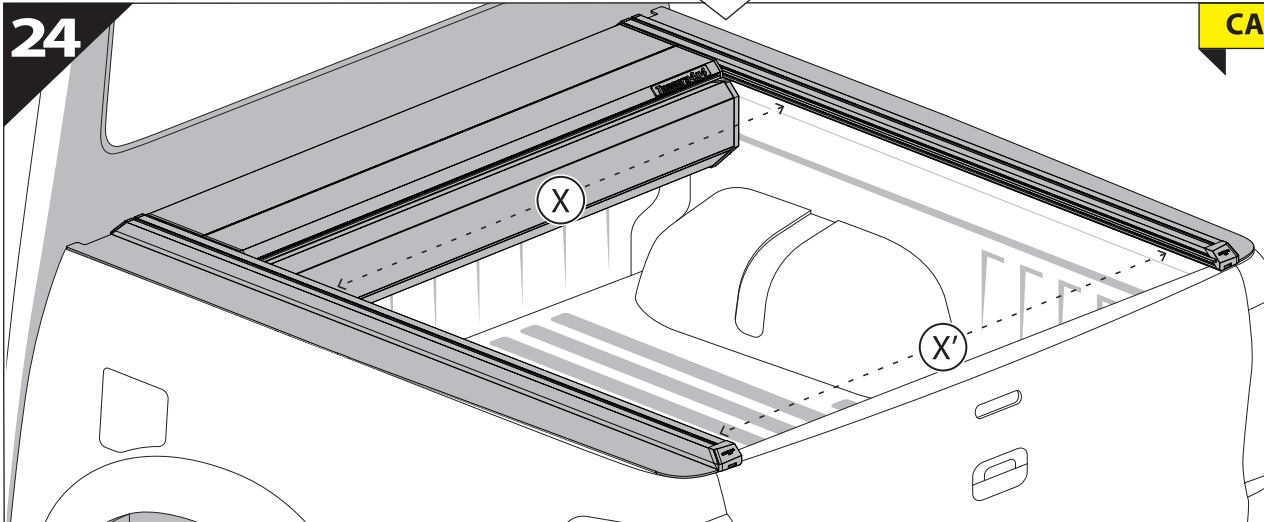
G



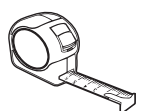
23



24

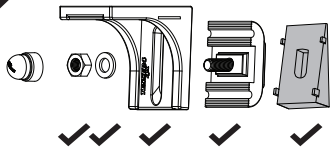


CAUTION !

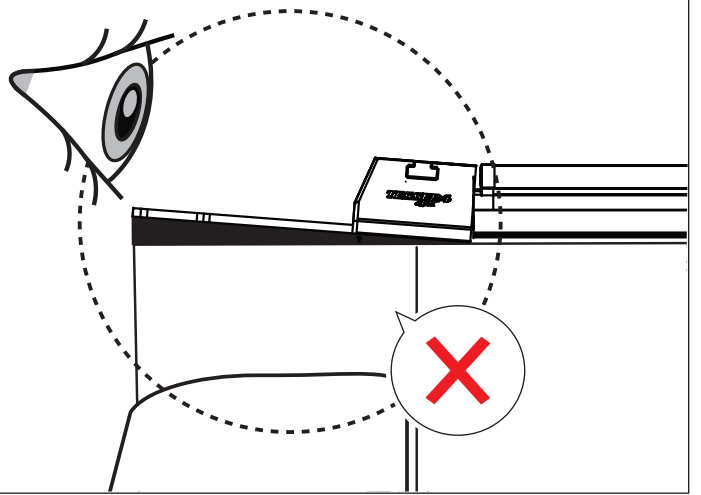
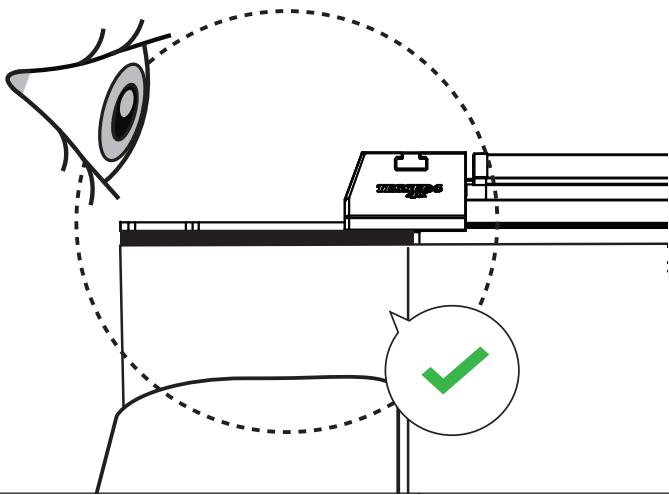
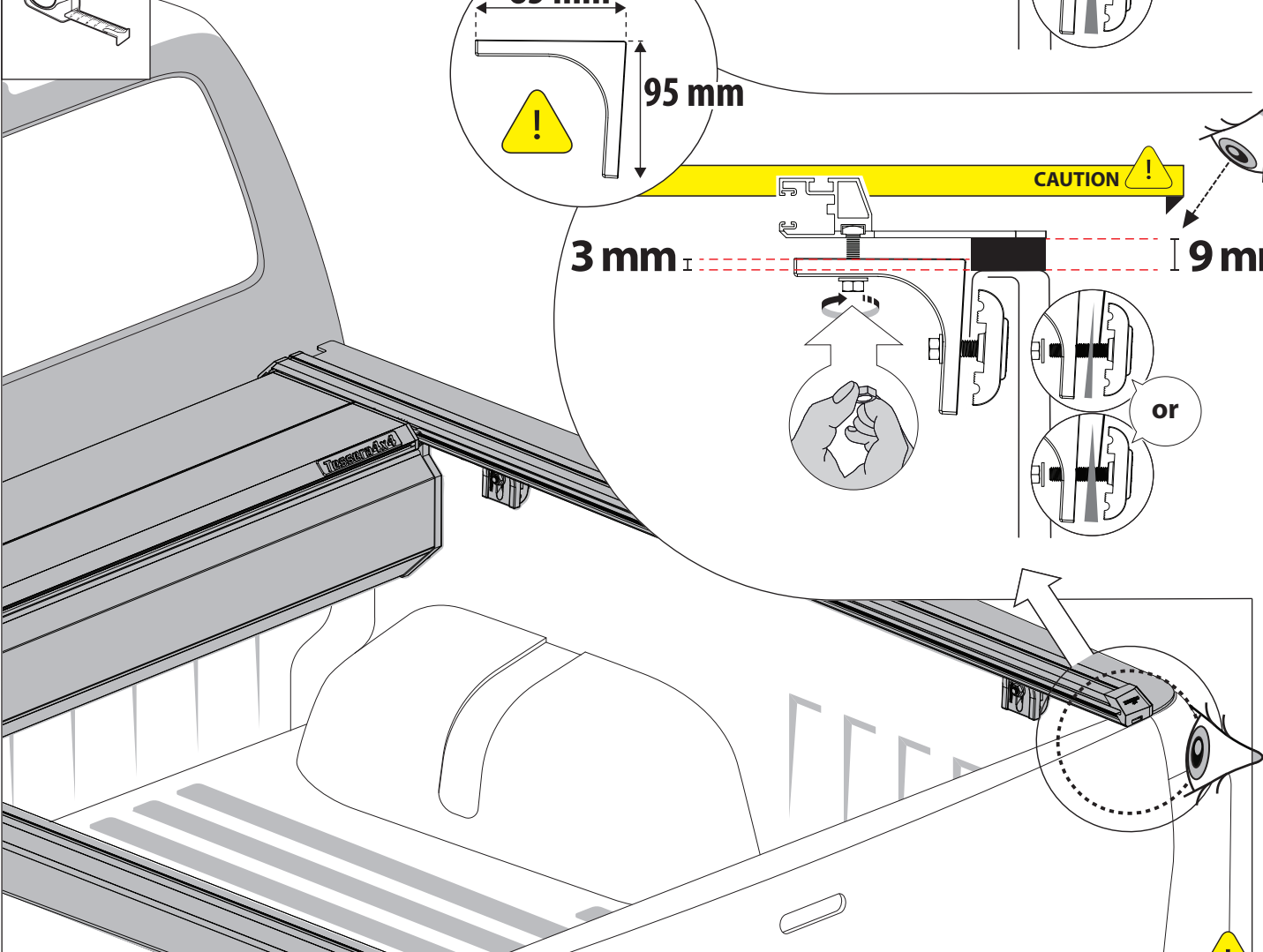
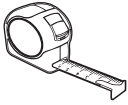
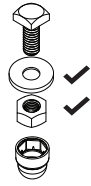


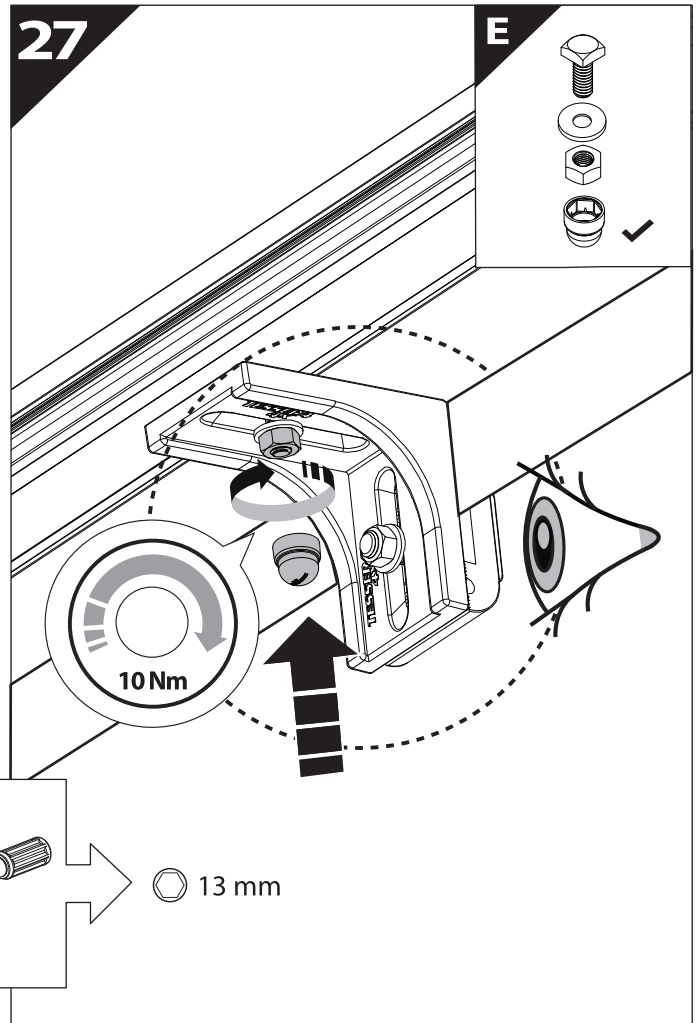
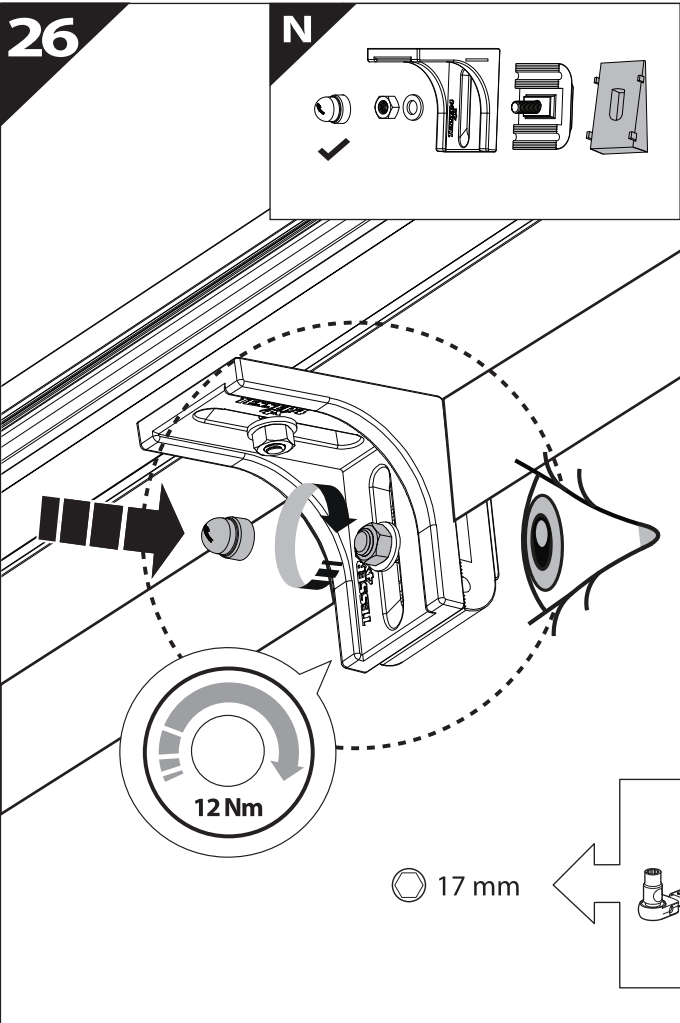
25

N

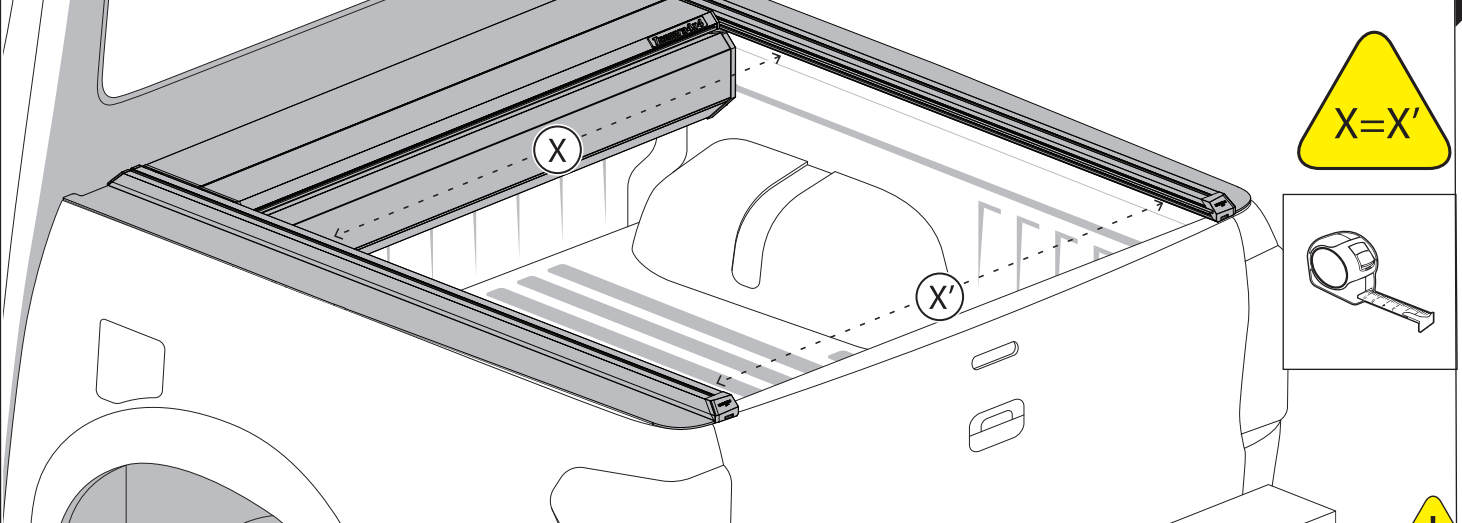


E

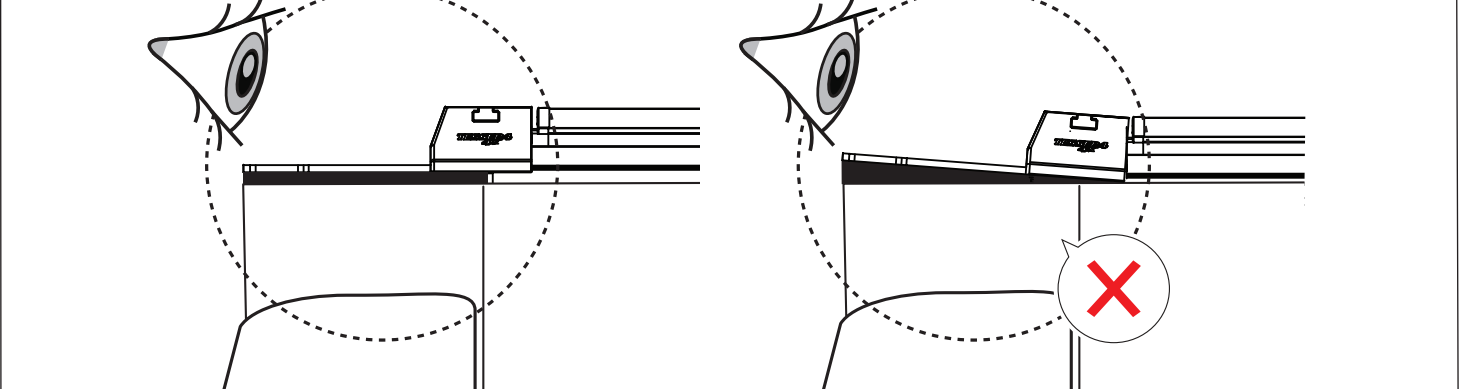




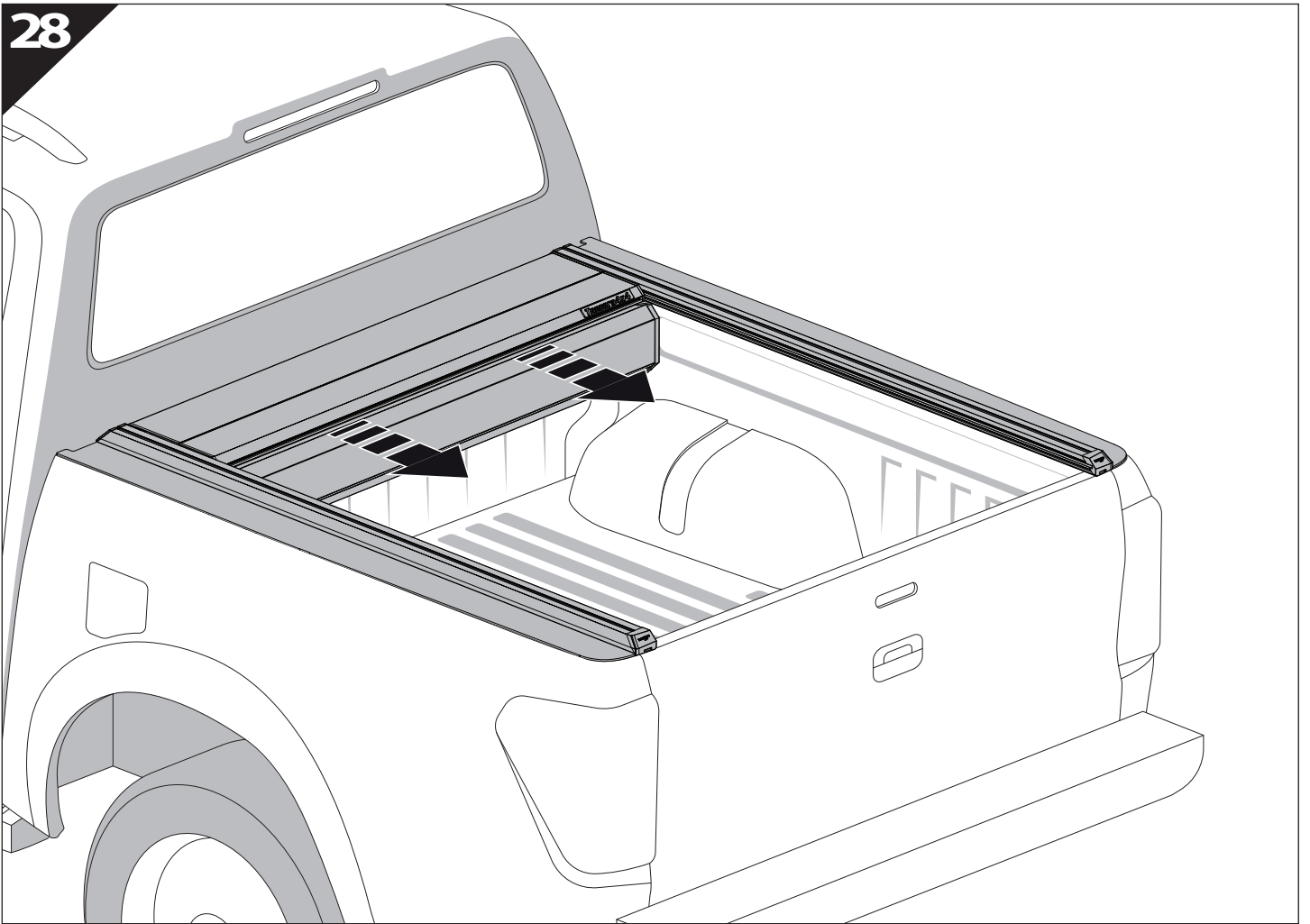
CAUTION !



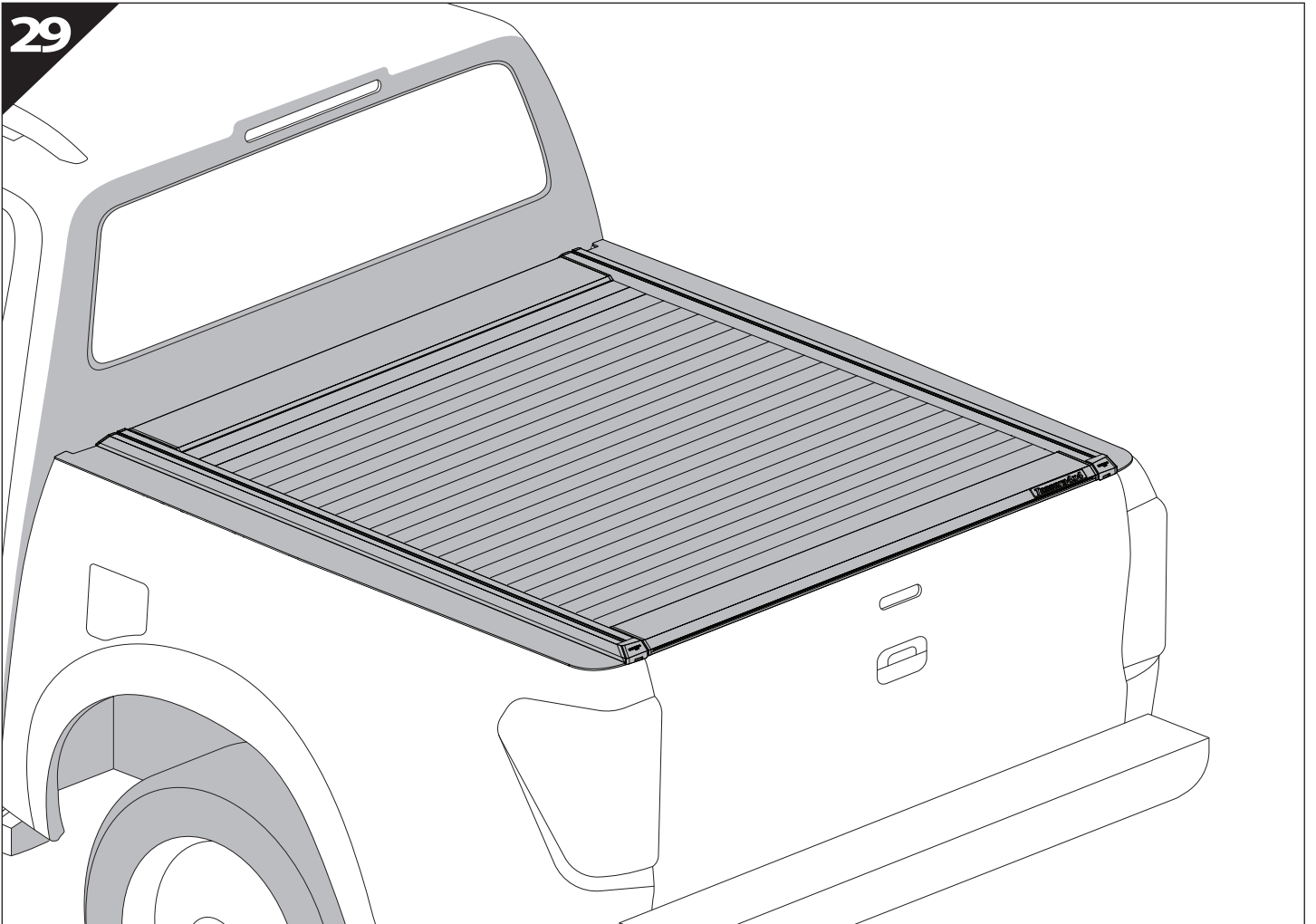
CAUTION !



28



29





GR: Οδηγίες Εγκατάστασης
GB: Installation manual
SF: Asennusohje
F: Notice de montage
PL: Instrukcja montażu
NL: Installatie-instructies
TR: Montaj Talimatı
S: Monteringsanvisning
E: Instrucciones de montaje

H: Szerelési utasítás
P: Instruções de instalação
RUS: Инструкция по установке
N: Monteringsveiledning
D: Einbauanleitung
CZ: Návod k instalaci
I: Istruzioni de montaggio
DK: Monteringsvejledning
RO: Instructiuni de instalare

Customer Service:

+30 (210) 5541161, +30 (210) 5541154 (08:00 - 16:00 EET)

Support department:

info@gianso.gr

Website:

www.tessera4x4.com

Address:

19.5 km of National road Athens-Korinthos (Elefsina) Greece, P.C: 19200