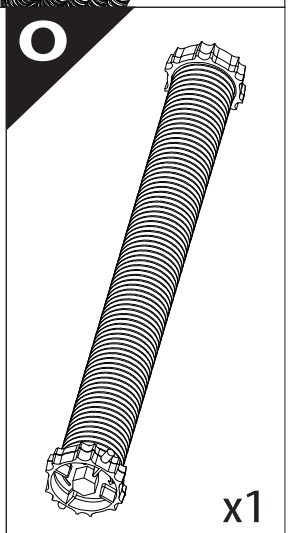
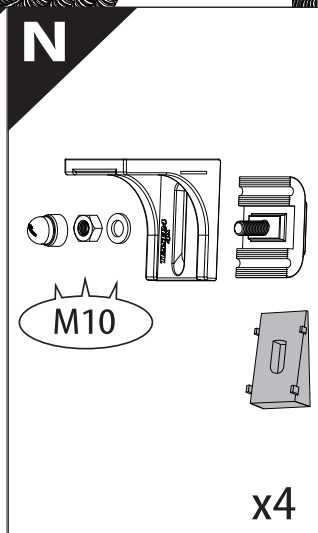
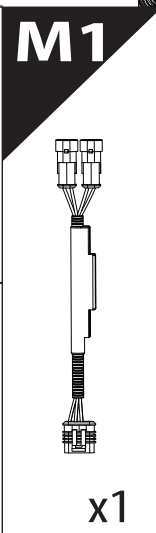
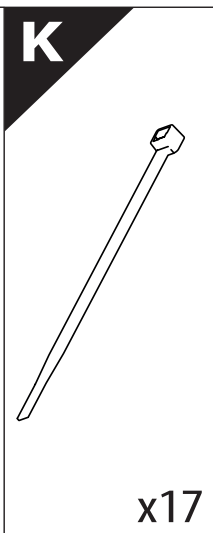
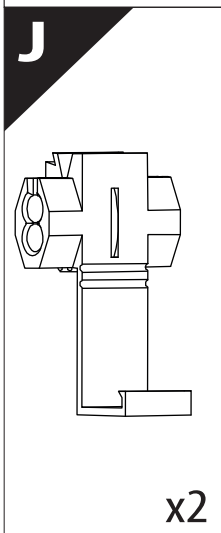
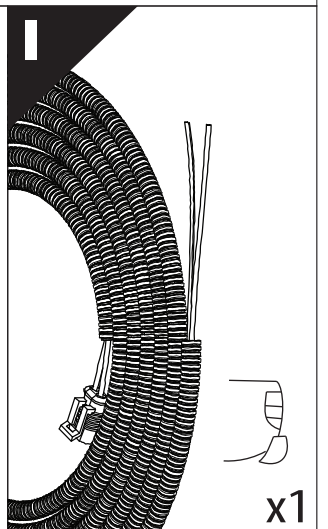
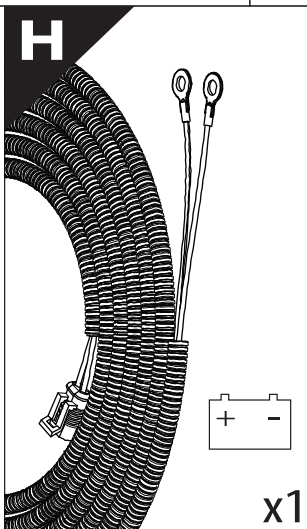
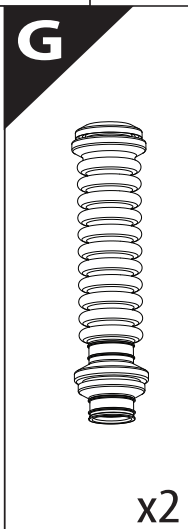
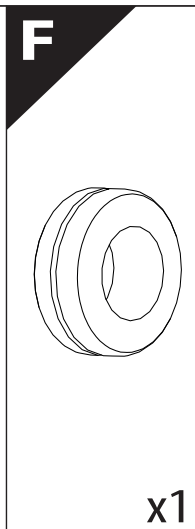
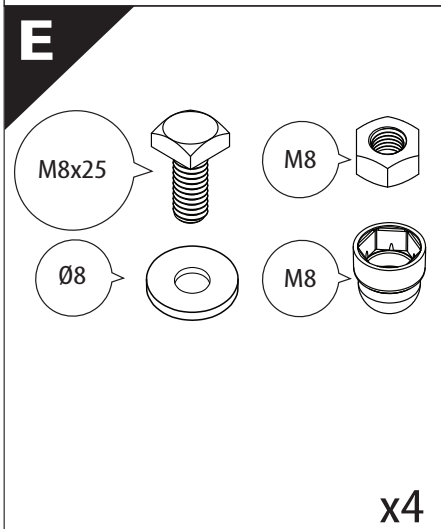
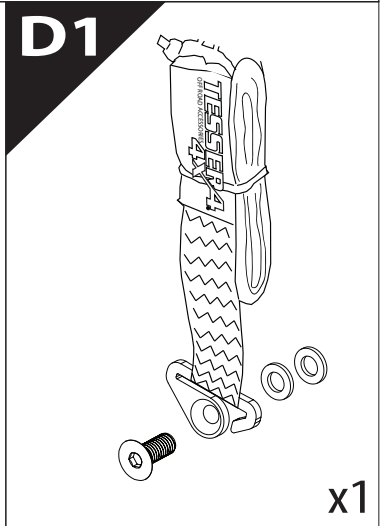
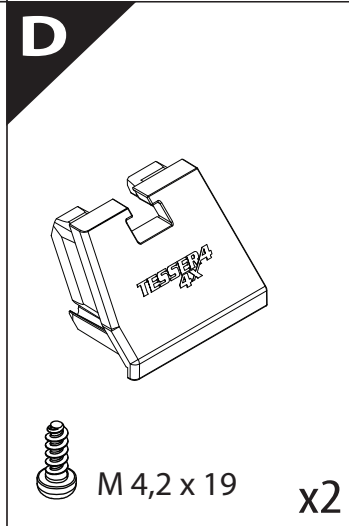
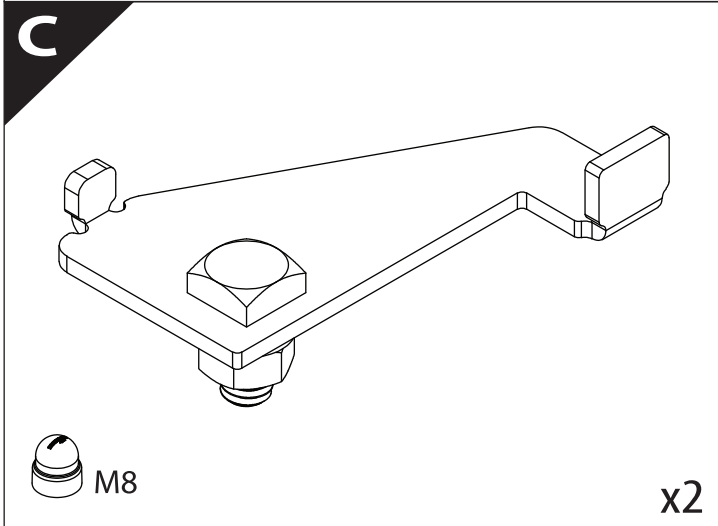
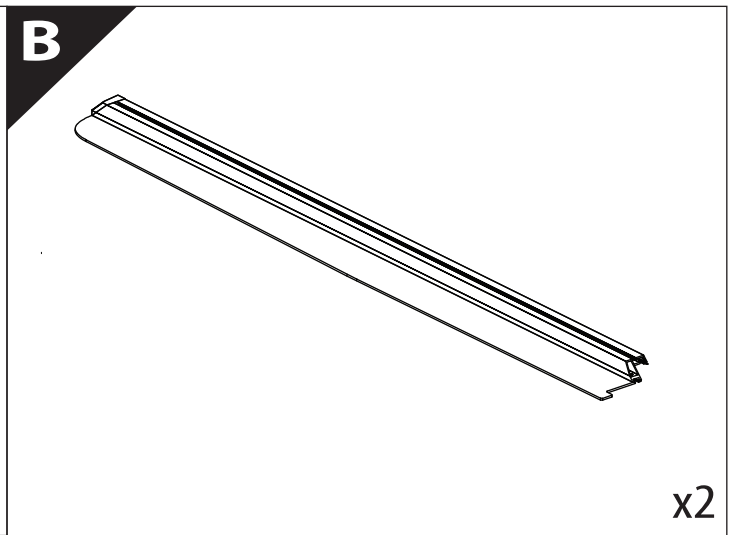
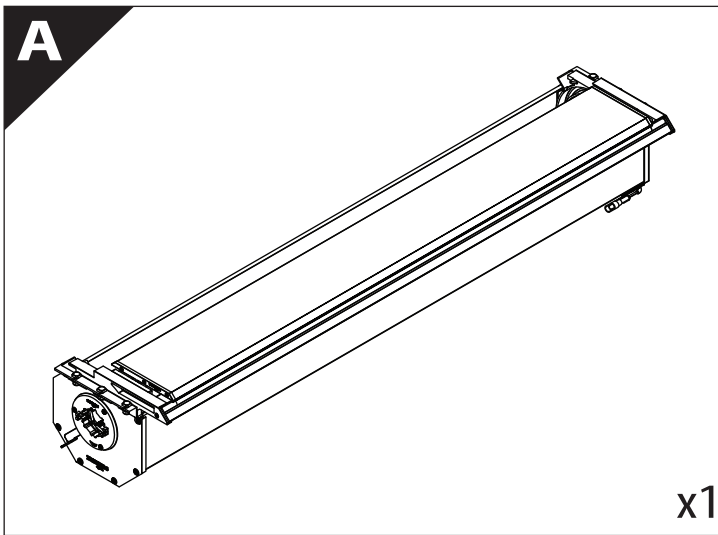


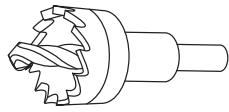


# Installation Manual

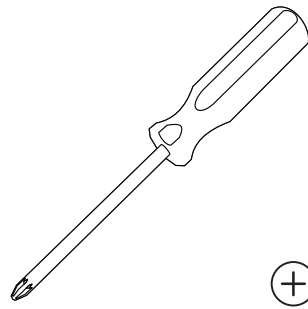
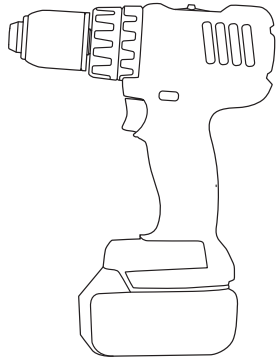
PART NUMBER(S)	Model Year
TESS 1446 ROLL+S-KIT	DongFeng Rich 6 2021+
Cab(s)	Installation Time / Weight
Double Cab	40-60 minutes / 53-57 kg



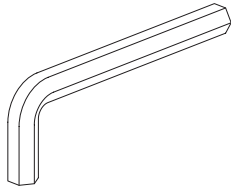
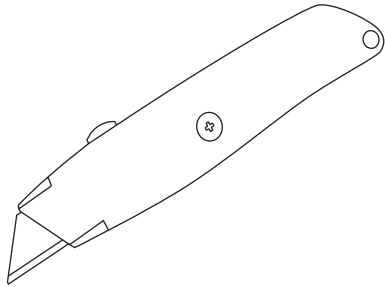
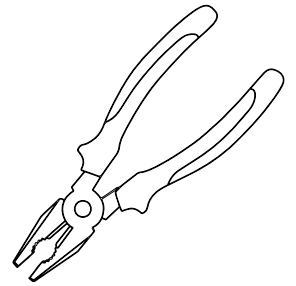




Ø 25 mm

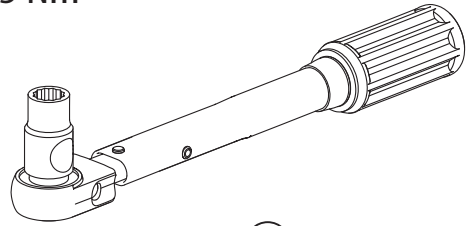


+



4 mm

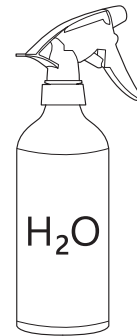
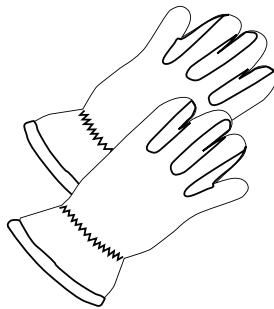
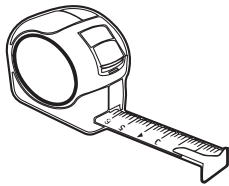
1 - 25 Nm



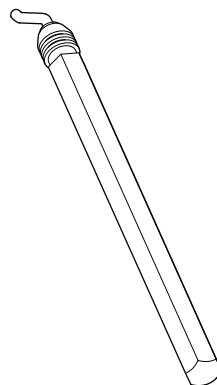
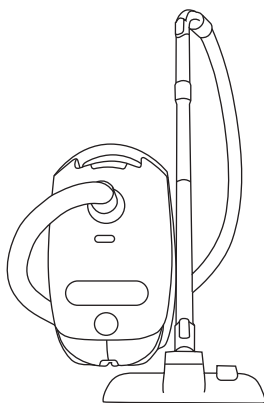
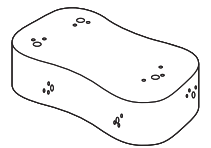
13, 17 mm



ACETONE



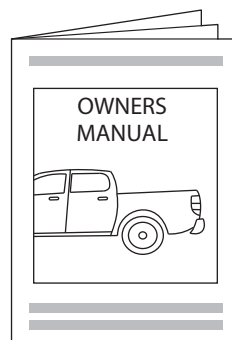
H<sub>2</sub>O



ANTI-RUST

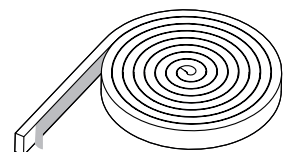
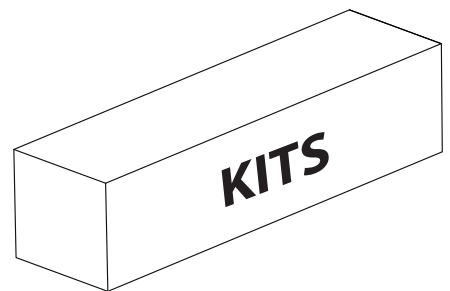
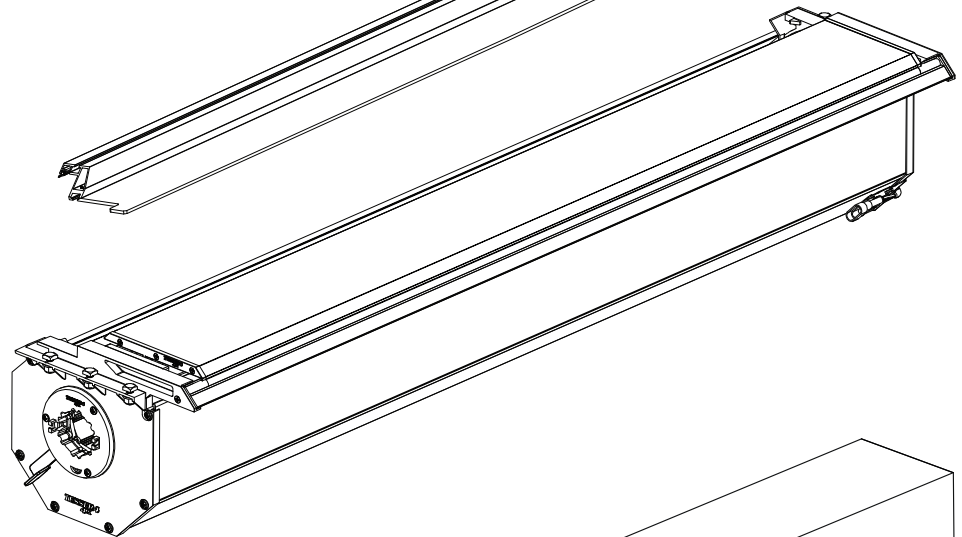
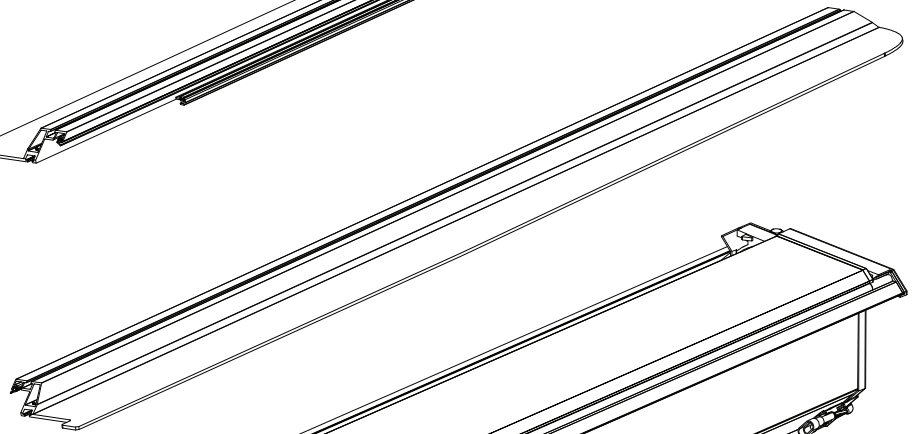
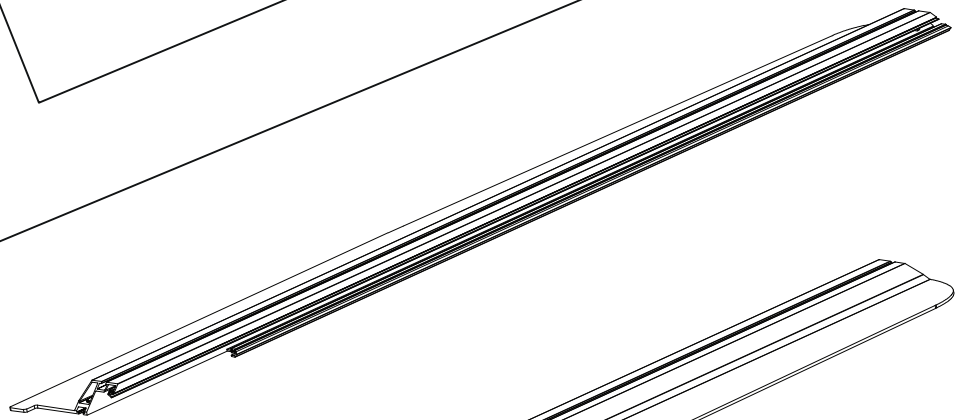
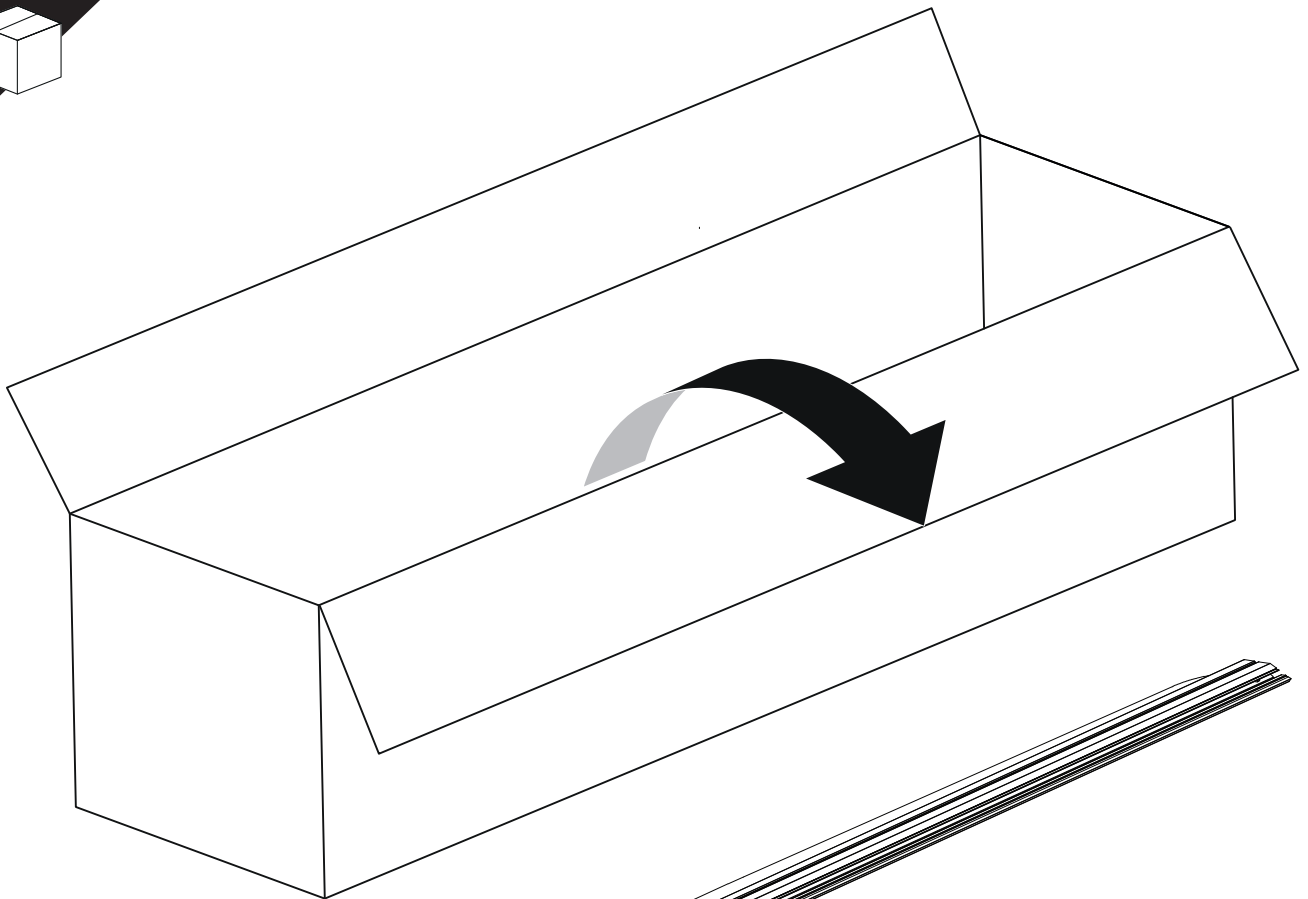


INSTALLATION  
MANUAL



OWNERS  
MANUAL

x1

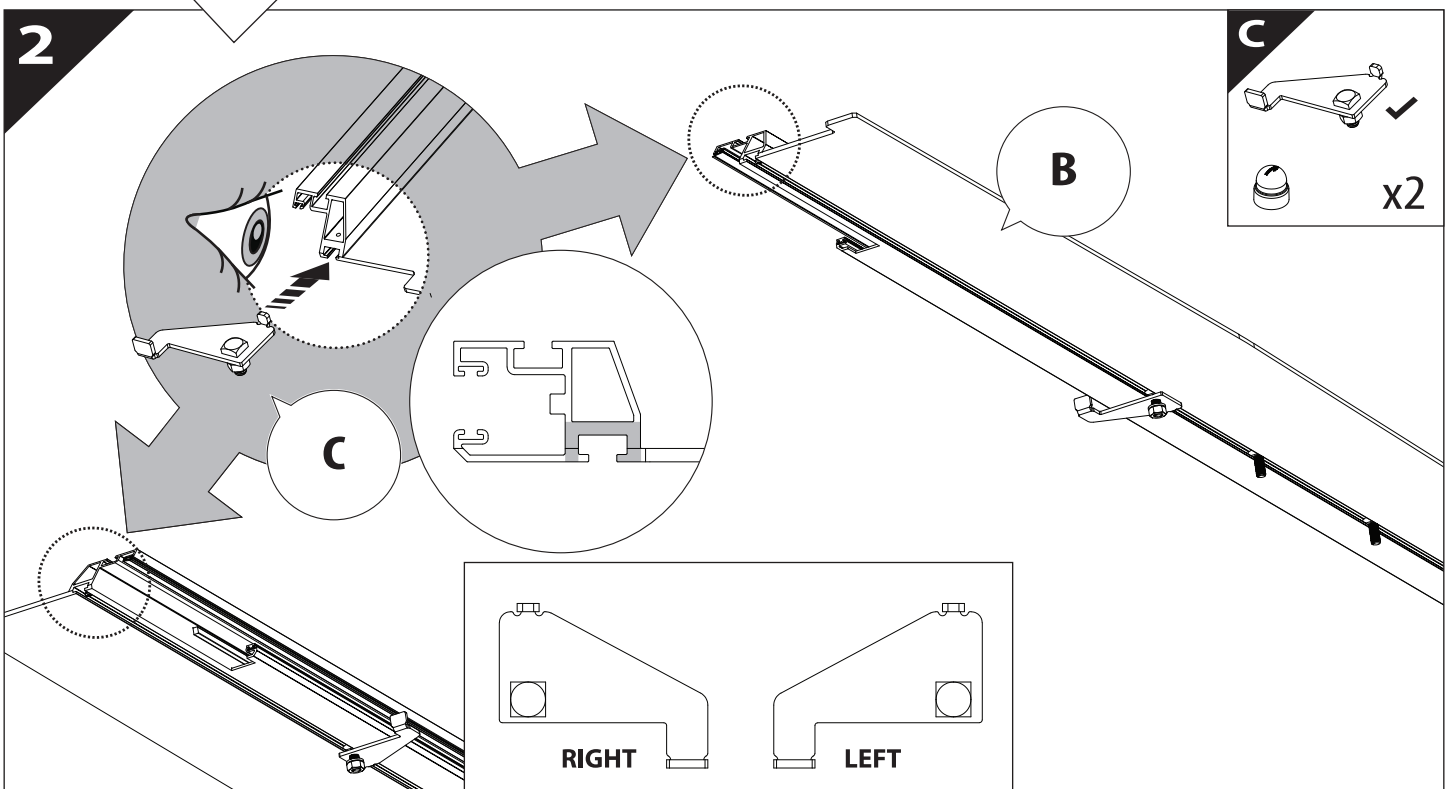
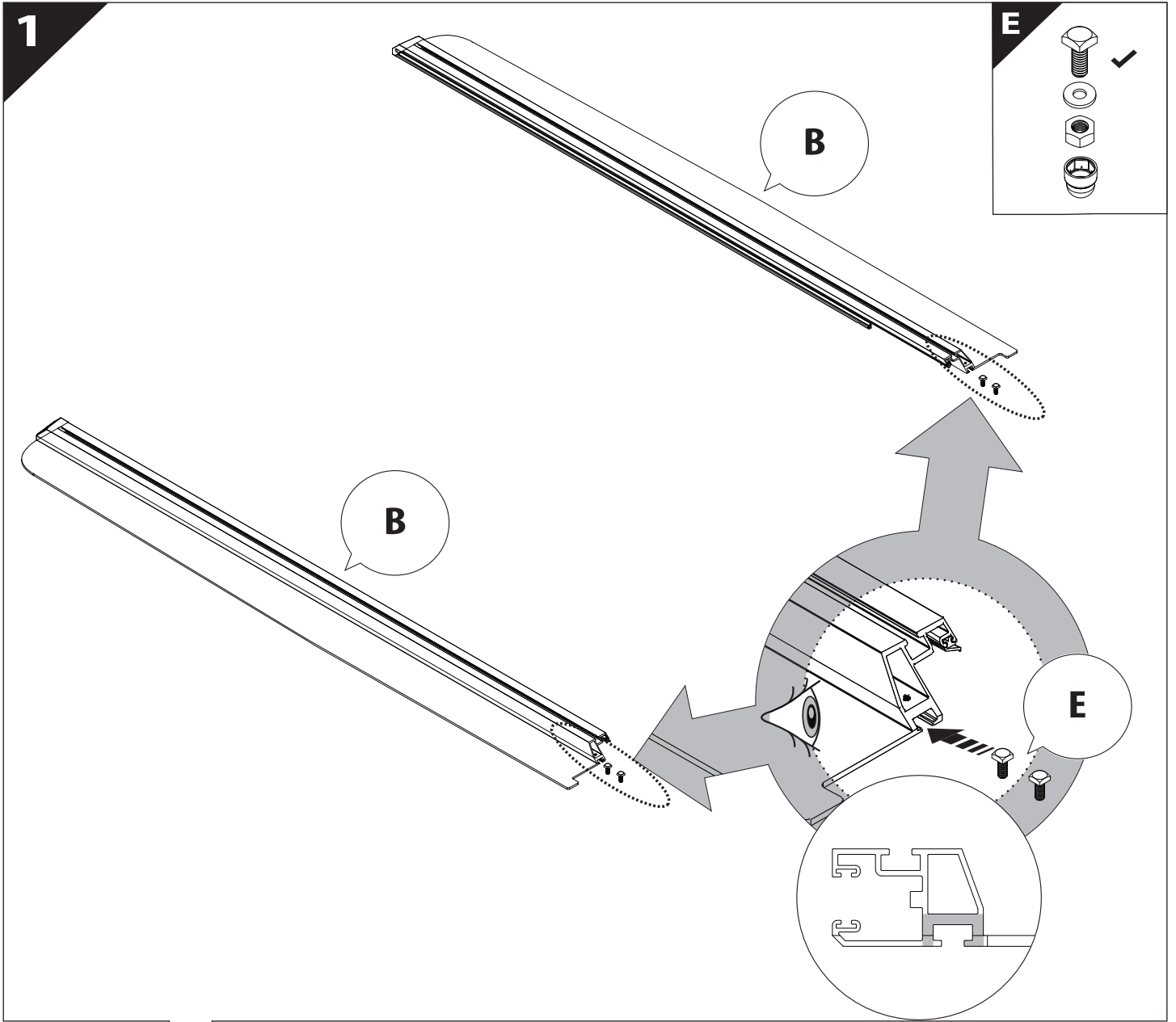


**B**

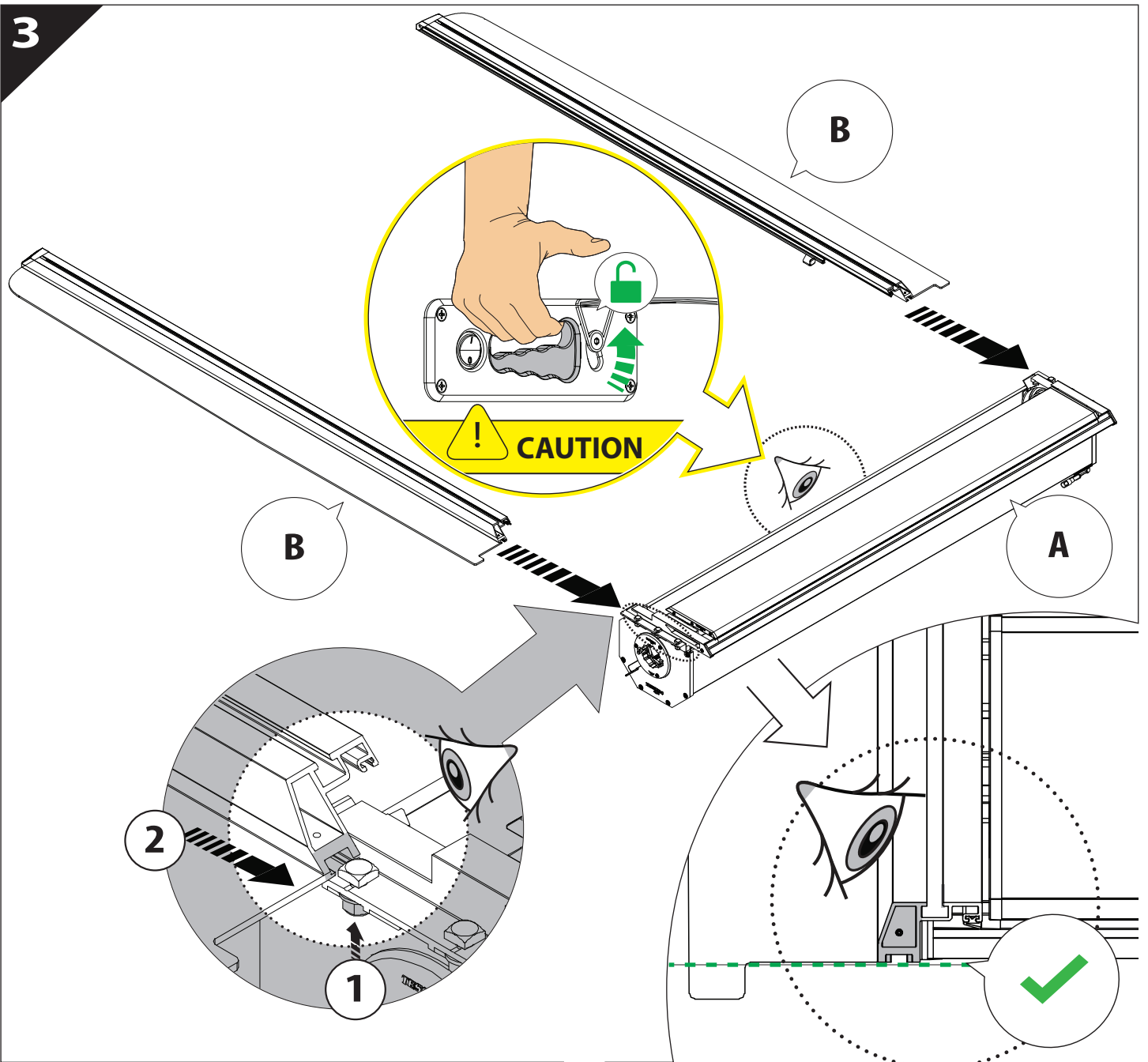
**A**

**KITS**

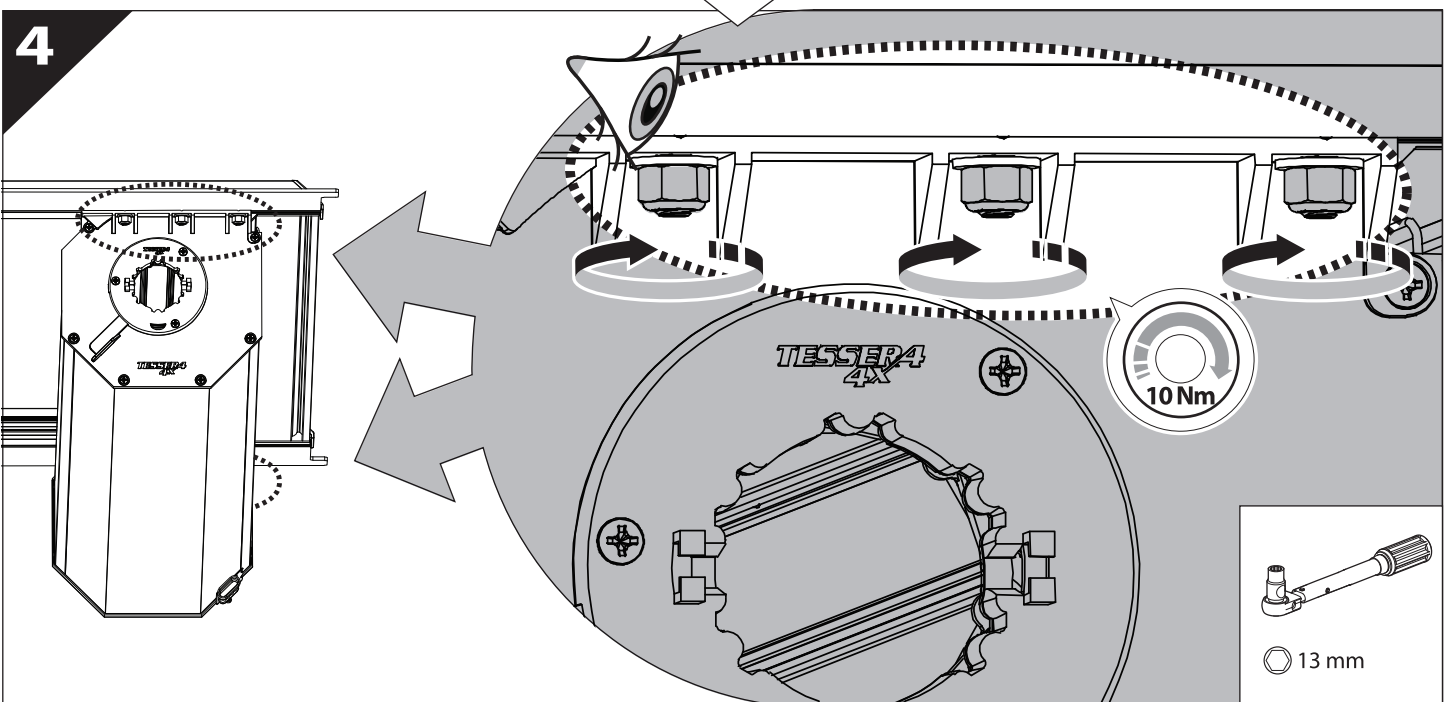
**L**

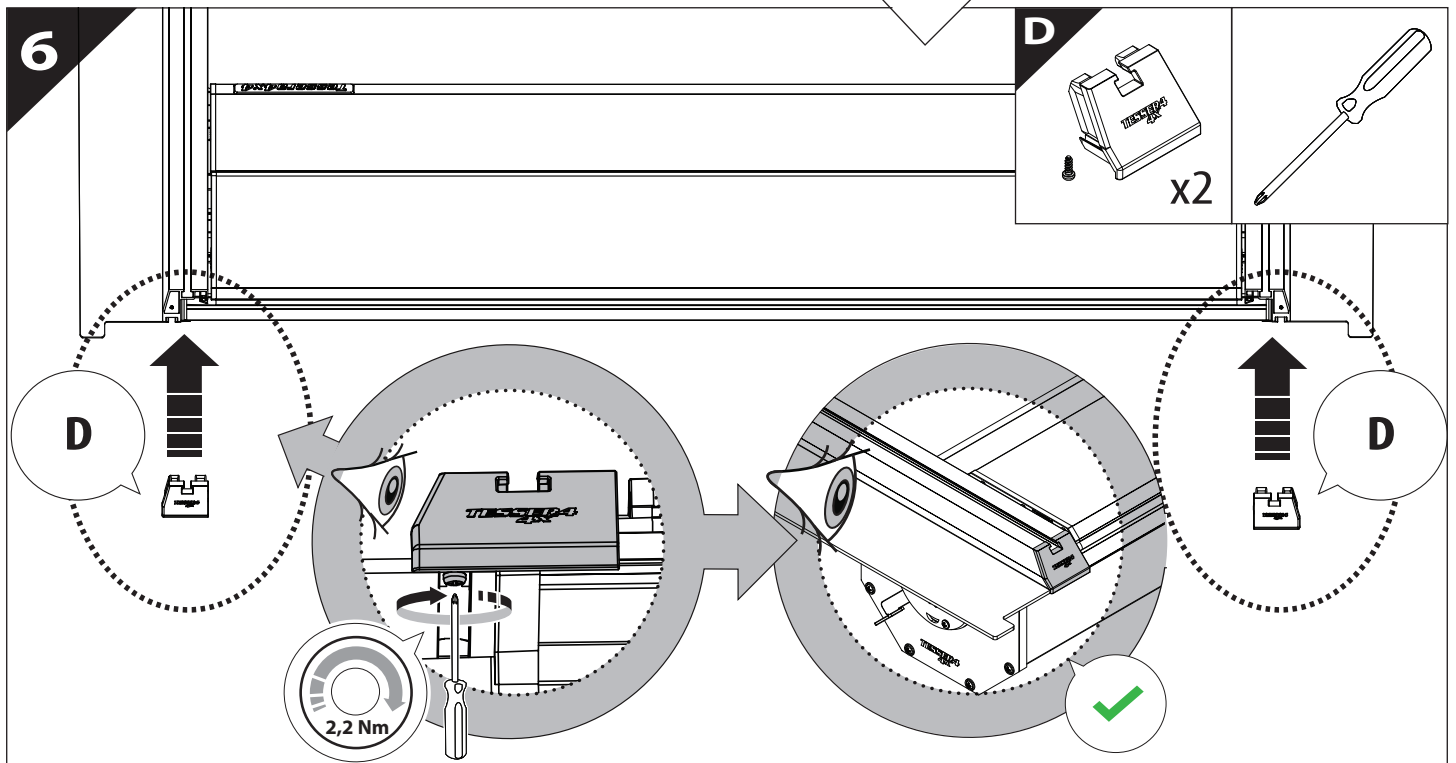
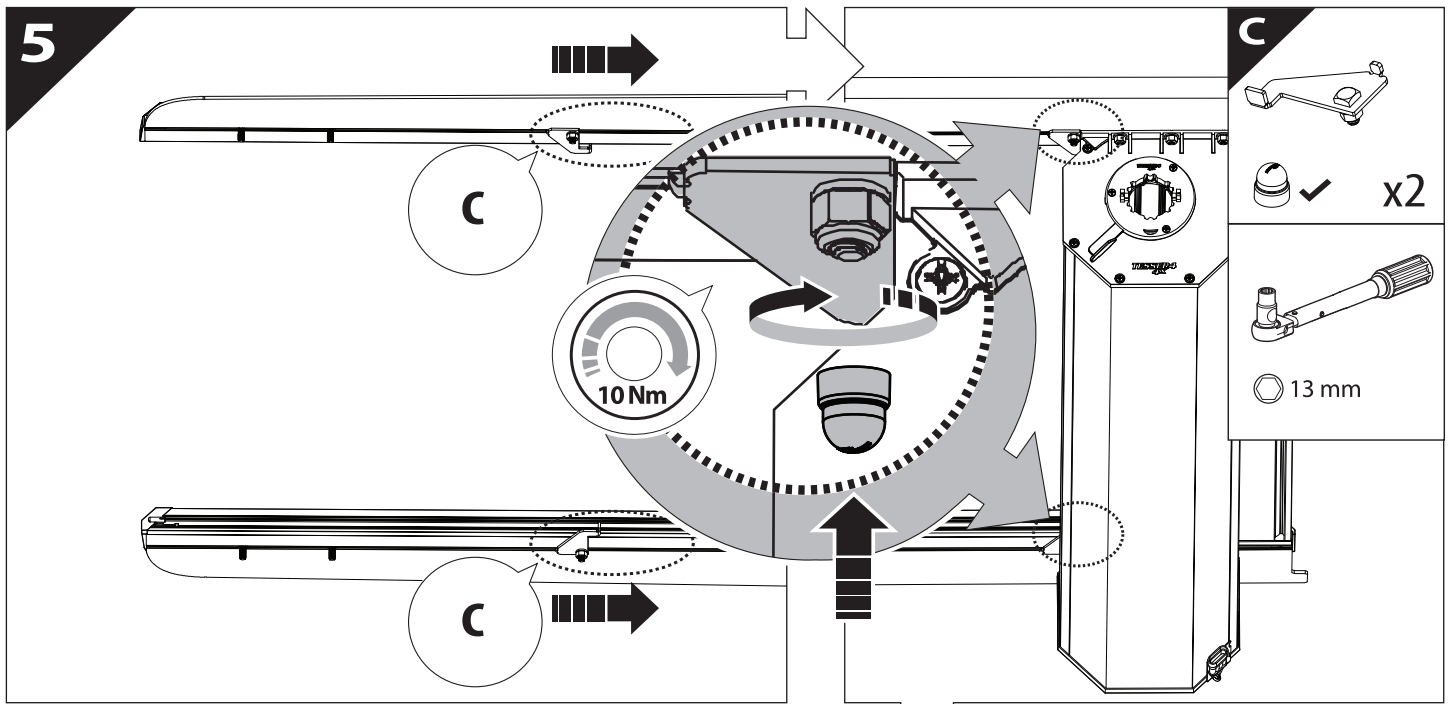


3

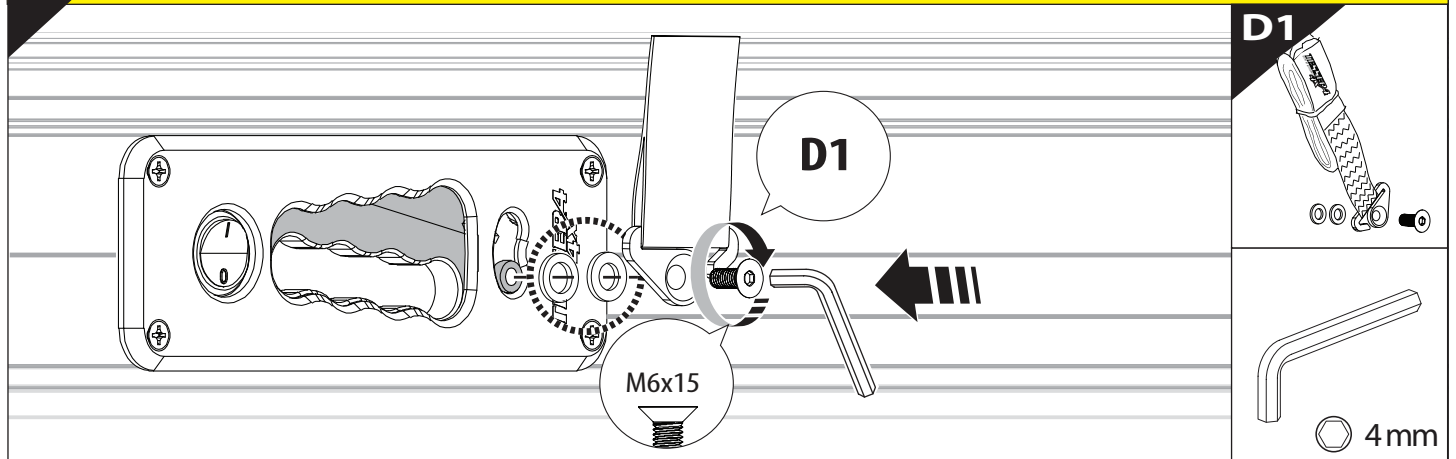


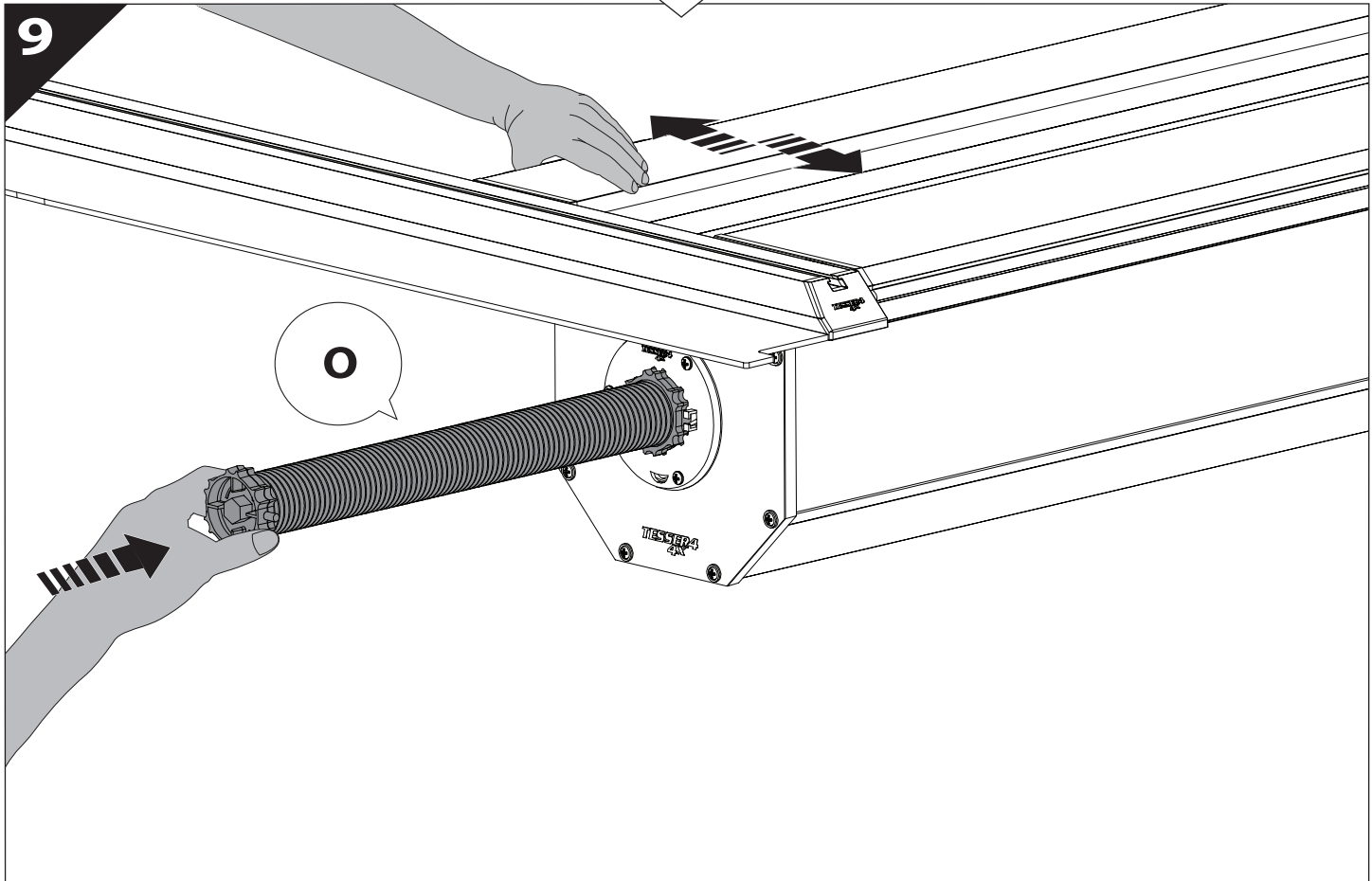
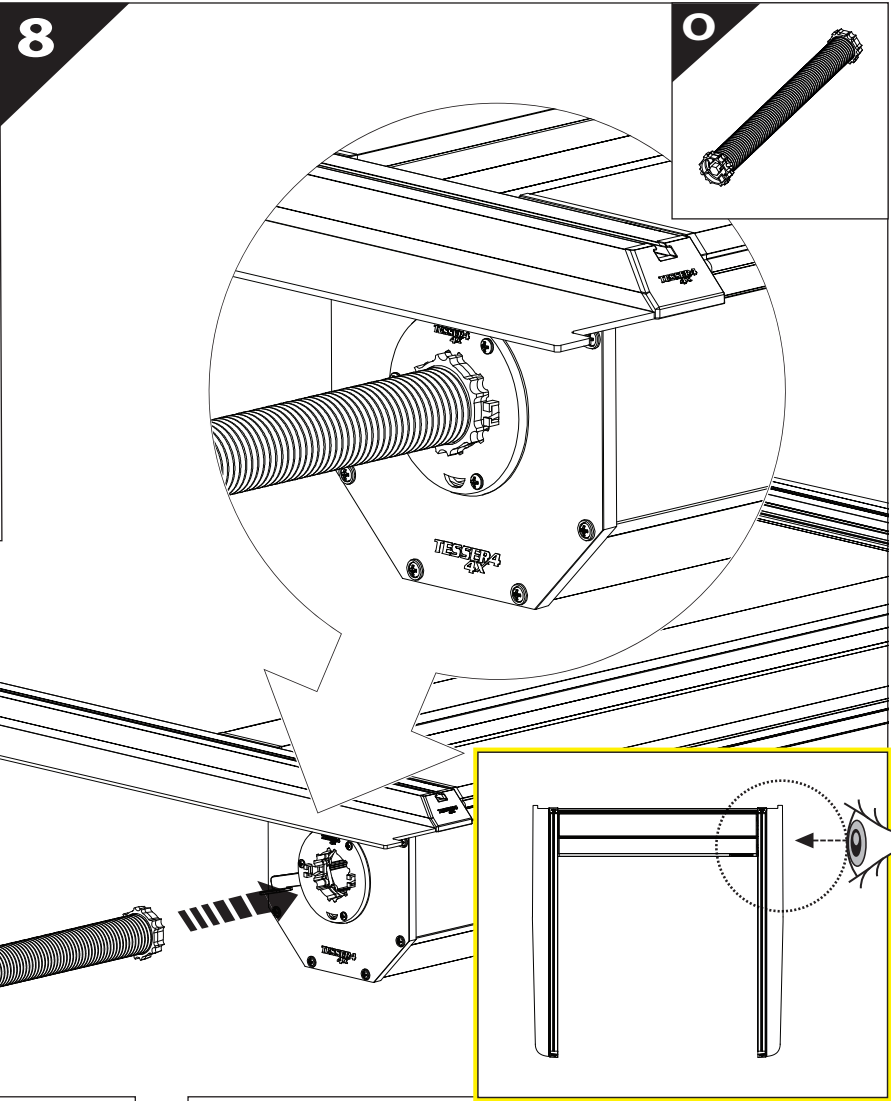
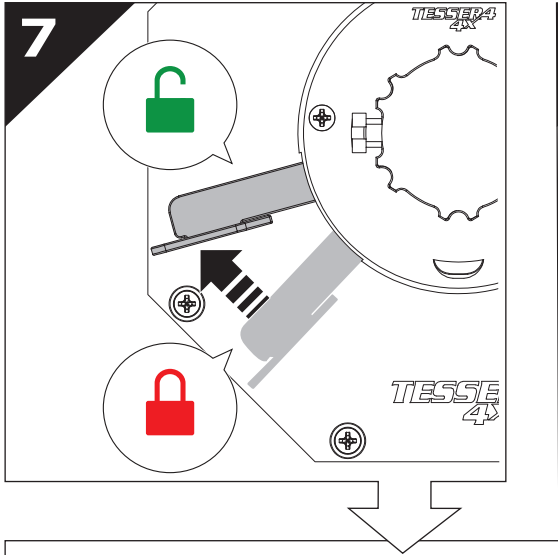
4



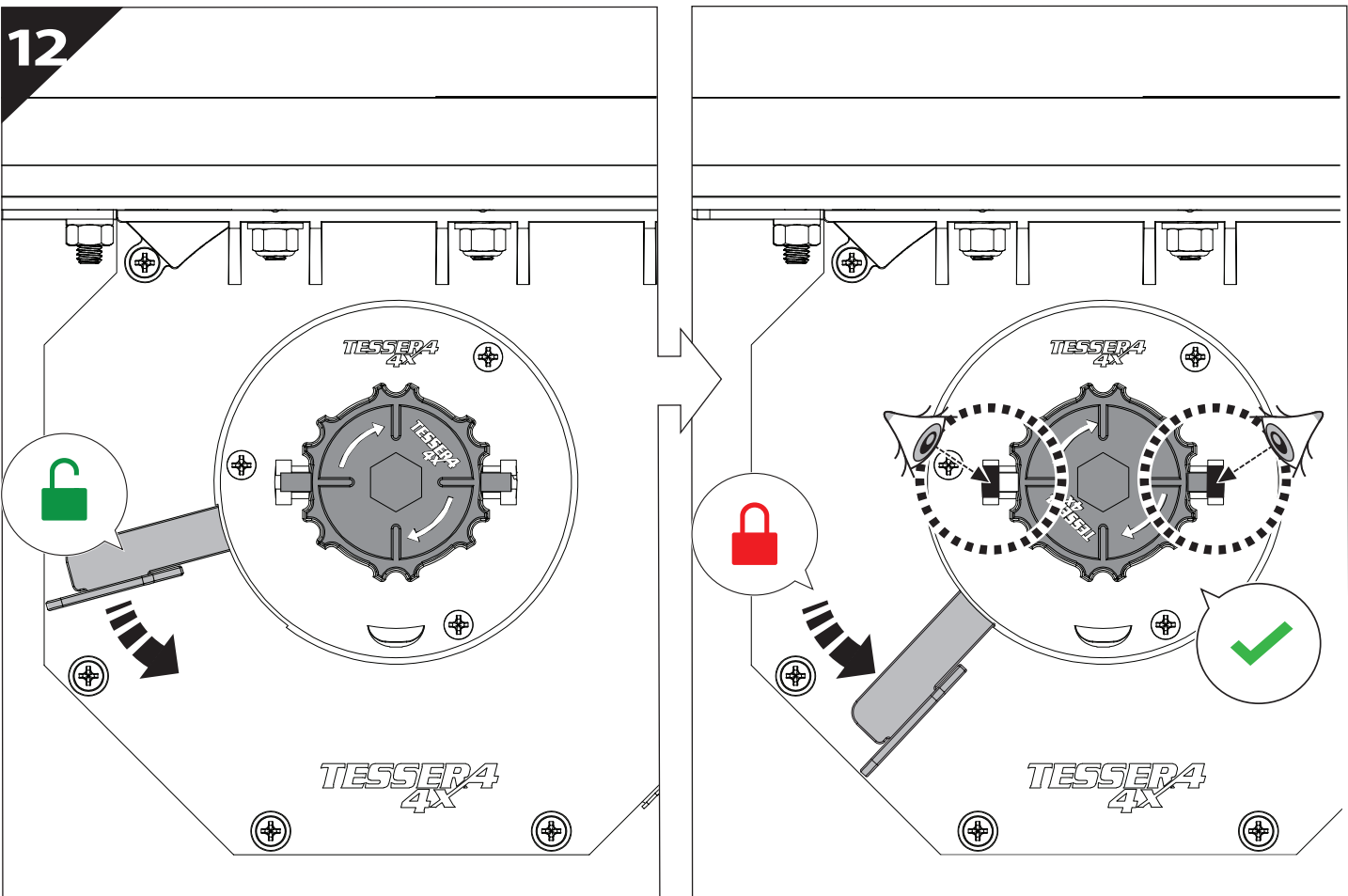
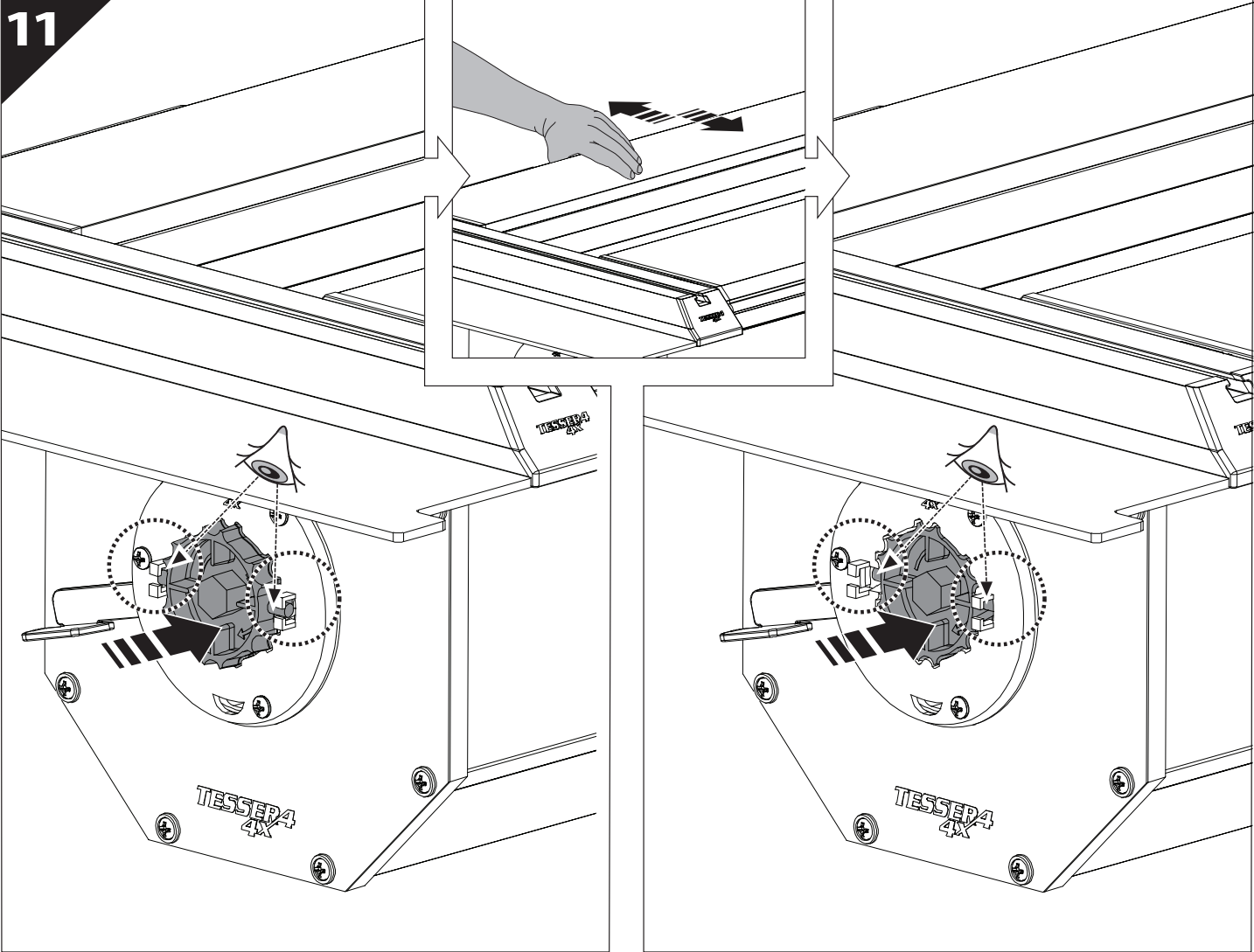


**6.1** **CAUTION** Basic Version ✓ & Basic+S-KIT Version ✓

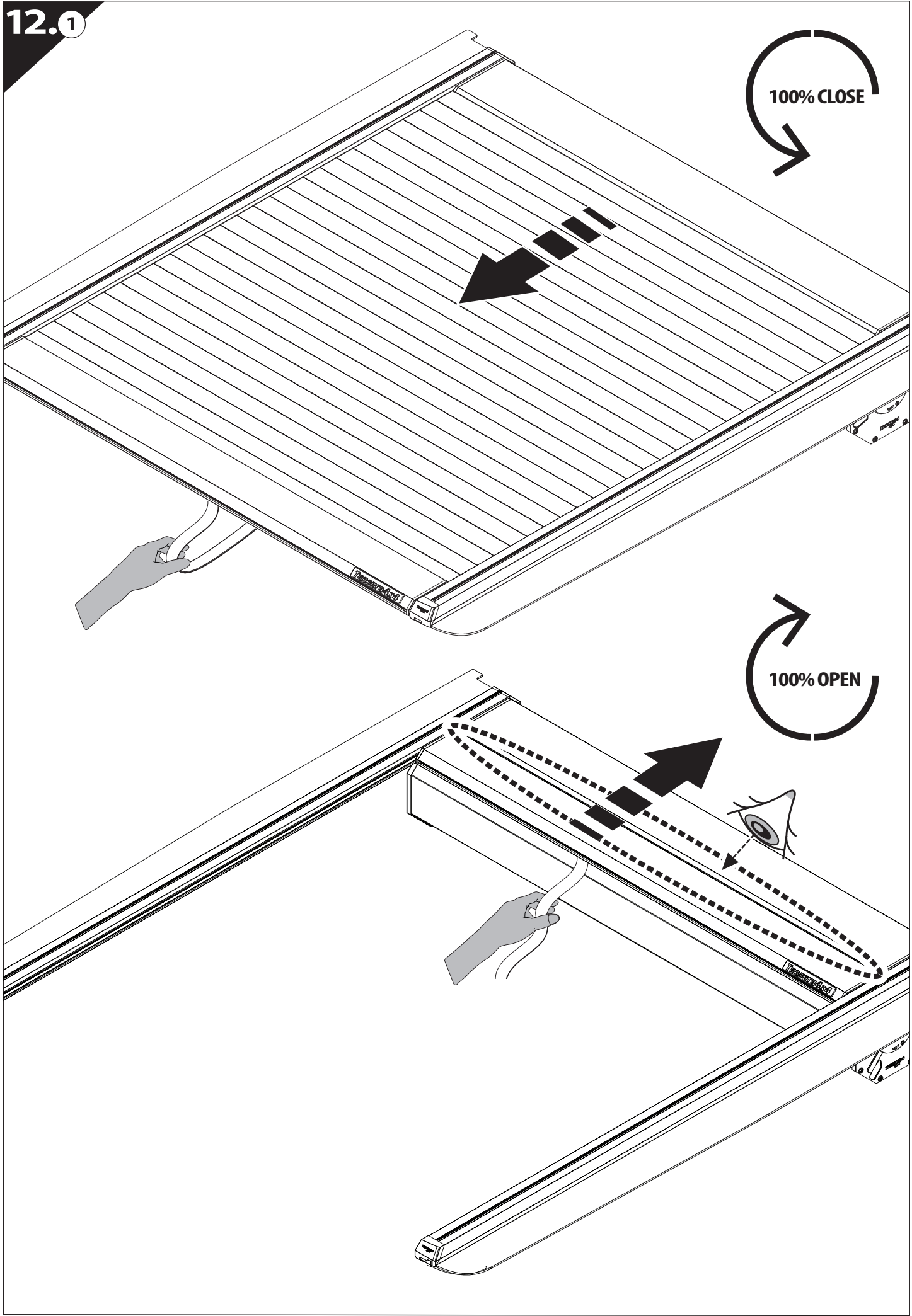




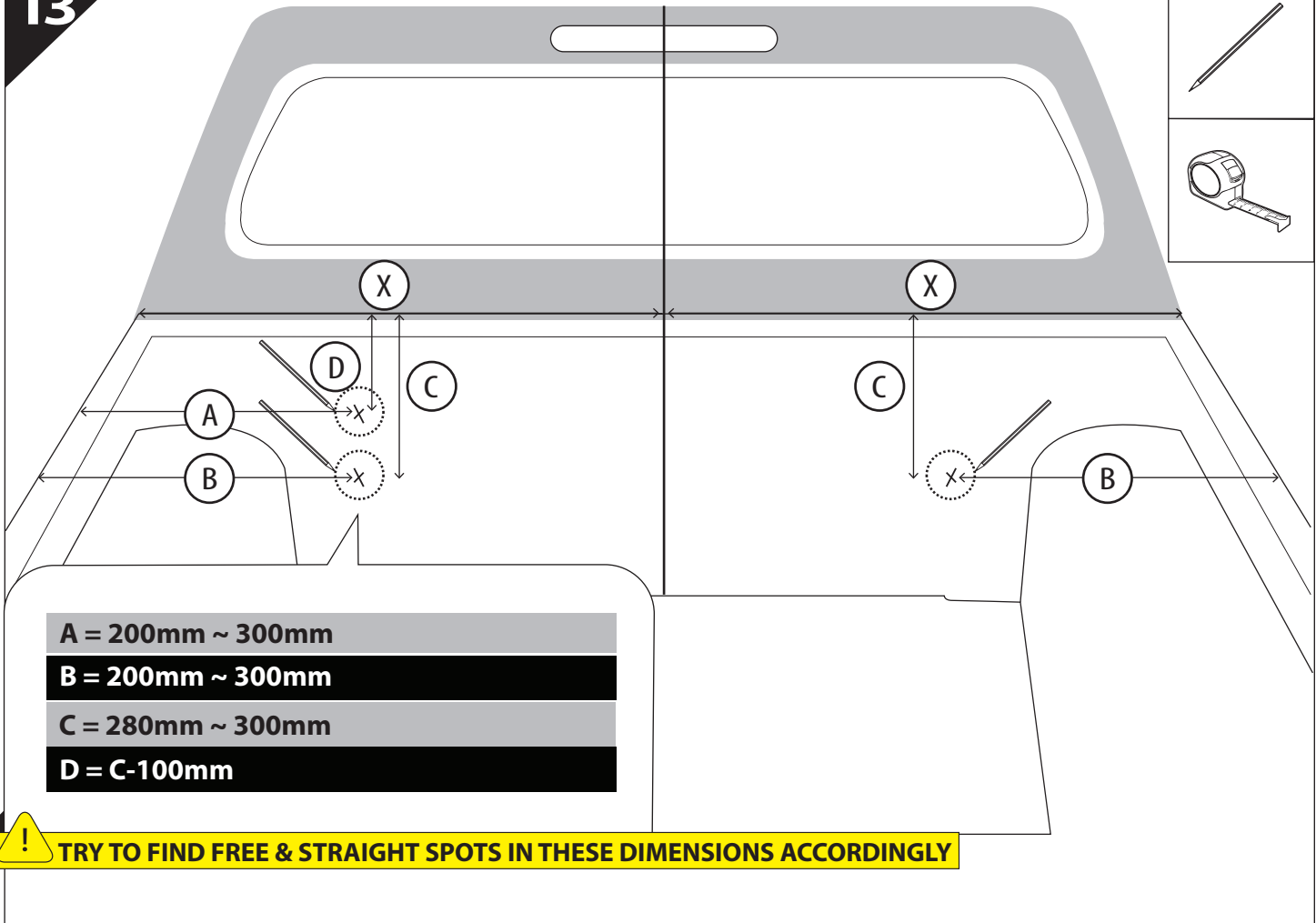
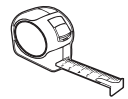




12.0

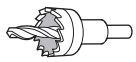


13



**! TRY TO FIND FREE & STRAIGHT SPOTS IN THESE DIMENSIONS ACCORDINGLY**

14



Ø 25 mm



**Rust Protection**

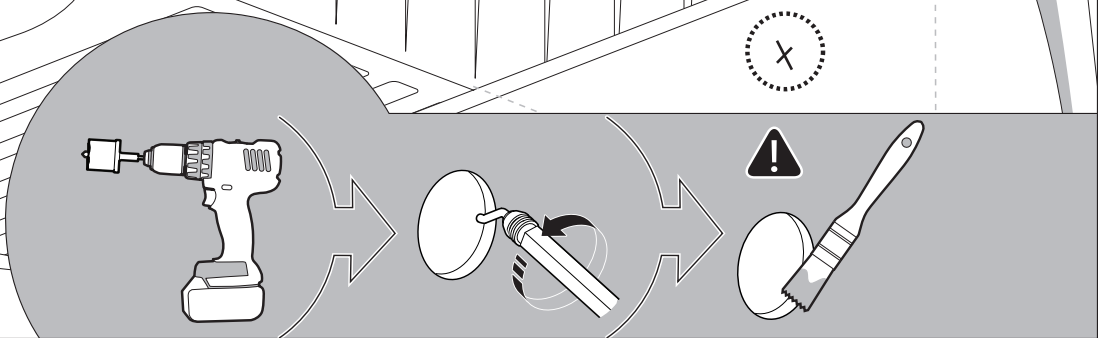
**! CAUTION**

max: 2 mm



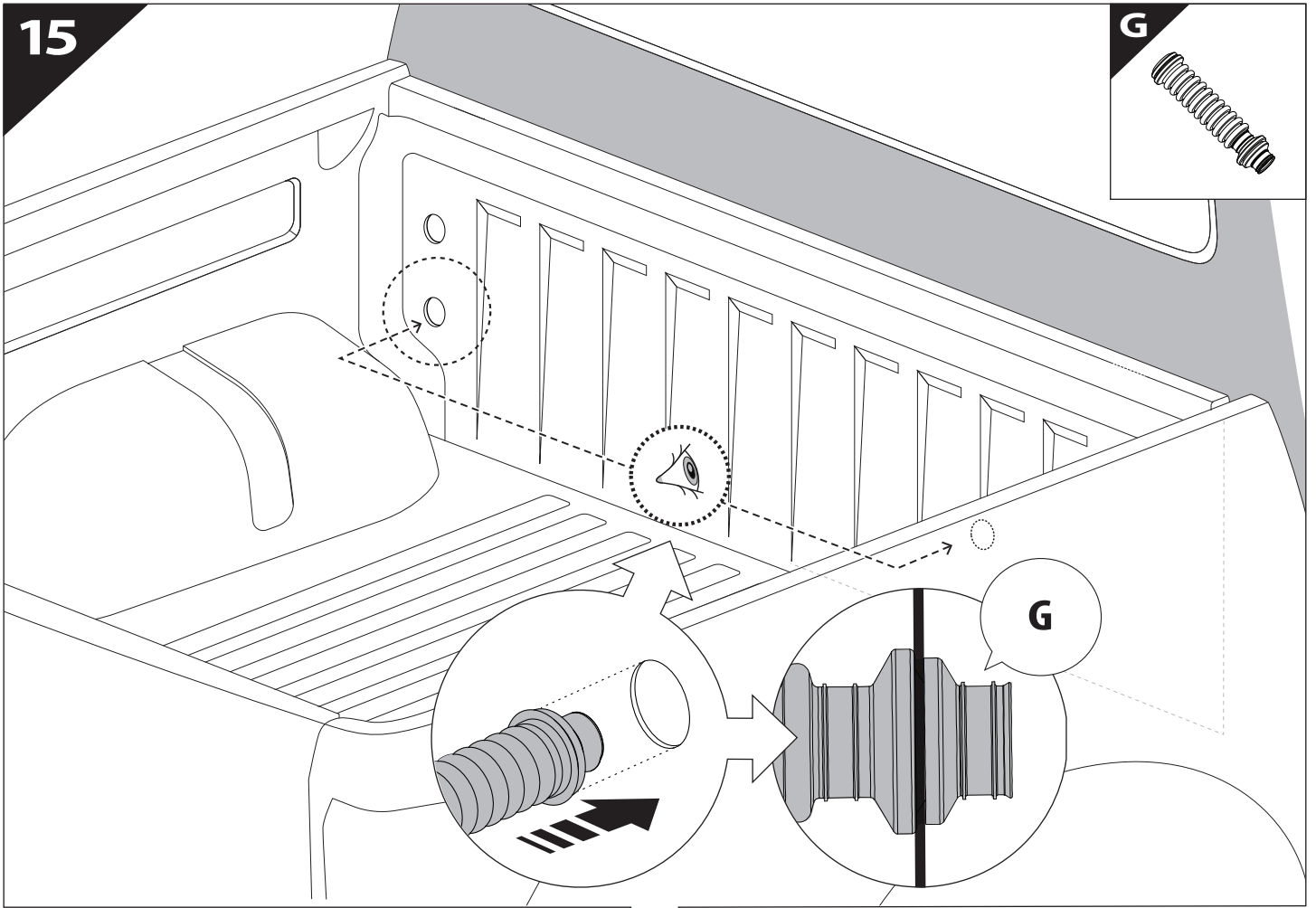
**! CAUTION**

5 mm



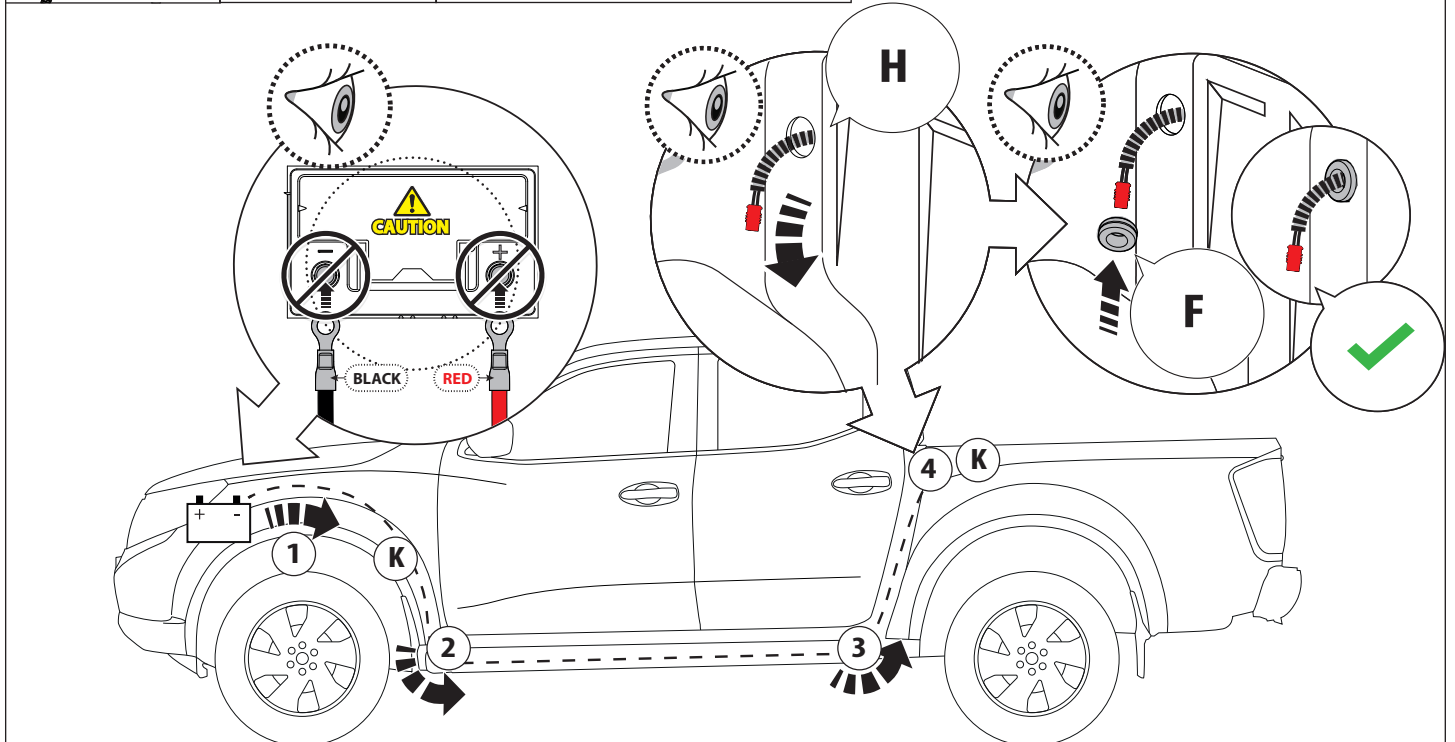
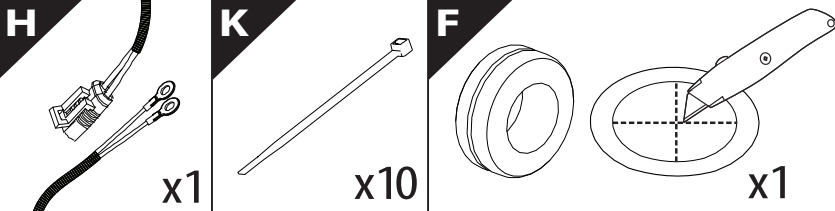
15

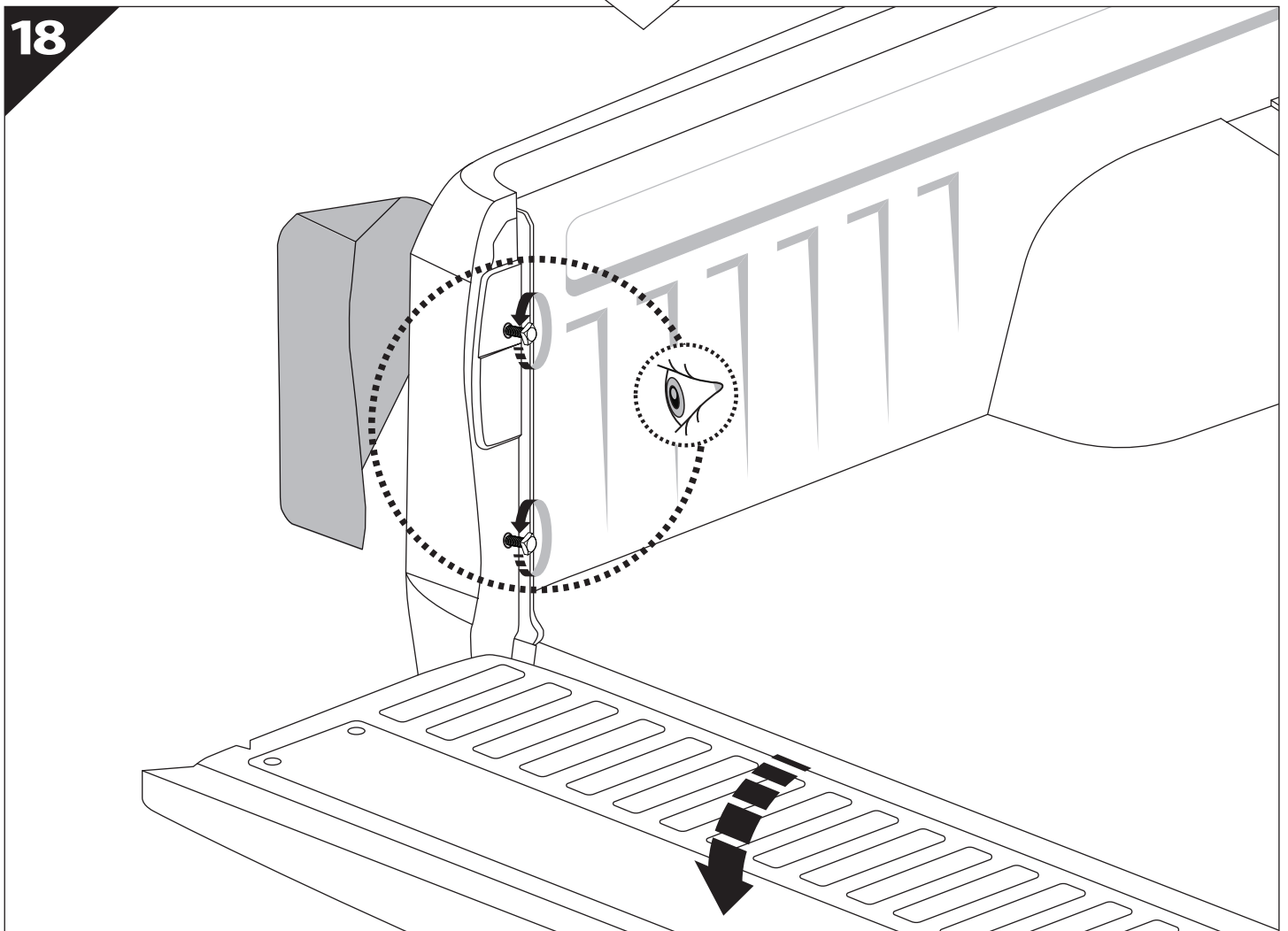
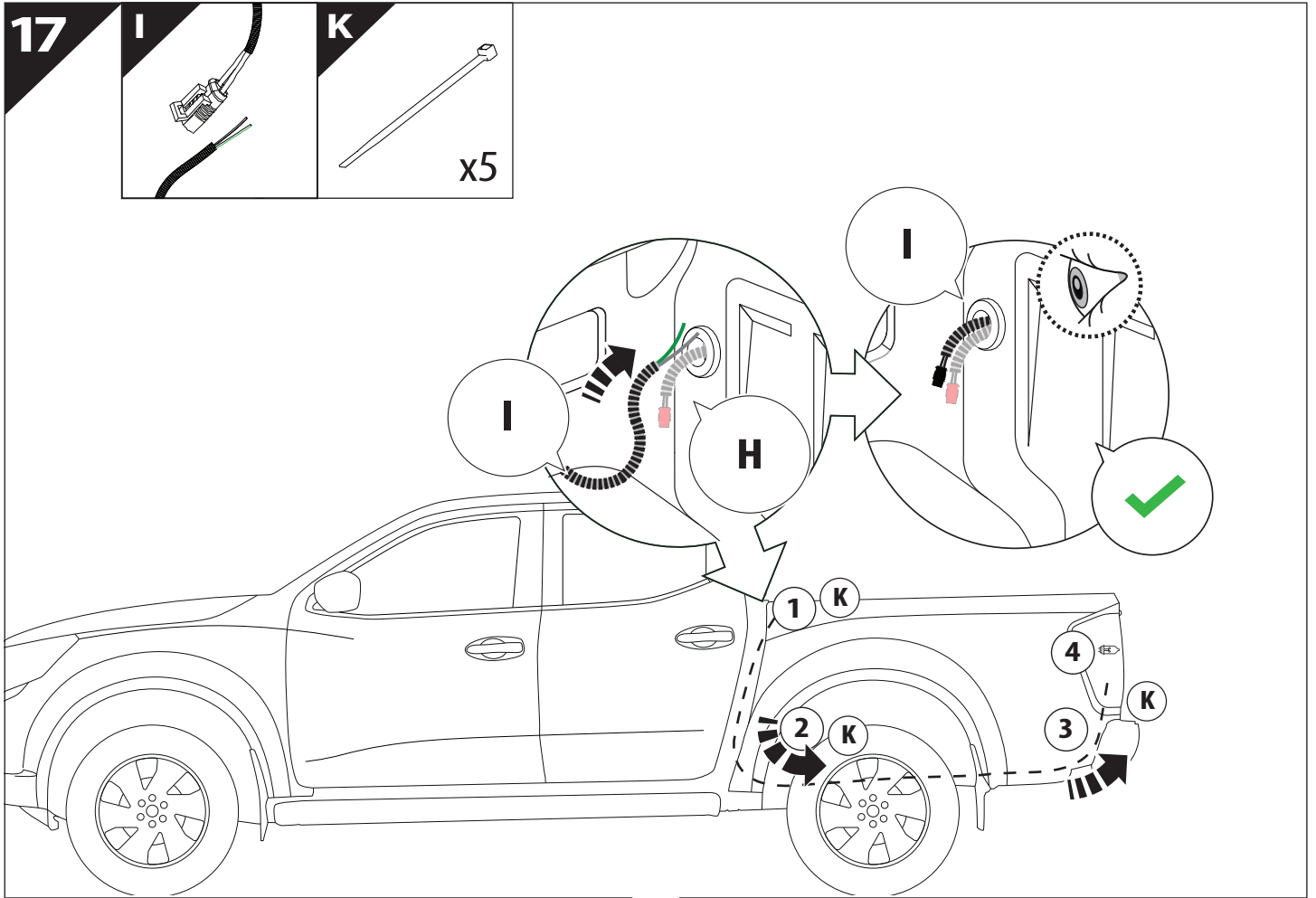
G



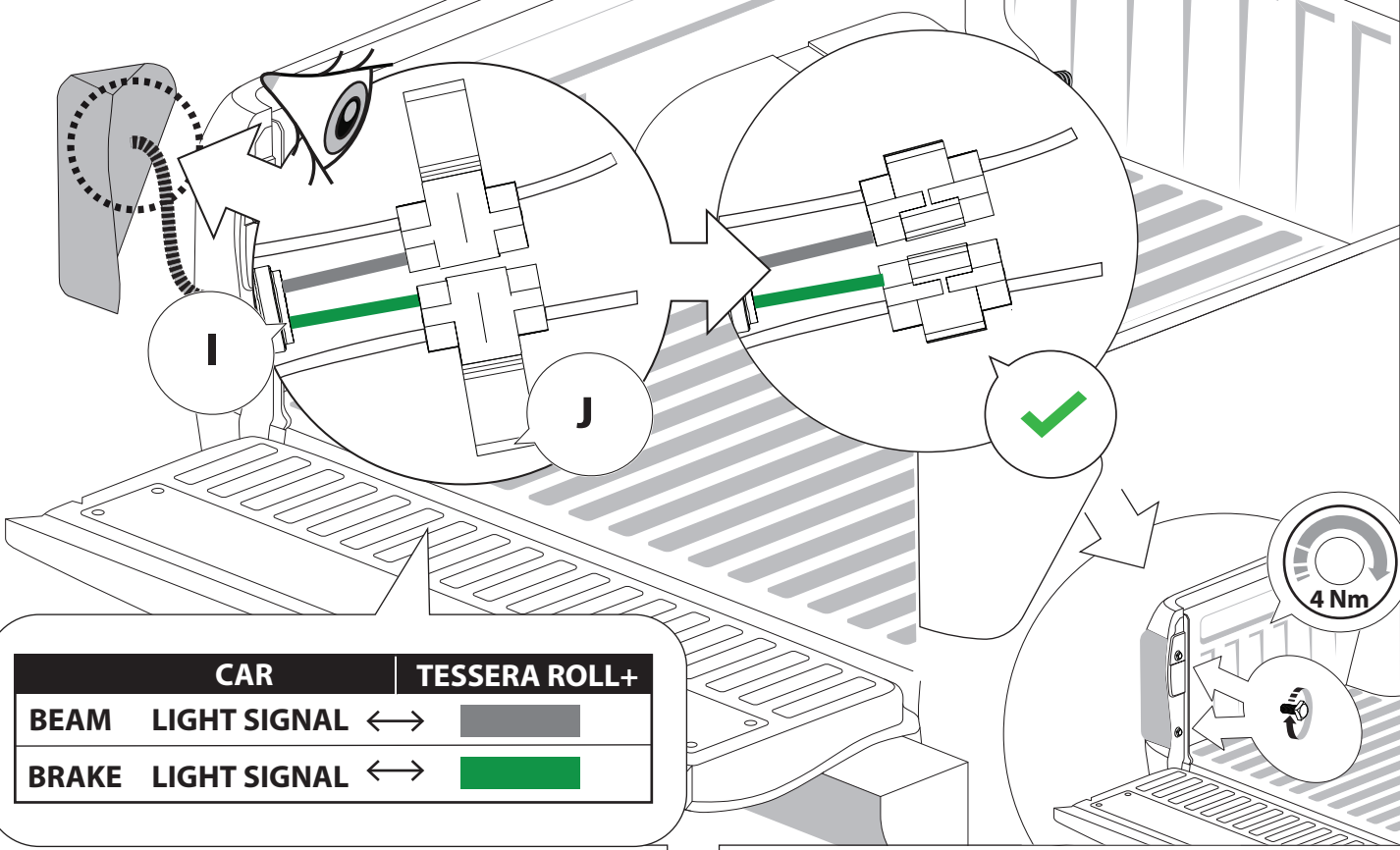
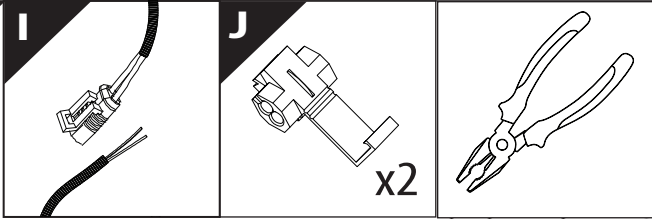
16

Only to be installed by authorized personnel



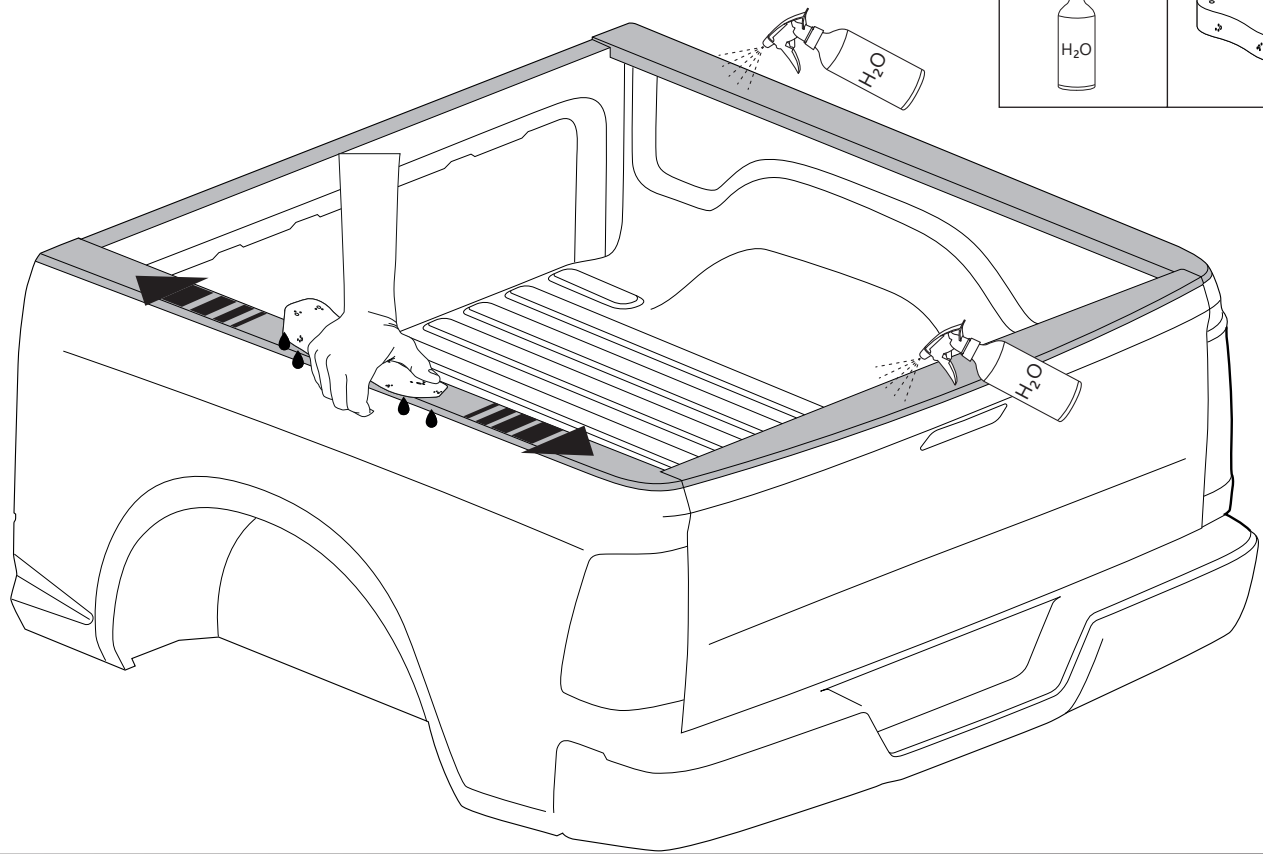
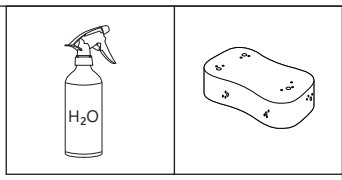


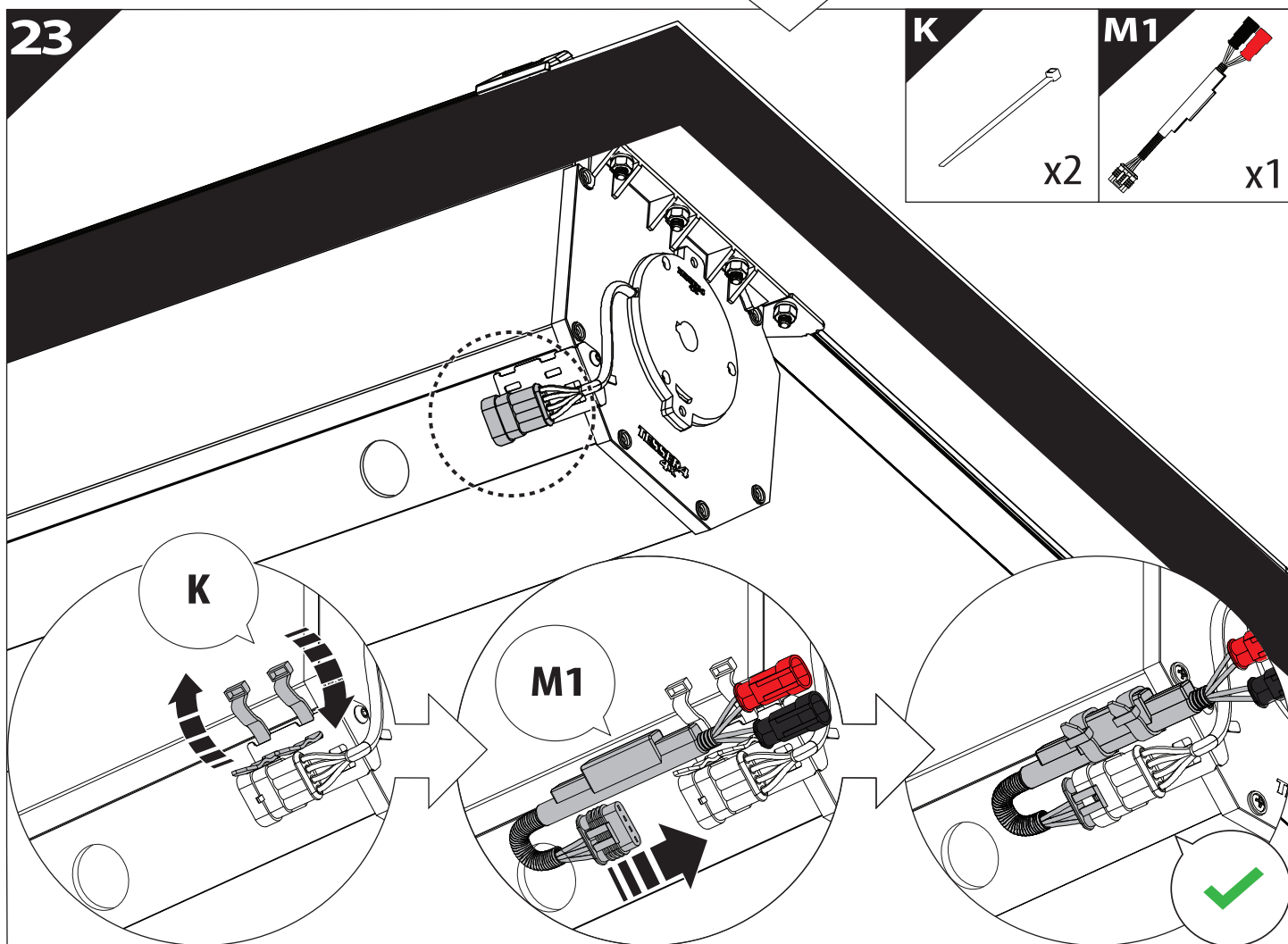
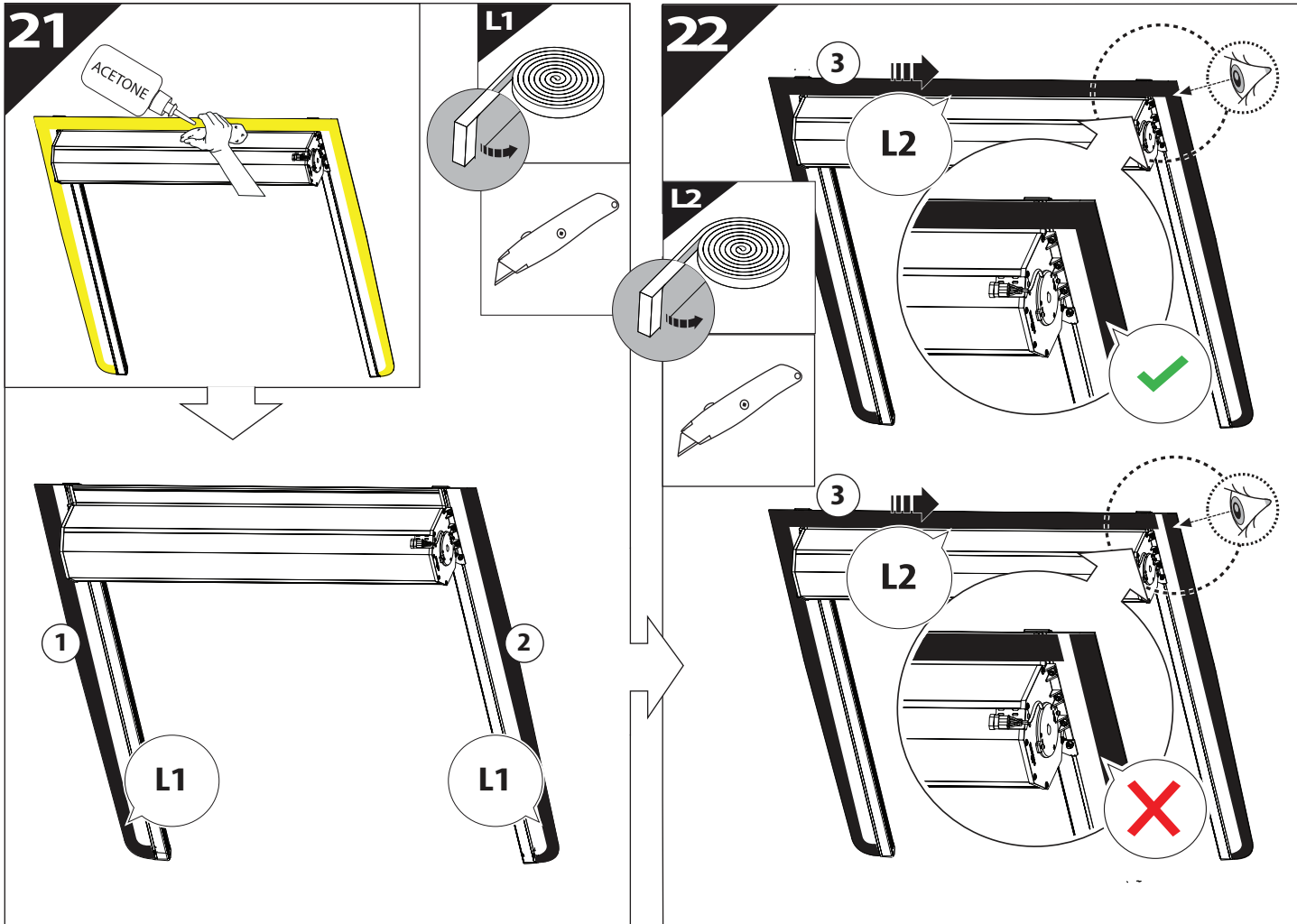
19



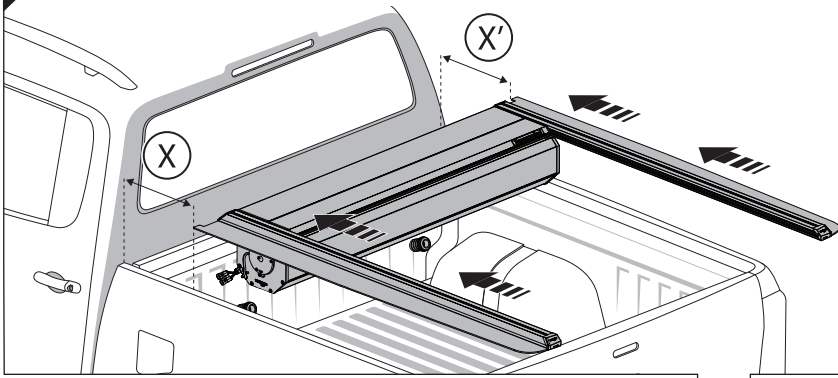
	CAR		TESSERA ROLL+
BEAM	LIGHT SIGNAL	↔	■
BRAKE	LIGHT SIGNAL	↔	■

20

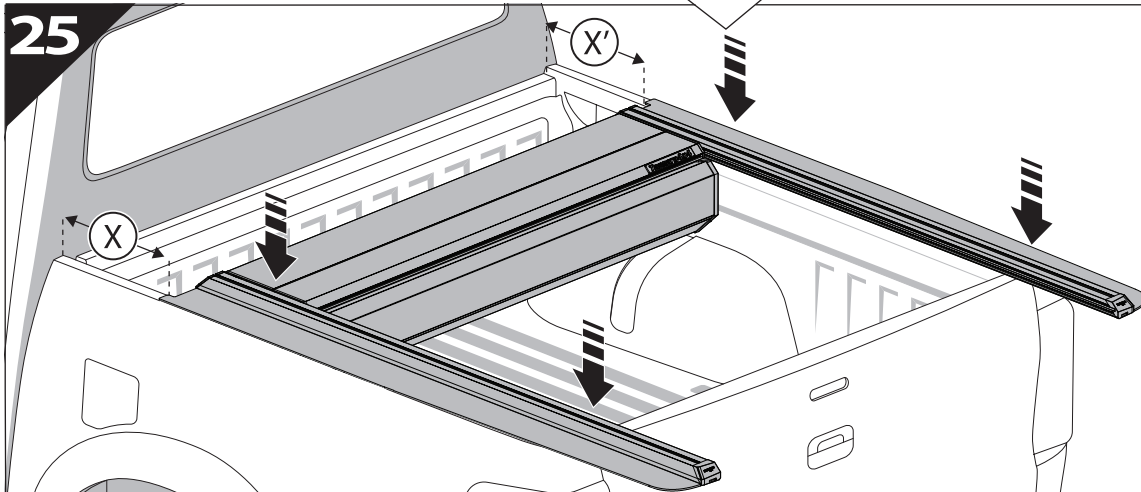




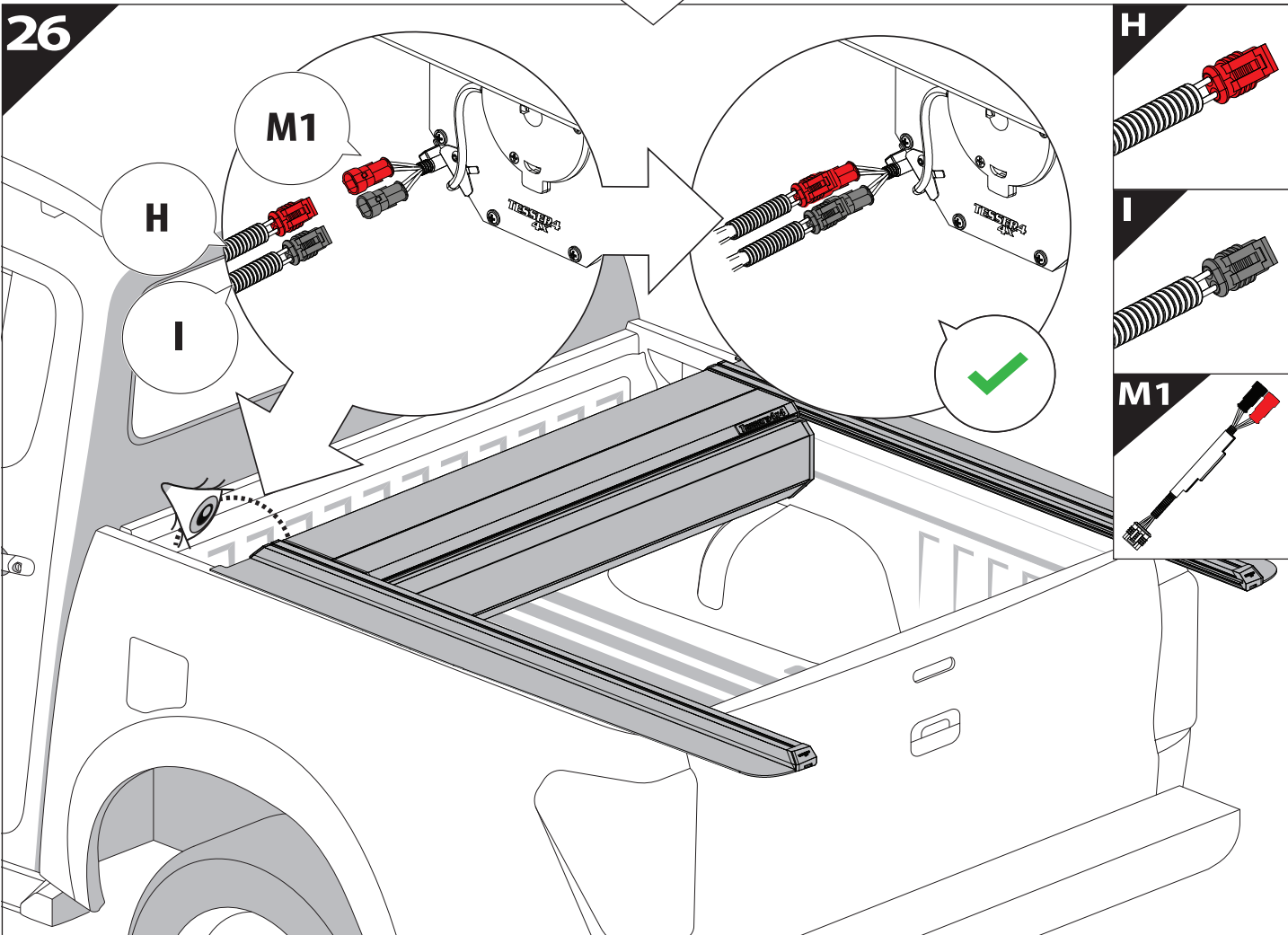
24



25

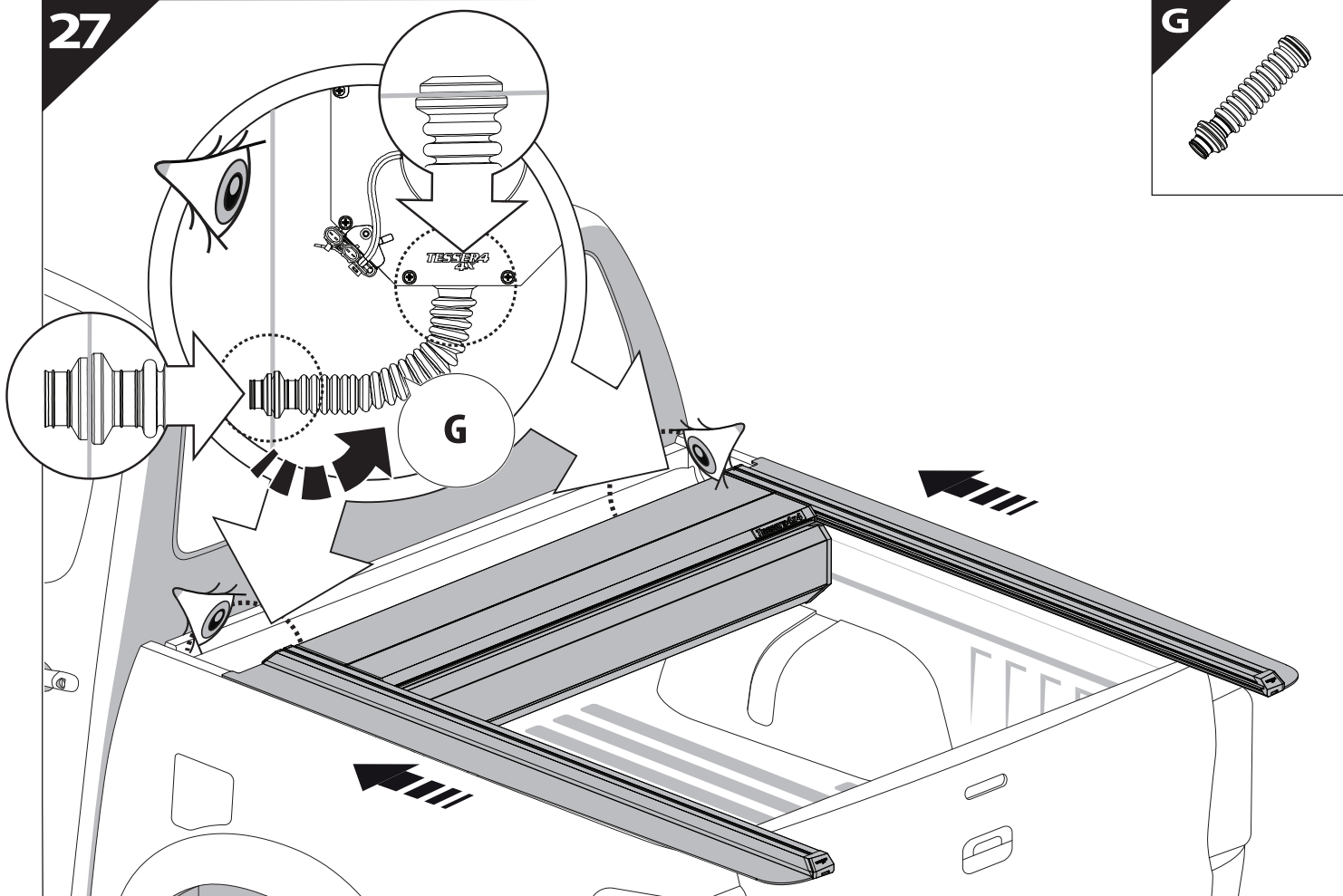


26



27

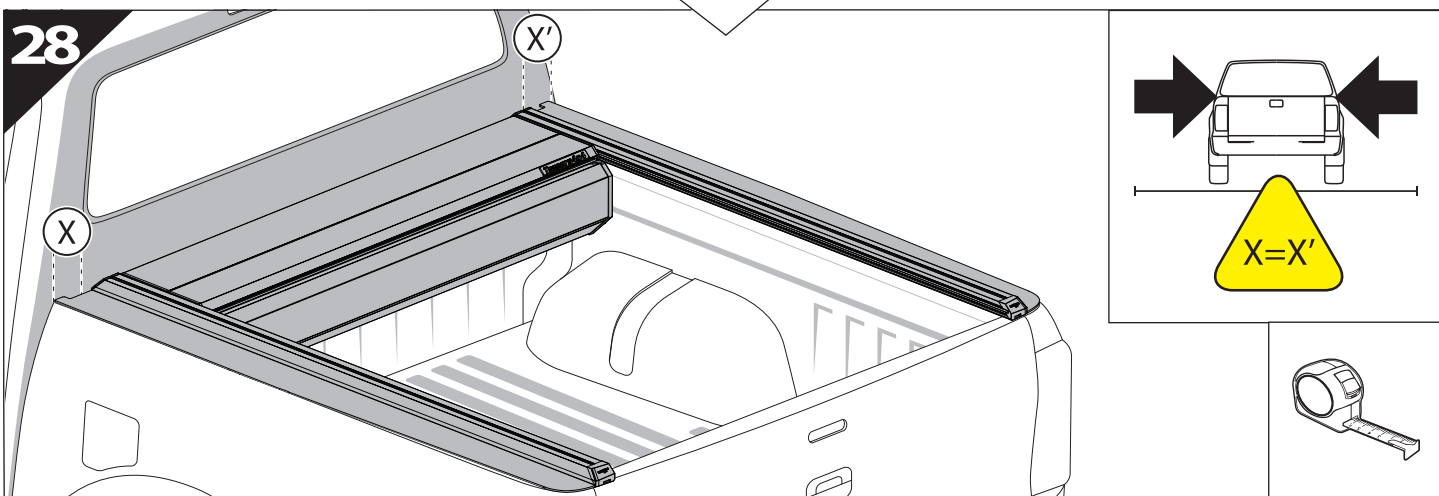
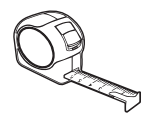
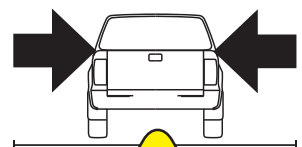
G



28

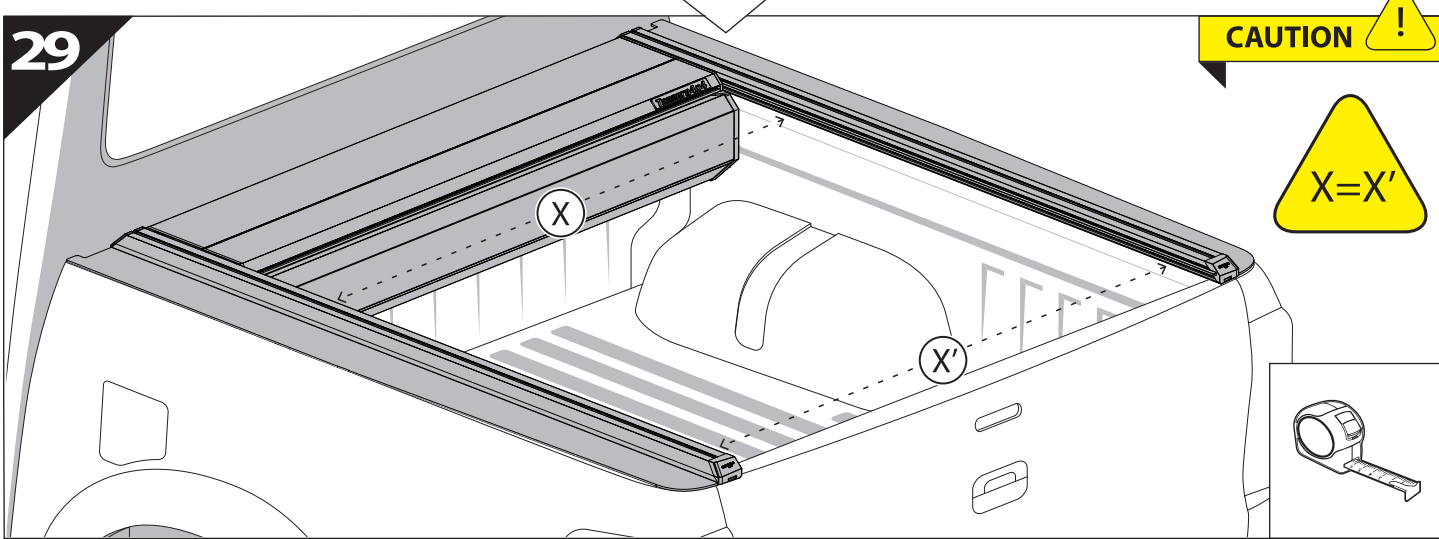
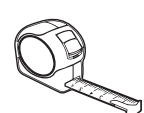
X'

X

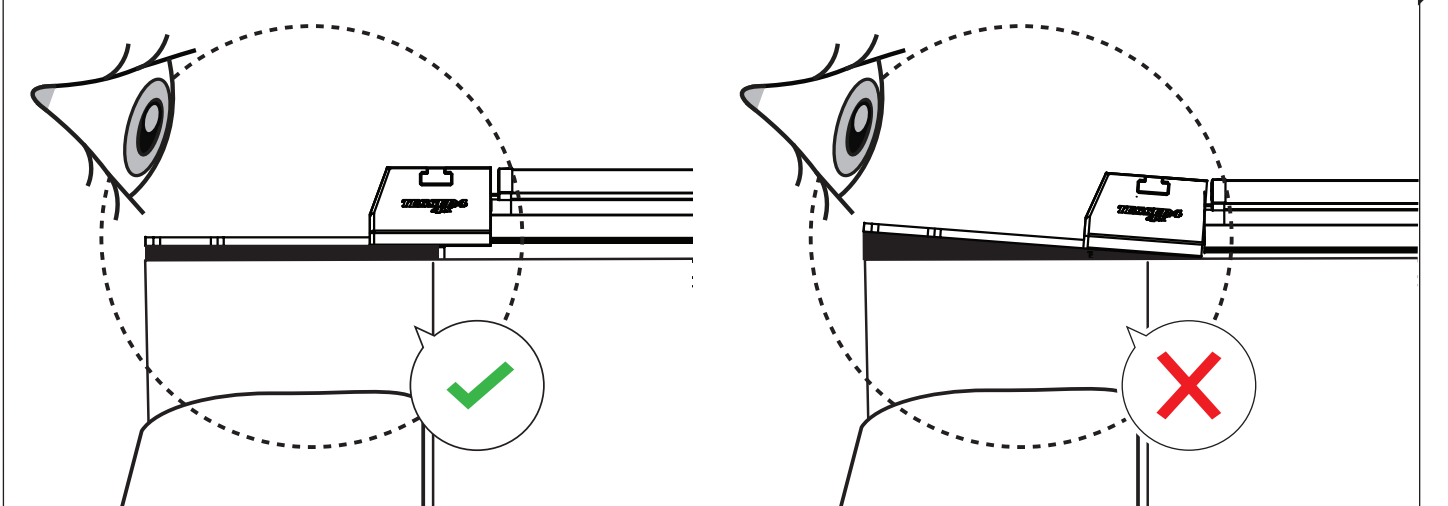
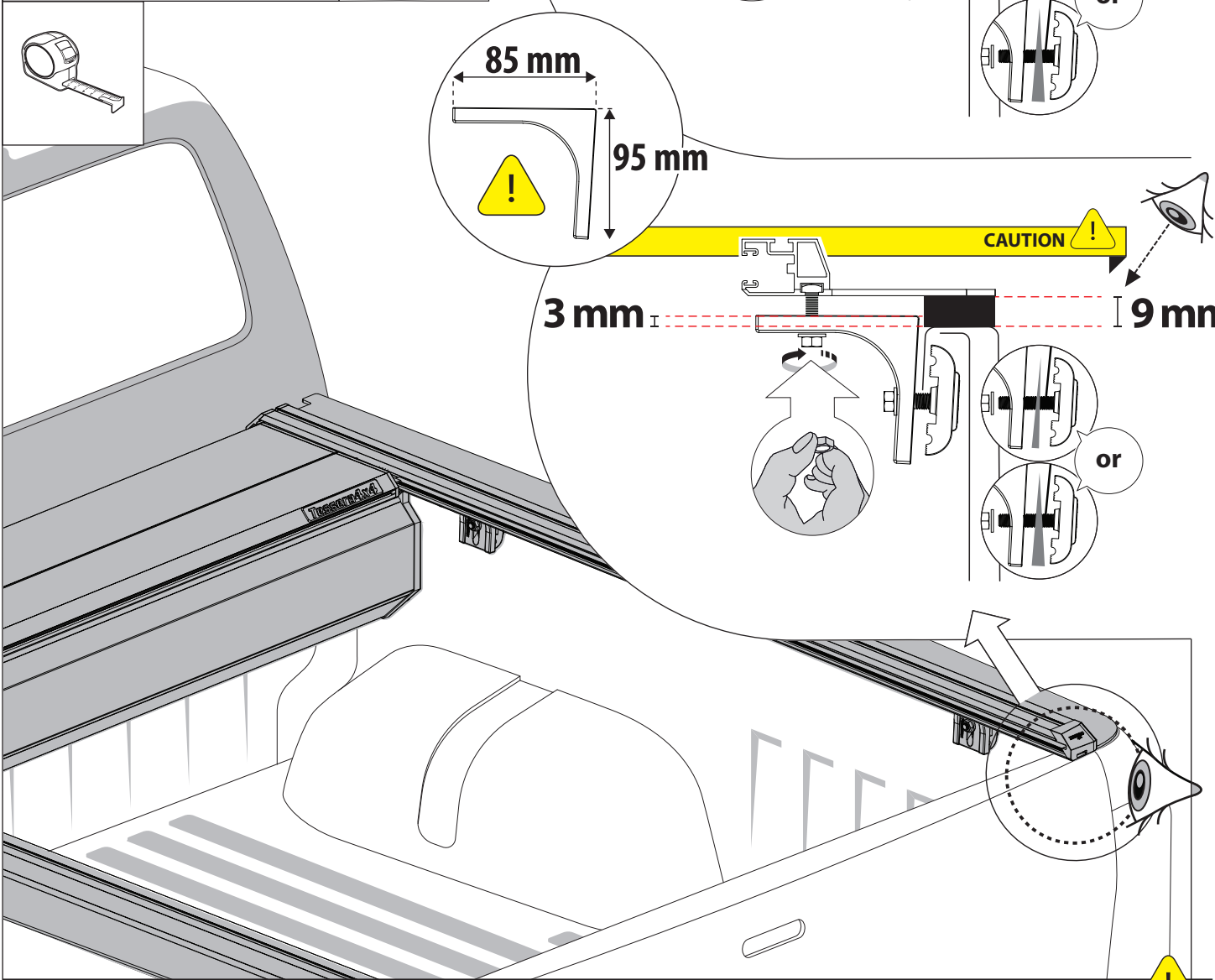
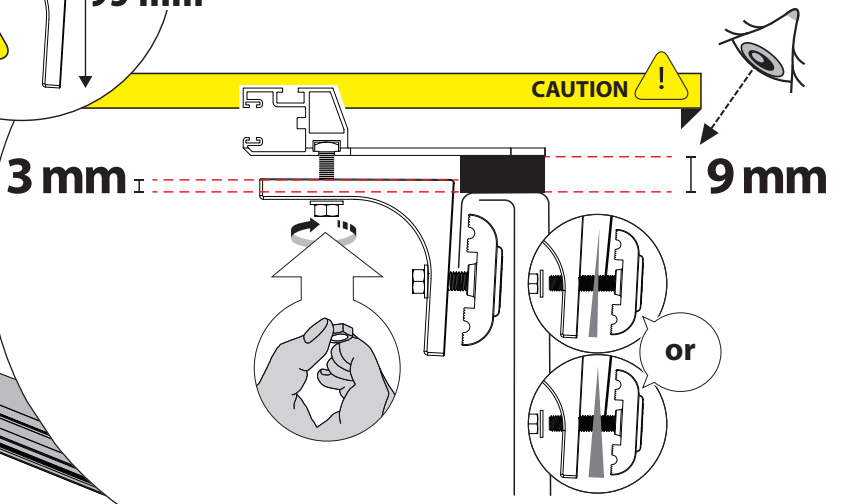
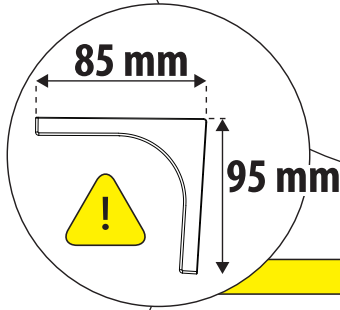
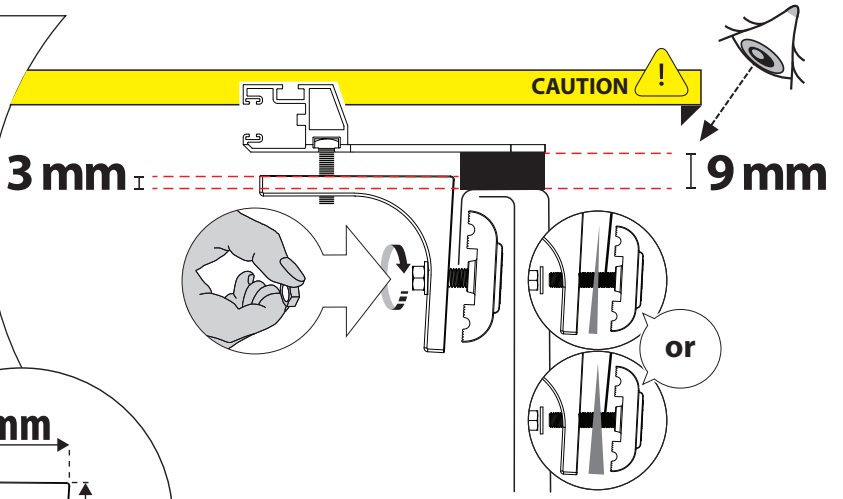
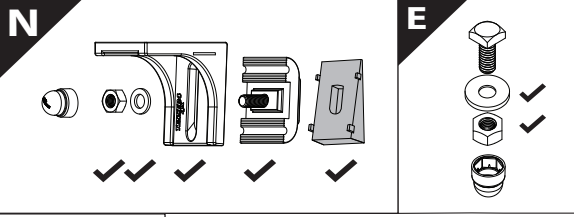


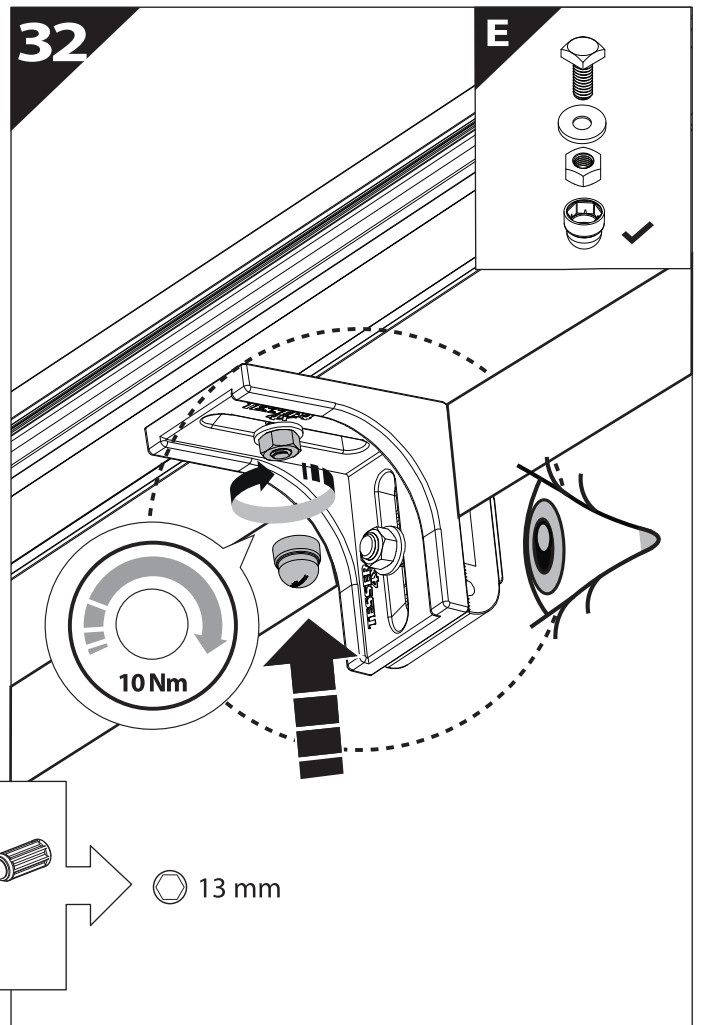
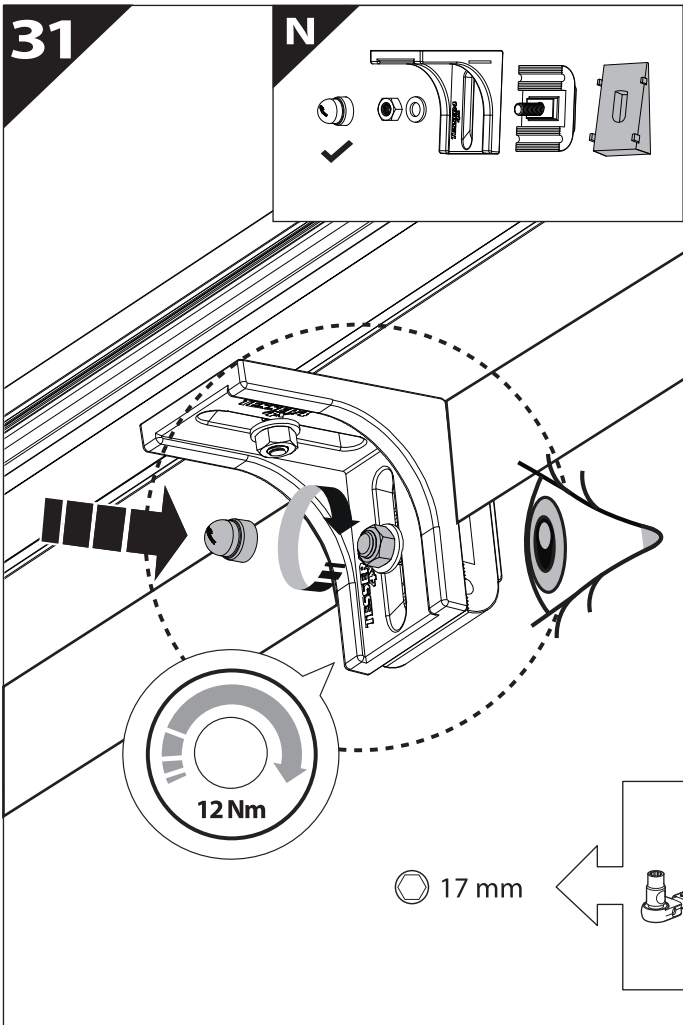
29

CAUTION !

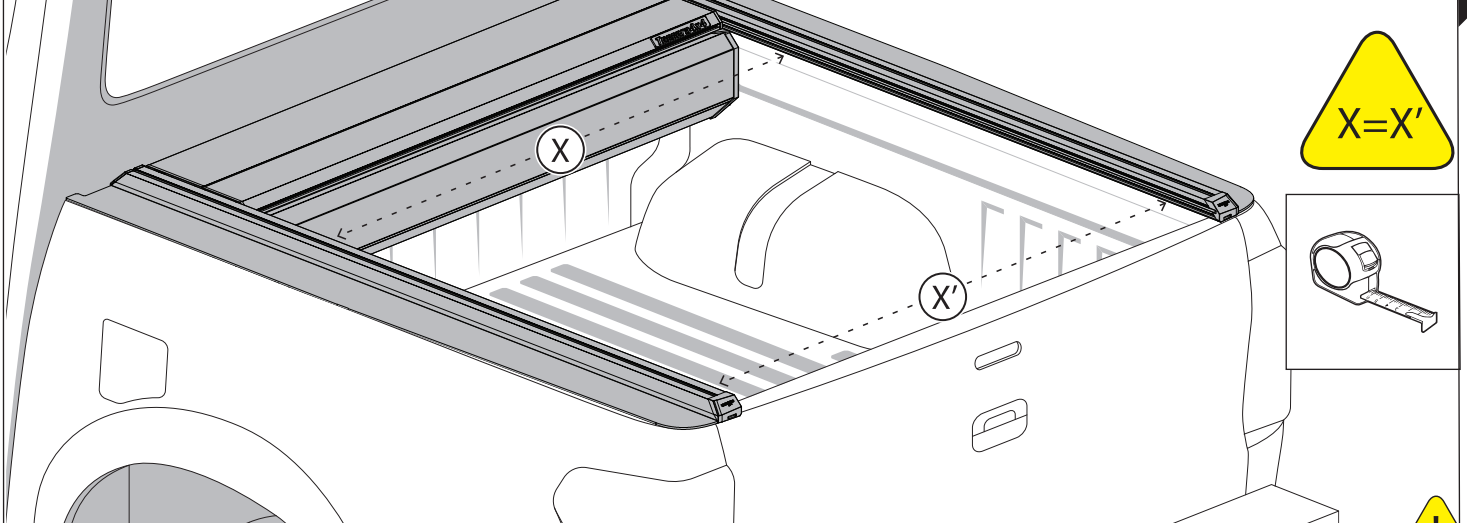


30

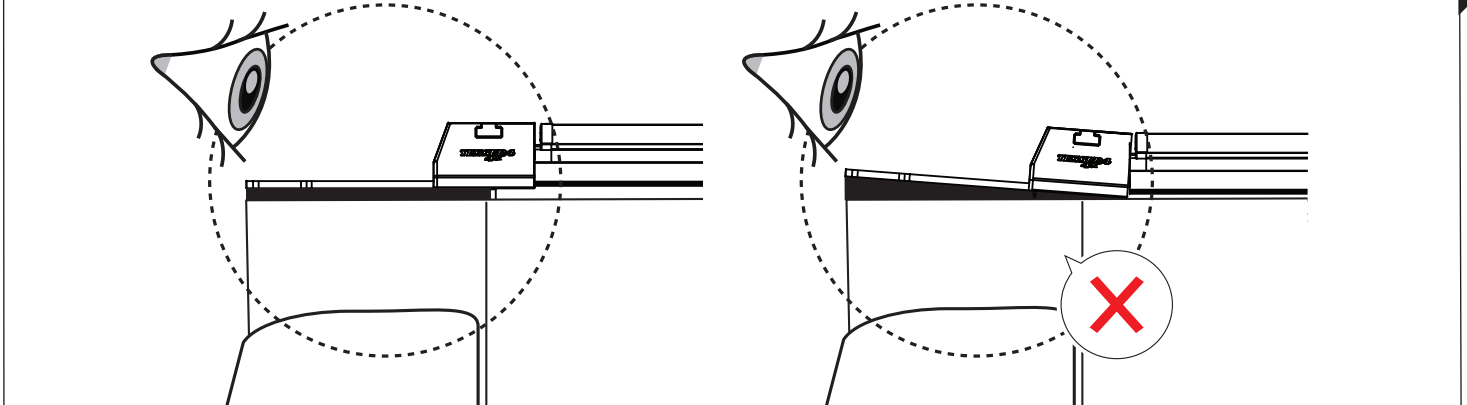




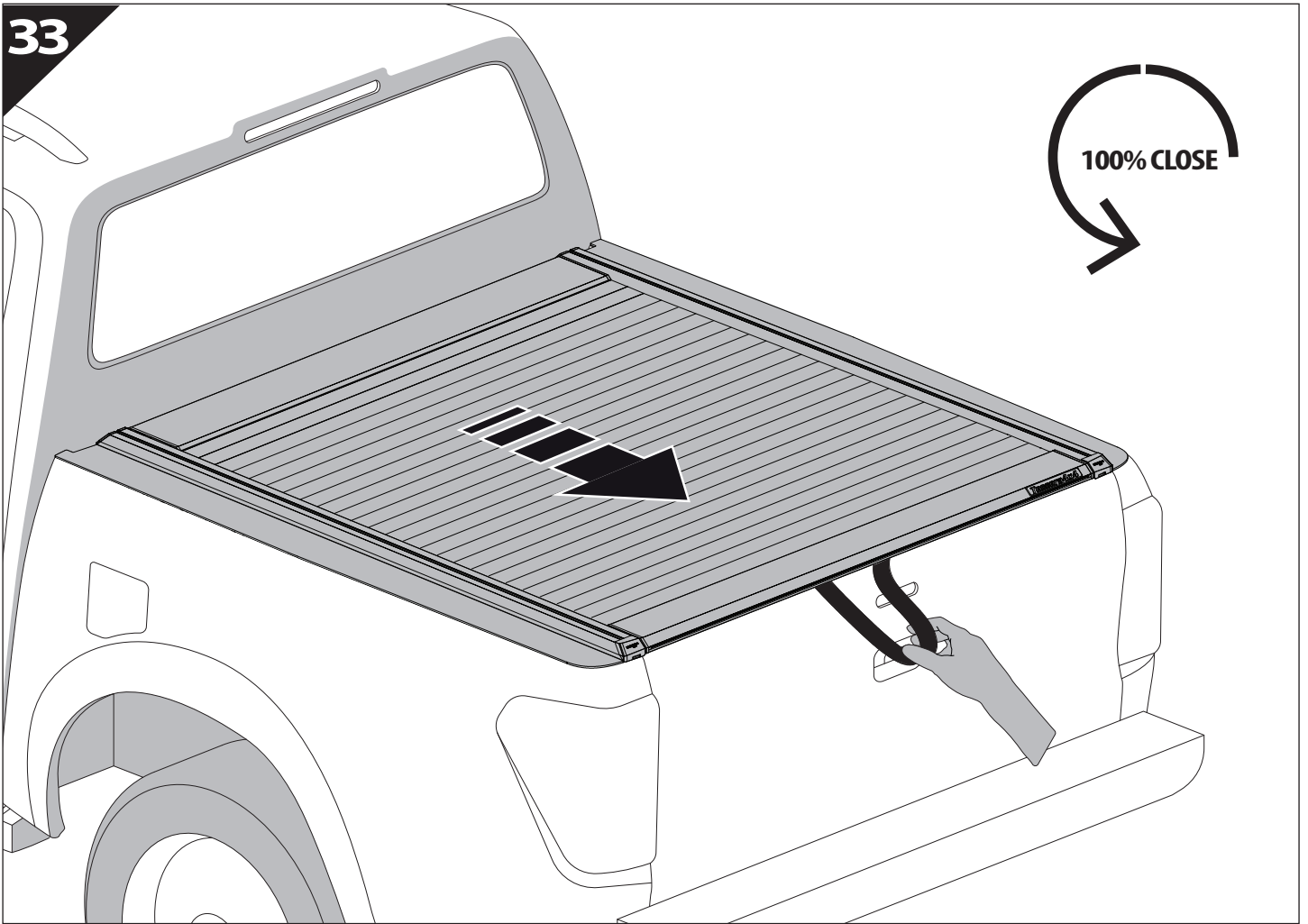
**CAUTION** !



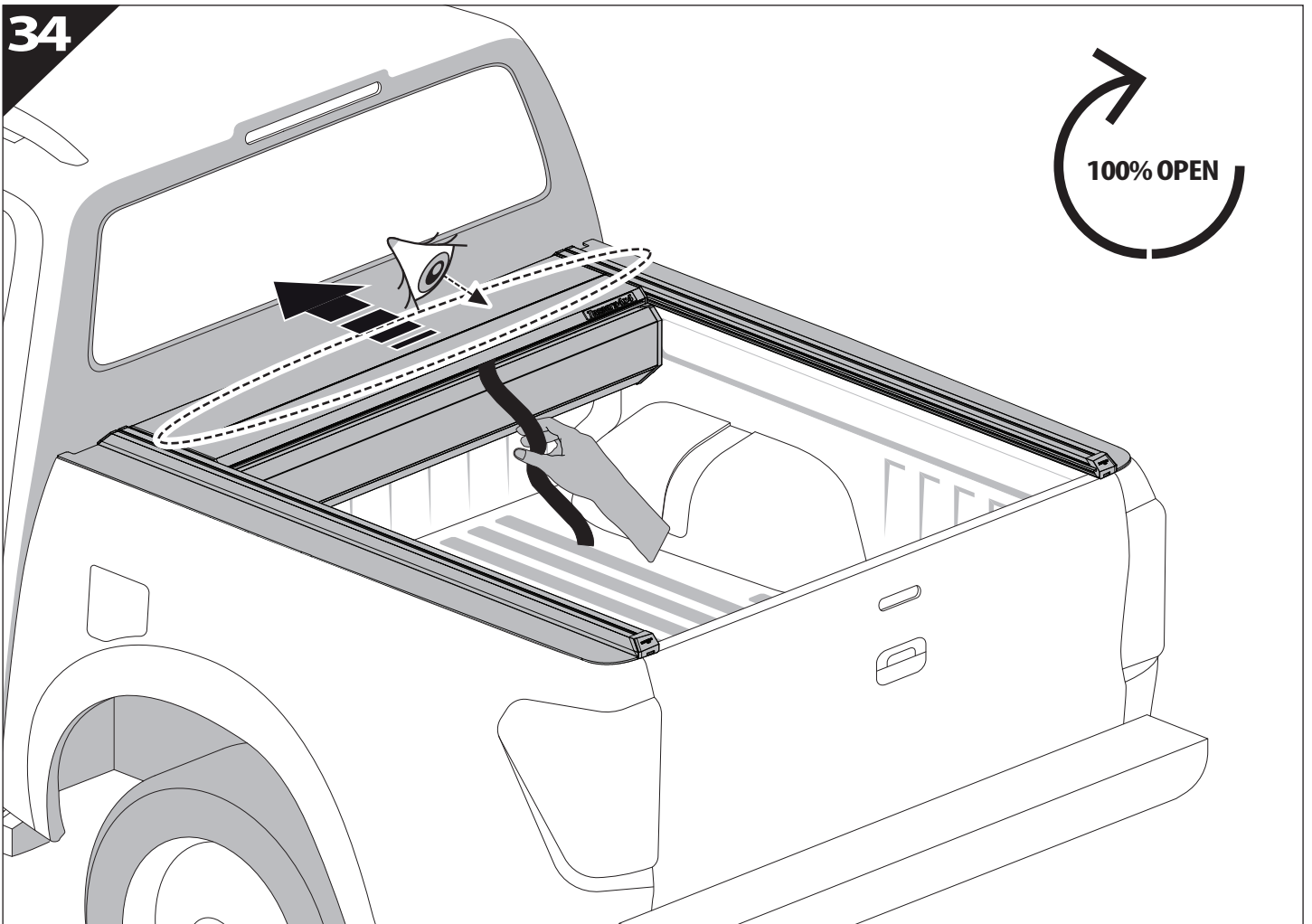
**CAUTION** !



33



34







**GR:** Οδηγίες Εγκατάστασης  
**GB:** Installation manual  
**SF:** Asennusohje  
**F:** Notice de montage  
**PL:** Instrukcja montażu  
**NL:** Installatie-instructies  
**TR:** Montaj Talimatı  
**S:** Monteringsanvisning  
**E:** Instrucciones de montaje

**H:** Szerelési utasítás  
**P:** Instruções de instalação  
**RUS:** Инструкция по установке  
**N:** Monteringsveiledning  
**D:** Einbauanleitung  
**CZ:** Návod k instalaci  
**I:** Istruzioni de montaggio  
**DK:** Monteringsvejledning  
**RO:** Instructiuni de instalare

Customer Service:

+30 (210) 5541161, +30 (210) 5541154 (08:00 - 16:00 EET)

Support department:

[info@gianso.gr](mailto:info@gianso.gr)

Website:

[www.tessera4x4.com](http://www.tessera4x4.com)

Address:

19.5 km of National road Athens-Korinthos (Elefsina) Greece, P.C: 19200