

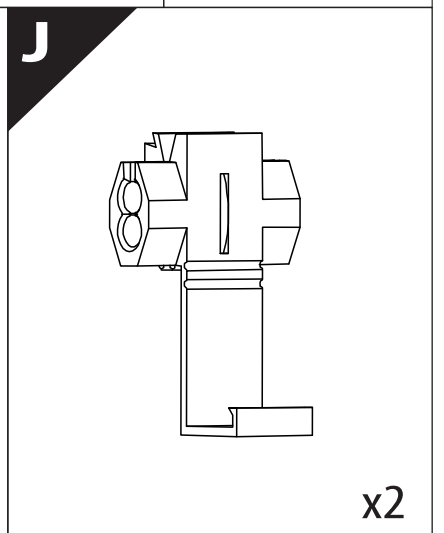
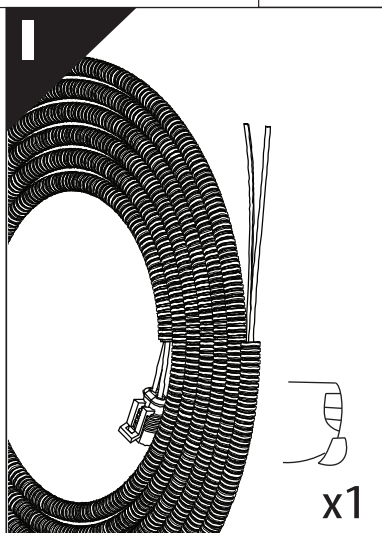
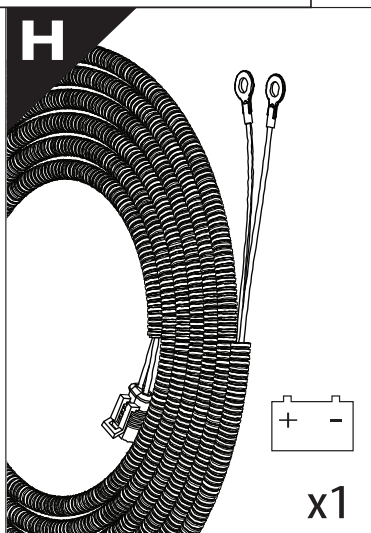
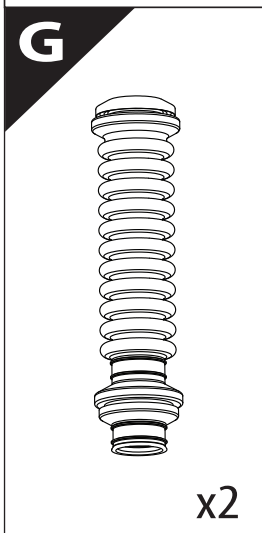
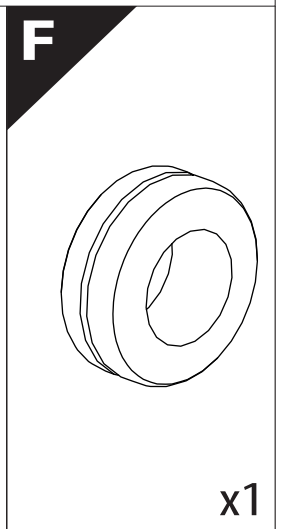
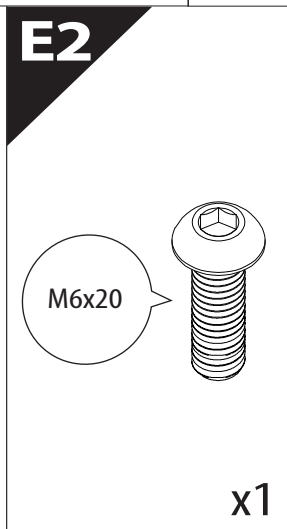
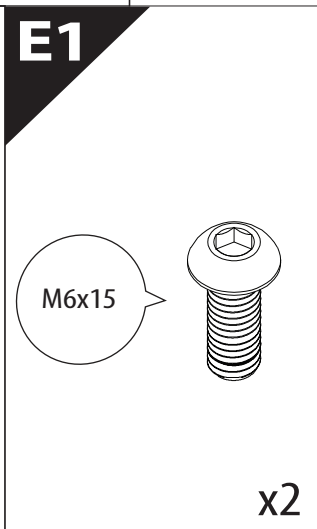
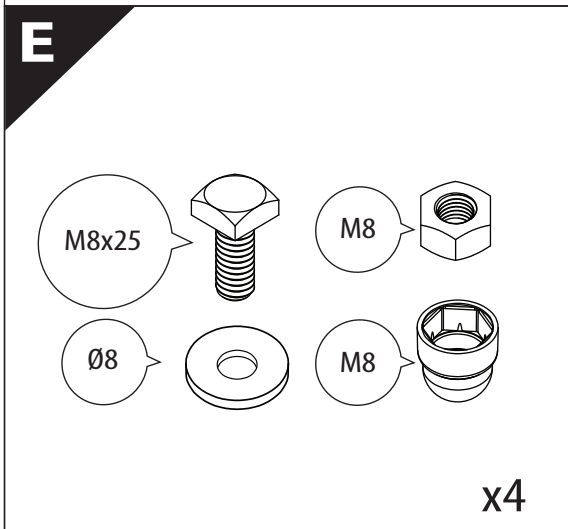
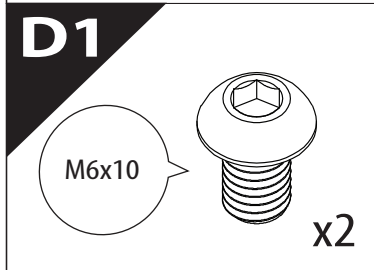
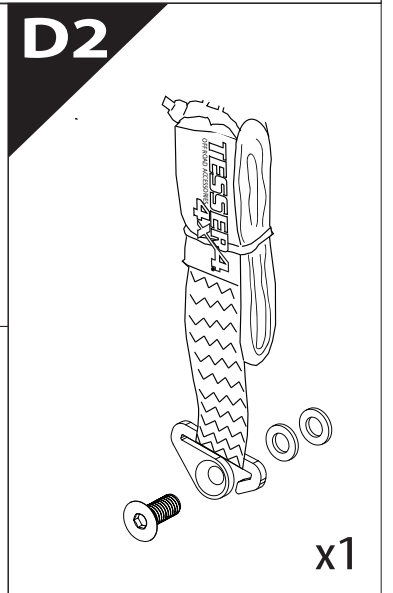
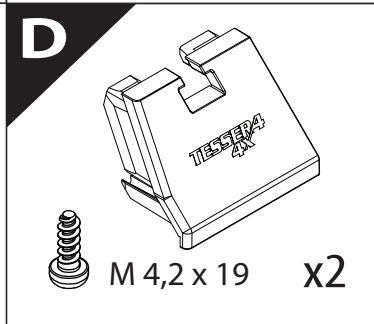
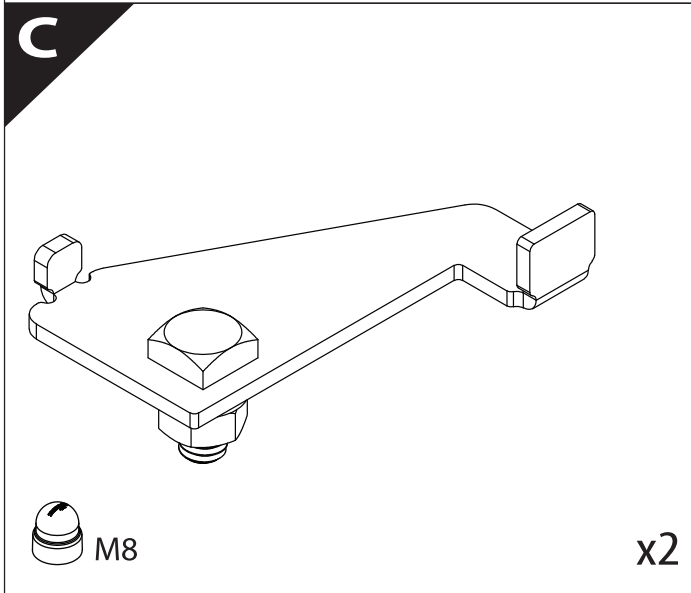
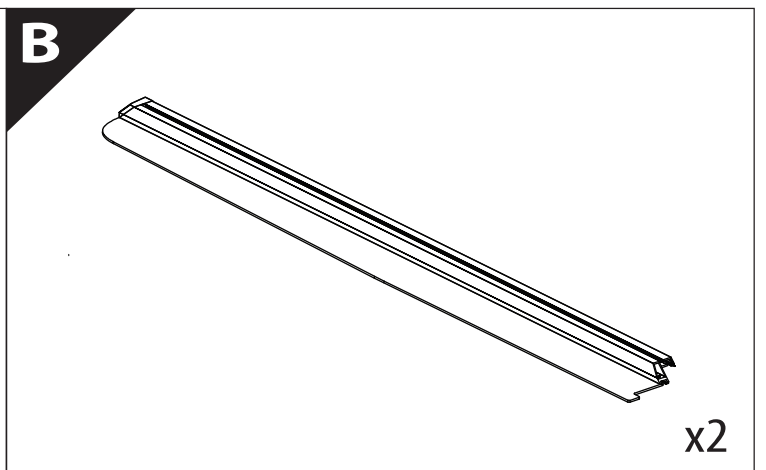
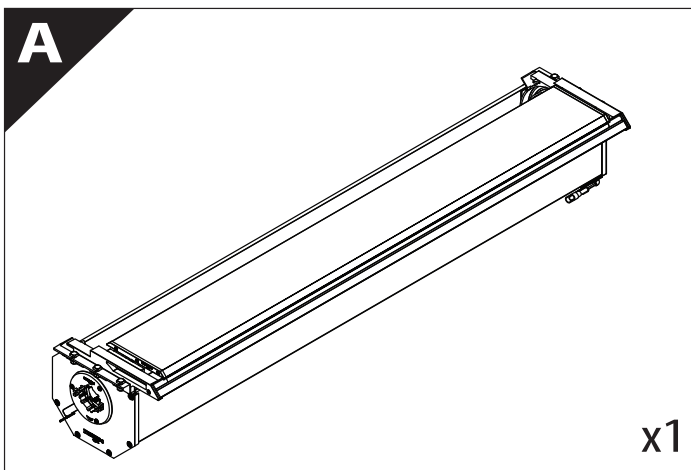
Tessera Roll+

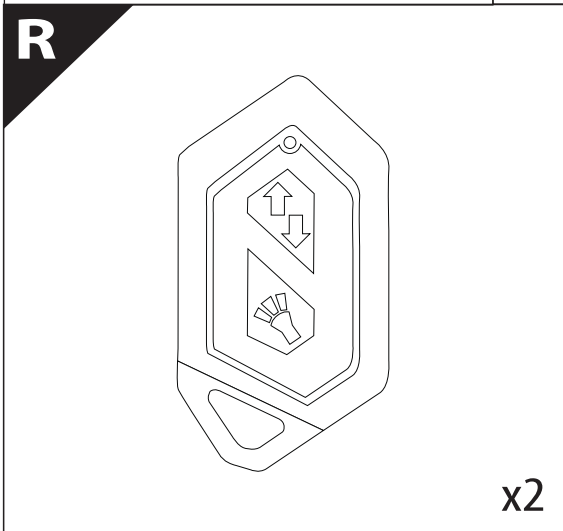
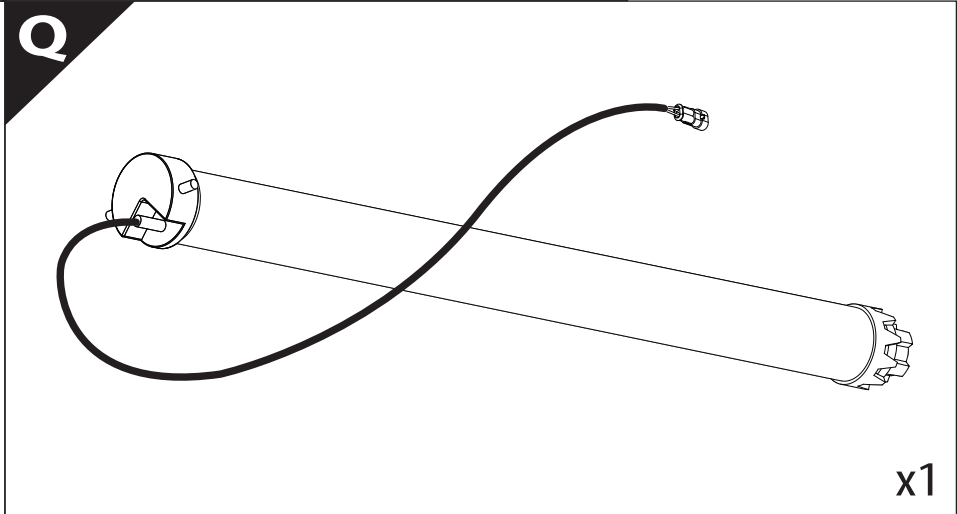
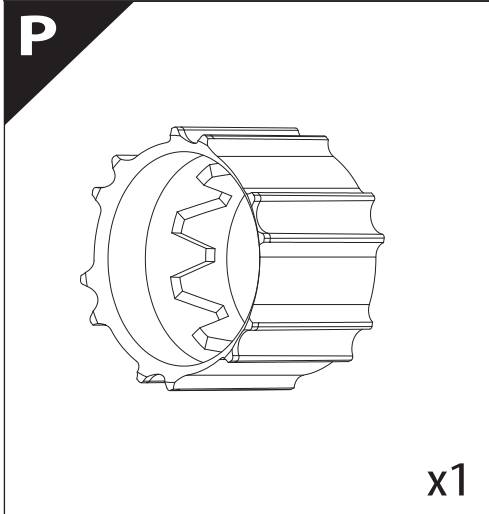
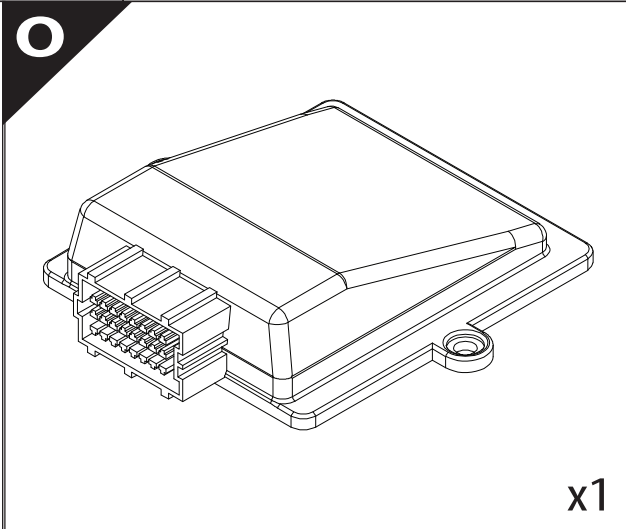
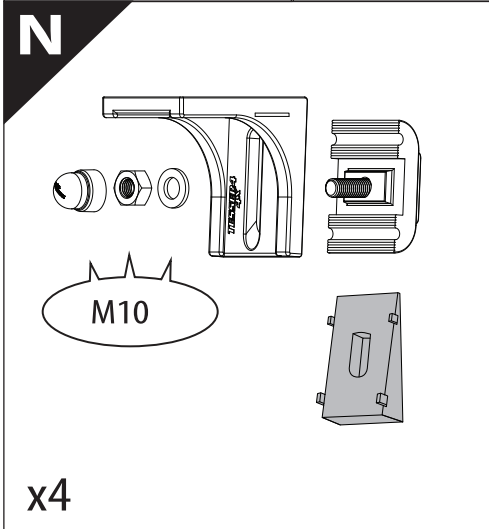
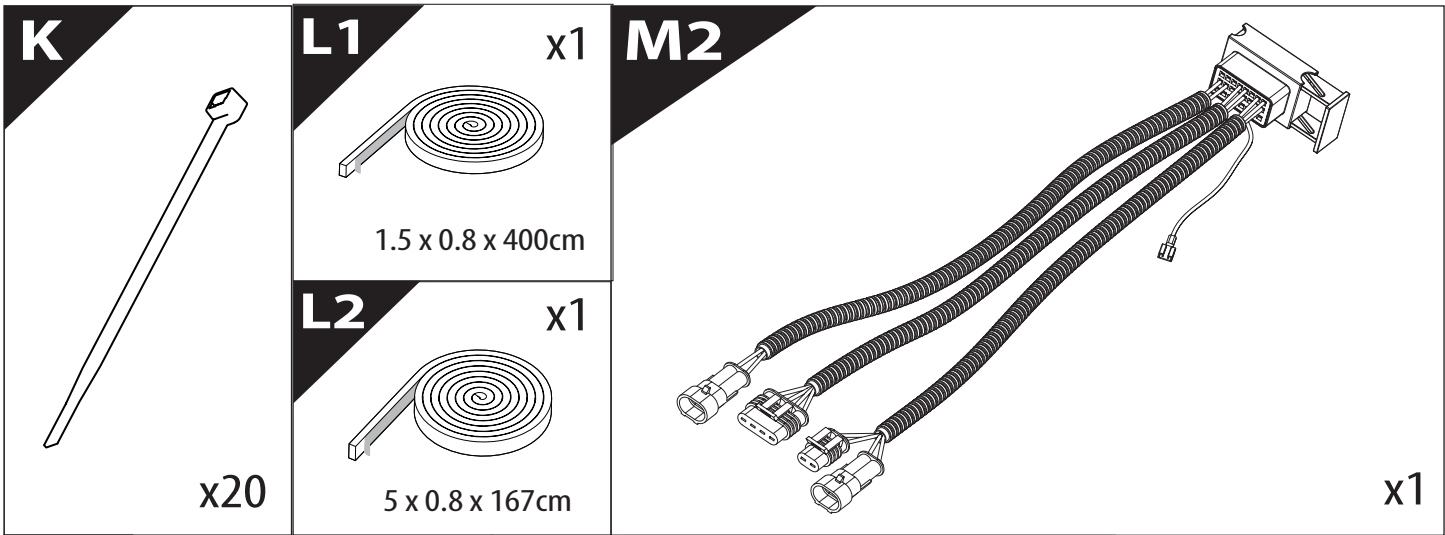
Basic Version + ⚡ E-KIT

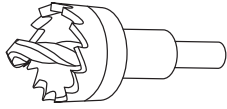


Installation Manual

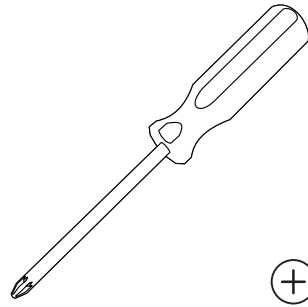
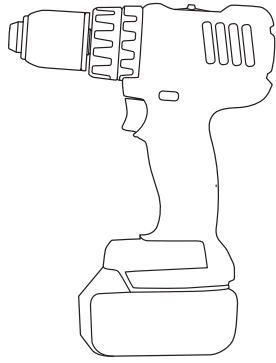
PART NUMBER(S)	Model Year
TESS 1446 ROLL+E-KIT	DongFeng Rich 6 2021+
Cab(s)	Installation Time / Weight
Double Cab	40-60 minutes / 53-57 kg



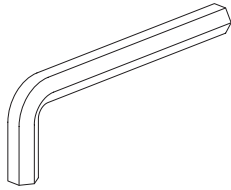
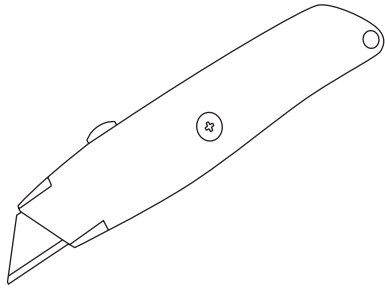
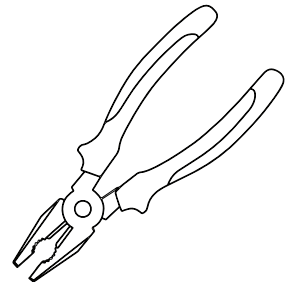




Ø 25 mm

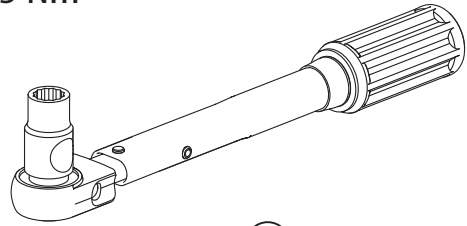


+



4 mm

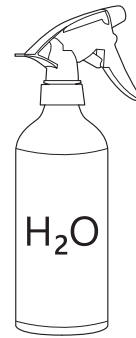
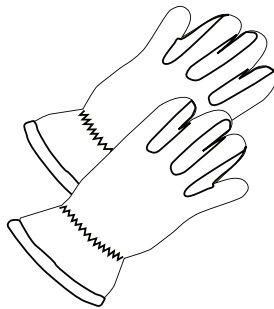
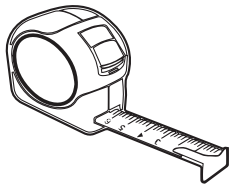
1 - 25 Nm



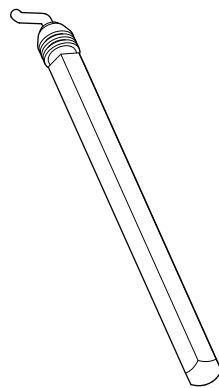
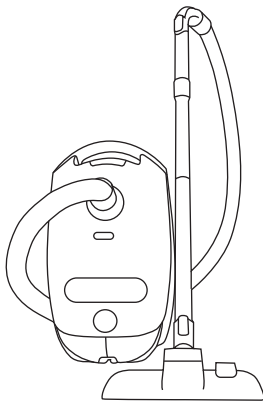
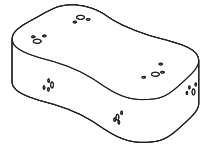
13, 17 mm



ACETONE



H₂O



ANTI-RUST



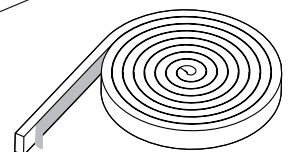
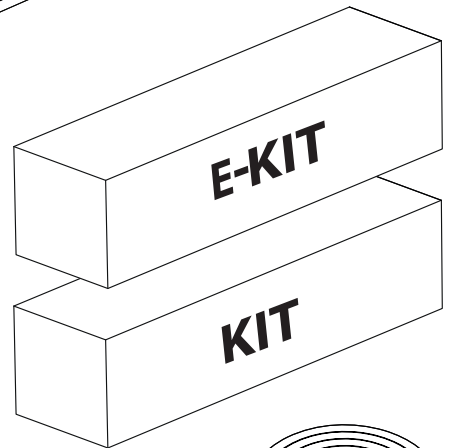
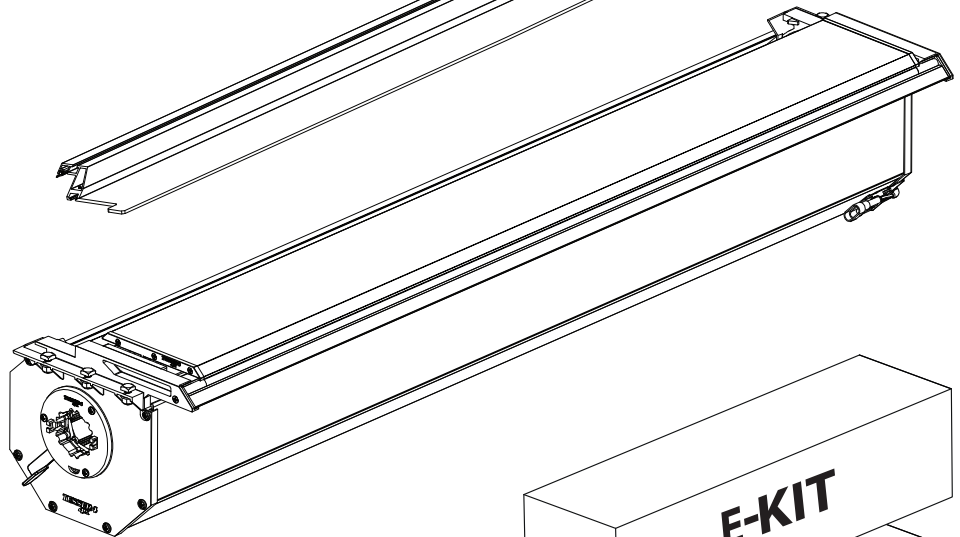
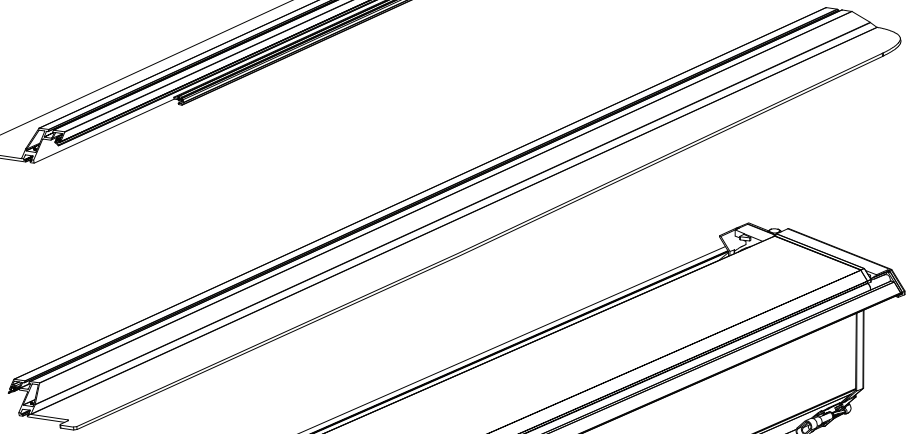
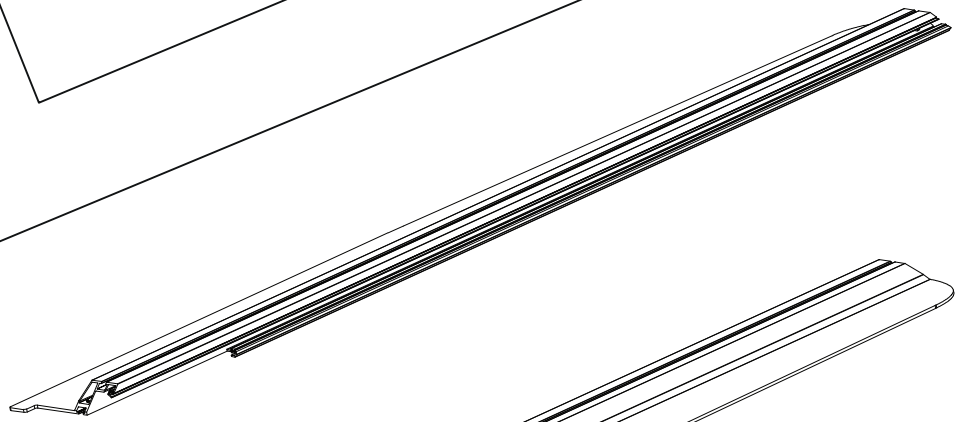
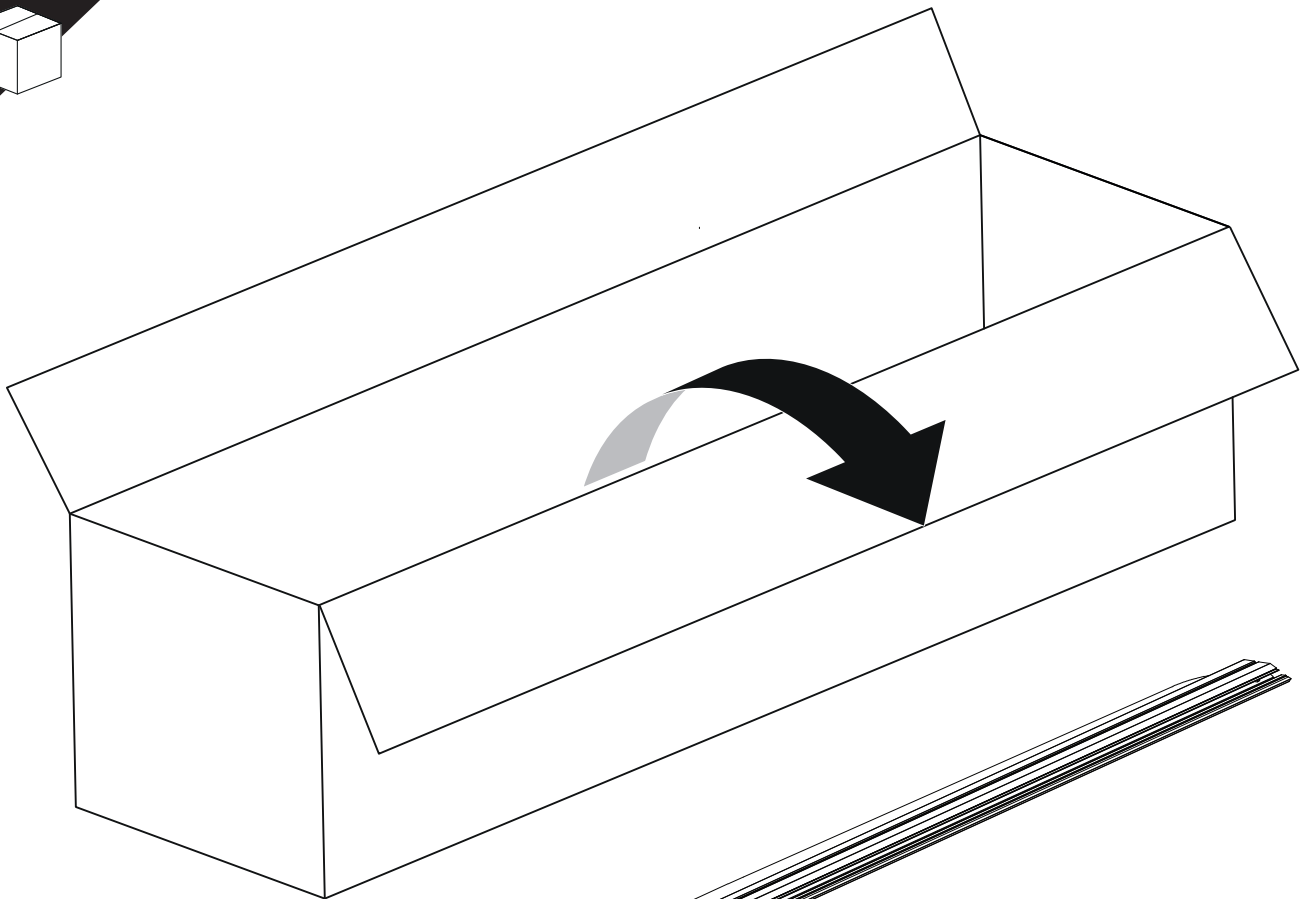
INSTALATION
MANUAL
+E-KIT



OWNERS
MANUAL



x1

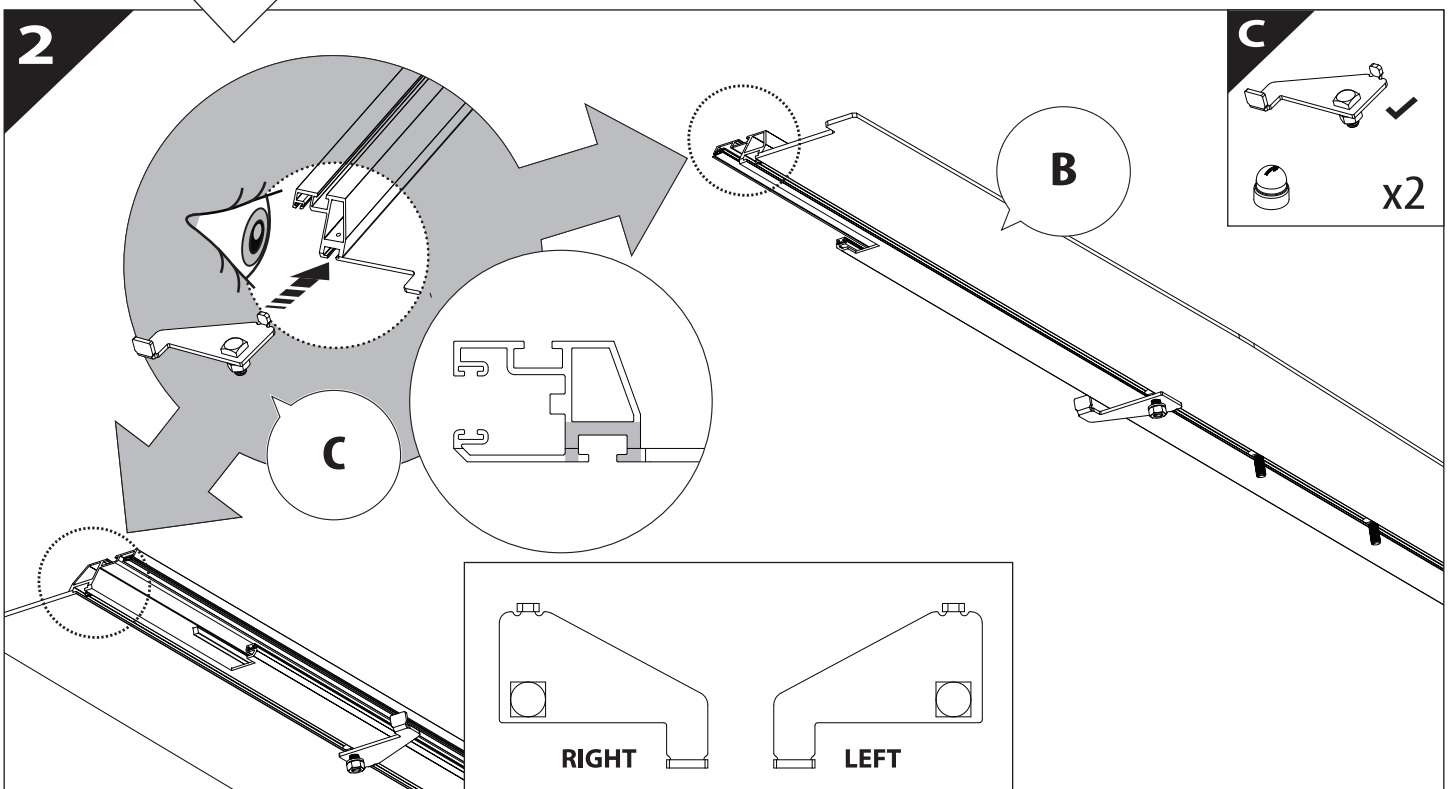
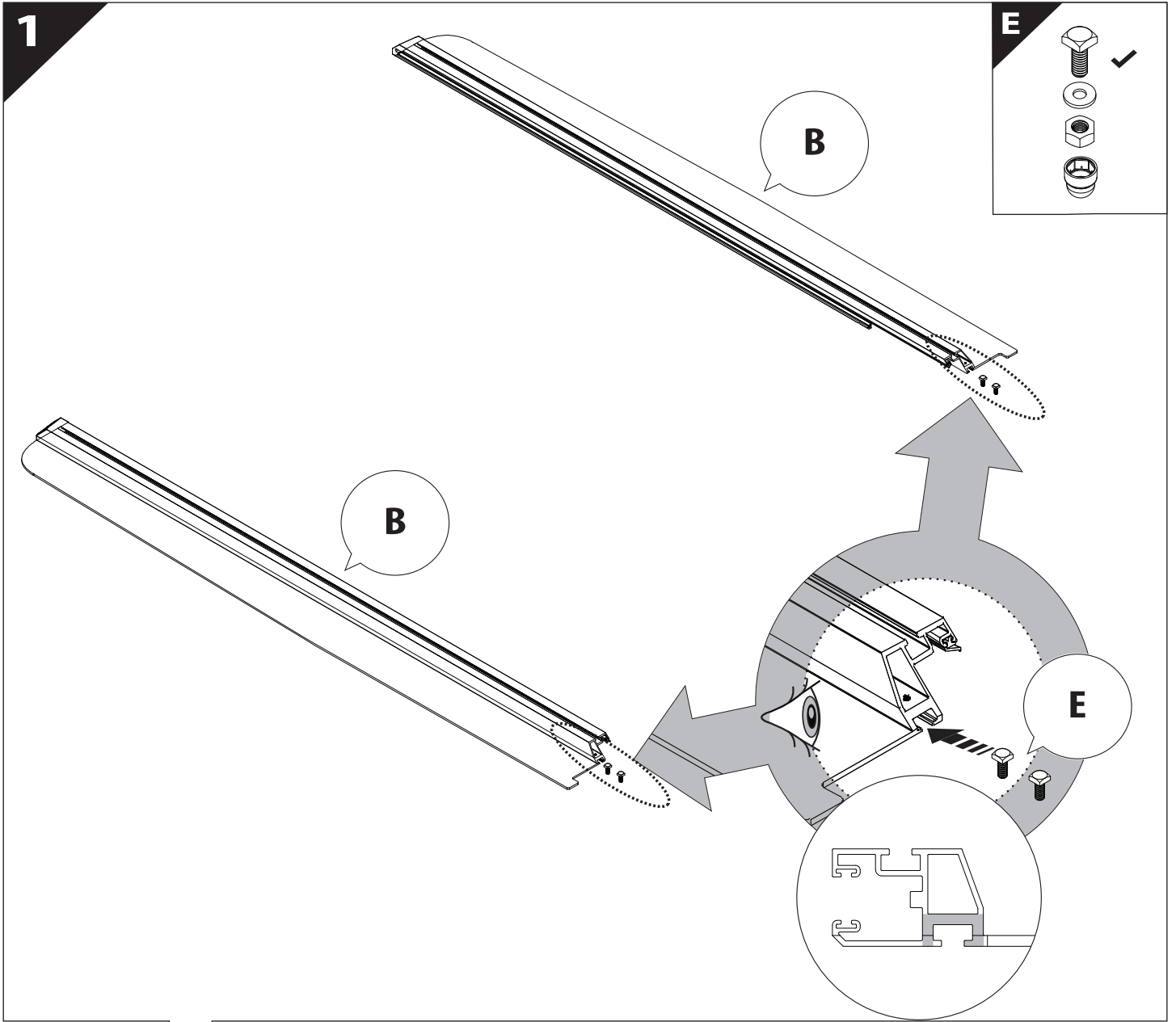


B

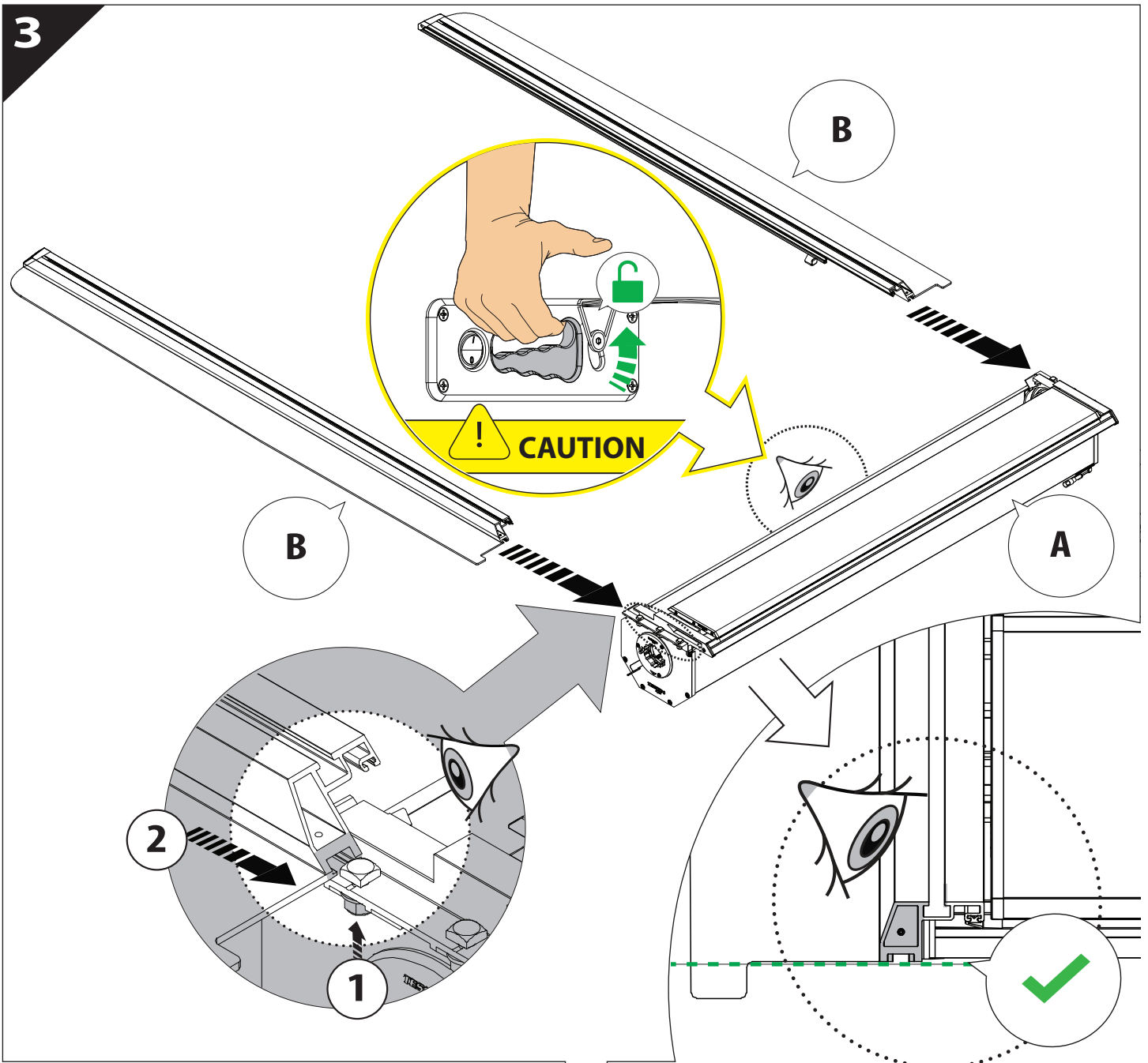
A

KITS

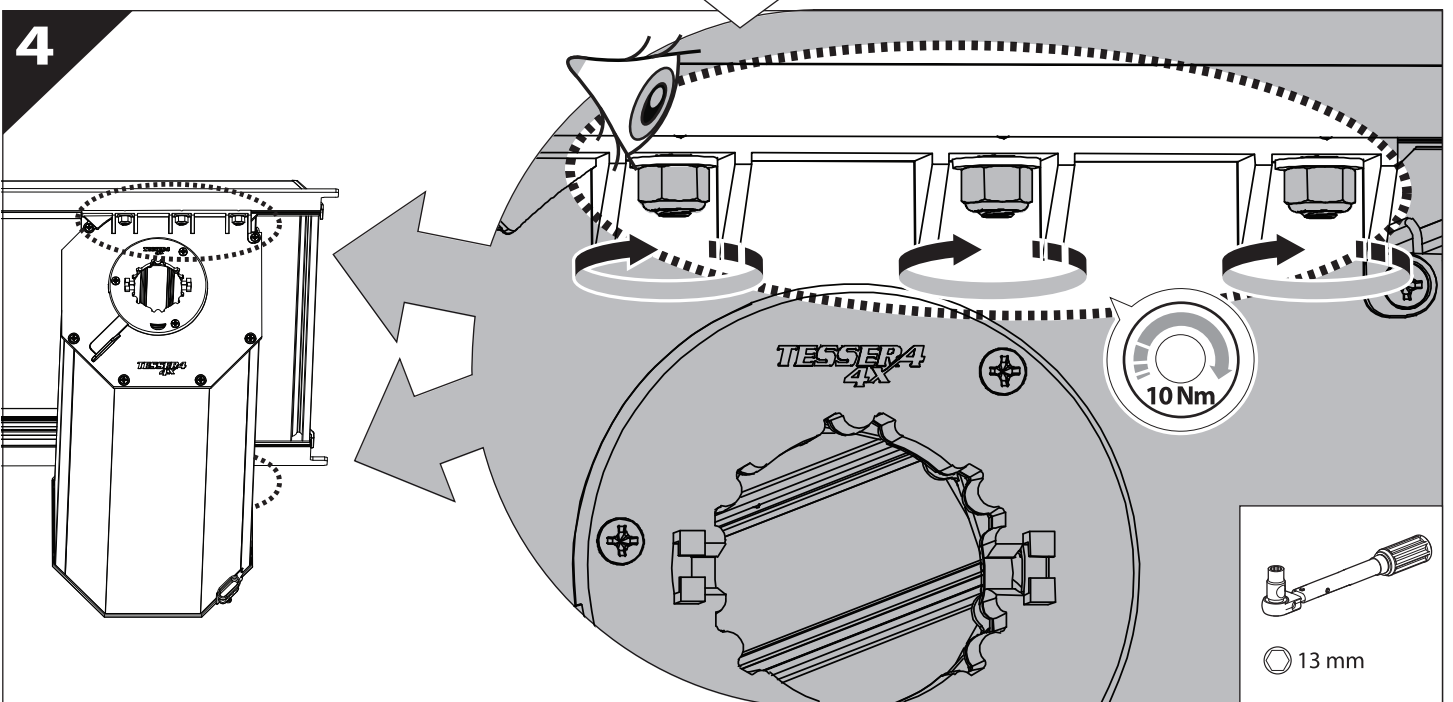
L

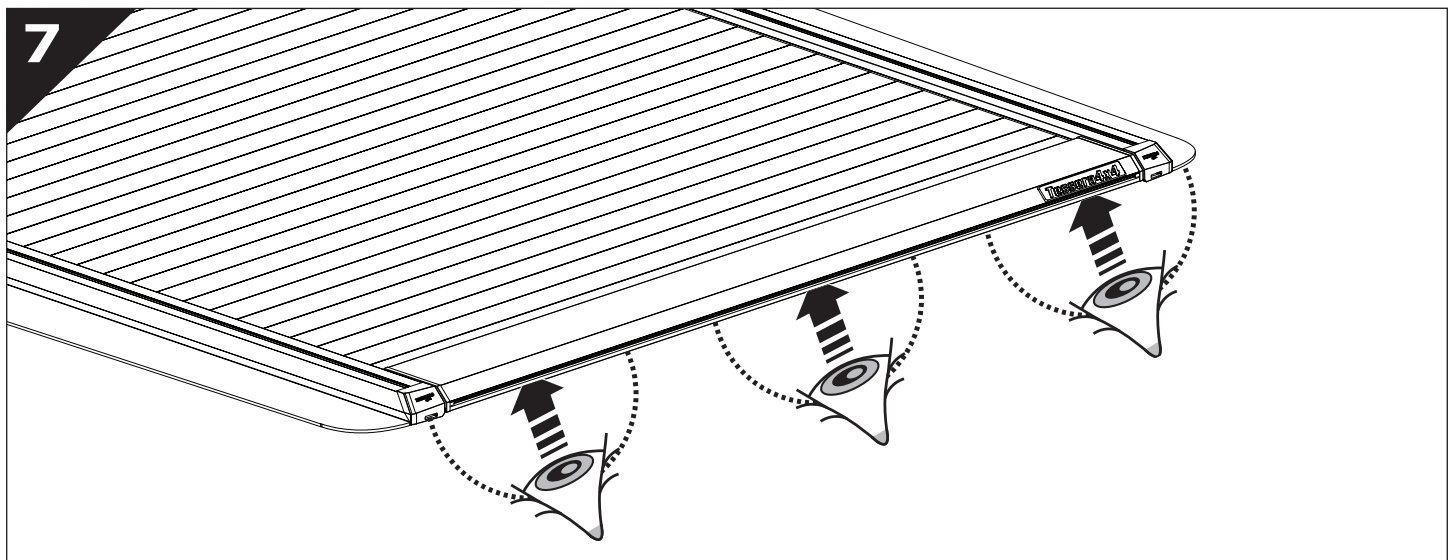
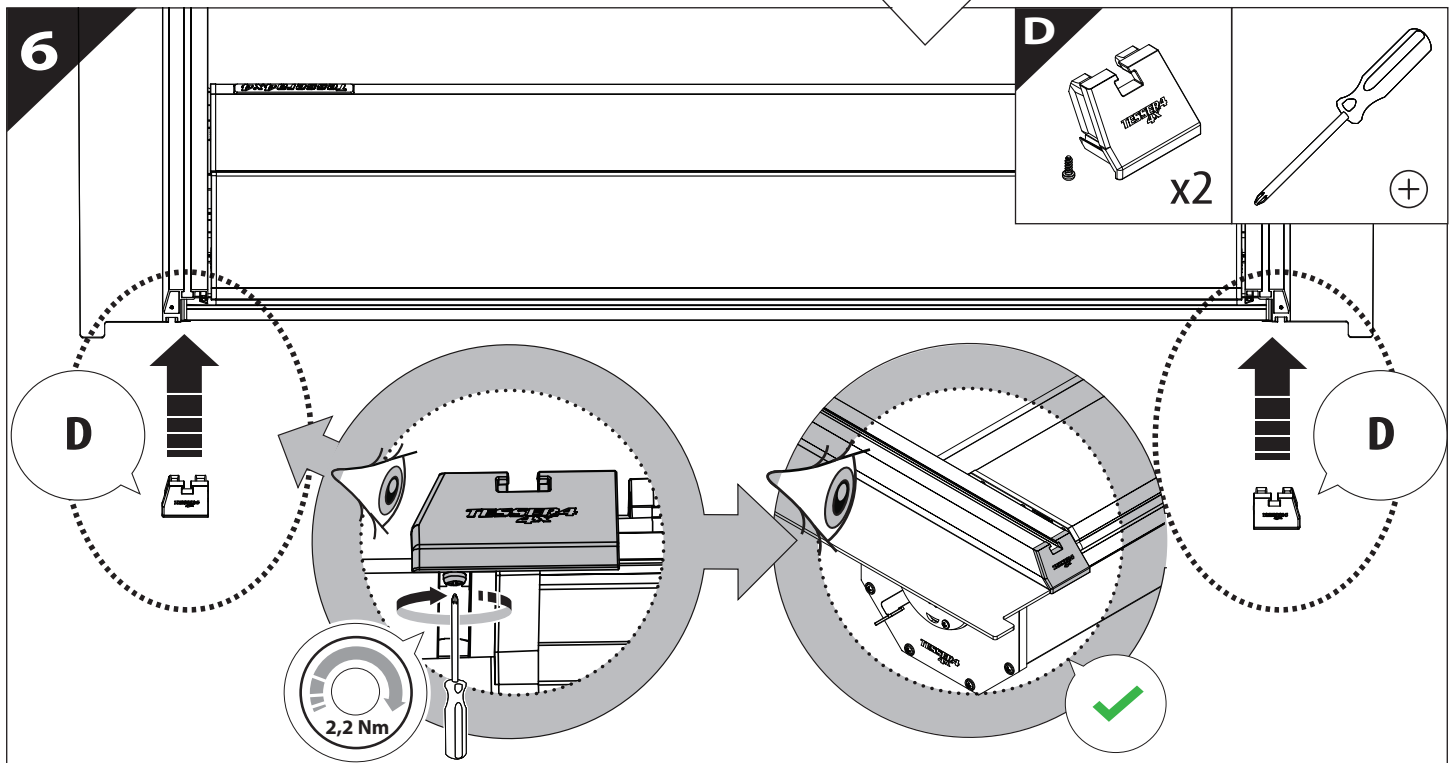
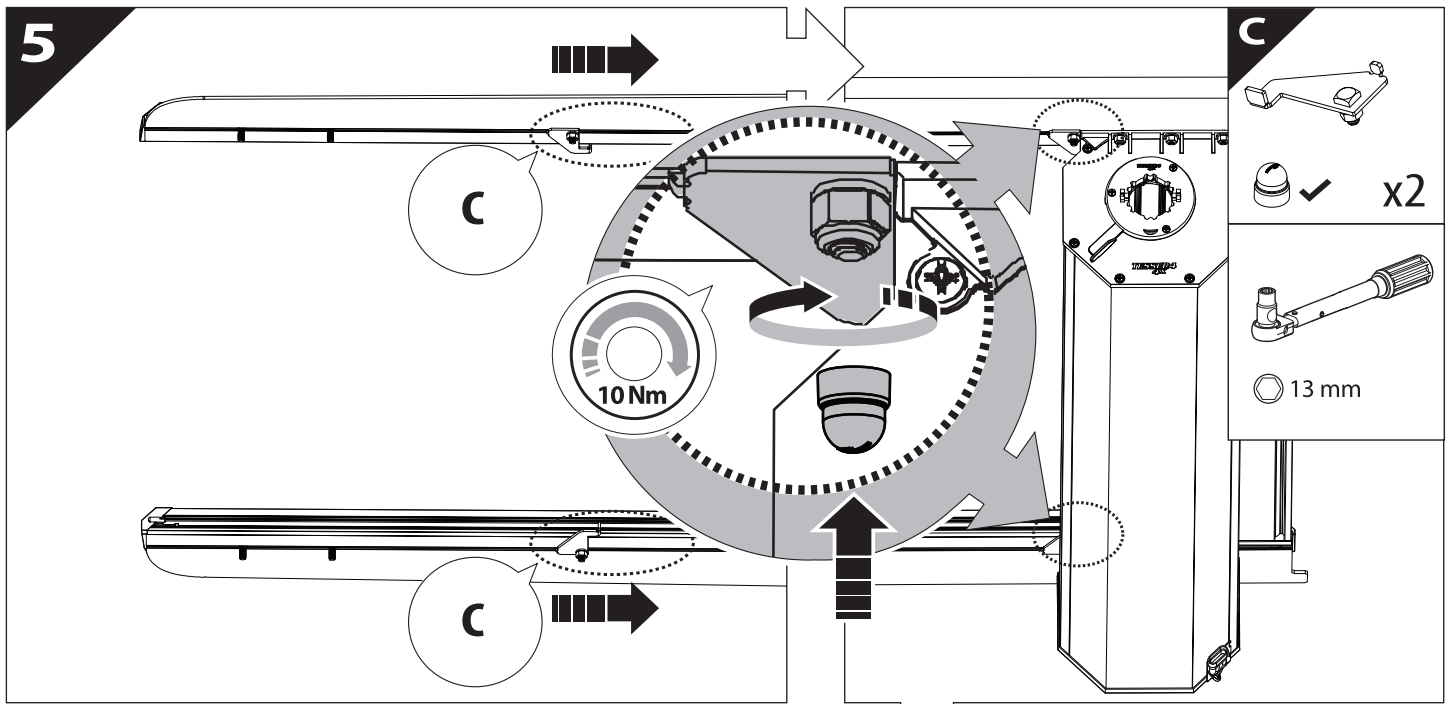


3



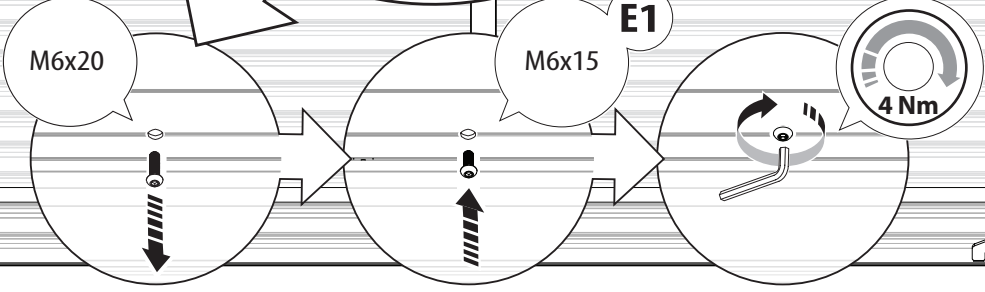
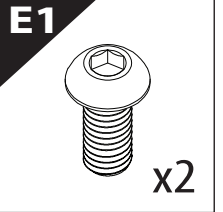
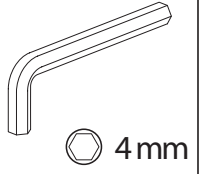
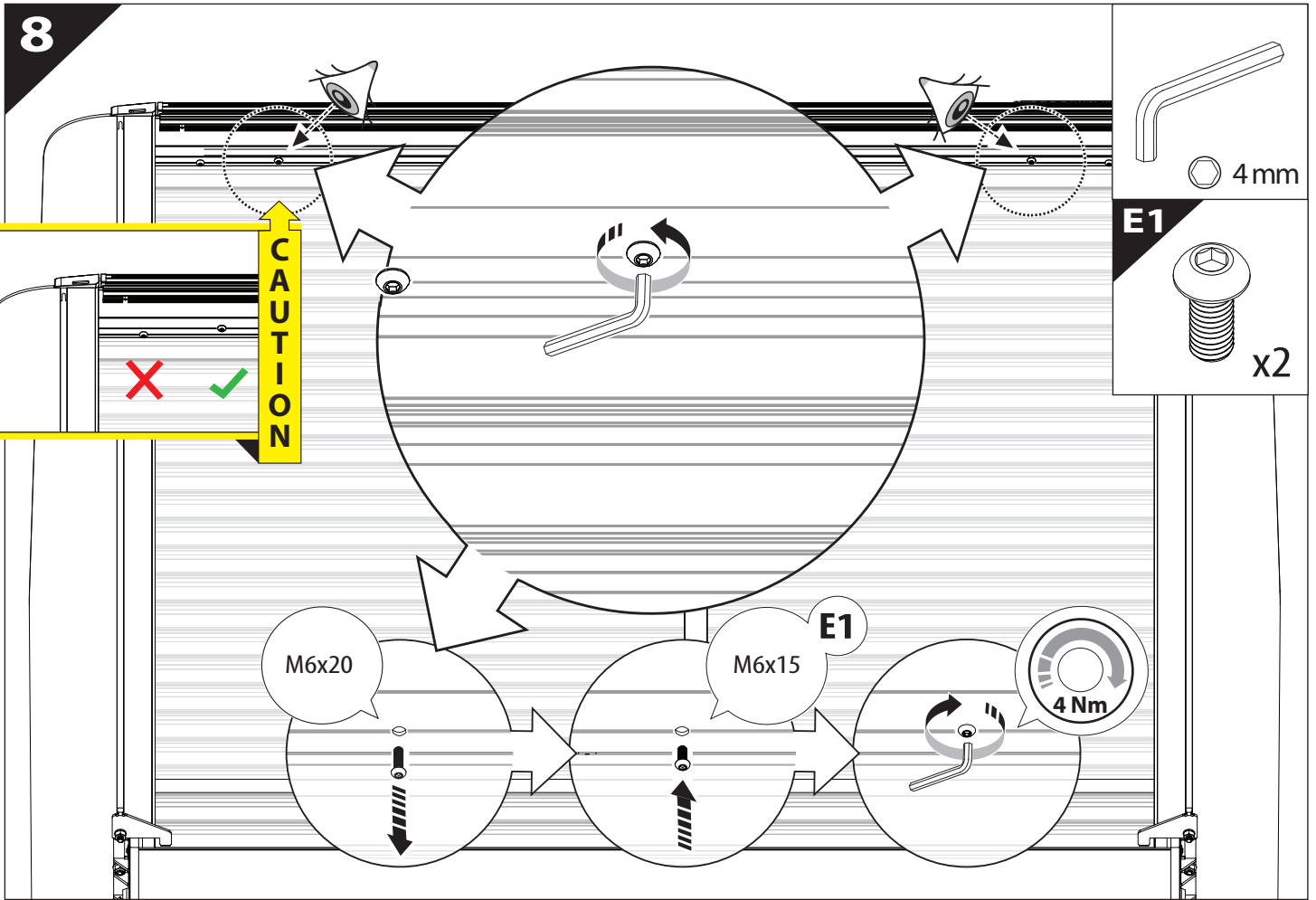
4



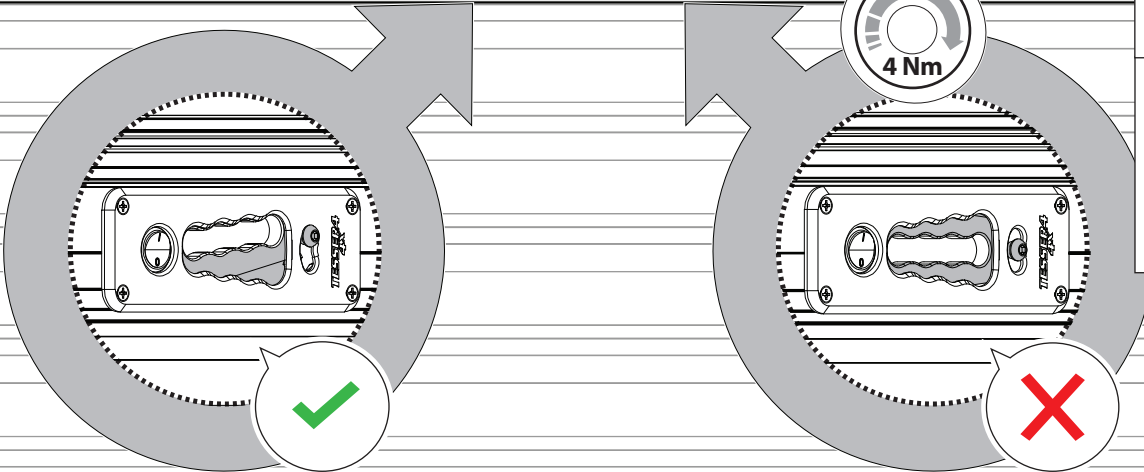
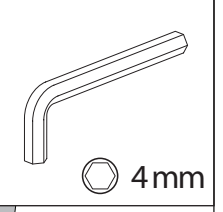
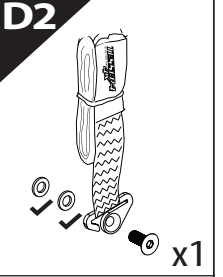
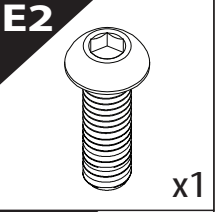
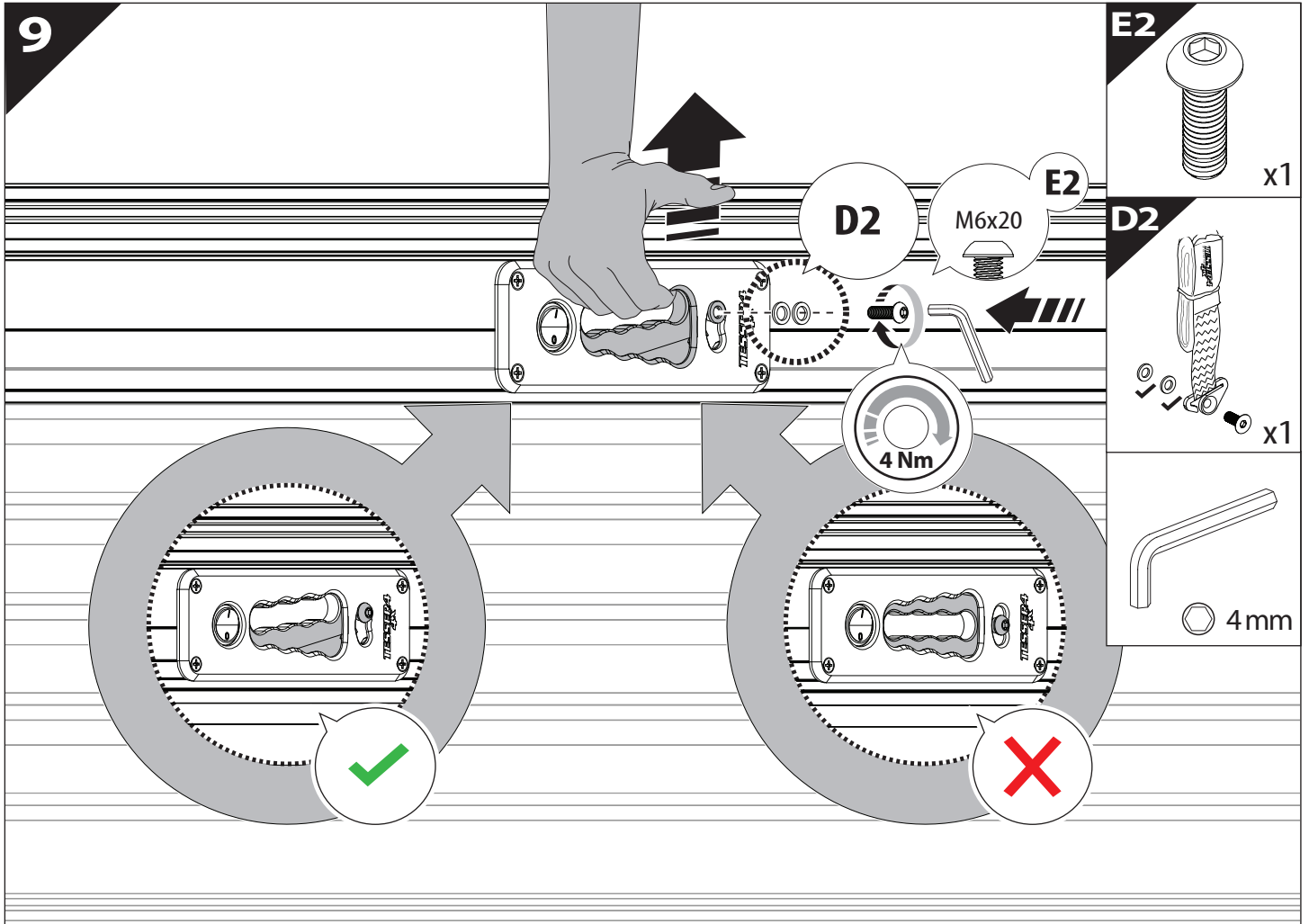


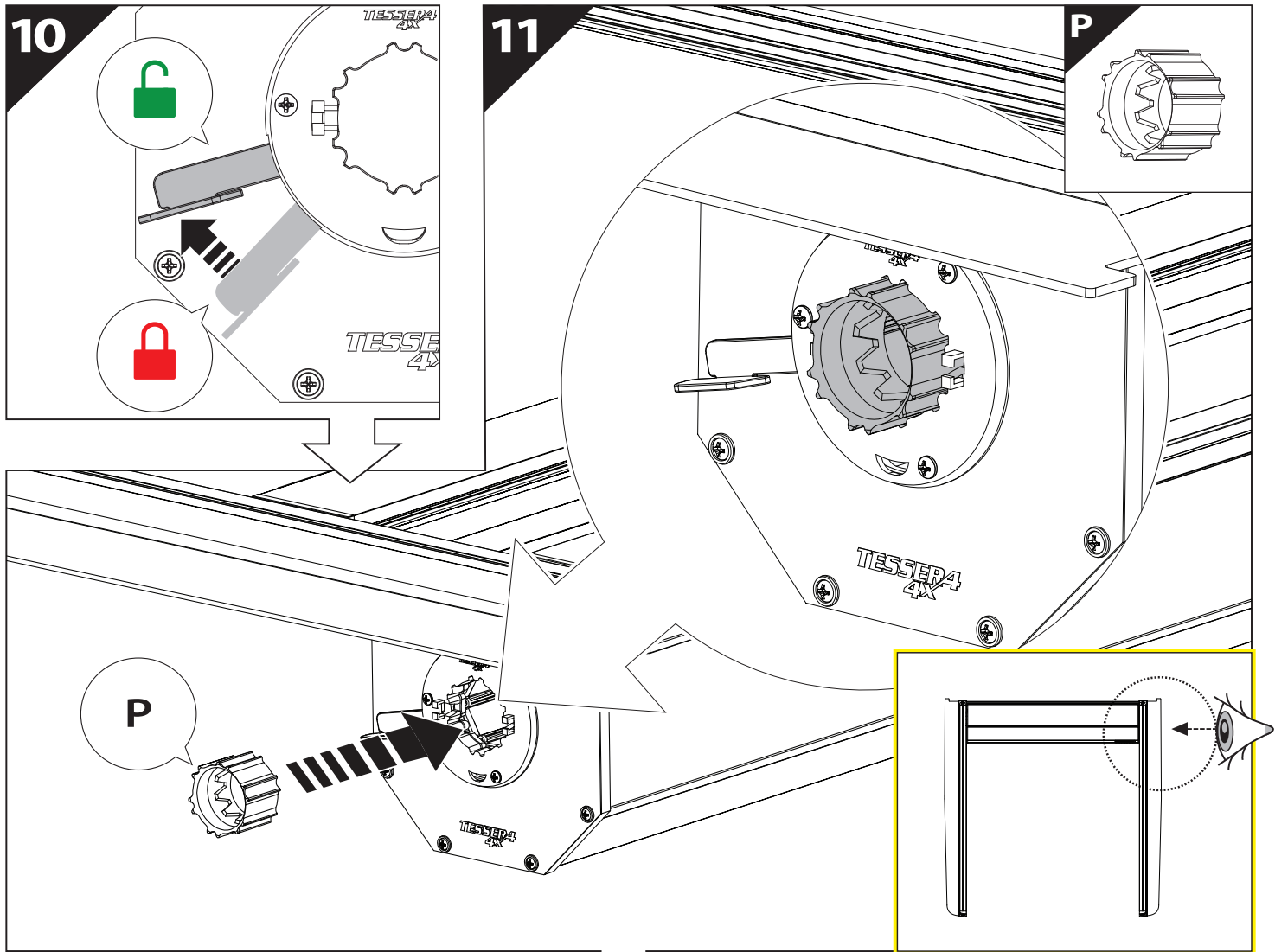
8

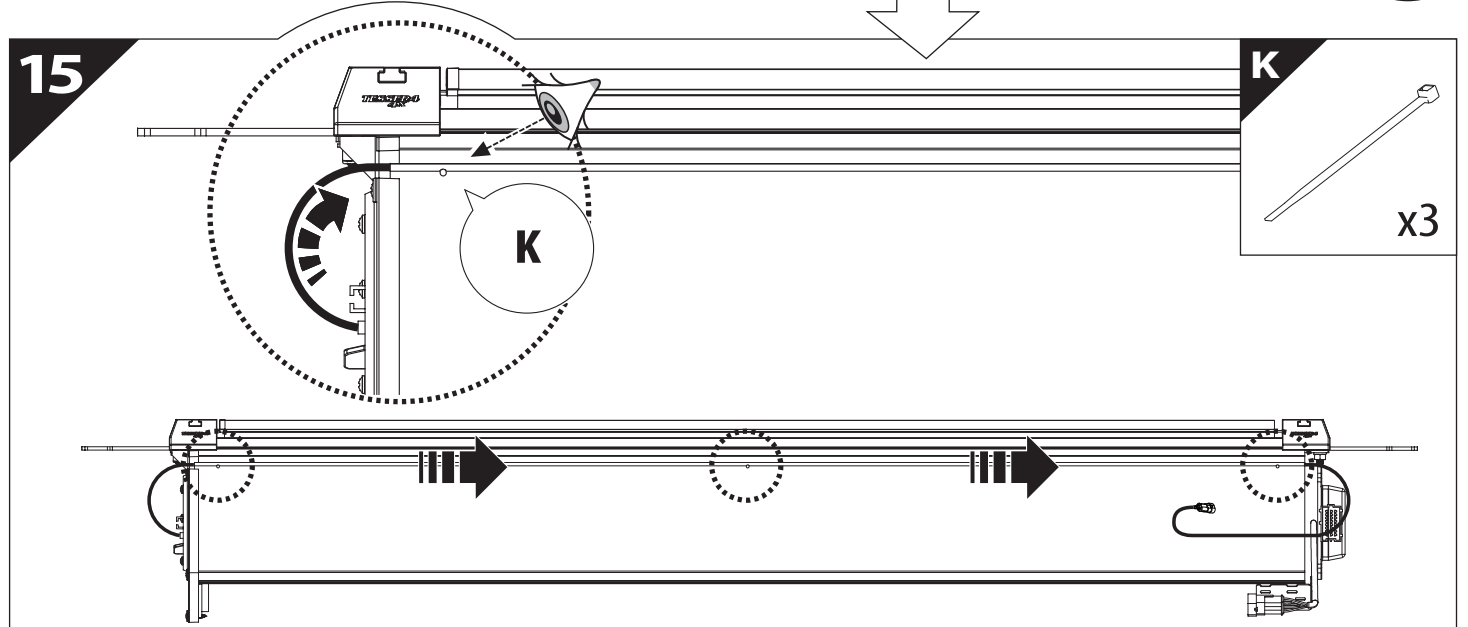
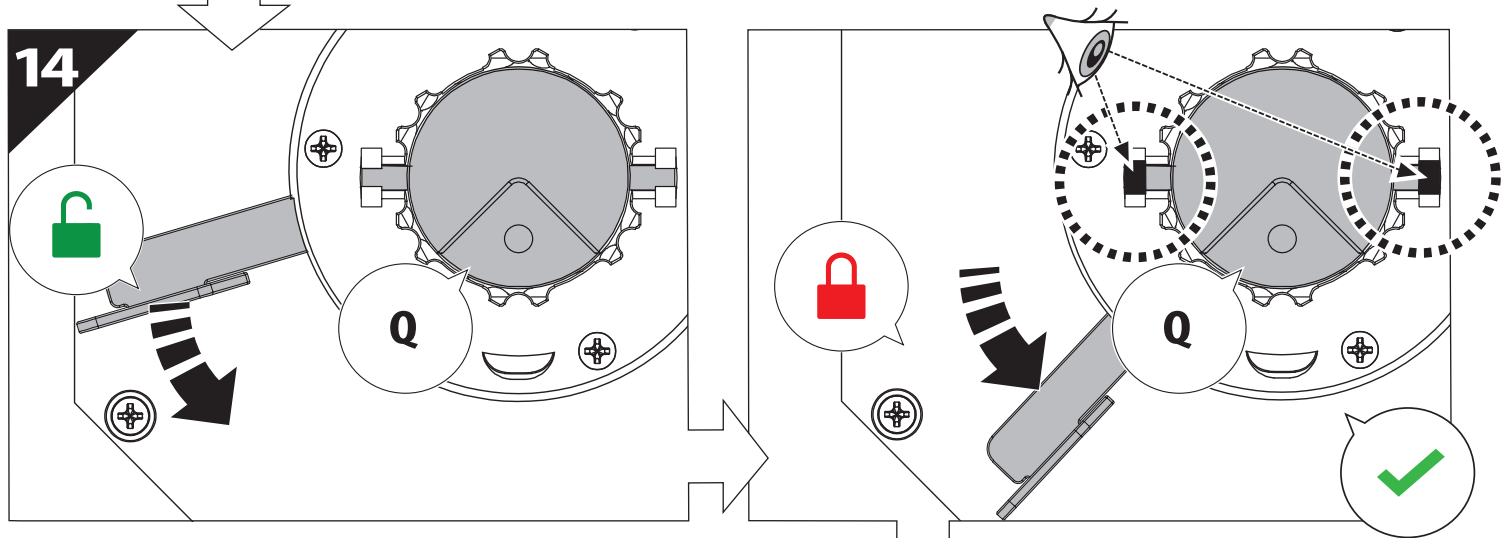
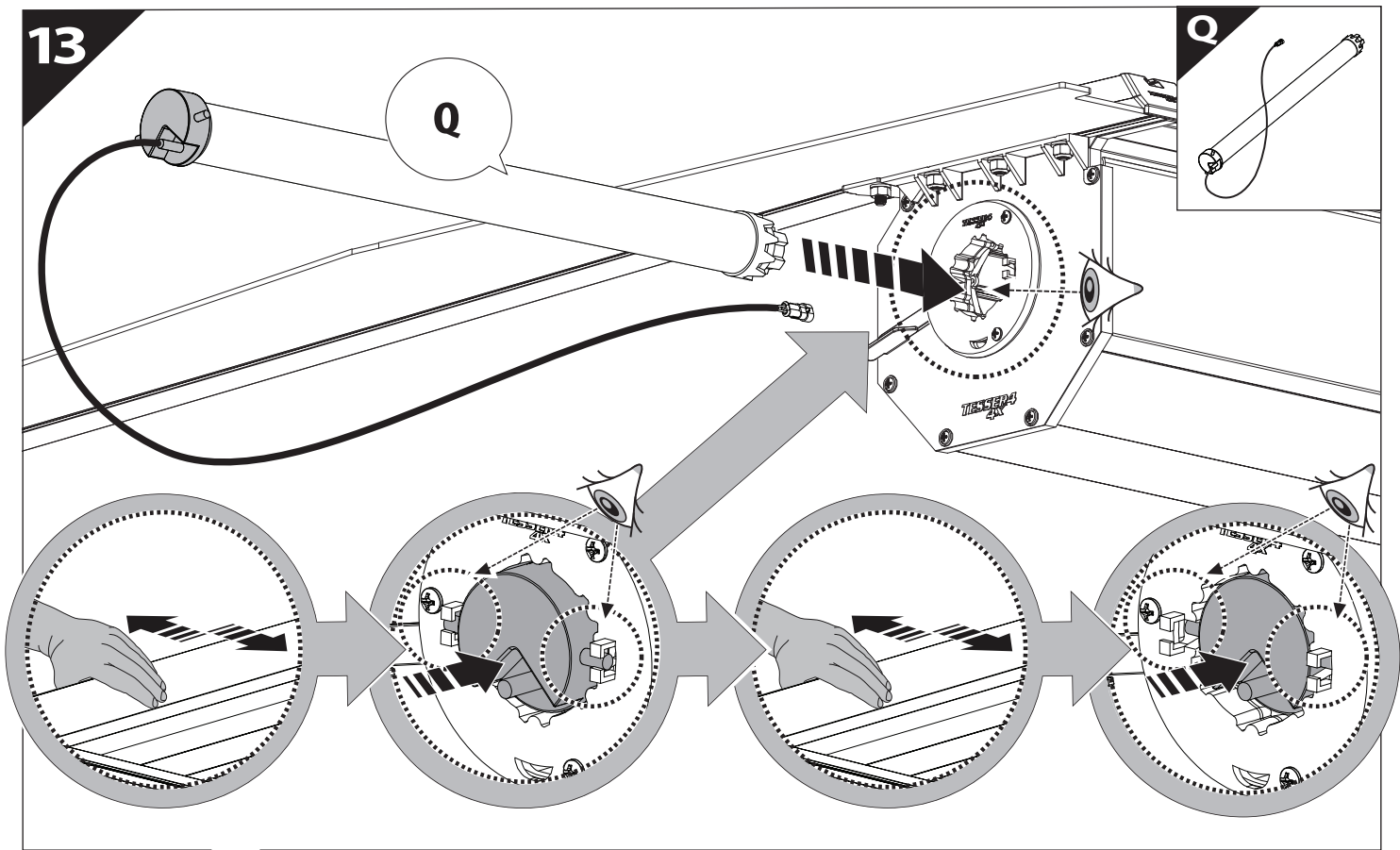
CAUTION



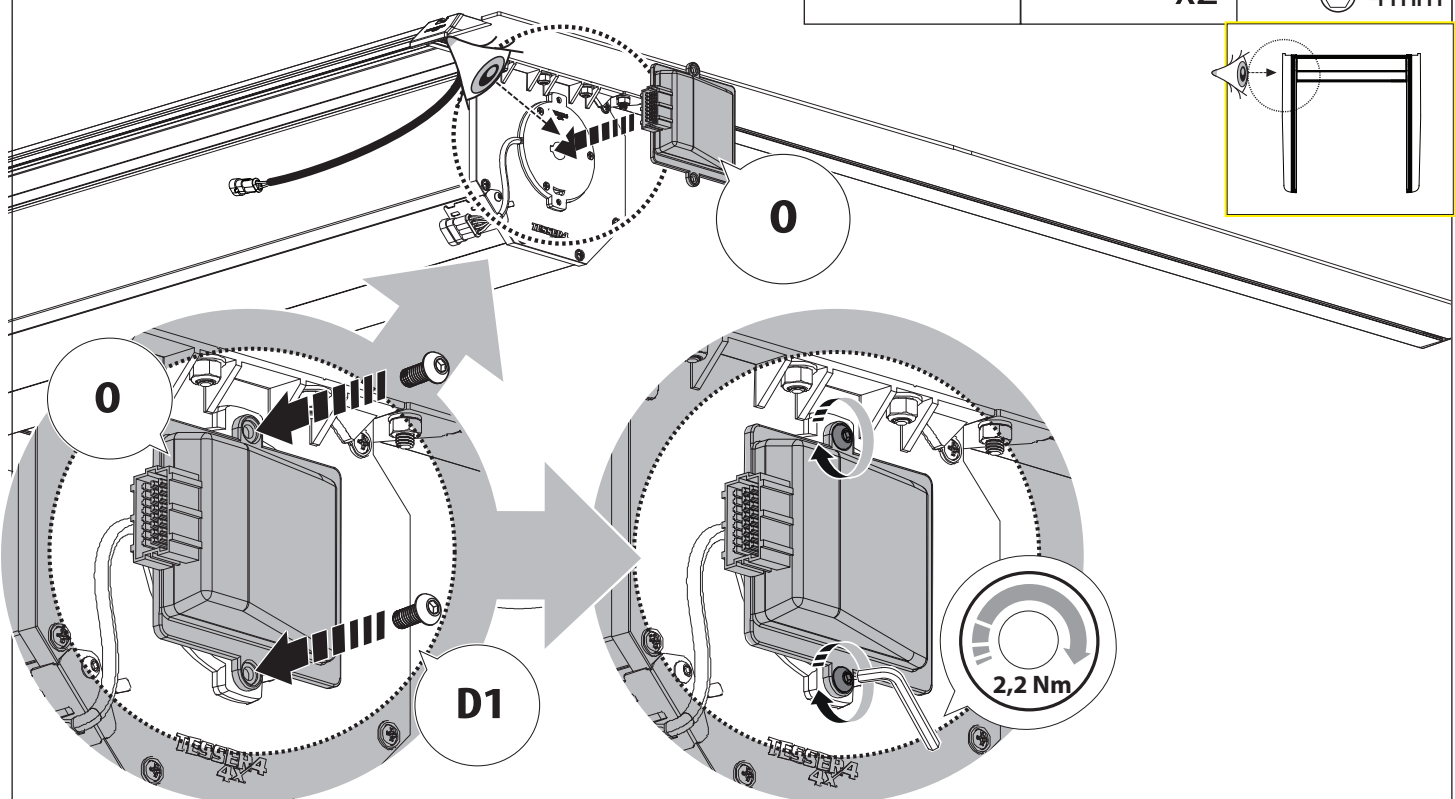
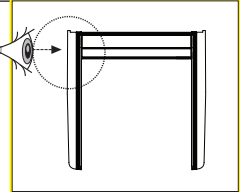
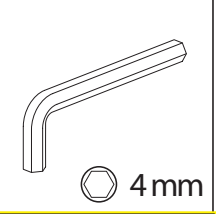
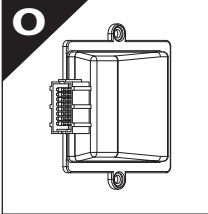
9



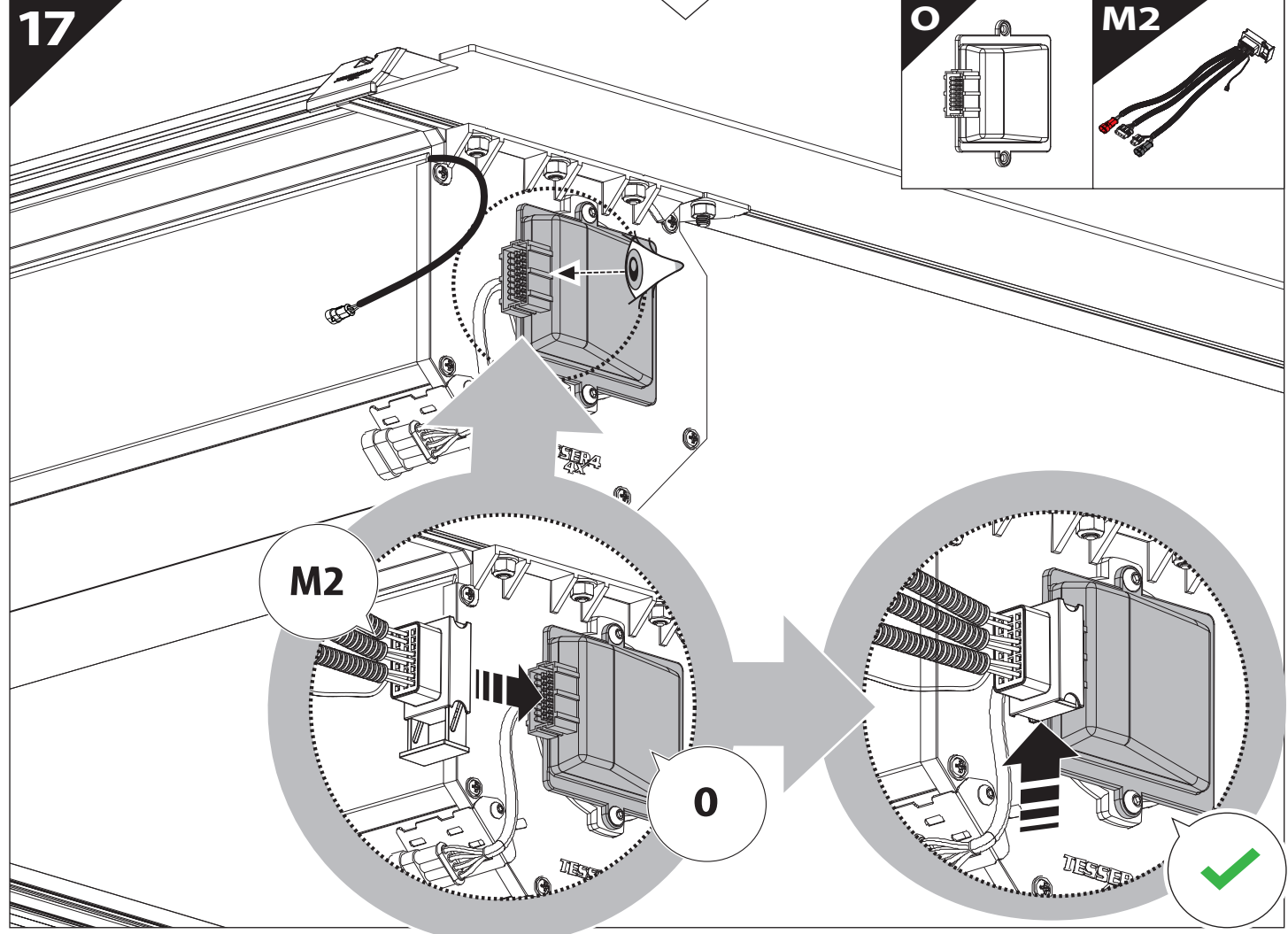
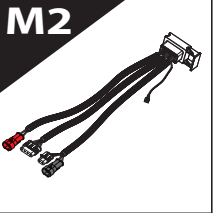
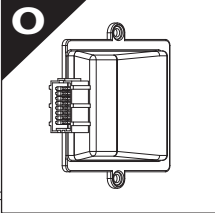




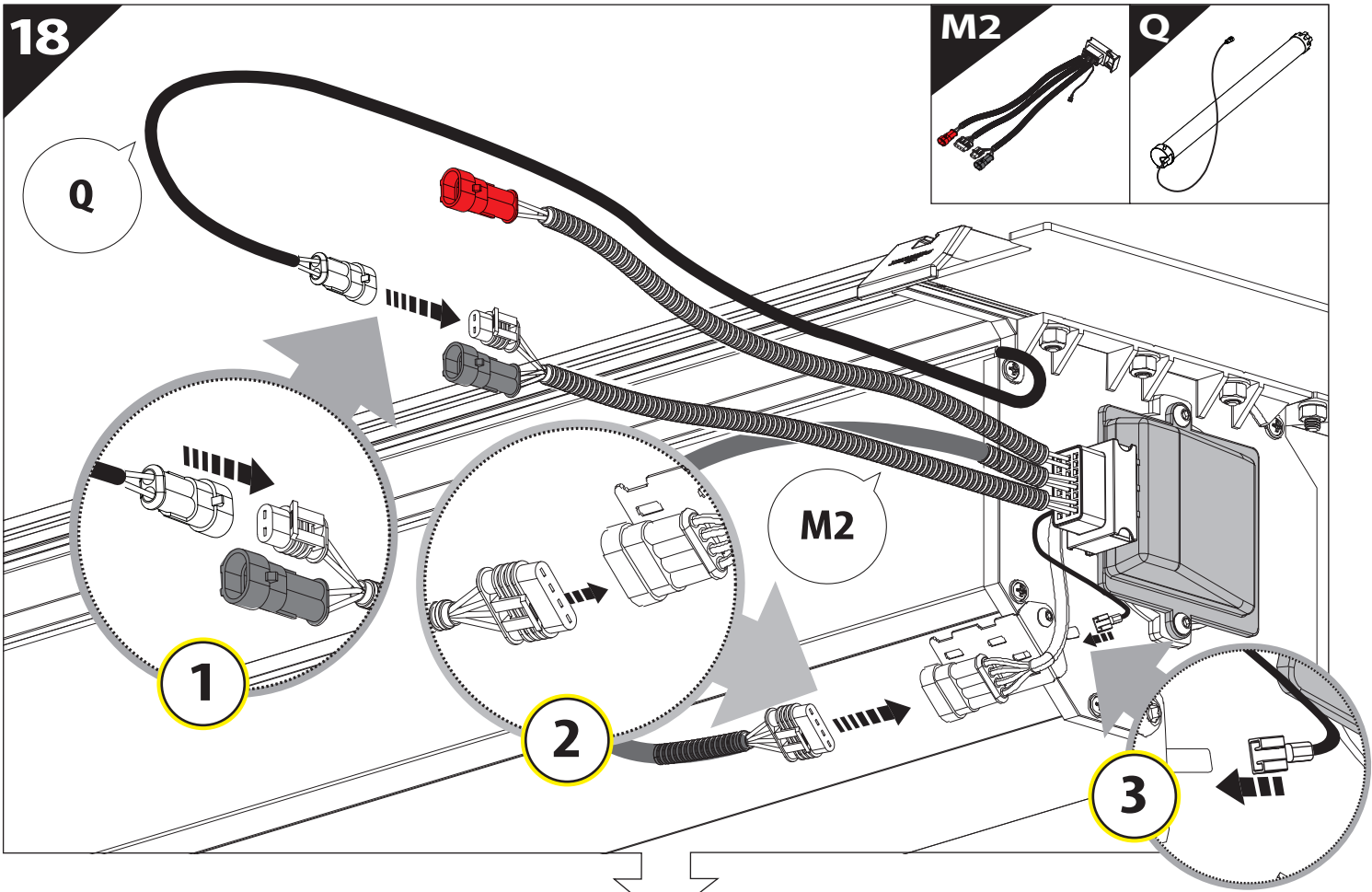
16



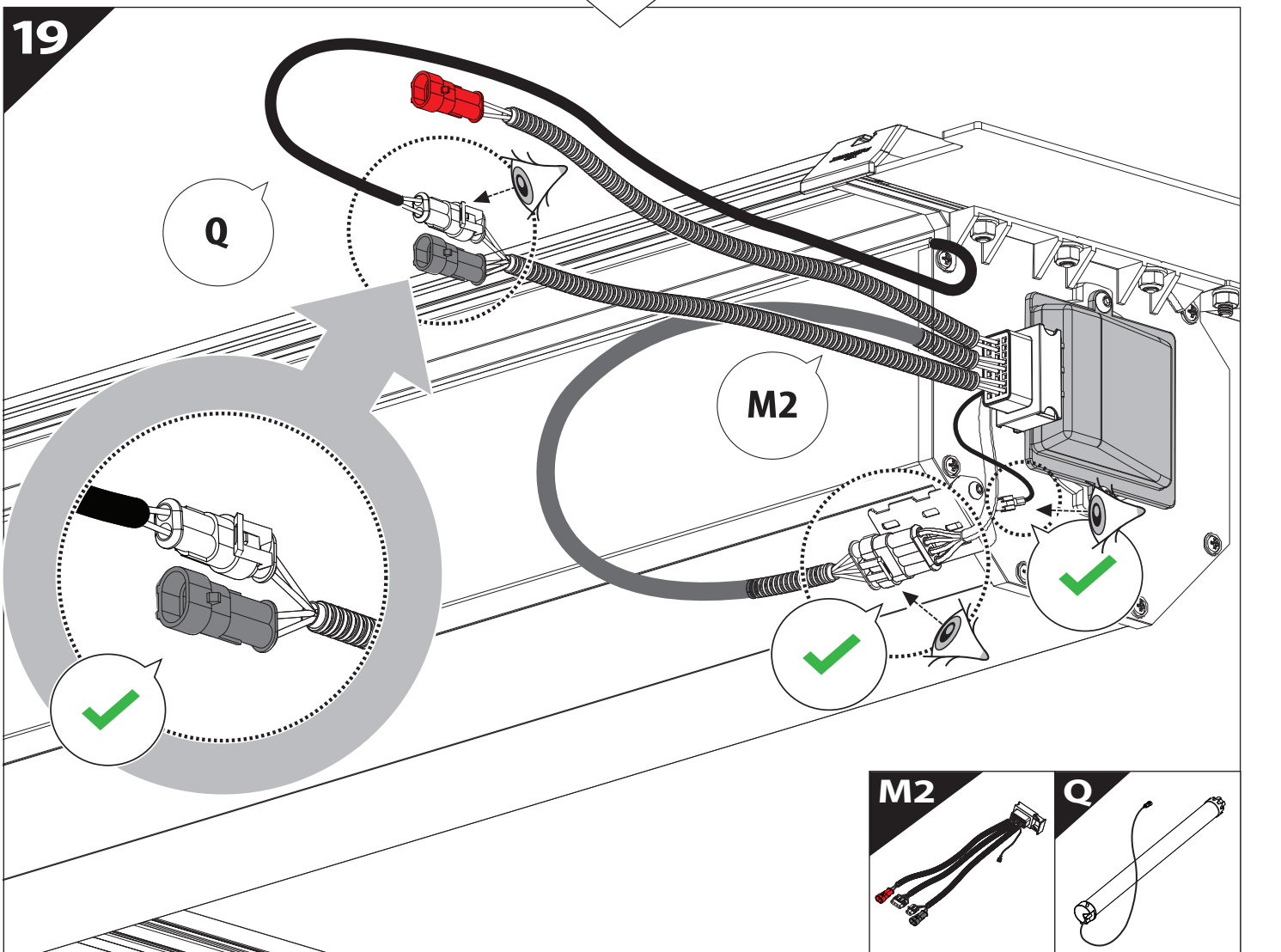
17

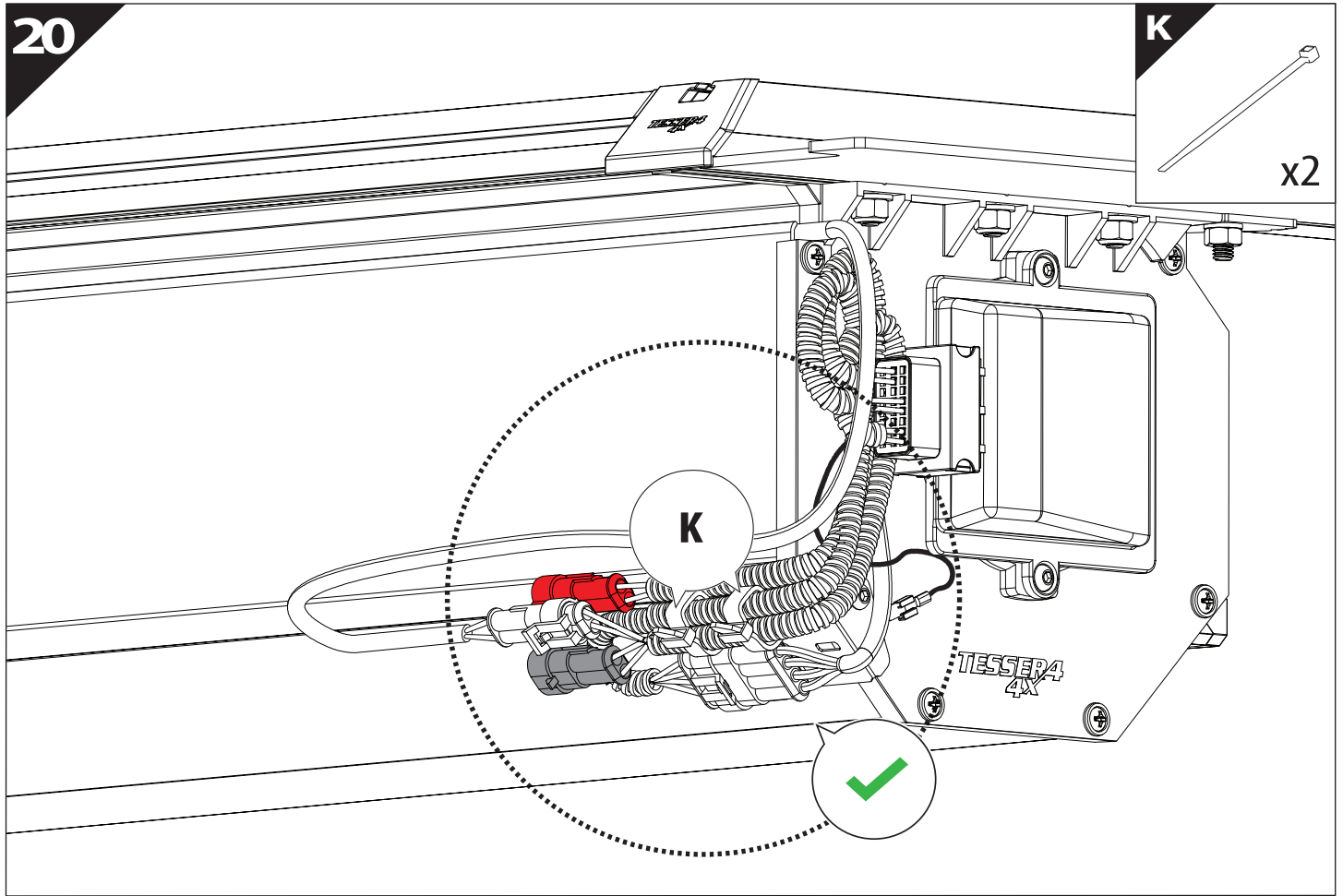


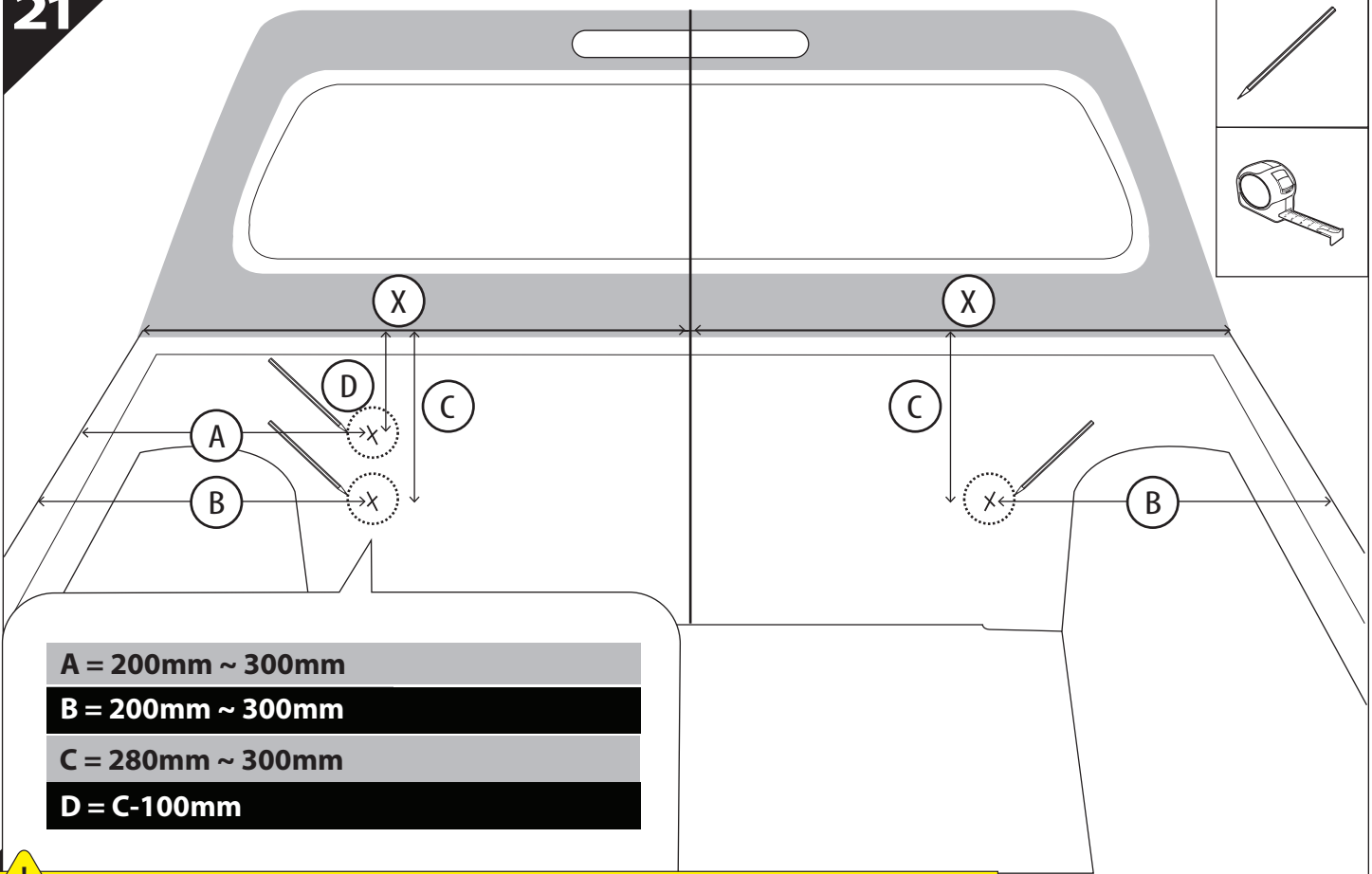
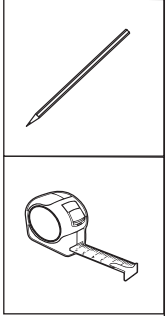
18



19







- A = 200mm ~ 300mm
- B = 200mm ~ 300mm
- C = 280mm ~ 300mm
- D = C-100mm

! TRY TO FIND FREE & STRAIGHT SPOTS IN THESE DIMENSIONS ACCORDINGLY

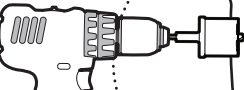


Ø 25 mm




Rust Protection

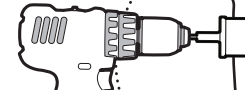
CAUTION





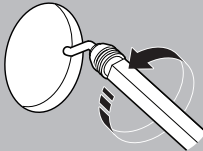
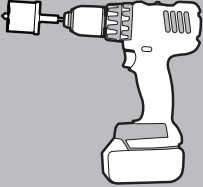

max: 2 mm



CAUTION

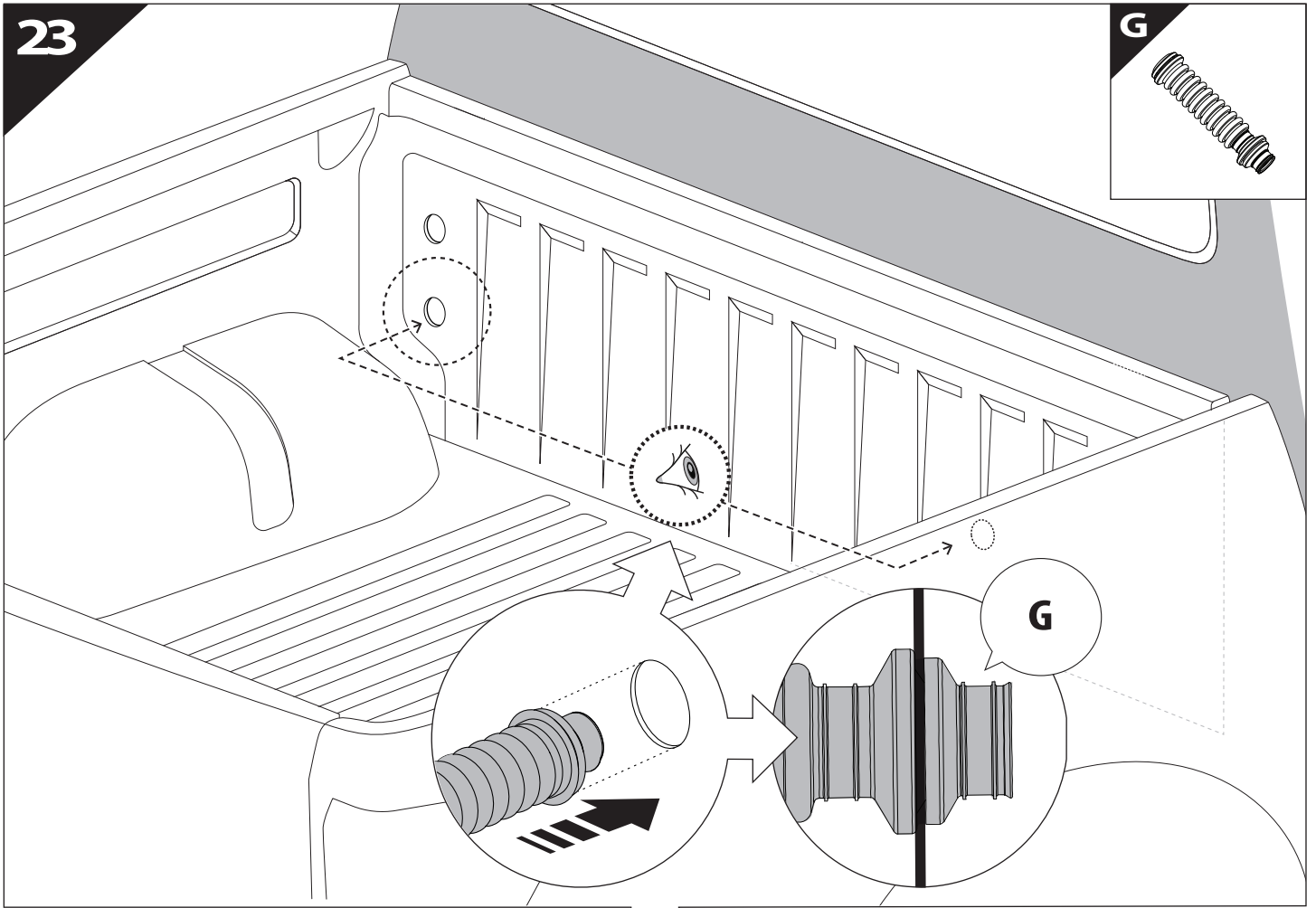


5 mm



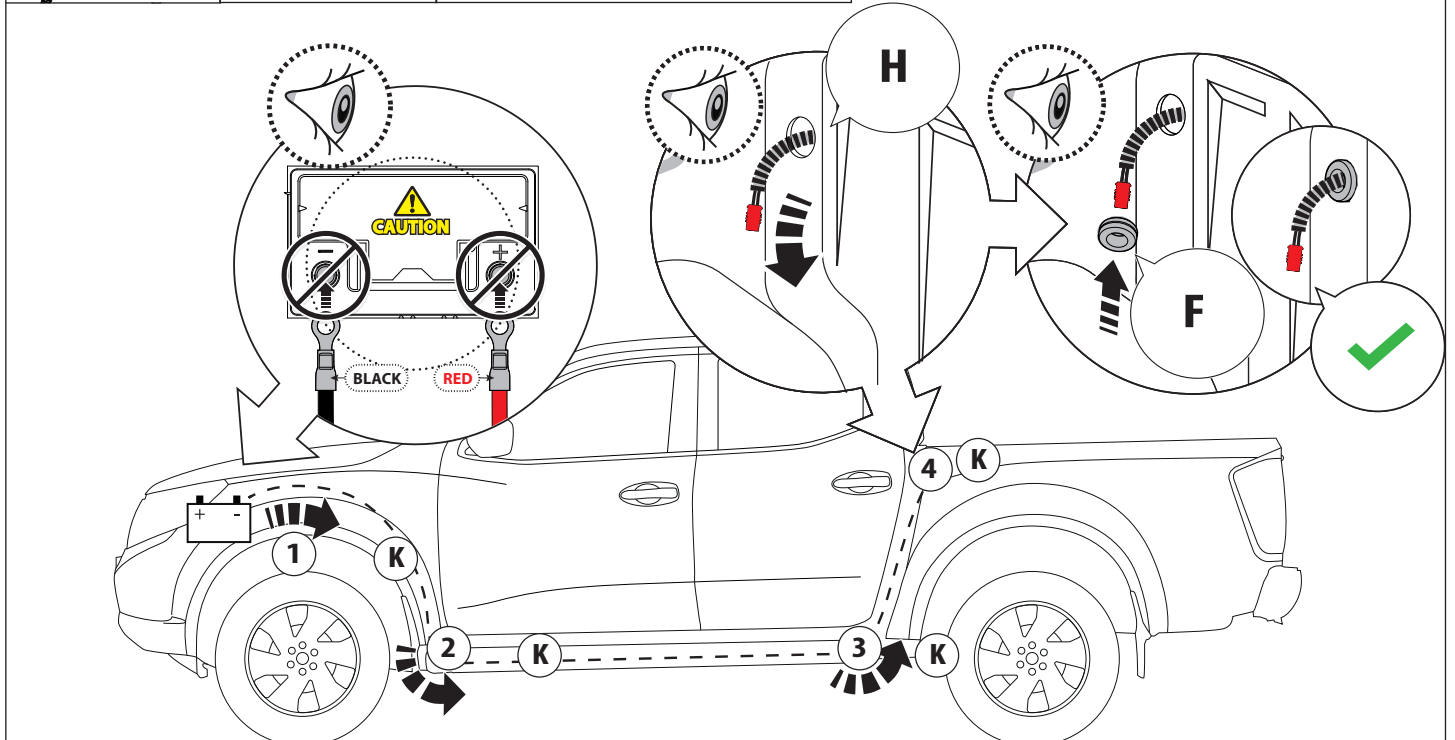
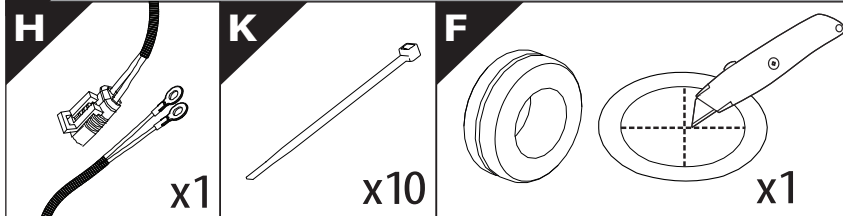
23

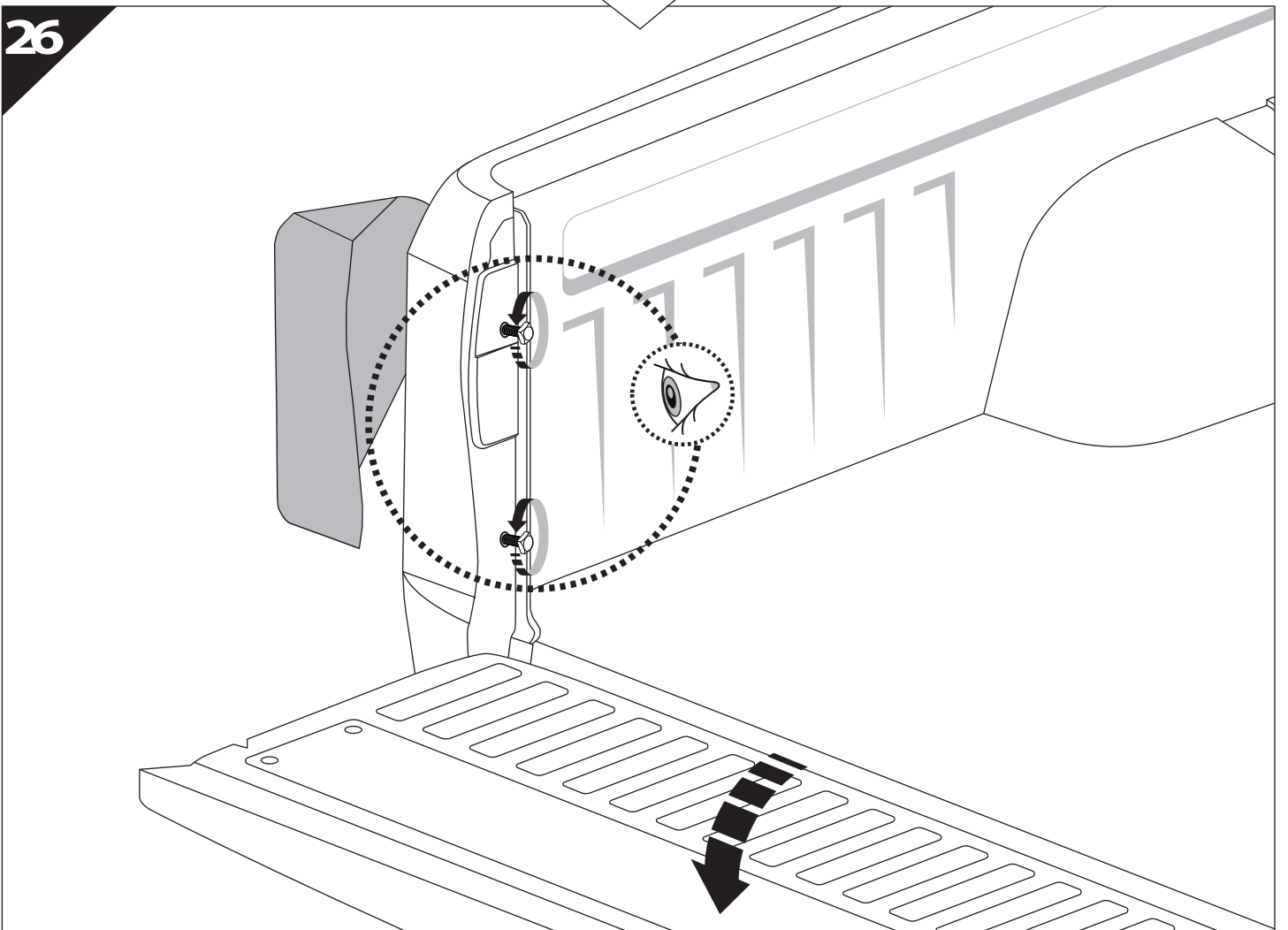
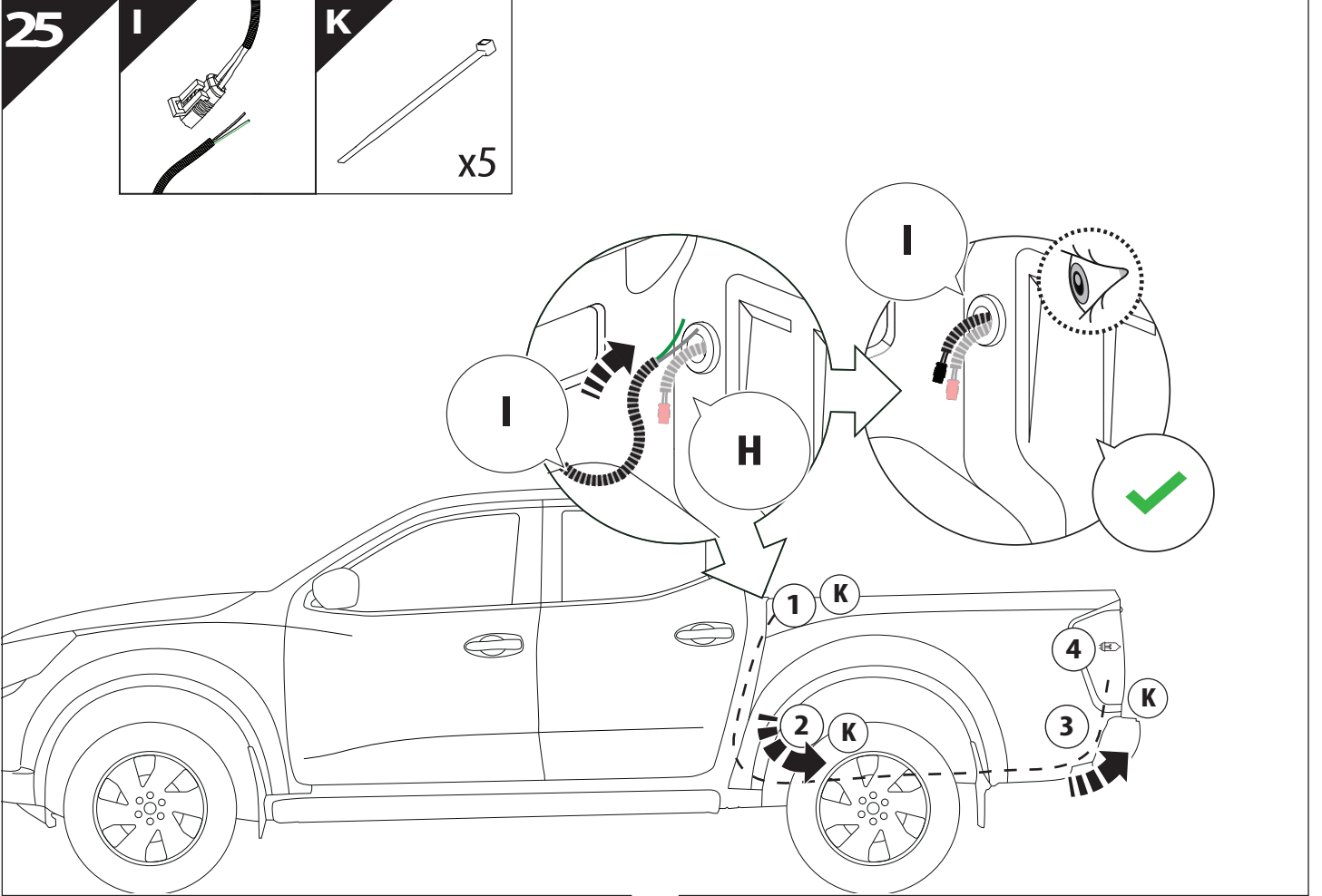
G



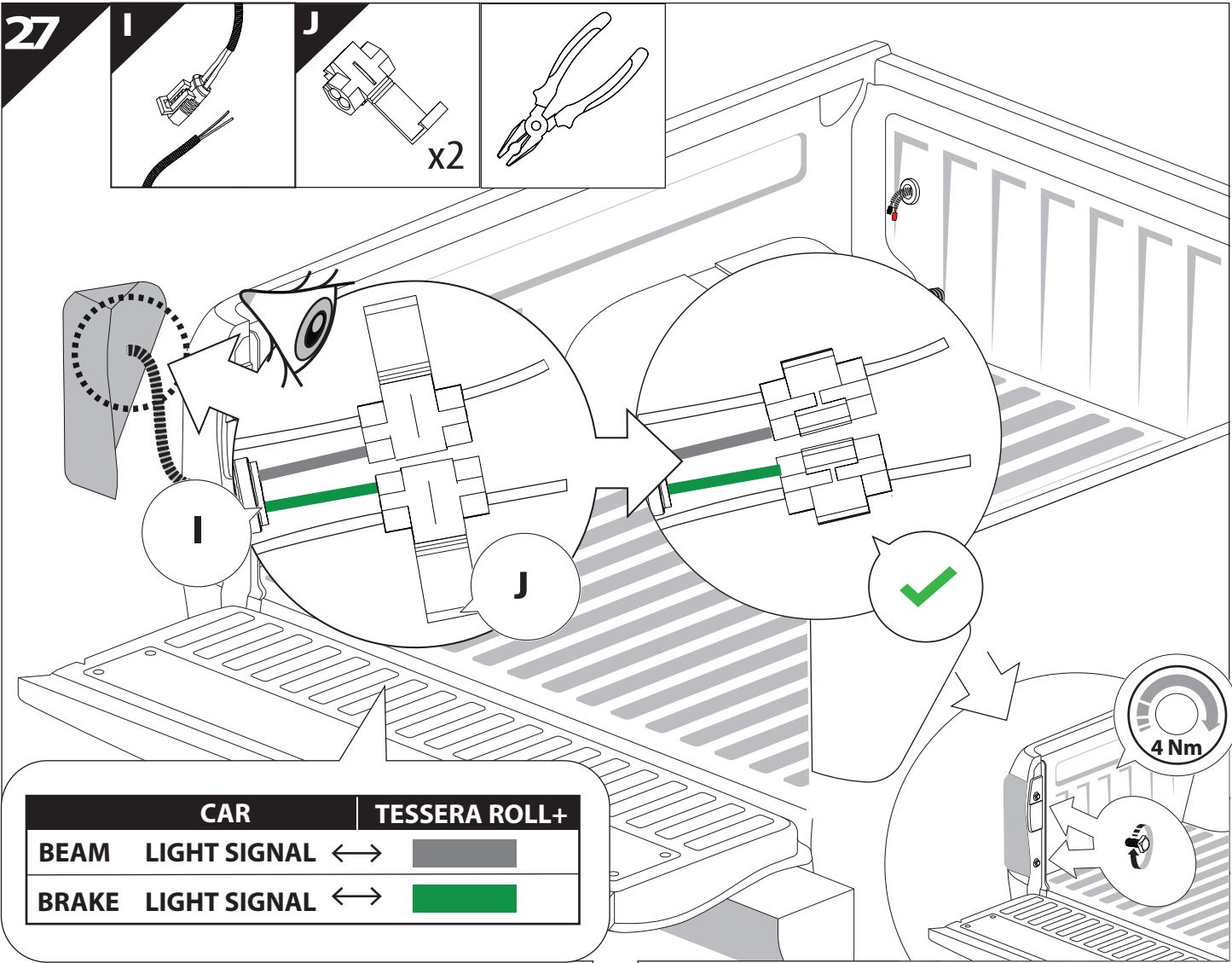
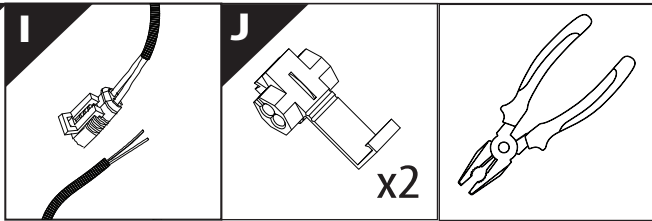
24

Only to be installed by authorized personnel



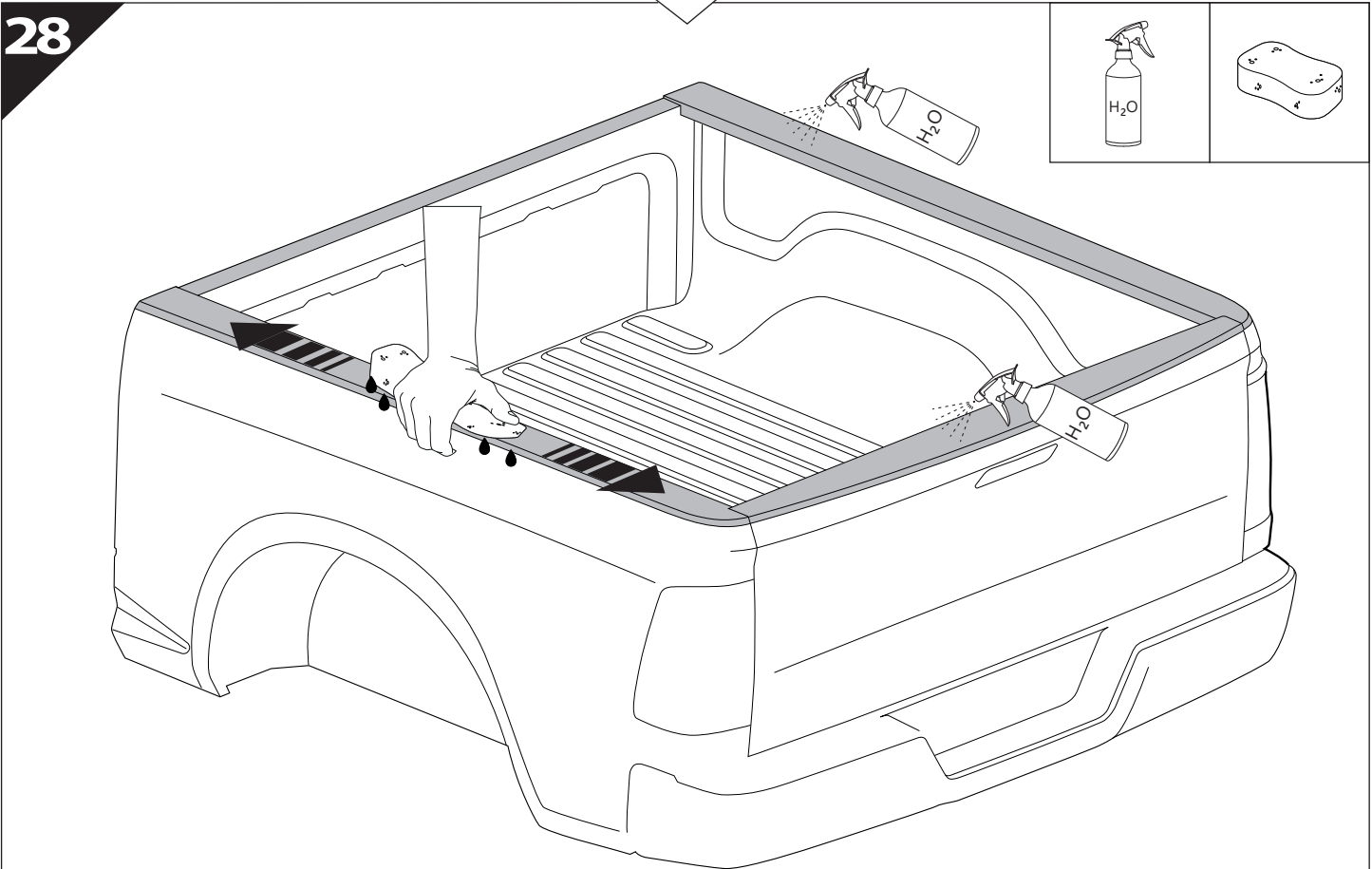
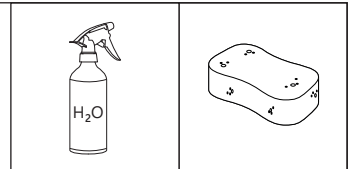


27

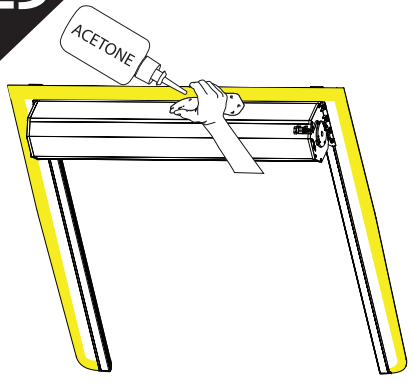


	CAR		TESSERA ROLL+
BEAM	LIGHT SIGNAL	↔	■
BRAKE	LIGHT SIGNAL	↔	■

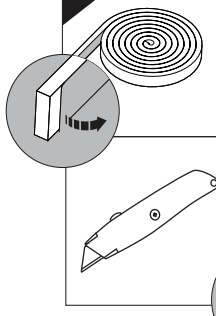
28



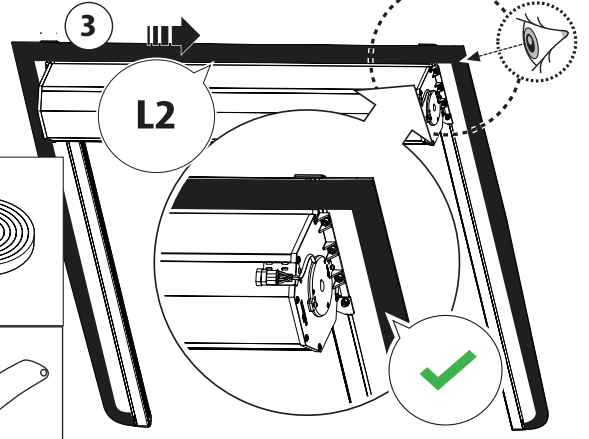
29



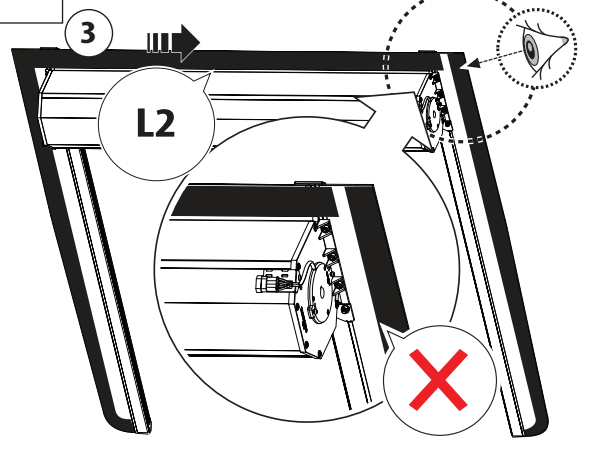
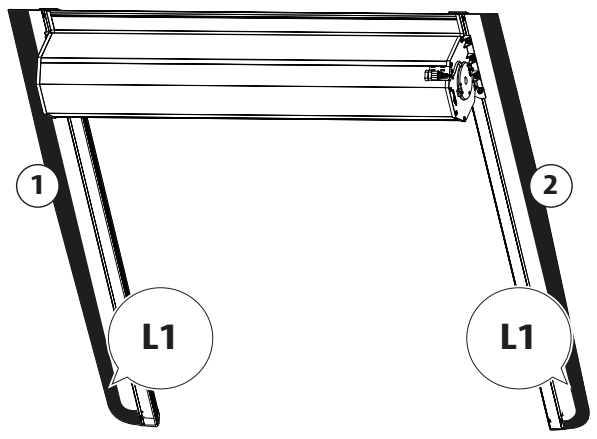
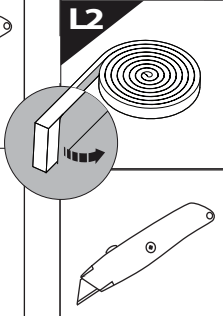
L1

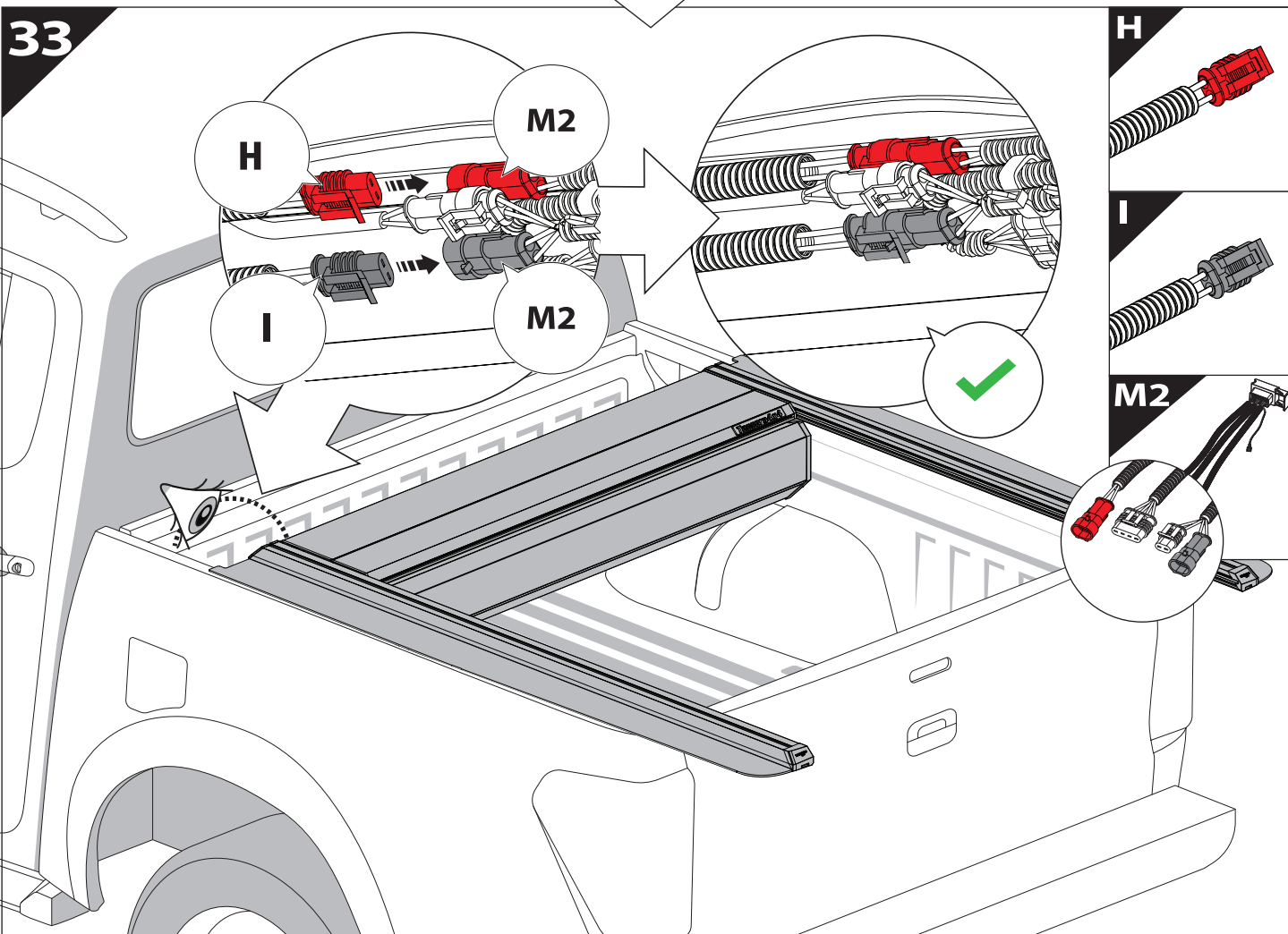
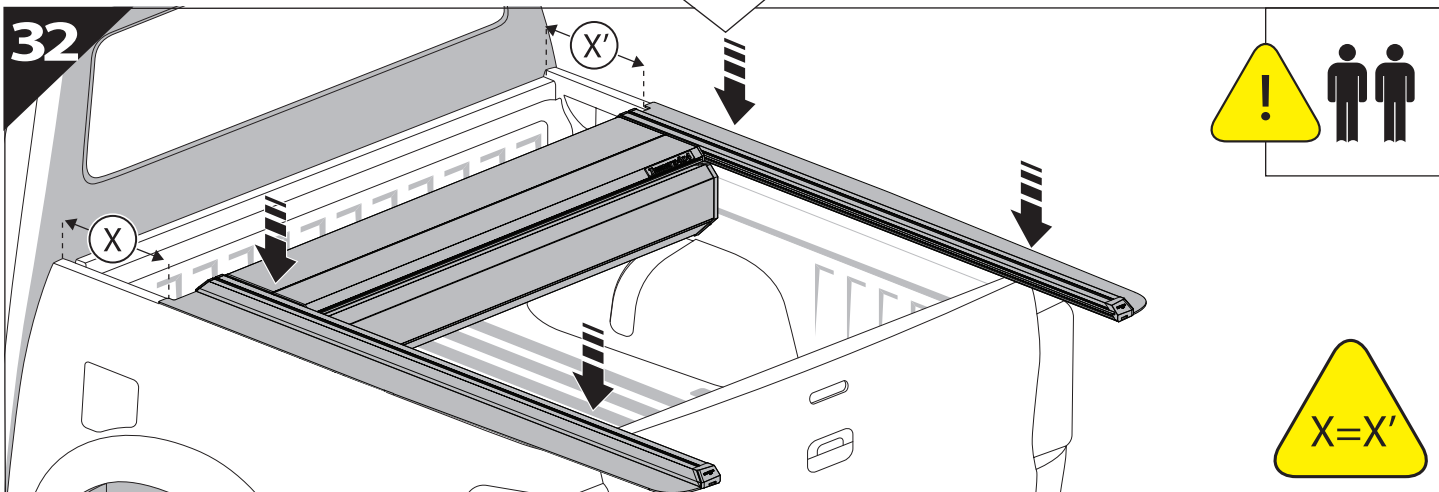
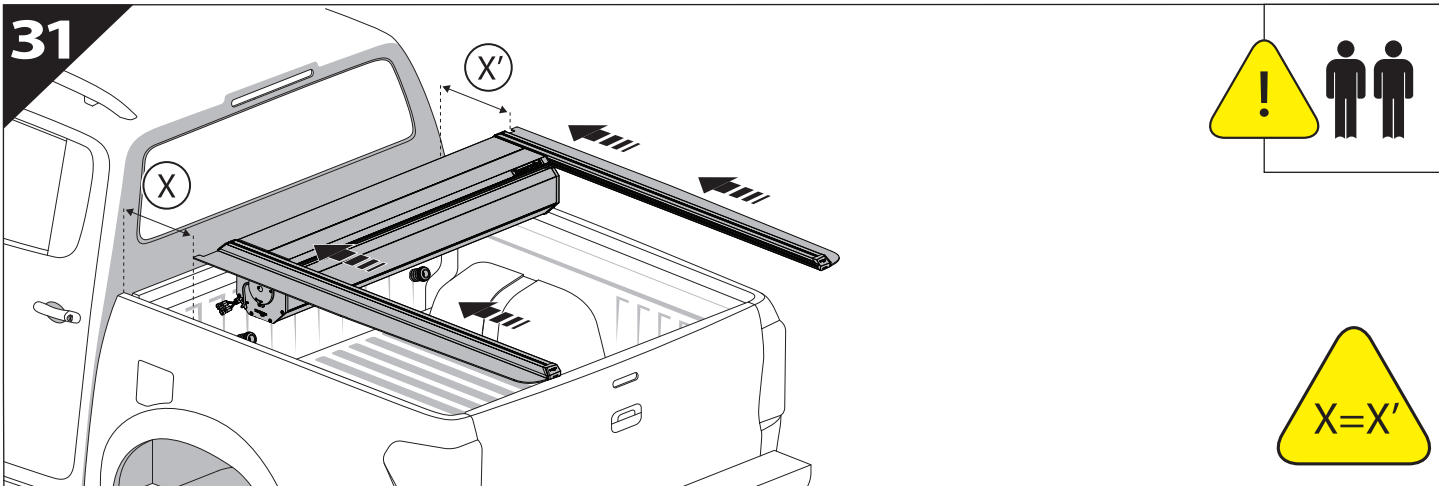


30



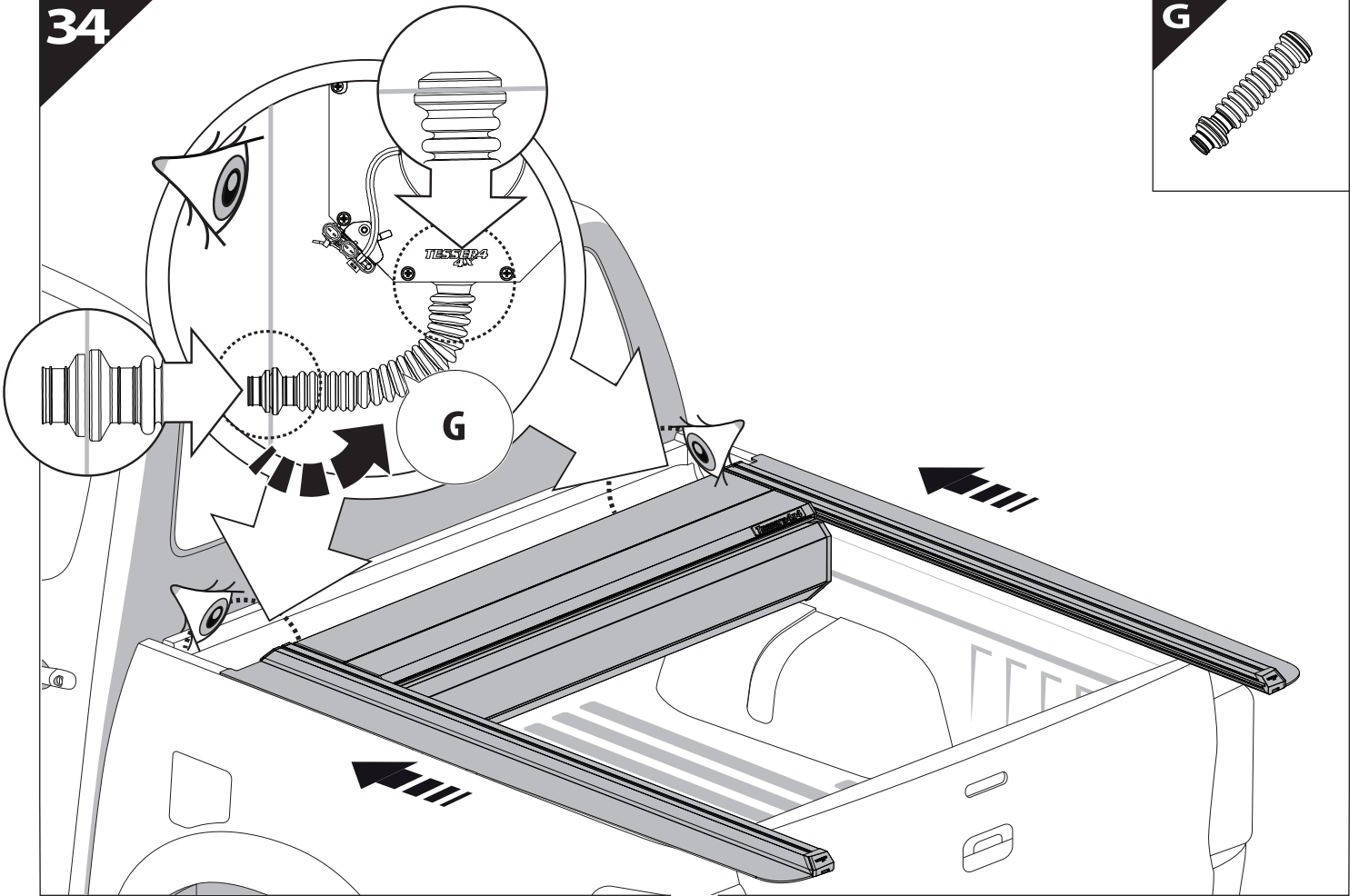
L2



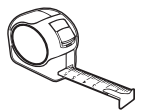
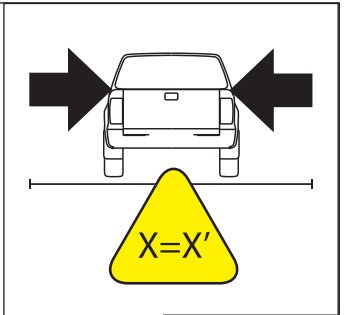
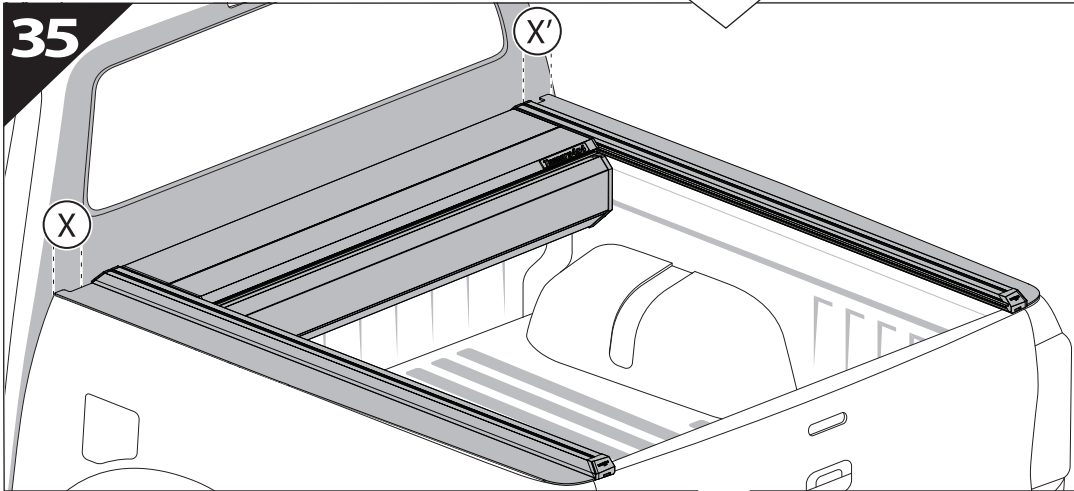


34

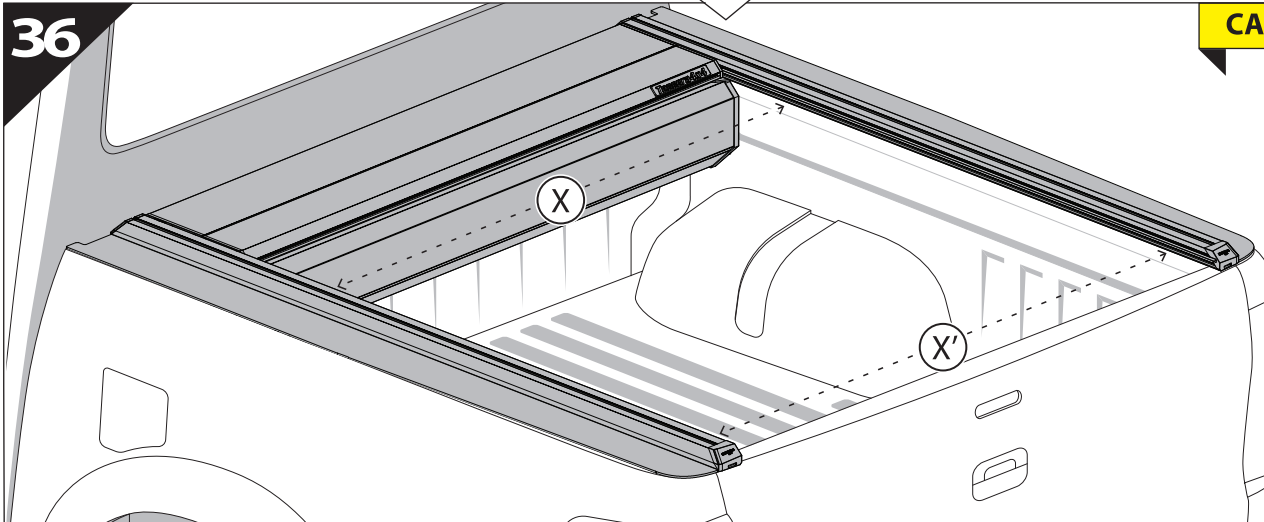
G



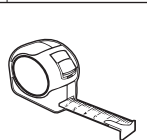
35



36

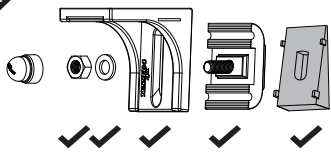


CAUTION !

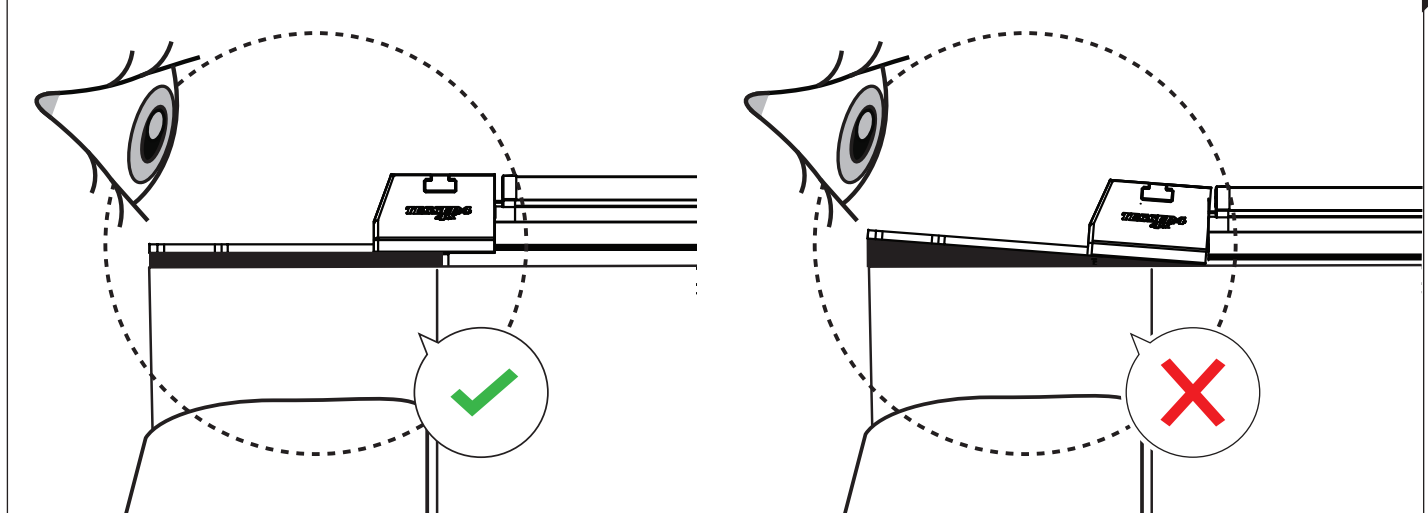
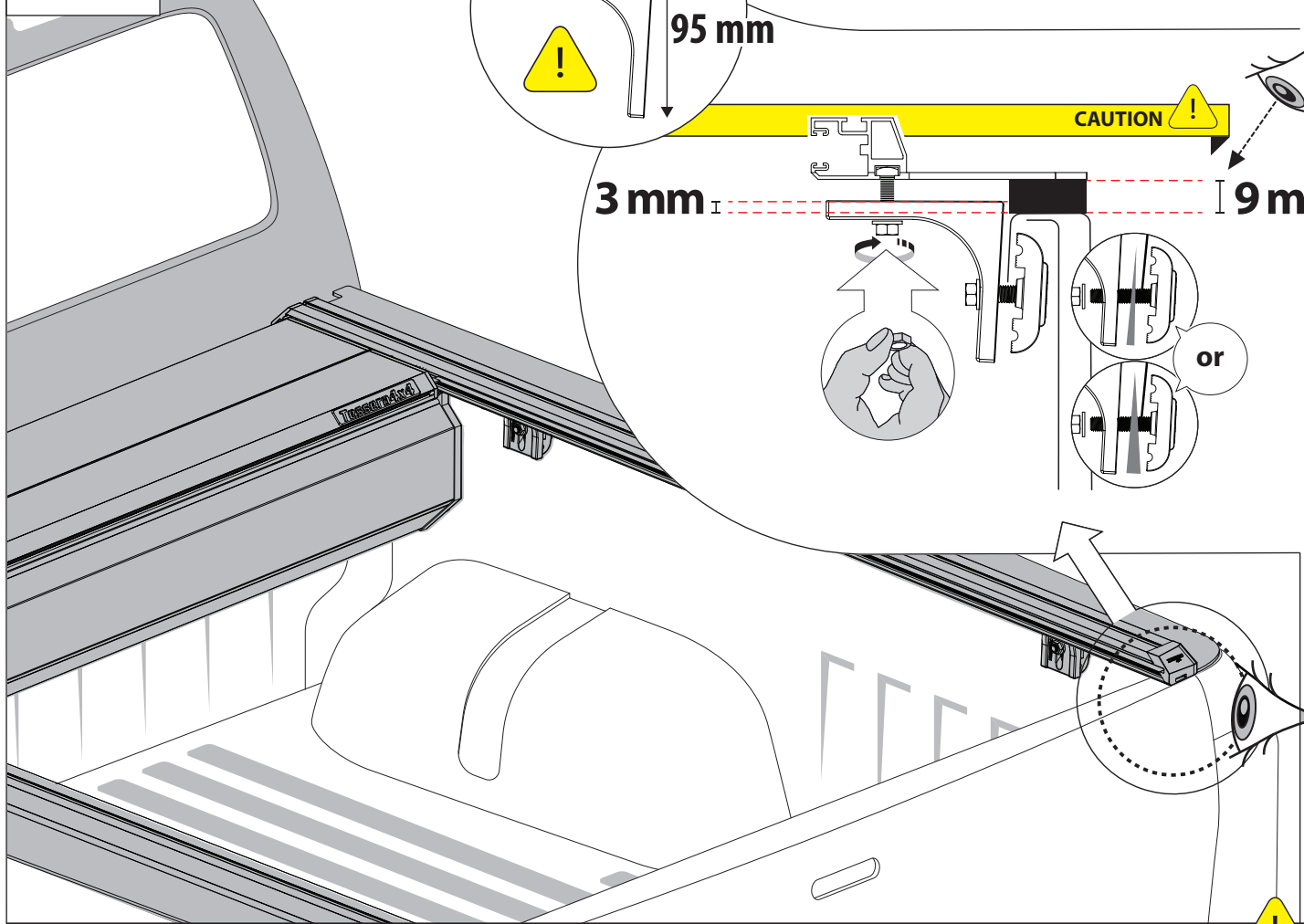
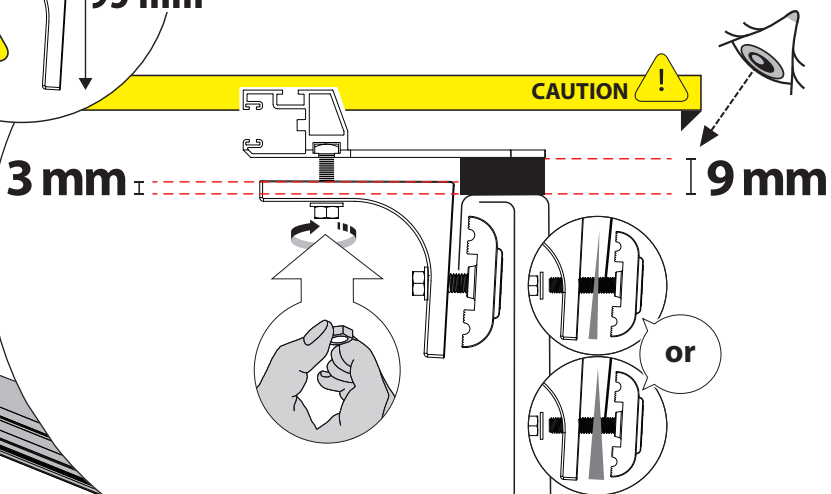
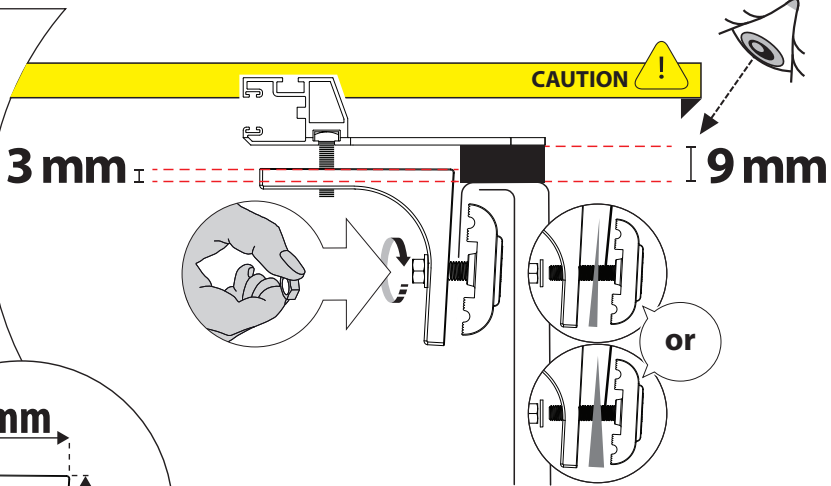
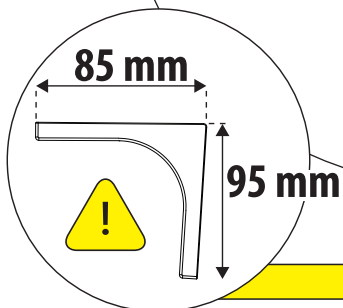
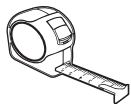
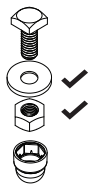


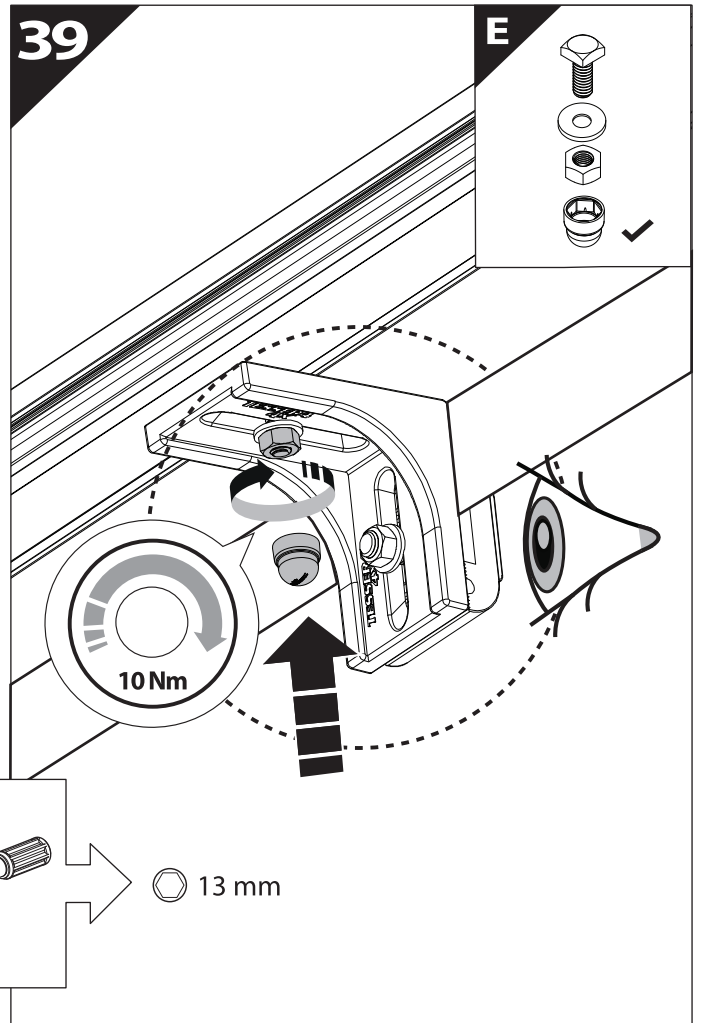
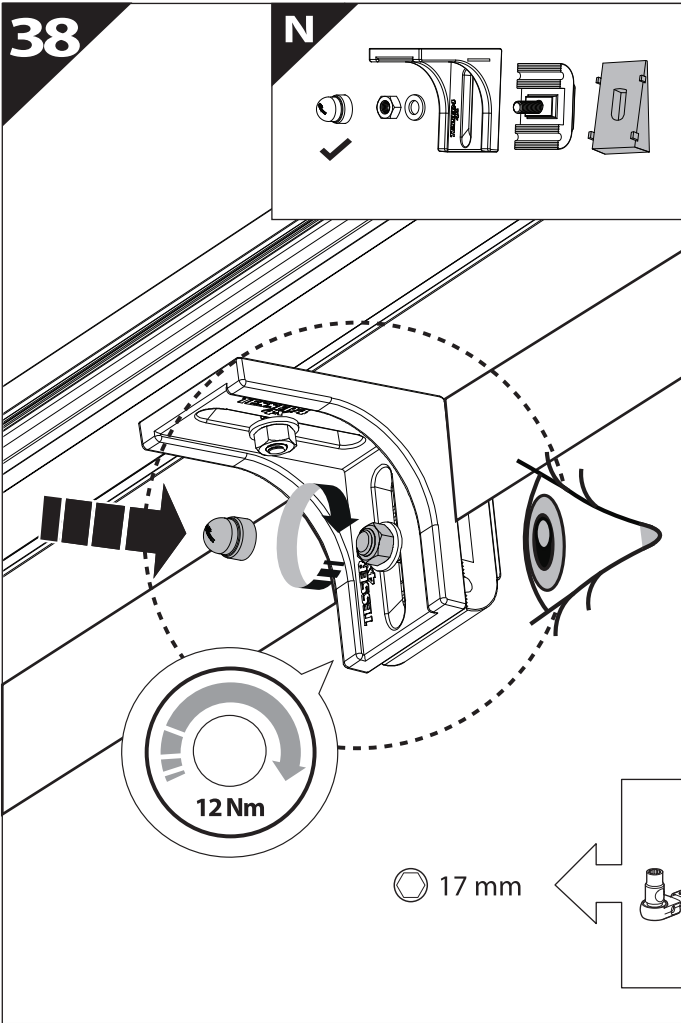
37

N

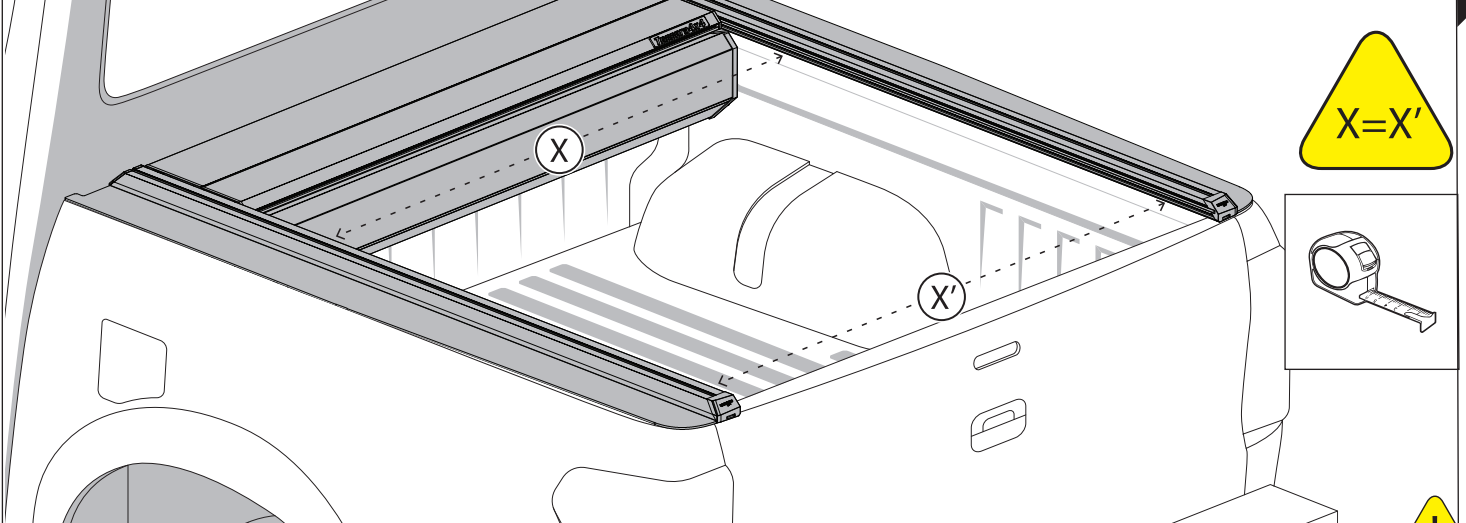


E

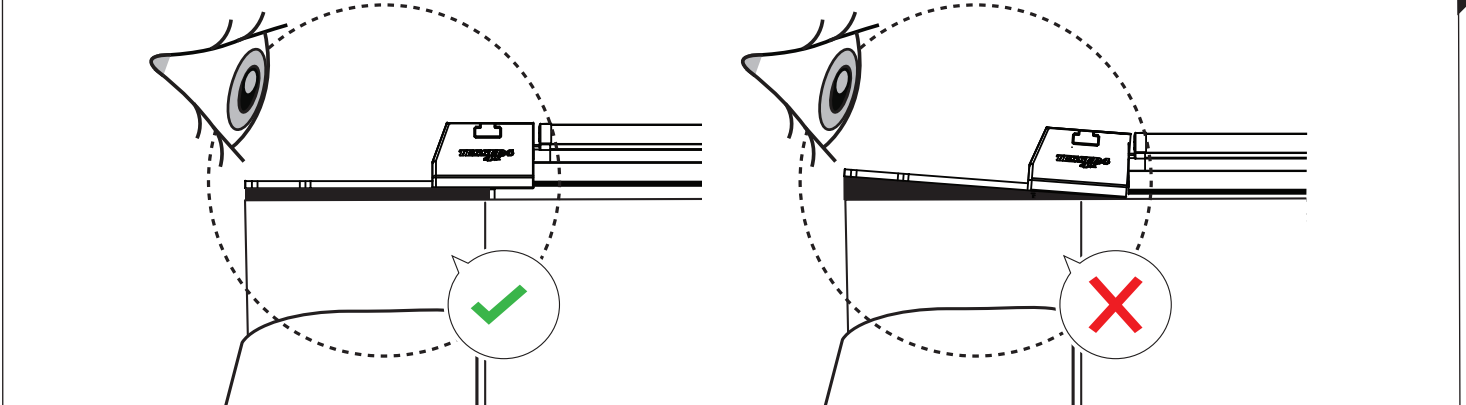




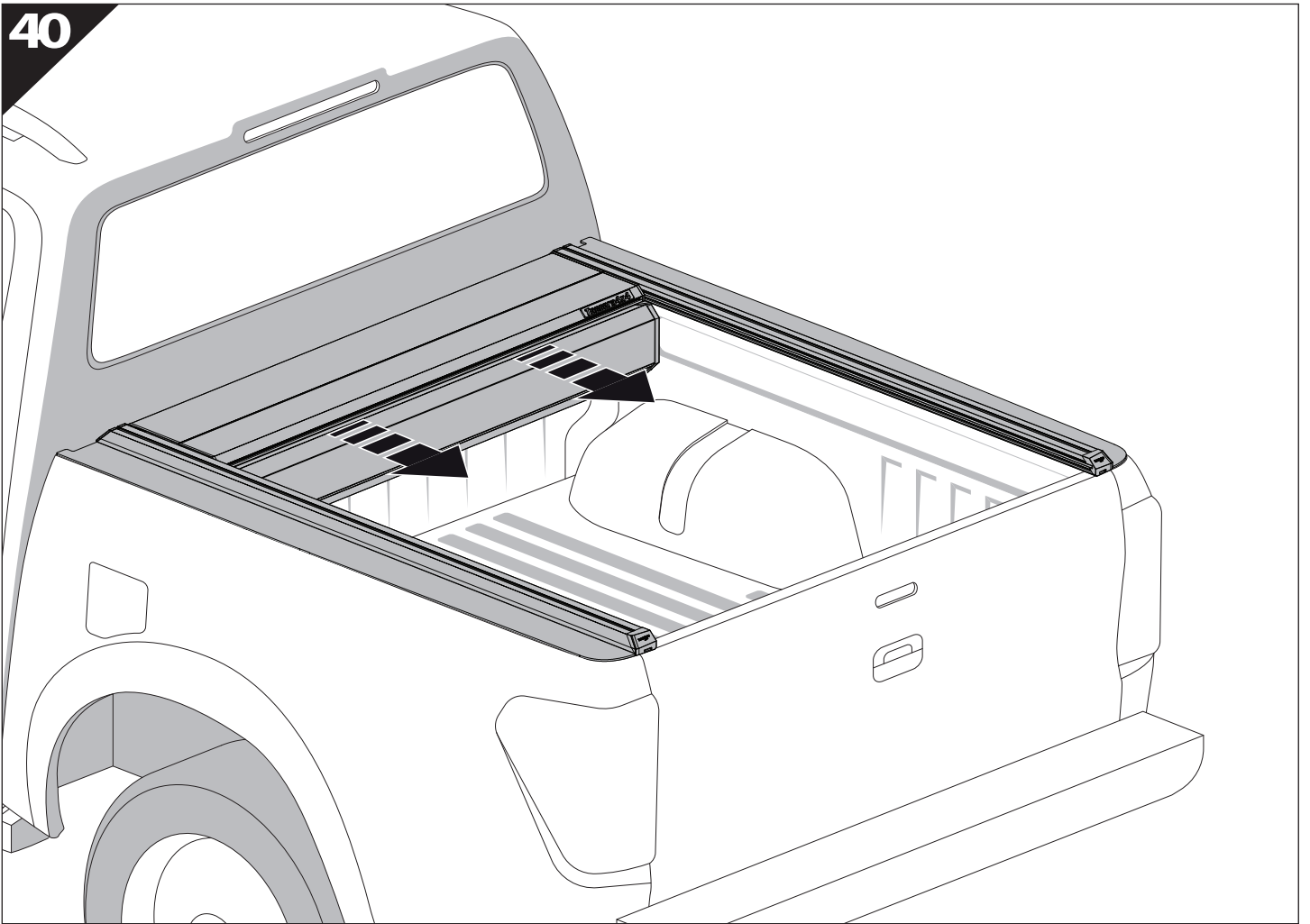
CAUTION !



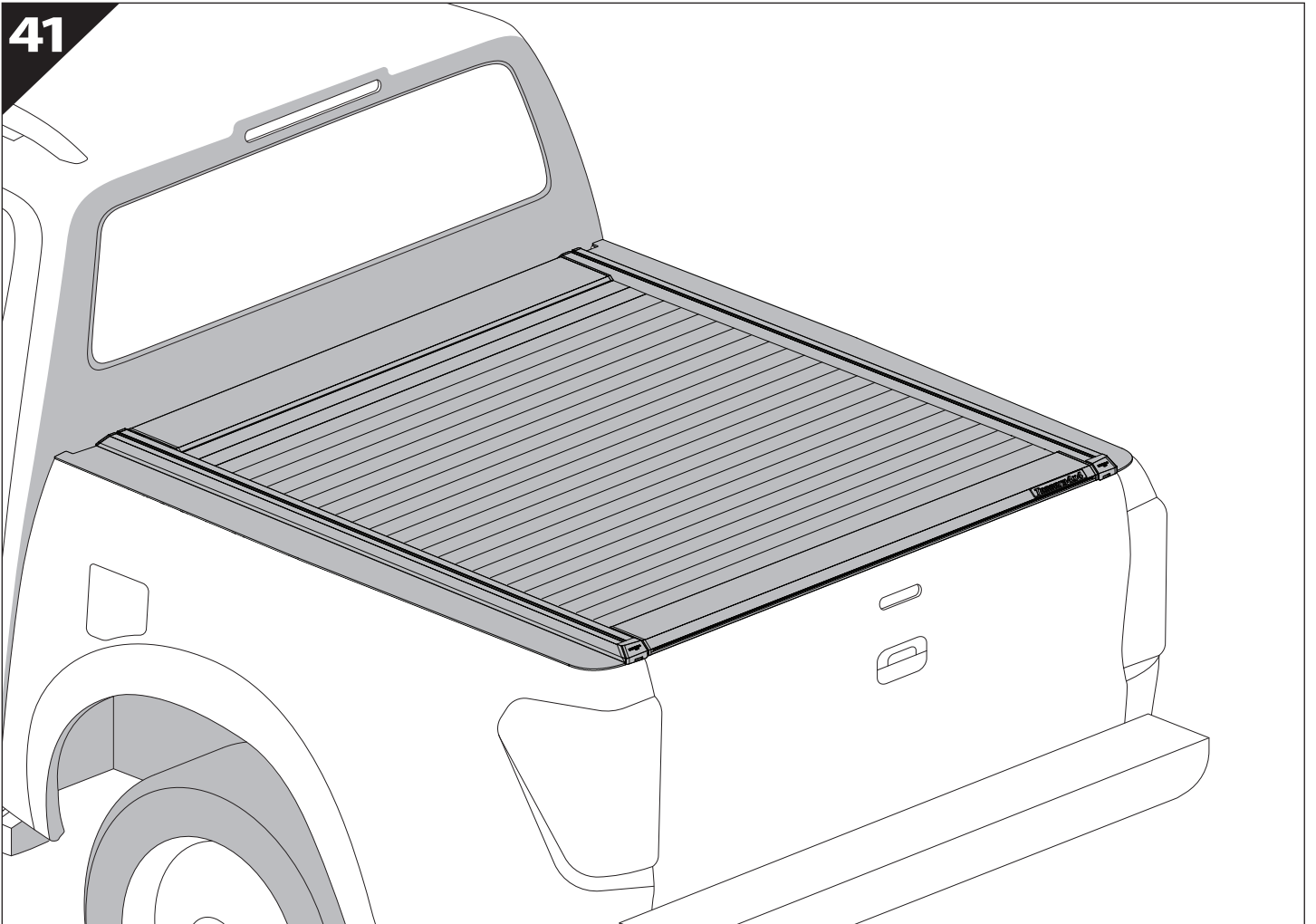
CAUTION !



40



41



GR: Οδηγίες Εγκατάστασης
GB: Installation manual
SF: Asennusohje
F: Notice de montage
PL: Instrukcja montażu
NL: Installatie-instructies
TR: Montaj Talimatı
S: Monteringsanvisning
E: Instrucciones de montaje

H: Szerelési utasítás
P: Instruções de instalação
RUS: Инструкция по установке
N: Monteringsveiledning
D: Einbauanleitung
CZ: Návod k instalaci
I: Istruzioni de montaggio
DK: Monteringsvejledning
RO: Instructiuni de instalare

Customer Service:

+30 (210) 5541161, +30 (210) 5541154 (08:00 - 16:00 EET)

Support department:

info@gianso.gr

Website:

www.tessera4x4.com

Address:

19.5 km of National road Athens-Korinthos (Elefsina) Greece, P.C: 19200