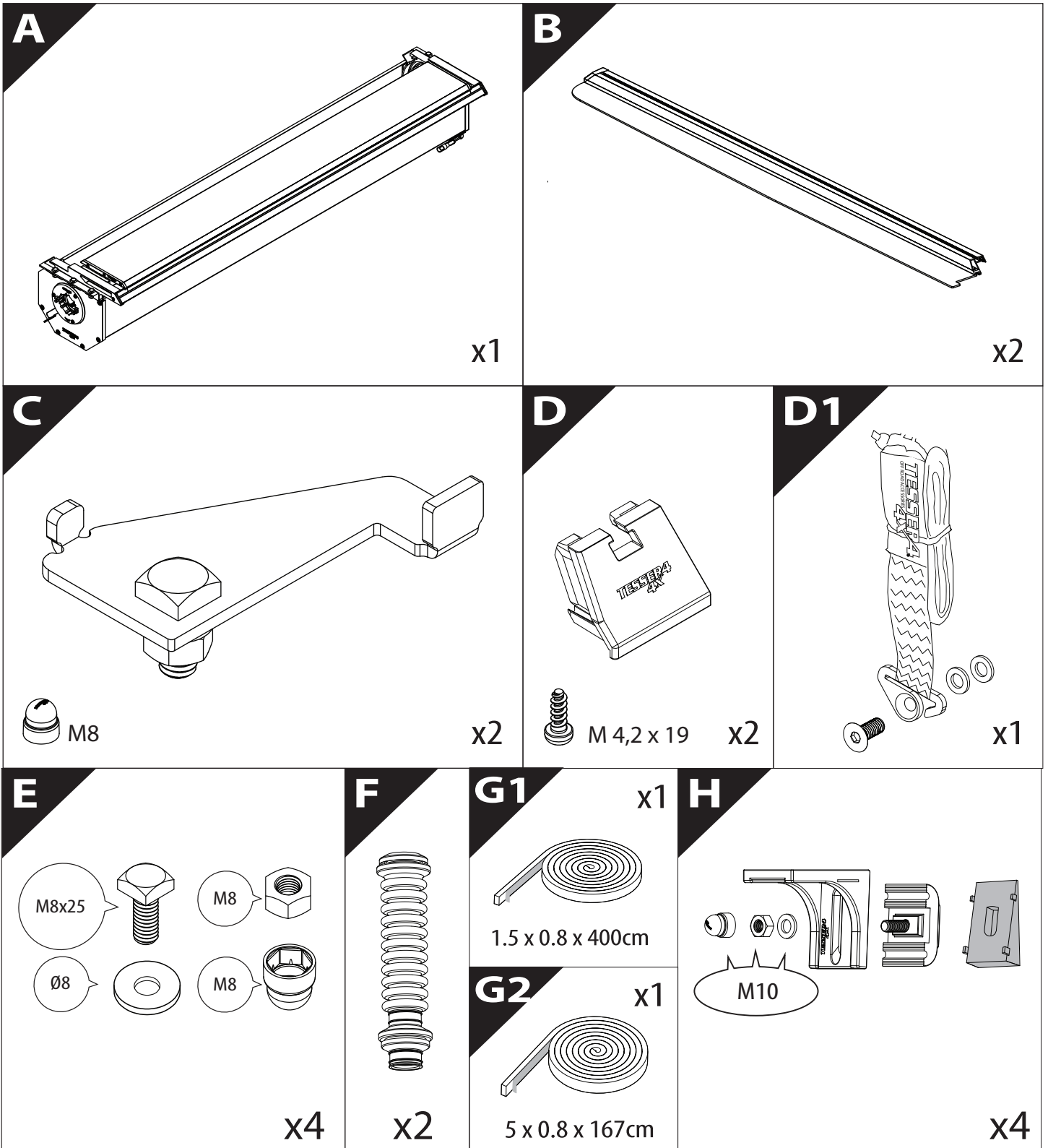
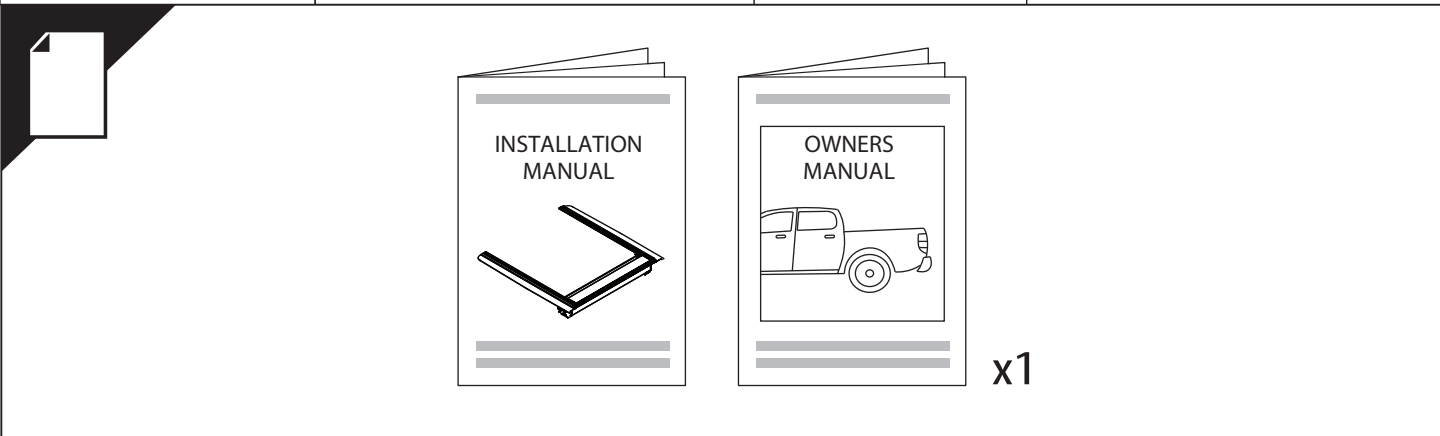
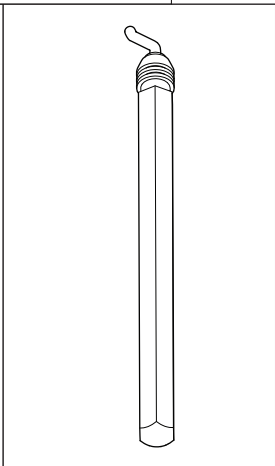
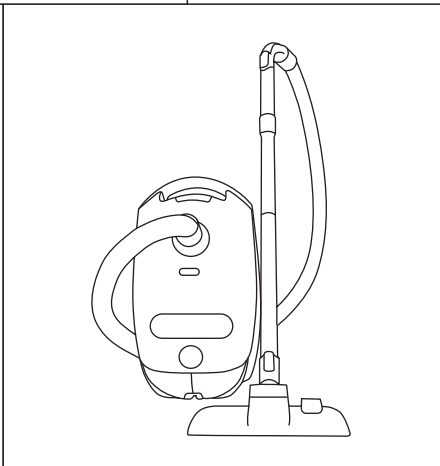
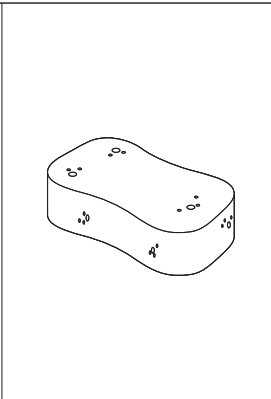
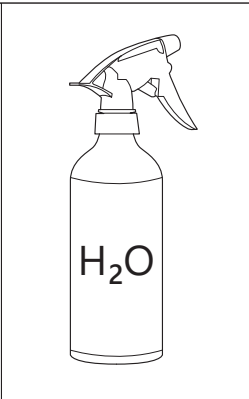
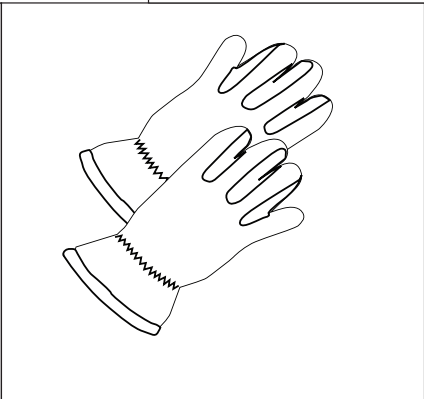
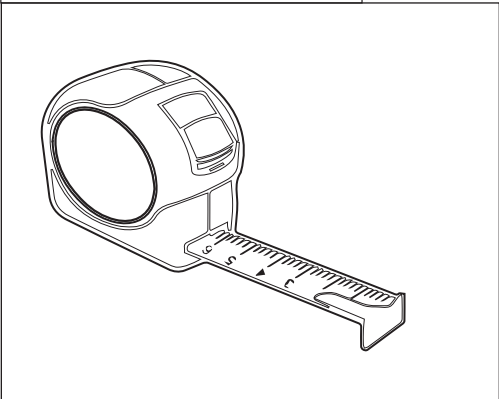
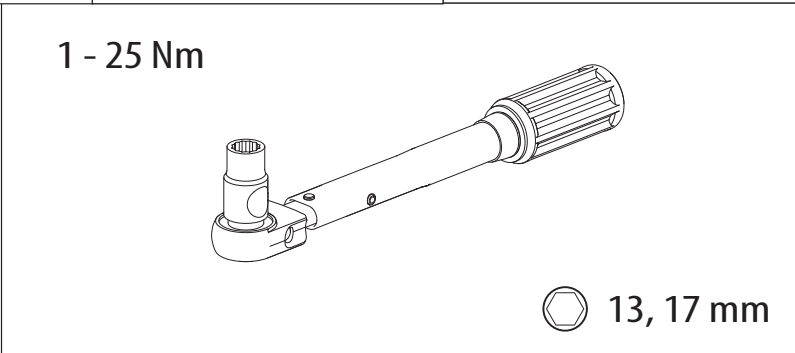
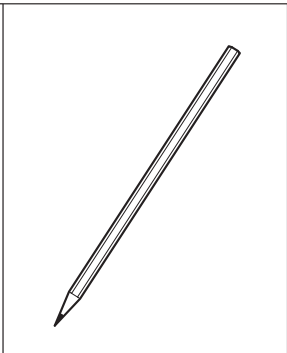
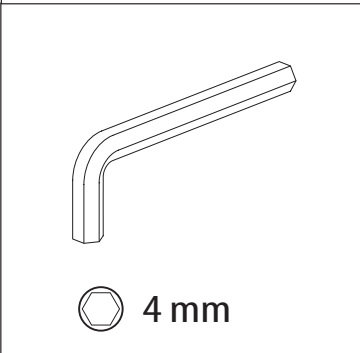
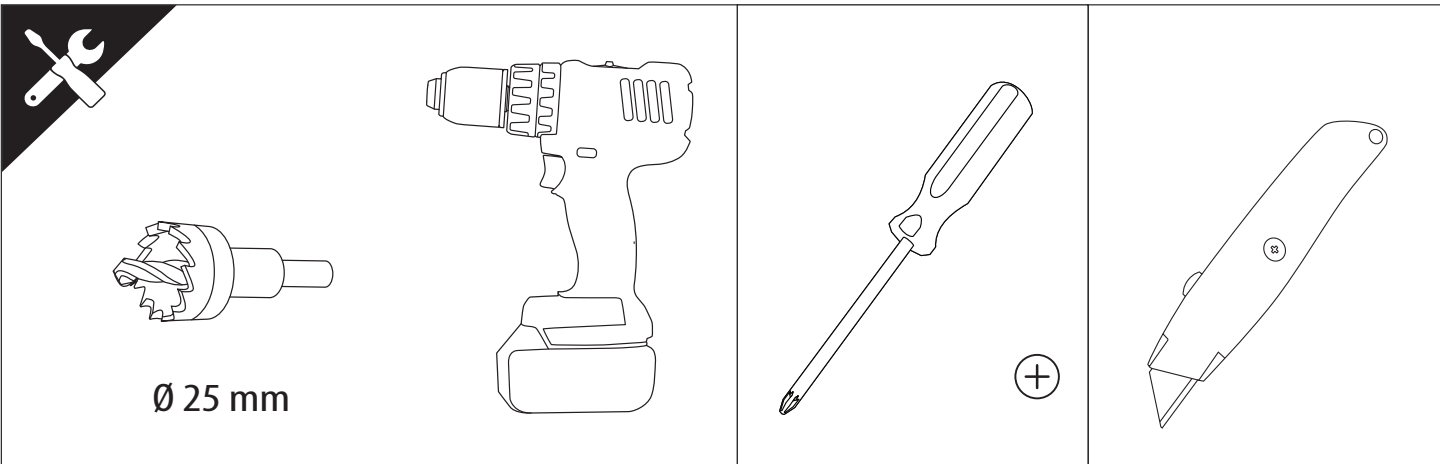
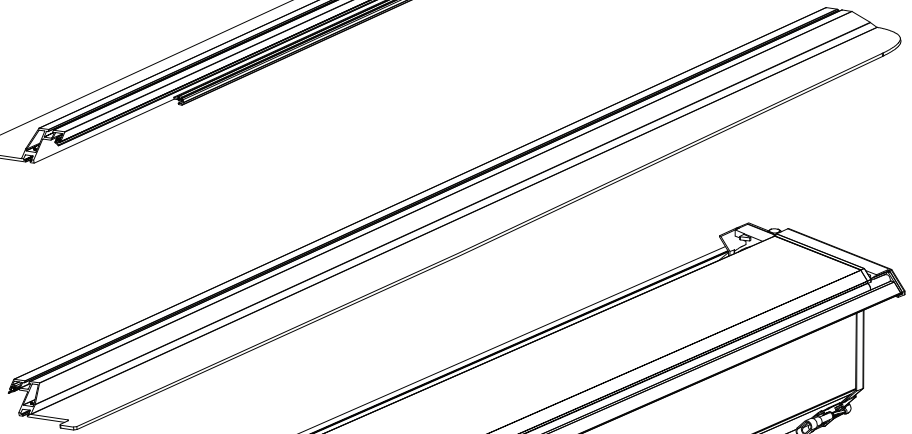


Installation Manual

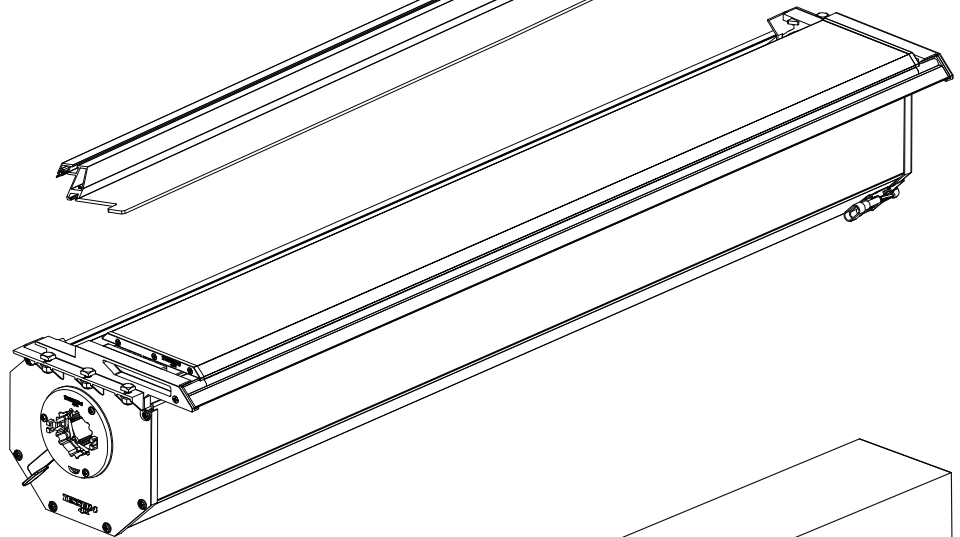
| PART NUMBER(S) | Model Year |
|-----------------------|-----------------------------------|
| TESS 1544 SE | Jac T9 EV 2024+ |
| Cab(s) | Installation Time / Weight |
| Double Cab | 40-60 minutes / 53-57 kg |





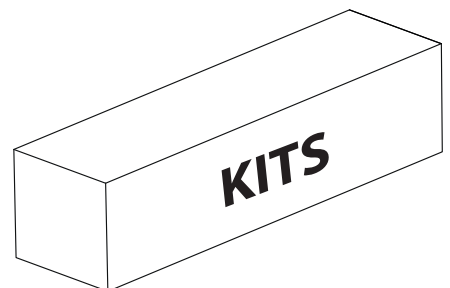


B

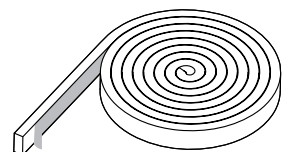


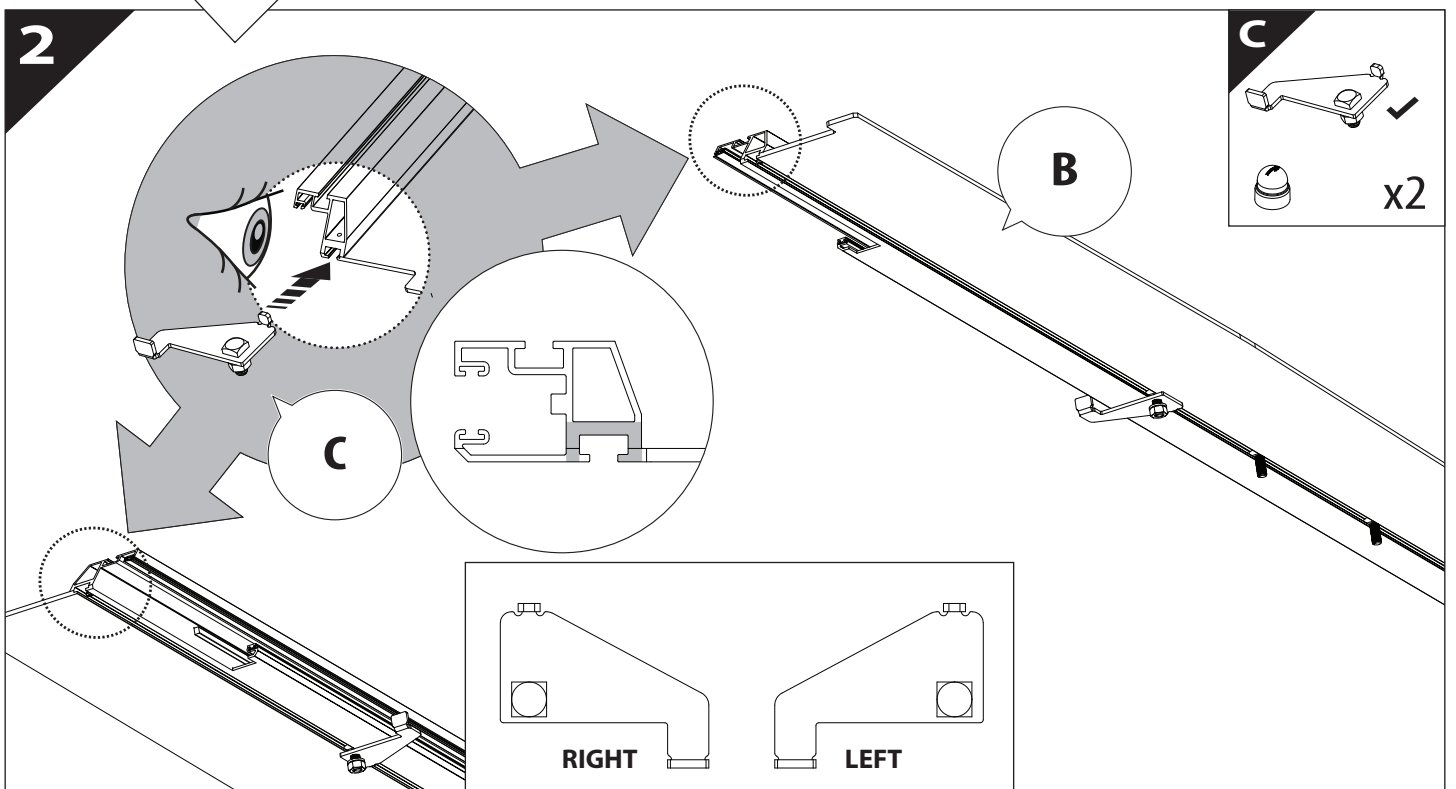
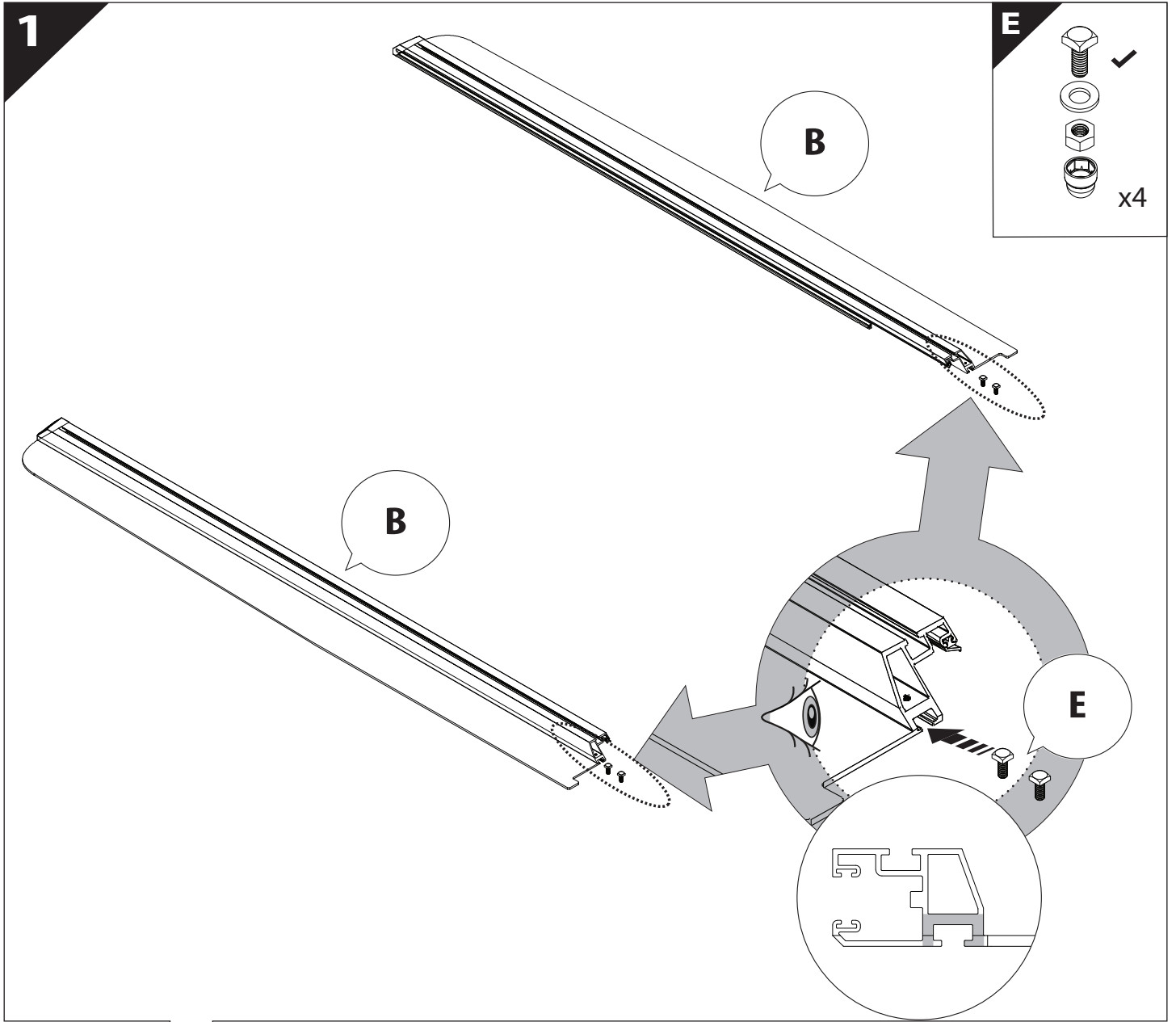
A

KITS

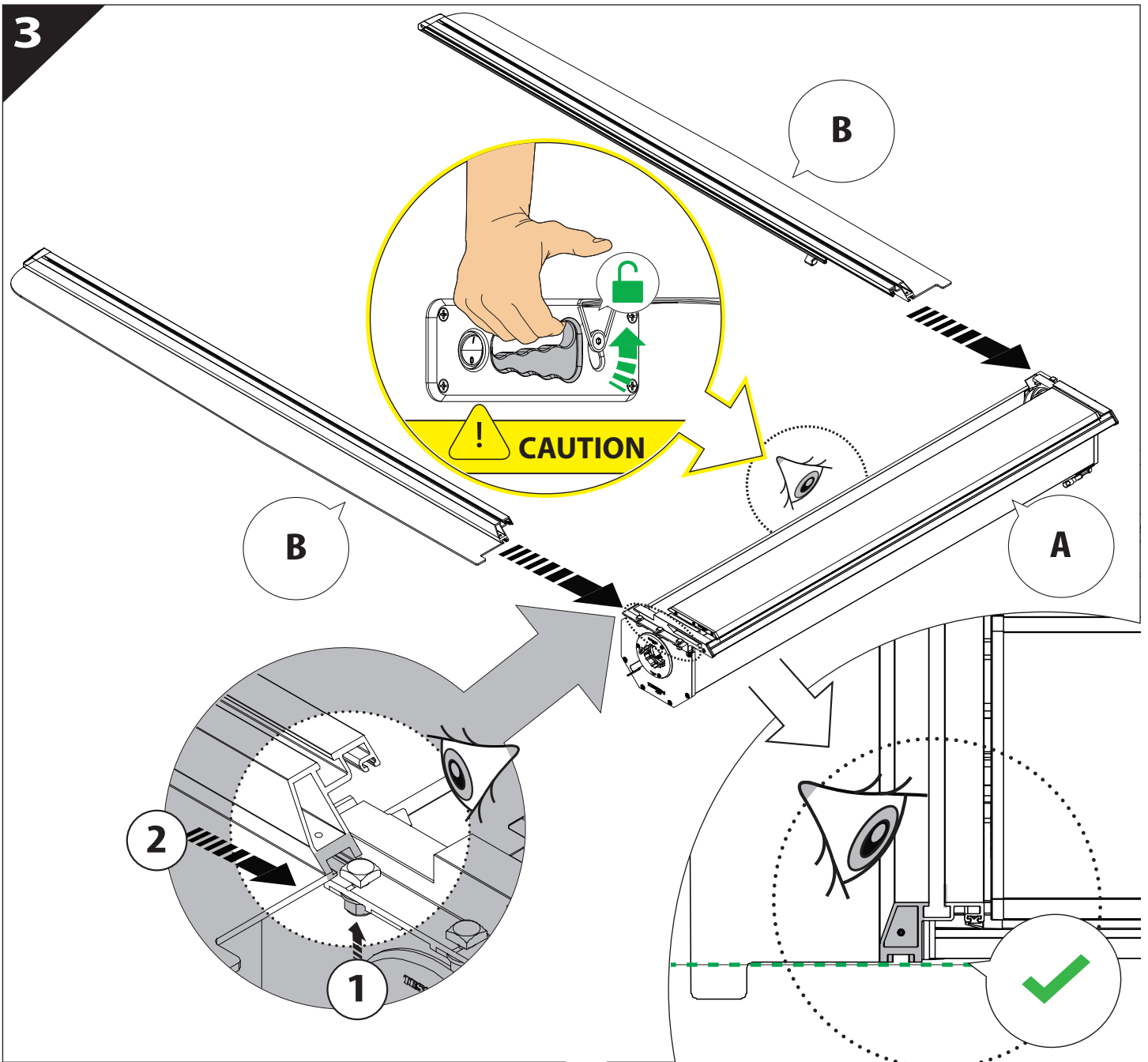


G

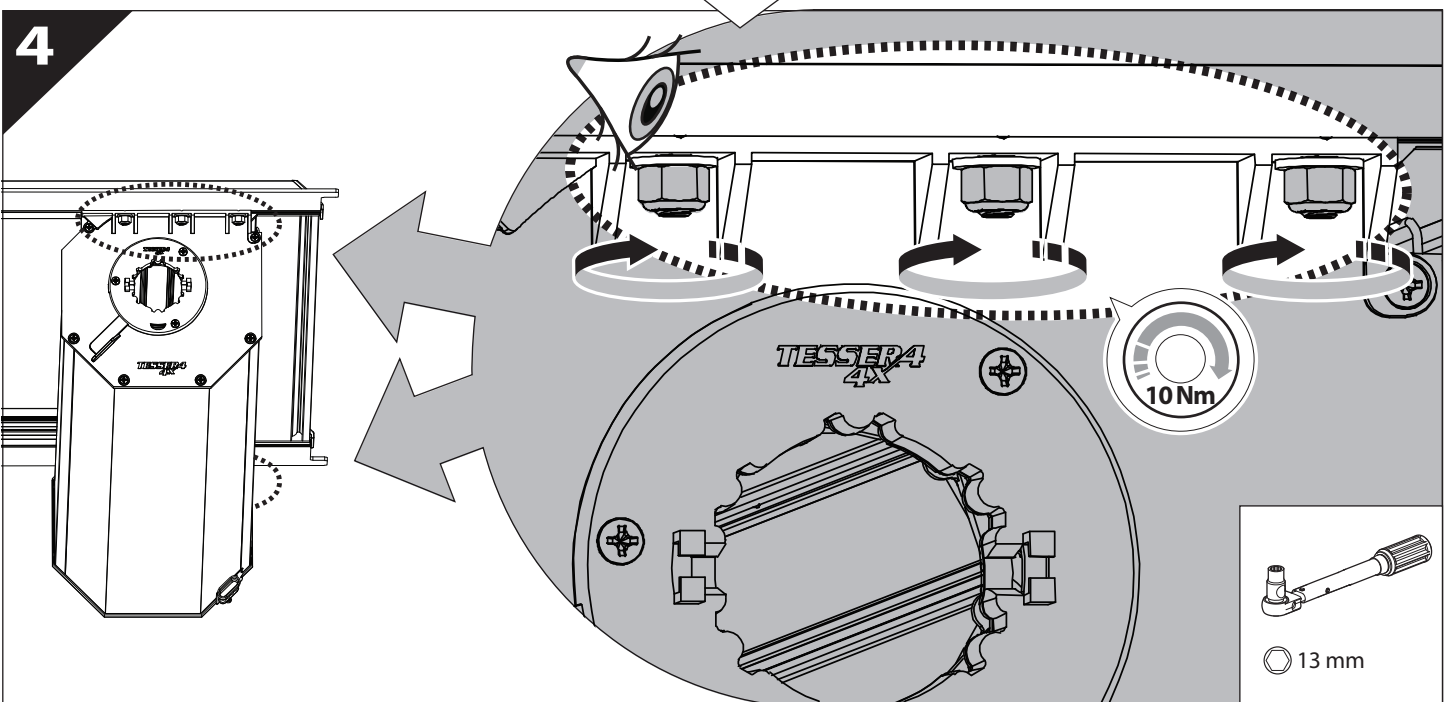




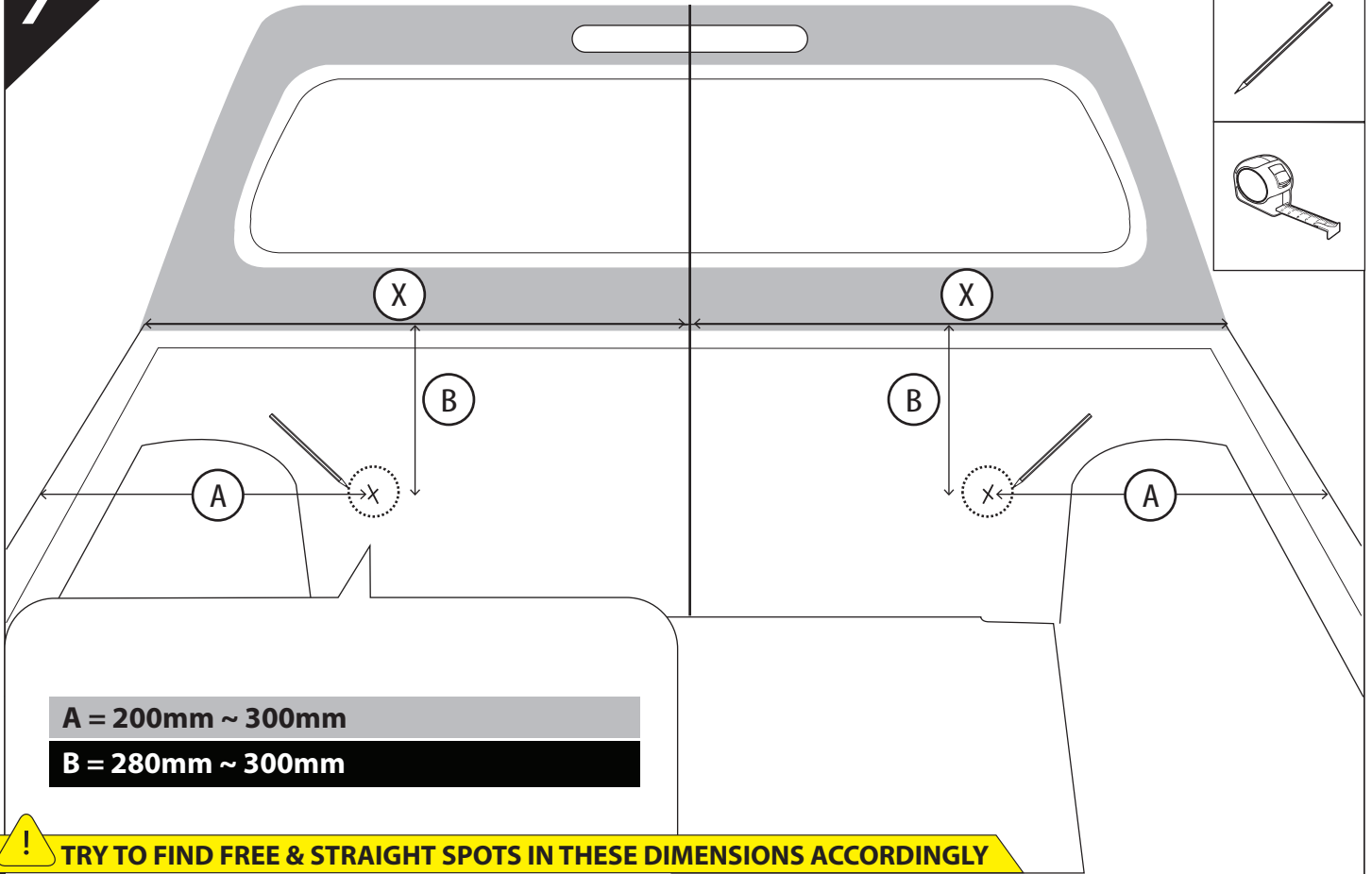
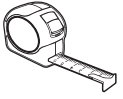
3



4



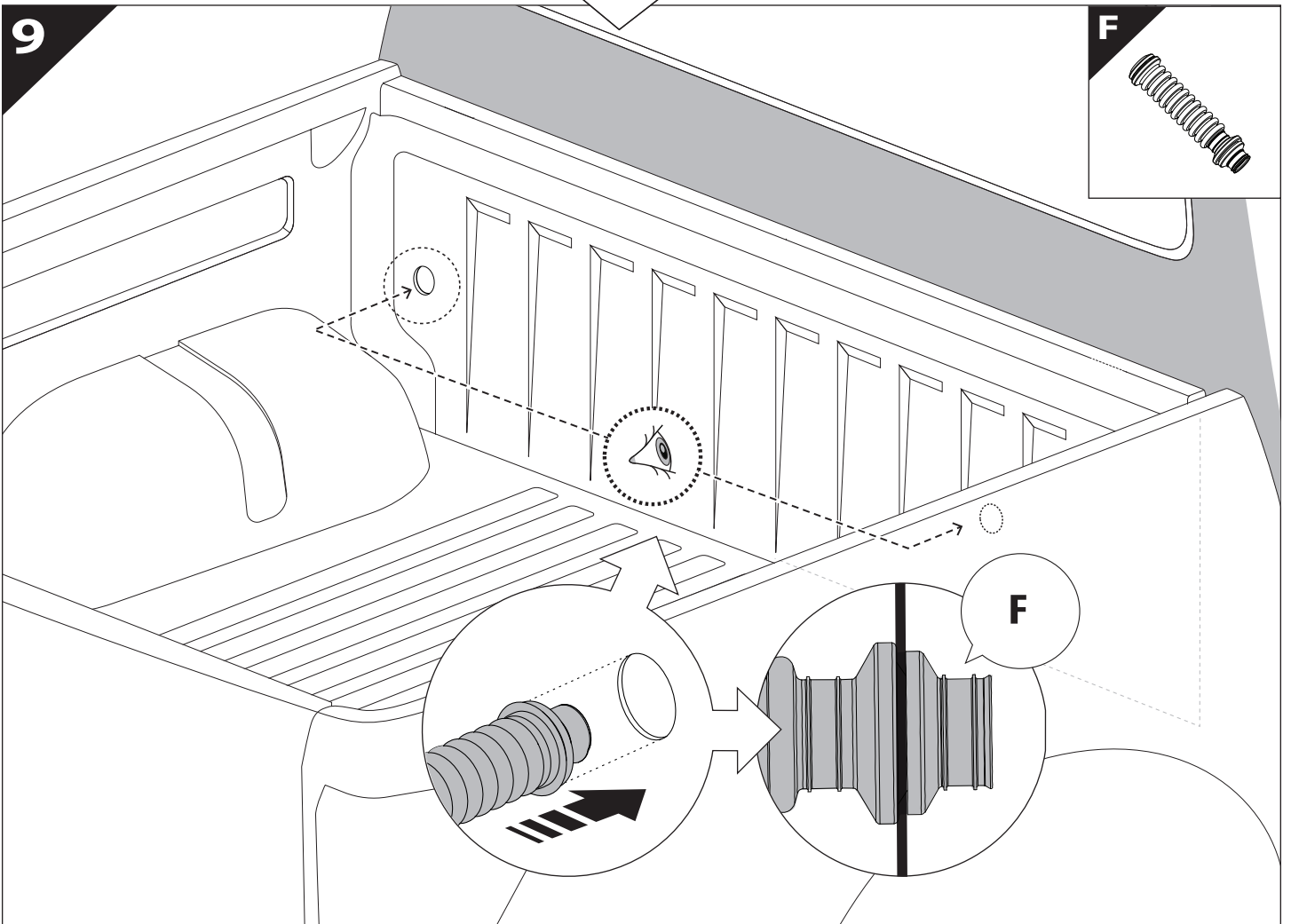
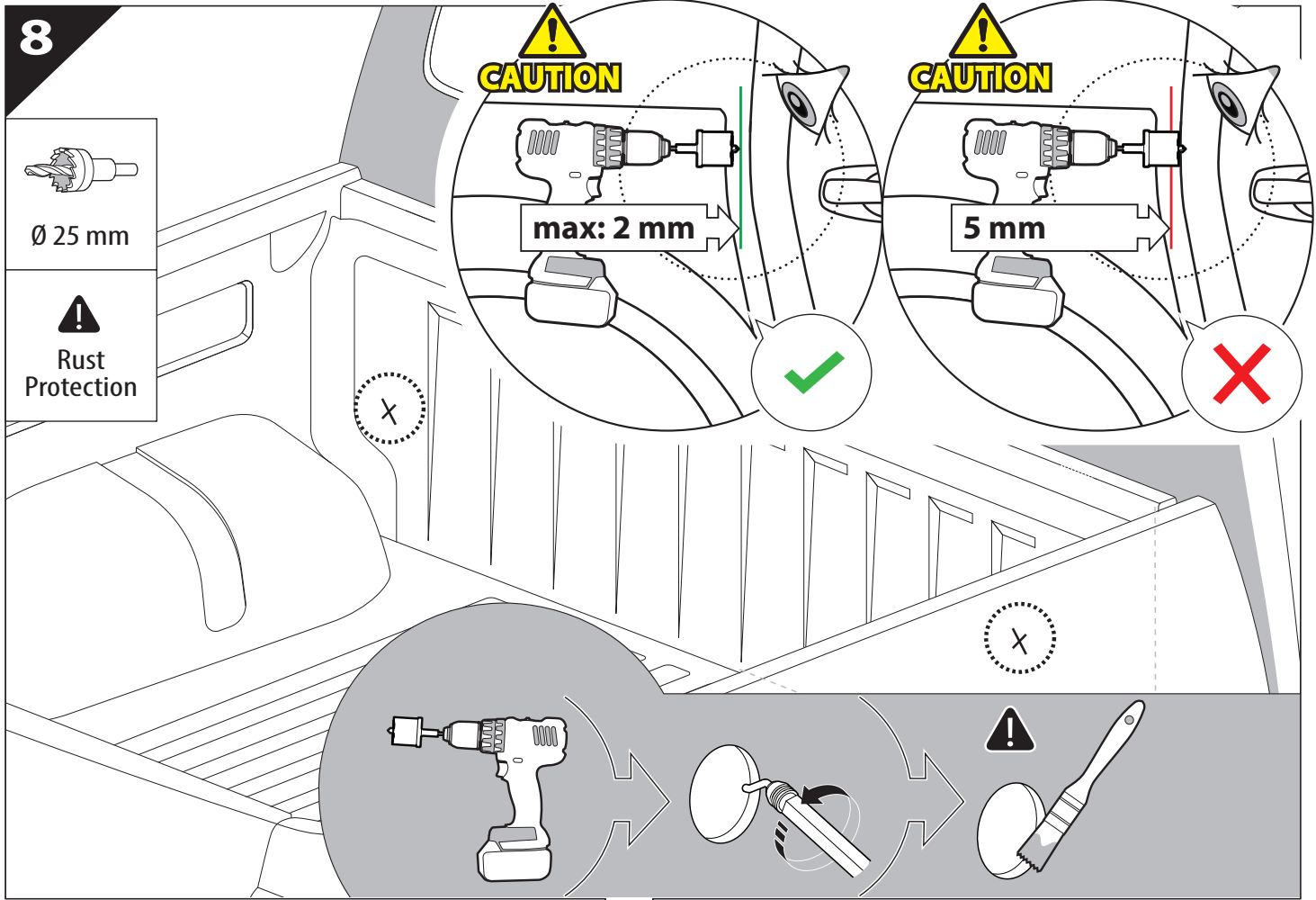
7



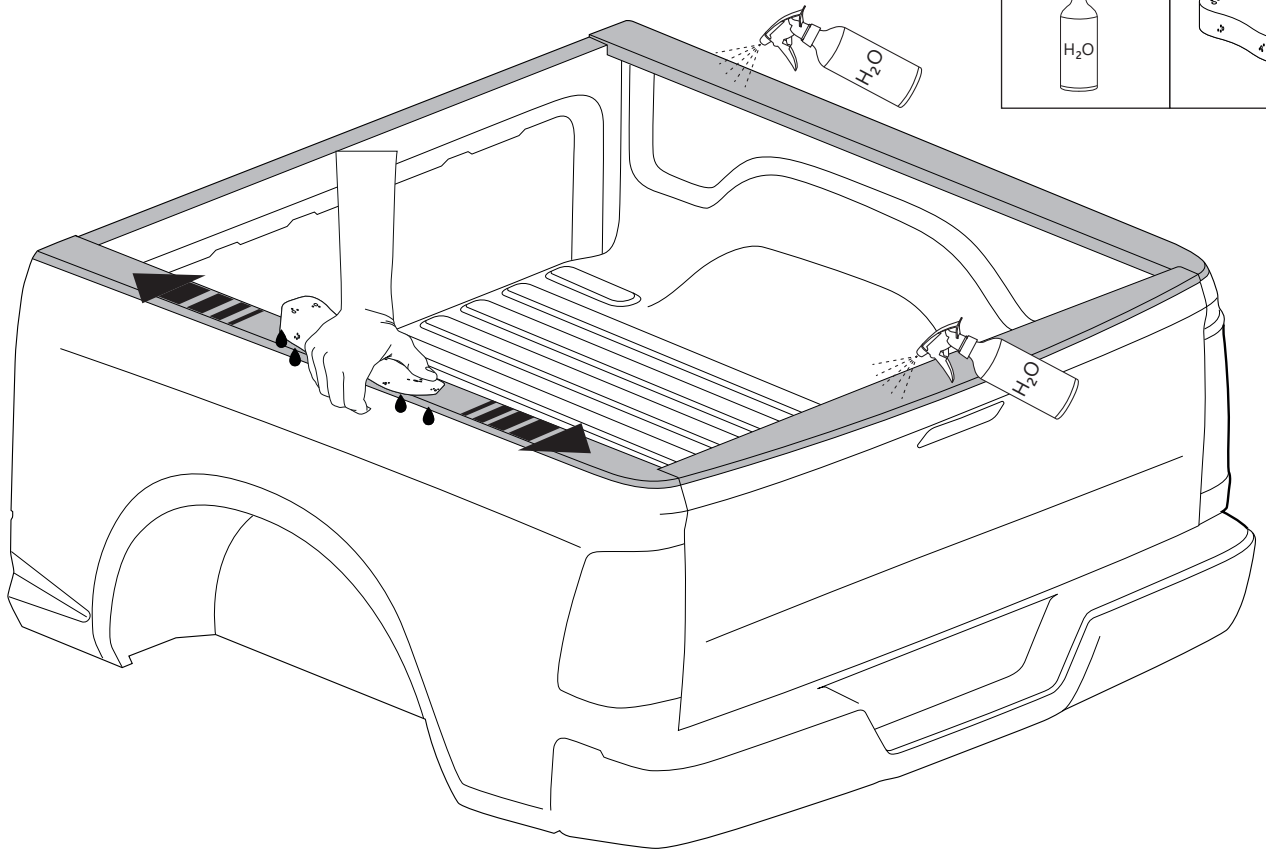
A = 200mm ~ 300mm

B = 280mm ~ 300mm

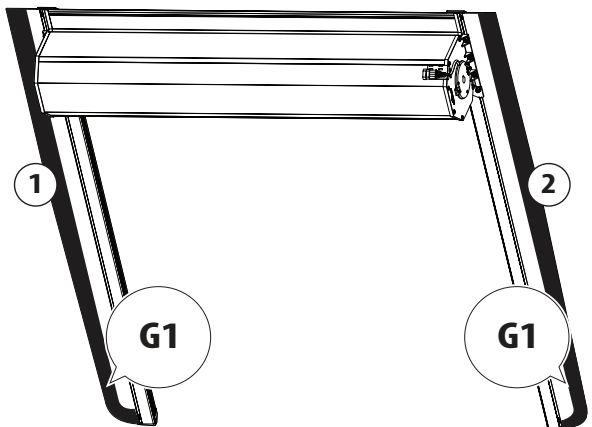
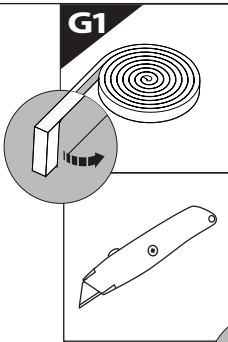
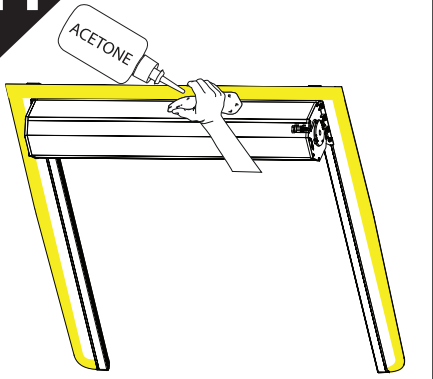
! TRY TO FIND FREE & STRAIGHT SPOTS IN THESE DIMENSIONS ACCORDINGLY



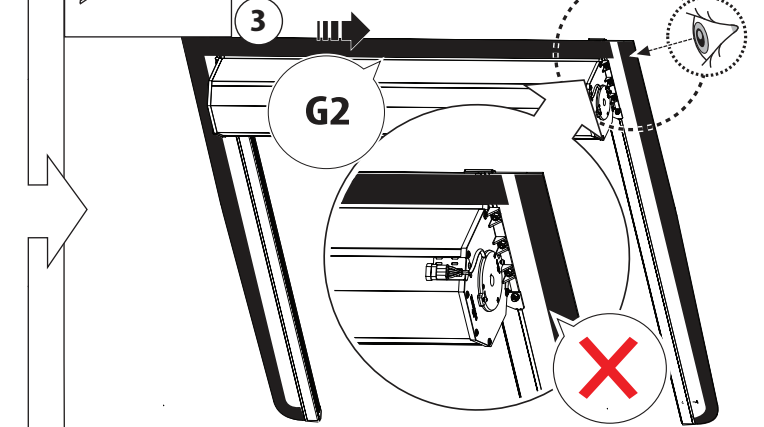
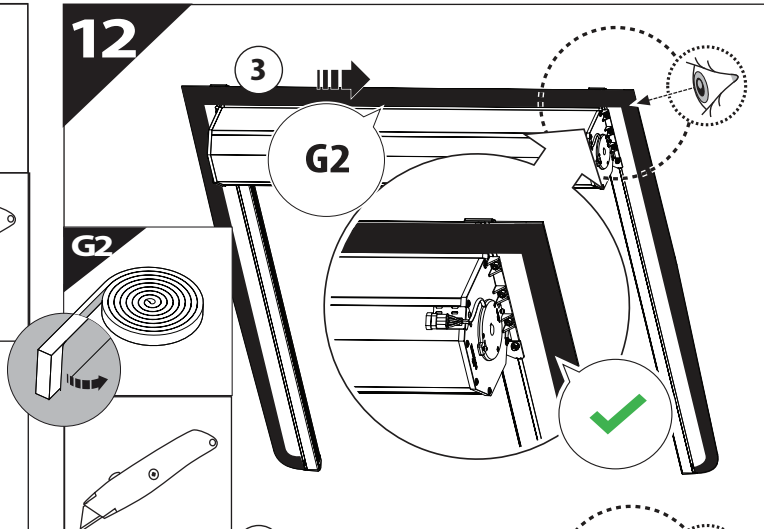
10

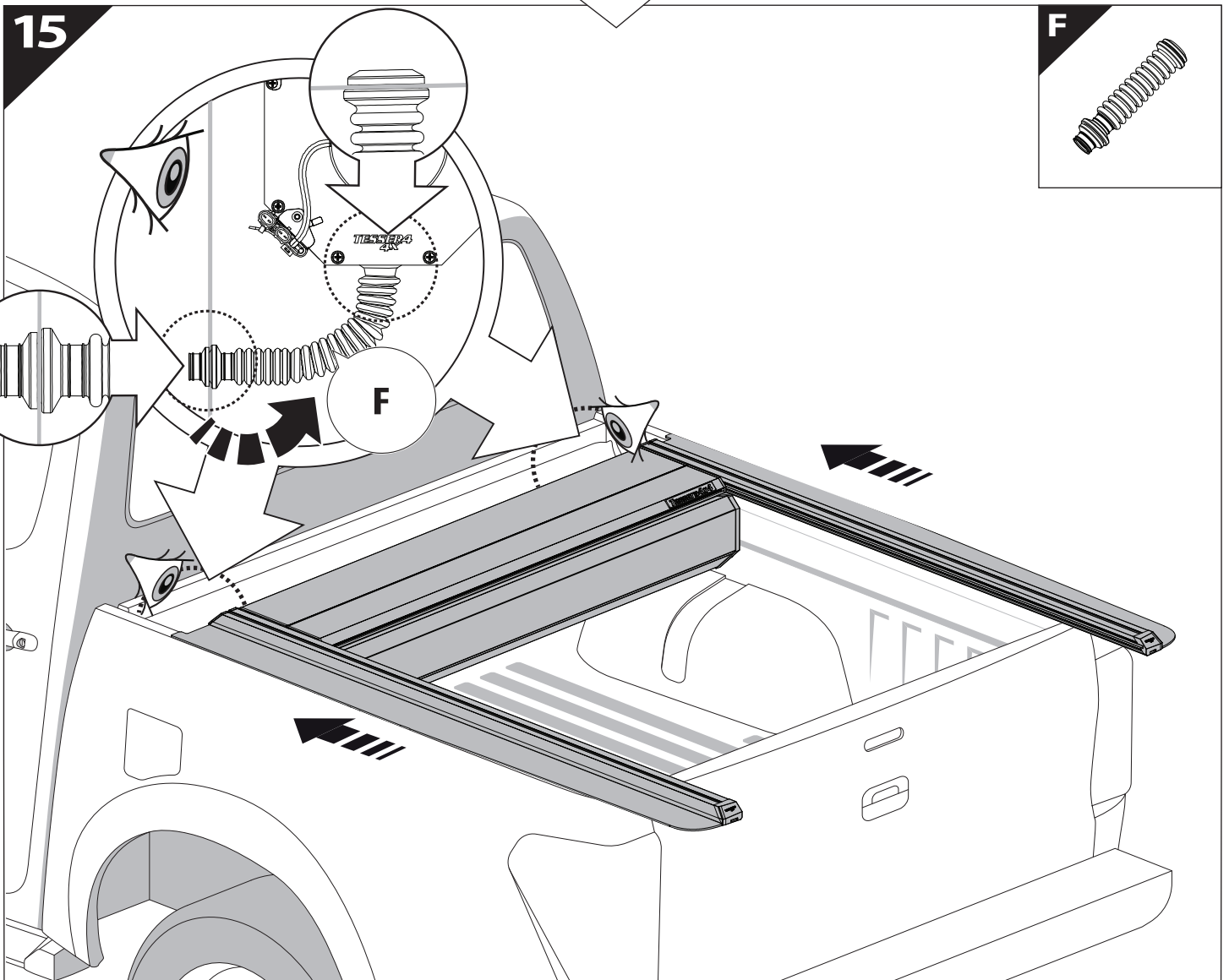
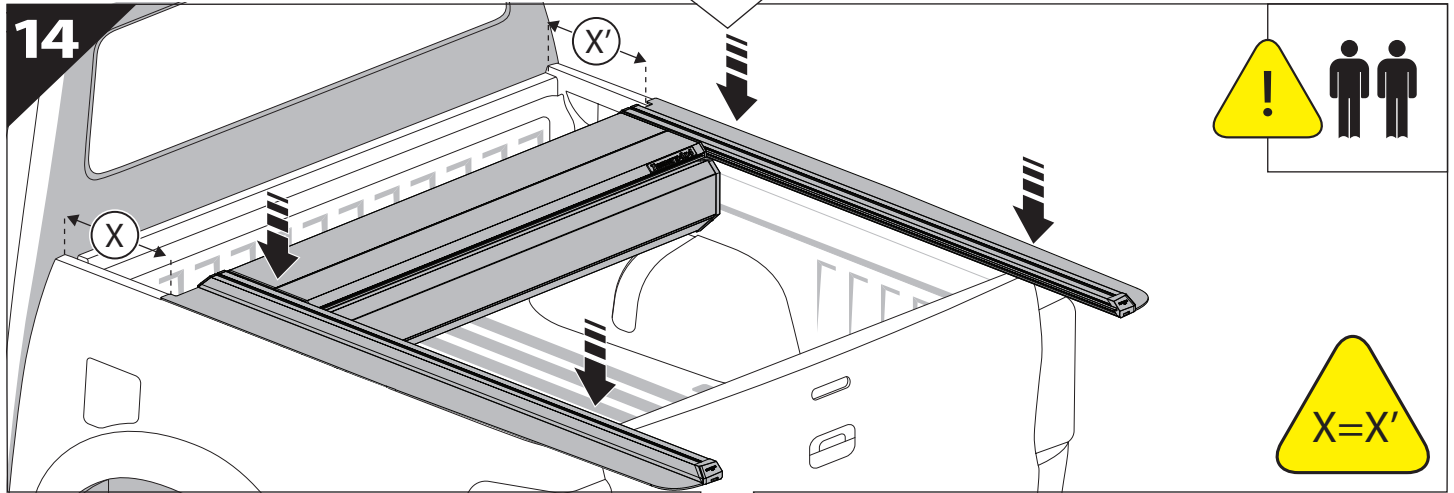
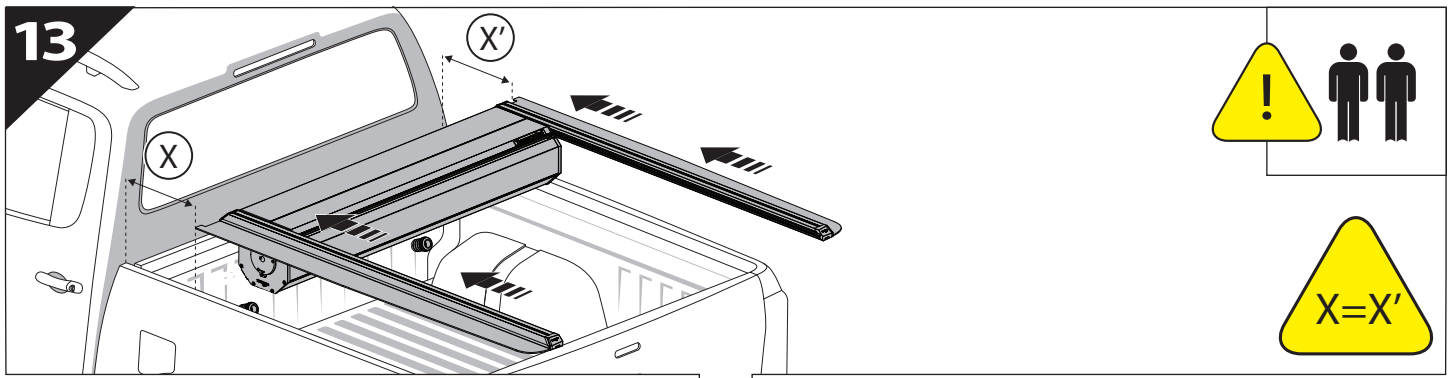


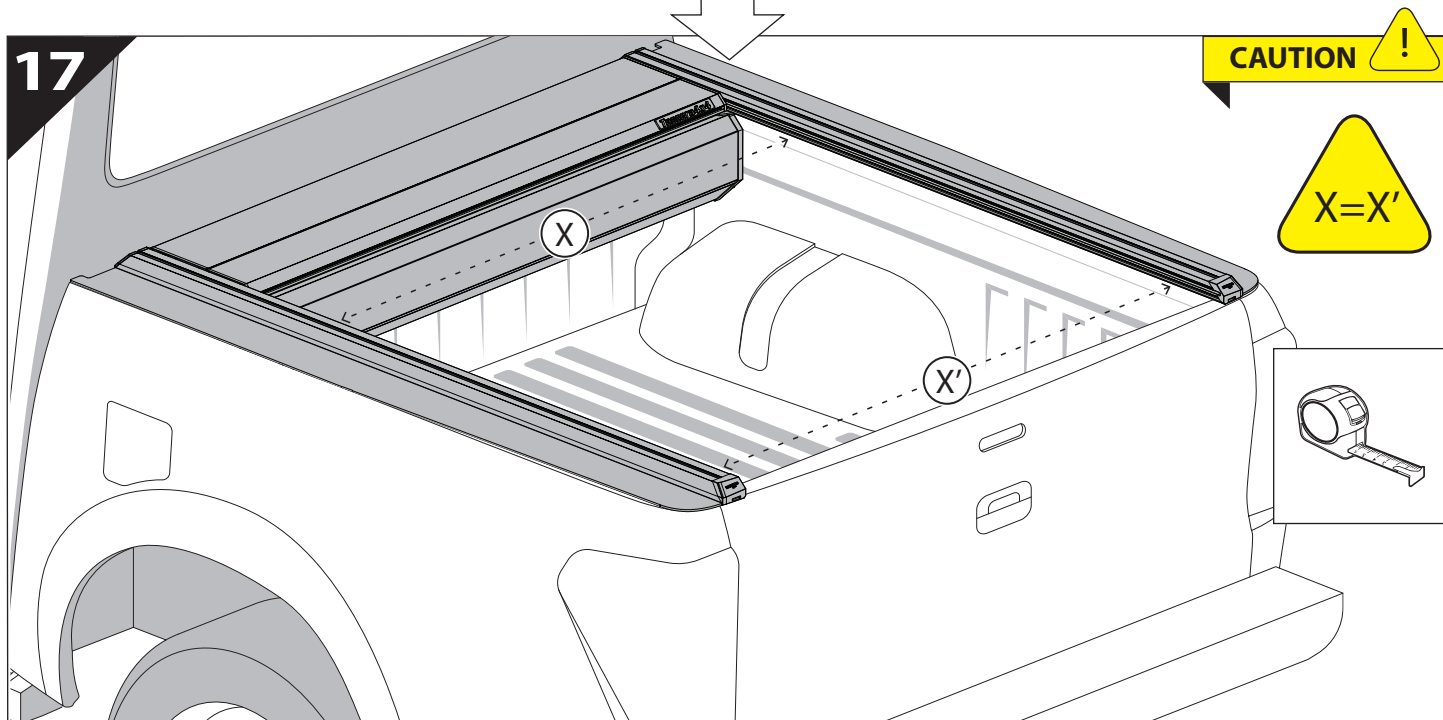
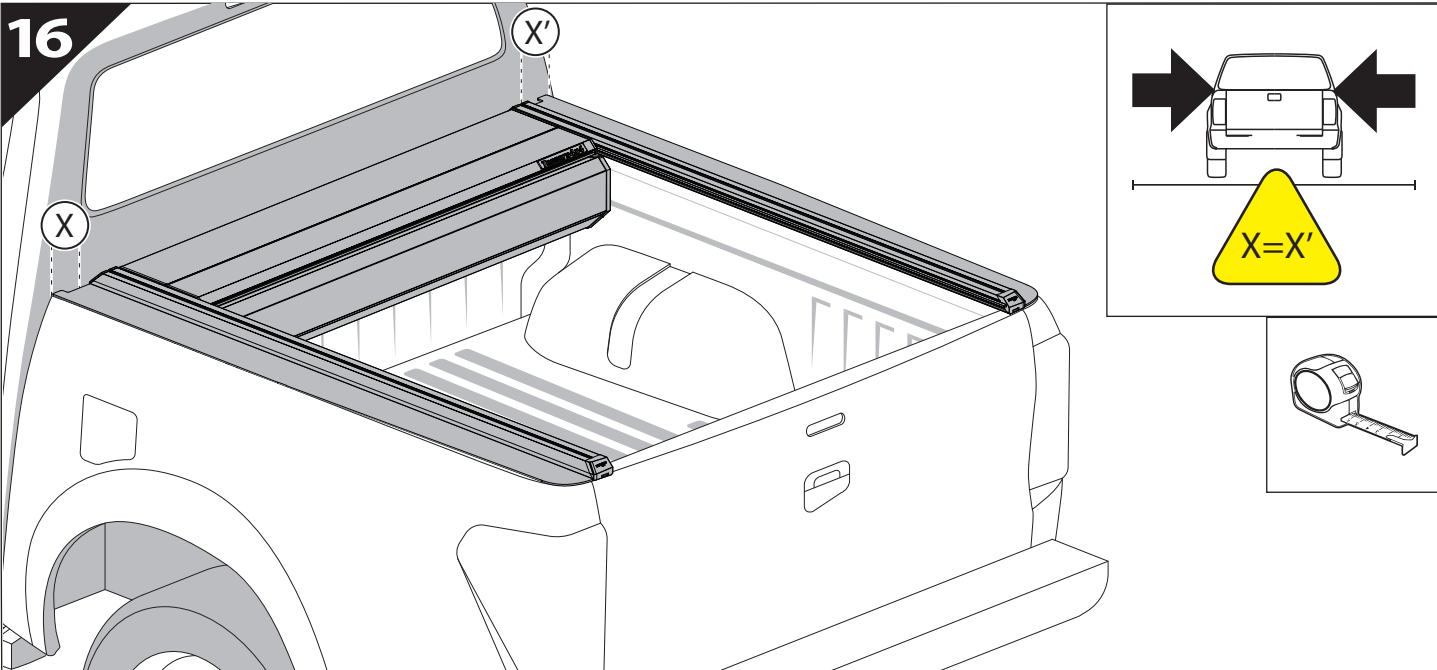
11



12



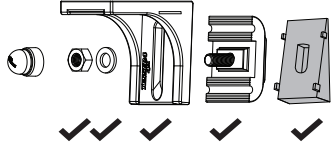




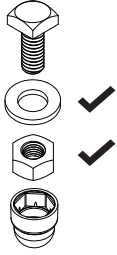
18

H

E



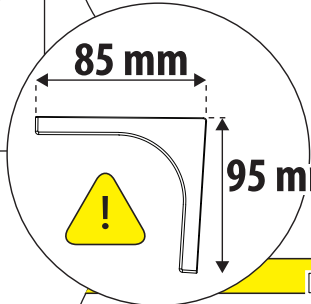
x4



3 mm

8 mm

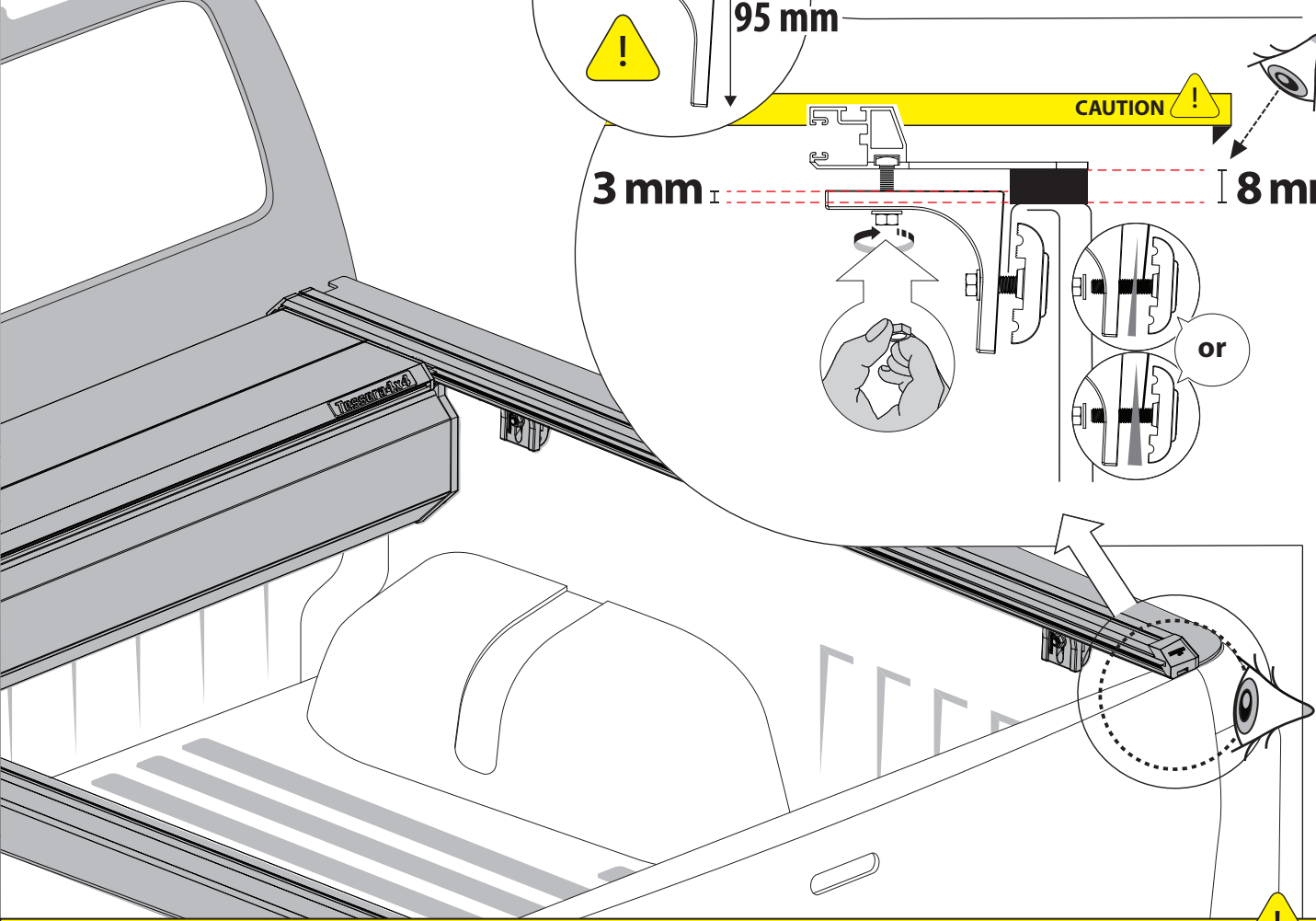
CAUTION !



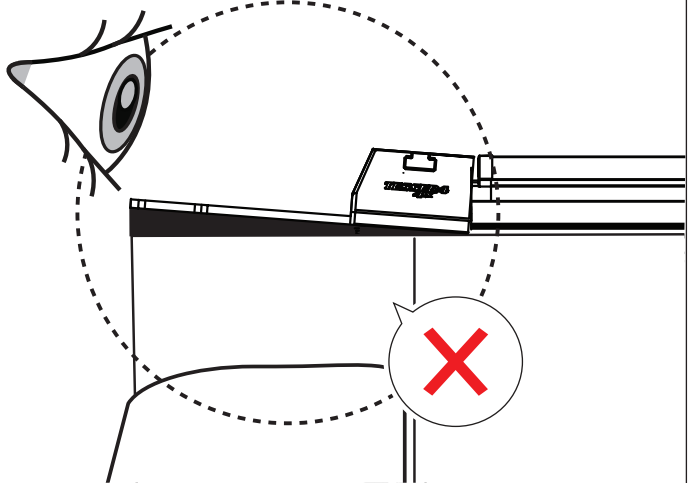
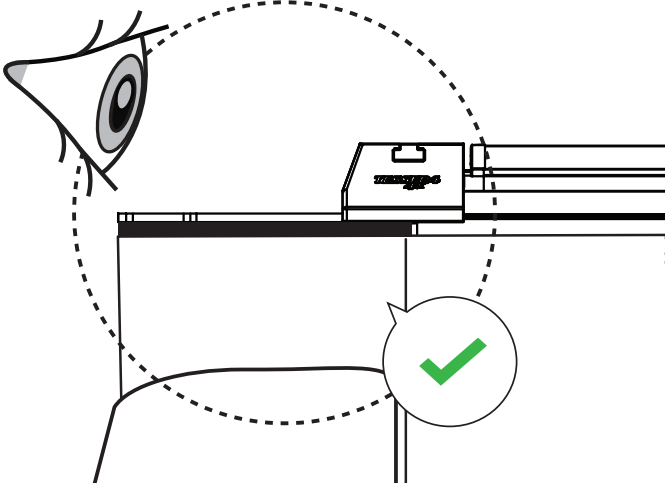
3 mm

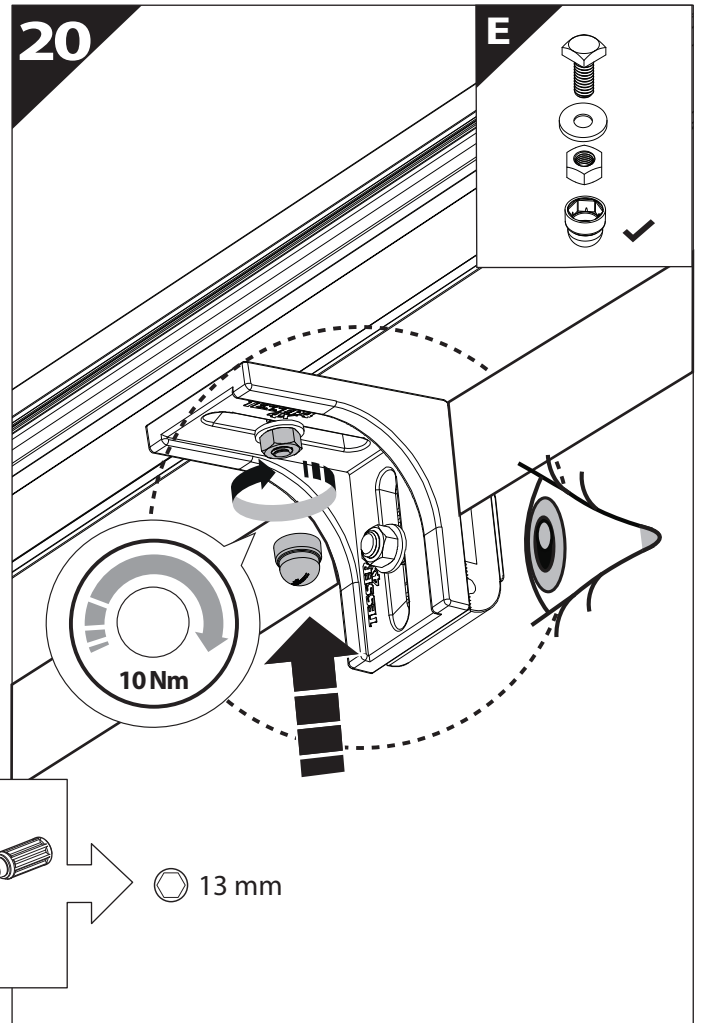
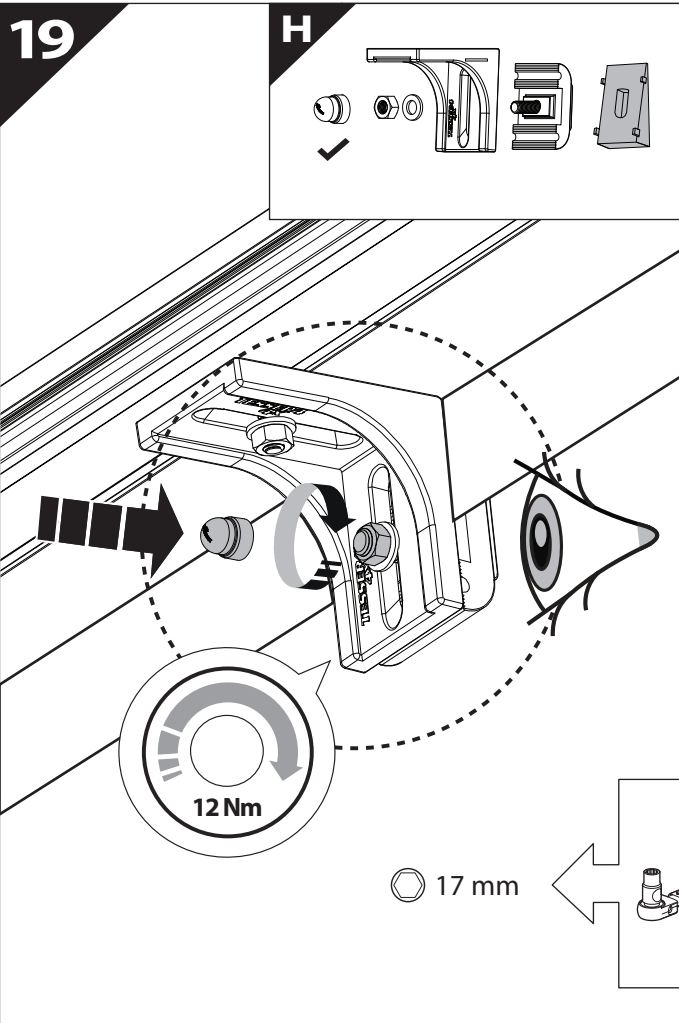
8 mm

CAUTION !

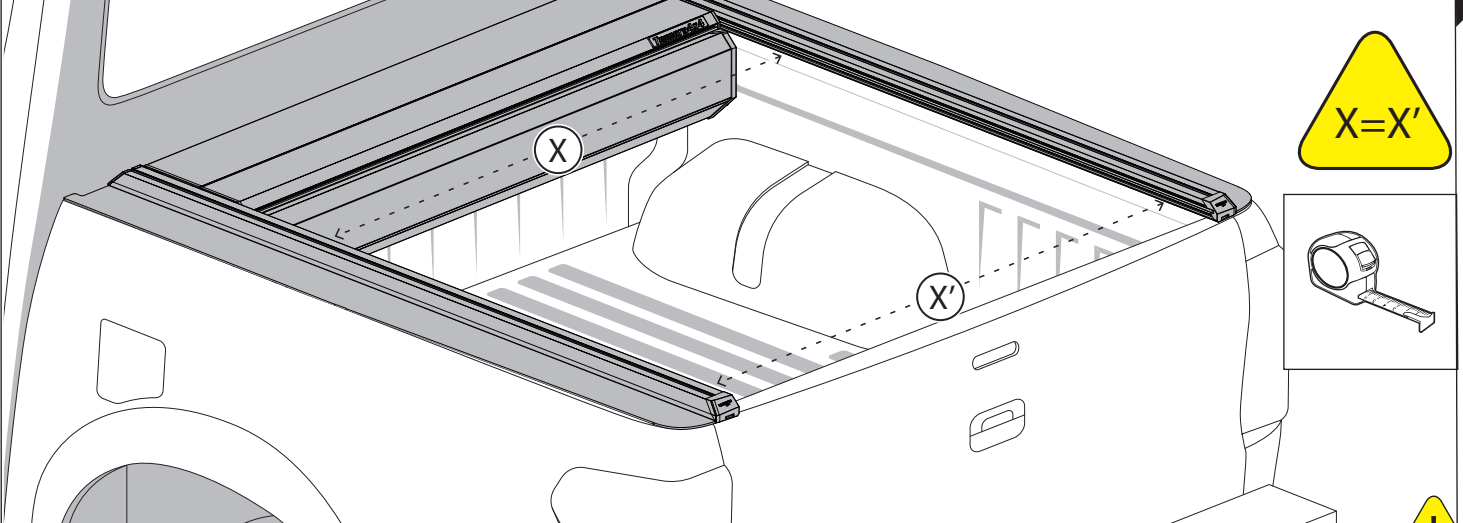


CAUTION !

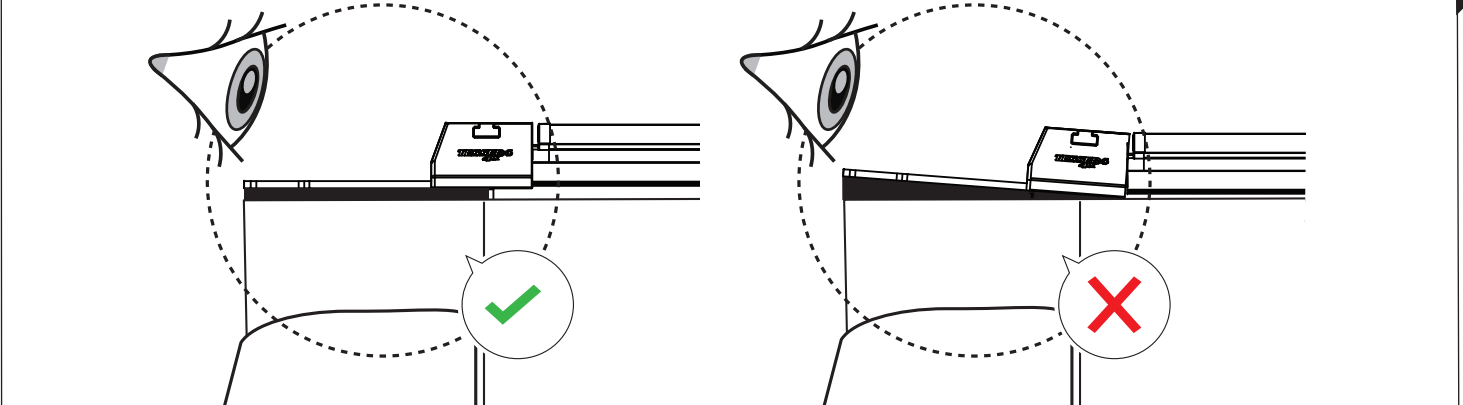




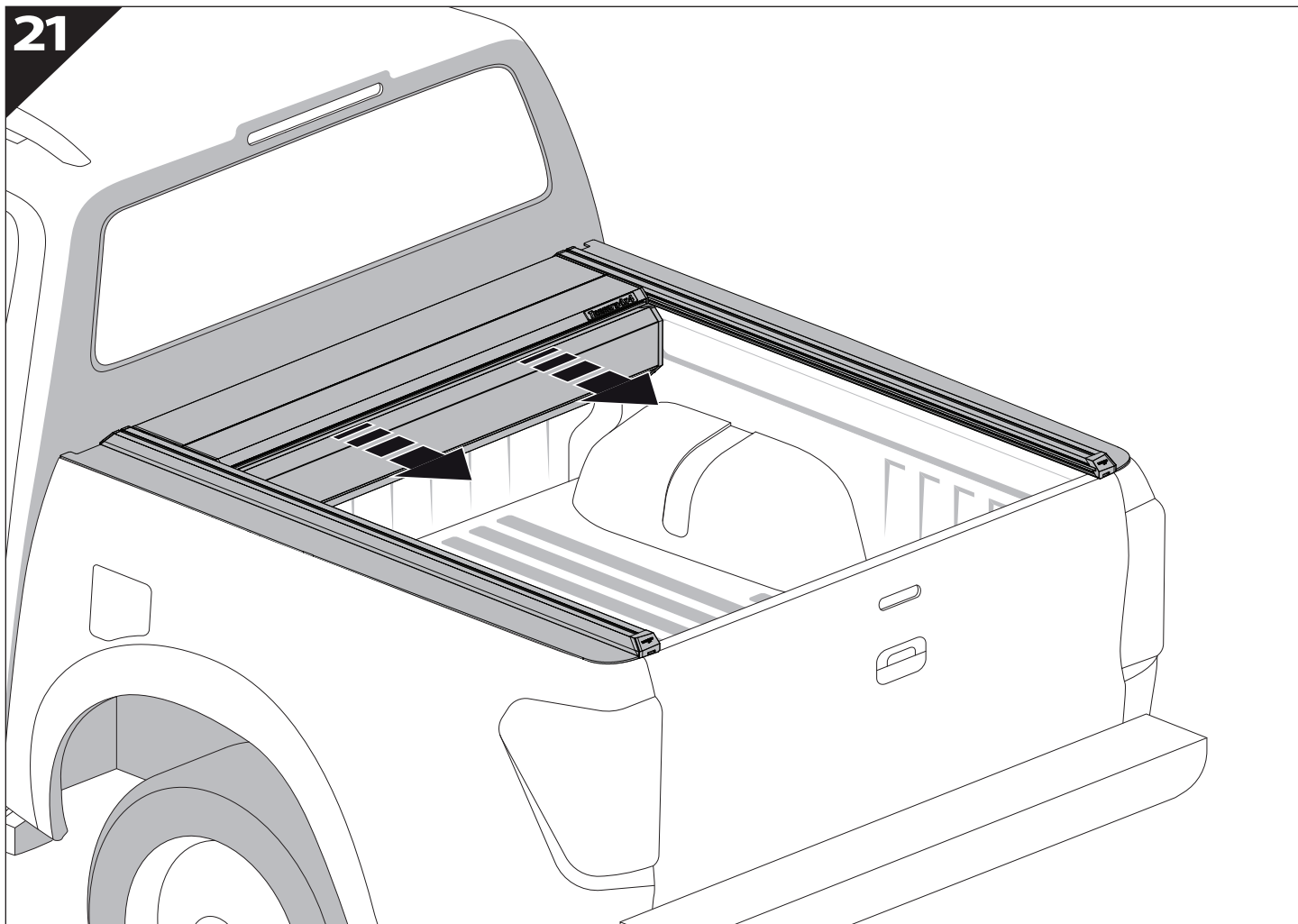
CAUTION !



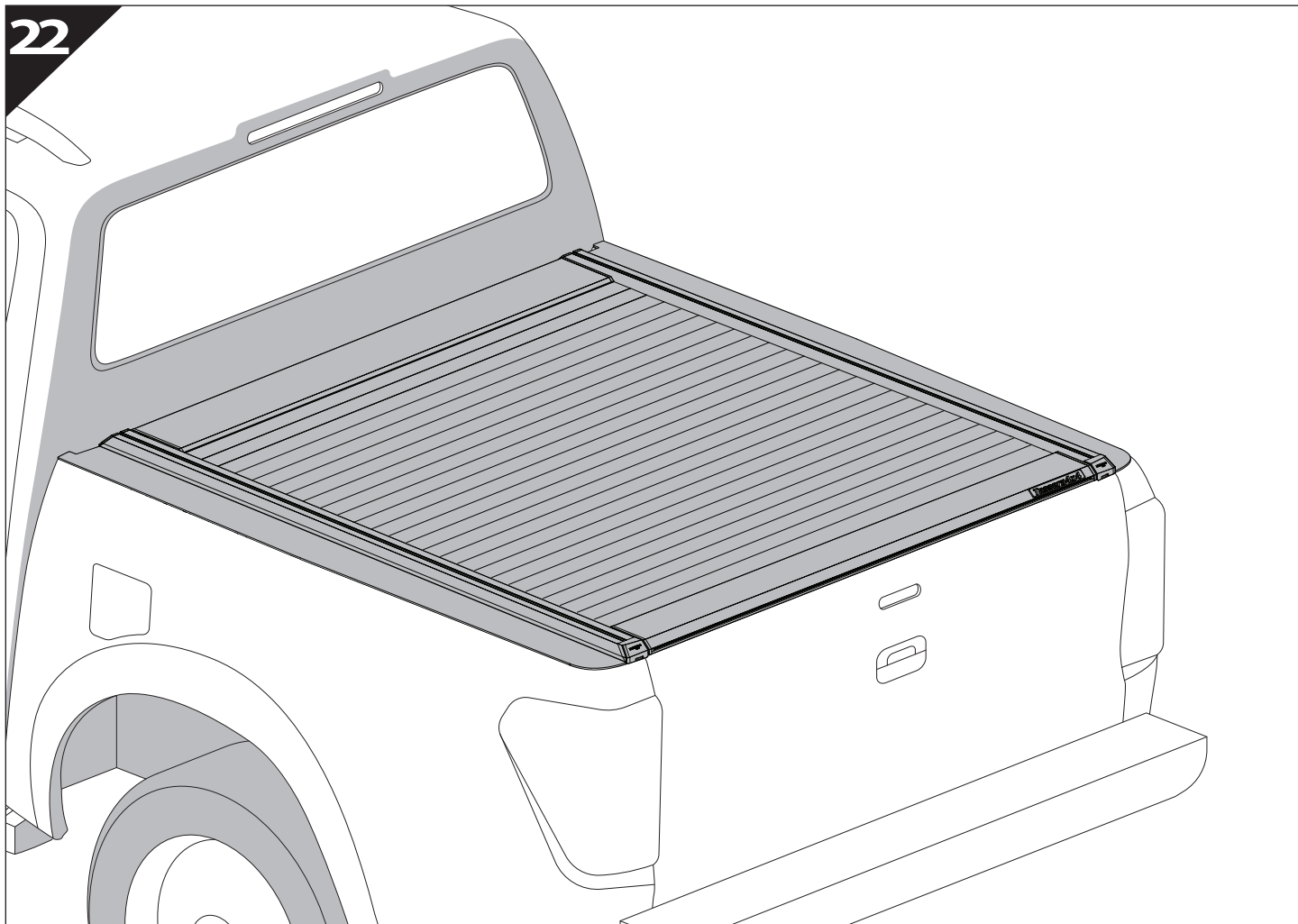
CAUTION !



21



22





GR: Οδηγίες Εγκατάστασης
GB: Installation manual
SF: Asennusohje
F: Notice de montage
PL: Instrukcja montażu
NL: Installatie-instructies
TR: Montaj Talimatı
S: Monteringsanvisning
E: Instrucciones de montaje

H: Szerelési utasítás
P: Instruções de instalação
RUS: Инструкция по установке
N: Monteringsveiledning
D: Einbauanleitung
CZ: Návod k instalaci
I: Istruzioni de montaggio
DK: Monteringsvejledning
RO: Instructiuni de instalare

Customer Service:

+30 (210) 5541161, +30 (210) 5541154 (08:00 - 16:00 EET)

Support department:

info@gianso.gr

Website:

www.tessera4x4.com

Address:

19.5 km of National road Athens-Korinthos (Elefsina) Greece, P.C: 19200